

LIGHT VEHICLES CATALOGUE 2021/2022



www.ufifilters.com



UFI FILTERS **ARGENTIUM**[®]

WE CARE WHAT **YOU BREATHE.**

Maximum protection in all environmental conditions thanks to **UFI Filters ARGENTIUM**, the only filter offering a prolonged antibacterial efficiency, against the dangerous microbes that could accumulate inside the vehicle. **ARGENTIUM** stops the pollution, harmful gases, pollen and bad smells.

Choose the maximum protection today, to safeguard your tomorrow.





THE AFTERMARKET DIVISION	002
GLOBAL PRESENCE	004
THE GROUP BY NUMBERS	005
A WINNING GROUP	006
CHOSEN BY THE BEST OEMs	007
CATALOGUE	008
GUARANTEE	009
A COMPLETE RANGE FOR FILTRATION	010
NEW REFERENCES	012
REPLACED REFERENCES	020
TRANSLATIONS	024
NOTES	028
APPLICATIONS	029



THE AFTERMARKET DIVISION



THE BEST OFFER FOR THE INDEPENDENT AFTERMARKET

Based in Verona, Italy, the Aftermarket Division has been an independent entity since 2014 with a clear development strategy.

Comprising of more than 100 professionals all over the world, the Aftermarket Division brings together various departments to offer excellent customer service: from product development to marketing (with the constant support of the sales force), from logistics (ensuring a precise, fast and flexible service) to quality (making sure the OE standards are always the same in the aftermarket range) and customer service (always alongside the customer).

Seventeen sales offices guarantee a widespread presence in all the key business for UFI Filters: Europe, China, India, North and South America, North Africa and the Middle East.

Aftermarket products are sold in over 70 countries in partnership with the leading distributors. The range consists of more than 3,100 car, heavy duty, agricultural and motorbike references.

The range is always being updated, taking full advantage of the powerfully innovative stimulus of the OE field to offer customers the best possible service. It guarantees a European car park coverage of over 98% for each line: oil, fuel, air and cabin air.



OIL FILTERS

Spin-on, immersion and ecological solutions, with innovative filtration materials that ensure top engine performance with less consumption.



DIESEL FILTERS

Fitted with pioneering, exclusive filtering materials, they guarantee optimum engine protection and water-diesel separation of >95%.



PETROL AND LPG FILTERS

Filter the impurities from petrol and LPG, meeting the needs of the latest engines.



AIR FILTERS

Filter the impurities from the air, protecting the engine from corrosion and preventing any clogging of the injectors.

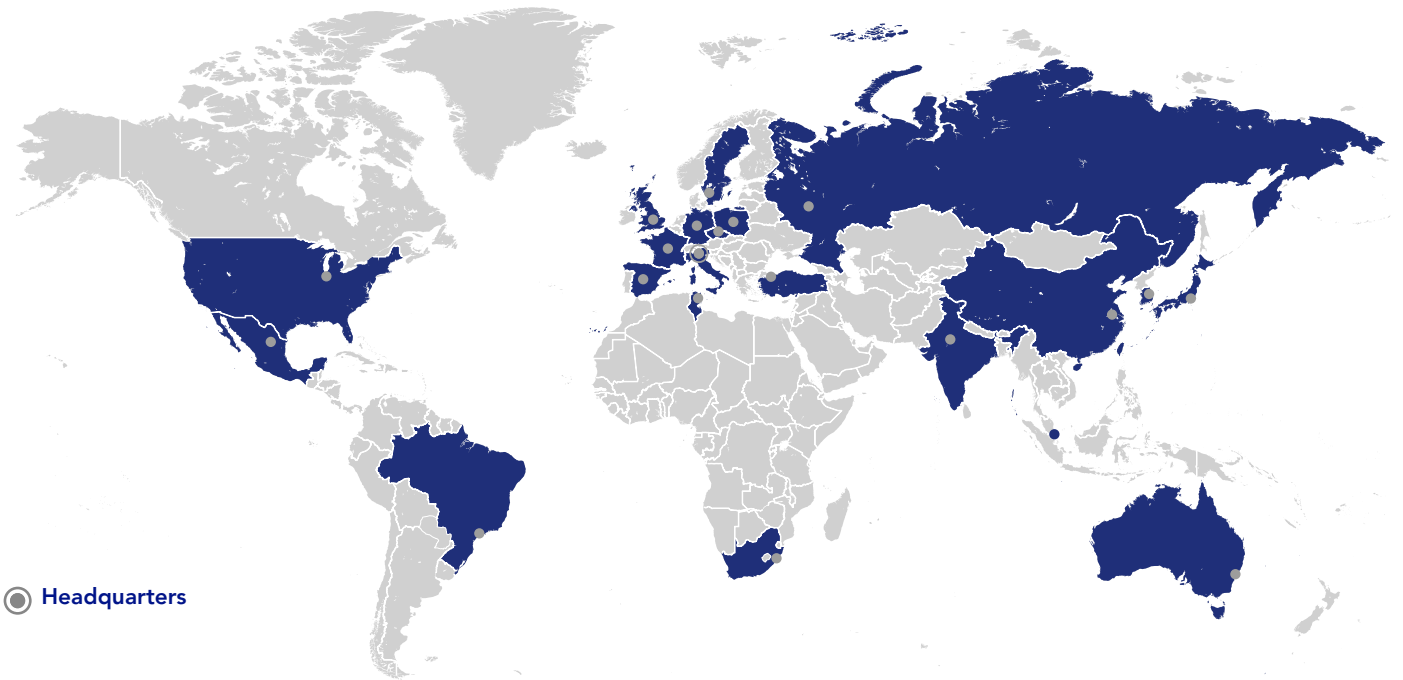


CABIN AIR FILTERS

Anti-pollen, activated carbon and antimicrobial versions for the best air quality and comfort inside the passenger compartment, even in difficult environmental conditions.



GLOBAL PRESENCE



● Headquarters

19 PRODUCTION SITES, 3 INNOVATION CENTERS, 57 COMMERCIAL OFFICES

HEADQUARTERS

- UFI Filters S.p.A.
Nogarole Rocca (IT)

19 PRODUCTION SITES

- UFI Filters S.p.A. (Nogarole Rocca, IT)
- UFI Filters S.p.A. (Marcaria, IT)
- Planet Filters S.p.A. (IT)
- Plastic Technology S.p.A. (IT)
- UFI Filters Czech s.r.o. (CZ)
- UFI Filters Poland Sp Zoo (PL)
- Sofima Filters S.A (TN)
- UFI Filters do Brasil LTDA (BR)
- UFI Filters México, S de RL de CV (MX)
- UFI Filters India Pvt. Ltd (Bawal, IN)
- UFI Filters India Pvt. Ltd (Belgaum, IN)
- Sofima Filters India Pvt. Ltd (Bahadurgarh, IN)

- Sofima Automotive Filter Shanghai Co, Ltd (CN)
- UFI Filters Shanghai Co, Ltd. (CN)
- Sofima Industrial Filter Shanghai Co, Ltd (CN)
- Sofima Automotive Filter Changchun Co, Ltd (CN)
- Sofima Trading Shanghai Co, Ltd (CN)
- Sofima Automotive Filters Chongqing (CN)
- UFI Filters Korea Co, Ltd. (KR)

3 INNOVATION CENTERS

- UFI Innovation Center S.r.l. (IT)
- UFI Innovation Center India Pvt. Ltd (IN)
- UFI Filters Shanghai Co, Ltd (CN)

19 COMMERCIAL OFFICES

IN EMEA

- Italy
- France
- Germany
- Poland
- Russia
- South Africa
- Spain
- Sweden
- Tunisia
- Turkey
- United Kingdom

32 COMMERCIAL OFFICES

IN ASIA

- China
- India
- Japan
- Korea
- Singapore

5 COMMERCIAL OFFICES

IN THE AMERICAS

- United States
- Brazil

1 COMMERCIAL OFFICE

IN OCEANIA

- Sydney

THE GROUP BY NUMBERS



1971

Founded in **1971**, it's now a world leader in filtration technology and thermal management.



10

10 application sectors: from automotive (LV/HD), industry and hydraulics to special applications.



4.000

19 production plants and over **4,000 employees** in **21 countries** worldwide.



F1

Present everywhere, from **F1** cars to the **ExoMars** spacecraft.



96%

96% of vehicles manufacturers worldwide choose UFI Filters.



168

168 specialised technicians in the innovation and development centers in Italy, India and China.



>250

More than 250 patents at international level.



5%

5% of turnover reinvested in **R&D**.



6

6 lines of filters supplied: air, oil, fuel, cabin air, hydraulics and transmission.



>250

More than 250 co-branded products with the biggest OEM's.



A WINNING GROUP

A SUCCESS STORY SINCE 1971

Universal Filter Italiana, now UFI Filters, was founded in Nogarole Rocca, in Italy, in 1971 as a supplier of filtration systems for the automotive market.

Some 10 years later, the Sofima brand was created to grow the distribution potential in the Italian aftermarket. At the same time, the company began working with the most important Formula 1 teams, becoming a supplier of specific, tailor-made solutions guaranteeing top performance and taking the teams to the top of the championships.

In the 1990s, thanks to the vision and growth goals of its owners, UFI Filters began to expand its boundaries into new product development and new world markets. In 1992, UFI Hydraulic Division was established, starting production of filtration solutions for the hydraulic sector. In 1996, being the first European filtration company to enter the Chinese market, UFI opened the first of its now six plants in China.

The late '90s was a time of notable growth, with the company winning over car manufacturers with fuel filters that guaranteed the separation of water from diesel.

At the start of the new millennium, UFI Filters became a supplier to the demanding German car manufacturers, providing not only fuel but also oil and air modules, and thus reinforcing its reputation as a global Original Equipment supplier to the world's leading car manufacturers. In 2010, UFI entered the world of heat exchangers, specialising in the design, development and

production of vacuum-brazed aluminium water-cooled heat exchangers. Today, 6 of the 7 biggest automotive groups in the world work with UFI to develop complete filtration and lubrication systems.

The results obtained by the company can be attributed to the constant investment in research and development (over 5% of turnover), allowing UFI to come up with innovative, exclusive solutions for its customers. Over the years, UFI has registered more than 250 patents.

The UFI Innovation Centers in Italy, India and China are equipped with sophisticated, advanced research and analysis tools for developing new products and filtration materials. UFI Filters now has over 4000 employees at 19 production sites, 3 innovation centers and 57 commercial offices.

Thanks to its Innovation centers and its wide experience, UFI Filters has developed different types of high performing media with specific Formulas, being the first in the market to introduce the synthetic fibres in fuel filters.

The company counts now six types of FormulaUFI:

- FormulaUFI.Extreme
- FormulaUFI.Stratiflex
- FormulaUFI.Micron
- FormulaUFI.Web
- FormulaUFI.H2O
- FormulaUFI.Cell



CHOSEN BY THE BEST OEMs



CAR MANUFACTURERS

Thanks to continuous technological innovation, always searching for solutions that guarantee the best possible performance, UFI Filters has strengthened its reputation as an Original Equipment supplier of filtration systems for the automotive market.

UFI Filters has always been recognized for its innovation and investments in research and development. UFI's products are pioneering and able to guarantee the extreme usage conditions requested by the car manufacturers for their Original Equipment.

In the Innovation Centers in Italy, India and China, over 168 specialised technicians, developed and registered more than 250 patents.

Today UFI works with 6 of the world's 7 biggest car manufacturers.

BMW
FORD
GREAT WALL GROUP
NISSAN
RENAULT
SUZUKI - MARUTI

FCA
GENERAL MOTORS
HYUNDAI
PSA
SAIC
VOLKSWAGEN GROUP

And many others too





CATALOGUE

EN

Although the content of this catalogue has been prepared with the utmost care and attention, it cannot be considered binding. Original part numbers are given for reference purposes only and cannot under any circumstances be printed on customer invoices. Original references for vehicle and engine manufacturers may be subject to modifications, and UFI FILTERS can not, therefore, accept any responsibility for inaccuracies that may have arisen. Should you have any doubts, we recommend that you consult your UFI FILTERS distributor for further information. This catalogue replaces and supersedes any previous editions.

IT

Le indicazioni contenute in questo catalogo sono state elaborate con la maggiore cura possibile, tuttavia non sono vincolanti. In caso di dubbio vi preghiamo di consultare il distributore UFI FILTERS. I codici dei costruttori di veicoli e di motori sono unicamente richiamati allo scopo di facilitarne la comparazione interna senza per altro stabilirne l'originalità. Non possiamo inoltre ritenerci responsabili per le variazioni apportate dai costruttori di veicoli e di motori susseguenti all'uscita di questo catalogo. I numeri originali indicati in questo catalogo non possono in alcun caso apparire sulle fatture della clientela. Questo catalogo sostituisce tutte le edizioni precedenti.

FR

Les informations techniques contenues dans ce catalogue ont été contrôlées avec le plus grand soin. Toutefois, celles-ci peuvent faire l'objet de modifications et sont données à titre indicatif. Elles ne sauraient engager la responsabilité de UFI FILTERS en cas de dysfonctionnement. Nous vous recommandons de consulter votre distributeur pour plus de précision et de toujours vous référer aux données et préconisations des constructeurs. Ce catalogue annule et remplace la version précédente.

DE

Die in diesem Katalog enthaltenen Informationen Angaben sind mit der größten Sorgfalt erarbeitet worden, dabei sind sie nicht bindend. Im Zweifelsfall bitten wir Sie einen UFI FILTERS Wiederverkäufer zu konsultieren. Die Artikelnummern der Fahrzeughersteller und Motorenhersteller sind lediglich zu Vergleichszwecken aufgeführt um die Vergleichbarkeit zu erleichtern ohne auf die Herkunft hinzuweisen. Ebenso sind wir nicht verantwortlich für Änderungen, die von den Fahrzeugherstellern und Motorenherstellern nach Erscheinen dieses Katalogs vorgenommen werden. Die in diesem Katalog aufgeführten Originalnummern dürfen auf keinen Fall auf Kundenrechnungen erscheinen. Dieser Katalog ersetzt alle vorangegangenen.

ES

Las indicaciones contenidas en este catálogo han sido elaboradas con el mayor cuidado posible, si bien no nos responsabilizamos de cualquier posible error. En caso de duda, sirvanse consultar a su Distribuidor UFI. Las referencias originales de los constructores de los vehículos y de los motores se dan únicamente a efectos de comparación. Los constructores pueden modificar en cualquier momento las denominaciones de sus fabricados. Por tanto, UFI no se hace responsable de las variaciones que pudieran producirse después de la edición de este catálogo. En ningún caso, las referencias originales indicadas en este catálogo pueden aparecer en las facturas a los clientes. Este catálogo sustituye cualquier publicación anterior.

GUARANTEE



EN

The production methods used for UFI branded filters guarantee the highest possible levels of quality and safety for our products. We maintain these levels of both quality and safety through the rigorous controls that are carried out on raw materials, during the production process, and on the finished product. Thanks to these methods and tests, UFI branded filters guarantee maximum performance. Should an imperfect product reach the market in spite of our quality control procedures, then subject to testing in our laboratory UFI FILTERS is willing to assume the responsibility for any damage caused by said product.

IT

Tutte le fasi di produzione dei filtri UFI sono state concepite in modo tale da garantire il massimo della sicurezza qualitativa dei prodotti. La costanza della qualità ed un alto standard qualitativo vengono assicurati mediante rigorosi controlli sulla qualità delle materie prime in entrata, durante ed alla fine del ciclo produttivo. Pertanto i filtri UFI garantiscono una perfetta funzionalità. Se, nonostante i nostri accurati controlli prima, durante e dopo la produzione, un pezzo non perfetto dovesse giungere sul mercato, UFI FILTERS è disposta ad assumersi la responsabilità per i danni provocati dal filtro imperfetto.

FR

UFI FILTERS assure un très haut niveau de qualité dans la fabrication des filtres qui sont commercialisés dans sa gamme. Les méthodes de production sont rigoureusement contrôlées ainsi que la qualité des matières premières utilisées. De nombreux tests sont effectués et permettent de garantir les meilleures performances des produits. Toutefois, si l'un des produits commercialisés par UFI FILTERS était reconnu comme étant défectueux par le service "Contrôle Qualité" cela donnerai lieu à une prise en charge, par UFI FILTERS, de toutes les dépenses qui découleraient de ce défaut.

DE

Sämtliche Schritte der Produktion von UFI Filtern sind ausgerichtet, um ein Höchstmaß an qualitativer Sicherheit der Produkte zu bieten. Rigorose Qualitätskontrollen beim Wareneingang des Rohmaterials, während und am Ende der Produktion sichern ständig einen hohen Qualitätsstandard. Daher garantieren UFI Filter eine perfekte Funktion. Sollte trotz unserer Kontrollen vor, während und nach der Produktion, doch ein nicht einwandfreies Teil in den Handel gelangen, ist UFI FILTERS bereit die Schadenhaftung nach den gesetzlichen Bestimmungen zu übernehmen.

ES

Cada paso en la fabricación del filtro UFI se ejecuta de modo que se garantiza la mejor calidad y fiabilidad del producto. La constancia y alto nivel de calidad están aseguradas mediante rigurosos ensayos de calidad, tanto de las materias primas como durante todo el proceso de producción. Por tanto, el filtro UFI esta virtualmente garantizado para funcionar perfectamente. No obstante, si a pesar de los exhaustivos ensays previos, un filtro defectuoso llegara al mercado, UFI acepta la responsabilidad del daño, única y directamente atribuible a un defecto de fabricación en el filtro.



A COMPLETE RANGE FOR FILTRATION



OIL FILTERS
FILTRI OLIO
FILTRES A HUILE
ÖLFILTER
FILTROS DE ACEITE

20.000.00
Cotton oil filter elements.
Elementi filtranti olio a immersione in cotone.
Éléments filtrants huile en coton.
Ölfiltersätze aus Baumwolle.
Elementos filtrantes de aceite en algodón.

22.000.00
Wire mesh oil filter elements.
Elementi filtranti olio a immersione in tessuto metallico.
Éléments filtrants huile en tissu métallique.
Ölfiltersätze aus Drahtgewebe.
Elementos filtrantes de aceite en tejido metálico.



OIL FILTERS
FILTRI OLIO
FILTRES A HUILE
ÖLFILTER
FILTROS DE ACEITE

65.000.00
Complete oil filters.
Filtri completi olio.
Filtres complet huile.
Kompletter Ölfilters.
Filtros completos de aceite.



HYDRAULIC OIL FILTERS
FILTRI OLIO IDRAULICO
FILTRES A HUILE HYDRAULIQUE
HYDRAULIKÖLFILTER
FILTROS DE ACEITE HIDRÁULICO

22.000.00
Wire mesh hydraulic oil filter elements.
Elementi olio idraulico a immersione in tessuto metallico.
Éléments filtrants huile hydraulique en tissu métallique.
Drahtgitter-Hydraulikölfiltersätze.
Elementos filtrantes de aceite hidráulico en tejido metálico.

23.000.00
Hydraulic spin-on oil filters.
Filtri olio idraulico avvitabili.
Filtres à huile hydrauliques à visser.
Hydraulikölanschraubfilter.
Filtros de aceite hidráulicos roscados.



HYDRAULIC OIL FILTERS
FILTRI OLIO IDRAULICO
FILTRES A HUILE HYDRAULIQUE
HYDRAULIKÖLFILTER
FILTROS DE ACEITE HIDRÁULICO

80.000.00
Hydraulic spin-on oil filters in various filter media, for low pressure lines (maximum operating pressure: 12 bar).
Filtri olio idraulico avvitabili in vari materiali filtranti, per linee a bassa pressione (massima pressione di esercizio: 12 bar).
Filtres à huile hydrauliques à visser en différents matériaux filtrants, pour conduites basse pression (pression de service maximale: 12 bar).
Hydraulikölanschraubfilter, aus verschiedenen Filtermaterialien, für Niederdruckleitung einschrauben (maximaler Arbeitsdruck: 12 bar).
Filtros de aceite hidráulicos roscados, en varios materiales filtrantes, para línea de baja presión (presión máxima de trabajo: 12 bar).

82.000.00
Suction hydraulic oil filters, completely immersed in the tank, in various filter media.
Filtri olio idraulico in aspirazione, completamente immersi nel serbatoio, in vari materiali filtranti.
Filtres à huile hydraulique d'aspiration, complètement immergés dans le réservoir, en différents matériaux filtrants.
SaughydraulikölfILTER, vollständig in den Tank eingetaucht, in verschiedene Filtermaterialien.
Filtros de aceite hidráulico de succión, completamente sumergidos en el tanque, en diversos materiales filtrantes.



DIESEL FILTERS
FILTRI GASOLIO
FILTRES A GAZOLE
DIESELFILTER
FILTROS DE GASOIL

21.000.00
Wire mesh hydraulic oil filter elements.
Elementi olio idraulico a immersione in tessuto metallico.
Éléments filtrants huile hydraulique en tissu métallique.
Drahtgitter-Hydraulikölfiltersätze.
Elementos filtrantes de aceite hidráulico en tejido metálico.

24.000.00
Hydraulic spin-on oil filters.
Filtri olio idraulico avvitabili.
Filtres à huile hydrauliques à visser.
Hydraulikölanschraubfilter.
Filtros de aceite hidráulicos roscados.



DIESEL FILTERS
FILTRI GASOLIO
FILTRES A GAZOLE
DIESELFILTER
FILTROS DE GASOIL

31.500.00
Diesel filters for injection systems.
Filtri gasolio per sistemi di iniezione.
Filtres à gazole pour systèmes d'injection.
DieselFilter für Einspritzsysteme.
Filtros de gasoil para sistemas de inyección.

55.000.00
Complete diesel filters.
Filtri completi gasolio.
Filtres complets pour gazole.
Kompletter Dieselfilter.
Filtros completos gasoil.



FUEL FILTERS
FILTRI CARBURANTE
FILTRES A CARBURANT
KRAFTSTOFFFILTER
FILTROS DE CARBURANTE

31.000.00
In-line petrol (gasoline) and diesel filters.
Filtri benzina e gasolio in linea.
Filtres à essence et gazole en ligne.
Inline-Benzin- und Dieselfilter.
Filtros de gasolina y diésel en línea.

31.500.00
Petrol (gasoline), LPG and CNG filters for injection systems.
Filtri benzina, GPL e metano per sistemi di iniezione.
Filtres à essence, GPL et GNC pour systèmes d'injection.
Benzin-, LPG- und CNG-Filter für Einspritzsysteme.
Filtros de gasolina, GPL y GNC para sistemas de inyección.



AIR FILTERS
FILTRI ARIA
FILTRES A AIR
LUFTFILTER
FILTROS DE AIRE

27.000.00
Paper air filters.
Filtri aria in carta.
Filtres à air en papier.
Luftfilter aus Papier.
Filtros de aire de papel.

28.000.00
Air filters in electrostatic fabric.
Filtri aria in tessuto elettrostatico.
Filtres à air en tissu électrostatique.
Luftfilter aus elektrostatischem Gewebe.
Filtros de aire en tejido electrostático.



CABIN AIR FILTERS
FILTRI ARIA ABITACOLO
FILTRES A AIR D'HABITACLE
INNENRAUMLUFTFILTER
FILTROS DE HABITÁCULO

27.000.00
Cabin air filters.
Filtri aria abitacolo.
Filtres à air d'habitacle.
Innenraumluftfilter.
Filtros de aire habitáculo.

30.000.00
Panel cabin air filters.
Filtri aria abitacolo a pannello.
Filtres à air d'habitacle à panneau.
Innenraumluftfilter flach.
Filtros de aire habitáculo panel.



OTHER FILTERS
ALTRI FILTRI
FILTRES SPECIAUX
SONSTIGE FILTER
OTROS FILTROS

27.000.00
Air dryer filters.
Filtri essiccatori d'aria.
Filtres de sécheur d'air.
Lufttrockner Filter.
Filtros secador de aire.

27.000.00
Blow-by filters.
Filtri blow-by.
Filtres Blow-by.
Blow-by Filter.
Filtros Blow-by.



ACCESSORIES
ACCESSORI
ACCESSOIRES
ZUBEHÖR
ACCESORIOS

19.008.00
Air dryer filters.
Filtri essiccatori d'aria.
Filtres de sécheur d'air.
Lufttrockner Filter.
Filtros secador de aire.

00.G00.00
Blow-by filters.
Filtri blow-by.
Filtres Blow-by.
Blow-by Filter.
Filtros Blow-by.

**23.000.00**

Spin-on oil filters.
Filtri olio avvitabili.
Filtres à huile à visser.
Ölschraubfilter.
Filtros de aceite roscados.

25.000.00

Oil filter elements in pleated paper or melt-blown fabric.
Elementi filtranti olio a immersione in carta pieghettata o tessuto melt-blown.
Éléments filtrants à immersion d'huile en papier plissé ou en tissu soufflé par fusion.
Ölfiltersätze aus plissiertem Papier oder schmelzgeblasenem Stoff.
Elementos filtrantes de aceite en papel plisado o tejido fundido.

25.900.00

Rotors for oil centrifuge.
Rotori per filtro olio centrifugo.
Rotors pour la centrifugeuse d'huile.
Rotoren für Ölzentrifuge.
Rotores para el centrifugador de aceite.

25.000.00

Hydraulic oil filter elements in pleated paper or melt-blown fabric.
Elementi filtranti olio idraulico a immersione in carta pieghettata o tessuto melt-blown.
Éléments filtrants à immersion d'huile hydraulique en papier plissé ou en tissu soufflé par fusion.
Hydraulikölfiltersätze aus plissiertem Papier oder schmelzgeblasenem Stoff.
Elementos filtrantes de aceite hidráulicos en papel plisado o tejido fundido.

86.000.00

Hydraulic spin-on oil filters in various filter media (operating pressure: from 20 bar to 35 bar).
Filtri olio idraulico avvitabili in vari materiali filtranti (pressione di esercizio: da 20 bar a 35 bar).
Filtres à huile hydrauliques à visser en différents matériaux filtrants (pression de service: de 20 bar à 35 bar).
Hydraulikölschraubfilter, aus verschiedenen Filtermaterialien (Arbeitsdruck: von 20 bar bis 35 bar).
Filtros de aceite hidráulicos roscados, en varios materiales filtrantes (presión de trabajo: de 20 bar a 35 bar).

87.000.00

Hydraulic spin-on oil filters for medium pressure lines, in various filter media (operating pressure: up to 35 bar).
Filtri olio idraulico avvitabili per linee a media pressione, in vari materiali filtranti (pressione di esercizio: fino a 35 bar).
Filtres à huile hydrauliques à visser pour conduites moyenne pression, en différents matériaux filtrants (pression de service: jusqu'à 35 bar).
Anschraubfilter für Hydrauliköl für Mitteldruckleitungen, aus verschiedenen Filtermaterialien (Betriebsdruck: bis 35 bar).
Filtros de aceite hidráulico roscados para líneas de media presión, en varios materiales filtrantes (presión de trabajo: hasta 35 bar).

24.500.00

Diesel prefilters with water separator.
Prefiltri gasolio con separatore acqua.
Préfiltres à gazole avec séparateur d'eau.
Dieselvorfilter mit Wasserabscheider.
Prefiltros gasoil con separador de agua.

24.900.00

"WATER ELIMINATOR" diesel prefilters.
Prefiltri gasolio con separatore acqua "WATER ELIMINATOR".
Préfiltres à gazole avec séparateur d'eau "WATER ELIMINATOR".
Dieselvorfilter mit Wasserabscheider "WATER ELIMINATOR".
Prefiltros gasoil con separador de agua "WATER ELIMINATOR".

26.000.00

Diesel filter elements in pleated paper, melt-blown fabric or DFM.
Elementi filtranti gasolio a immersione in carta pieghettata, tessuto melt-blown, o DFM.
Éléments filtrants à immersion à gazole en papier plissé, en tissu soufflé par fusion, ou DFM.
Dieselfiltersätze aus plissiertem Papier, schmelzgeblasenem Stoff, oder aus DFM.
Elementos filtrantes de gasoil en papel plisado, tejido fundido o DFM.

60.H20.00

"DEFENDER" diesel filter elements.
Elementi filtranti gasolio "DEFENDER".
Éléments filtrants gazole "DEFENDER".
Dieselfiltersätze "DEFENDER".
Elementos filtrantes gasoil "DEFENDER".

46.000.00

Complete filters for LPG, CNG and filter elements.
Filtri completi GPL, metano ed elementi filtranti.
Filtres complets pour GPL, GNC et éléments filtrants.
Komplette Filter für LPG, CNG und Filterelemente.
Filtros completos para GLP, GNC y elementos filtrantes.

48.000.00

LPG and CNG filter elements in DFM.
Elementi filtranti GPL, metano in DFM.
Éléments filtrants GPL et CNG dans DFM.
LPG- und CNG-Filterelemente in DFM.
Elementos filtrantes de GLP y GNC en DFM.

30.000.00

Panel or "A MANTICE" air filters.
Filtri aria a pannello o "A MANTICE".
Filtres à air à panneau ou en version "A MANTICE".
Luftfilter flach oder "A MANTICE".
Filtros de aire panel o tipo "A MANTICE".

34.000.00

ARGENTIUUM® cabin air filters.
Filtri aria abitacolo ARGENTIUUM®.
Filtres à air d'habitacle ARGENTIUUM®.
Innenraumluftfilter ARGENTIUUM®.
Filtros de aire habitáculo ARGENTIUUM®.

53.000.00

Cabin air filters.
Filtri aria abitacolo.
Filtres à air d'habitacle.
Innenraumluftfilter.
Filtros de aire habitáculo.

54.100.00

Active carbon cabin air filters.
Filtri aria abitacolo ai carboni attivi.
Filtres à air d'habitacle aux charbons actifs.
Innenraumluftfilter Aktivkohle.
Filtros de aire habitáculo de carbón activo.

27.VGT.00

VGT filters.
Filtri VGT.
Filtres VGT.
VGT Filter.
Filtros VGT.

29.000.00

Anti-corrosion spin-on water filters.
Filtri acqua avvitabili inibitori di corrosione.
Filtres à eau vissés anticorrosion.
Korrosionshemmende Wasserfilter zum Anschrauben.
Filtros de agua enroscables inhibidores de la corrosión.

44.000.00

Urea filters (AdBlue).
Filtri antiparticolato (AdBlue).
Filtres d'urée (AdBlue).
Harnstofffilter (AdBlue).
Filtros de urea (AdBlue).



NEW REFERENCES

CODE CODICE / REF. ART.-NR / REFERENCIA	APPLICATIONS APPLICAZIONI / AFFECTATIONS ANWENDUNGEN / APLICACIONES	ORIGINAL REFERENCES RIFERIMENTI ORIGINALI / CORRESPONDANCES CONSTRUCTEURS VERGLEICHNUMMERN FAHRZEUGHERSTELLER / REFERENCIAS ORIGINALES
23.632.00	FORD, JAGUAR, LAND ROVER, VOLVO	1595247, 1751529, 5015485, 5097737, 1S7Z-6731-DA, 9W7E-6714-AA, 9W7E-6714-BA, AA6E-6714-AA, BE8Z-6731-AB, C2Z21964, C2Z32125, LR025306, LR096524, 31330049, 31330050
23.650.00	OPEL, VAUXHALL	12640445, 55496756, 55499629, 95528296, 650189
23.652.00 *	ISUZU	98165071, 8-98165071-0
23.660.00 *	VOLKSWAGEN	03L115561
23.664.00	FORD	2027438, GK3Q-6714-AA
23.687.00	FORD	2279222, HG9Q-6714-AA
23.717.00 *	AUDI, SEAT, SKODA, VOLKSWAGEN	03L115561A
23.721.00 *	MAZDA	SH01-14-302A
24.080.01	NISSAN	16400-1KB2C
24.095.04	NISSAN, RENAULT	16400-4BD0B, 164004BD0B
24.104.01	NISSAN	16400-1KB3C
24.129.00	HYUNDAI	31922-F6900
24.160.00	KIA	31922-H6970
24.186.00	RENAULT	164001710R, 164002053R, 164006435R
24.187.00	RENAULT	164001501R, 164006378R, 164008816R
24.188.00	JAGUAR	9X23-9155-AB, AR7Z-9155-AA, C2Z8780
24.190.00	LAND ROVER	CPLA-9155-BA, LR041978
24.193.00	MERCEDES BENZ	A6510901952, A6510903052
24.194.00	MERCEDES BENZ	A6510902052, A6510903252
24.196.00 *	HONDA	16901-RJL-E01, 16901-RMA-E00
24.468.00	HYUNDAI, KIA	31922-A9000
24.469.00	SUBARU	42072-AJ130
25.059.00 *	MERCEDES BENZ	A0001802609
25.173.01	VOLVO	32257123
25.183.00	CHEVROLET, OPEL, VAUXHALL	25195775, 25195785
25.186.00	JEEP, LANCIA	68031597AB, K68031597AB, 41152017F
25.188.00	BMW	11428575211, 04152WAA01
25.190.00	JEEP	68418186AA, 73504004
25.201.00	BMW, ROLLS ROYCE	11427583220, 11427600089, 11427848321
25.204.00	MERCEDES BENZ	2781800009, A2781800009
25.211.00	BMW, MINI	11428593186
25.213.00	HYUNDAI	26320-3A000, 26320-3A001, 26320-3A100
25.216.00	CITROËN, DS AUTOMOBILES, FORD, OPEL, PEUGEOT, TOYOTA, VAUXHALL	1624797780, 9814560680, 2257375, JX6Q-6744-AA, 3557009, SU001-A7824
25.219.00	SSANGYONG	1721803009, A1721840025
25.223.00 *	JAGUAR, LAND ROVER	JDE37128, LR073669
25.225.00	OPEL, VAUXHALL	55576499, 55594652, 650173
25.226.00	HYUNDAI, KIA	26320-3CAA0
25.247.00 *	AUDI	06E115466B, 06E115562B, 06E115562E, 06E115562H
25.248.00 *	CHRYSLER, JEEP, LANCIA	05184526AA, 68079744AB, 68079744AC, 68079744AD, K05184526AA, K68079744AA, K68079744AB, K68079744AC, K68079744AD, 7B0115562
25.249.00 *	FORD	2274296, JX6Q-6744-BA
25.251.00 *	CHRYSLER, DODGE, FIAT, JEEP, LANCIA	68191349AA, K68191349AA
25.253.00 *	AUDI	05L115466, 05L115562
26.076.01	ALFA ROMEO	77367410, 77368566

(*) in preparation, in preparazione, en préparation, in Vorbereitung, en preparacòn



CODE CODICE / REF. ART.-NR / REFERENCIA	APPLICATIONS APPLICAZIONI / AFFECTATIONS ANWENDUNGEN / APLICACIONES	ORIGINAL REFERENCES RIFERIMENTI ORIGINALI / CORRESPONDANCES CONSTRUCTEURS VERGLEICHNUMMERN FAHRZEUGHERSTELLER / REFERENCIAS ORIGINALES
26.104.00	CITROËN, FORD, PEUGEOT	9801366680, 1872152, 2171748, 2247126, DS7Q-9176-AA, DS7Q-9D410-AA, DS7Q-9D410-BA, 3646465, 3642476, 1643624980, 9676133480, SU001-A3761
26.115.00	DACIA, MERCEDES BENZ, NISSAN, RENAULT	6070900752, A6070900752, 1640000Q1J, 1640000Q3A, 16403-00QAC, 164034510R, 164037803R, 164038815R, 164039594R
26.122.00	OPEL, VAUXHALL	13539108, 22937279, 23304096, 23456595
26.123.00	CITROËN, PEUGEOT	1906-E3
26.129.00	AUDI, BENTLEY, VOLKSWAGEN	958.127.434.00, 4M0127434B, 4M0127434G
26.130.00	AUDI, BENTLEY, VOLKSWAGEN	4M0127434E, 4M0127434H
26.131.00	ISUZU	8-98036321-0, 8-98149982-0
26.138.00	LEXUS, TOYOTA	23390-17540, 23390-51020, 23390-51070, 23390-YZZA3
26.139.00	TOYOTA	23390-0L070
26.149.00 *	MITSUBISHI-FUSO	ME195160, ME222133, ME222135, 16403-WK900
26.E2X.01	CHEVROLET (USA), GMC (USA), OPEL, VAUXHALL	84186990, 84428486
26.H2O.03 *	FIAT	77368658
26.H2O.04 *	FIAT	77368723
27.B13.00	PORSCHE	987.110.132.00, 987.110.133.00, 987.110.133.01
27.D10.00 *	LONDON TAXI COMPANY, TOYOTA	17801-54140-8T, 17801-54140, 17801-54140-83
27.D79.00	NISSAN	16546-9S001, 16546-VK500, 16546-VK501, 16546-VM00A
27.D83.00	BMW	13717509544
27.E34.00	KIA	28113-4E000
27.E44.00 *	MITSUBISHI	MD620508, MD623173, XD620508, XD623173, PW510200
27.E50.00	ISUZU, OPEL, VAUXHALL	97178609, 8971786100, 8-97178609-0, 8-97178609-1, 8-97178609-2, 834261
27.E52.00 *	MINI	13717558382, 13720395826
27.E61.00 *	OPEL, VAUXHALL	13367308
27.F32.00	AUDI	4E0129620J
27.G10.00 *	AUDI	8W0133843B, 8W0133843E
27.G11.00 *	AUDI	8W0133843C
27.G31.00 *	AUDI	8W0133843
27.G33.00 *	AUDI	8W0133843A
30.363.00	HYUNDAI, KIA	28113-1G100
30.437.00	HYUNDAI	28113-3K010
30.491.00	RENAULT	165463205R
30.525.00	HONDA	17220-R5A-A00, 17220-R5A-A01
30.665.00	FORD	5243186, DS73-9601-AC
30.A15.00	CITROËN, PEUGEOT	9673084480, 1444-VL
30.A19.00 *	FIAT	1395975080
30.A33.00	JAGUAR	2W93-9601-AC, AJ82766, C2Z15037
30.A34.00	RENAULT	7701068104
30.A35.00	AUDI, SKODA, VOLKSWAGEN	1K0129620B
30.A37.00	OPEL, VAUXHALL	13356945, 835075
30.A38.00	INFINITI, MERCEDES BENZ	2700940004, A2700940004, 16546-5DD0A
30.A40.00	HONDA	17220-RZA-000, 17220-RZA-Y00
30.A41.00	VOLKSWAGEN	65.08405-0000, 2N0129620
30.A42.00	SEAT, VOLKSWAGEN	04C129620E

(*) in preparation, in preparazione, en préparation, in Vorbereitung, en preparacón



NEW REFERENCES

CODE CODICE / REF. ART.-NR / REFERENCIA	APPLICATIONS APPLICAZIONI / AFFECTATIONS ANWENDUNGEN / APLICACIONES	ORIGINAL REFERENCES RIFERIMENTI ORIGINALI / CORRESPONDANCES CONSTRUCTEURS VERGLEICHNUMMERN FAHRZEUGHERSTELLER / REFERENCIAS ORIGINALES
30.A43.00	DODGE, FIAT	53123227, 68081249AA, 68081249AB, 68081249AC, K68081249AA, K68081249AB, K68081249AC
30.A44.00	BMW	13717556961
30.A45.00	AUDI, SEAT, SKODA, VOLKSWAGEN	5Q0129620E, 5Q0129620F, 5Q0129620G, 5QD129620C
30.A46.00	MINI	13727529264
30.A49.00	SUZUKI	13780-61M00, 13780-61M00-000
30.A50.00	SUZUKI	13780-60G00, 13780-60G00-000, 13780-60GU0, 13780-60GU0-000, 13780-65G50, 13780-65G50-000
30.A51.00	AUDI, SEAT, SKODA, VOLKSWAGEN	04C129620A
30.A52.00	FORD	2066235, GN15-9601-AA
30.A53.00	MAZDA	P501-13-3A0, P501-13-3A0-Y05, P501-13-3A0-Z03, P53N-13-3A0
30.A54.00	HONDA	17220-R1A-A01
30.A55.00	HYUNDAI	28113-3K100
30.A56.00	HONDA	17220-R6A-J00
30.A58.00	OPEL, VAUXHALL	13442297, 13452141, 39032998, 834848, 834849
30.A59.00	MERCEDES BENZ, NISSAN, RENAULT	A0000940000, A0000940700, 16546-4JA1A, 16546-4JA1B, 165464JA1B
30.A60.00	MERCEDES BENZ	2710940304, A2710940304
30.A61.00	MERCEDES BENZ	2740940104, A2740940104, A2740940204
30.A62.00	VOLVO	31368022
30.A63.00	JAGUAR, LAND ROVER	GJ32-9601-AA, T2H8107, LR071942
30.A64.00	KIA	28113-2G000
30.A66.00	SUZUKI	13780-54E00, 13780-M54E00, 13780-M72F80
30.A67.00	MERCEDES BENZ	6510900051, A6510900051
30.A68.00	MERCEDES BENZ	6260940004, 6260940104, A6260940004, A6260940104, 165460444R
30.A69.00	ABARTH	51817839
30.A70.00	RENAULT	8200820860, 8200885185
30.A71.00	JAGUAR	3W83-9601-AA, NJA3558AA
30.A72.00	MERCEDES BENZ	2760940004, A2760940004
30.A73.00	JEEP	52022376AA, 52022378AA, 52022378AB, K52022376AA, K52022378AA, K52022378AB
30.A74.00	ALFA ROMEO	50534420
30.A75.00	FIAT	68376391AA, 52072078
30.A76.00	ALFA ROMEO	50534431
30.A84.00	SUZUKI	13780-77A00, 13780-77A00-000
30.A85.00	TOYOTA	17801-30070
30.A86.00	TOYOTA	17801-0P010, 17801-31090
30.A91.00	TOYOTA	17801-11130
30.A95.00	HYUNDAI	28113-4H000
30.A96.00	SUZUKI	13780-78K00, 13780-78K00-000
30.A97.00	TOYOTA	17801-21040
30.A99.00	MAZDA	SH01-13-3A0A
30.B01.00	HYUNDAI	28113-3K200
30.B03.00	DAIHATSU	17801-B1010, 17801-B1010-000
30.B04.00	DAIHATSU	17801-97402, 17801-97402-000
30.B05.00	HONDA	17220-RFW-G01
30.B06.00	KIA	28113-2G300
30.B08.00	HONDA	17220-R3R-E01

(*) in preparation, in preparazione, en préparation, in Vorbereitung, en preparacòn



CODE CODICE / REF. ART.-NR / REFERENCIA	APPLICATIONS APPLICAZIONI / AFFECTATIONS ANWENDUNGEN / APLICACIONES	ORIGINAL REFERENCES RIFERIMENTI ORIGINALI / CORRESPONDANCES CONSTRUCTEURS VERGLEICHNUMMERN FAHRZEUGHERSTELLER / REFERENCIAS ORIGINALES
30.B10.00 *	MERCEDES BENZ	6510940004, A6510940004
30.B11.00 *	PORSCHE	996.110.131.51, 996.110.131.52, 997.110.131.52
30.B12.00 *	PORSCHE	996.110.131.02, 996.110.131.03, 996.110.131.04
30.B13.00 *	BMW	13717577458
30.B14.00 *	BMW	13717577457
30.B15.00 *	AUDI, VOLKSWAGEN	4M0133843C
30.B16.00 *	PORSCHE	996.110.131.70, 996.110.131.71
30.B17.00 *	BMW	13717542294
30.B20.00	RENAULT, SMART	165462683R, 165469377R, 2810940000, A2810940000
30.B21.00	ROVER	PHE100420, PHE100421
30.B22.00	NISSAN	16546-3VD0A
30.B23.00	CITROËN, PEUGEOT	9655535780, 1444-QA, 1444-WL, 1444-QK, 1444-WL
30.B24.00	CITROËN, PEUGEOT	1444-TG
30.B25.00	MERCEDES BENZ	6290940104, A6290940004, A6290940104
30.B26.00	RENAULT	165466728R
30.B27.00	PEUGEOT	9804875680
30.B28.00 *	VOLKSWAGEN	3D0129620B
30.B29.00 *	RENAULT	8200775764
30.B41.00 *	BMW	13717605436
30.B42.00 *	CHRYSLER, MERCEDES BENZ	05098424AA, 05098424AB, 5098424AA, K05098424AB, 1120940304, A1120940304
30.B43.00	MITSUBISHI	1500A672
30.B44.00	CHRYSLER	04591100AC, 4591100AB, 4591100AC, K04591100AC
30.B45.00	HONDA	17220-5K0-A00
30.B50.00 *	OPEL, VAUXHALL	95238310, 834888
30.B54.00	RENAULT	8200792659, 165469229R
30.B56.00 *	MERCEDES BENZ	6540940004, A6540940004
30.B62.00	HONDA	17220-RSX-G01
30.B63.00 *	MERCEDES BENZ	6510940104, A6510940104
30.B71.00	TOYOTA	17801-BZ050
30.B76.00	NISSAN	16546-3HD0A
30.B86.00 *	TOYOTA	17801-0L040
30.B87.00	INFINITI, MERCEDES BENZ	A6510940404, 16546-HG00A
30.C03.00 *	LAND ROVER	AH42-9610-AA, LR011593
30.C35.00 *	MERCEDES BENZ	6540940204, A6540940204
30.C36.00 *	MERCEDES BENZ	A6510940100
30.C37.00 *	FORD	2210514, JX61-9601-AA
30.C38.00 *	LAND ROVER	LR129322
30.C39.00 *	HONDA	17220-R3L-G01
30.C40.00 *	SUZUKI	13780-81PA0-000, 13780-81PA0
30.C41.00 *	SUZUKI	13780-50R00, 13780-50R00-000, 13780-52R40, 13780-52R40-000
30.C42.00 *	HYUNDAI	28113-3A800
30.C43.00 *	CHRYSLER, FIAT	05037615AA, 05019002AA, K05037615AA, K05019002AA
30.C44.00 *	SSANGYONG	2315035300
30.C45.00 *	FIAT	53034019AD
30.C46.00 *	LEXUS, TOYOTA	17801-24040, 17801-K0030
30.C47.00 *	FORD	7T16-9601-AB
30.C54.00 *	NISSAN, RENAULT	16546-4EA0C, 165464EA0C

(*) in preparation, in preparazione, en préparation, in Vorbereitung, en preparacón



NEW REFERENCES

CODE CODICE / REF. ART.-NR / REFERENCIA	APPLICATIONS APPLICAZIONI / AFFECTATIONS ANWENDUNGEN / APLICACIONES	ORIGINAL REFERENCES RIFERIMENTI ORIGINALI / CORRESPONDANCES CONSTRUCTEURS VERGLEICHNUMMERN FAHRZEUGHERSTELLER / REFERENCIAS ORIGINALES
30.C55.00 *	VOLKSWAGEN	07K129620
30.C56.00 *	MAZDA	S801-13-3A0
30.C61.00 *	BMW	13718480400
31.740.03	ALFA ROMEO, FIAT	51817983
31.845.00	SEAT, SKODA, VOLKSWAGEN	1K0201051E, 1K0201051M
31.857.04	BMW	13328584874
31.994.00	SEAT	3R0127401
31.A06.00	PORSCHE	996.110.253.01
31.A10.00 *	PORSCHE	996.110.253.52
31.A16.00	TOYOTA	23300-75140
34.100.00 *	CADILLAC, FIAT, OPEL, SAAB, VAUXHALL	46844822, 9196107, 90535132, 93172129, 1808617, 1808624, 6808617, 32026117, 9179904
34.101.00 *	AUDI, SEAT	4B0819439B, 4B0819439C, 8E0819439C
34.103.00	CHRYSLER, FIAT, LANCIA	46723435
34.104.00	ALFA ROMEO	46799653
34.106.00	FORD	1121106, 1139654, 1452329, XS4H-19G244-AA, XS4H-19G244-BA
34.108.00 *	BMW	64110008138, 64112182533, 64118391200, 64119070073, 64119216588, 64312207985
34.109.00	AUDI, SKODA, VOLKSWAGEN	1J0819644, 1J0819644A
34.111.00	CITROËN, DS AUTOMOBILES, PEUGEOT	6447-NV, 6479-41, 6479-75, 6447-KL, 6479-32
34.114.00	AUDI, LAMBORGHINI, MERCEDES BENZ, SEAT, SKODA, VOLKSWAGEN	6Q0819653
34.115.00 *	FORD	1204464, 1353269, 1452330, 1713178, 2S6H-19G244-AA, 2S6J-19G244-AA
34.117.00	TOYOTA	08974-00830, 87139-32010
34.118.00 *	FORD, SEAT, VOLKSWAGEN	1113627, 1125536, 1148366, 1491752, 6M2Y-19N551-AA, YM21-19N551-AA, YM21-19N551-AB, 7M3819644, 7M3819644A, JZW819653D
34.119.00 *	FORD, JAGUAR	1119616, 1349791, 1451913, 1713173, 1S7H-19G244-AC, 4S7J-19G244-AA, C2S16861, C2S8622
34.121.00	BMW	64312182458, 64319071935, 64319216590, 64319257504
34.122.00 *	RENAULT	7701048749, 272779759R
34.124.00	AUDI, SEAT, SKODA, VOLKSWAGEN	1K1819653, 1K1819653A, 1K1819653B, JZW819653B
34.127.00	BMW	64316935823, 64319171858, 64319174371
34.131.00 *	MERCEDES BENZ	2038300918, A2038300918
34.133.00 *	MERCEDES BENZ	2118300018, A2118300018
34.136.00	FORD	1315687, 1452344, 1494697, 1713180, 3M5J-19G244-AA, 3M5J-19G244-AA3M
34.142.00	CITROËN, PEUGEOT	6441-EJ, 6447-TC, 6479-43, 4PUH-19G244-AC, 6447-RG
34.143.00 *	OPEL, VAUXHALL	9121627, 13175554, 91132359, 1718046, 1808553, 6808607
34.145.00 *	MERCEDES BENZ	6398350347, A6398350347
34.146.00	MERCEDES BENZ	1698300218, A1698300218
34.148.00	AUDI, PORSCHE, VOLKSWAGEN	955.572.219.10, 7H0819631A, JZW819653E
34.153.00 *	AUDI, LAMBORGHINI, VOLKSWAGEN	4F0819439A, 4F0898438A, 4F0898438B, 4F0898438C
34.155.00	LAND ROVER	JKR500020
34.158.00	FORD, VOLVO	1354953, 1452346, 1494691, 1713182, 4M5J-19G244-AA, 30676484, 30780377
34.159.00 *	JAGUAR, LAND ROVER, VOLVO	6G9N-19N619-BA, C2Z32298, LR000901, LR019589, LR056138, 30733893, 30767024, 31366123, 31390880
34.160.00 *	CITROËN, FIAT, PEUGEOT, TOYOTA	6447-YN, 1497498080, 6447-YL, 6479-A7, SU001-A1389
34.161.00 *	MERCEDES BENZ, VOLKSWAGEN	68012876AA, K68012876AA, 9068300318, A9068300318, 2E0819638A, JZW819653C

(*) in preparation, in preparazione, en préparation, in Vorbereitung, in preparacòn



CODE CODICE / REF. ART.-NR / REFERENCIA	APPLICATIONS APPLICAZIONI / AFFECTATIONS ANWENDUNGEN / APLICACIONES	ORIGINAL REFERENCES RIFERIMENTI ORIGINALI / CORRESPONDANCES CONSTRUCTEURS VERGLEICHNUMMERN FAHRZEUGHERSTELLER / REFERENCIAS ORIGINALES
34.162.00 *	ABARTH, ALFA ROMEO, CITROËN, FIAT, OPEL, PEUGEOT, VAUXHALL	68311554AA, 71778550, 77365764, 13345949, 55702468, 1808012, 6808623
34.163.00	MERCEDES BENZ	2048300018, 2048300518, 2128300018, 2128300118, 2128300218, 2128300318, A2048300018, A2048300518, A2128300218, A2128300318
34.164.00	CITROËN, DS AUTOMOBILES, PEUGEOT	1609428180, 6447-VX, 6479-90
34.166.00 *	CITROËN, PEUGEOT	6479-45, 6479-46
34.167.00 *	CITROËN, ISUZU, MITSUBISHI, PEUGEOT	98139428, 8-98139428-0, 7803A005
34.168.00 *	AUDI, PORSCHE	8K0819439A, 8K0819439B
34.170.00	FORD	1566997, 8V5J-19G244-AA, H1BH-19G244-AA
34.171.00	CITROËN	6447-LN, 6479-40
34.172.00	CITROËN, DS AUTOMOBILES, OPEL, PEUGEOT, TOYOTA, VAUXHALL	1609998880, 9801448180, 6447-XG, 3638979, 95525903, 1616959180, 9821501880, 6479-93, SU001-A6185
34.175.00 *	MINI	64319127516
34.176.00 *	SMART	4518300018, A4518300018
34.178.00	BUICK, CADILLAC, CHEVROLET, OPEL, SAAB, VAUXHALL	13271191, 13503677, 52420930, 95152912, 95527473, EC13271191, 1808246
34.194.00 *	PEUGEOT	6447-PE
34.195.00 *	AUDI, VOLKSWAGEN	3B0091800, 8A0819439B, 8D0091800
34.196.00 *	RENAULT	7711228912
34.199.00	AUDI, SEAT, SKODA, VOLKSWAGEN	6R0819653
34.201.00 *	RENAULT	7701064235
34.215.00 *	MERCEDES BENZ	1648300218, A1648300218, A164830021864
34.217.00	RENAULT	272773488R, 272778970R
34.218.00	FORD, VOLVO	1709013, 1776360, AV6N-19G244-AA, AV6N-19G244-AAHF, 31369455, 31404958
34.219.00	AUDI, MAN, SEAT, SKODA, VOLKSWAGEN	65.61910-0001, 65.61910-0002, 5Q0819653, 5Q0819669
34.221.00	ABARTH, FIAT, FORD	77365763, 1673744, 9S51-19G244-AA
34.222.00 *	AUDI, BENTLEY	4GD819439, 4H0819439
34.223.00	FORD	1745605, 1748479, 6C11-19G244-AA, 6C11-19G244-AAK
34.226.00 *	BMW	64116821995, 64119237555
34.227.00	RENAULT	272773151R, 272779683R
34.230.00 *	OPEL, VAUXHALL	9118699, 1718042, 1808556, 132114731
34.231.00	BMW, BMW ALPINA, ROLLS ROYCE	64119163329, 64119272642
34.232.00 *	DACIA, RENAULT	7711426872, 8201055426, 8201370532
34.233.00 *	RENAULT	272770840R, 272774658R, 27891-JY10A
34.234.00	FIAT, NISSAN, OPEL, RENAULT, VAUXHALL	6000620027, 95517359, 4407080, 272771128R, 272778859R
34.236.00	INFINITI, MERCEDES BENZ	2468300018, A2468300018
34.238.00 *	OPEL, VAUXHALL	13356914, 22743911, 1808020
34.240.00 *	BMW	64116921019, 64119272643
34.241.00	BMW, BMW ALPINA	64312284828, 64319237157, 64319312317, 64319312318
34.243.00 *	BMW	64116945594, 64119248294, 64316945586
34.244.00	DACIA, RENAULT	272770567R, 272777764R, 272777968R
34.245.00	FIAT, JEEP	68246999AA, 68267921AA, 51979427, 71775824
34.246.00 *	MERCEDES BENZ	2038301018, A2038301018
34.248.00	ABARTH, CHRYSLER, FIAT, LANCIA	51836363, 71775823, 71778553
34.249.00	PEUGEOT	6479-G2, 6479-K9
34.254.00 *	PEUGEOT	1612350180, 1612920480, 9804163480, 9822326680
34.256.00	ALFA ROMEO	71775822

(*) in preparation, in preparazione, en préparation, in Vorbereitung, en preparacòn



NEW REFERENCES

CODE CODICE / REF. ART.-NR / REFERENCIA	APPLICATIONS APPLICAZIONI / AFFECTATIONS ANWENDUNGEN / APLICACIONES	ORIGINAL REFERENCES RIFERIMENTI ORIGINALI / CORRESPONDANCES CONSTRUCTEURS VERGLEICHNUMMERN FAHRZEUGHERSTELLER / REFERENCIAS ORIGINALES
34.257.00	DACIA, RENAULT	272772519R, 272775081R
34.261.00 *	FORD	1839688, BK21-19G244-AA
34.262.00	FIAT	46722862
34.263.00 *	AUDI, SEAT, SKODA, VOLKSWAGEN	1H0091800
34.264.00	NISSAN, SUBARU, TOYOTA	G3010-AG100, 08974-00820
34.265.00 *	CITROËN, PEUGEOT, TOYOTA	88508-YZZ01
34.266.00	DAIHATSU, JAGUAR, LAND ROVER, LEXUS, TOYOTA	17800-87820-000, CPLA-18D483-AA, C2S52338, LR036369, 87139-50100, 87139-YZZ10, 87139-YZZ30
34.268.00 *	NISSAN	27277-JD10A
34.269.00 *	CITROËN, FIAT, PEUGEOT	68251381AA, 1615646880, 71776016
34.270.00	CHRYSLER, MERCEDES BENZ	2108300818, 2108300918, 2108301218, A2108300818, A2108301218
34.271.00 *	MAZDA	GJ6A-61-P11, GJ6A-61-P11-9A, GJ6A-61-P11-9B, GJ6B-61-P11
34.272.00 *	HYUNDAI, KIA	97133-2L000ATK
34.273.00 *	TOYOTA	08974-00850
34.274.00 *	DAIHATSU	08975-K2000-100, 08975-K2003-100
34.275.00 *	CHRYSLER, DODGE, FIAT, JEEP, LANCIA	71775825, K05058381AA, 05058381AA
34.279.00	BMW, MINI	64119321875, 64316835405, 64316835406
34.282.00	CITROËN, PEUGEOT	6479-A2, 6447-SZ
34.285.00 *	NISSAN, RENAULT	271T2-00A00, 272774936R
34.287.00 *	RENAULT	272774653R
34.288.00 *	RENAULT, SMART	272774711R, 4538350300, A4538350300
34.289.00	FORD	2197035, 5180987, 5256078, DG9H-18D483-BA, JG9J-18E269-AA, JX6A-18D483-AA, JX6A-18D483-CB
34.290.00 *	JAGUAR	C2Z6525
34.291.00	RENAULT	272774812R
34.292.00 *	AUDI, BENTLEY, PORSCHE, VOLKSWAGEN	4M0819439A
34.293.00 *	VOLVO	31404469, 31407748, 31434971
34.294.00 *	MERCEDES BENZ	2228300318, 2228300418, A2228300318, A2228300418
34.312.00 *	PORSCHE, VOLKSWAGEN	958.572.219.00, 7P0819631
34.314.00 *	AUDI, SEAT, SKODA, VOLKSWAGEN	2Q0819653, 2Q0819669
53.379.00	HYUNDAI	97133-1U000, 97133-2B005, 971B3-2B005
53.383.00	FORD, MAZDA	1718237, AB39-19N619-AA, UCY0-61-P11
53.384.00	MITSUBISHI	7850A002, TS200005
53.385.00	JAGUAR	XW4H-19N619-AB, XR838396
53.386.00	OPEL, VAUXHALL	90512706, 1808606
53.387.00	HYUNDAI, KIA	97133-D1000, 97133-D3200, 97133-J9000
53.388.00	NISSAN	27891-1FC0A, 27891-1FE0A, 27891-3NL0A, AY684-NS017, B7891-1FC0A, B7891-1FE0A
53.389.00	NISSAN	27277-4BU0A
53.390.00	HYUNDAI, KIA	97133-4L000
53.391.00	ALFA ROMEO	68320112AA, 77367547, 77368519
53.394.00	HYUNDAI	97617-4H000, 97617-4H000AT, 97617-4H900
53.396.00	HYUNDAI, KIA	97133-2W000, 97133-3SAA0
53.397.00 *	MAZDA	BBP2-61-J6X, BBP2-61-J6X-9A
53.400.00 *	HYUNDAI	97610-37000, 97617-25000, 9999Z-07011
53.404.00 *	MITSUBISHI, VOLVO	MR262425, MZ311916, XZ311916, 30818694
53.407.00	HYUNDAI	97406-4A900, 9999Z-07008
53.418.00 *	VOLVO	9204627, 30630753

(*) in preparation, in preparazione, en préparation, in Vorbereitung, en preparacòn



CODE CODICE / REF. ART.-NR / REFERENCIA	APPLICATIONS APPLICAZIONI / AFFECTATIONS ANWENDUNGEN / APLICACIONES	ORIGINAL REFERENCES RIFERIMENTI ORIGINALI / CORRESPONDANCES CONSTRUCTEURS VERGLEICHNUMMERN FAHRZEUGHERSTELLER / REFERENCIAS ORIGINALES
53.422.00	FORD, VOLVO	5128504, AV6N-18D543-AA, 31369456, 31404959
53.423.00	FORD	2197039, JX6A-18D483-BA, JX6A-18D483-DA
53.424.00	SUZUKI	95860-74P00
53.426.00	SUZUKI	95860-80J00, 95860-80J00-000, 95860-80J10, 95860-80J10-000
54.306.00	HONDA	8100235XKZ16A, 80292-SDG-W01, 80292-SFE-901, 80292-SFY-003, 80292-SLJ-003, 80292-SLJ-013
54.314.00	AUDI, SEAT, SKODA, VOLKSWAGEN	2Q0819653
54.317.00	FORD	1132445, 1225788, 1253223, 1452347, 1488903, 1698097, 6S8J-19G244-A1A
54.318.00	BMW	64316915764, 64319195194
54.319.00	CITROËN, OPEL, VAUXHALL	3647011, 9815106780
54.320.00	INFINITI	27277-4HH0A, B7277-1CA0A, B7277-1CA1A, B7277-1CA1B
54.322.00	BMW	64106907746
54.331.00	LEXUS, TOYOTA	T871395801, 8713976020, 87139-48050, 87139-58010, 87139-YZZ34
54.376.00 *	AUDI, SEAT, SKODA, VOLKSWAGEN	1K2819653, 1K2819653A, 1K2819653B
54.377.00 *	JAGUAR	6W83-18D483-AA, C2P2410, 6W83-19G244-AA
55.517.00	NISSAN, RENAULT	16400-HV80A, 16400HV80A
55.582.00	NISSAN	16400-EC00A, 16400-EC00C



REPLACED REFERENCES

OLD
VECCHIO / ANCIEN
ALT / ANTIGUA

NEW
NUOVO / NOUVEAU
NEU / NUEVA

23.102.04		23.256.00
23.107.00		23.107.01
23.108.00		23.108.01
23.120.00		23.120.01
23.124.00	(solo / only / seulement / nur / sólo SKODA)	23.285.00
23.127.00	(solo / only / seulement / nur / sólo SCANIA)	23.290.00
23.127.00	(solo / only / seulement / nur / sólo SKODA)	23.285.00
23.127.00	(solo / only / seulement / nur / sólo VOLVO)	23.257.00
23.128.00	(solo / only / seulement / nur / sólo SKODA)	23.285.00
23.131.00	(solo / only / seulement / nur / sólo MOTO GUZZI)	23.287.00
23.131.00	(solo / only / seulement / nur / sólo SAAB)	23.298.00
23.133.00	(escluso / except / sauf / ausser / excepto / excepto OPEL, VAUXHALL)	23.271.00
23.139.00	(solo / only / seulement / nur / sólo HYUNDAI)	23.271.00
23.140.00		23.188.00
23.151.00	(escluso / except / sauf / ausser / excepto / excepto CITROËN, FIAT, PEUGEOT)	23.272.00
23.152.00	(solo / only / seulement / nur / sólo DAF, IVECO, KHD)	23.152.02
23.156.01		23.156.00
23.156.02		23.156.03
23.162.00		23.162.01
23.162.01		23.162.02
23.165.00	(solo / only / seulement / nur / sólo HYUNDAI)	23.271.00
23.177.00	(solo / only / seulement / nur / sólo VOLVO)	23.279.00
23.181.00	(solo / only / seulement / nur / sólo LAND ROVER)	23.297.00
23.188.00	(solo / only / seulement / nur / sólo AUSTIN, ROVER)	23.131.00
23.192.00		23.192.02
23.196.00	(solo / only / seulement / nur / sólo ALFA ROMEO)	23.415.00
23.201.00		23.298.00
23.202.00		23.297.00
23.225.00		23.544.00
23.226.00		23.280.00
23.227.00		80.043.00
23.228.00		80.044.00
23.261.00		23.439.00
23.268.00		23.447.00
23.277.00		23.440.00
23.283.00		23.440.00
23.285.00		23.435.00
23.291.00		23.436.00
23.296.00		23.449.00
23.300.00		23.303.00
23.301.00		23.305.00
23.304.00		23.303.00
23.400.00		23.458.00
23.405.00		23.293.00
24.008.00		24.008.01
24.061.00		24.061.01
24.108.00		24.113.00
24.110.00		24.117.00



**OLD
VECCHIO / ANCIEN
ALT / ANTIGUA**

**NEW
NUOVO / NOUVEAU
NEU / NUEVA**

24.307.00	(solo / only / seulement / nur / sólo RENAULT VI, SCANIA, VOLVO)	24.323.00
24.351.00	(solo / only / seulement / nur / sólo BEDFORD, OPEL, VAUXHALL)	24.351.01
24.351.00	(solo / only / seulement / nur / sólo MAN)	24.378.00
24.352.00	(solo / only / seulement / nur / sólo RUGGERINI)	24.324.00
24.355.00		24.351.01
24.355.01		24.351.00
24.357.00		24.304.00
24.357.00	(solo / only / seulement / nur / sólo RUGGERINI)	24.304.01
24.357.01		24.304.01
24.358.00	(solo / only / seulement / nur / sólo LOMBARDINI)	24.372.00
24.377.00		24.378.00
24.381.00	(solo / only / seulement / nur / sólo VOLVO)	24.379.00
24.437.01		24.437.00
24.448.00		24.432.00
24.500.00		24.999.00
25.025.00		25.067.00
25.055.00		25.093.00
25.057.00		25.060.00
25.079.01		25.112.00
25.406.00		25.406.01
25.442.00	(solo / only / seulement / nur / sólo GÜLDNER, MAN)	25.550.00
25.505.00	(solo / only / seulement / nur / sólo MAN)	25.551.00
25.507.00		25.539.00
25.525.00		25.527.00
25.537.00		25.546.00
25.538.00		25.099.00
25.538.01		25.131.00
25.544.00		25.553.00
25.546.00		25.124.00
25.546.01		25.132.00
25.549.00		25.133.00
25.583.00		25.095.00
25.586.00		25.162.00
26.002.00		26.014.00
26.046.00		26.052.00
26.049.00		26.065.00
26.657.00		26.605.00
27.095.00		27.106.00
27.131.00		27.131.01
27.191.00		30.803.00
27.201.02		27.201.03
27.212.00		27.544.00
27.264.00		27.VGT.00
27.389.00		27.626.00
27.391.00		27.563.00
27.392.00		27.625.00
27.398.00		27.627.00
27.542.00		27.A31.00



REPLACED REFERENCES

OLD VECCHIO / ANCIEN ALT / ANTIGUA	NEW NUOVO / NOUVEAU NEU / NUEVA
27.712.00	30.803.00
27.884.00	30.872.01
27.967.00	27.158.00
30.002.00	30.017.00
30.018.00	30.017.00
30.031.00	30.027.00
30.037.00	30.119.00
30.042.00	30.041.00
30.043.00	30.041.00
30.060.00	30.066.00
30.065.00	30.066.00
30.084.00	30.007.00
30.110.00	30.066.00
30.131.00	30.149.00
30.191.00	30.265.00
30.200.00	30.417.00
30.219.00	30.320.00
30.282.00	30.462.00 / 30.463.00
30.291.00	30.322.00
30.478.00	30.477.00
30.802.00	30.802.01
30.807.01	30.807.00
30.822.00 (solo / only / seulement / nur / sólo MASERATI)	30.918.00
30.843.00	30.843.01
30.848.00	30.833.00
30.855.00	30.942.00
30.864.02	30.864.00
30.887.00	30.887.02
30.914.00	30.914.02
30.917.00	30.917.01
30.938.00	30.946.00
30.941.00	30.941.02
30.956.00	30.955.00
30.962.00	30.962.02
30.979.00	30.979.02
30.998.00	30.851.00
31.009.00 (solo / only / seulement / nur / sólo VAG GROUP)	31.012.00
31.500.00 (solo / only / seulement / nur / sólo MERCEDES BENZ)	31.583.00
31.501.00 (solo / only / seulement / nur / sólo ALFA ROMEO, BMW, CITROËN)	31.510.00
31.501.00 (solo / only / seulement / nur / sólo BEDFORD, OPEL, VAUXHALL)	31.611.00
31.504.00 (solo / only / seulement / nur / sólo BOSCH 0 450 905 005)	31.511.00
31.504.00 (solo / only / seulement / nur / sólo BOSCH 0 450 905 021)	31.699.00
31.510.00 (solo / only / seulement / nur / sólo AC DELCO GF 516, GF 635)	31.611.00
31.584.00	31.500.00
31.622.00	31.666.00
31.819.00	31.832.00
31.820.00	31.833.00
31.857.01	31.857.04



OLD
VECCHIO / ANCIEN
ALT / ANTIGUA

NEW
NUOVO / NOUVEAU
NEU / NUEVA

31.926.00	31.926.01
53.008.00	53.007.00
53.029.00	54.105.00
53.097.00	53.218.00
55.156.00	55.175.00
55.417.00	55.430.00

EN	IT	FR	DE	ES
 Model	Modello	Modèle	Modellreihe	Modelo
 Engine	Motore	Moteur	Motor	Motor
kW kW	kW	kW	kW	kW
HP hp	CV	ch	PS	CV
 Year of construction	Anno di costruzione	Année de fabrication	Baujahr	Año de fabricación
 Oil	Olio	Huile	Öl	Aceite
 Fuel	Carburante	Carburant	Kraftstoff	Carburante
 Air	Aria	Air	Luft	Aire
 Cabin Air filters / Other filters	Filtri abitacolo / Altri filtri	Filtres a air pour habitacle / Filtres spéciaux	Innenraumfilter / Sonstige Filter	Habitáculo / Otros filtros
 For life filter	Filtro per la vita	Filtre longue durée	Lifetime-Filter	Filtro de por vida
 No filter fitted	Non monta filtri	Aucun filtre monté	Kein Filter verbaut	No equipa filtro
1st passage	1.passaggio	1er passage	Vorfilter	Primario
2 filters	N.2 filtri	2 filtres	2 Filter	2 filtros
2nd passage	2.passaggio	2ème passage	Feinfilter	Secundario
2WD	2WD	2 roues motrices	2 Antriebsräder	2 ruedas motrices
4WD	4WD	4 roues motrices	4 Antriebsräder	4 ruedas motrices
adapter for passenger compartment filter	adattatore per filtro abitacolo	adaptateur pour filtre d'habitacle	Adapter für Innenraumluftfilter	adaptador para filtro habitáculo
air filter left side	filtro aria sinistro	filtre à air côté gauche	Luftfilter links	filtro de aire lado izquierdo
air filter right side	filtro aria destro	filtre à air côté droit	Luftfilter rechts	filtro de aire lado derecho
antibacterial, anti-odour and anti-allergen filter	filtro antibatterico, antiolori e anti-allergeni	Filtre antibactérien, anti-odeur et anti-allergène	Antibakterieller-, Antigerüche- und Antiallergenefilter	filtro antibacteriano, antiolor y antialérgico
assembly	montaggio	montage	Zusammenbau	montaje
automatic drive	trasmissione automatica	transmission automatique	Automatikantrieb	transmisión automática
by-pass	by-pass	en dérivation	Nebenstrom	by-pass
carburetor	carburatore	carburateur	Vergaser	carburador
cartridge	immersione	immersion	Patrone	inmersión
cloth	in panno	en tissu	aus Gewebe	en tela
complete filter	filtro completo	filtre complet	kompletter Filter	filtro completo
complete filter and disassembly key	filtro completo e chiave di smontaggio	filtre complet et clé de démontage	kompletter Filter und Löseschlüssel	filtro completo y llave de desmontaje
complete filter with L.H.D. and disassembly key	filtro completo con guida a sinistra e chiave di smontaggio	filtre complet avec conduite à gauche et clé de démontage	kompletter Filter mit Linkslenker und Löseschlüssel	filtro completo con conducción izquierda y llave de desmontaje
complete filter with R.H.D. and disassembly key	filtro completo con guida a destra e chiave di smontaggio	filtre complet avec conduite à droite et clé de démontage	kompletter Filter mit Rechtslenker und Löseschlüssel	filtro completo con conducción derecha y llave de desmontaje
complete filter with sensor and disassembly key	filtro completo con sensore e chiave di smontaggio	filtre complet avec capteur et clé de démontage	Komplettfilter mit Wassersensor und Löseschlüssel	filtro completo con sensor y llave de desmontaje
complete filter without sensor and disassembly key	filtro completo senza sensore e chiave di smontaggio	filtre complet sans capteur et clé de démontage	Komplettfilter ohne Wassersensor und Löseschlüssel	filtro completo sin sensor y llave de desmontaje



EN	IT	FR	DE	ES
drive	trasmissione	transmission	Antrieb	transmisión
dusty areas	zone polverose	zones poussiéreuses	staubige Gebiete	zonas polvorientas
dusty areas, assembly	zone polverose, montaggio	zones poussiéreuses, montage	staubige Gebiete, zusammenbau	zonas polvorientas, montaje
dusty areas, with activated carbons	zone polverose, ai carboni attivi	zones poussiéreuses, aux charbons actifs	staubige Gebiete, mit Aktivkohlen	zonas polvorientas, de carbón activo
EFI only	solo EFI	EFI uniquement	nur EFI	sólo EFI
engine filter	filtro motore	filtre moteur	Motorfilter	filtro motor
excluding cold countries	escluso paesi freddi	à l'exclusion des pays froids	ausgeschlossen kalte Länder	excluido países fríos
excluding dusty areas	escluso per zone polverose	à l'exclusion des zones poussiéreuses	ausgeschlossen Staubgebiete	excluido para zonas polvorientas
excluding warm areas	escluso per zone calde	à l'exclusion des zones chaudes	ausgeschlossen warme Gebiete	excluido para zonas calientes
export models	modelli di esportazione	modèles d'exportation	Exportmodelle	modelos para exportación
foam spare part only	solo ricambio spugna	rechange éponge uniquement	nur Schaumstoffersatzteil	sólo repuesto espuma
for cold countries	per paesi freddi	pour pays froids	für kalter Länder	para países fríos
from engine No.	da motore N.	du moteur n°	von Motor Nr.	desde motor núm.
from frame No.	da telaio N.	du châssis n°	von Rahmen Nr.	desde bastidor núm.
from series No.	da serie N.	de la série n°	von Baureihe Nr.	desde serie núm.
front drive	trazione anteriore	traction avant	Vorderradantrieb	tracción delantera
full-flow	full-flow	plein débit	Hauptstrom	full-flow
hot areas	zone calde	zones chaudes	Tropenausführung	zonas calientes
injection	iniezione	injection	Einspritzung	inyección
K-Jetronic	K-Jetronic	K-Jetronic	K-Jetronic	K-Jetronic
L-Jetronic	L-Jetronic	L-Jetronic	L-Jetronic	L-Jetronic
long case	contenitore lungo	boîtier long	langer Behälter	caja larga
manual drive	trasmissione manuale	transmission manuelle	manueller Antrieb	transmisión manual
metal bottoms	fondelli in metallo	fonds en métal	Deckel aus Metall	tapas metálicas
Middle East	Medio Oriente	Moyen-Orient	Mittlerer Orient	Oriente Medio
models made in France	modelli prodotti in Francia	modèles produits au France	In Frankreich hergestellte Modelle	modelos fabricados en Francia
models made in India	modelli prodotti in India	modèles produits au Inde	In Indien hergestellte Modelle	modelos fabricados en la India
models made in Japan	modelli prodotti in Giappone	modèles produits au Japon	In Japan hergestellte Modelle	modelos fabricados en Japón
models made in UK	modelli prodotti in UK	modèles produits au UK	In UK hergestellte Modelle	modelos fabricados en UK
models with metal case, foam spare part	modelli con contenitore in metallo, ricambio spugna	modèles avec corps en tôle, rechange éponge	Modelle mit Blechbehälter, Ersatzteil aus Schaumstoff	modelos con caja metálica, repuesto espuma
Normal Power	Normal Power	Puissance Normale	Normalleistung	Potencia normal
on request	a richiesta	sur demande	auf Anfrage	a petición
or	oppure	ou	oder	o
paper	in carta	en papier	aus Papier	en papel
plastic bottoms	fondelli in plastica	fonds en plastique	Deckel aus Kunststoff	tapas en plástico
power steering	servosterzo	direction assistée	Hydrolenkung	servodirección
prefilter	prefiltro	préfiltre	Vorfilter	prefiltro
primary filter, foam spare part only	filtro primario, solo ricambio in spugna	filtre primaire, rechange en éponge uniquement	Hauptfilter, nur Ersatzteil aus Schaumstoff	filtro primario, sólo repuesto en espuma
rear drive	trazione posteriore	traction arrière	Hinterradantrieb	tracción trasera
secondary filter	filtro secondario	filtre secondaire	Nebenfilter	filtro secundario
short case	contenitore corto	boîtier court	kurzer Behälter	caja corta
some	alcuni	certains	einige	algunos
spare part only	solo ricambio	rechange uniquement	nur Ersatzteil	sólo repuesto
spin-on	avvitabile	à visser	schraubbar	roscado
spin-on with drain	avvitabile con spurgo	à visser avec purge	schraubbar mit Ablass	roscado con purgador
spin-on without drain	avvitabile senza spurgo	à visser sans purge	schraubbar ohne Ablass	roscado sin purgador

EN	IT	FR	DE	ES
System-Porsche	System-Porsche	System-Porsche	System-Porsche	System-Porsche
tank filter	filtro per serbatoio	filtre pour réservoir	Filter für Behälter	filtro para deposito
thread	filetto	filet	Gewinde	rosca
to engine No.	a motore N.	jusqu'au moteur n°	bis Motor Nr.	hasta motor núm.
to frame No.	a telaio N.	jusqu'au châssis n°	bis zum Rahmen Nr.	hasta bastidor núm.
to series No.	a serie N.	jusqu'à la série n°	bis zur Baureihe Nr.	hasta serie núm.
tropical countries	paesi tropicali	pays tropicaux	Tropische Länder	países tropicales
with	con	avec	mit	con
with activated carbon air-conditioner	con climatizzatore, ai carboni attivi	avec climatiseur, aux charbons actifs	mit Klimaanlage mit Aktivkohlen	con climatizador, de carbón activo
with activated carbon L.H.D.	con guida a sinistra, ai carboni attivi	avec conduite à gauche, aux charbons actifs	mit Linkslenker mit Aktivkohlen	con conducción a izquierda, de carbón activo
with activated carbon R.H.D.	con guida a destra, ai carboni attivi	avec conduite à droite, aux charbons actifs	mit Rechtslenker mit Aktivkohlen	con conducción a derecha, de carbón activo
with activated carbons	ai carboni attivi	aux charbons actifs	mit Aktivkohlen	de carbón activo
with activated carbons, assembly	ai carboni attivi, montaggio	aux charbons actifs, montage	mit Aktivkohlen, zusammenbau	de carbón activo, montaje
with activated carbons, from frame No.	ai carboni attivi, da telaio N.	aux charbons actifs, du châssis n°	mit Aktivkohlen, von Rahmen Nr.	de carbón activo, desde bastidor núm.
with activated carbons, to frame No.	ai carboni attivi, a telaio N.	aux charbons actifs, jusqu'au châssis n°	mit Aktivkohlen, bis zum Rahmen Nr.	de carbón activo, hasta bastidor núm.
with activated carbons, with pump	ai carboni attivi, con pompa	aux charbons actifs, avec pompe	mit Aktivkohlen, mit Pumpe	de carbón activo, con bomba
with air-conditioner	con climatizzatore	avec climatiseur	mit Klimaanlage	con climatizador
with air-conditioner (spare part only)	con climatizzatore (solo ricambio)	avec climatiseur (rechange uniquement)	mit Klimaanlage (nur Ersatzteil)	con climatizador (sólo repuesto)
with air-conditioner and L.H.D.	con climatizzatore e guida a sinistra	avec climatiseur et conduite à gauche	mit Klimaanlage und Linkslenker	con climatizador y conducción izquierda
with air-conditioner and L.H.D. (spare part only)	con climatizzatore e guida a sinistra (solo ricambio)	avec climatiseur et conduite à gauche (rechange uniquement)	mit Klimaanlage und Linkslenker (nur Ersatzteil)	con climatizador y conducción izquierda (sólo repuesto)
with air-conditioner and R.H.D.	con climatizzatore e guida a destra	avec climatiseur et conduite à droite	mit Klimaanlage und Rechtslenker	con climatizador y conducción derecha
with air-conditioner from	con climatizzatore da	avec climatiseur du	mit Klimaanlage von	con climatizador desde
with air-conditioner with automatic gearbox	con climatizzatore con cambio automatico	avec climatiseur avec boîte de vitesses automatique	mit Klimaanlage mit Automatikgetriebe	con climatizador con cambio automático
with air-conditioner with manual gearbox	con climatizzatore con cambio manuale	avec climatiseur avec boîte de vitesses manuelle	mit Klimaanlage mit Schaltgetriebe	con climatizador con cambio manual
with air-conditioner without recirculation and L.H.D.	con climatizzatore senza ricircolo e guida a sinistra	avec climatiseur sans recirculation et conduite à gauche	mit Klimaanlage ohne Rezirkulation und Linkslenker	con climatizador sin recirculación y conducción izquierda
with air-conditioner, assembly	con climatizzatore, montaggio	avec climatiseur, montage	mit Klimaanlage, zusammenbau	con climatizador, montaje
with air-conditioner, dusty areas	con climatizzatore, per zone polverose	avec climatiseur, des zones poussiéreuses	mit Klimaanlage, staubige Gebiete	con climatizador, para zonas polvorientas
with antipollution assembly	con montaggio antinquinamento	avec montage antipollution	mit Umweltschutzmontage	con montaje anticontaminación
with automatic air-conditioner	con climatizzatore automatico	avec climatiseur automatique	mit automatischer Klimaanlage	con climatizador automático
with automatic air-conditioner and L.H.D.	con climatizzatore automatico e guida a sinistra	avec climatiseur automatique et conduite à gauche	mit automatischer Klimaanlage und Linkslenker	con climatizador automático y conducción a izquierda
with automatic air-conditioner and R.H.D.	con climatizzatore automatico e guida a destra	avec climatiseur automatique et conduite à droite	mit automatischer Klimaanlage und Rechtslenker	con climatizador automático y conducción a derecha
with automatic gearbox	con cambio automatico	avec boîte de vitesses automatique	mit Automatikgetriebe	con cambio automático
with cabin filter kit, spare part only	con kit filtro abitacolo, solo ricambio	avec kit filtre d'habitable, rechange uniquement	mit Innenraumluftfiltersatz, nur Ersatzteil	con kit filtro habitáculo, sólo repuesto
with carburetor	con carburatore	avec carburateur	mit Vergaser	con carburador
with double carburetor	con doppio carburatore	avec carburateur double	mit Doppelvergaser	con doble carburador
with drain	con spurgo	avec purge	mit Ablass	con purgador



EN	IT	FR	DE	ES
with dry air filter	con filtro aria a secco	avec filtre à air à sec	mit Trockenluftfilter	con filtro seco de aire
with exhaust gas recirculation (EGR/AGR)	con ricircolo dei gas di scarico (EGR/AGR)	avec recyclage des gaz d'échappement (EGR/AGR)	mit Abgasrückführung (EGR/AGR)	con recirculación de los gases de escape (EGR/AGR)
with facility for water sensor	con predisposizione per sensore acqua	avec raccord pour sonde de niveau d'eau	mit Anschluss für einen Wassersensor	con conexión para el sensor del agua
with filter	con filtro	avec filtre	mit Filter	con filtro
with fuel oil heater	con riscaldatore nafta	avec réchauffeur gazole	mit Gasölerwärmer	con calentador de gasóleo
with gasoline filter with pressure regulator	con filtro benzina con regolatore di pressione	avec filtre à essence avec régulateur de pression	mit Benzinflter mit Druckregler	con filtro de gasolina equipado de regulador de presión
with gasoline filter without pressure regulator	con filtro benzina senza regolatore di pressione	avec filtre à essence sans régulateur de pression	mit Benzinflter ohne Druckregler	con filtro de gasolina sin regulador de presión
with heated fuel filter, spare part only	con filtro gasolio riscaldato, solo ricambio	filtre à carburant avec réchauffeur ,en rechange uniquement	Kraftstofffilter beheizt, nur Ersatzteil	filtro de combustible con calentador, sólo recambio
with hexagonal release nut	con dado di smontaggio esagonale	avec écrou de démontage hexagonal	mit Sechskantlösemutter	con tuerca de desmontaje hexagonal
with in-line pump	con pompa in linea	avec pompe en ligne	mit Reiheneinspritzpumpe	con bomba en línea
with L.H.D.	con guida a sinistra	avec conduite à gauche	mit Linkslenker	con conducciòn a izquierda
with L.H.D., assembly	con guida a sinistra, montaggio	avec conduite à gauche, montage	mit Linkslenker, zusammenbau	con conducciòn a izquierda, montaje
with manual air-conditioner	con climatizzatore manuale	avec climatiseur manuel	mit manueller Klimaanlage	con climatizador manual
with manual gearbox	con cambio manuale	avec boîte de vitesses manuelle	mit Schaltgetriebe	con cambio manual
with metal complete filter	con filtro completo in metallo	avec filtre complet en métal	mit Kompletfilter aus Metall	con filtro completo en metal
with oil cooling	con raffreddamento dell'olio	avec refroidissement de l'huile	mit Ölkühlung	con enfriador del aceite
with oil filter equipped with aluminium cover	con filtro olio completo con coperchio in alluminio	avec filtre à huile complet avec couvercle en aluminium	mit komplettem Ölfilter mit Alu-Deckel	con filtro de aceite equipado de tapa en aluminio
with oil filter equipped with plastic cover	con filtro olio completo con coperchio in plastica	avec filtre à huile complet avec couvercle en plastique	mit komplettem Ölfilter mit Kunststoffdeckel	con filtro de aceite equipado de tapa en plástico
with oil radiator	con radiatore dell'olio	avec radiateur à huile	mit Ölkühler	con radiador de aceite
with plastic complete filter	con filtro completo in plastica	avec filtre complet en plastique	mit Kompletfilter aus Plastik	con filtro completo en plástico
with pump	con pompa	avec pompe	mit Pumpe	con bomba
with pump and heater	con pompa e riscaldatore	avec pompe et réchauffeur	mit Pumpe und Vorwärmer	con bomba y calentador
with R.H.D.	con guida a destra	avec conduite à droite	mit Rechtslenker	con conducciòn a derecha
with R.H.D., assembly	con guida a destra, montaggio	avec conduite à droite, montage	mit Rechtslenker, zusammenbau	con conducciòn a derecha, montaje
with rotary pump	con pompa rotativa	avec pompe rotative	mit Verteilereinspritzpumpe	con bomba rotativa
with servobrake	con servofreno	avec servofrein	mit Servobremse	con servofreno
with single carburetor	con carburatore singolo	avec carburateur individuel	mit Einzelvergaser	con carburador individual
with water presence sensor	con sensore presenza acqua	avec capteur de présence d'eau	mit Wasserfühler	con sensor de presencia agua
without ABS	senza ABS	sans ABS	ohne ABS	sin ABS
without activated carbon air-conditioner	senza climatizzatore, ai carboni attivi	sans climatiseur, aux charbons actifs	ohne Klimaanlage mit Aktivkohlen	sin climatizador, de carbón activo
without air-conditioner	senza climatizzatore	sans climatiseur	ohne Klimaanlage	sin climatizador
without air-conditioner and L.H.D.	senza climatizzatore e guida a sinistra	sans climatiseur et conduite à gauche	ohne Klimaanlage und Linkslenker	sin climatizador y conducciòn izquierda
without air-conditioner with automatic gearbox	senza climatizzatore con cambio automatico	sans climatiseur avec boîte de vitesses automatique	ohne Klimaanlage mit Automatikgetriebe	sin climatizador con cambio automático
without air-conditioner with manual gearbox	senza climatizzatore con cambio manuale	sans climatiseur avec boîte de vitesses manuelle	ohne Klimaanlage mit Schaltgetriebe	sin climatizador con cambio manual
without bracket	senza staffa	sans collier de fixation	ohne Halterung	sin soportes
without fuel oil heater	senza riscaldatore nafta	sans réchauffeur gazole	ohne Gasölerwärmer	sin calentador de gasóleo
without oil cooling	senza raffreddamento dell'olio	sans refroidissement d'huile	ohne Ölkühlung	sin enfriador de aceite
without oil radiator	senza radiatore dell'olio	sans radiateur à huile	ohne Ölkühler	sin radiador de aceite
without water presence sensor	senza sensore presenza acqua	sans capteur de présence d'eau	ohne Wasserfühler	sin sensor de presencia agua



NOTES

A large grid of small dots for taking notes, consisting of 20 columns and 30 rows of dots.

A

ABARTH.....	1 - 2
AIXAM.....	2
ALFA ROMEO.....	2 - 12
ALPINE.....	12
ARO.....	12 - 13
ASIA MOTORS.....	13
ASQUITH MOTOR CARRIAGE.....	13
ASTON MARTIN.....	13
AUDI.....	13 - 66
AUSTIN.....	66

B

BARKAS.....	66
BEDFORD.....	67
BEDINI.....	67
BELLIER.....	67 - 68
BENTLEY.....	68
BERTONE.....	68
BIAGINI (ACM).....	68
BMC.....	68 - 69
BMW.....	69 - 132
BMW ALPINA.....	132 - 134
BREMACH.....	134

C

CADILLAC (USA).....	134
CARLETTI.....	134
CASALINI.....	134
CHATENET.....	135
CHEVROLET (EU).....	135 - 138
CHEVROLET (USA).....	138 - 139
CHRYSLER.....	139 - 141
CITROEN.....	141 - 183
CUPRA.....	183

D

DACIA.....	183 - 187
DAEWOO.....	187 - 189
DAIHATSU.....	189 - 191
DAIMLER.....	191
DODGE.....	191 - 192
DR MOTOR COMPANY.....	192
DS AUTOMOBILES.....	192 - 195

E

E-GAS.....	195
EBRO NISSAN.....	195
EFFEDI.....	195 - 196

F

FERRARI.....	196
FIAT.....	196 - 233
FORD.....	234 - 262
FREIGHT ROVER.....	262
FSM (FIAT POLSKI).....	262
FSO (FIAT POLSKI).....	262

G

GRECAV..... 262 -263

H

HAVAL..... 263
 HONDA..... 263 -267
 HYUNDAI..... 267 -277

I

IATO..... 277
 INFINITI..... 277 -278
 INNOCENTI..... 278
 ISUZU..... 279 -280
 IVECO..... 280 -288

J

JAGUAR..... 288 -293
 JDM..... 293
 JEEP..... 293 -296

K

KIA..... 296 -304

L

LADA (VAZ)..... 304 -306
 LAMBORGHINI..... 306
 LANCIA..... 306 -312
 LAND ROVER..... 312 -317
 LAND ROVER SANTANA..... 317
 LDV..... 317
 LEXUS..... 317 -319
 LIGIER..... 319
 LONDON TAXI COMPANY..... 319
 LOTUS..... 319 -321
 LOVATO..... 321

M

MAN..... 321 -322
 MARUTI (SUZUKI)..... 322
 MASERATI..... 322
 MAZDA..... 322 -328
 MERCEDES BENZ..... 328 -377
 MG..... 377 -378
 MG MOTOR GAS..... 378
 MICROCAR..... 378
 MINI..... 378 -389
 MITSUBISHI..... 389 -396
 MITSUBISHI-FUSO..... 396 -397

N

NISSAN..... 397 -408

O

OPEL..... 408 -440

P

PANTHER.....	440
PEUGEOT.....	440 -482
PIAGGIO.....	482 -483
PORSCHE.....	483 -487
PROTON.....	487 -488

R

RAVON.....	488
RAYTON FISSORE.....	488
RENAULT.....	488 -521
RENAULT (E).....	522 -524
ROLLS ROYCE.....	524
ROVER.....	524 -526

S

SAAB.....	526 -528
SAO.....	528
SAVEL.....	528
SEAT.....	528 -558
SKODA.....	558 -584
SMART.....	584 -585
SSANGYONG.....	585 -587
STEYR / DAIMLER / PUCH.....	587
SUBARU.....	587 -591
SUZUKI.....	591 -595

T

TALBOT.....	595 -596
TASSO.....	596
TATA.....	596 -597
TOYOTA.....	597 -610
TVR.....	610

U

UAZ.....	611
UMM.....	611

V

VAUXHALL.....	611 -633
VOLKSWAGEN.....	633 -720
VOLVO.....	720 -744

W

WARTBURG.....	745
WEISMANN.....	745

Z

ZASTAVA (YUGO).....	745 -746
ZAVOLI.....	746



Applications - Applicazioni Affectations - Anwendungen Aplicaciones.....	747 -766
Cross references - Corrispondenze Correspondances - Vergleichsnummern Cruce de referencias.....	767 -926
Sizes - Dimensionario - Dimensions Abmessungen - Dimensiones.....	927 -970

ABARTH

cars/auto

124 Spider

1.4 Turbo MultiAir	55253268	125	170	03/16	>	25.043.00				
500 (150) esseesse										
1.4 16V Turbo										
with air-conditioner / con climatizzatore	312A1000	99	135	05/08	>	09/11	25.043.00		30.A69.00	53.088.00
with air-conditioner / con climatizzatore	312A1000	99	135	10/11	>		25.043.00		30.A69.00	53.210.00
with activated carbon air-conditioner / con climatizzatore, ai carboni attivi	312A1000	99	135	05/08	>	09/11				54.221.00
with activated carbon air-conditioner / con climatizzatore, ai carboni attivi	312A1000	99	135	10/11	>					54.248.00
antibacterial, anti-odour and anti-allergen filter / filtro antibatterico, antiodori e anti-allergeni	312A1000	99	135	05/08	>	09/11				34.221.00
antibacterial, anti-odour and anti-allergen filter / filtro antibatterico, antiodori e anti-allergeni	312A1000	99	135	10/11	>					34.248.00
1.4 16V Turbo										
with air-conditioner / con climatizzatore	312A3000	103	140	05/10	>	09/11	25.043.00		30.A69.00	53.088.00
with air-conditioner / con climatizzatore	312A3000	103	140	10/11	>		25.043.00		30.A69.00	53.210.00
with activated carbon air-conditioner / con climatizzatore, ai carboni attivi	312A3000	103	140	05/10	>	09/11				54.221.00
with activated carbon air-conditioner / con climatizzatore, ai carboni attivi	312A3000	103	140	10/11	>					54.248.00
antibacterial, anti-odour and anti-allergen filter / filtro antibatterico, antiodori e anti-allergeni	312A3000	103	140	05/10	>	09/11				34.221.00
antibacterial, anti-odour and anti-allergen filter / filtro antibatterico, antiodori e anti-allergeni	312A3000	103	140	10/11	>					34.248.00
1.4 16V Turbo tributo Ferrari										
with air-conditioner / con climatizzatore	312A3000	132	179	08/08	>	09/11	25.043.00			53.088.00
with air-conditioner / con climatizzatore	312A3000	132	179	10/11	>		25.043.00			53.210.00
with activated carbon air-conditioner / con climatizzatore, ai carboni attivi	312A3000	132	179	08/08	>	09/11				54.221.00
with activated carbon air-conditioner / con climatizzatore, ai carboni attivi	312A3000	132	179	10/11	>					54.248.00
antibacterial, anti-odour and anti-allergen filter / filtro antibatterico, antiodori e anti-allergeni	312A3000	132	179	08/08	>	09/11				34.221.00
antibacterial, anti-odour and anti-allergen filter / filtro antibatterico, antiodori e anti-allergeni	312A3000	132	179	10/11	>					34.248.00
500 C (150)										
1.4 16V Turbo										
with air-conditioner / con climatizzatore	312A1000	99	135	06/10	>	09/11	25.043.00		30.A69.00	53.088.00
with air-conditioner / con climatizzatore	312A1000	99	135	10/11	>		25.043.00		30.A69.00	53.210.00
with activated carbon air-conditioner / con climatizzatore, ai carboni attivi	312A1000	99	135	06/10	>	09/11				54.221.00
with activated carbon air-conditioner / con climatizzatore, ai carboni attivi	312A1000	99	135	10/11	>					54.248.00
antibacterial, anti-odour and anti-allergen filter / filtro antibatterico, antiodori e anti-allergeni	312A1000	99	135	06/10	>	09/11				34.221.00
antibacterial, anti-odour and anti-allergen filter / filtro antibatterico, antiodori e anti-allergeni	312A1000	99	135	10/11	>					34.248.00
500 C esseesse (150)										
1.4 16V Turbo										
with air-conditioner / con climatizzatore	312A1000	118	160	05/11	>	09/11	25.043.00		30.A69.00	53.088.00
with air-conditioner / con climatizzatore	312A1000	118	160	10/11	>		25.043.00		30.A69.00	53.210.00
with activated carbon air-conditioner / con climatizzatore, ai carboni attivi	312A1000	118	160	05/11	>	09/11				54.221.00
with activated carbon air-conditioner / con climatizzatore, ai carboni attivi	312A1000	118	160	10/11	>					54.248.00
antibacterial, anti-odour and anti-allergen filter / filtro antibatterico, antiodori e anti-allergeni	312A1000	118	160	05/11	>	09/11				34.221.00
antibacterial, anti-odour and anti-allergen filter / filtro antibatterico, antiodori e anti-allergeni	312A1000	118	160	10/11	>					34.248.00
500 Custom (150)										
1.4 Turbo										
with air-conditioner / con climatizzatore	312A1000	99	135	01/12	>		25.043.00		30.A69.00	53.210.00
with activated carbon air-conditioner / con climatizzatore, ai carboni attivi	312A1000	99	135	01/12	>					54.248.00
antibacterial, anti-odour and anti-allergen filter / filtro antibatterico, antiodori e anti-allergeni	312A1000	99	135	01/12	>					34.248.00
595										
1.4 Turbo T-Jet										
with air-conditioner / con climatizzatore	312B3000	121	165	05/16	>		25.043.00		30.A69.00	53.210.00
with activated carbon air-conditioner / con climatizzatore, ai carboni attivi	312B3000	121	165	05/16	>					54.248.00
antibacterial, anti-odour and anti-allergen filter / filtro antibatterico, antiodori e anti-allergeni	312B3000	121	165	05/16	>					34.248.00
1.4 Turbo T-Jet										
with air-conditioner / con climatizzatore	312B4000	107	145	05/16	>		25.043.00		30.A69.00	53.210.00
with activated carbon air-conditioner / con climatizzatore, ai carboni attivi	312B4000	107	145	05/16	>					54.248.00
antibacterial, anti-odour and anti-allergen filter / filtro antibatterico, antiodori e anti-allergeni	312B4000	107	145	05/16	>					34.248.00
1.4 Turbo T-Jet										
with air-conditioner / con climatizzatore	312B6000	120	163	05/16	>		25.043.00		30.A69.00	53.210.00
with activated carbon air-conditioner / con climatizzatore, ai carboni attivi	312B6000	120	163	05/16	>					54.248.00
antibacterial, anti-odour and anti-allergen filter / filtro antibatterico, antiodori e anti-allergeni	312B6000	120	163	05/16	>					34.248.00
50° Anniversario										
with air-conditioner / con climatizzatore	312A3000	132	180	10/11	>		25.043.00			53.210.00
with activated carbon air-conditioner / con climatizzatore, ai carboni attivi	312A3000	132	180	10/11	>					54.248.00
antibacterial, anti-odour and anti-allergen filter / filtro antibatterico, antiodori e anti-allergeni	312A3000	132	180	10/11	>					34.248.00
Competizione										
with air-conditioner / con climatizzatore	312A1000	118	160	10/11	>		25.043.00			53.210.00
with activated carbon air-conditioner / con climatizzatore, ai carboni attivi	312A1000	118	160	10/11	>					54.248.00
antibacterial, anti-odour and anti-allergen filter / filtro antibatterico, antiodori e anti-allergeni	312A1000	118	160	10/11	>					34.248.00
Competizione										

A


...ABARTH - cars/auto

 A

with air-conditioner / con climatizzatore	312A3000	132	180	10/11	>	25.043.00			53.210.00
with activated carbon air-conditioner / con climatizzatore, ai carboni attivi	312A3000	132	180	10/11	>				54.248.00
antibacterial, anti-odour and anti-allergen filter / filtro antibatterico, antiodori e anti-allergeni	312A3000	132	180	10/11	>				34.248.00
Turismo									
with air-conditioner / con climatizzatore	312A1000	118	160	10/11	>	25.043.00			53.210.00
with activated carbon air-conditioner / con climatizzatore, ai carboni attivi	312A1000	118	160	10/11	>				54.248.00
antibacterial, anti-odour and anti-allergen filter / filtro antibatterico, antiodori e anti-allergeni	312A1000	118	160	10/11	>				34.248.00
Turismo									
with air-conditioner / con climatizzatore	312A3000	132	180	10/11	>	25.043.00			53.210.00
with activated carbon air-conditioner / con climatizzatore, ai carboni attivi	312A3000	132	180	10/11	>				54.248.00
antibacterial, anti-odour and anti-allergen filter / filtro antibatterico, antiodori e anti-allergeni	312A3000	132	180	10/11	>				34.248.00
695									
Edizione Maserati									
with air-conditioner / con climatizzatore	312A3000	132	180	10/11	>	25.043.00			53.210.00
with activated carbon air-conditioner / con climatizzatore, ai carboni attivi	312A3000	132	180	10/11	>				54.248.00
antibacterial, anti-odour and anti-allergen filter / filtro antibatterico, antiodori e anti-allergeni	312A3000	132	180	10/11	>				34.248.00
Tributo Ferrari									
with air-conditioner / con climatizzatore	312A3000	132	180	08/08	> 09/11	25.043.00			53.088.00
with air-conditioner / con climatizzatore	312A3000	132	180	10/11	>	25.043.00			53.210.00
with activated carbon air-conditioner / con climatizzatore, ai carboni attivi	312A3000	132	180	08/08	> 09/11				54.221.00
with activated carbon air-conditioner / con climatizzatore, ai carboni attivi	312A3000	132	180	10/11	>				54.248.00
antibacterial, anti-odour and anti-allergen filter / filtro antibatterico, antiodori e anti-allergeni	312A3000	132	180	08/08	> 09/11				34.221.00
antibacterial, anti-odour and anti-allergen filter / filtro antibatterico, antiodori e anti-allergeni	312A3000	132	180	10/11	>				34.248.00
Grande Punto (199)									
1.4 T-Jet 16V									
with air-conditioner / con climatizzatore	199A8000	114	155	09/07	>	25.043.00		30.297.00	53.124.00
with activated carbons / ai carboni attivi	199A8000	114	155	09/07	>				54.162.00
antibacterial, anti-odour and anti-allergen filter / filtro antibatterico, antiodori e anti-allergeni	199A8000	114	155	09/07	>				34.162.00
1.4 T-Jet 16V esseesse 180									
with air-conditioner / con climatizzatore		132	180	09/07	>	25.043.00			53.124.00
with activated carbons / ai carboni attivi		132	180	09/07	>				54.162.00
antibacterial, anti-odour and anti-allergen filter / filtro antibatterico, antiodori e anti-allergeni		132	180	09/07	>				34.162.00
Punto Evo									
1.4 T-Jet 16V 165 Multiair									
with air-conditioner / con climatizzatore		121	165	05/10	>	25.043.00		30.297.00	53.124.00
with activated carbons / ai carboni attivi		121	165	05/10	>				54.162.00
antibacterial, anti-odour and anti-allergen filter / filtro antibatterico, antiodori e anti-allergeni		121	165	05/10	>				34.162.00
Punto MY.2012									
1.4 Turbo Multiair									
with air-conditioner / con climatizzatore	955A8000	120	163	01/12	>	25.043.00		30.297.00	53.124.00
with activated carbons / ai carboni attivi	955A8000	120	163	01/12	>				54.162.00
antibacterial, anti-odour and anti-allergen filter / filtro antibatterico, antiodori e anti-allergeni	955A8000	120	163	01/12	>				34.162.00
AIXAM microcars/microvetture									
325 Serie									
325 i									
spin-on / avvitabile	Lombardini 6LD325			01/83	>	23.131.00	24.352.00	27.707.00	
tank filter / filtro per serbatoio	Lombardini 6LD325			01/83	>		26.660.00		
400 Serie									
400 Mac									
	Kubota Diesel			01/92	>	23.424.00	26.680.00		
400 SL									
	Kubota Diesel			01/92	>	23.424.00	26.680.00		
500 Serie									
500.5									
	Lombardini LGW523			01/05	>	23.262.00	31.001.00	27.A05.00	
A751									
	Lombardini LGW523			01/05	>	23.262.00		27.A05.00	
Crossline MPI									
	Lombardini LGW523			01/05	>	23.262.00		27.A05.00	
Roadline MPI									
	Lombardini LGW523			01/05	>	23.262.00		27.A05.00	
Scouty GT/GT R									
	Lombardini LGW523			01/05	>	23.262.00		27.A05.00	
ALFA ROMEO cars/auto									
4C (960)									
1750 Turbo									
	960A1000	177	240	03/13	>	23.596.00		27.630.00	
4C Spider (960)									
1750 Turbo									
	960A1000	177	240	10/14	>	23.596.00		27.630.00	
Alfa 145									
1.4 i 16V Twin Spark (MY 99)									
with air-conditioner (spare part only) / con climatizzatore (solo ricambio)				02/99	> 01/01	23.415.00		30.066.00	53.019.00
1.4 i 16V Twin Spark Junior									
with air-conditioner (spare part only) / con climatizzatore (solo ricambio)				05/98	> 01/01	23.415.00		30.066.00	53.019.00
1.6 i 16V Twin Spark (MY 99)									
with air-conditioner (spare part only) / con climatizzatore (solo ricambio)				02/99	> 01/01	23.415.00		30.066.00	53.019.00
1.6 i 16V Twin Spark Junior									

...ALFA ROMEO - cars/auto

with air-conditioner (spare part only) / con climatizzatore (solo ricambio)				05/98 > 01/01	23.415.00		30.066.00	53.019.00
1.8 i 16V Twin Spark								
with air-conditioner (spare part only) / con climatizzatore (solo ricambio)				06/98 > 01/01	23.415.00		30.066.00	53.019.00
1.9 JTD (MY 99)								
with air-conditioner (spare part only) / con climatizzatore (solo ricambio)	77	105		02/99 > 01/01	23.414.00	24.408.00	30.066.00	53.019.00
or / oppure	77	105		02/99 > 01/01	23.449.00	24.H2O.00	30.066.00	53.019.00
2.0 i 16V Twin Spark Quadrifoglio (MY 99)								
with air-conditioner (spare part only) / con climatizzatore (solo ricambio)				02/99 > 01/01	23.415.00		30.066.00	53.019.00
Alfa 146								
1.4 i 16V Twin Spark (MY 99)								
with air-conditioner (spare part only) / con climatizzatore (solo ricambio)				02/99 > 01/01	23.415.00		30.066.00	53.019.00
1.4 i 16V Twin Spark Junior								
with air-conditioner (spare part only) / con climatizzatore (solo ricambio)				05/98 > 01/01	23.415.00		30.066.00	53.019.00
1.6 i 16V Twin Spark (MY 99)								
with air-conditioner (spare part only) / con climatizzatore (solo ricambio)				02/99 > 01/01	23.415.00		30.066.00	53.019.00
1.6 i 16V Twin Spark Junior								
with air-conditioner (spare part only) / con climatizzatore (solo ricambio)				05/98 > 01/01	23.415.00		30.066.00	53.019.00
1.9 JTD								
with air-conditioner (spare part only) / con climatizzatore (solo ricambio)	77	105		02/99 > 01/01	23.414.00	24.408.00	30.066.00	53.019.00
or / oppure	77	105		02/99 > 01/01	23.449.00	24.H2O.00	30.066.00	53.019.00
2.0 i 16V Twin Spark Quadrifoglio (MY 99)								
with air-conditioner (spare part only) / con climatizzatore (solo ricambio)				02/99 > 01/01	23.415.00		30.066.00	53.019.00
Alfa 147								
1.6 16V Twin Spark	AR32104	88	120	10/00 > 06/11	23.415.00		30.127.00	54.104.00
antibacterial, anti-odour and anti-allergen filter / filtro antibatterico, antiodori e anti-allergeni	AR32104	88	120	10/00 > 06/11				34.104.00
1.6 16V Twin Spark	AR37203	77	105	10/00 > 06/11	23.415.00		30.127.00	54.104.00
antibacterial, anti-odour and anti-allergen filter / filtro antibatterico, antiodori e anti-allergeni	AR37203	77	105	10/00 > 06/11				34.104.00
1.9 JTD 16V CF3	192A5000	103	140	01/02 > 01/03	23.455.00	24.H2O.03	30.128.00	54.104.00
	192A5000	103	140	02/03 > 06/11	23.455.00	24.H2O.04	30.128.00	54.104.00
antibacterial, anti-odour and anti-allergen filter / filtro antibatterico, antiodori e anti-allergeni	192A5000	103	140	01/02 > 06/11				34.104.00
1.9 JTD 16V CF3	937A4000	93	126	01/03 > 06/11	23.455.00	24.H2O.04	30.128.00	54.104.00
antibacterial, anti-odour and anti-allergen filter / filtro antibatterico, antiodori e anti-allergeni	937A4000	93	126	01/03 > 06/11				34.104.00
1.9 JTD 16V M-Jet	937A5000	110	150	10/04 > 06/11	23.455.00	24.H2O.04	30.128.00	54.104.00
antibacterial, anti-odour and anti-allergen filter / filtro antibatterico, antiodori e anti-allergeni	937A5000	110	150	10/04 > 06/11				34.104.00
1.9 JTD 16V M-Jet	937A5000	125	170	03/08 > 06/11	23.455.00	24.H2O.04	30.128.00	54.104.00
antibacterial, anti-odour and anti-allergen filter / filtro antibatterico, antiodori e anti-allergeni	937A5000	125	170	03/08 > 06/11				34.104.00
1.9 JTD 16V M-Jet Q2	937A5000	110	150	11/06 > 06/11	23.455.00	24.H2O.04	30.128.00	54.104.00
antibacterial, anti-odour and anti-allergen filter / filtro antibatterico, antiodori e anti-allergeni	937A5000	110	150	11/06 > 06/11				34.104.00
1.9 JTD CF3	182B9000	74	100	04/03 > 06/11	23.455.00	24.H2O.04	30.128.00	54.104.00
antibacterial, anti-odour and anti-allergen filter / filtro antibatterico, antiodori e anti-allergeni	182B9000	74	100	04/03 > 06/11				34.104.00
1.9 JTD CF3	937A2000	85	115	12/00 > 12/02	23.455.00	24.H2O.00	30.128.00	54.104.00
	937A2000	85	115	01/03 > 06/11	23.455.00	24.H2O.04	30.128.00	54.104.00
antibacterial, anti-odour and anti-allergen filter / filtro antibatterico, antiodori e anti-allergeni	937A2000	85	115	12/00 > 06/11				34.104.00
1.9 JTD CF3	AR37101	81	110	12/00 > 12/02	23.455.00	24.H2O.00	30.128.00	54.104.00
	AR37101	81	110	01/03 > 06/11	23.455.00	24.H2O.04	30.128.00	54.104.00
antibacterial, anti-odour and anti-allergen filter / filtro antibatterico, antiodori e anti-allergeni	AR37101	81	110	12/00 > 06/11				34.104.00
1.9 JTD E4	937A3000	88	120	10/04 > 06/11	23.455.00	24.H2O.04	30.128.00	54.104.00
antibacterial, anti-odour and anti-allergen filter / filtro antibatterico, antiodori e anti-allergeni	937A3000	88	120	10/04 > 06/11				34.104.00
2.0 16V Twin Spark	AR32310	110	150	10/00 > 06/11	23.415.00		30.127.00	54.104.00
antibacterial, anti-odour and anti-allergen filter / filtro antibatterico, antiodori e anti-allergeni	AR32310	110	150	10/00 > 06/11				34.104.00
2.0 16V Twin Spark Selespeed	AR32310	110	150	10/00 > 06/11	23.415.00		30.127.00	54.104.00
antibacterial, anti-odour and anti-allergen filter / filtro antibatterico, antiodori e anti-allergeni	AR32310	110	150	10/00 > 06/11				34.104.00
2.0 JTS 16V	937A1000	122	166	01/02 > 09/04	23.418.00		30.127.00	54.104.00
	937A1000	122	166	10/04 > 06/11	23.460.00		30.127.00	54.104.00
antibacterial, anti-odour and anti-allergen filter / filtro antibatterico, antiodori e anti-allergeni	937A1000	122	166	01/02 > 06/11				34.104.00
3.2 GTA	932A000	184	250	01/02 > 06/11	23.448.00		27.366.00	54.104.00
antibacterial, anti-odour and anti-allergen filter / filtro antibatterico, antiodori e anti-allergeni	932A000	184	250	01/02 > 06/11				34.104.00
3.2 GTA Selespeed	932A000	184	250	01/02 > 06/11	23.448.00		27.366.00	54.104.00
antibacterial, anti-odour and anti-allergen filter / filtro antibatterico, antiodori e anti-allergeni	932A000	184	250	01/02 > 06/11				34.104.00
Alfa 156								
1.6 16V TS Sportwagon								
with activated carbon R.H.D. / con guida a destra, ai carboni attivi	AR32104	88	120	09/00 > 12/01				54.239.00
with L.H.D. / con guida a sinistra	AR32104	88	120	09/00 > 12/01	23.415.00		27.366.00	54.107.00
with L.H.D. / con guida a sinistra	AR32104	88	120	01/02 > 12/05	23.415.00		27.366.00	54.104.00
antibacterial, anti-odour and anti-allergen filter with L.H.D. / filtro antibatterico, antiodori e anti-allergeni con guida a sinistra	AR32104	88	120	01/02 > 12/05				34.104.00
1.6 16V Twin Spark								
with activated carbon R.H.D. / con guida a destra, ai carboni attivi	AR32104	88	120	09/00 > 12/01				54.239.00

...ALFA ROMEO - cars/auto

A

with L.H.D. / con guida a sinistra	AR32104	88	120	09/00	>	12/01	23.415.00		27.366.00	54.107.00
with L.H.D. / con guida a sinistra	AR32104	88	120	01/02	>	12/05	23.415.00		27.366.00	54.104.00
antibacterial, anti-odour and anti-allergen filter with L.H.D. / filtro antibatterico, antiodori e anti-allergeni con guida a sinistra	AR32104	88	120	01/02	>	12/05				34.104.00
1.6 16V Twin Spark										
with activated carbon R.H.D. / con guida a destra, ai carboni attivi	AR67601	88	120	09/97	>	12/01				54.239.00
with L.H.D. / con guida a sinistra	AR67601	88	120	01/99	>	12/01	23.415.00		27.366.00	54.107.00
1.6 16V Twin Spark (F)	AR32102	88	120	01/99	>	12/01	23.415.00		27.366.00	54.107.00
with activated carbon R.H.D. / con guida a destra, ai carboni attivi	AR32102	88	120	09/97	>	12/01				54.239.00
1.6 16V Twin Spark (F)	AR32103	88	120	01/02	>	12/05	23.415.00		27.366.00	54.104.00
antibacterial, anti-odour and anti-allergen filter / filtro antibatterico, antiodori e anti-allergeni	AR32103	88	120	01/02	>	12/05				34.104.00
1.8 16V TS Sportwagon	AR32205	103	140	01/02	>	12/05	23.415.00		27.366.00	54.104.00
with activated carbon R.H.D. / con guida a destra, ai carboni attivi	AR32205	103	140	09/00	>	12/01				54.239.00
with L.H.D. / con guida a sinistra	AR32205	103	140	09/00	>	12/01	23.415.00		27.366.00	54.107.00
antibacterial, anti-odour and anti-allergen filter / filtro antibatterico, antiodori e anti-allergeni	AR32205	103	140	01/02	>	12/05				34.104.00
1.8 16V Twin Spark										
with activated carbon R.H.D. / con guida a destra, ai carboni attivi	AR32201	106	144	09/97	>	09/00				54.239.00
with L.H.D. / con guida a sinistra	AR32201	106	144	01/99	>	09/00	23.415.00		27.366.00	54.107.00
1.8 16V Twin Spark	AR32205	103	140	01/02	>	12/05	23.415.00		27.366.00	54.104.00
with activated carbon R.H.D. / con guida a destra, ai carboni attivi	AR32205	103	140	09/00	>	12/01				54.239.00
with L.H.D. / con guida a sinistra	AR32205	103	140	09/00	>	12/01	23.415.00		27.366.00	54.107.00
antibacterial, anti-odour and anti-allergen filter / filtro antibatterico, antiodori e anti-allergeni	AR32205	103	140	01/02	>	12/05				34.104.00
1.9 JTD 16V 4x4 F3 Sportwagon	937A5000	110	150	07/04	>	12/06	23.455.00	24.H2O.04	27.366.00	54.104.00
antibacterial, anti-odour and anti-allergen filter / filtro antibatterico, antiodori e anti-allergeni	937A5000	110	150	07/04	>	12/06				34.104.00
1.9 JTD 16V CF3	192A5000	103	140	01/02	>	01/03	23.455.00	24.H2O.03	27.366.00	54.104.00
	192A5000	103	140	02/03	>	12/05	23.455.00	24.H2O.04	27.366.00	54.104.00
antibacterial, anti-odour and anti-allergen filter / filtro antibatterico, antiodori e anti-allergeni	192A5000	103	140	01/02	>	12/05				34.104.00
1.9 JTD 16V CF3 (B)	192B1000	100	136	01/03	>	12/05	23.455.00	24.H2O.04	27.366.00	54.104.00
antibacterial, anti-odour and anti-allergen filter / filtro antibatterico, antiodori e anti-allergeni	192B1000	100	136	01/03	>	12/05				34.104.00
1.9 JTD 16V F3	937A5000	110	150	07/04	>	12/06	23.455.00	24.H2O.04	27.366.00	54.104.00
antibacterial, anti-odour and anti-allergen filter / filtro antibatterico, antiodori e anti-allergeni	937A5000	110	150	07/04	>	12/06				34.104.00
1.9 JTD 16V F3 Sportwagon	937A5000	110	150	07/04	>	12/06	23.455.00	24.H2O.04	27.366.00	54.104.00
antibacterial, anti-odour and anti-allergen filter / filtro antibatterico, antiodori e anti-allergeni	937A5000	110	150	07/04	>	12/06				34.104.00
1.9 JTD 16V Sportwagon CF3	192A5000	103	140	01/02	>	01/03	23.455.00	24.H2O.03	27.366.00	54.104.00
	192A5000	103	140	02/03	>	12/06	23.455.00	24.H2O.04	27.366.00	54.104.00
antibacterial, anti-odour and anti-allergen filter / filtro antibatterico, antiodori e anti-allergeni	192A5000	103	140	01/02	>	12/06				34.104.00
1.9 JTD 16V Sportwagon CF3 (B)	192B1000	100	136	01/03	>	12/06	23.455.00	24.H2O.04	27.366.00	54.104.00
antibacterial, anti-odour and anti-allergen filter / filtro antibatterico, antiodori e anti-allergeni	192B1000	100	136	01/03	>	12/06				34.104.00
1.9 JTD CF2										
with activated carbon R.H.D. / con guida a destra, ai carboni attivi	AR32302	77	105	09/97	>	09/00				54.239.00
with L.H.D. / con guida a sinistra	AR32302	77	105	01/99	>	09/00	23.414.00	24.408.00	27.366.00	54.107.00
or / oppure	AR32302	77	105	01/99	>	09/00	23.449.00	24.H2O.00	27.366.00	54.107.00
1.9 JTD CF3										
with ALFA ROMEO 60816460 / con ALFA ROMEO 60816460	937A2000	85	115	01/02	>	11/03	23.455.00	24.H2O.00	27.366.00	54.104.00
with ALFA ROMEO 60816460 / con ALFA ROMEO 60816460	937A2000	85	115	12/03	>	12/05	23.455.00	24.H2O.04	27.366.00	54.104.00
with activated carbon R.H.D. / con guida a destra, ai carboni attivi	937A2000	85	115	04/01	>	12/01				54.239.00
with L.H.D. / con guida a sinistra	937A2000	85	115	04/01	>	06/01	23.449.00	24.H2O.00	27.366.00	54.107.00
with L.H.D. / con guida a sinistra	937A2000	85	115	06/01	>	12/01	23.455.00	24.H2O.00	27.366.00	54.107.00
antibacterial, anti-odour and anti-allergen filter with ALFA ROMEO 60816460 / filtro antibatterico, antiodori e anti-allergeni con ALFA ROMEO 60816460	937A2000	85	115	01/02	>	12/05				34.104.00
1.9 JTD CF3										
with activated carbon R.H.D. / con guida a destra, ai carboni attivi	AR37101	81	110	09/00	>	12/01				54.239.00
with L.H.D. / con guida a sinistra	AR37101	81	110	09/00	>	12/01	23.414.00	24.H2O.00	27.366.00	54.107.00
or / oppure	AR37101	81	110	09/00	>	12/01	23.449.00	24.H2O.00	27.366.00	54.107.00
1.9 JTD CF3 (F)	937A4000	93	126	11/03	>	09/05	23.455.00	24.H2O.04	27.366.00	54.104.00
antibacterial, anti-odour and anti-allergen filter / filtro antibatterico, antiodori e anti-allergeni	937A4000	93	126	12/03	>	09/05				34.104.00
1.9 JTD CF3 Sportwagon										
with ALFA ROMEO 60816460 / con ALFA ROMEO 60816460	937A2000	85	115	01/02	>	11/03	23.455.00	24.H2O.00	27.366.00	54.104.00
with ALFA ROMEO 60816460 / con ALFA ROMEO 60816460	937A2000	85	115	12/03	>	12/05	23.455.00	24.H2O.04	27.366.00	54.104.00
with activated carbon R.H.D. / con guida a destra, ai carboni attivi	937A2000	85	115	04/01	>	12/01				54.239.00
with L.H.D. / con guida a sinistra	937A2000	85	115	04/01	>	06/01	23.449.00	24.H2O.00	27.366.00	54.107.00
with L.H.D. / con guida a sinistra	937A2000	85	115	06/01	>	12/01	23.455.00	24.H2O.00	27.366.00	54.107.00
antibacterial, anti-odour and anti-allergen filter with ALFA ROMEO 60816460 / filtro antibatterico, antiodori e anti-allergeni con ALFA ROMEO 60816460	937A2000	85	115	01/02	>	12/05				34.104.00
1.9 JTD CF3 Sportwagon										
with activated carbon R.H.D. / con guida a destra, ai carboni attivi	AR37101	81	110	09/00	>	12/01				54.239.00
with L.H.D. / con guida a sinistra	AR37101	81	110	09/00	>	12/01	23.414.00	24.H2O.00	27.366.00	54.107.00
or / oppure	AR37101	81	110	09/00	>	12/01	23.449.00	24.H2O.00	27.366.00	54.107.00
2.0 16V TS CF3 Sportwagon	AR32310	110	150	01/02	>	12/05	23.415.00		27.366.00	54.104.00
with activated carbon R.H.D. / con guida a destra, ai carboni attivi	AR32310	110	150	09/00	>	12/01				54.239.00

...ALFA ROMEO - cars/auto

with L.H.D. / con guida a sinistra	AR32310	110	150	09/00	>	12/01	23.415.00		27.366.00	54.107.00
antibacterial, anti-odour and anti-allergen filter / filtro antibatterico, antiodori e anti-allergeni	AR32310	110	150	01/02	>	12/05				34.104.00
2.0 16V Twin Spark CF2										
with activated carbon R.H.D. / con guida a destra, ai carboni attivi	AR32301	114	155	09/97	>	09/00				54.239.00
with L.H.D. / con guida a sinistra	AR32301	114	155	01/99	>	09/00	23.415.00		27.366.00	54.107.00
2.0 16V Twin Spark CF2 (BR)										
with activated carbon R.H.D. / con guida a destra, ai carboni attivi	AR32303	114	155	09/97	>	12/01	23.415.00		27.366.00	54.107.00
with L.H.D. / con guida a sinistra	AR32303	114	155	01/99	>	12/01				54.239.00
2.0 16V Twin Spark CF3										
with activated carbon R.H.D. / con guida a destra, ai carboni attivi	AR32310	110	150	01/02	>	12/06	23.415.00		27.366.00	54.104.00
with L.H.D. / con guida a sinistra	AR32310	110	150	09/00	>	12/01				54.239.00
antibacterial, anti-odour and anti-allergen filter / filtro antibatterico, antiodori e anti-allergeni	AR32310	110	150	01/02	>	12/06	23.415.00		27.366.00	54.107.00
2.0 JTS 16V										
	937A1000	121	165	03/02	>	10/03	23.418.00		27.366.00	54.104.00
	937A1000	121	165	11/03	>	09/04	23.418.00	31.515.00	27.366.00	54.104.00
	937A1000	121	165	10/04	>	12/05	23.460.00	31.515.00	27.366.00	54.104.00
antibacterial, anti-odour and anti-allergen filter / filtro antibatterico, antiodori e anti-allergeni	937A1000	121	165	03/02	>	12/05				34.104.00
2.0 JTS 16V (B)										
	932A2000	119	162	03/02	>	10/03	23.418.00		27.366.00	54.104.00
	932A2000	119	162	11/03	>	09/04	23.418.00	31.515.00	27.366.00	54.104.00
	932A2000	119	162	10/04	>	12/05	23.460.00	31.515.00	27.366.00	54.104.00
antibacterial, anti-odour and anti-allergen filter / filtro antibatterico, antiodori e anti-allergeni	932A2000	119	162	03/02	>	12/05				34.104.00
2.0 JTS 16V Sportwagon										
	937A1000	121	165	03/02	>	10/03	23.418.00		27.366.00	54.104.00
	937A1000	121	165	11/03	>	09/04	23.418.00	31.515.00	27.366.00	54.104.00
	937A1000	121	165	10/04	>	12/05	23.460.00	31.515.00	27.366.00	54.104.00
antibacterial, anti-odour and anti-allergen filter / filtro antibatterico, antiodori e anti-allergeni	937A1000	121	165	03/02	>	12/05				34.104.00
2.4 JTD 20V CF3										
	841G000	129	175	05/03	>	12/06	23.455.00	24.H2O.04	27.366.00	54.104.00
antibacterial, anti-odour and anti-allergen filter / filtro antibatterico, antiodori e anti-allergeni	841G000	129	175	05/03	>	12/06				34.104.00
2.4 JTD 20V CF3 Sportwagon										
	841G000	129	175	05/03	>	12/06	23.455.00	24.H2O.04	27.366.00	54.104.00
antibacterial, anti-odour and anti-allergen filter / filtro antibatterico, antiodori e anti-allergeni	841G000	129	175	05/03	>	12/06				34.104.00
2.4 JTD CF2										
with activated carbon R.H.D. / con guida a destra, ai carboni attivi	AR32501	100	136	09/97	>	09/00				54.239.00
with L.H.D. / con guida a sinistra	AR32501	100	136	01/99	>	09/00	23.434.00	24.408.00	27.366.00	54.107.00
or / oppure	AR32501	100	136	01/99	>	09/00	23.449.00	24.H2O.00	27.366.00	54.107.00
2.4 JTD CF3										
with activated carbon R.H.D. / con guida a destra, ai carboni attivi	839A6000	103	140	10/00	>	03/02				54.239.00
with L.H.D. / con guida a sinistra	839A6000	103	140	10/00	>	03/02	23.434.00	24.H2O.00	27.366.00	54.107.00
or / oppure	839A6000	103	140	10/00	>	03/02	23.449.00	24.H2O.00	27.366.00	54.107.00
2.4 JTD CF3										
	841C000	110	150	01/02	>	12/02	23.449.00	24.H2O.00	27.366.00	54.104.00
	841C000	110	150	01/03	>	12/05	23.449.00	24.H2O.04	27.366.00	54.104.00
antibacterial, anti-odour and anti-allergen filter / filtro antibatterico, antiodori e anti-allergeni	841C000	110	150	01/02	>	12/05				34.104.00
2.4 JTD CF3 (B)										
	841M000	120	163	05/03	>	12/06	23.455.00	24.H2O.04	27.366.00	54.104.00
antibacterial, anti-odour and anti-allergen filter / filtro antibatterico, antiodori e anti-allergeni	841M000	120	163	05/03	>	12/06				34.104.00
2.4 JTD CF3 Sportwagon										
with activated carbon R.H.D. / con guida a destra, ai carboni attivi	839A6000	103	140	10/00	>	03/02				54.239.00
with L.H.D. / con guida a sinistra	839A6000	103	140	10/00	>	03/02	23.434.00	24.H2O.00	27.366.00	54.107.00
or / oppure	839A6000	103	140	10/00	>	03/02	23.449.00	24.H2O.00	27.366.00	54.107.00
2.4 JTD CF3 Sportwagon										
	841C000	110	150	01/02	>	12/02	23.449.00	24.H2O.00	27.366.00	54.104.00
	841C000	110	150	01/03	>	12/05	23.449.00	24.H2O.04	27.366.00	54.104.00
antibacterial, anti-odour and anti-allergen filter / filtro antibatterico, antiodori e anti-allergeni	841C000	110	150	01/02	>	12/05				34.104.00
2.4 JTD CF3 Sportwagon (B)										
	841M000	120	163	05/03	>	12/06	23.455.00	24.H2O.04	27.366.00	54.104.00
antibacterial, anti-odour and anti-allergen filter / filtro antibatterico, antiodori e anti-allergeni	841M000	120	163	05/03	>	12/06				34.104.00
2.5 V6 24V CF2										
with activated carbon R.H.D. / con guida a destra, ai carboni attivi	AR32401	140	190	09/97	>	09/00				54.239.00
with L.H.D. / con guida a sinistra	AR32401	140	190	01/99	>	09/00	23.415.00		27.366.00	54.107.00
2.5 V6 24V CF3										
with activated carbon R.H.D. / con guida a destra, ai carboni attivi	AR32405	141	192	01/02	>	12/05	23.415.00		27.366.00	54.104.00
with L.H.D. / con guida a sinistra	AR32405	141	192	09/00	>	12/01				54.239.00
antibacterial, anti-odour and anti-allergen filter / filtro antibatterico, antiodori e anti-allergeni	AR32405	141	192	09/00	>	12/01	23.415.00		27.366.00	54.107.00
2.5 V6 24V CF3 Sportwagon										
with activated carbon R.H.D. / con guida a destra, ai carboni attivi	AR32405	141	192	01/02	>	12/05	23.415.00		27.366.00	54.104.00
with L.H.D. / con guida a sinistra	AR32405	141	192	09/00	>	12/01				54.239.00
antibacterial, anti-odour and anti-allergen filter / filtro antibatterico, antiodori e anti-allergeni	AR32405	141	192	01/02	>	12/05	23.415.00		27.366.00	54.107.00
3.2 V6 GTA										
	932A000	184	250	03/02	>	12/05	23.448.00		27.366.00	54.104.00
antibacterial, anti-odour and anti-allergen filter / filtro antibatterico, antiodori e anti-allergeni	932A000	184	250	10/00	>	06/11				34.104.00
3.2 V6 GTA Selespeed										
	932A000	184	250	03/02	>	12/05	23.448.00		27.366.00	54.104.00
antibacterial, anti-odour and anti-allergen filter / filtro antibatterico, antiodori e anti-allergeni	932A000	184	250	03/02	>	12/05				34.104.00
3.2 V6 GTA Selespeed Sportwagon										
	932A000	184	250	03/02	>	12/05	23.448.00		27.366.00	54.104.00
antibacterial, anti-odour and anti-allergen filter / filtro antibatterico, antiodori e anti-allergeni	932A000	184	250	03/02	>	12/05				34.104.00
3.2 V6 GTA Sportwagon										
	932A000	184	250	03/02	>	12/05	23.448.00		27.366.00	54.104.00

...ALFA ROMEO - cars/auto

antibacterial, anti-odour and anti-allergen filter / filtro antibatterico, antiodori e anti-allergeni	932A000	184	250	03/02 >	12/05				34.104.00
Alfa 159									
1.8 16V									
with automatic air-conditioner / con climatizzatore automatico	939A4000	103	140	06/05 >	06/10	25.064.00		27.606.00	54.150.00
with manual air-conditioner / con climatizzatore manuale	939A4000	103	140	06/05 >	08/09	25.064.00		27.606.00	53.115.00
1.8 JTb									
with automatic air-conditioner / con climatizzatore automatico	939B1000	147	200	02/09 >	11/11	25.061.00		27.606.00	54.150.00
with manual air-conditioner / con climatizzatore manuale	939B1000	147	200	02/09 >	08/09	25.061.00		27.606.00	53.115.00
1.9 JTDm									
with automatic air-conditioner / con climatizzatore automatico	939A1000	88	120	06/05 >	11/11		24.ONE.01	27.606.00	54.150.00
with manual air-conditioner / con climatizzatore manuale	939A1000	88	120	06/05 >	08/09		24.ONE.01	27.606.00	53.115.00
assembly MANN+HUMMEL / montaggio MANN+HUMMEL	939A1000	88	120	06/05 >	11/11	25.049.00			
assembly UFI / montaggio UFI	939A1000	88	120	03/08 >	11/11	25.061.00			
1.9 JTDm (B)									
with automatic air-conditioner / con climatizzatore automatico	939A7000	85	115	09/05 >	11/11		24.ONE.01	27.606.00	54.150.00
with manual air-conditioner / con climatizzatore manuale	939A7000	85	115	09/05 >	08/09		24.ONE.01	27.606.00	53.115.00
assembly MANN+HUMMEL / montaggio MANN+HUMMEL	939A7000	85	115	09/05 >	11/11	25.049.00			
assembly UFI / montaggio UFI	939A7000	85	115	03/08 >	11/11	25.061.00			
1.9 JTDm 16V									
with automatic air-conditioner / con climatizzatore automatico	939A2000	110	150	06/05 >	06/10		24.ONE.01	27.606.00	54.150.00
with manual air-conditioner / con climatizzatore manuale	939A2000	110	150	06/05 >	08/09		24.ONE.01	27.606.00	53.115.00
assembly MANN+HUMMEL / montaggio MANN+HUMMEL	939A2000	110	150	06/05 >	06/10	25.049.00			
assembly UFI / montaggio UFI	939A2000	110	150	03/08 >	06/10	25.061.00			
1.9 JTDm 16V (B)									
with automatic air-conditioner / con climatizzatore automatico	939A8000	100	136	09/05 >	11/11		24.ONE.01	27.606.00	54.150.00
with manual air-conditioner / con climatizzatore manuale	939A8000	100	136	09/05 >	08/09		24.ONE.01	27.606.00	53.115.00
assembly MANN+HUMMEL / montaggio MANN+HUMMEL	939A8000	100	136	09/05 >	11/11	25.049.00			
assembly UFI / montaggio UFI	939A8000	100	136	03/08 >	11/11	25.061.00			
1.9 JTS 16V									
with automatic air-conditioner / con climatizzatore automatico	939A6000	118	160	06/05 >	02/08	25.024.00		27.606.00	54.150.00
with manual air-conditioner / con climatizzatore manuale	939A6000	118	160	06/05 >	02/08	25.024.00		27.606.00	53.115.00
2.0 JTDm									
with automatic air-conditioner / con climatizzatore automatico		100	136	06/10 >	11/11	25.061.00	24.ONE.01	27.606.00	54.150.00
with manual air-conditioner / con climatizzatore manuale		100	136	06/10 >	11/11	25.061.00	24.ONE.01	27.606.00	53.115.00
2.0 JTDm									
with automatic air-conditioner / con climatizzatore automatico	939B3000	125	170	04/09 >	11/11	25.061.00	24.ONE.01	27.606.00	54.150.00
with manual air-conditioner / con climatizzatore manuale	939B3000	125	170	04/09 >	08/09	25.061.00	24.ONE.01	27.606.00	53.115.00
2.0 JTDm (B)									
with automatic air-conditioner / con climatizzatore automatico	844A2000	120	163	04/09 >	11/11	25.061.00	24.ONE.01	27.606.00	54.150.00
with manual air-conditioner / con climatizzatore manuale	844A2000	120	163	04/09 >	08/09	25.061.00	24.ONE.01	27.606.00	53.115.00
2.0 JTDm Eco									
with automatic air-conditioner / con climatizzatore automatico		125	170	04/09 >	11/11	25.061.00	24.ONE.01	27.606.00	54.150.00
with manual air-conditioner / con climatizzatore manuale		125	170	04/09 >	08/09	25.061.00	24.ONE.01	27.606.00	53.115.00
2.2 JTS 16V									
with automatic air-conditioner / con climatizzatore automatico	939A5000	136	185	06/05 >	11/11	25.024.00		27.606.00	54.150.00
with manual air-conditioner / con climatizzatore manuale	939A5000	136	185	06/05 >	08/09	25.024.00		27.606.00	53.115.00
2.4 JTDm 20V									
with automatic air-conditioner / con climatizzatore automatico	939A3000	147	200	06/05 >	11/11	25.065.00	24.ONE.01	27.606.00	54.150.00
with manual air-conditioner / con climatizzatore manuale	939A3000	147	200	06/05 >	08/09	25.065.00	24.ONE.01	27.606.00	53.115.00
2.4 JTDm 20V									
with automatic air-conditioner / con climatizzatore automatico	939A9000	154	210	11/06 >	11/11	25.065.00	24.ONE.01	27.606.00	54.150.00
with manual air-conditioner / con climatizzatore manuale	939A9000	154	210	11/06 >	08/09	25.065.00	24.ONE.01	27.606.00	53.115.00
2.4 JTDm 20V Q4									
with automatic air-conditioner / con climatizzatore automatico	939A9000	154	210	11/06 >	11/11	25.065.00	24.ONE.01	27.606.00	54.150.00
with manual air-conditioner / con climatizzatore manuale	939A9000	154	210	11/06 >	08/09	25.065.00	24.ONE.01	27.606.00	53.115.00
3.2 JTS V6 24V									
with automatic air-conditioner / con climatizzatore automatico	939A000	191	260	01/08 >	11/11	25.163.00		27.606.00	54.150.00
with manual air-conditioner / con climatizzatore manuale	939A000	191	260	01/08 >	08/09	25.163.00		27.606.00	53.115.00
3.2 JTS V6 Q4									
with automatic air-conditioner / con climatizzatore automatico	939A000	191	260	09/05 >	11/11	25.163.00		27.606.00	54.150.00
with manual air-conditioner / con climatizzatore manuale	939A000	191	260	09/05 >	08/09	25.163.00		27.606.00	53.115.00
Alfa 166									
2.0 16V TS (FL.2003)	AR36301	110	150	10/03 >	06/08	23.415.00		27.236.00	54.105.00
2.0 16V Twin Spark	AR34103	114	155	10/98 >	10/00	23.415.00		27.236.00	54.105.00
2.0 16V Twin Spark CF3	AR36301	110	150	10/00 >	10/03	23.415.00		27.236.00	54.105.00
2.0 V6 Turbo	AR34102	151	205	10/98 >	12/01	23.175.00		27.236.00	54.105.00
or / oppure	AR34102	151	205	10/98 >	12/01	23.448.00		27.236.00	54.105.00

...ALFA ROMEO - cars/auto

2.4 JTD (FL.2003)	841C000	110	150	10/03	>	06/08	23.455.00	24.H2O.04	27.400.00	54.105.00
2.4 JTD 20V (FL.2003)	841G000	129	175	10/03	>	06/08	23.455.00	24.H2O.04	27.400.00	54.105.00
2.4 JTD 20V (FL.2003) (B)	841M000	120	163	10/03	>	06/08	23.455.00	24.H2O.04	27.400.00	54.105.00
2.4 JTD 20V Autom. (FL.2003)	841H000	129	175	10/03	>	06/08	23.455.00	24.H2O.04	27.400.00	54.105.00
2.4 JTD 20V Autom. (FL.2003) (B)	841N000	120	163	10/03	>	06/08	23.455.00	24.H2O.04	27.400.00	54.105.00
2.4 JTD CF2										
excluding dusty areas / escluso per zone polverose	AR34202	100	136	10/98	>	12/00	23.434.00	24.408.00	27.236.00	54.105.00
or / oppure	AR34202	100	136	10/98	>	12/00	23.449.00	24.H2O.00	27.236.00	54.105.00
2.4 JTD CF3										
excluding dusty areas / escluso per zone polverose	839A6000	103	140	09/00	>	10/02	23.434.00	24.H2O.00	27.236.00	54.105.00
excluding dusty areas / escluso per zone polverose	839A6000	103	140	11/02	>	06/08	23.434.00	24.H2O.04	27.236.00	54.105.00
or / oppure	839A6000	103	140	09/00	>	10/02	23.449.00	24.H2O.00	27.236.00	54.105.00
or / oppure	839A6000	103	140	11/02	>	06/08	23.449.00	24.H2O.04	27.236.00	54.105.00
2.4 JTD CF3										
excluding dusty areas / escluso per zone polverose	841C000	110	150	04/02	>	10/02	23.455.00	24.H2O.00	27.236.00	54.105.00
excluding dusty areas / escluso per zone polverose	841C000	110	150	11/02	>	10/03	23.455.00	24.H2O.04	27.236.00	54.105.00
2.4 JTD M-Jet 20V	936B000	132	180	07/06	>	06/08	23.455.00	24.H2O.04	27.400.00	54.105.00
2.4 JTD M-Jet 20V	936B000	136	185	07/05	>	06/08	23.455.00	24.H2O.04	27.400.00	54.105.00
2.5 V6 24V	AR34201	140	190	10/98	>	10/00	23.175.00		27.236.00	54.105.00
or / oppure	AR34201	140	190	10/98	>	10/00	23.448.00		27.236.00	54.105.00
2.5 V6 24V (FL.2003)	AR36201	138	188	10/03	>	06/08	23.448.00		27.236.00	54.105.00
2.5 V6 24V CF3	AR36201	138	188	10/00	>	06/08	23.448.00		27.236.00	54.105.00
2.5 V6 24V Sportronic	AR34201	140	190	10/98	>	10/00	23.175.00		27.236.00	54.105.00
or / oppure	AR34201	140	190	10/98	>	10/00	23.448.00		27.236.00	54.105.00
3.0 V6 24V	AR34301	166	226	10/98	>	10/00	23.175.00		27.236.00	54.105.00
or / oppure	AR34301	166	226	10/98	>	10/00	23.448.00		27.236.00	54.105.00
3.0 V6 24V (BR)										
excluding dusty areas / escluso per zone polverose	AR34302	166	226	10/98	>	06/08	23.175.00		27.236.00	54.105.00
or / oppure	AR34302	166	226	10/98	>	06/08	23.448.00		27.236.00	54.105.00
3.0 V6 24V CAE (FL.2003)										
excluding dusty areas / escluso per zone polverose	AR36101	162	220	10/03	>	06/08	23.448.00		27.236.00	54.105.00
3.0 V6 24V CAE (FL.2003) (BR)										
excluding dusty areas / escluso per zone polverose	AR36101	162	220	10/03	>	06/08	23.448.00		27.236.00	54.105.00
3.0 V6 24V CF3										
excluding dusty areas / escluso per zone polverose	AR36101	162	220	10/00	>	10/03	23.448.00		27.236.00	54.105.00
3.0 V6 24V CF3 Sportronic										
excluding dusty areas / escluso per zone polverose	AR36101	162	220	10/00	>	10/03	23.448.00		27.236.00	54.105.00
3.0 V6 24V Sportronic	AR34301	166	226	10/98	>	10/00	23.175.00		27.236.00	54.105.00
or / oppure	AR34301	166	226	10/98	>	10/00	23.448.00		27.236.00	54.105.00
3.2 V6 24V CF4 (FL.2003)	936A000	177	240	10/03	>	06/08	23.448.00		27.236.00	54.105.00
Brera (177)										
1.8 JTB MY.2008										
with automatic air-conditioner / con climatizzatore automatico	939B1000	147	200	02/09	>	06/11	25.061.00		27.606.00	54.150.00
with manual air-conditioner / con climatizzatore manuale	939B1000	147	200	02/09	>	06/11	25.061.00		27.606.00	53.115.00
2.0 JTDm										
with automatic air-conditioner / con climatizzatore automatico	844A2000	120	163	03/08	>	06/11	25.061.00	24.ONE.01	27.606.00	54.150.00
with manual air-conditioner / con climatizzatore manuale	844A2000	120	163	03/08	>	06/11	25.061.00	24.ONE.01	27.606.00	53.115.00
2.0 JTDm MY.2008										
with automatic air-conditioner / con climatizzatore automatico	939B3000	125	170	02/09	>	06/11	25.061.00	24.ONE.01	27.606.00	54.150.00
with manual air-conditioner / con climatizzatore manuale	939B3000	125	170	02/09	>	06/11	25.061.00	24.ONE.01	27.606.00	53.115.00
2.2 JTS 16V										
with automatic air-conditioner / con climatizzatore automatico	939A5000	136	185	09/05	>	06/11	25.024.00		27.606.00	54.150.00
with manual air-conditioner / con climatizzatore manuale	939A5000	136	185	09/05	>	06/11	25.024.00		27.606.00	53.115.00
2.2 JTS 16V 4x4										
with automatic air-conditioner / con climatizzatore automatico	939A5000	136	185	09/05	>	06/11	25.024.00		27.606.00	54.150.00
with manual air-conditioner / con climatizzatore manuale	939A5000	136	185	09/05	>	06/11	25.024.00		27.606.00	53.115.00
2.2 JTS MY.2008										
with automatic air-conditioner / con climatizzatore automatico	939A5000	136	185	09/07	>	06/11	25.024.00		27.606.00	54.150.00
with manual air-conditioner / con climatizzatore manuale	939A5000	136	185	09/07	>	06/11	25.024.00		27.606.00	53.115.00
2.4 JTDm										
with automatic air-conditioner / con climatizzatore automatico	939A3000	147	200	09/05	>	06/11	25.065.00	24.ONE.01	27.606.00	54.150.00
with manual air-conditioner / con climatizzatore manuale	939A3000	147	200	09/05	>	06/11	25.065.00	24.ONE.01	27.606.00	53.115.00
2.4 JTDm 20V MY.2008										
with automatic air-conditioner / con climatizzatore automatico	939A9000	154	210	09/07	>	06/11	25.065.00	24.ONE.01	27.606.00	54.150.00
with manual air-conditioner / con climatizzatore manuale	939A9000	154	210	09/07	>	06/11	25.065.00		27.606.00	53.115.00
3.2 JTS V6 MY.2008										
with automatic air-conditioner / con climatizzatore automatico	939A000	191	260	09/07	>	06/11	25.163.00		27.606.00	54.150.00

...ALFA ROMEO - cars/auto

A



with manual air-conditioner / con climatizzatore manuale	939A000	191	260	09/07 >	06/11	25.163.00		27.606.00	53.115.00
3.2 JTS V6 Q4									
with automatic air-conditioner / con climatizzatore automatico	939A000	191	260	09/05 >	06/11	25.163.00		27.606.00	54.150.00
with manual air-conditioner / con climatizzatore manuale	939A000	191	260	09/05 >	06/11	25.163.00		27.606.00	53.115.00
3.2 JTS V6 Q4 MY.2008									
with automatic air-conditioner / con climatizzatore automatico	939A000	191	260	09/07 >	06/11	25.163.00		27.606.00	54.150.00
with manual air-conditioner / con climatizzatore manuale	939A000	191	260	09/07 >	06/11	25.163.00		27.606.00	53.115.00
Crosswagon Q4									
1.9 JTD 16V	937A5000	110	150	07/04 >	12/07	23.455.00		24.H2O.04	27.366.00
antibacterial, anti-odour and anti-allergen filter / filtro antibatterico, antiodori e anti-allergeni	937A5000	110	150	07/04 >	12/07				34.104.00
Giulia (Giorgio)									
2.0 T4 MultiAir 200		147	200	03/16 >		23.519.00		31.941.00	30.A74.00
2.0 T4 MultiAir 280		206	280	03/16 >		23.519.00		31.941.00	30.A74.00
2.2 JTD 136		100	136	03/16 >		25.160.00		26.076.01	30.A74.00
2.2 JTD 150		110	150	03/16 >		25.160.00		26.076.01	30.A74.00
2.2 JTD 160		118	160	08/18 >		25.160.00		26.076.01	30.A74.00
2.2 JTD 180		132	180	03/16 >		25.160.00		26.076.01	30.A74.00
2.2 JTD 180 AWD Q4		132	179	03/16 >		25.160.00		26.076.01	30.A74.00
2.2 JTD 190	46335975	140	190	08/18 >		25.160.00		26.076.01	30.A74.00
2.2 JTD 190 AWD Q4	55284529	140	190	08/18 >		25.160.00		26.076.01	30.A74.00
2.2 JTD 210		154	210	03/16 >		25.160.00		26.076.01	30.A74.00
2.9 GTA	670050436	397	540	05/20 >				31.941.00	30.A76.00
2.9 V6 Quadrifoglio Verde		375	510	03/16 >				31.941.00	30.A76.00
Giulietta (940)									
1.4 Turbo 105	940B1000	77	105	04/11 >		25.043.00		27.629.00	53.209.00
with activated carbons / ai carboni attivi	940B1000	77	105	04/11 >					54.256.00
antibacterial, anti-odour and anti-allergen filter / filtro antibatterico, antiodori e anti-allergeni	940B1000	77	105	04/11 >					34.256.00
1.4 Turbo 105	940B8000	77	105	11/13 >		25.043.00		27.629.00	53.209.00
with activated carbons / ai carboni attivi	940B8000	77	105	11/13 >					54.256.00
antibacterial, anti-odour and anti-allergen filter / filtro antibatterico, antiodori e anti-allergeni	940B8000	77	105	11/13 >					34.256.00
1.4 Turbo 115	940A6000	85	115	04/10 >		25.043.00		27.629.00	53.209.00
with activated carbons / ai carboni attivi	940A6000	85	115	04/10 >					54.256.00
antibacterial, anti-odour and anti-allergen filter / filtro antibatterico, antiodori e anti-allergeni	940A6000	85	115	04/10 >					34.256.00
1.4 Turbo 120	198A4000	88	120	04/10 >	09/13	25.043.00		27.629.00	53.209.00
with activated carbons / ai carboni attivi	198A4000	88	120	04/10 >	09/13				54.256.00
antibacterial, anti-odour and anti-allergen filter / filtro antibatterico, antiodori e anti-allergeni	198A4000	88	120	04/10 >	09/13				34.256.00
1.4 Turbo 120	940B7000	88	120	09/13 >	07/15	25.043.00		27.629.00	53.209.00
with activated carbons / ai carboni attivi	940B7000	88	120	09/13 >	07/15				54.256.00
antibacterial, anti-odour and anti-allergen filter / filtro antibatterico, antiodori e anti-allergeni	940B7000	88	120	09/13 >	07/15				34.256.00
1.4 Turbo 120 Euro6	940B7000	88	120	08/15 >			31.740.03	27.629.00	53.209.00
with activated carbons / ai carboni attivi	940B7000	88	120	08/15 >					54.256.00
antibacterial, anti-odour and anti-allergen filter / filtro antibatterico, antiodori e anti-allergeni	940B7000	88	120	08/15 >					34.256.00
1.4 Turbo GPL/LPG	198A4000	88	120	12/11 >	09/13	25.043.00		27.629.00	53.209.00
with activated carbons / ai carboni attivi	198A4000	88	120	12/11 >	09/13				54.256.00
antibacterial, anti-odour and anti-allergen filter / filtro antibatterico, antiodori e anti-allergeni	198A4000	88	120	12/11 >	09/13				34.256.00
1.4 Turbo GPL/LPG	940B7000	88	120	09/13 >	08/15	25.043.00		27.629.00	53.209.00
with activated carbons / ai carboni attivi	940B7000	88	120	09/13 >	08/15				54.256.00
antibacterial, anti-odour and anti-allergen filter / filtro antibatterico, antiodori e anti-allergeni	940B7000	88	120	09/13 >	08/15				34.256.00
1.4 Turbo GPL/LPG Euro6 B	940B7000	88	120	08/15 >				27.629.00	53.209.00
with activated carbons / ai carboni attivi	940B7000	88	120	08/15 >					54.256.00
antibacterial, anti-odour and anti-allergen filter / filtro antibatterico, antiodori e anti-allergeni	940B7000	88	120	08/15 >					34.256.00
1.4 Turbo Multiair 150	940C2000	110	150	09/14 >	07/15	25.043.00		27.629.00	53.209.00
with activated carbons / ai carboni attivi	940C2000	110	150	08/15 >			31.740.03	27.629.00	53.209.00
antibacterial, anti-odour and anti-allergen filter / filtro antibatterico, antiodori e anti-allergeni	940C2000	110	150	09/14 >					54.256.00
1.4 Turbo Multiair 163	955A8000	120	163	04/10 >		25.043.00		27.629.00	53.209.00
with activated carbons / ai carboni attivi	955A8000	120	163	04/10 >					54.256.00
antibacterial, anti-odour and anti-allergen filter / filtro antibatterico, antiodori e anti-allergeni	955A8000	120	163	04/10 >					34.256.00
1.4 Turbo Multiair 170	940A2000	125	170	04/10 >	07/15	25.043.00		27.629.00	53.209.00
with activated carbons / ai carboni attivi	940A2000	125	170	08/15 >			31.740.03	27.629.00	53.209.00
antibacterial, anti-odour and anti-allergen filter / filtro antibatterico, antiodori e anti-allergeni	940A2000	125	170	04/10 >					54.256.00
1.6 JTDm-2 105	940A3000	77	105	04/10 >		25.083.00		27.688.00	53.209.00
with activated carbons / ai carboni attivi	940A3000	77	105	04/10 >					54.256.00
with heated fuel filter, spare part only / con filtro gasolio riscaldato, solo ricambio	940A3000	77	105	01/12 >			26.052.00		
antibacterial, anti-odour and anti-allergen filter / filtro antibatterico, antiodori e anti-allergeni	940A3000	77	105	04/10 >					34.256.00
without fuel oil heater / senza riscaldatore nafta	940A3000	77	105	04/10 >				24.ONE.01	

...ALFA ROMEO - cars/auto

1.6 JTDm-2 115		85	116	09/15	>		25.083.00		27.688.00	53.209.00
with activated carbons / ai carboni attivi		85	116	09/15	>					54.256.00
with heated fuel filter, spare part only / con filtro gasolio riscaldato, solo ricambio		85	116	09/15	>			26.052.00		
antibacterial, anti-odour and anti-allergen filter / filtro antibatterico, antiodori e anti-allergeni		85	116	09/15	>					34.256.00
without fuel oil heater / senza riscaldatore nafta		85	116	09/15	>			24.ONE.01		
1.6 JTDm-2 120		88	120	02/15	>		25.083.00		27.688.00	53.209.00
with activated carbons / ai carboni attivi		88	120	02/15	>					54.256.00
with heated fuel filter, spare part only / con filtro gasolio riscaldato, solo ricambio		88	120	02/15	>			26.052.00		
antibacterial, anti-odour and anti-allergen filter / filtro antibatterico, antiodori e anti-allergeni		88	120	02/15	>					34.256.00
without fuel oil heater / senza riscaldatore nafta		88	120	02/15	>			24.ONE.01		
1750 TBi 230	940A1000	169	230	04/10	>	09/13	25.061.00		27.688.00	53.209.00
with activated carbons / ai carboni attivi	940A1000	169	230	04/10	>	09/13				54.256.00
antibacterial, anti-odour and anti-allergen filter / filtro antibatterico, antiodori e anti-allergeni	940A1000	169	230	04/10	>	09/13				34.256.00
1750 TBi 235	940A1000	173	235	04/10	>	03/14	25.061.00		27.688.00	53.209.00
	940A1000	173	235	04/14	>		23.596.00		27.688.00	53.209.00
with activated carbons / ai carboni attivi	940A1000	173	235	04/10	>					54.256.00
antibacterial, anti-odour and anti-allergen filter / filtro antibatterico, antiodori e anti-allergeni	940A1000	173	235	04/10	>					34.256.00
1750 TBi 240	940B2000	177	240	11/13	>	07/15	23.596.00		27.688.00	53.209.00
	940B2000	177	240	08/15	>		23.596.00	31.740.03	27.688.00	53.209.00
with activated carbons / ai carboni attivi	940B2000	177	240	11/13	>					54.256.00
antibacterial, anti-odour and anti-allergen filter / filtro antibatterico, antiodori e anti-allergeni	940B2000	177	240	11/13	>					34.256.00
1750 TBi 240	960A1000	177	241	09/13	>		23.596.00		27.688.00	53.209.00
with activated carbons / ai carboni attivi	960A1000	177	241	09/13	>					54.256.00
antibacterial, anti-odour and anti-allergen filter / filtro antibatterico, antiodori e anti-allergeni	960A1000	177	241	09/13	>					34.256.00
2.0 JTDm-2	940A8000	100	136	08/10	>		25.083.00		27.629.00	53.209.00
with activated carbons / ai carboni attivi	940A8000	100	136	08/10	>					54.256.00
with heated fuel filter, spare part only / con filtro gasolio riscaldato, solo ricambio	940A8000	100	136	01/12	>			26.052.00		
antibacterial, anti-odour and anti-allergen filter / filtro antibatterico, antiodori e anti-allergeni	940A8000	100	136	08/10	>					34.256.00
without fuel oil heater / senza riscaldatore nafta	940A8000	100	136	08/10	>			24.ONE.01		
2.0 JTDm-2 140	940A5000	103	140	08/10	>		25.083.00		27.629.00	53.209.00
with activated carbons / ai carboni attivi	940A5000	103	140	08/10	>					54.256.00
with heated fuel filter, spare part only / con filtro gasolio riscaldato, solo ricambio	940A5000	103	140	01/12	>			26.052.00		
antibacterial, anti-odour and anti-allergen filter / filtro antibatterico, antiodori e anti-allergeni	940A5000	103	140	08/10	>					34.256.00
without fuel oil heater / senza riscaldatore nafta	940A5000	103	140	08/10	>			24.ONE.01		
2.0 JTDm-2 150	940B5000	110	150	08/13	>		25.083.00	26.052.00	27.629.00	53.209.00
with activated carbons / ai carboni attivi	940B5000	110	150	08/13	>					54.256.00
antibacterial, anti-odour and anti-allergen filter / filtro antibatterico, antiodori e anti-allergeni	940B5000	110	150	08/13	>					34.256.00
2.0 JTDm-2 165	940A7000	120	163	08/10	>		25.083.00		27.629.00	53.209.00
with activated carbons / ai carboni attivi	940A7000	120	163	08/10	>					54.256.00
with heated fuel filter, spare part only / con filtro gasolio riscaldato, solo ricambio	940A7000	120	163	01/12	>			26.052.00		
antibacterial, anti-odour and anti-allergen filter / filtro antibatterico, antiodori e anti-allergeni	940A7000	120	163	08/10	>					34.256.00
without fuel oil heater / senza riscaldatore nafta	940A7000	120	163	08/10	>			24.ONE.01		
2.0 JTDm-2 170	940A4000	125	170	04/10	>		25.083.00		27.629.00	53.209.00
with activated carbons / ai carboni attivi	940A4000	125	170	04/10	>					54.256.00
with heated fuel filter, spare part only / con filtro gasolio riscaldato, solo ricambio	940A4000	125	170	01/12	>			26.052.00		
antibacterial, anti-odour and anti-allergen filter / filtro antibatterico, antiodori e anti-allergeni	940A4000	125	170	04/10	>					34.256.00
without fuel oil heater / senza riscaldatore nafta	940A4000	125	170	04/10	>			24.ONE.01		
2.0 JTDm-2 175	940B4000	129	175	08/13	>		25.083.00	26.052.00	27.629.00	53.209.00
with activated carbons / ai carboni attivi	940B4000	129	175	08/13	>					54.256.00
antibacterial, anti-odour and anti-allergen filter / filtro antibatterico, antiodori e anti-allergeni	940B4000	129	175	08/13	>					34.256.00
GT (125)										
1.8 16V Twin Spark	AR32205	103	140	02/04	>	12/10	23.415.00		30.127.00	54.104.00
antibacterial, anti-odour and anti-allergen filter / filtro antibatterico, antiodori e anti-allergeni	AR32205	103	140	02/04	>	12/10				34.104.00
1.9 JTD 16V M-Jet	937A5000	110	150	10/03	>	12/10	23.455.00	24.H2O.04	30.128.00	54.104.00
antibacterial, anti-odour and anti-allergen filter / filtro antibatterico, antiodori e anti-allergeni	937A5000	110	150	10/03	>	12/10				34.104.00
1.9 JTD 16V M-Jet Q2	937A5000	110	150	11/06	>	12/10	23.455.00	24.H2O.04	30.128.00	54.104.00
antibacterial, anti-odour and anti-allergen filter / filtro antibatterico, antiodori e anti-allergeni	937A5000	110	150	12/06	>	12/10				34.104.00
1.9 JTD 16V M-Jet Q2	937A6000	125	170	11/07	>	12/10	23.455.00	24.H2O.04	30.128.00	54.104.00
antibacterial, anti-odour and anti-allergen filter / filtro antibatterico, antiodori e anti-allergeni	937A6000	125	170	12/07	>	12/10				34.104.00
2.0 JTS 16V	937A1000	122	166	10/03	>	09/04	23.418.00		30.127.00	54.104.00
	937A1000	122	166	10/04	>	12/10	23.460.00		30.127.00	54.104.00
antibacterial, anti-odour and anti-allergen filter / filtro antibatterico, antiodori e anti-allergeni	937A1000	122	166	10/03	>	12/10				34.104.00
2.0 JTS 16V (B)	932A2000	120	163	10/03	>	09/04	23.418.00		30.127.00	54.104.00
	932A2000	120	163	10/04	>	12/10	23.460.00		30.127.00	54.104.00
antibacterial, anti-odour and anti-allergen filter / filtro antibatterico, antiodori e anti-allergeni	932A2000	120	163	10/03	>	12/10				34.104.00
3.2 V6 24V	936A000	177	240	10/03	>	12/10	23.448.00		27.366.00	54.104.00
antibacterial, anti-odour and anti-allergen filter / filtro antibatterico, antiodori e anti-allergeni	936A000	177	240	10/03	>	12/10				34.104.00

...ALFA ROMEO - cars/auto

GTV									
1.8 i 16V Twin Spark									
with air-conditioner (spare part only) / con climatizzatore (solo ricambio)	AR32201	106	144	05/98 >	12/06	23.415.00		27.236.00	53.019.00
2.0 i 16V Twin Spark									
with air-conditioner (spare part only) / con climatizzatore (solo ricambio)	AR32301	114	155	05/98 >	08/00	23.415.00		27.236.00	53.019.00
2.0 i 16V Twin Spark CF3									
with air-conditioner (spare part only) / con climatizzatore (solo ricambio)	AR32310	110	150	08/00 >	12/06	23.415.00		27.236.00	53.019.00
2.0 i 16V Twin Spark CF3 (MY. 2002)									
with air-conditioner (spare part only) / con climatizzatore (solo ricambio)	AR32310	110	150	01/02 >	12/06	23.415.00		27.236.00	53.019.00
2.0 i V6 TB									
with air-conditioner (spare part only) / con climatizzatore (solo ricambio)	AR16202	148	202	05/98 >	11/00	23.175.00		27.236.00	53.019.00
or / oppure	AR16202	148	202	05/98 >	11/00	23.448.00		27.236.00	53.019.00
2.0 JTS 16V (MY.2003)									
with air-conditioner (spare part only) / con climatizzatore (solo ricambio)	937A1000	121	165	04/03 >	09/04	23.418.00		27.236.00	53.019.00
with air-conditioner (spare part only) / con climatizzatore (solo ricambio)	937A1000	121	165	10/04 >	12/06	23.460.00		27.236.00	53.019.00
3.0 i V6 24V									
with air-conditioner (spare part only) / con climatizzatore (solo ricambio)	AR16102	162	220	05/98 >	10/00	23.175.00			53.019.00
or / oppure	AR16102	162	220	05/98 >	10/00	23.448.00			53.019.00
3.0 i V6 24V CF3 (6M)									
with air-conditioner (spare part only) / con climatizzatore (solo ricambio)	AR16105	160	218	10/00 >	12/06	23.448.00			53.019.00
3.0 i V6 24V CF3 (6M) (MY.2002)									
with air-conditioner (spare part only) / con climatizzatore (solo ricambio)	AR16105	160	218	01/02 >	12/06	23.448.00			53.019.00
3.2 V6 24V (MY.2003)									
with air-conditioner (spare part only) / con climatizzatore (solo ricambio)	936A6000	176	240	04/03 >	12/06	23.448.00			53.019.00
MiTo									
0.9 TwinAir Turbo	199B6000	74	101	12/13 >		25.128.00		30.376.00	53.124.00
with activated carbons / ai carboni attivi	199B6000	74	101	12/13 >					54.162.00
antibacterial, anti-odour and anti-allergen filter / filtro antibatterico, antiodori e anti-allergeni	199B6000	74	101	12/13 >					34.162.00
0.9 TwinAir Turbo 105	199B6000	77	105	04/13 >		25.128.00		30.376.00	53.124.00
with activated carbons / ai carboni attivi	199B6000	77	105	04/13 >					54.162.00
antibacterial, anti-odour and anti-allergen filter / filtro antibatterico, antiodori e anti-allergeni	199B6000	77	105	04/13 >					34.162.00
0.9 TwinAir Turbo 85	312A2000	63	86	07/11 >		25.128.00		30.376.00	53.124.00
with activated carbons / ai carboni attivi	312A2000	63	86	07/11 >					54.162.00
antibacterial, anti-odour and anti-allergen filter / filtro antibatterico, antiodori e anti-allergeni	312A2000	63	86	07/11 >					34.162.00
1.3 JTDm 16V									
with activated carbons / ai carboni attivi	199A3000	66	90	06/08 >	12/11				54.162.00
antibacterial, anti-odour and anti-allergen filter / filtro antibatterico, antiodori e anti-allergeni	199A3000	66	90	06/08 >	12/11				34.162.00
assembly PURFLUX / montaggio PURFLUX	199A3000	66	90	06/08 >	12/11	25.043.00	24.ONE.01	30.265.00	53.124.00
assembly UFI / montaggio UFI	199A3000	66	90	06/08 >	12/11	25.031.00	24.ONE.01	30.265.00	53.124.00
heat exchanger assembly (UFI) / scambiatore di calore montaggio (UFI)	199A3000	66	90	06/08 >	12/11				00.G38.00
1.3 JTDm 80	199B8000	59	80	12/13 >		25.061.00	24.ONE.01	30.477.00	53.124.00
with activated carbons / ai carboni attivi	199B8000	59	80	12/13 >					54.162.00
antibacterial, anti-odour and anti-allergen filter / filtro antibatterico, antiodori e anti-allergeni	199B8000	59	80	12/13 >					34.162.00
heat exchanger / scambiatore di calore	199B8000	59	80	12/13 >					00.G38.00
1.3 JTDm-2 16V 85 Stop&Start	199B4000	62	85	04/10 >	05/16	25.061.00	24.ONE.01	30.477.00	53.124.00
with activated carbons / ai carboni attivi	199B4000	62	85	04/10 >	05/16				54.162.00
antibacterial, anti-odour and anti-allergen filter / filtro antibatterico, antiodori e anti-allergeni	199B4000	62	85	04/10 >	05/16				34.162.00
heat exchanger / scambiatore di calore	199B4000	62	85	04/10 >	05/16				00.G38.00
1.3 JTDm-2 16V 90	955B2000	66	90	05/16 >			26.052.00	30.477.00	53.124.00
with activated carbons / ai carboni attivi	955B2000	66	90	05/16 >					54.162.00
antibacterial, anti-odour and anti-allergen filter / filtro antibatterico, antiodori e anti-allergeni	955B2000	66	90	05/16 >					34.162.00
assembly UFI FILTERS / montaggio UFI FILTERS	955B2000	66	90	05/16 >		25.139.00			
1.3 JTDm-2 16V 95	330A1000	70	95	05/16 >			26.052.00	30.477.00	53.124.00
with activated carbons / ai carboni attivi	330A1000	70	95	05/16 >					54.162.00
antibacterial, anti-odour and anti-allergen filter / filtro antibatterico, antiodori e anti-allergeni	330A1000	70	95	05/16 >					34.162.00
assembly UFI FILTERS / montaggio UFI FILTERS	330A1000	70	95	05/16 >		25.139.00			
1.3 JTDm-2 16V 95 Stop&Start	199B1000	70	95	09/09 >	12/13	25.061.00	24.ONE.01	30.477.00	53.124.00
with activated carbons / ai carboni attivi	199B1000	70	95	09/09 >	12/13				54.162.00
antibacterial, anti-odour and anti-allergen filter / filtro antibatterico, antiodori e anti-allergeni	199B1000	70	95	09/09 >	12/13				34.162.00
heat exchanger / scambiatore di calore	199B1000	70	95	09/09 >	12/13				00.G38.00
1.4 16V	199A6000	70	95	09/08 >		23.438.00		30.135.00	53.124.00
with activated carbons / ai carboni attivi	199A6000	70	95	09/08 >					54.162.00
antibacterial, anti-odour and anti-allergen filter / filtro antibatterico, antiodori e anti-allergeni	199A6000	70	95	09/08 >					34.162.00
1.4 16V	955A1000	58	79	06/08 >		23.438.00		30.135.00	53.124.00
with activated carbons / ai carboni attivi	955A1000	58	79	06/08 >					54.162.00
antibacterial, anti-odour and anti-allergen filter / filtro antibatterico, antiodori e anti-allergeni	955A1000	58	79	06/08 >					34.162.00
1.4 16V Turbo	198A4000	88	120	06/08 >		25.043.00		30.297.00	53.124.00

...ALFA ROMEO - cars/auto

with activated carbons / ai carboni attivi	198A4000	88	120	06/08	>			54.162.00
antibacterial, anti-odour and anti-allergen filter / filtro antibatterico, antiodori e anti-allergeni	198A4000	88	120	06/08	>			34.162.00
1.4 16V Turbo	199A8000	114	155	06/08	>	25.043.00		30.297.00
with activated carbons / ai carboni attivi	199A8000	114	155	06/08	>			54.162.00
antibacterial, anti-odour and anti-allergen filter / filtro antibatterico, antiodori e anti-allergeni	199A8000	114	155	06/08	>			34.162.00
1.4 16V Turbo GPL/LPG	198A4000	88	120	06/08	>	25.043.00		30.297.00
with activated carbons / ai carboni attivi	198A4000	88	120	06/08	>			54.162.00
antibacterial, anti-odour and anti-allergen filter / filtro antibatterico, antiodori e anti-allergeni	198A4000	88	120	06/08	>			34.162.00
spare part only FL-375 (Ø 42 x Ø 17 x 50 H) / solo ricambio FL-375 (Ø 42 x Ø 17 x 50 H)	198A4000	88	120	06/08	>		46.008.00	
1.4 8V 70	955A9000	51	69	05/11	>	23.438.00		30.301.00
with activated carbons / ai carboni attivi	955A9000	51	69	05/11	>			54.162.00
antibacterial, anti-odour and anti-allergen filter / filtro antibatterico, antiodori e anti-allergeni	955A9000	51	69	05/11	>			34.162.00
1.4 8V 78	350A1000	57	78	03/11	>	23.438.00		30.135.00
with activated carbons / ai carboni attivi	350A1000	57	78	03/11	>			54.162.00
antibacterial, anti-odour and anti-allergen filter / filtro antibatterico, antiodori e anti-allergeni	350A1000	57	78	03/11	>			34.162.00
1.4 Multiair 105	955A6000	77	105	09/09	>	25.043.00		30.353.00
with activated carbons / ai carboni attivi	955A6000	77	105	09/09	>			54.162.00
antibacterial, anti-odour and anti-allergen filter / filtro antibatterico, antiodori e anti-allergeni	955A6000	77	105	09/09	>			34.162.00
1.4 Multiair 135	955A2000	99	135	09/09	>	25.043.00		30.297.00
with activated carbons / ai carboni attivi	955A2000	99	135	09/09	>			54.162.00
antibacterial, anti-odour and anti-allergen filter / filtro antibatterico, antiodori e anti-allergeni	955A2000	99	135	09/09	>			34.162.00
1.4 Multiair 170	940A2000	125	170	09/09	> 07/15	25.043.00		30.297.00
	940A2000	125	170	08/15	>			30.297.00
with activated carbons / ai carboni attivi	940A2000	125	170	09/09	>			54.162.00
antibacterial, anti-odour and anti-allergen filter / filtro antibatterico, antiodori e anti-allergeni	940A2000	125	170	09/09	>			34.162.00
1.4 TB	955B1000	103	140	12/13	>	25.043.00		30.297.00
with activated carbons / ai carboni attivi	955B1000	103	140	12/13	>			54.162.00
antibacterial, anti-odour and anti-allergen filter / filtro antibatterico, antiodori e anti-allergeni	955B1000	103	140	12/13	>			34.162.00
1.4 Turbo Multiair	955A8000	120	163	09/09	>	25.043.00		30.297.00
with activated carbons / ai carboni attivi	955A8000	120	163	09/09	>			54.162.00
antibacterial, anti-odour and anti-allergen filter / filtro antibatterico, antiodori e anti-allergeni	955A8000	120	163	09/09	>			34.162.00
1.6 JTDm 16V	198A2000	88	120	06/08	>	25.061.00	24.ONE.01	30.297.00
with activated carbons / ai carboni attivi	198A2000	88	120	06/08	>			54.162.00
antibacterial, anti-odour and anti-allergen filter / filtro antibatterico, antiodori e anti-allergeni	198A2000	88	120	06/08	>			34.162.00
1.6 JTDm 16V (B)	955A4000	84	115	06/08	>	25.061.00	24.ONE.01	30.297.00
with activated carbons / ai carboni attivi	955A4000	84	115	06/08	>			54.162.00
antibacterial, anti-odour and anti-allergen filter / filtro antibatterico, antiodori e anti-allergeni	955A4000	84	115	06/08	>			34.162.00
1.6 JTDm 16V Stop&Start	955A3000	88	120	09/09	>	25.083.00	24.ONE.01	30.297.00
with activated carbons / ai carboni attivi	955A3000	88	120	09/09	>			54.162.00
antibacterial, anti-odour and anti-allergen filter / filtro antibatterico, antiodori e anti-allergeni	955A3000	88	120	09/09	>			34.162.00
Spider								
1.8 i 16V Twin Spark								
with air-conditioner (spare part only) / con climatizzatore (solo ricambio)	AR32201	106	144	05/98	> 12/06	23.415.00		27.236.00
2.0 i 16V Twin Spark CF2								
with air-conditioner (spare part only) / con climatizzatore (solo ricambio)	AR32301	114	155	05/98	> 11/00	23.415.00		27.236.00
2.0 i 16V Twin Spark CF3								
with air-conditioner (spare part only) / con climatizzatore (solo ricambio)	AR32310	110	150	08/00	> 12/06	23.415.00		27.236.00
2.0 i V6 TB								
with air-conditioner (spare part only) / con climatizzatore (solo ricambio)	AR16202	148	202	05/98	> 12/06	23.175.00		27.236.00
or / oppure	AR16202	148	202	05/98	> 12/06	23.448.00		27.236.00
2.0 JTS 16V								
with air-conditioner (spare part only) / con climatizzatore (solo ricambio)	937A1000	121	165	04/03	> 09/04	23.418.00		27.236.00
with air-conditioner (spare part only) / con climatizzatore (solo ricambio)	937A1000	121	165	10/04	> 12/06	23.460.00		27.236.00
3.0 i V6 12V								
with air-conditioner (spare part only) / con climatizzatore (solo ricambio)	AR16101	141	192	05/98	> 12/06	23.175.00		27.236.00
or / oppure	AR16101	141	192	05/98	> 12/06	23.448.00		27.236.00
3.0 i V6 12V (BR)								
with air-conditioner (spare part only) / con climatizzatore (solo ricambio)	AR16199	141	192	05/98	> 12/06	23.175.00		27.236.00
or / oppure	AR16199	141	192	05/98	> 12/06	23.448.00		27.236.00
3.0 i V6 24V CF3 (6M)								
with air-conditioner (spare part only) / con climatizzatore (solo ricambio)	AR16105	160	218	10/00	> 12/06	23.448.00		53.019.00
3.2 V6 24V								
with air-conditioner (spare part only) / con climatizzatore (solo ricambio)	936A6000	176	240	04/03	> 12/06	23.448.00		53.019.00
Spider (177)								
1.8 JTB								
with automatic air-conditioner / con climatizzatore automatico	939B1000	147	200	02/09	> 06/11	25.061.00		27.606.00
with manual air-conditioner / con climatizzatore manuale	939B1000	147	200	02/09	> 06/11	25.061.00		27.606.00

...ALFA ROMEO - cars/auto

2.0 JTDm									
with automatic air-conditioner / con climatizzatore automatico	939B3000	125	170	04/09 >	06/11	25.061.00	24.ONE.01	27.606.00	54.150.00
with manual air-conditioner / con climatizzatore manuale	939B3000	125	170	04/09 >	06/11	25.061.00	24.ONE.01	27.606.00	53.115.00
2.2 JTS									
with automatic air-conditioner / con climatizzatore automatico	939A5000	136	185	03/06 >	06/11	25.024.00		27.606.00	54.150.00
with manual air-conditioner / con climatizzatore manuale	939A5000	136	185	03/06 >	06/11	25.024.00		27.606.00	53.115.00
2.2 JTS MY.2008									
with automatic air-conditioner / con climatizzatore automatico	939A5000	136	185	09/07 >	06/11	25.024.00		27.606.00	54.150.00
with manual air-conditioner / con climatizzatore manuale	939A5000	136	185	09/07 >	06/11	25.024.00		27.606.00	53.115.00
2.4 JTDm									
with automatic air-conditioner / con climatizzatore automatico	939A3000	147	200	01/07 >	06/11	25.065.00	24.ONE.01	27.606.00	54.150.00
with manual air-conditioner / con climatizzatore manuale	939A3000	147	200	01/07 >	06/11	25.065.00	24.ONE.01	27.606.00	53.115.00
2.4 JTDm 20V MY.2008									
with automatic air-conditioner / con climatizzatore automatico	939A3000	154	210	09/07 >	06/11	25.065.00	24.ONE.01	27.606.00	54.150.00
with manual air-conditioner / con climatizzatore manuale	939A3000	154	210	09/07 >	06/11	25.065.00	24.ONE.01	27.606.00	53.115.00
2.4 JTDm MY.2008									
with automatic air-conditioner / con climatizzatore automatico	939A3000	147	200	09/07 >	06/11	25.065.00	24.ONE.01	27.606.00	54.150.00
with manual air-conditioner / con climatizzatore manuale	939A3000	147	200	09/07 >	06/11	25.065.00	24.ONE.01	27.606.00	53.115.00
3.2 JTS V6 MY.2008									
with automatic air-conditioner / con climatizzatore automatico	939A000	191	260	09/07 >	06/11	25.163.00		27.606.00	54.150.00
with manual air-conditioner / con climatizzatore manuale	939A000	191	260	09/07 >	06/11	25.065.00	24.ONE.01	27.606.00	53.115.00
3.2 JTS V6 Q4									
with automatic air-conditioner / con climatizzatore automatico	939A000	191	260	03/06 >	06/11	25.163.00		27.606.00	54.150.00
with manual air-conditioner / con climatizzatore manuale	939A000	191	260	03/06 >	06/11	25.163.00		27.606.00	53.115.00
3.2 JTS V6 Q4 MY.2008									
with automatic air-conditioner / con climatizzatore automatico	939A000	191	260	09/07 >	06/11	25.163.00		27.606.00	54.150.00
with manual air-conditioner / con climatizzatore manuale	939A000	191	260	09/07 >	06/11	25.163.00		27.606.00	53.115.00

Stelvio

2.0 Turbo 200 Q4		148	202	12/16 >		23.519.00		30.A74.00	53.391.00
2.0 Turbo 280 Q4	55273835	206	280	12/16 >		23.519.00		30.A74.00	53.391.00
2.2 JTD	50534420	140	190	08/18 >		25.160.00	26.H2O.00	30.A74.00	53.391.00
2.2 JTD	55275156	110	150	12/16 >		25.160.00	26.H2O.00	30.A74.00	53.391.00
2.2 Multijet 180		133	181	11/16 >		25.160.00	26.H2O.00	30.A74.00	53.391.00
2.2 Multijet 210	55271838	154	210	11/16 >		25.160.00	26.H2O.00	30.A74.00	53.391.00
2.2 TD	46335692	118	160	08/18 >		25.160.00	26.H2O.00	30.A74.00	53.391.00
2.9 V6 Quadrifoglio		375	510	11/16 >				30.A76.00	53.391.00

ALFA ROMEO

commercial vehicles/veicoli commerciali

AR8

30AR8									
to engine No. 414402 / a motore N. 414402	Sofim 8140.61			04/78 >		23.167.00	24.360.00		
to frame No. 308146 / a telaio N. 308146	Sofim 8140.61			04/78 >		23.303.00	24.360.00	27.730.00	
32AR8									
to engine No. 414402 / a motore N. 414402	Sofim			04/78 >		23.167.00	24.360.00	27.730.00	
35AR8									
to engine No. 414402 / a motore N. 414402	Sofim 8140.61			04/78 >		23.167.00	24.360.00	27.730.00	
to frame No. 403211 / a telaio N. 403211	Sofim 8140.61			04/78 >		23.303.00	24.360.00	27.730.00	
40AR8									
to engine No. 414402 / a motore N. 414402	Sofim			04/78 >		23.167.00	24.360.00		
to frame No. 308965 / a telaio N. 308965	Sofim			04/78 >		23.303.00	24.360.00	27.730.00	
40AR8 4x4									
to engine No. 414402 / a motore N. 414402	Sofim			04/78 >		23.167.00	24.360.00		
to frame No. 308965 / a telaio N. 308965	Sofim			04/78 >		23.303.00	24.360.00	27.730.00	

ALPINE

cars/auto

A 310

2.7 V6				07/84 >		23.401.00			
2.8 V6				07/84 >		23.401.00			

ARO

off-road cars/fuoristrada

240 D									
2.1 Diesel	Peugeot XD4/90			01/71 >	12/03	23.115.00	24.360.00		
some / alcuni	Peugeot XD4/90			01/71 >	12/03	23.115.00	26.652.00		
2.5 Diesel	Peugeot XD3P			10/81 >	12/03	23.191.00	26.652.00	27.063.00	
some / alcuni	Peugeot XD3P			10/81 >	12/03	23.191.00	24.360.00	27.063.00	
241 D									
2.5 Diesel	Peugeot XD3P			10/81 >	12/03	23.191.00	26.652.00	27.063.00	

...ARO - off-road cars/fuoristrada

or / oppure		Peugeot XD3P		10/81 > 12/03	23.191.00	24.360.00	27.063.00	
ASIA MOTORS				commercial vehicles/veicoli commerciali				
Hi-Topic								
2.7 Diesel				06/93 >		24.366.00		
Topic								
2.7 Diesel				06/93 >		24.366.00		
ASQUITH MOTOR CARRIAGE				commercial vehicles/veicoli commerciali				
Mascot Bus								
2.0		Ford			23.127.02		30.917.01	
2.5 Diesel		Ford			23.280.00	24.371.00	30.917.01	
Shire Van								
2.0		Ford			23.127.02		30.917.01	
2.5 Diesel		Ford			23.280.00	24.371.00	30.917.01	
ASTON MARTIN				cars/auto				
Cygnat								
1.33 Dual VVT-i		Toyota 1NR-FE		72 98	04/11 > 10/13	25.116.00		30.639.00
DBS V8								
5.3 V8					01/77 >	23.102.00	26.602.00	27.731.00
Vantage DB4								
3.7					01/63 >	25.408.00		
Vantage DB5								
4.0					01/63 >	25.408.00		
Volante DB6								
4.0					01/65 >	25.408.00		
AUDI				cars/auto				
A1 (8X)								
1.0 TFSI		CHZB	70 95	03/15 > 05/15	23.575.00	31.840.00	30.A51.00	54.199.00
		CHZB	70 95	06/15 > 10/18	23.575.00		30.A51.00	54.199.00
antibacterial, anti-odour and anti-allergen filter / filtro antibatterico, antiodori e anti-allergeni		CHZB	70 95	03/15 > 10/18				34.199.00
1.0 TFSI		CHZE	60 82	01/16 > 10/18	23.575.00		30.A51.00	54.199.00
antibacterial, anti-odour and anti-allergen filter / filtro antibatterico, antiodori e anti-allergeni		CHZE	60 82	01/16 > 10/18				34.199.00
1.2 TFSI		CBZA	63 86	08/10 > 04/15	23.573.00	31.840.00	27.621.00	54.199.00
antibacterial, anti-odour and anti-allergen filter / filtro antibatterico, antiodori e anti-allergeni		CBZA	63 86	08/10 > 04/15				34.199.00
1.4 TDI		CUSB	66 90	11/14 > 10/18	23.717.00	24.106.00	30.692.00	54.199.00
antibacterial, anti-odour and anti-allergen filter / filtro antibatterico, antiodori e anti-allergeni		CUSB	66 90	11/14 > 10/18				34.199.00
1.4 TFSI		CAVG	136 185	11/10 > 04/15	23.573.00	31.840.00	27.621.00	54.199.00
antibacterial, anti-odour and anti-allergen filter / filtro antibatterico, antiodori e anti-allergeni		CAVG	136 185	11/10 > 04/15				34.199.00
1.4 TFSI		CAXA/CNVA	90 122	05/10 > 06/10	23.573.00	31.840.00	27.621.00	54.114.00
		CAXA/CNVA	90 122	07/10 > 04/15	23.573.00	31.840.00	27.621.00	54.199.00
antibacterial, anti-odour and anti-allergen filter / filtro antibatterico, antiodori e anti-allergeni		CAXA/CNVA	90 122	05/10 > 06/10				34.114.00
antibacterial, anti-odour and anti-allergen filter / filtro antibatterico, antiodori e anti-allergeni		CAXA/CNVA	90 122	07/10 > 04/15				34.199.00
1.4 TFSI		CPTA	103 140	04/12 > 04/15	23.573.00	31.840.00	27.621.00	54.199.00
antibacterial, anti-odour and anti-allergen filter / filtro antibatterico, antiodori e anti-allergeni		CPTA	103 140	04/12 > 04/15				34.199.00
1.4 TFSI		CTHG	136 185	11/11 > 04/15	23.573.00	31.840.00	27.621.00	54.199.00
antibacterial, anti-odour and anti-allergen filter / filtro antibatterico, antiodori e anti-allergeni		CTHG	136 185	11/11 > 04/15				34.199.00
1.4 TFSI		CZCA	92 125	11/14 > 10/18	23.575.00	31.840.00	30.549.00	54.199.00
antibacterial, anti-odour and anti-allergen filter / filtro antibatterico, antiodori e anti-allergeni		CZCA	92 125	11/14 > 10/18				34.199.00
1.4 TFSI		CZEA	110 150	11/14 > 10/18	23.575.00	31.840.00	30.549.00	54.199.00
antibacterial, anti-odour and anti-allergen filter / filtro antibatterico, antiodori e anti-allergeni		CZEA	110 150	11/14 > 10/18				34.199.00
1.4 TFSI (CN)		CTJA	136 185	05/12 > 04/15	23.573.00	31.840.00	27.621.00	54.199.00
antibacterial, anti-odour and anti-allergen filter / filtro antibatterico, antiodori e anti-allergeni		CTJA	136 185	05/12 > 04/15				34.199.00
1.6 TDI		CXMA	85 116	11/14 > 10/18	25.144.00	24.106.00	30.509.00	54.199.00
antibacterial, anti-odour and anti-allergen filter / filtro antibatterico, antiodori e anti-allergeni		CXMA	85 116	11/14 > 10/18				34.199.00
dusty areas / zone polverose		CXMA	85 116	11/14 > 10/18			30.508.00	
1.6 TDI CR		CAYB	66 90	03/11 > 05/12	25.106.00	24.033.00	27.621.00	54.199.00
		CAYB	66 90	06/12 > 04/15	25.106.00	24.016.00	27.621.00	54.199.00
antibacterial, anti-odour and anti-allergen filter / filtro antibatterico, antiodori e anti-allergeni		CAYB	66 90	03/11 > 04/15				34.199.00
1.6 TDI CR DPF		CAYC	77 105	05/10 > 06/10	25.106.00	24.437.00	27.621.00	54.114.00
		CAYC	77 105	07/10 > 04/11	25.106.00	24.437.00	27.621.00	54.199.00
		CAYC	77 105	05/11 > 05/12	25.106.00	24.033.00	27.621.00	54.199.00
		CAYC	77 105	06/12 > 04/15	25.106.00	24.016.00	27.621.00	54.199.00
antibacterial, anti-odour and anti-allergen filter / filtro antibatterico, antiodori e anti-allergeni		CAYC	77 105	05/10 > 06/10				34.114.00
antibacterial, anti-odour and anti-allergen filter / filtro antibatterico, antiodori e anti-allergeni		CAYC	77 105	05/11 > 04/15				34.199.00

...AUDI - cars/auto

1.8 TFSI	DAJB	141	192	02/15	>	10/18	25.153.00	31.840.00	30.509.00	54.199.00
	antibacterial, anti-odour and anti-allergen filter / filtro antibatterico, antiodori e anti-allergeni	DAJB	141	192	02/15	>	10/18			34.199.00
2.0 TDI	CFHB	100	136	09/11	>	04/15	25.106.00	24.016.00	30.355.00	54.199.00
	antibacterial, anti-odour and anti-allergen filter / filtro antibatterico, antiodori e anti-allergeni	CFHB	100	136	09/11	>	04/15			34.199.00
2.0 TDI	CFHD	105	143	09/11	>	04/15	25.106.00	24.016.00	30.355.00	54.199.00
	antibacterial, anti-odour and anti-allergen filter / filtro antibatterico, antiodori e anti-allergeni	CFHD	105	143	09/11	>	04/15			34.199.00
2.0 TFSI Quattro	CDLH	188	256	03/12	>	11/12	25.040.00	31.840.00	30.355.00	54.199.00
	antibacterial, anti-odour and anti-allergen filter / filtro antibatterico, antiodori e anti-allergeni	CDLH	188	256	03/12	>	11/12			34.199.00
A1 (GB)										
25 TFSI 1.0	CHZL/DKLA	70	95	11/18	>		23.575.00		30.A51.00	
	with automatic air-conditioner / con climatizzatore automatico	CHZL/DKLA	70	95	11/18	>				54.314.00
	antibacterial, anti-odour and anti-allergen filter with automatic air-conditioner / filtro antibatterico, antiodori e anti-allergeni con climatizzatore automatico	CHZL/DKLA	70	95	11/18	>				34.314.00
30 TFSI 1.0	DKJA/DKRF	85	116	10/18	>		23.575.00		30.A51.00	
	with automatic air-conditioner / con climatizzatore automatico	DKJA/DKRF	85	116	10/18	>				54.314.00
	antibacterial, anti-odour and anti-allergen filter with automatic air-conditioner / filtro antibatterico, antiodori e anti-allergeni con climatizzatore automatico	DKJA/DKRF	85	116	10/18	>				34.314.00
30 TFSI 1.0	DLAA	81	110	09/20	>		23.575.00		30.A45.00	
	antibacterial, anti-odour and anti-allergen filter / filtro antibatterico, antiodori e anti-allergeni	DLAA	81	110	09/20	>				34.314.00
35 TFSI 1.5	DADA	110	150	09/18	>		23.575.00		30.A45.00	
	with automatic air-conditioner / con climatizzatore automatico	DADA	110	150	09/18	>				54.314.00
	antibacterial, anti-odour and anti-allergen filter with automatic air-conditioner / filtro antibatterico, antiodori e anti-allergeni con climatizzatore automatico	DADA	110	150	09/18	>				34.314.00
40 TFSI 2.0	CZPC/DKZC	147	200	09/18	>		25.153.00		30.532.00	
	antibacterial, anti-odour and anti-allergen filter with automatic air-conditioner / filtro antibatterico, antiodori e anti-allergeni con climatizzatore automatico	CZPC/DKZC	147	200	09/18	>				34.314.00
A2										
1.2 TDI (3L)	ANY	45	61	08/00	>	05/02	25.023.00	24.425.00	27.257.00	53.031.00
	with activated carbons / ai carboni attivi	ANY	45	61	06/02	>	09/05	25.023.00	26.023.00	27.257.00
	antibacterial, anti-odour and anti-allergen filter / filtro antibatterico, antiodori e anti-allergeni	ANY	45	61	08/00	>	05/02	25.023.00	24.425.00	27.257.00
	with activated carbons / ai carboni attivi	ANY	45	61	06/02	>	09/05	25.023.00	26.023.00	27.257.00
	antibacterial, anti-odour and anti-allergen filter / filtro antibatterico, antiodori e anti-allergeni	ANY	45	61	08/00	>	09/05			34.114.00
1.4 i 16V	AUA	55	75	05/00	>	04/02	23.453.00	31.722.00	27.257.00	53.031.00
	with activated carbons / ai carboni attivi	AUA	55	75	05/00	>	04/02	23.453.00	31.722.00	27.257.00
	antibacterial, anti-odour and anti-allergen filter / filtro antibatterico, antiodori e anti-allergeni	AUA	55	75	05/00	>	04/02			34.114.00
1.4 i 16V	to frame No. 8Z-2-070000 / a telaio N. 8Z-2-070000	BBY	55	75	11/01	>	04/02	23.453.00	31.722.00	27.257.00
	with activated carbons, to frame No. 8Z-2-070000 / ai carboni attivi, a telaio N. 8Z-2-070000	BBY	55	75	11/01	>	04/02	23.453.00	31.722.00	27.257.00
	with activated carbons, from frame No. 8Z-3-000001 / ai carboni attivi, da telaio N. 8Z-3-000001	BBY	55	75	05/02	>	09/05	23.453.00	31.832.00	27.257.00
	antibacterial, anti-odour and anti-allergen filter / filtro antibatterico, antiodori e anti-allergeni	BBY	55	75	11/01	>	09/05	23.453.00	31.832.00	27.257.00
	antibacterial, anti-odour and anti-allergen filter / filtro antibatterico, antiodori e anti-allergeni	BBY	55	75	11/01	>	09/05			34.114.00
1.4 TDI	AMF	55	75	05/00	>	05/02	25.023.00	24.425.00	27.257.00	53.031.00
	with activated carbons / ai carboni attivi	AMF	55	75	06/02	>	09/05	25.023.00	26.023.00	27.257.00
	with activated carbons / ai carboni attivi	AMF	55	75	05/00	>	05/02	25.023.00	24.425.00	27.257.00
	antibacterial, anti-odour and anti-allergen filter / filtro antibatterico, antiodori e anti-allergeni	AMF	55	75	06/02	>	09/05	25.023.00	26.023.00	27.257.00
	antibacterial, anti-odour and anti-allergen filter / filtro antibatterico, antiodori e anti-allergeni	AMF	55	75	05/00	>	09/05			34.114.00
1.4 TDI	ATL	66	90	09/03	>	09/05	25.023.00	26.023.00	27.257.00	53.031.00
	with activated carbons / ai carboni attivi	ATL	66	90	09/03	>	09/05	25.023.00	26.023.00	27.257.00
	antibacterial, anti-odour and anti-allergen filter / filtro antibatterico, antiodori e anti-allergeni	ATL	66	90	09/03	>	09/05			34.114.00
1.4 TDI	BHC	55	75	09/03	>	09/05	25.023.00	26.023.00	27.257.00	53.031.00
	with activated carbons / ai carboni attivi	BHC	55	75	09/03	>	09/05	25.023.00	26.023.00	27.257.00
	antibacterial, anti-odour and anti-allergen filter / filtro antibatterico, antiodori e anti-allergeni	BHC	55	75	09/03	>	09/05			34.114.00
1.6 FSI	BAD	81	110	03/02	>	09/05	23.453.00	31.722.00	27.257.00	53.031.00
	with activated carbons / ai carboni attivi	BAD	81	110	03/02	>	09/05	23.453.00	31.722.00	27.257.00
	antibacterial, anti-odour and anti-allergen filter / filtro antibatterico, antiodori e anti-allergeni	BAD	81	110	03/02	>	09/05			34.114.00
A3 (8V)										
1.0 TFSI	CHZD	85	115	05/16	>		23.575.00		30.A51.00	53.298.00
	with automatic air-conditioner / con climatizzatore automatico	CHZD	85	115	05/16	>				54.219.00
	antibacterial, anti-odour and anti-allergen filter with automatic air-conditioner / filtro antibatterico, antiodori e anti-allergeni con climatizzatore automatico	CHZD	85	115	05/16	>				34.219.00
1.2 TFSI	CJZA	77	105	02/13	>		23.575.00		30.549.00	53.298.00
	with automatic air-conditioner / con climatizzatore automatico	CJZA	77	105	02/13	>				54.219.00
	antibacterial, anti-odour and anti-allergen filter with automatic air-conditioner / filtro antibatterico, antiodori e anti-allergeni con climatizzatore automatico	CJZA	77	105	02/13	>				34.219.00
1.2 TFSI	CYVB	81	110	05/14	>		23.575.00		30.549.00	53.298.00
	with automatic air-conditioner / con climatizzatore automatico	CYVB	81	110	05/14	>				54.219.00
	antibacterial, anti-odour and anti-allergen filter with automatic air-conditioner / filtro antibatterico, antiodori e anti-allergeni con climatizzatore automatico	CYVB	81	110	05/14	>				34.219.00
1.4 TFSI	CMBA	90	122	09/12	>		23.575.00		30.549.00	53.298.00
	with automatic air-conditioner / con climatizzatore automatico	CMBA	90	122	09/12	>				54.219.00
	antibacterial, anti-odour and anti-allergen filter with automatic air-conditioner / filtro antibatterico, antiodori e anti-allergeni con climatizzatore automatico	CMBA	90	122	09/12	>				34.219.00
1.4 TFSI	CPTA	103	140	10/12	>		23.575.00		30.549.00	53.298.00
	with automatic air-conditioner / con climatizzatore automatico	CPTA	103	140	10/12	>				54.219.00
	antibacterial, anti-odour and anti-allergen filter with automatic air-conditioner / filtro antibatterico, antiodori e anti-allergeni con climatizzatore automatico	CPTA	103	140	10/12	>				34.219.00

...AUDI - cars/auto

with automatic air-conditioner / con climatizzatore automatico	DKZA	140	190	07/18	>				54.219.00	
antibacterial, anti-odour and anti-allergen filter with automatic air-conditioner / filtro antibatterico, antiodori e anti-allergeni con climatizzatore automatico	DKZA	140	190	07/18	>				34.219.00	
for cold countries / per paesi freddi	DKZA	140	190	07/18	>			30.587.00		
40 TFSI Quattro	DKZA	140	190	07/18	>	25.153.00		30.532.00	53.298.00	
with automatic air-conditioner / con climatizzatore automatico	DKZA	140	190	07/18	>				54.219.00	
antibacterial, anti-odour and anti-allergen filter with automatic air-conditioner / filtro antibatterico, antiodori e anti-allergeni con climatizzatore automatico	DKZA	140	190	07/18	>				34.219.00	
for cold countries / per paesi freddi	DKZA	140	190	07/18	>			30.587.00		
A3 (8YA, 8YS)										
1.4 Plug-in Hybrid	DGEA	110	150	06/20	>	23.575.00		30.549.00		
with activated carbons / ai carboni attivi	DGEA	110	150	06/20	>				54.219.00	
antibacterial, anti-odour and anti-allergen filter / filtro antibatterico, antiodori e anti-allergeni	DGEA	110	150	06/20	>				34.219.00	
1.5 30 g-tron	DHFA	96	131	07/20	>	23.575.00		30.445.00	53.298.00	
with activated carbons / ai carboni attivi	DHFA	96	131	07/20	>				54.219.00	
antibacterial, anti-odour and anti-allergen filter / filtro antibatterico, antiodori e anti-allergeni	DHFA	96	131	07/20	>				34.219.00	
30 TDI	DSUD	85	116	11/19	>			30.532.00	53.298.00	
with activated carbons / ai carboni attivi	DSUD	85	116	11/19	>				54.219.00	
with facility for water sensor / con predisposizione per sensore acqua	DSUD	85	116	11/19	>		26.065.00			
antibacterial, anti-odour and anti-allergen filter / filtro antibatterico, antiodori e anti-allergeni	DSUD	85	116	11/19	>				34.219.00	
for cold countries / per paesi freddi	DSUD	85	116	11/19	>			30.587.00		
without water presence sensor / senza sensore presenza acqua	DSUD	85	116	11/19	>		26.038.00			
30 TFSi	DLAA	81	110	06/20	>	23.575.00		30.445.00	53.298.00	
with activated carbons / ai carboni attivi	DLAA	81	110	06/20	>				54.219.00	
antibacterial, anti-odour and anti-allergen filter / filtro antibatterico, antiodori e anti-allergeni	DLAA	81	110	06/20	>				34.219.00	
30 TFSi Mild Hybrid	DLAA	81	110	06/20	>	23.575.00		30.445.00	53.298.00	
with activated carbons / ai carboni attivi	DLAA	81	110	06/20	>				54.219.00	
antibacterial, anti-odour and anti-allergen filter with automatic air-conditioner / filtro antibatterico, antiodori e anti-allergeni con climatizzatore automatico	DLAA	81	110	06/20	>				34.219.00	
35 TDI	DSRB	110	150	11/19	>			30.532.00	53.298.00	
with activated carbons / ai carboni attivi	DSRB	110	150	11/19	>				54.219.00	
with facility for water sensor / con predisposizione per sensore acqua	DSRB	110	150	11/19	>		26.065.00			
antibacterial, anti-odour and anti-allergen filter / filtro antibatterico, antiodori e anti-allergeni	DSRB	110	150	11/19	>				34.219.00	
for cold countries / per paesi freddi	DSRB	110	150	11/19	>			30.587.00		
without water presence sensor / senza sensore presenza acqua	DSRB	110	150	11/19	>		26.038.00			
40 TDI	DTUA	147	200	12/20	>		26.038.00	30.532.00	53.298.00	
with activated carbons / ai carboni attivi	DTUA	147	200	12/20	>				54.219.00	
antibacterial, anti-odour and anti-allergen filter with automatic air-conditioner / filtro antibatterico, antiodori e anti-allergeni con climatizzatore automatico	DTUA	147	200	12/20	>				34.219.00	
for cold countries / per paesi freddi	DTUA	147	200	12/20	>			30.587.00		
S3 TFSi	DNFB	228	310	06/20	>	25.153.00		30.532.00	53.298.00	
with activated carbons / ai carboni attivi	DNFB	228	310	06/20	>				54.219.00	
antibacterial, anti-odour and anti-allergen filter / filtro antibatterico, antiodori e anti-allergeni	DNFB	228	310	06/20	>				34.219.00	
A3 I										
1.6 i	AEH/AKL/APF	74	101	05/97	>	03/03	23.436.00	31.718.00	30.077.00	54.109.00
antibacterial, anti-odour and anti-allergen filter / filtro antibatterico, antiodori e anti-allergeni	AEH/AKL/APF	74	101	05/97	>	03/03				34.109.00
for cold countries / per paesi freddi	AEH/AKL/APF	74	101	09/96	>	03/03			30.364.00	
1.6 i	AVU/BFQ	75	102	06/00	>	03/03	23.436.00	31.718.00	30.077.00	54.109.00
antibacterial, anti-odour and anti-allergen filter / filtro antibatterico, antiodori e anti-allergeni	AVU/BFQ	75	102	06/00	>	03/03				34.109.00
for cold countries / per paesi freddi	AVU/BFQ	75	102	06/00	>	03/03			30.364.00	
1.8 i 20V	AGN	92	125	05/97	>	03/03	23.436.00	31.718.00	30.077.00	54.109.00
antibacterial, anti-odour and anti-allergen filter / filtro antibatterico, antiodori e anti-allergeni	AGN	92	125	05/97	>	03/03				34.109.00
for cold countries / per paesi freddi	AGN	92	125	09/96	>	03/03			30.364.00	
1.8 i 20V	APG	92	125	06/99	>	03/03	23.436.00	31.718.00	30.077.00	54.109.00
antibacterial, anti-odour and anti-allergen filter / filtro antibatterico, antiodori e anti-allergeni	APG	92	125	06/99	>	03/03				34.109.00
for cold countries / per paesi freddi	APG	92	125	06/99	>	03/03			30.364.00	
1.8 i 20V Quattro	AGN/APG	92	125	05/97	>	03/03	23.436.00	31.718.00	30.077.00	54.109.00
antibacterial, anti-odour and anti-allergen filter / filtro antibatterico, antiodori e anti-allergeni	AGN/APG	92	125	05/97	>	03/03				34.109.00
for cold countries / per paesi freddi	AGN/APG	92	125	09/96	>	03/03			30.364.00	
1.8 i 20V Turbo	AGU/AQA/ARX/ARZ/AUM	110	150	05/97	>	03/03	23.436.00	31.718.00	30.077.00	54.109.00
antibacterial, anti-odour and anti-allergen filter / filtro antibatterico, antiodori e anti-allergeni	AGU/AQA/ARX/ARZ/AUM	110	150	05/97	>	03/03				34.109.00
for cold countries / per paesi freddi	AGU/AQA/ARX/ARZ/AUM	110	150	09/96	>	03/03			30.364.00	
1.8 i 20V Turbo	AJQ/APP/ARY/AUQ	132	180	10/98	>	03/03	23.436.00	31.718.00	30.077.00	54.109.00
antibacterial, anti-odour and anti-allergen filter / filtro antibatterico, antiodori e anti-allergeni	AJQ/APP/ARY/AUQ	132	180	10/98	>	03/03				34.109.00
for cold countries / per paesi freddi	AJQ/APP/ARY/AUQ	132	180	10/98	>	03/03			30.364.00	
1.8 i 20V Turbo Quattro	AGU/AQA/ARX/ARZ/AUM	110	150	05/97	>	03/03	23.436.00	31.718.00	30.077.00	54.109.00
antibacterial, anti-odour and anti-allergen filter / filtro antibatterico, antiodori e anti-allergeni	AGU/AQA/ARX/ARZ/AUM	110	150	05/97	>	03/03				34.109.00
for cold countries / per paesi freddi	AGU/AQA/ARX/ARZ/AUM	110	150	09/96	>	03/03			30.364.00	
1.8 i 20V Turbo Quattro	AJQ/APP/ARY/AUQ	132	180	10/98	>	03/03	23.436.00	31.718.00	30.077.00	54.109.00
antibacterial, anti-odour and anti-allergen filter / filtro antibatterico, antiodori e anti-allergeni	AJQ/APP/ARY/AUQ	132	180	10/98	>	03/03				34.109.00
for cold countries / per paesi freddi	AJQ/APP/ARY/AUQ	132	180	10/98	>	03/03			30.364.00	

...AUDI - cars/auto

A



1.9 TDI	AGR/ALH	66	90	05/97	>	08/01	25.011.00	24.391.00	30.077.00	54.109.00
with complete filter / con filtro completo	AGR/ALH	66	90	09/96	>	08/01		55.427.00		
antibacterial, anti-odour and anti-allergen filter / filtro antibatterico, antiodori e anti-allergeni	AGR/ALH	66	90	05/97	>	08/01				34.109.00
for cold countries / per paesi freddi	AGR/ALH	66	90	09/96	>	08/01			30.364.00	
1.9 TDI	AHF/ASV	81	110	05/97	>	08/01	25.011.00	24.391.00	30.077.00	54.109.00
with complete filter / con filtro completo	AHF/ASV	81	110	11/96	>	08/01		55.427.00		
antibacterial, anti-odour and anti-allergen filter / filtro antibatterico, antiodori e anti-allergeni	AHF/ASV	81	110	05/97	>	08/01				34.109.00
for cold countries / per paesi freddi	AHF/ASV	81	110	11/96	>	08/01			30.364.00	
1.9 TDI	ASZ	96	130	06/00	>	03/03	25.011.00	24.391.00	30.077.00	54.109.00
with complete filter / con filtro completo	ASZ	96	130	06/00	>	03/03		55.427.00		
antibacterial, anti-odour and anti-allergen filter / filtro antibatterico, antiodori e anti-allergeni	ASZ	96	130	06/00	>	03/03				34.109.00
for cold countries / per paesi freddi	ASZ	96	130	06/00	>	03/03			30.364.00	
1.9 TDI	ATD/AXR	74	101	08/00	>	03/03	25.011.00	24.391.00	30.077.00	54.109.00
with complete filter / con filtro completo	ATD/AXR	74	101	08/00	>	03/03		55.427.00		
antibacterial, anti-odour and anti-allergen filter / filtro antibatterico, antiodori e anti-allergeni	ATD/AXR	74	101	08/00	>	03/03				34.109.00
for cold countries / per paesi freddi	ATD/AXR	74	101	08/00	>	03/03			30.364.00	

A3 II

1.2 TSI	CBZB	77	105	12/09	>	08/12	23.573.00	31.840.00	27.401.00	53.148.00
with air-conditioner and R.H.D. / con climatizzatore e guida a destra	CBZB	77	105	12/09	>	08/12				54.376.00
with air-conditioner and L.H.D. / con climatizzatore e guida a sinistra	CBZB	77	105	12/09	>	08/12	23.573.00	31.840.00	27.401.00	54.124.00
antibacterial, anti-odour and anti-allergen filter with air-conditioner and L.H.D. / filtro antibatterico, antiodori e anti-allergeni con climatizzatore e guida a sinistra	CBZB	77	105	12/09	>	08/12				34.124.00
for cold countries / per paesi freddi	CBZB	77	105	12/09	>	08/12			27.402.00	
1.4 TSI	CAXC	92	125	09/07	>	05/08	25.047.00	31.840.00	27.401.00	53.148.00
	CAXC	92	125	06/08	>	05/10	23.494.00	31.840.00	27.401.00	53.148.00
	CAXC	92	125	06/10	>	05/13	23.573.00	31.840.00	27.401.00	53.148.00
with air-conditioner and R.H.D. / con climatizzatore e guida a destra	CAXC	92	125	09/07	>	05/13				54.376.00
with air-conditioner and L.H.D. / con climatizzatore e guida a sinistra	CAXC	92	125	09/07	>	05/08	25.047.00	31.840.00	27.401.00	54.124.00
with air-conditioner and L.H.D. / con climatizzatore e guida a sinistra	CAXC	92	125	06/08	>	05/10	23.494.00	31.840.00	27.401.00	54.124.00
with air-conditioner and L.H.D. / con climatizzatore e guida a sinistra	CAXC	92	125	06/10	>	05/13	23.573.00	31.840.00	27.401.00	54.124.00
antibacterial, anti-odour and anti-allergen filter with air-conditioner and L.H.D. / filtro antibatterico, antiodori e anti-allergeni con climatizzatore e guida a sinistra	CAXC	92	125	09/07	>	05/13				34.124.00
for cold countries / per paesi freddi	CAXC	92	125	09/07	>	05/13			27.402.00	
1.4 TSI	CMSA	92	125	05/10	>	08/12	23.573.00	31.840.00	27.401.00	53.148.00
with air-conditioner and R.H.D. / con climatizzatore e guida a destra	CMSA	92	125	05/10	>	08/12				54.376.00
with air-conditioner and L.H.D. / con climatizzatore e guida a sinistra	CMSA	92	125	05/10	>	08/12	23.573.00	31.840.00	27.401.00	54.124.00
antibacterial, anti-odour and anti-allergen filter with air-conditioner and L.H.D. / filtro antibatterico, antiodori e anti-allergeni con climatizzatore e guida a sinistra	CMSA	92	125	05/10	>	08/12				34.124.00
for cold countries / per paesi freddi	CMSA	92	125	05/10	>	08/12			27.402.00	
1.6 E-Power	CCSA/CMXA	75	102	07/08	>	03/13	23.436.00	31.853.00	27.401.00	53.148.00
with air-conditioner and R.H.D. / con climatizzatore e guida a destra	CCSA/CMXA	75	102	07/08	>	03/13				54.376.00
with air-conditioner and L.H.D. / con climatizzatore e guida a sinistra	CCSA/CMXA	75	102	07/08	>	03/13	23.436.00	31.853.00	27.401.00	54.124.00
antibacterial, anti-odour and anti-allergen filter with air-conditioner and L.H.D. / filtro antibatterico, antiodori e anti-allergeni con climatizzatore e guida a sinistra	CCSA/CMXA	75	102	07/08	>	03/13				34.124.00
for cold countries / per paesi freddi	CCSA/CMXA	75	102	07/08	>	03/13			27.402.00	
1.6	BGU	75	102	03/03	>	05/07	23.436.00	31.833.00	27.401.00	53.148.00
with air-conditioner and R.H.D. / con climatizzatore e guida a destra	BGU	75	102	03/03	>	05/07				54.376.00
with air-conditioner and L.H.D. / con climatizzatore e guida a sinistra	BGU	75	102	03/03	>	05/07	23.436.00	31.833.00	27.401.00	54.124.00
antibacterial, anti-odour and anti-allergen filter with air-conditioner and L.H.D. / filtro antibatterico, antiodori e anti-allergeni con climatizzatore e guida a sinistra	BGU	75	102	03/03	>	05/07				34.124.00
for cold countries / per paesi freddi	BGU	75	102	03/03	>	05/07			27.402.00	
1.6 FSI	BAG	85	115	03/03	>	05/04	25.047.00	31.722.00	30.209.00	53.148.00
with air-conditioner and R.H.D. / con climatizzatore e guida a destra	BAG	85	115	03/03	>	05/04				54.376.00
with air-conditioner and L.H.D. / con climatizzatore e guida a sinistra	BAG	85	115	03/03	>	05/04	25.047.00	31.722.00	30.209.00	54.124.00
antibacterial, anti-odour and anti-allergen filter with air-conditioner and L.H.D. / filtro antibatterico, antiodori e anti-allergeni con climatizzatore e guida a sinistra	BAG	85	115	03/03	>	05/04				34.124.00
1.6 FSI	BLF	85	115	01/05	>	09/07	25.047.00	31.840.00	30.209.00	53.148.00
with air-conditioner and R.H.D. / con climatizzatore e guida a destra	BLF	85	115	01/05	>	09/07				54.376.00
with air-conditioner and L.H.D. / con climatizzatore e guida a sinistra	BLF	85	115	01/05	>	09/07	25.047.00	31.840.00	30.209.00	54.124.00
antibacterial, anti-odour and anti-allergen filter with air-conditioner and L.H.D. / filtro antibatterico, antiodori e anti-allergeni con climatizzatore e guida a sinistra	BLF	85	115	01/05	>	09/07				34.124.00
1.6 FSI	BLP	85	115	06/04	>	12/04	25.047.00	31.840.00	30.209.00	53.148.00
with air-conditioner and R.H.D. / con climatizzatore e guida a destra	BLP	85	115	06/04	>	12/04				54.376.00
with air-conditioner and L.H.D. / con climatizzatore e guida a sinistra	BLP	85	115	06/04	>	12/04	25.047.00	31.840.00	30.209.00	54.124.00
antibacterial, anti-odour and anti-allergen filter with air-conditioner and L.H.D. / filtro antibatterico, antiodori e anti-allergeni con climatizzatore e guida a sinistra	BLP	85	115	06/04	>	12/04				34.124.00
1.6 TDI	CAYB	66	90	05/09	>	08/12	25.106.00	26.007.00	30.187.00	53.148.00
with air-conditioner and R.H.D. / con climatizzatore e guida a destra	CAYB	66	90	05/09	>	08/12				54.376.00
with air-conditioner and L.H.D. / con climatizzatore e guida a sinistra	CAYB	66	90	05/09	>	08/12	25.106.00	26.007.00	30.187.00	54.124.00
antibacterial, anti-odour and anti-allergen filter with air-conditioner and L.H.D. / filtro antibatterico, antiodori e anti-allergeni con climatizzatore e guida a sinistra	CAYB	66	90	05/09	>	08/12				34.124.00
for cold countries / per paesi freddi	CAYB	66	90	05/09	>	08/12			30.370.00	
1.6 TDI	CAYC	77	105	05/09	>	08/12	25.106.00	26.007.00	30.187.00	53.148.00
with air-conditioner and R.H.D. / con climatizzatore e guida a destra	CAYC	77	105	05/09	>	08/12				54.376.00
with air-conditioner and L.H.D. / con climatizzatore e guida a sinistra	CAYC	77	105	05/09	>	08/12	25.106.00	26.007.00	30.187.00	54.124.00
antibacterial, anti-odour and anti-allergen filter with air-conditioner and L.H.D. / filtro antibatterico, antiodori e anti-allergeni con climatizzatore e guida a sinistra	CAYC	77	105	05/09	>	08/12				34.124.00

...AUDI - cars/auto

with air-conditioner and R.H.D. / con climatizzatore e guida a destra	AXX	147	200	09/04	>	05/07				54.376.00
with air-conditioner and L.H.D. / con climatizzatore e guida a sinistra	AXX	147	200	09/04	>	05/07	25.040.00	31.840.00	30.315.00	54.124.00
antibacterial, anti-odour and anti-allergen filter with air-conditioner and L.H.D. / filtro antibatterico, antiodori e anti-allergeni con climatizzatore e guida a sinistra	AXX	147	200	09/04	>	05/07				34.124.00
2.0 TFSI Quattro	CAWB	147	200	09/07	>	06/08	23.493.00	31.840.00	30.187.00	53.148.00
with air-conditioner and R.H.D. / con climatizzatore e guida a destra	CAWB	147	200	09/07	>	06/08				54.376.00
with air-conditioner and L.H.D. / con climatizzatore e guida a sinistra	CAWB	147	200	09/07	>	06/08	23.493.00	31.840.00	30.187.00	54.124.00
antibacterial, anti-odour and anti-allergen filter with air-conditioner and L.H.D. / filtro antibatterico, antiodori e anti-allergeni con climatizzatore e guida a sinistra	CAWB	147	200	09/07	>	06/08				34.124.00
for cold countries / per paesi freddi	CAWB	147	200	09/07	>	06/08			30.370.00	
3.2 V6 Quattro	BDB/BMJ/BUB	184	250	03/03	>	05/09	25.023.00	31.833.00	30.303.00	53.148.00
with air-conditioner and R.H.D. / con climatizzatore e guida a destra	BDB/BMJ/BUB	184	250	03/03	>	05/09				54.376.00
with air-conditioner and L.H.D. / con climatizzatore e guida a sinistra	BDB/BMJ/BUB	184	250	03/03	>	05/09	25.023.00	31.833.00	30.303.00	54.124.00
antibacterial, anti-odour and anti-allergen filter with air-conditioner and L.H.D. / filtro antibatterico, antiodori e anti-allergeni con climatizzatore e guida a sinistra	BDB/BMJ/BUB	184	250	03/03	>	05/09				34.124.00
for cold countries / per paesi freddi	BDB/BMJ/BUB	184	250	03/03	>	05/09			30.A35.00	
A3 II Cabrio										
1.6	BSE	75	102	06/07	>	05/10	23.436.00	31.833.00	27.401.00	53.148.00
with air-conditioner and R.H.D. / con climatizzatore e guida a destra	BSE	75	102	06/07	>	05/10				54.376.00
with air-conditioner and L.H.D. / con climatizzatore e guida a sinistra	BSE	75	102	06/07	>	05/10	23.436.00	31.833.00	27.401.00	54.124.00
antibacterial, anti-odour and anti-allergen filter with air-conditioner and L.H.D. / filtro antibatterico, antiodori e anti-allergeni con climatizzatore e guida a sinistra	BSE	75	102	06/07	>	05/10				34.124.00
1.8 TFSI	BZB	118	160	06/07	>	05/08	23.493.00	31.840.00	30.187.00	53.148.00
with air-conditioner and R.H.D. / con climatizzatore e guida a destra	BZB	118	160	06/07	>	05/08				54.376.00
with air-conditioner and L.H.D. / con climatizzatore e guida a sinistra	BZB	118	160	06/07	>	05/08	23.493.00	31.840.00	30.187.00	54.124.00
antibacterial, anti-odour and anti-allergen filter with air-conditioner and L.H.D. / filtro antibatterico, antiodori e anti-allergeni con climatizzatore e guida a sinistra	BZB	118	160	06/07	>	05/08				34.124.00
for cold countries / per paesi freddi	BZB	118	160	06/07	>	05/08			30.370.00	
1.8 TFSI	CDAA	118	160	01/09	>	05/13	23.493.00	31.840.00	30.187.00	53.148.00
with air-conditioner and R.H.D. / con climatizzatore e guida a destra	CDAA	118	160	01/09	>	05/13				54.376.00
with air-conditioner and L.H.D. / con climatizzatore e guida a sinistra	CDAA	118	160	01/09	>	05/13	23.493.00	31.840.00	30.187.00	54.124.00
antibacterial, anti-odour and anti-allergen filter with air-conditioner and L.H.D. / filtro antibatterico, antiodori e anti-allergeni con climatizzatore e guida a sinistra	CDAA	118	160	01/09	>	05/13				34.124.00
for cold countries / per paesi freddi	CDAA	118	160	01/09	>	05/13			30.370.00	
1.9 TDI DPF/FAP	BLS	77	105	06/07	>	10/09	25.023.00	26.007.00	30.187.00	53.148.00
with air-conditioner and R.H.D. / con climatizzatore e guida a destra	BLS	77	105	06/07	>	10/09				54.376.00
with air-conditioner and L.H.D. / con climatizzatore e guida a sinistra	BLS	77	105	06/07	>	10/09	25.023.00	26.007.00	30.187.00	54.124.00
antibacterial, anti-odour and anti-allergen filter with air-conditioner and L.H.D. / filtro antibatterico, antiodori e anti-allergeni con climatizzatore e guida a sinistra	BLS	77	105	06/07	>	10/09				34.124.00
for cold countries / per paesi freddi	BLS	77	105	06/07	>	10/09			30.370.00	
2.0 TDI DPF/FAP	CBAA	100	136	11/07	>	05/10	25.023.00	26.007.00	30.187.00	53.148.00
with air-conditioner and R.H.D. / con climatizzatore e guida a destra	CBAA	100	136	11/07	>	05/10				54.376.00
with air-conditioner and L.H.D. / con climatizzatore e guida a sinistra	CBAA	100	136	11/07	>	05/10	25.023.00	26.007.00	30.187.00	54.124.00
antibacterial, anti-odour and anti-allergen filter with air-conditioner and L.H.D. / filtro antibatterico, antiodori e anti-allergeni con climatizzatore e guida a sinistra	CBAA	100	136	11/07	>	05/10				34.124.00
for cold countries / per paesi freddi	CBAA	100	136	11/07	>	05/10			30.370.00	
2.0 TDI DPF/FAP	CBAB	103	140	11/07	>	05/10	25.023.00	26.007.00	30.187.00	53.148.00
with air-conditioner and R.H.D. / con climatizzatore e guida a destra	CBAB	103	140	11/07	>	05/10				54.376.00
with air-conditioner and L.H.D. / con climatizzatore e guida a sinistra	CBAB	103	140	11/07	>	05/10	25.023.00	26.007.00	30.187.00	54.124.00
antibacterial, anti-odour and anti-allergen filter with air-conditioner and L.H.D. / filtro antibatterico, antiodori e anti-allergeni con climatizzatore e guida a sinistra	CBAB	103	140	11/07	>	05/10				34.124.00
for cold countries / per paesi freddi	CBAB	103	140	11/07	>	05/10			30.370.00	
2.0 TFSI	CAWB	147	200	02/08	>	01/09	23.493.00	31.840.00	30.187.00	53.148.00
with air-conditioner and R.H.D. / con climatizzatore e guida a destra	CAWB	147	200	02/08	>	01/09				54.376.00
with air-conditioner and L.H.D. / con climatizzatore e guida a sinistra	CAWB	147	200	02/08	>	01/09	23.493.00	31.840.00	30.187.00	54.124.00
antibacterial, anti-odour and anti-allergen filter with air-conditioner and L.H.D. / filtro antibatterico, antiodori e anti-allergeni con climatizzatore e guida a sinistra	CAWB	147	200	02/08	>	01/09				34.124.00
A3 II Sportback										
1.0 TFSI	DLAA	81	110	06/20	>		23.575.00		30.A45.00	53.298.00
with activated carbons / ai carboni attivi	DLAA	81	110	06/20	>					54.219.00
with automatic air-conditioner / con climatizzatore automatico	DLAA	81	110	06/20	>					34.219.00
1.2 TSI	CBZB	77	105	12/09	>	03/13	23.573.00	31.840.00	27.401.00	53.148.00
with air-conditioner and R.H.D. / con climatizzatore e guida a destra	CBZB	77	105	12/09	>	03/13				54.376.00
with air-conditioner and L.H.D. / con climatizzatore e guida a sinistra	CBZB	77	105	12/09	>	03/13	23.573.00	31.840.00	27.401.00	54.124.00
antibacterial, anti-odour and anti-allergen filter with air-conditioner and L.H.D. / filtro antibatterico, antiodori e anti-allergeni con climatizzatore e guida a sinistra	CBZB	77	105	12/09	>	03/13				34.124.00
for cold countries / per paesi freddi	CBZB	77	105	12/09	>	03/13			27.402.00	
1.4 TSI	CAXC	92	125	09/07	>	05/08	25.047.00	31.840.00	27.401.00	53.148.00
	CAXC	92	125	06/08	>	05/10	23.494.00	31.840.00	27.401.00	53.148.00
	CAXC	92	125	06/10	>	03/13	23.573.00	31.840.00	27.401.00	53.148.00
with air-conditioner and R.H.D. / con climatizzatore e guida a destra	CAXC	92	125	09/07	>	03/13				54.376.00
with air-conditioner and L.H.D. / con climatizzatore e guida a sinistra	CAXC	92	125	09/07	>	05/08	25.047.00	31.840.00	27.401.00	54.124.00
with air-conditioner and L.H.D. / con climatizzatore e guida a sinistra	CAXC	92	125	06/08	>	05/10	23.494.00	31.840.00	27.401.00	54.124.00
with air-conditioner and L.H.D. / con climatizzatore e guida a sinistra	CAXC	92	125	06/10	>	03/13	23.573.00	31.840.00	27.401.00	54.124.00
antibacterial, anti-odour and anti-allergen filter with air-conditioner and L.H.D. / filtro antibatterico, antiodori e anti-allergeni con climatizzatore e guida a sinistra	CAXC	92	125	09/07	>	03/13				34.124.00
for cold countries / per paesi freddi	CAXC	92	125	09/07	>	03/13			27.402.00	
1.4 TSI	CMSA	92	125	05/10	>	03/13	23.573.00	31.840.00	27.401.00	53.148.00
with air-conditioner and R.H.D. / con climatizzatore e guida a destra	CMSA	92	125	05/10	>	03/13				54.376.00

...AUDI - cars/auto

A

with air-conditioner and L.H.D. / con climatizzatore e guida a sinistra	CMSA	92	125	05/10	>	03/13	23.573.00	31.840.00	27.401.00	54.124.00
antibacterial, anti-odour and anti-allergen filter with air-conditioner and L.H.D. / filtro antibatterico, antiodori e anti-allergeni con climatizzatore e guida a sinistra	CMSA	92	125	05/10	>	03/13				34.124.00
for cold countries / per paesi freddi	CMSA	92	125	05/10	>	03/13			27.402.00	
1.6 E-Power	CCSA/CMXA	75	102	07/08	>	03/13	23.436.00	31.853.00	27.401.00	53.148.00
with air-conditioner and R.H.D. / con climatizzatore e guida a destra	CCSA/CMXA	75	102	07/08	>	03/13				54.376.00
with air-conditioner and L.H.D. / con climatizzatore e guida a sinistra	CCSA/CMXA	75	102	07/08	>	03/13	23.436.00	31.853.00	27.401.00	54.124.00
antibacterial, anti-odour and anti-allergen filter with air-conditioner and L.H.D. / filtro antibatterico, antiodori e anti-allergeni con climatizzatore e guida a sinistra	CCSA/CMXA	75	102	07/08	>	03/13				34.124.00
for cold countries / per paesi freddi	CCSA/CMXA	75	102	07/08	>	03/13			27.402.00	
1.6	BGU	75	102	08/04	>	05/07	23.436.00	31.833.00	27.401.00	53.148.00
with air-conditioner and R.H.D. / con climatizzatore e guida a destra	BGU	75	102	08/04	>	05/07				54.376.00
with air-conditioner and L.H.D. / con climatizzatore e guida a sinistra	BGU	75	102	08/04	>	05/07	23.436.00	31.833.00	27.401.00	54.124.00
antibacterial, anti-odour and anti-allergen filter with air-conditioner and L.H.D. / filtro antibatterico, antiodori e anti-allergeni con climatizzatore e guida a sinistra	BGU	75	102	08/04	>	05/07				34.124.00
for cold countries / per paesi freddi	BGU	75	102	08/04	>	05/07			27.402.00	
1.6 FSI	BAG	85	115	06/04	>	12/04	25.047.00	31.722.00	30.209.00	53.148.00
with air-conditioner and R.H.D. / con climatizzatore e guida a destra	BAG	85	115	06/04	>	12/04				54.376.00
with air-conditioner and L.H.D. / con climatizzatore e guida a sinistra	BAG	85	115	06/04	>	12/04	25.047.00	31.722.00	30.209.00	54.124.00
antibacterial, anti-odour and anti-allergen filter with air-conditioner and L.H.D. / filtro antibatterico, antiodori e anti-allergeni con climatizzatore e guida a sinistra	BAG	85	115	06/04	>	12/04				34.124.00
1.6 FSI	BLF	85	115	01/05	>	09/07	25.047.00	31.840.00	30.209.00	53.148.00
with air-conditioner and R.H.D. / con climatizzatore e guida a destra	BLF	85	115	01/07	>	09/07				54.376.00
with air-conditioner and L.H.D. / con climatizzatore e guida a sinistra	BLF	85	115	01/05	>	09/07	25.047.00	31.840.00	30.209.00	54.124.00
antibacterial, anti-odour and anti-allergen filter with air-conditioner and L.H.D. / filtro antibatterico, antiodori e anti-allergeni con climatizzatore e guida a sinistra	BLF	85	115	01/05	>	09/07				34.124.00
1.6 FSI	BLP	85	115	06/04	>	12/04	25.047.00	31.840.00	30.209.00	53.148.00
with air-conditioner and R.H.D. / con climatizzatore e guida a destra	BLP	85	115	06/04	>	12/04				54.376.00
with air-conditioner and L.H.D. / con climatizzatore e guida a sinistra	BLP	85	115	06/04	>	12/04	25.047.00	31.840.00	30.209.00	54.124.00
antibacterial, anti-odour and anti-allergen filter with automatic air-conditioner and L.H.D. / filtro antibatterico, antiodori e anti-allergeni con climatizzatore automatico e guida a sinistra	BLP	85	115	06/04	>	12/04				34.124.00
1.8 TFSI	BYT	118	160	11/06	>	05/07		31.840.00	30.187.00	53.148.00
with air-conditioner and R.H.D. / con climatizzatore e guida a destra	BYT	118	160	11/06	>	05/07				54.376.00
with air-conditioner and L.H.D. / con climatizzatore e guida a sinistra	BYT	118	160	11/06	>	05/07		31.840.00	30.187.00	54.124.00
antibacterial, anti-odour and anti-allergen filter with air-conditioner and L.H.D. / filtro antibatterico, antiodori e anti-allergeni con climatizzatore e guida a sinistra	BYT	118	160	11/06	>	05/07				34.124.00
for cold countries / per paesi freddi	BYT	118	160	11/06	>	05/07			30.370.00	
1.8 TFSI	BZB	118	160	06/07	>	06/08	23.493.00	31.840.00	30.187.00	53.148.00
with air-conditioner and R.H.D. / con climatizzatore e guida a destra	BZB	118	160	06/07	>	07/08				54.376.00
with air-conditioner and L.H.D. / con climatizzatore e guida a sinistra	BZB	118	160	06/07	>	06/08	23.493.00	31.840.00	30.187.00	54.124.00
antibacterial, anti-odour and anti-allergen filter with air-conditioner and L.H.D. / filtro antibatterico, antiodori e anti-allergeni con climatizzatore e guida a sinistra	BZB	118	160	06/07	>	06/08				34.124.00
for cold countries / per paesi freddi	BZB	118	160	06/07	>	06/08			30.370.00	
1.8 TFSI	CDA	118	160	07/08	>	03/13	23.493.00	31.840.00	30.187.00	53.148.00
with air-conditioner and R.H.D. / con climatizzatore e guida a destra	CDA	118	160	07/08	>	03/13				54.376.00
with air-conditioner and L.H.D. / con climatizzatore e guida a sinistra	CDA	118	160	07/08	>	03/13	23.493.00	31.840.00	30.187.00	54.124.00
antibacterial, anti-odour and anti-allergen filter with air-conditioner and L.H.D. / filtro antibatterico, antiodori e anti-allergeni con climatizzatore e guida a sinistra	CDA	118	160	07/08	>	03/13				34.124.00
for cold countries / per paesi freddi	CDA	118	160	07/08	>	03/13			30.370.00	
1.9 TDI										
to frame No. 8P-6-176000 (1K0127400J M+H) / a telaio N. 8P-6-176000 (1K0127400J M+H)	BKC/BLS/BXE	77	105	08/04	>		25.023.00	26.014.00	30.187.00	53.148.00
to frame No. 8P-6-176000 (1K0127400K M+H) / a telaio N. 8P-6-176000 (1K0127400K M+H)	BKC/BLS/BXE	77	105	08/04	>		25.023.00	26.021.00	30.187.00	53.148.00
with L.H.D. / con guida a sinistra	BKC/BLS/BXE	77	105	08/04	>	09/09				54.124.00
from frame No. 8P-6-176001 / da telaio N. 8P-6-176001	BKC/BLS/BXE	77	105		>	09/09	25.023.00	26.007.00	30.187.00	
antibacterial, anti-odour and anti-allergen filter with air-conditioner and L.H.D. / filtro antibatterico, antiodori e anti-allergeni con climatizzatore e guida a sinistra	BKC/BLS/BXE	77	105	08/04	>	09/09				34.124.00
2.0 FSI	AXW/BLR/BLX	110	150	08/04	>	05/07	25.040.00	31.722.00	27.401.00	53.148.00
with air-conditioner and R.H.D. / con climatizzatore e guida a destra	AXW/BLR/BLX	110	150	08/04	>	05/07				54.376.00
with air-conditioner and L.H.D. / con climatizzatore e guida a sinistra	AXW/BLR/BLX	110	150	08/04	>	05/07	25.040.00	31.722.00	27.401.00	54.124.00
antibacterial, anti-odour and anti-allergen filter with air-conditioner and L.H.D. / filtro antibatterico, antiodori e anti-allergeni con climatizzatore e guida a sinistra	AXW/BLR/BLX	110	150	08/04	>	05/07				34.124.00
for cold countries / per paesi freddi	AXW/BLR/BLX	110	150	08/04	>	05/07			27.402.00	
2.0 FSI	BMB/BVY/BVZ	110	150	08/04	>	06/08	25.040.00	31.840.00	27.401.00	53.148.00
with air-conditioner and R.H.D. / con climatizzatore e guida a destra	BMB/BVY/BVZ	110	150	08/04	>	06/08				54.376.00
with air-conditioner and L.H.D. / con climatizzatore e guida a sinistra	BMB/BVY/BVZ	110	150	08/04	>	06/08	25.040.00	31.840.00	27.401.00	54.124.00
antibacterial, anti-odour and anti-allergen filter with air-conditioner and L.H.D. / filtro antibatterico, antiodori e anti-allergeni con climatizzatore e guida a sinistra	BMB/BVY/BVZ	110	150	08/04	>	06/08				34.124.00
for cold countries / per paesi freddi	BMB/BVY/BVZ	110	150	08/04	>	06/08			27.402.00	
2.0 TDI										
to frame No. 8P-6-176000 (1K0127400J M+H) / a telaio N. 8P-6-176000 (1K0127400J M+H)	AZV/BKD/BMM	103	140	08/04	>		25.023.00	26.014.00	30.187.00	53.148.00
to frame No. 8P-6-176000 (1K0127400K M+H) / a telaio N. 8P-6-176000 (1K0127400K M+H)	AZV/BKD/BMM	103	140	08/04	>		25.023.00	26.021.00	30.187.00	53.148.00
with air-conditioner and R.H.D. / con climatizzatore e guida a destra	AZV/BKD/BMM	103	140	08/04	>	06/08				54.376.00
with air-conditioner and L.H.D. / con climatizzatore e guida a sinistra	AZV/BKD/BMM	103	140	08/04	>	06/08	25.023.00		30.187.00	54.124.00
from frame No. 8P-6-176001 / da telaio N. 8P-6-176001	AZV/BKD/BMM	103	140		>	06/08	25.023.00	26.007.00	30.187.00	53.148.00
antibacterial, anti-odour and anti-allergen filter with air-conditioner and L.H.D. / filtro antibatterico, antiodori e anti-allergeni con climatizzatore e guida a sinistra	AZV/BKD/BMM	103	140	08/04	>	06/08				34.124.00
for cold countries / per paesi freddi	AZV/BKD/BMM	103	140	08/04	>	06/08			30.370.00	
2.0 TDI										
to frame No. 8P-6-176000 (1K0127400J M+H) / a telaio N. 8P-6-176000 (1K0127400J M+H)	BMN	125	170	03/06	>		25.023.00	26.014.00	30.187.00	53.148.00
to frame No. 8P-6-176000 (1K0127400K M+H) / a telaio N. 8P-6-176000 (1K0127400K M+H)	BMN	125	170	03/06	>		25.023.00	26.021.00	30.187.00	53.148.00

...AUDI - cars/auto

with air-conditioner and R.H.D. / con climatizzatore e guida a destra	BMN	125	170	03/06	>	06/08				54.376.00
with air-conditioner and L.H.D. / con climatizzatore e guida a sinistra	BMN	125	170	03/06	>	06/08				54.124.00
from frame No. 8P-6-176001 / da telaio N. 8P-6-176001	BMN	125	170		>	06/08	25.023.00	26.007.00	30.187.00	53.148.00
antibacterial, anti-odour and anti-allergen filter with air-conditioner and L.H.D. / filtro antibatterico, antiodori e anti-allergeni con climatizzatore e guida a sinistra	BMN	125	170	03/06	>	06/08				34.124.00
for cold countries / per paesi freddi	BMN	125	170	03/06	>	06/08			30.370.00	
2.0 TDI	DSRB	110	150	11/19	>			26.038.00	30.532.00	53.298.00
with activated carbons / ai carboni attivi	DSRB	110	150	11/19	>					54.219.00
antibacterial, anti-odour and anti-allergen filter / filtro antibatterico, antiodori e anti-allergeni	DSRB	110	150	11/19	>					34.219.00
for cold countries / per paesi freddi	DSRB	110	150	11/19	>				30.587.00	
2.0 TDI	DSUD	85	116	11/19	>			26.038.00	30.532.00	53.298.00
with activated carbons / ai carboni attivi	DSUD	85	116	11/19	>					54.219.00
antibacterial, anti-odour and anti-allergen filter / filtro antibatterico, antiodori e anti-allergeni	DSUD	85	116	11/19	>					34.219.00
for cold countries / per paesi freddi	DSUD	85	116	11/19	>				30.587.00	
2.0 TDI Quattro										
to frame No. 8P-6-176000 (1K0127400J M+H) / a telaio N. 8P-6-176000 (1K0127400J M+H)	AZV/BKD/BMM	103	140	08/04	>		25.023.00	26.014.00	30.187.00	53.148.00
to frame No. 8P-6-176000 (1K0127400K M+H) / a telaio N. 8P-6-176000 (1K0127400K M+H)	AZV/BKD/BMM	103	140	08/04	>		25.023.00	26.021.00	30.187.00	53.148.00
with air-conditioner and R.H.D. / con climatizzatore e guida a destra	AZV/BKD/BMM	103	140	08/04	>	06/08				54.376.00
with air-conditioner and L.H.D. / con climatizzatore e guida a sinistra	AZV/BKD/BMM	103	140	08/04	>	06/08	25.023.00		30.187.00	54.124.00
from frame No. 8P-6-176001 / da telaio N. 8P-6-176001	AZV/BKD/BMM	103	140		>	06/08	25.023.00	26.007.00	30.187.00	53.148.00
antibacterial, anti-odour and anti-allergen filter with automatic air-conditioner and L.H.D. / filtro antibatterico, antiodori e anti-allergeni con climatizzatore automatico e guida a sinistra	AZV/BKD/BMM	103	140	08/04	>	06/08				34.124.00
for cold countries / per paesi freddi	AZV/BKD/BMM	103	140	08/04	>	06/08			30.370.00	
2.0 TDI Quattro										
to frame No. 8P-6-176000 (1K0127400J M+H) / a telaio N. 8P-6-176000 (1K0127400J M+H)	BMN	125	170	03/06	>		25.023.00	26.014.00	30.187.00	53.148.00
to frame No. 8P-6-176000 (1K0127400K M+H) / a telaio N. 8P-6-176000 (1K0127400K M+H)	BMN	125	170	03/06	>		25.023.00	26.021.00	30.187.00	53.148.00
with air-conditioner and R.H.D. / con climatizzatore e guida a destra	BMN	125	170	03/06	>	06/08				54.376.00
with air-conditioner and L.H.D. / con climatizzatore e guida a sinistra	BMN	125	170	03/06	>	06/08	25.023.00		30.187.00	54.124.00
from frame No. 8P-6-176001 / da telaio N. 8P-6-176001	BMN	125	170		>	06/08	25.023.00	26.007.00	30.187.00	53.148.00
antibacterial, anti-odour and anti-allergen filter with air-conditioner and L.H.D. / filtro antibatterico, antiodori e anti-allergeni con climatizzatore e guida a sinistra	BMN	125	170	03/06	>	06/08				34.124.00
for cold countries / per paesi freddi	BMN	125	170	03/06	>	06/08			30.370.00	
2.0 TFSI	AXX	147	200	08/04	>	05/07	25.040.00	31.840.00	30.315.00	53.148.00
with air-conditioner and R.H.D. / con climatizzatore e guida a destra	AXX	147	200	08/04	>	05/07				54.376.00
with air-conditioner and L.H.D. / con climatizzatore e guida a sinistra	AXX	147	200	08/04	>	05/07	25.040.00	31.840.00	30.315.00	54.124.00
antibacterial, anti-odour and anti-allergen filter with air-conditioner and L.H.D. / filtro antibatterico, antiodori e anti-allergeni con climatizzatore e guida a sinistra	AXX	147	200	08/04	>	05/07				34.124.00
2.0 TFSI Quattro	AXX	147	200	08/04	>	05/07	25.040.00	31.840.00	30.315.00	53.148.00
with air-conditioner and R.H.D. / con climatizzatore e guida a destra	AXX	147	200	08/04	>	05/07				54.376.00
with air-conditioner and L.H.D. / con climatizzatore e guida a sinistra	AXX	147	200	08/04	>	05/07	25.040.00	31.840.00	30.315.00	54.124.00
antibacterial, anti-odour and anti-allergen filter with air-conditioner and L.H.D. / filtro antibatterico, antiodori e anti-allergeni con climatizzatore e guida a sinistra	AXX	147	200	08/04	>	05/07				34.124.00
3.2 V6 Quattro	BDB/BMJ/BUB	184	250	08/04	>	05/09	25.023.00	31.833.00	30.303.00	53.148.00
with air-conditioner and R.H.D. / con climatizzatore e guida a destra	BDB/BMJ/BUB	184	250	08/04	>	05/09				54.376.00
with air-conditioner and L.H.D. / con climatizzatore e guida a sinistra	BDB/BMJ/BUB	184	250	08/04	>	05/09	25.023.00	31.833.00	30.303.00	54.124.00
antibacterial, anti-odour and anti-allergen filter with air-conditioner and L.H.D. / filtro antibatterico, antiodori e anti-allergeni con climatizzatore e guida a sinistra	BDB/BMJ/BUB	184	250	08/04	>	05/09				34.124.00
for cold countries / per paesi freddi	BDB/BMJ/BUB	184	250	08/04	>	05/09			30.370.00	
A4										
1.6 i	ADP	74	101	11/94	>	10/00	23.436.00	31.500.00	30.192.00	53.013.00
with activated carbons / ai carboni attivi	ADP	74	101	11/94	>	10/00				54.195.00
antibacterial, anti-odour and anti-allergen filter / filtro antibatterico, antiodori e anti-allergeni	ADP	74	101	11/94	>	10/00				34.195.00
1.6 i	AHL	74	101	10/96	>	10/00	23.436.00	31.500.00	30.192.00	53.013.00
with activated carbons / ai carboni attivi	AHL	74	101	10/96	>	10/00				54.195.00
antibacterial, anti-odour and anti-allergen filter / filtro antibatterico, antiodori e anti-allergeni	AHL	74	101	10/96	>	10/00				34.195.00
1.6 i	ALZ	75	102	06/00	>	09/01	23.436.00	31.500.00	30.192.00	53.013.00
with activated carbons / ai carboni attivi	ALZ	75	102	06/00	>	09/01				54.195.00
antibacterial, anti-odour and anti-allergen filter / filtro antibatterico, antiodori e anti-allergeni	ALZ	75	102	06/00	>	09/01				34.195.00
1.6 i	ANA/ARM	74	101	03/98	>	10/00	23.436.00	31.500.00	30.192.00	53.013.00
with activated carbons / ai carboni attivi	ANA/ARM	74	101	03/98	>	10/00				54.195.00
antibacterial, anti-odour and anti-allergen filter / filtro antibatterico, antiodori e anti-allergeni	ANA/ARM	74	101	03/98	>	10/00				34.195.00
1.8 i	ADR/APT/ARG	92	125	11/94	>	10/00	23.436.00	31.500.00	30.192.00	53.013.00
with activated carbons / ai carboni attivi	ADR/APT/ARG	92	125	11/94	>	10/00				54.195.00
antibacterial, anti-odour and anti-allergen filter / filtro antibatterico, antiodori e anti-allergeni	ADR/APT/ARG	92	125	11/94	>	10/00				34.195.00
1.8 i	AFY	85	116	11/94	>	10/00	23.436.00	31.500.00	30.192.00	53.013.00
with activated carbons / ai carboni attivi	AFY	85	116	11/94	>	10/00				54.195.00
antibacterial, anti-odour and anti-allergen filter / filtro antibatterico, antiodori e anti-allergeni	AFY	85	116	11/94	>	10/00				34.195.00
1.8 i Quattro	ADR/APT	92	125	11/94	>	10/00	23.436.00	31.748.00	30.192.00	53.013.00
with activated carbons / ai carboni attivi	ADR/APT	92	125	11/94	>	10/00				54.195.00
antibacterial, anti-odour and anti-allergen filter / filtro antibatterico, antiodori e anti-allergeni	ADR/APT	92	125	11/94	>	10/00				34.195.00
1.8 i Quattro	AFY	85	116	07/95	>	10/00	23.436.00	31.748.00	30.192.00	53.013.00
with activated carbons / ai carboni attivi	AFY	85	116	07/95	>	10/00				54.195.00
antibacterial, anti-odour and anti-allergen filter / filtro antibatterico, antiodori e anti-allergeni	AFY	85	116	07/95	>	10/00				34.195.00

...AUDI - cars/auto

1.8 T	AEB/ANB/APU/ARK	110	150	11/94	>	10/00	23.436.00	31.500.00	30.192.00	53.013.00
with activated carbons / ai carboni attivi	AEB/ANB/APU/ARK	110	150	11/94	>	10/00				54.195.00
antibacterial, anti-odour and anti-allergen filter / filtro antibatterico, antiodori e anti-allergeni	AEB/ANB/APU/ARK	110	150	11/94	>	10/00				34.195.00
1.8 T	AJL	132	180	08/97	>	10/00	23.436.00	31.500.00	30.192.00	53.013.00
with activated carbons / ai carboni attivi	AJL	132	180	08/97	>	10/00				54.195.00
antibacterial, anti-odour and anti-allergen filter / filtro antibatterico, antiodori e anti-allergeni	AJL	132	180	08/97	>	10/00				34.195.00
1.8 T	AMB	125	170	07/01	>	12/04	23.164.03	31.958.00	30.162.00	53.032.00
with activated carbons / ai carboni attivi	AMB	125	170	07/01	>	12/04				54.101.00
antibacterial, anti-odour and anti-allergen filter / filtro antibatterico, antiodori e anti-allergeni	AMB	125	170	07/01	>	12/04				34.101.00
1.8 T	AVJ	110	150	11/00	>	12/02	23.164.03	31.958.00	30.162.00	53.032.00
with activated carbons / ai carboni attivi	AVJ	110	150	11/00	>	12/02				54.101.00
antibacterial, anti-odour and anti-allergen filter / filtro antibatterico, antiodori e anti-allergeni	AVJ	110	150	11/00	>	12/02				34.101.00
1.8 T	AWT	110	150	02/99	>	09/01		31.500.00	30.192.00	53.013.00
with activated carbons / ai carboni attivi	AWT	110	150	02/99	>	09/01				54.195.00
antibacterial, anti-odour and anti-allergen filter / filtro antibatterico, antiodori e anti-allergeni	AWT	110	150	02/99	>	09/01				34.195.00
1.8 T	BEX	140	190	11/02	>	12/04	23.164.03	31.958.00	30.162.00	53.032.00
with activated carbons / ai carboni attivi	BEX	140	190	11/02	>	12/04				54.101.00
antibacterial, anti-odour and anti-allergen filter / filtro antibatterico, antiodori e anti-allergeni	BEX	140	190	11/02	>	12/04				34.101.00
1.8 T	BFB	120	163	04/02	>	06/08	23.164.03	31.958.00	30.162.00	53.032.00
with activated carbons / ai carboni attivi	BFB	120	163	04/02	>	06/08				54.101.00
antibacterial, anti-odour and anti-allergen filter / filtro antibatterico, antiodori e anti-allergeni	BFB	120	163	04/02	>	06/08				34.101.00
1.8 T (J)	AMB	125	170	07/01	>	12/04	23.164.03	31.958.00		53.032.00
with activated carbons / ai carboni attivi	AMB	125	170	07/01	>	12/04				54.101.00
antibacterial, anti-odour and anti-allergen filter / filtro antibatterico, antiodori e anti-allergeni	AMB	125	170	07/01	>	12/04				34.101.00
1.8 T (MEX)	AMB	125	170	07/01	>	12/04	23.164.03	31.958.00		53.032.00
with activated carbons / ai carboni attivi	AMB	125	170	07/01	>	12/04				54.101.00
antibacterial, anti-odour and anti-allergen filter / filtro antibatterico, antiodori e anti-allergeni	AMB	125	170	07/01	>	12/04				34.101.00
1.8 T Quattro	AEB/ANB/APU/ARK	110	150	11/94	>	10/00	23.436.00	31.748.00	30.192.00	53.013.00
with activated carbons / ai carboni attivi	AEB/ANB/APU/ARK	110	150	11/94	>	10/00				54.195.00
antibacterial, anti-odour and anti-allergen filter / filtro antibatterico, antiodori e anti-allergeni	AEB/ANB/APU/ARK	110	150	11/94	>	10/00				34.195.00
1.8 T Quattro	AJL	132	180	08/97	>	10/00	23.436.00	31.748.00	30.192.00	53.013.00
with activated carbons / ai carboni attivi	AJL	132	180	08/97	>	10/00				54.195.00
antibacterial, anti-odour and anti-allergen filter / filtro antibatterico, antiodori e anti-allergeni	AJL	132	180	09/97	>	10/00				34.195.00
1.8 T Quattro										
to frame No. 8E-5-065000 / a telaio N. 8E-5-065000	AMB	125	170	07/01	>		23.164.03	31.958.00	30.162.00	53.032.00
with activated carbons / ai carboni attivi	AMB	125	170	07/01	>	12/04				54.101.00
from frame No. 8E-5-065001 / da telaio N. 8E-5-065001	AMB	125	170		>	12/04	23.164.03	31.830.00	30.162.00	53.032.00
antibacterial, anti-odour and anti-allergen filter / filtro antibatterico, antiodori e anti-allergeni	AMB	125	170	07/01	>	12/04				34.101.00
1.8 T Quattro	AVJ	110	150	11/00	>	12/02	23.164.03	31.958.00	30.162.00	53.032.00
with activated carbons / ai carboni attivi	AVJ	110	150	11/00	>	12/02				54.101.00
antibacterial, anti-odour and anti-allergen filter / filtro antibatterico, antiodori e anti-allergeni	AVJ	110	150	11/00	>	12/02				34.101.00
1.8 T Quattro	AWT	110	150	02/99	>	09/01		31.748.00	30.192.00	53.013.00
with activated carbons / ai carboni attivi	AWT	110	150	02/99	>	09/01				54.195.00
antibacterial, anti-odour and anti-allergen filter / filtro antibatterico, antiodori e anti-allergeni	AWT	110	150	02/99	>	09/01				34.195.00
1.8 T Quattro										
to frame No. 8E-5-065000 / a telaio N. 8E-5-065000	BEX	140	190	11/02	>		23.164.03	31.958.00	30.162.00	53.032.00
with activated carbons / ai carboni attivi	BEX	140	190	11/02	>	12/04				54.101.00
from frame No. 8E-5-065001 / da telaio N. 8E-5-065001	BEX	140	190		>	12/04	23.164.03	31.830.00	30.162.00	53.032.00
antibacterial, anti-odour and anti-allergen filter / filtro antibatterico, antiodori e anti-allergeni	BEX	140	190	11/02	>	12/04				34.101.00
1.8 T Quattro	BFB	120	163	04/02	>	06/08	23.164.03		30.162.00	53.032.00
to frame No. 8E-5-065000 / a telaio N. 8E-5-065000	BFB	120	163	04/02	>			31.958.00	30.162.00	53.032.00
with activated carbons / ai carboni attivi	BFB	120	163	04/02	>	06/08	23.164.03		30.162.00	54.101.00
from frame No. 8E-5-065001 / da telaio N. 8E-5-065001	BFB	120	163		>	06/08		31.830.00	30.162.00	53.032.00
antibacterial, anti-odour and anti-allergen filter / filtro antibatterico, antiodori e anti-allergeni	BFB	120	163	04/02	>	06/08				34.101.00
1.8 T Quattro (J)	AMB	125	170	07/01	>	12/04	23.164.03	31.958.00		53.032.00
with activated carbons / ai carboni attivi	AMB	125	170	07/01	>	12/04				54.101.00
antibacterial, anti-odour and anti-allergen filter / filtro antibatterico, antiodori e anti-allergeni	AMB	125	170	07/01	>	12/04				34.101.00
1.8 T Quattro (MEX)	AMB	125	170	07/01	>	12/04	23.164.03	31.958.00		53.032.00
with activated carbons / ai carboni attivi	AMB	125	170	07/01	>	12/04				54.101.00
antibacterial, anti-odour and anti-allergen filter / filtro antibatterico, antiodori e anti-allergeni	AMB	125	170	01/01	>	06/08				34.101.00
1.9 TD	AFF	55	75	11/94	>	10/00	23.164.00	24.379.01	30.192.00	53.013.00
with activated carbons / ai carboni attivi	AFF	55	75	11/94	>	10/00				54.195.00
antibacterial, anti-odour and anti-allergen filter / filtro antibatterico, antiodori e anti-allergeni	AFF	55	75	11/94	>	10/00				34.195.00
or / oppure	AFF	55	75	11/94	>	10/00	23.164.03	24.379.01	30.192.00	53.013.00
1.9 TDI	AFN/AVG	81	110	06/99	>	10/00	23.459.00	24.379.01	30.192.00	53.013.00
with activated carbons / ai carboni attivi	AFN/AVG	81	110	10/95	>	10/00				54.195.00
antibacterial, anti-odour and anti-allergen filter / filtro antibatterico, antiodori e anti-allergeni	AFN/AVG	81	110	10/95	>	10/00				34.195.00

...AUDI - cars/auto

1.9 TDI	AJM/ATJ	85	115	04/99	>	10/00	25.011.00	24.414.00	30.192.00	53.013.00
with activated carbons / ai carboni attivi	AJM/ATJ	85	115	04/99	>	10/00				54.195.00
antibacterial, anti-odour and anti-allergen filter / filtro antibatterico, antiodori e anti-allergeni	AJM/ATJ	85	115	04/99	>	10/00				34.195.00
1.9 TDI	AVB	74	101	04/01	>	07/04	25.011.00	24.391.00	30.162.00	53.032.00
with activated carbons / ai carboni attivi	AVB	74	101	04/01	>	07/04	25.011.00	24.391.00	30.162.00	54.101.00
with complete filter / con filtro completo	AVB	74	101	04/01	>	07/04		55.427.00		
antibacterial, anti-odour and anti-allergen filter / filtro antibatterico, antiodori e anti-allergeni	AVB	74	101	04/01	>	07/04				34.101.00
1.9 TDI	AVF/AWX	96	130	11/00	>	12/04	25.011.00	24.391.00	30.162.00	53.032.00
with activated carbons / ai carboni attivi	AVF/AWX	96	130	11/00	>	12/04	25.011.00	24.391.00	30.162.00	54.101.00
with complete filter / con filtro completo	AVF/AWX	96	130	11/00	>	12/04		55.427.00		
antibacterial, anti-odour and anti-allergen filter / filtro antibatterico, antiodori e anti-allergeni	AVF/AWX	96	130	11/00	>	12/04				34.101.00
1.9 TDI	BKE	85	115	05/04	>	06/08	25.011.00	24.391.00	30.162.00	53.032.00
with activated carbons / ai carboni attivi	BKE	85	115	05/04	>	06/08	25.011.00	24.391.00	30.162.00	54.101.00
with complete filter / con filtro completo	BKE	85	115	05/04	>	06/08		55.427.00		
antibacterial, anti-odour and anti-allergen filter / filtro antibatterico, antiodori e anti-allergeni	BKE	85	115	05/04	>	06/08				34.101.00
1.9 TDI	BRB	85	116	01/06	>	06/08	25.011.00	24.391.00	30.162.00	53.032.00
with activated carbons / ai carboni attivi	BRB	85	116	01/06	>	06/08	25.011.00	24.391.00	30.162.00	54.101.00
with complete filter / con filtro completo	BRB	85	116	01/06	>	06/08		55.427.00		
antibacterial, anti-odour and anti-allergen filter / filtro antibatterico, antiodori e anti-allergeni	BRB	85	116	01/06	>	06/08				34.101.00
1.9 TDI cat	1Z/AHH/AHU	66	90	06/99	>	10/00	23.459.00	24.379.01	30.192.00	53.013.00
with activated carbons / ai carboni attivi	1Z/AHH/AHU	66	90	11/94	>	10/00				54.195.00
antibacterial, anti-odour and anti-allergen filter / filtro antibatterico, antiodori e anti-allergeni	1Z/AHH/AHU	66	90	11/94	>	10/00				34.195.00
1.9 TDI Quattro	AFN/AVG	81	110	06/99	>	10/00	23.459.00	24.379.01	30.192.00	53.013.00
with activated carbons / ai carboni attivi	AFN/AVG	81	110	07/96	>	10/00				54.195.00
antibacterial, anti-odour and anti-allergen filter / filtro antibatterico, antiodori e anti-allergeni	AFN/AVG	81	110	07/96	>	10/00				34.195.00
1.9 TDI Quattro	AJM/ATJ	85	115	12/98	>	10/00	25.011.00	24.414.00	30.192.00	53.013.00
with activated carbons / ai carboni attivi	AJM/ATJ	85	115	12/98	>	10/00				54.195.00
antibacterial, anti-odour and anti-allergen filter / filtro antibatterico, antiodori e anti-allergeni	AJM/ATJ	85	115	12/98	>	10/00				34.195.00
1.9 TDI Quattro	AVF/AWX	96	130	11/00	>	12/04	25.011.00	24.391.00	30.162.00	53.032.00
with activated carbons / ai carboni attivi	AVF/AWX	96	130	11/00	>	12/04	25.011.00	24.391.00	30.162.00	54.101.00
with complete filter / con filtro completo	AVF/AWX	96	130	11/00	>	12/04		55.427.00		
antibacterial, anti-odour and anti-allergen filter / filtro antibatterico, antiodori e anti-allergeni	AVF/AWX	96	130	11/00	>	12/04				34.101.00
2.0 FSI	AWA	110	150	07/02	>	01/05	23.436.00		30.162.00	53.032.00
with activated carbons / ai carboni attivi	AWA	110	150	07/02	>	01/05	23.436.00		30.162.00	54.101.00
antibacterial, anti-odour and anti-allergen filter / filtro antibatterico, antiodori e anti-allergeni	AWA	110	150	07/02	>	01/05				34.101.00
2.0 i 20V	ALT	96	130	11/00	>	06/08	23.436.00	31.718.00	30.162.00	53.032.00
with activated carbons / ai carboni attivi	ALT	96	130	11/00	>	06/08	23.436.00	31.718.00	30.162.00	54.101.00
antibacterial, anti-odour and anti-allergen filter / filtro antibatterico, antiodori e anti-allergeni	ALT	96	130	11/00	>	06/08				34.101.00
2.0 TDI	BLB	103	140	11/04	>	06/08	25.023.00	24.451.00	30.162.00	53.032.00
with activated carbons / ai carboni attivi	BLB	103	140	11/04	>	06/08	25.023.00	24.451.00	30.162.00	54.101.00
antibacterial, anti-odour and anti-allergen filter / filtro antibatterico, antiodori e anti-allergeni	BLB	103	140	11/04	>	06/08				34.101.00
2.0 TDI	BNA	103	140	11/04	>	06/08	25.023.00	24.451.00	30.162.00	53.032.00
with activated carbons / ai carboni attivi	BNA	103	140	11/04	>	06/08	25.023.00	24.451.00	30.162.00	54.101.00
antibacterial, anti-odour and anti-allergen filter / filtro antibatterico, antiodori e anti-allergeni	BNA	103	140	11/04	>	06/08				34.101.00
2.0 TDI	BPW	103	140	11/04	>	06/08	25.011.00	24.391.00	30.162.00	53.032.00
with activated carbons / ai carboni attivi	BPW	103	140	11/04	>	06/08	25.011.00	24.391.00	30.162.00	54.101.00
with complete filter / con filtro completo	BPW	103	140	11/04	>	06/08		55.427.00		
antibacterial, anti-odour and anti-allergen filter / filtro antibatterico, antiodori e anti-allergeni	BPW	103	140	11/04	>	06/08				34.101.00
2.0 TDI	BVF	93	126	11/05	>	11/06	25.023.00	24.451.00	30.162.00	53.032.00
with activated carbons / ai carboni attivi	BVF	93	126	11/05	>	11/06	25.023.00	24.451.00	30.162.00	54.101.00
antibacterial, anti-odour and anti-allergen filter / filtro antibatterico, antiodori e anti-allergeni	BVF	93	126	11/05	>	11/06				34.101.00
2.0 TDI (B)	BRC	100	136	01/06	>	03/09	25.011.00	24.391.00	30.162.00	53.032.00
with activated carbons / ai carboni attivi	BRC	100	136	01/06	>	03/09	25.011.00	24.391.00	30.162.00	54.101.00
with complete filter / con filtro completo	BRC	100	136	01/06	>	03/09		55.427.00		
antibacterial, anti-odour and anti-allergen filter / filtro antibatterico, antiodori e anti-allergeni	BRC	100	136	01/06	>	03/09				34.101.00
2.0 TDI (B)	BVA	120	163	01/06	>	06/08	25.023.00	24.451.00	30.162.00	53.032.00
with activated carbons / ai carboni attivi	BVA	120	163	01/06	>	06/08	25.023.00	24.451.00	30.162.00	54.101.00
antibacterial, anti-odour and anti-allergen filter / filtro antibatterico, antiodori e anti-allergeni	BVA	120	163	01/06	>	06/08				34.101.00
2.0 TDI (F)	BVG	89	121	09/05	>	06/08	25.023.00	24.451.00	30.162.00	53.032.00
with activated carbons / ai carboni attivi	BVG	89	121	09/05	>	06/08	25.023.00	24.451.00	30.162.00	54.101.00
antibacterial, anti-odour and anti-allergen filter / filtro antibatterico, antiodori e anti-allergeni	BVG	89	121	09/05	>	06/08				34.101.00
2.0 TDI 16V	BRE	103	140	10/05	>	06/08	25.023.00	24.451.00	30.162.00	53.032.00
with activated carbons / ai carboni attivi	BRE	103	140	10/05	>	06/08	25.023.00	24.451.00	30.162.00	54.101.00
antibacterial, anti-odour and anti-allergen filter / filtro antibatterico, antiodori e anti-allergeni	BRE	103	140	10/05	>	06/08				34.101.00
2.0 TDI DPF	BRD	125	170	05/06	>	06/08	25.023.00	24.451.00	30.162.00	53.032.00
with activated carbons / ai carboni attivi	BRD	125	170	05/06	>	06/08	25.023.00	24.451.00	30.162.00	54.101.00
antibacterial, anti-odour and anti-allergen filter / filtro antibatterico, antiodori e anti-allergeni	BRD	125	170	05/06	>	06/08				34.101.00

...AUDI - cars/auto

2.0 TDI DPF Quattro	BRD	125	170	05/06	>	06/08	25.023.00	24.451.00	30.162.00	53.032.00
with activated carbons / ai carboni attivi	BRD	125	170	05/06	>	06/08	25.023.00	24.451.00	30.162.00	54.101.00
antibacterial, anti-odour and anti-allergen filter / filtro antibatterico, antiodori e anti-allergeni	BRD	125	170	05/06	>	06/08				34.101.00
2.0 TDI Quattro (B)	BVA	120	163	06/06	>	06/08	25.023.00	24.451.00	30.162.00	53.032.00
with activated carbons / ai carboni attivi	BVA	120	163	06/06	>	06/08	25.023.00	24.451.00	30.162.00	54.101.00
antibacterial, anti-odour and anti-allergen filter / filtro antibatterico, antiodori e anti-allergeni	BVA	120	163	06/06	>	06/08				34.101.00
2.0 TFSI	BGB	147	200	11/04	>	06/08	25.040.00	31.831.00	30.162.00	53.032.00
with activated carbons / ai carboni attivi	BGB	147	200	11/04	>	06/08	25.040.00	31.831.00	30.162.00	54.101.00
antibacterial, anti-odour and anti-allergen filter / filtro antibatterico, antiodori e anti-allergeni	BGB	147	200	11/04	>	06/08				34.101.00
2.0 TFSI	BPJ	125	170	03/07	>	06/08	25.040.00	31.831.00	30.162.00	53.032.00
with activated carbons / ai carboni attivi	BPJ	125	170	03/07	>	06/08	25.040.00	31.831.00	30.162.00	54.101.00
antibacterial, anti-odour and anti-allergen filter / filtro antibatterico, antiodori e anti-allergeni	BPJ	125	170	03/07	>	06/08				34.101.00
2.0 TFSI	BUL	162	220	06/05	>	06/08	25.040.00	31.831.00	30.162.00	53.032.00
with activated carbons / ai carboni attivi	BUL	162	220	06/05	>	06/08	25.040.00	31.831.00	30.162.00	54.101.00
antibacterial, anti-odour and anti-allergen filter / filtro antibatterico, antiodori e anti-allergeni	BUL	162	220	06/05	>	06/08				34.101.00
2.0 TFSI Quattro	BGB	147	200	11/04	>	06/08	25.040.00	31.831.00	30.162.00	53.032.00
with activated carbons / ai carboni attivi	BGB	147	200	11/04	>	06/08	25.040.00	31.831.00	30.162.00	54.101.00
antibacterial, anti-odour and anti-allergen filter / filtro antibatterico, antiodori e anti-allergeni	BGB	147	200	11/04	>	06/08				34.101.00
2.0 TFSI Quattro	BUL	162	220	06/05	>	06/08	25.040.00	31.831.00	30.162.00	53.032.00
with activated carbons / ai carboni attivi	BUL	162	220	06/05	>	06/08	25.040.00	31.831.00	30.162.00	54.101.00
antibacterial, anti-odour and anti-allergen filter / filtro antibatterico, antiodori e anti-allergeni	BUL	162	220	06/05	>	06/08				34.101.00
2.4 i (THA)	AFM	110	150	07/95	>	10/00	23.465.00	31.500.00	30.192.00	53.013.00
with activated carbons / ai carboni attivi	AFM	110	150	07/95	>	10/00				54.195.00
antibacterial, anti-odour and anti-allergen filter / filtro antibatterico, antiodori e anti-allergeni	AFM	110	150	07/95	>	10/00				34.195.00
2.4 i V6										
with activated carbons / ai carboni attivi	AMM	120	163	11/00	>	12/04	23.465.00	31.718.00	30.162.00	54.101.00
excluding cold countries / escluso paesi freddi	AMM	120	163	11/00	>	12/04	23.465.00	31.718.00	30.162.00	53.032.00
antibacterial, anti-odour and anti-allergen filter / filtro antibatterico, antiodori e anti-allergeni	AMM	120	163	11/00	>	12/04				34.101.00
2.4 i V6 30V	AGA/ALF	121	165	03/97	>	10/00	23.465.00	31.500.00	30.192.00	53.013.00
with activated carbons / ai carboni attivi	AGA/ALF	121	165	03/97	>	10/00				54.195.00
antibacterial, anti-odour and anti-allergen filter / filtro antibatterico, antiodori e anti-allergeni	AGA/ALF	121	165	03/97	>	10/00				34.195.00
2.4 i V6 30V	BDV	125	170	09/01	>	06/08	23.465.00	31.718.00	30.162.00	53.032.00
with activated carbons / ai carboni attivi	BDV	125	170	09/01	>	06/08	23.465.00	31.718.00	30.162.00	54.101.00
antibacterial, anti-odour and anti-allergen filter / filtro antibatterico, antiodori e anti-allergeni	BDV	125	170	09/01	>	06/08				34.101.00
2.4 i V6 30V Quattro	AGA/AJG/ALF	121	165	03/97	>	10/00	23.465.00	31.748.00	30.192.00	53.013.00
with activated carbons / ai carboni attivi	AGA/AJG/ALF	121	165	03/97	>	10/00				54.195.00
antibacterial, anti-odour and anti-allergen filter / filtro antibatterico, antiodori e anti-allergeni	AGA/AJG/ALF	121	165	03/97	>	10/00				34.195.00
2.5 TDI V6	AFB	110	150	09/97	>	10/00	25.019.00	24.424.00	30.109.00	53.013.00
with activated carbons / ai carboni attivi	AFB	110	150	09/97	>	10/00				54.195.00
antibacterial, anti-odour and anti-allergen filter / filtro antibatterico, antiodori e anti-allergeni	AFB	110	150	09/97	>	10/00				34.195.00
2.5 TDI V6	AKN	110	150	07/98	>	10/00	25.019.00	24.424.00	30.109.00	53.013.00
with activated carbons / ai carboni attivi	AKN	110	150	07/98	>	10/00				54.195.00
antibacterial, anti-odour and anti-allergen filter / filtro antibatterico, antiodori e anti-allergeni	AKN	110	150	07/98	>	10/00				34.195.00
2.5 TDI V6	AYM	114	155	04/01	>	07/02	25.019.00	24.424.00	30.162.00	53.032.00
with activated carbons / ai carboni attivi	AYM	114	155	04/01	>	07/02	25.019.00	24.424.00	30.162.00	54.101.00
antibacterial, anti-odour and anti-allergen filter / filtro antibatterico, antiodori e anti-allergeni	AYM	114	155	04/01	>	07/02				34.101.00
2.5 TDI V6	BCZ/BDG/BFC	120	163	06/02	>	12/05	25.019.00	24.424.00	30.162.00	53.032.00
with activated carbons / ai carboni attivi	BCZ/BDG/BFC	120	163	06/02	>	12/05	25.019.00	24.424.00	30.162.00	54.101.00
antibacterial, anti-odour and anti-allergen filter / filtro antibatterico, antiodori e anti-allergeni	BCZ/BDG/BFC	120	163	06/02	>	12/05				34.101.00
2.5 TDI V6 Quattro	AFB	110	150	09/97	>	10/00	25.019.00	24.424.00	30.109.00	53.013.00
with activated carbons / ai carboni attivi	AFB	110	150	09/97	>	10/00				54.195.00
antibacterial, anti-odour and anti-allergen filter / filtro antibatterico, antiodori e anti-allergeni	AFB	110	150	09/97	>	10/00				34.195.00
2.5 TDI V6 Quattro	AKE/BAU/BDH	132	180	11/00	>	12/05	25.019.00	24.424.00	30.162.00	53.032.00
with activated carbons / ai carboni attivi	AKE/BAU/BDH	132	180	11/00	>	12/05	25.019.00	24.424.00	30.162.00	54.101.00
antibacterial, anti-odour and anti-allergen filter / filtro antibatterico, antiodori e anti-allergeni	AKE/BAU/BDH	132	180	11/00	>	12/05				34.101.00
2.5 TDI V6 Quattro	AKN	110	150	07/98	>	10/00	25.019.00	24.424.00	30.109.00	53.013.00
with activated carbons / ai carboni attivi	AKN	110	150	07/98	>	10/00				54.195.00
antibacterial, anti-odour and anti-allergen filter / filtro antibatterico, antiodori e anti-allergeni	AKN	110	150	07/98	>	10/00				34.195.00
2.6 i V6	ABC	110	150	11/94	>	10/00	23.465.00	31.500.00	30.192.00	53.013.00
with activated carbons / ai carboni attivi	ABC	110	150	11/94	>	10/00				54.195.00
antibacterial, anti-odour and anti-allergen filter / filtro antibatterico, antiodori e anti-allergeni	ABC	110	150	11/94	>	10/00				34.195.00
2.6 i V6 Quattro	ABC	110	150	11/94	>	10/00	23.465.00	31.748.00	30.192.00	53.013.00
with activated carbons / ai carboni attivi	ABC	110	150	11/94	>	10/00				54.195.00
antibacterial, anti-odour and anti-allergen filter / filtro antibatterico, antiodori e anti-allergeni	ABC	110	150	11/94	>	10/00				34.195.00
2.7 i Turbo Quattro	AJK	169	230	02/99	>	10/00	23.465.00	31.748.00	30.192.00	53.013.00
with activated carbons / ai carboni attivi	AJK	169	230	02/99	>	10/00				54.195.00
antibacterial, anti-odour and anti-allergen filter / filtro antibatterico, antiodori e anti-allergeni	AJK	169	230	02/99	>	10/00				34.195.00

...AUDI - cars/auto

2.7 TDI V6	BPP	132	180	11/05	>	06/08	25.068.00	24.072.00	30.162.00	53.032.00
with activated carbons / ai carboni attivi	BPP	132	180	11/05	>	06/08	25.068.00	24.072.00	30.162.00	54.101.00
antibacterial, anti-odour and anti-allergen filter / filtro antibatterico, antiodori e anti-allergeni	BPP	132	180	11/05	>	06/08				34.101.00
2.7 TDI V6	BSG	120	163	11/05	>	06/08	25.068.00	24.072.00	30.162.00	53.032.00
with activated carbons / ai carboni attivi	BSG	120	163	11/05	>	06/08	25.068.00	24.072.00	30.162.00	54.101.00
antibacterial, anti-odour and anti-allergen filter / filtro antibatterico, antiodori e anti-allergeni	BSG	120	163	11/05	>	06/08				34.101.00
2.8 i V6 30V	ACK/ALG/AMX/APR/AQD	142	193	01/96	>	09/01	23.465.00	31.500.00	30.192.00	53.013.00
with activated carbons / ai carboni attivi	ACK/ALG/AMX/APR/AQD	142	193	01/96	>	09/01				54.195.00
antibacterial, anti-odour and anti-allergen filter / filtro antibatterico, antiodori e anti-allergeni	ACK/ALG/AMX/APR/AQD	142	193	01/96	>	09/01				34.195.00
2.8 i V6 30V	ATX	140	190	03/99	>	09/01	23.465.00	31.500.00	30.192.00	53.013.00
with activated carbons / ai carboni attivi	ATX	140	190	03/99	>	09/01				54.195.00
antibacterial, anti-odour and anti-allergen filter / filtro antibatterico, antiodori e anti-allergeni	ATX	140	190	03/99	>	09/01				34.195.00
2.8 i V6 30V Quattro	ACK/ALG/AMX/APR/AQD	142	193	01/96	>	09/01	23.465.00	31.748.00	30.192.00	53.013.00
with activated carbons / ai carboni attivi	ACK/ALG/AMX/APR/AQD	142	193	01/96	>	09/01				54.195.00
antibacterial, anti-odour and anti-allergen filter / filtro antibatterico, antiodori e anti-allergeni	ACK/ALG/AMX/APR/AQD	142	193	01/96	>	09/01				34.195.00
3.0 i V6 30V	ASN/BBJ	162	220	11/00	>	06/08	23.465.00	31.718.00	30.162.00	53.032.00
with activated carbons / ai carboni attivi	ASN/BBJ	162	220	11/00	>	06/08	23.465.00	31.718.00	30.162.00	54.101.00
antibacterial, anti-odour and anti-allergen filter / filtro antibatterico, antiodori e anti-allergeni	ASN/BBJ	162	220	11/00	>	06/08				34.101.00
3.0 i V6 30V Quattro	ASN/BBJ	162	220	11/00	>	06/08	23.465.00	31.718.00	30.162.00	53.032.00
with activated carbons / ai carboni attivi	ASN/BBJ	162	220	11/00	>	06/08	23.465.00	31.718.00	30.162.00	54.101.00
antibacterial, anti-odour and anti-allergen filter / filtro antibatterico, antiodori e anti-allergeni	ASN/BBJ	162	220	11/00	>	06/08				34.101.00
3.0 TDI V6 Quattro	ASB	171	233	11/05	>	06/08	25.068.00	24.072.00	30.162.00	53.032.00
with activated carbons / ai carboni attivi	ASB	171	233	11/05	>	06/08	25.068.00	24.072.00	30.162.00	54.101.00
antibacterial, anti-odour and anti-allergen filter / filtro antibatterico, antiodori e anti-allergeni	ASB	171	233	11/05	>	06/08				34.101.00
3.0 TDI V6 Quattro	BKN	150	204	11/04	>	06/08	25.068.00	24.072.00	30.162.00	53.032.00
with activated carbons / ai carboni attivi	BKN	150	204	11/04	>	06/08	25.068.00	24.072.00	30.162.00	54.101.00
antibacterial, anti-odour and anti-allergen filter / filtro antibatterico, antiodori e anti-allergeni	BKN	150	204	11/04	>	06/08				34.101.00
3.0 TDI V6 Quattro tiptronic	ASB	171	233	11/05	>	06/08	25.068.00	24.072.00	30.162.00	53.032.00
with activated carbons / ai carboni attivi	ASB	171	233	11/05	>	06/08	25.068.00	24.072.00	30.162.00	54.101.00
antibacterial, anti-odour and anti-allergen filter / filtro antibatterico, antiodori e anti-allergeni	ASB	171	233	11/05	>	06/08				34.101.00
3.2 FSI	AUK	188	256	11/04	>	06/08	25.080.00	31.831.00	30.162.00	53.032.00
with activated carbons / ai carboni attivi	AUK	188	256	11/04	>	06/08	25.080.00	31.831.00	30.162.00	54.101.00
antibacterial, anti-odour and anti-allergen filter / filtro antibatterico, antiodori e anti-allergeni	AUK	188	256	11/04	>	06/08				34.101.00
3.2 FSI Quattro	AUK	188	256	11/04	>	06/08	25.080.00	31.831.00	30.162.00	53.032.00
with activated carbons / ai carboni attivi	AUK	188	256	11/04	>	06/08	25.080.00	31.831.00	30.162.00	54.101.00
antibacterial, anti-odour and anti-allergen filter / filtro antibatterico, antiodori e anti-allergeni	AUK	188	256	11/04	>	06/08				34.101.00
A4 (8K)										
1.8 TFSI	CABA	88	120	11/07	>	11/08	23.493.00		30.365.00	53.153.00
with activated carbons / ai carboni attivi	CABA	88	120	11/07	>	11/08	23.493.00		30.365.00	54.168.00
antibacterial, anti-odour and anti-allergen filter / filtro antibatterico, antiodori e anti-allergeni	CABA	88	120	11/07	>	11/08				34.168.00
1.8 TFSI	CABB	118	160	11/07	>	05/08	23.493.00		30.365.00	53.153.00
with activated carbons / ai carboni attivi	CABB	118	160	11/07	>	05/08	23.493.00		30.365.00	54.168.00
antibacterial, anti-odour and anti-allergen filter / filtro antibatterico, antiodori e anti-allergeni	CABB	118	160	11/07	>	05/08				34.168.00
1.8 TFSI	CDHA	88	120	06/08	>		23.493.00		30.365.00	53.153.00
with activated carbons / ai carboni attivi	CDHA	88	120	06/08	>		23.493.00		30.365.00	54.168.00
antibacterial, anti-odour and anti-allergen filter / filtro antibatterico, antiodori e anti-allergeni	CDHA	88	120	06/08	>					34.168.00
1.8 TFSI	CDHB	118	160	06/08	>	03/12	23.493.00		30.365.00	53.153.00
with activated carbons / ai carboni attivi	CDHB	118	160	06/08	>	03/12	23.493.00		30.365.00	54.168.00
antibacterial, anti-odour and anti-allergen filter / filtro antibatterico, antiodori e anti-allergeni	CDHB	118	160	06/08	>	03/12				34.168.00
1.8 TFSI	CJEB	125	170	11/11	>		25.153.00		30.365.00	53.153.00
with activated carbons / ai carboni attivi	CJEB	125	170	11/11	>				30.365.00	54.168.00
antibacterial, anti-odour and anti-allergen filter / filtro antibatterico, antiodori e anti-allergeni	CJEB	125	170	11/11	>					34.168.00
2.0 TDI	CAGC	88	120	05/08	>	03/12	25.023.00	31.920.00	30.365.00	53.153.00
with activated carbons / ai carboni attivi	CAGC	88	120	05/08	>	03/12	25.023.00	31.920.00	30.365.00	54.168.00
antibacterial, anti-odour and anti-allergen filter / filtro antibatterico, antiodori e anti-allergeni	CAGC	88	120	05/08	>	03/12				34.168.00
2.0 TDI	CAHA	125	170	01/08	>	03/12	25.023.00	31.920.00	30.365.00	53.153.00
with activated carbons / ai carboni attivi	CAHA	125	170	01/08	>	03/12	25.023.00	31.920.00	30.365.00	54.168.00
antibacterial, anti-odour and anti-allergen filter / filtro antibatterico, antiodori e anti-allergeni	CAHA	125	170	01/08	>	03/12				34.168.00
2.0 TDI	CAHB	120	163	01/08	>	03/12	25.023.00	31.920.00	30.365.00	53.153.00
with activated carbons / ai carboni attivi	CAHB	120	163	01/08	>	03/12	25.023.00	31.920.00	30.365.00	54.168.00
antibacterial, anti-odour and anti-allergen filter / filtro antibatterico, antiodori e anti-allergeni	CAHB	120	163	01/08	>	03/12				34.168.00
2.0 TDI	CGLC	130	170	11/11	>		25.106.00	31.920.00	30.365.00	53.153.00
with activated carbons / ai carboni attivi	CGLC	130	170	11/11	>		25.106.00	31.920.00	30.365.00	54.168.00
antibacterial, anti-odour and anti-allergen filter / filtro antibatterico, antiodori e anti-allergeni	CGLC	130	170	11/11	>					34.168.00
2.0 TDI	CGLD	120	163	11/11	>		25.106.00	31.920.00	30.365.00	53.153.00
with activated carbons / ai carboni attivi	CGLD	120	163	11/11	>		25.106.00	31.920.00	30.365.00	54.168.00
antibacterial, anti-odour and anti-allergen filter / filtro antibatterico, antiodori e anti-allergeni	CGLD	120	163	11/11	>					34.168.00

...AUDI - cars/auto

with activated carbons / ai carboni attivi	CFKA	132	180	11/09	>	23.493.00		30.365.00	54.168.00
antibacterial, anti-odour and anti-allergen filter / filtro antibatterico, antiodori e anti-allergeni	CFKA	132	180	11/09	>				34.168.00
2.7 TDI V6	GAMB	120	163	11/07	> 05/08		31.920.00	27.693.00	53.153.00
to frame No. 8K-8A021989 / a telaio N. 8K-8A021989	GAMB	120	163	11/07	>	25.068.00			
with activated carbons / ai carboni attivi	CAMB	120	163	11/07	> 05/08		31.920.00	27.693.00	54.168.00
from frame No. 8K-8A021990 / da telaio N. 8K-8A021990	CAMB	120	163		> 05/08	25.105.00			
antibacterial, anti-odour and anti-allergen filter / filtro antibatterico, antiodori e anti-allergeni	CAMB	120	163	11/07	> 05/08				34.168.00
2.7 TDI V6	CGKA	140	190	05/08	> 03/12	25.105.00	31.920.00	27.693.00	53.153.00
with activated carbons / ai carboni attivi	CGKA	140	190	05/08	> 03/12	25.105.00	31.920.00	27.693.00	54.168.00
antibacterial, anti-odour and anti-allergen filter / filtro antibatterico, antiodori e anti-allergeni	CGKA	140	190	05/08	> 03/12				34.168.00
2.7 TDI V6	CGKB	120	163	06/08	> 03/12	25.105.00	31.920.00	27.693.00	53.153.00
with activated carbons / ai carboni attivi	CGKB	120	163	06/08	> 03/12	25.105.00	31.920.00	27.693.00	54.168.00
antibacterial, anti-odour and anti-allergen filter / filtro antibatterico, antiodori e anti-allergeni	CGKB	120	163	06/08	> 03/12				34.168.00
2.7 TDI V6 DPF	CAMA	140	190	11/07	> 05/08		31.920.00	27.693.00	53.153.00
to frame No. 8K-8A021989 / a telaio N. 8K-8A021989	CAMA	140	190	11/07	>	25.068.00			
with activated carbons / ai carboni attivi	CAMA	140	190	11/07	> 05/08		31.920.00	27.693.00	54.168.00
from frame No. 8K-8A021990 / da telaio N. 8K-8A021990	CAMA	140	190		> 05/08	25.105.00			
antibacterial, anti-odour and anti-allergen filter / filtro antibatterico, antiodori e anti-allergeni	CAMA	140	190	11/07	> 05/08				34.168.00
3.0 TDI V6	CCLA	176	240	11/09	> 03/12	25.105.00	31.920.00	27.693.00	53.153.00
with activated carbons / ai carboni attivi	CCLA	176	240	11/09	> 03/12	25.105.00	31.920.00	27.693.00	54.168.00
antibacterial, anti-odour and anti-allergen filter / filtro antibatterico, antiodori e anti-allergeni	CCLA	176	240	11/09	> 03/12				34.168.00
3.0 TDI V6	CCWA	176	240	04/08	> 03/12	25.105.00	31.920.00	27.693.00	53.153.00
with activated carbons / ai carboni attivi	CCWA	176	240	04/08	> 03/12	25.105.00	31.920.00	27.693.00	54.168.00
antibacterial, anti-odour and anti-allergen filter / filtro antibatterico, antiodori e anti-allergeni	CCWA	176	240	04/08	> 03/12				34.168.00
3.0 TDI V6	CCWB	155	211	06/08	> 03/12	25.105.00	31.920.00	27.693.00	53.153.00
with activated carbons / ai carboni attivi	CCWB	155	211	06/08	> 03/12	25.105.00	31.920.00	27.693.00	54.168.00
antibacterial, anti-odour and anti-allergen filter / filtro antibatterico, antiodori e anti-allergeni	CCWB	155	211	06/08	> 03/12				34.168.00
3.0 TDI V6	CDUC	180	245	11/11	>	25.141.00	31.920.00	27.693.00	53.153.00
with activated carbons / ai carboni attivi	CDUC	180	245	11/11	>	25.141.00	31.920.00	27.693.00	54.168.00
antibacterial, anti-odour and anti-allergen filter / filtro antibatterico, antiodori e anti-allergeni	CDUC	180	245	11/11	>				34.168.00
3.0 TDI V6	CKVB	180	245	01/12	>	25.141.00	31.920.00	27.693.00	53.153.00
with activated carbons / ai carboni attivi	CKVB	180	245	01/12	>	25.141.00	31.920.00	27.693.00	54.168.00
antibacterial, anti-odour and anti-allergen filter / filtro antibatterico, antiodori e anti-allergeni	CKVB	180	245	01/12	>				34.168.00
3.0 TDI V6	CLAB	150	204	02/12	>	25.141.00	31.920.00	27.693.00	53.153.00
with activated carbons / ai carboni attivi	CLAB	150	204	02/12	>	25.141.00	31.920.00	27.693.00	54.168.00
antibacterial, anti-odour and anti-allergen filter / filtro antibatterico, antiodori e anti-allergeni	CLAB	150	204	02/12	>				34.168.00
3.0 TDI V6 DPF	CAPA	176	240	11/07	> 05/08		31.920.00	27.693.00	53.153.00
to frame No. 8K_8N009060 / a telaio N. 8K_8N009060	CAPA	176	240	11/07	>	25.068.00			
with activated carbons / ai carboni attivi	CAPA	176	240	11/07	> 05/08		31.920.00	27.693.00	54.168.00
from frame No. 8K_8N009061 / da telaio N. 8K_8N009061	CAPA	176	240		> 05/08	25.105.00			
antibacterial, anti-odour and anti-allergen filter / filtro antibatterico, antiodori e anti-allergeni	CAPA	176	240	11/07	> 05/08				34.168.00
3.0 TFSI	CMUA	200	272	02/12	>	25.080.00		27.692.00	53.153.00
with activated carbons / ai carboni attivi	CMUA	200	272	02/12	>	25.080.00		27.692.00	54.168.00
antibacterial, anti-odour and anti-allergen filter / filtro antibatterico, antiodori e anti-allergeni	CMUA	200	272	02/12	>				34.168.00
3.0 TFSI	CREC	245	333	05/14	> 12/15	25.247.00		27.692.00	53.153.00
with activated carbons / ai carboni attivi	CREC	245	333	05/14	> 12/15				54.168.00
antibacterial, anti-odour and anti-allergen filter / filtro antibatterico, antiodori e anti-allergeni	CREC	245	333	05/14	> 12/15				34.168.00
3.0 TFSI	CRED	200	272	05/14	> 12/15	25.247.00		27.692.00	53.153.00
with activated carbons / ai carboni attivi	CRED	200	272	05/14	> 12/15				54.168.00
antibacterial, anti-odour and anti-allergen filter / filtro antibatterico, antiodori e anti-allergeni	CRED	200	272	05/14	> 12/15				34.168.00
3.2 FSI V6	CALA	195	265	11/07	> 03/12	25.080.00		27.692.00	53.153.00
with activated carbons / ai carboni attivi	CALA	195	265	11/07	> 03/12				54.168.00
antibacterial, anti-odour and anti-allergen filter / filtro antibatterico, antiodori e anti-allergeni	CALA	195	265	11/07	> 03/12				34.168.00
A4 (8W)									
1.4 TFSI	CVNA	110	150	05/15	>	23.575.00		27.611.00	53.324.00
with activated carbons / ai carboni attivi	CVNA	110	150	05/15	>				54.292.00
antibacterial, anti-odour and anti-allergen filter / filtro antibatterico, antiodori e anti-allergeni	CVNA	110	150	05/15	>				34.292.00
2.0 TDI	CZHA	110	150	08/15	>	25.144.00		27.633.00	53.324.00
with activated carbons / ai carboni attivi	CZHA	110	150	08/15	>				54.292.00
antibacterial, anti-odour and anti-allergen filter / filtro antibatterico, antiodori e anti-allergeni	CZHA	110	150	08/15	>				34.292.00
2.0 TDI	DESA	140	190	05/15	>	25.144.00		27.633.00	53.324.00
with activated carbons / ai carboni attivi	DESA	140	190	05/15	>				54.292.00
antibacterial, anti-odour and anti-allergen filter / filtro antibatterico, antiodori e anti-allergeni	DESA	140	190	05/15	>				34.292.00
2.0 TDI	DETA	140	190	05/15	>	25.144.00	31.920.00	27.633.00	53.324.00
with activated carbons / ai carboni attivi	DETA	140	190	05/15	>				54.292.00
antibacterial, anti-odour and anti-allergen filter / filtro antibatterico, antiodori e anti-allergeni	DETA	140	190	05/15	>				34.292.00
2.0 TDI	DETB	120	163	02/16	>	25.144.00	31.920.00	27.633.00	53.324.00

...AUDI - cars/auto

A

with activated carbons / ai carboni attivi	DETB	120	163	02/16	>				54.292.00
antibacterial, anti-odour and anti-allergen filter / filtro antibatterico, antiodori e anti-allergeni	DETB	120	163	02/16	>				34.292.00
2.0 TDI	DEUA	110	150	08/15	>	25.144.00	31.920.00	27.G33.00	53.324.00
with activated carbons / ai carboni attivi	DEUA	110	150	08/15	>				54.292.00
antibacterial, anti-odour and anti-allergen filter / filtro antibatterico, antiodori e anti-allergeni	DEUA	110	150	08/15	>				34.292.00
2.0 TDI	DEUB	100	136	05/15	>	25.144.00	31.920.00	27.G33.00	53.324.00
with activated carbons / ai carboni attivi	DEUB	100	136	05/15	>				54.292.00
antibacterial, anti-odour and anti-allergen filter / filtro antibatterico, antiodori e anti-allergeni	DEUB	100	136	05/15	>				34.292.00
2.0 TDI	DEUC	90	122	04/16	>	25.144.00	31.920.00	27.G33.00	53.324.00
with activated carbons / ai carboni attivi	DEUC	90	122	04/16	>				54.292.00
antibacterial, anti-odour and anti-allergen filter / filtro antibatterico, antiodori e anti-allergeni	DEUC	90	122	04/16	>				34.292.00
2.0 TDI	DFVA	140	190	05/15	>	25.144.00		27.G33.00	53.324.00
with activated carbons / ai carboni attivi	DFVA	140	190	05/15	>				54.292.00
antibacterial, anti-odour and anti-allergen filter / filtro antibatterico, antiodori e anti-allergeni	DFVA	140	190	05/15	>				34.292.00
2.0 TFSI	CVKB	140	190	05/15	>	25.153.00	∞	27.G10.00	53.324.00
with activated carbons / ai carboni attivi	CVKB	140	190	05/15	>				54.292.00
antibacterial, anti-odour and anti-allergen filter / filtro antibatterico, antiodori e anti-allergeni	CVKB	140	190	05/15	>				34.292.00
2.0 TFSI	CYMC	185	252	05/15	>	25.153.00	∞	27.G11.00	53.324.00
with activated carbons / ai carboni attivi	CYMC	185	252	05/15	>				54.292.00
antibacterial, anti-odour and anti-allergen filter / filtro antibatterico, antiodori e anti-allergeni	CYMC	185	252	05/15	>				34.292.00
2.0 TFSI	CYRB	185	252	05/15	>	25.153.00	∞	27.G11.00	53.324.00
with activated carbons / ai carboni attivi	CYRB	185	252	05/15	>				54.292.00
antibacterial, anti-odour and anti-allergen filter / filtro antibatterico, antiodori e anti-allergeni	CYRB	185	252	05/15	>				34.292.00
2.0 TFSI	CYRC	183	249	05/15	>	25.153.00	∞	27.G11.00	53.324.00
with activated carbons / ai carboni attivi	CYRC	183	249	05/15	>				54.292.00
antibacterial, anti-odour and anti-allergen filter / filtro antibatterico, antiodori e anti-allergeni	CYRC	183	249	05/15	>				34.292.00
2.0 TFSI	DDWA	185	252	11/18	>	25.153.00		27.G11.00	53.324.00
with activated carbons / ai carboni attivi	DDWA	185	252	11/18	>				54.292.00
antibacterial, anti-odour and anti-allergen filter / filtro antibatterico, antiodori e anti-allergeni	DDWA	185	252	11/18	>				34.292.00
2.0 TFSI g-tron	CVLA	125	170	11/16	>	25.153.00		27.G10.00	53.324.00
with activated carbons / ai carboni attivi	CVLA	125	170	11/16	>				54.292.00
antibacterial, anti-odour and anti-allergen filter / filtro antibatterico, antiodori e anti-allergeni	CVLA	125	170	11/16	>				34.292.00
3.0 TDI	CRTC	200	272	05/15	>	25.180.00	31.920.00	27.G31.00	53.324.00
with activated carbons / ai carboni attivi	CRTC	200	272	05/15	>				54.292.00
antibacterial, anti-odour and anti-allergen filter / filtro antibatterico, antiodori e anti-allergeni	CRTC	200	272	05/15	>				34.292.00
3.0 TDI	CSWB	160	218	05/15	>	25.180.00	31.920.00	27.G31.00	53.324.00
with activated carbons / ai carboni attivi	CSWB	160	218	05/15	>				54.292.00
antibacterial, anti-odour and anti-allergen filter / filtro antibatterico, antiodori e anti-allergeni	CSWB	160	218	05/15	>				34.292.00
30 TDI Mild Hybrid	DEZB	100	136	07/19	>	25.253.00	31.920.00	27.G31.00	53.324.00
with activated carbons / ai carboni attivi	DEZB	100	136	07/19	>				54.292.00
antibacterial, anti-odour and anti-allergen filter / filtro antibatterico, antiodori e anti-allergeni	DEZB	100	136	07/19	>				34.292.00
35 TDI Mild Hybrid	DEZE	120	163	03/19	>	25.253.00	31.920.00	27.G31.00	53.324.00
with activated carbons / ai carboni attivi	DEZE	120	163	03/19	>				54.292.00
antibacterial, anti-odour and anti-allergen filter / filtro antibatterico, antiodori e anti-allergeni	DEZE	120	163	03/19	>				34.292.00
35 TFSI	DLVB	110	150	12/18	>	25.153.00		27.G10.00	53.324.00
with activated carbons / ai carboni attivi	DLVB	110	150	12/18	>				54.292.00
antibacterial, anti-odour and anti-allergen filter / filtro antibatterico, antiodori e anti-allergeni	DLVB	110	150	12/18	>				34.292.00
40 TDI Mild Hybrid	DTPA	150	204	05/20	>	25.253.00	31.946.00	27.G33.00	53.324.00
antibacterial, anti-odour and anti-allergen filter / filtro antibatterico, antiodori e anti-allergeni	DTPA	150	204	05/20	>				34.292.00
40 TFSI	DKYA, DLVA, DEMA	140	190	09/18	>	25.153.00		27.G10.00	53.324.00
with activated carbons / ai carboni attivi	DKYA, DLVA, DEMA	140	190	09/18	>				54.292.00
antibacterial, anti-odour and anti-allergen filter / filtro antibatterico, antiodori e anti-allergeni	DKYA, DLVA, DEMA	140	190	09/18	>				34.292.00
40 TFSI Mild Hybrid	DMSA	150	204	06/20	>	25.153.00	∞	27.G11.00	53.324.00
with activated carbons / ai carboni attivi	DMSA	150	204	06/20	>				54.292.00
antibacterial, anti-odour and anti-allergen filter / filtro antibatterico, antiodori e anti-allergeni	DMSA	150	204	06/20	>				34.292.00
45 TFSI	DKNA	180	245	07/18	>	25.153.00		27.G11.00	53.324.00
with activated carbons / ai carboni attivi	DKNA	180	245	07/18	>				54.292.00
antibacterial, anti-odour and anti-allergen filter / filtro antibatterico, antiodori e anti-allergeni	DKNA	180	245	07/18	>				34.292.00
45 TFSI Mild Hybrid	DMTA	195	265	08/20	>	25.153.00		27.G11.00	53.324.00
with activated carbons / ai carboni attivi	DMTA	195	265	08/20	>				54.292.00
antibacterial, anti-odour and anti-allergen filter / filtro antibatterico, antiodori e anti-allergeni	DMTA	195	265	08/20	>				34.292.00
A4 Allroad (8KH)									
2.0 TDI FAP		105	143	04/09	>	25.023.00	31.920.00	30.365.00	53.153.00
with activated carbons / ai carboni attivi		105	143	04/09	>	25.023.00	31.920.00	30.365.00	54.168.00
antibacterial, anti-odour and anti-allergen filter / filtro antibatterico, antiodori e anti-allergeni		105	143	04/09	>				34.168.00
2.0 TDI FAP		125	170	04/09	>	25.023.00	31.920.00	30.365.00	53.153.00
with activated carbons / ai carboni attivi		125	170	04/09	>	25.023.00	31.920.00	30.365.00	54.168.00

...AUDI - cars/auto

antibacterial, anti-odour and anti-allergen filter / filtro antibatterico, antiodori e anti-allergeni	125	170	04/09	>				34.168.00		
2.0 TFSI	155	211	04/09	>	23.493.00		30.365.00	53.153.00		
with activated carbons / ai carboni attivi	155	211	04/09	>	23.493.00		30.365.00	54.168.00		
antibacterial, anti-odour and anti-allergen filter / filtro antibatterico, antiodori e anti-allergeni	155	211	04/09	>				34.168.00		
3.0 TDI V6 FAP	176	240	04/09	>	25.105.00	31.920.00	27.693.00	53.153.00		
with activated carbons / ai carboni attivi	176	240	04/09	>	25.105.00	31.920.00	27.693.00	54.168.00		
antibacterial, anti-odour and anti-allergen filter / filtro antibatterico, antiodori e anti-allergeni	176	240	04/09	>				34.168.00		
A4 Avant										
1.6 i	ADP	74	101	03/96	>	09/01	23.436.00	31.500.00	30.192.00	53.013.00
with activated carbons / ai carboni attivi	ADP	74	101	03/96	>	09/01				54.195.00
antibacterial, anti-odour and anti-allergen filter / filtro antibatterico, antiodori e anti-allergeni	ADP	74	101	03/96	>	09/01				34.195.00
1.6 i	AHL	74	101	10/96	>	09/01	23.436.00	31.500.00	30.192.00	53.013.00
with activated carbons / ai carboni attivi	AHL	74	101	10/96	>	09/01				54.195.00
antibacterial, anti-odour and anti-allergen filter / filtro antibatterico, antiodori e anti-allergeni	AHL	74	101	10/96	>	09/01				34.195.00
1.6 i	ALZ	75	102	06/00	>	10/00	23.436.00	31.500.00	30.192.00	53.013.00
with activated carbons / ai carboni attivi	ALZ	75	102	11/00	>	06/08	23.436.00	31.718.00	30.162.00	53.032.00
with activated carbons / ai carboni attivi	ALZ	75	102	06/00	>	10/00				54.195.00
antibacterial, anti-odour and anti-allergen filter / filtro antibatterico, antiodori e anti-allergeni	ALZ	75	102	06/00	>	10/00	23.436.00	31.718.00	30.162.00	54.101.00
antibacterial, anti-odour and anti-allergen filter / filtro antibatterico, antiodori e anti-allergeni	ALZ	75	102	11/00	>	06/08				34.195.00
antibacterial, anti-odour and anti-allergen filter / filtro antibatterico, antiodori e anti-allergeni	ALZ	75	102	11/00	>	06/08				34.101.00
1.6 i	ANA/ARM	74	101	03/98	>	10/00	23.436.00	31.500.00	30.192.00	53.013.00
with activated carbons / ai carboni attivi	ANA/ARM	74	101	03/98	>	10/00				54.195.00
antibacterial, anti-odour and anti-allergen filter / filtro antibatterico, antiodori e anti-allergeni	ANA/ARM	74	101	03/98	>	10/00				34.195.00
1.8 i	ADR/APT/ARG	92	125	01/96	>	09/01	23.436.00	31.500.00	30.192.00	53.013.00
with activated carbons / ai carboni attivi	ADR/APT/ARG	92	125	01/96	>	09/01				54.195.00
antibacterial, anti-odour and anti-allergen filter / filtro antibatterico, antiodori e anti-allergeni	ADR/APT/ARG	92	125	01/96	>	09/01				34.195.00
1.8 i	AFY	85	116	07/95	>	09/01	23.436.00	31.500.00	30.192.00	53.013.00
with activated carbons / ai carboni attivi	AFY	85	116	07/95	>	09/01				54.195.00
antibacterial, anti-odour and anti-allergen filter / filtro antibatterico, antiodori e anti-allergeni	AFY	85	116	07/95	>	09/01				34.195.00
1.8 i Quattro	ADR/APT/ARG	92	125	01/96	>	09/01	23.436.00	31.748.00	30.192.00	53.013.00
with activated carbons / ai carboni attivi	ADR/APT/ARG	92	125	01/96	>	09/01				54.195.00
antibacterial, anti-odour and anti-allergen filter / filtro antibatterico, antiodori e anti-allergeni	ADR/APT/ARG	92	125	01/96	>	09/01				34.195.00
1.8 i Quattro	AFY	85	116	07/95	>	09/01	23.436.00	31.748.00	30.192.00	53.013.00
with activated carbons / ai carboni attivi	AFY	85	116	07/95	>	09/01				54.195.00
antibacterial, anti-odour and anti-allergen filter / filtro antibatterico, antiodori e anti-allergeni	AFY	85	116	07/95	>	09/01				34.195.00
1.8 T	AEB/ANB/APU/ARK	110	150	01/96	>	09/01	23.436.00	31.500.00	30.192.00	53.013.00
with activated carbons / ai carboni attivi	AEB/ANB/APU/ARK	110	150	01/96	>	09/01				54.195.00
antibacterial, anti-odour and anti-allergen filter / filtro antibatterico, antiodori e anti-allergeni	AEB/ANB/APU/ARK	110	150	01/96	>	09/01				34.195.00
1.8 T	AJL	132	180	08/97	>	09/01	23.436.00	31.500.00	30.192.00	53.013.00
with activated carbons / ai carboni attivi	AJL	132	180	08/97	>	09/01				54.195.00
antibacterial, anti-odour and anti-allergen filter / filtro antibatterico, antiodori e anti-allergeni	AJL	132	180	08/97	>	09/01				34.195.00
1.8 T	AVJ	110	150	11/00	>	07/02	23.164.03	31.958.00	30.162.00	53.032.00
with activated carbons / ai carboni attivi	AVJ	110	150	11/00	>	07/02				54.101.00
antibacterial, anti-odour and anti-allergen filter / filtro antibatterico, antiodori e anti-allergeni	AVJ	110	150	11/00	>	07/02				34.101.00
1.8 T	AWT	110	150	02/99	>	09/01		31.500.00	30.192.00	53.013.00
with activated carbons / ai carboni attivi	AWT	110	150	02/99	>	09/01				54.195.00
antibacterial, anti-odour and anti-allergen filter / filtro antibatterico, antiodori e anti-allergeni	AWT	110	150	02/99	>	09/01				34.195.00
1.8 T	BEX	140	190	11/02	>	12/04	23.164.03	31.958.00	30.162.00	53.032.00
with activated carbons / ai carboni attivi	BEX	140	190	11/02	>	12/04				54.101.00
antibacterial, anti-odour and anti-allergen filter / filtro antibatterico, antiodori e anti-allergeni	BEX	140	190	11/02	>	12/04				34.101.00
1.8 T	BFB	120	163	04/02	>	06/08	23.164.03	31.958.00	30.162.00	53.032.00
with activated carbons / ai carboni attivi	BFB	120	163	04/02	>	06/08				54.101.00
antibacterial, anti-odour and anti-allergen filter / filtro antibatterico, antiodori e anti-allergeni	BFB	120	163	04/02	>	06/08				34.101.00
1.8 T (J)	AMB	125	170	07/01	>	12/04	23.164.03	31.958.00		53.032.00
with activated carbons / ai carboni attivi	AMB	125	170	07/01	>	12/04	23.164.03	31.958.00		54.101.00
antibacterial, anti-odour and anti-allergen filter / filtro antibatterico, antiodori e anti-allergeni	AMB	125	170	07/01	>	12/04				34.101.00
1.8 T (MEX)	AMB	125	170	07/01	>	12/04	23.164.03	31.958.00		53.032.00
with activated carbons / ai carboni attivi	AMB	125	170	07/01	>	12/04	23.164.03	31.958.00		54.101.00
antibacterial, anti-odour and anti-allergen filter / filtro antibatterico, antiodori e anti-allergeni	AMB	125	170	07/01	>	12/04				34.101.00
1.8 T Quattro	AEB/ANB/APU/ARK	110	150	01/96	>	09/01	23.436.00	31.748.00	30.192.00	53.013.00
with activated carbons / ai carboni attivi	AEB/ANB/APU/ARK	110	150	01/96	>	09/01				54.195.00
antibacterial, anti-odour and anti-allergen filter / filtro antibatterico, antiodori e anti-allergeni	AEB/ANB/APU/ARK	110	150	01/96	>	09/01				34.195.00
1.8 T Quattro	AJL	132	180	08/97	>	09/01	23.436.00	31.748.00	30.192.00	53.013.00
with activated carbons / ai carboni attivi	AJL	132	180	08/97	>	09/01				54.195.00
antibacterial, anti-odour and anti-allergen filter / filtro antibatterico, antiodori e anti-allergeni	AJL	132	180	08/97	>	09/01				34.195.00
1.8 T Quattro										
to frame No. 8E-5-065000 / a telaio N. 8E-5-065000	AMB	125	170	07/01	>		23.164.03	31.958.00	30.162.00	53.032.00

...AUDI - cars/auto

A

with activated carbons / ai carboni attivi	AMB	125	170	07/01	>	12/04				54.101.00
from frame No. 8E-5-065001 / da telaio N. 8E-5-065001	AMB	125	170		>	12/04	23.164.03	31.830.00	30.162.00	53.032.00
antibacterial, anti-odour and anti-allergen filter / filtro antibatterico, antiodori e anti-allergeni	AMB	125	170	07/01	>	12/04				34.101.00
1.8 T Quattro	AWT	110	150	02/99	>	09/01		31.748.00	30.192.00	53.013.00
with activated carbons / ai carboni attivi	AWT	110	150	02/99	>	09/01				54.195.00
antibacterial, anti-odour and anti-allergen filter / filtro antibatterico, antiodori e anti-allergeni	AWT	110	150	02/99	>	09/01				34.195.00
1.8 T Quattro										
to frame No. 8E-5-065000 / a telaio N. 8E-5-065000	BEX	140	190	11/02	>		23.164.03	31.958.00	30.162.00	53.032.00
with activated carbons / ai carboni attivi	BEX	140	190	11/02	>	12/04				54.101.00
from frame No. 8E-5-065001 / da telaio N. 8E-5-065001	BEX	140	190		>	12/04	23.164.03	31.830.00	30.162.00	53.032.00
antibacterial, anti-odour and anti-allergen filter / filtro antibatterico, antiodori e anti-allergeni	BEX	140	190	11/02	>	12/04				34.101.00
1.8 T Quattro										
to frame No. 8E-5-065000 / a telaio N. 8E-5-065000	BFB	120	163	04/02	>		23.164.03	31.958.00	30.162.00	53.032.00
with activated carbons / ai carboni attivi	BFB	120	163	04/02	>	06/08				54.101.00
from frame No. 8E-5-065001 / da telaio N. 8E-5-065001	BFB	120	163		>	06/08	23.164.03	31.830.00	30.162.00	53.032.00
antibacterial, anti-odour and anti-allergen filter / filtro antibatterico, antiodori e anti-allergeni	BFB	120	163	04/02	>	06/08				34.101.00
1.8 T Quattro (J)	AMB	125	170	07/01	>	12/04	23.164.03	31.958.00		53.032.00
with activated carbons / ai carboni attivi	AMB	125	170	07/01	>	12/04				54.101.00
antibacterial, anti-odour and anti-allergen filter / filtro antibatterico, antiodori e anti-allergeni	AMB	125	170	01/01	>	12/04				34.101.00
1.8 T Quattro (MEX)	AMB	125	170	07/01	>	12/04	23.164.03	31.958.00		53.032.00
with activated carbons / ai carboni attivi	AMB	125	170	07/01	>	12/04				54.101.00
antibacterial, anti-odour and anti-allergen filter / filtro antibatterico, antiodori e anti-allergeni	AMB	125	170	07/01	>	12/04				34.101.00
1.9 TDI	AFN/AVG	81	110	06/99	>	09/01	23.459.00	24.379.01	30.192.00	53.013.00
with activated carbons / ai carboni attivi	AFN/AVG	81	110	02/96	>	09/01				54.195.00
antibacterial, anti-odour and anti-allergen filter / filtro antibatterico, antiodori e anti-allergeni	AFN/AVG	81	110	02/96	>	09/01				34.195.00
1.9 TDI	AJM/ATJ	85	115	04/99	>	10/00	25.011.00	24.414.00	30.192.00	53.013.00
with activated carbons / ai carboni attivi	AJM/ATJ	85	115	04/99	>	10/00				54.195.00
antibacterial, anti-odour and anti-allergen filter / filtro antibatterico, antiodori e anti-allergeni	AJM/ATJ	85	115	04/99	>	10/00				34.195.00
1.9 TDI	AVB	74	101	04/01	>	07/04	25.011.00	24.391.00	30.162.00	53.032.00
with activated carbons / ai carboni attivi	AVB	74	101	04/01	>	07/04	25.011.00	24.391.00	30.162.00	54.101.00
with complete filter / con filtro completo	AVB	74	101	04/01	>	07/04		55.427.00		
antibacterial, anti-odour and anti-allergen filter / filtro antibatterico, antiodori e anti-allergeni	AVB	74	101	04/01	>	07/04				34.101.00
1.9 TDI	AVF/AWX	96	130	11/00	>	12/04	25.011.00	24.391.00	30.162.00	53.032.00
with activated carbons / ai carboni attivi	AVF/AWX	96	130	11/00	>	12/04	25.011.00	24.391.00	30.162.00	54.101.00
with complete filter / con filtro completo	AVF/AWX	96	130	11/00	>	12/04		55.427.00		
antibacterial, anti-odour and anti-allergen filter / filtro antibatterico, antiodori e anti-allergeni	AVF/AWX	96	130	11/00	>	12/04				34.101.00
1.9 TDI	BKE	85	115	05/04	>	06/08	25.011.00	24.391.00	30.162.00	53.032.00
with activated carbons / ai carboni attivi	BKE	85	115	05/04	>	06/08	25.011.00	24.391.00	30.162.00	54.101.00
with complete filter / con filtro completo	BKE	85	115	05/04	>	06/08		55.427.00		
antibacterial, anti-odour and anti-allergen filter / filtro antibatterico, antiodori e anti-allergeni	BKE	85	115	05/04	>	06/08				34.101.00
1.9 TDI	BRB	85	116	05/07	>	06/08	25.011.00	24.391.00	30.162.00	53.032.00
with activated carbons / ai carboni attivi	BRB	85	116	05/07	>	06/08	25.011.00	24.391.00	30.162.00	54.101.00
with complete filter / con filtro completo	BRB	85	116	05/07	>	06/08		55.427.00		
antibacterial, anti-odour and anti-allergen filter / filtro antibatterico, antiodori e anti-allergeni	BRB	85	116	05/07	>	06/08				34.101.00
1.9 TDI cat	1Z/AHH/AHU	66	90	06/99	>	10/00	23.459.00	24.379.01	30.192.00	53.013.00
with activated carbons / ai carboni attivi	1Z/AHH/AHU	66	90	02/96	>	10/00				54.195.00
antibacterial, anti-odour and anti-allergen filter / filtro antibatterico, antiodori e anti-allergeni	1Z/AHH/AHU	66	90	02/96	>	10/00				34.195.00
1.9 TDI Quattro	AFN/AVG	81	110	06/99	>	10/00	23.459.00	24.379.01	30.192.00	53.013.00
with activated carbons / ai carboni attivi	AFN/AVG	81	110	07/96	>	10/00				54.195.00
antibacterial, anti-odour and anti-allergen filter / filtro antibatterico, antiodori e anti-allergeni	AFN/AVG	81	110	07/96	>	10/00				34.195.00
1.9 TDI Quattro	AJM/ATJ	85	115	12/98	>	10/00	25.011.00	24.414.00	30.192.00	53.013.00
with activated carbons / ai carboni attivi	AJM/ATJ	85	115	12/98	>	10/00				54.195.00
antibacterial, anti-odour and anti-allergen filter / filtro antibatterico, antiodori e anti-allergeni	AJM/ATJ	85	115	12/98	>	10/00				34.195.00
1.9 TDI Quattro	AVF/AWX	96	130	11/00	>	12/04	25.011.00	24.391.00	30.162.00	53.032.00
with activated carbons / ai carboni attivi	AVF/AWX	96	130	11/00	>	12/04	25.011.00	24.391.00	30.162.00	54.101.00
with complete filter / con filtro completo	AVF/AWX	96	130	11/00	>	12/04		55.427.00		
antibacterial, anti-odour and anti-allergen filter / filtro antibatterico, antiodori e anti-allergeni	AVF/AWX	96	130	11/00	>	12/04				34.101.00
2.0 FSI	AWA	110	150	07/02	>	01/05	23.436.00		30.162.00	53.032.00
with activated carbons / ai carboni attivi	AWA	110	150	07/02	>	01/05	23.436.00		30.162.00	54.101.00
antibacterial, anti-odour and anti-allergen filter / filtro antibatterico, antiodori e anti-allergeni	AWA	110	150	07/02	>	01/05				34.101.00
2.0 i 20V	ALT	96	130	11/00	>	06/08	23.436.00	31.718.00	30.162.00	53.032.00
with activated carbons / ai carboni attivi	ALT	96	130	11/00	>	06/08	23.436.00	31.718.00	30.162.00	54.101.00
antibacterial, anti-odour and anti-allergen filter / filtro antibatterico, antiodori e anti-allergeni	ALT	96	130	11/00	>	06/08				34.101.00
2.0 TDI 16V	BLB	103	140	11/04	>	06/08	25.023.00	24.451.00	30.162.00	53.032.00
with activated carbons / ai carboni attivi	BLB	103	140	11/04	>	06/08	25.023.00	24.451.00	30.162.00	54.101.00
antibacterial, anti-odour and anti-allergen filter / filtro antibatterico, antiodori e anti-allergeni	BLB	103	140	11/04	>	06/08				34.101.00
2.0 TDI 16V	BNA	103	140	11/04	>	06/08	25.023.00	24.451.00	30.162.00	53.032.00

...AUDI - cars/auto

with activated carbons / ai carboni attivi	BNA	103	140	11/04	>	06/08	25.023.00	24.451.00	30.162.00	54.101.00
antibacterial, anti-odour and anti-allergen filter / filtro antibatterico, antiodori e anti-allergeni	BNA	103	140	11/04	>	06/08				34.101.00
2.0 TDI 16V	BPW	103	140	11/04	>	06/08	25.011.00	24.391.00	30.162.00	53.032.00
with activated carbons / ai carboni attivi	BPW	103	140	11/04	>	06/08	25.011.00	24.391.00	30.162.00	54.101.00
with complete filter / con filtro completo	BPW	103	140	11/04	>	06/08		55.427.00		
antibacterial, anti-odour and anti-allergen filter / filtro antibatterico, antiodori e anti-allergeni	BPW	103	140	11/04	>	06/08				34.101.00
2.0 TDI DPF	BRD, BVA	125	170	05/06	>	06/08	25.023.00	24.451.00	30.162.00	53.032.00
with activated carbons / ai carboni attivi	BRD, BVA	125	170	05/06	>	06/08	25.023.00	24.451.00	30.162.00	54.101.00
antibacterial, anti-odour and anti-allergen filter / filtro antibatterico, antiodori e anti-allergeni	BRD, BVA	125	170	05/06	>	06/08				34.101.00
2.0 TDI DPF Quattro	BRD, BVA	125	170	05/06	>	06/08	25.023.00	24.451.00	30.162.00	53.032.00
with activated carbons / ai carboni attivi	BRD, BVA	125	170	05/06	>	06/08	25.023.00	24.451.00	30.162.00	54.101.00
antibacterial, anti-odour and anti-allergen filter / filtro antibatterico, antiodori e anti-allergeni	BRD, BVA	125	170	05/06	>	06/08				34.101.00
2.0 TFSI	BGB	147	200	11/04	>	06/08	25.040.00	31.831.00	30.162.00	53.032.00
with activated carbons / ai carboni attivi	BGB	147	200	11/04	>	06/08	25.040.00	31.831.00	30.162.00	54.101.00
antibacterial, anti-odour and anti-allergen filter / filtro antibatterico, antiodori e anti-allergeni	BGB	147	200	11/04	>	06/08				34.101.00
2.0 TFSI	BUL	162	220	06/05	>	06/08	25.040.00	31.831.00	30.162.00	53.032.00
with activated carbons / ai carboni attivi	BUL	162	220	06/05	>	06/08	25.040.00	31.831.00	30.162.00	54.101.00
antibacterial, anti-odour and anti-allergen filter / filtro antibatterico, antiodori e anti-allergeni	BUL	162	220	06/05	>	06/08				34.101.00
2.0 TFSI Quattro	BGB	147	200	11/04	>	06/08	25.040.00	31.831.00	30.162.00	53.032.00
with activated carbons / ai carboni attivi	BGB	147	200	11/04	>	06/08	25.040.00	31.831.00	30.162.00	54.101.00
antibacterial, anti-odour and anti-allergen filter / filtro antibatterico, antiodori e anti-allergeni	BGB	147	200	11/04	>	06/08				34.101.00
2.0 TFSI Quattro	BUL	162	220	06/05	>	06/08	25.040.00	31.831.00	30.162.00	53.032.00
with activated carbons / ai carboni attivi	BUL	162	220	06/05	>	06/08	25.040.00	31.831.00	30.162.00	54.101.00
antibacterial, anti-odour and anti-allergen filter / filtro antibatterico, antiodori e anti-allergeni	BUL	162	220	06/05	>	06/08				34.101.00
2.4 i V6 30V	BDV	125	170	09/01	>	06/08	23.465.00	31.718.00	30.162.00	53.032.00
with activated carbons / ai carboni attivi	BDV	125	170	09/01	>	06/08	23.465.00	31.718.00	30.162.00	54.101.00
antibacterial, anti-odour and anti-allergen filter / filtro antibatterico, antiodori e anti-allergeni	BDV	125	170	09/01	>	06/08				34.101.00
2.5 TDI V6	AFB	110	150	09/97	>	10/00	25.019.00	24.424.00	30.109.00	53.013.00
with activated carbons / ai carboni attivi	AFB	110	150	09/97	>	10/00				54.195.00
antibacterial, anti-odour and anti-allergen filter / filtro antibatterico, antiodori e anti-allergeni	AFB	110	150	09/97	>	10/00				34.195.00
2.5 TDI V6	AKN	110	150	07/98	>	10/00	25.019.00	24.424.00	30.109.00	53.013.00
with activated carbons / ai carboni attivi	AKN	110	150	07/98	>	10/00				54.195.00
antibacterial, anti-odour and anti-allergen filter / filtro antibatterico, antiodori e anti-allergeni	AKN	110	150	07/98	>	10/00				34.195.00
2.5 TDI V6	AYM	114	155	04/01	>	07/02	25.019.00	24.424.00	30.162.00	53.032.00
with activated carbons / ai carboni attivi	AYM	114	155	04/01	>	07/02	25.019.00	24.424.00	30.162.00	54.101.00
antibacterial, anti-odour and anti-allergen filter / filtro antibatterico, antiodori e anti-allergeni	AYM	114	155	04/01	>	07/02				34.101.00
2.5 TDI V6	BCZ/BDG/BFC	120	163	06/02	>	12/05	25.019.00	24.424.00	30.162.00	53.032.00
with activated carbons / ai carboni attivi	BCZ/BDG/BFC	120	163	06/02	>	12/05	25.019.00	24.424.00	30.162.00	54.101.00
antibacterial, anti-odour and anti-allergen filter / filtro antibatterico, antiodori e anti-allergeni	BCZ/BDG/BFC	120	163	06/02	>	12/05				34.101.00
2.5 TDI V6 Quattro	AFB	110	150	09/97	>	10/00	25.019.00	24.424.00	30.109.00	53.013.00
with activated carbons / ai carboni attivi	AFB	110	150	09/97	>	10/00				54.195.00
antibacterial, anti-odour and anti-allergen filter / filtro antibatterico, antiodori e anti-allergeni	AFB	110	150	09/97	>	10/00				34.195.00
2.5 TDI V6 Quattro	AKE/BAU/BDH	132	180	11/00	>	12/05	25.019.00	24.424.00	30.162.00	53.032.00
with activated carbons / ai carboni attivi	AKE/BAU/BDH	132	180	11/00	>	12/05	25.019.00	24.424.00	30.162.00	54.101.00
antibacterial, anti-odour and anti-allergen filter / filtro antibatterico, antiodori e anti-allergeni	AKE/BAU/BDH	132	180	11/00	>	12/05				34.101.00
2.5 TDI V6 Quattro	AKN	110	150	07/98	>	10/00	25.019.00	24.424.00	30.109.00	53.013.00
with activated carbons / ai carboni attivi	AKN	110	150	07/98	>	10/00				54.195.00
antibacterial, anti-odour and anti-allergen filter / filtro antibatterico, antiodori e anti-allergeni	AKN	110	150	07/98	>	10/00				34.195.00
2.7 TDI	BSG	120	163	11/05	>	06/08	25.068.00	24.072.00	30.162.00	53.032.00
with activated carbons / ai carboni attivi	BSG	120	163	11/05	>	06/08	25.068.00	24.072.00	30.162.00	54.101.00
antibacterial, anti-odour and anti-allergen filter / filtro antibatterico, antiodori e anti-allergeni	BSG	120	163	11/05	>	06/08				34.101.00
2.7 TDI V6	BPP	132	180	11/05	>	06/08	25.068.00	24.072.00	30.162.00	53.032.00
with activated carbons / ai carboni attivi	BPP	132	180	11/05	>	06/08	25.068.00	24.072.00	30.162.00	54.101.00
antibacterial, anti-odour and anti-allergen filter / filtro antibatterico, antiodori e anti-allergeni	BPP	132	180	11/05	>	06/08				34.101.00
2.8 i V6 30 V	ATX	140	190	03/99	>	09/01	23.465.00	31.500.00	30.192.00	53.013.00
with activated carbons / ai carboni attivi	ATX	140	190	03/99	>	09/01				54.195.00
antibacterial, anti-odour and anti-allergen filter / filtro antibatterico, antiodori e anti-allergeni	ATX	140	190	03/99	>	09/01				34.195.00
3.0 i V6 30V	ASN/BBJ	162	220	11/00	>	06/08	23.465.00	31.718.00	30.162.00	53.032.00
with activated carbons / ai carboni attivi	ASN/BBJ	162	220	11/00	>	06/08	23.465.00	31.718.00	30.162.00	54.101.00
antibacterial, anti-odour and anti-allergen filter / filtro antibatterico, antiodori e anti-allergeni	ASN/BBJ	162	220	11/00	>	06/08				34.101.00
3.0 i V6 30V Quattro	ASN/BBJ	162	220	11/00	>	06/08	23.465.00	31.718.00	30.162.00	53.032.00
with activated carbons / ai carboni attivi	ASN/BBJ	162	220	11/00	>	06/08	23.465.00	31.718.00	30.162.00	54.101.00
antibacterial, anti-odour and anti-allergen filter / filtro antibatterico, antiodori e anti-allergeni	ASN/BBJ	162	220	11/00	>	06/08				34.101.00
3.0 TDI V6 Quattro	ASB	171	233	11/05	>	06/08	25.068.00	24.072.00	30.162.00	53.032.00
with activated carbons / ai carboni attivi	ASB	171	233	11/05	>	06/08	25.068.00	24.072.00	30.162.00	54.101.00
antibacterial, anti-odour and anti-allergen filter / filtro antibatterico, antiodori e anti-allergeni	ASB	171	233	11/05	>	06/08				34.101.00
3.0 TDI V6 Quattro	BKN	150	204	11/04	>	06/08	25.068.00	24.072.00	30.162.00	53.032.00

...AUDI - cars/auto

with activated carbons / ai carboni attivi	BKN	150	204	11/04	>	06/08	25.068.00	24.072.00	30.162.00	54.101.00
antibacterial, anti-odour and anti-allergen filter / filtro antibatterico, antiodori e anti-allergeni	BKN	150	204	11/04	>	06/08				34.101.00
3.2 FSI	AUK	188	256	11/04	>	06/08	25.080.00	31.831.00	30.162.00	53.032.00
with activated carbons / ai carboni attivi	AUK	188	256	11/04	>	06/08	25.080.00	31.831.00	30.162.00	54.101.00
antibacterial, anti-odour and anti-allergen filter / filtro antibatterico, antiodori e anti-allergeni	AUK	188	256	11/04	>	06/08				34.101.00
3.2 FSI Quattro	AUK	188	256	11/04	>	06/08	25.080.00	31.831.00	30.162.00	53.032.00
with activated carbons / ai carboni attivi	AUK	188	256	11/04	>	06/08	25.080.00	31.831.00	30.162.00	54.101.00
antibacterial, anti-odour and anti-allergen filter / filtro antibatterico, antiodori e anti-allergeni	AUK	188	256	11/04	>	06/08				34.101.00
A4 Cabrio										
1.8 T	BFB	120	163	04/02	>	06/08	23.164.03	31.958.00	30.162.00	53.032.00
with activated carbons / ai carboni attivi	BFB	120	163	04/02	>	06/08				54.101.00
antibacterial, anti-odour and anti-allergen filter / filtro antibatterico, antiodori e anti-allergeni	BFB	120	163	04/02	>	06/08				34.101.00
1.8 T Quattro										
to frame No. 8E-5-065000 / a telaio N. 8E-5-065000	BFB	120	163	06/02	>		23.164.03	31.958.00	30.162.00	53.032.00
with activated carbons / ai carboni attivi	BFB	120	163	06/02	>	06/08				54.101.00
from frame No. 8E-5-065001 / da telaio N. 8E-5-065001	BFB	120	163		>	06/08	23.164.03	31.830.00	30.162.00	53.032.00
antibacterial, anti-odour and anti-allergen filter / filtro antibatterico, antiodori e anti-allergeni	BFB	120	163	06/02	>	06/08				34.101.00
2.0 i 20V	ALT	96	130	11/00	>	06/08	23.436.00	31.718.00	30.162.00	53.032.00
with activated carbons / ai carboni attivi	ALT	96	130	11/00	>	06/08	23.436.00	31.718.00	30.162.00	54.101.00
antibacterial, anti-odour and anti-allergen filter / filtro antibatterico, antiodori e anti-allergeni	ALT	96	130	11/00	>	06/08				34.101.00
2.0 TDI	BRC	100	136	01/06	>	03/09	25.011.00	24.391.00	30.162.00	53.032.00
with activated carbons / ai carboni attivi	BRC	100	136	01/06	>	03/09	25.011.00	24.391.00	30.162.00	54.101.00
with complete filter / con filtro completo	BRC	100	136	01/06	>	03/09		55.427.00		
antibacterial, anti-odour and anti-allergen filter / filtro antibatterico, antiodori e anti-allergeni	BRC	100	136	01/06	>	03/09				34.101.00
2.0 TDI 16V	BLB/BNA/BRE/BRF	103	140	11/04	>	06/08	25.023.00	24.451.00	30.162.00	53.032.00
with activated carbons / ai carboni attivi	BLB/BNA/BRE/BRF	103	140	11/04	>	06/08	25.023.00	24.451.00	30.162.00	54.101.00
antibacterial, anti-odour and anti-allergen filter / filtro antibatterico, antiodori e anti-allergeni	BLB/BNA/BRE/BRF	103	140	11/04	>	06/08				34.101.00
2.0 TDI 16V	BPW	103	140	11/04	>	06/08	25.011.00	24.391.00	30.162.00	53.032.00
with activated carbons / ai carboni attivi	BPW	103	140	11/04	>	06/08	25.011.00	24.391.00	30.162.00	54.101.00
with complete filter / con filtro completo	BPW	103	140	11/04	>	06/08		55.427.00		
antibacterial, anti-odour and anti-allergen filter / filtro antibatterico, antiodori e anti-allergeni	BPW	103	140	11/04	>	06/08				34.101.00
2.0 TFSI	BGB/BWE	147	200	11/04	>	06/08	25.040.00	31.831.00	30.162.00	53.032.00
with activated carbons / ai carboni attivi	BGB/BWE	147	200	11/04	>	06/08	25.040.00	31.831.00	30.162.00	54.101.00
antibacterial, anti-odour and anti-allergen filter / filtro antibatterico, antiodori e anti-allergeni	BGB/BWE	147	200	11/04	>	06/08				34.101.00
2.0 TFSI	BUL	162	220	06/05	>	06/08	25.040.00	31.831.00	30.162.00	53.032.00
with activated carbons / ai carboni attivi	BUL	162	220	06/05	>	06/08	25.040.00	31.831.00	30.162.00	54.101.00
antibacterial, anti-odour and anti-allergen filter / filtro antibatterico, antiodori e anti-allergeni	BUL	162	220	06/05	>	06/08				34.101.00
2.4 i V6	AMM	120	163	09/01	>	12/04	23.465.00	31.718.00	30.162.00	53.032.00
with activated carbons / ai carboni attivi	AMM	120	163	09/01	>	12/04	23.465.00	31.718.00	30.162.00	54.101.00
antibacterial, anti-odour and anti-allergen filter / filtro antibatterico, antiodori e anti-allergeni	AMM	120	163	09/01	>	12/04				34.101.00
2.4 i V6 30V	BDV	125	170	09/01	>	06/08	23.465.00	31.718.00	30.162.00	53.032.00
with activated carbons / ai carboni attivi	BDV	125	170	09/01	>	06/08	23.465.00	31.718.00	30.162.00	54.101.00
antibacterial, anti-odour and anti-allergen filter / filtro antibatterico, antiodori e anti-allergeni	BDV	125	170	09/01	>	06/08				34.101.00
2.5 TDI V6	BCZ/BDG/BFC	120	163	06/02	>	12/05	25.019.00	24.424.00	30.162.00	53.032.00
with activated carbons / ai carboni attivi	BCZ/BDG/BFC	120	163	06/02	>	12/05	25.019.00	24.424.00	30.162.00	54.101.00
antibacterial, anti-odour and anti-allergen filter / filtro antibatterico, antiodori e anti-allergeni	BCZ/BDG/BFC	120	163	06/02	>	12/05				34.101.00
2.7 TDI V6	BPP	132	180	11/05	>	06/08	25.068.00	24.072.00	30.162.00	53.032.00
with activated carbons / ai carboni attivi	BPP	132	180	11/05	>	06/08	25.068.00	24.072.00	30.162.00	54.101.00
antibacterial, anti-odour and anti-allergen filter / filtro antibatterico, antiodori e anti-allergeni	BPP	132	180	11/05	>	06/08				34.101.00
3.0 i V6 30V	ASN/BBJ	162	220	04/02	>	06/08	23.465.00	31.718.00	30.162.00	53.032.00
with activated carbons / ai carboni attivi	ASN/BBJ	162	220	04/02	>	06/08	23.465.00	31.718.00	30.162.00	54.101.00
antibacterial, anti-odour and anti-allergen filter / filtro antibatterico, antiodori e anti-allergeni	ASN/BBJ	162	220	04/02	>	06/08				34.101.00
3.0 i V6 30V Quattro	ASN/BBJ	162	220	04/02	>	06/08	23.465.00	31.718.00	30.162.00	53.032.00
with activated carbons / ai carboni attivi	ASN/BBJ	162	220	04/02	>	06/08	23.465.00	31.718.00	30.162.00	54.101.00
antibacterial, anti-odour and anti-allergen filter / filtro antibatterico, antiodori e anti-allergeni	ASN/BBJ	162	220	04/02	>	06/08				34.101.00
3.0 TDI V6 Quattro tiptronic	ASB	171	233	11/05	>	06/08	25.068.00	24.072.00	30.162.00	53.032.00
with activated carbons / ai carboni attivi	ASB	171	233	11/05	>	06/08	25.068.00	24.072.00	30.162.00	54.101.00
antibacterial, anti-odour and anti-allergen filter / filtro antibatterico, antiodori e anti-allergeni	ASB	171	233	11/05	>	06/08				34.101.00
3.2 FSI Quattro	AUK	188	256	11/04	>	06/08	25.080.00	31.831.00	30.162.00	53.032.00
with activated carbons / ai carboni attivi	AUK	188	256	11/04	>	06/08	25.080.00	31.831.00	30.162.00	54.101.00
antibacterial, anti-odour and anti-allergen filter / filtro antibatterico, antiodori e anti-allergeni	AUK	188	256	11/04	>	06/08				34.101.00
A5 (8T)										
1.8 TFSI	CABD	125	170	10/07	>	05/08	23.493.00		30.365.00	53.153.00
with activated carbons / ai carboni attivi	CABD	125	170	10/07	>	05/08				54.168.00
antibacterial, anti-odour and anti-allergen filter / filtro antibatterico, antiodori e anti-allergeni	CABD	125	170	10/07	>	05/08				34.168.00
1.8 TFSI	CDHB	118	160	05/09	>		23.493.00		30.365.00	53.153.00
with activated carbons / ai carboni attivi	CDHB	118	160	05/09	>					54.168.00

...AUDI - cars/auto

antibacterial, anti-odour and anti-allergen filter / filtro antibatterico, antiodori e anti-allergeni	CDHB	118	160	05/09	>				34.168.00
1.8 TFSI	CJEB	125	170	08/11	>	25.153.00		30.365.00	53.153.00
with activated carbons / ai carboni attivi	CJEB	125	170	08/11	>				54.168.00
antibacterial, anti-odour and anti-allergen filter / filtro antibatterico, antiodori e anti-allergeni	CJEB	125	170	08/11	>				34.168.00
1.8 TFSI	CJED	106	144	09/14	>	25.153.00		30.365.00	53.153.00
with activated carbons / ai carboni attivi	CJED	106	144	09/14	>				54.168.00
antibacterial, anti-odour and anti-allergen filter / filtro antibatterico, antiodori e anti-allergeni	CJED	106	144	09/14	>				34.168.00
1.8 TFSI	CJEE	130	177	05/15	>	25.153.00		30.365.00	53.153.00
with activated carbons / ai carboni attivi	CJEE	130	177	05/15	>				54.168.00
antibacterial, anti-odour and anti-allergen filter / filtro antibatterico, antiodori e anti-allergeni	CJEE	130	177	05/15	>				34.168.00
2.0 TDI	CAGA	105	143	09/09	> 03/12	25.023.00	31.920.00	30.365.00	53.153.00
with activated carbons / ai carboni attivi	CAGA	105	143	09/09	> 03/12				54.168.00
antibacterial, anti-odour and anti-allergen filter / filtro antibatterico, antiodori e anti-allergeni	CAGA	105	143	09/09	> 03/12				34.168.00
2.0 TDI	CAGB	100	136	09/09	>	25.023.00	31.920.00	30.365.00	53.153.00
with activated carbons / ai carboni attivi	CAGB	100	136	09/09	>				54.168.00
antibacterial, anti-odour and anti-allergen filter / filtro antibatterico, antiodori e anti-allergeni	CAGB	100	136	09/09	>				34.168.00
2.0 TDI	CAHA	125	170	01/08	> 03/12	25.023.00	31.920.00	30.365.00	53.153.00
with activated carbons / ai carboni attivi	CAHA	125	170	01/08	> 03/12				54.168.00
antibacterial, anti-odour and anti-allergen filter / filtro antibatterico, antiodori e anti-allergeni	CAHA	125	170	01/08	> 03/12				34.168.00
2.0 TDI	CAHB	120	163	01/08	>	25.023.00	31.920.00	30.365.00	53.153.00
with activated carbons / ai carboni attivi	CAHB	120	163	01/08	>				54.168.00
antibacterial, anti-odour and anti-allergen filter / filtro antibatterico, antiodori e anti-allergeni	CAHB	120	163	01/08	>				34.168.00
2.0 TDI	CGLC	130	177	10/11	>	25.106.00	31.920.00	30.365.00	53.153.00
with activated carbons / ai carboni attivi	CGLC	130	177	10/11	>				54.168.00
antibacterial, anti-odour and anti-allergen filter / filtro antibatterico, antiodori e anti-allergeni	CGLC	130	177	10/11	>				34.168.00
2.0 TDI	CJCA	105	143	10/11	> 05/13	25.106.00	31.920.00	30.365.00	53.153.00
with activated carbons / ai carboni attivi	CJCA	105	143	10/11	> 05/13				54.168.00
antibacterial, anti-odour and anti-allergen filter / filtro antibatterico, antiodori e anti-allergeni	CJCA	105	143	10/11	> 05/13				34.168.00
2.0 TDI	CJCB	100	136	10/11	>	25.106.00	31.920.00	30.365.00	53.153.00
with activated carbons / ai carboni attivi	CJCB	100	136	10/11	>				54.168.00
antibacterial, anti-odour and anti-allergen filter / filtro antibatterico, antiodori e anti-allergeni	CJCB	100	136	10/11	>				34.168.00
2.0 TDI	CJCD	110	150	05/13	>	25.106.00	31.920.00	30.365.00	53.153.00
with activated carbons / ai carboni attivi	CJCD	110	150	05/13	>				54.168.00
antibacterial, anti-odour and anti-allergen filter / filtro antibatterico, antiodori e anti-allergeni	CJCD	110	150	05/13	>				34.168.00
2.0 TDI	CMEA	105	143	05/10	> 03/12	25.023.00	31.920.00	30.365.00	53.153.00
with activated carbons / ai carboni attivi	CMEA	105	143	05/10	> 03/12				54.168.00
antibacterial, anti-odour and anti-allergen filter / filtro antibatterico, antiodori e anti-allergeni	CMEA	105	143	05/10	> 03/12				34.168.00
2.0 TDI	CMFA	105	143	10/11	> 05/13	25.106.00	31.920.00	30.365.00	53.153.00
with activated carbons / ai carboni attivi	CMFA	105	143	10/11	> 05/13				54.168.00
antibacterial, anti-odour and anti-allergen filter / filtro antibatterico, antiodori e anti-allergeni	CMFA	105	143	10/11	> 05/13				34.168.00
2.0 TDI	CNHA	140	190	09/13	>	25.144.00	31.920.00		53.153.00
with activated carbons / ai carboni attivi	CNHA	140	190	09/13	>				54.168.00
antibacterial, anti-odour and anti-allergen filter / filtro antibatterico, antiodori e anti-allergeni	CNHA	140	190	09/13	>				34.168.00
2.0 TDI Quattro	CAHA	125	170	06/08	> 03/12	25.023.00	31.920.00	30.365.00	53.153.00
with activated carbons / ai carboni attivi	CAHA	125	170	06/08	> 03/12				54.168.00
antibacterial, anti-odour and anti-allergen filter / filtro antibatterico, antiodori e anti-allergeni	CAHA	125	170	06/08	> 03/12				34.168.00
2.0 TFSI	CAEA	132	180	06/08	> 03/12	23.493.00		30.365.00	53.153.00
with activated carbons / ai carboni attivi	CAEA	132	180	06/08	> 03/12				54.168.00
antibacterial, anti-odour and anti-allergen filter / filtro antibatterico, antiodori e anti-allergeni	CAEA	132	180	06/08	> 03/12				34.168.00
2.0 TFSI	CAEB	132	180	06/08	> 05/13	23.493.00		30.365.00	53.153.00
with activated carbons / ai carboni attivi	CAEB	132	180	06/08	> 05/13				54.168.00
antibacterial, anti-odour and anti-allergen filter / filtro antibatterico, antiodori e anti-allergeni	CAEB	132	180	06/08	> 05/13				34.168.00
2.0 TFSI	CAED	162	220	05/13	>	23.493.00		30.365.00	53.153.00
with activated carbons / ai carboni attivi	CAED	162	220	05/13	>				54.168.00
antibacterial, anti-odour and anti-allergen filter / filtro antibatterico, antiodori e anti-allergeni	CAED	162	220	05/13	>				34.168.00
2.0 TFSI	CDNB	132	180	06/08	> 06/14	23.493.00		30.365.00	53.153.00
with activated carbons / ai carboni attivi	CDNB	132	180	06/08	> 06/14				54.168.00
antibacterial, anti-odour and anti-allergen filter / filtro antibatterico, antiodori e anti-allergeni	CDNB	132	180	06/08	> 06/14				34.168.00
2.0 TFSI	CDNC	155	211	06/08	> 11/14	23.493.00		30.365.00	53.153.00
with activated carbons / ai carboni attivi	CDNC	155	211	06/08	> 11/14				54.168.00
antibacterial, anti-odour and anti-allergen filter / filtro antibatterico, antiodori e anti-allergeni	CDNC	155	211	06/08	> 11/14				34.168.00
2.0 TFSI	CNCD	165	224	05/13	>	25.153.00		30.365.00	53.153.00
with activated carbons / ai carboni attivi	CNCD	165	224	05/13	>				54.168.00
antibacterial, anti-odour and anti-allergen filter / filtro antibatterico, antiodori e anti-allergeni	CNCD	165	224	05/13	>				34.168.00
2.0 TFSI	CNCE	169	230	08/15	>	25.153.00		30.365.00	53.153.00
with activated carbons / ai carboni attivi	CNCE	169	230	08/15	>				54.168.00
antibacterial, anti-odour and anti-allergen filter / filtro antibatterico, antiodori e anti-allergeni	CNCE	169	230	08/15	>				34.168.00

...AUDI - cars/auto

2.0 TFSI	CPMB	162	220	03/12	>	23.493.00		30.365.00	53.153.00
	with activated carbons / ai carboni attivi	CPMB	162	220	03/12	>			54.168.00
	antibacterial, anti-odour and anti-allergen filter / filtro antibatterico, antiodori e anti-allergeni	CPMB	162	220	03/12	>			34.168.00
2.0 TFSI Quattro	CAED	162	220	05/13	>	23.493.00		30.365.00	53.153.00
	with activated carbons / ai carboni attivi	CAED	162	220	05/13	>			54.168.00
	antibacterial, anti-odour and anti-allergen filter / filtro antibatterico, antiodori e anti-allergeni	CAED	162	220	05/13	>			34.168.00
2.0 TFSI Quattro	CNCD	165	224	05/13	>	25.153.00		30.365.00	53.153.00
	with activated carbons / ai carboni attivi	CNCD	165	224	05/13	>			54.168.00
	antibacterial, anti-odour and anti-allergen filter / filtro antibatterico, antiodori e anti-allergeni	CNCD	165	224	05/13	>			34.168.00
2.0 TFSI Quattro	CNCE	169	230	08/15	>	25.153.00		30.365.00	53.153.00
	with activated carbons / ai carboni attivi	CNCE	169	230	08/15	>			54.168.00
	antibacterial, anti-odour and anti-allergen filter / filtro antibatterico, antiodori e anti-allergeni	CNCE	169	230	08/15	>			34.168.00
2.0 TFSI Quattro	CPMB	162	220	03/12	>	23.493.00		30.365.00	53.153.00
	with activated carbons / ai carboni attivi	CPMB	162	220	03/12	>			54.168.00
	antibacterial, anti-odour and anti-allergen filter / filtro antibatterico, antiodori e anti-allergeni	CPMB	162	220	03/12	>			34.168.00
2.7 TDI V6	CAMB	120	163	09/07	> 05/08		31.920.00	27.693.00	53.153.00
	to frame No. 8T_8_032149 / a telaio N. 8T_8_032149	CAMB	120	163	09/07	>	25.068.00		
	with activated carbons / ai carboni attivi	CAMB	120	163	09/07	> 05/08			54.168.00
	from frame No. 8T_8_032150 / da telaio N. 8T_8_032150	CAMB	120	163		> 05/08	25.105.00		
	antibacterial, anti-odour and anti-allergen filter / filtro antibatterico, antiodori e anti-allergeni	CAMB	120	163	09/07	> 05/08			34.168.00
2.7 TDI V6	CGKA	140	190	06/08	> 03/12	25.105.00	31.920.00	27.693.00	53.153.00
	with activated carbons / ai carboni attivi	CGKA	140	190	06/08	> 03/12			54.168.00
	antibacterial, anti-odour and anti-allergen filter / filtro antibatterico, antiodori e anti-allergeni	CGKA	140	190	06/08	> 03/12			34.168.00
2.7 TDI V6	CGKB	120	163	06/08	> 03/12	25.105.00	31.920.00	27.693.00	53.153.00
	with activated carbons / ai carboni attivi	CGKB	120	163	06/08	> 03/12			54.168.00
	antibacterial, anti-odour and anti-allergen filter / filtro antibatterico, antiodori e anti-allergeni	CGKB	120	163	06/08	> 03/12			34.168.00
2.7 TDI V6 DPF	CAMA	140	190	07/07	> 03/12		31.920.00	27.693.00	53.153.00
	to frame No. 8T_8_032149 / a telaio N. 8T_8_032149	CAMA	140	190	07/07	>	25.068.00		
	with activated carbons / ai carboni attivi	CAMA	140	190	07/07	> 03/12			54.168.00
	from frame No. 8T_8_032150 / da telaio N. 8T_8_032150	CAMA	140	190		> 03/12	25.105.00		
	antibacterial, anti-odour and anti-allergen filter / filtro antibatterico, antiodori e anti-allergeni	CAMA	140	190	07/07	> 03/12			34.168.00
3.0 TDI V6	CCWA	176	240	03/08	> 03/12	25.105.00	31.920.00	27.693.00	53.153.00
	with activated carbons / ai carboni attivi	CCWA	176	240	03/08	> 03/12			54.168.00
	antibacterial, anti-odour and anti-allergen filter / filtro antibatterico, antiodori e anti-allergeni	CCWA	176	240	03/08	> 03/12			34.168.00
3.0 TDI V6	CKVB	180	245	10/11	>	25.141.00	31.920.00	27.693.00	53.153.00
	with activated carbons / ai carboni attivi	CKVB	180	245	10/11	>			54.168.00
	antibacterial, anti-odour and anti-allergen filter / filtro antibatterico, antiodori e anti-allergeni	CKVB	180	245	10/11	>			34.168.00
3.0 TDI V6	CKVD	160	218	05/15	>	25.141.00	31.920.00	27.693.00	53.153.00
	with activated carbons / ai carboni attivi	CKVD	160	218	05/15	>			54.168.00
	antibacterial, anti-odour and anti-allergen filter / filtro antibatterico, antiodori e anti-allergeni	CKVD	160	218	05/15	>			34.168.00
3.0 TDI V6	CLAB	150	204	10/11	>	25.141.00	31.920.00	27.693.00	53.153.00
	with activated carbons / ai carboni attivi	CLAB	150	204	10/11	>			54.168.00
	antibacterial, anti-odour and anti-allergen filter / filtro antibatterico, antiodori e anti-allergeni	CLAB	150	204	10/11	>			34.168.00
3.0 TDI V6 Quattro	CCWA	176	240	03/08	> 03/12	25.105.00	31.920.00	27.693.00	53.153.00
	with activated carbons / ai carboni attivi	CCWA	176	240	03/08	> 03/12			54.168.00
	antibacterial, anti-odour and anti-allergen filter / filtro antibatterico, antiodori e anti-allergeni	CCWA	176	240	03/08	> 03/12			34.168.00
3.0 TDI V6 Quattro	CCWB	155	211	03/08	> 05/10	25.105.00	31.920.00	27.693.00	53.153.00
	with activated carbons / ai carboni attivi	CCWB	155	211	03/08	> 05/10			54.168.00
	antibacterial, anti-odour and anti-allergen filter / filtro antibatterico, antiodori e anti-allergeni	CCWB	155	211	03/08	> 05/10			34.168.00
3.0 TDI V6 Quattro	CDUC/CKVB/CKVC	180	245	10/11	>	25.141.00	31.920.00	27.693.00	53.153.00
	with activated carbons / ai carboni attivi	CDUC/CKVB/CKVC	180	245	10/11	>			54.168.00
	antibacterial, anti-odour and anti-allergen filter / filtro antibatterico, antiodori e anti-allergeni	CDUC/CKVB/CKVC	180	245	10/11	>			34.168.00
3.0 TDI V6 Quattro DPF	CAPA	176	240	06/07	> 03/12		31.920.00	27.693.00	53.153.00
	to frame No. 8T_8_032149 / a telaio N. 8T_8_032149	CAPA	176	240	06/07	>	25.068.00		
	with activated carbons / ai carboni attivi	CAPA	176	240	06/07	> 03/12			54.168.00
	from frame No. 8T_8_032150 / da telaio N. 8T_8_032150	CAPA	176	240		> 03/12	25.105.00		
	antibacterial, anti-odour and anti-allergen filter / filtro antibatterico, antiodori e anti-allergeni	CAPA	176	240	06/07	> 03/12			34.168.00
3.0 TFSI Quattro	CHMB/CMUA	200	272	10/11	> 06/14	25.080.00		27.692.00	53.153.00
	with activated carbons / ai carboni attivi	CHMB/CMUA	200	272	10/11	> 06/14			54.168.00
	antibacterial, anti-odour and anti-allergen filter / filtro antibatterico, antiodori e anti-allergeni	CHMB/CMUA	200	272	10/11	> 06/14			34.168.00
3.0 TFSI Quattro	CRED	200	272	12/11	> 01/17	25.247.00		27.692.00	53.153.00
	with activated carbons / ai carboni attivi	CRED	200	272	12/11	> 01/17			54.168.00
	antibacterial, anti-odour and anti-allergen filter / filtro antibatterico, antiodori e anti-allergeni	CRED	200	272	12/11	> 01/17			34.168.00
3.2 FSI V6	CALA	195	265	06/07	> 03/12	25.080.00		27.692.00	53.153.00
	with activated carbons / ai carboni attivi	CALA	195	265	06/07	> 03/12			54.168.00
	antibacterial, anti-odour and anti-allergen filter / filtro antibatterico, antiodori e anti-allergeni	CALA	195	265	06/07	> 03/12			34.168.00
3.2 FSI V6 Quattro	CALA	195	265	06/07	> 03/12	25.080.00		27.692.00	53.153.00

...AUDI - cars/auto

with activated carbons / ai carboni attivi	CALA	195	265	06/07	>	03/12				54.168.00	
antibacterial, anti-odour and anti-allergen filter / filtro antibatterico, antiodori e anti-allergeni	CALA	195	265	06/07	>	03/12				34.168.00	
A5 (F5)											
1.4 TFSI	CVNA	110	150	01/17	>			23.575.00		27.G11.00	53.324.00
with activated carbons / ai carboni attivi	CVNA	110	150	01/17	>						54.292.00
antibacterial, anti-odour and anti-allergen filter / filtro antibatterico, antiodori e anti-allergeni	CVNA	110	150	01/17	>						34.292.00
2.0 TDI	DESA	140	190	06/16	>			25.144.00	31.920.00	27.G33.00	53.324.00
2.0 TDI	DETA	140	190	06/16	>			25.144.00	31.920.00	27.G33.00	53.324.00
2.0 TFSI	CVKB	140	190	09/16	>			25.153.00		27.G10.00	53.324.00
2.0 TFSI	CYRB	185	252	06/16	>			25.153.00		27.G11.00	53.324.00
2.0 TFSI	CYRC	183	249	06/16	>			25.153.00		27.G11.00	53.324.00
2.0 TFSI	DLHB, DDWA	185	252	05/17	>			25.153.00		27.G11.00	53.324.00
with activated carbons / ai carboni attivi	DLHB, DDWA	185	252	05/17	>						54.292.00
antibacterial, anti-odour and anti-allergen filter / filtro antibatterico, antiodori e anti-allergeni	DLHB, DDWA	185	252	05/17	>						34.292.00
2.0 TFSI g-tron	CVLA	125	170	09/16	>			25.153.00		27.G10.00	53.324.00
3.0 TDI	CSWB	160	218	06/16	>			25.180.00	31.920.00	27.G31.00	53.324.00
3.0 TDI	DCPC	210	286	09/16	>			25.180.00	31.920.00	27.G31.00	53.324.00
30 TDI Mild Hybrid	DEZB	100	136	10/19	>			25.253.00			
35 TDI Mild Hybrid	DEZE	120	163	10/19	>			25.253.00			
35 TFSI	DLVB	110	150	08/18	>					27.G10.00	
40 TDI Mild Hybrid	DTPA	150	204	09/20	>			25.253.00		27.G33.00	
40 TFSI Mild Hybrid	DMSA	150	204	05/20	>			25.153.00		27.G11.00	53.324.00
with activated carbons / ai carboni attivi	DMSA	150	204	05/20	>						54.292.00
antibacterial, anti-odour and anti-allergen filter / filtro antibatterico, antiodori e anti-allergeni	DMSA	150	204	05/20	>						34.292.00
45 TFSI	DKNA	180	245	07/18	>			25.153.00		27.G11.00	53.324.00
with activated carbons / ai carboni attivi	DKNA	180	245	07/18	>						54.292.00
antibacterial, anti-odour and anti-allergen filter / filtro antibatterico, antiodori e anti-allergeni	DKNA	180	245	07/18	>						34.292.00
A5 Cabrio											
2.0 TFSI	CAEA	132	180	11/08	>	03/12		23.493.00		30.365.00	53.153.00
with activated carbons / ai carboni attivi	CAEA	132	180	11/08	>	03/12					54.168.00
antibacterial, anti-odour and anti-allergen filter / filtro antibatterico, antiodori e anti-allergeni	CAEA	132	180	11/08	>	03/12					34.168.00
2.0 TFSI	CAEB	132	180	11/08	>	06/14		23.493.00		30.365.00	53.153.00
with activated carbons / ai carboni attivi	CAEB	132	180	11/08	>	06/14					54.168.00
antibacterial, anti-odour and anti-allergen filter / filtro antibatterico, antiodori e anti-allergeni	CAEB	132	180	11/08	>	06/14					34.168.00
2.0 TFSI	CDNB	132	180	11/08	>	03/12		23.493.00		30.365.00	53.153.00
with activated carbons / ai carboni attivi	CDNB	132	180	11/08	>	03/12					54.168.00
antibacterial, anti-odour and anti-allergen filter / filtro antibatterico, antiodori e anti-allergeni	CDNB	132	180	11/08	>	03/12					34.168.00
2.0 TFSI	CDNC	155	211	11/08	>			23.493.00		30.365.00	53.153.00
with activated carbons / ai carboni attivi	CDNC	155	211	11/08	>						54.168.00
antibacterial, anti-odour and anti-allergen filter / filtro antibatterico, antiodori e anti-allergeni	CDNC	155	211	11/08	>						34.168.00
2.7 TDI V6 DPF	CGKA	140	190	11/08	>	03/12		25.105.00	31.920.00	27.693.00	53.153.00
with activated carbons / ai carboni attivi	CGKA	140	190	11/08	>	03/12					54.168.00
antibacterial, anti-odour and anti-allergen filter / filtro antibatterico, antiodori e anti-allergeni	CGKA	140	190	11/08	>	03/12					34.168.00
3.0 TDI V6 Quattro DPF	CCWA	176	240	11/08	>	03/12		25.105.00	31.920.00	27.693.00	53.153.00
with activated carbons / ai carboni attivi	CCWA	176	240	11/08	>	03/12					54.168.00
antibacterial, anti-odour and anti-allergen filter / filtro antibatterico, antiodori e anti-allergeni	CCWA	176	240	11/08	>	03/12					34.168.00
3.0 TFSI Quattro	CMUA	200	272	11/11	>	01/17		25.080.00		27.692.00	53.153.00
3.0 TFSI Quattro	CRED	200	272	11/11	>	01/17		25.247.00		27.692.00	53.153.00
3.2 FSI V6	CALA	195	265	11/08	>	03/12		25.080.00		27.692.00	53.153.00
with activated carbons / ai carboni attivi	CALA	195	265	11/08	>	03/12					54.168.00
antibacterial, anti-odour and anti-allergen filter / filtro antibatterico, antiodori e anti-allergeni	CALA	195	265	11/08	>	03/12					34.168.00
A6											
1.8 i 20V											
from frame No. 4B-X-045001 / da telaio N. 4B-X-045001	AFY	85	116	11/98	>	05/01		23.436.00	31.500.00	30.192.00	54.101.00
antibacterial, anti-odour and anti-allergen filter from frame No. 4B-X-045001 / filtro antibatterico, antiodori e anti-allergeni da telaio N. 4B-X-045001	AFY	85	116	11/98	>	05/01					34.101.00
1.8 i 20V											
from frame No. 4B-X-045001 / da telaio N. 4B-X-045001	AQE/ARH	92	125	11/98	>	06/01		23.436.00	31.500.00	30.192.00	54.101.00
antibacterial, anti-odour and anti-allergen filter from frame No. 4B-X-045001 / filtro antibatterico, antiodori e anti-allergeni da telaio N. 4B-X-045001	AQE/ARH	92	125	11/98	>	06/01					34.101.00
1.8 i 20V (GR)											
from frame No. 4B-X-045001 / da telaio N. 4B-X-045001	AJP	92	125	11/98	>	06/01		23.436.00	31.500.00	30.192.00	54.101.00
antibacterial, anti-odour and anti-allergen filter from frame No. 4B-X-045001 / filtro antibatterico, antiodori e anti-allergeni da telaio N. 4B-X-045001	AJP	92	125	11/98	>	06/01					34.101.00
1.8 i 20V Turbo											
from frame No. 4B-X-045001 / da telaio N. 4B-X-045001	AEB/ANB/APU/ARK	110	150	11/98	>	05/01		23.436.00	31.500.00	30.192.00	54.101.00
antibacterial, anti-odour and anti-allergen filter from frame No. 4B-X-045001 / filtro antibatterico, antiodori e anti-allergeni da telaio N. 4B-X-045001	AEB/ANB/APU/ARK	110	150	11/98	>	05/01					34.101.00
1.8 i 20V Turbo											
from frame No. 4B-X-045001 / da telaio N. 4B-X-045001	AJL	132	180	11/98	>	05/01		23.436.00	31.500.00	30.192.00	54.101.00
antibacterial, anti-odour and anti-allergen filter from frame No. 4B-X-045001 / filtro antibatterico, antiodori e anti-allergeni da telaio N. 4B-X-045001	AJL	132	180	11/98	>	05/01					34.101.00

...AUDI - cars/auto

A



1.8 i 20V Turbo	AWT	110	150	05/00	>	01/05		31.500.00	30.192.00	54.101.00
antibacterial, anti-odour and anti-allergen filter / filtro antibatterico, antiodori e anti-allergeni	AWT	110	150	05/00	>	01/05				34.101.00
1.8 i 20V Turbo Quattro										
from frame No. 4B-X-045001 / da telaio N. 4B-X-045001	AEB/ANB/APU/ARK	110	150	11/98	>	05/01	23.436.00	31.748.00	30.192.00	54.101.00
antibacterial, anti-odour and anti-allergen filter from frame No. 4B-X-045001 / filtro antibatterico, antiodori e anti-allergeni da telaio N. 4B-X-045001	AEB/ANB/APU/ARK	110	150	11/98	>	05/01				34.101.00
1.8 i 20V Turbo Quattro										
from frame No. 4B-X-045001 / da telaio N. 4B-X-045001	AJL	132	180	11/98	>	05/01	23.436.00	31.748.00	30.192.00	54.101.00
antibacterial, anti-odour and anti-allergen filter from frame No. 4B-X-045001 / filtro antibatterico, antiodori e anti-allergeni da telaio N. 4B-X-045001	AJL	132	180	11/98	>	05/01				34.101.00
1.8 i 20V Turbo Quattro										
antibacterial, anti-odour and anti-allergen filter / filtro antibatterico, antiodori e anti-allergeni	AWT	110	150	05/00	>	01/05		31.748.00	30.192.00	54.101.00
	AWT	110	150	05/00	>	01/05				34.101.00
1.9 TDI										
from frame No. 4B-X-045001 / da telaio N. 4B-X-045001	AFN	81	110	11/98	>	05/01	23.164.00	24.379.00	30.192.00	54.101.00
antibacterial, anti-odour and anti-allergen filter from frame No. 4B-X-045001 / filtro antibatterico, antiodori e anti-allergeni da telaio N. 4B-X-045001	AFN	81	110	11/98	>	05/01				34.101.00
1.9 TDI										
antibacterial, anti-odour and anti-allergen filter / filtro antibatterico, antiodori e anti-allergeni	AJM	85	115	05/99	>	06/02	25.011.00	24.414.00	30.192.00	54.101.00
	AJM	85	115	05/99	>	06/02				34.101.00
1.9 TDI										
with complete filter / con filtro completo	AVF/AWX	96	130	05/01	>	01/05	25.011.00	24.391.00	30.192.00	54.101.00
antibacterial, anti-odour and anti-allergen filter / filtro antibatterico, antiodori e anti-allergeni	AVF/AWX	96	130	05/01	>	01/05		55.427.00		34.101.00
1.9 TDI										
with complete filter / con filtro completo	AVG	81	110	08/99	>	05/01	23.164.00	24.391.00	30.192.00	54.101.00
antibacterial, anti-odour and anti-allergen filter / filtro antibatterico, antiodori e anti-allergeni	AVG	81	110	08/99	>	05/01		55.427.00		34.101.00
1.9 TDI Automatic										
antibacterial, anti-odour and anti-allergen filter / filtro antibatterico, antiodori e anti-allergeni	AJM	85	115	05/99	>	05/04	25.011.00	24.414.00	30.192.00	54.101.00
	AJM	85	115	05/99	>	05/04				34.101.00
2.0 i 20V										
antibacterial, anti-odour and anti-allergen filter / filtro antibatterico, antiodori e anti-allergeni	ALT	96	130	06/01	>	01/05	23.436.00	31.500.00	30.192.00	54.101.00
	ALT	96	130	06/01	>	01/05				34.101.00
2.0 i 20V Quattro										
antibacterial, anti-odour and anti-allergen filter / filtro antibatterico, antiodori e anti-allergeni	ALT	96	130	06/01	>	01/05	23.436.00	31.748.00	30.192.00	54.101.00
	ALT	96	130	06/01	>	01/05				34.101.00
2.4 i										
from frame No. 4B-X-045001 / da telaio N. 4B-X-045001	ALW/ARN/ASM	100	136	11/98	>	01/05	23.465.00	31.500.00	30.192.00	54.101.00
antibacterial, anti-odour and anti-allergen filter from frame No. 4B-X-045001 / filtro antibatterico, antiodori e anti-allergeni da telaio N. 4B-X-045001	ALW/ARN/ASM	100	136	11/98	>	01/05				34.101.00
2.4 i										
from frame No. 4B-X-045001 / da telaio N. 4B-X-045001	APC	115	156	11/98	>	05/01	23.465.00	31.500.00	30.192.00	54.101.00
antibacterial, anti-odour and anti-allergen filter from frame No. 4B-X-045001 / filtro antibatterico, antiodori e anti-allergeni da telaio N. 4B-X-045001	APC	115	156	11/98	>	05/01				34.101.00
2.4 i 30V										
from frame No. 4B-X-045001 / da telaio N. 4B-X-045001	AGA/ALF/AML/APS/ARJ	121	165	11/98	>	05/01	23.465.00	31.500.00	30.192.00	54.101.00
antibacterial, anti-odour and anti-allergen filter from frame No. 4B-X-045001 / filtro antibatterico, antiodori e anti-allergeni da telaio N. 4B-X-045001	AGA/ALF/AML/APS/ARJ	121	165	11/98	>	05/01				34.101.00
2.4 i 30V Quattro										
from frame No. 4B-X-045001 / da telaio N. 4B-X-045001	AGA/ALF/AML/APS/ARJ	121	165	11/98	>	05/01	23.465.00	31.748.00	30.192.00	54.101.00
antibacterial, anti-odour and anti-allergen filter from frame No. 4B-X-045001 / filtro antibatterico, antiodori e anti-allergeni da telaio N. 4B-X-045001	AGA/ALF/AML/APS/ARJ	121	165	11/98	>	05/01				34.101.00
2.4 V6										
antibacterial, anti-odour and anti-allergen filter / filtro antibatterico, antiodori e anti-allergeni	BDV	125	170	05/01	>	01/05	23.465.00	31.500.00	30.192.00	54.101.00
	BDV	125	170	05/01	>	01/05				34.101.00
2.4 V6 Quattro										
antibacterial, anti-odour and anti-allergen filter / filtro antibatterico, antiodori e anti-allergeni	BDV	125	170	05/01	>	01/05	23.465.00	31.748.00	30.192.00	54.101.00
	BDV	125	170	05/01	>	01/05				34.101.00
2.5 TDI V6										
antibacterial, anti-odour and anti-allergen filter / filtro antibatterico, antiodori e anti-allergeni	AYM	114	155	05/01	>	05/04	25.019.00	24.424.00	30.109.00	54.101.00
	AYM	114	155	05/01	>	05/04				34.101.00
2.5 TDI V6										
antibacterial, anti-odour and anti-allergen filter / filtro antibatterico, antiodori e anti-allergeni	BCZ/BDG/BFC	120	163	07/02	>	08/05	25.019.00	24.424.00	30.109.00	54.101.00
	BCZ/BDG/BFC	120	163	07/02	>	08/05				34.101.00
2.5 TDI V6 cat										
from frame No. 4B-X-045001 / da telaio N. 4B-X-045001	AFB	110	150	11/98	>	05/01	25.019.00	24.424.00	30.109.00	54.101.00
antibacterial, anti-odour and anti-allergen filter from frame No. 4B-X-045001 / filtro antibatterico, antiodori e anti-allergeni da telaio N. 4B-X-045001	AFB	110	150	11/98	>	05/01				34.101.00
2.5 TDI V6 cat										
antibacterial, anti-odour and anti-allergen filter / filtro antibatterico, antiodori e anti-allergeni	AKN	110	150	11/98	>	05/01	25.019.00	24.424.00	30.109.00	54.101.00
	AKN	110	150	11/98	>	05/01				34.101.00
2.5 TDI V6 cat Quattro										
from frame No. 4B-X-045001 / da telaio N. 4B-X-045001	AFB	110	150	11/98	>	05/01	25.019.00	24.424.00	30.109.00	54.101.00
antibacterial, anti-odour and anti-allergen filter from frame No. 4B-X-045001 / filtro antibatterico, antiodori e anti-allergeni da telaio N. 4B-X-045001	AFB	110	150	11/98	>	05/01				34.101.00
2.5 TDI V6 cat Quattro										
antibacterial, anti-odour and anti-allergen filter / filtro antibatterico, antiodori e anti-allergeni	AKN	110	150	10/98	>	05/01	25.019.00	24.424.00	30.109.00	54.101.00
	AKN	110	150	10/98	>	05/01				34.101.00
2.5 TDI V6 Quattro										
antibacterial, anti-odour and anti-allergen filter / filtro antibatterico, antiodori e anti-allergeni	AKE/BAU/BDH	132	180	07/99	>	08/05	25.019.00	24.424.00	30.109.00	54.101.00
	AKE/BAU/BDH	132	180	07/99	>	08/05				34.101.00
2.5 TDI V6 Quattro										
antibacterial, anti-odour and anti-allergen filter / filtro antibatterico, antiodori e anti-allergeni	AYM	114	155	05/01	>	05/04	25.019.00	24.424.00	30.109.00	54.101.00
	AYM	114	155	05/01	>	05/04				34.101.00
2.7 V6 Turbo										
antibacterial, anti-odour and anti-allergen filter / filtro antibatterico, antiodori e anti-allergeni	AJK	169	230	02/99	>	06/01	23.465.00	31.500.00	30.192.00	54.101.00
	AJK	169	230	02/99	>	06/01				34.101.00
2.7 V6 Turbo Quattro										
antibacterial, anti-odour and anti-allergen filter / filtro antibatterico, antiodori e anti-allergeni	AJK	169	230	02/99	>	06/01	23.465.00	31.748.00	30.192.00	54.101.00
	AJK	169	230	02/99	>	06/01				34.101.00
2.7 V6 Turbo Quattro										
antibacterial, anti-odour and anti-allergen filter / filtro antibatterico, antiodori e anti-allergeni	ARE	184	250	05/00	>	05/04	23.465.00	31.748.00	30.192.00	54.101.00
	ARE	184	250	05/00	>	05/04				34.101.00

...AUDI - cars/auto

2.8 i V6										
from frame No. 4B-X-045001 / da telaio N. 4B-X-045001	AGE	132	180	11/98	>	05/01	23.465.00	31.500.00	30.192.00	54.101.00
antibacterial, anti-odour and anti-allergen filter from frame No. 4B-X-045001 / filtro antibatterico, antiodori e anti-allergeni da telaio N. 4B-X-045001	AGE	132	180	11/98	>	05/01				34.101.00
2.8 i V6	ATX	140	190	07/99	>	06/01	23.465.00	31.500.00	30.192.00	54.101.00
antibacterial, anti-odour and anti-allergen filter / filtro antibatterico, antiodori e anti-allergeni	ATX	140	190	07/99	>	06/01				34.101.00
3.0 i V6	ASN	162	220	05/01	>	05/04	23.465.00	31.500.00	30.192.00	54.101.00
antibacterial, anti-odour and anti-allergen filter / filtro antibatterico, antiodori e anti-allergeni	ASN	162	220	05/01	>	05/04				34.101.00
3.0 i V6	BBJ	160	218	05/01	>	05/05	23.465.00	31.500.00	30.192.00	53.032.00
with activated carbons / ai carboni attivi	BBJ	160	218	05/01	>	05/05				54.101.00
antibacterial, anti-odour and anti-allergen filter / filtro antibatterico, antiodori e anti-allergeni	BBJ	160	218	05/01	>	05/05				34.101.00
3.0 i V6 Quattro	ASN	162	220	05/01	>	05/04	23.465.00	31.748.00	30.192.00	54.101.00
antibacterial, anti-odour and anti-allergen filter / filtro antibatterico, antiodori e anti-allergeni	ASN	162	220	05/01	>	05/04				34.101.00
3.0 i V6 Quattro	BBJ	160	218	05/01	>	05/05	23.465.00	31.748.00	30.192.00	53.032.00
with activated carbons / ai carboni attivi	BBJ	160	218	05/01	>	05/05				54.101.00
antibacterial, anti-odour and anti-allergen filter / filtro antibatterico, antiodori e anti-allergeni	BBJ	160	218	05/01	>	05/05				34.101.00
3.7	AQG	191	260	06/99	>	05/05	23.464.00	31.748.00	30.192.00	53.032.00
with activated carbons / ai carboni attivi	AQG	191	260	06/99	>	05/05				54.101.00
antibacterial, anti-odour and anti-allergen filter from frame No. 4B-X-045001 / filtro antibatterico, antiodori e anti-allergeni da telaio N. 4B-X-045001	AQG	191	260	06/99	>	05/05				34.101.00
3.7 Quattro	AQG	191	260	06/99	>	05/05	23.464.00	31.748.00	30.192.00	53.032.00
with activated carbons / ai carboni attivi	AQG	191	260	06/99	>	05/05				54.101.00
antibacterial, anti-odour and anti-allergen filter from frame No. 4B-X-045001 / filtro antibatterico, antiodori e anti-allergeni da telaio N. 4B-X-045001	AQG	191	260	06/99	>	05/05				34.101.00
4.2 V8 Quattro Tiptronic	ARS/ASG/AWN	220	300	11/98	>	05/04	23.464.00	31.748.00	30.192.00	54.101.00
antibacterial, anti-odour and anti-allergen filter / filtro antibatterico, antiodori e anti-allergeni	ARS/ASG/AWN	220	300	11/98	>	05/04				34.101.00
A6 (4A_/C8)										
35 TDI Mild Hybrid 2.0	DEZD	120	163	03/19	>		25.253.00	31.920.00		53.324.00
with activated carbons / ai carboni attivi	DEZD	120	163	03/19	>					54.292.00
antibacterial, anti-odour and anti-allergen filter / filtro antibatterico, antiodori e anti-allergeni	DEZD	120	163	03/19	>					34.292.00
40 TDI Mild Hybrid 2.0	DFBA, DTPA	150	204	05/18	>		25.253.00	31.920.00		53.324.00
with activated carbons / ai carboni attivi	DFBA, DTPA	150	204	05/18	>					54.292.00
antibacterial, anti-odour and anti-allergen filter / filtro antibatterico, antiodori e anti-allergeni	DFBA, DTPA	150	204	05/18	>					34.292.00
40 TDI Mild Hybrid quattro 2.0	DFBA	150	204	07/18	>		25.253.00	31.920.00		53.324.00
with activated carbons / ai carboni attivi	DFBA	150	204	07/18	>					54.292.00
antibacterial, anti-odour and anti-allergen filter / filtro antibatterico, antiodori e anti-allergeni	DFBA	150	204	07/18	>					34.292.00
45 TDI 3.0 quattro	DDVE	170	231	04/18	>		25.180.00			53.324.00
with activated carbons / ai carboni attivi	DDVE	170	231	04/18	>					54.292.00
antibacterial, anti-odour and anti-allergen filter / filtro antibatterico, antiodori e anti-allergeni	DDVE	170	231	04/18	>					34.292.00
45 TFSI 2.0	DKNA, DLHA	180	245	08/18	>					53.324.00
with activated carbons / ai carboni attivi	DKNA, DLHA	180	245	08/18	>					54.292.00
antibacterial, anti-odour and anti-allergen filter / filtro antibatterico, antiodori e anti-allergeni	DKNA, DLHA	180	245	08/18	>					34.292.00
45 TFSI 2.0 quattro	DKNA, DLHA	180	245	08/18	>					53.324.00
with activated carbons / ai carboni attivi	DKNA, DLHA	180	245	08/18	>					54.292.00
antibacterial, anti-odour and anti-allergen filter / filtro antibatterico, antiodori e anti-allergeni	DKNA, DLHA	180	245	08/18	>					34.292.00
45 TFSi Mild Hybrid	DMTA	195	265	05/20	>		25.153.00			53.324.00
with activated carbons / ai carboni attivi	DMTA	195	265	05/20	>					54.292.00
antibacterial, anti-odour and anti-allergen filter / filtro antibatterico, antiodori e anti-allergeni	DMTA	195	265	05/20	>					34.292.00
50 TDI 3.0 quattro	DDVB	210	286	02/18	>		25.180.00			53.324.00
with activated carbons / ai carboni attivi	DDVB	210	286	02/18	>					54.292.00
antibacterial, anti-odour and anti-allergen filter / filtro antibatterico, antiodori e anti-allergeni	DDVB	210	286	02/18	>					34.292.00
55 TFSI 3.0 quattro	DLZA	250	340	02/18	>			∞		53.324.00
with activated carbons / ai carboni attivi	DLZA	250	340	02/18	>					54.292.00
antibacterial, anti-odour and anti-allergen filter / filtro antibatterico, antiodori e anti-allergeni	DLZA	250	340	02/18	>					34.292.00
A6 (4G2/4G5)										
2.0 TDI	CGLC	130	177	03/11	>	04/14	25.106.00	31.946.00	27.A54.00	54.222.00
	CGLC	130	177	05/14	>		25.106.00		27.A54.00	54.222.00
antibacterial, anti-odour and anti-allergen filter / filtro antibatterico, antiodori e anti-allergeni	CGLC	130	177	03/11	>					34.222.00
2.0 TDI	CGLE	100	136	01/12	>	04/14	25.106.00	31.946.00	27.A54.00	54.222.00
	CGLE	100	136	05/14	>		25.106.00	31.985.00	27.A54.00	54.222.00
antibacterial, anti-odour and anti-allergen filter / filtro antibatterico, antiodori e anti-allergeni	CGLE	100	136	01/12	>					34.222.00
2.0 TDI	CMGB	130	177	03/11	>	04/14	25.106.00	31.946.00	27.A54.00	54.222.00
	CMGB	130	177	05/14	>		25.106.00	31.985.00	27.A54.00	54.222.00
antibacterial, anti-odour and anti-allergen filter / filtro antibatterico, antiodori e anti-allergeni	CMGB	130	177	03/11	>					34.222.00
2.0 TDI	CNHA	140	190	11/13	>	04/14	25.144.00	31.946.00	27.A54.00	54.222.00
	CNHA	140	190	05/14	>		25.144.00	31.985.00	27.A54.00	54.222.00
antibacterial, anti-odour and anti-allergen filter / filtro antibatterico, antiodori e anti-allergeni	CNHA	140	190	11/13	>					34.222.00
2.0 TDI (B)	CGLD	120	163	03/11	>	04/14	25.106.00	31.946.00	27.A54.00	54.222.00
	CGLD	120	163	05/14	>		25.106.00	31.985.00	27.A54.00	54.222.00
antibacterial, anti-odour and anti-allergen filter / filtro antibatterico, antiodori e anti-allergeni	CGLD	120	163	03/11	>					34.222.00

...AUDI - cars/auto

A

2.0 TFSI	CAEB	155	211	03/11	>	23.493.00			54.222.00
antibacterial, anti-odour and anti-allergen filter / filtro antibatterico, antiodori e anti-allergeni	CAEB	155	211	03/11	>				34.222.00
2.0 TFSI	CAED	162	220	05/13	>	23.493.00		27.A54.00	54.222.00
antibacterial, anti-odour and anti-allergen filter / filtro antibatterico, antiodori e anti-allergeni	CAED	162	220	05/13	>				34.222.00
2.0 TFSI	CDNB	132	180	03/11	>	23.493.00		27.A54.00	54.222.00
antibacterial, anti-odour and anti-allergen filter / filtro antibatterico, antiodori e anti-allergeni	CDNB	132	180	03/11	>				34.222.00
2.0 TFSI	CHJA	155	211	03/11	>	23.493.00			54.222.00
antibacterial, anti-odour and anti-allergen filter / filtro antibatterico, antiodori e anti-allergeni	CHJA	155	211	03/11	>				34.222.00
2.0 TFSI Hybrid	CHJA	180	245	01/12	>	23.493.00		27.A54.00	54.222.00
antibacterial, anti-odour and anti-allergen filter / filtro antibatterico, antiodori e anti-allergeni	CHJA	180	245	01/12	>				34.222.00
2.8 FSI	CHVA	150	204	03/11	>	25.080.00		27.A48.00	54.222.00
antibacterial, anti-odour and anti-allergen filter / filtro antibatterico, antiodori e anti-allergeni	CHVA	150	204	03/11	>				34.222.00
3.0 TDI	CDUC/CDUD	180	245	03/11	> 04/14	25.141.00	31.946.00	27.A48.00	54.222.00
	CDUC/CDUD	180	245	05/14	>	25.141.00	31.985.00	27.A48.00	54.222.00
antibacterial, anti-odour and anti-allergen filter / filtro antibatterico, antiodori e anti-allergeni	CDUC/CDUD	180	245	03/11	>				34.222.00
3.0 TDI	CGQB	230	313	10/11	> 04/14	25.141.00	31.946.00	27.A48.00	54.222.00
	CGQB	230	313	05/14	>	25.141.00	31.985.00	27.A48.00	54.222.00
antibacterial, anti-odour and anti-allergen filter / filtro antibatterico, antiodori e anti-allergeni	CGQB	230	313	03/11	>				34.222.00
3.0 TDI	CKVB/CKVC	180	245	11/11	> 04/14	25.141.00	31.946.00	27.A48.00	54.222.00
	CKVB/CKVC	180	245	05/14	>	25.141.00	31.985.00	27.A48.00	54.222.00
antibacterial, anti-odour and anti-allergen filter / filtro antibatterico, antiodori e anti-allergeni	CKVB/CKVC	180	245	11/11	>				34.222.00
3.0 TDI	CLAA	150	204	03/11	> 04/14	25.141.00	31.946.00	27.A48.00	54.222.00
	CLAA	150	204	05/14	>	25.141.00	31.985.00	27.A48.00	54.222.00
antibacterial, anti-odour and anti-allergen filter / filtro antibatterico, antiodori e anti-allergeni	CLAA	150	204	03/11	>				34.222.00
3.0 TDI	CLAB	150	204	03/11	> 04/14	25.141.00	31.946.00	27.A48.00	54.222.00
	CLAB	150	204	05/14	>	25.141.00	31.985.00	27.A48.00	54.222.00
antibacterial, anti-odour and anti-allergen filter / filtro antibatterico, antiodori e anti-allergeni	CLAB	150	204	03/11	>				34.222.00
3.0 TDI	CPNB	176	239	03/13	> 04/14	25.141.00	31.946.00	27.A48.00	54.222.00
	CPNB	176	239	05/14	>	25.141.00	31.985.00	27.A48.00	54.222.00
antibacterial, anti-odour and anti-allergen filter / filtro antibatterico, antiodori e anti-allergeni	CPNB	176	239	03/13	>				34.222.00
3.0 TFSI	CGWB	220	300	03/11	>	25.080.00		27.A48.00	54.222.00
antibacterial, anti-odour and anti-allergen filter / filtro antibatterico, antiodori e anti-allergeni	CGWB	220	300	03/11	>				34.222.00
3.0 TFSI	CGWD	228	310	11/11	>	25.080.00		27.A48.00	54.222.00
antibacterial, anti-odour and anti-allergen filter / filtro antibatterico, antiodori e anti-allergeni	CGWD	228	310	11/11	>				34.222.00
3.0 TFSI	CGXB/CTUA	228	310	03/11	>	25.080.00		27.A48.00	54.222.00
antibacterial, anti-odour and anti-allergen filter / filtro antibatterico, antiodori e anti-allergeni	CGXB/CTUA	228	310	03/11	>				34.222.00
3.0 TFSI	CREC	245	333	09/14	>			27.A48.00	54.222.00
antibacterial, anti-odour and anti-allergen filter / filtro antibatterico, antiodori e anti-allergeni	CREC	245	333	09/14	>				34.222.00
A6 (4GC/4GD)									
1.8 TFSI	CYGA	140	190	09/14	>	25.153.00		27.A54.00	54.222.00
antibacterial, anti-odour and anti-allergen filter / filtro antibatterico, antiodori e anti-allergeni	CYGA	140	190	09/14	>				34.222.00
2.0 TDI	CSUD	110	150	09/14	>	25.144.00	31.985.00	27.A54.00	54.222.00
antibacterial, anti-odour and anti-allergen filter / filtro antibatterico, antiodori e anti-allergeni	CSUD	110	150	09/14	>				34.222.00
2.0 TDI	CSUE	100	136	09/14	>	25.144.00	31.985.00	27.A54.00	54.222.00
antibacterial, anti-odour and anti-allergen filter / filtro antibatterico, antiodori e anti-allergeni	CSUE	100	136	09/14	>				34.222.00
2.0 TDI	CZJA	140	190	09/14	>	25.144.00	26.130.00	27.A54.00	54.222.00
antibacterial, anti-odour and anti-allergen filter / filtro antibatterico, antiodori e anti-allergeni	CZJA	140	190	09/14	>				34.222.00
2.0 TFSI	CYNB	185	252	09/14	>	25.153.00		27.A54.00	54.222.00
antibacterial, anti-odour and anti-allergen filter / filtro antibatterico, antiodori e anti-allergeni	CYNB	185	252	09/14	>				34.222.00
2.0 TFSI	CYPA	185	252	09/14	>	25.153.00		27.A54.00	54.222.00
antibacterial, anti-odour and anti-allergen filter / filtro antibatterico, antiodori e anti-allergeni	CYPA	185	252	09/14	>				34.222.00
2.0 TFSI	CYPB	183	249	05/15	>	25.153.00		27.A54.00	54.222.00
antibacterial, anti-odour and anti-allergen filter / filtro antibatterico, antiodori e anti-allergeni	CYPB	183	249	05/15	>				34.222.00
2.0 TFSI Quattro	CYNB	185	252	09/14	>	25.153.00		27.A54.00	54.222.00
antibacterial, anti-odour and anti-allergen filter / filtro antibatterico, antiodori e anti-allergeni	CYNB	185	252	09/14	>				34.222.00
2.0 TFSI Quattro	CYPA	185	252	09/14	>	25.153.00		27.A54.00	54.222.00
antibacterial, anti-odour and anti-allergen filter / filtro antibatterico, antiodori e anti-allergeni	CYPA	185	252	09/14	>				34.222.00
2.8 FSI	CVPA	162	220	09/14	>	25.080.00		27.A48.00	54.222.00
antibacterial, anti-odour and anti-allergen filter / filtro antibatterico, antiodori e anti-allergeni	CVPA	162	220	09/14	>				34.222.00
3.0 TDI	CRTD	200	272	09/14	>	25.180.00	31.985.00	27.A48.00	54.222.00
antibacterial, anti-odour and anti-allergen filter / filtro antibatterico, antiodori e anti-allergeni	CRTD	200	272	09/14	>				34.222.00
3.0 TDI	CRTE	160	218	09/14	>	25.180.00	31.985.00	27.A48.00	54.222.00
antibacterial, anti-odour and anti-allergen filter / filtro antibatterico, antiodori e anti-allergeni	CRTE	160	218	09/14	>				34.222.00
3.0 TDI	CTCB	155	211	09/14	>	25.141.00	31.985.00	27.A48.00	54.222.00
antibacterial, anti-odour and anti-allergen filter / filtro antibatterico, antiodori e anti-allergeni	CTCB	155	211	09/14	>				34.222.00
3.0 TDI	CTCC	160	218	09/14	>	25.141.00	31.985.00	27.A48.00	54.222.00
antibacterial, anti-odour and anti-allergen filter / filtro antibatterico, antiodori e anti-allergeni	CTCC	160	218	09/14	>				34.222.00

...AUDI - cars/auto

3.0 TDI	CVUA	235	320	09/14	>	25.141.00	31.985.00	27.A48.00	54.222.00
antibacterial, anti-odour and anti-allergen filter / filtro antibatterico, antiodori e anti-allergeni	CVUA	235	320	09/14	>				34.222.00
3.0 TDI	CVUB	240	326	09/14	>	25.141.00	31.985.00	27.A48.00	54.222.00
antibacterial, anti-odour and anti-allergen filter / filtro antibatterico, antiodori e anti-allergeni	CVUB	240	326	09/14	>				34.222.00
3.0 TDI (B)	CRTF	155	211	09/14	>	25.180.00	31.985.00	27.A48.00	54.222.00
antibacterial, anti-odour and anti-allergen filter / filtro antibatterico, antiodori e anti-allergeni	CRTF	155	211	09/14	>				34.222.00
3.0 TFSI	CREC	245	333	09/14	>	25.247.00		27.A48.00	54.222.00
antibacterial, anti-odour and anti-allergen filter / filtro antibatterico, antiodori e anti-allergeni	CREC	245	333	09/14	>				34.222.00
A6 Allroad quattro (4GH/4GJ)									
3.0 TDI	CDUD	180	245	01/12	> 04/14	25.141.00		27.A48.00	
antibacterial, anti-odour and anti-allergen filter / filtro antibatterico, antiodori e anti-allergeni	CDUD	180	245	05/14	>	25.141.00	31.985.00	27.A48.00	54.222.00
3.0 TDI	CGQB	230	313	01/12	> 04/14	25.141.00		27.A48.00	
antibacterial, anti-odour and anti-allergen filter / filtro antibatterico, antiodori e anti-allergeni	CGQB	230	313	05/14	>	25.141.00	31.985.00	27.A48.00	54.222.00
3.0 TDI	CKVC	180	245	01/12	> 04/14	25.141.00	31.946.00	27.A48.00	54.222.00
antibacterial, anti-odour and anti-allergen filter / filtro antibatterico, antiodori e anti-allergeni	CKVC	180	245	05/14	>	25.141.00	31.985.00	27.A48.00	54.222.00
3.0 TDI	CLAA	150	204	01/12	> 04/14	25.141.00	31.946.00	27.A48.00	54.222.00
antibacterial, anti-odour and anti-allergen filter / filtro antibatterico, antiodori e anti-allergeni	CLAA	150	204	05/14	> 04/15	25.141.00		27.A48.00	54.222.00
3.0 TDI	CLAB	150	204	01/12	>	25.141.00		27.A48.00	
antibacterial, anti-odour and anti-allergen filter / filtro antibatterico, antiodori e anti-allergeni	CLAB	150	204	01/12	>				34.222.00
3.0 TDI	CRTE	160	218	09/14	>	25.180.00	31.985.00	27.A48.00	54.222.00
antibacterial, anti-odour and anti-allergen filter / filtro antibatterico, antiodori e anti-allergeni	CRTE	160	218	09/14	>				34.222.00
3.0 TDI	CRTF	155	211	09/14	>	25.180.00	31.985.00	27.A48.00	54.222.00
antibacterial, anti-odour and anti-allergen filter / filtro antibatterico, antiodori e anti-allergeni	CRTF	155	211	09/14	>				34.222.00
3.0 TDI	CVUA	235	320	01/12	> 08/14	25.141.00	31.946.00	27.A48.00	54.222.00
antibacterial, anti-odour and anti-allergen filter / filtro antibatterico, antiodori e anti-allergeni	CVUA	235	320	09/14	>	25.141.00	31.985.00	27.A48.00	54.222.00
3.0 TFSI	CGWD	228	310	01/12	>	25.080.00		27.A48.00	
antibacterial, anti-odour and anti-allergen filter / filtro antibatterico, antiodori e anti-allergeni	CGWD	228	310	01/12	>				34.222.00
3.0 TFSI	CREC	245	333	09/14	>			27.A48.00	54.222.00
antibacterial, anti-odour and anti-allergen filter / filtro antibatterico, antiodori e anti-allergeni	CREC	245	333	09/14	>				34.222.00
A6 Avant									
1.8 i 20V									
from frame No. 4B-X-045001 / da telaio N. 4B-X-045001	AFY	85	116	11/98	> 05/01	23.436.00	31.500.00	30.192.00	54.101.00
antibacterial, anti-odour and anti-allergen filter from frame No. 4B-X-045001 / filtro antibatterico, antiodori e anti-allergeni da telaio N. 4B-X-045001	AFY	85	116	11/98	> 05/01				34.101.00
1.8 i 20V Turbo									
from frame No. 4B-X-045001 / da telaio N. 4B-X-045001	AJL	132	180	11/98	> 05/01	23.436.00	31.500.00	30.192.00	54.101.00
antibacterial, anti-odour and anti-allergen filter from frame No. 4B-X-045001 / filtro antibatterico, antiodori e anti-allergeni da telaio N. 4B-X-045001	AJL	132	180	11/98	> 05/01				34.101.00
1.8 i 20V Turbo									
antibacterial, anti-odour and anti-allergen filter / filtro antibatterico, antiodori e anti-allergeni	AWT	110	150	05/00	> 01/05		31.500.00	30.192.00	54.101.00
	AWT	110	150	05/00	> 01/05				34.101.00
1.8 i 20V Turbo Quattro									
from frame No. 4B-X-045001 / da telaio N. 4B-X-045001	AJL	132	180	11/98	> 05/01	23.436.00	31.748.00	30.192.00	54.101.00
antibacterial, anti-odour and anti-allergen filter from frame No. 4B-X-045001 / filtro antibatterico, antiodori e anti-allergeni da telaio N. 4B-X-045001	AJL	132	180	11/98	> 05/01				34.101.00
1.9 TDI									
from frame No. 4B-X-045001 / da telaio N. 4B-X-045001	AFN	81	110	11/98	> 05/01	23.164.00	24.379.00	30.192.00	54.101.00
antibacterial, anti-odour and anti-allergen filter from frame No. 4B-X-045001 / filtro antibatterico, antiodori e anti-allergeni da telaio N. 4B-X-045001	AFN	81	110	11/98	> 05/01				34.101.00
1.9 TDI									
antibacterial, anti-odour and anti-allergen filter / filtro antibatterico, antiodori e anti-allergeni	AJM	85	115	05/99	> 06/02	25.011.00	24.414.00	30.192.00	54.101.00
	AJM	85	115	05/99	> 06/02				34.101.00
1.9 TDI									
with complete filter / con filtro completo	AVF/AWX	96	130	05/01	> 01/05	25.011.00	24.391.00	30.192.00	54.101.00
antibacterial, anti-odour and anti-allergen filter / filtro antibatterico, antiodori e anti-allergeni	AVF/AWX	96	130	05/01	> 01/05		55.427.00		34.101.00
1.9 TDI									
with complete filter / con filtro completo	AVG	81	110	08/99	> 05/01	23.164.00	24.391.00	30.192.00	54.101.00
antibacterial, anti-odour and anti-allergen filter / filtro antibatterico, antiodori e anti-allergeni	AVG	81	110	08/99	> 05/01		55.427.00		34.101.00
1.9 TDI Automatic									
antibacterial, anti-odour and anti-allergen filter / filtro antibatterico, antiodori e anti-allergeni	AJM	85	115	05/99	> 06/02	25.011.00	24.414.00	30.192.00	54.101.00
	AJM	85	115	05/99	> 06/02				34.101.00
2.4 i									
from frame No. 4B-X-045001 / da telaio N. 4B-X-045001	ALW/ARN/ASM	100	136	11/98	> 01/05	23.465.00	31.500.00	30.192.00	54.101.00
antibacterial, anti-odour and anti-allergen filter from frame No. 4B-X-045001 / filtro antibatterico, antiodori e anti-allergeni da telaio N. 4B-X-045001	ALW/ARN/ASM	100	136	11/98	> 05/01				34.101.00
2.4 i									
from frame No. 4B-X-045001 / da telaio N. 4B-X-045001	APC	115	156	11/98	> 05/01	23.465.00	31.500.00	30.192.00	54.101.00
antibacterial, anti-odour and anti-allergen filter from frame No. 4B-X-045001 / filtro antibatterico, antiodori e anti-allergeni da telaio N. 4B-X-045001	APC	115	156	11/98	> 05/01				34.101.00
2.4 i 30V									
from frame No. 4B-X-045001 / da telaio N. 4B-X-045001	AGA/ALF/AML/APS/ARJ	121	165	11/98	> 05/01	23.465.00	31.500.00	30.192.00	54.101.00

...AUDI - cars/auto

A

antibacterial, anti-odour and anti-allergen filter from frame No. 4B-X-045001 / filtro antibatterico, antiodori e anti-allergeni da telaio N. 4B-X-045001	AGA/ALF/AML/APS/ARJ	121	165	11/98	>	05/01				34.101.00
2.4 i 30V Quattro										
from frame No. 4B-X-045001 / da telaio N. 4B-X-045001	AGA/ALF/AML/APS/ARJ	121	165	11/98	>	05/01	23.465.00	31.748.00	30.192.00	54.101.00
antibacterial, anti-odour and anti-allergen filter from frame No. 4B-X-045001 / filtro antibatterico, antiodori e anti-allergeni da telaio N. 4B-X-045001	AGA/ALF/AML/APS/ARJ	121	165	11/98	>	05/01				34.101.00
2.4 V6	BDV	125	170	06/01	>	01/05	23.465.00	31.500.00	30.192.00	54.101.00
antibacterial, anti-odour and anti-allergen filter / filtro antibatterico, antiodori e anti-allergeni	BDV	125	170	06/01	>	01/05				34.101.00
2.4 V6 Quattro	BDV	125	170	06/01	>	01/05	23.465.00	31.748.00	30.192.00	54.101.00
antibacterial, anti-odour and anti-allergen filter / filtro antibatterico, antiodori e anti-allergeni	BDV	125	170	06/01	>	01/05				34.101.00
2.5 TDI V6	AYM	114	155	06/01	>	06/02	25.019.00	24.424.00	30.109.00	54.101.00
antibacterial, anti-odour and anti-allergen filter / filtro antibatterico, antiodori e anti-allergeni	AYM	114	155	06/01	>	06/02				34.101.00
2.5 TDI V6	BCZ/BDG/BFC	120	163	07/02	>	08/05	25.019.00	24.424.00	30.109.00	54.101.00
antibacterial, anti-odour and anti-allergen filter / filtro antibatterico, antiodori e anti-allergeni	BCZ/BDG/BFC	120	163	07/02	>	08/05				34.101.00
2.5 TDI V6 cat										
from frame No. 4B-X-045001 / da telaio N. 4B-X-045001	AFB	110	150	11/98	>	05/01	25.019.00	24.424.00	30.109.00	54.101.00
antibacterial, anti-odour and anti-allergen filter from frame No. 4B-X-045001 / filtro antibatterico, antiodori e anti-allergeni da telaio N. 4B-X-045001	AFB	110	150	11/98	>	05/01				34.101.00
2.5 TDI V6 cat	AKN	110	150	10/98	>	05/01	25.019.00	24.424.00	30.109.00	54.101.00
antibacterial, anti-odour and anti-allergen filter / filtro antibatterico, antiodori e anti-allergeni	AKN	110	150	10/98	>	05/01				34.101.00
2.5 TDI V6 cat Quattro										
from frame No. 4B-X-045001 / da telaio N. 4B-X-045001	AFB	110	150	11/98	>	05/01	25.019.00	24.424.00	30.109.00	54.101.00
antibacterial, anti-odour and anti-allergen filter from frame No. 4B-X-045001 / filtro antibatterico, antiodori e anti-allergeni da telaio N. 4B-X-045001	AFB	110	150	11/98	>	05/01				34.101.00
2.5 TDI V6 cat Quattro	AKN	110	150	10/98	>	05/01	25.019.00	24.424.00	30.109.00	54.101.00
antibacterial, anti-odour and anti-allergen filter / filtro antibatterico, antiodori e anti-allergeni	AKN	110	150	10/98	>	05/01				34.101.00
2.5 TDI V6 Quattro	AKE/BAU/BDH	132	180	07/99	>	08/05	25.019.00	24.424.00	30.109.00	54.101.00
antibacterial, anti-odour and anti-allergen filter / filtro antibatterico, antiodori e anti-allergeni	AKE/BAU/BDH	132	180	07/99	>	08/05				34.101.00
2.5 TDI V6 Quattro	AYM	114	155	06/01	>	06/02	25.019.00	24.424.00	30.109.00	54.101.00
antibacterial, anti-odour and anti-allergen filter / filtro antibatterico, antiodori e anti-allergeni	AYM	114	155	06/01	>	06/02				34.101.00
2.7 V6 Turbo	AJK	169	230	02/99	>	06/01	23.465.00	31.500.00	30.192.00	54.101.00
antibacterial, anti-odour and anti-allergen filter / filtro antibatterico, antiodori e anti-allergeni	AJK	169	230	02/99	>	06/01				34.101.00
2.7 V6 Turbo Quattro	AJK	169	230	02/99	>	06/01	23.465.00	31.748.00	30.192.00	54.101.00
antibacterial, anti-odour and anti-allergen filter / filtro antibatterico, antiodori e anti-allergeni	AJK	169	230	02/99	>	06/01				34.101.00
2.7 V6 Turbo Quattro	ARE	184	250	05/00	>	05/04	23.465.00	31.748.00	30.192.00	54.101.00
antibacterial, anti-odour and anti-allergen filter / filtro antibatterico, antiodori e anti-allergeni	ARE	184	250	05/00	>	05/04				34.101.00
2.8 i V6										
from frame No. 4B-X-045001 / da telaio N. 4B-X-045001	AGE	132	180	11/98	>	05/01	23.465.00	31.500.00	30.192.00	54.101.00
antibacterial, anti-odour and anti-allergen filter from frame No. 4B-X-045001 / filtro antibatterico, antiodori e anti-allergeni da telaio N. 4B-X-045001	AGE	132	180	11/98	>	05/01				34.101.00
2.8 i V6	ATX	140	190	07/99	>	06/01	23.465.00	31.500.00	30.192.00	54.101.00
antibacterial, anti-odour and anti-allergen filter / filtro antibatterico, antiodori e anti-allergeni	ATX	140	190	07/99	>	06/01				34.101.00
3.0 i V6	ASN	162	220	05/01	>	01/05	23.465.00	31.500.00	30.192.00	54.101.00
antibacterial, anti-odour and anti-allergen filter / filtro antibatterico, antiodori e anti-allergeni	ASN	162	220	05/01	>	01/05				34.101.00
3.0 i V6 Quattro	ASN	162	220	05/01	>	01/05	23.465.00	31.748.00	30.192.00	54.101.00
antibacterial, anti-odour and anti-allergen filter / filtro antibatterico, antiodori e anti-allergeni	ASN	162	220	05/01	>	01/05				34.101.00
4.2 V8 Quattro Tiptronic	ARS/ASG/AWN	220	300	11/98	>	01/05	23.464.00	31.748.00	30.192.00	54.101.00
antibacterial, anti-odour and anti-allergen filter / filtro antibatterico, antiodori e anti-allergeni	ARS/ASG/AWN	220	300	11/98	>	01/05				34.101.00
A6 II (4F)										
2.0 TDI 16V										
with automatic air-conditioner / con climatizzatore automatico	BLB	103	140	05/04	>	11/05	25.023.00	24.451.00	27.603.00	54.153.00
with manual air-conditioner / con climatizzatore manuale	BLB	103	140	05/04	>	11/05				53.226.00
antibacterial, anti-odour and anti-allergen filter with automatic air-conditioner / filtro antibatterico, antiodori e anti-allergeni con climatizzatore automatico	BLB	103	140	05/04	>	11/05				34.153.00
2.0 TDI 16V										
with automatic air-conditioner / con climatizzatore automatico	BNA	103	140	05/04	>	11/05	25.023.00	24.451.00	27.603.00	54.153.00
with manual air-conditioner / con climatizzatore manuale	BNA	103	140	05/04	>	11/05				53.226.00
antibacterial, anti-odour and anti-allergen filter with automatic air-conditioner / filtro antibatterico, antiodori e anti-allergeni con climatizzatore automatico	BNA	103	140	05/04	>	11/05				34.153.00
2.0 TDI 16V										
with automatic air-conditioner / con climatizzatore automatico	BRE	103	140	05/04	>	10/08	25.023.00	24.451.00	27.603.00	54.153.00
with manual air-conditioner / con climatizzatore manuale	BRE	103	140	05/04	>	11/08				53.226.00
antibacterial, anti-odour and anti-allergen filter with automatic air-conditioner / filtro antibatterico, antiodori e anti-allergeni con climatizzatore automatico	BRE	103	140	05/04	>	11/08				34.153.00
2.0 TDI 16V										
with automatic air-conditioner / con climatizzatore automatico	BRF	103	140	05/04	>	10/08	25.023.00	24.451.00	27.603.00	54.153.00
with manual air-conditioner / con climatizzatore manuale	BRF	103	140	05/04	>	11/08				53.226.00
antibacterial, anti-odour and anti-allergen filter with automatic air-conditioner / filtro antibatterico, antiodori e anti-allergeni con climatizzatore automatico	BRF	103	140	05/04	>	11/08				34.153.00
2.0 TDI FAP										
with automatic air-conditioner / con climatizzatore automatico	CAHA	125	170	10/08	>	09/11	25.023.00	31.921.00	27.603.00	54.153.00
with manual air-conditioner / con climatizzatore manuale	CAHA	125	170	10/08	>	09/11				53.226.00
antibacterial, anti-odour and anti-allergen filter with automatic air-conditioner / filtro antibatterico, antiodori e anti-allergeni con climatizzatore automatico	CAHA	125	170	10/08	>	09/11				34.153.00
2.0 TDI FAP										
with automatic air-conditioner / con climatizzatore automatico	CAHB	120	163	04/09	>	09/11	25.023.00	31.921.00	27.603.00	54.153.00
with manual air-conditioner / con climatizzatore manuale	CAHB	120	163	04/09	>	09/11				53.226.00

...AUDI - cars/auto

A



with manual air-conditioner / con climatizzatore manuale	BKH	188	256	06/06 >	09/11				53.226.00
antibacterial, anti-odour and anti-allergen filter with automatic air-conditioner / filtro antibatterico, antiodori e anti-allergeni con climatizzatore automatico	BKH	188	256	06/06 >	09/11				34.153.00
3.2 FSI Quattro									
with automatic air-conditioner / con climatizzatore automatico	BYU	183	249	09/06 >	10/08	25.080.00	31.831.00	27.597.00	54.153.00
with manual air-conditioner / con climatizzatore manuale	BYU	183	249	09/06 >	10/08				53.226.00
antibacterial, anti-odour and anti-allergen filter with automatic air-conditioner / filtro antibatterico, antiodori e anti-allergeni con climatizzatore automatico	BYU	183	249	09/06 >	10/08				34.153.00
4.2 V8 FSI Quattro									
with automatic air-conditioner / con climatizzatore automatico	BVJ	257	350	05/06 >	09/11		31.831.00	27.597.00	54.153.00
with manual air-conditioner / con climatizzatore manuale	BVJ	257	350	05/06 >	09/11				53.226.00
antibacterial, anti-odour and anti-allergen filter with automatic air-conditioner / filtro antibatterico, antiodori e anti-allergeni con climatizzatore automatico	BVJ	257	350	05/06 >	09/11				34.153.00
4.2 V8 Quattro									
with automatic air-conditioner / con climatizzatore automatico	BAT	246	334	04/04 >	05/06		31.830.00	27.597.00	54.153.00
with manual air-conditioner / con climatizzatore manuale	BAT	246	334	04/04 >	05/06				53.226.00
antibacterial, anti-odour and anti-allergen filter with automatic air-conditioner / filtro antibatterico, antiodori e anti-allergeni con climatizzatore automatico	BAT	246	334	04/04 >	05/06				34.153.00
A7 (4GA/4GF)									
1.8 TFSI	CYGA	140	190	04/15 >		25.153.00		27.A54.00	54.222.00
antibacterial, anti-odour and anti-allergen filter / filtro antibatterico, antiodori e anti-allergeni	CYGA	140	190	04/15 >					34.222.00
2.0 TFSI	CYNB	185	252	05/15 >		25.153.00		27.A54.00	54.222.00
antibacterial, anti-odour and anti-allergen filter / filtro antibatterico, antiodori e anti-allergeni	CYNB	185	252	05/15 >					34.222.00
2.0 TFSI	CYPA	185	252	09/14 >		25.153.00		27.A54.00	54.222.00
antibacterial, anti-odour and anti-allergen filter / filtro antibatterico, antiodori e anti-allergeni	CYPA	185	252	09/14 >					34.222.00
2.0 TFSI	CYPB	183	249	05/15 >		25.153.00		27.A54.00	54.222.00
antibacterial, anti-odour and anti-allergen filter / filtro antibatterico, antiodori e anti-allergeni	CYPB	183	249	05/15 >					34.222.00
2.8 FSI	CHVA/CNYA	150	204	10/10 >	03/15	25.080.00		27.A48.00	54.222.00
antibacterial, anti-odour and anti-allergen filter / filtro antibatterico, antiodori e anti-allergeni	CHVA/CNYA	150	204	10/10 >	03/15				34.222.00
2.8 FSI	CVPA	162	220	09/14 >		25.080.00		27.A48.00	54.222.00
antibacterial, anti-odour and anti-allergen filter / filtro antibatterico, antiodori e anti-allergeni	CVPA	162	220	09/14 >					34.222.00
3.0 TDI	CDUC	180	245	07/10 >	04/14	25.141.00	31.946.00	27.A48.00	54.222.00
	CDUC	180	245	05/14 >	03/15	25.141.00	31.985.00	27.A48.00	54.222.00
antibacterial, anti-odour and anti-allergen filter / filtro antibatterico, antiodori e anti-allergeni	CDUC	180	245	07/10 >	03/15				34.222.00
3.0 TDI	CDUD	180	245	07/10 >	04/14	25.141.00	31.946.00	27.A48.00	54.222.00
	CDUD	180	245	05/14 >		25.141.00	31.985.00	27.A48.00	54.222.00
antibacterial, anti-odour and anti-allergen filter / filtro antibatterico, antiodori e anti-allergeni	CDUD	180	245	07/10 >					34.222.00
3.0 TDI	CGQB	230	313	11/11 >	04/14	25.141.00	31.946.00	27.A48.00	54.222.00
	CGQB	230	313	05/14 >	03/15	25.141.00	31.985.00	27.A48.00	54.222.00
antibacterial, anti-odour and anti-allergen filter / filtro antibatterico, antiodori e anti-allergeni	CGQB	230	313	11/11 >	03/15				34.222.00
3.0 TDI	CKVB	180	245	11/11 >	04/14	25.141.00	31.946.00	27.A48.00	54.222.00
	CKVB	180	245	05/14 >	03/15	25.141.00	31.985.00	27.A48.00	54.222.00
antibacterial, anti-odour and anti-allergen filter / filtro antibatterico, antiodori e anti-allergeni	CKVB	180	245	11/11 >	03/15				34.222.00
3.0 TDI	CKVC	180	245	11/11 >	04/14	25.141.00	31.946.00	27.A48.00	54.222.00
	CKVC	180	245	05/14 >	03/15	25.141.00	31.985.00	27.A48.00	54.222.00
antibacterial, anti-odour and anti-allergen filter / filtro antibatterico, antiodori e anti-allergeni	CKVC	180	245	11/11 >	03/15				34.222.00
3.0 TDI	CLAA	150	204	12/10 >	04/14	25.141.00	31.946.00	27.A48.00	54.222.00
	CLAA	150	204	05/14 >	03/15	25.141.00	31.985.00	27.A48.00	54.222.00
antibacterial, anti-odour and anti-allergen filter / filtro antibatterico, antiodori e anti-allergeni	CLAA	150	204	12/10 >	03/15				34.222.00
3.0 TDI	CLAB	150	204	11/10 >	04/14	25.141.00	31.946.00	27.A48.00	54.222.00
	CLAB	150	204	05/14 >	03/15	25.141.00	31.985.00	27.A48.00	54.222.00
antibacterial, anti-odour and anti-allergen filter / filtro antibatterico, antiodori e anti-allergeni	CLAB	150	204	11/10 >	03/15				34.222.00
3.0 TDI	CPNB	176	239	05/13 >	04/14	25.141.00	31.946.00	27.A48.00	54.222.00
	CPNB	176	239	05/14 >		25.141.00	31.985.00	27.A48.00	54.222.00
antibacterial, anti-odour and anti-allergen filter / filtro antibatterico, antiodori e anti-allergeni	CPNB	176	239	05/13 >					34.222.00
3.0 TDI	CRTD	200	272	05/14 >		25.180.00	31.985.00	27.A48.00	54.222.00
antibacterial, anti-odour and anti-allergen filter / filtro antibatterico, antiodori e anti-allergeni	CRTD	200	272	05/14 >					34.222.00
3.0 TDI	CRTE	160	218	07/14 >		25.180.00	31.985.00	27.A48.00	54.222.00
antibacterial, anti-odour and anti-allergen filter / filtro antibatterico, antiodori e anti-allergeni	CRTE	160	218	07/14 >					34.222.00
3.0 TDI	CRTF	155	211	07/14 >		25.180.00	31.985.00	27.A48.00	54.222.00
antibacterial, anti-odour and anti-allergen filter / filtro antibatterico, antiodori e anti-allergeni	CRTF	155	211	07/14 >					34.222.00
3.0 TDI	CTCB	155	211	05/14 >		25.180.00	31.985.00	27.A48.00	54.222.00
antibacterial, anti-odour and anti-allergen filter / filtro antibatterico, antiodori e anti-allergeni	CTCB	155	211	05/14 >					34.222.00
3.0 TDI	CTCC	160	218	07/14 >		25.180.00	31.985.00	27.A48.00	54.222.00
antibacterial, anti-odour and anti-allergen filter / filtro antibatterico, antiodori e anti-allergeni	CTCC	160	218	07/14 >					34.222.00
3.0 TDI	CVUA	235	320	05/14 >		25.141.00	31.985.00	27.A48.00	54.222.00
antibacterial, anti-odour and anti-allergen filter / filtro antibatterico, antiodori e anti-allergeni	CVUA	235	320	05/14 >					34.222.00
3.0 TDI	CVUB	240	326	09/14 >		25.141.00	31.985.00	27.A48.00	54.222.00
antibacterial, anti-odour and anti-allergen filter / filtro antibatterico, antiodori e anti-allergeni	CVUB	240	326	09/14 >					34.222.00
3.0 TFSI	CGWB	220	299	07/10 >	05/12	25.080.00		27.A48.00	54.222.00
antibacterial, anti-odour and anti-allergen filter / filtro antibatterico, antiodori e anti-allergeni	CGWB	220	299	07/10 >	05/12				34.222.00

...AUDI - cars/auto

3.0 TFSI	CGWD	228	310	11/11	>	03/15	25.080.00		27.A48.00	54.222.00
antibacterial, anti-odour and anti-allergen filter / filtro antibatterico, antiodori e anti-allergeni	CGWD	228	310	11/11	>	03/15				34.222.00
3.0 TFSI	CGXB	228	310	01/11	>	03/15	25.080.00		27.A48.00	54.222.00
antibacterial, anti-odour and anti-allergen filter / filtro antibatterico, antiodori e anti-allergeni	CGXB	228	310	01/11	>	03/15				34.222.00
3.0 TFSI	CHMA	220	299	07/10	>	05/12	25.080.00		27.A48.00	54.222.00
antibacterial, anti-odour and anti-allergen filter / filtro antibatterico, antiodori e anti-allergeni	CHMA	220	299	07/10	>	05/12				34.222.00
3.0 TFSI	CREC	245	333	05/14	>		25.247.00		27.A48.00	54.222.00
antibacterial, anti-odour and anti-allergen filter / filtro antibatterico, antiodori e anti-allergeni	CREC	245	333	05/14	>					34.222.00
3.0 TFSI	CTTA	228	310	11/11	>	03/15	25.080.00		27.A48.00	54.222.00
antibacterial, anti-odour and anti-allergen filter / filtro antibatterico, antiodori e anti-allergeni	CTTA	228	310	11/11	>	03/15				34.222.00
3.0 TFSI	CTUA	228	310	01/11	>	03/15	25.080.00		27.A48.00	54.222.00
antibacterial, anti-odour and anti-allergen filter / filtro antibatterico, antiodori e anti-allergeni	CTUA	228	310	01/11	>	03/15				34.222.00
A7 (4K)										
40 TDI Mild Hybrid 2.0	DFBA	150	204	05/18	>		25.253.00			53.324.00
with activated carbons / ai carboni attivi	DFBA	150	204	05/18	>					54.292.00
antibacterial, anti-odour and anti-allergen filter / filtro antibatterico, antiodori e anti-allergeni	DFBA	150	204	05/18	>					34.292.00
40 TDI Mild Hybrid quattro 2.0	DFBA	150	204	05/18	>		25.253.00			53.324.00
with activated carbons / ai carboni attivi	DFBA	150	204	05/18	>					54.292.00
antibacterial, anti-odour and anti-allergen filter / filtro antibatterico, antiodori e anti-allergeni	DFBA	150	204	05/18	>					34.292.00
45 TDI 3.0 quattro	DDVE	170	231	04/18	>		25.180.00			53.324.00
with activated carbons / ai carboni attivi	DDVE	170	231	04/18	>					54.292.00
antibacterial, anti-odour and anti-allergen filter / filtro antibatterico, antiodori e anti-allergeni	DDVE	170	231	04/18	>					34.292.00
45 TDI 3.0 quattro	DDVF	155	211	11/18	>		25.180.00			53.324.00
with activated carbons / ai carboni attivi	DDVF	155	211	11/18	>					54.292.00
antibacterial, anti-odour and anti-allergen filter / filtro antibatterico, antiodori e anti-allergeni	DDVF	155	211	11/18	>					34.292.00
45 TFSi Mild Hybrid		195	265	05/20	>		25.153.00			53.324.00
with activated carbons / ai carboni attivi		195	265	05/20	>					54.292.00
antibacterial, anti-odour and anti-allergen filter / filtro antibatterico, antiodori e anti-allergeni		195	265	05/20	>					34.292.00
50 3.0 TDI quattro	DDVB	210	286	10/17	>		25.180.00			53.324.00
with activated carbons / ai carboni attivi	DDVB	210	286	10/17	>					54.292.00
antibacterial, anti-odour and anti-allergen filter / filtro antibatterico, antiodori e anti-allergeni	DDVB	210	286	10/17	>					34.292.00
55 3.0 TFSI quattro	DLZA	250	340	10/17	>					53.324.00
with activated carbons / ai carboni attivi	DLZA	250	340	10/17	>					54.292.00
antibacterial, anti-odour and anti-allergen filter / filtro antibatterico, antiodori e anti-allergeni	DLZA	250	340	10/17	>					34.292.00
A8 (4D)										
2.5 TDI V6	AFB/AKN	110	150	07/97	>	09/02	25.019.00	24.424.00	30.100.00	53.009.00
with activated carbons / ai carboni attivi	AFB/AKN	110	150	07/97	>	09/02	25.019.00	24.424.00	30.100.00	54.110.00
2.5 TDI V6	AKE	132	180	04/00	>	09/02	25.019.00	24.424.00	30.100.00	53.009.00
with activated carbons / ai carboni attivi	AKE	132	180	04/00	>	09/02	25.019.00	24.424.00	30.100.00	54.110.00
2.5 TDI V6 Quattro Tiptronic	AFB/AKN	110	150	07/97	>	09/02	25.019.00	24.424.00	30.100.00	53.009.00
with activated carbons / ai carboni attivi	AFB/AKN	110	150	07/97	>	09/02	25.019.00	24.424.00	30.100.00	54.110.00
2.5 TDI V6 Quattro Tiptronic	AKE	132	180	04/00	>	09/02	25.019.00	24.424.00	30.100.00	53.009.00
with activated carbons / ai carboni attivi	AKE	132	180	04/00	>	09/02	25.019.00	24.424.00	30.100.00	54.110.00
2.8 i	AEJ	120	163	07/95	>	09/02	23.465.00	31.748.00	30.100.00	53.009.00
with activated carbons / ai carboni attivi	AEJ	120	163	07/95	>	09/02	23.465.00	31.748.00	30.100.00	54.110.00
2.8 i Quattro	AEJ	120	163	07/95	>	09/02	23.465.00	31.748.00	30.100.00	53.009.00
with activated carbons / ai carboni attivi	AEJ	120	163	07/95	>	09/02	23.465.00	31.748.00	30.100.00	54.110.00
2.8 i V6 30V	ACK/ALG/AMX/APR/AQD	142	193	04/96	>	09/02	23.465.00	31.748.00	30.100.00	53.009.00
with activated carbons / ai carboni attivi	ACK/ALG/AMX/APR/AQD	142	193	04/96	>	09/02	23.465.00	31.748.00	30.100.00	54.110.00
2.8 i V6 30V Quattro	ACK/AMX/APR/AQD	142	193	04/96	>	09/02	23.465.00	31.748.00	30.100.00	53.009.00
with activated carbons / ai carboni attivi	ACK/AMX/APR/AQD	142	193	04/96	>	09/02	23.465.00	31.748.00	30.100.00	54.110.00
3.3 TDI Quattro	AKF	165	224	09/99	>	09/02		24.424.00	30.100.00	53.009.00
with activated carbons / ai carboni attivi	AKF	165	224	09/99	>	09/02		24.424.00	30.100.00	54.110.00
3.7 i V8 32V	AEW/AKJ	169	230	07/95	>	09/02	25.607.00	31.748.00	30.100.00	53.009.00
with activated carbons / ai carboni attivi	AEW/AKJ	169	230	07/95	>	09/02	25.607.00	31.748.00	30.100.00	54.110.00
3.7 i V8 32V Quattro	AEW/AKJ	169	230	07/95	>	09/02	25.607.00	31.748.00	30.100.00	53.009.00
with activated carbons / ai carboni attivi	AEW/AKJ	169	230	07/95	>	09/02	25.607.00	31.748.00	30.100.00	54.110.00
3.7 i V8 40V	AKC/AQG	191	260	10/98	>	09/02	25.010.00	31.748.00	30.100.00	53.009.00
with activated carbons / ai carboni attivi	AKC/AQG	191	260	10/98	>	09/02	25.010.00	31.748.00	30.100.00	54.110.00
3.7 i V8 40V Quattro	AKC/AQG	191	260	10/98	>	09/02	25.010.00	31.748.00	30.100.00	53.009.00
with activated carbons / ai carboni attivi	AKC/AQG	191	260	10/98	>	09/02	25.010.00	31.748.00	30.100.00	54.110.00
4.2 i V8 40V Quattro	AQF/AUW/AUX	228	310	10/98	>	09/02	25.010.00	31.748.00	30.100.00	53.009.00
with activated carbons / ai carboni attivi	AQF/AUW/AUX	228	310	10/98	>	09/02	25.010.00	31.748.00	30.100.00	54.110.00
4.2 i V8 Quattro	AQH/AVP	265	360	05/99	>	09/02	25.010.00	31.748.00	30.100.00	53.009.00
with activated carbons / ai carboni attivi	AQH/AVP	265	360	05/99	>	09/02	25.010.00	31.748.00	30.100.00	54.110.00
4.2 i V8 Quattro	ARU/AVN	175	238	05/99	>	09/02	25.010.00	31.748.00	30.100.00	53.009.00
with activated carbons / ai carboni attivi	ARU/AVN	175	238	05/99	>	09/02	25.010.00	31.748.00	30.100.00	54.110.00

...AUDI - cars/auto

A



6.0 W12 Quattro	AZC	309	420	05/01	>	09/02		31.748.00		53.009.00
with activated carbons / ai carboni attivi	AZC	309	420	05/01	>	09/02		31.748.00		54.110.00
A8 (4E)										
2.8 FSI	BDX	154	210	09/07	>	03/10	25.080.00	31.831.00		
3.0 TDI Quattro										
to frame No. 4E_8_011500 / a telaio N. 4E_8_011500	BNG	155	211	11/03	>		25.068.00	24.002.00		
from frame No. 4E_8_011501 / da telaio N. 4E_8_011501	BNG	155	211		>	03/10	25.105.00	24.002.00		
3.0 TDI V6										
to frame No. 4E_8_011500 / a telaio N. 4E_8_011500	ASB	171	233	09/03	>		25.068.00	24.002.00		
from frame No. 4E_8_011501 / da telaio N. 4E_8_011501	ASB	171	233		>	03/10	25.105.00	24.002.00		
3.0 V6	ASN/BBJ	162	220	08/03	>	05/05	23.465.00			
to frame No. 4E_6_014980 / a telaio N. 4E_6_014980	ASN/BBJ	162	220	08/03	>			31.718.00		
3.2 FSI	BPK	191	260	06/05	>	03/10	25.080.00	31.831.00		
3.7	BFL	206	280	10/02	>	03/10	25.257.00			
to frame No. 4E_6_014980 / a telaio N. 4E_6_014980	BFL	206	280	10/02	>	03/10		31.718.00		
4.0 TDI	ASE	202	275	05/03	>	07/05	25.068.00	24.002.00	27.F32.00	
4.2	BFM	246	335	10/02	>	06/06	25.257.00			
to frame No. 4E_6_014980 / a telaio N. 4E_6_014980	BFM	246	335	10/02	>	06/06		31.718.00		
4.2 TDI V8	BMC/BVN	240	326	01/05	>	06/05		24.425.00	27.F32.00	
to frame No. 4E_9_005200 / a telaio N. 4E_9_005200	BMC/BVN	240	326	07/05	>		25.068.00	24.002.00		
from frame No. 4E_9_005201 / da telaio N. 4E_9_005201	BMC/BVN	240	326		>	03/10	25.105.00	24.002.00		
4.2 TDI V8 Quattro	BVN	240	326	01/05	>	06/05		24.425.00	27.F32.00	
to frame No. 4E_9_005200 / a telaio N. 4E_9_005200	BVN	240	326	07/05	>		25.068.00	24.002.00		
from frame No. 4E_9_005201 / da telaio N. 4E_9_005201	BVN	240	326		>	03/10	25.105.00	24.002.00		
4.2 V8 FSI Quattro	BVJ	257	350	06/06	>	03/10	25.143.00	31.831.00		
6.0 W12										
to frame No. 4E_6_014980 / a telaio N. 4E_6_014980	BHT/BTE	331	450	12/03	>	03/10		31.718.00		
A8 (4H)										
2.0 TFSI Hybrid	CHJA	195	265	06/12	>		23.493.00		27.B54.00	54.222.00
antibacterial, anti-odour and anti-allergen filter / filtro antibatterico, antiodori e anti-allergeni	CHJA	195	265	06/12	>					34.222.00
2.5 TFSI	CPAA/CVBA	150	204	07/12	>		25.080.00		27.B54.00	54.222.00
antibacterial, anti-odour and anti-allergen filter / filtro antibatterico, antiodori e anti-allergeni	CPAA/CVBA	150	204	07/12	>					34.222.00
3.0 TDI	CLAB	150	204	05/11	>	09/13	25.141.00	31.920.00	27.B54.00	54.222.00
antibacterial, anti-odour and anti-allergen filter / filtro antibatterico, antiodori e anti-allergeni	CLAB	150	204	05/11	>	09/13				34.222.00
3.0 TDI quattro	CDTA	184	250	07/10	>	04/14	25.141.00	31.920.00	27.B54.00	54.222.00
antibacterial, anti-odour and anti-allergen filter / filtro antibatterico, antiodori e anti-allergeni	CDTA	184	250	07/10	>	04/14				34.222.00
3.0 TDI quattro	CDTB	155	211	08/10	>	04/14	25.141.00	31.920.00	27.B54.00	54.222.00
antibacterial, anti-odour and anti-allergen filter / filtro antibatterico, antiodori e anti-allergeni	CDTB	155	211	08/10	>	04/14				34.222.00
3.0 TDI quattro	CDTC	184	250	12/13	>		25.141.00	31.920.00	27.B54.00	54.222.00
antibacterial, anti-odour and anti-allergen filter / filtro antibatterico, antiodori e anti-allergeni	CDTC	184	250	12/13	>					34.222.00
3.0 TDI quattro	CMHA	184	250	03/12	>	12/13	25.141.00	31.920.00	27.B54.00	54.222.00
antibacterial, anti-odour and anti-allergen filter / filtro antibatterico, antiodori e anti-allergeni	CMHA	184	250	03/12	>	12/13				34.222.00
3.0 TDI quattro	CPNA	176	239	11/12	>	04/14	25.141.00	31.920.00	27.B54.00	54.222.00
antibacterial, anti-odour and anti-allergen filter / filtro antibatterico, antiodori e anti-allergeni	CPNA	176	239	11/12	>	04/14				34.222.00
3.0 TDI quattro	CTBA	190	258	09/13	>		25.141.00	31.920.00	27.B54.00	54.222.00
antibacterial, anti-odour and anti-allergen filter / filtro antibatterico, antiodori e anti-allergeni	CTBA	190	258	09/13	>					34.222.00
3.0 TDI quattro	CTBB	155	211	09/13	>		25.141.00	31.920.00	27.B54.00	54.222.00
antibacterial, anti-odour and anti-allergen filter / filtro antibatterico, antiodori e anti-allergeni	CTBB	155	211	09/13	>					34.222.00
3.0 TDI quattro	CTBD	193	262	05/15	>		25.141.00	31.920.00	27.B54.00	54.222.00
antibacterial, anti-odour and anti-allergen filter / filtro antibatterico, antiodori e anti-allergeni	CTBD	193	262	05/15	>					34.222.00
3.0 TFSI quattro	CGWA	213	290	07/10	>	04/14	25.080.00		27.B54.00	54.222.00
antibacterial, anti-odour and anti-allergen filter / filtro antibatterico, antiodori e anti-allergeni	CGWA	213	290	07/10	>	04/14				34.222.00
3.0 TFSI quattro	CGWD	228	310	11/11	>	04/14	25.080.00		27.B54.00	54.222.00
antibacterial, anti-odour and anti-allergen filter / filtro antibatterico, antiodori e anti-allergeni	CGWD	228	310	11/11	>	04/14				34.222.00
3.0 TFSI quattro	CGXA	213	290	07/10	>	04/14	25.080.00		27.B54.00	54.222.00
antibacterial, anti-odour and anti-allergen filter / filtro antibatterico, antiodori e anti-allergeni	CGXA	213	290	07/10	>	04/14				34.222.00
3.0 TFSI quattro	CGXC	245	333	01/11	>	04/14	25.080.00		27.B54.00	54.222.00
antibacterial, anti-odour and anti-allergen filter / filtro antibatterico, antiodori e anti-allergeni	CGXC	245	333	01/11	>	04/14				34.222.00
3.0 TFSI quattro	CMDA	245	333	06/10	>	04/14	25.080.00		27.B54.00	54.222.00
antibacterial, anti-odour and anti-allergen filter / filtro antibatterico, antiodori e anti-allergeni	CMDA	245	333	06/10	>	04/14				34.222.00
3.0 TFSI quattro	CREA	228	310	09/13	>		25.247.00		27.B54.00	54.222.00
antibacterial, anti-odour and anti-allergen filter / filtro antibatterico, antiodori e anti-allergeni	CREA	228	310	09/13	>					34.222.00
3.0 TFSI quattro	CREC	245	333	03/14	>				27.B54.00	54.222.00
antibacterial, anti-odour and anti-allergen filter / filtro antibatterico, antiodori e anti-allergeni	CREC	245	333	03/14	>					34.222.00
3.0 TFSI quattro	CREG	213	290	03/14	>		25.247.00		27.B54.00	54.222.00
antibacterial, anti-odour and anti-allergen filter / filtro antibatterico, antiodori e anti-allergeni	CREG	213	290	03/14	>					34.222.00
3.0 TFSI quattro	CTDA	245	333	03/14	>				27.B54.00	54.222.00

...AUDI - cars/auto

antibacterial, anti-odour and anti-allergen filter / filtro antibatterico, antiodori e anti-allergeni	CTDA	245	333	03/14	>				34.222.00	
3.0 TFSI quattro	CTUB	245	333	01/11	>	04/14	25.080.00		27.854.00	54.222.00
antibacterial, anti-odour and anti-allergen filter / filtro antibatterico, antiodori e anti-allergeni	CTUB	245	333	01/11	>	04/14				34.222.00
4.0 V8 TFSI quattro	CEUA	309	420	04/12	>	12/13	25.090.00			54.222.00
antibacterial, anti-odour and anti-allergen filter / filtro antibatterico, antiodori e anti-allergeni	CEUA	309	420	04/12	>	12/13				34.222.00
4.2 FSI V8 quattro tiptronic	CDRA	273	372	11/09	>	06/12	25.143.00			54.222.00
antibacterial, anti-odour and anti-allergen filter / filtro antibatterico, antiodori e anti-allergeni	CDRA	273	372	11/09	>	06/12				34.222.00
4.2 TDI	CTEC	283	385	10/13	>		25.105.00	31.920.00	27.854.00	54.222.00
antibacterial, anti-odour and anti-allergen filter / filtro antibatterico, antiodori e anti-allergeni	CTEC	283	385	10/13	>					34.222.00
4.2 TDI V8 FAP quattro tiptronic	CDSB	258	350	03/10	>		25.105.00	31.920.00		54.222.00
antibacterial, anti-odour and anti-allergen filter / filtro antibatterico, antiodori e anti-allergeni	CDSB	258	350	03/10	>					34.222.00
2 filters / N.2 filtri	CDSB	258	350	03/10	>				27.854.00	
6.3 FSI quattro tiptronic	CEJA/CTNA	368	500	09/10	>					54.222.00
antibacterial, anti-odour and anti-allergen filter / filtro antibatterico, antiodori e anti-allergeni	CEJA/CTNA	368	500	09/10	>					34.222.00
A8 (4N)										
50 TDI 3.0 quattro	DDVC	210	286	09/17	>		25.180.00			53.324.00
with activated carbons / ai carboni attivi	DDVC	210	286	09/17	>					54.292.00
antibacterial, anti-odour and anti-allergen filter / filtro antibatterico, antiodori e anti-allergeni	DDVC	210	286	09/17	>					34.292.00
55 TFSI 3.0 quattro	CZSE	250	340	09/17	>					53.324.00
with activated carbons / ai carboni attivi	CZSE	250	340	09/17	>					54.292.00
antibacterial, anti-odour and anti-allergen filter / filtro antibatterico, antiodori e anti-allergeni	CZSE	250	340	09/17	>					34.292.00
60 TFSI 4.0 quattro	CXYA	338	460	03/18	>					53.324.00
with activated carbons / ai carboni attivi	CXYA	338	460	03/18	>					54.292.00
antibacterial, anti-odour and anti-allergen filter / filtro antibatterico, antiodori e anti-allergeni	CXYA	338	460	03/18	>					34.292.00
60 TFSI e 3.0	CZSE	250	340	10/19	>					53.324.00
with activated carbons / ai carboni attivi	CZSE	250	340	10/19	>					54.292.00
antibacterial, anti-odour and anti-allergen filter / filtro antibatterico, antiodori e anti-allergeni	CZSE	250	340	10/19	>					34.292.00
Allroad I (4BH)										
2.5 TDI V6 Quattro	AKE/BAU	132	180	07/99	>	08/05	25.019.00	24.424.00	30.109.00	54.101.00
antibacterial, anti-odour and anti-allergen filter / filtro antibatterico, antiodori e anti-allergeni	AKE/BAU	132	180	07/99	>	08/05				34.101.00
2.5 TDI V6 Quattro	BCZ	120	163	02/03	>	08/05	25.019.00	24.424.00	30.109.00	54.101.00
antibacterial, anti-odour and anti-allergen filter / filtro antibatterico, antiodori e anti-allergeni	BCZ	120	163	02/03	>	08/05				34.101.00
2.7 T V6 Quattro	ARE/BES	184	250	05/00	>	08/05	23.465.00	31.748.00	30.192.00	54.101.00
antibacterial, anti-odour and anti-allergen filter / filtro antibatterico, antiodori e anti-allergeni	ARE/BES	184	250	05/00	>	08/05				34.101.00
4.2 V8 Quattro	BAS	220	299	06/02	>	08/05	25.257.00	31.748.00	30.192.00	54.101.00
antibacterial, anti-odour and anti-allergen filter / filtro antibatterico, antiodori e anti-allergeni	BAS	220	299	06/02	>	08/05				34.101.00
Allroad II (4F)										
2.7 TDI V6										
to frame No. 4F_8_112000 / a telaio N. 4F_8_112000	BPP	132	180	05/06	>		25.068.00			
with automatic air-conditioner / con climatizzatore automatico	BPP	132	180	05/06	>	10/08		24.001.00	27.598.00	54.153.00
with manual air-conditioner / con climatizzatore manuale	BPP	132	180	05/06	>	10/08				53.226.00
from frame No. 4F_8_112001 / da telaio N. 4F_8_112001	BPP	132	180		>	10/08	25.105.00			
antibacterial, anti-odour and anti-allergen filter with automatic air-conditioner / filtro antibatterico, antiodori e anti-allergeni con climatizzatore automatico	BPP	132	180	05/06	>	10/08				34.153.00
2.7 TDI V6										
to frame No. 4F_8_112000 / a telaio N. 4F_8_112000	BSG	120	163	05/06	>		25.068.00			
with automatic air-conditioner / con climatizzatore automatico	BSG	120	163	05/06	>	10/08		24.001.00	27.598.00	54.153.00
with manual air-conditioner / con climatizzatore manuale	BSG	120	163	05/06	>	10/08				53.226.00
from frame No. 4F_8_112001 / da telaio N. 4F_8_112001	BSG	120	163		>	10/08	25.105.00			
antibacterial, anti-odour and anti-allergen filter with automatic air-conditioner / filtro antibatterico, antiodori e anti-allergeni con climatizzatore automatico	BSG	120	163	05/06	>	10/08				34.153.00
2.7 TDI V6										
with automatic air-conditioner / con climatizzatore automatico	CANB	120	163	10/08	>	09/11	25.105.00	31.953.00	27.598.00	54.153.00
with manual air-conditioner / con climatizzatore manuale	CANB	120	163	10/08	>	09/11				53.226.00
antibacterial, anti-odour and anti-allergen filter with automatic air-conditioner / filtro antibatterico, antiodori e anti-allergeni con climatizzatore automatico	CANB	120	163	10/08	>	09/11				34.153.00
2.7 TDI V6										
with automatic air-conditioner / con climatizzatore automatico	CANC	140	190	10/08	>	09/11	25.105.00	31.953.00	27.598.00	54.153.00
with manual air-conditioner / con climatizzatore manuale	CANC	140	190	10/08	>	09/11				53.226.00
antibacterial, anti-odour and anti-allergen filter with automatic air-conditioner / filtro antibatterico, antiodori e anti-allergeni con climatizzatore automatico	CANC	140	190	10/08	>	09/11				34.153.00
2.7 TDI V6										
with automatic air-conditioner / con climatizzatore automatico	CAND	120	163	10/08	>	09/11	25.105.00	31.953.00	27.598.00	54.153.00
with manual air-conditioner / con climatizzatore manuale	CAND	120	163	10/08	>	09/11				53.226.00
antibacterial, anti-odour and anti-allergen filter with automatic air-conditioner / filtro antibatterico, antiodori e anti-allergeni con climatizzatore automatico	CAND	120	163	10/08	>	09/11				34.153.00
3.0 TDI V6										
to frame No. 4F_8_112000 / a telaio N. 4F_8_112000	ASB	171	233	05/06	>		25.068.00			
with automatic air-conditioner / con climatizzatore automatico	ASB	171	233	05/06	>	10/08		24.001.00	27.598.00	54.153.00
with manual air-conditioner / con climatizzatore manuale	ASB	171	233	05/06	>	10/08				53.226.00
from frame No. 4F_8_112001 / da telaio N. 4F_8_112001	ASB	171	233		>	10/08	25.105.00			
antibacterial, anti-odour and anti-allergen filter with automatic air-conditioner / filtro antibatterico, antiodori e anti-allergeni con climatizzatore automatico	ASB	171	233	05/06	>	10/08				34.153.00

...AUDI - cars/auto

A

3.0 TDI V6								
to frame No. 4F_8_112000 / a telaio N. 4F_8_112000	BNG	155	211	05/06	>	25.068.00		
with automatic air-conditioner / con climatizzatore automatico	BNG	155	211	05/06	> 10/08		24.001.00	27.598.00
with manual air-conditioner / con climatizzatore manuale	BNG	155	211	05/06	> 10/08			54.153.00
from frame No. 4F_8_112001 / da telaio N. 4F_8_112001	BNG	155	211		> 10/08	25.105.00		53.226.00
antibacterial, anti-odour and anti-allergen filter with automatic air-conditioner / filtro antibatterico, antiodori e anti-allergeni con climatizzatore automatico	BNG	155	211	05/06	> 10/08			34.153.00
3.0 TDI V6								
with automatic air-conditioner / con climatizzatore automatico	CDYA	176	240	10/08	> 09/11	25.105.00	31.953.00	27.598.00
with manual air-conditioner / con climatizzatore manuale	CDYA	176	240	10/08	> 09/11			54.153.00
antibacterial, anti-odour and anti-allergen filter with automatic air-conditioner / filtro antibatterico, antiodori e anti-allergeni con climatizzatore automatico	CDYA	176	240	10/08	> 09/11			53.226.00
								34.153.00
3.0 TDI V6								
with automatic air-conditioner / con climatizzatore automatico	CDYB	155	211	10/08	> 09/11	25.105.00	31.953.00	27.598.00
with manual air-conditioner / con climatizzatore manuale	CDYB	155	211	10/08	> 09/11			54.153.00
antibacterial, anti-odour and anti-allergen filter with automatic air-conditioner / filtro antibatterico, antiodori e anti-allergeni con climatizzatore automatico	CDYB	155	211	10/08	> 09/11			53.226.00
								34.153.00
3.0 TDI V6								
with automatic air-conditioner / con climatizzatore automatico	CDYC	176	240	10/08	> 09/11	25.105.00	31.953.00	27.598.00
with manual air-conditioner / con climatizzatore manuale	CDYC	176	240	10/08	> 09/11			54.153.00
antibacterial, anti-odour and anti-allergen filter with automatic air-conditioner / filtro antibatterico, antiodori e anti-allergeni con climatizzatore automatico	CDYC	176	240	10/08	> 09/11			53.226.00
								34.153.00
3.0 TFSI								
with automatic air-conditioner / con climatizzatore automatico	CAJA	213	290	10/08	> 09/11	25.080.00	31.831.00	27.597.00
with manual air-conditioner / con climatizzatore manuale	CAJA	213	290	10/08	> 09/11			54.153.00
antibacterial, anti-odour and anti-allergen filter with automatic air-conditioner / filtro antibatterico, antiodori e anti-allergeni con climatizzatore automatico	CAJA	213	290	10/08	> 09/11			53.226.00
								34.153.00
3.2 FSI								
with automatic air-conditioner / con climatizzatore automatico	AUK	188	256	05/06	> 10/08	25.080.00	31.831.00	27.597.00
with manual air-conditioner / con climatizzatore manuale	AUK	188	256	05/06	> 10/08			54.153.00
antibacterial, anti-odour and anti-allergen filter with automatic air-conditioner / filtro antibatterico, antiodori e anti-allergeni con climatizzatore automatico	AUK	188	256	05/06	> 10/08			53.226.00
								34.153.00
4.2 V8 FSI								
with automatic air-conditioner / con climatizzatore automatico	BVJ	257	350	05/06	> 09/11	25.143.00	31.831.00	27.597.00
with manual air-conditioner / con climatizzatore manuale	BVJ	257	350	05/06	> 09/11			54.153.00
antibacterial, anti-odour and anti-allergen filter with automatic air-conditioner / filtro antibatterico, antiodori e anti-allergeni con climatizzatore automatico	BVJ	257	350	05/06	> 09/11			53.226.00
								34.153.00
Cabriolet								
1.8 i								
with activated carbons / ai carboni attivi	ADR	92	125	01/97	> 08/00	23.436.00	31.502.00	30.946.00
antibacterial, anti-odour and anti-allergen filter / filtro antibatterico, antiodori e anti-allergeni	ADR	92	125	01/97	> 08/00			54.195.00
								34.195.00
1.9 TDI								
with activated carbons / ai carboni attivi	1Z/AHU	66	90	07/95	> 08/00	23.164.00	24.379.01	30.946.00
antibacterial, anti-odour and anti-allergen filter / filtro antibatterico, antiodori e anti-allergeni	1Z/AHU	66	90	07/95	> 08/00			54.195.00
or / oppure	1Z/AHU	66	90	07/95	> 08/00	23.164.03	24.379.01	34.195.00
								53.013.00
2.6 E V6								
with activated carbons / ai carboni attivi	ABC	110	150	06/93	> 08/00			54.195.00
from frame No. 8G-S001303 / da telaio N. 8G-S001303	ABC	110	150	09/94	> 08/00	23.465.00	31.748.00	30.946.00
antibacterial, anti-odour and anti-allergen filter / filtro antibatterico, antiodori e anti-allergeni	ABC	110	150	06/93	> 08/00			53.013.00
								34.195.00
2.6 V6								
with activated carbons / ai carboni attivi	ACZ	102	139	05/95	> 08/00	23.465.00	31.748.00	30.946.00
antibacterial, anti-odour and anti-allergen filter / filtro antibatterico, antiodori e anti-allergeni	ACZ	102	139	05/95	> 08/00			54.195.00
								34.195.00
2.8 E V6								
with activated carbons / ai carboni attivi	AAH	128	174	06/93	> 08/00			54.195.00
from frame No. 8G-S001303 / da telaio N. 8G-S001303	AAH	128	174	09/94	> 08/00	23.465.00	31.748.00	30.946.00
antibacterial, anti-odour and anti-allergen filter / filtro antibatterico, antiodori e anti-allergeni	AAH	128	174	06/93	> 08/00			53.013.00
								34.195.00
e-tron (GE)								
e-tron								
with activated carbons / ai carboni attivi		265	360	10/18	>		✗	✗
antibacterial, anti-odour and anti-allergen filter / filtro antibatterico, antiodori e anti-allergeni		265	360	10/18	>			✗
								53.324.00
								54.292.00
								34.292.00
e-tron								
with activated carbons / ai carboni attivi	EASA, EAWA	300	408	10/18	>		✗	✗
antibacterial, anti-odour and anti-allergen filter / filtro antibatterico, antiodori e anti-allergeni	EASA, EAWA	300	408	10/18	>			✗
								53.324.00
								54.292.00
								34.292.00
e-tron S								
antibacterial, anti-odour and anti-allergen filter / filtro antibatterico, antiodori e anti-allergeni		226	307	09/20	>			
								34.292.00
e-tron S								
antibacterial, anti-odour and anti-allergen filter / filtro antibatterico, antiodori e anti-allergeni	EAVA	370	503	09/20	>			
								34.292.00
Q2 (GA)								
1.0 TFSI								
with automatic air-conditioner / con climatizzatore automatico	CHZJ	85	115	09/16	>	23.575.00	∞	30.A51.00
antibacterial, anti-odour and anti-allergen filter with automatic air-conditioner / filtro antibatterico, antiodori e anti-allergeni con climatizzatore automatico	CHZJ	85	115	09/16	>			53.298.00
								54.219.00
								34.219.00
1.4 TFSI								
with automatic air-conditioner / con climatizzatore automatico	CZEA	110	150	07/16	>	23.575.00	∞	30.549.00
antibacterial, anti-odour and anti-allergen filter with automatic air-conditioner / filtro antibatterico, antiodori e anti-allergeni con climatizzatore automatico	CZEA	110	150	07/16	>			53.298.00
								54.219.00
								34.219.00

...AUDI - cars/auto

1.5 TSI	DADA	110	150	12/18	>	07/19	23.575.00		30.A45.00	53.298.00
with activated carbons / ai carboni attivi	DADA	110	150	12/18	>	07/19				54.219.00
1.6 TDI	DDYA	85	116	07/16	>		25.144.00	26.038.00	30.532.00	53.298.00
with automatic air-conditioner / con climatizzatore automatico	DDYA	85	116	07/16	>					54.219.00
antibacterial, anti-odour and anti-allergen filter with automatic air-conditioner / filtro antibatterico, antiodori e anti-allergeni con climatizzatore automatico	DDYA	85	116	07/16	>					34.219.00
export models DIESEL PLUS / modelli di esportazione DIESEL PLUS	DDYA	85	116	07/16	>			26.065.00		
for cold countries / per paesi freddi	DDYA	85	116	07/16	>				30.587.00	
2.0 TDI 143	CRFC	105	143	09/16	>		25.144.00	26.038.00	30.532.00	53.298.00
with automatic air-conditioner / con climatizzatore automatico	CRFC	105	143	09/16	>					54.219.00
antibacterial, anti-odour and anti-allergen filter with automatic air-conditioner / filtro antibatterico, antiodori e anti-allergeni con climatizzatore automatico	CRFC	105	143	09/16	>					34.219.00
export models DIESEL PLUS / modelli di esportazione DIESEL PLUS	CRFC	105	143	09/16	>			26.065.00		
for cold countries / per paesi freddi	CRFC	105	143	09/16	>				30.587.00	
2.0 TDI 150	DCYA	110	150	09/16	>		25.144.00	26.038.00	30.532.00	53.298.00
with automatic air-conditioner / con climatizzatore automatico	DCYA	110	150	09/16	>					54.219.00
antibacterial, anti-odour and anti-allergen filter with automatic air-conditioner / filtro antibatterico, antiodori e anti-allergeni con climatizzatore automatico	DCYA	110	150	09/16	>					34.219.00
export models DIESEL PLUS / modelli di esportazione DIESEL PLUS	DCYA	110	150	09/16	>			26.065.00		
for cold countries / per paesi freddi	DCYA	110	150	09/16	>				30.587.00	
2.0 TDI 150	DFGA	110	150	10/16	>		25.144.00	26.038.00	30.532.00	53.298.00
with automatic air-conditioner / con climatizzatore automatico	DFGA	110	150	10/16	>					54.219.00
antibacterial, anti-odour and anti-allergen filter with automatic air-conditioner / filtro antibatterico, antiodori e anti-allergeni con climatizzatore automatico	DFGA	110	150	10/16	>					34.219.00
export models DIESEL PLUS / modelli di esportazione DIESEL PLUS	DFGA	110	150	10/16	>			26.065.00		
for cold countries / per paesi freddi	DFGA	110	150	10/16	>				30.587.00	
2.0 TDI 150 Quattro	DFGA	110	150	10/16	>		25.144.00	26.038.00	30.532.00	53.298.00
with automatic air-conditioner / con climatizzatore automatico	DFGA	110	150	10/16	>					54.219.00
antibacterial, anti-odour and anti-allergen filter with automatic air-conditioner / filtro antibatterico, antiodori e anti-allergeni con climatizzatore automatico	DFGA	110	150	10/16	>					34.219.00
export models DIESEL PLUS / modelli di esportazione DIESEL PLUS	DFGA	110	150	10/16	>			26.065.00		
for cold countries / per paesi freddi	DFGA	110	150	10/16	>				30.587.00	
2.0 TDI 190	DFHA	140	190	09/16	>		25.144.00	26.038.00	30.532.00	53.298.00
with automatic air-conditioner / con climatizzatore automatico	DFHA	140	190	09/16	>					54.219.00
antibacterial, anti-odour and anti-allergen filter with automatic air-conditioner / filtro antibatterico, antiodori e anti-allergeni con climatizzatore automatico	DFHA	140	190	09/16	>					34.219.00
export models DIESEL PLUS / modelli di esportazione DIESEL PLUS	DFHA	140	190	09/16	>			26.065.00		
for cold countries / per paesi freddi	DFHA	140	190	09/16	>				30.587.00	
2.0 TFSI Quattro	CZPB	140	190	05/17	>		25.153.00		30.532.00	53.298.00
with automatic air-conditioner / con climatizzatore automatico	CZPB	140	190	05/17	>					54.219.00
antibacterial, anti-odour and anti-allergen filter with automatic air-conditioner / filtro antibatterico, antiodori e anti-allergeni con climatizzatore automatico	CZPB	140	190	05/17	>					34.219.00
30 TFSI	DKRF	85	115	07/18	>		23.575.00		30.A51.00	53.298.00
with automatic air-conditioner / con climatizzatore automatico	DKRF	85	115	07/18	>					54.219.00
antibacterial, anti-odour and anti-allergen filter with automatic air-conditioner / filtro antibatterico, antiodori e anti-allergeni con climatizzatore automatico	DKRF	85	115	07/18	>					34.219.00
35 TFSI	DADA/DPCA	110	150	07/19	>		23.575.00		30.A45.00	53.298.00
with activated carbons / ai carboni attivi	DADA/DPCA	110	150	07/19	>					54.219.00
antibacterial, anti-odour and anti-allergen filter / filtro antibatterico, antiodori e anti-allergeni	DADA/DPCA	110	150	07/19	>					34.219.00
Q3 (8U)										
1.4 TFSI	CHPB	110	150	10/13	>					54.376.00
with R.H.D. / con guida a destra	CHPB	110	150	10/13	>		23.575.00		30.549.00	54.124.00
with L.H.D. / con guida a sinistra	CHPB	110	150	10/13	>					34.124.00
antibacterial, anti-odour and anti-allergen filter with L.H.D. / filtro antibatterico, antiodori e anti-allergeni con guida a sinistra	CHPB	110	150	10/13	>					
1.4 TFSI	CZDA/CZEA	110	150	11/14	>					54.376.00
with R.H.D. / con guida a destra	CZDA/CZEA	110	150	11/14	>		23.575.00		30.549.00	54.124.00
with L.H.D. / con guida a sinistra	CZDA/CZEA	110	150	10/14	>					34.124.00
antibacterial, anti-odour and anti-allergen filter with L.H.D. / filtro antibatterico, antiodori e anti-allergeni con guida a sinistra	CZDA/CZEA	110	150	10/14	>					
1.4 TFSI	CZDB	92	125	07/16	>					54.376.00
with R.H.D. / con guida a destra	CZDB	92	125	07/16	>		23.575.00		30.549.00	54.124.00
with L.H.D. / con guida a sinistra	CZDB	92	125	07/16	>					34.124.00
antibacterial, anti-odour and anti-allergen filter with L.H.D. / filtro antibatterico, antiodori e anti-allergeni con guida a sinistra	CZDB	92	125	07/16	>					
2.0 TDI	CFFA	100	136	09/11	>					54.376.00
with R.H.D. / con guida a destra	CFFA	100	136	09/11	>		25.106.00	26.026.00	30.187.00	54.124.00
with L.H.D. / con guida a sinistra	CFFA	100	136	09/11	>					34.124.00
antibacterial, anti-odour and anti-allergen filter with L.H.D. / filtro antibatterico, antiodori e anti-allergeni con guida a sinistra	CFFA	100	136	09/11	>					
export models DIESEL PLUS / modelli di esportazione DIESEL PLUS	CFFA	100	136	11/12	>			26.032.00		
for cold countries / per paesi freddi	CFFA	100	136	09/11	>				30.370.00	
2.0 TDI	CFFB	103	140	09/11	>					54.376.00
with R.H.D. / con guida a destra	CFFB	103	140	09/11	>		25.106.00	26.026.00	30.187.00	54.124.00
with L.H.D. / con guida a sinistra	CFFB	103	140	09/11	>					34.124.00
antibacterial, anti-odour and anti-allergen filter with L.H.D. / filtro antibatterico, antiodori e anti-allergeni con guida a sinistra	CFFB	103	140	09/11	>					
export models DIESEL PLUS / modelli di esportazione DIESEL PLUS	CFFB	103	140	11/12	>			26.032.00		
for cold countries / per paesi freddi	CFFB	103	140	09/11	>				30.370.00	
2.0 TDI										

...AUDI - cars/auto

A

with R.H.D. / con guida a destra	CLJA	103	140	03/15	>				54.376.00
with L.H.D. / con guida a sinistra	CLJA	103	140	03/15	>	25.106.00	26.026.00	30.187.00	54.124.00
antibacterial, anti-odour and anti-allergen filter with L.H.D. / filtro antibatterico, antiodori e anti-allergeni con guida a sinistra	CLJA	103	140	03/15	>				34.124.00
export models DIESEL PLUS / modelli di esportazione DIESEL PLUS	CLJA	103	140	03/15	>		26.032.00		
2.0 TDI									
with R.H.D. / con guida a destra	CUVC	110	150	11/14	>				54.376.00
with L.H.D. / con guida a sinistra	CUVC	110	150	11/14	>	25.144.00	26.026.00	30.187.00	54.124.00
antibacterial, anti-odour and anti-allergen filter with L.H.D. / filtro antibatterico, antiodori e anti-allergeni con guida a sinistra	CUVC	110	150	11/14	>				34.124.00
export models DIESEL PLUS / modelli di esportazione DIESEL PLUS	CUVC	110	150	11/14	>		26.032.00		
for cold countries / per paesi freddi	CUVC	110	150	11/14	>			30.370.00	
2.0 TDI									
with R.H.D. / con guida a destra	CUVD	88	120	03/15	>				54.376.00
with L.H.D. / con guida a sinistra	CUVD	88	120	03/15	>	25.144.00	26.026.00	30.187.00	54.124.00
antibacterial, anti-odour and anti-allergen filter with L.H.D. / filtro antibatterico, antiodori e anti-allergeni con guida a sinistra	CUVD	88	120	03/15	>				34.124.00
export models DIESEL PLUS / modelli di esportazione DIESEL PLUS	CUVD	88	120	03/15	>		26.032.00		
for cold countries / per paesi freddi	CUVD	88	120	03/15	>			30.370.00	
2.0 TDI (B)									
with L.H.D. / con guida a sinistra	CUVB	100	136	01/15	>	25.144.00	26.026.00	30.187.00	54.124.00
antibacterial, anti-odour and anti-allergen filter with L.H.D. / filtro antibatterico, antiodori e anti-allergeni con guida a sinistra	CUVB	100	136	01/15	>				34.124.00
export models DIESEL PLUS / modelli di esportazione DIESEL PLUS	CUVB	100	136	01/15	>		26.032.00		
for cold countries / per paesi freddi	CUVB	100	136	01/15	>			30.370.00	
2.0 TDI 4motion									
with R.H.D. / con guida a destra	CFGD	120	163	06/11	>				54.376.00
with L.H.D. / con guida a sinistra	CFGD	120	163	06/11	>	25.106.00	26.026.00	30.187.00	54.124.00
antibacterial, anti-odour and anti-allergen filter with L.H.D. / filtro antibatterico, antiodori e anti-allergeni con guida a sinistra	CFGD	120	163	06/11	>				34.124.00
export models DIESEL PLUS / modelli di esportazione DIESEL PLUS	CFGD	120	163	11/12	>		26.032.00		
for cold countries / per paesi freddi	CFGD	120	163	06/11	>			30.370.00	
2.0 TDI quattro									
with R.H.D. / con guida a destra	CFGC	130	177	06/11	>				54.376.00
with L.H.D. / con guida a sinistra	CFGC	130	177	06/11	>	25.106.00	26.026.00	30.187.00	54.124.00
antibacterial, anti-odour and anti-allergen filter with L.H.D. / filtro antibatterico, antiodori e anti-allergeni con guida a sinistra	CFGC	130	177	06/11	>				34.124.00
export models DIESEL PLUS / modelli di esportazione DIESEL PLUS	CFGC	130	177	11/12	>		26.032.00		
for cold countries / per paesi freddi	CFGC	130	177	06/11	>			30.370.00	
2.0 TDI quattro									
with R.H.D. / con guida a destra	CLLB	130	177	06/11	>				54.376.00
with L.H.D. / con guida a sinistra	CLLB	130	177	06/11	>	25.106.00	26.026.00	30.187.00	54.124.00
antibacterial, anti-odour and anti-allergen filter with L.H.D. / filtro antibatterico, antiodori e anti-allergeni con guida a sinistra	CLLB	130	177	06/11	>				34.124.00
export models DIESEL PLUS / modelli di esportazione DIESEL PLUS	CLLB	130	177	11/12	>		26.032.00		
for cold countries / per paesi freddi	CLLB	130	177	06/11	>			30.370.00	
2.0 TDI quattro									
with R.H.D. / con guida a destra	CUVC	110	150	11/14	>				54.376.00
with L.H.D. / con guida a sinistra	CUVC	110	150	11/14	>	25.144.00	26.026.00	30.187.00	54.124.00
antibacterial, anti-odour and anti-allergen filter with L.H.D. / filtro antibatterico, antiodori e anti-allergeni con guida a sinistra	CUVC	110	150	12/14	>				34.124.00
export models DIESEL PLUS / modelli di esportazione DIESEL PLUS	CUVC	110	150	11/14	>		26.032.00		
for cold countries / per paesi freddi	CUVC	110	150	11/14	>			30.370.00	
2.0 TDI quattro									
with R.H.D. / con guida a destra	CUWA	135	184	11/14	>				54.376.00
with L.H.D. / con guida a sinistra	CUWA	135	184	11/14	>	25.144.00	26.026.00	30.187.00	54.124.00
antibacterial, anti-odour and anti-allergen filter with L.H.D. / filtro antibatterico, antiodori e anti-allergeni con guida a sinistra	CUWA	135	184	12/14	>				34.124.00
export models DIESEL PLUS / modelli di esportazione DIESEL PLUS	CUWA	135	184	11/14	>		26.032.00		
for cold countries / per paesi freddi	CUWA	135	184	11/14	>			30.370.00	
2.0 TFSI quattro									
with R.H.D. / con guida a destra	CCTA	147	200	04/14	>				54.376.00
with L.H.D. / con guida a sinistra	CCTA	147	200	04/14	>	23.493.00		30.187.00	54.124.00
antibacterial, anti-odour and anti-allergen filter with L.H.D. / filtro antibatterico, antiodori e anti-allergeni con guida a sinistra	CCTA	147	200	04/14	>				34.124.00
for cold countries / per paesi freddi	CCTA	147	200	04/14	>			30.370.00	
2.0 TFSI quattro									
with R.H.D. / con guida a destra	CCZC	125	170	09/11	>				54.376.00
with L.H.D. / con guida a sinistra	CCZC	125	170	09/11	>	23.493.00		30.187.00	54.124.00
antibacterial, anti-odour and anti-allergen filter with L.H.D. / filtro antibatterico, antiodori e anti-allergeni con guida a sinistra	CCZC	125	170	09/11	>				34.124.00
for cold countries / per paesi freddi	CCZC	125	170	09/11	>			30.370.00	
2.0 TFSI quattro									
with R.H.D. / con guida a destra	CPSA	155	211	06/11	>				54.376.00
with L.H.D. / con guida a sinistra	CPSA	155	211	06/11	>	23.493.00		30.187.00	54.124.00
antibacterial, anti-odour and anti-allergen filter with L.H.D. / filtro antibatterico, antiodori e anti-allergeni con guida a sinistra	CPSA	155	211	06/11	>				34.124.00
for cold countries / per paesi freddi	CPSA	155	211	06/11	>			30.370.00	
2.0 TFSI quattro									

...AUDI - cars/auto

with R.H.D. / con guida a destra	CULB	132	180	11/14	>				54.376.00
with L.H.D. / con guida a sinistra	CULB	132	180	11/14	>	25.153.00		30.187.00	54.124.00
antibacterial, anti-odour and anti-allergen filter with L.H.D. / filtro antibatterico, antiodori e anti-allergeni con guida a sinistra	CULB	132	180	11/14	>				34.124.00
2.0 TFSI quattro									
with R.H.D. / con guida a destra	CULC	162	220	11/14	>				54.376.00
with L.H.D. / con guida a sinistra	CULC	162	220	11/14	>	25.153.00		30.187.00	54.124.00
antibacterial, anti-odour and anti-allergen filter with L.H.D. / filtro antibatterico, antiodori e anti-allergeni con guida a sinistra	CULC	162	220	11/14	>				34.124.00
2.5 RS TFSI quattro									
with R.H.D. / con guida a destra	CTSA	228	310	10/13	>				54.376.00
with L.H.D. / con guida a sinistra	CTSA	228	310	10/13	>	25.040.00		30.303.00	54.124.00
antibacterial, anti-odour and anti-allergen filter with L.H.D. / filtro antibatterico, antiodori e anti-allergeni con guida a sinistra	CTSA	228	310	10/13	>				34.124.00
for cold countries / per paesi freddi	CTSA	228	310	10/13	>			30.A35.00	
2.5 RS TFSI quattro									
with R.H.D. / con guida a destra	CZGA	250	340	05/13	>				54.376.00
with L.H.D. / con guida a sinistra	CZGA	250	340	05/13	>	25.040.00		30.303.00	54.124.00
antibacterial, anti-odour and anti-allergen filter with L.H.D. / filtro antibatterico, antiodori e anti-allergeni con guida a sinistra	CZGA	250	340	05/13	>				34.124.00
for cold countries / per paesi freddi	CZGA	250	340	05/13	>			30.A35.00	
Q3 (F3)									
30 TDI 1.6									
with automatic air-conditioner / con climatizzatore automatico	DGTE	85	115	07/18	>	25.144.00		26.038.00	30.532.00
antibacterial, anti-odour and anti-allergen filter with automatic air-conditioner / filtro antibatterico, antiodori e anti-allergeni con climatizzatore automatico	DGTE	85	115	07/18	>				53.298.00
export models DIESEL PLUS / modelli di esportazione DIESEL PLUS	DGTE	85	115	07/18	>			26.065.00	54.219.00
for cold countries / per paesi freddi	DGTE	85	115	07/18	>				34.219.00
35 TDI 2.0									
with automatic air-conditioner / con climatizzatore automatico	DBGC	110	150	10/18	>	25.144.00		26.038.00	30.532.00
antibacterial, anti-odour and anti-allergen filter with automatic air-conditioner / filtro antibatterico, antiodori e anti-allergeni con climatizzatore automatico	DBGC	110	150	10/18	>				53.298.00
export models DIESEL PLUS / modelli di esportazione DIESEL PLUS	DBGC	110	150	10/18	>			26.065.00	54.219.00
for cold countries / per paesi freddi	DBGC	110	150	10/18	>				34.219.00
35 TDI 2.0									
with automatic air-conditioner / con climatizzatore automatico	DFGA	110	150	10/18	>	25.144.00		26.038.00	30.532.00
antibacterial, anti-odour and anti-allergen filter with automatic air-conditioner / filtro antibatterico, antiodori e anti-allergeni con climatizzatore automatico	DFGA	110	150	10/18	>				53.298.00
export models DIESEL PLUS / modelli di esportazione DIESEL PLUS	DFGA	110	150	10/18	>			26.065.00	54.219.00
for cold countries / per paesi freddi	DFGA	110	150	10/18	>				34.219.00
35 TFSI 1.5									
with automatic air-conditioner / con climatizzatore automatico	DADA	110	150	10/18	>	23.575.00		30.A45.00	53.298.00
antibacterial, anti-odour and anti-allergen filter with automatic air-conditioner / filtro antibatterico, antiodori e anti-allergeni con climatizzatore automatico	DADA	110	150	10/18	>				54.219.00
export models DIESEL PLUS / modelli di esportazione DIESEL PLUS	DADA	110	150	10/18	>			26.065.00	34.219.00
for cold countries / per paesi freddi	DADA	110	150	10/18	>				53.298.00
35 TFSI 1.5 Mild Hybrid									
with automatic air-conditioner / con climatizzatore automatico	DFYA	110	150	11/19	>	23.575.00			30.A45.00
antibacterial, anti-odour and anti-allergen filter with automatic air-conditioner / filtro antibatterico, antiodori e anti-allergeni con climatizzatore automatico	DFYA	110	150	11/19	>				53.298.00
export models DIESEL PLUS / modelli di esportazione DIESEL PLUS	DFYA	110	150	11/19	>			26.065.00	54.219.00
for cold countries / per paesi freddi	DFYA	110	150	11/19	>				34.219.00
40 TDI 2.0									
with automatic air-conditioner / con climatizzatore automatico	DFHA	140	190	10/18	>	25.144.00		26.038.00	30.532.00
antibacterial, anti-odour and anti-allergen filter with automatic air-conditioner / filtro antibatterico, antiodori e anti-allergeni con climatizzatore automatico	DFHA	140	190	10/18	>				53.298.00
export models DIESEL PLUS / modelli di esportazione DIESEL PLUS	DFHA	140	190	10/18	>			26.065.00	54.219.00
for cold countries / per paesi freddi	DFHA	140	190	10/18	>				34.219.00
40 TFSI 2.0									
with automatic air-conditioner / con climatizzatore automatico	DKTC	140	190	10/18	>	25.153.00		30.532.00	53.298.00
antibacterial, anti-odour and anti-allergen filter with automatic air-conditioner / filtro antibatterico, antiodori e anti-allergeni con climatizzatore automatico	DKTC	140	190	10/18	>				54.219.00
export models DIESEL PLUS / modelli di esportazione DIESEL PLUS	DKTC	140	190	10/18	>			26.065.00	34.219.00
for cold countries / per paesi freddi	DKTC	140	190	10/18	>				53.298.00
45 TFSI 2.0									
with automatic air-conditioner / con climatizzatore automatico	DKTA	169	230	10/18	>	25.153.00		30.532.00	53.298.00
antibacterial, anti-odour and anti-allergen filter with automatic air-conditioner / filtro antibatterico, antiodori e anti-allergeni con climatizzatore automatico	DKTA	169	230	10/18	>				54.219.00
export models DIESEL PLUS / modelli di esportazione DIESEL PLUS	DKTA	169	230	10/18	>			26.065.00	34.219.00
for cold countries / per paesi freddi	DKTA	169	230	10/18	>				53.298.00
Q5 (8R)									
2.0 TDI quattro									
with activated carbons / ai carboni attivi	CAGA	105	143	09/09	>	25.023.00		31.922.00	30.365.00
antibacterial, anti-odour and anti-allergen filter / filtro antibatterico, antiodori e anti-allergeni	CAGA	105	143	09/09	>				53.153.00
export models DIESEL PLUS / modelli di esportazione DIESEL PLUS	CAGA	105	143	09/09	>			26.065.00	54.168.00
for cold countries / per paesi freddi	CAGA	105	143	09/09	>				34.168.00
2.0 TDI quattro									
with activated carbons / ai carboni attivi	CAHA	125	170	11/08	>	25.023.00		31.922.00	30.365.00
antibacterial, anti-odour and anti-allergen filter / filtro antibatterico, antiodori e anti-allergeni	CAHA	125	170	11/08	>				53.153.00
export models DIESEL PLUS / modelli di esportazione DIESEL PLUS	CAHA	125	170	11/08	>			26.065.00	54.168.00
for cold countries / per paesi freddi	CAHA	125	170	11/08	>				34.168.00
2.0 TDI quattro									
with activated carbons / ai carboni attivi	CAHB	120	163	09/09	>	25.023.00		31.922.00	30.365.00
antibacterial, anti-odour and anti-allergen filter / filtro antibatterico, antiodori e anti-allergeni	CAHB	120	163	09/09	>				53.153.00
export models DIESEL PLUS / modelli di esportazione DIESEL PLUS	CAHB	120	163	09/09	>			26.065.00	54.168.00
for cold countries / per paesi freddi	CAHB	120	163	09/09	>				34.168.00
2.0 TDI quattro									
with activated carbons / ai carboni attivi	CGLA	120	163	05/10	>	25.106.00			30.365.00
antibacterial, anti-odour and anti-allergen filter / filtro antibatterico, antiodori e anti-allergeni	CGLA	120	163	05/10	>				53.153.00
export models DIESEL PLUS / modelli di esportazione DIESEL PLUS	CGLA	120	163	05/10	>			26.065.00	54.168.00
for cold countries / per paesi freddi	CGLA	120	163	05/10	>				34.168.00
2.0 TDI quattro									
with activated carbons / ai carboni attivi	CGLB	125	170	05/10	>	25.106.00		31.950.00	30.365.00
antibacterial, anti-odour and anti-allergen filter / filtro antibatterico, antiodori e anti-allergeni	CGLB	125	170	05/10	>				53.153.00
export models DIESEL PLUS / modelli di esportazione DIESEL PLUS	CGLB	125	170	05/10	>			26.065.00	54.168.00
for cold countries / per paesi freddi	CGLB	125	170	05/10	>				53.153.00

...AUDI - cars/auto

A

antibacterial, anti-odour and anti-allergen filter / filtro antibatterico, antiodori e anti-allergeni	CGLB	125	170	05/10	>				34.168.00
2.0 TDI quattro	CGLC	130	177	06/12	>	25.106.00	31.950.00	30.365.00	53.153.00
with activated carbons / ai carboni attivi	CGLC	130	177	06/12	>				54.168.00
antibacterial, anti-odour and anti-allergen filter / filtro antibatterico, antiodori e anti-allergeni	CGLC	130	177	06/12	>				34.168.00
2.0 TDI quattro	CJCA	105	143	05/10	>	25.106.00	31.950.00	30.365.00	53.153.00
with activated carbons / ai carboni attivi	CJCA	105	143	05/10	>				54.168.00
antibacterial, anti-odour and anti-allergen filter / filtro antibatterico, antiodori e anti-allergeni	CJCA	105	143	05/10	>				34.168.00
2.0 TDI quattro	CJCD	110	150	05/13	>	25.106.00	31.950.00	30.365.00	53.153.00
with activated carbons / ai carboni attivi	CJCD	110	150	05/13	>				54.168.00
antibacterial, anti-odour and anti-allergen filter / filtro antibatterico, antiodori e anti-allergeni	CJCD	110	150	05/13	>				34.168.00
2.0 TDI quattro	CMGA	125	170	05/10	>	25.106.00	31.950.00	30.365.00	53.153.00
with activated carbons / ai carboni attivi	CMGA	125	170	05/10	>				54.168.00
antibacterial, anti-odour and anti-allergen filter / filtro antibatterico, antiodori e anti-allergeni	CMGA	125	170	05/10	>				34.168.00
2.0 TDI quattro	CMGB	130	177	06/12	>	25.106.00	31.950.00	30.365.00	53.153.00
with activated carbons / ai carboni attivi	CMGB	130	177	06/12	>				54.168.00
antibacterial, anti-odour and anti-allergen filter / filtro antibatterico, antiodori e anti-allergeni	CMGB	130	177	06/12	>				34.168.00
2.0 TDI quattro	CNHA	140	190	11/13	>	25.144.00	31.950.00	30.365.00	53.153.00
with activated carbons / ai carboni attivi	CNHA	140	190	11/13	>				54.168.00
antibacterial, anti-odour and anti-allergen filter / filtro antibatterico, antiodori e anti-allergeni	CNHA	140	190	11/13	>				34.168.00
2.0 TDI quattro	CNHC	120	163	11/13	>	25.144.00	31.950.00	30.365.00	53.153.00
with activated carbons / ai carboni attivi	CNHC	120	163	11/13	>				54.168.00
antibacterial, anti-odour and anti-allergen filter / filtro antibatterico, antiodori e anti-allergeni	CNHC	120	163	11/13	>				34.168.00
2.0 TDI quattro (B)	CAGB	100	136	09/09	>	25.023.00	31.922.00	30.365.00	53.153.00
with activated carbons / ai carboni attivi	CAGB	100	136	09/09	>				54.168.00
antibacterial, anti-odour and anti-allergen filter / filtro antibatterico, antiodori e anti-allergeni	CAGB	100	136	09/09	>				34.168.00
2.0 TDI quattro (B)	CJCB	100	136	05/10	>	25.106.00	31.950.00	30.365.00	53.153.00
with activated carbons / ai carboni attivi	CJCB	100	136	05/10	>				54.168.00
antibacterial, anti-odour and anti-allergen filter / filtro antibatterico, antiodori e anti-allergeni	CJCB	100	136	05/10	>				34.168.00
2.0 TFSI Hybrid quattro	CHJA	155	211	06/11	>	23.493.00	∞	30.365.00	53.153.00
with activated carbons / ai carboni attivi	CHJA	155	211	06/11	>				54.168.00
antibacterial, anti-odour and anti-allergen filter / filtro antibatterico, antiodori e anti-allergeni	CHJA	155	211	06/11	>				34.168.00
2.0 TFSI quattro	CDNA	130	177	09/09	>	23.493.00	∞	30.365.00	53.153.00
with activated carbons / ai carboni attivi	CDNA	130	177	09/09	>				54.168.00
antibacterial, anti-odour and anti-allergen filter / filtro antibatterico, antiodori e anti-allergeni	CDNA	130	177	09/09	>				34.168.00
2.0 TFSI quattro	CDNB	132	180	09/09	>	23.493.00	∞	30.365.00	53.153.00
with activated carbons / ai carboni attivi	CDNB	132	180	09/09	>				54.168.00
antibacterial, anti-odour and anti-allergen filter / filtro antibatterico, antiodori e anti-allergeni	CDNB	132	180	09/09	>				34.168.00
2.0 TFSI quattro	CDNC	155	211	11/08	>	23.493.00	∞	30.365.00	53.153.00
with activated carbons / ai carboni attivi	CDNC	155	211	11/08	>				54.168.00
antibacterial, anti-odour and anti-allergen filter / filtro antibatterico, antiodori e anti-allergeni	CDNC	155	211	11/08	>				34.168.00
2.0 TFSI quattro	CNCB	132	180	11/12	>	25.153.00	∞	30.365.00	53.153.00
with activated carbons / ai carboni attivi	CNCB	132	180	11/12	>				54.168.00
antibacterial, anti-odour and anti-allergen filter / filtro antibatterico, antiodori e anti-allergeni	CNCB	132	180	11/12	>				34.168.00
2.0 TFSI quattro	CNCD	165	225	06/12	>	25.153.00	∞	30.365.00	53.153.00
with activated carbons / ai carboni attivi	CNCD	165	225	06/12	>				54.168.00
antibacterial, anti-odour and anti-allergen filter / filtro antibatterico, antiodori e anti-allergeni	CNCD	165	225	06/12	>				34.168.00
2.0 TFSI quattro	CNCE	169	230	08/15	>	25.153.00	∞	30.365.00	53.153.00
with activated carbons / ai carboni attivi	CNCE	169	230	08/15	>				54.168.00
antibacterial, anti-odour and anti-allergen filter / filtro antibatterico, antiodori e anti-allergeni	CNCE	169	230	08/15	>				34.168.00
2.0 TFSI quattro	CPMA	155	211	07/12	>	23.493.00	∞	30.365.00	53.153.00
with activated carbons / ai carboni attivi	CPMA	155	211	07/12	>				54.168.00
antibacterial, anti-odour and anti-allergen filter / filtro antibatterico, antiodori e anti-allergeni	CPMA	155	211	07/12	>				34.168.00
2.0 TFSI quattro	CPMB	162	220	05/13	>	23.493.00	∞	30.365.00	53.153.00
with activated carbons / ai carboni attivi	CPMB	162	220	05/13	>				54.168.00
antibacterial, anti-odour and anti-allergen filter / filtro antibatterico, antiodori e anti-allergeni	CPMB	162	220	05/13	>				34.168.00
3.0 TDI quattro	CCWA	176	240	11/08 > 09/12		25.105.00	31.922.00	27.693.00	53.153.00
with activated carbons / ai carboni attivi	CCWA	176	240	11/08 > 09/12					54.168.00
antibacterial, anti-odour and anti-allergen filter / filtro antibatterico, antiodori e anti-allergeni	CCWA	176	240	11/08 > 09/12					34.168.00
3.0 TDI quattro	CCWB	155	211	11/08 > 09/12		25.105.00	31.922.00	27.693.00	53.153.00
with activated carbons / ai carboni attivi	CCWB	155	211	11/08 > 09/12					54.168.00
antibacterial, anti-odour and anti-allergen filter / filtro antibatterico, antiodori e anti-allergeni	CCWB	155	211	11/08 > 09/12					34.168.00
3.0 TDI quattro	CDUD	180	245	06/12	>	25.141.00		27.693.00	53.153.00
with activated carbons / ai carboni attivi	CDUD	180	245	06/12	>				54.168.00
antibacterial, anti-odour and anti-allergen filter / filtro antibatterico, antiodori e anti-allergeni	CDUD	180	245	06/12	>				34.168.00
3.0 TDI quattro	CTBA	190	258	06/12	>	25.141.00	31.950.00	27.693.00	53.153.00
with activated carbons / ai carboni attivi	CTBA	190	258	06/12	>				54.168.00
antibacterial, anti-odour and anti-allergen filter / filtro antibatterico, antiodori e anti-allergeni	CTBA	190	258	06/12	>				34.168.00

...AUDI - cars/auto

3.0 TDI quattro	CTBC	184	250	06/12	>	25.141.00	31.950.00	27.693.00	53.153.00
with activated carbons / ai carboni attivi	CTBC	184	250	06/12	>				54.168.00
antibacterial, anti-odour and anti-allergen filter / filtro antibatterico, antiodori e anti-allergeni	CTBC	184	250	06/12	>				34.168.00
3.0 TFSI quattro	CTUC	200	272	09/12	>	25.080.00		27.692.00	53.153.00
with activated carbons / ai carboni attivi	CTUC	200	272	09/12	>				54.168.00
antibacterial, anti-odour and anti-allergen filter / filtro antibatterico, antiodori e anti-allergeni	CTUC	200	272	09/12	>				34.168.00
3.0 TFSI quattro	CTVA	200	272	06/12	>	25.080.00		27.692.00	53.153.00
with activated carbons / ai carboni attivi	CTVA	200	272	06/12	>				54.168.00
antibacterial, anti-odour and anti-allergen filter / filtro antibatterico, antiodori e anti-allergeni	CTVA	200	272	06/12	>				34.168.00
3.2 FSI quattro	CALB	199	270	11/08	> 09/12	25.080.00		27.692.00	53.153.00
with activated carbons / ai carboni attivi	CALB	199	270	11/08	> 09/12				54.168.00
antibacterial, anti-odour and anti-allergen filter / filtro antibatterico, antiodori e anti-allergeni	CALB	199	270	11/08	> 09/12				34.168.00
Q5 II (FY)									
2.0 TDI	DETB	110	150	01/17	>	25.144.00	31.920.00	27.G33.00	53.324.00
with activated carbons / ai carboni attivi	DETB	110	150	01/17	>				54.292.00
antibacterial, anti-odour and anti-allergen filter / filtro antibatterico, antiodori e anti-allergeni	DETB	110	150	01/17	>				34.292.00
2.0 TDI	DEUB	100	136	09/16	>	25.144.00	31.920.00	27.G33.00	53.324.00
with activated carbons / ai carboni attivi	DEUB	100	136	09/16	>				54.292.00
antibacterial, anti-odour and anti-allergen filter / filtro antibatterico, antiodori e anti-allergeni	DEUB	100	136	09/19	>				34.292.00
2.0 TDI quattro	DESA	140	190	09/16	>	25.144.00	31.920.00	27.G33.00	53.324.00
with activated carbons / ai carboni attivi	DESA	140	190	09/16	>				54.292.00
antibacterial, anti-odour and anti-allergen filter / filtro antibatterico, antiodori e anti-allergeni	DESA	140	190	09/16	>				34.292.00
2.0 TDI quattro	DETA	140	190	09/16	>	25.144.00	31.920.00	27.G33.00	53.324.00
with activated carbons / ai carboni attivi	DETA	140	190	09/16	>				54.292.00
antibacterial, anti-odour and anti-allergen filter / filtro antibatterico, antiodori e anti-allergeni	DETA	140	190	09/16	>				34.292.00
2.0 TDI quattro	DETB	120	163	09/16	>	25.144.00	31.920.00	27.G33.00	53.324.00
with activated carbons / ai carboni attivi	DETB	120	163	09/16	>				54.292.00
antibacterial, anti-odour and anti-allergen filter / filtro antibatterico, antiodori e anti-allergeni	DETB	120	163	09/16	>				34.292.00
2.0 TFSI	DNTA	180	245	08/18	>	25.153.00		27.G11.00	53.324.00
with activated carbons / ai carboni attivi	DNTA	180	245	08/18	>				54.292.00
antibacterial, anti-odour and anti-allergen filter / filtro antibatterico, antiodori e anti-allergeni	DNTA	180	245	08/18	>				34.292.00
2.0 TFSI quattro	DAXB	185	252	09/16	>	25.153.00		27.G11.00	53.324.00
with activated carbons / ai carboni attivi	DAXB	185	252	09/16	>				54.292.00
antibacterial, anti-odour and anti-allergen filter / filtro antibatterico, antiodori e anti-allergeni	DAXB	185	252	09/16	>				34.292.00
2.0 TFSI quattro	DAXC	183	249	09/16	>	25.153.00		27.G11.00	53.324.00
with activated carbons / ai carboni attivi	DAXC	183	249	09/16	>				54.292.00
antibacterial, anti-odour and anti-allergen filter / filtro antibatterico, antiodori e anti-allergeni	DAXC	183	249	09/16	>				34.292.00
2.0 TFSI quattro	DAYB	185	252	09/16	>	25.153.00		27.G11.00	53.324.00
with activated carbons / ai carboni attivi	DAYB	185	252	09/16	>				54.292.00
antibacterial, anti-odour and anti-allergen filter / filtro antibatterico, antiodori e anti-allergeni	DAYB	185	252	09/16	>				34.292.00
3.0 TDI quattro	DCPC	210	286	09/17	>	25.180.00	31.920.00	27.G31.00	53.324.00
with activated carbons / ai carboni attivi	DCPC	210	286	09/17	>				54.292.00
antibacterial, anti-odour and anti-allergen filter / filtro antibatterico, antiodori e anti-allergeni	DCPC	210	286	09/17	>				34.292.00
30 TDI Mild Hybrid	DEZB	100	136	01/19	>	25.253.00			
35 TDI Mild Hybrid	DEZE	120	163	11/19	>	25.253.00			
40 TDI Mild Hybrid	DFBA, DTPA	150	204	11/19	>	25.253.00			
45 TFSI Mild Hybrid	DPUA, DPVA	195	265	08/20	>	25.153.00		27.G11.00	53.324.00
with activated carbons / ai carboni attivi	DPUA, DPVA	195	265	08/20	>				54.292.00
antibacterial, anti-odour and anti-allergen filter / filtro antibatterico, antiodori e anti-allergeni	DPUA, DPVA	195	265	08/20	>				34.292.00
50 TDI Mild Hybrid	DMGA	210	286	06/20	>	25.180.00		27.G31.00	
50 TFSI e quattro	DLGA	185	252	04/19	>	25.153.00		27.G11.00	53.324.00
with activated carbons / ai carboni attivi	DLGA	185	252	04/19	>				54.292.00
antibacterial, anti-odour and anti-allergen filter / filtro antibatterico, antiodori e anti-allergeni	DLGA	185	252	04/19	>				34.292.00
50 TFSI e quattro	DLGA	220	299	04/19	>	25.153.00		27.G11.00	53.324.00
with activated carbons / ai carboni attivi	DLGA	220	299	04/19	>				54.292.00
antibacterial, anti-odour and anti-allergen filter / filtro antibatterico, antiodori e anti-allergeni	DLGA	220	299	04/19	>				34.292.00
55 TFSI e quattro	DLGA	270	367	08/19	>	25.153.00		27.G11.00	53.324.00
with activated carbons / ai carboni attivi	DLGA	270	367	08/19	>				54.292.00
antibacterial, anti-odour and anti-allergen filter / filtro antibatterico, antiodori e anti-allergeni	DLGA	270	367	08/19	>				34.292.00
Q7 (4L)									
3.0 TDI V6 Quattro tiptronic	BUG	171	233	03/06	> 11/07	25.068.00	26.015.00	30.329.00	53.189.00
with activated carbons / ai carboni attivi	BUG	171	233	03/06	> 11/07				54.148.00
antibacterial, anti-odour and anti-allergen filter / filtro antibatterico, antiodori e anti-allergeni	BUG	171	233	03/06	> 11/07				34.148.00
dusty areas / zone polverose	BUG	171	233	03/06	> 11/07			30.A25.00	
3.0 TDI V6 Quattro tiptronic	BUN	155	211	03/06	> 11/07	25.068.00	26.015.00	30.329.00	53.189.00
with activated carbons / ai carboni attivi	BUN	155	211	03/06	> 11/07				54.148.00
antibacterial, anti-odour and anti-allergen filter / filtro antibatterico, antiodori e anti-allergeni	BUN	155	211	03/06	> 11/07				34.148.00

...AUDI - cars/auto

A

dusty areas / zone polverose	BUN	155	211	03/06 >	11/07			30.A25.00	
3.0 TDI V6 Quattro tiptronic									
to frame No. 4L_8_050765 / a telaio N. 4L_8_050765	CASA	176	240	11/07 >		25.068.00	26.015.00	30.329.00	53.189.00
with activated carbons / ai carboni attivi	CASA	176	240	11/07 >	05/10				54.148.00
from frame No. 4L_8_050766 / da telaio N. 4L_8_050766	CASA	176	240		> 05/10	25.105.00	26.015.00	30.329.00	53.189.00
antibacterial, anti-odour and anti-allergen filter / filtro antibatterico, antiodori e anti-allergeni	CASA	176	240	11/07 >	05/10				34.148.00
dusty areas / zone polverose	CASA	176	240	11/07 >	05/10			30.A25.00	
3.0 TDI V6 Quattro tiptronic									
to frame No. 4L_8_050765 / a telaio N. 4L_8_050765	CASB	155	211	11/07 >		25.068.00	26.015.00	30.329.00	53.189.00
with activated carbons / ai carboni attivi	CASB	155	211	11/07 >	05/10				54.148.00
from frame No. 4L_8_050766 / da telaio N. 4L_8_050766	CASB	155	211		> 05/10	25.105.00	26.015.00	30.329.00	53.189.00
antibacterial, anti-odour and anti-allergen filter / filtro antibatterico, antiodori e anti-allergeni	CASB	155	211	11/07 >	05/10				34.148.00
dusty areas / zone polverose	CASB	155	211	11/07 >	05/10			30.A25.00	
3.0 TDI V6 Quattro tiptronic									
with activated carbons / ai carboni attivi	CATA	165	224	06/09 >	05/10	25.105.00	26.015.00	30.329.00	53.189.00
antibacterial, anti-odour and anti-allergen filter / filtro antibatterico, antiodori e anti-allergeni	CATA	165	224	06/09 >	05/10				54.148.00
dusty areas / zone polverose	CATA	165	224	06/09 >	05/10			30.A25.00	34.148.00
3.0 TDI V6 Quattro tiptronic									
with activated carbons / ai carboni attivi	CCMA	176	240	11/08 >	05/10	25.105.00	26.015.00	30.329.00	53.189.00
antibacterial, anti-odour and anti-allergen filter / filtro antibatterico, antiodori e anti-allergeni	CCMA	176	240	11/08 >	05/10				54.148.00
dusty areas / zone polverose	CCMA	176	240	11/08 >	05/10			30.A25.00	34.148.00
3.0 TDI V6 Quattro tiptronic									
with activated carbons / ai carboni attivi	CJGA	176	240	05/10 >	05/11	25.141.00	31.920.00	30.329.00	53.189.00
antibacterial, anti-odour and anti-allergen filter / filtro antibatterico, antiodori e anti-allergeni	CJGA	176	240	05/10 >	05/11				54.148.00
dusty areas / zone polverose	CJGA	176	240	05/10 >	05/11			30.A25.00	34.148.00
3.0 TDI V6 Quattro tiptronic									
with activated carbons / ai carboni attivi	CJGC	150	204	05/10 >		25.141.00	31.920.00	30.329.00	53.189.00
antibacterial, anti-odour and anti-allergen filter / filtro antibatterico, antiodori e anti-allergeni	CJGC	150	204	05/10 >					54.148.00
dusty areas / zone polverose	CJGC	150	204	05/10 >				30.A25.00	34.148.00
3.0 TDI V6 Quattro tiptronic									
with activated carbons / ai carboni attivi	CJMA	150	204	05/10 >		25.105.00	31.920.00	30.329.00	53.189.00
antibacterial, anti-odour and anti-allergen filter / filtro antibatterico, antiodori e anti-allergeni	CJMA	150	204	05/10 >					54.148.00
dusty areas / zone polverose	CJMA	150	204	05/10 >				30.A25.00	34.148.00
3.0 TFSI Quattro									
with activated carbons / ai carboni attivi	CJWE/CTWB	206	280	05/11 >		25.080.00	∞	30.329.00	53.189.00
antibacterial, anti-odour and anti-allergen filter / filtro antibatterico, antiodori e anti-allergeni	CJWE/CTWB	206	280	05/11 >					54.148.00
dusty areas / zone polverose	CJWE/CTWB	206	280	05/11 >				30.A25.00	34.148.00
3.0 TFSI Quattro tiptronic									
with activated carbons / ai carboni attivi	CJTĀ	245	333	05/10 >		25.080.00	∞	30.329.00	53.189.00
antibacterial, anti-odour and anti-allergen filter / filtro antibatterico, antiodori e anti-allergeni	CJTB	245	333	05/10 >					54.148.00
dusty areas / zone polverose	CJTB	245	333	05/10 >				30.A25.00	34.148.00
3.0 TFSI Quattro tiptronic									
with activated carbons / ai carboni attivi	CJTC	200	272	05/10 >		25.080.00	∞	30.329.00	53.189.00
antibacterial, anti-odour and anti-allergen filter / filtro antibatterico, antiodori e anti-allergeni	CJTC	200	272	05/10 >					54.148.00
dusty areas / zone polverose	CJTC	200	272	05/10 >				30.A25.00	34.148.00
3.0 TFSI Quattro tiptronic									
with activated carbons / ai carboni attivi	CJWB	245	333	07/10 >		25.080.00	∞	30.329.00	53.189.00
antibacterial, anti-odour and anti-allergen filter / filtro antibatterico, antiodori e anti-allergeni	CJWB	245	333	07/10 >					54.148.00
dusty areas / zone polverose	CJWB	245	333	07/10 >				30.A25.00	34.148.00
3.0 TFSI Quattro tiptronic									
with activated carbons / ai carboni attivi	CJWC	200	272	07/10 >		25.080.00	∞	30.329.00	53.189.00
antibacterial, anti-odour and anti-allergen filter / filtro antibatterico, antiodori e anti-allergeni	CJWC	200	272	07/10 >					54.148.00
dusty areas / zone polverose	CJWC	200	272	07/10 >				30.A25.00	34.148.00
3.0 TFSI Quattro tiptronic									
with activated carbons / ai carboni attivi	CNAĀ	245	333	05/10 >		25.080.00	∞	30.329.00	53.189.00
antibacterial, anti-odour and anti-allergen filter / filtro antibatterico, antiodori e anti-allergeni	CNAĀ	245	333	05/10 >					54.148.00
dusty areas / zone polverose	CNAĀ	245	333	05/10 >				30.A25.00	34.148.00
3.6 FSI Quattro tiptronic									
with activated carbons / ai carboni attivi	BHK	206	280	08/06 >	05/10	25.010.00	∞		53.189.00
antibacterial, anti-odour and anti-allergen filter / filtro antibatterico, antiodori e anti-allergeni	BHK	206	280	08/06 >	05/10				54.148.00
2 filters / N.2 filtri	BHK	206	280	08/06 >	05/10			30.329.00	34.148.00
2 filters dusty areas / N.2 filtri zone polverose	BHK	206	280	08/06 >	05/10			30.A25.00	
4.2 FSI V8 Quattro tiptronic									
with activated carbons / ai carboni attivi	BAR	257	350	03/06 >	05/10	25.143.00	∞		53.189.00
antibacterial, anti-odour and anti-allergen filter / filtro antibatterico, antiodori e anti-allergeni	BAR	257	350	03/06 >	05/10				54.148.00
2 filters / N.2 filtri	BAR	257	350	03/06 >	05/10			30.329.00	34.148.00
2 filters dusty areas / N.2 filtri zone polverose	BAR	257	350	03/06 >	05/10			30.A25.00	

...AUDI - cars/auto

4.2 TDI V8 Quattro tiptronic	BTR	240	326	03/07 >	05/09	25.068.00	26.015.00		53.189.00
with activated carbons / ai carboni attivi	BTR	240	326	03/07 >	05/09				54.148.00
antibacterial, anti-odour and anti-allergen filter / filtro antibatterico, antiodori e anti-allergeni	BTR	240	326	03/07 >	05/09				34.148.00
2 filters / N.2 filtri	BTR	240	326	03/07 >	05/09			30.329.00	
2 filters dusty areas / N.2 filtri zone polverose	BTR	240	326	03/07 >	05/09			30.A25.00	
4.2 TDI V8 Quattro tiptronic	CCFA	250	340	06/09 >	05/10	25.105.00	26.015.00		53.189.00
with activated carbons / ai carboni attivi	CCFA	250	340	06/09 >	05/10				54.148.00
antibacterial, anti-odour and anti-allergen filter / filtro antibatterico, antiodori e anti-allergeni	CCFA	250	340	06/09 >	05/10				34.148.00
2 filters / N.2 filtri	CCFA	250	340	06/09 >	05/10			30.329.00	
2 filters dusty areas / N.2 filtri zone polverose	CCFA	250	340	06/09 >	05/10			30.A25.00	
4.2 TDI V8 Quattro tiptronic	CCFC	250	340	05/10 >		25.105.00	31.920.00		53.189.00
with activated carbons / ai carboni attivi	CCFC	250	340	05/10 >					54.148.00
antibacterial, anti-odour and anti-allergen filter / filtro antibatterico, antiodori e anti-allergeni	CCFC	250	340	05/10 >					34.148.00
2 filters / N.2 filtri	CCFC	250	340	05/10 >				30.329.00	
2 filters dusty areas / N.2 filtri zone polverose	CCFC	250	340	05/10 >				30.A25.00	
6.0 TDI V12 Quattro tiptronic	CCGA	368	500	09/08 >		25.105.00			53.189.00
with activated carbons / ai carboni attivi	CCGA	368	500	09/08 >					54.148.00
antibacterial, anti-odour and anti-allergen filter / filtro antibatterico, antiodori e anti-allergeni	CCGA	368	500	09/08 >					34.148.00
Q7 (4M)									
2.0 TFSI Quattro	CVJA	185	252	02/16 >		25.153.00		30.B15.00	
with activated carbons / ai carboni attivi	CVJA	185	252	02/16 >					54.292.00
antibacterial, anti-odour and anti-allergen filter / filtro antibatterico, antiodori e anti-allergeni	CVJA	185	252	02/16 >					34.292.00
2.0 TFSI Quattro	CYRB	185	252	08/15 >		25.153.00		30.B15.00	
with activated carbons / ai carboni attivi	CYRB	185	252	08/15 >					54.292.00
antibacterial, anti-odour and anti-allergen filter / filtro antibatterico, antiodori e anti-allergeni	CYRB	185	252	08/15 >					34.292.00
3.0 TDI Quattro	CRTC	200	272	01/15 >		25.180.00	26.129.00	30.B15.00	
with activated carbons / ai carboni attivi	CRTC	200	272	01/15 >					54.292.00
antibacterial, anti-odour and anti-allergen filter / filtro antibatterico, antiodori e anti-allergeni	CRTC	200	272	01/15 >					34.292.00
3.0 TDI Quattro	CUEA	190	258	06/15 >		25.180.00	26.130.00	30.B15.00	
with activated carbons / ai carboni attivi	CUEA	190	258	06/15 >					54.292.00
antibacterial, anti-odour and anti-allergen filter / filtro antibatterico, antiodori e anti-allergeni	CUEA	190	258	06/15 >					34.292.00
3.0 TDI Quattro	CVMD	183	249	06/15 >		25.180.00	26.130.00	30.B15.00	
with activated carbons / ai carboni attivi	CVMD	183	249	06/15 >					54.292.00
antibacterial, anti-odour and anti-allergen filter / filtro antibatterico, antiodori e anti-allergeni	CVMD	183	249	06/15 >					34.292.00
3.0 TDI Quattro	CVZA	190	258	06/15 >		25.180.00	26.129.00	30.B15.00	
with activated carbons / ai carboni attivi	CVZA	190	258	06/15 >					54.292.00
antibacterial, anti-odour and anti-allergen filter / filtro antibatterico, antiodori e anti-allergeni	CVZA	190	258	06/15 >					34.292.00
3.0 TDI Quattro	CZZA	160	218	06/15 >		25.180.00	26.129.00	30.B15.00	
with activated carbons / ai carboni attivi	CZZA	160	218	06/15 >					54.292.00
antibacterial, anti-odour and anti-allergen filter / filtro antibatterico, antiodori e anti-allergeni	CZZA	160	218	06/15 >					34.292.00
3.0 TDI Quattro	CZZB	160	218	06/15 >		25.180.00	26.129.00	30.B15.00	
with activated carbons / ai carboni attivi	CZZB	160	218	06/15 >					54.292.00
antibacterial, anti-odour and anti-allergen filter / filtro antibatterico, antiodori e anti-allergeni	CZZB	160	218	06/15 >					34.292.00
3.0 TFSI e	DCBE	250	340	11/19 >					54.292.00
antibacterial, anti-odour and anti-allergen filter / filtro antibatterico, antiodori e anti-allergeni	DCBE	250	340	11/19 >					34.292.00
3.0 TFSI Mild Hybrid	DCBD	250	340	07/19 >					54.292.00
antibacterial, anti-odour and anti-allergen filter / filtro antibatterico, antiodori e anti-allergeni	DCBD	250	340	07/19 >					34.292.00
3.0 TFSI Quattro	CREC	245	333	01/15 >		25.247.00		30.B15.00	
with activated carbons / ai carboni attivi	CREC	245	333	01/15 >					54.292.00
antibacterial, anti-odour and anti-allergen filter / filtro antibatterico, antiodori e anti-allergeni	CREC	245	333	01/15 >					34.292.00
Q8 (4M)									
45 TDI 3.0 quattro	DHXC	170	231	07/18 >		25.180.00	26.129.00	30.B15.00	54.292.00
with connection for water suction / con collegamento per aspirazione acqua	DHXC	170	231	07/18 >			26.130.00		
antibacterial, anti-odour and anti-allergen filter / filtro antibatterico, antiodori e anti-allergeni	DHXC	170	231	07/18 >					34.292.00
50 TDI 3.0 quattro	DHXA	210	286	07/18 >		25.180.00	26.129.00	30.B15.00	54.292.00
with connection for water suction / con collegamento per aspirazione acqua	DHXA	210	286	07/18 >			26.130.00		
antibacterial, anti-odour and anti-allergen filter / filtro antibatterico, antiodori e anti-allergeni	DHXA	210	286	07/18 >					34.292.00
55 TFSI 3.0 quattro	DCBD	320	435	07/18 >					54.292.00
antibacterial, anti-odour and anti-allergen filter / filtro antibatterico, antiodori e anti-allergeni	DCBD	320	435	07/18 >					34.292.00
R8 (420)									
4.2 FSI	CNDA	316	430	07/10 >	10/12	25.143.00	31.831.00		54.153.00
	CNDA	316	430	11/12 >		25.143.00	31.919.00		54.153.00
antibacterial, anti-odour and anti-allergen filter / filtro antibatterico, antiodori e anti-allergeni	CNDA	316	430	07/10 >					34.153.00
4.2 Quattro	BYH	309	420	03/07 >	09/10	25.143.00	31.831.00		54.153.00
antibacterial, anti-odour and anti-allergen filter / filtro antibatterico, antiodori e anti-allergeni	BYH	309	420	03/07 >	09/10				34.153.00
5.2 FSI Quattro	BUJ	386	525	04/09 >	07/12	25.143.00	31.831.00		54.153.00
antibacterial, anti-odour and anti-allergen filter / filtro antibatterico, antiodori e anti-allergeni	BUJ	386	525	04/09 >	07/12				34.153.00

...AUDI - cars/auto

5.2 FSI Quattro	CTYA	386 525	07/12 > 10/12	25.143.00	31.831.00		54.153.00
	CTYA	386 525	11/12 >	25.143.00	31.919.00		54.153.00
	antibacterial, anti-odour and anti-allergen filter / filtro antibatterico, antiodori e anti-allergeni	CTYA	386 525	07/12 >			
R8 (4S)							
5.2 FSI plus quattro	CSPB	449 610	08/15 >	25.143.00			
5.2 FSI quattro	CSPA	397 540	08/15 >	25.143.00			
RS3 (8P)							
2.5 TFSI Quattro	CEPA	250 340	03/11 >	25.040.00	31.840.00	30.303.00	53.148.00
	with air-conditioner and R.H.D. / con climatizzatore e guida a destra	CEPA	250 340	03/11 >			54.376.00
	with air-conditioner and L.H.D. / con climatizzatore e guida a sinistra	CEPA	250 340	03/11 >			54.124.00
	antibacterial, anti-odour and anti-allergen filter with air-conditioner and L.H.D. / filtro antibatterico, antiodori e anti-allergeni con climatizzatore e guida a sinistra	CEPA	250 340	03/11 >			34.124.00
	for cold countries / per paesi freddi	CEPA	250 340	03/11 >			30.A35.00
RS3 (8V)							
2.5 TFSI Quattro	CZGB	270 367	03/15 >	25.040.00		30.661.00	53.298.00
	with automatic air-conditioner / con climatizzatore automatico	CZGB	270 367	03/15 >			54.219.00
	antibacterial, anti-odour and anti-allergen filter with automatic air-conditioner / filtro antibatterico, antiodori e anti-allergeni con climatizzatore automatico	CZGB	270 367	03/15 >			34.219.00
	for cold countries / per paesi freddi	CZGB	270 367	03/15 >			30.662.00
2.5 TFSI Quattro	DAZA	294 400	03/17 >	25.040.00		30.661.00	53.298.00
	with automatic air-conditioner / con climatizzatore automatico	DAZA	294 400	03/17 >			54.219.00
	antibacterial, anti-odour and anti-allergen filter with automatic air-conditioner / filtro antibatterico, antiodori e anti-allergeni con climatizzatore automatico	DAZA	294 400	03/17 >			34.219.00
	for cold countries / per paesi freddi	DAZA	294 400	03/17 >			30.662.00
RS4							
2.7 Quattro	ASJ/AZR	280 380	06/00 > 07/01	23.436.00	31.748.00	30.192.00	53.013.00
	with activated carbons / ai carboni attivi	ASJ/AZR	280 380	06/00 > 07/01			54.195.00
	antibacterial, anti-odour and anti-allergen filter / filtro antibatterico, antiodori e anti-allergeni	ASJ/AZR	280 380	06/00 > 07/01			34.195.00
4.2 TFSI	CFSA	331 450	05/12 >	25.143.00			53.153.00
	with activated carbons / ai carboni attivi	CFSA	331 450	05/12 >			54.168.00
	antibacterial, anti-odour and anti-allergen filter / filtro antibatterico, antiodori e anti-allergeni	CFSA	331 450	05/12 >			34.168.00
4.2 V8 Quattro	BNS	309 420	11/05 > 12/08	25.143.00	31.831.00		53.032.00
	with activated carbons / ai carboni attivi	BNS	309 420	11/05 > 12/08		31.831.00	54.101.00
	antibacterial, anti-odour and anti-allergen filter / filtro antibatterico, antiodori e anti-allergeni	BNS	309 420	11/05 > 12/08			34.101.00
RS5							
4.2 TFSI	CFSA	331 450	03/10 >	25.143.00			53.153.00
	with activated carbons / ai carboni attivi	CFSA	331 450	03/10 >			54.168.00
	antibacterial, anti-odour and anti-allergen filter / filtro antibatterico, antiodori e anti-allergeni	CFSA	331 450	03/10 >			34.168.00
RS6							
4.0 TFSI	CRDB	412 560	01/13 >	25.090.00			54.222.00
	antibacterial, anti-odour and anti-allergen filter / filtro antibatterico, antiodori e anti-allergeni	CRDB	412 560	01/13 >			34.222.00
4.0 V8 Mild Hybrid Quattro	DJPB	441 600	09/19 >				53.324.00
	with activated carbons / ai carboni attivi	DJPB	441 600	09/19 >			54.292.00
	antibacterial, anti-odour and anti-allergen filter / filtro antibatterico, antiodori e anti-allergeni	DJPB	441 600	09/19 >			34.292.00
4.2 V8 Plus Quattro	BRV	352 480	04/04 > 10/04	23.436.00	31.510.00		54.101.00
	antibacterial, anti-odour and anti-allergen filter / filtro antibatterico, antiodori e anti-allergeni	BRV	352 480	04/04 > 10/04			34.101.00
4.2 V8 Quattro	BCY	331 450	07/02 > 01/05	23.436.00	31.510.00		54.101.00
	antibacterial, anti-odour and anti-allergen filter / filtro antibatterico, antiodori e anti-allergeni	BCY	331 450	07/02 > 01/05			34.101.00
5.0 V10	BUH	426 580	04/08 > 12/10	25.143.00	31.831.00		54.153.00
	antibacterial, anti-odour and anti-allergen filter / filtro antibatterico, antiodori e anti-allergeni	BUH	426 580	04/08 > 12/10			34.153.00
RS7 (4GA/4GF)							
4.0 TFSI	CRDB/CWUB	412 560	08/13 >	25.090.00			54.222.00
	antibacterial, anti-odour and anti-allergen filter / filtro antibatterico, antiodori e anti-allergeni	CRDB/CWUB	412 560	08/13 >			34.222.00
RSQ3 (8U)							
2.5 TFSI Quattro	CZGB	270 367	01/15 > 10/18	25.040.00		30.661.00	
	with automatic air-conditioner and R.H.D. / con climatizzatore automatico e guida a destra	CZGB	270 367	01/15 > 10/18			54.376.00
	with automatic air-conditioner and L.H.D. / con climatizzatore automatico e guida a sinistra	CZGB	270 367	01/15 > 10/18			54.124.00
	with L.H.D. / con guida a sinistra	CZGB	270 367	01/15 > 10/18			53.148.00
	antibacterial, anti-odour and anti-allergen filter with L.H.D. / filtro antibatterico, antiodori e anti-allergeni con guida a sinistra	CZGB	270 367	01/15 > 10/18			34.124.00
	for cold countries / per paesi freddi	CZGB	270 367	01/15 > 10/18			30.662.00
RSQ3 (F3)							
2.5 TFSI Quattro	DNWA	294 400	10/19 >	25.040.00		30.661.00	53.298.00
	with automatic air-conditioner / con climatizzatore automatico	DNWA	294 400	10/19 >			54.219.00
	antibacterial, anti-odour and anti-allergen filter with automatic air-conditioner / filtro antibatterico, antiodori e anti-allergeni con climatizzatore automatico	DNWA	294 400	10/19 >			34.219.00
	for cold countries / per paesi freddi	DNWA	294 400	10/19 >			30.662.00
S1 (8X)							
1.4 TFSI	CAVG	136 185	01/11 > 04/15	23.573.00	31.840.00	27.621.00	54.199.00
1.4 TFSI	CTHG	136 185	11/11 > 04/15	23.573.00	31.840.00	27.621.00	54.199.00
2.0 TFSI Quattro	CWZA	170 231	01/14 > 10/18	25.153.00	31.840.00	30.508.00	54.199.00
S3 (8L)							

...AUDI - cars/auto

1.8 i T Quattro	AMK	154 210	08/98 > 09/01	23.436.00	31.718.00	30.077.00	54.109.00
antibacterial, anti-odour and anti-allergen filter / filtro antibatterico, antiodori e anti-allergeni for cold countries / per paesi freddi	AMK	154 210	08/98 > 09/01			30.364.00	34.109.00
1.8 i T Quattro	APY	154 210	08/98 > 09/01	23.436.00	31.718.00	30.077.00	54.109.00
antibacterial, anti-odour and anti-allergen filter / filtro antibatterico, antiodori e anti-allergeni for cold countries / per paesi freddi	APY	154 210	08/98 > 09/01			30.364.00	34.109.00
1.8 i T Quattro	BAM	165 225	09/01 > 03/03	23.436.00	31.718.00	30.077.00	54.109.00
antibacterial, anti-odour and anti-allergen filter / filtro antibatterico, antiodori e anti-allergeni for cold countries / per paesi freddi	BAM	165 225	09/01 > 03/03			30.364.00	34.109.00
S3 (8P)							
2.0 TFSI	BHZ	195 265	11/06 > 06/08	25.040.00	31.840.00	30.657.00	53.148.00
with air-conditioner and R.H.D. / con climatizzatore e guida a destra	BHZ	195 265	11/06 > 06/08				54.376.00
with air-conditioner and L.H.D. / con climatizzatore e guida a sinistra	BHZ	195 265	11/06 > 06/08				54.124.00
antibacterial, anti-odour and anti-allergen filter with air-conditioner and L.H.D. / filtro antibatterico, antiodori e anti-allergeni con climatizzatore e guida a sinistra	BHZ	195 265	11/06 > 06/08				34.124.00
2.0 TFSI	BZC	188 256	02/07 > 06/08	25.040.00	31.840.00	30.657.00	53.148.00
with air-conditioner and R.H.D. / con climatizzatore e guida a destra	BZC	188 256	02/07 > 06/08				54.376.00
with air-conditioner and L.H.D. / con climatizzatore e guida a sinistra	BZC	188 256	02/07 > 06/08				54.124.00
antibacterial, anti-odour and anti-allergen filter with air-conditioner and L.H.D. / filtro antibatterico, antiodori e anti-allergeni con climatizzatore e guida a sinistra	BZC	188 256	02/07 > 06/08				34.124.00
2.0 TFSI	CDLA	195 265	07/08 > 03/13	25.040.00	31.840.00	30.657.00	53.148.00
with air-conditioner and R.H.D. / con climatizzatore e guida a destra	CDLA	195 265	07/08 > 03/13				54.376.00
with air-conditioner and L.H.D. / con climatizzatore e guida a sinistra	CDLA	195 265	07/08 > 03/13				54.124.00
antibacterial, anti-odour and anti-allergen filter with air-conditioner and L.H.D. / filtro antibatterico, antiodori e anti-allergeni con climatizzatore e guida a sinistra	CDLA	195 265	07/08 > 03/13				34.124.00
2.0 TFSI	CDLC	188 256	07/08 > 03/13	25.040.00	31.840.00	30.657.00	53.148.00
with air-conditioner and R.H.D. / con climatizzatore e guida a destra	CDLC	188 256	07/08 > 03/13				54.376.00
with air-conditioner and L.H.D. / con climatizzatore e guida a sinistra	CDLC	188 256	07/08 > 03/13				54.124.00
antibacterial, anti-odour and anti-allergen filter with air-conditioner and L.H.D. / filtro antibatterico, antiodori e anti-allergeni con climatizzatore e guida a sinistra	CDLC	188 256	07/08 > 03/13				34.124.00
S3 (8V)							
2.0 TFSI Quattro	CJXB	206 280	02/13 > 05/14	25.153.00		30.532.00	53.298.00
with automatic air-conditioner / con climatizzatore automatico	CJXB	206 280	02/13 > 05/14				54.219.00
antibacterial, anti-odour and anti-allergen filter with automatic air-conditioner / filtro antibatterico, antiodori e anti-allergeni con climatizzatore automatico	CJXB	206 280	02/13 > 05/14				34.219.00
for cold countries / per paesi freddi	CJXB	206 280	02/13 > 05/14			30.587.00	
2.0 TFSI Quattro	CJXC	221 300	11/12 >	25.153.00		30.532.00	53.298.00
with automatic air-conditioner / con climatizzatore automatico	CJXC	221 300	11/12 >				54.219.00
antibacterial, anti-odour and anti-allergen filter with automatic air-conditioner / filtro antibatterico, antiodori e anti-allergeni con climatizzatore automatico	CJXC	221 300	11/12 >				34.219.00
for cold countries / per paesi freddi	CJXC	221 300	11/12 >			30.587.00	
2.0 TFSI Quattro	CJXD	213 290	05/16 >	25.153.00		30.532.00	53.298.00
with automatic air-conditioner / con climatizzatore automatico	CJXD	213 290	05/16 >				54.219.00
antibacterial, anti-odour and anti-allergen filter with automatic air-conditioner / filtro antibatterico, antiodori e anti-allergeni con climatizzatore automatico	CJXD	213 290	05/16 >				34.219.00
for cold countries / per paesi freddi	CJXD	213 290	05/16 >			30.587.00	
2.0 TFSI Quattro	CJXF	210 286	05/14 >	25.153.00		30.532.00	53.298.00
with automatic air-conditioner / con climatizzatore automatico	CJXF	210 286	05/14 >				54.219.00
antibacterial, anti-odour and anti-allergen filter with automatic air-conditioner / filtro antibatterico, antiodori e anti-allergeni con climatizzatore automatico	CJXF	210 286	05/14 >				34.219.00
for cold countries / per paesi freddi	CJXF	210 286	05/14 >			30.587.00	
2.0 TFSI Quattro	CJXG	228 310	05/16 >	25.153.00		30.532.00	53.298.00
with automatic air-conditioner / con climatizzatore automatico	CJXG	228 310	05/16 >				54.219.00
antibacterial, anti-odour and anti-allergen filter with automatic air-conditioner / filtro antibatterico, antiodori e anti-allergeni con climatizzatore automatico	CJXG	228 310	05/16 >				34.219.00
for cold countries / per paesi freddi	CJXG	228 310	05/16 >			30.587.00	
2.0 TFSI Quattro	CYFB	215 292	05/16 >	25.153.00		30.532.00	53.298.00
with automatic air-conditioner / con climatizzatore automatico	CYFB	215 292	05/16 >				54.219.00
antibacterial, anti-odour and anti-allergen filter with automatic air-conditioner / filtro antibatterico, antiodori e anti-allergeni con climatizzatore automatico	CYFB	215 292	05/16 >				34.219.00
for cold countries / per paesi freddi	CYFB	215 292	05/16 >			30.587.00	
2.0 TFSI Quattro	DJHA	228 310	05/16 >	25.153.00		30.532.00	53.298.00
with automatic air-conditioner / con climatizzatore automatico	DJHA	228 310	05/16 >				54.219.00
antibacterial, anti-odour and anti-allergen filter with automatic air-conditioner / filtro antibatterico, antiodori e anti-allergeni con climatizzatore automatico	DJHA	228 310	05/16 >				34.219.00
for cold countries / per paesi freddi	DJHA	228 310	05/16 >			30.587.00	
2.0 TFSI Quattro	DJHB	213 290	05/16 >	25.153.00		30.532.00	53.298.00
with automatic air-conditioner / con climatizzatore automatico	DJHB	213 290	05/16 >				54.219.00
antibacterial, anti-odour and anti-allergen filter with automatic air-conditioner / filtro antibatterico, antiodori e anti-allergeni con climatizzatore automatico	DJHB	213 290	05/16 >				34.219.00
for cold countries / per paesi freddi	DJHB	213 290	05/16 >			30.587.00	
S4							
2.7 i V6 30V	AGB	195 265	01/97 > 09/01	23.465.00	31.748.00	30.192.00	53.013.00
with activated carbons / ai carboni attivi	AGB	195 265	01/97 > 09/01				54.195.00
antibacterial, anti-odour and anti-allergen filter / filtro antibatterico, antiodori e anti-allergeni	AGB	195 265	01/97 > 09/01				34.195.00
4.2 i V8 Quattro	BBK	253 344	12/02 > 12/08	25.257.00	31.718.00		53.032.00
with activated carbons / ai carboni attivi	BBK	253 344	12/02 > 12/08		31.718.00		54.101.00
antibacterial, anti-odour and anti-allergen filter / filtro antibatterico, antiodori e anti-allergeni	BBK	253 344	12/02 > 12/08				34.101.00
S4 (8K)							

...AUDI - cars/auto

A



3.0 TFSI	CAKA	245	333	12/08	>	03/12	25.080.00		27.692.00	53.153.00
with activated carbons / ai carboni attivi	CAKA	245	333	12/08	>	03/12				54.168.00
antibacterial, anti-odour and anti-allergen filter / filtro antibatterico, antiodori e anti-allergeni	CAKA	245	333	12/08	>	03/12				34.168.00
3.0 TFSI Quattro	CCBA	245	333	05/09	>	03/12	25.080.00		27.692.00	53.153.00
with activated carbons / ai carboni attivi	CCBA	245	333	05/09	>	03/12				54.168.00
antibacterial, anti-odour and anti-allergen filter / filtro antibatterico, antiodori e anti-allergeni	CCBA	245	333	05/09	>	03/12				34.168.00
3.0 TFSI Quattro	CGWC	245	333	11/11	>		25.080.00		27.692.00	53.153.00
with activated carbons / ai carboni attivi	CGWC	245	333	11/11	>					54.168.00
antibacterial, anti-odour and anti-allergen filter / filtro antibatterico, antiodori e anti-allergeni	CGWC	245	333	11/11	>					34.168.00
3.0 TFSI Quattro	CGXC	245	333	01/12	>		25.080.00		27.692.00	53.153.00
with activated carbons / ai carboni attivi	CGXC	245	333	01/12	>					54.168.00
antibacterial, anti-odour and anti-allergen filter / filtro antibatterico, antiodori e anti-allergeni	CGXC	245	333	01/12	>					34.168.00
3.0 TFSI Quattro	CTUB	245	333	05/13	>	12/15	25.080.00		27.692.00	53.153.00
with activated carbons / ai carboni attivi	CTUB	245	333	05/13	>	12/15				54.168.00
antibacterial, anti-odour and anti-allergen filter / filtro antibatterico, antiodori e anti-allergeni	CTUB	245	333	05/13	>	12/15				34.168.00
S4 (B9)										
3.0 S4 Quattro TDi Mild Hybrid	DEWB	255	347	12/18	>				27.G31.00	53.324.00
with activated carbons / ai carboni attivi	DEWB	255	347	12/18	>					54.292.00
antibacterial, anti-odour and anti-allergen filter / filtro antibatterico, antiodori e anti-allergeni	DEWB	255	347	12/18	>					34.292.00
3.0 S4 Quattro TFSI	CWGD	260	354	05/16	>	10/19			27.G31.00	53.324.00
with activated carbons / ai carboni attivi	CWGD	260	354	05/16	>	10/19				54.292.00
antibacterial, anti-odour and anti-allergen filter / filtro antibatterico, antiodori e anti-allergeni	CWGD	260	354	05/16	>	10/19				34.292.00
S4 Avant										
2.7 i V6 30V	AGB	195	265	01/97	>	09/01	23.465.00	31.748.00	30.192.00	53.013.00
with activated carbons / ai carboni attivi	AGB	195	265	01/97	>	09/01				54.195.00
antibacterial, anti-odour and anti-allergen filter / filtro antibatterico, antiodori e anti-allergeni	AGB	195	265	01/97	>	09/01				34.195.00
4.2 i V8 Quattro	BBK	253	344	12/02	>	12/08		31.718.00		53.032.00
with activated carbons / ai carboni attivi	BBK	253	344	12/02	>	12/08		31.718.00		54.101.00
antibacterial, anti-odour and anti-allergen filter / filtro antibatterico, antiodori e anti-allergeni	BBK	253	344	12/02	>	12/08				34.101.00
S4 Cabrio										
4.2 i V8 Quattro	BBK	253	344	12/02	>	12/08		31.718.00		53.032.00
with activated carbons / ai carboni attivi	BBK	253	344	12/02	>	12/08		31.718.00		54.101.00
antibacterial, anti-odour and anti-allergen filter / filtro antibatterico, antiodori e anti-allergeni	BBK	253	344	12/02	>	12/08				34.101.00
S5 (8T)										
4.2 V8 Quattro	CAUA	260	354	06/07	>	03/12	25.143.00		27.692.00	53.153.00
with activated carbons / ai carboni attivi	CAUA	260	354	06/07	>	03/12				54.168.00
antibacterial, anti-odour and anti-allergen filter / filtro antibatterico, antiodori e anti-allergeni	CAUA	260	354	06/07	>	03/12				34.168.00
S5 (F5)										
3.0 S5 Quattro TDi Mild Hybrid	DEWB	255	347	12/18	>			31.946.00	27.G31.00	53.324.00
with activated carbons / ai carboni attivi	DEWB	255	347	12/18	>					54.292.00
antibacterial, anti-odour and anti-allergen filter / filtro antibatterico, antiodori e anti-allergeni	DEWB	255	347	12/18	>					34.292.00
3.0 S5 Quattro TFSI	CWGD	260	354	07/16	>				27.G31.00	53.324.00
with activated carbons / ai carboni attivi	CWGD	260	354	07/16	>					54.292.00
antibacterial, anti-odour and anti-allergen filter / filtro antibatterico, antiodori e anti-allergeni	CWGD	260	354	07/16	>					34.292.00
3.0 S5 Sportback Quattro TDi Mild Hybrid	DEWB	255	347	12/18	>			31.946.00	27.G31.00	53.324.00
with activated carbons / ai carboni attivi	DEWB	255	347	12/18	>					54.292.00
antibacterial, anti-odour and anti-allergen filter / filtro antibatterico, antiodori e anti-allergeni	DEWB	255	347	12/18	>					34.292.00
3.0 S5 Sportback Quattro TFSI	CWGD	260	354	09/16	>				27.G31.00	53.324.00
with activated carbons / ai carboni attivi	CWGD	260	354	09/16	>					54.292.00
antibacterial, anti-odour and anti-allergen filter / filtro antibatterico, antiodori e anti-allergeni	CWGD	260	354	09/16	>					34.292.00
3.0 TFSI	CWGD	260	353	07/16	>				27.G31.00	53.324.00
S6										
4.0 V8 TFSI Quattro	CEUC	309	420	04/12	>		25.090.00		27.A48.00	54.222.00
antibacterial, anti-odour and anti-allergen filter / filtro antibatterico, antiodori e anti-allergeni	CEUC	309	420	04/12	>					34.222.00
4.0 V8 TFSI Quattro	CTGE	331	450	09/14	>		25.090.00		27.A48.00	54.222.00
antibacterial, anti-odour and anti-allergen filter / filtro antibatterico, antiodori e anti-allergeni	CTGE	331	450	09/14	>					34.222.00
4.2 V8 Quattro Tiptronic	ANK/AQJ	250	340	07/99	>	05/05	23.464.00	31.748.00	30.192.00	54.101.00
antibacterial, anti-odour and anti-allergen filter / filtro antibatterico, antiodori e anti-allergeni	ANK/AQJ	250	340	07/99	>	05/05				34.101.00
5.2 V10 Quattro Tiptronic										
with automatic air-conditioner / con climatizzatore automatico	BXA	320	435	03/06	>	08/11	25.143.00	31.830.00		54.153.00
antibacterial, anti-odour and anti-allergen filter with automatic air-conditioner / filtro antibatterico, antiodori e anti-allergeni con climatizzatore automatico	BXA	320	435	03/06	>	08/11				34.153.00
S6 Avant										
4.0 V8 TFSI Quattro	CEUC	309	420	04/12	>		25.090.00		27.A48.00	54.222.00
antibacterial, anti-odour and anti-allergen filter / filtro antibatterico, antiodori e anti-allergeni	CEUC	309	420	04/12	>					34.222.00
4.0 V8 TFSI Quattro	CTGE	331	450	09/14	>		25.090.00		27.A48.00	54.222.00
antibacterial, anti-odour and anti-allergen filter / filtro antibatterico, antiodori e anti-allergeni	CTGE	331	450	09/14	>					34.222.00
4.2 V8 Quattro Tiptronic	ANK/AQJ	250	340	07/99	>		23.464.00	31.748.00	30.192.00	54.101.00

...AUDI - cars/auto

antibacterial, anti-odour and anti-allergen filter / filtro antibatterico, antiodori e anti-allergeni	ANK/AQJ	250	340	07/99	>				34.101.00	
5.2 V10 Quattro Tiptronic	BXA	320	435	06/06	>			31.830.00	54.153.00	
antibacterial, anti-odour and anti-allergen filter / filtro antibatterico, antiodori e anti-allergeni	BXA	320	435	06/06	>				34.153.00	
S7 SPB (4GA/4GF)										
4.0 V8 TFSI Quattro	CEUC	309	420	04/12	>	25.090.00			27.A48.00	54.222.00
antibacterial, anti-odour and anti-allergen filter / filtro antibatterico, antiodori e anti-allergeni	CEUC	309	420	04/12	>					34.222.00
4.0 V8 TFSI Quattro	CTGE	331	450	05/14	>	25.090.00			27.A48.00	54.222.00
antibacterial, anti-odour and anti-allergen filter / filtro antibatterico, antiodori e anti-allergeni	CTGE	331	450	05/14	>					34.222.00
S8										
4.0 TFSI quattro	CGTA	382	520	04/12	>	04/14	25.090.00			54.222.00
antibacterial, anti-odour and anti-allergen filter / filtro antibatterico, antiodori e anti-allergeni	CGTA	382	520	04/12	>	04/14				34.222.00
4.0 TFSI quattro	CTFA	382	520	11/13	>		25.090.00			54.222.00
antibacterial, anti-odour and anti-allergen filter / filtro antibatterico, antiodori e anti-allergeni	CTFA	382	520	11/13	>					34.222.00
4.2 V8 quattro	AHC/AKH	250	340	07/96	>	09/02	25.607.00	31.748.00	30.100.00	53.009.00
with activated carbons / ai carboni attivi	AHC/AKH	250	340	07/96	>	09/02	25.607.00	31.748.00	30.100.00	54.110.00
4.2 V8 quattro	AQH/AVP	265	360	05/99	>	09/02	25.010.00	31.748.00	30.100.00	53.009.00
with activated carbons / ai carboni attivi	AQH/AVP	265	360	05/99	>	09/02	25.010.00	31.748.00	30.100.00	54.110.00
5.2 V10 quattro	BSM	331	450	06/06	>	03/10	25.143.00	31.831.00		
SQ5 (8R)										
3.0 TDI quattro	CGQB	230	313	12/12	>	05/15	25.141.00	31.950.00	27.693.00	53.153.00
with activated carbons / ai carboni attivi	CGQB	230	313	12/12	>	05/15				54.168.00
antibacterial, anti-odour and anti-allergen filter / filtro antibatterico, antiodori e anti-allergeni	CGQB	230	313	12/12	>	05/15				34.168.00
3.0 TDI quattro	CVUB	240	326	05/15	>		25.141.00	31.950.00	27.693.00	53.153.00
with activated carbons / ai carboni attivi	CVUB	240	326	05/15	>					54.168.00
antibacterial, anti-odour and anti-allergen filter / filtro antibatterico, antiodori e anti-allergeni	CVUB	240	326	05/15	>					34.168.00
3.0 TFSI quattro	CTUD/CTXA	260	354	05/13	>		25.080.00		27.692.00	53.153.00
with activated carbons / ai carboni attivi	CTUD/CTXA	260	354	05/13	>					54.168.00
antibacterial, anti-odour and anti-allergen filter / filtro antibatterico, antiodori e anti-allergeni	CTUD/CTXA	260	354	05/13	>					34.168.00
SQ5 II (FY)										
3.0 TDi Mild Hybrid	DEWB	255	347	02/19	>	11/20		31.920.00	27.G31.00	53.324.00
antibacterial, anti-odour and anti-allergen filter / filtro antibatterico, antiodori e anti-allergeni	DEWB	255	347	02/19	>	11/20				34.292.00
3.0 TFSI quattro tiptronic	CWGD	260	355	11/16	>				27.G31.00	53.324.00
with activated carbons / ai carboni attivi	CWGD	260	355	11/16	>					54.292.00
antibacterial, anti-odour and anti-allergen filter / filtro antibatterico, antiodori e anti-allergeni	CWGD	260	355	11/16	>					34.292.00
SQ7 (4M)										
4.0 TDI Quattro	CZAC	320	435	04/16	>			26.129.00		
with activated carbons / ai carboni attivi	CZAC	320	435	04/16	>					54.292.00
antibacterial, anti-odour and anti-allergen filter / filtro antibatterico, antiodori e anti-allergeni	CZAC	320	435	04/16	>					34.292.00
4.0 TDI Quattro	DCDB	310	421	07/16	>			26.130.00		
with activated carbons / ai carboni attivi	DCDB	310	421	07/16	>					54.292.00
antibacterial, anti-odour and anti-allergen filter / filtro antibatterico, antiodori e anti-allergeni	DCDB	310	421	07/16	>					34.292.00
SQ8 (4M)										
4.0 TDI Quattro	DHVA	320	435	05/18	>		25.180.00	26.129.00	30.B15.00	54.292.00
with connection for water suction / con collegamento per aspirazione acqua	DHVA	320	435	05/18	>			26.130.00		
antibacterial, anti-odour and anti-allergen filter / filtro antibatterico, antiodori e anti-allergeni	DHVA	320	435	05/18	>					34.292.00
TT (8J)										
1.8 TFSI										
with R.H.D. / con guida a destra	CDAA	118	160	06/08	>	06/14				54.376.00
with L.H.D. / con guida a sinistra	CDAA	118	160	06/08	>	06/14	23.493.00	31.840.00	30.187.00	54.124.00
antibacterial, anti-odour and anti-allergen filter with L.H.D. / filtro antibatterico, antiodori e anti-allergeni con guida a sinistra	CDAA	118	160	06/08	>	06/14				34.124.00
for cold countries / per paesi freddi	CDAA	118	160	06/08	>	06/14			30.370.00	
2.0 TDI Quattro										
with R.H.D. / con guida a destra	CBBB	125	170	06/08	>	06/10				54.376.00
with L.H.D. / con guida a sinistra	CBBB	125	170	06/08	>	06/10	25.023.00	26.007.00	30.187.00	54.124.00
antibacterial, anti-odour and anti-allergen filter with L.H.D. / filtro antibatterico, antiodori e anti-allergeni con guida a sinistra	CBBB	125	170	06/08	>	06/10				34.124.00
for cold countries / per paesi freddi	CBBB	125	170	06/08	>	06/10			30.370.00	
2.0 TDI Quattro										
with R.H.D. / con guida a destra	CFGB	125	170	05/10	>	06/14				54.376.00
with L.H.D. / con guida a sinistra	CFGB	125	170	05/10	>	06/14	25.106.00	26.007.00	30.187.00	54.124.00
antibacterial, anti-odour and anti-allergen filter with L.H.D. / filtro antibatterico, antiodori e anti-allergeni con guida a sinistra	CFGB	125	170	05/10	>	06/14				34.124.00
for cold countries / per paesi freddi	CFGB	125	170	05/10	>	06/14			30.370.00	
2.0 TFSI										
with R.H.D. / con guida a destra	BPY	147	200	08/06	>	06/10				54.376.00
with L.H.D. / con guida a sinistra	BPY	147	200	08/06	>	06/10	25.040.00	31.840.00	30.315.00	54.124.00
antibacterial, anti-odour and anti-allergen filter with L.H.D. / filtro antibatterico, antiodori e anti-allergeni con guida a sinistra	BPY	147	200	08/06	>	06/10				34.124.00
2.0 TFSI										
with R.H.D. / con guida a destra	BWA	147	200	08/06	>	06/10				54.376.00

...AUDI - cars/auto

A

with L.H.D. / con guida a sinistra	BWA	147	200	08/06	>	06/10	25.040.00	31.840.00	30.315.00	54.124.00
antibacterial, anti-odour and anti-allergen filter with L.H.D. / filtro antibatterico, antiodori e anti-allergeni con guida a sinistra	BWA	147	200	08/06	>	06/10				34.124.00
2.0 TFSI										
with R.H.D. / con guida a destra	CCZA	147	200	06/08	>	06/10				54.376.00
with L.H.D. / con guida a sinistra	CCZA	147	200	06/08	>	06/10	23.493.00	31.840.00	30.187.00	54.124.00
antibacterial, anti-odour and anti-allergen filter with L.H.D. / filtro antibatterico, antiodori e anti-allergeni con guida a sinistra	CCZA	147	200	06/08	>	06/10				34.124.00
for cold countries / per paesi freddi	CCZA	147	200	06/08	>	06/10			30.370.00	
2.0 TFSI										
with R.H.D. / con guida a destra	CDLA/CDMA	195	265	05/08	>	06/14				54.376.00
with L.H.D. / con guida a sinistra	CDLA/CDMA	195	265	05/08	>	06/14	25.040.00	31.840.00	30.303.00	54.124.00
antibacterial, anti-odour and anti-allergen filter with L.H.D. / filtro antibatterico, antiodori e anti-allergeni con guida a sinistra	CDLA/CDMA	195	265	05/08	>	06/14				34.124.00
2.0 TFSI										
with R.H.D. / con guida a destra	CESA	155	211	05/10	>	06/14				54.376.00
with L.H.D. / con guida a sinistra	CESA	155	211	05/10	>	06/14	23.493.00	31.840.00	30.187.00	54.124.00
antibacterial, anti-odour and anti-allergen filter with L.H.D. / filtro antibatterico, antiodori e anti-allergeni con guida a sinistra	CESA	155	211	05/10	>	06/14				34.124.00
for cold countries / per paesi freddi	CESA	155	211	05/10	>	06/14			30.370.00	
2.0 TFSI										
with R.H.D. / con guida a destra	CETA	155	211	05/10	>	06/14				54.376.00
with L.H.D. / con guida a sinistra	CETA	155	211	05/10	>	06/14	23.493.00	31.840.00	30.187.00	54.124.00
antibacterial, anti-odour and anti-allergen filter with L.H.D. / filtro antibatterico, antiodori e anti-allergeni con guida a sinistra	CETA	155	211	05/10	>	06/14				34.124.00
for cold countries / per paesi freddi	CETA	155	211	05/10	>	06/14			30.370.00	
2.0 TFSI Quattro										
with R.H.D. / con guida a destra	CCZA	147	200	06/08	>	06/10				54.376.00
with L.H.D. / con guida a sinistra	CCZA	147	200	06/08	>	06/10	23.493.00	31.840.00	30.187.00	54.124.00
antibacterial, anti-odour and anti-allergen filter with L.H.D. / filtro antibatterico, antiodori e anti-allergeni con guida a sinistra	CCZA	147	200	06/08	>	06/10				34.124.00
for cold countries / per paesi freddi	CCZA	147	200	06/08	>	06/10			30.370.00	
3.2 V6 Quattro										
with R.H.D. / con guida a destra	BUB	184	250	08/06	>	06/10				54.376.00
with L.H.D. / con guida a sinistra	BUB	184	250	08/06	>	06/10	25.023.00	31.833.00	30.303.00	54.124.00
antibacterial, anti-odour and anti-allergen filter with L.H.D. / filtro antibatterico, antiodori e anti-allergeni con guida a sinistra	BUB	184	250	08/06	>	06/10				34.124.00
for cold countries / per paesi freddi	BUB	184	250	08/06	>	06/10			30.A35.00	
TT (FV)										
1.8 TFSI	CJSA	132	180	08/15	>		25.153.00		30.532.00	53.298.00
with automatic air-conditioner / con climatizzatore automatico	CJSA	132	180	08/15	>					54.219.00
antibacterial, anti-odour and anti-allergen filter with automatic air-conditioner / filtro antibatterico, antiodori e anti-allergeni con climatizzatore automatico	CJSA	132	180	08/15	>					34.219.00
2.0 TDI	CUNA	135	184	07/14	>		25.144.00		30.532.00	53.298.00
with automatic air-conditioner / con climatizzatore automatico	CUNA	135	184	07/14	>					54.219.00
antibacterial, anti-odour and anti-allergen filter with automatic air-conditioner / filtro antibatterico, antiodori e anti-allergeni con climatizzatore automatico	CUNA	135	184	07/14	>					34.219.00
for cold countries / per paesi freddi	CUNA	135	184	07/14	>				30.587.00	
2.0 TFSI	CHHC	169	230	07/14	>		25.153.00		30.532.00	53.298.00
with automatic air-conditioner / con climatizzatore automatico	CHHC	169	230	07/14	>					54.219.00
antibacterial, anti-odour and anti-allergen filter with automatic air-conditioner / filtro antibatterico, antiodori e anti-allergeni con climatizzatore automatico	CHHC	169	230	07/14	>					34.219.00
2.0 TFSI	CNTC	162	220	04/15	>		25.153.00		30.532.00	53.298.00
with automatic air-conditioner / con climatizzatore automatico	CNTC	162	220	04/15	>					54.219.00
antibacterial, anti-odour and anti-allergen filter with automatic air-conditioner / filtro antibatterico, antiodori e anti-allergeni con climatizzatore automatico	CNTC	162	220	04/15	>					34.219.00
2.0 TFSI Quattro	CHHC	169	230	07/14	>		25.153.00		30.532.00	53.298.00
with automatic air-conditioner / con climatizzatore automatico	CHHC	169	230	07/14	>					54.219.00
antibacterial, anti-odour and anti-allergen filter with automatic air-conditioner / filtro antibatterico, antiodori e anti-allergeni con climatizzatore automatico	CHHC	169	230	07/14	>					34.219.00
2.0 TFSI Quattro	CNTC	162	220	04/15	>		25.153.00		30.532.00	53.298.00
with automatic air-conditioner / con climatizzatore automatico	CNTC	162	220	04/15	>					54.219.00
antibacterial, anti-odour and anti-allergen filter with automatic air-conditioner / filtro antibatterico, antiodori e anti-allergeni con climatizzatore automatico	CNTC	162	220	04/15	>					34.219.00
TT Coupè (8N)										
1.8 i T	BVP	120	163	09/05	>	08/06	23.436.00	31.718.00	30.077.00	54.109.00
antibacterial, anti-odour and anti-allergen filter / filtro antibatterico, antiodori e anti-allergeni	BVP	120	163	09/05	>	08/06				34.109.00
for cold countries / per paesi freddi	BVP	120	163	09/05	>	08/06			30.364.00	
1.8 i T 20V	AJQ/APP/ARY/ATC/AUQ/AWP	132	180	10/98	>	08/00	23.436.00	31.718.00	30.077.00	53.006.00
	AJQ/APP/ARY/ATC/AUQ/AWP	132	180	09/00	>	10/05	23.436.00	31.718.00	30.077.00	54.109.00
with activated carbons / ai carboni attivi	AJQ/APP/ARY/ATC/AUQ/AWP	132	180	10/98	>	08/00				54.263.00
antibacterial, anti-odour and anti-allergen filter / filtro antibatterico, antiodori e anti-allergeni	AJQ/APP/ARY/ATC/AUQ/AWP	132	180	10/98	>	08/00				34.263.00
antibacterial, anti-odour and anti-allergen filter / filtro antibatterico, antiodori e anti-allergeni	AJQ/APP/ARY/ATC/AUQ/AWP	132	180	09/00	>	10/05				34.109.00
for cold countries / per paesi freddi	AJQ/APP/ARY/ATC/AUQ/AWP	132	180	10/98	>	10/05			30.364.00	
1.8 i T 20V	AUM	110	150	01/01	>	10/05	23.436.00	31.718.00	30.077.00	54.109.00
antibacterial, anti-odour and anti-allergen filter / filtro antibatterico, antiodori e anti-allergeni	AUM	110	150	01/01	>	10/05				34.109.00
for cold countries / per paesi freddi	AUM	110	150	01/01	>	10/05			30.364.00	
1.8 i T 20V	BVR	140	190	09/05	>	08/06	23.436.00	31.718.00	30.077.00	54.109.00
antibacterial, anti-odour and anti-allergen filter / filtro antibatterico, antiodori e anti-allergeni	BVR	140	190	09/05	>	08/06				34.109.00
for cold countries / per paesi freddi	BVR	140	190	09/05	>	08/06			30.364.00	

...AUDI - cars/auto

1.8 i T 20V Quattro	AJQ/ARY/ATC/AWP	132	180	10/98	>	08/00	23.436.00	31.718.00	30.077.00	53.006.00
with activated carbons / ai carboni attivi	AJQ/ARY/ATC/AWP	132	180	09/00	>	10/05	23.436.00	31.718.00	30.077.00	54.109.00
antibacterial, anti-odour and anti-allergen filter / filtro antibatterico, antiodori e anti-allergeni	AJQ/ARY/ATC/AWP	132	180	10/98	>	08/00				54.263.00
antibacterial, anti-odour and anti-allergen filter / filtro antibatterico, antiodori e anti-allergeni	AJQ/ARY/ATC/AWP	132	180	10/98	>	08/00				34.263.00
antibacterial, anti-odour and anti-allergen filter / filtro antibatterico, antiodori e anti-allergeni	AJQ/ARY/ATC/AWP	132	180	09/00	>	10/05				34.109.00
for cold countries / per paesi freddi	AJQ/ARY/ATC/AWP	132	180	10/98	>	10/05			30.364.00	
1.8 i T 20V Quattro	AMU/APX/BAM	165	225	10/98	>	08/00	23.436.00	31.718.00	30.077.00	53.006.00
with activated carbons / ai carboni attivi	AMU/APX/BAM	165	225	09/00	>	08/06	23.436.00	31.718.00	30.077.00	54.109.00
antibacterial, anti-odour and anti-allergen filter / filtro antibatterico, antiodori e anti-allergeni	AMU/APX/BAM	165	225	10/98	>	08/00				54.263.00
antibacterial, anti-odour and anti-allergen filter / filtro antibatterico, antiodori e anti-allergeni	AMU/APX/BAM	165	225	09/00	>	08/06				34.109.00
antibacterial, anti-odour and anti-allergen filter / filtro antibatterico, antiodori e anti-allergeni	AMU/APX/BAM	165	225	09/00	>	08/06				34.263.00
for cold countries / per paesi freddi	AMU/APX/BAM	165	225	10/98	>	08/06			30.364.00	
1.8 i T 20V Quattro	BVR	140	190	09/05	>	08/06	23.436.00	31.718.00	30.077.00	54.109.00
antibacterial, anti-odour and anti-allergen filter / filtro antibatterico, antiodori e anti-allergeni	BVR	140	190	09/05	>	08/06				34.109.00
for cold countries / per paesi freddi	BVR	140	190	09/05	>	08/06			30.364.00	
1.8 i T 20V Sport Quattro	BFV	176	240	04/05	>	08/06	23.436.00	31.718.00	30.077.00	54.109.00
antibacterial, anti-odour and anti-allergen filter / filtro antibatterico, antiodori e anti-allergeni	BFV	176	240	04/05	>	08/06				34.109.00
for cold countries / per paesi freddi	BFV	176	240	04/05	>	08/06			30.364.00	
3.2 V6 Quattro	BHE/BPF	184	250	04/03	>	08/06	25.023.00	31.718.00	30.077.00	54.109.00
antibacterial, anti-odour and anti-allergen filter / filtro antibatterico, antiodori e anti-allergeni	BHE/BPF	184	250	04/03	>	08/06				34.109.00
for cold countries / per paesi freddi	BHE/BPF	184	250	04/03	>	08/06			30.364.00	
TT Roadster (8N)										
1.8 i T	BVP	120	163	09/05	>	08/06	23.436.00	31.718.00	30.077.00	54.109.00
antibacterial, anti-odour and anti-allergen filter / filtro antibatterico, antiodori e anti-allergeni	BVP	120	163	09/05	>	08/06				34.109.00
for cold countries / per paesi freddi	BVP	120	163	09/05	>	08/06			30.364.00	
1.8 i T 20V	AJQ/APP/ATC/AUQ/AWP	132	180	10/98	>	08/00	23.436.00	31.718.00	30.077.00	53.006.00
with activated carbons / ai carboni attivi	AJQ/APP/ATC/AUQ/AWP	132	180	09/00	>	10/05	23.436.00	31.718.00	30.077.00	54.109.00
antibacterial, anti-odour and anti-allergen filter / filtro antibatterico, antiodori e anti-allergeni	AJQ/APP/ATC/AUQ/AWP	132	180	10/98	>	08/00				54.263.00
antibacterial, anti-odour and anti-allergen filter / filtro antibatterico, antiodori e anti-allergeni	AJQ/APP/ATC/AUQ/AWP	132	180	10/98	>	08/00				34.263.00
antibacterial, anti-odour and anti-allergen filter / filtro antibatterico, antiodori e anti-allergeni	AJQ/APP/ATC/AUQ/AWP	132	180	09/00	>	10/05				34.109.00
for cold countries / per paesi freddi	AJQ/APP/ATC/AUQ/AWP	132	180	10/98	>	10/05			30.364.00	
1.8 i T 20V	AUM	110	150	01/01	>	10/05	23.436.00	31.718.00	30.077.00	54.109.00
antibacterial, anti-odour and anti-allergen filter / filtro antibatterico, antiodori e anti-allergeni	AUM	110	150	01/01	>	10/05				34.109.00
for cold countries / per paesi freddi	AUM	110	150	01/01	>	10/05			30.364.00	
1.8 i T 20V	BVR	140	190	09/05	>	08/06	23.436.00	31.718.00	30.077.00	54.109.00
antibacterial, anti-odour and anti-allergen filter / filtro antibatterico, antiodori e anti-allergeni	BVR	140	190	09/05	>	08/06				34.109.00
for cold countries / per paesi freddi	BVR	140	190	09/05	>	08/06			30.364.00	
1.8 i T 20V Quattro	AJQ/ARY/ATC/AWP	132	180	02/00	>	08/00	23.436.00	31.718.00	30.077.00	53.006.00
with activated carbons / ai carboni attivi	AJQ/ARY/ATC/AWP	132	180	09/00	>	10/05	23.436.00	31.718.00	30.077.00	54.109.00
antibacterial, anti-odour and anti-allergen filter / filtro antibatterico, antiodori e anti-allergeni	AJQ/ARY/ATC/AWP	132	180	02/00	>	08/00				54.263.00
antibacterial, anti-odour and anti-allergen filter / filtro antibatterico, antiodori e anti-allergeni	AJQ/ARY/ATC/AWP	132	180	02/00	>	08/00				34.263.00
antibacterial, anti-odour and anti-allergen filter / filtro antibatterico, antiodori e anti-allergeni	AJQ/ARY/ATC/AWP	132	180	09/00	>	10/05				34.109.00
for cold countries / per paesi freddi	AJQ/ARY/ATC/AWP	132	180	02/00	>	10/05			30.364.00	
1.8 i T 20V Quattro	AMU/APX/BAM	165	225	10/98	>	08/00	23.436.00	31.718.00	30.077.00	53.006.00
with activated carbons / ai carboni attivi	AMU/APX/BAM	165	225	09/00	>	08/06	23.436.00	31.718.00	30.077.00	54.109.00
antibacterial, anti-odour and anti-allergen filter / filtro antibatterico, antiodori e anti-allergeni	AMU/APX/BAM	165	225	10/98	>	08/00				54.263.00
antibacterial, anti-odour and anti-allergen filter / filtro antibatterico, antiodori e anti-allergeni	AMU/APX/BAM	165	225	10/98	>	08/00				34.263.00
antibacterial, anti-odour and anti-allergen filter / filtro antibatterico, antiodori e anti-allergeni	AMU/APX/BAM	165	225	09/00	>	08/06				34.109.00
for cold countries / per paesi freddi	AMU/APX/BAM	165	225	10/98	>	08/06			30.364.00	
1.8 i T 20V Quattro	BVR	140	190	09/05	>	08/06	23.436.00	31.718.00	30.077.00	54.109.00
antibacterial, anti-odour and anti-allergen filter / filtro antibatterico, antiodori e anti-allergeni	BVR	140	190	09/05	>	08/06				34.109.00
for cold countries / per paesi freddi	BVR	140	190	09/05	>	08/06			30.364.00	
3.2 V6 Quattro	BHE/BPF	184	250	04/03	>	08/06	25.023.00	31.718.00	30.077.00	54.109.00
antibacterial, anti-odour and anti-allergen filter / filtro antibatterico, antiodori e anti-allergeni	BHE/BPF	184	250	04/03	>	08/06				34.109.00
for cold countries / per paesi freddi	BHE/BPF	184	250	04/03	>	08/06			30.364.00	
TT RS (8J)										
2.5 TFSI	CEPA	250	340	07/09	>	06/14				54.376.00
with R.H.D. / con guida a destra	CEPA	250	340	07/09	>	06/14	25.040.00	31.840.00	30.303.00	54.124.00
with L.H.D. / con guida a sinistra	CEPA	250	340	07/09	>	06/14				34.124.00
antibacterial, anti-odour and anti-allergen filter with L.H.D. / filtro antibatterico, antiodori e anti-allergeni con guida a sinistra	CEPA	250	340	07/09	>	06/14				34.124.00
2.5 TFSI	CEPB	265	360	05/11	>	06/14	25.040.00	31.840.00	30.303.00	54.124.00
antibacterial, anti-odour and anti-allergen filter / filtro antibatterico, antiodori e anti-allergeni	CEPB	265	360	05/11	>	06/14				34.124.00
2.5 TFSI	CEPD	265	360	05/11	>	06/14				54.376.00
with R.H.D. / con guida a destra	CEPD	265	360	05/11	>	06/14	25.040.00	31.840.00	30.303.00	54.124.00
with L.H.D. / con guida a sinistra	CEPD	265	360	05/11	>	06/14				34.124.00
antibacterial, anti-odour and anti-allergen filter with L.H.D. / filtro antibatterico, antiodori e anti-allergeni con guida a sinistra	CEPD	265	360	05/11	>	06/14				34.124.00
TT RS (FV)										

...AUDI - cars/auto

2.5 TFSI	DAZA	294	400	05/16 >	25.040.00		30.661.00	53.298.00
with automatic air-conditioner / con climatizzatore automatico	DAZA	294	400	05/16 >				54.219.00
antibacterial, anti-odour and anti-allergen filter with automatic air-conditioner / filtro antibatterico, antiodori e anti-allergeni con climatizzatore automatico	DAZA	294	400	05/16 >				34.219.00
TTS (8J)								
2.0 TFSI Quattro								
with R.H.D. / con guida a destra	CDLB	200	272	05/08 > 06/14				54.376.00
with L.H.D. / con guida a sinistra	CDLB	200	272	05/08 > 06/14	25.040.00	31.840.00	30.303.00	54.124.00
antibacterial, anti-odour and anti-allergen filter with L.H.D. / filtro antibatterico, antiodori e anti-allergeni con guida a sinistra	CDLB	200	272	05/08 > 06/14				34.124.00
TTS (FV)								
2.0 TFSI Quattro	CJXF	210	286	07/14 >	25.153.00		30.532.00	53.298.00
with automatic air-conditioner / con climatizzatore automatico	CJXF	210	286	07/14 >				54.219.00
antibacterial, anti-odour and anti-allergen filter with automatic air-conditioner / filtro antibatterico, antiodori e anti-allergeni con climatizzatore automatico	CJXF	210	286	07/14 >				34.219.00
2.0 TFSI Quattro	CJXG	228	310	07/14 >	25.153.00		30.532.00	53.298.00
with automatic air-conditioner / con climatizzatore automatico	CJXG	228	310	07/14 >				54.219.00
antibacterial, anti-odour and anti-allergen filter with automatic air-conditioner / filtro antibatterico, antiodori e anti-allergeni con climatizzatore automatico	CJXG	228	310	07/14 >				34.219.00
2.0 TFSI Quattro	CYFB	215	292	07/14 >	25.153.00		30.532.00	53.298.00
with automatic air-conditioner / con climatizzatore automatico	CYFB	215	292	07/14 >				54.219.00
antibacterial, anti-odour and anti-allergen filter with automatic air-conditioner / filtro antibatterico, antiodori e anti-allergeni con climatizzatore automatico	CYFB	215	292	07/14 >				34.219.00

AUSTIN

cars/auto

Maestro

2.0 Diesel	Perkins			01/86 >	23.246.00	24.351.00		
2.0 Turbodiesel	Perkins			01/86 >	23.246.00	24.351.00		

Metro

1.1	serie K			05/90 >	23.254.00			
1.1 i (SPI)					23.254.00	31.564.00	27.174.00	
1.4	serie K			05/90 >	23.254.00			
1.4 Automatic					23.254.00		27.174.00	
1.4 Diesel				01/92 >	23.191.00	24.350.02	30.933.00	
or / oppure				01/92 >	23.293.00	24.350.02	30.933.00	
1.4 i (SPI)					23.254.00	31.564.00	27.174.00	

Metro Van

1.0				01/80 >	23.103.00		27.956.00	
1.3				01/80 >	23.103.00		27.956.00	

Mini

1.3 i				10/91 >	23.103.00	31.564.00		
--------------	--	--	--	---------	-----------	-----------	--	--

Mini Cooper

1.3 cat				10/90 >	23.103.00		27.956.00	
1.3 i				10/91 >	23.103.00	31.564.00		

Mini E

1000				01/82 >	23.103.00		27.956.00	
-------------	--	--	--	---------	-----------	--	-----------	--

Mini Mayfair

1000				01/82 >	23.103.00		27.956.00	
-------------	--	--	--	---------	-----------	--	-----------	--

Mini Moke

1000				01/82 >	23.103.00		27.956.00	
1100				01/82 >	23.103.00		27.956.00	
1275				01/82 >	23.103.00		27.956.00	

Montego

2.0	20H/20HSC	74	101	11/88 >	23.197.00			
2.0 Diesel	Perkins			01/87 >	23.246.00	24.351.00		
2.0 GSI				11/88 >	23.197.00	31.500.00		
2.0 GTI				11/88 >	23.197.00	31.500.00		
2.0 i cat				11/90 >	23.197.00	31.500.00	30.943.00	
2.0 Turbodiesel	Perkins			01/87 >	23.246.00	24.351.00		

Taxi FX4

2.2 Diesel				01/59 >	25.455.00	24.360.00		
to frame No. 57933 / a telaio N. 57933								
2.2 Diesel Automatic				01/59 >	25.455.00	24.360.00		
to frame No. 57855 / a telaio N. 57855								

BARKAS

commercial vehicles/veicoli commerciali

B 1000

B 1000	BM 880 (1.3)			01/90 >	23.130.01	31.012.00	30.835.00	
---------------	--------------	--	--	---------	-----------	-----------	-----------	--

B 1000-1

B 1000-1	BM 880 (1.3)			01/90 >	23.130.01	31.012.00	30.835.00	
-----------------	--------------	--	--	---------	-----------	-----------	-----------	--

BEDFORD
commercial vehicles/veicoli commerciali
Astra Van

1.4 i	C 1.4 NV	44	60	10/91 >	23.129.02	31.611.00	30.017.00	
1.6 i	C 1.6 NZ	55	75	10/91 >	23.129.02	31.611.00	30.017.00	
1.7 Diesel				01/89 >	23.187.00	24.351.01	30.963.00	
1.7 Diesel	1.7 D	42	57	10/91 >	23.278.00	24.351.01	30.017.00	

Astramax

1.3	1.3 N			09/85 >	23.129.02		30.807.00	
1.4				10/89 >	23.129.02		30.806.00	
1.7 Diesel				01/89 >	23.187.00	24.351.01	30.963.00	

Astramax 365

1.3	1.3 S			09/85 >	23.129.02		30.806.00	
1.6				01/85 >	23.129.02		30.806.00	
1.6 Diesel				01/85 >	23.187.00	24.350.00	30.852.00	

Astramax 365 L

1.3	1.3 S			09/85 >	23.129.02		30.806.00	
1.6				01/85 >	23.129.02		30.806.00	
1.6 Diesel				01/85 >	23.187.00	24.350.00	30.852.00	

Astramax 560

1.3	1.3 S			09/85 >	23.129.02		30.806.00	
1.6				01/85 >	23.129.02		30.806.00	
1.6 Diesel				01/85 >	23.187.00	24.350.00	30.852.00	

Astramax 560 L

1.3	1.3 S			09/85 >	23.129.02		30.806.00	
1.6				01/85 >	23.129.02		30.806.00	
1.6 Diesel				01/85 >	23.187.00	24.350.00	30.852.00	

Blitz

1.8				01/74 >	23.103.00			
2.1 Diesel				01/74 >		24.351.01		
2.3				01/74 >	23.103.00			

Brava

2.3	Isuzu 4ZD1			01/88 >	23.271.00	31.010.00	27.769.00	
2.5 Diesel	Isuzu 4JA1			06/90 >	23.273.00	24.368.00	27.193.00	

CF Van

1.8 Diesel								
to engine No. 108U59237 / a motore N. 108U59237	Perkins 4.108				25.421.00	26.601.00		
from engine No. 108U59238 / da motore N. 108U59238	Perkins 4.108				23.102.02	26.601.00		
2.1 Diesel	Opel			01/78 >		24.351.01		
2.3				02/72 >	23.103.00			
2.3 Diesel				01/78 >		24.351.01		
2.5 Diesel	Perkins 4.154				25.455.00	24.360.00		

CF2

2.0				01/84 >	23.103.00			
2.3 Diesel				01/84 >		24.351.01		

KBD 25

2.0 Diesel	Isuzu C190				23.232.00	24.366.00		
------------	------------	--	--	--	-----------	-----------	--	--

KBD 26

2.0 Diesel	Isuzu C190				23.232.00	24.366.00		
------------	------------	--	--	--	-----------	-----------	--	--

KBD 40

2.0 Diesel	Isuzu C190				23.232.00	24.366.00		
------------	------------	--	--	--	-----------	-----------	--	--

KBD 41

2.0 Diesel	Isuzu C190				23.232.00	24.366.00		
------------	------------	--	--	--	-----------	-----------	--	--

Midi

2.0	Isuzu			05/88 >	23.271.00	31.010.00		
2.2 Diesel	Isuzu 4FD1			05/88 >	23.271.00			

Rascal

1.0	Suzuki 970			01/86 >	23.131.01		27.074.00	
-----	------------	--	--	---------	-----------	--	-----------	--

BEDINI
LPG and CNG equipment/impianti GPL e Metano
ECOgeo 3000 EOBD

LPG100 injection						46.007.00		
spare part only MATRIX.XF301 (Ø 42 x Ø 17 x 54 H) / solo ricambio MATRIX.XF301 (Ø 42 x Ø 17 x 54 H)								

BELLIER
microcars/microvetture
Divane

505 Diesel	Lombardini LDW502	4	5	01/01 > 12/05	23.262.00	24.352.00		✗
520 Diesel	Lombardini LDW502	4	5	01/01 > 12/07	23.262.00	31.001.00	30.997.00	✗

Docker

...BELLIER - microcars/microvetture

520 Diesel	Yanmar			01/08 >	23.258.00	26.683.00	27.A05.00	✕
Jade								
520 Diesel	Yanmar	4	5	> 12/07	23.258.00	26.683.00		✕
520 Diesel	Yanmar 2TNE68DM4	4	5	01/08 >	23.258.00	26.683.00	27.A05.00	✕
Opale/Opale 2								
520 Diesel	Yanmar	4	5	01/05 > 12/08	23.258.00	26.683.00	27.A05.00	✕
VX								
550 Diesel	Lombardini LDW502	4	5	01/96 > 12/01	23.262.00	24.352.00	30.997.00	✕
550 Diesel	Yanmar			01/96 > 12/01	23.258.00	26.683.00		✕
550 S Diesel	Lombardini LDW502	4	5	01/96 > 12/01	23.262.00	24.352.00	30.997.00	✕
550 S Diesel	Yanmar			01/96 > 12/01	23.258.00	26.683.00		✕
650 S Diesel	Yanmar			01/96 > 12/04	23.258.00	26.683.00		✕

BENTLEY

cars/auto

Arnage

4.4 V8 32V Turbo Green Label	BMW	260	354	04/98 > 02/01	25.038.00			
6.8 V8 Turbo Black Label	L410IT	335	457	01/02 >	23.544.00			
6.8 V8 Turbo Red Label	L410IT	298	405	09/99 >	23.544.00			

Bentayga

4.0 TDI	CZAA	310	421	11/16 >		26.130.00		54.292.00
antibacterial, anti-odour and anti-allergen filter / filtro antibatterico, antiodori e anti-allergeni	CZAA	310	421	11/16 >				34.292.00
4.0 TDI	CZAC	320	435	11/16 >		26.129.00		54.292.00
antibacterial, anti-odour and anti-allergen filter / filtro antibatterico, antiodori e anti-allergeni	CZAC	320	435	11/16 >				34.292.00
4.0 V8	DCUA	404	549	01/18 >		26.129.00		54.292.00
	DCUA	404	549	01/18 >		∞		54.292.00
antibacterial, anti-odour and anti-allergen filter / filtro antibatterico, antiodori e anti-allergeni	DCUA	404	549	01/18 >				34.292.00
6.0 W12	DDBB	447	608	11/15 >		26.129.00		54.292.00
	DDBB	447	608	11/15 >		∞		54.292.00
antibacterial, anti-odour and anti-allergen filter / filtro antibatterico, antiodori e anti-allergeni	DDBB	447	608	11/15 >				34.292.00

Continental GT

4.0 V8 Flexifuel AWD		388	529	12/13 >	25.090.00	31.861.00		
----------------------	--	-----	-----	---------	-----------	-----------	--	--

Continental GTC

4.0 V8 Flexifuel AWD		373	507	12/13 >	25.090.00	31.861.00		
----------------------	--	-----	-----	---------	-----------	-----------	--	--

Continental Turbo R

6.8 V8	L410MT1T			08/95 >	23.544.00	31.814.00		
--------	----------	--	--	---------	-----------	-----------	--	--

Flying Spur

4.0 V8	CMMC	388	529	03/13 >	25.090.00	31.718.00		
4.0 V8 Flexfuel	CMMC	388	529	03/13 >	25.090.00	31.861.00		
6.0 W12 (4W214B)	CVAA	460	625	03/13 >		31.718.00		
6.0 W12 (4W214B) Flexfuel	CVAA	460	625	03/13 >		31.861.00		
6.0 W12 S (4W216B)	DBDE	467	635	11/16 >		31.718.00		
6.0 W12 S (4W216B) Flexfuel	DBDE	467	635	11/16 >		31.861.00		

Mulsanne

6.8 V8	CKBB	377	512	10/09 >	23.544.00			54.222.00
antibacterial, anti-odour and anti-allergen filter / filtro antibatterico, antiodori e anti-allergeni	CKBB	377	512	10/09 >				34.222.00

Turbo R

6.8 V8 (EU)				04/93 >	23.544.00	31.814.00		
6.8 V8 (USA)				04/93 >	23.544.00	31.814.00		

Turbo R Sport

6.8 V8 (EU)				04/93 >	23.544.00	31.814.00		
6.8 V8 (USA)				04/93 >	23.544.00	31.814.00		

BERTONE

off-road cars/fuoristrada

Freeclimber

2.0i	BMW			01/90 >	23.130.02	31.500.00	30.914.02	
2.0i Cabrio	BMW			01/90 >	23.130.02	31.500.00	30.914.02	

BIAGINI (ACM)

off-road cars/fuoristrada

Passo

1.8 i LX cat	VW (V.A.G.)				23.130.01	31.500.00	30.946.00	
1.8 L	VW (V.A.G.)				23.130.01	31.012.00	30.836.00	

BMC

commercial vehicles/veicoli commerciali

Megastar 360 MH

2.8 CRI	VM R428 DOHC	96	130	04/05 >		24.H2O.04		
---------	--------------	----	-----	---------	--	-----------	--	--

Megastar 360 P

2.8 CRI	VM R428 DOHC	96	130	04/05 >		24.H2O.04		
---------	--------------	----	-----	---------	--	-----------	--	--

...BMC - commercial vehicles/veicoli commerciali

Megastar 360 PC									
2.8 CRI	VM R428 DOHC	96	130	04/05	>			24.H2O.04	
Megastar 360 VH									
2.8 CRI	VM R428 DOHC	96	130	04/05	>			24.H2O.04	
BMW cars/auto									
1 (E81)									
116 d	N47D20A	85	115	02/09	>	09/12	25.084.00	31.851.00	30.357.00
with automatic air-conditioner / con climatizzatore automatico	N47D20A	85	115	02/09	>	09/12			54.154.00
with manual air-conditioner / con climatizzatore manuale	N47D20A	85	115	02/09	>	09/12			53.236.00
116 d	N47D20C	66	90	01/11	>	12/11	25.084.00	31.851.00	30.357.00
with automatic air-conditioner / con climatizzatore automatico	N47D20C	66	90	01/11	>	12/11			54.154.00
with manual air-conditioner / con climatizzatore manuale	N47D20C	66	90	01/11	>	12/11			53.236.00
116 i	N43B16A	89	121	08/07	>	09/12	25.028.00		27.594.00
with automatic air-conditioner / con climatizzatore automatico	N43B16A	89	121	08/07	>	09/12			54.154.00
with manual air-conditioner / con climatizzatore manuale	N43B16A	89	121	08/07	>	09/12			53.236.00
116 i	N43B16A	90	122	11/03	>	09/12	25.028.00		27.594.00
with automatic air-conditioner / con climatizzatore automatico	N43B16A	90	122	11/03	>	09/12			54.154.00
with manual air-conditioner / con climatizzatore manuale	N43B16A	90	122	11/03	>	09/12			53.236.00
116 i	N43B20A	90	122	02/09	>	09/12	25.028.00		27.595.00
with automatic air-conditioner / con climatizzatore automatico	N43B20A	90	122	02/09	>	09/12			54.154.00
with manual air-conditioner / con climatizzatore manuale	N43B20A	90	122	02/09	>	09/12			53.236.00
116 i	N45NB16A	85	115	09/07	>	02/09	25.028.00		27.595.00
with automatic air-conditioner / con climatizzatore automatico	N45NB16A	85	115	09/07	>	02/09			54.154.00
with manual air-conditioner / con climatizzatore manuale	N45NB16A	85	115	09/07	>	02/09			53.236.00
116 i	N45NB16A	90	122	09/07	>	02/09	25.028.00		27.595.00
with automatic air-conditioner / con climatizzatore automatico	N45NB16A	90	122	09/07	>	02/09			54.154.00
with manual air-conditioner / con climatizzatore manuale	N45NB16A	90	122	09/07	>	02/09			53.236.00
118 d DPF	N47D20	105	143	03/07	>	09/12	25.084.00	31.851.00	30.357.00
with automatic air-conditioner / con climatizzatore automatico	N47D20	105	143	03/07	>	09/12			54.154.00
with manual air-conditioner / con climatizzatore manuale	N47D20	105	143	03/07	>	09/12			53.236.00
118 i	N46NB20	105	143	03/07	>	09/12	25.028.00		27.595.00
with automatic air-conditioner / con climatizzatore automatico	N46NB20	105	143	03/07	>	09/12			54.154.00
with manual air-conditioner / con climatizzatore manuale	N46NB20	105	143	03/07	>	09/12			53.236.00
118 i	N46NB20	95	129	03/07	>	09/12	25.028.00		27.595.00
with automatic air-conditioner / con climatizzatore automatico	N46NB20	95	129	03/07	>	09/12			54.154.00
with manual air-conditioner / con climatizzatore manuale	N46NB20	95	129	03/07	>	09/12			53.236.00
118 i	N46NB20B	100	136	09/06	>	09/12	25.028.00		27.595.00
with automatic air-conditioner / con climatizzatore automatico	N46NB20B	100	136	09/06	>	09/12			54.154.00
with manual air-conditioner / con climatizzatore manuale	N46NB20B	100	136	09/06	>	09/12			53.236.00
120 d DPF	N47D20A	130	177	03/07	>	09/12	25.084.00	31.851.00	30.357.00
with automatic air-conditioner / con climatizzatore automatico	N47D20A	130	177	03/07	>	09/12			54.154.00
with manual air-conditioner / con climatizzatore manuale	N47D20A	130	177	03/07	>	09/12			53.236.00
120 i	N46B20B	115	156	03/07	>	09/12	25.028.00		27.595.00
with automatic air-conditioner / con climatizzatore automatico	N46B20B	115	156	03/07	>	09/12			54.154.00
with manual air-conditioner / con climatizzatore manuale	N46B20B	115	156	03/07	>	09/12			53.236.00
120 i	N46NB20	125	170	03/07	>	09/12	25.028.00		27.595.00
with automatic air-conditioner / con climatizzatore automatico	N46NB20	125	170	03/07	>	09/12			54.154.00
with manual air-conditioner / con climatizzatore manuale	N46NB20	125	170	03/07	>	09/12			53.236.00
120 i (B)	N43B20A/N46NB20	120	163	03/07	>	09/12	25.028.00		27.595.00
with automatic air-conditioner / con climatizzatore automatico	N43B20A/N46NB20	120	163	03/07	>	09/12			54.154.00
with manual air-conditioner / con climatizzatore manuale	N43B20A/N46NB20	120	163	03/07	>	09/12			53.236.00
123 d DPF	N47D20B	150	204	09/07	>	09/12	25.084.00	31.851.00	30.357.00
with automatic air-conditioner / con climatizzatore automatico	N47D20B	150	204	09/07	>	09/12			54.154.00
with manual air-conditioner / con climatizzatore manuale	N47D20B	150	204	09/07	>	09/12			53.236.00
130 i	N52B30	195	265	03/07	>	09/12	25.058.00		27.636.00
with automatic air-conditioner / con climatizzatore automatico	N52B30	195	265	03/07	>	09/12			54.154.00
with manual air-conditioner / con climatizzatore manuale	N52B30	195	265	03/07	>	09/12			53.236.00
export models USA / modelli di esportazione USA	N52B30	195	265	03/07	>	09/12			30.B17.00
1 (E82) Coupè									
118 d DPF	N47D20	105	143	09/09	>	12/13	25.084.00	31.851.00	30.357.00
with automatic air-conditioner / con climatizzatore automatico	N47D20	105	143	09/09	>	12/13			54.154.00
with manual air-conditioner / con climatizzatore manuale	N47D20	105	143	09/09	>	12/13			53.236.00
120 d DPF	N47D20A	130	177	09/07	>	12/13	25.084.00	31.851.00	30.357.00
with automatic air-conditioner / con climatizzatore automatico	N47D20A	130	177	09/07	>	12/13			54.154.00
with manual air-conditioner / con climatizzatore manuale	N47D20A	130	177	09/07	>	12/13			53.236.00
120 i	N43B20A	125	170	09/09	>	12/13	25.028.00		27.595.00

...BMW - cars/auto

B



with automatic air-conditioner / con climatizzatore automatico	N43B20A	125	170	09/09 >	12/13			54.154.00
with manual air-conditioner / con climatizzatore manuale	N43B20A	125	170	09/09 >	12/13			53.236.00
120 i	N46B20B	115	156	09/09 >	12/13	25.028.00	∞	27.595.00
with automatic air-conditioner / con climatizzatore automatico	N46B20B	115	156	09/09 >	12/13			54.154.00
with manual air-conditioner / con climatizzatore manuale	N46B20B	115	156	09/09 >	12/13			53.236.00
123 d DPF	N47D20B	150	204	09/07 >	12/13	25.084.00	31.851.00	30.357.00
with automatic air-conditioner / con climatizzatore automatico	N47D20B	150	204	09/07 >	12/13			54.154.00
with manual air-conditioner / con climatizzatore manuale	N47D20B	150	204	09/07 >	12/13			53.236.00
125 i	N52B30A	160	218	09/07 >	12/13	25.058.00	∞	27.636.00
with automatic air-conditioner / con climatizzatore automatico	N52B30A	160	218	09/07 >	12/13			54.154.00
with manual air-conditioner / con climatizzatore manuale	N52B30A	160	218	09/07 >	12/13			53.236.00
export models USA / modelli di esportazione USA	N52B30A	160	218	09/07 >	12/13			30.B17.00
128 i	N52B30A	169	230	12/06 >	12/13	25.058.00	∞	27.636.00
with automatic air-conditioner / con climatizzatore automatico	N52B30A	169	230	12/06 >	12/13			54.154.00
with manual air-conditioner / con climatizzatore manuale	N52B30A	169	230	12/06 >	12/13			53.236.00
export models USA / modelli di esportazione USA	N52B30A	169	230	12/06 >	12/13			30.B17.00
135 i	N54B30A	225	306	09/07 >	02/10	25.058.00	∞	30.A44.00
with automatic air-conditioner / con climatizzatore automatico	N54B30A	225	306	09/07 >	02/10			54.154.00
with manual air-conditioner / con climatizzatore manuale	N54B30A	225	306	09/07 >	02/10			53.236.00
135 i	N55B30A	225	306	03/10 >	08/12	25.058.00	∞	30.778.00
with automatic air-conditioner / con climatizzatore automatico	N55B30A	225	306	03/10 >	08/12			54.154.00
with manual air-conditioner / con climatizzatore manuale	N55B30A	225	306	03/10 >	08/12			53.236.00
M Sport	N54B30A	250	340	03/11 >	08/12	25.058.00	∞	30.A44.00
with automatic air-conditioner / con climatizzatore automatico	N54B30A	250	340	03/11 >	08/12			54.154.00
with manual air-conditioner / con climatizzatore manuale	N54B30A	250	340	03/11 >	08/12			53.236.00
1 (E87)								
116 d	N47D20A	85	115	02/09 >	09/12	25.084.00	31.851.00	30.357.00
with automatic air-conditioner / con climatizzatore automatico	N47D20A	85	115	02/09 >	09/12			54.154.00
with manual air-conditioner / con climatizzatore manuale	N47D20A	85	115	02/09 >	09/12			53.236.00
116 i	N43B16A	89	121	08/07 >	09/12	25.028.00	∞	27.594.00
with automatic air-conditioner / con climatizzatore automatico	N43B16A	89	121	08/07 >	09/12			54.154.00
with manual air-conditioner / con climatizzatore manuale	N43B16A	89	121	08/07 >	09/12			53.236.00
116 i	N43B16A	90	122	09/07 >	02/09	25.028.00	∞	27.594.00
with automatic air-conditioner / con climatizzatore automatico	N43B16A	90	122	09/07 >	02/09			54.154.00
with manual air-conditioner / con climatizzatore manuale	N43B16A	90	122	09/07 >	02/09			53.236.00
116 i	N43B20A	90	122	02/09 >	09/12	25.028.00	∞	27.595.00
with automatic air-conditioner / con climatizzatore automatico	N43B20A	90	122	02/09 >	09/12			54.154.00
with manual air-conditioner / con climatizzatore manuale	N43B20A	90	122	02/09 >	09/12			53.236.00
116 i	N45B16/N45B16A	85	115	09/04 >	08/07	25.028.00	∞	27.594.00
with automatic air-conditioner / con climatizzatore automatico	N45B16/N45B16A	85	115	09/04 >	08/07			54.154.00
with manual air-conditioner / con climatizzatore manuale	N45B16/N45B16A	85	115	09/04 >	08/07			53.236.00
118 d	M47D20	90	122	09/04 >	02/07	25.021.00	31.851.00	27.353.00
with automatic air-conditioner / con climatizzatore automatico	M47D20	90	122	09/04 >	02/07			54.154.00
with manual air-conditioner / con climatizzatore manuale	M47D20	90	122	09/04 >	02/07			53.236.00
118 d	N47D20	105	143	03/07 >	09/12	25.084.00	31.851.00	30.357.00
with automatic air-conditioner / con climatizzatore automatico	N47D20	105	143	03/07 >	09/12			54.154.00
with manual air-conditioner / con climatizzatore manuale	N47D20	105	143	03/07 >	09/12			53.236.00
118 i	N46B20	95	129	12/04 >	02/07	25.028.00	∞	27.595.00
with automatic air-conditioner / con climatizzatore automatico	N46B20	95	129	12/04 >	02/07			54.154.00
with manual air-conditioner / con climatizzatore manuale	N46B20	95	129	12/04 >	02/07			53.236.00
118 i	N46NB20	105	143	03/07 >	09/12	25.028.00	∞	27.595.00
with automatic air-conditioner / con climatizzatore automatico	N46NB20	105	143	03/07 >	09/12			54.154.00
with manual air-conditioner / con climatizzatore manuale	N46NB20	105	143	03/07 >	09/12			53.236.00
120 d	M47D20	120	163	09/04 >	02/07	25.021.00	31.851.00	27.353.00
with automatic air-conditioner / con climatizzatore automatico	M47D20	120	163	09/04 >	02/07			54.154.00
with manual air-conditioner / con climatizzatore manuale	M47D20	120	163	09/04 >	02/07			53.236.00
120 d	N47D20A	130	177	03/07 >	09/12	25.084.00	31.851.00	30.357.00
with automatic air-conditioner / con climatizzatore automatico	N47D20A	130	177	03/07 >	09/12			54.154.00
with manual air-conditioner / con climatizzatore manuale	N47D20A	130	177	03/07 >	09/12			53.236.00
120 i	N46B20	110	150	09/04 >	02/07	25.028.00	∞	27.595.00
with automatic air-conditioner / con climatizzatore automatico	N46B20	110	150	09/04 >	02/07			54.154.00
with manual air-conditioner / con climatizzatore manuale	N46B20	110	150	09/04 >	02/07			53.236.00
120 i	N46NB20	125	170	03/07 >	09/12	25.028.00	∞	27.595.00
with automatic air-conditioner / con climatizzatore automatico	N46NB20	125	170	03/07 >	09/12			54.154.00
with manual air-conditioner / con climatizzatore manuale	N46NB20	125	170	03/07 >	09/12			53.236.00
123 d DPF	N47D20B	150	204	09/07 >	09/12	25.084.00	31.851.00	30.357.00
with automatic air-conditioner / con climatizzatore automatico	N47D20B	150	204	09/07 >	09/12			54.154.00

...BMW - cars/auto

with manual air-conditioner / con climatizzatore manuale	N47D20B	150	204	09/07 >	09/12				53.236.00
130 i	N52B30	195	265	09/05 >	09/12	25.058.00		27.636.00	
with automatic air-conditioner / con climatizzatore automatico	N52B30	195	265	09/05 >	09/12				54.154.00
with manual air-conditioner / con climatizzatore manuale	N52B30	195	265	09/05 >	09/12				53.236.00
export models USA / modelli di esportazione USA	N52B30	195	265	09/05 >	09/12			30.B17.00	
130 i	N52B30A	190	258	09/09 >	09/12	25.058.00		27.636.00	
with automatic air-conditioner / con climatizzatore automatico	N52B30A	190	258	09/09 >	09/12				54.154.00
with manual air-conditioner / con climatizzatore manuale	N52B30A	190	258	09/09 >	09/12				53.236.00
export models USA / modelli di esportazione USA	N52B30A	190	258	09/09 >	09/12			30.B17.00	
1 (E88) Cabrio									
118 d DPF	N47D20	105	143	03/07 >	12/13	25.084.00		31.851.00	30.357.00
with automatic air-conditioner / con climatizzatore automatico	N47D20	105	143	03/07 >	12/13				54.154.00
with manual air-conditioner / con climatizzatore manuale	N47D20	105	143	03/07 >	12/13				53.236.00
118 d DPF (B)	N47D20A	100	136	09/08 >	12/13	25.084.00		31.851.00	30.357.00
with automatic air-conditioner / con climatizzatore automatico	N47D20A	100	136	09/08 >	12/13				54.154.00
with manual air-conditioner / con climatizzatore manuale	N47D20A	100	136	09/08 >	12/13				53.236.00
118 i	N46B20B	100	136	09/08 >	12/13	25.028.00		27.595.00	
with automatic air-conditioner / con climatizzatore automatico	N46B20B	100	136	09/08 >	12/13				54.154.00
with manual air-conditioner / con climatizzatore manuale	N46B20B	100	136	09/08 >	12/13				53.236.00
118 i	N46B20B	105	143	03/07 >	12/13	25.028.00		27.595.00	
with automatic air-conditioner / con climatizzatore automatico	N46B20B	105	143	03/07 >	12/13				54.154.00
with manual air-conditioner / con climatizzatore manuale	N46B20B	105	143	03/07 >	12/13				53.236.00
120 d DPF	N47D20A	130	177	03/07 >	12/13	25.084.00		31.851.00	30.357.00
with automatic air-conditioner / con climatizzatore automatico	N47D20A	130	177	03/07 >	12/13				54.154.00
with manual air-conditioner / con climatizzatore manuale	N47D20A	130	177	03/07 >	12/13				53.236.00
120 d DPF (B)	N47D20A	120	163	03/08 >	12/13	25.084.00		31.851.00	30.357.00
with automatic air-conditioner / con climatizzatore automatico	N47D20A	120	163	03/08 >	12/13				54.154.00
with manual air-conditioner / con climatizzatore manuale	N47D20A	120	163	03/08 >	12/13				53.236.00
120 i	N46NB20	125	170	10/07 >	12/13	25.028.00		27.595.00	
with automatic air-conditioner / con climatizzatore automatico	N46NB20	125	170	10/07 >	12/13				54.154.00
with manual air-conditioner / con climatizzatore manuale	N46NB20	125	170	10/07 >	12/13				53.236.00
120 i (B)	N46B20B	120	163	03/08 >	12/13	25.028.00		27.595.00	
with automatic air-conditioner / con climatizzatore automatico	N46B20B	120	163	03/08 >	12/13				54.154.00
with manual air-conditioner / con climatizzatore manuale	N46B20B	120	163	03/08 >	12/13				53.236.00
123 d DPF	N47D20B	150	204	09/07 >	12/13	25.084.00		31.851.00	30.357.00
with automatic air-conditioner / con climatizzatore automatico	N47D20B	150	204	09/07 >	12/13				54.154.00
with manual air-conditioner / con climatizzatore manuale	N47D20B	150	204	09/07 >	12/13				53.236.00
125 i	N52B30A	160	218	10/07 >	12/13	25.058.00		27.636.00	
with automatic air-conditioner / con climatizzatore automatico	N52B30A	160	218	10/07 >	12/13				54.154.00
with manual air-conditioner / con climatizzatore manuale	N52B30A	160	218	10/07 >	12/13				53.236.00
128 i (USA)	N51B30A	171	233	03/08 >	12/13	25.058.00		30.B17.00	
with automatic air-conditioner / con climatizzatore automatico	N51B30A	171	233	03/08 >	12/13				54.154.00
with manual air-conditioner / con climatizzatore manuale	N51B30A	171	233	03/08 >	12/13				53.236.00
135 i	N55B30A	225	306	03/10 >	08/12	25.058.00		30.778.00	
with automatic air-conditioner / con climatizzatore automatico	N55B30A	225	306	03/10 >	08/12				54.154.00
with manual air-conditioner / con climatizzatore manuale	N55B30A	225	306	03/10 >	08/12				53.236.00
135 i MSport	N54B30A	225	306	09/07 >	12/13	25.058.00			
with automatic air-conditioner / con climatizzatore automatico	N54B30A	225	306	09/07 >	12/13				54.154.00
with manual air-conditioner / con climatizzatore manuale	N54B30A	225	306	09/07 >	12/13				53.236.00
1 (F20)									
114 d	B37D15A	70	95	06/15 >		25.188.00		31.952.00	30.540.00
with automatic air-conditioner / con climatizzatore automatico	B37D15A	70	95	06/15 >					54.226.00
with manual air-conditioner / con climatizzatore manuale	B37D15A	70	95	06/15 >					53.224.00
antibacterial, anti-odour and anti-allergen filter with automatic air-conditioner / filtro antibatterico, antiodori e anti-allergeni con climatizzatore automatico	B37D15A	70	95	06/15 >					34.226.00
114 d	N47D16A	70	95	07/12 >		25.142.00		31.952.00	30.540.00
with automatic air-conditioner / con climatizzatore automatico	N47D16A	70	95	07/12 >					54.226.00
with manual air-conditioner / con climatizzatore manuale	N47D16A	70	95	07/12 >					53.224.00
antibacterial, anti-odour and anti-allergen filter with automatic air-conditioner / filtro antibatterico, antiodori e anti-allergeni con climatizzatore automatico	N47D16A	70	95	07/12 >					34.226.00
114 i	N13B16	75	102	06/12 >		25.164.00		30.558.00	
with automatic air-conditioner / con climatizzatore automatico	N13B16	75	102	06/12 >					54.226.00
with manual air-conditioner / con climatizzatore manuale	N13B16	75	102	06/12 >					53.224.00
antibacterial, anti-odour and anti-allergen filter with automatic air-conditioner / filtro antibatterico, antiodori e anti-allergeni con climatizzatore automatico	N13B16	75	102	06/12 >					34.226.00
116 d	B37D15	85	116	02/15 >		25.188.00		31.952.00	30.540.00
with automatic air-conditioner / con climatizzatore automatico	B37D15	85	116	02/15 >					54.226.00
with manual air-conditioner / con climatizzatore manuale	B37D15	85	116	02/15 >					53.224.00
antibacterial, anti-odour and anti-allergen filter with automatic air-conditioner / filtro antibatterico, antiodori e anti-allergeni con climatizzatore automatico	B37D15	85	116	02/15 >					34.226.00
116 d	N47D20C	85	116	06/11 >		25.142.00		31.952.00	30.540.00

...BMW - cars/auto

antibacterial, anti-odour and anti-allergen filter with automatic air-conditioner / filtro antibatterico, antiodori e anti-allergeni con climatizzatore automatico		140	190	09/19	>				34.279.00
120i	B48A20A/B48A20F	131	178	11/20	>	25.211.00		30.622.00	53.332.00
with activated carbons / ai carboni attivi	B48A20A/B48A20F	131	178	11/20	>				54.279.00
antibacterial, anti-odour and anti-allergen filter / filtro antibatterico, antiodori e anti-allergeni	B48A20A/B48A20F	131	178	11/20	>				34.279.00
128ti	B48A20B	180	245	11/20	>	25.211.00		30.622.00	53.332.00
with activated carbons / ai carboni attivi	B48A20B	180	245	11/20	>				54.279.00
antibacterial, anti-odour and anti-allergen filter / filtro antibatterico, antiodori e anti-allergeni	B48A20B	180	245	11/20	>				34.279.00
128ti	B48A20E	195	265	11/20	>	25.211.00		30.C61.00	53.332.00
with activated carbons / ai carboni attivi	B48A20E	195	265	11/20	>				54.279.00
antibacterial, anti-odour and anti-allergen filter / filtro antibatterico, antiodori e anti-allergeni	B48A20E	195	265	11/20	>				34.279.00
for cold countries / per paesi freddi	B48A20E	195	265	11/20	>			30.C65.00	
M135i xDrive	B48A20E	225	306	09/19	>	25.211.00		30.C61.00	
with automatic air-conditioner / con climatizzatore automatico	B48A20E	225	306	09/19	>				54.279.00
with manual air-conditioner / con climatizzatore manuale	B48A20E	225	306	09/19	>				53.332.00
antibacterial, anti-odour and anti-allergen filter with automatic air-conditioner / filtro antibatterico, antiodori e anti-allergeni con climatizzatore automatico	B48A20E	225	306	09/19	>				34.279.00
for cold countries / per paesi freddi	B48A20E	225	306	09/19	>			30.C65.00	
2 (F22) Coupè									
218 d	N47D20C	105	143	02/14	>	25.142.00		31.952.00	30.540.00
with automatic air-conditioner / con climatizzatore automatico	N47D20C	105	143	02/14	>				54.226.00
antibacterial, anti-odour and anti-allergen filter with automatic air-conditioner / filtro antibatterico, antiodori e anti-allergeni con climatizzatore automatico	N47D20C	105	143	02/14	>				34.226.00
218 i	B38B15A	100	136	03/15	>	25.188.00		30.558.00	53.224.00
with automatic air-conditioner / con climatizzatore automatico	B38B15A	100	136	03/15	>				54.226.00
antibacterial, anti-odour and anti-allergen filter with automatic air-conditioner / filtro antibatterico, antiodori e anti-allergeni con climatizzatore automatico	B38B15A	100	136	03/15	>				34.226.00
220 d	B47D20	140	190	11/14	>	25.188.00		31.952.00	30.540.00
with automatic air-conditioner / con climatizzatore automatico	B47D20	140	190	11/14	>				54.226.00
antibacterial, anti-odour and anti-allergen filter with automatic air-conditioner / filtro antibatterico, antiodori e anti-allergeni con climatizzatore automatico	B47D20	140	190	11/14	>				34.226.00
220 d	N47D20C	135	184	02/14	>	25.142.00		31.952.00	30.540.00
with automatic air-conditioner / con climatizzatore automatico	N47D20C	135	184	02/14	>				54.226.00
antibacterial, anti-odour and anti-allergen filter with automatic air-conditioner / filtro antibatterico, antiodori e anti-allergeni con climatizzatore automatico	N47D20C	135	184	02/14	>				34.226.00
220 d xDrive	B47D20	140	190	03/15	>	25.188.00		31.952.00	30.540.00
with automatic air-conditioner / con climatizzatore automatico	B47D20	140	190	03/15	>				54.226.00
antibacterial, anti-odour and anti-allergen filter with automatic air-conditioner / filtro antibatterico, antiodori e anti-allergeni con climatizzatore automatico	B47D20	140	190	03/15	>				34.226.00
220 i	B48B20A	135	184	09/15	>	25.188.00			53.224.00
with automatic air-conditioner / con climatizzatore automatico	B48B20A	135	184	09/15	>				54.226.00
antibacterial, anti-odour and anti-allergen filter with automatic air-conditioner / filtro antibatterico, antiodori e anti-allergeni con climatizzatore automatico	B48B20A	135	184	09/15	>				34.226.00
220 i	N20B20A	135	184	02/14	>	25.171.00		30.558.00	53.224.00
with automatic air-conditioner / con climatizzatore automatico	N20B20A	135	184	02/14	>				54.226.00
antibacterial, anti-odour and anti-allergen filter with automatic air-conditioner / filtro antibatterico, antiodori e anti-allergeni con climatizzatore automatico	N20B20A	135	184	02/14	>				34.226.00
225 d	B47D20B	165	224	07/15	>	25.188.00		31.952.00	30.540.00
with automatic air-conditioner / con climatizzatore automatico	B47D20B	165	224	07/15	>				54.226.00
antibacterial, anti-odour and anti-allergen filter with automatic air-conditioner / filtro antibatterico, antiodori e anti-allergeni con climatizzatore automatico	B47D20B	165	224	07/15	>				34.226.00
225 d	N47D20D	160	218	02/14	>	25.142.00		31.952.00	30.540.00
with automatic air-conditioner / con climatizzatore automatico	N47D20D	160	218	02/14	>				54.226.00
antibacterial, anti-odour and anti-allergen filter with automatic air-conditioner / filtro antibatterico, antiodori e anti-allergeni con climatizzatore automatico	N47D20D	160	218	02/14	>				34.226.00
228 i	N20B/N26B20A	180	245	02/14	>	25.171.00		30.558.00	53.224.00
with automatic air-conditioner / con climatizzatore automatico	N20B/N26B20A	180	245	02/14	>				54.226.00
antibacterial, anti-odour and anti-allergen filter with automatic air-conditioner / filtro antibatterico, antiodori e anti-allergeni con climatizzatore automatico	N20B/N26B20A	180	245	02/14	>				34.226.00
230 i	B48B20B	185	252	09/15	>	25.188.00			53.224.00
with automatic air-conditioner / con climatizzatore automatico	B48B20B	185	252	09/15	>				54.226.00
antibacterial, anti-odour and anti-allergen filter with automatic air-conditioner / filtro antibatterico, antiodori e anti-allergeni con climatizzatore automatico	B48B20B	185	252	09/15	>				34.226.00
M235 i	N55B30A	240	326	02/14	>	25.058.00		30.777.00	53.224.00
with automatic air-conditioner / con climatizzatore automatico	N55B30A	240	326	02/14	>				54.226.00
antibacterial, anti-odour and anti-allergen filter with automatic air-conditioner / filtro antibatterico, antiodori e anti-allergeni con climatizzatore automatico	N55B30A	240	326	02/14	>				34.226.00
M235 i xDrive	N55B30A	240	326	07/14	>	25.058.00		30.777.00	53.224.00
with automatic air-conditioner / con climatizzatore automatico	N55B30A	240	326	07/14	>				54.226.00
antibacterial, anti-odour and anti-allergen filter with automatic air-conditioner / filtro antibatterico, antiodori e anti-allergeni con climatizzatore automatico	N55B30A	240	326	07/14	>				34.226.00
M240 i	B58B30A	250	340	06/16	>	25.148.00			
with automatic air-conditioner / con climatizzatore automatico	B58B30A	250	340	06/16	>				54.226.00
with manual air-conditioner / con climatizzatore manuale	B58B30A	250	340	06/16	>				53.224.00
antibacterial, anti-odour and anti-allergen filter with automatic air-conditioner / filtro antibatterico, antiodori e anti-allergeni con climatizzatore automatico	B58B30A	250	340	06/16	>				34.226.00
M240 i xDrive	B58B30A	250	340	06/16	>	25.148.00			
with automatic air-conditioner / con climatizzatore automatico	B58B30A	250	340	06/16	>				54.226.00
with manual air-conditioner / con climatizzatore manuale	B58B30A	250	340	06/16	>				53.224.00
antibacterial, anti-odour and anti-allergen filter with automatic air-conditioner / filtro antibatterico, antiodori e anti-allergeni con climatizzatore automatico	B58B30A	250	340	06/16	>				34.226.00
2 (F23) Cabrio									
218 d	B47D20A	100	136	07/15	>	25.188.00		31.952.00	30.540.00
with automatic air-conditioner / con climatizzatore automatico	B47D20A	100	136	07/15	>				54.226.00

...BMW - cars/auto

B

antibacterial, anti-odour and anti-allergen filter with automatic air-conditioner / filtro antibatterico, antiodori e anti-allergeni con climatizzatore automatico	B47D20A	100	136	07/15	>				34.226.00
218 d	B47D20A	110	150	07/15	>	25.188.00	31.952.00	30.540.00	53.224.00
with automatic air-conditioner / con climatizzatore automatico	B47D20A	110	150	07/15	>				54.226.00
antibacterial, anti-odour and anti-allergen filter with automatic air-conditioner / filtro antibatterico, antiodori e anti-allergeni con climatizzatore automatico	B47D20A	110	150	07/15	>				34.226.00
218 i	B38B15A	100	136	03/15	>	25.188.00		30.558.00	53.224.00
with automatic air-conditioner / con climatizzatore automatico	B38B15A	100	136	03/15	>				54.226.00
antibacterial, anti-odour and anti-allergen filter with automatic air-conditioner / filtro antibatterico, antiodori e anti-allergeni con climatizzatore automatico	B38B15A	100	136	03/15	>				34.226.00
220 d	B47D20	120	163	11/14	>	25.188.00	31.952.00	30.540.00	53.224.00
with automatic air-conditioner / con climatizzatore automatico	B47D20	120	163	11/14	>				54.226.00
antibacterial, anti-odour and anti-allergen filter with automatic air-conditioner / filtro antibatterico, antiodori e anti-allergeni con climatizzatore automatico	B47D20	120	163	11/14	>				34.226.00
220 d	B47D20	140	190	11/14	>	25.188.00	31.952.00	30.540.00	53.224.00
with automatic air-conditioner / con climatizzatore automatico	B47D20	140	190	11/14	>				54.226.00
antibacterial, anti-odour and anti-allergen filter with automatic air-conditioner / filtro antibatterico, antiodori e anti-allergeni con climatizzatore automatico	B47D20	140	190	11/14	>				34.226.00
220 d	N47D20C	135	184	02/14	>	25.142.00	31.952.00	30.540.00	53.224.00
with automatic air-conditioner / con climatizzatore automatico	N47D20C	135	184	02/14	>				54.226.00
antibacterial, anti-odour and anti-allergen filter with automatic air-conditioner / filtro antibatterico, antiodori e anti-allergeni con climatizzatore automatico	N47D20C	135	184	02/14	>				34.226.00
220 i	N20B20A	135	184	02/14	>	25.171.00		30.558.00	53.224.00
with automatic air-conditioner / con climatizzatore automatico	N20B20A	135	184	02/14	>				54.226.00
antibacterial, anti-odour and anti-allergen filter with automatic air-conditioner / filtro antibatterico, antiodori e anti-allergeni con climatizzatore automatico	N20B20A	135	184	02/14	>				34.226.00
225 d	B47D20B	165	224	07/15	>	25.188.00	31.952.00	30.540.00	53.224.00
with automatic air-conditioner / con climatizzatore automatico	B47D20B	165	224	07/15	>				54.226.00
antibacterial, anti-odour and anti-allergen filter with automatic air-conditioner / filtro antibatterico, antiodori e anti-allergeni con climatizzatore automatico	B47D20B	165	224	07/15	>				34.226.00
228 i	N20B/N26B20A	180	245	02/14	>	25.171.00		30.558.00	53.224.00
with automatic air-conditioner / con climatizzatore automatico	N20B/N26B20A	180	245	02/14	>				54.226.00
antibacterial, anti-odour and anti-allergen filter with automatic air-conditioner / filtro antibatterico, antiodori e anti-allergeni con climatizzatore automatico	N20B/N26B20A	180	245	02/14	>				34.226.00
230 i	B48B20B	185	252	09/15	>	25.188.00			53.224.00
with automatic air-conditioner / con climatizzatore automatico	B48B20B	185	252	09/15	>				54.226.00
antibacterial, anti-odour and anti-allergen filter with automatic air-conditioner / filtro antibatterico, antiodori e anti-allergeni con climatizzatore automatico	B48B20B	185	252	09/15	>				34.226.00
M235 i	N55B30A	240	326	02/14	>	25.058.00		30.777.00	53.224.00
with automatic air-conditioner / con climatizzatore automatico	N55B30A	240	326	02/14	>				54.226.00
antibacterial, anti-odour and anti-allergen filter with automatic air-conditioner / filtro antibatterico, antiodori e anti-allergeni con climatizzatore automatico	N55B30A	240	326	02/14	>				34.226.00
M235 i xDrive	N55B30A	240	326	07/14	>	25.058.00		30.777.00	53.224.00
with automatic air-conditioner / con climatizzatore automatico	N55B30A	240	326	07/14	>				54.226.00
antibacterial, anti-odour and anti-allergen filter with automatic air-conditioner / filtro antibatterico, antiodori e anti-allergeni con climatizzatore automatico	N55B30A	240	326	07/14	>				34.226.00
M240 i	B58B30A	250	340	06/16	>	25.148.00			
with automatic air-conditioner / con climatizzatore automatico	B58B30A	250	340	06/16	>				54.226.00
with manual air-conditioner / con climatizzatore manuale	B58B30A	250	340	06/16	>				53.224.00
antibacterial, anti-odour and anti-allergen filter with automatic air-conditioner / filtro antibatterico, antiodori e anti-allergeni con climatizzatore automatico	B58B30A	250	340	06/16	>				34.226.00
M240 i xDrive	B58B30A	250	340	06/16	>	25.148.00			
with automatic air-conditioner / con climatizzatore automatico	B58B30A	250	340	06/16	>				54.226.00
with manual air-conditioner / con climatizzatore manuale	B58B30A	250	340	06/16	>				53.224.00
antibacterial, anti-odour and anti-allergen filter with automatic air-conditioner / filtro antibatterico, antiodori e anti-allergeni con climatizzatore automatico	B58B30A	250	340	06/16	>				34.226.00
2 (F44) Gran Coupè									
216d Gran Coupe	B37C15A	85	115	03/20	>	25.211.00	31.926.01	30.622.00	54.279.00
antibacterial, anti-odour and anti-allergen filter / filtro antibatterico, antiodori e anti-allergeni	B37C15A	85	115	03/20	>				34.279.00
218d Gran Coupe	B47C20B	100	136	07/20	>	25.211.00	31.926.01	30.622.00	54.279.00
antibacterial, anti-odour and anti-allergen filter / filtro antibatterico, antiodori e anti-allergeni	B47C20B	100	136	07/20	>				34.279.00
218i Gran Coupe	B38A15A	100	136	11/20	>	25.211.00		30.622.00	54.279.00
antibacterial, anti-odour and anti-allergen filter / filtro antibatterico, antiodori e anti-allergeni	B38A15A	100	136	11/20	>				34.279.00
218i Gran Coupe	B38A15A	103	140	11/19	>	25.211.00		30.622.00	54.279.00
antibacterial, anti-odour and anti-allergen filter / filtro antibatterico, antiodori e anti-allergeni	B38A15A	103	140	11/19	>				34.279.00
220d Gran Coupe	B47C20B	120	163	11/19	>	25.211.00	31.926.01	30.622.00	54.279.00
antibacterial, anti-odour and anti-allergen filter / filtro antibatterico, antiodori e anti-allergeni	B47C20B	120	163	11/19	>				34.279.00
220d Gran Coupe	B47C20B	140	190	11/19	>	25.211.00	31.926.01	30.622.00	54.279.00
antibacterial, anti-odour and anti-allergen filter / filtro antibatterico, antiodori e anti-allergeni	B47C20B	140	190	11/19	>				34.279.00
220d xDrive Grand Coupe	B47C20B	140	190	11/19	>	25.211.00	31.926.01	30.622.00	54.279.00
antibacterial, anti-odour and anti-allergen filter / filtro antibatterico, antiodori e anti-allergeni	B47C20B	140	190	11/19	>				34.279.00
220i Gran Coupe	B48A20A/B48A20F	131	178	11/20	>	25.211.00		30.622.00	54.279.00
antibacterial, anti-odour and anti-allergen filter / filtro antibatterico, antiodori e anti-allergeni	B48A20A/B48A20F	131	178	11/20	>				34.279.00
M 235i xDrive Gran Coupe	B48A20E	225	305	11/19	>	25.211.00		30.C61.00	54.279.00
antibacterial, anti-odour and anti-allergen filter / filtro antibatterico, antiodori e anti-allergeni	B48A20E	225	305	11/19	>				34.279.00
for cold countries / per paesi freddi	B48A20E	225	305	11/19	>			30.C65.00	
2 (F45) Tourer									
214 d	B37C15A/B37C15K0	70	95	03/15	>		31.926.01	30.622.00	53.332.00
with automatic air-conditioner / con climatizzatore automatico	B37C15A/B37C15K0	70	95	03/15	>				54.279.00
with complete filter KNECHT-MAHLE / con filtro completo KNECHT-MAHLE	B37C15A/B37C15K0	70	95	03/15	> 08/17	25.185.00			
with complete filter MANN+HUMMEL / con filtro completo MANN+HUMMEL	B37C15A/B37C15K0	70	95	09/17	>	25.211.00			

...BMW - cars/auto

antibacterial, anti-odour and anti-allergen filter with automatic air-conditioner / filtro antibatterico, antiodori e anti-allergeni con climatizzatore automatico	B37C15A/B37C15K0	70	95	03/15	>				34.279.00
216 d	B37C15U0	85	116	11/14	>		31.926.01	30.622.00	53.332.00
with automatic air-conditioner / con climatizzatore automatico	B37C15U0	85	116	11/14	>				54.279.00
with complete filter KNECHT-MAHLE / con filtro completo KNECHT-MAHLE	B37C15U0	85	116	11/14	>	08/17	25.185.00		
with complete filter MANN+HUMMEL / con filtro completo MANN+HUMMEL	B37C15U0	85	116	09/17	>		25.211.00		
antibacterial, anti-odour and anti-allergen filter with automatic air-conditioner / filtro antibatterico, antiodori e anti-allergeni con climatizzatore automatico	B37C15U0	85	116	11/14	>				34.279.00
218 d	B47C20U0	110	150	08/14	>		31.926.01	30.622.00	53.332.00
with automatic air-conditioner / con climatizzatore automatico	B47C20U0	110	150	08/14	>				54.279.00
with complete filter KNECHT-MAHLE / con filtro completo KNECHT-MAHLE	B47C20U0	110	150	08/14	>	08/17	25.185.00		
with complete filter MANN+HUMMEL / con filtro completo MANN+HUMMEL	B47C20U0	110	150	09/17	>		25.211.00		
antibacterial, anti-odour and anti-allergen filter with automatic air-conditioner / filtro antibatterico, antiodori e anti-allergeni con climatizzatore automatico	B47C20U0	110	150	08/14	>				34.279.00
218 i	B38A15A/B38A15M0	100	136	08/14	>			30.621.00	53.332.00
with automatic air-conditioner / con climatizzatore automatico	B38A15A/B38A15M0	100	136	08/14	>				54.279.00
with complete filter KNECHT-MAHLE / con filtro completo KNECHT-MAHLE	B38A15A/B38A15M0	100	136	08/14	>	04/17	25.185.00		
with complete filter MANN+HUMMEL / con filtro completo MANN+HUMMEL	B38A15A/B38A15M0	100	136	05/17	>		25.211.00		
antibacterial, anti-odour and anti-allergen filter with automatic air-conditioner / filtro antibatterico, antiodori e anti-allergeni con climatizzatore automatico	B38A15A/B38A15M0	100	136	08/14	>				34.279.00
for cold countries / per paesi freddi	B38A15A/B38A15M0	100	136	08/14	>			30.622.00	
220 d	B47D20A/B47C2000	140	190	11/14	>		31.926.01	30.622.00	53.332.00
with automatic air-conditioner / con climatizzatore automatico	B47D20A/B47C2000	140	190	11/14	>				54.279.00
with complete filter KNECHT-MAHLE / con filtro completo KNECHT-MAHLE	B47D20A/B47C2000	140	190	11/14	>	08/17	25.185.00		
with complete filter MANN+HUMMEL / con filtro completo MANN+HUMMEL	B47D20A/B47C2000	140	190	09/17	>		25.211.00		
antibacterial, anti-odour and anti-allergen filter with automatic air-conditioner / filtro antibatterico, antiodori e anti-allergeni con climatizzatore automatico	B47D20A/B47C2000	140	190	11/14	>				34.279.00
220 d xDrive	B47D20A/B47C2000	140	190	11/14	>		31.926.01	30.622.00	53.332.00
with automatic air-conditioner / con climatizzatore automatico	B47D20A/B47C2000	140	190	11/14	>				54.279.00
with complete filter KNECHT-MAHLE / con filtro completo KNECHT-MAHLE	B47D20A/B47C2000	140	190	11/14	>	08/17	25.185.00		
with complete filter MANN+HUMMEL / con filtro completo MANN+HUMMEL	B47D20A/B47C2000	140	190	09/17	>		25.211.00		
antibacterial, anti-odour and anti-allergen filter with automatic air-conditioner / filtro antibatterico, antiodori e anti-allergeni con climatizzatore automatico	B47D20A/B47C2000	140	190	11/14	>				34.279.00
220 i	B48A20A/B48A20F	131	178	11/20	>		25.211.00		30.622.00
with activated carbons / ai carboni attivi	B48A20A/B48A20F	131	178	11/20	>				54.279.00
antibacterial, anti-odour and anti-allergen filter / filtro antibatterico, antiodori e anti-allergeni	B48A20A/B48A20F	131	178	11/20	>				34.279.00
220 i	B48A20M0	141	192	11/14	>			30.621.00	53.332.00
with automatic air-conditioner / con climatizzatore automatico	B48A20M0	141	192	11/14	>				54.279.00
with complete filter KNECHT-MAHLE / con filtro completo KNECHT-MAHLE	B48A20M0	141	192	11/14	>	04/17	25.185.00		
with complete filter MANN+HUMMEL / con filtro completo MANN+HUMMEL	B48A20M0	141	192	05/17	>		25.211.00		
antibacterial, anti-odour and anti-allergen filter with automatic air-conditioner / filtro antibatterico, antiodori e anti-allergeni con climatizzatore automatico	B48A20M0	141	192	11/14	>				34.279.00
for cold countries / per paesi freddi	B48A20M0	141	192	11/14	>			30.622.00	
225 i	B48A20O0	170	231	11/14	>			30.621.00	53.332.00
with automatic air-conditioner / con climatizzatore automatico	B48A20O0	170	231	11/14	>				54.279.00
with complete filter KNECHT-MAHLE / con filtro completo KNECHT-MAHLE	B48A20O0	170	231	11/14	>	04/17	25.185.00		
with complete filter MANN+HUMMEL / con filtro completo MANN+HUMMEL	B48A20O0	170	231	05/17	>		25.211.00		
antibacterial, anti-odour and anti-allergen filter with automatic air-conditioner / filtro antibatterico, antiodori e anti-allergeni con climatizzatore automatico	B48A20O0	170	231	11/14	>				34.279.00
for cold countries / per paesi freddi	B48A20O0	170	231	11/14	>			30.622.00	
225 i xDrive	B48A20O0	170	231	11/14	>			30.621.00	53.332.00
with automatic air-conditioner / con climatizzatore automatico	B48A20O0	170	231	11/14	>				54.279.00
with complete filter KNECHT-MAHLE / con filtro completo KNECHT-MAHLE	B48A20O0	170	231	11/14	>	04/17	25.185.00		
with complete filter MANN+HUMMEL / con filtro completo MANN+HUMMEL	B48A20O0	170	231	05/17	>		25.211.00		
antibacterial, anti-odour and anti-allergen filter with automatic air-conditioner / filtro antibatterico, antiodori e anti-allergeni con climatizzatore automatico	B48A20O0	170	231	11/14	>				34.279.00
for cold countries / per paesi freddi	B48A20O0	170	231	11/14	>			30.622.00	
225 xe	B38A15A	165	224	11/15	>			30.621.00	53.332.00
with automatic air-conditioner / con climatizzatore automatico	B38A15A	165	224	11/15	>				54.279.00
with complete filter KNECHT-MAHLE / con filtro completo KNECHT-MAHLE	B38A15A	165	224	11/15	>	04/17	25.185.00		
with complete filter MANN+HUMMEL / con filtro completo MANN+HUMMEL	B38A15A	165	224	05/17	>		25.211.00		
antibacterial, anti-odour and anti-allergen filter with automatic air-conditioner / filtro antibatterico, antiodori e anti-allergeni con climatizzatore automatico	B38A15A	165	224	11/15	>				34.279.00
for cold countries / per paesi freddi	B38A15A	165	224	11/15	>			30.622.00	
2 (F46) Gran Tourer									
214 d	B37C15K0	70	95	07/15	>			31.926.01	30.622.00
with automatic air-conditioner / con climatizzatore automatico	B37C15K0	70	95	07/15	>				53.332.00
with complete filter KNECHT-MAHLE / con filtro completo KNECHT-MAHLE	B37C15K0	70	95	07/15	>	08/17	25.185.00		54.279.00
with complete filter MANN+HUMMEL / con filtro completo MANN+HUMMEL	B37C15K0	70	95	09/17	>		25.211.00		
antibacterial, anti-odour and anti-allergen filter / filtro antibatterico, antiodori e anti-allergeni	B37C15K0	70	95	07/15	>				34.279.00
216 d	B37C15U0	85	116	11/14	>			31.926.01	30.622.00
with automatic air-conditioner / con climatizzatore automatico	B37C15U0	85	116	11/14	>				54.279.00
with complete filter KNECHT-MAHLE / con filtro completo KNECHT-MAHLE	B37C15U0	85	116	11/14	>	08/17	25.185.00		
with complete filter MANN+HUMMEL / con filtro completo MANN+HUMMEL	B37C15U0	85	116	09/17	>		25.211.00		
antibacterial, anti-odour and anti-allergen filter / filtro antibatterico, antiodori e anti-allergeni	B37C15U0	85	116	11/14	>				34.279.00
216 i	B38A15A	75	102	07/15	>				30.621.00
with automatic air-conditioner / con climatizzatore automatico	B38A15A	75	102	07/15	>				54.279.00

...BMW - cars/auto

B

with complete filter KNECHT-MAHLE / con filtro completo KNECHT-MAHLE	B38A15A	75	102	07/15	>	04/17	25.185.00		
with complete filter MANN+HUMMEL / con filtro completo MANN+HUMMEL	B38A15A	75	102	05/17	>		25.211.00		
antibacterial, anti-odour and anti-allergen filter / filtro antibatterico, antiodori e anti-allergeni	B38A15A	75	102	07/15	>				34.279.00
for cold countries / per paesi freddi	B38A15A	75	102	07/15	>			30.622.00	
218 d	B47C20U0	110	150	08/14	>			31.926.01	30.622.00
with automatic air-conditioner / con climatizzatore automatico	B47C20U0	110	150	08/14	>				54.279.00
with complete filter KNECHT-MAHLE / con filtro completo KNECHT-MAHLE	B47C20U0	110	150	08/14	>	08/17	25.185.00		
with complete filter MANN+HUMMEL / con filtro completo MANN+HUMMEL	B47C20U0	110	150	09/17	>		25.211.00		
antibacterial, anti-odour and anti-allergen filter / filtro antibatterico, antiodori e anti-allergeni	B47C20U0	110	150	08/14	>				34.279.00
	B38A15M0	100	136	08/14	>				30.621.00
with automatic air-conditioner / con climatizzatore automatico	B38A15M0	100	136	08/14	>				54.279.00
with complete filter KNECHT-MAHLE / con filtro completo KNECHT-MAHLE	B38A15M0	100	136	08/14	>	04/17	25.185.00		
with complete filter MANN+HUMMEL / con filtro completo MANN+HUMMEL	B38A15M0	100	136	05/17	>		25.211.00		
antibacterial, anti-odour and anti-allergen filter / filtro antibatterico, antiodori e anti-allergeni	B38A15M0	100	136	08/14	>				34.279.00
for cold countries / per paesi freddi	B38A15M0	100	136	08/14	>			30.622.00	
220 d	B47D20O0	140	190	07/15	>			31.926.01	30.622.00
with automatic air-conditioner / con climatizzatore automatico	B47D20O0	140	190	07/15	>				54.279.00
with complete filter KNECHT-MAHLE / con filtro completo KNECHT-MAHLE	B47D20O0	140	190	07/15	>	08/17	25.185.00		
with complete filter MANN+HUMMEL / con filtro completo MANN+HUMMEL	B47D20O0	140	190	09/17	>		25.211.00		
antibacterial, anti-odour and anti-allergen filter / filtro antibatterico, antiodori e anti-allergeni	B47D20O0	140	190	07/15	>				34.279.00
220 d xDrive	B47D20O0	140	190	11/14	>			31.926.01	30.622.00
with automatic air-conditioner / con climatizzatore automatico	B47D20O0	140	190	11/14	>				54.279.00
with complete filter KNECHT-MAHLE / con filtro completo KNECHT-MAHLE	B47D20O0	140	190	11/14	>	08/17	25.185.00		
with complete filter MANN+HUMMEL / con filtro completo MANN+HUMMEL	B47D20O0	140	190	09/17	>		25.211.00		
antibacterial, anti-odour and anti-allergen filter / filtro antibatterico, antiodori e anti-allergeni	B47D20O0	140	190	11/14	>				34.279.00
	B48A20M0	141	192	11/14	>				30.621.00
with automatic air-conditioner / con climatizzatore automatico	B48A20M0	141	192	11/14	>				54.279.00
with complete filter KNECHT-MAHLE / con filtro completo KNECHT-MAHLE	B48A20M0	141	192	11/14	>	04/17	25.185.00		
with complete filter MANN+HUMMEL / con filtro completo MANN+HUMMEL	B48A20M0	141	192	05/17	>		25.211.00		
antibacterial, anti-odour and anti-allergen filter / filtro antibatterico, antiodori e anti-allergeni	B48A20M0	141	192	11/14	>				34.279.00
for cold countries / per paesi freddi	B48A20M0	141	192	11/14	>			30.622.00	
2 (F87) Coupè									
M2	N55B30A	272	370	01/16	>		25.232.00		30.777.00
with automatic air-conditioner / con climatizzatore automatico	N55B30A	272	370	01/16	>				54.226.00
antibacterial, anti-odour and anti-allergen filter with automatic air-conditioner / filtro antibatterico, antiodori e anti-allergeni con climatizzatore automatico	N55B30A	272	370	01/16	>				34.226.00
3 (E36/5)									
316 g 1.6 Compact									
with air-conditioner / con climatizzatore	M43B16	75	102	11/95	>	09/00	25.008.00	31.569.00	30.049.00
without air-conditioner / senza climatizzatore	M43B16	75	102	11/95	>	09/00	25.008.00	31.569.00	30.049.00
316 i 1.6 Compact									
with air-conditioner / con climatizzatore	M43B16	75	102	09/95	>	10/00	25.008.00	31.569.00	30.049.00
without air-conditioner / senza climatizzatore	M43B16	75	102	09/95	>	10/00	25.008.00	31.569.00	30.049.00
316 i 1.9 Compact									
with air-conditioner / con climatizzatore	M43B19	77	105	12/98	>	10/00	25.008.00	31.569.00	30.049.00
without air-conditioner / senza climatizzatore	M43B19	77	105	12/98	>	10/00	25.008.00	31.569.00	30.049.00
318 tds Compact									
with air-conditioner / con climatizzatore	M41D17	66	90	01/95	>	10/00	25.587.00	24.344.00	30.071.00
without air-conditioner / senza climatizzatore	M41D17	66	90	01/95	>	10/00	25.587.00	24.344.00	30.071.00
318 Ti 1.9 Compact									
with air-conditioner / con climatizzatore	M44B19	103	140	09/95	>	10/00	25.008.00	31.569.00	30.049.00
without air-conditioner / senza climatizzatore	M44B19	103	140	09/95	>	10/00	25.008.00	31.569.00	30.049.00
323 Ti Compact									
with air-conditioner / con climatizzatore	M53B25	125	170	08/97	>	10/00	25.004.00	31.569.00	30.991.00
without air-conditioner / senza climatizzatore	M53B25	125	170	08/97	>	10/00	25.004.00	31.569.00	30.991.00
3 (E46)									
316 Ci 1.6									
with activated carbons / ai carboni attivi	N40B16	85	115	02/02	>	09/05	25.028.00	31.847.00	27.394.00
antibacterial, anti-odour and anti-allergen filter / filtro antibatterico, antiodori e anti-allergeni	N40B16	85	115	02/02	>	09/05	25.028.00	31.847.00	27.394.00
hot areas / zone calde	N40B16	85	115	02/02	>	09/05	25.028.00	31.847.00	27.D83.00
	N42B18	85	115	02/02	>	09/05	25.028.00	31.847.00	27.394.00
with activated carbons / ai carboni attivi	N42B18	85	115	02/02	>	09/05	25.028.00	31.847.00	27.394.00
antibacterial, anti-odour and anti-allergen filter / filtro antibatterico, antiodori e anti-allergeni	N42B18	85	115	02/02	>	09/05	25.028.00	31.847.00	27.394.00
hot areas / zone calde	N42B18	85	115	02/02	>	09/05	25.028.00	31.847.00	27.D83.00
	M43B19	87	118	09/98	>	05/01	25.008.00	31.569.00	30.991.00
	M43B19	87	118	06/01	>	02/02	25.008.00	31.847.00	30.991.00
with activated carbons / ai carboni attivi	M43B19	87	118	09/98	>	05/01	25.008.00	31.569.00	30.991.00
with activated carbons / ai carboni attivi	M43B19	87	118	06/01	>	02/02	25.008.00	31.847.00	30.991.00

...BMW - cars/auto

B

with activated carbons / ai carboni attivi	M54B25	141	192	08/00	>	03/05	25.004.00	31.847.00	30.991.00	54.121.00
antibacterial, anti-odour and anti-allergen filter / filtro antibatterico, antiodori e anti-allergeni	M54B25	141	192	08/00	>	03/05				34.121.00
3 (E90)										
316 d	N47D20A	85	115	09/09	>	01/10	25.084.00	31.852.00	30.357.00	
	N47D20A	85	115	02/10	>	12/11	25.142.00	31.857.04	30.357.00	
with automatic air-conditioner / con climatizzatore automatico	N47D20A	85	115	09/09	>	12/11				54.154.00
with manual air-conditioner / con climatizzatore manuale	N47D20A	85	115	09/09	>	12/11				53.236.00
316 i	N43B16A	90	122	09/07	>	12/11	25.028.00	∞	27.594.00	
with automatic air-conditioner / con climatizzatore automatico	N43B16A	90	122	09/07	>	12/11				54.154.00
with manual air-conditioner / con climatizzatore manuale	N43B16A	90	122	09/07	>	12/11				53.236.00
316 i	N45B16	85	115	09/05	>	12/11	25.028.00	∞	27.594.00	
with automatic air-conditioner / con climatizzatore automatico	N45B16	85	115	09/05	>	12/11				54.154.00
with manual air-conditioner / con climatizzatore manuale	N45B16	85	115	09/05	>	12/11				53.236.00
318 d	M47TU2D20	90	122	03/05	>	08/07	25.021.00	31.852.00	27.353.00	
with automatic air-conditioner / con climatizzatore automatico	M47TU2D20	90	122	03/05	>	08/07				54.154.00
with manual air-conditioner / con climatizzatore manuale	M47TU2D20	90	122	03/05	>	08/07				53.236.00
318 d	N47D20	105	143	09/07	>	01/10	25.084.00	31.852.00	30.357.00	
	N47D20	105	143	02/10	>	12/11	25.142.00	31.857.04	30.357.00	
with automatic air-conditioner / con climatizzatore automatico	N47D20	105	143	09/07	>	12/11				54.154.00
with manual air-conditioner / con climatizzatore manuale	N47D20	105	143	09/07	>	12/11				53.236.00
318 d	N47D20C	100	136	09/07	>	01/10	25.084.00	31.852.00	30.357.00	
	N47D20C	100	136	02/10	>	12/11	25.142.00	31.857.04	30.357.00	
with automatic air-conditioner / con climatizzatore automatico	N47D20C	100	136	09/07	>	12/11				54.154.00
with manual air-conditioner / con climatizzatore manuale	N47D20C	100	136	09/07	>	12/11				53.236.00
318 i	N43B20A/N46B20B	100	136	09/07	>	12/11	25.028.00	∞	27.595.00	
with automatic air-conditioner / con climatizzatore automatico	N43B20A/N46B20B	100	136	09/07	>	12/11				54.154.00
with manual air-conditioner / con climatizzatore manuale	N43B20A/N46B20B	100	136	09/07	>	12/11				53.236.00
318 i	N46B20	95	129	09/05	>	08/07	25.028.00	∞	27.595.00	
with automatic air-conditioner / con climatizzatore automatico	N46B20	95	129	09/05	>	08/07				54.154.00
with manual air-conditioner / con climatizzatore manuale	N46B20	95	129	09/05	>	08/07				53.236.00
318 i	N46B20B	105	143	09/07	>	12/11	25.028.00	∞	27.595.00	
with automatic air-conditioner / con climatizzatore automatico	N46B20B	105	143	09/07	>	12/11				54.154.00
with manual air-conditioner / con climatizzatore manuale	N46B20B	105	143	09/07	>	12/11				53.236.00
320 d	M47TU2D20	110	150	03/05	>	08/07	25.021.00	31.852.00	27.353.00	
with automatic air-conditioner / con climatizzatore automatico	M47TU2D20	110	150	03/05	>	08/07				54.154.00
with manual air-conditioner / con climatizzatore manuale	M47TU2D20	110	150	03/05	>	08/07				53.236.00
320 d	M47TU2D20	120	163	03/05	>	08/07	25.021.00	31.852.00	27.353.00	
with automatic air-conditioner / con climatizzatore automatico	M47TU2D20	120	163	03/05	>	08/07				54.154.00
with manual air-conditioner / con climatizzatore manuale	M47TU2D20	120	163	03/05	>	08/07				53.236.00
320 d	N47D20A	130	177	09/07	>	01/10	25.084.00	31.852.00	30.357.00	
	N47D20A	130	177	02/10	>	12/11	25.142.00	31.857.04	30.357.00	
with automatic air-conditioner / con climatizzatore automatico	N47D20A	130	177	09/07	>	12/11				54.154.00
with manual air-conditioner / con climatizzatore manuale	N47D20A	130	177	09/07	>	12/11				53.236.00
320 d	N47D20A/C	120	163	09/07	>	01/10	25.084.00	31.852.00	30.357.00	
	N47D20A/C	120	163	02/10	>	12/11	25.084.00	31.857.04	30.357.00	
with automatic air-conditioner / con climatizzatore automatico	N47D20A/C	120	163	09/07	>	12/11				54.154.00
with manual air-conditioner / con climatizzatore manuale	N47D20A/C	120	163	09/07	>	12/11				53.236.00
320 d	N47D20C	135	184	03/10	>	12/11	25.142.00	31.857.04	30.357.00	
with automatic air-conditioner / con climatizzatore automatico	N47D20C	135	184	03/10	>	12/11				54.154.00
with manual air-conditioner / con climatizzatore manuale	N47D20C	135	184	03/10	>	12/11				53.236.00
320 d ed	N47D20C	120	163	03/10	>	12/11	25.142.00	31.857.04	30.357.00	
with automatic air-conditioner / con climatizzatore automatico	N47D20C	120	163	03/10	>	12/11				54.154.00
with manual air-conditioner / con climatizzatore manuale	N47D20C	120	163	03/10	>	12/11				53.236.00
320 i	N46B20	110	150	03/05	>	08/06	25.028.00	∞	27.595.00	
with automatic air-conditioner / con climatizzatore automatico	N46B20	110	150	03/05	>	08/06				54.154.00
with manual air-conditioner / con climatizzatore manuale	N46B20	110	150	03/05	>	08/06				53.236.00
320 i	N46B20	125	170	09/06	>	12/11	25.028.00	∞	27.595.00	
with automatic air-conditioner / con climatizzatore automatico	N46B20	125	170	09/06	>	12/11				54.154.00
with manual air-conditioner / con climatizzatore manuale	N46B20	125	170	09/06	>	12/11				53.236.00
320 Si	N45B20A	127	173	12/05	>	12/11	25.028.00	∞	27.595.00	
with automatic air-conditioner / con climatizzatore automatico	N45B20A	127	173	12/05	>	12/11				54.154.00
with manual air-conditioner / con climatizzatore manuale	N45B20A	127	173	12/05	>	12/11				53.236.00
320 Xd	N47D20A	130	177	09/07	>	01/10	25.084.00	31.852.00	30.357.00	
	N47D20A	130	177	02/10	>	12/11	25.142.00	31.857.04	30.357.00	
with automatic air-conditioner / con climatizzatore automatico	N47D20A	130	177	09/07	>	12/11				54.154.00
with manual air-conditioner / con climatizzatore manuale	N47D20A	130	177	09/07	>	12/11				53.236.00
323 i	N52B25	127	173	09/06	>	12/11	25.058.00	∞	27.636.00	

...BMW - cars/auto

with automatic air-conditioner / con climatizzatore automatico	N52B25	127	173	09/06	>	12/11			54.154.00
with manual air-conditioner / con climatizzatore manuale	N52B25	127	173	09/06	>	12/11			53.236.00
export models USA / modelli di esportazione USA	N52B25	127	173	09/06	>	12/11		30.B17.00	
323 i	N52B25A	140	190	03/08	>	12/11	25.058.00		27.636.00
with automatic air-conditioner / con climatizzatore automatico	N52B25A	140	190	03/08	>	12/11			54.154.00
with manual air-conditioner / con climatizzatore manuale	N52B25A	140	190	03/08	>	12/11			53.236.00
export models USA / modelli di esportazione USA	N52B25A	140	190	03/08	>	12/11		30.B17.00	
323 i (AUS)	N52B25	130	177	03/05	>	12/11	25.058.00		27.636.00
with automatic air-conditioner / con climatizzatore automatico	N52B25	130	177	03/05	>	12/11			54.154.00
with manual air-conditioner / con climatizzatore manuale	N52B25	130	177	03/05	>	12/11			53.236.00
323 i (CDN)	N52B25	130	177	03/05	>	12/11	25.058.00		27.636.00
with automatic air-conditioner / con climatizzatore automatico	N52B25	130	177	03/05	>	12/11			54.154.00
with manual air-conditioner / con climatizzatore manuale	N52B25	130	177	03/05	>	12/11			53.236.00
323 i (J)	N52B25	130	177	03/05	>	12/11	25.058.00		27.636.00
with automatic air-conditioner / con climatizzatore automatico	N52B25	130	177	03/05	>	12/11			54.154.00
with manual air-conditioner / con climatizzatore manuale	N52B25	130	177	03/05	>	12/11			53.236.00
323 i (USA)	N52B25	130	177	03/05	>	12/11	25.058.00		30.B17.00
with automatic air-conditioner / con climatizzatore automatico	N52B25	130	177	03/05	>	12/11			54.154.00
with manual air-conditioner / con climatizzatore manuale	N52B25	130	177	03/05	>	12/11			53.236.00
325 d	M57D30	145	197	09/06	>	01/10	25.048.00	31.852.00	27.384.00
with automatic air-conditioner / con climatizzatore automatico	M57D30	145	197	02/10	>	12/11	25.048.00	31.857.04	27.384.00
with manual air-conditioner / con climatizzatore manuale	M57D30	145	197	09/06	>	12/11			54.154.00
325 d	N57D30A	150	204	02/10	>	07/10	25.096.00	31.857.04	30.357.00
with automatic air-conditioner / con climatizzatore automatico	N57D30A	150	204	08/10	>	12/11	25.096.00	31.852.00	30.357.00
with manual air-conditioner / con climatizzatore manuale	N57D30A	150	204	02/10	>	12/11			54.154.00
325 i	N52B25	160	218	03/05	>	09/07	25.058.00		27.636.00
with automatic air-conditioner / con climatizzatore automatico	N52B25	160	218	03/05	>	09/07			54.154.00
with manual air-conditioner / con climatizzatore manuale	N52B25	160	218	03/05	>	09/07			53.236.00
325 i	N53B30A	160	218	09/07	>	12/11	25.058.00		27.636.00
with automatic air-conditioner / con climatizzatore automatico	N53B30A	160	218	09/07	>	12/11			54.154.00
with manual air-conditioner / con climatizzatore manuale	N53B30A	160	218	09/07	>	12/11			53.236.00
export models USA / modelli di esportazione USA	N53B30A	160	218	09/07	>	12/11		30.B17.00	
325 i (USA)	N52B25	160	218	03/05	>	12/11	25.058.00		30.B17.00
with automatic air-conditioner / con climatizzatore automatico	N52B25	160	218	03/05	>	12/11			54.154.00
with manual air-conditioner / con climatizzatore manuale	N52B25	160	218	03/05	>	12/11			53.236.00
325 Xi	N52B25	160	218	03/05	>	09/07	25.058.00		27.636.00
with automatic air-conditioner / con climatizzatore automatico	N52B25	160	218	03/05	>	09/07			54.154.00
with manual air-conditioner / con climatizzatore manuale	N52B25	160	218	03/05	>	09/07			53.236.00
export models USA / modelli di esportazione USA	N52B25	160	218	03/05	>	09/07		30.B17.00	
325 Xi	N53B30A	160	218	09/07	>	12/11	25.058.00		27.636.00
with automatic air-conditioner / con climatizzatore automatico	N53B30A	160	218	09/07	>	12/11			54.154.00
with manual air-conditioner / con climatizzatore manuale	N53B30A	160	218	09/07	>	12/11			53.236.00
325 Xi (USA)	N52B25	160	218	03/05	>	12/11	25.058.00		30.B17.00
with automatic air-conditioner / con climatizzatore automatico	N52B25	160	218	03/05	>	12/11			54.154.00
with manual air-conditioner / con climatizzatore manuale	N52B25	160	218	03/05	>	12/11			53.236.00
328 i	N52B30	169	230	04/06	>	12/11	25.058.00		30.B17.00
with automatic air-conditioner / con climatizzatore automatico	N52B30	169	230	04/06	>	12/11			54.154.00
with manual air-conditioner / con climatizzatore manuale	N52B30	169	230	04/06	>	12/11			53.236.00
328 i (USA)	N51B30MO	169	230	03/06	>	12/11	25.058.00		30.B17.00
with automatic air-conditioner / con climatizzatore automatico	N51B30MO	169	230	03/06	>	12/11			54.154.00
with manual air-conditioner / con climatizzatore manuale	N51B30MO	169	230	03/06	>	12/11			53.236.00
328 i (USA)	N52B30	169	230	03/06	>	12/11	25.058.00		30.B17.00
with automatic air-conditioner / con climatizzatore automatico	N52B30	169	230	03/06	>	12/11			54.154.00
with manual air-conditioner / con climatizzatore manuale	N52B30	169	230	03/06	>	12/11			53.236.00
328 Xi (USA)	N51B30MO	169	230	03/06	>	12/11	25.058.00		30.B17.00
with automatic air-conditioner / con climatizzatore automatico	N51B30MO	169	230	03/06	>	12/11			54.154.00
with manual air-conditioner / con climatizzatore manuale	N51B30MO	169	230	03/06	>	12/11			53.236.00
328 Xi (USA)	N52B30	169	230	03/06	>	12/11	25.058.00		30.B17.00
with automatic air-conditioner / con climatizzatore automatico	N52B30	169	230	03/06	>	12/11			54.154.00
with manual air-conditioner / con climatizzatore manuale	N52B30	169	230	03/06	>	12/11			53.236.00
330 d	M57D30	170	231	09/05	>	08/08	25.048.00	31.852.00	27.384.00
with automatic air-conditioner / con climatizzatore automatico	M57D30	170	231	09/05	>	08/08			54.154.00
with manual air-conditioner / con climatizzatore manuale	M57D30	170	231	09/05	>	08/08			53.236.00
330 d	N57D30	180	245	09/08	>	01/10	25.096.00	31.852.00	30.357.00
with automatic air-conditioner / con climatizzatore automatico	N57D30	180	245	02/10	>	07/10	25.096.00	31.857.04	30.357.00

...BMW - cars/auto

B

	N57D30	180	245	08/10 >	12/11	25.096.00	31.852.00	30.357.00	
with automatic air-conditioner / con climatizzatore automatico	N57D30	180	245	09/08 >	12/11				54.154.00
with manual air-conditioner / con climatizzatore manuale	N57D30	180	245	09/08 >	12/11				53.236.00
330 i	N52B30	190	258	03/05 >	08/06	25.058.00		27.636.00	
with automatic air-conditioner / con climatizzatore automatico	N52B30	190	258	03/05 >	08/06				54.154.00
with manual air-conditioner / con climatizzatore manuale	N52B30	190	258	03/05 >	08/06				53.236.00
330 i	N52B30	200	272	09/06 >	12/11	25.058.00		27.636.00	
with automatic air-conditioner / con climatizzatore automatico	N52B30	200	272	09/06 >	12/11				54.154.00
with manual air-conditioner / con climatizzatore manuale	N52B30	200	272	09/06 >	12/11				53.236.00
330 i (USA)	N52B30	190	258	03/05 >	12/11	25.058.00		30.B17.00	
with automatic air-conditioner / con climatizzatore automatico	N52B30	190	258	03/05 >	12/11				54.154.00
with manual air-conditioner / con climatizzatore manuale	N52B30	190	258	03/05 >	12/11				53.236.00
330 Xd	M57D30	170	231	09/05 >	08/08	25.048.00	31.852.00	27.384.00	
with automatic air-conditioner / con climatizzatore automatico	M57D30	170	231	09/05 >	08/08				54.154.00
with manual air-conditioner / con climatizzatore manuale	M57D30	170	231	09/05 >	08/08				53.236.00
330 Xd	N57D30	180	245	09/08 >	01/10	25.096.00	31.852.00	30.357.00	
	N57D30	180	245	02/10 >	07/10	25.096.00	31.857.04	30.357.00	
	N57D30	180	245	08/10 >	12/11	25.096.00	31.852.00	30.357.00	
with automatic air-conditioner / con climatizzatore automatico	N57D30	180	245	09/08 >	12/11				54.154.00
with manual air-conditioner / con climatizzatore manuale	N57D30	180	245	09/08 >	12/11				53.236.00
330 Xi	N52B30	190	258	03/05 >	08/06	25.058.00		27.636.00	
with automatic air-conditioner / con climatizzatore automatico	N52B30	190	258	03/05 >	08/06				54.154.00
with manual air-conditioner / con climatizzatore manuale	N52B30	190	258	03/05 >	08/06				53.236.00
330 Xi	N52B30	200	272	09/06 >	12/11	25.058.00		27.636.00	
with automatic air-conditioner / con climatizzatore automatico	N52B30	200	272	09/06 >	12/11				54.154.00
with manual air-conditioner / con climatizzatore manuale	N52B30	200	272	09/06 >	12/11				53.236.00
export models USA / modelli di esportazione USA	N52B30	200	272	09/06 >	12/11			30.B17.00	
330 Xi (USA)	N52B30	190	258	03/05 >	12/11	25.058.00		30.B17.00	
with automatic air-conditioner / con climatizzatore automatico	N52B30	190	258	03/05 >	12/11				54.154.00
with manual air-conditioner / con climatizzatore manuale	N52B30	190	258	03/05 >	12/11				53.236.00
335 d	M57D30N2	210	286	09/06 >	01/10	25.048.00	31.852.00	30.357.00	
	M57D30N2	210	286	02/10 >	07/10	25.048.00	31.857.04	30.357.00	
	M57D30N2	210	286	08/10 >	12/11	25.048.00	31.852.00	30.357.00	
with automatic air-conditioner / con climatizzatore automatico	M57D30N2	210	286	09/06 >	12/11				54.154.00
with manual air-conditioner / con climatizzatore manuale	M57D30N2	210	286	09/06 >	12/11				53.236.00
335 i	N54B30A	225	306	09/06 >	09/09	25.058.00		30.A44.00	
with automatic air-conditioner / con climatizzatore automatico	N54B30A	225	306	09/06 >	09/09				54.154.00
with manual air-conditioner / con climatizzatore manuale	N54B30A	225	306	09/06 >	09/09				53.236.00
335 i	N55B30A	225	306	10/09 >	12/11	25.058.00		30.778.00	
with automatic air-conditioner / con climatizzatore automatico	N55B30A	225	306	10/09 >	12/11				54.154.00
with manual air-conditioner / con climatizzatore manuale	N55B30A	225	306	10/09 >	12/11				53.236.00
335 Xi	N54B30A	225	306	09/06 >	09/09	25.058.00		30.A44.00	
with automatic air-conditioner / con climatizzatore automatico	N54B30A	225	306	09/06 >	09/09				54.154.00
with manual air-conditioner / con climatizzatore manuale	N54B30A	225	306	09/06 >	09/09				53.236.00
335 Xi	N55B30A	225	306	09/09 >	12/11	25.058.00		30.778.00	
with automatic air-conditioner / con climatizzatore automatico	N55B30A	225	306	09/09 >	12/11				54.154.00
with manual air-conditioner / con climatizzatore manuale	N55B30A	225	306	09/09 >	12/11				53.236.00
M3	S65B40A	309	420	03/07 >	12/11				54.255.00
3 (E91) Touring									
316 d	N47D20A	85	115	09/09 >	01/10	25.084.00	31.852.00	30.357.00	
	N47D20A	85	115	02/10 >	06/12	25.142.00	31.857.04	30.357.00	
with automatic air-conditioner / con climatizzatore automatico	N47D20A	85	115	09/09 >	06/12				54.154.00
with manual air-conditioner / con climatizzatore manuale	N47D20A	85	115	09/09 >	06/12				53.236.00
318 d	M47D20	90	122	09/05 >	08/07	25.021.00	31.852.00	27.353.00	
with automatic air-conditioner / con climatizzatore automatico	M47D20	90	122	09/05 >	08/07				54.154.00
with manual air-conditioner / con climatizzatore manuale	M47D20	90	122	09/05 >	08/07				53.236.00
318 d	N47D20	105	143	09/07 >	01/10	25.084.00	31.852.00	30.357.00	
	N47D20	105	143	02/10 >	06/12	25.142.00	31.857.04	30.357.00	
with automatic air-conditioner / con climatizzatore automatico	N47D20	105	143	09/07 >	06/12				54.154.00
with manual air-conditioner / con climatizzatore manuale	N47D20	105	143	09/07 >	06/12				53.236.00
320 d	M47D20	120	163	03/05 >	08/07	25.021.00	31.852.00	27.353.00	
with automatic air-conditioner / con climatizzatore automatico	M47D20	120	163	03/05 >	08/07				54.154.00
with manual air-conditioner / con climatizzatore manuale	M47D20	120	163	03/05 >	08/07				53.236.00
320 d	N47D20A	130	177	09/07 >	01/10	25.084.00	31.852.00	30.357.00	
	N47D20A	130	177	02/10 >	06/12	25.142.00	31.857.04	30.357.00	
with automatic air-conditioner / con climatizzatore automatico	N47D20A	130	177	09/07 >	06/12				54.154.00
with manual air-conditioner / con climatizzatore manuale	N47D20A	130	177	09/07 >	06/12				53.236.00

...BMW - cars/auto

320 d ed	N47D20C	120	163	03/10	>	06/12	25.142.00	31.857.04	30.357.00	
with automatic air-conditioner / con climatizzatore automatico	N47D20C	120	163	03/10	>	06/12				54.154.00
with manual air-conditioner / con climatizzatore manuale	N47D20C	120	163	03/10	>	06/12				53.236.00
320 i	N46B20	110	150	03/05	>	06/12	25.028.00	∞	27.595.00	
with automatic air-conditioner / con climatizzatore automatico	N46B20	110	150	03/05	>	06/12				54.154.00
with manual air-conditioner / con climatizzatore manuale	N46B20	110	150	03/05	>	06/12				53.236.00
320 Xd	N47D20A	130	177	09/07	>	01/10	25.084.00	31.852.00	30.357.00	
	N47D20A	130	177	02/10	>	06/12	25.142.00	31.857.04	30.357.00	
with automatic air-conditioner / con climatizzatore automatico	N47D20A	130	177	09/07	>	06/12				54.154.00
with manual air-conditioner / con climatizzatore manuale	N47D20A	130	177	09/07	>	06/12				53.236.00
323 i	N52B25	130	177	03/05	>	06/12	25.058.00	∞	27.636.00	
with automatic air-conditioner / con climatizzatore automatico	N52B25	130	177	03/05	>	06/12				54.154.00
with manual air-conditioner / con climatizzatore manuale	N52B25	130	177	03/05	>	06/12				53.236.00
323 i	N52B25A	140	190	09/06	>	07/08	25.058.00	∞	27.636.00	
with automatic air-conditioner / con climatizzatore automatico	N52B25A	140	190	09/06	>	07/08				54.154.00
with manual air-conditioner / con climatizzatore manuale	N52B25A	140	190	09/06	>	07/08				53.236.00
export models USA / modelli di esportazione USA	N52B25A	140	190	09/06	>	07/08			30.B17.00	
323 i (AUS)	N52B25	130	177	03/05	>	06/12	25.058.00	∞	27.636.00	
with automatic air-conditioner / con climatizzatore automatico	N52B25	130	177	03/05	>	06/12				54.154.00
with manual air-conditioner / con climatizzatore manuale	N52B25	130	177	03/05	>	06/12				53.236.00
323 i (CDN)	N52B25	130	177	03/05	>	06/12	25.058.00	∞	27.636.00	
with automatic air-conditioner / con climatizzatore automatico	N52B25	130	177	03/05	>	06/12				54.154.00
with manual air-conditioner / con climatizzatore manuale	N52B25	130	177	03/05	>	06/12				53.236.00
323 i (J)	N52B25	130	177	03/05	>	06/12	25.058.00	∞	27.636.00	
with automatic air-conditioner / con climatizzatore automatico	N52B25	130	177	03/05	>	06/12				54.154.00
with manual air-conditioner / con climatizzatore manuale	N52B25	130	177	03/05	>	06/12				53.236.00
325 d	M57D30	145	197	09/06	>	01/10	25.048.00	31.852.00	27.384.00	
	M57D30	145	197	02/10	>	06/12	25.048.00	31.857.04	27.384.00	
with automatic air-conditioner / con climatizzatore automatico	M57D30	145	197	09/06	>	06/12				54.154.00
with manual air-conditioner / con climatizzatore manuale	M57D30	145	197	09/06	>	06/12				53.236.00
325 i	N52B25	160	218	03/05	>	06/12	25.058.00	∞	27.636.00	
with automatic air-conditioner / con climatizzatore automatico	N52B25	160	218	03/05	>	06/12				54.154.00
with manual air-conditioner / con climatizzatore manuale	N52B25	160	218	03/05	>	06/12				53.236.00
export models USA / modelli di esportazione USA	N52B25	160	218	03/05	>	06/12			30.B17.00	
325 Xi	N52B25	160	218	03/05	>	06/12	25.058.00	∞	27.636.00	
with automatic air-conditioner / con climatizzatore automatico	N52B25	160	218	03/05	>	06/12				54.154.00
with manual air-conditioner / con climatizzatore manuale	N52B25	160	218	03/05	>	06/12				53.236.00
325 Xi (USA)	N52B25	160	218	01/05	>	08/06	25.058.00	∞	30.B17.00	
with automatic air-conditioner / con climatizzatore automatico	N52B25	160	218	01/05	>	08/06				54.154.00
with manual air-conditioner / con climatizzatore manuale	N52B25	160	218	01/05	>	08/06				53.236.00
328 i (USA)	N52B30/N51B30M0	169	230	02/04	>	06/12	25.058.00	∞	30.B17.00	
with automatic air-conditioner / con climatizzatore automatico	N52B30/N51B30M0	169	230	02/04	>	06/12				54.154.00
with manual air-conditioner / con climatizzatore manuale	N52B30/N51B30M0	169	230	02/04	>	06/12				53.236.00
328 Xi (USA)	N52B30/N51B30M0	169	230	03/06	>	06/12	25.058.00	∞	30.B17.00	
with automatic air-conditioner / con climatizzatore automatico	N52B30/N51B30M0	169	230	03/06	>	06/12				54.154.00
with manual air-conditioner / con climatizzatore manuale	N52B30/N51B30M0	169	230	03/06	>	06/12				53.236.00
330 d	M47D30	170	231	09/05	>	08/08	25.048.00	31.852.00	27.384.00	54.154.00
with automatic air-conditioner / con climatizzatore automatico	M47D30	170	231	09/09	>	06/12				54.154.00
with manual air-conditioner / con climatizzatore manuale	M47D30	170	231	09/09	>	06/12				53.236.00
330 d	N57D30	180	245	09/08	>	01/10	25.096.00	31.852.00	30.357.00	54.154.00
	N57D30	180	245	02/10	>		25.096.00	31.857.04	30.357.00	54.154.00
with automatic air-conditioner / con climatizzatore automatico	N57D30	180	245	09/09	>	06/12				54.154.00
with manual air-conditioner / con climatizzatore manuale	N57D30	180	245	09/09	>	06/12				53.236.00
330 i	N52B30	190	258	03/05	>		25.058.00		27.636.00	54.154.00
with automatic air-conditioner / con climatizzatore automatico	N52B30	190	258	09/09	>	06/12				54.154.00
with manual air-conditioner / con climatizzatore manuale	N52B30	190	258	09/09	>	06/12				53.236.00
export models USA / modelli di esportazione USA	N52B30	190	258	09/09	>	06/12			30.B17.00	
330 Xd	M57D30	170	231	09/05	>	08/08	25.048.00	31.852.00	27.384.00	54.154.00
with automatic air-conditioner / con climatizzatore automatico	M57D30	170	231	09/09	>	06/12				54.154.00
with manual air-conditioner / con climatizzatore manuale	M57D30	170	231	09/09	>	06/12				53.236.00
330 Xd	N57D30	180	245	09/08	>	01/10	25.096.00	31.852.00	30.357.00	54.154.00
	N57D30	180	245	02/10	>		25.096.00	31.857.04	30.357.00	54.154.00
with automatic air-conditioner / con climatizzatore automatico	N57D30	180	245	09/09	>	06/12				54.154.00
with manual air-conditioner / con climatizzatore manuale	N57D30	180	245	09/09	>	06/12				53.236.00
330 Xi	N52B30	190	258	03/05	>		25.058.00		27.636.00	54.154.00
with automatic air-conditioner / con climatizzatore automatico	N52B30	190	258	09/09	>	06/12				54.154.00
with manual air-conditioner / con climatizzatore manuale	N52B30	190	258	09/09	>	06/12				53.236.00

...BMW - cars/auto

B

335 d	M57D30N2	210	286	09/06	>	01/10	25.048.00	31.852.00	30.357.00	54.154.00
	M57D30N2	210	286	02/10	>		25.048.00	31.857.04	30.357.00	54.154.00
with automatic air-conditioner / con climatizzatore automatico	M57D30N2	210	286	09/09	>	06/12				54.154.00
	M57D30N2	210	286	09/09	>	06/12				53.236.00
335 i	N54B30A	225	306	09/06	>	02/10	25.058.00	∞	30.444.00	54.154.00
	N54B30A	225	306	09/06	>	02/10				54.154.00
with automatic air-conditioner / con climatizzatore automatico	N54B30A	225	306	09/06	>	02/10				53.236.00
	N54B30A	225	306	03/10	>	06/12	25.058.00	∞	30.778.00	54.154.00
with manual air-conditioner / con climatizzatore manuale	N55B30A	225	306	03/10	>	06/12				54.154.00
	N55B30A	225	306	03/10	>	06/12				53.236.00
335 Xi	N54B30A	225	306	09/06	>	02/10	25.058.00	∞	30.444.00	54.154.00
	N54B30A	225	306	09/06	>	02/10				54.154.00
with automatic air-conditioner / con climatizzatore automatico	N54B30A	225	306	09/06	>	02/10				53.236.00
	N54B30A	225	306	09/06	>	02/10				53.236.00
335 Xi	N55B30A	225	306	03/10	>	06/12	25.058.00	∞	30.778.00	54.154.00
	N55B30A	225	306	03/10	>	06/12				54.154.00
with automatic air-conditioner / con climatizzatore automatico	N55B30A	225	306	03/10	>	06/12				53.236.00
	N55B30A	225	306	03/10	>	06/12				53.236.00
3 (E92) Coupè										
316 i	N43B16A/N43B1600	90	122	03/07	>	04/13	25.028.00	∞	27.594.00	
	N43B16A/N43B1600	90	122	03/07	>	04/13				54.154.00
with automatic air-conditioner / con climatizzatore automatico	N43B16A/N43B1600	90	122	03/07	>	04/13				53.236.00
	N43B16A/N43B1600	90	122	03/07	>	04/13				53.236.00
318 i	N43B20A/N43B20U0	105	143	10/09	>	06/13	25.028.00	∞	27.595.00	
	N43B20A/N43B20U0	105	143	10/09	>	06/13				54.154.00
with automatic air-conditioner / con climatizzatore automatico	N43B20A/N43B20U0	105	143	10/09	>	06/13				53.236.00
	N43B20A/N43B20U0	105	143	10/09	>	06/13				53.236.00
320 d	N47D20A/N47D2000	130	177	03/07	>	02/10	25.084.00	31.852.00	30.357.00	
	N47D20A/N47D2000	130	177	03/07	>	02/10				54.154.00
with automatic air-conditioner / con climatizzatore automatico	N47D20A/N47D2000	130	177	03/07	>	02/10				53.236.00
	N47D20A/N47D2000	130	177	03/07	>	02/10				53.236.00
320 d	N47D20C/N47D2001	135	184	03/10	>	06/13	25.142.00	31.857.04	30.357.00	
	N47D20C/N47D2001	135	184	03/10	>	06/13				54.154.00
with automatic air-conditioner / con climatizzatore automatico	N47D20C/N47D2001	135	184	03/10	>	06/13				53.236.00
	N47D20C/N47D2001	135	184	03/10	>	06/13				53.236.00
320 d xDrive	N47D20C/N47D2001	135	184	03/10	>	06/13	25.142.00	31.857.04	30.357.00	
	N47D20C/N47D2001	135	184	03/10	>	06/13				54.154.00
with automatic air-conditioner / con climatizzatore automatico	N47D20C/N47D2001	135	184	03/10	>	06/13				53.236.00
	N47D20C/N47D2001	135	184	03/10	>	06/13				53.236.00
320 i	N43B20A/N43B2000	125	170	09/06	>	06/13	25.028.00	∞	27.595.00	
	N43B20A/N43B2000	125	170	09/06	>	06/13				54.154.00
with automatic air-conditioner / con climatizzatore automatico	N43B20A/N43B2000	125	170	09/06	>	06/13				53.236.00
	N43B20A/N43B2000	125	170	09/06	>	06/13				53.236.00
320 i	N46B20B/N46B2000	115	156	09/06	>	06/13	25.028.00	∞	27.595.00	
	N46B20B/N46B2000	115	156	09/06	>	06/13				54.154.00
with automatic air-conditioner / con climatizzatore automatico	N46B20B/N46B2000	115	156	09/06	>	06/13				53.236.00
	N46B20B/N46B2000	115	156	09/06	>	06/13				53.236.00
320 Xd	N47D20A/N47D2000	130	177	03/08	>	02/10	25.084.00	31.852.00	30.357.00	
	N47D20A/N47D2000	130	177	03/08	>	02/10				54.154.00
with automatic air-conditioner / con climatizzatore automatico	N47D20A/N47D2000	130	177	03/08	>	02/10				53.236.00
	N47D20A/N47D2000	130	177	03/08	>	02/10				53.236.00
323 i	N52B25/N52B25U1	140	190	04/06	>	02/12	25.058.00	∞	27.636.00	
	N52B25/N52B25U1	140	190	04/06	>	02/12				54.154.00
with automatic air-conditioner / con climatizzatore automatico	N52B25/N52B25U1	140	190	04/06	>	02/12				53.236.00
	N52B25/N52B25U1	140	190	04/06	>	02/12				53.236.00
325 d	M57TU2D30/M57D30U2	145	197	09/06	>	02/10	25.048.00	31.852.00	27.384.00	
	M57TU2D30/M57D30U2	145	197	09/06	>	02/10				54.154.00
with automatic air-conditioner / con climatizzatore automatico	M57TU2D30/M57D30U2	145	197	09/06	>	02/10				53.236.00
	M57TU2D30/M57D30U2	145	197	09/06	>	02/10				53.236.00
325 d	N57D30A/N57D30U0	150	204	03/10	>	08/10	25.096.00	31.857.04	30.357.00	
	N57D30A/N57D30U0	150	204	09/10	>	06/13	25.096.00	31.852.00	30.357.00	
with automatic air-conditioner / con climatizzatore automatico	N57D30A/N57D30U0	150	204	03/10	>	06/13				54.154.00
	N57D30A/N57D30U0	150	204	03/10	>	06/13				53.236.00
325 i	N52B25/N52B25O1	160	218	05/05	>	02/10	25.058.00	∞	27.636.00	
	N52B25/N52B25O1	160	218	05/05	>	02/10				54.154.00
with automatic air-conditioner / con climatizzatore automatico	N52B25/N52B25O1	160	218	05/05	>	02/10				53.236.00
	N52B25/N52B25O1	160	218	05/05	>	02/10				53.236.00
325 i	N52B25O1	150	204	09/09	>	06/13	25.058.00	∞	27.636.00	
	N52B25O1	150	204	09/09	>	06/13				54.154.00
with automatic air-conditioner / con climatizzatore automatico	N52B25O1	150	204	09/09	>	06/13				53.236.00
	N52B25O1	150	204	09/09	>	06/13				53.236.00
325 i	N53B30A/N53B30U0	160	218	05/05	>	06/13	25.058.00	∞	27.636.00	
	N53B30A/N53B30U0	160	218	05/05	>	06/13				54.154.00
with automatic air-conditioner / con climatizzatore automatico	N53B30A/N53B30U0	160	218	05/05	>	06/13				53.236.00
	N53B30A/N53B30U0	160	218	05/05	>	06/13				53.236.00
export models USA / modelli di esportazione USA	N53B30A/N53B30U0	160	218	05/05	>	06/13			30.817.00	
	N53B30A/N53B30U0	160	218	05/05	>	06/13				30.817.00
325 i xDrive	N52B25O1	150	204	02/10	>	06/13	25.058.00	∞	27.636.00	
	N52B25O1	150	204	02/10	>	06/13				54.154.00
with automatic air-conditioner / con climatizzatore automatico	N52B25O1	150	204	02/10	>	06/13				53.236.00
	N52B25O1	150	204	02/10	>	06/13				53.236.00
325 i xDrive	N53B30A/N53B30U0	160	218	02/10	>	06/13	25.058.00	∞	27.636.00	
	N53B30A/N53B30U0	160	218	02/10	>	06/13				54.154.00
with automatic air-conditioner / con climatizzatore automatico	N53B30A/N53B30U0	160	218	02/10	>	06/13				53.236.00
	N53B30A/N53B30U0	160	218	02/10	>	06/13				53.236.00

...BMW - cars/auto

325 Xi	N52B25/N52B2501	160	218	11/05	>	02/10	25.058.00		27.636.00	
with automatic air-conditioner / con climatizzatore automatico	N52B25/N52B2501	160	218	11/05	>	02/10				54.154.00
with manual air-conditioner / con climatizzatore manuale	N52B25/N52B2501	160	218	11/05	>	02/10				53.236.00
325 Xi	N53B30A/N53B30U0	160	218	03/07	>	02/10	25.058.00		27.636.00	
with automatic air-conditioner / con climatizzatore automatico	N53B30A/N53B30U0	160	218	03/07	>	02/10				54.154.00
with manual air-conditioner / con climatizzatore manuale	N53B30A/N53B30U0	160	218	03/07	>	02/10				53.236.00
export models USA / modelli di esportazione USA	N53B30A/N53B30U0	160	218	03/07	>	02/10			30.B17.00	
328 i (USA)	N51B30/N51B30M1	172	234	12/05	>	06/13	25.058.00		30.B17.00	
with automatic air-conditioner / con climatizzatore automatico	N51B30/N51B30M1	172	234	12/05	>	06/13				54.154.00
with manual air-conditioner / con climatizzatore manuale	N51B30/N51B30M1	172	234	12/05	>	06/13				53.236.00
328 i (USA)	N52B30/N52B30M1	172	234	05/05	>	06/13	25.058.00		30.B17.00	
with automatic air-conditioner / con climatizzatore automatico	N52B30/N52B30M1	172	234	05/05	>	06/13				54.154.00
with manual air-conditioner / con climatizzatore manuale	N52B30/N52B30M1	172	234	05/05	>	06/13				53.236.00
328 i xDrive (USA)	N51B30M1	172	234	09/09	>	06/13	25.058.00		30.B17.00	
with automatic air-conditioner / con climatizzatore automatico	N51B30M1	172	234	09/09	>	06/13				54.154.00
with manual air-conditioner / con climatizzatore manuale	N51B30M1	172	234	09/09	>	06/13				53.236.00
328 i xDrive (USA)	N52B30M1	172	234	10/09	>	06/13	25.058.00		30.B17.00	
with automatic air-conditioner / con climatizzatore automatico	N52B30M1	172	234	10/09	>	06/13				54.154.00
with manual air-conditioner / con climatizzatore manuale	N52B30M1	172	234	10/09	>	06/13				53.236.00
328 Xi (USA)	N51B30/N51B30M1	172	234	06/05	>	02/10	25.058.00		30.B17.00	
with automatic air-conditioner / con climatizzatore automatico	N51B30/N51B30M1	172	234	06/05	>	02/10				54.154.00
with manual air-conditioner / con climatizzatore manuale	N51B30/N51B30M1	172	234	06/05	>	02/10				53.236.00
328 Xi (USA)	N52B30/N52B30M1	172	234	03/06	>	02/10	25.058.00		30.B17.00	
with automatic air-conditioner / con climatizzatore automatico	N52B30/N52B30M1	172	234	03/06	>	02/10				54.154.00
with manual air-conditioner / con climatizzatore manuale	N52B30/N52B30M1	172	234	03/06	>	02/10				53.236.00
330 d	M57D30/M57D30O2	170	231	05/05	>	08/08	25.048.00	31.852.00	27.384.00	
with automatic air-conditioner / con climatizzatore automatico	M57D30/M57D30O2	170	231	05/05	>	08/08				54.154.00
with manual air-conditioner / con climatizzatore manuale	M57D30/M57D30O2	170	231	05/05	>	08/08				53.236.00
330 d	N57D30/N57D30O0	180	245	03/08	>	01/10	25.096.00	31.852.00	30.357.00	
	N57D30/N57D30O0	180	245	02/10	>	08/10	25.096.00	31.857.04	30.357.00	
	N57D30/N57D30O0	180	245	09/10	>	06/13	25.096.00	31.852.00	30.357.00	
with automatic air-conditioner / con climatizzatore automatico	N57D30/N57D30O0	180	245	03/08	>	06/13				54.154.00
with manual air-conditioner / con climatizzatore manuale	N57D30/N57D30O0	180	245	03/08	>	06/13				53.236.00
330 d xDrive	N57D30/N57D30O0	180	245	03/08	>	01/10	25.096.00	31.852.00	30.357.00	
	N57D30/N57D30O0	180	245	02/10	>	08/10	25.096.00	31.857.04	30.357.00	
	N57D30/N57D30O0	180	245	09/10	>	06/13	25.096.00	31.852.00	30.357.00	
with automatic air-conditioner / con climatizzatore automatico	N57D30/N57D30O0	180	245	03/08	>	06/13				54.154.00
with manual air-conditioner / con climatizzatore manuale	N57D30/N57D30O0	180	245	03/08	>	06/13				53.236.00
330 i	N52B30/N52B30O1	190	258	05/05	>	08/12	25.058.00		27.636.00	
with automatic air-conditioner / con climatizzatore automatico	N52B30/N52B30O1	190	258	05/05	>	08/12				54.154.00
with manual air-conditioner / con climatizzatore manuale	N52B30/N52B30O1	190	258	05/05	>	08/12				53.236.00
export models USA / modelli di esportazione USA	N52B30/N52B30O1	190	258	05/05	>	08/12			30.B17.00	
330 i	N52B30/N52B30O1	200	272	09/06	>	08/12	25.058.00		27.636.00	
with automatic air-conditioner / con climatizzatore automatico	N52B30/N52B30O1	200	272	09/06	>	08/12				54.154.00
with manual air-conditioner / con climatizzatore manuale	N52B30/N52B30O1	200	272	09/06	>	08/12				53.236.00
330 i	N53B30A/N53B30O0	200	272	06/05	>	06/13	25.058.00		27.636.00	
with automatic air-conditioner / con climatizzatore automatico	N53B30A/N53B30O0	200	272	06/05	>	06/13				54.154.00
with manual air-conditioner / con climatizzatore manuale	N53B30A/N53B30O0	200	272	06/05	>	06/13				53.236.00
330 i xDrive	N53B30A/N53B30O0	200	272	03/10	>	06/13	25.058.00		27.636.00	
with automatic air-conditioner / con climatizzatore automatico	N53B30A/N53B30O0	200	272	03/10	>	06/13				54.154.00
with manual air-conditioner / con climatizzatore manuale	N53B30A/N53B30O0	200	272	03/10	>	06/13				53.236.00
330 Xd	M57D30/M57D30O2	170	231	05/05	>	08/08	25.048.00	31.852.00	27.384.00	
with automatic air-conditioner / con climatizzatore automatico	M57D30/M57D30O2	170	231	05/05	>	08/08				54.154.00
with manual air-conditioner / con climatizzatore manuale	M57D30/M57D30O2	170	231	05/05	>	08/08				53.236.00
330 Xi	N52B30/N52B30O1	190	258	06/05	>	08/07	25.058.00		27.636.00	
with automatic air-conditioner / con climatizzatore automatico	N52B30/N52B30O1	190	258	06/05	>	08/07				54.154.00
with manual air-conditioner / con climatizzatore manuale	N52B30/N52B30O1	190	258	06/05	>	08/07				53.236.00
330 Xi	N52B30/N52B30O1	200	272	09/06	>	02/10	25.058.00		27.636.00	
with automatic air-conditioner / con climatizzatore automatico	N52B30/N52B30O1	200	272	09/06	>	02/10				54.154.00
with manual air-conditioner / con climatizzatore manuale	N52B30/N52B30O1	200	272	09/06	>	02/10				53.236.00
330 Xi	N53B30A/N53B30O0	200	272	03/07	>	02/10	25.058.00		27.636.00	
with automatic air-conditioner / con climatizzatore automatico	N53B30A/N53B30O0	200	272	03/07	>	02/10				54.154.00
with manual air-conditioner / con climatizzatore manuale	N53B30A/N53B30O0	200	272	03/07	>	02/10				53.236.00
export models USA / modelli di esportazione USA	N53B30A/N53B30O0	200	272	03/07	>	02/10			30.B17.00	
335 d	M57D30N2/M57D30T2	210	286	05/05	>	01/10	25.048.00	31.852.00	30.357.00	
	M57D30N2/M57D30T2	210	286	02/10	>	03/13	25.048.00	31.857.04	30.357.00	
with automatic air-conditioner / con climatizzatore automatico	M57D30N2/M57D30T2	210	286	05/05	>	03/13				54.154.00

...BMW - cars/auto

B

with manual air-conditioner / con climatizzatore manuale	M57D30N2/M57D30T2	210	286	05/05	>	03/13				53.236.00
335 i	N54B30A/N54B30O0	225	306	11/05	>	02/10	25.058.00		30.A44.00	
with automatic air-conditioner / con climatizzatore automatico	N54B30A/N54B30O0	225	306	11/05	>	02/10				54.154.00
with manual air-conditioner / con climatizzatore manuale	N54B30A/N54B30O0	225	306	11/05	>	02/10				53.236.00
335 i	N55B30A/N55B30M0	225	306	11/08	>	06/13	25.058.00		30.778.00	
with automatic air-conditioner / con climatizzatore automatico	N55B30A/N55B30M0	225	306	11/08	>	06/13				54.154.00
with manual air-conditioner / con climatizzatore manuale	N55B30A/N55B30M0	225	306	11/08	>	06/13				53.236.00
335 i (USA)	N54B30A/N54B30O0	225	306	06/05	>	02/10	25.058.00		30.A44.00	
with automatic air-conditioner / con climatizzatore automatico	N54B30A/N54B30O0	225	306	06/05	>	02/10				54.154.00
with manual air-conditioner / con climatizzatore manuale	N54B30A/N54B30O0	225	306	06/05	>	02/10				53.236.00
335 i (USA)	N55B30A/N55B30M0	225	306	12/08	>	06/13	25.058.00		30.778.00	
with automatic air-conditioner / con climatizzatore automatico	N55B30A/N55B30M0	225	306	12/08	>	06/13				54.154.00
with manual air-conditioner / con climatizzatore manuale	N55B30A/N55B30M0	225	306	12/08	>	06/13				53.236.00
335 iS (USA)	N54B30T0	240	326	07/09	>	06/13	25.058.00		30.A44.00	
with automatic air-conditioner / con climatizzatore automatico	N54B30T0	240	326	07/09	>	06/13				54.154.00
with manual air-conditioner / con climatizzatore manuale	N54B30T0	240	326	07/09	>	06/13				53.236.00
335 Xi	N54B30A/N54B30O0	225	306	09/06	>	06/13	25.058.00		30.778.00	
with automatic air-conditioner / con climatizzatore automatico	N54B30A/N54B30O0	225	306	09/06	>	06/13				54.154.00
with manual air-conditioner / con climatizzatore manuale	N54B30A/N54B30O0	225	306	09/06	>	06/13				53.236.00
M3	S65B40A	309	420	03/07	>	06/13				54.255.00
3 (E93) Cabrio										
318 i	N43B20A/N43B20U0	105	143	10/09	>	09/13	25.028.00		27.595.00	
with automatic air-conditioner / con climatizzatore automatico	N43B20A/N43B20U0	105	143	10/09	>	09/13				54.154.00
with manual air-conditioner / con climatizzatore manuale	N43B20A/N43B20U0	105	143	10/09	>	09/13				53.236.00
320 d	N47D20A/N47D20O0	130	177	09/07	>	01/10	25.084.00	31.852.00	30.357.00	
	N47D20A/N47D20O0	130	177	02/10	>	09/13	25.142.00	31.857.04	30.357.00	
with automatic air-conditioner / con climatizzatore automatico	N47D20A/N47D20O0	130	177	09/07	>	09/13				54.154.00
with manual air-conditioner / con climatizzatore manuale	N47D20A/N47D20O0	130	177	09/07	>	09/13				53.236.00
320 d	N47D20C/N47D20O1	135	184	03/10	>	10/13	25.142.00	31.857.04	30.357.00	
with automatic air-conditioner / con climatizzatore automatico	N47D20C/N47D20O1	135	184	03/10	>	10/13				54.154.00
with manual air-conditioner / con climatizzatore manuale	N47D20C/N47D20O1	135	184	03/10	>	10/13				53.236.00
320 d ed	N47D20C	120	163	09/07	>	01/10	25.084.00	31.852.00	30.357.00	
	N47D20C	120	163	02/10	>	09/13	25.142.00	31.857.04	30.357.00	
with automatic air-conditioner / con climatizzatore automatico	N47D20C	120	163	09/07	>	09/13				54.154.00
with manual air-conditioner / con climatizzatore manuale	N47D20C	120	163	09/07	>	09/13				53.236.00
320 i	N43B20O0	125	170	03/07	>	10/13	25.028.00		27.595.00	
with automatic air-conditioner / con climatizzatore automatico	N43B20O0	125	170	03/07	>	10/13				54.154.00
with manual air-conditioner / con climatizzatore manuale	N43B20O0	125	170	03/07	>	10/13				53.236.00
320 i	N46NB20	110	150	08/06	>	08/07	25.028.00		27.595.00	
with automatic air-conditioner / con climatizzatore automatico	N46NB20	110	150	08/06	>	08/07				54.154.00
with manual air-conditioner / con climatizzatore manuale	N46NB20	110	150	08/06	>	08/07				53.236.00
320 i	N46NB20/N43B20A	115	156	03/07	>	09/13	25.028.00		27.595.00	
with automatic air-conditioner / con climatizzatore automatico	N46NB20/N43B20A	115	156	03/07	>	09/13				54.154.00
with manual air-conditioner / con climatizzatore manuale	N46NB20/N43B20A	115	156	03/07	>	09/13				53.236.00
323 i	N52B25A	130	177	03/07	>	04/12	25.058.00		27.636.00	
with automatic air-conditioner / con climatizzatore automatico	N52B25A	130	177	03/07	>	04/12				54.154.00
with manual air-conditioner / con climatizzatore manuale	N52B25A	130	177	03/07	>	04/12				53.236.00
325 d	M57D30 (306D3)	145	197	03/07	>	02/10	25.048.00	31.852.00	27.384.00	
with automatic air-conditioner / con climatizzatore automatico	M57D30 (306D3)	145	197	03/07	>	02/10				54.154.00
with manual air-conditioner / con climatizzatore manuale	M57D30 (306D3)	145	197	03/07	>	02/10				53.236.00
325 d	N57D30A	150	204	02/10	>	08/10	25.096.00	31.857.04	30.357.00	
	N57D30A	150	204	09/10	>	09/13	25.096.00	31.852.00	30.357.00	
with automatic air-conditioner / con climatizzatore automatico	N57D30A	150	204	02/10	>	09/13				54.154.00
with manual air-conditioner / con climatizzatore manuale	N57D30A	150	204	02/10	>	09/13				53.236.00
325 i	N52B25/N52B25O1	160	218	06/06	>	09/13	25.058.00		27.636.00	
with automatic air-conditioner / con climatizzatore automatico	N52B25/N52B25O1	160	218	06/06	>	09/13				54.154.00
with manual air-conditioner / con climatizzatore manuale	N52B25/N52B25O1	160	218	06/06	>	09/13				53.236.00
325 i	N53B30A/N53B30O0	160	218	08/06	>	09/13	25.058.00		27.636.00	
with automatic air-conditioner / con climatizzatore automatico	N53B30A/N53B30O0	160	218	08/06	>	09/13				54.154.00
with manual air-conditioner / con climatizzatore manuale	N53B30A/N53B30O0	160	218	08/06	>	09/13				53.236.00
export models USA / modelli di esportazione USA	N53B30A/N53B30O0	160	218	08/06	>	09/13			30.B17.00	
328 i	N51B30/N51B30M1	172	234	03/07	>	10/13	25.058.00		30.B17.00	
with automatic air-conditioner / con climatizzatore automatico	N51B30/N51B30M1	172	234	03/07	>	10/13				54.154.00
with manual air-conditioner / con climatizzatore manuale	N51B30/N51B30M1	172	234	03/07	>	10/13				53.236.00
328 i (USA)	N52B30/N52B30M1	172	234	09/05	>	10/13	25.058.00		30.B17.00	
with automatic air-conditioner / con climatizzatore automatico	N52B30/N52B30M1	172	234	09/05	>	10/13				54.154.00
with manual air-conditioner / con climatizzatore manuale	N52B30/N52B30M1	172	234	09/05	>	10/13				53.236.00

...BMW - cars/auto

330 d	M57TU2D30	170	231	03/07	>	08/08	25.048.00	31.852.00	27.384.00	
with automatic air-conditioner / con climatizzatore automatico	M57TU2D30	170	231	03/07	>	08/08				54.154.00
with manual air-conditioner / con climatizzatore manuale	M57TU2D30	170	231	03/07	>	08/08				53.236.00
330 d	N57D30/N57D3000	180	245	09/08	>	01/10	25.096.00	31.852.00	30.357.00	
	N57D30/N57D3000	180	245	02/10	>	08/10	25.096.00	31.857.04	30.357.00	
	N57D30/N57D3000	180	245	09/10	>	09/13	25.096.00	31.852.00	30.357.00	
with automatic air-conditioner / con climatizzatore automatico	N57D30/N57D3000	180	245	09/08	>	09/13				54.154.00
with manual air-conditioner / con climatizzatore manuale	N57D30/N57D3000	180	245	09/08	>	09/13				53.236.00
330 i	N53B30A/N53B3000	200	272	03/07	>		25.058.00		27.636.00	54.154.00
with automatic air-conditioner / con climatizzatore automatico	N53B30A/N53B3000	200	272	10/09	>	09/13				54.154.00
with manual air-conditioner / con climatizzatore manuale	N53B30A/N53B3000	200	272	10/09	>	09/13				53.236.00
export models USA / modelli di esportazione USA	N53B30A/N53B3000	200	272	03/07	>				30.B17.00	
335 i	N54B30A	225	306	10/05	>	02/10	25.058.00	∞	30.A44.00	
with automatic air-conditioner / con climatizzatore automatico	N54B30A	225	306	10/05	>	02/10				54.154.00
with manual air-conditioner / con climatizzatore manuale	N54B30A	225	306	10/05	>	02/10				53.236.00
335 i	N55B30A	225	306	11/08	>	09/13	25.058.00	∞	30.778.00	54.154.00
with automatic air-conditioner / con climatizzatore automatico	N55B30A	225	306	11/08	>	09/13				54.154.00
with manual air-conditioner / con climatizzatore manuale	N55B30A	225	306	11/08	>	09/13				53.236.00
335 iS	N54B30T0	240	350	09/09	>	10/13	25.058.00	∞	30.A44.00	
with automatic air-conditioner / con climatizzatore automatico	N54B30T0	240	350	09/09	>	10/13				54.154.00
with manual air-conditioner / con climatizzatore manuale	N54B30T0	240	350	09/09	>	10/13				53.236.00
M3	S65B40A	309	420	03/07	>	10/13		∞		54.255.00
3 (F30)										
316 d	B47D20A	85	116	02/15	>		25.188.00	31.952.00	30.540.00	
with automatic air-conditioner / con climatizzatore automatico	B47D20A	85	116	02/15	>					54.226.00
with manual air-conditioner / con climatizzatore manuale	B47D20A	85	116	02/15	>					53.224.00
antibacterial, anti-odour and anti-allergen filter with automatic air-conditioner / filtro antibatterico, antiodori e anti-allergeni con climatizzatore automatico	B47D20A	85	116	02/15	>					34.226.00
316 d	N47D20C	85	116	03/12	>		25.142.00	31.952.00	30.540.00	
with automatic air-conditioner / con climatizzatore automatico	N47D20C	85	116	03/12	>					54.226.00
with manual air-conditioner / con climatizzatore manuale	N47D20C	85	116	03/12	>					53.224.00
antibacterial, anti-odour and anti-allergen filter with automatic air-conditioner / filtro antibatterico, antiodori e anti-allergeni con climatizzatore automatico	N47D20C	85	116	03/12	>					34.226.00
316 i	N13B16	100	136	07/12	>		25.164.00	∞	30.558.00	
with automatic air-conditioner / con climatizzatore automatico	N13B16	100	136	07/12	>					54.226.00
with manual air-conditioner / con climatizzatore manuale	N13B16	100	136	07/12	>					53.224.00
antibacterial, anti-odour and anti-allergen filter with automatic air-conditioner / filtro antibatterico, antiodori e anti-allergeni con climatizzatore automatico	N13B16	100	136	07/12	>					34.226.00
318 d	B47D20A	110	150	07/15	>		25.188.00	31.952.00	30.540.00	
with automatic air-conditioner / con climatizzatore automatico	B47D20A	110	150	07/15	>					54.226.00
with manual air-conditioner / con climatizzatore manuale	B47D20A	110	150	07/15	>					53.224.00
antibacterial, anti-odour and anti-allergen filter with automatic air-conditioner / filtro antibatterico, antiodori e anti-allergeni con climatizzatore automatico	B47D20A	110	150	07/15	>					34.226.00
318 d	N47D20C	100	136	02/12	>		25.142.00	31.952.00	30.540.00	
with automatic air-conditioner / con climatizzatore automatico	N47D20C	100	136	02/12	>					54.226.00
with manual air-conditioner / con climatizzatore manuale	N47D20C	100	136	02/12	>					53.224.00
antibacterial, anti-odour and anti-allergen filter with automatic air-conditioner / filtro antibatterico, antiodori e anti-allergeni con climatizzatore automatico	N47D20C	100	136	02/12	>					34.226.00
318 d	N47D20C	105	143	03/12	>		25.142.00	31.952.00	30.540.00	
with automatic air-conditioner / con climatizzatore automatico	N47D20C	105	143	03/12	>					54.226.00
with manual air-conditioner / con climatizzatore manuale	N47D20C	105	143	03/12	>					53.224.00
antibacterial, anti-odour and anti-allergen filter with automatic air-conditioner / filtro antibatterico, antiodori e anti-allergeni con climatizzatore automatico	N47D20C	105	143	03/12	>					34.226.00
318 d xDrive	B47D20A	110	150	07/15	>		25.188.00	31.952.00	30.540.00	
with automatic air-conditioner / con climatizzatore automatico	B47D20A	110	150	07/15	>					54.226.00
with manual air-conditioner / con climatizzatore manuale	B47D20A	110	150	07/15	>					53.224.00
antibacterial, anti-odour and anti-allergen filter with automatic air-conditioner / filtro antibatterico, antiodori e anti-allergeni con climatizzatore automatico	B47D20A	110	150	07/15	>					34.226.00
318 d xDrive	N47D20C	105	143	11/12	>		25.142.00	31.952.00	30.540.00	
with automatic air-conditioner / con climatizzatore automatico	N47D20C	105	143	11/12	>					54.226.00
with manual air-conditioner / con climatizzatore manuale	N47D20C	105	143	11/12	>					53.224.00
antibacterial, anti-odour and anti-allergen filter with automatic air-conditioner / filtro antibatterico, antiodori e anti-allergeni con climatizzatore automatico	N47D20C	105	143	11/12	>					34.226.00
318 i	B38B15A	100	136	07/15	>		25.188.00	∞	30.558.00	
with automatic air-conditioner / con climatizzatore automatico	B38B15A	100	136	07/15	>					54.226.00
with manual air-conditioner / con climatizzatore manuale	B38B15A	100	136	07/15	>					53.224.00
antibacterial, anti-odour and anti-allergen filter with automatic air-conditioner / filtro antibatterico, antiodori e anti-allergeni con climatizzatore automatico	B38B15A	100	136	07/15	>					34.226.00
320 d	B47D20A	140	190	08/15	>		25.188.00	31.952.00	30.540.00	
with automatic air-conditioner / con climatizzatore automatico	B47D20A	140	190	08/15	>					54.226.00
with manual air-conditioner / con climatizzatore manuale	B47D20A	140	190	08/15	>					53.224.00
antibacterial, anti-odour and anti-allergen filter with automatic air-conditioner / filtro antibatterico, antiodori e anti-allergeni con climatizzatore automatico	B47D20A	140	190	08/15	>					34.226.00
320 d	N47D20C	135	184	10/11	>		25.142.00	31.952.00	30.540.00	
with automatic air-conditioner / con climatizzatore automatico	N47D20C	135	184	10/11	>					54.226.00
with manual air-conditioner / con climatizzatore manuale	N47D20C	135	184	10/11	>					53.224.00
antibacterial, anti-odour and anti-allergen filter with automatic air-conditioner / filtro antibatterico, antiodori e anti-allergeni con climatizzatore automatico	N47D20C	135	184	10/11	>					34.226.00

...BMW - cars/auto

B



with manual air-conditioner / con climatizzatore manuale	B58B30A	240	326	06/16	>				53.224.00
antibacterial, anti-odour and anti-allergen filter with automatic air-conditioner / filtro antibatterico, antiodori e anti-allergeni con climatizzatore automatico	B58B30A	240	326	06/16	>				34.226.00
340 i xDrive Gran Turismo	B58B30A	240	326	06/16	>	25.148.00			
with automatic air-conditioner / con climatizzatore automatico	B58B30A	240	326	06/16	>				54.226.00
with manual air-conditioner / con climatizzatore manuale	B58B30A	240	326	06/16	>				53.224.00
antibacterial, anti-odour and anti-allergen filter with automatic air-conditioner / filtro antibatterico, antiodori e anti-allergeni con climatizzatore automatico	B58B30A	240	326	06/16	>				34.226.00
3 (F80)									
M3	S55B30A	317	431	01/14	>	25.232.00			53.224.00
with activated carbons / ai carboni attivi	S55B30A	317	431	01/14	>				54.226.00
antibacterial, anti-odour and anti-allergen filter with automatic air-conditioner / filtro antibatterico, antiodori e anti-allergeni con climatizzatore automatico	S55B30A	317	431	01/14	>				34.226.00
3 (G20)									
316d	B47D20B	85	116	11/20	>	25.188.00			
316d	B47D20B	90	122	03/20	>	25.188.00			
316d Mild-Hybrid	B47D20B	85	116	11/20	>	25.188.00			
316d Mild-Hybrid	B47D20B	90	122	08/20	>	25.188.00			
318d	B47D20B	100	136	03/19	> 03/20	25.188.00			
318d	B47D20B	110	150	03/19	> 03/20	25.188.00			
318d Mild-Hybrid	B47D20B	100	136	04/20	>	25.188.00			
318d Mild-Hybrid	B47D20B	110	150	04/20	>	25.188.00			
318i	B48B20A	115	156	03/20	>	25.188.00			
320d	B47D20B	120	163	11/18	> 02/20	25.188.00			
320d	B47D20B	140	190	11/18	> 02/20	25.188.00			
320d Mild-Hybrid	B47D20B	120	163	03/20	>	25.188.00			
320d Mild-Hybrid	B47D20B	140	190	03/20	>	25.188.00			
320d xDrive	B47D20B	120	163	11/18	> 02/20	25.188.00			
320d xDrive	B47D20B	140	190	11/18	> 02/20	25.188.00			
320d xDrive Mild-Hybrid	B47D20B	120	163	03/20	>	25.188.00			
320d xDrive Mild-Hybrid	B47D20B	140	190	03/20	>	25.188.00			
320e	B48B20A	120	163	07/20	>	25.188.00			
320i	B48B16A	125	170	03/19	>	25.188.00			
320i	B48B20A/B48B20B	135	184	03/19	>	25.188.00			
320i xDrive	B48B20A	135	184	07/19	>	25.188.00			
330d	B57D30A	195	265	03/19	>	25.148.00			
330d Mild-Hybrid	B57D30B	210	286	11/20	>	25.148.00			
330d xDrive	B57D30A	195	265	07/19	>	25.148.00			
330d xDrive Mild-Hybrid	B57D30B	210	286	11/20	>	25.148.00			
330e	B46B20B/B48B20A	135	184	07/19	>	25.188.00			
330i	B48B20B	190	258	11/18	>	25.188.00			
330i xDrive	B46B20B/B48B20B	190	258	11/18	>	25.188.00			
M340d xDrive Mild-Hybrid	B57D30B	250	340	04/20	>	25.148.00			
M340i xDrive	B58B30B	275	374	03/19	>	25.148.00			
M340i xDrive	B58B30B	285	387	03/19	>	25.148.00			
M340i xDrive Mild-Hybrid	B58B30B	275	374	11/20	>	25.148.00			
3 (G21) Touring									
316d Touring Mild-Hybrid	B47D20B	85	116	11/20	>	25.188.00			
316d Touring Mild-Hybrid	B47D20B	90	122	08/20	>	25.188.00			
318d Touring	B47D20B	110	150	11/19	> 07/20	25.188.00			
318d Touring	B47D20B	100	135	11/19	> 07/20	25.188.00			
318d Touring Mild-Hybrid	B47D20B	100	136	08/20	>	25.188.00			
318d Touring Mild-Hybrid	B47D20B	110	150	08/20	>	25.188.00			
318i Touring	B48B20A	115	156	03/20	>	25.188.00			
320d Touring	B47D20B	120	163	07/19	> 02/20	25.188.00			
320d Touring	B47D20B	140	190	07/19	> 02/20	25.188.00			
320d Touring Mild-Hybrid	B47D20B	120	163	07/19	>	25.188.00			
320d Touring Mild-Hybrid	B47D20B	140	190	07/19	>	25.188.00			
320d xDrive Touring	B47D20B	120	163	07/19	> 02/20	25.188.00			
320d xDrive Touring	B47D20B	140	190	07/19	> 02/20	25.188.00			
320d xDrive Touring Mild-Hybrid	B47D20B	120	163	03/20	>	25.188.00			
320d xDrive Touring Mild-Hybrid	B47D20B	140	190	03/20	>	25.188.00			
320e Touring	B48B20A	120	163	07/20	>	25.188.00			
320i Touring	B46B20B/B48B20A	135	184	11/19	>	25.188.00			
330d Mild-Hybrid	B57D30B	210	286	11/20	>	25.148.00			
330d Mild-Hybrid xDrive Touring	B57D30B	210	286	11/20	>	25.148.00			
330d Touring	B57D30A	195	265	11/19	>	25.148.00			
330d xDrive Touring	B57D30A	195	265	11/19	>	25.148.00			
330e Touring	B48B20A	135	184	07/20	>	25.188.00			
330e Touring	B48B20A	215	292	07/20	>	25.188.00			

...BMW - cars/auto

with automatic air-conditioner / con climatizzatore automatico	S55B30A	317	431	05/14	>	25.232.00			54.226.00	
antibacterial, anti-odour and anti-allergen filter with automatic air-conditioner / filtro antibatterico, antiodori e anti-allergeni con climatizzatore automatico	S55B30A	317	431	05/14	>				34.226.00	
4 (F83) Cabrio										
M4										
with automatic air-conditioner / con climatizzatore automatico	S55B30A	317	431	05/14	>	25.232.00			54.226.00	
antibacterial, anti-odour and anti-allergen filter with automatic air-conditioner / filtro antibatterico, antiodori e anti-allergeni con climatizzatore automatico	S55B30A	317	431	05/14	>				34.226.00	
4 (G22) Coupè										
420d Coupe Mild-Hybrid	B47D20B	120	163	07/20	>	25.188.00				
420d Coupe Mild-Hybrid	B47D20B	140	190	07/20	>	25.188.00				
420d xDrive Coupe Mild-Hybrid	B47D20B	120	163	07/20	>	25.188.00				
420d xDrive Coupe Mild-Hybrid	B47D20B	140	190	07/20	>	25.188.00				
420i Coupe	B46B20B/B48B20A	135	184	07/20	>	25.188.00				
420i Coupe	B48B16A	125	170	11/20	>	25.188.00				
430d xDrive Mild-Hybrid	B57D30B	210	286	03/21	>	25.148.00				
430i Coupe	B46B20B/B48B20B	190	258	07/20	>	25.188.00				
M440d xDrive Mild-Hybrid	B57D30B	250	340	03/21	>	25.148.00				
M440i xDrive Coupe Mild-Hybrid	B58B30B	285	388	07/20	>	25.148.00				
M440i xDrive Mild-Hybrid	B58B30B	275	374	11/20	>	25.148.00				
4 (G23)										
420d Mild-Hybrid	B47D20B	120	163	11/20	>	25.188.00				
420d Mild-Hybrid	B47D20B	140	190	11/20	>	25.188.00				
420i	B48B20A	135	184	11/20	>	25.188.00				
430i	B48B20B	190	258	11/20	>	25.001.00				
5 (E39)										
520 d	M47D20	100	136	02/00	>	06/02	25.001.00	24.427.00	27.353.00	53.234.00
with activated carbons / ai carboni attivi	M47D20	100	136	02/00	>	06/02				54.108.00
antibacterial, anti-odour and anti-allergen filter / filtro antibatterico, antiodori e anti-allergeni	M47D20	100	136	02/00	>	06/02				34.108.00
520 d	M47D20	110	150	06/02	>	07/04	25.021.00	24.427.00	27.353.00	53.234.00
with activated carbons / ai carboni attivi	M47D20	110	150	06/02	>	07/04				54.108.00
antibacterial, anti-odour and anti-allergen filter / filtro antibatterico, antiodori e anti-allergeni	M47D20	110	150	06/02	>	07/04				34.108.00
520 d Touring	M47D20	100	136	04/00	>	06/02	25.001.00	24.427.00	27.353.00	53.234.00
with activated carbons / ai carboni attivi	M47D20	100	136	04/00	>	06/02				54.108.00
antibacterial, anti-odour and anti-allergen filter / filtro antibatterico, antiodori e anti-allergeni	M47D20	100	136	04/00	>	06/02				34.108.00
520 d Touring	M47D20	110	150	06/02	>	07/04	25.021.00	24.427.00	27.353.00	53.234.00
with activated carbons / ai carboni attivi	M47D20	110	150	06/02	>	07/04				54.108.00
antibacterial, anti-odour and anti-allergen filter / filtro antibatterico, antiodori e anti-allergeni	M47D20	110	150	06/02	>	07/04				34.108.00
520 i	M52B20	110	150	09/95	>	09/00	25.004.00	31.569.00	30.991.00	53.234.00
with activated carbons / ai carboni attivi	M52B20	110	150	09/95	>	09/00				54.108.00
antibacterial, anti-odour and anti-allergen filter / filtro antibatterico, antiodori e anti-allergeni	M52B20	110	150	09/95	>	09/00				34.108.00
520 i	M54B22	125	170	09/00	>	07/04	25.004.00	31.924.00	30.991.00	53.234.00
with activated carbons / ai carboni attivi	M54B22	125	170	09/00	>	07/04				54.108.00
antibacterial, anti-odour and anti-allergen filter / filtro antibatterico, antiodori e anti-allergeni	M54B22	125	170	09/00	>	07/04				34.108.00
520 i Touring	M52B20	125	170	01/96	>	09/00	25.004.00	31.569.00	30.991.00	53.234.00
with activated carbons / ai carboni attivi	M52B20	125	170	01/96	>	09/00				54.108.00
antibacterial, anti-odour and anti-allergen filter / filtro antibatterico, antiodori e anti-allergeni	M52B20	125	170	01/96	>	09/00				34.108.00
520 i Touring	M54B22	125	170	09/00	>	07/04	25.004.00	31.924.00	30.991.00	53.234.00
with activated carbons / ai carboni attivi	M54B22	125	170	09/00	>	07/04				54.108.00
antibacterial, anti-odour and anti-allergen filter / filtro antibatterico, antiodori e anti-allergeni	M54B22	125	170	09/00	>	07/04				34.108.00
523 i	M52B25	125	170	09/95	>	09/00	25.004.00	31.569.00	30.991.00	53.234.00
with activated carbons / ai carboni attivi	M52B25	125	170	09/95	>	09/00				54.108.00
antibacterial, anti-odour and anti-allergen filter / filtro antibatterico, antiodori e anti-allergeni	M52B25	125	170	09/95	>	09/00				34.108.00
523 i Touring	M52B25	125	170	01/96	>	09/00	25.004.00	31.569.00	30.991.00	53.234.00
with activated carbons / ai carboni attivi	M52B25	125	170	01/96	>	09/00				54.108.00
antibacterial, anti-odour and anti-allergen filter / filtro antibatterico, antiodori e anti-allergeni	M52B25	125	170	01/96	>	09/00				34.108.00
525 d	M57D25	120	163	02/00	>	07/04	25.030.00	24.427.00	27.384.00	53.234.00
with activated carbons / ai carboni attivi	M57D25	120	163	02/00	>	07/04				54.108.00
antibacterial, anti-odour and anti-allergen filter / filtro antibatterico, antiodori e anti-allergeni	M57D25	120	163	02/00	>	07/04				34.108.00
525 i	M52B25	141	192	08/00	>	07/03	25.004.00	31.924.00	30.991.00	53.234.00
with activated carbons / ai carboni attivi	M52B25	141	192	08/00	>	07/03				54.108.00
antibacterial, anti-odour and anti-allergen filter / filtro antibatterico, antiodori e anti-allergeni	M52B25	141	192	08/00	>	07/03				34.108.00
525 i Touring	M52B25	141	192	08/00	>	07/03	25.004.00	31.924.00	30.991.00	53.234.00
with activated carbons / ai carboni attivi	M52B25	141	192	08/00	>	07/03				54.108.00
antibacterial, anti-odour and anti-allergen filter / filtro antibatterico, antiodori e anti-allergeni	M52B25	141	192	08/00	>	07/03				34.108.00
525 td	M51D25	85	115	01/97	>	04/00	25.009.00	24.399.00	30.003.00	53.234.00
with activated carbons / ai carboni attivi	M51D25	85	115	01/97	>	04/00				54.108.00
antibacterial, anti-odour and anti-allergen filter / filtro antibatterico, antiodori e anti-allergeni	M51D25	85	115	01/97	>	04/00				34.108.00
525 tds	M51D25	105	143	01/96	>	04/00	25.009.00	24.399.00	30.003.00	53.234.00

...BMW - cars/auto

with activated carbons / ai carboni attivi	M51D25	105	143	01/96	>	04/00				54.108.00
antibacterial, anti-odour and anti-allergen filter / filtro antibatterico, antiodori e anti-allergeni	M51D25	105	143	01/96	>	04/00				34.108.00
528 i	M52B28	142	193	11/95	>	09/00	25.004.00	31.569.00	30.991.00	53.234.00
with activated carbons / ai carboni attivi	M52B28	142	193	11/95	>	09/00				54.108.00
antibacterial, anti-odour and anti-allergen filter / filtro antibatterico, antiodori e anti-allergeni	M52B28	142	193	11/95	>	09/00				34.108.00
530 d	M57D29	135	184	09/98	>	08/00	25.030.00	24.417.00	27.384.00	53.234.00
with activated carbons / ai carboni attivi	M57D29	135	184	09/98	>	08/00				54.108.00
antibacterial, anti-odour and anti-allergen filter / filtro antibatterico, antiodori e anti-allergeni	M57D29	135	184	09/98	>	08/00				34.108.00
530 d	M57D29	142	193	09/00	>	07/04	25.030.00	24.427.00	27.384.00	53.234.00
with activated carbons / ai carboni attivi	M57D29	142	193	09/00	>	07/04				54.108.00
antibacterial, anti-odour and anti-allergen filter / filtro antibatterico, antiodori e anti-allergeni	M57D29	142	193	09/00	>	07/04				34.108.00
530 i	M54B30	170	232	08/00	>	07/04	25.004.00	31.924.00	30.991.00	53.234.00
with activated carbons / ai carboni attivi	M54B30	170	232	08/00	>	07/04				54.108.00
antibacterial, anti-odour and anti-allergen filter / filtro antibatterico, antiodori e anti-allergeni	M54B30	170	232	08/00	>	07/04				34.108.00
535 i V8	M62B35	180	245	04/99	>	07/04	25.038.00	31.924.00	30.029.00	53.234.00
with activated carbons / ai carboni attivi	M62B35	180	245	04/99	>	07/04				54.108.00
antibacterial, anti-odour and anti-allergen filter / filtro antibatterico, antiodori e anti-allergeni	M62B35	180	245	04/99	>	07/04				34.108.00
540 i V8	M62B44	210	286	09/98	>	07/04	25.038.00	31.924.00	30.029.00	53.234.00
with activated carbons / ai carboni attivi	M62B44	210	286	01/96	>	07/04				54.108.00
antibacterial, anti-odour and anti-allergen filter / filtro antibatterico, antiodori e anti-allergeni	M62B44	210	286	01/96	>	07/04				34.108.00
540 i V8 Touring	M62B44	210	286	09/98	>	07/04	25.038.00	31.924.00	30.029.00	53.234.00
with activated carbons / ai carboni attivi	M62B44	210	286	03/97	>	07/04				54.108.00
antibacterial, anti-odour and anti-allergen filter / filtro antibatterico, antiodori e anti-allergeni	M62B44	210	286	03/97	>	07/04				34.108.00
M5 4.9 i V8	S38B49	294	400	10/97	>	07/04	25.038.00		30.029.00	53.234.00
with activated carbons / ai carboni attivi	S38B49	294	400	10/97	>	07/04				54.108.00
antibacterial, anti-odour and anti-allergen filter / filtro antibatterico, antiodori e anti-allergeni	S38B49	294	400	10/97	>	07/04				34.108.00
5 (E60)										
520 d	M47D20	120	163	09/05	>	08/07	25.021.00	31.851.00	27.353.00	53.228.00
with activated carbons / ai carboni attivi	M47D20	120	163	09/05	>	08/07				54.127.00
antibacterial, anti-odour and anti-allergen filter / filtro antibatterico, antiodori e anti-allergeni	M47D20	120	163	09/05	>	08/07				34.127.00
520 d	N47D20A	130	177	09/07	>	12/10	25.084.00	31.851.00	30.367.00	53.228.00
with activated carbons / ai carboni attivi	N47D20A	130	177	09/07	>	12/10				54.127.00
antibacterial, anti-odour and anti-allergen filter / filtro antibatterico, antiodori e anti-allergeni	N47D20A	130	177	09/07	>	12/10				34.127.00
520 i	M54B22	125	170	07/03	>	04/05	25.004.00		30.251.00	53.228.00
with activated carbons / ai carboni attivi	M54B22	125	170	07/03	>	04/05				54.127.00
antibacterial, anti-odour and anti-allergen filter / filtro antibatterico, antiodori e anti-allergeni	M54B22	125	170	07/03	>	04/05				34.127.00
520 i	N43B20A	120	163	12/06	>	03/10	25.028.00			53.228.00
with activated carbons / ai carboni attivi	N43B20A	120	163	12/06	>	03/10				54.127.00
antibacterial, anti-odour and anti-allergen filter / filtro antibatterico, antiodori e anti-allergeni	N43B20A	120	163	12/06	>	03/10				34.127.00
520 i	N43B2001	125	170	09/07	>	12/10	25.028.00			53.228.00
with activated carbons / ai carboni attivi	N43B2001	125	170	09/07	>	12/10				54.127.00
antibacterial, anti-odour and anti-allergen filter / filtro antibatterico, antiodori e anti-allergeni	N43B2001	125	170	09/07	>	12/10				34.127.00
520 i	N46B20B	115	156	04/06	>	12/09	25.028.00			53.228.00
with activated carbons / ai carboni attivi	N46B20B	115	156	04/06	>	12/09				54.127.00
antibacterial, anti-odour and anti-allergen filter / filtro antibatterico, antiodori e anti-allergeni	N46B20B	115	156	04/06	>	12/09				34.127.00
523 i	N52B25	130	177	04/05	>	02/07	25.058.00		30.251.00	53.228.00
with activated carbons / ai carboni attivi	N52B25	130	177	04/05	>	02/07				54.127.00
antibacterial, anti-odour and anti-allergen filter / filtro antibatterico, antiodori e anti-allergeni	N52B25	130	177	04/05	>	02/07				34.127.00
523 i	N53B25	140	190	03/07	>	12/10	25.058.00		30.251.00	53.228.00
with activated carbons / ai carboni attivi	N53B25	140	190	03/07	>	12/10				54.127.00
antibacterial, anti-odour and anti-allergen filter / filtro antibatterico, antiodori e anti-allergeni	N53B25	140	190	03/07	>	12/10				34.127.00
525 d	M57D25	130	177	03/04	>	02/07	25.048.00	31.851.00	27.384.00	53.228.00
with activated carbons / ai carboni attivi	M57D25	130	177	03/04	>	02/07				54.127.00
antibacterial, anti-odour and anti-allergen filter / filtro antibatterico, antiodori e anti-allergeni	M57D25	130	177	03/04	>	02/07				34.127.00
525 d	M57D30	145	197	03/07	>	12/10	25.048.00	31.851.00	27.384.00	53.228.00
with activated carbons / ai carboni attivi	M57D30	145	197	03/07	>	12/10				54.127.00
antibacterial, anti-odour and anti-allergen filter / filtro antibatterico, antiodori e anti-allergeni	M57D30	145	197	03/07	>	12/10				34.127.00
525 i	M54B25	141	192	09/03	>	04/05	25.004.00		30.251.00	53.228.00
with activated carbons / ai carboni attivi	M54B25	141	192	09/03	>	04/05				54.127.00
antibacterial, anti-odour and anti-allergen filter / filtro antibatterico, antiodori e anti-allergeni	M54B25	141	192	09/03	>	04/05				34.127.00
525 i	N52B25	160	218	04/05	>	02/07	25.058.00		30.251.00	53.228.00
with activated carbons / ai carboni attivi	N52B25	160	218	04/05	>	02/07				54.127.00
antibacterial, anti-odour and anti-allergen filter / filtro antibatterico, antiodori e anti-allergeni	N52B25	160	218	04/05	>	02/07				34.127.00
525 i	N53B30	160	218	03/07	>	12/10	25.058.00		30.251.00	53.228.00
with activated carbons / ai carboni attivi	N53B30	160	218	03/07	>	12/10				54.127.00
antibacterial, anti-odour and anti-allergen filter / filtro antibatterico, antiodori e anti-allergeni	N53B30	160	218	03/07	>	12/10				34.127.00
525 Xd	M57D30	145	197	03/07	>	12/10	25.048.00	31.851.00	27.384.00	53.228.00

...BMW - cars/auto

	with activated carbons / ai carboni attivi	M57D30	145	197	03/07	>	12/10				54.127.00
	antibacterial, anti-odour and anti-allergen filter / filtro antibatterico, antiodori e anti-allergeni	M57D30	145	197	03/07	>	12/10				34.127.00
525 Xi		N52B25	160	218	04/05	>	02/07	25.058.00		30.251.00	53.228.00
	with activated carbons / ai carboni attivi	N52B25	160	218	04/05	>	02/07				54.127.00
	antibacterial, anti-odour and anti-allergen filter / filtro antibatterico, antiodori e anti-allergeni	N52B25	160	218	04/05	>	02/07				34.127.00
525 Xi		N53B30	160	218	03/07	>	12/10	25.058.00		30.251.00	53.228.00
	with activated carbons / ai carboni attivi	N53B30	160	218	03/07	>	12/10				54.127.00
	antibacterial, anti-odour and anti-allergen filter / filtro antibatterico, antiodori e anti-allergeni	N53B30	160	218	03/07	>	12/10				34.127.00
530 d		M57D30	155	211	07/03	>	03/10	25.048.00	31.851.00	27.384.00	53.228.00
	with activated carbons / ai carboni attivi	M57D30	155	211	07/03	>	03/10				54.127.00
	antibacterial, anti-odour and anti-allergen filter / filtro antibatterico, antiodori e anti-allergeni	M57D30	155	211	07/03	>	03/10				34.127.00
530 d		M57D30	160	218	07/03	>	10/05	25.048.00	31.851.00	27.384.00	53.228.00
	with activated carbons / ai carboni attivi	M57D30	160	218	07/03	>	10/05				54.127.00
	antibacterial, anti-odour and anti-allergen filter / filtro antibatterico, antiodori e anti-allergeni	M57D30	160	218	07/03	>	10/05				34.127.00
530 d		M57D30	170	231	09/05	>	02/07	25.048.00	31.851.00	27.384.00	53.228.00
	with activated carbons / ai carboni attivi	M57D30	170	231	09/05	>	02/07				54.127.00
	antibacterial, anti-odour and anti-allergen filter / filtro antibatterico, antiodori e anti-allergeni	M57D30	170	231	09/05	>	02/07				34.127.00
530 d		M57D30	173	235	03/07	>	12/10	25.048.00	31.851.00	27.384.00	53.228.00
	with activated carbons / ai carboni attivi	M57D30	173	235	03/07	>	12/10				54.127.00
	antibacterial, anti-odour and anti-allergen filter / filtro antibatterico, antiodori e anti-allergeni	M57D30	173	235	03/07	>	12/10				34.127.00
530 i		M54B30	170	231	07/03	>	04/05	25.004.00		30.251.00	53.228.00
	with activated carbons / ai carboni attivi	M54B30	170	231	07/03	>	04/05				54.127.00
	antibacterial, anti-odour and anti-allergen filter / filtro antibatterico, antiodori e anti-allergeni	M54B30	170	231	07/03	>	04/05				34.127.00
530 i		N52B30	190	258	04/05	>	02/07	25.058.00		30.251.00	53.228.00
	with activated carbons / ai carboni attivi	N52B30	190	258	04/05	>	02/07				54.127.00
	antibacterial, anti-odour and anti-allergen filter / filtro antibatterico, antiodori e anti-allergeni	N52B30	190	258	04/05	>	02/07				34.127.00
530 i		N53B30	200	272	03/07	>	12/10	25.058.00		30.251.00	53.228.00
	with activated carbons / ai carboni attivi	N53B30	200	272	03/07	>	12/10				54.127.00
	antibacterial, anti-odour and anti-allergen filter / filtro antibatterico, antiodori e anti-allergeni	N53B30	200	272	03/07	>	12/10				34.127.00
530 Xd		M57D30	173	235	03/07	>	12/10	25.048.00	31.851.00	27.384.00	53.228.00
	with activated carbons / ai carboni attivi	M57D30	173	235	03/07	>	12/10				54.127.00
	antibacterial, anti-odour and anti-allergen filter / filtro antibatterico, antiodori e anti-allergeni	M57D30	173	235	03/07	>	12/10				34.127.00
530 Xi		N52B30	190	258	04/05	>	02/07	25.058.00		30.251.00	53.228.00
	with activated carbons / ai carboni attivi	N52B30	190	258	04/05	>	02/07				54.127.00
	antibacterial, anti-odour and anti-allergen filter / filtro antibatterico, antiodori e anti-allergeni	N52B30	190	258	04/05	>	02/07				34.127.00
530 Xi		N53B30	200	272	03/07	>	12/10	25.058.00		30.251.00	53.228.00
	with activated carbons / ai carboni attivi	N53B30	200	272	03/07	>	12/10				54.127.00
	antibacterial, anti-odour and anti-allergen filter / filtro antibatterico, antiodori e anti-allergeni	N53B30	200	272	03/07	>	12/10				34.127.00
535 d		M57D30	200	272	09/04	>	02/07	25.048.00	31.851.00	30.367.00	53.228.00
	with activated carbons / ai carboni attivi	M57D30	200	272	09/04	>	02/07				54.127.00
	antibacterial, anti-odour and anti-allergen filter / filtro antibatterico, antiodori e anti-allergeni	M57D30	200	272	09/04	>	02/07				34.127.00
535 d		M57D30	210	286	03/07	>	12/10	25.048.00	31.851.00	30.367.00	53.228.00
	with activated carbons / ai carboni attivi	M57D30	210	286	03/07	>	12/10				54.127.00
	antibacterial, anti-odour and anti-allergen filter / filtro antibatterico, antiodori e anti-allergeni	M57D30	210	286	03/07	>	12/10				34.127.00
535 i		N54B30A	224	300	09/07	>	12/10	25.058.00		30.444.00	53.228.00
	with activated carbons / ai carboni attivi	N54B30A	224	300	09/07	>	12/10				54.127.00
	antibacterial, anti-odour and anti-allergen filter / filtro antibatterico, antiodori e anti-allergeni	N54B30A	224	300	09/07	>	12/10				34.127.00
540 i		N62B40	225	306	09/05	>	12/10				53.228.00
	with activated carbons / ai carboni attivi	N62B40	225	306	09/05	>	12/10				54.127.00
	antibacterial, anti-odour and anti-allergen filter / filtro antibatterico, antiodori e anti-allergeni	N62B40	225	306	09/05	>	12/10				34.127.00
545 i		N62B44	245	333	09/03	>	10/05				53.228.00
	with activated carbons / ai carboni attivi	N62B44	245	333	09/03	>	10/05				54.127.00
	antibacterial, anti-odour and anti-allergen filter / filtro antibatterico, antiodori e anti-allergeni	N62B44	245	333	09/03	>	10/05				34.127.00
550 i		N62B48	270	367	09/05	>	12/10				53.228.00
	with activated carbons / ai carboni attivi	N62B48	270	367	09/05	>	12/10				54.127.00
	antibacterial, anti-odour and anti-allergen filter / filtro antibatterico, antiodori e anti-allergeni	N62B48	270	367	09/05	>	12/10				34.127.00
M5		S85B50	373	507	09/04	>	08/10				53.228.00
	with activated carbons / ai carboni attivi	S85B50	373	507	09/04	>	08/10				54.127.00
	antibacterial, anti-odour and anti-allergen filter / filtro antibatterico, antiodori e anti-allergeni	S85B50	373	507	09/04	>	08/10				34.127.00
5 (E61) Touring											
520 d		M47D20	120	163	09/05	>	08/07	25.021.00	31.851.00	27.353.00	53.228.00
	with activated carbons / ai carboni attivi	M47D20	120	163	09/05	>	08/07				54.127.00
	antibacterial, anti-odour and anti-allergen filter / filtro antibatterico, antiodori e anti-allergeni	M47D20	120	163	09/05	>	08/07				34.127.00
520 d		N47D20A	130	177	09/07	>	12/10	25.084.00	31.851.00	30.367.00	53.228.00
	with activated carbons / ai carboni attivi	N47D20A	130	177	09/07	>	12/10				54.127.00
	antibacterial, anti-odour and anti-allergen filter / filtro antibatterico, antiodori e anti-allergeni	N47D20A	130	177	09/07	>	12/10				34.127.00
523 i		N52B25	130	177	04/05	>	02/07	25.058.00		30.251.00	53.228.00

...BMW - cars/auto

antibacterial, anti-odour and anti-allergen filter / filtro antibatterico, antiodori e anti-allergeni	N54B30A	224	300	09/07	>	12/10				34.127.00
545 i	N62B44	245	333	07/03	>	10/05				53.228.00
with activated carbons / ai carboni attivi	N62B44	245	333	07/03	>	10/05				54.127.00
antibacterial, anti-odour and anti-allergen filter / filtro antibatterico, antiodori e anti-allergeni	N62B44	245	333	07/03	>	10/05				34.127.00
550 i	N62B48	270	367	07/05	>	12/10				53.228.00
with activated carbons / ai carboni attivi	N62B48	270	367	07/05	>	12/10				54.127.00
antibacterial, anti-odour and anti-allergen filter / filtro antibatterico, antiodori e anti-allergeni	N62B48	270	367	07/05	>	12/10				34.127.00
M5	S85B50	373	507	09/04	>	08/10				53.228.00
with activated carbons / ai carboni attivi	S85B50	373	507	09/04	>	08/10				54.127.00
antibacterial, anti-odour and anti-allergen filter / filtro antibatterico, antiodori e anti-allergeni	S85B50	373	507	09/04	>	08/10				34.127.00
5 (F07) GT										
520 d	N47D20C	120	163	03/10	>		25.142.00	31.851.00	27.A97.00	53.229.00
with activated carbons / ai carboni attivi	N47D20C	120	163	03/10	>					54.231.00
antibacterial, anti-odour and anti-allergen filter / filtro antibatterico, antiodori e anti-allergeni	N47D20C	120	163	03/10	>					34.231.00
520 d	N47D20C	135	184	10/11	>		25.142.00	31.851.00	27.A97.00	53.229.00
with activated carbons / ai carboni attivi	N47D20C	135	184	10/11	>					54.231.00
antibacterial, anti-odour and anti-allergen filter / filtro antibatterico, antiodori e anti-allergeni	N47D20C	135	184	10/11	>					34.231.00
520 d (B, D)	N47D20C	100	136	10/12	>		25.142.00	31.851.00	27.A97.00	53.229.00
with activated carbons / ai carboni attivi	N47D20C	100	136	10/12	>					54.231.00
antibacterial, anti-odour and anti-allergen filter / filtro antibatterico, antiodori e anti-allergeni	N47D20C	100	136	10/12	>					34.231.00
528 i 2.0	N20B20A	180	245	07/13	>		25.171.00		30.557.00	53.229.00
with activated carbons / ai carboni attivi	N20B20A	180	245	07/13	>					54.231.00
antibacterial, anti-odour and anti-allergen filter / filtro antibatterico, antiodori e anti-allergeni	N20B20A	180	245	07/13	>					34.231.00
for vehicles with external fuel filter variation (S1AKA) / per veicoli con filtro carburante esterno variante (S1AKA)	N20B20A	180	245	07/13	>	09/16		31.962.00		
530 d	N57D30A	155	211	07/10	>		25.096.00	31.851.00	27.A97.00	53.229.00
with activated carbons / ai carboni attivi	N57D30A	155	211	07/10	>					54.231.00
antibacterial, anti-odour and anti-allergen filter / filtro antibatterico, antiodori e anti-allergeni	N57D30A	155	211	07/10	>					34.231.00
530 d	N57D30A	180	245	09/09	>		25.096.00	31.851.00	27.A97.00	53.229.00
with activated carbons / ai carboni attivi	N57D30A	180	245	09/09	>					54.231.00
antibacterial, anti-odour and anti-allergen filter / filtro antibatterico, antiodori e anti-allergeni	N57D30A	180	245	09/09	>					34.231.00
530 d	N57D30A	190	258	06/12	>		25.142.00	31.851.00	30.655.00	53.229.00
with activated carbons / ai carboni attivi	N57D30A	190	258	06/12	>					54.231.00
antibacterial, anti-odour and anti-allergen filter / filtro antibatterico, antiodori e anti-allergeni	N57D30A	190	258	06/12	>					34.231.00
530 d xDrive	N57D30A	180	245	09/09	>		25.096.00	31.851.00	27.A97.00	53.229.00
with activated carbons / ai carboni attivi	N57D30A	180	245	09/09	>					54.231.00
antibacterial, anti-odour and anti-allergen filter / filtro antibatterico, antiodori e anti-allergeni	N57D30A	180	245	09/09	>					34.231.00
530 d xDrive	N57D30A	190	258	06/12	>		25.142.00	31.851.00	30.655.00	53.229.00
with activated carbons / ai carboni attivi	N57D30A	190	258	06/12	>					54.231.00
antibacterial, anti-odour and anti-allergen filter / filtro antibatterico, antiodori e anti-allergeni	N57D30A	190	258	06/12	>					34.231.00
535 d	N57D30B	220	300	03/10	>		25.096.00	31.851.00	27.A97.00	53.229.00
with activated carbons / ai carboni attivi	N57D30B	220	300	03/10	>					54.231.00
antibacterial, anti-odour and anti-allergen filter / filtro antibatterico, antiodori e anti-allergeni	N57D30B	220	300	03/10	>					34.231.00
535 d	N57D30B	225	306	05/09	>	06/12	25.096.00	31.851.00	27.A97.00	53.229.00
with activated carbons / ai carboni attivi	N57D30B	225	306	05/09	>	06/12				54.231.00
antibacterial, anti-odour and anti-allergen filter / filtro antibatterico, antiodori e anti-allergeni	N57D30B	225	306	05/09	>	06/12				34.231.00
535 d	N57D30B	230	313	02/12	>		25.142.00	31.851.00	30.655.00	53.229.00
with activated carbons / ai carboni attivi	N57D30B	230	313	02/12	>					54.231.00
antibacterial, anti-odour and anti-allergen filter / filtro antibatterico, antiodori e anti-allergeni	N57D30B	230	313	02/12	>					34.231.00
535 d xDrive	N57D30B	220	300	03/10	>		25.096.00	31.851.00	27.A97.00	53.229.00
with activated carbons / ai carboni attivi	N57D30B	220	300	03/10	>					54.231.00
antibacterial, anti-odour and anti-allergen filter / filtro antibatterico, antiodori e anti-allergeni	N57D30B	220	300	03/10	>					34.231.00
535 d xDrive	N57D30B	225	306	05/09	>	06/12	25.096.00	31.851.00	27.A97.00	53.229.00
with activated carbons / ai carboni attivi	N57D30B	225	306	05/09	>	06/12				54.231.00
antibacterial, anti-odour and anti-allergen filter / filtro antibatterico, antiodori e anti-allergeni	N57D30B	225	306	05/09	>	06/12				34.231.00
535 d xDrive	N57D30B	230	313	02/12	>		25.142.00	31.851.00	30.655.00	53.229.00
with activated carbons / ai carboni attivi	N57D30B	230	313	02/12	>					54.231.00
antibacterial, anti-odour and anti-allergen filter / filtro antibatterico, antiodori e anti-allergeni	N57D30B	230	313	02/12	>					34.231.00
535 i	N55B30A	225	306	10/09	>		25.058.00		30.711.00	53.229.00
with activated carbons / ai carboni attivi	N55B30A	225	306	10/09	>					54.231.00
antibacterial, anti-odour and anti-allergen filter / filtro antibatterico, antiodori e anti-allergeni	N55B30A	225	306	10/09	>					34.231.00
for cold countries / per paesi freddi	N55B30A	225	306	10/09	>				30.714.00	
for vehicles with external fuel filter variation (S1AKA) / per veicoli con filtro carburante esterno variante (S1AKA)	N55B30A	225	306	10/09	>	09/16		31.962.00		
535 i xDrive	N55B30A	225	306	10/09	>		25.058.00		30.711.00	53.229.00
with activated carbons / ai carboni attivi	N55B30A	225	306	10/09	>					54.231.00
antibacterial, anti-odour and anti-allergen filter / filtro antibatterico, antiodori e anti-allergeni	N55B30A	225	306	10/09	>					34.231.00
for cold countries / per paesi freddi	N55B30A	225	306	10/09	>				30.714.00	
for vehicles with external fuel filter variation (S1AKA) / per veicoli con filtro carburante esterno variante (S1AKA)	N55B30A	225	306	10/09	>	09/16		31.962.00		

...BMW - cars/auto

550 i	N63B44A	300	407	10/09	>	25.201.00			53.229.00
with activated carbons / ai carboni attivi	N63B44A	300	407	10/09	>				54.231.00
antibacterial, anti-odour and anti-allergen filter / filtro antibatterico, antiodori e anti-allergeni	N63B44A	300	407	10/09	>				34.231.00
air filter right side / filtro aria destro	N63B44A	300	407	10/09	>			30.B14.00	
air filter left side / filtro aria sinistro	N63B44A	300	407	10/09	>			30.B13.00	
for vehicles with external fuel filter variation (S1AKA) / per veicoli con filtro carburante esterno variante (S1AKA)	N63B44A	300	407	10/09	>	09/16	31.962.00		
550 i	N63B44B	330	449	05/12	>	25.201.00			53.229.00
with activated carbons / ai carboni attivi	N63B44B	330	449	05/12	>				54.231.00
antibacterial, anti-odour and anti-allergen filter / filtro antibatterico, antiodori e anti-allergeni	N63B44B	330	449	05/12	>				34.231.00
air filter right side / filtro aria destro	N63B44B	330	449	05/12	>			30.B14.00	
air filter left side / filtro aria sinistro	N63B44B	330	449	05/12	>			30.B13.00	
for vehicles with external fuel filter variation (S1AKA) / per veicoli con filtro carburante esterno variante (S1AKA)	N63B44B	330	449	05/12	>	09/16	31.962.00		
550 i xDrive	N63B44A	300	407	10/09	>	25.201.00			53.229.00
with activated carbons / ai carboni attivi	N63B44A	300	407	10/09	>				54.231.00
antibacterial, anti-odour and anti-allergen filter / filtro antibatterico, antiodori e anti-allergeni	N63B44A	300	407	10/09	>				34.231.00
air filter right side / filtro aria destro	N63B44A	300	407	10/09	>			30.B14.00	
air filter left side / filtro aria sinistro	N63B44A	300	407	10/09	>			30.B13.00	
for vehicles with external fuel filter variation (S1AKA) / per veicoli con filtro carburante esterno variante (S1AKA)	N63B44A	300	407	10/09	>	09/16	31.962.00		
5 (F10)									
518 d	B47D20A	110	150	07/14	>	25.188.00	31.851.00		53.229.00
with activated carbons / ai carboni attivi	B47D20A	110	150	07/14	>				54.231.00
antibacterial, anti-odour and anti-allergen filter / filtro antibatterico, antiodori e anti-allergeni	B47D20A	110	150	07/14	>				34.231.00
518 d	B47D20A	120	163	10/13	>	25.188.00	31.851.00		53.229.00
with activated carbons / ai carboni attivi	B47D20A	120	163	10/13	>				54.231.00
antibacterial, anti-odour and anti-allergen filter / filtro antibatterico, antiodori e anti-allergeni	B47D20A	120	163	10/13	>				34.231.00
518 d	N47D20C	105	143	06/13	>	25.142.00	31.851.00	27.A97.00	53.229.00
with activated carbons / ai carboni attivi	N47D20C	105	143	06/13	>				54.231.00
antibacterial, anti-odour and anti-allergen filter / filtro antibatterico, antiodori e anti-allergeni	N47D20C	105	143	06/13	>				34.231.00
520 d	B47D20	140	190	07/14	>	25.188.00	31.851.00		53.229.00
with activated carbons / ai carboni attivi	B47D20	140	190	07/14	>				54.231.00
antibacterial, anti-odour and anti-allergen filter / filtro antibatterico, antiodori e anti-allergeni	B47D20	140	190	07/14	>				34.231.00
520 d	B47D20A	155	210	10/13	>	25.188.00	31.851.00		53.229.00
with activated carbons / ai carboni attivi	B47D20A	155	210	10/13	>				54.231.00
antibacterial, anti-odour and anti-allergen filter / filtro antibatterico, antiodori e anti-allergeni	B47D20A	155	210	10/13	>				34.231.00
520 d	N47D20C	100	136	01/13	>	25.142.00	31.851.00	27.A97.00	53.229.00
with activated carbons / ai carboni attivi	N47D20C	100	136	01/13	>				54.231.00
antibacterial, anti-odour and anti-allergen filter / filtro antibatterico, antiodori e anti-allergeni	N47D20C	100	136	01/13	>				34.231.00
520 d	N47D20C	135	184	03/10	>	25.142.00	31.851.00	27.A97.00	53.229.00
with activated carbons / ai carboni attivi	N47D20C	135	184	03/10	>				54.231.00
antibacterial, anti-odour and anti-allergen filter / filtro antibatterico, antiodori e anti-allergeni	N47D20C	135	184	03/10	>				34.231.00
520 d	N47D20C	147	200	01/13	>	25.142.00	31.851.00	27.A97.00	53.229.00
with activated carbons / ai carboni attivi	N47D20C	147	200	01/13	>				54.231.00
antibacterial, anti-odour and anti-allergen filter / filtro antibatterico, antiodori e anti-allergeni	N47D20C	147	200	01/13	>				34.231.00
520 d XDrive	B47D20	140	190	07/14	>	25.188.00	31.851.00		53.229.00
with activated carbons / ai carboni attivi	B47D20	140	190	07/14	>				54.231.00
antibacterial, anti-odour and anti-allergen filter / filtro antibatterico, antiodori e anti-allergeni	B47D20	140	190	07/14	>				34.231.00
520 d XDrive	B47D20A	155	210	10/13	>	25.188.00	31.851.00		53.229.00
with activated carbons / ai carboni attivi	B47D20A	155	210	10/13	>				54.231.00
antibacterial, anti-odour and anti-allergen filter / filtro antibatterico, antiodori e anti-allergeni	B47D20A	155	210	10/13	>				34.231.00
520 d XDrive	N47D20C	100	136	01/13	>	25.142.00	31.851.00	27.A97.00	53.229.00
with activated carbons / ai carboni attivi	N47D20C	100	136	01/13	>				54.231.00
antibacterial, anti-odour and anti-allergen filter / filtro antibatterico, antiodori e anti-allergeni	N47D20C	100	136	01/13	>				34.231.00
520 d XDrive	N47D20C	135	184	03/10	>	25.142.00	31.851.00	27.A97.00	53.229.00
with activated carbons / ai carboni attivi	N47D20C	135	184	03/10	>				54.231.00
antibacterial, anti-odour and anti-allergen filter / filtro antibatterico, antiodori e anti-allergeni	N47D20C	135	184	03/10	>				34.231.00
520 d XDrive	N47D20C	147	200	01/13	>	25.142.00	31.851.00	27.A97.00	53.229.00
with activated carbons / ai carboni attivi	N47D20C	147	200	01/13	>				54.231.00
antibacterial, anti-odour and anti-allergen filter / filtro antibatterico, antiodori e anti-allergeni	N47D20C	147	200	01/13	>				34.231.00
520 i	N20B20A	120	163	09/11	>			30.557.00	53.229.00
with activated carbons / ai carboni attivi	N20B20A	120	163	09/11	>				54.231.00
with aluminium complete oil filter / con filtro olio completo in alluminio	N20B20A	120	163	04/12	>	25.171.00			
with plastic complete oil filter / con filtro olio completo in plastica	N20B20A	120	163	09/11	>	03/12	25.179.00		
antibacterial, anti-odour and anti-allergen filter / filtro antibatterico, antiodori e anti-allergeni	N20B20A	120	163	09/11	>				34.231.00
for vehicles with external fuel filter export models / per veicoli con filtro carburante esterno modelli di esportazione	N20B20A	120	163	09/11	>		31.962.00		
520 i	N20B20A	135	184	09/11	>			30.557.00	53.229.00
with activated carbons / ai carboni attivi	N20B20A	135	184	09/11	>				54.231.00
with aluminium complete oil filter / con filtro olio completo in alluminio	N20B20A	135	184	04/12	>	25.171.00			

...BMW - cars/auto

with plastic complete oil filter / con filtro olio completo in plastica	N20B20A	135	184	09/11	>	03/12	25.179.00			
antibacterial, anti-odour and anti-allergen filter / filtro antibatterico, antiodori e anti-allergeni	N20B20A	135	184	09/11	>					34.231.00
520 i 1.6	N20B16A	125	170	07/13	>		25.171.00		30.557.00	53.229.00
with activated carbons / ai carboni attivi	N20B16A	125	170	07/13	>					54.231.00
antibacterial, anti-odour and anti-allergen filter / filtro antibatterico, antiodori e anti-allergeni	N20B16A	125	170	07/13	>					34.231.00
for vehicles with external fuel filter / per veicoli con filtro carburante esterno	N20B16A	125	170	07/13	>			31.962.00		
523 i	N52B25A	150	204	11/09	>	08/11	25.058.00		30.776.00	53.229.00
with activated carbons / ai carboni attivi	N52B25A	150	204	11/09	>	08/11				54.231.00
antibacterial, anti-odour and anti-allergen filter / filtro antibatterico, antiodori e anti-allergeni	N52B25A	150	204	11/09	>	08/11				34.231.00
for cold countries / per paesi freddi	N52B25A	150	204	11/09	>	08/11			30.B41.00	
for vehicles with external fuel filter variation (S1AKA) / per veicoli con filtro carburante esterno variante (S1AKA)	N52B25A	150	204	11/09	>	08/11		31.962.00		
523 i	N52B30	150	204	11/09	>	08/11	25.058.00		30.776.00	53.229.00
with activated carbons / ai carboni attivi	N52B30	150	204	11/09	>	08/11				54.231.00
antibacterial, anti-odour and anti-allergen filter / filtro antibatterico, antiodori e anti-allergeni	N52B30	150	204	11/09	>	08/11				34.231.00
for cold countries / per paesi freddi	N52B30	150	204	11/09	>	08/11			30.B41.00	
523 i	N52B30	155	211	06/09	>	08/11	25.058.00		30.776.00	53.229.00
with activated carbons / ai carboni attivi	N52B30	155	211	06/09	>	08/11				54.231.00
antibacterial, anti-odour and anti-allergen filter / filtro antibatterico, antiodori e anti-allergeni	N52B30	155	211	06/09	>	08/11				34.231.00
for cold countries / per paesi freddi	N52B30	155	211	06/09	>	08/11			30.B41.00	
523 i	N53B30A	150	204	06/09	>	08/11	25.058.00		30.776.00	53.229.00
with activated carbons / ai carboni attivi	N53B30A	150	204	06/09	>	08/11				54.231.00
antibacterial, anti-odour and anti-allergen filter / filtro antibatterico, antiodori e anti-allergeni	N53B30A	150	204	06/09	>	08/11				34.231.00
for cold countries / per paesi freddi	N53B30A	150	204	06/09	>	08/11			30.B41.00	
523 i	N53B30A	160	218	06/09	>	08/11	25.058.00		30.776.00	53.229.00
with activated carbons / ai carboni attivi	N53B30A	160	218	06/09	>	08/11				54.231.00
antibacterial, anti-odour and anti-allergen filter / filtro antibatterico, antiodori e anti-allergeni	N53B30A	160	218	06/09	>	08/11				34.231.00
for cold countries / per paesi freddi	N53B30A	160	218	06/09	>	08/11			30.B41.00	
525 d	N57D30	150	204	03/10	>	09/11	25.096.00	31.851.00	27.A97.00	53.229.00
with activated carbons / ai carboni attivi	N57D30	150	204	03/10	>	09/11				54.231.00
antibacterial, anti-odour and anti-allergen filter / filtro antibatterico, antiodori e anti-allergeni	N57D30	150	204	03/10	>	09/11				34.231.00
525 d 2.0	N47D20D	155	211	09/11	>		25.142.00	31.851.00	27.A97.00	53.229.00
with activated carbons / ai carboni attivi	N47D20D	155	211	09/11	>					54.231.00
antibacterial, anti-odour and anti-allergen filter / filtro antibatterico, antiodori e anti-allergeni	N47D20D	155	211	09/11	>					34.231.00
525 d 2.0	N47D20D	160	218	09/11	>		25.142.00	31.851.00	27.A97.00	53.229.00
with activated carbons / ai carboni attivi	N47D20D	160	218	09/11	>					54.231.00
antibacterial, anti-odour and anti-allergen filter / filtro antibatterico, antiodori e anti-allergeni	N47D20D	160	218	09/11	>					34.231.00
525 d 2.0 XDrive	N47D20D	155	211	09/11	>		25.142.00	31.851.00	27.A97.00	53.229.00
with activated carbons / ai carboni attivi	N47D20D	155	211	09/11	>					54.231.00
antibacterial, anti-odour and anti-allergen filter / filtro antibatterico, antiodori e anti-allergeni	N47D20D	155	211	09/11	>					34.231.00
525 d 2.0 XDrive	N47D20D	160	218	09/11	>		25.142.00	31.851.00	27.A97.00	53.229.00
with activated carbons / ai carboni attivi	N47D20D	160	218	09/11	>					54.231.00
antibacterial, anti-odour and anti-allergen filter / filtro antibatterico, antiodori e anti-allergeni	N47D20D	160	218	09/11	>					34.231.00
528 i	N52B30/N53B30A	190	258	03/10	>	08/11	25.058.00		30.776.00	53.229.00
with activated carbons / ai carboni attivi	N52B30/N53B30A	190	258	03/10	>	08/11				54.231.00
antibacterial, anti-odour and anti-allergen filter / filtro antibatterico, antiodori e anti-allergeni	N52B30/N53B30A	190	258	03/10	>	08/11				34.231.00
for cold countries / per paesi freddi	N52B30/N53B30A	190	258	03/10	>	08/11			30.B41.00	
528 i 2.0	N20B20A	180	245	09/11	>				30.557.00	53.229.00
with activated carbons / ai carboni attivi	N20B20A	180	245	09/11	>					54.231.00
with plastic complete filter / con filtro completo in plastica	N20B20A	180	245	09/11	>	03/12	25.146.00			
with aluminium complete oil filter / con filtro olio completo in alluminio	N20B20A	180	245	04/12	>		25.058.00			
antibacterial, anti-odour and anti-allergen filter / filtro antibatterico, antiodori e anti-allergeni	N20B20A	180	245	09/11	>					34.231.00
530 d	N57D30	180	245	12/09	>	08/11	25.096.00	31.851.00	27.A97.00	53.229.00
with activated carbons / ai carboni attivi	N57D30	180	245	12/09	>	08/11				54.231.00
antibacterial, anti-odour and anti-allergen filter / filtro antibatterico, antiodori e anti-allergeni	N57D30	180	245	12/09	>	08/11				34.231.00
530 d	N57D30A	190	258	09/11	>		25.142.00	31.851.00	30.655.00	53.229.00
with activated carbons / ai carboni attivi	N57D30A	190	258	09/11	>					54.231.00
antibacterial, anti-odour and anti-allergen filter / filtro antibatterico, antiodori e anti-allergeni	N57D30A	190	258	09/11	>					34.231.00
530 d	N57D30A	210	286	10/15	>		25.142.00	31.851.00	30.655.00	53.229.00
with activated carbons / ai carboni attivi	N57D30A	210	286	10/15	>					54.231.00
antibacterial, anti-odour and anti-allergen filter / filtro antibatterico, antiodori e anti-allergeni	N57D30A	210	286	10/15	>					34.231.00
530 d XDrive	N57D30A	190	258	09/11	>		25.142.00	31.851.00	30.655.00	53.229.00
with activated carbons / ai carboni attivi	N57D30A	190	258	09/11	>					54.231.00
antibacterial, anti-odour and anti-allergen filter / filtro antibatterico, antiodori e anti-allergeni	N57D30A	190	258	09/11	>					34.231.00
530 d xDrive	N57D30A	210	286	10/15	>		25.142.00	31.851.00	30.655.00	53.229.00
with activated carbons / ai carboni attivi	N57D30A	210	286	10/15	>					54.231.00
antibacterial, anti-odour and anti-allergen filter / filtro antibatterico, antiodori e anti-allergeni	N57D30A	210	286	10/15	>					34.231.00
530 i	N52B30A	190	258	06/09	>	08/11	25.058.00		30.776.00	53.229.00
with activated carbons / ai carboni attivi	N52B30A	190	258	06/09	>	08/11				54.231.00

...BMW - cars/auto

antibacterial, anti-odour and anti-allergen filter / filtro antibatterico, antiodori e anti-allergeni for cold countries / per paesi freddi	N52B30A	190	258	06/09	>	08/11			34.231.00
	N52B30A	190	258	06/09	>	08/11			
530 i	N53B30A	200	272	09/11	>	06/13	25.058.00		30.776.00
with activated carbons / ai carboni attivi	N53B30A	200	272	09/11	>	06/13			54.231.00
antibacterial, anti-odour and anti-allergen filter / filtro antibatterico, antiodori e anti-allergeni for cold countries / per paesi freddi	N53B30A	200	272	09/11	>	06/13			34.231.00
	N53B30A	200	272	09/11	>	06/13			
535 d	N57D30B	225	306	09/11	>		25.142.00	31.851.00	30.655.00
with activated carbons / ai carboni attivi	N57D30B	225	306	09/11	>				54.231.00
antibacterial, anti-odour and anti-allergen filter / filtro antibatterico, antiodori e anti-allergeni	N57D30B	225	306	09/11	>				34.231.00
	N57SD30B	220	300	09/10	>	08/11	25.096.00	31.851.00	27.A97.00
535 d	N57SD30B	220	300	09/10	>	08/11			53.229.00
with activated carbons / ai carboni attivi	N57SD30B	220	300	09/10	>	08/11			54.231.00
antibacterial, anti-odour and anti-allergen filter / filtro antibatterico, antiodori e anti-allergeni	N57SD30B	220	300	09/10	>	08/11			34.231.00
	N57ZD30B	230	313	09/11	>		25.142.00	31.851.00	30.655.00
535 d	N57ZD30B	230	313	09/11	>				53.229.00
with activated carbons / ai carboni attivi	N57ZD30B	230	313	09/11	>				54.231.00
antibacterial, anti-odour and anti-allergen filter / filtro antibatterico, antiodori e anti-allergeni	N57ZD30B	230	313	09/11	>				34.231.00
	N57SD30B	220	300	09/10	>	08/11	25.096.00	31.851.00	27.A97.00
535 d XDrive	N57SD30B	220	300	09/10	>	08/11			53.229.00
with activated carbons / ai carboni attivi	N57SD30B	220	300	09/10	>	08/11			54.231.00
antibacterial, anti-odour and anti-allergen filter / filtro antibatterico, antiodori e anti-allergeni	N57SD30B	220	300	09/10	>	08/11			34.231.00
	N57ZD30B	230	313	09/11	>		25.142.00	31.851.00	30.655.00
535 d XDrive	N57ZD30B	230	313	09/11	>				53.229.00
with activated carbons / ai carboni attivi	N57ZD30B	230	313	09/11	>				54.231.00
antibacterial, anti-odour and anti-allergen filter / filtro antibatterico, antiodori e anti-allergeni	N57ZD30B	230	313	09/11	>				34.231.00
	N55B30	225	306	03/10	>		25.058.00		30.711.00
535 i	N55B30	225	306	03/10	>				53.229.00
with activated carbons / ai carboni attivi	N55B30	225	306	03/10	>				54.231.00
antibacterial, anti-odour and anti-allergen filter / filtro antibatterico, antiodori e anti-allergeni	N55B30	225	306	03/10	>				34.231.00
	N55B30A	240	326	03/10	>		25.058.00		30.711.00
535 i	N55B30A	240	326	03/10	>				53.229.00
with activated carbons / ai carboni attivi	N55B30A	240	326	03/10	>				54.231.00
antibacterial, anti-odour and anti-allergen filter / filtro antibatterico, antiodori e anti-allergeni	N55B30A	240	326	03/10	>				34.231.00
	N55B30	225	306	03/10	>		25.058.00		30.711.00
535 i XDrive	N55B30	225	306	03/10	>				53.229.00
with activated carbons / ai carboni attivi	N55B30	225	306	03/10	>				54.231.00
antibacterial, anti-odour and anti-allergen filter / filtro antibatterico, antiodori e anti-allergeni	N55B30	225	306	03/10	>				34.231.00
	N55B30A	240	326	03/10	>		25.058.00		30.711.00
535 i XDrive	N55B30A	240	326	03/10	>				53.229.00
with activated carbons / ai carboni attivi	N55B30A	240	326	03/10	>				54.231.00
antibacterial, anti-odour and anti-allergen filter / filtro antibatterico, antiodori e anti-allergeni	N55B30A	240	326	03/10	>				34.231.00
	N63B44A	300	407	03/10	>		25.201.00		30.711.00
550 i	N63B44A	300	407	03/10	>				53.229.00
with activated carbons / ai carboni attivi	N63B44A	300	407	03/10	>				54.231.00
antibacterial, anti-odour and anti-allergen filter / filtro antibatterico, antiodori e anti-allergeni	N63B44A	300	407	03/10	>				34.231.00
air filter right side / filtro aria destro	N63B44A	300	407	03/10	>				30.B14.00
air filter left side / filtro aria sinistro	N63B44A	300	407	03/10	>				30.B13.00
	N63B44B	330	449	05/13	>		25.201.00		30.711.00
550 i	N63B44B	330	449	05/13	>				53.229.00
with activated carbons / ai carboni attivi	N63B44B	330	449	05/13	>				54.231.00
antibacterial, anti-odour and anti-allergen filter / filtro antibatterico, antiodori e anti-allergeni	N63B44B	330	449	05/13	>				34.231.00
air filter right side / filtro aria destro	N63B44B	330	449	05/13	>				30.B14.00
air filter left side / filtro aria sinistro	N63B44B	330	449	05/13	>				30.B13.00
	N63B44A	300	407	03/10	>		25.201.00		30.711.00
550 i XDrive	N63B44A	300	407	03/10	>				53.229.00
with activated carbons / ai carboni attivi	N63B44A	300	407	03/10	>				54.231.00
antibacterial, anti-odour and anti-allergen filter / filtro antibatterico, antiodori e anti-allergeni	N63B44A	300	407	03/10	>				34.231.00
air filter right side / filtro aria destro	N63B44A	300	407	03/10	>				30.B14.00
air filter left side / filtro aria sinistro	N63B44A	300	407	03/10	>				30.B13.00
	N55B30A	250	340	09/11	>		25.058.00		30.711.00
Active Hybrid 5	N55B30A	250	340	09/11	>				53.229.00
with activated carbons / ai carboni attivi	N55B30A	250	340	09/11	>				54.231.00
antibacterial, anti-odour and anti-allergen filter / filtro antibatterico, antiodori e anti-allergeni	N55B30A	250	340	09/11	>				34.231.00
	S63B44B	412	560	09/11	>				53.229.00
M5	S63B44B	412	560	09/11	>				54.231.00
with activated carbons / ai carboni attivi	S63B44B	412	560	09/11	>				54.231.00
antibacterial, anti-odour and anti-allergen filter / filtro antibatterico, antiodori e anti-allergeni	S63B44B	412	560	09/11	>				34.231.00
	S63B44B	441	600	07/14	>				53.229.00
M5	S63B44B	441	600	07/14	>				54.231.00
with activated carbons / ai carboni attivi	S63B44B	441	600	07/14	>				54.231.00
antibacterial, anti-odour and anti-allergen filter / filtro antibatterico, antiodori e anti-allergeni	S63B44B	441	600	07/14	>				34.231.00
	N57D30C	280	381	01/12	>		25.084.00	31.851.00	30.655.00
M550 d XDrive	N57D30C	280	381	01/12	>				53.229.00
with activated carbons / ai carboni attivi	N57D30C	280	381	01/12	>				54.231.00
antibacterial, anti-odour and anti-allergen filter / filtro antibatterico, antiodori e anti-allergeni	N57D30C	280	381	01/12	>				34.231.00
	B47D20A	110	150	07/14	>		25.188.00	31.851.00	30.655.00
5 (F11) Touring	B47D20A	110	150	07/14	>				53.229.00
518 d	B47D20A	110	150	07/14	>				54.231.00
with activated carbons / ai carboni attivi	B47D20A	110	150	07/14	>				54.231.00
antibacterial, anti-odour and anti-allergen filter / filtro antibatterico, antiodori e anti-allergeni	B47D20A	110	150	07/14	>				34.231.00
	N47D20C	105	143	01/13	>		25.142.00	31.851.00	27.A97.00
518 d	N47D20C	105	143	01/13	>				53.229.00
with activated carbons / ai carboni attivi	N47D20C	105	143	01/13	>				54.231.00
antibacterial, anti-odour and anti-allergen filter / filtro antibatterico, antiodori e anti-allergeni	N47D20C	105	143	01/13	>				34.231.00

...BMW - cars/auto

520 d		B47D20	140	190	07/14	>	25.188.00	31.851.00		53.229.00
	with activated carbons / ai carboni attivi	B47D20	140	190	07/14	>				54.231.00
	antibacterial, anti-odour and anti-allergen filter / filtro antibatterico, antiodori e anti-allergeni	B47D20	140	190	07/14	>				34.231.00
520 d		N47D20C	135	184	03/10	>	25.142.00	31.851.00	27.A97.00	53.229.00
	with activated carbons / ai carboni attivi	N47D20C	135	184	03/10	>				54.231.00
	antibacterial, anti-odour and anti-allergen filter / filtro antibatterico, antiodori e anti-allergeni	N47D20C	135	184	03/10	>				34.231.00
520 d XDrive		B47D20	140	190	07/14	>	25.188.00	31.851.00		53.229.00
	with activated carbons / ai carboni attivi	B47D20	140	190	07/14	>				54.231.00
	antibacterial, anti-odour and anti-allergen filter / filtro antibatterico, antiodori e anti-allergeni	B47D20	140	190	07/14	>				34.231.00
520 d XDrive		N47D20C	135	184	07/13	>	25.142.00	31.851.00	27.A97.00	53.229.00
	with activated carbons / ai carboni attivi	N47D20C	135	184	07/13	>				54.231.00
	antibacterial, anti-odour and anti-allergen filter / filtro antibatterico, antiodori e anti-allergeni	N47D20C	135	184	07/13	>				34.231.00
520 i		N20B20A	135	184	09/11	>			30.557.00	53.229.00
	with activated carbons / ai carboni attivi	N20B20A	135	184	09/11	>				54.231.00
	with plastic complete filter / con filtro completo in plastica	N20B20A	135	184	09/11	> 03/12	25.179.00			
	with aluminium complete oil filter / con filtro olio completo in alluminio	N20B20A	135	184	04/12	>	25.171.00			
	antibacterial, anti-odour and anti-allergen filter / filtro antibatterico, antiodori e anti-allergeni	N20B20A	135	184	09/11	>				34.231.00
523 i		N52B25A	150	204	03/10	> 12/11	25.058.00		30.776.00	53.229.00
	with activated carbons / ai carboni attivi	N52B25A	150	204	03/10	> 12/11				54.231.00
	antibacterial, anti-odour and anti-allergen filter / filtro antibatterico, antiodori e anti-allergeni	N52B25A	150	204	03/10	> 12/11				34.231.00
	for cold countries / per paesi freddi	N52B25A	150	204	03/10	> 12/11			30.B41.00	
523 i		N52B30A/N53B30A	150	204	03/10	> 08/11	25.058.00		30.776.00	53.229.00
	with activated carbons / ai carboni attivi	N52B30A/N53B30A	150	204	03/10	> 08/11				54.231.00
	antibacterial, anti-odour and anti-allergen filter / filtro antibatterico, antiodori e anti-allergeni	N52B30A/N53B30A	150	204	03/10	> 08/11				34.231.00
	for cold countries / per paesi freddi	N52B30A/N53B30A	150	204	03/10	> 08/11			30.B41.00	
525 d		N57D30A	150	204	03/10	>	25.096.00	31.851.00	27.A97.00	53.229.00
	with activated carbons / ai carboni attivi	N57D30A	150	204	03/10	>				54.231.00
	antibacterial, anti-odour and anti-allergen filter / filtro antibatterico, antiodori e anti-allergeni	N57D30A	150	204	03/10	>				34.231.00
525 d 2.0		N47D20D	160	218	09/11	>	25.142.00	31.851.00	27.A97.00	53.229.00
	with activated carbons / ai carboni attivi	N47D20D	160	218	09/11	>				54.231.00
	antibacterial, anti-odour and anti-allergen filter / filtro antibatterico, antiodori e anti-allergeni	N47D20D	160	218	09/11	>				34.231.00
525 d 2.0 XDrive		N47D20D	160	218	09/11	>	25.142.00	31.851.00	27.A97.00	53.229.00
	with activated carbons / ai carboni attivi	N47D20D	160	218	09/11	>				54.231.00
	antibacterial, anti-odour and anti-allergen filter / filtro antibatterico, antiodori e anti-allergeni	N47D20D	160	218	09/11	>				34.231.00
525 i XDrive		N52B30	160	218	03/10	>	25.058.00			53.229.00
	with activated carbons / ai carboni attivi	N52B30	160	218	03/10	>				54.231.00
	antibacterial, anti-odour and anti-allergen filter / filtro antibatterico, antiodori e anti-allergeni	N52B30	160	218	03/10	>				34.231.00
528 i		N20B20A	180	245	09/11	>			30.557.00	53.229.00
	with activated carbons / ai carboni attivi	N20B20A	180	245	09/11	>				54.231.00
	with plastic complete filter / con filtro completo in plastica	N20B20A	180	245	09/11	> 03/12	25.146.00			
	with aluminium complete oil filter / con filtro olio completo in alluminio	N20B20A	180	245	04/12	>	25.058.00			
	antibacterial, anti-odour and anti-allergen filter / filtro antibatterico, antiodori e anti-allergeni	N20B20A	180	245	09/11	>				34.231.00
528 i		N52B30	190	258	03/10	> 08/11	25.058.00		30.776.00	53.229.00
	with activated carbons / ai carboni attivi	N52B30	190	258	03/10	> 08/11				54.231.00
	antibacterial, anti-odour and anti-allergen filter / filtro antibatterico, antiodori e anti-allergeni	N52B30	190	258	03/10	> 08/11				34.231.00
	for cold countries / per paesi freddi	N52B30	190	258	03/10	> 08/11			30.B41.00	
528 i xDrive		N20B20A	180	245	09/11	>			30.557.00	53.229.00
	with activated carbons / ai carboni attivi	N20B20A	180	245	09/11	>				54.231.00
	with plastic complete filter / con filtro completo in plastica	N20B20A	180	245	09/11	> 03/12	25.146.00			
	with aluminium complete oil filter / con filtro olio completo in alluminio	N20B20A	180	245	04/12	>	25.058.00			
	antibacterial, anti-odour and anti-allergen filter / filtro antibatterico, antiodori e anti-allergeni	N20B20A	180	245	09/11	>				34.231.00
530 d		N57D30A	180	245	03/10	> 08/11	25.096.00	31.851.00	27.A97.00	53.229.00
	with activated carbons / ai carboni attivi	N57D30A	180	245	03/10	> 08/11				54.231.00
	antibacterial, anti-odour and anti-allergen filter / filtro antibatterico, antiodori e anti-allergeni	N57D30A	180	245	03/10	> 08/11				34.231.00
530 d		N57D30A	190	258	09/11	>	25.142.00	31.851.00	30.655.00	53.229.00
	with activated carbons / ai carboni attivi	N57D30A	190	258	09/11	>				54.231.00
	antibacterial, anti-odour and anti-allergen filter / filtro antibatterico, antiodori e anti-allergeni	N57D30A	190	258	09/11	>				34.231.00
530 d XDrive		N57D30A	190	258	09/11	>	25.142.00	31.851.00	30.655.00	53.229.00
	with activated carbons / ai carboni attivi	N57D30A	190	258	09/11	>				54.231.00
	antibacterial, anti-odour and anti-allergen filter / filtro antibatterico, antiodori e anti-allergeni	N57D30A	190	258	09/11	>				34.231.00
530 i		N53B30A	200	272	05/11	> 06/13	25.058.00		30.776.00	53.229.00
	with activated carbons / ai carboni attivi	N53B30A	200	272	05/11	> 06/13				54.231.00
	antibacterial, anti-odour and anti-allergen filter / filtro antibatterico, antiodori e anti-allergeni	N53B30A	200	272	05/11	> 06/13				34.231.00
	for cold countries / per paesi freddi	N53B30A	200	272	05/11	> 06/13			30.B41.00	
535 d		N57SD30B	220	300	09/10	> 08/11	25.096.00	31.851.00	27.A97.00	53.229.00
	with activated carbons / ai carboni attivi	N57SD30B	220	300	09/10	> 08/11				54.231.00
	antibacterial, anti-odour and anti-allergen filter / filtro antibatterico, antiodori e anti-allergeni	N57SD30B	220	300	09/10	> 08/11				34.231.00

...BMW - cars/auto

535 d	N57ZD30B	230	313	09/11	>	25.142.00	31.851.00	30.655.00	53.229.00
with activated carbons / ai carboni attivi	N57ZD30B	230	313	09/11	>				54.231.00
antibacterial, anti-odour and anti-allergen filter / filtro antibatterico, antiodori e anti-allergeni	N57ZD30B	230	313	09/11	>				34.231.00
535 d xDrive	N57ZD30B	230	313	09/11	>	25.142.00	31.851.00	30.655.00	53.229.00
with activated carbons / ai carboni attivi	N57ZD30B	230	313	09/11	>				54.231.00
antibacterial, anti-odour and anti-allergen filter / filtro antibatterico, antiodori e anti-allergeni	N57ZD30B	230	313	09/11	>				34.231.00
535 i	N55B30A	225	306	03/10	>	25.058.00		30.711.00	53.229.00
with activated carbons / ai carboni attivi	N55B30A	225	306	03/10	>				54.231.00
antibacterial, anti-odour and anti-allergen filter / filtro antibatterico, antiodori e anti-allergeni	N55B30A	225	306	03/10	>				34.231.00
for cold countries / per paesi freddi	N55B30A	225	306	03/10	>			30.714.00	
535 i xDrive	N55B30A	225	306	03/10	>	25.058.00		30.711.00	53.229.00
with activated carbons / ai carboni attivi	N55B30A	225	306	03/10	>				54.231.00
antibacterial, anti-odour and anti-allergen filter / filtro antibatterico, antiodori e anti-allergeni	N55B30A	225	306	03/10	>				34.231.00
for cold countries / per paesi freddi	N55B30A	225	306	03/10	>			30.714.00	
550 i	N63B44A	300	407	03/10	>	25.201.00			53.229.00
with activated carbons / ai carboni attivi	N63B44A	300	407	03/10	>				54.231.00
antibacterial, anti-odour and anti-allergen filter / filtro antibatterico, antiodori e anti-allergeni	N63B44A	300	407	03/10	>				34.231.00
air filter right side / filtro aria destro	N63B44A	300	407	03/10	>			30.B14.00	
air filter left side / filtro aria sinistro	N63B44A	300	407	03/10	>			30.B13.00	
550 i	N63B44B	330	449	07/13	>	25.201.00			53.229.00
with activated carbons / ai carboni attivi	N63B44B	330	449	07/13	>				54.231.00
antibacterial, anti-odour and anti-allergen filter / filtro antibatterico, antiodori e anti-allergeni	N63B44B	330	449	07/13	>				34.231.00
air filter right side / filtro aria destro	N63B44B	330	449	03/10	>			30.B14.00	
air filter left side / filtro aria sinistro	N63B44B	330	449	07/13	>			30.B13.00	
550 i xDrive	N63B44A	300	407	03/10	>	25.201.00			53.229.00
with activated carbons / ai carboni attivi	N63B44A	300	407	03/10	>				54.231.00
antibacterial, anti-odour and anti-allergen filter / filtro antibatterico, antiodori e anti-allergeni	N63B44A	300	407	03/10	>				34.231.00
air filter right side / filtro aria destro	N63B44A	300	407	03/10	>			30.B14.00	
air filter left side / filtro aria sinistro	N63B44A	300	407	03/10	>			30.B13.00	
Active Hybrid 5	N55B30A	250	340	09/11	>	25.058.00			53.229.00
with activated carbons / ai carboni attivi	N55B30A	250	340	09/11	>				54.231.00
antibacterial, anti-odour and anti-allergen filter / filtro antibatterico, antiodori e anti-allergeni	N55B30A	250	340	09/11	>				34.231.00
M550 d xDrive	N57D30C	280	381	01/12	>	25.084.00	31.851.00	30.655.00	53.229.00
with activated carbons / ai carboni attivi	N57D30C	280	381	01/12	>				54.231.00
antibacterial, anti-odour and anti-allergen filter / filtro antibatterico, antiodori e anti-allergeni	N57D30C	280	381	01/12	>				34.231.00
5 (F90)									
M 550 i xDrive	N63B44D	390	530	07/19	>	25.201.00			
5 (G30)									
518 dA	B47B20	110	150	07/18	>	25.188.00			
520 d	B47D20A	140	190	09/16	>	25.188.00			
520 d xDrive	B47D20A	140	190	09/16	>	25.188.00			
520 dA	B47D20A	140	190	07/18	>	25.188.00			
520i 1.6	B48B16A	125	170	07/17	>	25.188.00			
525 d	B47D20B	170	231	07/17	>	25.188.00			
530 d	B57D30A	195	265	09/16	>	25.148.00			
530 d xDrive	B57D30A	195	265	09/16	>	25.148.00			
530 i	B48B20B	185	252	09/16	>	25.188.00			
530 i xDrive	B48B20B	185	252	09/16	>	25.188.00			
540 i	B58B30A	250	340	09/16	>	25.148.00			
540 i	B58B30A	265	360	09/16	>	25.148.00			
540 i xDrive	B58B30A	250	340	09/16	>	25.148.00			
540 i xDrive	B58B30A	265	360	09/16	>	25.148.00			
545 e xDrive Plug-In Hybrid	B58B30C	210	286	11/20	>	25.149.00			
M 550 i xDrive	N63B44D	390	530	07/19	>	25.201.00			
M 550i	N63B44C	340	462	03/17	>	25.201.00			
5 (G31) Touring									
518 dA	B47B20	110	150	07/18	>	25.188.00			
520 d	B47D20A	140	190	09/16	>	25.188.00			
520 dA	B47D20A	140	190	07/18	>	25.188.00			
525 d	B47D20B	155	211	07/17	>	25.188.00			
525 d	B47D20B	170	231	07/17	>	25.188.00			
530 e Plug-In Hybrid	B48B20A	120	163	11/20	>	25.188.00			
530 e Plug-In Hybrid	B48B20A	135	184	11/20	>	25.188.00			
530 e xDrive Touring Plug-In Hybrid	B48B20A	120	163	11/20	>	25.188.00			
530 e xDrive Touring Plug-In Hybrid	B48B20A	135	184	11/20	>	25.188.00			
6 (E63)									
630 Ci	N52B30	190	258	09/03	> 08/07	25.058.00		30.251.00	53.228.00

...BMW - cars/auto

with activated carbons / ai carboni attivi	N52B30	190	258	09/03 >	08/07			54.127.00
antibacterial, anti-odour and anti-allergen filter / filtro antibatterico, antiodori e anti-allergeni	N52B30	190	258	09/03 >	08/07			34.127.00
630 Ci	N53B30A	200	272	09/07 >	09/11	25.058.00		53.228.00
with activated carbons / ai carboni attivi	N53B30A	200	272	09/07 >	09/11			54.127.00
antibacterial, anti-odour and anti-allergen filter / filtro antibatterico, antiodori e anti-allergeni	N53B30A	200	272	09/07 >	09/11			34.127.00
635 d	M57D30	210	286	09/07 >	09/11	25.048.00	31.851.00	53.228.00
with activated carbons / ai carboni attivi	M57D30	210	286	09/07 >	09/11			54.127.00
antibacterial, anti-odour and anti-allergen filter / filtro antibatterico, antiodori e anti-allergeni	M57D30	210	286	09/07 >	09/11			34.127.00
645 Ci	N62B44	245	333	09/03 >	10/05			53.228.00
with activated carbons / ai carboni attivi	N62B44	245	333	09/03 >	10/05			54.127.00
antibacterial, anti-odour and anti-allergen filter / filtro antibatterico, antiodori e anti-allergeni	N62B44	245	333	09/03 >	10/05			34.127.00
645 Ci (USA)	N62B44	245	333	09/03 >	10/05			53.228.00
with activated carbons / ai carboni attivi	N62B44	245	333	09/03 >	10/05			54.127.00
antibacterial, anti-odour and anti-allergen filter / filtro antibatterico, antiodori e anti-allergeni	N62B44	245	333	09/03 >	10/05			34.127.00
650 Ci	N62B48	270	367	07/05 >	09/11			53.228.00
with activated carbons / ai carboni attivi	N62B48	270	367	07/05 >	09/11			54.127.00
antibacterial, anti-odour and anti-allergen filter / filtro antibatterico, antiodori e anti-allergeni	N62B48	270	367	07/05 >	09/11			34.127.00
M6 5.0 i V10	S85B50	373	507	03/05 >	03/13			53.228.00
with activated carbons / ai carboni attivi	S85B50	373	507	03/05 >	03/13			54.127.00
antibacterial, anti-odour and anti-allergen filter / filtro antibatterico, antiodori e anti-allergeni	S85B50	373	507	03/05 >	03/13			34.127.00
6 (E64) Cabrio								
630 Ci	N52B30	190	258	09/03 >	08/07	25.058.00		53.228.00
with activated carbons / ai carboni attivi	N52B30	190	258	09/03 >	08/07			54.127.00
antibacterial, anti-odour and anti-allergen filter / filtro antibatterico, antiodori e anti-allergeni	N52B30	190	258	09/03 >	08/07			34.127.00
635 d	M57D30	210	286	09/07 >	09/11	25.048.00	31.851.00	53.228.00
with activated carbons / ai carboni attivi	M57D30	210	286	09/07 >	09/11			54.127.00
antibacterial, anti-odour and anti-allergen filter / filtro antibatterico, antiodori e anti-allergeni	M57D30	210	286	09/07 >	09/11			34.127.00
645 Ci	N62B44	245	333	09/03 >	10/05			53.228.00
with activated carbons / ai carboni attivi	N62B44	245	333	09/03 >	10/05			54.127.00
antibacterial, anti-odour and anti-allergen filter / filtro antibatterico, antiodori e anti-allergeni	N62B44	245	333	09/03 >	10/05			34.127.00
645 Ci (USA)	N62B44	245	333	09/03 >	10/05			53.228.00
with activated carbons / ai carboni attivi	N62B44	245	333	09/03 >	10/05			54.127.00
antibacterial, anti-odour and anti-allergen filter / filtro antibatterico, antiodori e anti-allergeni	N62B44	245	333	09/03 >	10/05			34.127.00
650 Ci	N62B48	270	367	09/05 >	09/11			53.228.00
with activated carbons / ai carboni attivi	N62B48	270	367	09/05 >	09/11			54.127.00
antibacterial, anti-odour and anti-allergen filter / filtro antibatterico, antiodori e anti-allergeni	N62B48	270	367	09/05 >	09/11			34.127.00
M6 5.0 i V10	S85B50	373	507	07/06 >	03/13			53.228.00
with activated carbons / ai carboni attivi	S85B50	373	507	07/06 >	03/13			54.127.00
antibacterial, anti-odour and anti-allergen filter / filtro antibatterico, antiodori e anti-allergeni	S85B50	373	507	07/06 >	03/13			34.127.00
6 (F06) Gran Coupè								
640 d	N57D30B	230	313	05/12 >		25.142.00	31.851.00	53.229.00
with activated carbons / ai carboni attivi	N57D30B	230	313	05/12 >				54.231.00
antibacterial, anti-odour and anti-allergen filter / filtro antibatterico, antiodori e anti-allergeni	N57D30B	230	313	05/12 >				34.231.00
640 d xDrive	N57D30B	230	313	08/12 >		25.142.00	31.851.00	53.229.00
with activated carbons / ai carboni attivi	N57D30B	230	313	08/12 >				54.231.00
antibacterial, anti-odour and anti-allergen filter / filtro antibatterico, antiodori e anti-allergeni	N57D30B	230	313	08/12 >				34.231.00
640 i	N55B30A	235	320	05/12 >		25.058.00		53.229.00
with activated carbons / ai carboni attivi	N55B30A	235	320	05/12 >				54.231.00
antibacterial, anti-odour and anti-allergen filter / filtro antibatterico, antiodori e anti-allergeni	N55B30A	235	320	05/12 >				34.231.00
for cold countries / per paesi freddi	N55B30A	235	320	05/12 >				30.714.00
640 i xDrive	N55B30A	235	320	05/12 >		25.058.00		53.229.00
with activated carbons / ai carboni attivi	N55B30A	235	320	05/12 >				54.231.00
antibacterial, anti-odour and anti-allergen filter / filtro antibatterico, antiodori e anti-allergeni	N55B30A	235	320	05/12 >				34.231.00
for cold countries / per paesi freddi	N55B30A	235	320	05/12 >				30.714.00
650 i	N63B44A	330	449	05/12 >		25.201.00		53.229.00
with activated carbons / ai carboni attivi	N63B44A	330	449	05/12 >				54.231.00
antibacterial, anti-odour and anti-allergen filter / filtro antibatterico, antiodori e anti-allergeni	N63B44A	330	449	05/12 >				34.231.00
air filter right side / filtro aria destro	N63B44A	330	449	05/12 >				30.B14.00
air filter left side / filtro aria sinistro	N63B44A	330	449	05/12 >				30.B13.00
650 i xDrive	N63B44A	330	449	05/12 >		25.201.00		53.229.00
with activated carbons / ai carboni attivi	N63B44A	330	449	05/12 >				54.231.00
antibacterial, anti-odour and anti-allergen filter / filtro antibatterico, antiodori e anti-allergeni	N63B44A	330	449	05/12 >				34.231.00
M6	S63B44B	412	560	05/12 >		25.201.00		53.229.00
with activated carbons / ai carboni attivi	S63B44B	412	560	05/12 >				54.231.00
antibacterial, anti-odour and anti-allergen filter / filtro antibatterico, antiodori e anti-allergeni	S63B44B	412	560	05/12 >				34.231.00
M6	S63B44B	423	575	02/14 >				53.229.00
with activated carbons / ai carboni attivi	S63B44B	423	575	02/14 >				54.231.00

...BMW - cars/auto

antibacterial, anti-odour and anti-allergen filter / filtro antibatterico, antiodori e anti-allergeni	S63B44B	423	575	02/14	>				34.231.00
6 (F12) Cabrio									
640 d	N57D30B	230	313	09/11	>	25.142.00	31.851.00	30.655.00	53.229.00
with activated carbons / ai carboni attivi	N57D30B	230	313	09/11	>				54.231.00
antibacterial, anti-odour and anti-allergen filter / filtro antibatterico, antiodori e anti-allergeni	N57D30B	230	313	09/11	>				34.231.00
640 d xDrive	N57D30B	230	313	09/11	>	25.142.00	31.851.00	30.655.00	53.229.00
with activated carbons / ai carboni attivi	N57D30B	230	313	09/11	>				54.231.00
antibacterial, anti-odour and anti-allergen filter / filtro antibatterico, antiodori e anti-allergeni	N57D30B	230	313	09/11	>				34.231.00
640 i	N55B30A	235	320	03/11	>	25.058.00	∞	30.711.00	53.229.00
with activated carbons / ai carboni attivi	N55B30A	235	320	03/11	>				54.231.00
antibacterial, anti-odour and anti-allergen filter / filtro antibatterico, antiodori e anti-allergeni	N55B30A	235	320	03/11	>				34.231.00
for cold countries / per paesi freddi	N55B30A	235	320	03/11	>			30.714.00	
640 i xDrive	N55B30A	235	320	01/13	>	25.058.00	∞	30.711.00	53.229.00
with activated carbons / ai carboni attivi	N55B30A	235	320	01/13	>				54.231.00
antibacterial, anti-odour and anti-allergen filter / filtro antibatterico, antiodori e anti-allergeni	N55B30A	235	320	01/13	>				34.231.00
for cold countries / per paesi freddi	N55B30A	235	320	01/13	>			30.714.00	
650 i	N63B44A	300	407	03/11	>	25.201.00	∞		53.229.00
with activated carbons / ai carboni attivi	N63B44A	300	407	03/11	>				54.231.00
antibacterial, anti-odour and anti-allergen filter / filtro antibatterico, antiodori e anti-allergeni	N63B44A	300	407	03/11	>				34.231.00
air filter right side / filtro aria destro	N63B44A	300	407	03/11	>			30.B14.00	
air filter left side / filtro aria sinistro	N63B44A	300	407	03/11	>			30.B13.00	
650 i xDrive	N63B44A	300	407	03/11	>	25.201.00	∞		53.229.00
with activated carbons / ai carboni attivi	N63B44A	300	407	03/11	>				54.231.00
antibacterial, anti-odour and anti-allergen filter / filtro antibatterico, antiodori e anti-allergeni	N63B44A	300	407	03/11	>				34.231.00
air filter right side / filtro aria destro	N63B44A	300	407	03/11	>			30.B14.00	
air filter left side / filtro aria sinistro	N63B44A	300	407	03/11	>			30.B13.00	
M6	S63B44B	412	560	03/12	>	25.201.00	∞		53.229.00
with activated carbons / ai carboni attivi	S63B44B	412	560	03/12	>				54.231.00
antibacterial, anti-odour and anti-allergen filter / filtro antibatterico, antiodori e anti-allergeni	S63B44B	412	560	03/12	>				34.231.00
M6	S63B44B	423	575	02/14	>		∞		53.229.00
with activated carbons / ai carboni attivi	S63B44B	423	575	02/14	>				54.231.00
antibacterial, anti-odour and anti-allergen filter / filtro antibatterico, antiodori e anti-allergeni	S63B44B	423	575	02/14	>				34.231.00
6 (F13) Coupè									
640 d	N57D30B	230	313	09/11	>	25.142.00	31.851.00	30.655.00	53.229.00
with activated carbons / ai carboni attivi	N57D30B	230	313	09/11	>				54.231.00
antibacterial, anti-odour and anti-allergen filter / filtro antibatterico, antiodori e anti-allergeni	N57D30B	230	313	09/11	>				34.231.00
640 d xDrive	N57D30B	230	313	09/11	>	25.142.00	31.851.00	30.655.00	53.229.00
with activated carbons / ai carboni attivi	N57D30B	230	313	09/11	>				54.231.00
antibacterial, anti-odour and anti-allergen filter / filtro antibatterico, antiodori e anti-allergeni	N57D30B	230	313	09/11	>				34.231.00
640 i	N55B30A	235	320	03/11	>	25.058.00	∞	30.711.00	53.229.00
with activated carbons / ai carboni attivi	N55B30A	235	320	03/11	>				54.231.00
antibacterial, anti-odour and anti-allergen filter / filtro antibatterico, antiodori e anti-allergeni	N55B30A	235	320	03/11	>				34.231.00
for cold countries / per paesi freddi	N55B30A	235	320	03/11	>			30.714.00	
640 i xDrive	N55B30A	235	320	01/13	>	25.058.00	∞	30.711.00	53.229.00
with activated carbons / ai carboni attivi	N55B30A	235	320	01/13	>				54.231.00
antibacterial, anti-odour and anti-allergen filter / filtro antibatterico, antiodori e anti-allergeni	N55B30A	235	320	01/13	>				34.231.00
for cold countries / per paesi freddi	N55B30A	235	320	01/13	>			30.714.00	
650 i	N63B44A	300	407	03/11	>	25.201.00	∞		53.229.00
with activated carbons / ai carboni attivi	N63B44A	300	407	03/11	>				54.231.00
antibacterial, anti-odour and anti-allergen filter / filtro antibatterico, antiodori e anti-allergeni	N63B44A	300	407	03/11	>				34.231.00
air filter right side / filtro aria destro	N63B44A	300	407	03/11	>			30.B14.00	
air filter left side / filtro aria sinistro	N63B44A	300	407	03/11	>			30.B13.00	
650 i xDrive	N63B44A	300	407	03/11	>	25.201.00	∞		53.229.00
with activated carbons / ai carboni attivi	N63B44A	300	407	03/11	>				54.231.00
antibacterial, anti-odour and anti-allergen filter / filtro antibatterico, antiodori e anti-allergeni	N63B44A	300	407	03/11	>				34.231.00
air filter right side / filtro aria destro	N63B44A	300	407	03/11	>			30.B14.00	
air filter left side / filtro aria sinistro	N63B44A	300	407	03/11	>			30.B13.00	
M6	S63B44B	412	560	03/12	>	25.201.00	∞		53.229.00
with activated carbons / ai carboni attivi	S63B44B	412	560	03/12	>				54.231.00
antibacterial, anti-odour and anti-allergen filter / filtro antibatterico, antiodori e anti-allergeni	S63B44B	412	560	03/12	>				34.231.00
M6	S63B44B	423	575	02/14	>		∞		53.229.00
with activated carbons / ai carboni attivi	S63B44B	423	575	02/14	>				54.231.00
antibacterial, anti-odour and anti-allergen filter / filtro antibatterico, antiodori e anti-allergeni	S63B44B	423	575	02/14	>				34.231.00
6 (G32) Gran Turismo									
620 d GT	B47D20B	140	190	07/18	>	25.188.00			
620 d GT xDrive	B47D20B	140	190	07/18	>	25.188.00			
630 d GT	B57D30A	195	265	07/17	>	25.148.00			

...BMW - cars/auto

630 d GT xDrive	B57D30A	195	265	07/17	>	25.148.00				
630 i GT	B48B20B	190	258	07/17	>	25.188.00				
640 d GT xDrive	B57D30B	235	320	11/17	>	25.148.00				
640 i GT	B58B30A	250	340	07/17	>	25.148.00				
640 i GT xDrive	B58B30A	250	340	07/17	>	25.148.00				
7 (E38)										
725 tds	M51D25	105	143	08/99	>	10/01	25.009.00	24.344.00	30.003.00	53.318.00
with activated carbons / ai carboni attivi	M51D25	105	143	04/96	>	10/01				54.242.00
728 i	M52B28	142	193	09/95	>	10/01	25.004.00	31.569.00	30.991.00	53.318.00
with activated carbons / ai carboni attivi	M52B28	142	193	09/95	>	10/01				54.242.00
728 i L	M52B28	142	193	09/95	>	10/01	25.004.00	31.569.00	30.991.00	53.318.00
with activated carbons / ai carboni attivi	M52B28	142	193	09/95	>	10/01				54.242.00
730 d	M57D30	135	184	10/98	>	06/00	25.030.00	24.417.00	27.384.00	53.318.00
with activated carbons / ai carboni attivi	M57D30	135	184	10/98	>	06/00				54.242.00
730 d	M57D30	142	193	04/00	>	10/01	25.030.00	24.344.00	27.384.00	53.318.00
with activated carbons / ai carboni attivi	M57D30	142	193	04/00	>	10/01				54.242.00
735 i	M62B35	173	235	09/98	>	10/01	25.038.00	31.924.00	30.029.00	53.318.00
with activated carbons / ai carboni attivi	M62B35	173	235	01/96	>	10/01				54.242.00
735 i L	M62B35	173	235	09/98	>	10/01	25.038.00	31.924.00	30.029.00	53.318.00
with activated carbons / ai carboni attivi	M62B35	173	235	09/95	>	10/01				54.242.00
740 d	M67D39	180	245	05/99	>	10/01	25.004.00	24.344.00		53.318.00
with activated carbons / ai carboni attivi	M67D39	180	245	05/99	>	10/01				54.242.00
740 i L V8	M62B44	210	286	09/98	>	10/01	25.038.00	31.924.00	30.029.00	53.318.00
with activated carbons / ai carboni attivi	M62B44	210	286	01/96	>	10/01				54.242.00
740 i L V8 (USA)	M62B44	210	286	09/98	>	10/01	25.038.00	31.924.00	30.029.00	53.318.00
with activated carbons / ai carboni attivi	M62B44	210	286	09/95	>	10/01				54.242.00
740 i V8	M62B44	210	286	09/98	>	10/01	25.038.00	31.924.00	30.029.00	53.318.00
with activated carbons / ai carboni attivi	M62B44	210	286	01/96	>	10/01				54.242.00
740 i V8 (USA)	M62B44	210	286	09/98	>	10/01	25.038.00	31.924.00	30.029.00	53.318.00
with activated carbons / ai carboni attivi	M62B44	210	286	09/95	>	10/01				54.242.00
750 i	M73B54	240	326	09/98	>	10/01	25.038.00	31.924.00		53.318.00
with activated carbons / ai carboni attivi	M73B54	240	326	09/94	>	10/01				54.242.00
750 i L	M73D54	240	326	09/98	>	10/01	25.038.00	31.924.00		53.318.00
with activated carbons / ai carboni attivi	M73D54	240	326	09/94	>	10/01				54.242.00
750 i L (USA)	M73D54	240	326	09/98	>	10/01	25.038.00	31.924.00		53.318.00
with activated carbons / ai carboni attivi	M73D54	240	326	09/94	>	10/01				54.242.00
7 (E65)										
730 d	M57D30	155	211	10/02	>	04/05	25.048.00	31.851.00	27.384.00	
with air-conditioner / con climatizzatore	M57D30	155	211	10/02	>	04/05				54.240.00
with rear air-conditioner BEHR / con climatizzatore posteriore BEHR	M57D30	155	211	10/02	>	04/05				54.322.00
antibacterial, anti-odour and anti-allergen filter with air-conditioner / filtro antibatterico, antiodori e anti-allergeni con climatizzatore	M57D30	155	211	10/02	>	04/05				34.240.00
730 d	M57D30	160	218	09/02	>	04/05	25.048.00	31.851.00	27.384.00	
with air-conditioner / con climatizzatore	M57D30	160	218	09/02	>	04/05				54.240.00
with rear air-conditioner BEHR / con climatizzatore posteriore BEHR	M57D30	160	218	09/02	>	04/05				54.322.00
antibacterial, anti-odour and anti-allergen filter with air-conditioner / filtro antibatterico, antiodori e anti-allergeni con climatizzatore	M57D30	160	218	09/02	>	04/05				34.240.00
730 d	M57D30N2	170	231	04/05	>	09/08	25.048.00	31.851.00	27.384.00	
with air-conditioner / con climatizzatore	M57D30N2	170	231	04/05	>	09/08				54.240.00
with rear air-conditioner BEHR / con climatizzatore posteriore BEHR	M57D30N2	170	231	04/05	>	09/08				54.322.00
antibacterial, anti-odour and anti-allergen filter with air-conditioner / filtro antibatterico, antiodori e anti-allergeni con climatizzatore	M57D30N2	170	231	04/05	>	09/08				34.240.00
730 i	M54B30	170	232	11/01	>	04/05	25.004.00			
with air-conditioner / con climatizzatore	M54B30	170	232	11/01	>	04/05				54.240.00
with rear air-conditioner BEHR / con climatizzatore posteriore BEHR	M54B30	170	232	11/01	>	04/05				54.322.00
antibacterial, anti-odour and anti-allergen filter with air-conditioner / filtro antibatterico, antiodori e anti-allergeni con climatizzatore	M54B30	170	232	11/01	>	04/05				34.240.00
730 i	N52B30	190	258	04/05	>	09/08	25.058.00			
with air-conditioner / con climatizzatore	N52B30	190	258	04/05	>	09/08				54.240.00
with rear air-conditioner BEHR / con climatizzatore posteriore BEHR	N52B30	190	258	04/05	>	09/08				54.322.00
antibacterial, anti-odour and anti-allergen filter with air-conditioner / filtro antibatterico, antiodori e anti-allergeni con climatizzatore	N52B30	190	258	04/05	>	09/08				34.240.00
735 i	N62B36	200	272	09/01	>	04/05				54.240.00
with air-conditioner / con climatizzatore	N62B36	200	272	09/01	>	04/05				54.322.00
with rear air-conditioner BEHR / con climatizzatore posteriore BEHR	N62B36	200	272	09/01	>	04/05				34.240.00
antibacterial, anti-odour and anti-allergen filter with air-conditioner / filtro antibatterico, antiodori e anti-allergeni con climatizzatore	N62B36	200	272	09/01	>	04/05				
740 d	M67D40	190	258	09/02	>	04/05	25.004.00	31.851.00		
with air-conditioner / con climatizzatore	M67D40	190	258	09/02	>	04/05				54.240.00
with rear air-conditioner BEHR / con climatizzatore posteriore BEHR	M67D40	190	258	09/02	>	04/05				54.322.00
antibacterial, anti-odour and anti-allergen filter with air-conditioner / filtro antibatterico, antiodori e anti-allergeni con climatizzatore	M67D40	190	258	09/02	>	04/05				34.240.00
745 d	M67D45	220	300	04/05	>	10/05	25.021.00	31.851.00		
with air-conditioner / con climatizzatore	M67D45	220	300	04/05	>	10/05				54.240.00

...BMW - cars/auto

with rear air-conditioner BEHR / con climatizzatore posteriore BEHR	M67D45	220	300	04/05	>	10/05				54.322.00
antibacterial, anti-odour and anti-allergen filter with air-conditioner / filtro antibatterico, antiodori e anti-allergeni con climatizzatore	M67D45	220	300	04/05	>	10/05				34.240.00
745 d	M67D45	243	330	09/05	>	09/08	25.021.00	31.851.00		
with air-conditioner / con climatizzatore	M67D45	243	330	09/05	>	09/08				54.240.00
with rear air-conditioner BEHR / con climatizzatore posteriore BEHR	M67D45	243	330	09/05	>	09/08				54.322.00
antibacterial, anti-odour and anti-allergen filter with air-conditioner / filtro antibatterico, antiodori e anti-allergeni con climatizzatore	M67D45	243	330	09/05	>	09/08				34.240.00
745 i										
with air-conditioner / con climatizzatore	N62B44	245	333	09/01	>	04/05				54.240.00
with rear air-conditioner BEHR / con climatizzatore posteriore BEHR	N62B44	245	333	09/01	>	04/05				54.322.00
antibacterial, anti-odour and anti-allergen filter with air-conditioner / filtro antibatterico, antiodori e anti-allergeni con climatizzatore	N62B44	245	333	09/01	>	04/05				34.240.00
750 i										
with air-conditioner / con climatizzatore	N62B48	270	367	04/05	>	08/08				54.240.00
with rear air-conditioner BEHR / con climatizzatore posteriore BEHR	N62B48	270	367	04/05	>	08/08				54.322.00
antibacterial, anti-odour and anti-allergen filter with air-conditioner / filtro antibatterico, antiodori e anti-allergeni con climatizzatore	N62B48	270	367	04/05	>	08/08				34.240.00
760 i										
with air-conditioner / con climatizzatore	N73B60	327	445	09/02	>	08/08				54.240.00
with rear air-conditioner BEHR / con climatizzatore posteriore BEHR	N73B60	327	445	09/02	>	08/08				54.322.00
antibacterial, anti-odour and anti-allergen filter with air-conditioner / filtro antibatterico, antiodori e anti-allergeni con climatizzatore	N73B60	327	445	09/02	>	08/08				34.240.00
7 (E66)										
730 Ld	M57D30N2	170	231	04/05	>	09/08	25.048.00	31.851.00	27.384.00	
with air-conditioner / con climatizzatore	M57D30N2	170	231	04/05	>	09/08				54.240.00
with rear air-conditioner BEHR / con climatizzatore posteriore BEHR	M57D30N2	170	231	04/05	>	09/08				54.322.00
antibacterial, anti-odour and anti-allergen filter with air-conditioner / filtro antibatterico, antiodori e anti-allergeni con climatizzatore	M57D30N2	170	231	04/05	>	09/08				34.240.00
730 Li	M54B30	170	231	11/01	>	04/05	25.004.00			
with air-conditioner / con climatizzatore	M54B30	170	231	11/01	>	04/05				54.240.00
with rear air-conditioner BEHR / con climatizzatore posteriore BEHR	M54B30	170	231	11/01	>	04/05				54.322.00
antibacterial, anti-odour and anti-allergen filter with air-conditioner / filtro antibatterico, antiodori e anti-allergeni con climatizzatore	M54B30	170	231	11/01	>	04/05				34.240.00
730 Li	N52B30	190	258	04/05	>	09/08	25.058.00			
with air-conditioner / con climatizzatore	N52B30	190	258	04/05	>	09/08				54.240.00
with rear air-conditioner BEHR / con climatizzatore posteriore BEHR	N52B30	190	258	04/05	>	09/08				54.322.00
antibacterial, anti-odour and anti-allergen filter with air-conditioner / filtro antibatterico, antiodori e anti-allergeni con climatizzatore	N52B30	190	258	04/05	>	09/08				34.240.00
740 Li										
with air-conditioner / con climatizzatore	N62B40	225	306	04/05	>	09/08				54.240.00
with rear air-conditioner BEHR / con climatizzatore posteriore BEHR	N62B40	225	306	04/05	>	09/08				54.322.00
antibacterial, anti-odour and anti-allergen filter with air-conditioner / filtro antibatterico, antiodori e anti-allergeni con climatizzatore	N62B40	225	306	04/05	>	09/08				34.240.00
745 Li										
with activated carbons / ai carboni attivi	N62B44A	245	333	01/02	>	03/05				54.322.00
750 Li										
with air-conditioner / con climatizzatore	N62B48	270	267	04/05	>	09/08				54.240.00
with rear air-conditioner BEHR / con climatizzatore posteriore BEHR	N62B48	270	267	04/05	>	09/08				54.322.00
antibacterial, anti-odour and anti-allergen filter with air-conditioner / filtro antibatterico, antiodori e anti-allergeni con climatizzatore	N62B48	270	267	04/05	>	09/08				34.240.00
760 Li										
with air-conditioner / con climatizzatore	N73B60	327	445	09/02	>	09/08				54.240.00
with rear air-conditioner BEHR / con climatizzatore posteriore BEHR	N73B60	327	445	09/02	>	09/08				54.322.00
antibacterial, anti-odour and anti-allergen filter with air-conditioner / filtro antibatterico, antiodori e anti-allergeni con climatizzatore	N73B60	327	445	09/02	>	09/08				34.240.00
7 (F01)										
730 d	N57D30	180	245	10/08	>		25.096.00	31.851.00	27.A97.00	53.229.00
with activated carbons / ai carboni attivi	N57D30	180	245	10/08	>					54.231.00
antibacterial, anti-odour and anti-allergen filter / filtro antibatterico, antiodori e anti-allergeni	N57D30	180	245	10/08	>					34.231.00
730 d	N57D30A	155	211	07/09	>	12/15	25.096.00	31.851.00	27.A97.00	53.229.00
with activated carbons / ai carboni attivi	N57D30A	155	211	07/09	>	12/15				54.231.00
antibacterial, anti-odour and anti-allergen filter / filtro antibatterico, antiodori e anti-allergeni	N57D30A	155	211	07/09	>	12/15				34.231.00
730 d	N57D30A	190	258	08/12	>		25.142.00	31.851.00	30.655.00	53.229.00
with activated carbons / ai carboni attivi	N57D30A	190	258	08/12	>					54.231.00
antibacterial, anti-odour and anti-allergen filter / filtro antibatterico, antiodori e anti-allergeni	N57D30A	190	258	08/12	>					34.231.00
730 d xDrive	N57D30A	190	258	08/12	>		25.142.00	31.851.00	30.655.00	53.229.00
with activated carbons / ai carboni attivi	N57D30A	190	258	08/12	>					54.231.00
antibacterial, anti-odour and anti-allergen filter / filtro antibatterico, antiodori e anti-allergeni	N57D30A	190	258	08/12	>					34.231.00
730 i	N52B30A	190	258	09/09	>		25.058.00		30.776.00	53.229.00
with activated carbons / ai carboni attivi	N52B30A	190	258	09/09	>					54.231.00
antibacterial, anti-odour and anti-allergen filter / filtro antibatterico, antiodori e anti-allergeni	N52B30A	190	258	09/09	>					34.231.00
740 d	N57D30B	225	306	10/09	>		25.096.00	31.851.00	27.A97.00	53.229.00
with activated carbons / ai carboni attivi	N57D30B	225	306	10/09	>					54.231.00
antibacterial, anti-odour and anti-allergen filter / filtro antibatterico, antiodori e anti-allergeni	N57D30B	225	306	10/09	>					34.231.00
740 d	N57D30B	230	313	08/12	>		25.142.00	31.851.00	30.655.00	53.229.00
with activated carbons / ai carboni attivi	N57D30B	230	313	08/12	>					54.231.00
antibacterial, anti-odour and anti-allergen filter / filtro antibatterico, antiodori e anti-allergeni	N57D30B	230	313	08/12	>					34.231.00

...BMW - cars/auto

B

740 d xDrive	N57D30B	230	313	08/12	>	25.142.00	31.851.00	30.655.00	53.229.00
with activated carbons / ai carboni attivi	N57D30B	230	313	08/12	>				54.231.00
antibacterial, anti-odour and anti-allergen filter / filtro antibatterico, antiodori e anti-allergeni	N57D30B	230	313	08/12	>				34.231.00
740 i	N54B30A	240	326	10/08	>	25.058.00			53.229.00
with activated carbons / ai carboni attivi	N54B30A	240	326	10/08	>				54.231.00
antibacterial, anti-odour and anti-allergen filter / filtro antibatterico, antiodori e anti-allergeni	N54B30A	240	326	10/08	>				34.231.00
750 d xDrive	N57D30C	280	381	06/12	>	25.084.00	31.851.00	30.655.00	53.229.00
with activated carbons / ai carboni attivi	N57D30C	280	381	06/12	>				54.231.00
antibacterial, anti-odour and anti-allergen filter / filtro antibatterico, antiodori e anti-allergeni	N57D30C	280	381	06/12	>				34.231.00
750 i	N63B44A	300	408	10/08	>	25.201.00			53.229.00
with activated carbons / ai carboni attivi	N63B44A	300	408	10/08	>				54.231.00
antibacterial, anti-odour and anti-allergen filter / filtro antibatterico, antiodori e anti-allergeni	N63B44A	300	408	10/08	>				34.231.00
air filter right side / filtro aria destro	N63B44A	300	408	10/08	>			30.B14.00	
air filter left side / filtro aria sinistro	N63B44A	300	408	10/08	>			30.B13.00	
760 i	N74B60A	400	544	10/09	>	25.201.00			53.229.00
with activated carbons / ai carboni attivi	N74B60A	400	544	10/09	>				54.231.00
antibacterial, anti-odour and anti-allergen filter / filtro antibatterico, antiodori e anti-allergeni	N74B60A	400	544	10/09	>				34.231.00
7 (F02)									
730 d	N57D30	180	245	10/08	>	25.096.00	31.851.00	27.A97.00	53.229.00
with activated carbons / ai carboni attivi	N57D30	180	245	10/08	>				54.231.00
antibacterial, anti-odour and anti-allergen filter / filtro antibatterico, antiodori e anti-allergeni	N57D30	180	245	10/08	>				34.231.00
730 d	N57D30A	190	258	08/12	>	25.142.00	31.851.00	30.655.00	53.229.00
with activated carbons / ai carboni attivi	N57D30A	190	258	08/12	>				54.231.00
antibacterial, anti-odour and anti-allergen filter / filtro antibatterico, antiodori e anti-allergeni	N57D30A	190	258	08/12	>				34.231.00
730 i	N52B30A	190	258	09/09	>	25.058.00		30.776.00	53.229.00
with activated carbons / ai carboni attivi	N52B30A	190	258	09/09	>				54.231.00
antibacterial, anti-odour and anti-allergen filter / filtro antibatterico, antiodori e anti-allergeni	N52B30A	190	258	09/09	>				34.231.00
740 d	N57D30B	225	306	10/09	>	25.096.00	31.851.00	27.A97.00	53.229.00
with activated carbons / ai carboni attivi	N57D30B	225	306	10/09	>				54.231.00
antibacterial, anti-odour and anti-allergen filter / filtro antibatterico, antiodori e anti-allergeni	N57D30B	225	306	10/09	>				34.231.00
740 d	N57D30B	230	313	08/12	>	25.142.00	31.851.00	30.655.00	53.229.00
with activated carbons / ai carboni attivi	N57D30B	230	313	08/12	>				54.231.00
antibacterial, anti-odour and anti-allergen filter / filtro antibatterico, antiodori e anti-allergeni	N57D30B	230	313	08/12	>				34.231.00
740 d xDrive	N57D30B	230	313	08/12	>	25.142.00	31.851.00	30.655.00	53.229.00
with activated carbons / ai carboni attivi	N57D30B	230	313	08/12	>				54.231.00
antibacterial, anti-odour and anti-allergen filter / filtro antibatterico, antiodori e anti-allergeni	N57D30B	230	313	08/12	>				34.231.00
740 i	N54B30A	240	326	09/07	> 02/10	25.058.00		30.711.00	53.229.00
with activated carbons / ai carboni attivi	N54B30A	240	326	09/07	> 02/10				54.231.00
antibacterial, anti-odour and anti-allergen filter / filtro antibatterico, antiodori e anti-allergeni	N54B30A	240	326	09/07	> 02/10				34.231.00
740 i	N55B30A	235	320	06/12	>	25.058.00		30.711.00	53.229.00
with activated carbons / ai carboni attivi	N55B30A	235	320	06/12	>				54.231.00
antibacterial, anti-odour and anti-allergen filter / filtro antibatterico, antiodori e anti-allergeni	N55B30A	235	320	06/12	>				34.231.00
750 d xDrive	N57D30C	280	381	06/12	>	25.084.00	31.851.00	30.655.00	53.229.00
with activated carbons / ai carboni attivi	N57D30C	280	381	06/12	>				54.231.00
antibacterial, anti-odour and anti-allergen filter / filtro antibatterico, antiodori e anti-allergeni	N57D30C	280	381	06/12	>				34.231.00
750 i	N63B44A	300	408	10/08	>	25.201.00			53.229.00
with activated carbons / ai carboni attivi	N63B44A	300	408	10/08	>	25.201.00			54.231.00
antibacterial, anti-odour and anti-allergen filter / filtro antibatterico, antiodori e anti-allergeni	N63B44A	300	408	10/08	>				34.231.00
760 i	N74B60A	400	544	10/09	>	25.201.00			53.229.00
with activated carbons / ai carboni attivi	N74B60A	400	544	10/09	>				54.231.00
antibacterial, anti-odour and anti-allergen filter / filtro antibatterico, antiodori e anti-allergeni	N74B60A	400	544	10/09	>				34.231.00
7 (F04) Hybrid									
Active Hybrid 7	N55B30A	275	374	06/12	>	25.058.00		30.711.00	53.229.00
with activated carbons / ai carboni attivi	N55B30A	275	374	06/12	>				54.231.00
antibacterial, anti-odour and anti-allergen filter / filtro antibatterico, antiodori e anti-allergeni	N55B30A	275	374	06/12	>				34.231.00
Active Hybrid 7	N63B44A	342	465	03/10	>	25.201.00			53.229.00
with activated carbons / ai carboni attivi	N63B44A	342	465	03/10	>				54.231.00
antibacterial, anti-odour and anti-allergen filter / filtro antibatterico, antiodori e anti-allergeni	N63B44A	342	465	03/10	>				34.231.00
7 (G11)									
725 d	B47D20B	170	231	06/16	>	25.188.00			
730 d	B57D30O0	195	265	06/15	>	25.148.00			
730 d xDrive	B57D30O0	195	265	06/15	>	25.148.00			
730 i	B48B20B	191	260	06/15	>	25.188.00			
740 d	B57D30M0	235	320	06/15	>	25.148.00			
740 d xDrive	B57D30M0	235	320	06/15	>	25.148.00			
740 e	B48B20B	240	326	05/16	>	25.188.00			
740 i	B58B30M0	240	326	06/15	>	25.148.00			

...BMW - cars/auto

750 d xDrive	B57D30C	294	400	06/16	>	25.148.00			
750 i	N63B44C	330	449	06/15	>	25.201.00			
750 i xDrive	N63B44C	330	449	06/15	>	25.201.00			
7 (G12)									
725 Ld	B47D20B	170	231	06/16	>	25.188.00			
730 Ld	B57D30O0	195	265	06/15	>	25.148.00			
730 Ld xDrive	B57D30O0	195	265	06/15	>	25.148.00			
730 Li	B48B20B	191	260	06/15	>	25.188.00			
740 Ld	B57D30M0	235	320	06/15	>	25.148.00			
740 Ld xDrive	B57D30M0	235	320	06/15	>	25.148.00			
740 Le	B48B20B	240	326	05/16	>	25.188.00			
740 Li	B58B30M0	240	326	06/15	>	25.148.00			
750 Li	N63B44C	330	449	06/15	>	25.201.00			
M 760 Li	N74B66B	448	609	07/16	>	25.201.00			
M760 Li xDrive	N47B66C	430	585	03/19	>	25.201.00			
8 (F91)									
M8 Cabrio	S63B44B	441	600	07/19	>	25.201.00			
M8 Cabrio (Competition)	S63B44B	460	625	07/19	>	25.201.00			
8 (F92)									
M8 Coupe	S63B44B	441	600	07/19	>	25.201.00	31.962.00		
M8 Coupe (Competition)	S63B44B	460	625	07/19	>	25.201.00	31.962.00		
8 (F93)									
M8 Gran Coupe	S63B44B	441	600	11/19	>	25.201.00	31.962.00		
M8 Gran Coupe (Competition)	S63B44B	460	625	11/19	>	25.201.00	31.962.00		
8 (G14)									
840d xDrive Cabrio	B57D30B	235	320	07/18	>	25.148.00			
840d xDrive Cabrio Mild-Hybrid	B57D30B	250	340	11/20	>	25.148.00			
840i Cabrio	B58B30C	245	333	11/20	>	25.148.00	31.962.00		
840i Cabrio	B58B30C	250	340	07/19	>	25.148.00	31.962.00		
840i xDrive Cabrio	B58B30C	245	333	11/20	>	25.148.00			
840i xDrive Cabrio	B58B30C	250	340	07/19	>	25.148.00			
M850i xDrive Cabrio	N63B44D	390	530	03/19	>	25.201.00			
8 (G15)									
840d xDrive Coupe	B57D30B	235	320	10/18	>	25.148.00			
840d xDrive Coupe Mild-Hybrid	B57D30B	250	340	11/20	>	25.148.00			
840d xDrive Gran Coupe Mild-Hybrid	B57D30B	250	340	11/20	>	25.148.00			
840i Coupe	B58B30C	245	333	11/20	>	25.148.00	31.962.00		
840i Coupe	B58B30C	250	340	07/19	>	25.148.00	31.962.00		
840i xDrive Coupe	B58B30C	245	333	11/20	>	25.148.00			
840i xDrive Coupe	B58B30C	250	340	07/19	>	25.148.00			
M850i xDrive Coupe	N63B44D	390	530	10/18	>	25.201.00			
8 (G16)									
840d xDrive Gran Coupe	B57D30B	235	320	07/19	>	25.148.00			
840i Gran Coupe	B58B30C	245	333	11/20	>	25.148.00	31.962.00		
840i Gran Coupe	B58B30C	250	340	07/19	>	25.148.00	31.962.00		
840i xDrive Gran Coupe	B58B30C	245	333	11/20	>	25.148.00	31.962.00		
840i xDrive Gran Coupe	B58B30C	250	340	07/19	>	25.148.00	31.962.00		
M850i xDrive Gran Coupe	N63B44D	390	530	07/19	>	25.201.00			
E3									
3.0 Si									
to frame No. 3223675 / a telaio N. 3223675	M30B30	143	194					30.822.00	
3.0 Si									
to frame No. 3223675 / a telaio N. 3223675	M30B30	147	200					30.822.00	
I01									
i3 electric	IB1P25B	75	102	09/13	>		×	×	×
with automatic air-conditioner / con climatizzatore automatico	IB1P25B	75	102	09/13	>				53.332.00
antibacterial, anti-odour and anti-allergen filter with automatic air-conditioner / filtro antibatterico, antiodori e anti-allergeni con climatizzatore automatico	IB1P25B	75	102	09/13	>				54.279.00
i3 Rex (Hybrid)	IB1P25B, W20K06A	125	170	09/13	>			×	53.332.00
with automatic air-conditioner / con climatizzatore automatico	IB1P25B, W20K06A	125	170	09/13	>				54.279.00
antibacterial, anti-odour and anti-allergen filter with automatic air-conditioner / filtro antibatterico, antiodori e anti-allergeni con climatizzatore automatico	IB1P25B, W20K06A	125	170	09/13	>				34.279.00
I12									
i8	B38K15A	266	362	09/13	>	25.185.00		×	
X5 (F95)									
X5 M	S63B44B	441	600	12/19	>	25.201.00			
X5 M (Competition)	S63B44B	460	625	12/19	>	25.201.00			
X5 (G05)									
X5 M50i xDrive	N63B44D	390	530	08/19	>	25.201.00			

...BMW - cars/auto

B

X5 xDrive 25d	B47D20B	155	211	08/19	>	25.188.00			
X5 xDrive 25d	B47D20B	170	231	08/19	>	25.188.00			
X5 xDrive 30d	B57D30A	183	249	08/18	>	25.148.00			
X5 xDrive 30d	B57D30A	195	265	08/18	>	25.148.00			
X5 xDrive 30d Mild-Hybrid	B57D30B	183	249	08/20	>	25.148.00			
X5 xDrive 30d Mild-Hybrid	B57D30B	210	286	08/20	>	25.148.00			
X5 xDrive 40d Mild-Hybrid	B57D30B	250	340	05/20	>	25.148.00			
X5 xDrive 40i	B58B30C	250	340	08/18	>	25.148.00	31.962.00		
X5 xDrive 40i Mild-Hybrid	B58B30C	245	333	12/20	>	25.148.00			
X5 xDrive 45e (Plug-In Hybrid)	B58B30C	155	211	06/19	>	25.148.00			
X5 xDrive 45e (Plug-In Hybrid)	B58B30C	210	286	06/19	>	25.148.00			
X5 xDrive 50i	N63B44D	340	462	08/18	>	25.201.00			
X5 xDrive M50d	B57D30C	294	400	08/18	>	25.148.00			
X6 (F96)									
X6 M	S63B44B	441	600	12/19	>	25.201.00			
X6 M (Competition)	S63B44B	460	625	12/19	>	25.201.00			
X6 (G06)									
X6 xDrive 30d	B57D30A	155	211	08/19	>	25.148.00			
X6 xDrive 30d	B57D30A	183	249	08/19	>	25.148.00			
X6 xDrive 30d	B57D30A	195	265	08/19	>	25.148.00			
X6 xDrive 30d Mild-Hybrid	B57D30B	155	211	08/20	>	25.148.00			
X6 xDrive 30d Mild-Hybrid	B57D30B	183	249	08/20	>	25.148.00			
X6 xDrive 30d Mild-Hybrid	B57D30B	210	286	08/20	>	25.148.00			
X6 xDrive 40d Mild-Hybrid	B57D30B	250	340	05/20	>	25.148.00			
X6 xDrive 40i	B58B30C	250	340	08/19	>	25.148.00			
X6 xDrive 40i Mild-Hybrid	B58B30C	245	333	12/20	>	25.148.00			
X6 xDrive M50d	B57D30C	294	400	08/19	>	25.148.00			
X6 xDrive M50i	N63B44D	390	530	08/19	>	25.201.00			
X7 (G07)									
X7 xDrive 30d	B57D30A	155	211	03/19	>	25.148.00			
X7 xDrive 30d	B57D30A	183	249	03/19	>	25.148.00			
X7 xDrive 30d	B57D30A	195	265	03/19	>	25.148.00			
X7 xDrive 40d Mild-Hybrid	B57D30B	155	211	08/20	>	25.148.00			
X7 xDrive 40d Mild-Hybrid	B57D30B	250	340	08/20	>	25.148.00			
X7 xDrive 40i	B58B30C	250	340	03/19	>	25.148.00			
X7 xDrive 40i Mild-Hybrid	B58B30C	245	333	12/20	>	25.148.00			
X7 xDrive M50d	B57D30C	294	400	03/19	>	25.148.00			
X7 xDrive M50i	N63B44D	390	530	07/19	>	25.201.00			
Z3 (E36/7) Roadster									
1.8 i									
excluding warm areas / escluso per zone calde	M44B18	87	118	09/98	> 12/02	25.008.00	31.569.00	30.049.00	
hot areas / zone calde	M44B18	87	118	09/98	> 12/02	25.008.00	31.569.00		
1.9 i									
excluding warm areas / escluso per zone calde	M43B19	87	118	07/98	> 12/02	25.008.00	31.569.00	30.049.00	
hot areas / zone calde	M43B19	87	118	07/98	> 12/02	25.008.00	31.569.00		
2.0 i	M52B20	110	150	01/99	> 12/02	25.004.00	31.569.00	30.991.00	
2.2 i									
excluding warm areas / escluso per zone calde	M54B22	125	170	08/00	> 12/02	25.004.00	31.847.00	30.991.00	
hot areas / zone calde	M54B22	125	170	08/00	> 12/02	25.004.00	31.847.00		
2.8 i	M52B28			03/96	> 06/00	25.004.00	31.569.00	30.991.00	
	M52B28			03/96	> 06/00	25.004.00	31.569.00	30.991.00	
3.0 i									
excluding warm areas / escluso per zone calde	M54B30	170	231	06/00	> 12/02	25.004.00	31.847.00	30.991.00	
hot areas / zone calde	M54B30	170	231	06/00	> 12/02	25.004.00	31.847.00		
M 3.2	S50B32			03/97	> 07/01	25.548.00	31.768.00	30.991.00	
M 3.2	S50B32	236	321	03/97	> 07/01	25.548.00	31.768.00	30.991.00	
M 3.2	S54B32			06/00	> 12/02	25.548.00		30.991.00	
M 3.2	S54B32	239	325	06/00	> 12/02	25.548.00		30.991.00	
Z3 (E36/8) Coupè									
2.8									
excluding warm areas / escluso per zone calde	M52B28	141	192	03/96	> 06/00	25.004.00	31.569.00	30.991.00	
hot areas / zone calde	M52B28	141	192	03/96	> 06/00	25.004.00	31.569.00		
3.0									
excluding warm areas / escluso per zone calde	M54B30	170	231	06/00	> 04/02	25.004.00	31.847.00	30.991.00	
hot areas / zone calde	M54B30	170	231	06/00	> 04/02	25.004.00	31.847.00		
M 3.2									
excluding warm areas / escluso per zone calde	S50B32	236	321	03/97	> 06/01	25.548.00	31.768.00	30.991.00	

...BMW - cars/auto

hot areas / zone calde	S50B32	236	321	03/97 >	06/01	25.548.00	31.768.00		
M 3.2	S54B32	239	325	06/00 >	12/02	25.548.00		30.991.00	
Z4 (E85)									
2.0 i	N46B20	110	150	05/05 >	10/08	25.028.00	∞	30.455.00	53.246.00
with activated carbons / ai carboni attivi	N46B20	110	150	05/05 >	10/08				54.318.00
2.2 i Roadster	M54B22	125	170	02/03 >	03/06	25.004.00	∞	30.991.00	53.246.00
with activated carbons / ai carboni attivi	M54B22	125	170	02/03 >	03/06				54.318.00
2.5 i	N52B25	130	177	03/06 >	10/08	25.058.00	∞	30.455.00	53.246.00
with activated carbons / ai carboni attivi	N52B25	130	177	03/06 >	10/08				54.318.00
2.5 i Roadster	M54B25	141	192	03/02 >	03/06	25.004.00	∞	30.991.00	53.246.00
with activated carbons / ai carboni attivi	M54B25	141	192	03/02 >	03/06				54.318.00
2.5 Si	N52B25	160	218	03/06 >	10/08	25.058.00	∞	30.455.00	53.246.00
with activated carbons / ai carboni attivi	N52B25	160	218	03/06 >	10/08				54.318.00
3.0 i Roadster	M54B30	170	231	03/02 >	03/06	25.004.00	∞	30.991.00	53.246.00
with activated carbons / ai carboni attivi	M54B30	170	231	03/02 >	03/06				54.318.00
3.0 Si	N52B30	195	265	03/06 >	10/08	25.058.00	∞	30.455.00	53.246.00
with activated carbons / ai carboni attivi	N52B30	195	265	03/06 >	10/08				54.318.00
3.2 M	S50B32	252	343	03/06 >	10/08	25.548.00	∞	30.251.00	53.246.00
with activated carbons / ai carboni attivi	S50B32	252	343	03/06 >	10/08				54.318.00
Z4 (E86) Coupè									
3.0 Si	N52B30	195	265	03/06 >	10/08	25.058.00	∞	30.455.00	53.246.00
with activated carbons / ai carboni attivi	N52B30	195	265	03/06 >	10/08				54.318.00
3.2 M	S50B32	252	343	03/06 >	10/08	25.548.00	∞	30.251.00	53.246.00
with activated carbons / ai carboni attivi	S50B32	252	343	03/06 >	10/08				54.318.00
Z4 (E89)									
18 i sDrive	N20B20	115	156	03/13 >		25.171.00	∞	30.557.00	53.246.00
with activated carbons / ai carboni attivi	N20B20	115	156	03/13 >					54.318.00
20 i sDrive	N20B20A	135	184	09/11 >			∞	30.557.00	53.246.00
with activated carbons / ai carboni attivi	N20B20A	135	184	09/11 >					54.318.00
with aluminium complete oil filter / con filtro olio completo in alluminio	N20B20A	135	184	01/12 >		25.171.00			
with plastic complete oil filter / con filtro olio completo in plastica	N20B20A	135	184	09/11 >	12/11	25.179.00			
23 i	N52B25	150	204	03/09 >		25.058.00	∞	30.557.00	53.246.00
with activated carbons / ai carboni attivi	N52B25	150	204	03/09 >					54.318.00
28 i sDrive	N20B20A	180	245	09/11 >			∞	30.557.00	53.246.00
with activated carbons / ai carboni attivi	N20B20A	180	245	09/11 >					54.318.00
with aluminium complete oil filter / con filtro olio completo in alluminio	N20B20A	180	245	01/12 >		25.171.00			
with plastic complete oil filter / con filtro olio completo in plastica	N20B20A	180	245	09/11 >	12/11	25.179.00			
30 i	N52B30A	190	258	03/09 >		25.058.00	∞	30.557.00	53.246.00
with activated carbons / ai carboni attivi	N52B30A	190	258	03/09 >					54.318.00
35 i sDrive	N54B30A	225	306	03/09 >		25.058.00	∞	30.A44.00	53.246.00
with activated carbons / ai carboni attivi	N54B30A	225	306	03/09 >					54.318.00
35 iS sDrive	N54B30A	250	340	03/10 >		25.058.00	∞	30.A44.00	53.246.00
with activated carbons / ai carboni attivi	N54B30A	250	340	03/10 >					54.318.00
Z4 (G29)									
Z4 M40i Cabrio	B58B30C	250	340	11/18 >		25.148.00			
for vehicles with external fuel filter / per veicoli con filtro carburante esterno	B58B30C	250	340	11/18 >			31.962.00		
Z4 sDrive 20i Cabrio	B46B20B	120	163	11/18 >		25.188.00	∞		
Z4 sDrive 20i Cabrio	B46B20B	145	197	11/18 >		25.188.00	∞		
Z4 sDrive 20i Cabrio	B48B20B	120	163	11/18 >		25.188.00			
for vehicles with external fuel filter / per veicoli con filtro carburante esterno	B48B20B	120	163	11/18 >			31.962.00		
Z4 sDrive 20i Cabrio	B48B20B	145	197	11/18 >		25.188.00			
for vehicles with external fuel filter / per veicoli con filtro carburante esterno	B48B20B	145	197	11/18 >			31.962.00		
Z4 sDrive 30i Cabrio	B48B20B	190	258	11/18 >		25.188.00			
for vehicles with external fuel filter / per veicoli con filtro carburante esterno	B48B20B	190	258	11/18 >			31.962.00		
Z8 (E52)									
4.9 i Roadster	S38B49	294	400	06/00 >		25.038.00			
2 filters / N.2 filtri	S38B49	294	400	06/00 >				30.029.00	
BMW off-road cars/fuoristrada									
X1 (E84)									
16 d sDrive	N47D20C	85	116	04/12 >		25.142.00	31.857.04	30.357.00	53.236.00
with activated carbons / ai carboni attivi	N47D20C	85	116	04/12 >					54.154.00
16 i sDrive	N20B16A	105	143	03/13 >		25.171.00	∞	30.557.00	53.236.00
with activated carbons / ai carboni attivi	N20B16A	105	143	03/13 >		25.171.00	∞	30.557.00	54.154.00
18 d sDrive	N47D20A/C	105	143	10/09 >	06/12	25.084.00	31.857.04	30.357.00	53.236.00
	N47D20A/C	105	143	07/12 >		25.142.00	31.857.04	30.357.00	53.236.00
with activated carbons / ai carboni attivi	N47D20A/C	105	143	10/09 >					54.154.00

...BMW - off-road cars/fuoristrada

18 d xDrive	N47D20A/C	105	143	10/09	>	06/12	25.084.00	31.857.04	30.357.00	53.236.00
	with activated carbons / ai carboni attivi	N47D20A/C	105	143	07/12	>	25.142.00	31.857.04	30.357.00	53.236.00
18 i sDrive	N43B20A	105	143	10/09	>		25.028.00	∞	27.595.00	53.236.00
	with activated carbons / ai carboni attivi	N43B20A	105	143	03/10	>	25.028.00	∞	27.595.00	54.154.00
20 d ED sDrive	N47D20C	120	163	03/10	>		25.142.00	31.857.04	30.357.00	53.236.00
	with activated carbons / ai carboni attivi	N47D20C	120	163	03/10	>				54.154.00
20 d ED xDrive	N47D20C	120	163	03/10	>		25.142.00	31.857.04	30.357.00	53.236.00
	with activated carbons / ai carboni attivi	N47D20C	120	163	03/10	>				54.154.00
20 d sDrive	N47D20C	130	177	10/09	>		25.084.00	31.857.04	30.357.00	53.236.00
	with activated carbons / ai carboni attivi	N47D20C	130	177	10/09	>	25.084.00	31.857.04	30.357.00	54.154.00
20 d sDrive	N47D20C	135	184	07/12	>		25.142.00	31.857.04	30.357.00	53.236.00
	with activated carbons / ai carboni attivi	N47D20C	135	184	07/12	>				54.154.00
20 d xDrive	N47D20C	130	177	10/09	>		25.084.00	31.857.04	30.357.00	53.236.00
	with activated carbons / ai carboni attivi	N47D20C	130	177	10/09	>	25.084.00	31.857.04	30.357.00	54.154.00
20 d xDrive	N47D20C	135	184	07/12	>		25.142.00	31.857.04	30.357.00	53.236.00
	with activated carbons / ai carboni attivi	N47D20C	135	184	07/12	>				54.154.00
20 i sDrive	N20B20A	135	184	09/11	>			∞	30.557.00	53.236.00
	with activated carbons / ai carboni attivi	N20B20A	135	184	09/11	>				54.154.00
	with aluminium complete oil filter / con filtro olio completo in alluminio	N20B20A	135	184	04/12	>	25.171.00			
	with plastic complete oil filter / con filtro olio completo in plastica	N20B20A	135	184	09/11	>	03/12	25.179.00		
20 i xDrive	N20B20A	135	184	09/11	>			∞	30.557.00	53.236.00
	with activated carbons / ai carboni attivi	N20B20A	135	184	09/11	>				54.154.00
	with aluminium complete oil filter / con filtro olio completo in alluminio	N20B20A	135	184	01/12	>	25.171.00			
	with plastic complete oil filter / con filtro olio completo in plastica	N20B20A	135	184	09/11	>	12/11	25.146.00		
23 d xDrive	N47D20C	150	204	10/09	>		25.084.00	31.857.04	30.357.00	53.236.00
	with activated carbons / ai carboni attivi	N47D20C	150	204	10/09	>	25.084.00	31.857.04	30.357.00	54.154.00
25 d xDrive	N47D20D	160	218	05/12	>		25.142.00	31.857.04	30.357.00	53.236.00
	with activated carbons / ai carboni attivi	N47D20D	160	218	05/12	>				54.154.00
25 i xDrive	N52B30A	160	218	03/10	>		25.058.00	∞	27.636.00	53.236.00
	with activated carbons / ai carboni attivi	N52B30A	160	218	03/10	>	25.058.00	∞	27.636.00	54.154.00
28 i xDrive	N20B20A	180	245	03/11	>			∞	30.557.00	53.236.00
	with activated carbons / ai carboni attivi	N20B20A	180	245	03/11	>				54.154.00
	with aluminium complete oil filter / con filtro olio completo in alluminio	N20B20A	180	245	04/12	>	25.058.00			
	with plastic complete oil filter / con filtro olio completo in plastica	N20B20A	180	245	03/11	>	03/12	25.146.00		
28 i xDrive	N52B30A	190	258	10/09	>	03/11	25.058.00	∞	27.636.00	53.236.00
	with activated carbons / ai carboni attivi	N52B30A	190	258	10/09	>	03/11	25.058.00	∞	27.636.00
X1 (F48)										
16 d sDrive	B37C15A	85	116	06/15	>			31.926.01	30.622.00	53.332.00
	with automatic air-conditioner / con climatizzatore automatico	B37C15A	85	116	06/15	>				54.279.00
	with complete filter KNECHT-MAHLE / con filtro completo KNECHT-MAHLE	B37C15A	85	116	06/15	>	08/17	25.185.00		
	with complete filter MANN+HUMMEL / con filtro completo MANN+HUMMEL	B37C15A	85	116	09/17	>		25.211.00		
antibacterial, anti-odour and anti-allergen filter with automatic air-conditioner / filtro antibatterico, antiodori e anti-allergeni con climatizzatore automatico	B37C15A	85	116	06/15	>					34.279.00
18 d sDrive	B47C20A	110	150	06/15	>			31.926.01	30.622.00	53.332.00
	with automatic air-conditioner / con climatizzatore automatico	B47C20A	110	150	06/15	>				54.279.00
	with complete filter KNECHT-MAHLE / con filtro completo KNECHT-MAHLE	B47C20A	110	150	06/15	>	08/17	25.185.00		
	with complete filter MANN+HUMMEL / con filtro completo MANN+HUMMEL	B47C20A	110	150	09/17	>		25.211.00		
antibacterial, anti-odour and anti-allergen filter with automatic air-conditioner / filtro antibatterico, antiodori e anti-allergeni con climatizzatore automatico	B47C20A	110	150	06/15	>					34.279.00
18 i sDrive	B38A15A	100	136	06/15	>			∞	30.621.00	53.332.00
	with automatic air-conditioner / con climatizzatore automatico	B38A15A	100	136	06/15	>				54.279.00
	with complete filter KNECHT-MAHLE / con filtro completo KNECHT-MAHLE	B38A15A	100	136	06/15	>	04/17	25.185.00		
	with complete filter MANN+HUMMEL / con filtro completo MANN+HUMMEL	B38A15A	100	136	05/17	>		25.211.00		
	antibacterial, anti-odour and anti-allergen filter with automatic air-conditioner / filtro antibatterico, antiodori e anti-allergeni con climatizzatore automatico	B38A15A	100	136	06/15	>				
for cold countries / per paesi freddi	B38A15A	100	136	06/15	>					30.622.00
18 i sDrive	B38A15A	103	140	07/17	>		25.211.00	∞	30.621.00	53.332.00
	with automatic air-conditioner / con climatizzatore automatico	B38A15A	103	140	07/17	>				54.279.00
	antibacterial, anti-odour and anti-allergen filter with automatic air-conditioner / filtro antibatterico, antiodori e anti-allergeni con climatizzatore automatico	B38A15A	103	140	07/17	>				34.279.00
	for cold countries / per paesi freddi	B38A15A	103	140	07/17	>				
20 d sDrive	B47C20A	140	190	06/15	>			31.926.01	30.622.00	53.332.00
	with automatic air-conditioner / con climatizzatore automatico	B47C20A	140	190	06/15	>				54.279.00
	with complete filter KNECHT-MAHLE / con filtro completo KNECHT-MAHLE	B47C20A	140	190	06/15	>	08/17	25.185.00		
	with complete filter MANN+HUMMEL / con filtro completo MANN+HUMMEL	B47C20A	140	190	09/17	>		25.211.00		
	antibacterial, anti-odour and anti-allergen filter with automatic air-conditioner / filtro antibatterico, antiodori e anti-allergeni con climatizzatore automatico	B47C20A	140	190	06/15	>				
20 d xDrive	B47C20A	140	190	06/15	>			31.926.01	30.622.00	53.332.00
	with automatic air-conditioner / con climatizzatore automatico	B47C20A	140	190	06/15	>				54.279.00
	with complete filter KNECHT-MAHLE / con filtro completo KNECHT-MAHLE	B47C20A	140	190	06/15	>	08/17	25.185.00		
with complete filter MANN+HUMMEL / con filtro completo MANN+HUMMEL	B47C20A	140	190	09/17	>		25.211.00			

...BMW - off-road cars/fuoristrada

antibacterial, anti-odour and anti-allergen filter with automatic air-conditioner / filtro antibatterico, antiodori e anti-allergeni con climatizzatore automatico	B47C20A	140	190	06/15	>				34.279.00
20 i sDrive	B48A20A/B48A20F	131	178	11/20	>	25.211.00		30.622.00	
with activated carbons / ai carboni attivi	B48A20A/B48A20F	131	178	11/20	>				54.279.00
antibacterial, anti-odour and anti-allergen filter / filtro antibatterico, antiodori e anti-allergeni	B48A20A/B48A20F	131	178	11/20	>				34.279.00
20 i xDrive	B48A20A	141	192	06/15	>				53.332.00
with automatic air-conditioner / con climatizzatore automatico	B48A20A	141	192	06/15	>				54.279.00
with complete filter KNECHT-MAHLE / con filtro completo KNECHT-MAHLE	B48A20A	141	192	06/15	>	04/17	25.185.00		
with complete filter MANN+HUMMEL / con filtro completo MANN+HUMMEL	B48A20A	141	192	05/17	>		25.211.00		
antibacterial, anti-odour and anti-allergen filter with automatic air-conditioner / filtro antibatterico, antiodori e anti-allergeni con climatizzatore automatico	B48A20A	141	192	06/15	>				34.279.00
for cold countries / per paesi freddi	B48A20A	141	192	06/15	>			30.622.00	
25 d xDrive	B47C20B	170	231	06/15	>			31.926.01	53.332.00
with automatic air-conditioner / con climatizzatore automatico	B47C20B	170	231	06/15	>				54.279.00
with complete filter KNECHT-MAHLE / con filtro completo KNECHT-MAHLE	B47C20B	170	231	06/15	>	08/17	25.185.00		
with complete filter MANN+HUMMEL / con filtro completo MANN+HUMMEL	B47C20B	170	231	09/17	>		25.211.00		
antibacterial, anti-odour and anti-allergen filter with automatic air-conditioner / filtro antibatterico, antiodori e anti-allergeni con climatizzatore automatico	B47C20B	170	231	06/15	>				34.279.00
25 i xDrive	B48A20B	170	231	06/15	>				53.332.00
with automatic air-conditioner / con climatizzatore automatico	B48A20B	170	231	06/15	>				54.279.00
with complete filter KNECHT-MAHLE / con filtro completo KNECHT-MAHLE	B48A20B	170	231	06/15	>	04/17	25.185.00		
with complete filter MANN+HUMMEL / con filtro completo MANN+HUMMEL	B48A20B	170	231	05/17	>		25.211.00		
antibacterial, anti-odour and anti-allergen filter with automatic air-conditioner / filtro antibatterico, antiodori e anti-allergeni con climatizzatore automatico	B48A20B	170	231	06/15	>				34.279.00
for cold countries / per paesi freddi	B48A20B	170	231	06/15	>			30.622.00	
28 i xDrive (USA)	B48A20B	170	231	06/15	>				53.332.00
with automatic air-conditioner / con climatizzatore automatico	B48A20B	170	231	06/15	>				54.279.00
with complete filter KNECHT-MAHLE / con filtro completo KNECHT-MAHLE	B48A20B	170	231	06/15	>	04/17	25.185.00		
with complete filter MANN+HUMMEL / con filtro completo MANN+HUMMEL	B48A20B	170	231	05/17	>		25.211.00		
antibacterial, anti-odour and anti-allergen filter with automatic air-conditioner / filtro antibatterico, antiodori e anti-allergeni con climatizzatore automatico	B48A20B	170	231	06/15	>				34.279.00
X2 (F39)									
18 d sDrive	B47C20A	110	150	04/18	>		25.211.00	31.926.01	53.332.00
with activated carbons / ai carboni attivi	B47C20A	110	150	04/18	>				54.279.00
antibacterial, anti-odour and anti-allergen filter / filtro antibatterico, antiodori e anti-allergeni	B47C20A	110	150	04/18	>				34.279.00
18 d xDrive	B47C20B	110	150	02/18	>		25.211.00	31.926.01	53.332.00
with activated carbons / ai carboni attivi	B47C20B	110	150	02/18	>				54.279.00
antibacterial, anti-odour and anti-allergen filter / filtro antibatterico, antiodori e anti-allergeni	B47C20B	110	150	02/18	>				34.279.00
18 i sDrive	B38A15A	103	140	03/18	>		25.211.00		53.332.00
with activated carbons / ai carboni attivi	B38A15A	103	140	03/18	>				54.279.00
antibacterial, anti-odour and anti-allergen filter / filtro antibatterico, antiodori e anti-allergeni	B38A15A	103	140	03/18	>				34.279.00
20 dX	B47C20A	140	190	02/18	>		25.211.00	31.926.01	53.332.00
with activated carbons / ai carboni attivi	B47C20A	140	190	02/18	>				54.279.00
antibacterial, anti-odour and anti-allergen filter / filtro antibatterico, antiodori e anti-allergeni	B47C20A	140	190	02/18	>				34.279.00
20 dX	B47D20A	120	163	02/18	>		25.211.00	31.926.01	53.332.00
with activated carbons / ai carboni attivi	B47D20A	120	163	02/18	>				54.279.00
antibacterial, anti-odour and anti-allergen filter / filtro antibatterico, antiodori e anti-allergeni	B47D20A	120	163	02/18	>				34.279.00
20 i	B48A20A	141	192	02/18	>				53.332.00
with activated carbons / ai carboni attivi	B48A20A	141	192	02/18	>				54.279.00
antibacterial, anti-odour and anti-allergen filter / filtro antibatterico, antiodori e anti-allergeni	B48A20A	141	192	02/18	>				34.279.00
20 i sDrive	B48A20A/B48A20F	131	178	11/20	>		25.211.00		53.332.00
with activated carbons / ai carboni attivi	B48A20A/B48A20F	131	178	11/20	>				54.279.00
antibacterial, anti-odour and anti-allergen filter / filtro antibatterico, antiodori e anti-allergeni	B48A20A/B48A20F	131	178	11/20	>				34.279.00
20 i xDrive	B48A20A	131	178	11/20	>		25.211.00		53.332.00
with activated carbons / ai carboni attivi	B48A20A	131	178	11/20	>				54.279.00
antibacterial, anti-odour and anti-allergen filter / filtro antibatterico, antiodori e anti-allergeni	B48A20A	131	178	11/20	>				34.279.00
25 dX	B47C20B	170	231	02/18	>			31.926.01	53.332.00
with activated carbons / ai carboni attivi	B47C20B	170	231	02/18	>				54.279.00
antibacterial, anti-odour and anti-allergen filter / filtro antibatterico, antiodori e anti-allergeni	B47C20B	170	231	02/18	>				34.279.00
25 iX				02/18	>				53.332.00
with activated carbons / ai carboni attivi				02/18	>				54.279.00
antibacterial, anti-odour and anti-allergen filter / filtro antibatterico, antiodori e anti-allergeni				02/18	>				34.279.00
M35 iX	B48A20E	225	306	12/18	>				30.C61.00
for cold countries / per paesi freddi	B48A20E	225	306	12/18	>				30.C65.00
X3 (E83)									
1.8 d	N47D20C	105	143	09/08	>	12/10	25.084.00	31.851.00	53.158.00
with activated carbons / ai carboni attivi	N47D20C	105	143	09/08	>	12/10	25.084.00	31.851.00	54.121.00
antibacterial, anti-odour and anti-allergen filter / filtro antibatterico, antiodori e anti-allergeni	N47D20C	105	143	09/08	>	12/10			34.121.00
18 d xDrive	N47D20A/C	105	143	03/09	>	12/10	25.084.00	31.851.00	53.158.00
with activated carbons / ai carboni attivi	N47D20A/C	105	143	03/09	>	12/10	25.084.00	31.851.00	54.121.00
antibacterial, anti-odour and anti-allergen filter / filtro antibatterico, antiodori e anti-allergeni	N47D20A/C	105	143	03/09	>	12/10			34.121.00
18 d xDrive	N47D20C	100	136	04/09	>		25.084.00	31.851.00	53.158.00

...BMW - off-road cars/fuoristrada

with activated carbons / ai carboni attivi	N47D20C	100	136	04/09	>	25.084.00	31.851.00	30.395.00	54.121.00
antibacterial, anti-odour and anti-allergen filter / filtro antibatterico, antiodori e anti-allergeni	N47D20C	100	136	09/08	> 12/10				34.121.00
2.0 d	M47D20	110	150	09/04	> 08/07	25.021.00	31.851.00	27.353.00	53.158.00
with activated carbons / ai carboni attivi	M47D20	110	150	09/04	> 08/07	25.021.00	31.851.00	27.353.00	54.121.00
antibacterial, anti-odour and anti-allergen filter / filtro antibatterico, antiodori e anti-allergeni	M47D20	110	150	09/04	> 08/07				34.121.00
2.0 d	N47D20A	130	177	09/07	> 12/10	25.084.00	31.851.00	30.395.00	53.158.00
with activated carbons / ai carboni attivi	N47D20A	130	177	09/07	> 12/10	25.084.00	31.851.00	30.395.00	54.121.00
antibacterial, anti-odour and anti-allergen filter / filtro antibatterico, antiodori e anti-allergeni	N47D20A	130	177	09/07	> 12/10				34.121.00
2.0 i	N46B20	110	150	09/05	> 12/10	25.028.00		30.396.00	53.158.00
with activated carbons / ai carboni attivi	N46B20	110	150	09/05	> 12/10	25.028.00		30.396.00	54.121.00
antibacterial, anti-odour and anti-allergen filter / filtro antibatterico, antiodori e anti-allergeni	N46B20	110	150	09/05	> 12/10				34.121.00
2.5 i	M54B25	141	192	12/03	> 08/06	25.004.00		30.991.00	53.158.00
with activated carbons / ai carboni attivi	M54B25	141	192	12/03	> 08/06	25.004.00		30.991.00	54.121.00
antibacterial, anti-odour and anti-allergen filter / filtro antibatterico, antiodori e anti-allergeni	M54B25	141	192	12/03	> 08/06				34.121.00
2.5 i (USA)	M54B25	141	192	12/03	> 08/06	25.004.00			53.158.00
with activated carbons / ai carboni attivi	M54B25	141	192	12/03	> 08/06	25.004.00			54.121.00
antibacterial, anti-odour and anti-allergen filter / filtro antibatterico, antiodori e anti-allergeni	M54B25	141	192	12/03	> 08/06				34.121.00
2.5 Si	N52B25	160	218	09/06	> 12/10	25.058.00		30.455.00	53.158.00
with activated carbons / ai carboni attivi	N52B25	160	218	09/06	> 12/10	25.058.00		30.455.00	54.121.00
antibacterial, anti-odour and anti-allergen filter / filtro antibatterico, antiodori e anti-allergeni	N52B25	160	218	09/06	> 12/10				34.121.00
2.5 Si xDrive	N52B25A	155	211	07/06	> 12/08	25.058.00		30.455.00	53.158.00
with activated carbons / ai carboni attivi	N52B25A	155	211	07/06	> 12/08	25.058.00		30.455.00	54.121.00
antibacterial, anti-odour and anti-allergen filter / filtro antibatterico, antiodori e anti-allergeni	N52B25A	155	211	07/06	> 12/08				34.121.00
20 d xDrive	N47D20A	120	163	09/08	> 12/10	25.084.00	31.851.00	30.395.00	53.158.00
with activated carbons / ai carboni attivi	N47D20A	120	163	09/08	> 12/10	25.084.00	31.851.00	30.395.00	54.121.00
antibacterial, anti-odour and anti-allergen filter / filtro antibatterico, antiodori e anti-allergeni	N47D20A	120	163	09/08	> 12/10				34.121.00
20 d xDrive	N47D20C	130	177	09/08	> 12/10	25.084.00	31.851.00	30.395.00	53.158.00
with activated carbons / ai carboni attivi	N47D20C	130	177	09/08	> 12/10	25.084.00	31.851.00	30.395.00	54.121.00
antibacterial, anti-odour and anti-allergen filter / filtro antibatterico, antiodori e anti-allergeni	N47D20C	130	177	09/08	> 12/10				34.121.00
20 i xDrive		110	150	09/08	> 12/10	25.028.00		30.396.00	53.158.00
with activated carbons / ai carboni attivi		110	150	09/08	> 12/10	25.028.00		30.396.00	54.121.00
antibacterial, anti-odour and anti-allergen filter / filtro antibatterico, antiodori e anti-allergeni		110	150	09/08	> 12/10				34.121.00
25 i xDrive		160	218	09/08	> 12/10	25.058.00		30.455.00	53.158.00
with activated carbons / ai carboni attivi		160	218	09/08	> 12/10	25.058.00		30.455.00	54.121.00
antibacterial, anti-odour and anti-allergen filter / filtro antibatterico, antiodori e anti-allergeni		160	218	09/08	> 12/10				34.121.00
28 i xDrive	N52B30A	190	258	09/08	> 12/10	25.058.00		30.455.00	53.158.00
with activated carbons / ai carboni attivi	N52B30A	190	258	09/08	> 12/10	25.058.00		30.455.00	54.121.00
antibacterial, anti-odour and anti-allergen filter / filtro antibatterico, antiodori e anti-allergeni	N52B30A	190	258	09/08	> 12/10				34.121.00
28 i xDrive (USA)	N52B30A	190	258	09/08	> 12/10	25.058.00		30.455.00	53.158.00
with activated carbons / ai carboni attivi	N52B30A	190	258	09/08	> 12/10	25.058.00		30.455.00	54.121.00
antibacterial, anti-odour and anti-allergen filter / filtro antibatterico, antiodori e anti-allergeni	N52B30A	190	258	09/08	> 12/10				34.121.00
3.0 d	M57D30	150	204	12/03	> 10/05	25.048.00	31.851.00	27.384.00	53.158.00
with activated carbons / ai carboni attivi	M57D30	150	204	12/03	> 10/05	25.048.00	31.851.00	27.384.00	54.121.00
antibacterial, anti-odour and anti-allergen filter / filtro antibatterico, antiodori e anti-allergeni	M57D30	150	204	12/03	> 10/05				34.121.00
3.0 d	M57D30N2	160	218	09/05	> 08/06	25.048.00	31.851.00	27.384.00	53.158.00
with activated carbons / ai carboni attivi	M57D30N2	160	218	09/05	> 08/06	25.048.00	31.851.00	27.384.00	54.121.00
antibacterial, anti-odour and anti-allergen filter / filtro antibatterico, antiodori e anti-allergeni	M57D30N2	160	218	09/05	> 12/10				34.121.00
3.0 i	M54B30	170	231	12/03	> 08/06	25.004.00		30.991.00	53.158.00
with activated carbons / ai carboni attivi	M54B30	170	231	12/03	> 08/06	25.004.00		30.991.00	54.121.00
antibacterial, anti-odour and anti-allergen filter / filtro antibatterico, antiodori e anti-allergeni	M54B30	170	231	12/03	> 08/06				34.121.00
3.0 i (USA)	M54B30	170	231	12/03	> 08/06	25.004.00			53.158.00
with activated carbons / ai carboni attivi	M54B30	170	231	12/03	> 08/06	25.004.00			54.121.00
antibacterial, anti-odour and anti-allergen filter / filtro antibatterico, antiodori e anti-allergeni	M54B30	170	231	12/03	> 08/06				34.121.00
3.0 Sd	M57D30N2	210	286	09/06	> 12/10	25.048.00	31.851.00	30.395.00	53.158.00
with activated carbons / ai carboni attivi	M57D30N2	210	286	09/06	> 12/10	25.048.00	31.851.00	30.395.00	54.121.00
antibacterial, anti-odour and anti-allergen filter / filtro antibatterico, antiodori e anti-allergeni	M57D30N2	210	286	09/06	> 12/10				34.121.00
3.0 Si	N52B30	200	272	09/06	> 12/10	25.058.00		30.455.00	53.158.00
with activated carbons / ai carboni attivi	N52B30	200	272	09/06	> 12/10	25.058.00		30.455.00	54.121.00
antibacterial, anti-odour and anti-allergen filter / filtro antibatterico, antiodori e anti-allergeni	N52B30	200	272	09/06	> 12/10				34.121.00
30 d xDrive		155	211	09/08	> 12/10	25.048.00	31.851.00	30.395.00	53.158.00
with activated carbons / ai carboni attivi		155	211	09/08	> 12/10	25.048.00	31.851.00	30.395.00	54.121.00
antibacterial, anti-odour and anti-allergen filter / filtro antibatterico, antiodori e anti-allergeni		155	211	09/08	> 12/10				34.121.00
30 d xDrive		160	218	09/08	> 12/10	25.048.00	31.851.00	30.395.00	53.158.00
with activated carbons / ai carboni attivi		160	218	09/08	> 12/10	25.048.00	31.851.00	30.395.00	54.121.00
antibacterial, anti-odour and anti-allergen filter / filtro antibatterico, antiodori e anti-allergeni		160	218	09/08	> 12/10				34.121.00

...BMW - off-road cars/fuoristrada

with automatic air-conditioner, recirculation filter / con climatizzatore automatico, filtro ricircolo	N52B30A	190	258	03/11	>	07/17				53.253.00
with manual air-conditioner / con climatizzatore manuale	N52B30A	190	258	03/11	>	07/17				53.251.00
antibacterial, anti-odour and anti-allergen filter with automatic air-conditioner / filtro antibatterico, antiodori e anti-allergeni con climatizzatore automatico	N52B30A	190	258	03/11	>	07/17				34.241.00
28 i xDrive 2.0	N20B20A	180	245	08/11	>	07/17	25.058.00		30.597.00	
with automatic air-conditioner / con climatizzatore automatico	N20B20A	180	245	08/11	>	07/17				54.241.00
with automatic air-conditioner, recirculation filter / con climatizzatore automatico, filtro ricircolo	N20B20A	180	245	08/11	>	07/17				53.253.00
with manual air-conditioner / con climatizzatore manuale	N20B20A	180	245	08/11	>	07/17				53.251.00
antibacterial, anti-odour and anti-allergen filter with automatic air-conditioner / filtro antibatterico, antiodori e anti-allergeni con climatizzatore automatico	N20B20A	180	245	08/11	>	07/17				34.241.00
30 d A xDrive	N57D30A	190	258	09/10	>	09/11	25.142.00	31.857.04		
	N57D30A	190	258	10/11	>	07/17	25.142.00	31.857.04	30.655.00	
with automatic air-conditioner / con climatizzatore automatico	N57D30A	190	258	09/10	>	07/17				54.241.00
with automatic air-conditioner, recirculation filter / con climatizzatore automatico, filtro ricircolo	N57D30A	190	258	09/10	>	07/17				53.253.00
with manual air-conditioner / con climatizzatore manuale	N57D30A	190	258	09/10	>	07/17				53.251.00
antibacterial, anti-odour and anti-allergen filter with automatic air-conditioner / filtro antibatterico, antiodori e anti-allergeni con climatizzatore automatico	N57D30A	190	258	09/10	>	07/17				34.241.00
30 d xDrive	N57D30A	155	211	05/11	>	07/17	25.142.00	31.857.04		
with automatic air-conditioner / con climatizzatore automatico	N57D30A	155	211	05/11	>	07/17				54.241.00
with automatic air-conditioner, recirculation filter / con climatizzatore automatico, filtro ricircolo	N57D30A	155	211	05/11	>	07/17				53.253.00
with manual air-conditioner / con climatizzatore manuale	N57D30A	155	211	05/11	>	07/17				53.251.00
antibacterial, anti-odour and anti-allergen filter with automatic air-conditioner / filtro antibatterico, antiodori e anti-allergeni con climatizzatore automatico	N57D30A	155	211	05/11	>	07/17				34.241.00
35 d xDrive	N57D30B	230	313	10/11	>	07/17	25.142.00	31.857.04	30.655.00	
with automatic air-conditioner / con climatizzatore automatico	N57D30B	230	313	10/11	>	07/17				54.241.00
with automatic air-conditioner, recirculation filter / con climatizzatore automatico, filtro ricircolo	N57D30B	230	313	10/11	>	07/17				53.253.00
with manual air-conditioner / con climatizzatore manuale	N57D30B	230	313	10/11	>	07/17				53.251.00
antibacterial, anti-odour and anti-allergen filter with automatic air-conditioner / filtro antibatterico, antiodori e anti-allergeni con climatizzatore automatico	N57D30B	230	313	10/11	>	07/17				34.241.00
35 i A xDrive	N55B30A	225	306	11/10	>	07/17	25.058.00		30.711.00	
with automatic air-conditioner / con climatizzatore automatico	N55B30A	225	306	11/10	>	07/17				54.241.00
with automatic air-conditioner, recirculation filter / con climatizzatore automatico, filtro ricircolo	N55B30A	225	306	11/10	>	07/17				53.253.00
with manual air-conditioner / con climatizzatore manuale	N55B30A	225	306	11/10	>	07/17				53.251.00
antibacterial, anti-odour and anti-allergen filter with automatic air-conditioner / filtro antibatterico, antiodori e anti-allergeni con climatizzatore automatico	N55B30A	225	306	11/10	>	07/17				34.241.00
X3 (G01)										
2.0 dX	B47D20A	140	190	08/17	>		25.188.00			
3.0 dX	B57D30A	195	265	08/17	>		25.148.00			
3.0 iX	B48B20B	185	252	08/17	>		25.188.00			
M40 iX	B58B30A	265	360	08/17	>		25.148.00			
X4 (F26)										
20 d xDrive	B47D20	120	163	06/14	>	09/15	25.188.00	31.857.04		
with automatic air-conditioner / con climatizzatore automatico	B47D20	120	163	06/14	>					54.241.00
with automatic air-conditioner, recirculation filter / con climatizzatore automatico, filtro ricircolo	B47D20	120	163	06/14	>					53.253.00
with manual air-conditioner / con climatizzatore manuale	B47D20	120	163	06/14	>					53.251.00
antibacterial, anti-odour and anti-allergen filter with automatic air-conditioner / filtro antibatterico, antiodori e anti-allergeni con climatizzatore automatico	B47D20	120	163	04/14	>					34.241.00
20 d xDrive	B47D20	140	190	04/14	>	09/15	25.188.00	31.857.04		
with automatic air-conditioner / con climatizzatore automatico	B47D20	140	190	04/14	>					54.241.00
with automatic air-conditioner, recirculation filter / con climatizzatore automatico, filtro ricircolo	B47D20	140	190	04/14	>					53.253.00
with manual air-conditioner / con climatizzatore manuale	B47D20	140	190	04/14	>					53.251.00
antibacterial, anti-odour and anti-allergen filter with automatic air-conditioner / filtro antibatterico, antiodori e anti-allergeni con climatizzatore automatico	B47D20	140	190	04/14	>					34.241.00
20 i A xDrive	N20B20A	135	184	04/14	>		25.171.00		30.597.00	
with automatic air-conditioner / con climatizzatore automatico	N20B20A	135	184	04/14	>					54.241.00
with automatic air-conditioner, recirculation filter / con climatizzatore automatico, filtro ricircolo	N20B20A	135	184	04/14	>					53.253.00
with manual air-conditioner / con climatizzatore manuale	N20B20A	135	184	04/14	>					53.251.00
antibacterial, anti-odour and anti-allergen filter with automatic air-conditioner / filtro antibatterico, antiodori e anti-allergeni con climatizzatore automatico	N20B20A	135	184	04/14	>					34.241.00
28 i A xDrive	N20B20A	180	245	04/14	>		25.171.00		30.597.00	
with automatic air-conditioner / con climatizzatore automatico	N20B20A	180	245	04/14	>					54.241.00
with automatic air-conditioner, recirculation filter / con climatizzatore automatico, filtro ricircolo	N20B20A	180	245	04/14	>					53.253.00
with manual air-conditioner / con climatizzatore manuale	N20B20A	180	245	04/14	>					53.251.00
antibacterial, anti-odour and anti-allergen filter with automatic air-conditioner / filtro antibatterico, antiodori e anti-allergeni con climatizzatore automatico	N20B20A	180	245	04/14	>					34.241.00
30 d A xDrive	N57D30A	190	258	04/14	>	09/15	25.142.00	31.857.04	30.655.00	
	N57D30A	190	258	10/15	>		25.142.00		30.655.00	
with automatic air-conditioner / con climatizzatore automatico	N57D30A	190	258	04/14	>					54.241.00
with automatic air-conditioner, recirculation filter / con climatizzatore automatico, filtro ricircolo	N57D30A	190	258	04/14	>					53.253.00
with manual air-conditioner / con climatizzatore manuale	N57D30A	190	258	04/14	>					53.251.00
antibacterial, anti-odour and anti-allergen filter with automatic air-conditioner / filtro antibatterico, antiodori e anti-allergeni con climatizzatore automatico	N57D30A	190	258	04/14	>					34.241.00
30 d xDrive	N57D30A	155	211	04/14	>	09/15	25.142.00	31.857.04	30.655.00	
	N57D30A	155	211	10/15	>		25.142.00		30.655.00	
with automatic air-conditioner / con climatizzatore automatico	N57D30A	155	211	04/14	>					54.241.00
with automatic air-conditioner, recirculation filter / con climatizzatore automatico, filtro ricircolo	N57D30A	155	211	04/14	>					53.253.00
with manual air-conditioner / con climatizzatore manuale	N57D30A	155	211	04/14	>					53.251.00
antibacterial, anti-odour and anti-allergen filter with automatic air-conditioner / filtro antibatterico, antiodori e anti-allergeni con climatizzatore automatico	N57D30A	155	211	04/14	>					34.241.00

...BMW - off-road cars/fuoristrada

35 d A xDrive	N57D30B	230	313	04/14	>	09/15	25.142.00	31.857.04	30.655.00	
	N57D30B	230	313	10/15	>		25.142.00		30.655.00	
with automatic air-conditioner / con climatizzatore automatico	N57D30B	230	313	04/14	>					54.241.00
with automatic air-conditioner, recirculation filter / con climatizzatore automatico, filtro ricircolo	N57D30B	230	313	04/14	>					53.253.00
with manual air-conditioner / con climatizzatore manuale	N57D30B	230	313	04/14	>					53.251.00
antibacterial, anti-odour and anti-allergen filter with automatic air-conditioner / filtro antibatterico, antiodori e anti-allergeni con climatizzatore automatico	N57D30B	230	313	04/14	>					34.241.00
35 i A xDrive	N55B30A	225	306	04/14	>		25.058.00		30.711.00	
with automatic air-conditioner / con climatizzatore automatico	N55B30A	225	306	04/14	>					54.241.00
with automatic air-conditioner, recirculation filter / con climatizzatore automatico, filtro ricircolo	N55B30A	225	306	04/14	>					53.253.00
with manual air-conditioner / con climatizzatore manuale	N55B30A	225	306	04/14	>					53.251.00
antibacterial, anti-odour and anti-allergen filter with automatic air-conditioner / filtro antibatterico, antiodori e anti-allergeni con climatizzatore automatico	N55B30A	225	306	04/14	>					34.241.00
M40 i A xDrive	N55B30A	265	360	12/15	>		25.058.00		30.711.00	
with automatic air-conditioner / con climatizzatore automatico	N55B30A	265	360	12/15	>					54.241.00
with automatic air-conditioner, recirculation filter / con climatizzatore automatico, filtro ricircolo	N55B30A	265	360	12/15	>					53.253.00
with manual air-conditioner / con climatizzatore manuale	N55B30A	265	360	12/15	>					53.251.00
antibacterial, anti-odour and anti-allergen filter with automatic air-conditioner / filtro antibatterico, antiodori e anti-allergeni con climatizzatore automatico	N55B30A	265	360	12/15	>					34.241.00
X4 (G02)										
20 dX	B47D20A	140	190	04/18	>		25.188.00			
20 i	B48B20B	135	184	04/18	>		25.188.00			
20 iX	B48B20B	135	184	04/18	>		25.188.00			
25 dX	B47D20B	170	231	04/18	>		25.188.00			
30 dX	B57D30A	195	265	04/18	>		25.148.00			
30 iX	B48B20B	185	252	04/18	>		25.188.00			
M40 dX	B57D30B	240	326	04/18	>		25.148.00			
M40 iX	B58B30A	265	360	04/18	>		25.148.00			
X5 (E53)										
3.0 d	M57D30	135	184	05/00	>	10/03	25.030.00	24.427.00	27.384.00	53.319.00
with air-conditioner / con climatizzatore	M57D30	135	184	05/00	>	10/03				54.128.00
3.0 d	M57N	160	218	09/03	>	12/06	25.048.00	31.839.00	27.384.00	53.319.00
with air-conditioner / con climatizzatore	M57N	160	218	09/03	>	12/06				54.128.00
3.0 i	M54B30	163	222	05/00	>	03/02	25.004.00	31.924.00		53.319.00
	M54B30	163	222	04/02	>	12/06	25.004.00			53.319.00
with air-conditioner / con climatizzatore	M54B30	163	222	05/00	>	12/06				54.128.00
3.0 i	M54B30	170	231	05/00	>	03/02	25.004.00	31.924.00		53.319.00
	M54B30	170	231	04/02	>	12/06	25.004.00			53.319.00
with air-conditioner / con climatizzatore	M54B30	170	231	05/00	>	12/06				54.128.00
4.4 i	M62B44	210	286	03/00	>	03/02	25.038.00	31.924.00	30.029.00	53.319.00
with air-conditioner / con climatizzatore	M62B44	210	286	04/02	>	10/03	25.038.00		30.029.00	53.319.00
	M62B44	210	286	03/00	>	10/03				54.128.00
4.4 i	N62B44	235	320	09/03	>	12/06			30.029.00	53.319.00
with air-conditioner / con climatizzatore	N62B44	235	320	09/03	>	12/06				54.128.00
4.6 i S	M62B46	254	347	07/01	>	03/02	25.038.00	31.924.00	30.029.00	53.319.00
	M62B46	254	347	04/02	>	12/06	25.038.00		30.029.00	53.319.00
with air-conditioner / con climatizzatore	M62B46	254	347	07/01	>	12/06				54.128.00
4.8 i S	N62B48	265	360	05/04	>	12/06			30.029.00	53.319.00
with air-conditioner / con climatizzatore	N62B48	265	360	05/04	>	12/06				54.128.00
X5 (E70)										
3.0 d	M57D30 (306D3)	155	211	02/07	>	09/08	25.048.00	31.851.00	27.384.00	
with automatic air-conditioner / con climatizzatore automatico	M57D30 (306D3)	155	211	02/07	>	09/08				54.243.00
with automatic air-conditioner, recirculation filter / con climatizzatore automatico, filtro ricircolo	M57D30 (306D3)	155	211	02/07	>	09/08				53.243.00
with manual air-conditioner / con climatizzatore manuale	M57D30 (306D3)	155	211	02/07	>	09/08				53.255.00
antibacterial, anti-odour and anti-allergen filter with automatic air-conditioner / filtro antibatterico, antiodori e anti-allergeni con climatizzatore automatico	M57D30 (306D3)	155	211	02/07	>	09/08				34.243.00
3.0 d	M57D30N2	173	235	03/07	>	06/10	25.048.00	31.851.00	27.384.00	
with automatic air-conditioner / con climatizzatore automatico	M57D30N2	173	235	03/07	>	06/10				54.243.00
with automatic air-conditioner, recirculation filter / con climatizzatore automatico, filtro ricircolo	M57D30N2	173	235	03/07	>	06/10				53.243.00
with manual air-conditioner / con climatizzatore manuale	M57D30N2	173	235	03/07	>	06/10				53.255.00
antibacterial, anti-odour and anti-allergen filter with automatic air-conditioner / filtro antibatterico, antiodori e anti-allergeni con climatizzatore automatico	M57D30N2	173	235	03/07	>	06/10				34.243.00
3.0 Sd	M57N306D5	210	286	09/07	>	02/09	25.048.00	31.851.00	30.406.00	
with automatic air-conditioner / con climatizzatore automatico	M57N306D5	210	286	09/07	>	02/09				54.243.00
with automatic air-conditioner, recirculation filter / con climatizzatore automatico, filtro ricircolo	M57N306D5	210	286	09/07	>	02/09				53.243.00
with manual air-conditioner / con climatizzatore manuale	M57N306D5	210	286	09/07	>	02/09				53.255.00
antibacterial, anti-odour and anti-allergen filter with automatic air-conditioner / filtro antibatterico, antiodori e anti-allergeni con climatizzatore automatico	M57N306D5	210	286	03/07	>	02/09				34.243.00
3.0 Si	N52B30A	200	272	11/06	>	09/08	25.058.00			
with automatic air-conditioner / con climatizzatore automatico	N52B30A	200	272	11/06	>	09/08				54.243.00
with automatic air-conditioner, recirculation filter / con climatizzatore automatico, filtro ricircolo	N52B30A	200	272	11/06	>	09/08				53.243.00
with manual air-conditioner / con climatizzatore manuale	N52B30A	200	272	11/06	>	09/08				53.255.00
antibacterial, anti-odour and anti-allergen filter with automatic air-conditioner / filtro antibatterico, antiodori e anti-allergeni con climatizzatore automatico	N52B30A	200	272	11/06	>	09/08				34.243.00

...BMW - off-road cars/fuoristrada

B



antibacterial, anti-odour and anti-allergen filter with automatic air-conditioner / filtro antibatterico, antiodori e anti-allergeni con climatizzatore automatico	S63B44B	423	575	12/14	>				34.243.00
X5 (G05)									
25d xDrive	B47D20B	170	231	08/19	>	25.188.00			
30d xDrive	B57D30A	195	265	10/18	>	25.148.00			
40i xDrive	B58B30C	250	340	10/18	>	25.148.00			
50i xDrive	N63B44D	340	462	10/18	>	25.201.00			
M50d xDrive	B57D30C	294	400	10/18	>	25.148.00			
X6 (E71)									
30 d xDrive	M57D30 (306D3)	173	235	04/08	> 03/10	25.048.00	31.851.00	27.384.00	
with automatic air-conditioner / con climatizzatore automatico	M57D30 (306D3)	173	235	04/08	> 03/10				54.243.00
with automatic air-conditioner microfilter / con climatizzatore automatico microfiltro	M57D30 (306D3)	173	235	04/08	> 03/10				53.243.00
with manual air-conditioner / con climatizzatore manuale	M57D30 (306D3)	173	235	04/08	> 03/10				53.255.00
antibacterial, anti-odour and anti-allergen filter with automatic air-conditioner / filtro antibatterico, antiodori e anti-allergeni con climatizzatore automatico	M57D30 (306D3)	173	235	04/08	> 03/10				34.243.00
30 d xDrive	N57D30A	155	211	09/10	>	25.096.00	31.851.00		
with automatic air-conditioner / con climatizzatore automatico	N57D30A	155	211	09/10	>				54.243.00
with automatic air-conditioner microfilter / con climatizzatore automatico microfiltro	N57D30A	155	211	09/10	>				53.243.00
with manual air-conditioner / con climatizzatore manuale	N57D30A	155	211	09/10	>				53.255.00
antibacterial, anti-odour and anti-allergen filter with automatic air-conditioner / filtro antibatterico, antiodori e anti-allergeni con climatizzatore automatico	N57D30A	155	211	09/10	>				34.243.00
30 d xDrive	N57D30A	173	235	09/08	>	25.096.00	31.851.00		
with automatic air-conditioner / con climatizzatore automatico	N57D30A	173	235	09/08	>				54.243.00
with automatic air-conditioner microfilter / con climatizzatore automatico microfiltro	N57D30A	173	235	09/08	>				53.243.00
with manual air-conditioner / con climatizzatore manuale	N57D30A	173	235	09/08	>				53.255.00
antibacterial, anti-odour and anti-allergen filter with automatic air-conditioner / filtro antibatterico, antiodori e anti-allergeni con climatizzatore automatico	N57D30A	173	235	09/08	>				34.243.00
30 d xDrive	N57D30A	180	245	04/10	>	25.096.00	31.851.00		
with automatic air-conditioner / con climatizzatore automatico	N57D30A	180	245	04/10	>				54.243.00
with automatic air-conditioner microfilter / con climatizzatore automatico microfiltro	N57D30A	180	245	04/10	>				53.243.00
with manual air-conditioner / con climatizzatore manuale	N57D30A	180	245	04/10	>				53.255.00
antibacterial, anti-odour and anti-allergen filter with automatic air-conditioner / filtro antibatterico, antiodori e anti-allergeni con climatizzatore automatico	N57D30A	180	245	04/10	>				34.243.00
35 d xDrive	M57D30N2 (306D5)	210	286	04/08	> 03/10	25.048.00	31.851.00	30.406.00	
with automatic air-conditioner / con climatizzatore automatico	M57D30N2 (306D5)	210	286	04/08	> 03/10				54.243.00
with automatic air-conditioner microfilter / con climatizzatore automatico microfiltro	M57D30N2 (306D5)	210	286	04/08	> 03/10				53.243.00
with manual air-conditioner / con climatizzatore manuale	M57D30N2 (306D5)	210	286	04/08	> 03/10				53.255.00
antibacterial, anti-odour and anti-allergen filter with automatic air-conditioner / filtro antibatterico, antiodori e anti-allergeni con climatizzatore automatico	M57D30N2 (306D5)	210	286	04/08	> 03/10				34.243.00
35 i xDrive	N54B30A	240	326	08/09	>	25.058.00		30.711.00	
with automatic air-conditioner / con climatizzatore automatico	N54B30A	240	326	08/09	>				54.243.00
with automatic air-conditioner microfilter / con climatizzatore automatico microfiltro	N54B30A	240	326	08/09	>				53.243.00
with manual air-conditioner / con climatizzatore manuale	N54B30A	240	326	08/09	>				53.255.00
antibacterial, anti-odour and anti-allergen filter with automatic air-conditioner / filtro antibatterico, antiodori e anti-allergeni con climatizzatore automatico	N54B30A	240	326	08/09	>				34.243.00
35 i xDrive	N54B30A/N55B30A	225	306	04/08	>	25.058.00		30.711.00	
with automatic air-conditioner / con climatizzatore automatico	N54B30A/N55B30A	225	306	04/08	>				54.243.00
with automatic air-conditioner microfilter / con climatizzatore automatico microfiltro	N54B30A/N55B30A	225	306	04/08	>				53.243.00
with manual air-conditioner / con climatizzatore manuale	N54B30A/N55B30A	225	306	04/08	>				53.255.00
antibacterial, anti-odour and anti-allergen filter with automatic air-conditioner / filtro antibatterico, antiodori e anti-allergeni con climatizzatore automatico	N54B30A/N55B30A	225	306	04/08	>				34.243.00
35 i xDrive	N55B30A	235	320	01/12	>	25.058.00		30.711.00	
with automatic air-conditioner / con climatizzatore automatico	N55B30A	235	320	01/12	>				54.243.00
with automatic air-conditioner microfilter / con climatizzatore automatico microfiltro	N55B30A	235	320	01/12	>				53.243.00
with manual air-conditioner / con climatizzatore manuale	N55B30A	235	320	01/12	>				53.255.00
antibacterial, anti-odour and anti-allergen filter with automatic air-conditioner / filtro antibatterico, antiodori e anti-allergeni con climatizzatore automatico	N55B30A	235	320	01/12	>				34.243.00
40 d xDrive	N57D30B	225	306	04/10	>	25.096.00	31.851.00		
with automatic air-conditioner / con climatizzatore automatico	N57D30B	225	306	04/10	>				54.243.00
with automatic air-conditioner microfilter / con climatizzatore automatico microfiltro	N57D30B	225	306	04/10	>				53.243.00
with manual air-conditioner / con climatizzatore manuale	N57D30B	225	306	04/10	>				53.255.00
antibacterial, anti-odour and anti-allergen filter with automatic air-conditioner / filtro antibatterico, antiodori e anti-allergeni con climatizzatore automatico	N57D30B	225	306	04/10	>				34.243.00
40 i xDrive	N55B30A	225	306	01/12	>	25.058.00		30.711.00	
with automatic air-conditioner / con climatizzatore automatico	N55B30A	225	306	01/12	>				54.243.00
with automatic air-conditioner microfilter / con climatizzatore automatico microfiltro	N55B30A	225	306	01/12	>				53.243.00
with manual air-conditioner / con climatizzatore manuale	N55B30A	225	306	01/12	>				53.255.00
antibacterial, anti-odour and anti-allergen filter with automatic air-conditioner / filtro antibatterico, antiodori e anti-allergeni con climatizzatore automatico	N55B30A	225	306	01/12	>				34.243.00
50 i xDrive	N63B44A	300	408	04/08	>	25.201.00			
with automatic air-conditioner / con climatizzatore automatico	N63B44A	300	408	04/08	>				54.243.00
with automatic air-conditioner microfilter / con climatizzatore automatico microfiltro	N63B44A	300	408	04/08	>				53.243.00
with manual air-conditioner / con climatizzatore manuale	N63B44A	300	408	04/08	>				53.255.00
antibacterial, anti-odour and anti-allergen filter with automatic air-conditioner / filtro antibatterico, antiodori e anti-allergeni con climatizzatore automatico	N63B44A	300	408	04/08	>				34.243.00
air filter right side / filtro aria destro	N63B44A	300	408	04/08	>			30.B14.00	
air filter left side / filtro aria sinistro	N63B44A	300	408	04/08	>			30.B13.00	
M 50	S63B44A	408	555	09/09	>	25.201.00			
with automatic air-conditioner / con climatizzatore automatico	S63B44A	408	555	09/09	>				54.243.00

...BMW - off-road cars/fuoristrada

with automatic air-conditioner microfilter / con climatizzatore automatico microfiltro	S63B44A	408	555	09/09	>				53.243.00
with manual air-conditioner / con climatizzatore manuale	S63B44A	408	555	09/09	>				53.255.00
antibacterial, anti-odour and anti-allergen filter with automatic air-conditioner / filtro antibatterico, antiodori e anti-allergeni con climatizzatore automatico	S63B44A	408	555	09/09	>				34.243.00
M 50 d xDrive	N57D30C	280	381	08/11	>	25.084.00	31.851.00	30.655.00	
with automatic air-conditioner / con climatizzatore automatico	N57D30C	280	381	08/11	>				54.243.00
with automatic air-conditioner microfilter / con climatizzatore automatico microfiltro	N57D30C	280	381	08/11	>				53.243.00
with manual air-conditioner / con climatizzatore manuale	N57D30C	280	381	08/11	>				53.255.00
antibacterial, anti-odour and anti-allergen filter with automatic air-conditioner / filtro antibatterico, antiodori e anti-allergeni con climatizzatore automatico	N57D30C	280	381	08/11	>				34.243.00
X6 (E72)									
4.4 V8 Active Hybrid	N63B44A	300	408	10/10	>	10/11	25.201.00		
with automatic air-conditioner / con climatizzatore automatico	N63B44A	300	408	10/10	>	10/11			54.243.00
with automatic air-conditioner, recirculation filter / con climatizzatore automatico, filtro ricircolo	N63B44A	300	408	10/10	>	10/11			53.243.00
with manual air-conditioner / con climatizzatore manuale	N63B44A	300	408	10/10	>	10/11			53.255.00
antibacterial, anti-odour and anti-allergen filter with automatic air-conditioner / filtro antibatterico, antiodori e anti-allergeni con climatizzatore automatico	N63B44A	300	408	10/10	>	10/11			34.243.00
4.4 V8 Active Hybrid	N63B44A	357	485	01/09	>	10/11	25.201.00		
with automatic air-conditioner / con climatizzatore automatico	N63B44A	357	485	01/09	>	10/11			54.243.00
with automatic air-conditioner, recirculation filter / con climatizzatore automatico, filtro ricircolo	N63B44A	357	485	01/09	>	10/11			53.243.00
with manual air-conditioner / con climatizzatore manuale	N63B44A	357	485	01/09	>	10/11			53.255.00
antibacterial, anti-odour and anti-allergen filter with automatic air-conditioner / filtro antibatterico, antiodori e anti-allergeni con climatizzatore automatico	N63B44A	357	485	01/09	>	10/11			34.243.00
X6 (F16)									
30 d xDrive	N57D30A	155	211	09/14	>		25.142.00	31.851.00	30.655.00
with automatic air-conditioner / con climatizzatore automatico	N57D30A	155	211	09/14	>				54.243.00
with automatic air-conditioner, recirculation filter / con climatizzatore automatico, filtro ricircolo	N57D30A	155	211	09/14	>				53.243.00
antibacterial, anti-odour and anti-allergen filter with automatic air-conditioner / filtro antibatterico, antiodori e anti-allergeni con climatizzatore automatico	N57D30A	155	211	09/14	>				34.243.00
30 d xDrive	N57D30A	190	258	09/14	>		25.142.00	31.851.00	30.655.00
with automatic air-conditioner / con climatizzatore automatico	N57D30A	190	258	09/14	>				54.243.00
with automatic air-conditioner, recirculation filter / con climatizzatore automatico, filtro ricircolo	N57D30A	190	258	09/14	>				53.243.00
antibacterial, anti-odour and anti-allergen filter with automatic air-conditioner / filtro antibatterico, antiodori e anti-allergeni con climatizzatore automatico	N57D30A	190	258	09/14	>				34.243.00
30 d xDrive	N57D30A	204	277	02/15	>		25.142.00	31.851.00	30.655.00
with automatic air-conditioner / con climatizzatore automatico	N57D30A	204	277	02/15	>				54.243.00
with automatic air-conditioner, recirculation filter / con climatizzatore automatico, filtro ricircolo	N57D30A	204	277	02/15	>				53.243.00
antibacterial, anti-odour and anti-allergen filter with automatic air-conditioner / filtro antibatterico, antiodori e anti-allergeni con climatizzatore automatico	N57D30A	204	277	02/15	>				34.243.00
35 i xDrive	N55B30A	225	306	11/14	>		25.058.00		30.711.00
with automatic air-conditioner / con climatizzatore automatico	N55B30A	225	306	11/14	>				54.243.00
with automatic air-conditioner, recirculation filter / con climatizzatore automatico, filtro ricircolo	N55B30A	225	306	11/14	>				53.243.00
antibacterial, anti-odour and anti-allergen filter with automatic air-conditioner / filtro antibatterico, antiodori e anti-allergeni con climatizzatore automatico	N55B30A	225	306	11/14	>				34.243.00
35 i xDrive	N55B30A	240	326	02/15	>		25.058.00		30.711.00
with automatic air-conditioner / con climatizzatore automatico	N55B30A	240	326	02/15	>				54.243.00
with automatic air-conditioner, recirculation filter / con climatizzatore automatico, filtro ricircolo	N55B30A	240	326	02/15	>				53.243.00
antibacterial, anti-odour and anti-allergen filter with automatic air-conditioner / filtro antibatterico, antiodori e anti-allergeni con climatizzatore automatico	N55B30A	240	326	02/15	>				34.243.00
40 d xDrive	N57D30B	230	313	09/14	>		25.142.00	31.851.00	30.655.00
with automatic air-conditioner / con climatizzatore automatico	N57D30B	230	313	09/14	>				54.243.00
with automatic air-conditioner, recirculation filter / con climatizzatore automatico, filtro ricircolo	N57D30B	230	313	09/14	>				53.243.00
antibacterial, anti-odour and anti-allergen filter with automatic air-conditioner / filtro antibatterico, antiodori e anti-allergeni con climatizzatore automatico	N57D30B	230	313	09/14	>				34.243.00
50 i xDrive	N63B44B	330	449	09/14	>		25.201.00		
with automatic air-conditioner / con climatizzatore automatico	N63B44B	330	449	09/14	>				54.243.00
with automatic air-conditioner, recirculation filter / con climatizzatore automatico, filtro ricircolo	N63B44B	330	449	09/14	>				53.243.00
antibacterial, anti-odour and anti-allergen filter with automatic air-conditioner / filtro antibatterico, antiodori e anti-allergeni con climatizzatore automatico	N63B44B	330	449	09/14	>				34.243.00
M	S63B44B	423	575	12/14	>		25.201.00		
with automatic air-conditioner / con climatizzatore automatico	S63B44B	423	575	12/14	>				54.243.00
with automatic air-conditioner, recirculation filter / con climatizzatore automatico, filtro ricircolo	S63B44B	423	575	12/14	>				53.243.00
antibacterial, anti-odour and anti-allergen filter with automatic air-conditioner / filtro antibatterico, antiodori e anti-allergeni con climatizzatore automatico	S63B44B	423	575	12/14	>				34.243.00
M50 d xDrive	N57D30C	280	381	09/14	>		25.084.00	31.851.00	30.655.00
with automatic air-conditioner / con climatizzatore automatico	N57D30C	280	381	09/14	>				54.243.00
with automatic air-conditioner, recirculation filter / con climatizzatore automatico, filtro ricircolo	N57D30C	280	381	09/14	>				53.243.00
antibacterial, anti-odour and anti-allergen filter with automatic air-conditioner / filtro antibatterico, antiodori e anti-allergeni con climatizzatore automatico	N57D30C	280	381	09/14	>				34.243.00
X6 (F86)									
4.4 M	S63B44B	423	575	12/14	>				
with automatic air-conditioner / con climatizzatore automatico	S63B44B	423	575	12/14	>				54.243.00
with automatic air-conditioner, recirculation filter / con climatizzatore automatico, filtro ricircolo	S63B44B	423	575	12/14	>				53.243.00
antibacterial, anti-odour and anti-allergen filter with automatic air-conditioner / filtro antibatterico, antiodori e anti-allergeni con climatizzatore automatico	S63B44B	423	575	12/14	>				34.243.00
X6 (G06)									
30d x	B57D30A	155	211	08/19	>		25.148.00		
30d x	B57D30A	183	249	08/19	>		25.148.00		
30d x	B57D30A	195	265	08/19	>		25.148.00		
40i x	B58B30C	250	340	08/19	>		25.148.00		
M50d x	B57D30C	294	400	08/19	>		25.148.00		

...BMW - off-road cars/ fuoristrada

M50i x	N63B44D	390	530	08/19	>	25.201.00			
X7 (G07)									
30 d xDrive	B57D30	155	211	12/18	>	25.148.00			
30 d xDrive	B57D30	183	249	12/18	>	25.148.00			
30 d xDrive	B57D30	195	265	12/18	>	25.148.00			
40i xDrive	B58B30	250	340	12/18	>	25.148.00	31.962.00		
50i xDrive	N63B44	340	462	12/18	>	25.201.00	31.962.00		
M50d xDrive	B57D30S0	294	400	12/18	>	25.148.00			

BMW ALPINA

cars/auto

B 10 (E39)									
3.3		206	280	01/99	>	25.038.00		30.029.00	53.234.00
with activated carbons / ai carboni attivi		206	280	01/99	>				54.108.00
antibacterial, anti-odour and anti-allergen filter / filtro antibatterico, antiodori e anti-allergeni		206	280	01/99	>				34.108.00
3.3 Touring		206	280	04/99	>	25.038.00		30.029.00	53.234.00
with activated carbons / ai carboni attivi		206	280	04/99	>				54.108.00
antibacterial, anti-odour and anti-allergen filter / filtro antibatterico, antiodori e anti-allergeni		206	280	04/99	>				34.108.00
4.6 V8		255	347	10/98	> 09/02	25.038.00		30.029.00	53.234.00
with activated carbons / ai carboni attivi		255	347	10/98	> 09/02				54.108.00
antibacterial, anti-odour and anti-allergen filter / filtro antibatterico, antiodori e anti-allergeni		255	347	10/98	> 09/02				34.108.00
4.6 V8 Touring		255	347	11/98	> 02/02	25.038.00		30.029.00	53.234.00
with activated carbons / ai carboni attivi		255	347	11/98	> 02/02				54.108.00
antibacterial, anti-odour and anti-allergen filter / filtro antibatterico, antiodori e anti-allergeni		255	347	11/98	> 02/02				34.108.00
4.8 V8 S		276	347	09/02	>	25.038.00		30.029.00	53.234.00
with activated carbons / ai carboni attivi		276	347	09/02	>				54.108.00
antibacterial, anti-odour and anti-allergen filter / filtro antibatterico, antiodori e anti-allergeni		276	347	09/02	>				34.108.00
4.8 V8 S Touring		276	347	02/02	>	25.038.00		30.029.00	53.234.00
with activated carbons / ai carboni attivi		276	347	02/02	>				54.108.00
antibacterial, anti-odour and anti-allergen filter / filtro antibatterico, antiodori e anti-allergeni		276	347	02/02	>				34.108.00
B 12 (E38)									
6.0 V12		316	430	12/99	> 12/01	25.038.00			53.318.00
with activated carbons / ai carboni attivi		316	430	12/99	> 12/01				54.242.00
B 3 (E36)									
3.2									
with air-conditioner / con climatizzatore		195	265	04/96	> 07/00	25.038.00	31.569.00	30.029.00	53.026.00
B 3 (E46)									
3.3		206	280	05/99	>	25.004.00	31.569.00	30.991.00	54.121.00
antibacterial, anti-odour and anti-allergen filter / filtro antibatterico, antiodori e anti-allergeni		206	280	05/99	>				34.121.00
B 3 (E90/E91/E92/E93)									
3.0 Biturbo	N54B30A/N55B30A	265	360	03/08	> 12/09	25.058.00		30.A44.00	54.154.00
with manual air-conditioner / con climatizzatore manuale	N54B30A/N55B30A	265	360	03/08	> 12/09				53.236.00
3.0 Biturbo S	N54B30A/B/N55B30A	294	400	03/10	>	25.058.00		30.778.00	54.154.00
with manual air-conditioner / con climatizzatore manuale	N54B30A/B/N55B30A	294	400	03/10	>				53.236.00
3.0 GT3	N54B30A	300	408	03/11	>	25.058.00			54.154.00
with manual air-conditioner / con climatizzatore manuale	N54B30A	300	408	03/11	>				53.236.00
B 4 (F30/F31/F32/F33)									
3.0 Biturbo	N55B30A	301	410	03/13	>	25.058.00		30.777.00	
with automatic air-conditioner / con climatizzatore automatico	N55B30A	301	410	03/13	>				54.226.00
with manual air-conditioner / con climatizzatore manuale	N55B30A	301	410	03/13	>				53.224.00
antibacterial, anti-odour and anti-allergen filter with automatic air-conditioner / filtro antibatterico, antiodori e anti-allergeni con climatizzatore automatico	N55B30A	301	410	03/13	>				34.226.00
B 5 (E60/E61)									
4.4	N62B44 Kompr.	367	500	02/05	> 10/07			30.367.00	53.228.00
with activated carbons / ai carboni attivi	N62B44 Kompr.	367	500	02/05	> 10/07				54.127.00
antibacterial, anti-odour and anti-allergen filter / filtro antibatterico, antiodori e anti-allergeni	N62B44 Kompr.	367	500	02/05	> 10/07				34.127.00
4.4 S	N62B44 Kompr.	390	530	10/07	> 03/10			30.367.00	53.228.00
with activated carbons / ai carboni attivi	N62B44 Kompr.	390	530	10/07	> 03/10				54.127.00
antibacterial, anti-odour and anti-allergen filter / filtro antibatterico, antiodori e anti-allergeni	N62B44 Kompr.	390	530	10/07	> 03/10				34.127.00
B 5 (F10/F11)									
4.4 Biturbo	N63B10A	373	507	04/11	>	25.201.00			53.229.00
with activated carbons / ai carboni attivi	N63B10A	373	507	04/11	>				54.231.00
with R.H.D. / con guida a destra	N63B10A	373	507	04/11	>			30.B14.00	
with L.H.D. / con guida a sinistra	N63B10A	373	507	04/11	>			30.B13.00	
antibacterial, anti-odour and anti-allergen filter / filtro antibatterico, antiodori e anti-allergeni	N63B10A	373	507	04/11	>				34.231.00
M5 Biturbo edition 50	S63B44B	441	600	07/14	>	25.201.00			53.229.00
with activated carbons / ai carboni attivi	S63B44B	441	600	07/14	>				54.231.00
with R.H.D. / con guida a destra	S63B44B	441	600	07/14	>			30.B14.00	
with L.H.D. / con guida a sinistra	S63B44B	441	600	07/14	>			30.B13.00	

...BMW ALPINA - cars/auto

antibacterial, anti-odour and anti-allergen filter / filtro antibatterico, antiodori e anti-allergeni		S63B44B	441	600	07/14	>				34.231.00	
B 6 (E63/E64)											
4.4		N63M10A	368	500	04/06	>	08/07	25.201.00			53.228.00
	with activated carbons / ai carboni attivi	N63M10A	368	500	04/06	>	08/07			30.B14.00	54.127.00
	with R.H.D. / con guida a destra	N63M10A	368	500	04/06	>	08/07			30.B13.00	
	with L.H.D. / con guida a sinistra	N63M10A	368	500	04/06	>	08/07			30.B13.00	
	antibacterial, anti-odour and anti-allergen filter / filtro antibatterico, antiodori e anti-allergeni	N63M10A	368	500	04/06	>	08/07				34.127.00
	air filter right side / filtro aria destro	N63M10A	368	500	04/06	>	08/07			30.B14.00	
	air filter left side / filtro aria sinistro	N63M10A	368	500	04/06	>	08/07			30.B13.00	
B 6 (F06)											
4.4	Biturbo	N63B44A	397	540	03/14	>		25.201.00			53.229.00
	with activated carbons / ai carboni attivi	N63B44A	397	540	03/14	>					54.231.00
	with R.H.D. / con guida a destra	N63B44A	397	540	03/14	>				30.B14.00	
	with L.H.D. / con guida a sinistra	N63B44A	397	540	03/14	>				30.B13.00	
	antibacterial, anti-odour and anti-allergen filter / filtro antibatterico, antiodori e anti-allergeni	N63B44A	397	540	03/14	>					34.231.00
	air filter right side / filtro aria destro	N63B44A	397	540	03/14	>				30.B14.00	
	air filter left side / filtro aria sinistro	N63B44A	397	540	03/14	>				30.B13.00	
4.4	Biturbo Edition 50	N63B44A	441	600	03/14	>		25.201.00			53.229.00
	with activated carbons / ai carboni attivi	N63B44A	441	600	03/14	>					54.231.00
	with R.H.D. / con guida a destra	N63B44A	441	600	03/14	>				30.B14.00	
	with L.H.D. / con guida a sinistra	N63B44A	441	600	03/14	>				30.B13.00	
	antibacterial, anti-odour and anti-allergen filter / filtro antibatterico, antiodori e anti-allergeni	N63B44A	441	600	03/14	>					34.231.00
B 7 (E65)											
4.4											
	with air-conditioner / con climatizzatore	N62B44	367	500	09/03	>	09/08				54.240.00
	with rear air-conditioner / con climatizzatore posteriore	N62B44	367	500	09/03	>	09/08				54.322.00
	antibacterial, anti-odour and anti-allergen filter with air-conditioner / filtro antibatterico, antiodori e anti-allergeni con climatizzatore	N62B44	367	500	09/03	>	09/08				34.240.00
B 7 (F01/F02)											
4.4		N63M10A	373	507	02/10	>		25.201.00			53.229.00
	with activated carbons / ai carboni attivi	N63M10A	373	507	02/10	>					54.231.00
	with R.H.D. / con guida a destra	N63M10A	373	507	02/10	>				30.B14.00	
	with L.H.D. / con guida a sinistra	N63M10A	373	507	02/10	>				30.B13.00	
	antibacterial, anti-odour and anti-allergen filter / filtro antibatterico, antiodori e anti-allergeni	N63M10A	373	507	02/10	>					34.231.00
	air filter right side / filtro aria destro	N63M10A	373	507	02/10	>				30.B14.00	
	air filter left side / filtro aria sinistro	N63M10A	373	507	02/10	>				30.B13.00	
4.4	Biturbo	N63M10A	397	540	08/12	>		25.201.00			53.229.00
	with activated carbons / ai carboni attivi	N63M10A	397	540	08/12	>					54.231.00
	with R.H.D. / con guida a destra	N63M10A	397	540	08/12	>				30.B14.00	
	with L.H.D. / con guida a sinistra	N63M10A	397	540	08/12	>				30.B13.00	
	antibacterial, anti-odour and anti-allergen filter / filtro antibatterico, antiodori e anti-allergeni	N63M10A	397	540	08/12	>					34.231.00
	air filter right side / filtro aria destro	N63M10A	397	540	08/12	>				30.B14.00	
	air filter left side / filtro aria sinistro	N63M10A	397	540	08/12	>				30.B13.00	
B 7 (G11/G12)											
4.4	Biturbo	N63B44C	447	608	02/16	>		25.201.00			
D 10 (E39)											
3.0	D		175	238	09/99	>	08/00	25.030.00	24.417.00	27.384.00	53.234.00
			175	238	09/00	>		25.030.00		27.384.00	53.234.00
	with activated carbons / ai carboni attivi		175	238	09/99	>					54.108.00
	antibacterial, anti-odour and anti-allergen filter / filtro antibatterico, antiodori e anti-allergeni		175	238	09/99	>					34.108.00
3.0	D Biturbo		180	245	07/00	>		25.030.00		27.384.00	53.234.00
	with activated carbons / ai carboni attivi		180	245	07/00	>					54.108.00
	antibacterial, anti-odour and anti-allergen filter / filtro antibatterico, antiodori e anti-allergeni		180	245	07/00	>					34.108.00
D 3 (E90)											
2.0	D	M47D20	147	200	03/05	>	03/08	25.021.00	31.852.00	27.353.00	54.154.00
	with manual air-conditioner / con climatizzatore manuale	M47D20	147	200	03/05	>	03/08				53.236.00
2.0	D Bi-Turbo	N47D20A/C	157	214	04/08	>	01/10	25.084.00	31.852.00	30.357.00	54.154.00
		N47D20A/C	157	214	02/10	>		25.142.00	31.857.04	30.357.00	54.154.00
	with manual air-conditioner / con climatizzatore manuale	N47D20A/C	157	214	04/08	>					53.236.00
D 3 (E91)											
2.0	D	M47D20	147	200	03/05	>	03/08	25.021.00	31.852.00	27.353.00	54.154.00
	with manual air-conditioner / con climatizzatore manuale	M47D20	147	200	03/05	>	03/08				53.236.00
2.0	D Bi-Turbo	N47D20A/C	157	214	04/08	>	01/10	25.084.00	31.852.00	30.357.00	54.154.00
		N47D20A/C	157	214	02/10	>		25.142.00	31.857.04	30.357.00	54.154.00
	with manual air-conditioner / con climatizzatore manuale	N47D20A/C	157	214	04/08	>					53.236.00
D 3 (E92)											
2.0	D Bi-Turbo	N47D20A/C	157	214	04/08	>	01/10	25.084.00	31.852.00	30.357.00	54.154.00
		N47D20A/C	157	214	02/10	>		25.142.00	31.857.04	30.357.00	54.154.00

...BMW ALPINA - cars/auto

with manual air-conditioner / con climatizzatore manuale	N47D20A/C	157	214	04/08	>				53.236.00	
XD3 (F25)										
3.0 D BiTurbo	N57D30B	257	350	03/13	>	07/17	25.142.00	31.857.04	30.655.00	
with automatic air-conditioner / con climatizzatore automatico	N57D30B	257	350	03/13	>	07/17				54.241.00
with automatic air-conditioner, recirculation filter / con climatizzatore automatico, filtro ricircolo	N57D30B	257	350	03/13	>	07/17				53.253.00
with manual air-conditioner / con climatizzatore manuale	N57D30B	257	350	03/13	>	07/17				53.251.00
antibacterial, anti-odour and anti-allergen filter with automatic air-conditioner / filtro antibatterico, antiodori e anti-allergeni con climatizzatore automatico	N57D30B	257	350	03/13	>	07/17				34.241.00
Z4 (E85) Roadster										
3.4i S		221	301	09/03	>		25.004.00		30.991.00	
Z8 (E52) Roadster										
4.8 V8		280	381	05/02	>				30.029.00	

BREMACH

tricar/motocarri

ERRE Serie

ERRE	Ruggerini RD 270						23.118.00	24.304.01		
some / alcuni	Ruggerini RD 270						23.127.02	24.304.01		

ND Serie

ND 3R	Ruggerini RD 901/2						23.104.00	24.304.01		
some / alcuni	Ruggerini RD 901/2						23.117.00	24.324.00		
some / alcuni	Ruggerini RD 901/2						23.127.02	26.609.00		
some / alcuni	Ruggerini RD 901/2							24.304.01		

CADILLAC (USA)

cars/auto

BLS

1.9 D										
with activated carbons / ai carboni attivi	Z19DTH	110	150	04/06	>		25.049.00	24.526.00	30.190.00	54.100.00
with air-conditioner / con climatizzatore	Z19DTH	110	150	04/06	>		25.049.00	24.526.00	30.190.00	53.045.00
antibacterial, anti-odour and anti-allergen filter / filtro antibatterico, antiodori e anti-allergeni	Z19DTH	110	150	04/06	>					34.100.00
1.9 D										
with activated carbons / ai carboni attivi	Z19DTR	132	180	12/07	>		25.049.00	24.526.00	30.190.00	54.100.00
with air-conditioner / con climatizzatore	Z19DTR	132	180	12/07	>		25.049.00	24.526.00	30.190.00	53.045.00
antibacterial, anti-odour and anti-allergen filter / filtro antibatterico, antiodori e anti-allergeni	Z19DTR	132	180	12/07	>					34.100.00
2.0 T										
with activated carbons / ai carboni attivi	B205R/B207R	154	210	04/06	>		25.024.00	31.515.00	30.189.00	54.100.00
with air-conditioner / con climatizzatore	B205R/B207R	154	210	04/06	>		25.024.00	31.515.00	30.189.00	53.045.00
antibacterial, anti-odour and anti-allergen filter / filtro antibatterico, antiodori e anti-allergeni	B205R/B207R	154	210	04/06	>					34.100.00
2.0 T										
with activated carbons / ai carboni attivi	B207L	129	175	04/06	>		25.024.00	31.515.00	30.189.00	54.100.00
with air-conditioner / con climatizzatore	B207L	129	175	04/06	>		25.024.00	31.515.00	30.189.00	53.045.00
antibacterial, anti-odour and anti-allergen filter / filtro antibatterico, antiodori e anti-allergeni	B207L	129	175	04/06	>					34.100.00
2.8 T										
with activated carbons / ai carboni attivi	Z28NET/LP9	206	280	10/08	>		25.163.00		30.189.00	54.100.00
with air-conditioner / con climatizzatore	Z28NET/LP9	206	280	10/08	>		25.163.00		30.189.00	53.045.00
antibacterial, anti-odour and anti-allergen filter / filtro antibatterico, antiodori e anti-allergeni	Z28NET/LP9	206	280	10/08	>					34.100.00
2.8 T V6										
with activated carbons / ai carboni attivi	B284L	188	255	08/07	>		25.163.00	31.515.00	30.189.00	54.100.00
with air-conditioner / con climatizzatore	B284L	188	255	08/07	>		25.163.00	31.515.00	30.189.00	53.045.00
antibacterial, anti-odour and anti-allergen filter / filtro antibatterico, antiodori e anti-allergeni	B284L	188	255	08/07	>					34.100.00

CTS

2.6 V6	Opel Y26SE			10/01	>		25.017.00			
3.2 V6	Opel Y32XE			10/01	>		25.017.00			

CTS II

2.0 Turbo	LTG	203	276	01/14	>					54.238.00
antibacterial, anti-odour and anti-allergen filter / filtro antibatterico, antiodori e anti-allergeni	LTG	203	276	01/14	>					34.238.00

CARLETTI

microcars/microvetture

Top 500 SL

Top 500 SL	Lombardini LDW502						23.262.00	24.352.00		
-------------------	-------------------	--	--	--	--	--	-----------	-----------	--	--

CASALINI

microcars/microvetture

Sulky

505 Diesel	Lombardini LDW 502						23.262.00	24.352.00	30.997.00	
-------------------	--------------------	--	--	--	--	--	-----------	-----------	-----------	--

Ydea

50								31.009.00		
500 GLX Diesel	Mitsubishi L2C (538)			01/00	>		23.258.00		27.707.00	
505 GLX Diesel	Lombardini			01/95	>		23.262.00	24.352.00	30.997.00	

CHATENET microcars/microvetture

Barooder									
500 Diesel	Lombardini LDW502					23.262.00	31.001.00	30.997.00	✕
500 Diesel	Yanmar 2TNE68DM4						26.683.00	27.A05.00	✕
Stella									
214 Passion	Lombardini LDW502					23.262.00	24.352.00		✕

CHEVROLET (EU) cars/auto

Aveo I									
1.2 16V	B12D1	62	84	04/08 >		23.585.00	31.850.00	30.279.00	53.141.00
1.2 16V Eco Logic GPL	B12D1	62	84	04/08 >		23.585.00	31.850.00	30.279.00	53.141.00
assembly BRC FJ1 HE / montaggio BRC FJ1 HE	B12D1	62	84	04/08 >			46.005.00		
1.2 8V	B12S1	53	72	02/06 >		23.255.00	31.850.00	30.279.00	53.141.00
1.4 16V	F14D3	69	94	02/06 >		23.129.02	31.850.00	30.279.00	53.141.00
1.4 16V	F14D4	74	101	04/08 >		25.064.00	31.850.00	30.279.00	53.141.00
1.5	F15S3	62	84	01/05 >		23.255.00	31.850.00	30.279.00	53.141.00

Aveo II									
1.2 70	LWD	51	69	03/11 >		25.064.00		30.569.00	53.254.00
with activated carbons / ai carboni attivi	LWD	51	69	03/11 >					54.178.00
antibacterial, anti-odour and anti-allergen filter / filtro antibatterico, antiodori e anti-allergeni	LWD	51	69	03/11 >					34.178.00
1.2 86	LDC	63	86	03/11 >		25.064.00		30.569.00	53.254.00
with activated carbons / ai carboni attivi	LDC	63	86	03/11 >					54.178.00
antibacterial, anti-odour and anti-allergen filter / filtro antibatterico, antiodori e anti-allergeni	LDC	63	86	03/11 >					34.178.00
1.2 86 GPL/LPG		63	86	03/11 >		25.064.00		30.569.00	53.254.00
with activated carbons / ai carboni attivi		63	86	03/11 >					54.178.00
antibacterial, anti-odour and anti-allergen filter / filtro antibatterico, antiodori e anti-allergeni		63	86	03/11 >					34.178.00
1.3 D 75 S&S		55	75	07/11 >		25.061.00	26.033.00	30.569.00	53.254.00
with activated carbons / ai carboni attivi		55	75	07/11 >					54.178.00
antibacterial, anti-odour and anti-allergen filter / filtro antibatterico, antiodori e anti-allergeni		55	75	07/11 >					34.178.00
1.3 D 95 S&S		70	95	07/11 >		25.061.00	26.033.00	30.569.00	53.254.00
with activated carbons / ai carboni attivi		70	95	07/11 >					54.178.00
antibacterial, anti-odour and anti-allergen filter / filtro antibatterico, antiodori e anti-allergeni		70	95	07/11 >					34.178.00
1.4 100	LDD/A14XER	74	101	03/11 >		25.064.00		30.569.00	53.254.00
with activated carbons / ai carboni attivi	LDD/A14XER	74	101	03/11 >					54.178.00
antibacterial, anti-odour and anti-allergen filter / filtro antibatterico, antiodori e anti-allergeni	LDD/A14XER	74	101	03/11 >					34.178.00
1.4 100 Autom.	LDD/A14XER	74	101	03/11 >				30.569.00	53.254.00
with activated carbons / ai carboni attivi	LDD/A14XER	74	101	03/11 >					54.178.00
antibacterial, anti-odour and anti-allergen filter / filtro antibatterico, antiodori e anti-allergeni	LDD/A14XER	74	101	03/11 >					34.178.00
1.4 Turbo	LUJ/LUV	103	140	08/13 >				30.569.00	53.254.00
with activated carbons / ai carboni attivi	LUJ/LUV	103	140	08/13 >					54.178.00
antibacterial, anti-odour and anti-allergen filter / filtro antibatterico, antiodori e anti-allergeni	LUJ/LUV	103	140	08/13 >					34.178.00
assembly HENGST / montaggio HENGST	LUJ/LUV	103	140	08/13 >		25.064.00			
assembly UFI FILTERS / montaggio UFI FILTERS	LUJ/LUV	103	140	08/13 >		25.183.00			
heat exchanger UFI FILTERS / scambiatore di calore UFI FILTERS	LUJ/LUV	103	140	08/13 >					00.G36.00
1.6	LDE	85	116	03/11 >		25.064.00		30.569.00	53.254.00
with activated carbons / ai carboni attivi	LDE	85	116	03/11 >					54.178.00
antibacterial, anti-odour and anti-allergen filter / filtro antibatterico, antiodori e anti-allergeni	LDE	85	116	03/11 >					34.178.00

Cruze									
1.4	A14XER/LDD	74	101	07/13 >		25.064.00		30.404.00	53.254.00
with activated carbons / ai carboni attivi	A14XER/LDD	74	101	07/13 >					54.178.00
antibacterial, anti-odour and anti-allergen filter / filtro antibatterico, antiodori e anti-allergeni	A14XER/LDD	74	101	07/13 >					34.178.00
1.4 Turbo	LUJ	103	140	07/12 >		25.064.00		30.404.00	53.254.00
with activated carbons / ai carboni attivi	LUJ	103	140	07/12 >					54.178.00
antibacterial, anti-odour and anti-allergen filter / filtro antibatterico, antiodori e anti-allergeni	LUJ	103	140	07/12 >					34.178.00
1.6	F16D3/LXT	80	109	03/09 >		23.129.02		30.422.00	53.254.00
with activated carbons / ai carboni attivi	F16D3/LXT	80	109	03/09 >					54.178.00
antibacterial, anti-odour and anti-allergen filter / filtro antibatterico, antiodori e anti-allergeni	F16D3/LXT	80	109	03/09 >					34.178.00
dusty areas / zone polverose	F16D3/LXT	80	109	03/09 >				30.A24.00	
1.6 16V	F16D4/LDE	91	124	01/11 >		25.064.00		30.422.00	53.254.00
with activated carbons / ai carboni attivi	F16D4/LDE	91	124	01/11 >					54.178.00
antibacterial, anti-odour and anti-allergen filter / filtro antibatterico, antiodori e anti-allergeni	F16D4/LDE	91	124	01/11 >					34.178.00
dusty areas / zone polverose	F16D4/LDE	91	124	01/11 >				30.A24.00	
1.6 16V	LDE	86	117	12/12 >		25.064.00		30.422.00	53.254.00
with activated carbons / ai carboni attivi	LDE	86	117	12/12 >					54.178.00
antibacterial, anti-odour and anti-allergen filter / filtro antibatterico, antiodori e anti-allergeni	LDE	86	117	12/12 >					34.178.00
dusty areas / zone polverose	LDE	86	117	12/12 >				30.A24.00	
1.6 16V	LXV	83	113	03/09 >		25.064.00		30.422.00	53.254.00
with activated carbons / ai carboni attivi	LXV	83	113	03/09 >					54.178.00

...CHEVROLET (EU) - cars/auto

antibacterial, anti-odour and anti-allergen filter / filtro antibatterico, antiodori e anti-allergeni	LXV	83	113	03/09	>				34.178.00	
dusty areas / zone polverose	LXV	83	113	03/09	>			30.A24.00		
1.6 16V EcoLogic GPL		83	113	03/09	>	12/10	23.129.02		30.422.00	53.254.00
with activated carbons / ai carboni attivi		83	113	03/09	>	12/10				54.178.00
antibacterial, anti-odour and anti-allergen filter / filtro antibatterico, antiodori e anti-allergeni		83	113	03/09	>	12/10				34.178.00
1.7 D	LUD	96	131	02/12	>		25.085.00	26.058.00	30.404.00	53.254.00
with activated carbons / ai carboni attivi	LUD	96	131	02/12	>					54.178.00
antibacterial, anti-odour and anti-allergen filter / filtro antibatterico, antiodori e anti-allergeni	LUD	96	131	02/12	>					34.178.00
1.8 16V	F18D4/2H0	104	141	03/09	>		25.064.00		30.422.00	53.254.00
with activated carbons / ai carboni attivi	F18D4/2H0	104	141	03/09	>					54.178.00
antibacterial, anti-odour and anti-allergen filter / filtro antibatterico, antiodori e anti-allergeni	F18D4/2H0	104	141	03/09	>					34.178.00
dusty areas / zone polverose	F18D4/2H0	104	141	03/09	>				30.A24.00	
1.8 16V GPL/LPG		104	141	03/09	>		25.064.00		30.422.00	53.254.00
with activated carbons / ai carboni attivi		104	141	03/09	>					54.178.00
antibacterial, anti-odour and anti-allergen filter / filtro antibatterico, antiodori e anti-allergeni		104	141	03/09	>					34.178.00
2.0 Diesel		110	150	03/09	>	12/10	25.091.00	26.058.00	30.404.00	53.254.00
with activated carbons / ai carboni attivi		110	150	03/09	>	12/10				54.178.00
antibacterial, anti-odour and anti-allergen filter / filtro antibatterico, antiodori e anti-allergeni		110	150	03/09	>	12/10				34.178.00
2.0 Diesel		92	125	05/09	>	12/10	25.091.00	26.058.00	30.404.00	53.254.00
with activated carbons / ai carboni attivi		92	125	05/09	>	12/10				54.178.00
antibacterial, anti-odour and anti-allergen filter / filtro antibatterico, antiodori e anti-allergeni		92	125	05/09	>	12/10				34.178.00
2.0 Diesel 163	LNP (Z20D1)	120	163	08/10	>		25.088.00	26.058.00	30.404.00	53.254.00
with activated carbons / ai carboni attivi	LNP (Z20D1)	120	163	08/10	>					54.178.00
antibacterial, anti-odour and anti-allergen filter / filtro antibatterico, antiodori e anti-allergeni	LNP (Z20D1)	120	163	08/10	>					34.178.00
Epica										
2.0 24V		105	144	06/06	>		23.133.00	31.843.00	30.335.00	53.133.00
2.0 24V Dual Power GPL		105	144	06/06	>		23.133.00	31.843.00	30.335.00	53.133.00
2.0 VCDI 16V		110	150	01/07	>		25.091.00	60.H2O.00	30.450.00	53.133.00
complete filter / filtro completo		110	150	01/07	>			55.163.00		
2.5 24V		115	156	06/06	>		23.133.00	31.843.00	30.335.00	53.133.00
2.5 24V Dual Power GPL		115	156	06/06	>		23.133.00	31.843.00	30.335.00	53.133.00
Evanda										
2.0 i 16V		96	130	03/05	>		23.129.02	31.843.00	30.335.00	53.133.00
Kalos										
1.2 Dual Power GPL		53	72	03/05	>		23.129.02	31.850.00	30.279.00	53.141.00
with air-conditioner / con climatizzatore		53	72	03/05	>					
1.2 i		53	72	03/05	>		23.129.02	31.850.00	30.279.00	53.141.00
with air-conditioner / con climatizzatore		53	72	03/05	>					
1.4 16V Dual Power GPL		69	94	03/05	>		23.129.02	31.850.00	30.279.00	53.141.00
with air-conditioner / con climatizzatore		69	94	03/05	>					
1.4 i 16V		69	94	03/05	>		23.129.02	31.850.00	30.279.00	53.141.00
with air-conditioner / con climatizzatore		69	94	03/05	>					
Lacetti										
1.4 16V		69	94	03/05	>		23.129.02	31.843.00	30.277.00	53.126.00
with air-conditioner and L.H.D. / con climatizzatore e guida a sinistra		69	94	03/05	>					
1.4 16V Dual Power GPL		69	94	03/05	>		23.129.02	31.843.00	30.277.00	53.126.00
with air-conditioner and L.H.D. / con climatizzatore e guida a sinistra		69	94	03/05	>					
1.6 16V		80	109	03/05	>		23.129.02	31.843.00	30.277.00	53.126.00
with air-conditioner and L.H.D. / con climatizzatore e guida a sinistra		80	109	03/05	>					
2.0 TCDI 16V		89	121	08/06	>	12/11	25.091.00	60.H2O.00	30.676.00	53.126.00
with air-conditioner and L.H.D. / con climatizzatore e guida a sinistra	Z20DM	89	121	08/06	>	12/11				
complete filter / filtro completo	Z20DM	89	121	08/06	>	12/11		55.163.00		
Malibu										
2.0 D	A20DTH	118	160	04/12	>		25.093.00	26.058.00	30.388.00	53.254.00
with activated carbons / ai carboni attivi	A20DTH	118	160	04/12	>					54.178.00
antibacterial, anti-odour and anti-allergen filter / filtro antibatterico, antiodori e anti-allergeni	A20DTH	118	160	04/12	>					34.178.00
2.4	LE9	123	167	01/12	>		25.024.00			53.254.00
with activated carbons / ai carboni attivi	LE9	123	167	01/12	>					54.178.00
antibacterial, anti-odour and anti-allergen filter / filtro antibatterico, antiodori e anti-allergeni	LE9	123	167	01/12	>					34.178.00
Matiz										
1000 Dual Power GPL		49	67	06/05	>		23.255.00	31.843.00	30.278.00	53.144.00
with air-conditioner / con climatizzatore		49	67	06/05	>					
1000 i		47	63	01/05	>	05/05	23.255.00	31.843.00	30.104.00	
1000 i		49	67	06/05	>		23.255.00	31.843.00	30.278.00	53.144.00
with air-conditioner / con climatizzatore		49	67	06/05	>					
800 Dual Power GPL		38	52	06/05	>		23.255.00	31.843.00	30.278.00	53.144.00
with air-conditioner / con climatizzatore		38	52	06/05	>					

...CHEVROLET (EU) - cars/auto

800 i								
with air-conditioner / con climatizzatore		38 52	06/05 >		23.255.00	31.843.00	30.278.00	53.144.00
800 i	F8CV	37 51	01/05 > 05/05		23.255.00	31.843.00	30.104.00	
Nubira SW								
1.6 16V Dual Power GPL								
with air-conditioner and L.H.D. / con climatizzatore e guida a sinistra		80 109	01/05 >		23.129.02	31.843.00	30.277.00	53.126.00
1.6 i 16V								
with air-conditioner and L.H.D. / con climatizzatore e guida a sinistra		80 109	01/05 >		23.129.02	31.843.00	30.277.00	53.126.00
1.8 i 16V								
with air-conditioner and L.H.D. / con climatizzatore e guida a sinistra		90 122	01/05 >		23.129.02	31.843.00	30.277.00	53.126.00
2.0 TCDI 16V								
with air-conditioner and L.H.D. / con climatizzatore e guida a sinistra		89 121	01/07 >		25.091.00	60.H2O.00	30.676.00	53.126.00
complete filter / filtro completo		89 121	01/07 >			55.163.00		
Orlando								
1.4 Turbo	LUJ	103 140	10/12 >				30.404.00	53.254.00
with activated carbons / ai carboni attivi	LUJ	103 140	10/12 >					54.178.00
antibacterial, anti-odour and anti-allergen filter / filtro antibatterico, antiodori e anti-allergeni	LUJ	103 140	10/12 >					34.178.00
assembly HENGST / montaggio HENGST	LUJ	103 140	10/12 >		25.064.00			
assembly UFI FILTERS / montaggio UFI FILTERS	LUJ	103 140	10/12 >		25.183.00			
heat exchanger UFI FILTERS / scambiatore di calore UFI FILTERS	LUJ	103 140	10/12 >					00.G36.00
1.8 16V		104 141	01/11 >		25.064.00		30.422.00	53.254.00
with activated carbons / ai carboni attivi		104 141	01/11 >					54.178.00
antibacterial, anti-odour and anti-allergen filter / filtro antibatterico, antiodori e anti-allergeni		104 141	01/11 >					34.178.00
1.8 16V GPL/LPG		104 141	01/11 >		25.064.00		30.422.00	53.254.00
with activated carbons / ai carboni attivi		104 141	01/11 >					54.178.00
antibacterial, anti-odour and anti-allergen filter / filtro antibatterico, antiodori e anti-allergeni		104 141	01/11 >					34.178.00
2.0 VCDI 130		96 130	01/11 >		25.088.00	26.058.00	30.404.00	53.254.00
with activated carbons / ai carboni attivi		96 130	01/11 >					54.178.00
antibacterial, anti-odour and anti-allergen filter / filtro antibatterico, antiodori e anti-allergeni		96 130	01/11 >					34.178.00
2.0 VCDI 163		120 163	01/11 >		25.088.00	26.058.00	30.404.00	53.254.00
with activated carbons / ai carboni attivi		120 163	01/11 >					54.178.00
antibacterial, anti-odour and anti-allergen filter / filtro antibatterico, antiodori e anti-allergeni		120 163	01/11 >					34.178.00
Spark								
1.0 16V								
with air-conditioner / con climatizzatore		50 68	03/10 >		23.585.00		30.701.00	53.220.00
with activated carbon air-conditioner / con climatizzatore, ai carboni attivi		50 68	03/10 >					54.253.00
1.0 16V GPL EcoLogic								
with air-conditioner / con climatizzatore		50 68	03/10 >		23.585.00		30.701.00	53.220.00
with activated carbon air-conditioner / con climatizzatore, ai carboni attivi		50 68	03/10 >					54.253.00
1.2 16V								
with air-conditioner / con climatizzatore		60 81	03/10 >		23.585.00		30.701.00	53.220.00
with activated carbon air-conditioner / con climatizzatore, ai carboni attivi		60 81	03/10 >					54.253.00
1.2 16V GPL EcoLogic								
with air-conditioner / con climatizzatore		60 81	03/10 >		23.585.00		30.701.00	53.220.00
with activated carbon air-conditioner / con climatizzatore, ai carboni attivi		60 81	03/10 >					54.253.00
Spark+								
1.0 16V								
with air-conditioner / con climatizzatore		50 68	03/10 >		23.585.00		30.701.00	53.220.00
with activated carbon air-conditioner / con climatizzatore, ai carboni attivi		50 68	03/10 >					54.253.00
1.0 16V GPL EcoLogic								
with air-conditioner / con climatizzatore		50 68	03/10 >		23.585.00		30.701.00	53.220.00
with activated carbon air-conditioner / con climatizzatore, ai carboni attivi		50 68	03/10 >					54.253.00
1.2 16V								
with air-conditioner / con climatizzatore		60 81	03/10 >		23.585.00		30.701.00	53.220.00
with activated carbon air-conditioner / con climatizzatore, ai carboni attivi		60 81	03/10 >					54.253.00
1.2 16V GPL EcoLogic								
with air-conditioner / con climatizzatore		60 81	03/10 >		23.585.00		30.701.00	53.220.00
with activated carbon air-conditioner / con climatizzatore, ai carboni attivi		60 81	03/10 >					54.253.00
Tacuma								
1.6 16V Dual Power GPL		79 107	01/05 >		23.129.02	31.843.00	30.337.00	53.142.00
1.6 i 16V		79 107	01/05 >		23.129.02	31.843.00	30.337.00	53.142.00
Trax								
1.4 T AWD	LUJ, A14NET	103 140	05/13 >				30.609.00	53.254.00
with activated carbons / ai carboni attivi	LUJ, A14NET	103 140	05/13 >					54.178.00
with complete filter HENGST / con filtro completo HENGST	LUJ, A14NET	103 140	05/13 >		25.064.00			
with complete filter UFI FILTERS / con filtro completo UFI FILTERS	LUJ, A14NET	103 140	05/13 >		25.183.00			
antibacterial, anti-odour and anti-allergen filter / filtro antibatterico, antiodori e anti-allergeni	LUJ, A14NET	103 140	05/13 >					34.178.00

...CHEVROLET (EU) - cars/auto

heat exchanger UFI FILTERS / scambiatore di calore UFI FILTERS	LUJ, A14NET	103	140	05/13	>				00.G36.00
1.6 FWD	LDE, A16XER	85	116	05/13	>	25.064.00		30.609.00	53.254.00
with activated carbons / ai carboni attivi	LDE, A16XER	85	116	05/13	>				54.178.00
antibacterial, anti-odour and anti-allergen filter / filtro antibatterico, antiodori e anti-allergeni	LDE, A16XER	85	116	05/13	>				34.178.00
1.7 D AWD	LUD	96	130	05/13	>	25.085.00	26.033.00	30.609.00	53.254.00
with activated carbons / ai carboni attivi	LUD	96	130	05/13	>				54.178.00
antibacterial, anti-odour and anti-allergen filter / filtro antibatterico, antiodori e anti-allergeni	LUD	96	130	05/13	>				34.178.00
1.7 D FWD	LUD	96	130	05/13	>	25.085.00	26.033.00	30.609.00	53.254.00
with activated carbons / ai carboni attivi	LUD	96	130	05/13	>				54.178.00
antibacterial, anti-odour and anti-allergen filter / filtro antibatterico, antiodori e anti-allergeni	LUD	96	130	05/13	>				34.178.00
1.8 AWD	A18XER	103	140	05/13	>	25.064.00		30.609.00	53.254.00
with activated carbons / ai carboni attivi	A18XER	103	140	05/13	>				54.178.00
antibacterial, anti-odour and anti-allergen filter / filtro antibatterico, antiodori e anti-allergeni	A18XER	103	140	05/13	>				34.178.00
1.8 FWD	A18XER	103	140	05/13	>	25.064.00		30.609.00	53.254.00
with activated carbons / ai carboni attivi	A18XER	103	140	05/13	>				54.178.00
antibacterial, anti-odour and anti-allergen filter / filtro antibatterico, antiodori e anti-allergeni	A18XER	103	140	05/13	>				34.178.00

Volt

1.4 E-REV	LUU (A14XFL)	63	86	10/11	>	23.299.00		30.653.00	53.254.00
with activated carbons / ai carboni attivi	LUU (A14XFL)	63	86	10/11	>				54.178.00
antibacterial, anti-odour and anti-allergen filter / filtro antibatterico, antiodori e anti-allergeni	LUU (A14XFL)	63	86	10/11	>				34.178.00

CHEVROLET (EU)

off-road cars/fuoristrada

Captiva C100

2.0 VCDI 16V	Z20DM	93	126	09/06	> 12/10	25.091.00	60.H2O.00	30.392.00	53.151.00
complete filter / filtro completo	Z20DM	93	126	09/06	> 12/10		55.163.00		
2.0 VCDI 16V	Z20DMH	110	150	09/06	> 12/10	25.091.00	60.H2O.00	30.392.00	53.151.00
complete filter / filtro completo	Z20DMH	110	150	09/06	> 12/10		55.163.00		
2.4 16V	Z24XE	100	136	09/06	> 12/10	23.129.02		30.392.00	53.151.00
3.2 V6 Auto.	Z32SE	169	230	09/06	> 12/10			30.392.00	53.151.00

Captiva C140

2.2 VCDI 163	A22DM	120	163	12/10	> 12/12				54.224.00
	A22DM	120	163	01/13	>	25.088.00	26.071.00	30.552.00	54.224.00
2.2 VCDI 184	A22DMH	135	184	12/10	> 12/12				54.224.00
	A22DMH	135	184	01/13	>	25.088.00	26.071.00	30.552.00	54.224.00
2.4 16V	A24XE	123	167	03/11	>				54.224.00
3.0 V6	LF1	190	258	03/11	>	23.519.00			54.224.00

CHEVROLET (USA)

off-road cars/fuoristrada

Blazer S10

2.8 Turbodiesel (BR)				06/12	>	25.082.00	26.042.02		
-----------------------------	--	--	--	-------	---	-----------	-----------	--	--

Tahoe

4.8 V8 F.I. (VIN V)	LR4			01/00	> 12/02		31.564.00		
	LR4			01/03	> 12/05		31.564.00		
5.3 V8 F.I. (VIN T)	LM7			01/00	> 12/02		31.564.00		
	LM7			01/03	> 12/03		31.564.00		

CHEVROLET (USA)

cars/auto

Cavalier

2.2 i 16V DOHC (VIN F)	L61			01/02	> 12/05	25.024.00			
-------------------------------	-----	--	--	-------	---------	-----------	--	--	--

Cruze

1.8	LWE (G Ecotec)	103	140	01/15	>			30.A24.00	53.254.00
assembly HENGST / montaggio HENGST	LWE (G Ecotec)	103	140	01/15	>	25.064.00			
assembly UFI FILTERS / montaggio UFI FILTERS	LWE (G Ecotec)	103	140	01/15	>	25.183.00			
heat exchanger UFI FILTERS / scambiatore di calore UFI FILTERS	LWE (G Ecotec)	103	140	01/15	>				00.G37.00

Equinox

1.6 Turbodiesel (VIN U)				01/18	>		26.E2X.01		
--------------------------------	--	--	--	-------	---	--	-----------	--	--

Sonic

1.8	LWE (G Ecotec)	103	140	01/15	>			30.569.00	53.254.00
with activated carbons / ai carboni attivi	LWE (G Ecotec)	103	140	01/15	>				54.178.00
antibacterial, anti-odour and anti-allergen filter / filtro antibatterico, antiodori e anti-allergeni	LWE (G Ecotec)	103	140	01/15	>				34.178.00
assembly HENGST / montaggio HENGST	LWE (G Ecotec)	103	140	01/15	>	25.064.00			
assembly UFI FILTERS / montaggio UFI FILTERS	LWE (G Ecotec)	103	140	01/16	>	25.183.00			
heat exchanger UFI FILTERS / scambiatore di calore UFI FILTERS	LWE (G Ecotec)	103	140	01/16	>				00.G37.00

Trax

1.4 Turbo (VIN B)				01/13	> 12/18			30.609.00	53.254.00
with activated carbons / ai carboni attivi				01/13	> 12/18				54.178.00
antibacterial, anti-odour and anti-allergen filter / filtro antibatterico, antiodori e anti-allergeni				01/13	> 12/18				34.178.00

...CHEVROLET (USA) - cars/auto

assembly HENGST / montaggio HENGST				01/13 > 12/18	25.064.00			
assembly UFI FILTERS / montaggio UFI FILTERS				01/16 > 12/18	25.183.00			
heat exchanger UFI FILTERS / scambiatore di calore UFI FILTERS				01/16 > 12/18				00.G36.00
1.8 (Mex)	LWE	103	140	01/13 > 12/18				53.254.00
with activated carbons / ai carboni attivi	LWE	103	140	01/13 > 12/18				54.178.00
antibacterial, anti-odour and anti-allergen filter / filtro antibatterico, antiodori e anti-allergeni	LWE	103	140	01/13 > 12/18				34.178.00
assembly HENGST / montaggio HENGST	LWE	103	140	01/13 > 12/18	25.064.00			
assembly UFI FILTERS / montaggio UFI FILTERS	LWE	103	140	01/16 > 12/18	25.183.00			
heat exchanger UFI FILTERS / scambiatore di calore UFI FILTERS	LWE	103	140	01/16 > 12/18				00.G37.00

CHRYSLER

cars/auto

300 C (II)

3.0		172	234	04/14 >	25.251.00			
3.0 CRD	EXF	155	211	10/11 >	25.069.00	24.436.00	30.544.00	53.312.00
3.0 CRD V6	OM642	160	218	10/05 >	25.069.00	24.436.00		
3.6		210	286	01/14 >	25.251.00			
3.6		215	292	07/11 > 12/13	25.248.00			53.312.00
		215	292	01/14 >	25.251.00			53.312.00
3.6 AWD		210	286	01/14 >	25.251.00			
3.6 FLEXFUEL		218	296	09/10 >	25.251.00			
3.6 FLEXFUEL AWD		218	296	09/11 >	25.251.00			

300 C (LX)

2.7	FX	142	193	09/04 >				30.C43.00
3.5	CSP	183	249	09/04 >				30.C43.00
5.7		250	340	09/04 >				30.C43.00
6.1 SRT8		317	431	09/04 >				30.C43.00

300 M

2.7 V6 24V		150	204	11/98 > 09/04	23.127.00			30.B44.00
3.5 V6 (VIN K)				01/02 > 12/04	23.127.00			
3.5 V6 24V (VIN G)		185	252	07/98 > 09/04	23.127.00			30.B44.00

Cirrus

2.0 F.I. (VIN C)	ECF			01/00 > 12/00	23.435.00			
2.4 F.I. (VIN X)	EDZ			01/00 > 12/00	23.435.00			
2.5 V6 F.I. (VIN H)	EEB			01/95 > 12/00	23.127.00			

Concorde

2.7 V6 F.I. (VIN R)				01/98 > 12/04	23.127.00			
3.2 V6 F.I. (VIN J)				01/98 > 12/01	23.127.00			
3.5 V6 24V F.I. (VIN G)				01/02 > 12/04	23.127.00			

Crossfire

3.2 SRT-6								
with air-conditioner / con climatizzatore	M112.960	242	330	03/04 > 12/08	25.002.00	31.841.00		53.007.00
with activated carbon air-conditioner / con climatizzatore, ai carboni attivi	M112.960	242	330	03/04 > 12/08				54.270.00
antibacterial, anti-odour and anti-allergen filter with air-conditioner / filtro antibatterico, antiodori e anti-allergeni con climatizzatore	M112.960	242	330	03/04 > 12/08				34.270.00
3.2 SRT-6								
with air-conditioner / con climatizzatore	M112.960	246	334	03/04 > 12/08	25.002.00	31.841.00		53.007.00
with activated carbon air-conditioner / con climatizzatore, ai carboni attivi	M112.960	246	334	03/04 > 12/08				54.270.00
antibacterial, anti-odour and anti-allergen filter with air-conditioner / filtro antibatterico, antiodori e anti-allergeni con climatizzatore	M112.960	246	334	03/04 > 12/08				34.270.00
3.2 V6								
with air-conditioner / con climatizzatore	M112	160	218	09/03 > 12/07	25.002.00	31.841.00	30.B42.00	53.007.00
with activated carbon air-conditioner / con climatizzatore, ai carboni attivi	M112	160	218	09/03 > 12/07				54.270.00
antibacterial, anti-odour and anti-allergen filter with air-conditioner / filtro antibatterico, antiodori e anti-allergeni con climatizzatore	M112	160	218	09/03 > 12/07				34.270.00

Delta (844)

1.4 T-Jet 120 (UK)	198A4000	88	120	08/11 >	25.043.00		27.630.00	53.149.00
with activated carbons / ai carboni attivi	198A4000	88	120	08/11 >				54.103.00
antibacterial, anti-odour and anti-allergen filter / filtro antibatterico, antiodori e anti-allergeni	198A4000	88	120	08/11 >				34.103.00
1.4 T-Jet Multiair (UK)	198A7000	103	140	08/11 >	25.043.00		27.630.00	53.149.00
with activated carbons / ai carboni attivi	198A7000	103	140	08/11 >				54.103.00
antibacterial, anti-odour and anti-allergen filter / filtro antibatterico, antiodori e anti-allergeni	198A7000	103	140	08/11 >				34.103.00
1.6 Multijet 16V (UK)	198A2000	88	120	08/11 >	25.061.00	24.ONE.01	27.630.00	53.149.00
with activated carbons / ai carboni attivi	198A2000	88	120	08/11 >				54.103.00
antibacterial, anti-odour and anti-allergen filter / filtro antibatterico, antiodori e anti-allergeni	198A2000	88	120	08/11 >				34.103.00
2.0 Multijet 16V (UK)	198A5000	121	165	08/11 >	25.061.00	24.ONE.01	27.630.00	53.149.00
with activated carbons / ai carboni attivi	198A5000	121	165	08/11 >				54.103.00
antibacterial, anti-odour and anti-allergen filter / filtro antibatterico, antiodori e anti-allergeni	198A5000	121	165	08/11 >				34.103.00

Grand Voyager

2.4 16V (VIN B)		108	147	02/01 >	23.435.00		30.226.00	54.112.00
2.5 CRD (MY.2001)		104	141	02/01 > 12/01	25.053.00	26.013.00	30.226.00	54.112.00

...CHRYSLER - cars/auto

2.5 CRD (MY.2002)		104	141	01/02 >	23.249.00	26.013.00	30.226.00	54.112.00
2.5 Turbodiesel	VM			01/96 > 02/01	23.249.00	24.338.00		
2.8 CRD	VM	110	150	06/04 >	23.249.00	24.H2O.08	30.226.00	54.112.00
2.8 CRD DPF (RT)		120	163	06/07 >		24.528.01		53.294.00
3.3 V6		128	174	02/01 >	23.127.00		30.226.00	54.112.00
3.3 V6 F.I. AWD (VIN R)				01/91 >	23.127.00			
3.8 V6		160	218	02/01 >	23.127.00		30.226.00	54.112.00
Grand Voyager (RT)								
2.8 CRD	ENR	120	163	10/07 > 12/08	25.186.00	24.528.01		53.294.00
	ENR	120	163	01/09 >	25.186.00	24.528.01		53.294.00
3.6	ERB	208	283	02/11 > 12/13	25.248.00			53.294.00
	ERB	208	283	01/14 >				53.294.00
3.8 V6		142	193	06/08 >	23.435.00			53.294.00
4.0 Limited	EMM	179	243	07/07 > 12/08	23.435.00			53.294.00
	EMM	179	243	01/09 >	23.519.00			53.294.00
Pacifica								
3.5 V6 AWD SOHC				05/03 > 12/06	23.127.00			54.112.00
3.5 V6 FWD SOHC				05/03 > 12/06	23.127.00			54.112.00
PT Cruiser								
1.6								
with air-conditioner / con climatizzatore	EJD	85	116	03/01 > 08/05	25.034.00		30.593.00	53.122.00
with air-conditioner / con climatizzatore	EJD	85	116	09/05 > 12/10	25.034.00		30.659.00	53.122.00
2.0 16V								
with air-conditioner / con climatizzatore	ECC	104	141	04/00 > 08/05	23.435.00		30.593.00	53.122.00
with air-conditioner / con climatizzatore	ECC	104	141	09/05 > 12/10	23.435.00		30.659.00	53.122.00
2.2 CRD								
with air-conditioner / con climatizzatore	EDJ (OM646)	110	150	08/05 > 12/10	25.054.00			53.122.00
2.2 CRD								
with air-conditioner / con climatizzatore	Mercedes Benz OM664	89	121	02/02 > 12/10	25.054.00		30.600.00	53.122.00
2.4								
with air-conditioner / con climatizzatore	EDZ	105	143	06/00 > 08/05	23.435.00		30.593.00	53.122.00
with air-conditioner / con climatizzatore	EDZ	105	143	09/05 > 12/10	23.435.00		30.659.00	53.122.00
2.4 16V								
with air-conditioner / con climatizzatore	EDZ	110	150	06/00 > 08/05	23.435.00		30.593.00	53.122.00
with air-conditioner / con climatizzatore	EDZ	110	150	09/05 > 12/10	23.435.00		30.659.00	53.122.00
2.4 16V								
with air-conditioner / con climatizzatore	EDZ	112	152	02/04 > 08/05	23.435.00		30.593.00	53.122.00
with air-conditioner / con climatizzatore	EDZ	112	152	09/05 > 03/08	23.435.00		30.659.00	53.122.00
PT Cruiser Cabrio								
2.4 16V								
with air-conditioner / con climatizzatore	EDZ	105	143	03/04 > 08/05	23.435.00		30.593.00	53.122.00
with air-conditioner / con climatizzatore	EDZ	105	143	09/05 > 12/10	23.435.00		30.659.00	53.122.00
2.4 Turbo GT								
with air-conditioner / con climatizzatore	EDT	169	230	09/04 > 08/05	23.440.00		30.593.00	53.122.00
with air-conditioner / con climatizzatore	EDT	169	230	09/05 > 12/10	23.440.00		30.659.00	53.122.00
2.4 Turbo GT								
with air-conditioner / con climatizzatore	EDV	164	223	07/03 > 07/05	23.440.00		30.593.00	53.122.00
Sebring								
2.0 16V (JR)	ECC	104	141	02/01 > 02/07	23.435.00		27.C09.00	
2.5 V6 F.I. (VIN N)	EEB			01/96 > 12/00	23.127.00		30.230.00	
2.7 V6 24V (JR)				04/01 > 02/07	23.127.00		27.C09.00	
				03/07 > 10/07	23.127.00			53.150.00
with activated carbons / ai carboni attivi				03/07 > 10/07				54.275.00
antibacterial, anti-odour and anti-allergen filter / filtro antibatterico, antiodori e anti-allergeni				03/07 > 10/07				34.275.00
Sebring Convertible								
2.0 CRD		103	140	03/07 > 12/10	25.023.00	24.030.00		53.150.00
with activated carbons / ai carboni attivi		103	140	03/07 > 12/10				54.275.00
antibacterial, anti-odour and anti-allergen filter / filtro antibatterico, antiodori e anti-allergeni		103	140	03/07 > 12/07				34.275.00
2.5 V6 F.I. (VIN H)				01/96 > 12/00	23.127.00			
2.7 V6		137	186	11/07 > 12/10				53.150.00
with activated carbons / ai carboni attivi		137	186	11/07 > 12/10				54.275.00
antibacterial, anti-odour and anti-allergen filter / filtro antibatterico, antiodori e anti-allergeni		137	186	11/07 > 12/10				34.275.00
2.7 V6 F.I. (VIN R)				04/01 > 10/07	23.127.00			
2.7 V6 F.I. (VIN T)				01/03 > 10/07	23.127.00			
Sebring Coupè								
2.4 F.I. (VIN G)				01/01 > 12/05	23.265.00		30.230.00	
TC (Maserati)								

...CHRYSLER - cars/auto

2.2 Turbo F.I. (VIN C)				04/01 >	23.127.00				
Town & Country									
3.3 V6 F.I. (VIN R)				01/00 > 12/00	23.127.00		30.851.00	54.112.00	
				01/01 > 12/06	23.127.00		30.226.00	54.112.00	
3.8 V6 F.I. (VIN L)				01/00 > 12/00	23.127.00		30.851.00	54.112.00	
				01/01 > 12/06	23.127.00		30.226.00	54.112.00	
Voyager									
2.4 16V (VIN B)				108 147	02/01 >	23.435.00		30.226.00	
with R.H.D. / con guida a destra				108 147	02/01 > 12/07			54.295.00	
2.5 CRD (MY.2001)				104 141	02/01 > 12/01	25.053.00	26.013.00	30.226.00	
with R.H.D. / con guida a destra				104 141	02/01 > 12/01			54.295.00	
2.5 CRD (MY.2002)				105 143	01/02 >	23.249.00	26.013.00	30.226.00	
with R.H.D. / con guida a destra				105 143	01/02 > 12/07			54.295.00	
2.5 Turbodiesel				VM	01/96 > 02/01	23.249.00	24.338.00		
2.8 CRD				VM	06/04 >	23.249.00	24.H2O.08	30.226.00	
with R.H.D. / con guida a destra				VM	06/04 > 12/07			54.295.00	
3.3 V6 F.I. AWD (VIN G)					02/01 > 12/01	23.127.00		30.226.00	
with R.H.D. / con guida a destra					02/01 > 12/01			54.295.00	
3.3 V6 F.I. AWD (VIN R)					01/97 > 02/01	23.127.00			
					02/01 > 12/01	23.127.00		30.226.00	
with R.H.D. / con guida a destra					02/01 > 12/01			54.295.00	
3.8 V6 F.I. (VIN L)					01/97 > 02/01	23.127.00			
					02/01 > 12/07	23.127.00		30.226.00	
with R.H.D. / con guida a destra					02/01 > 12/07			54.295.00	
Ypsilon									
0.9 TwinAir Turbo 85				312A2000	63 86	05/11 >	25.128.00		30.376.00
with activated carbons / ai carboni attivi				312A2000	63 86	05/11 >			54.248.00
antibacterial, anti-odour and anti-allergen filter / filtro antibatterico, antiodori e anti-allergeni				312A2000	63 86	05/11 >			34.248.00
1.2 8V				169A4000	51 69	05/11 >	23.438.00		30.301.00
with activated carbons / ai carboni attivi				169A4000	51 69	05/11 >			54.248.00
antibacterial, anti-odour and anti-allergen filter / filtro antibatterico, antiodori e anti-allergeni				169A4000	51 69	05/11 >			34.248.00
1.3 Multijet 16V				199B1000	70 95	05/11 >	25.061.00		30.477.00
with activated carbons / ai carboni attivi				199B1000	70 95	05/11 >			54.248.00
with fuel oil heater / con riscaldatore nafta				199B1000	70 95	11/11 >		26.052.00	
antibacterial, anti-odour and anti-allergen filter / filtro antibatterico, antiodori e anti-allergeni				199B1000	70 95	05/11 >			34.248.00
without fuel oil heater / senza riscaldatore nafta				199B1000	70 95	05/11 >		24.ONE.01	
CITROEN cars/auto									
2CV 6									
2 CV 6 Charleston						07/80 >	23.105.00		27.059.00
2 CV 6 Club						04/77 >	23.105.00		27.059.00
2 CV 6 France 3						07/80 >	23.105.00		27.059.00
2 CV 6 Special						04/77 >	23.105.00		27.059.00
2 CV 6 Special E						07/80 >	23.105.00		27.059.00
Ami 6									
0.6 (602)				AM2		03/68 >	23.105.00		
0.6 (602)				AM2B		03/68 >	23.105.00		
AX									
14 i cat (Monopoint)						01/93 >		31.510.00	
from engine No. 5902 / da motore N. 5902						07/94 >	23.293.00	31.510.00	27.196.00
from engine No. 6445 / da motore N. 6445									
15 D				TUD5		07/95 >	23.293.00		27.252.00
assembly DELPHI / montaggio DELPHI				TUD5		01/94 >		24.350.02	
assembly DELPHI / montaggio DELPHI				TUD5		01/94 >		24.383.00	
assembly PURFLUX / montaggio PURFLUX				TUD5		01/94 >		24.384.00	
Berlingo I									
1.4 i						07/96 > 12/00	23.293.00	31.710.00	27.196.00
with air-conditioner / con climatizzatore				TU3-2		01/01 > 12/02	23.293.00	31.710.00	27.196.00
with activated carbon air-conditioner / con climatizzatore, ai carboni attivi				TU3-2		07/96 > 12/00			54.235.00
with activated carbon air-conditioner / con climatizzatore, ai carboni attivi				TU3-2		01/01 > 12/02			54.282.00
with plastic filter / con filtro in plastica				TU3-2		07/96 > 12/02		31.948.00	
antibacterial, anti-odour and anti-allergen filter with air-conditioner / filtro antibatterico, antiodori e anti-allergeni con climatizzatore				TU3-2		01/01 > 12/02			34.282.00
1.4 i Multipoint						07/96 > 09/00	23.293.00	31.710.00	27.258.00
with air-conditioner / con climatizzatore				TU3JP		10/00 > 12/00	25.032.00	31.710.00	27.258.00
with air-conditioner / con climatizzatore				TU3JP		01/01 > 12/02	25.032.00	31.710.00	27.258.00
with air-conditioner / con climatizzatore				TU3JP					53.039.00

...CITROEN - cars/auto

with activated carbon air-conditioner / con climatizzatore, ai carboni attivi	TU3JP	55	75	07/96	>	12/00				54.235.00
with activated carbon air-conditioner / con climatizzatore, ai carboni attivi	TU3JP	55	75	01/01	>	12/02				54.282.00
with plastic filter / con filtro in plastica	TU3JP	55	75	07/96	>	12/02		31.948.00		
antibacterial, anti-odour and anti-allergen filter with air-conditioner / filtro antibatterico, antiodori e anti-allergeni con climatizzatore	TU3JP	55	75	01/01	>	12/02				34.282.00
1.6 i 16S										
with air-conditioner / con climatizzatore	TU5JP4	80	109	11/00	>	12/00	25.032.00	31.710.00	30.152.00	53.021.00
with air-conditioner / con climatizzatore	TU5JP4	80	109	01/01	>	12/02	25.032.00	31.710.00	30.152.00	53.039.00
with activated carbon air-conditioner / con climatizzatore, ai carboni attivi	TU5JP4	80	109	11/00	>	12/00				54.235.00
with activated carbon air-conditioner / con climatizzatore, ai carboni attivi	TU5JP4	80	109	01/01	>	12/02				54.282.00
with plastic filter / con filtro in plastica	TU5JP4	80	109	11/00	>	12/02		31.948.00		
antibacterial, anti-odour and anti-allergen filter with air-conditioner / filtro antibatterico, antiodori e anti-allergeni con climatizzatore	TU5JP4	80	109	01/01	>	12/02				34.282.00
1.6 i 16V										
with air-conditioner / con climatizzatore	TU5JP4	80	109	11/00	>	12/00	25.032.00	31.710.00	30.152.00	53.021.00
with air-conditioner / con climatizzatore	TU5JP4	80	109	01/01	>	12/02	25.032.00	31.710.00	30.152.00	53.039.00
with activated carbon air-conditioner / con climatizzatore, ai carboni attivi	TU5JP4	80	109	11/00	>	12/00				54.235.00
with activated carbon air-conditioner / con climatizzatore, ai carboni attivi	TU5JP4	80	109	01/01	>	12/02				54.282.00
with plastic filter / con filtro in plastica	TU5JP4	80	109	11/00	>	12/02		31.948.00		
antibacterial, anti-odour and anti-allergen filter with air-conditioner / filtro antibatterico, antiodori e anti-allergeni con climatizzatore	TU5JP4	80	109	01/01	>	12/02				34.282.00
1.8 i										
with air-conditioner / con climatizzatore	XU7JB	66	90	06/97	>	12/00	23.293.00	31.710.00	30.021.00	53.021.00
with air-conditioner / con climatizzatore	XU7JB	66	90	01/01	>	12/02	23.293.00	31.710.00	30.021.00	53.039.00
with activated carbon air-conditioner / con climatizzatore, ai carboni attivi	XU7JB	66	90	06/97	>	12/00				54.235.00
with activated carbon air-conditioner / con climatizzatore, ai carboni attivi	XU7JB	66	90	01/01	>	12/02				54.282.00
with plastic filter / con filtro in plastica	XU7JB	66	90	06/97	>	12/02		31.948.00		
antibacterial, anti-odour and anti-allergen filter with air-conditioner / filtro antibatterico, antiodori e anti-allergeni con climatizzatore	XU7JB	66	90	01/01	>	12/02				34.282.00
1.9 Diesel										
with air-conditioner / con climatizzatore	DW8 (1868)	51	70	01/98	>	12/00	23.439.00	26.688.00	27.271.00	53.021.00
with air-conditioner / con climatizzatore	DW8 (1868)	51	70	01/01	>	12/02	23.439.00	26.688.00	27.271.00	53.039.00
with activated carbon air-conditioner / con climatizzatore, ai carboni attivi	DW8 (1868)	51	70	01/98	>	12/00				54.235.00
with activated carbon air-conditioner / con climatizzatore, ai carboni attivi	DW8 (1868)	51	70	01/01	>	12/02				54.282.00
antibacterial, anti-odour and anti-allergen filter with air-conditioner / filtro antibatterico, antiodori e anti-allergeni con climatizzatore	DW8 (1868)	51	70	01/01	>	12/02				34.282.00
1.9 Diesel										
with air-conditioner / con climatizzatore	DW8B (1868)	51	70	01/01	>	12/02	23.439.00	26.688.00	27.403.00	53.039.00
with activated carbon air-conditioner / con climatizzatore, ai carboni attivi	DW8B (1868)	51	70	01/01	>	12/02				54.282.00
antibacterial, anti-odour and anti-allergen filter with air-conditioner / filtro antibatterico, antiodori e anti-allergeni con climatizzatore	DW8B (1868)	51	70	01/01	>	12/02				34.282.00
1.9 Diesel										
with air-conditioner / con climatizzatore	XUD9 (1905)	50	68	07/96	>	12/00	23.293.00			53.021.00
with air-conditioner / con climatizzatore	XUD9 (1905)	50	68	01/01	>	12/02	23.293.00			53.039.00
with activated carbon air-conditioner / con climatizzatore, ai carboni attivi	XUD9 (1905)	50	68	07/96	>	12/00				54.235.00
with activated carbon air-conditioner / con climatizzatore, ai carboni attivi	XUD9 (1905)	50	68	01/01	>	12/02				54.282.00
antibacterial, anti-odour and anti-allergen filter with air-conditioner / filtro antibatterico, antiodori e anti-allergeni con climatizzatore	XUD9 (1905)	50	68	01/01	>	12/02				34.282.00
assembly DELPHI / montaggio DELPHI	XUD9 (1905)	50	68	11/96	>	12/02	23.293.00	24.390.00	27.271.00	
assembly PURFLUX / montaggio PURFLUX	XUD9 (1905)	50	68	11/96	>	12/02	23.293.00	26.676.00	27.271.00	
2.0 HDI										
with air-conditioner / con climatizzatore	DW10TD	66	90	09/99	>	12/00	23.439.00		30.144.00	53.021.00
with air-conditioner / con climatizzatore	DW10TD	66	90	01/01	>	12/02	23.439.00		30.144.00	53.039.00
with activated carbon air-conditioner / con climatizzatore, ai carboni attivi	DW10TD	66	90	09/99	>	12/00				54.235.00
with activated carbon air-conditioner / con climatizzatore, ai carboni attivi	DW10TD	66	90	01/01	>	12/02				54.282.00
antibacterial, anti-odour and anti-allergen filter with air-conditioner / filtro antibatterico, antiodori e anti-allergeni con climatizzatore	DW10TD	66	90	01/01	>	12/02				34.282.00
assembly BOSCH / montaggio BOSCH	DW10TD	66	90	09/99	>	12/02	23.439.00	26.691.00	30.144.00	
assembly SIEMENS / montaggio SIEMENS	DW10TD	66	90	04/01	>	12/02	23.439.00	26.003.00	30.144.00	
dusty areas / zone polverose	DW10TD	66	90	09/99	>	12/02	23.439.00		30.157.00	
electrique										
with air-conditioner / con climatizzatore		16	22	01/00	>	12/00	✗	✗	✗	53.021.00
with air-conditioner / con climatizzatore		16	22	01/01	>	12/02	✗	✗	✗	53.039.00
with activated carbon air-conditioner / con climatizzatore, ai carboni attivi		16	22	01/00	>	12/00				54.235.00
with activated carbon air-conditioner / con climatizzatore, ai carboni attivi		16	22	01/01	>	12/02				54.282.00
antibacterial, anti-odour and anti-allergen filter with air-conditioner / filtro antibatterico, antiodori e anti-allergeni con climatizzatore		16	22	01/01	>	12/02				34.282.00
Berlingo I Rest.										
1.1 i										
with air-conditioner and R.H.D. / con climatizzatore e guida a destra	TU1JP	44	60	11/02	>	03/10	25.032.00	31.710.00	30.185.00	53.021.00
with air-conditioner and R.H.D. with activated carbons / con climatizzatore e guida a destra ai carboni attivi	TU1JP	44	60	11/02	>	03/10				54.235.00
with air-conditioner and L.H.D. / con climatizzatore e guida a sinistra	TU1JP	44	60	11/02	>	03/10	25.032.00	31.710.00	30.185.00	53.039.00
with air-conditioner and L.H.D. with activated carbons / con climatizzatore e guida a sinistra ai carboni attivi	TU1JP	44	60	11/02	>	03/10				54.282.00
with plastic filter / con filtro in plastica	TU1JP	44	60	11/02	>	03/10		31.948.00		
antibacterial, anti-odour and anti-allergen filter with air-conditioner and L.H.D. / filtro antibatterico, antiodori e anti-allergeni con climatizzatore e guida a sinistra	TU1JP	44	60	11/02	>	03/10				34.282.00
1.4 GPL										

...CITROEN - cars/auto

with air-conditioner and R.H.D. with activated carbons / con climatizzatore e guida a destra ai carboni attivi	27	37	11/04	>	03/10				54.235.00	
with air-conditioner and L.H.D. / con climatizzatore e guida a sinistra	27	37	11/04	>	03/10	×	×	×	53.039.00	
with air-conditioner and L.H.D. with activated carbons / con climatizzatore e guida a sinistra ai carboni attivi	27	37	11/04	>	03/10				54.282.00	
antibacterial, anti-odour and anti-allergen filter with air-conditioner and L.H.D. / filtro antibatterico, antiodori e anti-allergeni con climatizzatore e guida a sinistra	27	37	11/04	>	03/10				34.282.00	
Berlingo II										
1.2 PureTech 110										
with automatic air-conditioner / con climatizzatore automatico	EB2DT	81	110	03/16	>	23.439.00		∞	30.718.00	54.172.00
with manual air-conditioner / con climatizzatore manuale	EB2DT	81	110	03/16	>	23.439.00		∞	30.718.00	53.154.00
antibacterial, anti-odour and anti-allergen filter with automatic air-conditioner / filtro antibatterico, antiodori e anti-allergeni con climatizzatore automatico	EB2DT	81	110	03/16	>					34.172.00
for vehicles with external fuel filter / per veicoli con filtro carburante esterno	EB2DT	81	110	03/16	>			31.948.00		
1.6 16V										
with automatic air-conditioner / con climatizzatore automatico	TU5JP4	80	109	04/08	>	25.060.00		∞	30.260.00	54.172.00
with manual air-conditioner / con climatizzatore manuale	TU5JP4	80	109	04/08	>	25.060.00		∞	30.260.00	53.154.00
antibacterial, anti-odour and anti-allergen filter with automatic air-conditioner / filtro antibatterico, antiodori e anti-allergeni con climatizzatore automatico	TU5JP4	80	109	04/08	>					34.172.00
for vehicles with external fuel filter with plastic filter / per veicoli con filtro carburante esterno con filtro in plastica	TU5JP4	80	109	04/08	>			31.948.00		
1.6 16V										
with automatic air-conditioner / con climatizzatore automatico	TU5JP4B	66	90	04/08	>	25.060.00		∞	30.260.00	54.172.00
with manual air-conditioner / con climatizzatore manuale	TU5JP4B	66	90	04/08	>	25.060.00		∞	30.260.00	53.154.00
antibacterial, anti-odour and anti-allergen filter with automatic air-conditioner / filtro antibatterico, antiodori e anti-allergeni con climatizzatore automatico	TU5JP4B	66	90	04/08	>					34.172.00
for vehicles with external fuel filter with plastic filter / per veicoli con filtro carburante esterno con filtro in plastica	TU5JP4B	66	90	04/08	>			31.948.00		
1.6 BlueHDI 100										
with automatic air-conditioner / con climatizzatore automatico	DV6FD	73	99	02/15	>	25.187.00	26.104.00		30.648.00	54.172.00
with manual air-conditioner / con climatizzatore manuale	DV6FD	73	99	02/15	>	25.187.00	26.104.00		30.648.00	53.154.00
antibacterial, anti-odour and anti-allergen filter with automatic air-conditioner / filtro antibatterico, antiodori e anti-allergeni con climatizzatore automatico	DV6FD	73	99	02/15	>					34.172.00
1.6 BlueHDI 120										
with automatic air-conditioner / con climatizzatore automatico	DV6FD	88	120	02/15	>	25.187.00	26.104.00		30.648.00	54.172.00
with manual air-conditioner / con climatizzatore manuale	DV6FD	88	120	02/15	>	25.187.00	26.104.00		30.648.00	53.154.00
antibacterial, anti-odour and anti-allergen filter with automatic air-conditioner / filtro antibatterico, antiodori e anti-allergeni con climatizzatore automatico	DV6FD	88	120	02/15	>					34.172.00
1.6 BlueHDI 75										
with automatic air-conditioner / con climatizzatore automatico	DV6FE	55	75	02/15	>	25.187.00	26.104.00		30.648.00	54.172.00
with manual air-conditioner / con climatizzatore manuale	DV6FE	55	75	02/15	>	25.187.00	26.104.00		30.648.00	53.154.00
antibacterial, anti-odour and anti-allergen filter with automatic air-conditioner / filtro antibatterico, antiodori e anti-allergeni con climatizzatore automatico	DV6FE	55	75	02/15	>					34.172.00
1.6 HDI										
with automatic air-conditioner / con climatizzatore automatico	DV6ATED4	66	90	04/08	>	25.037.00	24.027.00		30.210.00	54.172.00
with manual air-conditioner / con climatizzatore manuale	DV6ATED4	66	90	04/08	>	25.037.00	24.027.00		30.210.00	53.154.00
antibacterial, anti-odour and anti-allergen filter with automatic air-conditioner / filtro antibatterico, antiodori e anti-allergeni con climatizzatore automatico	DV6ATED4	66	90	04/08	>					34.172.00
1.6 HDI										
with automatic air-conditioner / con climatizzatore automatico	DV6BTED4	55	75	04/08	>	25.037.00	24.027.00		30.210.00	54.172.00
with manual air-conditioner / con climatizzatore manuale	DV6BTED4	55	75	04/08	>	25.037.00	24.027.00		30.210.00	53.154.00
antibacterial, anti-odour and anti-allergen filter with automatic air-conditioner / filtro antibatterico, antiodori e anti-allergeni con climatizzatore automatico	DV6BTED4	55	75	04/08	>					34.172.00
1.6 HDI 110 FAP										
with automatic air-conditioner / con climatizzatore automatico	DV6C	82	112	03/10	>	25.037.00			30.645.00	54.172.00
with manual air-conditioner / con climatizzatore manuale	DV6C	82	112	03/10	>	25.037.00			30.645.00	53.154.00
antibacterial, anti-odour and anti-allergen filter with automatic air-conditioner / filtro antibatterico, antiodori e anti-allergeni con climatizzatore automatico	DV6C	82	112	03/10	>					34.172.00
spare part only / solo ricambio	DV6C	82	112	03/10	>			24.127.00		
1.6 HDI 75 FAP										
with automatic air-conditioner / con climatizzatore automatico	DV6ETED4	55	75	03/10	>	25.037.00			30.645.00	54.172.00
with manual air-conditioner / con climatizzatore manuale	DV6ETED4	55	75	03/10	>	25.037.00			30.645.00	53.154.00
antibacterial, anti-odour and anti-allergen filter with automatic air-conditioner / filtro antibatterico, antiodori e anti-allergeni con climatizzatore automatico	DV6ETED4	55	75	03/10	>					34.172.00
spare part only / solo ricambio	DV6ETED4	55	75	03/10	>			24.127.00		
1.6 HDI 90 FAP										
with automatic air-conditioner / con climatizzatore automatico	DV6DTED4	68	92	03/10	>	25.037.00			30.645.00	54.172.00
with manual air-conditioner / con climatizzatore manuale	DV6DTED4	68	92	03/10	>	25.037.00			30.645.00	53.154.00
antibacterial, anti-odour and anti-allergen filter with automatic air-conditioner / filtro antibatterico, antiodori e anti-allergeni con climatizzatore automatico	DV6DTED4	68	92	03/10	>					34.172.00
spare part only / solo ricambio	DV6DTED4	68	92	03/10	>			24.127.00		
1.6 HDI FAP										
with automatic air-conditioner / con climatizzatore automatico	DV6TED4	80	109	04/08	>	25.037.00	24.027.00		30.210.00	54.172.00
with manual air-conditioner / con climatizzatore manuale	DV6TED4	80	109	04/08	>	25.037.00	24.027.00		30.210.00	53.154.00
antibacterial, anti-odour and anti-allergen filter with automatic air-conditioner / filtro antibatterico, antiodori e anti-allergeni con climatizzatore automatico	DV6TED4	80	109	04/08	>					34.172.00
1.6 VTi 120										
with automatic air-conditioner / con climatizzatore automatico	EP6C	88	120	11/09	>	25.060.00		∞	30.400.00	54.172.00
with manual air-conditioner / con climatizzatore manuale	EP6C	88	120	11/09	>	25.060.00		∞	30.400.00	53.154.00
antibacterial, anti-odour and anti-allergen filter with automatic air-conditioner / filtro antibatterico, antiodori e anti-allergeni con climatizzatore automatico	EP6C	88	120	11/09	>					34.172.00
for vehicles with external fuel filter / per veicoli con filtro carburante esterno	EP6C	88	120	11/09	>			31.948.00		
1.6 VTi 95										
with automatic air-conditioner / con climatizzatore automatico	EP6CDTR	72	98	08/10	>	25.060.00		∞	30.400.00	54.172.00
with manual air-conditioner / con climatizzatore manuale	EP6CDTR	72	98	08/10	>	25.060.00		∞	30.400.00	53.154.00

...CITROEN - cars/auto

antibacterial, anti-odour and anti-allergen filter with automatic air-conditioner / filtro antibatterico, antiodori e anti-allergeni con climatizzatore automatico	EP6CDTR	72	98	08/10	>				34.172.00	
for vehicles with external fuel filter / per veicoli con filtro carburante esterno	EP6CDTR	72	98	08/10	>		31.948.00			
Electric										
with automatic air-conditioner / con climatizzatore automatico		42	57	02/13	>	×	×	×	54.172.00	
with manual air-conditioner / con climatizzatore manuale		42	57	02/13	>	×	×	×	53.154.00	
antibacterial, anti-odour and anti-allergen filter with automatic air-conditioner / filtro antibatterico, antiodori e anti-allergeni con climatizzatore automatico		42	57	02/13	>				34.172.00	
Electric										
with automatic air-conditioner / con climatizzatore automatico		49	67	07/14	>	×	×	×	54.172.00	
with manual air-conditioner / con climatizzatore manuale		49	67	07/14	>	×	×	×	53.154.00	
antibacterial, anti-odour and anti-allergen filter with automatic air-conditioner / filtro antibatterico, antiodori e anti-allergeni con climatizzatore automatico		49	67	07/14	>				34.172.00	
Berlingo III (K9)										
1.2 PureTech 110	EB2ADT	81	110	08/18	>		23.439.00	∞	30.718.00	53.154.00
with activated carbons / ai carboni attivi	EB2ADT	81	110	08/18	>					54.172.00
antibacterial, anti-odour and anti-allergen filter / filtro antibatterico, antiodori e anti-allergeni	EB2ADT	81	110	08/18	>					34.172.00
for vehicles with external fuel filter / per veicoli con filtro carburante esterno	EB2ADT	81	110	08/18	>			31.948.00		
1.2 PureTech 130	EB2ADTS	96	130	08/18	>		23.439.00	∞	30.718.00	53.154.00
with activated carbons / ai carboni attivi	EB2ADTS	96	130	08/18	>					54.172.00
antibacterial, anti-odour and anti-allergen filter / filtro antibatterico, antiodori e anti-allergeni	EB2ADTS	96	130	08/18	>					34.172.00
for vehicles with external fuel filter / per veicoli con filtro carburante esterno	EB2ADTS	96	130	08/18	>			31.948.00		
1.5 BlueHDI 100	DV5RD	73	99	08/18	>		25.216.00			53.154.00
with activated carbons / ai carboni attivi	DV5RD	73	99	08/18	>					54.172.00
antibacterial, anti-odour and anti-allergen filter / filtro antibatterico, antiodori e anti-allergeni	DV5RD	73	99	08/18	>					34.172.00
1.5 BlueHDI 130	DV5RC	96	130	08/18	>		25.216.00			53.154.00
with activated carbons / ai carboni attivi	DV5RC	96	130	08/18	>					54.172.00
antibacterial, anti-odour and anti-allergen filter / filtro antibatterico, antiodori e anti-allergeni	DV5RC	96	130	08/18	>					34.172.00
1.5 BlueHDI 75	DV5RE	55	75	08/18	>		25.216.00			53.154.00
with activated carbons / ai carboni attivi	DV5RE	55	75	08/18	>					54.172.00
antibacterial, anti-odour and anti-allergen filter / filtro antibatterico, antiodori e anti-allergeni	DV5RE	55	75	08/18	>					34.172.00
1.6 BlueHDI 100	DV6FD	73	99	09/18	>		25.187.00	26.104.00	30.648.00	53.154.00
with activated carbons / ai carboni attivi	DV6FD	73	99	09/18	>					54.172.00
antibacterial, anti-odour and anti-allergen filter / filtro antibatterico, antiodori e anti-allergeni	DV6FD	73	99	09/18	>					34.172.00
1.6 BlueHDI 75	DV6FE	55	75	06/18	>		25.187.00	26.104.00	30.648.00	53.154.00
with activated carbons / ai carboni attivi	DV6FE	55	75	06/18	>					54.172.00
antibacterial, anti-odour and anti-allergen filter / filtro antibatterico, antiodori e anti-allergeni	DV6FE	55	75	06/18	>					34.172.00
C-Crosser										
2.0		108	147	11/10	>		23.265.00			53.218.00
with activated carbons / ai carboni attivi		108	147	11/10	>					54.167.00
antibacterial, anti-odour and anti-allergen filter / filtro antibatterico, antiodori e anti-allergeni		108	147	11/10	>					34.167.00
2.2 HDI FAP	DW12BTED4	115	156	02/07	> 06/08		25.060.00	24.156.00	30.533.00	53.218.00
	DW12BTED4	115	156	07/08	>		25.060.00		30.533.00	53.218.00
with activated carbons / ai carboni attivi	DW12BTED4	115	156	02/07	>					54.167.00
antibacterial, anti-odour and anti-allergen filter / filtro antibatterico, antiodori e anti-allergeni	DW12BTED4	115	156	02/07	>					34.167.00
dusty areas / zone polverose	DW12BTED4	115	156	02/07	>				30.539.00	
2.4		125	170	02/07	>		23.265.00		30.533.00	53.218.00
with activated carbons / ai carboni attivi		125	170	02/07	>					54.167.00
antibacterial, anti-odour and anti-allergen filter / filtro antibatterico, antiodori e anti-allergeni		125	170	02/07	>					34.167.00
C-Elysée										
1.2 VTi 72	EB2	53	72	11/12	>		23.439.00	∞	30.638.00	53.313.00
for vehicles with external fuel filter / per veicoli con filtro carburante esterno	EB2	53	72	11/12	>			31.948.00		
1.2 VTi 82	EB2	60	82	12/14	>		23.439.00	∞	30.638.00	53.313.00
for vehicles with external fuel filter / per veicoli con filtro carburante esterno	EB2	60	82	12/14	>			31.948.00		
1.5 BlueHDI 100	DV5RD	74	101	07/18	>		25.216.00			53.313.00
1.6 HDI 100	DV6FD	73	99	11/14	>		25.187.00	26.104.00	30.648.00	53.313.00
1.6 HDI 92	DV6DTED	68	92	11/12	>		25.037.00	24.127.00	30.645.00	53.313.00
1.6 VTi	EC5	85	115	11/12	>		25.060.00	∞	30.186.00	53.313.00
for vehicles with external fuel filter / per veicoli con filtro carburante esterno	EC5	85	115	11/12	>			31.948.00		
C-Zero										
Electric		47	64	12/10	>		×	×	×	
with air-conditioner / con climatizzatore		47	64	12/10	>					54.286.00
C1										
1.0										
with air-conditioner / con climatizzatore	1KR	50	68	06/05	> 04/14		23.263.00		30.175.00	53.132.00
with activated carbon air-conditioner / con climatizzatore, ai carboni attivi	1KR	50	68	06/05	> 04/14					54.265.00
antibacterial, anti-odour and anti-allergen filter with air-conditioner / filtro antibatterico, antiodori e anti-allergeni con climatizzatore	1KR	50	68	06/05	> 04/14					34.265.00
1.4 HDI										
to series No. OPR10633 / a serie N. OPR10633	DV4TD	40	54	06/05	>			24.343.00		
with air-conditioner / con climatizzatore	DV4TD	40	54	06/05	> 04/14		25.037.00		30.311.00	53.132.00

...CITROEN - cars/auto

with activated carbon air-conditioner / con climatizzatore, ai carboni attivi from series No. OPR10634 / da serie N. OPR10634	DV4TD	40	54	06/05 > 04/14				54.265.00
antibacterial, anti-odour and anti-allergen filter with air-conditioner / filtro antibatterico, antiodori e anti-allergeni con climatizzatore	DV4TD	40	54	> 04/14		24.015.00		
	DV4TD	40	54	06/05 > 04/14				34.265.00
C1 II (B4)								
1.0 VTI 68	384F	51	69	05/14 >		23.263.00		30.603.00
with air-conditioner / con climatizzatore	384F	51	69	05/14 >				53.299.00
1.2 VTI 82	EB2	60	82	05/14 >		23.439.00		30.693.00
with air-conditioner / con climatizzatore	EB2	60	82	05/14 >				53.299.00
C2								
1.1 i								
to engine No. 4413114 / a motore N. 4413114	TU1JP	44	60	09/03 > 12/03	25.032.00	31.710.00	30.185.00	
with automatic air-conditioner / con climatizzatore automatico	TU1JP	44	60	09/03 > 05/10		31.710.00	30.185.00	54.111.00
with manual air-conditioner / con climatizzatore manuale	TU1JP	44	60	09/03 > 05/10		31.710.00	30.185.00	53.038.00
with plastic filter / con filtro in plastica	TU1JP	44	60	09/03 > 05/10		31.948.00		
from engine No. 4413115 / da motore N. 4413115	TU1JP	44	60	01/04 > 05/10	25.060.00	31.710.00	30.185.00	
antibacterial, anti-odour and anti-allergen filter / filtro antibatterico, antiodori e anti-allergeni	TU1JP	44	60	09/03 > 05/10				34.111.00
dusty areas / zone polverose	TU1JP	44	60	09/03 > 05/10		31.710.00		53.038.00
1.4 16V								
with automatic air-conditioner / con climatizzatore automatico	ET3J4	65	88	06/06 > 05/10	25.060.00	31.710.00	30.185.00	54.111.00
with manual air-conditioner / con climatizzatore manuale	ET3J4	65	88	06/06 > 05/10	25.060.00	31.710.00	30.185.00	53.038.00
with plastic filter / con filtro in plastica	ET3J4	65	88	06/06 > 05/10		31.948.00		
antibacterial, anti-odour and anti-allergen filter / filtro antibatterico, antiodori e anti-allergeni	ET3J4	65	88	06/06 > 05/10				34.111.00
dusty areas / zone polverose	ET3J4	65	88	06/06 > 05/10			30.186.00	
1.4 HDI								
to series No. OPR10633 / a serie N. OPR10633	DV4TD	50	68	09/03 >		24.343.00		
with automatic air-conditioner / con climatizzatore automatico	DV4TD	50	68	09/03 > 05/10	25.037.00		30.153.00	54.111.00
with manual air-conditioner / con climatizzatore manuale	DV4TD	50	68	09/03 > 05/10	25.037.00		30.153.00	53.038.00
from series No. OPR10634 / da serie N. OPR10634	DV4TD	50	68	> 05/10		24.015.00		
antibacterial, anti-odour and anti-allergen filter / filtro antibatterico, antiodori e anti-allergeni	DV4TD	50	68	09/03 > 05/10				34.111.00
dusty areas / zone polverose	DV4TD	50	68	09/03 > 05/10			30.311.00	
1.4 i								
to engine No. 4717577 / a motore N. 4717577	TU3JP	54	73	09/03 > 12/03	25.032.00	31.710.00	30.185.00	
with automatic air-conditioner / con climatizzatore automatico	TU3JP	54	73	09/03 > 05/10		31.710.00	30.185.00	54.111.00
with manual air-conditioner / con climatizzatore manuale	TU3JP	54	73	09/03 > 05/10		31.710.00	30.185.00	53.038.00
with plastic filter / con filtro in plastica	TU3JP	54	73	09/03 > 05/10		31.948.00		
from engine No. 4717578 / da motore N. 4717578	TU3JP	54	73	01/04 > 05/10	25.060.00	31.710.00	30.185.00	
antibacterial, anti-odour and anti-allergen filter / filtro antibatterico, antiodori e anti-allergeni	TU3JP	54	73	09/03 > 05/10				34.111.00
dusty areas / zone polverose	TU3JP	54	73	09/03 > 05/10			30.186.00	
1.6 HDI 16V FAP								
with automatic air-conditioner / con climatizzatore automatico	DV6TED4	80	109	09/05 > 05/10	25.037.00	24.027.00	30.210.00	54.111.00
with manual air-conditioner / con climatizzatore manuale	DV6TED4	80	109	09/05 > 05/10	25.037.00	24.027.00	30.210.00	53.038.00
antibacterial, anti-odour and anti-allergen filter / filtro antibatterico, antiodori e anti-allergeni	DV6TED4	80	109	09/05 > 05/10				34.111.00
1.6 i 16V								
with automatic air-conditioner / con climatizzatore automatico	TU5JP4	80	109	09/03 > 05/04	25.032.00	31.710.00	30.186.00	54.111.00
with automatic air-conditioner / con climatizzatore automatico	TU5JP4	80	109	06/04 > 05/10	25.060.00	31.710.00	30.186.00	54.111.00
with manual air-conditioner / con climatizzatore manuale	TU5JP4	80	109	09/03 > 05/04	25.032.00	31.710.00	30.186.00	53.038.00
with manual air-conditioner / con climatizzatore manuale	TU5JP4	80	109	06/04 > 05/10	25.060.00	31.710.00	30.186.00	53.038.00
with plastic filter / con filtro in plastica	TU5JP4	80	109	09/03 > 05/10		31.948.00		
antibacterial, anti-odour and anti-allergen filter / filtro antibatterico, antiodori e anti-allergeni	TU5JP4	80	109	09/03 > 05/10				34.111.00
dusty areas / zone polverose	TU5JP4	80	109	09/03 > 05/10		31.710.00		
1.6 i 16V VTS								
with automatic air-conditioner / con climatizzatore automatico	TU5JP4S	90	122	10/04 > 05/10	25.060.00	31.710.00	30.186.00	54.111.00
with manual air-conditioner / con climatizzatore manuale	TU5JP4S	90	122	10/04 > 05/10	25.060.00	31.710.00	30.186.00	53.038.00
with plastic filter / con filtro in plastica	TU5JP4S	90	122	10/04 > 05/10		31.948.00		
antibacterial, anti-odour and anti-allergen filter / filtro antibatterico, antiodori e anti-allergeni	TU5JP4S	90	122	10/04 > 05/10				34.111.00
dusty areas / zone polverose	TU5JP4S	90	122	10/04 > 05/10	25.060.00	31.710.00		
C3								
1.1 i								
to engine No. 4413114 / a motore N. 4413114	TU1JP	44	60	09/01 > 12/03	25.032.00	31.710.00	30.185.00	
with automatic air-conditioner / con climatizzatore automatico	TU1JP	44	60	09/01 > 12/09		31.710.00	30.185.00	54.111.00
with manual air-conditioner / con climatizzatore manuale	TU1JP	44	60	09/01 > 12/09		31.710.00	30.185.00	53.038.00
with plastic filter / con filtro in plastica	TU1JP	44	60	09/01 > 12/09		31.948.00		
from engine No. 4413115 / da motore N. 4413115	TU1JP	44	60	01/04 > 12/09	25.060.00	31.710.00	30.185.00	
antibacterial, anti-odour and anti-allergen filter / filtro antibatterico, antiodori e anti-allergeni	TU1JP	44	60	09/01 > 12/09				34.111.00
dusty areas / zone polverose	TU1JP	44	60	09/01 > 12/09		31.710.00		
1.4 Bi-Energy G								
with automatic air-conditioner / con climatizzatore automatico	TU3JP	53	72	02/02 > 12/03	25.032.00	31.710.00	30.185.00	54.111.00

...CITROEN - cars/auto

with automatic air-conditioner / con climatizzatore automatico	TU3JP	53	72	01/04 >	12/09	25.060.00	31.710.00	30.185.00	54.111.00
with manual air-conditioner / con climatizzatore manuale	TU3JP	53	72	02/02 >	12/03	25.032.00	31.710.00	30.185.00	53.038.00
with manual air-conditioner / con climatizzatore manuale	TU3JP	53	72	01/04 >	12/09	25.060.00	31.710.00	30.185.00	53.038.00
with plastic filter / con filtro in plastica	TU3JP	53	72	02/02 >	12/09		31.948.00		
antibacterial, anti-odour and anti-allergen filter / filtro antibatterico, antiodori e anti-allergeni	TU3JP	53	72	02/02 >	12/09				34.111.00
dusty areas / zone polverose	TU3JP	53	72	02/02 >	12/03	25.032.00	31.710.00		
dusty areas / zone polverose	TU3JP	53	72	01/04 >	12/09	25.060.00	31.710.00		
1.4 Bi-Energy M									
with automatic air-conditioner / con climatizzatore automatico	TU3JP	53	72	02/02 >	12/03	25.032.00	31.710.00	30.185.00	54.111.00
with automatic air-conditioner / con climatizzatore automatico	TU3JP	53	72	01/04 >	12/09	25.060.00	31.710.00	30.185.00	54.111.00
with manual air-conditioner / con climatizzatore manuale	TU3JP	53	72	02/02 >	12/03	25.032.00	31.710.00	30.185.00	53.038.00
with manual air-conditioner / con climatizzatore manuale	TU3JP	53	72	01/04 >	12/09	25.060.00	31.710.00	30.185.00	53.038.00
with plastic filter / con filtro in plastica	TU3JP	53	72	02/02 >	12/09		31.948.00		
antibacterial, anti-odour and anti-allergen filter / filtro antibatterico, antiodori e anti-allergeni	TU3JP	53	72	02/02 >	12/09				34.111.00
dusty areas / zone polverose	TU3JP	53	72	02/02 >	12/03	25.032.00	31.710.00		
dusty areas / zone polverose	TU3JP	53	72	01/04 >	12/09	25.060.00	31.710.00		
1.4 HDI									
to series No. OPR10633 / a serie N. OPR10633	DV4TD	50	68	09/01 >			24.343.00		
with automatic air-conditioner / con climatizzatore automatico	DV4TD	50	68	09/01 >	12/09	25.037.00		30.153.00	54.111.00
with manual air-conditioner / con climatizzatore manuale	DV4TD	50	68	09/01 >	12/09	25.037.00		30.153.00	53.038.00
from series No. OPR10634 / da serie N. OPR10634	DV4TD	50	68	>	12/09		24.015.00		
antibacterial, anti-odour and anti-allergen filter / filtro antibatterico, antiodori e anti-allergeni	DV4TD	50	68	09/01 >	12/09				34.111.00
dusty areas / zone polverose	DV4TD	50	68	09/01 >	12/09	25.037.00		30.311.00	
1.4 HDI 16V									
with automatic air-conditioner / con climatizzatore automatico	DV4TED	66	90	09/01 >	12/09	25.037.00	24.027.00	30.210.00	54.111.00
with manual air-conditioner / con climatizzatore manuale	DV4TED	66	90	09/01 >	12/09	25.037.00	24.027.00	30.210.00	53.038.00
antibacterial, anti-odour and anti-allergen filter / filtro antibatterico, antiodori e anti-allergeni	DV4TED	66	90	09/01 >	12/09				34.111.00
1.4 i									
to engine No. 4177577 / a motore N. 4177577	TU3JP	54	73	09/01 >	12/03	25.032.00	31.710.00	30.185.00	
with automatic air-conditioner / con climatizzatore automatico	TU3JP	54	73	09/01 >	12/09		31.710.00	30.185.00	54.111.00
with manual air-conditioner / con climatizzatore manuale	TU3JP	54	73	09/01 >	12/09		31.710.00	30.185.00	53.038.00
with plastic filter / con filtro in plastica	TU3JP	54	73	09/01 >	12/09		31.948.00		
from engine No. 4177578 / da motore N. 4177578	TU3JP	54	73	01/04 >	12/09	25.060.00	31.710.00	30.185.00	
antibacterial, anti-odour and anti-allergen filter / filtro antibatterico, antiodori e anti-allergeni	TU3JP	54	73	09/01 >	12/09				34.111.00
dusty areas / zone polverose	TU3JP	54	73	09/01 >	12/09		31.710.00		
1.4 i 16V									
with automatic air-conditioner / con climatizzatore automatico	ET3J4	65	88	12/03 >	12/09	25.060.00	31.710.00	30.185.00	54.111.00
with manual air-conditioner / con climatizzatore manuale	ET3J4	65	88	12/03 >	12/09	25.060.00	31.710.00	30.185.00	53.038.00
with plastic filter / con filtro in plastica	ET3J4	65	88	12/03 >	12/09		31.948.00		
antibacterial, anti-odour and anti-allergen filter / filtro antibatterico, antiodori e anti-allergeni	ET3J4	65	88	12/03 >	12/09				34.111.00
dusty areas / zone polverose	ET3J4	65	88	12/03 >	12/09	25.060.00	31.710.00		
1.4 i 16V									
with automatic air-conditioner / con climatizzatore automatico	TU3JP4	65	88	12/03 >	12/09	25.060.00	31.710.00	30.185.00	54.111.00
with manual air-conditioner / con climatizzatore manuale	TU3JP4	65	88	12/03 >	12/09	25.060.00	31.710.00	30.185.00	53.038.00
with plastic filter / con filtro in plastica	TU3JP4	65	88	12/03 >	12/09		31.948.00		
antibacterial, anti-odour and anti-allergen filter / filtro antibatterico, antiodori e anti-allergeni	TU3JP4	65	88	12/03 >	12/09				34.111.00
dusty areas / zone polverose	TU3JP4	65	88	12/03 >	12/09	25.060.00	31.710.00		
1.6 HDI 16V									
with automatic air-conditioner / con climatizzatore automatico	DV6ATED4	66	90	04/05 >	12/09	25.037.00	24.027.00	30.210.00	54.111.00
with manual air-conditioner / con climatizzatore manuale	DV6ATED4	66	90	04/05 >	12/09	25.037.00	24.027.00	30.210.00	53.038.00
antibacterial, anti-odour and anti-allergen filter / filtro antibatterico, antiodori e anti-allergeni	DV6ATED4	66	90	04/05 >	12/09				34.111.00
1.6 HDI 16V FAP									
with automatic air-conditioner / con climatizzatore automatico	DV6TED4	80	109	04/05 >	12/09	25.037.00	24.027.00	30.210.00	54.111.00
with manual air-conditioner / con climatizzatore manuale	DV6TED4	80	109	04/05 >	12/09	25.037.00	24.027.00	30.210.00	53.038.00
antibacterial, anti-odour and anti-allergen filter / filtro antibatterico, antiodori e anti-allergeni	DV6TED4	80	109	04/05 >	12/09				34.111.00
1.6 i 16V									
to frame No. 10073 / a telaio N. 10073	TU5JP4	80	109	09/01 >	05/04	25.032.00	31.710.00	30.186.00	
with automatic air-conditioner / con climatizzatore automatico	TU5JP4	80	109	09/01 >	12/09		31.710.00	30.186.00	54.111.00
with manual air-conditioner / con climatizzatore manuale	TU5JP4	80	109	09/01 >	12/09		31.710.00	30.186.00	53.038.00
with plastic filter / con filtro in plastica	TU5JP4	80	109	09/01 >	12/09		31.948.00		
from frame No. 10074 / da telaio N. 10074	TU5JP4	80	109	06/04 >	12/09	25.060.00	31.710.00	30.186.00	
antibacterial, anti-odour and anti-allergen filter / filtro antibatterico, antiodori e anti-allergeni	TU5JP4	80	109	09/01 >	12/09				34.111.00
dusty areas / zone polverose	TU5JP4	80	109	09/01 >	12/09		31.710.00		
C3 Aircross (A88)									
1.2 PureTech 110	EB2DT	81	110	09/17 >		23.439.00		30.718.00	54.319.00
for vehicles with external fuel filter / per veicoli con filtro carburante esterno	EB2DT	81	110	09/17 >			31.948.00		
1.2 PureTech 130	EB2DTS	96	130	09/17 >		23.439.00		30.718.00	54.319.00

...CITROEN - cars/auto

for vehicles with external fuel filter / per veicoli con filtro carburante esterno	EB2DTS	96	130	09/17	>		31.948.00		
1.2 PureTech 82	EB2FA	60	82	09/17	>	23.439.00		30.638.00	54.319.00
for vehicles with external fuel filter / per veicoli con filtro carburante esterno	EB2FA	60	82	09/17	>		31.948.00		
1.5 BlueHDI 100	DV5RD	74	101	07/18	>	25.216.00			54.319.00
1.5 BlueHDI 110	DV5RCE	81	110	10/20	>	25.216.00			
with activated carbons / ai carboni attivi	DV5RCE	81	110	10/20	>				54.319.00
1.5 BlueHDI 120	DV5RC	88	120	08/18	>	25.216.00			54.319.00
1.6 BlueHDI 100	DV6FD	73	99	09/17	>	25.187.00	26.104.00	30.648.00	54.319.00
1.6 BlueHDI 115	DV6FC	85	116	06/17	>	25.187.00	26.104.00	30.648.00	54.319.00
1.6 BlueHDI 120	DV6FC	88	120	09/17	>	25.187.00	26.104.00	30.648.00	54.319.00
1.6 HDi 92	DV6DTED E5	68	92	09/17	>	25.037.00	24.127.00	30.645.00	54.319.00
C3 II (A51)									
1.0 PureTech 68									
with automatic air-conditioner / con climatizzatore automatico	EB0	50	68	10/12	>				54.164.00
with manual air-conditioner / con climatizzatore manuale	EB0	50	68	10/12	>	23.439.00		30.638.00	53.143.00
antibacterial, anti-odour and anti-allergen filter with automatic air-conditioner / filtro antibatterico, antiodori e anti-allergeni con climatizzatore automatico	EB0	50	68	10/12	>				34.164.00
for vehicles with external fuel filter / per veicoli con filtro carburante esterno	EB0	50	68	10/12	>		31.948.00		
1.0 VTi 68									
with automatic air-conditioner / con climatizzatore automatico	EB0	50	68	10/12	>				54.164.00
with manual air-conditioner / con climatizzatore manuale	EB0	50	68	10/12	>	23.439.00		30.638.00	53.143.00
antibacterial, anti-odour and anti-allergen filter with automatic air-conditioner / filtro antibatterico, antiodori e anti-allergeni con climatizzatore automatico	EB0	50	68	10/12	>				34.164.00
for vehicles with external fuel filter / per veicoli con filtro carburante esterno	EB0	50	68	10/12	>		31.948.00		
1.1									
to frame No. ORGA 12410 / a telaio N. ORGA 12410	TU1AE5	44	60	11/09	> 10/10			30.185.00	
with automatic air-conditioner / con climatizzatore automatico	TU1AE5	44	60	11/09	>				54.164.00
with manual air-conditioner / con climatizzatore manuale	TU1AE5	44	60	11/09	>	25.060.00			53.143.00
from frame No. ORGA 12411 / da telaio N. ORGA 12411	TU1AE5	44	60	11/10	>			30.A15.00	
antibacterial, anti-odour and anti-allergen filter with automatic air-conditioner / filtro antibatterico, antiodori e anti-allergeni con climatizzatore automatico	TU1AE5	44	60	10/12	>				34.164.00
dusty areas to frame No. ORGA 12410 / zone polverose a telaio N. ORGA 12410	TU1AE5	44	60	11/09	> 10/10			30.186.00	
1.1 Bi Energy G									
to frame No. ORGA 12410 / a telaio N. ORGA 12410	TU1AE5	44	60	11/09	> 10/10			30.185.00	
with automatic air-conditioner / con climatizzatore automatico	TU1AE5	44	60	11/09	>				54.164.00
with manual air-conditioner / con climatizzatore manuale	TU1AE5	44	60	11/09	>	25.060.00			53.143.00
from frame No. ORGA 12411 / da telaio N. ORGA 12411	TU1AE5	44	60	11/10	>			30.A15.00	
antibacterial, anti-odour and anti-allergen filter with automatic air-conditioner / filtro antibatterico, antiodori e anti-allergeni con climatizzatore automatico	TU1AE5	44	60	11/09	>				34.164.00
assembly BRC FJ1 HE / montaggio BRC FJ1 HE	TU1AE5	44	60	11/09	>		46.005.00		
dusty areas to frame No. ORGA 12410 / zone polverose a telaio N. ORGA 12410	TU1AE5	44	60	11/09	> 10/10			30.186.00	
1.2 PureTech 110									
with automatic air-conditioner / con climatizzatore automatico	EB2DT	81	110	08/14	>				54.164.00
with manual air-conditioner / con climatizzatore manuale	EB2DT	81	110	08/14	>	23.439.00		30.718.00	53.143.00
with plastic filter / con filtro in plastica	EB2DT	81	110	08/14	>		31.948.00		
antibacterial, anti-odour and anti-allergen filter / filtro antibatterico, antiodori e anti-allergeni	EB2DT	81	110	08/14	>				34.164.00
1.2 PureTech 82									
with automatic air-conditioner / con climatizzatore automatico	EB2	60	82	10/12	>				54.164.00
with manual air-conditioner / con climatizzatore manuale	EB2	60	82	10/12	>	23.439.00		30.638.00	53.143.00
with plastic filter / con filtro in plastica	EB2	60	82	10/12	>		31.948.00		
antibacterial, anti-odour and anti-allergen filter with automatic air-conditioner / filtro antibatterico, antiodori e anti-allergeni con climatizzatore automatico	EB2	60	82	10/12	>				34.164.00
1.2 VTi 82									
with automatic air-conditioner / con climatizzatore automatico	EB2	60	82	10/12	>				54.164.00
with manual air-conditioner / con climatizzatore manuale	EB2	60	82	10/12	>	23.439.00		30.638.00	53.143.00
with plastic filter / con filtro in plastica	EB2	60	82	10/12	>		31.948.00		
antibacterial, anti-odour and anti-allergen filter with automatic air-conditioner / filtro antibatterico, antiodori e anti-allergeni con climatizzatore automatico	EB2	60	82	10/12	>				34.164.00
1.4									
to frame No. ORGA 12410 / a telaio N. ORGA 12410	TU3AE5	54	73	11/09	> 10/10			30.185.00	
with automatic air-conditioner / con climatizzatore automatico	TU3AE5	54	73	11/09	>				54.164.00
with manual air-conditioner / con climatizzatore manuale	TU3AE5	54	73	11/09	>	25.060.00			53.143.00
from frame No. ORGA 12411 / da telaio N. ORGA 12411	TU3AE5	54	73	11/10	>			30.A15.00	
antibacterial, anti-odour and anti-allergen filter / filtro antibatterico, antiodori e anti-allergeni	TU3AE5	54	73	11/09	>				34.164.00
for vehicles with external fuel filter / per veicoli con filtro carburante esterno	TU3AE5	54	73	11/09	>		31.948.00		
dusty areas to frame No. ORGA 12410 / zone polverose a telaio N. ORGA 12410	TU3AE5	54	73	11/09	> 10/10			30.186.00	
1.4 Bi Energy G									
to frame No. ORGA 12410 / a telaio N. ORGA 12410	TU3AE5	54	73	11/09	> 10/10			30.185.00	
with automatic air-conditioner / con climatizzatore automatico	TU3AE5	54	73	11/09	>				54.164.00
with manual air-conditioner / con climatizzatore manuale	TU3AE5	54	73	11/09	>	25.060.00			53.143.00
from frame No. ORGA 12411 / da telaio N. ORGA 12411	TU3AE5	54	73	11/10	>			30.A15.00	
antibacterial, anti-odour and anti-allergen filter with automatic air-conditioner / filtro antibatterico, antiodori e anti-allergeni con climatizzatore automatico	TU3AE5	54	73	11/09	>				34.164.00
assembly BRC FJ1 HE / montaggio BRC FJ1 HE	TU3AE5	54	73	11/09	>		46.005.00		

...CITROEN - cars/auto

dusty areas to frame No. ORGA 12410 / zone polverose a telaio N. ORGA 12410	TU3AE5	54	73	11/09 >	10/10			30.186.00	
1.4 GPL/LPG									
with automatic air-conditioner / con climatizzatore automatico	EP3	70	95	06/13 >		25.060.00		30.400.00	54.164.00
with manual air-conditioner / con climatizzatore manuale	EP3	70	95	06/13 >		25.060.00		30.400.00	53.143.00
with plastic filter / con filtro in plastica	EP3	70	95	06/13 >			31.948.00		
antibacterial, anti-odour and anti-allergen filter with automatic air-conditioner / filtro antibatterico, antiodori e anti-allergeni con climatizzatore automatico	EP3	70	95	06/13 >					34.164.00
1.4 HDI									
with automatic air-conditioner / con climatizzatore automatico	DV4C	50	68	02/10 >		25.037.00		30.645.00	54.164.00
with manual air-conditioner / con climatizzatore manuale	DV4C	50	68	02/10 >		25.037.00		30.645.00	53.143.00
antibacterial, anti-odour and anti-allergen filter with automatic air-conditioner / filtro antibatterico, antiodori e anti-allergeni con climatizzatore automatico	DV4C	50	68	02/10 >					34.164.00
spare part only / solo ricambio	DV4C	50	68	02/10 >			24.127.00		
1.4 HDI									
to series No. OPR10633 / a serie N. OPR10633	DV4TD	50	68				24.343.00		
with automatic air-conditioner / con climatizzatore automatico	DV4TD	50	68	11/09 >		25.037.00		30.153.00	54.164.00
with manual air-conditioner / con climatizzatore manuale	DV4TD	50	68	11/09 >		25.037.00		30.153.00	53.143.00
from series No. OPR10634 / da serie N. OPR10634	DV4TD	50	68				24.015.00		
antibacterial, anti-odour and anti-allergen filter with automatic air-conditioner / filtro antibatterico, antiodori e anti-allergeni con climatizzatore automatico	DV4TD	50	68	11/09 >					34.164.00
1.4 VTI 95									
with automatic air-conditioner / con climatizzatore automatico	EP3C	70	95	11/09 >		25.060.00		30.400.00	54.164.00
with manual air-conditioner / con climatizzatore manuale	EP3C	70	95	11/09 >		25.060.00		30.400.00	53.143.00
with plastic filter / con filtro in plastica	EP3C	70	95	11/09 >			31.948.00		
antibacterial, anti-odour and anti-allergen filter with automatic air-conditioner / filtro antibatterico, antiodori e anti-allergeni con climatizzatore automatico	EP3C	70	95	11/09 >					34.164.00
1.4 VTI 98									
with automatic air-conditioner / con climatizzatore automatico	EP3	72	98	11/09 >		25.060.00		30.400.00	54.164.00
with manual air-conditioner / con climatizzatore manuale	EP3	72	98	11/09 >		25.060.00		30.400.00	53.143.00
with plastic filter / con filtro in plastica	EP3	72	98	11/09 >			31.948.00		
antibacterial, anti-odour and anti-allergen filter with automatic air-conditioner / filtro antibatterico, antiodori e anti-allergeni con climatizzatore automatico	EP3	72	98	11/09 >					34.164.00
1.6 BlueHDI 100									
with automatic air-conditioner / con climatizzatore automatico	DV6FD	73	99	11/14 >					54.164.00
with manual air-conditioner / con climatizzatore manuale	DV6FD	73	99	11/14 >		25.187.00	26.104.00	30.648.00	53.143.00
antibacterial, anti-odour and anti-allergen filter with automatic air-conditioner / filtro antibatterico, antiodori e anti-allergeni con climatizzatore automatico	DV6FD	73	99	11/14 >					34.164.00
1.6 BlueHDI 75									
with automatic air-conditioner / con climatizzatore automatico	DV6FE	55	75	04/15 >					54.164.00
with manual air-conditioner / con climatizzatore manuale	DV6FE	55	75	04/15 >		25.187.00	26.104.00	30.648.00	53.143.00
antibacterial, anti-odour and anti-allergen filter with automatic air-conditioner / filtro antibatterico, antiodori e anti-allergeni con climatizzatore automatico	DV6FE	55	75	04/15 >					34.164.00
1.6 HDI 16V									
with automatic air-conditioner / con climatizzatore automatico	DV6ATED4	66	90	11/09 >		25.037.00	24.027.00	30.210.00	54.164.00
with manual air-conditioner / con climatizzatore manuale	DV6ATED4	66	90	11/09 >		25.037.00	24.027.00	30.210.00	53.143.00
antibacterial, anti-odour and anti-allergen filter with automatic air-conditioner / filtro antibatterico, antiodori e anti-allergeni con climatizzatore automatico	DV6ATED4	66	90	11/09 >					34.164.00
1.6 HDI 16V 115									
with automatic air-conditioner / con climatizzatore automatico	DV6C	84	115	09/12 >		25.037.00		30.645.00	54.164.00
with manual air-conditioner / con climatizzatore manuale	DV6C	84	115	09/12 >		25.037.00		30.645.00	53.143.00
antibacterial, anti-odour and anti-allergen filter with automatic air-conditioner / filtro antibatterico, antiodori e anti-allergeni con climatizzatore automatico	DV6C	84	115	09/12 >					34.164.00
spare part only / solo ricambio	DV6C	84	115	09/12 >			24.127.00		
1.6 HDI 16V FAP									
with automatic air-conditioner / con climatizzatore automatico	DV6CTED Euro5	81	110	11/09 >		25.037.00		30.645.00	54.164.00
with manual air-conditioner / con climatizzatore manuale	DV6CTED Euro5	81	110	11/09 >		25.037.00		30.645.00	53.143.00
antibacterial, anti-odour and anti-allergen filter with automatic air-conditioner / filtro antibatterico, antiodori e anti-allergeni con climatizzatore automatico	DV6CTED Euro5	81	110	11/09 >					34.164.00
spare part only / solo ricambio	DV6CTED Euro5	81	110	11/09 >			24.127.00		
1.6 HDI 16V FAP									
with automatic air-conditioner / con climatizzatore automatico	DV6CTED Euro5	82	112	11/09 >		25.037.00		30.645.00	54.164.00
with manual air-conditioner / con climatizzatore manuale	DV6CTED Euro5	82	112	11/09 >		25.037.00		30.645.00	53.143.00
antibacterial, anti-odour and anti-allergen filter with automatic air-conditioner / filtro antibatterico, antiodori e anti-allergeni con climatizzatore automatico	DV6CTED Euro5	82	112	11/09 >					34.164.00
spare part only / solo ricambio	DV6CTED Euro5	82	112	11/09 >			24.127.00		
1.6 HDI 16V FAP									
with automatic air-conditioner / con climatizzatore automatico	DV6DTED Euro5	68	92	01/10 >		25.037.00		30.645.00	54.164.00
with manual air-conditioner / con climatizzatore manuale	DV6DTED Euro5	68	92	01/10 >		25.037.00		30.645.00	53.143.00
antibacterial, anti-odour and anti-allergen filter with automatic air-conditioner / filtro antibatterico, antiodori e anti-allergeni con climatizzatore automatico	DV6DTED Euro5	68	92	01/10 >					34.164.00
spare part only / solo ricambio	DV6DTED Euro5	68	92	01/10 >			24.127.00		
1.6 VTI 120									
with automatic air-conditioner / con climatizzatore automatico	EP6C	88	120	11/09 >		25.060.00		30.400.00	54.164.00
with manual air-conditioner / con climatizzatore manuale	EP6C	88	120	11/09 >		25.060.00		30.400.00	53.143.00
with plastic filter / con filtro in plastica	EP6C	88	120	11/09 >			31.948.00		
antibacterial, anti-odour and anti-allergen filter with automatic air-conditioner / filtro antibatterico, antiodori e anti-allergeni con climatizzatore automatico	EP6C	88	120	11/09 >					34.164.00
C3 III (B618)									
1.2 PureTech 110									
with automatic air-conditioner / con climatizzatore automatico	EB2DT	81	110	07/16 >					54.164.00

...CITROEN - cars/auto

with manual air-conditioner / con climatizzatore manuale	EB2DT	81	110	07/16	>	23.439.00		30.718.00	53.143.00
antibacterial, anti-odour and anti-allergen filter / filtro antibatterico, antiodori e anti-allergeni	EB2DT	81	110	07/16	>				34.164.00
for vehicles with external fuel filter / per veicoli con filtro carburante esterno	EB2DT	81	110	07/16	>		31.948.00		
1.2 PureTech 70									
with automatic air-conditioner / con climatizzatore automatico	EB2FB	50	68	07/16	>				54.164.00
with manual air-conditioner / con climatizzatore manuale	EB2FB	50	68	07/16	>	23.439.00		30.638.00	53.143.00
antibacterial, anti-odour and anti-allergen filter / filtro antibatterico, antiodori e anti-allergeni	EB2FB	50	68	07/16	>				34.164.00
for vehicles with external fuel filter / per veicoli con filtro carburante esterno	EB2FB	50	68	07/16	>		31.948.00		
1.2 PureTech 82									
with automatic air-conditioner / con climatizzatore automatico	EB2F	60	82	07/16	>				54.164.00
with manual air-conditioner / con climatizzatore manuale	EB2F	60	82	07/16	>	23.439.00		30.638.00	53.143.00
antibacterial, anti-odour and anti-allergen filter / filtro antibatterico, antiodori e anti-allergeni	EB2F	60	82	07/16	>				34.164.00
for vehicles with external fuel filter / per veicoli con filtro carburante esterno	EB2F	60	82	07/16	>		31.948.00		
1.5 BlueHDI 100									
with automatic air-conditioner / con climatizzatore automatico	DV5RD	75	102	07/18	>				54.164.00
with manual air-conditioner / con climatizzatore manuale	DV5RD	75	102	07/18	>	25.216.00			53.143.00
antibacterial, anti-odour and anti-allergen filter / filtro antibatterico, antiodori e anti-allergeni	DV5RD	75	102	07/16	>				34.164.00
1.6 BlueHDI 100									
with automatic air-conditioner / con climatizzatore automatico	DV6FD	73	99	07/16	>				54.164.00
with manual air-conditioner / con climatizzatore manuale	DV6FD	73	99	07/16	>	25.187.00	26.104.00	30.648.00	53.143.00
antibacterial, anti-odour and anti-allergen filter / filtro antibatterico, antiodori e anti-allergeni	DV6FD	73	99	07/16	>				34.164.00
1.6 BlueHDI 75									
with automatic air-conditioner / con climatizzatore automatico	DV6FE	55	75	07/16	>				54.164.00
with manual air-conditioner / con climatizzatore manuale	DV6FE	55	75	07/16	>	25.187.00	26.104.00	30.648.00	53.143.00
antibacterial, anti-odour and anti-allergen filter / filtro antibatterico, antiodori e anti-allergeni	DV6FE	55	75	07/16	>				34.164.00
1.6 VTi									
with automatic air-conditioner / con climatizzatore automatico	EC5F	85	116	01/17	>				54.164.00
with manual air-conditioner / con climatizzatore manuale	EC5F	85	116	01/17	>	25.060.00		30.186.00	53.143.00
antibacterial, anti-odour and anti-allergen filter / filtro antibatterico, antiodori e anti-allergeni	EC5F	85	116	01/17	>				34.164.00
for vehicles with external fuel filter / per veicoli con filtro carburante esterno	EC5F	85	116	01/17	>		31.948.00		
C3 Picasso									
1.2 PureTech 110									
with activated carbons / ai carboni attivi	EB2DT	81	110	01/15	>	23.439.00		30.718.00	53.038.00
antibacterial, anti-odour and anti-allergen filter / filtro antibatterico, antiodori e anti-allergeni	EB2DT	81	110	01/15	>				54.111.00
for vehicles with external fuel filter / per veicoli con filtro carburante esterno	EB2DT	81	110	01/15	>		31.948.00		34.111.00
1.4 16V VTi 95									
with activated carbons / ai carboni attivi	EP3	70	95	01/09	>	25.060.00		30.400.00	53.038.00
antibacterial, anti-odour and anti-allergen filter / filtro antibatterico, antiodori e anti-allergeni	EP3	70	95	01/09	>				54.111.00
1.4 16V VTi 95 GPL/LPG									
with activated carbons / ai carboni attivi	EP3	70	95	01/12	>	25.060.00		30.400.00	53.038.00
with plastic filter / con filtro in plastica	EP3	70	95	01/12	>				54.111.00
antibacterial, anti-odour and anti-allergen filter / filtro antibatterico, antiodori e anti-allergeni	EP3	70	95	01/12	>		31.948.00		34.111.00
assembly BRC FJ1 HE / montaggio BRC FJ1 HE	EP3	70	95	01/12	>		46.005.00		
1.6 16V VTi 120									
with activated carbons / ai carboni attivi	EP6	88	120	01/09	>	25.060.00		30.400.00	53.038.00
antibacterial, anti-odour and anti-allergen filter / filtro antibatterico, antiodori e anti-allergeni	EP6	88	120	01/09	>				54.111.00
1.6 BlueHDI 100									
with activated carbons / ai carboni attivi	DV6FD	73	99	01/15	>			30.648.00	53.038.00
antibacterial, anti-odour and anti-allergen filter / filtro antibatterico, antiodori e anti-allergeni	DV6FD	73	99	01/15	>				54.111.00
1.6 HDI 110 FAP									
with activated carbons / ai carboni attivi	DV6TED4	80	109	01/09	>	25.037.00	24.027.00	30.210.00	53.038.00
antibacterial, anti-odour and anti-allergen filter / filtro antibatterico, antiodori e anti-allergeni	DV6TED4	80	109	01/09	>	25.037.00	24.027.00	30.210.00	54.111.00
1.6 HDI 112									
with activated carbons / ai carboni attivi	DV6CTED E5	82	112	03/10	>	25.037.00		30.645.00	53.038.00
antibacterial, anti-odour and anti-allergen filter / filtro antibatterico, antiodori e anti-allergeni	DV6CTED E5	82	112	03/10	>				54.111.00
spare part only / solo ricambio	DV6CTED E5	82	112	03/10	>		24.127.00		34.111.00
1.6 HDI 90									
with activated carbons / ai carboni attivi	DV6ATED4	66	90	01/09	>	25.037.00	24.027.00	30.210.00	53.038.00
antibacterial, anti-odour and anti-allergen filter / filtro antibatterico, antiodori e anti-allergeni	DV6ATED4	66	90	01/09	>	25.037.00	24.027.00	30.210.00	54.111.00
1.6 HDI 90 FAP									
with activated carbons / ai carboni attivi	DV6DTEd	68	92	03/10	>	25.037.00		30.645.00	53.038.00
antibacterial, anti-odour and anti-allergen filter / filtro antibatterico, antiodori e anti-allergeni	DV6DTEd	68	92	03/10	>	25.037.00		30.645.00	54.111.00
spare part only / solo ricambio	DV6DTEd	68	92	03/10	>		24.127.00		34.111.00
C3 Pluriel									
1.4 HDI									
to series No. OPR10633 / a serie N. OPR10633	DV4TD	50	68				24.343.00		
with automatic air-conditioner / con climatizzatore automatico	DV4TD	50	68	09/01	>	25.037.00		30.153.00	54.111.00

...CITROEN - cars/auto

with manual air-conditioner / con climatizzatore manuale	DV4TD	50	68	09/01 >	25.037.00		30.153.00	53.038.00
from series No. OPR10634 / da serie N. OPR10634	DV4TD	50	68			24.015.00		
antibacterial, anti-odour and anti-allergen filter / filtro antibatterico, antiodori e anti-allergeni	DV4TD	50	68	09/01 >				34.111.00
dusty areas / zone polverose	DV4TD	50	68	09/01 >	25.037.00		30.311.00	
1.4 i								
to engine No. 4177577 / a motore N. 4177577	TU3JP	54	73	09/01 > 12/03	25.032.00	31.710.00	30.185.00	
with automatic air-conditioner / con climatizzatore automatico	TU3JP	54	73	09/01 >	25.032.00	31.710.00	30.185.00	54.111.00
with manual air-conditioner / con climatizzatore manuale	TU3JP	54	73	09/01 >	25.032.00	31.710.00	30.185.00	53.038.00
from engine No. 4177578 / da motore N. 4177578	TU3JP	54	73	01/04 >	25.060.00	31.710.00	30.185.00	
antibacterial, anti-odour and anti-allergen filter / filtro antibatterico, antiodori e anti-allergeni	TU3JP	54	73	09/01 >				34.111.00
dusty areas / zone polverose	TU3JP	54	73	09/01 >	25.032.00	31.710.00		
1.6 i 16V								
to frame No. 10073 / a telaio N. 10073	TU5JP4	80	109	09/01 > 05/04	25.032.00	31.710.00	30.186.00	
with automatic air-conditioner / con climatizzatore automatico	TU5JP4	80	109	09/01 >		31.710.00	30.186.00	54.111.00
with manual air-conditioner / con climatizzatore manuale	TU5JP4	80	109	09/01 >		31.710.00	30.186.00	53.038.00
from frame No. 10074 / da telaio N. 10074	TU5JP4	80	109	06/04 >	25.060.00	31.710.00	30.186.00	
antibacterial, anti-odour and anti-allergen filter / filtro antibatterico, antiodori e anti-allergeni	TU5JP4	80	109	09/01 >				34.111.00
dusty areas / zone polverose	TU5JP4	80	109	09/01 >		31.710.00		
C4								
1.4 16V								
with automatic air-conditioner / con climatizzatore automatico	ET3J4	65	88	10/04 > 12/10	25.060.00		30.262.00	54.111.00
with manual air-conditioner / con climatizzatore manuale	ET3J4	65	88	10/04 > 12/10	25.060.00		30.262.00	53.038.00
antibacterial, anti-odour and anti-allergen filter / filtro antibatterico, antiodori e anti-allergeni	ET3J4	65	88	10/04 > 12/10				34.111.00
1.6 16V								
to series No. 10735 / a serie N. 10735	TU5JP4	80	109	10/04 > 03/06	25.060.00		30.260.00	
with automatic air-conditioner / con climatizzatore automatico	TU5JP4	80	109	10/04 > 09/08				54.111.00
with manual air-conditioner / con climatizzatore manuale	TU5JP4	80	109	10/04 > 09/08				53.038.00
with plastic filter from series No. 10736 / con filtro in plastica da serie N. 10736	TU5JP4	80	109	04/06 > 09/08		31.948.00		
from series No. 10736 / da serie N. 10736	TU5JP4	80	109	04/06 > 09/08	25.060.00	31.710.00	30.260.00	
antibacterial, anti-odour and anti-allergen filter / filtro antibatterico, antiodori e anti-allergeni	TU5JP4	80	109	10/04 > 09/08				34.111.00
1.6 16V Automatic								
with automatic air-conditioner / con climatizzatore automatico	TU5JP4	80	109	10/04 > 09/08	25.060.00		30.260.00	54.111.00
with manual air-conditioner / con climatizzatore manuale	TU5JP4	80	109	10/04 > 09/08	25.060.00		30.260.00	53.038.00
antibacterial, anti-odour and anti-allergen filter / filtro antibatterico, antiodori e anti-allergeni	TU5JP4	80	109	10/04 > 09/08				34.111.00
1.6 16V THP 140 Automatic								
to series No. 11920 / a serie N. 11920	EP6DT	103	140	09/08 > 06/09	25.060.00		30.368.00	
with automatic air-conditioner / con climatizzatore automatico	EP6DT	103	140	09/08 > 12/10				54.111.00
with manual air-conditioner / con climatizzatore manuale	EP6DT	103	140	09/08 > 12/10				53.038.00
from series No. 11921 / da serie N. 11921	EP6DT	103	140	07/09 > 12/10	25.060.00		30.467.00	
antibacterial, anti-odour and anti-allergen filter / filtro antibatterico, antiodori e anti-allergeni	EP6DT	103	140	09/08 > 12/10				34.111.00
1.6 16V THP 150								
to series No. 11920 / a serie N. 11920	EP6DT	110	150	09/08 > 06/09	25.060.00		30.368.00	
with automatic air-conditioner / con climatizzatore automatico	EP6DT	110	150	09/08 > 12/10				54.111.00
with manual air-conditioner / con climatizzatore manuale	EP6DT	110	150	09/08 > 12/10				53.038.00
from series No. 11921 / da serie N. 11921	EP6DT	110	150	07/09 > 12/10	25.060.00		30.467.00	
antibacterial, anti-odour and anti-allergen filter / filtro antibatterico, antiodori e anti-allergeni	EP6DT	110	150	09/08 > 12/10				34.111.00
1.6 16V Vti 120								
with automatic air-conditioner / con climatizzatore automatico	EP6	88	120	09/08 > 12/10	25.060.00		30.400.00	54.111.00
with manual air-conditioner / con climatizzatore manuale	EP6	88	120	09/08 > 12/10	25.060.00		30.400.00	53.038.00
antibacterial, anti-odour and anti-allergen filter / filtro antibatterico, antiodori e anti-allergeni	EP6	88	120	09/08 > 12/10				34.111.00
1.6 HDI 16V								
with automatic air-conditioner / con climatizzatore automatico	DV6ATED4	66	90	10/04 > 12/10	25.037.00	24.027.00	30.210.00	54.111.00
with manual air-conditioner / con climatizzatore manuale	DV6ATED4	66	90	10/04 > 12/10	25.037.00	24.027.00	30.210.00	53.038.00
antibacterial, anti-odour and anti-allergen filter / filtro antibatterico, antiodori e anti-allergeni	DV6ATED4	66	90	10/04 > 12/10				34.111.00
1.6 HDI 16V 110 FAP								
with automatic air-conditioner / con climatizzatore automatico	DV6CTED	82	112	03/10 > 12/10	25.037.00	24.127.00	30.645.00	54.111.00
with manual air-conditioner / con climatizzatore manuale	DV6CTED	82	112	03/10 > 12/10	25.037.00	24.127.00	30.645.00	53.038.00
antibacterial, anti-odour and anti-allergen filter / filtro antibatterico, antiodori e anti-allergeni	DV6CTED	82	112	03/10 > 12/10				34.111.00
1.6 HDI 16V 90 FAP								
with automatic air-conditioner / con climatizzatore automatico	DV6DTED	68	92	03/10 > 12/10	25.037.00	24.127.00	30.645.00	54.111.00
with manual air-conditioner / con climatizzatore manuale	DV6DTED	68	92	03/10 > 12/10	25.037.00	24.127.00	30.645.00	53.038.00
antibacterial, anti-odour and anti-allergen filter / filtro antibatterico, antiodori e anti-allergeni	DV6DTED	68	92	03/10 > 12/10				34.111.00
1.6 HDI 16V FAP								
with automatic air-conditioner / con climatizzatore automatico	DV6TED4	80	109	10/04 > 12/10	25.037.00	24.027.00	30.210.00	54.111.00
with manual air-conditioner / con climatizzatore manuale	DV6TED4	80	109	10/04 > 12/10	25.037.00	24.027.00	30.210.00	53.038.00
antibacterial, anti-odour and anti-allergen filter / filtro antibatterico, antiodori e anti-allergeni	DV6TED4	80	109	10/04 > 12/10				34.111.00
2.0 16V								

...CITROEN - cars/auto

with automatic air-conditioner / con climatizzatore automatico	EW10J4	100	136	10/04	>	12/10	23.439.00		30.139.00	54.111.00
with manual air-conditioner / con climatizzatore manuale	EW10J4	100	136	10/04	>	12/10	23.439.00		30.139.00	53.038.00
antibacterial, anti-odour and anti-allergen filter / filtro antibatterico, antiodori e anti-allergeni	EW10J4	100	136	10/04	>	12/10				34.111.00
dusty areas / zone polverose	EW10J4	100	136	10/04	>	12/10			30.180.00	
2.0 16V Automatic										
with automatic air-conditioner / con climatizzatore automatico	EW10A	103	140	10/04	>	12/10	25.060.00		30.254.00	54.111.00
with manual air-conditioner / con climatizzatore manuale	EW10A	103	140	10/04	>	12/10	25.060.00		30.254.00	53.038.00
with plastic filter / con filtro in plastica	EW10A	103	140	10/04	>	12/10		31.948.00		
antibacterial, anti-odour and anti-allergen filter / filtro antibatterico, antiodori e anti-allergeni	EW10A	103	140	10/04	>	12/10				34.111.00
2.0 16V VTS 180										
with automatic air-conditioner / con climatizzatore automatico	EW10J4S	130	177	10/04	>	12/10	23.439.00		30.180.00	54.111.00
with manual air-conditioner / con climatizzatore manuale	EW10J4S	130	177	10/04	>	12/10	23.439.00		30.180.00	53.038.00
antibacterial, anti-odour and anti-allergen filter / filtro antibatterico, antiodori e anti-allergeni	EW10J4S	130	177	10/04	>	12/10				34.111.00
2.0 HDI 135										
with automatic air-conditioner / con climatizzatore automatico	DW10BTED4	100	136	10/04	>	12/10	25.060.00	26.022.00	30.272.00	54.111.00
with manual air-conditioner / con climatizzatore manuale	DW10BTED4	100	136	10/04	>	12/10	25.060.00	26.022.00	30.272.00	53.038.00
antibacterial, anti-odour and anti-allergen filter / filtro antibatterico, antiodori e anti-allergeni	DW10BTED4	100	136	10/04	>	12/10				34.111.00
2.0 HDI 140										
with automatic air-conditioner / con climatizzatore automatico	DW10BTED4	103	140	08/08	>	12/10	25.060.00	26.022.00	30.272.00	54.111.00
with manual air-conditioner / con climatizzatore manuale	DW10BTED4	103	140	08/08	>	12/10	25.060.00	26.022.00	30.272.00	53.038.00
antibacterial, anti-odour and anti-allergen filter / filtro antibatterico, antiodori e anti-allergeni	DW10BTED4	103	140	08/08	>	12/10				34.111.00
2.0 HDI 16V FAP										
with automatic air-conditioner / con climatizzatore automatico	DW10BTED4	100	136	10/04	>	12/10	25.060.00	26.022.00	30.272.00	54.111.00
with manual air-conditioner / con climatizzatore manuale	DW10BTED4	100	136	10/04	>	12/10	25.060.00	26.022.00	30.272.00	53.038.00
antibacterial, anti-odour and anti-allergen filter / filtro antibatterico, antiodori e anti-allergeni	DW10BTED4	100	136	10/04	>	12/10				34.111.00
2.0 HDI 16V FAP Autom.										
with automatic air-conditioner / con climatizzatore automatico	DW10BTED4	100	136	10/04	>	12/10	25.060.00	26.022.00	30.351.00	54.111.00
with manual air-conditioner / con climatizzatore manuale	DW10BTED4	100	136	10/04	>	12/10	25.060.00	26.022.00	30.351.00	53.038.00
antibacterial, anti-odour and anti-allergen filter / filtro antibatterico, antiodori e anti-allergeni	DW10BTED4	100	136	10/04	>	12/10				34.111.00
C4 Aircross										
1.6	Mitsubishi 4A92	85	116	04/12	>		23.265.00			53.218.00
to frame No. ORGA13114 / a telaio N. ORGA13114	Mitsubishi 4A92	85	116	04/12	>	09/12			30.533.00	
with activated carbons / ai carboni attivi	Mitsubishi 4A92	85	116	04/12	>					54.167.00
from frame No. ORGA13115 / da telaio N. ORGA13115	Mitsubishi 4A92	85	116	04/12	>				30.709.00	
antibacterial, anti-odour and anti-allergen filter / filtro antibatterico, antiodori e anti-allergeni	Mitsubishi 4A92	85	116	04/12	>					34.167.00
1.6 HDI 110	DV6C	82	112	04/12	>		25.037.00	24.127.00	30.645.00	53.218.00
with activated carbons / ai carboni attivi	DV6C	82	112	04/12	>					54.167.00
antibacterial, anti-odour and anti-allergen filter / filtro antibatterico, antiodori e anti-allergeni	DV6C	82	112	04/12	>					34.167.00
1.8 HDI 150	Mitsubishi 4N13	110	150	04/12	>		23.265.00	24.465.00	30.601.00	53.218.00
with activated carbons / ai carboni attivi	Mitsubishi 4N13	110	150	04/12	>					54.167.00
antibacterial, anti-odour and anti-allergen filter / filtro antibatterico, antiodori e anti-allergeni	Mitsubishi 4N13	110	150	04/12	>					34.167.00
2.0	Mitsubishi 4B11	110	150	04/12	>		23.265.00			53.218.00
to frame No. ORGA13114 / a telaio N. ORGA13114	Mitsubishi 4B11	110	150	04/12	>	09/12			30.533.00	
with activated carbons / ai carboni attivi	Mitsubishi 4B11	110	150	04/12	>					54.167.00
from frame No. ORGA13115 / da telaio N. ORGA13115	Mitsubishi 4B11	110	150	10/12	>				30.709.00	
antibacterial, anti-odour and anti-allergen filter / filtro antibatterico, antiodori e anti-allergeni	Mitsubishi 4B11	110	150	04/12	>					34.167.00
C4 Cactus										
1.2 e-VTi 82	EB2	60	82	05/14	>					54.164.00
with automatic air-conditioner / con climatizzatore automatico	EB2	60	82	05/14	>		23.439.00		30.638.00	53.143.00
with manual air-conditioner / con climatizzatore manuale	EB2	60	82	05/14	>					34.164.00
antibacterial, anti-odour and anti-allergen filter / filtro antibatterico, antiodori e anti-allergeni	EB2	60	82	05/14	>					34.164.00
1.2 PureTech 110	EP2DT	81	110	08/14	>					54.164.00
with automatic air-conditioner / con climatizzatore automatico	EP2DT	81	110	08/14	>		23.439.00		30.718.00	53.143.00
with manual air-conditioner / con climatizzatore manuale	EP2DT	81	110	08/14	>					34.164.00
antibacterial, anti-odour and anti-allergen filter / filtro antibatterico, antiodori e anti-allergeni	EP2DT	81	110	08/14	>					34.164.00
1.2 VTi 75	EB2	55	75	05/14	>					54.164.00
with automatic air-conditioner / con climatizzatore automatico	EB2	55	75	05/14	>		23.439.00		30.638.00	53.143.00
with manual air-conditioner / con climatizzatore manuale	EB2	55	75	05/14	>					34.164.00
antibacterial, anti-odour and anti-allergen filter / filtro antibatterico, antiodori e anti-allergeni	EB2	55	75	05/14	>					34.164.00
1.2 VTi 82	EB2	60	82	05/14	>					54.164.00
with automatic air-conditioner / con climatizzatore automatico	EB2	60	82	05/14	>		23.439.00		30.638.00	53.143.00
with manual air-conditioner / con climatizzatore manuale	EB2	60	82	05/14	>					34.164.00
antibacterial, anti-odour and anti-allergen filter / filtro antibatterico, antiodori e anti-allergeni	EB2	60	82	05/14	>					34.164.00
1.5 BlueHDI 100	DV5RD	74	101	07/18	>					54.164.00
with automatic air-conditioner / con climatizzatore automatico	DV5RD	74	101	07/18	>		25.216.00			53.143.00
with manual air-conditioner / con climatizzatore manuale	DV5RD	74	101	07/18	>					34.164.00
antibacterial, anti-odour and anti-allergen filter / filtro antibatterico, antiodori e anti-allergeni	DV5RD	74	101	07/18	>					34.164.00

...CITROEN - cars/auto

1.5 BlueHDI 120										
with activated carbons / ai carboni attivi	DV5RC	88	120	09/18	>					53.143.00
antibacterial, anti-odour and anti-allergen filter / filtro antibatterico, antiodori e anti-allergeni	DV5RC	88	120	09/18	>					54.164.00
	DV5RC	88	120	09/18	>					34.164.00
1.6 BlueHDI 100										
with automatic air-conditioner / con climatizzatore automatico	DV6FD	73	99	05/14	>					54.164.00
with manual air-conditioner / con climatizzatore manuale	DV6FD	73	99	05/14	>	25.187.00	26.104.00	30.648.00		53.143.00
antibacterial, anti-odour and anti-allergen filter / filtro antibatterico, antiodori e anti-allergeni	DV6FD	73	99	05/14	>					34.164.00
1.6 e-HDI 92										
with automatic air-conditioner / con climatizzatore automatico	DV6DTED	68	92	05/14	>					54.164.00
with manual air-conditioner / con climatizzatore manuale	DV6DTED	68	92	05/14	>	25.037.00		30.645.00		53.143.00
antibacterial, anti-odour and anti-allergen filter / filtro antibatterico, antiodori e anti-allergeni	DV6DTED	68	92	05/14	>					34.164.00
spare part only / solo ricambio	DV6DTED	68	92	05/14	>		24.127.00			
C4 Coupé										
1.4 16V										
with automatic air-conditioner / con climatizzatore automatico	ET3J4	65	88	10/04	>	12/10	25.060.00		30.262.00	54.111.00
with manual air-conditioner / con climatizzatore manuale	ET3J4	65	88	10/04	>	12/10	25.060.00		30.262.00	53.038.00
antibacterial, anti-odour and anti-allergen filter / filtro antibatterico, antiodori e anti-allergeni	ET3J4	65	88	10/04	>	12/10				34.111.00
1.6 16V										
with automatic air-conditioner / con climatizzatore automatico	TU5JP4	80	109	10/04	>	12/10	25.060.00		30.260.00	54.111.00
with manual air-conditioner / con climatizzatore manuale	TU5JP4	80	109	10/04	>	12/10	25.060.00		30.260.00	53.038.00
antibacterial, anti-odour and anti-allergen filter / filtro antibatterico, antiodori e anti-allergeni	TU5JP4	80	109	10/04	>	12/10				34.111.00
antibacterial, anti-odour and anti-allergen filter / filtro antibatterico, antiodori e anti-allergeni	TU5JP4	80	109	10/04	>	12/10				34.111.00
1.6 16V Automatic										
with automatic air-conditioner / con climatizzatore automatico	TU5JP4	80	109	10/04	>	12/10	25.060.00		30.260.00	54.111.00
with manual air-conditioner / con climatizzatore manuale	TU5JP4	80	109	10/04	>	12/10	25.060.00		30.260.00	53.038.00
antibacterial, anti-odour and anti-allergen filter / filtro antibatterico, antiodori e anti-allergeni	TU5JP4	80	109	10/04	>	12/10				34.111.00
1.6 16V THP 140										
to series No. 11920 / a serie N. 11920	EP6DT	103	140	09/08	>	06/09	25.060.00		30.368.00	
with automatic air-conditioner / con climatizzatore automatico	EP6DT	103	140	09/08	>	12/10				54.111.00
with manual air-conditioner / con climatizzatore manuale	EP6DT	103	140	09/08	>	12/10				53.038.00
antibacterial, anti-odour and anti-allergen filter / filtro antibatterico, antiodori e anti-allergeni	EP6DT	103	140	09/08	>	12/10				34.111.00
1.6 16V THP 150										
to series No. 11920 / a serie N. 11920	EP6DT	110	150	09/08	>	06/09	25.060.00		30.368.00	
with automatic air-conditioner / con climatizzatore automatico	EP6DT	110	150	09/08	>	12/10				54.111.00
with manual air-conditioner / con climatizzatore manuale	EP6DT	110	150	09/08	>	12/10				53.038.00
antibacterial, anti-odour and anti-allergen filter / filtro antibatterico, antiodori e anti-allergeni	EP6DT	110	150	09/08	>	12/10				34.111.00
1.6 16V VTi 120										
with automatic air-conditioner / con climatizzatore automatico	EP6	88	120	09/08	>	12/10	25.060.00		30.400.00	54.111.00
with manual air-conditioner / con climatizzatore manuale	EP6	88	120	09/08	>	12/10	25.060.00		30.400.00	53.038.00
antibacterial, anti-odour and anti-allergen filter / filtro antibatterico, antiodori e anti-allergeni	EP6	88	120	09/08	>	12/10				34.111.00
1.6 HDI 16V										
with automatic air-conditioner / con climatizzatore automatico	DV6ATED4	66	90	10/04	>	12/10	25.037.00	24.027.00	30.210.00	54.111.00
with manual air-conditioner / con climatizzatore manuale	DV6ATED4	66	90	10/04	>	12/10	25.037.00	24.027.00	30.210.00	53.038.00
antibacterial, anti-odour and anti-allergen filter / filtro antibatterico, antiodori e anti-allergeni	DV6ATED4	66	90	10/04	>	12/10				34.111.00
1.6 HDI 16V FAP										
with automatic air-conditioner / con climatizzatore automatico	DV6TED4	80	109	10/04	>	12/10	25.037.00	24.027.00	30.210.00	54.111.00
with manual air-conditioner / con climatizzatore manuale	DV6TED4	80	109	10/04	>	12/10	25.037.00	24.027.00	30.210.00	53.038.00
antibacterial, anti-odour and anti-allergen filter / filtro antibatterico, antiodori e anti-allergeni	DV6TED4	80	109	10/04	>	12/10				34.111.00
2.0 16V										
with automatic air-conditioner / con climatizzatore automatico	EW10J4	100	136	10/04	>	12/10	23.439.00		30.139.00	54.111.00
with manual air-conditioner / con climatizzatore manuale	EW10J4	100	136	10/04	>	12/10	23.439.00		30.139.00	53.038.00
antibacterial, anti-odour and anti-allergen filter / filtro antibatterico, antiodori e anti-allergeni	EW10J4	100	136	10/04	>	12/10				34.111.00
dusty areas / zone polverose	EW10J4	100	136	10/04	>	12/10			30.180.00	
2.0 16V VTS										
with automatic air-conditioner / con climatizzatore automatico	EW10J4S	130	177	10/04	>	12/10	23.439.00		30.180.00	54.111.00
with manual air-conditioner / con climatizzatore manuale	EW10J4S	130	177	10/04	>	12/10	23.439.00		30.180.00	53.038.00
antibacterial, anti-odour and anti-allergen filter / filtro antibatterico, antiodori e anti-allergeni	EW10J4S	130	177	10/04	>	12/10				34.111.00
2.0 HDI 16V FAP										
with automatic air-conditioner / con climatizzatore automatico	DW10BTED4	100	136	10/04	>	12/10	25.060.00	26.022.00	30.272.00	54.111.00
with manual air-conditioner / con climatizzatore manuale	DW10BTED4	100	136	10/04	>	12/10	25.060.00	26.022.00	30.272.00	53.038.00
antibacterial, anti-odour and anti-allergen filter / filtro antibatterico, antiodori e anti-allergeni	DW10BTED4	100	136	10/04	>	12/10				34.111.00
2.0 HDI 16V FAP Autom.										
with automatic air-conditioner / con climatizzatore automatico	DW10BTED4	100	136	10/04	>	12/10	25.060.00	26.022.00	30.351.00	54.111.00
with manual air-conditioner / con climatizzatore manuale	DW10BTED4	100	136	10/04	>	12/10	25.060.00	26.022.00	30.351.00	53.038.00
antibacterial, anti-odour and anti-allergen filter / filtro antibatterico, antiodori e anti-allergeni	DW10BTED4	100	136	10/04	>	12/10				34.111.00
C4 Grand Picasso										
1.6 16V THP 140	EP6DT	103	140	10/08	>	09/10	25.060.00			53.154.00

...CITROEN - cars/auto

to series No. 11920 / a serie N. 11920	EP6DT	103	140	10/08	>			30.368.00	
with activated carbons / ai carboni attivi	EP6DT	103	140	10/08	>	09/10			54.172.00
from series No. 11921 / da serie N. 11921	EP6DT	103	140		>	09/10		30.467.00	
antibacterial, anti-odour and anti-allergen filter / filtro antibatterico, antiodori e anti-allergeni	EP6DT	103	140	10/08	>	09/10			34.172.00
1.6 16V VTi 120	EP6	88	120	10/08	>	02/13	25.060.00		30.400.00
with activated carbons / ai carboni attivi	EP6	88	120	10/08	>	02/13			54.172.00
antibacterial, anti-odour and anti-allergen filter / filtro antibatterico, antiodori e anti-allergeni	EP6	88	120	10/08	>	02/13			34.172.00
1.6 HDI 16V 110 FAP	DV6TED4	80	109	10/06	>	09/10	25.037.00	24.027.00	30.210.00
with activated carbons / ai carboni attivi	DV6TED4	80	109	10/06	>	09/10			54.172.00
antibacterial, anti-odour and anti-allergen filter / filtro antibatterico, antiodori e anti-allergeni	DV6TED4	80	109	10/06	>	09/10			34.172.00
1.6 HDI 16V 112 FAP	DV6C	82	112	09/10	>	02/13	25.037.00	24.127.00	30.645.00
with activated carbons / ai carboni attivi	DV6C	82	112	09/10	>	02/13			54.172.00
antibacterial, anti-odour and anti-allergen filter / filtro antibatterico, antiodori e anti-allergeni	DV6C	82	112	09/10	>	02/13			34.172.00
1.6 THP 155	EP6CDT	115	156	09/10	>	02/13	25.060.00		30.467.00
with activated carbons / ai carboni attivi	EP6CDT	115	156	09/10	>	02/13			54.172.00
with plastic filter / con filtro in plastica	EP6CDT	115	156	09/10	>	02/13		31.948.00	
antibacterial, anti-odour and anti-allergen filter / filtro antibatterico, antiodori e anti-allergeni	EP6CDT	115	156	09/10	>	02/13			34.172.00
1.8 16V Bi-Energy CNG	EW7A	92	125	10/08	>	09/10	25.060.00		30.254.00
with activated carbons / ai carboni attivi	EW7A	92	125	10/08	>	09/10			54.172.00
antibacterial, anti-odour and anti-allergen filter / filtro antibatterico, antiodori e anti-allergeni	EW7A	92	125	10/08	>	09/10			34.172.00
1.8 16V	EW7A	92	125	10/06	>	11/08	25.060.00		30.254.00
with activated carbons / ai carboni attivi	EW7A	92	125	10/06	>	11/08			54.172.00
antibacterial, anti-odour and anti-allergen filter / filtro antibatterico, antiodori e anti-allergeni	EW7A	92	125	10/06	>	11/08			34.172.00
2.0 16V	EW10A	103	140	10/06	>	12/08	25.060.00		30.254.00
with activated carbons / ai carboni attivi	EW10A	103	140	10/06	>	12/08			54.172.00
antibacterial, anti-odour and anti-allergen filter / filtro antibatterico, antiodori e anti-allergeni	EW10A	103	140	10/06	>	12/08			34.172.00
2.0 16V Automatic	EW10A	103	140	10/06	>	12/08	25.060.00		30.254.00
with activated carbons / ai carboni attivi	EW10A	103	140	10/06	>	12/08			54.172.00
antibacterial, anti-odour and anti-allergen filter / filtro antibatterico, antiodori e anti-allergeni	EW10A	103	140	10/06	>	12/08			34.172.00
2.0 HDI 135 FAP	DW10BTED4	100	136	10/06	>	09/10	25.060.00	26.022.00	30.351.00
with activated carbons / ai carboni attivi	DW10BTED4	100	136	10/06	>	09/10			54.172.00
antibacterial, anti-odour and anti-allergen filter / filtro antibatterico, antiodori e anti-allergeni	DW10BTED4	100	136	10/06	>	09/10			34.172.00
2.0 HDI 135 FAP Automatic	DW10BTED4	100	136	10/06	>	09/10	25.060.00	26.022.00	30.351.00
with activated carbons / ai carboni attivi	DW10BTED4	100	136	10/06	>	09/10			54.172.00
antibacterial, anti-odour and anti-allergen filter / filtro antibatterico, antiodori e anti-allergeni	DW10BTED4	100	136	10/06	>	09/10			34.172.00
2.0 HDI 150 FAP	DW10DTE4	110	150	07/09	>	06/13	25.060.00	26.055.00	30.351.00
with activated carbons / ai carboni attivi	DW10DTE4	110	150	07/09	>	06/13			54.172.00
antibacterial, anti-odour and anti-allergen filter / filtro antibatterico, antiodori e anti-allergeni	DW10DTE4	110	150	07/09	>	06/13			34.172.00
2.0 HDI 165	DW10CTED4	120	163	09/10	>	06/13	25.060.00	26.055.00	30.351.00
with activated carbons / ai carboni attivi	DW10CTED4	120	163	09/10	>	06/13			54.172.00
antibacterial, anti-odour and anti-allergen filter / filtro antibatterico, antiodori e anti-allergeni	DW10CTED4	120	163	09/10	>	06/13			34.172.00
C4 Grand Picasso II (B78)									
1.2 PureTech 130	EP2DTS	96	131	01/15	>		23.439.00		
with activated carbons / ai carboni attivi	EP2DTS	96	131	01/15	>				54.172.00
with plastic filter / con filtro in plastica	EP2DTS	96	131	01/15	>			31.948.00	
antibacterial, anti-odour and anti-allergen filter / filtro antibatterico, antiodori e anti-allergeni	EP2DTS	96	131	01/15	>				34.172.00
1.5 BlueHDI 100	DV5RD	74	101	07/18	>		25.216.00		53.154.00
with activated carbons / ai carboni attivi	DV5RD	74	101	07/18	>				54.172.00
antibacterial, anti-odour and anti-allergen filter / filtro antibatterico, antiodori e anti-allergeni	DV5RD	74	101	07/18	>				34.172.00
1.6 BlueHDI 100	DV6FD	73	99	01/15	>		25.187.00	26.104.00	30.648.00
with activated carbons / ai carboni attivi	DV6FD	73	99	01/15	>				54.172.00
antibacterial, anti-odour and anti-allergen filter / filtro antibatterico, antiodori e anti-allergeni	DV6FD	73	99	01/15	>				34.172.00
1.6 BlueHDI 120	DV6FC	88	120	07/14	>		25.187.00	26.104.00	30.648.00
with activated carbons / ai carboni attivi	DV6FC	88	120	07/14	>				54.172.00
antibacterial, anti-odour and anti-allergen filter / filtro antibatterico, antiodori e anti-allergeni	DV6FC	88	120	07/14	>				34.172.00
1.6 e-HDI 115	DV6C	85	116	02/13	>		25.037.00	24.127.00	30.645.00
with activated carbons / ai carboni attivi	DV6C	85	116	02/13	>				54.172.00
antibacterial, anti-odour and anti-allergen filter / filtro antibatterico, antiodori e anti-allergeni	DV6C	85	116	02/13	>				34.172.00
1.6 e-HDI 90	DV6DTE4	68	92	02/13	>		25.037.00	24.127.00	30.645.00
with activated carbons / ai carboni attivi	DV6DTE4	68	92	02/13	>				54.172.00
antibacterial, anti-odour and anti-allergen filter / filtro antibatterico, antiodori e anti-allergeni	DV6DTE4	68	92	02/13	>				34.172.00
1.6 HDI 115	DV6C	85	115	02/13	>		25.037.00	24.127.00	30.645.00
with activated carbons / ai carboni attivi	DV6C	85	115	02/13	>				54.172.00
antibacterial, anti-odour and anti-allergen filter / filtro antibatterico, antiodori e anti-allergeni	DV6C	85	115	02/13	>				34.172.00
1.6 HDI 90	DV6DTE4	68	92	02/13	>		25.037.00	24.127.00	30.645.00
with activated carbons / ai carboni attivi	DV6DTE4	68	92	02/13	>				54.172.00
antibacterial, anti-odour and anti-allergen filter / filtro antibatterico, antiodori e anti-allergeni	DV6DTE4	68	92	02/13	>				34.172.00

...CITROEN - cars/auto

1.6 THP 155	EP6CDT	115	156	02/13	>	25.060.00		30.467.00	53.154.00
with activated carbons / ai carboni attivi	EP6CDT	115	156	02/13	>				54.172.00
with plastic filter / con filtro in plastica	EP6CDT	115	156	02/13	>		31.948.00		
antibacterial, anti-odour and anti-allergen filter / filtro antibatterico, antiodori e anti-allergeni	EP6CDT	115	156	02/13	>				34.172.00
1.6 THP 165	EP6FDT	121	163	07/14	>	25.060.00		30.467.00	53.154.00
with activated carbons / ai carboni attivi	EP6FDT	121	163	07/14	>				54.172.00
with plastic filter / con filtro in plastica	EP6FDT	121	163	07/14	>		31.948.00		
antibacterial, anti-odour and anti-allergen filter / filtro antibatterico, antiodori e anti-allergeni	EP6FDT	121	163	07/14	>				34.172.00
1.6 VTI 120	EP6C	88	120	02/13	>	25.060.00		30.400.00	53.154.00
with activated carbons / ai carboni attivi	EP6C	88	120	02/13	>				54.172.00
with plastic filter / con filtro in plastica	EP6C	88	120	02/13	>		31.948.00		
antibacterial, anti-odour and anti-allergen filter / filtro antibatterico, antiodori e anti-allergeni	EP6C	88	120	02/13	>				34.172.00
2.0 BlueHDI 140	DW10FD	100	136	01/14	>	23.439.00		30.717.00	53.154.00
with activated carbons / ai carboni attivi	DW10FD	100	136	01/14	>				54.172.00
antibacterial, anti-odour and anti-allergen filter / filtro antibatterico, antiodori e anti-allergeni	DW10FD	100	136	01/14	>				34.172.00
2.0 BlueHDI 150	DW10FD	110	150	09/13	>	23.439.00		30.717.00	53.154.00
with activated carbons / ai carboni attivi	DW10FD	110	150	09/13	>				54.172.00
antibacterial, anti-odour and anti-allergen filter / filtro antibatterico, antiodori e anti-allergeni	DW10FD	110	150	09/13	>				34.172.00
C4 Grand Space Tourer									
1.2 PureTech 130									
with automatic air-conditioner / con climatizzatore automatico	EP2DTS	96	130	04/18	>				54.172.00
with manual air-conditioner / con climatizzatore manuale	EP2DTS	96	130	04/18	>	23.439.00		30.718.00	53.154.00
with plastic filter / con filtro in plastica	EP2DTS	96	130	04/18	>		31.948.00		
antibacterial, anti-odour and anti-allergen filter with automatic air-conditioner / filtro antibatterico, antiodori e anti-allergeni con climatizzatore automatico	EP2DTS	96	130	04/18	>				34.172.00
1.5 BlueHdi 130									
with automatic air-conditioner / con climatizzatore automatico	YHZ (DV5RC)	96	130	04/18	>				54.172.00
with manual air-conditioner / con climatizzatore manuale	YHZ (DV5RC)	96	130	04/18	>	25.216.00			53.154.00
antibacterial, anti-odour and anti-allergen filter with automatic air-conditioner / filtro antibatterico, antiodori e anti-allergeni con climatizzatore automatico	YHZ (DV5RC)	96	130	04/18	>				34.172.00
1.6 BlueHdi 100									
with automatic air-conditioner / con climatizzatore automatico	DV6FD	73	99	04/18	>				54.172.00
with manual air-conditioner / con climatizzatore manuale	DV6FD	73	99	04/18	>	25.187.00	26.104.00	30.648.00	53.154.00
antibacterial, anti-odour and anti-allergen filter with automatic air-conditioner / filtro antibatterico, antiodori e anti-allergeni con climatizzatore automatico	DV6FD	73	99	04/18	>				34.172.00
1.6 BlueHdi 120									
with automatic air-conditioner / con climatizzatore automatico	DV6FC	88	120	04/18	>				54.172.00
with manual air-conditioner / con climatizzatore manuale	DV6FC	88	120	04/18	>	25.187.00	26.104.00	30.648.00	53.154.00
antibacterial, anti-odour and anti-allergen filter with automatic air-conditioner / filtro antibatterico, antiodori e anti-allergeni con climatizzatore automatico	DV6FC	88	120	04/18	>				34.172.00
1.6 THP 165									
with automatic air-conditioner / con climatizzatore automatico	EP6FDT	121	165	04/18	>				54.172.00
with manual air-conditioner / con climatizzatore manuale	EP6FDT	121	165	04/18	>	25.060.00		30.467.00	53.154.00
with plastic filter / con filtro in plastica	EP6FDT	121	165	04/18	>		31.948.00		
antibacterial, anti-odour and anti-allergen filter with automatic air-conditioner / filtro antibatterico, antiodori e anti-allergeni con climatizzatore automatico	EP6FDT	121	165	04/18	>				34.172.00
1.6 THP 180									
with automatic air-conditioner / con climatizzatore automatico	EP6FADTXD	133	181	04/18	>				54.172.00
with manual air-conditioner / con climatizzatore manuale	EP6FADTXD	133	181	04/18	>	25.060.00		30.467.00	53.154.00
with plastic filter / con filtro in plastica	EP6FADTXD	133	181	04/18	>		31.948.00		
antibacterial, anti-odour and anti-allergen filter with automatic air-conditioner / filtro antibatterico, antiodori e anti-allergeni con climatizzatore automatico	EP6FADTXD	133	181	04/18	>				34.172.00
2.0 BlueHdi 150									
with automatic air-conditioner / con climatizzatore automatico	DW10FD (AHX)	110	150	04/18	>				54.172.00
with manual air-conditioner / con climatizzatore manuale	DW10FD (AHX)	110	150	04/18	>	23.439.00	26.104.00	30.717.00	53.154.00
antibacterial, anti-odour and anti-allergen filter with automatic air-conditioner / filtro antibatterico, antiodori e anti-allergeni con climatizzatore automatico	DW10FD (AHX)	110	150	04/18	>				34.172.00
2.0 BlueHdi 160									
with automatic air-conditioner / con climatizzatore automatico	DW10FCC (EHY)	120	163	04/18	>				54.172.00
with manual air-conditioner / con climatizzatore manuale	DW10FCC (EHY)	120	163	04/18	>	23.439.00	26.104.00	30.717.00	53.154.00
antibacterial, anti-odour and anti-allergen filter with automatic air-conditioner / filtro antibatterico, antiodori e anti-allergeni con climatizzatore automatico	DW10FCC (EHY)	120	163	04/18	>				34.172.00
C4 II (B7)									
1.2 e-THP 130									
with automatic air-conditioner / con climatizzatore automatico	EP2DTS	96	130	08/14	>				54.111.00
with manual air-conditioner / con climatizzatore manuale	EP2DTS	96	130	08/14	>	23.439.00		30.718.00	53.038.00
with plastic filter / con filtro in plastica	EP2DTS	96	130	08/14	>		31.948.00		
antibacterial, anti-odour and anti-allergen filter / filtro antibatterico, antiodori e anti-allergeni	EP2DTS	96	130	09/03	> 05/10				34.111.00
1.2 e-THP PureTech 130									
with automatic air-conditioner / con climatizzatore automatico	EP2DTS	96	130	08/14	>				54.111.00
with manual air-conditioner / con climatizzatore manuale	EP2DTS	96	130	08/14	>	23.439.00		30.718.00	53.038.00
with plastic filter / con filtro in plastica	EP2DTS	96	130	08/14	>		31.948.00		
antibacterial, anti-odour and anti-allergen filter / filtro antibatterico, antiodori e anti-allergeni	EP2DTS	96	130	08/14	>				34.111.00
1.2 PureTech 110									
with automatic air-conditioner / con climatizzatore automatico	EP2DT	81	110	08/14	>				54.111.00

...CITROEN - cars/auto

with manual air-conditioner / con climatizzatore manuale	EP2DT	81	110	08/14	>	23.439.00			53.038.00
with plastic filter / con filtro in plastica	EP2DT	81	110	08/14	>		31.948.00		
antibacterial, anti-odour and anti-allergen filter / filtro antibatterico, antiodori e anti-allergeni	EP2DT	81	110	08/14	>				34.111.00
1.2 PureTech 130	EB2ADTS	96	131	10/20	>	23.439.00			30.718.00
1.4 VTi 95									
with automatic air-conditioner / con climatizzatore automatico	EP3C	70	95	10/10	>				54.111.00
with manual air-conditioner / con climatizzatore manuale	EP3C	70	95	10/10	>	25.060.00		30.400.00	53.038.00
with plastic filter / con filtro in plastica	EP3C	70	95	10/10	>		31.948.00		
antibacterial, anti-odour and anti-allergen filter / filtro antibatterico, antiodori e anti-allergeni	EP3C	70	95	10/10	>				34.111.00
1.5 BlueHDI 130	DV5RC	96	131	10/20	>	25.216.00			
1.6 BlueHDI 100									
with automatic air-conditioner / con climatizzatore automatico	DV6FD	73	99	11/14	>				54.111.00
with manual air-conditioner / con climatizzatore manuale	DV6FD	73	99	11/14	>	25.187.00	26.104.00	30.648.00	53.038.00
antibacterial, anti-odour and anti-allergen filter / filtro antibatterico, antiodori e anti-allergeni	DV6FD	73	99	11/14	>				34.111.00
1.6 BlueHDI 115									
with automatic air-conditioner / con climatizzatore automatico	DV6FC	85	116	08/14	>				54.111.00
with manual air-conditioner / con climatizzatore manuale	DV6FC	85	116	08/14	>	25.187.00	26.104.00	30.648.00	53.038.00
antibacterial, anti-odour and anti-allergen filter / filtro antibatterico, antiodori e anti-allergeni	DV6FC	85	116	08/14	>				34.111.00
1.6 BlueHDI 120									
with automatic air-conditioner / con climatizzatore automatico	DV6FC	88	120	11/14	>				54.111.00
with manual air-conditioner / con climatizzatore manuale	DV6FC	88	120	11/14	>	25.187.00	26.104.00	30.648.00	53.038.00
antibacterial, anti-odour and anti-allergen filter / filtro antibatterico, antiodori e anti-allergeni	DV6FC	88	120	11/14	>				34.111.00
1.6 e-HDI 16V 110 FAP									
with automatic air-conditioner / con climatizzatore automatico	DV6DTEd4	82	112	10/10	>				54.111.00
with manual air-conditioner / con climatizzatore manuale	DV6DTEd4	82	112	10/10	>	25.037.00	24.127.00	30.645.00	53.038.00
antibacterial, anti-odour and anti-allergen filter / filtro antibatterico, antiodori e anti-allergeni	DV6DTEd4	82	112	10/10	>				34.111.00
1.6 HDI 110 FAP									
with automatic air-conditioner / con climatizzatore automatico	DV6DTEd	82	112	10/10	>				54.111.00
with manual air-conditioner / con climatizzatore manuale	DV6DTEd	82	112	10/10	>	25.037.00	24.127.00	30.645.00	53.038.00
antibacterial, anti-odour and anti-allergen filter / filtro antibatterico, antiodori e anti-allergeni	DV6DTEd	82	112	10/10	>				34.111.00
1.6 HDI 115									
with automatic air-conditioner / con climatizzatore automatico	DV6C	84	115	07/12	>				54.111.00
with manual air-conditioner / con climatizzatore manuale	DV6C	84	115	07/12	>	25.037.00	24.127.00	30.645.00	53.038.00
antibacterial, anti-odour and anti-allergen filter / filtro antibatterico, antiodori e anti-allergeni	DV6C	84	115	07/12	>				34.111.00
1.6 HDI 90 FAP									
with automatic air-conditioner / con climatizzatore automatico	DV6C	68	92	10/10	>				54.111.00
with manual air-conditioner / con climatizzatore manuale	DV6C	68	92	10/10	>	25.037.00	24.127.00	30.645.00	53.038.00
antibacterial, anti-odour and anti-allergen filter / filtro antibatterico, antiodori e anti-allergeni	DV6C	68	92	10/10	>				34.111.00
1.6 THP 155									
with automatic air-conditioner / con climatizzatore automatico	EP6CDT	115	156	10/10	>				54.111.00
with manual air-conditioner / con climatizzatore manuale	EP6CDT	115	156	10/10	>	25.060.00		30.467.00	53.038.00
with plastic filter / con filtro in plastica	EP6CDT	115	156	10/10	>		31.948.00		
antibacterial, anti-odour and anti-allergen filter / filtro antibatterico, antiodori e anti-allergeni	EP6CDT	115	156	10/10	>				34.111.00
1.6 THP 160									
with automatic air-conditioner / con climatizzatore automatico	EP6CDTMD	120	163	02/12	>				54.111.00
with manual air-conditioner / con climatizzatore manuale	EP6CDTMD	120	163	02/12	>	25.060.00		30.467.00	53.038.00
with plastic filter / con filtro in plastica	EP6CDTMD	120	163	02/12	>		31.948.00		
antibacterial, anti-odour and anti-allergen filter / filtro antibatterico, antiodori e anti-allergeni	EP6CDTMD	120	163	02/12	>				34.111.00
1.6 VTi 120									
with automatic air-conditioner / con climatizzatore automatico	EP6C	88	120	10/10	>				54.111.00
with manual air-conditioner / con climatizzatore manuale	EP6C	88	120	10/10	>	25.060.00		30.400.00	53.038.00
with plastic filter / con filtro in plastica	EP6C	88	120	10/10	>		31.948.00		
antibacterial, anti-odour and anti-allergen filter / filtro antibatterico, antiodori e anti-allergeni	EP6C	88	120	10/10	>				34.111.00
1.6 VTi 120 GPL/LPG									
with automatic air-conditioner / con climatizzatore automatico	EP3CG	88	120	10/10	>				54.111.00
with manual air-conditioner / con climatizzatore manuale	EP3CG	88	120	10/10	>	25.060.00		30.400.00	53.038.00
with plastic filter / con filtro in plastica	EP3CG	88	120	10/10	>		31.948.00		
antibacterial, anti-odour and anti-allergen filter / filtro antibatterico, antiodori e anti-allergeni	EP3CG	88	120	10/10	>				34.111.00
2.0 BlueHDI 150									
with automatic air-conditioner / con climatizzatore automatico	DW10FC	110	150	11/14	>				54.111.00
with manual air-conditioner / con climatizzatore manuale	DW10FC	110	150	11/14	>	23.439.00	26.104.00	30.351.00	53.038.00
antibacterial, anti-odour and anti-allergen filter / filtro antibatterico, antiodori e anti-allergeni	DW10FC	110	150	11/14	>				34.111.00
2.0 HDI 150									
with automatic air-conditioner / con climatizzatore automatico	DW10CTED4	110	150	10/10	>				54.111.00
with manual air-conditioner / con climatizzatore manuale	DW10CTED4	110	150	10/10	>	25.060.00	26.055.00	30.351.00	53.038.00
antibacterial, anti-odour and anti-allergen filter / filtro antibatterico, antiodori e anti-allergeni	DW10CTED4	110	150	10/10	>				34.111.00
2.0 HDI 160									

...CITROEN - cars/auto

with automatic air-conditioner / con climatizzatore automatico	DW10CTED4	120	163	10/10	>				54.111.00
with manual air-conditioner / con climatizzatore manuale	DW10CTED4	120	163	10/10	>	25.060.00	26.055.00	30.351.00	53.038.00
antibacterial, anti-odour and anti-allergen filter / filtro antibatterico, antiodori e anti-allergeni	DW10CTED4	120	163	10/10	>				34.111.00
C4 Picasso									
1.6 16V THP 140	EP6DT	103	140	10/08	> 09/10	25.060.00			53.154.00
to series No. 11920 / a serie N. 11920	EP6DT	103	140	10/08	>			30.368.00	
with activated carbons / ai carboni attivi	EP6DT	103	140	10/08	> 09/10				54.172.00
from series No. 11921 / da serie N. 11921	EP6DT	103	140		> 09/10			30.467.00	
antibacterial, anti-odour and anti-allergen filter / filtro antibatterico, antiodori e anti-allergeni	EP6DT	103	140	10/08	> 09/10				34.172.00
1.6 16V THP 150	EP6DT	110	150	10/08	> 09/10	25.060.00			53.154.00
to series No. 11920 / a serie N. 11920	EP6DT	110	150	10/08	>			30.368.00	
with activated carbons / ai carboni attivi	EP6DT	110	150	10/08	> 09/10				54.172.00
from series No. 11921 / da serie N. 11921	EP6DT	110	150		> 09/10			30.467.00	
antibacterial, anti-odour and anti-allergen filter / filtro antibatterico, antiodori e anti-allergeni	EP6DT	110	150	10/08	> 09/10				34.172.00
1.6 16V VTi 120	EP6	88	120	10/08	> 06/13	25.060.00		30.400.00	53.154.00
with activated carbons / ai carboni attivi	EP6	88	120	10/08	> 06/13				54.172.00
antibacterial, anti-odour and anti-allergen filter / filtro antibatterico, antiodori e anti-allergeni	EP6	88	120	10/08	> 06/13				34.172.00
1.6 HDI 16V 110 FAP	DV6TED4	80	109	09/06	> 09/10	25.037.00	24.027.00	30.210.00	53.154.00
with activated carbons / ai carboni attivi	DV6TED4	80	109	09/06	> 09/10				54.172.00
antibacterial, anti-odour and anti-allergen filter / filtro antibatterico, antiodori e anti-allergeni	DV6TED4	80	109	09/06	> 09/10				34.172.00
1.6 HDI 16V 112 FAP	DV6C	82	112	09/10	> 06/13	25.037.00	24.127.00	30.645.00	53.154.00
with activated carbons / ai carboni attivi	DV6C	82	112	09/10	> 06/13				54.172.00
antibacterial, anti-odour and anti-allergen filter / filtro antibatterico, antiodori e anti-allergeni	DV6C	82	112	09/10	> 06/13				34.172.00
1.6 THP 155	EP6CDT	115	156	09/10	> 06/13	25.060.00		30.467.00	53.154.00
with activated carbons / ai carboni attivi	EP6CDT	115	156	09/10	> 06/13				54.172.00
with plastic filter / con filtro in plastica	EP6CDT	115	156	09/10	> 06/13		31.948.00		
antibacterial, anti-odour and anti-allergen filter / filtro antibatterico, antiodori e anti-allergeni	EP6CDT	115	156	09/10	> 06/13				34.172.00
1.8 16V	EW7A	92	125	09/06	> 11/08	25.060.00		30.254.00	53.154.00
with activated carbons / ai carboni attivi	EW7A	92	125	09/06	> 11/08				54.172.00
antibacterial, anti-odour and anti-allergen filter / filtro antibatterico, antiodori e anti-allergeni	EW7A	92	125	09/06	> 11/08				34.172.00
2.0 16V	EW10A	103	140	09/06	> 12/08	25.060.00		30.254.00	53.154.00
with activated carbons / ai carboni attivi	EW10A	103	140	09/06	> 12/08				54.172.00
antibacterial, anti-odour and anti-allergen filter / filtro antibatterico, antiodori e anti-allergeni	EW10A	103	140	09/06	> 12/08				34.172.00
2.0 16V Automatic	EW10A	103	140	09/06	> 12/08	25.060.00		30.254.00	53.154.00
with activated carbons / ai carboni attivi	EW10A	103	140	09/06	> 12/08				54.172.00
antibacterial, anti-odour and anti-allergen filter / filtro antibatterico, antiodori e anti-allergeni	EW10A	103	140	09/06	> 12/08				34.172.00
2.0 HDI 135 FAP	DW10BTED4	100	136	09/06	> 09/10	25.060.00	26.022.00	30.351.00	53.154.00
with activated carbons / ai carboni attivi	DW10BTED4	100	136	09/06	> 09/10				54.172.00
antibacterial, anti-odour and anti-allergen filter / filtro antibatterico, antiodori e anti-allergeni	DW10BTED4	100	136	09/06	> 09/10				34.172.00
2.0 HDI 135 FAP Automatic	DW10BTED4	100	136	09/06	> 09/10	25.060.00	26.022.00	30.351.00	53.154.00
with activated carbons / ai carboni attivi	DW10BTED4	100	136	09/06	> 09/10				54.172.00
antibacterial, anti-odour and anti-allergen filter / filtro antibatterico, antiodori e anti-allergeni	DW10BTED4	100	136	09/06	> 09/10				34.172.00
2.0 HDI 150 FAP	DW10DTED4	110	150	07/09	> 06/13	25.060.00	26.055.00	30.351.00	53.154.00
with activated carbons / ai carboni attivi	DW10DTED4	110	150	07/09	> 06/13				54.172.00
antibacterial, anti-odour and anti-allergen filter / filtro antibatterico, antiodori e anti-allergeni	DW10DTED4	110	150	07/09	> 06/13				34.172.00
2.0 HDI 165	DW10CTED4	120	163	09/10	> 06/13	25.060.00	26.055.00	30.351.00	53.154.00
with activated carbons / ai carboni attivi	DW10CTED4	120	163	09/10	> 06/13				54.172.00
antibacterial, anti-odour and anti-allergen filter / filtro antibatterico, antiodori e anti-allergeni	DW10CTED4	120	163	09/10	> 06/13				34.172.00
C4 Picasso II (B78)									
1.2 PureTech 110	EP2DT	81	110	04/16	>	23.439.00		30.718.00	53.154.00
with activated carbons / ai carboni attivi	EP2DT	81	110	04/16	>				54.172.00
with plastic filter / con filtro in plastica	EP2DT	81	110	04/16	>		31.948.00		
antibacterial, anti-odour and anti-allergen filter / filtro antibatterico, antiodori e anti-allergeni	EP2DT	81	110	04/16	>				34.172.00
1.2 PureTech 130	EP2DTS	96	131	01/15	>	23.439.00		30.718.00	53.154.00
with activated carbons / ai carboni attivi	EP2DTS	96	131	01/15	>				54.172.00
with plastic filter / con filtro in plastica	EP2DTS	96	131	01/15	>		31.948.00		
antibacterial, anti-odour and anti-allergen filter / filtro antibatterico, antiodori e anti-allergeni	EP2DTS	96	131	01/15	>				34.172.00
1.5 BlueHDI 100	DV5RD	74	101	07/18	>	25.216.00			53.154.00
with activated carbons / ai carboni attivi	DV5RD	74	101	07/18	>				54.172.00
antibacterial, anti-odour and anti-allergen filter / filtro antibatterico, antiodori e anti-allergeni	DV5RD	74	101	07/18	>				34.172.00
1.6 BlueHDI 100	DV6FD	73	99	01/15	>	25.187.00	26.104.00	30.648.00	53.154.00
with activated carbons / ai carboni attivi	DV6FD	73	99	01/15	>				54.172.00
antibacterial, anti-odour and anti-allergen filter / filtro antibatterico, antiodori e anti-allergeni	DV6FD	73	99	01/15	>				34.172.00
1.6 BlueHDI 120	DV6FC	88	120	07/14	>	25.187.00	26.104.00	30.648.00	53.154.00
with activated carbons / ai carboni attivi	DV6FC	88	120	07/14	>				54.172.00
antibacterial, anti-odour and anti-allergen filter / filtro antibatterico, antiodori e anti-allergeni	DV6FC	88	120	07/14	>				34.172.00
1.6 e-HDI 115	DV6C	85	115	02/13	>	25.037.00	24.127.00	30.645.00	53.154.00

...CITROEN - cars/auto

with activated carbons / ai carboni attivi	DV6C	85	115	02/13	>				54.172.00
antibacterial, anti-odour and anti-allergen filter / filtro antibatterico, antiodori e anti-allergeni	DV6C	85	115	02/13	>				34.172.00
1.6 e-HDI 90	DV6DTEd	68	92	02/13	>	25.037.00	24.127.00	30.645.00	53.154.00
with activated carbons / ai carboni attivi	DV6DTEd	68	92	02/13	>				54.172.00
antibacterial, anti-odour and anti-allergen filter / filtro antibatterico, antiodori e anti-allergeni	DV6DTEd	68	92	02/13	>				34.172.00
1.6 HDI 115	DV6C	85	115	02/13	>	25.037.00	24.127.00	30.645.00	53.154.00
with activated carbons / ai carboni attivi	DV6C	85	115	02/13	>				54.172.00
antibacterial, anti-odour and anti-allergen filter / filtro antibatterico, antiodori e anti-allergeni	DV6C	85	115	02/13	>				34.172.00
1.6 HDI 90	DV6D	68	92	02/13	>	25.037.00	24.127.00	30.645.00	53.154.00
with activated carbons / ai carboni attivi	DV6D	68	92	02/13	>				54.172.00
antibacterial, anti-odour and anti-allergen filter / filtro antibatterico, antiodori e anti-allergeni	DV6D	68	92	02/13	>				34.172.00
1.6 THP 150	EP6DT	110	150	09/14	>	25.060.00		30.467.00	53.154.00
with activated carbons / ai carboni attivi	EP6DT	110	150	09/14	>				54.172.00
with plastic filter / con filtro in plastica	EP6DT	110	150	09/14	>		31.948.00		
antibacterial, anti-odour and anti-allergen filter / filtro antibatterico, antiodori e anti-allergeni	EP6DT	110	150	09/14	>				34.172.00
1.6 THP 155	EP6CDT	115	156	02/13	>	25.060.00		30.467.00	53.154.00
with activated carbons / ai carboni attivi	EP6CDT	115	156	02/13	>				54.172.00
with plastic filter / con filtro in plastica	EP6CDT	115	156	02/13	>		31.948.00		
antibacterial, anti-odour and anti-allergen filter / filtro antibatterico, antiodori e anti-allergeni	EP6CDT	115	156	02/13	>				34.172.00
1.6 THP 165	EP6FDT	121	163	07/14	>	25.060.00		30.467.00	53.154.00
with activated carbons / ai carboni attivi	EP6FDT	121	163	07/14	>				54.172.00
with plastic filter / con filtro in plastica	EP6FDT	121	163	07/14	>		31.948.00		
antibacterial, anti-odour and anti-allergen filter / filtro antibatterico, antiodori e anti-allergeni	EP6FDT	121	163	07/14	>				34.172.00
1.6 VTi 120	EP6C	88	120	02/13	>	25.060.00		30.400.00	53.154.00
with activated carbons / ai carboni attivi	EP6C	88	120	02/13	>				54.172.00
with plastic filter / con filtro in plastica	EP6C	88	120	02/13	>		31.948.00		
antibacterial, anti-odour and anti-allergen filter / filtro antibatterico, antiodori e anti-allergeni	EP6C	88	120	02/13	>				34.172.00
2.0 BlueHDI 140	DW10FD	100	136	01/14	>	23.439.00	26.104.00	30.717.00	53.154.00
with activated carbons / ai carboni attivi	DW10FD	100	136	01/14	>				54.172.00
antibacterial, anti-odour and anti-allergen filter / filtro antibatterico, antiodori e anti-allergeni	DW10FD	100	136	01/14	>				34.172.00
2.0 BlueHDI 150	DW10FD	110	150	09/13	>	23.439.00	26.104.00	30.717.00	53.154.00
with activated carbons / ai carboni attivi	DW10FD	110	150	09/13	>				54.172.00
antibacterial, anti-odour and anti-allergen filter / filtro antibatterico, antiodori e anti-allergeni	DW10FD	110	150	09/13	>				34.172.00
C4 Space Tourer									
1.2 PureTech 110	EP2DTSd	81	110	04/18	>				54.172.00
with automatic air-conditioner / con climatizzatore automatico	EP2DTSd	81	110	04/18	>	23.439.00		30.718.00	53.154.00
with manual air-conditioner / con climatizzatore manuale	EP2DTSd	81	110	04/18	>		31.948.00		
with plastic filter / con filtro in plastica	EP2DTSd	81	110	04/18	>				34.172.00
antibacterial, anti-odour and anti-allergen filter with automatic air-conditioner / filtro antibatterico, antiodori e anti-allergeni con climatizzatore automatico	EP2DTSd	81	110	04/18	>				
1.2 PureTech 130	EP2DTS	96	130	04/18	>				54.172.00
with automatic air-conditioner / con climatizzatore automatico	EP2DTS	96	130	04/18	>	23.439.00		30.718.00	53.154.00
with manual air-conditioner / con climatizzatore manuale	EP2DTS	96	130	04/18	>		31.948.00		
with plastic filter / con filtro in plastica	EP2DTS	96	130	04/18	>				34.172.00
antibacterial, anti-odour and anti-allergen filter with automatic air-conditioner / filtro antibatterico, antiodori e anti-allergeni con climatizzatore automatico	EP2DTS	96	130	04/18	>				
1.5 BlueHdi 130	YHZ (DV5RC)	96	130	04/18	>				54.172.00
with automatic air-conditioner / con climatizzatore automatico	YHZ (DV5RC)	96	130	04/18	>	25.216.00			53.154.00
with manual air-conditioner / con climatizzatore manuale	YHZ (DV5RC)	96	130	04/18	>				34.172.00
antibacterial, anti-odour and anti-allergen filter with automatic air-conditioner / filtro antibatterico, antiodori e anti-allergeni con climatizzatore automatico	YHZ (DV5RC)	96	130	04/18	>				
1.6 BlueHdi 100	DV6FD	73	99	04/18	>				54.172.00
with automatic air-conditioner / con climatizzatore automatico	DV6FD	73	99	04/18	>	25.187.00	26.104.00	30.648.00	53.154.00
with manual air-conditioner / con climatizzatore manuale	DV6FD	73	99	04/18	>				34.172.00
antibacterial, anti-odour and anti-allergen filter with automatic air-conditioner / filtro antibatterico, antiodori e anti-allergeni con climatizzatore automatico	DV6FD	73	99	04/18	>				
1.6 BlueHdi 120	DV6FC	88	120	04/18	>				54.172.00
with automatic air-conditioner / con climatizzatore automatico	DV6FC	88	120	04/18	>	25.187.00	26.104.00	30.648.00	53.154.00
with manual air-conditioner / con climatizzatore manuale	DV6FC	88	120	04/18	>				34.172.00
antibacterial, anti-odour and anti-allergen filter with automatic air-conditioner / filtro antibatterico, antiodori e anti-allergeni con climatizzatore automatico	DV6FC	88	120	04/18	>				
1.6 THP 165	EP6FDT	121	165	04/18	>				54.172.00
with automatic air-conditioner / con climatizzatore automatico	EP6FDT	121	165	04/18	>	25.060.00		30.467.00	53.154.00
with manual air-conditioner / con climatizzatore manuale	EP6FDT	121	165	04/18	>		31.948.00		
with plastic filter / con filtro in plastica	EP6FDT	121	165	04/18	>				34.172.00
antibacterial, anti-odour and anti-allergen filter with automatic air-conditioner / filtro antibatterico, antiodori e anti-allergeni con climatizzatore automatico	EP6FDT	121	165	04/18	>				
1.6 THP 180	EP6FADTXD	133	181	04/18	>				54.172.00
with automatic air-conditioner / con climatizzatore automatico	EP6FADTXD	133	181	04/18	>	25.060.00		30.467.00	53.154.00
with manual air-conditioner / con climatizzatore manuale	EP6FADTXD	133	181	04/18	>		31.948.00		
with plastic filter / con filtro in plastica	EP6FADTXD	133	181	04/18	>				34.172.00
antibacterial, anti-odour and anti-allergen filter with automatic air-conditioner / filtro antibatterico, antiodori e anti-allergeni con climatizzatore automatico	EP6FADTXD	133	181	04/18	>				
2.0 BlueHdi 150									

...CITROEN - cars/auto

with automatic air-conditioner / con climatizzatore automatico	DW10FD (AHX)	110	150	04/18	>				54.172.00
with manual air-conditioner / con climatizzatore manuale	DW10FD (AHX)	110	150	04/18	>	23.439.00	26.104.00	30.717.00	53.154.00
antibacterial, anti-odour and anti-allergen filter with automatic air-conditioner / filtro antibatterico, antiodori e anti-allergeni con climatizzatore automatico	DW10FD (AHX)	110	150	04/18	>				34.172.00
2.0 BlueHdi 160									
with automatic air-conditioner / con climatizzatore automatico	DW10FCC (EHY)	120	163	04/18	>				54.172.00
with manual air-conditioner / con climatizzatore manuale	DW10FCC (EHY)	120	163	04/18	>	23.439.00	26.104.00	30.717.00	53.154.00
antibacterial, anti-odour and anti-allergen filter with automatic air-conditioner / filtro antibatterico, antiodori e anti-allergeni con climatizzatore automatico	DW10FCC (EHY)	120	163	04/18	>				34.172.00
C5 Aircross									
1.2 PureTech 130									
with automatic air-conditioner / con climatizzatore automatico	EB2ADTS	96	130	05/18	>				54.172.00
with manual air-conditioner / con climatizzatore manuale	EB2ADTS	96	130	05/18	>	23.439.00		30.718.00	53.154.00
antibacterial, anti-odour and anti-allergen filter with automatic air-conditioner / filtro antibatterico, antiodori e anti-allergeni con climatizzatore automatico	EB2ADTS	96	130	05/18	>				34.172.00
1.5 BlueHdi 130									
with automatic air-conditioner / con climatizzatore automatico	DV5RC	96	130	05/18	>				54.172.00
with manual air-conditioner / con climatizzatore manuale	DV5RC	96	130	05/18	>	25.216.00			53.154.00
antibacterial, anti-odour and anti-allergen filter with automatic air-conditioner / filtro antibatterico, antiodori e anti-allergeni con climatizzatore automatico	DV5RC	96	130	05/18	>				34.172.00
1.6 Hybrid									
with automatic air-conditioner / con climatizzatore automatico	EP6FADTXD	133	181	04/20	>				54.172.00
with manual air-conditioner / con climatizzatore manuale	EP6FADTXD	133	181	04/20	>	25.060.00		30.467.00	53.154.00
with plastic filter / con filtro in plastica	EP6FADTXD	133	181	04/20	>		31.948.00		
antibacterial, anti-odour and anti-allergen filter with automatic air-conditioner / filtro antibatterico, antiodori e anti-allergeni con climatizzatore automatico	EP6FADTXD	133	181	04/20	>				34.172.00
1.6 PureTech 180									
with automatic air-conditioner / con climatizzatore automatico	EP6FADTXD	133	181	05/18	>				54.172.00
with manual air-conditioner / con climatizzatore manuale	EP6FADTXD	133	181	05/18	>	25.060.00		30.467.00	53.154.00
with plastic filter / con filtro in plastica	EP6FADTXD	133	181	05/18	>		31.948.00		
antibacterial, anti-odour and anti-allergen filter with automatic air-conditioner / filtro antibatterico, antiodori e anti-allergeni con climatizzatore automatico	EP6FADTXD	133	181	05/18	>				34.172.00
1.6 THP 150									
with automatic air-conditioner / con climatizzatore automatico	EP6FDTMD	110	150	05/19	>				54.172.00
with manual air-conditioner / con climatizzatore manuale	EP6FDTMD	110	150	05/19	>	25.060.00	26.104.00	30.467.00	53.154.00
antibacterial, anti-odour and anti-allergen filter with automatic air-conditioner / filtro antibatterico, antiodori e anti-allergeni con climatizzatore automatico	EP6FDTMD	110	150	05/19	>				34.172.00
1.6 THP 165									
with automatic air-conditioner / con climatizzatore automatico	EP6FDTM	121	165	05/19	>				54.172.00
with manual air-conditioner / con climatizzatore manuale	EP6FDTM	121	165	05/19	>	25.060.00		30.467.00	53.154.00
with plastic filter / con filtro in plastica	EP6FDTM	121	165	05/19	>		31.948.00		
antibacterial, anti-odour and anti-allergen filter with automatic air-conditioner / filtro antibatterico, antiodori e anti-allergeni con climatizzatore automatico	EP6FDTM	121	165	05/19	>				34.172.00
2.0 BlueHdi 180									
with automatic air-conditioner / con climatizzatore automatico	DW10FC	130	177	05/18	>				54.172.00
with manual air-conditioner / con climatizzatore manuale	DW10FC	130	177	05/18	>		26.104.00	30.717.00	53.154.00
antibacterial, anti-odour and anti-allergen filter with automatic air-conditioner / filtro antibatterico, antiodori e anti-allergeni con climatizzatore automatico	DW10FC	130	177	05/18	>				34.172.00
C5 I									
1.6 i 16V									
with activated carbons / ai carboni attivi	EW6J4			03/01	> 10/04	23.439.00	31.710.00	30.933.00	53.090.00
dusty areas / zone polverose	EW6J4			03/01	> 10/04	23.439.00	31.710.00	30.933.00	54.125.00
dusty areas, with activated carbons / zone polverose, ai carboni attivi	EW6J4			03/01	> 10/04	23.439.00	31.710.00	30.067.00	53.090.00
dusty areas, with activated carbons / zone polverose, ai carboni attivi	EW6J4			03/01	> 10/04	23.439.00	31.710.00	30.067.00	54.125.00
1.8 i 16V									
with activated carbons / ai carboni attivi	EW7J4	85	115	12/00	> 10/04	23.439.00	31.710.00	30.933.00	53.090.00
dusty areas / zone polverose	EW7J4	85	115	12/00	> 10/04	23.439.00	31.710.00	30.933.00	54.125.00
dusty areas, with activated carbons / zone polverose, ai carboni attivi	EW7J4	85	115	12/00	> 10/04	23.439.00	31.710.00	30.067.00	53.090.00
dusty areas, with activated carbons / zone polverose, ai carboni attivi	EW7J4	85	115	12/00	> 10/04	23.439.00	31.710.00	30.067.00	54.125.00
2.0 HDI									
with activated carbons, assembly BOSCH / ai carboni attivi, montaggio BOSCH	DW10ATED	81	110	12/00	> 05/01	23.439.00	26.691.00	30.933.00	54.125.00
with activated carbons, assembly SIEMENS / ai carboni attivi, montaggio SIEMENS	DW10ATED	81	110	06/01	> 10/04	23.439.00	26.003.00	30.933.00	54.125.00
assembly BOSCH / montaggio BOSCH	DW10ATED	81	110	12/00	> 05/01	23.439.00	26.691.00	30.933.00	53.090.00
assembly SIEMENS / montaggio SIEMENS	DW10ATED	81	110	06/01	> 10/04	23.439.00	26.003.00	30.933.00	53.090.00
dusty areas, assembly BOSCH / zone polverose, montaggio BOSCH	DW10ATED	81	110	12/00	> 05/01	23.439.00	26.691.00	30.067.00	53.090.00
dusty areas, assembly SIEMENS / zone polverose, montaggio SIEMENS	DW10ATED	81	110	06/01	> 10/04	23.439.00	26.003.00	30.067.00	53.090.00
2.0 HDI									
with activated carbons, assembly BOSCH / ai carboni attivi, montaggio BOSCH	DW10TD	66	90	12/00	> 06/01	23.439.00	26.691.00	30.933.00	54.125.00
with activated carbons, assembly SIEMENS / ai carboni attivi, montaggio SIEMENS	DW10TD	66	90	06/01	> 10/04	23.439.00	26.003.00	30.933.00	54.125.00
assembly BOSCH / montaggio BOSCH	DW10TD	66	90	12/00	> 05/01	23.439.00	26.691.00	30.933.00	53.090.00
assembly SIEMENS / montaggio SIEMENS	DW10TD	66	90	06/01	> 10/04	23.439.00	26.003.00	30.933.00	53.090.00
dusty areas, assembly BOSCH / zone polverose, montaggio BOSCH	DW10TD	66	90	12/00	> 05/01	23.439.00	26.691.00	30.067.00	53.090.00
dusty areas, assembly SIEMENS / zone polverose, montaggio SIEMENS	DW10TD	66	90	06/01	> 10/04	23.439.00	26.003.00	30.067.00	53.090.00
2.0 i 16V									
with activated carbons / ai carboni attivi	EW10J4	100	136	11/00	> 10/04	23.439.00	31.710.00	30.933.00	53.090.00
dusty areas / zone polverose	EW10J4	100	136	11/00	> 10/04	23.439.00	31.710.00	30.933.00	54.125.00
dusty areas, with activated carbons / zone polverose, ai carboni attivi	EW10J4	100	136	11/00	> 10/04	23.439.00	31.710.00	30.067.00	53.090.00
dusty areas, with activated carbons / zone polverose, ai carboni attivi	EW10J4	100	136	12/00	> 10/04	23.439.00	31.710.00	30.067.00	54.125.00
2.0 i 16V HPI									
	EW10D	103	140	12/00	> 10/04	23.439.00	31.710.00	30.933.00	53.090.00

...CITROEN - cars/auto

antibacterial, anti-odour and anti-allergen filter / filtro antibatterico, antiodori e anti-allergeni	ES9J4S	152	207	10/04	>	04/08				34.142.00
C5 II										
1.6 e-HDI 16V 110 FAP	DV6CTED	82	112	03/10	>		25.037.00	24.127.00	30.645.00	54.166.00
antibacterial, anti-odour and anti-allergen filter / filtro antibatterico, antiodori e anti-allergeni	DV6CTED	82	112	03/10	>					34.166.00
1.6 HDI 16V 115 FAP	DV6C	84	114	01/12	>		25.037.00	24.127.00	30.645.00	54.166.00
antibacterial, anti-odour and anti-allergen filter / filtro antibatterico, antiodori e anti-allergeni	DV6C	84	114	01/12	>					34.166.00
1.6 HDI 16V FAP	DV6CTED	82	112	03/10	>		25.037.00	24.127.00	30.645.00	54.166.00
antibacterial, anti-odour and anti-allergen filter / filtro antibatterico, antiodori e anti-allergeni	DV6CTED	82	112	03/10	>					34.166.00
1.6 HDI 16V FAP	DV6TED4	80	109	02/08	>		25.037.00	24.027.00	30.233.00	54.166.00
antibacterial, anti-odour and anti-allergen filter / filtro antibatterico, antiodori e anti-allergeni	DV6TED4	80	109	02/08	>					34.166.00
1.6 THP 16V 150	EP6CDT	110	150	07/10	>		25.060.00		30.467.00	54.166.00
antibacterial, anti-odour and anti-allergen filter / filtro antibatterico, antiodori e anti-allergeni	EP6CDT	110	150	07/10	>					34.166.00
for vehicles with external fuel filter / per veicoli con filtro carburante esterno	EP6CDT	110	150	07/10	>			31.948.00		
1.6 THP 16V 155	EP6CDT	115	156	04/09	>		25.060.00		30.467.00	54.166.00
antibacterial, anti-odour and anti-allergen filter / filtro antibatterico, antiodori e anti-allergeni	EP6CDT	115	156	04/09	>					34.166.00
for vehicles with external fuel filter / per veicoli con filtro carburante esterno	EP6CDT	115	156	04/09	>			31.948.00		
1.6 THP 16V 159	EP6CDT	115	156	04/09	>		25.060.00			54.166.00
antibacterial, anti-odour and anti-allergen filter / filtro antibatterico, antiodori e anti-allergeni	EP6CDT	115	156	04/09	>					34.166.00
1.6 VTI 16V 120	EP6C	88	120	10/10	>		25.060.00		30.467.00	54.166.00
antibacterial, anti-odour and anti-allergen filter / filtro antibatterico, antiodori e anti-allergeni	EP6C	88	120	10/10	>					34.166.00
for vehicles with external fuel filter / per veicoli con filtro carburante esterno	EP6C	88	120	10/10	>			31.948.00		
1.8 16V	EW7A	92	125	02/08	>		25.060.00		30.299.00	54.166.00
antibacterial, anti-odour and anti-allergen filter / filtro antibatterico, antiodori e anti-allergeni	EW7A	92	125	02/08	>					34.166.00
for vehicles with external fuel filter / per veicoli con filtro carburante esterno	EW7A	92	125	02/08	>			31.948.00		
2.0 16V	EW10A	103	140	02/08	>		25.060.00		30.299.00	54.166.00
antibacterial, anti-odour and anti-allergen filter / filtro antibatterico, antiodori e anti-allergeni	EW10A	103	140	02/08	>					34.166.00
for vehicles with external fuel filter / per veicoli con filtro carburante esterno	EW10A	103	140	02/08	>			31.948.00		
2.0 BlueHDI 150	DW10FD	110	150	05/15	>		23.439.00	26.104.00	30.322.00	54.166.00
antibacterial, anti-odour and anti-allergen filter / filtro antibatterico, antiodori e anti-allergeni	DW10FD	110	150	05/15	>					34.166.00
2.0 HDI 16V 140 FAP	DW10BTED4	103	140	04/09	>		25.060.00	26.022.00	30.322.00	54.166.00
antibacterial, anti-odour and anti-allergen filter / filtro antibatterico, antiodori e anti-allergeni	DW10BTED4	103	140	04/09	>					34.166.00
2.0 HDI 16V 160 FAP	DW10CTED4	120	163	04/09	>		25.060.00	26.055.00	30.322.00	54.166.00
antibacterial, anti-odour and anti-allergen filter / filtro antibatterico, antiodori e anti-allergeni	DW10CTED4	120	163	04/09	>					34.166.00
2.0 HDI 16V FAP	DW10BTED4	100	136	02/08	>	03/09	25.060.00	26.022.00	30.322.00	54.166.00
antibacterial, anti-odour and anti-allergen filter / filtro antibatterico, antiodori e anti-allergeni	DW10BTED4	100	136	02/08	>	03/09				34.166.00
2.0 HDI 180	DW10FC	133	181	05/15	>		23.439.00	26.104.00	30.322.00	54.166.00
antibacterial, anti-odour and anti-allergen filter / filtro antibatterico, antiodori e anti-allergeni	DW10FC	133	181	05/15	>					34.166.00
2.2 HDI 16V 200 FAP	DW12C	150	204	10/10	>		25.060.00		30.322.00	54.166.00
antibacterial, anti-odour and anti-allergen filter / filtro antibatterico, antiodori e anti-allergeni	DW12C	150	204	10/10	>					34.166.00
2.2 HDI 16V FAP	DW12BTED4	120	163	04/08	>		25.060.00	24.156.00	30.719.00	54.166.00
antibacterial, anti-odour and anti-allergen filter / filtro antibatterico, antiodori e anti-allergeni	DW12BTED4	120	163	04/08	>					34.166.00
2.2 HDI Bi-Turbo 16V FAP	DW12BTED4	125	170	02/08	>		25.060.00	24.156.00	30.719.00	54.166.00
antibacterial, anti-odour and anti-allergen filter / filtro antibatterico, antiodori e anti-allergeni	DW12BTED4	125	170	02/08	>					34.166.00
2.7 HDI V6 Bi-Turbo 24V FAP	DT17BTED4	150	204	02/08	>		25.066.00	26.037.00	30.823.00	54.166.00
antibacterial, anti-odour and anti-allergen filter / filtro antibatterico, antiodori e anti-allergeni	DT17BTED4	150	204	02/08	>					34.166.00
3.0 HDI V6 FAP	DT20C	177	240	07/09	>		25.152.00	26.123.00	30.824.00	54.166.00
antibacterial, anti-odour and anti-allergen filter / filtro antibatterico, antiodori e anti-allergeni	DT20C	177	240	07/09	>					34.166.00
3.0 V6 24V Auto.	ES9A	155	211	02/08	>		23.439.00		30.299.00	54.166.00
antibacterial, anti-odour and anti-allergen filter / filtro antibatterico, antiodori e anti-allergeni	ES9A	155	211	02/08	>					34.166.00
for vehicles with external fuel filter / per veicoli con filtro carburante esterno	ES9A	155	211	02/08	>			31.948.00		
C5 II SW										
1.6 e-HDI 16V 110 FAP	DV6CTED	82	112	03/10	>		25.037.00	24.127.00	30.645.00	54.166.00
antibacterial, anti-odour and anti-allergen filter / filtro antibatterico, antiodori e anti-allergeni	DV6CTED	82	112	03/10	>					34.166.00
1.6 HDI 16V 115 FAP	DV6C	84	114	01/12	>		25.037.00	24.127.00	30.645.00	54.166.00
antibacterial, anti-odour and anti-allergen filter / filtro antibatterico, antiodori e anti-allergeni	DV6C	84	114	01/12	>					34.166.00
1.6 HDI 16V FAP	DV6CTED	82	112	03/10	>		25.037.00	24.127.00	30.645.00	54.166.00
antibacterial, anti-odour and anti-allergen filter / filtro antibatterico, antiodori e anti-allergeni	DV6CTED	82	112	03/10	>					34.166.00
1.6 HDI 16V FAP	DV6TED4	80	109	02/08	>		25.037.00	24.027.00	30.233.00	54.166.00
antibacterial, anti-odour and anti-allergen filter / filtro antibatterico, antiodori e anti-allergeni	DV6TED4	80	109	02/08	>					34.166.00
1.6 THP 16V 155	EP6CDT	115	156	04/09	>		25.060.00		30.467.00	54.166.00
antibacterial, anti-odour and anti-allergen filter / filtro antibatterico, antiodori e anti-allergeni	EP6CDT	115	156	04/09	>					34.166.00
1.6 VTI 16V 120	EP6C	88	120	10/10	>		25.060.00		30.467.00	54.166.00
antibacterial, anti-odour and anti-allergen filter / filtro antibatterico, antiodori e anti-allergeni	EP6C	88	120	10/10	>					34.166.00
2.0 16V	EW10A	103	140	02/08	>		25.060.00		30.299.00	54.166.00
antibacterial, anti-odour and anti-allergen filter / filtro antibatterico, antiodori e anti-allergeni	EW10A	103	140	02/08	>					34.166.00
2.0 HDI 16V 140 FAP	DW10BTED4	103	140	04/09	>		25.060.00	26.022.00	30.322.00	54.166.00
antibacterial, anti-odour and anti-allergen filter / filtro antibatterico, antiodori e anti-allergeni	DW10BTED4	103	140	04/09	>					34.166.00

...CITROEN - cars/auto

2.0 HDI 16V 160 FAP	DW10CTED4	120	163	04/09	>	25.060.00	26.055.00		54.166.00
antibacterial, anti-odour and anti-allergen filter / filtro antibatterico, antiodori e anti-allergeni	DW10CTED4	120	163	04/09	>				34.166.00
2.0 HDI 16V FAP	DW10BTED4	100	136	02/08	> 03/09	25.060.00	26.022.00	30.322.00	54.166.00
antibacterial, anti-odour and anti-allergen filter / filtro antibatterico, antiodori e anti-allergeni	DW10BTED4	100	136	02/08	> 03/09				34.166.00
2.2 HDI 16V 160 FAP	DW12BTED4	120	163	04/08	>	25.060.00	24.156.00	30.719.00	54.166.00
antibacterial, anti-odour and anti-allergen filter / filtro antibatterico, antiodori e anti-allergeni	DW12BTED4	120	163	04/08	>				34.166.00
2.2 HDI 16V 200 FAP	DW12C	150	204	10/10	>	25.060.00		30.322.00	54.166.00
antibacterial, anti-odour and anti-allergen filter / filtro antibatterico, antiodori e anti-allergeni	DW12C	150	204	10/10	>				34.166.00
2.2 HDI Bi-Turbo 16V FAP	DW12BTED4	125	170	02/08	>	25.060.00	24.156.00	30.719.00	54.166.00
antibacterial, anti-odour and anti-allergen filter / filtro antibatterico, antiodori e anti-allergeni	DW12BTED4	125	170	02/08	>				34.166.00
2.7 HDI V6 Bi-Turbo 24V FAP	DT17BTED4	150	204	02/08	>	25.066.00	26.037.00	30.B23.00	54.166.00
antibacterial, anti-odour and anti-allergen filter / filtro antibatterico, antiodori e anti-allergeni	DT17BTED4	150	204	02/08	>				34.166.00
3.0 HDI V6 FAP	DT20C	177	240	07/09	>	25.152.00	26.123.00	30.B24.00	54.166.00
antibacterial, anti-odour and anti-allergen filter / filtro antibatterico, antiodori e anti-allergeni	DT20C	177	240	07/09	>				34.166.00
3.0 V6 24V Auto.	ES9A	155	211	02/08	>	23.439.00		30.299.00	54.166.00
antibacterial, anti-odour and anti-allergen filter / filtro antibatterico, antiodori e anti-allergeni	ES9A	155	211	02/08	>				34.166.00
C6									
2.2 HDI Biturbo FAP									
with air-conditioner VISTEON / con climatizzatore VISTEON	DW12BTED4 PF	125	170	07/06	> 06/08				53.227.00
with activated carbon air-conditioner BEHR / con climatizzatore, ai carboni attivi BEHR	DW12BTED4 PF	125	170	07/08	> 12/12	25.060.00	24.156.00	30.719.00	54.166.00
with activated carbon air-conditioner VISTEON / con climatizzatore, ai carboni attivi VISTEON	DW12BTED4 PF	125	170	07/06	> 06/08	25.060.00	24.156.00	30.719.00	54.142.00
antibacterial, anti-odour and anti-allergen filter with air-conditioner BEHR / filtro antibatterico, antiodori e anti-allergeni con climatizzatore BEHR	DW12BTED4 PF	125	170	07/08	> 12/12				34.166.00
antibacterial, anti-odour and anti-allergen filter with air-conditioner VISTEON / filtro antibatterico, antiodori e anti-allergeni con climatizzatore VISTEON	DW12BTED4 PF	125	170	07/06	> 06/08				34.142.00
2.7 HDI V6 FAP									
with air-conditioner VISTEON / con climatizzatore VISTEON	DT17TED4	150	204	10/05	> 06/08				53.227.00
with activated carbon air-conditioner BEHR / con climatizzatore, ai carboni attivi BEHR	DT17TED4	150	204	07/08	> 12/12	25.066.00	26.037.00	30.B23.00	54.166.00
with activated carbon air-conditioner VISTEON / con climatizzatore, ai carboni attivi VISTEON	DT17TED4	150	204	10/05	> 06/08	25.066.00	26.037.00	30.B23.00	54.142.00
antibacterial, anti-odour and anti-allergen filter with air-conditioner BEHR / filtro antibatterico, antiodori e anti-allergeni con climatizzatore BEHR	DT17TED4	150	204	07/08	> 12/12				34.166.00
antibacterial, anti-odour and anti-allergen filter with air-conditioner VISTEON / filtro antibatterico, antiodori e anti-allergeni con climatizzatore VISTEON	DT17TED4	150	204	10/05	> 06/08				34.142.00
3.0 HDI V6 FAP	DT20C	177	240	07/09	> 12/12	25.152.00	26.123.00	30.B24.00	54.166.00
antibacterial, anti-odour and anti-allergen filter / filtro antibatterico, antiodori e anti-allergeni	DT20C	177	240	07/09	> 12/12				34.166.00
3.0 V6 24V									
with air-conditioner VISTEON / con climatizzatore VISTEON	ES9A	155	211	10/05	> 06/08				53.227.00
with activated carbon air-conditioner BEHR / con climatizzatore, ai carboni attivi BEHR	ES9A	155	211	07/08	> 12/12	23.191.00		30.B24.00	54.166.00
with activated carbon air-conditioner VISTEON / con climatizzatore, ai carboni attivi VISTEON	ES9A	155	211	10/05	> 06/08	23.191.00		30.B24.00	54.142.00
antibacterial, anti-odour and anti-allergen filter with air-conditioner BEHR / filtro antibatterico, antiodori e anti-allergeni con climatizzatore BEHR	ES9A	155	211	07/08	> 12/12				34.166.00
antibacterial, anti-odour and anti-allergen filter with air-conditioner VISTEON / filtro antibatterico, antiodori e anti-allergeni con climatizzatore VISTEON	ES9A	155	211	10/05	> 06/08				34.142.00
C8									
2.0 16V	EW10A	103	140	09/05	>	25.060.00		30.933.00	53.069.00
with activated carbons / ai carboni attivi	EW10A	103	140	09/05	>	25.060.00		30.933.00	54.156.00
dusty areas / zone polverose	EW10A	103	140	09/05	>	25.060.00		30.067.00	54.156.00
2.0 16V	EW10J4	100	136	09/02	>	23.439.00	31.710.00	30.933.00	53.069.00
with activated carbons / ai carboni attivi	EW10J4	100	136	09/02	>	23.439.00	31.710.00	30.933.00	54.156.00
2.0 16V HDI	DW10ATED4	79	107	09/02	>	23.439.00	26.003.00	30.933.00	53.069.00
with activated carbons / ai carboni attivi	DW10ATED4	79	107	09/02	>	23.439.00	26.003.00	30.933.00	54.156.00
2.0 16V HDI	DW10ATED4	80	109	09/02	>	23.439.00	26.003.00	30.933.00	53.069.00
with activated carbons / ai carboni attivi	DW10ATED4	80	109	09/02	>	23.439.00	26.003.00	30.933.00	54.156.00
2.0 16V HDI	DW10UTED4 Euro4	88	120	10/05	>	25.060.00	26.022.00	30.330.00	53.069.00
with activated carbons / ai carboni attivi	DW10UTED4 Euro4	88	120	10/05	>	25.060.00	26.022.00	30.330.00	54.156.00
2.0 16V HDI FAP	DW10ATED4	79	107	09/02	> 07/04	23.439.00	26.003.00	30.933.00	53.069.00
	DW10ATED4	79	107	08/04	>	23.439.00	26.003.00	30.261.00	53.069.00
with activated carbons / ai carboni attivi	DW10ATED4	79	107	09/02	> 07/04	23.439.00	26.003.00	30.933.00	54.156.00
with activated carbons / ai carboni attivi	DW10ATED4	79	107	08/04	>	23.439.00	26.003.00	30.261.00	54.156.00
2.0 16V HDI FAP	DW10BTED4 Euro4	100	136	10/05	>	25.060.00	26.022.00	30.330.00	53.069.00
with activated carbons / ai carboni attivi	DW10BTED4 Euro4	100	136	10/05	>	25.060.00	26.022.00	30.330.00	54.156.00
2.2 16V	EW12J4	116	158	09/02	>	23.439.00	31.710.00	30.933.00	53.069.00
with activated carbons / ai carboni attivi	EW12J4	116	158	09/02	>	23.439.00	31.710.00	30.933.00	54.156.00
2.2 16V HDI	DW12TED4	94	128	09/02	>	23.439.00	26.003.00	30.933.00	53.069.00
with activated carbons / ai carboni attivi	DW12TED4	94	128	09/02	>	23.439.00	26.003.00	30.933.00	54.156.00
2.2 16V HDI FAP	DW12ATED4	94	128	09/02	>	23.439.00	26.003.00	30.933.00	53.069.00
with activated carbons / ai carboni attivi	DW12ATED4	94	128	09/02	>	23.439.00	26.003.00	30.933.00	54.156.00
2.2 16V HDI FAP	DW12BTED4	125	170	10/07	>	25.060.00	24.156.00	30.330.00	53.069.00
with activated carbons / ai carboni attivi	DW12BTED4	125	170	10/07	>	25.060.00	24.156.00	30.330.00	54.156.00
3.0 V6 24V	ES9J4S	150	204	09/02	>	23.191.00	31.710.00	30.067.00	53.069.00
with activated carbons / ai carboni attivi	ES9J4S	150	204	09/02	>	23.191.00	31.710.00	30.067.00	54.156.00
CX									
25 GTI Prestige/IE Pallas	M25-659	101	138	10/83	>	23.191.00	31.510.00		

...CITROEN - cars/auto

25 GTI Turbo	M25-662	123	168			23.191.00	31.510.00		
25 GTI Turbo 2	M25-662	123	168			23.191.00	31.510.00		
DS3									
1.2 PureTech 110									
with automatic air-conditioner / con climatizzatore automatico	EB2DT	81	110	08/14	>	03/15			54.164.00
with manual air-conditioner / con climatizzatore manuale	EB2DT	81	110	08/14	>	03/15	23.439.00		30.718.00
with plastic filter / con filtro in plastica	EB2DT	81	110	08/14	>	03/15		31.948.00	
antibacterial, anti-odour and anti-allergen filter with automatic air-conditioner / filtro antibatterico, antiodori e anti-allergeni con climatizzatore automatico	EB2DT	81	110	08/14	>	03/15			34.164.00
1.2 PureTech 82									
with automatic air-conditioner / con climatizzatore automatico	EB2	60	82	10/12	>	03/15			54.164.00
with manual air-conditioner / con climatizzatore manuale	EB2	60	82	10/12	>	03/15	23.439.00		30.638.00
with plastic filter / con filtro in plastica	EB2	60	82	10/12	>	03/15		31.948.00	
antibacterial, anti-odour and anti-allergen filter with automatic air-conditioner / filtro antibatterico, antiodori e anti-allergeni con climatizzatore automatico	EB2	60	82	10/12	>	03/15			34.164.00
1.2 VTi 82									
with automatic air-conditioner / con climatizzatore automatico	EB2	60	82	10/12	>	03/15			54.164.00
with manual air-conditioner / con climatizzatore manuale	EB2	60	82	10/12	>	03/15	23.439.00		30.638.00
with plastic filter / con filtro in plastica	EB2	60	82	10/12	>	03/15		31.948.00	
antibacterial, anti-odour and anti-allergen filter with automatic air-conditioner / filtro antibatterico, antiodori e anti-allergeni con climatizzatore automatico	EB2	60	82	10/12	>	03/15			34.164.00
1.4 HDI 70 FAP									
with automatic air-conditioner / con climatizzatore automatico	DV4C	50	68	04/10	>	07/15			54.164.00
with manual air-conditioner / con climatizzatore manuale	DV4C	50	68	04/10	>	07/15	25.037.00		30.645.00
antibacterial, anti-odour and anti-allergen filter with automatic air-conditioner / filtro antibatterico, antiodori e anti-allergeni con climatizzatore automatico	DV4C	50	68	04/10	>	07/15			34.164.00
spare part only / solo ricambio	DV4C	50	68	04/10	>	07/15		24.127.00	
1.4 VTi 95									
with automatic air-conditioner / con climatizzatore automatico	EP3C	70	95	04/10	>	07/15			54.164.00
with manual air-conditioner / con climatizzatore manuale	EP3C	70	95	04/10	>	07/15	25.060.00		30.400.00
with plastic filter / con filtro in plastica	EP3C	70	95	04/10	>	07/15		31.948.00	
antibacterial, anti-odour and anti-allergen filter with automatic air-conditioner / filtro antibatterico, antiodori e anti-allergeni con climatizzatore automatico	EP3C	70	95	04/10	>	07/15			34.164.00
1.4 VTi 95 GPL/LPG									
with automatic air-conditioner / con climatizzatore automatico	EP3	70	95	04/10	>	07/15			54.164.00
with manual air-conditioner / con climatizzatore manuale	EP3	70	95	04/10	>	07/15	25.060.00		30.400.00
with plastic filter / con filtro in plastica	EP3	70	95	04/10	>	07/15		31.948.00	
antibacterial, anti-odour and anti-allergen filter with automatic air-conditioner / filtro antibatterico, antiodori e anti-allergeni con climatizzatore automatico	EP3	70	95	04/10	>	07/15			34.164.00
1.4 VTi 98									
with automatic air-conditioner / con climatizzatore automatico	EP3C	72	98	11/09	>	07/15			54.164.00
with manual air-conditioner / con climatizzatore manuale	EP3C	72	98	11/09	>	07/15	25.060.00		30.400.00
with plastic filter / con filtro in plastica	EP3C	72	98	11/09	>	07/15		31.948.00	
antibacterial, anti-odour and anti-allergen filter with automatic air-conditioner / filtro antibatterico, antiodori e anti-allergeni con climatizzatore automatico	EP3C	72	98	11/09	>	07/15			34.164.00
1.6 16V Racing									
with automatic air-conditioner / con climatizzatore automatico	EP6CDTX	147	200	02/11	>	07/15			54.164.00
with manual air-conditioner / con climatizzatore manuale	EP6CDTX	147	200	02/11	>	07/15	25.060.00		30.467.00
with plastic filter / con filtro in plastica	EP6CDTX	147	200	02/11	>	07/15		31.948.00	
antibacterial, anti-odour and anti-allergen filter with automatic air-conditioner / filtro antibatterico, antiodori e anti-allergeni con climatizzatore automatico	EP6CDTX	147	200	02/11	>	07/15			34.164.00
1.6 16V Racing									
with automatic air-conditioner / con climatizzatore automatico	EP6DTS	152	207	02/11	>	07/15			54.164.00
with manual air-conditioner / con climatizzatore manuale	EP6DTS	152	207	02/11	>	07/15	25.060.00		30.467.00
with plastic filter / con filtro in plastica	EP6DTS	152	207	02/11	>	07/15		31.948.00	
antibacterial, anti-odour and anti-allergen filter with automatic air-conditioner / filtro antibatterico, antiodori e anti-allergeni con climatizzatore automatico	EP6DTS	152	207	02/11	>	07/15			34.164.00
1.6 16V VTi 120									
with automatic air-conditioner / con climatizzatore automatico	EP6C	88	120	04/10	>	07/15			54.164.00
with manual air-conditioner / con climatizzatore manuale	EP6C	88	120	04/10	>	07/15	25.060.00		30.400.00
with plastic filter / con filtro in plastica	EP6C	88	120	04/10	>	07/15		31.948.00	
antibacterial, anti-odour and anti-allergen filter with automatic air-conditioner / filtro antibatterico, antiodori e anti-allergeni con climatizzatore automatico	EP6C	88	120	04/10	>	07/15			34.164.00
1.6 16V VTi 120 Autom.									
with automatic air-conditioner / con climatizzatore automatico	EP6C	88	120	04/10	>	07/15			54.164.00
with manual air-conditioner / con climatizzatore manuale	EP6C	88	120	04/10	>	07/15	25.060.00		30.400.00
with plastic filter / con filtro in plastica	EP6C	88	120	04/10	>	07/15		31.948.00	
antibacterial, anti-odour and anti-allergen filter with automatic air-conditioner / filtro antibatterico, antiodori e anti-allergeni con climatizzatore automatico	EP6C	88	120	04/10	>	07/15			34.164.00
1.6 BlueHDI 100									
with automatic air-conditioner / con climatizzatore automatico	DV6FD	73	99	07/14	>	08/15			54.164.00
with manual air-conditioner / con climatizzatore manuale	DV6FD	73	99	07/14	>	07/15	25.187.00	26.104.00	30.648.00
antibacterial, anti-odour and anti-allergen filter with automatic air-conditioner / filtro antibatterico, antiodori e anti-allergeni con climatizzatore automatico	DV6FD	73	99	07/14	>	07/15			34.164.00
1.6 BlueHDI 115									
with automatic air-conditioner / con climatizzatore automatico	DV6FC	85	116	10/13	>	07/15			54.164.00
with manual air-conditioner / con climatizzatore manuale	DV6FC	85	116	10/13	>	07/15	25.187.00	26.104.00	30.648.00
antibacterial, anti-odour and anti-allergen filter with automatic air-conditioner / filtro antibatterico, antiodori e anti-allergeni con climatizzatore automatico	DV6FC	85	116	10/13	>	07/15			34.164.00
1.6 BlueHDI 120									

...CITROEN - cars/auto

with automatic air-conditioner / con climatizzatore automatico	DV6FC	88	120	10/13	>	07/15				54.164.00
with manual air-conditioner / con climatizzatore manuale	DV6FC	88	120	10/13	>	07/15	25.187.00	26.104.00	30.648.00	53.143.00
antibacterial, anti-odour and anti-allergen filter with automatic air-conditioner / filtro antibatterico, antiodori e anti-allergeni con climatizzatore automatico	DV6FC	88	120	10/13	>	07/15				34.164.00
1.6 BlueHDI 75										
with automatic air-conditioner / con climatizzatore automatico	DV6FE	55	75	03/15	>	07/15				54.164.00
with manual air-conditioner / con climatizzatore manuale	DV6FE	55	75	03/15	>	07/15	25.187.00	26.104.00	30.648.00	53.143.00
antibacterial, anti-odour and anti-allergen filter with automatic air-conditioner / filtro antibatterico, antiodori e anti-allergeni con climatizzatore automatico	DV6FE	55	75	03/15	>	07/15				34.164.00
1.6 HDI 112 FAP										
with automatic air-conditioner / con climatizzatore automatico	DV6C	82	112	11/09	>	07/15				54.164.00
with manual air-conditioner / con climatizzatore manuale	DV6C	82	112	11/09	>	07/15	25.037.00		30.645.00	53.143.00
antibacterial, anti-odour and anti-allergen filter with automatic air-conditioner / filtro antibatterico, antiodori e anti-allergeni con climatizzatore automatico	DV6C	82	112	11/09	>	07/15				34.164.00
spare part only / solo ricambio	DV6C	82	112	11/09	>	07/15		24.127.00		
1.6 HDI 115										
with automatic air-conditioner / con climatizzatore automatico	DV6C	84	114	08/12	>	07/15				54.164.00
with manual air-conditioner / con climatizzatore manuale	DV6C	84	114	08/12	>	07/15	25.037.00		30.645.00	53.143.00
antibacterial, anti-odour and anti-allergen filter with automatic air-conditioner / filtro antibatterico, antiodori e anti-allergeni con climatizzatore automatico	DV6C	84	114	08/12	>	07/15				34.164.00
spare part only / solo ricambio	DV6C	84	114	08/12	>	07/15		24.127.00		
1.6 HDI 92 FAP										
with automatic air-conditioner / con climatizzatore automatico	DV6DTEd	68	92	11/09	>	07/15				54.164.00
with manual air-conditioner / con climatizzatore manuale	DV6DTEd	68	92	11/09	>	07/15	25.037.00		30.645.00	53.143.00
antibacterial, anti-odour and anti-allergen filter with automatic air-conditioner / filtro antibatterico, antiodori e anti-allergeni con climatizzatore automatico	DV6DTEd	68	92	11/09	>	07/15				34.164.00
spare part only / solo ricambio	DV6DTEd	68	92	11/09	>	07/15		24.127.00		
1.6 THP										
with automatic air-conditioner / con climatizzatore automatico	EP6DT	120	163	01/12	>	07/15				54.164.00
with manual air-conditioner / con climatizzatore manuale	EP6DT	120	163	01/12	>	07/15	25.060.00		30.467.00	53.143.00
with plastic filter / con filtro in plastica	EP6DT	120	163	01/12	>	07/15		31.948.00		
antibacterial, anti-odour and anti-allergen filter with automatic air-conditioner / filtro antibatterico, antiodori e anti-allergeni con climatizzatore automatico	EP6DT	120	163	01/12	>	07/15				34.164.00
1.6 THP 150										
with automatic air-conditioner / con climatizzatore automatico	EP6DT/EP6CDT	110	150	01/10	>	07/15				54.164.00
with manual air-conditioner / con climatizzatore manuale	EP6DT/EP6CDT	110	150	01/10	>	07/15	25.060.00		30.467.00	53.143.00
with plastic filter / con filtro in plastica	EP6DT/EP6CDT	110	150	01/10	>	07/15		31.948.00		
antibacterial, anti-odour and anti-allergen filter with automatic air-conditioner / filtro antibatterico, antiodori e anti-allergeni con climatizzatore automatico	EP6DT/EP6CDT	110	150	01/10	>	07/15				34.164.00
1.6 THP 155										
with automatic air-conditioner / con climatizzatore automatico	EP6DT	115	156	04/10	>	07/15				54.164.00
with manual air-conditioner / con climatizzatore manuale	EP6DT	115	156	04/10	>	07/15	25.060.00		30.467.00	53.143.00
with plastic filter / con filtro in plastica	EP6DT	115	156	04/10	>	07/15		31.948.00		
antibacterial, anti-odour and anti-allergen filter with automatic air-conditioner / filtro antibatterico, antiodori e anti-allergeni con climatizzatore automatico	EP6DT	115	156	04/10	>	07/15				34.164.00
1.6 THP 165										
with automatic air-conditioner / con climatizzatore automatico	EP6FDT/EP6FDTM	121	163	10/14	>	06/15				54.164.00
with manual air-conditioner / con climatizzatore manuale	EP6FDT/EP6FDTM	121	163	10/14	>	06/15	25.060.00		30.467.00	53.143.00
with plastic filter / con filtro in plastica	EP6FDT/EP6FDTM	121	163	10/14	>	06/15		31.948.00		
antibacterial, anti-odour and anti-allergen filter with automatic air-conditioner / filtro antibatterico, antiodori e anti-allergeni con climatizzatore automatico	EP6FDT/EP6FDTM	121	163	10/14	>	06/15				34.164.00
DS4										
1.2 e-THP PureTech 130										
with automatic air-conditioner / con climatizzatore automatico	EP2DTS	96	130	08/14	>					54.111.00
with manual air-conditioner / con climatizzatore manuale	EP2DTS	96	130	08/14	>		23.439.00		30.718.00	53.038.00
with plastic filter / con filtro in plastica	EP2DTS	96	130	08/14	>			31.948.00		
antibacterial, anti-odour and anti-allergen filter / filtro antibatterico, antiodori e anti-allergeni	EP2DTS	96	130	08/14	>					34.111.00
1.6 BlueHDI 100										
with automatic air-conditioner / con climatizzatore automatico	DV6FD	73	99	04/16	>					54.111.00
with manual air-conditioner / con climatizzatore manuale	DV6FD	73	99	04/16	>		25.187.00	26.104.00	30.648.00	53.038.00
antibacterial, anti-odour and anti-allergen filter / filtro antibatterico, antiodori e anti-allergeni	DV6FD	73	99	04/16	>					34.111.00
1.6 BlueHDI 115										
with automatic air-conditioner / con climatizzatore automatico	DV6FC	85	116	11/14	>					54.111.00
with manual air-conditioner / con climatizzatore manuale	DV6FC	85	116	11/14	>		25.187.00	26.104.00	30.648.00	53.038.00
antibacterial, anti-odour and anti-allergen filter / filtro antibatterico, antiodori e anti-allergeni	DV6FC	85	116	11/14	>					34.111.00
1.6 BlueHDI 120										
with automatic air-conditioner / con climatizzatore automatico	DV6FC	88	120	11/14	>					54.111.00
with manual air-conditioner / con climatizzatore manuale	DV6FC	88	120	11/14	>		25.187.00	26.104.00	30.648.00	53.038.00
antibacterial, anti-odour and anti-allergen filter / filtro antibatterico, antiodori e anti-allergeni	DV6FC	88	120	11/14	>					34.111.00
1.6 e-HDI 110										
with automatic air-conditioner / con climatizzatore automatico	DV6C	82	112	05/11	>					54.111.00
with manual air-conditioner / con climatizzatore manuale	DV6C	82	112	05/11	>		25.037.00	24.127.00	30.645.00	53.038.00
antibacterial, anti-odour and anti-allergen filter / filtro antibatterico, antiodori e anti-allergeni	DV6C	82	112	05/11	>					34.111.00
1.6 HDI 115										
with automatic air-conditioner / con climatizzatore automatico	DV6C	84	114	08/12	>					54.111.00
with manual air-conditioner / con climatizzatore manuale	DV6C	84	114	08/12	>		25.037.00	24.127.00	30.645.00	53.038.00

...CITROEN - cars/auto

antibacterial, anti-odour and anti-allergen filter / filtro antibatterico, antiodori e anti-allergeni	DV6C	84	114	08/12	>				34.111.00
1.6 HDI 92									
with automatic air-conditioner / con climatizzatore automatico	DV6DTE	68	92	09/10	>				54.111.00
with manual air-conditioner / con climatizzatore manuale	DV6DTE	68	92	09/10	>	25.037.00	24.127.00	30.645.00	53.038.00
antibacterial, anti-odour and anti-allergen filter / filtro antibatterico, antiodori e anti-allergeni	DV6DTE	68	92	09/10	>				34.111.00
1.6 THP 155									
with automatic air-conditioner / con climatizzatore automatico	EP6CDT	115	156	05/11	>				54.111.00
with manual air-conditioner / con climatizzatore manuale	EP6CDT	115	156	05/11	>	25.060.00		30.467.00	53.038.00
with plastic filter / con filtro in plastica	EP6CDT	115	156	05/11	>		31.948.00		
antibacterial, anti-odour and anti-allergen filter / filtro antibatterico, antiodori e anti-allergeni	EP6CDT	115	156	05/11	>				34.111.00
1.6 THP 160									
with automatic air-conditioner / con climatizzatore automatico	EP6CDTMD	120	163	02/12	>				54.111.00
with manual air-conditioner / con climatizzatore manuale	EP6CDTMD	120	163	02/12	>	25.060.00		30.467.00	53.038.00
with plastic filter / con filtro in plastica	EP6CDTMD	120	163	02/12	>		31.948.00		
antibacterial, anti-odour and anti-allergen filter / filtro antibatterico, antiodori e anti-allergeni	EP6CDTMD	120	163	02/12	>				34.111.00
1.6 THP 165									
with automatic air-conditioner / con climatizzatore automatico	EP6FDT/FDTM	121	165	01/15	>				54.111.00
with manual air-conditioner / con climatizzatore manuale	EP6FDT/FDTM	121	165	01/15	>	25.060.00		30.467.00	53.038.00
with plastic filter / con filtro in plastica	EP6FDT/FDTM	121	165	01/15	>		31.948.00		
antibacterial, anti-odour and anti-allergen filter / filtro antibatterico, antiodori e anti-allergeni	EP6FDT/FDTM	121	165	01/15	>				34.111.00
1.6 THP 200									
with automatic air-conditioner / con climatizzatore automatico	EP6CDTX	147	200	05/11	>				54.111.00
with manual air-conditioner / con climatizzatore manuale	EP6CDTX	147	200	05/11	>	25.060.00		30.467.00	53.038.00
with plastic filter / con filtro in plastica	EP6CDTX	147	200	05/11	>		31.948.00		
antibacterial, anti-odour and anti-allergen filter / filtro antibatterico, antiodori e anti-allergeni	EP6CDTX	147	200	05/11	>				34.111.00
1.6 THP 205									
with automatic air-conditioner / con climatizzatore automatico	EP6FDTX	151	205	01/15	>				54.111.00
with manual air-conditioner / con climatizzatore manuale	EP6FDTX	151	205	01/15	>	25.060.00		30.467.00	53.038.00
with plastic filter / con filtro in plastica	EP6FDTX	151	205	01/15	>		31.948.00		
antibacterial, anti-odour and anti-allergen filter / filtro antibatterico, antiodori e anti-allergeni	EP6FDTX	151	205	01/15	>				34.111.00
1.6 THP 210									
with automatic air-conditioner / con climatizzatore automatico	EP6FDTX	155	211	01/15	>				54.111.00
with manual air-conditioner / con climatizzatore manuale	EP6FDTX	155	211	01/15	>	25.060.00		30.467.00	53.038.00
with plastic filter / con filtro in plastica	EP6FDTX	155	211	01/15	>		31.948.00		
antibacterial, anti-odour and anti-allergen filter / filtro antibatterico, antiodori e anti-allergeni	EP6FDTX	155	211	01/15	>				34.111.00
1.6 VTi 120									
with automatic air-conditioner / con climatizzatore automatico	EP6C	88	120	05/11	>				54.111.00
with manual air-conditioner / con climatizzatore manuale	EP6C	88	120	05/11	>	25.060.00		30.400.00	53.038.00
with plastic filter / con filtro in plastica	EP6C	88	120	05/11	>		31.948.00		
antibacterial, anti-odour and anti-allergen filter / filtro antibatterico, antiodori e anti-allergeni	EP6C	88	120	05/11	>				34.111.00
1.6 VTi 120 GPL/LPG									
with automatic air-conditioner / con climatizzatore automatico	EP3CG	88	120	05/11	>				54.111.00
with manual air-conditioner / con climatizzatore manuale	EP3CG	88	120	05/11	>	25.060.00		30.400.00	53.038.00
antibacterial, anti-odour and anti-allergen filter / filtro antibatterico, antiodori e anti-allergeni	EP3CG	88	120	05/11	>				34.111.00
2.0 BlueHDI 150									
with automatic air-conditioner / con climatizzatore automatico	DW10FD	110	150	07/14	>				54.111.00
with manual air-conditioner / con climatizzatore manuale	DW10FD	110	150	07/14	>	23.439.00	26.104.00	30.351.00	53.038.00
antibacterial, anti-odour and anti-allergen filter / filtro antibatterico, antiodori e anti-allergeni	DW10FD	110	150	07/14	>				34.111.00
2.0 BlueHDI 180									
with automatic air-conditioner / con climatizzatore automatico	DW10FC	132	180	01/15	>				54.111.00
with manual air-conditioner / con climatizzatore manuale	DW10FC	132	180	01/15	>	23.439.00	26.104.00	30.351.00	53.038.00
antibacterial, anti-odour and anti-allergen filter / filtro antibatterico, antiodori e anti-allergeni	DW10FC	132	180	01/15	>				34.111.00
2.0 HDI 135									
with automatic air-conditioner / con climatizzatore automatico	DW10C	100	136	09/11	>				54.111.00
with manual air-conditioner / con climatizzatore manuale	DW10C	100	136	09/11	>	25.060.00	26.055.00	30.351.00	53.038.00
antibacterial, anti-odour and anti-allergen filter / filtro antibatterico, antiodori e anti-allergeni	DW10C	100	136	09/11	>				34.111.00
2.0 HDI 160									
with automatic air-conditioner / con climatizzatore automatico	DW10CTED4	120	163	05/11	>				54.111.00
with manual air-conditioner / con climatizzatore manuale	DW10CTED4	120	163	05/11	>	25.060.00	26.055.00	30.351.00	53.038.00
antibacterial, anti-odour and anti-allergen filter / filtro antibatterico, antiodori e anti-allergeni	DW10CTED4	120	163	05/11	>				34.111.00
DS5									
1.6 BlueHDI 115									
with activated carbons / ai carboni attivi	DV6FC	85	116	12/13	>				54.172.00
antibacterial, anti-odour and anti-allergen filter / filtro antibatterico, antiodori e anti-allergeni	DV6FC	85	116	12/13	>				34.172.00
1.6 BlueHDI 120									
with activated carbons / ai carboni attivi	DV6FC	88	120	01/14	>				54.172.00
antibacterial, anti-odour and anti-allergen filter / filtro antibatterico, antiodori e anti-allergeni	DV6FC	88	120	01/14	>	25.187.00	26.104.00	30.648.00	53.154.00

...CITROEN - cars/auto

1.6 e-HDI 110	DV6C	82	112	10/11	>	25.037.00	24.127.00	30.645.00	53.154.00
with activated carbons / ai carboni attivi	DV6C	82	112	10/11	>				54.172.00
antibacterial, anti-odour and anti-allergen filter / filtro antibatterico, antiodori e anti-allergeni	DV6C	82	112	10/11	>				34.172.00
1.6 THP 155	EP6CDT	115	156	10/11	>	25.060.00		30.467.00	53.154.00
with activated carbons / ai carboni attivi	EP6CDT	115	156	10/11	>				54.172.00
with plastic filter / con filtro in plastica	EP6CDT	115	156	10/11	>		31.948.00		
antibacterial, anti-odour and anti-allergen filter / filtro antibatterico, antiodori e anti-allergeni	EP6CDT	115	156	10/11	>				34.172.00
1.6 THP 165	EP6CDT	121	165	06/12	>	25.060.00		30.467.00	53.154.00
with activated carbons / ai carboni attivi	EP6CDT	121	165	06/12	>				54.172.00
with plastic filter / con filtro in plastica	EP6CDT	121	165	06/12	>		31.948.00		
1.6 THP 200	EP6CDTX	147	200	10/11	>	25.060.00		30.467.00	53.154.00
with activated carbons / ai carboni attivi	EP6CDTX	147	200	10/11	>				54.172.00
with plastic filter / con filtro in plastica	EP6CDTX	147	200	10/11	>		31.948.00		
antibacterial, anti-odour and anti-allergen filter / filtro antibatterico, antiodori e anti-allergeni	EP6CDTX	147	200	10/11	>				34.172.00
1.6 THP 210	EP6FDTX	155	211	11/15	>	25.060.00		30.467.00	53.154.00
with activated carbons / ai carboni attivi	EP6FDTX	155	211	11/15	>				54.172.00
with plastic filter / con filtro in plastica	EP6FDTX	155	211	11/15	>		31.948.00		
antibacterial, anti-odour and anti-allergen filter / filtro antibatterico, antiodori e anti-allergeni	EP6FDTX	155	211	11/15	>				34.172.00
2.0 BlueHDI 150	DW10FD	110	150	01/14	>	23.439.00	26.104.00	30.351.00	53.154.00
with activated carbons / ai carboni attivi	DW10FD	110	150	01/14	>				54.172.00
antibacterial, anti-odour and anti-allergen filter / filtro antibatterico, antiodori e anti-allergeni	DW10FD	110	150	01/14	>				34.172.00
2.0 BlueHDI 180	DW10FC	133	180	08/13	>	23.439.00	26.104.00	30.351.00	53.154.00
with activated carbons / ai carboni attivi	DW10FC	133	180	08/13	>				54.172.00
antibacterial, anti-odour and anti-allergen filter / filtro antibatterico, antiodori e anti-allergeni	DW10FC	133	180	08/13	>				34.172.00
2.0 HDI 135	DW10CBDTR	100	136	10/11	>	25.060.00	26.055.00	30.351.00	53.154.00
with activated carbons / ai carboni attivi	DW10CBDTR	100	136	10/11	>				54.172.00
antibacterial, anti-odour and anti-allergen filter / filtro antibatterico, antiodori e anti-allergeni	DW10CBDTR	100	136	10/11	>				34.172.00
2.0 HDI 165	DW10CTED4	120	163	10/11	>	25.060.00	26.055.00	30.351.00	53.154.00
with activated carbons / ai carboni attivi	DW10CTED4	120	163	10/11	>				54.172.00
antibacterial, anti-odour and anti-allergen filter / filtro antibatterico, antiodori e anti-allergeni	DW10CTED4	120	163	10/11	>				34.172.00
2.0 HDI 200 Hybrid4	DW10CTED4	147	200	01/12	>	23.439.00	26.055.00	30.351.00	53.154.00
with activated carbons / ai carboni attivi	DW10CTED4	147	200	01/12	>				54.172.00
antibacterial, anti-odour and anti-allergen filter / filtro antibatterico, antiodori e anti-allergeni	DW10CTED4	147	200	01/12	>				34.172.00
Evasion									
1.8 i	XU7JP	73	99	05/97	> 12/02	23.293.00	31.710.00	30.933.00	53.070.00
1.9 Turbodiesel									
assembly DELPHI / montaggio DELPHI	XUD9TE	66	90	03/94	> 12/02	23.293.00	24.390.00	30.933.00	53.070.00
assembly PURFLUX / montaggio PURFLUX	XUD9TE	66	90	03/94	> 12/02	23.293.00	26.676.00	30.933.00	53.070.00
1.9 Turbodiesel									
assembly DELPHI / montaggio DELPHI	XUD9TF	68	92	03/94	> 12/02	23.293.00	24.390.00	30.933.00	53.070.00
assembly PURFLUX / montaggio PURFLUX	XUD9TF	68	92	03/94	> 12/02	23.293.00	26.676.00	30.933.00	53.070.00
2.0 HDI									
assembly BOSCH / montaggio BOSCH	DW10ATED	80	109	08/99	> 12/02	23.439.00	26.691.00	30.067.00	53.070.00
assembly SIEMENS / montaggio SIEMENS	DW10ATED	80	109	04/01	> 12/02	23.439.00	26.003.00	30.067.00	53.070.00
2.0 HDI 16V									
assembly BOSCH / montaggio BOSCH	DW10ATED4	80	109	11/00	> 12/02	23.439.00	26.691.00	30.067.00	53.070.00
assembly SIEMENS / montaggio SIEMENS	DW10ATED4	80	109	04/01	> 12/02	23.439.00	26.003.00	30.067.00	53.070.00
2.0 i	XU10J2	89	121	06/96	> 12/02	23.293.00	31.710.00	30.933.00	53.070.00
2.0 i 16S	EW10J4	100	136	05/98	> 12/02	23.439.00	31.710.00	30.933.00	53.070.00
dusty areas / zone polverose	EW10J4	100	136	05/98	> 12/02	23.439.00	31.710.00	30.067.00	53.070.00
2.0 i 16S	XU10J4R	97	132	05/98	> 12/02	23.293.00	31.710.00	30.933.00	53.070.00
2.0 i 16V	EW10J4	100	136	05/98	> 12/02	23.439.00	31.710.00	30.933.00	53.070.00
dusty areas / zone polverose	EW10J4	100	136	05/98	> 12/02	23.439.00	31.710.00	30.067.00	53.070.00
2.0 i 16V	XU10J4R	97	132	05/98	> 12/02	23.293.00	31.710.00	30.933.00	53.070.00
2.0 i Turbo	XU10J2TE	108	147	06/96	> 12/02	23.293.00	31.710.00	30.933.00	53.070.00
2.1 Turbodiesel 12V									
assembly DELPHI / montaggio DELPHI	XUD11BTE	80	109	11/96	> 12/02	23.293.00	24.389.00	30.933.00	53.070.00
or / oppure	XUD11BTE	80	109	11/96	> 12/02	23.293.00	26.682.00	30.933.00	53.070.00
2.2 HDI 16V	DW12ATED4	96	130	01/02	> 12/02	23.439.00	26.003.00	30.933.00	53.070.00
LN									
10 E									
foam spare part only / solo ricambio spugna						23.173.01			
Mehari									
Mehari									
or / oppure				08/78	>	23.105.00			27.762.00
foam spare part only / solo ricambio spugna				08/78	>	23.105.00			
Nemo									

...CITROEN - cars/auto

1.3 BlueHDI									
with air-conditioner and R.H.D. / con climatizzatore e guida a destra	F13DTE6	59	80	10/15	>			30.477.00	53.124.00
with air-conditioner and R.H.D. with activated carbons / con climatizzatore e guida a destra ai carboni attivi	F13DTE6	59	80	10/15	>				54.162.00
with air-conditioner and L.H.D. / con climatizzatore e guida a sinistra	F13DTE6	59	80	10/15	>			30.477.00	53.157.00
antibacterial, anti-odour and anti-allergen filter with air-conditioner and R.H.D. / filtro antibatterico, antiodori e anti-allergeni con climatizzatore e guida a destra	F13DTE6	59	80	10/15	>				34.162.00
1.3 HDI 75 FAP									
with air-conditioner and R.H.D. / con climatizzatore e guida a destra	F130DTE5	55	75	09/10	>	25.061.00	24.ONE.01	30.477.00	53.124.00
with air-conditioner and L.H.D. / con climatizzatore e guida a sinistra	F130DTE5	55	75	09/10	>	25.061.00	24.ONE.01	30.477.00	53.157.00
1.4									
with air-conditioner and R.H.D. / con climatizzatore e guida a destra	TU3A	54	73	11/07	>	25.060.00		30.371.00	53.124.00
with air-conditioner and L.H.D. / con climatizzatore e guida a sinistra	TU3A	54	73	11/07	>	25.060.00		30.371.00	53.157.00
1.4 HDI									
to series No. OPR10633 / a serie N. OPR10633	DV4TED	51	70				24.343.00		
with air-conditioner and R.H.D. / con climatizzatore e guida a destra	DV4TED	51	70	11/07	>	25.037.00		30.153.00	53.124.00
with air-conditioner and L.H.D. / con climatizzatore e guida a sinistra	DV4TED	51	70	11/07	>	25.037.00		30.153.00	53.157.00
from series No. OPR10634 / da serie N. OPR10634	DV4TED	51	70				24.015.00		
Saxo									
1.0 i	TU9M	37	50	02/96	> 06/03	23.293.00	31.710.00	27.845.02	
1.1 i									
	TU1JP	44	60	01/00	> 06/00	23.293.00	31.710.00	27.258.00	
	TU1JP	44	60	07/00	> 03/05	25.032.00	31.710.00	27.258.00	
1.1 i	TU1M, TU1M+	44	60	02/96	> 09/03	23.293.00	31.710.00	27.196.00	
1.4 i									
	TU3JP	55	75	02/96	> 06/00	23.293.00	31.710.00	27.258.00	
	TU3JP	55	75	07/00	> 06/03	25.032.00	31.710.00	27.258.00	
1.5 Diesel									
	TUD5	40	54	09/96	> 03/05	23.293.00	24.384.00	27.252.00	
1.5 Diesel									
	TUD5	42	57	09/96	> 12/03	23.293.00	24.384.00	27.252.00	
1.6 i									
	TU5JP-L3	66	90	02/96	> 08/00	23.293.00	31.710.00	27.196.00	
	TU5JP-L3	66	90	09/00	> 09/03	25.032.00	31.710.00	27.196.00	
1.6 i	TU5JP-L4	74	101	06/00	> 04/04	25.032.00	31.710.00	30.167.00	
1.6 i 16S									
	TU5J4			01/96	> 04/04	23.293.00	31.710.00	30.166.00	
1.6 i 16V									
	TU5J4			01/96	> 04/04	23.293.00	31.710.00	30.166.00	
SpaceTourer									
1.5 BlueHDI 100									
	DV5RD	74	101	07/18	>	25.216.00			53.154.00
with activated carbons / ai carboni attivi	DV5RD	74	101	07/18	>				54.172.00
antibacterial, anti-odour and anti-allergen filter / filtro antibatterico, antiodori e anti-allergeni	DV5RD	74	101	07/18	>				34.172.00
1.5 BlueHDI 120									
	DV5RC	88	120	06/18	>	25.216.00			53.154.00
with activated carbons / ai carboni attivi	DV5RC	88	120	06/18	>				54.172.00
antibacterial, anti-odour and anti-allergen filter / filtro antibatterico, antiodori e anti-allergeni	DV5RC	88	120	06/18	>				34.172.00
1.6 BlueHDI 115									
with activated carbons / ai carboni attivi	DV6FCU	85	116	04/16	>	25.187.00		30.648.00	53.154.00
antibacterial, anti-odour and anti-allergen filter / filtro antibatterico, antiodori e anti-allergeni	DV6FCU	85	116	04/16	>				54.172.00
	DV6FCU	85	116	04/16	>				34.172.00
1.6 BlueHDI 95									
with activated carbons / ai carboni attivi	DV6FDU	70	95	04/16	>	25.187.00		30.648.00	53.154.00
antibacterial, anti-odour and anti-allergen filter / filtro antibatterico, antiodori e anti-allergeni	DV6FDU	70	95	04/16	>				54.172.00
	DV6FDU	70	95	04/16	>				34.172.00
2.0 BlueHDI 120									
with activated carbons / ai carboni attivi	DW10FE	90	122	04/16	>	23.439.00		30.717.00	53.154.00
antibacterial, anti-odour and anti-allergen filter / filtro antibatterico, antiodori e anti-allergeni	DW10FE	90	122	04/16	>				54.172.00
	DW10FE	90	122	04/16	>				34.172.00
2.0 BlueHDI 150									
with activated carbons / ai carboni attivi	DW10FD	110	150	04/16	>	23.439.00		30.717.00	53.154.00
antibacterial, anti-odour and anti-allergen filter / filtro antibatterico, antiodori e anti-allergeni	DW10FD	110	150	04/16	>				54.172.00
	DW10FD	110	150	04/16	>				34.172.00
2.0 BlueHDI 180									
with activated carbons / ai carboni attivi	DW10FC	130	177	04/16	>	23.439.00		30.717.00	53.154.00
antibacterial, anti-odour and anti-allergen filter / filtro antibatterico, antiodori e anti-allergeni	DW10FC	130	177	04/16	>				54.172.00
	DW10FC	130	177	04/16	>				34.172.00
Synergie									
1.8 i (UK)									
with plastic filter / con filtro in plastica	XU7JP	73	99	05/97	> 12/02	23.293.00	31.710.00	30.933.00	53.070.00
	XU7JP	73	99	05/97	> 12/02		31.948.00		
1.9 TD (UK)									
assembly DELPHI / montaggio DELPHI	XUD9TE	66	90	01/95	> 12/02	23.293.00	24.390.00	30.933.00	53.070.00
assembly PURFLUX / montaggio PURFLUX	XUD9TE	66	90	01/95	> 12/02	23.293.00	26.676.00	30.933.00	53.070.00
1.9 TD (UK)									
DELPHI assembly / montaggio DELPHI	XUD9TF	68	92	03/94	> 12/02	23.293.00	24.390.00	30.933.00	53.070.00
assembly PURFLUX / montaggio PURFLUX	XUD9TF	68	92	03/94	> 12/02	23.293.00	26.676.00	30.933.00	53.070.00
2.0 HDI (UK)									
assembly BOSCH / montaggio BOSCH	DW10ATED	80	109	01/00	> 04/01	23.439.00	26.691.00	30.067.00	53.070.00
assembly SIEMENS / montaggio SIEMENS	DW10ATED	80	109	04/01	> 12/02	23.439.00	26.003.00	30.067.00	53.070.00
2.0 HDI 16V (UK)									
assembly BOSCH / montaggio BOSCH	DW10ATED4	80	109	11/00	> 12/02	23.439.00	26.691.00	30.067.00	53.070.00
assembly SIEMENS / montaggio SIEMENS	DW10ATED4	80	109	04/01	> 12/02	23.439.00	26.003.00	30.067.00	53.070.00

...CITROEN - cars/auto

2.0 i (UK)	XU10J2	89	121	06/96	>	12/02	23.293.00	31.710.00	30.933.00	53.070.00
with plastic filter / con filtro in plastica	XU10J2	89	121	06/96	>	12/02		31.948.00		
2.0 i 16S (UK)	EW10J4	100	136	05/98	>	12/02	23.439.00	31.710.00	30.933.00	53.070.00
with plastic filter / con filtro in plastica	EW10J4	100	136	05/98	>	12/02		31.948.00		
dusty areas / zone polverose	EW10J4	100	136	05/98	>	12/02	23.439.00	31.710.00	30.067.00	53.070.00
2.0 i 16S (UK)	XU10J4R	97	132	05/98	>	12/02	23.293.00	31.710.00	30.933.00	53.070.00
with plastic filter / con filtro in plastica	XU10J4R	97	132	05/98	>	12/02		31.948.00		
2.0 i 16V (UK)	EW10J4	100	136	05/98	>	12/02	23.439.00	31.710.00	30.933.00	53.070.00
with plastic filter / con filtro in plastica	EW10J4	100	136	05/98	>	12/02		31.948.00		
dusty areas / zone polverose	EW10J4	100	136	05/98	>	12/02	23.439.00	31.710.00	30.067.00	53.070.00
2.0 i 16V (UK)	XU10J4R	97	132	05/98	>	12/02	23.293.00	31.710.00	30.933.00	53.070.00
with plastic filter / con filtro in plastica	XU10J4R	97	132	05/98	>	12/02		31.948.00		
2.0 i Turbo (UK)	XU10J2TE	108	147	06/96	>	12/02	23.293.00	31.710.00	30.933.00	53.070.00
with plastic filter / con filtro in plastica	XU10J2TE	108	147	06/96	>	12/02		31.948.00		
2.1 Turbodiesel 12V (UK)										
DELPHI assembly / montaggio DELPHI	XUD11BTE	80	109	11/96	>	12/02	23.293.00	24.389.00	30.933.00	53.070.00
or / oppure	XUD11BTE	80	109	11/96	>	12/02	23.293.00	26.682.00	30.933.00	53.070.00
2.2 HDI 16V (UK)	DW12ATED4	96	130	01/02	>	12/02	23.439.00	26.003.00	30.933.00	53.070.00
Xantia										
1.6 i cat										
with air-conditioner / con climatizzatore	XU5JP	65	88	02/97	>	03/01	23.293.00	31.710.00	30.021.00	53.021.00
with activated carbon air-conditioner / con climatizzatore, ai carboni attivi	XU5JP	65	88	03/93	>	03/01				54.235.00
with plastic filter / con filtro in plastica	XU5JP	65	88	02/97	>	03/01		31.948.00		
1.8 i 16V										
with air-conditioner / con climatizzatore	XUP7JP4, XU7JP4	81	110	02/97	>	04/03	23.293.00	31.710.00	30.933.00	53.021.00
with activated carbon air-conditioner / con climatizzatore, ai carboni attivi	XUP7JP4, XU7JP4	81	110	06/95	>	04/03				54.235.00
with air-conditioner, dusty areas / con climatizzatore, per zone polverose	XUP7JP4, XU7JP4	81	110	02/97	>	04/03	23.293.00	31.710.00	30.067.00	53.021.00
with plastic filter / con filtro in plastica	XUP7JP4, XU7JP4	81	110	02/97	>	04/03		31.948.00		
1.8 i cat										
with air-conditioner / con climatizzatore	XU7JB	66	90	04/97	>	04/03	23.293.00	31.710.00	30.021.00	53.021.00
with activated carbon air-conditioner / con climatizzatore, ai carboni attivi	XU7JB	66	90	04/97	>	04/03				54.235.00
with plastic filter / con filtro in plastica	XU7JB	66	90	04/97	>	04/03		31.948.00		
1.9 D										
with activated carbon air-conditioner / con climatizzatore, ai carboni attivi	XUD9A/L	51	69	03/93	>	03/01				54.235.00
1.9 D										
with air-conditioner / con climatizzatore	XUD9SD	55	75	02/96	>					53.021.00
with activated carbon air-conditioner / con climatizzatore, ai carboni attivi	XUD9SD	55	75	03/93	>	03/01				54.235.00
excluding dusty areas / escluso per zone polverose	XUD9SD	55	75	02/96	>		23.293.00		30.067.00	
assembly DELPHI / montaggio DELPHI	XUD9SD	55	75	02/96	>		23.293.00	24.390.00	30.933.00	
assembly PURFLUX / montaggio PURFLUX	XUD9SD	55	75	02/96	>		23.293.00	26.676.00	30.933.00	
1.9 D										
with activated carbon air-conditioner / con climatizzatore, ai carboni attivi	XUD9Y	50	68	03/93	>	03/01				54.235.00
1.9 TD										
with air-conditioner / con climatizzatore	XUD9TE/Y, XUD9TF/BTF	66	90	07/93	>	04/03				53.021.00
with activated carbon air-conditioner / con climatizzatore, ai carboni attivi	XUD9TE/Y, XUD9TF/BTF	66	90	03/93	>	03/01				54.235.00
assembly DELPHI / montaggio DELPHI	XUD9TE/Y, XUD9TF/BTF	66	90	07/95	>	04/03	23.293.00	24.390.00	30.933.00	
assembly PURFLUX / montaggio PURFLUX	XUD9TE/Y, XUD9TF/BTF	66	90	07/95	>	04/03	23.293.00	26.676.00	30.933.00	
dusty areas / zone polverose	XUD9TE/Y, XUD9TF/BTF	66	90	05/95	>	04/03	23.293.00		30.067.00	
2.0 HDI										
with air-conditioner / con climatizzatore	DW10ATED	80	110	09/98	>	04/03	23.439.00	26.691.00	30.933.00	53.021.00
with activated carbon air-conditioner / con climatizzatore, ai carboni attivi	DW10ATED	80	110	03/93	>	03/01				54.235.00
with air-conditioner, dusty areas / con climatizzatore, per zone polverose	DW10ATED	80	110	09/98	>	04/03	23.439.00	26.691.00	30.067.00	53.021.00
2.0 HDI										
with air-conditioner / con climatizzatore	DW10TD	66	90	09/98	>	04/03	23.439.00	26.691.00	30.933.00	53.021.00
with activated carbon air-conditioner / con climatizzatore, ai carboni attivi	DW10TD	66	90	03/93	>	03/01				54.235.00
with air-conditioner, dusty areas / con climatizzatore, per zone polverose	DW10TD	66	90	09/98	>	04/03	23.439.00	26.691.00	30.067.00	53.021.00
2.0 i 16V										
with activated carbon air-conditioner / con climatizzatore, ai carboni attivi	XU10J4/Z	110	150	03/93	>	03/01				54.235.00
2.0 i 16V										
with activated carbon air-conditioner / con climatizzatore, ai carboni attivi	XU10J4/Z	112	152	03/93	>	03/01				54.235.00
2.0 i 16V										
with air-conditioner / con climatizzatore	XU10J4R	97	132	02/97	>	04/03	23.293.00	31.710.00	30.933.00	53.021.00
with activated carbon air-conditioner / con climatizzatore, ai carboni attivi	XU10J4R	97	132	03/93	>	03/01				54.235.00
with air-conditioner, dusty areas / con climatizzatore, per zone polverose	XU10J4R	97	132	02/97	>	04/03	23.293.00	31.710.00	30.067.00	53.021.00
with plastic filter / con filtro in plastica	XU10J4R	97	132	02/97	>	04/03		31.948.00		
2.0 i cat										
with air-conditioner / con climatizzatore	XU10J2/XU10J2C	89	121	02/97	>	04/03	23.293.00	31.710.00	30.021.00	53.021.00

...CITROEN - cars/auto

with activated carbon air-conditioner / con climatizzatore, ai carboni attivi	XU10J2/XU10J2C	89	121	03/93	>	03/01				54.235.00
with plastic filter / con filtro in plastica	XU10J2/XU10J2C	89	121	02/97	>	04/03		31.948.00		
2.0 i Turbo CT Activa										
with air-conditioner / con climatizzatore	XU10J2TE	108	147	02/97	>	04/03	23.293.00	31.710.00	30.933.00	53.021.00
with activated carbon air-conditioner / con climatizzatore, ai carboni attivi	XU10J2TE	108	147	03/93	>	03/01				54.235.00
with air-conditioner, dusty areas / con climatizzatore, per zone polverose	XU10J2TE	108	147	02/97	>	04/03	23.293.00	31.710.00	30.067.00	53.021.00
with plastic filter / con filtro in plastica	XU10J2TE	108	147	02/97	>	04/03		31.948.00		
2.1 TD 12V EGR										
with activated carbon air-conditioner / con climatizzatore, ai carboni attivi	XUD11BTE	80	109	03/93	>	03/01				54.235.00
3.0 V6 24V										
with air-conditioner / con climatizzatore	ES9J4	143	194	09/96	>	04/03	23.191.00	31.710.00	30.933.00	53.021.00
with activated carbon air-conditioner / con climatizzatore, ai carboni attivi	ES9J4	143	194	03/93	>	03/01				54.235.00
with air-conditioner, dusty areas / con climatizzatore, per zone polverose	ES9J4	143	194	09/96	>	04/03	23.191.00	31.710.00	30.067.00	53.021.00
with plastic filter / con filtro in plastica	ES9J4	143	194	09/96	>	04/03		31.948.00		
XM										
2.0 i 16V										
with cabin filter kit, spare part only / con kit filtro abitacolo, solo ricambio	XU10J4R	97	132	03/98	>	10/00	23.293.00	31.710.00	30.965.00	53.022.00
2.0 i Turbo										
with cabin filter kit, spare part only / con kit filtro abitacolo, solo ricambio	XU10J2TE	108	147	03/98	>	10/00	23.293.00	31.710.00	30.965.00	53.022.00
2.1 D 12V										
with cabin filter kit, spare part only / con kit filtro abitacolo, solo ricambio	XUD11A	60	82	03/89	>	10/00				53.022.00
assembly PURFLUX / montaggio PURFLUX	XUD11A	60	82	07/95	>	10/00	23.293.00	26.670.00	30.965.00	
2.1 TD 12V										
with cabin filter kit, spare part only / con kit filtro abitacolo, solo ricambio	XUD11ATE	80	109	03/89	>	10/00				53.022.00
assembly PURFLUX / montaggio PURFLUX	XUD11ATE	80	109	07/95	>	10/00	23.293.00	26.670.00	30.965.00	
2.1 TD 12V										
with cabin filter kit, spare part only / con kit filtro abitacolo, solo ricambio	XUD11BTE	80	109	06/94	>	10/00				53.022.00
assembly DELPHI / montaggio DELPHI	XUD11BTE	80	109	12/96	>	10/00	23.293.00	24.389.00	30.965.00	
or DELPHI / oppure DELPHI	XUD11BTE	80	109	12/96	>	10/00	23.293.00	26.682.00	30.965.00	
2.5 TD 12V										
with cabin filter kit, spare part only / con kit filtro abitacolo, solo ricambio	DK5ATE	95	129	06/98	>	10/00	23.198.00	26.687.00	30.965.00	53.022.00
3.0 i V6										
with cabin filter kit, spare part only / con kit filtro abitacolo, solo ricambio	ZPJ	123	167	03/89	>	10/00	23.198.00	31.500.00	30.965.00	53.022.00
3.0 i V6 24V										
with cabin filter kit, spare part only / con kit filtro abitacolo, solo ricambio	ZPJ4	147	200	11/91	>	10/00	23.198.00	31.500.00	30.965.00	53.022.00
3.0 i V6 24V Autom.										
with cabin filter kit, spare part only / con kit filtro abitacolo, solo ricambio	ES9J4	140	190	03/98	>	10/00	23.191.00	31.710.00	30.965.00	53.022.00
Xsara										
1.4 HDI										
to series No. OPR10633 / a serie N. OPR10633	DV4TD	50	68	07/01	>			24.343.00		
with automatic air-conditioner and R.H.D. / con climatizzatore automatico e guida a destra	DV4TD	50	68	07/01	>	08/05	25.037.00		30.153.00	53.021.00
with automatic air-conditioner and R.H.D. with activated carbons / con climatizzatore automatico e guida a destra ai carboni attivi	DV4TD	50	68	07/01	>	08/05				54.235.00
with automatic air-conditioner and L.H.D. with activated carbons (VALEO) / con climatizzatore automatico e guida a sinistra ai carboni attivi (VALEO)	DV4TD	50	68	07/01	>	08/05				54.282.00
with automatic air-conditioner and L.H.D. VALEO / con climatizzatore automatico e guida a sinistra VALEO	DV4TD	50	68	07/01	>	08/05	25.037.00		30.153.00	53.039.00
with air-conditioner without recirculation and L.H.D. BEHR / con climatizzatore senza ricircolo e guida a sinistra BEHR	DV4TD	50	68	07/01	>	08/05	25.037.00		30.153.00	53.041.00
from series No. OPR10634 / da serie N. OPR10634	DV4TD	50	68		>	08/05		24.015.00		
antibacterial, anti-odour and anti-allergen filter with automatic air-conditioner and L.H.D. (VALEO) / filtro antibatterico, antiodori e anti-allergeni con climatizzatore automatico e guida a sinistra (VALEO)	DV4TD	50	68	07/01	>	08/05				34.282.00
dusty areas / zone polverose	DV4TD	50	68	07/01	>	08/05	25.037.00		30.311.00	
1.4 i										
	TU3JP	55	75	07/97	>	08/00	23.293.00	31.710.00	27.258.00	53.021.00
with automatic air-conditioner and R.H.D. / con climatizzatore automatico e guida a destra	TU3JP	55	75	09/00	>	12/03	25.032.00	31.710.00	30.117.00	53.021.00
with automatic air-conditioner and R.H.D. / con climatizzatore automatico e guida a destra	TU3JP	55	75	01/04	>	08/05	25.060.00	31.710.00	30.117.00	53.021.00
with automatic air-conditioner and R.H.D. with activated carbons / con climatizzatore automatico e guida a destra ai carboni attivi	TU3JP	55	75	09/00	>	08/05				54.235.00
with automatic air-conditioner and L.H.D. with activated carbons (VALEO) / con climatizzatore automatico e guida a sinistra ai carboni attivi (VALEO)	TU3JP	55	75	09/00	>	08/05				54.282.00
with automatic air-conditioner and L.H.D. VALEO / con climatizzatore automatico e guida a sinistra VALEO	TU3JP	55	75	09/00	>	12/03	25.032.00	31.710.00	30.117.00	53.039.00
with automatic air-conditioner and L.H.D. VALEO / con climatizzatore automatico e guida a sinistra VALEO	TU3JP	55	75	01/04	>	08/05	25.060.00	31.710.00	30.117.00	53.039.00
with air-conditioner without recirculation and L.H.D. / con climatizzatore senza ricircolo e guida a sinistra	TU3JP	55	75	07/97	>	08/00	23.293.00	31.710.00	27.258.00	53.041.00
with air-conditioner without recirculation and L.H.D. BEHR / con climatizzatore senza ricircolo e guida a sinistra BEHR	TU3JP	55	75	09/00	>	12/03	25.032.00	31.710.00	30.117.00	53.041.00
with air-conditioner without recirculation and L.H.D. BEHR / con climatizzatore senza ricircolo e guida a sinistra BEHR	TU3JP	55	75	01/04	>	08/05	25.060.00	31.710.00	30.117.00	53.041.00
with plastic filter / con filtro in plastica	TU3JP	55	75	07/97	>	08/00		31.948.00		
with plastic filter / con filtro in plastica	TU3JP	55	75	09/00	>	08/05		31.948.00		
antibacterial, anti-odour and anti-allergen filter with automatic air-conditioner and L.H.D. (VALEO) / filtro antibatterico, antiodori e anti-allergeni con climatizzatore automatico e guida a sinistra (VALEO)	TU3JP	55	75	09/00	>	08/05				34.282.00
without activated carbon air-conditioner / senza climatizzatore, ai carboni attivi	TU3JP	55	75	07/97	>	08/00				54.235.00
dusty areas / zone polverose	TU3JP	55	75	09/00	>	12/03	25.032.00	31.710.00	30.149.00	
dusty areas / zone polverose	TU3JP	55	75	01/04	>	08/05	25.060.00	31.710.00	30.149.00	
1.5 D										
with air-conditioner without recirculation and L.H.D. / con climatizzatore senza ricircolo e guida a sinistra	TUD5	42	57	04/97	>	08/00	23.293.00		27.252.00	53.041.00
assembly DELPHI / montaggio DELPHI	TUD5	42	57	04/97	>	08/00	23.293.00	24.383.00	27.252.00	53.021.00

...CITROEN - cars/auto

assembly PURFLUX / montaggio PURFLUX	TUD5	42	57	04/97	>	08/00	23.293.00	24.384.00	27.252.00	53.021.00
without activated carbon air-conditioner / senza climatizzatore, ai carboni attivi	TUD5	42	57	04/97	>	08/00				54.235.00
1.6 i	TU5JP	66	90	07/97	>	08/00	23.293.00	31.710.00	27.196.00	53.021.00
with air-conditioner without recirculation and L.H.D. / con climatizzatore senza ricircolo e guida a sinistra	TU5JP	66	90	07/97	>	08/00	23.293.00	31.710.00	27.196.00	53.041.00
with plastic filter / con filtro in plastica	TU5JP	66	90	07/97	>	08/00		31.948.00		
without activated carbon air-conditioner / senza climatizzatore, ai carboni attivi	TU5JP	66	90	07/97	>	08/00				54.235.00
1.6 i 16S										
with automatic air-conditioner and R.H.D. / con climatizzatore automatico e guida a destra	TU5JP4	80	109	09/00	>	05/04	25.032.00	31.710.00	30.117.00	53.021.00
with automatic air-conditioner and R.H.D. / con climatizzatore automatico e guida a destra	TU5JP4	80	109	06/04	>	03/05	25.060.00	31.710.00	30.117.00	53.021.00
with automatic air-conditioner and R.H.D. with activated carbons / con climatizzatore automatico e guida a destra ai carboni attivi	TU5JP4	80	109	09/00	>	02/05				54.235.00
with automatic air-conditioner and L.H.D. with activated carbons (VALEO) / con climatizzatore automatico e guida a sinistra ai carboni attivi (VALEO)	TU5JP4	80	109	09/00	>	03/05				54.282.00
with automatic air-conditioner and L.H.D. VALEO / con climatizzatore automatico e guida a sinistra VALEO	TU5JP4	80	109	09/00	>	05/04	25.032.00	31.710.00	30.117.00	53.039.00
with automatic air-conditioner and L.H.D. VALEO / con climatizzatore automatico e guida a sinistra VALEO	TU5JP4	80	109	06/04	>	03/05	25.060.00	31.710.00	30.117.00	53.039.00
with air-conditioner without recirculation and L.H.D. BEHR / con climatizzatore senza ricircolo e guida a sinistra BEHR	TU5JP4	80	109	09/00	>	05/04	25.032.00	31.710.00	30.117.00	53.041.00
with air-conditioner without recirculation and L.H.D. BEHR / con climatizzatore senza ricircolo e guida a sinistra BEHR	TU5JP4	80	109	06/04	>	03/05	25.060.00	31.710.00	30.117.00	53.041.00
with plastic filter / con filtro in plastica	TU5JP4	80	109	09/00	>	03/05		31.948.00		
antibacterial, anti-odour and anti-allergen filter with automatic air-conditioner and L.H.D. (VALEO) / filtro antibatterico, antifodori e anti-allergeni con climatizzatore automatico e guida a sinistra (VALEO)	TU5JP4	80	109	09/00	>	08/05				34.282.00
dusty areas / zone polverose	TU5JP4	80	109	09/00	>	05/04	25.032.00	31.710.00	30.149.00	
dusty areas / zone polverose	TU5JP4	80	109	06/04	>	03/05	25.060.00	31.710.00	30.149.00	
1.6 i 16V										
with automatic air-conditioner and R.H.D. / con climatizzatore automatico e guida a destra	TU5JP4	80	109	09/00	>	05/04	25.032.00	31.710.00	30.117.00	53.021.00
with automatic air-conditioner and R.H.D. / con climatizzatore automatico e guida a destra	TU5JP4	80	109	06/04	>	03/05	25.060.00	31.710.00	30.117.00	53.021.00
with automatic air-conditioner and R.H.D. with activated carbons / con climatizzatore automatico e guida a destra ai carboni attivi	TU5JP4	80	109	09/00	>	03/05				54.235.00
with automatic air-conditioner and L.H.D. with activated carbons (VALEO) / con climatizzatore automatico e guida a sinistra ai carboni attivi (VALEO)	TU5JP4	80	109	09/00	>	03/05				54.282.00
with automatic air-conditioner and L.H.D. VALEO / con climatizzatore automatico e guida a sinistra VALEO	TU5JP4	80	109	09/00	>	05/04	25.032.00	31.710.00	30.117.00	53.039.00
with automatic air-conditioner and L.H.D. VALEO / con climatizzatore automatico e guida a sinistra VALEO	TU5JP4	80	109	06/04	>	03/05	25.060.00	31.710.00	30.117.00	53.039.00
with air-conditioner without recirculation and L.H.D. BEHR / con climatizzatore senza ricircolo e guida a sinistra BEHR	TU5JP4	80	109	09/00	>	05/04	25.032.00	31.710.00	30.117.00	53.041.00
with air-conditioner without recirculation and L.H.D. BEHR / con climatizzatore senza ricircolo e guida a sinistra BEHR	TU5JP4	80	109	06/04	>	03/05	25.060.00	31.710.00	30.117.00	53.041.00
with plastic filter / con filtro in plastica	TU5JP4	80	109	09/00	>	03/05		31.948.00		
antibacterial, anti-odour and anti-allergen filter with automatic air-conditioner and L.H.D. (VALEO) / filtro antibatterico, antifodori e anti-allergeni con climatizzatore automatico e guida a sinistra (VALEO)	TU5JP4	80	109	09/00	>	08/05				34.282.00
dusty areas / zone polverose	TU5JP4	80	109	09/00	>	05/04	25.032.00	31.710.00	30.149.00	
dusty areas / zone polverose	TU5JP4	80	109	06/04	>	03/05	25.060.00	31.710.00	30.149.00	
1.8 D										
with air-conditioner without recirculation and L.H.D. / con climatizzatore senza ricircolo e guida a sinistra	XUD7	43	58	04/97	>	08/00	23.293.00		27.239.00	53.041.00
assembly DELPHI / montaggio DELPHI	XUD7	43	58	04/97	>	08/00	23.293.00	24.390.00	27.239.00	53.021.00
assembly PURFLUX / montaggio PURFLUX	XUD7	43	58	04/97	>	08/00	23.293.00	26.676.00	27.239.00	53.021.00
without activated carbon air-conditioner / senza climatizzatore, ai carboni attivi	XUD7	43	58	04/97	>	08/00				54.235.00
1.8 i	XU7JB	66	90	07/97	>	08/00	23.293.00	31.710.00	30.021.00	53.021.00
with air-conditioner without recirculation and L.H.D. / con climatizzatore senza ricircolo e guida a sinistra	XU7JB	66	90	07/97	>	08/00	23.293.00	31.710.00	30.021.00	53.041.00
with plastic filter / con filtro in plastica	XU7JB	66	90	07/97	>	08/00		31.948.00		
without activated carbon air-conditioner / senza climatizzatore, ai carboni attivi	XU7JB	66	90	07/97	>	08/00				54.235.00
1.8 i 16V	XU7JP4	82	112	07/97	>	08/00	23.293.00	31.710.00	30.095.00	53.021.00
with air-conditioner without recirculation and L.H.D. / con climatizzatore senza ricircolo e guida a sinistra	XU7JP4	82	112	07/97	>	08/00	23.293.00	31.710.00	30.095.00	53.041.00
with plastic filter / con filtro in plastica	XU7JP4	82	112	07/97	>	08/00		31.948.00		
without activated carbon air-conditioner / senza climatizzatore, ai carboni attivi	XU7JP4	82	112	07/97	>	08/00				54.235.00
1.8 i c.a.	TU7JP	74	101	07/97	>	08/00	23.293.00	31.710.00	30.021.00	53.021.00
with air-conditioner without recirculation and L.H.D. / con climatizzatore senza ricircolo e guida a sinistra	TU7JP	74	101	07/97	>	08/00	23.293.00	31.710.00	30.021.00	53.041.00
with plastic filter / con filtro in plastica	TU7JP	74	101	07/97	>	08/00		31.948.00		
without activated carbon air-conditioner / senza climatizzatore, ai carboni attivi	TU7JP	74	101	07/97	>	08/00				54.235.00
1.8 TD										
with air-conditioner without recirculation and L.H.D. / con climatizzatore senza ricircolo e guida a sinistra	XUD7T	66	90	10/97	>	09/00	23.293.00			53.041.00
assembly DELPHI / montaggio DELPHI	XUD7T	66	90	03/98	>	09/00	23.293.00	24.390.00	27.403.00	53.021.00
assembly PURFLUX / montaggio PURFLUX	XUD7T	66	90	03/98	>	09/00	23.293.00	26.676.00	27.403.00	53.021.00
without activated carbon air-conditioner / senza climatizzatore, ai carboni attivi	XUD7T	66	90	10/97	>	09/00				54.235.00
1.9 D	DW8	51	70	07/97	>	08/00	23.439.00	26.688.00	27.403.00	53.021.00
with air-conditioner without recirculation and L.H.D. / con climatizzatore senza ricircolo e guida a sinistra	DW8	51	70	07/97	>	08/00	23.439.00	26.688.00	27.403.00	53.041.00
without activated carbon air-conditioner / senza climatizzatore, ai carboni attivi	DW8	51	70	07/97	>	08/00				54.235.00
1.9 D										
with automatic air-conditioner and R.H.D. / con climatizzatore automatico e guida a destra	DW8B	51	70	09/00	>	08/05	23.439.00	26.688.00	30.116.00	53.021.00
with automatic air-conditioner and R.H.D. with activated carbons / con climatizzatore automatico e guida a destra ai carboni attivi	DW8B	51	70	09/00	>	08/05				54.235.00
with automatic air-conditioner and L.H.D. with activated carbons (VALEO) / con climatizzatore automatico e guida a sinistra ai carboni attivi (VALEO)	DW8B	51	70	09/00	>	08/05				54.282.00
with automatic air-conditioner and L.H.D. VALEO / con climatizzatore automatico e guida a sinistra VALEO	DW8B	51	70	09/00	>	08/05	23.439.00	26.688.00	30.116.00	53.039.00
with air-conditioner without recirculation and L.H.D. BEHR / con climatizzatore senza ricircolo e guida a sinistra BEHR	DW8B	51	70	09/00	>	08/05	23.439.00	26.688.00	30.116.00	53.041.00
antibacterial, anti-odour and anti-allergen filter with automatic air-conditioner and L.H.D. (VALEO) / filtro antibatterico, antifodori e anti-allergeni con climatizzatore automatico e guida a sinistra (VALEO)	DW8B	51	70	09/00	>	08/05				34.282.00
dusty areas / zone polverose	DW8B	51	70	09/00	>	08/05	23.439.00	26.688.00	30.149.00	
1.9 D										
with air-conditioner without recirculation and L.H.D. / con climatizzatore senza ricircolo e guida a sinistra	XUD9A	50	68	07/97	>	08/00	23.293.00			53.041.00

...CITROEN - cars/auto

assembly DELPHI / montaggio DELPHI	XUD9A	50	68	10/98	>	08/00	23.293.00	24.390.00	27.271.00	53.021.00
assembly PURFLUX / montaggio PURFLUX	XUD9A	50	68	10/98	>	08/00	23.293.00	26.676.00	27.271.00	53.021.00
without activated carbon air-conditioner / senza climatizzatore, ai carboni attivi	XUD9A	50	68	07/97	>	08/00				54.235.00
1.9 D										
with air-conditioner without recirculation and L.H.D. / con climatizzatore senza ricircolo e guida a sinistra	XUD9BSD	55	75	01/98	>	08/00	23.293.00		27.239.00	53.041.00
assembly DELPHI / montaggio DELPHI	XUD9BSD	55	75	01/98	>	08/00	23.293.00	24.390.00	27.239.00	53.021.00
assembly PURFLUX / montaggio PURFLUX	XUD9BSD	55	75	01/98	>	08/00	23.293.00	26.676.00	27.239.00	53.021.00
without activated carbon air-conditioner / senza climatizzatore, ai carboni attivi	XUD9BSD	55	75	01/98	>	08/00				54.235.00
1.9 TD										
with air-conditioner without recirculation and L.H.D. / con climatizzatore senza ricircolo e guida a sinistra	XUD9TE	66	90	07/97	>	08/00	23.293.00			53.041.00
assembly DELPHI / montaggio DELPHI	XUD9TE	66	90	12/97	>	02/00	23.293.00	24.390.00	27.403.00	53.021.00
assembly DELPHI / montaggio DELPHI	XUD9TE	66	90	03/00	>	08/00	23.293.00	24.390.00	27.271.00	53.021.00
assembly PURFLUX / montaggio PURFLUX	XUD9TE	66	90	12/97	>	02/00	23.293.00	26.676.00	27.403.00	53.021.00
assembly PURFLUX / montaggio PURFLUX	XUD9TE	66	90	03/00	>	08/00	23.293.00	26.676.00	27.271.00	53.021.00
without activated carbon air-conditioner / senza climatizzatore, ai carboni attivi	XUD9TE	66	90	07/97	>	08/00				54.235.00
2.0 HDI										
with automatic air-conditioner and R.H.D. / con climatizzatore automatico e guida a destra	DW10ATED	80	109	09/00	>	08/05				53.021.00
with automatic air-conditioner and R.H.D. with activated carbons / con climatizzatore automatico e guida a destra ai carboni attivi	DW10ATED	80	109	09/00	>	08/05				54.235.00
with automatic air-conditioner and L.H.D. with activated carbons (VALEO) / con climatizzatore automatico e guida a sinistra ai carboni attivi (VALEO)	DW10ATED	80	109	09/00	>	08/05				54.282.00
with automatic air-conditioner and L.H.D. VALEO / con climatizzatore automatico e guida a sinistra VALEO	DW10ATED	80	109	09/00	>	08/05				53.039.00
with air-conditioner without recirculation and L.H.D. BEHR / con climatizzatore senza ricircolo e guida a sinistra BEHR	DW10ATED	80	109	09/00	>	08/05				53.041.00
antibacterial, anti-odour and anti-allergen filter with automatic air-conditioner and L.H.D. (VALEO) / filtro antibatterico, antiodori e anti-allergeni con climatizzatore automatico e guida a sinistra (VALEO)	DW10ATED	80	109	09/00	>	08/05				34.282.00
assembly BOSCH / montaggio BOSCH	DW10ATED	80	109	09/00	>	05/01	23.439.00	26.691.00	30.149.00	
assembly SIEMENS / montaggio SIEMENS	DW10ATED	80	109	06/01	>	08/05	23.439.00	26.003.00	30.149.00	
2.0 HDI										
with automatic air-conditioner and R.H.D. / con climatizzatore automatico e guida a destra	DW10TD	66	90	04/99	>	08/00	23.439.00	26.691.00	30.144.00	53.021.00
with automatic air-conditioner and R.H.D. with activated carbons / con climatizzatore automatico e guida a destra ai carboni attivi	DW10TD	66	90	09/00	>	03/05				53.021.00
with automatic air-conditioner and L.H.D. with activated carbons (VALEO) / con climatizzatore automatico e guida a sinistra ai carboni attivi (VALEO)	DW10TD	66	90	09/00	>	03/05				54.235.00
with automatic air-conditioner and L.H.D. VALEO / con climatizzatore automatico e guida a sinistra VALEO	DW10TD	66	90	09/00	>	03/05				54.282.00
with air-conditioner without recirculation and L.H.D. / con climatizzatore senza ricircolo e guida a sinistra	DW10TD	66	90	04/99	>	08/00	23.439.00	26.691.00	30.144.00	53.041.00
with air-conditioner without recirculation and L.H.D. BEHR / con climatizzatore senza ricircolo e guida a sinistra BEHR	DW10TD	66	90	09/00	>	03/05				53.041.00
assembly BOSCH / montaggio BOSCH	DW10TD	66	90	09/00	>	05/01	23.439.00	26.691.00	30.149.00	
assembly SIEMENS / montaggio SIEMENS	DW10TD	66	90	06/01	>	03/05	23.439.00	26.003.00	30.149.00	
without activated carbon air-conditioner / senza climatizzatore, ai carboni attivi	DW10TD	66	90	04/99	>	08/00				54.235.00
dusty areas / zone polverose	DW10TD	66	90	04/99	>	08/00	23.439.00	26.691.00	30.157.00	53.021.00
2.0 i 16S										
with automatic air-conditioner and R.H.D. / con climatizzatore automatico e guida a destra	EW10J4	100	136	09/00	>	08/05	23.439.00	31.710.00	30.116.00	53.021.00
with automatic air-conditioner and R.H.D. with activated carbons / con climatizzatore automatico e guida a destra ai carboni attivi	EW10J4	100	136	09/00	>	08/05				54.235.00
with automatic air-conditioner and L.H.D. with activated carbons (VALEO) / con climatizzatore automatico e guida a sinistra ai carboni attivi (VALEO)	EW10J4	100	136	09/00	>	08/05				54.282.00
with automatic air-conditioner and L.H.D. VALEO / con climatizzatore automatico e guida a sinistra VALEO	EW10J4	100	136	09/00	>	08/05	23.439.00	31.710.00	30.116.00	53.039.00
with air-conditioner without recirculation and L.H.D. BEHR / con climatizzatore senza ricircolo e guida a sinistra BEHR	EW10J4	100	136	09/00	>	08/05	23.439.00	31.710.00	30.116.00	53.041.00
with plastic filter / con filtro in plastica	EW10J4	100	136	09/00	>	08/05		31.948.00		
antibacterial, anti-odour and anti-allergen filter with automatic air-conditioner and L.H.D. (VALEO) / filtro antibatterico, antiodori e anti-allergeni con climatizzatore automatico e guida a sinistra (VALEO)	EW10J4	100	136	09/00	>	08/05				34.282.00
dusty areas / zone polverose	EW10J4	100	136	09/00	>	08/05	23.439.00	31.710.00	30.149.00	
2.0 i 16S										
with air-conditioner without recirculation and L.H.D. / con climatizzatore senza ricircolo e guida a sinistra	XU10J4R	97	132	07/98	>	08/00	23.293.00	31.710.00	30.095.00	53.021.00
with plastic filter / con filtro in plastica	XU10J4R	97	132	07/98	>	08/00	23.293.00	31.710.00	30.095.00	53.041.00
without activated carbon air-conditioner / senza climatizzatore, ai carboni attivi	XU10J4R	97	132	07/98	>	08/00				54.235.00
2.0 i 16S										
with automatic air-conditioner and R.H.D. / con climatizzatore automatico e guida a destra	XU10J4RS	120	163	02/01	>	03/05	23.293.00	31.710.00	27.234.00	53.021.00
with automatic air-conditioner and R.H.D. with activated carbons / con climatizzatore automatico e guida a destra ai carboni attivi	XU10J4RS	120	163	02/01	>	08/05				54.235.00
with automatic air-conditioner and L.H.D. with activated carbons (VALEO) / con climatizzatore automatico e guida a sinistra ai carboni attivi (VALEO)	XU10J4RS	120	163	02/01	>	08/05				54.282.00
with automatic air-conditioner and L.H.D. VALEO / con climatizzatore automatico e guida a sinistra VALEO	XU10J4RS	120	163	02/01	>	03/05	23.293.00	31.710.00	27.234.00	53.039.00
with air-conditioner without recirculation and L.H.D. BEHR / con climatizzatore senza ricircolo e guida a sinistra BEHR	XU10J4RS	120	163	02/01	>	03/05	23.293.00	31.710.00	27.234.00	53.041.00
with plastic filter / con filtro in plastica	XU10J4RS	120	163	02/01	>	03/05		31.948.00		
antibacterial, anti-odour and anti-allergen filter with automatic air-conditioner and L.H.D. (VALEO) / filtro antibatterico, antiodori e anti-allergeni con climatizzatore automatico e guida a sinistra (VALEO)	XU10J4RS	120	163	02/01	>	03/05				34.282.00
2.0 i 16V										
with automatic air-conditioner and R.H.D. / con climatizzatore automatico e guida a destra	EW10J4	100	136	09/00	>	08/05	23.439.00	31.710.00	30.116.00	53.021.00
with automatic air-conditioner and R.H.D. with activated carbons / con climatizzatore automatico e guida a destra ai carboni attivi	EW10J4	100	136	09/00	>	08/05				54.235.00
with automatic air-conditioner and L.H.D. with activated carbons (VALEO) / con climatizzatore automatico e guida a sinistra ai carboni attivi (VALEO)	EW10J4	100	136	09/00	>	08/05				54.282.00
with automatic air-conditioner and L.H.D. VALEO / con climatizzatore automatico e guida a sinistra VALEO	EW10J4	100	136	09/00	>	08/05	23.439.00	31.710.00	30.116.00	53.039.00
with air-conditioner without recirculation and L.H.D. BEHR / con climatizzatore senza ricircolo e guida a sinistra BEHR	EW10J4	100	136	09/00	>	08/05	23.439.00	31.710.00	30.116.00	53.041.00
with plastic filter / con filtro in plastica	EW10J4	100	136	09/00	>	08/05		31.948.00		
antibacterial, anti-odour and anti-allergen filter with automatic air-conditioner and L.H.D. (VALEO) / filtro antibatterico, antiodori e anti-allergeni con climatizzatore automatico e guida a sinistra (VALEO)	EW10J4	100	136	09/00	>	08/05				34.282.00
dusty areas / zone polverose	EW10J4	100	136	09/00	>	08/05	23.439.00	31.710.00	30.149.00	
2.0 i 16V										
with automatic air-conditioner and R.H.D. / con climatizzatore automatico e guida a destra	XU10J4RS	120	163	09/00	>	03/05	23.293.00	31.710.00	27.234.00	53.021.00

...CITROEN - cars/auto

with automatic air-conditioner and R.H.D. with activated carbons / con climatizzatore automatico e guida a destra ai carboni attivi	XU10J4RS	120	163	09/00	>	03/05				54.235.00
with automatic air-conditioner and L.H.D. with activated carbons (VALEO) / con climatizzatore automatico e guida a sinistra ai carboni attivi (VALEO)	XU10J4RS	120	163	09/00	>	03/05				54.282.00
with automatic air-conditioner and L.H.D. VALEO / con climatizzatore automatico e guida a sinistra VALEO	XU10J4RS	120	163	09/00	>	03/05	23.293.00	31.710.00	27.234.00	53.039.00
with air-conditioner without recirculation and L.H.D. BEHR / con climatizzatore senza ricircolo e guida a sinistra BEHR	XU10J4RS	120	163	09/00	>	03/05	23.293.00	31.710.00	27.234.00	53.041.00
with plastic filter / con filtro in plastica	XU10J4RS	120	163	09/00	>	03/05		31.948.00		
antibacterial, anti-odour and anti-allergen filter with automatic air-conditioner and L.H.D. (VALEO) / filtro antibatterico, antiodori e anti-allergeni con climatizzatore automatico e guida a sinistra (VALEO)	XU10J4RS	120	163	09/00	>	03/05				34.282.00
Xsara Coupé										
1.4 HDI										
to series No. OPR10633 / a serie N. OPR10633	DV4TD	50	68	07/01	>			24.343.00		
with automatic air-conditioner and R.H.D. / con climatizzatore automatico e guida a destra	DV4TD	50	68	07/01	>	08/05	25.037.00		30.153.00	53.021.00
with automatic air-conditioner and R.H.D. with activated carbons / con climatizzatore automatico e guida a destra ai carboni attivi	DV4TD	50	68	07/01	>	08/05				54.235.00
with automatic air-conditioner and L.H.D. with activated carbons (VALEO) / con climatizzatore automatico e guida a sinistra ai carboni attivi (VALEO)	DV4TD	50	68	07/01	>	08/05				54.282.00
with automatic air-conditioner and L.H.D. VALEO / con climatizzatore automatico e guida a sinistra VALEO	DV4TD	50	68	07/01	>	08/05	25.037.00		30.153.00	53.039.00
with air-conditioner without recirculation and L.H.D. BEHR / con climatizzatore senza ricircolo e guida a sinistra BEHR	DV4TD	50	68	07/01	>	08/05	25.037.00		30.153.00	53.041.00
from series No. OPR10634 / da serie N. OPR10634	DV4TD	50	68		>	08/05		24.015.00		
antibacterial, anti-odour and anti-allergen filter with automatic air-conditioner and L.H.D. (VALEO) / filtro antibatterico, antiodori e anti-allergeni con climatizzatore automatico e guida a sinistra (VALEO)	DV4TD	50	68	07/01	>	08/05				34.282.00
dusty areas / zone polverose	DV4TD	50	68	07/01	>	08/05	25.037.00		30.311.00	
1.4 i										
	TU3JP	55	75	07/97	>	08/00	23.293.00	31.710.00	27.258.00	53.021.00
with automatic air-conditioner and R.H.D. / con climatizzatore automatico e guida a destra	TU3JP	55	75	09/00	>	08/05	25.032.00	31.710.00	30.117.00	53.021.00
with automatic air-conditioner and R.H.D. with activated carbons / con climatizzatore automatico e guida a destra ai carboni attivi	TU3JP	55	75	09/00	>	08/05				54.235.00
with automatic air-conditioner and L.H.D. with activated carbons (VALEO) / con climatizzatore automatico e guida a sinistra ai carboni attivi (VALEO)	TU3JP	55	75	09/00	>	08/05				54.282.00
with automatic air-conditioner and L.H.D. VALEO / con climatizzatore automatico e guida a sinistra VALEO	TU3JP	55	75	09/00	>	08/05	25.032.00	31.710.00	30.117.00	53.039.00
with air-conditioner without recirculation and L.H.D. / con climatizzatore senza ricircolo e guida a sinistra	TU3JP	55	75	07/97	>	08/00	23.293.00	31.710.00	27.258.00	53.041.00
with air-conditioner without recirculation and L.H.D. BEHR / con climatizzatore senza ricircolo e guida a sinistra BEHR	TU3JP	55	75	09/00	>	08/05	25.032.00	31.710.00	30.117.00	53.041.00
with plastic filter / con filtro in plastica	TU3JP	55	75	07/97	>	08/00		31.948.00		
with plastic filter / con filtro in plastica	TU3JP	55	75	09/00	>	08/05		31.948.00		
antibacterial, anti-odour and anti-allergen filter with automatic air-conditioner and L.H.D. (VALEO) / filtro antibatterico, antiodori e anti-allergeni con climatizzatore automatico e guida a sinistra (VALEO)	TU3JP	55	75	09/00	>	08/05				34.282.00
without activated carbon air-conditioner / senza climatizzatore, ai carboni attivi	TU3JP	55	75	07/97	>	08/00				54.235.00
dusty areas / zone polverose	TU3JP	55	75	09/00	>	08/05	25.032.00	31.710.00	30.149.00	
1.6 i										
	TU5JP	66	90	07/97	>	08/00	23.293.00	31.710.00	27.196.00	53.021.00
with air-conditioner without recirculation and L.H.D. / con climatizzatore senza ricircolo e guida a sinistra	TU5JP	66	90	07/97	>	08/00	23.293.00	31.710.00	27.196.00	53.041.00
with plastic filter / con filtro in plastica	TU5JP	66	90	07/97	>	08/00		31.948.00		
without activated carbon air-conditioner / senza climatizzatore, ai carboni attivi	TU5JP	66	90	07/97	>	08/00				54.235.00
1.6 i 16S										
with automatic air-conditioner and R.H.D. / con climatizzatore automatico e guida a destra	TU5JP4	80	109	09/00	>	03/05	25.032.00	31.710.00	30.117.00	53.021.00
with automatic air-conditioner and R.H.D. with activated carbons / con climatizzatore automatico e guida a destra ai carboni attivi	TU5JP4	80	109	09/00	>	03/05				54.235.00
with automatic air-conditioner and L.H.D. with activated carbons (VALEO) / con climatizzatore automatico e guida a sinistra ai carboni attivi (VALEO)	TU5JP4	80	109	09/00	>	03/05				54.282.00
with automatic air-conditioner and L.H.D. VALEO / con climatizzatore automatico e guida a sinistra VALEO	TU5JP4	80	109	09/00	>	03/05	25.032.00	31.710.00	30.117.00	53.039.00
with air-conditioner without recirculation and L.H.D. BEHR / con climatizzatore senza ricircolo e guida a sinistra BEHR	TU5JP4	80	109	09/00	>	03/05	25.032.00	31.710.00	30.117.00	53.041.00
with plastic filter / con filtro in plastica	TU5JP4	80	109	09/00	>	03/05		31.948.00		
antibacterial, anti-odour and anti-allergen filter with automatic air-conditioner and L.H.D. (VALEO) / filtro antibatterico, antiodori e anti-allergeni con climatizzatore automatico e guida a sinistra (VALEO)	TU5JP4	80	109	09/00	>	08/05				34.282.00
dusty areas / zone polverose	TU5JP4	80	109	09/00	>	03/05	25.032.00	31.710.00	30.149.00	
1.6 i 16V										
with automatic air-conditioner and R.H.D. / con climatizzatore automatico e guida a destra	TU5JP4	80	109	09/00	>	03/05	25.032.00	31.710.00	30.117.00	53.021.00
with automatic air-conditioner and R.H.D. with activated carbons / con climatizzatore automatico e guida a destra ai carboni attivi	TU5JP4	80	109	09/00	>	03/05				54.235.00
with automatic air-conditioner and L.H.D. with activated carbons (VALEO) / con climatizzatore automatico e guida a sinistra ai carboni attivi (VALEO)	TU5JP4	80	109	09/00	>	03/05				54.282.00
with automatic air-conditioner and L.H.D. VALEO / con climatizzatore automatico e guida a sinistra VALEO	TU5JP4	80	109	09/00	>	03/05	25.032.00	31.710.00	30.117.00	53.039.00
with air-conditioner without recirculation and L.H.D. BEHR / con climatizzatore senza ricircolo e guida a sinistra BEHR	TU5JP4	80	109	09/00	>	03/05	25.032.00	31.710.00	30.117.00	53.041.00
with plastic filter / con filtro in plastica	TU5JP4	80	109	09/00	>	03/05		31.948.00		
antibacterial, anti-odour and anti-allergen filter with automatic air-conditioner and L.H.D. (VALEO) / filtro antibatterico, antiodori e anti-allergeni con climatizzatore automatico e guida a sinistra (VALEO)	TU5JP4	80	109	09/00	>	03/05				34.282.00
dusty areas / zone polverose	TU5JP4	80	109	09/00	>	03/05	25.032.00	31.710.00	30.149.00	
1.8 i										
with air-conditioner without recirculation and L.H.D. / con climatizzatore senza ricircolo e guida a sinistra	XU7JB	66	90	07/97	>	08/00	23.293.00	31.710.00		53.021.00
with plastic filter / con filtro in plastica	XU7JB	66	90	07/97	>	08/00	23.293.00	31.710.00		53.041.00
without activated carbon air-conditioner / senza climatizzatore, ai carboni attivi	XU7JB	66	90	07/97	>	08/00		31.948.00		54.235.00
1.8 i 16V										
with air-conditioner without recirculation and L.H.D. / con climatizzatore senza ricircolo e guida a sinistra	XU7JP4	82	112	07/97	>	08/00	23.293.00	31.710.00	30.095.00	53.021.00
with plastic filter / con filtro in plastica	XU7JP4	82	112	07/97	>	08/00	23.293.00	31.710.00	30.095.00	53.041.00
without activated carbon air-conditioner / senza climatizzatore, ai carboni attivi	XU7JP4	82	112	07/97	>	08/00		31.948.00		54.235.00
1.8 i c.a.										
with air-conditioner without recirculation and L.H.D. / con climatizzatore senza ricircolo e guida a sinistra	XU7JP	75	103	07/97	>	08/00	23.293.00	31.710.00	30.021.00	53.021.00
with plastic filter / con filtro in plastica	XU7JP	75	103	07/97	>	08/00	23.293.00	31.710.00	30.021.00	53.041.00
without activated carbon air-conditioner / senza climatizzatore, ai carboni attivi	XU7JP	75	103	07/97	>	08/00		31.948.00		54.235.00
1.9 D										
with air-conditioner without recirculation and L.H.D. / con climatizzatore senza ricircolo e guida a sinistra	DW8	51	70	07/97	>	08/00	23.439.00	26.688.00	27.271.00	53.021.00
without activated carbon air-conditioner / senza climatizzatore, ai carboni attivi	DW8	51	70	07/97	>	08/00	23.439.00	26.688.00	27.271.00	53.041.00
without activated carbon air-conditioner / senza climatizzatore, ai carboni attivi	DW8	51	70	07/97	>	08/00				54.235.00

...CITROEN - cars/auto

with automatic air-conditioner and R.H.D. / con climatizzatore automatico e guida a destra	DW8B	51	70	09/00	>	08/05	23.439.00	26.688.00	30.116.00	53.021.00
with automatic air-conditioner and R.H.D. with activated carbons / con climatizzatore automatico e guida a destra ai carboni attivi	DW8B	51	70	09/00	>	08/05				54.235.00
with automatic air-conditioner and L.H.D. with activated carbons (VALEO) / con climatizzatore automatico e guida a sinistra ai carboni attivi (VALEO)	DW8B	51	70	09/00	>	08/05				54.282.00
with automatic air-conditioner and L.H.D. VALEO / con climatizzatore automatico e guida a sinistra VALEO	DW8B	51	70	09/00	>	08/05	23.439.00	26.688.00	30.116.00	53.039.00
with air-conditioner without recirculation and L.H.D. BEHR / con climatizzatore senza ricircolo e guida a sinistra BEHR	DW8B	51	70	09/00	>	08/05	23.439.00	26.688.00	30.116.00	53.041.00
antibacterial, anti-odour and anti-allergen filter with automatic air-conditioner and L.H.D. (VALEO) / filtro antibatterico, antiodori e anti-allergeni con climatizzatore automatico e guida a sinistra (VALEO)	DW8B	51	70	09/00	>	08/05				34.282.00
dusty areas / zone polverose	DW8B	51	70	09/00	>	08/05	23.439.00	26.688.00	30.149.00	
1.9 D										
with air-conditioner without recirculation and L.H.D. / con climatizzatore senza ricircolo e guida a sinistra	XUD9A	50	68	07/97	>	08/00	23.293.00			53.041.00
assembly DELPHI / montaggio DELPHI	XUD9A	50	68	10/98	>	08/00	23.293.00	24.390.00	27.271.00	53.021.00
assembly PURFLUX / montaggio PURFLUX	XUD9A	50	68	10/98	>	08/00	23.293.00	26.676.00	27.271.00	53.021.00
without activated carbon air-conditioner / senza climatizzatore, ai carboni attivi	XUD9A	50	68	07/97	>	08/00				54.235.00
1.9 TD										
with air-conditioner without recirculation and L.H.D. / con climatizzatore senza ricircolo e guida a sinistra	XUD9TE	66	90	07/97	>	08/00	23.293.00			53.041.00
assembly DELPHI / montaggio DELPHI	XUD9TE	66	90	12/98	>	02/00	23.293.00	24.390.00		53.021.00
assembly DELPHI / montaggio DELPHI	XUD9TE	66	90	03/00	>	08/00	23.293.00	24.390.00	27.271.00	53.021.00
assembly PURFLUX / montaggio PURFLUX	XUD9TE	66	90	12/97	>	02/00	23.293.00	26.676.00		53.021.00
assembly PURFLUX / montaggio PURFLUX	XUD9TE	66	90	03/00	>	08/00	23.293.00	26.676.00	27.271.00	53.021.00
without activated carbon air-conditioner / senza climatizzatore, ai carboni attivi	XUD9TE	66	90	07/97	>	08/00				54.235.00
2.0 HDI										
with automatic air-conditioner and R.H.D. / con climatizzatore automatico e guida a destra	DW10ATED	80	109	05/01	>	03/05				53.021.00
with automatic air-conditioner and R.H.D. with activated carbons / con climatizzatore automatico e guida a destra ai carboni attivi	DW10ATED	80	109	05/01	>	03/05				54.235.00
with automatic air-conditioner and L.H.D. with activated carbons (VALEO) / con climatizzatore automatico e guida a sinistra ai carboni attivi (VALEO)	DW10ATED	80	109	05/01	>	03/05				54.282.00
with automatic air-conditioner and L.H.D. VALEO / con climatizzatore automatico e guida a sinistra VALEO	DW10ATED	80	109	05/01	>	03/05				53.039.00
with air-conditioner without recirculation and L.H.D. BEHR / con climatizzatore senza ricircolo e guida a sinistra BEHR	DW10ATED	80	109	05/01	>	03/05				53.041.00
antibacterial, anti-odour and anti-allergen filter with automatic air-conditioner and L.H.D. (VALEO) / filtro antibatterico, antiodori e anti-allergeni con climatizzatore automatico e guida a sinistra (VALEO)	DW10ATED	80	109	05/01	>	03/05				34.282.00
assembly SIEMENS / montaggio SIEMENS	DW10ATED	80	109	05/01	>	03/05	23.439.00	26.003.00	30.149.00	
2.0 HDI										
with air-conditioner without recirculation and L.H.D. / con climatizzatore senza ricircolo e guida a sinistra	DW10TD	66	90	12/99	>	08/00	23.439.00	26.691.00	30.157.00	53.041.00
without activated carbon air-conditioner / senza climatizzatore, ai carboni attivi	DW10TD	66	90	12/99	>	08/00	23.439.00	26.691.00	30.144.00	53.041.00
dusty areas / zone polverose	DW10TD	66	90	12/99	>	08/00	23.439.00	26.691.00	30.157.00	53.021.00
2.0 i 16S										
with automatic air-conditioner and R.H.D. / con climatizzatore automatico e guida a destra	EW10J4	100	136	09/00	>	03/05	23.439.00	31.710.00	30.116.00	53.021.00
with automatic air-conditioner and R.H.D. with activated carbons / con climatizzatore automatico e guida a destra ai carboni attivi	EW10J4	100	136	09/00	>	03/05				54.235.00
with automatic air-conditioner and L.H.D. with activated carbons (VALEO) / con climatizzatore automatico e guida a sinistra ai carboni attivi (VALEO)	EW10J4	100	136	09/00	>	03/05				54.282.00
with automatic air-conditioner and L.H.D. VALEO / con climatizzatore automatico e guida a sinistra VALEO	EW10J4	100	136	09/00	>	03/05	23.439.00	31.710.00	30.116.00	53.039.00
with air-conditioner without recirculation and L.H.D. BEHR / con climatizzatore senza ricircolo e guida a sinistra BEHR	EW10J4	100	136	09/00	>	03/05	23.439.00	31.710.00	30.116.00	53.041.00
with plastic filter / con filtro in plastica	EW10J4	100	136	09/00	>	03/05		31.948.00		
antibacterial, anti-odour and anti-allergen filter with automatic air-conditioner and L.H.D. (VALEO) / filtro antibatterico, antiodori e anti-allergeni con climatizzatore automatico e guida a sinistra (VALEO)	EW10J4	100	136	09/00	>	03/05				34.282.00
dusty areas / zone polverose	EW10J4	100	136	09/00	>	03/05	23.439.00	31.710.00	30.149.00	
2.0 i 16S										
with air-conditioner without recirculation and L.H.D. / con climatizzatore senza ricircolo e guida a sinistra	XU10J4R	97	132	07/98	>	08/00	23.293.00	31.710.00	30.095.00	53.021.00
with plastic filter / con filtro in plastica	XU10J4R	97	132	07/98	>	08/00		31.948.00		
without activated carbon air-conditioner / senza climatizzatore, ai carboni attivi	XU10J4R	97	132	07/98	>	08/00				54.235.00
2.0 i 16S										
with automatic air-conditioner and R.H.D. / con climatizzatore automatico e guida a destra	XU10J4RS	120	163	09/00	>	03/05	23.293.00	31.710.00	27.234.00	53.021.00
with automatic air-conditioner and R.H.D. with activated carbons / con climatizzatore automatico e guida a destra ai carboni attivi	XU10J4RS	120	163	09/00	>	03/05				54.235.00
with automatic air-conditioner and L.H.D. with activated carbons (VALEO) / con climatizzatore automatico e guida a sinistra ai carboni attivi (VALEO)	XU10J4RS	120	163	09/00	>	03/05				54.282.00
with automatic air-conditioner and L.H.D. VALEO / con climatizzatore automatico e guida a sinistra VALEO	XU10J4RS	120	163	09/00	>	03/05	23.293.00	31.710.00	27.234.00	53.039.00
with air-conditioner without recirculation and L.H.D. BEHR / con climatizzatore senza ricircolo e guida a sinistra BEHR	XU10J4RS	120	163	09/00	>	03/05	23.293.00	31.710.00	27.234.00	53.041.00
with plastic filter / con filtro in plastica	XU10J4RS	120	163	09/00	>	03/05		31.948.00		
antibacterial, anti-odour and anti-allergen filter with automatic air-conditioner and L.H.D. (VALEO) / filtro antibatterico, antiodori e anti-allergeni con climatizzatore automatico e guida a sinistra (VALEO)	XU10J4RS	120	163	09/00	>	03/05				34.282.00
Xsara Picasso										
1.6 16V										
with activated carbons / ai carboni attivi	TU5JP4	80	109	09/05	>	04/10	25.060.00		30.260.00	53.040.00
antibacterial, anti-odour and anti-allergen filter / filtro antibatterico, antiodori e anti-allergeni	TU5JP4	80	109	09/05	>	04/10	25.060.00		30.260.00	54.171.00
1.6 16V Bi-Energy G										
with activated carbons / ai carboni attivi	TU5JP4	80	109	09/05	>	04/10	25.060.00		30.260.00	53.040.00
antibacterial, anti-odour and anti-allergen filter / filtro antibatterico, antiodori e anti-allergeni	TU5JP4	80	109	09/05	>	04/10	25.060.00		30.260.00	54.171.00
1.6 HDI 16V										
with activated carbons / ai carboni attivi	9HX (DV6ATED4)	66	90	09/05	>	04/10	25.037.00	24.027.00	30.210.00	53.040.00
antibacterial, anti-odour and anti-allergen filter / filtro antibatterico, antiodori e anti-allergeni	9HX (DV6ATED4)	66	90	09/05	>	04/10	25.037.00	24.027.00	30.210.00	54.171.00
1.6 HDI 16V										
with activated carbons / ai carboni attivi	DV6TED4	80	109	03/04	>	04/10	25.037.00	24.027.00	30.210.00	53.040.00
antibacterial, anti-odour and anti-allergen filter / filtro antibatterico, antiodori e anti-allergeni	DV6TED4	80	109	03/04	>	04/10	25.037.00	24.027.00	30.210.00	54.171.00
1.6 HDI 16V FAP										
with activated carbons / ai carboni attivi	DV6TED4	80	109	03/04	>	04/10	25.037.00	24.027.00	30.210.00	53.040.00
with activated carbons / ai carboni attivi	DV6TED4	80	109	03/04	>	04/10	25.037.00	24.027.00	30.210.00	54.171.00

...CITROEN - cars/auto

antibacterial, anti-odour and anti-allergen filter / filtro antibatterico, antiodori e anti-allergeni	DV6TED4	80	109	03/04	>	04/10				34.171.00
1.6 i	TU5JP	65	88	12/99	>	07/00	23.439.00	31.710.00	30.117.00	53.040.00
with activated carbons / ai carboni attivi	TU5JP	65	88	12/99	>	07/00	23.439.00	31.710.00		54.171.00
with plastic filter / con filtro in plastica	TU5JP	65	88	12/99	>	07/00		31.948.00		
antibacterial, anti-odour and anti-allergen filter / filtro antibatterico, antiodori e anti-allergeni	TU5JP	65	88	12/99	>	07/00				34.171.00
dusty areas / zone polverose	TU5JP	65	88	12/99	>	07/00	23.439.00	31.710.00	30.149.00	53.040.00
1.6 i	TU5JP	70	95	12/99	>	04/04	25.032.00	31.710.00	30.117.00	53.040.00
	TU5JP	70	95	05/04	>	04/10	25.060.00	31.710.00	30.117.00	53.040.00
with activated carbons / ai carboni attivi	TU5JP	70	95	12/99	>	04/04	25.032.00	31.710.00		54.171.00
with activated carbons / ai carboni attivi	TU5JP	70	95	05/04	>	04/10	25.060.00	31.710.00		54.171.00
with plastic filter / con filtro in plastica	TU5JP	70	95	12/99	>	04/10		31.948.00		
antibacterial, anti-odour and anti-allergen filter / filtro antibatterico, antiodori e anti-allergeni	TU5JP	70	95	12/99	>	04/10				34.171.00
dusty areas / zone polverose	TU5JP	70	95	12/99	>	04/04	25.032.00	31.710.00	30.149.00	53.040.00
dusty areas / zone polverose	TU5JP	70	95	05/04	>	04/10	25.060.00	31.710.00	30.149.00	53.040.00
1.8 i 16S	EW7J4	85	115	12/99	>	04/10	23.439.00	31.710.00	30.116.00	53.040.00
with activated carbons / ai carboni attivi	EW7J4	85	115	12/99	>	04/10	23.439.00	31.710.00	30.116.00	54.171.00
with plastic filter / con filtro in plastica	EW7J4	85	115	12/99	>	04/10		31.948.00		
antibacterial, anti-odour and anti-allergen filter / filtro antibatterico, antiodori e anti-allergeni	EW7J4	85	115	12/99	>	04/10				34.171.00
1.8 i 16V	EW7J4	85	115	12/99	>	04/10	23.439.00	31.710.00	30.116.00	53.040.00
with activated carbons / ai carboni attivi	EW7J4	85	115	12/99	>	04/10	23.439.00	31.710.00	30.116.00	54.171.00
with plastic filter / con filtro in plastica	EW7J4	85	115	12/99	>	04/10		31.948.00		
antibacterial, anti-odour and anti-allergen filter / filtro antibatterico, antiodori e anti-allergeni	EW7J4	85	115	12/99	>	04/10				34.171.00
2.0 HDI 110										
with activated carbons / ai carboni attivi	DW10ATED	80	109	12/99	>	04/10				54.171.00
antibacterial, anti-odour and anti-allergen filter / filtro antibatterico, antiodori e anti-allergeni	DW10ATED	80	109	12/99	>	04/01				34.171.00
assembly BOSCH / montaggio BOSCH	DW10ATED	80	109	12/99	>	05/01	23.439.00	26.691.00	30.149.00	53.040.00
assembly SIEMENS / montaggio SIEMENS	DW10ATED	80	109	06/01	>	04/10	23.439.00	26.003.00	30.149.00	53.040.00
2.0 HDI 90										
with activated carbons / ai carboni attivi	DW10TD	66	90	12/99	>	04/10				54.171.00
antibacterial, anti-odour and anti-allergen filter / filtro antibatterico, antiodori e anti-allergeni	DW10TD	66	90	12/99	>	05/01				34.171.00
assembly BOSCH / montaggio BOSCH	DW10TD	66	90	12/99	>	05/01	23.439.00	26.691.00	30.149.00	53.040.00
assembly SIEMENS / montaggio SIEMENS	DW10TD	66	90	06/01	>	04/10	23.439.00	26.003.00	30.149.00	53.040.00
2.0 i 16S	EW10J4	100	136	12/99	>	04/10	23.439.00	31.710.00	30.149.00	53.040.00
with activated carbons / ai carboni attivi	EW10J4	100	136	12/99	>	04/10	23.439.00	31.710.00	30.149.00	54.171.00
with plastic filter / con filtro in plastica	EW10J4	100	136	12/99	>	04/10		31.948.00		
antibacterial, anti-odour and anti-allergen filter / filtro antibatterico, antiodori e anti-allergeni	EW10J4	100	136	12/99	>	04/10				34.171.00
2.0 i 16V	EW10J4	100	136	12/99	>	04/10	23.439.00	31.710.00	30.149.00	53.040.00
with activated carbons / ai carboni attivi	EW10J4	100	136	12/99	>	04/10	23.439.00	31.710.00	30.149.00	54.171.00
with plastic filter / con filtro in plastica	EW10J4	100	136	12/99	>	04/10		31.948.00		
antibacterial, anti-odour and anti-allergen filter / filtro antibatterico, antiodori e anti-allergeni	EW10J4	100	136	12/99	>	04/10				34.171.00

CITROEN

commercial vehicles/veicoli commerciali

2CV AK										
2CV AK				05/77	>		23.105.00		27.059.00	
2CV AKB										
2CV AKB				05/77	>		23.105.00		27.059.00	
2CV AKF										
2CV AKF				05/77	>		23.105.00		27.059.00	
350										
350	MAN 0534							24.360.00		
some / alcuni	MAN 0534							26.652.00		
350	Perkins 4.236						25.407.01	24.360.00		
600 Diesel										
600 Diesel								24.360.00		
700 Diesel										
700 Diesel								24.360.00		
Acadiane										
Acadiane				05/77	>		23.105.00		27.059.00	
AK 400										
AK 400				05/77	>		23.105.00		27.059.00	
AX14 D Entreprise										
1.4 D							23.191.00	24.350.02	30.933.00	
AYA										
AYA				05/77	>		23.105.00		27.059.00	
AZU										
AZU				07/72	>		23.105.00			
Berlingo First Van										

...CITROEN - commercial vehicles/veicoli commerciali

1.6 HDI										
with air-conditioner and R.H.D. / con climatizzatore e guida a destra	DV6	55	75	03/08	>	03/10	25.037.00	24.027.00	30.210.00	53.021.00
with air-conditioner and R.H.D. with activated carbons / con climatizzatore e guida a destra ai carboni attivi	DV6	55	75	03/08	>	03/10				54.235.00
with air-conditioner and L.H.D. / con climatizzatore e guida a sinistra	DV6	55	75	03/08	>	03/10	25.037.00	24.027.00	30.210.00	53.039.00
Berlingo I										
1.1 i										
with air-conditioner / con climatizzatore	TU1JP	44	60	09/00	>	12/00	25.032.00	31.710.00	27.258.00	53.021.00
with air-conditioner / con climatizzatore	TU1JP	44	60	01/01	>	12/02	25.032.00	31.710.00	27.258.00	53.039.00
with activated carbon air-conditioner / con climatizzatore, ai carboni attivi	TU1JP	44	60	09/00	>	12/00				54.235.00
with activated carbon air-conditioner / con climatizzatore, ai carboni attivi	TU1JP	44	60	01/01	>	12/02				54.282.00
with plastic filter / con filtro in plastica	TU1JP	44	60	09/00	>	12/02		31.948.00		
antibacterial, anti-odour and anti-allergen filter with air-conditioner / filtro antibatterico, antiodori e anti-allergeni con climatizzatore	TU1JP	44	60	01/01	>	12/02				34.282.00
1.1 i										
with air-conditioner / con climatizzatore	TU1M+	44	60	07/96	>	12/00	23.293.00	31.710.00	27.196.00	53.021.00
with air-conditioner / con climatizzatore	TU1M+	44	60	01/01	>	12/02	23.293.00	31.710.00	27.196.00	53.039.00
with activated carbon air-conditioner / con climatizzatore, ai carboni attivi	TU1M+	44	60	07/96	>	12/00				54.235.00
with activated carbon air-conditioner / con climatizzatore, ai carboni attivi	TU1M+	44	60	01/01	>	12/02				54.282.00
with plastic filter / con filtro in plastica	TU1M+	44	60	07/96	>	12/02		31.948.00		
antibacterial, anti-odour and anti-allergen filter with air-conditioner / filtro antibatterico, antiodori e anti-allergeni con climatizzatore	TU1M+	44	60	01/01	>	12/02				34.282.00
1.4 i (SPI)										
with air-conditioner / con climatizzatore	TU3-2	55	75	07/96	>	12/00	23.293.00	31.710.00	27.196.00	53.021.00
with air-conditioner / con climatizzatore	TU3-2	55	75	01/01	>	12/02	23.293.00	31.710.00	27.196.00	53.039.00
with activated carbon air-conditioner / con climatizzatore, ai carboni attivi	TU3-2	55	75	07/96	>	12/00				54.235.00
with activated carbon air-conditioner / con climatizzatore, ai carboni attivi	TU3-2	55	75	01/01	>	12/02				54.282.00
with plastic filter / con filtro in plastica	TU3-2	55	75	07/96	>	12/02		31.948.00		
antibacterial, anti-odour and anti-allergen filter with air-conditioner / filtro antibatterico, antiodori e anti-allergeni con climatizzatore	TU3-2	55	75	01/01	>	12/02				34.282.00
1.6 i 16S										
with air-conditioner / con climatizzatore	TU5JP4	80	109	11/00	>	12/00	25.032.00	31.710.00	30.152.00	53.021.00
with air-conditioner / con climatizzatore	TU5JP4	80	109	01/01	>	12/02	25.032.00	31.710.00	30.152.00	53.039.00
with activated carbon air-conditioner / con climatizzatore, ai carboni attivi	TU5JP4	80	109	11/00	>	12/00				54.235.00
with plastic filter / con filtro in plastica	TU5JP4	80	109	11/00	>	12/02		31.948.00		
antibacterial, anti-odour and anti-allergen filter with air-conditioner / filtro antibatterico, antiodori e anti-allergeni con climatizzatore	TU5JP4	80	109	01/01	>	12/02				34.282.00
1.6 i 16V										
with air-conditioner / con climatizzatore	TU5JP4	80	109	11/00	>	12/00	25.032.00	31.710.00	30.152.00	53.021.00
with air-conditioner / con climatizzatore	TU5JP4	80	109	01/01	>	12/02	25.032.00	31.710.00	30.152.00	53.039.00
with activated carbon air-conditioner / con climatizzatore, ai carboni attivi	TU5JP4	80	109	11/00	>	12/00				54.235.00
with plastic filter / con filtro in plastica	TU5JP4	80	109	11/00	>	12/02		31.948.00		
antibacterial, anti-odour and anti-allergen filter with air-conditioner / filtro antibatterico, antiodori e anti-allergeni con climatizzatore	TU5JP4	80	109	01/01	>	12/02				34.282.00
Berlingo I Entreprise										
1.4 MPI										
with air-conditioner / con climatizzatore	TU3JP	55	75	07/96	>	09/00	23.293.00	31.710.00	27.258.00	53.021.00
with air-conditioner / con climatizzatore	TU3JP	55	75	10/00	>	12/00	25.032.00	31.710.00	27.258.00	53.021.00
with air-conditioner / con climatizzatore	TU3JP	55	75	01/01	>	12/02	25.032.00	31.710.00	27.258.00	53.039.00
with activated carbon air-conditioner / con climatizzatore, ai carboni attivi	TU3JP	55	75	07/96	>	12/00				54.235.00
with activated carbon air-conditioner / con climatizzatore, ai carboni attivi	TU3JP	55	75	01/01	>	12/02				54.282.00
with plastic filter / con filtro in plastica	TU3JP	55	75	07/96	>	12/02		31.948.00		
antibacterial, anti-odour and anti-allergen filter with air-conditioner / filtro antibatterico, antiodori e anti-allergeni con climatizzatore	TU3JP	55	75	01/01	>	12/02				34.282.00
1.7 D										
with air-conditioner / con climatizzatore	XUD7 (1769)	43	58	07/96	>	12/00	23.293.00			53.021.00
with air-conditioner / con climatizzatore	XUD7 (1769)	43	58	01/01	>	12/02	23.293.00			53.039.00
with activated carbon air-conditioner / con climatizzatore, ai carboni attivi	XUD7 (1769)	43	58	07/96	>	12/00				54.235.00
with activated carbon air-conditioner / con climatizzatore, ai carboni attivi	XUD7 (1769)	43	58	01/01	>	12/02				54.282.00
antibacterial, anti-odour and anti-allergen filter with air-conditioner / filtro antibatterico, antiodori e anti-allergeni con climatizzatore	XUD7 (1769)	43	58	01/01	>	12/02				34.282.00
assembly DELPHI / montaggio DELPHI	XUD7 (1769)	43	58	12/96	>	12/02	23.293.00	24.390.00	27.271.00	
assembly PURFLUX / montaggio PURFLUX	XUD7 (1769)	43	58	12/96	>	12/02	23.293.00	26.676.00	27.271.00	
1.8 i										
with air-conditioner / con climatizzatore	XU7JB	66	90	06/97	>	12/00	23.293.00	31.710.00	30.021.00	53.021.00
with air-conditioner / con climatizzatore	XU7JB	66	90	01/01	>	12/02	23.293.00	31.710.00	30.021.00	53.039.00
with activated carbon air-conditioner / con climatizzatore, ai carboni attivi	XU7JB	66	90	06/97	>	12/00				54.235.00
with activated carbon air-conditioner / con climatizzatore, ai carboni attivi	XU7JB	66	90	01/01	>	12/02				54.282.00
with plastic filter / con filtro in plastica	XU7JB	66	90	06/97	>	12/02		31.948.00		
antibacterial, anti-odour and anti-allergen filter with air-conditioner / filtro antibatterico, antiodori e anti-allergeni con climatizzatore	XU7JB	66	90	01/01	>	12/02				34.282.00
1.9 D										
with air-conditioner / con climatizzatore	DW8 (1868)	51	70	01/98	>	12/00	23.439.00	26.688.00	27.271.00	53.021.00
with air-conditioner / con climatizzatore	DW8 (1868)	51	70	01/01	>	12/02	23.439.00	26.688.00	27.271.00	53.039.00
with activated carbon air-conditioner / con climatizzatore, ai carboni attivi	DW8 (1868)	51	70	01/98	>	12/00				54.235.00
with activated carbon air-conditioner / con climatizzatore, ai carboni attivi	DW8 (1868)	51	70	01/01	>	12/02				54.282.00

...CITROEN - commercial vehicles/veicoli commerciali

antibacterial, anti-odour and anti-allergen filter with air-conditioner / filtro antibatterico, antiodori e anti-allergeni con climatizzatore	DW8 (1868)	51	70	01/01 >	12/02				34.282.00
1.9 D									
with air-conditioner / con climatizzatore	DW8B (1868)	51	70	01/01 >	12/02	23.439.00	26.688.00	27.403.00	53.039.00
with activated carbon air-conditioner / con climatizzatore, ai carboni attivi	DW8B (1868)	51	70	01/01 >	12/02				54.282.00
antibacterial, anti-odour and anti-allergen filter with air-conditioner / filtro antibatterico, antiodori e anti-allergeni con climatizzatore	DW8B (1868)	51	70	01/01 >	12/02				34.282.00
1.9 D									
with air-conditioner / con climatizzatore	XUD9, XUD9A	50	68	07/96 >	12/00	23.293.00			53.021.00
with air-conditioner / con climatizzatore	XUD9, XUD9A	50	68	01/01 >	12/02	23.293.00			53.039.00
with activated carbon air-conditioner / con climatizzatore, ai carboni attivi	XUD9, XUD9A	50	68	07/96 >	12/00				54.235.00
with activated carbon air-conditioner / con climatizzatore, ai carboni attivi	XUD9, XUD9A	50	68	01/01 >	12/02				54.282.00
antibacterial, anti-odour and anti-allergen filter with air-conditioner / filtro antibatterico, antiodori e anti-allergeni con climatizzatore	XUD9, XUD9A	50	68	01/01 >	12/02				34.282.00
assembly DELPHI / montaggio DELPHI	XUD9, XUD9A	50	68	12/96 >	12/02	23.293.00	24.390.00	27.271.00	
assembly PURFLUX / montaggio PURFLUX	XUD9, XUD9A	50	68	12/96 >	12/02	23.293.00	26.676.00	27.271.00	
1.9 D									
with air-conditioner / con climatizzatore	XUD9, XUD9A	51	70	07/96 >	12/00	23.293.00			53.021.00
with air-conditioner / con climatizzatore	XUD9, XUD9A	51	70	01/01 >	12/02	23.293.00			53.039.00
with activated carbon air-conditioner / con climatizzatore, ai carboni attivi	XUD9, XUD9A	51	70	07/96 >	12/00				54.235.00
with activated carbon air-conditioner / con climatizzatore, ai carboni attivi	XUD9, XUD9A	51	70	01/01 >	12/02				54.282.00
antibacterial, anti-odour and anti-allergen filter with air-conditioner / filtro antibatterico, antiodori e anti-allergeni con climatizzatore	XUD9, XUD9A	51	70	01/01 >	12/02				34.282.00
assembly DELPHI / montaggio DELPHI	XUD9, XUD9A	51	70	12/96 >	12/02	23.293.00	24.390.00	27.271.00	
assembly PURFLUX / montaggio PURFLUX	XUD9, XUD9A	51	70	12/96 >	12/02	23.293.00	26.676.00	27.271.00	
2.0 HDI									
with air-conditioner / con climatizzatore	DW10TD	66	90	09/99 >	12/00	23.439.00	26.691.00	30.144.00	53.021.00
with air-conditioner / con climatizzatore	DW10TD	66	90	01/01 >	12/02	23.439.00	26.691.00	30.144.00	53.039.00
with activated carbon air-conditioner / con climatizzatore, ai carboni attivi	DW10TD	66	90	09/99 >	12/00				54.235.00
with activated carbon air-conditioner / con climatizzatore, ai carboni attivi	DW10TD	66	90	01/01 >	12/02				54.282.00
antibacterial, anti-odour and anti-allergen filter with air-conditioner / filtro antibatterico, antiodori e anti-allergeni con climatizzatore	DW10TD	66	90	01/01 >	12/02				34.282.00
dusty areas / zone polverose	DW10TD	66	90	09/99 >	12/02	23.439.00	26.691.00	30.157.00	
Berlingo I Enterprise Rest.									
1.9 D									
with air-conditioner and R.H.D. / con climatizzatore e guida a destra	DW8B	51	70	11/02 >	03/08	23.439.00	26.688.00	30.244.00	53.021.00
with air-conditioner and R.H.D. with activated carbons / con climatizzatore e guida a destra ai carboni attivi	DW8B	51	70	11/02 >	03/08				54.235.00
with air-conditioner and L.H.D. / con climatizzatore e guida a sinistra	DW8B	51	70	11/02 >	03/08	23.439.00	26.688.00	30.244.00	53.039.00
with air-conditioner and L.H.D. with activated carbons / con climatizzatore e guida a sinistra ai carboni attivi	DW8B	51	70	11/02 >	03/08				54.282.00
antibacterial, anti-odour and anti-allergen filter with air-conditioner and L.H.D. / filtro antibatterico, antiodori e anti-allergeni con climatizzatore e guida a sinistra	DW8B	51	70	11/02 >	03/08				34.282.00
2.0 HDI									
with air-conditioner and R.H.D. / con climatizzatore e guida a destra	DW10TD	66	90	11/02 >	03/08	23.439.00	26.003.00	30.244.00	53.021.00
with air-conditioner and R.H.D. with activated carbons / con climatizzatore e guida a destra ai carboni attivi	DW10TD	66	90	11/02 >	03/08				54.235.00
with air-conditioner and L.H.D. / con climatizzatore e guida a sinistra	DW10TD	66	90	11/02 >	03/08	23.439.00	26.003.00	30.244.00	53.039.00
with air-conditioner and L.H.D. with activated carbons / con climatizzatore e guida a sinistra ai carboni attivi	DW10TD	66	90	11/02 >	03/08				54.282.00
antibacterial, anti-odour and anti-allergen filter with air-conditioner and L.H.D. / filtro antibatterico, antiodori e anti-allergeni con climatizzatore e guida a sinistra	DW10TD	66	90	11/02 >	03/08				34.282.00
Berlingo I Rest.									
1.1 i									
with air-conditioner and R.H.D. / con climatizzatore e guida a destra	TU1JP	44	60	11/02 >	03/08	25.032.00	31.710.00	30.185.00	53.021.00
with air-conditioner and R.H.D. with activated carbons / con climatizzatore e guida a destra ai carboni attivi	TU1JP	44	60	11/02 >	03/08				54.235.00
with air-conditioner and L.H.D. / con climatizzatore e guida a sinistra	TU1JP	44	60	11/02 >	03/08	25.032.00	31.710.00	30.185.00	53.039.00
with air-conditioner and L.H.D. with activated carbons / con climatizzatore e guida a sinistra ai carboni attivi	TU1JP	44	60	11/02 >	03/08				54.282.00
with plastic filter / con filtro in plastica	TU1JP	44	60	11/02 >	03/08		31.948.00		
antibacterial, anti-odour and anti-allergen filter with air-conditioner and L.H.D. / filtro antibatterico, antiodori e anti-allergeni con climatizzatore e guida a sinistra	TU1JP	44	60	11/02 >	03/08				34.282.00
1.4 MPI									
with air-conditioner and R.H.D. / con climatizzatore e guida a destra	TU3JP	55	75	11/02 >	03/08	25.032.00	31.710.00	30.185.00	53.021.00
with air-conditioner and R.H.D. with activated carbons / con climatizzatore e guida a destra ai carboni attivi	TU3JP	55	75	11/02 >	03/08				54.235.00
with air-conditioner and L.H.D. / con climatizzatore e guida a sinistra	TU3JP	55	75	11/02 >	03/08	25.032.00	31.710.00	30.185.00	53.039.00
with air-conditioner and L.H.D. with activated carbons / con climatizzatore e guida a sinistra ai carboni attivi	TU3JP	55	75	11/02 >	03/08				54.282.00
with plastic filter / con filtro in plastica	TU3JP	55	75	11/02 >	03/08		31.948.00		
antibacterial, anti-odour and anti-allergen filter with air-conditioner and L.H.D. / filtro antibatterico, antiodori e anti-allergeni con climatizzatore e guida a sinistra	TU3JP	55	75	11/02 >	03/08				34.282.00
1.6 HDI									
with air-conditioner and R.H.D. / con climatizzatore e guida a destra	DV6ATED4	66	90	07/05 >	03/08	25.037.00	24.027.00	30.210.00	53.021.00
with air-conditioner and R.H.D. with activated carbons / con climatizzatore e guida a destra ai carboni attivi	DV6ATED4	66	90	07/05 >	03/08				54.235.00
with air-conditioner and L.H.D. / con climatizzatore e guida a sinistra	DV6ATED4	66	90	07/05 >	03/08	25.037.00	24.027.00	30.210.00	53.039.00
with air-conditioner and L.H.D. with activated carbons / con climatizzatore e guida a sinistra ai carboni attivi	DV6ATED4	66	90	07/05 >	03/08				54.282.00
antibacterial, anti-odour and anti-allergen filter with air-conditioner and L.H.D. / filtro antibatterico, antiodori e anti-allergeni con climatizzatore e guida a sinistra	DV6ATED4	66	90	07/05 >	03/08				34.282.00
1.6 HDI									
with air-conditioner and R.H.D. / con climatizzatore e guida a destra	DV6B	55	75	09/05 >	03/08	25.037.00	24.027.00	30.210.00	53.021.00
with air-conditioner and R.H.D. with activated carbons / con climatizzatore e guida a destra ai carboni attivi	DV6B	55	75	09/05 >	03/08				54.235.00
with air-conditioner and L.H.D. / con climatizzatore e guida a sinistra	DV6B	55	75	09/05 >	03/08	25.037.00	24.027.00	30.210.00	53.039.00
with air-conditioner and L.H.D. with activated carbons / con climatizzatore e guida a sinistra ai carboni attivi	DV6B	55	75	09/05 >	03/08				54.282.00

...CITROEN - commercial vehicles/veicoli commerciali

antibacterial, anti-odour and anti-allergen filter with air-conditioner and L.H.D. / filtro antibatterico, antiodori e anti-allergeni con climatizzatore e guida a sinistra	DV6B	55	75	09/05 >	03/08				34.282.00
1.6 i 16V									
with air-conditioner and R.H.D. / con climatizzatore e guida a destra	TU5JP4	81	110	11/02 >	03/08	25.032.00	31.710.00	30.186.00	53.021.00
with air-conditioner and R.H.D. with activated carbons / con climatizzatore e guida a destra ai carboni attivi	TU5JP4	81	110	11/02 >	03/08				54.235.00
with air-conditioner and L.H.D. / con climatizzatore e guida a sinistra	TU5JP4	81	110	11/02 >	03/08	25.032.00	31.710.00	30.186.00	53.039.00
with air-conditioner and L.H.D. with activated carbons / con climatizzatore e guida a sinistra ai carboni attivi	TU5JP4	81	110	11/02 >	03/08				54.282.00
with plastic filter / con filtro in plastica	TU5JP4	81	110	11/02 >	03/08		31.948.00		
antibacterial, anti-odour and anti-allergen filter with air-conditioner and L.H.D. / filtro antibatterico, antiodori e anti-allergeni con climatizzatore e guida a sinistra	TU5JP4	81	110	11/02 >	03/08				34.282.00
Berlingo II									
1.6 16V									
with automatic air-conditioner / con climatizzatore automatico	TU5JP4B	66	90	04/08 >		25.060.00		30.260.00	54.172.00
with manual air-conditioner / con climatizzatore manuale	TU5JP4B	66	90	04/08 >		25.060.00		30.260.00	53.154.00
for vehicles with external fuel filter / per veicoli con filtro carburante esterno	TU5JP4B	66	90	04/08 >			31.948.00		
1.6 BlueHDI 100									
with automatic air-conditioner / con climatizzatore automatico	DV6FD	73	99	02/15 >		25.187.00	26.104.00	30.648.00	54.172.00
with manual air-conditioner / con climatizzatore manuale	DV6FD	73	99	02/15 >		25.187.00	26.104.00	30.648.00	53.154.00
1.6 BlueHDI 120									
with automatic air-conditioner / con climatizzatore automatico	DV6FD	88	120	02/15 >		25.187.00	26.104.00	30.648.00	54.172.00
with manual air-conditioner / con climatizzatore manuale	DV6FD	88	120	02/15 >		25.187.00	26.104.00	30.648.00	53.154.00
1.6 BlueHDI 75									
with automatic air-conditioner / con climatizzatore automatico	DV6FE	55	75	02/15 >		25.187.00	26.104.00	30.648.00	54.172.00
with manual air-conditioner / con climatizzatore manuale	DV6FE	55	75	02/15 >		25.187.00	26.104.00	30.648.00	53.154.00
1.6 HDI 75									
with automatic air-conditioner / con climatizzatore automatico	DV6BTED4	55	75	04/08 >		25.037.00	24.027.00	30.210.00	54.172.00
with manual air-conditioner / con climatizzatore manuale	DV6BTED4	55	75	04/08 >		25.037.00	24.027.00	30.210.00	53.154.00
1.6 HDI 90									
with automatic air-conditioner / con climatizzatore automatico	DV6ATED4	66	90	04/08 >		25.037.00	24.027.00	30.210.00	54.172.00
with manual air-conditioner / con climatizzatore manuale	DV6ATED4	66	90	04/08 >		25.037.00	24.027.00	30.210.00	53.154.00
1.6 HDI FAP									
with automatic air-conditioner / con climatizzatore automatico	DV6TED4	80	109	04/08 >		25.037.00	24.027.00	30.210.00	54.172.00
with manual air-conditioner / con climatizzatore manuale	DV6TED4	80	109	04/08 >		25.037.00	24.027.00	30.210.00	53.154.00
1.6 VTI 95									
with automatic air-conditioner / con climatizzatore automatico	EP6CDTR	72	98	08/10 >		25.060.00		30.400.00	54.172.00
with manual air-conditioner / con climatizzatore manuale	EP6CDTR	72	98	08/10 >		25.060.00		30.400.00	53.154.00
for vehicles with external fuel filter / per veicoli con filtro carburante esterno	EP6CDTR	72	98	08/10 >			31.948.00		
Electric									
with automatic air-conditioner / con climatizzatore automatico		42	57	02/13 >					54.172.00
with manual air-conditioner / con climatizzatore manuale		42	57	02/13 >					53.154.00
Electric									
with automatic air-conditioner / con climatizzatore automatico		49	67	07/14 >					54.172.00
with manual air-conditioner / con climatizzatore manuale		49	67	07/14 >					53.154.00
C15 D									
1.8 Diesel									
assembly DELPHI / montaggio DELPHI	XUD 7 (1769)			07/95 >		23.293.00	24.390.00	27.061.00	
assembly PURFLUX / montaggio PURFLUX	XUD 7 (1769)			07/95 >		23.293.00	26.676.00	27.061.00	
1.9									
	DW8,DW8B	51	70	01/01 >		23.439.00	26.688.00	27.271.00	
C15 E									
1.1									
	TU1 (1124)			07/88 >		23.191.00		27.845.02	
1.1 i									
				01/89 >		23.191.00	31.510.00	27.845.02	
1.4									
	1360			07/94 >		23.293.00		27.845.02	
C25									
1.8									
				11/83 >		23.191.00	31.001.00		
1.9 Diesel									
with pump BOSCH / con pompa BOSCH						23.191.00	26.670.00	27.888.00	
with pump DELPHI / con pompa DELPHI						23.191.00	24.361.00	27.888.00	
1.9 Turbodiesel									
	M705T-XT			04/92 >		23.445.00	24.351.01	27.888.00	
2.0									
				11/83 >		23.191.00	31.001.00		
2.5 Diesel									
with pump BOSCH / con pompa BOSCH				10/83 >		23.200.00	26.670.00	27.175.00	
with pump DELPHI / con pompa DELPHI				10/83 >		23.200.00	24.361.00	27.175.00	
2.5 Turbodiesel									
with pump BOSCH / con pompa BOSCH						23.200.00	26.670.00	27.175.00	
with pump DELPHI / con pompa DELPHI						23.200.00	24.361.00	27.175.00	
C25 E									
2.0									
				11/83 >		23.191.00			
C32									
2.0									
				04/86 >		23.191.00			

...CITROEN - commercial vehicles/veicoli commerciali

C35											
2.0				04/86 >	23.191.00						
C35 D											
2.2 D											
with pump BOSCH / con pompa BOSCH				07/86 >	23.200.00	26.670.00					
with pump DELPHI / con pompa DELPHI				07/86 >	23.200.00	24.361.00					
2.5 D											
with pump BOSCH / con pompa BOSCH				07/86 >	23.200.00	26.670.00					
with pump DELPHI / con pompa DELPHI				07/86 >	23.200.00	24.361.00					
C35 E											
2.0				04/86 >	23.191.00						
C35 RD											
2.2 D											
assembly BOSCH / montaggio BOSCH				07/86 >	23.200.00	26.670.00					
assembly DELPHI / montaggio DELPHI				09/83 >	23.151.00	24.360.00					
assembly DELPHI / montaggio DELPHI				07/86 >	23.200.00	24.361.00					
2.5 D											
assembly BOSCH / montaggio BOSCH				07/86 >	23.200.00	26.670.00					
assembly DELPHI / montaggio DELPHI				09/83 >	23.151.00	24.360.00					
assembly DELPHI / montaggio DELPHI				07/86 >	23.200.00	24.361.00					
Dispatch I											
1.6 i (SPI) (UK)											
with air-conditioner / con climatizzatore				XU5MZ	58	79	07/96 > 01/07	23.196.00	31.710.00	30.933.00	53.070.00
with plastic filter / con filtro in plastica				XU5MZ	58	79	07/96 > 01/07		31.948.00		
1.9 D (UK)											
with air-conditioner / con climatizzatore				DW8/DW8B (1868)	51	70	04/98 > 01/07	23.439.00	26.688.00	30.933.00	53.070.00
1.9 TD (UK)											
with air-conditioner, assembly DELPHI / con climatizzatore, montaggio DELPHI				XUD9TE/XUD9TF (1905)	68	92	04/96 > 01/07	23.293.00	24.390.00	30.933.00	53.070.00
assembly PURFLUX / montaggio PURFLUX				XUD9TE/XUD9TF (1905)	68	92	04/96 > 01/07	23.293.00	26.676.00	30.933.00	53.070.00
1.9 TD (UK)											
with air-conditioner, assembly DELPHI / con climatizzatore, montaggio DELPHI				XUD9TE/XUD9TF (1905)	66	90	04/96 > 01/07	23.293.00	24.390.00	30.933.00	53.070.00
assembly PURFLUX / montaggio PURFLUX				XUD9TE/XUD9TF (1905)	66	90	04/96 > 01/07	23.293.00	26.676.00	30.933.00	53.070.00
2.0 HDI (UK)											
with air-conditioner, assembly BOSCH / con climatizzatore, montaggio BOSCH				DW10ATED	80	109	03/00 > 12/01	23.439.00	26.691.00	30.067.00	53.070.00
with air-conditioner, assembly SIEMENS / con climatizzatore, montaggio SIEMENS				DW10ATED	80	109	12/01 > 01/07	23.439.00	26.003.00	30.067.00	53.070.00
Dispatch II											
1.6 HDI 90 (UK)											
with air-conditioner / con climatizzatore				DV6UC E5	66	90	07/11 >	25.037.00		30.645.00	54.160.00
antibacterial, anti-odour and anti-allergen filter with air-conditioner / filtro antibatterico, antiodori e anti-allergeni con climatizzatore				DV6UC E5	66	90	07/11 >			34.160.00	
without air-conditioner / senza climatizzatore				DV6UC E5	66	90	07/11 >	25.037.00		30.645.00	53.136.00
spare part only / solo ricambio				DV6UC E5	66	90	07/11 >		24.127.00		
1.6 HDI 90 (UK)											
with air-conditioner / con climatizzatore				DV6UTED4 Euro4	66	90	01/07 >	25.037.00	24.027.00	30.233.00	54.160.00
antibacterial, anti-odour and anti-allergen filter with air-conditioner / filtro antibatterico, antiodori e anti-allergeni con climatizzatore				DV6UTED4 Euro4	66	90	01/07 >			34.160.00	
without air-conditioner / senza climatizzatore				DV6UTED4 Euro4	66	90	01/07 >	25.037.00	24.027.00	30.233.00	53.136.00
2.0 (UK)											
with air-conditioner / con climatizzatore				EW10A	103	140	01/07 >	25.060.00	31.710.00	30.330.00	54.160.00
with plastic filter / con filtro in plastica				EW10A	103	140	01/07 >		31.948.00		
antibacterial, anti-odour and anti-allergen filter with air-conditioner / filtro antibatterico, antiodori e anti-allergeni con climatizzatore				EW10A	103	140	01/07 >				34.160.00
without air-conditioner / senza climatizzatore				EW10A	103	140	01/07 >	25.060.00	31.710.00	30.330.00	53.136.00
2.0 HDI 125 FAP (UK)											
with air-conditioner / con climatizzatore				DW10CE E5	94	128	07/11 >	25.060.00	26.055.00	30.330.00	54.160.00
antibacterial, anti-odour and anti-allergen filter with air-conditioner / filtro antibatterico, antiodori e anti-allergeni con climatizzatore				DW10CE E5	94	128	07/11 >			34.160.00	
without air-conditioner / senza climatizzatore				DW10CE E5	94	128	07/11 >	25.060.00	26.055.00	30.330.00	53.136.00
2.0 HDI 165 FAP (UK)											
with air-conditioner / con climatizzatore				DW10CTED4 E5	120	163	07/10 >	25.060.00	26.055.00	30.330.00	54.160.00
antibacterial, anti-odour and anti-allergen filter with air-conditioner / filtro antibatterico, antiodori e anti-allergeni con climatizzatore				DW10CTED4 E5	120	163	07/10 >			34.160.00	
without air-conditioner / senza climatizzatore				DW10CTED4 E5	120	163	07/10 >	25.060.00	26.055.00	30.330.00	53.136.00
2.0 HDI 16V (UK)											
with air-conditioner / con climatizzatore				DW10UTED4 Euro4	88	120	01/07 >	25.060.00	26.022.00	30.330.00	54.160.00
antibacterial, anti-odour and anti-allergen filter with air-conditioner / filtro antibatterico, antiodori e anti-allergeni con climatizzatore				DW10UTED4 Euro4	88	120	01/07 >			34.160.00	
without air-conditioner / senza climatizzatore				DW10UTED4 Euro4	88	120	01/07 >	25.060.00	26.022.00	30.330.00	53.136.00
2.0 HDI 16V FAP (UK)											
with air-conditioner / con climatizzatore				DW10BTED4 Euro4	100	136	01/07 >	25.060.00	26.022.00	30.330.00	54.160.00
antibacterial, anti-odour and anti-allergen filter with air-conditioner / filtro antibatterico, antiodori e anti-allergeni con climatizzatore				DW10BTED4 Euro4	100	136	01/07 >			34.160.00	
without air-conditioner / senza climatizzatore				DW10BTED4 Euro4	100	136	01/07 >	25.060.00	26.022.00	30.330.00	53.136.00
2.0 HDI 95 FAP (UK)											

...CITROEN - commercial vehicles/veicoli commerciali

with air-conditioner / con climatizzatore	DW10CD E5	72	98	07/11 >	25.060.00	26.055.00	30.330.00	54.160.00
antibacterial, anti-odour and anti-allergen filter with air-conditioner / filtro antibatterico, antiodori e anti-allergeni con climatizzatore	DW10CD E5	72	98	07/11 >				34.160.00
without air-conditioner / senza climatizzatore	DW10CD E5	72	98	07/11 >	25.060.00	26.055.00	30.330.00	53.136.00
Dispatch III								
1.5 BlueHDI 100	DV5RUCD	75	102	06/18 >	25.216.00			53.154.00
with activated carbons / ai carboni attivi	DV5RUCD	75	102	06/18 >				54.172.00
antibacterial, anti-odour and anti-allergen filter / filtro antibatterico, antiodori e anti-allergeni	DV5RUCD	75	102	06/18 >				34.172.00
1.6 BlueHDI 115	DV6FCU	85	116	04/16 >	25.187.00		30.648.00	53.154.00
with activated carbons / ai carboni attivi	DV6FCU	85	116	04/16 >				54.172.00
antibacterial, anti-odour and anti-allergen filter / filtro antibatterico, antiodori e anti-allergeni	DV6FCU	85	116	04/16 >				34.172.00
1.6 BlueHDI 95	DV6FDU	70	95	04/16 >	25.187.00		30.648.00	53.154.00
with activated carbons / ai carboni attivi	DV6FDU	70	95	04/16 >				54.172.00
antibacterial, anti-odour and anti-allergen filter / filtro antibatterico, antiodori e anti-allergeni	DV6FDU	70	95	04/16 >				34.172.00
2.0 BlueHDI 120	DW10FE	90	122	04/16 >	23.439.00		30.717.00	53.154.00
with activated carbons / ai carboni attivi	DW10FE	90	122	04/16 >				54.172.00
antibacterial, anti-odour and anti-allergen filter / filtro antibatterico, antiodori e anti-allergeni	DW10FE	90	122	04/16 >				34.172.00
2.0 BlueHDI 150	DW10FD	110	150	04/16 >	23.439.00		30.717.00	53.154.00
with activated carbons / ai carboni attivi	DW10FD	110	150	04/16 >				54.172.00
antibacterial, anti-odour and anti-allergen filter / filtro antibatterico, antiodori e anti-allergeni	DW10FD	110	150	04/16 >				34.172.00
2.0 BlueHDI 180	DW10FC	130	177	04/16 >	23.439.00		30.717.00	53.154.00
with activated carbons / ai carboni attivi	DW10FC	130	177	04/16 >				54.172.00
antibacterial, anti-odour and anti-allergen filter / filtro antibatterico, antiodori e anti-allergeni	DW10FC	130	177	04/16 >				34.172.00
HY (1500 Kg)								
1.8 Diesel								
some / alcuni	Indenor (4 cyl.)				23.115.00	26.652.00		
1.9 Diesel								
some / alcuni	Indenor (4 cyl.)				23.115.00	26.652.00		
2.0 Diesel								
some / alcuni	Indenor (4 cyl.)				23.115.00	26.652.00		
Jumper I								
1.9 D								
assembly BOSCH (M8 x 1.25) / montaggio BOSCH (M8 x 1.25)	XUD9	51	70	03/99 > 03/02	23.293.00	24.351.00	27.888.00	53.042.00
1.9 TD								
assembly BOSCH (M8 x 1.25) / montaggio BOSCH (M8 x 1.25)	XUD9TE/XUD9UTF	66	90	03/99 > 03/02	23.293.00	24.351.00	27.228.00	53.042.00
1.9 TD								
assembly BOSCH (M8 x 1.25) / montaggio BOSCH (M8 x 1.25)	XUD9TE/XUD9UTF	68	92	03/99 > 03/02	23.293.00	24.351.00	27.228.00	53.042.00
2.0								
with air-conditioner / con climatizzatore	XU102C	79	107	07/94 > 03/02	23.293.00	31.010.00	27.228.00	53.042.00
2.0 HDI								
with air-conditioner / con climatizzatore	DW10TD	62	84	01/01 > 03/02	23.439.00	24.H2O.00	27.228.00	53.042.00
2.0 i cat								
with air-conditioner / con climatizzatore	XU10J2	80	109	05/97 > 03/02	23.293.00	31.515.00	27.228.00	53.042.00
2.5 D								
with air-conditioner, dusty areas / con climatizzatore, per zone polverose	DJ5 (2446)	63	86	03/99 > 03/02	23.191.00	24.351.00	27.228.00	53.042.00
assembly BOSCH (M8 x 1.25) / montaggio BOSCH (M8 x 1.25)	DJ5 (2446)	63	86	03/99 > 03/02	23.191.00	24.351.00	27.888.00	53.042.00
2.5 TD								
assembly BOSCH (M8 x 1.25) / montaggio BOSCH (M8 x 1.25)	DJ5T (2446)	76	104	03/99 > 03/02	23.191.00	24.351.00	27.228.00	53.042.00
2.5 TDI								
assembly BOSCH (M8 x 1.25) / montaggio BOSCH (M8 x 1.25)	DJ5TED (2446)	79	107	03/99 > 03/02	23.191.00	24.351.00	27.228.00	53.042.00
2.8 D								
with air-conditioner / con climatizzatore	Sofim 8140.63	64	87	01/99 > 03/02	23.303.00	24.434.00	27.228.00	53.042.00
2.8 HDI 127								
with air-conditioner / con climatizzatore	Sofim (2798)	93	127	01/00 > 03/02	23.303.00	24.H2O.00	27.228.00	53.042.00
2.8 TD								
with air-conditioner / con climatizzatore	Sofim 8140.43	90	122	01/99 > 03/02	23.303.00	24.434.00	27.228.00	53.042.00
Jumper II								
2.0 HDI								
with air-conditioner / con climatizzatore	DW10TD	62	84	02/02 > 10/02	23.439.00	24.H2O.00	27.228.00	53.042.00
with air-conditioner / con climatizzatore	DW10TD	62	84	11/02 > 12/04	23.439.00	24.H2O.05	27.228.00	53.042.00
with air-conditioner / con climatizzatore	DW10TD	62	84	01/05 >	23.439.00	60.H2O.00	27.228.00	53.042.00
complete filter and disassembly key / filtro completo e chiave di smontaggio	DW10TD	62	84	01/05 >		55.127.00		19.008.00
2.0 i								
with air-conditioner / con climatizzatore	XU10J2	81	110	02/02 >	23.293.00		27.228.00	53.042.00
2.0 i Bipower								
with air-conditioner / con climatizzatore	XU10J2	70	95	02/02 >	23.293.00		27.228.00	53.042.00
2.2 HDI								
with air-conditioner / con climatizzatore	DW12TED	74	101	02/02 > 10/02	23.445.00	24.H2O.00	27.228.00	53.042.00

...CITROEN - commercial vehicles/veicoli commerciali

with air-conditioner / con climatizzatore	DW12TED	74	101	11/02 >	11/04	23.445.00	24.H2O.05	27.228.00	53.042.00
with air-conditioner / con climatizzatore	DW12TED	74	101	01/05 >		23.445.00	60.H2O.00	27.228.00	53.042.00
complete filter and disassembly key / filtro completo e chiave di smontaggio	DW12TED	74	101	01/05 >			55.127.00		19.008.00
2.8 HDI 127									
with air-conditioner / con climatizzatore	Sofim	94	127	02/02 >	10/02	23.303.00	24.H2O.00	27.228.00	53.042.00
with air-conditioner / con climatizzatore	Sofim	94	127	11/02 >	10/04	23.303.00	24.H2O.05	27.228.00	53.042.00
with air-conditioner / con climatizzatore	Sofim	94	127	11/04 >	12/04	23.457.00	24.H2O.05	27.228.00	53.042.00
with air-conditioner / con climatizzatore	Sofim	94	127	01/05 >		23.457.00	60.H2O.00	27.228.00	53.042.00
complete filter and disassembly key / filtro completo e chiave di smontaggio	Sofim	94	127	01/05 >			55.127.00		19.008.00
2.8 HDI 146									
with air-conditioner / con climatizzatore	Sofim	107	146	04/04 >	10/04	23.303.00	24.H2O.05	27.228.00	53.042.00
with air-conditioner / con climatizzatore	Sofim	107	146	11/04 >	12/04	23.457.00	24.H2O.05	27.228.00	53.042.00
with air-conditioner / con climatizzatore	Sofim	107	146	01/05 >		23.457.00	60.H2O.00	27.228.00	53.042.00
complete filter and disassembly key / filtro completo e chiave di smontaggio	Sofim	107	146	01/05 >			55.127.00		19.008.00
Jumper III									
2.0 BlueHDI 110									
with air-conditioner / con climatizzatore	DW10FUE	81	110	07/15 >			26.053.00	27.628.00	53.130.00
with activated carbon air-conditioner / con climatizzatore, ai carboni attivi	DW10FUE	81	110	07/15 >					54.269.00
antibacterial, anti-odour and anti-allergen filter with air-conditioner / filtro antibatterico, antiodori e anti-allergeni con climatizzatore	DW10FUE	81	110	07/15 >					34.269.00
2.0 BlueHDI 130									
with air-conditioner / con climatizzatore	DW10FUD	96	130	07/15 >			26.053.00	27.628.00	53.130.00
with activated carbon air-conditioner / con climatizzatore, ai carboni attivi	DW10FUD	96	130	07/15 >					54.269.00
antibacterial, anti-odour and anti-allergen filter with air-conditioner / filtro antibatterico, antiodori e anti-allergeni con climatizzatore	DW10FUD	96	130	07/15 >					34.269.00
2.0 BlueHDI 160									
with air-conditioner / con climatizzatore	DW10FUC	118	160	07/15 >			26.053.00	27.628.00	53.130.00
with activated carbon air-conditioner / con climatizzatore, ai carboni attivi	DW10FUC	118	160	07/15 >					54.269.00
antibacterial, anti-odour and anti-allergen filter with air-conditioner / filtro antibatterico, antiodori e anti-allergeni con climatizzatore	DW10FUC	118	160	07/15 >					34.269.00
2.0 BlueHDI 160 S&S									
with air-conditioner / con climatizzatore	DW10FUC	118	160	12/15 >			26.053.00	27.628.00	53.130.00
with activated carbon air-conditioner / con climatizzatore, ai carboni attivi	DW10FUC	118	160	12/15 >					54.269.00
antibacterial, anti-odour and anti-allergen filter with air-conditioner / filtro antibatterico, antiodori e anti-allergeni con climatizzatore	DW10FUC	118	160	12/15 >					34.269.00
2.2 HDI 100									
with air-conditioner / con climatizzatore	22DT Puma (4HV)	74	100	05/06 >		25.060.00	60.H2O.00	27.628.00	53.130.00
with activated carbon air-conditioner / con climatizzatore, ai carboni attivi	22DT Puma (4HV)	74	100	05/06 >					54.269.00
antibacterial, anti-odour and anti-allergen filter with air-conditioner / filtro antibatterico, antiodori e anti-allergeni con climatizzatore	22DT Puma (4HV)	74	100	05/06 >					34.269.00
complete filter and disassembly key / filtro completo e chiave di smontaggio	22DT Puma (4HV)	74	100	05/06 >	09/10		55.147.00		19.008.00
dusty areas / zone polverose	22DT Puma (4HV)	74	100	05/06 >				27.A69.00	
2.2 HDI 110 FAP									
with air-conditioner / con climatizzatore	22DT Puma Euro5	81	110	07/11 >	09/13	25.060.00	60.H2O.00	27.628.00	53.130.00
with air-conditioner / con climatizzatore	22DT Puma Euro5	81	110	10/13 >		23.584.00	60.H2O.00	27.628.00	53.130.00
with activated carbon air-conditioner / con climatizzatore, ai carboni attivi	22DT Puma Euro5	81	110	07/11 >					54.269.00
antibacterial, anti-odour and anti-allergen filter with air-conditioner / filtro antibatterico, antiodori e anti-allergeni con climatizzatore	22DT Puma Euro5	81	110	07/11 >					34.269.00
2.2 HDI 120									
with air-conditioner / con climatizzatore	22DT Puma (4HU)	88	120	05/06 >		25.060.00	60.H2O.00	27.628.00	53.130.00
with activated carbon air-conditioner / con climatizzatore, ai carboni attivi	22DT Puma (4HU)	88	120	05/06 >					54.269.00
antibacterial, anti-odour and anti-allergen filter with air-conditioner / filtro antibatterico, antiodori e anti-allergeni con climatizzatore	22DT Puma (4HU)	88	120	05/06 >					34.269.00
complete filter and disassembly key / filtro completo e chiave di smontaggio	22DT Puma (4HU)	88	120	05/06 >	09/10		55.147.00		19.008.00
dusty areas / zone polverose	22DT Puma (4HU)	88	120	05/06 >				27.A69.00	
2.2 HDI 130 FAP									
with air-conditioner / con climatizzatore	22DT Puma Euro5	96	130	07/11 >	09/13	25.060.00	60.H2O.00	27.628.00	53.130.00
with air-conditioner / con climatizzatore	22DT Puma Euro5	96	130	10/13 >		23.584.00	60.H2O.00	27.628.00	53.130.00
with activated carbon air-conditioner / con climatizzatore, ai carboni attivi	22DT Puma Euro5	96	130	07/11 >					54.269.00
antibacterial, anti-odour and anti-allergen filter with air-conditioner / filtro antibatterico, antiodori e anti-allergeni con climatizzatore	22DT Puma Euro5	96	130	07/11 >					34.269.00
2.2 HDI 150 FAP									
with air-conditioner / con climatizzatore	22DT Puma Euro5	110	150	07/11 >	09/13	25.060.00	60.H2O.00	27.628.00	53.130.00
with air-conditioner / con climatizzatore	22DT Puma Euro5	110	150	10/13 >		23.584.00	60.H2O.00	27.628.00	53.130.00
with activated carbon air-conditioner / con climatizzatore, ai carboni attivi	22DT Puma Euro5	110	150	07/11 >					54.269.00
antibacterial, anti-odour and anti-allergen filter with air-conditioner / filtro antibatterico, antiodori e anti-allergeni con climatizzatore	22DT Puma Euro5	110	150	07/11 >					34.269.00
3.0 HDI 145 FAP Euro5									
with air-conditioner / con climatizzatore	F30DT Euro5	107	145	01/10 >		23.546.00	60.H2O.00	27.628.00	53.130.00
with activated carbon air-conditioner / con climatizzatore, ai carboni attivi	F30DT Euro5	107	145	01/10 >					54.269.00
antibacterial, anti-odour and anti-allergen filter with air-conditioner / filtro antibatterico, antiodori e anti-allergeni con climatizzatore	F30DT Euro5	107	145	01/10 >					34.269.00
filter BLOW-BY / filtro BLOW-BY	F30DT Euro5	107	145	01/10 >					27.689.00
complete filter and disassembly key / filtro completo e chiave di smontaggio	F30DT Euro5	107	145	01/10 >	09/10		55.148.00		19.008.00
dusty areas / zone polverose	F30DT Euro5	107	145	01/10 >				27.A69.00	
3.0 HDI 160									
with air-conditioner / con climatizzatore	F30DT	115	157	05/06 >		23.546.00	60.H2O.00	27.628.00	53.130.00

...CITROEN - commercial vehicles/veicoli commerciali

with activated carbon air-conditioner / con climatizzatore, ai carboni attivi	F30DT	115	157	05/06	>				54.269.00	
antibacterial, anti-odour and anti-allergen filter with air-conditioner / filtro antibatterico, antiodori e anti-allergeni con climatizzatore	F30DT	115	157	05/06	>				34.269.00	
filter BLOW-BY / filtro BLOW-BY	F30DT	115	157	05/06	>				27.689.00	
complete filter and disassembly key / filtro completo e chiave di smontaggio	F30DT	115	157	05/06	>	09/10		55.148.00	19.008.00	
dusty areas / zone polverose	F30DT	115	157	05/06	>				27.A69.00	
3.0 HDI 160 FAP										
with air-conditioner / con climatizzatore	F30DT Euro5	115	157	05/06	>		23.546.00	60.H2O.00	27.628.00	53.130.00
with activated carbon air-conditioner / con climatizzatore, ai carboni attivi	F30DT Euro5	115	157	05/06	>				54.269.00	
antibacterial, anti-odour and anti-allergen filter with air-conditioner / filtro antibatterico, antiodori e anti-allergeni con climatizzatore	F30DT Euro5	115	157	05/06	>				34.269.00	
filter BLOW-BY / filtro BLOW-BY	F30DT Euro5	115	157	05/06	>				27.689.00	
complete filter and disassembly key / filtro completo e chiave di smontaggio	F30DT Euro5	115	157	05/06	>	09/10		55.148.00	19.008.00	
dusty areas / zone polverose	F30DT Euro5	115	157	05/06	>				27.A69.00	
3.0 HDI 180 FAP										
with air-conditioner / con climatizzatore	F30DT Euro5	130	177	07/11	>	06/12	23.546.00	24.ONE.01	27.628.00	53.130.00
with air-conditioner / con climatizzatore	F30DT Euro5	130	177	07/12	>			24.ONE.0B		
with activated carbon air-conditioner / con climatizzatore, ai carboni attivi	F30DT Euro5	130	177	07/11	>				54.269.00	
antibacterial, anti-odour and anti-allergen filter with air-conditioner / filtro antibatterico, antiodori e anti-allergeni con climatizzatore	F30DT Euro5	130	177	07/11	>				34.269.00	
filter BLOW-BY / filtro BLOW-BY	F30DT Euro5	130	177	07/11	>				27.689.00	
dusty areas / zone polverose	F30DT Euro5	130	177	07/11	>				27.A69.00	
Jumpy I										
1.6 i (SPI)										
with air-conditioner / con climatizzatore	XU5MZ	58	79	06/96	>	01/07	23.196.00	31.710.00	30.933.00	53.070.00
with plastic filter / con filtro in plastica	XU5MZ	58	79	06/96	>	01/07		31.948.00		
1.8 i										
with air-conditioner / con climatizzatore	XU7JP	74	101	09/96	>	01/07	23.293.00	31.710.00	30.933.00	53.070.00
with plastic filter / con filtro in plastica	XU7JP	74	101	09/96	>	01/07		31.948.00		
1.9 D										
with air-conditioner / con climatizzatore	DW8/DW8B (1868)	51	70	06/98	>	01/07	23.439.00	26.688.00	30.933.00	53.070.00
with air-conditioner, dusty areas / con climatizzatore, per zone polverose	DW8/DW8B (1868)	51	70	06/98	>	01/07	23.439.00	26.688.00	30.067.00	53.070.00
1.9 TD										
with air-conditioner, assembly DELPHI / con climatizzatore, montaggio DELPHI	XUD9TE/XUD9TF (1905)	66	90	09/95	>	01/07	23.293.00	24.390.00	30.933.00	53.070.00
assembly PURFLUX / montaggio PURFLUX	XUD9TE/XUD9TF (1905)	66	90	09/95	>	01/07	23.293.00	26.676.00	30.933.00	53.070.00
1.9 TD										
with air-conditioner, assembly DELPHI / con climatizzatore, montaggio DELPHI	XUD9TE/XUD9TF (1905)	68	92	09/95	>	01/07	23.293.00	24.390.00	30.933.00	53.070.00
assembly PURFLUX / montaggio PURFLUX	XUD9TE/XUD9TF (1905)	68	92	09/95	>	01/07	23.293.00	26.676.00	30.933.00	53.070.00
2.0 HDI										
with air-conditioner, assembly BOSCH / con climatizzatore, montaggio BOSCH	DW10ATED	80	109	03/00	>	04/01	23.439.00	26.691.00	30.067.00	53.070.00
with air-conditioner, assembly SIEMENS / con climatizzatore, montaggio SIEMENS	DW10ATED	80	109	04/01	>	01/07	23.439.00	26.003.00	30.067.00	53.070.00
2.0 HDI										
with air-conditioner, assembly BOSCH / con climatizzatore, montaggio BOSCH	DW10TD	66	90	10/99	>	04/01	23.439.00	26.691.00	30.067.00	53.070.00
with air-conditioner, assembly SIEMENS / con climatizzatore, montaggio SIEMENS	DW10TD	66	90	04/01	>	01/07	23.439.00	26.003.00	30.067.00	53.070.00
2.0 i 16V										
with air-conditioner / con climatizzatore	EW10J4	100	136	04/00	>	01/07	23.439.00	31.710.00	30.933.00	53.070.00
with air-conditioner, dusty areas / con climatizzatore, per zone polverose	EW10J4	100	136	04/00	>	01/07	23.439.00	31.710.00	30.067.00	53.070.00
2.2 HDI										
with air-conditioner / con climatizzatore		66	90	12/03	>	10/06	23.439.00			
Jumpy II										
1.6 HDI 90										
with air-conditioner / con climatizzatore	DV6UC E5	66	90	07/11	>		25.037.00		30.645.00	54.160.00
antibacterial, anti-odour and anti-allergen filter with air-conditioner / filtro antibatterico, antiodori e anti-allergeni con climatizzatore	DV6UC E5	66	90	07/11	>					34.160.00
without air-conditioner / senza climatizzatore	DV6UC E5	66	90	07/11	>		25.037.00		30.645.00	53.136.00
spare part only / solo ricambio	DV6UC E5	66	90	07/11	>			24.127.00		
1.6 HDI 90										
with air-conditioner / con climatizzatore	DV6UTED4 Euro4	66	90	11/06	>		25.037.00	24.027.00	30.233.00	54.160.00
antibacterial, anti-odour and anti-allergen filter with air-conditioner / filtro antibatterico, antiodori e anti-allergeni con climatizzatore	DV6UTED4 Euro4	66	90	11/06	>					34.160.00
without air-conditioner / senza climatizzatore	DV6UTED4 Euro4	66	90	11/06	>		25.037.00	24.027.00	30.233.00	53.136.00
2.0										
with air-conditioner / con climatizzatore	EW10A	103	140	11/06	>		25.060.00		30.330.00	54.160.00
antibacterial, anti-odour and anti-allergen filter with air-conditioner / filtro antibatterico, antiodori e anti-allergeni con climatizzatore	EW10A	103	140	11/06	>					34.160.00
without air-conditioner / senza climatizzatore	EW10A	103	140	11/06	>		25.060.00		30.330.00	53.136.00
2.0 HDI 120										
with air-conditioner / con climatizzatore	DW10UTED4 Euro4	88	120	11/06	>		25.060.00	26.022.00	30.330.00	54.160.00
antibacterial, anti-odour and anti-allergen filter with air-conditioner / filtro antibatterico, antiodori e anti-allergeni con climatizzatore	DW10UTED4 Euro4	88	120	11/06	>					34.160.00
without air-conditioner / senza climatizzatore	DW10UTED4 Euro4	88	120	11/06	>		25.060.00	26.022.00	30.330.00	53.136.00
2.0 HDI 125 FAP										
with air-conditioner / con climatizzatore	DW10CE E5	94	128	07/11	>		25.060.00	26.055.00	30.330.00	54.160.00
antibacterial, anti-odour and anti-allergen filter with air-conditioner / filtro antibatterico, antiodori e anti-allergeni con climatizzatore	DW10CE E5	94	128	07/11	>					34.160.00

...CITROEN - commercial vehicles/veicoli commerciali

without air-conditioner / senza climatizzatore	DW10CE E5	94	128	07/11	>	25.060.00	26.055.00	30.330.00	53.136.00
2.0 HDI 140 FAP									
with air-conditioner / con climatizzatore	DW10BTED4 Euro4	100	136	11/06	>	25.060.00	26.022.00	30.330.00	54.160.00
antibacterial, anti-odour and anti-allergen filter with air-conditioner / filtro antibatterico, antiodori e anti-allergeni con climatizzatore	DW10BTED4 Euro4	100	136	11/06	>				34.160.00
without air-conditioner / senza climatizzatore	DW10BTED4 Euro4	100	136	11/06	>	25.060.00	26.022.00	30.330.00	53.136.00
2.0 HDI 165 FAP									
with air-conditioner / con climatizzatore	DW10CTED4 E5	120	163	07/10	>	25.060.00	26.055.00	30.330.00	54.160.00
antibacterial, anti-odour and anti-allergen filter with air-conditioner / filtro antibatterico, antiodori e anti-allergeni con climatizzatore	DW10CTED4 E5	120	163	07/10	>				34.160.00
without air-conditioner / senza climatizzatore	DW10CTED4 E5	120	163	07/10	>	25.060.00	26.055.00	30.330.00	53.136.00
2.0 HDI 95 FAP									
with air-conditioner / con climatizzatore	DW10CD E5	72	98	07/11	>	25.060.00	26.055.00	30.330.00	54.160.00
antibacterial, anti-odour and anti-allergen filter with air-conditioner / filtro antibatterico, antiodori e anti-allergeni con climatizzatore	DW10CD E5	72	98	07/11	>				34.160.00
without air-conditioner / senza climatizzatore	DW10CD E5	72	98	07/11	>	25.060.00	26.055.00	30.330.00	53.136.00
Jumpy III									
1.5 BlueHDI 100									
with activated carbons / ai carboni attivi	DV5RUCD	75	102	06/18	>	25.216.00			53.154.00
antibacterial, anti-odour and anti-allergen filter / filtro antibatterico, antiodori e anti-allergeni	DV5RUCD	75	102	06/18	>				54.172.00
antibacterial, anti-odour and anti-allergen filter / filtro antibatterico, antiodori e anti-allergeni	DV5RUCD	75	102	06/18	>				34.172.00
1.5 BlueHDI 120									
with activated carbons / ai carboni attivi	DV5RUC	88	120	06/18	>	25.216.00			53.154.00
antibacterial, anti-odour and anti-allergen filter / filtro antibatterico, antiodori e anti-allergeni	DV5RUC	88	120	06/18	>				54.172.00
antibacterial, anti-odour and anti-allergen filter / filtro antibatterico, antiodori e anti-allergeni	DV5RUC	88	120	06/18	>				34.172.00
1.6 BlueHDI 115									
with activated carbons / ai carboni attivi	DV6FCU	85	116	04/16	>	25.187.00		30.648.00	53.154.00
antibacterial, anti-odour and anti-allergen filter / filtro antibatterico, antiodori e anti-allergeni	DV6FCU	85	116	04/16	>				54.172.00
antibacterial, anti-odour and anti-allergen filter / filtro antibatterico, antiodori e anti-allergeni	DV6FCU	85	116	04/16	>				34.172.00
1.6 BlueHDI 95									
with activated carbons / ai carboni attivi	DV6FDU	70	95	04/16	>	25.187.00		30.648.00	53.154.00
antibacterial, anti-odour and anti-allergen filter / filtro antibatterico, antiodori e anti-allergeni	DV6FDU	70	95	04/16	>				54.172.00
antibacterial, anti-odour and anti-allergen filter / filtro antibatterico, antiodori e anti-allergeni	DV6FDU	70	95	04/16	>				34.172.00
2.0 BlueHDI 120									
with activated carbons / ai carboni attivi	DW10FE	90	122	04/16	>	23.439.00		30.717.00	53.154.00
antibacterial, anti-odour and anti-allergen filter / filtro antibatterico, antiodori e anti-allergeni	DW10FE	90	122	04/16	>				54.172.00
antibacterial, anti-odour and anti-allergen filter / filtro antibatterico, antiodori e anti-allergeni	DW10FE	90	122	04/16	>				34.172.00
2.0 BlueHDI 150									
with activated carbons / ai carboni attivi	DW10FD	110	150	04/16	>	23.439.00		30.717.00	53.154.00
antibacterial, anti-odour and anti-allergen filter / filtro antibatterico, antiodori e anti-allergeni	DW10FD	110	150	04/16	>				54.172.00
antibacterial, anti-odour and anti-allergen filter / filtro antibatterico, antiodori e anti-allergeni	DW10FD	110	150	04/16	>				34.172.00
2.0 BlueHDI 180									
with activated carbons / ai carboni attivi	DW10FC	130	177	04/16	>	23.439.00		30.717.00	53.154.00
antibacterial, anti-odour and anti-allergen filter / filtro antibatterico, antiodori e anti-allergeni	DW10FC	130	177	04/16	>				54.172.00
antibacterial, anti-odour and anti-allergen filter / filtro antibatterico, antiodori e anti-allergeni	DW10FC	130	177	04/16	>				34.172.00
Nemo									
1.3 BlueHDI 80 E6									
with air-conditioner and R.H.D. / con climatizzatore e guida a destra	F13DTE6	59	80	07/15	>		26.052.00	30.793.00	53.124.00
with air-conditioner and L.H.D. / con climatizzatore e guida a sinistra	F13DTE6	59	80	07/15	>				53.157.00
1.3 HDI 75 FAP									
with air-conditioner and R.H.D. / con climatizzatore e guida a destra	F13DTE5	55	75	09/10	>	25.061.00	24.ONE.01	30.477.00	53.124.00
with air-conditioner and L.H.D. / con climatizzatore e guida a sinistra	F13DTE5	55	75	09/10	>				53.157.00
1.4									
with air-conditioner and R.H.D. / con climatizzatore e guida a destra	TU3A	54	73	11/07	>	25.060.00		30.371.00	53.124.00
with air-conditioner and L.H.D. / con climatizzatore e guida a sinistra	TU3A	54	73	11/07	>				53.157.00
1.4 HDI									
to series No. OPR10633 / a serie N. OPR10633	DV4TED	51	70	11/07	>	25.037.00		30.153.00	
with air-conditioner and R.H.D. / con climatizzatore e guida a destra	DV4TED	51	70	11/07	>		24.343.00		53.124.00
with air-conditioner and L.H.D. / con climatizzatore e guida a sinistra	DV4TED	51	70	11/07	>				53.157.00
from series No. OPR10634 / da serie N. OPR10634	DV4TED	51	70				24.015.00		
Relay I									
1.9 D (UK)									
assembly BOSCH (M8 x 1.25) / montaggio BOSCH (M8 x 1.25)	XUD9AU			03/99	> 04/02	23.293.00	24.351.00	27.888.00	53.042.00
1.9 TD (UK)									
assembly BOSCH (M8 x 1.25) / montaggio BOSCH (M8 x 1.25)	XUD9UTF			03/99	> 04/02	23.293.00	24.351.00	27.228.00	53.042.00
2.0 (UK)									
with air-conditioner / con climatizzatore	XU102C			07/94	> 04/02	23.293.00	31.010.00	27.228.00	53.042.00
2.0 i (UK)									
with air-conditioner / con climatizzatore	XU10J2			05/97	> 04/02	23.293.00	31.515.00	27.228.00	53.042.00
2.5 D (UK)									
assembly BOSCH (M8 x 1.25) / montaggio BOSCH (M8 x 1.25)	DJ5			03/99	> 04/02	23.191.00	24.351.00	27.888.00	53.042.00
2.5 TD (UK)									
assembly BOSCH (M8 x 1.25) / montaggio BOSCH (M8 x 1.25)	DJ5T			03/99	> 04/02	23.191.00	24.351.00	27.228.00	53.042.00
2.5 TDI (UK)									
assembly BOSCH (M8 x 1.25) / montaggio BOSCH (M8 x 1.25)	DJ5TED			03/99	> 04/02	23.191.00	24.351.00	27.228.00	53.042.00
2.8 HDI (UK)									
with air-conditioner / con climatizzatore	Sofim			01/00	> 04/02	23.303.00	24.H2O.00	27.228.00	53.042.00

...CITROEN - commercial vehicles/veicoli commerciali

Relay II									
2.0 HDI (UK)									
with air-conditioner / con climatizzatore	DW10TD	64	86	03/02 >	23.439.00	24.H2O.00	27.228.00	53.042.00	
2.0 i (UK)									
with air-conditioner / con climatizzatore	XU10J2	81	110	03/02 >	23.293.00		27.228.00	53.042.00	
2.2 HDI (UK)									
with air-conditioner / con climatizzatore	DW12TED	74	101	03/02 >	23.445.00	24.H2O.00	27.228.00	53.042.00	
2.8 HDI (UK)									
with air-conditioner / con climatizzatore	Sofim 8140.43S	94	127	03/02 >	23.303.00	24.H2O.00	27.228.00	53.042.00	
Relay III									
2.2 HDI 100									
with air-conditioner / con climatizzatore	22DT Puma (4HV)	74	100	05/06 >	25.060.00	60.H2O.00	27.628.00	53.130.00	
with activated carbon air-conditioner / con climatizzatore, ai carboni attivi	22DT Puma (4HV)	74	100	05/06 >				54.269.00	
antibacterial, anti-odour and anti-allergen filter with air-conditioner / filtro antibatterico, antiodori e anti-allergeni con climatizzatore	22DT Puma (4HV)	74	100	05/06 >				34.269.00	
complete filter and disassembly key / filtro completo e chiave di smontaggio	22DT Puma (4HV)	74	100	05/06 > 09/10		55.147.00		19.008.00	
dusty areas / zone polverose	22DT Puma (4HV)	74	100	05/06 >			27.A69.00		
2.2 HDI 120									
with air-conditioner / con climatizzatore	22DT Puma (4HU)	88	120	05/06 >	25.060.00	60.H2O.00	27.628.00	53.130.00	
with activated carbon air-conditioner / con climatizzatore, ai carboni attivi	22DT Puma (4HU)	88	120	05/06 >				54.269.00	
antibacterial, anti-odour and anti-allergen filter with air-conditioner / filtro antibatterico, antiodori e anti-allergeni con climatizzatore	22DT Puma (4HU)	88	120	05/06 >				34.269.00	
complete filter and disassembly key / filtro completo e chiave di smontaggio	22DT Puma (4HU)	88	120	05/06 > 09/10		55.147.00		19.008.00	
dusty areas / zone polverose	22DT Puma (4HU)	88	120	05/06 >			27.A69.00		
3.0 HDI 160									
with air-conditioner / con climatizzatore	F30DT	115	157	05/06 >	23.546.00	60.H2O.00	27.628.00	53.130.00	
with activated carbon air-conditioner / con climatizzatore, ai carboni attivi	F30DT	115	157	05/06 >				54.269.00	
antibacterial, anti-odour and anti-allergen filter with air-conditioner / filtro antibatterico, antiodori e anti-allergeni con climatizzatore	F30DT	115	157	05/06 >				34.269.00	
filter BLOW-BY / filtro BLOW-BY	F30DT	115	157	05/06 >				27.689.00	
complete filter and disassembly key / filtro completo e chiave di smontaggio	F30DT	115	157	05/06 > 09/10		55.148.00		19.008.00	
dusty areas / zone polverose	F30DT	115	157	05/06 >			27.A69.00		
3.0 HDI 180 FAP									
with air-conditioner / con climatizzatore	F30DT Euro5	130	177	07/11 >	23.546.00	24.ONE.01	27.628.00	53.130.00	
with activated carbon air-conditioner / con climatizzatore, ai carboni attivi	F30DT Euro5	130	177	07/11 >				54.269.00	
antibacterial, anti-odour and anti-allergen filter with air-conditioner / filtro antibatterico, antiodori e anti-allergeni con climatizzatore	F30DT Euro5	130	177	07/11 >				34.269.00	
filter BLOW-BY / filtro BLOW-BY	F30DT Euro5	130	177	07/11 >				27.689.00	
dusty areas / zone polverose	F30DT Euro5	130	177	07/11 >			27.A69.00		
Saxo									
1.5 D Entreprise				01/96 >	23.293.00	24.384.00	27.252.00		
ZX									
1.9 D Entreprise									
assembly DELPHI / montaggio DELPHI					23.293.00	24.390.00	27.239.00		
assembly DELPHI / montaggio DELPHI				01/91 >	23.191.00	24.390.00	27.239.00		
assembly PURFLUX / montaggio PURFLUX					23.293.00	26.676.00	27.239.00		
assembly PURFLUX / montaggio PURFLUX				01/91 >	23.191.00	26.676.00	27.239.00		
CUPRA cars/auto									
Formentor (KM7)									
1.5 TSi									
	DPCA	110	150	11/20 >	23.575.00			53.298.00	
with activated carbons / ai carboni attivi	DPCA	110	150	11/20 >				54.219.00	
antibacterial, anti-odour and anti-allergen filter / filtro antibatterico, antiodori e anti-allergeni	DPCA	110	150	11/20 >				34.219.00	
2.0 TSi									
	DNFB	228	310	07/20 >	25.153.00		30.A45.00	53.298.00	
with activated carbons / ai carboni attivi	DNFB	228	310	07/20 >				54.219.00	
antibacterial, anti-odour and anti-allergen filter / filtro antibatterico, antiodori e anti-allergeni	DNFB	228	310	07/20 >				34.219.00	
DACIA cars/auto									
1.6 Turbodiesel									
1.6 Turbodiesel									
	VW (V.A.G.)			04/88 >	23.164.00		30.864.00		
or / oppure	VW (V.A.G.)			04/88 >	23.164.03		30.864.00		
Dokker									
1.2 TCe									
	H5F-402	84	115	07/12 >	25.145.00		30.547.00	53.293.00	
with activated carbons / ai carboni attivi	H5F-402	84	115	07/12 >				54.257.00	
antibacterial, anti-odour and anti-allergen filter / filtro antibatterico, antiodori e anti-allergeni	H5F-402	84	115	07/12 >				34.257.00	
1.5 Blue DCI									
	K9K-872	70	95	12/18 >		26.115.00	30.547.00	53.293.00	
with activated carbons / ai carboni attivi	K9K-872	70	95	12/18 >				54.257.00	
antibacterial, anti-odour and anti-allergen filter / filtro antibatterico, antiodori e anti-allergeni	K9K-872	70	95	12/18 >				34.257.00	
1.5 DCI 75									
	K9K-612	55	75	07/12 >	23.628.00	26.115.00	30.547.00	53.293.00	
with activated carbons / ai carboni attivi	K9K-612	55	75	07/12 >				54.257.00	
antibacterial, anti-odour and anti-allergen filter / filtro antibatterico, antiodori e anti-allergeni	K9K-612	55	75	07/12 >				34.257.00	

...DACIA - cars/auto

D

1.5 DCI 86	K9K-830	63	86	11/12	>	23.481.00	26.115.00	30.547.00	53.293.00
with activated carbons / ai carboni attivi	K9K-830	63	86	11/12	>				54.257.00
antibacterial, anti-odour and anti-allergen filter / filtro antibatterico, antiodori e anti-allergeni	K9K-830	63	86	11/12	>				34.257.00
1.5 DCI 90	K9K-612	66	90	07/12	>	23.628.00	26.115.00	30.547.00	53.293.00
with activated carbons / ai carboni attivi	K9K-612	66	90	07/12	>				54.257.00
antibacterial, anti-odour and anti-allergen filter / filtro antibatterico, antiodori e anti-allergeni	K9K-612	66	90	07/12	>				34.257.00
1.6 MPI	K7M-812	60	82	07/12	>	23.418.00		30.688.00	53.293.00
with activated carbons / ai carboni attivi	K7M-812	60	82	07/12	>				54.257.00
antibacterial, anti-odour and anti-allergen filter / filtro antibatterico, antiodori e anti-allergeni	K7M-812	60	82	07/12	>				34.257.00
Duster I									
1.2 TCe 125	H5F-404	92	125	11/13	>	25.145.00		30.547.00	53.104.00
with activated carbons / ai carboni attivi	H5F-404	92	125	11/13	>				54.232.00
antibacterial, anti-odour and anti-allergen filter / filtro antibatterico, antiodori e anti-allergeni	H5F-404	92	125	11/13	>				34.232.00
1.5 DCI	K9K-796	63	86	04/10	>	23.481.00	24.115.00	30.546.00	53.104.00
with activated carbons / ai carboni attivi	K9K-796	63	86	04/10	>				54.232.00
antibacterial, anti-odour and anti-allergen filter / filtro antibatterico, antiodori e anti-allergeni	K9K-796	63	86	04/10	>				34.232.00
DELPHI assembly R6353490 / montaggio DELPHI R6353490	K9K-796	63	86	04/10	>		24.116.00		
1.5 DCI 110	K9K-856	80	109	09/13	>	23.481.00	26.115.00	30.547.00	53.104.00
with activated carbons / ai carboni attivi	K9K-856	80	109	09/13	>				54.232.00
antibacterial, anti-odour and anti-allergen filter / filtro antibatterico, antiodori e anti-allergeni	K9K-856	80	109	09/13	>				34.232.00
1.5 DCI 110 4x4	K9K-858	80	109	09/13	>	23.481.00	26.115.00	30.547.00	53.104.00
with activated carbons / ai carboni attivi	K9K-858	80	109	09/13	>				54.232.00
antibacterial, anti-odour and anti-allergen filter / filtro antibatterico, antiodori e anti-allergeni	K9K-858	80	109	09/13	>				34.232.00
1.5 DCI FAP	K9K-894	66	90	10/10	>	23.481.00	24.115.00	30.546.00	53.104.00
with activated carbons / ai carboni attivi	K9K-894	66	90	10/10	>				54.232.00
antibacterial, anti-odour and anti-allergen filter / filtro antibatterico, antiodori e anti-allergeni	K9K-894	66	90	10/10	>				34.232.00
DELPHI assembly R6353490 / montaggio DELPHI R6353490	K9K-894	66	90	10/10	>		24.116.00		
1.5 DCI FAP	K9K-896	79	107	04/10	>	23.481.00	24.115.00	30.546.00	53.104.00
with activated carbons / ai carboni attivi	K9K-896	79	107	04/10	>				54.232.00
antibacterial, anti-odour and anti-allergen filter / filtro antibatterico, antiodori e anti-allergeni	K9K-896	79	107	04/10	>				34.232.00
DELPHI assembly R6353490 / montaggio DELPHI R6353490	K9K-896	79	107	04/10	>		24.116.00		
1.5 DCI FAP	K9K-898	81	110	04/10	>	23.481.00	24.115.00	30.546.00	53.104.00
with activated carbons / ai carboni attivi	K9K-898	81	110	04/10	>				54.232.00
antibacterial, anti-odour and anti-allergen filter / filtro antibatterico, antiodori e anti-allergeni	K9K-898	81	110	04/10	>				34.232.00
DELPHI assembly R6353490 / montaggio DELPHI R6353490	K9K-898	81	110	04/10	>		24.116.00		
1.6 16V	K4M-606	77	105	04/10	>	23.418.00		30.147.00	53.104.00
with activated carbons / ai carboni attivi	K4M-606	77	105	04/10	>				54.232.00
antibacterial, anti-odour and anti-allergen filter / filtro antibatterico, antiodori e anti-allergeni	K4M-606	77	105	04/10	>				34.232.00
1.6 16V	K4M-690	77	105	04/10	>	23.418.00		30.147.00	53.104.00
with activated carbons / ai carboni attivi	K4M-690	77	105	04/10	>				54.232.00
antibacterial, anti-odour and anti-allergen filter / filtro antibatterico, antiodori e anti-allergeni	K4M-690	77	105	04/10	>				34.232.00
1.6 SCe 115	H4M	84	114	06/15	>			30.A16.00	53.104.00
with activated carbons / ai carboni attivi	H4M	84	114	06/15	>				54.232.00
antibacterial, anti-odour and anti-allergen filter / filtro antibatterico, antiodori e anti-allergeni	H4M	84	114	06/15	>				34.232.00
1.6 SCe 115 4x4	H4M	84	114	06/15	>			30.A16.00	53.104.00
with activated carbons / ai carboni attivi	H4M	84	114	06/15	>				54.232.00
antibacterial, anti-odour and anti-allergen filter / filtro antibatterico, antiodori e anti-allergeni	H4M	84	114	06/15	>				34.232.00
Duster II (HM)									
1.0 TCe 100	H4D450/H4D460	74	101	01/19	>	25.145.00		30.547.00	54.244.00
with activated carbons / ai carboni attivi	H4D450/H4D460	74	101	01/19	>				34.244.00
antibacterial, anti-odour and anti-allergen filter / filtro antibatterico, antiodori e anti-allergeni	H4D450/H4D460	74	101	01/19	>				
1.0 TCe 100 LPG	H4D450/H4D460	74	101	01/19	>	25.145.00		30.547.00	54.244.00
with activated carbons / ai carboni attivi	H4D450/H4D460	74	101	01/19	>				34.244.00
antibacterial, anti-odour and anti-allergen filter / filtro antibatterico, antiodori e anti-allergeni	H4D450/H4D460	74	101	01/19	>				
1.2 TCe 125	H5F-408	92	125	10/17	>	25.145.00		30.547.00	53.256.00
1.2 TCe 125 4x4	H5F-410	92	125	10/17	>	25.145.00		30.547.00	53.256.00
1.3 TCe 130 FAP	H5H	96	130	10/18	>	25.145.00		30.547.00	53.256.00
1.3 TCe 150 FAP	H5H	110	150	10/18	>	25.145.00		30.547.00	53.256.00
1.5 Blue DCI 115	K9K-666	85	116	09/18	>	23.628.00	26.115.00	30.547.00	53.256.00
1.5 Blue DCI 95	K9K	70	95	09/18	>	23.628.00	26.115.00	30.547.00	53.256.00
1.5 DCI 110	K9K-667	80	109	10/17	>	23.628.00	26.115.00	30.547.00	53.256.00
1.5 DCI 90	K9K-830	66	90	10/17	>	23.628.00	26.115.00	30.547.00	53.256.00
1.6 SCe 115	H4M-730	84	114	10/17	>	23.484.00	31.948.00	30.547.00	53.256.00
Lodgy									
1.2 TCe	H5FT-402	84	115	11/12	>	25.145.00		30.547.00	53.293.00
with activated carbons / ai carboni attivi	H5FT-402	84	115	11/12	>				54.257.00
antibacterial, anti-odour and anti-allergen filter / filtro antibatterico, antiodori e anti-allergeni	H5FT-402	84	115	11/12	>				34.257.00

...DACIA - cars/auto

1.5 Blue DCI 115	K9K-872	85	115	12/18	>		26.115.00	30.547.00	53.293.00
with activated carbons / ai carboni attivi	K9K-872	85	115	12/18	>				54.257.00
antibacterial, anti-odour and anti-allergen filter / filtro antibatterico, antiodori e anti-allergeni	K9K-872	85	115	12/18	>				34.257.00
1.5 Blue DCI 95	K9K-872	70	95	12/18	>		26.115.00	30.547.00	53.293.00
with activated carbons / ai carboni attivi	K9K-872	70	95	12/18	>				54.257.00
antibacterial, anti-odour and anti-allergen filter / filtro antibatterico, antiodori e anti-allergeni	K9K-872	70	95	12/18	>				34.257.00
1.5 DCI 110	K9K-846	79	107	03/12	>	23.628.00	26.115.00	30.547.00	53.293.00
with activated carbons / ai carboni attivi	K9K-846	79	107	03/12	>				54.257.00
antibacterial, anti-odour and anti-allergen filter / filtro antibatterico, antiodori e anti-allergeni	K9K-846	79	107	03/12	>				34.257.00
1.5 DCI 110 FAP	K9K-666	80	109	06/15	>	23.628.00	26.115.00	30.547.00	53.293.00
with activated carbons / ai carboni attivi	K9K-666	80	109	06/15	>				54.257.00
antibacterial, anti-odour and anti-allergen filter / filtro antibatterico, antiodori e anti-allergeni	K9K-666	80	109	06/15	>				34.257.00
1.5 DCI 90	K9K-612	66	90	03/12	>	23.628.00	26.115.00	30.547.00	53.293.00
with activated carbons / ai carboni attivi	K9K-612	66	90	03/12	>				54.257.00
antibacterial, anti-odour and anti-allergen filter / filtro antibatterico, antiodori e anti-allergeni	K9K-612	66	90	03/12	>				34.257.00
1.6 8V 85	K7M-812	61	82	03/12	>	23.418.00		30.688.00	53.293.00
with activated carbons / ai carboni attivi	K7M-812	61	82	03/12	>				54.257.00
antibacterial, anti-odour and anti-allergen filter / filtro antibatterico, antiodori e anti-allergeni	K7M-812	61	82	03/12	>				34.257.00
1.6 GPL/LPG	H4M-740	75	102	06/15	>	23.484.00		30.547.00	53.293.00
with activated carbons / ai carboni attivi	H4M-740	75	102	06/15	>				54.257.00
antibacterial, anti-odour and anti-allergen filter / filtro antibatterico, antiodori e anti-allergeni	H4M-740	75	102	06/15	>				34.257.00
1.6 GPL/LPG	K7M-812	61	82	11/13	> 10/14	23.418.00		30.688.00	53.293.00
with activated carbons / ai carboni attivi	K7M-812	61	82	11/14	>	23.418.00		30.688.00	53.293.00
antibacterial, anti-odour and anti-allergen filter / filtro antibatterico, antiodori e anti-allergeni	K7M-812	61	82	11/13	>				54.257.00
	K7M-812	61	82	11/13	>				34.257.00
Logan									
1.2 16V									
with activated carbons / ai carboni attivi	Renault D4F-932/734	55	75	10/09	>				54.232.00
with air-conditioner / con climatizzatore	Renault D4F-932/734	55	75	04/09	> 09/09	23.470.00	31.948.00	30.302.00	✗
with air-conditioner / con climatizzatore	Renault D4F-932/734	55	75	10/09	>	23.470.00	31.948.00	30.302.00	53.104.00
antibacterial, anti-odour and anti-allergen filter / filtro antibatterico, antiodori e anti-allergeni	Renault D4F-932/734	55	75	10/09	>				34.232.00
1.4									
with activated carbons / ai carboni attivi	Renault K7J-710/714	55	75	10/09	>				54.232.00
with air-conditioner / con climatizzatore	Renault K7J-710/714	55	75	09/04	> 09/09	23.418.00	31.710.00	30.217.00	✗
with air-conditioner / con climatizzatore	Renault K7J-710/714	55	75	10/09	> 10/11	23.418.00	31.710.00	30.217.00	53.104.00
with air-conditioner / con climatizzatore	Renault K7J-710/714	55	75	11/11	>	23.418.00	31.710.00	30.688.00	53.104.00
antibacterial, anti-odour and anti-allergen filter / filtro antibatterico, antiodori e anti-allergeni	Renault K7J-710/714	55	75	10/09	>				34.232.00
1.5 DCI									
with activated carbons / ai carboni attivi	Renault K9K-790	48	65	10/09	>				54.232.00
with air-conditioner / con climatizzatore	Renault K9K-790	48	65	03/05	> 09/09	23.481.00		30.321.00	✗
with air-conditioner / con climatizzatore	Renault K9K-790	48	65	10/09	>	23.481.00		30.321.00	53.104.00
with water presence sensor KNECHT-MAHLE / con sensore presenza acqua KNECHT-MAHLE	Renault K9K-790	48	65	03/05	>		55.393.00		
antibacterial, anti-odour and anti-allergen filter / filtro antibatterico, antiodori e anti-allergeni	Renault K9K-790	48	65	10/09	>				34.232.00
DELPHI assembly / montaggio DELPHI	Renault K9K-790	48	65	03/05	>		24.115.00		
without water presence sensor KNECHT-MAHLE / senza sensore presenza acqua KNECHT-MAHLE	Renault K9K-790	48	65	03/05	>		55.392.00		
1.5 DCI									
with activated carbons / ai carboni attivi	Renault K9K-792	50	68	10/09	>				54.232.00
with air-conditioner / con climatizzatore	Renault K9K-792	50	68	03/05	> 09/09	23.481.00		30.321.00	✗
with air-conditioner / con climatizzatore	Renault K9K-792	50	68	10/09	>	23.481.00		30.321.00	53.104.00
with water presence sensor KNECHT-MAHLE / con sensore presenza acqua KNECHT-MAHLE	Renault K9K-792	50	68	03/05	>		55.393.00		
antibacterial, anti-odour and anti-allergen filter / filtro antibatterico, antiodori e anti-allergeni	Renault K9K-792	50	68	10/09	>				34.232.00
DELPHI assembly / montaggio DELPHI	Renault K9K-792	50	68	03/05	>		24.115.00		
without water presence sensor KNECHT-MAHLE / senza sensore presenza acqua KNECHT-MAHLE	Renault K9K-792	50	68	03/05	>		55.392.00		
1.5 DCI									
with activated carbons / ai carboni attivi	Renault K9K-796	63	86	10/09	>				54.232.00
with air-conditioner / con climatizzatore	Renault K9K-796	63	86	09/07	> 09/09	23.481.00		30.321.00	✗
with air-conditioner / con climatizzatore	Renault K9K-796	63	86	10/09	>	23.481.00		30.321.00	53.104.00
with water presence sensor KNECHT-MAHLE / con sensore presenza acqua KNECHT-MAHLE	Renault K9K-796	63	86	09/07	>		55.393.00		
antibacterial, anti-odour and anti-allergen filter / filtro antibatterico, antiodori e anti-allergeni	Renault K9K-796	63	86	10/09	>				34.232.00
DELPHI assembly / montaggio DELPHI	Renault K9K-796	63	86	09/07	>		24.115.00		
without water presence sensor KNECHT-MAHLE / senza sensore presenza acqua KNECHT-MAHLE	Renault K9K-796	63	86	09/07	>		55.392.00		
1.6									
with activated carbons / ai carboni attivi	Renault K7M-710	64	87	10/09	>				54.232.00
with air-conditioner / con climatizzatore	Renault K7M-710	64	87	09/04	> 09/09	23.418.00	31.710.00	30.217.00	✗
with air-conditioner / con climatizzatore	Renault K7M-710	64	87	10/09	>				53.104.00
antibacterial, anti-odour and anti-allergen filter / filtro antibatterico, antiodori e anti-allergeni	Renault K7M-710	64	87	10/09	>				34.232.00
1.6 16V									

...DACIA - cars/auto

with activated carbons / ai carboni attivi	Renault K4M-690/696	77	105	10/09	>				54.232.00	
with air-conditioner / con climatizzatore	Renault K4M-690/696	77	105	03/05	>	09/09	23.418.00	31.710.00	30.147.00	✗
with air-conditioner / con climatizzatore	Renault K4M-690/696	77	105	10/09	>		23.418.00	31.710.00	30.147.00	53.104.00
antibacterial, anti-odour and anti-allergen filter / filtro antibatterico, antiodori e anti-allergeni	Renault K4M-690/696	77	105	10/09	>					34.232.00
Logan II										
0.9 TCe	H4B-400	66	90	05/13	>		25.145.00	31.710.00	30.547.00	
with activated carbons / ai carboni attivi	H4B-400	66	90	05/13	>					54.244.00
antibacterial, anti-odour and anti-allergen filter / filtro antibatterico, antiodori e anti-allergeni	H4B-400	66	90	05/13	>					34.244.00
assembly VALEO / montaggio VALEO	H4B-400	66	90	05/13	>					53.256.00
0.9 TCe LPG	H4B410	66	90	09/15	>		25.145.00		30.547.00	
with activated carbons / ai carboni attivi	H4B410	66	90	09/15	>					54.244.00
antibacterial, anti-odour and anti-allergen filter / filtro antibatterico, antiodori e anti-allergeni	H4B410	66	90	09/15	>					34.244.00
1.0 Sce	B4D400	54	73	12/16	>		23.481.00	∞	30.547.00	
with activated carbons / ai carboni attivi	B4D400	54	73	12/16	>					54.244.00
antibacterial, anti-odour and anti-allergen filter / filtro antibatterico, antiodori e anti-allergeni	B4D400	54	73	12/16	>					34.244.00
1.2	D4F	54	73	05/15	>		23.470.00	∞	30.302.00	
assembly VALEO / montaggio VALEO	D4F	54	73	05/15	>					53.256.00
1.2 16V	D4F-732	55	75	05/13	>		23.470.00	31.710.00	30.302.00	
with activated carbons / ai carboni attivi	D4F-732	55	75	05/13	>					54.244.00
antibacterial, anti-odour and anti-allergen filter / filtro antibatterico, antiodori e anti-allergeni	D4F-732	55	75	05/13	>					34.244.00
assembly VALEO / montaggio VALEO	D4F-732	55	75	05/13	>					53.256.00
1.2 16V GPL/LPG	D4F-734	53	72	05/13	>		23.470.00		30.302.00	
with activated carbons / ai carboni attivi	D4F-734	53	72	05/13	>					54.244.00
antibacterial, anti-odour and anti-allergen filter / filtro antibatterico, antiodori e anti-allergeni	D4F-734	53	72	05/13	>					34.244.00
assembly VALEO / montaggio VALEO	D4F-734	53	72	05/13	>					53.256.00
1.5 Blue DCI 75	K9K	55	75	12/18	>			26.115.00	30.547.00	
assembly VALEO / montaggio VALEO	K9K	55	75	12/18	>					53.256.00
1.5 Blue DCI 95	K9K-872	70	95	12/18	>			26.115.00	30.547.00	
with activated carbons / ai carboni attivi	K9K-872	70	95	12/18	>					54.244.00
antibacterial, anti-odour and anti-allergen filter / filtro antibatterico, antiodori e anti-allergeni	K9K-872	70	95	12/18	>					34.244.00
assembly VALEO / montaggio VALEO	K9K-872	70	95	12/18	>					53.256.00
1.5 dCi	K9K830/K9K838	63	86	01/13	>		23.481.00		30.547.00	
with activated carbons / ai carboni attivi	K9K830/K9K838	63	86	01/13	>					54.244.00
antibacterial, anti-odour and anti-allergen filter / filtro antibatterico, antiodori e anti-allergeni	K9K830/K9K838	63	86	01/13	>					34.244.00
1.5 DCI 75	K9K-612	55	75	05/13	>		23.628.00	26.115.00	30.547.00	
with activated carbons / ai carboni attivi	K9K-612	55	75	05/13	>					54.244.00
antibacterial, anti-odour and anti-allergen filter / filtro antibatterico, antiodori e anti-allergeni	K9K-612	55	75	05/13	>					34.244.00
assembly VALEO / montaggio VALEO	K9K-612	55	75	05/13	>					53.256.00
1.5 DCI 90	K9K-612	66	90	05/13	>		23.628.00	26.115.00	30.547.00	
with activated carbons / ai carboni attivi	K9K-612	66	90	05/13	>					54.244.00
antibacterial, anti-odour and anti-allergen filter / filtro antibatterico, antiodori e anti-allergeni	K9K-612	66	90	05/13	>					34.244.00
assembly VALEO / montaggio VALEO	K9K-612	66	90	05/13	>					53.256.00
1.6	K4M-842	75	102	04/14	>		23.418.00	31.710.00	30.688.00	
with plastic filter / con filtro in plastica	K4M-842	75	102	04/14	>			31.948.00		
assembly VALEO / montaggio VALEO	K4M-842	75	102	04/14	>					53.256.00
1.6	K7M	61	83	05/13	>		23.418.00	31.710.00	30.688.00	
with activated carbons / ai carboni attivi	K7M	61	83	05/13	>					54.244.00
antibacterial, anti-odour and anti-allergen filter / filtro antibatterico, antiodori e anti-allergeni	K7M	61	83	05/13	>					34.244.00
assembly VALEO / montaggio VALEO	K7M	61	83	05/13	>					53.256.00
1.6	K7M	77	105	01/13	>		23.418.00	31.710.00	30.688.00	
assembly VALEO / montaggio VALEO	K7M	77	105	01/13	>					53.256.00
Nova										
1.4		48	65	02/96	>	09/00	23.114.01	31.009.00	27.752.00	✗
1.6		53	72	02/96	>	09/00	23.114.01	31.009.00	27.752.00	✗
Sandero										
1.2 16V	D4F	55	75	01/09	>		23.470.00	31.710.00	30.302.00	53.104.00
with activated carbons / ai carboni attivi	D4F	55	75	01/09	>					54.232.00
antibacterial, anti-odour and anti-allergen filter / filtro antibatterico, antiodori e anti-allergeni	D4F	55	75	01/09	>					34.232.00
1.4	K7J-710	55	75	05/08	>	10/11	23.418.00	31.710.00	30.217.00	53.104.00
	K7J-710	55	75	11/11	>		23.418.00	31.710.00		53.104.00
with activated carbons / ai carboni attivi	K7J-710	55	75	05/08	>					54.232.00
antibacterial, anti-odour and anti-allergen filter / filtro antibatterico, antiodori e anti-allergeni	K7J-710	55	75	05/08	>					34.232.00
1.5 DCI	K9K-792	50	68	09/08	>		23.481.00		30.321.00	53.104.00
with activated carbons / ai carboni attivi	K9K-792	50	68	09/08	>					54.232.00
with water presence sensor KNECHT-MAHLE / con sensore presenza acqua KNECHT-MAHLE	K9K-792	50	68	09/08	>			55.393.00		
antibacterial, anti-odour and anti-allergen filter / filtro antibatterico, antiodori e anti-allergeni	K9K-792	50	68	09/08	>					34.232.00
DELPHI assembly / montaggio DELPHI	K9K-792	50	68	09/08	>			24.115.00		

...DACIA - cars/auto

without water presence sensor KNECHT-MAHLE / senza sensore presenza acqua KNECHT-MAHLE	K9K-792	50	68	09/08	>		55.392.00		
1.5 DCI	K9K-796	63	86	09/08	>	23.481.00		30.321.00	53.104.00
with activated carbons / ai carboni attivi	K9K-796	63	86	09/08	>				54.232.00
with water presence sensor KNECHT-MAHLE / con sensore presenza acqua KNECHT-MAHLE	K9K-796	63	86	09/08	>		55.393.00		
antibacterial, anti-odour and anti-allergen filter / filtro antibatterico, antiodori e anti-allergeni	K9K-796	63	86	09/08	>				34.232.00
DELPHI assembly / montaggio DELPHI	K9K-796	63	86	09/08	>		24.115.00		
without water presence sensor KNECHT-MAHLE / senza sensore presenza acqua KNECHT-MAHLE	K9K-796	63	86	09/08	>		55.392.00		
1.5 DCI	K9K-892	55	75	10/10	>	23.481.00		30.546.00	53.104.00
with activated carbons / ai carboni attivi	K9K-892	55	75	10/10	>				54.232.00
antibacterial, anti-odour and anti-allergen filter / filtro antibatterico, antiodori e anti-allergeni	K9K-892	55	75	10/10	>				34.232.00
DELPHI assembly / montaggio DELPHI	K9K-892	55	75	10/10	>		24.115.00		
1.6 MPI	K7M-710	64	87	05/08	>	23.418.00	31.710.00	30.217.00	53.104.00
with activated carbons / ai carboni attivi	K7M-710	64	87	05/08	>				54.232.00
antibacterial, anti-odour and anti-allergen filter / filtro antibatterico, antiodori e anti-allergeni	K7M-710	64	87	05/08	>				34.232.00
1.6 MPI	K7M-800	62	84	05/08	>	23.418.00	31.710.00	30.217.00	53.104.00
with activated carbons / ai carboni attivi	K7M-800	62	84	05/08	>				54.232.00
antibacterial, anti-odour and anti-allergen filter / filtro antibatterico, antiodori e anti-allergeni	K7M-800	62	84	05/08	>				34.232.00
Sandero II									
0.9 TCe	H4B-400	66	90	01/13	>	25.145.00		30.547.00	
assembly VALEO / montaggio VALEO	H4B-400	66	90	01/13	>				53.256.00
1.2	D4F	54	73	05/15	>	23.470.00		30.302.00	
assembly VALEO / montaggio VALEO	D4F	54	73	05/15	>				53.256.00
1.2 16V	D4F-732/734	55	75	01/13	>	23.470.00		30.302.00	
assembly VALEO / montaggio VALEO	D4F-732/734	55	75	01/13	>				53.256.00
1.2 16V GPL/LPG	D4F-734	53	72	01/13	>	23.470.00		30.302.00	
assembly VALEO / montaggio VALEO	D4F-734	53	72	01/13	>				53.256.00
1.5 Blue dCi 95	K9K-872	70	95	08/18	>		26.115.00	30.547.00	
with activated carbons / ai carboni attivi	K9K-872	70	95	08/18	>				54.244.00
antibacterial, anti-odour and anti-allergen filter / filtro antibatterico, antiodori e anti-allergeni	K9K-872	70	95	08/18	>				34.244.00
1.5 DCI 75	K9K-838	55	75	01/13	>	23.628.00	26.115.00	30.547.00	
assembly VALEO / montaggio VALEO	K9K-838	55	75	01/13	>				53.256.00
1.5 DCI 90	K9K-612	66	90	01/13	>	23.628.00	26.115.00	30.547.00	
assembly VALEO / montaggio VALEO	K9K-612	66	90	01/13	>				53.256.00
1.6	K7M	61	83	01/13	>	23.418.00		30.688.00	
assembly VALEO / montaggio VALEO	K7M	61	83	01/13	>				53.256.00
1.6 16V	K4M-690	77	105	01/13	>	23.418.00		30.147.00	
assembly VALEO / montaggio VALEO	K4M-690	77	105	01/13	>				53.256.00
Solenza									
1.4 i	Renault E7J	55	75	06/03	> 05/05	23.418.00	31.710.00	30.217.00	
1.9 D									
assembly DELPHI / montaggio DELPHI	Renault F8Q	45	63	06/03	> 05/05	23.418.00	26.690.00	30.213.00	
assembly PURFLUX / montaggio PURFLUX	Renault F8Q	45	63	06/03	> 05/05	23.418.00	26.686.00	30.213.00	
Supernova									
1.4 i		55	75	06/00	> 09/03	23.418.00	31.710.00	30.217.00	
1.6 i		53	72	06/00	> 09/03	23.418.00	31.710.00	30.217.00	
DAEWOO cars/auto									
Aranos									
1.8 i CD						23.129.02	31.564.00	30.990.00	
2.0 i CD						23.129.02	31.564.00	30.990.00	
2.0 i CDX						23.129.02	31.564.00	30.990.00	
Cielo									
1.5 i						23.129.02	31.564.00	30.990.00	
1.5 i 16V						23.129.02	31.564.00	30.990.00	
Espero									
1.5 GLXi				02/95	>	23.129.02	31.564.00	30.990.00	
1.8 i CD				02/95	>	23.129.02	31.564.00	30.990.00	
2.0 i CD				02/95	>	23.129.02	31.564.00	30.990.00	
Evanda									
2.0 16V		96	130	08/02	>	23.129.02	31.843.00	30.335.00	53.133.00
Kalos									
1.2 i									
with air-conditioner / con climatizzatore		53	72	03/03	>	23.129.02	31.850.00	30.279.00	53.141.00
1.4 i									
with air-conditioner / con climatizzatore		61	83	09/02	>	23.129.02	31.850.00	30.279.00	53.141.00
1.4 i 16V									
with air-conditioner / con climatizzatore		69	94	03/03	>	23.129.02	31.850.00	30.279.00	53.141.00

...DAEWOO - cars/auto

D								
Lacetti								
1.4 16V								
with air-conditioner and L.H.D. / con climatizzatore e guida a sinistra	69	94	03/04 > 03/05	23.129.02	31.843.00	30.277.00	53.126.00	
1.6 16V								
with air-conditioner and L.H.D. / con climatizzatore e guida a sinistra	80	109	03/04 > 03/05	23.129.02	31.843.00	30.277.00	53.126.00	
1.8 16V								
with air-conditioner and L.H.D. / con climatizzatore e guida a sinistra	90	122	03/04 > 03/05	23.129.02	31.843.00	30.277.00	53.126.00	
Lanos								
1.3 i								
to frame No. 278290 / a telaio N. 278290			01/97 >	23.129.02	31.515.00	30.102.00		
1.5 i								
to frame No. 278290 / a telaio N. 278290			01/97 >	23.129.02	31.515.00	30.102.00		
1.6 i 16V								
to frame No. 278290 / a telaio N. 278290			01/97 >	23.129.02	31.515.00	30.102.00		
Leganza								
2.0 i 16V								
to frame No. 175783 / a telaio N. 175783	T20SED	93	126	07/00 >	23.129.02	31.515.00	30.105.00	
with air-conditioner and L.H.D. / con climatizzatore e guida a sinistra	T20SED	93	126	07/00 > 04/04	23.129.02	31.843.00	30.105.00	53.134.00
from frame No. 175784 / da telaio N. 175784	T20SED	93	126	> 04/04	23.129.02	31.843.00	30.105.00	
2.0 i 16V								
to frame No. 175783 / a telaio N. 175783	X20SED	98	133	03/97 >	23.129.02	31.515.00	30.105.00	
with air-conditioner and L.H.D. / con climatizzatore e guida a sinistra	X20SED	98	133	03/97 > 12/03	23.129.02	31.843.00	30.105.00	53.134.00
from frame No. 175784 / da telaio N. 175784	X20SED	98	133	> 12/03	23.129.02	31.843.00	30.105.00	
2.2 i 16V								
to frame No. 175783 / a telaio N. 175783	T22SED	100	136	01/99 >	23.129.02	31.515.00	30.105.00	
with air-conditioner and L.H.D. / con climatizzatore e guida a sinistra	T22SED	100	136	01/99 > 12/03	23.129.02	31.843.00	30.105.00	53.134.00
from frame No. 175784 / da telaio N. 175784	T22SED	100	136	> 12/03	23.129.02	31.843.00	30.105.00	
Matiz								
1000 i (SOHC)		47	63	01/03 >	23.255.00	31.843.00	30.104.00	
800 i (SOHC)								
to frame No. 144957 / a telaio N. 144957	F8CV (3 cyl.)	38	51	01/98 > 12/00	23.131.01	31.515.00	30.104.00	
to frame No. 144957 / a telaio N. 144957	F8CV (3 cyl.)	38	51	01/01 >	23.255.00	31.515.00	30.104.00	
from frame No. 144958 / da telaio N. 144958	F8CV (3 cyl.)	38	51		23.255.00	31.843.00	30.104.00	
Nexia								
1.5 GLi								
				04/95 >	23.129.02	31.564.00	30.990.00	
1.5 GLXi								
				04/95 >	23.129.02	31.564.00	30.990.00	
1.5 i 16V GLX								
				01/95 >	23.129.02	31.564.00	30.990.00	
1.5 i 16V GTX								
				01/95 >	23.129.02	31.564.00	30.990.00	
Nubira								
1.6 i 16V		80	109	07/03 > 01/05	23.129.02	31.843.00	30.277.00	53.126.00
1.6 i 16V								
to frame No. 244380 / a telaio N. 244380	A16DMS	78	106	11/96 >	23.129.02	31.515.00	30.103.00	
with air-conditioner and L.H.D. / con climatizzatore e guida a sinistra	A16DMS	78	106	11/96 > 07/03	23.129.02	31.843.00	30.103.00	53.138.00
from frame No. 244381 / da telaio N. 244381	A16DMS	78	106	> 07/03	23.129.02	31.843.00	30.103.00	
1.8 i 16V		90	122	07/03 > 01/05	23.129.02	31.843.00	30.277.00	53.126.00
2.0 i 16V								
to frame No. 244380 / a telaio N. 244380	X20SED	98	133	11/96 >	23.129.02	31.515.00	30.103.00	
with air-conditioner and L.H.D. / con climatizzatore e guida a sinistra	X20SED	98	133	11/96 > 07/03	23.129.02	31.843.00	30.103.00	53.138.00
from frame No. 244381 / da telaio N. 244381	X20SED	98	133	> 07/03	23.129.02	31.843.00	30.103.00	
Racer								
1.5 i								
					23.129.02	31.564.00	30.990.00	
1.5 i 16V								
					23.129.02	31.564.00	30.990.00	
Rezzo								
1.6 i 16V		77	105	09/00 >	23.129.02	31.843.00	30.337.00	53.142.00
1.8 i		66	90	09/00 >	23.129.02	31.843.00	30.337.00	53.142.00
1.8 i		72	98	09/00 >	23.129.02	31.843.00	30.337.00	53.142.00
2.0 i 16V		89	121	09/00 >	23.129.02	31.843.00	30.337.00	53.142.00
2.0 i 16V		94	128	09/00 >	23.129.02	31.843.00	30.337.00	53.142.00
Tacuma								
1.6 i 16V		77	105	09/00 >	23.129.02	31.843.00	30.337.00	53.142.00
1.8 i		66	90	09/00 >	23.129.02	31.843.00	30.337.00	53.142.00
1.8 i		72	98	09/00 >	23.129.02	31.843.00	30.337.00	53.142.00
2.0 i 16V		89	121	09/00 >	23.129.02	31.843.00	30.337.00	53.142.00
2.0 i 16V		94	128	09/00 >	23.129.02	31.843.00	30.337.00	53.142.00
Tico								
800	F8B, F8C, F8CB	35	48	01/92 > 12/00	23.131.01		27.274.00	✕

DAEWOO

commercial vehicles/veicoli commerciali

Damas									
800	F8B, F8C, F8CB (796) (3 cyl.)			01/92 >		23.131.01		27.074.00	
Damas Minibus									
800	F8B, F8C, F8CB (796) (3 cyl.)			01/92 >		23.131.01		27.074.00	
FSO									
1.9 D	Citroen			01/98 >		23.293.00	24.390.00		
Honker									
2.4 Turbodiesel	4CT90-1 (2417)						24.360.01		
Labo									
800	F8B, F8C, F8CB (796)					23.131.01		27.074.00	
LDV 400									
2.4 Turbodiesel	4CT90-1 (2417)			01/94 >			24.360.01		
Lublin 2									
2.4 Diesel	4C90 (2417)			03/97 >			24.360.01		
2.4 Turbodiesel	4CT90-1 (2417)			03/97 >			24.360.01		
Lublin 3									
2.4 Diesel	4C90 (2417)			01/99 >			24.360.01		
2.4 Turbodiesel	4CT90-1 (2417)			01/99 >			24.360.01		
Zuk									
2.4 Diesel	4C90 (2417)						24.360.01		

DAEWOO

off-road cars/fuoristrada

Musso (FJ)									
2.2 TD	Mercedes Benz OM661	74	101	09/99 >		25.528.00	24.321.00		×
prefilter / prefiltrato	Mercedes Benz OM661	74	101	09/99 >			31.013.00		
2.3	Mercedes Benz M161E23	103	140	01/99 >		25.162.00			×
2.9 TD	Mercedes Benz OM662LA	88	120	01/99 >		25.528.00	24.321.00		×
prefilter / prefiltrato	Mercedes Benz OM662LA	88	120	01/99 >			31.013.00		
3.2	Mercedes Benz M162E32/M104.992	162	220	01/99 >		25.162.00			×
Rexton									
2.9 TD	Mercedes Benz OM602TD29	88	120	04/02 >		25.095.00	24.321.00		
3.2 V6	Mercedes Benz M104	162	220	04/02 >		25.162.00			

DAIHATSU

cars/auto

Applause									
1.6 i EFI				01/98 >		23.255.00			
Charade									
1.0 DOHC (G100)	CB70			01/87 >		23.255.00			
1.0 Turbo (G100)	CB-T			01/87 >		23.255.00			
1.0 Turbo DOHC (G100)	CB-T			01/87 >		23.255.00			
1.3 i 16V cat (G200)	HC-E	62	84	04/95 > 05/00		23.255.00			
1.3 i 16V cat GTi (G20)				01/93 >		23.255.00	31.547.00		
1.3 i 16V MPI (G200)	HC-E	66	90	01/95 >		23.255.00			
1.5 i MPI (G203)	HE			09/96 >		23.255.00			
1.6 GTi (G201)	HD-E	77	105	03/95 > 05/00		23.255.00			
Charade II									
1.33 Dual VVT-i		74	101	05/11 >		25.116.00		30.176.00	53.147.00
with activated carbon air-conditioner / con climatizzatore, ai carboni attivi		74	101	05/11 >					54.266.00
antibacterial, anti-odour and anti-allergen filter with air-conditioner / filtro antibatterico, antiodori e anti-allergeni con climatizzatore		74	101	05/11 >					34.266.00
Charmant									
1300 (A30)	4K			01/78 >		23.213.00	31.005.00	27.939.00	
1300 (A35)	4K			01/78 >		23.213.00	31.005.00	27.939.00	
1500 (A55)	3AU			10/81 >		23.213.00	31.026.00	27.155.00	
Consorte									
1000				01/73 >		23.131.01	31.005.00		
1200				01/70 >		23.121.00	31.005.00	27.740.00	
Cuore									
1.0	1KR-FE	51	70	04/07 >		23.255.00			53.109.00
with activated carbons / ai carboni attivi	1KR-FE	51	70	04/07 >					54.274.00
antibacterial, anti-odour and anti-allergen filter / filtro antibatterico, antiodori e anti-allergeni	1KR-FE	51	70	04/07 >					34.274.00
1.0	EJ-VE	43	58	05/03 > 08/07		23.255.00			
1.0 i 12V DOHC	EJ-DE	41	55	01/98 > 06/03		23.255.00			×
847 (44TS)	ED			08/87 >		23.255.00			×
900 i	EF-EL			11/96 >		23.255.00			×
L40				05/76 >		23.131.01			×
L45				05/76 >		23.131.01			×
L55				05/76 >		23.131.01			

...DAIHATSU - cars/auto

D									
Fellow Max									
550	with DAIHATSU 17801-87701 / con DAIHATSU 17801-87701				01/76 >	23.131.01			
Fellow Max Cuore									
550	with DAIHATSU 17801-87701 / con DAIHATSU 17801-87701				01/76 >	23.131.01			
Gran Move									
1.6 i 16V (G301)	HD-EP	67	91	05/98 > 07/02	23.255.00				
Materia									
1.3	K3-VE	61	97	10/06 > 12/12	25.116.00		30.B03.00		
1.5	3SZ-VE	76	103	10/06 > 12/12	25.116.00		30.B03.00		
1.5 ECO 4WD	3SZ-VE	76	103	10/06 > 12/12	25.116.00		30.B03.00		
Move									
1.0 i (L901)	EJ-DE	41	56	10/98 > 09/02	23.255.00				
1.0 i (L901)	EJ-VE	43	58	07/00 > 09/02	23.255.00				
Sirion									
1.0 i 12V (M1-M100)	EJ-DE	41	55	06/98 > 09/00	23.255.00				
1.0 i 12V (M100)	EJ-VE	43	58	08/00 > 01/05	23.255.00				
1.0 i 12V (M300)	1KR-FT	51	69	01/05 > 03/08	25.116.00		30.175.00		
1.3 16V	K3-VE3	64	87	01/05 > 02/08	25.116.00		30.B04.00		
1.3 16V	K3-VE3	67	91	03/08 >	25.116.00		30.B04.00		
1.3 16V 4WD	K3-VE3	67	91	03/08 >	25.116.00		30.B04.00		
1.3 i 16V	K3-VE2	75	102	07/00 > 01/05	23.255.00				
1.3 i 16V 4WD	K3-VE2	75	102	07/00 > 01/05	23.255.00				
1.5 16V	3SZ-VE	76	103	09/07 >	25.116.00		30.B03.00		
Trevis									
1.0	EJ-VE	43	58	06/06 > 04/09	23.255.00				
Valera									
1.5 i 16V (G203)	HE-E			04/95 > 05/00	23.255.00				
YRV									
1.0	EJ-VE	43	58	08/00 > 08/06	23.255.00				
1.3 GTTi	K3-VET	95	129	07/02 > 08/06	23.255.00				
1.3 i 16V	K3-VE	64	87	12/00 > 08/06	23.255.00		30.B04.00		
1.3 i 16V 4WD	K3-VE	64	87	12/00 > 08/06	23.255.00		30.B04.00		
DAIHATSU					off-road cars/fuoristrada				
Fourtrak									
2.2 GX (2237)				02/92 >	23.121.00		27.133.00		
2.8 Diesel									
thread M26 x 1.5 / filetto M26 x 1.5	DL			10/87 >	23.274.00	24.366.00	27.132.00		
2.8 TD									
thread M26 x 1.5 / filetto M26 x 1.5	DL-T			10/87 >	23.274.00	24.366.00	27.132.00		
Fourtrak Estate EL									
2.0	3Y			01/87 >	23.121.00		27.133.00		
Rocky									
1.6 i 16V (F300)	HDE			01/95 >	23.255.00	31.695.00	27.173.00		
2.0 (F80)	3Y			04/84 >	23.121.00		27.133.00		
2.0 (F85)	3Y			04/84 >	23.121.00		27.133.00		
2.8 D (F70)	DL			10/87 >	23.274.00	24.366.00	27.132.00		
2.8 D (F75)	DL			10/87 >	23.274.00	24.366.00	27.132.00		
2.8 D (F76)	DL			10/87 >	23.274.00	24.366.00	27.132.00		
2.8 D (F77)	DL			10/87 >	23.274.00	24.366.00	27.132.00		
2.8 TD (F70)	DL-T			10/87 >	23.274.00	24.366.00	27.132.00		
2.8 TD (F75)	DL-T			10/87 >	23.274.00	24.366.00	27.132.00		
2.8 TD (F76)	DL-T			10/87 >	23.274.00	24.366.00	27.132.00		
2.8 TD (F77)	DL-T			10/87 >	23.274.00	24.366.00	27.132.00		
Sportrak									
1.6 16V (F300)	HDC			01/89 >	23.255.00				
1.6 i 16V (F300)	HDE			01/95 >	23.255.00	31.695.00	27.173.00		
Taft TK									
2.8 D (V54)	DL			05/83 >	23.231.00	24.326.00	27.132.00		
Terios									
1.3 i 16V (J100)	HC-EJ	61	83	03/97 > 04/00	23.255.00				
1.3 i 16V (J122)	K3-VE	63	86	05/00 > 04/06	23.255.00				
1.3 i 16V 4x4 (J102)	K3-VE	63	86	05/00 > 04/06	23.255.00				
1.3 i DVVT 4x4	K3-V6	63	86	11/05 >	23.255.00			53.109.00	
with activated carbons / ai carboni attivi	K3-V6	63	86	11/05 >				54.274.00	

...DAIHATSU - off-road cars/fuoristrada

antibacterial, anti-odour and anti-allergen filter / filtro antibatterico, antiodori e anti-allergeni	K3-V6	63	86	11/05	>				34.274.00
1.5 i	3SZ-VE	77	105	11/05	>	23.255.00		30.B03.00	53.109.00
with activated carbons / ai carboni attivi	3SZ-VE	77	105	11/05	>				54.274.00
antibacterial, anti-odour and anti-allergen filter / filtro antibatterico, antiodori e anti-allergeni	3SZ-VE	77	105	11/05	>				34.274.00
1.5 i 4x4	3SZ-VE	77	105	05/06	>	23.255.00		30.B03.00	53.109.00
with activated carbons / ai carboni attivi	3SZ-VE	77	105	05/06	>				54.274.00
antibacterial, anti-odour and anti-allergen filter / filtro antibatterico, antiodori e anti-allergeni	3SZ-VE	77	105	05/06	>				34.274.00
1.5 i DVVT	3SZ-VE	75	102	09/10	>	23.255.00		30.B03.00	53.109.00
with activated carbons / ai carboni attivi	3SZ-VE	75	102	09/10	>				54.274.00
antibacterial, anti-odour and anti-allergen filter / filtro antibatterico, antiodori e anti-allergeni	3SZ-VE	75	102	09/10	>				34.274.00
1.5 i DVVT 4x4	3SZ-VE	75	102	09/10	>	23.255.00		30.B03.00	53.109.00
with activated carbons / ai carboni attivi	3SZ-VE	75	102	09/10	>				54.274.00
antibacterial, anti-odour and anti-allergen filter / filtro antibatterico, antiodori e anti-allergeni	3SZ-VE	75	102	09/10	>				34.274.00

DAIHATSU

commercial vehicles/veicoli commerciali

Delta

1300				01/78	>	23.213.00			
1600 (TB10V)	2TJ			01/76	>	23.127.00			
1600 (TB11G)	12RJ			01/76	>	23.127.00			
2000 Diesel Wagon				05/83	>	23.127.00			
3000				01/77	>	23.102.00			

Delta 1750

2800 Diesel	DL			09/84	>	23.231.00	24.366.00	27.132.00	
--------------------	----	--	--	-------	---	-----------	-----------	-----------	--

Delta 2000

2500 Diesel	DG			09/79	>	23.231.00	24.326.00	27.132.00	
--------------------	----	--	--	-------	---	-----------	-----------	-----------	--

Delta 3000

3000 Diesel	13B			09/84	>	23.102.00			
3000 Diesel	3B			10/80	>	23.102.00	24.370.00		
3000 Diesel (V10)	B			01/77	>	23.102.00	24.370.00		
3000 Diesel (V12)	B			01/77	>	23.102.00	24.370.00		
3400 Diesel	3B			09/80	>	23.102.00			

Delta 750

1200				01/78	>	23.213.00			
1300				01/78	>	23.213.00			

Delta Wide

1300 Van	4K-J			09/85	>	23.213.00			
1800 Diesel Van				05/83	>	23.127.00			
2000 Wagon	3Y			05/83	>	23.121.00			

Hi-Jet Pick-up

1.3 i 16V cat TR (S85)	HC-E	48	65	06/98	>	23.255.00	31.694.00	30.088.00	
-------------------------------	------	----	----	-------	---	-----------	-----------	-----------	--

Hi-Jet Van

1.3 i 16V cat (S85)	HC-E	48	65	05/98	>	23.255.00	31.694.00	30.088.00	
1.4 D (S85)	Lombardini LDW14	280	38	03/98	>	23.439.00	24.351.00	30.966.00	

Wide Van

1300				01/78	>	23.213.00			
-------------	--	--	--	-------	---	-----------	--	--	--

DAIMLER

cars/auto

Limousine

4.2									
to engine No. 7M3408 / a motore N. 7M3408				05/64	>	25.407.01			

Sovereign

2.9 i				10/86	>	23.544.00	31.506.00	30.835.00	
3.4 Serie 2						23.544.00			
spin-on / avvitabile									
3.6 i				10/86	>	23.544.00	31.506.00	30.835.00	
4.2 Serie 2						23.544.00			
spin-on / avvitabile									

DODGE

cars/auto

Avenger

2.0 16V		115	156	08/07	>	23.519.00			53.150.00
with activated carbons / ai carboni attivi		115	156	08/07	>				54.275.00
antibacterial, anti-odour and anti-allergen filter / filtro antibatterico, antiodori e anti-allergeni		115	156	08/07	>				34.275.00
2.0 CRD	ECD	103	140	05/07	>	25.023.00	24.030.00		53.150.00
with activated carbons / ai carboni attivi	ECD	103	140	05/07	>				54.275.00
antibacterial, anti-odour and anti-allergen filter / filtro antibatterico, antiodori e anti-allergeni	ECD	103	140	05/07	>				34.275.00
2.4	ED3	129	175	08/07	>	23.519.00			53.150.00

...DODGE - cars/auto

with activated carbons / ai carboni attivi	ED3	129	175	08/07	>				54.275.00
antibacterial, anti-odour and anti-allergen filter / filtro antibatterico, antiodori e anti-allergeni	ED3	129	175	08/07	>				34.275.00
2.5 V6 F.I. (VIN N)	EED			01/96	> 12/01	23.127.00		30.230.00	
2.7 V6 (VIN D)	EER			01/09	> 12/10	23.519.00		30.226.00	53.150.00
with activated carbons / ai carboni attivi	EER			01/09	> 12/10				54.275.00
antibacterial, anti-odour and anti-allergen filter / filtro antibatterico, antiodori e anti-allergeni	EER			01/09	> 12/10				34.275.00
2.7 V6 (VIN R)		137	186	09/07	> 12/08			30.226.00	53.150.00
with activated carbons / ai carboni attivi		137	186	09/07	> 12/08				54.275.00
antibacterial, anti-odour and anti-allergen filter / filtro antibatterico, antiodori e anti-allergeni		137	186	09/07	> 12/08				34.275.00
3.6	ERB	211	287	01/11	> 12/14			30.A43.00	
Caliber									
1.8 16V	EBA	110	150	07/06	>	23.519.00		30.498.00	53.150.00
with activated carbons / ai carboni attivi	EBA	110	150	07/06	>				54.275.00
antibacterial, anti-odour and anti-allergen filter / filtro antibatterico, antiodori e anti-allergeni	EBA	110	150	07/06	>				34.275.00
2.0 16V	ECN	115	156	07/06	>	23.519.00		30.498.00	53.150.00
with activated carbons / ai carboni attivi	ECN	115	156	07/06	>				54.275.00
antibacterial, anti-odour and anti-allergen filter / filtro antibatterico, antiodori e anti-allergeni	ECN	115	156	07/06	>				34.275.00
2.0 CRD		88	120	07/06	>	25.023.00	24.030.00	30.592.00	53.150.00
with activated carbons / ai carboni attivi		88	120	07/06	>				54.275.00
antibacterial, anti-odour and anti-allergen filter / filtro antibatterico, antiodori e anti-allergeni		88	120	07/06	>				34.275.00
2.0 CRD	ECD	103	140	07/06	>	25.023.00	24.030.00	30.592.00	53.150.00
with activated carbons / ai carboni attivi	ECD	103	140	07/06	>				54.275.00
antibacterial, anti-odour and anti-allergen filter / filtro antibatterico, antiodori e anti-allergeni	ECD	103	140	07/06	>				34.275.00
2.2 CRD	ENE	120	163	04/10	>	25.159.00	24.529.00		53.150.00
with activated carbons / ai carboni attivi	ENE	120	163	04/10	>				54.275.00
antibacterial, anti-odour and anti-allergen filter / filtro antibatterico, antiodori e anti-allergeni	ENE	120	163	04/10	>				34.275.00
2.2 CRD 4x4	ENE	120	163	04/10	>	25.159.00	24.529.00		53.150.00
with activated carbons / ai carboni attivi	ENE	120	163	04/10	>				54.275.00
antibacterial, anti-odour and anti-allergen filter / filtro antibatterico, antiodori e anti-allergeni	ENE	120	163	04/10	>				34.275.00
2.4 16V		125	170	07/06	>	23.519.00		30.498.00	53.150.00
with activated carbons / ai carboni attivi		125	170	07/06	>				54.275.00
antibacterial, anti-odour and anti-allergen filter / filtro antibatterico, antiodori e anti-allergeni		125	170	07/06	>				34.275.00
Journey									
2.0 CRD	ECE	103	140	03/08	>	25.023.00	24.030.00		53.150.00
with activated carbons / ai carboni attivi	ECE	103	140	03/08	>				54.275.00
antibacterial, anti-odour and anti-allergen filter / filtro antibatterico, antiodori e anti-allergeni	ECE	103	140	03/08	>				34.275.00
2.4 16V	ED3	125	170	03/08	>				53.150.00
with activated carbons / ai carboni attivi	ED3	125	170	03/08	>				54.275.00
antibacterial, anti-odour and anti-allergen filter / filtro antibatterico, antiodori e anti-allergeni	ED3	125	170	03/08	>				34.275.00
2.7 V6	EER	136	185	03/08	>				53.150.00
with activated carbons / ai carboni attivi	EER	136	185	03/08	>				54.275.00
antibacterial, anti-odour and anti-allergen filter / filtro antibatterico, antiodori e anti-allergeni	EER	136	185	03/08	>				34.275.00
2.7 V6 AWD	EER	136	185	03/08	>				53.150.00
with activated carbons / ai carboni attivi	EER	136	185	03/08	>				54.275.00
antibacterial, anti-odour and anti-allergen filter / filtro antibatterico, antiodori e anti-allergeni	EER	136	185	03/08	>				34.275.00
3.5 AWD	EGF	187	254	03/08	>				53.150.00
with activated carbons / ai carboni attivi	EGF	187	254	03/08	>				54.275.00
antibacterial, anti-odour and anti-allergen filter / filtro antibatterico, antiodori e anti-allergeni	EGF	187	254	03/08	>				34.275.00
3.6	ERB	211	287	01/11	> 12/18			30.A43.00	
Nitro									
2.8 CRD	ENS	130	177	06/07	>	25.167.00			53.239.00
without water presence sensor / senza sensore presenza acqua	ENS	130	177	06/07	>		24.528.01		
3.7 V6		151	205	05/07	>				53.239.00
4.0 V6 24V		191	260	05/07	>	23.127.00			53.239.00

DR MOTOR COMPANY

cars/auto

DR5

1.9 EcoJet		88	120	03/07	>	23.172.00			
-------------------	--	----	-----	-------	---	-----------	--	--	--

DS AUTOMOBILES

cars/auto

DS3

1.2 THP 110									
with automatic air-conditioner / con climatizzatore automatico	EB2DT	81	110	04/15	>				54.164.00
with manual air-conditioner / con climatizzatore manuale	EB2DT	81	110	04/15	>	23.439.00		30.718.00	53.143.00
with plastic filter / con filtro in plastica	EB2DT	81	110	04/15	>				
antibacterial, anti-odour and anti-allergen filter with automatic air-conditioner / filtro antibatterico, antiodori e anti-allergeni con climatizzatore automatico	EB2DT	81	110	04/15	>				34.164.00
1.2 THP 130									

...DS AUTOMOBILES - cars/auto

with automatic air-conditioner / con climatizzatore automatico	EP6FDT	121	165	07/15	>				54.164.00
with manual air-conditioner / con climatizzatore manuale	EP6FDT	121	165	07/15	>	25.060.00		30.467.00	53.143.00
with plastic filter / con filtro in plastica	EP6FDT	121	165	07/15	>		31.948.00		
antibacterial, anti-odour and anti-allergen filter with automatic air-conditioner / filtro antibatterico, antiodori e anti-allergeni con climatizzatore automatico	EP6FDT	121	165	07/15	>				34.164.00
1.6 THP 208									
with automatic air-conditioner / con climatizzatore automatico	EP6FDTX	153	208	09/15	>				54.164.00
with manual air-conditioner / con climatizzatore manuale	EP6FDTX	153	208	09/15	>	25.060.00		30.467.00	53.143.00
with plastic filter / con filtro in plastica	EP6FDTX	153	208	09/15	>		31.948.00		
antibacterial, anti-odour and anti-allergen filter with automatic air-conditioner / filtro antibatterico, antiodori e anti-allergeni con climatizzatore automatico	EP6FDTX	153	208	09/15	>				34.164.00
DS3 Crossback									
1.2 PureTech 100	EB2ADTX	75	102	10/18	>	23.439.00	31.948.00	30.718.00	
1.2 PureTech 130	EB2ADTS	96	130	10/18	>	23.439.00	31.948.00	30.718.00	
1.2 PureTech 155	EB2ADTX	115	156	10/18	>	23.439.00	31.948.00	30.718.00	
1.5 BlueHDI 100	DV5RD	75	102	10/18	>	25.216.00			
1.5 BlueHDI 110	DV5RCE	81	110	01/21	>	25.216.00	31.948.00	30.718.00	
1.5 BlueHDI 130	DV5RC	96	130	10/18	>	25.216.00			
e-DS		90	122	10/18	>				
E-Tense		100	136	05/19	>				
DS4									
1.6 BlueHDI 100	DV6FD	73	99	04/16	> 12/18	25.187.00	26.104.00	30.648.00	53.038.00
with activated carbons / ai carboni attivi	DV6FD	73	99	04/16	> 12/18				54.111.00
1.6 BlueHDI 115	DV6FC	85	116	07/15	> 12/18	25.187.00	26.104.00	30.648.00	53.038.00
with activated carbons / ai carboni attivi	DV6FC	85	116	07/15	> 12/18				54.111.00
antibacterial, anti-odour and anti-allergen filter / filtro antibatterico, antiodori e anti-allergeni	DV6FC	85	116	07/15	> 12/18				34.111.00
1.6 BlueHDI 120	DV6FC	88	120	07/15	> 12/18	25.187.00	26.104.00	30.648.00	53.038.00
with activated carbons / ai carboni attivi	DV6FC	88	120	07/15	> 12/18				54.111.00
antibacterial, anti-odour and anti-allergen filter / filtro antibatterico, antiodori e anti-allergeni	DV6FC	88	120	07/15	> 12/18				34.111.00
2.0 BlueHDI 120	DW10FD	110	150	07/15	> 12/18	23.439.00	26.104.00	30.351.00	53.038.00
with activated carbons / ai carboni attivi	DW10FD	110	150	07/15	> 12/18				54.111.00
antibacterial, anti-odour and anti-allergen filter / filtro antibatterico, antiodori e anti-allergeni	DW10FD	110	150	07/15	> 12/18				34.111.00
2.0 BlueHDI 180	DW10FC	133	181	07/15	> 12/18	23.439.00	26.104.00	30.351.00	53.038.00
with activated carbons / ai carboni attivi	DW10FC	133	181	07/15	> 12/18				54.111.00
antibacterial, anti-odour and anti-allergen filter / filtro antibatterico, antiodori e anti-allergeni	DW10FC	133	181	07/15	> 12/18				34.111.00
DS4 Crossback									
1.6 BlueHDI 115	DV6FC	85	116	07/15	> 12/18	25.187.00	26.104.00	30.648.00	53.038.00
with activated carbons / ai carboni attivi	DV6FC	85	116	07/15	> 12/18				54.111.00
antibacterial, anti-odour and anti-allergen filter / filtro antibatterico, antiodori e anti-allergeni	DV6FC	85	116	07/15	> 12/18				34.111.00
1.6 BlueHDI 120	DV6FC	88	120	07/15	> 12/18	25.187.00	26.104.00	30.648.00	53.038.00
with activated carbons / ai carboni attivi	DV6FC	88	120	07/15	> 12/18				54.111.00
antibacterial, anti-odour and anti-allergen filter / filtro antibatterico, antiodori e anti-allergeni	DV6FC	88	120	07/15	> 12/18				34.111.00
2.0 BlueHDI 180	DW10FC	133	181	07/15	> 12/18	23.439.00	26.104.00	30.351.00	53.032.00
with activated carbons / ai carboni attivi	DW10FC	133	181	07/15	> 12/18				54.111.00
antibacterial, anti-odour and anti-allergen filter / filtro antibatterico, antiodori e anti-allergeni	DW10FC	133	181	07/15	> 12/18				34.111.00
DS5									
1.6 BlueHDI 115	DV6C	85	116	06/15	> 12/18	25.037.00	24.127.00	30.648.00	54.172.00
antibacterial, anti-odour and anti-allergen filter / filtro antibatterico, antiodori e anti-allergeni	DV6C	85	116	06/15	> 12/18				34.172.00
1.6 BlueHDI 115	DV6FC	85	115	06/15	> 12/18	25.187.00	26.104.00	30.648.00	54.172.00
antibacterial, anti-odour and anti-allergen filter / filtro antibatterico, antiodori e anti-allergeni	DV6FC	85	115	06/15	> 12/18				34.172.00
1.6 BlueHDI 120	DV6FC	88	120	06/15	> 12/18	25.187.00	26.104.00	30.648.00	54.172.00
antibacterial, anti-odour and anti-allergen filter / filtro antibatterico, antiodori e anti-allergeni	DV6FC	88	120	06/15	> 12/18				34.172.00
2.0 BlueHDI 135	DW10FDD	100	136	06/15	> 12/18	23.439.00	26.104.00	30.351.00	
antibacterial, anti-odour and anti-allergen filter / filtro antibatterico, antiodori e anti-allergeni	DW10FDD	100	136	06/15	> 12/18				34.172.00
2.0 BlueHDI 150	DW10FD	110	150	06/15	> 12/18	23.439.00	26.104.00	30.351.00	
with activated carbons / ai carboni attivi	DW10FD	110	150	06/15	> 12/18				54.172.00
antibacterial, anti-odour and anti-allergen filter / filtro antibatterico, antiodori e anti-allergeni	DW10FD	110	150	06/15	> 12/18				34.172.00
2.0 BlueHDI 180	DW10FC	133	181	06/15	> 12/18	23.439.00	26.104.00	30.351.00	
with activated carbons / ai carboni attivi	DW10FC	133	181	06/15	> 12/18				54.172.00
antibacterial, anti-odour and anti-allergen filter / filtro antibatterico, antiodori e anti-allergeni	DW10FC	133	181	06/15	> 12/18				34.172.00
DS7 Crossback									
1.2 THP 130									
with automatic air-conditioner / con climatizzatore automatico	EB2ADTS	96	130	03/18	>				54.172.00
with manual air-conditioner / con climatizzatore manuale	EB2ADTS	96	130	03/18	>	23.439.00		30.718.00	53.154.00
antibacterial, anti-odour and anti-allergen filter with automatic air-conditioner / filtro antibatterico, antiodori e anti-allergeni con climatizzatore automatico	EB2ADTS	96	130	03/18	>		31.948.00		34.172.00
for vehicles with external fuel filter / per veicoli con filtro carburante esterno	EB2ADTS	96	130	03/18	>				
1.5 BlueHDI 130									
with automatic air-conditioner / con climatizzatore automatico	DV5RC	96	130	09/17	>				54.172.00
with manual air-conditioner / con climatizzatore manuale	DV5RC	96	130	09/17	>	25.216.00			53.154.00

...DS AUTOMOBILES - cars/auto

antibacterial, anti-odour and anti-allergen filter with automatic air-conditioner / filtro antibatterico, antiodori e anti-allergeni con climatizzatore automatico	DV5RC	96	130	09/17	>				34.172.00
1.6 PureTech 180									
with automatic air-conditioner / con climatizzatore automatico	EP6FADTXD	133	180	04/18	>				54.172.00
with manual air-conditioner / con climatizzatore manuale	EP6FADTXD	133	180	04/18	>	25.060.00		30.467.00	53.154.00
antibacterial, anti-odour and anti-allergen filter with automatic air-conditioner / filtro antibatterico, antiodori e anti-allergeni con climatizzatore automatico	EP6FADTXD	133	180	04/18	>				34.172.00
for vehicles with external fuel filter / per veicoli con filtro carburante esterno	EP6FADTXD	133	180	04/18	>		31.948.00		
1.6 PureTech 225									
with automatic air-conditioner / con climatizzatore automatico	EP6FADTX	165	225	09/17	>				54.172.00
with manual air-conditioner / con climatizzatore manuale	EP6FADTX	165	225	09/17	>	25.060.00		30.467.00	53.154.00
antibacterial, anti-odour and anti-allergen filter with automatic air-conditioner / filtro antibatterico, antiodori e anti-allergeni con climatizzatore automatico	EP6FADTX	165	225	09/17	>				34.172.00
for vehicles with external fuel filter / per veicoli con filtro carburante esterno	EP6FADTX	165	225	09/17	>		31.948.00		
1.6 THP 165									
with automatic air-conditioner / con climatizzatore automatico	EP6FDT	121	165	03/18	>				54.172.00
with manual air-conditioner / con climatizzatore manuale	EP6FDT	121	165	03/18	>	25.060.00		30.467.00	53.154.00
antibacterial, anti-odour and anti-allergen filter with automatic air-conditioner / filtro antibatterico, antiodori e anti-allergeni con climatizzatore automatico	EP6FDT	121	165	03/18	>				34.172.00
for vehicles with external fuel filter / per veicoli con filtro carburante esterno	EP6FDT	121	165	03/18	>		31.948.00		
2.0 BlueHDI 180									
with automatic air-conditioner / con climatizzatore automatico	DW10FC	130	177	09/17	>				54.172.00
with manual air-conditioner / con climatizzatore manuale	DW10FC	130	177	09/17	>	23.439.00	26.104.00	30.717.00	53.154.00
antibacterial, anti-odour and anti-allergen filter with automatic air-conditioner / filtro antibatterico, antiodori e anti-allergeni con climatizzatore automatico	DW10FC	130	177	09/17	>				34.172.00

E-GAS

LPG and CNG equipment/impianti GPL e Metano

MCE injection

GPL/LPG

spare part only MATRIX XF301 (Ø 42 x Ø 17 x 54 H) / solo ricambio MATRIX XF301 (Ø 42 x Ø 17 x 54 H)

46.007.00

EBRO NISSAN

off-road cars/fuoristrada

Bravo

1.8 L Diesel

Perkins 4.108

23.107.01

24.360.00

some / alcuni

Perkins 4.108

23.156.00

24.360.00

1.8 S Diesel

Perkins 4.108

23.107.01

24.360.00

some / alcuni

Perkins 4.108

23.156.00

24.360.00

Campeador

3.3 SV Diesel

Perkins 4.203

23.102.00

24.360.00

Comando

1.8 DS Diesel

Perkins 4.108

23.107.01

24.360.00

some / alcuni

Perkins 4.108

23.156.00

24.360.00

2.7 HD Diesel

Perkins 4.165

23.156.00

24.360.00

27.881.00

Jeep

1.8 Diesel (CJ3)

Perkins 4.108

23.107.01

26.652.00

some / alcuni

Perkins 4.108

23.156.00

24.360.00

1.8 Diesel (CJ6)

Perkins 4.108

23.107.01

26.652.00

some / alcuni

Perkins 4.108

23.156.00

24.360.00

Patrol

2.7 Diesel (817)

Perkins MD27

23.102.00

24.360.00

27.881.00

2.7 Diesel WD (Serie J)

Perkins MD27

23.102.00

24.360.00

27.881.00

2.7 Diesel WD (Serie K)

Perkins MD27

23.102.00

24.360.00

27.881.00

2.8

Nissan L28, L28S

23.134.00

27.769.00

2.8 Diesel (743)

RD28

23.256.00

24.375.00

27.159.00

2.8 Diesel (829)

Perkins A4.28 (M24)

24.360.00

27.881.00

2.8 Diesel (APLG)

Perkins A4.28

24.360.00

27.881.00

2.8 Diesel (Serie J)

Perkins A4.28

24.360.00

27.881.00

2.8 Diesel (Serie JPL)

Perkins A4.28

24.360.00

27.881.00

2.8 Diesel (Serie K)

Perkins A4.28

24.360.00

27.881.00

2.8 Diesel (Serie KPL)

Perkins A4.28

24.360.00

27.881.00

2.8 Diesel (WPLG)

Perkins A4.28

24.360.00

27.881.00

2.8 Turbodiesel (100)

Perkins A4.28T

24.360.00

27.828.00

2.8 Turbodiesel (743)

RD28T

23.256.00

24.375.00

27.159.00

3.0 (743)

RB30S OHC

23.240.00

3.2 Diesel

Nissan SD33 6 cyl.

23.152.00

24.327.00

EFFEDI

commercial vehicles/veicoli commerciali

Gasolone 22

1.3 Diesel

Fiat 1301 Diesel

23.172.00

24.351.00

27.890.00

Gasolone 27

1.7 Diesel

Fiat 1697 Diesel

23.166.00

24.383.00

30.930.00

Gasolone E22

...EFFEDI - commercial vehicles/veicoli commerciali

1.3 Diesel	Fiat 1301 Diesel		23.172.00	24.351.00	27.890.00	
Gasolone E27						
1.7 Diesel	Fiat 1697 Diesel		23.166.00	24.383.00	30.930.00	
Gasolone TS22						
1.3 Diesel	Fiat 1301 Diesel		23.172.00	24.351.00	27.890.00	
Gasolone TS27						
1.7 Diesel	Fiat 149B4000		23.166.00	24.383.00	30.930.00	
Gasolone TSH35						
2.5 Turbodiesel	Hyundai		23.237.00	24.366.00	27.920.00	

FERRARI

cars/auto

250						
250 GT/128E			23.102.00			27.708.00
paper / in carta						
250 GT/F			23.102.00			27.708.00
paper / in carta						
400						
400			23.162.02	26.617.00		
456						
5.5 V12 GT						
Middle East 2 filters / Medio Oriente N.2 filtri	(5473)	01/93 > 12/04	23.284.00	31.748.00		
2 filters / N.2 filtri	(5473)	01/93 > 12/04	23.284.00	31.748.00	30.023.00	
5.5 V12 GTA						
Middle East 2 filters / Medio Oriente N.2 filtri	(5473)	01/96 > 12/04	23.284.00	31.748.00		
2 filters / N.2 filtri	(5473)	01/96 > 12/04	23.284.00	31.748.00	30.023.00	
550						
550 Maranello						
2 filters / N.2 filtri		09/96 > 12/02	23.284.00	31.748.00	30.023.00	
575						
575 Maranello						
2 filters / N.2 filtri		04/02 > 12/06	23.284.00			
599						
GTB Fiorano	456 620	01/07 > 12/12				54.296.00
GTB Fiorano HGTE	456 620	01/07 > 12/12				54.296.00
612 Scaglietti						
5.7 V12	397 540	04/04 > 12/11				54.296.00
5.7 V12 F1	397 540	04/04 > 12/11				54.296.00
Ferrarina						
Ferrarina	Dino		23.102.00			

FIAT

cars/auto

124 Spider (348)						
1.4	103 140	03/16 >	25.043.00			
1.4 Abarth	125 170	03/16 >	25.043.00			
128						
128 Rally		04/81 >	23.175.00	31.001.00		
or / oppure		04/81 >	23.448.00	31.001.00		
1400						
1400			20.012.00	26.606.00		
1600						
1600 S Cabriolet					27.708.00	
500						
500 Giardiniera					27.707.00	
500 R		11/72 >		31.001.00	27.756.00	
500 (150)						
0.9 TwinAir						
with air-conditioner / con climatizzatore	312A4000	44 60 12/13 >	25.128.00		30.548.00	53.210.00
with activated carbon air-conditioner / con climatizzatore, ai carboni attivi	312A4000	44 60 12/13 >				54.248.00
antibacterial, anti-odour and anti-allergen filter / filtro antibatterico, antiodori e anti-allergeni	312A4000	44 60 12/13 >				34.248.00
0.9 TwinAir						
with air-conditioner / con climatizzatore	312A4000	48 65 09/12 >	25.128.00		30.548.00	53.210.00
with activated carbon air-conditioner / con climatizzatore, ai carboni attivi	312A4000	48 65 09/12 >				54.248.00
antibacterial, anti-odour and anti-allergen filter / filtro antibatterico, antiodori e anti-allergeni	312A4000	48 65 09/12 >				34.248.00
0.9 TwinAir Turbo 80						
with air-conditioner / con climatizzatore	312A5000	59 80 12/13 >	25.128.00		30.376.00	53.210.00
with activated carbon air-conditioner / con climatizzatore, ai carboni attivi	312A5000	59 80 12/13 >				54.248.00
antibacterial, anti-odour and anti-allergen filter / filtro antibatterico, antiodori e anti-allergeni	312A5000	59 80 12/13 >				34.248.00

...FIAT - cars/auto

0.9 TwinAir Turbo 85										
with air-conditioner / con climatizzatore	312A2000	63	86	06/10	>	09/11	25.128.00		30.376.00	53.088.00
with air-conditioner / con climatizzatore	312A2000	63	86	10/11	>		25.128.00		30.376.00	53.210.00
with activated carbon air-conditioner / con climatizzatore, ai carboni attivi	312A2000	63	86	06/10	>	09/11				54.221.00
with activated carbon air-conditioner / con climatizzatore, ai carboni attivi	312A2000	63	86	10/11	>					54.248.00
antibacterial, anti-odour and anti-allergen filter / filtro antibatterico, antiodori e anti-allergeni	312A2000	63	86	06/10	>	09/11				34.221.00
antibacterial, anti-odour and anti-allergen filter / filtro antibatterico, antiodori e anti-allergeni	312A2000	63	86	10/11	>					34.248.00
1.2 8V										
with air-conditioner / con climatizzatore	169A4000	51	69	07/07	>	09/11	23.438.00		30.301.00	53.088.00
with air-conditioner / con climatizzatore	169A4000	51	69	10/11	>		23.438.00		30.301.00	53.210.00
with activated carbon air-conditioner / con climatizzatore, ai carboni attivi	169A4000	51	69	07/07	>	09/11				54.221.00
with activated carbon air-conditioner / con climatizzatore, ai carboni attivi	169A4000	51	69	10/11	>					54.248.00
antibacterial, anti-odour and anti-allergen filter / filtro antibatterico, antiodori e anti-allergeni	169A4000	51	69	07/07	>	09/11				34.221.00
antibacterial, anti-odour and anti-allergen filter / filtro antibatterico, antiodori e anti-allergeni	169A4000	51	69	10/11	>					34.248.00
1.2 8V EasyPower GPL/LPG										
with air-conditioner / con climatizzatore	169A4000	51	69	12/10	>	09/11	23.438.00		30.301.00	53.088.00
with air-conditioner / con climatizzatore	169A4000	51	69	10/11	>		23.438.00		30.301.00	53.210.00
with activated carbon air-conditioner / con climatizzatore, ai carboni attivi	169A4000	51	69	12/10	>	09/11				54.221.00
with activated carbon air-conditioner / con climatizzatore, ai carboni attivi	169A4000	51	69	10/11	>					54.248.00
antibacterial, anti-odour and anti-allergen filter / filtro antibatterico, antiodori e anti-allergeni	169A4000	51	69	12/10	>	09/11				34.221.00
antibacterial, anti-odour and anti-allergen filter / filtro antibatterico, antiodori e anti-allergeni	169A4000	51	69	10/11	>					34.248.00
1.3 MJT 16V 75										
with air-conditioner / con climatizzatore	169A1000	55	75	07/07	>	09/11				53.088.00
with air-conditioner / con climatizzatore	169A1000	55	75	10/11	>					53.210.00
with activated carbon air-conditioner / con climatizzatore, ai carboni attivi	169A1000	55	75	07/07	>	09/11				54.221.00
with activated carbon air-conditioner / con climatizzatore, ai carboni attivi	169A1000	55	75	10/11	>					54.248.00
antibacterial, anti-odour and anti-allergen filter / filtro antibatterico, antiodori e anti-allergeni	169A1000	55	75	07/07	>	09/11				34.221.00
antibacterial, anti-odour and anti-allergen filter / filtro antibatterico, antiodori e anti-allergeni	169A1000	55	75	10/11	>					34.248.00
complete filter and disassembly key / filtro completo e chiave di smontaggio	169A1000	55	75	07/07	>			55.173.00		19.008.00
assembly PURFLUX / montaggio PURFLUX	169A1000	55	75	07/07	>		25.043.00	60.H2O.00	30.265.00	
assembly UFI / montaggio UFI	169A1000	55	75	07/07	>		25.031.00	60.H2O.00	30.265.00	
1.3 MJT 16V 78 E6										
with air-conditioner / con climatizzatore	312B5000	57	78	07/15	>			26.052.00	30.795.00	53.210.00
with activated carbon air-conditioner / con climatizzatore, ai carboni attivi	312B5000	57	78	07/15	>					54.248.00
antibacterial, anti-odour and anti-allergen filter / filtro antibatterico, antiodori e anti-allergeni	312B5000	57	78	07/15	>					34.248.00
1.3 MJT 16V 95 DPF										
with air-conditioner / con climatizzatore	199B1000	70	95	09/09	>	09/11	25.061.00	24.ONE.01	30.477.00	53.088.00
with air-conditioner / con climatizzatore	199B1000	70	95	10/11	>		25.061.00	24.ONE.01	30.477.00	53.210.00
with activated carbon air-conditioner / con climatizzatore, ai carboni attivi	199B1000	70	95	09/09	>	09/11				54.221.00
with activated carbon air-conditioner / con climatizzatore, ai carboni attivi	199B1000	70	95	10/11	>					54.248.00
antibacterial, anti-odour and anti-allergen filter / filtro antibatterico, antiodori e anti-allergeni	199B1000	70	95	09/09	>	09/11				34.221.00
antibacterial, anti-odour and anti-allergen filter / filtro antibatterico, antiodori e anti-allergeni	199B1000	70	95	10/11	>					34.248.00
1.3 MJT 16V 95 E6										
with air-conditioner / con climatizzatore	312B1000	70	95	07/15	>			26.052.00	30.795.00	53.210.00
with activated carbon air-conditioner / con climatizzatore, ai carboni attivi	312B1000	70	95	07/15	>					54.248.00
antibacterial, anti-odour and anti-allergen filter / filtro antibatterico, antiodori e anti-allergeni	312B1000	70	95	07/15	>					34.248.00
1.4 16V										
with air-conditioner / con climatizzatore	169A3000	74	101	07/07	>	09/11	23.438.00		30.339.00	53.088.00
with air-conditioner / con climatizzatore	169A3000	74	101	10/11	>		23.438.00		30.339.00	53.210.00
with activated carbon air-conditioner / con climatizzatore, ai carboni attivi	169A3000	74	101	07/07	>	09/11				54.221.00
with activated carbon air-conditioner / con climatizzatore, ai carboni attivi	169A3000	74	101	10/11	>					54.248.00
antibacterial, anti-odour and anti-allergen filter / filtro antibatterico, antiodori e anti-allergeni	169A3000	74	101	07/07	>	09/11				34.221.00
antibacterial, anti-odour and anti-allergen filter / filtro antibatterico, antiodori e anti-allergeni	169A3000	74	101	10/11	>					34.248.00
500 Cabrio (150)										
0.9 TwinAir										
with air-conditioner / con climatizzatore	312A4000	48	65	10/11	>		25.128.00		30.548.00	53.210.00
with activated carbon air-conditioner / con climatizzatore, ai carboni attivi	312A4000	48	65	10/11	>					54.248.00
antibacterial, anti-odour and anti-allergen filter / filtro antibatterico, antiodori e anti-allergeni	312A4000	48	65	10/11	>					34.248.00
0.9 TwinAir Turbo 105										
with air-conditioner / con climatizzatore	199B6000	77	105	10/13	>		25.128.00		30.376.00	53.210.00
with activated carbon air-conditioner / con climatizzatore, ai carboni attivi	199B6000	77	105	10/13	>					54.248.00
antibacterial, anti-odour and anti-allergen filter / filtro antibatterico, antiodori e anti-allergeni	199B6000	77	105	10/13	>					34.248.00
0.9 TwinAir Turbo 85										
with air-conditioner / con climatizzatore		63	86	06/10	>	09/11	25.128.00		30.376.00	53.088.00
with air-conditioner / con climatizzatore		63	86	10/11	>		25.128.00		30.376.00	53.210.00
with activated carbon air-conditioner / con climatizzatore, ai carboni attivi		63	86	06/10	>	09/11				54.221.00
with activated carbon air-conditioner / con climatizzatore, ai carboni attivi		63	86	10/11	>					54.248.00

...FIAT - cars/auto

antibacterial, anti-odour and anti-allergen filter / filtro antibatterico, antiodori e anti-allergeni		63	86	06/10 >	09/11				34.221.00
antibacterial, anti-odour and anti-allergen filter / filtro antibatterico, antiodori e anti-allergeni		63	86	10/11 >					34.248.00
1.2 8V									
with air-conditioner / con climatizzatore		51	69	09/09 >	09/11	23.438.00		30.301.00	53.088.00
with air-conditioner / con climatizzatore		51	69	10/11 >		23.438.00		30.301.00	53.210.00
with activated carbon air-conditioner / con climatizzatore, ai carboni attivi		51	69	09/09 >	09/11				54.221.00
with activated carbon air-conditioner / con climatizzatore, ai carboni attivi		51	69	10/11 >					54.248.00
antibacterial, anti-odour and anti-allergen filter / filtro antibatterico, antiodori e anti-allergeni		51	69	09/09 >	09/11				34.221.00
antibacterial, anti-odour and anti-allergen filter / filtro antibatterico, antiodori e anti-allergeni		51	69	10/11 >					34.248.00
1.3 MJT 16V 75									
with air-conditioner / con climatizzatore		55	75	09/09 >	09/11				53.088.00
with air-conditioner / con climatizzatore		55	75	10/11 >					53.210.00
with activated carbon air-conditioner / con climatizzatore, ai carboni attivi		55	75	09/09 >	09/11				54.221.00
with activated carbon air-conditioner / con climatizzatore, ai carboni attivi		55	75	10/11 >					54.248.00
antibacterial, anti-odour and anti-allergen filter / filtro antibatterico, antiodori e anti-allergeni		55	75	09/09 >	09/11				34.221.00
antibacterial, anti-odour and anti-allergen filter / filtro antibatterico, antiodori e anti-allergeni		55	75	10/11 >					34.248.00
complete filter and disassembly key / filtro completo e chiave di smontaggio		55	75	09/09 >			55.173.00		19.008.00
assembly PURFLUX / montaggio PURFLUX		55	75	09/09 >		25.043.00	60.H2O.00	30.265.00	
assembly UFI / montaggio UFI		55	75	09/09 >		25.031.00	60.H2O.00	30.265.00	
1.3 MJT 16V 95 DPF									
with air-conditioner / con climatizzatore		70	95	09/09 >	09/11	25.061.00	24.ONE.01	30.477.00	53.088.00
with air-conditioner / con climatizzatore		70	95	10/11 >		25.061.00	24.ONE.01	30.477.00	53.210.00
with activated carbon air-conditioner / con climatizzatore, ai carboni attivi		70	95	09/09 >	09/11				54.221.00
with activated carbon air-conditioner / con climatizzatore, ai carboni attivi		70	95	10/11 >					54.248.00
antibacterial, anti-odour and anti-allergen filter / filtro antibatterico, antiodori e anti-allergeni		70	95	09/09 >	09/11				34.221.00
antibacterial, anti-odour and anti-allergen filter / filtro antibatterico, antiodori e anti-allergeni		70	95	10/11 >					34.248.00
1.3 MJT 16V 95 E6									
with air-conditioner / con climatizzatore	312B1000	70	95	07/15 >			26.052.00	30.795.00	53.210.00
with activated carbon air-conditioner / con climatizzatore, ai carboni attivi	312B1000	70	95	07/15 >					54.248.00
antibacterial, anti-odour and anti-allergen filter / filtro antibatterico, antiodori e anti-allergeni	312B1000	70	95	07/15 >					34.248.00
1.4 16V									
with air-conditioner / con climatizzatore		74	101	09/09 >	09/11	23.438.00		30.339.00	53.088.00
with air-conditioner / con climatizzatore		74	101	10/11 >		23.438.00		30.339.00	53.210.00
with activated carbon air-conditioner / con climatizzatore, ai carboni attivi		74	101	09/09 >	09/11				54.221.00
with activated carbon air-conditioner / con climatizzatore, ai carboni attivi		74	101	10/11 >					54.248.00
antibacterial, anti-odour and anti-allergen filter / filtro antibatterico, antiodori e anti-allergeni		74	101	09/09 >	09/11				34.221.00
antibacterial, anti-odour and anti-allergen filter / filtro antibatterico, antiodori e anti-allergeni		74	101	10/11 >					34.248.00
500 E									
500 Elektro	46348460	70	95	10/20 >					53.210.00
with activated carbons / ai carboni attivi	46348460	70	95	10/20 >					54.248.00
antibacterial, anti-odour and anti-allergen filter / filtro antibatterico, antiodori e anti-allergeni	46348460	70	95	10/20 >					34.248.00
500 Elektro	46348460	87	118	10/20 >					53.210.00
with activated carbons / ai carboni attivi	46348460	87	118	10/20 >					54.248.00
antibacterial, anti-odour and anti-allergen filter / filtro antibatterico, antiodori e anti-allergeni	46348460	87	118	10/20 >					34.248.00
500 L (330)									
0.9 TwinAir Turbo 105	199B6000	77	105	07/12 >		25.128.00		30.376.00	53.211.00
with activated carbons / ai carboni attivi	199B6000	77	105	07/12 >					54.245.00
antibacterial, anti-odour and anti-allergen filter / filtro antibatterico, antiodori e anti-allergeni	199B6000	77	105	07/12 >					34.245.00
0.9 TwinAir Turbo Natural Power/CNG	312A2000	63	86	03/13 >		25.128.00		30.376.00	53.211.00
with activated carbons / ai carboni attivi	312A2000	63	86	03/13 >					54.245.00
antibacterial, anti-odour and anti-allergen filter / filtro antibatterico, antiodori e anti-allergeni	312A2000	63	86	07/12 >					34.245.00
1.3 16V Multijet 85	199B4000	62	85	07/12 >		25.061.00	26.052.00	30.477.00	53.211.00
with activated carbons / ai carboni attivi	199B4000	62	85	07/12 >					54.245.00
antibacterial, anti-odour and anti-allergen filter / filtro antibatterico, antiodori e anti-allergeni	199B4000	62	85	07/12 >					34.245.00
1.3 16V Multijet 95	330A1000	70	95	06/14 >			26.052.00	30.793.00	53.211.00
with activated carbons / ai carboni attivi	330A1000	70	95	06/14 >					54.245.00
antibacterial, anti-odour and anti-allergen filter / filtro antibatterico, antiodori e anti-allergeni	330A1000	70	95	06/14 >					34.245.00
assembly UFI FILTERS / montaggio UFI FILTERS	330A1000	70	95	06/14 >		25.139.00			
1.4 16V 95	843A1000	70	95	07/12 >	06/17	23.438.00		30.135.00	53.211.00
with activated carbons / ai carboni attivi	843A1000	70	95	07/12 >	06/17				54.245.00
antibacterial, anti-odour and anti-allergen filter / filtro antibatterico, antiodori e anti-allergeni	843A1000	70	95	07/12 >	06/17				34.245.00
dusty areas / zone polverose	843A1000	70	95	07/12 >	06/17			30.500.00	
1.4 16V 95 E6		70	95	05/17 >		23.438.00	31.740.03	30.135.00	53.211.00
with activated carbons / ai carboni attivi		70	95	05/17 >					54.245.00
antibacterial, anti-odour and anti-allergen filter / filtro antibatterico, antiodori e anti-allergeni		70	95	05/17 >					34.245.00
1.4 T-Jet 120	940B7000	88	120	10/13 >	04/17	25.043.00		30.607.00	53.211.00
with activated carbons / ai carboni attivi	940B7000	88	120	10/13 >	04/17				54.245.00

...FIAT - cars/auto

antibacterial, anti-odour and anti-allergen filter / filtro antibatterico, antiodori e anti-allergeni	940B7000	88	120	10/13	>	04/17				34.245.00
1.4 T-Jet 120 E6	940B7000	88	120	05/17	>			×	30.607.00	53.211.00
with activated carbons / ai carboni attivi	940B7000	88	120	05/17	>					54.245.00
antibacterial, anti-odour and anti-allergen filter / filtro antibatterico, antiodori e anti-allergeni	940B7000	88	120	05/17	>					34.245.00
1.4 T-Jet 120 GPL/LPG	940B7000	88	120	10/13	>	04/17	25.043.00	×	30.607.00	53.211.00
with activated carbons / ai carboni attivi	940B7000	88	120	10/13	>	04/17				54.245.00
antibacterial, anti-odour and anti-allergen filter / filtro antibatterico, antiodori e anti-allergeni	940B7000	88	120	10/13	>	04/17				34.245.00
1.4 T-Jet 120 GPL/LPG E6	940B7000	88	120	05/17	>			×	30.607.00	53.211.00
with activated carbons / ai carboni attivi	940B7000	88	120	05/17	>					54.245.00
antibacterial, anti-odour and anti-allergen filter / filtro antibatterico, antiodori e anti-allergeni	940B7000	88	120	05/17	>					34.245.00
1.6 16V Multijet 105	199B5000	77	105	03/13	>		25.083.00	26.052.00	30.607.00	53.211.00
with activated carbons / ai carboni attivi	199B5000	77	105	03/13	>					54.245.00
antibacterial, anti-odour and anti-allergen filter / filtro antibatterico, antiodori e anti-allergeni	199B5000	77	105	03/13	>					34.245.00
1.6 16V Multijet 120	955A3000	88	120	01/14	>		25.083.00	26.052.00	30.607.00	53.211.00
with activated carbons / ai carboni attivi	955A3000	88	120	01/14	>					54.245.00
antibacterial, anti-odour and anti-allergen filter / filtro antibatterico, antiodori e anti-allergeni	955A3000	88	120	01/14	>					34.245.00
500 L Cross										
1.3 16V 95 Multijet		70	95	05/17	>			26.052.00	30.793.00	53.211.00
with activated carbons / ai carboni attivi		70	95	05/17	>					54.245.00
antibacterial, anti-odour and anti-allergen filter / filtro antibatterico, antiodori e anti-allergeni		70	95	05/17	>					34.245.00
assembly UFI FILTERS / montaggio UFI FILTERS		70	95	05/17	>		25.139.00			
1.4 16V 95		70	95	05/17	>		23.438.00	31.740.03	30.135.00	53.211.00
with activated carbons / ai carboni attivi		70	95	05/17	>					54.245.00
antibacterial, anti-odour and anti-allergen filter / filtro antibatterico, antiodori e anti-allergeni		70	95	05/17	>					34.245.00
1.6 16V 120 Multijet		88	120	05/17	>		25.083.00	26.052.00	30.607.00	53.211.00
with activated carbons / ai carboni attivi		88	120	05/17	>					54.245.00
antibacterial, anti-odour and anti-allergen filter / filtro antibatterico, antiodori e anti-allergeni		88	120	05/17	>					34.245.00
500 L Living										
0.9 TwinAir Turbo 105	199B6000	77	105	07/12	>	12/17	25.128.00	×	30.376.00	53.211.00
with activated carbons / ai carboni attivi	199B6000	77	105	07/12	>	12/17				54.245.00
antibacterial, anti-odour and anti-allergen filter / filtro antibatterico, antiodori e anti-allergeni	199B6000	77	105	07/12	>	12/17				34.245.00
0.9 TwinAir Turbo Natural Power/CNG	312A2000	63	86	03/13	>	12/17	25.128.00		30.376.00	53.211.00
with activated carbons / ai carboni attivi	312A2000	63	86	03/13	>	12/17				54.245.00
antibacterial, anti-odour and anti-allergen filter / filtro antibatterico, antiodori e anti-allergeni	312A2000	63	86	03/13	>	12/17				34.245.00
1.3 16V Multijet 85	199B4000	62	85	07/12	>	12/17	25.061.00	26.052.00	30.477.00	53.211.00
with activated carbons / ai carboni attivi	199B4000	62	85	07/12	>	12/17				54.245.00
antibacterial, anti-odour and anti-allergen filter / filtro antibatterico, antiodori e anti-allergeni	199B4000	62	85	07/12	>	12/17				34.245.00
1.3 16V Multijet 95	330A1000	70	95	06/14	>	12/17		26.052.00	30.793.00	53.211.00
with activated carbons / ai carboni attivi	330A1000	70	95	06/14	>	12/17				54.245.00
antibacterial, anti-odour and anti-allergen filter / filtro antibatterico, antiodori e anti-allergeni	330A1000	70	95	06/14	>	12/17				34.245.00
assembly UFI FILTERS / montaggio UFI FILTERS	330A1000	70	95	06/14	>	12/17	25.139.00			
1.4 16V 95	843A1000	70	95	07/12	>	12/17	23.438.00	×	30.135.00	53.211.00
with activated carbons / ai carboni attivi	843A1000	70	95	07/12	>	12/17				54.245.00
antibacterial, anti-odour and anti-allergen filter / filtro antibatterico, antiodori e anti-allergeni	843A1000	70	95	07/12	>	12/17				34.245.00
dusty areas / zone polverose	843A1000	70	95	07/12	>	12/17			30.500.00	
1.4 T-Jet 120	940B7000	88	120	10/13	>	12/15	25.043.00	×	30.607.00	53.211.00
with activated carbons / ai carboni attivi	940B7000	88	120	10/13	>	12/15				54.245.00
antibacterial, anti-odour and anti-allergen filter / filtro antibatterico, antiodori e anti-allergeni	940B7000	88	120	10/13	>	12/15				34.245.00
1.6 16V Multijet 105	199B5000	77	105	03/13	>	12/17	25.083.00	26.052.00	30.607.00	53.211.00
with activated carbons / ai carboni attivi	199B5000	77	105	03/13	>	12/17				54.245.00
antibacterial, anti-odour and anti-allergen filter / filtro antibatterico, antiodori e anti-allergeni	199B5000	77	105	03/13	>	12/17				34.245.00
1.6 16V Multijet 120	955A3000	88	120	01/14	>	12/17	25.083.00	26.052.00	30.607.00	53.211.00
with activated carbons / ai carboni attivi	955A3000	88	120	01/14	>	12/17				54.245.00
antibacterial, anti-odour and anti-allergen filter / filtro antibatterico, antiodori e anti-allergeni	955A3000	88	120	01/14	>	12/17				34.245.00
1.6 16V Multijet 120 E6	940C1000	88	120	09/15	>	12/17	25.083.00	26.052.00	30.607.00	53.211.00
with activated carbons / ai carboni attivi	940C1000	88	120	09/15	>	12/17				54.245.00
antibacterial, anti-odour and anti-allergen filter / filtro antibatterico, antiodori e anti-allergeni	940C1000	88	120	09/15	>	12/17				34.245.00
500 L Trekking										
0.9 TwinAir Turbo 105	199B6000	77	105	07/12	>		25.128.00	×	30.376.00	53.211.00
with activated carbons / ai carboni attivi	199B6000	77	105	07/12	>					54.245.00
antibacterial, anti-odour and anti-allergen filter / filtro antibatterico, antiodori e anti-allergeni	199B6000	77	105	07/12	>					34.245.00
0.9 TwinAir Turbo Natural Power/CNG	312A2000	63	86	03/13	>		25.128.00		30.376.00	53.211.00
with activated carbons / ai carboni attivi	312A2000	63	86	03/13	>					54.245.00
antibacterial, anti-odour and anti-allergen filter / filtro antibatterico, antiodori e anti-allergeni	312A2000	63	86	03/13	>					34.245.00
1.3 16V Multijet 85	199B4000	62	85	07/12	>		25.061.00	26.052.00	30.477.00	53.211.00
with activated carbons / ai carboni attivi	199B4000	62	85	07/12	>					54.245.00
antibacterial, anti-odour and anti-allergen filter / filtro antibatterico, antiodori e anti-allergeni	199B4000	62	85	07/12	>					34.245.00

...FIAT - cars/auto

1.3 16V Multijet 95	330A1000	70	95	06/14	>		26.052.00	30.793.00	53.211.00	
	with activated carbons / ai carboni attivi	330A1000	70	95	06/14	>			54.245.00	
	antibacterial, anti-odour and anti-allergen filter / filtro antibatterico, antiodori e anti-allergeni	330A1000	70	95	06/14	>			34.245.00	
	assembly UFI FILTERS / montaggio UFI FILTERS	330A1000	70	95	06/14	>	25.139.00			
1.4 16V 95	843A1000	70	95	07/12	>		23.438.00	×	30.135.00	53.211.00
	with activated carbons / ai carboni attivi	843A1000	70	95	07/12	>			54.245.00	
	antibacterial, anti-odour and anti-allergen filter / filtro antibatterico, antiodori e anti-allergeni	843A1000	70	95	07/12	>			34.245.00	
	dusty areas / zone polverose	843A1000	70	95	07/12	>			30.500.00	53.211.00
1.4 T-Jet 120	940B7000	88	120	10/13	>		25.043.00	×	30.607.00	53.211.00
	with activated carbons / ai carboni attivi	940B7000	88	120	10/13	>			54.245.00	
	antibacterial, anti-odour and anti-allergen filter / filtro antibatterico, antiodori e anti-allergeni	940B7000	88	120	10/13	>			34.245.00	
		940B7000	88	120	10/13	>	25.043.00	×	30.607.00	53.211.00
1.4 T-Jet 120 GPL/LPG	940B7000	88	120	10/13	>		25.043.00	×	30.607.00	53.211.00
	with activated carbons / ai carboni attivi	940B7000	88	120	10/13	>			54.245.00	
	antibacterial, anti-odour and anti-allergen filter / filtro antibatterico, antiodori e anti-allergeni	940B7000	88	120	10/13	>			34.245.00	
		940B7000	88	120	10/13	>	25.083.00	26.052.00	30.607.00	53.211.00
1.6 16V Multijet 105	199B5000	77	105	03/13	>		25.083.00	26.052.00	30.607.00	53.211.00
	with activated carbons / ai carboni attivi	199B5000	77	105	03/13	>			54.245.00	
	antibacterial, anti-odour and anti-allergen filter / filtro antibatterico, antiodori e anti-allergeni	199B5000	77	105	03/13	>			34.245.00	
		955A3000	88	120	01/14	>	25.083.00	26.052.00	30.607.00	53.211.00
1.6 16V Multijet 120	955A3000	88	120	01/14	>		25.083.00	26.052.00	30.607.00	53.211.00
	with activated carbons / ai carboni attivi	955A3000	88	120	01/14	>			54.245.00	
	antibacterial, anti-odour and anti-allergen filter / filtro antibatterico, antiodori e anti-allergeni	955A3000	88	120	01/14	>			34.245.00	
		940C1000	88	120	09/15	>	25.083.00	26.052.00	30.607.00	53.211.00
1.6 16V Multijet 120 E6	940C1000	88	120	09/15	>		25.083.00	26.052.00	30.607.00	53.211.00
	with activated carbons / ai carboni attivi	940C1000	88	120	09/15	>			54.245.00	
	antibacterial, anti-odour and anti-allergen filter / filtro antibatterico, antiodori e anti-allergeni	940C1000	88	120	09/15	>			34.245.00	
		500 L Wagon								
0.9 TwinAir Turbo 105		77	105	06/17	>		25.128.00	31.740.03	30.376.00	53.211.00
	with activated carbons / ai carboni attivi		77	105	06/17	>			54.245.00	
	antibacterial, anti-odour and anti-allergen filter / filtro antibatterico, antiodori e anti-allergeni		77	105	06/17	>			34.245.00	
			70	95	05/17	>		26.052.00	30.793.00	53.211.00
1.3 16V 95 Multijet	with activated carbons / ai carboni attivi		70	95	05/17	>			54.245.00	
	antibacterial, anti-odour and anti-allergen filter / filtro antibatterico, antiodori e anti-allergeni		70	95	05/17	>			34.245.00	
	assembly UFI FILTERS / montaggio UFI FILTERS		70	95	05/17	>	25.139.00			
			70	95	05/17	>	23.438.00	31.740.03	30.135.00	53.211.00
1.4 16V 95	with activated carbons / ai carboni attivi		70	95	05/17	>			54.245.00	
	antibacterial, anti-odour and anti-allergen filter / filtro antibatterico, antiodori e anti-allergeni		70	95	05/17	>			34.245.00	
			88	120	05/17	>	25.083.00	26.052.00	30.607.00	53.211.00
	with activated carbons / ai carboni attivi		88	120	05/17	>			54.245.00	
1.6 16V 120 Multijet	antibacterial, anti-odour and anti-allergen filter / filtro antibatterico, antiodori e anti-allergeni		88	120	05/17	>			34.245.00	
			88	120	05/17	>	25.083.00	26.052.00	30.607.00	53.211.00
	with activated carbons / ai carboni attivi		88	120	05/17	>			54.245.00	
	antibacterial, anti-odour and anti-allergen filter / filtro antibatterico, antiodori e anti-allergeni		88	120	05/17	>			34.245.00	
500 X										
1.0 T3 120		55282151	88	120	07/18	>	23.481.00			53.211.00
	with activated carbons / ai carboni attivi	55282151	88	120	07/18	>			54.245.00	
	antibacterial, anti-odour and anti-allergen filter / filtro antibatterico, antiodori e anti-allergeni	55282151	88	120	07/18	>			34.245.00	
		55266963	70	95	05/15	>		26.052.00	30.793.00	53.211.00
1.3 16V Multijet	with activated carbons / ai carboni attivi	55266963	70	95	05/15	>			54.245.00	
	antibacterial, anti-odour and anti-allergen filter / filtro antibatterico, antiodori e anti-allergeni	55266963	70	95	05/15	>			34.245.00	
		55282328	110	150	07/18	>	23.481.00			53.211.00
	with activated carbons / ai carboni attivi	55282328	110	150	07/18	>			54.245.00	
1.3 T4 150	antibacterial, anti-odour and anti-allergen filter / filtro antibatterico, antiodori e anti-allergeni	55282328	110	150	07/18	>			34.245.00	
		55263623	120	163	02/15	> 06/16	25.043.00	31.941.00	30.677.00	53.211.00
	with activated carbons / ai carboni attivi	55263623	120	163	07/16	>		31.941.00	30.677.00	53.211.00
	antibacterial, anti-odour and anti-allergen filter / filtro antibatterico, antiodori e anti-allergeni	55263623	120	163	02/15	>			54.245.00	
1.4 Turbo MultiAir	antibacterial, anti-odour and anti-allergen filter / filtro antibatterico, antiodori e anti-allergeni	55263623	120	163	02/15	>			34.245.00	
		55263623	125	170	02/15	> 06/16	25.043.00	31.941.00	30.677.00	53.211.00
	with activated carbons / ai carboni attivi	55263623	125	170	07/16	>		31.941.00	30.677.00	53.211.00
	antibacterial, anti-odour and anti-allergen filter / filtro antibatterico, antiodori e anti-allergeni	55263623	125	170	02/15	>			54.245.00	
1.4 Turbo MultiAir	antibacterial, anti-odour and anti-allergen filter / filtro antibatterico, antiodori e anti-allergeni	55263623	125	170	02/12	>			34.245.00	
		55263624	100	136	09/14	> 06/16	25.043.00	31.941.00	30.677.00	53.211.00
	with activated carbons / ai carboni attivi	55263624	100	136	07/16	>		31.941.00	30.677.00	53.211.00
	antibacterial, anti-odour and anti-allergen filter / filtro antibatterico, antiodori e anti-allergeni	55263624	100	136	09/14	>			54.245.00	
1.4 Turbo MultiAir	antibacterial, anti-odour and anti-allergen filter / filtro antibatterico, antiodori e anti-allergeni	55263624	100	136	09/14	>			34.245.00	
		55263624	103	140	09/14	> 06/16	25.043.00	31.941.00	30.677.00	53.211.00
	with activated carbons / ai carboni attivi	55263624	103	140	07/16	>		31.941.00	30.677.00	53.211.00
	antibacterial, anti-odour and anti-allergen filter / filtro antibatterico, antiodori e anti-allergeni	55263624	103	140	09/14	>			54.245.00	
1.6 16V Multijet	antibacterial, anti-odour and anti-allergen filter / filtro antibatterico, antiodori e anti-allergeni	55263624	103	140	09/14	>			34.245.00	
		55260384	85	115	09/14	>	25.083.00	26.052.00	30.677.00	53.211.00
	with activated carbons / ai carboni attivi	55260384	85	115	09/14	>			54.245.00	
	antibacterial, anti-odour and anti-allergen filter / filtro antibatterico, antiodori e anti-allergeni	55260384	85	115	09/14	>			34.245.00	
1.6 16V Multijet	55260384	88	120	09/14	>	25.083.00	26.052.00	30.677.00	53.211.00	

...FIAT - cars/auto

with activated carbons / ai carboni attivi	55260384	88	120	09/14	>				54.245.00
antibacterial, anti-odour and anti-allergen filter / filtro antibatterico, antiodori e anti-allergeni	55260384	88	120	09/14	>				34.245.00
1.6 E-TorQ	55263842	81	110	09/14	>	25.034.00	31.941.00	30.677.00	53.211.00
with activated carbons / ai carboni attivi	55263842	81	110	09/14	>				54.245.00
antibacterial, anti-odour and anti-allergen filter / filtro antibatterico, antiodori e anti-allergeni	55263842	81	110	09/14	>				34.245.00
1.6 E-TorQ Start&Stop	55263842	81	110	09/14	>	25.034.00	31.941.00	30.677.00	53.211.00
with activated carbons / ai carboni attivi	55263842	81	110	09/14	>				54.245.00
antibacterial, anti-odour and anti-allergen filter / filtro antibatterico, antiodori e anti-allergeni	55263842	81	110	09/14	>				34.245.00
2.0 16V Multijet	55263087	100	136	09/14	>	25.083.00	26.052.00	30.677.00	53.211.00
with activated carbons / ai carboni attivi	55263087	100	136	09/14	>				54.245.00
antibacterial, anti-odour and anti-allergen filter / filtro antibatterico, antiodori e anti-allergeni	55263087	100	136	09/14	>				34.245.00
2.0 16V Multijet	55263087	103	140	09/14	>	25.083.00	26.052.00	30.677.00	53.211.00
with activated carbons / ai carboni attivi	55263087	103	140	09/14	>				54.245.00
antibacterial, anti-odour and anti-allergen filter / filtro antibatterico, antiodori e anti-allergeni	55263087	103	140	09/14	>				34.245.00
2.0 16V Multijet AT9	55263088	100	136	09/14	>	25.083.00	26.052.00	30.677.00	53.211.00
with activated carbons / ai carboni attivi	55263088	100	136	09/14	>				54.245.00
antibacterial, anti-odour and anti-allergen filter / filtro antibatterico, antiodori e anti-allergeni	55263088	100	136	09/14	>				34.245.00
2.0 16V Multijet AT9	55263088	103	140	09/14	>	25.083.00	26.052.00	30.677.00	53.211.00
with activated carbons / ai carboni attivi	55263088	103	140	09/14	>				54.245.00
antibacterial, anti-odour and anti-allergen filter / filtro antibatterico, antiodori e anti-allergeni	55263088	103	140	09/14	>				34.245.00
2.0 16V Multijet AT9	55283099	110	150	09/14	>	25.083.00	26.052.00	30.677.00	53.211.00
with activated carbons / ai carboni attivi	55283099	110	150	09/14	>				54.245.00
antibacterial, anti-odour and anti-allergen filter / filtro antibatterico, antiodori e anti-allergeni	55283099	110	150	07/14	>				34.245.00
600 (187)									
1.1 MPI	187A1000	40	54	06/05	>	23.438.00		30.145.01	
1.1 MPI 50th	187A1000	40	54	06/05	>	23.438.00		30.145.01	
1.1 MPI Van	187A1000	40	54	06/05	>	23.438.00		30.145.01	
Albea									
1.2 MPI 16V CF3 (H)									
with air-conditioner / con climatizzatore	188A5000			01/02	>	23.438.00	31.740.00	30.089.00	53.113.00
1.2 MPI 16V CF3 (PL)									
with air-conditioner / con climatizzatore	188A5000			01/02	>	23.438.00	31.740.00	30.089.00	53.113.00
1.2 MPI 16V CF3 (RO)									
with air-conditioner / con climatizzatore	188A5000			01/02	>	23.438.00	31.740.00	30.089.00	53.113.00
1.2 MPI 16V CF3 (TR)									
with air-conditioner / con climatizzatore	188A5000			01/02	>	23.438.00	31.740.00	30.089.00	53.113.00
1.2 MPI 8V CF3 (TR)									
with air-conditioner / con climatizzatore	188A4000			01/02	>	23.438.00	31.740.00	30.089.00	53.113.00
1.3 JTD 16V CF3 (TR)									
assembly PURFLUX / montaggio PURFLUX	188A9000	51	70	05/03	>	25.043.00	60.H2O.00	30.265.00	53.113.00
assembly UFI / montaggio UFI	188A9000	51	70	01/05	>	25.031.00	60.H2O.00	30.265.00	53.113.00
1.6 MPI 16V CF3 (PL)									
with air-conditioner / con climatizzatore	182B6000			01/02	>	23.196.00	31.740.00	30.089.00	53.113.00
1.6 MPI 16V CF3 (TR)									
with air-conditioner / con climatizzatore	182B6000			01/02	>	23.196.00	31.740.00	30.089.00	53.113.00
Barchetta									
1.8 i 16V CF2	183A1.000	96	130	06/98	> 09/00	23.415.00		27.254.00	
1.8 i 16V CF3	188A6.000	96	130	09/00	> 07/05	23.415.00		27.254.00	
Brava (182)									
1.2 i 16V 80 MPI CF2									
to engine No. 00140454 / a motore N. 00140454	182B2.000	60	82	11/98	>	23.196.00		30.066.00	53.023.00
with air-conditioner and R.H.D. / con climatizzatore e guida a destra	182B2.000	60	82	11/98	> 12/00				53.252.00
with air-conditioner and L.H.D. / con climatizzatore e guida a sinistra	182B2.000	60	82	11/98	> 12/00				53.023.00
from engine No. 00140455 / da motore N. 00140455	182B2.000	60	82		> 12/00	23.438.00		30.066.00	53.023.00
1.2 i 16V 80 MPI CF3									
with air-conditioner and R.H.D. / con climatizzatore e guida a destra	188A5.000	59	80	10/00	> 12/01				53.252.00
with air-conditioner and L.H.D. / con climatizzatore e guida a sinistra	188A5.000	59	80	10/00	> 12/01	23.438.00		30.066.00	53.023.00
1.6 i 16V									
with air-conditioner and R.H.D. / con climatizzatore e guida a destra	182A4.000	76	103	09/95	> 12/01				53.252.00
with air-conditioner and L.H.D. / con climatizzatore e guida a sinistra	182A4.000	76	103	05/98	> 12/01	23.196.00		30.066.00	53.023.00
1.6 i 16V 100 CF3									
with air-conditioner and R.H.D. / con climatizzatore e guida a destra	182B6.000	76	103	03/00	> 12/01				53.252.00
with air-conditioner and L.H.D. / con climatizzatore e guida a sinistra	182B6.000	76	103	03/00	> 12/01	23.196.00		30.066.00	53.023.00
1.6 i 16V EM.04									
with air-conditioner and R.H.D. / con climatizzatore e guida a destra	182A4.027	76	103	10/95	> 12/01				53.252.00
with air-conditioner and L.H.D. / con climatizzatore e guida a sinistra	182A4.027	76	103	10/95	> 12/01	23.196.00	31.515.00	30.066.00	53.023.00
1.8 i 16V									

...FIAT - cars/auto

F


with air-conditioner and R.H.D. / con climatizzatore e guida a destra	182A2.000	83	113	09/95 >	12/01				53.252.00
with air-conditioner and L.H.D. / con climatizzatore e guida a sinistra	182A2.000	83	113	08/99 >	12/01	23.415.00		30.066.00	53.023.00
1.9 JTD 100 CF3									
with air-conditioner and R.H.D. / con climatizzatore e guida a destra	182B9.000	74	100	08/00 >	12/01				53.252.00
with air-conditioner and L.H.D. / con climatizzatore e guida a sinistra	182B9.000	74	100	08/00 >	12/01	23.414.00	24.H2O.00	30.066.00	53.023.00
or / oppure	182B9.000	74	100	08/00 >	12/01	23.449.00	24.H2O.00	30.066.00	53.023.00
1.9 JTD 105 CF2									
with air-conditioner and R.H.D. / con climatizzatore e guida a destra	182B4.000	77	105	11/98 >	12/01				53.252.00
with air-conditioner and L.H.D. / con climatizzatore e guida a sinistra	182B4.000	77	105	11/98 >	12/01	23.414.00	24.408.00	30.066.00	53.023.00
or / oppure	182B4.000	77	105	11/98 >	12/01	23.449.00	24.408.00	30.066.00	53.023.00
without water presence sensor / senza sensore presenza acqua	182B4.000	77	105	11/98 >	05/00	23.414.00	24.H2O.00	30.066.00	53.023.00
1.9 TD 100									
with air-conditioner and R.H.D. / con climatizzatore e guida a destra	182A7.000	74	100	03/96 >	12/01				53.252.00
with air-conditioner and L.H.D. / con climatizzatore e guida a sinistra	182A7.000	74	100	03/96 >	12/01	23.414.00	24.383.00	30.066.00	53.023.00
or / oppure	182A7.000	74	100	03/96 >	12/01	23.449.00	24.383.00	30.066.00	53.023.00
1.9 TD 75									
with air-conditioner and R.H.D. / con climatizzatore e guida a destra	182A8.000	55	75	11/98 >	12/01				53.252.00
with air-conditioner and L.H.D. / con climatizzatore e guida a sinistra	182A8.000	55	75	11/98 >	12/01				53.023.00
from engine No. 4824955 / da motore N. 4824955	182A8.000	55	75	05/99 >	12/01	23.414.00	24.418.00	30.066.00	53.023.00
or / oppure	182A8.000	55	75	11/98 >	12/01	23.449.00		30.066.00	53.023.00
Bravo (182)									
1.2 i 16V 80 MPI CF2									
to engine No. 00140454 / a motore N. 00140454	182B2.000	60	82	11/98 >		23.196.00		30.066.00	
with air-conditioner and R.H.D. / con climatizzatore e guida a destra	182B2.000	60	82	11/98 >	12/00				53.252.00
with air-conditioner and L.H.D. / con climatizzatore e guida a sinistra	182B2.000	60	82	11/98 >	12/00				53.023.00
from engine No. 00140455 / da motore N. 00140455	182B2.000	60	82	>	12/00	23.438.00		30.066.00	
1.2 i 16V 80 MPI CF3									
with air-conditioner and R.H.D. / con climatizzatore e guida a destra	188A5.000	59	80	10/00 >	12/01				53.252.00
with air-conditioner and L.H.D. / con climatizzatore e guida a sinistra	188A5.000	59	80	10/00 >	12/01	23.438.00		30.066.00	53.023.00
1.6 i 16V									
with air-conditioner and R.H.D. / con climatizzatore e guida a destra	178A8.011	76	103	11/98 >	12/01				53.252.00
with air-conditioner and L.H.D. / con climatizzatore e guida a sinistra	178A8.011	76	103	11/98 >	12/01	23.196.00	31.515.00	30.066.00	53.023.00
1.6 i 16V									
with air-conditioner and R.H.D. / con climatizzatore e guida a destra	182A4.000	76	103	09/95 >	12/01				53.252.00
with air-conditioner and L.H.D. / con climatizzatore e guida a sinistra	182A4.000	76	103	05/98 >	12/01	23.196.00		30.066.00	53.023.00
1.6 i 16V 100 CF3									
with air-conditioner and R.H.D. / con climatizzatore e guida a destra	182B6.000	76	103	03/00 >	12/01				53.252.00
with air-conditioner and L.H.D. / con climatizzatore e guida a sinistra	182B6.000	76	103	03/00 >	12/01	23.196.00		30.066.00	53.023.00
1.6 i 16V 100 MPI									
with air-conditioner and R.H.D. / con climatizzatore e guida a destra	182A4.000	76	103	11/98 >	12/01				53.252.00
with air-conditioner and L.H.D. / con climatizzatore e guida a sinistra	182A4.000	76	103	11/98 >	12/01	23.196.00		30.066.00	53.023.00
1.8 i 16V 115 MPI									
with air-conditioner and R.H.D. / con climatizzatore e guida a destra	182A2.000	83	113	11/98 >	12/01				53.252.00
with air-conditioner and L.H.D. / con climatizzatore e guida a sinistra	182A2.000	83	113	08/99 >	12/01	23.415.00		30.066.00	53.023.00
1.9 JTD 100 CF3									
with automatic air-conditioner and L.H.D. / con climatizzatore automatico e guida a sinistra	182B9.000	74	100	08/00 >	12/01	23.414.00	24.H2O.00	30.066.00	53.023.00
with air-conditioner and R.H.D. / con climatizzatore e guida a destra	182B9.000	74	100	08/00 >	12/01				53.252.00
or / oppure	182B9.000	74	100	08/00 >	12/01	23.449.00	24.H2O.00	30.066.00	53.023.00
1.9 JTD 105 CF2									
with air-conditioner and R.H.D. / con climatizzatore e guida a destra	182B4.000	77	105	11/98 >	12/01				53.252.00
with air-conditioner and L.H.D. / con climatizzatore e guida a sinistra	182B4.000	77	105	11/98 >	12/01	23.414.00	24.408.00	30.066.00	53.023.00
or / oppure	182B4.000	77	105	11/98 >	12/01	23.449.00	24.408.00	30.066.00	53.023.00
without water presence sensor / senza sensore presenza acqua	182B4.000	77	105	11/98 >	05/00	23.414.00	24.H2O.00	30.066.00	53.023.00
1.9 TD 100									
with air-conditioner and R.H.D. / con climatizzatore e guida a destra	182A7.000	74	100	03/96 >	12/01				53.252.00
with air-conditioner and L.H.D. / con climatizzatore e guida a sinistra	182A7.000	74	100	03/96 >	12/01	23.414.00	24.383.00	30.066.00	53.023.00
or / oppure	182A7.000	74	100	03/96 >	12/01	23.449.00	24.383.00	30.066.00	53.023.00
1.9 TD 75									
with air-conditioner and R.H.D. / con climatizzatore e guida a destra	182A8.000	55	75	10/98 >	12/01				53.252.00
with air-conditioner and L.H.D. / con climatizzatore e guida a sinistra	182A8.000	55	75	10/98 >	12/01				53.023.00
from engine No. 4824955 / da motore N. 4824955	182A8.000	55	75	05/99 >	12/01	23.449.00	24.418.00	30.066.00	53.023.00
or / oppure	182A8.000	55	75	10/98 >	12/01	23.449.00		30.066.00	53.023.00
2.0 i 20V 155									
with air-conditioner and R.H.D. / con climatizzatore e guida a destra	182B7.000	113	154	10/98 >	12/01				53.252.00
with air-conditioner and L.H.D. / con climatizzatore e guida a sinistra	182B7.000	113	154	10/98 >	12/01	23.295.00		30.066.00	53.023.00
or / oppure	182B7.000	113	154	10/98 >	12/01	23.449.00		30.066.00	53.023.00
Bravo (198)									

...FIAT - cars/auto

1.4 16V	192B2000	66	90	02/07	>	23.438.00		30.135.00	53.149.00
with activated carbons / ai carboni attivi	192B2000	66	90	02/07	>	23.438.00		30.135.00	54.103.00
antibacterial, anti-odour and anti-allergen filter / filtro antibatterico, antiodori e anti-allergeni	192B2000	66	90	02/07	>				34.103.00
dusty areas / zone polverose	192B2000	66	90	02/07	>	23.438.00		30.500.00	53.149.00
1.4 16V GPL	192B2000	66	90	12/08	>	23.438.00		30.135.00	53.149.00
with activated carbons / ai carboni attivi	192B2000	66	90	12/08	>	23.438.00		30.135.00	54.103.00
antibacterial, anti-odour and anti-allergen filter / filtro antibatterico, antiodori e anti-allergeni	192B2000	66	90	12/08	>				34.103.00
dusty areas / zone polverose	192B2000	66	90	12/08	>	23.438.00		30.500.00	53.149.00
1.4 T-JET	198A1000	110	150	06/07	>	25.043.00		27.630.00	53.149.00
with activated carbons / ai carboni attivi	198A1000	110	150	06/07	>	25.043.00		27.630.00	54.103.00
antibacterial, anti-odour and anti-allergen filter / filtro antibatterico, antiodori e anti-allergeni	198A1000	110	150	06/07	>				34.103.00
dusty areas / zone polverose	198A1000	110	150	06/07	>	25.043.00			53.149.00
1.4 T-JET	198A4000	88	120	09/07	>	25.043.00		27.630.00	53.149.00
with activated carbons / ai carboni attivi	198A4000	88	120	09/07	>	25.043.00		27.630.00	54.103.00
antibacterial, anti-odour and anti-allergen filter / filtro antibatterico, antiodori e anti-allergeni	198A4000	88	120	09/07	>				34.103.00
dusty areas / zone polverose	198A4000	88	120	09/07	>	25.043.00			53.149.00
1.4 T-JET Multiair	198A7000	103	140	06/10	>	25.043.00		27.630.00	53.149.00
with activated carbons / ai carboni attivi	198A7000	103	140	06/10	>	25.043.00		27.630.00	54.103.00
antibacterial, anti-odour and anti-allergen filter / filtro antibatterico, antiodori e anti-allergeni	198A7000	103	140	06/10	>				34.103.00
dusty areas / zone polverose	198A7000	103	140	06/10	>	25.043.00			53.149.00
1.6 MJTD 16V	198A2000	88	120	06/07	>	25.061.00	24.ONE.01	27.630.00	53.149.00
with activated carbons / ai carboni attivi	198A2000	88	120	06/07	>				54.103.00
with Stop&Start / con Stop&Start	198A2000	88	120	09/10	>	25.083.00	24.ONE.01	27.630.00	53.149.00
antibacterial, anti-odour and anti-allergen filter / filtro antibatterico, antiodori e anti-allergeni	198A2000	88	120	06/07	>				34.103.00
dusty areas / zone polverose	198A2000	88	120	06/07	>	25.061.00	24.ONE.01		53.149.00
1.6 MJTD 16V	198A3000	77	105	06/07	>	25.061.00	24.ONE.01	27.630.00	53.149.00
with activated carbons / ai carboni attivi	198A3000	77	105	06/07	>				54.103.00
with Stop&Start / con Stop&Start	198A3000	77	105	09/10	>	25.083.00	24.ONE.01	27.630.00	53.149.00
antibacterial, anti-odour and anti-allergen filter / filtro antibatterico, antiodori e anti-allergeni	198A3000	77	105	06/07	>				34.103.00
dusty areas / zone polverose	198A3000	77	105	06/07	>	25.061.00	24.ONE.01		53.149.00
1.6 MJTD 16V	198A6000	66	90	02/08	>	25.061.00	24.ONE.01	27.630.00	53.149.00
with activated carbons / ai carboni attivi	198A6000	66	90	02/08	>				54.103.00
with Stop&Start / con Stop&Start	198A6000	66	90	09/10	>	25.083.00	24.ONE.01	27.630.00	53.149.00
antibacterial, anti-odour and anti-allergen filter / filtro antibatterico, antiodori e anti-allergeni	198A6000	66	90	02/08	>				34.103.00
1.9 MJTD 16V	937A5000	110	150	02/07	>	23.455.00	24.ONE.01	30.207.00	53.149.00
with activated carbons / ai carboni attivi	937A5000	110	150	02/07	>	23.455.00	24.ONE.01	30.207.00	54.103.00
antibacterial, anti-odour and anti-allergen filter / filtro antibatterico, antiodori e anti-allergeni	937A5000	110	150	02/07	>				34.103.00
1.9 MJTD 8V	192A8000	88	120	02/07	>	23.455.00	24.ONE.01	30.207.00	53.149.00
with activated carbons / ai carboni attivi	192A8000	88	120	02/07	>	23.455.00	24.ONE.01	30.207.00	54.103.00
antibacterial, anti-odour and anti-allergen filter / filtro antibatterico, antiodori e anti-allergeni	192A8000	88	120	02/07	>				34.103.00
1.9 MJTD 8V (A)	192B5000	66	90	02/07	>	23.455.00	24.ONE.01	30.207.00	53.149.00
with activated carbons / ai carboni attivi	192B5000	66	90	02/07	>	23.455.00	24.ONE.01	30.207.00	54.103.00
antibacterial, anti-odour and anti-allergen filter / filtro antibatterico, antiodori e anti-allergeni	192B5000	66	90	02/07	>				34.103.00
1.9 MJTD 8V (B)	192A1000	85	115	02/07	>	23.455.00	24.ONE.01	30.207.00	53.149.00
with activated carbons / ai carboni attivi	192A1000	85	115	02/07	>	23.455.00	24.ONE.01	30.207.00	54.103.00
antibacterial, anti-odour and anti-allergen filter / filtro antibatterico, antiodori e anti-allergeni	192A1000	85	115	02/07	>				34.103.00
2.0 MJTD 16V	198A5000	121	165	06/08	>	25.061.00	24.ONE.01	27.630.00	53.149.00
with activated carbons / ai carboni attivi	198A5000	121	165	06/08	>	25.061.00	24.ONE.01	27.630.00	54.103.00
antibacterial, anti-odour and anti-allergen filter / filtro antibatterico, antiodori e anti-allergeni	198A5000	121	165	06/08	>				34.103.00
dusty areas / zone polverose	198A5000	121	165	06/08	>	25.061.00	24.ONE.01		53.149.00
2.0 MJTD 16V E5	844A2000	120	163	09/08	>	25.061.00	24.ONE.01	27.630.00	53.149.00
with activated carbons / ai carboni attivi	844A2000	120	163	09/08	>	25.061.00	24.ONE.01	27.630.00	54.103.00
antibacterial, anti-odour and anti-allergen filter / filtro antibatterico, antiodori e anti-allergeni	844A2000	120	163	09/08	>				34.103.00
dusty areas / zone polverose	844A2000	120	163	09/08	>	25.061.00	24.ONE.01		53.149.00
Cinquecento									
700 ED (704)				01/92	>	23.267.00		30.858.00	
700 ED cat (704)				01/92	>	23.267.00		30.858.00	
900 i SPI (899)				01/92	>			31.501.00	30.858.00
or / oppure				01/92	>	23.447.00		31.501.00	30.858.00
900 i SPI (903)				01/92	>			31.501.00	30.858.00
or / oppure				01/92	>	23.447.00		31.501.00	30.858.00
Sporting 1.1 Fire (1108 SPI)				01/94	>	23.196.00		31.501.00	30.032.00
Coupè									
1.8 i 16V				06/98	>	23.415.00		30.999.00	53.252.00
with air-conditioner and R.H.D. / con climatizzatore e guida a destra				06/98	>	23.415.00		30.999.00	53.019.00
with air-conditioner and L.H.D. (spare part only) / con climatizzatore e guida a sinistra (solo ricambio)				06/98	>	23.415.00		30.999.00	53.019.00
2.0 i.e. 20V									

...FIAT - cars/auto

F

with air-conditioner and R.H.D. / con climatizzatore e guida a destra				06/98 > 08/00	23.449.00		30.999.00	53.252.00
with air-conditioner and L.H.D. (spare part only) / con climatizzatore e guida a sinistra (solo ricambio)				06/98 > 08/00	23.295.00		30.999.00	53.019.00
or / oppure				06/98 > 08/00	23.449.00		30.999.00	53.019.00
2.0 i.e. Turbo 20V								
with air-conditioner and R.H.D. / con climatizzatore e guida a destra				06/98 > 08/00	23.449.00		30.999.00	53.252.00
with air-conditioner and L.H.D. (spare part only) / con climatizzatore e guida a sinistra (solo ricambio)				06/98 > 08/00	23.295.00		30.999.00	53.019.00
or / oppure				06/98 > 08/00	23.449.00		30.999.00	53.019.00
Croma								
2.0 IE Turbo								
to engine No. 0170974 / a motore N. 0170974				01/86 >	23.176.00		31.511.00	30.898.00
2.0 IE Turbo cat								
to engine No. 0059214 / a motore N. 0059214				01/86 >	23.176.00		31.511.00	30.898.00
Croma (194)								
1.8 MPI 16V	939A4000	103	140	05/07 >	25.064.00		30.202.00	53.045.00
with activated carbons / ai carboni attivi	939A4000	103	140	10/05 > 04/07	25.064.00		30.202.00	54.100.00
antibacterial, anti-odour and anti-allergen filter / filtro antibatterico, antiodori e anti-allergeni	939A4000	103	140	10/05 > 04/07				34.100.00
1.9 MJT	939A1000	88	120	05/07 >	25.049.00	24.ONE.01	30.197.00	53.045.00
with activated carbons / ai carboni attivi	939A1000	88	120	06/05 > 04/07	25.049.00	60.H2O.00	30.197.00	54.100.00
antibacterial, anti-odour and anti-allergen filter / filtro antibatterico, antiodori e anti-allergeni	939A1000	88	120	06/05 > 04/07				34.100.00
complete filter and disassembly key / filtro completo e chiave di smontaggio	939A1000	88	120	06/05 > 04/07		55.139.00		19.008.00
1.9 MJT (B)	939A1000	85	115	05/07 >	25.049.00	24.ONE.01	30.197.00	53.045.00
with activated carbons / ai carboni attivi	939A1000	85	115	06/05 > 04/07	25.049.00	60.H2O.00	30.197.00	54.100.00
antibacterial, anti-odour and anti-allergen filter / filtro antibatterico, antiodori e anti-allergeni	939A1000	85	115	06/05 > 04/07				34.100.00
complete filter and disassembly key / filtro completo e chiave di smontaggio	939A1000	85	115	06/05 > 04/07		55.139.00		19.008.00
1.9 MJT 16V	939A2000	110	150	05/07 >	25.049.00	24.ONE.01	30.197.00	53.045.00
with activated carbons / ai carboni attivi	939A2000	110	150	06/05 > 04/07	25.049.00	60.H2O.00	30.197.00	54.100.00
antibacterial, anti-odour and anti-allergen filter / filtro antibatterico, antiodori e anti-allergeni	939A2000	110	150	06/05 > 04/07				34.100.00
complete filter and disassembly key / filtro completo e chiave di smontaggio	939A2000	110	150	06/05 > 04/07		55.139.00		19.008.00
1.9 MJT 16V (B)	939A2000	100	136	05/07 >	25.049.00	24.ONE.01	30.197.00	53.045.00
with activated carbons / ai carboni attivi	939A2000	100	136	06/05 > 04/07	25.049.00	60.H2O.00	30.197.00	54.100.00
antibacterial, anti-odour and anti-allergen filter / filtro antibatterico, antiodori e anti-allergeni	939A2000	100	136	06/05 > 04/07				34.100.00
complete filter and disassembly key / filtro completo e chiave di smontaggio	939A2000	100	136	06/05 > 04/07		55.139.00		19.008.00
2.2 MPI 16V	194A1000	108	147	05/07 >	25.024.00		30.197.00	53.045.00
with activated carbons / ai carboni attivi	194A1000	108	147	06/05 > 04/07	25.024.00		30.197.00	54.100.00
antibacterial, anti-odour and anti-allergen filter / filtro antibatterico, antiodori e anti-allergeni	194A1000	108	147	06/05 > 04/07				34.100.00
2.4 MJT 20V	939A3000	147	200	05/07 >	25.065.00	24.ONE.01	30.298.00	53.045.00
with activated carbons / ai carboni attivi	939A3000	147	200	06/05 > 04/07	25.065.00	24.ONE.01	30.298.00	54.100.00
antibacterial, anti-odour and anti-allergen filter / filtro antibatterico, antiodori e anti-allergeni	939A3000	147	200	06/05 > 04/07				34.100.00
Doblò (119)								
1.2 8V MPI								
with air-conditioner (spare part only) MAGNETI MARELLI / con climatizzatore (solo ricambio) MAGNETI MARELLI	223A5000	48	65	04/00 > 08/03	23.415.00		30.118.01	53.043.00
with air-conditioner (spare part only) MAGNETI MARELLI / con climatizzatore (solo ricambio) MAGNETI MARELLI	223A5000	48	65	09/03 > 12/05	23.438.00		30.118.01	53.043.00
with activated carbon air-conditioner DENSO / con climatizzatore, ai carboni attivi DENSO	223A5000	48	65	04/00 > 12/05				54.262.00
antibacterial, anti-odour and anti-allergen filter with air-conditioner DENSO / filtro antibatterico, antiodori e anti-allergeni con climatizzatore DENSO	223A5000	48	65	04/00 > 12/05				34.262.00
1.2 8V MPI Tropic								
with air-conditioner (spare part only) MAGNETI MARELLI / con climatizzatore (solo ricambio) MAGNETI MARELLI	223A5000	48	65	04/00 > 08/03	23.415.00			53.043.00
with air-conditioner (spare part only) MAGNETI MARELLI / con climatizzatore (solo ricambio) MAGNETI MARELLI	223A5000	48	65	09/03 > 12/05	23.438.00			53.043.00
with activated carbon air-conditioner DENSO / con climatizzatore, ai carboni attivi DENSO	223A5000	48	65	04/00 > 12/05				54.262.00
antibacterial, anti-odour and anti-allergen filter with air-conditioner DENSO / filtro antibatterico, antiodori e anti-allergeni con climatizzatore DENSO	223A5000	48	65	04/00 > 12/05				34.262.00
1.3 JTD 16V Multijet								
with activated carbon air-conditioner DENSO / con climatizzatore, ai carboni attivi DENSO	188A9000	51	70	11/03 > 02/06				54.262.00
with air-conditioner, assembly PURFLUX / con climatizzatore, montaggio PURFLUX	188A9000	51	70	11/03 > 02/06	25.043.00	60.H2O.00	30.265.00	53.043.00
with air-conditioner, assembly UFI / con climatizzatore, montaggio UFI	188A9000	51	70	01/05 > 02/06	25.031.00	60.H2O.00	30.265.00	53.043.00
antibacterial, anti-odour and anti-allergen filter with air-conditioner DENSO / filtro antibatterico, antiodori e anti-allergeni con climatizzatore DENSO	188A9000	51	70	11/03 > 02/06				34.262.00
complete filter and disassembly key / filtro completo e chiave di smontaggio	188A9000	51	70	11/03 > 02/06		55.112.00		19.008.00
1.3 MJTD 16V								
with activated carbon air-conditioner DENSO / con climatizzatore, ai carboni attivi DENSO	199A2000	55	75	07/05 > 12/09				54.262.00
with air-conditioner, assembly PURFLUX / con climatizzatore, montaggio PURFLUX	199A2000	55	75	07/05 > 12/09	25.043.00	60.H2O.00	30.265.00	53.043.00
with air-conditioner, assembly UFI / con climatizzatore, montaggio UFI	199A2000	55	75	07/05 > 12/09	25.031.00	60.H2O.00	30.265.00	53.043.00
antibacterial, anti-odour and anti-allergen filter with air-conditioner DENSO / filtro antibatterico, antiodori e anti-allergeni con climatizzatore DENSO	199A2000	55	75	07/05 > 12/09				34.262.00
complete filter and disassembly key / filtro completo e chiave di smontaggio	199A2000	55	75	07/05 > 12/09		55.178.00		19.008.00
1.3 MJTD 16V								
with activated carbon air-conditioner DENSO / con climatizzatore, ai carboni attivi DENSO	223A9000	62	85	07/05 > 12/09				54.262.00
with air-conditioner, assembly PURFLUX / con climatizzatore, montaggio PURFLUX	223A9000	62	85	07/05 > 12/09	25.043.00	60.H2O.00	30.265.00	53.043.00
with air-conditioner, assembly UFI / con climatizzatore, montaggio UFI	223A9000	62	85	07/05 > 12/09	25.031.00	60.H2O.00	30.265.00	53.043.00
antibacterial, anti-odour and anti-allergen filter with air-conditioner DENSO / filtro antibatterico, antiodori e anti-allergeni con climatizzatore DENSO	223A9000	62	85	07/05 > 12/09				34.262.00
complete filter and disassembly key / filtro completo e chiave di smontaggio	223A9000	62	85	07/05 > 12/09		55.175.00		19.008.00

...FIAT - cars/auto

1.4 MPI 8V										
with air-conditioner (spare part only) / con climatizzatore (solo ricambio)	350A1000	57	77	07/05	>	12/09	23.438.00		30.301.00	53.043.00
with activated carbon air-conditioner DENSO / con climatizzatore, ai carboni attivi DENSO	350A1000	57	77	07/05	>	12/09				54.262.00
antibacterial, anti-odour and anti-allergen filter with air-conditioner DENSO / filtro antibatterico, antiodori e anti-allergeni con climatizzatore DENSO	350A1000	57	77	07/05	>	12/09				34.262.00
1.6 16V Bipower										
with air-conditioner (spare part only) MAGNETI MARELLI / con climatizzatore (solo ricambio) MAGNETI MARELLI	182B6000	76	103	10/01	>	12/09	23.196.00		27.367.00	53.043.00
with activated carbon air-conditioner DENSO / con climatizzatore, ai carboni attivi DENSO	182B6000	76	103	10/01	>	12/09				54.262.00
antibacterial, anti-odour and anti-allergen filter with air-conditioner DENSO / filtro antibatterico, antiodori e anti-allergeni con climatizzatore DENSO	182B6000	76	103	10/01	>	12/09				34.262.00
1.6 16V MPI										
with air-conditioner (spare part only) MAGNETI MARELLI / con climatizzatore (solo ricambio) MAGNETI MARELLI	182B6000	76	103	10/01	>	12/05	23.196.00		27.367.00	53.043.00
with activated carbon air-conditioner DENSO / con climatizzatore, ai carboni attivi DENSO	182B6000	76	103	10/01	>	12/05				54.262.00
antibacterial, anti-odour and anti-allergen filter with air-conditioner DENSO / filtro antibatterico, antiodori e anti-allergeni con climatizzatore DENSO	182B6000	76	103	10/01	>	12/05				34.262.00
1.6 16V MPI (ROK)										
with air-conditioner (spare part only) MAGNETI MARELLI / con climatizzatore (solo ricambio) MAGNETI MARELLI	182B6000	76	103	10/01	>	12/05	23.196.00		27.367.00	53.043.00
with activated carbon air-conditioner DENSO / con climatizzatore, ai carboni attivi DENSO	182B6000	76	103	10/01	>	12/05				54.262.00
antibacterial, anti-odour and anti-allergen filter with air-conditioner DENSO / filtro antibatterico, antiodori e anti-allergeni con climatizzatore DENSO	182B6000	76	103	10/01	>	12/05				34.262.00
1.6 16V MPI (VN)										
with air-conditioner (spare part only) MAGNETI MARELLI / con climatizzatore (solo ricambio) MAGNETI MARELLI	182B6000	76	103	10/01	>	12/05	23.196.00		27.367.00	53.043.00
with activated carbon air-conditioner DENSO / con climatizzatore, ai carboni attivi DENSO	182B6000	76	103	10/01	>	12/05				54.262.00
antibacterial, anti-odour and anti-allergen filter with air-conditioner DENSO / filtro antibatterico, antiodori e anti-allergeni con climatizzatore DENSO	182B6000	76	103	10/01	>	12/05				34.262.00
1.6 16V MPI Tropico										
with air-conditioner (spare part only) MAGNETI MARELLI / con climatizzatore (solo ricambio) MAGNETI MARELLI	182B6000	76	103	10/01	>	12/05	23.196.00			53.043.00
with activated carbon air-conditioner DENSO / con climatizzatore, ai carboni attivi DENSO	182B6000	76	103	10/01	>	12/05				54.262.00
antibacterial, anti-odour and anti-allergen filter with air-conditioner DENSO / filtro antibatterico, antiodori e anti-allergeni con climatizzatore DENSO	182B6000	76	103	10/01	>	12/05				34.262.00
1.6 16V Natural Power										
with air-conditioner (spare part only) / con climatizzatore (solo ricambio)	182B6000	76	103	09/05	>	12/09	23.196.00		27.367.00	53.043.00
with activated carbon air-conditioner DENSO / con climatizzatore, ai carboni attivi DENSO	182B6000	76	103	09/05	>	12/09				54.262.00
antibacterial, anti-odour and anti-allergen filter with air-conditioner DENSO / filtro antibatterico, antiodori e anti-allergeni con climatizzatore DENSO	182B6000	76	103	09/05	>	12/09				34.262.00
1.9 D										
with air-conditioner (spare part only) MAGNETI MARELLI / con climatizzatore (solo ricambio) MAGNETI MARELLI	223A6000	46	63	04/00	>	12/05	23.414.00	24.412.00	27.367.00	53.043.00
with activated carbon air-conditioner DENSO / con climatizzatore, ai carboni attivi DENSO	223A6000	46	63	04/00	>	12/05				54.262.00
antibacterial, anti-odour and anti-allergen filter with air-conditioner DENSO / filtro antibatterico, antiodori e anti-allergeni con climatizzatore DENSO	223A6000	46	63	04/00	>	12/05				34.262.00
or / oppure	223A6000	46	63	04/00	>	12/05	23.449.00	24.412.00	27.367.00	53.043.00
1.9 JTD CF3										
with air-conditioner (spare part only) MAGNETI MARELLI / con climatizzatore (solo ricambio) MAGNETI MARELLI	182B9000	74	100	10/01	>	11/02	23.449.00	24.H2O.00	27.367.00	53.043.00
with air-conditioner (spare part only) MAGNETI MARELLI / con climatizzatore (solo ricambio) MAGNETI MARELLI	182B9000	74	100	12/02	>	05/04	23.449.00	24.H2O.04	27.367.00	53.043.00
with activated carbon air-conditioner DENSO / con climatizzatore, ai carboni attivi DENSO	182B9000	74	100	10/01	>	05/04				54.262.00
antibacterial, anti-odour and anti-allergen filter with air-conditioner DENSO / filtro antibatterico, antiodori e anti-allergeni con climatizzatore DENSO	182B9000	74	100	10/01	>	05/04				34.262.00
1.9 JTD CF3										
with air-conditioner (spare part only) MAGNETI MARELLI / con climatizzatore (solo ricambio) MAGNETI MARELLI	223A7000	77	105	07/03	>	02/06	23.449.00	24.H2O.04	27.367.00	53.043.00
with activated carbon air-conditioner DENSO / con climatizzatore, ai carboni attivi DENSO	223A7000	77	105	07/03	>	02/06				54.262.00
antibacterial, anti-odour and anti-allergen filter with air-conditioner DENSO / filtro antibatterico, antiodori e anti-allergeni con climatizzatore DENSO	223A7000	77	105	07/03	>	02/06				34.262.00
1.9 JTD CF3 (TR)										
with air-conditioner (spare part only) MAGNETI MARELLI / con climatizzatore (solo ricambio) MAGNETI MARELLI	223A7000	77	105	07/03	>	08/04	23.449.00	24.H2O.04	27.367.00	53.043.00
with air-conditioner (spare part only) MAGNETI MARELLI / con climatizzatore (solo ricambio) MAGNETI MARELLI	223A7000	77	105	09/04	>	02/06	23.455.00	24.H2O.04	27.367.00	53.043.00
with activated carbon air-conditioner DENSO / con climatizzatore, ai carboni attivi DENSO	223A7000	77	105	07/03	>	02/06				54.262.00
antibacterial, anti-odour and anti-allergen filter with air-conditioner DENSO / filtro antibatterico, antiodori e anti-allergeni con climatizzatore DENSO	223A7000	77	105	07/03	>	02/06				34.262.00
1.9 MJTD 8V DPF E4										
with air-conditioner (spare part only) / con climatizzatore (solo ricambio)	186A9000	88	120	09/05	>	12/09	23.455.00	24.ONE.01	27.367.00	53.043.00
with activated carbon air-conditioner DENSO / con climatizzatore, ai carboni attivi DENSO	186A9000	88	120	09/05	>	12/09				54.262.00
antibacterial, anti-odour and anti-allergen filter with air-conditioner DENSO / filtro antibatterico, antiodori e anti-allergeni con climatizzatore DENSO	186A9000	88	120	09/05	>	12/09				34.262.00
1.9 MJTD 8V E4										
with air-conditioner (spare part only) / con climatizzatore (solo ricambio)	223B1000	77	105	09/05	>	12/09	23.455.00	24.ONE.00	27.367.00	53.043.00
with activated carbon air-conditioner DENSO / con climatizzatore, ai carboni attivi DENSO	223B1000	77	105	09/05	>	12/09				54.262.00
antibacterial, anti-odour and anti-allergen filter with air-conditioner DENSO / filtro antibatterico, antiodori e anti-allergeni con climatizzatore DENSO	223B1000	77	105	09/05	>	12/09				34.262.00
Doblò (152)										
1.3 MJTD 16V										
with heated fuel filter, spare part only / con filtro gasolio riscaldato, solo ricambio	199A3000	66	90	11/11	>	10/14		26.052.00		
assembly PURFLUX / montaggio PURFLUX	199A3000	66	90	11/09	>	10/14	25.043.00	24.ONE.01	30.265.00	53.157.00
assembly UFI / montaggio UFI	199A3000	66	90	11/09	>	10/14	25.031.00	24.ONE.01	30.265.00	53.157.00
heat exchanger assembly (UFI) / scambiatore di calore montaggio (UFI)	199A3000	66	90	11/09	>	10/14				00.G38.00
1.3 MJTD 16V DPF Stop&Start										
with air-conditioner / con climatizzatore	263A2000	66	90	11/09	>		25.061.00	24.ONE.01	30.477.00	53.157.00
with heated fuel filter, spare part only / con filtro gasolio riscaldato, solo ricambio	263A2000	66	90	11/11	>			26.052.00		
1.3 MJTD 16V Euro6										
assembly UFI FILTERS / montaggio UFI FILTERS	225A2000	59	80	01/16	>			26.052.00	30.477.00	53.157.00
	225A2000	59	80	01/16	>		25.139.00			
1.3 MJTD 16V Euro6										
	330A1000	70	95	01/16	>			26.052.00	30.477.00	53.157.00

...FIAT - cars/auto

F

assembly UFI FILTERS / montaggio UFI FILTERS	330A1000	70	95	01/16	>	25.139.00			
1.4 16V Stop&Start									
with air-conditioner / con climatizzatore	843A1000	70	95	11/09	>	23.438.00		30.135.00	53.157.00
for cold countries / per paesi freddi	843A1000	70	95	11/09	>	23.438.00		30.500.00	53.157.00
1.4 T-Jet									
with air-conditioner / con climatizzatore	198A4000	88	120	03/15	>	25.043.00		30.604.00	53.157.00
1.4 T-Jet Natural Power									
with air-conditioner / con climatizzatore	198A4000	88	120	05/10	>	25.043.00		30.604.00	53.157.00
1.6 MJTD 105 E6									
with air-conditioner / con climatizzatore	263A8000	77	105	03/15	>	25.061.00	26.052.00	30.297.00	53.157.00
1.6 MJTD 105 E6 Stop&Start									
with air-conditioner / con climatizzatore	263A8000	77	105	03/15	>	25.083.00	26.052.00	30.297.00	53.157.00
1.6 MJTD 120 E6									
with air-conditioner / con climatizzatore	940C1000	88	120	03/15	>	25.061.00	26.052.00	30.297.00	53.157.00
1.6 MJTD 120 E6 Stop&Start									
with air-conditioner / con climatizzatore	940C1000	88	120	03/15	>	25.083.00	26.052.00	30.297.00	53.157.00
1.6 MJTD 16V 100									
with air-conditioner / con climatizzatore	263A3000	74	101	11/09	>	25.061.00	24.ONE.01	30.297.00	53.157.00
with heated fuel filter, spare part only / con filtro gasolio riscaldato, solo ricambio	263A3000	74	101	11/11	>		26.052.00		
1.6 MJTD 16V 100 DPF Stop&Start									
with air-conditioner / con climatizzatore	263A3000	74	101	11/09	>	25.083.00	24.ONE.01	30.297.00	53.157.00
with heated fuel filter, spare part only / con filtro gasolio riscaldato, solo ricambio	263A3000	74	101	11/11	>		26.052.00		
1.6 MJTD 16V 105									
with air-conditioner / con climatizzatore	198A3000	77	105	11/09	>	25.061.00	24.ONE.01	30.297.00	53.157.00
with heated fuel filter, spare part only / con filtro gasolio riscaldato, solo ricambio	198A3000	77	105	11/11	>		26.052.00		
1.6 MJTD 16V 105 DPF Stop&Start									
with air-conditioner / con climatizzatore	198A3000	77	105	11/09	>	25.083.00	24.ONE.01	30.297.00	53.157.00
with heated fuel filter, spare part only / con filtro gasolio riscaldato, solo ricambio	198A3000	77	105	11/11	>		26.052.00		
1.6 MJTD 16V 90									
with air-conditioner / con climatizzatore	263A4000	66	90	01/10	>	25.061.00	24.ONE.01	30.297.00	53.157.00
with heated fuel filter, spare part only / con filtro gasolio riscaldato, solo ricambio	263A4000	66	90	11/11	>		26.052.00		
1.6 MJTD 16V 90 DPF Stop&Start									
with air-conditioner / con climatizzatore	263A4000	66	90	01/10	>	25.083.00	24.ONE.01	30.297.00	53.157.00
with heated fuel filter, spare part only / con filtro gasolio riscaldato, solo ricambio	263A4000	66	90	11/11	>		26.052.00		
1.6 MJTD 95 E6									
with air-conditioner / con climatizzatore	263A7000	70	95	03/15	>	25.061.00	26.052.00	30.297.00	53.157.00
1.6 MJTD 95 E6 Stop&Start									
with air-conditioner / con climatizzatore	263A7000	70	95	03/15	>	25.083.00	26.052.00	30.297.00	53.157.00
2.0 MJTD 16V DPF Stop&Start									
with air-conditioner / con climatizzatore	263A1000	99	135	11/09	>	25.083.00	24.ONE.01	30.297.00	53.157.00
with heated fuel filter, spare part only / con filtro gasolio riscaldato, solo ricambio	263A1000	99	135	11/11	>		26.052.00		
Egea Hatchback (357)									
1.3 Multijet 95 E5		70	95	10/15	>	25.061.00	26.052.00	30.477.00	53.157.00
1.3 Multijet 95 E6		70	95	10/15	>		26.052.00	30.794.00	53.157.00
assembly UFI FILTERS / montaggio UFI FILTERS		70	95	10/15	>	25.139.00			
1.4 16V 95		70	95	10/15	>	23.438.00	31.740.03	30.135.00	53.157.00
1.6 E-TorQ 110 E6		81	110	10/15	>	25.034.00	31.740.03	30.794.00	53.157.00
1.6 Multijet 120 E6		88	120	10/15	>	25.083.00	26.079.00	30.794.00	53.157.00
Egea Sedan (356)									
1.3 Multijet 95 E5		70	95	10/15	>	25.061.00	26.052.00	30.477.00	53.157.00
1.3 Multijet 95 E6		70	95	10/15	>		26.052.00	30.794.00	53.157.00
assembly UFI FILTERS / montaggio UFI FILTERS		70	95	10/15	>	25.139.00			
1.4 16V 95		70	95	10/15	>	23.438.00	31.740.03	30.135.00	53.157.00
1.6 E-TorQ 110 E6		81	110	10/15	>	25.034.00	31.740.03	30.794.00	53.157.00
1.6 Multijet 120 E6		88	120	10/15	>	25.083.00	26.079.00	30.794.00	53.157.00
Egea Station Wagon (358)									
1.6 E-TorQ 110 E6		81	110	10/15	>	25.034.00	31.740.03	30.794.00	53.157.00
1.6 Multijet 120 E6		88	120	10/15	>	25.083.00	26.079.00	30.794.00	53.157.00
Freemont									
2.0 Multijet 140	940A5000	103	140	05/11	>	25.083.00	24.529.00	30.652.00	53.150.00
with activated carbons / ai carboni attivi	940A5000	103	140	05/11	>				54.275.00
antibacterial, anti-odour and anti-allergen filter / filtro antibatterico, antiodori e anti-allergeni	940A5000	103	140	05/11	>				34.275.00
2.0 Multijet 170	939B5000	125	170	05/11	>	25.083.00	24.529.00	30.652.00	53.150.00
with activated carbons / ai carboni attivi	939B5000	125	170	05/11	>				54.275.00
antibacterial, anti-odour and anti-allergen filter / filtro antibatterico, antiodori e anti-allergeni	939B5000	125	170	05/11	>				34.275.00
2.0 Multijet 170 4x4	939B5000	125	170	05/11	>	25.083.00	24.529.00	30.652.00	53.150.00
with activated carbons / ai carboni attivi	939B5000	125	170	05/11	>				54.275.00

...FIAT - cars/auto

antibacterial, anti-odour and anti-allergen filter / filtro antibatterico, antiodori e anti-allergeni	939B5000	125	170	05/11	>				34.275.00
2.4		125	170	08/11	>	23.519.00			53.150.00
with activated carbons / ai carboni attivi		125	170	08/11	>				54.275.00
antibacterial, anti-odour and anti-allergen filter / filtro antibatterico, antiodori e anti-allergeni		125	170	08/11	>				34.275.00
3.6 V6	ERB	203	276	05/11	>			30.A43.00	53.150.00
	ERB	203	276	12/13	>	25.248.00			
with activated carbons / ai carboni attivi	ERB	203	276	05/11	>				54.275.00
antibacterial, anti-odour and anti-allergen filter / filtro antibatterico, antiodori e anti-allergeni	ERB	203	276	05/11	>				34.275.00
3.6 V6 4X4	JF_	206	280	08/11	>	25.251.00			
Grande Punto (199)									
1.2 MPI 8V									
with air-conditioner / con climatizzatore	199A4000	48	65	09/05	>	23.438.00		30.301.00	53.124.00
1.3 MJTD 16V									
assembly PURFLUX / montaggio PURFLUX	199A2000	55	75	09/05	>	25.043.00	24.ONE.00	30.265.00	53.124.00
assembly UFI / montaggio UFI	199A2000	55	75	09/05	>	25.031.00	24.ONE.00	30.265.00	53.124.00
1.3 MJTD 16V GV									
assembly PURFLUX / montaggio PURFLUX	199A3000	66	90	09/05	>	25.043.00	24.ONE.01	30.265.00	53.124.00
assembly UFI / montaggio UFI	199A3000	66	90	09/05	>	25.031.00	24.ONE.01	30.265.00	53.124.00
1.4 MPI 16V									
with air-conditioner / con climatizzatore	199A6000	70	95	09/05	>	23.438.00		30.135.00	53.124.00
1.4 MPI 8V									
with air-conditioner / con climatizzatore	350A1000	57	77	09/05	>	23.438.00		30.301.00	53.124.00
1.4 MPI 8V (A)									
with air-conditioner / con climatizzatore	199A7000	55	75	09/05	>	23.438.00		30.301.00	53.124.00
1.4 T-Jet									
with air-conditioner / con climatizzatore	198A4000	88	120	09/07	>	25.043.00		30.297.00	53.124.00
1.9 MJTD 8V									
with air-conditioner / con climatizzatore	199A5000	96	130	09/05	>		24.ONE.01	30.297.00	53.124.00
assembly MANN+HUMMEL / montaggio MANN+HUMMEL	199A5000	96	130	09/05	>	25.049.00			
assembly UFI / montaggio UFI	199A5000	96	130	03/08	>	25.061.00			
1.9 MJTD 8V									
with air-conditioner / con climatizzatore	939A1000	88	120	09/05	>		24.ONE.01	30.297.00	53.124.00
assembly MANN+HUMMEL / montaggio MANN+HUMMEL	939A1000	88	120	09/05	>	25.049.00			
assembly UFI / montaggio UFI	939A1000	88	120	03/08	>	25.061.00			
1.9 MJTD 8V (B)									
with air-conditioner / con climatizzatore	939A7000	85	115	09/05	>		24.ONE.01	30.297.00	53.124.00
assembly MANN+HUMMEL / montaggio MANN+HUMMEL	939A7000	85	115	09/05	>	25.049.00			
assembly UFI / montaggio UFI	939A7000	85	115	03/08	>	25.061.00			
Idea									
1.2 16V									
with air-conditioner / con climatizzatore	188A5000	59	80	01/04	>	23.438.00		30.135.00	53.043.00
1.3 MJTD 16V									
with air-conditioner, assembly UFI / con climatizzatore, montaggio UFI	188A9000	51	70	01/05	>	25.031.00	60.H2O.00	30.265.00	53.043.00
complete filter and disassembly key / filtro completo e chiave di smontaggio	188A9000	51	70	09/03	>	03/06	55.084.00		19.008.00
complete filter and disassembly key / filtro completo e chiave di smontaggio	188A9000	51	70	04/06	>		55.173.00		19.008.00
assembly PURFLUX / montaggio PURFLUX	188A9000	51	70	09/03	>	25.043.00	60.H2O.00	30.265.00	53.043.00
1.3 MJTD 16V									
with air-conditioner, assembly UFI / con climatizzatore, montaggio UFI	199A3000	66	90	10/05	>	12/12	25.031.00	60.H2O.00	30.265.00
complete filter and disassembly key / filtro completo e chiave di smontaggio	199A3000	66	90	10/05	>	12/12	55.181.00		19.008.00
assembly PURFLUX / montaggio PURFLUX	199A3000	66	90	10/05	>	12/12	25.043.00	60.H2O.00	30.265.00
heat exchanger assembly (UFI) / scambiatore di calore montaggio (UFI)	199A3000	66	90	10/05	>	12/12			00.G38.00
1.3 MJTD 16V E5									
heat exchanger / scambiatore di calore	199B1000	70	95	05/08	>	12/12	25.061.00	24.ONE.01	30.477.00
	199B1000	70	95	05/08	>	12/12			00.G38.00
1.4 16V									
with air-conditioner / con climatizzatore	843A1000	70	95	09/03	>	23.438.00		30.135.00	53.043.00
1.4 16V (A)									
with air-conditioner / con climatizzatore	192B2000	66	90	01/04	>	23.438.00		30.135.00	53.043.00
1.4 8V									
with air-conditioner / con climatizzatore	350A1000	57	77	10/05	>	23.438.00		30.301.00	53.043.00
1.4 8V GPL/LPG									
with air-conditioner / con climatizzatore	350A1000 ECO4	57	77	03/09	>	23.438.00		30.301.00	53.043.00
1.4 8V GPL/LPG									
with air-conditioner / con climatizzatore	350A1000 ECO5	57	77	10/09	>	23.438.00		30.301.00	53.043.00
1.6 MJTD 16V									
with air-conditioner / con climatizzatore	350A2000	88	120	04/08	>	25.061.00	24.ONE.01	27.341.00	53.043.00
1.6 MJTD 16V DPF 115 (B)									
with air-conditioner / con climatizzatore	350A3000	85	115	04/08	>	25.061.00	24.ONE.01	27.341.00	53.043.00

...FIAT - cars/auto

F

1.6 MJTD 16V DPF Stop&Start										
with air-conditioner / con climatizzatore		88	120	11/09	>		25.083.00	24.ONE.01	27.341.00	53.043.00
1.6 MJTD 16V DPF Stop&Start 115 (B)										
with air-conditioner / con climatizzatore	350A3000	85	115	11/09	>		25.083.00	24.ONE.01	27.341.00	53.043.00
1.9 MJTD 8V										
with air-conditioner / con climatizzatore	188B2000	74	101	01/04	>		23.455.00	60.H2O.00	27.341.00	53.043.00
complete filter and disassembly key / filtro completo e chiave di smontaggio	188B2000	74	101	01/04	>	01/06		55.084.00		19.008.00
complete filter and disassembly key / filtro completo e chiave di smontaggio	188B2000	74	101	02/06	>			55.173.00		19.008.00
Linea										
1.3 MJT 16V										
with air-conditioner / con climatizzatore	199A3000	66	90	11/06	>					53.157.00
assembly PURFLUX / montaggio PURFLUX	199A3000	66	90	11/06	>		25.043.00	24.ONE.01	30.265.00	
assembly UFI / montaggio UFI	199A3000	66	90	11/06	>		25.031.00	24.ONE.01	30.265.00	
1.4 8V										
with air-conditioner / con climatizzatore	350A1000	57	77	11/06	>		23.438.00		30.301.00	53.157.00
1.4 T-JET										
with air-conditioner / con climatizzatore	198A4000	88	120	06/07	>		25.043.00		30.297.00	53.157.00
1.6 16V										
	Tritec	81	110	09/09	>		25.034.00			
1.6 JTDm 16V										
with air-conditioner / con climatizzatore	198A3000	77	105	06/09	>		25.061.00	24.ONE.01	30.297.00	53.157.00
Marea										
1.2 16V 80 MPI										
with air-conditioner and R.H.D. / con climatizzatore e guida a destra	182B2000	60	82	10/98	>	12/02				53.252.00
with air-conditioner and L.H.D. / con climatizzatore e guida a sinistra	182B2000	60	82	10/98	>	12/02	23.438.00		30.066.00	53.023.00
1.6 16V 100										
with air-conditioner and R.H.D. / con climatizzatore e guida a destra	182B6000	76	103	01/99	>	12/03				53.252.00
with air-conditioner and L.H.D. / con climatizzatore e guida a sinistra	182B6000	76	103	01/99	>	12/03	23.196.00	31.515.00	30.066.00	53.023.00
1.6 16V 100 (RUS)										
with air-conditioner / con climatizzatore	182B6000	76	103	01/99	>	12/03	23.196.00	31.515.00	30.066.00	53.023.00
1.6 16V Bipower 100										
with air-conditioner and R.H.D. / con climatizzatore e guida a destra	185A3000	68	92	01/99	>	12/03				53.252.00
with air-conditioner and L.H.D. / con climatizzatore e guida a sinistra	185A3000	68	92	01/99	>	12/03	23.196.00	31.515.00	30.066.00	53.023.00
1.6 16V MPI (RUS)										
with air-conditioner / con climatizzatore	182B5098	76	103	03/99	>	12/03	23.196.00	31.515.00	30.066.00	53.023.00
1.6 i 16V										
with air-conditioner and R.H.D. / con climatizzatore e guida a destra	182A4000	76	103	01/96	>	05/01				53.252.00
with air-conditioner and L.H.D. / con climatizzatore e guida a sinistra	182A4000	76	103	01/96	>	05/01	23.196.00	31.515.00	30.066.00	53.023.00
1.6 i 16V Autom.										
with air-conditioner and R.H.D. / con climatizzatore e guida a destra	182A4000	76	103	01/96	>	05/01				53.252.00
with air-conditioner and L.H.D. / con climatizzatore e guida a sinistra	182A4000	76	103	01/96	>	05/01	23.196.00	31.515.00	30.066.00	53.023.00
1.8 16V 115										
with air-conditioner and R.H.D. / con climatizzatore e guida a destra	182A2000	83	113	01/99	>	12/02				53.252.00
with air-conditioner and L.H.D. / con climatizzatore e guida a sinistra	182A2000	83	113	01/99	>	12/02	23.415.00	31.515.00	30.066.00	53.023.00
1.9 JTD 100 CF3										
with air-conditioner and R.H.D. / con climatizzatore e guida a destra	182B9000	74	101	10/01	>	09/02				53.252.00
with air-conditioner and L.H.D. / con climatizzatore e guida a sinistra	182B9000	74	101	10/01	>	09/02	23.449.00	24.H2O.00	30.066.00	53.023.00
1.9 JTD 105 CF2										
with air-conditioner and R.H.D. / con climatizzatore e guida a destra	182B4000	77	105	01/99	>	12/00				53.252.00
with air-conditioner and L.H.D. / con climatizzatore e guida a sinistra	182B4000	77	105	01/99	>	12/00	23.414.00	24.408.00	30.066.00	53.023.00
or / oppure	182B4000	77	105	01/99	>	12/00	23.449.00	24.408.00	30.066.00	53.023.00
without water presence sensor / senza sensore presenza acqua	182B4000	77	105	01/99	>	05/00	23.414.00	24.H2O.00	30.066.00	53.023.00
1.9 JTD 110 CF3										
to engine No. 361133 / a motore N. 361133	186A6000	81	110	01/00	>	10/01	23.449.00	24.H2O.00	30.066.00	53.023.00
with air-conditioner and R.H.D. / con climatizzatore e guida a destra	186A6000	81	110	01/00	>	12/03				53.252.00
from engine No. 361134 / da motore N. 361134	186A6000	81	110	10/01	>	12/03	23.455.00	24.H2O.00	30.066.00	53.023.00
1.9 TD 75 Soft										
with air-conditioner and R.H.D. / con climatizzatore e guida a destra	182A8000	55	75	01/96	>	12/00				53.252.00
with air-conditioner and L.H.D. / con climatizzatore e guida a sinistra	182A8000	55	75	01/99	>	12/00	23.414.00	24.418.00	30.066.00	53.023.00
or / oppure	182A8000	55	75	01/99	>	12/00	23.449.00	24.418.00	30.066.00	
2.0 20V 155										
with air-conditioner and R.H.D. / con climatizzatore e guida a destra	182B7000	113	154	03/99	>	12/00				53.252.00
with air-conditioner and L.H.D. / con climatizzatore e guida a sinistra	182B7000	113	154	03/99	>	12/00	23.295.00		30.066.00	53.023.00
or / oppure	182B7000	113	154	03/99	>	12/00	23.449.00		30.066.00	53.023.00
2.0 i 20V 150										
with air-conditioner and R.H.D. / con climatizzatore e guida a destra	185A8000	110	150	10/00	>	12/03				53.252.00
with air-conditioner and L.H.D. / con climatizzatore e guida a sinistra	185A8000	110	150	10/00	>	12/03	23.295.00		30.066.00	53.023.00
or / oppure	185A8000	110	150	10/00	>	12/03	23.449.00		30.066.00	53.023.00

...FIAT - cars/auto

2.4 JTD 130 CF2										
with air-conditioner and R.H.D. / con climatizzatore e guida a destra	185A6000	96	130	01/99	>	12/02				53.252.00
with air-conditioner and L.H.D. / con climatizzatore e guida a sinistra	185A6000	96	130	01/99	>	12/02				53.023.00
or / oppure	185A6000	96	130	01/99	>	12/02	23.449.00	24.408.00	30.066.00	
without water presence sensor / senza sensore presenza acqua	185A6000	96	130	01/99	>	05/00	23.434.00	24.H2O.00	30.066.00	
2.4 TD 125										
to engine No. 446112 / a motore N. 446112	185A2000	91	124	01/96	>		23.449.00		30.066.00	53.023.00
Multipia										
1.6 Bipower CF2										
with activated carbons / ai carboni attivi		68	92	11/98	>		23.196.00		30.098.00	53.033.00
		68	92	11/98	>					54.267.00
1.6 Bipower CF2										
with activated carbons / ai carboni attivi		76	103	11/98	>		23.196.00		30.098.00	53.033.00
		76	103	11/98	>					54.267.00
1.6 Blupower CF2										
with activated carbons / ai carboni attivi		70	95	11/98	>		23.196.00		30.098.00	53.033.00
		70	95	11/98	>					54.267.00
1.9 JTD 105 CF2										
with activated carbons / ai carboni attivi		77	105	11/98	>	12/00	23.414.00	24.408.00	30.098.00	53.033.00
or / oppure		77	105	11/98	>	12/00				54.267.00
		77	105	11/98	>	12/00	23.449.00	24.408.00	30.098.00	53.033.00
1.9 JTD 110 CF3										
	186A6000			08/00	>	06/01	23.449.00	24.H2O.07	30.151.00	53.033.00
with activated carbons / ai carboni attivi	186A6000			06/01	>	06/02	23.455.00	24.H2O.07	30.151.00	53.033.00
	186A6000			08/00	>	06/02				54.267.00
1.9 JTD 115 CF3										
	186A8000			07/02	>	02/03	23.455.00	24.H2O.07	30.151.00	53.033.00
with activated carbons / ai carboni attivi	186A8000			03/03	>		23.455.00	24.H2O.04	30.151.00	53.033.00
	186A8000			07/02	>					54.267.00
100 16V CF2 (1581)										
with activated carbons / ai carboni attivi		76	103	11/98	>		23.196.00		30.098.00	53.033.00
		76	103	11/98	>					54.267.00
100 16V CF3 (1596)										
with activated carbons / ai carboni attivi		76	103	01/00	>		23.196.00		30.098.00	53.033.00
		76	103	01/00	>					54.267.00
100 16V CF3 Bipower (1596)										
with activated carbons / ai carboni attivi		76	103	01/00	>		23.196.00		30.098.00	53.033.00
		76	103	01/00	>					54.267.00
100 16V CF3 Blupower (1581)										
with activated carbons / ai carboni attivi		70	95	01/00	>		23.196.00		30.098.00	53.033.00
		70	95	01/00	>					54.267.00
100 16V CF3 Gpower (1596)										
with activated carbons / ai carboni attivi		76	103	01/00	>		23.196.00		30.098.00	53.033.00
		76	103	01/00	>					54.267.00
Multipia (FL.2004)										
1.6 16V										
with activated carbons / ai carboni attivi	182B6000	76	103	04/04	>		23.196.00		30.098.00	53.033.00
	182B6000	76	103	04/04	>					54.267.00
1.6 Natural Power										
with activated carbons / ai carboni attivi	182B6000	76	103	04/04	>		23.196.00		30.098.00	53.033.00
	182B6000	76	103	04/04	>					54.267.00
1.9 JTD CF3										
	186A8000	85	115	04/04	>	01/05	23.455.00	24.H2O.04	30.151.00	53.033.00
with activated carbons / ai carboni attivi	186A8000	85	115	02/05	>		23.455.00	60.H2O.00	30.151.00	53.033.00
	186A8000	85	115	04/04	>					54.267.00
complete filter and disassembly key / filtro completo e chiave di smontaggio	186A8000	85	115	02/05	>			55.134.00		19.008.00
1.9 MJT CF4										
with activated carbons / ai carboni attivi	186A9000	88	120	09/05	>		23.455.00	60.H2O.00	30.151.00	53.033.00
	186A9000	88	120	09/05	>					54.267.00
complete filter and disassembly key / filtro completo e chiave di smontaggio	186A9000	88	120	09/05	>			55.145.00		19.008.00
1.9 MJT CF4 (B)										
with activated carbons / ai carboni attivi	186A8000	85	115	09/05	>		23.455.00	60.H2O.00	30.151.00	53.033.00
	186A8000	85	115	09/05	>					54.267.00
complete filter and disassembly key / filtro completo e chiave di smontaggio	186A8000	85	115	09/05	>			55.145.00		19.008.00
Palio										
1.0 (AR)										
with air-conditioner / con climatizzatore				06/99	>	10/03	23.196.00	31.740.00	30.089.00	53.113.00
without air-conditioner / senza climatizzatore				01/96	>	10/03				×
1.0 (BR)										
with air-conditioner / con climatizzatore				06/99	>	10/03	23.196.00	31.740.00	30.089.00	53.113.00
without air-conditioner / senza climatizzatore				01/96	>	10/03				×
1.1 (MA)										
with air-conditioner / con climatizzatore				06/99	>		23.196.00	31.740.00	30.089.00	53.113.00
without air-conditioner / senza climatizzatore				01/96	>	10/03				×
1.2 MPI 65										
with air-conditioner / con climatizzatore	178E2000	50	68	06/99	>	10/00	23.415.00	31.740.00	30.089.00	
without air-conditioner / senza climatizzatore	178E2000	50	68	01/96	>	10/03				×
1.2 MPI 8V CF3										
with air-conditioner / con climatizzatore		44	60	10/00	>		23.438.00	31.740.00	30.089.00	53.113.00
without air-conditioner / senza climatizzatore		44	60	01/96	>	10/03				×
1.3 MJTD 16V										
assembly PURFLUX / montaggio PURFLUX	188A9000	51	70	05/03	>		25.043.00	60.H2O.00	30.265.00	53.113.00
assembly UFI / montaggio UFI	188A9000	51	70	01/05	>		25.031.00	60.H2O.00	30.265.00	53.113.00

...FIAT - cars/auto

F

without air-conditioner / senza climatizzatore	188A9000	51	70	01/96 > 10/03					✕
1.4 SPI (TR)									
with air-conditioner / con climatizzatore				06/99 >	23.196.00	31.740.00	30.089.00	53.113.00	
without air-conditioner / senza climatizzatore				01/96 > 10/03					✕
1.5 (AR)									
with air-conditioner / con climatizzatore				06/99 >	23.196.00	31.740.00	30.089.00	53.113.00	
without air-conditioner / senza climatizzatore				01/96 > 10/03					✕
1.5 (BR)									
with air-conditioner / con climatizzatore				06/99 >	23.196.00	31.740.00	30.089.00	53.113.00	
without air-conditioner / senza climatizzatore				01/96 > 10/03					✕
1.6 (AR)									
with air-conditioner / con climatizzatore				06/99 >	23.196.00	31.740.00	30.089.00	53.113.00	
without air-conditioner / senza climatizzatore				01/96 > 10/03					✕
1.6 (BR)									
with air-conditioner / con climatizzatore				06/99 >	23.196.00	31.740.00	30.089.00	53.113.00	
without air-conditioner / senza climatizzatore				01/96 > 10/03					✕
1.6 16V (AR)									
with air-conditioner / con climatizzatore				06/99 >	23.196.00	31.740.00	30.089.00	53.113.00	
without air-conditioner / senza climatizzatore				01/96 > 10/03					✕
1.6 16V (BR)									
with air-conditioner / con climatizzatore				06/99 >	23.196.00	31.740.00	30.089.00	53.113.00	
without air-conditioner / senza climatizzatore				01/96 > 10/03					✕
1.6 16V MPI (TR)									
with air-conditioner / con climatizzatore				06/99 > 10/03	23.196.00	31.740.00	30.089.00	53.113.00	
without air-conditioner / senza climatizzatore				01/96 > 10/03					✕
1.7 DS (MA)									
with air-conditioner / con climatizzatore				06/99 > 10/03	23.414.00	24.383.00	30.089.00	53.113.00	
or / oppure				01/96 > 10/03	23.449.00				
without air-conditioner / senza climatizzatore				01/96 > 10/03					✕
Palio S.W.									
1.4 SPI (PL)									
with air-conditioner / con climatizzatore	178B2000			07/98 >	23.196.00	31.740.00	30.089.00		
1.4 SPI (TR)									
with air-conditioner / con climatizzatore	178B2000			07/98 >	23.196.00	31.740.00	30.089.00		
1.6 16V MPI (PL)									
with air-conditioner / con climatizzatore	178B3000			07/98 >	23.196.00	31.740.00	30.089.00		
1.6 16V MPI (RUS)									
with air-conditioner / con climatizzatore	178C7098			07/98 >	23.196.00	31.740.00	30.089.00		
Palio Weekend									
1.2 i 16V									
with air-conditioner / con climatizzatore	188A5000	59	80	09/01 >	23.438.00	31.740.00	30.089.00	53.113.00	
1.2 MPI 75									
with air-conditioner / con climatizzatore	178B5000	54	73	07/98 > 08/03	23.415.00	31.740.00	30.089.00		
with air-conditioner / con climatizzatore	178B5000	54	73	09/03 >	23.438.00	31.740.00	30.089.00		
1.2 MPI 8V CF3									
	188A4000	44	60	10/00 >	23.438.00	31.740.00	30.089.00		
1.6 i 16V CF3									
	(1596)	76	103	10/00 >	23.196.00	31.740.00	30.089.00		
1.6 MPI 16V 100									
with air-conditioner / con climatizzatore	(1580)	74	100	07/98 >	23.196.00	31.740.00	30.089.00		
1.7 TD70									
with air-conditioner / con climatizzatore	176A3000	51	69	06/99 > 03/01				53.113.00	
from engine No. 2404559 / da motore N. 2404559	176A3000	51	69	06/99 > 03/01	23.414.00	24.351.01	30.089.00		
from engine No. 2404559 (or) / da motore N. 2404559 (oppure)	176A3000	51	69	06/99 > 03/01	23.449.00	24.351.01	30.089.00		
without air-conditioner / senza climatizzatore	176A3000	51	69	04/96 > 03/01					✕
1.9 D CF3									
dusty areas / zone polverose	223A6000	46	63	09/00 >	23.449.00	24.412.00	30.089.00		
	223A6000	46	63	09/00 >	23.449.00	24.412.00			
1.9 JTD									
with air-conditioner / con climatizzatore	188A2000	59	80	09/01 >	23.449.00	24.H2O.00	30.089.00		✕
	188A2000	59	80	09/01 >				53.113.00	
Panda									
1.0 i.e. (Weber)				01/93 > 12/03	23.196.00	31.512.00	30.894.00		
1.0 i.e. 4x4 Fire									
from engine No. 4339919 / da motore N. 4339919				10/87 > 12/03	23.196.00	31.512.00	30.894.00		
1.0 i.e. Fire									
from engine No. 4339919 / da motore N. 4339919				10/87 > 12/03	23.196.00	31.512.00	30.894.00		
1.1 i MPI CF3 Hobby (1108)				01/00 > 12/03	23.415.00		30.032.00		
1.1 i MPI CF3 Young (1108)				01/00 > 12/03	23.415.00		30.032.00		
1.1 i.e. (Weber)				01/93 > 12/03	23.196.00	31.512.00	30.894.00		
1.1 i.e. 4x4 Fire (Maq. 91)									

...FIAT - cars/auto

to engine No. 0015233 / a motore N. 0015233				01/91 >		23.196.00	31.512.00	30.894.00	
from engine No. 0015234 / da motore N. 0015234				> 12/03		23.196.00	31.512.00	30.032.00	
1.1 i.e. Fire (Maq. 91)									
to engine No. 0015233 / a motore N. 0015233				01/91 >		23.196.00	31.512.00	30.894.00	
from engine No. 0015234 / da motore N. 0015234				> 12/03		23.196.00	31.512.00	30.032.00	
1.1 MPI 4x4 CF3 Trekking Fire									
				01/00 >	12/03	23.415.00		30.032.00	
900 i.e. SPI (Weber) (899)									
or / oppure				01/94 >	12/03		31.512.00	30.966.00	
				01/94 >	12/03	23.447.00	31.512.00	30.966.00	
Selecta 1.1 i.e. cat Fire									
to engine No. 0015233 / a motore N. 0015233	156C.056			07/90 >		23.196.00	31.512.00	30.894.00	
from engine No. 0015234 / da motore N. 0015234	156C.056			> 12/03		23.196.00	31.512.00	30.032.00	
Panda (169)									
1.1 CF4									
with air-conditioner / con climatizzatore	187A1000	40	54	03/03 >	08/03	23.415.00		30.194.00	53.088.00
with air-conditioner / con climatizzatore	187A1000	40	54	09/03 >	10/09	23.438.00		30.194.00	53.088.00
with activated carbon air-conditioner / con climatizzatore, ai carboni attivi	187A1000	40	54	03/03 >	10/09				54.221.00
antibacterial, anti-odour and anti-allergen filter / filtro antibatterico, antiodori e anti-allergeni	187A1000	40	54	03/03 >	10/09				34.221.00
1.2 8V 4x4 CF4									
with air-conditioner / con climatizzatore	188A4000	44	60	03/03 >	08/03	23.415.00		30.194.00	53.088.00
with air-conditioner / con climatizzatore	188A4000	44	60	09/03 >	10/09	23.438.00		30.194.00	53.088.00
with activated carbon air-conditioner / con climatizzatore, ai carboni attivi	188A4000	44	60	03/03 >	10/09				54.221.00
antibacterial, anti-odour and anti-allergen filter / filtro antibatterico, antiodori e anti-allergeni	188A4000	44	60	03/03 >	10/09				34.221.00
1.2 8V CF4									
with air-conditioner / con climatizzatore	188A4000	44	60	03/03 >	08/03	23.415.00		30.194.00	53.088.00
with air-conditioner / con climatizzatore	188A4000	44	60	09/03 >	10/09	23.438.00		30.194.00	53.088.00
with activated carbon air-conditioner / con climatizzatore, ai carboni attivi	188A4000	44	60	03/03 >	10/09				54.221.00
antibacterial, anti-odour and anti-allergen filter / filtro antibatterico, antiodori e anti-allergeni	188A4000	44	60	03/03 >	10/09				34.221.00
1.2 8V GPL/LPG									
with air-conditioner / con climatizzatore	188A4000	44	60	03/03 >	08/03	23.415.00		30.194.00	53.088.00
with air-conditioner / con climatizzatore	188A4000	44	60	09/03 >	10/09	23.438.00		30.194.00	53.088.00
with activated carbon air-conditioner / con climatizzatore, ai carboni attivi	188A4000	44	60	03/03 >	10/09				54.221.00
antibacterial, anti-odour and anti-allergen filter / filtro antibatterico, antiodori e anti-allergeni	188A4000	44	60	03/03 >	10/09				34.221.00
spare part only FL-375 (Ø 42 x Ø 17 x 50 H) / solo ricambio FL-375 (Ø 42 x Ø 17 x 50 H)	188A4000	44	60	03/03 >	10/09		46.008.00		
1.2 8V Natural Power									
with air-conditioner / con climatizzatore	188A4000	44	60	11/06 >	10/09	23.438.00		30.194.00	53.088.00
with activated carbon air-conditioner / con climatizzatore, ai carboni attivi	188A4000	44	60	11/06 >	10/09				54.221.00
antibacterial, anti-odour and anti-allergen filter / filtro antibatterico, antiodori e anti-allergeni	188A4000	44	60	11/06 >	10/09				34.221.00
1.3 MJTD 16V 4x4 CF4									
with activated carbon air-conditioner / con climatizzatore, ai carboni attivi	188A9000	51	70	03/03 >	10/09				54.221.00
antibacterial, anti-odour and anti-allergen filter / filtro antibatterico, antiodori e anti-allergeni	188A9000	51	70	03/03 >	10/09				34.221.00
complete filter and disassembly key / filtro completo e chiave di smontaggio	188A9000	51	70	03/03 >	07/05		55.084.00		19.008.00
complete filter and disassembly key / filtro completo e chiave di smontaggio	188A9000	51	70	08/05 >	10/09		55.173.00		19.008.00
assembly PURFLUX / montaggio PURFLUX	188A9000	51	70	03/03 >	10/09	25.043.00	60.H2O.00	30.265.00	53.088.00
assembly UFI / montaggio UFI	188A9000	51	70	01/05 >	10/09	25.031.00	60.H2O.00	30.265.00	53.088.00
1.3 MJTD 16V 4x4 Monster									
with activated carbon air-conditioner / con climatizzatore, ai carboni attivi	188A9000	51	70	02/06 >	10/09				54.221.00
antibacterial, anti-odour and anti-allergen filter / filtro antibatterico, antiodori e anti-allergeni	188A9000	51	70	02/06 >	10/09				34.221.00
complete filter and disassembly key / filtro completo e chiave di smontaggio	188A9000	51	70	02/06 >	10/09		55.173.00		19.008.00
assembly PURFLUX / montaggio PURFLUX	188A9000	51	70	02/06 >	10/09	25.043.00	60.H2O.00	30.265.00	53.088.00
assembly UFI / montaggio UFI	188A9000	51	70	02/06 >	10/09	25.031.00	60.H2O.00	30.265.00	53.088.00
1.3 MJTD 16V CF4									
with activated carbon air-conditioner / con climatizzatore, ai carboni attivi	188A9000	51	70	03/03 >	10/09				54.221.00
antibacterial, anti-odour and anti-allergen filter / filtro antibatterico, antiodori e anti-allergeni	188A9000	51	70	03/03 >	10/09				34.221.00
complete filter and disassembly key / filtro completo e chiave di smontaggio	188A9000	51	70	03/03 >	07/05		55.084.00		19.008.00
complete filter and disassembly key / filtro completo e chiave di smontaggio	188A9000	51	70	08/05 >	10/09		55.173.00		19.008.00
assembly PURFLUX / montaggio PURFLUX	188A9000	51	70	03/03 >	10/09	25.043.00	60.H2O.00	30.265.00	53.088.00
assembly UFI / montaggio UFI	188A9000	51	70	01/05 >	10/09	25.031.00	60.H2O.00	30.265.00	53.088.00
1.3 MJTD 16V CF4 DPF									
with activated carbon air-conditioner / con climatizzatore, ai carboni attivi	169A1000	55	75	07/06 >	10/09				54.221.00
antibacterial, anti-odour and anti-allergen filter / filtro antibatterico, antiodori e anti-allergeni	169A1000	55	75	07/06 >	10/09				34.221.00
complete filter and disassembly key / filtro completo e chiave di smontaggio	169A1000	55	75	07/06 >	10/09		55.173.00		19.008.00
assembly PURFLUX / montaggio PURFLUX	169A1000	55	75	07/06 >	10/09	25.043.00	60.H2O.00	30.265.00	53.088.00
assembly UFI / montaggio UFI	169A1000	55	75	07/06 >	10/09	25.031.00	60.H2O.00	30.265.00	53.088.00
1.3 MJTD 16V Cross 4x4									
with activated carbon air-conditioner / con climatizzatore, ai carboni attivi	188A9000	51	70	11/05 >	10/09				54.221.00
antibacterial, anti-odour and anti-allergen filter / filtro antibatterico, antiodori e anti-allergeni	188A9000	51	70	11/05 >	10/09				34.221.00
complete filter and disassembly key / filtro completo e chiave di smontaggio	188A9000	51	70	11/05 >	10/09		55.173.00		19.008.00

...FIAT - cars/auto

F

assembly PURFLUX / montaggio PURFLUX	188A9000	51	70	11/05	>	10/09	25.043.00	60.H2O.00	30.265.00	53.088.00
assembly UFI / montaggio UFI	188A9000	51	70	11/05	>	10/09	25.031.00	60.H2O.00	30.265.00	53.088.00
1.4 16V 100										
with air-conditioner / con climatizzatore	169A3000	74	101	10/06	>	10/09	23.438.00		30.339.00	53.088.00
with activated carbon air-conditioner / con climatizzatore, ai carboni attivi	169A3000	74	101	10/06	>	10/09				54.221.00
antibacterial, anti-odour and anti-allergen filter / filtro antibatterico, antiodori e anti-allergeni	169A3000	74	101	10/06	>	10/09				34.221.00
Panda (319)										
0.9 TwinAir 60										
with air-conditioner / con climatizzatore	312A6000	44	60	12/13	>		25.128.00		30.548.00	53.210.00
with activated carbon air-conditioner / con climatizzatore, ai carboni attivi	312A6000	44	60	12/13	>					54.248.00
antibacterial, anti-odour and anti-allergen filter / filtro antibatterico, antiodori e anti-allergeni	312A6000	44	60	12/13	>					34.248.00
0.9 TwinAir 65										
with air-conditioner / con climatizzatore	312A4000	48	65	01/12	>		25.128.00		30.548.00	53.210.00
with activated carbon air-conditioner / con climatizzatore, ai carboni attivi	312A4000	48	65	01/12	>					54.248.00
antibacterial, anti-odour and anti-allergen filter / filtro antibatterico, antiodori e anti-allergeni	312A4000	48	65	01/12	>					34.248.00
0.9 TwinAir Turbo 80										
with air-conditioner / con climatizzatore	312A5000	59	80	12/13	>		25.128.00		30.376.00	53.210.00
with activated carbon air-conditioner / con climatizzatore, ai carboni attivi	312A5000	59	80	12/13	>					54.248.00
antibacterial, anti-odour and anti-allergen filter / filtro antibatterico, antiodori e anti-allergeni	312A5000	59	80	12/13	>					34.248.00
0.9 TwinAir Turbo 80 CNG/Natural Power										
with air-conditioner / con climatizzatore	312A2000	59	80	01/15	>		25.128.00		30.376.00	53.210.00
with activated carbon air-conditioner / con climatizzatore, ai carboni attivi	312A2000	59	80	01/15	>					54.248.00
antibacterial, anti-odour and anti-allergen filter / filtro antibatterico, antiodori e anti-allergeni	312A2000	59	80	01/15	>					34.248.00
0.9 TwinAir Turbo 85										
with air-conditioner / con climatizzatore	312A2000	63	86	01/12	>		25.128.00		30.376.00	53.210.00
with activated carbon air-conditioner / con climatizzatore, ai carboni attivi	312A2000	63	86	01/12	>					54.248.00
antibacterial, anti-odour and anti-allergen filter / filtro antibatterico, antiodori e anti-allergeni	312A2000	63	86	01/12	>					34.248.00
0.9 TwinAir Turbo 85 4x4										
with air-conditioner / con climatizzatore	312A2000	63	86	01/12	>		25.128.00		30.376.00	53.210.00
with activated carbon air-conditioner / con climatizzatore, ai carboni attivi	312A2000	63	86	01/12	>					54.248.00
antibacterial, anti-odour and anti-allergen filter / filtro antibatterico, antiodori e anti-allergeni	312A2000	63	86	01/12	>					34.248.00
0.9 TwinAir Turbo 85 CNG/Natural Power										
with air-conditioner / con climatizzatore	312A2000	63	86	01/12	>		25.128.00		30.376.00	53.210.00
with activated carbon air-conditioner / con climatizzatore, ai carboni attivi	312A2000	63	86	01/12	>					54.248.00
antibacterial, anti-odour and anti-allergen filter / filtro antibatterico, antiodori e anti-allergeni	312A2000	63	86	01/12	>					34.248.00
0.9 TwinAir Turbo 90 4x4										
with air-conditioner / con climatizzatore	312A7000	66	90	06/14	>		25.128.00		30.376.00	53.210.00
with activated carbon air-conditioner / con climatizzatore, ai carboni attivi	312A7000	66	90	06/14	>					54.248.00
antibacterial, anti-odour and anti-allergen filter / filtro antibatterico, antiodori e anti-allergeni	312A7000	66	90	06/14	>					34.248.00
1.2 8V										
with air-conditioner / con climatizzatore	169A4000	51	69	01/12	>		23.438.00		30.301.00	53.210.00
with activated carbon air-conditioner / con climatizzatore, ai carboni attivi	169A4000	51	69	01/12	>					54.248.00
antibacterial, anti-odour and anti-allergen filter / filtro antibatterico, antiodori e anti-allergeni	169A4000	51	69	01/12	>					34.248.00
1.2 8V GPL/LPG										
with air-conditioner / con climatizzatore	169A4000	51	69	01/12	>		23.438.00		30.301.00	53.210.00
with activated carbon air-conditioner / con climatizzatore, ai carboni attivi	169A4000	51	69	01/12	>					54.248.00
antibacterial, anti-odour and anti-allergen filter / filtro antibatterico, antiodori e anti-allergeni	169A4000	51	69	01/12	>					34.248.00
1.3 16V Multijet										
with air-conditioner / con climatizzatore	312A8000	59	80	06/14	>		25.061.00		26.052.00	30.477.00
with activated carbon air-conditioner / con climatizzatore, ai carboni attivi	312A8000	59	80	06/14	>					54.248.00
antibacterial, anti-odour and anti-allergen filter / filtro antibatterico, antiodori e anti-allergeni	312A8000	59	80	06/14	>					34.248.00
1.3 16V Multijet 4x4										
with air-conditioner / con climatizzatore	312A8000	59	80	06/14	>		25.061.00		26.052.00	30.477.00
with activated carbon air-conditioner / con climatizzatore, ai carboni attivi	312A8000	59	80	06/14	>					54.248.00
antibacterial, anti-odour and anti-allergen filter / filtro antibatterico, antiodori e anti-allergeni	312A8000	59	80	06/14	>					34.248.00
1.3 16V Multijet 4x4 E6										
with air-conditioner / con climatizzatore	330A1000	70	95	04/15	>				26.052.00	30.795.00
with activated carbon air-conditioner / con climatizzatore, ai carboni attivi	330A1000	70	95	04/15	>					54.248.00
antibacterial, anti-odour and anti-allergen filter / filtro antibatterico, antiodori e anti-allergeni	330A1000	70	95	04/15	>					34.248.00
assembly UFI FILTERS / montaggio UFI FILTERS	330A1000	70	95	04/15	>		25.139.00			
1.3 16V Multijet E6										
with air-conditioner / con climatizzatore	312B1000	70	95	04/15	>				26.052.00	30.795.00
with activated carbon air-conditioner / con climatizzatore, ai carboni attivi	312B1000	70	95	04/15	>					54.248.00
antibacterial, anti-odour and anti-allergen filter / filtro antibatterico, antiodori e anti-allergeni	312B1000	70	95	04/15	>					34.248.00
assembly UFI FILTERS / montaggio UFI FILTERS	312B1000	70	95	04/15	>		25.139.00			
1.3 16V Multijet Start/Stop										
with air-conditioner / con climatizzatore	199A9000	55	75	01/12	>		25.061.00		26.052.00	30.477.00

...FIAT - cars/auto

with activated carbon air-conditioner / con climatizzatore, ai carboni attivi antibacterial, anti-odour and anti-allergen filter / filtro antibatterico, antiodori e anti-allergeni	199A9000	55	75	01/12	>				54.248.00
	199A9000	55	75	10/11	>				34.248.00
1.3 16V Multijet Start/Stop 4x4									
with air-conditioner / con climatizzatore	199A9000	55	75	01/12	>	25.061.00	26.052.00	30.477.00	53.210.00
with activated carbon air-conditioner / con climatizzatore, ai carboni attivi antibacterial, anti-odour and anti-allergen filter / filtro antibatterico, antiodori e anti-allergeni	199A9000	55	75	01/12	>				54.248.00
	199A9000	55	75	01/12	>				34.248.00
Panda Classic									
1.2 8V									
with air-conditioner / con climatizzatore	169A4000	51	69	01/12	>	23.438.00	×	30.301.00	53.088.00
with activated carbon air-conditioner / con climatizzatore, ai carboni attivi antibacterial, anti-odour and anti-allergen filter / filtro antibatterico, antiodori e anti-allergeni	169A4000	51	69	01/12	>				54.221.00
	169A4000	51	69	01/12	>				34.221.00
1.2 8V 4x4									
with air-conditioner / con climatizzatore	169A4000	51	69	01/12	>	23.438.00	×	30.301.00	53.088.00
with activated carbon air-conditioner / con climatizzatore, ai carboni attivi antibacterial, anti-odour and anti-allergen filter / filtro antibatterico, antiodori e anti-allergeni	169A4000	51	69	01/12	>				54.221.00
	169A4000	51	69	01/12	>				34.221.00
1.2 8V GPL/LPG									
with air-conditioner / con climatizzatore	169A4000	51	69	01/12	>	23.438.00	×	30.301.00	53.088.00
with activated carbon air-conditioner / con climatizzatore, ai carboni attivi antibacterial, anti-odour and anti-allergen filter / filtro antibatterico, antiodori e anti-allergeni	169A4000	51	69	01/12	>				54.221.00
	169A4000	51	69	01/12	>				34.221.00
1.3 16V Multijet Start/Stop									
with air-conditioner / con climatizzatore	199A9000	55	75	01/12	>	25.061.00	24.ONE.01	30.477.00	53.088.00
with activated carbon air-conditioner / con climatizzatore, ai carboni attivi antibacterial, anti-odour and anti-allergen filter / filtro antibatterico, antiodori e anti-allergeni	199A9000	55	75	01/12	>				54.221.00
	199A9000	55	75	01/12	>				34.221.00
1.3 16V Multijet Start/Stop 4x4									
with air-conditioner / con climatizzatore	199A9000	55	75	01/12	>	25.061.00	24.ONE.01	30.477.00	53.088.00
with activated carbon air-conditioner / con climatizzatore, ai carboni attivi antibacterial, anti-odour and anti-allergen filter / filtro antibatterico, antiodori e anti-allergeni	199A9000	55	75	01/12	>				54.221.00
	199A9000	55	75	01/12	>				34.221.00
1.4 Natural Power									
with air-conditioner / con climatizzatore	350A1000	57	77	01/12	>	23.438.00		30.301.00	53.088.00
with activated carbon air-conditioner / con climatizzatore, ai carboni attivi antibacterial, anti-odour and anti-allergen filter / filtro antibatterico, antiodori e anti-allergeni	350A1000	57	77	01/12	>				54.221.00
	350A1000	57	77	01/12	>				34.221.00
Panda MY.2009									
1.1									
with air-conditioner / con climatizzatore	187A1000	40	54	04/09	> 10/10	23.438.00	∞	30.194.00	53.088.00
1.2									
with air-conditioner / con climatizzatore	188A4000	44	60	04/09	> 10/10	23.438.00	∞	30.194.00	53.088.00
with activated carbon air-conditioner / con climatizzatore, ai carboni attivi antibacterial, anti-odour and anti-allergen filter / filtro antibatterico, antiodori e anti-allergeni	188A4000	44	60	04/09	> 10/10				54.221.00
	188A4000	44	60	04/09	> 10/10				34.221.00
1.2 4x4									
with air-conditioner / con climatizzatore	188A4000	44	60	04/09	> 10/10	23.438.00	∞	30.194.00	53.088.00
with activated carbon air-conditioner / con climatizzatore, ai carboni attivi antibacterial, anti-odour and anti-allergen filter / filtro antibatterico, antiodori e anti-allergeni	188A4000	44	60	04/09	> 10/10				54.221.00
	188A4000	44	60	04/09	> 10/10				34.221.00
1.2 8V GPL/LPG									
with air-conditioner / con climatizzatore	188A4000	44	60	04/09	> 10/10	23.438.00	∞	30.194.00	53.088.00
with activated carbon air-conditioner / con climatizzatore, ai carboni attivi antibacterial, anti-odour and anti-allergen filter / filtro antibatterico, antiodori e anti-allergeni	188A4000	44	60	04/09	> 10/10				54.221.00
	188A4000	44	60	04/09	> 10/10				34.221.00
spare part only FL-375 (Ø 42 x Ø 17 x 50 H) / solo ricambio FL-375 (Ø 42 x Ø 17 x 50 H)	188A4000	44	60	04/09	> 10/10		46.008.00		
1.2 Euro5									
with air-conditioner / con climatizzatore	169A4000	51	70	04/09	> 10/10	23.438.00	∞	30.301.00	53.088.00
with activated carbon air-conditioner / con climatizzatore, ai carboni attivi antibacterial, anti-odour and anti-allergen filter / filtro antibatterico, antiodori e anti-allergeni	169A4000	51	70	04/09	> 10/10				54.221.00
	169A4000	51	70	04/09	> 10/10				34.221.00
1.2 Natural Power									
with air-conditioner / con climatizzatore	188A4000	44	60	04/09	> 10/10	23.438.00		30.194.00	53.088.00
with activated carbon air-conditioner / con climatizzatore, ai carboni attivi antibacterial, anti-odour and anti-allergen filter / filtro antibatterico, antiodori e anti-allergeni	188A4000	44	60	04/09	> 10/10				54.221.00
	188A4000	44	60	04/09	> 10/10				34.221.00
1.3 MJTD 16V									
with activated carbon air-conditioner / con climatizzatore, ai carboni attivi	188A8000	51	70	04/09	> 10/10				54.221.00
with air-conditioner, assembly PURFLUX / con climatizzatore, montaggio PURFLUX	188A8000	51	70	04/09	> 10/10	25.043.00	60.H2O.00	30.265.00	53.088.00
with air-conditioner, assembly UFI / con climatizzatore, montaggio UFI	188A8000	51	70	04/09	> 10/10	25.031.00	60.H2O.00	30.265.00	53.088.00
antibacterial, anti-odour and anti-allergen filter / filtro antibatterico, antiodori e anti-allergeni	188A8000	51	70	04/09	> 10/10				34.221.00
complete filter and disassembly key / filtro completo e chiave di smontaggio	188A8000	51	70	04/09	> 10/10		55.173.00		19.008.00
1.3 MJTD 16V 4X4									
with activated carbon air-conditioner / con climatizzatore, ai carboni attivi	188A8000	51	70	04/09	> 10/10				54.221.00
with air-conditioner, assembly PURFLUX / con climatizzatore, montaggio PURFLUX	188A8000	51	70	04/09	> 10/10	25.043.00	60.H2O.00	30.265.00	53.088.00
with air-conditioner, assembly UFI / con climatizzatore, montaggio UFI	188A8000	51	70	04/09	> 10/10	25.031.00	60.H2O.00	30.265.00	53.088.00
antibacterial, anti-odour and anti-allergen filter / filtro antibatterico, antiodori e anti-allergeni	188A8000	51	70	04/09	> 10/10				34.221.00
complete filter and disassembly key / filtro completo e chiave di smontaggio	188A8000	51	70	04/09	> 10/10		55.173.00		19.008.00

...FIAT - cars/auto

F

1.3 MJTD 16V 75 DPF										
with activated carbon air-conditioner / con climatizzatore, ai carboni attivi	169A1000	55	75	04/09	>	10/10				54.221.00
with air-conditioner, assembly PURFLUX / con climatizzatore, montaggio PURFLUX	169A1000	55	75	04/09	>	10/10	25.043.00	60.H2O.00	30.265.00	53.088.00
with air-conditioner, assembly UFI / con climatizzatore, montaggio UFI	169A1000	55	75	04/09	>	10/10	25.031.00	60.H2O.00	30.265.00	53.088.00
antibacterial, anti-odour and anti-allergen filter / filtro antibatterico, antiodori e anti-allergeni	169A1000	55	75	04/09	>	10/10				34.221.00
complete filter and disassembly key / filtro completo e chiave di smontaggio	169A1000	55	75	04/09	>	10/10		55.173.00		19.008.00
1.4 16V 100										
with air-conditioner / con climatizzatore	169A3000	74	101	04/09	>	10/10	23.438.00		30.339.00	53.088.00
with activated carbon air-conditioner / con climatizzatore, ai carboni attivi	169A3000	74	101	04/09	>	10/10				54.221.00
antibacterial, anti-odour and anti-allergen filter / filtro antibatterico, antiodori e anti-allergeni	169A3000	74	101	04/09	>	10/10				34.221.00
Panda MY.2011										
1.2 GPL/LPG										
with air-conditioner / con climatizzatore	169A4000	51	69	09/10	>		23.438.00		30.301.00	53.088.00
with activated carbon air-conditioner / con climatizzatore, ai carboni attivi	169A4000	51	69	09/10	>					54.221.00
antibacterial, anti-odour and anti-allergen filter / filtro antibatterico, antiodori e anti-allergeni	169A4000	51	69	09/10	>					34.221.00
1.3 MJTD 16V 75 E5										
with air-conditioner / con climatizzatore	169A4000	55	75	09/10	>		25.061.00	24.ONE.01	30.477.00	53.088.00
with activated carbon air-conditioner / con climatizzatore, ai carboni attivi	169A4000	55	75	09/10	>					54.221.00
antibacterial, anti-odour and anti-allergen filter / filtro antibatterico, antiodori e anti-allergeni	169A4000	55	75	09/10	>					34.221.00
1.4 Natural Power										
with air-conditioner / con climatizzatore	350A1000	57	77	09/10	>		23.438.00		30.301.00	53.088.00
with activated carbon air-conditioner / con climatizzatore, ai carboni attivi	350A1000	57	77	09/10	>					54.221.00
antibacterial, anti-odour and anti-allergen filter / filtro antibatterico, antiodori e anti-allergeni	350A1000	57	77	09/10	>					34.221.00
Punto (199)										
0.9 Twin Air Turbo										
	199B6000	74	101	12/13	>		25.128.00		30.376.00	53.124.00
with activated carbons / ai carboni attivi	199B6000	74	101	12/13	>					54.162.00
antibacterial, anti-odour and anti-allergen filter / filtro antibatterico, antiodori e anti-allergeni	199B6000	74	101	12/13	>					34.162.00
0.9 Twin Air Turbo 100 Eco										
	199B6000	72	98	07/13	>		25.128.00		30.376.00	53.124.00
with activated carbons / ai carboni attivi	199B6000	72	98	07/13	>					54.162.00
antibacterial, anti-odour and anti-allergen filter / filtro antibatterico, antiodori e anti-allergeni	199B6000	72	98	07/13	>					34.162.00
0.9 Twin Air Turbo 105										
	199B6000	77	105	07/13	>		25.128.00		30.376.00	53.124.00
with activated carbons / ai carboni attivi	199B6000	77	105	07/13	>					54.162.00
antibacterial, anti-odour and anti-allergen filter / filtro antibatterico, antiodori e anti-allergeni	199B6000	77	105	07/13	>					34.162.00
0.9 Twin Air Turbo 85										
	312A2000	63	86	03/12	>		25.128.00		30.376.00	53.124.00
with activated carbons / ai carboni attivi	312A2000	63	86	03/12	>					54.162.00
antibacterial, anti-odour and anti-allergen filter / filtro antibatterico, antiodori e anti-allergeni	312A2000	63	86	03/12	>					34.162.00
1.2 8V										
with activated carbons / ai carboni attivi	169A4000	51	69	03/12	>		23.438.00		30.301.00	53.124.00
antibacterial, anti-odour and anti-allergen filter / filtro antibatterico, antiodori e anti-allergeni	169A4000	51	69	03/12	>					34.162.00
1.2 8V 67										
with activated carbons / ai carboni attivi	199B9000	49	67	02/14	>		23.438.00		30.301.00	53.124.00
antibacterial, anti-odour and anti-allergen filter / filtro antibatterico, antiodori e anti-allergeni	199B9000	49	67	02/14	>					34.162.00
1.3 MJT 75 E4										
with activated carbons / ai carboni attivi	199A2000	55	75	10/11	>			24.ONE.00	30.265.00	54.162.00
antibacterial, anti-odour and anti-allergen filter / filtro antibatterico, antiodori e anti-allergeni	199A2000	55	75	10/11	>					34.162.00
assembly PURFLUX / montaggio PURFLUX	199A2000	55	75	10/11	>		25.043.00	24.ONE.00	30.265.00	53.124.00
assembly UFI / montaggio UFI	199A2000	55	75	10/11	>		25.031.00	24.ONE.00	30.265.00	53.124.00
1.3 MJT 75 E5										
with activated carbons / ai carboni attivi	199A9000	55	75	03/12	>		25.061.00	24.ONE.01	30.477.00	53.124.00
antibacterial, anti-odour and anti-allergen filter / filtro antibatterico, antiodori e anti-allergeni	199A9000	55	75	03/12	>					34.162.00
1.3 MJT 80										
with activated carbons / ai carboni attivi	199B8000	59	80	12/13	>		25.061.00	24.ONE.01	30.477.00	53.124.00
antibacterial, anti-odour and anti-allergen filter / filtro antibatterico, antiodori e anti-allergeni	199B8000	59	80	12/13	>					34.162.00
heat exchanger / scambiatore di calore	199B8000	59	80	12/13	>					00.G38.00
1.3 MJT 85										
with activated carbons / ai carboni attivi	199B4000	63	85	03/12	>		25.061.00	24.ONE.01	30.477.00	53.124.00
antibacterial, anti-odour and anti-allergen filter / filtro antibatterico, antiodori e anti-allergeni	199B4000	63	85	03/12	>					34.162.00
1.3 MJT 95 E5										
with activated carbons / ai carboni attivi	199B1000	70	95	03/12	>		25.061.00	24.ONE.01	30.477.00	53.124.00
antibacterial, anti-odour and anti-allergen filter / filtro antibatterico, antiodori e anti-allergeni	199B1000	70	95	03/12	>					34.162.00
1.3 MJT 95 E6										
with activated carbons / ai carboni attivi	330A1000	70	95	05/16	>			26.052.00	30.297.00	53.124.00
antibacterial, anti-odour and anti-allergen filter / filtro antibatterico, antiodori e anti-allergeni	330A1000	70	95	05/16	>					34.162.00
assembly UFI FILTERS / montaggio UFI FILTERS	330A1000	70	95	05/16	>		25.139.00			
1.4 16V Multiair 105										
with activated carbons / ai carboni attivi	955A6000	77	105	03/12	>		25.043.00		30.353.00	53.124.00
antibacterial, anti-odour and anti-allergen filter / filtro antibatterico, antiodori e anti-allergeni	955A6000	77	105	03/12	>					54.162.00
antibacterial, anti-odour and anti-allergen filter / filtro antibatterico, antiodori e anti-allergeni	955A6000	77	105	03/12	>					34.162.00

...FIAT - cars/auto

1.4 16V Multiair Turbo	955A2000	99	135	03/12	>	25.043.00		30.297.00	53.124.00
with activated carbons / ai carboni attivi	955A2000	99	135	03/12	>				54.162.00
antibacterial, anti-odour and anti-allergen filter / filtro antibatterico, antiodori e anti-allergeni	955A2000	99	135	03/12	>				34.162.00
1.4 8V	350A1000	57	77	03/12	>	23.438.00		30.301.00	53.124.00
with activated carbons / ai carboni attivi	350A1000	57	77	03/12	>				54.162.00
antibacterial, anti-odour and anti-allergen filter / filtro antibatterico, antiodori e anti-allergeni	350A1000	57	77	03/12	>				34.162.00
1.4 8V EasyPower	350A1000	57	77	03/12	>	23.438.00		30.301.00	53.124.00
with activated carbons / ai carboni attivi	350A1000	57	77	03/12	>				54.162.00
antibacterial, anti-odour and anti-allergen filter / filtro antibatterico, antiodori e anti-allergeni	350A1000	57	77	03/12	>				34.162.00
1.4 8V Natural Power	350A1000	57	77	03/12	>	23.438.00		30.301.00	53.124.00
with activated carbons / ai carboni attivi	350A1000	57	77	03/12	>				54.162.00
antibacterial, anti-odour and anti-allergen filter / filtro antibatterico, antiodori e anti-allergeni	350A1000	57	77	03/12	>				34.162.00
Punto Evo (199)									
1.2	199A4000	48	65	10/09	>	23.438.00		30.301.00	53.124.00
with activated carbons / ai carboni attivi	199A4000	48	65	10/09	>	23.438.00		30.301.00	54.162.00
antibacterial, anti-odour and anti-allergen filter / filtro antibatterico, antiodori e anti-allergeni	199A4000	48	65	10/09	>				34.162.00
1.2 Stop&Start	169A4000	51	69	10/09	>	23.438.00		30.301.00	53.124.00
with activated carbons / ai carboni attivi	169A4000	51	69	10/09	>	23.438.00		30.301.00	54.162.00
antibacterial, anti-odour and anti-allergen filter / filtro antibatterico, antiodori e anti-allergeni	169A4000	51	69	10/09	>				34.162.00
1.3 MJTD 16V 75 DPF Stop&Start	199A9000	55	75	10/09	>	25.061.00	24.ONE.01	30.477.00	53.124.00
with activated carbons / ai carboni attivi	199A9000	55	75	10/09	>	25.061.00	24.ONE.01	30.477.00	54.162.00
antibacterial, anti-odour and anti-allergen filter / filtro antibatterico, antiodori e anti-allergeni	199A9000	55	75	10/09	>				34.162.00
1.3 MJTD 16V 75 E4									
with activated carbons / ai carboni attivi	199A9000	55	75	10/09	>		24.ONE.00	30.265.00	54.162.00
antibacterial, anti-odour and anti-allergen filter / filtro antibatterico, antiodori e anti-allergeni	199A9000	55	75	10/09	>				34.162.00
assembly PURFLUX / montaggio PURFLUX	199A9000	55	75	10/09	>	25.043.00	24.ONE.00	30.265.00	53.124.00
assembly UFI / montaggio UFI	199A9000	55	75	10/09	>	25.031.00	24.ONE.00	30.265.00	53.124.00
1.3 MJTD 16V 85 E4									
with activated carbons / ai carboni attivi	223A9000	62	85	10/09	>				54.162.00
antibacterial, anti-odour and anti-allergen filter / filtro antibatterico, antiodori e anti-allergeni	223A9000	62	85	10/09	>				34.162.00
assembly PURFLUX / montaggio PURFLUX	223A9000	62	85	10/09	>	25.043.00	24.ONE.00	30.265.00	53.124.00
assembly UFI / montaggio UFI	223A9000	62	85	10/09	>	25.031.00	24.ONE.00	30.265.00	53.124.00
1.3 MJTD 16V 85 E5	199B4000	62	85	04/10	>	25.061.00	24.ONE.01	30.477.00	53.124.00
with activated carbons / ai carboni attivi	199B4000	62	85	04/10	>				54.162.00
antibacterial, anti-odour and anti-allergen filter / filtro antibatterico, antiodori e anti-allergeni	199B4000	62	85	04/10	>				34.162.00
1.3 MJTD 16V 90 E4									
with activated carbons / ai carboni attivi	199A3000	66	90	10/09	>		24.ONE.01	30.265.00	54.162.00
antibacterial, anti-odour and anti-allergen filter / filtro antibatterico, antiodori e anti-allergeni	199A3000	66	90	10/09	>				34.162.00
assembly PURFLUX / montaggio PURFLUX	199A3000	66	90	10/09	>	25.043.00	24.ONE.01	30.265.00	53.124.00
assembly UFI / montaggio UFI	199A3000	66	90	10/09	>	25.031.00	24.ONE.01	30.265.00	53.124.00
1.3 MJTD 16V 95 DPF Stop&Start	199B1000	70	95	10/09	>	25.061.00	24.ONE.01	30.477.00	53.124.00
with activated carbons / ai carboni attivi	199B1000	70	95	10/09	>				54.162.00
antibacterial, anti-odour and anti-allergen filter / filtro antibatterico, antiodori e anti-allergeni	199B1000	70	95	10/09	>				34.162.00
1.3 MJTD 70 E4									
with activated carbons / ai carboni attivi	199B2000	51	70	07/08	>		24.ONE.00	30.265.00	54.162.00
antibacterial, anti-odour and anti-allergen filter / filtro antibatterico, antiodori e anti-allergeni	199B2000	51	70	07/08	>				34.162.00
assembly PURFLUX / montaggio PURFLUX	199B2000	51	70	07/08	>	25.043.00	24.ONE.00	30.265.00	53.124.00
assembly UFI / montaggio UFI	199B2000	51	70	07/08	>	25.031.00	24.ONE.00	30.265.00	53.124.00
1.4	199A7000/350A1000	57	77	10/09	>	23.438.00		30.301.00	53.124.00
with activated carbons / ai carboni attivi	199A7000/350A1000	57	77	10/09	>				54.162.00
antibacterial, anti-odour and anti-allergen filter / filtro antibatterico, antiodori e anti-allergeni	199A7000/350A1000	57	77	10/09	>				34.162.00
1.4 16V Multiair 105	955A6000	77	105	10/09	>	25.043.00		30.353.00	53.124.00
with activated carbons / ai carboni attivi	955A6000	77	105	10/09	>				54.162.00
antibacterial, anti-odour and anti-allergen filter / filtro antibatterico, antiodori e anti-allergeni	955A6000	77	105	10/09	>				34.162.00
1.4 16V Multiair 135	955A2000	99	135	10/09	>	25.043.00		30.297.00	53.124.00
with activated carbons / ai carboni attivi	955A2000	99	135	10/09	>				54.162.00
antibacterial, anti-odour and anti-allergen filter / filtro antibatterico, antiodori e anti-allergeni	955A2000	99	135	10/09	>				34.162.00
1.4 Euro5	199A7000/350A1000	57	77	10/09	>	23.438.00		30.301.00	53.124.00
with activated carbons / ai carboni attivi	199A7000/350A1000	57	77	10/09	>				54.162.00
antibacterial, anti-odour and anti-allergen filter / filtro antibatterico, antiodori e anti-allergeni	199A7000/350A1000	57	77	10/09	>				34.162.00
1.4 Euro5 Stop&Start	350A1000	57	77	10/09	>	23.438.00		30.301.00	53.124.00
with activated carbons / ai carboni attivi	350A1000	57	77	10/09	>				54.162.00
antibacterial, anti-odour and anti-allergen filter / filtro antibatterico, antiodori e anti-allergeni	350A1000	57	77	10/09	>				34.162.00
1.4 GPL	199A7000/350A1000	57	77	10/09	>	23.438.00	31.836.00	30.301.00	53.124.00
1.4 Natural Power	199A7000/350A1000	57	77	10/09	>	23.438.00		30.301.00	53.124.00
1.6 MJTD 16V 120 DPF	955A3000	88	120	10/09	>	25.061.00	24.ONE.01	30.297.00	53.124.00
1.6 MJTD 16V 120 DPF Stop&Start	955A3000	88	120	10/09	>	25.083.00	24.ONE.01	30.297.00	53.124.00

...FIAT - cars/auto

F

Punto I (176)

1.2 16V 85									
to engine No. 00140454 / a motore N. 00140454	176B9000	63	86			23.196.00	31.515.00	30.034.00	
from engine No. 00140455 / da motore N. 00140455	176B9000	63	86			23.438.00	31.515.00	30.034.00	
1.2 16V 85 Cabrio									
to engine No. 00140454 / a motore N. 00140454	176B9000	63	86			23.196.00	31.515.00	30.034.00	
with air-conditioner / con climatizzatore	176B9000	63	86	04/97 >	06/00		31.515.00	30.034.00	53.024.00
from engine No. 00140455 / da motore N. 00140455	176B9000	63	86		> 06/00	23.438.00	31.515.00	30.034.00	
1.2 16V Sporting									
to engine No. 00140454 / a motore N. 00140454	176B9000	63	86			23.196.00	31.515.00	30.034.00	
from engine No. 00140455 / da motore N. 00140455	176B9000	63	86			23.438.00	31.515.00	30.034.00	
1.2 60 Cabrio CF2 Rest.97									
with air-conditioner / con climatizzatore	176B4000	43	58	05/97 >	06/00	23.196.00	31.515.00	30.032.00	53.024.00
1.4 Turbo GT									
to engine No. 9039157 / a motore N. 9039157	176A4000	98	133			23.175.00		30.034.00	53.024.00
or / oppure	176A4000	98	133			23.448.00		30.034.00	53.024.00
1.4 Turbo GT CF2									
to engine No. 9039157 / a motore N. 9039157	176B6000	96	130			23.175.00	31.515.00	30.034.00	53.024.00

Punto II (188)

1.2 16V 80									
with air-conditioner (spare part only) / con climatizzatore (solo ricambio)	188A5000	59	80	09/99 >	05/03	23.438.00		30.112.00	53.043.00
with activated carbon air-conditioner DENSO / con climatizzatore, ai carboni attivi DENSO	188A5000	59	80	09/99 >	05/03				54.262.00
antibacterial, anti-odour and anti-allergen filter with air-conditioner DENSO / filtro antibatterico, antiodori e anti-allergeni con climatizzatore DENSO	188A5000	59	80	09/99 >	05/03				34.262.00
1.2 16V E3									
with air-conditioner (spare part only) / con climatizzatore (solo ricambio)	188A5000	59	80	06/03 >	08/09	23.438.00		30.112.00	53.043.00
with activated carbon air-conditioner DENSO / con climatizzatore, ai carboni attivi DENSO	188A5000	59	80	06/03 >	08/09				54.262.00
antibacterial, anti-odour and anti-allergen filter with air-conditioner DENSO / filtro antibatterico, antiodori e anti-allergeni con climatizzatore DENSO	188A5000	59	80	06/03 >	08/09				34.262.00
1.2 16V Sporting									
with air-conditioner (spare part only) / con climatizzatore (solo ricambio)	188A5000	59	80	09/99 >	05/03	23.438.00		30.112.00	53.043.00
with activated carbon air-conditioner DENSO / con climatizzatore, ai carboni attivi DENSO	188A5000	59	80	09/99 >	05/03				54.262.00
antibacterial, anti-odour and anti-allergen filter with air-conditioner DENSO / filtro antibatterico, antiodori e anti-allergeni con climatizzatore DENSO	188A5000	59	80	09/09 >	05/03				34.262.00
1.2 60 CF2									
with air-conditioner (spare part only) / con climatizzatore (solo ricambio)	188A4000	44	60	09/99 >	08/00	23.196.00		30.118.01	53.043.00
with air-conditioner (spare part only) / con climatizzatore (solo ricambio)	188A4000	44	60	09/00 >	05/03	23.415.00		30.118.01	53.043.00
with activated carbon air-conditioner DENSO / con climatizzatore, ai carboni attivi DENSO	188A4000	44	60	09/99 >	05/03				54.262.00
antibacterial, anti-odour and anti-allergen filter with air-conditioner DENSO / filtro antibatterico, antiodori e anti-allergeni con climatizzatore DENSO	188A4000	44	60	09/99 >	05/03				34.262.00
1.2 60 CF3									
with air-conditioner (spare part only) / con climatizzatore (solo ricambio)	188A4000	44	60	09/00 >	05/03	23.415.00		30.118.01	53.043.00
with activated carbon air-conditioner DENSO / con climatizzatore, ai carboni attivi DENSO	188A4000	44	60	09/00 >	05/03				54.262.00
antibacterial, anti-odour and anti-allergen filter with air-conditioner DENSO / filtro antibatterico, antiodori e anti-allergeni con climatizzatore DENSO	188A4000	44	60	09/00 >	05/03				34.262.00
1.2 60 CF3									
with air-conditioner (spare part only) / con climatizzatore (solo ricambio)	188A4000 BR (OPT. 229)	44	60	09/99 >	05/03	23.438.00		30.118.01	53.043.00
with activated carbon air-conditioner DENSO / con climatizzatore, ai carboni attivi DENSO	188A4000 BR (OPT. 229)	44	60	09/99 >	05/03				54.262.00
antibacterial, anti-odour and anti-allergen filter with air-conditioner DENSO / filtro antibatterico, antiodori e anti-allergeni con climatizzatore DENSO	188A4000 BR (OPT. 229)	44	60	09/99 >	05/03				34.262.00
1.2 8V									
with air-conditioner (spare part only) / con climatizzatore (solo ricambio)	188A4000	44	60	06/03 >	08/03	23.415.00		30.118.01	53.043.00
with air-conditioner (spare part only) / con climatizzatore (solo ricambio)	188A4000	44	60	09/03 >	10/05	23.438.00		30.118.01	53.043.00
with air-conditioner (spare part only) / con climatizzatore (solo ricambio)	188A4000	44	60	11/05 >	04/11	23.438.00		30.194.00	53.043.00
with activated carbon air-conditioner DENSO / con climatizzatore, ai carboni attivi DENSO	188A4000	44	60	06/03 >	04/11				54.262.00
antibacterial, anti-odour and anti-allergen filter with air-conditioner DENSO / filtro antibatterico, antiodori e anti-allergeni con climatizzatore DENSO	188A4000	44	60	06/03 >	04/11				34.262.00
1.2 8V Bipower									
with air-conditioner (spare part only) / con climatizzatore (solo ricambio)	188A4000	44	60	06/03 >	08/03	23.415.00		30.118.01	53.043.00
with air-conditioner (spare part only) / con climatizzatore (solo ricambio)	188A4000	44	60	09/03 >	05/06	23.438.00		30.118.01	53.043.00
with air-conditioner (spare part only) / con climatizzatore (solo ricambio)	188A4000	44	60	06/06 >	04/11	23.438.00		30.194.00	53.043.00
with activated carbon air-conditioner DENSO / con climatizzatore, ai carboni attivi DENSO	188A4000	44	60	06/03 >	04/11				54.262.00
antibacterial, anti-odour and anti-allergen filter with air-conditioner DENSO / filtro antibatterico, antiodori e anti-allergeni con climatizzatore DENSO	188A4000	44	60	06/03 >	04/11				34.262.00
1.2 8V GPL/LPG									
with air-conditioner (spare part only) / con climatizzatore (solo ricambio)	188A4000	44	60	01/07 >	04/11	23.438.00		30.194.00	53.043.00
with activated carbon air-conditioner DENSO / con climatizzatore, ai carboni attivi DENSO	188A4000	44	60	01/07 >	04/11				54.262.00
antibacterial, anti-odour and anti-allergen filter with air-conditioner DENSO / filtro antibatterico, antiodori e anti-allergeni con climatizzatore DENSO	188A4000	44	60	01/07 >	04/11				34.262.00
spare part only FL-375 (Ø 42 x Ø 17 x 50 H) / solo ricambio FL-375 (Ø 42 x Ø 17 x 50 H)	188A4000	44	60	01/07 >	04/11		46.008.00		
1.2 8V Selespeed									
with air-conditioner (spare part only) / con climatizzatore (solo ricambio)	188A4000	44	60	06/03 >	08/03	23.415.00		30.194.00	53.043.00
with air-conditioner (spare part only) / con climatizzatore (solo ricambio)	188A4000	44	60	09/03 >	08/09	23.438.00		30.194.00	53.043.00
with activated carbon air-conditioner DENSO / con climatizzatore, ai carboni attivi DENSO	188A4000	44	60	09/03 >	08/09				54.262.00
antibacterial, anti-odour and anti-allergen filter with air-conditioner DENSO / filtro antibatterico, antiodori e anti-allergeni con climatizzatore DENSO	188A4000	44	60	06/03 >	08/09				34.262.00
1.3 JTD 16V Multijet									

...FIAT - cars/auto

with activated carbon air-conditioner DENSO / con climatizzatore, ai carboni attivi DENSO	188A9000	51	70	06/03	>	04/11				54.262.00
with air-conditioner, assembly UFI / con climatizzatore, montaggio UFI	188A9000	51	70	01/05	>	04/11	25.031.00	60.H2O.00	30.265.00	53.043.00
antibacterial, anti-odour and anti-allergen filter with air-conditioner DENSO / filtro antibatterico, antiodori e anti-allergeni con climatizzatore DENSO	188A9000	51	70	06/03	>	04/11				34.262.00
complete filter with R.H.D. and disassembly key / filtro completo con guida a destra e chiave di smontaggio	188A9000	51	70	06/03	>	04/11		55.108.00		19.008.00
complete filter with L.H.D. and disassembly key / filtro completo con guida a sinistra e chiave di smontaggio	188A9000	51	70	06/03	>	04/11		55.084.00		19.008.00
assembly PURFLUX / montaggio PURFLUX	188A9000	51	70	06/03	>	04/11	25.043.00	60.H2O.00	30.265.00	53.043.00
1.4 16V CF4										
with air-conditioner (spare part only) / con climatizzatore (solo ricambio)	843A1000	70	95	06/03	>	08/09	23.438.00		30.135.00	53.043.00
with activated carbon air-conditioner DENSO / con climatizzatore, ai carboni attivi DENSO	843A1000	70	95	06/03	>	08/09				54.262.00
antibacterial, anti-odour and anti-allergen filter with air-conditioner DENSO / filtro antibatterico, antiodori e anti-allergeni con climatizzatore DENSO	843A1000	70	95	06/03	>	08/09				34.262.00
1.8 16V 130 HGT CF2										
with air-conditioner (spare part only) / con climatizzatore (solo ricambio)	183A1000	96	130	09/99	>	05/03	23.415.00		27.341.00	53.043.00
with activated carbon air-conditioner DENSO / con climatizzatore, ai carboni attivi DENSO	183A1000	96	130	09/99	>	05/03				54.262.00
antibacterial, anti-odour and anti-allergen filter with air-conditioner DENSO / filtro antibatterico, antiodori e anti-allergeni con climatizzatore DENSO	183A1000	96	130	09/99	>	05/03				34.262.00
1.8 16V 130 HGT CF3										
with air-conditioner (spare part only) / con climatizzatore (solo ricambio)	188A6000	96	130	09/99	>	05/03	23.415.00		27.341.00	53.043.00
with activated carbon air-conditioner DENSO / con climatizzatore, ai carboni attivi DENSO	188A6000	96	130	09/99	>	05/03				54.262.00
antibacterial, anti-odour and anti-allergen filter with air-conditioner DENSO / filtro antibatterico, antiodori e anti-allergeni con climatizzatore DENSO	188A6000	96	130	09/99	>	05/03				34.262.00
1.8 16V CF4										
with air-conditioner (spare part only) / con climatizzatore (solo ricambio)	188A6000	96	130	06/03	>	08/09	23.415.00		27.341.00	53.043.00
with activated carbon air-conditioner DENSO / con climatizzatore, ai carboni attivi DENSO	188A6000	96	130	06/03	>	08/09				54.262.00
antibacterial, anti-odour and anti-allergen filter with air-conditioner DENSO / filtro antibatterico, antiodori e anti-allergeni con climatizzatore DENSO	188A6000	96	130	06/03	>	08/09				34.262.00
1.9 D										
with air-conditioner (spare part only) / con climatizzatore (solo ricambio)	188A3000	44	60	09/99	>	05/03	23.414.00	24.412.00	27.341.00	53.043.00
with activated carbon air-conditioner DENSO / con climatizzatore, ai carboni attivi DENSO	188A3000	44	60	09/99	>	05/03				54.262.00
antibacterial, anti-odour and anti-allergen filter with air-conditioner DENSO / filtro antibatterico, antiodori e anti-allergeni con climatizzatore DENSO	188A3000	44	60	09/99	>	05/03				34.262.00
or / oppure	188A3000	44	60	09/99	>	05/03	23.449.00	24.412.00	27.341.00	53.043.00
1.9 JTD										
with air-conditioner (spare part only) / con climatizzatore (solo ricambio)	188A7000	63	85	06/03	>	08/09	23.449.00	60.H2O.00	27.341.00	53.043.00
with activated carbon air-conditioner DENSO / con climatizzatore, ai carboni attivi DENSO	188A7000	63	85	06/03	>	08/09				54.262.00
antibacterial, anti-odour and anti-allergen filter with air-conditioner DENSO / filtro antibatterico, antiodori e anti-allergeni con climatizzatore DENSO	188A7000	63	85	06/03	>	08/09				34.262.00
complete filter and disassembly key / filtro completo e chiave di smontaggio	188A7000	63	85	06/03	>	08/09		55.108.00		19.008.00
1.9 JTD CF2										
with air-conditioner (spare part only) / con climatizzatore (solo ricambio)	188A2000	59	80	09/99	>	05/01	23.414.00	24.408.00	27.341.00	53.043.00
with activated carbon air-conditioner DENSO / con climatizzatore, ai carboni attivi DENSO	188A2000	59	80	09/99	>	05/01				54.262.00
antibacterial, anti-odour and anti-allergen filter with air-conditioner DENSO / filtro antibatterico, antiodori e anti-allergeni con climatizzatore DENSO	188A2000	59	80	09/99	>	05/01				34.262.00
or / oppure	188A2000	59	80	09/99	>	05/01	23.449.00	24.408.00	27.341.00	
1.9 JTD CF3										
with air-conditioner (spare part only) / con climatizzatore (solo ricambio)	188A2000	59	80	01/00	>	05/03	23.449.00		27.341.00	53.043.00
with activated carbon air-conditioner DENSO / con climatizzatore, ai carboni attivi DENSO	188A2000	59	80	01/00	>	05/03				54.262.00
with water presence sensor / con sensore presenza acqua	188A2000	59	80	10/00	>	05/03	23.449.00	24.H2O.07	27.341.00	
antibacterial, anti-odour and anti-allergen filter with air-conditioner DENSO / filtro antibatterico, antiodori e anti-allergeni con climatizzatore DENSO	188A2000	59	80	01/00	>	05/03				34.262.00
without water presence sensor / senza sensore presenza acqua	188A2000	59	80	01/00	>	09/00	23.449.00	24.408.00	27.341.00	
1.9 JTD CF3										
with air-conditioner (spare part only) / con climatizzatore (solo ricambio)	188A7000	63	85	06/01	>	05/03	23.449.00	24.H2O.07	27.341.00	53.043.00
with activated carbon air-conditioner DENSO / con climatizzatore, ai carboni attivi DENSO	188A7000	63	85	06/01	>	05/03				54.262.00
antibacterial, anti-odour and anti-allergen filter with air-conditioner DENSO / filtro antibatterico, antiodori e anti-allergeni con climatizzatore DENSO	188A7000	63	85	06/01	>	05/03				34.262.00
1.9 JTD Multijet										
with air-conditioner (spare part only) / con climatizzatore (solo ricambio)	188B2000	74	100	06/03	>	08/09	23.455.00	60.H2O.00	27.341.00	53.043.00
with activated carbon air-conditioner DENSO / con climatizzatore, ai carboni attivi DENSO	188B2000	74	100	06/03	>	08/09				54.262.00
antibacterial, anti-odour and anti-allergen filter with air-conditioner DENSO / filtro antibatterico, antiodori e anti-allergeni con climatizzatore DENSO	188B2000	74	100	06/03	>	08/09				34.262.00
complete filter and disassembly key / filtro completo e chiave di smontaggio	188B2000	74	100	06/03	>	08/09		55.108.00		19.008.00
Qubo										
1.3 MJTD 16V 75 E5										
with air-conditioner and R.H.D. / con climatizzatore e guida a destra	199A9000	55	75	07/10	>		25.061.00	24.ONE.01	30.477.00	53.124.00
with air-conditioner and L.H.D. / con climatizzatore e guida a sinistra	199A9000	55	75	07/10	>		25.061.00	24.ONE.01	30.477.00	53.157.00
with activated carbon R.H.D. / con guida a destra, ai carboni attivi	199A9000	55	75	07/10	>					54.162.00
antibacterial, anti-odour and anti-allergen filter with R.H.D. / filtro antibatterico, antiodori e anti-allergeni con guida a destra	199A9000	55	75	07/10	>					34.162.00
1.3 MJTD 16V 80 E6										
with air-conditioner and R.H.D. / con climatizzatore e guida a destra	225A2000	59	80	04/15	>			26.052.00	30.793.00	
with air-conditioner and L.H.D. / con climatizzatore e guida a sinistra	225A2000	59	80	04/15	>					53.124.00
with activated carbon R.H.D. / con guida a destra, ai carboni attivi	225A2000	59	80	04/15	>					54.162.00
antibacterial, anti-odour and anti-allergen filter with R.H.D. / filtro antibatterico, antiodori e anti-allergeni con guida a destra	225A2000	59	80	04/15	>					34.162.00
assembly UFI FILTERS / montaggio UFI FILTERS	225A2000	59	80	04/15	>		25.139.00			
1.3 MJTD 16V 95 E5										
with air-conditioner and R.H.D. / con climatizzatore e guida a destra	199B1000	70	95	07/10	>		25.061.00	24.ONE.01	30.477.00	53.124.00
with air-conditioner and L.H.D. / con climatizzatore e guida a sinistra	199B1000	70	95	07/10	>		25.061.00	24.ONE.01	30.477.00	53.157.00

...FIAT - cars/auto

F

with activated carbon R.H.D. / con guida a destra, ai carboni attivi	199B1000	70	95	07/10	>				54.162.00
antibacterial, anti-odour and anti-allergen filter with R.H.D. / filtro antibatterico, antiodori e anti-allergeni con guida a destra	199B1000	70	95	07/10	>				34.162.00
1.3 MJTD 16V 95 E6	330A1000	70	95	04/15	>			26.052.00	30.793.00
with air-conditioner and R.H.D. / con climatizzatore e guida a destra	330A1000	70	95	04/15	>				53.124.00
with air-conditioner and L.H.D. / con climatizzatore e guida a sinistra	330A1000	70	95	04/15	>				53.157.00
with activated carbon R.H.D. / con guida a destra, ai carboni attivi	330A1000	70	95	04/15	>				54.162.00
antibacterial, anti-odour and anti-allergen filter with R.H.D. / filtro antibatterico, antiodori e anti-allergeni con guida a destra	330A1000	70	95	04/15	>				34.162.00
assembly UFI FILTERS / montaggio UFI FILTERS	330A1000	70	95	04/15	>	25.139.00			
1.3 MJTD 75 E4									
with air-conditioner and R.H.D. / con climatizzatore e guida a destra	199A2000	55	75	07/08	>			24.ONE.00	30.265.00
with air-conditioner and L.H.D. / con climatizzatore e guida a sinistra	199A2000	55	75	07/08	>			24.ONE.00	30.265.00
with activated carbon R.H.D. / con guida a destra, ai carboni attivi	199A2000	55	75	07/08	>				54.162.00
antibacterial, anti-odour and anti-allergen filter with R.H.D. / filtro antibatterico, antiodori e anti-allergeni con guida a destra	199A2000	55	75	07/08	>				34.162.00
assembly PURFLUX / montaggio PURFLUX	199A2000	55	75	07/08	>	25.043.00	24.ONE.00	30.265.00	
assembly UFI / montaggio UFI	199A2000	55	75	07/08	>	25.031.00	24.ONE.00	30.265.00	
1.4 8V									
with air-conditioner and R.H.D. / con climatizzatore e guida a destra	KFV, KFT	54	73	07/08	>	25.060.00		30.371.00	53.124.00
with air-conditioner and L.H.D. / con climatizzatore e guida a sinistra	KFV, KFT	54	73	07/08	>	25.060.00		30.371.00	53.157.00
with activated carbon R.H.D. / con guida a destra, ai carboni attivi	KFV, KFT	54	73	07/08	>				54.162.00
antibacterial, anti-odour and anti-allergen filter with R.H.D. / filtro antibatterico, antiodori e anti-allergeni con guida a destra	KFV, KFT	54	73	07/08	>				34.162.00
1.4 Natural Power									
with air-conditioner and R.H.D. / con climatizzatore e guida a destra	350A1000	57	77	07/08	>	23.438.00		30.301.00	53.124.00
with air-conditioner and L.H.D. / con climatizzatore e guida a sinistra	350A1000	57	77	07/08	>	23.438.00		30.301.00	53.157.00
with activated carbon R.H.D. / con guida a destra, ai carboni attivi	350A1000	57	77	07/08	>				54.162.00
antibacterial, anti-odour and anti-allergen filter with R.H.D. / filtro antibatterico, antiodori e anti-allergeni con guida a destra	350A1000	57	77	07/08	>				34.162.00
Seicento									
1.1 i cat (MY.2004)									
to frame No. 1051576 / a telaio N. 1051576	187A1000	40	54	05/03	>	08/03	23.415.00		30.145.01
from frame No. 1051577 / da telaio N. 1051577	187A1000	40	54	09/03	>		23.438.00		30.145.01
1.1 i CF2 Suite	176B2000	40	54	01/98	>	09/00	23.196.00	31.740.00	30.032.00
1.1 i MPI CF3									
to frame No. 1051576 / a telaio N. 1051576	187A1000	40	54	10/00	>	08/03	23.415.00		30.145.01
from frame No. 1051577 / da telaio N. 1051577	187A1000	40	54	09/03	>		23.438.00		30.145.01
1.1 i MPI CF3 Sporting									
to frame No. 1051576 / a telaio N. 1051576	187A1000	40	54	10/00	>	08/03	23.415.00		30.145.01
from frame No. 1051577 / da telaio N. 1051577	187A1000	40	54	09/03	>		23.438.00		30.145.01
1.1 i SPI CF2 Sporting	176B2000	40	54	01/98	>	09/00	23.196.00	31.740.00	30.032.00
900 i CF2 Citymatic	1170A1046	29	40	01/98	>	09/00		31.740.00	30.858.00
or / oppure	1170A1046	29	40	01/98	>	09/00	23.447.00	31.740.00	30.858.00
900 SPI CF2	1170A1046	29	40	01/98	>	09/00		31.740.00	30.858.00
or / oppure	1170A1046	29	40	01/98	>	09/00	23.447.00	31.740.00	30.858.00
Siena									
1.2 8V MPI (IND)									
with air-conditioner / con climatizzatore				07/98	>		23.196.00	31.740.00	30.089.00
1.2 MPI (MA)									
with air-conditioner / con climatizzatore				07/98	>		23.196.00	31.740.00	30.089.00
1.4 SPI (PL)									
with air-conditioner / con climatizzatore				07/98	>		23.196.00	31.740.00	30.089.00
1.4 SPI (TR)									
with air-conditioner / con climatizzatore				07/98	>		23.196.00	31.740.00	30.089.00
1.6 (AR)									
with air-conditioner / con climatizzatore				07/98	>		23.196.00	31.740.00	30.089.00
1.6 (BR)									
with air-conditioner / con climatizzatore				07/98	>		23.196.00	31.740.00	30.089.00
1.6 16V (AR)									
with air-conditioner / con climatizzatore				07/98	>		23.196.00	31.740.00	30.089.00
1.6 16V (BR)									
with air-conditioner / con climatizzatore				07/98	>		23.196.00	31.740.00	30.089.00
1.6 16V MPI (PL)									
with air-conditioner / con climatizzatore				07/98	>		23.196.00	31.740.00	30.089.00
1.6 16V MPI (RUS)									
with air-conditioner / con climatizzatore				07/98	>			31.740.00	30.089.00
1.6 16V MPI (TR)									
with air-conditioner / con climatizzatore				07/98	>		23.196.00	31.740.00	30.089.00
1.6 8V MPI (RUS)									
with air-conditioner / con climatizzatore				07/98	>			31.740.00	30.089.00
1.7 DS (MA)									

...FIAT - cars/auto

with air-conditioner / con climatizzatore				07/98 >	23.414.00	24.383.00	30.089.00	
1.7 TD (AR)								
with air-conditioner / con climatizzatore				07/98 >	23.166.00	24.351.01	30.089.00	
or / oppure				01/96 >	23.445.00	24.351.01	30.089.00	53.074.00
1.7 TD (BR)								
with air-conditioner / con climatizzatore				07/98 >	23.166.00	24.351.01	30.089.00	
or / oppure				01/96 >	23.445.00	24.351.01	30.089.00	53.074.00
1.7 TD Soft (IND)								
with air-conditioner / con climatizzatore				07/98 >	23.166.00	24.351.01	30.089.00	
Stilo								
1.2 i 16V CF4	188A5000	59	80	10/01 > 12/03	23.438.00		30.135.00	53.149.00
with activated carbons / ai carboni attivi	188A5000	59	80	10/01 > 12/03	23.438.00		30.135.00	54.103.00
antibacterial, anti-odour and anti-allergen filter / filtro antibatterico, antiodori e anti-allergeni	188A5000	59	80	10/01 > 12/03				34.103.00
1.4 i 16V CF4	843A1000	70	95	12/03 >	23.438.00		30.135.00	53.149.00
with activated carbons / ai carboni attivi	843A1000	70	95	12/03 >	23.438.00		30.135.00	54.103.00
antibacterial, anti-odour and anti-allergen filter / filtro antibatterico, antiodori e anti-allergeni	843A1000	70	95	12/03 >				34.103.00
1.4 i 16V CF4 (A)	192B2000	66	90	12/03 >	23.438.00		30.135.00	53.149.00
with activated carbons / ai carboni attivi	192B2000	66	90	12/03 >	23.438.00		30.135.00	54.103.00
antibacterial, anti-odour and anti-allergen filter / filtro antibatterico, antiodori e anti-allergeni	192B2000	66	90	12/03 >				34.103.00
1.6 i 16V CF4	182B6000	76	103	10/01 >	23.196.00		30.136.00	53.149.00
with activated carbons / ai carboni attivi	182B6000	76	103	10/01 >	23.196.00		30.136.00	54.103.00
antibacterial, anti-odour and anti-allergen filter / filtro antibatterico, antiodori e anti-allergeni	182B6000	76	103	10/01 >				34.103.00
1.6 i 16V CF4 Natural Power	182B6000	76	103	11/06 >	23.196.00		30.136.00	53.149.00
with activated carbons / ai carboni attivi	182B6000	76	103	11/06 >	23.196.00		30.136.00	54.103.00
antibacterial, anti-odour and anti-allergen filter / filtro antibatterico, antiodori e anti-allergeni	182B6000	76	103	11/06 >				34.103.00
1.6 i 16V PDA	192B30	77	105	10/05 >	23.299.00		30.137.00	53.149.00
with activated carbons / ai carboni attivi	192B30	77	105	10/05 >	23.299.00		30.137.00	54.103.00
antibacterial, anti-odour and anti-allergen filter / filtro antibatterico, antiodori e anti-allergeni	192B30	77	105	10/05 >				34.103.00
1.8 i 16V CF4	192A4000	98	133	10/01 >	23.415.00		30.137.00	53.149.00
with activated carbons / ai carboni attivi	192A4000	98	133	10/01 >	23.415.00		30.137.00	54.103.00
antibacterial, anti-odour and anti-allergen filter / filtro antibatterico, antiodori e anti-allergeni	192A4000	98	133	10/01 >				34.103.00
1.9 JTD CF3	192A1000	85	115	10/01 > 10/02	23.455.00	24.H2O.00	30.137.00	53.149.00
	192A1000	85	115	11/02 > 01/03	23.455.00	24.H2O.04	30.137.00	53.149.00
	192A1000	85	115	02/03 >	23.455.00	24.H2O.04	30.207.00	53.149.00
with activated carbons / ai carboni attivi	192A1000	85	115	10/01 > 10/02	23.455.00	24.H2O.00	30.137.00	54.103.00
with activated carbons / ai carboni attivi	192A1000	85	115	11/02 > 01/03	23.455.00	24.H2O.04	30.137.00	54.103.00
with activated carbons / ai carboni attivi	192A1000	85	115	02/03 >	23.455.00	24.H2O.04	30.207.00	54.103.00
antibacterial, anti-odour and anti-allergen filter / filtro antibatterico, antiodori e anti-allergeni	192A1000	85	115	10/01 >				34.103.00
1.9 JTD CF3	192A3000	59	80	10/01 > 10/02	23.455.00	24.H2O.00	30.137.00	53.149.00
	192A3000	59	80	11/02 > 01/03	23.455.00	24.H2O.04	30.137.00	53.149.00
	192A3000	59	80	02/03 >	23.455.00	24.H2O.04	30.207.00	53.149.00
with activated carbons / ai carboni attivi	192A3000	59	80	10/01 > 10/02	23.455.00	24.H2O.00	30.137.00	54.103.00
with activated carbons / ai carboni attivi	192A3000	59	80	11/02 > 01/03	23.455.00	24.H2O.04	30.137.00	54.103.00
with activated carbons / ai carboni attivi	192A3000	59	80	02/03 >	23.455.00	24.H2O.04	30.207.00	54.103.00
antibacterial, anti-odour and anti-allergen filter / filtro antibatterico, antiodori e anti-allergeni	192A3000	59	80	10/01 >				34.103.00
1.9 JTD CF3	192A5000	103	140	12/03 >	23.455.00	24.H2O.04	30.207.00	53.149.00
with activated carbons / ai carboni attivi	192A5000	103	140	12/03 >	23.455.00	24.H2O.04	30.207.00	54.103.00
antibacterial, anti-odour and anti-allergen filter / filtro antibatterico, antiodori e anti-allergeni	192A5000	103	140	12/03 >				34.103.00
1.9 JTD CF3	192A9000	74	100	09/04 >	23.455.00	24.H2O.04	30.207.00	53.149.00
with activated carbons / ai carboni attivi	192A9000	74	100	09/04 >	23.455.00	24.H2O.04	30.207.00	54.103.00
antibacterial, anti-odour and anti-allergen filter / filtro antibatterico, antiodori e anti-allergeni	192A9000	74	100	09/04 >				34.103.00
1.9 JTD CF3 (B)	192B1000	100	136	12/03 >	23.455.00	24.H2O.04	30.207.00	53.149.00
with activated carbons / ai carboni attivi	192B1000	100	136	10/03 >	23.455.00	24.H2O.04	30.207.00	54.103.00
antibacterial, anti-odour and anti-allergen filter / filtro antibatterico, antiodori e anti-allergeni	192B1000	100	136	10/03 >				34.103.00
1.9 JTD CF3 (F)	937A4000	93	126	12/03 >	23.455.00	24.H2O.04	30.207.00	53.149.00
with activated carbons / ai carboni attivi	937A4000	93	126	12/03 >	23.455.00	24.H2O.04	30.207.00	54.103.00
antibacterial, anti-odour and anti-allergen filter / filtro antibatterico, antiodori e anti-allergeni	937A4000	93	126	12/03 >				34.103.00
1.9 MJTD 16V E4	937A5000	110	150	07/05 >	23.455.00	24.ONE.01	30.207.00	53.149.00
with activated carbons / ai carboni attivi	937A5000	110	150	07/05 >	23.455.00	24.ONE.01	30.207.00	54.103.00
antibacterial, anti-odour and anti-allergen filter / filtro antibatterico, antiodori e anti-allergeni	937A5000	110	150	07/05 >				34.103.00
1.9 MJTD 16V E4 (B)	937A7.000	85	115	07/05 >	23.455.00	24.ONE.01	30.207.00	53.149.00
with activated carbons / ai carboni attivi	937A7.000	85	115	07/05 >	23.455.00	24.ONE.01	30.207.00	54.103.00
antibacterial, anti-odour and anti-allergen filter / filtro antibatterico, antiodori e anti-allergeni	937A7.000	85	115	07/05 >				34.103.00
1.9 MJTD 8V DPF E4 (A)	192B5000	59	80	07/05 >	23.455.00	24.ONE.01	30.207.00	53.149.00
with activated carbons / ai carboni attivi	192B5000	59	80	07/05 >	23.455.00	24.ONE.01	30.207.00	54.103.00
antibacterial, anti-odour and anti-allergen filter / filtro antibatterico, antiodori e anti-allergeni	192B5000	59	80	07/05 >				34.103.00
1.9 MJTD 8V E4	192A8000	88	120	07/05 >	23.455.00	24.ONE.01	30.207.00	53.149.00

...FIAT - cars/auto

F

with activated carbons / ai carboni attivi	192A8000	88	120	07/05	>	23.455.00	24.ONE.01	30.207.00	54.103.00
antibacterial, anti-odour and anti-allergen filter / filtro antibatterico, antiodori e anti-allergeni	192A8000	88	120	07/05	>				34.103.00
2.4 i 20V CF4	192A2000	125	170	10/01	>	23.415.00		30.137.00	53.149.00
with activated carbons / ai carboni attivi	192A2000	125	170	10/01	>	23.415.00		30.137.00	54.103.00
antibacterial, anti-odour and anti-allergen filter / filtro antibatterico, antiodori e anti-allergeni	192A2000	125	170	10/01	>				34.103.00
2.4 i 20V CF4 Abarth	192A2000	125	170	10/01	>	23.415.00		30.137.00	53.149.00
with activated carbons / ai carboni attivi	192A2000	125	170	10/01	>	23.415.00		30.137.00	54.103.00
antibacterial, anti-odour and anti-allergen filter / filtro antibatterico, antiodori e anti-allergeni	192A2000	125	170	10/01	>				34.103.00
Stilo Multi Wagon									
1.4 i 16V	843A1000	70	95	12/03	>	23.438.00		30.135.00	53.149.00
with activated carbons / ai carboni attivi	843A1000	70	95	12/03	>	23.438.00		30.135.00	54.103.00
antibacterial, anti-odour and anti-allergen filter / filtro antibatterico, antiodori e anti-allergeni	843A1000	70	95	12/03	>				34.103.00
1.4 i 16V (A)	192B2000	66	90	12/03	>	23.438.00		30.135.00	53.149.00
with activated carbons / ai carboni attivi	192B2000	66	90	12/03	>	23.438.00		30.135.00	54.103.00
antibacterial, anti-odour and anti-allergen filter / filtro antibatterico, antiodori e anti-allergeni	192B2000	66	90	12/03	>				34.103.00
1.6 i 16V	182B6000	76	103	11/02	>	23.196.00		30.136.00	53.149.00
with activated carbons / ai carboni attivi	182B6000	76	103	11/02	>	23.196.00		30.136.00	54.103.00
antibacterial, anti-odour and anti-allergen filter / filtro antibatterico, antiodori e anti-allergeni	182B6000	76	103	11/02	>				34.103.00
1.6 i 16V CF4 Natural Power	182B6000	76	103	11/06	>	23.196.00		30.136.00	53.149.00
with activated carbons / ai carboni attivi	182B6000	76	103	11/06	>	23.196.00		30.136.00	54.103.00
antibacterial, anti-odour and anti-allergen filter / filtro antibatterico, antiodori e anti-allergeni	182B6000	76	103	11/06	>				34.103.00
1.6 i 16V PDA	192B3000	77	105	10/05	>	23.299.00		30.137.00	53.149.00
with activated carbons / ai carboni attivi	192B3000	77	105	10/05	>	23.299.00		30.137.00	54.103.00
antibacterial, anti-odour and anti-allergen filter / filtro antibatterico, antiodori e anti-allergeni	192B3000	77	105	10/05	>				34.103.00
1.8 i 16V	192A4000	98	133	11/02	>	23.415.00		30.137.00	53.149.00
with activated carbons / ai carboni attivi	192A4000	98	133	11/02	>	23.415.00		30.137.00	54.103.00
antibacterial, anti-odour and anti-allergen filter / filtro antibatterico, antiodori e anti-allergeni	192A4000	98	133	11/02	>				34.103.00
1.9 JTD 115	192A1000	85	115	11/02	> 01/03	23.455.00	24.H2O.04	30.137.00	53.149.00
	192A1000	85	115	02/03	>	23.455.00	24.H2O.04	30.207.00	53.149.00
with activated carbons / ai carboni attivi	192A1000	85	115	11/02	> 01/03	23.455.00	24.H2O.04	30.137.00	54.103.00
with activated carbons / ai carboni attivi	192A1000	85	115	02/03	>	23.455.00	24.H2O.04	30.207.00	54.103.00
antibacterial, anti-odour and anti-allergen filter / filtro antibatterico, antiodori e anti-allergeni	192A1000	85	115	11/02	>				34.103.00
1.9 JTD 16V 140	192A5000	103	140	12/03	>	23.455.00	24.H2O.04	30.207.00	53.149.00
with activated carbons / ai carboni attivi	192A5000	103	140	12/03	>	23.455.00	24.H2O.04	30.207.00	54.103.00
antibacterial, anti-odour and anti-allergen filter / filtro antibatterico, antiodori e anti-allergeni	192A5000	103	140	12/03	>				34.103.00
1.9 JTD 80	192A3000	59	80	11/02	> 01/03	23.455.00	24.H2O.04	30.137.00	53.149.00
	192A3000	59	80	02/03	>	23.455.00	24.H2O.04	30.207.00	53.149.00
with activated carbons / ai carboni attivi	192A3000	59	80	11/02	> 01/03	23.455.00	24.H2O.04	30.137.00	54.103.00
with activated carbons / ai carboni attivi	192A3000	59	80	02/03	>	23.455.00	24.H2O.04	30.207.00	54.103.00
antibacterial, anti-odour and anti-allergen filter / filtro antibatterico, antiodori e anti-allergeni	192A3000	59	80	11/02	>				34.103.00
1.9 JTD CF3	192A9000	74	100	09/04	>	23.455.00	24.H2O.04	30.207.00	53.149.00
with activated carbons / ai carboni attivi	192A9000	74	100	09/04	>	23.455.00	24.H2O.04	30.207.00	54.103.00
antibacterial, anti-odour and anti-allergen filter / filtro antibatterico, antiodori e anti-allergeni	192A9000	74	100	09/04	>				34.103.00
1.9 JTD CF3 (B)	192B1000	100	136	12/03	>	23.455.00	24.H2O.04	30.207.00	53.149.00
with activated carbons / ai carboni attivi	192B1000	100	136	12/03	>	23.455.00	24.H2O.04	30.207.00	54.103.00
antibacterial, anti-odour and anti-allergen filter / filtro antibatterico, antiodori e anti-allergeni	192B1000	100	136	12/03	>				34.103.00
1.9 JTD CF3 (F)	937A4000	93	126	12/03	>	23.455.00	24.H2O.04	30.207.00	53.149.00
with activated carbons / ai carboni attivi	937A4000	93	126	12/03	>	23.455.00	24.H2O.04	30.207.00	54.103.00
antibacterial, anti-odour and anti-allergen filter / filtro antibatterico, antiodori e anti-allergeni	937A4000	93	126	12/03	>				34.103.00
1.9 MJTD 16V E4	937A5000	110	150	07/05	>	23.455.00	24.ONE.01	30.207.00	53.149.00
with activated carbons / ai carboni attivi	937A5000	110	150	07/05	>	23.455.00	24.ONE.01	30.207.00	54.103.00
antibacterial, anti-odour and anti-allergen filter / filtro antibatterico, antiodori e anti-allergeni	937A5000	110	150	07/05	>				34.103.00
1.9 MJTD 8V DPF E4 (A)	192B5000	66	90	07/05	>	23.455.00	24.ONE.01	30.207.00	53.149.00
with activated carbons / ai carboni attivi	192B5000	66	90	07/05	>	23.455.00	24.ONE.01	30.207.00	54.103.00
antibacterial, anti-odour and anti-allergen filter / filtro antibatterico, antiodori e anti-allergeni	192B5000	66	90	07/05	>				34.103.00
1.9 MJTD 8V DPF E4 (B)	937A7000	85	115	07/05	>	23.455.00	24.ONE.01	30.207.00	53.149.00
with activated carbons / ai carboni attivi	937A7000	85	115	07/05	>	23.455.00	24.ONE.01	30.207.00	54.103.00
antibacterial, anti-odour and anti-allergen filter / filtro antibatterico, antiodori e anti-allergeni	937A7000	85	115	07/05	>				34.103.00
1.9 MJTD 8V E4	192A8000	88	120	07/05	>	23.455.00	24.ONE.01	30.207.00	53.149.00
with activated carbons / ai carboni attivi	192A8000	88	120	07/05	>	23.455.00	24.ONE.01	30.207.00	54.103.00
antibacterial, anti-odour and anti-allergen filter / filtro antibatterico, antiodori e anti-allergeni	192A8000	88	120	07/05	>				34.103.00
Tipo (356)									
1.3 Multijet 95 E5	199B1000	70	95	10/15	>	25.061.00	26.052.00	30.477.00	53.157.00
1.3 Multijet 95 E6	55266963	70	95	10/15	>		26.052.00	30.794.00	53.157.00
assembly UFI FILTERS / montaggio UFI FILTERS	55266963	70	95	10/15	>	25.139.00			
1.3 Multijet 95 E6 Eco	55266963	70	95	10/15	>		26.052.00	30.794.00	53.157.00
assembly UFI FILTERS / montaggio UFI FILTERS	55266963	70	95	10/15	>	25.139.00			

...FIAT - cars/auto

1.4 16V 95 E6	843A1000	70	95	10/15	>	23.438.00	31.740.03	30.135.00	53.157.00
1.4 T-Jet 120 E6	940B7000	88	120	03/16	> 06/16	25.043.00	31.740.03	30.794.00	53.157.00
	940B7000	88	120	07/16	>		31.740.03	30.794.00	53.157.00
1.4 T-Jet GPL/LPG	940B7000	88	120	03/16	> 06/16	25.043.00		30.794.00	53.157.00
	940B7000	88	120	07/16	>			30.794.00	53.157.00
1.6 E-TorQ 110 E4	55268036	81	110	10/15	>	25.034.00	31.740.03	30.794.00	53.157.00
1.6 E-TorQ 110 E6	55268036	81	110	10/15	>	25.034.00	31.740.03	30.794.00	53.157.00
1.6 Multijet 115 E6	55260384	85	115	10/15	>	25.083.00	26.079.00	30.794.00	53.157.00
1.6 Multijet 120 E6	55260384	88	120	10/15	>	25.083.00	26.079.00	30.794.00	53.157.00
1.6 Multijet DCT 115 E6	55260384	85	115	10/15	>	25.083.00	26.079.00	30.794.00	53.157.00
1.6 Multijet DCT 120 E6	55260384	88	120	10/15	>	25.083.00	26.079.00	30.794.00	53.157.00
Tipo (357)									
1.3 Multijet 95 E5	199B1000	70	95	03/16	>	25.061.00	26.052.00	30.477.00	53.157.00
1.3 Multijet 95 E6	55266963	70	95	03/16	>		26.052.00	30.794.00	53.157.00
assembly UFI FILTERS / montaggio UFI FILTERS	55266963	70	95	03/16	>	25.139.00			
1.3 Multijet 95 E6 Eco	55266963	70	95	03/16	>		26.052.00	30.794.00	53.157.00
assembly UFI FILTERS / montaggio UFI FILTERS	55266963	70	95	10/15	>	25.139.00			
1.4 16V 95 E6	843A1000	70	95	03/16	>	23.438.00	31.740.03	30.135.00	53.157.00
1.4 T-Jet 120 E6	940B7000	88	120	03/16	> 06/16	25.043.00	31.740.03	30.794.00	53.157.00
	940B7000	88	120	07/16	>		31.740.03	30.794.00	53.157.00
1.4 T-Jet GPL/LPG	940B7000	88	120	03/16	> 06/16	25.043.00		30.794.00	53.157.00
	940B7000	88	120	07/16	>			30.794.00	53.157.00
1.6 E-TorQ 110 E4	55268036	81	110	07/16	>	25.034.00	31.740.03	30.794.00	53.157.00
1.6 E-TorQ 110 E6	55268036	81	110	07/16	>	25.034.00	31.740.03	30.794.00	53.157.00
1.6 Multijet 115 E6	55260384	85	115	03/16	>	25.083.00	26.079.00	30.794.00	53.157.00
1.6 Multijet 120 E6	55260384	88	120	03/16	>	25.083.00	26.079.00	30.794.00	53.157.00
1.6 Multijet 130 E6	46346020	96	131	11/20	>	25.083.00	26.079.00		53.157.00
1.6 Multijet DCT 115 E6	55260384	85	115	03/16	>	25.083.00	26.079.00	30.794.00	53.157.00
1.6 Multijet DCT 120 E6	55260384	88	120	03/16	>	25.083.00	26.079.00	30.794.00	53.157.00
Ulysse I									
1.8 i	LFW	73	99	07/99	> 12/02	23.439.00	31.710.00	30.933.00	53.070.00
1.9 TD	DHX	66	90	07/99	> 12/02	23.439.00		30.933.00	53.070.00
with FIAT 9609896480 / con FIAT 9609896480	DHX	66	90	02/95	> 12/02		26.676.00	30.933.00	53.070.00
or DELPHI HDF910 / oppure DELPHI HDF910	DHX	66	90	02/95	> 12/02		24.390.00	30.933.00	53.070.00
2.0 i	RFU	89	121	07/99	> 12/02	23.439.00	31.710.00	30.933.00	53.070.00
2.0 i Turbo	RGX	108	147	07/99	> 12/02	23.439.00	31.710.00	30.933.00	53.070.00
2.0 i.e. 16V	RFN (EW10J4)	100	136	09/00	> 05/02	23.439.00	31.710.00	30.933.00	53.070.00
2.0 i.e. 16V	RFV	97	132	07/99	> 10/00	23.439.00	31.710.00	30.933.00	53.070.00
2.0 JTD	RHZ	80	109	09/99	> 11/00	23.439.00	26.691.00	30.067.00	53.070.00
2.0 JTD 16V									
assembly BOSCH / montaggio BOSCH	RHW	80	109	09/99	> 04/01	23.439.00	26.691.00	30.067.00	53.070.00
assembly SIEMENS / montaggio SIEMENS	RHW	80	109	05/01	> 12/02	23.439.00	26.003.00	30.067.00	53.070.00
Ulysse II									
2.0 i 16V C.A.	RFN (EW10J4)	100	136	08/02	> 06/11	23.439.00		30.933.00	53.069.00
with activated carbons / ai carboni attivi	RFN (EW10J4)	100	136	08/02	> 06/11	23.439.00		30.933.00	54.156.00
2.0 i 16V C.M.	RFN (EW10J4)	100	136	08/02	> 06/11	23.439.00		30.933.00	53.069.00
with activated carbons / ai carboni attivi	RFN (EW10J4)	100	136	08/02	> 06/11	23.439.00		30.933.00	54.156.00
2.0 JTD 16V C.M.	RHW (DW10ATED4)	80	109	08/02	> 08/06	23.439.00	26.003.00	30.933.00	53.069.00
with activated carbons / ai carboni attivi	RHW (DW10ATED4)	80	109	08/02	> 08/06	23.439.00	26.003.00	30.933.00	54.156.00
2.0 JTD 16V FAP C.A.	RHM (DW10ATED4)	80	109	08/02	> 07/04	23.439.00	26.003.00	30.933.00	53.069.00
	RHM (DW10ATED4)	80	109	08/04	> 08/06	23.439.00	26.003.00	30.261.00	53.069.00
with activated carbons / ai carboni attivi	RHM (DW10ATED4)	80	109	08/02	> 07/04	23.439.00	26.003.00	30.933.00	54.156.00
with activated carbons / ai carboni attivi	RHM (DW10ATED4)	80	109	08/04	> 08/06	23.439.00	26.003.00	30.261.00	54.156.00
2.0 MJT 120	RHK (DW10UTED4)	88	120	10/05	> 06/11	25.060.00	26.022.00	30.330.00	53.069.00
with activated carbons / ai carboni attivi	RHK (DW10UTED4)	88	120	10/05	> 06/11	25.060.00	26.022.00	30.330.00	54.156.00
2.0 MJT 136	RHR (DW10BTED4)	100	136	05/06	> 06/11	25.060.00	26.022.00	30.330.00	53.069.00
with activated carbons / ai carboni attivi	RHR (DW10BTED4)	100	136	05/06	> 06/11	25.060.00	26.022.00	30.330.00	54.156.00
2.2 JTD 16V C.A.	4H01 (DW12BTED4)	125	170	09/07	> 06/11	25.060.00	24.156.00	30.330.00	53.069.00
with activated carbons / ai carboni attivi	4H01 (DW12BTED4)	125	170	09/07	> 06/11	25.060.00	24.156.00	30.330.00	54.156.00
2.2 JTD 16V C.M.	4HT (DW12BTED4)	125	170	09/07	> 06/11	25.060.00	24.156.00	30.330.00	53.069.00
with activated carbons / ai carboni attivi	4HT (DW12BTED4)	125	170	09/07	> 06/11	25.060.00	24.156.00	30.330.00	54.156.00
2.2 JTD 16V C.M.	4HW (DW12ATED4)	94	128	08/02	> 08/07	23.439.00	26.003.00	30.933.00	53.069.00
with activated carbons / ai carboni attivi	4HW (DW12ATED4)	94	128	08/02	> 08/07	23.439.00	26.003.00	30.933.00	54.156.00
2.2 JTD 16V FAP C.M.	4HW (DW12ATED4)	94	128	08/02	> 08/07	23.439.00	26.003.00	30.933.00	53.069.00
with activated carbons / ai carboni attivi	4HW (DW12ATED4)	94	128	08/02	> 08/07	23.439.00	26.003.00	30.933.00	54.156.00
3.0 V6 24V	XFV (ES9J4S)	150	204	08/02	> 06/11	23.191.00		30.067.00	53.069.00
with activated carbons / ai carboni attivi	XFV (ES9J4S)	150	204	08/02	> 06/11	23.191.00		30.067.00	54.156.00

FIAT off-road cars/fuoristrada

Campagnola

1900 Diesel				01/72 >	23.167.00	24.360.00	27.888.00	
AR 76 Nuova Campagnola				01/76 >	23.124.00		27.888.00	

Campagnola 1107 A

2000				01/66 >	23.168.00			
or / oppure				01/66 >	23.444.00			

Sedici

1.6 16V 4x2	M16A	88	120	06/09 >	23.251.00		30.405.00	53.109.00
1.6 16V 4x4	M16A	79	107	01/06 > 05/09	23.251.00		30.347.00	53.109.00
1.6 16V 4x4	M16A	88	120	06/09 >	23.251.00		30.405.00	53.109.00
1.9 MJTD 8V 4x4								
complete filter and disassembly key / filtro completo e chiave di smontaggio	D19AA	88	120	01/06 > 07/06		55.179.00		19.008.00
complete filter and disassembly key / filtro completo e chiave di smontaggio	D19AA	88	120	08/06 > 10/09		55.144.00		
assembly MANN+HUMMEL / montaggio MANN+HUMMEL	D19AA	88	120	01/06 > 10/09	25.049.00	60.H2O.00	30.393.00	53.109.00
assembly UFI / montaggio UFI	D19AA	88	120	03/08 > 10/09	25.061.00	60.H2O.00	30.393.00	53.109.00
2.0 MJT 16V DPF 4x2	D20AA	99	135	06/09 >	25.061.00	60.H2O.00	30.416.00	53.109.00
complete filter and disassembly key / filtro completo e chiave di smontaggio	D20AA	99	135	06/09 >		55.144.00		
2.0 MJT 16V DPF 4x4	D20AA	99	135	06/09 >	25.061.00	60.H2O.00	30.416.00	53.109.00
complete filter and disassembly key / filtro completo e chiave di smontaggio	D20AA	99	135	06/09 >		55.144.00		

FIAT commercial vehicles/veicoli commerciali

1100

1100 T					20.012.00		27.708.00	
1100 T1					20.012.00		27.708.00	
1100 T217					20.012.00		27.708.00	
1100 T3					20.012.00		27.708.00	
1100 T4					23.128.00		27.708.00	
1100 T5					23.128.00		27.708.00	
1100 TN						26.606.00	27.706.00	
1100 TN 1								
to frame No. 014546 / a telaio N. 014546					23.102.00	26.606.00	27.706.00	
from frame No. 014547 / da telaio N. 014547					23.102.00	24.360.00	27.706.00	

850

850 T				08/76 >		31.001.00	27.800.00	
-------	--	--	--	---------	--	-----------	-----------	--

Cityvan

1.7 D								
to engine No. 578144 / a motore N. 578144	149B3000	44	60	01/86 >	23.166.00	24.351.00	30.889.00	

Croma Van (294)

1.9 MJT	939A1000	88	120	05/07 >	25.049.00	24.ONE.01	30.197.00	53.045.00
with activated carbons / ai carboni attivi	939A1000	88	120	06/05 > 04/07	25.049.00	60.H2O.00	30.197.00	54.100.00
antibacterial, anti-odour and anti-allergen filter / filtro antibatterico, antiodori e anti-allergeni	939A1000	88	120	06/05 > 04/07				34.100.00
complete filter and disassembly key / filtro completo e chiave di smontaggio	939A1000	88	120	06/05 > 04/07		55.139.00		19.008.00
1.9 MJT 16V	939A2000	110	150	05/07 >	25.049.00	24.ONE.01	30.197.00	53.045.00
with activated carbons / ai carboni attivi	939A2000	110	150	06/05 > 04/07	25.049.00	60.H2O.00	30.197.00	54.100.00
antibacterial, anti-odour and anti-allergen filter / filtro antibatterico, antiodori e anti-allergeni	939A2000	110	150	06/05 > 04/07				34.100.00
complete filter and disassembly key / filtro completo e chiave di smontaggio	939A2000	110	150	06/05 > 04/07		55.139.00		19.008.00

Doblò Cargo (223)

1.2 8V MPI								
with air-conditioner (spare part only) MAGNETI MARELLI / con climatizzatore (solo ricambio) MAGNETI MARELLI	223A5000	48	65	04/00 > 08/03	23.415.00		30.118.01	53.043.00
with air-conditioner (spare part only) MAGNETI MARELLI / con climatizzatore (solo ricambio) MAGNETI MARELLI	223A5000	48	65	09/03 > 12/05	23.438.00		30.118.01	53.043.00
with activated carbon air-conditioner DENSO / con climatizzatore, ai carboni attivi DENSO	223A5000	48	65	04/00 > 12/05				54.262.00
antibacterial, anti-odour and anti-allergen filter with air-conditioner DENSO / filtro antibatterico, antiodori e anti-allergeni con climatizzatore DENSO	223A5000	48	65	04/00 > 12/05				34.262.00
1.2 8V MPI Tropico								
with air-conditioner (spare part only) MAGNETI MARELLI / con climatizzatore (solo ricambio) MAGNETI MARELLI	223A5000	48	65	04/00 > 08/03	23.415.00			53.043.00
with air-conditioner (spare part only) MAGNETI MARELLI / con climatizzatore (solo ricambio) MAGNETI MARELLI	223A5000	48	65	09/03 > 12/05	23.438.00			53.043.00
with activated carbon air-conditioner DENSO / con climatizzatore, ai carboni attivi DENSO	223A5000	48	65	04/00 > 12/05				54.262.00
antibacterial, anti-odour and anti-allergen filter with air-conditioner DENSO / filtro antibatterico, antiodori e anti-allergeni con climatizzatore DENSO	223A5000	48	65	04/00 > 12/05				34.262.00
1.3 JTD 16V Multijet								
with activated carbon air-conditioner DENSO / con climatizzatore, ai carboni attivi DENSO	188A9000	51	70	11/03 > 02/06				54.262.00
antibacterial, anti-odour and anti-allergen filter with air-conditioner DENSO / filtro antibatterico, antiodori e anti-allergeni con climatizzatore DENSO	188A9000	51	70	11/03 > 02/06				34.262.00
complete filter and disassembly key / filtro completo e chiave di smontaggio	188A9000	51	70	11/03 > 02/06		55.112.00		19.008.00
assembly PURFLUX / montaggio PURFLUX	188A9000	51	70	11/03 > 02/06	25.043.00	60.H2O.00	30.265.00	53.043.00
assembly UFI / montaggio UFI	188A9000	51	70	01/05 > 02/06	25.031.00	60.H2O.00	30.265.00	53.043.00
1.3 MJTD 16V								
with activated carbon air-conditioner DENSO / con climatizzatore, ai carboni attivi DENSO	199A2000	55	75	07/05 > 12/09				54.262.00
antibacterial, anti-odour and anti-allergen filter with air-conditioner DENSO / filtro antibatterico, antiodori e anti-allergeni con climatizzatore DENSO	199A2000	55	75	07/05 > 12/09				34.262.00
complete filter and disassembly key / filtro completo e chiave di smontaggio	199A2000	55	75	07/05 > 12/09		55.178.00		19.008.00

...FIAT - commercial vehicles/veicoli commerciali

assembly PURFLUX / montaggio PURFLUX	199A2000	55	75	07/05	>	12/09	25.043.00	60.H2O.00	30.265.00	53.043.00
assembly UFI / montaggio UFI	199A2000	55	75	07/05	>	12/09	25.031.00	60.H2O.00	30.265.00	53.043.00
1.3 MJTD 16V										
with air-conditioner (spare part only) / con climatizzatore (solo ricambio)	223A9000	62	85	07/05	>	12/09	25.043.00	60.H2O.00	30.265.00	53.043.00
with activated carbon air-conditioner DENSO / con climatizzatore, ai carboni attivi DENSO	223A9000	62	85	07/05	>	12/09				54.262.00
antibacterial, anti-odour and anti-allergen filter with air-conditioner DENSO / filtro antibatterico, antiodori e anti-allergeni con climatizzatore DENSO	223A9000	62	85	07/05	>	12/09				34.262.00
complete filter and disassembly key / filtro completo e chiave di smontaggio	223A9000	62	85	07/05	>	12/09		55.175.00		19.008.00
1.4 MPI 8V										
with air-conditioner (spare part only) / con climatizzatore (solo ricambio)	350A1000	57	77	07/05	>	12/09	23.438.00		30.301.00	53.043.00
with activated carbon air-conditioner DENSO / con climatizzatore, ai carboni attivi DENSO	350A1000	57	77	07/05	>	12/09				54.262.00
antibacterial, anti-odour and anti-allergen filter with air-conditioner DENSO / filtro antibatterico, antiodori e anti-allergeni con climatizzatore DENSO	350A1000	57	77	07/05	>	12/09				34.262.00
1.6 16V Bipower										
with air-conditioner (spare part only) MAGNETI MARELLI / con climatizzatore (solo ricambio) MAGNETI MARELLI	182B6000	76	103	10/01	>	12/09	23.196.00		27.367.00	53.043.00
with activated carbon air-conditioner DENSO / con climatizzatore, ai carboni attivi DENSO	182B6000	76	103	10/01	>	12/09				54.262.00
antibacterial, anti-odour and anti-allergen filter with air-conditioner DENSO / filtro antibatterico, antiodori e anti-allergeni con climatizzatore DENSO	182B6000	76	103	10/01	>	12/09				34.262.00
1.6 16V MPI										
with air-conditioner (spare part only) MAGNETI MARELLI / con climatizzatore (solo ricambio) MAGNETI MARELLI	182B6000	76	103	10/01	>	12/05	23.196.00		27.367.00	53.043.00
with activated carbon air-conditioner DENSO / con climatizzatore, ai carboni attivi DENSO	182B6000	76	103	10/01	>	12/05				54.262.00
antibacterial, anti-odour and anti-allergen filter with air-conditioner DENSO / filtro antibatterico, antiodori e anti-allergeni con climatizzatore DENSO	182B6000	76	103	10/01	>	12/05				34.262.00
1.6 16V MPI Tropico										
with air-conditioner (spare part only) MAGNETI MARELLI / con climatizzatore (solo ricambio) MAGNETI MARELLI	182B6000	76	103	10/01	>	12/05	23.196.00			53.043.00
with activated carbon air-conditioner DENSO / con climatizzatore, ai carboni attivi DENSO	182B6000	76	103	10/01	>	12/05				54.262.00
antibacterial, anti-odour and anti-allergen filter with air-conditioner DENSO / filtro antibatterico, antiodori e anti-allergeni con climatizzatore DENSO	182B6000	76	103	10/01	>	12/05				34.262.00
1.6 16V Natural Power										
with air-conditioner (spare part only) / con climatizzatore (solo ricambio)	182B6000	76	103	09/05	>	12/09	23.196.00		27.367.00	53.043.00
with activated carbon air-conditioner DENSO / con climatizzatore, ai carboni attivi DENSO	182B6000	76	103	09/05	>	12/09				54.262.00
antibacterial, anti-odour and anti-allergen filter with air-conditioner DENSO / filtro antibatterico, antiodori e anti-allergeni con climatizzatore DENSO	182B6000	76	103	09/05	>	12/09				34.262.00
1.9 D										
with air-conditioner (spare part only) MAGNETI MARELLI / con climatizzatore (solo ricambio) MAGNETI MARELLI	223A6000	46	63	04/00	>	12/05	23.414.00	24.412.00		53.043.00
with activated carbon air-conditioner DENSO / con climatizzatore, ai carboni attivi DENSO	223A6000	46	63	04/00	>	12/05				54.262.00
excluding dusty areas / escluso per zone polverose	223A6000	46	63	04/00	>	12/05	23.414.00	24.412.00	27.367.00	
antibacterial, anti-odour and anti-allergen filter with air-conditioner DENSO / filtro antibatterico, antiodori e anti-allergeni con climatizzatore DENSO	223A6000	46	63	04/00	>	12/05				34.262.00
or / oppure	223A6000	46	63	04/00	>	12/05	23.449.00	24.412.00	27.367.00	
1.9 JTD 8V E4										
with air-conditioner (spare part only) / con climatizzatore (solo ricambio)	223B2000	74	100	09/05	>	12/09	23.455.00	24.ONE.00	27.367.00	53.043.00
with activated carbon air-conditioner DENSO / con climatizzatore, ai carboni attivi DENSO	223B2000	74	100	09/05	>	12/09				54.262.00
antibacterial, anti-odour and anti-allergen filter with air-conditioner DENSO / filtro antibatterico, antiodori e anti-allergeni con climatizzatore DENSO	223B2000	74	100	09/05	>	12/09				34.262.00
1.9 JTD CF3										
with air-conditioner (spare part only) MAGNETI MARELLI / con climatizzatore (solo ricambio) MAGNETI MARELLI	182B9000	74	100	10/01	>	11/02	23.449.00	24.H2O.00	27.367.00	53.043.00
with air-conditioner (spare part only) MAGNETI MARELLI / con climatizzatore (solo ricambio) MAGNETI MARELLI	182B9000	74	100	12/02	>	05/04	23.449.00	24.H2O.04	27.367.00	53.043.00
with activated carbon air-conditioner DENSO / con climatizzatore, ai carboni attivi DENSO	182B9000	74	100	10/01	>	05/04				54.262.00
antibacterial, anti-odour and anti-allergen filter with air-conditioner DENSO / filtro antibatterico, antiodori e anti-allergeni con climatizzatore DENSO	182B9000	74	100	10/01	>	05/04				34.262.00
1.9 JTD CF3										
with air-conditioner (spare part only) / con climatizzatore (solo ricambio)	223A7000	77	105	07/03	>	02/06	23.449.00	24.H2O.04	27.367.00	53.043.00
with activated carbon air-conditioner DENSO / con climatizzatore, ai carboni attivi DENSO	223A7000	77	105	07/03	>	02/06				54.262.00
antibacterial, anti-odour and anti-allergen filter with air-conditioner DENSO / filtro antibatterico, antiodori e anti-allergeni con climatizzatore DENSO	223A7000	77	105	07/03	>	02/06				34.262.00
1.9 JTD CF3 (TR)										
with air-conditioner (spare part only) / con climatizzatore (solo ricambio)	223A7000	77	105	07/03	>	08/04	23.449.00	24.H2O.04	27.367.00	53.043.00
with air-conditioner (spare part only) / con climatizzatore (solo ricambio)	223A7000	77	105	09/04	>	02/06	23.455.00	24.H2O.04	27.367.00	53.043.00
with activated carbon air-conditioner DENSO / con climatizzatore, ai carboni attivi DENSO	223A7000	77	105	07/03	>	02/06				54.262.00
antibacterial, anti-odour and anti-allergen filter with air-conditioner DENSO / filtro antibatterico, antiodori e anti-allergeni con climatizzatore DENSO	223A7000	77	105	07/03	>	02/06				34.262.00
1.9 MJTD 8V DPF E4										
with air-conditioner (spare part only) / con climatizzatore (solo ricambio)	186A9000	88	120	09/05	>	12/09	23.455.00	24.ONE.01	27.367.00	53.043.00
with activated carbon air-conditioner DENSO / con climatizzatore, ai carboni attivi DENSO	186A9000	88	120	09/05	>	12/09				54.262.00
antibacterial, anti-odour and anti-allergen filter with air-conditioner DENSO / filtro antibatterico, antiodori e anti-allergeni con climatizzatore DENSO	186A9000	88	120	09/05	>	12/09				34.262.00
1.9 MJTD 8V E4										
with air-conditioner (spare part only) / con climatizzatore (solo ricambio)	223B1000	77	105	09/05	>	12/09	23.455.00	24.ONE.00	27.367.00	53.043.00
with activated carbon air-conditioner DENSO / con climatizzatore, ai carboni attivi DENSO	223B1000	77	105	09/05	>	12/09				54.262.00
antibacterial, anti-odour and anti-allergen filter with air-conditioner DENSO / filtro antibatterico, antiodori e anti-allergeni con climatizzatore DENSO	223B1000	77	105	04/00	>	12/05				34.262.00
Doblò Cargo (263)										
1.3 MJTD 16V										
with heated fuel filter, spare part only / con filtro gasolio riscaldato, solo ricambio	199A3000	66	90	11/11	>	10/14		26.052.00		
assembly PURFLUX / montaggio PURFLUX	199A3000	66	90	11/09	>	10/14	25.043.00	24.ONE.01	30.265.00	53.157.00
assembly UFI / montaggio UFI	199A3000	66	90	11/09	>	10/14	25.031.00	24.ONE.01	30.265.00	53.157.00
heat exchanger assembly (UFI) / scambiatore di calore montaggio (UFI)	199A3000	66	90	11/09	>	10/14				00.G38.00
1.3 MJTD 16V DPF Stop&Start										
with air-conditioner / con climatizzatore	263A2000	66	90	11/09	>		25.061.00	24.ONE.01	30.477.00	53.157.00

...FIAT - commercial vehicles/veicoli commerciali

with heated fuel filter, spare part only / con filtro gasolio riscaldato, solo ricambio	263A2000	66	90	11/11 >		26.052.00		
1.3 MJTD 16V Euro6	225A2000	59	80	03/16 >		26.052.00	30.477.00	53.157.00
assembly UFI / montaggio UFI	225A2000	59	80	03/16 >	25.139.00			
1.3 MJTD 16V Euro6	330A1000	70	95	03/16 >		26.052.00	30.477.00	53.157.00
assembly UFI / montaggio UFI	330A1000	70	95	03/16 >	25.139.00			
1.4 16V Stop&Start								
with air-conditioner / con climatizzatore	843A1000	70	95	11/09 >	23.438.00		30.135.00	53.157.00
for cold countries / per paesi freddi	843A1000	70	95	11/09 >	23.438.00		30.500.00	53.157.00
1.4 T-Jet Natural Power								
with air-conditioner / con climatizzatore	198A4000	88	120	05/10 >	25.043.00		30.604.00	53.157.00
1.6 MJTD 16V								
with air-conditioner / con climatizzatore	198A3000	77	105	11/09 >	25.061.00	24.ONE.01	30.297.00	53.157.00
with heated fuel filter, spare part only / con filtro gasolio riscaldato, solo ricambio	198A3000	77	105	11/11 >		26.052.00		
1.6 MJTD 16V								
with air-conditioner / con climatizzatore	263A3000	74	101	01/10 >	25.061.00	24.ONE.01	30.297.00	53.157.00
with heated fuel filter, spare part only / con filtro gasolio riscaldato, solo ricambio	263A3000	74	101	11/11 >		26.052.00		
1.6 MJTD 16V								
with air-conditioner / con climatizzatore	263A4000	66	90	01/10 >	25.061.00	24.ONE.01	30.297.00	53.157.00
with heated fuel filter, spare part only / con filtro gasolio riscaldato, solo ricambio	263A4000	66	90	11/11 >		26.052.00		
1.6 MJTD 16V DPF Stop&Start								
with air-conditioner / con climatizzatore	198A3000	77	105	11/09 >	25.083.00	24.ONE.01	30.297.00	53.157.00
with heated fuel filter, spare part only / con filtro gasolio riscaldato, solo ricambio	198A3000	77	105	11/11 >		26.052.00		
1.6 MJTD 16V DPF Stop&Start								
with air-conditioner / con climatizzatore	263A4000	66	90	01/10 >	25.083.00	24.ONE.01	30.297.00	53.157.00
with heated fuel filter, spare part only / con filtro gasolio riscaldato, solo ricambio	263A4000	66	90	11/11 >		26.052.00		
2.0 MJTD 16V DPF Stop&Start								
with air-conditioner / con climatizzatore	263A1000	99	135	11/09 >	25.083.00	24.ONE.01	30.297.00	53.157.00
with heated fuel filter, spare part only / con filtro gasolio riscaldato, solo ricambio	263A1000	99	135	11/11 >		26.052.00		
Ducato								
1.9 D (1905)								
with air-conditioner / con climatizzatore	DJY (XUD9)			07/99 > 03/02	23.439.00	24.351.00	27.888.00	53.042.00
with air-conditioner, dusty areas / con climatizzatore, per zone polverose	DJY (XUD9)			07/99 > 03/02	23.439.00	24.351.00	27.228.00	53.042.00
1.9 D (1929) (10 Q)								
with air-conditioner / con climatizzatore	230A2000			03/94 > 03/02	23.166.00	24.351.00	27.888.00	53.042.00
or / oppure	230A2000			03/94 > 03/02	23.445.00	24.351.00	27.888.00	53.042.00
1.9 TD (1905)								
with air-conditioner / con climatizzatore	DHX (XUD9TF/L)			07/99 > 03/02	23.439.00	24.351.00	27.228.00	53.042.00
1.9 TD (1929)								
with air-conditioner / con climatizzatore	230A3000			03/94 > 03/02	23.166.00	24.351.00	27.228.00	53.042.00
or / oppure	230A3000			03/94 > 03/02	23.445.00	24.351.00	27.228.00	53.042.00
1.9 TD cat (1929)								
with air-conditioner / con climatizzatore	230A4000			03/94 > 03/02	23.166.00	24.351.01	27.228.00	53.042.00
or / oppure	230A4000			03/94 > 03/02	23.445.00	24.351.01	27.228.00	53.042.00
2.0								
with air-conditioner / con climatizzatore	R5B (XU102C)			08/94 > 03/02	23.293.00	31.010.00	27.228.00	53.042.00
2.0 i cat								
with air-conditioner / con climatizzatore	RFW (XU10J2)			05/97 > 03/02	23.293.00	31.515.00	27.228.00	53.042.00
2.0 i cat 4x4								
with air-conditioner / con climatizzatore	RFW (XU10J2)			05/97 > 03/02	23.293.00	31.515.00	27.228.00	53.042.00
2.0 JTD								
with air-conditioner / con climatizzatore	RHV (DW10)			10/01 > 03/02	23.439.00	24.H2O.00	27.228.00	53.042.00
2.5 D								
with air-conditioner / con climatizzatore	Sofim 8140.67			03/94 > 03/02	23.303.00	24.351.00	27.888.00	53.042.00
with air-conditioner, dusty areas / con climatizzatore, per zone polverose	Sofim 8140.67			03/94 > 03/02	23.303.00	24.351.00	27.228.00	53.042.00
2.5 D 4x4								
with air-conditioner / con climatizzatore	Sofim 8140.67			03/94 > 03/02	23.303.00	24.351.00	27.888.00	53.042.00
with air-conditioner, dusty areas / con climatizzatore, per zone polverose	Sofim 8140.67			03/94 > 03/02	23.303.00	24.351.00	27.228.00	53.042.00
2.5 TDI								
with air-conditioner / con climatizzatore	Sofim 8140.47	85	116	03/94 > 03/02	23.303.00	24.351.00	27.228.00	53.042.00
2.5 TDI 4x4								
with air-conditioner / con climatizzatore	Sofim 8140.47	85	116	03/94 > 03/02	23.303.00	24.351.00	27.228.00	53.042.00
2.5 TDI Eco								
with air-conditioner / con climatizzatore	Sofim 8140.47R			03/94 > 03/02	23.303.00	24.351.01	27.228.00	53.042.00
2.5 TDI EGR								
with air-conditioner / con climatizzatore	Sofim 8140.47	85	116	03/94 > 03/02	23.303.00	24.351.00	27.228.00	53.042.00
2.5 TDI EGR 4x4								
with air-conditioner / con climatizzatore	Sofim 8140.47	85	116	03/94 > 03/02	23.303.00	24.351.00	27.228.00	53.042.00

...FIAT - commercial vehicles/veicoli commerciali

2.8 D									
with air-conditioner / con climatizzatore	Sofim 8140.63			10/97 >	03/02	23.303.00	24.351.00	27.228.00	53.042.00
2.8 D 4x4									
with air-conditioner / con climatizzatore	Sofim 8140.63			10/97 >	03/02	23.303.00	24.351.00	27.228.00	53.042.00
2.8 JTD									
with air-conditioner / con climatizzatore	Sofim 8140.43S			11/00 >	03/02	23.303.00	24.H2O.00	27.228.00	53.042.00
2.8 JTD 4x4									
with air-conditioner / con climatizzatore	Sofim 8140.43S			11/00 >	03/02	23.303.00	24.H2O.00	27.228.00	53.042.00
2.8 TDI									
with air-conditioner / con climatizzatore	Sofim 8140.43			10/97 >	03/02	23.303.00	24.434.00	27.228.00	53.042.00
2.8 TDI 4x4									
with air-conditioner / con climatizzatore	Sofim 8140.43			10/97 >	03/02	23.303.00	24.434.00	27.228.00	53.042.00
2.8 TDI EGR									
with air-conditioner / con climatizzatore	Sofim 8140.43			10/97 >	03/02	23.303.00	24.434.00	27.228.00	53.042.00
2.8 TDI EGR 4x4									
with air-conditioner / con climatizzatore	Sofim 8140.43			10/97 >	03/02	23.303.00	24.434.00	27.228.00	53.042.00
Ducato (MY.2002)									
2.0 Bipower									
with air-conditioner / con climatizzatore	RFL	71	97	04/02 >		23.439.00		27.228.00	53.042.00
2.0 JTD									
with air-conditioner / con climatizzatore	RHV (DW10)	62	84	04/02 >	10/02	23.439.00	24.H2O.00	27.228.00	53.042.00
with air-conditioner / con climatizzatore	RHV (DW10)	62	84	11/02 >	12/04	23.439.00	24.H2O.05	27.228.00	53.042.00
with air-conditioner / con climatizzatore	RHV (DW10)	62	84	01/05 >		23.439.00	60.H2O.00	27.228.00	53.042.00
complete filter and disassembly key / filtro completo e chiave di smontaggio	RHV (DW10)	62	84	01/05 >			55.127.00		19.008.00
2.0 MPI CF3									
with air-conditioner / con climatizzatore	RFL	81	110	04/02 >		23.439.00		27.228.00	53.042.00
2.0 MPI CF3 4x4									
with air-conditioner / con climatizzatore	RFL	81	110	04/02 >		23.439.00		27.228.00	53.042.00
2.3 JTD									
to engine No. 240403 / a motore N. 240403	F1AE0481C	81	110	04/02 >		23.457.00			
with air-conditioner / con climatizzatore	F1AE0481C	81	110	04/02 >	10/02	23.457.00	24.H2O.02	27.228.00	53.042.00
with air-conditioner / con climatizzatore	F1AE0481C	81	110	11/02 >	12/04	23.457.00	24.H2O.05	27.228.00	53.042.00
with air-conditioner / con climatizzatore	F1AE0481C	81	110	01/05 >		23.457.00	60.H2O.00	27.228.00	53.042.00
from engine No. 240404 / da motore N. 240404	F1AE0481C	81	110			23.489.00			
complete filter and disassembly key / filtro completo e chiave di smontaggio	F1AE0481C	81	110	01/05 >			55.143.00		19.008.00
2.3 JTD EGR									
to engine No. 240403 / a motore N. 240403	F1AE0481C	81	110	04/02 >		23.457.00			
with air-conditioner / con climatizzatore	F1AE0481C	81	110	04/02 >	10/02	23.457.00	24.H2O.02	27.228.00	53.042.00
with air-conditioner / con climatizzatore	F1AE0481C	81	110	11/02 >	12/04	23.457.00	24.H2O.05	27.228.00	53.042.00
with air-conditioner / con climatizzatore	F1AE0481C	81	110	01/05 >		23.457.00	60.H2O.00	27.228.00	53.042.00
from engine No. 240404 / da motore N. 240404	F1AE0481C	81	110			23.489.00			
complete filter and disassembly key / filtro completo e chiave di smontaggio	F1AE0481C	81	110	01/05 >			55.143.00		19.008.00
2.8 JTD									
with air-conditioner / con climatizzatore	Sofim 8140.43S	94	127	04/02 >	10/02	23.303.00	24.H2O.00	27.228.00	53.042.00
with air-conditioner / con climatizzatore	Sofim 8140.43S	94	127	11/02 >	10/04	23.303.00	24.H2O.05	27.228.00	53.042.00
with air-conditioner / con climatizzatore	Sofim 8140.43S	94	127	11/04 >	12/04	23.457.00	24.H2O.05	27.228.00	53.042.00
with air-conditioner / con climatizzatore	Sofim 8140.43S	94	127	01/05 >		23.457.00	60.H2O.00	27.228.00	53.042.00
complete filter and disassembly key / filtro completo e chiave di smontaggio	Sofim 8140.43S	94	127	01/05 >			55.127.00		19.008.00
2.8 JTD 4x4									
with air-conditioner / con climatizzatore	Sofim 8140.43S	94	127	04/02 >	10/02	23.303.00	24.H2O.00	27.228.00	53.042.00
with air-conditioner / con climatizzatore	Sofim 8140.43S	94	127	11/02 >	10/04	23.303.00	24.H2O.05	27.228.00	53.042.00
with air-conditioner / con climatizzatore	Sofim 8140.43S	94	127	11/04 >	12/04	23.457.00	24.H2O.05	27.228.00	53.042.00
with air-conditioner / con climatizzatore	Sofim 8140.43S	94	127	01/05 >		23.457.00	60.H2O.00	27.228.00	53.042.00
complete filter and disassembly key / filtro completo e chiave di smontaggio	Sofim 8140.43S	94	127	01/05 >			55.127.00		19.008.00
2.8 JTD EGR									
with air-conditioner / con climatizzatore	Sofim 8140.43S	94	127	04/02 >	10/02	23.303.00	24.H2O.00	27.228.00	53.042.00
with air-conditioner / con climatizzatore	Sofim 8140.43S	94	127	11/02 >	10/04	23.303.00	24.H2O.05	27.228.00	53.042.00
with air-conditioner / con climatizzatore	Sofim 8140.43S	94	127	11/04 >	12/04	23.457.00	24.H2O.05	27.228.00	53.042.00
with air-conditioner / con climatizzatore	Sofim 8140.43S	94	127	01/05 >		23.457.00	60.H2O.00	27.228.00	53.042.00
complete filter and disassembly key / filtro completo e chiave di smontaggio	Sofim 8140.43S	94	127	01/05 >			55.127.00		19.008.00
2.8 JTD EGR 4x4									
with air-conditioner / con climatizzatore	Sofim 8140.43S	94	127	04/02 >	10/02	23.303.00	24.H2O.00	27.228.00	53.042.00
with air-conditioner / con climatizzatore	Sofim 8140.43S	94	127	11/02 >	10/04	23.303.00	24.H2O.05	27.228.00	53.042.00
with air-conditioner / con climatizzatore	Sofim 8140.43S	94	127	11/04 >	12/04	23.457.00	24.H2O.05	27.228.00	53.042.00
with air-conditioner / con climatizzatore	Sofim 8140.43S	94	127	01/05 >		23.457.00	60.H2O.00	27.228.00	53.042.00
complete filter and disassembly key / filtro completo e chiave di smontaggio	Sofim 8140.43S	94	127	01/05 >			55.127.00		19.008.00
2.8 JTD Power									

...FIAT - commercial vehicles/veicoli commerciali

with air-conditioner / con climatizzatore	Sofim 8140.43N	107	146	04/04 >	10/04	23.303.00	24.H2O.05	27.228.00	53.042.00
with air-conditioner / con climatizzatore	Sofim 8140.43N	107	146	11/04 >	12/04	23.457.00	24.H2O.05	27.228.00	53.042.00
with air-conditioner / con climatizzatore	Sofim 8140.43N	107	146	01/05 >		23.457.00	60.H2O.00	27.228.00	53.042.00
complete filter and disassembly key / filtro completo e chiave di smontaggio	Sofim 8140.43N	107	146	01/05 >			55.127.00		19.008.00
Ducato (MY.2006)									
2.2 JTD 100									
with air-conditioner / con climatizzatore	4HV (Puma)	74	100	05/06 >		25.060.00	60.H2O.00	27.628.00	53.130.00
with activated carbon air-conditioner / con climatizzatore, ai carboni attivi	4HV (Puma)	74	100	05/06 >					54.269.00
antibacterial, anti-odour and anti-allergen filter with air-conditioner / filtro antibatterico, antiodori e anti-allergeni con climatizzatore	4HV (Puma)	74	100	05/06 >					34.269.00
complete filter and disassembly key / filtro completo e chiave di smontaggio	4HV (Puma)	74	100	05/06 >	09/10		55.147.00		19.008.00
dusty areas / zone polverose	4HV (Puma)	74	100	05/06 >				27.A69.00	
2.3 JTD									
with air-conditioner / con climatizzatore	F1AE0481D	88	120	05/06 >		23.489.00	60.H2O.00	27.628.00	53.130.00
with activated carbon air-conditioner / con climatizzatore, ai carboni attivi	F1AE0481D	88	120	05/06 >					54.269.00
antibacterial, anti-odour and anti-allergen filter with air-conditioner / filtro antibatterico, antiodori e anti-allergeni con climatizzatore	F1AE0481D	88	120	05/06 >					34.269.00
complete filter and disassembly key / filtro completo e chiave di smontaggio	F1AE0481D	88	120	05/06 >	09/10		55.148.00		19.008.00
for cold countries Kit Russia / per paesi freddi Kit Russia	F1AE0481D	88	120	12/11 >			26.052.00		
dusty areas / zone polverose	F1AE0481D	88	120	05/06 >				27.A69.00	
2.3 JTD									
with air-conditioner / con climatizzatore	F1AE0481N	96	130	05/06 >		23.489.00	60.H2O.00	27.628.00	53.130.00
with activated carbon air-conditioner / con climatizzatore, ai carboni attivi	F1AE0481N	96	130	05/06 >					54.269.00
antibacterial, anti-odour and anti-allergen filter with air-conditioner / filtro antibatterico, antiodori e anti-allergeni con climatizzatore	F1AE0481N	96	130	05/06 >					34.269.00
complete filter and disassembly key / filtro completo e chiave di smontaggio	F1AE0481N	96	130	05/06 >	09/10		55.148.00		19.008.00
for cold countries Kit Russia / per paesi freddi KIT Russia	F1AE0481N	96	130	12/11 >			26.052.00		
dusty areas / zone polverose	F1AE0481N	96	130	05/06 >				27.A69.00	
3.0 Bi-Power									
with air-conditioner / con climatizzatore	F1CE0441A	100	136	04/09 >		23.546.00		27.628.00	53.130.00
with activated carbon air-conditioner / con climatizzatore, ai carboni attivi	F1CE0441A	100	136	04/09 >					54.269.00
antibacterial, anti-odour and anti-allergen filter with air-conditioner / filtro antibatterico, antiodori e anti-allergeni con climatizzatore	F1CE0441A	100	136	04/09 >					34.269.00
dusty areas / zone polverose	F1CE0441A	100	136	04/09 >				27.A69.00	
3.0 JTD									
with air-conditioner / con climatizzatore	F1CE0481D	115	157	05/06 >		23.546.00	60.H2O.00	27.628.00	53.130.00
with activated carbon air-conditioner / con climatizzatore, ai carboni attivi	F1CE0481D	115	157	05/06 >					54.269.00
antibacterial, anti-odour and anti-allergen filter with air-conditioner / filtro antibatterico, antiodori e anti-allergeni con climatizzatore	F1CE0481D	115	157	05/06 >					34.269.00
filter BLOW-BY / filtro BLOW-BY	F1CE0481D	115	157	05/06 >					27.689.00
complete filter and disassembly key / filtro completo e chiave di smontaggio	F1CE0481D	115	157	05/06 >	09/10		55.148.00		19.008.00
dusty areas / zone polverose	F1CE0481D	115	157	05/06 >				27.A69.00	
3.0 JTD E5									
with air-conditioner / con climatizzatore	F1CE3481M	115	156	04/10 >	05/11	23.546.00	60.H2O.00	27.628.00	53.130.00
with activated carbon air-conditioner / con climatizzatore, ai carboni attivi	F1CE3481M	115	156	04/10 >	05/11				54.269.00
antibacterial, anti-odour and anti-allergen filter with air-conditioner / filtro antibatterico, antiodori e anti-allergeni con climatizzatore	F1CE3481M	115	156	04/10 >	05/11				34.269.00
filter BLOW-BY / filtro BLOW-BY	F1CE3481M	115	156	04/10 >	05/11				27.689.00
complete filter and disassembly key / filtro completo e chiave di smontaggio	F1CE3481M	115	156	04/10 >	05/11				19.008.00
dusty areas / zone polverose	F1CE3481M	115	156	04/10 >	05/11			27.A69.00	
3.0 JTD E5									
with air-conditioner / con climatizzatore	F1CE3481N	107	145	04/10 >	05/11	23.546.00	60.H2O.00	27.628.00	53.130.00
with activated carbon air-conditioner / con climatizzatore, ai carboni attivi	F1CE3481N	107	145	04/10 >	05/11				54.269.00
antibacterial, anti-odour and anti-allergen filter with air-conditioner / filtro antibatterico, antiodori e anti-allergeni con climatizzatore	F1CE3481N	107	145	04/10 >	05/11				34.269.00
filter BLOW-BY / filtro BLOW-BY	F1CE3481N	107	145	04/10 >	05/11				27.689.00
complete filter and disassembly key / filtro completo e chiave di smontaggio	F1CE3481N	107	145	04/10 >	05/11				19.008.00
dusty areas / zone polverose	F1CE3481N	107	145	04/10 >	05/11			27.A69.00	
Ducato (MY.2011)									
2.0 16V Multijet 115									
to frame No. 2244465 / a telaio N. 2244465	250A1000	85	115	05/11 >		25.083.00		27.628.00	53.130.00
with activated carbon air-conditioner / con climatizzatore, ai carboni attivi	250A1000	85	115	05/11 >			24.ONE.01		54.269.00
from frame No. 2244466 / da telaio N. 2244466	250A1000	85	115				24.ONE.0B		
antibacterial, anti-odour and anti-allergen filter with air-conditioner / filtro antibatterico, antiodori e anti-allergeni con climatizzatore	250A1000	85	115	05/11 >					34.269.00
dusty areas / zone polverose	250A1000	85	115	05/11 >				27.A69.00	
2.3 16V Multijet 110									
to frame No. 2244465 / a telaio N. 2244465	F1AE3481G	83	113	05/11 >		23.489.00		27.628.00	53.130.00
with activated carbon air-conditioner / con climatizzatore, ai carboni attivi	F1AE3481G	83	113	05/11 >			24.ONE.01		54.269.00
from frame No. 2244466 / da telaio N. 2244466	F1AE3481G	83	113				24.ONE.0B		
antibacterial, anti-odour and anti-allergen filter with air-conditioner / filtro antibatterico, antiodori e anti-allergeni con climatizzatore	F1AE3481G	83	113	05/11 >					34.269.00
dusty areas / zone polverose	F1AE3481G	83	113	05/11 >				27.A69.00	
2.3 16V Multijet 130									
to frame No. 2244465 / a telaio N. 2244465	F1AE3481D	96	130	05/11 >		23.489.00		27.628.00	53.130.00
with activated carbon air-conditioner / con climatizzatore, ai carboni attivi	F1AE3481D	96	130	05/11 >			24.ONE.01		54.269.00

...FIAT - commercial vehicles/veicoli commerciali

from frame No. 2244466 / da telaio N. 2244466	F1AE3481D	96	130				24.ONE.0B		
antibacterial, anti-odour and anti-allergen filter with air-conditioner / filtro antibatterico, antiodori e anti-allergeni con climatizzatore	F1AE3481D	96	130	05/11	>				34.269.00
dusty areas / zone polverose	F1AE3481D	96	130	05/11	>			27.A69.00	
2.3 16V Multijet 150	F1AE3481E	109	148	05/11	>	23.489.00		27.628.00	53.130.00
to frame No. 2244465 / a telaio N. 2244465	F1AE3481E	109	148				24.ONE.01		
with activated carbon air-conditioner / con climatizzatore, ai carboni attivi	F1AE3481E	109	148	05/11	>				54.269.00
from frame No. 2244466 / da telaio N. 2244466	F1AE3481E	109	148				24.ONE.0B		
antibacterial, anti-odour and anti-allergen filter with air-conditioner / filtro antibatterico, antiodori e anti-allergeni con climatizzatore	F1AE3481E	109	148	05/11	>				34.269.00
dusty areas / zone polverose	F1AE3481E	109	148	05/11	>			27.A69.00	
3.0 16V Multijet Power 180	F1CE3481E	130	177	05/11	>	23.546.00		27.628.00	53.130.00
to frame No. 2244465 / a telaio N. 2244465	F1CE3481E	130	177				24.ONE.01		
with activated carbon air-conditioner / con climatizzatore, ai carboni attivi	F1CE3481E	130	177	05/11	>				54.269.00
from frame No. 2244466 / da telaio N. 2244466	F1CE3481E	130	177				24.ONE.0B		
antibacterial, anti-odour and anti-allergen filter with air-conditioner / filtro antibatterico, antiodori e anti-allergeni con climatizzatore	F1CE3481E	130	177	05/11	>				34.269.00
filter BLOW-BY / filtro BLOW-BY	F1CE3481E	130	177	05/11	>				27.689.00
dusty areas / zone polverose	F1CE3481E	130	177	05/11	>			27.A69.00	
3.0 Natural Power	F1CE0441A	100	136	05/11	>	23.546.00		27.628.00	53.130.00
with activated carbon air-conditioner / con climatizzatore, ai carboni attivi	F1CE0441A	100	136	05/11	>				54.269.00
antibacterial, anti-odour and anti-allergen filter with air-conditioner / filtro antibatterico, antiodori e anti-allergeni con climatizzatore	F1CE0441A	100	136	05/11	>				34.269.00
dusty areas / zone polverose	F1CE0441A	100	136	05/11	>			27.A69.00	
Ducato (MY.2014)									
2.0 Multijet 115	250A1000	85	115	03/14	>	25.083.00	24.ONE.0B	27.628.00	53.130.00
with activated carbon air-conditioner / con climatizzatore, ai carboni attivi	250A1000	85	115	03/14	>				54.269.00
with heated fuel filter, spare part only / con filtro gasolio riscaldato, solo ricambio	250A1000	85	115	03/14	>		26.052.00		
antibacterial, anti-odour and anti-allergen filter with air-conditioner / filtro antibatterico, antiodori e anti-allergeni con climatizzatore	250A1000	85	115	03/14	>				34.269.00
dusty areas / zone polverose	250A1000	85	115	03/14	>			27.A69.00	
2.3 Multijet2 130	F1AE3481D	96	130	03/14	>	23.489.00	24.ONE.0B	27.628.00	53.130.00
with activated carbons / ai carboni attivi	F1AE3481D	96	130	03/14	>				54.269.00
with heated fuel filter, spare part only / con filtro gasolio riscaldato, solo ricambio	F1AE3481D	96	130	03/14	>		26.052.00		
antibacterial, anti-odour and anti-allergen filter / filtro antibatterico, antiodori e anti-allergeni	F1AE3481D	96	130	03/14	>				34.269.00
dusty areas / zone polverose	F1AE3481D	96	130	03/14	>			27.A69.00	
2.3 Multijet2 130	F1AGL411D	96	130	01/18	>	23.489.00	26.052.00	27.628.00	53.130.00
with activated carbons / ai carboni attivi	F1AGL411D	96	130	01/18	>				54.269.00
antibacterial, anti-odour and anti-allergen filter / filtro antibatterico, antiodori e anti-allergeni	F1AGL411D	96	130	01/18	>				34.269.00
dusty areas / zone polverose	F1AGL411D	96	130	01/18	>			27.A69.00	
2.3 Multijet2 150	F1AGL411A	110	150	06/15	>	23.489.00	24.ONE.0B	27.628.00	53.130.00
with activated carbons / ai carboni attivi	F1AGL411A	110	150	06/15	>				54.269.00
with heated fuel filter, spare part only / con filtro gasolio riscaldato, solo ricambio	F1AGL411A	110	150	06/15	>		26.052.00		
antibacterial, anti-odour and anti-allergen filter / filtro antibatterico, antiodori e anti-allergeni	F1AGL411A	110	150	06/15	>				34.269.00
dusty areas / zone polverose	F1AGL411A	110	150	06/15	>			27.A69.00	
2.3 Multijet2 180	F1AGL411B	130	177	06/15	>	23.489.00	24.ONE.0B	27.628.00	53.130.00
with activated carbons / ai carboni attivi	F1AGL411B	130	177	06/15	>				54.269.00
with heated fuel filter, spare part only / con filtro gasolio riscaldato, solo ricambio	F1AGL411B	130	177	06/15	>		26.052.00		
antibacterial, anti-odour and anti-allergen filter / filtro antibatterico, antiodori e anti-allergeni	F1AGL411B	130	177	06/15	>				34.269.00
dusty areas / zone polverose	F1AGL411B	130	177	06/15	>			27.A69.00	
3.0 Multijet 180	F1CE3481E	130	177	03/14	>	23.546.00	24.ONE.0B	27.628.00	53.130.00
with activated carbon air-conditioner / con climatizzatore, ai carboni attivi	F1CE3481E	130	177	03/14	>				54.269.00
with heated fuel filter, spare part only / con filtro gasolio riscaldato, solo ricambio	F1CE3481E	130	177	03/14	>		26.052.00		
antibacterial, anti-odour and anti-allergen filter with air-conditioner / filtro antibatterico, antiodori e anti-allergeni con climatizzatore	F1CE3481E	130	177	05/06	>				34.269.00
filter BLOW-BY / filtro BLOW-BY	F1CE3481E	130	177	03/14	>				27.689.00
dusty areas / zone polverose	F1CE3481E	130	177	03/14	>			27.A69.00	
Ducato (MY.2019)									
2.3 Multijet 120	F1AGL4114	88	120	09/18	> 11/19			26.076.00	
	F1AGL4114	88	120	12/19	>			26.H2O.00	
2.3 Multijet 140	F1AGL4113	103	140	09/18	> 11/19			26.076.00	
	F1AGL4113	103	140	12/19	>			26.H2O.00	
2.3 Multijet 160	F1AGL4112	118	160	09/18	> 11/19			26.076.00	
	F1AGL4112	118	160	12/19	>			26.H2O.00	
2.3 Multijet 180	F1AGL4111	130	177	09/18	> 11/19			26.076.00	
	F1AGL4111	130	177	12/19	>			26.H2O.00	
Ducato Maxi (MY.2006)									
2.2 JTD 100									
with air-conditioner / con climatizzatore	4HV (Puma)	74	100	05/06	>	25.060.00	60.H2O.00	27.628.00	53.130.00
with activated carbon air-conditioner / con climatizzatore, ai carboni attivi	4HV (Puma)	74	100	05/06	>				54.269.00
antibacterial, anti-odour and anti-allergen filter with air-conditioner / filtro antibatterico, antiodori e anti-allergeni con climatizzatore	4HV (Puma)	74	100	05/06	>				34.269.00
complete filter and disassembly key / filtro completo e chiave di smontaggio	4HV (Puma)	74	100	05/06	> 09/10			55.147.00	19.008.00
dusty areas / zone polverose	4HV (Puma)	74	100	05/06	>			27.A69.00	

...FIAT - commercial vehicles/veicoli commerciali

F

2.3 JTD									
with air-conditioner / con climatizzatore	F1AE0481D	88	120	05/06	>	23.489.00	60.H2O.00	27.628.00	53.130.00
with activated carbon air-conditioner / con climatizzatore, ai carboni attivi	F1AE0481D	88	120	05/06	>				54.269.00
antibacterial, anti-odour and anti-allergen filter with air-conditioner / filtro antibatterico, antiodori e anti-allergeni con climatizzatore	F1AE0481D	88	120	05/06	>				34.269.00
complete filter and disassembly key / filtro completo e chiave di smontaggio	F1AE0481D	88	120	05/06	> 09/10		55.148.00		19.008.00
for cold countries Kit Russia / per paesi freddi Kit Russia	F1AE0481D	88	120	12/11	>		26.052.00		
dusty areas / zone polverose	F1AE0481D	88	120	05/06	>			27.A69.00	
2.3 JTD									
with air-conditioner / con climatizzatore	F1AE0481N	96	130	05/06	>	23.489.00	60.H2O.00	27.628.00	53.130.00
with activated carbon air-conditioner / con climatizzatore, ai carboni attivi	F1AE0481N	96	130	05/06	>				54.269.00
antibacterial, anti-odour and anti-allergen filter with air-conditioner / filtro antibatterico, antiodori e anti-allergeni con climatizzatore	F1AE0481N	96	130	05/06	>				34.269.00
complete filter and disassembly key / filtro completo e chiave di smontaggio	F1AE0481N	96	130	05/06	> 09/10		55.148.00		19.008.00
for cold countries Kit Russia / per paesi freddi Kit Russia	F1AE0481N	96	130	12/11	>		26.052.00		
dusty areas / zone polverose	F1AE0481N	96	130	05/06	>			27.A69.00	
3.0 Bi-Power									
with air-conditioner / con climatizzatore	F1CE0441A	100	136	09/09	>	23.546.00		27.628.00	53.130.00
with activated carbon air-conditioner / con climatizzatore, ai carboni attivi	F1CE0441A	100	136	09/09	>				54.269.00
antibacterial, anti-odour and anti-allergen filter with air-conditioner / filtro antibatterico, antiodori e anti-allergeni con climatizzatore	F1CE0441A	100	136	09/09	>				34.269.00
dusty areas / zone polverose	F1CE0441A	100	136	09/09	>			27.A69.00	
3.0 JTD									
with air-conditioner / con climatizzatore	F1CE0481D	115	157	05/06	>	23.546.00	60.H2O.00	27.628.00	53.130.00
with activated carbon air-conditioner / con climatizzatore, ai carboni attivi	F1CE0481D	115	157	05/06	>				54.269.00
antibacterial, anti-odour and anti-allergen filter with air-conditioner / filtro antibatterico, antiodori e anti-allergeni con climatizzatore	F1CE0481D	115	157	05/06	>				34.269.00
filter BLOW-BY / filtro BLOW-BY	F1CE0481D	115	157	05/06	>				27.689.00
complete filter and disassembly key / filtro completo e chiave di smontaggio	F1CE0481D	115	157	05/06	> 09/10		55.148.00		19.008.00
dusty areas / zone polverose	F1CE0481D	115	157	05/06	>			27.A69.00	
Fiorino (225)									
1.3 MJTD 16V 75 E5									
with air-conditioner and R.H.D. / con climatizzatore e guida a destra	199A9000	55	75	02/08	>	25.061.00	24.ONE.01	30.477.00	53.124.00
with air-conditioner and L.H.D. / con climatizzatore e guida a sinistra	199A9000	55	75	02/08	>	25.061.00	24.ONE.01	30.477.00	53.157.00
with activated carbon R.H.D. / con guida a destra, ai carboni attivi	199A9000	55	75	02/08	>				54.162.00
antibacterial, anti-odour and anti-allergen filter with R.H.D. / filtro antibatterico, antiodori e anti-allergeni con guida a destra	199A9000	55	75	02/08	>				34.162.00
1.3 MJTD 16V 80 E6									
with air-conditioner and R.H.D. / con climatizzatore e guida a destra	225A2000	59	80	04/15	>				53.124.00
with air-conditioner and L.H.D. / con climatizzatore e guida a sinistra	225A2000	59	80	04/15	>		26.052.00	30.793.00	53.157.00
with activated carbon R.H.D. / con guida a destra, ai carboni attivi	225A2000	59	80	04/15	>				54.162.00
antibacterial, anti-odour and anti-allergen filter with R.H.D. / filtro antibatterico, antiodori e anti-allergeni con guida a destra	225A2000	59	80	04/15	>				34.162.00
assembly UFI FILTERS / montaggio UFI FILTERS	225A2000	59	80	04/15	>	25.139.00			
1.3 MJTD 16V 95 E5									
with air-conditioner and R.H.D. / con climatizzatore e guida a destra	199B1000	70	95	07/09	>	25.061.00	24.ONE.01	30.477.00	53.124.00
with air-conditioner and L.H.D. / con climatizzatore e guida a sinistra	199B1000	70	95	07/09	>	25.061.00	24.ONE.01	30.477.00	53.157.00
with activated carbon R.H.D. / con guida a destra, ai carboni attivi	199B1000	70	95	07/09	>				54.162.00
antibacterial, anti-odour and anti-allergen filter with R.H.D. / filtro antibatterico, antiodori e anti-allergeni con guida a destra	199B1000	70	95	07/09	>				34.162.00
1.3 MJTD 16V 95 E6									
with air-conditioner and R.H.D. / con climatizzatore e guida a destra	330A1000	70	95	04/15	>				53.124.00
with air-conditioner and L.H.D. / con climatizzatore e guida a sinistra	330A1000	70	95	04/15	>		26.052.00	30.793.00	53.157.00
with activated carbon R.H.D. / con guida a destra, ai carboni attivi	330A1000	70	95	04/15	>				54.162.00
antibacterial, anti-odour and anti-allergen filter with R.H.D. / filtro antibatterico, antiodori e anti-allergeni con guida a destra	330A1000	70	95	04/15	>				34.162.00
assembly UFI FILTERS / montaggio UFI FILTERS	330A1000	70	95	04/15	>	25.139.00			
1.3 MJTD 16V E4									
with air-conditioner and R.H.D. / con climatizzatore e guida a destra	199A2000	55	75	10/07	>		24.ONE.00	30.265.00	53.124.00
with air-conditioner and L.H.D. / con climatizzatore e guida a sinistra	199A2000	55	75	10/07	>		24.ONE.00	30.265.00	53.157.00
with activated carbon R.H.D. / con guida a destra, ai carboni attivi	199A2000	55	75	10/07	>				54.162.00
antibacterial, anti-odour and anti-allergen filter with R.H.D. / filtro antibatterico, antiodori e anti-allergeni con guida a destra	199A2000	55	75	10/07	>				34.162.00
assembly PURFLUX / montaggio PURFLUX	199A2000	55	75	10/07	>	25.043.00	24.ONE.00	30.265.00	
assembly UFI / montaggio UFI	199A2000	55	75	10/07	>	25.031.00	24.ONE.00	30.265.00	
1.4 MPI 8V									
with air-conditioner and R.H.D. / con climatizzatore e guida a destra	KFV	55	75	10/07	>	25.060.00		30.371.00	53.124.00
with air-conditioner and L.H.D. / con climatizzatore e guida a sinistra	KFV	55	75	10/07	>	25.060.00		30.371.00	53.157.00
with activated carbon R.H.D. / con guida a destra, ai carboni attivi	KFV	55	75	10/07	>				54.162.00
antibacterial, anti-odour and anti-allergen filter with R.H.D. / filtro antibatterico, antiodori e anti-allergeni con guida a destra	KFV	55	75	10/07	>				34.162.00
1.4 Natural Power									
with air-conditioner and R.H.D. / con climatizzatore e guida a destra	350A1000	57	77	10/07	>	23.438.00		30.301.00	53.124.00
with air-conditioner and L.H.D. / con climatizzatore e guida a sinistra	350A1000	57	77	10/07	>	23.438.00		30.301.00	53.157.00
with activated carbon R.H.D. / con guida a destra, ai carboni attivi	350A1000	57	77	10/07	>				54.162.00
antibacterial, anti-odour and anti-allergen filter with R.H.D. / filtro antibatterico, antiodori e anti-allergeni con guida a destra	350A1000	57	77	10/07	>				34.162.00

Fiorino Jolly

...FIAT - commercial vehicles/veicoli commerciali

1.0 (1050) or / oppure				09/86 >	23.175.00	31.001.00	27.785.00	
				09/86 >	23.448.00	31.001.00	27.785.00	
1.3 D or / oppure				09/86 >	23.172.00	24.351.00	27.800.00	
				09/86 >	23.448.00	24.351.00	27.800.00	
Fiorino RL93								
1.4 i.e. cat (SPI) with FIAT 5984044 (M20 x 1.5) / con FIAT 5984044 (M20 x 1.5)				10/94 > 12/01	23.196.00	31.512.00	30.048.00	
1.6 i.e. cat (SPI) with FIAT 5984044 (M20 x 1.5) / con FIAT 5984044 (M20 x 1.5)				10/94 > 12/01	23.196.00	31.512.00	30.048.00	
1.7 D with pump BOSCH / con pompa BOSCH	146B2			01/93 > 12/01	23.166.00	24.351.00	30.945.00	
with pump DELPHI / con pompa DELPHI	146B2			01/93 > 12/01	23.166.00	24.383.00	30.945.00	
or / oppure	146B2			01/93 > 12/01	23.445.00		30.945.00	
1.7 TD with pump BOSCH / con pompa BOSCH	146D7			01/97 > 12/01	23.414.00	24.351.00	30.048.00	
with pump DELPHI / con pompa DELPHI	146D7			01/97 > 12/01	23.414.00	24.383.00	30.048.00	
or / oppure	146D7			01/97 > 12/01	23.449.00		30.048.00	
Fullback Pick-up								
2.4 DiD	4N15	113	154	01/16 >	23.265.00	26.045.00		53.218.00
2.4 DiD 4WD	4N15	113	154	01/16 >	23.265.00	26.045.00		53.218.00
2.4 DiD 4WD	4N15	133	181	01/16 >	23.265.00	26.045.00		53.218.00
Grande Punto Van (299)								
1.3 MJTD 16V assembly PURFLUX / montaggio PURFLUX	199A2000	55	75	09/05 >	25.043.00	24.ONE.00	30.265.00	53.124.00
assembly UFI / montaggio UFI	199A2000	55	75	09/05 >	25.031.00	24.ONE.00	30.265.00	53.124.00
1.3 MJTD 16V assembly PURFLUX / montaggio PURFLUX	199A3000	66	90	09/05 >	25.043.00	24.ONE.01	30.265.00	53.124.00
assembly UFI / montaggio UFI	199A3000	66	90	09/05 >	25.031.00	24.ONE.01	30.265.00	53.124.00
1.4 MPI 8V with air-conditioner / con climatizzatore	350A1000	57	77	09/05 >	23.438.00		30.301.00	53.124.00
Idea Van								
1.3 MJTD 16V with air-conditioner, assembly UFI / con climatizzatore, montaggio UFI	188A9000	51	70	01/05 >	25.031.00	60.H2O.00	30.265.00	53.043.00
complete filter and disassembly key / filtro completo e chiave di smontaggio	188A9000	51	70	09/03 > 03/06		55.084.00		19.008.00
complete filter and disassembly key / filtro completo e chiave di smontaggio	188A9000	51	70	04/06 >		55.173.00		19.008.00
assembly PURFLUX / montaggio PURFLUX	188A9000	51	70	09/03 >	25.043.00	60.H2O.00	30.265.00	53.043.00
1.3 MJTD 16V with air-conditioner / con climatizzatore	199A3000	66	90	10/05 >	25.043.00	60.H2O.00	30.265.00	53.043.00
complete filter and disassembly key / filtro completo e chiave di smontaggio	199A3000	66	90	10/05 >		55.181.00		19.008.00
1.4 16V with air-conditioner / con climatizzatore	843A1000	70	95	09/03 >	23.438.00		30.135.00	53.043.00
1.4 8V with air-conditioner / con climatizzatore	350A1000	57	77	10/05 >	23.438.00		30.301.00	53.043.00
1.9 MJTD 8V with air-conditioner / con climatizzatore	188B2000	74	101	09/03 >	23.455.00	60.H2O.00	27.341.00	53.043.00
complete filter and disassembly key / filtro completo e chiave di smontaggio	188B2000	74	101	09/03 > 01/06		55.084.00		19.008.00
complete filter and disassembly key / filtro completo e chiave di smontaggio	188B2000	74	101	02/06 >		55.173.00		19.008.00
Marengo (Marea)								
1.9 JTD 105 CF2 with air-conditioner and L.H.D. / con climatizzatore e guida a sinistra	182B4.000	77	105	01/99 > 12/00	23.414.00	24.408.00	30.066.00	53.023.00
or / oppure	182B4.000	77	105	01/99 > 12/00	23.449.00	24.408.00	30.066.00	53.023.00
without water presence sensor / senza sensore presenza acqua	182B4.000	77	105	01/99 > 05/00	23.414.00	24.H2O.00	30.066.00	53.023.00
1.9 JTD 110 CF3 to engine No. 361133 / a motore N. 361133	186A6.000	81	110	01/00 > 10/01	23.449.00	24.H2O.00	30.066.00	53.023.00
from engine No. 361134 / da motore N. 361134	186A6.000	81	110	10/01 > 12/03	23.455.00	24.H2O.00	30.066.00	53.023.00
1.9 TD 75 with air-conditioner and L.H.D. / con climatizzatore e guida a sinistra	182A8.000	55	75	01/99 > 12/00	23.414.00	24.418.00	30.066.00	53.023.00
or / oppure	182A8.000	55	75	01/99 > 12/00	23.449.00	24.418.00	30.066.00	53.023.00
Multipia Van								
1.6 16V	182B6000	76	103	11/98 >	23.196.00		30.098.00	53.033.00
1.6 16V Bipower	182B6000	76	103	11/98 >	23.196.00		30.098.00	53.033.00
1.9 JTD	186A8000	85	115	07/02 > 02/03	23.455.00	24.H2O.07	30.151.00	53.033.00
	186A8000	85	115	03/03 > 01/05	23.455.00	24.H2O.04	30.151.00	53.033.00
	186A8000	85	115	02/05 >	23.455.00	60.H2O.00	30.151.00	53.033.00
complete filter and disassembly key / filtro completo e chiave di smontaggio	186A8000	85	115	02/05 >		55.134.00		19.008.00
1.9 MJT CF4	186A9000	88	120	09/05 >	23.455.00	60.H2O.00	30.151.00	53.033.00
complete filter and disassembly key / filtro completo e chiave di smontaggio	186A9000	88	120	09/05 >		55.145.00		19.008.00

...FIAT - commercial vehicles/veicoli commerciali

1.9 MJT CF4 (B)	186A9000	85	115	09/05 >	23.455.00	60.H2O.00	30.151.00	53.033.00
complete filter and disassembly key / filtro completo e chiave di smontaggio	186A9000	85	115	09/05 >		55.145.00		19.008.00
Panda Cityvan								
1.1 MPI CF3				01/00 >	23.415.00		30.032.00	
Panda Van								
1.0 Fire cat				01/87 >	23.196.00	31.512.00		
to engine No. 0015233 / a motore N. 0015233					23.196.00	31.512.00	30.894.00	
from engine No. 0015234 / da motore N. 0015234				> 12/03	23.196.00	31.512.00	30.032.00	
1.0 i F2				01/95 >	23.196.00			
to engine No. 0015233 / a motore N. 0015233					23.196.00		30.894.00	
from engine No. 0015234 / da motore N. 0015234				> 12/03	23.196.00		30.032.00	
1.1 MPI CF3				01/00 >	23.415.00		30.032.00	
1.1 MPI CF3 4x4				01/00 >	23.415.00		30.032.00	
1.1 SPI CF2 Trekking 4x4				01/98 >	23.196.00	31.512.00		
to engine No. 0015233 / a motore N. 0015233					23.196.00	31.512.00	30.894.00	
from engine No. 0015234 / da motore N. 0015234				> 12/03	23.196.00	31.512.00	30.032.00	
750 (ACB)				04/86 >	23.169.00	31.010.00	27.785.00	
or / oppure				04/86 >	23.447.00	31.010.00	27.785.00	
750 Fire				04/86 >	23.196.00	31.010.00	30.894.00	
some / alcuni				04/86 >	23.196.00	31.010.00	30.894.00	
Panda Van (271)								
1.1								
with air-conditioner / con climatizzatore	187A1000	40	54	03/03 >	23.415.00		30.194.00	53.088.00
with air-conditioner / con climatizzatore	187A1000	40	54	09/03 >	23.438.00		30.194.00	53.088.00
1.2 8V								
with air-conditioner / con climatizzatore	188A4000	44	60	03/03 >	23.415.00		30.194.00	53.088.00
with air-conditioner / con climatizzatore	188A4000	44	60	09/03 >	23.438.00		30.194.00	53.088.00
1.2 8V 4x4								
with air-conditioner / con climatizzatore	188A4000	44	60	09/04 >	23.438.00		30.194.00	53.088.00
1.3 MJTD 16V 4x4 CF4								
complete filter and disassembly key / filtro completo e chiave di smontaggio	188A9000	51	70	09/05 >		55.173.00		19.008.00
assembly PURFLUX / montaggio PURFLUX	188A9000	51	70	09/05 >	25.043.00	60.H2O.00	30.265.00	53.088.00
assembly UFI / montaggio UFI	188A9000	51	70	09/05 >	25.031.00	60.H2O.00	30.265.00	53.088.00
1.3 MJTD 16V 4x4 CF4 DPF								
assembly PURFLUX / montaggio PURFLUX	169A1000	55	75	07/06 >	25.043.00	60.H2O.00	30.265.00	53.088.00
assembly UFI / montaggio UFI	169A1000	55	75	07/06 >	25.031.00	60.H2O.00	30.265.00	53.088.00
1.3 MJTD 16V CF4								
complete filter and disassembly key / filtro completo e chiave di smontaggio	188A9000	51	70	03/03 >		55.084.00		19.008.00
complete filter and disassembly key / filtro completo e chiave di smontaggio	188A9000	51	70	08/05 >		55.173.00		19.008.00
assembly PURFLUX / montaggio PURFLUX	188A9000	51	70	03/03 >	25.043.00	60.H2O.00	30.265.00	53.088.00
assembly UFI / montaggio UFI	188A9000	51	70	01/05 >	25.031.00	60.H2O.00	30.265.00	53.088.00
1.3 MJTD 16V CF4 DPF								
assembly PURFLUX / montaggio PURFLUX	169A1000	55	75	07/06 >	25.043.00	60.H2O.00	30.265.00	53.088.00
assembly UFI / montaggio UFI	169A1000	55	75	07/06 >	25.031.00	60.H2O.00	30.265.00	53.088.00
Panda Van (519)								
0.9 TwinAir								
with air-conditioner / con climatizzatore	312A4000	48	65	01/12 >	25.128.00		30.548.00	53.210.00
with activated carbon air-conditioner / con climatizzatore, ai carboni attivi	312A4000	48	65	01/12 >				54.248.00
antibacterial, anti-odour and anti-allergen filter / filtro antibatterico, antiodori e anti-allergeni	312A4000	48	65	01/12 >				34.248.00
0.9 TwinAir Turbo 85								
with air-conditioner / con climatizzatore	312A2000	63	86	01/12 >	25.128.00		30.376.00	53.210.00
with activated carbon air-conditioner / con climatizzatore, ai carboni attivi	312A2000	63	86	01/12 >				54.248.00
antibacterial, anti-odour and anti-allergen filter / filtro antibatterico, antiodori e anti-allergeni	312A2000	63	86	01/12 >				34.248.00
0.9 TwinAir Turbo 85 4x4								
with air-conditioner / con climatizzatore	312A2000	63	86	01/12 >	25.128.00		30.376.00	53.210.00
with activated carbon air-conditioner / con climatizzatore, ai carboni attivi	312A2000	63	86	01/12 >				54.248.00
antibacterial, anti-odour and anti-allergen filter / filtro antibatterico, antiodori e anti-allergeni	312A2000	63	86	01/12 >				34.248.00
0.9 TwinAir Turbo 85 CNG/Natural Power								
with air-conditioner / con climatizzatore	312A2000	63	86	01/12 >	25.128.00		30.376.00	53.210.00
with activated carbon air-conditioner / con climatizzatore, ai carboni attivi	312A2000	63	86	01/12 >				54.248.00
antibacterial, anti-odour and anti-allergen filter / filtro antibatterico, antiodori e anti-allergeni	312A2000	63	86	01/12 >				34.248.00
1.2 8V								
with air-conditioner / con climatizzatore	169A4000	51	69	01/12 >	23.438.00		30.301.00	53.210.00
with activated carbon air-conditioner / con climatizzatore, ai carboni attivi	169A4000	51	69	01/12 >				54.248.00
antibacterial, anti-odour and anti-allergen filter / filtro antibatterico, antiodori e anti-allergeni	169A4000	51	69	01/12 >				34.248.00
1.2 8V GPL/LPG								
with air-conditioner / con climatizzatore	169A4000	51	69	01/12 >	23.438.00		30.301.00	53.210.00

...FIAT - commercial vehicles/veicoli commerciali

with activated carbon air-conditioner / con climatizzatore, ai carboni attivi antibacterial, anti-odour and anti-allergen filter / filtro antibatterico, antiodori e anti-allergeni	169A4000	51	69	01/12	>					54.248.00
	169A4000	51	69	01/12	>					34.248.00
1.3 16V Multijet Start/Stop										
with air-conditioner / con climatizzatore	199A9000	55	75	01/12	>	25.061.00	26.052.00	30.477.00		53.210.00
with activated carbon air-conditioner / con climatizzatore, ai carboni attivi antibacterial, anti-odour and anti-allergen filter / filtro antibatterico, antiodori e anti-allergeni	199A9000	55	75	01/12	>					54.248.00
	199A9000	55	75	01/12	>					34.248.00
1.3 16V Multijet Start/Stop 4x4										
with air-conditioner / con climatizzatore	199A9000	55	75	01/12	>	25.061.00	26.052.00	30.477.00		53.210.00
with activated carbon air-conditioner / con climatizzatore, ai carboni attivi antibacterial, anti-odour and anti-allergen filter / filtro antibatterico, antiodori e anti-allergeni	199A9000	55	75	01/12	>					54.248.00
	199A9000	55	75	01/12	>					34.248.00
Penny										
1.7 D										
to engine No. 578144 / a motore N. 578144	149B3000	44	60			23.166.00	24.351.00	30.889.00		
from engine No. 578145 / da motore N. 578145	149B3000	44	60			23.166.00	24.351.00	30.930.00		
Punto Van II (288)										
1.2 60										
with air-conditioner (spare part only) / con climatizzatore (solo ricambio)	188A4000	44	60	09/99	>	08/00	23.196.00		30.118.01	53.043.00
with air-conditioner (spare part only) / con climatizzatore (solo ricambio)	188A4000	44	60	09/00	>	05/03	23.415.00		30.118.01	53.043.00
with activated carbon air-conditioner DENSO / con climatizzatore, ai carboni attivi DENSO antibacterial, anti-odour and anti-allergen filter with air-conditioner DENSO / filtro antibatterico, antiodori e anti-allergeni con climatizzatore DENSO	188A4000	44	60	09/99	>	05/03				54.262.00
	188A4000	44	60	09/99	>	05/03				34.262.00
1.2 60 CF3										
with air-conditioner (spare part only) / con climatizzatore (solo ricambio)	188A4000 BR (OPT. 229)	44	60	09/99	>	05/03	23.438.00		30.118.01	53.043.00
with activated carbon air-conditioner DENSO / con climatizzatore, ai carboni attivi DENSO antibacterial, anti-odour and anti-allergen filter with air-conditioner DENSO / filtro antibatterico, antiodori e anti-allergeni con climatizzatore DENSO	188A4000 BR (OPT. 229)	44	60	09/99	>	05/03				54.262.00
	188A4000 BR (OPT. 229)	44	60	09/99	>	05/03				34.262.00
1.2 8V CF3										
with air-conditioner (spare part only) / con climatizzatore (solo ricambio)	188A4000	44	60	06/03	>	08/03	23.415.00		30.118.01	53.043.00
with air-conditioner (spare part only) / con climatizzatore (solo ricambio)	188A4000	44	60	09/03	>	10/05	23.438.00		30.118.01	53.043.00
with air-conditioner (spare part only) / con climatizzatore (solo ricambio)	188A4000	44	60	11/05	>	12/09	23.438.00		30.194.00	53.043.00
with activated carbon air-conditioner DENSO / con climatizzatore, ai carboni attivi DENSO antibacterial, anti-odour and anti-allergen filter with air-conditioner DENSO / filtro antibatterico, antiodori e anti-allergeni con climatizzatore DENSO	188A4000	44	60	06/03	>	12/09				54.262.00
	188A4000	44	60	06/03	>	12/09				34.262.00
1.2 8V CF3 Bipower										
with air-conditioner (spare part only) / con climatizzatore (solo ricambio)	188A4000	44	60	06/03	>	08/03	23.415.00		30.118.01	53.043.00
with air-conditioner (spare part only) / con climatizzatore (solo ricambio)	188A4000	44	60	09/03	>	05/06	23.438.00		30.118.01	53.043.00
with air-conditioner (spare part only) / con climatizzatore (solo ricambio)	188A4000	44	60	06/06	>	12/09	23.438.00		30.194.00	53.043.00
with activated carbon air-conditioner DENSO / con climatizzatore, ai carboni attivi DENSO antibacterial, anti-odour and anti-allergen filter with air-conditioner DENSO / filtro antibatterico, antiodori e anti-allergeni con climatizzatore DENSO	188A4000	44	60	06/03	>	12/09				54.262.00
	188A4000	44	60	06/03	>	12/09				34.262.00
1.3 JTD 16V Multijet										
with activated carbon air-conditioner DENSO / con climatizzatore, ai carboni attivi DENSO antibacterial, anti-odour and anti-allergen filter with air-conditioner DENSO / filtro antibatterico, antiodori e anti-allergeni con climatizzatore DENSO	188A9000	51	70	06/03	>	12/09				54.262.00
	188A9000	51	70	06/03	>	12/09				34.262.00
complete filter with R.H.D. and disassembly key / filtro completo con guida a destra e chiave di smontaggio	188A9000	51	70	06/03	>	12/09		55.108.00		19.008.00
complete filter with L.H.D. and disassembly key / filtro completo con guida a sinistra e chiave di smontaggio	188A9000	51	70	06/03	>	12/09		55.084.00		19.008.00
assembly PURFLUX / montaggio PURFLUX	188A9000	51	70	06/03	>	12/09	25.043.00	60.H2O.00	30.265.00	53.043.00
assembly UFI / montaggio UFI	188A9000	51	70	01/05	>	12/09	25.031.00	60.H2O.00	30.265.00	53.043.00
1.9 D										
with air-conditioner (spare part only) / con climatizzatore (solo ricambio)	188A3000	44	60	09/99	>	05/03	23.414.00	24.412.00	27.341.00	53.043.00
with activated carbon air-conditioner DENSO / con climatizzatore, ai carboni attivi DENSO antibacterial, anti-odour and anti-allergen filter with air-conditioner DENSO / filtro antibatterico, antiodori e anti-allergeni con climatizzatore DENSO	188A3000	44	60	09/99	>	05/03				54.262.00
	188A3000	44	60	09/99	>	05/03				34.262.00
or / oppure	188A3000	44	60	09/99	>	05/03	23.449.00	24.412.00	27.341.00	53.043.00
1.9 JTD										
with air-conditioner (spare part only) / con climatizzatore (solo ricambio)	188A7000	63	85	02/00	>	05/03	23.449.00	24.H2O.07	27.341.00	53.043.00
with activated carbon air-conditioner DENSO / con climatizzatore, ai carboni attivi DENSO antibacterial, anti-odour and anti-allergen filter with air-conditioner DENSO / filtro antibatterico, antiodori e anti-allergeni con climatizzatore DENSO	188A7000	63	85	02/00	>	05/03				54.262.00
	188A7000	63	85	02/00	>	05/03				34.262.00
1.9 JTD CF3										
with air-conditioner (spare part only) / con climatizzatore (solo ricambio)	188A7000	63	85	06/03	>	12/09	23.449.00	60.H2O.00	27.341.00	53.043.00
with activated carbon air-conditioner DENSO / con climatizzatore, ai carboni attivi DENSO antibacterial, anti-odour and anti-allergen filter with air-conditioner DENSO / filtro antibatterico, antiodori e anti-allergeni con climatizzatore DENSO	188A7000	63	85	06/03	>	12/09				54.262.00
	188A7000	63	85	06/03	>	12/09				34.262.00
complete filter and disassembly key / filtro completo e chiave di smontaggio	188A7000	63	85	06/03	>	12/09		55.108.00		19.008.00
Punto Van MY.2012 (199)										
0.9 Twin Air Turbo 85										
with activated carbons / ai carboni attivi	312A2000	63	86	03/12	>		25.128.00		30.376.00	53.124.00
antibacterial, anti-odour and anti-allergen filter / filtro antibatterico, antiodori e anti-allergeni	312A2000	63	86	03/12	>					54.162.00
	312A2000	63	86	03/12	>					34.162.00
1.3 MJTD 16V 75 DPF E5										
with activated carbons / ai carboni attivi	199A9000	55	75	10/09	>		25.061.00	24.ONE.01	30.477.00	53.124.00
antibacterial, anti-odour and anti-allergen filter / filtro antibatterico, antiodori e anti-allergeni	199A9000	55	75	10/09	>					54.162.00
	199A9000	55	75	10/09	>					34.162.00
1.3 MJTD 16V 75 DPF E5 Stop&Start										
with activated carbons / ai carboni attivi	199A9000	55	75	10/09	>		25.061.00	24.ONE.01	30.477.00	53.124.00
antibacterial, anti-odour and anti-allergen filter / filtro antibatterico, antiodori e anti-allergeni	199A9000	55	75	10/09	>					54.162.00
	199A9000	55	75	10/09	>					34.162.00

...FIAT - commercial vehicles/veicoli commerciali

F

1.3 MJTD 16V 85 E5	199B4000	62	85	04/10	>	25.061.00	24.ONE.01	30.477.00	53.124.00
with activated carbons / ai carboni attivi	199B4000	62	85	04/10	>				54.162.00
antibacterial, anti-odour and anti-allergen filter / filtro antibatterico, antiodori e anti-allergeni	199B4000	62	85	04/10	>				34.162.00
1.3 MJTD 16V 95 DPF E5	199B1000	70	95	10/09	>	25.061.00	24.ONE.01	30.477.00	53.124.00
with activated carbons / ai carboni attivi	199B1000	70	95	10/09	>				54.162.00
antibacterial, anti-odour and anti-allergen filter / filtro antibatterico, antiodori e anti-allergeni	199B1000	70	95	10/09	>				34.162.00
1.3 MJTD 16V 95 DPF E5 Stop&Start	199B1000	70	95	10/09	>	25.061.00	24.ONE.01	30.477.00	53.124.00
with activated carbons / ai carboni attivi	199B1000	70	95	10/09	>				54.162.00
antibacterial, anti-odour and anti-allergen filter / filtro antibatterico, antiodori e anti-allergeni	199B1000	70	95	10/09	>				34.162.00
1.4 8V	350A1000	57	77	03/12	>	23.438.00		30.301.00	53.124.00
with activated carbons / ai carboni attivi	350A1000	57	77	03/12	>				54.162.00
antibacterial, anti-odour and anti-allergen filter / filtro antibatterico, antiodori e anti-allergeni	350A1000	57	77	03/12	>				34.162.00
1.4 GPL	350A1000	57	77	10/09	>	23.438.00	31.836.00	30.301.00	53.124.00
1.4 Natural Power	350A1000	57	77	10/09	>	23.438.00		30.301.00	53.124.00
Scudo (222)									
1.6 i									
with air-conditioner / con climatizzatore	220A2.000	58	79	06/96	> 05/04	23.196.00	31.710.00	30.933.00	53.070.00
1.9 D									
with air-conditioner / con climatizzatore	D9B (1905)	51	70	07/99	> 05/04	23.439.00		30.933.00	53.070.00
assembly DELPHI / montaggio DELPHI	D9B (1905)	51	70	07/99	> 05/04	23.439.00	24.390.00	30.933.00	53.070.00
assembly PURFLUX / montaggio PURFLUX	D9B (1905)	51	70	07/99	> 05/04	23.439.00	26.676.00	30.933.00	53.070.00
1.9 D									
with air-conditioner / con climatizzatore	WJZ (1867)	51	70	06/99	> 05/04	23.439.00	26.688.00	30.933.00	53.070.00
1.9 TD									
assembly DELPHI / montaggio DELPHI	DHX (1905)	66	90	07/99	> 05/04	23.439.00	24.390.00	30.933.00	53.070.00
assembly PURFLUX / montaggio PURFLUX	DHX (1905)	66	90	07/99	> 05/04	23.439.00	26.676.00	30.933.00	53.070.00
2.0 i 16V									
with air-conditioner / con climatizzatore	RFN	100	136	05/00	> 05/04	23.439.00	31.710.00	30.933.00	53.070.00
2.0 JTD 16V CF3									
assembly BOSCH / montaggio BOSCH	RHW	80	110	05/00	> 04/01	23.439.00	26.691.00	30.067.00	53.070.00
assembly SIEMENS / montaggio SIEMENS	RHW	80	110	05/01	> 05/04	23.439.00	26.003.00	30.067.00	53.070.00
2.0 JTD 8V									
assembly BOSCH / montaggio BOSCH				09/99	> 09/01	23.439.00	26.691.00	30.067.00	53.070.00
assembly SIEMENS / montaggio SIEMENS				12/01	>	23.439.00	26.003.00	30.067.00	53.070.00
2.0 JTD 8V CF3									
with air-conditioner / con climatizzatore	DW10CTED	80	110	05/00	>	23.439.00	26.003.00	30.067.00	53.070.00
Scudo (222) (MY. 2004)									
1.9 D									
with air-conditioner / con climatizzatore	WJY	51	70	02/04	>	23.439.00	26.688.00		53.070.00
2.0 16V C.A.									
excluding dusty areas / escluso per zone polverose	RFN	100	136	02/04	>	23.439.00		30.933.00	53.070.00
dusty areas / zone polverose	RFN	100	136	02/04	>	23.439.00			53.070.00
2.0 16V C.M.									
excluding dusty areas / escluso per zone polverose	RFN	100	136	02/04	>	23.439.00		30.933.00	53.070.00
dusty areas / zone polverose	RFN	100	136	02/04	>	23.439.00			53.070.00
2.0 JTD 16V									
with air-conditioner / con climatizzatore	RHM	80	109	02/04	>	23.439.00	26.003.00	30.067.00	53.070.00
2.0 JTD 8V									
with air-conditioner / con climatizzatore	RHX	69	94	02/04	>	23.439.00	26.003.00	30.067.00	53.070.00
2.0 JTD 8V									
with air-conditioner / con climatizzatore	RHZ	80	109	02/04	>	23.439.00	26.003.00	30.067.00	53.070.00
Scudo (272)									
1.6 JTD 16V									
with air-conditioner / con climatizzatore	9HU (DV6UTED4)	66	90	11/06	>	25.037.00	24.027.00	30.233.00	54.160.00
antibacterial, anti-odour and anti-allergen filter with air-conditioner / filtro antibatterico, antiodori e anti-allergeni con climatizzatore	9HU (DV6UTED4)	66	90	11/06	>				34.160.00
without air-conditioner / senza climatizzatore	9HU (DV6UTED4)	66	90	11/06	>	25.037.00	24.027.00	30.233.00	53.136.00
1.6 JTD 16V 90									
with air-conditioner / con climatizzatore	DV6UC E5	66	90	07/10	>	25.037.00		30.645.00	54.160.00
antibacterial, anti-odour and anti-allergen filter with air-conditioner / filtro antibatterico, antiodori e anti-allergeni con climatizzatore	DV6UC E5	66	90	07/10	>				34.160.00
without air-conditioner / senza climatizzatore	DV6UC E5	66	90	07/10	>	25.037.00		30.645.00	53.136.00
spare part only / solo ricambio	DV6UC E5	66	90	07/10	>		24.127.00		
2.0 JTD 16V 120									
with air-conditioner / con climatizzatore	RHK (DW10UTED4)	88	120	11/06	>	25.060.00	26.022.00	30.330.00	54.160.00
antibacterial, anti-odour and anti-allergen filter with air-conditioner / filtro antibatterico, antiodori e anti-allergeni con climatizzatore	RHK (DW10UTED4)	88	120	11/06	>				34.160.00
without air-conditioner / senza climatizzatore	RHK (DW10UTED4)	88	120	11/06	>	25.060.00	26.022.00	30.330.00	53.136.00
2.0 JTD 16V 130									
with air-conditioner / con climatizzatore	RH02 (DW10CE E5)	94	128	07/10	>	25.060.00	26.055.00	30.330.00	54.160.00

...FIAT - commercial vehicles/veicoli commerciali

antibacterial, anti-odour and anti-allergen filter with air-conditioner / filtro antibatterico, antiodori e anti-allergeni con climatizzatore	RH02 (DW10CE E5)	94	128	07/10	>				34.160.00
without air-conditioner / senza climatizzatore	RH02 (DW10CE E5)	94	128	07/10	>	25.060.00	26.055.00	30.330.00	53.136.00
2.0 JTD 16V 140									
with air-conditioner / con climatizzatore	RHR (DW10BTED4)	100	136	11/06	>	25.060.00	26.022.00	30.330.00	54.160.00
antibacterial, anti-odour and anti-allergen filter with air-conditioner / filtro antibatterico, antiodori e anti-allergeni con climatizzatore	RHR (DW10BTED4)	100	136	11/06	>				34.160.00
without air-conditioner / senza climatizzatore	RHR (DW10BTED4)	100	136	11/06	>	25.060.00	26.022.00	30.330.00	53.136.00
2.0 JTD 16V 165									
with air-conditioner / con climatizzatore	RHH (DW10CTED4)	120	163	07/10	>	25.060.00	26.055.00	30.330.00	54.160.00
antibacterial, anti-odour and anti-allergen filter with air-conditioner / filtro antibatterico, antiodori e anti-allergeni con climatizzatore	RHH (DW10CTED4)	120	163	07/10	>				34.160.00
without air-conditioner / senza climatizzatore	RHH (DW10CTED4)	120	163	07/10	>	25.060.00	26.055.00	30.330.00	53.136.00
Seicento Van									
1.1 MPI CF3									
to frame No. 1051576 / a telaio N. 1051576	187A1000	40	54	10/00	>	08/03	23.415.00		30.145.01
from frame No. 1051577 / da telaio N. 1051577	187A1000	40	54	09/03	>		23.438.00		30.145.01
1.1 SPI CF2									
	176B2000	40	54	01/98	>	09/00	23.196.00	31.740.00	30.032.00
900 SPI CF2									
or / oppure	1170A1046	29	40	01/98	>	09/00	23.447.00	31.740.00	30.858.00
	1170A1046	29	40	01/98	>	09/00	23.447.00	31.740.00	30.858.00
Strada									
1.2 MPI 75 CF2 Trekking									
	178B5000	54	73	06/99	>	04/01	23.196.00	31.740.00	30.089.00
1.2 MPI CF3 Trekking									
	188A4000	44	60	05/01	>	03/03	23.438.00	31.740.00	30.089.00
	188A4000	44	60	04/03	>		23.438.00	31.740.00	30.089.00
	188A4000	44	60	04/03	>		23.438.00	31.740.00	53.113.00
1.3 MJTD 16V 95 E5									
	199B1000	70	95	03/11	>		25.061.00	24.ONE.01	30.477.00
1.3 MJTD E4 Trekking Export									
assembly PURFLUX / montaggio PURFLUX	223A9000	62	85	07/05	>		25.043.00	60.H2O.00	30.265.00
assembly UFI / montaggio UFI	223A9000	62	85	07/05	>		25.031.00	60.H2O.00	30.265.00
	223A9000	62	85	07/05	>		25.031.00	60.H2O.00	53.113.00
1.7 TD 70 CF2 Trekking									
	176A3000	51	69	06/99	>	04/03	23.414.00	24.351.01	30.089.00
or / oppure	176A3000	51	69	06/99	>	04/03	23.449.00	24.351.01	30.089.00
1.9 D CF3 Trekking									
	223A6000	46	63	01/00	>	03/03	23.449.00	24.412.00	30.089.00
	223A6000	46	63	04/03	>		23.449.00	24.412.00	30.089.00
	223A6000	46	63	04/03	>		23.449.00	24.412.00	53.113.00
1.9 JTD CF3									
	188A2000	59	80	06/02	>	03/03	23.449.00	24.H2O.00	30.089.00
	188A2000	59	80	04/03	>		23.449.00	24.H2O.00	30.089.00
	188A2000	59	80	04/03	>		23.449.00	24.H2O.00	53.113.00
Talento II									
1.6 Ecojet 120 E4/E5									
with automatic air-conditioner / con climatizzatore automatico	Renault R9M	88	120	06/16	>		25.170.00	26.114.00	30.664.00
with manual air-conditioner / con climatizzatore manuale	Renault R9M	88	120	06/16	>				54.234.00
antibacterial, anti-odour and anti-allergen filter with automatic air-conditioner / filtro antibatterico, antiodori e anti-allergeni con climatizzatore automatico	Renault R9M	88	120	06/16	>				53.276.00
	Renault R9M	88	120	06/16	>				34.234.00
1.6 Ecojet 125 TwinTurbo E6									
with automatic air-conditioner / con climatizzatore automatico	Renault R9M	92	125	06/16	>		25.170.00	26.114.00	30.664.00
with manual air-conditioner / con climatizzatore manuale	Renault R9M	92	125	06/16	>				54.234.00
antibacterial, anti-odour and anti-allergen filter with automatic air-conditioner / filtro antibatterico, antiodori e anti-allergeni con climatizzatore automatico	Renault R9M	92	125	06/16	>				53.276.00
	Renault R9M	92	125	06/16	>				34.234.00
1.6 Ecojet 140 E5									
with automatic air-conditioner / con climatizzatore automatico	Renault R9M	103	140	06/16	>		25.170.00	26.114.00	30.664.00
with manual air-conditioner / con climatizzatore manuale	Renault R9M	103	140	06/16	>				54.234.00
antibacterial, anti-odour and anti-allergen filter with automatic air-conditioner / filtro antibatterico, antiodori e anti-allergeni con climatizzatore automatico	Renault R9M	103	140	06/16	>				53.276.00
	Renault R9M	103	140	06/16	>				34.234.00
1.6 Ecojet 145 TwinTurbo E6									
with automatic air-conditioner / con climatizzatore automatico	Renault R9M	107	145	06/16	>		25.170.00	26.114.00	30.664.00
with manual air-conditioner / con climatizzatore manuale	Renault R9M	107	145	06/16	>				54.234.00
antibacterial, anti-odour and anti-allergen filter with automatic air-conditioner / filtro antibatterico, antiodori e anti-allergeni con climatizzatore automatico	Renault R9M	107	145	06/16	>				53.276.00
	Renault R9M	107	145	06/16	>				34.234.00
1.6 Ecojet 95 E6									
with automatic air-conditioner / con climatizzatore automatico	Renault R9M	70	95	06/16	>		25.170.00	26.114.00	30.664.00
with manual air-conditioner / con climatizzatore manuale	Renault R9M	70	95	06/16	>				54.234.00
antibacterial, anti-odour and anti-allergen filter with automatic air-conditioner / filtro antibatterico, antiodori e anti-allergeni con climatizzatore automatico	Renault R9M	70	95	06/16	>				53.276.00
	Renault R9M	70	95	06/16	>				34.234.00
1.6 Multijet 115 E5									
with automatic air-conditioner / con climatizzatore automatico	Renault R9M	84	114	06/16	>		25.170.00	26.114.00	30.664.00
with manual air-conditioner / con climatizzatore manuale	Renault R9M	84	114	06/16	>				54.234.00
antibacterial, anti-odour and anti-allergen filter with automatic air-conditioner / filtro antibatterico, antiodori e anti-allergeni con climatizzatore automatico	Renault R9M	84	114	06/16	>				53.276.00
	Renault R9M	84	114	06/16	>				34.234.00
1.6 Multijet 120 E6									
with automatic air-conditioner / con climatizzatore automatico	Renault R9M	88	120	06/16	>		25.170.00	26.114.00	30.664.00
with manual air-conditioner / con climatizzatore manuale	Renault R9M	88	120	06/16	>				54.234.00
antibacterial, anti-odour and anti-allergen filter with automatic air-conditioner / filtro antibatterico, antiodori e anti-allergeni con climatizzatore automatico	Renault R9M	88	120	06/16	>				53.276.00
	Renault R9M	88	120	06/16	>				34.234.00
1.6 Multijet 95 E6									
with automatic air-conditioner / con climatizzatore automatico	Renault R9M	70	95	06/16	>		25.170.00	26.114.00	30.664.00
with manual air-conditioner / con climatizzatore manuale	Renault R9M	70	95	06/16	>				54.234.00
antibacterial, anti-odour and anti-allergen filter with automatic air-conditioner / filtro antibatterico, antiodori e anti-allergeni con climatizzatore automatico	Renault R9M	70	95	06/16	>				53.276.00
	Renault R9M	70	95	06/16	>				34.234.00

FORD
cars/auto
B-Max

1.0 EcoBoost	10FDOX/M1JA	88	120	09/12	>	23.632.00		30.390.00	53.207.00
with activated carbons / ai carboni attivi	10FDOX/M1JA	88	120	09/12	>				54.170.00
antibacterial, anti-odour and anti-allergen filter / filtro antibatterico, antiodori e anti-allergeni	10FDOX/M1JA	88	120	09/12	>				34.170.00
1.0 EcoBoost	10FDOX/SFJA/SFJB/SFJD	74	100	09/12	>	23.632.00		30.390.00	53.207.00
with activated carbons / ai carboni attivi	10FDOX/SFJA/SFJB/SFJD	74	100	09/12	>				54.170.00
antibacterial, anti-odour and anti-allergen filter / filtro antibatterico, antiodori e anti-allergeni	10FDOX/SFJA/SFJB/SFJD	74	100	09/12	>				34.170.00
1.0 EcoBoost	10FDOX/YYJC	103	140	02/16	>	23.632.00		30.390.00	53.207.00
with activated carbons / ai carboni attivi	10FDOX/YYJC	103	140	02/16	>				54.170.00
antibacterial, anti-odour and anti-allergen filter / filtro antibatterico, antiodori e anti-allergeni	10FDOX/YYJC	103	140	02/16	>				34.170.00
1.0 EcoBoost	M1JE/M1JH	92	125	09/12	>	23.632.00		30.390.00	53.207.00
with activated carbons / ai carboni attivi	M1JE/M1JH	92	125	09/12	>				54.170.00
antibacterial, anti-odour and anti-allergen filter / filtro antibatterico, antiodori e anti-allergeni	M1JE/M1JH	92	125	09/12	>				34.170.00
1.4 Duratec	Zetec (SPJD)	66	90	09/12	>	23.267.00		30.390.00	53.207.00
with activated carbons / ai carboni attivi	Zetec (SPJD)	66	90	09/12	>				54.170.00
antibacterial, anti-odour and anti-allergen filter / filtro antibatterico, antiodori e anti-allergeni	Zetec (SPJD)	66	90	09/12	>				34.170.00
1.4 GPL/LPG	RTJC	63	86	08/13	>	23.267.00		30.390.00	53.207.00
with activated carbons / ai carboni attivi	RTJC	63	86	08/13	>				54.170.00
antibacterial, anti-odour and anti-allergen filter / filtro antibatterico, antiodori e anti-allergeni	RTJC	63	86	08/13	>				34.170.00
1.4 GPL/LPG	RTJC	66	90	08/13	>	23.267.00		30.390.00	53.207.00
with activated carbons / ai carboni attivi	RTJC	66	90	08/13	>				54.170.00
antibacterial, anti-odour and anti-allergen filter / filtro antibatterico, antiodori e anti-allergeni	RTJC	66	90	08/13	>				34.170.00
1.5 TDCI	15DSOX	55	75	09/12	> 05/15	25.037.00	24.128.00	30.390.00	53.207.00
	15DSOX	55	75	06/15	>	25.037.00	26.104.00	30.390.00	53.207.00
with activated carbons / ai carboni attivi	15DSOX	55	75	09/12	>				54.170.00
antibacterial, anti-odour and anti-allergen filter / filtro antibatterico, antiodori e anti-allergeni	15DSOX	55	75	09/12	>				34.170.00
1.5 TDCI	15DSOX	70	95	04/15	>	25.037.00	26.104.00	30.390.00	53.207.00
with activated carbons / ai carboni attivi	15DSOX	70	95	04/15	>				54.170.00
antibacterial, anti-odour and anti-allergen filter / filtro antibatterico, antiodori e anti-allergeni	15DSOX	70	95	04/15	>				34.170.00
1.6 Duratec	Zetec	77	105	09/12	>	23.267.00		30.390.00	53.207.00
with activated carbons / ai carboni attivi	Zetec	77	105	09/12	>				54.170.00
antibacterial, anti-odour and anti-allergen filter / filtro antibatterico, antiodori e anti-allergeni	Zetec	77	105	09/12	>				34.170.00
1.6 TDCI	Duratorq 16DSOX	70	95	09/12	>	25.037.00	24.128.00	30.390.00	53.207.00
with activated carbons / ai carboni attivi	Duratorq 16DSOX	70	95	09/12	>				54.170.00
antibacterial, anti-odour and anti-allergen filter / filtro antibatterico, antiodori e anti-allergeni	Duratorq 16DSOX	70	95	09/12	>				34.170.00

C-Max

1.6		74	101	03/07	>	23.267.00		27.675.00	53.102.00
with activated carbons / ai carboni attivi		74	101	03/07	>	23.267.00		27.675.00	54.136.00
antibacterial, anti-odour and anti-allergen filter / filtro antibatterico, antiodori e anti-allergeni		74	101	03/07	>				34.136.00
1.6		85	116	04/07	> 09/10	23.267.00		27.675.00	53.102.00
with activated carbons / ai carboni attivi		85	116	04/07	> 09/10	23.267.00		27.675.00	54.136.00
antibacterial, anti-odour and anti-allergen filter / filtro antibatterico, antiodori e anti-allergeni		85	116	04/07	> 09/10				34.136.00
1.6 TDCI		66	90	03/07	>	25.037.00	55.170.00	27.675.00	53.102.00
with activated carbons / ai carboni attivi		66	90	03/07	>	25.037.00	55.170.00	27.675.00	54.136.00
antibacterial, anti-odour and anti-allergen filter / filtro antibatterico, antiodori e anti-allergeni		66	90	03/07	>				34.136.00
1.6 TDCI DPF		80	109	03/07	>	25.037.00	55.170.00	27.675.00	53.102.00
with activated carbons / ai carboni attivi		80	109	03/07	>	25.037.00	55.170.00	27.675.00	54.136.00
antibacterial, anti-odour and anti-allergen filter / filtro antibatterico, antiodori e anti-allergeni		80	109	03/07	>				34.136.00
1.8		92	125	03/07	>	23.413.00		27.675.00	53.102.00
with activated carbons / ai carboni attivi		92	125	03/07	>	23.413.00		27.675.00	54.136.00
antibacterial, anti-odour and anti-allergen filter / filtro antibatterico, antiodori e anti-allergeni		92	125	03/07	>				34.136.00
1.8 FlexiFuel		92	125	03/07	>	23.413.00		27.675.00	53.102.00
with activated carbons / ai carboni attivi		92	125	03/07	>	23.413.00		27.675.00	54.136.00
antibacterial, anti-odour and anti-allergen filter / filtro antibatterico, antiodori e anti-allergeni		92	125	03/07	>				34.136.00
1.8 TDCI		85	115	03/07	>	23.439.00	26.696.00	27.675.00	53.102.00
with activated carbons / ai carboni attivi		85	115	03/07	>	23.439.00	26.696.00	27.675.00	54.136.00
antibacterial, anti-odour and anti-allergen filter / filtro antibatterico, antiodori e anti-allergeni		85	115	03/07	>				34.136.00
2.0		107	145	03/07	>	23.413.00		27.675.00	53.102.00
with activated carbons / ai carboni attivi		107	145	03/07	>	23.413.00		27.675.00	54.136.00
antibacterial, anti-odour and anti-allergen filter / filtro antibatterico, antiodori e anti-allergeni		107	145	03/07	>				34.136.00
2.0 TDCI		100	136	03/07	> 02/10	25.060.00	26.022.00	27.675.00	53.102.00
		100	136	03/10	>	25.060.00	26.055.00	27.675.00	53.102.00
with activated carbons / ai carboni attivi		100	136	03/07	> 02/10	25.060.00	26.022.00	27.675.00	54.136.00
with activated carbons / ai carboni attivi		100	136	03/10	>	25.060.00	26.055.00	27.675.00	54.136.00
antibacterial, anti-odour and anti-allergen filter / filtro antibatterico, antiodori e anti-allergeni		100	136	03/07	>				34.136.00
2.0 TDCI		81	110	02/08	> 02/10	25.060.00	26.022.00	27.675.00	53.102.00
		81	110	03/10	>	25.060.00	26.055.00	27.675.00	53.102.00

...FORD - cars/auto

with activated carbons / ai carboni attivi	81	110	02/08	>	02/10	25.060.00	26.022.00	27.675.00	54.136.00	
with activated carbons / ai carboni attivi	81	110	03/10	>		25.060.00	26.055.00	27.675.00	54.136.00	
antibacterial, anti-odour and anti-allergen filter / filtro antibatterico, antiodori e anti-allergeni	81	110	02/08	>					34.136.00	
2.0 TDCi DPF	100	136	03/07	>	02/10	25.060.00	26.022.00	27.675.00	53.102.00	
	100	136	03/10	>		25.060.00	26.055.00	27.675.00	53.102.00	
with activated carbons / ai carboni attivi	100	136	03/07	>	02/10	25.060.00	26.022.00	27.675.00	54.136.00	
with activated carbons / ai carboni attivi	100	136	03/10	>		25.060.00	26.055.00	27.675.00	54.136.00	
antibacterial, anti-odour and anti-allergen filter / filtro antibatterico, antiodori e anti-allergeni	100	136	03/07	>					34.136.00	
C-Max II										
1.0 EcoBoost	C10FDOX	74	101	10/12	>	02/18	23.632.00		27.675.00	53.422.00
	C10FDOX	74	101	03/18	>					53.422.00
with activated carbons / ai carboni attivi	C10FDOX	74	101	10/12	>					54.218.00
antibacterial, anti-odour and anti-allergen filter / filtro antibatterico, antiodori e anti-allergeni	C10FDOX	74	101	10/12	>					34.218.00
1.0 EcoBoost	C10FDOX	92	125	10/12	>	02/18	23.632.00		27.675.00	
	C10FDOX	92	125	03/18	>					53.422.00
with activated carbons / ai carboni attivi	C10FDOX	92	125	10/12	>					54.218.00
antibacterial, anti-odour and anti-allergen filter / filtro antibatterico, antiodori e anti-allergeni	C10FDOX	92	125	10/12	>					34.218.00
1.5 EcoBoost 150		110	150	03/15	>		23.267.00		27.675.00	53.422.00
with activated carbons / ai carboni attivi		110	150	03/15	>					54.218.00
antibacterial, anti-odour and anti-allergen filter / filtro antibatterico, antiodori e anti-allergeni		110	150	03/15	>					34.218.00
1.5 EcoBoost 180		134	182	03/15	>		23.267.00		27.675.00	53.422.00
with activated carbons / ai carboni attivi		134	182	03/15	>					54.218.00
antibacterial, anti-odour and anti-allergen filter / filtro antibatterico, antiodori e anti-allergeni		134	182	03/15	>					34.218.00
1.5 TDCi 105	15DSOX	77	105	03/15	>		25.037.00	26.104.00	27.675.00	53.422.00
with activated carbons / ai carboni attivi	15DSOX	77	105	03/15	>					54.218.00
antibacterial, anti-odour and anti-allergen filter / filtro antibatterico, antiodori e anti-allergeni	15DSOX	77	105	03/15	>					34.218.00
1.5 TDCi 120	15DSOX	88	120	03/15	>		25.037.00	26.104.00	27.675.00	53.422.00
with activated carbons / ai carboni attivi	15DSOX	88	120	03/15	>					54.218.00
antibacterial, anti-odour and anti-allergen filter / filtro antibatterico, antiodori e anti-allergeni	15DSOX	88	120	03/15	>					34.218.00
1.5 TDCi 95	15DSOX	70	95	03/15	>		25.037.00	26.104.00	27.675.00	53.422.00
with activated carbons / ai carboni attivi	15DSOX	70	95	03/15	>					54.218.00
antibacterial, anti-odour and anti-allergen filter / filtro antibatterico, antiodori e anti-allergeni	15DSOX	70	95	03/15	>					34.218.00
1.6 EcoBoost 150		110	150	09/10	>		23.267.00		27.675.00	53.422.00
with activated carbons / ai carboni attivi		110	150	09/10	>					54.218.00
antibacterial, anti-odour and anti-allergen filter / filtro antibatterico, antiodori e anti-allergeni		110	150	09/10	>					34.218.00
1.6 EcoBoost SCTi		134	182	09/10	>		23.267.00		27.675.00	53.422.00
with activated carbons / ai carboni attivi		134	182	09/10	>					54.218.00
antibacterial, anti-odour and anti-allergen filter / filtro antibatterico, antiodori e anti-allergeni		134	182	09/10	>					34.218.00
1.6 Flexifuel	MUDA	88	120	02/11	>		23.267.00		27.675.00	53.422.00
with activated carbons / ai carboni attivi	MUDA	88	120	02/11	>					54.218.00
antibacterial, anti-odour and anti-allergen filter / filtro antibatterico, antiodori e anti-allergeni	MUDA	88	120	02/11	>					34.218.00
1.6 GPL/LPG 120		88	120	02/12	>		23.267.00		27.675.00	54.218.00
antibacterial, anti-odour and anti-allergen filter / filtro antibatterico, antiodori e anti-allergeni		88	120	02/12	>					34.218.00
1.6 GPL/LPG 125		92	125	02/12	>		23.267.00		27.675.00	54.218.00
antibacterial, anti-odour and anti-allergen filter / filtro antibatterico, antiodori e anti-allergeni		92	125	02/12	>					34.218.00
1.6 TDCi 115		84	114	09/10	>		25.037.00	24.128.00	27.675.00	53.422.00
with activated carbons / ai carboni attivi		84	114	09/10	>					54.218.00
antibacterial, anti-odour and anti-allergen filter / filtro antibatterico, antiodori e anti-allergeni		84	114	09/10	>					34.218.00
1.6 TDCi 95		70	95	09/10	>		25.037.00	24.128.00	27.675.00	53.422.00
with activated carbons / ai carboni attivi		70	95	09/10	>					54.218.00
antibacterial, anti-odour and anti-allergen filter / filtro antibatterico, antiodori e anti-allergeni		70	95	09/10	>					34.218.00
1.6 Ti	Duratec	63	86	09/11	>		23.267.00		27.675.00	54.218.00
antibacterial, anti-odour and anti-allergen filter / filtro antibatterico, antiodori e anti-allergeni	Duratec	63	86	09/11	>					34.218.00
1.6 Ti	Duratec	77	105	09/10	>		23.267.00		27.675.00	53.422.00
with activated carbons / ai carboni attivi	Duratec	77	105	09/10	>					54.218.00
antibacterial, anti-odour and anti-allergen filter / filtro antibatterico, antiodori e anti-allergeni	Duratec	77	105	09/10	>					34.218.00
1.6 Ti	Duratec	92	125	09/10	>		23.267.00		27.675.00	53.422.00
with activated carbons / ai carboni attivi	Duratec	92	125	09/10	>					54.218.00
antibacterial, anti-odour and anti-allergen filter / filtro antibatterico, antiodori e anti-allergeni	Duratec	92	125	09/10	>					34.218.00
1.6 Ti	MUDA	88	120	02/12	>		23.267.00		27.675.00	54.218.00
antibacterial, anti-odour and anti-allergen filter / filtro antibatterico, antiodori e anti-allergeni	MUDA	88	120	02/12	>					34.218.00
2.0 TDCi 115		85	115	09/10	>		25.060.00	26.055.00	27.675.00	53.422.00
with activated carbons / ai carboni attivi		85	115	09/10	>					54.218.00
antibacterial, anti-odour and anti-allergen filter / filtro antibatterico, antiodori e anti-allergeni		85	115	09/10	>					34.218.00
2.0 TDCi 135		100	136	02/11	>		25.060.00	26.055.00	27.675.00	53.422.00
with activated carbons / ai carboni attivi		100	136	02/11	>					54.218.00
antibacterial, anti-odour and anti-allergen filter / filtro antibatterico, antiodori e anti-allergeni		100	136	02/11	>					34.218.00

...FORD - cars/auto

2.0 TDCI 140		103	140	09/10	>	25.060.00	26.055.00	27.675.00	53.422.00
with activated carbons / ai carboni attivi		103	140	09/10	>				54.218.00
antibacterial, anti-odour and anti-allergen filter / filtro antibatterico, antiodori e anti-allergeni		103	140	09/10	>				34.218.00
2.0 TDCI 150	T7DB/T7DC	110	150	03/15	>	23.439.00	26.104.00	27.675.00	53.422.00
with activated carbons / ai carboni attivi	T7DB/T7DC	110	150	03/15	>				54.218.00
antibacterial, anti-odour and anti-allergen filter / filtro antibatterico, antiodori e anti-allergeni	T7DB/T7DC	110	150	03/15	>				34.218.00
2.0 TDCI 163		120	163	09/10	>	25.060.00	26.055.00	27.675.00	53.422.00
with activated carbons / ai carboni attivi		120	163	09/10	>				54.218.00
antibacterial, anti-odour and anti-allergen filter / filtro antibatterico, antiodori e anti-allergeni		120	163	09/10	>				34.218.00
2.0 TDCI 170	T8DE	125	170	03/15	>	23.439.00	26.104.00	27.675.00	53.422.00
with activated carbons / ai carboni attivi	T8DE	125	170	03/15	>				54.218.00
antibacterial, anti-odour and anti-allergen filter / filtro antibatterico, antiodori e anti-allergeni	T8DE	125	170	03/15	>				34.218.00
Cougar									
2.0 i 16V	Zetec	96	131	06/98	> 04/02	23.440.00	31.624.00	30.024.00	53.016.00
with activated carbons / ai carboni attivi	Zetec	96	131	06/98	> 04/02				54.317.00
2.5 i V6 24V		125	170	06/98	> 04/02	23.463.00	31.624.00	30.372.00	53.016.00
with activated carbons / ai carboni attivi		125	170	06/98	> 04/02				54.317.00
2.5 ST200		151	205	01/00	> 04/02	23.463.00	31.624.00	30.372.00	53.016.00
with activated carbons / ai carboni attivi		151	205	01/00	> 04/02				54.317.00
EcoSport									
1.0 EcoBoost 100	SFJL	74	101	04/18	>	23.632.00		30.A52.00	53.207.00
with activated carbons / ai carboni attivi	SFJL	74	101	04/18	>				54.170.00
antibacterial, anti-odour and anti-allergen filter / filtro antibatterico, antiodori e anti-allergeni	SFJL	74	101	04/18	>				34.170.00
1.0 EcoBoost 125	M1JC, M1JJ, M1JU	92	125	10/13	> 11/17	23.632.00		30.390.00	53.207.00
with activated carbons / ai carboni attivi	M1JC, M1JJ, M1JU	92	125	12/17	>	23.632.00		30.A52.00	53.207.00
antibacterial, anti-odour and anti-allergen filter / filtro antibatterico, antiodori e anti-allergeni	M1JC, M1JJ, M1JU	92	125	10/13	>				54.170.00
1.0 EcoBoost 140	YYJD	103	140	03/16	> 11/17	23.632.00		30.390.00	53.207.00
with activated carbons / ai carboni attivi	YYJD	103	140	12/17	>	23.632.00		30.A52.00	53.207.00
antibacterial, anti-odour and anti-allergen filter / filtro antibatterico, antiodori e anti-allergeni	YYJD	103	140	03/16	>				54.170.00
1.5 TDCI 100		74	101	12/17	>	25.037.00	26.104.00	30.A52.00	53.207.00
with activated carbons / ai carboni attivi		74	101	12/17	>				54.170.00
antibacterial, anti-odour and anti-allergen filter / filtro antibatterico, antiodori e anti-allergeni		74	101	12/17	>				34.170.00
1.5 TDCI 90	UGJE	66	90	10/13	> 05/15	25.037.00	24.128.00	30.390.00	53.207.00
with activated carbons / ai carboni attivi	UGJE	66	90	06/15	>	25.037.00	26.104.00	30.390.00	53.207.00
antibacterial, anti-odour and anti-allergen filter / filtro antibatterico, antiodori e anti-allergeni	UGJE	66	90	10/13	>				54.170.00
1.5 TDCI 95	XVJD	70	95	04/15	>	25.037.00	26.104.00	30.390.00	53.207.00
with activated carbons / ai carboni attivi	XVJD	70	95	04/15	>				54.170.00
antibacterial, anti-odour and anti-allergen filter / filtro antibatterico, antiodori e anti-allergeni	XVJD	70	95	04/15	>				34.170.00
1.5 TDCI EcoBlue 100	Z2JA	74	100	06/18	>	25.216.00		30.A52.00	53.207.00
with activated carbons / ai carboni attivi	Z2JA	74	100	06/18	>				54.170.00
antibacterial, anti-odour and anti-allergen filter / filtro antibatterico, antiodori e anti-allergeni	Z2JA	74	100	06/18	>				34.170.00
1.5 TDCI EcoBlue 125	ZTJC	92	125	12/17	>	25.216.00		30.A52.00	53.207.00
with activated carbons / ai carboni attivi	ZTJC	92	125	12/17	>				54.170.00
antibacterial, anti-odour and anti-allergen filter / filtro antibatterico, antiodori e anti-allergeni	ZTJC	92	125	12/17	>				34.170.00
1.5 TDCI EcoBlue 125 4x4	ZTJC	92	125	12/17	>	25.216.00		30.A52.00	53.207.00
with activated carbons / ai carboni attivi	ZTJC	92	125	12/17	>				54.170.00
antibacterial, anti-odour and anti-allergen filter / filtro antibatterico, antiodori e anti-allergeni	ZTJC	92	125	12/17	>				34.170.00
1.5 Ti-VCT	Duratec	82	112	10/13	>	23.267.00		30.390.00	53.207.00
with activated carbons / ai carboni attivi	Duratec	82	112	10/13	>				54.170.00
antibacterial, anti-odour and anti-allergen filter / filtro antibatterico, antiodori e anti-allergeni	Duratec	82	112	10/13	>				34.170.00
1.6 16V Ti-VCT		90	122	08/12	>			30.390.00	53.207.00
with activated carbons / ai carboni attivi		90	122	08/12	>				54.170.00
antibacterial, anti-odour and anti-allergen filter / filtro antibatterico, antiodori e anti-allergeni		90	122	08/12	>				34.170.00
2.0 16V		103	140	08/12	>				53.207.00
with activated carbons / ai carboni attivi		103	140	08/12	>				54.170.00
antibacterial, anti-odour and anti-allergen filter / filtro antibatterico, antiodori e anti-allergeni		103	140	08/12	>				34.170.00
2.0 16V 4x4		103	140	08/12	>				53.207.00
with activated carbons / ai carboni attivi		103	140	08/12	>				54.170.00
antibacterial, anti-odour and anti-allergen filter / filtro antibatterico, antiodori e anti-allergeni		103	140	08/12	>				34.170.00
Edge (CDQ)									
2.0 EcoBlue		102	140	08/18	>	23.687.00		30.665.00	54.289.00
antibacterial, anti-odour and anti-allergen filter / filtro antibatterico, antiodori e anti-allergeni		102	140	08/18	>				34.289.00
2.0 EcoBlue		77	105	08/18	>	23.687.00			54.289.00
antibacterial, anti-odour and anti-allergen filter / filtro antibatterico, antiodori e anti-allergeni		77	105	08/18	>				34.289.00

...FORD - cars/auto

2.0 EcoBlue		95	130	08/18	>	23.687.00		30.665.00	54.289.00
antibacterial, anti-odour and anti-allergen filter / filtro antibatterico, antiodori e anti-allergeni		95	130	08/18	>				34.289.00
2.0 EcoBlue	YMCA	110	150	08/18	>	23.687.00			54.289.00
antibacterial, anti-odour and anti-allergen filter / filtro antibatterico, antiodori e anti-allergeni	YMCA	110	150	08/18	>				34.289.00
2.0 EcoBlue 180		132	180	08/18	>	23.687.00			54.289.00
antibacterial, anti-odour and anti-allergen filter / filtro antibatterico, antiodori e anti-allergeni		132	180	08/18	>				34.289.00
2.0 EcoBlue 190		139	189	02/18	>	23.687.00	26.104.00	30.665.00	54.289.00
antibacterial, anti-odour and anti-allergen filter / filtro antibatterico, antiodori e anti-allergeni		139	189	02/18	>				34.289.00
2.0 EcoBlue AWD	BCCA/BCCB	140	190	08/18	>	23.687.00		30.665.00	54.289.00
antibacterial, anti-odour and anti-allergen filter / filtro antibatterico, antiodori e anti-allergeni	BCCA/BCCB	140	190	08/18	>				34.289.00
2.0 EcoBlue AWD 240	YLCA	175	238	08/18	>	23.687.00			54.289.00
antibacterial, anti-odour and anti-allergen filter / filtro antibatterico, antiodori e anti-allergeni	YLCA	175	238	08/18	>				34.289.00
2.0 TDCi		132	180	05/15	> 07/18	23.439.00	26.104.00	30.665.00	54.289.00
antibacterial, anti-odour and anti-allergen filter / filtro antibatterico, antiodori e anti-allergeni		132	180	05/15	> 07/18				34.289.00
2.0 TDCi		139	189	02/18	>	23.439.00	26.104.00	30.665.00	54.289.00
antibacterial, anti-odour and anti-allergen filter / filtro antibatterico, antiodori e anti-allergeni		139	189	02/18	>				34.289.00
2.0 TDCi Bi-Turbo		175	238	02/18	>	23.439.00	26.104.00	30.665.00	54.289.00
antibacterial, anti-odour and anti-allergen filter / filtro antibatterico, antiodori e anti-allergeni		175	238	02/18	>				34.289.00
2.0 TDCi Bi-Turbo 210		154	210	05/15	> 07/18	23.439.00	26.104.00	30.665.00	54.289.00
antibacterial, anti-odour and anti-allergen filter / filtro antibatterico, antiodori e anti-allergeni		154	210	05/15	> 07/18				34.289.00
Escort									
1.6 i 16V				07/92	> 12/00	23.440.00	31.514.00	30.981.00	
1.8 i 16V				02/92	> 12/00	23.440.00	31.514.00	30.981.00	
1.8 Turbodiesel									
with pump BOSCH / con pompa BOSCH		51	70	02/93	> 09/00	23.242.00	24.365.00	30.981.00	
with pump DELPHI / con pompa DELPHI		51	70	02/93	> 09/00	23.242.00	24.360.00	30.981.00	
1.8 Turbodiesel									
with pump BOSCH / con pompa BOSCH		66	90	02/93	> 09/00	23.242.00	24.365.00	30.981.00	
with pump DELPHI / con pompa DELPHI		66	90	02/93	> 09/00	23.242.00	24.360.00	30.981.00	
Explorer									
3.0 EcoBoost plug-in Hybrid	30PDTX	257	350	07/19	>				53.423.00
with activated carbons / ai carboni attivi	30PDTX	257	350	07/19	>				54.289.00
antibacterial, anti-odour and anti-allergen filter / filtro antibatterico, antiodori e anti-allergeni	30PDTX	257	350	07/19	>				34.289.00
Fiesta IV									
1.0 i		48	65	09/99	> 04/02	23.416.00	31.514.00		53.012.00
with activated carbons / ai carboni attivi		48	65	09/99	> 04/02	23.416.00	31.514.00		54.116.00
1.2 i 16V		55	75	12/99	> 04/02	23.413.00	31.514.00	30.263.00	53.012.00
with activated carbons / ai carboni attivi		55	75	12/99	> 04/02	23.413.00	31.514.00	30.263.00	54.116.00
1.2 i 16V (Euro 4)		55	75	04/00	> 09/02	23.413.00	31.514.00	30.263.00	53.012.00
with activated carbons / ai carboni attivi		55	75	04/00	> 09/02	23.413.00	31.514.00	30.263.00	54.116.00
1.3 i		37	50	11/95	> 04/02	23.416.00	31.514.00	30.062.00	53.012.00
with activated carbons / ai carboni attivi		37	50	11/95	> 04/02	23.416.00	31.514.00	30.062.00	54.116.00
1.3 i		44	60	11/95	> 04/02	23.416.00	31.514.00	30.062.00	53.012.00
with activated carbons / ai carboni attivi		44	60	11/95	> 04/02	23.416.00	31.514.00	30.062.00	54.116.00
1.4 i 16V		66	90	01/96	> 04/02	23.413.00	31.514.00	30.062.00	53.012.00
with activated carbons / ai carboni attivi		66	90	01/96	> 04/02	23.413.00	31.514.00	30.062.00	54.116.00
1.6 16V		65	88	02/00	> 04/02	23.440.00	31.514.00	30.062.00	53.012.00
with activated carbons / ai carboni attivi		65	88	02/00	> 04/02	23.440.00	31.514.00	30.062.00	54.116.00
1.6 i 16V Sport		76	103	04/99	> 04/02	23.440.00	31.514.00	30.062.00	53.012.00
with activated carbons / ai carboni attivi		76	103	04/99	> 04/02	23.440.00	31.514.00	30.062.00	54.116.00
1.8 DI									
with activated carbons, with pump BOSCH / ai carboni attivi, con pompa BOSCH		44	60	11/95	> 05/00	23.242.00	24.382.00	30.062.00	54.116.00
with activated carbons, with pump DELPHI / ai carboni attivi, con pompa DELPHI		44	60	11/95	> 05/00	23.242.00	24.360.00	30.062.00	54.116.00
with pump BOSCH / con pompa BOSCH		44	60	11/95	> 05/00	23.242.00	24.382.00	30.062.00	53.012.00
with pump DELPHI / con pompa DELPHI		44	60	11/95	> 05/00	23.242.00	24.360.00	30.062.00	53.012.00
1.8 TDDI		55	75	02/00	> 04/02	23.280.00	24.409.00	30.062.00	53.012.00
with activated carbons / ai carboni attivi		55	75	02/00	> 04/02	23.280.00	24.409.00	30.062.00	54.116.00
1.8 TDI	C9DC	66	90	03/00	> 04/02	23.280.00	24.409.00	30.C47.00	53.012.00
with activated carbons / ai carboni attivi	C9DC	66	90	03/00	> 04/02				54.116.00
Fiesta V									
1.2 i 16V		55	75	09/02	> 10/08	23.413.00	31.844.00	30.168.00	53.076.00
with activated carbons / ai carboni attivi		55	75	09/02	> 10/08	23.413.00	31.844.00	30.168.00	54.115.00
antibacterial, anti-odour and anti-allergen filter / filtro antibatterico, antiodori e anti-allergeni		55	75	09/02	> 10/08				34.115.00
1.2 i 16V	M7JA/M7JB	51	70	03/03	> 10/08	23.413.00	31.844.00	30.168.00	53.076.00
with activated carbons / ai carboni attivi	M7JA/M7JB	51	70	03/03	> 10/08	23.413.00	31.844.00	30.168.00	54.115.00
antibacterial, anti-odour and anti-allergen filter / filtro antibatterico, antiodori e anti-allergeni	M7JA/M7JB	51	70	03/03	> 10/08				34.115.00
1.3 i		44	60	11/01	> 10/08	23.440.00	31.844.00	30.168.00	53.076.00

...FORD - cars/auto

F


with activated carbons / ai carboni attivi		44	60	11/01	>	10/08	23.440.00	31.844.00	30.168.00	54.115.00
antibacterial, anti-odour and anti-allergen filter / filtro antibatterico, antiodori e anti-allergeni		44	60	11/01	>	10/08				34.115.00
1.3 i		51	70	03/02	>	10/08	23.440.00	31.844.00	30.168.00	53.076.00
with activated carbons / ai carboni attivi		51	70	03/02	>	10/08	23.440.00	31.844.00	30.168.00	54.115.00
antibacterial, anti-odour and anti-allergen filter / filtro antibatterico, antiodori e anti-allergeni		51	70	03/02	>	10/08				34.115.00
1.4 i 16V		59	80	11/01	>	10/08	23.413.00	31.844.00	30.168.00	53.076.00
with activated carbons / ai carboni attivi		59	80	11/01	>	10/08	23.413.00	31.844.00	30.168.00	54.115.00
antibacterial, anti-odour and anti-allergen filter / filtro antibatterico, antiodori e anti-allergeni		59	80	11/01	>	10/08				34.115.00
1.4 TDCI	F6JA/F6JB	50	68	11/01	>	07/08	25.037.00	24.343.00	30.153.00	53.076.00
	F6JA/F6JB	50	68	08/08	>	12/08	25.037.00	24.015.00	30.153.00	53.076.00
with activated carbons / ai carboni attivi	F6JA/F6JB	50	68	11/01	>	07/08	25.037.00	24.343.00	30.153.00	54.115.00
with activated carbons / ai carboni attivi	F6JA/F6JB	50	68	08/08	>	12/08	25.037.00	24.015.00	30.153.00	54.115.00
antibacterial, anti-odour and anti-allergen filter / filtro antibatterico, antiodori e anti-allergeni	F6JA/F6JB	50	68	11/01	>	12/08				34.115.00
1.4 TDCI Euro4		50	68	11/05	>	07/08	25.037.00	24.343.00	30.153.00	53.076.00
		50	68	08/08	>	12/08	25.037.00	24.015.00	30.153.00	53.076.00
with activated carbons / ai carboni attivi		50	68	11/05	>	07/08	25.037.00	24.343.00	30.153.00	54.115.00
with activated carbons / ai carboni attivi		50	68	08/08	>	12/08	25.037.00	24.015.00	30.153.00	54.115.00
antibacterial, anti-odour and anti-allergen filter / filtro antibatterico, antiodori e anti-allergeni		50	68	11/05	>	12/08				34.115.00
1.6 i 16V		74	101	11/01	>	10/08	23.440.00	31.844.00	30.168.00	53.076.00
with activated carbons / ai carboni attivi		74	101	11/01	>	10/08	23.440.00	31.844.00	30.168.00	54.115.00
antibacterial, anti-odour and anti-allergen filter / filtro antibatterico, antiodori e anti-allergeni		74	101	11/01	>	10/08				34.115.00
1.6 TDCI		66	90	11/04	>	06/07	25.037.00	24.027.00	30.310.00	53.076.00
		66	90	07/07	>	10/08	25.037.00	55.170.00	30.310.00	53.076.00
with activated carbons / ai carboni attivi		66	90	11/04	>	06/07	25.037.00	24.027.00	30.310.00	54.115.00
with activated carbons / ai carboni attivi		66	90	07/07	>	10/08	25.037.00	55.170.00	30.310.00	54.115.00
antibacterial, anti-odour and anti-allergen filter / filtro antibatterico, antiodori e anti-allergeni		66	90	11/04	>	10/08				34.115.00
2.0 16V ST150		110	150	01/05	>	10/08	23.413.00	31.844.00		53.076.00
with activated carbons / ai carboni attivi		110	150	01/05	>	10/08	23.413.00	31.844.00		54.115.00
antibacterial, anti-odour and anti-allergen filter / filtro antibatterico, antiodori e anti-allergeni		110	150	01/05	>	10/08				34.115.00
Fiesta VI										
1.0		48	65	11/12	>				30.390.00	53.207.00
with activated carbons / ai carboni attivi		48	65	11/12	>				30.390.00	54.170.00
antibacterial, anti-odour and anti-allergen filter / filtro antibatterico, antiodori e anti-allergeni		48	65	11/12	>					34.170.00
1.0		59	80	11/12	>				30.390.00	53.207.00
with activated carbons / ai carboni attivi		59	80	11/12	>				30.390.00	54.170.00
antibacterial, anti-odour and anti-allergen filter / filtro antibatterico, antiodori e anti-allergeni		59	80	11/12	>					34.170.00
1.0 EcoBoost 100	Fox 10FDOX	74	101	11/12	>		23.632.00		30.390.00	53.207.00
with activated carbons / ai carboni attivi	Fox 10FDOX	74	101	11/12	>				30.390.00	54.170.00
antibacterial, anti-odour and anti-allergen filter / filtro antibatterico, antiodori e anti-allergeni	Fox 10FDOX	74	101	11/12	>					34.170.00
1.0 EcoBoost 125	Fox 10FDOX	92	125	11/12	>		23.632.00		30.390.00	53.207.00
with activated carbons / ai carboni attivi	Fox 10FDOX	92	125	11/12	>				30.390.00	54.170.00
antibacterial, anti-odour and anti-allergen filter / filtro antibatterico, antiodori e anti-allergeni	Fox 10FDOX	92	125	11/12	>					34.170.00
1.0 EcoBoost Sport	Fox 10FDOX	103	140	05/14	>		23.632.00		30.390.00	53.207.00
with activated carbons / ai carboni attivi	Fox 10FDOX	103	140	05/14	>				30.390.00	54.170.00
antibacterial, anti-odour and anti-allergen filter / filtro antibatterico, antiodori e anti-allergeni	Fox 10FDOX	103	140	05/14	>					34.170.00
1.2 16V		44	60	10/08	>		23.267.00		30.390.00	53.207.00
with activated carbons / ai carboni attivi		44	60	10/08	>		23.267.00		30.390.00	54.170.00
antibacterial, anti-odour and anti-allergen filter / filtro antibatterico, antiodori e anti-allergeni		44	60	10/08	>					34.170.00
1.2 16V		60	82	10/08	>		23.267.00		30.390.00	53.207.00
with activated carbons / ai carboni attivi		60	82	10/08	>		23.267.00		30.390.00	54.170.00
antibacterial, anti-odour and anti-allergen filter / filtro antibatterico, antiodori e anti-allergeni		60	82	10/08	>					34.170.00
1.25	STJB	44	60	10/12	>		23.267.00		30.390.00	53.207.00
with activated carbons / ai carboni attivi	STJB	44	60	10/12	>					54.170.00
antibacterial, anti-odour and anti-allergen filter / filtro antibatterico, antiodori e anti-allergeni	STJB	44	60	10/12	>					34.170.00
1.4 16V		71	96	10/08	>		23.267.00		30.390.00	53.207.00
with activated carbons / ai carboni attivi		71	96	10/08	>		23.267.00		30.390.00	54.170.00
antibacterial, anti-odour and anti-allergen filter / filtro antibatterico, antiodori e anti-allergeni		71	96	10/08	>					34.170.00
1.4 16V Autom.		71	96	10/08	>		23.267.00		30.390.00	53.207.00
with activated carbons / ai carboni attivi		71	96	10/08	>		23.267.00		30.390.00	54.170.00
antibacterial, anti-odour and anti-allergen filter / filtro antibatterico, antiodori e anti-allergeni		71	96	10/08	>					34.170.00
1.4 16V GPL/LPG		71	96	01/09	>		23.267.00		30.390.00	53.207.00
with activated carbons / ai carboni attivi		71	96	01/09	>		23.267.00		30.390.00	54.170.00
antibacterial, anti-odour and anti-allergen filter / filtro antibatterico, antiodori e anti-allergeni		71	96	01/09	>					34.170.00
assembly BRC FJ1 HE / montaggio BRC FJ1 HE		71	96	01/09	>			46.005.00		
1.4 TDCI	F6JB	50	68	10/08	>	08/10	25.037.00	24.015.00	30.153.00	53.207.00
with activated carbons / ai carboni attivi	F6JB	50	68	10/08	>	08/10	25.037.00	24.015.00	30.153.00	54.170.00
with fuel oil heater / con riscaldatore nafta	F6JB	50	68	10/08	>	08/10		24.343.00		

...FORD - cars/auto

antibacterial, anti-odour and anti-allergen filter / filtro antibatterico, antiodori e anti-allergeni	F6JB	50	68	10/08	>				34.170.00	
1.4 TDCI	KVJA/F6JD	51	70	09/10	>	02/13	25.037.00	24.128.00	30.390.00	53.207.00
with activated carbons / ai carboni attivi	KVJA/F6JD	51	70	09/10	>	02/13	25.037.00		30.390.00	
1.5 TDCI	15DSOX	70	95	05/15	>		25.037.00	26.104.00	30.390.00	53.207.00
with activated carbons / ai carboni attivi	15DSOX	70	95	05/15	>		25.037.00		30.390.00	54.170.00
antibacterial, anti-odour and anti-allergen filter / filtro antibatterico, antiodori e anti-allergeni	15DSOX	70	95	05/15	>					34.170.00
1.5 TDCI	15DSOX/UGJC	55	75	11/12	>	01/15	25.037.00	24.128.00	30.390.00	53.207.00
	15DSOX/UGJC	55	75	02/15	>		25.037.00	26.104.00	30.390.00	53.207.00
with activated carbons / ai carboni attivi	15DSOX/UGJC	55	75	11/12	>		25.037.00		30.390.00	54.170.00
antibacterial, anti-odour and anti-allergen filter / filtro antibatterico, antiodori e anti-allergeni	15DSOX/UGJC	55	75	11/12	>					34.170.00
1.6 16V		88	120	10/08	>		23.267.00		30.390.00	53.207.00
with activated carbons / ai carboni attivi		88	120	10/08	>		23.267.00		30.390.00	54.170.00
antibacterial, anti-odour and anti-allergen filter / filtro antibatterico, antiodori e anti-allergeni		88	120	10/08	>					34.170.00
1.6 EcoBoost ST 180		134	182	02/13	>		23.267.00		30.390.00	53.207.00
with activated carbons / ai carboni attivi		134	182	02/13	>		23.267.00		30.390.00	54.170.00
antibacterial, anti-odour and anti-allergen filter / filtro antibatterico, antiodori e anti-allergeni		134	182	02/13	>					34.170.00
1.6 TDCI		55	75	10/08	>	02/13	25.037.00		30.390.00	54.170.00
with activated carbons / ai carboni attivi		55	75	10/08	>	02/13	25.037.00		30.390.00	54.170.00
antibacterial, anti-odour and anti-allergen filter / filtro antibatterico, antiodori e anti-allergeni		55	75	10/08	>	02/13	25.037.00	24.027.00	30.390.00	53.207.00
assembly DELPHI / montaggio DELPHI		55	75	10/08	>	02/13	25.037.00	55.170.00	30.390.00	53.207.00
assembly UFI / montaggio UFI		55	75	10/08	>	02/13	25.037.00		30.390.00	53.207.00
1.6 TDCI 16V DPF		66	90	10/08	>	03/10	25.037.00		30.390.00	54.170.00
with activated carbons / ai carboni attivi	HHJE/HHJC/HHJD	66	90	10/08	>	03/10	25.037.00		30.390.00	54.170.00
antibacterial, anti-odour and anti-allergen filter / filtro antibatterico, antiodori e anti-allergeni	HHJE/HHJC/HHJD	66	90	10/08	>	03/10		24.027.00	30.390.00	53.207.00
assembly DELPHI / montaggio DELPHI	HHJE/HHJC/HHJD	66	90	10/08	>	03/10	25.037.00	24.027.00	30.390.00	53.207.00
assembly UFI / montaggio UFI	HHJE/HHJC/HHJD	66	90	10/08	>	03/10	25.037.00	55.170.00	30.390.00	53.207.00
1.6 TDCI 16V DPF	TZJB/TZJA	70	95	03/10	>	02/13	25.037.00	24.128.00	30.390.00	53.207.00
with activated carbons / ai carboni attivi	TZJB/TZJA	70	95	03/10	>	02/13	25.037.00		30.390.00	54.170.00
antibacterial, anti-odour and anti-allergen filter / filtro antibatterico, antiodori e anti-allergeni	TZJB/TZJA	70	95	03/10	>	02/13				34.170.00
1.6 Ti-VCT		77	105	11/12	>		23.267.00		30.390.00	53.207.00
with activated carbons / ai carboni attivi		77	105	11/12	>		23.267.00		30.390.00	54.170.00
antibacterial, anti-odour and anti-allergen filter / filtro antibatterico, antiodori e anti-allergeni		77	105	11/12	>					34.170.00
1.6 Ti-VCT Sport S		99	134	02/11	>		23.267.00		30.390.00	53.207.00
with activated carbons / ai carboni attivi		99	134	02/11	>		23.267.00		30.390.00	54.170.00
antibacterial, anti-odour and anti-allergen filter / filtro antibatterico, antiodori e anti-allergeni		99	134	02/11	>					34.170.00
Fiesta VII										
1.0 EcoBoost 100	C10FD0X	74	101	05/17	>		23.632.00		30.A52.00	53.207.00
with activated carbons / ai carboni attivi	C10FD0X	74	101	05/17	>					54.170.00
antibacterial, anti-odour and anti-allergen filter / filtro antibatterico, antiodori e anti-allergeni	C10FD0X	74	101	05/17	>					34.170.00
1.0 EcoBoost 125	C10FD0X	92	125	05/17	>		23.632.00		30.A52.00	53.207.00
with activated carbons / ai carboni attivi	C10FD0X	92	125	05/17	>					54.170.00
antibacterial, anti-odour and anti-allergen filter / filtro antibatterico, antiodori e anti-allergeni	C10FD0X	92	125	05/17	>					34.170.00
1.0 EcoBoost 140	C10FD0X	103	140	05/17	>		23.632.00		30.A52.00	53.207.00
with activated carbons / ai carboni attivi	C10FD0X	103	140	05/17	>					54.170.00
antibacterial, anti-odour and anti-allergen filter / filtro antibatterico, antiodori e anti-allergeni	C10FD0X	103	140	05/17	>					34.170.00
1.0 EcoBoost 85	C10FD0X	63	86	05/17	>		23.632.00		30.A52.00	53.207.00
with activated carbons / ai carboni attivi	C10FD0X	63	86	05/17	>					54.170.00
antibacterial, anti-odour and anti-allergen filter / filtro antibatterico, antiodori e anti-allergeni	C10FD0X	63	86	05/17	>					34.170.00
1.0 EcoBoost mHEV 155		114	155	07/20	>					53.207.00
with activated carbons / ai carboni attivi		114	155	07/20	>					54.170.00
1.1	C11FD0X	51	70	05/17	>		23.632.00		30.A52.00	53.207.00
with activated carbons / ai carboni attivi	C11FD0X	51	70	05/17	>					54.170.00
antibacterial, anti-odour and anti-allergen filter / filtro antibatterico, antiodori e anti-allergeni	C11FD0X	51	70	05/17	>					34.170.00
1.1	C11FD0X	63	86	05/17	>		23.632.00		30.A52.00	53.207.00
with activated carbons / ai carboni attivi	C11FD0X	63	86	05/17	>					54.170.00
antibacterial, anti-odour and anti-allergen filter / filtro antibatterico, antiodori e anti-allergeni	C11FD0X	63	86	05/17	>					34.170.00
1.5 ST		147	200	04/18	>				30.A52.00	53.207.00
with activated carbons / ai carboni attivi		147	200	04/18	>					54.170.00
antibacterial, anti-odour and anti-allergen filter / filtro antibatterico, antiodori e anti-allergeni		147	200	04/18	>					34.170.00
1.5 TDCI	C15DSOX (DV5FD)	63	86	05/17	>		25.037.00	26.104.00	30.A52.00	53.207.00
with activated carbons / ai carboni attivi	C15DSOX (DV5FD)	63	86	05/17	>					54.170.00
antibacterial, anti-odour and anti-allergen filter / filtro antibatterico, antiodori e anti-allergeni	C15DSOX (DV5FD)	63	86	05/17	>					34.170.00
1.5 TDCI	C15DSOX (DV5FDA)	88	120	05/17	>		25.037.00	26.104.00	30.A52.00	53.207.00
with activated carbons / ai carboni attivi	C15DSOX (DV5FDA)	88	120	05/17	>					54.170.00
antibacterial, anti-odour and anti-allergen filter / filtro antibatterico, antiodori e anti-allergeni	C15DSOX (DV5FDA)	88	120	05/17	>					34.170.00
Focus C-Max										
1.6 16V		74	101	10/03	>	05/07	23.413.00		30.245.00	53.102.00

...FORD - cars/auto

F



with activated carbons / ai carboni attivi	74	101	10/03	>	05/07	23.413.00		30.245.00	54.136.00			
antibacterial, anti-odour and anti-allergen filter / filtro antibatterico, antiodori e anti-allergeni	74	101	10/03	>	05/07				34.136.00			
1.6 16V VCT	84	114	03/04	>	05/07	23.413.00		30.245.00	53.102.00			
with activated carbons / ai carboni attivi	84	114	03/04	>	05/07	23.413.00		30.245.00	54.136.00			
antibacterial, anti-odour and anti-allergen filter / filtro antibatterico, antiodori e anti-allergeni	84	114	03/04	>	05/07				34.136.00			
1.6 TDCI	66	90	02/05	>	09/05	25.037.00	24.027.00	30.246.00	53.102.00			
with activated carbons / ai carboni attivi	66	90	10/05	>	05/07	25.037.00	55.170.00	30.246.00	53.102.00			
with activated carbons / ai carboni attivi	66	90	02/05	>	09/05	25.037.00	24.027.00	30.246.00	54.136.00			
antibacterial, anti-odour and anti-allergen filter / filtro antibatterico, antiodori e anti-allergeni	66	90	02/05	>	05/07				34.136.00			
1.6 TDCI	80	109	10/03	>	09/05	25.037.00	24.027.00	30.246.00	53.102.00			
with activated carbons / ai carboni attivi	80	109	10/05	>	05/07	25.037.00	55.170.00	30.246.00	53.102.00			
with activated carbons / ai carboni attivi	80	109	10/03	>	09/05	25.037.00	24.027.00	30.246.00	54.136.00			
antibacterial, anti-odour and anti-allergen filter / filtro antibatterico, antiodori e anti-allergeni	80	109	10/03	>	05/07				34.136.00			
1.6 TDCI FAP	80	109	10/05	>	05/07	25.037.00	55.170.00	30.246.00	53.102.00			
with activated carbons / ai carboni attivi	80	109	10/05	>	05/07	25.037.00	55.170.00	30.246.00	54.136.00			
antibacterial, anti-odour and anti-allergen filter / filtro antibatterico, antiodori e anti-allergeni	80	109	10/05	>	05/07				34.136.00			
1.8 16V	88	120	10/03	>	05/04	23.413.00		30.245.00	53.102.00			
with activated carbons / ai carboni attivi	88	120	10/03	>	05/04	23.413.00		30.245.00	54.136.00			
1.8 16V	92	125	04/04	>	05/07	23.413.00		30.245.00	53.102.00			
with activated carbons / ai carboni attivi	92	125	04/04	>	05/07	23.413.00		30.245.00	54.136.00			
antibacterial, anti-odour and anti-allergen filter / filtro antibatterico, antiodori e anti-allergeni	92	125	04/04	>	05/07				34.136.00			
1.8 TDCI	85	115	04/05	>	05/07	23.439.00	26.696.00	30.241.00	53.102.00			
with activated carbons / ai carboni attivi	85	115	04/05	>	05/07	23.439.00	26.696.00	30.241.00	54.136.00			
antibacterial, anti-odour and anti-allergen filter / filtro antibatterico, antiodori e anti-allergeni	85	115	04/05	>	05/07				34.136.00			
2.0 16V	107	145	03/04	>	05/07	23.413.00	31.842.00	30.245.00	53.102.00			
with activated carbons / ai carboni attivi	107	145	03/04	>	05/07	23.413.00	31.842.00	30.245.00	54.136.00			
antibacterial, anti-odour and anti-allergen filter / filtro antibatterico, antiodori e anti-allergeni	107	145	03/04	>	05/07				34.136.00			
2.0 TDCI			G6DC/G6DE/G6DF	100	136	10/03	>	05/07	25.060.00	26.022.00	30.241.00	53.102.00
with activated carbons / ai carboni attivi			G6DC/G6DE/G6DF	100	136	10/03	>	05/07	25.060.00	26.022.00	30.241.00	54.136.00
antibacterial, anti-odour and anti-allergen filter / filtro antibatterico, antiodori e anti-allergeni			G6DC/G6DE/G6DF	100	136	10/03	>	05/07			34.136.00	
2.0 TDCI FAP				100	136	10/03	>	05/07	25.060.00	26.022.00	30.241.00	53.102.00
with activated carbons / ai carboni attivi				100	136	10/03	>	05/07	25.060.00	26.022.00	30.241.00	54.136.00
antibacterial, anti-odour and anti-allergen filter / filtro antibatterico, antiodori e anti-allergeni				100	136	10/03	>	05/07			34.136.00	
Focus I												
1.4 i 16V	55	75	09/98	>	07/02	23.413.00	31.769.00	30.101.00	53.034.00			
with activated carbons / ai carboni attivi	55	75	08/02	>	12/04	23.413.00	31.842.00	30.101.00	53.034.00			
with activated carbons / ai carboni attivi	55	75	09/98	>	12/04	23.413.00	31.769.00	30.101.00	54.106.00			
antibacterial, anti-odour and anti-allergen filter / filtro antibatterico, antiodori e anti-allergeni	55	75	08/02	>	12/04	23.413.00	31.842.00	30.101.00	54.106.00			
1.6 i 16V	74	100	09/98	>	07/02	23.440.00	31.769.00	30.101.00	53.034.00			
with activated carbons / ai carboni attivi	74	100	08/02	>	12/04	23.440.00	31.842.00	30.101.00	53.034.00			
with activated carbons / ai carboni attivi	74	100	09/98	>	07/02	23.440.00	31.769.00	30.101.00	54.106.00			
with activated carbons / ai carboni attivi	74	100	08/02	>	12/04	23.440.00	31.842.00	30.101.00	54.106.00			
antibacterial, anti-odour and anti-allergen filter / filtro antibatterico, antiodori e anti-allergeni	74	100	09/98	>	12/04				34.106.00			
1.8 i 16V	85	115	09/98	>	07/02	23.440.00	31.769.00	30.101.00	53.034.00			
with activated carbons / ai carboni attivi	85	115	08/02	>	12/04	23.440.00	31.842.00	30.101.00	53.034.00			
with activated carbons / ai carboni attivi	85	115	09/98	>	07/02	23.440.00	31.769.00	30.101.00	54.106.00			
with activated carbons / ai carboni attivi	85	115	08/02	>	12/04	23.440.00	31.842.00	30.101.00	54.106.00			
antibacterial, anti-odour and anti-allergen filter / filtro antibatterico, antiodori e anti-allergeni	85	115	09/98	>	12/04				34.106.00			
1.8 TDCI	74	100	09/02	>	12/04	23.280.00	24.445.00	30.101.00	53.034.00			
with activated carbons / ai carboni attivi	74	100	09/02	>	12/04	23.280.00	24.445.00	30.101.00	54.106.00			
antibacterial, anti-odour and anti-allergen filter / filtro antibatterico, antiodori e anti-allergeni	74	100	09/02	>	12/04				34.106.00			
1.8 TDCI	85	115	03/01	>	12/04	23.280.00	24.445.00	30.101.00	53.034.00			
with activated carbons / ai carboni attivi	85	115	03/01	>	12/04	23.280.00	24.445.00	30.101.00	54.106.00			
antibacterial, anti-odour and anti-allergen filter / filtro antibatterico, antiodori e anti-allergeni	85	115	03/01	>	12/04				34.106.00			
1.8 TDDI	55	75	10/99	>	09/01	23.280.00	24.409.00	30.101.00	53.034.00			
with activated carbons / ai carboni attivi	55	75	10/01	>	12/04	23.280.00	24.450.00	30.101.00	53.034.00			
with activated carbons / ai carboni attivi	55	75	10/99	>	09/01	23.280.00	24.409.00	30.101.00	54.106.00			
with activated carbons / ai carboni attivi	55	75	10/01	>	12/04	23.280.00	24.450.00	30.101.00	54.106.00			
antibacterial, anti-odour and anti-allergen filter / filtro antibatterico, antiodori e anti-allergeni	55	75	10/99	>	12/04				34.106.00			
1.8 TDDI	66	90	09/98	>	09/01	23.280.00	24.409.00	30.101.00	53.034.00			
with activated carbons / ai carboni attivi	66	90	10/01	>	12/04	23.280.00	24.450.00	30.101.00	53.034.00			
with activated carbons / ai carboni attivi	66	90	09/98	>	09/01	23.280.00	24.409.00	30.101.00	54.106.00			
with activated carbons / ai carboni attivi	66	90	10/01	>	12/04	23.280.00	24.450.00	30.101.00	54.106.00			
antibacterial, anti-odour and anti-allergen filter / filtro antibatterico, antiodori e anti-allergeni	66	90	09/98	>	12/04				34.106.00			

...FORD - cars/auto

2.0 i 16V	96 130	09/98 > 07/02	23.440.00	31.769.00	30.101.00	53.034.00
with activated carbons / ai carboni attivi	96 130	08/02 > 12/04	23.440.00	31.842.00	30.101.00	53.034.00
with activated carbons / ai carboni attivi	96 130	09/98 > 07/02	23.440.00	31.769.00	30.101.00	54.106.00
with activated carbons / ai carboni attivi	96 130	08/02 > 12/04	23.440.00	31.842.00	30.101.00	54.106.00
antibacterial, anti-odour and anti-allergen filter / filtro antibatterico, antiodori e anti-allergeni	96 130	09/98 > 12/04				34.106.00
2.0 RS	158 215	10/02 > 12/04		31.769.00		53.034.00
with activated carbons / ai carboni attivi	158 215	10/02 > 12/04		31.769.00		54.106.00
antibacterial, anti-odour and anti-allergen filter / filtro antibatterico, antiodori e anti-allergeni	158 215	10/02 > 12/04				34.106.00
2.0 RS Turbo	164 220	09/01 > 12/04		31.769.00		53.034.00
with activated carbons / ai carboni attivi	164 220	09/01 > 12/04		31.769.00		54.106.00
antibacterial, anti-odour and anti-allergen filter / filtro antibatterico, antiodori e anti-allergeni	164 220	09/01 > 12/04				34.106.00
2.0 ST170	127 173	09/01 > 12/04		31.769.00	30.101.00	53.034.00
with activated carbons / ai carboni attivi	127 173	09/01 > 12/04		31.769.00	30.101.00	54.106.00
antibacterial, anti-odour and anti-allergen filter / filtro antibatterico, antiodori e anti-allergeni	127 173	09/01 > 12/04				34.106.00
Focus II						
1.4 16V						
with automatic air-conditioner / con climatizzatore automatico	59 80	11/04 > 03/07	23.413.00		30.245.00	54.158.00
with automatic air-conditioner / con climatizzatore automatico	59 80	04/07 >	23.413.00		27.675.00	54.158.00
with manual air-conditioner / con climatizzatore manuale	59 80	11/04 > 03/07	23.413.00		30.245.00	53.129.00
with manual air-conditioner / con climatizzatore manuale	59 80	04/07 >	23.413.00		27.675.00	53.129.00
antibacterial, anti-odour and anti-allergen filter / filtro antibatterico, antiodori e anti-allergeni	59 80	11/04 >				34.158.00
1.6 16V						
with automatic air-conditioner / con climatizzatore automatico	74 101	11/04 > 03/07	23.413.00		30.245.00	54.158.00
with automatic air-conditioner / con climatizzatore automatico	74 101	04/07 >	23.267.00		27.675.00	54.158.00
with manual air-conditioner / con climatizzatore manuale	74 101	11/04 > 03/07	23.413.00		30.245.00	53.129.00
with manual air-conditioner / con climatizzatore manuale	74 101	04/07 >	23.267.00		27.675.00	53.129.00
antibacterial, anti-odour and anti-allergen filter / filtro antibatterico, antiodori e anti-allergeni	74 101	11/04 >				34.158.00
1.6 16V TI VCT						
with automatic air-conditioner / con climatizzatore automatico	85 115	11/04 > 03/07	23.413.00		30.245.00	54.158.00
with automatic air-conditioner / con climatizzatore automatico	85 115	04/07 >	23.267.00		27.675.00	54.158.00
with manual air-conditioner / con climatizzatore manuale	85 115	11/04 > 03/07	23.413.00		30.245.00	53.129.00
with manual air-conditioner / con climatizzatore manuale	85 115	04/07 >	23.267.00		27.675.00	53.129.00
antibacterial, anti-odour and anti-allergen filter / filtro antibatterico, antiodori e anti-allergeni	85 115	11/04 >				34.158.00
1.6 TDCI						
with automatic air-conditioner / con climatizzatore automatico	66 90	03/05 > 09/05	25.037.00	24.027.00	30.246.00	54.158.00
with automatic air-conditioner / con climatizzatore automatico	66 90	10/05 > 03/07	25.037.00	55.170.00	30.246.00	54.158.00
with automatic air-conditioner / con climatizzatore automatico	66 90	04/07 >	25.037.00	55.170.00	27.675.00	54.158.00
with manual air-conditioner / con climatizzatore manuale	66 90	03/05 > 09/05	25.037.00	24.027.00	30.246.00	53.129.00
with manual air-conditioner / con climatizzatore manuale	66 90	10/05 > 03/07	25.037.00	55.170.00	30.246.00	53.129.00
with manual air-conditioner / con climatizzatore manuale	66 90	04/07 >	25.037.00	55.170.00	27.675.00	53.129.00
antibacterial, anti-odour and anti-allergen filter / filtro antibatterico, antiodori e anti-allergeni	66 90	03/05 >				34.158.00
1.6 TDCI						
with automatic air-conditioner / con climatizzatore automatico	74 101	04/05 > 09/05	25.037.00	24.027.00	30.246.00	54.158.00
with automatic air-conditioner / con climatizzatore automatico	74 101	10/05 > 03/07	25.037.00	55.170.00	30.246.00	54.158.00
with automatic air-conditioner / con climatizzatore automatico	74 101	04/07 >	25.037.00	55.170.00	27.675.00	54.158.00
with manual air-conditioner / con climatizzatore manuale	74 101	04/05 > 09/05	25.037.00	24.027.00	30.246.00	53.129.00
with manual air-conditioner / con climatizzatore manuale	74 101	10/05 > 03/07	25.037.00	55.170.00	30.246.00	53.129.00
with manual air-conditioner / con climatizzatore manuale	74 101	04/07 >	25.037.00	55.170.00	27.675.00	53.129.00
antibacterial, anti-odour and anti-allergen filter / filtro antibatterico, antiodori e anti-allergeni	74 101	04/05 >				34.158.00
1.6 TDCI						
with automatic air-conditioner / con climatizzatore automatico	80 109	11/04 > 09/05	25.037.00	24.027.00	30.246.00	54.158.00
with automatic air-conditioner / con climatizzatore automatico	80 109	10/05 > 03/07	25.037.00	55.170.00	30.246.00	54.158.00
with automatic air-conditioner / con climatizzatore automatico	80 109	04/07 >	25.037.00	55.170.00	27.675.00	54.158.00
with manual air-conditioner / con climatizzatore manuale	80 109	11/04 > 09/05	25.037.00	24.027.00	30.246.00	53.129.00
with manual air-conditioner / con climatizzatore manuale	80 109	10/05 > 03/07	25.037.00	55.170.00	30.246.00	53.129.00
with manual air-conditioner / con climatizzatore manuale	80 109	04/07 >	25.037.00	55.170.00	27.675.00	53.129.00
antibacterial, anti-odour and anti-allergen filter / filtro antibatterico, antiodori e anti-allergeni	80 109	11/04 >				34.158.00
1.6 TDCI FAP						
with automatic air-conditioner / con climatizzatore automatico	80 109	10/05 > 03/07	25.037.00	55.170.00	30.246.00	54.158.00
with automatic air-conditioner / con climatizzatore automatico	80 109	04/07 >	25.037.00	55.170.00	27.675.00	54.158.00
with manual air-conditioner / con climatizzatore manuale	80 109	10/05 > 03/07	25.037.00	55.170.00	30.246.00	53.129.00
with manual air-conditioner / con climatizzatore manuale	80 109	04/07 >	25.037.00	55.170.00	27.675.00	53.129.00
antibacterial, anti-odour and anti-allergen filter / filtro antibatterico, antiodori e anti-allergeni	80 109	10/05 >				34.158.00
1.8 16V						
with automatic air-conditioner / con climatizzatore automatico	92 125	11/04 > 03/07	23.413.00		30.245.00	54.158.00
with automatic air-conditioner / con climatizzatore automatico	92 125	04/07 >	23.267.00		27.675.00	54.158.00
with manual air-conditioner / con climatizzatore manuale	92 125	11/04 > 03/07	23.413.00		30.245.00	53.129.00

...FORD - cars/auto

F

with manual air-conditioner / con climatizzatore manuale	92	125	04/07	>		23.267.00		27.675.00	53.129.00
antibacterial, anti-odour and anti-allergen filter / filtro antibatterico, antiodori e anti-allergeni	92	125	11/04	>					34.158.00
1.8 16V Flexifuel									
with automatic air-conditioner / con climatizzatore automatico	92	125	11/04	>	03/07	23.413.00		30.245.00	54.158.00
with automatic air-conditioner / con climatizzatore automatico	92	125	04/07	>		23.267.00		27.675.00	54.158.00
with manual air-conditioner / con climatizzatore manuale	92	125	11/04	>	03/07	23.413.00		30.245.00	53.129.00
with manual air-conditioner / con climatizzatore manuale	92	125	04/07	>		23.267.00		27.675.00	53.129.00
antibacterial, anti-odour and anti-allergen filter / filtro antibatterico, antiodori e anti-allergeni	92	125	11/04	>					34.158.00
1.8 TDCI									
with automatic air-conditioner / con climatizzatore automatico	85	115	04/05	>	03/07	23.439.00	26.696.00	30.241.00	54.158.00
with automatic air-conditioner / con climatizzatore automatico	85	115	04/07	>		23.439.00	26.696.00	27.675.00	54.158.00
with manual air-conditioner / con climatizzatore manuale	85	115	04/05	>	03/07	23.439.00	26.696.00	30.241.00	53.129.00
with manual air-conditioner / con climatizzatore manuale	85	115	04/07	>		23.439.00	26.696.00	27.675.00	53.129.00
antibacterial, anti-odour and anti-allergen filter / filtro antibatterico, antiodori e anti-allergeni	85	115	04/05	>					34.158.00
2.0 16V									
with automatic air-conditioner / con climatizzatore automatico	107	145	11/04	>	03/07	23.413.00		30.245.00	54.158.00
with automatic air-conditioner / con climatizzatore automatico	107	145	04/07	>		23.413.00		27.675.00	54.158.00
with manual air-conditioner / con climatizzatore manuale	107	145	11/04	>	03/07	23.413.00		30.245.00	53.129.00
with manual air-conditioner / con climatizzatore manuale	107	145	04/07	>		23.413.00		27.675.00	53.129.00
antibacterial, anti-odour and anti-allergen filter / filtro antibatterico, antiodori e anti-allergeni	107	145	11/04	>					34.158.00
2.0 TDCI									
with automatic air-conditioner / con climatizzatore automatico	100	136	11/04	>	03/07	25.060.00	26.022.00	30.241.00	54.158.00
with automatic air-conditioner / con climatizzatore automatico	100	136	04/07	>		25.060.00	26.022.00	27.675.00	54.158.00
with manual air-conditioner / con climatizzatore manuale	100	136	11/04	>	03/07	25.060.00	26.022.00	30.241.00	53.129.00
with manual air-conditioner / con climatizzatore manuale	100	136	04/07	>		25.060.00	26.022.00	27.675.00	53.129.00
antibacterial, anti-odour and anti-allergen filter / filtro antibatterico, antiodori e anti-allergeni	100	136	11/04	>					34.158.00
2.0 TDCI									
with automatic air-conditioner / con climatizzatore automatico	98	133	11/04	>	03/07	25.060.00	26.022.00	30.241.00	54.158.00
with automatic air-conditioner / con climatizzatore automatico	98	133	04/07	>		25.060.00	26.022.00	27.675.00	54.158.00
with manual air-conditioner / con climatizzatore manuale	98	133	11/04	>	03/07	25.060.00	26.022.00	30.241.00	53.129.00
with manual air-conditioner / con climatizzatore manuale	98	133	04/07	>		25.060.00	26.022.00	27.675.00	53.129.00
antibacterial, anti-odour and anti-allergen filter / filtro antibatterico, antiodori e anti-allergeni	98	133	11/04	>					34.158.00
2.0 TDCI FAP									
with automatic air-conditioner / con climatizzatore automatico	100	136	11/04	>	03/07	25.060.00	26.022.00	30.241.00	54.158.00
with automatic air-conditioner / con climatizzatore automatico	100	136	04/07	>		25.060.00	26.022.00	27.675.00	54.158.00
with manual air-conditioner / con climatizzatore manuale	100	136	11/04	>	03/07	25.060.00	26.022.00	30.241.00	53.129.00
with manual air-conditioner / con climatizzatore manuale	100	136	04/07	>		25.060.00	26.022.00	27.675.00	53.129.00
antibacterial, anti-odour and anti-allergen filter / filtro antibatterico, antiodori e anti-allergeni	100	136	11/04	>					34.158.00
2.5 RS									
with automatic air-conditioner / con climatizzatore automatico	224	305	03/09	>		25.039.00			54.158.00
with manual air-conditioner / con climatizzatore manuale	224	305	03/09	>		25.039.00			53.129.00
antibacterial, anti-odour and anti-allergen filter / filtro antibatterico, antiodori e anti-allergeni	224	305	03/09	>					34.158.00
2.5 RS 500									
with automatic air-conditioner / con climatizzatore automatico	257	350	05/10	>		25.039.00			54.158.00
with manual air-conditioner / con climatizzatore manuale	257	350	05/10	>		25.039.00			53.129.00
antibacterial, anti-odour and anti-allergen filter / filtro antibatterico, antiodori e anti-allergeni	257	350	05/10	>					34.158.00
2.5 T 20V ST									
with automatic air-conditioner / con climatizzatore automatico	166	225	11/05	>		25.039.00		30.212.00	54.158.00
with manual air-conditioner / con climatizzatore manuale	166	225	11/05	>		25.039.00		30.212.00	53.129.00
antibacterial, anti-odour and anti-allergen filter / filtro antibatterico, antiodori e anti-allergeni	166	225	11/05	>					34.158.00
Focus III									
1.0 EcoBoost SCTi 100									
	Fox 10FDOX	74	100	03/12	>	23.632.00		27.675.00	53.422.00
with activated carbons / ai carboni attivi	Fox 10FDOX	74	100	03/12	>				54.218.00
antibacterial, anti-odour and anti-allergen filter / filtro antibatterico, antiodori e anti-allergeni	Fox 10FDOX	74	100	03/12	>				34.218.00
1.0 EcoBoost SCTi 125									
	Fox 10FDOX	88	120	03/12	>	23.632.00		27.675.00	53.422.00
with activated carbons / ai carboni attivi	Fox 10FDOX	88	120	03/12	>				54.218.00
antibacterial, anti-odour and anti-allergen filter / filtro antibatterico, antiodori e anti-allergeni	Fox 10FDOX	88	120	03/12	>				34.218.00
1.5 EcoBoost 150									
	M8DA/M8DB	110	150	09/14	>	23.267.00		27.675.00	53.422.00
with activated carbons / ai carboni attivi	M8DA/M8DB	110	150	09/14	>				54.218.00
antibacterial, anti-odour and anti-allergen filter / filtro antibatterico, antiodori e anti-allergeni	M8DA/M8DB	110	150	09/14	>				34.218.00
1.5 EcoBoost 180									
	M9DA/M9DB	134	182	09/14	>	23.267.00		27.675.00	53.422.00
with activated carbons / ai carboni attivi	M9DA/M9DB	134	182	09/14	>				54.218.00
antibacterial, anti-odour and anti-allergen filter / filtro antibatterico, antiodori e anti-allergeni	M9DA/M9DB	134	182	09/14	>				34.218.00
1.5 TDCI									
	XNDA/XNDB/XNDC/XNDD/XNDE	88	120	09/14	>	25.037.00	26.104.00	27.675.00	53.422.00
with activated carbons / ai carboni attivi	XNDA/XNDB/XNDC/XNDD/XNDE	88	120	09/14	>				54.218.00
antibacterial, anti-odour and anti-allergen filter / filtro antibatterico, antiodori e anti-allergeni	XNDA/XNDB/XNDC/XNDD/XNDE	88	120	09/14	>				34.218.00
1.5 TDCI									
	XXDA/XXDC/XXDD	70	95	09/14	>	25.037.00	26.104.00	27.675.00	54.218.00

...FORD - cars/auto

with activated carbons / ai carboni attivi	XXDA/XXDC/XXDD	70	95	09/14	>				54.218.00
antibacterial, anti-odour and anti-allergen filter / filtro antibatterico, antiodori e anti-allergeni	XXDA/XXDC/XXDD	70	95	09/14	>				34.218.00
1.5 TDCi Econetic	AEDA/XXDB	77	105	09/14	>	25.037.00	26.104.00	27.675.00	53.422.00
with activated carbons / ai carboni attivi	AEDA/XXDB	77	105	09/14	>				54.218.00
antibacterial, anti-odour and anti-allergen filter / filtro antibatterico, antiodori e anti-allergeni	AEDA/XXDB	77	105	09/14	>				34.218.00
1.6 EcoBoost SCTi	Sigma	110	150	03/11	> 10/14	23.267.00		27.675.00	53.422.00
with activated carbons / ai carboni attivi	Sigma	110	150	03/11	> 10/14				54.218.00
antibacterial, anti-odour and anti-allergen filter / filtro antibatterico, antiodori e anti-allergeni	Sigma	110	150	03/11	>				34.218.00
1.6 EcoBoost SCTi	Sigma	132	180	03/11	> 10/14	23.267.00		27.675.00	53.422.00
with activated carbons / ai carboni attivi	Sigma	132	180	03/11	> 10/14				54.218.00
antibacterial, anti-odour and anti-allergen filter / filtro antibatterico, antiodori e anti-allergeni	Sigma	132	180	03/11	>				34.218.00
1.6 TDCi	SOHC-DV6	70	95	03/11	>	25.037.00		27.675.00	53.422.00
with activated carbons / ai carboni attivi	SOHC-DV6	70	95	03/11	>				54.218.00
antibacterial, anti-odour and anti-allergen filter / filtro antibatterico, antiodori e anti-allergeni	SOHC-DV6	70	95	03/11	>				34.218.00
spare part only / solo ricambio	SOHC-DV6	70	95	03/11	>		24.128.00		
1.6 TDCi	SOHC-DV6	85	115	03/11	>	25.037.00		27.675.00	53.422.00
with activated carbons / ai carboni attivi	SOHC-DV6	85	115	03/11	>				54.218.00
antibacterial, anti-odour and anti-allergen filter / filtro antibatterico, antiodori e anti-allergeni	SOHC-DV6	85	115	03/11	>				34.218.00
spare part only / solo ricambio	SOHC-DV6	85	115	03/11	>		24.128.00		
1.6 TDCi Econetic	NGDA	77	105	05/12	>	25.037.00		27.675.00	53.422.00
with activated carbons / ai carboni attivi	NGDA	77	105	05/12	>				54.218.00
antibacterial, anti-odour and anti-allergen filter / filtro antibatterico, antiodori e anti-allergeni	NGDA	77	105	05/12	>				34.218.00
spare part only / solo ricambio	NGDA	77	105	05/12	>		24.128.00		
1.6 Ti-VCT	Duratec	77	105	03/11	>	23.267.00		27.675.00	53.422.00
with activated carbons / ai carboni attivi	Duratec	77	105	03/11	>				54.218.00
antibacterial, anti-odour and anti-allergen filter / filtro antibatterico, antiodori e anti-allergeni	Duratec	77	105	03/11	>				34.218.00
1.6 Ti-VCT	Duratec	92	125	03/11	>	23.267.00		27.675.00	53.422.00
with activated carbons / ai carboni attivi	Duratec	92	125	03/11	>				54.218.00
antibacterial, anti-odour and anti-allergen filter / filtro antibatterico, antiodori e anti-allergeni	Duratec	92	125	03/11	>				34.218.00
1.6 Ti-VCT	Zetec-S	63	86	08/11	>	23.267.00		27.675.00	53.422.00
with activated carbons / ai carboni attivi	Zetec-S	63	86	08/11	>				54.218.00
antibacterial, anti-odour and anti-allergen filter / filtro antibatterico, antiodori e anti-allergeni	Zetec-S	63	86	08/11	>				34.218.00
1.6 Ti-VCT FlexiFuel	Duratec	92	125	03/11	>	23.267.00		27.675.00	54.218.00
antibacterial, anti-odour and anti-allergen filter / filtro antibatterico, antiodori e anti-allergeni	Duratec	92	125	03/11	>				34.218.00
1.6 Ti-VCT FlexiFuel	MUDA	88	120	03/11	>	23.267.00		27.675.00	54.218.00
antibacterial, anti-odour and anti-allergen filter / filtro antibatterico, antiodori e anti-allergeni	MUDA	88	120	03/11	>				34.218.00
1.6 Ti-VCT FlexiFuel 150	YUDA	110	150	07/13	>	23.267.00		27.675.00	54.218.00
antibacterial, anti-odour and anti-allergen filter / filtro antibatterico, antiodori e anti-allergeni	YUDA	110	150	07/13	>				34.218.00
1.6 Ti-VCT GPL/LPG	MUDA	86	117	02/12	>	23.267.00		27.675.00	54.218.00
antibacterial, anti-odour and anti-allergen filter / filtro antibatterico, antiodori e anti-allergeni	MUDA	86	117	02/12	>				34.218.00
1.6 Ti-VCT GPL/LPG	MUDA	88	120	02/12	>	23.267.00		27.675.00	54.218.00
antibacterial, anti-odour and anti-allergen filter / filtro antibatterico, antiodori e anti-allergeni	MUDA	88	120	02/12	>				34.218.00
2.0	XQDA	110	150	10/13	>	23.632.00		27.675.00	54.218.00
antibacterial, anti-odour and anti-allergen filter / filtro antibatterico, antiodori e anti-allergeni	XQDA	110	150	10/13	>				34.218.00
2.0 EcoBoost ST		184	250	06/12	>	23.632.00		27.675.00	54.218.00
antibacterial, anti-odour and anti-allergen filter / filtro antibatterico, antiodori e anti-allergeni		184	250	06/12	>				34.218.00
2.0 TDCi	Duratorq	103	140	03/11	>	25.060.00	26.055.00	27.675.00	53.422.00
with activated carbons / ai carboni attivi	Duratorq	103	140	03/11	>				54.218.00
antibacterial, anti-odour and anti-allergen filter / filtro antibatterico, antiodori e anti-allergeni	Duratorq	103	140	03/11	>				34.218.00
2.0 TDCi	Duratorq	120	163	03/11	>	25.060.00	26.055.00	27.675.00	53.422.00
with activated carbons / ai carboni attivi	Duratorq	120	163	03/11	>				54.218.00
antibacterial, anti-odour and anti-allergen filter / filtro antibatterico, antiodori e anti-allergeni	Duratorq	120	163	03/11	>				34.218.00
2.0 TDCi	Duratorq	85	115	03/11	>	25.060.00	26.055.00	27.675.00	53.422.00
with activated carbons / ai carboni attivi	Duratorq	85	115	03/11	>				54.218.00
antibacterial, anti-odour and anti-allergen filter / filtro antibatterico, antiodori e anti-allergeni	Duratorq	85	115	03/11	>				34.218.00
2.0 TDCi 150	T7DA/T7DB	110	150	09/14	>	23.439.00	26.104.00	27.675.00	53.422.00
with activated carbons / ai carboni attivi	T7DA/T7DB	110	150	09/14	>				54.218.00
antibacterial, anti-odour and anti-allergen filter / filtro antibatterico, antiodori e anti-allergeni	T7DA/T7DB	110	150	09/14	>				34.218.00
2.0 TDCi 185 ST	T8DA	136	185	09/14	>	23.439.00	26.104.00	27.675.00	53.422.00
with activated carbons / ai carboni attivi	T8DA	136	185	09/14	>				54.218.00
antibacterial, anti-odour and anti-allergen filter / filtro antibatterico, antiodori e anti-allergeni	T8DA	136	185	09/14	>				34.218.00
2.0 Ti-GDi	MGDA	125	170	08/11	>			27.675.00	54.218.00
antibacterial, anti-odour and anti-allergen filter / filtro antibatterico, antiodori e anti-allergeni	MGDA	125	170	08/11	>				34.218.00
2.3 RS Turbo		257	349	02/16	>			27.675.00	53.422.00
with activated carbons / ai carboni attivi		257	349	02/16	>				54.218.00
antibacterial, anti-odour and anti-allergen filter / filtro antibatterico, antiodori e anti-allergeni		257	349	02/16	>				34.218.00
Electric		107	145	06/13	>				53.422.00

...FORD - cars/auto

F

with activated carbons / ai carboni attivi		107	145	06/13	>				54.218.00	
antibacterial, anti-odour and anti-allergen filter / filtro antibatterico, antiodori e anti-allergeni		107	145	06/13	>				34.218.00	
Focus IV										
1.0 EcoBoost 100	B3DA	74	101	07/18	>			∞	30.C37.00	53.423.00
with activated carbons / ai carboni attivi	B3DA	74	101	07/18	>					54.289.00
antibacterial, anti-odour and anti-allergen filter / filtro antibatterico, antiodori e anti-allergeni	B3DA	74	101	07/18	>					34.289.00
1.0 EcoBoost 125	B7DA	92	125	07/18	>			∞	30.C37.00	53.423.00
with activated carbons / ai carboni attivi	B7DA	92	125	07/18	>					54.289.00
antibacterial, anti-odour and anti-allergen filter / filtro antibatterico, antiodori e anti-allergeni	B7DA	92	125	07/18	>					34.289.00
1.0 EcoBoost 85	SFDC	63	86	07/18	>			∞	30.C37.00	53.423.00
with activated carbons / ai carboni attivi	SFDC	63	86	07/18	>					54.289.00
antibacterial, anti-odour and anti-allergen filter / filtro antibatterico, antiodori e anti-allergeni	SFDC	63	86	07/18	>					34.289.00
1.5 EcoBlue 120		88	120	07/18	>	25.216.00			30.C37.00	53.423.00
with activated carbons / ai carboni attivi		88	120	07/18	>					54.289.00
antibacterial, anti-odour and anti-allergen filter / filtro antibatterico, antiodori e anti-allergeni		88	120	07/18	>					34.289.00
1.5 EcoBlue 120 Autom.		88	120	07/18	>	25.249.00			30.C37.00	53.423.00
with activated carbons / ai carboni attivi		88	120	07/18	>					54.289.00
antibacterial, anti-odour and anti-allergen filter / filtro antibatterico, antiodori e anti-allergeni		88	120	07/18	>					34.289.00
1.5 EcoBlue 95		70	95	07/18	>	25.216.00			30.C37.00	53.423.00
with activated carbons / ai carboni attivi		70	95	07/18	>					54.289.00
antibacterial, anti-odour and anti-allergen filter / filtro antibatterico, antiodori e anti-allergeni		70	95	07/18	>					34.289.00
1.5 EcoBoost 150		110	150	08/18	>			∞	30.C37.00	53.423.00
with activated carbons / ai carboni attivi		110	150	08/18	>					54.289.00
antibacterial, anti-odour and anti-allergen filter / filtro antibatterico, antiodori e anti-allergeni		110	150	08/18	>					34.289.00
1.5 EcoBoost 180		134	182	08/18	>			∞	30.C37.00	53.423.00
with activated carbons / ai carboni attivi		134	182	08/18	>					54.289.00
antibacterial, anti-odour and anti-allergen filter / filtro antibatterico, antiodori e anti-allergeni		134	182	08/18	>					34.289.00
2.0 EcoBlue 150	YLDA	110	150	09/18	>	23.687.00			30.C37.00	53.423.00
with activated carbons / ai carboni attivi	YLDA	110	150	09/18	>					54.289.00
antibacterial, anti-odour and anti-allergen filter / filtro antibatterico, antiodori e anti-allergeni	YLDA	110	150	09/18	>					34.289.00
2.0 ST EcoBlue		140	190	04/19	>	23.687.00			30.C37.00	53.423.00
2.3 ST EcoBlue		206	280	04/19	>				30.C37.00	53.423.00
Fusion										
1.2 i 16V		55	75	08/04	>	23.413.00	31.844.00	30.168.00		53.076.00
with activated carbons / ai carboni attivi		55	75	08/04	>	23.413.00	31.844.00	30.168.00		54.115.00
antibacterial, anti-odour and anti-allergen filter / filtro antibatterico, antiodori e anti-allergeni		55	75	08/04	>					34.115.00
1.4 16V GPL/LPG		59	80	07/09	>	23.413.00	31.844.00	30.168.00		53.076.00
with activated carbons / ai carboni attivi		59	80	07/09	>	23.413.00	31.844.00	30.168.00		54.115.00
antibacterial, anti-odour and anti-allergen filter / filtro antibatterico, antiodori e anti-allergeni		59	80	07/09	>					34.115.00
assembly BRC FJ1 HE / montaggio BRC FJ1 HE		59	80	07/09	>		46.005.00			
1.4 i 16V		59	80	08/02	>	23.413.00	31.844.00	30.168.00		53.076.00
with activated carbons / ai carboni attivi		59	80	08/02	>	23.413.00	31.844.00	30.168.00		54.115.00
antibacterial, anti-odour and anti-allergen filter / filtro antibatterico, antiodori e anti-allergeni		59	80	08/02	>					34.115.00
1.4 TDCI		50	68	08/02	> 07/08	25.037.00	24.343.00	30.153.00		53.076.00
		50	68	08/08	>	25.037.00	24.015.00	30.153.00		53.076.00
with activated carbons / ai carboni attivi		50	68	08/02	> 07/08	25.037.00	24.343.00	30.153.00		54.115.00
with activated carbons / ai carboni attivi		50	68	08/08	>	25.037.00	24.015.00	30.153.00		54.115.00
antibacterial, anti-odour and anti-allergen filter / filtro antibatterico, antiodori e anti-allergeni		50	68	08/02	>					34.115.00
1.6 i 16V		74	101	08/02	>	23.440.00	31.844.00	30.168.00		53.076.00
with activated carbons / ai carboni attivi		74	101	08/02	>	23.440.00	31.844.00	30.168.00		54.115.00
antibacterial, anti-odour and anti-allergen filter / filtro antibatterico, antiodori e anti-allergeni		74	101	08/02	>					34.115.00
1.6 TDCI	HHJA/HHJB	66	90	11/04	> 06/07	25.037.00	24.027.00	30.310.00		53.076.00
	HHJA/HHJB	66	90	07/07	>	25.037.00	55.170.00	30.310.00		53.076.00
with activated carbons / ai carboni attivi	HHJA/HHJB	66	90	11/04	> 06/07	25.037.00	24.027.00	30.310.00		54.115.00
with activated carbons / ai carboni attivi	HHJA/HHJB	66	90	07/07	>	25.037.00	55.170.00	30.310.00		54.115.00
antibacterial, anti-odour and anti-allergen filter / filtro antibatterico, antiodori e anti-allergeni	HHJA/HHJB	66	90	11/04	>					34.115.00
Galaxy I										
1.9 TDI	VAG AFN/AVG	81	110	11/97	> 05/00	23.164.00	24.365.01	30.090.00		53.017.00
or / oppure	VAG AFN/AVG	81	110	11/97	> 05/00	23.164.03	24.365.01	30.090.00		53.017.00
1.9 TDI	VAG ANU	66	90	03/95	> 05/00	23.429.00	24.365.01	30.090.00		53.017.00
	VAG ANU	66	90	06/00	> 11/06	25.011.00	24.430.00	30.183.00		54.118.00
antibacterial, anti-odour and anti-allergen filter / filtro antibatterico, antiodori e anti-allergeni	VAG ANU	66	90	06/00	> 11/06					34.118.00
1.9 TDI	VAG ASZ	96	130	10/02	> 11/06	25.023.00	24.430.00	30.183.00		54.118.00
antibacterial, anti-odour and anti-allergen filter / filtro antibatterico, antiodori e anti-allergeni	VAG ASZ	96	130	10/02	> 11/06					34.118.00
1.9 TDI	VAG AUY	85	115	06/00	> 11/06	25.011.00	24.430.00	30.183.00		54.118.00
antibacterial, anti-odour and anti-allergen filter / filtro antibatterico, antiodori e anti-allergeni	VAG AUY	85	115	06/00	> 11/06					34.118.00
1.9 TDI	VAG BTB	110	150	02/05	> 11/06	25.023.00	24.430.00	30.183.00		54.118.00

...FORD - cars/auto

antibacterial, anti-odour and anti-allergen filter / filtro antibatterico, antiodori e anti-allergeni	VAG BTB	110	150	02/05	>	11/06				34.118.00
2.0 i		85	115	03/95	>	05/00	23.440.00	31.500.00	30.090.00	53.017.00
2.3 i 16V		107	145	01/97	>	05/00	23.440.00	31.500.00	30.090.00	53.017.00
2.3 i 16V cat		103	140	06/00	>	11/06	23.440.00	31.500.00	30.183.00	54.118.00
antibacterial, anti-odour and anti-allergen filter / filtro antibatterico, antiodori e anti-allergeni		103	140	06/00	>	11/06				34.118.00
2.3 i 16V cat		107	145	06/00	>	11/06	23.440.00	31.500.00	30.183.00	54.118.00
antibacterial, anti-odour and anti-allergen filter / filtro antibatterico, antiodori e anti-allergeni		107	145	06/00	>	11/06				34.118.00
2.8 i V6										
from engine No. AAA176890 / da motore N. AAA176890	VAG AAA	128	174	11/95	>	05/00	25.010.00	31.500.00	30.090.00	53.017.00
2.8 i V6 24V	VAG AYL	150	204	06/00	>	11/06	25.023.00	31.500.00	30.183.00	54.118.00
antibacterial, anti-odour and anti-allergen filter / filtro antibatterico, antiodori e anti-allergeni	VAG AYL	150	204	06/00	>	11/06				34.118.00
2.8 i V6 4x4	VAG AAA	128	174	04/96	>	05/00	25.010.00	31.500.00	30.090.00	53.017.00
2.8 i V6 4x4 Autom.	VAG AAA	128	174	04/96	>	05/00	25.010.00	31.500.00	30.090.00	53.017.00
Galaxy II										
1.6 EcoBoost SCTI										
with automatic air-conditioner / con climatizzatore automatico		118	160	11/10	>		23.267.00		30.331.00	54.136.00
with manual air-conditioner / con climatizzatore manuale		118	160	11/10	>		23.267.00		30.331.00	53.102.00
antibacterial, anti-odour and anti-allergen filter with automatic air-conditioner / filtro antibatterico, antiodori e anti-allergeni con climatizzatore automatico		118	160	11/10	>					34.136.00
1.6 TDCI										
with automatic air-conditioner / con climatizzatore automatico		85	115	03/11	>		25.037.00		30.331.00	54.136.00
with manual air-conditioner / con climatizzatore manuale		85	115	03/11	>		25.037.00		30.331.00	53.102.00
antibacterial, anti-odour and anti-allergen filter with automatic air-conditioner / filtro antibatterico, antiodori e anti-allergeni con climatizzatore automatico		85	115	03/11	>					34.136.00
spare part only / solo ricambio		85	115	03/11	>			24.128.00		
1.8 TDCI										
with automatic air-conditioner / con climatizzatore automatico		74	101	05/06	>		23.439.00	26.696.00	30.331.00	54.136.00
with manual air-conditioner / con climatizzatore manuale		74	101	05/06	>		23.439.00	26.696.00	30.331.00	53.102.00
antibacterial, anti-odour and anti-allergen filter with automatic air-conditioner / filtro antibatterico, antiodori e anti-allergeni con climatizzatore automatico		74	101	05/06	>					34.136.00
1.8 TDCI										
with automatic air-conditioner / con climatizzatore automatico	QYWA	92	125	05/06	>		23.439.00	26.696.00	30.331.00	54.136.00
with manual air-conditioner / con climatizzatore manuale	QYWA	92	125	05/06	>		23.439.00	26.696.00	30.331.00	53.102.00
antibacterial, anti-odour and anti-allergen filter with automatic air-conditioner / filtro antibatterico, antiodori e anti-allergeni con climatizzatore automatico	QYWA	92	125	05/06	>					34.136.00
2.0										
with automatic air-conditioner / con climatizzatore automatico		107	145	05/06	>		23.413.00		30.331.00	54.136.00
with manual air-conditioner / con climatizzatore manuale		107	145	05/06	>		23.413.00		30.331.00	53.102.00
antibacterial, anti-odour and anti-allergen filter with automatic air-conditioner / filtro antibatterico, antiodori e anti-allergeni con climatizzatore automatico		107	145	05/06	>					34.136.00
2.0 EcoBoost SCTI 200										
with automatic air-conditioner / con climatizzatore automatico		149	203	03/10	>		23.632.00		30.331.00	54.136.00
with manual air-conditioner / con climatizzatore manuale		149	203	03/10	>				30.331.00	53.102.00
antibacterial, anti-odour and anti-allergen filter with automatic air-conditioner / filtro antibatterico, antiodori e anti-allergeni con climatizzatore automatico		149	203	03/10	>					34.136.00
2.0 TDCI										
with automatic air-conditioner / con climatizzatore automatico		103	140	05/06	>	02/10	25.060.00	26.022.00	30.331.00	54.136.00
with automatic air-conditioner / con climatizzatore automatico		103	140	03/10	>		25.060.00	26.055.00	30.331.00	54.136.00
with manual air-conditioner / con climatizzatore manuale		103	140	05/06	>	02/10	25.060.00	26.022.00	30.331.00	53.102.00
with manual air-conditioner / con climatizzatore manuale		103	140	03/10	>		25.060.00	26.055.00	30.331.00	53.102.00
antibacterial, anti-odour and anti-allergen filter with automatic air-conditioner / filtro antibatterico, antiodori e anti-allergeni con climatizzatore automatico		103	140	05/06	>					34.136.00
2.0 TDCI										
with automatic air-conditioner / con climatizzatore automatico		120	163	03/10	>		25.060.00	26.055.00	30.331.00	54.136.00
with manual air-conditioner / con climatizzatore manuale		120	163	03/10	>		25.060.00	26.055.00	30.331.00	53.102.00
antibacterial, anti-odour and anti-allergen filter with automatic air-conditioner / filtro antibatterico, antiodori e anti-allergeni con climatizzatore automatico		120	163	03/10	>					34.136.00
2.0 TDCI										
with automatic air-conditioner / con climatizzatore automatico		85	115	11/07	>	02/10	25.060.00	26.022.00	30.331.00	54.136.00
with automatic air-conditioner / con climatizzatore automatico		85	115	03/10	>		25.060.00	26.055.00	30.331.00	54.136.00
with manual air-conditioner / con climatizzatore manuale		85	115	11/07	>	02/10	25.060.00	26.022.00	30.331.00	53.102.00
with manual air-conditioner / con climatizzatore manuale		85	115	03/10	>		25.060.00	26.055.00	30.331.00	53.102.00
antibacterial, anti-odour and anti-allergen filter with automatic air-conditioner / filtro antibatterico, antiodori e anti-allergeni con climatizzatore automatico		85	115	11/07	>					34.136.00
2.0 TDCI										
with automatic air-conditioner / con climatizzatore automatico		96	130	05/06	>	02/10	25.060.00	26.022.00	30.331.00	54.136.00
with automatic air-conditioner / con climatizzatore automatico		96	130	03/10	>		25.060.00	26.055.00	30.331.00	54.136.00
with manual air-conditioner / con climatizzatore manuale		96	130	05/06	>	02/10	25.060.00	26.022.00	30.331.00	53.102.00
with manual air-conditioner / con climatizzatore manuale		96	130	03/10	>		25.060.00	26.055.00	30.331.00	53.102.00
antibacterial, anti-odour and anti-allergen filter with automatic air-conditioner / filtro antibatterico, antiodori e anti-allergeni con climatizzatore automatico		96	130	05/06	>					34.136.00
2.0 TDCI DPF										
with automatic air-conditioner / con climatizzatore automatico		103	140	05/06	>	02/10	25.060.00	26.022.00	30.331.00	54.136.00
with automatic air-conditioner / con climatizzatore automatico		103	140	03/10	>		25.060.00	26.055.00	30.331.00	54.136.00
with manual air-conditioner / con climatizzatore manuale		103	140	05/06	>	02/10	25.060.00	26.022.00	30.331.00	53.102.00
with manual air-conditioner / con climatizzatore manuale		103	140	03/10	>		25.060.00	26.055.00	30.331.00	53.102.00
antibacterial, anti-odour and anti-allergen filter with automatic air-conditioner / filtro antibatterico, antiodori e anti-allergeni con climatizzatore automatico		103	140	05/06	>					34.136.00

...FORD - cars/auto

F

2.2 TDCI									
with automatic air-conditioner / con climatizzatore automatico		129	175	03/08	>	25.060.00	24.156.00	27.000.00	54.136.00
with manual air-conditioner / con climatizzatore manuale		129	175	03/08	>	25.060.00	24.156.00	27.000.00	53.102.00
antibacterial, anti-odour and anti-allergen filter with automatic air-conditioner / filtro antibatterico, antiodori e anti-allergeni con climatizzatore automatico		129	175	03/08	>				34.136.00
2.2 TDCI									
with automatic air-conditioner / con climatizzatore automatico		147	200	11/10	>	25.060.00	24.156.00	27.000.00	54.136.00
with manual air-conditioner / con climatizzatore manuale		147	200	11/10	>	25.060.00	24.156.00	27.000.00	53.102.00
antibacterial, anti-odour and anti-allergen filter with automatic air-conditioner / filtro antibatterico, antiodori e anti-allergeni con climatizzatore automatico		147	200	11/10	>				34.136.00
2.3									
with automatic air-conditioner / con climatizzatore automatico		118	160	10/07	> 06/10			30.331.00	54.136.00
with manual air-conditioner / con climatizzatore manuale		118	160	10/07	> 06/10			30.331.00	53.102.00
antibacterial, anti-odour and anti-allergen filter with automatic air-conditioner / filtro antibatterico, antiodori e anti-allergeni con climatizzatore automatico		118	160	10/07	> 06/10				34.136.00
Galaxy III									
1.5 EcoBoost									
antibacterial, anti-odour and anti-allergen filter / filtro antibatterico, antiodori e anti-allergeni		118	160	04/15	>			30.665.00	54.289.00
		118	160	04/15	>				34.289.00
2.0 EcoBlue									
	BCCC	140	190	07/18	>	23.687.00			
2.0 EcoBlue									
	YMCB	110	150	07/18	>	23.687.00			
2.0 EcoBlue									
	YNCA	88	120	07/18	>	23.687.00			
2.0 EcoBlue Bi-Turbo									
	YLCB	176	240	07/18	>	23.687.00		30.023.00	
2.0 EcoBoost									
antibacterial, anti-odour and anti-allergen filter / filtro antibatterico, antiodori e anti-allergeni		176	239	04/15	>			30.665.00	54.289.00
2.0 TDCI 120									
antibacterial, anti-odour and anti-allergen filter / filtro antibatterico, antiodori e anti-allergeni	UFCA/UFCB	88	120	04/15	>	23.439.00	26.104.00	30.665.00	54.289.00
	UFCA/UFCB	88	120	04/15	>				34.289.00
2.0 TDCI 150									
antibacterial, anti-odour and anti-allergen filter / filtro antibatterico, antiodori e anti-allergeni	T7CI/T7CJ/T7CK/T7CL	110	150	04/15	>	23.439.00	26.104.00	30.665.00	54.289.00
	T7CI/T7CJ/T7CK/T7CL	110	150	04/15	>				34.289.00
2.0 TDCI 180									
antibacterial, anti-odour and anti-allergen filter / filtro antibatterico, antiodori e anti-allergeni	T8CG/T8CH/T8CI/T8CJ	132	180	04/15	>	23.439.00	26.104.00	30.665.00	54.289.00
	T8CG/T8CH/T8CI/T8CJ	132	180	04/15	>				34.289.00
2.0 TDCI Bi-Turbo									
antibacterial, anti-odour and anti-allergen filter / filtro antibatterico, antiodori e anti-allergeni	T9CB/T9CC	154	210	04/15	>	23.439.00	26.104.00	30.665.00	54.289.00
	T9CB/T9CC	154	210	04/15	>				34.289.00
Grand C-Max II									
1.0 EcoBoost 100									
	C10FDOX	74	101	10/12	> 02/18	23.632.00		27.675.00	54.218.00
	C10FDOX	74	101	03/18	>				54.218.00
antibacterial, anti-odour and anti-allergen filter / filtro antibatterico, antiodori e anti-allergeni	C10FDOX	74	101	10/12	>				34.218.00
1.0 EcoBoost 125									
	C10FDOX	92	125	10/12	> 02/18	23.632.00		27.675.00	54.218.00
	C10FDOX	92	125	03/18	>				54.218.00
antibacterial, anti-odour and anti-allergen filter / filtro antibatterico, antiodori e anti-allergeni	C10FDOX	92	125	10/12	>				34.218.00
1.6									
antibacterial, anti-odour and anti-allergen filter / filtro antibatterico, antiodori e anti-allergeni	Duratec	77	105	09/10	>	23.267.00		27.675.00	54.218.00
	Duratec	77	105	09/10	>				34.218.00
1.6									
antibacterial, anti-odour and anti-allergen filter / filtro antibatterico, antiodori e anti-allergeni	Duratec	92	125	09/10	>	23.267.00		27.675.00	54.218.00
	Duratec	92	125	09/10	>				34.218.00
1.6 EcoBoost 150									
antibacterial, anti-odour and anti-allergen filter / filtro antibatterico, antiodori e anti-allergeni		110	150	09/10	>	23.267.00		27.675.00	54.218.00
		110	150	09/10	>				34.218.00
1.6 TDCI 115									
antibacterial, anti-odour and anti-allergen filter / filtro antibatterico, antiodori e anti-allergeni		84	114	09/10	>	25.037.00	24.128.00	27.675.00	54.218.00
		84	114	09/10	>				34.218.00
1.6 TDCI 95									
antibacterial, anti-odour and anti-allergen filter / filtro antibatterico, antiodori e anti-allergeni		70	95	09/10	>	25.037.00	24.128.00	27.675.00	54.218.00
		70	95	09/10	>				34.218.00
2.0 TDCI 115									
antibacterial, anti-odour and anti-allergen filter / filtro antibatterico, antiodori e anti-allergeni		85	115	09/10	>	25.060.00	26.055.00	27.675.00	54.218.00
		85	115	09/10	>				34.218.00
2.0 TDCI 150									
antibacterial, anti-odour and anti-allergen filter / filtro antibatterico, antiodori e anti-allergeni		110	150	03/15	>	23.439.00		27.675.00	54.218.00
		110	150	03/15	>				34.218.00
2.0 TDCI 163									
antibacterial, anti-odour and anti-allergen filter / filtro antibatterico, antiodori e anti-allergeni		120	163	09/10	>	25.060.00	26.055.00	27.675.00	54.218.00
		120	163	09/10	>				34.218.00
2.0 TDCI 170									
antibacterial, anti-odour and anti-allergen filter / filtro antibatterico, antiodori e anti-allergeni		125	170	03/15	>	23.439.00		27.675.00	54.218.00
		125	170	03/15	>				34.218.00
KA + (Plus)									
1.2 Ti-VCT 70									
with activated carbons / ai carboni attivi	APKE	51	70	03/18	>			30.A52.00	53.207.00
antibacterial, anti-odour and anti-allergen filter / filtro antibatterico, antiodori e anti-allergeni	APKE	51	70	03/18	>				34.170.00
1.2 Ti-VCT 70									
with activated carbons / ai carboni attivi	B2KA	51	70	06/16	> 02/18	23.267.00		30.390.00	53.207.00
antibacterial, anti-odour and anti-allergen filter / filtro antibatterico, antiodori e anti-allergeni	B2KA	51	70	06/16	> 02/18				34.170.00
1.2 Ti-VCT 85									
with activated carbons / ai carboni attivi	BIKE	63	86	03/18	>			30.A52.00	53.207.00
antibacterial, anti-odour and anti-allergen filter / filtro antibatterico, antiodori e anti-allergeni	BIKE	63	86	03/18	>				34.170.00
1.2 Ti-VCT 85									
with activated carbons / ai carboni attivi	YSKD/YSKE	63	86	06/16	> 02/18	23.267.00		30.390.00	53.207.00
antibacterial, anti-odour and anti-allergen filter / filtro antibatterico, antiodori e anti-allergeni	YSKD/YSKE	63	86	06/16	> 02/18				34.170.00
antibacterial, anti-odour and anti-allergen filter / filtro antibatterico, antiodori e anti-allergeni	YSKD/YSKE	63	86	06/16	> 02/18				34.170.00

...FORD - cars/auto

1.5 TDCi 90	XUKE	66	90	02/18 >	25.037.00	26.104.00	30.390.00	53.207.00
with activated carbons / ai carboni attivi	XUKE	66	90	02/18 >				54.170.00
antibacterial, anti-odour and anti-allergen filter / filtro antibatterico, antiodori e anti-allergeni	XUKE	66	90	02/18 >				34.170.00
1.5 TDCi 95	XUKE	70	95	06/16 > 02/18	23.267.00	26.104.00	30.390.00	53.207.00
with activated carbons / ai carboni attivi	XUKE	70	95	06/16 > 02/18				54.170.00
antibacterial, anti-odour and anti-allergen filter / filtro antibatterico, antiodori e anti-allergeni	XUKE	70	95	06/16 > 02/18				34.170.00
KA I								
1.0 i		48	65	09/99 > 12/08	23.416.00	31.514.00	30.087.00	53.012.00
with activated carbons / ai carboni attivi		48	65	09/99 > 12/08	23.416.00	31.514.00	30.087.00	54.116.00
1.3 i	A9A/A9B	51	70	09/02 > 12/08	23.440.00	31.514.00	30.294.00	53.012.00
with activated carbons / ai carboni attivi	A9A/A9B	51	70	09/02 > 12/08	23.440.00	31.514.00	30.294.00	54.116.00
1.3 i	Endura	44	60	01/96 > 10/02	23.416.00	31.514.00	30.087.00	53.012.00
with activated carbons / ai carboni attivi	Endura	44	60	01/96 > 10/02	23.416.00	31.514.00	30.087.00	54.116.00
KA II								
1.2 8V								
with air-conditioner / con climatizzatore		51	69	10/08 >	23.438.00		30.301.00	53.088.00
with activated carbon air-conditioner / con climatizzatore, ai carboni attivi		51	69	10/08 >				54.221.00
antibacterial, anti-odour and anti-allergen filter / filtro antibatterico, antiodori e anti-allergeni		51	69	10/08 >				34.221.00
1.2 8V MY 2011.5								
with air-conditioner / con climatizzatore		51	69	11/10 >	23.438.00			53.088.00
with activated carbon air-conditioner / con climatizzatore, ai carboni attivi		51	69	11/10 >				54.221.00
antibacterial, anti-odour and anti-allergen filter / filtro antibatterico, antiodori e anti-allergeni		51	69	11/10 >				34.221.00
1.3 TDCi								
with activated carbon air-conditioner / con climatizzatore, ai carboni attivi		55	75	10/08 > 11/10				54.221.00
antibacterial, anti-odour and anti-allergen filter / filtro antibatterico, antiodori e anti-allergeni		55	75	10/08 > 11/10				34.221.00
assembly PURFLUX / montaggio PURFLUX		55	75	10/08 > 11/10	25.043.00		30.265.00	53.088.00
assembly UFI / montaggio UFI		55	75	10/08 > 11/10	25.031.00		30.265.00	53.088.00
spare part only / solo ricambio		55	75	10/08 > 11/10		24.ONE.00		
1.3 TDCi MY 2011.5								
with air-conditioner / con climatizzatore		55	75	11/10 >	25.061.00		30.477.00	53.088.00
with activated carbon air-conditioner / con climatizzatore, ai carboni attivi		55	75	11/10 >				54.221.00
antibacterial, anti-odour and anti-allergen filter / filtro antibatterico, antiodori e anti-allergeni		55	75	11/10 >				34.221.00
spare part only / solo ricambio		55	75	11/10 >		24.ONE.01		
KA2 I								
1.3 i	Endura			01/96 > 12/08	23.416.00	31.514.00	30.087.00	53.012.00
with activated carbons / ai carboni attivi	Endura			01/96 > 12/08	23.416.00	31.514.00	30.087.00	54.116.00
KA3 I								
1.3 i	Endura			01/96 > 12/08	23.416.00	31.514.00	30.087.00	53.012.00
with activated carbons / ai carboni attivi	Endura			01/96 > 12/08	23.416.00	31.514.00	30.087.00	54.116.00
Kuga								
2.0 TDCi	Duratorq DI	100	136	05/08 > 04/10	25.060.00	26.022.00	27.675.00	53.102.00
	Duratorq DI	100	136	05/10 >	25.060.00	26.055.00	27.675.00	53.102.00
with activated carbons / ai carboni attivi	Duratorq DI	100	136	05/08 >				54.136.00
antibacterial, anti-odour and anti-allergen filter / filtro antibatterico, antiodori e anti-allergeni	Duratorq DI	100	136	05/08 >				34.136.00
2.0 TDCi DPF		103	140	05/10 >	25.060.00	26.055.00	27.675.00	53.102.00
with activated carbons / ai carboni attivi		103	140	05/10 >				54.136.00
antibacterial, anti-odour and anti-allergen filter / filtro antibatterico, antiodori e anti-allergeni		103	140	05/10 >				34.136.00
2.0 TDCi DPF		120	163	05/10 >	25.060.00	26.055.00	27.675.00	53.102.00
with activated carbons / ai carboni attivi		120	163	05/10 >				54.136.00
antibacterial, anti-odour and anti-allergen filter / filtro antibatterico, antiodori e anti-allergeni		120	163	05/10 >				34.136.00
2.5 Turbo		147	200	11/08 >	25.039.00		30.212.00	53.102.00
with activated carbons / ai carboni attivi		147	200	11/08 >				54.136.00
antibacterial, anti-odour and anti-allergen filter / filtro antibatterico, antiodori e anti-allergeni		147	200	11/08 >				34.136.00
Kuga II								
1.5 EcoBoost 150		110	150	09/14 >	23.267.00		27.675.00	53.422.00
with activated carbons / ai carboni attivi		110	150	09/14 >				54.218.00
antibacterial, anti-odour and anti-allergen filter / filtro antibatterico, antiodori e anti-allergeni		110	150	09/14 >				34.218.00
1.5 EcoBoost 180		134	182	09/14 >	23.267.00		27.675.00	53.422.00
with activated carbons / ai carboni attivi		134	182	09/14 >				54.218.00
antibacterial, anti-odour and anti-allergen filter / filtro antibatterico, antiodori e anti-allergeni		134	182	09/14 >				34.218.00
1.5 TDCi	XWMB/XWMC	88	120	07/16 >	25.037.00	26.104.00	27.675.00	53.422.00
with activated carbons / ai carboni attivi	XWMB/XWMC	88	120	07/16 >				54.218.00
antibacterial, anti-odour and anti-allergen filter / filtro antibatterico, antiodori e anti-allergeni	XWMB/XWMC	88	120	07/16 >				34.218.00
1.6 EcoBoost SCTi 150		110	150	02/13 >	23.267.00		27.675.00	53.422.00
with activated carbons / ai carboni attivi		110	150	02/13 >				54.218.00
antibacterial, anti-odour and anti-allergen filter / filtro antibatterico, antiodori e anti-allergeni		110	150	02/13 >				34.218.00
1.6 EcoBoost SCTi 180		134	182	02/13 >	23.267.00		27.675.00	53.422.00

...FORD - cars/auto

F

with activated carbons / ai carboni attivi		134	182	02/13	>				54.218.00
antibacterial, anti-odour and anti-allergen filter / filtro antibatterico, antiodori e anti-allergeni		134	182	02/13	>				34.218.00
2.0 TDCi		100	136	02/13	>	25.060.00	26.055.00	27.675.00	54.218.00
antibacterial, anti-odour and anti-allergen filter / filtro antibatterico, antiodori e anti-allergeni		100	136	02/13	>				34.218.00
2.0 TDCi	TYMA	85	116	02/13	>	25.060.00	26.055.00	27.675.00	53.422.00
with activated carbons / ai carboni attivi	TYMA	85	116	02/13	>				54.218.00
antibacterial, anti-odour and anti-allergen filter / filtro antibatterico, antiodori e anti-allergeni	TYMA	85	116	02/13	>				34.218.00
2.0 TDCi 120	XRMA/XRMB	88	120	09/14	>	23.439.00	26.104.00	27.675.00	53.422.00
with activated carbons / ai carboni attivi	XRMA/XRMB	88	120	09/14	>				54.218.00
antibacterial, anti-odour and anti-allergen filter / filtro antibatterico, antiodori e anti-allergeni	XRMA/XRMB	88	120	09/14	>				34.218.00
2.0 TDCi 140		103	140	02/13	>	25.060.00	26.055.00	27.675.00	53.422.00
with activated carbons / ai carboni attivi		103	140	02/13	>				54.218.00
antibacterial, anti-odour and anti-allergen filter / filtro antibatterico, antiodori e anti-allergeni		103	140	02/13	>				34.218.00
2.0 TDCi 150	T7MA/T7MB	110	150	09/14	>	23.439.00	26.104.00	27.675.00	53.422.00
with activated carbons / ai carboni attivi	T7MA/T7MB	110	150	09/14	>				54.218.00
antibacterial, anti-odour and anti-allergen filter / filtro antibatterico, antiodori e anti-allergeni	T7MA/T7MB	110	150	09/14	>				34.218.00
2.0 TDCi 160		120	163	02/13	>	25.060.00	26.055.00	27.675.00	53.422.00
with activated carbons / ai carboni attivi		120	163	02/13	>				54.218.00
antibacterial, anti-odour and anti-allergen filter / filtro antibatterico, antiodori e anti-allergeni		120	163	02/13	>				34.218.00
2.0 TDCi 180	X8MA	132	180	09/14	>	23.439.00	26.104.00	27.675.00	53.422.00
with activated carbons / ai carboni attivi	X8MA	132	180	09/14	>				54.218.00
antibacterial, anti-odour and anti-allergen filter / filtro antibatterico, antiodori e anti-allergeni	X8MA	132	180	09/14	>				34.218.00
2.0 TDCi 4x4		100	136	02/13	>	25.060.00	26.055.00	27.675.00	54.218.00
antibacterial, anti-odour and anti-allergen filter / filtro antibatterico, antiodori e anti-allergeni		100	136	02/13	>				34.218.00
2.5		110	150	01/14	>	23.632.00	∞		53.422.00
with activated carbons / ai carboni attivi		110	150	01/14	>				54.218.00
antibacterial, anti-odour and anti-allergen filter / filtro antibatterico, antiodori e anti-allergeni		110	150	01/14	>				34.218.00
2.5		125	170	09/13	>	23.632.00	∞		53.422.00
with activated carbons / ai carboni attivi		125	170	09/13	>				54.218.00
antibacterial, anti-odour and anti-allergen filter / filtro antibatterico, antiodori e anti-allergeni		125	170	09/13	>				34.218.00
Kuga III									
1.5 EcoBlue	ZTDA	88	120	07/19	>	25.216.00		30.C37.00	53.423.00
with activated carbons / ai carboni attivi	ZTDA	88	120	07/19	>				54.289.00
antibacterial, anti-odour and anti-allergen filter / filtro antibatterico, antiodori e anti-allergeni	ZTDA	88	120	07/19	>				34.289.00
1.5 EcoBoost		110	150	07/19	>		∞	30.C37.00	53.423.00
with activated carbons / ai carboni attivi		110	150	07/19	>				54.289.00
antibacterial, anti-odour and anti-allergen filter / filtro antibatterico, antiodori e anti-allergeni		110	150	07/19	>				34.289.00
1.5 EcoBoost		88	120	07/19	>		∞	30.C37.00	53.423.00
with activated carbons / ai carboni attivi		88	120	07/19	>				54.289.00
antibacterial, anti-odour and anti-allergen filter / filtro antibatterico, antiodori e anti-allergeni		88	120	07/19	>				34.289.00
2.0 EcoBlue	YMDA	140	190	07/19	>	23.687.00		30.C37.00	53.423.00
with activated carbons / ai carboni attivi	YMDA	140	190	07/19	>				54.289.00
antibacterial, anti-odour and anti-allergen filter / filtro antibatterico, antiodori e anti-allergeni	YMDA	140	190	07/19	>				34.289.00
2.0 EcoBlue Mild Hybrid	YLDC	110	150	07/19	>	23.687.00		30.C37.00	53.423.00
with activated carbons / ai carboni attivi	YLDC	110	150	07/19	>				54.289.00
antibacterial, anti-odour and anti-allergen filter / filtro antibatterico, antiodori e anti-allergeni	YLDC	110	150	07/19	>				34.289.00
2.5 Duratec Plug-in-Hybrid		165	224	07/19	>				53.423.00
with activated carbons / ai carboni attivi		165	224	07/19	>				54.289.00
antibacterial, anti-odour and anti-allergen filter / filtro antibatterico, antiodori e anti-allergeni		165	224	07/19	>				34.289.00
Mondeo II (BAP/BFP/BNP)									
1.6 i		66	90	09/96	> 11/00	23.440.00	31.514.00	30.024.00	53.016.00
with activated carbons / ai carboni attivi		66	90	09/96	> 11/00				54.317.00
1.6 i		70	95	05/98	> 11/00	23.440.00	31.514.00	30.024.00	53.016.00
with activated carbons / ai carboni attivi		70	95	05/98	> 11/00				54.317.00
1.8 i		85	115	09/96	> 11/00	23.440.00	31.514.00	30.024.00	53.016.00
with activated carbons / ai carboni attivi		85	115	09/96	> 11/00				54.317.00
1.8 TD		66	90	09/96	> 11/00				54.317.00
with activated carbons / ai carboni attivi		66	90	09/96	> 11/00	23.242.00	24.365.00	30.035.00	53.016.00
with BOSCH pump / con pompa BOSCH		66	90	09/96	> 11/00	23.242.00	24.360.00	30.035.00	53.016.00
with DELPHI pump / con pompa DELPHI		66	90	09/96	> 11/00	23.242.00	24.360.00	30.035.00	53.016.00
2.0 i		96	130	09/96	> 11/00	23.440.00	31.514.00	30.024.00	53.016.00
with activated carbons / ai carboni attivi		96	130	09/96	> 11/00				54.317.00
2.5 V6 24V		125	170	09/96	> 11/00	23.463.00	31.514.00	30.372.00	53.016.00
with activated carbons / ai carboni attivi		125	170	09/96	> 11/00				54.317.00
2.5 V6 ST200		151	205	03/99	> 11/00	23.463.00	31.514.00	30.372.00	53.016.00
with activated carbons / ai carboni attivi		151	205	03/99	> 11/00				54.317.00
Mondeo III (B4Y/B5Y/BWY)									

...FORD - cars/auto

1.8 i 16V	Duratec CGBA/CGBB	81	110	11/00	>	09/02	25.056.00	31.817.00	30.146.00	53.162.00
	Duratec CGBA/CGBB	81	110	10/02	>	03/07	23.413.00	31.817.00	30.146.00	53.162.00
with activated carbons / ai carboni attivi	Duratec CGBA/CGBB	81	110	11/00	>	09/02	25.056.00	31.817.00	30.146.00	54.119.00
with activated carbons / ai carboni attivi	Duratec CGBA/CGBB	81	110	10/02	>	03/07	23.413.00	31.817.00	30.146.00	54.119.00
antibacterial, anti-odour and anti-allergen filter / filtro antibatterico, antiodori e anti-allergeni	Duratec CGBA/CGBB	81	110	11/00	>	03/07				34.119.00
1.8 i 16V	Duratec CHBA/CHBB	92	125	11/00	>	09/02	25.056.00	31.817.00	30.146.00	53.162.00
	Duratec CHBA/CHBB	92	125	10/02	>	03/07	23.413.00	31.817.00	30.146.00	53.162.00
with activated carbons / ai carboni attivi	Duratec CHBA/CHBB	92	125	11/00	>	09/02	25.056.00	31.817.00	30.146.00	54.119.00
with activated carbons / ai carboni attivi	Duratec CHBA/CHBB	92	125	10/02	>	03/07	23.413.00	31.817.00	30.146.00	54.119.00
antibacterial, anti-odour and anti-allergen filter / filtro antibatterico, antiodori e anti-allergeni	Duratec CHBA/CHBB	92	125	11/00	>	03/07				34.119.00
1.8 Sci 16V	CFBA	96	130	06/03	>	03/07	25.056.00	31.817.00	30.146.00	53.162.00
with activated carbons / ai carboni attivi	CFBA	96	130	06/03	>	03/07	25.056.00	31.817.00	30.146.00	54.119.00
antibacterial, anti-odour and anti-allergen filter / filtro antibatterico, antiodori e anti-allergeni	CFBA	96	130	06/03	>	03/07				34.119.00
2.0 DI	Duratorq DI D5BA	66	90	11/00	>	03/01	25.015.00	24.433.00	30.146.00	53.162.00
	Duratorq DI D5BA	66	90	04/01	>	03/07	25.015.00	24.445.00	30.146.00	53.162.00
with activated carbons / ai carboni attivi	Duratorq DI D5BA	66	90	11/00	>	03/01	25.015.00	24.433.00	30.146.00	54.119.00
with activated carbons / ai carboni attivi	Duratorq DI D5BA	66	90	04/01	>	03/07	25.015.00	24.445.00	30.146.00	54.119.00
antibacterial, anti-odour and anti-allergen filter / filtro antibatterico, antiodori e anti-allergeni	Duratorq DI D5BA	66	90	11/00	>	03/07				34.119.00
2.0 i 16V	Duratec CJBA/CJBB	107	145	11/00	>	09/02	25.056.00	31.817.00	30.146.00	53.162.00
	Duratec CJBA/CJBB	107	145	10/02	>	03/07	23.413.00	31.817.00	30.146.00	53.162.00
with activated carbons / ai carboni attivi	Duratec CJBA/CJBB	107	145	11/00	>	09/02	25.056.00	31.817.00	30.146.00	54.119.00
with activated carbons / ai carboni attivi	Duratec CJBA/CJBB	107	145	10/02	>	03/07	23.413.00	31.817.00	30.146.00	54.119.00
antibacterial, anti-odour and anti-allergen filter / filtro antibatterico, antiodori e anti-allergeni	Duratec CJBA/CJBB	107	145	11/00	>	03/07				34.119.00
2.0 TDCI	Duratorq	85	115	06/02	>	03/07	25.015.00	24.445.00	30.146.00	53.162.00
with activated carbons / ai carboni attivi	Duratorq	85	115	06/02	>	03/07	25.015.00	24.445.00	30.146.00	54.119.00
antibacterial, anti-odour and anti-allergen filter / filtro antibatterico, antiodori e anti-allergeni	Duratorq	85	115	06/02	>	03/07				34.119.00
2.0 TDCI	Duratorq SDBA	66	90	02/04	>	03/07	25.015.00	24.445.00	30.146.00	53.162.00
with activated carbons / ai carboni attivi	Duratorq SDBA	66	90	02/04	>	03/07	25.015.00	24.445.00	30.146.00	54.119.00
antibacterial, anti-odour and anti-allergen filter / filtro antibatterico, antiodori e anti-allergeni	Duratorq SDBA	66	90	02/04	>	03/07				34.119.00
2.0 TDCI	FMBA/N7BA	96	130	09/01	>	03/07	25.015.00	24.445.00	30.146.00	53.162.00
with activated carbons / ai carboni attivi	FMBA/N7BA	96	130	09/01	>	03/07	25.015.00	24.445.00	30.146.00	54.119.00
antibacterial, anti-odour and anti-allergen filter / filtro antibatterico, antiodori e anti-allergeni	FMBA/N7BA	96	130	09/01	>	03/07				34.119.00
2.0 TDDI	Duratorq D5BA	66	90	11/00	>	08/01	25.015.00	24.433.00	30.146.00	53.162.00
with activated carbons / ai carboni attivi	Duratorq D5BA	66	90	11/00	>	08/01	25.015.00	24.433.00	30.146.00	54.119.00
antibacterial, anti-odour and anti-allergen filter / filtro antibatterico, antiodori e anti-allergeni	Duratorq D5BA	66	90	11/00	>	08/01				34.119.00
2.0 TDDI	Duratorq D6BA	85	115	11/00	>	09/02	25.015.00	24.433.00	30.146.00	53.162.00
with activated carbons / ai carboni attivi	Duratorq D6BA	85	115	11/00	>	09/02	25.015.00	24.433.00	30.146.00	54.119.00
antibacterial, anti-odour and anti-allergen filter / filtro antibatterico, antiodori e anti-allergeni	Duratorq D6BA	85	115	11/00	>	03/07				34.119.00
2.2 TDCI	QJBA/QJBB	114	155	08/04	>	03/07	25.015.00	24.445.00	30.146.00	53.162.00
with activated carbons / ai carboni attivi	QJBA/QJBB	114	155	08/04	>	03/07	25.015.00	24.445.00	30.146.00	54.119.00
antibacterial, anti-odour and anti-allergen filter / filtro antibatterico, antiodori e anti-allergeni	QJBA/QJBB	114	155	08/04	>	03/07				34.119.00
2.5 V6	Duratec LCB D	125	170	11/00	>	03/07	23.463.00	31.817.00	30.146.00	53.162.00
with activated carbons / ai carboni attivi	Duratec LCB D	125	170	11/00	>	03/07	23.463.00	31.817.00	30.146.00	54.119.00
antibacterial, anti-odour and anti-allergen filter / filtro antibatterico, antiodori e anti-allergeni	Duratec LCB D	125	170	11/00	>	03/07				34.119.00
3.0 V6	REBA	150	204	08/04	>	03/07	23.463.00	31.817.00	30.146.00	53.162.00
with activated carbons / ai carboni attivi	REBA	150	204	08/04	>	03/07	23.463.00	31.817.00	30.146.00	54.119.00
antibacterial, anti-odour and anti-allergen filter / filtro antibatterico, antiodori e anti-allergeni	REBA	150	204	08/04	>	03/07				34.119.00
3.0 V6 ST220	MEBA	166	226	09/01	>	03/07	23.463.00	31.817.00	30.146.00	53.162.00
with activated carbons / ai carboni attivi	MEBA	166	226	09/01	>	03/07	23.463.00	31.817.00	30.146.00	54.119.00
antibacterial, anti-odour and anti-allergen filter / filtro antibatterico, antiodori e anti-allergeni	MEBA	166	226	09/01	>	03/07				34.119.00
Mondeo IV										
1.6 EcoBoost SCTi										
with automatic air-conditioner / con climatizzatore automatico		118	160	11/10	>					54.136.00
with manual air-conditioner / con climatizzatore manuale		118	160	11/10	>					53.102.00
antibacterial, anti-odour and anti-allergen filter with automatic air-conditioner / filtro antibatterico, antiodori e anti-allergeni con climatizzatore automatico		118	160	11/10	>					34.136.00
1.6 TDCI										
with automatic air-conditioner / con climatizzatore automatico	T1BA/T1BB/T1BC	85	115	02/11	>		25.037.00		30.331.00	54.136.00
with manual air-conditioner / con climatizzatore manuale	T1BA/T1BB/T1BC	85	115	02/11	>		25.037.00		30.331.00	53.102.00
antibacterial, anti-odour and anti-allergen filter with automatic air-conditioner / filtro antibatterico, antiodori e anti-allergeni con climatizzatore automatico	T1BA/T1BB/T1BC	85	115	02/11	>					34.136.00
spare part only / solo ricambio	T1BA/T1BB/T1BC	85	115	02/11	>			24.128.00		
1.6 Ti-VCT										
with automatic air-conditioner / con climatizzatore automatico		81	110	04/07	>		23.267.00		30.331.00	54.136.00
with manual air-conditioner / con climatizzatore manuale		81	110	04/07	>		23.267.00		30.331.00	53.102.00
antibacterial, anti-odour and anti-allergen filter with automatic air-conditioner / filtro antibatterico, antiodori e anti-allergeni con climatizzatore automatico		81	110	04/07	>					34.136.00
1.6 Ti-VCT										
with automatic air-conditioner / con climatizzatore automatico		88	120	09/10	>		23.267.00		30.331.00	54.136.00
with manual air-conditioner / con climatizzatore manuale		88	120	09/10	>		23.267.00		30.331.00	53.102.00

...FORD - cars/auto

antibacterial, anti-odour and anti-allergen filter with automatic air-conditioner / filtro antibatterico, antiodori e anti-allergeni con climatizzatore automatico	162	220	04/07	>	06/10				34.136.00	
Mondeo V										
1.0 EcoBoost	92	125	02/15	>				30.665.00	54.289.00	
antibacterial, anti-odour and anti-allergen filter / filtro antibatterico, antiodori e anti-allergeni	92	125	02/15	>					34.289.00	
1.5 EcoBoost	118	160	10/14	>		23.267.00		30.665.00	54.289.00	
antibacterial, anti-odour and anti-allergen filter / filtro antibatterico, antiodori e anti-allergeni	118	160	10/14	>					34.289.00	
1.5 EcoBoost 65	UNCN	121	165	05/18	>	23.267.00		30.665.00	54.289.00	
antibacterial, anti-odour and anti-allergen filter / filtro antibatterico, antiodori e anti-allergeni	UNCN	121	165	05/18	>				34.289.00	
1.5 TDCI	15DSOX	88	120	03/15	>	25.037.00	26.104.00	30.665.00	54.289.00	
antibacterial, anti-odour and anti-allergen filter / filtro antibatterico, antiodori e anti-allergeni	15DSOX	88	120	03/15	>				34.289.00	
1.6 TDCI	SOHC-DV6	85	115	10/14	>	25.037.00	24.128.00	30.665.00	54.289.00	
antibacterial, anti-odour and anti-allergen filter / filtro antibatterico, antiodori e anti-allergeni	SOHC-DV6	85	115	10/14	>				34.289.00	
2.0 EcoBlue (CE)		110	150	01/19	>	23.687.00				
2.0 EcoBlue (CE)		140	190	01/19	>	23.687.00				
2.0 EcoBlue (CE)		88	120	01/19	>	23.687.00				
2.0 EcoBoost 200		149	203	10/14	>			30.665.00	54.289.00	
antibacterial, anti-odour and anti-allergen filter / filtro antibatterico, antiodori e anti-allergeni		149	203	10/14	>				34.289.00	
2.0 EcoBoost 240		176	239	10/14	>			30.665.00	54.289.00	
antibacterial, anti-odour and anti-allergen filter / filtro antibatterico, antiodori e anti-allergeni		176	239	10/14	>				34.289.00	
2.0 Hybrid		130	177	10/14	>				54.289.00	
antibacterial, anti-odour and anti-allergen filter / filtro antibatterico, antiodori e anti-allergeni		130	177	10/14	>				34.289.00	
2.0 TDCi 150	Duratorq	110	150	10/14	>	23.439.00	26.104.00	30.665.00	54.289.00	
antibacterial, anti-odour and anti-allergen filter / filtro antibatterico, antiodori e anti-allergeni	Duratorq	110	150	10/14	>				34.289.00	
2.0 TDCi 180	Duratorq	132	180	10/14	>	23.439.00	26.104.00	30.665.00	54.289.00	
antibacterial, anti-odour and anti-allergen filter / filtro antibatterico, antiodori e anti-allergeni	Duratorq	132	180	10/14	>				34.289.00	
2.0 TDCi Bi-Turbo 210		154	210	03/15	>	23.439.00	26.104.00	30.665.00	54.289.00	
antibacterial, anti-odour and anti-allergen filter / filtro antibatterico, antiodori e anti-allergeni		154	210	03/15	>				34.289.00	
2.5	C25HDEX	110	150	05/15	>	23.632.00			54.289.00	
antibacterial, anti-odour and anti-allergen filter / filtro antibatterico, antiodori e anti-allergeni	C25HDEX	110	150	05/15	>				34.289.00	
Probe										
2.2 GT Turbo		108	147	01/91	>	23.260.00				
Puma										
1.4 16V		66	90	11/97	>	09/00	23.413.00	31.514.00	30.062.00	53.012.00
with activated carbons / ai carboni attivi		66	90	11/97	>	09/00	23.413.00	31.514.00	30.062.00	54.116.00
1.6 16V		76	103	08/00	>	12/01	23.440.00	31.514.00	30.062.00	53.012.00
with activated carbons / ai carboni attivi		76	103	08/00	>	12/01	23.440.00	31.514.00	30.062.00	54.116.00
1.7 16V		92	125	03/97	>	12/01	23.440.00	31.514.00	30.062.00	53.012.00
with activated carbons / ai carboni attivi		92	125	03/97	>	12/01	23.440.00	31.514.00	30.062.00	54.116.00
Puma II										
1.0 EcoBoost	B7JA/B7JB	92	125	09/19	>				53.207.00	
with activated carbons / ai carboni attivi	B7JA/B7JB	92	125	09/19	>				54.170.00	
antibacterial, anti-odour and anti-allergen filter / filtro antibatterico, antiodori e anti-allergeni	B7JA/B7JB	92	125	09/19	>				34.170.00	
1.0 EcoBoost mHEV	B7JA/B7JB	92	125	09/19	>				53.207.00	
with activated carbons / ai carboni attivi	B7JA/B7JB	92	125	09/19	>				54.170.00	
antibacterial, anti-odour and anti-allergen filter / filtro antibatterico, antiodori e anti-allergeni	B7JA/B7JB	92	125	09/19	>				34.170.00	
1.0 EcoBoost mHEV	BZJA	114	155	09/19	>				53.207.00	
with activated carbons / ai carboni attivi	BZJA	114	155	09/19	>				54.170.00	
antibacterial, anti-odour and anti-allergen filter / filtro antibatterico, antiodori e anti-allergeni	BZJA	114	155	09/19	>				34.170.00	
1.5 EcoBoost ST		147	200	11/20	>			30.A52.00	53.207.00	
with activated carbons / ai carboni attivi		147	200	11/20	>				54.170.00	
Puma ST160										
1.7		118	160	06/99	>	12/01	23.440.00	31.514.00	30.062.00	53.012.00
with activated carbons / ai carboni attivi		118	160	06/99	>	12/01	23.440.00	31.514.00	30.062.00	54.116.00
S-Max										
1.6 EcoBoost SCTi		118	160	11/10	>				54.136.00	
with automatic air-conditioner / con climatizzatore automatico		118	160	11/10	>	23.267.00			30.331.00	
with manual air-conditioner / con climatizzatore manuale		118	160	11/10	>	23.267.00			30.331.00	
antibacterial, anti-odour and anti-allergen filter with automatic air-conditioner / filtro antibatterico, antiodori e anti-allergeni con climatizzatore automatico		118	160	11/10	>				34.136.00	
1.6 TDCi 115		85	115	03/11	>				54.136.00	
with automatic air-conditioner / con climatizzatore automatico		85	115	03/11	>	25.037.00			30.331.00	
with manual air-conditioner / con climatizzatore manuale		85	115	03/11	>	25.037.00			53.102.00	
antibacterial, anti-odour and anti-allergen filter with automatic air-conditioner / filtro antibatterico, antiodori e anti-allergeni con climatizzatore automatico		85	115	03/11	>				34.136.00	
spare part only / solo ricambio		85	115	03/11	>		24.128.00			
1.8 TDCi 100		74	101	01/07	>				54.136.00	
with automatic air-conditioner / con climatizzatore automatico		74	101	01/07	>	23.439.00	26.696.00	30.331.00	54.136.00	
with manual air-conditioner / con climatizzatore manuale		74	101	01/07	>	23.439.00	26.696.00	30.331.00	53.102.00	
antibacterial, anti-odour and anti-allergen filter with automatic air-conditioner / filtro antibatterico, antiodori e anti-allergeni con climatizzatore automatico		74	101	01/07	>				34.136.00	

...FORD - cars/auto

1.5 EcoBoost 165	YNCA	121	165	07/18	>	23.267.00		30.665.00	54.289.00
antibacterial, anti-odour and anti-allergen filter / filtro antibatterico, antiodori e anti-allergeni	YNCA	121	165	07/18	>				34.289.00
2.0 EcoBlue (CDR)	YLCB	176	240	07/18	>	23.687.00			
antibacterial, anti-odour and anti-allergen filter / filtro antibatterico, antiodori e anti-allergeni	YLCB	176	240	07/18	>				34.289.00
2.0 EcoBlue (CDR)	YMCB	110	150	07/18	>	23.687.00			
antibacterial, anti-odour and anti-allergen filter / filtro antibatterico, antiodori e anti-allergeni	YMCB	110	150	07/18	>				34.289.00
2.0 EcoBlue (CDR)	YNCA	88	120	07/18	>	23.687.00			
antibacterial, anti-odour and anti-allergen filter / filtro antibatterico, antiodori e anti-allergeni	YNCA	88	120	07/18	>				34.289.00
2.0 EcoBlue 190	BCCC	140	190	07/18	>	23.687.00		30.665.00	54.289.00
antibacterial, anti-odour and anti-allergen filter / filtro antibatterico, antiodori e anti-allergeni	BCCC	140	190	07/18	>				34.289.00
2.0 EcoBoost 240		176	239	04/15	>			30.665.00	54.289.00
antibacterial, anti-odour and anti-allergen filter / filtro antibatterico, antiodori e anti-allergeni		176	239	04/15	>				34.289.00
2.0 TDCi 120		88	120	04/15	>	23.439.00	26.104.00	30.665.00	54.289.00
antibacterial, anti-odour and anti-allergen filter / filtro antibatterico, antiodori e anti-allergeni		88	120	04/15	>				34.289.00
2.0 TDCi 150		110	150	04/15	>	23.439.00	26.104.00	30.665.00	54.289.00
antibacterial, anti-odour and anti-allergen filter / filtro antibatterico, antiodori e anti-allergeni		110	150	04/15	>				34.289.00
2.0 TDCi 180		132	180	04/15	>	23.439.00	26.104.00	30.665.00	54.289.00
antibacterial, anti-odour and anti-allergen filter / filtro antibatterico, antiodori e anti-allergeni		132	180	04/15	>				34.289.00
2.0 TDCi Bi-Turbo		154	210	04/15	>	23.439.00	26.104.00	30.665.00	54.289.00
antibacterial, anti-odour and anti-allergen filter / filtro antibatterico, antiodori e anti-allergeni		154	210	04/15	>				34.289.00
Scorpio									
2.0 i 16V DOHC				10/94	>	23.127.02	31.514.00	30.121.00	
2.0 i DOHC				10/94	>	23.127.02	31.514.00	30.121.00	
2.3 i 16V				06/96	>	23.440.00	31.514.00	30.121.00	
2.5 Turbodiesel	VM	85	115	10/94	>	23.164.02	24.360.00	30.910.00	
2.5 Turbodiesel	VM	92	125	09/96	>	23.164.02	24.360.00	30.910.00	
2.9 i V6 12V				10/94	>	23.127.02	31.514.00	30.121.00	
2.9 i V6 24V				10/94	>	23.127.02	31.514.00	30.121.00	
2.9 i V6 24V Cosworth		152	207	10/94	>	23.114.01	31.514.00	30.121.00	
Sierra									
1.8 OHC				11/84	>	23.127.02		30.804.00	
2.0 i Twin Cam				04/89	>	23.127.02	31.502.00	30.910.00	
2.0 i Twin Cam 4x4				04/89	>	23.127.02	31.502.00	30.910.00	
2.0 i Twin Cam Ghia				04/89	>	23.127.02	31.502.00	30.910.00	
2.0 Twin Cam (carbur.)				04/89	>	23.127.02			
2.4 i V6				01/87	>	23.127.02	31.502.00	30.910.00	
2.9 i				08/88	>	23.127.02	31.502.00	30.910.00	
2.9 i (RHD)									
with R.H.D. / con guida a destra				08/88	>	23.114.01	31.502.00	30.910.00	
2.9 i XR 4x4				08/88	>	23.127.02	31.502.00	30.910.00	
Sierra / Sapphire									
2.0 DOHC		77	105	04/89	>	23.127.02			
2.0 i DOHC	N9C	88	120	04/89	>	23.127.02	31.502.00	30.910.00	
Sportka									
1.6 i 16V		70	95	10/02	>	23.440.00	31.514.00	30.294.00	53.012.00
with activated carbons / ai carboni attivi		70	95	10/02	>	23.440.00	31.514.00	30.294.00	54.116.00
Streetka									
1.6 i 16V		70	95	10/02	>	23.440.00	31.514.00	30.294.00	53.012.00
with activated carbons / ai carboni attivi		70	95	10/02	>	23.440.00	31.514.00	30.294.00	54.116.00
Tourneo Courier MY.2014									
1.0 EcoBoost	SFCA/SFCB	74	101	02/14	>			30.390.00	53.207.00
with activated carbons / ai carboni attivi	SFCA/SFCB	74	101	02/14	>				54.170.00
antibacterial, anti-odour and anti-allergen filter / filtro antibatterico, antiodori e anti-allergeni	SFCA/SFCB	74	101	02/14	>				34.170.00
1.5 TDCi	15DSOX	55	75	02/14	>	25.037.00		30.390.00	53.207.00
with activated carbons / ai carboni attivi	15DSOX	55	75	02/14	>				54.170.00
antibacterial, anti-odour and anti-allergen filter / filtro antibatterico, antiodori e anti-allergeni	15DSOX	55	75	02/14	>				34.170.00
1.6 TDCi	T3CA/T3CB	70	95	02/14	>	25.037.00		30.390.00	53.207.00
with activated carbons / ai carboni attivi	T3CA/T3CB	70	95	02/14	>				54.170.00
antibacterial, anti-odour and anti-allergen filter / filtro antibatterico, antiodori e anti-allergeni	T3CA/T3CB	70	95	02/14	>				34.170.00
FORD commercial vehicles/veicoli commerciali									
Club Mobil									
Club Mobil						23.127.02		27.881.00	
Courier B									
1.3 i	Endura			11/95	>	23.416.00	31.514.00	30.062.00	53.012.00
with activated carbons / ai carboni attivi	Endura			11/95	>	23.416.00	31.514.00	30.062.00	54.116.00
1.4 i 16V		66	90	04/96	>	23.413.00	31.514.00	30.062.00	53.012.00

...FORD - commercial vehicles/veicoli commerciali

F

with activated carbons / ai carboni attivi	66	90	04/96 >	23.413.00	31.514.00	30.062.00	54.116.00
Courier D							
1.8 D							
with activated carbons / ai carboni attivi			11/95 >				54.116.00
with pump BOSCH / con pompa BOSCH			11/95 >	23.242.00	24.382.00	30.062.00	53.012.00
with pump DELPHI / con pompa DELPHI			11/95 >	23.242.00	24.360.00	30.062.00	53.012.00
1.8 DI	55	75	09/00 >	23.280.00	24.409.00	30.062.00	53.012.00
with activated carbons / ai carboni attivi	55	75	09/00 >	23.280.00	24.409.00	30.062.00	54.116.00
Escort Combi							
1.3 OHV			08/88 >	23.188.00		27.177.00	
1.4 CVH			09/88 >	23.131.00		27.176.00	
1.6 D							
with pump BOSCH / con pompa BOSCH			01/83 >	23.186.01	24.351.00	30.899.00	
with pump DELPHI / con pompa DELPHI			01/83 >	23.186.01	24.360.00	30.899.00	
1.8 Diesel							
with pump BOSCH / con pompa BOSCH			01/93 >	23.242.00	24.382.00		
with pump DELPHI / con pompa DELPHI			09/90 >	23.242.00		30.981.00	
Escort Express							
1.4			11/90 >	23.131.00		27.176.00	
1.4	F4B	54	73	01/95 >	23.131.00	31.514.00	30.981.00
1.4 i cat (CFI)			05/92 >	23.131.00	31.514.00	27.176.00	
1.8 Diesel							
with pump BOSCH / con pompa BOSCH			01/93 >	23.242.00	24.382.00	30.981.00	
with pump DELPHI / con pompa DELPHI			11/90 >	23.242.00	24.360.00	30.981.00	
Escort L Capacity							
1.8 Diesel							
with pump BOSCH / con pompa BOSCH			01/93 >	23.242.00	24.382.00		
with pump DELPHI / con pompa DELPHI			09/90 >	23.242.00		30.981.00	
Escort Van							
1.1 CVH			08/80 >	23.131.00		30.811.00	
1.1 OHC			08/80 >	23.188.00		30.922.01	
1.3 CVH			08/80 >	23.131.00		30.811.00	
1.3 OHV			08/88 >	23.188.00		27.177.00	
1.4 CVH			09/88 >	23.131.00		27.176.00	
1.6 CVH							
carburetor 2V / carburatore 2V			01/89 >	23.131.00		27.176.00	
1.6 D							
with pump BOSCH / con pompa BOSCH			01/83 >	23.186.01	24.351.00	30.899.00	
with pump DELPHI / con pompa DELPHI			01/83 >	23.186.01	24.360.00	30.899.00	
Fiesta Van							
0.9			01/82 >	23.188.00		30.922.01	
1.1			01/82 >	23.188.00		30.922.01	
1.25	SNJA/SNJB	60	82	01/09 >	23.267.00		30.390.00
with activated carbons / ai carboni attivi	SNJA/SNJB	60	82	01/09 >			54.170.00
antibacterial, anti-odour and anti-allergen filter / filtro antibatterico, antiodori e anti-allergeni	SNJA/SNJB	60	82	01/09 >			34.170.00
1.3	A9JA/A9JB	51	69	10/03 >	23.440.00	31.844.00	30.168.00
1.4 CVH			03/89 >	23.131.00		27.176.00	
1.4 TDCI	F6JA/F6JB	50	68	10/03 >	25.037.00	24.343.00	30.153.00
1.4 TDCI	F6JB	50	68	10/08 > 08/10	25.037.00	24.015.00	30.153.00
with activated carbons / ai carboni attivi	F6JB	50	68	10/08 > 08/10			54.170.00
with fuel oil heater / con riscaldatore nafta	F6JB	50	68	10/08 > 08/10		24.343.00	
antibacterial, anti-odour and anti-allergen filter / filtro antibatterico, antiodori e anti-allergeni	F6JB	50	68	10/08 > 08/10			34.170.00
1.4 TDCI	KVJA/F6JD	52	70	09/10 >	25.037.00		30.153.00
with activated carbons / ai carboni attivi	KVJA/F6JD	52	70	09/10 >			54.170.00
antibacterial, anti-odour and anti-allergen filter / filtro antibatterico, antiodori e anti-allergeni	KVJA/F6JD	52	70	09/10 >			34.170.00
spare part only / solo ricambio	KVJA/F6JD	52	70	09/10 >		24.128.00	
1.5 TDCI	15DSOX/UGJC	55	75	11/12 >	25.037.00		30.390.00
with activated carbons / ai carboni attivi	15DSOX/UGJC	55	75	11/12 >			54.170.00
antibacterial, anti-odour and anti-allergen filter / filtro antibatterico, antiodori e anti-allergeni	15DSOX/UGJC	55	75	11/12 >			34.170.00
spare part only / solo ricambio	15DSOX/UGJC	55	75	11/12 >		24.128.00	
1.6 Diesel							
with pump BOSCH / con pompa BOSCH			01/83 >	23.186.01	24.351.00	30.899.00	
with pump DELPHI / con pompa DELPHI			01/83 >	23.186.01	24.360.00	30.899.00	
1.6 TDCI							
with activated carbons / ai carboni attivi	HHJE/HHJC/HHJD	66	90	01/09 >			54.170.00
antibacterial, anti-odour and anti-allergen filter / filtro antibatterico, antiodori e anti-allergeni	HHJE/HHJC/HHJD	66	90	01/09 >			34.170.00
DELPHI assembly / montaggio DELPHI	HHJE/HHJC/HHJD	66	90	01/09 >	25.037.00	24.027.00	30.390.00

...FORD - commercial vehicles/veicoli commerciali

assembly UFI / montaggio UFI	HHJE/HHJC/HHJD	66	90	01/09 >	25.037.00	55.170.00	30.390.00	53.207.00
1.6 TDCI	TZJB/TZJA	70	95	03/10 >	25.037.00		30.390.00	53.207.00
with activated carbons / ai carboni attivi	TZJB/TZJA	70	95	03/10 >				54.170.00
antibacterial, anti-odour and anti-allergen filter / filtro antibatterico, antiodori e anti-allergeni	TZJB/TZJA	70	95	03/10 >				34.170.00
spare part only / solo ricambio	TZJB/TZJA	70	95	03/10 >		24.128.00		
1.8 Diesel								
with pump BOSCH / con pompa BOSCH				11/95 >	23.242.00	24.382.00	30.062.00	
with pump DELPHI / con pompa DELPHI				11/95 >	23.242.00	24.360.00	30.062.00	
P100								
1.8 Turbodiesel								
with MOTORCRAFT EFG3 / con MOTORCRAFT EFG3				08/88 >	23.242.00	24.360.00	30.910.00	
with pump BOSCH / con pompa BOSCH				08/88 >	23.242.00	24.365.00	30.910.00	
with pump DELPHI / con pompa DELPHI				08/88 >	23.242.00	24.361.00	30.910.00	
2.0 OHC				04/85 >	23.127.02			30.939.00
Ranger								
2.5 D	MD25NA	57	78	10/99 >				30.169.00
2.5 TD 4X2	MD25TI	80	109	10/99 >				30.169.00
2.5 TD 4X4	MD25TI	80	109	10/99 >				30.169.00
Thames								
1.2 (103 E) 5 cwt								
some / alcuni					25.419.00			
1.2 (103 E) 7 cwt								
some / alcuni					25.419.00			
Tourneo								
2.0 i								
with air-conditioner / con climatizzatore		84	114	08/94 > 08/00	23.127.02	31.514.00	30.016.00	×
without air-conditioner / senza climatizzatore		84	114	08/94 > 08/00	23.440.00	31.514.00	30.016.00	×
2.5 Diesel								
with pump BOSCH / con pompa BOSCH		51	70	10/97 > 08/00	23.280.00	24.401.00	30.016.00	
2.5 Diesel								
with pump BOSCH / con pompa BOSCH		56	76	10/97 > 08/00	23.280.00	24.401.00	30.016.00	
2.5 Diesel								
with pump BOSCH / con pompa BOSCH	4HA	55	75	10/97 > 08/00	23.280.00	24.401.00	30.016.00	
2.5 Turbodiesel		74	100	10/96 > 08/00	23.280.00	24.401.00	30.106.00	×
2.5 Turbodiesel	4GA/4GB/4GC	63	86	10/96 > 08/00	23.280.00	24.401.00	30.106.00	×
Tourneo Connect								
1.8 i DOHC	Duratec	85	115	08/02 > 03/09	23.440.00	31.769.00	30.101.00	53.034.00
with activated carbons / ai carboni attivi	Duratec	85	115	08/02 > 03/09				54.106.00
antibacterial, anti-odour and anti-allergen filter / filtro antibatterico, antiodori e anti-allergeni	Duratec	85	115	08/02 > 03/09				34.106.00
1.8 TDCI	Duratorq	66	90	08/02 > 07/06	23.280.00	24.445.00	30.101.00	53.034.00
	Duratorq	66	90	08/06 > 12/13	23.280.00	24.445.00	30.C47.00	53.034.00
with activated carbons / ai carboni attivi	Duratorq	66	90	08/02 > 12/13				54.106.00
with facility for water sensor / con predisposizione per sensore acqua	Duratorq	66	90	08/02 > 12/13		24.133.00		
antibacterial, anti-odour and anti-allergen filter / filtro antibatterico, antiodori e anti-allergeni	Duratorq	66	90	08/02 > 12/13				34.106.00
1.8 TDCI	Duratorq	81	110	08/06 > 12/13	23.280.00	24.445.00	30.C47.00	53.034.00
with activated carbons / ai carboni attivi	Duratorq	81	110	08/06 > 12/13				54.106.00
with facility for water sensor / con predisposizione per sensore acqua	Duratorq	81	110	08/06 > 12/13		24.133.00		
antibacterial, anti-odour and anti-allergen filter / filtro antibatterico, antiodori e anti-allergeni	Duratorq	81	110	08/02 > 12/13				34.106.00
1.8 TDDI	Duratorq	55	75	08/02 > 07/06	23.280.00	24.450.00	30.101.00	53.034.00
	Duratorq	55	75	08/06 > 12/13	23.280.00	24.450.00	30.C47.00	53.034.00
with activated carbons / ai carboni attivi	Duratorq	55	75	08/02 > 12/13				54.106.00
with facility for water sensor / con predisposizione per sensore acqua	Duratorq	55	75	08/02 > 12/13		24.133.00		
antibacterial, anti-odour and anti-allergen filter / filtro antibatterico, antiodori e anti-allergeni	Duratorq	55	75	08/02 > 12/13				34.106.00
Electric				02/11 > 12/13	×	×	×	53.034.00
with activated carbons / ai carboni attivi				02/11 > 12/13				54.106.00
antibacterial, anti-odour and anti-allergen filter / filtro antibatterico, antiodori e anti-allergeni				02/11 > 12/13				34.106.00
Tourneo Connect II (CHC)								
1.0 EcoBoost	10FDOX (Fox)	74	100	10/13 >			∞	27.675.00
with activated carbons / ai carboni attivi	10FDOX (Fox)	74	100	10/13 >				54.218.00
antibacterial, anti-odour and anti-allergen filter / filtro antibatterico, antiodori e anti-allergeni	10FDOX (Fox)	74	100	10/13 >				34.218.00
1.5 EcoBlue 100 E6D		74	100	07/15 >	25.216.00			53.422.00
with activated carbons / ai carboni attivi		74	100	07/15 >				54.218.00
antibacterial, anti-odour and anti-allergen filter / filtro antibatterico, antiodori e anti-allergeni		74	100	07/15 >				34.218.00
1.5 EcoBlue 100 E6D Auto.		74	100	07/15 >	25.037.00	26.104.00	27.675.00	53.422.00
with activated carbons / ai carboni attivi		74	100	07/15 >				54.218.00
antibacterial, anti-odour and anti-allergen filter / filtro antibatterico, antiodori e anti-allergeni		74	100	07/15 >				34.218.00
1.5 EcoBlue 120 E6D		88	120	07/15 >	25.037.00	26.104.00	27.675.00	53.422.00

...FORD - commercial vehicles/veicoli commerciali

F

with activated carbons / ai carboni attivi	88	120	07/15	>				54.218.00
antibacterial, anti-odour and anti-allergen filter / filtro antibatterico, antiodori e anti-allergeni	88	120	07/15	>				34.218.00
1.5 EcoBlue 120 E6D Auto.	88	120	07/15	>	25.037.00	26.104.00	27.675.00	53.422.00
with activated carbons / ai carboni attivi	88	120	03/18	>	25.249.00			53.422.00
antibacterial, anti-odour and anti-allergen filter / filtro antibatterico, antiodori e anti-allergeni	88	120	07/15	>				54.218.00
1.5 EcoBlue 75 E6D	55	75	07/15	>	25.037.00	26.104.00	27.675.00	53.422.00
with activated carbons / ai carboni attivi	55	75	07/15	>				54.218.00
antibacterial, anti-odour and anti-allergen filter / filtro antibatterico, antiodori e anti-allergeni	55	75	07/15	>				34.218.00
1.5 EcoBlue 75 E6D Auto.	55	75	07/15	>	25.037.00	26.104.00	27.675.00	53.422.00
with activated carbons / ai carboni attivi	55	75	03/18	>	25.249.00			53.422.00
antibacterial, anti-odour and anti-allergen filter / filtro antibatterico, antiodori e anti-allergeni	55	75	07/15	>				54.218.00
1.5 TDCI 100	74	101	07/15	>	25.037.00	26.104.00	27.675.00	53.422.00
with activated carbons / ai carboni attivi	74	101	07/15	>				54.218.00
antibacterial, anti-odour and anti-allergen filter / filtro antibatterico, antiodori e anti-allergeni	74	101	07/15	>				34.218.00
1.5 TDCI 120	88	120	07/15	>	25.037.00	26.104.00	27.675.00	53.422.00
with activated carbons / ai carboni attivi	88	120	07/15	>				54.218.00
antibacterial, anti-odour and anti-allergen filter / filtro antibatterico, antiodori e anti-allergeni	88	120	07/15	>				34.218.00
1.5 TDCI 75	55	75	07/15	>	25.037.00	26.104.00	27.675.00	53.422.00
with activated carbons / ai carboni attivi	55	75	07/15	>				54.218.00
antibacterial, anti-odour and anti-allergen filter / filtro antibatterico, antiodori e anti-allergeni	55	75	07/15	>				34.218.00
1.6 EcoBoost 150	110	150	10/13	>	23.267.00		27.675.00	53.422.00
with activated carbons / ai carboni attivi	110	150	10/13	>				54.218.00
antibacterial, anti-odour and anti-allergen filter / filtro antibatterico, antiodori e anti-allergeni	110	150	10/13	>				34.218.00
1.6 TDCI 115	85	116	10/13	>	25.037.00	24.128.00	27.675.00	53.422.00
with activated carbons / ai carboni attivi	85	116	10/13	>				54.218.00
antibacterial, anti-odour and anti-allergen filter / filtro antibatterico, antiodori e anti-allergeni	85	116	10/13	>				34.218.00
1.6 TDCI 75	55	75	10/13	>	25.037.00	24.128.00	27.675.00	53.422.00
with activated carbons / ai carboni attivi	55	75	10/13	>				54.218.00
antibacterial, anti-odour and anti-allergen filter / filtro antibatterico, antiodori e anti-allergeni	55	75	10/13	>				34.218.00
1.6 TDCI 95	70	95	10/13	>	25.037.00	24.128.00	27.675.00	53.422.00
with activated carbons / ai carboni attivi	70	95	10/13	>				54.218.00
antibacterial, anti-odour and anti-allergen filter / filtro antibatterico, antiodori e anti-allergeni	70	95	10/13	>				34.218.00
Tourneo Custom								
2.0 EcoBlue mHEV 130	96	130	05/19	>	23.739.00			53.323.00
with activated carbons / ai carboni attivi	96	130	05/19	>				54.261.00
2.0 EcoBlue mHEV 185	136	185	05/19	>	23.739.00			53.323.00
with activated carbons / ai carboni attivi	136	185	05/19	>				54.261.00
2.0 TDCI EcoBlue 105	77	105	03/16	>	23.739.00			53.323.00
with activated carbons / ai carboni attivi	77	105	03/16	>				54.261.00
antibacterial, anti-odour and anti-allergen filter / filtro antibatterico, antiodori e anti-allergeni	77	105	03/16	>				34.261.00
2.0 TDCI EcoBlue 105 4WD	77	105	03/16	>				53.323.00
with activated carbons / ai carboni attivi	77	105	03/16	>				54.261.00
antibacterial, anti-odour and anti-allergen filter / filtro antibatterico, antiodori e anti-allergeni	77	105	03/16	>				34.261.00
2.0 TDCI EcoBlue 130	96	130	03/16	>	23.739.00			53.323.00
with activated carbons / ai carboni attivi	96	130	03/16	>				54.261.00
antibacterial, anti-odour and anti-allergen filter / filtro antibatterico, antiodori e anti-allergeni	96	130	03/16	>				34.261.00
2.0 TDCI EcoBlue 130 4WD	96	130	03/16	>				53.323.00
with activated carbons / ai carboni attivi	96	130	03/16	>				54.261.00
antibacterial, anti-odour and anti-allergen filter / filtro antibatterico, antiodori e anti-allergeni	96	130	03/16	>				34.261.00
2.0 TDCI EcoBlue 170	125	170	03/16	>	23.739.00			53.323.00
with activated carbons / ai carboni attivi	125	170	03/16	>				54.261.00
antibacterial, anti-odour and anti-allergen filter / filtro antibatterico, antiodori e anti-allergeni	125	170	03/16	>				34.261.00
2.0 TDCI EcoBlue 170 4WD	125	170	03/16	>				53.323.00
with activated carbons / ai carboni attivi	125	170	03/16	>				54.261.00
antibacterial, anti-odour and anti-allergen filter / filtro antibatterico, antiodori e anti-allergeni	125	170	03/16	>				34.261.00
2.0 TDCI EcoBlue 185	136	185	05/19	>	23.739.00			53.323.00
with activated carbons / ai carboni attivi	136	185	05/19	>				54.261.00
2.2 TDCI 100	74	100	09/12	>	25.060.00	26.074.00	30.A17.00	53.323.00
2.2 TDCI 125	92	125	09/12	>	25.060.00	26.074.00	30.A17.00	53.323.00
2.2 TDCI 140	103	140	09/12	>	25.060.00	26.074.00	30.A17.00	53.323.00
2.2 TDCI 155	114	155	09/12	>	25.060.00	26.074.00	30.A17.00	53.323.00
Transit (00-06)								
2.0 TD-CI	92	125	05/02	> 10/04	25.015.00	24.458.00	30.155.00	53.058.00
	92	125	11/04	> 07/06	25.015.00	24.457.00	30.155.00	53.058.00
2.0 TD-DI	63	85	08/00	> 10/04	25.015.00	24.432.00	30.155.00	53.058.00

...FORD - commercial vehicles/veicoli commerciali

2.0 TD-DI	ABFA	63	85	11/04	>	07/06	25.015.00	24.456.00	30.155.00	53.058.00	
	ABFA	74	100	08/00	>	10/04	25.015.00	24.432.00	30.155.00	53.058.00	
	ABFA	74	100	11/04	>	07/06	25.015.00	24.456.00	30.155.00	53.058.00	
2.0 TD-DI	D3FA	55	75	08/00	>	10/04	25.015.00	24.432.00	30.155.00	53.058.00	
	D3FA	55	75	11/04	>	07/06	25.015.00	24.456.00	30.155.00	53.058.00	
2.3 i 16V	E5FA	107	145	03/00	>	07/06	23.440.00		30.155.00	53.058.00	
2.4 TD-CI	Duratorq	101	137	03/04	>	10/04	25.015.00	24.458.00	30.155.00	53.058.00	
	Duratorq	101	137	11/04	>	07/06	25.015.00	24.457.00	30.155.00	53.058.00	
2.4 TD-DI	Duratorq	55	75	03/00	>	10/04	25.015.00	24.432.00	30.155.00	53.058.00	
	Duratorq	55	75	11/04	>	07/06	25.015.00	24.456.00	30.155.00	53.058.00	
2.4 TD-DI	Duratorq	85	115	03/04	>	10/04	25.015.00	24.432.00	30.155.00	53.058.00	
	Duratorq	85	115	11/04	>	07/06	25.015.00	24.456.00	30.155.00	53.058.00	
2.4 TD-DI	Duratorq	92	125	11/01	>	10/04	25.015.00	24.432.00	30.155.00	53.058.00	
	Duratorq	92	125	11/04	>	07/06	25.015.00	24.456.00	30.155.00	53.058.00	
2.4 TD-DI	Duratorq D2FA/FE	66	90	03/00	>	10/04	25.015.00	24.432.00	30.155.00	53.058.00	
	Duratorq D2FA/FE	66	90	11/04	>	07/06	25.015.00	24.456.00	30.155.00	53.058.00	
2.4 TD-DI	Duratorq D4FA	88	120	03/00	>	10/04	25.015.00	24.432.00	30.155.00	53.058.00	
	Duratorq D4FA	88	120	11/04	>	07/06	25.015.00	24.456.00	30.155.00	53.058.00	
Transit (55-73)											
1.6 OHV				08/65	>		23.103.00		30.811.00		
3.0 V6				01/65	>		23.127.02				
Transit (77-86)											
1.6 HD				01/78	>		23.102.00				
1.6 OHC				11/85	>		23.127.02		30.917.01		
2.0 HD				01/78	>		23.102.00				
Transit (85-92)											
2.0 OHC				11/86	>		23.127.02		30.917.01		
2.9 i				07/91	>		23.127.02	31.502.00	30.016.00		×
with R.H.D. / con guida a destra											
Transit (91-94)											
2.9 i				07/91	>		23.127.02	31.502.00	30.016.00		
with R.H.D. / con guida a destra											
Transit (94-00)											
2.0	NSG	84	114	01/95	>	12/00	23.440.00	31.514.00	30.016.00		×
with air-conditioner / con climatizzatore											
	NSG	84	114	01/95	>	12/00	23.127.02				
2.0 (EDL, EDS)	NSG	84	114	01/95	>	12/00	23.440.00	31.514.00	30.016.00		×
with air-conditioner / con climatizzatore											
2.0 (ESS)	NSG	84	114	01/95	>	12/00	23.440.00	31.514.00	30.016.00		×
with air-conditioner / con climatizzatore											
2.0 i EFI (DOHC)				08/94	>		23.127.02	31.514.00	30.016.00		
with air-conditioner / con climatizzatore											
				08/94	>		23.440.00	31.514.00	30.016.00		
without air-conditioner / senza climatizzatore											
2.5 D		51	70	10/97	>	12/00	23.280.00	24.371.00	30.016.00		×
with pump BOSCH / con pompa BOSCH											
2.5 D	4HB	56	76	10/97	>	12/00	23.280.00	24.371.00	30.016.00		×
2.5 D (EBL, EDL, EDS, E)		63	85	10/97	>	12/00	23.280.00	24.371.00	30.016.00		×
2.5 D (EDL, EDS)		56	76	10/97	>	12/00	23.280.00	24.371.00	30.016.00		×
2.5 D (ESS)	4HB	56	76	10/97	>	12/00	23.280.00	24.371.00	30.016.00		×
2.5 DI	4FA, 4FB, 4FC, 4FD	51	70	10/97	>	12/00	23.280.00	24.401.00	30.016.00		
2.5 DI (E-BL/DS/SL/SS/U)	4FA, 4FB, 4FC	51	69	10/97	>	12/00	23.280.00	24.371.00	30.016.00		×
2.5 DI/TDE (EAL/AS/EML/ENEL)	4ED	85	116	05/99	>	03/00	23.280.00	24.401.00	30.106.00		×
2.5 TD-DI	4ED	85	115	10/97	>	12/00	23.280.00	24.401.00	30.106.00		
2.5 TDE		63	85	11/97	>	12/00	23.280.00	24.401.00	30.106.00		×
2.5 TDE		74	100	11/98	>	12/00	23.280.00	24.401.00	30.106.00		×
2.5 TDE		85	115	11/97	>	12/00	23.280.00	24.401.00	30.106.00		×
2.5 TDE	4HA, 4HD	55	75	11/98	>	12/00	23.280.00	24.401.00	30.106.00		×
2.5 TDI (EDL)	4EB	74	101	10/97	>	12/00	23.280.00	24.371.00	30.016.00		×
2.5 TDI (EDL)	4GC	63	85	10/97	>	12/00	23.280.00	24.371.00	30.016.00		×
2.5 TDI (EDS)		63	85	10/97	>	12/00	23.280.00	24.371.00	30.016.00		×
2.5 TDI (ESS)	4EB	74	101	10/97	>	12/00	23.280.00	24.371.00	30.016.00		×
2.5 TDI (ESS)	4GC	63	85	10/97	>	12/00	23.280.00	24.371.00	30.016.00		×
Transit Connect											
1.8 i DOHC	Duratec	85	115	08/02	>	12/13	23.440.00	31.769.00	30.101.00	53.034.00	
with activated carbons / ai carboni attivi											
	Duratec	85	115	08/02	>	12/13	23.440.00	31.769.00	30.101.00	54.106.00	
antibacterial, anti-odour and anti-allergen filter / filtro antibatterico, antiodori e anti-allergeni											
	Duratec	85	115	08/02	>	12/13				34.106.00	
1.8 TDCI	Duratorq	66	90	08/02	>	07/06	23.280.00	24.445.00	30.101.00	53.034.00	

...FORD - commercial vehicles/veicoli commerciali

F

with activated carbons / ai carboni attivi	Duratorq	66	90	08/06 >	12/13	23.280.00	24.445.00	30.C47.00	53.034.00
with facility for water sensor / con predisposizione per sensore acqua	Duratorq	66	90	08/02 >	12/13		24.133.00		54.106.00
antibacterial, anti-odour and anti-allergen filter / filtro antibatterico, antiodori e anti-allergeni	Duratorq	66	90	08/02 >	12/13				34.106.00
1.8 TDCI	Duratorq	81	110	08/06 >	12/13	23.280.00	24.445.00	30.C47.00	53.034.00
with activated carbons / ai carboni attivi	Duratorq	81	110	08/06 >	12/13				54.106.00
with facility for water sensor / con predisposizione per sensore acqua	Duratorq	81	110	08/06 >	12/13		24.133.00		
antibacterial, anti-odour and anti-allergen filter / filtro antibatterico, antiodori e anti-allergeni	Duratorq	81	110	08/02 >	12/13				34.106.00
1.8 TDDI	Duratorq	55	75	08/02 >	07/06	23.280.00	24.450.00	30.101.00	53.034.00
	Duratorq	55	75	08/06 >	12/13	23.280.00	24.450.00	30.C47.00	53.034.00
with activated carbons / ai carboni attivi	Duratorq	55	75	08/02 >	12/13				54.106.00
with facility for water sensor / con predisposizione per sensore acqua	Duratorq	55	75	08/02 >	12/13		24.133.00		
antibacterial, anti-odour and anti-allergen filter / filtro antibatterico, antiodori e anti-allergeni	Duratorq	55	75	08/02 >	12/13				34.106.00
Electric				02/11 >	12/13		✗	✗	✗
with activated carbons / ai carboni attivi				02/11 >	12/13				54.106.00
antibacterial, anti-odour and anti-allergen filter / filtro antibatterico, antiodori e anti-allergeni				02/11 >	12/13				34.106.00
Transit Connect II (CHC)									
1.0 EcoBoost	10FDOX (Fox)	74	100	10/13 >				∞	27.675.00
with activated carbons / ai carboni attivi	10FDOX (Fox)	74	100	10/13 >					54.218.00
antibacterial, anti-odour and anti-allergen filter / filtro antibatterico, antiodori e anti-allergeni	10FDOX (Fox)	74	100	10/13 >					34.218.00
1.5 EcoBlue (CHC)	BEGA	55	75	05/18 >		25.216.00			53.422.00
with activated carbons / ai carboni attivi	BEGA	55	75	05/18 >					54.218.00
antibacterial, anti-odour and anti-allergen filter / filtro antibatterico, antiodori e anti-allergeni	BEGA	55	75	05/18 >					34.218.00
1.5 EcoBlue (CHC)	Z2GA	74	100	05/18 >		25.216.00			53.422.00
with activated carbons / ai carboni attivi	Z2GA	74	100	05/18 >					54.218.00
antibacterial, anti-odour and anti-allergen filter / filtro antibatterico, antiodori e anti-allergeni	Z2GA	74	100	05/18 >					34.218.00
1.5 EcoBlue (CHC)	ZTGA	88	120	05/18 >		25.216.00			53.422.00
with activated carbons / ai carboni attivi	ZTGA	88	120	05/18 >					54.218.00
antibacterial, anti-odour and anti-allergen filter / filtro antibatterico, antiodori e anti-allergeni	ZTGA	88	120	05/18 >					34.218.00
1.5 TDCI 100	15DSOX	74	101	07/15 >		25.037.00	26.104.00	27.675.00	53.422.00
with activated carbons / ai carboni attivi	15DSOX	74	101	07/15 >					54.218.00
antibacterial, anti-odour and anti-allergen filter / filtro antibatterico, antiodori e anti-allergeni	15DSOX	74	101	07/15 >					34.218.00
1.5 TDCI 120	15DSOX	88	120	07/15 >		25.037.00	26.104.00	27.675.00	53.422.00
with activated carbons / ai carboni attivi	15DSOX	88	120	07/15 >					54.218.00
antibacterial, anti-odour and anti-allergen filter / filtro antibatterico, antiodori e anti-allergeni	15DSOX	88	120	07/15 >					34.218.00
1.5 TDCI 75	15DSOX	55	75	07/15 >		25.037.00	26.104.00	27.675.00	53.422.00
with activated carbons / ai carboni attivi	15DSOX	55	75	07/15 >					54.218.00
antibacterial, anti-odour and anti-allergen filter / filtro antibatterico, antiodori e anti-allergeni	15DSOX	55	75	07/15 >					34.218.00
1.6 EcoBoost	Sigma	110	150	10/13 >		23.267.00		∞	27.675.00
with activated carbons / ai carboni attivi	Sigma	110	150	10/13 >					54.218.00
antibacterial, anti-odour and anti-allergen filter / filtro antibatterico, antiodori e anti-allergeni	Sigma	110	150	10/13 >					34.218.00
1.6 TDCI 115	SOHC-DV6	85	116	10/13 >		25.037.00	24.128.00	27.675.00	53.422.00
with activated carbons / ai carboni attivi	SOHC-DV6	85	116	10/13 >					54.218.00
antibacterial, anti-odour and anti-allergen filter / filtro antibatterico, antiodori e anti-allergeni	SOHC-DV6	85	116	10/13 >					34.218.00
1.6 TDCI 75	SOHC-DV6	55	75	10/13 >		25.037.00	24.128.00	27.675.00	53.422.00
with activated carbons / ai carboni attivi	SOHC-DV6	55	75	10/13 >					54.218.00
antibacterial, anti-odour and anti-allergen filter / filtro antibatterico, antiodori e anti-allergeni	SOHC-DV6	55	75	10/13 >					34.218.00
1.6 TDCI 95	SOHC-DV6	70	95	10/13 >		25.037.00	24.128.00	27.675.00	53.422.00
with activated carbons / ai carboni attivi	SOHC-DV6	70	95	10/13 >					54.218.00
antibacterial, anti-odour and anti-allergen filter / filtro antibatterico, antiodori e anti-allergeni	SOHC-DV6	70	95	10/13 >					34.218.00
Transit Courier (C4A)									
1.0 EcoBoost	SFCA/SFCB	74	101	04/14 >		23.632.00		∞	30.390.00
with activated carbons / ai carboni attivi	SFCA/SFCB	74	101	04/14 >					54.170.00
antibacterial, anti-odour and anti-allergen filter / filtro antibatterico, antiodori e anti-allergeni	SFCA/SFCB	74	101	04/14 >					34.170.00
1.5 TDCI	15DSOX	55	75	04/14 >	04/18	25.037.00	24.128.00	30.390.00	53.207.00
	15DSOX	55	75	05/18 >		25.037.00	24.128.00	30.A52.00	53.207.00
with activated carbons / ai carboni attivi	15DSOX	55	75	04/14 >					54.170.00
antibacterial, anti-odour and anti-allergen filter / filtro antibatterico, antiodori e anti-allergeni	15DSOX	55	75	04/14 >					34.170.00
1.5 TDCI	C15DSOX	70	95	05/15 >	04/18	25.037.00	26.104.00	30.390.00	53.207.00
	C15DSOX	70	95	05/18 >		25.037.00	26.104.00	30.A52.00	53.207.00
with activated carbons / ai carboni attivi	C15DSOX	70	95	05/15 >					54.170.00
antibacterial, anti-odour and anti-allergen filter / filtro antibatterico, antiodori e anti-allergeni	C15DSOX	70	95	05/15 >					34.170.00
1.6 TDCI	T3CA/T3CB	70	95	04/14 >		25.037.00	24.128.00	30.390.00	53.207.00
with activated carbons / ai carboni attivi	T3CA/T3CB	70	95	04/14 >					54.170.00
antibacterial, anti-odour and anti-allergen filter / filtro antibatterico, antiodori e anti-allergeni	T3CA/T3CB	70	95	04/14 >					34.170.00
Transit Custom 2012									
2.0 EcoBlue mHEV 105		77	105	05/19 >		23.739.00			53.323.00

...FORD - commercial vehicles/veicoli commerciali

with activated carbons / ai carboni attivi	77	105	05/19	>				54.261.00
antibacterial, anti-odour and anti-allergen filter / filtro antibatterico, antiodori e anti-allergeni	77	105	05/19	>				34.261.00
2.0 EcoBlue mHEV 130	96	130	05/19	>	23.739.00			53.323.00
with activated carbons / ai carboni attivi	96	130	05/19	>				54.261.00
antibacterial, anti-odour and anti-allergen filter / filtro antibatterico, antiodori e anti-allergeni	96	130	05/19	>				34.261.00
2.0 EcoBlue mHEV 170	125	170	05/19	>	23.739.00			53.323.00
with activated carbons / ai carboni attivi	125	170	05/19	>				54.261.00
antibacterial, anti-odour and anti-allergen filter / filtro antibatterico, antiodori e anti-allergeni	125	170	05/19	>				34.261.00
2.0 EcoBlue mHEV 185	136	185	05/19	>	23.739.00			53.323.00
with activated carbons / ai carboni attivi	136	185	05/19	>				54.261.00
antibacterial, anti-odour and anti-allergen filter / filtro antibatterico, antiodori e anti-allergeni	136	185	05/19	>				34.261.00
2.0 TDCi EcoBlue 105	77	105	03/16	>	23.739.00			53.323.00
with activated carbons / ai carboni attivi	77	105	03/16	>				54.261.00
antibacterial, anti-odour and anti-allergen filter / filtro antibatterico, antiodori e anti-allergeni	77	105	03/16	>				34.261.00
2.0 TDCi EcoBlue 105 4WD	77	105	03/16	>	23.664.00			53.323.00
with activated carbons / ai carboni attivi	77	105	03/16	>				54.261.00
antibacterial, anti-odour and anti-allergen filter / filtro antibatterico, antiodori e anti-allergeni	77	105	03/16	>				34.261.00
2.0 TDCi EcoBlue 130	96	130	03/16	>	23.739.00			53.323.00
with activated carbons / ai carboni attivi	96	130	03/16	>				54.261.00
antibacterial, anti-odour and anti-allergen filter / filtro antibatterico, antiodori e anti-allergeni	96	130	03/16	>				34.261.00
2.0 TDCi EcoBlue 130 4WD	96	130	03/16	>	23.664.00			53.323.00
with activated carbons / ai carboni attivi	96	130	03/16	>				54.261.00
antibacterial, anti-odour and anti-allergen filter / filtro antibatterico, antiodori e anti-allergeni	96	130	03/16	>				34.261.00
2.0 TDCi EcoBlue 170	125	170	03/16	>	23.739.00			53.323.00
with activated carbons / ai carboni attivi	125	170	03/16	>				54.261.00
antibacterial, anti-odour and anti-allergen filter / filtro antibatterico, antiodori e anti-allergeni	125	170	03/16	>				34.261.00
2.0 TDCi EcoBlue 170 4WD	125	170	03/16	>	23.664.00			53.323.00
with activated carbons / ai carboni attivi	125	170	03/16	>				54.261.00
antibacterial, anti-odour and anti-allergen filter / filtro antibatterico, antiodori e anti-allergeni	125	170	03/16	>				34.261.00
2.0 TDCi EcoBlue 185	136	185	05/19	>	23.739.00			53.323.00
with activated carbons / ai carboni attivi	136	185	05/19	>				54.261.00
antibacterial, anti-odour and anti-allergen filter / filtro antibatterico, antiodori e anti-allergeni	136	185	05/19	>				34.261.00
2.2 TDCi 100	74	100	09/12	>	25.060.00	26.074.00	30.A17.00	53.323.00
2.2 TDCi 125	92	125	09/12	>	25.060.00	26.074.00	30.A17.00	53.323.00
2.2 TDCi 140	103	140	09/12	>	25.060.00	26.074.00	30.A17.00	53.323.00
2.2 TDCi 155	114	155	09/12	>	25.060.00	26.074.00	30.A17.00	53.323.00
Transit MY.2007								
2.2 TDCi	103	140	10/07	> 11/11	25.060.00	24.455.00	30.332.00	
with air-conditioner / con climatizzatore	103	140	10/07	> 11/11				54.223.00
antibacterial, anti-odour and anti-allergen filter / filtro antibatterico, antiodori e anti-allergeni	103	140	10/07	> 11/11				34.223.00
without air-conditioner / senza climatizzatore	103	140	10/07	> 11/11				✗
2.2 TDCi	62	85	07/06	> 11/11	25.060.00	24.455.00	30.332.00	
with air-conditioner / con climatizzatore	62	85	07/06	> 11/11				54.223.00
antibacterial, anti-odour and anti-allergen filter / filtro antibatterico, antiodori e anti-allergeni	62	85	07/06	> 11/11				34.223.00
without air-conditioner / senza climatizzatore	62	85	07/06	> 11/11				✗
2.2 TDCi	74	101	07/06	> 11/11	25.060.00	24.455.00	30.332.00	
with air-conditioner / con climatizzatore	74	101	07/06	> 11/11				54.223.00
antibacterial, anti-odour and anti-allergen filter / filtro antibatterico, antiodori e anti-allergeni	74	101	07/06	> 11/11				34.223.00
without air-conditioner / senza climatizzatore	74	101	07/06	> 11/11				✗
2.2 TDCi	81	110	07/06	> 11/11	25.060.00	24.455.00	30.332.00	
with air-conditioner / con climatizzatore	81	110	07/06	> 11/11				54.223.00
antibacterial, anti-odour and anti-allergen filter / filtro antibatterico, antiodori e anti-allergeni	81	110	07/06	> 11/11				34.223.00
without air-conditioner / senza climatizzatore	81	110	07/06	> 11/11				✗
2.2 TDCi	85	115	10/08	> 11/11	25.060.00	24.455.00	30.332.00	
with air-conditioner / con climatizzatore	85	115	10/08	> 11/11				54.223.00
antibacterial, anti-odour and anti-allergen filter / filtro antibatterico, antiodori e anti-allergeni	85	115	10/08	> 11/11				34.223.00
without air-conditioner / senza climatizzatore	85	115	10/08	> 11/11				✗
2.2 TDCi	88	120	07/06	> 11/11	25.060.00	24.455.00	30.332.00	
with air-conditioner / con climatizzatore	88	120	07/06	> 11/11				54.223.00
antibacterial, anti-odour and anti-allergen filter / filtro antibatterico, antiodori e anti-allergeni	88	120	07/06	> 11/11				34.223.00
without air-conditioner / senza climatizzatore	88	120	07/06	> 11/11				✗
2.2 TDCi	96	130	07/06	> 11/11	25.060.00	24.455.00	30.332.00	
with air-conditioner / con climatizzatore	96	130	07/06	> 11/11				54.223.00
antibacterial, anti-odour and anti-allergen filter / filtro antibatterico, antiodori e anti-allergeni	96	130	07/06	> 11/11				34.223.00
without air-conditioner / senza climatizzatore	96	130	07/06	> 11/11				✗
2.2 TDCi (TR)	103	140	10/07	> 11/11	25.060.00	24.432.00	30.332.00	
with air-conditioner / con climatizzatore	103	140	10/07	> 11/11				54.223.00

...FORD - commercial vehicles/veicoli commerciali

F

antibacterial, anti-odour and anti-allergen filter / filtro antibatterico, antiodori e anti-allergeni	103	140	10/07	>	11/11				34.223.00
without air-conditioner / senza climatizzatore	103	140	10/07	>	11/11				✗
2.2 TDCi (TR)	85	115	10/08	>	11/11	25.060.00	24.432.00	30.332.00	
with air-conditioner / con climatizzatore	85	115	10/08	>	11/11				54.223.00
antibacterial, anti-odour and anti-allergen filter / filtro antibatterico, antiodori e anti-allergeni	85	115	10/08	>	11/11				34.223.00
without air-conditioner / senza climatizzatore	85	115	10/08	>	11/11				✗
2.2 TDCi (FWD)	74	101	09/11	>		25.060.00		30.A17.00	
with air-conditioner / con climatizzatore	74	101	09/11	>					54.223.00
antibacterial, anti-odour and anti-allergen filter / filtro antibatterico, antiodori e anti-allergeni	74	101	09/11	>					34.223.00
without air-conditioner / senza climatizzatore	74	101	09/11	>					✗
2.2 TDCi (FWD)	92	125	09/11	>		25.060.00		30.A17.00	
with air-conditioner / con climatizzatore	92	125	09/11	>					54.223.00
antibacterial, anti-odour and anti-allergen filter / filtro antibatterico, antiodori e anti-allergeni	92	125	09/11	>					34.223.00
without air-conditioner / senza climatizzatore	92	125	09/11	>					✗
2.2 TDCi (RWD)	100	136	09/11	>		25.060.00			
with air-conditioner / con climatizzatore	100	136	09/11	>					54.223.00
antibacterial, anti-odour and anti-allergen filter / filtro antibatterico, antiodori e anti-allergeni	100	136	09/11	>					34.223.00
without air-conditioner / senza climatizzatore	100	136	09/11	>					✗
2.2 TDCi (RWD)	114	155	09/11	>		25.060.00			
with air-conditioner / con climatizzatore	114	155	09/11	>					54.223.00
antibacterial, anti-odour and anti-allergen filter / filtro antibatterico, antiodori e anti-allergeni	114	155	09/11	>					34.223.00
without air-conditioner / senza climatizzatore	114	155	09/11	>					✗
2.2 TDCi (RWD)	74	101	09/11	>		25.060.00			
with air-conditioner / con climatizzatore	74	101	09/11	>					54.223.00
antibacterial, anti-odour and anti-allergen filter / filtro antibatterico, antiodori e anti-allergeni	74	101	09/11	>					34.223.00
without air-conditioner / senza climatizzatore	74	101	09/11	>					✗
2.2 TDCi (RWD)	92	125	09/11	>		25.060.00			
with air-conditioner / con climatizzatore	92	125	09/11	>					54.223.00
antibacterial, anti-odour and anti-allergen filter / filtro antibatterico, antiodori e anti-allergeni	92	125	09/11	>					34.223.00
without air-conditioner / senza climatizzatore	92	125	09/11	>					✗
2.3 16V	107	145	07/06	>		23.413.00	31.817.00	30.155.00	
with air-conditioner / con climatizzatore	107	145	07/06	>					54.223.00
antibacterial, anti-odour and anti-allergen filter / filtro antibatterico, antiodori e anti-allergeni	107	145	07/06	>					34.223.00
without air-conditioner / senza climatizzatore	107	145	07/06	>					✗
2.4 TDCi	103	140	07/06	>	11/11	25.060.00	24.455.00	30.155.00	
with air-conditioner / con climatizzatore	103	140	07/06	>	11/11				54.223.00
antibacterial, anti-odour and anti-allergen filter / filtro antibatterico, antiodori e anti-allergeni	103	140	07/06	>	11/11				34.223.00
rotor for oil centrifuge / rotore per filtro olio centrifugo	103	140	07/06	>	11/11	25.901.00			
without air-conditioner / senza climatizzatore	103	140	07/06	>	11/11				✗
2.4 TDCi	74	100	07/06	>	11/11	25.060.00	24.455.00	30.155.00	
with air-conditioner / con climatizzatore	74	100	07/06	>	11/11				54.223.00
antibacterial, anti-odour and anti-allergen filter / filtro antibatterico, antiodori e anti-allergeni	74	100	07/06	>	11/11				34.223.00
rotor for oil centrifuge / rotore per filtro olio centrifugo	74	100	07/06	>	11/11	25.901.00			
without air-conditioner / senza climatizzatore	74	100	07/06	>	11/11				✗
2.4 TDCi	85	115	07/06	>	11/11	25.060.00	24.455.00	30.155.00	
with air-conditioner / con climatizzatore	85	115	07/06	>	11/11				54.223.00
antibacterial, anti-odour and anti-allergen filter / filtro antibatterico, antiodori e anti-allergeni	85	115	07/06	>	11/11				34.223.00
rotor for oil centrifuge / rotore per filtro olio centrifugo	85	115	07/06	>	11/11	25.901.00			
without air-conditioner / senza climatizzatore	85	115	07/06	>	11/11				✗
2.4 TDCi (TR)	74	100	07/06	>	11/11	25.060.00	24.432.00	30.155.00	
with air-conditioner / con climatizzatore	74	100	07/06	>	11/11				54.223.00
antibacterial, anti-odour and anti-allergen filter / filtro antibatterico, antiodori e anti-allergeni	74	100	07/06	>	11/11				34.223.00
rotor for oil centrifuge / rotore per filtro olio centrifugo	74	100	07/06	>	11/11	25.901.00			
without air-conditioner / senza climatizzatore	74	100	07/06	>	11/11				✗
2.4 TDCi 4x4	103	140	11/06	>	11/11	25.060.00	24.455.00	30.155.00	
with air-conditioner / con climatizzatore	103	140	11/06	>	11/11				54.223.00
antibacterial, anti-odour and anti-allergen filter / filtro antibatterico, antiodori e anti-allergeni	103	140	11/06	>	11/11				34.223.00
rotor for oil centrifuge / rotore per filtro olio centrifugo	103	140	11/06	>	11/11	25.901.00			
without air-conditioner / senza climatizzatore	103	140	11/06	>	11/11				✗
2.4 TDCi 4x4 (TR)	103	140	11/06	>	11/11	25.060.00	24.432.00	30.155.00	
with air-conditioner / con climatizzatore	103	140	11/06	>	11/11				54.223.00
antibacterial, anti-odour and anti-allergen filter / filtro antibatterico, antiodori e anti-allergeni	103	140	11/06	>	11/11				34.223.00
rotor for oil centrifuge / rotore per filtro olio centrifugo	103	140	11/06	>	11/11	25.901.00			
without air-conditioner / senza climatizzatore	103	140	11/06	>	11/11				✗
3.2 TDCi									
	Duratorq	147	200	09/07	>	11/11	25.060.00	24.455.00	
with air-conditioner / con climatizzatore	Duratorq	147	200	09/07	>	11/11			54.223.00
antibacterial, anti-odour and anti-allergen filter / filtro antibatterico, antiodori e anti-allergeni	Duratorq	147	200	09/07	>	11/11			34.223.00

...FORD - commercial vehicles/veicoli commerciali

rotor for oil centrifuge / rotore per filtro olio centrifugo	Duratorq	147	200	09/07 >	11/11	25.901.00				X
without air-conditioner / senza climatizzatore	Duratorq	147	200	09/07 >	11/11					
Transit MY.2012										
2.2 TDCI 100		74	100	10/11 >		25.060.00	26.074.00	30.A17.00		53.323.00
2.2 TDCI 100 ECOnetic		74	100	10/11 >		25.060.00	26.074.00	30.A17.00		53.323.00
2.2 TDCI 125		92	125	10/11 >		25.060.00	26.074.00	30.A17.00		53.323.00
2.2 TDCI 125 ECOnetic		92	125	10/11 >		25.060.00	26.074.00	30.A17.00		53.323.00
2.2 TDCI 140		100	136	10/11 >		25.060.00	26.074.00	30.A17.00		53.323.00
2.2 TDCI 155		114	155	10/11 >		25.060.00	26.074.00	30.A17.00		53.323.00
Transit MY.2014										
2.0 EcoBlue mHEV 130		96	130	05/19 >		23.739.00				53.323.00
with activated carbons / ai carboni attivi		96	130	05/19 >						54.261.00
antibacterial, anti-odour and anti-allergen filter / filtro antibatterico, antiodori e anti-allergeni		96	130	05/19 >						34.261.00
2.0 EcoBlue mHEV 170		125	170	05/19 >		23.739.00				53.323.00
with activated carbons / ai carboni attivi		125	170	05/19 >						54.261.00
antibacterial, anti-odour and anti-allergen filter / filtro antibatterico, antiodori e anti-allergeni		125	170	05/19 >						34.261.00
2.0 TDCI EcoBlue 105		77	105	03/16 >						53.323.00
with activated carbons / ai carboni attivi		77	105	03/16 >						54.261.00
antibacterial, anti-odour and anti-allergen filter / filtro antibatterico, antiodori e anti-allergeni		77	105	03/16 >						34.261.00
front drive / trazione anteriore		77	105	03/16 >		23.739.00				
2.0 TDCI EcoBlue 105 4WD		77	105	03/16 >						53.323.00
with activated carbons / ai carboni attivi		77	105	03/16 >						54.261.00
antibacterial, anti-odour and anti-allergen filter / filtro antibatterico, antiodori e anti-allergeni		77	105	03/16 >						34.261.00
rear drive / trazione posteriore		77	105	03/16 >		23.664.00				
2.0 TDCI EcoBlue 130		96	130	03/16 >						53.323.00
with activated carbons / ai carboni attivi		96	130	03/16 >						54.261.00
antibacterial, anti-odour and anti-allergen filter / filtro antibatterico, antiodori e anti-allergeni		96	130	03/16 >						34.261.00
front drive / trazione anteriore		96	130	03/16 >		23.739.00				
2.0 TDCI EcoBlue 130 4WD		96	130	03/16 >						53.323.00
with activated carbons / ai carboni attivi		96	130	03/16 >						54.261.00
antibacterial, anti-odour and anti-allergen filter / filtro antibatterico, antiodori e anti-allergeni		96	130	03/16 >						34.261.00
rear drive / trazione posteriore		96	130	03/16 >		23.664.00				
2.0 TDCI EcoBlue 170		125	170	03/16 >						53.323.00
with activated carbons / ai carboni attivi		125	170	03/16 >						54.261.00
antibacterial, anti-odour and anti-allergen filter / filtro antibatterico, antiodori e anti-allergeni		125	170	03/16 >						34.261.00
front drive / trazione anteriore		125	170	03/16 >		23.739.00				
2.0 TDCI EcoBlue 170 4WD		125	170	03/16 >						53.323.00
with activated carbons / ai carboni attivi		125	170	03/16 >						54.261.00
antibacterial, anti-odour and anti-allergen filter / filtro antibatterico, antiodori e anti-allergeni		125	170	03/16 >						34.261.00
rear drive / trazione posteriore		125	170	03/16 >		23.664.00				
2.0 TDCI EcoBlue 185		136	185	05/19 >		23.739.00				53.323.00
with activated carbons / ai carboni attivi		136	185	05/19 >						54.261.00
2.2 TDCI 100		74	101	01/14 >						54.261.00
with activated carbons / ai carboni attivi		74	101	01/14 >						34.261.00
antibacterial, anti-odour and anti-allergen filter / filtro antibatterico, antiodori e anti-allergeni		74	101	01/14 >						34.261.00
front drive / trazione anteriore		74	101	01/14 >		23.584.00	26.074.00	30.A17.00		53.323.00
2.2 TDCI 100 4WD		74	101	01/14 >		23.584.00	26.074.00	30.155.00		53.323.00
with activated carbons / ai carboni attivi		74	101	01/14 >						54.261.00
antibacterial, anti-odour and anti-allergen filter / filtro antibatterico, antiodori e anti-allergeni		74	101	01/14 >						34.261.00
2.2 TDCI 125		92	125	01/14 >						54.261.00
with activated carbons / ai carboni attivi		92	125	01/14 >						34.261.00
antibacterial, anti-odour and anti-allergen filter / filtro antibatterico, antiodori e anti-allergeni		92	125	01/14 >						34.261.00
front drive / trazione anteriore		92	125	01/14 >		23.584.00	26.074.00	30.A17.00		53.323.00
2.2 TDCI 125 4WD		92	125	01/14 >		23.584.00	26.074.00	30.155.00		53.323.00
with activated carbons / ai carboni attivi		92	125	01/14 >						54.261.00
antibacterial, anti-odour and anti-allergen filter / filtro antibatterico, antiodori e anti-allergeni		92	125	01/14 >						34.261.00
2.2 TDCI 135 4WD	UHR5	99	135	01/14 >		23.584.00	26.074.00	30.155.00		53.323.00
with activated carbons / ai carboni attivi	UHR5	99	135	01/14 >						54.261.00
antibacterial, anti-odour and anti-allergen filter / filtro antibatterico, antiodori e anti-allergeni	UHR5	99	135	01/14 >						34.261.00
2.2 TDCI 155		114	155	01/14 >						54.261.00
with activated carbons / ai carboni attivi		114	155	01/14 >						34.261.00
antibacterial, anti-odour and anti-allergen filter / filtro antibatterico, antiodori e anti-allergeni		114	155	01/14 >						34.261.00
front drive / trazione anteriore		114	155	01/14 >		23.584.00	26.074.00	30.A17.00		53.323.00
2.2 TDCI 155 4WD		114	155	01/14 >		23.584.00	26.074.00	30.155.00		53.323.00
with activated carbons / ai carboni attivi		114	155	01/14 >						54.261.00
antibacterial, anti-odour and anti-allergen filter / filtro antibatterico, antiodori e anti-allergeni		114	155	01/14 >						34.261.00

FORD
off-road cars/fuoristrada
Maverick

2.4 i (UDS)									
with air-conditioner / con climatizzatore	Nissan			09/96 > 11/00	23.240.00	31.529.00	30.973.00	53.052.00	
2.7 TD (UDS)									
with air-conditioner / con climatizzatore	Nissan TD27E	92	125	09/96 > 11/00		24.375.00	27.524.00	53.052.00	

Maverick II

2.0 16V	YF	91	124	10/00 > 04/04	23.440.00	31.624.00		53.250.00	
2.3 16V	GZ	110	150	03/04 >	23.413.00	31.624.00		53.250.00	
3.0 V6 24V	AJ	145	197	10/00 > 03/04	23.463.00	31.624.00		53.250.00	
3.0 V6 24V	AJ	149	203	03/04 >	23.463.00	31.624.00		53.250.00	

Ranger

2.5 D	MD25NA	57	78	10/99 > 04/02		24.411.00	30.169.00		✗
2.5 TD 4X2	MD25TI	80	109	10/99 > 02/07		24.411.00	30.169.00		✗
2.5 TD 4X4	MD25TI	80	109	10/99 > 02/07		24.411.00	30.169.00		✗
2.5 TDCi	WLAA	105	143	05/06 > 03/12		24.374.00	27.691.00		✗
3.0 TDCi	WEAT	115	156	05/06 > 03/12		24.374.00	27.691.00		✗

Ranger (TKE)

2.2 TDCi 120		88	120	04/11 >	25.191.00	26.102.00	27.874.00	53.383.00	
2.2 TDCi 125		92	125	11/11 >	25.191.00	26.102.00	27.874.00	53.383.00	
2.2 TDCi 125 4x4		92	125	11/11 >	25.191.00	26.102.00	27.874.00	53.383.00	
2.2 TDCi 130		96	130	05/15 >	25.191.00	26.102.00	27.874.00	53.383.00	
2.2 TDCi 130 4x4		96	130	05/15 >	25.191.00	26.102.00	27.874.00	53.383.00	
2.2 TDCi 150		110	150	11/11 >	25.191.00	26.102.00	27.874.00	53.383.00	
2.2 TDCi 150 4x4		110	150	11/11 >	25.191.00	26.102.00	27.874.00	53.383.00	
2.2 TDCi 160		118	160	05/15 >	25.191.00	26.102.00	27.874.00	53.383.00	
2.2 TDCi 160 4x4		118	160	05/15 >	25.191.00	26.102.00	27.874.00	53.383.00	
2.5 i 4x4		122	166	11/11 >			27.874.00	53.383.00	
3.2 TDCi 200 4x4		147	200	11/11 >	25.191.00	26.102.00	27.874.00	53.383.00	

FREIGHT ROVER
commercial vehicles/veicoli commerciali
Sherpa

1.6				01/74 >	23.103.00				
1.7				01/74 >	23.197.00				
1.8				01/74 >	23.103.00				
1.8 Diesel									
from engine No. D19001 / da motore N. D19001					23.127.02				
2.0				01/80 >	23.197.00				
2.0 Diesel	Perkins			01/86 >	23.246.00	24.351.00			
2.0 Turbodiesel	Perkins			01/86 >	23.246.00	24.351.00			
2.5 Diesel				01/83 >		24.360.00			

FSM (FIAT POLSKI)
cars/auto
126

126 Bis				01/87 >		31.001.00	30.919.00		
126 Bis Up				01/87 >		31.001.00	30.919.00		
126P				11/73 >		31.001.00	27.756.00		

FSO (FIAT POLSKI)
cars/auto
125P

1.3				07/68 >		31.001.00			
1.3 ML				07/68 >		31.001.00			
1.5				07/68 >		31.001.00	27.719.00		
1.5 Kombi				11/72 >		31.001.00	27.719.00		

Polonez

1.5				05/78 >	23.127.00	31.001.00	27.719.00		
1.6 SLE				01/88 >	23.127.00	31.001.00	27.719.00		

GRECAV
microcars/microvetture
Eke Diesel

Eke E	Lombardini LDW502 (505)			01/00 >	23.262.00	24.352.00	30.997.00		✗
Eke L	Lombardini LDW502 (505)			01/00 >	23.262.00	24.352.00	30.997.00		✗
Eke Lm	Lombardini LDW502 (505)			01/00 >	23.262.00	24.352.00	30.997.00		✗
Eke Lp	Lombardini LDW502 (505)			01/00 >	23.262.00	24.352.00	30.997.00		✗
Eke Palladium	Lombardini LDW502 (505)			01/00 >	23.262.00	24.352.00	30.997.00		✗
Eke XL	Lombardini LDW502 (505)			01/00 >	23.262.00	24.352.00	30.997.00		✗
Eke XL Elegante	Lombardini LDW502 (505)			01/00 >	23.262.00	24.352.00	30.997.00		✗

Sonique

...GRECAV - microcars/microvetture

505 Diesel	Lombardini LDW502	4	5	01/10 >	23.262.00	24.352.00	30.997.00	X
HAVAL cars/auto								
H2								
1.5L	GW4G15B	110	150	07/14 >	23.265.00			53.123.00
with activated carbons / ai carboni attivi	GW4G15B	110	150	07/14 >				54.306.00
H6								
1.5T	GW4G15B	105	143	01/14 >	23.265.00			53.123.00
with activated carbons / ai carboni attivi	GW4G15B	105	143	01/14 >				54.306.00
1.5T	GW4G15B	110	150	01/14 >	23.265.00			53.123.00
with activated carbons / ai carboni attivi	GW4G15B	110	150	01/14 >				54.306.00
2.0 TCI	GW4D20D	105	143	09/13 >				53.123.00
with activated carbons / ai carboni attivi	GW4D20D	105	143	09/13 >				54.306.00
HONDA cars/auto								
Accord								
1.6 i 16V								
with air-conditioner / con climatizzatore	D16B6	85	115	10/98 > 12/02	23.243.00		30.231.00	53.065.00
1.8 i 16V V-TEC				10/98 > 12/02	23.243.00		30.231.00	53.065.00
with air-conditioner / con climatizzatore								
2.0 i 16V V-TEC				10/98 > 12/02	23.243.00		30.231.00	53.065.00
with air-conditioner / con climatizzatore								
2.0 i 16V V-TEC (CL7/CL8)	K20A	114	155	01/03 >	23.265.00		30.276.00	53.123.00
with activated carbons / ai carboni attivi	K20A	114	155	01/03 >				54.306.00
2.0 i-VTEC		115	156	07/08 >	23.265.00		30.408.00	53.123.00
with activated carbons / ai carboni attivi		115	156	07/08 >				54.306.00
2.0 TDI (CH)								
with air-conditioner / con climatizzatore	20T2N	77	105	10/98 > 12/02	23.495.00	24.365.00	30.068.00	53.065.00
2.2 i 16V V-TEC Type-R				10/98 > 12/02	23.243.00		30.231.00	53.065.00
with air-conditioner / con climatizzatore								
2.2 i-CTDI 16V (CN1)	N22A1	103	140	01/04 > 05/08	25.072.00	24.196.00	30.380.00	53.123.00
with activated carbons / ai carboni attivi	N22A1	103	140	01/04 > 05/08				54.306.00
2.2 i-DTEC DPF	N22B1	110	150	06/08 >	25.074.00	26.077.00	30.573.00	53.123.00
with activated carbons / ai carboni attivi	N22B1	110	150	06/08 >				54.306.00
2.2 i-DTEC DPF Type S	N22B2	132	180	04/09 >	25.074.00	26.077.00	30.573.00	53.123.00
with activated carbons / ai carboni attivi	N22B2	132	180	04/09 >				54.306.00
2.3 i 16V								
with air-conditioner / con climatizzatore	F23A7/Z5			10/00 > 12/02	23.243.00		30.231.00	53.065.00
2.4 i 16V (CL9)	K24A	140	190	01/03 >	23.265.00		30.276.00	53.123.00
with activated carbons / ai carboni attivi	K24A	140	190	01/03 >				54.306.00
2.4 i-VTEC		148	201	07/08 >	23.265.00			53.123.00
with activated carbons / ai carboni attivi		148	201	07/08 >				54.306.00
Accord Coupè								
2.0 i 16V (CG41/2)	F20B5	108	147	02/98 > 12/02	23.243.00		30.227.00	
3.0 V-TEC 24V	J30A	147	200	02/98 > 06/03	23.265.00			
Accord Tourer								
2.0 i 16V V-TEC (CM1)	K20A	114	155	03/03 >	23.265.00		30.276.00	53.123.00
with activated carbons / ai carboni attivi	K20A	114	155	03/03 >				54.306.00
2.0 i-VTEC		115	156	07/08 >	23.265.00		30.408.00	53.123.00
with activated carbons / ai carboni attivi		115	156	07/08 >				54.306.00
2.2 i-CTDI 16V (CN2)	N22A1	103	140	01/04 > 05/08	25.072.00	24.435.00	30.380.00	53.123.00
with activated carbons / ai carboni attivi	N22A1	103	140	01/04 > 05/08				54.306.00
2.2 i-DTEC DPF	N22B1	110	150	06/08 >	25.074.00	26.077.00	30.573.00	53.123.00
with activated carbons / ai carboni attivi	N22B1	110	150	06/08 >				54.306.00
2.2 i-DTEC DPF Type S	N22B2	132	180	04/09 >	25.074.00	26.077.00	30.573.00	53.123.00
with activated carbons / ai carboni attivi	N22B2	132	180	04/09 >				54.306.00
2.4 i 16V V-TEC (CM2, CM3)	K24A	140	190	03/03 >	23.265.00		30.276.00	53.123.00
with activated carbons / ai carboni attivi	K24A	140	190	03/03 >				54.306.00
2.4 i-VTEC		148	201	07/08 >	23.265.00			53.123.00
with activated carbons / ai carboni attivi		148	201	07/08 >				54.306.00
Accord X (CV)								
1.5 i VTEC	L15BE 138 188	138	188	10/17 >	23.265.00			
2.0 i VTEC	K20C4	182	247	10/17 >	23.265.00			
Acty								
550					23.271.00			
Ballade								
150 16V (RSA)				01/89 >	23.243.00	31.024.00		

...HONDA - cars/auto

150 i 16V (RSA)				01/89 >	23.243.00			
160 E 16V DOHC (RSA)				01/89 >	23.243.00	31.539.00		
160 i 16V (RSA)				01/89 >	23.243.00	31.539.00		
Capa								
1.5 i 16V (GA)	D15B	72	98	04/98 > 12/02	23.265.00	31.621.00	30.238.00	
City								
1.4 i-VTEC	L13A	73	100	12/08 >	23.265.00			53.160.00
Civic								
1.4 i 16V (EJ9)								
with air-conditioner / con climatizzatore	D14A3	55	75	10/95 > 04/01	23.243.00	31.621.00	30.001.00	53.063.00
without air-conditioner / senza climatizzatore	D14A3	55	75	10/95 > 04/01				53.232.00
1.4 i 16V (MA871)								
with air-conditioner / con climatizzatore	D14A2	66	90	09/94 > 04/01	23.243.00	31.621.00	30.235.00	53.063.00
without air-conditioner / senza climatizzatore	D14A2	66	90	09/94 > 04/01				53.232.00
1.4 i 16V S (EJ9)								
with air-conditioner / con climatizzatore	D14A4	66	90	10/95 > 04/01	23.243.00	31.621.00	30.001.00	53.063.00
without air-conditioner / senza climatizzatore	D14A4	66	90	10/95 > 04/01				53.232.00
1.4 i New Age (MB2/MB8)								
with air-conditioner / con climatizzatore	D14A7	55	75	01/97 > 04/01	23.243.00	31.621.00	30.235.00	53.063.00
without air-conditioner / senza climatizzatore	D14A7	55	75	01/97 > 04/01				53.232.00
1.5 i 16V LS V-TEC (EK3)								
with air-conditioner / con climatizzatore	D15Z6	84	114	11/95 > 04/01	23.243.00	31.621.00	30.235.00	53.063.00
without air-conditioner / senza climatizzatore	D15Z6	84	114	11/95 > 04/01				53.232.00
1.6 16V F.I. SI (USA)								
		95	129	01/92 >	23.243.00	31.535.00		✗
1.6 16V VTI V-TEC (EK4)								
with air-conditioner / con climatizzatore	B16A2	118	160	11/95 > 04/01	23.243.00	31.621.00	30.238.00	53.063.00
without air-conditioner / senza climatizzatore	B16A2	118	160	11/95 > 04/01				53.232.00
1.6 EFI (USA)								
				01/91 >	23.271.00	31.621.00		✗
1.6 i 16V (MB47/8)								
with air-conditioner / con climatizzatore	D16B2	85	115	01/97 > 04/01	23.243.00	31.621.00	30.235.00	53.063.00
without air-conditioner / senza climatizzatore	D16B2	85	115	01/97 > 04/01				53.232.00
1.6 i 16V V-TEC CVT (V-Matic)								
with air-conditioner / con climatizzatore				01/96 > 04/01	23.243.00	31.621.00		53.063.00
without air-conditioner / senza climatizzatore				01/96 > 04/01				53.232.00
1.6 V-TEC EFI (USA)								
				01/91 >	23.271.00	31.621.00		✗
1.8 i 16V VTI (MB6)								
with air-conditioner / con climatizzatore	D18C4	124	169	01/97 > 04/01	23.243.00	31.621.00	30.235.00	53.063.00
without air-conditioner / senza climatizzatore	D18C4	124	169	01/97 > 04/01				53.232.00
2.0 D								
with air-conditioner / con climatizzatore		63	86	01/97 > 04/01	23.246.00	24.365.00	30.068.00	53.063.00
without air-conditioner / senza climatizzatore		63	86	01/97 > 04/01				53.232.00
2.0 TDI								
with air-conditioner / con climatizzatore	20T2N	77	105	04/98 > 04/01	23.495.00	24.365.00	30.068.00	53.063.00
without air-conditioner / senza climatizzatore	20T2N	77	105	04/98 > 04/01				53.232.00
Civic Coupè								
1.6 i 16V cat (EJ6)								
with air-conditioner / con climatizzatore	D16Y7	77	105	11/95 > 04/01	23.243.00	31.621.00	30.001.00	53.063.00
1.6 i 16V V-TEC SR								
with air-conditioner / con climatizzatore	D16Y6	92	125	11/95 > 04/01	23.243.00	31.621.00	30.238.00	53.063.00
Civic CRX								
1.6 i 16V ESI (EH6)								
	D16Z6	92	125	03/92 >	23.243.00	31.539.00	30.235.00	
Civic Hybrid								
1.3								
with activated carbons / ai carboni attivi	LDA2	70	95	05/06 >	23.265.00		30.381.00	53.123.00
	LDA2	70	95	05/06 >				54.306.00
Civic IX								
1.4 i-VTEC								
with activated carbons / ai carboni attivi	L13Z4	73	100	02/12 >	23.265.00		30.B08.00	53.123.00
	L13Z4	73	100	02/12 >				54.306.00
1.6 i-DTEC								
with activated carbons / ai carboni attivi	N16A1	88	120	04/13 >	23.481.00		30.C39.00	53.123.00
	N16A1	88	120	04/13 >				54.306.00
1.6 i-VTEC								
with activated carbons / ai carboni attivi		92	125	02/12 >	23.265.00		30.A54.00	53.123.00
		92	125	02/12 >				54.306.00
1.8 i-VTEC								
with activated carbons / ai carboni attivi	R18Z4	104	142	02/12 >	23.265.00		30.A54.00	53.123.00
	R18Z4	104	142	02/12 >				54.306.00
2.0 Turbo (Type R)								
with activated carbons / ai carboni attivi		228	310	06/15 >				53.123.00
		228	310	06/15 >				54.306.00
2.2 i-DTEC								
with activated carbons / ai carboni attivi	N22B4	110	150	02/12 >	25.074.00	26.077.00	30.C39.00	53.123.00
	N22B4	110	150	02/12 >				54.306.00

...HONDA - cars/auto

Civic VII									
1.3 16V V-TEC IMA		66	90	11/03 >	12/05	23.265.00		30.313.00	53.108.00
1.4 16V		55	75	03/01 >	12/05	23.265.00		30.228.00	53.108.00
1.4 16V	D14Z6	66	90	03/01 >	12/05	23.265.00		30.228.00	53.108.00
1.6 16V V-TEC		81	110	03/01 >	12/05	23.265.00		30.228.00	53.108.00
1.7 CTDI 16V		74	100	02/02 >	12/05	25.027.00	24.435.00	30.360.00	53.108.00
1.7 i		85	116	02/01 >	12/05	23.265.00			53.108.00
2.0 16V V-TEC Type R	K20A2	147	200	02/01 >	12/05	23.265.00		27.601.00	53.108.00
2.0 i Sport	K20A3	118	160	06/04 >	12/05	23.265.00		27.601.00	53.108.00
Civic VIII									
1.4 i-DSI	L13A7	61	83	01/06 >	12/08	23.265.00		30.503.00	53.159.00
1.4 i-VTEC	L13Z1	73	99	01/09 >		23.265.00		30.619.00	53.159.00
1.8 i-VTEC	R18A2	103	140	12/05 >		23.265.00		30.325.00	53.159.00
2.0 i-VTEC Type R		148	201	04/07 >		23.265.00		30.482.00	53.159.00
2.2 i-CTDI	N22A2	103	140	12/05 >		25.074.00	24.196.00	30.591.00	53.159.00
Civic X (FK)									
1.0 VTEC		95	129	02/17 >		23.265.00			53.160.00
1.5 iVTEC	L15B7	134	182	02/17 >		23.265.00		30.063.00	53.160.00
1.5 iVTEC	L15BA	134	182	02/17 >				30.063.00	
1.6 i-DTEC	N16A1	88	120	01/18 >					53.160.00
2.0 Type-R		225	306	07/17 >		23.265.00			53.160.00
2.0 Type-R		235	320	09/17 >		23.265.00			53.160.00
CR-Z									
1.5 i-VTEC IMA		91	124	05/10 >		23.265.00			53.160.00
FR-V									
1.7 i 16V V-TEC		92	125	03/05 >		23.265.00		30.228.00	53.108.00
1.8 i 16V	R18A1	103	140	01/07 >		23.265.00		30.325.00	53.108.00
2.0 i 16V V-TEC		110	150	03/05 >		23.265.00		27.601.00	53.108.00
2.2 i-CTDI 16V	N22A1	103	140	05/05 >		25.072.00	24.196.00	30.471.00	53.108.00
Insight									
1.0 12V V-TEC									
with air-conditioner / con climatizzatore	ECA1	56	76	08/00 >	12/06	23.258.00			53.063.00
without air-conditioner / senza climatizzatore	ECA1	56	76	08/00 >	12/06				53.232.00
1.3 i-DSI Hybrid	LDA3	65	88	04/09 >		23.265.00		30.617.00	53.160.00
Integra									
1.8 i 16V Type R V-TEC (DC23)	B18C6	140	190	11/97 >	10/01	23.271.00	31.621.00	27.523.00	
Jazz (GD)									
1.2 i-DSI	L12A	57	78	03/02 >	03/05	23.265.00		30.232.00	53.109.00
	L12A	57	78	04/05 >	11/08	23.265.00		30.497.00	53.109.00
1.4 i-DSI	L13A	61	83	09/01 >	03/05	23.265.00		30.232.00	53.109.00
	L13A	61	83	04/05 >	11/08	23.265.00		30.497.00	53.109.00
Jazz (GE)									
1.2 i-VTEC		66	90	12/08 >		23.265.00		30.451.00	53.160.00
1.3 i-DSI Hybrid		72	98	04/11 >		23.265.00		30.617.00	53.160.00
1.4 i-VTEC		73	100	12/08 >		23.265.00		30.451.00	53.160.00
Jazz IV									
1.3		75	102	06/15 >		23.265.00			53.160.00
1.5 i-VTEC		96	130	09/17 >		23.265.00			53.160.00
Legend									
3.5 iV6 (KB1)	J35A	217	295	09/06 >		23.265.00			53.123.00
with activated carbons / ai carboni attivi	J35A	217	295	09/06 >					54.306.00
3.5 V6 (KA9)	C35A2/C35A5	151	205	02/96 >	12/04	23.265.00	31.621.00		
without air-conditioner 2 filters / senza climatizzatore N.2 filtri	C35A2/C35A5	151	205	02/96 >	12/04				53.242.00
3.7 iV6 (KB1)	J37A	217	295	10/08 >		23.265.00			53.123.00
with activated carbons / ai carboni attivi	J37A	217	295	10/08 >					54.306.00
Logo									
1.3 i (SOHC)	D13B7	49	65	12/98 >	03/02	23.243.00	31.621.00	30.249.00	
1.3 i CVT (SOHC)	D13B7	49	65	12/98 >	03/02	23.243.00	31.621.00	30.249.00	
Prelude									
2.0 i 16V (BB9)	F20A4	98	133	10/96 >		23.243.00	31.621.00	30.237.00	
2.2 i 16V V-TEC (BB6)	H22A5	147	200	10/98 >		23.243.00	31.621.00	30.237.00	
2.2 i 16V V-TEC (BB8)	H22A5	147	200	10/98 >		23.243.00	31.621.00	30.237.00	
Quint (Quintet)									
1.6	EP			02/80 >		23.182.00		27.799.00	
Quintet Integra									
1.5	EW			10/86 >		23.182.00			
1.6 DOHC									

...HONDA - cars/auto

to engine No. 1200000 / a motore N. 1200000	ZC				23.182.00			
from engine No. 1200001 / da motore N. 1200001	ZC				23.243.00			
1.6 DOHC Cab	ZC			02/85 >	23.182.00			
1.6 PGM-FI	ZC			02/85 >	23.182.00			
S2000								
2.0 16V V-TEC	F20C	177	240	06/99 >	23.265.00			
Shuttle								
2.2 16V (RA18)	F22B8 (SOHC)	110	150	02/95 > 02/01	23.243.00	31.621.00	30.236.00	
2.3 16V V-TEC (RA38)	F23A7	110	150	01/98 > 02/01	23.243.00	31.621.00	30.236.00	
Stream								
1.7 i 16V V-TEC	D17A2	92	125	10/00 >	23.265.00		30.228.00	54.152.00
2.0 i 16V V-TEC	K20A1	115	156	10/00 >	23.265.00		27.601.00	54.152.00
Vigor								
1.8 Saloon	ES			06/83 >	23.271.00			
HONDA					off-road cars/fuoristrada			
CR-V								
2.0 16V 4WD RVI								
with air-conditioner / con climatizzatore				10/95 > 08/02	23.243.00	31.621.00	30.238.00	53.063.00
without air-conditioner / senza climatizzatore				10/95 > 08/02				53.232.00
2.0 16V 4WD RVSI								
with air-conditioner / con climatizzatore				10/95 > 08/02	23.243.00	31.621.00	30.238.00	53.063.00
without air-conditioner / senza climatizzatore				10/95 > 08/02				53.232.00
2.0 16V i-VTEC		110	150	01/07 >	23.265.00		30.618.00	53.123.00
with activated carbons / ai carboni attivi		110	150	01/07 >				54.306.00
2.0 16V V-TEC		110	150	06/02 > 12/06	23.243.00	31.621.00	27.601.00	53.108.00
2.2 i-CTDI 16V	N22A2	103	140	03/05 > 12/06	25.072.00	24.196.00	30.471.00	53.108.00
2.2 i-CTDI 16V DPF		103	140	01/07 >	25.074.00		30.471.00	53.123.00
with activated carbons / ai carboni attivi		103	140	01/07 >				54.306.00
2.2 i-DTEC 16V	N22B3	110	150	12/09 > 10/12	25.074.00	26.077.00	30.805.00	53.123.00
with activated carbons / ai carboni attivi	N22B3	110	150	12/09 > 10/12				54.306.00
2.4 i VTEC	K24Z1	122	166	09/09 > 10/12	23.265.00		30.440.00	53.123.00
with activated carbons / ai carboni attivi	K24Z1	122	166	09/09 > 10/12				54.306.00
CR-V IV								
1.6 i-DTEC		118	160	04/15 >	23.481.00			53.123.00
with activated carbons / ai carboni attivi		118	160	04/15 >				54.306.00
1.6 i-DTEC		88	120	10/13 >	23.481.00		30.862.00	53.123.00
with activated carbons / ai carboni attivi		88	120	10/13 >				54.306.00
2.0 i-VTEC	R20A9	114	155	10/12 > 12/18	23.265.00		30.456.00	53.123.00
with activated carbons / ai carboni attivi	R20A9	114	155	10/12 > 12/18				54.306.00
2.0 i-VTEC 4WD	R20A9	114	155	10/12 > 12/18	23.265.00		30.456.00	53.123.00
with activated carbons / ai carboni attivi	R20A9	114	155	10/12 > 12/18				54.306.00
2.2 i-DTEC	N22B4	110	150	10/12 >	25.074.00	26.077.00	30.805.00	53.123.00
with activated carbons / ai carboni attivi	N22B4	110	150	10/12 >				54.306.00
2.4 i-VTEC		136	185	10/12 > 03/18	23.265.00		30.525.00	53.123.00
with activated carbons / ai carboni attivi		136	185	10/12 > 03/18				54.306.00
2.4 i-VTEC 4WD (RM4) (J)	K24Z9	140	190	10/12 > 03/18	23.265.00		30.525.00	53.123.00
with activated carbons / ai carboni attivi	K24Z9	140	190	10/12 > 03/18				54.306.00
2.4 i-VTEC 4WD (RM4) (THA)	K24Z9	140	190	10/12 > 03/18	23.265.00		30.525.00	53.123.00
with activated carbons / ai carboni attivi	K24Z9	140	190	10/12 > 03/18				54.306.00
2.4 i-VTEC 4WD (RM4) (UK)	K24Z9	140	190	10/12 > 03/18	23.265.00		30.525.00	53.123.00
with activated carbons / ai carboni attivi	K24Z9	140	190	10/12 > 03/18				54.306.00
2.4 i-VTEC 4WD (RM4) (USA)	K24Z7	136	185	10/12 > 03/18	23.265.00		30.525.00	53.123.00
with activated carbons / ai carboni attivi	K24Z7	136	185	10/12 > 03/18				54.306.00
CR-V V (RW)								
1.5 VTEC	L15BY	127	173	01/18 >	23.265.00		30.663.00	53.160.00
1.5 VTEC	L15BY	142	193	01/18 >	23.265.00		30.663.00	53.160.00
1.5 VTEC AWD	L15BY	127	173	01/18 >	23.265.00		30.663.00	53.160.00
1.5 VTEC AWD	L15BY	142	193	01/18 >	23.265.00		30.663.00	53.160.00
2.0 e-CVT Hybrid	LFB1	107	145	10/18 >	23.265.00		30.845.00	53.160.00
2.0 e-CVT Hybrid AWD	LFB1	107	145	10/18 >	23.265.00		30.845.00	53.160.00
2.4 i-VTEC	K24W9	135	184	01/18 >	23.265.00			53.160.00
HR-V								
1.6 16V 4WD (SOHC)								
with air-conditioner / con climatizzatore				01/99 >	23.243.00	31.621.00	30.238.00	53.080.00
1.6 16V CVT Autom. 4WD (SOHC)								
with air-conditioner / con climatizzatore				01/99 >	23.243.00	31.621.00	30.238.00	53.080.00

...HONDA - off-road cars/fuoristrada

1.6 16V Sport 4WD (SOHC) with air-conditioner / con climatizzatore				01/99 >	23.243.00	31.621.00	30.238.00	53.080.00
1.6 16V V-TEC with air-conditioner / con climatizzatore	91	124		11/03 >	23.265.00		30.238.00	53.080.00
HR-V II								
1.5	96	131		06/15 >	23.265.00			53.160.00
1.6 D	88	120		06/15 >	23.481.00			53.160.00
1.8	104	141		06/15 >	23.265.00			53.160.00

HYUNDAI

cars/auto

Accent (LC)

1.3 i with air-conditioner / con climatizzatore	G4EA	55	75	01/00 > 11/01	23.271.00	31.825.00	30.287.00	53.400.00
with air-conditioner / con climatizzatore	G4EA	55	75	12/01 > 04/03	23.271.00	31.825.00	30.287.00	53.119.00
1.3 i with air-conditioner / con climatizzatore	G4EA	62	84	03/03 > 06/06	23.271.00	31.825.00	30.287.00	53.119.00
1.3 i with air-conditioner / con climatizzatore	G4EA	63	86	01/00 > 11/01	23.271.00	31.825.00	30.287.00	53.400.00
with air-conditioner / con climatizzatore	G4EA	63	86	12/01 > 03/03	23.271.00	31.825.00	30.287.00	53.119.00
1.5 CRDI with air-conditioner and R.H.D. / con climatizzatore e guida a destra	D3EA	60	82	04/02 > 06/06	23.545.00	24.439.00	30.326.00	53.119.00
with air-conditioner and L.H.D. / con climatizzatore e guida a sinistra	D3EA	60	82	04/02 > 06/06	25.071.00	24.439.00	30.326.00	53.119.00
1.5 i with air-conditioner / con climatizzatore	G4EB	66	90	01/00 > 11/01	23.271.00	31.825.00	30.287.00	53.400.00
with air-conditioner / con climatizzatore	G4EB	66	90	12/01 > 04/03	23.271.00	31.825.00	30.287.00	53.119.00
1.5 i with air-conditioner / con climatizzatore	G4ECG	75	102	09/00 > 11/01	23.271.00	31.825.00	30.287.00	53.400.00
with air-conditioner / con climatizzatore	G4ECG	75	102	12/01 > 04/03	23.271.00	31.825.00	30.287.00	53.119.00
1.6 i 16V with air-conditioner / con climatizzatore	G4EDG	77	105	07/03 > 06/06	23.271.00		30.287.00	53.400.00

Accent (MC)

1.4 with air-conditioner / con climatizzatore		71	97	06/06 >	23.461.00		30.386.00	53.208.00
1.5 CRDI VGT with air-conditioner / con climatizzatore		81	110	06/06 > 09/06	25.070.00	24.439.00	30.363.00	53.208.00
with air-conditioner / con climatizzatore		81	110	10/06 > 12/11	25.070.00	24.012.00	30.363.00	53.208.00
1.6 with air-conditioner / con climatizzatore		82	112	06/06 >	23.461.00		30.386.00	53.208.00

Accent (X3)

1.3 12V				09/94 > 01/00	23.271.00			53.400.00
1.3 i 12V	G4EH			09/94 > 01/00	23.271.00	31.551.00	30.286.00	53.400.00
1.5 i 12V	G4EK	65	88	09/94 > 01/00	23.271.00	31.551.00	30.285.00	53.400.00

Accent Blue (SB11)

1.4 CVT	G4FA	80	109	01/11 >	23.461.00		30.594.00	53.390.00
1.6 CRDI	D4FB	94	128	01/11 >	25.151.00	24.122.00	30.594.00	53.390.00
1.6 VGT		94	128	01/11 >	23.461.00		30.594.00	53.390.00

Accent GT

1.5 i 16V	G4E/GFK	73	99	10/95 > 12/00	23.271.00	31.551.00	30.285.00	
------------------	---------	----	----	---------------	-----------	-----------	-----------	--

Amica

1.0 12V (UK)		40	55	06/98 >	23.452.00	31.749.00	30.126.00	
1.1 12V SOHC (UK)	G4HD	46	63	09/05 >	23.265.00		30.307.00	
1.1 12V SOHC Automatic (UK)	G4HD	46	63	09/05 >	23.265.00		30.307.00	

Atos

1.0 i 12V	G4ACW	40	55	02/98 > 07/03	23.452.00	31.749.00	30.126.00	✗
------------------	-------	----	----	---------------	-----------	-----------	-----------	---

Atos Prime

1.0 i 12V	G4HC	40	55	01/00 > 03/04	23.452.00	31.749.00	30.126.00	✗
1.1 i 12V SOHC MPI	Epsilon / G4HD	43	59	10/03 > 05/05	23.265.00		30.307.00	✗
	Epsilon / G4HD	43	59	06/05 > 12/08	23.265.00		30.620.00	✗
1.1 i 12V SOHC MPI	Epsilon / G4HG	46	63	09/05 > 12/08	23.265.00		30.620.00	✗

Borrego

3.0 CRDI	(D6EA/D6EB)	184	250	11/07 >	25.213.00	24.443.00		
-----------------	-------------	-----	-----	---------	-----------	-----------	--	--

Coupè (GK)

1.6 16V with air-conditioner / con climatizzatore		77	105	02/03 >	23.461.00		30.266.00	53.118.00
2.0 16V with air-conditioner / con climatizzatore	G4GC-G	102	139	02/02 > 04/03	23.461.00		30.266.00	53.118.00
2.0 16V								

...HYUNDAI - cars/auto

with air-conditioner / con climatizzatore	G4GC-G	105	143	03/03	>	23.461.00		30.266.00	53.118.00
2.7 V6 24V									
with air-conditioner / con climatizzatore	G6BA-G	123	167	02/02	>	23.461.00		30.266.00	53.118.00
Coupè (RD)									
1.6 i 16V	4G51, G4GR	84	114	12/96	> 04/02	23.271.00	31.712.00	30.336.00	
1.8 i 16V (AUS)	Beta G4GM			07/96	> 04/02	23.271.00	31.712.00	30.336.00	
2.0 i 16V	G4GF	102	139	08/96	> 04/02	23.271.00	31.712.00	30.336.00	
Elantra (NU)									
1.5 i MPI (SOHC)	G4D-MPI			01/91	>	23.271.00	31.550.00	27.171.00	
1.6 i 16V MPI (DOHC)	G4CR, 4G61			01/91	>	23.271.00		27.171.00	
1.8 i 16V (DOHC)	4G67			01/92	>	23.271.00		27.171.00	
Elantra (XD)									
1.6	G4ED-G	77	105	05/03	> 07/06	23.461.00		30.266.00	
with air-conditioner and L.H.D. / con climatizzatore e guida a sinistra	G4ED-G	77	105	05/03	> 07/06				53.334.00
1.6	G4ED-G	90	122	09/06	> 06/11	23.461.00		30.454.00	53.208.00
1.6 CRDI	D4FB	85	116	08/06	> 04/07	25.070.00	24.443.00	30.454.00	53.208.00
	D4FB	85	116	05/07	> 08/08	25.070.00	24.122.00	30.454.00	53.208.00
	D4FB	85	116	09/08	>	25.151.00	24.122.00	30.454.00	53.208.00
1.6 i 16V	G4ED	79	108	04/00	> 07/06	23.461.00		30.266.00	
with air-conditioner and L.H.D. / con climatizzatore e guida a sinistra	G4ED	79	108	04/00	> 04/03				53.118.00
with air-conditioner and L.H.D. / con climatizzatore e guida a sinistra	G4ED	79	108	05/03	> 07/06				53.334.00
1.8									
with air-conditioner / con climatizzatore		97	132	06/00	> 04/03	23.461.00		30.266.00	
with air-conditioner / con climatizzatore		97	132	05/03	> 07/06	23.461.00		30.266.00	
with air-conditioner and L.H.D. / con climatizzatore e guida a sinistra		97	132	06/00	> 04/03				53.118.00
with air-conditioner and L.H.D. / con climatizzatore e guida a sinistra		97	132	05/03	> 07/06				53.334.00
2.0 CRDI									
with air-conditioner and L.H.D. / con climatizzatore e guida a sinistra	D4EA	83	112	04/01	> 04/03				53.118.00
with air-conditioner and L.H.D. / con climatizzatore e guida a sinistra	D4EA	83	112	05/03	> 07/06				53.334.00
with R.H.D. / con guida a destra	D4EA	83	112	04/01	> 04/03	23.545.00	24.460.00	30.266.00	
with R.H.D. / con guida a destra	D4EA	83	112	05/03	> 07/06	23.545.00	24.460.00	30.266.00	
with L.H.D. / con guida a sinistra	D4EA	83	112	04/01	> 04/03	25.053.00	24.460.00	30.266.00	
with L.H.D. / con guida a sinistra	D4EA	83	112	05/03	> 07/06	25.053.00	24.460.00	30.266.00	
2.0 i 16V		105	143	09/03	> 07/06	23.461.00		30.266.00	
with air-conditioner and L.H.D. / con climatizzatore e guida a sinistra		105	143	09/03	> 07/06				53.334.00
2.0 i 16V	G4GC	102	139	04/00	> 11/03	23.461.00		30.266.00	
with air-conditioner and L.H.D. / con climatizzatore e guida a sinistra	G4GC	102	139	04/00	> 04/03				53.118.00
with air-conditioner and L.H.D. / con climatizzatore e guida a sinistra	G4GC	102	139	05/03	> 11/03				53.334.00
Elantra III (MD)									
1.6 Gamma MPI		97	132	06/11	>	23.461.00		30.635.00	53.208.00
1.8 MPI		110	150	06/11	>	23.461.00		30.635.00	53.208.00
Excel									
1.3				01/86	>	23.271.00			
1.5				01/86	>	23.271.00			
Genesis									
2.0 Turbo		157	214	11/10	>	23.461.00			53.112.00
3.8 V6		213	290	01/08	>				53.112.00
3.8 V6		223	303	11/10	>	25.151.00			53.112.00
Genesis G80									
2.0 Turbo		180	245	03/17	>	23.461.00			
Getz									
1.1		46	63	08/02	>	23.452.00		30.224.00	53.119.00
1.1	G4HD	49	67	09/05	>	23.452.00		30.224.00	53.119.00
1.3		60	82	08/02	> 11/05	23.461.00		30.224.00	53.119.00
1.4 16V		71	97	10/05	>	23.461.00		30.224.00	53.119.00
1.5 CRDI									
with R.H.D. / con guida a destra		60	82	03/03	> 11/05	23.545.00	24.439.00	30.348.00	53.119.00
with L.H.D. / con guida a sinistra		60	82	03/03	> 11/05	25.071.00	24.439.00	30.348.00	53.119.00
1.5 CRDI VGT		65	88	10/05	>	25.070.00	24.439.00	30.348.00	53.119.00
1.5 CRDI VGT		81	110	10/05	>	25.070.00	24.439.00	30.348.00	53.119.00
1.6	G4ED-G	77	105	08/02	> 11/05	23.461.00		30.224.00	53.119.00
1.6	G4ED-G	78	106	10/05	>	23.461.00		30.224.00	53.119.00
Grandeur (TG) (Azera)									
2.2 CRDI		110	150	01/07	> 01/11	25.075.00	24.012.00	30.455.00	53.396.00
3.0 V6	G6DG Lamda II	184	250	02/11	>	25.226.00		30.723.00	53.396.00
3.3 V6	G6DB	173	235	09/05	> 01/11			30.801.00	
3.3 V6	G6DB	191	260	02/11	>			30.801.00	53.396.00

...HYUNDAI - cars/auto

Grandeur II								
3.0 i V6		151	206	02/94 >	03/00	23.271.00	31.556.00	27.171.00
i10 (PA)								
1.0 12V BlueDrive GPL/LPG								
with air-conditioner / con climatizzatore	B3LA	51	69	04/11 >	12/13	23.452.00		30.632.00
53.116.00								
1.0 12V								
with air-conditioner / con climatizzatore	G3LA	51	69	01/11 >	12/13	23.452.00		30.632.00
53.116.00								
1.1 12V								
with air-conditioner / con climatizzatore	G4HG	49	67	03/08 >	12/10	23.265.00		30.468.00
53.116.00								
1.1 12V								
with air-conditioner / con climatizzatore	G4HG	51	69	01/11 >	12/13	23.265.00		30.468.00
53.116.00								
1.1 12V GPL/LPG								
with air-conditioner / con climatizzatore	G4HG	49	67	03/08 >	12/10	23.265.00		30.468.00
53.116.00								
1.1 CRDI 12V VGT								
with air-conditioner / con climatizzatore	D3FA	55	75	03/08 >	12/13	25.070.00	24.122.00	30.496.00
53.116.00								
1.2 16V								
with air-conditioner / con climatizzatore	G4LA	57	78	03/08 >	12/10	23.265.00		30.538.00
53.116.00								
1.2 16V								
with air-conditioner / con climatizzatore	G4LA	63	86	01/11 >	12/13	23.265.00		30.538.00
53.116.00								
1.2 16V GPL/LPG								
with air-conditioner / con climatizzatore	G4LA	57	78	03/08 >	12/10	23.265.00		30.538.00
53.116.00								
i10 II (IA)								
1.0	G3LA	49	67	11/13 >	09/16	23.265.00		30.726.00
53.116.00								
	G3LA	49	67	10/16 >		23.265.00		53.116.00
1.0 Automatik	G3LA	49	67	11/13 >		23.265.00		30.726.00
53.116.00								
1.0 BlueDrive	G3LA	49	67	11/13 >	09/16	23.265.00		30.726.00
53.116.00								
	G3LA	49	67	10/16 >		23.265.00		53.116.00
1.0 GPL/LPG	B3LA	49	67	02/14 >	09/16	23.265.00		30.726.00
53.116.00								
	B3LA	49	67	10/16 >		23.265.00		53.116.00
1.0 Start/Stop		49	67	10/16 >		23.452.00		53.116.00
1.2	G4LA	64	87	11/13 >		23.265.00		30.726.00
53.116.00								
1.2 Automatik	G4LA	64	87	11/13 >		23.265.00		30.726.00
53.116.00								
i10 III (AC3)								
1.0	G3LD	49	67	09/19 >		23.452.00		
1.0 T-GDi	G3LE	74	101	07/20 >		23.452.00		
i20 (PB/PBT)								
1.1 CRDI	D3FA	55	75	06/12 >		25.151.00	24.122.00	30.469.00
models made in India / modelli prodotti in India	D3FA	55	75	06/12 >				53.163.00
models made in Turkey / modelli prodotti in Turchia	D3FA	55	75	06/12 >				53.212.00
1.2	G4LA	63	86	04/12 >		23.265.00		30.469.00
models made in India / modelli prodotti in India	G4LA	63	86	04/12 >				53.163.00
models made in Turkey / modelli prodotti in Turchia	G4LA	63	86	04/12 >				53.212.00
1.2 16V	G4LA	57	78	09/08 >	06/12	23.265.00		30.469.00
models made in India / modelli prodotti in India	G4LA	57	78	09/08 >	06/12			53.163.00
models made in Turkey / modelli prodotti in Turchia	G4LA	57	78	09/08 >	06/12			53.212.00
1.4 16V	G4FA	74	100	09/08 >		23.461.00		30.469.00
models made in India / modelli prodotti in India	G4FA	74	100	09/08 >				53.163.00
models made in Turkey / modelli prodotti in Turchia	G4FA	74	100	09/08 >				53.212.00
1.4 16V Autom.	G4FA	74	100	09/08 >		23.461.00		30.469.00
models made in India / modelli prodotti in India	G4FA	74	100	09/08 >				53.163.00
models made in Turkey / modelli prodotti in Turchia	G4FA	74	100	09/08 >				53.212.00
1.4 CRDI	D4FC	55	75	09/08 >		25.151.00	24.443.00	30.469.00
models made in India / modelli prodotti in India	D4FC	55	75	09/08 >				53.163.00
models made in Turkey / modelli prodotti in Turchia	D4FC	55	75	09/08 >				53.212.00
1.4 CRDI	D4FC	66	90	09/08 >		25.151.00	24.443.00	30.469.00
models made in India / modelli prodotti in India	D4FC	66	90	09/08 >				53.163.00
models made in Turkey / modelli prodotti in Turchia	D4FC	66	90	09/08 >				53.212.00
1.6 16V	G4FC	93	126	09/08 >		23.461.00		30.469.00
models made in India / modelli prodotti in India	G4FC	93	126	09/08 >				53.163.00
models made in Turkey / modelli prodotti in Turchia	G4FC	93	126	09/08 >				53.212.00
1.6 CRDI VGT	D4FB	85	115	09/08 >		25.151.00	24.443.00	30.469.00
models made in India / modelli prodotti in India	D4FB	85	115	09/08 >				53.163.00
models made in Turkey / modelli prodotti in Turchia	D4FB	85	115	09/08 >				53.212.00
1.6 CRDI VGT	D4FB	94	128	01/09 >		25.151.00	24.443.00	30.469.00
models made in India / modelli prodotti in India	D4FB	94	128	01/09 >				53.163.00
models made in Turkey / modelli prodotti in Turchia	D4FB	94	128	01/09 >				53.212.00
i20 II (GB)								

...HYUNDAI - cars/auto

1.0 T-GDI 100		74	100	01/16	>	23.452.00		30.A21.00	53.208.00
1.0 T-GDI 120		88	120	01/16	>	23.452.00		30.A21.00	53.208.00
1.1 CRDI	D3FA	55	75	11/14	>	25.151.00		30.A21.00	53.208.00
1.2		55	75	11/14	>	23.265.00		30.A21.00	53.208.00
1.2		62	84	11/14	>	23.265.00		30.A21.00	53.208.00
1.4		74	101	11/14	>	23.452.00		30.A21.00	53.208.00
1.4 CRDi		66	90	11/14	>	25.151.00		30.A21.00	53.208.00
i20 III (BC3)									
1.0 T-GDI	G3LE	74	101	08/20	>	23.452.00		30.A21.00	53.208.00
1.0 T-GDi Hybrid 48V	G3LE	74	101	08/20	>	23.452.00		30.A21.00	53.208.00
1.0 T-GDi Hybrid 48V	G3LE	88	120	08/20	>	23.452.00		30.A21.00	53.208.00
1.2	G4LF	62	84	08/20	>	23.461.00		30.A21.00	53.208.00
i30 (FD)									
1.4 16V									
with R.H.D. / con guida a destra	G4FA	80	109	08/07	> 06/12	23.461.00		30.454.00	
with L.H.D. / con guida a sinistra	G4FA	80	109	08/07	> 06/12	23.461.00		30.454.00	53.152.00
with activated carbon L.H.D. / con guida a sinistra, ai carboni attivi	G4FA	80	109	08/07	> 06/12				54.272.00
antibacterial, anti-odour and anti-allergen filter with L.H.D. / filtro antibatterico, antiodori e anti-allergeni con guida a sinistra	G4FA	80	109	08/07	> 06/12				34.272.00
1.6 16V									
with R.H.D. / con guida a destra	G4FC	90	122	08/07	> 06/12	23.461.00		30.454.00	
with L.H.D. / con guida a sinistra	G4FC	90	122	08/07	> 06/12	23.461.00		30.454.00	53.152.00
with activated carbon L.H.D. / con guida a sinistra, ai carboni attivi	G4FC	90	122	08/07	> 06/12				54.272.00
antibacterial, anti-odour and anti-allergen filter with L.H.D. / filtro antibatterico, antiodori e anti-allergeni con guida a sinistra	G4FC	90	122	08/07	> 06/12				34.272.00
1.6 16V									
with R.H.D. / con guida a destra	G4FC	93	126	08/07	> 06/12	23.461.00		30.454.00	
with L.H.D. / con guida a sinistra	G4FC	93	126	08/07	> 06/12	23.461.00		30.454.00	53.152.00
with activated carbon L.H.D. / con guida a sinistra, ai carboni attivi	G4FC	93	126	08/07	> 06/12				54.272.00
antibacterial, anti-odour and anti-allergen filter with L.H.D. / filtro antibatterico, antiodori e anti-allergeni con guida a sinistra	G4FC	93	126	08/07	> 06/12				34.272.00
1.6 CRDI									
with R.H.D. / con guida a destra	D4FB	66	90	05/07	> 02/08	25.070.00	24.443.00	30.454.00	
with R.H.D. / con guida a destra	D4FB	66	90	03/08	> 06/12	25.151.00	24.443.00	30.454.00	
with L.H.D. / con guida a sinistra	D4FB	66	90	05/07	> 02/08	25.070.00	24.443.00	30.454.00	53.152.00
with L.H.D. / con guida a sinistra	D4FB	66	90	03/08	> 06/12	25.151.00	24.443.00	30.454.00	53.152.00
with activated carbon L.H.D. / con guida a sinistra, ai carboni attivi	D4FB	66	90	05/07	> 06/12				54.272.00
antibacterial, anti-odour and anti-allergen filter with L.H.D. / filtro antibatterico, antiodori e anti-allergeni con guida a sinistra	D4FB	66	90	05/07	> 06/12				34.272.00
1.6 CRDI 126 Euro5									
with L.H.D. / con guida a sinistra		93	126	10/10	> 06/12	25.151.00	24.012.00	30.454.00	53.152.00
with activated carbon L.H.D. / con guida a sinistra, ai carboni attivi		93	126	10/10	> 06/12				54.272.00
antibacterial, anti-odour and anti-allergen filter with L.H.D. / filtro antibatterico, antiodori e anti-allergeni con guida a sinistra		93	126	10/10	> 06/12				34.272.00
1.6 CRDI 16V VGT									
with R.H.D. / con guida a destra	D4FB	85	115	05/07	> 02/08	25.070.00	24.443.00	30.454.00	
with R.H.D. / con guida a destra	D4FB	85	115	03/08	> 06/12	25.151.00	24.443.00	30.454.00	
with L.H.D. / con guida a sinistra	D4FB	85	115	05/07	> 02/08	25.070.00	24.443.00	30.454.00	53.152.00
with L.H.D. / con guida a sinistra	D4FB	85	115	03/08	> 06/12	25.151.00	24.443.00	30.454.00	53.152.00
with activated carbon L.H.D. / con guida a sinistra, ai carboni attivi	D4FB	85	115	05/07	> 06/12				54.272.00
antibacterial, anti-odour and anti-allergen filter with L.H.D. / filtro antibatterico, antiodori e anti-allergeni con guida a sinistra	D4FB	85	115	05/07	> 06/12				34.272.00
1.6 CRDI 90 Euro5									
with L.H.D. / con guida a sinistra		66	90	10/10	> 06/12	25.151.00	24.012.00	30.454.00	53.152.00
with activated carbon L.H.D. / con guida a sinistra, ai carboni attivi		66	90	10/10	> 06/12				54.272.00
antibacterial, anti-odour and anti-allergen filter with L.H.D. / filtro antibatterico, antiodori e anti-allergeni con guida a sinistra		66	90	10/10	> 06/12				34.272.00
2.0 16V									
with R.H.D. / con guida a destra	G4GC	103	140	08/07	> 06/12	23.461.00		30.454.00	
with L.H.D. / con guida a sinistra	G4GC	103	140	08/07	> 06/12	23.461.00		30.454.00	53.152.00
with activated carbon L.H.D. / con guida a sinistra, ai carboni attivi	G4GC	103	140	08/07	> 06/12				54.272.00
antibacterial, anti-odour and anti-allergen filter with L.H.D. / filtro antibatterico, antiodori e anti-allergeni con guida a sinistra	G4GC	103	140	08/07	> 06/12				34.272.00
2.0 CRDI									
with R.H.D. / con guida a destra	D4EA	103	140	08/07	> 06/12	23.615.00	24.443.00	30.454.00	
with L.H.D. / con guida a sinistra	D4EA	103	140	08/07	> 06/12	25.075.00	24.443.00	30.454.00	53.152.00
with activated carbon L.H.D. / con guida a sinistra, ai carboni attivi	D4EA	103	140	08/07	> 06/12				54.272.00
antibacterial, anti-odour and anti-allergen filter with L.H.D. / filtro antibatterico, antiodori e anti-allergeni con guida a sinistra	D4EA	103	140	08/07	> 06/12				34.272.00
i30 (GD)									
1.4	G4FA	73	99	03/12	>	23.583.00		30.635.00	53.208.00
1.4 CRDI									
	D4FC	66	90	03/12	> 11/14	25.151.00	24.012.00	30.634.00	53.208.00
	D4FC	66	90	12/14	>	25.151.00	24.468.00	30.634.00	53.208.00
1.4 GDI	G4LC	74	101	12/14	>			30.635.00	53.208.00
1.6	G4FD	88	120	03/12	>	23.583.00		30.635.00	53.208.00
1.6 CRDI 110	D4FB	81	110	03/12	> 11/14	25.151.00	24.012.00	30.634.00	53.208.00

...HYUNDAI - cars/auto

	D4FB	81	110	12/14	>	25.151.00	24.468.00	30.634.00	53.208.00
1.6 CRDI 128	D4FB	94	128	03/12	>	25.151.00	24.012.00	30.634.00	53.208.00
1.6 CRDI 135	D4FB	100	136	03/12	> 11/14	25.151.00	24.012.00	30.634.00	53.208.00
	D4FB	100	136	12/14	>	25.151.00	24.468.00	30.634.00	53.208.00
1.6 Gamma MPI		96	130	03/12	>	23.583.00		30.635.00	53.208.00
1.6 GDI	G4FD	99	135	03/12	>	23.583.00		30.635.00	53.208.00
1.6 T-GDI	G4FJ	137	186	12/14	>	23.461.00		30.634.00	53.208.00
i30 (PD/PDE)									
1.0 T-GDI	G3LC	88	120	11/16	>	23.452.00			53.208.00
1.4 MPI	G4LC	73	99	11/16	>	23.452.00			53.208.00
1.4 MPI	G4LC	74	100	11/16	>	23.452.00			53.208.00
1.4 T-GDI	G4LD	103	140	11/16	>	23.461.00			53.208.00
1.6 CRDI 110	D4FB	81	110	11/16	>	25.151.00	24.129.00		53.208.00
1.6 CRDI 135	D4FB	100	136	11/16	>	25.151.00	24.129.00		53.208.00
1.6 CRDI 95	D4FB	70	95	11/16	>	25.151.00	24.129.00		53.208.00
1.6 T-GDI	G4FJ	150	204	11/16	>	23.583.00			53.208.00
i30 Coupè (GD)									
1.4	G4FA	73	99	05/13	>	23.583.00		30.635.00	53.208.00
1.4 CRDI		66	90	05/13	> 11/14	25.151.00	24.012.00	30.634.00	53.208.00
		66	90	12/14	>	25.151.00	24.468.00	30.634.00	53.208.00
1.6 CRDI		94	128	05/13	> 11/14	25.151.00	24.012.00	30.634.00	53.208.00
		94	128	12/14	>	25.151.00	24.468.00	30.634.00	53.208.00
1.6 GDI		99	135	05/13	>	23.583.00		30.635.00	53.208.00
i30 CW (FD)									
1.6 16V									
with R.H.D. / con guida a destra	G4FC	93	126	03/08	> 06/12	23.461.00		30.454.00	
with L.H.D. / con guida a sinistra	G4FC	93	126	03/08	> 06/12	23.461.00		30.454.00	53.152.00
with activated carbon L.H.D. / con guida a sinistra, ai carboni attivi	G4FC	93	126	03/08	> 06/12				54.272.00
antibacterial, anti-odour and anti-allergen filter with L.H.D. / filtro antibatterico, antiodori e anti-allergeni con guida a sinistra	G4FC	93	126	03/08	> 06/12				34.272.00
1.6 CRDI 126 Euro5		93	126	10/10	> 06/12		24.012.00		
with activated carbon L.H.D. / con guida a sinistra, ai carboni attivi		93	126	10/10	> 06/12				54.272.00
antibacterial, anti-odour and anti-allergen filter with L.H.D. / filtro antibatterico, antiodori e anti-allergeni con guida a sinistra		93	126	10/10	> 06/12				34.272.00
1.6 CRDI 16V VGT									
with R.H.D. / con guida a destra	D4FB	66	90	03/08	> 06/12	25.151.00	24.443.00	30.454.00	
with L.H.D. / con guida a sinistra	D4FB	66	90	03/08	> 06/12	25.151.00	24.443.00	30.454.00	53.152.00
with activated carbon L.H.D. / con guida a sinistra, ai carboni attivi	D4FB	66	90	03/08	> 06/12				54.272.00
antibacterial, anti-odour and anti-allergen filter with L.H.D. / filtro antibatterico, antiodori e anti-allergeni con guida a sinistra	D4FB	66	90	03/08	> 06/12				34.272.00
1.6 CRDI 16V VGT									
with R.H.D. / con guida a destra	D4FB	85	115	03/08	> 06/12	25.151.00	24.443.00	30.454.00	
with L.H.D. / con guida a sinistra	D4FB	85	115	03/08	> 06/12	25.151.00	24.443.00	30.454.00	53.152.00
with activated carbon L.H.D. / con guida a sinistra, ai carboni attivi	D4FB	85	115	03/08	> 06/12				54.272.00
antibacterial, anti-odour and anti-allergen filter with L.H.D. / filtro antibatterico, antiodori e anti-allergeni con guida a sinistra	D4FB	85	115	03/08	> 06/12				34.272.00
1.6 CRDI 90 Euro5									
with activated carbon L.H.D. / con guida a sinistra, ai carboni attivi		66	90	10/10	> 06/12		24.012.00		54.272.00
antibacterial, anti-odour and anti-allergen filter with L.H.D. / filtro antibatterico, antiodori e anti-allergeni con guida a sinistra		66	90	10/10	> 06/12				34.272.00
2.0 CRDI									
with R.H.D. / con guida a destra	D4EA	100	136	10/08	> 06/12	23.615.00	24.443.00	30.454.00	
with L.H.D. / con guida a sinistra	D4EA	100	136	10/08	> 06/12	25.075.00	24.443.00	30.454.00	53.152.00
with activated carbon L.H.D. / con guida a sinistra, ai carboni attivi	D4EA	100	136	10/08	> 06/12				54.272.00
antibacterial, anti-odour and anti-allergen filter with L.H.D. / filtro antibatterico, antiodori e anti-allergeni con guida a sinistra	D4EA	100	136	10/08	> 06/12				34.272.00
2.0 CRDI									
with R.H.D. / con guida a destra	D4EA	103	140	02/08	> 06/12	23.615.00	24.443.00	30.454.00	
with L.H.D. / con guida a sinistra	D4EA	103	140	02/08	> 06/12	25.075.00	24.443.00	30.454.00	53.152.00
with activated carbon L.H.D. / con guida a sinistra, ai carboni attivi	D4EA	103	140	02/08	> 06/12				54.272.00
antibacterial, anti-odour and anti-allergen filter with L.H.D. / filtro antibatterico, antiodori e anti-allergeni con guida a sinistra	D4EA	103	140	02/08	> 06/12				34.272.00
i30 CW (GD)									
1.4	G4FA	73	99	03/12	>	23.583.00		30.635.00	53.208.00
1.4 CRDI		66	90	03/12	>	25.151.00	24.012.00	30.634.00	53.208.00
1.6		88	120	03/12	>	23.583.00		30.635.00	53.208.00
1.6 CRDI 110		81	110	03/12	>	25.151.00	24.012.00	30.634.00	53.208.00
1.6 CRDI 128		94	128	03/12	>	25.151.00	24.012.00	30.634.00	53.208.00
1.6 Gamma MPI		96	130	03/12	>	23.583.00		30.635.00	53.208.00
1.6 GDI		99	135	03/12	>	23.583.00		30.635.00	53.208.00
i30 Fastback (PDE)									
1.0 T-GDI	G3LC	88	120	11/16	>	23.452.00			53.208.00
1.4 T-GDI	G4LD	103	140	11/16	>	23.461.00			53.208.00
i30 N									

...HYUNDAI - cars/auto

2.0		184	250	09/17	>	23.461.00			53.208.00
2.0 Performance		202	275	09/17	>	23.461.00			53.208.00
i30 SW (PDE)									
1.0 T-GDI	G3LC	88	120	03/17	>	23.452.00			53.208.00
1.4 MPI	G4LC	73	99	03/17	>	23.452.00			53.208.00
1.4 MPI	G4LC	74	100	03/17	>	23.452.00			53.208.00
1.4 T-GDI	G4LD	103	140	03/17	>	23.461.00			53.208.00
1.6 CRDI 110	D4FB	81	110	03/17	>	25.151.00	24.129.00		53.208.00
1.6 CRDI 135	D4FB	100	136	03/17	>	25.151.00	24.129.00		53.208.00
i40 (VF)									
1.6 GDI	G4FD	99	135	07/11	>	23.583.00		30.574.00	53.112.00
1.7 CRDi	D4FD	100	136	07/11	>	25.151.00	24.012.00	30.574.00	53.112.00
1.7 CRDi	D4FD	85	115	07/11	>	25.151.00	24.012.00	30.574.00	53.112.00
2.0 GDI	G4NC	130	177	07/11	>	23.583.00		30.574.00	53.112.00
i40 CW (VF)									
1.6 GDI	G4FD	99	135	07/11	>	23.583.00		30.574.00	53.112.00
1.7 CRDi	D4FD	100	136	07/11	>	25.151.00	24.012.00	30.574.00	53.112.00
1.7 CRDi	D4FD	85	115	07/11	>	25.151.00	24.012.00	30.574.00	53.112.00
2.0 GDI	G4NC	130	177	07/11	>	23.583.00		30.574.00	53.112.00
Ioniq									
1.6 GDI Hybrid	G4LE	104	141	06/16	>	23.461.00			53.191.00
1.6 GDI Plug-in Hybrid	G4LE	104	141	06/16	>	23.461.00			53.191.00
Electric	EM09	88	120	06/16	>				53.191.00
ix20									
1.4 16V	G4FA	66	90	09/10	> 03/15	23.583.00		30.469.00	53.149.00
	G4FA	66	90	04/15	>	23.461.00		30.469.00	53.149.00
1.4 16V GPL/LPG	G4FA	66	90	04/15	>	23.461.00		30.469.00	53.149.00
1.4 CRDi	D4FC	57	77	09/10	> 03/15	25.151.00	24.012.00	30.469.00	53.149.00
	D4FC	57	77	04/15	>	25.151.00	24.123.00	30.469.00	53.149.00
1.4 CRDi 90	D4FC	66	90	09/10	> 03/15	25.151.00	24.012.00	30.469.00	53.149.00
	D4FC	66	90	04/15	>	25.151.00	24.123.00	30.469.00	53.149.00
1.6 16V	G4FC	92	125	09/10	> 03/15	23.583.00		30.469.00	53.149.00
	G4FC	92	125	04/15	>	23.461.00		30.469.00	53.149.00
1.6 CRDi 115	D4FB	85	115	11/10	> 03/15	25.151.00	24.012.00	30.469.00	53.149.00
	D4FB	85	115	04/15	>	25.151.00	24.123.00	30.469.00	53.149.00
1.6 CRDi 128	D4FB	94	128	02/11	> 03/15	25.151.00	24.012.00	30.469.00	53.149.00
	D4FB	94	128	04/15	>	25.151.00	24.123.00	30.469.00	53.149.00
ix35									
1.6 16V 2WD	G4FD	99	135	10/10	>	23.583.00		30.574.00	53.191.00
1.7 CRDi 2WD	D4FD	85	115	10/10	>	25.151.00	24.122.00	30.574.00	53.191.00
2.0 16V CVT 2WD	G4KD	120	163	04/10	>	23.583.00		30.574.00	53.191.00
2.0 16V CVT 4WD	G4KD	120	163	04/10	>	23.583.00		30.574.00	53.191.00
2.0 CRDi 16V 2WD	D4HA	100	136	04/10	>	25.166.00	24.122.00	30.574.00	53.191.00
2.0 CRDi 16V 4WD	D4HA	100	136	04/10	>	25.166.00	24.122.00	30.574.00	53.191.00
2.0 CRDi 16V 4WD	D4HA	135	184	04/10	>	25.166.00	24.122.00	30.574.00	53.191.00
2.0 GDI 2WD	G4NC	122	166	08/13	>	23.583.00		30.574.00	53.191.00
2.0 GDI 4WD	G4NC	122	166	08/13	>	23.583.00		30.574.00	53.191.00
2.0 Theta II MPI		110	150	03/10	>	23.583.00		30.631.00	53.191.00
ix55									
3.0 V6 CRDi 4WD	D6EB	184	250	09/11	> 12/12	25.213.00	24.012.00		
3.0 V6 CRDi 4WD	G6EN/D6EA	176	239	04/09	> 12/11	25.213.00	24.012.00		
3.8 V6 24V CVT				01/07	>	25.151.00			
Kona									
1.0 T-GDI	G3LC	88	120	09/17	>	23.452.00			
with air-conditioner and R.H.D. / con climatizzatore e guida a destra	G3LC	88	120	09/17	>				53.387.00
1.6 CRDi 115									
with air-conditioner and R.H.D. / con climatizzatore e guida a destra	D4FE	85	115	09/17	>				53.387.00
1.6 CRDi 136									
with air-conditioner and R.H.D. / con climatizzatore e guida a destra	D4FB	100	136	09/17	>				53.387.00
1.6 CRDi 136 4WD									
with air-conditioner and R.H.D. / con climatizzatore e guida a destra	D4FB	100	136	09/17	>				53.387.00
1.6 T-GDI 4WD	G4FJ	130	177	09/17	>	23.461.00			
with air-conditioner and R.H.D. / con climatizzatore e guida a destra	G4FJ	130	177	09/17	>				53.387.00
EV	Electric 39 kWh	100	136	04/18	>				
with air-conditioner and R.H.D. / con climatizzatore e guida a destra	Electric 39 kWh	100	136	04/18	>				53.387.00
EV	Electric 64 kWh	150	204	04/18	>				
with air-conditioner and R.H.D. / con climatizzatore e guida a destra	Electric 64 kWh	150	204	04/18	>				53.387.00

...HYUNDAI - cars/auto

Lantra									
1.5 i 12V (SOHC)	G4EK	65	88	09/95 >	11/00	23.271.00	31.712.00	30.285.00	
1.6 i 16V (DOHC-MPI)				09/95 >	11/00	23.271.00	31.712.00	30.336.00	
1.6 i 16V S.W. (DOHC-MPI)				09/95 >	11/00	23.271.00	31.712.00	30.336.00	
1.8 i 16V (DOHC-MPI)				09/95 >	11/00	23.271.00	31.712.00	30.336.00	
1.8 i 16V S.W. (DOHC-MPI)	G4GM	94	128	09/95 >	11/00	23.271.00	31.712.00	30.336.00	
1.9 D	2DN-XUD9	50	68	03/98 >	11/00	23.293.00	26.676.00	30.336.00	
2.0 i 16V S.W. (DOHC-MPI)	G4GF	102	139	08/96 >	11/00	23.271.00	31.712.00	30.336.00	
Matrix									
1.5 CRDi									
with air-conditioner and R.H.D. / con climatizzatore e guida a destra	D3-EA	60	82	09/01 >	04/05	23.545.00	24.439.00	30.229.00	53.118.00
with air-conditioner and L.H.D. / con climatizzatore e guida a sinistra	D3-EA	60	82	09/01 >	04/05	25.071.00	24.439.00	30.229.00	53.118.00
1.5 CRDi									
with air-conditioner / con climatizzatore	D4-FA	75	102	04/05 >		25.070.00	24.439.00	30.229.00	53.118.00
1.5 CRDi VGT									
with air-conditioner / con climatizzatore		81	110	04/05 >		25.070.00	24.439.00	30.229.00	53.118.00
1.6 i 16V									
with air-conditioner / con climatizzatore	G4ED-G	76	103	03/01 >		23.461.00		30.229.00	53.118.00
1.6 i 16V Autom.									
with air-conditioner / con climatizzatore		76	103	03/01 >		23.461.00		30.229.00	53.118.00
1.8 i 16V									
with air-conditioner / con climatizzatore	G4GB-G	90	122	03/01 >		23.461.00		30.229.00	53.118.00
1.8 i 16V Autom.									
with air-conditioner / con climatizzatore		90	122	03/01 >		23.461.00		30.229.00	53.118.00
Nexo									
EV		120	163	03/18 >		✗	✗	✗	
Pony									
1.3				10/85 >		23.271.00			
1.3 i 12V	G4EH	55	75	01/00 >		23.271.00		30.286.00	
1.5				10/85 >		23.271.00			
1.5 i (SOHC-MPI) (MU)	G4D-MPI			01/89 >		23.271.00	31.550.00		
with HYUNDAI 28113-32510 / con HYUNDAI 28113-32510	G4D-MPI			01/89 >		23.271.00	31.550.00	27.171.00	
Santa Fe (CM)									
Santa Fe	G6DC	204	277	08/11 >	05/13	25.226.00			
Scoupe									
1.5						23.271.00			
1.5 i 12V	G4EK			09/92 >		23.271.00			
1.5 i 12V Turbo	G4EK-TC			09/92 >		23.271.00			
Seltos									
1.6	G4FG	90	122	09/19 >					53.208.00
Solaris (RB)									
1.4		79	107	02/11 >	01/12	23.461.00		30.594.00	
		79	107	02/12 >		23.461.00		30.594.00	53.390.00
1.6		90	122	02/11 >	01/12	23.461.00		30.594.00	
		90	122	02/12 >		23.461.00		30.594.00	53.390.00
Solaris II									
1.4	G4LC	73	99	02/17 >		23.452.00	✗		53.387.00
1.6	G4FG	90	123	02/17 >		23.461.00	∞		53.387.00
Sonata III (EF)									
2.0 i 16V	G4JP	100	136	06/98 >	10/01	23.461.00	31.556.00	30.267.00	
with air-conditioner / con climatizzatore	G4JP	100	136	06/98 >	10/01				53.077.00
2.4 i 16V		105	143	03/98 >	10/01	23.461.00	31.556.00	30.267.00	
with air-conditioner / con climatizzatore		105	143	03/98 >	10/01				53.077.00
2.5 V6 24V	G6BV-G	117	160	06/98 >	10/01	23.461.00		30.267.00	
with air-conditioner / con climatizzatore	G6BV-G	117	160	06/98 >	10/01				53.077.00
Sonata IV (EU4/EF-B)									
2.0 i 16V		96	130	09/01 >	03/03	23.461.00		30.267.00	53.077.00
		96	130	04/03 >	04/05	23.461.00		30.267.00	53.121.00
2.7 V6	G6BA-G	127	173	09/01 >	03/03	23.461.00		30.267.00	53.077.00
	G6BA-G	127	173	04/03 >	04/05	23.461.00		30.267.00	53.121.00
Sonata V (NF)									
2.0 i VVTi		106	144	05/05 >	12/10	23.461.00		30.437.00	53.145.00
2.0 CRDI 140		103	140	11/05 >	10/06		24.439.00	30.A55.00	53.145.00
		103	140	11/06 >	12/08		24.012.00	30.A55.00	53.145.00
with R.H.D. / con guida a destra		103	140	11/05 >	12/08	23.615.00			
with L.H.D. / con guida a sinistra		103	140	11/05 >	12/08	25.075.00			
2.0 CRDI 150		110	150	08/08 >	12/10		24.012.00	30.A55.00	53.145.00

...HYUNDAI - cars/auto

with R.H.D. / con guida a destra		110	150	08/08 >	12/10	23.615.00			
with L.H.D. / con guida a sinistra		110	150	08/08 >	12/10	25.075.00			
2.0 i 16V		121	165	08/08 >	12/10	23.461.00			
2.2 CRDI 150	D4EB	110	150	02/06 >	10/06		24.439.00	30.A55.00	53.145.00
	D4EB	110	150	11/06 >	12/10		24.012.00	30.A55.00	53.145.00
with R.H.D. / con guida a destra	D4EB	110	150	02/06 >	12/10	23.615.00			
with L.H.D. / con guida a sinistra	D4EB	110	150	02/06 >	12/10	25.075.00			
2.4	G4KE	128	174	03/05 >	12/10	23.461.00		30.437.00	53.145.00
2.4 i 16V	G4KD	119	162	03/05 >	12/10	23.461.00		30.437.00	53.145.00
3.3 V6	G6DB	173	235	06/05 >	12/10			30.B01.00	53.145.00
3.3 V6	G6DB	184	250	08/08 >	12/10			30.B01.00	53.145.00
Sonata VI (YF)									
2.0 Theta II MPI (YF)		110	150	10/09 >	12/15	23.461.00			53.396.00
2.0 Theta II MPI (YF)		115	156	09/10 >	12/15	23.461.00			53.396.00
2.4 Theta II MPI (YF)		131	178	10/09 >	12/15	23.461.00			53.396.00
Sonata VII (LF)									
2.0		113	154	10/15 >		23.461.00			
2.0	NU	110	150	07/17 >		23.461.00			
2.0	NU	124	168	07/17 >		23.461.00			
2.0 Hybrid		165	224	10/15 >		23.461.00			
2.4		131	178	10/15 >		23.461.00			
2.4	Theta 2	138	188	07/17 >		23.461.00			
Sonica									
2.0 i 16V				07/98 >	08/01	23.461.00	31.556.00	30.267.00	53.077.00
2.0 i 16V (EF)		96	130	09/01 >		23.461.00		30.267.00	53.077.00
2.7 V6 24V (EF)		127	173	09/01 >		23.461.00		30.267.00	53.077.00
Terracan (HP)									
2.5 TD		74	101	09/01 >	04/03	23.237.00	24.445.00	30.309.00	
		74	101	05/03 >	12/06	23.237.00	24.445.00	30.309.00	53.333.00
2.9 CRDI		110	150	09/01 >	04/03	23.472.00	24.445.00	30.309.00	
		110	150	05/03 >	04/04	23.472.00	24.445.00	30.309.00	53.333.00
2.9 CRDI		120	163	04/04 >	12/06	23.472.00	24.445.00	30.309.00	53.333.00
3.5 V6		143	194	12/01 >	04/03	23.461.00		30.309.00	
		143	194	05/03 >	12/06	23.461.00		30.309.00	53.333.00
Tiburon									
1.6 i 16V				01/98 >		23.271.00	31.712.00		
1.8 i 16V (VIN M) (USA)				01/97 >		23.271.00	31.712.00		
2.0 i 16V				01/98 >		23.271.00	31.712.00		
2.0 i 16V (VIN F) (USA)				01/97 >		23.271.00	31.712.00		
Trajet									
2.0 CRDI									
with R.H.D. / con guida a destra	D4EA	83	112	04/01 >	01/04	23.545.00	24.460.00	30.267.00	53.077.00
with R.H.D. / con guida a destra	D4EA	83	112	02/04 >		23.545.00	24.460.00	30.C42.00	53.077.00
with L.H.D. / con guida a sinistra	D4EA	83	112	04/01 >	01/04	25.053.00	24.460.00	30.267.00	53.077.00
with L.H.D. / con guida a sinistra	D4EA	83	112	02/04 >		25.053.00	24.460.00	30.C42.00	53.077.00
2.0 i 16V	G4GC	103	140	04/04 >	07/08	23.461.00		30.267.00	53.077.00
2.0 i 16V	G4JP-G	100	136	09/99 >	04/04	23.461.00		30.267.00	53.077.00
2.7 V6	G6BA-G	127	173	05/00 >	02/04	23.461.00		30.267.00	53.077.00
	G6BA-G	127	173	03/04 >	07/08	23.461.00		30.267.00	53.077.00
Veloster									
1.6 GDI		103	140	08/11 >		23.583.00		30.594.00	53.112.00
1.6 GDI Turbo		137	186	10/12 >		23.583.00		30.594.00	53.112.00
1.6 GDI Turbo		147	200	08/11 >		23.583.00		30.594.00	53.112.00
1.6 MPI		97	132	06/11 >		23.461.00		30.594.00	53.112.00
XG									
XG25 2.5 V6		120	163	12/98 >			31.556.00		53.077.00
XG30 3.0 V6	G6CT-G	138	188	12/98 >			31.556.00		53.077.00
XG300 3.0 V6	G6CT-G	138	188	12/98 >			31.556.00		53.077.00
XG350 3.5 V6	G6CU	145	197	04/03 >					53.077.00

HYUNDAI

commercial vehicles/veicoli commerciali

H 1

2.5 CRDI		100	136	08/09 >				30.A95.00	53.394.00
2.5 CRDI		103	140	12/02 >				30.A95.00	53.394.00
2.5 CRDI		120	163	05/08 >				30.A95.00	53.394.00
2.5 CRDI		125	170	02/08 >				30.A95.00	53.394.00
2.5 CRDI		85	116	02/11 >				30.A95.00	53.394.00

...HYUNDAI - commercial vehicles/veicoli commerciali

2.5 CRDI	D4CB	103	140	12/02 >	08/06	23.486.00	24.439.00	27.648.00	53.407.00
	D4CB	103	140	09/06 >	02/08	23.486.00	24.012.00	27.648.00	53.407.00
2.5 CRDI	D4CB	81	110	02/08 >		23.486.00	24.122.00	30.095.00	53.394.00
2.5 D	D4BB	57	78	10/97 >	08/01	23.237.00	24.366.00	27.648.00	✗
	D4BB	57	78	09/01 >	02/08	23.237.00	24.366.00	27.648.00	53.407.00
2.5 TCI Turbodiesel	D4BH	73	99	10/99 >	05/00	23.237.00	24.366.00	27.648.00	✗
	D4BH	73	99	06/00 >	08/01	23.472.00	24.366.00	27.648.00	✗
	D4BH	73	99	09/01 >	02/08	23.472.00	24.366.00	27.648.00	53.407.00
2.5 TD	D4BF	59	80	10/97 >	05/00	23.237.00	24.366.00	27.648.00	✗
	D4BF	59	80	06/00 >	08/01	23.472.00	24.366.00	27.648.00	✗
	D4BF	59	80	09/01 >	02/08	23.472.00	24.366.00	27.648.00	53.407.00
2.5 TD Turbodiesel	D4BH	74	100	11/01 >	02/08	23.472.00	24.366.00	27.648.00	53.407.00
H 100									
2.4	G4CPN			01/93 >	04/00	23.271.00		27.171.00	✗
H 100 D									
2.5 D (FDX)				01/94 >	05/00	23.237.00	24.366.00		✗
				06/00 >		23.472.00	24.366.00		✗
H 150 D									
2.5 D				01/94 >	05/00	23.237.00	24.366.00		✗
2.5 TD				01/94 >	05/00	23.237.00	24.366.00		✗
H 200									
2.4 Satellite				06/97 >	08/01	23.271.00	31.556.00	27.171.00	✗
				09/01 >	02/08	23.271.00	31.556.00	27.171.00	53.407.00
2.5 TD				06/97 >	05/00	23.237.00	24.366.00	27.648.00	✗
				06/00 >	08/01	23.472.00	24.366.00	27.648.00	✗
				09/01 >	02/08	23.472.00	24.366.00	27.648.00	53.407.00
H 350 II									
2.5 CRDI		110	150	04/15 >		23.472.00			
2.5 CRDI		125	170	04/15 >		23.472.00			
Maxi Van									
2.5 D	D4BX	57	78	01/94 >		23.237.00	24.366.00		
Porter									
2.4 (mod. P)				01/97 >		23.271.00			
2.5 CRDI	D4CB	93	126	12/03 >	12/06	23.486.00	24.443.00		
2.5 D (mod. P)	D4BA			12/94 >		23.237.00	24.366.00		
Starex Maxivan									
2.4				12/97 >		23.271.00			
2.5 CRDI	D4CB	125	170	02/08 >		23.486.00		30.095.00	
2.5 TCI				10/99 >	05/00	23.237.00	24.366.00	27.648.00	
				06/00 >	11/01	23.472.00	24.366.00	27.648.00	53.407.00
HYUNDAI						off-road cars/fuoristrada			
Galloper									
2.5 D				01/94 >	05/00	23.237.00	24.366.00		
				06/00 >		23.472.00	24.366.00		
2.5 TDI				01/97 >	05/00	23.237.00	24.366.00		
				06/00 >		23.472.00	24.366.00		
3.0 V6				01/97 >		23.271.00			
Grand Santa Fé									
2.2 CRDI 4WD		145	197	09/12 >		25.166.00		30.020.00	53.396.00
2.2 CRDI 4WD		147	200	10/15 >		25.166.00		30.020.00	53.396.00
3.0 GDi 4WD	G6DG	183	249	07/13 >		25.226.00			53.396.00
3.3 CVT 4WD	G6DF	199	271	01/13 >		25.226.00			53.396.00
Santa Fé I									
2.0 16V (SM)	G4BP/4G63	100	136	08/00 >	01/01	23.461.00		30.174.00	✗
	G4BP/4G63	100	136	02/01 >	04/03	23.461.00		30.174.00	53.077.00
	G4BP/4G63	100	136	05/03 >	03/06	23.461.00		30.174.00	53.121.00
2.0 CRDI TDI 16V 4WD (SM)									
with R.H.D. / con guida a destra	D4EA	83	112	02/01 >	02/03	23.545.00	24.460.00	30.174.00	53.077.00
with R.H.D. / con guida a destra	D4EA	83	112	03/03 >	04/03	23.545.00	24.122.00	30.174.00	53.077.00
with R.H.D. / con guida a destra	D4EA	83	112	05/03 >	03/06	23.545.00	24.122.00	30.174.00	53.121.00
with L.H.D. / con guida a sinistra	D4EA	83	112	02/01 >	02/03	25.053.00	24.460.00	30.174.00	53.077.00
with L.H.D. / con guida a sinistra	D4EA	83	112	03/03 >	04/03	25.053.00	24.122.00	30.174.00	53.077.00
with L.H.D. / con guida a sinistra	D4EA	83	112	05/03 >	03/06	25.053.00	24.122.00	30.174.00	53.121.00
2.0 CRDI VGT 4WD (SM)									
with R.H.D. / con guida a destra	D4EAV	107	145	11/03 >	03/06	23.545.00	24.122.00	30.174.00	53.121.00
with L.H.D. / con guida a sinistra	D4EAV	107	145	11/03 >	03/06	25.053.00	24.122.00	30.174.00	53.121.00

...HYUNDAI - off-road cars/fuoristrada

2.0 CRDI VGT 4WD (SM)									
with R.H.D. / con guida a destra	D4EAV	92	115	08/03 >	03/06	23.545.00	24.122.00	30.174.00	53.121.00
with L.H.D. / con guida a sinistra	D4EAV	92	115	08/03 >	03/06	25.053.00	24.122.00	30.174.00	53.121.00
2.4 16V (SM)	G4JS	107	145	05/00 >	09/03	23.461.00		30.174.00	53.077.00
	G4JS	107	145	10/03 >	03/06	23.461.00		30.174.00	53.121.00
2.4 16V 4WD (SM)	G4JS	107	145	05/00 >	09/03	23.461.00		30.174.00	53.077.00
	G4JS	107	145	10/03 >	03/06	23.461.00		30.174.00	53.121.00
2.7 V6 24V 4WD (SM)	G6BA	127	173	05/00 >	01/01	23.461.00		30.174.00	✗
	G6BA	127	173	02/01 >	04/03	23.461.00		30.174.00	53.077.00
	G6BA	127	173	05/03 >	03/06	23.461.00		30.174.00	53.121.00
Santa Fé II									
2.0 CRDI VGT (CM)	D4HA	110	150	01/10 >		25.166.00	24.012.00	30.631.00	
with automatic air-conditioner / con climatizzatore automatico	D4HA	110	150	01/10 >					53.331.00
with manual air-conditioner / con climatizzatore manuale	D4HA	110	150	01/10 >					53.379.00
2.0 CRDI VGT 4x4 (CM)	D4HA	110	150	01/10 >		25.166.00	24.012.00	30.631.00	
with automatic air-conditioner / con climatizzatore automatico	D4HA	110	150	01/10 >					53.331.00
with manual air-conditioner / con climatizzatore manuale	D4HA	110	150	01/10 >					53.379.00
2.2 CRDI VGT (CM)									
with air-conditioner / con climatizzatore	D4EB	102	139	03/06 >	10/06	25.075.00	24.439.00	30.403.00	53.145.00
with air-conditioner / con climatizzatore	D4EB	102	139	11/06 >	01/09	25.075.00	24.012.00	30.403.00	53.145.00
2.2 CRDI VGT (CM)									
with air-conditioner / con climatizzatore	D4EB	110	150	03/06 >	10/06	25.075.00	24.439.00	30.403.00	53.145.00
with air-conditioner / con climatizzatore	D4EB	110	150	11/06 >	01/09	25.075.00	24.012.00	30.403.00	53.145.00
with R.H.D. / con guida a destra	D4EB	110	150	03/06 >	01/09	23.615.00			
2.2 CRDI VGT (CM)									
with air-conditioner / con climatizzatore	D4EB	114	156	03/06 >	10/06	25.075.00	24.439.00	30.403.00	53.145.00
with air-conditioner / con climatizzatore	D4EB	114	156	11/06 >	01/09	25.075.00	24.012.00	30.403.00	53.145.00
with R.H.D. / con guida a destra	D4EB	114	156	03/06 >	01/09	23.615.00			
2.2 CRDI VGT (CM)									
with automatic air-conditioner / con climatizzatore automatico	D4HB	145	197	01/10 >		25.166.00	24.012.00	30.631.00	
with manual air-conditioner / con climatizzatore manuale	D4HB	145	197	01/10 >					53.331.00
2.2 CRDI VGT 4x4 (CM)									
with air-conditioner / con climatizzatore	D4EB	102	139	03/06 >	10/06	25.075.00	24.439.00	30.403.00	53.145.00
with air-conditioner / con climatizzatore	D4EB	102	139	11/06 >	01/09	25.075.00	24.012.00	30.403.00	53.145.00
2.2 CRDI VGT 4x4 (CM)									
with air-conditioner / con climatizzatore	D4EB	110	150	03/06 >	10/06	25.075.00	24.439.00	30.403.00	53.145.00
with air-conditioner / con climatizzatore	D4EB	110	150	11/06 >	01/09	25.075.00	24.012.00	30.403.00	53.145.00
2.2 CRDI VGT 4x4 (CM)									
with air-conditioner / con climatizzatore	D4EB	114	156	03/06 >	10/06	25.075.00	24.439.00	30.403.00	53.145.00
with air-conditioner / con climatizzatore	D4EB	114	156	11/06 >	01/09	25.075.00	24.012.00	30.403.00	53.145.00
2.2 CRDI VGT 4x4 (CM)									
with automatic air-conditioner / con climatizzatore automatico	D4HB	145	197	01/10 >		25.166.00	24.012.00	30.631.00	
with manual air-conditioner / con climatizzatore manuale	D4HB	145	197	01/10 >					53.331.00
2.4 VVT (CM)	G4KE	128	174	01/10 >		23.461.00		30.723.00	
with automatic air-conditioner / con climatizzatore automatico	G4KE	128	174	01/10 >					53.331.00
with manual air-conditioner / con climatizzatore manuale	G4KE	128	174	01/10 >					53.379.00
2.4 VVT (CM) 4x4	G4KE	128	174	01/10 >		23.461.00		30.723.00	
with automatic air-conditioner / con climatizzatore automatico	G4KE	128	174	01/10 >					53.331.00
with manual air-conditioner / con climatizzatore manuale	G4KE	128	174	01/10 >					53.379.00
2.7 V6 (CM)									
with air-conditioner / con climatizzatore	G6BA	125	170	03/06 >	12/09	23.461.00		30.403.00	53.145.00
2.7 V6 (CM)									
with air-conditioner / con climatizzatore	G6EA	139	189	03/06 >	12/09	23.461.00		30.403.00	53.145.00
2.7 V6 (CM) 4x4									
with air-conditioner / con climatizzatore	G6BA	125	170	03/06 >	12/09	23.461.00		30.403.00	53.145.00
2.7 V6 (CM) 4x4									
with air-conditioner / con climatizzatore	G6EA	139	189	03/06 >	12/09	23.461.00		30.403.00	53.145.00
Santa Fé III									
2.0 CRDI		136	185	05/15 >		25.166.00		30.A20.00	53.396.00
2.0 CRDI 2WD		110	150	09/12 >		25.166.00		30.A20.00	53.396.00
2.0 CRDI 4WD		110	150	09/12 >		25.166.00		30.A20.00	53.396.00
2.2 CRDI		147	200	10/15 >		25.166.00		30.A20.00	53.396.00
2.2 CRDI 4WD		145	197	09/12 >		25.166.00		30.A20.00	53.396.00
2.4 GDI	G4KJ	141	192	09/12 >		23.583.00			53.396.00
2.4 MPI	Theta II	129	175	09/12 >		23.583.00			53.396.00
Santa Fé IV									
2.0 CRDI		110	150	03/18 >		25.166.00			

...HYUNDAI - off-road cars/fuoristrada

2.2 CRDI		147 200	03/18 >	25.166.00			
2.4 GDI		136 185	03/18 >	23.583.00			
Tucson							
2.0 16V							
with air-conditioner and R.H.D. / con climatizzatore e guida a destra		104 141	09/04 >	23.461.00		30.280.00	
with air-conditioner and L.H.D. / con climatizzatore e guida a sinistra		104 141	09/04 >	23.461.00		30.280.00	53.112.00
2.0 CRDI							
with air-conditioner and R.H.D. / con climatizzatore e guida a destra		83 112	08/04 >	25.053.00	24.443.00	30.280.00	
with air-conditioner and L.H.D. / con climatizzatore e guida a sinistra		83 112	08/04 >	25.053.00	24.443.00	30.280.00	53.112.00
2.0 CRDI VGT							
with air-conditioner and R.H.D. / con climatizzatore e guida a destra		103 140	01/06 > 12/08	23.615.00	24.443.00	30.280.00	53.259.00
with air-conditioner and L.H.D. / con climatizzatore e guida a sinistra		103 140	01/06 > 12/08	25.075.00	24.443.00	30.280.00	53.112.00
2.0 CRDI VGT							
with automatic air-conditioner and L.H.D. some / con climatizzatore automatico e guida a sinistra alcuni		110 150	01/09 > 04/10				53.191.00
with air-conditioner and R.H.D. / con climatizzatore e guida a destra		110 150	01/09 > 04/10	23.615.00	24.443.00	30.280.00	53.259.00
with air-conditioner and L.H.D. / con climatizzatore e guida a sinistra		110 150	01/09 > 04/10	25.075.00	24.443.00	30.280.00	53.112.00
2.7 V6 24V							
with air-conditioner and R.H.D. / con climatizzatore e guida a destra		129 175	09/04 >	23.461.00		30.280.00	
with air-conditioner and L.H.D. / con climatizzatore e guida a sinistra		129 175	09/04 >	23.461.00		30.280.00	53.112.00
Tucson II							
1.6 CRDI 115	D4FE	85 115	07/18 >		24.123.00	30.710.00	
models made in Korea / modelli prodotti in Corea	D4FE	85 115	07/18 >				53.387.00
1.6 CRDI 136	D4FB	100 136	07/18 >		24.123.00	30.710.00	
models made in Korea / modelli prodotti in Corea	D4FB	100 136	07/18 >				53.387.00
1.6 CRDI 136 4WD	D4FB	100 136	07/18 >		24.123.00	30.710.00	
models made in Korea / modelli prodotti in Corea	D4FB	100 136	07/18 >				53.387.00
1.6 GDI		97 132	06/15 >	23.583.00			
1.6 T-GDI		130 177	06/15 >	23.461.00			
1.7 CRDI 115	D4FD	85 116	06/15 > 09/18	25.151.00	24.123.00	30.710.00	
1.7 CRDI 140	D4FD	104 141	06/15 > 09/18	25.151.00	24.123.00	30.710.00	
2.0	NU	110 150	06/15 >	23.583.00			
2.0 CRDI	D4HA	100 136	06/15 >	25.166.00	24.123.00	30.710.00	
2.0 CRDI	D4HA	136 185	06/15 >	25.166.00	24.123.00	30.710.00	
2.0 GDI	G4NA	114 155	06/15 >	23.583.00			
2.0 GDI 4WD	G4NA	114 155	06/15 >	23.583.00			
IATO				off-road cars/fuoristrada			
1600							
1.6 LS	Fiat			23.168.00	31.001.00		
1900							
1.9 Turbodiesel S	Fiat			23.166.00	24.351.00	30.928.00	
2000							
2.0 CHT LS	Fiat			23.168.00	31.001.00		
INFINITI				cars/auto			
EX							
25 V6 (J50)	VQ25HR	163 222	02/11 >	23.484.00			54.320.00
35 V6 (J50)	VQ35HR	221 295	10/08 >	23.484.00			54.320.00
37 V6 (J50)	VQ37VHR	228 310	10/08 >	23.484.00			54.320.00
37 V6 (J50)	VQ37VHR	235 320	09/10 >	23.484.00			54.320.00
FX							
30 d (S51)	V9X	175 238	03/10 >	23.564.00	24.020.01		54.320.00
35 (S51)	VQ35DE	223 303	07/08 >	23.484.00			54.320.00
2 filters / N.2 filtri	VQ35DE	223 303	07/08 >			30.001.00	
37 (S51)	VQ37VHR	235 320	07/08 >	23.484.00			54.320.00
2 filters / N.2 filtri	VQ37VHR	235 320	07/08 >			30.001.00	
50 (S51)	VK50VE	287 390	07/08 >	23.265.00			54.320.00
2 filters / N.2 filtri	VK50VE	287 390	07/08 >			30.001.00	
G20							
G20	SR20DE		01/91 >	23.266.00	31.529.00	30.973.00	
G37							
3.7 V6	VQ37VHR	235 320	07/08 > 06/13	23.484.00			54.320.00
J30							
J30	VG30DE		01/93 >	23.240.00		30.973.00	
M (Y51)							
M30d	V9X	175 238	07/10 >	23.564.00	24.020.01		
Q30 (H15E)							

...INFINITI - cars/auto

1.5 D	K9K	81	110	11/15	>	23.628.00		30.595.00		
with L.H.D. / con guida a sinistra	K9K	81	110	11/15	>				54.236.00	
antibacterial, anti-odour and anti-allergen filter with L.H.D./ filtro antibatterico, antiodori e anti-allergeni con guida a sinistra	K9K	81	110	11/15	>				34.236.00	
1.6 T	16PET	115	156	11/15	>	25.178.00				
with L.H.D. / con guida a sinistra	16PET	115	156	11/15	>				54.236.00	
antibacterial, anti-odour and anti-allergen filter with L.H.D./ filtro antibatterico, antiodori e anti-allergeni con guida a sinistra	16PET	115	156	11/15	>				34.236.00	
1.6 T	16PET	90	122	11/15	>	25.178.00				
with L.H.D. / con guida a sinistra	16PET	90	122	11/15	>				54.236.00	
antibacterial, anti-odour and anti-allergen filter with L.H.D./ filtro antibatterico, antiodori e anti-allergeni con guida a sinistra	16PET	90	122	11/15	>				34.236.00	
2.0 T	20PET	155	211	11/15	>	25.178.00		30.A38.00		
with L.H.D. / con guida a sinistra	20PET	155	211	11/15	>				54.236.00	
antibacterial, anti-odour and anti-allergen filter with L.H.D./ filtro antibatterico, antiodori e anti-allergeni con guida a sinistra	20PET	155	211	11/15	>				34.236.00	
2.0 T 4WD	20PET	155	211	11/15	>	25.178.00		30.A38.00		
with L.H.D. / con guida a sinistra	20PET	155	211	11/15	>				54.236.00	
antibacterial, anti-odour and anti-allergen filter with L.H.D./ filtro antibatterico, antiodori e anti-allergeni con guida a sinistra	20PET	155	211	11/15	>				34.236.00	
2.2 D	22DSL	125	170	11/15	>	25.159.00		30.595.00		
with R.H.D. / con guida a destra	22DSL	125	170	11/15	>		24.148.00			
with L.H.D. / con guida a sinistra	22DSL	125	170	11/15	>				54.236.00	
antibacterial, anti-odour and anti-allergen filter with L.H.D./ filtro antibatterico, antiodori e anti-allergeni con guida a sinistra	22DSL	125	170	11/15	>				34.236.00	
2.2 D 4WD	22DSL	125	170	11/15	>	25.159.00		30.595.00		
with R.H.D. / con guida a destra	22DSL	125	170	11/15	>		24.148.00			
with L.H.D. / con guida a sinistra	22DSL	125	170	11/15	>				54.236.00	
antibacterial, anti-odour and anti-allergen filter with L.H.D./ filtro antibatterico, antiodori e anti-allergeni con guida a sinistra	22DSL	125	170	11/15	>				34.236.00	
Q50 (V37)										
2.0 Turbo	M274.930	155	211	04/14	>	08/14	25.178.00		27.A92.00	53.294.00
	M274.930	155	211	09/14	>		25.178.00		27.A92.00	54.320.00
2.2 d Sport	OM651.970	125	170	06/13	>	08/14	25.159.00	24.151.00	30.B87.00	53.294.00
	OM651.970	125	170	09/14	>		25.159.00	24.151.00	30.B87.00	54.320.00
3.5 Hybrid	VQ35HR	219	298	06/13	>	08/14	23.484.00			53.294.00
	VQ35HR	219	298	09/14	>		23.484.00			54.320.00
2 filters / N.2 filtri	VQ35HR	219	298	06/13	>				30.362.00	
3.5 Hybrid	VQ35HR	268	364	04/13	>	08/14	23.484.00			53.294.00
	VQ35HR	268	364	09/14	>		23.484.00			54.320.00
2 filters / N.2 filtri	VQ35HR	268	364	04/13	>				30.362.00	
3.5 Hybrid AWD	VQ35HR	219	298	06/13	>	08/14	23.484.00			53.294.00
	VQ35HR	219	298	09/14	>		23.484.00			54.320.00
2 filters / N.2 filtri	VQ35HR	219	298	06/13	>				30.362.00	
3.5 Hybrid AWD	VQ35HR	268	364	04/13	>	08/14	23.484.00			53.294.00
	VQ35HR	268	364	09/14	>		23.484.00			54.320.00
2 filters / N.2 filtri	VQ35HR	268	364	04/13	>				30.362.00	
Q60 II										
2.0 T		155	211	09/16	>		25.178.00		27.A92.00	
Q70 (Y51)										
2.2 d		125	170	10/14	>		25.159.00			
3.0 d	V9X	175	238	05/13	>		23.564.00	24.020.01		
QX30 (H15E)										
2.0 T 4WD	20PET	155	211	09/16	>		25.178.00		30.A38.00	
with L.H.D. / con guida a sinistra	20PET	155	211	09/16	>					54.236.00
antibacterial, anti-odour and anti-allergen filter with L.H.D./ filtro antibatterico, antiodori e anti-allergeni con guida a sinistra	20PET	155	211	09/16	>					34.236.00
2.2 D 4WD	22DSL	125	170	04/16	>		25.159.00		30.595.00	
with R.H.D. / con guida a destra	22DSL	125	170	04/16	>			24.148.00		
with L.H.D. / con guida a sinistra	22DSL	125	170	04/16	>					54.236.00
antibacterial, anti-odour and anti-allergen filter with L.H.D./ filtro antibatterico, antiodori e anti-allergeni con guida a sinistra	22DSL	125	170	04/16	>					34.236.00
QX50 (J50)										
3.0 d	V9X	175	238	05/13	>		23.564.00	24.020.01		
QX70 (S51)										
3.0 d AWD	V9X	175	238	05/13	>		23.564.00	24.020.01		54.320.00
3.7	VQ37VHR	235	320	05/13	>		23.484.00			54.320.00
2 filters / N.2 filtri	VQ37VHR	235	320	05/13	>				30.001.00	
5.0 AWD	VK50VE	287	390	05/13	>		23.265.00			54.320.00
2 filters / N.2 filtri	VK50VE	287	390	05/13	>				30.001.00	

INNOCENTI

cars/auto

Mille Clip

1.7 Diesel										
to engine No. 1872202 / a motore N. 1872202				01/96	>		23.166.00	24.383.00	30.945.00	

ISUZU
cars/auto

Aska							
1.8	4ZB1			03/83 >	23.165.00		27.769.00
2.0	4ZC1			03/83 >	23.165.00		27.769.00
2.0 Diesel	4FC1			03/83 >	23.234.00		30.973.00
2.0 Turbo	4ZC1T			03/83 >	23.165.00		
2.0 Turbodiesel	4FC1T			03/83 >	23.234.00		30.973.00

Geminett							
1.0 (AA43Z)	G10			07/86 >	23.131.01		

Gemini							
1.5 Turbodiesel (JT600)	4EC1			11/85 >	23.243.00	24.368.00	30.973.00
1.6 LD				10/81 >	23.139.00		27.769.00
1.6 LS				10/81 >	23.139.00		
1.6 LT				10/81 >	23.139.00		27.769.00
1.8 Diesel	4FB1			04/81 >	23.234.00		
1.8 i ZZ	G180WE			01/80 >	23.139.00		
1.8 LS	G180Z			10/81 >	23.139.00		27.769.00
1.8 LT	G180Z			10/81 >	23.139.00		27.769.00
1.8 Turbodiesel	4FB1T			11/82 >	23.234.00		

ISUZU **off-road cars/fuoristrada**

Bighorn							
3.0 DTI	4JX1	118	160	01/98 > 12/02	23.271.00		

Campo							
2.2 Diesel (TFR52)	C223			01/88 >	23.232.00	24.366.00	27.769.00
2.3 (TFR16)	4ZD1			01/86 >	23.271.00		27.769.00
2.3 (TFS16)	4ZD1			01/86 >	23.271.00		27.769.00
2.5 Diesel (TFR55)	4JA1			01/89 >	23.273.00	24.366.00	27.193.00
3.1 Turbodiesel	4JG2T			09/91 >	23.274.00	24.366.00	27.647.00

D-Max							
2.4	C24SE	94	128	05/02 > 02/05		31.611.00	30.506.00
	C24SE	94	128	03/05 > 06/12		31.611.00	53.327.00
2.5 D	4JA1-TC	74	101	06/03 > 09/06			53.327.00
2.5 D-DI	4JK1-TC	120	163	06/12 >	23.652.00	26.045.00	54.167.00
antibacterial, anti-odour and anti-allergen filter / filtro antibatterico, antiodori e anti-allergeni	4JK1-TC	120	163	06/12 >			34.167.00
2.5 D-DI 4x4	4JK1-TC	120	163	06/12 >	23.652.00	26.045.00	54.167.00
antibacterial, anti-odour and anti-allergen filter / filtro antibatterico, antiodori e anti-allergeni	4JK1-TC	120	163	06/12 >			34.167.00
2.5 TD	4JK1-TC	100	136	10/06 > 06/12		26.131.00	53.327.00
2.5 TD 4x4	4JK1-TC	100	136	10/06 > 06/12		26.131.00	53.327.00
3.0 D-TiD		96	130	05/02 > 06/12			53.327.00
3.0 TD	4JJ1-TC, 4JJ1-TCX	120	163	10/06 > 06/12		26.131.00	53.327.00
3.0 TD 4x4	4JJ1-TC, 4JJ1-TCX	120	163	10/06 > 06/12		26.131.00	53.327.00
3.5 V6	6VE1	147	200	01/07 > 06/12		31.611.00	30.506.00

Pick-up							
2.0 D (KBD21)	C190			10/80 >	23.232.00	24.366.00	27.769.00
2.0 D (KBD26)	C190			10/80 >	23.232.00	24.366.00	27.769.00
2.0 D (KBD41)	C190			10/80 >	23.232.00	24.366.00	27.769.00
2.0 D (KBD46)	C190			12/81 >	23.232.00	24.366.00	27.769.00
2.2 D 4WD (KBD42)	C223			12/82 >	23.232.00	24.366.00	27.769.00
2.5 D (KBD DXL)	RLE				23.273.00	24.370.00	27.193.00

Rodeo Bighorn							
2.0 4WD (UBS12)	4ZC1			06/85 >	23.139.00		27.769.00
2.2 D (UBS52)	C223			09/81 >	23.232.00	24.366.00	27.069.00
2.2 TD (UBS52)	C223-T			01/84 >	23.236.00	24.366.00	27.069.00

Trooper II							
3.0 DTI	4JX1	118	160	07/98 > 12/02			27.E50.00
by-pass	4JX1	118	160	07/98 > 12/02	23.271.00		
2 filters / N.2 filtri	4JX1	118	160	07/98 > 12/02			53.328.00

ISUZU **commercial vehicles/veicoli commerciali**

D-Max							
2.5 D-DI	4JK1-TC	120	163	06/12 >	23.652.00	26.045.00	54.167.00
antibacterial, anti-odour and anti-allergen filter / filtro antibatterico, antiodori e anti-allergeni	4JK1-TC	120	163	06/12 >			34.167.00
2.5 D-DI 4x4	4JK1-TC	120	163	06/12 >	23.652.00	26.045.00	54.167.00
antibacterial, anti-odour and anti-allergen filter / filtro antibatterico, antiodori e anti-allergeni	4JK1-TC	120	163	06/12 >			34.167.00

Elf 150							
2.5 Diesel	4JA1	37	50	10/86 >			27.678.00

Elf 250							
----------------	--	--	--	--	--	--	--

...ISUZU - commercial vehicles/veicoli commerciali

2.8 Diesel	4JB1	42 57	10/86 >			27.678.00	
3.3 Diesel			01/78 >		24.370.00		
Elf 350							
3.9 Diesel			07/84 >		24.370.00		
3.9 Turbodiesel			07/84 >		24.370.00		
Elf 450							
3.9 Diesel			03/86 >		24.370.00		
3.9 Turbodiesel			03/86 >		24.370.00		
Fargo							
1.6 (WFR10)	4Z41		01/81 >	23.139.00	31.010.00	27.140.00	
1.6 (WFR11)	4Z41		01/81 >	23.139.00	31.010.00	27.140.00	
1.8 (WFR11)	4ZB1		01/81 >	23.165.00	31.010.00	27.140.00	
1.8 Diesel (WFR)	4FB1		01/81 >	23.234.00	24.366.00		
2.0 Turbodiesel (WFR)	4FCT, 4FC1T		11/83 >	23.234.00			
2.2 Diesel (WFR)	4FD1		12/85 >	23.234.00			
High-Pack							
2.2 Diesel Van (UFR52)	C223		01/83 >	23.232.00	24.366.00	27.069.00	
Journey S15							
Journey S15 Diesel			01/76 >		24.370.00		
Midi							
2.0 (98170)	4ZC1		01/88 >	23.271.00			
2.0 (98370)	4ZC1		01/88 >	23.271.00			
2.0 Turbodiesel	4FC1T		01/90 >		24.368.00		
full-flow	4FC1T		01/90 >	23.271.00			
2.2 Diesel (WFR53)	4FD1		01/88 >	23.271.00			
2.4 Turbodiesel	4FG1T	56 76	01/94 >			27.678.00	
NHR54							
2.5 Diesel (Elf 150)	4JA1		01/85 >		24.366.00		
PAD							
PAD	C190G		01/80 >			27.069.00	
PAD6	C223G		01/80 >			27.069.00	
Pick-up							
Pick-up BL	G201		01/73 >			27.769.00	
Pick-up TL	G201		01/73 >			27.769.00	
TLD44 (Elf 250)							
2.8 Diesel			01/82 >		24.370.00		
TLD54 (Elf 250)							
2.8 Diesel			01/82 >		24.370.00		
IVECO commercial vehicles/veicoli commerciali							
Daily (Grinta)							
30.8					24.360.00	27.730.00	
to frame No. 308146 / a telaio N. 308146							
to frame No. 5030872 / a telaio N. 5030872			05/89 >		24.360.00	27.081.00	
30.8 H					24.360.00	27.730.00	
to frame No. 308146 / a telaio N. 308146							
to frame No. 5030872 / a telaio N. 5030872			05/89 >		24.360.00	27.081.00	
35.10 Turbo				23.303.00	24.351.00	27.828.00	
to frame No. 2110745 / a telaio N. 2110745			05/89 >				
35.8					24.360.00	27.730.00	
to frame No. 403211 / a telaio N. 403211							
to frame No. 5030872 / a telaio N. 5030872			05/89 >		24.360.00	27.081.00	
35.8 H					24.360.00	27.730.00	
to frame No. 403211 / a telaio N. 403211							
to frame No. 5030872 / a telaio N. 5030872			05/89 >		24.360.00	27.081.00	
40.10 Turbo				23.303.00	24.351.00	27.828.00	
to frame No. 2110745 / a telaio N. 2110745			05/89 >				
40.8					24.360.00	27.730.00	
to frame No. 308965 / a telaio N. 308965							
45.10 Turbo				23.303.00	24.351.00	27.828.00	
to frame No. 2110745 / a telaio N. 2110745			05/89 >				
49.10 Turbo				23.303.00	24.351.00	27.828.00	
to frame No. 2110745 / a telaio N. 2110745	8140.21/8140.27/8140.47R		05/89 >				
A30.8 Bus					24.360.00	27.730.00	
to frame No. 308146 / a telaio N. 308146							
to frame No. 5030872 / a telaio N. 5030872			05/89 >		24.360.00	27.081.00	
A35.8 Bus							

...IVECO - commercial vehicles/veicoli commerciali

to frame No. 403211 / a telaio N. 403211 to frame No. 5030872 / a telaio N. 5030872					05/89 >		24.360.00	27.730.00	
A40.8 Bus							24.360.00	27.081.00	
to frame No. 308965 / a telaio N. 308965							24.360.00	27.730.00	
Daily (MY 2006)									
29L10									
with air-conditioner / con climatizzatore	F1AE0481F Euro4	70	96	07/06 >			23.489.00	27.356.00	53.161.00
assembly UFI / montaggio UFI	F1AE0481F Euro4	70	96	07/06 >			31.071.00		
29L12									
with air-conditioner / con climatizzatore	F1AE0481G Euro4	85	116	07/06 >			23.489.00	27.356.00	53.161.00
assembly UFI / montaggio UFI	F1AE0481G Euro4	85	116	07/06 >			31.071.00		
29L14									
with air-conditioner / con climatizzatore	F1AE0481H Euro4	100	136	07/06 >			23.489.00	27.356.00	53.161.00
assembly UFI / montaggio UFI	F1AE0481H Euro4	100	136	07/06 >			31.071.00		
35C10									
with air-conditioner / con climatizzatore	F1AE0481F Euro4	70	96	07/06 >			23.489.00	27.356.00	53.161.00
assembly UFI / montaggio UFI	F1AE0481F Euro4	70	96	07/06 >			31.071.00		
35C12									
with air-conditioner / con climatizzatore	F1AE0481G Euro4	85	116	07/06 >			23.489.00	27.356.00	53.161.00
assembly UFI / montaggio UFI	F1AE0481G Euro4	85	116	07/06 >			31.071.00		
35C12DK									
with air-conditioner / con climatizzatore	F1AE0481GA Euro4	85	116	07/06 >			23.489.00	27.356.00	53.161.00
assembly UFI / montaggio UFI	F1AE0481GA Euro4	85	116	07/06 >			31.071.00		
35C12K									
with air-conditioner / con climatizzatore	F1AE0481GA Euro4	85	116	07/06 >			23.489.00	27.356.00	53.161.00
assembly UFI / montaggio UFI	F1AE0481GA Euro4	85	116	07/06 >			31.071.00		
35C14									
with air-conditioner / con climatizzatore	F1AE0481H Euro4	100	136	07/06 >			23.489.00	27.356.00	53.161.00
assembly UFI / montaggio UFI	F1AE0481H Euro4	100	136	07/06 >			31.071.00		
35C14G									
with air-conditioner / con climatizzatore	F1CE0441A	100	136	07/06 >			23.489.00	27.356.00	53.161.00
35C15									
with air-conditioner / con climatizzatore	F1CE0481F Euro4	107	146	07/06 >			23.546.00	27.356.00	53.161.00
filter BLOW-BY / filtro BLOW-BY	F1CE0481F Euro4	107	146	07/06 >					27.689.00
assembly UFI / montaggio UFI	F1CE0481F Euro4	107	146	07/06 >			31.071.00		
35C15DK									
with air-conditioner / con climatizzatore	F1CE0481FA Euro4	107	146	07/06 >			23.546.00	27.356.00	53.161.00
filter BLOW-BY / filtro BLOW-BY	F1CE0481FA Euro4	107	146	07/06 >					27.689.00
assembly UFI / montaggio UFI	F1CE0481FA Euro4	107	146	07/06 >			31.071.00		
35C15K									
with air-conditioner / con climatizzatore	F1CE0481F Euro4	107	146	07/06 >			23.546.00	27.356.00	53.161.00
filter BLOW-BY / filtro BLOW-BY	F1CE0481F Euro4	107	146	07/06 >					27.689.00
assembly UFI / montaggio UFI	F1CE0481F Euro4	107	146	07/06 >			31.071.00		
35C18									
with air-conditioner / con climatizzatore	F1CE0481H Euro4	130	176	07/06 >			23.546.00	27.356.00	53.161.00
filter BLOW-BY / filtro BLOW-BY	F1CE0481H Euro4	130	176	07/06 >					27.689.00
assembly UFI / montaggio UFI	F1CE0481H Euro4	130	176	07/06 >			31.071.00		
35C18DK									
with air-conditioner / con climatizzatore	F1CE0481HA Euro4	130	176	07/06 >			23.546.00	27.356.00	53.161.00
filter BLOW-BY / filtro BLOW-BY	F1CE0481HA Euro4	130	176	07/06 >					27.689.00
assembly UFI / montaggio UFI	F1CE0481HA Euro4	130	176	07/06 >			31.071.00		
35C18K									
with air-conditioner / con climatizzatore	F1CE0481HA Euro4	130	176	07/06 >			23.546.00	27.356.00	53.161.00
filter BLOW-BY / filtro BLOW-BY	F1CE0481HA Euro4	130	176	07/06 >					27.689.00
assembly UFI / montaggio UFI	F1CE0481HA Euro4	130	176	07/06 >			31.071.00		
35S10									
with air-conditioner / con climatizzatore	F1AE0481F Euro4	70	96	07/06 >			23.489.00	27.356.00	53.161.00
assembly UFI / montaggio UFI	F1AE0481F Euro4	70	96	07/06 >			31.071.00		
35S12									
with air-conditioner / con climatizzatore	F1AE0481G Euro4	85	116	07/06 >			23.489.00	27.356.00	53.161.00
assembly UFI / montaggio UFI	F1AE0481G Euro4	85	116	07/06 >			31.071.00		
35S14									
with air-conditioner / con climatizzatore	F1AE0481H Euro4	100	136	07/06 >			23.489.00	27.356.00	53.161.00
assembly UFI / montaggio UFI	F1AE0481H Euro4	100	136	07/06 >			31.071.00		
35S14D									
with air-conditioner / con climatizzatore	F1AE0481HA Euro4	100	136	07/06 >			23.489.00	27.356.00	53.161.00
assembly UFI / montaggio UFI	F1AE0481HA Euro4	100	136	07/06 >			31.071.00		

...IVECO - commercial vehicles/veicoli commerciali

35S14DP	with air-conditioner / con climatizzatore	F1AE0481HA Euro4	100	136	07/06	>	23.489.00		27.356.00	53.161.00
	assembly UFI / montaggio UFI	F1AE0481HA Euro4	100	136	07/06	>		31.071.00		
35S14G	with air-conditioner / con climatizzatore	F1CE0441A	100	136	07/06	>	23.489.00		27.356.00	53.161.00
35S18	with air-conditioner / con climatizzatore	F1CE0481H Euro4	130	176	07/06	>	23.546.00		27.356.00	53.161.00
	filter BLOW-BY / filtro BLOW-BY	F1CE0481H Euro4	130	176	07/06	>				27.689.00
	assembly UFI / montaggio UFI	F1CE0481H Euro4	130	176	07/06	>		31.071.00		
40C12 (UK)	assembly UFI / montaggio UFI	F1AE0481G Euro4	85	116	07/06	>	23.489.00		27.356.00	
		F1AE0481G Euro4	85	116	07/06	>		31.071.00		
40C15 (UK)	filter BLOW-BY / filtro BLOW-BY	F1CE0481F Euro4	107	146	07/06	>	23.546.00		27.356.00	
	assembly UFI / montaggio UFI	F1CE0481F Euro4	107	146	07/06	>		31.071.00		27.689.00
40C18 (UK)	filter BLOW-BY / filtro BLOW-BY	F1CE0481H Euro4	130	176	07/06	>	23.546.00		27.356.00	
	assembly UFI / montaggio UFI	F1CE0481H Euro4	130	176	07/06	>		31.071.00		27.689.00
45C15 (UK)	filter BLOW-BY / filtro BLOW-BY	F1CE0481F Euro4	107	146	07/06	>	23.546.00		27.356.00	
	assembly UFI / montaggio UFI	F1CE0481F Euro4	107	146	07/06	>		31.071.00		27.689.00
45C18 (UK)	filter BLOW-BY / filtro BLOW-BY	F1CE0481H Euro4	130	176	07/06	>	23.546.00		27.356.00	
	assembly UFI / montaggio UFI	F1CE0481H Euro4	130	176	07/06	>		31.071.00		27.689.00
50C14	with air-conditioner / con climatizzatore	F1AE0481H Euro4	100	136	07/06	>	23.489.00		27.356.00	53.161.00
	assembly UFI / montaggio UFI	F1AE0481H Euro4	100	136	07/06	>		31.071.00		
50C14G	with air-conditioner / con climatizzatore	F1CE0441A	100	136	07/06	>	23.489.00		27.356.00	53.161.00
50C15	with air-conditioner / con climatizzatore	F1CE0481F Euro4	107	146	07/06	>	23.546.00		27.356.00	53.161.00
	filter BLOW-BY / filtro BLOW-BY	F1CE0481F Euro4	107	146	07/06	>				27.689.00
	assembly UFI / montaggio UFI	F1CE0481F Euro4	107	146	07/06	>		31.071.00		
50C18	with air-conditioner / con climatizzatore	F1CE0481H Euro4	130	176	07/06	>	23.546.00		27.356.00	53.161.00
	filter BLOW-BY / filtro BLOW-BY	F1CE0481H Euro4	130	176	07/06	>				27.689.00
	assembly UFI / montaggio UFI	F1CE0481H Euro4	130	176	07/06	>		31.071.00		
60C15	with air-conditioner / con climatizzatore	F1CE0481F Euro4	107	146	07/06	>	23.546.00		27.356.00	53.161.00
	filter BLOW-BY / filtro BLOW-BY	F1CE0481F Euro4	107	146	07/06	>				27.689.00
	assembly UFI / montaggio UFI	F1CE0481F Euro4	107	146	07/06	>		31.071.00		
60C18	with air-conditioner / con climatizzatore	F1CE0481H Euro4	130	176	07/06	>	23.546.00		27.356.00	53.161.00
	filter BLOW-BY / filtro BLOW-BY	F1CE0481H Euro4	130	176	07/06	>				27.689.00
	assembly UFI / montaggio UFI	F1CE0481H Euro4	130	176	07/06	>		31.071.00		
65C15	with air-conditioner / con climatizzatore	F1CE0481F Euro4	107	146	07/06	>	23.546.00		27.356.00	53.161.00
	filter BLOW-BY / filtro BLOW-BY	F1CE0481F Euro4	107	146	07/06	>				27.689.00
	assembly UFI / montaggio UFI	F1CE0481F Euro4	107	146	07/06	>		31.071.00		
65C18	with air-conditioner / con climatizzatore	F1CE0481H Euro4	130	176	07/06	>	23.546.00		27.356.00	53.161.00
	filter BLOW-BY / filtro BLOW-BY	F1CE0481H Euro4	130	176	07/06	>				27.689.00
	assembly UFI / montaggio UFI	F1CE0481H Euro4	130	176	07/06	>		31.071.00		
Daily (MY 2011)										
29L11	assembly UFI / montaggio UFI	F1AE3481AA	78	106	07/11	>	23.489.00		30.629.00	53.161.00
		F1AE3481AA	78	106	07/11	>		26.034.00		
29L13	assembly UFI / montaggio UFI	F1AE3481BA	93	126	07/11	>	23.489.00		30.629.00	53.161.00
		F1AE3481BA	93	126	07/11	>		26.034.00		
29L15 2.3	assembly UFI / montaggio UFI	F1AE3481CA	107	146	07/11	>	23.489.00		30.629.00	53.161.00
		F1AE3481CA	107	146	07/11	>		26.034.00		
35 C Electric			60	82	07/11	>	×	×	×	53.161.00
35 S Electric			60	82	07/11	>	×	×	×	53.161.00
35C11	assembly UFI / montaggio UFI	F1AE3481AA	78	106	07/11	>	23.489.00		30.629.00	53.161.00
		F1AE3481AA	78	106	07/11	>		26.034.00		
35C13	assembly UFI / montaggio UFI	F1AE3481BA	93	126	07/11	>	23.489.00		30.629.00	53.161.00
		F1AE3481BA	93	126	07/11	>		26.034.00		
35C14 Natural Power		F1CE0441AB	100	136	07/11	>	23.489.00		30.630.00	53.161.00
35C15 3.0		F1CE3481JB	107	146	07/11	>	23.546.00		30.630.00	53.161.00

...IVECO - commercial vehicles/veicoli commerciali

filter BLOW-BY / filtro BLOW-BY	F1CE3481JB	107	146	07/11	>			27.689.00
assembly UFI / montaggio UFI	F1CE3481JB	107	146	07/11	>		26.034.00	
35C17	F1CE3481KB	125	170	07/11	>	23.546.00		53.161.00
filter BLOW-BY / filtro BLOW-BY	F1CE3481KB	125	170	07/11	>			27.689.00
assembly UFI / montaggio UFI	F1CE3481KB	125	170	07/11	>		26.034.00	
35C21	F1CE3481IDB	150	205	07/11	>	23.546.00		53.161.00
filter BLOW-BY / filtro BLOW-BY	F1CE3481IDB	150	205	07/11	>			27.689.00
assembly UFI / montaggio UFI	F1CE3481IDB	150	205	07/11	>		26.034.00	
35S11	F1AE3481AA	78	106	07/11	>	23.489.00		53.161.00
assembly UFI / montaggio UFI	F1AE3481AA	78	106	07/11	>		26.034.00	
35S13	F1AE3481BA	93	126	07/11	>	23.489.00		53.161.00
assembly UFI / montaggio UFI	F1AE3481BA	93	126	07/11	>		26.034.00	
35S14 Natural Power	F1CE0441AB	100	136	07/11	>	23.489.00		53.161.00
35S15 2.3	F1AE3481CA	107	146	07/11	>	23.489.00		53.161.00
assembly UFI / montaggio UFI	F1AE3481CA	107	146	07/11	>		26.034.00	
35S17	F1CE3481KB	125	170	07/11	>	23.546.00		53.161.00
filter BLOW-BY / filtro BLOW-BY	F1CE3481KB	125	170	07/11	>			27.689.00
assembly UFI / montaggio UFI	F1CE3481KB	125	170	07/11	>		26.034.00	
35S17W 4x4	F1CE3481CA EEV	125	170	07/11	>	23.546.00		53.161.00
filter BLOW-BY / filtro BLOW-BY	F1CE3481CA EEV	125	170	07/11	>			27.689.00
assembly UFI / montaggio UFI	F1CE3481CA EEV	125	170	07/11	>		26.034.00	
35S21	F1CE3481IDB	150	205	07/11	>	23.546.00		53.161.00
filter BLOW-BY / filtro BLOW-BY	F1CE3481IDB	150	205	07/11	>			27.689.00
assembly UFI / montaggio UFI	F1CE3481IDB	150	205	07/11	>		26.034.00	
40C11	F1AE3481AA	78	106	07/11	>	23.489.00		53.161.00
assembly UFI / montaggio UFI	F1AE3481AA	78	106	07/11	>		26.034.00	
40C13	F1AE3481BA	93	126	07/11	>	23.489.00		53.161.00
assembly UFI / montaggio UFI	F1AE3481BA	93	126	07/11	>		26.034.00	
40C14 Natural Power	F1CE0441AB	100	136	07/11	>	23.489.00		53.161.00
40C15 3.0	F1CE3481JB	107	146	07/11	>	23.546.00		53.161.00
filter BLOW-BY / filtro BLOW-BY	F1CE3481JB	107	146	07/11	>			27.689.00
assembly UFI / montaggio UFI	F1CE3481JB	107	146	07/11	>		26.034.00	
40C17	F1CE3481KB	125	170	07/11	>	23.546.00		53.161.00
filter BLOW-BY / filtro BLOW-BY	F1CE3481KB	125	170	07/11	>			27.689.00
assembly UFI / montaggio UFI	F1CE3481KB	125	170	07/11	>		26.034.00	
40C21	F1CE3481IDB	150	205	07/11	>	23.546.00		53.161.00
filter BLOW-BY / filtro BLOW-BY	F1CE3481IDB	150	205	07/11	>			27.689.00
assembly UFI / montaggio UFI	F1CE3481IDB	150	205	07/11	>		26.034.00	
50 C Electric		80	109	07/11	>	✗	✗	✗
50C14 Natural Power	F1CE0441AB	100	136	07/11	>	23.489.00		53.161.00
50C15 3.0	F1CE3481JB	107	146	07/11	>	23.546.00		53.161.00
filter BLOW-BY / filtro BLOW-BY	F1CE3481JB	107	146	07/11	>			27.689.00
assembly UFI / montaggio UFI	F1CE3481JB	107	146	07/11	>		26.034.00	
50C17	F1CE3481KB	125	170	07/11	>	23.546.00		53.161.00
filter BLOW-BY / filtro BLOW-BY	F1CE3481KB	125	170	07/11	>			27.689.00
assembly UFI / montaggio UFI	F1CE3481KB	125	170	07/11	>		26.034.00	
50C21	F1CE3481IDB	150	205	07/11	>	23.546.00		53.161.00
filter BLOW-BY / filtro BLOW-BY	F1CE3481IDB	150	205	07/11	>			27.689.00
assembly UFI / montaggio UFI	F1CE3481IDB	150	205	07/11	>		26.034.00	
55S17W 4x4	F1CE3481CA EEV	125	170	07/11	>	23.546.00		53.161.00
filter BLOW-BY / filtro BLOW-BY	F1CE3481CA EEV	125	170	07/11	>			27.689.00
assembly UFI / montaggio UFI	F1CE3481CA EEV	125	170	07/11	>		26.034.00	
60C15 3.0	F1CE3481JB	107	146	07/11	>	23.546.00		53.161.00
filter BLOW-BY / filtro BLOW-BY	F1CE3481JB	107	146	07/11	>			27.689.00
assembly UFI / montaggio UFI	F1CE3481JB	107	146	07/11	>		26.034.00	
65C14 Natural Power	F1CE0441AB	100	136	07/11	>	23.489.00		53.161.00
65C15 3.0	F1CE3481JB	107	146	07/11	>	23.546.00		53.161.00
filter BLOW-BY / filtro BLOW-BY	F1CE3481JB	107	146	07/11	>			27.689.00
assembly UFI / montaggio UFI	F1CE3481JB	107	146	07/11	>		26.034.00	
65C17	F1CE3481CA EEV	125	170	07/11	>	23.546.00		53.161.00
filter BLOW-BY / filtro BLOW-BY	F1CE3481CA EEV	125	170	07/11	>			27.689.00
assembly UFI / montaggio UFI	F1CE3481CA EEV	125	170	07/11	>		26.034.00	
70C14 Natural Power	F1CE0441AB	100	136	07/11	>	23.489.00		53.161.00
70C15 3.0	F1CE3481JB	107	146	07/11	>	23.546.00		53.161.00
filter BLOW-BY / filtro BLOW-BY	F1CE3481JB	107	146	07/11	>			27.689.00
assembly UFI / montaggio UFI	F1CE3481JB	107	146	07/11	>		26.034.00	
70C17	F1CE3481CA EEV	125	170	07/11	>	23.546.00		53.161.00

...IVECO - commercial vehicles/veicoli commerciali

filter BLOW-BY / filtro BLOW-BY	F1CE3481CA EEV	125	170	07/11	>				27.689.00	
assembly UFI / montaggio UFI	F1CE3481CA EEV	125	170	07/11	>		26.034.00			
Daily (MY 2014)										
33S11	F1AFL411A	78	106	03/14	>		23.489.00	26.034.00	30.629.00	53.315.00
33S13	F1AFL411B	93	126	03/14	>		23.489.00	26.034.00	30.629.00	53.315.00
33S15 2.3	F1AFL411C	107	146	03/14	>		23.489.00	26.034.00	30.629.00	53.315.00
35 S/E		60	82	09/16	>		✗	✗	✗	53.315.00
35C11	F1AFL411A	78	106	03/14	>		23.489.00	26.034.00	30.629.00	53.315.00
35C13	F1AFL411B	93	126	03/14	>		23.489.00	26.034.00	30.629.00	53.315.00
35C14 Natural Power/CNG	F1CFA401A	100	136	03/14	>		23.489.00		30.630.00	53.315.00
35C15	F1CFL411J	107	146	03/14	>		23.546.00	26.034.00	30.630.00	53.315.00
filter BLOW-BY / filtro BLOW-BY	F1CFL411J	107	146	03/14	>					27.689.00
35C15 2.3	F1AFL411C	107	146	03/14	>		23.489.00	26.034.00	30.629.00	53.315.00
35C17	F1CFL411H	125	170	03/14	>		23.546.00	26.034.00	30.630.00	53.315.00
filter BLOW-BY / filtro BLOW-BY	F1CFL411H	125	170	03/14	>					27.689.00
35C21	F1CFL411G	150	205	03/14	>		23.546.00	26.034.00	30.630.00	53.315.00
filter BLOW-BY / filtro BLOW-BY	F1CFL411G	150	205	03/14	>					27.689.00
35S11	F1AFL411A	78	106	03/14	>		23.489.00	26.034.00	30.629.00	53.315.00
35S13	F1AFL411B	93	126	03/14	>		23.489.00	26.034.00	30.629.00	53.315.00
35S14 Natural Power/CNG	F1CFA401A	100	136	03/14	>		23.489.00		30.630.00	53.315.00
35S15	F1CFL411J	107	146	03/14	>		23.546.00	26.034.00	30.630.00	53.315.00
filter BLOW-BY / filtro BLOW-BY	F1CFL411J	107	146	03/14	>					27.689.00
35S15 2.3	F1AFL411C	107	146	03/14	>		23.489.00	26.034.00	30.629.00	53.315.00
35S17	F1CFL411H	125	170	03/14	>		23.546.00	26.034.00	30.630.00	53.315.00
filter BLOW-BY / filtro BLOW-BY	F1CFL411H	125	170	03/14	>					27.689.00
35S21	F1CFL411G	150	205	03/14	>		23.546.00	26.034.00	30.630.00	53.315.00
filter BLOW-BY / filtro BLOW-BY	F1CFL411G	150	205	03/14	>					27.689.00
40C14 Natural Power/CNG	F1CFA401A	100	136	03/14	>		23.489.00		30.630.00	53.315.00
40C15	F1CFL411J	107	146	03/14	>		23.546.00	26.034.00	30.630.00	53.315.00
filter BLOW-BY / filtro BLOW-BY	F1CFL411J	107	146	03/14	>					27.689.00
40C17	F1CFL411H	125	170	03/14	>		23.546.00	26.034.00	30.630.00	53.315.00
filter BLOW-BY / filtro BLOW-BY	F1CFL411H	125	170	03/14	>					27.689.00
40C21	F1CFL411G	150	205	03/14	>		23.546.00	26.034.00	30.630.00	53.315.00
filter BLOW-BY / filtro BLOW-BY	F1CFL411G	150	205	03/14	>					27.689.00
45 C/E		80	109	09/16	>		✗	✗	✗	53.315.00
50 C/E		80	109	09/16	>		✗	✗	✗	53.315.00
50C14 Natural Power/CNG	F1CFA401A	100	136	03/14	>		23.489.00		30.630.00	53.315.00
50C15	F1CFL411J	107	146	03/14	>		23.546.00	26.034.00	30.630.00	53.315.00
filter BLOW-BY / filtro BLOW-BY	F1CFL411J	107	146	03/14	>					27.689.00
50C17	F1CFL411H	125	170	03/14	>		23.546.00	26.034.00	30.630.00	53.315.00
filter BLOW-BY / filtro BLOW-BY	F1CFL411H	125	170	03/14	>					27.689.00
50C21	F1CFL411G	150	205	03/14	>		23.546.00	26.034.00	30.630.00	53.315.00
filter BLOW-BY / filtro BLOW-BY	F1CFL411G	150	205	03/14	>					27.689.00
60C17	F1CFL411H	125	170	03/14	>		23.546.00	26.034.00	30.630.00	53.315.00
filter BLOW-BY / filtro BLOW-BY	F1CFL411H	125	170	03/14	>					27.689.00
65C14 Natural Power/CNG	F1CFA401A	100	136	03/14	>		23.489.00		30.630.00	53.315.00
65C15	F1CFL411J	107	146	03/14	>		23.546.00	26.034.00	30.630.00	53.315.00
filter BLOW-BY / filtro BLOW-BY	F1CFL411J	107	146	03/14	>					27.689.00
65C17	F1CFL411H	125	170	03/14	>		23.546.00	26.034.00	30.630.00	53.315.00
filter BLOW-BY / filtro BLOW-BY	F1CFL411H	125	170	03/14	>					27.689.00
65C21	F1CFL411G	150	205	03/14	>		23.546.00	26.034.00	30.630.00	53.315.00
filter BLOW-BY / filtro BLOW-BY	F1CFL411G	150	205	03/14	>					27.689.00
70C14 Natural Power/CNG	F1CFA401A	100	136	03/14	>		23.489.00		30.630.00	53.315.00
70C15	F1CFL411J	107	146	03/14	>		23.546.00	26.034.00	30.630.00	53.315.00
filter BLOW-BY / filtro BLOW-BY	F1CFL411J	107	146	03/14	>					27.689.00
70C17	F1CFL411H	125	170	03/14	>		23.546.00	26.034.00	30.630.00	53.315.00
filter BLOW-BY / filtro BLOW-BY	F1CFL411H	125	170	03/14	>					27.689.00
70C21	F1CFL411G	150	205	03/14	>		23.546.00	26.034.00	30.630.00	53.315.00
filter BLOW-BY / filtro BLOW-BY	F1CFL411G	150	205	03/14	>					27.689.00
Daily Euro6										
33S12 (2.3 E6)	F1AGL411H	85	116	04/16	>		23.489.00	26.080.00	30.630.00	53.315.00
33S14 (2.3 E6)	F1AGL411J	100	136	04/16	>		23.489.00	26.080.00	30.630.00	53.315.00
33S16 (2.3 E6)	F1AGL411G	115	156	04/16	>		23.489.00	26.080.00	30.630.00	53.315.00
35C12 (2.3 E6)	F1AGL411H	85	116	04/16	>		23.489.00	26.080.00	30.630.00	53.315.00
35C14 (2.3 E6)	F1AGL411J	100	136	04/16	>		23.489.00	26.080.00	30.630.00	53.315.00
35C15 (3.0 E6)	F1CGL411A	110	150	04/16	>		23.546.00	26.080.00	30.630.00	53.315.00
35C16 (2.3 E6)	F1AGL411G	115	156	04/16	>		23.489.00	26.080.00	30.630.00	53.315.00

...IVECO - commercial vehicles/veicoli commerciali

35C18 (3.0 E6)	F1CGL411B	132	180	04/16	>	23.546.00	26.080.00	30.630.00	53.315.00
35C21 (3.0 E6)	F1CGL411C	150	205	04/16	>	23.546.00	26.080.00	30.630.00	53.315.00
35S12 (2.3 E6)	F1AGL411H	85	116	04/16	>	23.489.00	26.080.00	30.630.00	53.315.00
35S14 (2.3 E6)	F1AGL411J	100	136	04/16	>	23.489.00	26.080.00	30.630.00	53.315.00
35S15 (3.0 E6)	F1CGL411A	110	150	04/16	>	23.546.00	26.080.00	30.630.00	53.315.00
35S16 (2.3 E6)	F1AGL411G	115	156	04/16	>	23.489.00	26.080.00	30.630.00	53.315.00
35S18 (3.0 E6)	F1CGL411B	132	180	04/16	>	23.546.00	26.080.00	30.630.00	53.315.00
40C15 (3.0 E6)	F1CGL411A	110	150	04/16	>	23.546.00	26.080.00	30.630.00	53.315.00
40C18 (3.0 E6)	F1CGL411B	132	180	04/16	>	23.546.00	26.080.00	30.630.00	53.315.00
45C15 (3.0 E6)	F1CGL411A	110	150	04/16	>	23.546.00	26.080.00	30.630.00	53.315.00
45C18 (3.0 E6)	F1CGL411B	132	180	04/16	>	23.546.00	26.080.00	30.630.00	53.315.00
50C15 (3.0 E6)	F1CGL411A	110	150	04/16	>	23.546.00	26.080.00	30.630.00	53.315.00
50C18 (3.0 E6)	F1CGL411B	132	180	04/16	>	23.546.00	26.080.00	30.630.00	53.315.00
60C15 (3.0 E6)	F1CGL411A	110	150	04/16	>	23.546.00	26.080.00	30.630.00	53.315.00
60C18 (3.0 E6)	F1CGL411B	132	180	04/16	>	23.546.00	26.080.00	30.630.00	53.315.00
65C15 (3.0 E6)	F1CGL411A	110	150	04/16	>	23.546.00	26.080.00	30.630.00	53.315.00
65C18 (3.0 E6)	F1CGL411B	132	180	04/16	>	23.546.00	26.080.00	30.630.00	53.315.00
70C15 (3.0 E6)	F1CGL411A	110	150	04/16	>	23.546.00	26.080.00	30.630.00	53.315.00
70C18 (3.0 E6)	F1CGL411B	132	180	04/16	>	23.546.00	26.080.00	30.630.00	53.315.00
70C21 (3.0 E6)	F1CGL411C	150	205	04/16	>	23.546.00	26.080.00	30.630.00	53.315.00
72C18 (3.0 E6)	F1CGL411B	132	180	04/16	>	23.546.00	26.080.00	30.630.00	53.315.00
72C21 (3.0 E6)	F1CGL411C	150	205	04/16	>	23.546.00	26.080.00	30.630.00	53.315.00
Daily S2000									
29L10 HPI (2.3 16V TD)	F1AE0481A	70	95	03/02	> 07/06	23.457.00	24.H2O.01	27.356.00	53.023.00
prefilter / prefiltra	F1AE0481A	70	95	03/02	> 07/06		31.028.00		
29L11 (2.8 TDI)	8140.43C	78	105	01/99	> 05/01	23.303.00	24.394.00	27.356.00	53.023.00
	8140.43C	78	105	06/01	> 07/06	23.303.00	24.H2O.01	27.356.00	53.023.00
prefilter / prefiltra	8140.43C	78	105	01/99	> 07/06		31.028.00		
power steering / servosterzo	8140.43C	78	105	01/99	> 07/06				25.406.01
29L12 HPI (2.3 16V TD)	F1AE0481B	85	116	03/02	> 07/06	23.457.00	24.H2O.01	27.356.00	53.023.00
29L13 (2.8 TDI)	8140.43S	92	125	01/99	> 05/01	23.303.00	24.394.00	27.356.00	53.023.00
	8140.43S	92	125	06/01	> 07/06	23.303.00	24.H2O.01	27.356.00	53.023.00
prefilter / prefiltra	8140.43S	92	125	01/99	> 07/06		31.028.00		
29L14 HPT (2.3 HTP)									
to engine No. 240403 / a motore N. 240403	F1AE0481M Euro3	100	136	04/05	>	23.457.00	24.H2O.01	27.356.00	53.023.00
from engine No. 240404 / da motore N. 240404	F1AE0481M Euro3	100	136		> 07/06	23.489.00	24.H2O.01	27.356.00	53.023.00
prefilter / prefiltra	F1AE0481M Euro3	100	136	04/05	> 07/06		31.028.00		
29L9	8140.43R	66	90	08/01	> 07/06	23.303.00	24.H2O.01	27.356.00	53.023.00
power steering / servosterzo	8140.43R	66	90	08/01	> 07/06				25.406.01
29L9 (2.8 D)	8140.63	63	85	01/99	> 05/01	23.303.00	24.394.00	27.356.00	53.023.00
	8140.63	63	85	06/01	> 07/06	23.303.00	24.H2O.01	27.356.00	53.023.00
prefilter / prefiltra	8140.63	63	85	01/99	> 07/06		31.028.00		
power steering / servosterzo	8140.63	63	85	01/99	> 07/06				25.406.01
29L9V	8140.43R	66	90	08/01	> 07/06	23.303.00	24.H2O.01	27.356.00	53.023.00
prefilter / prefiltra	8140.43R	66	90	08/01	> 07/06		31.028.00		
power steering / servosterzo	8140.43R	66	90	08/01	> 07/06				25.406.01
29S9 (2.8 D)	8140.63	63	85	01/99	> 05/01	23.303.00	24.394.00	27.356.00	53.023.00
	8140.63	63	85	06/01	> 07/06	23.303.00	24.H2O.01	27.356.00	53.023.00
prefilter / prefiltra	8140.63	63	85	01/99	> 07/06		31.028.00		
power steering / servosterzo	8140.63	63	85	01/99	> 07/06				25.406.01
35C10 HPI (2.3 16V TD)	F1AE0481A	70	95	03/02	> 07/06	23.457.00	24.H2O.01	27.356.00	53.023.00
prefilter / prefiltra	F1AE0481A	70	95	03/02	> 07/06		31.028.00		
35C11 (2.8 TDI)	8140.43C	78	105	01/99	> 05/01	23.303.00	24.394.00	27.356.00	53.023.00
	8140.43C	78	105	06/01	> 07/06	23.303.00	24.H2O.01	27.356.00	53.023.00
prefilter / prefiltra	8140.43C	78	105	01/99	> 07/06		31.028.00		
prefilter IVECO 500315484 / prefiltra IVECO 500315484	8140.43C	78	105	01/99	> 07/06		26.645.00		
power steering / servosterzo	8140.43C	78	105	01/99	> 07/06				25.406.01
35C11 Metano (2.8)	8149.03 CNG	78	105	01/99	> 07/06	23.303.00		27.356.00	53.023.00
power steering / servosterzo	8149.03 CNG	78	105	01/99	> 07/06				25.406.01
35C12 HPI (2.3 16V TD)	F1AE0481B	85	116	03/02	> 07/06	23.457.00	24.H2O.01	27.356.00	53.023.00
prefilter / prefiltra	F1AE0481B	85	116	03/02	> 07/06		31.028.00		
35C13 (2.8 TDI)	8140.43S	92	125	01/99	> 05/01	23.303.00	24.394.00	27.356.00	53.023.00
	8140.43S	92	125	06/01	> 07/06	23.303.00	24.H2O.01	27.356.00	53.023.00
prefilter / prefiltra	8140.43S	92	125	01/99	> 07/06		31.028.00		
prefilter IVECO 500315484 / prefiltra IVECO 500315484	8140.43S	92	125	01/99	> 07/06		26.645.00		
power steering / servosterzo	8140.43S	92	125	01/99	> 07/06				25.406.01
35C14 (3.0 HPI)	F1CE0481A Euro3	100	136	09/04	> 07/06	23.471.00	24.H2O.01	27.356.00	53.023.00

...IVECO - commercial vehicles/veicoli commerciali

prefilter / prefiltrato	F1CE0481A Euro3	100	136	09/04	>	07/06		31.028.00		
35C14V (3.0 HPI)	F1CE0481A Euro3	100	136	09/04	>	07/06	23.471.00	24.H2O.01	27.356.00	53.023.00
prefilter / prefiltrato	F1CE0481A Euro3	100	136	09/04	>	07/06		31.028.00		
35C15 (2.8 TDI)	8140.43N	107	146	06/01	>	07/06	23.303.00	24.H2O.01	27.356.00	53.023.00
prefilter / prefiltrato	8140.43N	107	146	06/01	>	07/06		31.028.00		
power steering / servosterzo	8140.43N	107	146	06/01	>	07/06				25.406.01
35C17 (3.0 HPT)	F1CE0481B Euro3	122	166	09/04	>	07/06	23.471.00	24.H2O.01	27.356.00	53.023.00
prefilter / prefiltrato	F1CE0481B Euro3	122	166	09/04	>	07/06		31.028.00		
35C17V (3.0 HPT)	F1CE0481B Euro3	122	166	09/04	>	07/06	23.471.00	24.H2O.01	27.356.00	53.023.00
prefilter / prefiltrato	F1CE0481B Euro3	122	166	09/04	>	07/06		31.028.00		
35C9	8140.43R	66	90	08/01	>	07/06	23.303.00	24.H2O.01	27.356.00	53.023.00
prefilter / prefiltrato	8140.43R	66	90	08/01	>	07/06		31.028.00		
power steering / servosterzo	8140.43R	66	90	08/01	>	07/06				25.406.01
35C9 (2.8 D)	8140.63	63	85	01/99	>	05/01	23.303.00	24.394.00	27.356.00	53.023.00
	8140.63	63	85	06/01	>	07/06	23.303.00	24.H2O.01	27.356.00	53.023.00
prefilter / prefiltrato	8140.63	63	85	01/99	>	07/06		31.028.00		
prefilter IVECO 500315484 / prefiltrato IVECO 500315484	8140.63	63	85	01/99	>	07/06		26.645.00		
power steering / servosterzo	8140.63	63	85	01/99	>	07/06				25.406.01
35S10 HPI (2.3 16V TD)	F1AE0481A	70	95	03/02	>	07/06	23.457.00	24.H2O.01	27.356.00	53.023.00
prefilter / prefiltrato	F1AE0481A	70	95	03/02	>	07/06		31.028.00		
35S11 (2.8 TDI)										
with IVECO 1908556 / con IVECO 1908556	8140.43C	78	105	01/99	>	05/01	23.303.00	24.394.00	27.356.00	53.023.00
with IVECO 1908556 / con IVECO 1908556	8140.43C	78	105	06/01	>	07/06	23.303.00	24.H2O.01	27.356.00	53.023.00
prefilter / prefiltrato	8140.43C	78	105	01/99	>	07/06		31.028.00		
prefilter IVECO 500315484 / prefiltrato IVECO 500315484	8140.43C	78	105	01/99	>	07/06		26.645.00		
power steering / servosterzo	8140.43C	78	105	01/99	>	07/06				25.406.01
35S11 Metano (2.8)	8149.03 CNG	78	105	01/99	>	07/06	23.303.00		27.356.00	53.023.00
power steering / servosterzo	8149.03 CNG	78	105	01/99	>	07/06				25.406.01
35S12 HPI (2.3 16V TD)	F1AE0481B	85	116	03/02	>	07/06	23.457.00	24.H2O.01	27.356.00	53.023.00
prefilter / prefiltrato	F1AE0481B	85	116	03/02	>	07/06		31.028.00		
35S13 (2.8 TDI)	8140.43S	92	125	01/99	>	05/01	23.303.00	24.394.00	27.356.00	53.023.00
	8140.43S	92	125	06/01	>	07/06	23.303.00	24.H2O.01	27.356.00	53.023.00
prefilter / prefiltrato	8140.43S	92	125	01/99	>	07/06		31.028.00		
prefilter IVECO 500315484 / prefiltrato IVECO 500315484	8140.43S	92	125	01/99	>	07/06		26.645.00		
power steering / servosterzo	8140.43S	92	125	01/99	>	07/06				25.406.01
35S14 HPT (2.3 HTP)										
to engine No. 240403 / a motore N. 240403	F1AE0481M Euro3	100	136	04/05	>		23.457.00	24.H2O.01	27.356.00	53.023.00
from engine No. 240404 / da motore N. 240404	F1AE0481M Euro3	100	136		>	07/06	23.489.00	24.H2O.01	27.356.00	53.023.00
prefilter / prefiltrato	F1AE0481M Euro3	100	136	04/05	>	07/06		31.028.00		
35S15 (2.8 TDI)	8140.43N	107	146	06/01	>	07/06	23.303.00	24.H2O.01	27.356.00	53.023.00
prefilter / prefiltrato	8140.43N	107	146	06/01	>	07/06		31.028.00		
power steering / servosterzo	8140.43N	107	146	06/01	>	07/06				25.406.01
35S9	8140.43R	66	90	08/01	>	07/06	23.303.00	24.H2O.01	27.356.00	53.023.00
prefilter / prefiltrato	8140.43R	66	90	08/01	>	07/06		31.028.00		
power steering / servosterzo	8140.43R	66	90	08/01	>	07/06				25.406.01
35S9 (2.8 D)	8140.63	63	85	01/99	>	05/01	23.303.00	24.394.00	27.356.00	53.023.00
	8140.63	63	85	06/01	>	07/06	23.303.00	24.H2O.01	27.356.00	53.023.00
prefilter / prefiltrato	8140.63	63	85	01/99	>	07/06		31.028.00		
prefilter IVECO 500315484 / prefiltrato IVECO 500315484	8140.63	63	85	01/99	>	07/06		26.645.00		
power steering / servosterzo	8140.63	63	85	01/99	>	07/06				25.406.01
35S9V	8140.43R	66	90	08/01	>	07/06	23.303.00	24.H2O.01	27.356.00	53.023.00
prefilter / prefiltrato	8140.43R	66	90	08/01	>	07/06		31.028.00		
power steering / servosterzo	8140.43R	66	90	08/01	>	07/06				25.406.01
40C11 Metano (2.8)	8149.03 CNG	78	105	01/99	>	07/06	23.303.00		27.356.00	53.023.00
power steering / servosterzo	8149.03 CNG	78	105	01/99	>	07/06				25.406.01
40C9	8140.43R	66	90	08/01	>	07/06	23.303.00	24.H2O.01	27.356.00	53.023.00
prefilter / prefiltrato	8140.43R	66	90	08/01	>	07/06		31.028.00		
power steering / servosterzo	8140.43R	66	90	08/01	>	07/06				25.406.01
50C11 Metano (2.8)	8149.03 CNG	78	105	01/99	>	07/06	23.303.00		27.356.00	53.023.00
power steering / servosterzo	8149.03 CNG	78	105	01/99	>	07/06				25.406.01
50C13 (2.8 TDI)	8140.43S	92	125	01/99	>	05/01	23.303.00	24.394.00	27.356.00	53.023.00
	8140.43S	92	125	06/01	>	07/06	23.303.00	24.H2O.01	27.356.00	53.023.00
prefilter / prefiltrato	8140.43S	92	125	01/99	>	07/06		31.028.00		
power steering / servosterzo	8140.43S	92	125	01/99	>	07/06				25.406.01
50C14 (3.0 HPI)	F1CE0481A Euro3	100	136	09/04	>	07/06	23.471.00	24.H2O.01	27.356.00	53.023.00
prefilter / prefiltrato	F1CE0481A Euro3	100	136	09/04	>	07/06		31.028.00		
50C15 (2.8 TDI)	8140.43N	107	146	01/00	>	05/01	23.303.00	24.394.00	27.356.00	53.023.00

...IVECO - commercial vehicles/veicoli commerciali

	8140.43N	107	146	06/01 >	07/06	23.303.00	24.H2O.01	27.356.00	53.023.00
prefilter / prefiltrato	8140.43N	107	146	01/00 >	07/06		31.028.00		
power steering / servosterzo	8140.43N	107	146	01/00 >	07/06				25.406.01
50C17 (3.0 HPT)	F1CE0481B Euro3	122	166	09/04 >	07/06	23.471.00	24.H2O.01	27.356.00	53.023.00
prefilter / prefiltrato	F1CE0481B Euro3	122	166	09/04 >	07/06		31.028.00		
60C14 (3.0 HPI)	F1CE0481A Euro3	100	166	09/04 >	07/06	23.471.00	24.H2O.01	27.356.00	53.023.00
prefilter / prefiltrato	F1CE0481A Euro3	100	166	09/04 >	07/06		31.028.00		
60C15 (2.8 TDI)	8140.43N	107	146	01/00 >	05/01	23.303.00	24.394.00	27.356.00	53.023.00
	8140.43N	107	146	06/01 >	07/06	23.303.00	24.H2O.01	27.356.00	53.023.00
prefilter / prefiltrato	8140.43N	107	146	01/00 >	07/06		31.028.00		
power steering / servosterzo	8140.43N	107	146	01/00 >	07/06				25.406.01
60C17 (3.0 HPT)	F1CE0481B Euro3	122	166	09/04 >	07/06	23.471.00	24.H2O.01	27.356.00	53.023.00
prefilter / prefiltrato	F1CE0481B Euro3	122	166	09/04 >	07/06		31.028.00		
65C11 Metano (2.8)	8149.03 CNG	78	105	01/99 >	07/06	23.303.00		27.356.00	53.023.00
power steering / servosterzo	8149.03 CNG	78	105	01/99 >	07/06				25.406.01
65C14 (3.0 HPI)	F1CE0481A Euro3	100	136	09/04 >	07/06	23.471.00	24.H2O.01	27.356.00	53.023.00
prefilter / prefiltrato	F1CE0481A Euro3	100	136	09/04 >	07/06		31.028.00		
65C15 (2.8 TDI)	8140.43N	107	146	01/00 >	05/01	23.303.00	24.394.00	27.356.00	53.023.00
	8140.43N	107	146	06/01 >	07/06	23.303.00	24.H2O.01	27.356.00	53.023.00
prefilter / prefiltrato	8140.43N	107	146	01/00 >	07/06		31.028.00		
power steering / servosterzo	8140.43N	107	146	01/00 >	07/06				25.406.01
65C17 (3.0 HPT)	F1CE0481B Euro3	122	166	09/04 >	07/06	23.471.00	24.H2O.01	27.356.00	53.023.00
prefilter / prefiltrato	F1CE0481B Euro3	122	166	09/04 >	07/06		31.028.00		
EcoDaily (MY 2009)									
29L10									
assembly PURFLUX / montaggio PURFLUX	F1AE0481F	70	96	09/09 >		23.489.00	26.072.00	27.356.00	53.161.00
assembly UFI / montaggio UFI	F1AE0481F	70	96	09/09 >		23.489.00	31.071.00	27.356.00	53.161.00
29L12									
assembly PURFLUX / montaggio PURFLUX	F1AE0481G	85	116	09/09 >		23.489.00	26.072.00	27.356.00	53.161.00
assembly UFI / montaggio UFI	F1AE0481G	85	116	09/09 >		23.489.00	31.071.00	27.356.00	53.161.00
29L14									
assembly PURFLUX / montaggio PURFLUX	F1AE0481H	100	136	09/09 >		23.489.00	26.072.00	27.356.00	53.161.00
assembly UFI / montaggio UFI	F1AE0481H	100	136	09/09 >		23.489.00	31.071.00	27.356.00	53.161.00
35C11									
assembly PURFLUX / montaggio PURFLUX	F1AE0481U	78	106	09/09 >		23.489.00	26.072.00	27.356.00	53.161.00
assembly UFI / montaggio UFI	F1AE0481U	78	106	09/09 >		23.489.00	31.071.00	27.356.00	53.161.00
35C13									
assembly PURFLUX / montaggio PURFLUX	F1AE0481V	93	126	09/09 >		23.489.00	26.072.00	27.356.00	53.161.00
assembly UFI / montaggio UFI	F1AE0481V	93	126	09/09 >		23.489.00	31.071.00	27.356.00	53.161.00
35C14 EEV									
filter BLOW-BY / filtro BLOW-BY	F1CE3481L	103	140	09/09 >					27.689.00
assembly PURFLUX / montaggio PURFLUX	F1CE3481L	103	140	09/09 >		23.546.00	26.072.00	27.356.00	53.161.00
assembly UFI / montaggio UFI	F1CE3481L	103	140	09/09 >		23.546.00	31.071.00	27.356.00	53.161.00
35C15									
filter BLOW-BY / filtro BLOW-BY	F1CE3481F	107	146	09/09 >					27.689.00
assembly PURFLUX / montaggio PURFLUX	F1CE3481F	107	146	09/09 >		23.546.00	26.072.00	27.356.00	53.161.00
assembly UFI / montaggio UFI	F1CE3481F	107	146	09/09 >		23.546.00	31.071.00	27.356.00	53.161.00
35S11									
assembly PURFLUX / montaggio PURFLUX	F1AE0481U	78	106	09/09 >		23.489.00	26.072.00	27.356.00	53.161.00
assembly UFI / montaggio UFI	F1AE0481U	78	106	09/09 >		23.489.00	31.071.00	27.356.00	53.161.00
35S13									
assembly PURFLUX / montaggio PURFLUX	F1AE0481V	93	126	09/09 >		23.489.00	26.072.00	27.356.00	53.161.00
assembly UFI / montaggio UFI	F1AE0481V	93	126	09/09 >		23.489.00	31.071.00	27.356.00	53.161.00
35S14									
assembly PURFLUX / montaggio PURFLUX	F1AE0481H	100	136	09/09 >		23.489.00	26.072.00	27.356.00	53.161.00
assembly UFI / montaggio UFI	F1AE0481H	100	136	09/09 >		23.489.00	31.071.00	27.356.00	53.161.00
35S14 EEV									
filter BLOW-BY / filtro BLOW-BY	F1CE3481L	103	140	09/09 >					27.689.00
assembly PURFLUX / montaggio PURFLUX	F1CE3481L	103	140	09/09 >		23.546.00	26.072.00	27.356.00	53.161.00
assembly UFI / montaggio UFI	F1CE3481L	103	140	09/09 >		23.546.00	31.071.00	27.356.00	53.161.00
35S17 EEV									
filter BLOW-BY / filtro BLOW-BY	F1CE3481C	125	170	09/09 >					27.689.00
assembly PURFLUX / montaggio PURFLUX	F1CE3481C	125	170	09/09 >		23.546.00	26.072.00	27.356.00	53.161.00
assembly UFI / montaggio UFI	F1CE3481C	125	170	09/09 >		23.546.00	31.071.00	27.356.00	53.161.00
35S17WD EEV									
filter BLOW-BY / filtro BLOW-BY	F1CE0481HA	125	170	09/09 >					27.689.00
assembly PURFLUX / montaggio PURFLUX	F1CE0481HA	125	170	09/09 >		23.546.00	26.072.00	27.356.00	53.161.00

...IVECO - commercial vehicles/veicoli commerciali

assembly UFI / montaggio UFI	F1CE0481HA	125	170	09/09	>	23.546.00	31.071.00	27.356.00	53.161.00
35S18									
filter BLOW-BY / filtro BLOW-BY	F1CE3481H	130	176	09/09	>				27.689.00
assembly PURFLUX / montaggio PURFLUX	F1CE3481H	130	176	09/09	>	23.546.00	26.072.00	27.356.00	53.161.00
assembly UFI / montaggio UFI	F1CE3481H	130	176	09/09	>	23.546.00	31.071.00	27.356.00	53.161.00
40C15									
filter BLOW-BY / filtro BLOW-BY	F1CE0481FA	107	146	09/09	>				27.689.00
assembly PURFLUX / montaggio PURFLUX	F1CE0481FA	107	146	09/09	>	23.546.00	26.072.00	27.356.00	53.161.00
assembly UFI / montaggio UFI	F1CE0481FA	107	146	09/09	>	23.546.00	31.071.00	27.356.00	53.161.00
45C15									
filter BLOW-BY / filtro BLOW-BY	F1CE0481FA	107	146	09/09	>				27.689.00
assembly PURFLUX / montaggio PURFLUX	F1CE0481FA	107	146	09/09	>	23.546.00	26.072.00	27.356.00	53.161.00
assembly UFI / montaggio UFI	F1CE0481FA	107	146	09/09	>	23.546.00	31.071.00	27.356.00	53.161.00
50C15									
filter BLOW-BY / filtro BLOW-BY	F1CE3481F	107	146	09/09	>				27.689.00
assembly PURFLUX / montaggio PURFLUX	F1CE3481F	107	146	09/09	>	23.546.00	26.072.00	27.356.00	53.161.00
assembly UFI / montaggio UFI	F1CE3481F	107	146	09/09	>	23.546.00	31.071.00	27.356.00	53.161.00
70C15									
filter BLOW-BY / filtro BLOW-BY	F1CE3481F	107	146	09/09	>				27.689.00
assembly PURFLUX / montaggio PURFLUX	F1CE3481F	107	146	09/09	>	23.546.00	26.072.00	27.356.00	53.161.00
assembly UFI / montaggio UFI	F1CE3481F	107	146	09/09	>	23.546.00	31.071.00	27.356.00	53.161.00
70C18									
filter BLOW-BY / filtro BLOW-BY	F1CE3481H	130	176	09/09	>				27.689.00
assembly PURFLUX / montaggio PURFLUX	F1CE3481H	130	176	09/09	>	23.546.00	26.072.00	27.356.00	53.161.00
assembly UFI / montaggio UFI	F1CE3481H	130	176	09/09	>	23.546.00	31.071.00	27.356.00	53.161.00

Turbo Daily

35.12									
to frame No. D012821 / a telaio N. D012821				05/89	>	23.303.00	24.351.00	27.828.00	
40.10 W									
to frame No. 2110745 / a telaio N. 2110745				05/89	>	23.303.00	24.351.00	27.828.00	
40.10 WM									
to frame No. 2110745 / a telaio N. 2110745				05/89	>	23.303.00	24.351.00	27.828.00	
45.10									
to frame No. 2110745 / a telaio N. 2110745	8140.27	76	103	05/89	>	23.303.00	24.351.00	27.828.00	
49.12									
to frame No. D012821 / a telaio N. D012821	8140.47	85	116	05/89	>	23.303.00	24.351.00	27.828.00	
59.12									
to frame No. D012821 / a telaio N. D012821	8140.47	85	116	05/89	>	23.303.00	24.351.00	27.828.00	
A40.10 W									
to frame No. 2110745 / a telaio N. 2110745				05/89	>	23.303.00	24.351.00	27.828.00	
A45.10									
to frame No. 2110745 / a telaio N. 2110745	8140.27	76	103	05/89	>	23.303.00	24.351.00	27.828.00	
A45.12									
to frame No. D012821 / a telaio N. D012821	8140.47	85	116	05/89	>	23.303.00	24.351.00	27.828.00	

IVECO

off-road cars/fuoristrada

Campagnola									
3.0 HPT 4x4	F1C	130	176	11/08	>	23.546.00	24.H2O.01	27.356.00	53.161.00
Massif									
3.0 HPI 4x4	F1C	107	146	05/08	>	23.546.00	24.H2O.01	27.356.00	53.161.00
3.0 HPT 4x4	F1C	130	176	05/08	>	23.546.00	24.H2O.01	27.356.00	53.161.00

JAGUAR

cars/auto

Daimler									
4.0 V8 (X300)	BC/AJ-V8	209	285	07/97	> 05/03	23.474.00	31.564.00	30.A71.00	
4.0 V8 Super (X300)	DC/AJ-V8	263	359	07/97	> 05/03	23.474.00	31.564.00	30.A71.00	
E-Pace (X540)									
1.5 P160 MHEV	AJ20P3	118	160	11/20	>	25.223.00		30.A63.00	
with activated carbons to frame No. L1Z99999 / ai carboni attivi a telaio N. L1Z99999	AJ20P3	118	160	11/20	>				54.159.00
antibacterial, anti-odour and anti-allergen filter to frame No. L1Z99999 / filtro antibatterico, antiodori e anti-allergeni a telaio N. L1Z99999	AJ20P3	118	160	11/20	>				34.159.00
1.5 P300e Plug-in Hybrid	AJ20P3	147	200	11/20	>	25.223.00		30.A63.00	
with activated carbons to frame No. L1Z99999 / ai carboni attivi a telaio N. L1Z99999	AJ20P3	147	200	11/20	>				54.159.00
antibacterial, anti-odour and anti-allergen filter to frame No. L1Z99999 / filtro antibatterico, antiodori e anti-allergeni a telaio N. L1Z99999	AJ20P3	147	200	11/20	>				34.159.00
1.5 P300e Plug-in Hybrid	AJ20P3	227	309	11/20	>	25.223.00		30.A63.00	
with activated carbons to frame No. L1Z99999 / ai carboni attivi a telaio N. L1Z99999	AJ20P3	227	309	11/20	>				54.159.00
antibacterial, anti-odour and anti-allergen filter to frame No. L1Z99999 / filtro antibatterico, antiodori e anti-allergeni a telaio N. L1Z99999	AJ20P3	227	309	11/20	>				34.159.00
2.0	PT204	147	200	09/17	>	25.223.00		30.A63.00	54.159.00

...JAGUAR - cars/auto

antibacterial, anti-odour and anti-allergen filter / filtro antibatterico, antiiodori e anti-allergeni	PT204	147	200	09/17	>			34.159.00	
2.0	PT204	183	249	09/17	>	25.223.00		30.A63.00	
antibacterial, anti-odour and anti-allergen filter / filtro antibatterico, antiiodori e anti-allergeni	PT204	183	249	09/17	>			34.159.00	
2.0	PT204	221	300	09/17	>	25.223.00		30.A63.00	
antibacterial, anti-odour and anti-allergen filter / filtro antibatterico, antiiodori e anti-allergeni	PT204	221	300	09/17	>			34.159.00	
2.0 D 150	204DTD	110	150	09/17	>	25.223.00		30.A63.00	
antibacterial, anti-odour and anti-allergen filter / filtro antibatterico, antiiodori e anti-allergeni	204DTD	110	150	09/17	>			34.159.00	
2.0 D 165	AJ20D4	120	163	11/20	>	25.223.00		30.A63.00	
with activated carbons to frame No. L1Z99999 / ai carboni attivi a telaio N. L1Z99999	AJ20D4	120	163	11/20	>			54.159.00	
antibacterial, anti-odour and anti-allergen filter to frame No. L1Z99999 / filtro antibatterico, antiiodori e anti-allergeni a telaio N. L1Z99999	AJ20D4	120	163	11/20	>			34.159.00	
2.0 D 165 MHEV	AJ20D4	120	163	11/20	>	25.223.00		30.A63.00	
with activated carbons to frame No. L1Z99999 / ai carboni attivi a telaio N. L1Z99999	AJ20D4	120	163	11/20	>			54.159.00	
antibacterial, anti-odour and anti-allergen filter to frame No. L1Z99999 / filtro antibatterico, antiiodori e anti-allergeni a telaio N. L1Z99999	AJ20D4	120	163	11/20	>			34.159.00	
2.0 D 180	204DTD	132	179	09/17	>	25.223.00		30.A63.00	
antibacterial, anti-odour and anti-allergen filter / filtro antibatterico, antiiodori e anti-allergeni	204DTD	132	179	09/17	>			34.159.00	
2.0 D 240	204DTA	177	241	09/17	>	25.223.00		30.A63.00	
antibacterial, anti-odour and anti-allergen filter / filtro antibatterico, antiiodori e anti-allergeni	204DTA	177	241	09/17	>			34.159.00	
2.0 D 250	204DTA	183	249	09/17	>	25.223.00		30.A63.00	
antibacterial, anti-odour and anti-allergen filter / filtro antibatterico, antiiodori e anti-allergeni	204DTA	183	249	09/17	>			34.159.00	
2.0 P200 MHEV	AJ20P4	147	200	11/20	>	25.223.00		30.A63.00	
with activated carbons to frame No. L1Z99999 / ai carboni attivi a telaio N. L1Z99999	AJ20P4	147	200	11/20	>			54.159.00	
antibacterial, anti-odour and anti-allergen filter to frame No. L1Z99999 / filtro antibatterico, antiiodori e anti-allergeni a telaio N. L1Z99999	AJ20P4	147	200	11/20	>			34.159.00	
2.0 P250 MHEV	AJ20P4	184	250	11/20	>	25.223.00		30.A63.00	
with activated carbons to frame No. L1Z99999 / ai carboni attivi a telaio N. L1Z99999	AJ20P4	184	250	11/20	>			54.159.00	
antibacterial, anti-odour and anti-allergen filter to frame No. L1Z99999 / filtro antibatterico, antiiodori e anti-allergeni a telaio N. L1Z99999	AJ20P4	184	250	11/20	>			34.159.00	
2.0 P300 MHEV	AJ20P4	221	300	11/20	>	25.223.00		30.A63.00	
with activated carbons to frame No. L1Z99999 / ai carboni attivi a telaio N. L1Z99999	AJ20P4	221	300	11/20	>			54.159.00	
antibacterial, anti-odour and anti-allergen filter to frame No. L1Z99999 / filtro antibatterico, antiiodori e anti-allergeni a telaio N. L1Z99999	AJ20P4	221	300	11/20	>			34.159.00	
F-Pace (X761)									
2.0		221	300	06/17	>				54.266.00
to frame No. 24001 / a telaio N. 24001		221	300	06/17	>	23.632.00			
from frame No. 24002 / da telaio N. 24002		221	300			25.223.00			
antibacterial, anti-odour and anti-allergen filter / filtro antibatterico, antiiodori e anti-allergeni		221	300	06/17	>				34.266.00
2.0	204PT	177	241	05/16	>				54.266.00
to frame No. 24001 / a telaio N. 24001	204PT	177	241	05/16	>	23.632.00			
from frame No. 24002 / da telaio N. 24002	204PT	177	241			25.223.00			
antibacterial, anti-odour and anti-allergen filter / filtro antibatterico, antiiodori e anti-allergeni	204PT	177	241	05/16	>				34.266.00
2.0	204PT	184	250	02/17	>				54.266.00
to frame No. 24001 / a telaio N. 24001	204PT	184	250	02/17	>	23.632.00			
from frame No. 24002 / da telaio N. 24002	204PT	184	250			25.223.00			
antibacterial, anti-odour and anti-allergen filter / filtro antibatterico, antiiodori e anti-allergeni	204PT	184	250	02/17	>				34.266.00
2.0 D	204DTA	177	241	02/17	>	25.223.00			54.266.00
antibacterial, anti-odour and anti-allergen filter / filtro antibatterico, antiiodori e anti-allergeni	204DTA	177	241	02/17	>				34.266.00
2.0 D	204DTD	120	163	02/17	>	25.223.00			54.266.00
antibacterial, anti-odour and anti-allergen filter / filtro antibatterico, antiiodori e anti-allergeni	204DTD	120	163	02/17	>				34.266.00
2.0 D	204DTD	132	179	09/15	>	25.223.00			54.266.00
antibacterial, anti-odour and anti-allergen filter / filtro antibatterico, antiiodori e anti-allergeni	204DTD	132	179	09/15	>				34.266.00
2.0 D 165 MHEV	AJ20D4	120	163	10/20	>	25.223.00			54.266.00
with activated carbons / ai carboni attivi	AJ20D4	120	163	10/20	>				54.266.00
antibacterial, anti-odour and anti-allergen filter / filtro antibatterico, antiiodori e anti-allergeni	AJ20D4	120	163	10/20	>				34.266.00
2.0 D 200 MHEV	AJ21D4	150	204	10/20	>	25.223.00			54.266.00
with activated carbons / ai carboni attivi	AJ21D4	150	204	10/20	>				54.266.00
antibacterial, anti-odour and anti-allergen filter / filtro antibatterico, antiiodori e anti-allergeni	AJ21D4	150	204	10/20	>				34.266.00
2.0 P400e Plug-in Hybrid	PT204	221	300	10/20	>	25.223.00			54.266.00
with activated carbons / ai carboni attivi	PT204	221	300	10/20	>				54.266.00
antibacterial, anti-odour and anti-allergen filter / filtro antibatterico, antiiodori e anti-allergeni	PT204	221	300	10/20	>				34.266.00
3.0	AJ126	250	340	09/15	>	25.073.02			54.266.00
antibacterial, anti-odour and anti-allergen filter / filtro antibatterico, antiiodori e anti-allergeni	AJ126	250	340	09/15	>				34.266.00
3.0	AJ126	280	381	09/15	>	25.073.02			54.266.00
antibacterial, anti-odour and anti-allergen filter / filtro antibatterico, antiiodori e anti-allergeni	AJ126	280	381	09/15	>				34.266.00
3.0 D	306DT	221	300	09/15	>	25.152.00			54.266.00
antibacterial, anti-odour and anti-allergen filter / filtro antibatterico, antiiodori e anti-allergeni	306DT	221	300	09/15	>				34.266.00
3.0 D300 MHEV									
with activated carbons / ai carboni attivi	AJ20D6	221	300	10/20	>				54.266.00
antibacterial, anti-odour and anti-allergen filter / filtro antibatterico, antiiodori e anti-allergeni	AJ20D6	221	300	10/20	>				34.266.00
3.0 P400 MHEV									
with activated carbons / ai carboni attivi	AJ20P6	294	400	10/20	>				54.266.00

...JAGUAR - cars/auto

antibacterial, anti-odour and anti-allergen filter / filtro antibatterico, antiodori e anti-allergeni	AJ20P6	294	400	10/20	>					34.266.00
5.0 SVR P550 MHEV	AJ133G2	405	551	10/20	>	25.073.02				
with activated carbons / ai carboni attivi	AJ133G2	405	551	10/20	>					54.266.00
antibacterial, anti-odour and anti-allergen filter / filtro antibatterico, antiodori e anti-allergeni	AJ133G2	405	551	10/20	>					34.266.00
I-Page (X590)										
EV320										
with activated carbons / ai carboni attivi	QG	236	321	10/20	>					54.266.00
antibacterial, anti-odour and anti-allergen filter / filtro antibatterico, antiodori e anti-allergeni	QG	236	321	10/20	>					34.266.00
EV400 AWD										
		294	400	02/18	>					53.147.00
with activated carbons / ai carboni attivi		294	400	02/18	>					54.266.00
antibacterial, anti-odour and anti-allergen filter / filtro antibatterico, antiodori e anti-allergeni		294	400	02/18	>					34.266.00
S-Type										
2.5 V6	AJ-V6	147	200	10/01	>	23.473.00	31.769.00	30.250.00		
with L.H.D. to frame No. M45254 / con guida a sinistra a telaio N. M45254	AJ-V6	147	200	10/01	>					53.385.00
from frame No. M45255 / da telaio N. M45255	AJ-V6	147	200	>	11/06	23.473.00	31.769.00	30.A33.00		54.140.00
2.7 D V6	AJD-V6	152	207	06/04	>	02/08	25.066.00	24.130.00	30.A33.00	54.140.00
3.0 V6	AJ-V6	175	238	10/98	>		23.473.00	31.769.00	30.250.00	
with L.H.D. to frame No. M45254 / con guida a sinistra a telaio N. M45254	AJ-V6	175	238	10/98	>					53.385.00
from frame No. M45255 / da telaio N. M45255	AJ-V6	175	238	>	09/06	23.473.00	31.769.00	30.A33.00		54.140.00
4.0 V8	AJ28	203	276	10/98	>	04/02	23.474.00	31.769.00	30.250.00	
with L.H.D. to frame No. M45254 / con guida a sinistra a telaio N. M45254	AJ28	203	276	10/98	>	05/02				53.385.00
4.2 V8	AJ34	219	298	10/01	>		23.474.00	31.769.00	30.250.00	
with L.H.D. to frame No. M45254 / con guida a sinistra a telaio N. M45254	AJ34	219	298	10/01	>					53.385.00
from frame No. M45255 / da telaio N. M45255	AJ34	219	298	>	02/08		31.769.00	30.A33.00		54.140.00
4.2 V8 R	AJ34SC	291	395	10/01	>		23.474.00	31.769.00	30.250.00	
with L.H.D. to frame No. M45254 / con guida a sinistra a telaio N. M45254	AJ34SC	291	395	10/01	>					53.385.00
from frame No. M45255 / da telaio N. M45255	AJ34SC	291	395	>	02/08		31.769.00	30.A33.00		54.140.00
Sovereign										
2.9				10/86	>		23.544.00	31.506.00	30.835.00	
3.2 24V cat autom.				01/90	>		23.544.00	31.506.00	30.835.00	
3.6				10/86	>		23.544.00	31.506.00	30.835.00	
4.0 autom.				09/89	>		23.544.00	31.506.00	30.835.00	
X-Type										
2.0 D										
with air-conditioner / con climatizzatore	X404/X409	96	130	06/03	>	11/09	25.015.00	24.445.00	30.606.00	53.162.00
with activated carbon air-conditioner / con climatizzatore, ai carboni attivi	X404/X409	96	130	06/03	>	11/09	25.015.00	24.445.00	30.606.00	54.119.00
antibacterial, anti-odour and anti-allergen filter with air-conditioner / filtro antibatterico, antiodori e anti-allergeni con climatizzatore	X404/X409	96	130	06/03	>	11/09				34.119.00
2.0 V6										
with air-conditioner / con climatizzatore	AJ20	115	156	02/02	>	10/05	23.473.00	31.515.00	30.399.00	53.162.00
with activated carbon air-conditioner / con climatizzatore, ai carboni attivi	AJ20	115	156	02/02	>	10/05	23.473.00	31.515.00	30.399.00	54.119.00
antibacterial, anti-odour and anti-allergen filter with air-conditioner / filtro antibatterico, antiodori e anti-allergeni con climatizzatore	AJ20	115	156	02/02	>	10/05				34.119.00
2.2 D										
with air-conditioner / con climatizzatore	Ford Duratorq ZSD-422	107	145	04/08	>	11/09	25.015.00	24.445.00	30.606.00	53.162.00
with activated carbon air-conditioner / con climatizzatore, ai carboni attivi	Ford Duratorq ZSD-422	107	145	04/08	>	11/09	25.015.00	24.445.00	30.606.00	54.119.00
antibacterial, anti-odour and anti-allergen filter with air-conditioner / filtro antibatterico, antiodori e anti-allergeni con climatizzatore	Ford Duratorq ZSD-422	107	145	04/08	>	11/09				34.119.00
2.2 D										
with air-conditioner / con climatizzatore	Ford Duratorq ZSD-422	110	150	10/05	>	11/09	25.015.00	24.445.00	30.606.00	53.162.00
with activated carbon air-conditioner / con climatizzatore, ai carboni attivi	Ford Duratorq ZSD-422	110	150	10/05	>	11/09	25.015.00	24.445.00	30.606.00	54.119.00
antibacterial, anti-odour and anti-allergen filter with air-conditioner / filtro antibatterico, antiodori e anti-allergeni con climatizzatore	Ford Duratorq ZSD-422	110	150	10/05	>	11/09				34.119.00
2.2 D										
with air-conditioner / con climatizzatore	Ford Duratorq ZSD-422	114	155	07/05	>	03/08	25.015.00	24.445.00	30.606.00	53.162.00
with activated carbon air-conditioner / con climatizzatore, ai carboni attivi	Ford Duratorq ZSD-422	114	155	07/05	>	03/08	25.015.00	24.445.00	30.606.00	54.119.00
antibacterial, anti-odour and anti-allergen filter with air-conditioner / filtro antibatterico, antiodori e anti-allergeni con climatizzatore	Ford Duratorq ZSD-422	114	155	07/05	>	03/08				34.119.00
2.5 V6										
with air-conditioner / con climatizzatore	AJ25	144	196	03/01	>	10/09	23.473.00	31.515.00	30.399.00	53.162.00
with activated carbon air-conditioner / con climatizzatore, ai carboni attivi	AJ25	144	196	03/01	>	10/09	23.473.00	31.515.00	30.399.00	54.119.00
antibacterial, anti-odour and anti-allergen filter with air-conditioner / filtro antibatterico, antiodori e anti-allergeni con climatizzatore	AJ25	144	196	03/01	>	10/09				34.119.00
3.0 V6										
with air-conditioner / con climatizzatore	AJ30	169	231	03/01	>	10/09	23.473.00	31.515.00	30.399.00	53.162.00
with activated carbon air-conditioner / con climatizzatore, ai carboni attivi	AJ30	169	231	03/01	>	10/09	23.473.00	31.515.00	30.399.00	54.119.00
antibacterial, anti-odour and anti-allergen filter with air-conditioner / filtro antibatterico, antiodori e anti-allergeni con climatizzatore	AJ30	169	231	03/01	>	10/09				34.119.00
X-Type SW										
2.0 D										
with air-conditioner / con climatizzatore	X404/X409	96	130	02/04	>	12/09	25.015.00	24.445.00	30.606.00	53.162.00
with activated carbon air-conditioner / con climatizzatore, ai carboni attivi	X404/X409	96	130	02/04	>	12/09	25.015.00	24.445.00	30.606.00	54.119.00
antibacterial, anti-odour and anti-allergen filter with air-conditioner / filtro antibatterico, antiodori e anti-allergeni con climatizzatore	X404/X409	96	130	02/04	>	12/09				34.119.00
2.0 V6										

...JAGUAR - cars/auto

with air-conditioner / con climatizzatore	AJ20	115	156	02/04	>	10/05	23.473.00	31.515.00	30.399.00	53.162.00
with activated carbon air-conditioner / con climatizzatore, ai carboni attivi	AJ20	115	156	02/04	>	10/05	23.473.00	31.515.00	30.399.00	54.119.00
antibacterial, anti-odour and anti-allergen filter with air-conditioner / filtro antibatterico, antiodori e anti-allergeni con climatizzatore	AJ20	115	156	02/04	>	10/05				34.119.00
2.2 D										
with air-conditioner / con climatizzatore	Ford Duratorq ZSD-422	107	145	04/08	>	12/09	25.015.00	24.445.00	30.606.00	53.162.00
with activated carbon air-conditioner / con climatizzatore, ai carboni attivi	Ford Duratorq ZSD-422	107	145	04/08	>	12/09	25.015.00	24.445.00	30.606.00	54.119.00
antibacterial, anti-odour and anti-allergen filter with air-conditioner / filtro antibatterico, antiodori e anti-allergeni con climatizzatore	Ford Duratorq ZSD-422	107	145	04/08	>	12/09				34.119.00
2.2 D										
with air-conditioner / con climatizzatore	Ford Duratorq ZSD-422	110	150	07/05	>	12/09	25.015.00	24.445.00	30.606.00	53.162.00
with activated carbon air-conditioner / con climatizzatore, ai carboni attivi	Ford Duratorq ZSD-422	110	150	07/05	>	12/09	25.015.00	24.445.00	30.606.00	54.119.00
antibacterial, anti-odour and anti-allergen filter with air-conditioner / filtro antibatterico, antiodori e anti-allergeni con climatizzatore	Ford Duratorq ZSD-422	110	150	07/05	>	12/09				34.119.00
2.2 D										
with air-conditioner / con climatizzatore	Ford Duratorq ZSD-422	114	155	07/05	>	03/08	25.015.00	24.445.00	30.606.00	53.162.00
with activated carbon air-conditioner / con climatizzatore, ai carboni attivi	Ford Duratorq ZSD-422	114	155	07/05	>	03/08	25.015.00	24.445.00	30.606.00	54.119.00
antibacterial, anti-odour and anti-allergen filter with air-conditioner / filtro antibatterico, antiodori e anti-allergeni con climatizzatore	Ford Duratorq ZSD-422	114	155	07/05	>	03/08				34.119.00
2.5 V6										
with air-conditioner / con climatizzatore	AJ25	144	196	02/04	>	10/09	23.473.00	31.515.00	30.399.00	53.162.00
with activated carbon air-conditioner / con climatizzatore, ai carboni attivi	AJ25	144	196	02/04	>	10/09	23.473.00	31.515.00	30.399.00	54.119.00
antibacterial, anti-odour and anti-allergen filter with air-conditioner / filtro antibatterico, antiodori e anti-allergeni con climatizzatore	AJ25	144	196	02/04	>	10/09				34.119.00
3.0 V6										
with air-conditioner / con climatizzatore	AJ30	169	231	02/04	>	10/09	23.473.00	31.515.00	30.399.00	53.162.00
with activated carbon air-conditioner / con climatizzatore, ai carboni attivi	AJ30	169	231	02/04	>	10/09	23.473.00	31.515.00	30.399.00	54.119.00
antibacterial, anti-odour and anti-allergen filter with air-conditioner / filtro antibatterico, antiodori e anti-allergeni con climatizzatore	AJ30	169	231	02/04	>	10/09				34.119.00
XE (X760)										
2.0		147	200	03/15	>					54.266.00
to frame No. P16683 / a telaio N. P16683		147	200	03/15	>		23.632.00			
from frame No. P16684 / da telaio N. P16684		147	200				25.223.00			
antibacterial, anti-odour and anti-allergen filter / filtro antibatterico, antiodori e anti-allergeni		147	200	03/15	>					34.266.00
2.0		177	241	03/15	>					54.266.00
to frame No. P16683 / a telaio N. P16683		177	241	03/15	>		23.632.00			
from frame No. P16684 / da telaio N. P16684		177	241				25.223.00			
antibacterial, anti-odour and anti-allergen filter / filtro antibatterico, antiodori e anti-allergeni		177	241	03/15	>					34.266.00
2.0	PT204	184	250	02/17	>					54.266.00
to frame No. P16683 / a telaio N. P16683	PT204	184	250	02/17	>		23.632.00			
from frame No. P16684 / da telaio N. P16684	PT204	184	250				25.223.00			
antibacterial, anti-odour and anti-allergen filter / filtro antibatterico, antiodori e anti-allergeni	PT204	184	250	02/17	>					34.266.00
2.0	PT204	221	300	06/17	>					54.266.00
to frame No. P16683 / a telaio N. P16683	PT204	221	300	06/17	>		23.632.00			
from frame No. P16684 / da telaio N. P16684	PT204	221	300				25.223.00			
antibacterial, anti-odour and anti-allergen filter / filtro antibatterico, antiodori e anti-allergeni	PT204	221	300	06/17	>					34.266.00
2.0 D		120	163	03/15	>		25.223.00			54.266.00
antibacterial, anti-odour and anti-allergen filter / filtro antibatterico, antiodori e anti-allergeni		120	163	03/15	>					34.266.00
2.0 D		132	179	03/15	>		25.223.00			54.266.00
antibacterial, anti-odour and anti-allergen filter / filtro antibatterico, antiodori e anti-allergeni		132	179	03/15	>					34.266.00
2.0 D	204DTA	177	241	02/17	>		25.223.00			54.266.00
antibacterial, anti-odour and anti-allergen filter / filtro antibatterico, antiodori e anti-allergeni	204DTA	177	241	02/17	>					34.266.00
2.0 D 200 MHEV	AJ21D4	150	204	11/20	>		25.223.00			53.147.00
with activated carbons / ai carboni attivi	AJ21D4	150	204	11/20	>					54.266.00
antibacterial, anti-odour and anti-allergen filter / filtro antibatterico, antiodori e anti-allergeni	AJ21D4	150	204	11/20	>					34.266.00
3.0 S		250	340	03/15	>		25.073.02			54.266.00
antibacterial, anti-odour and anti-allergen filter / filtro antibatterico, antiodori e anti-allergeni		250	340	03/15	>					34.266.00
XF (X250)										
2.0		177	241	06/12	>	04/15	23.632.00		30.A33.00	54.290.00
antibacterial, anti-odour and anti-allergen filter / filtro antibatterico, antiodori e anti-allergeni		177	241	06/12	>	04/15				34.290.00
2.2 D		120	163	05/11	>	04/15	25.060.00	24.156.00	30.A33.00	54.290.00
antibacterial, anti-odour and anti-allergen filter / filtro antibatterico, antiodori e anti-allergeni		120	163	05/11	>	04/15				34.290.00
2.2 D		140	190	05/11	>	04/15	25.060.00	24.156.00	30.A33.00	54.290.00
antibacterial, anti-odour and anti-allergen filter / filtro antibatterico, antiodori e anti-allergeni		140	190	05/11	>	04/15				34.290.00
2.2 D		147	200	03/12	>	04/15	25.060.00	24.156.00	30.A33.00	54.290.00
antibacterial, anti-odour and anti-allergen filter / filtro antibatterico, antiodori e anti-allergeni		147	200	03/12	>	04/15				34.290.00
2.7 D V6	AJD-V6	152	207	03/08	>	04/15	25.066.00	24.130.00	30.A33.00	54.290.00
antibacterial, anti-odour and anti-allergen filter / filtro antibatterico, antiodori e anti-allergeni	AJD-V6	152	207	03/08	>	04/15				34.290.00
3.0 D V6		155	211	02/10	>	04/15	25.152.00	24.188.00	30.A33.00	54.290.00
antibacterial, anti-odour and anti-allergen filter / filtro antibatterico, antiodori e anti-allergeni		155	211	02/10	>	04/15				34.290.00
3.0 D V6		177	240	05/09	>	04/15	25.152.00	24.188.00	30.A33.00	54.290.00
antibacterial, anti-odour and anti-allergen filter / filtro antibatterico, antiodori e anti-allergeni		177	240	05/09	>	04/15				34.290.00
3.0 SD V6		202	275	05/09	>	04/15	25.152.00	24.188.00	30.A33.00	54.290.00

...JAGUAR - cars/auto

antibacterial, anti-odour and anti-allergen filter / filtro antibatterico, antiodori e anti-allergeni	202 275	05/09 > 04/15				34.290.00
3.0 V6 AJ-V6	175 238	03/08 > 04/15	23.473.00	31.769.00	30.A33.00	54.290.00
antibacterial, anti-odour and anti-allergen filter / filtro antibatterico, antiodori e anti-allergeni	175 238	03/08 > 04/15				34.290.00
3.0 V6 Kompressor	250 340	03/12 > 04/15	25.073.02		30.A33.00	54.290.00
antibacterial, anti-odour and anti-allergen filter / filtro antibatterico, antiodori e anti-allergeni	250 340	03/12 > 04/15				34.290.00
4.2 SV8 S/C AJ34	306 416	03/08 > 04/15		31.769.00		54.290.00
antibacterial, anti-odour and anti-allergen filter / filtro antibatterico, antiodori e anti-allergeni	306 416	03/08 > 04/15				34.290.00
2 filters / N.2 filtri	AJ34	03/08 > 04/15			30.A33.00	
4.2 V8 AJ34	219 298	03/08 > 04/15		31.769.00	30.A33.00	54.290.00
antibacterial, anti-odour and anti-allergen filter / filtro antibatterico, antiodori e anti-allergeni	219 298	03/08 > 04/15				34.290.00
5.0 V8	283 385	03/09 > 04/15	25.073.02	31.769.00		54.290.00
antibacterial, anti-odour and anti-allergen filter / filtro antibatterico, antiodori e anti-allergeni	283 385	03/09 > 04/15				34.290.00
2 filters / N.2 filtri	283 385	03/09 > 04/15			30.A33.00	
XF (X260)						
2.0	147 200	03/17 >				54.266.00
to frame No. Y53241 / a telaio N. Y53241	147 200	03/17 >	23.632.00			
from frame No. Y53242 / da telaio N. Y53242	147 200		25.223.00			
antibacterial, anti-odour and anti-allergen filter / filtro antibatterico, antiodori e anti-allergeni	147 200	03/17 >				34.266.00
2.0	177 241	05/15 >				54.266.00
to frame No. Y53241 / a telaio N. Y53241	177 241	05/15 >	23.632.00			
from frame No. Y53242 / da telaio N. Y53242	177 241		25.223.00			
antibacterial, anti-odour and anti-allergen filter / filtro antibatterico, antiodori e anti-allergeni	177 241	05/15 >				34.266.00
2.0	184 250	03/17 >				54.266.00
to frame No. Y53241 / a telaio N. Y53241	184 250	03/17 >	23.632.00			
from frame No. Y53242 / da telaio N. Y53242	184 250		25.223.00			
antibacterial, anti-odour and anti-allergen filter / filtro antibatterico, antiodori e anti-allergeni	184 250	03/17 >				34.266.00
2.0	221 300	09/17 >				54.266.00
to frame No. Y53241 / a telaio N. Y53241	221 300	09/17 >	23.632.00			
from frame No. Y53242 / da telaio N. Y53242	221 300		25.223.00			
antibacterial, anti-odour and anti-allergen filter / filtro antibatterico, antiodori e anti-allergeni	221 300	09/17 >				34.266.00
2.0 D	120 163	05/15 >	25.223.00			54.266.00
antibacterial, anti-odour and anti-allergen filter / filtro antibatterico, antiodori e anti-allergeni	120 163	05/15 >				34.266.00
2.0 D	132 179	05/15 >	25.223.00			54.266.00
antibacterial, anti-odour and anti-allergen filter / filtro antibatterico, antiodori e anti-allergeni	132 179	05/15 >				34.266.00
2.0 D	177 241	03/17 >	25.223.00			54.266.00
antibacterial, anti-odour and anti-allergen filter / filtro antibatterico, antiodori e anti-allergeni	177 241	03/17 >				34.266.00
2.0 D 200 MHEV AJ21D4	150 204	11/20 >	25.223.00			
with activated carbons / ai carboni attivi	AJ21D4	150 204	11/20 >			54.266.00
antibacterial, anti-odour and anti-allergen filter / filtro antibatterico, antiodori e anti-allergeni	AJ21D4	150 204	11/20 >			34.266.00
3.0	250 340	05/15 >	25.073.02			54.266.00
antibacterial, anti-odour and anti-allergen filter / filtro antibatterico, antiodori e anti-allergeni	250 340	05/15 >				34.266.00
3.0	280 381	05/15 >	25.073.02			54.266.00
antibacterial, anti-odour and anti-allergen filter / filtro antibatterico, antiodori e anti-allergeni	280 381	05/15 >				34.266.00
3.0 D	221 300	05/15 >	25.152.00			54.266.00
antibacterial, anti-odour and anti-allergen filter / filtro antibatterico, antiodori e anti-allergeni	221 300	05/15 >				34.266.00
XFR (X250)						
5.0 V8 S/C	375 510	03/09 > 04/15	25.073.02	31.769.00		54.290.00
antibacterial, anti-odour and anti-allergen filter / filtro antibatterico, antiodori e anti-allergeni	375 510	03/09 > 04/15				34.290.00
2 filters / N.2 filtri	375 510	03/09 > 04/15			30.A33.00	
XFR-S (X250)						
5.0 V8 Kompressor S/C	405 551	10/12 > 04/15	25.073.02			54.290.00
antibacterial, anti-odour and anti-allergen filter / filtro antibatterico, antiodori e anti-allergeni	405 551	10/12 > 04/15				34.290.00
2 filters / N.2 filtri	405 551	10/12 > 04/15			30.A33.00	
XJ (X350)						
2.7 D V6 AJD-V6	152 207	07/05 > 03/09	25.066.00	24.130.00	30.A33.00	
3.0 V6 AJ-V6	175 238	04/03 > 03/09	23.473.00		30.A33.00	
3.5 V8 2 filters / N.2 filtri	AJ-V8	190 258	04/03 > 03/09		30.A33.00	
4.2 V8 2 filters / N.2 filtri	AJ34	219 298	04/03 > 03/09		30.A33.00	
XJ (X351)						
3.0 D V6	202 275	01/10 >	25.152.00		30.A33.00	
5.0 V8 2 filters / N.2 filtri	283 385	01/10 >			30.A33.00	
5.0 V8 S/C 2 filters / N.2 filtri	375 510	01/10 >			30.A33.00	
XJ-S	375 510	01/10 >			30.A33.00	

...JAGUAR - cars/auto

3.6 cat Coupè autom.				01/90 >	23.544.00	31.506.00	30.835.00	
3.6 Coupè				10/86 >	23.544.00	31.506.00	30.835.00	
4.0				10/94 >	23.544.00	31.564.00		
5.3 H.E.				01/81 >	23.544.00			
XJ12								
5.3 Serie 3				01/79 >	23.544.00			
XJ6								
2.9				10/86 >	23.544.00	31.506.00	30.835.00	
3.2 24V cat				01/90 >	23.544.00	31.506.00	30.835.00	
3.4 Serie 2								
spin-on / avvitabile					23.544.00			
3.6				10/86 >	23.544.00	31.506.00	30.835.00	
4.0				09/89 >	23.544.00	31.506.00	30.835.00	
4.2 Serie 2								
spin-on / avvitabile					23.544.00			
XJ8								
3.2	AJ-V8	174	237	07/97 > 05/03	23.474.00	31.564.00	30.A71.00	
4.0	AJ27	209	285	07/97 > 05/03	23.474.00	31.564.00	30.A71.00	
4.2	AJ34	219	298	04/03 >		31.564.00	30.A33.00	
XJR								
4.0	(6 cyl.)			09/94 >		31.564.00	30.835.00	
XJR8								
4.0 V8	AJ27 SC	267	363	07/97 > 05/03	23.474.00	31.564.00	30.A71.00	
4.2 V8								
2 filters / N.2 filtri	AJ34	291	395	04/03 > 03/09			30.A33.00	
4.2 V8 Kompressor								
2 filters / N.2 filtri		306	416	04/07 >			30.A33.00	
XK (X150)								
3.5 V8	AJV8	190	258	03/08 >				54.377.00
3.6		190	258	10/07 > 07/14				54.377.00
4.2 V8		219	295	03/06 >				54.377.00
5.0 V8		283	385	05/09 >	25.073.02			54.377.00
XK8 (X100)								
4.0 Cabrio	AJ27	209	285	09/96 > 09/02	23.474.00	31.564.00	30.A71.00	
4.0 Coupè	AJ27	209	285	09/96 > 09/02	23.474.00	31.564.00	30.A71.00	
4.2 R V8 (X100)	AJ34 SC	291	395	08/02 > 03/06	23.474.00	31.564.00	30.A71.00	
4.2 V8 (X100)	AJ34	219	298	08/02 > 03/06	23.474.00	31.564.00	30.A71.00	
XKR (X150)								
4.2 V8 Kompressor		306	416	03/06 >				54.377.00
5.0 V8		390	530	09/10 >				54.377.00
5.0 V8 Kompressor		375	510	01/09 >	25.073.02			54.377.00
5.0 V8 Kompressor		405	550	01/11 >				54.377.00
JDM					microcars/microvetture			
Albizia Base L								
Albizia Base L (505)	Lombardini LDW502				23.262.00	24.352.00		
Albizia Club L								
Albizia Club L (505)	Lombardini LDW502				23.262.00	24.352.00		
Albizia Confort L								
Albizia Confort L (505)	Lombardini LDW502				23.262.00	24.352.00		
JEEP					off-road cars/fuoristrada			
Cherokee								
2.5	(4 cyl.)			01/91 > 11/01	23.127.00			
2.5 Turbodiesel	VM	85	115	01/95 > 11/01	23.249.00	24.331.00	27.150.00	
Cherokee (KJ)								
2.5 CRD		105	143	09/01 > 01/05	23.249.00		30.281.00	×
2.8 CRD								
assembly RACOR-PARKER / montaggio RACOR-PARKER		110	150	05/03 > 05/05	23.249.00		30.281.00	×
assembly UFI / montaggio UFI		110	150	09/04 > 05/05	23.249.00	24.H2O.01	30.281.00	×
2.8 CRD		120	163	09/04 > 12/06	23.249.00	24.H2O.01	30.281.00	
		120	163	01/07 >		24.H2O.01	30.281.00	
3.7 i V6		150	204	08/03 >	23.440.00		30.281.00	
3.7 i V6		155	211	09/01 >	23.440.00		30.281.00	
Cherokee (KK)								
2.8 CRD		147	200	11/10 >	25.167.00			53.239.00
2 filters / N.2 filtri		147	200	11/10 >		26.019.01		

...JEEP - off-road cars/fuoristrada

2.8 CRD DPF	VM RA428 DOHC	130	177	03/08	>	25.186.00	24.528.01		53.239.00
3.7 V6		151	205	03/08	> 12/08	23.440.00			53.239.00
		151	205	01/09	>				53.239.00
Cherokee (KL)									
2.0 CRD	EBT	103	140	04/14	>	25.083.00		30.A73.00	53.326.00
2 filters / N.2 filtri	EBT	103	140	04/14	>		26.019.01		
2.0 CRD	EBT	125	170	10/13	>	25.083.00		30.A73.00	53.326.00
2 filters / N.2 filtri	EBT	125	170	10/13	>		26.019.01		
2.0 CRD 4WD	EBT	103	140	04/14	>	25.083.00		30.A73.00	53.326.00
2 filters / N.2 filtri	EBT	103	140	04/14	>		26.019.01		
2.0 CRD 4WD	EBT	125	170	10/13	>	25.083.00		30.A73.00	53.326.00
2 filters / N.2 filtri	EBT	125	170	10/13	>		26.019.01		
2.2 MJT II 4WD		136	185	05/15	>	25.083.00			
2 filters / N.2 filtri		136	185	05/15	>		26.019.01		
2.2 MJT II 4WD		147	200	05/15	>	25.083.00			
2 filters / N.2 filtri		147	200	05/15	>		26.019.01		
3.2 V6	EHB	202	275	10/13	>	25.083.00		30.A73.00	53.326.00
3.2 V6 4X4		200	272	11/13	>	25.251.00			
CJ 5									
2.4 Diesel	Isuzu (2370)			09/79	>	23.234.00	24.370.00		
CJ 6									
2.4 Diesel	Isuzu (2370)					23.234.00	24.370.00		
CJ 7									
2.0	Renault (J5R)			07/84	>	23.401.00		27.824.00	
2.1 Diesel									
with pump BOSCH / con pompa BOSCH	Renault (J8S)			05/82	>	23.177.00	24.350.00	30.902.00	
with pump DELPHI / con pompa DELPHI	Renault (J8S)			05/82	>	23.177.00	24.361.00	30.902.00	
or / oppure	Renault (J8S)			05/82	>	23.419.00		30.902.00	
2.4 Diesel	Isuzu (2370)			09/79	>	23.234.00	24.370.00		
CJ 8									
2.4 Diesel	Isuzu (2370)			09/81	>	23.234.00	24.370.00		
Comanche									
2.1 Turbodiesel	(4 cyl.)			01/86	>	23.177.00		27.150.00	
or / oppure	(4 cyl.)			01/86	>	23.419.00		27.150.00	
Commander (XH)									
3.0 CRD	EX	160	218	07/06	>	25.069.00	24.107.00		
Compass									
2.0 16V				11/06	>	23.519.00		30.498.00	53.150.00
with activated carbons / ai carboni attivi				11/06	>				54.275.00
antibacterial, anti-odour and anti-allergen filter / filtro antibatterico, antiodori e anti-allergeni				11/06	>				34.275.00
2.0 CRD		88	120	11/06	>	25.023.00	24.030.00	30.592.00	53.150.00
with activated carbons / ai carboni attivi		88	120	11/06	>				54.275.00
antibacterial, anti-odour and anti-allergen filter / filtro antibatterico, antiodori e anti-allergeni		88	120	11/06	>				34.275.00
2.0 CRD	ECD	103	140	11/06	>	25.023.00	24.030.00	30.592.00	53.150.00
with activated carbons / ai carboni attivi	ECD	103	140	11/06	>				54.275.00
antibacterial, anti-odour and anti-allergen filter / filtro antibatterico, antiodori e anti-allergeni	ECD	103	140	11/06	>				34.275.00
2.2 CRD	ENE	100	136	05/11	>	25.159.00	24.529.00		53.150.00
with activated carbons / ai carboni attivi	ENE	100	136	05/11	>				54.275.00
antibacterial, anti-odour and anti-allergen filter / filtro antibatterico, antiodori e anti-allergeni	ENE	100	136	05/11	>				34.275.00
2.2 CRD 4x4	OM651.925	120	163	12/10	>	25.159.00	24.529.00		53.150.00
with activated carbons / ai carboni attivi	OM651.925	120	163	12/10	>				54.275.00
antibacterial, anti-odour and anti-allergen filter / filtro antibatterico, antiodori e anti-allergeni	OM651.925	120	163	12/10	>				34.275.00
2.4 16V		125	170	11/06	>	23.519.00		30.498.00	53.150.00
with activated carbons / ai carboni attivi		125	170	11/06	>				54.275.00
antibacterial, anti-odour and anti-allergen filter / filtro antibatterico, antiodori e anti-allergeni		125	170	11/06	>				34.275.00
Compass II									
1.4 Multiair 140		103	140	03/17	>	25.043.00		30.677.00	53.211.00
with activated carbons / ai carboni attivi		103	140	03/17	>				54.245.00
antibacterial, anti-odour and anti-allergen filter / filtro antibatterico, antiodori e anti-allergeni		103	140	03/17	>				34.245.00
1.4 Multiair 170 4x4		125	170	03/17	>	25.043.00		30.677.00	53.211.00
with activated carbons / ai carboni attivi		125	170	03/17	>				54.245.00
antibacterial, anti-odour and anti-allergen filter / filtro antibatterico, antiodori e anti-allergeni		125	170	03/17	>				34.245.00
1.6 Multijet 120		88	120	03/17	>	25.083.00	26.052.00	30.677.00	53.211.00
with activated carbons / ai carboni attivi		88	120	03/17	>				54.245.00
antibacterial, anti-odour and anti-allergen filter / filtro antibatterico, antiodori e anti-allergeni		88	120	03/17	>				34.245.00
2.0 Multijet 140 4x4		103	140	03/17	>	25.083.00	26.052.00	30.677.00	53.211.00
with activated carbons / ai carboni attivi		103	140	03/17	>				54.245.00

...JEEP - off-road cars/fuoristrada

antibacterial, anti-odour and anti-allergen filter / filtro antibatterico, antiodori e anti-allergeni		103	140	03/17	>				34.245.00	
2.0 Multijet 170 4x4		125	170	03/17	>	25.083.00	26.052.00	30.677.00	53.211.00	
with activated carbons / ai carboni attivi		125	170	03/17	>				54.245.00	
antibacterial, anti-odour and anti-allergen filter / filtro antibatterico, antiodori e anti-allergeni		125	170	03/17	>				34.245.00	
Grand Cherokee										
2.7 CRD	OM612	120	163	09/01	>	07/05	25.013.00	24.005.00	30.284.00	✗
with cabin filter kit, spare part only 82208300 / con kit filtro abitacolo, solo ricambio 82208300	OM612	120	163	09/01	>	07/05				53.257.00
3.0 CRD V6	OM642	160	218	06/05	>	12/10	25.069.00	24.107.00	30.281.00	✗
with cabin filter kit, spare part only 82208300 / con kit filtro abitacolo, solo ricambio 82208300	OM642	160	218	06/05	>	12/10				53.257.00
3.1 TD	VM	103	140	04/99	>	12/00	23.249.00	24.331.00	30.284.00	✗
	VM	103	140	01/01	>	12/01	25.010.00	24.331.00	30.284.00	✗
with cabin filter kit, spare part only 82208300 / con kit filtro abitacolo, solo ricambio 82208300	VM	103	140	04/99	>	12/01				53.257.00
4.7 V8 16V		170	231	06/05	>	12/10	23.127.00			✗
with cabin filter kit, spare part only 82208300 / con kit filtro abitacolo, solo ricambio 82208300		170	231	06/05	>	12/10				53.257.00
5.7 V8 16V HEMI		240	326	06/05	>	12/08	23.127.00			✗
with cabin filter kit, spare part only 82208300 / con kit filtro abitacolo, solo ricambio 82208300		240	326	06/05	>	12/08				53.257.00
5.7 V8 16V HEMI		259	352	01/09	>	12/10			30.281.00	✗
with cabin filter kit, spare part only 82208300 / con kit filtro abitacolo, solo ricambio 82208300		259	352	01/09	>	12/10				53.257.00
6.1 V8 16V HEMI SRT8		313	426	06/05	>	12/10	23.127.00			✗
with cabin filter kit, spare part only 82208300 / con kit filtro abitacolo, solo ricambio 82208300		313	426	06/05	>	12/10				53.257.00
Grand Cherokee IV (WK)										
3.0 CRD	EXF	140	190	05/11	>		25.112.00		30.544.00	53.325.00
2 filters / N.2 filtri	EXF	140	190	05/11	>			26.019.01		
3.0 CRD	EXF	177	241	05/11	>		25.112.00		30.544.00	53.325.00
2 filters / N.2 filtri	EXF	177	241	05/11	>			26.019.01		
3.0 CRD 4x4	EXF	184	250	08/13	>		25.112.00		30.544.00	53.325.00
2 filters / N.2 filtri	EXF	184	250	08/13	>			26.019.01		
3.6 V6	ERB	210	286	12/10	>	12/13	25.248.00			53.325.00
	ERB	210	286	01/14	>					53.325.00
5.7 V8 HEMI	EZH	259	352	12/10	>					53.325.00
Liberty (KJ)										
2.5 CRD		105	143	01/01	>	06/03	23.249.00		30.281.00	✗
2.8 CRD										
assembly RACOR-PARKER / montaggio RACOR-PARKER		110	150	05/03	>	05/05	23.249.00		30.281.00	
assembly UFI / montaggio UFI		110	150	09/04	>	05/05	23.249.00	24.H2O.01	30.281.00	
2.8 CRD		120	163	04/05	>		23.249.00	24.H2O.01	30.281.00	
3.7 i V6		150	204	09/03	>		23.440.00		30.281.00	
3.7 i V6		157	214	01/01	>		23.440.00		30.281.00	
Liberty (KK)										
2.8 CRD DPF	VM RA428RT7.05A/MM64C			01/11	>		25.186.00			53.239.00
2 filters / N.2 filtri	VM RA428RT7.05A/MM64C			01/11	>			26.019.01		
Patriot										
2.0 16V	ECN	115	156	03/11	>		23.519.00			53.150.00
with activated carbons / ai carboni attivi	ECN	115	156	03/11	>					54.275.00
antibacterial, anti-odour and anti-allergen filter / filtro antibatterico, antiodori e anti-allergeni	ECN	115	156	03/11	>					34.275.00
2.0 CRD		103	140	10/07	>		25.023.00	24.030.00	30.592.00	53.150.00
with activated carbons / ai carboni attivi		103	140	10/07	>					54.275.00
antibacterial, anti-odour and anti-allergen filter / filtro antibatterico, antiodori e anti-allergeni		103	140	10/07	>					34.275.00
2.0 CRD		88	120	10/07	>		25.023.00	24.030.00	30.592.00	53.150.00
with activated carbons / ai carboni attivi		88	120	10/07	>					54.275.00
antibacterial, anti-odour and anti-allergen filter / filtro antibatterico, antiodori e anti-allergeni		88	120	10/07	>					34.275.00
2.2 CRD		100	136	03/11	>		25.159.00	24.529.00		53.150.00
with activated carbons / ai carboni attivi		100	136	03/11	>					54.275.00
antibacterial, anti-odour and anti-allergen filter / filtro antibatterico, antiodori e anti-allergeni		100	136	03/11	>					34.275.00
2.2 CRD		120	163	02/11	>		25.159.00	24.529.00		53.150.00
with activated carbons / ai carboni attivi		120	163	02/11	>					54.275.00
antibacterial, anti-odour and anti-allergen filter / filtro antibatterico, antiodori e anti-allergeni		120	163	02/11	>					34.275.00
2.4 16V		125	170	10/07	>		23.519.00		30.498.00	53.150.00
with activated carbons / ai carboni attivi		125	170	10/07	>					54.275.00
antibacterial, anti-odour and anti-allergen filter / filtro antibatterico, antiodori e anti-allergeni		125	170	10/07	>					34.275.00
Renegade (BU)										
1.0 T3 120	55282151	88	120	07/18	>		23.481.00			53.211.00
with activated carbons / ai carboni attivi	55282151	88	120	07/18	>					54.245.00
antibacterial, anti-odour and anti-allergen filter / filtro antibatterico, antiodori e anti-allergeni	55282151	88	120	07/18	>					34.245.00
1.3 T4 150	55282328	110	150	07/18	>		23.481.00			53.211.00
with activated carbons / ai carboni attivi	55282328	110	150	07/18	>					54.245.00
antibacterial, anti-odour and anti-allergen filter / filtro antibatterico, antiodori e anti-allergeni	55282328	110	150	07/18	>					34.245.00

...JEEP - off-road cars/ fuoristrada

1.3 T4 180	55282328	132	180	07/18	>	23.481.00			53.211.00
with activated carbons / ai carboni attivi	55282328	132	180	07/18	>				54.245.00
antibacterial, anti-odour and anti-allergen filter / filtro antibatterico, antiodori e anti-allergeni	55282328	132	180	07/18	>				34.245.00
1.4 MultiAir 2	55263623	125	170	07/14	> 05/16	25.043.00	31.941.00	30.677.00	53.211.00
	55263623	125	170	06/16	>		31.941.00	30.677.00	53.211.00
with activated carbons / ai carboni attivi	55263623	125	170	07/14	>				54.245.00
antibacterial, anti-odour and anti-allergen filter / filtro antibatterico, antiodori e anti-allergeni	55263623	125	170	07/14	>				34.245.00
1.4 MultiAir 2	55263624	100	136	07/14	> 05/16	25.043.00	31.941.00	30.677.00	53.211.00
	55263624	100	136	06/16	>		31.941.00	30.677.00	53.211.00
with activated carbons / ai carboni attivi	55263624	100	136	07/14	>				54.245.00
antibacterial, anti-odour and anti-allergen filter / filtro antibatterico, antiodori e anti-allergeni	55263624	100	136	07/14	>				34.245.00
1.4 MultiAir 2	55263624	103	140	07/14	> 05/16	25.043.00	31.941.00	30.677.00	53.211.00
	55263624	103	140	06/16	>		31.941.00	30.677.00	53.211.00
with activated carbons / ai carboni attivi	55263624	103	140	07/14	>				54.245.00
antibacterial, anti-odour and anti-allergen filter / filtro antibatterico, antiodori e anti-allergeni	55263624	103	140	07/14	>				34.245.00
1.4 T-Jet 120 GPL/LPG	55277701	88	120	05/17	>			30.677.00	53.211.00
with activated carbons / ai carboni attivi	55277701	88	120	05/17	>				54.245.00
antibacterial, anti-odour and anti-allergen filter / filtro antibatterico, antiodori e anti-allergeni	55277701	88	120	05/17	>				34.245.00
1.6 E-torQ	55263842	81	110	07/14	>	25.034.00		30.677.00	53.211.00
with activated carbons / ai carboni attivi	55263842	81	110	07/14	>				54.245.00
antibacterial, anti-odour and anti-allergen filter / filtro antibatterico, antiodori e anti-allergeni	55263842	81	110	07/14	>				34.245.00
1.6 Multijet II	55263113	88	120	07/14	>	25.083.00	26.052.00	30.677.00	53.211.00
with activated carbons / ai carboni attivi	55263113	88	120	07/14	>				54.245.00
antibacterial, anti-odour and anti-allergen filter / filtro antibatterico, antiodori e anti-allergeni	55263113	88	120	07/14	>				34.245.00
1.6 Multijet II Auto.	55263113	85	115	07/14	>	25.083.00	26.052.00	30.677.00	53.211.00
with activated carbons / ai carboni attivi	55263113	85	115	07/14	>				54.245.00
antibacterial, anti-odour and anti-allergen filter / filtro antibatterico, antiodori e anti-allergeni	55263113	85	115	07/14	>				34.245.00
2.0 Multijet II 4x4 Auto.	55263088	103	140	07/14	>	25.083.00	26.052.00	30.677.00	53.211.00
with activated carbons / ai carboni attivi	55263088	103	140	07/14	>				54.245.00
antibacterial, anti-odour and anti-allergen filter / filtro antibatterico, antiodori e anti-allergeni	55263088	103	140	07/14	>				34.245.00
2.0 Multijet II 4x4	55263087	103	140	07/14	>	25.083.00	26.052.00	30.677.00	53.211.00
with activated carbons / ai carboni attivi	55263087	103	140	07/14	>				54.245.00
antibacterial, anti-odour and anti-allergen filter / filtro antibatterico, antiodori e anti-allergeni	55263087	103	140	07/14	>				34.245.00
2.0 Multijet II 4x4	55263087	88	120	07/14	>	25.083.00	26.052.00	30.677.00	53.211.00
with activated carbons / ai carboni attivi	55263087	88	120	07/14	>				54.245.00
antibacterial, anti-odour and anti-allergen filter / filtro antibatterico, antiodori e anti-allergeni	55263087	88	120	07/14	>				34.245.00
2.0 Multijet II 4x4	55263088	125	170	07/14	>	25.083.00	26.052.00	30.677.00	53.211.00
with activated carbons / ai carboni attivi	55263088	125	170	07/14	>				54.245.00
antibacterial, anti-odour and anti-allergen filter / filtro antibatterico, antiodori e anti-allergeni	55263088	125	170	07/14	>				34.245.00
Wagoneer									
2.5 F.I. (VIN E)				01/91	>	23.127.00		30.972.00	
2.5 F.I. (VIN H)				01/91	>	23.127.00		30.972.00	
2.5 F.I. (VIN P)				01/91	>	23.127.00		30.972.00	
4.0 F.I. (VIN L)				01/91	>	23.127.00		30.972.00	
4.0 F.I. (VIN M)				01/91	>	23.127.00		30.972.00	
4.0 F.I. (VIN S)				01/91	>	23.127.00		30.972.00	
Wrangler (JK)									
2.8 CRD		147	200	11/10	>	25.167.00		30.C45.00	
2 filters / N.2 filtri		147	200	11/10	>		26.019.01		
2.8 CRD DPF	VM RA428RT7.05A	130	177	04/07	>	25.167.00	24.528.01	30.C45.00	
3.6	ERB	209	284	10/11	> 12/13	25.248.00			
3.6 V6		209	284	10/11	>	25.251.00			
3.8 V6		146	199	03/07	> 12/11	23.435.00			
Wrangler (JL)									
2.0 Turbo T-GDI	EC1	195	265	11/17	>	23.519.00			
2.2 CRDI Multijet	EBH	147	200	11/17	>	25.190.00			
KIA cars/auto									
Cadenza									
3.5 V6 24V				05/11	>	25.226.00			53.396.00
Carens I (FC)									
1.8 i 16V	T8	81	110	10/00	> 08/02	23.258.00		30.464.00	
Carens II (FJ)									
1.6 i 16V		77	105	07/02	> 09/06	23.258.00		30.464.00	
1.8 i 16V		93	126	08/02	> 09/06	23.258.00		30.464.00	
2.0 CRDI									
with R.H.D. / con guida a destra		83	113	07/02	> 09/06	23.545.00	24.H2O.00	30.464.00	

...KIA - cars/auto

with L.H.D. / con guida a sinistra		83	113	07/02 >	09/06	25.053.00	24.H2O.00	30.464.00	
2.0 i 16V		102	139	09/04 >	09/06	23.461.00		30.464.00	
Carens III (UN)									
1.6 CRDI									
with air-conditioner / con climatizzatore		85	116	06/10 >	03/13	25.151.00	24.012.00	30.B06.00	53.112.00
1.6 CRDI									
with air-conditioner / con climatizzatore		94	128	06/10 >	03/13	25.151.00	24.012.00	30.B06.00	53.112.00
1.6 i 16V									
with air-conditioner / con climatizzatore	D2	93	126	06/09 >	03/13	23.461.00		30.A64.00	53.112.00
2.0 CRDI									
with air-conditioner and R.H.D. / con climatizzatore e guida a destra	D4EA	103	140	09/06 >	03/13	23.615.00	24.012.00	30.B06.00	53.112.00
with air-conditioner and L.H.D. / con climatizzatore e guida a sinistra	D4EA	103	140	09/06 >	03/13	25.075.00	24.012.00	30.B06.00	53.112.00
2.0 CRDI									
with air-conditioner and R.H.D. / con climatizzatore e guida a destra	D4EA	85	116	05/07 >	03/13	23.615.00	24.012.00	30.B06.00	53.112.00
with air-conditioner and L.H.D. / con climatizzatore e guida a sinistra	D4EA	85	116	05/07 >	03/13	25.075.00	24.012.00	30.B06.00	53.112.00
2.0 i 16V									
with air-conditioner / con climatizzatore	G4KA	107	145	10/06 >	03/13	23.461.00		30.A64.00	53.112.00
Carens IV (RP)									
1.6 GDI	G4FD	99	135	03/13 >		23.583.00		30.574.00	53.208.00
1.7 CRDi	D4FD-L	100	136	03/13 >		25.151.00	24.012.00	30.574.00	53.208.00
1.7 CRDi	D4FD-L	85	115	03/13 >		25.151.00	24.012.00	30.574.00	53.208.00
2.0 GDI	G4NC	122	166	03/13 >		23.583.00		30.574.00	53.208.00
2.0 GDI	G4NC	130	177	03/13 >		23.583.00		30.574.00	53.208.00
Carnival									
2.2 CRDI		110	150	01/10 >		25.166.00			
2.2 CRDI		145	197	01/10 >		25.166.00			
2.5 V6	KRV6	121	165	08/99 >	10/01	23.265.00			
with air-conditioner / con climatizzatore	KRV6	121	165	08/99 >	10/01				53.240.00
2.7 V6 24V	G6EA	139	189	07/06 >		23.461.00		30.382.00	
2.9 CRDI 16V VGT	J3	136	185	07/06 >		23.472.00	24.445.00	30.382.00	
2.9 HPDI 16V	J3-CR	106	145	10/01 >	06/06	23.472.00	24.445.00	30.130.00	53.240.00
2.9 TDI 16V	J3	93	216	08/99 >	10/01		24.339.00	30.130.00	
with air-conditioner / con climatizzatore	J3	93	216	08/99 >	10/01				53.240.00
Cee'd									
1.4 CVT									
with R.H.D. / con guida a destra		66	90	10/10 >	12/12	23.461.00		30.454.00	
with L.H.D. / con guida a sinistra		66	90	10/10 >	12/12	23.461.00		30.454.00	53.152.00
with activated carbon L.H.D. / con guida a sinistra, ai carboni attivi		66	90	10/10 >	12/12				54.272.00
antibacterial, anti-odour and anti-allergen filter with L.H.D. / filtro antibatterico, antiodori e anti-allergeni con guida a sinistra		66	90	10/10 >	12/12				34.272.00
1.4 CVT									
with R.H.D. / con guida a destra	G4FA	80	109	01/07 >	12/12	23.461.00		30.454.00	
with L.H.D. / con guida a sinistra	G4FA	80	109	01/07 >	12/12	23.461.00		30.454.00	53.152.00
with activated carbon L.H.D. / con guida a sinistra, ai carboni attivi	G4FA	80	109	01/07 >	12/12				54.272.00
antibacterial, anti-odour and anti-allergen filter with L.H.D. / filtro antibatterico, antiodori e anti-allergeni con guida a sinistra	G4FA	80	109	01/07 >	12/12				34.272.00
1.4 CVT Bi-Fuel									
with R.H.D. / con guida a destra		66	90	10/10 >	12/12	23.461.00		30.454.00	
with L.H.D. / con guida a sinistra		66	90	10/10 >	12/12	23.461.00		30.454.00	53.152.00
with activated carbon L.H.D. / con guida a sinistra, ai carboni attivi		66	90	10/10 >	12/12				54.272.00
antibacterial, anti-odour and anti-allergen filter with L.H.D. / filtro antibatterico, antiodori e anti-allergeni con guida a sinistra		66	90	10/10 >	12/12				34.272.00
1.6 CRDI VGT									
with R.H.D. / con guida a destra	D4FB	85	115	01/07 >	11/08	25.070.00	24.443.00	30.454.00	
with R.H.D. / con guida a destra	D4FB	85	115	12/08 >	12/12	25.151.00	24.443.00	30.454.00	
with L.H.D. / con guida a sinistra	D4FB	85	115	01/07 >	11/08	25.070.00	24.443.00	30.454.00	53.152.00
with L.H.D. / con guida a sinistra	D4FB	85	115	12/08 >	12/12	25.151.00	24.443.00	30.454.00	53.152.00
with activated carbon L.H.D. / con guida a sinistra, ai carboni attivi	D4FB	85	115	01/07 >	12/12				54.272.00
antibacterial, anti-odour and anti-allergen filter with L.H.D. / filtro antibatterico, antiodori e anti-allergeni con guida a sinistra	D4FB	85	115	01/07 >	12/12				34.272.00
1.6 CRDI VGT									
with R.H.D. / con guida a destra	D4FBL	66	90	01/07 >	11/08	25.070.00	24.443.00	30.454.00	
with R.H.D. / con guida a destra	D4FBL	66	90	12/08 >	12/12	25.151.00	24.443.00	30.454.00	
with L.H.D. / con guida a sinistra	D4FBL	66	90	01/07 >	11/08	25.070.00	24.443.00	30.454.00	53.152.00
with L.H.D. / con guida a sinistra	D4FBL	66	90	12/08 >	12/12	25.151.00	24.443.00	30.454.00	53.152.00
with activated carbon L.H.D. / con guida a sinistra, ai carboni attivi	D4FBL	66	90	01/07 >	12/12				54.272.00
antibacterial, anti-odour and anti-allergen filter with L.H.D. / filtro antibatterico, antiodori e anti-allergeni con guida a sinistra	D4FBL	66	90	01/07 >	12/12				34.272.00
1.6 CVT									
with R.H.D. / con guida a destra		93	126	09/07 >	12/12	23.461.00		30.454.00	
with L.H.D. / con guida a sinistra		93	126	09/07 >	12/12	23.461.00		30.454.00	53.152.00
with activated carbon L.H.D. / con guida a sinistra, ai carboni attivi		93	126	09/07 >	12/12				54.272.00

...KIA - cars/auto

K

antibacterial, anti-odour and anti-allergen filter with L.H.D. / filtro antibatterico, antiodori e anti-allergeni con guida a sinistra		93	126	09/07 >	12/12				34.272.00
1.6 CVVT									
with R.H.D. / con guida a destra	G4FC	90	122	01/07 >	12/12	23.461.00		30.454.00	
with L.H.D. / con guida a sinistra	G4FC	90	122	01/07 >	12/12	23.461.00		30.454.00	53.152.00
with activated carbon L.H.D. / con guida a sinistra, ai carboni attivi	G4FC	90	122	01/07 >	12/12				54.272.00
antibacterial, anti-odour and anti-allergen filter with L.H.D. / filtro antibatterico, antiodori e anti-allergeni con guida a sinistra	G4FC	90	122	01/07 >	12/12				34.272.00
2.0 CRDI VGT									
with R.H.D. / con guida a destra	D4EA	103	140	01/07 >	12/12	23.615.00	24.443.00	30.454.00	
with L.H.D. / con guida a sinistra	D4EA	103	140	01/07 >	12/12	25.075.00	24.443.00	30.454.00	53.152.00
with activated carbon L.H.D. / con guida a sinistra, ai carboni attivi	D4EA	103	140	01/07 >	12/12				54.272.00
antibacterial, anti-odour and anti-allergen filter with L.H.D. / filtro antibatterico, antiodori e anti-allergeni con guida a sinistra	D4EA	103	140	01/07 >	12/12				34.272.00
2.0 CVVT									
with R.H.D. / con guida a destra	G4GC	105	143	01/07 >	12/12	23.461.00		30.454.00	
with L.H.D. / con guida a sinistra	G4GC	105	143	01/07 >	12/12	23.461.00		30.454.00	53.152.00
with activated carbon L.H.D. / con guida a sinistra, ai carboni attivi	G4GC	105	143	01/07 >	12/12				54.272.00
antibacterial, anti-odour and anti-allergen filter with L.H.D. / filtro antibatterico, antiodori e anti-allergeni con guida a sinistra	G4GC	105	143	01/07 >	12/12				34.272.00
Cee'd II									
1.0 T-GDI 100	G3LC	74	101	05/15 >		23.452.00		30.634.00	53.208.00
1.0 T-GDI 120	G3LC	88	120	05/15 >		23.452.00		30.634.00	53.208.00
1.4 CRDi	D4FC	66	90	05/12 >		25.151.00	24.122.00	30.634.00	53.208.00
1.4 CVVT	G4FA	73	99	05/12 >		23.583.00		30.635.00	53.208.00
1.4 MPI	G4LC	74	101	05/15 >		23.452.00		30.635.00	53.208.00
1.6 CRDi 110	D4FB	81	110	05/12 >		25.151.00	24.122.00	30.634.00	53.208.00
1.6 CRDi 115	D4FB	85	115	05/12 >		25.151.00	24.122.00	30.634.00	53.208.00
1.6 CRDi 128	D4FB	94	128	05/12 >		25.151.00	24.122.00	30.634.00	53.208.00
1.6 CRDi 136	D4FB	100	136	05/15 >		25.151.00		30.634.00	53.208.00
1.6 CRDi 90	D4FB-L	66	90	09/12 >		25.151.00	24.122.00	30.634.00	53.208.00
1.6 GDI	G4FD	99	135	05/12 >		23.583.00		30.635.00	53.208.00
1.6 GT	G4FJ	150	204	06/13 >		23.461.00		30.634.00	53.208.00
1.6 MPI	G4FC	92	125	05/12 >		23.583.00		30.635.00	53.208.00
Cee'd Sporty Wagon									
1.4 CVVT									
with R.H.D. / con guida a destra		66	90	10/10 >	12/12	23.461.00		30.454.00	
with L.H.D. / con guida a sinistra		66	90	10/10 >	12/12	23.461.00		30.454.00	53.152.00
with activated carbon L.H.D. / con guida a sinistra, ai carboni attivi		66	90	10/10 >	12/12				54.272.00
antibacterial, anti-odour and anti-allergen filter with L.H.D. / filtro antibatterico, antiodori e anti-allergeni con guida a sinistra		66	90	10/10 >	12/12				34.272.00
1.4 CVVT									
with R.H.D. / con guida a destra	G4FA	80	109	01/07 >	12/12	23.461.00		30.454.00	
with L.H.D. / con guida a sinistra	G4FA	80	109	01/07 >	12/12	23.461.00		30.454.00	53.152.00
with activated carbon L.H.D. / con guida a sinistra, ai carboni attivi	G4FA	80	109	01/07 >	12/12				54.272.00
antibacterial, anti-odour and anti-allergen filter with L.H.D. / filtro antibatterico, antiodori e anti-allergeni con guida a sinistra	G4FA	80	109	01/07 >	12/12				34.272.00
1.4 CVVT Bi-Fuel									
with R.H.D. / con guida a destra		66	90	10/10 >	12/12	23.461.00		30.454.00	
with L.H.D. / con guida a sinistra		66	90	10/10 >	12/12	23.461.00		30.454.00	53.152.00
with activated carbon L.H.D. / con guida a sinistra, ai carboni attivi		66	90	10/10 >	12/12				54.272.00
antibacterial, anti-odour and anti-allergen filter with L.H.D. / filtro antibatterico, antiodori e anti-allergeni con guida a sinistra		66	90	10/10 >	12/12				34.272.00
1.6 CRDI VGT									
with R.H.D. / con guida a destra	D4FB	85	115	01/07 >	11/08	25.070.00	24.443.00	30.454.00	
with R.H.D. / con guida a destra	D4FB	85	115	12/08 >	12/12	25.151.00	24.443.00	30.454.00	
with L.H.D. / con guida a sinistra	D4FB	85	115	01/07 >	11/08	25.070.00	24.443.00	30.454.00	53.152.00
with L.H.D. / con guida a sinistra	D4FB	85	115	12/08 >	12/12	25.151.00	24.443.00	30.454.00	53.152.00
with activated carbon L.H.D. / con guida a sinistra, ai carboni attivi	D4FB	85	115	01/07 >	12/12				54.272.00
antibacterial, anti-odour and anti-allergen filter with L.H.D. / filtro antibatterico, antiodori e anti-allergeni con guida a sinistra	D4FB	85	115	01/07 >	12/12				34.272.00
1.6 CRDI VGT									
with R.H.D. / con guida a destra	D4FBL	66	90	01/07 >	11/08	25.070.00	24.443.00	30.454.00	
with R.H.D. / con guida a destra	D4FBL	66	90	12/08 >	12/12	25.151.00	24.443.00	30.454.00	
with L.H.D. / con guida a sinistra	D4FBL	66	90	01/07 >	11/08	25.070.00	24.443.00	30.454.00	53.152.00
with L.H.D. / con guida a sinistra	D4FBL	66	90	12/08 >	12/12	25.151.00	24.443.00	30.454.00	53.152.00
with activated carbon L.H.D. / con guida a sinistra, ai carboni attivi	D4FBL	66	90	01/07 >	12/12				54.272.00
antibacterial, anti-odour and anti-allergen filter with L.H.D. / filtro antibatterico, antiodori e anti-allergeni con guida a sinistra	D4FBL	66	90	01/07 >	12/12				34.272.00
1.6 CVVT									
with R.H.D. / con guida a destra	G4FC	93	126	01/07 >	12/12	23.461.00		30.454.00	
with L.H.D. / con guida a sinistra	G4FC	93	126	01/07 >	12/12	23.461.00		30.454.00	53.152.00
with activated carbon L.H.D. / con guida a sinistra, ai carboni attivi	G4FC	93	126	01/07 >	12/12				54.272.00
antibacterial, anti-odour and anti-allergen filter with L.H.D. / filtro antibatterico, antiodori e anti-allergeni con guida a sinistra	G4FC	93	126	01/07 >	12/12				34.272.00
1.6 CVVT Bi-Fuel									
with R.H.D. / con guida a destra		92	125	10/10 >	12/12	23.461.00		30.454.00	

...KIA - cars/auto

with L.H.D. / con guida a sinistra		92	125	10/10	>	12/12	23.461.00		30.454.00	53.152.00
with activated carbon L.H.D. / con guida a sinistra, ai carboni attivi		92	125	10/10	>	12/12				54.272.00
antibacterial, anti-odour and anti-allergen filter with L.H.D. / filtro antibatterico, antiodori e anti-allergeni con guida a sinistra		92	125	10/10	>	12/12				34.272.00
2.0 CRDI VGT										
with R.H.D. / con guida a destra	D4EA	103	140	01/07	>	12/12	23.615.00	24.443.00	30.454.00	
with L.H.D. / con guida a sinistra	D4EA	103	140	01/07	>	12/12	25.075.00	24.443.00	30.454.00	53.152.00
with activated carbon L.H.D. / con guida a sinistra, ai carboni attivi	D4EA	103	140	01/07	>	12/12				54.272.00
antibacterial, anti-odour and anti-allergen filter with L.H.D. / filtro antibatterico, antiodori e anti-allergeni con guida a sinistra	D4EA	103	140	01/07	>	12/12				34.272.00
2.0 CVVT										
with R.H.D. / con guida a destra	G4GC	105	143	01/07	>	12/12	23.461.00		30.454.00	
with L.H.D. / con guida a sinistra	G4GC	105	143	01/07	>	12/12	23.461.00		30.454.00	53.152.00
with activated carbon L.H.D. / con guida a sinistra, ai carboni attivi	G4GC	105	143	01/07	>	12/12				54.272.00
antibacterial, anti-odour and anti-allergen filter with L.H.D. / filtro antibatterico, antiodori e anti-allergeni con guida a sinistra	G4GC	105	143	01/07	>	12/12				34.272.00
Ceed (CD)										
1.5 T-GDi	G4LH	117	159	01/21	>		23.461.00			53.208.00
1.6 CRDI 115	D4FE	85	116	03/18	>			24.160.00		
1.6 CRDI 136	D4FE	100	136	03/18	>			24.160.00		
Ceed Sportswagon (CD)										
1.6 CRDI 115	D4FE	85	116	05/18	>			24.160.00		
1.6 CRDI 136	D4FE	100	136	05/18	>			24.160.00		
Cerato (LD)										
1.5 CRDI	D4FA	75	102	04/04	>	12/06	25.070.00	24.443.00	30.280.00	53.111.00
1.6	G4ED	77	105	04/04	>	12/06	23.461.00		30.266.00	53.111.00
1.6	G4FC	66	90	05/06	>	12/09	23.461.00			53.111.00
1.6 CRDI	D4FB	85	115	06/05	>	12/09	25.070.00	24.122.00	30.280.00	53.111.00
2.0	G4GC	105	143	04/04	>	12/09	23.461.00		30.266.00	53.111.00
2.0 CRDI	D4EA	83	113	04/04	>	12/09	25.053.00	24.H2O.00	30.280.00	53.111.00
Cerato II (TD)										
1.6	G4FC	93	126	09/08	>		23.461.00		30.454.00	53.112.00
2.0	G4KD	115	156	09/08	>		23.461.00		30.454.00	53.112.00
Clarus										
1.8 i 16V (K9AA)	T8, TD8			06/96	>	08/01	23.258.00			
1.8 i 16V (K9AB)	T8, TD8			06/96	>		23.258.00			
1.8 i 16V (K9AN)	T8, TD8			06/96	>		23.258.00			
1.8 i 16V (K9AP)	T8, TD8			06/96	>		23.258.00			
1.8 i 16V (K9AR)	T8, TD8			06/96	>		23.258.00			
1.8 i 16V (K9AS)	T8, TD8			06/96	>	08/01	23.258.00			
2.0 i 16V (K9AC)				06/96	>	08/01		31.725.00		
2.0 i 16V (K9AD)				06/96	>	08/01		31.725.00		
2.0 i 16V (K9AE)				06/96	>			31.725.00		
2.0 i 16V (K9AF)				06/96	>			31.725.00		
2.0 i 16V (K9AG)				06/96	>			31.725.00		
2.0 i 16V (K9AH)				06/96	>			31.725.00		
2.2 i				06/96	>			31.725.00		
Cub										
1.1 Van (UK)				07/91	>		23.258.00			
Leo										
1.5 cat				01/95	>		23.258.00			
1.8 i 16V cat				01/95	>		23.258.00			
Magentis (GD)										
2.0 16V		100	136	03/01	>	02/06	23.461.00		30.267.00	53.077.00
2.5 V6 24V		124	169	03/01	>	02/06	23.461.00		30.267.00	53.077.00
Magentis II										
2.0 CRDI VGT	D4EA	103	140	02/06	>	12/08	25.075.00	24.012.00	30.806.00	53.145.00
with R.H.D. / con guida a destra	D4EA	103	140	02/06	>	12/08	23.615.00			
2.0 CVVT	G4KA	107	145	02/06	>	12/08	23.461.00		30.A64.00	53.145.00
2.7 V6	G6EA	138	188	02/06	>	12/08	23.461.00		30.A64.00	53.145.00
Magentis III										
2.0 16V		121	164	01/09	>		23.461.00			53.331.00
2.0 CRDI		110	150	01/09	>		25.075.00	24.012.00		53.331.00
Mentor										
1.5 i SOHC (UK)				06/96	>		23.258.00	31.764.00		
1.6 i SOHC (UK)				06/94	>		23.258.00			
Niro										
1.6 GDI HEV Hybrid	G4LE	104	141	06/16	>		23.461.00			53.191.00
Opirus										
3.8	G6HU	195	265	09/08	>		25.151.00			

...KIA - cars/auto

K



Optima (JF)								
1.7 CRDI	D4FD	104	141	08/15	>	25.151.00	24.468.00	
2.0 CVVL	G4ND	120	163	06/15	>	23.461.00	∞	
2.0 GDi PHEV Hybrid	G4NG	115	156	03/16	>	23.461.00	×	
2.0 T-GDi	G4KH	180	245	06/15	>	23.461.00	×	
Optima (MG)								
2.0				10/05	>	08/08	23.461.00	30.A64.00 53.145.00
Optima (TF)								
1.7 CRDI	D4FD-L	100	136	03/12	>	25.151.00	24.012.00	
with R.H.D. / con guida a destra	D4FD-L	100	136	03/12	>			53.396.00
2.0	Theta II	125	170	03/12	>	23.461.00		
with R.H.D. / con guida a destra	Theta II	125	170	03/12	>			53.396.00
2.0 GDI Turbo	Theta II	204	277	03/12	>	23.461.00		
with R.H.D. / con guida a destra	Theta II	204	277	03/12	>			53.396.00
2.0 Hybrid		140	190	03/12	>	23.461.00		
with R.H.D. / con guida a destra		140	190	03/12	>			53.396.00
2.4 GDI	Theta II	149	203	03/12	>	23.461.00		
with R.H.D. / con guida a destra	Theta II	149	203	03/12	>			53.396.00
2.4 Hybrid		154	209	03/12	>	23.461.00		
with R.H.D. / con guida a destra		154	209	03/12	>			53.396.00
Picanto (BA)								
1.0 12V								
with air-conditioner / con climatizzatore		45	61	04/04	>	05/11	23.452.00	30.308.00 53.116.00
1.1 12V								
with air-conditioner / con climatizzatore		48	65	04/04	>	05/11	23.452.00	30.308.00 53.116.00
1.1 CRDI 12V								
with air-conditioner / con climatizzatore		55	75	11/05	>	05/11	25.070.00 24.443.00	30.483.00 53.116.00
Picanto II (TA)								
1.0	G3LA	51	69	05/11	>	23.452.00		30.632.00 53.116.00
1.0 GPL/LPG	B3LA	49	67	08/13	>	23.452.00		30.632.00 53.116.00
1.0 GPL/LPG	L3LA	60	82	05/11	>	23.452.00		30.632.00 53.116.00
1.2	G4LA	63	85	05/11	>	23.452.00		30.632.00 53.116.00
Picanto III (JA)								
1.0 LPG	G3LD	48	65	07/20	>	23.452.00		
1.2 CVVT	G4LF	62	84	07/20	>	23.461.00		
Pride								
1.1 cat (DA)	B1			06/91	>	23.258.00		×
1.3 GLXi (DA)	B3	44	60	02/96	>	23.258.00		30.177.00 ×
1.3 GLXi (DA)	B3	53	72	02/96	>	23.258.00		30.177.00 ×
1.3 i (HB)	JIS			06/91	>	23.258.00		30.177.00 ×
1.3 i 16V (DA)	B3	47	64	10/96	>	23.258.00		30.177.00 ×
1.3 Van (DA)	B3			03/92	>	23.258.00		×
Pro Cee'd								
1.4 CVVT								
with R.H.D. / con guida a destra	G4FA	80	109	08/07	>	23.461.00		30.454.00
with L.H.D. / con guida a sinistra	G4FA	80	109	08/07	>	23.461.00		30.454.00 53.152.00
1.6 CRDI VGT								
with R.H.D. / con guida a destra	D4FB	85	115	08/07	>	11/08	25.070.00 24.443.00	30.454.00
with R.H.D. / con guida a destra	D4FB	85	115	12/08	>	25.151.00	24.443.00	30.454.00
with L.H.D. / con guida a sinistra	D4FB	85	115	08/07	>	11/08	25.070.00 24.443.00	30.454.00 53.152.00
with L.H.D. / con guida a sinistra	D4FB	85	115	12/08	>	25.151.00	24.443.00	30.454.00 53.152.00
1.6 CRDI VGT								
with R.H.D. / con guida a destra	D4FBL	66	90	08/07	>	11/08	25.070.00 24.443.00	30.454.00
with R.H.D. / con guida a destra	D4FBL	66	90	12/08	>	25.151.00	24.443.00	30.454.00
with L.H.D. / con guida a sinistra	D4FBL	66	90	08/07	>	11/08	25.070.00 24.443.00	30.454.00 53.152.00
with L.H.D. / con guida a sinistra	D4FBL	66	90	12/08	>	25.151.00	24.443.00	30.454.00 53.152.00
1.6 CVVT								
with R.H.D. / con guida a destra	G4FC	93	126	08/07	>	23.461.00		30.454.00
with L.H.D. / con guida a sinistra	G4FC	93	126	08/07	>	23.461.00		30.454.00 53.152.00
2.0 CRDI VGT								
with R.H.D. / con guida a destra	D4EA	103	140	08/07	>	23.615.00	24.443.00	30.454.00
with L.H.D. / con guida a sinistra	D4EA	103	140	08/07	>	25.075.00	24.443.00	30.454.00 53.152.00
2.0 CVVT								
with R.H.D. / con guida a destra	G4GC	105	143	08/07	>	23.461.00		30.454.00
with L.H.D. / con guida a sinistra	G4GC	105	143	08/07	>	23.461.00		30.454.00 53.152.00
Proceed (CD)								
1.5 T-GDi	G4LH	117	159	01/21	>	23.461.00		53.208.00

...KIA - cars/auto

1.6 CRDI 136	D4FE	100	136	10/18	>			24.160.00		
Quoris										
3.8 GDI		210	286	11/13	>			25.151.00		
5.0 GDI		313	426	04/15	>			25.151.00		
Rio I										
1.3 i		60	82	08/00	>	10/05		23.452.00	31.828.00	30.295.00
1.3 i	B3	55	75	05/00	>	10/05		23.452.00	31.828.00	30.295.00
1.5 i 16V		72	98	05/00	>	10/05		23.452.00	31.828.00	30.295.00
Rio I SW										
1.3 i		60	82	08/00	>	10/05		23.452.00	31.828.00	30.295.00
1.5 i 16V		71	97	05/00	>	10/05		23.452.00	31.828.00	30.295.00
Rio II										
1.4 16V	G4EE	71	97	09/05	>			23.461.00		30.386.00 53.112.00
1.5 CRDI		58	79	09/05	>	11/09		25.070.00	24.439.00	30.363.00 53.112.00
1.5 CRDI 16V	D4FA	81	110	09/05	>	11/09		25.070.00	24.439.00	30.363.00 53.112.00
1.6 16V	G4ED	82	112	09/05	>			23.461.00		30.386.00 53.112.00
Rio III										
1.1 CRDI	D3FA	55	75	09/11	>			25.151.00	24.122.00	30.594.00 53.112.00
models made in Korea / modelli prodotti in Corea	D3FA	55	75	09/11	>					53.112.00
models made in Czech Republic / modelli prodotti in Repubblica Ceca	D3FA	55	75	09/11	>					53.112.00
models made in Russia / modelli prodotti in Russia	D3FA	55	75	09/11	>					53.390.00
1.25	G4LA	63	86	09/11	>			23.452.00		30.627.00 53.112.00
models made in Korea / modelli prodotti in Corea	G4LA	63	86	09/11	>					53.112.00
models made in Czech Republic / modelli prodotti in Repubblica Ceca	G4LA	63	86	09/11	>					53.112.00
models made in Russia / modelli prodotti in Russia	G4LA	63	86	09/11	>					53.390.00
1.4 CRDI	D4FC	66	90	09/11	>			25.151.00	24.122.00	30.594.00 53.112.00
models made in Korea / modelli prodotti in Corea	D4FC	66	90	09/11	>					53.112.00
models made in Czech Republic / modelli prodotti in Repubblica Ceca	D4FC	66	90	09/11	>					53.112.00
models made in Russia / modelli prodotti in Russia	D4FC	66	90	09/11	>					53.390.00
1.4 CVT	G4FA	80	109	09/11	>			23.583.00		30.594.00 53.112.00
models made in Korea / modelli prodotti in Corea	G4FA	80	109	09/11	>					53.112.00
models made in Czech Republic / modelli prodotti in Repubblica Ceca	G4FA	80	109	09/11	>					53.112.00
models made in Russia / modelli prodotti in Russia	G4FA	80	109	09/11	>					53.390.00
1.6	G4FC	90	122	09/11	>			23.461.00		30.594.00 53.112.00
models made in Korea / modelli prodotti in Corea	G4FC	90	122	09/11	>					53.112.00
models made in Czech Republic / modelli prodotti in Repubblica Ceca	G4FC	90	122	09/11	>					53.112.00
models made in Russia / modelli prodotti in Russia	G4FC	90	122	09/11	>					53.390.00
Rio IV										
1.0 T-GDI 100	G3LC	74	101	01/17	>			23.452.00		53.387.00
1.0 T-GDI 120	G3LC	88	120	01/17	>			23.452.00		53.387.00
1.2 LPG	G4LA	60	82	07/20	>			23.461.00		53.387.00
1.2 MPI	G4LA	62	84	01/17	>			23.452.00		53.387.00
1.4 CRDI 80	D4FC	57	78	01/17	>			25.151.00		53.387.00
1.4 CRDI 90	D4FC	66	90	01/17	>			25.151.00		53.387.00
1.4 MPI	G4LC	73	99	01/17	>			23.452.00		53.387.00
Sephia										
1.5 i SOHC (K26)	B5			05/96	>			23.258.00	31.764.00	
1.6 i SOHC (K20)	B6			05/93	>			23.258.00		
1.8 i				01/95	>			23.258.00		
1.8 i cat Cabrio				01/95	>			23.258.00	31.764.00	
Sephia II										
1.5 i 16V				01/99	>			23.258.00		
1.8 i 16V				01/99	>			23.258.00		
Shuma I										
1.5 i 16V				04/98	>	05/01		23.258.00		30.464.00
1.8 i 16V				04/98	>	05/01		23.258.00		30.464.00
Shuma II										
1.6 i 16V		75	102	03/01	>	04/03		23.258.00		30.464.00
1.8 i 16V	TED	84	114	01/03	>	08/04		23.258.00		30.464.00
Sorento I										
2.4				07/02	>	07/06		23.461.00		30.312.00 53.077.00
with air-conditioner / con climatizzatore	4G64	102	139							
2.5 CRDI 4WD				08/02	>	07/06		23.486.00	24.H2O.07	30.312.00 53.077.00
with air-conditioner / con climatizzatore	D4CB	103	140							
2.5 CRDI 4WD	D4CB	120	163	02/06	>	08/06		23.486.00	24.439.00	30.633.00
	D4CB	120	163	09/06	>	10/09		23.486.00	24.443.00	30.633.00
with air-conditioner and L.H.D. / con climatizzatore e guida a sinistra	D4CB	120	163	02/06	>	10/09				53.259.00

...KIA - cars/auto

K

2.5 CRDI 4WD	D4CB	125	170	09/06 >	10/09	23.486.00	24.443.00	30.633.00	
with air-conditioner and L.H.D. / con climatizzatore e guida a sinistra	D4CB	125	170	09/06 >	10/09				53.259.00
3.3 V6 24V 4WD	G6DB	182	247	08/06 >	08/07			30.633.00	
	G6DB	182	247	09/07 >	10/09	25.151.00		30.633.00	
with air-conditioner and L.H.D. / con climatizzatore e guida a sinistra	G6DB	182	247	08/06 >	10/09				53.259.00
3.3 V6 24V 4WD	G6HV	177	241	08/06 >	08/07			30.633.00	
	G6HV	177	241	09/07 >	10/09	25.151.00		30.633.00	
with air-conditioner and L.H.D. / con climatizzatore e guida a sinistra	G6HV	177	241	08/06 >	10/09				53.259.00
3.5 V6									
with air-conditioner / con climatizzatore	6G74	143	194	07/02 >	07/06	23.461.00		30.312.00	53.077.00
Sorento II									
2.0 CRDI		110	150	11/10 >	09/12	25.166.00	24.012.00	30.631.00	53.111.00
		110	150	10/12 >		25.166.00		30.A20.00	53.111.00
2.2 CRDI		145	197	11/09 >	09/12	25.166.00	24.012.00	30.631.00	53.111.00
		145	197	10/12 >		25.166.00		30.A20.00	53.111.00
2.2 CRDI		147	200	11/09 >	09/12	25.166.00	24.012.00	30.631.00	53.111.00
		147	200	10/12 >		25.166.00		30.A20.00	53.111.00
2.4 GDI		141	192	10/12 >		23.583.00			53.111.00
2.4 MPI	Theta II	129	175	10/12 >		23.583.00			53.111.00
2.4 VVT		128	174	11/09 >		23.461.00		30.723.00	53.111.00
Sorento III									
2.0 CRDI		136	185	10/14 >		25.166.00	24.468.00		
2.2 CRDI		145	197	10/14 >		25.166.00	24.468.00		
2.4 GDI 4WD	G4KE, G4KJ	138	188	10/14 >		23.583.00			
Soul (AM)									
1.6	G4FC	93	126	09/09 >	06/11	23.461.00		30.469.00	
with air-conditioner / con climatizzatore	G4FC	93	126	09/09 >	06/11				53.261.00
1.6	G4FC	95	129	07/11 >	12/13	23.461.00		30.594.00	
with air-conditioner / con climatizzatore	G4FC	95	129	07/11 >	12/13				53.261.00
1.6	G4FG	91	124	09/09 >	06/11	23.461.00		30.469.00	
with air-conditioner / con climatizzatore	G4FG	91	124	09/09 >	06/11				53.261.00
1.6 CRDI VGT	D4FB	85	116	02/09 >	04/11	25.151.00	24.122.00	30.469.00	
	D4FB	85	116	05/11 >		25.151.00	24.122.00	30.594.00	
with air-conditioner / con climatizzatore	D4FB	85	116	02/09 >					53.261.00
1.6 CRDI VGT	D4FB	94	128	02/09 >	04/11	25.151.00	24.122.00	30.469.00	
	D4FB	94	128	05/11 >		25.151.00	24.122.00	30.594.00	
with air-conditioner / con climatizzatore	D4FB	94	128	02/09 >					53.261.00
1.6 CVVT	G4FC	77	105	02/09 >		23.461.00		30.469.00	
with air-conditioner / con climatizzatore	G4FC	77	105	02/09 >					53.261.00
1.6 CVVT	G4FC	93	126	02/09 >		23.461.00		30.469.00	
with air-conditioner / con climatizzatore	G4FC	93	126	02/09 >					53.261.00
1.6 CVVT Bi-Fuel	G4FC	93	126	02/09 >		23.461.00		30.469.00	
with air-conditioner / con climatizzatore	G4FC	93	126	02/09 >					53.261.00
1.6 GDI	G4FD	103	140	06/11 >		23.461.00		30.594.00	
with air-conditioner / con climatizzatore	G4FD	103	140	06/11 >					53.261.00
Soul II									
1.6 CRDI		100	136	04/15 >		25.151.00	24.122.00	30.594.00	53.273.00
1.6 CRDI		94	128	03/14 >		25.151.00	24.122.00	30.594.00	53.273.00
1.6 CVVT		91	124	03/14 >		23.583.00		30.594.00	53.273.00
1.6 GDI		97	132	03/14 >		23.583.00		30.594.00	53.273.00
1.6 T-GDI		150	204	11/16 >		23.583.00		30.594.00	53.273.00
2.0 CVVT		113	154	03/14 >		23.583.00		30.594.00	53.273.00
EV		81	110	09/14 >					53.273.00
Soul III (SK3)									
1.6 MPI	G4FG	91	124	01/19 >					53.387.00
1.6 T-GDi	G4FJ	147	200	01/19 >					53.387.00
2.0 MPI	G4NA	110	150	01/19 >					53.387.00
e-Soul	EM16	150	204	01/19 >					53.387.00
e-Soul Cargo	EM	100	136	06/20 >					53.387.00
Stinger (CK)									
2.0 T-GDI	G4KL	188	256	06/17 >		23.461.00			
2.2 CRDI	D4HC	147	200	06/17 >		25.166.00			
2.2 CRDI	D4HC	149	203	06/17 >		25.166.00			
Stonic									
1.0 T-GDI 100	G3LC	74	101	08/18 >		23.452.00			53.387.00
1.0 T-GDI 120	G3LC	88	120	07/17 >		23.452.00			53.387.00
1.0 T-GDi Eco-Dynamics+	G3LF	88	120	07/20 >		23.452.00			53.387.00

...KIA - cars/auto

1.2 MPI 84	G4LB	62	84	07/17	>	23.452.00			53.387.00
1.4 MPI 100	G4LC	74	100	07/17	>	23.452.00			53.387.00
1.4 MPI 100 EcoGPL		74	100	07/17	>	23.452.00			53.387.00
1.6 CRDI 110	D4FB	81	110	07/17	>	25.151.00			53.387.00
Venga (YN)									
1.4 BI-FUEL		66	90	02/10	>	23.461.00		30.469.00	53.149.00
1.4 CRDI VGT		55	75	02/10	>	25.151.00	24.012.00	30.469.00	53.149.00
1.4 CRDI WGT 77 Euro5		57	77	02/10	>	25.151.00	24.012.00		53.149.00
1.4 CRDI WGT 90 Euro5		66	90	02/10	>	25.151.00	24.012.00		53.149.00
1.4 CVVT		66	90	02/10	>	23.461.00		30.469.00	53.149.00
1.6 CRDI 128 Euro5		94	128	02/10	>	25.151.00	24.012.00		53.149.00
1.6 CRDI VGT		85	115	02/10	>	25.151.00	24.012.00	30.469.00	53.149.00
1.6 CVVT		92	125	02/10	>	23.461.00		30.469.00	53.149.00
Xceed (CD)									
1.5 T-GDi	G4LH	117	159	01/21	>	23.461.00			53.208.00
KIA off-road cars/fuoristrada									
Besta									
2.2 D	R2	48	65	02/96	> 12/00		24.339.00		
2.2 D (K70Y)	R2	48	65	12/94	> 12/00		24.339.00		
Retona (CE)									
2.0 16V	FE-DI	94	128	05/00	> 01/01	23.260.00			
Sportage I									
2.0 i 16V (K00F)	MRDI	94	128	04/94	> 02/05	23.260.00	31.664.00		
2.0 i 16V (K00G)	MRDI	94	128	04/94	> 02/05	23.260.00	31.664.00		
2.0 i 16V (K00L)	MRDI	94	128	04/94	> 02/05	23.260.00	31.664.00		
2.0 i 16V (K01W)	MRDI	94	128	04/94	> 02/05	23.260.00	31.664.00		
2.0 i 16V (K01X)	MRDI	94	128	04/94	> 02/05	23.260.00	31.664.00		
2.0 i 16V (K03F)	MRDI	94	128	04/94	> 02/05	23.260.00	31.664.00		
2.0 i 16V DOHC				10/98	> 02/05	23.260.00	31.761.00		
Sportage II (JE)									
2.0 16V									
with air-conditioner and R.H.D. / con climatizzatore e guida a destra	G4GC	104	141	12/04	> 07/10				53.259.00
with air-conditioner and L.H.D. / con climatizzatore e guida a sinistra	G4GC	104	141	12/04	> 03/07	23.461.00		30.280.00	53.112.00
with air-conditioner and L.H.D. / con climatizzatore e guida a sinistra	G4GC	104	141	04/07	> 07/10	23.461.00		30.280.00	53.191.00
2.0 CRDI 16V									
with air-conditioner and R.H.D. / con climatizzatore e guida a destra	D4EA	83	112	12/04	> 07/10	23.545.00	24.443.00	30.280.00	53.259.00
with air-conditioner and L.H.D. / con climatizzatore e guida a sinistra	D4EA	83	112	12/04	> 03/07	25.053.00	24.443.00	30.280.00	53.112.00
with air-conditioner and L.H.D. / con climatizzatore e guida a sinistra	D4EA	83	112	04/07	> 07/10	25.053.00	24.443.00	30.280.00	53.191.00
2.0 CRDI VGT 16V									
with air-conditioner and R.H.D. / con climatizzatore e guida a destra	D4EA	103	140	11/05	> 07/10	23.615.00	24.443.00	30.280.00	53.259.00
with air-conditioner and L.H.D. / con climatizzatore e guida a sinistra	D4EA	103	140	11/05	> 03/07	25.075.00	24.443.00	30.280.00	53.112.00
with air-conditioner and L.H.D. / con climatizzatore e guida a sinistra	D4EA	103	140	04/07	> 07/10	25.075.00	24.443.00	30.280.00	53.191.00
2.0 CRDI VGT 16V									
with air-conditioner and R.H.D. / con climatizzatore e guida a destra	D4EA	110	150	09/08	> 07/10	23.615.00	24.443.00	30.280.00	53.259.00
with air-conditioner and L.H.D. / con climatizzatore e guida a sinistra	D4EA	110	150	09/08	> 07/10	25.075.00	24.443.00	30.280.00	53.191.00
2.7 V6									
with air-conditioner and R.H.D. / con climatizzatore e guida a destra	G6BA	129	175	12/04	> 07/10	23.461.00		30.280.00	53.259.00
with air-conditioner and L.H.D. / con climatizzatore e guida a sinistra	G6BA	129	175	12/04	> 03/07	23.461.00		30.280.00	53.112.00
with air-conditioner and L.H.D. / con climatizzatore e guida a sinistra	G6BA	129	175	04/07	> 07/10	23.461.00		30.280.00	53.191.00
Sportage III (SL)									
1.6 GDI									
with air-conditioner / con climatizzatore		99	135	11/10	>	23.583.00		30.574.00	53.191.00
1.7 CRDI VGT									
with air-conditioner / con climatizzatore	D4FD-L	85	116	11/10	>	25.151.00	24.122.00	30.574.00	53.191.00
2.0									
with air-conditioner / con climatizzatore		110	150	08/10	>	23.583.00		30.574.00	53.191.00
2.0									
with air-conditioner / con climatizzatore		120	163	08/10	>	23.583.00		30.574.00	53.191.00
2.0 CRDI 184									
with air-conditioner / con climatizzatore	D4HA	135	184	03/14	>	25.166.00	24.122.00	30.574.00	53.191.00
2.0 CRDI VGT									
with air-conditioner / con climatizzatore	D4HA	100	136	08/10	>	25.166.00	24.122.00	30.574.00	53.191.00
2.0 D-CVVT									
		120	163	08/10	> 10/13	23.583.00		30.574.00	53.191.00
2.0 GDI									
with air-conditioner / con climatizzatore		122	166	03/14	>	23.583.00		30.574.00	53.191.00
Sportage IV (QL)									

...KIA - off-road cars/ fuoristrada

1.6 CRDI	D4FE	100	136	07/18	>			24.123.00	30.710.00	
1.6 CRDI	D4FE	85	116	07/18	>			24.123.00	30.710.00	
1.6 CRDI AWD	D4FE	100	136	07/18	>			24.123.00	30.710.00	
1.6 GDI	G4FD	97	132	10/15	>	09/18	23.583.00			
1.6 T-GDI	G4FJ	130	177	10/15	>	09/18	23.461.00			
1.6 T-GDI AWD	G4FJ	130	177	10/15	>	09/18	23.461.00			
1.7 CRDI	D4FD-L	85	116	10/15	>	09/18	25.151.00	24.123.00	30.710.00	
2.0	NU	110	150	01/16	>	09/18	23.583.00			
2.0 CRDI	D4HA	100	136	10/15	>	09/18	25.166.00	24.123.00	30.710.00	
2.0 CRDI AWD	D4HA	100	136	10/15	>	09/18	25.166.00	24.123.00	30.710.00	
2.0 CRDI AWD	D4HA	136	185	10/15	>	09/18	25.166.00	24.123.00	30.710.00	

KIA commercial vehicles/veicoli commerciali

Bongo

2.5 TDCI	D4BH	69	94	10/03	>	11/06	23.472.00	24.366.00	27.E34.00	
	D4BH	69	94	12/06	>	12/10	23.472.00		27.E34.00	
2.9 TDIC 4WD Euro2	HJ3	90	122	11/06	>	12/11	23.472.00	24.445.00	27.E34.00	
2.9 TDIC Euro2	HJ3	90	122	11/06	>	12/11	23.472.00	24.445.00	27.E34.00	

K 2500

2.5 TDI	D4BH	69	94	01/03	>	09/04	23.472.00	24.366.00		✗
	D4BH	69	94	10/04	>	10/06	23.472.00	24.366.00	27.E34.00	
	D4BH	69	94	11/06	>		23.472.00	24.366.00		

K 2700

2.7 TDI	J2	59	80	01/00	>	03/00	23.472.00	24.339.00		✗
	J2	59	80	04/00	>	09/04	23.472.00	24.366.00		✗
	J2	59	80	10/04	>	10/06	23.472.00	24.366.00	27.E34.00	
	J2	59	80	11/06	>		23.472.00	24.366.00		

K 2900

2.9 TDIC Euro4	J3	90	122	08/07	>	12/11	23.472.00	24.445.00		
----------------	----	----	-----	-------	---	-------	-----------	-----------	--	--

Pregio

2.5 TCI	D4BH	69	94	08/01	>	10/05	23.472.00	24.366.00		
2.7 D	TB	60	82	10/97	>	07/00		24.339.00		
	TB	60	82	08/00	>	10/05	23.472.00	24.366.00		

LADA (VAZ) cars/auto

119

1.4 16V		66	90	11/08	>		23.257.00	31.515.00	30.835.00	53.374.00
1.6 8V		60	82	01/07	>		23.257.00		30.835.00	53.374.00

2105

2105				05/81	>				27.719.00	
some / alcuni				05/81	>		23.257.00		27.719.00	

2105 GL

2105 GL				05/81	>				27.719.00	
some / alcuni				05/81	>		23.257.00		27.719.00	

2105 N

2105 N				05/81	>				27.719.00	
some / alcuni				05/81	>		23.257.00		27.719.00	

2107

2107				05/81	>				27.719.00	
some / alcuni				05/81	>		23.257.00		27.719.00	

Forma

1.1 cat (2108)	BA3 21081	39	53	07/91	>		23.257.00	31.009.00	27.719.00	
1.3 (2108)		46	63	05/90	>		23.257.00	31.009.00	27.719.00	
1.3 (2108)	BA3 2108	45	61	07/91	>		23.257.00	31.009.00	27.719.00	
1.3 (2108)	BA3 2108	48	65	05/89	>		23.257.00	31.009.00	27.719.00	
1.3 i				09/95	>		23.257.00	31.741.00	30.835.00	
1.5 cat (2108)	BA3 21083			07/91	>		23.257.00		27.719.00	
1.5 i				09/95	>		23.257.00	31.741.00	30.835.00	

Granta

1.6	VAZ 11183	59	80	12/11	>		23.114.01	31.515.00	30.835.00	53.374.00
1.6	VAZ 21116	64	87	12/11	>		23.114.01	31.515.00	30.835.00	53.374.00
1.6	VAZ 21126	66	90	12/11	>		23.114.01	31.515.00	30.835.00	53.374.00
1.6 16V	VAZ 21126	72	98	12/11	>		23.114.01	31.515.00	30.835.00	53.374.00

Kalina (1117)

1.4 16V	VAZ-11194	66	90	11/08	>		23.257.00	31.515.00	30.835.00	53.374.00
1.6	VAZ-21114	60	82	03/05	>		23.257.00		30.835.00	53.374.00

Kalina (1118)

--	--	--	--	--	--	--	--	--	--	--

...LADA (VAZ) - cars/auto

1.4 16V	VAZ-11194	66	90	11/08	>	23.257.00	31.515.00	30.835.00	53.374.00
1.6	VAZ-21124/VAZ-21114	60	82	03/05	>	23.257.00		30.835.00	53.374.00
Kalina (1119)									
1.4 16V	VAZ-11194	66	90	11/08	>	23.257.00	31.515.00	30.835.00	53.374.00
1.6	VAZ-21114	60	82	03/05	>	23.257.00		30.835.00	53.374.00
Largus									
1.6	Renault K4M	77	105	03/12	>	23.418.00		30.147.00	
1.6	Renault K7M	62	84	03/12	>	23.418.00		30.688.00	
Nadezhda (2120)									
1.7				12/97	>	23.114.01		27.719.00	
1.7 i				12/97	>	23.114.01		27.719.00	
1.8 i				12/97	>	23.114.01		27.719.00	
Nova 2105									
Nova 2105				09/81	>			27.719.00	
some / alcuni				09/81	>	23.257.00		27.719.00	
Oka (1111)									
750	BA3-11113	26	35	01/88	>	23.257.00	31.009.00	27.719.00	
Riva									
1200				01/90	>	23.257.00		27.719.00	
1300				01/90	>	23.257.00		27.719.00	
1500				01/90	>	23.257.00		27.719.00	
Samara									
1.1 cat	BA3 21081			02/96	>	23.257.00	31.611.00	27.719.00	
1.3 cat	BA3 2108			09/91	>	23.257.00	31.611.00	27.719.00	
1.3 i	BA3 2108			09/95	>	23.257.00	31.741.00	30.835.00	
1.5 cat	BA3 21083			09/91	>	23.257.00	31.611.00	27.719.00	
1.5 i				09/94	>	23.257.00	31.741.00	30.835.00	
1.5 MPI				09/94	>	23.257.00	31.741.00	30.835.00	
1300	BA3 2108			01/86	>			27.719.00	
some / alcuni	BA3 2108			01/86	>	23.257.00		27.719.00	
1500				11/84	>			27.719.00	
some / alcuni				11/84	>	23.257.00		27.719.00	
Sputnik									
1300 (2108)				01/84	>			27.719.00	
some / alcuni				01/84	>	23.257.00		27.719.00	
1300 (2109)				01/84	>			27.719.00	
some / alcuni				01/84	>	23.257.00		27.719.00	
1500 (21083)				01/84	>			27.719.00	
some / alcuni				01/84	>	23.257.00		27.719.00	
1500 (21093)				01/84	>			27.719.00	
some / alcuni				01/84	>	23.257.00		27.719.00	
Toscana									
1300 (VAZ 2107)	BA3 2105			12/85	>		31.001.00	27.719.00	
some / alcuni	BA3 2105			12/85	>	23.257.00	31.001.00	27.719.00	
Vesta									
1.6 16V	BA3-21129	78	106	11/15	>	23.257.00		30.016.00	53.256.00
with activated carbons / ai carboni attivi	BA3-21129	78	106	11/15	>				54.227.00
antibacterial, anti-odour and anti-allergen filter / filtro antibatterico, antiodori e anti-allergeni	BA3-21129	78	106	11/15	>				34.227.00
X-RAY									
1.6 16V	BA3-21129	78	106	02/16	>	23.257.00		30.016.00	53.256.00
with activated carbons / ai carboni attivi	BA3-21129	78	106	02/16	>				54.227.00
antibacterial, anti-odour and anti-allergen filter / filtro antibatterico, antiodori e anti-allergeni	BA3-21129	78	106	02/16	>				34.227.00
1.6 16V	Renault H4M	81	110	02/16	>			30.016.00	53.256.00
with activated carbons / ai carboni attivi	Renault H4M	81	110	02/16	>				54.227.00
antibacterial, anti-odour and anti-allergen filter / filtro antibatterico, antiodori e anti-allergeni	Renault H4M	81	110	02/16	>				34.227.00
1.8 16V	BA3-21179	90	122	02/16	>	23.257.00		30.016.00	53.256.00
with activated carbons / ai carboni attivi	BA3-21179	90	122	02/16	>				54.227.00
antibacterial, anti-odour and anti-allergen filter / filtro antibatterico, antiodori e anti-allergeni	BA3-21179	90	122	02/16	>				34.227.00
LADA (VAZ) off-road cars/fuoristrada									
Niva									
1.6	BA3 2121			01/90	>	23.257.00		27.719.00	
1.7 i (21214)	BA3 21214			06/96	>	23.257.00		27.719.00	
1.9 Diesel	Peugeot XUD9A (1905)			01/93	>	23.191.00	24.360.00	27.239.00	
assembly DELPHI / montaggio DELPHI	Peugeot XUD9A (1905)			01/93	>	23.191.00	24.361.00	27.239.00	
1.9 Diesel	Peugeot XUD9SD (1905)			01/99	>	23.293.00	24.360.00	27.239.00	
2121 1.6	BA3 2121			01/90	>	23.257.00		27.719.00	

...LADA (VAZ) - off-road cars/fuoristrada

2121 1.9 Diesel							
assembly DELPHI / montaggio DELPHI	Peugeot XUD9A (1905)	01/93 >	23.191.00	24.361.00	27.239.00		
or / oppure	Peugeot XUD9A (1905)	01/93 >	23.191.00	24.360.00	27.239.00		

LAMBORGHINI

cars/auto

Aventador

LP700-4			03/11 >				54.114.00
antibacterial, anti-odour and anti-allergen filter / filtro antibatterico, antiodori e anti-allergeni			03/11 >				34.114.00
LP720-4			03/13 >				54.114.00
antibacterial, anti-odour and anti-allergen filter / filtro antibatterico, antiodori e anti-allergeni			03/13 >				34.114.00
LP750-4			03/16 >				54.114.00
antibacterial, anti-odour and anti-allergen filter / filtro antibatterico, antiodori e anti-allergeni			03/16 >				34.114.00

Countach

Countach (USA)						30.830.00	
-----------------------	--	--	--	--	--	-----------	--

Diablo VT

6.0 V12	410 559	01/00 >	12/01	23.110.02			
2 filters / N.2 filtri	410 559	01/00 >	12/01		31.504.00		

Gallardo

5.0 V10	382 520	07/05 >	12/08				54.153.00
antibacterial, anti-odour and anti-allergen filter / filtro antibatterico, antiodori e anti-allergeni	382 520	07/05 >	12/08				34.153.00
2 filters / N.2 filtri	382 520	07/05 >	12/08		31.504.00	30.156.00	
5.0 V10 (EU)	368 500	04/03 >					54.153.00
antibacterial, anti-odour and anti-allergen filter / filtro antibatterico, antiodori e anti-allergeni	368 500	04/03 >					34.153.00
2 filters / N.2 filtri	368 500	04/03 >			31.504.00	30.156.00	
5.0 V10 (USA)	368 500	04/03 >					54.153.00
antibacterial, anti-odour and anti-allergen filter / filtro antibatterico, antiodori e anti-allergeni	368 500	04/03 >					34.153.00
2 filters / N.2 filtri	368 500	04/03 >			31.504.00	30.156.00	
LP 550-2 5.2 V10	405 550	03/10 >	12/13	25.143.00	31.831.00		54.153.00
antibacterial, anti-odour and anti-allergen filter / filtro antibatterico, antiodori e anti-allergeni	405 550	03/10 >	12/13				34.153.00
LP 560-4 5.2 V10	412 560	03/08 >		25.143.00	31.831.00		54.153.00
antibacterial, anti-odour and anti-allergen filter / filtro antibatterico, antiodori e anti-allergeni	412 560	03/08 >					34.153.00
LP 560-4 Spyder 5.2 V10	412 560	09/08 >		25.143.00	31.831.00		54.153.00
antibacterial, anti-odour and anti-allergen filter / filtro antibatterico, antiodori e anti-allergeni	412 560	09/08 >					34.153.00
LP 570-4 5.2 V10	419 570	03/10 >		25.143.00	31.831.00		54.153.00
antibacterial, anti-odour and anti-allergen filter / filtro antibatterico, antiodori e anti-allergeni	419 570	03/10 >					34.153.00

Huracan

EVO 5.2 V10	470 640	12/18 >		25.143.00			
LP 580-2 5.2 V10	426 580	12/15 >		25.143.00			
LP 600-4 5.2 V10	441 600	03/16 >		25.143.00			
LP 610-4 5.2 V10	449 610	02/14 >	12/18				
from engine No. CEH003541 / da motore N. CEH003541	449 610	>	12/18	25.143.00			
LP 640 5.2 V10	470 640	03/17 >		25.143.00			

Huracan ST

LP 620-2 5.2 V10	455 620	04/14 >		25.143.00	31.831.00		
-------------------------	---------	---------	--	-----------	-----------	--	--

Murcielago

6.2 V12 (EU)	426 580	11/01 >				30.888.00	
2 filters / N.2 filtri	426 580	11/01 >	12/06		31.504.00		
6.2 V12 (USA)	426 580	11/01 >				30.888.00	
2 filters / N.2 filtri	426 580	11/01 >	12/06		31.504.00		
LP 640 6.5 V12							
2 filters / N.2 filtri	470 640	03/06 >			31.504.00		
LP 650-4 6.5 V12							
2 filters / N.2 filtri	478 650	03/09 >			31.504.00		
LP 670-4 SV 6.5 V12							
2 filters / N.2 filtri	493 670	03/09 >			31.504.00		

Murcielago Roadster

6.2 V12 (EU)	426 580	08/04 >				30.888.00	
2 filters / N.2 filtri	426 580	08/04 >	12/06		31.504.00		
6.2 V12 (USA)	426 580	08/04 >				30.888.00	
2 filters / N.2 filtri	426 580	08/04 >	12/06		31.504.00		

LANCIA

cars/auto

Delta 844

1.4 Multiair 140	103 140	07/10 >		25.043.00		27.630.00	53.149.00
with activated carbons / ai carboni attivi	103 140	07/10 >		25.043.00		27.630.00	54.103.00
antibacterial, anti-odour and anti-allergen filter / filtro antibatterico, antiodori e anti-allergeni	103 140	07/10 >					34.103.00
1.4 T-Jet	198A1000	110 150	06/08 >	25.043.00		27.630.00	53.149.00

...LANCIA - cars/auto

with activated carbons / ai carboni attivi	198A1000	110	150	06/08	>	25.043.00		27.630.00	54.103.00
antibacterial, anti-odour and anti-allergen filter / filtro antibatterico, antiodori e anti-allergeni	198A1000	110	150	06/08	>				34.103.00
1.4 T-Jet	198A4000	88	120	06/08	>	25.043.00		27.630.00	53.149.00
with activated carbons / ai carboni attivi	198A4000	88	120	06/08	>	25.043.00		27.630.00	54.103.00
antibacterial, anti-odour and anti-allergen filter / filtro antibatterico, antiodori e anti-allergeni	198A4000	88	120	06/08	>				34.103.00
1.4 T-Jet GPL/LPG	198A4000	88	120	06/08	>	25.043.00		27.630.00	53.149.00
with activated carbons / ai carboni attivi	198A4000	88	120	06/08	>	25.043.00		27.630.00	54.103.00
antibacterial, anti-odour and anti-allergen filter / filtro antibatterico, antiodori e anti-allergeni	198A4000	88	120	06/08	>				34.103.00
spare part only FL-375 (Ø 42 x Ø 17 x 50 H) / solo ricambio FL-375 (Ø 42 x Ø 17 x 50 H)	198A4000	88	120	06/08	>		46.008.00		
1.6 MJTD 16V	198A2000	88	120	06/08	>	25.061.00	24.ONE.01	27.630.00	53.149.00
with activated carbons / ai carboni attivi	198A2000	88	120	06/08	>	25.061.00	24.ONE.01	27.630.00	54.103.00
antibacterial, anti-odour and anti-allergen filter / filtro antibatterico, antiodori e anti-allergeni	198A2000	88	120	06/08	>				34.103.00
1.8 Di Turbo-Jet	939B1000	147	200	04/09	>	25.061.00		27.630.00	53.149.00
with activated carbons / ai carboni attivi	939B1000	147	200	04/09	>	25.061.00		27.630.00	54.103.00
antibacterial, anti-odour and anti-allergen filter / filtro antibatterico, antiodori e anti-allergeni	939B1000	147	200	04/09	>				34.103.00
1.9 MJTD 16V Twinturbo	844A1000	140	190	06/08	>	25.061.00	24.ONE.01	27.630.00	53.149.00
with activated carbons / ai carboni attivi	844A1000	140	190	06/08	>	25.061.00	24.ONE.01	27.630.00	54.103.00
antibacterial, anti-odour and anti-allergen filter / filtro antibatterico, antiodori e anti-allergeni	844A1000	140	190	06/08	>				34.103.00
2.0 MJTD 16V	198A5000	121	165	06/08	>	25.061.00	24.ONE.01	27.630.00	53.149.00
with activated carbons / ai carboni attivi	198A5000	121	165	06/08	>	25.061.00	24.ONE.01	27.630.00	54.103.00
antibacterial, anti-odour and anti-allergen filter / filtro antibatterico, antiodori e anti-allergeni	198A5000	121	165	06/08	>				34.103.00
Delta MY. 2011									
1.4 T-Jet 120 GPL/LPG		88	120	04/11	>	25.043.00		27.630.00	53.149.00
antibacterial, anti-odour and anti-allergen filter / filtro antibatterico, antiodori e anti-allergeni		88	120	04/11	>				34.103.00
1.6 MJTD 16V 105		77	105	04/11	>	25.061.00	24.ONE.01	27.630.00	53.149.00
with activated carbons / ai carboni attivi		77	105	04/11	>				54.103.00
antibacterial, anti-odour and anti-allergen filter / filtro antibatterico, antiodori e anti-allergeni		77	105	04/11	>				34.103.00
Flavia MY. 2012									
2.4		129	175	03/12	>	23.519.00			53.150.00
with activated carbons / ai carboni attivi		129	175	03/12	>				54.275.00
antibacterial, anti-odour and anti-allergen filter / filtro antibatterico, antiodori e anti-allergeni		129	175	03/12	>				34.275.00
K									
2.0 IE 20V									
with air-conditioner / con climatizzatore	838A6000	114	155	07/98	> 02/00	23.295.00		27.236.00	54.105.00
with air-conditioner / con climatizzatore	838A6000	114	155	03/00	> 10/01	23.415.00		27.236.00	54.105.00
or / oppure	838A6000	114	155	07/98	> 02/00	23.449.00		27.236.00	54.105.00
2.0 IE 20V Turbo									
with air-conditioner / con climatizzatore	175A3.000	162	220	06/98	> 02/00	23.295.00		27.236.00	54.105.00
with air-conditioner / con climatizzatore	175A3.000	162	220	03/00	> 10/01	23.415.00		27.236.00	54.105.00
or / oppure	175A3.000	162	220	06/98	> 02/00	23.449.00		27.236.00	54.105.00
2.4 IE 20V									
with air-conditioner / con climatizzatore	838A2.000	129	175	07/98	> 02/00	23.295.00		27.236.00	54.105.00
with air-conditioner / con climatizzatore	838A2.000	129	175	03/00	> 10/01	23.415.00		27.236.00	54.105.00
or / oppure	838A2.000	129	175	10/94	> 02/00	23.449.00		27.236.00	
2.4 IE 20V									
with air-conditioner / con climatizzatore	838B2.000	129	175	07/98	> 02/00	23.295.00		27.236.00	54.105.00
with air-conditioner / con climatizzatore	838B2.000	129	175	03/00	> 10/01	23.415.00		27.236.00	54.105.00
or / oppure	838B2.000	129	175	07/98	> 02/00	23.449.00		27.236.00	
2.4 JTD cat	838A8.000	100	136	03/98	> 10/01	23.434.00	24.408.00	27.236.00	54.105.00
or / oppure	838A8.000	100	136	03/98	> 10/01	23.449.00	24.H2O.00	27.236.00	54.105.00
3.0 IE V6 24V									
with air-conditioner / con climatizzatore	838.000	150	204	07/98	> 10/01	23.175.00		27.236.00	54.105.00
or / oppure	838.000	150	204	07/98	> 10/01	23.448.00		27.236.00	54.105.00
3.0 IE V6 24V									
with air-conditioner / con climatizzatore	838B.000	150	204	07/98	> 10/01	23.175.00		27.236.00	54.105.00
or / oppure	838B.000	150	204	07/98	> 10/01	23.448.00		27.236.00	
3.0 IE V6 24V Autom.									
with air-conditioner / con climatizzatore	838.000	150	204	07/98	> 10/01	23.175.00		27.236.00	54.105.00
or / oppure	838.000	150	204	07/98	> 10/01	23.448.00		27.236.00	54.105.00
3.0 IE V6 24V Autom.									
with air-conditioner / con climatizzatore	838B.000	150	204	07/98	> 10/01	23.175.00		27.236.00	54.105.00
or / oppure	838B.000	150	204	07/98	> 10/01	23.448.00		27.236.00	
K Coupè									
2.0 IE 20V Turbo									
with air-conditioner / con climatizzatore	175A3.000	162	220	06/98	> 02/00	23.295.00		27.236.00	54.105.00
with air-conditioner / con climatizzatore	175A3.000	162	220	03/00	> 10/01	23.415.00		27.236.00	54.105.00
or / oppure	175A3.000	162	220	06/98	> 02/00	23.449.00		27.236.00	54.105.00
2.4 IE 20V									

...LANCIA - cars/auto

from frame No. 1002101 / da telaio N. 1002101	838A2.000	129	175	07/98	>	02/00	23.295.00		27.236.00	54.105.00
from frame No. 1002101 / da telaio N. 1002101	838A2.000	129	175	03/00	>	10/01	23.415.00		27.236.00	54.105.00
or / oppure	838A2.000	129	175	11/96	>	02/00	23.449.00		27.236.00	54.105.00
2.4 IE 20V	838B2.000	129	175	07/98	>	02/00	23.295.00		27.236.00	54.105.00
	838B2.000	129	175	03/00	>	10/01	23.415.00		27.236.00	54.105.00
or / oppure	838B2.000	129	175	07/98	>	02/00	23.449.00		27.236.00	54.105.00
3.0 IE V6 24V Autom.										
from frame No. 1002101 / da telaio N. 1002101	838B.000	150	204	07/98	>	10/01	23.175.00		27.236.00	54.105.00
or / oppure	838B.000	150	204	07/98	>	10/01	23.448.00		27.236.00	54.105.00
Lybra										
1.6 i 16V CF2	182A4000			09/99	>	10/00	23.196.00		27.366.00	54.107.00
1.6 i 16V CF3	186B6000			09/00	>	07/03	23.196.00		27.366.00	54.107.00
	186B6000			08/03	>	10/06	23.196.00		27.400.00	54.107.00
1.8 i 16V CF2	839A4000			09/99	>	10/00	23.415.00		27.366.00	54.107.00
1.8 i 16V CF3	939A7000			09/00	>	07/03	23.415.00		27.366.00	54.107.00
	939A7000			08/03	>	10/06	23.415.00		27.400.00	54.107.00
1.8 i 16V CF4	839A9000			01/02	>	07/03	23.418.00		27.366.00	54.107.00
	839A9000			08/03	>	09/04	23.418.00		27.400.00	54.107.00
	839A9000			10/04	>	10/06	23.460.00		27.400.00	54.107.00
1.9 JTD CF2	AR32302	77	105	07/99	>	10/00	23.414.00	24.408.00	27.366.00	54.107.00
or / oppure	AR32302	77	105	07/99	>	10/00	23.449.00	24.H2O.00	27.366.00	54.107.00
1.9 JTD CF3	937A2000	85	115	06/01	>	12/02	23.455.00	24.H2O.00	27.366.00	54.107.00
	937A2000	85	115	01/03	>	07/03	23.455.00	24.H2O.04	27.366.00	54.107.00
	937A2000	85	115	08/03	>	10/06	23.455.00	24.H2O.04	27.400.00	54.107.00
1.9 JTD CF3	AR37101	81	110	09/00	>	12/01	23.449.00	24.H2O.00	27.366.00	54.107.00
2.0 i 20V CF2	182B7000			09/99	>	02/00	23.295.00		27.366.00	54.107.00
	182B7000			03/00	>	10/00	23.415.00		27.366.00	54.107.00
or / oppure	182B7000			09/99	>	02/00	23.449.00		27.366.00	54.107.00
2.0 i 20V CF3	185A8000			09/00	>	07/03	23.415.00		27.366.00	54.107.00
	185A8000			08/03	>	10/06	23.415.00		27.400.00	54.107.00
2.4 i 20V CF3	192A2000			09/02	>	07/03	23.415.00		27.366.00	54.107.00
	192A2000			08/03	>	10/06	23.415.00		27.400.00	54.107.00
2.4 JTD CF2		99	134	09/99	>	03/00	23.434.00	24.408.00	27.366.00	54.107.00
or / oppure		99	134	09/99	>	03/00	23.449.00	24.408.00	27.366.00	54.107.00
without water presence sensor / senza sensore presenza acqua		99	134	09/99	>	03/00	23.449.00	24.H2O.00	27.366.00	54.107.00
2.4 JTD CF3		103	140	04/00	>	12/02	23.434.00	24.H2O.00	27.366.00	54.107.00
		103	140	01/03	>	07/03	23.434.00	24.H2O.04	27.366.00	54.107.00
		103	140	08/03	>	10/06	23.434.00	24.H2O.04	27.400.00	54.107.00
or / oppure		103	140	04/00	>	12/02	23.449.00	24.H2O.00	27.366.00	54.107.00
or / oppure		103	140	01/03	>	07/03	23.449.00	24.H2O.04	27.366.00	54.107.00
or / oppure		103	140	08/03	>	10/06	23.449.00	24.H2O.04	27.400.00	54.107.00
2.4 JTD CF3		110	150	05/02	>	12/02	23.455.00	24.H2O.00	27.366.00	54.107.00
		110	150	01/03	>	07/03	23.455.00	24.H2O.04	27.366.00	54.107.00
		110	150	08/03	>	10/06	23.455.00	24.H2O.04	27.400.00	54.107.00
Lybra S.W.										
1.6 i 16V CF2	182A4000			09/99	>	10/00	23.196.00		27.366.00	54.107.00
1.6 i 16V CF3	182B6000			09/00	>	07/03	23.196.00		27.366.00	54.107.00
	182B6000			08/03	>	10/06	23.196.00		27.400.00	54.107.00
1.8 i 16V CF2	839A4000			09/99	>	10/00	23.415.00		27.366.00	54.107.00
1.8 i 16V CF3	839A7000			09/00	>	07/03	23.415.00		27.366.00	54.107.00
	839A7000			08/03	>	10/06	23.415.00		27.400.00	54.107.00
1.8 i 16V CF4	839A9000			01/02	>	07/03	23.418.00		27.366.00	54.107.00
	839A9000			08/03	>	09/04	23.418.00		27.400.00	54.107.00
	839A9000			10/04	>	10/06	23.460.00		27.400.00	54.107.00
1.9 JTD CF2 (1910)	AR32302	77	105	07/99	>	10/00	23.414.00	24.408.00	27.366.00	54.107.00
or / oppure	AR32302	77	105	07/99	>	10/00	23.449.00	24.H2O.00	27.366.00	54.107.00
1.9 JTD CF3	937A2000	85	115	06/01	>	12/02	23.455.00	24.H2O.00	27.366.00	54.107.00
	937A2000	85	115	01/03	>	07/03	23.455.00	24.H2O.04	27.366.00	54.107.00
	937A2000	85	115	08/03	>	10/06	23.455.00	24.H2O.04	27.400.00	54.107.00
1.9 JTD CF3	AR37101	81	110	09/00	>	12/01	23.449.00	24.H2O.00	27.366.00	54.107.00
2.0 i 20V	182B7000			09/99	>	02/00	23.295.00		27.366.00	54.107.00
	182B7000			03/00	>	10/00	23.415.00		27.366.00	54.107.00
or / oppure	182B7000			09/99	>	02/00	23.449.00		27.366.00	54.107.00
2.0 i 20V CF3	185A8000			09/00	>	07/03	23.415.00		27.366.00	54.107.00
	185A8000			08/03	>	10/06	23.415.00		27.400.00	54.107.00
2.4 JTD CF2		99	134	09/99	>	03/00	23.434.00	24.408.00	27.366.00	54.107.00
or / oppure		99	134	09/99	>	03/00	23.449.00	24.408.00	27.366.00	54.107.00

...LANCIA - cars/auto

without water presence sensor / senza sensore presenza acqua		99	134	09/99	>	03/00	23.449.00	24.H2O.00	27.366.00	54.107.00
2.4 JTD CF3		103	140	04/00	>	12/02	23.434.00	24.H2O.00	27.366.00	54.107.00
		103	140	01/03	>	07/03	23.434.00	24.H2O.04	27.366.00	54.107.00
		103	140	08/03	>	10/06	23.434.00	24.H2O.04	27.400.00	54.107.00
or / oppure		103	140	04/00	>	12/02	23.449.00	24.H2O.00	27.366.00	54.107.00
or / oppure		103	140	01/03	>	07/03	23.449.00	24.H2O.04	27.366.00	54.107.00
or / oppure		103	140	08/03	>	10/06	23.449.00	24.H2O.04	27.400.00	54.107.00
2.4 JTD CF3		110	150	05/02	>	12/02	23.455.00	24.H2O.00	27.366.00	54.107.00
		110	150	01/03	>	07/03	23.455.00	24.H2O.04	27.366.00	54.107.00
		110	150	08/03	>	10/06	23.455.00	24.H2O.04	27.400.00	54.107.00
Musa										
1.3 JTD 16V Multijet										
complete filter and disassembly key / filtro completo e chiave di smontaggio	188A9000	51	70	07/04	>	03/06		55.084.00		19.008.00
complete filter and disassembly key / filtro completo e chiave di smontaggio	188A9000	51	70	04/06	>			55.173.00		19.008.00
assembly PURFLUX / montaggio PURFLUX	188A9000	51	70	07/04	>		25.043.00	60.H2O.00	30.265.00	53.043.00
assembly UFI / montaggio UFI	188A9000	51	70	01/05	>		25.031.00	60.H2O.00	30.265.00	53.043.00
1.3 MJT 16V										
complete filter and disassembly key / filtro completo e chiave di smontaggio	199A3000	66	90	10/05	>			55.181.00		19.008.00
assembly PURFLUX / montaggio PURFLUX	199A3000	66	90	10/05	>		25.043.00	60.H2O.00	30.265.00	53.043.00
assembly UFI / montaggio UFI	199A3000	66	90	10/05	>		25.031.00	60.H2O.00	30.265.00	53.043.00
1.3 MJT 16V Selespeed										
complete filter and disassembly key / filtro completo e chiave di smontaggio	199A3000	66	90	10/05	>			55.181.00		19.008.00
assembly PURFLUX / montaggio PURFLUX	199A3000	66	90	10/05	>		25.043.00	60.H2O.00	30.265.00	53.043.00
assembly UFI / montaggio UFI	199A3000	66	90	10/05	>		25.031.00	60.H2O.00	30.265.00	53.043.00
1.3 MJTD 16V E5										
	199B1000	70	95	01/09	>		25.061.00	24.ONE.01	30.477.00	53.043.00
1.4 16V										
	843A1000	70	95	07/04	>		23.438.00		30.135.00	53.043.00
1.4 16V (A)										
	192B2000	66	90	07/04	>		23.438.00		30.135.00	53.043.00
1.4 16V Selespeed										
	843A1000	70	95	07/04	>		23.438.00		30.135.00	53.043.00
1.4 16V Stop&Start										
		70	95	01/09	>		23.438.00		30.135.00	53.043.00
1.4 8V										
	350A1000	57	77	10/05	>		23.438.00		30.301.00	53.043.00
1.6 MJTD 16V										
	350A2000	88	120	04/08	>		25.061.00	24.ONE.01	27.341.00	53.043.00
1.6 MJTD 16V (B)										
	350A3000	85	115	04/08	>		25.061.00	24.ONE.01	27.341.00	53.043.00
1.6 MJTD 16V DPF Stop&Start										
		88	120	10/09	>		25.083.00	24.ONE.01	27.341.00	53.043.00
1.6 MJTD 16V DPF Stop&Start (B)										
		85	115	10/09	>		25.083.00	24.ONE.01	27.341.00	53.043.00
1.9 JTD Multijet										
complete filter and disassembly key / filtro completo e chiave di smontaggio	188B2000	74	101	07/04	>		23.455.00	60.H2O.00	27.341.00	53.043.00
complete filter and disassembly key / filtro completo e chiave di smontaggio	188B2000	74	101	07/04	>	01/06		55.084.00		19.008.00
complete filter and disassembly key / filtro completo e chiave di smontaggio	188B2000	74	101	02/06	>			55.173.00		19.008.00
New Ypsilon 846										
0.9 TwinAir Turbo 80										
	312A2000	59	80	12/13	>		25.128.00		30.376.00	53.210.00
with activated carbons / ai carboni attivi	312A2000	59	80	12/13	>					54.248.00
antibacterial, anti-odour and anti-allergen filter / filtro antibatterico, antiodori e anti-allergeni	312A2000	59	80	12/13	>					34.248.00
0.9 TwinAir Turbo 80 Natural Power/CNG										
	312A2000	63	86	07/12	>		25.128.00		30.376.00	53.210.00
with activated carbons / ai carboni attivi	312A2000	63	86	07/12	>					54.248.00
antibacterial, anti-odour and anti-allergen filter / filtro antibatterico, antiodori e anti-allergeni	312A2000	63	86	07/12	>					34.248.00
0.9 TwinAir Turbo 85										
	312A2000	63	86	03/11	>		25.128.00		30.376.00	53.210.00
with activated carbons / ai carboni attivi	312A2000	63	86	03/11	>					54.248.00
antibacterial, anti-odour and anti-allergen filter / filtro antibatterico, antiodori e anti-allergeni	312A2000	63	86	03/11	>					34.248.00
1.2 8V										
	169A4000	51	69	03/11	>		23.438.00		30.301.00	53.210.00
with activated carbons / ai carboni attivi	169A4000	51	69	03/11	>					54.248.00
antibacterial, anti-odour and anti-allergen filter / filtro antibatterico, antiodori e anti-allergeni	169A4000	51	69	03/11	>					34.248.00
1.2 8V GPL/LPG										
	169A4000	51	69	03/11	>		23.438.00		30.301.00	53.210.00
with activated carbons / ai carboni attivi	169A4000	51	69	03/11	>					54.248.00
antibacterial, anti-odour and anti-allergen filter / filtro antibatterico, antiodori e anti-allergeni	169A4000	51	69	03/11	>					34.248.00
1.3 JTDm 16V 95										
	199B1000	70	95	03/11	>		25.061.00		30.477.00	53.210.00
with activated carbons / ai carboni attivi	199B1000	70	95	03/11	>					54.248.00
with fuel oil heater / con riscaldatore nafta	199B1000	70	95	11/11	>			26.052.00		
antibacterial, anti-odour and anti-allergen filter / filtro antibatterico, antiodori e anti-allergeni	199B1000	70	95	03/11	>					34.248.00
without fuel oil heater / senza riscaldatore nafta	199B1000	70	95	03/11	>			24.ONE.01		
Phedra										
2.0 i 16V C.A.										
	RFN (EW10J4)	100	136	09/02	>	11/10	23.439.00		30.933.00	53.069.00
with activated carbons / ai carboni attivi	RFN (EW10J4)	100	136	09/02	>	11/10	23.439.00		30.933.00	54.156.00
2.0 i 16V C.M.										
	RFN (EW10J4)	100	136	09/02	>	11/10	23.439.00		30.933.00	53.069.00
with activated carbons / ai carboni attivi	RFN (EW10J4)	100	136	09/02	>	11/10	23.439.00		30.933.00	54.156.00
2.0 JTD 16V C.M.										
	RHW (DW10ATED4)	80	109	09/02	>	11/10	23.439.00	26.003.00	30.933.00	53.069.00
with activated carbons / ai carboni attivi	RHW (DW10ATED4)	80	109	09/02	>	11/10	23.439.00	26.003.00	30.933.00	54.156.00
2.0 JTD 16V FAP C.A.										
	RHM (DW10ATED4)	80	109	09/02	>	07/04	23.439.00	26.003.00	30.933.00	53.069.00
	RHM (DW10ATED4)	80	109	08/04	>	11/10	23.439.00	26.003.00	30.261.00	53.069.00

...LANCIA - cars/auto

with activated carbons / ai carboni attivi	RHM (DW10ATED4)	80	109	09/02 >	07/04	23.439.00	26.003.00	30.933.00	54.156.00
with activated carbons / ai carboni attivi	RHM (DW10ATED4)	80	109	08/04 >	11/10	23.439.00	26.003.00	30.261.00	54.156.00
2.0 MJT 120	RHK (DW10UTED4)	88	120	10/05 >	11/10	25.060.00	26.022.00	30.330.00	53.069.00
with activated carbons / ai carboni attivi	RHK (DW10UTED4)	88	120	10/05 >	11/10	25.060.00	26.022.00	30.330.00	54.156.00
2.0 MJT 136	RHR (DW10BTED4)	100	136	05/06 >	11/10	25.060.00	26.022.00	30.330.00	53.069.00
with activated carbons / ai carboni attivi	RHR (DW10BTED4)	100	136	05/06 >	11/10	25.060.00	26.022.00	30.330.00	54.156.00
2.0 MJT 136 FAP	RHR (DW10BTED4)	100	136	05/06 >	11/10	25.060.00	26.022.00	30.330.00	53.069.00
with activated carbons / ai carboni attivi	RHR (DW10BTED4)	100	136	05/06 >	11/10	25.060.00	26.022.00	30.330.00	54.156.00
2.2 JTD 16V 163	4HP/4HR	120	163	09/07 >	11/10	25.060.00	24.156.00	30.330.00	53.069.00
with activated carbons / ai carboni attivi	4HP/4HR	120	163	09/07 >	11/10	25.060.00	24.156.00	30.330.00	54.156.00
2.2 JTD 16V 163 C.A.	4HP/4HR	120	163	09/07 >	11/10	25.060.00	24.156.00	30.330.00	53.069.00
with activated carbons / ai carboni attivi	4HP/4HR	120	163	09/07 >	11/10	25.060.00	24.156.00	30.330.00	54.156.00
2.2 JTD 16V C.M.	4HT (DW12BTED4)	125	170	09/07 >	11/10	25.060.00	24.156.00	30.330.00	53.069.00
with activated carbons / ai carboni attivi	4HT (DW12BTED4)	125	170	09/07 >	11/10	25.060.00	24.156.00	30.330.00	54.156.00
2.2 JTD 16V C.M.	4HW (DW12ATED4)	94	128	09/02 >	11/10	23.439.00	26.003.00	30.933.00	53.069.00
with activated carbons / ai carboni attivi	4HW (DW12ATED4)	94	128	09/02 >	11/10	23.439.00	26.003.00	30.933.00	54.156.00
3.0 V6 24V	XFW (ES9J4S)	150	204	09/02 >	11/10	23.191.00		30.067.00	53.069.00
with activated carbons / ai carboni attivi	XFW (ES9J4S)	150	204	09/02 >	11/10	23.191.00		30.067.00	54.156.00

Thema

2.0 i.e.									
to engine No. 0167931 / a motore N. 0167931				10/84 >		23.176.00	31.511.00	30.898.00	53.020.00
2.0 i.e. 16V									
with air-conditioner / con climatizzatore				01/88 >		23.176.00	31.699.00	30.898.00	53.020.00
or / oppure				01/88 >		23.444.00	31.699.00	30.898.00	53.020.00
2.0 i.e. 16V cat Europa									
with air-conditioner / con climatizzatore				11/88 >		23.176.00	31.506.00	30.898.00	53.020.00
or / oppure				11/88 >		23.444.00	31.506.00	30.898.00	53.020.00
2.0 i.e. 16V cat Turbo Europa									
with air-conditioner / con climatizzatore				11/88 >		23.176.00	31.506.00	30.898.00	53.020.00
or / oppure				11/88 >		23.444.00	31.506.00	30.898.00	53.020.00
2.0 i.e. 16V Turbo									
with air-conditioner / con climatizzatore				01/88 >		23.176.00	31.699.00	30.898.00	53.020.00
or / oppure				01/88 >		23.444.00	31.699.00	30.898.00	53.020.00
2.0 i.e. cat Europa									
to engine No. 0082169 / a motore N. 0082169						23.176.00	31.511.00	30.898.00	53.020.00
2.0 i.e. Turbo									
to engine No. 0167931 / a motore N. 0167931				10/84 >		23.176.00	31.511.00	30.898.00	53.020.00
from engine No. 0167932 / da motore N. 0167932						23.176.00	31.699.00	30.898.00	53.020.00
or / oppure				10/84 >		23.444.00		30.898.00	53.020.00
2.5 Turbodiesel									
with pump BOSCH / con pompa BOSCH		85	116	09/88 >		23.303.00	24.351.00	30.898.00	53.020.00
with pump DELPHI / con pompa DELPHI		85	116	09/88 >		23.303.00	24.361.00	30.898.00	53.020.00
with pump and heater BOSCH / con pompa e riscaldatore BOSCH		85	116	09/88 >		23.303.00	24.351.01	30.898.00	53.020.00

Thema 405

3.0 V6 Multijet	EXF	140	190	09/11 >		25.112.00		30.544.00	53.312.00
2 filters / N.2 filtri	EXF	140	190	09/11 >			26.019.01		
3.0 V6 Multijet	EXF	176	239	09/11 >		25.112.00		30.544.00	53.312.00
2 filters / N.2 filtri	EXF	176	239	09/11 >			26.019.01		
3.6 V6 Pentastar	ERB	210	286	09/11 >	12/13	25.248.00			53.312.00
	ERB	210	286	01/14 >					53.312.00
3.6 V6 VVT		210	286	09/11 >		25.251.00			

Thesis

2.0 Turbo Soft 6M	841E000	136	185	04/02 >	05/03			27.366.00	54.157.00
	841E000	136	185	06/03 >	07/09			27.400.00	54.157.00
to engine No. 3684836 / a motore N. 3684836	841E000	136	185	04/02 >		23.415.00			
from engine No. 3684837 / da motore N. 3684837	841E000	136	185	>	07/09	23.455.00			
2.4 20V	841D000	125	170	04/02 >	05/03	23.415.00		27.366.00	54.157.00
	841D000	125	170	06/03 >	07/09	23.415.00		27.400.00	54.157.00
2.4 JTD	841C000	110	150	04/02 >	12/02	23.449.00	24.H2O.00	27.366.00	54.157.00
	841C000	110	150	01/03 >	05/03	23.449.00	24.H2O.04	27.366.00	54.157.00
	841C000	110	150	06/03 >	07/09	23.449.00	24.H2O.04	27.400.00	54.157.00
2.4 JTD 20V	841G000	129	175	05/03 >	07/09	23.455.00	24.H2O.04	27.400.00	54.157.00
2.4 JTD 20V	841M000/841N000	120	163	09/03 >	07/09	23.455.00	24.H2O.04	27.400.00	54.157.00
2.4 JTD 20V Autom.	841P000	136	185	04/06 >	07/09	23.455.00	24.H2O.04	27.400.00	54.157.00
3.0 V6 24V	841A000	158	215	04/02 >	05/03	23.415.00		27.366.00	54.157.00
	841A000	158	215	06/03 >	07/09	23.415.00		27.400.00	54.157.00
3.2 V6 24V	841L000	169	230	05/03 >	07/09	23.415.00		27.400.00	54.157.00

...LANCIA - cars/auto

Voyager								
2.8 DS	ENS	120	163	09/11	>	25.186.00	24.529.00	53.294.00
2.8 DS	ENS	131	178	07/12	>	25.186.00	24.529.00	53.294.00
3.6 V6 Pentastar	ERB	215	283	10/11	> 12/13	25.248.00	∞	53.294.00
	ERB	215	283	01/14	>		∞	53.294.00
Y								
1.2 i	with air-conditioner / con climatizzatore			01/96	> 10/00	23.196.00	31.515.00	53.024.00
1.2 i 16V	from engine No. 00140455 / da motore N. 00140455			09/98	> 06/00	23.438.00	31.515.00	53.024.00
1.2 i 16V (FL. 2000)				06/00	> 04/03	23.438.00	∞	53.024.00
1.2 i 16V Elefantino Blu (FL.2000)				06/00	> 04/03	23.438.00	∞	53.024.00
1.2 i 16V Elefantino Rosso (FL. 2000)				06/00	> 04/03	23.438.00	∞	53.024.00
1.2 i 8V (FL. 2000)				06/00	> 04/03	23.415.00	∞	53.024.00
1.2 i 8V Elefantino Blu (FL.2000)				06/00	> 04/03	23.415.00	∞	53.024.00
1.2 i ECVT (SPI)	with air-conditioner / con climatizzatore			01/96	> 10/00	23.196.00	31.515.00	53.024.00
1.4 i 12V	with air-conditioner / con climatizzatore			01/96	> 10/00	23.196.00	31.515.00	53.024.00
Y Elefantino Blu								
1.1 i (SPI)	with air-conditioner / con climatizzatore			04/97	> 10/00	23.196.00	31.515.00	53.024.00
1.2 i (SPI)	with air-conditioner / con climatizzatore			01/98	> 10/00	23.196.00	31.515.00	53.024.00
Y Elefantino Rosso								
1.2 16V	to engine No. 00140454 / a motore N. 00140454					23.196.00	31.515.00	53.024.00
	from engine No. 00140455 / da motore N. 00140455					23.438.00	31.515.00	53.024.00
Ypsilon								
1.2 16V	188A5000	59	80	05/03	> 10/06	23.438.00	∞	53.043.00
1.2 8V	169A4000	51	69	09/09	>	23.438.00	∞	53.043.00
1.2 8V	188A4000	44	60	05/03	> 08/03	23.415.00	∞	53.043.00
	188A4000	44	60	09/03	> 12/11	23.438.00	∞	53.043.00
1.3 JTD 16V Multijet								
complete filter and disassembly key / filtro completo e chiave di smontaggio	188A9000	51	70	05/03	> 08/05		55.084.00	19.008.00
complete filter and disassembly key / filtro completo e chiave di smontaggio	188A9000	51	70	09/05	> 10/06		55.173.00	19.008.00
assembly PURFLUX / montaggio PURFLUX	188A9000	51	70	05/03	> 10/06	25.043.00	60.H2O.00	53.043.00
assembly UFI / montaggio UFI	188A9000	51	70	01/05	> 10/06	25.031.00	60.H2O.00	53.043.00
1.3 JTD 16V Multijet Selespeed								
complete filter and disassembly key / filtro completo e chiave di smontaggio	188A9000	51	70	05/03	> 08/05		55.084.00	19.008.00
complete filter and disassembly key / filtro completo e chiave di smontaggio	188A9000	51	70	09/05	> 10/06		55.173.00	19.008.00
assembly PURFLUX / montaggio PURFLUX	188A9000	51	70	05/03	> 10/06	25.043.00	60.H2O.00	53.043.00
assembly UFI / montaggio UFI	188A9000	51	70	01/05	> 10/06	25.031.00	60.H2O.00	53.043.00
1.3 JTDm 16V 75								
complete filter and disassembly key / filtro completo e chiave di smontaggio	199A9000	55	75	09/09	>	25.061.00	60.H2O.00	53.043.00
	199A9000	55	75	09/09	>		55.181.00	19.008.00
1.3 MJT 16V 78 E6								
with air-conditioner / con climatizzatore	312B5000	57	78	06/16	>		26.052.00	53.210.00
with activated carbon air-conditioner / con climatizzatore, ai carboni attivi	312B5000	57	78	06/16	>	25.043.00	60.H2O.00	53.043.00
1.3 MJT 16V 95 E6								
with air-conditioner / con climatizzatore	312B1000	70	95	06/16	>		26.052.00	53.210.00
with activated carbon air-conditioner / con climatizzatore, ai carboni attivi	312B1000	70	95	06/16	>	25.043.00	60.H2O.00	53.043.00
1.3 MJT 16V Momo								
complete filter and disassembly key / filtro completo e chiave di smontaggio	843A2000	77	105	10/06	> 12/11		55.181.00	19.008.00
assembly PURFLUX / montaggio PURFLUX	843A2000	77	105	10/06	> 12/11	25.043.00	60.H2O.00	53.043.00
assembly UFI / montaggio UFI	843A2000	77	105	10/06	> 12/11	25.031.00	60.H2O.00	53.043.00
1.3 MJTD 16V								
complete filter and disassembly key / filtro completo e chiave di smontaggio	199A2000	55	75	09/06	> 12/11		55.173.00	19.008.00
assembly PURFLUX / montaggio PURFLUX	199A2000	55	75	09/06	> 12/11	25.043.00	60.H2O.00	53.043.00
assembly UFI / montaggio UFI	199A2000	55	75	09/06	> 12/11	25.031.00	60.H2O.00	53.043.00
1.3 MJTD 16V								
complete filter and disassembly key / filtro completo e chiave di smontaggio	199A3000	66	90	09/06	> 12/11		55.181.00	19.008.00
assembly PURFLUX / montaggio PURFLUX	199A3000	66	90	09/06	> 12/11	25.043.00	60.H2O.00	53.043.00
assembly UFI / montaggio UFI	199A3000	66	90	09/06	> 12/11	25.031.00	60.H2O.00	53.043.00
1.4	350A1000	57	77	09/06	> 12/11	23.438.00	∞	53.043.00
1.4 16V CF4	843A1000	70	95	05/03	> 12/11	23.438.00	∞	53.043.00
1.4 16V CF4 Selespeed	843A1000	70	95	05/03	> 12/11	23.438.00	∞	53.043.00
1.4 GPL/LPG EcoCF4	350A1000	57	77	01/10	>	23.438.00	∞	53.043.00

...LANCIA - cars/auto

Z										
2.0 i.e. 16V CF2										
with air-conditioner / con climatizzatore	RFV	97	132	06/99	>	10/00	23.439.00	31.710.00	30.933.00	53.070.00
2.0 i.e. 16V CF3										
with air-conditioner / con climatizzatore	RFN	100	136	09/00	>		23.439.00	31.710.00	30.933.00	53.070.00
2.0 i.e. Turbo										
with air-conditioner / con climatizzatore				07/99	>	10/00	23.439.00	31.710.00	30.933.00	53.070.00
2.0 JTD 16V CF3										
assembly BOSCH / montaggio BOSCH	RHW	80	110	05/00	>	04/01	23.439.00	26.691.00	30.067.00	53.070.00
assembly SIEMENS / montaggio SIEMENS	RHW	80	110	05/00	>		23.439.00	26.003.00	30.067.00	53.070.00
2.0 JTD CF2										
with air-conditioner / con climatizzatore	RHZ	80	110	06/99	>		23.439.00	26.691.00	30.067.00	53.070.00

LAND ROVER

off-road cars/fuoristrada

Defender (L663)

2.0 D 200 MHEV	AJ20D4	147	200	09/20	>		25.223.00			
2.0 D200 SD4	204DT	147	200	09/19	>		25.223.00			
2.0 D240 SD4	204DT	177	241	09/19	>		25.223.00			
2.0 P300 Si4	PT204	221	300	09/19	>		25.223.00	∞		
2.0 P400e Hybrid	PT204	221	300	09/20	>		25.223.00			
2.0 P400e Hybrid	PT204	297	404	09/20	>		25.223.00			

Defender 110

2.0 D200 SD4	204DT	147	200	09/19	>		25.223.00		30.C38.00	
2.0 D240 SD4	204DT	177	241	09/19	>		25.223.00		30.C38.00	
2.0 P300 Si4	PT204	221	300	09/19	>		25.223.00		30.C38.00	
2.0 P400e Plug in Hybrid	PT204	221	300	09/20	>		25.223.00		30.C38.00	
2.2 TD4	DT244	90	122	08/11	>			24.464.00	30.542.00	✗
full-flow	DT244	90	122	08/11	>	09/13	25.060.00			
2.4 TD4		90	122	05/07	>		25.060.00	24.464.00	30.542.00	✗
2.5 TD5		90	122	07/98	>	12/06	23.444.00	24.525.00	30.141.00	✗
rotor for oil centrifuge / rotore per filtro olio centrifugo		90	122	07/98	>	12/06	25.901.00			
2.8 i V6	BMW			07/98	>		25.004.00	31.564.00		✗
3.0 D200 MHEV	AJ20D6	147	200	09/20	>				30.C38.00	
3.0 D250 MHEV	AJ20D6	183	249	09/20	>				30.C38.00	
3.0 D300 MHEV	AJ20D6	221	300	09/20	>				30.C38.00	
3.0 P400 I6 MHEV	PT306	294	400	09/19	>				30.C38.00	

Defender 130

2.2 TD4	DT244	90	122	08/11	>			24.464.00	30.542.00	✗
full-flow	DT244	90	122	08/11	>	09/13	25.060.00			
2.4 TD4		90	122	05/07	>		25.060.00	24.464.00	30.542.00	✗
2.5 TD5		90	122	07/98	>	12/06	23.444.00	24.525.00	30.141.00	✗
rotor for oil centrifuge / rotore per filtro olio centrifugo		90	122	07/98	>	12/06	25.901.00			
2.8 i V6	BMW			07/98	>		25.004.00	31.564.00		✗

Defender 90

2.0 D200 SD4	204DT	147	200	09/19	>		25.223.00		30.C38.00	
2.0 D240 SD4	204DT	177	241	09/19	>		25.223.00		30.C38.00	
2.0 P300 Si4	PT204	221	300	09/19	>		25.223.00		30.C38.00	
2.2 TD4	DT244	90	122	08/11	>			24.464.00	30.542.00	✗
full-flow	DT244	90	122	08/11	>	09/13	25.060.00			
2.4 TD4		90	122	05/07	>		25.060.00	24.464.00	30.542.00	✗
2.5 TD5		90	122	07/98	>	12/06	23.444.00	24.525.00		✗
rotor for oil centrifuge / rotore per filtro olio centrifugo		90	122	07/88	>	12/06	25.901.00			
2.8 i V6	BMW			07/98	>		25.004.00	31.564.00		✗
3.0 D200 MHEV	AJ20D6	147	200	09/20	>				30.C38.00	
3.0 D250 MHEV	AJ20D6	183	249	09/20	>				30.C38.00	
3.0 D300 MHEV	AJ20D6	221	300	09/20	>				30.C38.00	
3.0 P400 I6 MHEV	PT306	294	400	09/19	>				30.C38.00	

Discovery

2.0 i 16V cat				06/93	>		23.197.00	31.564.00	30.050.00	
2.5 TD5 Luxury		101	136	07/98	>	12/04	23.444.00	24.525.00	30.141.00	
rotor for oil centrifuge / rotore per filtro olio centrifugo		101	136	07/98	>	12/04	25.901.00			
2.5 TD5 Vogue		101	136	07/98	>	12/04	23.444.00	24.525.00	30.141.00	
rotor for oil centrifuge / rotore per filtro olio centrifugo		101	136	07/98	>	12/04	25.901.00			
3.5 V8				10/89	>		23.297.00			
4.0 i V8		136	185	11/98	>		23.297.00	31.564.00	30.141.00	

Discovery 3 (LR3)

2.7 TDV6										
----------	--	--	--	--	--	--	--	--	--	--

...LAND ROVER - off-road cars/fuoristrada

to frame No. VIN n. 6A999999 / a telaio N. VIN n. 6A999999		140	190	10/04	>			24.459.00		
with automatic air-conditioner / con climatizzatore automatico		140	190	10/04	>	09/09	25.066.00		30.268.00	54.155.00
with manual air-conditioner / con climatizzatore manuale		140	190	10/04	>	09/09	25.066.00		30.268.00	53.231.00
from frame No. VIN n. 7A000001 / da telaio N. VIN n. 7A000001		140	190		>	09/09		24.454.00		
antibacterial, anti-odour and anti-allergen filter with automatic air-conditioner / filtro antibatterico, antiodori e anti-allergeni con climatizzatore automatico		140	190	10/04	>	09/09				34.155.00
4.0										
with automatic air-conditioner / con climatizzatore automatico		160	218	02/05	>	09/09	23.473.00		30.268.00	54.155.00
with manual air-conditioner / con climatizzatore manuale		160	218	02/05	>	09/09	23.473.00		30.268.00	53.231.00
antibacterial, anti-odour and anti-allergen filter with automatic air-conditioner / filtro antibatterico, antiodori e anti-allergeni con climatizzatore automatico		160	218	02/05	>	09/09				34.155.00
4.4 V8										
with automatic air-conditioner / con climatizzatore automatico	AJ34	220	299	10/04	>	09/09			30.268.00	54.155.00
with manual air-conditioner / con climatizzatore manuale	AJ34	220	299	10/04	>	09/09			30.268.00	53.231.00
antibacterial, anti-odour and anti-allergen filter with automatic air-conditioner / filtro antibatterico, antiodori e anti-allergeni con climatizzatore automatico	AJ34	220	299	10/04	>	09/09				34.155.00
Discovery 4 (LR4)										
2.7 TDV6										
with automatic air-conditioner / con climatizzatore automatico		140	190	09/09	>			24.454.00	30.268.00	54.155.00
with manual air-conditioner / con climatizzatore manuale		140	190	09/09	>					53.231.00
antibacterial, anti-odour and anti-allergen filter with automatic air-conditioner / filtro antibatterico, antiodori e anti-allergeni con climatizzatore automatico		140	190	09/09	>					34.155.00
3.0										
with automatic air-conditioner / con climatizzatore automatico		250	340	01/14	>		25.073.02			54.155.00
with manual air-conditioner / con climatizzatore manuale		250	340	01/14	>					53.231.00
antibacterial, anti-odour and anti-allergen filter with automatic air-conditioner / filtro antibatterico, antiodori e anti-allergeni con climatizzatore automatico		250	340	01/14	>					34.155.00
3.0 SDV6										
with automatic air-conditioner / con climatizzatore automatico		180	245	09/09	>		25.152.00	24.454.00	30.268.00	54.155.00
with manual air-conditioner / con climatizzatore manuale		180	245	09/09	>					53.231.00
antibacterial, anti-odour and anti-allergen filter with automatic air-conditioner / filtro antibatterico, antiodori e anti-allergeni con climatizzatore automatico		180	245	09/09	>					34.155.00
3.0 SDV6										
with automatic air-conditioner / con climatizzatore automatico		188	256	11/09	>		25.152.00	24.454.00	30.268.00	54.155.00
with manual air-conditioner / con climatizzatore manuale		188	256	11/09	>					53.231.00
antibacterial, anti-odour and anti-allergen filter with automatic air-conditioner / filtro antibatterico, antiodori e anti-allergeni con climatizzatore automatico		188	256	11/09	>					34.155.00
3.0 SDV6										
with automatic air-conditioner / con climatizzatore automatico	30DDTX	200	272	09/09	>		25.152.00	24.454.00	30.268.00	54.155.00
with manual air-conditioner / con climatizzatore manuale	30DDTX	200	272	09/09	>					53.231.00
antibacterial, anti-odour and anti-allergen filter with automatic air-conditioner / filtro antibatterico, antiodori e anti-allergeni con climatizzatore automatico	30DDTX	200	272	09/09	>					34.155.00
3.0 TDV6										
with automatic air-conditioner / con climatizzatore automatico		155	211	10/10	>		25.152.00	24.454.00	30.268.00	54.155.00
with manual air-conditioner / con climatizzatore manuale		155	211	10/10	>					53.231.00
antibacterial, anti-odour and anti-allergen filter with automatic air-conditioner / filtro antibatterico, antiodori e anti-allergeni con climatizzatore automatico		155	211	10/10	>					34.155.00
5.0 V8										
with automatic air-conditioner / con climatizzatore automatico	AJ133	276	375	09/09	>		25.073.02			54.155.00
with manual air-conditioner / con climatizzatore manuale	AJ133	276	375	09/09	>					53.231.00
antibacterial, anti-odour and anti-allergen filter with automatic air-conditioner / filtro antibatterico, antiodori e anti-allergeni con climatizzatore automatico	AJ133	276	375	09/09	>					34.155.00
Discovery 5 (LR5)										
2.0 Sd4 4x4	204DTA	177	241	09/16	>		25.223.00		30.C03.00	54.266.00
antibacterial, anti-odour and anti-allergen filter / filtro antibatterico, antiodori e anti-allergeni	204DTA	177	241	09/16	>					34.266.00
2.0 Si4 4x4	PT204	221	300	09/17	>		25.223.00		30.C03.00	54.266.00
antibacterial, anti-odour and anti-allergen filter / filtro antibatterico, antiodori e anti-allergeni	PT204	221	300	09/17	>					34.266.00
2.0 Td4 4x4	204DTD	132	180	09/16	>		25.223.00		30.C03.00	54.266.00
antibacterial, anti-odour and anti-allergen filter / filtro antibatterico, antiodori e anti-allergeni	204DTD	132	180	09/16	>					34.266.00
3.0 D 4x4	306DT	155	211	09/16	>		25.152.00	24.190.00	30.C03.00	54.266.00
antibacterial, anti-odour and anti-allergen filter / filtro antibatterico, antiodori e anti-allergeni	306DT	155	211	09/16	>					34.266.00
3.0 D 4x4	306DT	183	249	09/16	>		25.152.00	24.190.00	30.C03.00	54.266.00
antibacterial, anti-odour and anti-allergen filter / filtro antibatterico, antiodori e anti-allergeni	306DT	183	249	09/16	>					34.266.00
3.0 SDV6 4x4	306DT	225	306	09/18	>		25.152.00	24.190.00	30.C03.00	54.266.00
antibacterial, anti-odour and anti-allergen filter / filtro antibatterico, antiodori e anti-allergeni	306DT	225	306	09/18	>					34.266.00
3.0 TD6 4x4	306DT	190	258	09/16	>		25.152.00	24.190.00	30.C03.00	54.266.00
antibacterial, anti-odour and anti-allergen filter / filtro antibatterico, antiodori e anti-allergeni	306DT	190	258	09/16	>					34.266.00
3.0 V6 Supercharged	306PS	250	340	09/16	>		25.073.02			54.266.00
antibacterial, anti-odour and anti-allergen filter / filtro antibatterico, antiodori e anti-allergeni	306PS	250	340	09/16	>					34.266.00
2 filters / N.2 filtri	306PS	250	340	09/16	>				30.C03.00	
Discovery Sport										
2.0 D		110	150	06/15	>		25.223.00		30.A63.00	54.159.00
antibacterial, anti-odour and anti-allergen filter / filtro antibatterico, antiodori e anti-allergeni		110	150	06/15	>					34.159.00
2.0 D		132	180	06/15	>		25.223.00		30.A63.00	54.159.00
antibacterial, anti-odour and anti-allergen filter / filtro antibatterico, antiodori e anti-allergeni		132	180	06/15	>					34.159.00
2.0 Si4		177	241	09/14	>		23.632.00		30.559.00	54.159.00
antibacterial, anti-odour and anti-allergen filter / filtro antibatterico, antiodori e anti-allergeni		177	241	09/14	>					34.159.00



...LAND ROVER - off-road cars/fuoristrada

2.2 SD4		140	190	09/14	>	25.060.00	24.156.00	30.559.00	54.159.00
antibacterial, anti-odour and anti-allergen filter / filtro antibatterico, antiodori e anti-allergeni		140	190	09/14	>				34.159.00
2.2 TD4		110	150	09/14	>	25.060.00	24.156.00	30.559.00	54.159.00
antibacterial, anti-odour and anti-allergen filter / filtro antibatterico, antiodori e anti-allergeni		110	150	09/14	>				34.159.00
Freelander I									
1.8 i									
with air-conditioner from V.I.N. 1A000001 / con climatizzatore da V.I.N. 1A000001		86	117	12/00	>	23.254.00		30.068.00	53.105.00
1.8 i	18K4F	88	120	09/97	> 11/00	23.254.00	31.750.00	30.068.00	
with air-conditioner from V.I.N. 1A000001 / con climatizzatore da V.I.N. 1A000001	18K4F	88	120	12/00	>	23.254.00		30.068.00	53.105.00
2.0 TD4									
with air-conditioner / con climatizzatore	BMW	82	111	11/00	> 04/02	25.001.00	24.417.00	27.353.00	53.105.00
with air-conditioner / con climatizzatore	BMW	82	111	05/02	>	25.001.00	31.925.00	27.353.00	53.105.00
2.0 TDI		71	97	05/98	> 11/00	23.495.00	24.365.00	30.068.00	
2.5 V6 24V									
with air-conditioner from V.I.N. 1A000001 / con climatizzatore da V.I.N. 1A000001	KV6	130	177	09/00	> 11/00	23.254.00		30.141.00	
	KV6	130	177	12/00	>	23.254.00		30.141.00	53.105.00
Freelander II									
2.0									
with automatic air-conditioner / con climatizzatore automatico	204PT	177	241	10/11	>	23.632.00		30.559.00	54.159.00
antibacterial, anti-odour and anti-allergen filter with automatic air-conditioner / filtro antibatterico, antiodori e anti-allergeni con climatizzatore automatico	204PT	177	241	10/11	>				34.159.00
2.2 SD4 E5									
with automatic air-conditioner / con climatizzatore automatico	224DT	140	190	10/10	>	25.060.00	24.156.00	30.555.00	54.159.00
with manual air-conditioner / con climatizzatore manuale	224DT	140	190	10/10	>				53.206.00
antibacterial, anti-odour and anti-allergen filter with automatic air-conditioner / filtro antibatterico, antiodori e anti-allergeni con climatizzatore automatico	224DT	140	190	10/10	>				34.159.00
2.2 TD4									
with automatic air-conditioner / con climatizzatore automatico	224DT	110	150	11/06	>	25.060.00	24.156.00	30.555.00	54.159.00
with manual air-conditioner / con climatizzatore manuale	224DT	110	150	11/06	>				53.206.00
antibacterial, anti-odour and anti-allergen filter with automatic air-conditioner / filtro antibatterico, antiodori e anti-allergeni con climatizzatore automatico	224DT	110	150	11/06	>				34.159.00
2.2 TD4									
with automatic air-conditioner / con climatizzatore automatico	224DT	118	160	11/06	>	25.060.00	24.156.00	30.555.00	54.159.00
with manual air-conditioner / con climatizzatore manuale	224DT	118	160	11/06	>				53.206.00
antibacterial, anti-odour and anti-allergen filter with automatic air-conditioner / filtro antibatterico, antiodori e anti-allergeni con climatizzatore automatico	224DT	118	160	11/06	>				34.159.00
2.2 TD4 E5									
with automatic air-conditioner / con climatizzatore automatico	224DT	110	150	10/10	>	25.060.00	24.156.00	30.555.00	54.159.00
with manual air-conditioner / con climatizzatore manuale	224DT	110	150	10/10	>				53.206.00
antibacterial, anti-odour and anti-allergen filter with automatic air-conditioner / filtro antibatterico, antiodori e anti-allergeni con climatizzatore automatico	224DT	110	150	10/10	>				34.159.00
3.2									
with automatic air-conditioner / con climatizzatore automatico	Si6 (Volvo B6324)	171	233	11/06	>	25.177.00		30.555.00	54.159.00
antibacterial, anti-odour and anti-allergen filter with automatic air-conditioner / filtro antibatterico, antiodori e anti-allergeni con climatizzatore automatico	Si6 (Volvo B6324)	171	233	11/06	>				34.159.00
Land Rover 109									
3.5 V8				11/79	>	23.297.00			
Land Rover 88									
2.3 Diesel (Serie II A)				01/63	>	25.455.00	24.360.00		
2.3 Diesel (Serie II B)				01/63	>	25.455.00	24.360.00		
2.3 Diesel (Serie II)				01/63	>	25.455.00	24.360.00		
2.3 Diesel (Serie III)				01/63	>	25.455.00	24.360.00		
Range Rover Evoque (L538)									
2.0	PT204	177	241	08/17	>	23.632.00		30.559.00	
with automatic air-conditioner / con climatizzatore automatico	PT204	177	241	08/17	>				54.159.00
with manual air-conditioner / con climatizzatore manuale	PT204	177	241	08/17	>				53.206.00
antibacterial, anti-odour and anti-allergen filter with automatic air-conditioner / filtro antibatterico, antiodori e anti-allergeni con climatizzatore automatico	PT204	177	241	08/17	>				34.159.00
2.0	PT204	213	290	08/17	>	23.632.00		30.559.00	
with automatic air-conditioner / con climatizzatore automatico	PT204	213	290	08/17	>				54.159.00
with manual air-conditioner / con climatizzatore manuale	PT204	213	290	08/17	>				53.206.00
antibacterial, anti-odour and anti-allergen filter with automatic air-conditioner / filtro antibatterico, antiodori e anti-allergeni con climatizzatore automatico	PT204	213	290	08/17	>				34.159.00
2.0 D	204DTD	110	150	06/15	>	25.223.00		30.A63.00	
with automatic air-conditioner / con climatizzatore automatico	204DTD	110	150	06/15	>				54.159.00
with manual air-conditioner / con climatizzatore manuale	204DTD	110	150	06/15	>				53.206.00
antibacterial, anti-odour and anti-allergen filter with automatic air-conditioner / filtro antibatterico, antiodori e anti-allergeni con climatizzatore automatico	204DTD	110	150	06/15	>				34.159.00
2.0 D	204DTD	132	180	06/15	>	25.223.00		30.A63.00	
with automatic air-conditioner / con climatizzatore automatico	204DTD	132	180	06/15	>				54.159.00
with manual air-conditioner / con climatizzatore manuale	204DTD	132	180	06/15	>				53.206.00
antibacterial, anti-odour and anti-allergen filter with automatic air-conditioner / filtro antibatterico, antiodori e anti-allergeni con climatizzatore automatico	204DTD	132	180	06/15	>				34.159.00
2.0 Si4	204PT	176	240	06/11	>	23.632.00		30.559.00	
with automatic air-conditioner / con climatizzatore automatico	204PT	176	240	06/11	>				54.159.00
with manual air-conditioner / con climatizzatore manuale	204PT	176	240	06/11	>				53.206.00
antibacterial, anti-odour and anti-allergen filter with automatic air-conditioner / filtro antibatterico, antiodori e anti-allergeni con climatizzatore automatico	204PT	176	240	06/11	>				34.159.00
2.0 Si4	204PT	177	241	06/11	>	23.632.00		30.559.00	

...LAND ROVER - off-road cars/fuoristrada

with automatic air-conditioner / con climatizzatore automatico	204PT	177	241	06/11	>				54.159.00
with manual air-conditioner / con climatizzatore manuale	204PT	177	241	06/11	>				53.206.00
antibacterial, anti-odour and anti-allergen filter with automatic air-conditioner / filtro antibatterico, antiodori e anti-allergeni con climatizzatore automatico	204PT	177	241	06/11	>				34.159.00
2.2 eD4		110	150	06/11	>	25.060.00	24.156.00	30.559.00	
with automatic air-conditioner / con climatizzatore automatico		110	150	06/11	>				54.159.00
with manual air-conditioner / con climatizzatore manuale		110	150	06/11	>				53.206.00
antibacterial, anti-odour and anti-allergen filter with automatic air-conditioner / filtro antibatterico, antiodori e anti-allergeni con climatizzatore automatico		110	150	06/11	>				34.159.00
2.2 SD4		140	190	06/11	>	25.060.00	24.156.00	30.559.00	
with automatic air-conditioner / con climatizzatore automatico		140	190	06/11	>				54.159.00
with manual air-conditioner / con climatizzatore manuale		140	190	06/11	>				53.206.00
antibacterial, anti-odour and anti-allergen filter with automatic air-conditioner / filtro antibatterico, antiodori e anti-allergeni con climatizzatore automatico		140	190	06/11	>				34.159.00
2.2 TD4		110	150	06/11	>	25.060.00	24.156.00	30.559.00	
with automatic air-conditioner / con climatizzatore automatico		110	150	06/11	>				54.159.00
with manual air-conditioner / con climatizzatore manuale		110	150	06/11	>				53.206.00
antibacterial, anti-odour and anti-allergen filter with automatic air-conditioner / filtro antibatterico, antiodori e anti-allergeni con climatizzatore automatico		110	150	06/11	>				34.159.00
Range Rover Evoque (L551)									
1.5 P160 MHEV	AJ20P3	118	160	09/20	>	25.223.00		30.A63.00	
1.5 P300e Plug in Hybrid	AJ20P3	147	200	02/20	>	25.223.00		30.A63.00	
2.0 D150	204DTD	110	150	12/18	>	25.223.00		30.A63.00	
with automatic air-conditioner / con climatizzatore automatico	204DTD	110	150	12/18	>				54.159.00
with manual air-conditioner / con climatizzatore manuale	204DTD	110	150	12/18	>				53.206.00
antibacterial, anti-odour and anti-allergen filter with automatic air-conditioner / filtro antibatterico, antiodori e anti-allergeni con climatizzatore automatico	204DTD	110	150	12/18	>				34.159.00
2.0 D150 MHEV	204DTD	110	150	12/18	>	25.223.00		30.A63.00	
2.0 D165	AJ20D4	120	163	07/20	>	25.223.00		30.A63.00	
2.0 D165 MHEV	AJ20D4	120	163	07/20	>	25.223.00		30.A63.00	
2.0 D180	204DTD	132	180	12/18	>	25.223.00		30.A63.00	
2.0 D180 MHEV	204DTD	132	180	12/18	>	25.223.00		30.A63.00	
2.0 D200	AJ20D4	150	204	07/20	>	25.223.00		30.A63.00	
2.0 D200 MHEV	AJ20D4	150	204	07/20	>	25.223.00		30.A63.00	
2.0 D240 MHEV	204DTA	177	240	12/18	>	25.223.00		30.A63.00	
2.0 P200	PT204	147	200	12/18	>	25.223.00		30.A63.00	
2.0 P200 FLEX MHEV	PT204	147	200	09/20	>	25.223.00		30.A63.00	
2.0 P200 MHEV	PT204	147	200	12/18	>	25.223.00		30.A63.00	
2.0 P250	PT204	184	250	12/18	>	25.223.00		30.A63.00	
2.0 P250 MHEV	PT204	183	250	12/18	>	25.223.00		30.A63.00	
2.0 P300	PT204	221	300	07/20	>	25.223.00		30.A63.00	
2.0 P300 MHEV	PT204	221	300	12/18	>	25.223.00		30.A63.00	
Range Rover I									
2.3 Diesel	Peugeot			01/83	>	23.198.00	24.361.00		
3.5 i V8				10/89	>	23.297.00	31.564.00		
3.5 V8									
from engine No. Suffix F / da motore N. Suffix F						23.297.00			
Range Rover II									
2.5 DT									
with air-conditioner 2 filters / con climatizzatore N.2 filtri	BMW (6 cyl)			08/94	> 04/02				53.316.00
with oil filter equipped with plastic cover / con filtro olio completo con coperchio in plastica	BMW (6 cyl)			09/96	> 04/02	25.009.00	24.397.00	30.141.00	
4.0 i V8		136	185	06/98	> 04/02	23.297.00	31.564.00	30.141.00	
with air-conditioner 2 filters / con climatizzatore N.2 filtri		136	185	06/98	> 04/02				53.316.00
4.0 i V8		140	190	09/96	> 04/02	23.297.00	31.564.00	30.141.00	
with air-conditioner 2 filters / con climatizzatore N.2 filtri		140	190	08/94	> 04/02				53.316.00
4.6 i V8		160	218	06/98	> 04/02	23.297.00	31.564.00	30.141.00	
with air-conditioner 2 filters / con climatizzatore N.2 filtri		160	218	06/98	> 04/02				53.316.00
4.6 i V8		165	224	09/96	> 04/02	23.297.00	31.564.00	30.141.00	
with air-conditioner 2 filters / con climatizzatore N.2 filtri		165	224	08/94	> 04/02				53.316.00
Range Rover III									
3.0 Td6	BMW M57D30	130	177	03/02	> 12/06	25.030.00	24.427.00	27.384.00	54.128.00
3.6 TDV8	368DT	200	272	04/06	> 08/12	25.168.00	24.454.00		54.128.00
4.2 V8 Supercharged	AJ34	286	389	05/05	> 11/06			30.268.00	54.128.00
4.2 V8 Supercharged	AJ34	291	396	10/06	> 10/09				54.128.00
4.4 TD V8	448DT	230	313	07/10	> 08/12	25.159.00			54.128.00
4.4 V8	AJ34	220	299	05/05	> 11/06				54.128.00
4.4 V8	AJ34	225	306	10/06	> 08/12				54.128.00
4.4 V8 32V	BMW M62B44	210	286	03/02	> 06/05	25.038.00			54.128.00
5.0 V8	508PS	375	510	09/09	> 08/12	25.073.02			54.128.00
Range Rover IV (LG)									
3.0		250	340	10/13	>	25.073.02			54.266.00
antibacterial, anti-odour and anti-allergen filter / filtro antibatterico, antiodori e anti-allergeni		250	340	10/13	>				34.266.00

...LAND ROVER - off-road cars/fuoristrada

2 filters / N.2 filtri		250 340	10/13 >			30.C03.00	
3.0 SDV6 Hybrid		225 306	06/15 >	25.152.00	24.190.00		54.266.00
antibacterial, anti-odour and anti-allergen filter / filtro antibatterico, antiodori e anti-allergeni		225 306	09/15 >				34.266.00
2 filters / N.2 filtri		225 306	06/15 >			30.C03.00	
3.0 SDV6 Hybrid		250 340	09/13 >	25.152.00	24.190.00		54.266.00
antibacterial, anti-odour and anti-allergen filter / filtro antibatterico, antiodori e anti-allergeni		250 340	09/13 >				34.266.00
2 filters / N.2 filtri		250 340	09/13 >			30.C03.00	
3.0 TDV6		183 249	01/13 >	25.152.00	24.190.00		54.266.00
antibacterial, anti-odour and anti-allergen filter / filtro antibatterico, antiodori e anti-allergeni		183 249	01/13 >				34.266.00
2 filters / N.2 filtri		183 249	01/13 >			30.C03.00	
3.0 TDV6		190 258	01/13 >	25.152.00	24.190.00		54.266.00
2 filters / N.2 filtri		190 258	01/13 >			30.C03.00	
3.0 V6		280 380	06/15 >	25.073.02			54.266.00
antibacterial, anti-odour and anti-allergen filter / filtro antibatterico, antiodori e anti-allergeni		280 380	06/15 >				34.266.00
2 filters / N.2 filtri		280 380	06/15 >			30.C03.00	
4.4 SDV8	448DT	250 340	08/12 >	25.159.00			54.266.00
antibacterial, anti-odour and anti-allergen filter / filtro antibatterico, antiodori e anti-allergeni	448DT	250 340	08/12 >				34.266.00
2 filters / N.2 filtri	448DT	250 340	08/12 >			30.C03.00	
5.0 V8 Supercharged		375 510	01/13 >	25.073.02			54.266.00
antibacterial, anti-odour and anti-allergen filter / filtro antibatterico, antiodori e anti-allergeni		375 510	01/13 >				34.266.00
2 filters / N.2 filtri		375 510	01/13 >			30.C03.00	
5.0 V8 SVR		405 550	06/15 >	25.073.02			54.266.00
antibacterial, anti-odour and anti-allergen filter / filtro antibatterico, antiodori e anti-allergeni		405 550	06/15 >				34.266.00
2 filters / N.2 filtri		405 550	06/15 >			30.C03.00	
Range Rover Sport							
2.7 TDV6							
with automatic air-conditioner / con climatizzatore automatico		140 190	05/05 > 07/06	25.066.00	24.459.00	30.268.00	54.155.00
with manual air-conditioner / con climatizzatore manuale		140 190	05/05 > 07/06	25.066.00	24.459.00	30.268.00	53.231.00
antibacterial, anti-odour and anti-allergen filter with automatic air-conditioner / filtro antibatterico, antiodori e anti-allergeni con climatizzatore automatico		140 190	05/05 > 07/06				34.155.00
3.0 TD							
with automatic air-conditioner / con climatizzatore automatico		183 249	08/12 >	25.152.00	24.454.00	30.268.00	54.155.00
with manual air-conditioner / con climatizzatore manuale		183 249	08/12 >	25.152.00	24.454.00	30.268.00	53.231.00
antibacterial, anti-odour and anti-allergen filter with automatic air-conditioner / filtro antibatterico, antiodori e anti-allergeni con climatizzatore automatico		183 249	08/12 >				34.155.00
3.0 TDV6							
with automatic air-conditioner / con climatizzatore automatico		155 211	05/10 >	25.152.00	24.454.00	30.268.00	54.155.00
with manual air-conditioner / con climatizzatore manuale		155 211	05/10 >	25.152.00	24.454.00	30.268.00	53.231.00
antibacterial, anti-odour and anti-allergen filter with automatic air-conditioner / filtro antibatterico, antiodori e anti-allergeni con climatizzatore automatico		155 211	05/10 >				34.155.00
3.0 TDV6							
with automatic air-conditioner / con climatizzatore automatico		180 245	09/09 >	25.152.00	24.454.00	30.268.00	54.155.00
with manual air-conditioner / con climatizzatore manuale		180 245	09/09 >	25.152.00	24.454.00	30.268.00	53.231.00
antibacterial, anti-odour and anti-allergen filter with automatic air-conditioner / filtro antibatterico, antiodori e anti-allergeni con climatizzatore automatico		180 245	09/09 >				34.155.00
3.6 TDV8							
with automatic air-conditioner / con climatizzatore automatico		200 272	10/06 >	25.168.00	24.454.00	30.268.00	54.155.00
with manual air-conditioner / con climatizzatore manuale		200 272	10/06 >	25.168.00	24.454.00	30.268.00	53.231.00
antibacterial, anti-odour and anti-allergen filter with automatic air-conditioner / filtro antibatterico, antiodori e anti-allergeni con climatizzatore automatico		200 272	10/06 >				34.155.00
4.2 V8 Supercharged							
with automatic air-conditioner / con climatizzatore automatico		287 390	05/05 >			30.268.00	54.155.00
with manual air-conditioner / con climatizzatore manuale		287 390	05/05 >			30.268.00	53.231.00
antibacterial, anti-odour and anti-allergen filter with automatic air-conditioner / filtro antibatterico, antiodori e anti-allergeni con climatizzatore automatico		287 390	05/05 >				34.155.00
4.4 V8							
with automatic air-conditioner / con climatizzatore automatico	AJ34	220 299	05/05 >			30.268.00	54.155.00
with manual air-conditioner / con climatizzatore manuale	AJ34	220 299	05/05 >			30.268.00	53.231.00
antibacterial, anti-odour and anti-allergen filter with automatic air-conditioner / filtro antibatterico, antiodori e anti-allergeni con climatizzatore automatico	AJ34	220 299	05/05 >				34.155.00
5.0 V8							
with automatic air-conditioner / con climatizzatore automatico		276 375	07/09 >	25.073.02			54.155.00
with manual air-conditioner / con climatizzatore manuale		276 375	07/09 >	25.073.02			53.231.00
antibacterial, anti-odour and anti-allergen filter with automatic air-conditioner / filtro antibatterico, antiodori e anti-allergeni con climatizzatore automatico		276 375	07/09 >				34.155.00
5.0 V8							
with automatic air-conditioner / con climatizzatore automatico		375 510	09/09 >	25.073.02			54.155.00
with manual air-conditioner / con climatizzatore manuale		375 510	09/09 >	25.073.02			53.231.00
antibacterial, anti-odour and anti-allergen filter with automatic air-conditioner / filtro antibatterico, antiodori e anti-allergeni con climatizzatore automatico		375 510	09/09 >				34.155.00
Range Rover Sport II (LW)							
2.0	PT204	221 300	09/17 >	25.223.00			54.266.00
antibacterial, anti-odour and anti-allergen filter / filtro antibatterico, antiodori e anti-allergeni	PT204	221 300	09/17 >				34.266.00
3.0		250 340	09/13 >	25.073.02			54.266.00
antibacterial, anti-odour and anti-allergen filter / filtro antibatterico, antiodori e anti-allergeni		250 340	09/13 >				34.266.00
2 filters / N.2 filtri		250 340	09/13 >			30.C03.00	

...LAND ROVER - off-road cars/fuoristrada

3.0 SDV6		215	292	09/13	>	25.152.00	24.190.00		54.266.00
antibacterial, anti-odour and anti-allergen filter / filtro antibatterico, antiodori e anti-allergeni		215	292	09/13	>				34.266.00
2 filters / N.2 filtri		215	292	09/13	>			30.C03.00	
3.0 SDV6		225	306	11/14	>	25.152.00	24.190.00		54.266.00
antibacterial, anti-odour and anti-allergen filter / filtro antibatterico, antiodori e anti-allergeni		225	306	11/14	>				34.266.00
2 filters / N.2 filtri		225	306	11/14	>			30.C03.00	
3.0 SDV6 Hybrid		225	306	06/15	>	25.152.00	24.190.00		54.266.00
antibacterial, anti-odour and anti-allergen filter / filtro antibatterico, antiodori e anti-allergeni		225	306	06/15	>				34.266.00
2 filters / N.2 filtri		225	306	06/15	>			30.C03.00	
3.0 SDV6 Hybrid		250	340	09/13	>	25.152.00	24.190.00		54.266.00
antibacterial, anti-odour and anti-allergen filter / filtro antibatterico, antiodori e anti-allergeni		250	340	09/13	>				34.266.00
2 filters / N.2 filtri		250	340	09/13	>			30.C03.00	
3.0 TDV6		190	258	09/13	>	25.152.00	24.190.00		54.266.00
antibacterial, anti-odour and anti-allergen filter / filtro antibatterico, antiodori e anti-allergeni		190	258	09/13	>				34.266.00
2 filters / N.2 filtri		190	258	09/13	>			30.C03.00	
3.0 V6		280	380	06/15	>	25.073.02			54.266.00
antibacterial, anti-odour and anti-allergen filter / filtro antibatterico, antiodori e anti-allergeni		280	380	06/15	>				34.266.00
2 filters / N.2 filtri		280	380	06/15	>			30.C03.00	
4.4 SDV8	448DT	250	340	10/13	>	25.159.00			54.266.00
antibacterial, anti-odour and anti-allergen filter / filtro antibatterico, antiodori e anti-allergeni	448DT	250	340	10/13	>				34.266.00
2 filters / N.2 filtri	448DT	250	340	10/13	>			30.C03.00	
5.0 V8		375	510	09/13	>	25.073.02			54.266.00
antibacterial, anti-odour and anti-allergen filter / filtro antibatterico, antiodori e anti-allergeni		375	510	09/13	>				34.266.00
2 filters / N.2 filtri		375	510	09/13	>			30.C03.00	
5.0 V8 SVR		405	550	10/14	>	25.073.02			54.266.00
antibacterial, anti-odour and anti-allergen filter / filtro antibatterico, antiodori e anti-allergeni		405	550	10/14	>				34.266.00
2 filters / N.2 filtri		405	550	10/14	>			30.C03.00	

Range Rover Velar (L560)

2.0 D180	204DTD	132	180	03/17	>	25.223.00			54.266.00
antibacterial, anti-odour and anti-allergen filter / filtro antibatterico, antiodori e anti-allergeni	204DTD	132	180	03/17	>				34.266.00
2.0 D240	204DTA	147	240	03/17	>	25.223.00			54.266.00
antibacterial, anti-odour and anti-allergen filter / filtro antibatterico, antiodori e anti-allergeni	204DTA	147	240	03/17	>				34.266.00
2.0 P250	204PT	184	250	03/17	>	25.223.00			54.266.00
antibacterial, anti-odour and anti-allergen filter / filtro antibatterico, antiodori e anti-allergeni	204PT	184	250	03/17	>				34.266.00
2.0 P300	204PT	221	300	03/17	>	25.223.00			54.266.00
antibacterial, anti-odour and anti-allergen filter / filtro antibatterico, antiodori e anti-allergeni	204PT	221	300	03/17	>				34.266.00
3.0 D300 V6	306DT	221	300	03/17	>	25.152.00			54.266.00
antibacterial, anti-odour and anti-allergen filter / filtro antibatterico, antiodori e anti-allergeni	306DT	221	300	03/17	>				34.266.00
3.0 P380 V6	30HDOD	280	380	03/17	>	25.073.02			54.266.00
antibacterial, anti-odour and anti-allergen filter / filtro antibatterico, antiodori e anti-allergeni	30HDOD	280	380	03/17	>				34.266.00

LAND ROVER SANTANA

off-road cars/fuoristrada

Santana 2500

2500 DC Diesel							24.360.00	27.931.00	
2500 DL Diesel							24.360.00	27.931.00	

Santana 3500

3500 DL Diesel							24.360.00	27.931.00	
-----------------------	--	--	--	--	--	--	-----------	-----------	--

SJ 410

Suzuki SJ 410						23.131.01	31.010.00	27.074.00	
----------------------	--	--	--	--	--	-----------	-----------	-----------	--

SJ 413

Suzuki SJ 413						23.210.00	31.010.00	27.090.00	
----------------------	--	--	--	--	--	-----------	-----------	-----------	--

LDV

commercial vehicles/veicoli commerciali

Convoy 400 (VH C35)

2.4 DI Turbodiesel	Duratorq	55	75	01/02	>	10/04	25.015.00	24.432.00	30.155.00	
	Duratorq	55	75	11/04	>	07/06	25.015.00	24.456.00	30.155.00	
2.4 DI Turbodiesel TDE	Duratorq D4FA	88	120	01/02	>	10/04	25.015.00	24.432.00	30.155.00	
	Duratorq D4FA	88	120	11/04	>	07/06	25.015.00	24.456.00	30.155.00	

Maxus

2.5 CDi	VM R425	70	95	04/05	>		23.249.00	24.H2O.04		
2.5 CDi	VM R425	88	120	04/05	>		23.249.00	24.H2O.04		

LEXUS

cars/auto

CT (ZWA10)

200 h	2ZR-FXE	74	100	03/11	>				30.625.00	53.147.00
200 h F-Sport	2ZR-FXE	100	136	03/12	>				30.625.00	53.147.00

ES Serie

...LEXUS - cars/auto

ES 200 VVTi	6ARFSE	110	150	10/18	>	25.196.00			54.331.00
ES 250 VVTi	A25AFKS	147	200	10/18	>	23.263.00			54.331.00
ES 300	2JZ-GE			08/96	> 07/01	23.253.00			
ES 300h VVTi Hybrid	A25AFXS	131	178	07/18	>	23.263.00			54.331.00
ES 350 VVTi	2GRFKS	183	249	10/18	>	25.196.00			54.331.00
GS Serie									
GS 300 (JZS160)	2JZ-GE			10/00	>	23.253.00			
GS 300 h 2.5 VVTi Hybrid	2ARF-SE	133	181	10/13	>	25.196.00		∞	
GS 300 T3 (JZS160)	2JZ-FE			12/97	> 10/00	23.253.00			
GS 430 V8 VVTi	3UZ-FE	207	281	07/00	>	23.477.00			
IS (XE)									
IS 200 t	8AR-FTS	180	245	06/15	>	25.196.00		∞	
IS 250	4GR-FSE	153	208	04/13	>	25.077.00		∞	
IS 300 h	2AR-FSE	164	223	04/13	>	25.196.00		∞	
IS 200									
IS 200	1G-FE	114	155	04/99	> 07/05	23.253.00		30.288.00	
with air-conditioner / con climatizzatore	1G-FE	114	155	04/99	> 07/05				53.248.00
IS 200 Compressor	1GE-FEC	137	187	07/00	> 07/05	23.253.00			
with air-conditioner / con climatizzatore	1GE-FEC	137	187	07/00	> 07/05				53.248.00
IS 220									
2.2 TDI 16V	2AD-FHV	130	177	09/05	>		26.045.00	30.453.00	53.147.00
IS 250									
2.5	4GR-FSE	153	208	09/05	>				53.147.00
IS 300									
IS 300	2JZ-GE	157	213	07/00	> 07/05	23.253.00			
with air-conditioner / con climatizzatore	2JZ-GE	157	213	07/00	> 07/05				53.248.00
LS 430									
4.3 V8 VVTi	3UZ-FE	207	281	08/00	>	23.477.00			
LX Serie									
LX 450 d	1VD-FTV	200	272	09/15	>		26.138.00	30.785.00	53.147.00
with activated carbons / ai carboni attivi	1VD-FTV	200	272	09/15	>				54.266.00
antibacterial, anti-odour and anti-allergen filter / filtro antibatterico, antiodori e anti-allergeni	1VD-FTV	200	272	09/15	>				34.266.00
LX 470 4.7 V8 32V	2UZ-FE	170	231	01/98	> 12/06	23.477.00			
NX Serie									
NX 200 t	8AR-FTS	175	238	09/14	>	25.196.00		∞	53.147.00
with activated carbons / ai carboni attivi	8AR-FTS	175	238	09/14	>				54.266.00
antibacterial, anti-odour and anti-allergen filter / filtro antibatterico, antiodori e anti-allergeni	8AR-FTS	175	238	09/14	>				34.266.00
NX 300 h	2AR-FXE	114	155	07/14	>	25.196.00		∞	30.625.00
with activated carbons / ai carboni attivi	2AR-FXE	114	155	07/14	>				54.266.00
antibacterial, anti-odour and anti-allergen filter / filtro antibatterico, antiodori e anti-allergeni	2AR-FXE	114	155	07/14	>				34.266.00
NX 300 h 4WD	2AR-FXE	114	155	07/14	>	25.196.00		∞	30.625.00
with activated carbons / ai carboni attivi	2AR-FXE	114	155	07/14	>				54.266.00
antibacterial, anti-odour and anti-allergen filter / filtro antibatterico, antiodori e anti-allergeni	2AR-FXE	114	155	07/14	>				34.266.00
RX Serie									
RX 200 t	8AR-FTS	168	228	09/15	>	25.196.00		∞	54.331.00
series GYL / Serie GYL	8AR-FTS	168	228	04/09	> 08/15				53.147.00
RX 200 t	8AR-FTS	175	238	12/17	>	25.196.00		∞	54.331.00
series GYL / Serie GYL	8AR-FTS	175	238	04/09	> 08/15				53.147.00
RX 200 t AWD	8AR-FTS	175	238	10/15	>	25.196.00		∞	
RX 270									
with activated carbons / ai carboni attivi	1ARFE	138	188	09/15	>				54.331.00
series GYL / Serie GYL	1ARFE	138	188	04/09	> 08/15				53.147.00
RX 300 V6 24V VVTi (MCU15)	1MZ-FE	148	201	01/98	> 02/03	23.253.00		30.223.00	53.248.00
RX 300 V6 24V VVTi (MCU3)	1MZ-FE	150	204	02/03	> 12/08	23.253.00		30.788.00	
RX 350 4x4	2GR-FE	206	280	01/06	> 01/09	25.196.00		∞	
RX 350 h 4x4	2GR-FE	204	277	02/09	>	25.196.00		∞	
RX 400 h Hybrid (MCU3)	3MZ-FE	155	211	03/05	> 12/08	23.253.00			
RX 450 h Hybrid	2GR-FXE	183	249	01/09	>	25.196.00		∞	
RX 450 h Hybrid 4x4	2GR-FXE	183	249	01/09	>	25.196.00		∞	
RX 450 h Hybrid AWD	2GR-FXS	230	313	11/15	>	25.196.00		∞	
SC 430									
4.3 V8		210	286	01/01	>	23.477.00			
UX Serie									
UX 200	M20AFKS	110	150	10/18	>	23.263.00			54.331.00
UX 200	M20AFKS	126	171	10/18	>	23.263.00			54.331.00
UX 250h VVTi Hybrid	M20AFXS	107	145	10/18	>	23.263.00		30.C46.00	54.331.00
UX 250h VVTi Hybrid	M20AFXS	112	152	10/18	>	23.263.00		30.C46.00	54.331.00

...LEXUS - cars/auto

UX 300e EV																		54.331.00	
with activated carbons / ai carboni attivi		4KM		150 204		04/20 >													
LIGIER												microcars/microvetture							
Ambra																			
162 GL Diesel		Lombardini LDW502						23.262.00		24.352.00		30.997.00							
162 GLS Diesel		Lombardini LDW502						23.262.00		24.352.00		30.997.00							
500		Lombardini LGW523		14 19		01/97 >		23.262.00		31.001.00		27.A05.00						✕	
Be-Up																			
500		Lombardini LGW523		15 20		01/01 >		23.262.00		31.001.00		27.A05.00						✕	
Nova																			
500		Lombardini LGW523		14 20		09/00 >		23.262.00		31.001.00		27.A05.00						✕	
Sulky																			
Sulky Diesel		Lombardini LDW502						23.262.00		24.352.00		30.997.00							
X-Pro																			
500 Diesel		Lombardini LDW502		4 5		08/05 >		23.262.00		31.001.00		27.A05.00						✕	
X-Too																			
500 Diesel		Lombardini LDW502		4 5		02/05 >		23.262.00		31.001.00		27.A05.00						✕	
LONDON TAXI COMPANY												cars/auto							
Hooper Metrocab																			
2.4 Turbodiesel		Toyota 2L-T		66 90		01/01 > 05/06		23.248.00		24.374.00		27.D10.00							
TX I																			
2.7 Turbodiesel		Nissan TD27		60 82		01/97 > 12/02		23.256.00		24.375.00		27.769.00						✕	
TX II																			
2.4 Turbodiesel		Ford Duratorq		66 90		11/02 >		25.015.00		24.432.00		30.146.00						✕	
TX4																			
2.5 Turbodiesel		VM R425 DOHC		75 102		10/06 >		23.249.00		24.H20.04		30.107.00							
LOTUS												cars/auto							
Eclat																			
2.2 (2172)						05/80 >		23.127.02											
Elan																			
1.6		ZN1 (4XE1) (1588)				01/89 >		23.271.00		31.564.00									
Elan 2.0012																			
1.6																			
some / alcuni		Ford DOHC (1558)				01/74 >												27.752.00	
spin-on / avvitabile		Ford DOHC (1558)				01/72 >		23.103.00											
Elan 2.0012 S																			
1.6																			
some / alcuni		Ford DOHC (1558)				01/74 >												27.752.00	
spin-on / avvitabile		Ford DOHC (1558)				01/72 >		23.103.00											
Elan 2+2																			
1.6																			
some / alcuni		Ford DOHC (1558)				01/74 >												27.752.00	
spin-on / avvitabile		Ford DOHC (1558)				01/72 >		23.103.00											
Elan 2+2 S																			
1.6																			
some / alcuni		Ford DOHC (1558)				01/74 >												27.752.00	
spin-on / avvitabile		Ford DOHC (1558)				01/72 >		23.103.00											
Elan Europa																			
1.6																			
some / alcuni		Ford DOHC (1558)				01/74 >												27.752.00	
spin-on / avvitabile		Ford DOHC (1558)				01/72 >		23.103.00											
Elan Sprint																			
1.6																			
some / alcuni		Ford DOHC (1558)				01/74 >												27.752.00	
spin-on / avvitabile		Ford DOHC (1558)				01/72 >		23.103.00											
Elan Turbo SE																			
1.6 Turbo		ZT1 (4XE-MT) (1588)				01/89 >		23.271.00		31.564.00									
ElanTwin Cam																			
1.6																			
some / alcuni		Ford DOHC (1558)				01/74 >												27.752.00	
spin-on / avvitabile		Ford DOHC (1558)				01/72 >		23.103.00											
Eleven																			
1.1		Coventry-Climax (1098)						25.408.00											
Eleven Club																			

...LOTUS - cars/auto

1.1	Coventry-Climax (1098)			25.408.00			
Eleven Le Mans							
1.1	Coventry-Climax (1098)			25.408.00			
Eleven Sport							
1.1	Coventry-Climax (1098)			25.408.00			
Elise							
1.8	Rover K Serie	107 145	04/99 > 12/00	23.254.00	31.750.00	30.B21.00	✗
1.8	Rover K Serie	116 158	06/02 > 12/03	23.254.00	31.750.00	30.B21.00	✗
1.8	Rover K Serie	88 120	06/96 > 12/00	23.254.00	31.750.00	30.B21.00	✗
1.8	Rover K Serie	90 122	11/00 > 12/03	23.254.00	∞	30.B21.00	✗
Elite							
2.2			05/80 >	23.127.02			
Elite MK 10							
1.0	Ford 105 E (997)			25.419.00			
1.1	Coventry-Climax (1098)			25.408.00			
1.2	Ford 100 E (1172)			25.409.01			
1.3	Ford 109 E (1340)			25.419.00			
Elite MK 11							
1.0	Ford 105 E (997)			25.419.00			
1.1	Coventry-Climax (1098)			25.408.00			
1.2	Ford 100 E (1172)			25.409.01			
1.3	Ford 109 E (1340)			25.419.00			
Elite MK 6							
1.0	Ford 105 E (997)			25.419.00			
1.1	Coventry-Climax (1098)			25.408.00			
1.2	Ford 100 E (1172)			25.409.01			
1.3	Ford 109 E (1340)			25.419.00			
Elite MK 7							
1.0	Ford 105 E (997)			25.419.00			
1.1	Coventry-Climax (1098)			25.408.00			
1.2	Ford 100 E (1172)			25.409.01			
1.3	Ford 109 E (1340)			25.419.00			
Elite MK 8							
1.0	Ford 105 E (997)			25.419.00			
1.1	Coventry-Climax (1098)			25.408.00			
1.2	Ford 100 E (1172)			25.409.01			
1.3	Ford 109 E (1340)			25.419.00			
Elite MK 9							
1.0	Ford 105 E (997)			25.419.00			
1.1	Coventry-Climax (1098)			25.408.00			
1.2	Ford 100 E (1172)			25.409.01			
1.3	Ford 109 E (1340)			25.419.00			
Elite MKI							
1.2	Coventry-Climax (1216)			25.408.00			
Elite MKII							
1.2	Coventry-Climax (1216)			25.408.00			
Esprit							
2.2			05/80 >	23.127.02			
2.2 Turbo			05/80 >	23.127.02			
Europa							
1.5	Renault (1470)		01/70 >	23.114.01		27.731.00	
some / alcuni	Renault (1470)		01/70 >	23.132.00		27.731.00	
1.6	Lotus Twin Cam (1558)		01/72 >			30.800.00	
1.6	Renault (1565)		01/70 >	23.114.01		27.731.00	
some / alcuni	Renault (1565)		01/70 >	23.132.00		27.731.00	
Evora S 2+0							
3.5 V6	2GR-FE	258 350	11/10 >			30.452.00	
Evora S 2+2							
3.5 V6	2GR-FE	258 350	11/10 >			30.452.00	
Exige							
1.8	Rover K Serie	131 179	08/00 > 12/03	23.254.00		30.B21.00	✗
1.8 S	Rover K Serie	143 195	08/00 > 12/03	23.254.00	31.750.00	30.B21.00	✗
Seven							
1.0	BLMC (948)		01/63 >	25.413.00			
1.0	Ford 105 E (997)		01/63 >	25.419.00			
1.6							
spin-on / avvitabile	Ford (1599)		01/63 >	23.103.00			

...MAN - commercial vehicles/veicoli commerciali

5.140	DASB	103	140	11/17	>	25.144.00		30.A41.00	53.298.00
with activated carbons / ai carboni attivi	DASB	103	140	11/17	>				54.219.00
antibacterial, anti-odour and anti-allergen filter / filtro antibatterico, antiodori e anti-allergeni	DASB	103	140	11/17	>				34.219.00
5.140	DAUA	103	140	03/17	>	25.144.00		30.A41.00	53.298.00
with activated carbons / ai carboni attivi	DAUA	103	140	03/17	>				54.219.00
antibacterial, anti-odour and anti-allergen filter / filtro antibatterico, antiodori e anti-allergeni	DAUA	103	140	03/17	>				34.219.00
5.180	DAVA	130	177	03/17	>	25.144.00		30.A41.00	53.298.00
with activated carbons / ai carboni attivi	DAVA	130	177	03/17	>				54.219.00
antibacterial, anti-odour and anti-allergen filter / filtro antibatterico, antiodori e anti-allergeni	DAVA	130	177	03/17	>				34.219.00
5.180	DAWA	130	177	05/17	>	25.144.00		30.A41.00	53.298.00
with activated carbons / ai carboni attivi	DAWA	130	177	05/17	>				54.219.00
antibacterial, anti-odour and anti-allergen filter / filtro antibatterico, antiodori e anti-allergeni	DAWA	130	177	05/17	>				34.219.00
Electric		100	136	01/18	>	×	×	×	53.298.00
with activated carbons / ai carboni attivi		100	136	01/18	>				54.219.00
antibacterial, anti-odour and anti-allergen filter / filtro antibatterico, antiodori e anti-allergeni		100	136	01/18	>				34.219.00

MARUTI (SUZUKI)

cars/auto

800

800	F8B-IN					23.131.01			
800 De Luxe	F8B-IN					23.131.01			
800 Super De Luxe	F8B-IN					23.131.01			

MASERATI

cars/auto

3200 GT

3.2 V8				01/98	>	12/01			54.105.00
3.2 V8 Autom.				01/98	>	12/01			54.105.00

Ghibli

3.0 V6 Diesel 250		184	250	06/13	>		25.112.00	26.052.00	
3.0 V6 Diesel 275		202	275	06/13	>		25.112.00	26.052.00	

Granturismo

4.2 V8		298	405	01/07	>				54.296.00
4.7 V8 S		323	440	01/07	>				54.296.00

Levante

3.0 V6 Diesel 250		184	250	05/16	>		25.112.00	26.052.00	
3.0 V6 Diesel 275		202	275	05/16	>		25.112.00	26.052.00	

Quattroporte IV

2.0 i V6				01/94	>	12/01			30.964.00
2.8 i V6				01/95	>	12/01			30.964.00
2.8 i V6 Autom.				01/95	>	12/01			30.964.00

Quattroporte V

4.2 V8		294	400	01/03	>	12/12			54.296.00
4.7 V8 S		317	430	01/08	>	12/12			54.296.00
4.7 V8 Sport GT S		323	440	01/09	>	12/12			54.296.00

Quattroporte VI

3.0 V6 Diesel 250		184	250	01/14	>		25.112.00	26.052.00	
3.0 V6 Diesel 275		202	275	01/14	>		25.112.00	26.052.00	

MAZDA

cars/auto

1000

R 1000	Wankel			01/70	>		23.272.00		
---------------	--------	--	--	-------	---	--	-----------	--	--

1200

1200							23.159.00		
-------------	--	--	--	--	--	--	-----------	--	--

121

1.1 (DB12)	B1	40	54	01/90	>		23.258.00		×
1.2 i 16V	Ford			01/96	>		23.413.00	31.514.00	30.062.00
1.3 i	Ford			01/96	>		23.188.00	31.514.00	30.062.00
1.8 D	Ford			01/96	>		23.242.00	24.382.00	30.062.00

1400

1400 Estate				01/78	>		23.271.00		
--------------------	--	--	--	-------	---	--	-----------	--	--

1500

1500									
from engine No. 69311 / da motore N. 69311				01/68	>		23.272.00		

1800

1800				01/68	>		23.272.00		
-------------	--	--	--	-------	---	--	-----------	--	--

323 (BJ)

1.4 i 16V	B3	53	72	01/01	>	05/04	23.258.00		30.787.00
with air-conditioner / con climatizzatore	B3	53	72	01/01	>	05/04			53.235.00

...MAZDA - cars/auto

with activated carbon air-conditioner / con climatizzatore, ai carboni attivi	B3	53	72	01/01 > 05/04				54.129.00
1.4 i 16V	B3	54	73	09/98 > 02/01	23.258.00		30.787.00	
with air-conditioner / con climatizzatore	B3	54	73	09/98 > 02/01				53.235.00
with activated carbon air-conditioner / con climatizzatore, ai carboni attivi	B3	54	73	09/98 > 02/01				54.129.00
1.5 i 16V	ZL	65	88	09/98 > 02/01	23.258.00		30.173.00	
with air-conditioner / con climatizzatore	ZL	65	88	12/99 > 09/02				53.235.00
with activated carbon air-conditioner / con climatizzatore, ai carboni attivi	ZL	65	88	10/99 > 02/01				54.129.00
1.6 i 16V	ZM	72	98	11/00 >	23.258.00		30.173.00	
with air-conditioner / con climatizzatore	ZM	72	98	12/99 > 09/02				53.235.00
with activated carbon air-conditioner / con climatizzatore, ai carboni attivi	ZM	72	98	11/00 >				54.129.00
1.6 i 16V Autom.	ZM	70	95	11/00 >	23.258.00		30.173.00	
with air-conditioner / con climatizzatore	ZM	70	95	12/99 > 09/02				53.235.00
with activated carbon air-conditioner / con climatizzatore, ai carboni attivi	ZM	70	95	11/00 >				54.129.00
1.8 i 16V	BP/FP	84	114	09/98 > 02/01	23.258.00		30.173.00	
with air-conditioner / con climatizzatore	BP/FP	84	114	12/99 > 09/02				53.235.00
with activated carbon air-conditioner / con climatizzatore, ai carboni attivi	BP/FP	84	114	10/99 > 02/01				54.129.00
2.0 D	RF	52	71	09/98 > 02/01	23.461.00	24.413.00	30.178.00	
with air-conditioner / con climatizzatore	RF	52	71	12/99 > 09/02				53.235.00
with activated carbon air-conditioner / con climatizzatore, ai carboni attivi	RF	52	71	10/99 > 02/01				54.129.00
2.0 i 16V	FS	96	130	11/00 >	23.258.00		30.173.00	
with air-conditioner / con climatizzatore	FS	96	130	12/99 > 09/02				53.235.00
with activated carbon air-conditioner / con climatizzatore, ai carboni attivi	FS	96	130	11/00 >				54.129.00
2.0 TD	RF TDI	66	90	09/98 > 02/01	23.461.00	24.413.00	30.178.00	
with air-conditioner / con climatizzatore	RF TDI	66	90	12/99 > 09/02				53.235.00
with activated carbon air-conditioner / con climatizzatore, ai carboni attivi	RF TDI	66	90	10/99 > 02/01				54.129.00
2.0 TD	RF TDI	74	101	11/00 >	23.461.00	24.413.00	30.178.00	
with air-conditioner / con climatizzatore	RF TDI	74	101	12/99 > 09/02				53.235.00
with activated carbon air-conditioner / con climatizzatore, ai carboni attivi	RF TDI	74	101	11/00 >				54.129.00
323 F (BJ)								
1.8 i 16V	BP/FP	84	114	09/98 > 02/01	23.258.00		30.173.00	
with air-conditioner / con climatizzatore	BP/FP	84	114	09/98 > 02/01				53.235.00
with activated carbon air-conditioner / con climatizzatore, ai carboni attivi	BP/FP	84	114	09/98 > 02/01				54.129.00
2.0 D	RF	52	71	09/98 > 02/01	23.461.00	24.413.00	30.178.00	
with air-conditioner / con climatizzatore	RF	52	71	09/98 > 02/01				53.235.00
with activated carbon air-conditioner / con climatizzatore, ai carboni attivi	RF	52	71	09/98 > 02/01				54.129.00
2.0 DI 16V TD	RF TD	66	90	09/98 > 02/01	23.461.00	24.413.00	30.178.00	
with air-conditioner / con climatizzatore	RF TD	66	90	09/98 > 02/01				53.235.00
with activated carbon air-conditioner / con climatizzatore, ai carboni attivi	RF TD	66	90	09/98 > 02/01				54.129.00
2.0 i 16V cat		96	130	11/00 > 05/04	23.258.00		30.173.00	
with air-conditioner / con climatizzatore		96	130	11/00 > 05/04				53.235.00
with activated carbon air-conditioner / con climatizzatore, ai carboni attivi		96	130	11/00 > 05/04				54.129.00
2.0 TDS 16V		74	101	11/00 > 05/04	23.461.00	24.413.00	30.178.00	
with air-conditioner / con climatizzatore		74	101	11/00 > 05/04				53.235.00
with activated carbon air-conditioner / con climatizzatore, ai carboni attivi		74	101	11/00 > 05/04				54.129.00
323 S (BJ)								
2.0 D		52	71	09/98 > 02/01	23.461.00	24.413.00	30.178.00	
with air-conditioner / con climatizzatore		52	71	09/98 > 02/01				53.235.00
with activated carbon air-conditioner / con climatizzatore, ai carboni attivi		52	71	09/98 > 02/01				54.129.00
2.0 DI 16V TD		66	90	09/98 > 02/01	23.461.00	24.413.00	30.178.00	
with air-conditioner / con climatizzatore		66	90	09/98 > 02/01				53.235.00
with activated carbon air-conditioner / con climatizzatore, ai carboni attivi		66	90	09/98 > 02/01				54.129.00
2.0 DI 16V TD		74	101	11/00 > 05/04	23.461.00	24.413.00	30.178.00	
with air-conditioner / con climatizzatore		74	101	11/00 > 05/04				53.235.00
with activated carbon air-conditioner / con climatizzatore, ai carboni attivi		74	101	11/00 > 05/04				54.129.00
626 (GF)								
1.8 i 16V	FP	66	90	05/97 > 01/00	23.258.00	31.715.00	30.172.00	
with air-conditioner / con climatizzatore	FP	66	90	05/97 > 01/00				53.235.00
with activated carbon air-conditioner / con climatizzatore, ai carboni attivi	FP	66	90	05/97 > 01/00				54.129.00
1.8 i 16V	FP	74	100	12/99 > 09/02	23.258.00	31.715.00	30.172.00	
with air-conditioner / con climatizzatore	FP	74	100	12/99 > 09/02				53.235.00
with activated carbon air-conditioner / con climatizzatore, ai carboni attivi	FP	74	100	12/99 > 09/02				54.129.00
2.0 i 16V	FS	85	115	05/97 > 09/02	23.258.00	31.715.00	30.172.00	
with air-conditioner / con climatizzatore	FS	85	115	05/97 > 09/02				53.235.00
with activated carbon air-conditioner / con climatizzatore, ai carboni attivi	FS	85	115	05/97 > 09/02				54.129.00
2.0 i 16V H.P.	FS	100	136	02/98 > 09/02	23.258.00	31.715.00	30.172.00	
with air-conditioner / con climatizzatore	FS	100	136	02/98 > 09/02				53.235.00
with activated carbon air-conditioner / con climatizzatore, ai carboni attivi	FS	100	136	02/98 > 09/02				54.129.00

...MAZDA - cars/auto

2.0 TD DI	RF	74	101	04/98	>	11/00	23.461.00	24.413.00	30.171.00	
with air-conditioner / con climatizzatore	RF	74	101	04/98	>	11/00				53.235.00
with activated carbon air-conditioner / con climatizzatore, ai carboni attivi	RF	74	101	04/98	>	11/00				54.129.00
2.0 TDI	RFT	81	110	10/00	>	09/02	23.461.00	24.413.00	30.171.00	
with air-conditioner / con climatizzatore	RFT	81	110	10/00	>	09/02				53.235.00
with activated carbon air-conditioner / con climatizzatore, ai carboni attivi	RFT	81	110	10/00	>	09/02				54.129.00
626 Wagon (GW)										
1.8 i 16V	FP	74	100	12/99	>	09/02	23.258.00	31.715.00	30.172.00	
with air-conditioner / con climatizzatore	FP	74	100	12/99	>	09/02				53.235.00
with activated carbon air-conditioner / con climatizzatore, ai carboni attivi	FP	74	100	12/99	>	09/02				54.129.00
2.0 i 16V	FS	85	115	05/97	>	09/02	23.258.00	31.715.00	30.172.00	
with air-conditioner / con climatizzatore	FS	85	115	05/97	>	09/02				53.235.00
with activated carbon air-conditioner / con climatizzatore, ai carboni attivi	FS	85	115	05/97	>	09/02				54.129.00
2.0 i 16V H.P.	FS	100	136	02/98	>	09/02	23.258.00	31.715.00	30.172.00	
with air-conditioner / con climatizzatore	FS	100	136	02/98	>	09/02				53.235.00
with activated carbon air-conditioner / con climatizzatore, ai carboni attivi	FS	100	136	02/98	>	09/02				54.129.00
2.0 TD-DI	RF	74	101	04/98	>	11/00	23.461.00	24.413.00	30.171.00	
with air-conditioner / con climatizzatore	RF	74	101	04/98	>	11/00				53.235.00
with activated carbon air-conditioner / con climatizzatore, ai carboni attivi	RF	74	101	04/98	>	11/00				54.129.00
2.0 TDI	RFT	81	110	10/00	>	09/02	23.461.00	24.413.00	30.171.00	
with air-conditioner / con climatizzatore	RFT	81	110	10/00	>	09/02				53.235.00
with activated carbon air-conditioner / con climatizzatore, ai carboni attivi	RFT	81	110	10/00	>	09/02				54.129.00
CX-3 (DK)										
1.5 Skyactiv-D 105		77	105	01/15	>		23.721.00		30.A53.00	53.365.00
1.5 Skyactiv-D 105 4WD		77	105	01/15	>		23.721.00		30.A53.00	53.365.00
2.0 Skyactiv-G 120		88	120	01/15	>		23.616.00			53.365.00
2.0 Skyactiv-G 150		110	150	01/15	>		23.616.00			53.365.00
CX-30 (DM)										
1.8 SKYACTIV-D	S8Y1	85	116	07/19	>		23.721.00		30.C56.00	53.365.00
2.0 SKYACTIV-G M Hybrid	PEXN	90	122	07/19	>		23.616.00			53.365.00
2.0 SKYACTIV-X M Hybrid	HFY1	132	179	07/19	>		23.258.00		30.C56.00	53.365.00
CX-5 (KE)										
2.0 Skyactiv-G 160		118	160	04/12	>	05/17	23.616.00		30.779.00	53.330.00
2.0 Skyactiv-G 165		121	165	04/12	>	05/17	23.616.00		30.779.00	53.330.00
2.2 Skyactiv-D 150		110	150	04/12	>	05/17	23.721.00	24.411.00	30.A99.00	53.330.00
2.2 Skyactiv-D 175		129	175	04/12	>	05/17	23.721.00	24.411.00	30.A99.00	53.330.00
CX-5 II (KF)										
2.0 Skyactiv-G 160 4WD		118	160	05/17	>		23.616.00		30.779.00	53.330.00
2.0 Skyactiv-G 165		121	164	05/17	>		23.616.00		30.779.00	53.330.00
2.2 Skyactiv-D 150	SH	110	150	05/17	>		23.721.00	24.411.00	30.A99.00	53.330.00
2.2 Skyactiv-D 150 4WD	SH	110	150	05/17	>		23.721.00	24.411.00	30.A99.00	53.330.00
2.2 Skyactiv-D 175 4WD		129	175	05/17	>		23.721.00	24.411.00	30.A99.00	53.330.00
2.5 Skyactiv-G 185 4WD	PY-VPS	135	184	11/16	>		23.616.00		30.779.00	53.330.00
2.5 Skyactiv-G 190	PY-VPS	140	190	11/16	>		23.616.00		30.779.00	53.330.00
2.5 Skyactiv-G 195 4WD	PY-VPS	143	194	05/17	>		23.616.00		30.779.00	53.330.00
CX-7 (ER)										
2.2 MZR-CD Diesel	R2	127	173	10/09	>		23.461.00	24.411.00	30.626.00	53.093.00
with activated carbons / ai carboni attivi	R2	127	173	10/09	>					54.271.00
antibacterial, anti-odour and anti-allergen filter / filtro antibatterico, antiodori e anti-allergeni	R2	127	173	10/09	>					34.271.00
2.3 MZR DISI Turbo	L3Y/L3-VDT	191	260	10/09	>		23.413.00			53.093.00
with activated carbons / ai carboni attivi	L3Y/L3-VDT	191	260	10/09	>					54.271.00
antibacterial, anti-odour and anti-allergen filter / filtro antibatterico, antiodori e anti-allergeni	L3Y/L3-VDT	191	260	10/09	>					34.271.00
2.5 MZR	L5-VE	120	163	10/09	>					53.093.00
with activated carbons / ai carboni attivi	L5-VE	120	163	10/09	>					54.271.00
antibacterial, anti-odour and anti-allergen filter / filtro antibatterico, antiodori e anti-allergeni	L5-VE	120	163	10/09	>					34.271.00
CX-9 (TB)										
3.5 MZi Sport	CYC4	194	264	05/07	>				30.786.00	53.368.00
3.7		204	277	01/07	>				30.786.00	53.368.00
CX-9 (TC)										
2.5 T		169	230	06/16	>				30.A99.00	
with activated carbons / ai carboni attivi		169	230	06/16	>					54.331.00
2.5 T		170	231	06/16	>				30.A99.00	
with activated carbons / ai carboni attivi		170	231	06/16	>					54.331.00
2.5 T		186	253	06/16	>				30.A99.00	
with activated carbons / ai carboni attivi		186	253	06/16	>					54.331.00
Demio										
1.3 i 16V 60 GLX	B3-ME	46	63	08/98	>		23.258.00		30.177.00	

...MAZDA - cars/auto

1.3 i 16V 75 GLX	B3-ME	53	72	08/98 >	04/00	23.258.00		30.177.00	
1.5 i 16V 75	B5-ME	55	75	04/00 >		23.258.00		30.177.00	
Mazda2 (DE)									
1.3 16V		55	75	10/07 >		23.258.00		30.409.00	53.219.00
1.3 16V		63	86	10/07 >		23.258.00		30.409.00	53.219.00
1.4 L TD		50	68	11/07 >		25.037.00	24.343.00	30.153.00	53.219.00
1.5 16V		76	103	10/07 >		23.258.00		30.409.00	53.219.00
1.6 CD		66	90	10/08 >	02/11	25.037.00	55.170.00	30.390.00	53.219.00
1.6 MZ-CD 95		70	95	11/10 >		25.037.00		30.390.00	53.219.00
spare part only / solo ricambio		70	95	11/10 >			24.128.00		
Mazda2 (DL)									
1.5 Skyactiv D105		77	105	10/14 >				30.A53.00	53.365.00
1.5 Skyactiv G115		85	116	10/14 >		23.616.00		30.A53.00	53.365.00
1.5 Skyactiv G75		55	75	10/14 >		23.616.00		30.A53.00	53.365.00
1.5 Skyactiv G90		66	90	10/14 >		23.616.00		30.A53.00	53.365.00
Mazda2 (DY)									
1.2 i 16V	FUJA-MZIC2	55	75	02/03 >	10/07	23.413.00	31.844.00	30.168.00	53.093.00
with activated carbons / ai carboni attivi	FUJA-MZIC2	55	75	02/03 >	10/07				54.271.00
antibacterial, anti-odour and anti-allergen filter / filtro antibatterico, antiodori e anti-allergeni	FUJA-MZIC2	55	75	02/03 >	10/07				34.271.00
1.4 i 16V	FXJA-MZIC4	59	80	02/03 >	10/07	23.413.00	31.844.00	30.168.00	53.093.00
with activated carbons / ai carboni attivi	FXJA-MZIC4	59	80	02/03 >	10/07				54.271.00
antibacterial, anti-odour and anti-allergen filter / filtro antibatterico, antiodori e anti-allergeni	FXJA-MZIC4	59	80	02/03 >	10/07				34.271.00
1.4 MZ-CD	PSA F6JA	50	68	02/03 >	10/07	25.037.00	24.343.00	30.153.00	53.093.00
with activated carbons / ai carboni attivi	PSA F6JA	50	68	02/03 >	10/07				54.271.00
antibacterial, anti-odour and anti-allergen filter / filtro antibatterico, antiodori e anti-allergeni	PSA F6JA	50	68	02/03 >	10/07				34.271.00
1.6 i 16V	FYJA-MZIC6	74	101	02/03 >	10/07	23.440.00	31.844.00	30.168.00	53.093.00
with activated carbons / ai carboni attivi	FYJA-MZIC6	74	101	02/03 >	10/07				54.271.00
antibacterial, anti-odour and anti-allergen filter / filtro antibatterico, antiodori e anti-allergeni	FYJA-MZIC6	74	101	02/03 >	10/07				34.271.00
Mazda3 (BK)									
1.4 16V	MZR-ZJ	62	84	10/03 >	06/09	23.258.00	31.842.00	30.409.00	53.120.00
1.6 16V		77	105	10/03 >	06/09	23.258.00	31.842.00	30.409.00	53.120.00
1.6 MZ-CD 16V		66	90	06/06 >	12/09	25.037.00		30.246.00	53.120.00
to frame No. 350908 (DELPHI) / a telaio N. 350908 (DELPHI)		66	90	06/06 >			24.027.00		
from frame No. 350909 (UFI FILTERS) / da telaio N. 350909 (UFI FILTERS)		66	90	>	12/09		55.170.00		
1.6 MZ-CD 16V	PSA	80	109	06/04 >	06/09	25.037.00		30.246.00	53.120.00
to frame No. 350908 (DELPHI) / a telaio N. 350908 (DELPHI)	PSA	80	109	06/04 >			24.027.00		
from frame No. 350909 (UFI FILTERS) / da telaio N. 350909 (UFI FILTERS)	PSA	80	109	>	06/09		55.170.00		
1.6 MZ-CD 16V FAP		80	109	06/04 >	06/09	25.037.00		30.246.00	53.120.00
to frame No. 350908 (DELPHI) / a telaio N. 350908 (DELPHI)		80	109	06/04 >			24.027.00		
from frame No. 350909 (UFI FILTERS) / da telaio N. 350909 (UFI FILTERS)		80	109	>	06/09		55.170.00		
2.0 16V	MZR-LF	110	150	10/03 >	06/09	23.413.00	31.842.00	30.344.00	53.120.00
2.0 MZ-CD 16V		105	143	01/07 >				30.344.00	53.120.00
2.3 DISI Turbo MPS		191	260	01/06 >	06/09		31.842.00	30.344.00	53.120.00
Mazda3 (BL)									
1.6		77	105	06/09 >		23.258.00		30.409.00	53.397.00
1.6 MZR-CD 109		80	109	06/09 >		25.037.00	55.170.00	27.675.00	53.397.00
1.6 MZR-CD 115		85	115	11/10 >		25.037.00	24.128.00	27.675.00	53.397.00
2.0 MZR	LFZ2	110	150	03/09 >		23.413.00		30.344.00	53.397.00
2.0 MZR i-stop	LFZ2	110	150	03/09 >		23.413.00		30.626.00	53.397.00
2.0 MZR-DISI		111	151	06/09 >		23.413.00		30.626.00	53.397.00
2.2 MZR-CD 150		110	150	06/09 >		23.461.00	24.411.00	30.344.00	53.397.00
2.2 MZR-CD 185		136	185	06/09 >		23.461.00	24.411.00	30.344.00	53.397.00
2.3 DISI Turbo MPS		191	260	11/09 >				30.344.00	53.397.00
Mazda3 (BM)									
1.5 Skyactiv D105		77	105	10/15 >			24.411.00	30.A53.00	53.330.00
1.5 Skyactiv G100	ZY-VE	74	101	09/13 >		23.616.00		30.A53.00	53.330.00
1.5 Skyactiv G120		88	120	09/13 >		23.616.00		30.A53.00	53.330.00
1.6 Skyactiv G105	Z6Y1	77	105	09/13 >		23.258.00			53.330.00
2.0 Skyactiv G120		88	120	09/13 >		23.616.00		30.779.00	53.330.00
2.0 Skyactiv G150		110	150	09/13 >		23.616.00		30.779.00	53.330.00
2.0 Skyactiv G165		121	165	09/13 >		23.616.00		30.779.00	53.330.00
2.2 Skyactiv D150		110	150	09/13 >		23.721.00	24.411.00	30.A99.00	53.330.00
Mazda3 (BP)									
1.5 Skyactive G	P5X4	88	120	11/18 >		23.616.00		30.C56.00	53.365.00
1.8 Skyactive D	S8Y1/S8Y2	85	116	01/19 >		23.721.00		30.C56.00	53.365.00
2.0 Skyactive G	PEXN/PEXP	110	150	11/18 >		23.616.00			53.365.00
2.0 Skyactive-G Mild Hybrid	PEXN	90	122	01/19 >		23.616.00			53.365.00

...MAZDA - cars/auto

2.0 Skyactive-X Mild Hybrid		HFY1	132	180	06/19	>	23.258.00		30.C56.00	53.365.00	
Mazda5 (CR)											
1.8 MZR 16V			85	115	06/05	>	09/10		30.344.00	53.120.00	
2.0 MZ CD 16V FAP			105	143	12/05	>	09/10	24.411.00	30.344.00	53.120.00	
2.0 MZ CD 16V FAP			81	110	12/05	>	09/10	24.411.00	30.344.00	53.120.00	
2.0 MZR 16V			107	145	06/05	>	09/10		30.344.00	53.120.00	
Mazda5 (CW)											
1.6 MZ-CD			85	116	09/10	>	25.037.00		27.675.00	53.120.00	
spare part only / solo ricambio			85	116	09/10	>		24.128.00			
1.8 MZR			85	116	09/10	>				53.120.00	
2.0 MZR Auto.			106	144	09/10	>	23.413.00		30.626.00	53.120.00	
2.0 MZR-DISI i-stop			110	150	09/10	>	23.413.00		30.626.00	53.120.00	
Mazda6 (GG)											
1.8 i		L813	88	120	06/02	>	02/05			30.171.00	53.093.00
to frame No. 176450 / a telaio N. 176450		L813	88	120	06/02	>	25.056.00				
from frame No. 176451 / da telaio N. 176451		L813	88	120		>	02/05	23.413.00			
2.0 CD 16V		RF5C	100	136	06/02	>	02/05	23.461.00	24.413.00	30.171.00	53.093.00
2.0 CD 16V		RF5C	89	121	06/02	>	02/05	23.461.00	24.413.00	30.171.00	53.093.00
2.0 CD 16V		RF7J	105	143	03/05	>	02/08	23.461.00	24.411.00	30.171.00	54.271.00
antibacterial, anti-odour and anti-allergen filter / filtro antibatterico, antiodori e anti-allergeni		RF7J	105	143	03/05	>	02/08			34.271.00	
2.0 CD 16V DPF		RF7J	105	143	03/05	>	02/08	23.461.00	24.411.00	30.171.00	54.271.00
antibacterial, anti-odour and anti-allergen filter / filtro antibatterico, antiodori e anti-allergeni		RF7J	105	143	03/05	>	02/08			34.271.00	
2.0 CD 16V DPF		RF7J	89	121	03/05	>	02/08	23.461.00	24.411.00	30.171.00	54.271.00
antibacterial, anti-odour and anti-allergen filter / filtro antibatterico, antiodori e anti-allergeni		RF7J	89	121	03/05	>	02/08			34.271.00	
2.0 i 16V		LF17/LF18	104	141	06/02	>	02/05			30.171.00	53.093.00
		LF17/LF18	104	141	03/05	>	06/05			30.171.00	54.271.00
to frame No. 195595 / a telaio N. 195595		LF17/LF18	104	141	06/02	>	25.056.00				
from frame No. 195596 / da telaio N. 195596		LF17/LF18	104	141		>	06/05	23.413.00			
antibacterial, anti-odour and anti-allergen filter / filtro antibatterico, antiodori e anti-allergeni		LF17/LF18	104	141	03/05	>	06/05			34.271.00	
2.0 i 16V		LFH1	108	147	03/05	>	02/08	23.413.00		30.171.00	54.271.00
antibacterial, anti-odour and anti-allergen filter / filtro antibatterico, antiodori e anti-allergeni		LFH1	108	147	03/05	>	02/08			34.271.00	
2.3 DISI Turbo 16V MPS		L3R4	191	260	03/05	>	02/08	25.056.00			54.271.00
antibacterial, anti-odour and anti-allergen filter / filtro antibatterico, antiodori e anti-allergeni		L3R4	191	260	03/05	>	02/08			34.271.00	
2.3 i 16V		L333/L3C1	122	166	04/02	>	06/03	25.056.00		30.171.00	53.093.00
2.3 i 16V		L3R4	122	166	03/05	>	02/08	25.056.00		30.171.00	54.271.00
antibacterial, anti-odour and anti-allergen filter / filtro antibatterico, antiodori e anti-allergeni		L3R4	122	166	10/09	>				34.271.00	
2.3 i 16V AWD		L333/L3C	119	162	04/02	>	06/03	25.056.00		30.171.00	53.093.00
Mazda6 (GH)											
1.8 MZR		L823	88	120	02/08	>	23.413.00			30.171.00	53.093.00
with activated carbons / ai carboni attivi		L823	88	120	02/08	>				54.271.00	
antibacterial, anti-odour and anti-allergen filter / filtro antibatterico, antiodori e anti-allergeni		L823	88	120	02/08	>				34.271.00	
2.0 MZR		LF17	108	147	08/07	>	23.413.00			30.171.00	53.093.00
with activated carbons / ai carboni attivi		LF17	108	147	08/07	>				54.271.00	
antibacterial, anti-odour and anti-allergen filter / filtro antibatterico, antiodori e anti-allergeni		LF17	108	147	08/07	>				34.271.00	
2.0 MZR		LFYA	114	155	01/10	>	23.413.00			30.171.00	53.093.00
with activated carbons / ai carboni attivi		LFYA	114	155	01/10	>				54.271.00	
antibacterial, anti-odour and anti-allergen filter / filtro antibatterico, antiodori e anti-allergeni		LFYA	114	155	01/10	>				34.271.00	
2.0 MZR Auto.		LF17	108	147	02/08	>	23.413.00			30.171.00	53.093.00
with activated carbons / ai carboni attivi		LF17	108	147	02/08	>				54.271.00	
antibacterial, anti-odour and anti-allergen filter / filtro antibatterico, antiodori e anti-allergeni		LF17	108	147	02/08	>				34.271.00	
2.0 MZR-CD		RF7J	103	140	02/08	>	23.461.00	24.411.00	30.171.00	53.093.00	
with activated carbons / ai carboni attivi		RF7J	103	140	02/08	>				54.271.00	
antibacterial, anti-odour and anti-allergen filter / filtro antibatterico, antiodori e anti-allergeni		RF7J	103	140	02/08	>				34.271.00	
2.2 CiTD		R2AA	132	179	03/10	>	23.461.00	24.411.00	30.171.00	53.093.00	
with activated carbons / ai carboni attivi		R2AA	132	179	03/10	>				54.271.00	
antibacterial, anti-odour and anti-allergen filter / filtro antibatterico, antiodori e anti-allergeni		R2AA	132	179	03/10	>				34.271.00	
2.2 CiTD		R2AA	136	185	01/09	>	23.461.00	24.411.00	30.171.00	53.093.00	
with activated carbons / ai carboni attivi		R2AA	136	185	01/09	>				54.271.00	
antibacterial, anti-odour and anti-allergen filter / filtro antibatterico, antiodori e anti-allergeni		R2AA	136	185	01/09	>				34.271.00	
2.2 CiTD		R2BF	120	163	01/09	>	23.461.00	24.411.00	30.171.00	53.093.00	
with activated carbons / ai carboni attivi		R2BF	120	163	01/09	>				54.271.00	
antibacterial, anti-odour and anti-allergen filter / filtro antibatterico, antiodori e anti-allergeni		R2BF	120	163	01/09	>				34.271.00	
2.2 CiTD		R2BF	92	125	01/09	>	23.461.00	24.411.00	30.171.00	53.093.00	
with activated carbons / ai carboni attivi		R2BF	92	125	01/09	>				54.271.00	
antibacterial, anti-odour and anti-allergen filter / filtro antibatterico, antiodori e anti-allergeni		R2BF	92	125	01/09	>				34.271.00	
2.2 CiTD		R2BF	95	129	03/10	>	23.461.00	24.411.00	30.171.00	53.093.00	
with activated carbons / ai carboni attivi		R2BF	95	129	03/10	>				54.271.00	

...MAZDA - cars/auto

antibacterial, anti-odour and anti-allergen filter / filtro antibatterico, antiodori e anti-allergeni	R2BF	95	129	03/10	>				34.271.00	
2.5 MZR	L501	125	170	02/08	>				53.093.00	
with activated carbons / ai carboni attivi	L501	125	170	02/03	>	10/07			54.271.00	
antibacterial, anti-odour and anti-allergen filter / filtro antibatterico, antiodori e anti-allergeni	L501	125	170	02/03	>	10/07			34.271.00	
Mazda6 (GJ)										
2.0 Skyactiv-G		107	145	02/13	>			30.779.00	53.330.00	
2.0 Skyactiv-G		121	165	02/13	>			30.779.00	53.330.00	
2.2 Skyactiv-D		110	150	02/13	>		24.374.00	30.A99.00	53.330.00	
2.2 Skyactiv-D		129	175	02/13	>		24.374.00	30.A99.00	53.330.00	
2.5 Skyactiv-G		141	192	02/13	>			30.779.00	53.330.00	
Mazda6 Wagon (GY)										
1.8 i	L813	88	120	06/02	>	02/05		∞	30.171.00	53.093.00
to frame No. 176450 / a telaio N. 176450	L813	88	120	06/02	>		25.056.00			
from frame No. 176451 / da telaio N. 176451	L813	88	120		>	02/05	23.413.00			
2.0 CD 16V	RF5C	100	136	08/02	>	02/05	23.461.00	24.413.00	30.171.00	53.093.00
2.0 CD 16V	RF5C	89	121	10/02	>	02/05	23.461.00	24.413.00	30.171.00	53.093.00
2.0 CD 16V DPF	RF7J	105	143	03/05	>	02/08	23.461.00	24.411.00	30.171.00	54.271.00
antibacterial, anti-odour and anti-allergen filter / filtro antibatterico, antiodori e anti-allergeni	RF7J	105	143	03/05	>	02/08				34.271.00
2.0 CD 16V DPF	RF7J	89	121	03/05	>	02/08	23.461.00	24.411.00	30.171.00	54.271.00
antibacterial, anti-odour and anti-allergen filter / filtro antibatterico, antiodori e anti-allergeni	RF7J	89	121	03/05	>	02/08				34.271.00
2.0 i 16V	LF17	104	141	06/02	>	02/05	25.056.00	∞	30.171.00	53.093.00
2.0 i 16V										
with activated carbons / ai carboni attivi	LFH1	108	147	03/05	>	02/08	23.413.00	∞	30.171.00	54.271.00
antibacterial, anti-odour and anti-allergen filter / filtro antibatterico, antiodori e anti-allergeni	LFH1	108	147	03/05	>	02/08				34.271.00
2.3 i 16V	L333	122	166	06/02	>	06/03	25.056.00	∞	30.171.00	53.093.00
2.3 i 16V	L3R4	122	166	03/05	>	02/08	25.056.00	∞	30.171.00	54.271.00
antibacterial, anti-odour and anti-allergen filter / filtro antibatterico, antiodori e anti-allergeni	L3R4	122	166	03/05	>	02/08				34.271.00
2.3 i 16V AWD	L333	119	162	06/02	>	06/03	25.056.00	∞	30.171.00	53.093.00
MPV (LW)										
2.0 i 16V cat		88	120	08/00	>	07/02	23.258.00		30.171.00	
2.0 i 16V cat	FS-DS	90	122	09/99	>	08/00	23.258.00		30.171.00	
2.0 TD-CD	RF5C	100	136	07/02	>	02/06	23.461.00	24.413.00	30.171.00	53.310.00
with activated carbons / ai carboni attivi	RF5C	100	136	07/02	>	02/06				54.283.00
2.3 i 16V										
to frame No. 306353 / a telaio N. 306353	L3	104	141	07/02	>	05/04		∞	30.171.00	53.310.00
with activated carbons / ai carboni attivi	L3	104	141	07/02	>	02/06				54.283.00
from frame No. 306354 / da telaio N. 306354	L3	104	141	06/04	>	02/06	23.413.00	∞	30.171.00	53.310.00
2.5 i V6 24V cat	GY-DE	125	170	09/99	>	07/02	23.463.00		30.171.00	
3.0 V6	AJ	147	200	07/02	>	02/06	23.463.00		30.171.00	53.310.00
with activated carbons / ai carboni attivi	AJ	147	200	07/02	>	02/06				54.283.00
MX 3										
1.6 i 16V cat (EC)		79	107	04/94	>		23.258.00			
1.6 i 16V cat (EC)		81	110	04/94	>		23.258.00			
MX 5										
1.5 Skyactive-G 131 (ND)	P5-VPR	96	131	06/15	>		23.616.00	∞		
1.6 i 16V cat (NB)		81	110	05/98	>		23.258.00	31.751.00	30.172.00	
1.8 16V (NC)	L828	93	126	03/05	>	04/15	23.413.00			×
1.8 i 16V MPI (NB)		102	139	11/00	>		23.258.00	31.751.00	30.172.00	
1.8 i 16V MPI (NB)		103	140	05/98	>		23.258.00	31.751.00	30.172.00	
1.8 i 16V MPI (NB)		107	146	11/00	>		23.258.00	31.751.00	30.172.00	
2.0 16V (NC)	LF62	118	160	07/05	>	04/15	23.413.00			×
2.0 Skyactive-G 160 (ND)		118	160	06/15	>		23.616.00	∞		
MX 6										
2.0 i 16V cat (GE)	FS	85	115	01/91	>		23.260.00		30.172.00	
2.5 i V6 24V cat (GE)	KL			01/91	>		23.265.00		30.172.00	
Premacy (CP)										
1.8 i 16V cat	FP	74	100	08/99	>	10/01	23.258.00		30.173.00	
with air-conditioner / con climatizzatore	FP	74	100	08/99	>	10/01				53.235.00
with activated carbon air-conditioner / con climatizzatore, ai carboni attivi	FP	74	100	08/99	>	10/01				54.129.00
1.8 i 16V cat	FP	84	115	07/99	>	10/01	23.258.00		30.173.00	
with air-conditioner / con climatizzatore	FP	84	115	07/99	>	10/01				53.235.00
with activated carbon air-conditioner / con climatizzatore, ai carboni attivi	FP	84	115	07/99	>	10/01				54.129.00
2.0 DI 16V TD	RF3F	66	90	07/99	>	09/00	23.461.00	24.413.00	30.178.00	
with air-conditioner / con climatizzatore	RF3F	66	90	07/99	>	09/00				53.235.00
with activated carbon air-conditioner / con climatizzatore, ai carboni attivi	RF3F	66	90	07/99	>	09/00				54.129.00
2.0 i 16V	FS7E/FS7G	96	130	11/01	>	06/05	23.258.00		30.173.00	
with air-conditioner / con climatizzatore	FS7E/FS7G	96	130	11/01	>	06/05				53.235.00

...MAZDA - cars/auto

with activated carbon air-conditioner / con climatizzatore, ai carboni attivi	FS7E/FS7G	96	130	11/01 >	06/05				54.129.00
2.0 TDI	RF4F	74	101	07/00 >	06/05	23.461.00	24.413.00	30.178.00	
with air-conditioner / con climatizzatore	RF4F	74	101	07/00 >	06/05				53.235.00
with activated carbon air-conditioner / con climatizzatore, ai carboni attivi	RF4F	74	101	07/00 >	06/05				54.129.00

RX 7

RX 7 (Savanna)									
to frame No. 602249 / a telaio N. 602249						23.272.00			
from frame No. 602250 - 700000 / da telaio N. 602250 - 700000						23.271.00			
RX 7 Turbo (FD)	RE13B	176	239	01/92 >		23.258.00			
RX 7 Turbo (FD)	RE13B	177	241	01/92 >		23.258.00			

RX 8 (SE)

1.3	13B	141	192	11/03 >	03/08	23.258.00			54.283.00
	13B	141	192	04/08 >	12/10				54.283.00
1.3	13B	170	231	11/03 >	03/08	23.258.00			54.283.00
	13B	170	231	04/08 >	12/10				54.283.00

Xedos 6 (CA)

1.6 i 16V	B6	79	107	06/94 >		23.258.00			
2.0 i V6 24V	KF	103	140	06/94 >		23.265.00			

Xedos 9 (TA)

2.0 i V6 24V	KF	105	143	08/93 >	03/01	23.265.00	31.649.00	30.230.00	
2.0 i V6 24V	KF	107	146	08/93 >	03/01	23.265.00	31.649.00	30.230.00	
2.3 i V6 24V	KJ-ZEM	155	211	02/95 >	03/01	23.265.00	31.649.00	30.143.00	
2.5 i V6 24V		120	164	07/00 >		23.243.00	31.649.00	30.230.00	
2.5 i V6 24V		126	172	07/00 >		23.265.00	31.649.00	30.230.00	
2.5 i V6 24V	KL	123	167	07/93 >	03/01	23.265.00	31.649.00	30.230.00	

MAZDA

commercial vehicles/veicoli commerciali

B Fighter

2.5 TD				02/99 >				30.169.00	
---------------	--	--	--	---------	--	--	--	-----------	--

B Serie

2200 D Pick-up				01/82 >		23.271.00			
2500 D (UN)	MD25NA	57	78	06/99 >	12/02		24.411.00	30.169.00	
2500 D 4WD (UN)	WLE7	62	84	12/02 >		23.248.00	24.374.00	30.169.00	
2500 F.I. (VIN C)				01/98 >		23.130.00			
2500 TD (UN)	MD25TI	80	109	06/99 >			24.411.00	30.169.00	
to frame No. 138010 / a telaio N. 138010	MD25TI	80	109			23.248.00			

Bravo

2.5 TD (AUS)				02/99 >				30.169.00	
---------------------	--	--	--	---------	--	--	--	-----------	--

E Serie

2000 (SR)	FE			01/88 >		23.272.00			
2200 D (SR)	R2			01/88 >		23.271.00			
2200 D Pick-up (SD)	R2			01/84 >		23.271.00			

MAZDA

off-road cars/fuoristrada

B Fighter

2.5 TD				02/99 >				30.169.00	
---------------	--	--	--	---------	--	--	--	-----------	--

B Serie

2500 D (UN)	MD25NA			01/99 >			24.411.00	30.169.00	
2500 TD (UN)	MD25TI			01/99 >			24.411.00	30.169.00	

Bravo

2.5 TD (AUS)				02/99 >				30.169.00	
---------------------	--	--	--	---------	--	--	--	-----------	--

BT50

2.5 MZR-CD 4x2	WLAA	105	143	10/06 >			24.374.00	27.691.00	✗
2.5 MZR-CD 4x4	WLAA	105	143	10/06 >			24.374.00	27.691.00	✗
3.0 CDVI 4x4		115	156	10/06 >		23.248.00	24.374.00	27.691.00	✗

BT50 II

2.2 CRD		110	150	11/11 >		25.191.00	26.102.00	27.674.00	53.383.00
----------------	--	-----	-----	---------	--	-----------	-----------	-----------	-----------

Tribute (EP)

2.0 16V		91	124	08/00 >	07/04	23.440.00	31.624.00		53.250.00
2.3		110	150	05/04 >	05/08	23.413.00	31.624.00		53.250.00
3.0 V6		149	203	05/04 >	05/08	23.463.00	31.624.00		53.250.00
3.0 V6 24V		145	197	08/00 >	07/04	23.463.00	31.624.00		53.250.00

MERCEDES BENZ

cars/auto

180 Serie (W120)

180 a						25.406.01	26.664.00		
180 b							26.664.00		

...MERCEDES BENZ - cars/auto

180 c							26.664.00		
180 Db							21.050.00		
180 Dc	OM621						21.050.00		
280 Serie (W123)									
280 CE				04/77 >			31.505.00		
300 Serie (A/C/R/S/W124)									
300 D Turbo				09/87 >		25.528.00	24.321.00	27.162.00	
prefilter / prefiltrato				09/87 >			31.013.00		
300 D Turbo 4 Matic				01/88 >		25.528.00	24.321.00	27.162.00	
prefilter / prefiltrato				01/88 >			31.013.00		
300 TD Turbo				03/86 >		25.528.00	24.321.00	27.162.00	
prefilter / prefiltrato				03/86 >			31.013.00		
300 Serie (W126)									
300 SD Turbo				11/85 >		25.528.00	24.321.00	27.162.00	
prefilter / prefiltrato				11/85 >			31.013.00		
600 Serie (W100)									
600	M100			01/67 >			26.609.00		
A Classe (W/V168)									
A 140	M166.940	60	82	07/97 > 08/04		25.014.00	31.834.00	27.355.00	53.064.00
with automatic air-conditioner / con climatizzatore automatico	M166.940	60	82	07/97 > 08/04		25.014.00	31.834.00	27.355.00	54.102.00
A 160	M166.960	75	102	07/97 > 08/04		25.014.00	31.834.00	27.355.00	53.064.00
with automatic air-conditioner / con climatizzatore automatico	M166.960	75	102	07/97 > 08/04		25.014.00	31.834.00	27.355.00	54.102.00
A 160 CDI	OM668	55	75	02/01 > 08/04		25.067.00	24.416.00	27.593.00	53.064.00
with automatic air-conditioner / con climatizzatore automatico	OM668	55	75	02/01 > 08/04		25.067.00	24.416.00	27.593.00	54.102.00
with water presence sensor / con sensore presenza acqua	OM668	55	75	02/01 > 08/04			24.007.00		
A 160 CDI	OM668.941	44	60	07/98 > 03/01		25.067.00	24.416.00	27.593.00	53.064.00
with automatic air-conditioner / con climatizzatore automatico	OM668.941	44	60	07/98 > 03/01		25.067.00	24.416.00	27.593.00	54.102.00
with water presence sensor / con sensore presenza acqua	OM668.941	44	60	07/98 > 03/01			24.007.00		
A 170 CDI	OM668	70	95	02/01 > 08/04		25.067.00	24.416.00	27.593.00	53.064.00
with automatic air-conditioner / con climatizzatore automatico	OM668	70	95	02/01 > 08/04		25.067.00	24.416.00	27.593.00	54.102.00
with water presence sensor / con sensore presenza acqua	OM668	70	95	02/01 > 08/04			24.007.00		
A 170 CDI	OM668.940	66	90	09/98 > 03/01		25.067.00	24.416.00	27.593.00	53.064.00
with automatic air-conditioner / con climatizzatore automatico	OM668.940	66	90	09/98 > 03/01		25.067.00	24.416.00	27.593.00	54.102.00
with water presence sensor / con sensore presenza acqua	OM668.940	66	90	09/98 > 03/01			24.007.00		
A 190	M166	92	125	02/98 > 08/04		25.014.00	31.834.00	27.355.00	53.064.00
with automatic air-conditioner / con climatizzatore automatico	M166	92	125	02/98 > 08/04		25.014.00	31.834.00	27.355.00	54.102.00
A 210	M166	103	140	03/02 > 08/04		25.014.00	31.834.00	27.355.00	53.064.00
with automatic air-conditioner / con climatizzatore automatico	M166	103	140	03/02 > 08/04		25.014.00	31.834.00	27.355.00	54.102.00
A Classe (W169)									
A 150	M266	70	95	09/04 > 03/09		25.063.00		30.318.00	53.247.00
with activated carbons / ai carboni attivi	M266	70	95	09/04 > 03/09					54.146.00
antibacterial, anti-odour and anti-allergen filter / filtro antibatterico, antiodori e anti-allergeni	M266	70	95	09/04 > 03/09					34.146.00
A 160	M266	70	95	04/09 > 07/12		25.063.00		30.318.00	53.247.00
with activated carbons / ai carboni attivi	M266	70	95	04/09 > 07/12					54.146.00
antibacterial, anti-odour and anti-allergen filter / filtro antibatterico, antiodori e anti-allergeni	M266	70	95	04/09 > 07/12					34.146.00
A 160 CDI	OM640	60	82	11/04 > 07/12		25.067.00		30.273.00	53.247.00
to engine No. 30553857 / a motore N. 30553857	OM640	60	82	11/04 > 11/08			24.436.00		
with activated carbons / ai carboni attivi	OM640	60	82	11/04 > 07/12					54.146.00
with facility for water sensor / con predisposizione per sensore acqua	OM640	60	82	11/04 > 07/12			24.107.00		
from engine No. 30553858 / da motore N. 30553858	OM640	60	82	12/08 > 07/12			24.077.00		
antibacterial, anti-odour and anti-allergen filter / filtro antibatterico, antiodori e anti-allergeni	OM640	60	82	11/04 > 07/12					34.146.00
A 170	M266	85	115	09/04 > 03/09		25.063.00		30.318.00	53.247.00
with activated carbons / ai carboni attivi	M266	85	115	09/04 > 03/09					54.146.00
antibacterial, anti-odour and anti-allergen filter / filtro antibatterico, antiodori e anti-allergeni	M266	85	115	09/04 > 03/09					34.146.00
A 180	M266	85	115	04/09 > 07/12		25.063.00		30.318.00	53.247.00
with activated carbons / ai carboni attivi	M266	85	115	04/09 > 07/12					54.146.00
antibacterial, anti-odour and anti-allergen filter / filtro antibatterico, antiodori e anti-allergeni	M266	85	115	04/09 > 07/12					34.146.00
A 180 CDI	OM640	80	109	09/04 > 07/12		25.067.00		30.273.00	53.247.00
to engine No. 30553857 / a motore N. 30553857	OM640	80	109	09/04 > 11/08			24.436.00		
with activated carbons / ai carboni attivi	OM640	80	109	09/04 > 07/12					54.146.00
with facility for water sensor / con predisposizione per sensore acqua	OM640	80	109	09/04 > 07/12			24.107.00		
from engine No. 30553858 / da motore N. 30553858	OM640	80	109	12/08 > 07/12			24.077.00		
antibacterial, anti-odour and anti-allergen filter / filtro antibatterico, antiodori e anti-allergeni	OM640	80	109	09/04 > 07/12					34.146.00
A 200	M266	100	136	09/04 > 07/12		25.063.00		30.318.00	53.247.00
with activated carbons / ai carboni attivi	M266	100	136	09/04 > 07/12					54.146.00
antibacterial, anti-odour and anti-allergen filter / filtro antibatterico, antiodori e anti-allergeni	M266	100	136	09/04 > 07/12					34.146.00
A 200 CDI	OM640	100	136	09/04 > 07/12		25.067.00		30.273.00	53.247.00

...MERCEDES BENZ - cars/auto

M

to engine No. 30553857 / a motore N. 30553857	OM640	100	136	09/04	>	11/08		24.436.00		
with activated carbons / ai carboni attivi	OM640	100	136	09/04	>	07/12				54.146.00
with facility for water sensor / con predisposizione per sensore acqua	OM640	100	136	09/04	>	07/12		24.107.00		
from engine No. 30553858 / da motore N. 30553858	OM640	100	136	12/08	>	07/12		24.077.00		
antibacterial, anti-odour and anti-allergen filter / filtro antibatterico, antiodori e anti-allergeni	OM640	100	136	09/04	>	07/12				34.146.00
A 200 CDI	OM640	103	140	09/04	>	07/12	25.067.00		30.273.00	53.247.00
to engine No. 30553857 / a motore N. 30553857	OM640	103	140	09/04	>	11/08		24.436.00		
with activated carbons / ai carboni attivi	OM640	103	140	09/04	>	07/12				54.146.00
with facility for water sensor / con predisposizione per sensore acqua	OM640	103	140	09/04	>	07/12		24.107.00		
from engine No. 30553858 / da motore N. 30553858	OM640	103	140	12/08	>	07/12		24.077.00		
antibacterial, anti-odour and anti-allergen filter / filtro antibatterico, antiodori e anti-allergeni	OM640	103	140	09/04	>	07/12				34.146.00
A 200 Turbo	M266	142	193	07/05	>	07/12	25.063.00	∞	30.318.00	53.247.00
with activated carbons / ai carboni attivi	M266	142	193	07/05	>	07/12				54.146.00
antibacterial, anti-odour and anti-allergen filter / filtro antibatterico, antiodori e anti-allergeni	M266	142	193	07/05	>	07/12				34.146.00
E-CELL	EM780.992	50	68	12/10	>	07/12	×	×	×	53.247.00
with activated carbons / ai carboni attivi	EM780.992	50	68	12/10	>	07/12				54.146.00
antibacterial, anti-odour and anti-allergen filter / filtro antibatterico, antiodori e anti-allergeni	EM780.992	50	68	12/10	>	07/12				34.146.00
A Classe (W176)										
A 160	M270.910	75	102	07/15	>		25.178.00	∞	30.A38.00	54.236.00
antibacterial, anti-odour and anti-allergen filter / filtro antibatterico, antiodori e anti-allergeni	M270.910	75	102	07/15	>					34.236.00
A 160 CDI BlueEFFICIENCY	OM607.951	66	90	08/13	>		23.628.00		30.595.00	54.236.00
antibacterial, anti-odour and anti-allergen filter / filtro antibatterico, antiodori e anti-allergeni	OM607.951	66	90	08/13	>					34.236.00
A 180 BlueEFFICIENCY	M270.910	90	122	06/12	>		25.178.00		30.A38.00	54.236.00
antibacterial, anti-odour and anti-allergen filter / filtro antibatterico, antiodori e anti-allergeni	M270.910	90	122	06/12	>					34.236.00
A 180 CDI BlueEFFICIENCY 1.5	OM607.951	80	109	06/12	>		23.628.00		30.595.00	54.236.00
antibacterial, anti-odour and anti-allergen filter / filtro antibatterico, antiodori e anti-allergeni	OM607.951	80	109	06/12	>					34.236.00
A 180 CDI BlueEFFICIENCY 1.8	OM651.901	80	109	06/12	>	03/14	25.159.00		30.595.00	54.236.00
with R.H.D. / con guida a destra	OM651.901	80	109	06/12	>	03/14		24.148.00		
antibacterial, anti-odour and anti-allergen filter / filtro antibatterico, antiodori e anti-allergeni	OM651.901	80	109	06/12	>	03/14				34.236.00
A 200 BlueEFFICIENCY	M270.910	115	156	06/12	>		25.178.00		30.A38.00	54.236.00
antibacterial, anti-odour and anti-allergen filter / filtro antibatterico, antiodori e anti-allergeni	M270.910	115	156	06/12	>					34.236.00
A 200 CDI BlueEFFICIENCY	OM651.901	100	136	06/12	>		25.159.00		30.595.00	54.236.00
with R.H.D. / con guida a destra	OM651.901	100	136	06/12	>			24.148.00		
antibacterial, anti-odour and anti-allergen filter / filtro antibatterico, antiodori e anti-allergeni	OM651.901	100	136	06/12	>					34.236.00
A 200 CDI BlueEFFICIENCY 1.8	OM651.901	100	136	09/12	>		25.159.00		30.595.00	54.236.00
with R.H.D. / con guida a destra	OM651.901	100	136	09/12	>			24.148.00		
antibacterial, anti-odour and anti-allergen filter / filtro antibatterico, antiodori e anti-allergeni	OM651.901	100	136	09/12	>					34.236.00
A 200 CDI BlueEFFICIENCY 2.2	OM651.930	100	136	03/14	>		25.159.00		30.595.00	54.236.00
with R.H.D. / con guida a destra	OM651.930	100	136	03/14	>			24.148.00		
antibacterial, anti-odour and anti-allergen filter / filtro antibatterico, antiodori e anti-allergeni	OM651.930	100	136	03/14	>					34.236.00
A 220	M270.920	135	184	05/14	>		25.178.00	∞	30.A38.00	54.236.00
antibacterial, anti-odour and anti-allergen filter / filtro antibatterico, antiodori e anti-allergeni	M270.920	135	184	05/14	>					34.236.00
A 220 4Matic	M270.920	135	184	05/14	>		25.178.00	∞	30.A38.00	54.236.00
antibacterial, anti-odour and anti-allergen filter / filtro antibatterico, antiodori e anti-allergeni	M270.920	135	184	05/14	>					34.236.00
A 220 CDI BlueEFFICIENCY	OM651.930	120	163	09/12	>		25.159.00		30.595.00	54.236.00
with R.H.D. / con guida a destra	OM651.930	120	163	09/12	>			24.148.00		
antibacterial, anti-odour and anti-allergen filter / filtro antibatterico, antiodori e anti-allergeni	OM651.930	120	163	09/12	>					34.236.00
A 220 CDI BlueEFFICIENCY	OM651.930	125	170	06/12	>		25.159.00		30.595.00	54.236.00
with R.H.D. / con guida a destra	OM651.930	125	170	06/12	>			24.148.00		
antibacterial, anti-odour and anti-allergen filter / filtro antibatterico, antiodori e anti-allergeni	OM651.930	125	170	06/12	>					34.236.00
A 220 d	OM651.930	130	177	07/15	>		25.159.00		30.595.00	54.236.00
with R.H.D. / con guida a destra	OM651.930	130	177	07/15	>			24.148.00		
antibacterial, anti-odour and anti-allergen filter / filtro antibatterico, antiodori e anti-allergeni	OM651.930	130	177	07/15	>					34.236.00
A 220 d 4Matic	OM651.930	130	177	07/15	>		25.159.00		30.595.00	54.236.00
with R.H.D. / con guida a destra	OM651.930	130	177	07/15	>			24.148.00		
antibacterial, anti-odour and anti-allergen filter / filtro antibatterico, antiodori e anti-allergeni	OM651.930	130	177	07/15	>					34.236.00
A 250 4Matic	M270.920	155	211	06/12	>		25.178.00		30.A38.00	54.236.00
antibacterial, anti-odour and anti-allergen filter / filtro antibatterico, antiodori e anti-allergeni	M270.920	155	211	06/12	>					34.236.00
A 250 4Matic	M270.920	160	218	07/15	>		25.178.00	∞	30.A38.00	54.236.00
antibacterial, anti-odour and anti-allergen filter / filtro antibatterico, antiodori e anti-allergeni	M270.920	160	218	07/15	>					34.236.00
A 250 BlueEFFICIENCY	M270.920	155	211	06/12	>		25.178.00		30.A38.00	54.236.00
antibacterial, anti-odour and anti-allergen filter / filtro antibatterico, antiodori e anti-allergeni	M270.920	155	211	06/12	>					34.236.00
A 250 BlueEFFICIENCY Sport	M270.920	155	211	06/12	>		25.178.00	∞	30.A38.00	54.236.00
antibacterial, anti-odour and anti-allergen filter / filtro antibatterico, antiodori e anti-allergeni	M270.920	155	211	06/12	>					34.236.00
A 250 Sport	M270.920	160	218	07/15	>		25.178.00	∞	30.A38.00	54.236.00
antibacterial, anti-odour and anti-allergen filter / filtro antibatterico, antiodori e anti-allergeni	M270.920	160	218	07/15	>					34.236.00
A 45 AMG 4Matic	M133.980	265	360	05/13	>	06/15	25.204.00	∞		54.236.00

...MERCEDES BENZ - cars/auto

antibacterial, anti-odour and anti-allergen filter / filtro antibatterico, antiodori e anti-allergeni	M133.980	265	360	05/13	>	06/15				34.236.00
A 45 AMG 4Matic	M133.980	280	380	07/15	>		25.204.00			54.236.00
antibacterial, anti-odour and anti-allergen filter / filtro antibatterico, antiodori e anti-allergeni	M133.980	280	380	07/15	>					34.236.00
A Classe (W177)										
A 160	M282.914	80	109	06/18	>		25.145.00			
A 160 d	OM608.915	70	95	05/19	>				30.C35.00	
A 180	M282.914	100	136	06/18	>		25.145.00			
A 180 d	OM608.915	85	116	03/18	>				30.C35.00	
A 200	M282.914	110	150	06/18	>		25.145.00			
A 200	M282.914	120	163	03/18	>		25.145.00			
A 200 d	OM654.920	110	150	12/18	>				30.C35.00	
A 220	M260.920	140	190	07/18	>		25.178.00			
A 220 4Matic	M260.920	140	190	07/18	>		25.178.00			
A 220 d	OM654.920	140	190	12/18	>				30.C35.00	
A 250	M260.920	165	224	03/18	>		25.178.00			
A 250 4Matic	M260.920	165	224	07/18	>		25.178.00			
A 35 AMG 4Matic	M260.920	225	306	09/18	>		25.178.00			
B Classe (T/W245)										
B 150	M266	70	95	09/05	>	03/09	25.063.00		30.318.00	53.247.00
with activated carbons / ai carboni attivi	M266	70	95	09/05	>	03/09				54.146.00
antibacterial, anti-odour and anti-allergen filter / filtro antibatterico, antiodori e anti-allergeni	M266	70	95	09/05	>	03/09				34.146.00
B 160	M266	70	95	04/09	>	12/11	25.063.00		30.318.00	53.247.00
with activated carbons / ai carboni attivi	M266	70	95	04/09	>	12/11				54.146.00
antibacterial, anti-odour and anti-allergen filter / filtro antibatterico, antiodori e anti-allergeni	M266	70	95	04/09	>	12/11				34.146.00
B 170	M266	85	115	04/05	>	03/09	25.063.00		30.318.00	53.247.00
with activated carbons / ai carboni attivi	M266	85	115	04/05	>	03/09				54.146.00
antibacterial, anti-odour and anti-allergen filter / filtro antibatterico, antiodori e anti-allergeni	M266	85	115	04/05	>	03/09				34.146.00
B 170 NGT	M266	85	116	04/08	>	12/11	25.063.00		30.318.00	53.247.00
with activated carbons / ai carboni attivi	M266	85	116	04/08	>	12/11				54.146.00
antibacterial, anti-odour and anti-allergen filter / filtro antibatterico, antiodori e anti-allergeni	M266	85	116	04/08	>	12/11				34.146.00
B 180	M266	85	115	04/09	>	12/11	25.063.00		30.318.00	53.247.00
with activated carbons / ai carboni attivi	M266	85	115	04/09	>	12/11				54.146.00
antibacterial, anti-odour and anti-allergen filter / filtro antibatterico, antiodori e anti-allergeni	M266	85	115	04/09	>	12/11				34.146.00
B 180 CDI	OM640	80	109	04/05	>	12/11	25.067.00		30.273.00	53.247.00
to engine No. 30553857 / a motore N. 30553857	OM640	80	109	04/05	>	11/08		24.436.00		
with activated carbons / ai carboni attivi	OM640	80	109	04/05	>	12/11				54.146.00
with water presence sensor / con sensore presenza acqua	OM640	80	109	04/05	>	12/11		24.107.00		
from engine No. 30553858 / da motore N. 30553858	OM640	80	109	12/08	>	12/11		24.077.00		
antibacterial, anti-odour and anti-allergen filter / filtro antibatterico, antiodori e anti-allergeni	OM640	80	109	04/05	>	12/11				34.146.00
B 180 NGT	M266	85	115	04/08	>	12/11	25.063.00		30.318.00	53.247.00
with activated carbons / ai carboni attivi	M266	85	115	04/08	>	12/11				54.146.00
antibacterial, anti-odour and anti-allergen filter / filtro antibatterico, antiodori e anti-allergeni	M266	85	115	04/08	>	12/11				34.146.00
B 200	M266	100	136	04/05	>	12/11	25.063.00		30.318.00	53.247.00
with activated carbons / ai carboni attivi	M266	100	136	04/05	>	12/11				54.146.00
antibacterial, anti-odour and anti-allergen filter / filtro antibatterico, antiodori e anti-allergeni	M266	100	136	04/05	>	12/11				34.146.00
B 200 CDI	OM640	103	140	04/05	>	12/11	25.067.00	24.436.00	30.273.00	53.247.00
with activated carbons / ai carboni attivi	OM640	103	140	04/05	>	12/11				54.146.00
with water presence sensor / con sensore presenza acqua	OM640	103	140	04/05	>	12/11		24.107.00		
antibacterial, anti-odour and anti-allergen filter / filtro antibatterico, antiodori e anti-allergeni	OM640	103	140	04/05	>	12/11				34.146.00
B 200 Turbo	M266	142	193	04/05	>	12/11	25.063.00		30.318.00	53.247.00
with activated carbons / ai carboni attivi	M266	142	193	04/05	>	12/11				54.146.00
antibacterial, anti-odour and anti-allergen filter / filtro antibatterico, antiodori e anti-allergeni	M266	142	193	04/05	>	12/11				34.146.00
F-CELL		77	105	01/10	>	12/11				
with activated carbons / ai carboni attivi		77	105	01/10	>	12/11				54.146.00
antibacterial, anti-odour and anti-allergen filter / filtro antibatterico, antiodori e anti-allergeni		77	105	01/10	>	12/11				34.146.00
B Classe (W242)										
B 200 Natural Gas Drive	M270.915	115	156	11/12	>		25.178.00		30.A38.00	54.236.00
antibacterial, anti-odour and anti-allergen filter / filtro antibatterico, antiodori e anti-allergeni	M270.915	115	156	11/12	>					34.236.00
Electric Drive		132	180	10/14	>					
antibacterial, anti-odour and anti-allergen filter / filtro antibatterico, antiodori e anti-allergeni		132	180	10/14	>					34.236.00
B Classe (W246)										
B 160	M270.910	75	102	07/15	>		25.178.00		30.A38.00	54.236.00
antibacterial, anti-odour and anti-allergen filter / filtro antibatterico, antiodori e anti-allergeni	M270.910	75	102	07/15	>					34.236.00
B 160 CDI BlueEFFICIENCY	OM607.951	66	90	08/13	>		23.628.00		30.595.00	54.236.00
antibacterial, anti-odour and anti-allergen filter / filtro antibatterico, antiodori e anti-allergeni	OM607.951	66	90	08/13	>					34.236.00
B 180 BlueEFFICIENCY	M270.910	90	122	10/11	>		25.178.00		30.A38.00	54.236.00
antibacterial, anti-odour and anti-allergen filter / filtro antibatterico, antiodori e anti-allergeni	M270.910	90	122	10/11	>					34.236.00

...MERCEDES BENZ - cars/auto

M



B 180 CDI 1.5 BlueEFFICIENCY	OM607.951	80	109	08/13	>	23.628.00		30.595.00	54.236.00
antibacterial, anti-odour and anti-allergen filter / filtro antibatterico, antiodori e anti-allergeni	OM607.951	80	109	08/13	>				34.236.00
B 180 CDI 1.8 BlueEFFICIENCY	OM651.901	80	109	10/11	>	25.159.00		30.595.00	54.236.00
with R.H.D. / con guida a destra	OM651.901	80	109	10/11	>		24.148.00		
antibacterial, anti-odour and anti-allergen filter / filtro antibatterico, antiodori e anti-allergeni	OM651.901	80	109	10/11	>				34.236.00
B 200 BlueEFFICIENCY	M270.910	115	156	10/11	>	25.178.00		30.A38.00	54.236.00
antibacterial, anti-odour and anti-allergen filter / filtro antibatterico, antiodori e anti-allergeni	M270.910	115	156	10/11	>				34.236.00
B 200 CDI	OM651.930	100	136	08/14	>	25.159.00		30.595.00	54.236.00
with R.H.D. / con guida a destra	OM651.930	100	136	08/14	>		24.148.00		
antibacterial, anti-odour and anti-allergen filter / filtro antibatterico, antiodori e anti-allergeni	OM651.930	100	136	08/14	>				34.236.00
B 200 CDI 4Matic	OM651.930	100	136	08/14	>	25.159.00		30.595.00	54.236.00
with R.H.D. / con guida a destra	OM651.930	100	136	08/14	>		24.148.00		
antibacterial, anti-odour and anti-allergen filter / filtro antibatterico, antiodori e anti-allergeni	OM651.930	100	136	08/14	>				34.236.00
B 200 CDI BlueEFFICIENCY	OM651.901	100	136	10/11	>	25.159.00		30.595.00	54.236.00
with R.H.D. / con guida a destra	OM651.901	100	136	10/11	>		24.148.00		
antibacterial, anti-odour and anti-allergen filter / filtro antibatterico, antiodori e anti-allergeni	OM651.901	100	136	10/11	>				34.236.00
B 220 4Matic	M270.920	135	184	08/13	>	25.178.00		30.A38.00	54.236.00
antibacterial, anti-odour and anti-allergen filter / filtro antibatterico, antiodori e anti-allergeni	M270.920	135	184	08/13	>				34.236.00
B 220 CDI BlueEFFICIENCY	OM651.930	120	163	06/13	>	25.159.00		30.595.00	54.236.00
with R.H.D. / con guida a destra	OM651.930	120	163	06/13	>		24.148.00		
antibacterial, anti-odour and anti-allergen filter / filtro antibatterico, antiodori e anti-allergeni	OM651.930	120	163	06/13	>				34.236.00
B 220 CDI BlueEFFICIENCY	OM651.930	125	170	09/12	>	25.159.00		30.595.00	54.236.00
with R.H.D. / con guida a destra	OM651.930	125	170	09/12	>		24.148.00		
antibacterial, anti-odour and anti-allergen filter / filtro antibatterico, antiodori e anti-allergeni	OM651.930	125	170	09/12	>				34.236.00
B 220 CDI BlueEFFICIENCY	OM651.930	130	177	09/14	>	25.159.00		30.595.00	54.236.00
with R.H.D. / con guida a destra	OM651.930	130	177	09/14	>		24.148.00		
antibacterial, anti-odour and anti-allergen filter / filtro antibatterico, antiodori e anti-allergeni	OM651.930	130	177	09/14	>				34.236.00
B 220 CDI BlueEFFICIENCY 4Matic	OM651.930	130	177	09/14	>	25.159.00		30.595.00	54.236.00
with R.H.D. / con guida a destra	OM651.930	130	177	09/14	>		24.148.00		
antibacterial, anti-odour and anti-allergen filter / filtro antibatterico, antiodori e anti-allergeni	OM651.930	130	177	09/14	>				34.236.00
B 250 4Matic	M270.920	155	211	08/14	>	25.178.00		30.A38.00	54.236.00
antibacterial, anti-odour and anti-allergen filter / filtro antibatterico, antiodori e anti-allergeni	M270.920	155	211	08/14	>				34.236.00
B 250 BlueEFFICIENCY	M270.920	155	211	08/12	>	25.178.00		30.A38.00	54.236.00
antibacterial, anti-odour and anti-allergen filter / filtro antibatterico, antiodori e anti-allergeni	M270.920	155	211	08/12	>				34.236.00
B Classe (W247)									
B 160	M282.914	80	109	04/19	>	25.145.00			
B 160 d	OM608.915	70	95	05/19	>			30.C35.00	
B 180	M282.914	100	136	12/18	>	25.145.00			
B 180 d	OM608.915	85	116	12/18	>			30.C35.00	
B 180 d	OM654.820	85	116	10/20	>			30.C35.00	
B 180 d	OM654.920	85	116	10/20	>			30.C35.00	
B 200	M282.914	120	163	12/18	>	25.145.00			
B 200 d	OM654.920	110	150	12/18	>			30.C35.00	
B 220	M260.920	140	190	01/19	>	25.178.00			
B 220 d	OM654.920	140	190	12/18	>			30.C35.00	
B 250	M260.920	165	224	01/19	>	25.178.00			
C Cabrio Classe (A205)									
C 180	M274.910	115	156	06/16	>	25.178.00		30.A61.00	
prefilter / prefiltrro	M274.910	115	156	06/16	>				53.320.00
C 180 d	OM654.916	90	122	05/18	>			30.B56.00	
C 200	M274.920	135	184	06/16	>	25.178.00		30.A61.00	
prefilter / prefiltrro	M274.920	135	184	06/16	>				53.320.00
C 200 4Matic	M274.920	135	184	06/16	>	25.178.00		30.A61.00	
prefilter / prefiltrro	M274.920	135	184	06/16	>				53.320.00
C 200 d 1.6	OM654.916	118	160	07/18	>			30.C35.00	
prefilter / prefiltrro	OM654.916	118	160	07/18	>				53.320.00
C 200 d 2.0	OM654.916	110	150	05/18	>			30.B56.00	
C 200 EQ Boost	M264.915	135	184	05/18	>	25.178.00			
prefilter / prefiltrro	M264.915	135	184	05/18	>				53.320.00
C 200 EQ Boost 4Matic	M264.915	135	184	05/18	>	25.178.00			
prefilter / prefiltrro	M264.915	135	184	05/18	>				53.320.00
C 220 d	OM651.921	125	170	06/16	> 12/16	25.159.00	24.151.00	30.B87.00	
	OM651.921	125	170	01/17	>	25.159.00	24.151.00	30.C36.00	
prefilter / prefiltrro	OM651.921	125	170	06/16	>				53.320.00
C 220 d	OM654.920	143	194	04/18	>			30.B56.00	
prefilter / prefiltrro	OM654.920	143	194	04/18	>				53.320.00
C 220 d 4Matic	OM651.921	125	170	06/16	> 12/16	25.159.00	24.151.00	30.B87.00	

...MERCEDES BENZ - cars/auto

prefilter / prefiltrato	OM651.921	125	170	01/17 >	25.159.00	24.151.00	30.C36.00	53.320.00
C 220 d 4Matic	OM651.921	125	170	06/16 >				
prefilter / prefiltrato	OM654.920	143	194	06/18 >			30.B56.00	
prefilter / prefiltrato	OM654.920	143	194	06/18 >				53.320.00
C 220 d BlueTec Efficiency Edition	OM651.921	120	163	06/16 > 12/16	25.159.00	24.151.00	30.B87.00	
prefilter / prefiltrato	OM651.921	120	163	01/17 > 07/18	25.159.00	24.151.00	30.C36.00	
prefilter / prefiltrato	OM651.921	120	163	06/16 > 07/18				53.320.00
C 250	M274.920	155	211	06/16 >	25.178.00	∞	30.A61.00	
prefilter / prefiltrato	M274.920	155	211	06/16 >				53.320.00
C 250 d BlueTec	OM651.921	150	204	06/16 > 12/16	25.159.00	24.151.00	30.B87.00	
prefilter / prefiltrato	OM651.921	150	204	01/17 >	25.159.00	24.151.00	30.C36.00	
prefilter / prefiltrato	OM651.921	150	204	06/16 >				53.320.00
C 250 d BlueTec 4Matic	OM651.921	150	204	02/14 > 12/16	25.159.00	24.151.00	30.B87.00	
prefilter / prefiltrato	OM651.921	150	204	01/17 >	25.159.00	24.151.00	30.C36.00	
prefilter / prefiltrato	OM651.921	150	204	02/14 >				53.320.00
C 300	M264.920	190	258	05/18 >	25.178.00	∞		
prefilter / prefiltrato	M264.920	190	258	05/18 >				53.320.00
C 300	M274.920	180	245	06/16 > 07/18	25.178.00	∞	30.A61.00	
prefilter / prefiltrato	M274.920	180	245	06/16 > 07/18				53.320.00
C 300 d	OM654.920	180	245	05/18 >			30.B56.00	
prefilter / prefiltrato	OM654.920	180	245	05/18 >				53.320.00
C 300 de	OM654.920	143	194	05/19 >			30.B56.00	
C 300 de	OM654.920	225	306	05/19 >			30.B56.00	
C 400 4Matic	M276.823	245	333	06/16 >	25.172.00	∞		
prefilter / prefiltrato	M276.823	245	333	06/16 >				53.320.00
C 43 AMG 4Matic	M276.823	270	367	10/16 > 07/18	25.172.00	∞		
prefilter / prefiltrato	M276.823	270	367	10/16 > 07/18				53.320.00
C 43 AMG 4Matic	M276.823	287	390	04/18 >	25.172.00	∞		
prefilter / prefiltrato	M276.823	287	390	04/18 >				53.320.00
C 63 AMG	M177.980	350	476	10/16 >	25.204.00	∞		
2 filters / N.2 filtri	M177.980	350	476	10/16 >			30.485.00	
prefilter / prefiltrato	M177.980	350	476	10/16 >				53.320.00
C 63 S AMG	M177.980	375	510	10/16 >	25.204.00	∞		
2 filters / N.2 filtri	M177.980	375	510	10/16 >			30.485.00	
prefilter / prefiltrato	M177.980	375	510	10/16 >				53.320.00
C Classe (W/S/C204)								
C 180 1.6 BlueEFFICIENCY	M274.910	115	156	08/12 > 12/14	25.178.00	∞	27.A92.00	54.163.00
antibacterial, anti-odour and anti-allergen filter / filtro antibatterico, antiodori e anti-allergeni	M274.910	115	156	08/12 > 12/14				34.163.00
C 180 CDI BlueEFFICIENCY	OM651.913	88	120	03/11 > 08/14	25.159.00		30.B10.00	54.163.00
with fuel oil heater with connection for water suction / con riscaldatore nafta con collegamento per aspirazione acqua	OM651.913	88	120	03/11 >		24.149.00		
with fuel oil heater without connection for water suction / con riscaldatore nafta senza collegamento per aspirazione acqua	OM651.913	88	120	03/11 >		24.151.00		
antibacterial, anti-odour and anti-allergen filter / filtro antibatterico, antiodori e anti-allergeni	OM651.913	88	120	03/11 >				34.163.00
C 180 CGI BlueEFFICIENCY	M271.820	115	156	11/09 >	25.155.00	∞	30.A60.00	54.163.00
antibacterial, anti-odour and anti-allergen filter / filtro antibatterico, antiodori e anti-allergeni	M271.820	115	156	11/09 >				34.163.00
C 180 K BlueEFFICIENCY	M271.910	115	156	04/08 > 12/09	25.050.00	∞	27.486.00	54.163.00
antibacterial, anti-odour and anti-allergen filter / filtro antibatterico, antiodori e anti-allergeni	M271.910	115	156	04/08 > 12/09				34.163.00
C 180 Kompressor	M271.952	115	156	09/07 > 12/09	25.050.00	∞	27.486.00	54.163.00
antibacterial, anti-odour and anti-allergen filter / filtro antibatterico, antiodori e anti-allergeni	M271.952	115	156	09/07 > 12/09				34.163.00
C 200 CDI	OM646.811	100	136	08/07 > 11/09	25.013.00	24.436.00	27.A51.00	54.163.00
with water presence sensor / con sensore presenza acqua	OM646.811	100	136	08/07 > 11/09		24.107.00		
antibacterial, anti-odour and anti-allergen filter / filtro antibatterico, antiodori e anti-allergeni	OM646.811	100	136	08/07 > 11/09				34.163.00
C 200 CDI BlueEFFICIENCY	OM646.812	100	136	04/08 > 11/09	25.013.00	24.436.00	27.A51.00	54.163.00
with water presence sensor / con sensore presenza acqua	OM646.812	100	136	04/08 > 11/09		24.107.00		
antibacterial, anti-odour and anti-allergen filter / filtro antibatterico, antiodori e anti-allergeni	OM646.812	100	136	04/08 > 11/09				34.163.00
C 200 CDI BlueEFFICIENCY	OM651.913	100	136	12/09 > 08/14	25.159.00		30.B10.00	54.163.00
with fuel oil heater with connection for water suction / con riscaldatore nafta con collegamento per aspirazione acqua	OM651.913	100	136	12/09 >		24.149.00		
with fuel oil heater without connection for water suction / con riscaldatore nafta senza collegamento per aspirazione acqua	OM651.913	100	136	12/09 >		24.151.00		
with water presence sensor KNECHT-MAHLE / con sensore presenza acqua KNECHT-MAHLE	OM651.913	100	136	12/09 >		24.111.00		
antibacterial, anti-odour and anti-allergen filter / filtro antibatterico, antiodori e anti-allergeni	OM651.913	100	136	12/09 >				34.163.00
without fuel oil heater MANN+HUMMEL / senza riscaldatore nafta MANN+HUMMEL	OM651.913	100	136	12/09 >		24.077.00		
C 200 CGI BlueEFFICIENCY	M271.820	135	183	09/09 >	25.155.00	∞	30.A60.00	54.163.00
antibacterial, anti-odour and anti-allergen filter / filtro antibatterico, antiodori e anti-allergeni	M271.820	135	183	09/09 >				34.163.00
C 200 Kompressor	M271.950	135	184	03/07 > 12/09	25.050.00	∞	27.486.00	54.163.00
antibacterial, anti-odour and anti-allergen filter / filtro antibatterico, antiodori e anti-allergeni	M271.950	135	184	03/07 > 12/09				34.163.00
C 220 CDI	OM646.811	125	170	03/07 > 10/08	25.013.00	24.436.00	27.A51.00	54.163.00
with water presence sensor / con sensore presenza acqua	OM646.811	125	170	03/07 > 10/08		24.107.00		
antibacterial, anti-odour and anti-allergen filter / filtro antibatterico, antiodori e anti-allergeni	OM646.811	125	170	03/07 > 10/08				34.163.00

...MERCEDES BENZ - cars/auto

C 220 CDI BlueEFFICIENCY	OM651.911	120	163	06/11	>	25.159.00		30.B10.00	54.163.00
with fuel oil heater with connection for water suction / con riscaldatore nafta con collegamento per aspirazione acqua	OM651.911	120	163	06/11	>		24.149.00		
with fuel oil heater without connection for water suction / con riscaldatore nafta senza collegamento per aspirazione acqua	OM651.911	120	163	06/11	>		24.151.00		
with water presence sensor KNECHT-MAHLE / con sensore presenza acqua KNECHT-MAHLE	OM651.911	120	163	06/11	>		24.111.00		
antibacterial, anti-odour and anti-allergen filter / filtro antibatterico, antiodori e anti-allergeni	OM651.911	120	163	06/11	>				34.163.00
without fuel oil heater MANN+HUMMEL / senza riscaldatore nafta MANN+HUMMEL	OM651.911	120	163	06/11	>		24.077.00		
C 220 CDI BlueEFFICIENCY	OM651.911	125	170	11/08	> 12/14	25.159.00		30.B10.00	54.163.00
with fuel oil heater with connection for water suction / con riscaldatore nafta con collegamento per aspirazione acqua	OM651.911	125	170	11/08	>		24.149.00		
with fuel oil heater without connection for water suction / con riscaldatore nafta senza collegamento per aspirazione acqua	OM651.911	125	170	11/08	>		24.151.00		
with water presence sensor KNECHT-MAHLE / con sensore presenza acqua KNECHT-MAHLE	OM651.911	125	170	11/08	>		24.111.00		
antibacterial, anti-odour and anti-allergen filter / filtro antibatterico, antiodori e anti-allergeni	OM651.911	125	170	11/08	>				34.163.00
without fuel oil heater MANN+HUMMEL / senza riscaldatore nafta MANN+HUMMEL	OM651.911	125	170	11/08	>		24.077.00		
C 220 CDI BlueEFFICIENCY 4Matic	OM651.912	125	170	11/08	>	25.159.00		30.B63.00	54.163.00
with fuel oil heater with connection for water suction / con riscaldatore nafta con collegamento per aspirazione acqua	OM651.912	125	170	11/08	>		24.149.00		
with fuel oil heater without connection for water suction / con riscaldatore nafta senza collegamento per aspirazione acqua	OM651.912	125	170	11/08	>		24.151.00		
with water presence sensor KNECHT-MAHLE / con sensore presenza acqua KNECHT-MAHLE	OM651.912	125	170	11/08	>		24.111.00		
antibacterial, anti-odour and anti-allergen filter / filtro antibatterico, antiodori e anti-allergeni	OM651.912	125	170	11/08	>				34.163.00
without fuel oil heater MANN+HUMMEL / senza riscaldatore nafta MANN+HUMMEL	OM651.912	125	170	11/08	>		24.077.00		
C 230	M272.921	150	204	03/07	> 10/09	25.002.00		30.531.00	54.163.00
antibacterial, anti-odour and anti-allergen filter / filtro antibatterico, antiodori e anti-allergeni	M272.921	150	204	03/07	> 10/09				34.163.00
C 250 CDI 4MATIC	OM651.912	150	204	05/10	>	25.159.00		30.B63.00	54.163.00
with fuel oil heater with connection for water suction / con riscaldatore nafta con collegamento per aspirazione acqua	OM651.912	150	204	05/10	>		24.149.00		
with fuel oil heater without connection for water suction / con riscaldatore nafta senza collegamento per aspirazione acqua	OM651.912	150	204	05/10	>		24.151.00		
with water presence sensor KNECHT-MAHLE / con sensore presenza acqua KNECHT-MAHLE	OM651.912	150	204	05/10	>		24.111.00		
antibacterial, anti-odour and anti-allergen filter / filtro antibatterico, antiodori e anti-allergeni	OM651.912	150	204	05/10	>				34.163.00
without fuel oil heater MANN+HUMMEL / senza riscaldatore nafta MANN+HUMMEL	OM651.912	150	204	05/10	>		24.077.00		
C 250 CDI 4WD	OM651.911	150	204	09/08	>	25.159.00		30.B10.00	54.163.00
with fuel oil heater with connection for water suction / con riscaldatore nafta con collegamento per aspirazione acqua	OM651.911	150	204	09/08	>		24.149.00		
with fuel oil heater without connection for water suction / con riscaldatore nafta senza collegamento per aspirazione acqua	OM651.911	150	204	09/08	>		24.151.00		
with water presence sensor KNECHT-MAHLE / con sensore presenza acqua KNECHT-MAHLE	OM651.911	150	204	09/08	>		24.111.00		
antibacterial, anti-odour and anti-allergen filter / filtro antibatterico, antiodori e anti-allergeni	OM651.911	150	204	09/08	>				34.163.00
without fuel oil heater MANN+HUMMEL / senza riscaldatore nafta MANN+HUMMEL	OM651.911	150	204	09/08	>		24.077.00		
C 250 CDI BlueEFFICIENCY	OM651.911	150	204	09/08	>	25.159.00		30.B10.00	54.163.00
with fuel oil heater with connection for water suction / con riscaldatore nafta con collegamento per aspirazione acqua	OM651.911	150	204	09/08	>		24.149.00		
with fuel oil heater without connection for water suction / con riscaldatore nafta senza collegamento per aspirazione acqua	OM651.911	150	204	09/08	>		24.151.00		
with water presence sensor KNECHT-MAHLE / con sensore presenza acqua KNECHT-MAHLE	OM651.911	150	204	09/08	>		24.111.00		
antibacterial, anti-odour and anti-allergen filter / filtro antibatterico, antiodori e anti-allergeni	OM651.911	150	204	09/08	>				34.163.00
without fuel oil heater MANN+HUMMEL / senza riscaldatore nafta MANN+HUMMEL	OM651.911	150	204	09/08	>		24.077.00		
C 250 CGI BlueEFFICIENCY	M271.860	150	204	09/09	>	25.155.00		30.A60.00	54.163.00
antibacterial, anti-odour and anti-allergen filter / filtro antibatterico, antiodori e anti-allergeni	M271.860	150	204	09/09	>				34.163.00
C 280	M272.947	170	231	03/07	> 07/09	25.002.00		30.531.00	54.163.00
antibacterial, anti-odour and anti-allergen filter / filtro antibatterico, antiodori e anti-allergeni	M272.947	170	231	03/07	> 07/09				34.163.00
C 300	M272.947	170	231	07/09	>	25.002.00		30.531.00	54.163.00
antibacterial, anti-odour and anti-allergen filter / filtro antibatterico, antiodori e anti-allergeni	M272.947	170	231	07/09	>				34.163.00
C 300 4Matic	M276.957	185	252	02/11	> 01/14	25.172.00			54.163.00
antibacterial, anti-odour and anti-allergen filter / filtro antibatterico, antiodori e anti-allergeni	M276.957	185	252	02/11	> 01/14				34.163.00
C 300 CDI BlueEFFICIENCY	OM642.832	170	231	05/11	>	25.069.00			54.163.00
antibacterial, anti-odour and anti-allergen filter / filtro antibatterico, antiodori e anti-allergeni	OM642.832	170	231	05/11	>				34.163.00
C 320 CDI	OM642.960	165	224	03/07	>	25.069.00	24.436.00		54.163.00
with water presence sensor / con sensore presenza acqua	OM642.960	165	224	03/07	>		24.107.00		
with water presence sensor some / con sensore presenza acqua alcuni	OM642.960	165	224	03/07	>		24.111.00		
antibacterial, anti-odour and anti-allergen filter / filtro antibatterico, antiodori e anti-allergeni	OM642.960	165	224	03/07	>				34.163.00
air filter right side / filtro aria destro	OM642.960	165	224	03/07	>			30.463.00	
air filter left side / filtro aria sinistro	OM642.960	165	224	03/07	>			30.462.00	
without fuel oil heater / senza riscaldatore nafta	OM642.960	165	224	03/07	>		24.077.00		
C 350	M272.961	200	272	03/07	>	25.002.00		30.531.00	54.163.00
antibacterial, anti-odour and anti-allergen filter / filtro antibatterico, antiodori e anti-allergeni	M272.961	200	272	03/07	>				34.163.00
C 350 CDI	OM642.960	165	224	07/09	>	25.069.00	24.436.00		54.163.00
with water presence sensor / con sensore presenza acqua	OM642.960	165	224	07/09	>		24.107.00		
with water presence sensor some / con sensore presenza acqua alcuni	OM642.960	165	224	07/09	>		24.111.00		
antibacterial, anti-odour and anti-allergen filter / filtro antibatterico, antiodori e anti-allergeni	OM642.960	165	224	07/09	>				34.163.00
air filter right side / filtro aria destro	OM642.960	165	224	07/09	>			30.463.00	
air filter left side / filtro aria sinistro	OM642.960	165	224	07/09	>			30.462.00	
without fuel oil heater / senza riscaldatore nafta	OM642.960	165	224	07/09	>		24.077.00		
C 350 CDI BlueEFFICIENCY	OM642.830/832	170	231	11/09	> 04/11	25.069.00	24.077.00		54.163.00
with water presence sensor / con sensore presenza acqua	OM642.830/832	170	231	11/09	> 04/11		24.111.00		
antibacterial, anti-odour and anti-allergen filter / filtro antibatterico, antiodori e anti-allergeni	OM642.830/832	170	231	11/09	> 04/11				34.163.00

...MERCEDES BENZ - cars/auto

C 350 CDI BlueEFFICIENCY	OM642.834	195	265	04/11	>		25.069.00			54.163.00
antibacterial, anti-odour and anti-allergen filter / filtro antibatterico, antiodori e anti-allergeni	OM642.834	195	265	04/11	>					34.163.00
C 350 CGI BlueEFFICIENCY	M272.982	215	292	11/08	>	03/11	25.002.00		30.531.00	54.163.00
antibacterial, anti-odour and anti-allergen filter / filtro antibatterico, antiodori e anti-allergeni	M272.982	215	292	11/08	>	03/11				34.163.00
C 350 CGI BlueEFFICIENCY	M276.957	225	306	03/11	>		25.172.00			54.163.00
antibacterial, anti-odour and anti-allergen filter / filtro antibatterico, antiodori e anti-allergeni	M276.957	225	306	03/11	>					34.163.00
C 350 CGI BlueEFFICIENCY 4Matic	M276.957	225	306	03/11	>		25.172.00			54.163.00
antibacterial, anti-odour and anti-allergen filter / filtro antibatterico, antiodori e anti-allergeni	M276.957	225	306	03/11	>					34.163.00
C 63 AMG	M156.985	336	457	09/07	>					54.163.00
antibacterial, anti-odour and anti-allergen filter / filtro antibatterico, antiodori e anti-allergeni	M156.985	336	457	09/07	>					34.163.00
C Classe (W/S/CL203)										
C 160 Coupè										
with activated carbons THERMOTRONIC / ai carboni attivi THERMOTRONIC	M271	90	122	04/05	>	12/07				54.130.00
with automatic air-conditioner and L.H.D. THERMATIC / con climatizzatore automatico e guida a sinistra THERMATIC	M271	90	122	04/05	>	12/07	25.050.00	31.841.00	27.486.00	54.131.00
with air-conditioner and R.H.D. THERMATIC / con climatizzatore e guida a destra THERMATIC	M271	90	122	04/05	>	12/07				54.246.00
with air-conditioner and L.H.D. THERMOTRONIC / con climatizzatore e guida a sinistra THERMOTRONIC	M271	90	122	04/05	>	12/07	25.050.00	31.841.00	27.486.00	53.094.00
antibacterial, anti-odour and anti-allergen filter with air-conditioner and L.H.D. THERMATIC / filtro antibatterico, antiodori e anti-allergeni con climatizzatore e guida a sinistra THERMATIC	M271	90	122	04/05	>	12/07				34.131.00
antibacterial, anti-odour and anti-allergen filter with R.H.D. / filtro antibatterico, antiodori e anti-allergeni con guida a destra	M271	90	122	04/05	>	12/07				34.246.00
without air-conditioner and R.H.D. / senza climatizzatore e guida a destra	M271	90	122	04/05	>	12/07				54.246.00
without air-conditioner and L.H.D. / senza climatizzatore e guida a sinistra	M271	90	122	04/05	>	12/07	25.050.00	31.841.00	27.486.00	54.131.00
C 180										
with activated carbons THERMOTRONIC / ai carboni attivi THERMOTRONIC	M111	95	130	09/00	>	07/02				54.130.00
with automatic air-conditioner and L.H.D. THERMATIC / con climatizzatore automatico e guida a sinistra THERMATIC	M111	95	130	09/00	>	07/02	25.162.00	31.841.00	30.201.00	54.131.00
with air-conditioner and R.H.D. THERMATIC / con climatizzatore e guida a destra THERMATIC	M111	95	130	09/00	>	07/02				54.246.00
with air-conditioner and L.H.D. THERMOTRONIC / con climatizzatore e guida a sinistra THERMOTRONIC	M111	95	130	09/00	>	07/02	25.162.00	31.841.00	30.201.00	53.094.00
antibacterial, anti-odour and anti-allergen filter / filtro antibatterico, antiodori e anti-allergeni	M111	95	130	09/00	>	07/02				34.131.00
antibacterial, anti-odour and anti-allergen filter with R.H.D. / filtro antibatterico, antiodori e anti-allergeni con guida a destra	M111	95	130	09/00	>	07/02				34.246.00
without air-conditioner and R.H.D. / senza climatizzatore e guida a destra	M111	95	130	09/00	>	07/02				54.246.00
without air-conditioner and L.H.D. / senza climatizzatore e guida a sinistra	M111	95	130	09/00	>	07/02	25.162.00	31.841.00	30.201.00	54.131.00
C 180 Kompressor										
with activated carbons THERMOTRONIC / ai carboni attivi THERMOTRONIC	M271.946	105	143	06/02	>	12/07				54.130.00
with automatic air-conditioner and L.H.D. THERMATIC / con climatizzatore automatico e guida a sinistra THERMATIC	M271.946	105	143	06/02	>	12/07	25.050.00	31.841.00	27.486.00	54.131.00
with air-conditioner and R.H.D. THERMATIC / con climatizzatore e guida a destra THERMATIC	M271.946	105	143	06/02	>	12/07				54.246.00
with air-conditioner and L.H.D. THERMOTRONIC / con climatizzatore e guida a sinistra THERMOTRONIC	M271.946	105	143	06/02	>	12/07	25.050.00	31.841.00	27.486.00	53.094.00
antibacterial, anti-odour and anti-allergen filter / filtro antibatterico, antiodori e anti-allergeni	M271.946	105	143	06/02	>	12/07				34.131.00
antibacterial, anti-odour and anti-allergen filter with R.H.D. / filtro antibatterico, antiodori e anti-allergeni con guida a destra	M271.946	105	143	06/02	>	12/07				34.246.00
without air-conditioner and R.H.D. / senza climatizzatore e guida a destra	M271.946	105	143	06/02	>	12/07				54.246.00
without air-conditioner and L.H.D. / senza climatizzatore e guida a sinistra	M271.946	105	143	06/02	>	12/07	25.050.00	31.841.00	27.486.00	54.131.00
C 200 CDI										
with activated carbons THERMOTRONIC / ai carboni attivi THERMOTRONIC	OM611	75	102	02/01	>	12/07				54.130.00
with automatic air-conditioner and L.H.D. THERMATIC / con climatizzatore automatico e guida a sinistra THERMATIC	OM611	75	102	02/01	>	12/07	25.013.00	24.429.00	30.148.00	54.131.00
with air-conditioner and R.H.D. THERMATIC / con climatizzatore e guida a destra THERMATIC	OM611	75	102	02/01	>	12/07				54.246.00
with air-conditioner and L.H.D. THERMOTRONIC / con climatizzatore e guida a sinistra THERMOTRONIC	OM611	75	102	02/01	>	12/07	25.013.00	24.429.00	30.148.00	53.094.00
antibacterial, anti-odour and anti-allergen filter / filtro antibatterico, antiodori e anti-allergeni	OM611	75	102	02/01	>	12/07				34.131.00
antibacterial, anti-odour and anti-allergen filter with R.H.D. / filtro antibatterico, antiodori e anti-allergeni con guida a destra	OM611	75	102	02/01	>	12/07				34.246.00
without air-conditioner and R.H.D. / senza climatizzatore e guida a destra	OM611	75	102	02/01	>	12/07				54.246.00
without air-conditioner and L.H.D. / senza climatizzatore e guida a sinistra	OM611	75	102	02/01	>	12/07	25.013.00	24.429.00	30.148.00	54.131.00
C 200 CDI										
with activated carbons THERMOTRONIC / ai carboni attivi THERMOTRONIC	OM611.962	85	115	09/00	>	08/03				54.130.00
with automatic air-conditioner and L.H.D. THERMATIC / con climatizzatore automatico e guida a sinistra THERMATIC	OM611.962	85	115	09/00	>	02/03	25.013.00	24.429.00	30.148.00	54.131.00
with automatic air-conditioner and L.H.D. THERMATIC / con climatizzatore automatico e guida a sinistra THERMATIC	OM611.962	85	115	03/03	>	08/03	25.013.00	24.436.00	30.148.00	54.131.00
with air-conditioner and R.H.D. THERMATIC / con climatizzatore e guida a destra THERMATIC	OM611.962	85	115	09/00	>	08/03				54.246.00
with air-conditioner and L.H.D. THERMOTRONIC / con climatizzatore e guida a sinistra THERMOTRONIC	OM611.962	85	115	09/00	>	02/03	25.013.00	24.429.00	30.148.00	53.094.00
with air-conditioner and L.H.D. THERMOTRONIC / con climatizzatore e guida a sinistra THERMOTRONIC	OM611.962	85	115	03/03	>	08/03	25.013.00	24.436.00	30.148.00	53.094.00
antibacterial, anti-odour and anti-allergen filter / filtro antibatterico, antiodori e anti-allergeni	OM611.962	85	115	09/00	>	08/03				34.131.00
antibacterial, anti-odour and anti-allergen filter with R.H.D. / filtro antibatterico, antiodori e anti-allergeni con guida a destra	OM611.962	85	115	09/00	>	08/03				34.246.00
without air-conditioner and R.H.D. / senza climatizzatore e guida a destra	OM611.962	85	115	09/00	>	08/03				54.246.00
without air-conditioner and L.H.D. / senza climatizzatore e guida a sinistra	OM611.962	85	115	09/00	>	02/03	25.013.00	24.429.00	30.148.00	54.131.00
without air-conditioner and L.H.D. / senza climatizzatore e guida a sinistra	OM611.962	85	115	03/03	>	08/03	25.013.00	24.436.00	30.148.00	54.131.00
C 200 CDI										
with activated carbons THERMOTRONIC / ai carboni attivi THERMOTRONIC	OM646	90	122	07/03	>	12/07				54.130.00
with automatic air-conditioner and L.H.D. THERMATIC / con climatizzatore automatico e guida a sinistra THERMATIC	OM646	90	122	07/03	>	12/07	25.013.00	24.436.00	27.596.00	54.131.00
with air-conditioner and R.H.D. THERMATIC / con climatizzatore e guida a destra THERMATIC	OM646	90	122	07/03	>	12/07				54.246.00
with air-conditioner and L.H.D. THERMOTRONIC / con climatizzatore e guida a sinistra THERMOTRONIC	OM646	90	122	07/03	>	12/07	25.013.00	24.436.00	27.596.00	53.094.00
antibacterial, anti-odour and anti-allergen filter / filtro antibatterico, antiodori e anti-allergeni	OM646	90	122	07/03	>	12/07				34.131.00
antibacterial, anti-odour and anti-allergen filter with R.H.D. / filtro antibatterico, antiodori e anti-allergeni con guida a destra	OM646	90	122	07/03	>	12/07				34.246.00
without air-conditioner and R.H.D. / senza climatizzatore e guida a destra	OM646	90	122	07/03	>	12/07				54.246.00

...MERCEDES BENZ - cars/auto

with air-conditioner and L.H.D. THERMOTRONIC / con climatizzatore e guida a sinistra THERMOTRONIC	OM642	165	224	02/05	>	12/07	25.069.00	24.436.00		53.094.00
antibacterial, anti-odour and anti-allergen filter / filtro antibatterico, antiodori e anti-allergeni	OM642	165	224	02/05	>	12/07				34.131.00
antibacterial, anti-odour and anti-allergen filter with R.H.D. / filtro antibatterico, antiodori e anti-allergeni con guida a destra	OM642	165	224	02/05	>	12/07				34.246.00
air filter right side / filtro aria destro	OM642	165	224	02/05	>	12/07			30.463.00	
air filter left side / filtro aria sinistro	OM642	165	224	02/05	>	12/07			30.462.00	
C 320 V6										
with activated carbons THERMOTRONIC / ai carboni attivi THERMOTRONIC	M112	160	218	05/00	>	05/05				54.130.00
with automatic air-conditioner and L.H.D. THERMATIC / con climatizzatore automatico e guida a sinistra THERMATIC	M112	160	218	05/00	>	05/05	25.002.00	31.841.00	30.531.00	54.131.00
with air-conditioner and R.H.D. THERMATIC / con climatizzatore e guida a destra THERMATIC	M112	160	218	05/00	>	05/05				54.246.00
with air-conditioner and L.H.D. THERMOTRONIC / con climatizzatore e guida a sinistra THERMOTRONIC	M112	160	218	05/00	>	05/05	25.002.00	31.841.00	30.531.00	53.094.00
antibacterial, anti-odour and anti-allergen filter / filtro antibatterico, antiodori e anti-allergeni	M112	160	218	05/05	>	05/05				34.131.00
antibacterial, anti-odour and anti-allergen filter with R.H.D. / filtro antibatterico, antiodori e anti-allergeni con guida a destra	M112	160	218	05/00	>	05/05				34.246.00
C 350										
with activated carbons THERMOTRONIC / ai carboni attivi THERMOTRONIC	M112E37	165	224	09/03	>	12/07				54.130.00
with automatic air-conditioner and L.H.D. THERMATIC / con climatizzatore automatico e guida a sinistra THERMATIC	M112E37	165	224	09/03	>	12/07	25.002.00	31.841.00	30.531.00	54.131.00
with air-conditioner and R.H.D. THERMATIC / con climatizzatore e guida a destra THERMATIC	M112E37	165	224	09/03	>	12/07				54.246.00
with air-conditioner and L.H.D. THERMOTRONIC / con climatizzatore e guida a sinistra THERMOTRONIC	M112E37	165	224	09/03	>	12/07	25.002.00	31.841.00	30.531.00	53.094.00
antibacterial, anti-odour and anti-allergen filter / filtro antibatterico, antiodori e anti-allergeni	M112E37	165	224	09/03	>	12/07				34.131.00
antibacterial, anti-odour and anti-allergen filter with R.H.D. / filtro antibatterico, antiodori e anti-allergeni con guida a destra	M112E37	165	224	09/03	>	12/07				34.246.00
C 350										
with activated carbons THERMOTRONIC / ai carboni attivi THERMOTRONIC	M272	200	272	02/05	>	12/07				54.130.00
with automatic air-conditioner and L.H.D. THERMATIC / con climatizzatore automatico e guida a sinistra THERMATIC	M272	200	272	02/05	>	12/07	25.002.00	31.841.00	30.531.00	54.131.00
with air-conditioner and R.H.D. THERMATIC / con climatizzatore e guida a destra THERMATIC	M272	200	272	02/05	>	12/07				54.246.00
with air-conditioner and L.H.D. THERMOTRONIC / con climatizzatore e guida a sinistra THERMOTRONIC	M272	200	272	02/05	>	12/07	25.002.00	31.841.00	30.531.00	53.094.00
antibacterial, anti-odour and anti-allergen filter / filtro antibatterico, antiodori e anti-allergeni	M272	200	272	02/05	>	12/07				34.131.00
antibacterial, anti-odour and anti-allergen filter with R.H.D. / filtro antibatterico, antiodori e anti-allergeni con guida a destra	M272	200	272	02/05	>	12/07				34.246.00
C 55 AMG										
with activated carbons THERMOTRONIC / ai carboni attivi THERMOTRONIC	M113	270	367	03/04	>	12/07				54.130.00
with automatic air-conditioner and L.H.D. THERMATIC / con climatizzatore automatico e guida a sinistra THERMATIC	M113	270	367	03/04	>	12/07	25.002.00	31.841.00	30.531.00	54.131.00
with air-conditioner and R.H.D. THERMATIC / con climatizzatore e guida a destra THERMATIC	M113	270	367	03/04	>	12/07				54.246.00
with air-conditioner and L.H.D. THERMOTRONIC / con climatizzatore e guida a sinistra THERMOTRONIC	M113	270	367	03/04	>	12/07	25.002.00	31.841.00	30.531.00	53.094.00
antibacterial, anti-odour and anti-allergen filter / filtro antibatterico, antiodori e anti-allergeni	M113	270	367	03/04	>	12/07				34.131.00
antibacterial, anti-odour and anti-allergen filter with R.H.D. / filtro antibatterico, antiodori e anti-allergeni con guida a destra	M113	270	367	03/04	>	12/07				34.246.00
C Class (W/S202)										
C 180										
with activated carbons / ai carboni attivi	M111	90	122	11/94	>	09/00	25.162.00	31.583.00	30.119.00	53.007.00
antibacterial, anti-odour and anti-allergen filter / filtro antibatterico, antiodori e anti-allergeni	M111	90	122	03/93	>	09/00				54.270.00
antibacterial, anti-odour and anti-allergen filter / filtro antibatterico, antiodori e anti-allergeni	M111	90	122	03/93	>	09/00				34.270.00
C 180 T										
with activated carbons / ai carboni attivi	M111	95	130	09/00	>	04/01	25.162.00	31.841.00	30.119.00	53.007.00
antibacterial, anti-odour and anti-allergen filter / filtro antibatterico, antiodori e anti-allergeni	M111	95	130	09/00	>	04/01				54.270.00
antibacterial, anti-odour and anti-allergen filter / filtro antibatterico, antiodori e anti-allergeni	M111	95	130	09/00	>	04/01				34.270.00
C 200										
with activated carbons / ai carboni attivi	M111	100	136	11/94	>	09/00	25.162.00	31.583.00	30.119.00	53.007.00
antibacterial, anti-odour and anti-allergen filter / filtro antibatterico, antiodori e anti-allergeni	M111	100	136	06/93	>	09/00				54.270.00
antibacterial, anti-odour and anti-allergen filter / filtro antibatterico, antiodori e anti-allergeni	M111	100	136	06/93	>	09/00				34.270.00
C 200 CDI										
with activated carbons / ai carboni attivi	OM611	75	102	03/98	>	04/01	25.013.00	26.006.00	30.119.00	53.007.00
antibacterial, anti-odour and anti-allergen filter / filtro antibatterico, antiodori e anti-allergeni	OM611	75	102	03/98	>	04/01				54.270.00
antibacterial, anti-odour and anti-allergen filter / filtro antibatterico, antiodori e anti-allergeni	OM611	75	102	03/93	>	04/01				34.270.00
C 200 Kompressor										
with activated carbons / ai carboni attivi	M111.947	141	192	11/96	>	06/00	25.162.00	31.583.00	30.119.00	53.007.00
antibacterial, anti-odour and anti-allergen filter / filtro antibatterico, antiodori e anti-allergeni	M111.947	141	192	11/96	>	06/00				54.270.00
antibacterial, anti-odour and anti-allergen filter / filtro antibatterico, antiodori e anti-allergeni	M111.947	141	192	11/96	>	06/00				34.270.00
C 200 T Kompressor										
with activated carbons / ai carboni attivi	M111	120	164	09/00	>	04/01	25.162.00	31.583.00	30.119.00	53.007.00
antibacterial, anti-odour and anti-allergen filter / filtro antibatterico, antiodori e anti-allergeni	M111	120	164	09/00	>	04/01				54.270.00
antibacterial, anti-odour and anti-allergen filter / filtro antibatterico, antiodori e anti-allergeni	M111	120	164	09/00	>	04/01				34.270.00
C 220 CDI										
with activated carbons / ai carboni attivi	OM611	92	125	09/97	>	04/01	25.013.00	26.006.00	30.119.00	53.007.00
antibacterial, anti-odour and anti-allergen filter / filtro antibatterico, antiodori e anti-allergeni	OM611	92	125	09/97	>	04/01				54.270.00
antibacterial, anti-odour and anti-allergen filter / filtro antibatterico, antiodori e anti-allergeni	OM611	92	125	09/97	>	04/01				34.270.00
C 230 Kompressor										
with activated carbons / ai carboni attivi	M111.975	142	193	10/95	>	12/00	25.162.00	31.583.00	30.119.00	53.007.00
antibacterial, anti-odour and anti-allergen filter / filtro antibatterico, antiodori e anti-allergeni	M111.975	142	193	10/95	>	12/00				54.270.00
antibacterial, anti-odour and anti-allergen filter / filtro antibatterico, antiodori e anti-allergeni	M111.975	142	193	10/95	>	12/00				34.270.00
C 240 V6										
with activated carbons / ai carboni attivi	M112.910	125	170	06/97	>	04/01	25.002.00	31.841.00	30.119.00	53.007.00
antibacterial, anti-odour and anti-allergen filter / filtro antibatterico, antiodori e anti-allergeni	M112.910	125	170	06/97	>	04/01				54.270.00
antibacterial, anti-odour and anti-allergen filter / filtro antibatterico, antiodori e anti-allergeni	M112.910	125	170	06/97	>	04/01				34.270.00
C 250 Turbo D										
with activated carbons / ai carboni attivi	OM605	110	150	10/95	>	04/01	25.095.00	24.321.00	30.119.00	53.007.00
antibacterial, anti-odour and anti-allergen filter / filtro antibatterico, antiodori e anti-allergeni	OM605	110	150	10/95	>	04/01				54.270.00
antibacterial, anti-odour and anti-allergen filter / filtro antibatterico, antiodori e anti-allergeni	OM605	110	150	10/95	>	04/01				34.270.00
C 280 V6										
with activated carbons / ai carboni attivi	M112.920	145	197	06/97	>	04/01	25.002.00	31.841.00	30.119.00	53.007.00
antibacterial, anti-odour and anti-allergen filter / filtro antibatterico, antiodori e anti-allergeni	M112.920	145	197	06/97	>	04/01				54.270.00
antibacterial, anti-odour and anti-allergen filter / filtro antibatterico, antiodori e anti-allergeni	M112.920	145	197	06/97	>	04/01				34.270.00

...MERCEDES BENZ - cars/auto

C 36 AMG	M104.941	206	280	11/94	>	05/00	25.162.00	31.583.00		53.007.00
with activated carbons / ai carboni attivi	M104.941	206	280	05/94	>	05/00				54.270.00
antibacterial, anti-odour and anti-allergen filter / filtro antibatterico, antiodori e anti-allergeni	M104.941	206	280	05/94	>	05/00				34.270.00
C 43 AMG	M113	225	306	08/97	>	04/01	25.002.00	31.841.00		53.007.00
with activated carbons / ai carboni attivi	M113	225	306	08/97	>	04/01				54.270.00
antibacterial, anti-odour and anti-allergen filter / filtro antibatterico, antiodori e anti-allergeni	M113	225	306	08/97	>	04/01				34.270.00
C Classe (W/S205)										
C 160	M264.915	95	129	05/18	>		25.178.00			53.320.00
prefilter / prefiltrato	M264.915	95	129	05/18	>					53.320.00
C 160	M274.910	95	129	04/15	>		25.178.00		30.A61.00	53.320.00
prefilter / prefiltrato	M274.910	95	129	04/15	>					53.320.00
C 180	M274.910	115	156	03/14	>		25.178.00		30.A61.00	53.320.00
prefilter / prefiltrato	M274.910	115	156	03/14	>					53.320.00
C 180 BlueTec	OM626.951	85	116	05/14	>		25.170.00		30.A68.00	53.320.00
prefilter / prefiltrato	OM626.951	85	116	05/14	>					53.320.00
C 180 d	OM654.916	90	122	05/18	>				30.B56.00	53.320.00
prefilter / prefiltrato	OM654.916	90	122	05/18	>					53.320.00
C 200	M274.920	135	184	03/14	>		25.178.00		30.A61.00	53.320.00
prefilter / prefiltrato	M274.920	135	184	03/14	>					53.320.00
C 200 BlueTec	OM626.951	100	136	05/14	>		25.170.00		30.A68.00	53.320.00
prefilter / prefiltrato	OM626.951	100	136	05/14	>					53.320.00
C 200 d	OM651.921	100	136	10/15	>		25.159.00	24.151.00	30.B87.00	53.320.00
prefilter / prefiltrato	OM651.921	100	136	10/15	>					53.320.00
C 200 d 1.6	OM654.916	118	160	12/18	>				30.C56.00	53.320.00
C 200 d 2.0	OM654.916	110	150	12/18	>				30.C56.00	53.320.00
C 220 BlueTec	OM651.921	125	170	03/14	>	12/16	25.159.00	24.151.00	30.B87.00	53.320.00
prefilter / prefiltrato	OM651.921	125	170	01/17	>		25.159.00	24.151.00	30.C36.00	53.320.00
C 220 BlueTec Efficiency Edition	OM651.921	120	163	05/14	>	12/16	25.159.00	24.151.00	30.B87.00	53.320.00
prefilter / prefiltrato	OM651.921	120	163	01/17	>	07/18	25.159.00	24.151.00	30.C36.00	53.320.00
C 220 d	OM654.920	143	194	05/18	>				30.B56.00	53.320.00
prefilter / prefiltrato	OM654.920	143	194	05/18	>					53.320.00
C 220 d 4Matic	OM651.921	125	170	04/15	>	12/16	25.159.00	24.151.00	30.B87.00	53.320.00
prefilter / prefiltrato	OM651.921	125	170	01/17	>		25.159.00	24.151.00	30.C36.00	53.320.00
C 250	M274.920	155	211	05/14	>		25.178.00		30.A61.00	53.320.00
prefilter / prefiltrato	M274.920	155	211	05/14	>					53.320.00
C 250 BlueTec	OM651.921	150	204	05/14	>	12/16	25.159.00	24.151.00	30.B87.00	53.320.00
prefilter / prefiltrato	OM651.921	150	204	01/17	>		25.159.00	24.151.00	30.C36.00	53.320.00
C 250 BlueTec 4Matic	OM651.921	150	204	02/14	>	12/16	25.159.00	24.151.00	30.B87.00	53.320.00
prefilter / prefiltrato	OM651.921	150	204	01/17	>		25.159.00	24.151.00	30.C36.00	53.320.00
C 250 d 4Matic	OM651.921	150	204	02/14	>	12/16	25.159.00	24.151.00	30.B87.00	53.320.00
prefilter / prefiltrato	OM651.921	150	204	01/17	>		25.159.00	24.151.00	30.C36.00	53.320.00
C 300	M264.920	190	258	05/18	>		25.178.00			53.320.00
prefilter / prefiltrato	M264.920	190	258	05/18	>					53.320.00
C 300	M274.920	180	245	04/15	>	07/18	25.178.00		30.A61.00	53.320.00
prefilter / prefiltrato	M274.920	180	245	04/15	>	07/18				53.320.00
C 300 BlueTec Hybrid	OM651.921	150	204	05/14	>		25.159.00	24.151.00	30.B87.00	53.320.00
prefilter / prefiltrato	OM651.921	150	204	05/14	>					53.320.00
C 300 d	OM654.920	180	245	06/18	>				30.B56.00	53.320.00
C 300 de	OM654.920	143	194	05/19	>				30.B56.00	53.320.00
C 300 de	OM654.920	225	306	05/19	>				30.B56.00	53.320.00
C 350e Plug-in Hybrid	M274.920	155	211	03/15	>		25.178.00		30.A61.00	53.320.00
prefilter / prefiltrato	M274.920	155	211	03/15	>					53.320.00
C 400 4Matic	M276.823	245	333	09/14	>		25.172.00			53.320.00
prefilter / prefiltrato	M276.823	245	333	09/14	>					53.320.00
C 43 AMG 4Matic	M276.823	270	367	04/15	>	07/18	25.172.00			53.320.00
prefilter / prefiltrato	M276.823	270	367	04/15	>	07/18				53.320.00
C 43 AMG 4Matic	M276.823	287	390	05/18	>		25.172.00			53.320.00
prefilter / prefiltrato	M276.823	287	390	05/18	>					53.320.00
C 450 AMG 4Matic	M276.823	270	367	04/15	>		25.172.00			53.320.00
prefilter / prefiltrato	M276.823	270	367	04/15	>					53.320.00
C 63 AMG	M177.980	350	476	10/14	>		25.204.00			53.320.00

...MERCEDES BENZ - cars/auto

2 filters / N.2 filtri	M177.980	350	476	10/14	>			30.485.00	
prefilter / prefiltrato	M177.980	350	476	10/14	>				53.320.00
C 63 S AMG	M177.980	375	510	10/14	>	25.204.00			
2 filters / N.2 filtri	M177.980	375	510	10/14	>			30.485.00	
prefilter / prefiltrato	M177.980	375	510	10/14	>				53.320.00
Citan (W415)									
108 CDI 1.5	OM607.951	55	75	09/12	>	23.628.00	26.115.00	30.543.00	53.164.00
109 CDI 1.5	OM607.951	66	90	09/12	>	23.628.00	26.115.00	30.543.00	53.164.00
111 CDI 1.5	OM607.951	81	110	09/12	>	23.628.00	26.115.00	30.543.00	53.164.00
112 Turbo	M200.711	84	114	09/12	>	25.145.00		30.543.00	53.164.00
CL Classe (C/CL215)									
CL 500	M113.960	225	306	09/99	>	09/06	25.002.00	31.841.00	30.531.00
with activated carbons / ai carboni attivi	M113.960	225	306	09/99	>	09/06			54.141.00
CL 55 AMG	M113	367	500	10/02	>	09/06	25.002.00		53.005.00
with activated carbons / ai carboni attivi	M113	367	500	10/02	>	09/06			54.141.00
CL 55 AMG	M113.986	264	360	04/00	>	11/02	25.002.00	31.841.00	30.531.00
with activated carbons / ai carboni attivi	M113.986	264	360	04/00	>	11/02			54.141.00
CL 600	M137.970	270	367	03/00	>	11/02	25.002.00	31.841.00	53.005.00
with activated carbons / ai carboni attivi	M137.970	270	367	03/00	>	11/02			54.141.00
CL 600	M275.950	367	500	10/02	>	09/06			53.005.00
with activated carbons / ai carboni attivi	M275.950	367	500	10/02	>	09/06			54.141.00
CL 63 AMG	M137.980	326	445	09/01	>	11/02	25.002.00	31.841.00	53.005.00
with activated carbons / ai carboni attivi	M137.980	326	445	09/01	>	11/02			54.141.00
CL 65 AMG	M275.980	450	612	03/03	>	09/06			53.005.00
with activated carbons / ai carboni attivi	M275.980	450	612	03/03	>	09/06			54.141.00
CL Classe (C/CL216)									
CL 500	M273.961/968/971	285	388	09/06	>	08/10	25.002.00		30.531.00
CL 500 BlueEFFICIENCY	M278.920	320	435	09/10	>				
to engine No. 30021065 / a motore N. 30021065	M278.920	320	435	09/10	>	07/11	25.172.00		
from engine No. 30021066 / da motore N. 30021066	M278.920	320	435	08/11	>		25.204.00		
CL 500 BlueEFFICIENCY 4Matic	M278.920	320	435	09/10	>				
to engine No. 30021065 / a motore N. 30021065	M278.920	320	435	09/10	>	07/11	25.172.00		
from engine No. 30021066 / da motore N. 30021066	M278.920	320	435	08/11	>		25.204.00		
CL 600	M275	380	517	09/06	>				
CL 63 AMG	M156E63	386	525	01/07	>	12/10			
CL 63 AMG	M157.980	400	544	10/10	>		25.204.00		
CL 63 AMG Performance Plus	M157.980	420	571	10/10	>		25.204.00		
CL 65 AMG	M275.962	450	612	05/07	>	08/10			
CL 65 AMG	M275.962	463	630	08/10	>				
CLA Classe (C/X117)									
CLA 180	M270.910	90	122	03/13	>		25.178.00		30.A38.00
antibacterial, anti-odour and anti-allergen filter / filtro antibatterico, antiodori e anti-allergeni	M270.910	90	122	11/12	>				34.236.00
CLA 180 CDI	OM607.951	80	109	10/13	>		23.628.00		30.595.00
antibacterial, anti-odour and anti-allergen filter / filtro antibatterico, antiodori e anti-allergeni	OM607.951	80	109	11/12	>				34.236.00
CLA 180 d	OM607.951	80	109	07/15	>		23.628.00		30.595.00
antibacterial, anti-odour and anti-allergen filter / filtro antibatterico, antiodori e anti-allergeni	OM607.951	80	109	11/12	>				34.236.00
CLA 200	M270.910	115	156	03/13	>		25.178.00		30.A38.00
antibacterial, anti-odour and anti-allergen filter / filtro antibatterico, antiodori e anti-allergeni	M270.910	115	156	11/12	>				34.236.00
CLA 200 CDI	OM651.901	100	136	09/13	>		25.159.00		30.595.00
with R.H.D. / con guida a destra	OM651.901	100	136	09/13	>			24.148.00	
antibacterial, anti-odour and anti-allergen filter / filtro antibatterico, antiodori e anti-allergeni	OM651.901	100	136	11/12	>				34.236.00
CLA 200 CDI	OM651.930	100	136	07/14	>		25.159.00		30.595.00
with R.H.D. / con guida a destra	OM651.930	100	136	07/14	>			24.148.00	
antibacterial, anti-odour and anti-allergen filter / filtro antibatterico, antiodori e anti-allergeni	OM651.930	100	136	11/12	>				34.236.00
CLA 200 CDI 4Matic	OM651.930	100	136	07/14	>		25.159.00		30.595.00
with R.H.D. / con guida a destra	OM651.930	100	136	07/14	>			24.148.00	
antibacterial, anti-odour and anti-allergen filter / filtro antibatterico, antiodori e anti-allergeni	OM651.930	100	136	11/12	>				34.236.00
CLA 220 4Matic	M270.920	135	184	03/16	>		25.178.00		30.A38.00
antibacterial, anti-odour and anti-allergen filter / filtro antibatterico, antiodori e anti-allergeni	M270.920	135	184	11/12	>				34.236.00
CLA 220 CDI	OM651.930	120	163	03/13	>		25.159.00		30.595.00
with R.H.D. / con guida a destra	OM651.930	120	163	03/13	>			24.148.00	
antibacterial, anti-odour and anti-allergen filter / filtro antibatterico, antiodori e anti-allergeni	OM651.930	120	163	03/13	>				34.236.00
CLA 220 CDI	OM651.930	125	170	03/13	>		25.159.00		30.595.00
with R.H.D. / con guida a destra	OM651.930	125	170	03/13	>			24.148.00	
antibacterial, anti-odour and anti-allergen filter / filtro antibatterico, antiodori e anti-allergeni	OM651.930	125	170	03/13	>				34.236.00
CLA 220 CDI	OM651.930	130	177	09/14	>		25.159.00		30.595.00
with R.H.D. / con guida a destra	OM651.930	130	177	09/14	>			24.148.00	

...MERCEDES BENZ - cars/auto

antibacterial, anti-odour and anti-allergen filter / filtro antibatterico, antiodori e anti-allergeni	OM651.930	130	177	09/14	>				34.236.00
CLA 220 CDI 4Matic	OM651.930	120	163	08/14	>	25.159.00		30.595.00	54.236.00
with R.H.D. / con guida a destra	OM651.930	120	163	08/14	>		24.148.00		
antibacterial, anti-odour and anti-allergen filter / filtro antibatterico, antiodori e anti-allergeni	OM651.930	120	163	08/14	>				34.236.00
CLA 220 CDI 4Matic	OM651.930	125	170	08/14	>	25.159.00		30.595.00	54.236.00
with R.H.D. / con guida a destra	OM651.930	125	170	08/14	>		24.148.00		
antibacterial, anti-odour and anti-allergen filter / filtro antibatterico, antiodori e anti-allergeni	OM651.930	125	170	08/14	>				34.236.00
CLA 220 CDI 4Matic	OM651.930	130	177	09/14	>	25.159.00		30.595.00	54.236.00
with R.H.D. / con guida a destra	OM651.930	130	177	09/14	>		24.148.00		
antibacterial, anti-odour and anti-allergen filter / filtro antibatterico, antiodori e anti-allergeni	OM651.930	130	177	09/14	>				34.236.00
CLA 220 d	OM651.930	120	163	01/15	>	25.159.00		30.595.00	54.236.00
with R.H.D. / con guida a destra	OM651.930	120	163	01/15	>		24.148.00		
antibacterial, anti-odour and anti-allergen filter / filtro antibatterico, antiodori e anti-allergeni	OM651.930	120	163	01/15	>				34.236.00
CLA 220 d 4Matic	OM651.930	120	163	09/15	>	25.159.00		30.595.00	54.236.00
with R.H.D. / con guida a destra	OM651.930	120	163	09/15	>		24.148.00		
antibacterial, anti-odour and anti-allergen filter / filtro antibatterico, antiodori e anti-allergeni	OM651.930	120	163	09/15	>				34.236.00
CLA 250	M270.920	155	211	03/13	>	25.178.00		30.A38.00	54.236.00
antibacterial, anti-odour and anti-allergen filter / filtro antibatterico, antiodori e anti-allergeni	M270.920	155	211	03/13	>				34.236.00
CLA 250 4Matic	M270.920	155	211	07/13	>	25.178.00		30.A38.00	54.236.00
antibacterial, anti-odour and anti-allergen filter / filtro antibatterico, antiodori e anti-allergeni	M270.920	155	211	07/13	>				34.236.00
CLA 250 Sport	M270.920	160	218	07/15	>	25.178.00		30.A38.00	54.236.00
antibacterial, anti-odour and anti-allergen filter / filtro antibatterico, antiodori e anti-allergeni	M270.920	160	218	07/15	>				34.236.00
CLA 250 Sport 4Matic	M270.920	160	218	07/15	>	25.178.00		30.A38.00	54.236.00
antibacterial, anti-odour and anti-allergen filter / filtro antibatterico, antiodori e anti-allergeni	M270.920	160	218	07/15	>				34.236.00
CLA 45 AMG 4Matic	M133.980	265	360	08/13	>	25.204.00			54.236.00
antibacterial, anti-odour and anti-allergen filter / filtro antibatterico, antiodori e anti-allergeni	M133.980	265	360	08/13	>				34.236.00
CLA 45 AMG 4Matic	M133.980	280	381	07/15	>	25.204.00			54.236.00
antibacterial, anti-odour and anti-allergen filter / filtro antibatterico, antiodori e anti-allergeni	M133.980	280	381	07/15	>				34.236.00
CLA Classe (C/X118)									
CLA180	282914	100	136	03/19	>	25.145.00			
CLA180 d	608915	85	116	03/19	>			30.C35.00	
CLA180 d	OM654.820	85	116	10/20	>			30.C35.00	
CLA180 d	OM654.920	85	116	10/20	>			30.C35.00	
CLA200	282914	110	150	03/19	>	25.145.00			
CLA200	282914	120	163	03/19	>	25.145.00			
CLA200 d	654920	110	150	04/19	>			30.C35.00	
CLA220	260920	140	190	03/19	>	25.178.00			
CLA220 d	654920	140	190	04/19	>			30.C35.00	
CLA250	260920	165	224	03/19	>	25.178.00			
CLA250 e Hybrid	282914	118	160	06/20	>	25.145.00			
CLA35 AMG	260920	225	306	04/19	>	25.178.00			
CLC Classe (C203)									
CLC 160 BlueEFFICIENCY									
with automatic air-conditioner and L.H.D. THERMATIC / con climatizzatore automatico e guida a sinistra THERMATIC	M271.921	95	129	01/09	>	25.050.00	31.841.00	27.486.00	54.131.00
with air-conditioner and R.H.D. THERMATIC / con climatizzatore e guida a destra THERMATIC	M271.921	95	129	01/09	>				54.246.00
with air-conditioner and L.H.D. THERMOTRONIC / con climatizzatore e guida a sinistra THERMOTRONIC	M271.921	95	129	01/09	>	25.050.00	31.841.00	27.486.00	53.094.00
with activated carbon L.H.D. THERMOTRONIC / con guida a sinistra, ai carboni attivi THERMOTRONIC	M271.921	95	129	01/09	>				54.130.00
antibacterial, anti-odour and anti-allergen filter / filtro antibatterico, antiodori e anti-allergeni	M271.921	95	129	01/09	>				34.131.00
antibacterial, anti-odour and anti-allergen filter with R.H.D. / filtro antibatterico, antiodori e anti-allergeni con guida a destra	M271.921	95	129	01/09	>				34.246.00
without air-conditioner and R.H.D. / senza climatizzatore e guida a destra	M271.921	95	129	01/09	>				54.246.00
without air-conditioner and L.H.D. / senza climatizzatore e guida a sinistra	M271.921	95	129	01/09	>	25.050.00	31.841.00	27.486.00	54.131.00
CLC 180 Kompressor									
with automatic air-conditioner and L.H.D. THERMATIC / con climatizzatore automatico e guida a sinistra THERMATIC	M271.946	105	143	05/08	>	25.050.00	31.841.00	27.486.00	54.131.00
with air-conditioner and R.H.D. THERMATIC / con climatizzatore e guida a destra THERMATIC	M271.946	105	143	05/08	>				54.246.00
with air-conditioner and L.H.D. THERMOTRONIC / con climatizzatore e guida a sinistra THERMOTRONIC	M271.946	105	143	05/08	>	25.050.00	31.841.00	27.486.00	53.094.00
with activated carbon L.H.D. THERMOTRONIC / con guida a sinistra, ai carboni attivi THERMOTRONIC	M271.946	105	143	05/08	>				54.130.00
antibacterial, anti-odour and anti-allergen filter / filtro antibatterico, antiodori e anti-allergeni	M271.946	105	143	05/08	>				34.131.00
antibacterial, anti-odour and anti-allergen filter with R.H.D. / filtro antibatterico, antiodori e anti-allergeni con guida a destra	M271.946	105	143	05/08	>				34.246.00
without air-conditioner and R.H.D. / senza climatizzatore e guida a destra	M271.946	105	143	05/08	>				54.246.00
without air-conditioner and L.H.D. / senza climatizzatore e guida a sinistra	M271.946	105	143	05/08	>	25.050.00	31.841.00	27.486.00	54.131.00
CLC 200 CDI									
with automatic air-conditioner and L.H.D. THERMATIC / con climatizzatore automatico e guida a sinistra THERMATIC	OM646	90	122	05/08	>	25.013.00	24.436.00	27.596.00	54.131.00
with air-conditioner and R.H.D. THERMATIC / con climatizzatore e guida a destra THERMATIC	OM646	90	122	05/08	>				54.246.00
with air-conditioner and L.H.D. THERMOTRONIC / con climatizzatore e guida a sinistra THERMOTRONIC	OM646	90	122	05/08	>	25.013.00	24.436.00	27.596.00	53.094.00
with activated carbon L.H.D. THERMOTRONIC / con guida a sinistra, ai carboni attivi THERMOTRONIC	OM646	90	122	05/08	>				54.130.00
with water presence sensor / con sensore presenza acqua	OM646	90	122	05/08	>		24.107.00		
antibacterial, anti-odour and anti-allergen filter / filtro antibatterico, antiodori e anti-allergeni	OM646	90	122	05/08	>				34.131.00

...MERCEDES BENZ - cars/auto

M



antibacterial, anti-odour and anti-allergen filter with R.H.D. / filtro antibatterico, antiodori e anti-allergeni con guida a destra	OM646	90	122	05/08	>				34.246.00
without air-conditioner and R.H.D. / senza climatizzatore e guida a destra	OM646	90	122	05/08	>				54.246.00
without air-conditioner and L.H.D. / senza climatizzatore e guida a sinistra	OM646	90	122	05/08	>	25.013.00	24.436.00	27.596.00	54.131.00
CLC 200 Kompressor									
with automatic air-conditioner and L.H.D. THERMATIC / con climatizzatore automatico e guida a sinistra THERMATIC	M271.955	135	184	05/08	>	25.050.00	31.841.00	27.486.00	54.131.00
with air-conditioner and R.H.D. THERMATIC / con climatizzatore e guida a destra THERMATIC	M271.955	135	184	05/08	>				54.246.00
with air-conditioner and L.H.D. THERMOTRONIC / con climatizzatore e guida a sinistra THERMOTRONIC	M271.955	135	184	05/08	>	25.050.00	31.841.00	27.486.00	53.094.00
with activated carbon L.H.D. THERMOTRONIC / con guida a sinistra, ai carboni attivi THERMOTRONIC	M271.955	135	184	05/08	>				54.130.00
antibacterial, anti-odour and anti-allergen filter / filtro antibatterico, antiodori e anti-allergeni	M271.955	135	184	05/08	>				34.131.00
antibacterial, anti-odour and anti-allergen filter with R.H.D. / filtro antibatterico, antiodori e anti-allergeni con guida a destra	M271.955	135	184	05/08	>				34.246.00
without air-conditioner and R.H.D. / senza climatizzatore e guida a destra	M271.955	135	184	05/08	>				54.246.00
without air-conditioner and L.H.D. / senza climatizzatore e guida a sinistra	M271.955	135	184	05/08	>	25.050.00	31.841.00	27.486.00	54.131.00
CLC 220 CDI									
with automatic air-conditioner and L.H.D. THERMATIC / con climatizzatore automatico e guida a sinistra THERMATIC	OM646	110	150	05/08	>	25.013.00	24.436.00	27.596.00	54.131.00
with air-conditioner and R.H.D. THERMATIC / con climatizzatore e guida a destra THERMATIC	OM646	110	150	05/08	>				54.246.00
with air-conditioner and L.H.D. THERMOTRONIC / con climatizzatore e guida a sinistra THERMOTRONIC	OM646	110	150	05/08	>	25.013.00	24.436.00	27.596.00	53.094.00
with activated carbon L.H.D. THERMOTRONIC / con guida a sinistra, ai carboni attivi THERMOTRONIC	OM646	110	150	05/08	>				54.130.00
with water presence sensor / con sensore presenza acqua	OM646	110	150	05/08	>		24.107.00		
antibacterial, anti-odour and anti-allergen filter / filtro antibatterico, antiodori e anti-allergeni	OM646	110	150	05/08	>				34.131.00
antibacterial, anti-odour and anti-allergen filter with R.H.D. / filtro antibatterico, antiodori e anti-allergeni con guida a destra	OM646	110	150	08/08	>				34.246.00
without air-conditioner and R.H.D. / senza climatizzatore e guida a destra	OM646	110	150	05/08	>				54.246.00
without air-conditioner and L.H.D. / senza climatizzatore e guida a sinistra	OM646	110	150	05/08	>	25.013.00	24.436.00	27.596.00	54.131.00
CLC 230									
with automatic air-conditioner and L.H.D. THERMATIC / con climatizzatore automatico e guida a sinistra THERMATIC	M272.920	150	204	05/08	>	25.002.00		30.531.00	54.131.00
with air-conditioner and R.H.D. THERMATIC / con climatizzatore e guida a destra THERMATIC	M272.920	150	204	05/08	>				54.246.00
with air-conditioner and L.H.D. THERMOTRONIC / con climatizzatore e guida a sinistra THERMOTRONIC	M272.920	150	204	05/08	>	25.002.00		30.531.00	53.094.00
with activated carbon L.H.D. THERMOTRONIC / con guida a sinistra, ai carboni attivi THERMOTRONIC	M272.920	150	204	05/08	>				54.130.00
antibacterial, anti-odour and anti-allergen filter with automatic air-conditioner and L.H.D. THERMATIC / filtro antibatterico, antiodori e anti-allergeni con climatizzatore automatico e guida a sinistra THERMATIC	M272.920	150	204	05/08	>				34.131.00
antibacterial, anti-odour and anti-allergen filter with R.H.D. / filtro antibatterico, antiodori e anti-allergeni con guida a destra	M272.920	150	204	05/08	>				34.246.00
CLC 350									
with automatic air-conditioner and L.H.D. THERMATIC / con climatizzatore automatico e guida a sinistra THERMATIC	M272.960	200	272	05/08	>	25.002.00		30.531.00	54.131.00
with air-conditioner and R.H.D. THERMATIC / con climatizzatore e guida a destra THERMATIC	M272.960	200	272	05/08	>				54.246.00
with air-conditioner and L.H.D. THERMOTRONIC / con climatizzatore e guida a sinistra THERMOTRONIC	M272.960	200	272	05/08	>	25.002.00		30.531.00	53.094.00
with activated carbon L.H.D. THERMOTRONIC / con guida a sinistra, ai carboni attivi THERMOTRONIC	M272.960	200	272	05/08	>				54.130.00
antibacterial, anti-odour and anti-allergen filter with automatic air-conditioner and L.H.D. THERMATIC / filtro antibatterico, antiodori e anti-allergeni con climatizzatore automatico e guida a sinistra THERMATIC	M272.960	200	272	05/08	>				34.131.00
antibacterial, anti-odour and anti-allergen filter with R.H.D. / filtro antibatterico, antiodori e anti-allergeni con guida a destra	M272.960	200	272	05/08	>				34.246.00
CLK Classe (A/C208)									
CLK 200	M111.945	100	136	06/97	> 12/00	25.162.00	31.583.00	30.119.00	53.007.00
with activated carbons / ai carboni attivi	M111.945	100	136	06/97	> 12/00				54.270.00
antibacterial, anti-odour and anti-allergen filter / filtro antibatterico, antiodori e anti-allergeni	M111.945	100	136	06/97	> 12/00				34.270.00
CLK 200 Kompressor	M111.947	141	192	06/97	> 06/00	25.162.00	31.583.00	30.119.00	53.007.00
with activated carbons / ai carboni attivi	M111.947	141	192	06/97	> 06/00				54.270.00
antibacterial, anti-odour and anti-allergen filter / filtro antibatterico, antiodori e anti-allergeni	M111.947	141	192	06/97	> 06/00				34.270.00
CLK 200 Kompressor	M111.956	120	163	06/00	> 05/02	25.162.00	31.841.00	30.119.00	53.007.00
with activated carbons / ai carboni attivi	M111.956	120	163	06/00	> 05/02				54.270.00
antibacterial, anti-odour and anti-allergen filter / filtro antibatterico, antiodori e anti-allergeni	M111.956	120	163	06/00	> 05/02				34.270.00
CLK 230 Kompressor	M111.975	142	193	06/97	> 06/00	25.162.00	31.583.00	30.119.00	53.007.00
with activated carbons / ai carboni attivi	M111.975	142	193	06/97	> 06/00				54.270.00
antibacterial, anti-odour and anti-allergen filter / filtro antibatterico, antiodori e anti-allergeni	M111.975	142	193	06/97	> 06/00				34.270.00
CLK 230 Kompressor	M111.982	145	197	06/00	> 05/02	25.162.00	31.841.00	30.119.00	53.007.00
with activated carbons / ai carboni attivi	M111.982	145	197	06/00	> 05/02				54.270.00
antibacterial, anti-odour and anti-allergen filter / filtro antibatterico, antiodori e anti-allergeni	M111.982	145	197	06/00	> 05/02				34.270.00
CLK 320	M112.940	160	218	06/97	> 05/02	25.002.00	31.841.00	30.119.00	53.007.00
with activated carbons / ai carboni attivi	M112.940	160	218	06/97	> 05/02				54.270.00
antibacterial, anti-odour and anti-allergen filter / filtro antibatterico, antiodori e anti-allergeni	M112.940	160	218	06/97	> 05/02				34.270.00
CLK 430	M113.943	205	279	06/97	> 05/02	25.002.00	31.841.00		53.007.00
with activated carbons / ai carboni attivi	M113.943	205	279	06/97	> 05/02				54.270.00
antibacterial, anti-odour and anti-allergen filter / filtro antibatterico, antiodori e anti-allergeni	M113.943	205	279	06/97	> 05/02				34.270.00
CLK 55 AMG	M113.980/984	255	347	08/99	> 05/02	25.002.00	31.841.00		53.007.00
with activated carbons / ai carboni attivi	M113.980/984	255	347	08/99	> 05/02				54.270.00
antibacterial, anti-odour and anti-allergen filter / filtro antibatterico, antiodori e anti-allergeni	M113.980/984	255	347	08/99	> 05/02				34.270.00
CLK Classe (A/C209)									
CLK 200 CGI	M271.942	125	170	09/02	> 10/09				54.130.00
with activated carbons THERMOTRONIC / ai carboni attivi THERMOTRONIC	M271.942	125	170	09/02	> 10/09				54.130.00
with automatic air-conditioner and L.H.D. THERMATIC / con climatizzatore automatico e guida a sinistra THERMATIC	M271.942	125	170	09/02	> 10/09	25.050.00	31.841.00	27.486.00	54.131.00
with automatic air-conditioner and L.H.D. THERMOTRONIC / con climatizzatore automatico e guida a sinistra THERMOTRONIC	M271.942	125	170	09/02	> 10/09	25.050.00	31.841.00	27.486.00	53.094.00
with air-conditioner and R.H.D. THERMATIC / con climatizzatore e guida a destra THERMATIC	M271.942	125	170	09/02	> 10/09				54.246.00

...MERCEDES BENZ - cars/auto

M



with air-conditioner and R.H.D. THERMATIC / con climatizzatore e guida a destra THERMATIC	M112E37	180	245	09/03	>	10/09				54.246.00
antibacterial, anti-odour and anti-allergen filter with automatic air-conditioner and L.H.D. THERMATIC / filtro antibatterico, antiodori e anti-allergeni con climatizzatore automatico e guida a sinistra THERMATIC	M112E37	180	245	09/03	>	10/09				34.131.00
antibacterial, anti-odour and anti-allergen filter with R.H.D. THERMATIC / filtro antibatterico, antiodori e anti-allergeni con guida a destra THERMATIC	M112E37	180	245	09/03	>	10/09				34.246.00
CLK 350										
with activated carbons THERMOTRONIC / ai carboni attivi THERMOTRONIC	M272	200	272	05/05	>	10/09				54.130.00
with automatic air-conditioner and L.H.D. THERMATIC / con climatizzatore automatico e guida a sinistra THERMATIC	M272	200	272	05/05	>	10/09	25.002.00	31.841.00	30.531.00	54.131.00
with automatic air-conditioner and L.H.D. THERMOTRONIC / con climatizzatore automatico e guida a sinistra THERMOTRONIC	M272	200	272	05/05	>	10/09	25.002.00	31.841.00	30.531.00	53.094.00
with air-conditioner and R.H.D. THERMATIC / con climatizzatore e guida a destra THERMATIC	M272	200	272	05/05	>	10/09				54.246.00
antibacterial, anti-odour and anti-allergen filter with automatic air-conditioner and L.H.D. THERMATIC / filtro antibatterico, antiodori e anti-allergeni con climatizzatore automatico e guida a sinistra THERMATIC	M272	200	272	05/05	>	10/09				34.131.00
antibacterial, anti-odour and anti-allergen filter with R.H.D. THERMATIC / filtro antibatterico, antiodori e anti-allergeni con guida a destra THERMATIC	M272	200	272	05/05	>	10/09				34.246.00
CLK 500										
with activated carbons THERMOTRONIC / ai carboni attivi THERMOTRONIC	M113.968	225	306	05/02	>	06/06				54.130.00
with automatic air-conditioner and L.H.D. THERMOTRONIC / con climatizzatore automatico e guida a sinistra THERMOTRONIC	M113.968	225	306	05/02	>	06/06	25.002.00	31.841.00	30.531.00	53.094.00
with air-conditioner and R.H.D. THERMATIC / con climatizzatore e guida a destra THERMATIC	M113.968	225	306	05/02	>	06/06				54.246.00
antibacterial, anti-odour and anti-allergen filter with R.H.D. THERMATIC / filtro antibatterico, antiodori e anti-allergeni con guida a destra THERMATIC	M113.968	225	306	05/02	>	06/06				34.246.00
CLK 500										
with activated carbons THERMOTRONIC / ai carboni attivi THERMOTRONIC	M273	285	388	07/06	>	10/09				54.130.00
with automatic air-conditioner and L.H.D. THERMOTRONIC / con climatizzatore automatico e guida a sinistra THERMOTRONIC	M273	285	388	07/06	>	10/09	25.002.00		30.531.00	53.094.00
with air-conditioner and R.H.D. THERMATIC / con climatizzatore e guida a destra THERMATIC	M273	285	388	07/06	>	10/09				54.246.00
antibacterial, anti-odour and anti-allergen filter with R.H.D. THERMATIC / filtro antibatterico, antiodori e anti-allergeni con guida a destra THERMATIC	M273	285	388	07/06	>	10/09				34.246.00
CLK 55 AMG										
with activated carbons THERMOTRONIC / ai carboni attivi THERMOTRONIC	M113.987	270	367	09/02	>	10/09				54.130.00
with automatic air-conditioner and L.H.D. THERMOTRONIC / con climatizzatore automatico e guida a sinistra THERMOTRONIC	M113.987	270	367	09/02	>	10/09	25.002.00	31.841.00		53.094.00
with air-conditioner and R.H.D. THERMATIC / con climatizzatore e guida a destra THERMATIC	M113.987	270	367	09/02	>	10/09				54.246.00
antibacterial, anti-odour and anti-allergen filter with R.H.D. THERMATIC / filtro antibatterico, antiodori e anti-allergeni con guida a destra THERMATIC	M113.987	270	367	09/02	>	10/09				34.246.00
CLK 63 AMG										
with activated carbons THERMOTRONIC / ai carboni attivi THERMOTRONIC	M156E63	354	481	03/06	>	09/07				54.130.00
with automatic air-conditioner and L.H.D. THERMOTRONIC / con climatizzatore automatico e guida a sinistra THERMOTRONIC	M156E63	354	481	03/06	>	09/07				53.094.00
with air-conditioner and R.H.D. THERMATIC / con climatizzatore e guida a destra THERMATIC	M156E63	354	481	03/06	>	09/07				54.246.00
antibacterial, anti-odour and anti-allergen filter with R.H.D. THERMATIC / filtro antibatterico, antiodori e anti-allergeni con guida a destra THERMATIC	M156E63	354	481	03/06	>	09/07				34.246.00
CLK 63 AMG										
with activated carbons THERMOTRONIC / ai carboni attivi THERMOTRONIC	M156E63	372	507	06/07	>	10/09				54.130.00
with automatic air-conditioner and L.H.D. THERMOTRONIC / con climatizzatore automatico e guida a sinistra THERMOTRONIC	M156E63	372	507	06/07	>	10/09				53.094.00
with air-conditioner and R.H.D. THERMATIC / con climatizzatore e guida a destra THERMATIC	M156E63	372	507	06/07	>	10/09				54.246.00
antibacterial, anti-odour and anti-allergen filter with R.H.D. THERMATIC / filtro antibatterico, antiodori e anti-allergeni con guida a destra THERMATIC	M156E63	372	507	06/07	>	10/09				34.246.00
CLK AMG DTM										
with activated carbons THERMOTRONIC / ai carboni attivi THERMOTRONIC	M113.994	428	582	06/04	>	10/09	25.059.00	31.841.00		54.130.00
with automatic air-conditioner and L.H.D. THERMOTRONIC / con climatizzatore automatico e guida a sinistra THERMOTRONIC	M113.994	428	582	06/04	>	10/09				53.094.00
CLS Classe (C/X218)										
CLS 220 CDI BlueTEC	OM651.924	120	163	05/14	>		25.159.00	24.151.00	30.B63.00	54.163.00
antibacterial, anti-odour and anti-allergen filter / filtro antibatterico, antiodori e anti-allergeni	OM651.924	120	163	05/14	>					34.163.00
CLS 220 CDI BlueTEC	OM651.924	125	170	05/14	>		25.159.00	24.151.00	30.B63.00	54.163.00
antibacterial, anti-odour and anti-allergen filter / filtro antibatterico, antiodori e anti-allergeni	OM651.924	125	170	05/14	>					34.163.00
CLS 220 CDI BlueTEC	OM651.924	130	177	05/14	>		25.159.00	24.151.00	30.B63.00	54.163.00
antibacterial, anti-odour and anti-allergen filter / filtro antibatterico, antiodori e anti-allergeni	OM651.924	130	177	05/14	>					34.163.00
CLS 250 CDI BlueTEC	OM651.924	150	204	02/11	>	06/12	25.159.00		30.B10.00	54.163.00
	OM651.924	150	204	07/12	>		25.159.00		30.B63.00	54.163.00
with fuel oil heater without connection for water suction / con riscaldatore nafta senza collegamento per aspirazione acqua	OM651.924	150	204	02/11	>			24.151.00		
with water presence sensor KNECHT-MAHLE / con sensore presenza acqua KNECHT-MAHLE	OM651.924	150	204	02/11	>			24.111.00		
antibacterial, anti-odour and anti-allergen filter / filtro antibatterico, antiodori e anti-allergeni	OM651.924	150	204	02/11	>					34.163.00
CLS 250 CDI BlueTEC 4Matic	OM651.924	150	204	05/14	>		25.159.00		30.B63.00	54.163.00
with fuel oil heater without connection for water suction / con riscaldatore nafta senza collegamento per aspirazione acqua	OM651.924	150	204	05/14	>			24.151.00		
with water presence sensor KNECHT-MAHLE / con sensore presenza acqua KNECHT-MAHLE	OM651.924	150	204	05/14	>			24.111.00		
antibacterial, anti-odour and anti-allergen filter / filtro antibatterico, antiodori e anti-allergeni	OM651.924	150	204	05/14	>					34.163.00
CLS 350	M276.952	225	306	12/10	>		25.172.00		30.A72.00	54.163.00
antibacterial, anti-odour and anti-allergen filter / filtro antibatterico, antiodori e anti-allergeni	M276.952	225	306	12/10	>					34.163.00
CLS 350 CDI	OM642.853	195	265	01/11	>		25.069.00			54.163.00
antibacterial, anti-odour and anti-allergen filter / filtro antibatterico, antiodori e anti-allergeni	OM642.853	195	265	01/11	>					34.163.00
CLS 350 CDI 4Matic	OM642.854	195	265	09/11	>		25.069.00			54.163.00
antibacterial, anti-odour and anti-allergen filter / filtro antibatterico, antiodori e anti-allergeni	OM642.854	195	265	09/11	>					34.163.00
CLS 350 CDI BlueTEC	OM642.852	185	252	11/12	>		25.069.00			54.163.00
antibacterial, anti-odour and anti-allergen filter / filtro antibatterico, antiodori e anti-allergeni	OM642.852	185	252	11/12	>					34.163.00
CLS 350 CDI BlueTEC	OM642.853	190	258	06/14	>		25.069.00			54.163.00
antibacterial, anti-odour and anti-allergen filter / filtro antibatterico, antiodori e anti-allergeni	OM642.853	190	258	06/14	>					34.163.00
CLS 350 CDI BlueTEC	OM642.853/854	195	265	12/10	>		25.069.00			54.163.00
antibacterial, anti-odour and anti-allergen filter / filtro antibatterico, antiodori e anti-allergeni	OM642.853/854	195	265	12/10	>					34.163.00
CLS 350 CDI BlueTEC 4Matic	OM642.852/858	185	252	11/12	>		25.069.00			54.163.00

...MERCEDES BENZ - cars/auto

antibacterial, anti-odour and anti-allergen filter / filtro antibatterico, antiodori e anti-allergeni	OM642.852/858	185	252	11/12	>				34.163.00
CLS 350 d 4Matic	OM642.854/858	190	258	04/15	>	25.069.00			54.163.00
antibacterial, anti-odour and anti-allergen filter / filtro antibatterico, antiodori e anti-allergeni	OM642.854/858	190	258	04/15	>				34.163.00
CLS 400	M276.820/850	245	333	05/14	>	25.172.00			54.163.00
antibacterial, anti-odour and anti-allergen filter / filtro antibatterico, antiodori e anti-allergeni	M276.820/850	245	333	05/14	>				34.163.00
CLS 400 4Matic	M276.820/850	245	333	05/14	>	25.172.00			54.163.00
antibacterial, anti-odour and anti-allergen filter / filtro antibatterico, antiodori e anti-allergeni	M276.820/850	245	333	05/14	>				34.163.00
CLS 500	M278.922	300	408	04/11	>				54.163.00
to engine No. 30021065 / a motore N. 30021065	M278.922	300	408	04/11	>	07/11	25.172.00		
from engine No. 30021066 / da motore N. 30021066	M278.922	300	408	08/11	>		25.204.00		
antibacterial, anti-odour and anti-allergen filter / filtro antibatterico, antiodori e anti-allergeni	M278.922	300	408	04/11	>				34.163.00
CLS 500 4Matic	M278.922	300	408	09/11	>	25.204.00			54.163.00
antibacterial, anti-odour and anti-allergen filter / filtro antibatterico, antiodori e anti-allergeni	M278.922	300	408	09/11	>				34.163.00
CLS 63 AMG	M157.980/981 Performance Plus	430	585	02/13	>	25.204.00			54.163.00
antibacterial, anti-odour and anti-allergen filter / filtro antibatterico, antiodori e anti-allergeni	M157.980/981 Performance Plus	430	585	02/13	>				34.163.00
CLS 63 AMG	M157.981	386	525	03/11	>	25.204.00			54.163.00
antibacterial, anti-odour and anti-allergen filter / filtro antibatterico, antiodori e anti-allergeni	M157.981	386	525	03/11	>				34.163.00
CLS 63 AMG	M157.981 Performance Plus	410	557	03/11	>	25.204.00			54.163.00
antibacterial, anti-odour and anti-allergen filter / filtro antibatterico, antiodori e anti-allergeni	M157.981 Performance Plus	410	557	03/11	>				34.163.00
CLS 63 AMG 4Matic	M157.980/981 Performance Plus	430	585	02/13	>	25.204.00			54.163.00
antibacterial, anti-odour and anti-allergen filter / filtro antibatterico, antiodori e anti-allergeni	M157.980/981 Performance Plus	430	585	02/13	>				34.163.00
CLS 63 AMG 4Matic	M157.981 Performance Plus	410	557	05/13	>	25.204.00			54.163.00
antibacterial, anti-odour and anti-allergen filter / filtro antibatterico, antiodori e anti-allergeni	M157.981 Performance Plus	410	557	05/13	>				34.163.00
CLS Classe (C219)									
CLS 280									
with R.H.D. / con guida a destra	M272.943	170	231	06/06	>	03/09	25.002.00		30.531.00
with L.H.D. / con guida a sinistra	M272.943	170	231	06/06	>	03/09	25.002.00		54.133.00
antibacterial, anti-odour and anti-allergen filter / filtro antibatterico, antiodori e anti-allergeni	M272.943	170	231	06/06	>	03/09			34.133.00
CLS 300									
with R.H.D. / con guida a destra	M272.943	170	231	04/09	>	12/10	25.002.00		30.531.00
with L.H.D. / con guida a sinistra	M272.943	170	231	04/09	>	12/10	25.002.00		54.133.00
antibacterial, anti-odour and anti-allergen filter / filtro antibatterico, antiodori e anti-allergeni	M272.943	170	231	04/09	>	12/10			34.133.00
CLS 320 CDI									
with R.H.D. / con guida a destra	OM642	165	224	08/05	>	03/09	25.069.00	24.436.00	
with L.H.D. / con guida a sinistra	OM642	165	224	08/05	>	03/09	25.069.00	24.436.00	54.133.00
with water presence sensor / con sensore presenza acqua	OM642	165	224	08/05	>	03/09		24.107.00	
antibacterial, anti-odour and anti-allergen filter / filtro antibatterico, antiodori e anti-allergeni	OM642	165	224	08/05	>	03/09			34.133.00
air filter right side / filtro aria destro	OM642	165	224	08/05	>	03/09			30.463.00
air filter left side / filtro aria sinistro	OM642	165	224	08/05	>	03/09			30.462.00
CLS 350									
with R.H.D. / con guida a destra	M272	200	272	10/04	>	12/10	25.002.00		30.531.00
with L.H.D. / con guida a sinistra	M272	200	272	10/04	>	12/10	25.002.00		54.133.00
antibacterial, anti-odour and anti-allergen filter / filtro antibatterico, antiodori e anti-allergeni	M272	200	272	10/04	>	12/10			34.133.00
CLS 350 CDI									
with R.H.D. / con guida a destra	OM642.920	165	224	04/09	>	12/10	25.069.00	24.436.00	
with L.H.D. / con guida a sinistra	OM642.920	165	224	04/09	>	12/10	25.069.00	24.436.00	54.133.00
with water presence sensor / con sensore presenza acqua	OM642.920	165	224	04/09	>	12/10		24.107.00	
antibacterial, anti-odour and anti-allergen filter / filtro antibatterico, antiodori e anti-allergeni	OM642.920	165	224	04/09	>	12/10			34.133.00
air filter right side / filtro aria destro	OM642.920	165	224	04/09	>	12/10			30.463.00
air filter left side / filtro aria sinistro	OM642.920	165	224	04/09	>	12/10			30.462.00
CLS 350 CGI									
with R.H.D. / con guida a destra	M272.985	215	292	08/06	>	12/10	25.002.00		30.531.00
with L.H.D. / con guida a sinistra	M272.985	215	292	08/06	>	12/10	25.002.00		54.133.00
antibacterial, anti-odour and anti-allergen filter / filtro antibatterico, antiodori e anti-allergeni	M272.985	215	292	08/06	>	12/10			34.133.00
CLS 420 CDI									
with R.H.D. / con guida a destra	OM629	231	314	09/05	>	12/10		24.436.00	
with L.H.D. / con guida a sinistra	OM629	231	314	09/05	>	12/10		24.436.00	54.133.00
antibacterial, anti-odour and anti-allergen filter / filtro antibatterico, antiodori e anti-allergeni	OM629	231	314	09/05	>	12/10			34.133.00
CLS 500									
with R.H.D. / con guida a destra	M113.967	225	306	10/04	>	06/06	25.002.00		30.531.00
with L.H.D. / con guida a sinistra	M113.967	225	306	10/04	>	06/06	25.002.00		54.133.00
antibacterial, anti-odour and anti-allergen filter / filtro antibatterico, antiodori e anti-allergeni	M113.967	225	306	10/04	>	06/06			34.133.00
CLS 500									
with R.H.D. / con guida a destra	M273.960	285	388	06/06	>	12/10	25.002.00		30.531.00
with L.H.D. / con guida a sinistra	M273.960	285	388	06/06	>	12/10	25.002.00		54.133.00
antibacterial, anti-odour and anti-allergen filter / filtro antibatterico, antiodori e anti-allergeni	M273.960	285	388	06/06	>	12/10			34.133.00
CLS 55 AMG									

...MERCEDES BENZ - cars/auto

M



with R.H.D. / con guida a destra	M113	350	476	02/05 >	05/06	25.002.00			
with L.H.D. / con guida a sinistra	M113	350	476	02/05 >	05/06	25.002.00			54.133.00
antibacterial, anti-odour and anti-allergen filter / filtro antibatterico, antiodori e anti-allergeni	M113	350	476	02/05 >	05/06				34.133.00
CLS 63 AMG									
with L.H.D. / con guida a sinistra	M156E63	378	514	03/06 >	12/10				54.133.00
antibacterial, anti-odour and anti-allergen filter / filtro antibatterico, antiodori e anti-allergeni	M156E63	378	514	03/06 >	12/10				34.133.00
CLS Classe (C257)									
CLS 220 d	OM654.920	143	194	06/18 >				30.B56.00	
prefilter / prefiltra	OM654.920	143	194	06/18 >					53.320.00
CLS 300 d	OM654.920	180	245	05/18 >				30.B56.00	
prefilter / prefiltra	OM654.920	180	245	05/18 >					53.320.00
CLS 300 d EQ Boost	OM654.820	195	265	04/21 >				30.B56.00	53.320.00
CLS 350 d	OM656.929	183	249	02/18 >				30.B56.00	
prefilter / prefiltra	OM656.929	183	249	02/18 >					53.320.00
CLS 350 d	OM656.929	210	286	02/18 >				30.B56.00	
prefilter / prefiltra	OM656.929	210	286	02/18 >					53.320.00
CLS 400 d	OM656.929	243	330	06/20 >				30.B56.00	53.320.00
CLS 400 d	OM656.929	250	340	02/18 >				30.B56.00	
prefilter / prefiltra	OM656.929	250	340	02/18 >					53.320.00
CLS 450 EQ Boost	M256.930	270	367	02/18 >				30.B56.00	
prefilter / prefiltra	M256.930	270	367	02/18 >					53.320.00
E Cabrio Classe (A238)									
E 200	M274.920	135	184	06/17 >		25.178.00		30.A61.00	
prefilter / prefiltra	M274.920	135	184	06/17 >					53.320.00
E 200 4Matic	M274.920	135	184	10/17 >		25.178.00		30.A61.00	
prefilter / prefiltra	M274.920	135	184	10/17 >					53.320.00
E 220 d	OM654.920	143	194	06/17 >					53.320.00
E 220 d 4Matic	OM654.920	143	194	10/17 >					53.320.00
prefilter / prefiltra	OM654.920	143	194	10/17 >					53.320.00
E 300	M274.920	180	245	06/17 >		25.178.00		30.A61.00	
prefilter / prefiltra	M274.920	180	245	06/17 >					53.320.00
E 350 d 4Matic	OM642.855	190	258	06/17 >		25.069.00			53.320.00
prefilter / prefiltra	OM642.855	190	258	06/17 >					53.320.00
E 400 4Matic	M276.823	245	333	06/17 >		25.172.00			
prefilter / prefiltra	M276.823	245	333	06/17 >					53.320.00
E Classe (A/C207)									
E 200	M274.920	135	184	04/13 >		25.178.00		27.A92.00	54.163.00
antibacterial, anti-odour and anti-allergen filter / filtro antibatterico, antiodori e anti-allergeni	M274.920	135	184	04/13 >					34.163.00
E 200 CGI BlueEFFICIENCY	M271.820	135	183	02/10 >		25.155.00		30.A60.00	54.163.00
antibacterial, anti-odour and anti-allergen filter / filtro antibatterico, antiodori e anti-allergeni	M271.820	135	183	02/10 >					34.163.00
E 220 CDI BlueEFFICIENCY	OM651.911	120	163	02/10 >	08/14	25.159.00		30.B10.00	54.163.00
	OM651.911	120	163	09/14 >		25.159.00		30.B63.00	54.163.00
with fuel oil heater with connection for water suction / con riscaldatore nafta con collegamento per aspirazione acqua	OM651.911	120	163	02/10 >			24.149.00		
with fuel oil heater without connection for water suction / con riscaldatore nafta senza collegamento per aspirazione acqua	OM651.911	120	163	02/10 >			24.151.00		
with water presence sensor KNECHT-MAHLE / con sensore presenza acqua KNECHT-MAHLE	OM651.911	120	163	02/10 >			24.111.00		
antibacterial, anti-odour and anti-allergen filter / filtro antibatterico, antiodori e anti-allergeni	OM651.911	120	163	02/10 >					34.163.00
without fuel oil heater MANN+HUMMEL / senza riscaldatore nafta MANN+HUMMEL	OM651.911	120	163	02/10 >			24.077.00		
E 220 CDI BlueEFFICIENCY	OM651.911	125	170	02/10 >	08/14	25.159.00		30.B10.00	54.163.00
	OM651.911	125	170	09/14 >		25.159.00		30.B63.00	54.163.00
with fuel oil heater with connection for water suction / con riscaldatore nafta con collegamento per aspirazione acqua	OM651.911	125	170	02/10 >			24.149.00		
with fuel oil heater without connection for water suction / con riscaldatore nafta senza collegamento per aspirazione acqua	OM651.911	125	170	02/10 >			24.151.00		
with water presence sensor KNECHT-MAHLE / con sensore presenza acqua KNECHT-MAHLE	OM651.911	125	170	02/10 >			24.111.00		
antibacterial, anti-odour and anti-allergen filter / filtro antibatterico, antiodori e anti-allergeni	OM651.911	125	170	02/10 >					34.163.00
without fuel oil heater MANN+HUMMEL / senza riscaldatore nafta MANN+HUMMEL	OM651.911	125	170	02/10 >			24.077.00		
E 220 CDI BlueTEC	OM651.911	130	177	05/14 >		25.159.00		30.B10.00	54.163.00
with fuel oil heater with connection for water suction / con riscaldatore nafta con collegamento per aspirazione acqua	OM651.911	130	177	05/14 >			24.149.00		
with fuel oil heater without connection for water suction / con riscaldatore nafta senza collegamento per aspirazione acqua	OM651.911	130	177	05/14 >			24.151.00		
with water presence sensor KNECHT-MAHLE / con sensore presenza acqua KNECHT-MAHLE	OM651.911	130	177	05/14 >			24.111.00		
antibacterial, anti-odour and anti-allergen filter / filtro antibatterico, antiodori e anti-allergeni	OM651.911	130	177	05/14 >					34.163.00
without fuel oil heater MANN+HUMMEL / senza riscaldatore nafta MANN+HUMMEL	OM651.911	130	177	05/14 >			24.077.00		
E 250	M274.920	155	211	04/13 >		25.178.00		27.A92.00	54.163.00
antibacterial, anti-odour and anti-allergen filter / filtro antibatterico, antiodori e anti-allergeni	M274.920	155	211	04/13 >					34.163.00
E 250 CDI BlueEFFICIENCY	OM651.911	150	204	09/09 >	08/14	25.159.00		30.B10.00	54.163.00
	OM651.911	150	204	09/14 >		25.159.00		30.B63.00	54.163.00
with fuel oil heater with connection for water suction / con riscaldatore nafta con collegamento per aspirazione acqua	OM651.911	150	204	09/09 >			24.149.00		
with fuel oil heater without connection for water suction / con riscaldatore nafta senza collegamento per aspirazione acqua	OM651.911	150	204	09/09 >			24.151.00		

...MERCEDES BENZ - cars/auto

with water presence sensor KNECHT-MAHLE / con sensore presenza acqua KNECHT-MAHLE	OM651.911	150	204	09/09	>		24.111.00		
antibacterial, anti-odour and anti-allergen filter / filtro antibatterico, antiodori e anti-allergeni	OM651.911	150	204	09/09	>				34.163.00
without fuel oil heater MANN+HUMMEL / senza riscaldatore nafta MANN+HUMMEL	OM651.911	150	204	09/09	>		24.077.00		
E 250 CGI BlueEFFICIENCY	M271.860	150	204	09/09	>	25.155.00		30.A60.00	54.163.00
antibacterial, anti-odour and anti-allergen filter / filtro antibatterico, antiodori e anti-allergeni	M271.860	150	204	09/09	>				34.163.00
E 300 CGI BlueEFFICIENCY	M276.957	185	252	05/11	>	25.172.00			54.163.00
antibacterial, anti-odour and anti-allergen filter / filtro antibatterico, antiodori e anti-allergeni	M276.957	185	252	05/11	>				34.163.00
E 320	M276.820	200	272	07/14	>	25.172.00			54.163.00
antibacterial, anti-odour and anti-allergen filter / filtro antibatterico, antiodori e anti-allergeni	M276.820	200	272	07/14	>				34.163.00
E 350 CDI BlueEFFICIENCY	OM642.836	170	231	05/09	>	25.069.00			54.163.00
with water presence sensor / con sensore presenza acqua	OM642.836	170	231	05/09	>		24.111.00		
antibacterial, anti-odour and anti-allergen filter / filtro antibatterico, antiodori e anti-allergeni	OM642.836	170	231	05/09	>				34.163.00
without water presence sensor / senza sensore presenza acqua	OM642.836	170	231	05/09	>		24.077.00		
E 350 CDI BlueEFFICIENCY	OM642.852/858	195	265	05/11	>	25.069.00			54.163.00
antibacterial, anti-odour and anti-allergen filter / filtro antibatterico, antiodori e anti-allergeni	OM642.852/858	195	265	05/11	>				34.163.00
E 350 CDI BlueTEC	OM642.838	185	252	04/13	>	25.069.00			54.163.00
antibacterial, anti-odour and anti-allergen filter / filtro antibatterico, antiodori e anti-allergeni	OM642.838	185	252	04/13	>				34.163.00
E 350 CDI BlueTEC	OM642.838	190	258	05/14	>	25.069.00			54.163.00
antibacterial, anti-odour and anti-allergen filter / filtro antibatterico, antiodori e anti-allergeni	OM642.838	190	258	05/14	>				34.163.00
E 350 CGI BlueEFFICIENCY	M272.982/983/984	215	292	05/09	>	25.002.00		30.531.00	54.163.00
antibacterial, anti-odour and anti-allergen filter / filtro antibatterico, antiodori e anti-allergeni	M272.982/983/984	215	292	05/09	>				34.163.00
E 350 CGI BlueEFFICIENCY	M276.957	225	306	01/11	>	25.172.00			54.163.00
antibacterial, anti-odour and anti-allergen filter / filtro antibatterico, antiodori e anti-allergeni	M276.957	225	306	01/11	>				34.163.00
E 400	M276.820/850	245	333	04/13	>	25.172.00			54.163.00
antibacterial, anti-odour and anti-allergen filter / filtro antibatterico, antiodori e anti-allergeni	M276.820/850	245	333	04/13	>				34.163.00
E 500	M273.971	285	387	05/09	> 09/11	25.002.00		30.531.00	54.163.00
antibacterial, anti-odour and anti-allergen filter / filtro antibatterico, antiodori e anti-allergeni	M273.971	285	387	05/09	> 09/11				34.163.00
E 500 BlueEFFICIENCY	M278.922	300	408	09/11	>	25.204.00			54.163.00
antibacterial, anti-odour and anti-allergen filter / filtro antibatterico, antiodori e anti-allergeni	M278.922	300	408	09/11	>				34.163.00
E Classe (S/W210)									
E 200	M111.942	100	136	08/99	> 07/00	25.162.00	31.583.00	30.320.00	53.007.00
with activated carbons / ai carboni attivi	M111.942	100	136	06/95	> 07/00				54.141.00
with automatic air-conditioner / con climatizzatore automatico	M111.942	100	136	06/95	> 07/00				53.005.00
with manual air-conditioner with activated carbons / con climatizzatore manuale ai carboni attivi	M111.942	100	136	06/95	> 07/00				54.270.00
antibacterial, anti-odour and anti-allergen filter with manual air-conditioner / filtro antibatterico, antiodori e anti-allergeni con climatizzatore manuale	M111.942	100	136	06/95	> 07/00				34.270.00
E 200 CDI	OM611	85	115	07/99	> 06/03	25.013.00	26.006.00	30.148.00	53.007.00
with activated carbons / ai carboni attivi	OM611	85	115	07/99	> 06/03				54.141.00
with automatic air-conditioner / con climatizzatore automatico	OM611	85	115	07/99	> 06/03	25.013.00	26.006.00	30.148.00	53.005.00
with manual air-conditioner with activated carbons / con climatizzatore manuale ai carboni attivi	OM611	85	115	07/99	> 06/03				54.270.00
antibacterial, anti-odour and anti-allergen filter with manual air-conditioner / filtro antibatterico, antiodori e anti-allergeni con climatizzatore manuale	OM611	85	115	07/99	> 06/03				34.270.00
E 200 D (P)	OM604.917	65	88	01/96	> 04/02	25.095.00	24.321.00	30.073.00	53.007.00
with activated carbons / ai carboni attivi	OM604.917	65	88	01/96	> 04/02				54.141.00
with automatic air-conditioner / con climatizzatore automatico	OM604.917	65	88	01/96	> 04/02	25.095.00	24.321.00	30.073.00	53.005.00
with manual air-conditioner with activated carbons / con climatizzatore manuale ai carboni attivi	OM604.917	65	88	01/96	> 04/02				54.270.00
antibacterial, anti-odour and anti-allergen filter with manual air-conditioner / filtro antibatterico, antiodori e anti-allergeni con climatizzatore manuale	OM604.917	65	88	01/96	> 04/02				34.270.00
E 200 Kompressor	M111	120	163	06/00	> 06/03	25.162.00	31.583.00	30.320.00	53.007.00
with activated carbons / ai carboni attivi	M111	120	163	06/00	> 06/03				54.141.00
with automatic air-conditioner / con climatizzatore automatico	M111	120	163	06/00	> 06/03				53.005.00
with manual air-conditioner with activated carbons / con climatizzatore manuale ai carboni attivi	M111	120	163	06/00	> 06/03				54.270.00
antibacterial, anti-odour and anti-allergen filter with manual air-conditioner / filtro antibatterico, antiodori e anti-allergeni con climatizzatore manuale	M111	120	163	06/00	> 06/03				34.270.00
E 200 Kompressor	M111	137	186	08/99	> 06/00	25.162.00	31.583.00	30.320.00	53.007.00
with activated carbons / ai carboni attivi	M111	137	186	06/97	> 06/00				54.141.00
with automatic air-conditioner / con climatizzatore automatico	M111	137	186	06/97	> 06/00				53.005.00
with manual air-conditioner with activated carbons / con climatizzatore manuale ai carboni attivi	M111	137	186	06/97	> 06/00				54.270.00
antibacterial, anti-odour and anti-allergen filter with manual air-conditioner / filtro antibatterico, antiodori e anti-allergeni con climatizzatore manuale	M111	137	186	06/97	> 06/00				34.270.00
E 220 CDI	OM611.961	105	143	06/99	> 06/03	25.013.00	26.006.00	30.148.00	53.007.00
with activated carbons / ai carboni attivi	OM611.961	105	143	06/99	> 06/03				54.141.00
with automatic air-conditioner / con climatizzatore automatico	OM611.961	105	143	06/99	> 06/03	25.013.00	26.006.00	30.148.00	53.005.00
with manual air-conditioner with activated carbons / con climatizzatore manuale ai carboni attivi	OM611.961	105	143	06/99	> 06/03				54.270.00
antibacterial, anti-odour and anti-allergen filter with manual air-conditioner / filtro antibatterico, antiodori e anti-allergeni con climatizzatore manuale	OM611.961	105	143	06/99	> 06/03				34.270.00
E 220 D	OM604.912	55	75	05/96	> 04/02	25.095.00	24.321.00	30.073.00	53.007.00
with activated carbons / ai carboni attivi	OM604.912	55	75	05/96	> 04/02				54.141.00
with automatic air-conditioner / con climatizzatore automatico	OM604.912	55	75	05/96	> 04/02	25.095.00	24.321.00	30.073.00	53.005.00
with manual air-conditioner with activated carbons / con climatizzatore manuale ai carboni attivi	OM604.912	55	75	05/96	> 04/02				54.270.00
antibacterial, anti-odour and anti-allergen filter with manual air-conditioner / filtro antibatterico, antiodori e anti-allergeni con climatizzatore manuale	OM604.912	55	75	05/96	> 04/02				34.270.00
E 240 V6	M112	125	170	08/99	> 06/03	25.002.00	31.841.00	30.320.00	53.007.00
with activated carbons / ai carboni attivi	M112	125	170	06/97	> 06/03				54.141.00

...MERCEDES BENZ - cars/auto

M



with automatic air-conditioner / con climatizzatore automatico	M112	125	170	06/97	>	06/03				53.005.00
with manual air-conditioner with activated carbons / con climatizzatore manuale ai carboni attivi	M112	125	170	06/97	>	06/03				54.270.00
antibacterial, anti-odour and anti-allergen filter with manual air-conditioner / filtro antibatterico, antiodori e anti-allergeni con climatizzatore manuale	M112	125	170	06/97	>	06/03				34.270.00
E 270 CDI	OM612	125	170	06/99	>	06/03	25.013.00	26.006.00	30.148.00	53.007.00
with activated carbons / ai carboni attivi	OM612	125	170	06/99	>	06/03				54.141.00
with automatic air-conditioner / con climatizzatore automatico	OM612	125	170	06/99	>	06/03	25.013.00	26.006.00	30.148.00	53.005.00
with manual air-conditioner with activated carbons / con climatizzatore manuale ai carboni attivi	OM612	125	170	06/99	>	06/03				54.270.00
antibacterial, anti-odour and anti-allergen filter with manual air-conditioner / filtro antibatterico, antiodori e anti-allergeni con climatizzatore manuale	OM612	125	170	06/99	>	06/03				34.270.00
E 280 V6	M112.921	150	204	08/99	>	06/03	25.002.00	31.841.00	30.320.00	53.007.00
with activated carbons / ai carboni attivi	M112.921	150	204	12/96	>	06/03				54.141.00
with automatic air-conditioner / con climatizzatore automatico	M112.921	150	204	12/96	>	06/03				53.005.00
with manual air-conditioner with activated carbons / con climatizzatore manuale ai carboni attivi	M112.921	150	204	12/96	>	06/03				54.270.00
antibacterial, anti-odour and anti-allergen filter with manual air-conditioner / filtro antibatterico, antiodori e anti-allergeni con climatizzatore manuale	M112.921	150	204	12/96	>	06/03				34.270.00
E 320 CDI	OM613.961	145	197	06/99	>	06/03	25.041.00	26.006.00	30.148.00	53.007.00
with activated carbons / ai carboni attivi	OM613.961	145	197	06/99	>	06/03				54.141.00
with automatic air-conditioner / con climatizzatore automatico	OM613.961	145	197	06/99	>	06/03	25.041.00	26.006.00	30.148.00	53.005.00
with manual air-conditioner with activated carbons / con climatizzatore manuale ai carboni attivi	OM613.961	145	197	06/99	>	06/03				54.270.00
antibacterial, anti-odour and anti-allergen filter with manual air-conditioner / filtro antibatterico, antiodori e anti-allergeni con climatizzatore manuale	OM613.961	145	197	06/99	>	06/03				34.270.00
E 320 V6	M112.941	165	224	08/99	>	06/03	25.002.00	31.841.00	30.320.00	53.007.00
with activated carbons / ai carboni attivi	M112.941	165	224	12/96	>	06/03				54.141.00
with automatic air-conditioner / con climatizzatore automatico	M112.941	165	224	12/96	>	06/03				53.005.00
with manual air-conditioner with activated carbons / con climatizzatore manuale ai carboni attivi	M112.941	165	224	12/96	>	06/03				54.270.00
antibacterial, anti-odour and anti-allergen filter with manual air-conditioner / filtro antibatterico, antiodori e anti-allergeni con climatizzatore manuale	M112.941	165	224	12/96	>	06/03				34.270.00
E 320 V6 4-Matic	M112.941	165	224	08/99	>	06/03	25.002.00	31.841.00	30.320.00	53.007.00
with activated carbons / ai carboni attivi	M112.941	165	224	12/96	>	06/03				54.141.00
with automatic air-conditioner / con climatizzatore automatico	M112.941	165	224	12/96	>	06/03				53.005.00
with manual air-conditioner with activated carbons / con climatizzatore manuale ai carboni attivi	M112.941	165	224	12/96	>	06/03				54.270.00
antibacterial, anti-odour and anti-allergen filter with manual air-conditioner / filtro antibatterico, antiodori e anti-allergeni con climatizzatore manuale	M112.941	165	224	12/96	>	06/03				34.270.00
E 36 AMG	M104.992	200	272	02/96	>	05/02	25.162.00	31.583.00		53.007.00
with activated carbons / ai carboni attivi	M104.992	200	272	02/96	>	05/02				54.141.00
with automatic air-conditioner / con climatizzatore automatico	M104.992	200	272	02/96	>	05/02				53.005.00
with manual air-conditioner with activated carbons / con climatizzatore manuale ai carboni attivi	M104.992	200	272	02/96	>	05/02				54.270.00
antibacterial, anti-odour and anti-allergen filter with manual air-conditioner / filtro antibatterico, antiodori e anti-allergeni con climatizzatore manuale	M104.992	200	272	02/96	>	05/02				34.270.00
E 430 V8	M113.940	205	279	08/99	>	06/03	25.002.00	31.841.00	30.320.00	53.007.00
with activated carbons / ai carboni attivi	M113.940	205	279	06/97	>	06/03				54.141.00
with automatic air-conditioner / con climatizzatore automatico	M113.940	205	279	06/97	>	06/03				53.005.00
with manual air-conditioner with activated carbons / con climatizzatore manuale ai carboni attivi	M113.940	205	279	06/97	>	06/03				54.270.00
antibacterial, anti-odour and anti-allergen filter with manual air-conditioner / filtro antibatterico, antiodori e anti-allergeni con climatizzatore manuale	M113.940	205	279	06/97	>	06/03				34.270.00
E 55 AMG	M113.980	260	354	08/97	>	06/03	25.002.00	31.841.00		53.007.00
with activated carbons / ai carboni attivi	M113.980	260	354	08/97	>	06/03				54.141.00
with automatic air-conditioner / con climatizzatore automatico	M113.980	260	354	08/97	>	06/03	25.002.00	31.841.00		53.005.00
with manual air-conditioner with activated carbons / con climatizzatore manuale ai carboni attivi	M113.980	260	354	08/97	>	06/03				54.270.00
antibacterial, anti-odour and anti-allergen filter with manual air-conditioner / filtro antibatterico, antiodori e anti-allergeni con climatizzatore manuale	M113.980	260	354	08/97	>	06/03				34.270.00
E 55 T AMG	M113.980	260	354	08/97	>	06/03	25.002.00	31.841.00		53.007.00
with activated carbons / ai carboni attivi	M113.980	260	354	08/97	>	06/03				54.141.00
with automatic air-conditioner / con climatizzatore automatico	M113.980	260	354	08/97	>	06/03	25.002.00	31.841.00		53.005.00
with manual air-conditioner with activated carbons / con climatizzatore manuale ai carboni attivi	M113.980	260	354	08/97	>	06/03				54.270.00
antibacterial, anti-odour and anti-allergen filter with manual air-conditioner / filtro antibatterico, antiodori e anti-allergeni con climatizzatore manuale	M113.980	260	354	08/97	>	06/03				34.270.00
E Classe (S/W211)										
E 200 CDI										
with activated carbons THERMOTRONIC / ai carboni attivi THERMOTRONIC	OM611	75	102	09/02	>	12/09				54.132.00
with automatic air-conditioner and L.H.D. THERMATIC / con climatizzatore automatico e guida a sinistra THERMATIC	OM611	75	102	09/02	>	12/09	25.013.00	24.436.00	27.585.00	54.133.00
with automatic air-conditioner and L.H.D. THERMOTRONIC / con climatizzatore automatico e guida a sinistra THERMOTRONIC	OM611	75	102	09/02	>	12/09	25.013.00	24.436.00	27.585.00	53.095.00
with R.H.D. / con guida a destra	OM611	75	102	09/02	>	12/09				53.245.00
with water presence sensor / con sensore presenza acqua	OM611	75	102	09/02	>	12/09		24.107.00		
antibacterial, anti-odour and anti-allergen filter / filtro antibatterico, antiodori e anti-allergeni	OM611	75	102	09/02	>	12/09				34.133.00
E 200 CDI	OM646	100	136	06/06	>	12/09				54.132.00
with activated carbons THERMOTRONIC / ai carboni attivi THERMOTRONIC	OM646	100	136	06/06	>	12/09	25.013.00	24.436.00	27.585.00	54.133.00
with automatic air-conditioner and L.H.D. THERMATIC / con climatizzatore automatico e guida a sinistra THERMATIC	OM646	100	136	06/06	>	12/09	25.013.00	24.436.00	27.585.00	53.095.00
with automatic air-conditioner and L.H.D. THERMOTRONIC / con climatizzatore automatico e guida a sinistra THERMOTRONIC	OM646	100	136	06/06	>	12/09	25.013.00	24.436.00	27.585.00	53.095.00
with R.H.D. / con guida a destra	OM646	100	136	06/06	>	12/09				53.245.00
with water presence sensor / con sensore presenza acqua	OM646	100	136	06/06	>	12/09		24.107.00		
antibacterial, anti-odour and anti-allergen filter / filtro antibatterico, antiodori e anti-allergeni	OM646	100	136	06/06	>	12/09				34.133.00
E 200 CDI	OM646.951	90	122	09/02	>	07/06				54.132.00
with activated carbons THERMOTRONIC / ai carboni attivi THERMOTRONIC	OM646.951	90	122	09/02	>	07/06	25.013.00	24.436.00	27.585.00	54.133.00
with automatic air-conditioner and L.H.D. THERMATIC / con climatizzatore automatico e guida a sinistra THERMATIC	OM646.951	90	122	09/02	>	07/06	25.013.00	24.436.00	27.585.00	53.095.00
with automatic air-conditioner and L.H.D. THERMOTRONIC / con climatizzatore automatico e guida a sinistra THERMOTRONIC	OM646.951	90	122	09/02	>	07/06	25.013.00	24.436.00	27.585.00	53.095.00

...MERCEDES BENZ - cars/auto

with R.H.D. / con guida a destra	OM646.951	90	122	09/02	>	07/06				53.245.00
with water presence sensor / con sensore presenza acqua	OM646.951	90	122	09/02	>	07/06		24.107.00		
antibacterial, anti-odour and anti-allergen filter / filtro antibatterico, antiodori e anti-allergeni	OM646.951	90	122	09/02	>	07/06				34.133.00
E 200 CGI										
with activated carbons THERMOTRONIC / ai carboni attivi THERMOTRONIC	M271	125	170	02/03	>	12/09				54.132.00
with automatic air-conditioner and L.H.D. THERMATIC / con climatizzatore automatico e guida a sinistra THERMATIC	M271	125	170	02/03	>	12/09	25.050.00		27.486.00	54.133.00
with automatic air-conditioner and L.H.D. THERMOTRONIC / con climatizzatore automatico e guida a sinistra THERMOTRONIC	M271	125	170	02/03	>	12/09	25.050.00		27.486.00	53.095.00
with R.H.D. / con guida a destra	M271	125	170	02/03	>	12/09				53.245.00
antibacterial, anti-odour and anti-allergen filter / filtro antibatterico, antiodori e anti-allergeni	M271	125	170	02/03	>	12/09				34.133.00
E 200 Kompressor										
with activated carbons THERMOTRONIC / ai carboni attivi THERMOTRONIC	M271	135	183	06/06	>	12/09				54.132.00
with automatic air-conditioner and L.H.D. THERMATIC / con climatizzatore automatico e guida a sinistra THERMATIC	M271	135	183	06/06	>	12/09	25.050.00		27.486.00	54.133.00
with automatic air-conditioner and L.H.D. THERMOTRONIC / con climatizzatore automatico e guida a sinistra THERMOTRONIC	M271	135	183	06/06	>	12/09	25.050.00		27.486.00	53.095.00
with R.H.D. / con guida a destra	M271	135	183	06/06	>	12/09				53.245.00
antibacterial, anti-odour and anti-allergen filter / filtro antibatterico, antiodori e anti-allergeni	M271	135	183	06/06	>	12/09				34.133.00
E 200 Kompressor										
with activated carbons THERMOTRONIC / ai carboni attivi THERMOTRONIC	M271.941	120	163	10/02	>	07/06				54.132.00
with automatic air-conditioner and L.H.D. THERMATIC / con climatizzatore automatico e guida a sinistra THERMATIC	M271.941	120	163	10/02	>	07/06	25.050.00		27.486.00	54.133.00
with automatic air-conditioner and L.H.D. THERMOTRONIC / con climatizzatore automatico e guida a sinistra THERMOTRONIC	M271.941	120	163	10/02	>	07/06	25.050.00		27.486.00	53.095.00
with R.H.D. / con guida a destra	M271.941	120	163	10/02	>	07/06				53.245.00
antibacterial, anti-odour and anti-allergen filter / filtro antibatterico, antiodori e anti-allergeni	M271.941	120	163	10/02	>	07/06				34.133.00
E 200 NTG										
with activated carbons THERMOTRONIC / ai carboni attivi THERMOTRONIC	M271.941	120	163	03/04	>	12/09				54.132.00
with automatic air-conditioner and L.H.D. THERMATIC / con climatizzatore automatico e guida a sinistra THERMATIC	M271.941	120	163	03/04	>	12/09	25.050.00		27.486.00	54.133.00
with automatic air-conditioner and L.H.D. THERMOTRONIC / con climatizzatore automatico e guida a sinistra THERMOTRONIC	M271.941	120	163	03/04	>	12/09	25.050.00		27.486.00	53.095.00
with R.H.D. / con guida a destra	M271.941	120	163	03/04	>	12/09				53.245.00
antibacterial, anti-odour and anti-allergen filter / filtro antibatterico, antiodori e anti-allergeni	M271.941	120	163	03/04	>	12/09				34.133.00
E 220 CDI										
with activated carbons THERMOTRONIC / ai carboni attivi THERMOTRONIC	OM646	125	170	06/06	>	12/09				54.132.00
with automatic air-conditioner and L.H.D. THERMATIC / con climatizzatore automatico e guida a sinistra THERMATIC	OM646	125	170	06/06	>	12/09	25.013.00	24.436.00	27.812.00	54.133.00
with automatic air-conditioner and L.H.D. THERMOTRONIC / con climatizzatore automatico e guida a sinistra THERMOTRONIC	OM646	125	170	06/06	>	12/09	25.013.00	24.436.00	27.812.00	53.095.00
with R.H.D. / con guida a destra	OM646	125	170	06/06	>	12/09				53.245.00
with water presence sensor / con sensore presenza acqua	OM646	125	170	06/06	>	12/09		24.107.00		
antibacterial, anti-odour and anti-allergen filter / filtro antibatterico, antiodori e anti-allergeni	OM646	125	170	06/06	>	12/09				34.133.00
E 220 CDI										
with activated carbons THERMOTRONIC / ai carboni attivi THERMOTRONIC	OM646.961	110	150	03/02	>	07/06				54.132.00
with automatic air-conditioner and L.H.D. THERMATIC / con climatizzatore automatico e guida a sinistra THERMATIC	OM646.961	110	150	03/02	>	07/06	25.013.00	24.436.00	27.585.00	54.133.00
with automatic air-conditioner and L.H.D. THERMOTRONIC / con climatizzatore automatico e guida a sinistra THERMOTRONIC	OM646.961	110	150	03/02	>	07/06	25.013.00	24.436.00	27.585.00	53.095.00
with R.H.D. / con guida a destra	OM646.961	110	150	03/02	>	07/06				53.245.00
with water presence sensor / con sensore presenza acqua	OM646.961	110	150	03/02	>	07/06		24.107.00		
antibacterial, anti-odour and anti-allergen filter / filtro antibatterico, antiodori e anti-allergeni	OM646.961	110	150	03/02	>	07/06				34.133.00
E 230										
with activated carbons THERMOTRONIC / ai carboni attivi THERMOTRONIC	M272.972	150	204	02/07	>	12/09				54.132.00
with automatic air-conditioner and L.H.D. THERMATIC / con climatizzatore automatico e guida a sinistra THERMATIC	M272.972	150	204	02/07	>	12/09	25.002.00		30.531.00	54.133.00
with automatic air-conditioner and L.H.D. THERMOTRONIC / con climatizzatore automatico e guida a sinistra THERMOTRONIC	M272.972	150	204	02/07	>	12/09	25.002.00		30.531.00	53.095.00
with R.H.D. / con guida a destra	M272.972	150	204	02/07	>	12/09				53.245.00
antibacterial, anti-odour and anti-allergen filter / filtro antibatterico, antiodori e anti-allergeni	M272.972	150	204	02/07	>	12/09				34.133.00
E 240										
with activated carbons THERMOTRONIC / ai carboni attivi THERMOTRONIC	M112.913/917	130	177	03/02	>	06/05				54.132.00
with automatic air-conditioner and L.H.D. THERMATIC / con climatizzatore automatico e guida a sinistra THERMATIC	M112.913/917	130	177	03/02	>	06/05	25.002.00		30.531.00	54.133.00
with automatic air-conditioner and L.H.D. THERMOTRONIC / con climatizzatore automatico e guida a sinistra THERMOTRONIC	M112.913/917	130	177	03/02	>	06/05	25.002.00		30.531.00	53.095.00
with R.H.D. / con guida a destra	M112.913/917	130	177	03/02	>	06/05				53.245.00
antibacterial, anti-odour and anti-allergen filter / filtro antibatterico, antiodori e anti-allergeni	M112.913/917	130	177	03/02	>	06/05				34.133.00
E 270 CDI										
with activated carbons THERMOTRONIC / ai carboni attivi THERMOTRONIC	OM647	130	177	03/02	>	06/05				54.132.00
with automatic air-conditioner and L.H.D. THERMATIC / con climatizzatore automatico e guida a sinistra THERMATIC	OM647	130	177	03/02	>	11/02	25.013.00	24.436.00	27.585.00	54.133.00
with automatic air-conditioner and L.H.D. THERMATIC / con climatizzatore automatico e guida a sinistra THERMATIC	OM647	130	177	12/02	>	06/05	25.013.00	24.436.00	27.586.00	54.133.00
with automatic air-conditioner and L.H.D. THERMOTRONIC / con climatizzatore automatico e guida a sinistra THERMOTRONIC	OM647	130	177	03/02	>	11/02	25.013.00	24.436.00	27.585.00	53.095.00
with automatic air-conditioner and L.H.D. THERMOTRONIC / con climatizzatore automatico e guida a sinistra THERMOTRONIC	OM647	130	177	12/02	>	06/05	25.013.00	24.436.00	27.586.00	53.095.00
with R.H.D. / con guida a destra	OM647	130	177	03/02	>	06/05				53.245.00
with water presence sensor / con sensore presenza acqua	OM647	130	177	03/02	>	06/05		24.107.00		
antibacterial, anti-odour and anti-allergen filter / filtro antibatterico, antiodori e anti-allergeni	OM647	130	177	03/02	>	06/05				34.133.00
E 280										
with activated carbons THERMOTRONIC / ai carboni attivi THERMOTRONIC	M272.943	170	231	05/05	>	12/09				54.132.00
with automatic air-conditioner and L.H.D. THERMATIC / con climatizzatore automatico e guida a sinistra THERMATIC	M272.943	170	231	05/05	>	12/09	25.002.00		30.531.00	54.133.00
with automatic air-conditioner and L.H.D. THERMOTRONIC / con climatizzatore automatico e guida a sinistra THERMOTRONIC	M272.943	170	231	05/05	>	12/09	25.002.00		30.531.00	53.095.00
with R.H.D. / con guida a destra	M272.943	170	231	05/05	>	12/09				53.245.00

...MERCEDES BENZ - cars/auto

M



antibacterial, anti-odour and anti-allergen filter / filtro antibatterico, antiodori e anti-allergeni	M272.943	170	231	05/05	>	12/09				34.133.00
E 280 CDI										
with activated carbons THERMOTRONIC / ai carboni attivi THERMOTRONIC	OM642.920	140	190	05/05	>	12/09				54.132.00
with automatic air-conditioner and L.H.D. THERMATIC / con climatizzatore automatico e guida a sinistra THERMATIC	OM642.920	140	190	05/05	>	12/09	25.069.00	24.436.00		54.133.00
with automatic air-conditioner and L.H.D. THERMOTRONIC / con climatizzatore automatico e guida a sinistra THERMOTRONIC	OM642.920	140	190	05/05	>	12/09	25.069.00	24.436.00		53.095.00
with R.H.D. / con guida a destra	OM642.920	140	190	05/05	>	12/09				53.245.00
with water presence sensor / con sensore presenza acqua	OM642.920	140	190	05/05	>	12/09		24.107.00		
antibacterial, anti-odour and anti-allergen filter / filtro antibatterico, antiodori e anti-allergeni	OM642.920	140	190	05/05	>	12/09				34.133.00
air filter right side / filtro aria destro	OM642.920	140	190	05/05	>	12/09			30.463.00	
air filter left side / filtro aria sinistro	OM642.920	140	190	05/05	>	12/09			30.462.00	
E 280 CDI										
with activated carbons THERMOTRONIC / ai carboni attivi THERMOTRONIC	OM648.961 Euro4	130	177	04/04	>	05/05				54.132.00
with automatic air-conditioner and L.H.D. THERMATIC / con climatizzatore automatico e guida a sinistra THERMATIC	OM648.961 Euro4	130	177	04/04	>	05/05	25.041.00	24.436.00	27.586.00	54.133.00
with automatic air-conditioner and L.H.D. THERMOTRONIC / con climatizzatore automatico e guida a sinistra THERMOTRONIC	OM648.961 Euro4	130	177	04/04	>	05/05	25.041.00	24.436.00	27.586.00	53.095.00
with R.H.D. / con guida a destra	OM648.961 Euro4	130	177	04/04	>	05/05				53.245.00
with water presence sensor / con sensore presenza acqua	OM648.961 Euro4	130	177	04/04	>	05/05		24.107.00		
antibacterial, anti-odour and anti-allergen filter / filtro antibatterico, antiodori e anti-allergeni	OM648.961 Euro4	130	177	04/04	>	05/05				34.133.00
E 300 BLUETEC										
with activated carbons THERMOTRONIC / ai carboni attivi THERMOTRONIC	OM642	155	211	12/07	>	12/09				54.132.00
with automatic air-conditioner and L.H.D. THERMATIC / con climatizzatore automatico e guida a sinistra THERMATIC	OM642	155	211	12/07	>	12/09	25.069.00	24.436.00		54.133.00
with automatic air-conditioner and L.H.D. THERMOTRONIC / con climatizzatore automatico e guida a sinistra THERMOTRONIC	OM642	155	211	12/07	>	12/09	25.069.00	24.436.00		53.095.00
with R.H.D. / con guida a destra	OM642	155	211	12/07	>	12/09				53.245.00
with water presence sensor / con sensore presenza acqua	OM642	155	211	12/07	>	12/09		24.107.00		
antibacterial, anti-odour and anti-allergen filter / filtro antibatterico, antiodori e anti-allergeni	OM642	155	211	12/07	>	12/09				34.133.00
air filter right side / filtro aria destro	OM642	155	211	12/07	>	12/09			30.463.00	
air filter left side / filtro aria sinistro	OM642	155	211	12/07	>	12/09			30.462.00	
E 320										
with activated carbons THERMOTRONIC / ai carboni attivi THERMOTRONIC	M112.949/954	165	224	03/02	>	01/05				54.132.00
with automatic air-conditioner and L.H.D. THERMATIC / con climatizzatore automatico e guida a sinistra THERMATIC	M112.949/954	165	224	03/02	>	01/05	25.002.00		30.531.00	54.133.00
with automatic air-conditioner and L.H.D. THERMOTRONIC / con climatizzatore automatico e guida a sinistra THERMOTRONIC	M112.949/954	165	224	03/02	>	01/05	25.002.00		30.531.00	53.095.00
with R.H.D. / con guida a destra	M112.949/954	165	224	03/02	>	01/05				53.245.00
antibacterial, anti-odour and anti-allergen filter / filtro antibatterico, antiodori e anti-allergeni	M112.949/954	165	224	03/02	>	01/05				34.133.00
E 320 BLUETEC										
with activated carbons THERMOTRONIC / ai carboni attivi THERMOTRONIC	OM642	155	211	10/06	>	09/07				54.132.00
with automatic air-conditioner and L.H.D. THERMATIC / con climatizzatore automatico e guida a sinistra THERMATIC	OM642	155	211	10/06	>	09/07	25.069.00	24.436.00		54.133.00
with automatic air-conditioner and L.H.D. THERMOTRONIC / con climatizzatore automatico e guida a sinistra THERMOTRONIC	OM642	155	211	10/06	>	09/07	25.069.00	24.436.00		53.095.00
with R.H.D. / con guida a destra	OM642	155	211	10/06	>	09/07				53.245.00
with water presence sensor / con sensore presenza acqua	OM642	155	211	10/06	>	09/07		24.107.00		
antibacterial, anti-odour and anti-allergen filter / filtro antibatterico, antiodori e anti-allergeni	OM642	155	211	10/06	>	09/07				34.133.00
air filter right side / filtro aria destro	OM642	155	211	10/06	>	09/07			30.463.00	
air filter left side / filtro aria sinistro	OM642	155	211	10/06	>	09/07			30.462.00	
E 320 BLUETEC										
with activated carbons THERMOTRONIC / ai carboni attivi THERMOTRONIC	OM642	165	224	10/07	>	12/09				54.132.00
with automatic air-conditioner and L.H.D. THERMATIC / con climatizzatore automatico e guida a sinistra THERMATIC	OM642	165	224	10/07	>	12/09	25.069.00	24.436.00		54.133.00
with automatic air-conditioner and L.H.D. THERMOTRONIC / con climatizzatore automatico e guida a sinistra THERMOTRONIC	OM642	165	224	10/07	>	12/09	25.069.00	24.436.00		53.095.00
with R.H.D. / con guida a destra	OM642	165	224	10/07	>	12/09				53.245.00
with water presence sensor / con sensore presenza acqua	OM642	165	224	10/07	>	12/09		24.107.00		
antibacterial, anti-odour and anti-allergen filter / filtro antibatterico, antiodori e anti-allergeni	OM642	165	224	10/07	>	12/09				34.133.00
air filter right side / filtro aria destro	OM642	165	224	10/07	>	12/09			30.463.00	
air filter left side / filtro aria sinistro	OM642	165	224	10/07	>	12/09			30.462.00	
E 320 CDI										
with activated carbons THERMOTRONIC / ai carboni attivi THERMOTRONIC	OM642.920	165	224	05/05	>	12/09				54.132.00
with automatic air-conditioner and L.H.D. THERMATIC / con climatizzatore automatico e guida a sinistra THERMATIC	OM642.920	165	224	05/05	>	12/09	25.069.00	24.436.00		54.133.00
with automatic air-conditioner and L.H.D. THERMOTRONIC / con climatizzatore automatico e guida a sinistra THERMOTRONIC	OM642.920	165	224	05/05	>	12/09	25.069.00	24.436.00		53.095.00
with R.H.D. / con guida a destra	OM642.920	165	224	05/05	>	12/09				53.245.00
with water presence sensor / con sensore presenza acqua	OM642.920	165	224	05/05	>	12/09		24.107.00		
antibacterial, anti-odour and anti-allergen filter / filtro antibatterico, antiodori e anti-allergeni	OM642.920	165	224	05/05	>	12/09				34.133.00
air filter right side / filtro aria destro	OM642.920	165	224	05/05	>	12/09			30.463.00	
air filter left side / filtro aria sinistro	OM642.920	165	224	05/05	>	12/09			30.462.00	
E 320 CDI										
with activated carbons THERMOTRONIC / ai carboni attivi THERMOTRONIC	OM648.961	150	204	11/02	>	06/05				54.132.00
with automatic air-conditioner and L.H.D. THERMATIC / con climatizzatore automatico e guida a sinistra THERMATIC	OM648.961	150	204	11/02	>	06/05	25.041.00	24.436.00	27.586.00	54.133.00
with automatic air-conditioner and L.H.D. THERMOTRONIC / con climatizzatore automatico e guida a sinistra THERMOTRONIC	OM648.961	150	204	11/02	>	06/05	25.041.00	24.436.00	27.586.00	53.095.00
with R.H.D. / con guida a destra	OM648.961	150	204	11/02	>	06/05				53.245.00
with water presence sensor / con sensore presenza acqua	OM648.961	150	204	11/02	>	06/05		24.107.00		
antibacterial, anti-odour and anti-allergen filter / filtro antibatterico, antiodori e anti-allergeni	OM648.961	150	204	11/02	>	06/05				34.133.00
E 350										

...MERCEDES BENZ - cars/auto

with activated carbons THERMOTRONIC / ai carboni attivi THERMOTRONIC	M272.964	200	272	12/04	>	12/09				54.132.00
with automatic air-conditioner and L.H.D. THERMATIC / con climatizzatore automatico e guida a sinistra THERMATIC	M272.964	200	272	12/04	>	12/09	25.002.00		30.531.00	54.133.00
with automatic air-conditioner and L.H.D. THERMOTRONIC / con climatizzatore automatico e guida a sinistra THERMOTRONIC	M272.964	200	272	12/04	>	12/09	25.002.00		30.531.00	53.095.00
with R.H.D. / con guida a destra	M272.964	200	272	12/04	>	12/09				53.245.00
antibacterial, anti-odour and anti-allergen filter / filtro antibatterico, antiodori e anti-allergeni	M272.964	200	272	12/04	>	12/09				34.133.00
E 350 4-Matic										
with activated carbons THERMOTRONIC / ai carboni attivi THERMOTRONIC	M272	200	272	12/04	>	12/09				54.132.00
with automatic air-conditioner and L.H.D. THERMATIC / con climatizzatore automatico e guida a sinistra THERMATIC	M272	200	272	12/04	>	12/09	25.002.00		30.531.00	54.133.00
with automatic air-conditioner and L.H.D. THERMOTRONIC / con climatizzatore automatico e guida a sinistra THERMOTRONIC	M272	200	272	12/04	>	12/09	25.002.00		30.531.00	53.095.00
with R.H.D. / con guida a destra	M272	200	272	12/04	>	12/09				53.245.00
antibacterial, anti-odour and anti-allergen filter / filtro antibatterico, antiodori e anti-allergeni	M272	200	272	12/04	>	12/09				34.133.00
E 350 CGI										
with activated carbons THERMOTRONIC / ai carboni attivi THERMOTRONIC	M272.985	215	292	12/07	>	12/09				54.132.00
with automatic air-conditioner and L.H.D. THERMATIC / con climatizzatore automatico e guida a sinistra THERMATIC	M272.985	215	292	12/07	>	12/09	25.002.00		30.531.00	54.133.00
with automatic air-conditioner and L.H.D. THERMOTRONIC / con climatizzatore automatico e guida a sinistra THERMOTRONIC	M272.985	215	292	12/07	>	12/09	25.002.00		30.531.00	53.095.00
with R.H.D. / con guida a destra	M272.985	215	292	12/07	>	12/09				53.245.00
antibacterial, anti-odour and anti-allergen filter / filtro antibatterico, antiodori e anti-allergeni	M272.985	215	292	12/07	>	12/09				34.133.00
E 400 CDI										
with activated carbons THERMOTRONIC / ai carboni attivi THERMOTRONIC	OM628.961	191	260	09/02	>	12/09				54.132.00
with automatic air-conditioner and L.H.D. THERMATIC / con climatizzatore automatico e guida a sinistra THERMATIC	OM628.961	191	260	09/02	>	12/09				54.133.00
with automatic air-conditioner and L.H.D. THERMOTRONIC / con climatizzatore automatico e guida a sinistra THERMOTRONIC	OM628.961	191	260	09/02	>	12/09				53.095.00
with R.H.D. / con guida a destra	OM628.961	191	260	09/02	>	12/09				53.245.00
antibacterial, anti-odour and anti-allergen filter / filtro antibatterico, antiodori e anti-allergeni	OM628.961	191	260	09/02	>	12/09				34.133.00
E 420 CDI										
with activated carbons THERMOTRONIC / ai carboni attivi THERMOTRONIC	OM629.910	231	314	09/05	>	12/09				54.132.00
with automatic air-conditioner and L.H.D. THERMATIC / con climatizzatore automatico e guida a sinistra THERMATIC	OM629.910	231	314	09/05	>	12/09		24.436.00	30.B25.00	54.133.00
with automatic air-conditioner and L.H.D. THERMOTRONIC / con climatizzatore automatico e guida a sinistra THERMOTRONIC	OM629.910	231	314	09/05	>	12/09		24.436.00	30.B25.00	53.095.00
with R.H.D. / con guida a destra	OM629.910	231	314	09/05	>	12/09				53.245.00
antibacterial, anti-odour and anti-allergen filter / filtro antibatterico, antiodori e anti-allergeni	OM629.910	231	314	09/05	>	12/09				34.133.00
E 500										
with activated carbons THERMOTRONIC / ai carboni attivi THERMOTRONIC	M113.969	225	306	03/02	>	07/06				54.132.00
with automatic air-conditioner and L.H.D. THERMATIC / con climatizzatore automatico e guida a sinistra THERMATIC	M113.969	225	306	03/02	>	07/06	25.002.00		30.531.00	54.133.00
with automatic air-conditioner and L.H.D. THERMOTRONIC / con climatizzatore automatico e guida a sinistra THERMOTRONIC	M113.969	225	306	03/02	>	07/06	25.002.00		30.531.00	53.095.00
with R.H.D. / con guida a destra	M113.969	225	306	03/02	>	07/06				53.245.00
antibacterial, anti-odour and anti-allergen filter / filtro antibatterico, antiodori e anti-allergeni	M113.969	225	306	03/02	>	07/06				34.133.00
E 500										
with activated carbons THERMOTRONIC / ai carboni attivi THERMOTRONIC	M273	285	388	06/06	>	12/09				54.132.00
with automatic air-conditioner and L.H.D. THERMATIC / con climatizzatore automatico e guida a sinistra THERMATIC	M273	285	388	06/06	>	12/09	25.002.00		30.531.00	54.133.00
with automatic air-conditioner and L.H.D. THERMOTRONIC / con climatizzatore automatico e guida a sinistra THERMOTRONIC	M273	285	388	06/06	>	12/09	25.002.00		30.531.00	53.095.00
with R.H.D. / con guida a destra	M273	285	388	06/06	>	12/09				53.245.00
antibacterial, anti-odour and anti-allergen filter / filtro antibatterico, antiodori e anti-allergeni	M273	285	388	06/06	>	12/09				34.133.00
E 55 AMG										
with activated carbons THERMOTRONIC / ai carboni attivi THERMOTRONIC	M113	350	476	10/02	>	07/06				54.132.00
with automatic air-conditioner and L.H.D. THERMATIC / con climatizzatore automatico e guida a sinistra THERMATIC	M113	350	476	10/02	>	07/06	25.002.00			54.133.00
with automatic air-conditioner and L.H.D. THERMOTRONIC / con climatizzatore automatico e guida a sinistra THERMOTRONIC	M113	350	476	10/02	>	07/06	25.002.00			53.095.00
with R.H.D. / con guida a destra	M113	350	476	10/02	>	07/06				53.245.00
antibacterial, anti-odour and anti-allergen filter / filtro antibatterico, antiodori e anti-allergeni	M113	350	476	10/02	>	07/06				34.133.00
E 63 AMG										
with activated carbons THERMOTRONIC / ai carboni attivi THERMOTRONIC	M156E63	378	514	06/06	>	12/09				54.132.00
with automatic air-conditioner and L.H.D. THERMATIC / con climatizzatore automatico e guida a sinistra THERMATIC	M156E63	378	514	06/06	>	12/09				54.133.00
with automatic air-conditioner and L.H.D. THERMOTRONIC / con climatizzatore automatico e guida a sinistra THERMOTRONIC	M156E63	378	514	06/06	>	12/09				53.095.00
with R.H.D. / con guida a destra	M156E63	378	514	06/06	>	12/09				53.245.00
antibacterial, anti-odour and anti-allergen filter / filtro antibatterico, antiodori e anti-allergeni	M156E63	378	514	06/06	>	12/09				34.133.00
E Classe (S/W212)										
E 180 1.6	M274.910	115	156	03/13	>		25.178.00		30.A61.00	54.163.00
antibacterial, anti-odour and anti-allergen filter / filtro antibatterico, antiodori e anti-allergeni	M274.910	115	156	03/13	>					34.163.00
E 200	M274.920	135	184	02/13	>		25.178.00		30.A61.00	54.163.00
antibacterial, anti-odour and anti-allergen filter / filtro antibatterico, antiodori e anti-allergeni	M274.920	135	184	02/13	>					34.163.00
E 200 CDI BlueEFFICIENCY	OM651.924/925	100	136	09/09	>	08/14	25.159.00		30.B10.00	54.163.00
	OM651.924/925	100	136	09/14	>		25.159.00		30.B63.00	54.163.00
with fuel oil heater with connection for water suction / con riscaldatore nafta con collegamento per aspirazione acqua	OM651.924/925	100	136	09/09	>			24.149.00		
with fuel oil heater without connection for water suction / con riscaldatore nafta senza collegamento per aspirazione acqua	OM651.924/925	100	136	09/09	>			24.151.00		
with water presence sensor KNECHT-MAHLE / con sensore presenza acqua KNECHT-MAHLE	OM651.924/925	100	136	09/09	>			24.111.00		
antibacterial, anti-odour and anti-allergen filter / filtro antibatterico, antiodori e anti-allergeni	OM651.924/925	100	136	09/09	>					34.163.00
without fuel oil heater MANN+HUMMEL / senza riscaldatore nafta MANN+HUMMEL	OM651.924/925	100	136	09/09	>			24.077.00		
E 200 CGI BlueEFFICIENCY	M271.820	135	183	09/09	>		25.155.00		30.A60.00	54.163.00
antibacterial, anti-odour and anti-allergen filter / filtro antibatterico, antiodori e anti-allergeni	M271.820	135	183	09/09	>					34.163.00

...MERCEDES BENZ - cars/auto

M



E 200 NGT	M271.958	120 163	01/11 >	25.050.00		27.486.00	54.163.00
antibacterial, anti-odour and anti-allergen filter / filtro antibatterico, antiodori e anti-allergeni	M271.958	120 163	01/11 >				34.163.00
E 200 NGT	M274.920	115 156	08/13 >	25.178.00		30.A61.00	54.163.00
antibacterial, anti-odour and anti-allergen filter / filtro antibatterico, antiodori e anti-allergeni	M274.920	115 156	08/13 >				34.163.00
E 220 CDI	OM651.924	120 163	08/09 > 08/14	25.159.00		30.B10.00	54.163.00
	OM651.924	120 163	09/14 >	25.159.00		30.B63.00	54.163.00
with fuel oil heater with connection for water suction / con riscaldatore nafta con collegamento per aspirazione acqua	OM651.924	120 163	08/09 >		24.149.00		
with fuel oil heater without connection for water suction / con riscaldatore nafta senza collegamento per aspirazione acqua	OM651.924	120 163	08/09 >		24.151.00		
with water presence sensor KNECHT-MAHLE / con sensore presenza acqua KNECHT-MAHLE	OM651.924	120 163	08/09 >		24.111.00		
antibacterial, anti-odour and anti-allergen filter / filtro antibatterico, antiodori e anti-allergeni	OM651.924	120 163	08/09 >				34.163.00
without fuel oil heater MANN+HUMMEL / senza riscaldatore nafta MANN+HUMMEL	OM651.924	120 163	08/09 >		24.077.00		
E 220 CDI BlueEFFICIENCY	OM651.924	125 170	03/09 > 08/14	25.159.00		30.B10.00	54.163.00
	OM651.924	125 170	09/14 >	25.159.00		30.B63.00	54.163.00
with fuel oil heater with connection for water suction / con riscaldatore nafta con collegamento per aspirazione acqua	OM651.924	125 170	03/09 >		24.149.00		
with fuel oil heater without connection for water suction / con riscaldatore nafta senza collegamento per aspirazione acqua	OM651.924	125 170	03/09 >		24.151.00		
with water presence sensor KNECHT-MAHLE / con sensore presenza acqua KNECHT-MAHLE	OM651.924	125 170	03/09 >		24.111.00		
antibacterial, anti-odour and anti-allergen filter / filtro antibatterico, antiodori e anti-allergeni	OM651.924	125 170	03/09 >				34.163.00
without fuel oil heater MANN+HUMMEL / senza riscaldatore nafta MANN+HUMMEL	OM651.924	125 170	03/09 >		24.077.00		
E 220 CDI BlueTec 4Matic	OM651.924	125 170	12/14 >	25.159.00		30.B10.00	54.163.00
with fuel oil heater with connection for water suction / con riscaldatore nafta con collegamento per aspirazione acqua	OM651.924	125 170	12/14 >		24.149.00		
with fuel oil heater without connection for water suction / con riscaldatore nafta senza collegamento per aspirazione acqua	OM651.924	125 170	12/14 >		24.151.00		
with water presence sensor KNECHT-MAHLE / con sensore presenza acqua KNECHT-MAHLE	OM651.924	125 170	12/14 >		24.111.00		
antibacterial, anti-odour and anti-allergen filter / filtro antibatterico, antiodori e anti-allergeni	OM651.924	125 170	12/14 >				34.163.00
without fuel oil heater MANN+HUMMEL / senza riscaldatore nafta MANN+HUMMEL	OM651.924	125 170	12/14 >		24.077.00		
E 250	M274.920	155 211	02/13 >	25.178.00		30.A61.00	54.163.00
antibacterial, anti-odour and anti-allergen filter / filtro antibatterico, antiodori e anti-allergeni	M274.920	155 211	03/13 >				34.163.00
E 250 CDI BlueEFFICIENCY	OM651.924	150 204	03/09 > 08/14	25.159.00		30.B10.00	54.163.00
	OM651.924	150 204	09/14 >	25.159.00		30.B63.00	54.163.00
with fuel oil heater with connection for water suction / con riscaldatore nafta con collegamento per aspirazione acqua	OM651.924	150 204	03/09 >		24.149.00		
with fuel oil heater without connection for water suction / con riscaldatore nafta senza collegamento per aspirazione acqua	OM651.924	150 204	03/09 >		24.151.00		
with water presence sensor KNECHT-MAHLE / con sensore presenza acqua KNECHT-MAHLE	OM651.924	150 204	03/09 >		24.111.00		
antibacterial, anti-odour and anti-allergen filter / filtro antibatterico, antiodori e anti-allergeni	OM651.924	150 204	03/09 >				34.163.00
without fuel oil heater MANN+HUMMEL / senza riscaldatore nafta MANN+HUMMEL	OM651.924	150 204	03/09 >		24.077.00		
E 250 CDI BlueEFFICIENCY 4Matic	OM651.924	150 204	07/10 > 08/14	25.159.00		30.B10.00	54.163.00
	OM651.924	150 204	09/14 >	25.159.00		30.B63.00	54.163.00
with fuel oil heater with connection for water suction / con riscaldatore nafta con collegamento per aspirazione acqua	OM651.924	150 204	07/10 >		24.149.00		
with fuel oil heater without connection for water suction / con riscaldatore nafta senza collegamento per aspirazione acqua	OM651.924	150 204	07/10 >		24.151.00		
with water presence sensor KNECHT-MAHLE / con sensore presenza acqua KNECHT-MAHLE	OM651.924	150 204	07/10 >		24.111.00		
antibacterial, anti-odour and anti-allergen filter / filtro antibatterico, antiodori e anti-allergeni	OM651.924	150 204	07/10 >				34.163.00
without fuel oil heater MANN+HUMMEL / senza riscaldatore nafta MANN+HUMMEL	OM651.924	150 204	07/10 >		24.077.00		
E 250 CGI BlueEFFICIENCY	M271.860	150 204	09/09 >	25.155.00		30.A60.00	54.163.00
antibacterial, anti-odour and anti-allergen filter / filtro antibatterico, antiodori e anti-allergeni	M271.860	150 204	09/09 >				34.163.00
E 300	M272.952	170 231	03/09 >	25.002.00		30.531.00	54.163.00
antibacterial, anti-odour and anti-allergen filter / filtro antibatterico, antiodori e anti-allergeni	M272.952	170 231	03/09 >				34.163.00
E 300 BlueEFFICIENCY	M276.952	185 252	07/11 >	25.172.00			54.163.00
antibacterial, anti-odour and anti-allergen filter / filtro antibatterico, antiodori e anti-allergeni	M276.952	185 252	07/11 >				34.163.00
E 300 BlueEFFICIENCY 4Matic	M276.952	185 252	07/11 >				54.163.00
antibacterial, anti-odour and anti-allergen filter / filtro antibatterico, antiodori e anti-allergeni	M276.952	185 252	07/11 >				34.163.00
E 300 CDI BlueEFFICIENCY	OM642.850	150 204	02/10 > 08/10	25.069.00			54.163.00
with water presence sensor / con sensore presenza acqua	OM642.850	150 204	02/10 > 08/10		24.111.00		
antibacterial, anti-odour and anti-allergen filter / filtro antibatterico, antiodori e anti-allergeni	OM642.850	150 204	02/10 > 08/10				34.163.00
without fuel oil heater / senza riscaldatore nafta	OM642.850	150 204	02/10 > 08/10		24.077.00		
E 300 CDI BlueEFFICIENCY	OM642.850	170 231	08/10 >	25.069.00			54.163.00
with water presence sensor / con sensore presenza acqua	OM642.850	170 231	08/10 >		24.111.00		
antibacterial, anti-odour and anti-allergen filter / filtro antibatterico, antiodori e anti-allergeni	OM642.850	170 231	08/10 >				34.163.00
E 300 CDI BlueTec Hybrid	OM651.924	170 231	06/12 >	25.159.00		30.B10.00	54.163.00
with fuel oil heater with connection for water suction / con riscaldatore nafta con collegamento per aspirazione acqua	OM651.924	170 231	06/12 >		24.149.00		
with fuel oil heater without connection for water suction / con riscaldatore nafta senza collegamento per aspirazione acqua	OM651.924	170 231	06/12 >		24.151.00		
with water presence sensor KNECHT-MAHLE / con sensore presenza acqua KNECHT-MAHLE	OM651.924	170 231	06/12 >		24.111.00		
antibacterial, anti-odour and anti-allergen filter / filtro antibatterico, antiodori e anti-allergeni	OM651.924	170 231	06/12 >				34.163.00
E 350	M272.977/980	200 272	03/09 >	25.002.00		30.531.00	54.163.00
antibacterial, anti-odour and anti-allergen filter / filtro antibatterico, antiodori e anti-allergeni	M272.977/980	200 272	03/09 >				34.163.00
E 350 4Matic	M272.977/980	200 272	11/09 >	25.002.00		30.531.00	54.163.00
antibacterial, anti-odour and anti-allergen filter / filtro antibatterico, antiodori e anti-allergeni	M272.977/980	200 272	11/09 >				34.163.00
E 350 BlueEFFICIENCY	M276.952	225 306	06/11 >	25.172.00			54.163.00
antibacterial, anti-odour and anti-allergen filter / filtro antibatterico, antiodori e anti-allergeni	M276.952	225 306	06/11 >				34.163.00
E 350 BlueEFFICIENCY 4Matic	M276.952	225 306	06/11 >	25.172.00			54.163.00

...MERCEDES BENZ - cars/auto

antibacterial, anti-odour and anti-allergen filter / filtro antibatterico, antiodori e anti-allergeni	M276.952	225	306	06/11	>				34.163.00
E 350 CDI BlueEFFICIENCY	OM642.850	170	231	03/09	>	08/10	25.069.00		54.163.00
with water presence sensor / con sensore presenza acqua	OM642.850	170	231	03/09	>	08/10		24.111.00	
antibacterial, anti-odour and anti-allergen filter / filtro antibatterico, antiodori e anti-allergeni	OM642.850	170	231	03/09	>	08/10			34.163.00
without fuel oil heater / senza riscaldatore nafta	OM642.850	170	231	03/09	>	08/10		24.077.00	
E 350 CDI BlueEFFICIENCY	OM642.852/858	195	265	08/10	>		25.069.00		54.163.00
antibacterial, anti-odour and anti-allergen filter / filtro antibatterico, antiodori e anti-allergeni	OM642.852/858	195	265	08/10	>				34.163.00
E 350 CDI BlueEFFICIENCY 4Matic	OM642.850/856	170	231	03/09	>	08/10	25.069.00		54.163.00
with water presence sensor / con sensore presenza acqua	OM642.850/856	170	231	03/09	>	08/10		24.111.00	
antibacterial, anti-odour and anti-allergen filter / filtro antibatterico, antiodori e anti-allergeni	OM642.850/856	170	231	03/09	>	08/10			34.163.00
without fuel oil heater / senza riscaldatore nafta	OM642.850/856	170	231	03/09	>	08/10		24.077.00	
E 350 CDI BlueEFFICIENCY 4Matic	OM642.852/858	195	265	08/10	>		25.069.00		54.163.00
antibacterial, anti-odour and anti-allergen filter / filtro antibatterico, antiodori e anti-allergeni	OM642.852/858	195	265	08/10	>				34.163.00
E 350 CDI BlueTEC	OM642.850	155	211	09/09	>		25.069.00		54.163.00
with water presence sensor / con sensore presenza acqua	OM642.850	155	211	09/09	>			24.111.00	
antibacterial, anti-odour and anti-allergen filter / filtro antibatterico, antiodori e anti-allergeni	OM642.850	155	211	09/09	>				34.163.00
without fuel oil heater / senza riscaldatore nafta	OM642.850	155	211	09/09	>			24.077.00	
E 350 CDI BlueTEC	OM642.852/858	190	258	05/14	>		25.069.00		54.163.00
antibacterial, anti-odour and anti-allergen filter / filtro antibatterico, antiodori e anti-allergeni	OM642.852/858	190	258	05/14	>				34.163.00
E 350 CDI BlueTEC	OM642.858	185	252	03/13	>		25.069.00		54.163.00
antibacterial, anti-odour and anti-allergen filter / filtro antibatterico, antiodori e anti-allergeni	OM642.858	185	252	03/13	>				34.163.00
E 350 CDI BlueTEC 4Matic	OM642.852/858	185	252	11/12	>		25.069.00		54.163.00
antibacterial, anti-odour and anti-allergen filter / filtro antibatterico, antiodori e anti-allergeni	OM642.852/858	185	252	11/12	>				34.163.00
E 350 CDI BlueTEC 4Matic	OM642.852/858	190	258	05/14	>		25.069.00		54.163.00
antibacterial, anti-odour and anti-allergen filter / filtro antibatterico, antiodori e anti-allergeni	OM642.852/858	190	258	05/14	>				34.163.00
E 350 CGI BlueEFFICIENCY	M272.983	215	292	03/09	>	09/11	25.002.00	∞	30.531.00
antibacterial, anti-odour and anti-allergen filter / filtro antibatterico, antiodori e anti-allergeni	M272.983	215	292	03/09	>	09/11			34.163.00
E 400	M276.820	245	333	01/13	>		25.172.00	∞	54.163.00
antibacterial, anti-odour and anti-allergen filter / filtro antibatterico, antiodori e anti-allergeni	M276.820	245	333	01/13	>				34.163.00
E 400	M276.850	245	333	07/14	>		25.172.00	∞	54.163.00
antibacterial, anti-odour and anti-allergen filter / filtro antibatterico, antiodori e anti-allergeni	M276.850	245	333	07/14	>				34.163.00
E 400 4Matic	M276.820	245	333	01/13	>		25.172.00	∞	54.163.00
antibacterial, anti-odour and anti-allergen filter / filtro antibatterico, antiodori e anti-allergeni	M276.820	245	333	01/13	>				34.163.00
E 400 4Matic	M276.850	245	333	07/14	>		25.172.00	∞	54.163.00
antibacterial, anti-odour and anti-allergen filter / filtro antibatterico, antiodori e anti-allergeni	M276.850	245	333	07/14	>				34.163.00
E 500	M273.971	285	387	03/09	>	09/11	25.002.00	∞	30.531.00
antibacterial, anti-odour and anti-allergen filter / filtro antibatterico, antiodori e anti-allergeni	M273.971	285	387	03/09	>	09/11			34.163.00
E 500 BlueEFFICIENCY	M278.922	300	408	09/11	>		25.204.00	∞	54.163.00
antibacterial, anti-odour and anti-allergen filter / filtro antibatterico, antiodori e anti-allergeni	M278.922	300	408	09/11	>				34.163.00
E 500 BlueEFFICIENCY 4Matic	M278.922	300	408	09/11	>		25.204.00	∞	54.163.00
antibacterial, anti-odour and anti-allergen filter / filtro antibatterico, antiodori e anti-allergeni	M278.922	300	408	09/11	>				34.163.00
E 63 AMG	M156.985	386	525	08/09	>	04/11		∞	54.163.00
antibacterial, anti-odour and anti-allergen filter / filtro antibatterico, antiodori e anti-allergeni	M156.985	386	525	08/09	>	04/11			34.163.00
E 63 AMG	M157.980/981	386	525	05/11	>		25.204.00	∞	54.163.00
antibacterial, anti-odour and anti-allergen filter / filtro antibatterico, antiodori e anti-allergeni	M157.980/981	386	525	05/11	>				34.163.00
E 63 AMG	M157.981	410	557	05/11	>		25.204.00	∞	54.163.00
antibacterial, anti-odour and anti-allergen filter / filtro antibatterico, antiodori e anti-allergeni	M157.981	410	557	05/11	>				34.163.00
E 63 AMG	M157.981	430	585	04/13	>		25.204.00	∞	54.163.00
antibacterial, anti-odour and anti-allergen filter / filtro antibatterico, antiodori e anti-allergeni	M157.981	430	585	04/13	>				34.163.00
E 63 AMG 4Matic	M157.981	410	557	05/11	>		25.204.00	∞	54.163.00
antibacterial, anti-odour and anti-allergen filter / filtro antibatterico, antiodori e anti-allergeni	M157.981	410	557	05/11	>				34.163.00
E 63 AMG 4Matic	M157.981	430	585	04/13	>		25.204.00	∞	54.163.00
antibacterial, anti-odour and anti-allergen filter / filtro antibatterico, antiodori e anti-allergeni	M157.981	430	585	04/13	>				34.163.00
E Classe (S/W213)									
E 200	M274.920	135	184	03/16	>		25.178.00	∞	30.A61.00
prefilter / prefiltrato	M274.920	135	184	03/16	>				53.320.00
E 200 d	OM654.916	118	160	11/18	>				30.B56.00
E 200 d	OM654.920	110	150	05/16	>				30.B56.00
prefilter / prefiltrato	OM654.920	110	150	05/16	>				53.320.00
E 220 d	OM654.920	120	163	03/16	>				30.B56.00
prefilter / prefiltrato	OM654.920	120	163	03/16	>				53.320.00
E 220 d	OM654.920	143	194	03/16	>				30.B56.00
prefilter / prefiltrato	OM654.920	143	194	03/16	>				53.320.00
E 250	M274.920	155	211	05/16	>		25.178.00	∞	30.A61.00
prefilter / prefiltrato	M274.920	155	211	05/16	>				53.320.00
E 300	M274.920	180	245	05/16	>		25.178.00	∞	30.A61.00
prefilter / prefiltrato	M274.920	180	245	05/16	>				53.320.00

...MERCEDES BENZ - cars/auto

M



E 300 D EQ Boost	OM654.820	195	265	01/21 >				30.B56.00	
E 300 De Plug-in Hybrid	M654.920	143	194	08/20 >				30.B56.00	53.320.00
E 300 e Plug-in Hybrid	M274.920	155	211	07/20 >		25.178.00		30.A61.00	53.320.00
E 350 d	OM642.855	190	258	05/16 >		25.069.00			
prefilter / prefiltra	OM642.855	190	258	05/16 >					53.320.00
E 350 d	OM656.929	210	286	11/18 >				30.B56.00	
E 350 e	M274.920	210	286	07/16 >		25.178.00	∞	30.A61.00	
prefilter / prefiltra	M274.920	210	286	07/16 >					53.320.00
E 400 4Matic	M276.823	245	333	06/16 >		25.172.00	∞		
prefilter / prefiltra	M276.823	245	333	06/16 >					53.320.00
E 43 AMG	M276.823	295	401	06/16 >		25.172.00	∞		
prefilter / prefiltra	M276.823	295	401	06/16 >					53.320.00
E 63 AMG	M177.980	420	571	01/17 >		25.204.00	∞		
prefilter / prefiltra	M177.980	420	571	01/17 >					53.320.00
E 63 S AMG	M177.980	450	612	01/17 >		25.204.00	∞		
prefilter / prefiltra	M177.980	450	612	01/17 >					53.320.00
E Coupè Classe (C238)									
E 220 d									
prefilter / prefiltra	OM654.920	143	194	03/16 >					53.320.00
E 220 d 4Matic									
prefilter / prefiltra	OM654.920	143	194	03/16 >					53.320.00
E 350 d 4Matic									
prefilter / prefiltra	OM642.855	190	258	05/16 >		25.069.00			53.320.00
E 400 4Matic									
prefilter / prefiltra	M276.823	245	333	06/16 >		25.172.00	∞		53.320.00
EQC Classe (N/W293)									
EQC 400		300	408	05/19 >			✗	✗	✗
GL Classe (X166)									
GL 350 CDI BlueTEC 4Matic	OM642.826	183	249	07/12 > 10/15		25.069.00			
prefilter / prefiltra	OM642.826	183	249	07/12 > 10/15					53.320.00
GL 350 CDI BlueTEC 4Matic	OM642.826	190	258	08/12 > 10/15		25.069.00			
prefilter / prefiltra	OM642.826	190	258	08/12 > 10/15					53.320.00
GL 400 4Matic	M276.821	245	333	08/13 > 10/15		25.172.00	∞		
prefilter / prefiltra	M276.821	245	333	08/13 > 10/15					53.320.00
GL 450	M278.928	270	367	08/12 > 10/15		25.172.00	∞		
prefilter / prefiltra	M278.928	270	367	08/12 > 10/15					53.320.00
GL 500 BlueEFFICIENCY 4Matic	M278.928	320	435	08/12 > 10/15		25.204.00	∞		
prefilter / prefiltra	M278.928	320	435	08/12 > 10/15					53.320.00
GL 63 AMG	M157.982	410	557	08/12 > 10/15		25.204.00	∞		
prefilter / prefiltra	M157.982	410	557	08/12 > 10/15					53.320.00
GLA Classe (H247)									
GLA 180 d	OM654.920	85	116	02/20 >				30.C35.00	
GLA 200	M282.914	120	163	02/20 >		25.145.00	∞		
GLA 200 d	OM654.920	110	150	02/20 >				30.C35.00	
GLA 200 d 4Matic	OM654.920	110	150	02/20 >				30.C35.00	
GLA 220 d	OM654.920	140	190	02/20 >				30.C35.00	
GLA 220 d 4Matic	OM654.920	140	190	02/20 >				30.C35.00	
GLA 250	M260.920	165	224	02/20 >		25.178.00	∞		
GLA 250 4Matic	M260.920	165	224	02/20 >		25.178.00	∞		
GLA 250 e Hybrid	M282.914	118	160	06/20 >		25.145.00			
GLA 35 AMG 4Matic	M260.920	225	306	02/20 >		25.178.00	∞		
GLA 45 AMG 4Matic+	M139.980	285	387	06/20 >			∞		
GLA 45 S AMG 4Matic+	M139.980	310	421	06/20 >			∞		
GLA Classe (X156)									
GLA 180	M270.910	90	122	02/15 >		25.178.00	∞	30.A38.00	54.236.00
antibacterial, anti-odour and anti-allergen filter / filtro antibatterico, antiodori e anti-allergeni	M270.910	90	122	02/15 >					34.236.00
GLA 180 CDI	OM607.951	80	109	07/14 >		23.628.00		30.595.00	54.236.00
antibacterial, anti-odour and anti-allergen filter / filtro antibatterico, antiodori e anti-allergeni	OM607.951	80	109	08/13 >					34.236.00
GLA 200	M270.910	115	156	09/13 >		25.178.00	∞	30.A38.00	54.236.00
antibacterial, anti-odour and anti-allergen filter / filtro antibatterico, antiodori e anti-allergeni	M270.910	115	156	09/13 >					34.236.00
GLA 200 CDI	OM651.901/930	100	136	09/13 >		25.159.00		30.595.00	54.236.00
with R.H.D. / con guida a destra	OM651.901/930	100	136	09/13 >			24.148.00		
antibacterial, anti-odour and anti-allergen filter / filtro antibatterico, antiodori e anti-allergeni	OM651.901/930	100	136	09/13 >					34.236.00
GLA 200 CDI 4Matic	OM651.901/930	100	136	12/13 >		25.159.00		30.595.00	54.236.00
with R.H.D. / con guida a destra	OM651.901/930	100	136	12/13 >			24.148.00		
antibacterial, anti-odour and anti-allergen filter / filtro antibatterico, antiodori e anti-allergeni	OM651.901/930	100	136	12/13 >					34.236.00
GLA 220 4Matic	M270.920	135	184	02/17 >		25.178.00	∞	30.A38.00	54.236.00

...MERCEDES BENZ - cars/auto

antibacterial, anti-odour and anti-allergen filter / filtro antibatterico, antiodori e anti-allergeni	M270.920	135	184	02/17	>				34.236.00
GLA 220 CDI	OM651.930	120	163	09/13	>	25.159.00		30.595.00	54.236.00
with R.H.D. / con guida a destra	OM651.930	120	163	09/13	>		24.148.00		
antibacterial, anti-odour and anti-allergen filter / filtro antibatterico, antiodori e anti-allergeni	OM651.930	120	163	09/13	>				34.236.00
GLA 220 CDI	OM651.930	125	170	09/13	>	25.159.00		30.595.00	54.236.00
with R.H.D. / con guida a destra	OM651.930	125	170	09/13	>		24.148.00		
antibacterial, anti-odour and anti-allergen filter / filtro antibatterico, antiodori e anti-allergeni	OM651.930	125	170	09/13	>				34.236.00
GLA 220 CDI 4Matic	OM651.930	120	163	09/13	>	25.159.00		30.595.00	54.236.00
with R.H.D. / con guida a destra	OM651.930	120	163	09/13	>		24.148.00		
antibacterial, anti-odour and anti-allergen filter / filtro antibatterico, antiodori e anti-allergeni	OM651.930	120	163	09/13	>				34.236.00
GLA 220 CDI 4Matic	OM651.930	125	170	09/13	>	25.159.00		30.595.00	54.236.00
with R.H.D. / con guida a destra	OM651.930	125	170	09/13	>		24.148.00		
antibacterial, anti-odour and anti-allergen filter / filtro antibatterico, antiodori e anti-allergeni	OM651.930	125	170	09/13	>				34.236.00
GLA 220 d	OM651.930	130	177	08/15	>	25.159.00		30.595.00	54.236.00
with R.H.D. / con guida a destra	OM651.930	130	177	08/15	>		24.148.00		
antibacterial, anti-odour and anti-allergen filter / filtro antibatterico, antiodori e anti-allergeni	OM651.930	130	177	08/15	>				34.236.00
GLA 220 d 4Matic	OM651.930	130	177	08/15	>	25.159.00		30.595.00	54.236.00
with R.H.D. / con guida a destra	OM651.930	130	177	08/15	>		24.148.00		
antibacterial, anti-odour and anti-allergen filter / filtro antibatterico, antiodori e anti-allergeni	OM651.930	130	177	08/15	>				34.236.00
GLA 250	M270.920	155	211	03/14	>	25.178.00	∞	30.A38.00	54.236.00
antibacterial, anti-odour and anti-allergen filter / filtro antibatterico, antiodori e anti-allergeni	M270.920	155	211	03/14	>				34.236.00
GLA 250 4Matic	M270.920	155	211	03/14	>	25.178.00	∞	30.A38.00	54.236.00
antibacterial, anti-odour and anti-allergen filter / filtro antibatterico, antiodori e anti-allergeni	M270.920	155	211	03/14	>				34.236.00
GLA 45 AMG 4Matic	M133.980	265	360	04/14	>	25.204.00	∞		54.236.00
antibacterial, anti-odour and anti-allergen filter / filtro antibatterico, antiodori e anti-allergeni	M133.980	265	360	04/14	>				34.236.00
GLA 45 AMG 4Matic	M133.980	280	381	07/15	>	25.204.00	∞		54.236.00
antibacterial, anti-odour and anti-allergen filter / filtro antibatterico, antiodori e anti-allergeni	M133.980	280	381	07/15	>				34.236.00
GLB Classe (W247)									
GLB 180 d	OM654.920	85	116	08/19	>			30.C35.00	
GLB 200	M282.914	120	163	09/19	>	25.145.00	∞		
GLB 200 d	OM654.920	110	150	08/19	>			30.C35.00	
GLB 220 d	OM654.920	140	190	08/19	>			30.C35.00	
GLB 250	M260.920	165	224	09/19	>	25.178.00	∞		
GLB 250 4Matic	M260.920	165	224	09/19	>	25.178.00	∞		
GLB 35 AMG 4Matic	M260.920	225	306	09/19	>	25.178.00	∞		
GLB Classe (X247)									
GLB200	282914	120	163	08/19	>	25.145.00			
GLB250									
with L.H.D. / con guida a sinistra	260920	165	224	08/19	>	25.178.00			
GLB35 AMG	260920	225	306	08/19	>	25.178.00			
GLC Classe (X253)									
GLC 220 d	OM651.921	120	163	06/15	>	25.159.00	24.151.00	30.B87.00	
prefilter / prefiltrro	OM651.921	120	163	06/15	>				53.320.00
GLC 220 d	OM651.921	125	170	06/15	>	25.159.00	24.151.00	30.B87.00	
prefilter / prefiltrro	OM651.921	125	170	06/15	>				53.320.00
GLC 250	M274.920	155	211	06/15	>	25.178.00	∞	27.A92.00	
prefilter / prefiltrro	M274.920	155	211	06/15	>				53.320.00
GLC 250 d	OM651.921	150	204	06/15	>	25.159.00	24.151.00	30.B87.00	
prefilter / prefiltrro	OM651.921	150	204	06/15	>				53.320.00
GLC 300	M274.920	180	245	08/15	>	25.178.00	∞	27.A92.00	
prefilter / prefiltrro	M274.920	180	245	08/15	>				53.320.00
GLC 350 e Plug-in Hybrid	M274.920	155	211	11/15	>	25.178.00	∞	27.A92.00	
prefilter / prefiltrro	M274.920	155	211	11/15	>				53.320.00
GLC 63 AMG	M177.980	350	476	09/17	>	25.204.00	∞		
prefilter / prefiltrro	M177.980	350	476	09/17	>				53.320.00
GLC 63 AMG S	M177.980	375	510	09/17	>	25.204.00	∞		
prefilter / prefiltrro	M177.980	375	510	09/17	>				53.320.00
GLE Classe (W166)									
GLE 250 d	OM651.960	150	204	04/15	>	25.159.00	24.151.00	30.B63.00	
prefilter / prefiltrro	OM651.960	150	204	04/15	>				53.320.00
GLE 250 d 4Matic	OM651.960	150	204	04/15	>	25.159.00	24.151.00	30.B63.00	
prefilter / prefiltrro	OM651.960	150	204	04/15	>				53.320.00
GLE 320 4Matic	M276.821	200	272	10/15	>	25.172.00	∞		
prefilter / prefiltrro	M276.821	200	272	10/15	>				53.320.00
GLE 350 d 4Matic	OM642.826	190	258	04/15	>	25.069.00			
prefilter / prefiltrro	OM642.826	190	258	04/15	>				53.320.00
GLE 400 4Matic	M276.821	245	333	04/15	>	25.172.00	∞		

...MERCEDES BENZ - cars/auto

M



prefilter / prefiltrro	M276.821	245	333	04/15 >				53.320.00
GLE 43 AMG 4Matic	M276.821	270	367	06/16 >	25.172.00			
prefilter / prefiltrro	M276.821	270	367	06/16 >				53.320.00
GLE 450 AMG 4Matic	M276.821	270	367	10/15 >	25.172.00			
prefilter / prefiltrro	M276.821	270	367	10/15 >				53.320.00
GLE 500 4Matic	M278.928	320	435	04/15 >	25.204.00			
prefilter / prefiltrro	M278.928	320	435	04/15 >				53.320.00
GLE 500 4Matic	M278.928	335	455	04/15 >	25.204.00			
prefilter / prefiltrro	M278.928	335	455	04/15 >				53.320.00
GLE 500 e 4Matic	M276.821	330	449	04/15 >	25.172.00			
prefilter / prefiltrro	M276.821	330	449	04/15 >				53.320.00
GLE 63 AMG 4Matic	M157.982	410	557	04/15 >	25.204.00			
prefilter / prefiltrro	M157.982	410	557	04/15 >				53.320.00
GLE 63 S AMG 4Matic	M157.982	430	585	04/15 >	25.204.00			
prefilter / prefiltrro	M157.982	430	585	04/15 >				53.320.00
GLE Class (W167)								
GLE 300d 4Matic	OM654.920	180	245	12/18 >				30.B56.00
GLE 350d 4Matic	OM656.929	200	272	02/19 >				30.B56.00
GLE 350d 4Matic	OM656.929	210	286	04/19 >				30.B56.00
GLE 400d 4Matic	OM656.929	243	330	02/19 >				30.B56.00
GLE 450 4Matic	M256.930	270	367	12/18 >				30.B56.00
GLE 53 AMG 4Matic	M256.930	320	435	12/18 >				30.B56.00
GLE350 De Plug-in Hybrid	654920	143	194	11/19 >				30.B56.00
GLE450 EQ Boost Hybrid	256930	270	367	10/18 >				30.B56.00
GLE53 AMG EQ Boost Hybrid	256930	320	435	04/19 >				30.B56.00
GLE63 AMG EQ Boost Hybrid	177980	420	571	11/19 >	25.204.00			
GLE63 AMG S EQ Boost Hybrid	177980	450	612	11/19 >	25.204.00			
GLE Coupè Class (C292)								
GLE 350 d 4Matic	OM642.826	190	258	06/15 >	25.069.00			
prefilter / prefiltrro	OM642.826	190	258	06/15 >				53.320.00
GLE 400 4Matic	M276.821	245	333	06/15 >	25.172.00			
prefilter / prefiltrro	M276.821	245	333	06/15 >				53.320.00
GLE 450 AMG 4Matic	M276.821	270	367	06/15 >	25.172.00			
prefilter / prefiltrro	M276.821	270	367	06/15 >				53.320.00
GLE 500 4Matic	M278.928	335	455	10/15 >	25.204.00			
prefilter / prefiltrro	M278.928	335	455	10/15 >				53.320.00
GLE 63 AMG 4Matic	M157.982	410	557	06/15 >	25.204.00			
prefilter / prefiltrro	M157.982	410	557	06/15 >				53.320.00
GLE 63 S AMG 4Matic	M157.982	430	585	06/15 >	25.204.00			
prefilter / prefiltrro	M157.982	430	585	06/15 >				53.320.00
GLS Class (X166)								
GLS 350 CDI 4Matic	OM642.826	190	258	11/15 >	25.069.00			
prefilter / prefiltrro	OM642.826	190	258	11/15 >				53.320.00
GLS 400 4Matic	M276.821	245	333	11/15 >	25.172.00			
prefilter / prefiltrro	M276.821	245	333	11/15 >				53.320.00
GLS 450 4Matic	M276.821	270	367	06/16 >	25.172.00			
prefilter / prefiltrro	M276.821	270	367	06/16 >				53.320.00
GLS 500 4Matic	M278.912	310	422	01/16 >	25.204.00			
prefilter / prefiltrro	M278.912	310	422	01/16 >				53.320.00
GLS 500 4Matic	M278.928	335	455	11/15 >	25.204.00			
prefilter / prefiltrro	M278.928	335	455	11/15 >				53.320.00
GLS 63 AMG 4Matic	M157.982	430	585	11/15 >	25.204.00			
prefilter / prefiltrro	M157.982	430	585	11/15 >				53.320.00
GLS Class (X167)								
GLS350 d	656929	210	286	04/19 >				30.B56.00
GLS400 d	656929	243	330	04/19 >				30.B56.00
GLS450 EQ Boost Hybrid	256930	270	367	06/19 >				30.B56.00
GLS600 Maybach EQ Boost Hybrid	177980	410	557	11/19 >	25.204.00			
GLS63 AMG EQ Boost Hybrid	177980	450	612	11/19 >	25.204.00			
GT AMG (C190)								
4.0 GT	M178.980	340	462	10/14 >	25.204.00			
with L.H.D. / con guida a sinistra	M178.980	340	462	10/14 >				54.163.00
antibacterial, anti-odour and anti-allergen filter with L.H.D. / filtro antibatterico, antiodori e anti-allergeni con guida a sinistra	M178.980	340	462	10/14 >				34.163.00
4.0 GT	M178.980	350	476	11/16 >	25.204.00			
with L.H.D. / con guida a sinistra	M178.980	350	476	11/16 >				54.163.00
antibacterial, anti-odour and anti-allergen filter with L.H.D. / filtro antibatterico, antiodori e anti-allergeni con guida a sinistra	M178.980	350	476	11/16 >				34.163.00
4.0 GTC	M178.980	410	557	11/16 >	25.204.00			

...MERCEDES BENZ - cars/auto

with L.H.D. / con guida a sinistra	M178.980	410	557	11/16	>				54.163.00
antibacterial, anti-odour and anti-allergen filter with L.H.D. / filtro antibatterico, antiodori e anti-allergeni con guida a sinistra	M178.980	410	557	11/16	>				34.163.00
4.0 GTR	M178.980	430	585	10/14	>	25.204.00			
with L.H.D. / con guida a sinistra	M178.980	430	585	10/14	>				54.163.00
antibacterial, anti-odour and anti-allergen filter with L.H.D. / filtro antibatterico, antiodori e anti-allergeni con guida a sinistra	M178.980	430	585	10/14	>				34.163.00
4.0 GTS	M178.980	375	510	10/14	>	25.204.00			
with L.H.D. / con guida a sinistra	M178.980	375	510	10/14	>				54.163.00
antibacterial, anti-odour and anti-allergen filter / filtro antibatterico, antiodori e anti-allergeni	M178.980	375	510	03/13	>				34.163.00
4.0 GTS	M178.980	384	522	05/18	>	25.204.00			
with L.H.D. / con guida a sinistra	M178.980	384	522	05/18	>				54.163.00
antibacterial, anti-odour and anti-allergen filter with L.H.D. / filtro antibatterico, antiodori e anti-allergeni con guida a sinistra	M178.980	384	522	05/18	>				34.163.00
GT AMG (R290)									
43 EQ Boost 4Matic Plus	M256.930	270	367	09/18	>				30.B56.00
53 EQ Boost 4Matic Plus	M256.930	320	435	09/18	>				30.B56.00
63 4Matic Plus	M177.980	430	585	07/18	>	25.204.00			53.320.00
63 S 4Matic Plus	M177.980	470	639	07/18	>	25.204.00			53.320.00
GT AMG (X290)									
AMG GT 43	256930	270	367	09/18	>				30.B56.00
Marco Polo (W447)									
2.2 MARCO POLO 200	OM651.950	100	134	03/15	>	25.159.00			30.A67.00
with connection for water suction / con collegamento per aspirazione acqua	OM651.950	100	134	03/15	>		24.193.00		
with OE 651 090 32 52 / con OE 651 090 32 52	OM651.950	100	134	03/15	>		24.194.00		
with fuel oil heater with connection for water suction / con riscaldatore nafta con collegamento per aspirazione acqua	OM651.950	100	134	03/15	>		24.149.00		
with fuel oil heater without connection for water suction / con riscaldatore nafta senza collegamento per aspirazione acqua	OM651.950	100	134	03/15	>		24.150.00		
2.2 MARCO POLO 220	OM651.950	120	163	03/15	>	25.159.00			30.A67.00
with connection for water suction / con collegamento per aspirazione acqua	OM651.950	120	163	03/15	>		24.193.00		
with OE 651 090 32 52 / con OE 651 090 32 52	OM651.950	120	163	03/15	>		24.194.00		
with fuel oil heater with connection for water suction / con riscaldatore nafta con collegamento per aspirazione acqua	OM651.950	120	163	03/15	>		24.149.00		
with fuel oil heater without connection for water suction / con riscaldatore nafta senza collegamento per aspirazione acqua	OM651.950	120	163	03/15	>		24.150.00		
2.2 MARCO POLO 250	OM651.950	140	190	03/15	>	25.159.00			30.A67.00
with connection for water suction / con collegamento per aspirazione acqua	OM651.950	140	190	03/15	>		24.193.00		
with OE 651 090 32 52 / con OE 651 090 32 52	OM651.950	140	190	03/15	>		24.194.00		
with fuel oil heater with connection for water suction / con riscaldatore nafta con collegamento per aspirazione acqua	OM651.950	140	190	03/15	>		24.149.00		
with fuel oil heater without connection for water suction / con riscaldatore nafta senza collegamento per aspirazione acqua	OM651.950	140	190	03/15	>		24.150.00		
Maybach (V/W240)									
57 5.5 V12	M285.950	403	550	09/02	>				53.005.00
with activated carbons / ai carboni attivi	M285.950	403	550	09/02	>				54.141.00
57 S 6.0 V12	M285.980	450	612	03/05	>				53.005.00
with activated carbons / ai carboni attivi	M285.980	450	612	03/05	>				54.141.00
62 5.5 V12	M285.950	403	550	09/02	>				53.005.00
with activated carbons / ai carboni attivi	M285.950	403	550	09/02	>				54.141.00
Maybach II (X222)									
S 400 4Matic	M276.824	245	333	02/15	>	25.172.00			54.294.00
antibacterial, anti-odour and anti-allergen filter / filtro antibatterico, antiodori e anti-allergeni	M276.824	245	333	02/15	>				34.294.00
S 500	M278.929	335	455	12/14	>				54.294.00
antibacterial, anti-odour and anti-allergen filter / filtro antibatterico, antiodori e anti-allergeni	M278.929	335	455	12/14	>				34.294.00
S 500 4Matic	M278.929	335	455	02/15	>				54.294.00
antibacterial, anti-odour and anti-allergen filter / filtro antibatterico, antiodori e anti-allergeni	M278.929	335	455	02/15	>				34.294.00
S 600	M277.980	390	530	02/15	>				54.294.00
antibacterial, anti-odour and anti-allergen filter / filtro antibatterico, antiodori e anti-allergeni	M277.980	390	530	02/15	>				34.294.00
R Classe (V/W251)									
R 280	M272.945	170	231	07/07	>	25.002.00			30.531.00
antibacterial, anti-odour and anti-allergen filter / filtro antibatterico, antiodori e anti-allergeni	M272.945	170	231	07/07	>				54.215.00
R 280 CDI	OM642.950	140	190	06/06	>	25.069.00	24.436.00		54.215.00
with fuel oil heater / con riscaldatore nafta	OM642.950	140	190	06/06	>		24.077.00		
with water presence sensor / con sensore presenza acqua	OM642.950	140	190	06/06	>		24.107.00		
with water presence sensor / con sensore presenza acqua	OM642.950	140	190	01/09	>		24.111.00		
antibacterial, anti-odour and anti-allergen filter / filtro antibatterico, antiodori e anti-allergeni	OM642.950	140	190	06/06	>				34.215.00
air filter right side / filtro aria destro	OM642.950	140	190	06/06	>			30.463.00	
air filter left side / filtro aria sinistro	OM642.950	140	190	06/06	>			30.462.00	
R 300	M272.945	170	231	05/09	>	25.002.00			30.531.00
antibacterial, anti-odour and anti-allergen filter / filtro antibatterico, antiodori e anti-allergeni	M272.945	170	231	05/09	>				54.215.00
R 300 CDI BlueEFFICIENCY	OM642.950	140	190	05/09	>	25.069.00	24.077.00		54.215.00
with water presence sensor / con sensore presenza acqua	OM642.950	140	190	05/09	>		24.111.00		
antibacterial, anti-odour and anti-allergen filter / filtro antibatterico, antiodori e anti-allergeni	OM642.950	140	190	05/09	>				34.215.00
air filter right side / filtro aria destro	OM642.950	140	190	05/09	>			30.463.00	
air filter left side / filtro aria sinistro	OM642.950	140	190	05/09	>			30.462.00	

...MERCEDES BENZ - cars/auto

R 320 CDI	with fuel oil heater / con riscaldatore nafta	OM642.950	165 224	10/05 > 06/09	25.069.00	24.436.00		54.215.00
	with water presence sensor / con sensore presenza acqua	OM642.950	165 224	10/05 > 12/08		24.107.00		
	with water presence sensor / con sensore presenza acqua	OM642.950	165 224	01/09 > 06/09		24.111.00		
	antibacterial, anti-odour and anti-allergen filter / filtro antibatterico, antiodori e anti-allergeni	OM642.950	165 224	10/05 > 06/09				34.215.00
	air filter right side / filtro aria destro	OM642.950	165 224	10/05 > 06/09			30.463.00	
	air filter left side / filtro aria sinistro	OM642.950	165 224	10/05 > 06/09			30.462.00	
	R 320 CDI BlueTEC	OM642.870	155 211	07/08 >	25.069.00	24.436.00		54.215.00
	with fuel oil heater / con riscaldatore nafta	OM642.870	155 211	07/08 >		24.077.00		
	with water presence sensor / con sensore presenza acqua	OM642.870	155 211	07/08 >		24.107.00		
antibacterial, anti-odour and anti-allergen filter / filtro antibatterico, antiodori e anti-allergeni	OM642.870	155 211	07/08 >				34.215.00	
air filter right side / filtro aria destro	OM642.870	155 211	07/08 >			30.463.00		
air filter left side / filtro aria sinistro	OM642.870	155 211	07/08 >			30.462.00		
R 350	M272.967	200 272	09/05 >	25.002.00		30.531.00	54.215.00	
antibacterial, anti-odour and anti-allergen filter / filtro antibatterico, antiodori e anti-allergeni	M272.967	200 272	09/05 >				34.215.00	
R 350 CDI	OM642.872	195 265	06/10 >	25.069.00			54.215.00	
antibacterial, anti-odour and anti-allergen filter / filtro antibatterico, antiodori e anti-allergeni	OM642.872	195 265	06/10 >				34.215.00	
R 350 CDI	OM642.950	165 224	05/09 >	25.069.00	24.077.00		54.215.00	
with water presence sensor / con sensore presenza acqua	OM642.950	165 224	05/09 >		24.111.00			
antibacterial, anti-odour and anti-allergen filter / filtro antibatterico, antiodori e anti-allergeni	OM642.950	165 224	05/09 >				34.215.00	
air filter right side / filtro aria destro	OM642.950	165 224	05/09 >			30.463.00		
air filter left side / filtro aria sinistro	OM642.950	165 224	05/09 >			30.462.00		
R 350 CDI BlueTEC	OM642.870	155 211	05/09 >	25.069.00	24.077.00		54.215.00	
with water presence sensor / con sensore presenza acqua	OM642.870	155 211	05/09 >		24.111.00			
antibacterial, anti-odour and anti-allergen filter / filtro antibatterico, antiodori e anti-allergeni	OM642.870	155 211	05/09 >				34.215.00	
air filter right side / filtro aria destro	OM642.870	155 211	05/09 >			30.463.00		
air filter left side / filtro aria sinistro	OM642.870	155 211	05/09 >			30.462.00		
R 500	M113.971	225 306	09/05 > 06/07	25.002.00		30.531.00	54.215.00	
antibacterial, anti-odour and anti-allergen filter / filtro antibatterico, antiodori e anti-allergeni	M113.971	225 306	09/05 > 06/07				34.215.00	
R 500	M273.963	285 388	07/07 >	25.002.00		30.531.00	54.215.00	
antibacterial, anti-odour and anti-allergen filter / filtro antibatterico, antiodori e anti-allergeni	M273.963	285 388	07/07 >				34.215.00	
R 63 AMG	M156E63	375 510	02/06 >				54.215.00	
antibacterial, anti-odour and anti-allergen filter / filtro antibatterico, antiodori e anti-allergeni	M156E63	375 510	02/06 >				34.215.00	
S Classe (V/W/X222)								
S 300 BlueTec Hybrid	OM651.921	150 204	02/14 >	25.159.00	24.151.00	30.B63.00	54.294.00	
antibacterial, anti-odour and anti-allergen filter / filtro antibatterico, antiodori e anti-allergeni	OM651.921	150 204	02/14 >				34.294.00	
S 300 BlueTec Hybrid	OM651.921	170 231	02/14 >	25.159.00	24.151.00	30.B63.00	54.294.00	
antibacterial, anti-odour and anti-allergen filter / filtro antibatterico, antiodori e anti-allergeni	OM651.921	170 231	02/14 >				34.294.00	
S 320 L	M276.824	200 272	01/14 >	25.172.00			54.294.00	
antibacterial, anti-odour and anti-allergen filter / filtro antibatterico, antiodori e anti-allergeni	M276.824	200 272	01/14 >				34.294.00	
S 350 BlueTec	OM642.861	190 258	06/13 >	25.069.00			54.294.00	
antibacterial, anti-odour and anti-allergen filter / filtro antibatterico, antiodori e anti-allergeni	OM642.861	190 258	06/13 >				34.294.00	
S 350 BlueTec 4Matic	OM642.867	185 252	02/14 >	25.069.00			54.294.00	
antibacterial, anti-odour and anti-allergen filter / filtro antibatterico, antiodori e anti-allergeni	OM642.867	185 252	02/14 >				34.294.00	
S 350 BlueTec 4Matic	OM642.867	190 258	02/14 >	25.069.00			54.294.00	
antibacterial, anti-odour and anti-allergen filter / filtro antibatterico, antiodori e anti-allergeni	OM642.867	190 258	02/14 >				34.294.00	
S 400	M276.824	245 333	03/14 >	25.172.00			54.294.00	
antibacterial, anti-odour and anti-allergen filter / filtro antibatterico, antiodori e anti-allergeni	M276.824	245 333	03/14 >				34.294.00	
S 400 4Matic	M276.824	245 333	03/14 >	25.172.00			54.294.00	
antibacterial, anti-odour and anti-allergen filter / filtro antibatterico, antiodori e anti-allergeni	M276.824	245 333	03/14 >				34.294.00	
S 400 Hybrid	M276.960	225 306	05/13 >	25.172.00		30.A72.00	54.294.00	
antibacterial, anti-odour and anti-allergen filter / filtro antibatterico, antiodori e anti-allergeni	M276.960	225 306	05/13 >				34.294.00	
S 500	M278.929	335 455	06/13 >				54.294.00	
antibacterial, anti-odour and anti-allergen filter / filtro antibatterico, antiodori e anti-allergeni	M278.929	335 455	06/13 >				34.294.00	
assembly HENGST / montaggio HENGST	M278.929	335 455	06/13 > 11/14	25.204.00				
assembly PURFLUX / montaggio PURFLUX	M278.929	335 455	12/14 >	25.172.00				
S 500 4Matic	M278.929	335 455	06/13 >				54.294.00	
antibacterial, anti-odour and anti-allergen filter / filtro antibatterico, antiodori e anti-allergeni	M278.929	335 455	06/13 >				34.294.00	
assembly HENGST / montaggio HENGST	M278.929	335 455	06/13 > 11/14	25.204.00				
assembly PURFLUX / montaggio PURFLUX	M278.929	335 455	12/14 >	25.172.00				
S 500 Plug-in Hybrid	M276.824	245 333	07/14 >	25.172.00		30.A72.00	54.294.00	
antibacterial, anti-odour and anti-allergen filter / filtro antibatterico, antiodori e anti-allergeni	M276.824	245 333	07/14 >				34.294.00	
S 560	M176.980	345 469	07/17 >				54.294.00	
to engine No. 30010408 / a motore N. 30010408	M176.980	345 469	> 09/17	25.204.00				
antibacterial, anti-odour and anti-allergen filter / filtro antibatterico, antiodori e anti-allergeni	M176.980	345 469	07/17 >				34.294.00	
S 560 4Matic	M176.980	345 469	07/17 >				54.294.00	
to engine No. 30010408 / a motore N. 30010408	M176.980	345 469	> 09/17	25.204.00				

...MERCEDES BENZ - cars/auto

antibacterial, anti-odour and anti-allergen filter / filtro antibatterico, antiodori e anti-allergeni	M176.980	345	469	07/17	>				34.294.00	
S 63 AMG	M157.985	430	585	09/13	>	25.204.00			54.294.00	
antibacterial, anti-odour and anti-allergen filter / filtro antibatterico, antiodori e anti-allergeni	M157.985	430	585	09/13	>				34.294.00	
S 63 AMG	M177.980	450	612	07/17	>	25.204.00			54.294.00	
antibacterial, anti-odour and anti-allergen filter / filtro antibatterico, antiodori e anti-allergeni	M177.980	450	612	07/17	>				34.294.00	
S 63 AMG 4Matic	M157.985	430	585	09/13	>	25.204.00			54.294.00	
antibacterial, anti-odour and anti-allergen filter / filtro antibatterico, antiodori e anti-allergeni	M157.985	430	585	09/13	>				34.294.00	
S 65 AMG	M279.980	463	629	02/14	>				54.294.00	
antibacterial, anti-odour and anti-allergen filter / filtro antibatterico, antiodori e anti-allergeni	M279.980	463	629	02/14	>				34.294.00	
S Classe (V/W220)										
S 280	M112	150	204	10/98	>	11/02	25.002.00	31.841.00	30.531.00	53.005.00
with activated carbons / ai carboni attivi	M112	150	204	10/98	>	11/02				54.141.00
S 320	M112	165	224	10/98	>	11/02	25.002.00	31.841.00	30.531.00	53.005.00
with activated carbons / ai carboni attivi	M112	165	224	10/98	>	11/02				54.141.00
S 320 CDI	OM613	145	197	07/99	>	09/02	25.041.00	26.006.00	30.148.00	53.005.00
with activated carbons / ai carboni attivi	OM613	145	197	07/99	>	09/02				54.141.00
S 320 CDI	OM648.960	150	204	10/02	>	12/02	25.041.00	24.436.00	27.585.00	53.005.00
	OM648.960	150	204	01/03	>	10/05	25.041.00	24.436.00	27.586.00	53.005.00
with activated carbons / ai carboni attivi	OM648.960	150	204	10/02	>	10/05				54.141.00
S 350	M112.972/975	180	245	10/02	>	10/05	25.002.00	31.841.00	30.531.00	53.005.00
with activated carbons / ai carboni attivi	M112.972/975	180	245	10/02	>	10/05				54.141.00
S 400 CDI	OM628	184	250	07/00	>	10/05				53.005.00
with activated carbons / ai carboni attivi	OM628	184	250	07/00	>	10/05				54.141.00
S 400 CDI	OM628	191	260	07/03	>	10/05				53.005.00
with activated carbons / ai carboni attivi	OM628	191	260	07/03	>	10/05				54.141.00
S 430	M113.948	205	279	10/98	>	10/05	25.002.00	31.841.00	30.531.00	53.005.00
with activated carbons / ai carboni attivi	M113.948	205	279	10/98	>	10/05				54.141.00
S 500	M113.966	225	306	10/98	>	10/05	25.002.00	31.841.00	30.531.00	53.005.00
with activated carbons / ai carboni attivi	M113.966	225	306	10/98	>	10/05				54.141.00
S 55 AMG	M113.986	265	360	04/99	>	11/02	25.002.00	31.841.00	30.531.00	53.005.00
with activated carbons / ai carboni attivi	M113.986	265	360	04/99	>	11/02				54.141.00
S 55 AMG	M113.991	367	500	10/02	>	10/05	25.002.00			53.005.00
with activated carbons / ai carboni attivi	M113.991	367	500	10/02	>	10/05				54.141.00
S 600	M137	270	368	02/00	>	11/02	25.002.00	31.841.00		53.005.00
with activated carbons / ai carboni attivi	M137	270	368	02/00	>	11/02				54.141.00
S 600	M275.950	367	500	10/02	>	10/05				53.005.00
with activated carbons / ai carboni attivi	M275.950	367	500	10/02	>	10/05				54.141.00
S 63 AMG	M137	326	445	09/01	>	11/02	25.002.00	31.841.00		53.005.00
with activated carbons / ai carboni attivi	M137	326	445	09/01	>	11/02				54.141.00
S 65 AMG	M275.980	450	612	12/03	>	10/05				53.005.00
with activated carbons / ai carboni attivi	M275.980	450	612	12/03	>	10/05				54.141.00
S Classe (V/W221)										
S 250 CDI BlueEFFICIENCY	OM651.961	150	204	12/10	>		25.159.00		30.863.00	
with fuel oil heater with connection for water suction / con riscaldatore nafta con collegamento per aspirazione acqua	OM651.961	150	204	12/10	>			24.151.00		
with water presence sensor KNECHT-MAHLE / con sensore presenza acqua KNECHT-MAHLE	OM651.961	150	204	12/10	>			24.111.00		
S 280	M272.946	170	231	08/06	>	12/10	25.002.00		30.531.00	
S 300	M272.946	170	231	08/06	>	12/10	25.002.00		30.531.00	
S 320 CDI	OM642.930	155	211	10/05	>	07/09	25.069.00	24.436.00		
with water presence sensor / con sensore presenza acqua	OM642.930	155	211	10/05	>	07/09		24.107.00		
air filter right side / filtro aria destro	OM642.930	155	211	10/05	>	07/09			30.463.00	
air filter left side / filtro aria sinistro	OM642.930	155	211	10/05	>	07/09			30.462.00	
S 320 CDI	OM642.930	173	235	02/06	>	07/09	25.069.00	24.436.00		
with water presence sensor / con sensore presenza acqua	OM642.930	173	235	02/06	>	07/09		24.107.00		
air filter right side / filtro aria destro	OM642.930	173	235	02/06	>	07/09			30.463.00	
air filter left side / filtro aria sinistro	OM642.930	173	235	02/06	>	07/09			30.462.00	
S 320 CDI 4Matic	OM642.932	155	211	02/06	>	07/09	25.069.00	24.436.00		
with water presence sensor / con sensore presenza acqua	OM642.932	155	211	02/06	>	07/09		24.107.00		
air filter right side / filtro aria destro	OM642.932	155	211	02/06	>	07/09			30.463.00	
air filter left side / filtro aria sinistro	OM642.932	155	211	02/06	>	07/09			30.462.00	
S 320 CDI 4Matic	OM642.932	173	235	02/06	>	07/09	25.069.00	24.436.00		
with water presence sensor / con sensore presenza acqua	OM642.932	173	235	02/06	>	07/09		24.107.00		
air filter right side / filtro aria destro	OM642.932	173	235	02/06	>	07/09			30.463.00	
air filter left side / filtro aria sinistro	OM642.932	173	235	02/06	>	07/09			30.462.00	
S 350	M272.965	200	272	09/05	>	12/10	25.002.00		30.531.00	
S 350 4Matic	M272.975	200	272	02/08	>	12/10	25.002.00		30.531.00	
S 350 CDI	OM642.930/932	173	235	06/09	>		25.069.00	24.436.00		
with water presence sensor / con sensore presenza acqua	OM642.930/932	173	235	06/09	>			24.107.00		

...MERCEDES BENZ - cars/auto

M



air filter right side / filtro aria destro	OM642.930/932	173	235	06/09 >			30.463.00	
air filter left side / filtro aria sinistro	OM642.930/932	173	235	06/09 >			30.462.00	
S 350 CDI BlueTEC	OM642.862	190	258	09/10 >	25.069.00			
air filter right side / filtro aria destro	OM642.862	190	258	09/10 >			30.463.00	
air filter left side / filtro aria sinistro	OM642.862	190	258	09/10 >			30.462.00	
S 350 CDI BlueTEC 4Matic	OM642.868	190	258	04/11 >	25.069.00			
air filter right side / filtro aria destro	OM642.868	190	258	04/11 >			30.463.00	
air filter left side / filtro aria sinistro	OM642.868	190	258	04/11 >			30.462.00	
S 350 CGI BlueEFFICIENCY	M276.950	225	306	11/10 >	25.172.00			
S 350 CGI BlueEFFICIENCY 4Matic	M276.950	225	306	11/10 >	25.172.00			
S 400 HYBRID	M272.974	205	279	06/09 >	25.002.00		30.531.00	
S 420 CDI	OM629.911	235	320	12/06 > 07/09		24.436.00	30.B25.00	
with water presence sensor / con sensore presenza acqua	OM629.911	235	320	12/06 > 07/09		24.107.00		
S 450	M273.923	250	340	09/06 >	25.002.00		30.531.00	
S 450 4Matic	M273.924	250	340	12/05 >	25.002.00		30.531.00	
S 450 CDI	OM629.911	235	320	06/09 > 07/10		24.436.00	30.B25.00	
with water presence sensor / con sensore presenza acqua	OM629.911	235	320	06/09 > 07/10		24.107.00		
S 500	M273.961	285	387	09/05 > 12/10	25.002.00		30.531.00	
S 500 4Matic	M273.961/968	285	387	09/05 > 12/10	25.002.00		30.531.00	
S 500 CGI BlueEFFICIENCY	M278.932	320	435	11/10 >				
to engine No. 30021065 / a motore N. 30021065	M278.932	320	435	11/10 > 07/11	25.172.00			
from engine No. 30021066 / da motore N. 30021066	M278.932	320	435	08/11 >	25.204.00			
S 500 CGI BlueEFFICIENCY 4Matic	M278.932	320	435	11/10 >				
to engine No. 30021065 / a motore N. 30021065	M278.932	320	435	11/10 > 07/11	25.172.00			
from engine No. 30021066 / da motore N. 30021066	M278.932	320	435	08/11 >	25.204.00			
S 600	M275.953	380	517	02/06 >				
S 63 AMG	M156.984	386	525	12/06 > 11/10				
S 63 AMG	M157.980	400	544	10/10 >	25.204.00			
S 63 AMG	M157.980	420	571	02/12 >	25.204.00			
S 65 AMG	M275.982	450	612	09/06 > 08/10				
S 65 AMG	M275.982	463	630	07/10 >				
S Classe (W/C/V223)								
S 350 D	OM656.929	210	286	09/20 >			30.B56.00	
S 400 D	OM656.929	243	330	09/20 >			30.B56.00	
S 450 EQ Boost Hybrid	M256.930	270	367	10/20 >			30.B56.00	
S 500 EQ Boost Hybrid	M256.930	320	435	09/20 >			30.B56.00	
S Coupè Classe (A/C217)								
S 400 4Matic	M276.824	270	367	10/15 >	25.172.00			54.294.00
antibacterial, anti-odour and anti-allergen filter / filtro antibatterico, antiodori e anti-allergeni	M276.824	270	367	10/15 >				34.294.00
S 450	M276.824	270	367	07/17 >	25.172.00			54.294.00
antibacterial, anti-odour and anti-allergen filter / filtro antibatterico, antiodori e anti-allergeni	M276.824	270	367	07/17 >				34.294.00
S 500	M278.929	335	455	06/13 >				54.294.00
antibacterial, anti-odour and anti-allergen filter / filtro antibatterico, antiodori e anti-allergeni	M278.929	335	455	06/13 >				34.294.00
assembly HENGST / montaggio HENGST	M278.929	335	455	06/13 > 11/14	25.204.00			
assembly PURFLUX / montaggio PURFLUX	M278.929	335	455	12/14 >	25.172.00			
S 560	M176.980	345	469	07/17 >				54.294.00
to engine No. 30010408 / a motore N. 30010408	M176.980	345	469	> 09/17	25.204.00			
antibacterial, anti-odour and anti-allergen filter / filtro antibatterico, antiodori e anti-allergeni	M176.980	345	469	07/17 >				34.294.00
S 63 AMG	M157.985	430	585	09/13 >	25.204.00			54.294.00
antibacterial, anti-odour and anti-allergen filter / filtro antibatterico, antiodori e anti-allergeni	M157.985	430	585	09/13 >				34.294.00
S 63 AMG	M177.980	450	612	07/17 >	25.204.00			54.294.00
antibacterial, anti-odour and anti-allergen filter / filtro antibatterico, antiodori e anti-allergeni	M177.980	450	612	07/17 >				34.294.00
SL Classe (R129)								
SL 280 V6	M112.923/925	150	204	06/98 > 10/01	25.002.00	31.841.00	30.531.00	
SL 320 V6	M112.943	165	224	06/98 > 10/01	25.002.00	31.841.00	30.531.00	
SL 500	M113.961	225	307	06/98 > 10/01	25.002.00	31.841.00	30.531.00	
SL 55 AMG	M113.985	260	354	03/00 > 10/01	25.002.00	31.841.00	30.531.00	
SL 60 AMG	M120.981	280	381	05/97 > 10/01		31.583.00		
SL 600	M120.981/983	290	394	09/94 > 10/01		31.583.00		
SL Classe (R230)								
SL 280	M272.949	170	231	03/08 > 04/09	25.002.00	31.841.00	30.531.00	
SL 300	M272.949	170	231	03/09 > 03/12	25.002.00	31.841.00	30.531.00	
SL 320	M112	165	224	05/02 > 12/02	25.002.00	31.841.00	30.531.00	
SL 350	M112.973	180	245	11/02 > 02/06	25.002.00	31.841.00	30.531.00	
SL 350	M272.966	200	272	03/06 > 03/08	25.002.00	31.841.00	30.531.00	
SL 350	M272.968	232	316	03/08 > 03/12	25.002.00	31.841.00	30.531.00	
SL 500	M113.963	225	306	09/01 > 02/06	25.002.00	31.841.00	30.531.00	

...MERCEDES BENZ - cars/auto

SL 500	M273.965	285	387	03/06 >	03/12	25.002.00	31.841.00	30.531.00	
SL 55 AMG	M113	368	500	06/02 >	02/06	25.002.00	31.583.00		
SL 55 AMG	M113	380	517	03/06 >	04/08	25.002.00	31.583.00		
SL 55 AMG	M113.992	350	477	09/01 >	06/02	25.002.00	31.583.00		
SL Class (R231)									
SL 350	M276.954	225	306	02/12 >	04/14	25.172.00	∞		
with L.H.D. / con guida a sinistra	M276.954	225	306	02/12 >	04/14				54.163.00
antibacterial, anti-odour and anti-allergen filter with L.H.D. / filtro antibatterico, antiodori e anti-allergeni con guida a sinistra	M276.954	225	306	02/12 >	04/14				34.163.00
SL 400	M276.825	245	333	04/14 >		25.172.00	∞		
with L.H.D. / con guida a sinistra	M276.825	245	333	04/14 >					54.163.00
antibacterial, anti-odour and anti-allergen filter with L.H.D. / filtro antibatterico, antiodori e anti-allergeni con guida a sinistra	M276.825	245	333	04/14 >					34.163.00
SL 500	M278.927	320	435	02/12 >		25.204.00	∞		
with L.H.D. / con guida a sinistra	M278.927	320	435	02/12 >					54.163.00
antibacterial, anti-odour and anti-allergen filter with L.H.D. / filtro antibatterico, antiodori e anti-allergeni con guida a sinistra	M278.927	320	435	02/12 >					34.163.00
SL 500	M278.927	335	455	04/15 >		25.204.00	∞		
with L.H.D. / con guida a sinistra	M278.927	335	455	04/15 >					54.163.00
antibacterial, anti-odour and anti-allergen filter with L.H.D. / filtro antibatterico, antiodori e anti-allergeni con guida a sinistra	M278.927	335	455	04/15 >					34.163.00
SL 63 AMG	M157.983	395	537	04/12 >		25.204.00	∞		
with L.H.D. / con guida a sinistra	M157.983	395	537	04/12 >					54.163.00
antibacterial, anti-odour and anti-allergen filter with L.H.D. / filtro antibatterico, antiodori e anti-allergeni con guida a sinistra	M157.983	395	537	04/12 >					34.163.00
SL 63 AMG	M157.983	430	585	04/14 >		25.204.00	∞		
with L.H.D. / con guida a sinistra	M157.983	430	585	04/14 >					54.163.00
antibacterial, anti-odour and anti-allergen filter with L.H.D. / filtro antibatterico, antiodori e anti-allergeni con guida a sinistra	M157.983	430	585	04/14 >					34.163.00
SL 63 AMG	M157.983 Performance+	415	564	04/12 >		25.204.00	∞		
with L.H.D. / con guida a sinistra	M157.983 Performance+	415	564	04/12 >					54.163.00
antibacterial, anti-odour and anti-allergen filter with L.H.D. / filtro antibatterico, antiodori e anti-allergeni con guida a sinistra	M157.983 Performance+	415	564	04/12 >					34.163.00
SL 65 AMG	M279.981	463	630	09/12 >			∞		
with L.H.D. / con guida a sinistra	M279.981	463	630	09/12 >					54.163.00
antibacterial, anti-odour and anti-allergen filter with L.H.D. / filtro antibatterico, antiodori e anti-allergeni con guida a sinistra	M279.981	463	630	09/12 >					34.163.00
SLC Class (R172)									
SLC 180	M274.910/M274DE16LA	115	156	03/16 >		25.178.00	∞	30.A61.00	54.149.00
SLC 200	M274.920/M274DE20AL	135	184	03/16 >		25.178.00	∞	30.A61.00	54.149.00
SLC 250 d	OM651.980/OM651DE22LA	150	204	03/16 >		25.159.00	24.151.00	30.B63.00	54.149.00
SLC 300	M274.920/M274DE20AL	180	245	03/16 >		25.178.00	∞	30.A61.00	54.149.00
SLC 43 AMG	M276.822/M276DE30AL	270	367	03/16 >		25.172.00	∞		54.149.00
SLK Class (R170)									
SLK 200	M111.946	100	136	09/96 >	04/00	25.162.00	31.583.00	30.575.00	53.007.00
with activated carbons / ai carboni attivi	M111.946	100	136	09/96 >	04/00				54.270.00
antibacterial, anti-odour and anti-allergen filter / filtro antibatterico, antiodori e anti-allergeni	M111.946	100	136	09/96 >	04/00				34.270.00
SLK 200 Kompressor	M111.943	141	192	10/96 >	04/00	25.162.00	31.583.00	30.575.00	53.007.00
with activated carbons / ai carboni attivi	M111.943	141	192	10/96 >	04/00				54.270.00
antibacterial, anti-odour and anti-allergen filter / filtro antibatterico, antiodori e anti-allergeni	M111.943	141	192	10/96 >	04/00				34.270.00
SLK 200 Kompressor	M111.958	120	164	03/00 >	04/04	25.162.00	31.841.00	30.575.00	53.007.00
with activated carbons / ai carboni attivi	M111.958	120	164	03/00 >	04/04				54.270.00
antibacterial, anti-odour and anti-allergen filter / filtro antibatterico, antiodori e anti-allergeni	M111.958	120	164	03/00 >	04/04				34.270.00
SLK 230 Kompressor	M111.973	142	193	09/96 >	04/00	25.162.00	31.583.00	30.575.00	53.007.00
with activated carbons / ai carboni attivi	M111.973	142	193	09/96 >	04/00				54.270.00
antibacterial, anti-odour and anti-allergen filter / filtro antibatterico, antiodori e anti-allergeni	M111.973	142	193	09/96 >	04/00				34.270.00
SLK 230 Kompressor	M111.983	145	198	03/00 >	04/04	25.162.00	31.841.00	30.575.00	53.007.00
with activated carbons / ai carboni attivi	M111.983	145	198	03/00 >	04/04				54.270.00
antibacterial, anti-odour and anti-allergen filter / filtro antibatterico, antiodori e anti-allergeni	M111.983	145	198	03/00 >	04/04				34.270.00
SLK 32 AMG	M112.960	260	354	06/99 >	04/04	25.002.00	31.841.00		53.007.00
with activated carbons / ai carboni attivi	M112.960	260	354	06/99 >	04/04				54.270.00
antibacterial, anti-odour and anti-allergen filter / filtro antibatterico, antiodori e anti-allergeni	M112.960	260	354	06/99 >	04/04				34.270.00
SLK 320	M112.947	160	218	01/00 >	04/04	25.002.00	31.841.00	30.B42.00	53.007.00
with activated carbons / ai carboni attivi	M112.947	160	218	01/00 >	04/04				54.270.00
antibacterial, anti-odour and anti-allergen filter / filtro antibatterico, antiodori e anti-allergeni	M112.947	160	218	01/00 >	04/04				34.270.00
SLK Class (R171)									
SLK 200 Kompressor	M271.944	120	163	03/04 >	05/08	25.050.00	∞	27.486.00	54.149.00
SLK 200 Kompressor	M271.954	135	184	03/08 >	02/11	25.050.00	∞	27.486.00	54.149.00
SLK 280	M272.942	170	231	05/05 >	03/09	25.002.00	∞	30.531.00	54.149.00
SLK 300	M272.942	170	231	04/09 >	02/11	25.002.00	∞	30.531.00	54.149.00
SLK 350	M272.969	224	305	04/08 >	02/11	25.002.00	∞	30.531.00	54.149.00
SLK 350	M272.973	200	272	06/04 >	05/08	25.002.00	∞	30.531.00	54.149.00
SLK 55 AMG	M113.989	265	360	08/04 >	02/11		∞	30.531.00	54.149.00
SLK 55 AMG	M113.E55 EVO	294	400	07/06 >	02/11		∞	30.531.00	54.149.00
SLK Class (R172)									

...MERCEDES BENZ - cars/auto

SLK 200	M274.920	135	184	04/15 >	03/16	25.178.00		30.A61.00	54.149.00
SLK 200 CGI BlueEFFICIENCY	M271.816	135	184	03/11 >	06/15	25.155.00		30.A60.00	54.149.00
SLK 250 CDI	OM651.980	150	204	10/11 >	03/16	25.159.00		30.B63.00	54.149.00
without fuel oil heater KNECHT-MAHLE / senza riscaldatore nafta KNECHT-MAHLE	OM651.980	150	204	10/11 >	03/16		24.111.00		
SLK 250 CGI BlueEFFICIENCY	M271.861	150	204	03/11 >	06/15	25.155.00		30.A60.00	54.149.00
SLK 300	M274.920	180	245	04/15 >	03/16	25.178.00		30.A61.00	54.149.00
SLK 350 CGI BlueEFFICIENCY	M276.956	225	306	03/11 >	03/16				54.149.00
SLK 55 AMG	M152.980	310	422	09/11 >	03/16	25.204.00			54.149.00
2 filters / N.2 filtri	M152.980	310	422	09/11 >	03/16			30.389.00	
SLR Classe (R199)									
SLR 5.4	M155.980	460	626	04/04 >	01/10			30.119.00	
SLS AMG (C197)									
6.3 AMG	M159.980	420	571	03/10 >					54.163.00
antibacterial, anti-odour and anti-allergen filter / filtro antibatterico, antiodori e anti-allergeni	M159.980	420	571	03/10 >					34.163.00
6.3 AMG Black Series	M159.980	464	631	03/13 >					54.163.00
antibacterial, anti-odour and anti-allergen filter / filtro antibatterico, antiodori e anti-allergeni	M159.980	464	631	03/10 >					34.163.00
6.3 AMG GT	M159.980	435	591	10/12 >					54.163.00
antibacterial, anti-odour and anti-allergen filter / filtro antibatterico, antiodori e anti-allergeni	M159.980	435	591	03/10 >					34.163.00
V Classe (638/2)									
V 200	M111	100	136	04/96 >	10/03	25.162.00	31.583.00	30.086.00	53.114.00
V 200	M111	95	129	04/96 >	10/03	25.162.00	31.583.00	30.086.00	53.114.00
V 200 CDI	OM611	75	102	01/99 >	10/03	25.013.00	24.416.00	30.080.00	53.114.00
with water presence sensor / con sensore presenza acqua	OM611	75	102	01/99 >	10/03	25.013.00	24.007.00	30.080.00	53.114.00
V 220 CDI	OM611	90	122	01/99 >	10/03	25.013.00	24.416.00	30.080.00	53.114.00
with water presence sensor / con sensore presenza acqua	OM611	90	122	01/99 >	10/03	25.013.00	24.007.00	30.080.00	53.114.00
V 230	M111	105	143	04/96 >	10/03	25.162.00	31.583.00	30.086.00	53.114.00
V 230 Turbodiesel	OM601	72	98	04/96 >	10/03	25.095.00	24.321.00	30.086.00	53.114.00
V 280	M104.900 V6	128	174	08/97 >	10/03	25.010.00		30.086.00	53.114.00
V Classe II (W447)									
V 200 CDI	OM651.950	100	136	03/14 >		25.159.00	24.150.00	30.A67.00	
with air-conditioner rear / con climatizzatore posteriore	OM651.950	100	136	03/14 >					53.275.00
with OE 651 090 30 52 / con OE 651 090 30 52	OM651.950	100	136	03/14 >			24.193.00		
with OE 651 090 32 52 / con OE 651 090 32 52	OM651.950	100	136	03/14 >			24.194.00		
V 200 CDI 4Matic	OM651.950	100	136	03/14 >		25.159.00	24.150.00	30.A67.00	
with air-conditioner rear / con climatizzatore posteriore	OM651.950	100	136	03/14 >					53.275.00
with OE 651 090 30 52 / con OE 651 090 30 52	OM651.950	100	136	03/14 >			24.193.00		
with OE 651 090 32 52 / con OE 651 090 32 52	OM651.950	100	136	03/14 >			24.194.00		
V 220 CDI	OM651.950	120	163	03/14 >		25.159.00	24.150.00	30.A67.00	
with air-conditioner rear / con climatizzatore posteriore	OM651.950	120	163	03/14 >					53.275.00
with OE 651 090 30 52 / con OE 651 090 30 52	OM651.950	120	163	03/14 >			24.193.00		
with OE 651 090 32 52 / con OE 651 090 32 52	OM651.950	120	163	03/14 >			24.194.00		
V 220 CDI	OM654.920	120	163	03/19 >				30.A67.00	
with air-conditioner rear / con climatizzatore posteriore	OM654.920	120	163	03/19 >					53.275.00
V 220 CDI 4Matic	OM651.950	120	163	03/14 >		25.159.00	24.150.00	30.A67.00	
with air-conditioner rear / con climatizzatore posteriore	OM651.950	120	163	03/14 >					53.275.00
with OE 651 090 30 52 / con OE 651 090 30 52	OM651.950	120	163	03/14 >			24.193.00		
with OE 651 090 32 52 / con OE 651 090 32 52	OM651.950	120	163	03/14 >			24.194.00		
V 220 CDI 4Matic	OM654.920	120	163	03/19 >				30.A67.00	
with air-conditioner rear / con climatizzatore posteriore	OM654.920	120	163	03/19 >					53.275.00
V 250	M274.920	155	211	03/14 >		25.178.00		30.A67.00	
with air-conditioner rear / con climatizzatore posteriore	M274.920	155	211	03/14 >					53.275.00
V 250 CDI	OM654.920	140	190	03/19 >				30.A67.00	
with air-conditioner rear / con climatizzatore posteriore	OM654.920	140	190	03/19 >					53.275.00
V 250 CDI 4Matic	OM654.920	140	190	03/19 >				30.A67.00	
with air-conditioner rear / con climatizzatore posteriore	OM654.920	140	190	03/19 >					53.275.00
V 250 CDI BlueTEC	OM651.950	140	190	03/14 >		25.159.00	24.150.00	30.A67.00	
with air-conditioner rear / con climatizzatore posteriore	OM651.950	140	190	03/14 >					53.275.00
with OE 651 090 30 52 / con OE 651 090 30 52	OM651.950	140	190	03/14 >			24.193.00		
with OE 651 090 32 52 / con OE 651 090 32 52	OM651.950	140	190	03/14 >			24.194.00		
V 250 CDI BlueTEC 4Matic	OM651.950	140	190	12/14 >		25.159.00	24.150.00	30.A67.00	
with air-conditioner rear / con climatizzatore posteriore	OM651.950	140	190	12/14 >					53.275.00
with OE 651 090 30 52 / con OE 651 090 30 52	OM651.950	140	190	12/14 >			24.193.00		
with OE 651 090 32 52 / con OE 651 090 32 52	OM651.950	140	190	12/14 >			24.194.00		
V 300 CDI	OM654.920	176	239	03/19 >				30.A67.00	
with air-conditioner rear / con climatizzatore posteriore	OM654.920	176	239	03/19 >					53.275.00
V 300 CDI 4Matic	OM654.920	176	239	03/19 >				30.A67.00	
with air-conditioner rear / con climatizzatore posteriore	OM654.920	176	239	03/19 >					53.275.00

...MERCEDES BENZ - cars/auto

Vaneo (W414)											
1.6	M166	60	82	09/01	>	09/05	25.014.00	31.834.00	27.355.00	53.064.00	
with automatic air-conditioner / con climatizzatore automatico		M166	60	82	09/01	>	09/05	25.014.00	31.834.00	27.355.00	54.102.00
1.6	M166	75	102	09/01	>	09/05	25.014.00	31.834.00	27.355.00	53.064.00	
with automatic air-conditioner / con climatizzatore automatico		M166	75	102	09/01	>	09/05	25.014.00	31.834.00	27.355.00	54.102.00
1.7 CDI	OM668	55	75	09/01	>	09/05	25.067.00	24.416.00	27.593.00	53.064.00	
with automatic air-conditioner / con climatizzatore automatico		OM668	55	75	09/01	>	09/05	25.067.00	24.416.00	27.593.00	54.102.00
1.7 CDI	OM668	66	90	09/01	>	09/05	25.067.00	24.416.00	27.593.00	53.064.00	
with automatic air-conditioner / con climatizzatore automatico		OM668	66	90	09/01	>	09/05	25.067.00	24.416.00	27.593.00	54.102.00
1.9	M166	92	125	09/01	>	09/05	25.014.00	31.834.00	27.355.00	53.064.00	
with automatic air-conditioner / con climatizzatore automatico		M166	92	125	09/01	>	09/05	25.014.00	31.834.00	27.355.00	54.102.00
Viano (W639)											
2.0 CDI											
with automatic air-conditioner THERMOTRONIC / con climatizzatore automatico THERMOTRONIC		OM646	80	109	09/03	>	12/06	25.013.00	24.436.00	30.257.00	54.145.00
with manual air-conditioner / con climatizzatore manuale		OM646	80	109	09/03	>	12/06	25.013.00	24.436.00	30.257.00	53.110.00
with water presence sensor / con sensore presenza acqua		OM646	80	109	09/03	>	12/06		24.107.00		
antibacterial, anti-odour and anti-allergen filter with automatic air-conditioner THERMOTRONIC / filtro antibatterico, antiodori e anti-allergeni con climatizzatore automatico THERMOTRONIC		OM646	80	109	09/03	>	12/06				34.145.00
2.0 CDI											
with automatic air-conditioner THERMOTRONIC / con climatizzatore automatico THERMOTRONIC		OM646	85	116	09/06	>	08/10	25.013.00	24.436.00	30.257.00	54.145.00
with manual air-conditioner / con climatizzatore manuale		OM646	85	116	09/06	>	08/10	25.013.00	24.436.00	30.257.00	53.110.00
with water presence sensor / con sensore presenza acqua		OM646	85	116	09/06	>	08/10		24.107.00		
antibacterial, anti-odour and anti-allergen filter with automatic air-conditioner THERMOTRONIC / filtro antibatterico, antiodori e anti-allergeni con climatizzatore automatico THERMOTRONIC		OM646	85	116	09/06	>	08/10				34.145.00
2.0 CDI	OM651LA	100	136	07/10	>		25.159.00			30.257.00	
with automatic air-conditioner THERMOTRONIC / con climatizzatore automatico THERMOTRONIC		OM651LA	100	136	07/10	>					54.145.00
with manual air-conditioner / con climatizzatore manuale		OM651LA	100	136	07/10	>					53.110.00
with fuel oil heater with connection for water suction / con riscaldatore nafta con collegamento per aspirazione acqua		OM651LA	100	136	07/10	>			24.149.00		
with fuel oil heater without connection for water suction / con riscaldatore nafta senza collegamento per aspirazione acqua		OM651LA	100	136	07/10	>			24.150.00		
antibacterial, anti-odour and anti-allergen filter with automatic air-conditioner THERMOTRONIC / filtro antibatterico, antiodori e anti-allergeni con climatizzatore automatico THERMOTRONIC		OM651LA	100	136	07/10	>					34.145.00
without fuel oil heater MANN+HUMMEL / senza riscaldatore nafta MANN+HUMMEL		OM651LA	100	136	07/10	>			24.077.00		
2.2 CDI											
with automatic air-conditioner THERMOTRONIC / con climatizzatore automatico THERMOTRONIC		OM646	110	150	09/03	>	08/10	25.013.00	24.436.00	30.257.00	54.145.00
with manual air-conditioner / con climatizzatore manuale		OM646	110	150	09/03	>	08/10	25.013.00	24.436.00	30.257.00	53.110.00
with water presence sensor / con sensore presenza acqua		OM646	110	150	09/03	>	08/10		24.107.00		
antibacterial, anti-odour and anti-allergen filter with automatic air-conditioner THERMOTRONIC / filtro antibatterico, antiodori e anti-allergeni con climatizzatore automatico THERMOTRONIC		OM646	110	150	09/03	>	08/10				34.145.00
2.2 CDI	OM651LA	120	163	07/10	>		25.159.00			30.257.00	
with automatic air-conditioner THERMOTRONIC / con climatizzatore automatico THERMOTRONIC		OM651LA	120	163	07/10	>					54.145.00
with manual air-conditioner / con climatizzatore manuale		OM651LA	120	163	07/10	>					53.110.00
with fuel oil heater with connection for water suction / con riscaldatore nafta con collegamento per aspirazione acqua		OM651LA	120	163	07/10	>			24.149.00		
with fuel oil heater without connection for water suction / con riscaldatore nafta senza collegamento per aspirazione acqua		OM651LA	120	163	07/10	>			24.150.00		
antibacterial, anti-odour and anti-allergen filter with automatic air-conditioner THERMOTRONIC / filtro antibatterico, antiodori e anti-allergeni con climatizzatore automatico THERMOTRONIC		OM651LA	120	163	07/10	>					34.145.00
without fuel oil heater MANN+HUMMEL / senza riscaldatore nafta MANN+HUMMEL		OM651LA	120	163	07/10	>			24.077.00		
3.0											
with automatic air-conditioner THERMOTRONIC / con climatizzatore automatico THERMOTRONIC		M112	140	190	09/03	>	12/07	25.002.00	31.848.00	30.257.00	54.145.00
with manual air-conditioner / con climatizzatore manuale		M112	140	190	09/03	>	12/07	25.002.00	31.848.00	30.257.00	53.110.00
antibacterial, anti-odour and anti-allergen filter with automatic air-conditioner THERMOTRONIC / filtro antibatterico, antiodori e anti-allergeni con climatizzatore automatico THERMOTRONIC		M112	140	190	09/03	>	12/07				34.145.00
3.0 CDI V6											
with automatic air-conditioner THERMOTRONIC / con climatizzatore automatico THERMOTRONIC		OM642LA	150	204	04/06	>	08/10	25.069.00	24.436.00	30.658.00	54.145.00
with manual air-conditioner / con climatizzatore manuale		OM642LA	150	204	04/06	>	08/10	25.069.00	24.436.00	30.658.00	53.110.00
with water presence sensor / con sensore presenza acqua		OM642LA	150	204	04/06	>	08/10		24.107.00		
antibacterial, anti-odour and anti-allergen filter with automatic air-conditioner THERMOTRONIC / filtro antibatterico, antiodori e anti-allergeni con climatizzatore automatico THERMOTRONIC		OM642LA	150	204	04/06	>	08/10				34.145.00
3.0 CDI V6											
with automatic air-conditioner THERMOTRONIC / con climatizzatore automatico THERMOTRONIC		OM642LA	165	224	09/10	>		25.069.00	24.436.00	30.658.00	54.145.00
with manual air-conditioner / con climatizzatore manuale		OM642LA	165	224	09/10	>		25.069.00	24.436.00	30.658.00	53.110.00
with fuel oil heater without connection for water suction (R.H.D.) / con riscaldatore nafta senza collegamento per aspirazione acqua (R.H.D.)		OM642LA	165	224	09/10	>			24.148.00		
with water presence sensor / con sensore presenza acqua		OM642LA	165	224	09/10	>			24.107.00		
antibacterial, anti-odour and anti-allergen filter with automatic air-conditioner THERMOTRONIC / filtro antibatterico, antiodori e anti-allergeni con climatizzatore automatico THERMOTRONIC		OM642LA	165	224	09/10	>					34.145.00
3.2											
with automatic air-conditioner THERMOTRONIC / con climatizzatore automatico THERMOTRONIC		M112	160	218	09/03	>	12/04	25.002.00	31.848.00	30.257.00	54.145.00
with manual air-conditioner / con climatizzatore manuale		M112	160	218	09/03	>	12/04	25.002.00	31.848.00	30.257.00	53.110.00
antibacterial, anti-odour and anti-allergen filter with automatic air-conditioner THERMOTRONIC / filtro antibatterico, antiodori e anti-allergeni con climatizzatore automatico THERMOTRONIC		M112	160	218	09/03	>	12/04				34.145.00
3.5											
with automatic air-conditioner THERMOTRONIC / con climatizzatore automatico THERMOTRONIC		M272.978	190	258	09/07	>		25.002.00	31.848.00	30.257.00	54.145.00
with manual air-conditioner / con climatizzatore manuale		M272.978	190	258	09/07	>		25.002.00	31.848.00	30.257.00	53.110.00
antibacterial, anti-odour and anti-allergen filter with automatic air-conditioner THERMOTRONIC / filtro antibatterico, antiodori e anti-allergeni con climatizzatore automatico THERMOTRONIC		M272.978	190	258	09/07	>					34.145.00
3.7											
with automatic air-conditioner THERMOTRONIC / con climatizzatore automatico THERMOTRONIC		M112E37	170	231	09/04	>	12/07	25.002.00	31.848.00	30.257.00	54.145.00
with manual air-conditioner / con climatizzatore manuale		M112E37	170	231	09/04	>	12/07	25.002.00	31.848.00	30.257.00	53.110.00

...MERCEDES BENZ - cars/auto

M



antibacterial, anti-odour and anti-allergen filter with automatic air-conditioner THERMOTRONIC / filtro antibatterico, antiodori e anti-allergeni con climatizzatore automatico THERMOTRONIC		M112E37	170	231	09/04	>	12/07				34.145.00
MERCEDES BENZ											
off-road cars/fuoristrada											
G Classe (W461)											
G 280 CDI		OM642.975	135	184	03/09	>		25.069.00	24.107.00		✕
G 300 CDI Professional		OM642.884	135	184	12/10	>		25.069.00			✕
with water presence sensor KNECHT-MAHLE / con sensore presenza acqua KNECHT-MAHLE		OM642.884	135	184	12/10	>			24.111.00		
G Classe (W463)											
G 270 CDI		OM612.996	115	156	09/01	>		25.013.00	24.429.00	30.148.00	54.114.00
antibacterial, anti-odour and anti-allergen filter / filtro antibatterico, antiodori e anti-allergeni		OM612.996	115	156	09/01	>					34.114.00
G 300 TD		OM606.964	130	177	06/96	>	12/00	25.095.00	24.321.00		✕
prefilter / prefiltra		OM606.964	130	177	06/96	>	12/00		31.013.00		
G 320 CDI		OM642.940/970	165	224	09/06	>	08/09	25.069.00	24.436.00		54.114.00
with water presence sensor / con sensore presenza acqua		OM642.940/970	165	224	09/06	>	08/09		24.107.00		
antibacterial, anti-odour and anti-allergen filter / filtro antibatterico, antiodori e anti-allergeni		OM642.940/970	165	224	09/06	>	08/09				34.114.00
air filter right side / filtro aria destro		OM642.940/970	165	224	09/06	>	08/09			30.463.00	
air filter left side / filtro aria sinistro		OM642.940/970	165	224	09/06	>	08/09			30.462.00	
G 320 V6		M112	158	215	03/98	>	08/00	25.002.00	31.841.00	30.531.00	
		M112	158	215	09/00	>	09/06	25.002.00	31.841.00	30.531.00	54.114.00
antibacterial, anti-odour and anti-allergen filter / filtro antibatterico, antiodori e anti-allergeni		M112	158	215	09/00	>	09/06				34.114.00
G 350		M112E37	180	245	05/03	>		25.002.00	31.841.00		54.114.00
antibacterial, anti-odour and anti-allergen filter / filtro antibatterico, antiodori e anti-allergeni		M112E37	180	245	05/03	>					34.114.00
G 350 CDI		OM642.970	165	224	07/09	>		25.069.00	24.436.00		54.114.00
with water presence sensor / con sensore presenza acqua		OM642.970	165	224	07/09	>			24.107.00		
antibacterial, anti-odour and anti-allergen filter / filtro antibatterico, antiodori e anti-allergeni		OM642.970	165	224	07/09	>					34.114.00
air filter right side / filtro aria destro		OM642.970	165	224	07/09	>				30.463.00	
air filter left side / filtro aria sinistro		OM642.970	165	224	07/09	>				30.462.00	
G 350 d		OM642.886/887	180	245	06/15	>		25.069.00			
with L.H.D. / con guida a sinistra		OM642.886/887	180	245	06/15	>					53.031.00
with activated carbon L.H.D. / con guida a sinistra, ai carboni attivi		OM642.886/887	180	245	06/15	>					54.114.00
antibacterial, anti-odour and anti-allergen filter with L.H.D. / filtro antibatterico, antiodori e anti-allergeni con guida a sinistra		OM642.886/887	180	245	06/15	>					34.114.00
G 400 CDI		OM628.962	184	250	10/00	>	09/06				54.114.00
antibacterial, anti-odour and anti-allergen filter / filtro antibatterico, antiodori e anti-allergeni		OM628.962	184	250	10/00	>	09/06				34.114.00
G 500		M113.962	218	296	04/98	>	08/00	25.002.00	31.841.00	30.531.00	54.114.00
antibacterial, anti-odour and anti-allergen filter / filtro antibatterico, antiodori e anti-allergeni		M113.962	218	296	09/00	>	08/08	25.002.00	31.841.00	30.531.00	34.114.00
G 500		M273.E55	285	388	09/08	>		25.002.00	∞	30.531.00	54.114.00
antibacterial, anti-odour and anti-allergen filter / filtro antibatterico, antiodori e anti-allergeni		M273.E55	285	388	09/08	>					34.114.00
G 500 (W463.234)		M176.980	310	421	06/15	>	12/17	25.204.00	∞		
with L.H.D. / con guida a sinistra		M176.980	310	421	06/15	>	12/17				53.031.00
with activated carbon L.H.D. / con guida a sinistra, ai carboni attivi		M176.980	310	421	06/15	>	12/17				54.114.00
antibacterial, anti-odour and anti-allergen filter with L.H.D. / filtro antibatterico, antiodori e anti-allergeni con guida a sinistra		M176.980	310	421	06/15	>	12/17				34.114.00
G 500 (W463.260)		M176.980	310	421	01/18	>		25.204.00	∞		
with activated carbon L.H.D. / con guida a sinistra, ai carboni attivi		M176.980	310	421	01/18	>					54.114.00
antibacterial, anti-odour and anti-allergen filter with L.H.D. / filtro antibatterico, antiodori e anti-allergeni con guida a sinistra		M176.980	310	421	01/18	>					34.114.00
prefilter / prefiltra		M176.980	310	421	01/18	>					53.320.00
G 55 AMG		M113.982	260	354	04/99	>	08/00	25.002.00	31.841.00	30.531.00	
		M113.982	260	354	09/00	>	06/04	25.002.00	31.841.00	30.531.00	54.114.00
antibacterial, anti-odour and anti-allergen filter / filtro antibatterico, antiodori e anti-allergeni		M113.982	260	354	09/00	>	06/04				34.114.00
G 55 AMG Kompressor		M113	350	476	06/04	>		25.002.00	31.841.00		54.114.00
antibacterial, anti-odour and anti-allergen filter / filtro antibatterico, antiodori e anti-allergeni		M113	350	476	06/04	>					34.114.00
G 63 AMG		M157.980	400	544	05/12	>	12/17	25.204.00	∞		
with L.H.D. / con guida a sinistra		M157.980	400	544	05/12	>	12/17				53.031.00
with activated carbon L.H.D. / con guida a sinistra, ai carboni attivi		M157.980	400	544	05/12	>	12/17				54.114.00
antibacterial, anti-odour and anti-allergen filter with L.H.D. / filtro antibatterico, antiodori e anti-allergeni con guida a sinistra		M157.980	400	544	05/12	>	12/17				34.114.00
G 63 AMG		M157.984	420	571	06/15	>	12/17	25.204.00	∞		
with L.H.D. / con guida a sinistra		M157.984	420	571	06/15	>	12/17				53.031.00
with activated carbon L.H.D. / con guida a sinistra, ai carboni attivi		M157.984	420	571	06/15	>	12/17				54.114.00
antibacterial, anti-odour and anti-allergen filter with L.H.D. / filtro antibatterico, antiodori e anti-allergeni con guida a sinistra		M157.984	420	571	06/15	>	12/17				34.114.00
G 63 AMG		M177.980	430	585	03/18	>		25.204.00	∞		
with activated carbon L.H.D. / con guida a sinistra, ai carboni attivi		M177.980	430	585	03/18	>					54.114.00
antibacterial, anti-odour and anti-allergen filter / filtro antibatterico, antiodori e anti-allergeni		M177.980	430	585	03/18	>					34.114.00
prefilter / prefiltra		M177.980	430	585	03/18	>					53.320.00
GL Classe (X164)											
GL 320 BlueTEC		OM642.820	155	211	07/08	>	06/09	25.069.00	24.436.00		54.215.00
with fuel oil heater / con riscaldatore nafta		OM642.820	155	211	07/08	>	06/09		24.077.00		
with water presence sensor / con sensore presenza acqua		OM642.820	155	211	07/08	>	06/09		24.107.00		

...MERCEDES BENZ - off-road cars/fuoristrada

antibacterial, anti-odour and anti-allergen filter / filtro antibatterico, antiodori e anti-allergeni	OM642.820	155	211	07/08	>	06/09				34.215.00
air filter right side / filtro aria destro	OM642.820	155	211	07/08	>	06/09			30.463.00	
air filter left side / filtro aria sinistro	OM642.820	155	211	07/08	>	06/09			30.462.00	
GL 320 CDI	OM642.940	165	224	03/06	>	06/09	25.069.00	24.436.00		54.215.00
with fuel oil heater / con riscaldatore nafta	OM642.940	165	224	03/06	>	06/09		24.077.00		
with water presence sensor / con sensore presenza acqua	OM642.940	165	224	03/06	>	06/09		24.107.00		
antibacterial, anti-odour and anti-allergen filter / filtro antibatterico, antiodori e anti-allergeni	OM642.940	165	224	03/06	>	06/09				34.215.00
air filter right side / filtro aria destro	OM642.940	165	224	03/06	>	06/09			30.463.00	
air filter left side / filtro aria sinistro	OM642.940	165	224	03/06	>	06/09			30.462.00	
GL 350 BlueTEC	OM642.820	155	211	05/09	>		25.069.00	24.077.00		54.215.00
with water presence sensor / con sensore presenza acqua	OM642.820	155	211	05/09	>			24.111.00		
antibacterial, anti-odour and anti-allergen filter / filtro antibatterico, antiodori e anti-allergeni	OM642.820	155	211	05/09	>					34.215.00
air filter right side / filtro aria destro	OM642.820	155	211	05/09	>				30.463.00	
air filter left side / filtro aria sinistro	OM642.820	155	211	05/09	>				30.462.00	
GL 350 CDI BlueEFFICIENCY	OM642.820	165	224	05/09	>	12/10	25.069.00	24.077.00		54.215.00
with water presence sensor / con sensore presenza acqua	OM642.820	165	224	05/09	>	12/10		24.111.00		
antibacterial, anti-odour and anti-allergen filter / filtro antibatterico, antiodori e anti-allergeni	OM642.820	165	224	05/09	>	12/10				34.215.00
air filter right side / filtro aria destro	OM642.820	165	224	05/09	>	12/10			30.463.00	
air filter left side / filtro aria sinistro	OM642.820	165	224	05/09	>	12/10			30.462.00	
GL 350 CDI BlueEFFICIENCY	OM642.872	195	265	10/10	>		25.069.00			54.215.00
antibacterial, anti-odour and anti-allergen filter / filtro antibatterico, antiodori e anti-allergeni	OM642.872	195	265	10/10	>					34.215.00
GL 420 CDI	OM629.912	225	306	03/06	>	06/09		24.436.00	30.B25.00	54.215.00
antibacterial, anti-odour and anti-allergen filter / filtro antibatterico, antiodori e anti-allergeni	OM629.912	225	306	03/06	>	06/09				34.215.00
GL 450	M273.923	250	340	03/06	>		25.002.00		30.531.00	54.215.00
antibacterial, anti-odour and anti-allergen filter / filtro antibatterico, antiodori e anti-allergeni	M273.923	250	340	03/06	>					34.215.00
GL 450 CDI	OM629.912	225	306	05/09	>			24.436.00	30.B25.00	54.215.00
antibacterial, anti-odour and anti-allergen filter / filtro antibatterico, antiodori e anti-allergeni	OM629.912	225	306	05/09	>					34.215.00
GL 500	M273.963	285	388	03/06	>		25.002.00		30.531.00	54.215.00
antibacterial, anti-odour and anti-allergen filter / filtro antibatterico, antiodori e anti-allergeni	M273.963	285	388	03/06	>					34.215.00
GLK Classe (X204)										
GLK 200	M274.920	135	184	09/13	>		25.178.00		27.A92.00	54.163.00
antibacterial, anti-odour and anti-allergen filter / filtro antibatterico, antiodori e anti-allergeni	M274.920	135	184	09/13	>					34.163.00
GLK 200 CDI	OM651.913/OM651.916	105	143	07/10	>		25.159.00		30.B10.00	54.163.00
with fuel oil heater with connection for water suction / con riscaldatore nafta con collegamento per aspirazione acqua	OM651.913/OM651.916	105	143	07/10	>			24.149.00		
with fuel oil heater without connection for water suction / con riscaldatore nafta senza collegamento per aspirazione acqua	OM651.913/OM651.916	105	143	07/10	>			24.151.00		
with water presence sensor KNECHT-MAHLE / con sensore presenza acqua KNECHT-MAHLE	OM651.913/OM651.916	105	143	07/10	>			24.111.00		
antibacterial, anti-odour and anti-allergen filter / filtro antibatterico, antiodori e anti-allergeni	OM651.913/OM651.916	105	143	07/10	>					34.163.00
without fuel oil heater MANN+HUMMEL / senza riscaldatore nafta MANN+HUMMEL	OM651.913/OM651.916	105	143	07/10	>			24.077.00		
GLK 200 CDI	OM651.916	100	136	12/13	>		25.159.00		30.B10.00	54.163.00
with fuel oil heater with connection for water suction / con riscaldatore nafta con collegamento per aspirazione acqua	OM651.916	100	136	12/13	>			24.149.00		
with fuel oil heater without connection for water suction / con riscaldatore nafta senza collegamento per aspirazione acqua	OM651.916	100	136	12/13	>			24.151.00		
with water presence sensor KNECHT-MAHLE / con sensore presenza acqua KNECHT-MAHLE	OM651.916	100	136	12/13	>			24.111.00		
antibacterial, anti-odour and anti-allergen filter / filtro antibatterico, antiodori e anti-allergeni	OM651.916	100	136	12/13	>					34.163.00
without fuel oil heater MANN+HUMMEL / senza riscaldatore nafta MANN+HUMMEL	OM651.916	100	136	12/13	>			24.077.00		
GLK 220 CDI	OM651.916	125	170	12/08	>		25.159.00		30.B10.00	54.163.00
with fuel oil heater with connection for water suction / con riscaldatore nafta con collegamento per aspirazione acqua	OM651.916	125	170	12/08	>			24.149.00		
with fuel oil heater without connection for water suction / con riscaldatore nafta senza collegamento per aspirazione acqua	OM651.916	125	170	12/08	>			24.151.00		
with water presence sensor KNECHT-MAHLE / con sensore presenza acqua KNECHT-MAHLE	OM651.916	125	170	12/08	>			24.111.00		
antibacterial, anti-odour and anti-allergen filter / filtro antibatterico, antiodori e anti-allergeni	OM651.916	125	170	12/08	>					34.163.00
without fuel oil heater MANN+HUMMEL / senza riscaldatore nafta MANN+HUMMEL	OM651.916	125	170	12/08	>			24.077.00		
GLK 220 CDI 4Matic	OM651.912	120	163	12/08	>		25.159.00		30.B63.00	54.163.00
with fuel oil heater with connection for water suction / con riscaldatore nafta con collegamento per aspirazione acqua	OM651.912	120	163	12/08	>			24.149.00		
with fuel oil heater without connection for water suction / con riscaldatore nafta senza collegamento per aspirazione acqua	OM651.912	120	163	12/08	>			24.151.00		
with water presence sensor KNECHT-MAHLE / con sensore presenza acqua KNECHT-MAHLE	OM651.912	120	163	12/08	>			24.111.00		
antibacterial, anti-odour and anti-allergen filter / filtro antibatterico, antiodori e anti-allergeni	OM651.912	120	163	12/08	>					34.163.00
without fuel oil heater MANN+HUMMEL / senza riscaldatore nafta MANN+HUMMEL	OM651.912	120	163	12/08	>			24.077.00		
GLK 220 CDI 4Matic	OM651.912	125	170	04/09	>		25.159.00		30.B63.00	54.163.00
with fuel oil heater with connection for water suction / con riscaldatore nafta con collegamento per aspirazione acqua	OM651.912	125	170	04/09	>			24.149.00		
with fuel oil heater without connection for water suction / con riscaldatore nafta senza collegamento per aspirazione acqua	OM651.912	125	170	04/09	>			24.151.00		
with water presence sensor KNECHT-MAHLE / con sensore presenza acqua KNECHT-MAHLE	OM651.912	125	170	04/09	>			24.111.00		
antibacterial, anti-odour and anti-allergen filter / filtro antibatterico, antiodori e anti-allergeni	OM651.912	125	170	04/09	>					34.163.00
without fuel oil heater MANN+HUMMEL / senza riscaldatore nafta MANN+HUMMEL	OM651.912	125	170	04/09	>			24.077.00		
GLK 220 CDI 4Matic	OM651.916	125	170	04/09	>		25.159.00		30.B10.00	54.163.00
with fuel oil heater with connection for water suction / con riscaldatore nafta con collegamento per aspirazione acqua	OM651.916	125	170	04/09	>			24.149.00		
with fuel oil heater without connection for water suction / con riscaldatore nafta senza collegamento per aspirazione acqua	OM651.916	125	170	04/09	>			24.151.00		
with water presence sensor KNECHT-MAHLE / con sensore presenza acqua KNECHT-MAHLE	OM651.916	125	170	04/09	>			24.111.00		
antibacterial, anti-odour and anti-allergen filter / filtro antibatterico, antiodori e anti-allergeni	OM651.916	125	170	04/09	>					34.163.00

...MERCEDES BENZ - off-road cars/fuoristrada

M

without fuel oil heater MANN+HUMMEL / senza riscaldatore nafta MANN+HUMMEL	OM651.916	125	170	04/09	>		24.077.00		
GLK 250	M274.920	155	211	05/13	>	25.178.00		27.A92.00	54.163.00
antibacterial, anti-odour and anti-allergen filter / filtro antibatterico, antiodori e anti-allergeni	M274.920	155	211	05/13	>				34.163.00
GLK 250 4Matic	M274.920	155	211	08/13	>	25.178.00		27.A92.00	54.163.00
antibacterial, anti-odour and anti-allergen filter / filtro antibatterico, antiodori e anti-allergeni	M274.920	155	211	08/13	>				34.163.00
GLK 250 CDI 4Matic	OM651.912	150	204	12/09	>	25.159.00		30.B10.00	54.163.00
with fuel oil heater with connection for water suction / con riscaldatore nafta con collegamento per aspirazione acqua	OM651.912	150	204	12/09	>		24.149.00		
with fuel oil heater without connection for water suction / con riscaldatore nafta senza collegamento per aspirazione acqua	OM651.912	150	204	12/09	>		24.151.00		
with water presence sensor KNECHT-MAHLE / con sensore presenza acqua KNECHT-MAHLE	OM651.912	150	204	12/09	>		24.111.00		
antibacterial, anti-odour and anti-allergen filter / filtro antibatterico, antiodori e anti-allergeni	OM651.912	150	204	12/09	>				34.163.00
without fuel oil heater MANN+HUMMEL / senza riscaldatore nafta MANN+HUMMEL	OM651.912	150	204	12/09	>		24.077.00		
GLK 280 4Matic	M272.948	170	231	10/08	> 06/09	25.002.00		30.531.00	54.163.00
antibacterial, anti-odour and anti-allergen filter / filtro antibatterico, antiodori e anti-allergeni	M272.948	170	231	10/08	> 06/09				34.163.00
GLK 300 4Matic	M272.948	170	231	06/09	> 04/11	25.002.00		30.531.00	54.163.00
antibacterial, anti-odour and anti-allergen filter / filtro antibatterico, antiodori e anti-allergeni	M272.948	170	231	06/09	> 04/11				34.163.00
GLK 320 CDI 4Matic	OM642.961	165	224	06/08	> 06/09	25.069.00	24.436.00		54.163.00
with fuel oil heater / con riscaldatore nafta	OM642.961	165	224	06/08	> 06/09		24.077.00		
with water presence sensor / con sensore presenza acqua	OM642.961	165	224	06/08	> 06/09		24.111.00		
antibacterial, anti-odour and anti-allergen filter / filtro antibatterico, antiodori e anti-allergeni	OM642.961	165	224	06/08	> 06/09				34.163.00
air filter right side / filtro aria destro	OM642.961	165	224	06/08	> 06/09			30.463.00	
air filter left side / filtro aria sinistro	OM642.961	165	224	06/08	> 06/09			30.462.00	
GLK 350 4Matic	M272.961	200	272	10/08	> 04/11	25.002.00		30.531.00	54.163.00
antibacterial, anti-odour and anti-allergen filter / filtro antibatterico, antiodori e anti-allergeni	M272.961	200	272	10/08	> 04/11				34.163.00
GLK 350 CDI 4Matic	OM642.832	170	231	10/10	> 07/12	25.069.00	24.077.00		54.163.00
with water presence sensor / con sensore presenza acqua	OM642.832	170	231	10/10	> 07/12		24.111.00		
antibacterial, anti-odour and anti-allergen filter / filtro antibatterico, antiodori e anti-allergeni	OM642.832	170	231	10/10	> 07/12				34.163.00
GLK 350 CDI 4Matic	OM642.961	165	224	06/09	> 12/10	25.069.00	24.077.00		54.163.00
with water presence sensor / con sensore presenza acqua	OM642.961	165	224	06/09	> 12/10		24.111.00		
antibacterial, anti-odour and anti-allergen filter / filtro antibatterico, antiodori e anti-allergeni	OM642.961	165	224	06/09	> 12/10				34.163.00
air filter right side / filtro aria destro	OM642.961	165	224	06/09	> 12/10			30.463.00	
air filter left side / filtro aria sinistro	OM642.961	165	224	06/09	> 12/10			30.462.00	
GLK 350 CDI BlueEFFICIENCY	OM642.835	195	265	05/12	>	25.069.00			54.163.00
antibacterial, anti-odour and anti-allergen filter / filtro antibatterico, antiodori e anti-allergeni	OM642.835	195	265	05/12	>				34.163.00
GLK 350 CGI BlueEFFICIENCY	M276.957	225	306	01/11	>	25.172.00			54.163.00
antibacterial, anti-odour and anti-allergen filter / filtro antibatterico, antiodori e anti-allergeni	M276.957	225	306	01/11	>				34.163.00
M Classe (W163)									
ML 230	M111	110	150	11/97	> 08/01	25.162.00	31.583.00	30.119.00	53.100.00
with activated carbons / ai carboni attivi	M111	110	150	11/97	> 08/01				54.247.00
ML 270 CDI	OM612	120	164	12/99	> 03/00	25.013.00	26.006.00	30.148.00	53.100.00
	OM612	120	164	04/00	> 06/05	25.013.00	24.429.00	30.148.00	53.100.00
with activated carbons / ai carboni attivi	OM612	120	164	12/99	> 06/05				54.247.00
ML 320	M112	160	218	11/97	> 12/02	25.002.00		30.119.00	53.100.00
with activated carbons / ai carboni attivi	M112	160	218	11/97	> 12/02				54.247.00
ML 350	M112	173	235	10/02	> 06/05	25.002.00		30.119.00	53.100.00
with activated carbons / ai carboni attivi	M112	173	235	10/02	> 06/05				54.247.00
ML 350	M112	180	245	02/03	> 06/05	25.002.00		30.119.00	53.100.00
with activated carbons / ai carboni attivi	M112	180	245	02/03	> 06/05				54.247.00
ML 400 CDI	OM628	184	250	09/01	> 06/05			30.119.00	53.100.00
with activated carbons / ai carboni attivi	OM628	184	250	09/01	> 06/05				54.247.00
ML 430	M113	199	271	06/98	> 11/01	25.002.00		30.119.00	53.100.00
with activated carbons / ai carboni attivi	M113	199	271	06/98	> 11/01				54.247.00
ML 500	M113	215	292	09/01	> 06/05	25.002.00		30.119.00	53.100.00
with activated carbons / ai carboni attivi	M113	215	292	09/01	> 06/05				54.247.00
ML 55 AMG	M113	255	347	02/00	> 06/05	25.002.00		30.119.00	53.100.00
with activated carbons / ai carboni attivi	M113	255	347	02/00	> 06/05				54.247.00
M Classe (W164)									
ML 280 CDI	OM642.940	140	190	09/05	> 06/09	25.069.00	24.436.00		54.215.00
with fuel oil heater / con riscaldatore nafta	OM642.940	140	190	09/05	> 06/09		24.077.00		
with water presence sensor / con sensore presenza acqua	OM642.940	140	190	09/05	> 06/09		24.107.00		
antibacterial, anti-odour and anti-allergen filter / filtro antibatterico, antiodori e anti-allergeni	OM642.940	140	190	09/05	> 06/09				34.215.00
air filter right side / filtro aria destro	OM642.940	140	190	09/05	> 06/09			30.463.00	
air filter left side / filtro aria sinistro	OM642.940	140	190	09/05	> 06/09			30.462.00	
ML 300 CDI BlueEFFICIENCY	OM642.940	140	190	05/09	>	25.069.00	24.077.00		54.215.00
with water presence sensor KNECHT-MAHLE / con sensore presenza acqua KNECHT-MAHLE	OM642.940	140	190	05/09	>		24.111.00		
antibacterial, anti-odour and anti-allergen filter / filtro antibatterico, antiodori e anti-allergeni	OM642.940	140	190	05/09	>				34.215.00
air filter right side / filtro aria destro	OM642.940	140	190	05/09	>			30.463.00	
air filter left side / filtro aria sinistro	OM642.940	140	190	05/09	>			30.462.00	

...MERCEDES BENZ - off-road cars/fuoristrada

ML 300 CDI BlueEFFICIENCY	OM642.940	150 204	02/10 >	25.069.00	24.077.00		54.215.00
with water presence sensor KNECHT-MAHLE / con sensore presenza acqua KNECHT-MAHLE	OM642.940	150 204	02/10 >		24.111.00		
antibacterial, anti-odour and anti-allergen filter / filtro antibatterico, antiodori e anti-allergeni	OM642.940	150 204	02/10 >				34.215.00
ML 320 BlueTEC	OM642.820	155 211	07/08 > 06/09	25.069.00	24.436.00		54.215.00
with fuel oil heater / con riscaldatore nafta	OM642.820	155 211	07/08 > 06/09		24.077.00		
with water presence sensor / con sensore presenza acqua	OM642.820	155 211	07/08 > 06/09		24.107.00		
antibacterial, anti-odour and anti-allergen filter / filtro antibatterico, antiodori e anti-allergeni	OM642.820	155 211	07/08 > 06/09				34.215.00
air filter right side / filtro aria destro	OM642.820	155 211	07/08 > 06/09			30.463.00	
air filter left side / filtro aria sinistro	OM642.820	155 211	07/08 > 06/09			30.462.00	
ML 320 CDI	OM642	165 224	08/05 > 06/09	25.069.00	24.436.00		54.215.00
with fuel oil heater / con riscaldatore nafta	OM642	165 224	08/05 > 06/09		24.077.00		
with water presence sensor / con sensore presenza acqua	OM642	165 224	08/05 > 06/09		24.107.00		
antibacterial, anti-odour and anti-allergen filter / filtro antibatterico, antiodori e anti-allergeni	OM642	165 224	08/05 > 06/09				34.215.00
air filter right side / filtro aria destro	OM642	165 224	08/05 > 06/09			30.463.00	
air filter left side / filtro aria sinistro	OM642	165 224	08/05 > 06/09			30.462.00	
ML 350	M272	200 272	07/05 >	25.002.00		30.531.00	54.215.00
antibacterial, anti-odour and anti-allergen filter / filtro antibatterico, antiodori e anti-allergeni	M272	200 272	07/05 >				34.215.00
ML 350 BlueTEC	OM642.820	155 211	05/09 >	25.069.00	24.077.00		54.215.00
with water presence sensor / con sensore presenza acqua	OM642.820	155 211	05/09 >		24.111.00		
antibacterial, anti-odour and anti-allergen filter / filtro antibatterico, antiodori e anti-allergeni	OM642.820	155 211	05/09 >				34.215.00
air filter right side / filtro aria destro	OM642.820	155 211	05/09 >			30.463.00	
air filter left side / filtro aria sinistro	OM642.820	155 211	05/09 >			30.462.00	
ML 350 CDI	OM642.940	165 224	05/09 > 03/10	25.069.00	24.077.00		54.215.00
with water presence sensor / con sensore presenza acqua	OM642.940	165 224	05/09 > 03/10		24.111.00		
antibacterial, anti-odour and anti-allergen filter / filtro antibatterico, antiodori e anti-allergeni	OM642.940	165 224	05/09 > 03/10				34.215.00
air filter right side / filtro aria destro	OM642.940	165 224	05/09 > 03/10			30.463.00	
air filter left side / filtro aria sinistro	OM642.940	165 224	05/09 > 03/10			30.462.00	
ML 350 CDI	OM642.940	170 231	02/10 >	25.069.00	24.077.00		54.215.00
with water presence sensor KNECHT-MAHLE / con sensore presenza acqua KNECHT-MAHLE	OM642.940	170 231	02/10 >		24.111.00		
antibacterial, anti-odour and anti-allergen filter / filtro antibatterico, antiodori e anti-allergeni	OM642.940	170 231	02/10 >				34.215.00
ML 420 CDI	OM629.912	225 306	08/06 > 06/09		24.436.00	30.B25.00	54.215.00
antibacterial, anti-odour and anti-allergen filter / filtro antibatterico, antiodori e anti-allergeni	OM629.912	225 306	08/06 > 06/09				34.215.00
ML 450 CDI	OM629.912	225 306	05/09 >		24.436.00	30.B25.00	54.215.00
antibacterial, anti-odour and anti-allergen filter / filtro antibatterico, antiodori e anti-allergeni	OM629.912	225 306	05/09 >				34.215.00
ML 450 Hybrid	M272.973	250 340	06/09 >	25.002.00		30.531.00	54.215.00
antibacterial, anti-odour and anti-allergen filter / filtro antibatterico, antiodori e anti-allergeni	M272.973	250 340	06/09 >				34.215.00
ML 500	M113.964	225 306	07/05 > 05/07	25.002.00		30.531.00	54.215.00
antibacterial, anti-odour and anti-allergen filter / filtro antibatterico, antiodori e anti-allergeni	M113.964	225 306	07/05 > 05/07				34.215.00
ML 500	M273.963	285 388	06/07 >	25.002.00		30.531.00	54.215.00
antibacterial, anti-odour and anti-allergen filter / filtro antibatterico, antiodori e anti-allergeni	M273.963	285 388	06/07 >				34.215.00
ML 63 AMG	M156E63	375 510	09/05 >				54.215.00
antibacterial, anti-odour and anti-allergen filter / filtro antibatterico, antiodori e anti-allergeni	M156E63	375 510	09/05 >				34.215.00
M Classe (W166)							
ML 250 CDI BlueTEC	OM651.960	150 204	09/11 >	25.159.00		30.B63.00	
with fuel oil heater with connection for water suction / con riscaldatore nafta con collegamento per aspirazione acqua	OM651.960	150 204	09/11 >		24.149.00		
with fuel oil heater without connection for water suction / con riscaldatore nafta senza collegamento per aspirazione acqua	OM651.960	150 204	09/11 >		24.151.00		
ML 300 4Matic	M276.955	185 252	04/14 >	25.172.00		30.A72.00	
ML 350 BlueEFFICIENCY 4Matic	M276.955	225 306	09/11 >	25.172.00		30.A72.00	
ML 350 CDI BlueTEC	OM642.826	190 258	09/11 >	25.069.00			
prefilter / prefiltrato	OM642.826	190 258	09/11 >				53.320.00
ML 400 4Matic	M276.821	245 333	08/13 >	25.172.00			
prefilter / prefiltrato	M276.821	245 333	08/13 >				53.320.00
ML 500 BlueEFFICIENCY	M278.928	300 408	02/12 >	25.204.00			
prefilter / prefiltrato	M278.928	300 408	02/12 >				53.320.00
ML 63 AMG	M157.982	386 525	02/12 >	25.204.00			
prefilter / prefiltrato	M157.982	386 525	02/12 >				53.320.00
ML 63 AMG	M157.982 AMG Performance Plus	410 557	02/12 >	25.204.00			
prefilter / prefiltrato	M157.982 AMG Performance Plus	410 557	02/12 >				53.320.00
X Classe (W470)							
X 220 d	OM699.300	120 163	09/17 >	25.170.00		30.A59.00	
X 220 d 4Matic	OM699.300	120 163	09/17 >	25.170.00		30.A59.00	
X 250 d	OM699.301	140 190	09/17 >	25.170.00		30.A59.00	
X 250 d 4Matic	OM699.301	140 190	09/17 >	25.170.00		30.A59.00	
X 350 d 4Matic	OM642.889	190 258	04/18 >	25.069.00	24.150.00		

MERCEDES BENZ
commercial vehicles/veicoli commerciali
210 Serie (601-T1)

210	M102.942, M102.943	08/82 >	25.530.00		30.843.01	
210 D	OM602	11/88 >	25.528.00	24.321.00	27.231.00	

310 Serie (602-T1)

310	M102.942, M102.943	08/82 >	25.530.00		30.843.01	
310 D	OM602	11/88 >	25.528.00	24.321.00	27.231.00	

410 Serie (611-T1)

410	M102.942, M102.943	08/82 >	25.530.00		30.843.01	
410 D	OM602	11/88 >	25.528.00	24.321.00	27.231.00	

507 Serie (667/T2)

507 D	OM616	04/86 >	25.499.00	24.319.01	30.040.00	
prefilter / prefiltro	OM616	04/86 >		31.013.00		

508 Serie (667/T2)

508 D	OM601	03/89 >	25.528.00	24.321.00		
--------------	-------	---------	-----------	-----------	--	--

510 Serie (667/T2)

510	M102	04/86 >	25.530.00		30.040.00	
------------	------	---------	-----------	--	-----------	--

MB Serie

MB 800		07/96 >	25.099.00	21.061.00		
---------------	--	---------	-----------	-----------	--	--

MB Serie (631)

MB 180 D (E)	OM616.961	06/93 >	25.499.01	24.319.01	27.477.00	
prefilter / prefiltro	OM616.961	02/87 >		31.013.00		

Sprinter (901/902)

208 D	OM601.942 (OM601D23)	60 82	02/95 > 06/00	25.095.00	24.321.00	30.080.00	53.059.00
with activated carbons / ai carboni attivi	OM601.942 (OM601D23)	60 82	02/95 > 06/00				54.281.00
dusty areas / zone polverose	OM601.942 (OM601D23)	60 82	02/95 > 06/00	25.095.00	24.321.00	30.082.00	53.059.00
210 D	OM602LA29DE	75 102	01/97 > 06/00	25.095.00	24.321.00	30.080.00	53.059.00
with activated carbons / ai carboni attivi	OM602LA29DE	75 102	01/97 > 06/00				54.281.00
dusty areas / zone polverose	OM602LA29DE	75 102	01/97 > 06/00	25.095.00	24.321.00	30.082.00	53.059.00
212 D	OM602LA29DE	90 122	02/95 > 06/00	25.095.00	24.321.00	30.080.00	53.059.00
with activated carbons / ai carboni attivi	OM602LA29DE	90 122	02/95 > 06/00				54.281.00
dusty areas / zone polverose	OM602LA29DE	90 122	02/95 > 06/00	25.095.00	24.321.00	30.082.00	53.059.00
214	M111E23	105 143	01/96 > 05/06	25.162.00	31.583.00	30.080.00	53.059.00
with activated carbons / ai carboni attivi	M111E23	105 143	02/95 > 05/06				54.281.00
dusty areas / zone polverose	M111E23	105 143	02/95 > 05/06			30.082.00	

Sprinter (902)

208 CDI	OM611 DELA	60 82	09/99 > 05/06	25.013.00	24.416.00	30.080.00	53.059.00
with activated carbons / ai carboni attivi	OM611 DELA	60 82	09/99 > 05/06				54.281.00
with water presence sensor / con sensore presenza acqua	OM611 DELA	60 82	09/99 > 05/06	25.013.00	24.007.00	30.080.00	53.059.00
dusty areas / zone polverose	OM611 DELA	60 82	09/99 > 05/06	25.013.00	24.416.00	30.082.00	53.059.00
211 CDI	OM611 DELA	80 109	09/99 > 05/06	25.013.00	24.416.00	30.080.00	53.059.00
with activated carbons / ai carboni attivi	OM611 DELA	80 109	09/99 > 05/06				54.281.00
with water presence sensor / con sensore presenza acqua	OM611 DELA	80 109	09/99 > 05/06	25.013.00	24.007.00	30.080.00	53.059.00
dusty areas / zone polverose	OM611 DELA	80 109	09/99 > 05/06	25.013.00	24.416.00	30.082.00	53.059.00
213 CDI	OM611 DELA	95 129	09/99 > 05/06	25.013.00	24.416.00	30.080.00	53.059.00
with activated carbons / ai carboni attivi	OM611 DELA	95 129	09/99 > 05/06				54.281.00
with water presence sensor / con sensore presenza acqua	OM611 DELA	95 129	09/99 > 05/06	25.013.00	24.007.00	30.080.00	53.059.00
dusty areas / zone polverose	OM611 DELA	95 129	09/99 > 05/06	25.013.00	24.416.00	30.082.00	53.059.00
216 CDI	OM612 DELA	115 156	09/99 > 05/06	25.013.00	24.416.00	30.080.00	53.059.00
with activated carbons / ai carboni attivi	OM612 DELA	115 156	09/99 > 05/06				54.281.00
with water presence sensor / con sensore presenza acqua	OM612 DELA	115 156	09/99 > 05/06	25.013.00	24.006.00	30.080.00	53.059.00
dusty areas / zone polverose	OM612 DELA	115 156	09/99 > 05/06	25.013.00	24.416.00	30.082.00	53.059.00

Sprinter (903)

308 CDI	OM611 DELA	60 82	09/99 > 05/06	25.013.00	24.416.00	30.080.00	53.059.00
with activated carbons / ai carboni attivi	OM611 DELA	60 82	09/99 > 05/06				54.281.00
with water presence sensor / con sensore presenza acqua	OM611 DELA	60 82	09/99 > 05/06	25.013.00	24.007.00	30.080.00	53.059.00
dusty areas / zone polverose	OM611 DELA	60 82	09/99 > 05/06	25.013.00	24.416.00	30.082.00	53.059.00
308 D	OM601.942 (OM601D23)	58 79	02/95 > 06/00	25.095.00	24.321.00	30.080.00	53.059.00
with activated carbons / ai carboni attivi	OM601.942 (OM601D23)	58 79	02/95 > 06/00				54.281.00
dusty areas / zone polverose	OM601.942 (OM601D23)	58 79	02/95 > 06/00	25.095.00	24.321.00	30.082.00	53.059.00
310 D	OM602LA29DE	75 102	02/97 > 06/00	25.095.00	24.321.00	30.080.00	53.059.00
with activated carbons / ai carboni attivi	OM602LA29DE	75 102	02/97 > 06/00				54.281.00
dusty areas / zone polverose	OM602LA29DE	75 102	02/97 > 06/00	25.095.00	24.321.00	30.082.00	53.059.00
311 CDI	OM611 DELA	80 109	09/99 > 05/06	25.013.00	24.416.00	30.080.00	53.059.00
with activated carbons / ai carboni attivi	OM611 DELA	80 109	09/99 > 05/06				54.281.00
with water presence sensor / con sensore presenza acqua	OM611 DELA	80 109	09/99 > 05/06	25.013.00	24.007.00	30.080.00	53.059.00
dusty areas / zone polverose	OM611 DELA	80 109	09/99 > 05/06	25.013.00	24.416.00	30.082.00	53.059.00
312 D	OM602LA29DE	90 122	02/95 > 06/00	25.095.00	24.321.00	30.080.00	53.059.00

...MERCEDES BENZ - commercial vehicles/veicoli commerciali

with activated carbons / ai carboni attivi	OM602LA29DE	90	122	02/95	>	06/00				54.281.00
dusty areas / zone polverose	OM602LA29DE	90	122	02/95	>	06/00	25.095.00	24.321.00	30.082.00	53.059.00
313 CDI	OM611 DELA	95	129	09/99	>	05/06	25.013.00	24.416.00	30.080.00	53.059.00
with activated carbons / ai carboni attivi	OM611 DELA	95	129	09/99	>	05/06				54.281.00
with water presence sensor / con sensore presenza acqua	OM611 DELA	95	129	09/99	>	05/06	25.013.00	24.007.00	30.080.00	53.059.00
dusty areas / zone polverose	OM611 DELA	95	129	09/99	>	05/06	25.013.00	24.416.00	30.082.00	53.059.00
314	M111E23	105	143	01/96	>	05/06	25.162.00	31.583.00	30.080.00	53.059.00
with activated carbons / ai carboni attivi	M111E23	105	143	02/95	>	05/06				54.281.00
dusty areas / zone polverose	M111E23	105	143	02/95	>	05/06			30.082.00	
316 CDI	OM612 DELA	115	156	09/99	>	05/06	25.013.00	24.416.00	30.080.00	53.059.00
with activated carbons / ai carboni attivi	OM612 DELA	115	156	09/99	>	05/06				54.281.00
with water presence sensor / con sensore presenza acqua	OM612 DELA	115	156	09/99	>	05/06	25.013.00	24.006.00	30.080.00	53.059.00
dusty areas / zone polverose	OM612 DELA	115	156	09/99	>	05/06	25.013.00	24.416.00	30.082.00	53.059.00
Sprinter (904)										
408 CDI	OM611 DELA	60	82	09/99	>	05/06	25.013.00	24.416.00	30.080.00	53.059.00
with activated carbons / ai carboni attivi	OM611 DELA	60	82	09/99	>	05/06				54.281.00
with water presence sensor / con sensore presenza acqua	OM611 DELA	60	82	09/99	>	05/06	25.013.00	24.007.00	30.080.00	53.059.00
dusty areas / zone polverose	OM611 DELA	60	82	09/99	>	05/06	25.013.00	24.416.00	30.082.00	53.059.00
410 D	OM602LA29DE	75	102	02/95	>	06/00	25.095.00	24.321.00	30.080.00	53.059.00
with activated carbons / ai carboni attivi	OM602LA29DE	75	102	02/95	>	06/00				54.281.00
dusty areas / zone polverose	OM602LA29DE	75	102	02/95	>	06/00	25.095.00	24.321.00	30.082.00	53.059.00
411 CDI	OM611 DELA	80	109	09/99	>	05/06	25.013.00	24.416.00	30.080.00	53.059.00
with activated carbons / ai carboni attivi	OM611 DELA	80	109	09/99	>	05/06				54.281.00
with water presence sensor / con sensore presenza acqua	OM611 DELA	80	109	09/99	>	05/06	25.013.00	24.007.00	30.080.00	53.059.00
dusty areas / zone polverose	OM611 DELA	80	109	09/99	>	05/06	25.013.00	24.416.00	30.082.00	53.059.00
412 D	OM602LA29DE	90	122	02/95	>	06/00	25.095.00	24.321.00	30.080.00	53.059.00
with activated carbons / ai carboni attivi	OM602LA29DE	90	122	02/95	>	06/00				54.281.00
dusty areas / zone polverose	OM602LA29DE	90	122	02/95	>	06/00	25.095.00	24.321.00	30.082.00	53.059.00
413 CDI	OM611 DELA	95	129	09/99	>	05/06	25.013.00	24.416.00	30.080.00	53.059.00
with activated carbons / ai carboni attivi	OM611 DELA	95	129	09/99	>	05/06				54.281.00
with water presence sensor / con sensore presenza acqua	OM611 DELA	95	129	09/99	>	05/06	25.013.00	24.007.00	30.080.00	53.059.00
dusty areas / zone polverose	OM611 DELA	95	129	09/99	>	05/06	25.013.00	24.416.00	30.082.00	53.059.00
414	M111E23	105	143	01/96	>	05/06	25.162.00	31.583.00	30.080.00	53.059.00
with activated carbons / ai carboni attivi	M111E23	105	143	02/95	>	05/06				54.281.00
dusty areas / zone polverose	M111E23	105	143	02/95	>	05/06			30.082.00	
416 CDI	OM612 DELA	115	156	09/99	>	05/06	25.013.00	24.416.00	30.080.00	53.059.00
with activated carbons / ai carboni attivi	OM612 DELA	115	156	09/99	>	05/06				54.281.00
with water presence sensor / con sensore presenza acqua	OM612 DELA	115	156	09/99	>	05/06	25.013.00	24.006.00	30.080.00	53.059.00
dusty areas / zone polverose	OM612 DELA	115	156	09/99	>	05/06	25.013.00	24.416.00	30.082.00	53.059.00
Sprinter Classic (909)										
308 CDI (RUS)	OM646.701	60	82	09/13	>		25.013.00		30.080.00	53.059.00
with activated carbon air-conditioner / con climatizzatore, ai carboni attivi	OM646.701	60	82	09/13	>					54.281.00
dusty areas / zone polverose	OM646.701	60	82	09/13	>				30.082.00	
408 CDI (RUS)	OM646.701	60	82	09/13	>		25.013.00		30.080.00	53.059.00
dusty areas / zone polverose	OM646.701	60	82	09/13	>				30.082.00	
Sprinter II (906)										
209 CDI	OM646LA	65	88	04/06	>	12/09	25.013.00	24.436.00	30.340.00	
with automatic air-conditioner / con climatizzatore automatico	OM646LA	65	88	04/06	>	12/09				54.161.00
with manual air-conditioner / con climatizzatore manuale	OM646LA	65	88	04/06	>	12/09				53.137.00
with facility for water sensor / con predisposizione per sensore acqua	OM646LA	65	88	04/06	>	12/09		24.107.00		
antibacterial, anti-odour and anti-allergen filter with automatic air-conditioner / filtro antibatterico, antiodori e anti-allergeni con climatizzatore automatico	OM646LA	65	88	04/06	>	12/09				34.161.00
210 CDI	OM651LA	70	95	03/09	>	05/16	25.159.00		30.340.00	
with automatic air-conditioner / con climatizzatore automatico	OM651LA	70	95	03/09	>	05/16				54.161.00
with manual air-conditioner / con climatizzatore manuale	OM651LA	70	95	03/09	>	05/16				53.137.00
with fuel oil heater with water presence sensor / con riscaldatore nafta con sensore presenza acqua	OM651LA	70	95	03/09	>	05/16		24.149.00		
with fuel oil heater without water presence sensor / con riscaldatore nafta senza sensore presenza acqua	OM651LA	70	95	03/09	>	05/16		24.150.00		
with water presence sensor / con sensore presenza acqua	OM651LA	70	95	03/09	>			24.193.00		
antibacterial, anti-odour and anti-allergen filter with automatic air-conditioner / filtro antibatterico, antiodori e anti-allergeni con climatizzatore automatico	OM651LA	70	95	03/09	>	05/16				34.161.00
without fuel oil heater KNECHT-MAHLE / senza riscaldatore nafta KNECHT-MAHLE	OM651LA	70	95	03/09	>	05/16		24.112.00		
without fuel oil heater MANN+HUMMEL / senza riscaldatore nafta MANN+HUMMEL	OM651LA	70	95	03/09	>	05/16		24.077.00		
211 CDI	OM646LA	80	109	04/06	>	12/09	25.013.00	24.436.00	30.340.00	
with automatic air-conditioner / con climatizzatore automatico	OM646LA	80	109	04/06	>	12/09				54.161.00
with manual air-conditioner / con climatizzatore manuale	OM646LA	80	109	04/06	>	12/09				53.137.00
with facility for water sensor / con predisposizione per sensore acqua	OM646LA	80	109	04/06	>	12/09		24.107.00		
antibacterial, anti-odour and anti-allergen filter with automatic air-conditioner / filtro antibatterico, antiodori e anti-allergeni con climatizzatore automatico	OM646LA	80	109	04/06	>	12/09				34.161.00
211 CDI	OM651LA	84	114	06/16	>		25.159.00		30.340.00	
with automatic air-conditioner / con climatizzatore automatico	OM651LA	84	114	06/16	>					54.161.00

...MERCEDES BENZ - commercial vehicles/veicoli commerciali

M



with manual air-conditioner / con climatizzatore manuale	OM651LA	84	114	06/16	>				53.137.00
with air-conditioner, assembly BEHR / con climatizzatore, montaggio BEHR	OM651LA	84	114	06/16	>				53.322.00
with fuel oil heater with water presence sensor / con riscaldatore nafta con sensore presenza acqua	OM651LA	84	114	06/16	>			24.149.00	
with fuel oil heater without water presence sensor / con riscaldatore nafta senza sensore presenza acqua	OM651LA	84	114	06/16	>			24.150.00	
with water presence sensor / con sensore presenza acqua	OM651LA	84	114	06/16	>			24.193.00	
antibacterial, anti-odour and anti-allergen filter with automatic air-conditioner / filtro antibatterico, antiodori e anti-allergeni con climatizzatore automatico	OM651LA	84	114	06/16	>				34.161.00
213 CDI	OM646LA	95	129	04/06	>	04/09	25.013.00	24.436.00	30.340.00
with automatic air-conditioner / con climatizzatore automatico	OM646LA	95	129	04/06	>	04/09			54.161.00
with manual air-conditioner / con climatizzatore manuale	OM646LA	95	129	04/06	>	04/09			53.137.00
with facility for water sensor / con predisposizione per sensore acqua	OM646LA	95	129	04/06	>	04/09		24.107.00	
antibacterial, anti-odour and anti-allergen filter with automatic air-conditioner / filtro antibatterico, antiodori e anti-allergeni con climatizzatore automatico	OM646LA	95	129	04/06	>	04/09			34.161.00
213 CDI	OM651LA	95	129	05/09	>	05/16	25.159.00		30.340.00
with automatic air-conditioner / con climatizzatore automatico	OM651LA	95	129	05/09	>	05/16			54.161.00
with manual air-conditioner / con climatizzatore manuale	OM651LA	95	129	05/09	>	05/16			53.137.00
with fuel oil heater with water presence sensor / con riscaldatore nafta con sensore presenza acqua	OM651LA	95	129	05/09	>	05/16		24.149.00	
with fuel oil heater without water presence sensor / con riscaldatore nafta senza sensore presenza acqua	OM651LA	95	129	05/09	>	05/16		24.150.00	
with water presence sensor / con sensore presenza acqua	OM651LA	95	129	05/09	>			24.193.00	
antibacterial, anti-odour and anti-allergen filter with automatic air-conditioner / filtro antibatterico, antiodori e anti-allergeni con climatizzatore automatico	OM651LA	95	129	05/09	>	05/16			34.161.00
without fuel oil heater MANN+HUMMEL / senza riscaldatore nafta MANN+HUMMEL	OM651LA	95	129	05/09	>	05/16		24.077.00	
214 CDI	OM651LA	84	114	05/18	>		25.159.00		30.340.00
with automatic air-conditioner / con climatizzatore automatico	OM651LA	84	114	05/18	>				54.161.00
with manual air-conditioner / con climatizzatore manuale	OM651LA	84	114	05/18	>				53.137.00
with air-conditioner, assembly BEHR / con climatizzatore, montaggio BEHR	OM651LA	84	114	05/18	>				53.322.00
with fuel oil heater with water presence sensor / con riscaldatore nafta con sensore presenza acqua	OM651LA	84	114	05/18	>			24.149.00	
with fuel oil heater without water presence sensor / con riscaldatore nafta senza sensore presenza acqua	OM651LA	84	114	05/18	>			24.150.00	
with water presence sensor / con sensore presenza acqua	OM651LA	84	114	05/18	>			24.193.00	
antibacterial, anti-odour and anti-allergen filter with automatic air-conditioner / filtro antibatterico, antiodori e anti-allergeni con climatizzatore automatico	OM651LA	84	114	05/18	>				34.161.00
215 CDI	OM646LA	110	150	04/06	>	12/09	25.013.00	24.436.00	30.340.00
with automatic air-conditioner / con climatizzatore automatico	OM646LA	110	150	04/06	>	12/09			54.161.00
with manual air-conditioner / con climatizzatore manuale	OM646LA	110	150	04/06	>	12/09			53.137.00
with facility for water sensor / con predisposizione per sensore acqua	OM646LA	110	150	04/06	>	12/09		24.107.00	
antibacterial, anti-odour and anti-allergen filter with automatic air-conditioner / filtro antibatterico, antiodori e anti-allergeni con climatizzatore automatico	OM646LA	110	150	04/06	>	12/09			34.161.00
216	M271.951	115	156	09/08	>		25.050.00		30.340.00
with automatic air-conditioner / con climatizzatore automatico	M271.951	115	156	09/08	>				54.161.00
with manual air-conditioner / con climatizzatore manuale	M271.951	115	156	09/08	>				53.137.00
antibacterial, anti-odour and anti-allergen filter with automatic air-conditioner / filtro antibatterico, antiodori e anti-allergeni con climatizzatore automatico	M271.951	115	156	09/08	>				34.161.00
216 CDI	OM651LA	120	163	03/09	>		25.159.00		30.340.00
with automatic air-conditioner / con climatizzatore automatico	OM651LA	120	163	03/09	>				54.161.00
with manual air-conditioner / con climatizzatore manuale	OM651LA	120	163	03/09	>				53.137.00
with fuel oil heater with water presence sensor / con riscaldatore nafta con sensore presenza acqua	OM651LA	120	163	03/09	>			24.149.00	
with fuel oil heater without water presence sensor / con riscaldatore nafta senza sensore presenza acqua	OM651LA	120	163	03/09	>			24.150.00	
with water presence sensor / con sensore presenza acqua	OM651LA	120	163	03/09	>			24.193.00	
antibacterial, anti-odour and anti-allergen filter with automatic air-conditioner / filtro antibatterico, antiodori e anti-allergeni con climatizzatore automatico	OM651LA	120	163	03/09	>				34.161.00
without fuel oil heater KNECHT-MAHLE / senza riscaldatore nafta KNECHT-MAHLE	OM651LA	120	163	03/09	>			24.112.00	
without fuel oil heater MANN+HUMMEL / senza riscaldatore nafta MANN+HUMMEL	OM651LA	120	163	03/09	>			24.077.00	
218 CDI V6	OM642LA	135	184	04/06	>		25.069.00	24.436.00	30.340.00
with automatic air-conditioner / con climatizzatore automatico	OM642LA	135	184	04/06	>				54.161.00
with manual air-conditioner / con climatizzatore manuale	OM642LA	135	184	04/06	>				53.137.00
with water presence sensor / con sensore presenza acqua	OM642LA	135	184	04/06	>			24.107.00	
antibacterial, anti-odour and anti-allergen filter with automatic air-conditioner / filtro antibatterico, antiodori e anti-allergeni con climatizzatore automatico	OM642LA	135	184	04/06	>				34.161.00
219 CDI V6	OM642LA	140	190	05/09	>		25.069.00		30.340.00
with automatic air-conditioner / con climatizzatore automatico	OM642LA	140	190	05/09	>				54.161.00
with manual air-conditioner / con climatizzatore manuale	OM642LA	140	190	05/09	>				53.137.00
antibacterial, anti-odour and anti-allergen filter with automatic air-conditioner / filtro antibatterico, antiodori e anti-allergeni con climatizzatore automatico	OM642LA	140	190	05/09	>				34.161.00
without fuel oil heater KNECHT-MAHLE / senza riscaldatore nafta KNECHT-MAHLE	OM642LA	140	190	05/09	>			24.112.00	
without fuel oil heater MANN+HUMMEL / senza riscaldatore nafta MANN+HUMMEL	OM642LA	140	190	05/09	>			24.077.00	
224 V6	M272E35	190	258	04/06	>		25.002.00		30.340.00
with automatic air-conditioner / con climatizzatore automatico	M272E35	190	258	04/06	>				54.161.00
with manual air-conditioner / con climatizzatore manuale	M272E35	190	258	04/06	>				53.137.00
antibacterial, anti-odour and anti-allergen filter with automatic air-conditioner / filtro antibatterico, antiodori e anti-allergeni con climatizzatore automatico	M272E35	190	258	04/06	>				34.161.00
309 CDI	OM646LA	65	88	04/06	>		25.013.00	24.436.00	30.340.00
with automatic air-conditioner / con climatizzatore automatico	OM646LA	65	88	04/06	>				54.161.00
with manual air-conditioner / con climatizzatore manuale	OM646LA	65	88	04/06	>				53.137.00
with facility for water sensor / con predisposizione per sensore acqua	OM646LA	65	88	04/06	>			24.107.00	
antibacterial, anti-odour and anti-allergen filter with automatic air-conditioner / filtro antibatterico, antiodori e anti-allergeni con climatizzatore automatico	OM646LA	65	88	04/06	>				34.161.00
310 CDI	OM651LA	70	95	03/09	>		25.159.00		30.340.00
with automatic air-conditioner / con climatizzatore automatico	OM651LA	70	95	03/09	>				54.161.00

...MERCEDES BENZ - commercial vehicles/veicoli commerciali

with manual air-conditioner / con climatizzatore manuale	OM651LA	70	95	03/09	>				53.137.00
with fuel oil heater with water presence sensor / con riscaldatore nafta con sensore presenza acqua	OM651LA	70	95	03/09	>		24.149.00		
with fuel oil heater without water presence sensor / con riscaldatore nafta senza sensore presenza acqua	OM651LA	70	95	03/09	>		24.150.00		
with water presence sensor / con sensore presenza acqua	OM651LA	70	95	03/09	>		24.193.00		
antibacterial, anti-odour and anti-allergen filter with automatic air-conditioner / filtro antibatterico, antiodori e anti-allergeni con climatizzatore automatico	OM651LA	70	95	03/09	>				34.161.00
without fuel oil heater KNECHT-MAHLE / senza riscaldatore nafta KNECHT-MAHLE	OM651LA	70	95	03/09	>		24.112.00		
without fuel oil heater MANN+HUMMEL / senza riscaldatore nafta MANN+HUMMEL	OM651LA	70	95	03/09	>		24.077.00		
311 CDI	OM646LA	80	109	04/06	>	25.013.00	24.436.00	30.340.00	
with automatic air-conditioner / con climatizzatore automatico	OM646LA	80	109	04/06	>				54.161.00
with manual air-conditioner / con climatizzatore manuale	OM646LA	80	109	04/06	>				53.137.00
with facility for water sensor / con predisposizione per sensore acqua	OM646LA	80	109	04/06	>		24.107.00		
antibacterial, anti-odour and anti-allergen filter with automatic air-conditioner / filtro antibatterico, antiodori e anti-allergeni con climatizzatore automatico	OM646LA	80	109	04/06	>				34.161.00
311 CDI	OM651LA	84	114	05/18	>	25.159.00		30.340.00	
with automatic air-conditioner / con climatizzatore automatico	OM651LA	84	114	05/18	>				54.161.00
with manual air-conditioner / con climatizzatore manuale	OM651LA	84	114	05/18	>				53.137.00
with air-conditioner, assembly BEHR / con climatizzatore, montaggio BEHR	OM651LA	84	114	05/18	>				53.322.00
with fuel oil heater with water presence sensor / con riscaldatore nafta con sensore presenza acqua	OM651LA	84	114	05/18	>		24.149.00		
with fuel oil heater without water presence sensor / con riscaldatore nafta senza sensore presenza acqua	OM651LA	84	114	05/18	>		24.150.00		
with water presence sensor / con sensore presenza acqua	OM651LA	84	114	05/18	>		24.193.00		
antibacterial, anti-odour and anti-allergen filter with automatic air-conditioner / filtro antibatterico, antiodori e anti-allergeni con climatizzatore automatico	OM651LA	84	114	05/18	>				34.161.00
313 CDI	OM646LA	95	129	04/06	> 04/09	25.013.00	24.436.00	30.340.00	
with automatic air-conditioner / con climatizzatore automatico	OM646LA	95	129	04/06	> 04/09				54.161.00
with manual air-conditioner / con climatizzatore manuale	OM646LA	95	129	04/06	> 04/09				53.137.00
with facility for water sensor / con predisposizione per sensore acqua	OM646LA	95	129	04/06	> 04/09		24.107.00		
antibacterial, anti-odour and anti-allergen filter with automatic air-conditioner / filtro antibatterico, antiodori e anti-allergeni con climatizzatore automatico	OM646LA	95	129	04/06	> 04/09				34.161.00
313 CDI	OM651LA	95	129	05/09	>	25.159.00		30.340.00	
with automatic air-conditioner / con climatizzatore automatico	OM651LA	95	129	05/09	>				54.161.00
with manual air-conditioner / con climatizzatore manuale	OM651LA	95	129	05/09	>				53.137.00
with fuel oil heater with water presence sensor / con riscaldatore nafta con sensore presenza acqua	OM651LA	95	129	05/09	>		24.149.00		
with fuel oil heater without water presence sensor / con riscaldatore nafta senza sensore presenza acqua	OM651LA	95	129	05/09	>		24.150.00		
with water presence sensor / con sensore presenza acqua	OM651LA	95	129	05/09	>		24.193.00		
antibacterial, anti-odour and anti-allergen filter with automatic air-conditioner / filtro antibatterico, antiodori e anti-allergeni con climatizzatore automatico	OM651LA	95	129	05/09	>				34.161.00
without fuel oil heater MANN+HUMMEL / senza riscaldatore nafta MANN+HUMMEL	OM651LA	95	129	05/09	>		24.077.00		
314 CDI	OM651LA	84	114	05/18	>	25.159.00		30.340.00	
with automatic air-conditioner / con climatizzatore automatico	OM651LA	84	114	05/18	>				54.161.00
with manual air-conditioner / con climatizzatore manuale	OM651LA	84	114	05/18	>				53.137.00
with air-conditioner, assembly BEHR / con climatizzatore, montaggio BEHR	OM651LA	84	114	05/18	>				53.322.00
with fuel oil heater with water presence sensor / con riscaldatore nafta con sensore presenza acqua	OM651LA	84	114	05/18	>		24.149.00		
with fuel oil heater without water presence sensor / con riscaldatore nafta senza sensore presenza acqua	OM651LA	84	114	05/18	>		24.150.00		
with water presence sensor / con sensore presenza acqua	OM651LA	84	114	05/18	>		24.193.00		
antibacterial, anti-odour and anti-allergen filter with automatic air-conditioner / filtro antibatterico, antiodori e anti-allergeni con climatizzatore automatico	OM651LA	84	114	05/18	>				34.161.00
315 CDI	OM646LA	110	150	04/06	>	25.013.00	24.436.00	30.340.00	
with automatic air-conditioner / con climatizzatore automatico	OM646LA	110	150	04/06	>				54.161.00
with manual air-conditioner / con climatizzatore manuale	OM646LA	110	150	04/06	>				53.137.00
with facility for water sensor / con predisposizione per sensore acqua	OM646LA	110	150	04/06	>		24.107.00		
antibacterial, anti-odour and anti-allergen filter with automatic air-conditioner / filtro antibatterico, antiodori e anti-allergeni con climatizzatore automatico	OM646LA	110	150	04/06	>				34.161.00
316 CDI	OM651LA	120	163	03/09	>	25.159.00		30.340.00	
with automatic air-conditioner / con climatizzatore automatico	OM651LA	120	163	03/09	>				54.161.00
with manual air-conditioner / con climatizzatore manuale	OM651LA	120	163	03/09	>				53.137.00
with fuel oil heater with water presence sensor / con riscaldatore nafta con sensore presenza acqua	OM651LA	120	163	03/09	>		24.149.00		
with fuel oil heater without water presence sensor / con riscaldatore nafta senza sensore presenza acqua	OM651LA	120	163	03/09	>		24.150.00		
with water presence sensor / con sensore presenza acqua	OM651LA	120	163	03/09	>		24.193.00		
antibacterial, anti-odour and anti-allergen filter with automatic air-conditioner / filtro antibatterico, antiodori e anti-allergeni con climatizzatore automatico	OM651LA	120	163	03/09	>				34.161.00
without fuel oil heater KNECHT-MAHLE / senza riscaldatore nafta KNECHT-MAHLE	OM651LA	120	163	03/09	>		24.112.00		
without fuel oil heater MANN+HUMMEL / senza riscaldatore nafta MANN+HUMMEL	OM651LA	120	163	03/09	>		24.077.00		
316 NGT	M271.951	115	156	05/08	>	25.050.00		30.340.00	
with automatic air-conditioner / con climatizzatore automatico	M271.951	115	156	05/08	>				54.161.00
with manual air-conditioner / con climatizzatore manuale	M271.951	115	156	05/08	>				53.137.00
antibacterial, anti-odour and anti-allergen filter with automatic air-conditioner / filtro antibatterico, antiodori e anti-allergeni con climatizzatore automatico	M271.951	115	156	05/08	>				34.161.00
318 CDI V6	OM642LA	135	184	04/06	>	25.069.00	24.436.00	30.340.00	
with automatic air-conditioner / con climatizzatore automatico	OM642LA	135	184	04/06	>				54.161.00
with manual air-conditioner / con climatizzatore manuale	OM642LA	135	184	04/06	>				53.137.00
with water presence sensor / con sensore presenza acqua	OM642LA	135	184	04/06	>		24.107.00		
antibacterial, anti-odour and anti-allergen filter with automatic air-conditioner / filtro antibatterico, antiodori e anti-allergeni con climatizzatore automatico	OM642LA	135	184	04/06	>				34.161.00
319 CDI V6	OM642LA	140	190	05/09	>	25.069.00		30.340.00	
with automatic air-conditioner / con climatizzatore automatico	OM642LA	140	190	05/09	>				54.161.00
with manual air-conditioner / con climatizzatore manuale	OM642LA	140	190	05/09	>				53.137.00

...MERCEDES BENZ - commercial vehicles/veicoli commerciali

antibacterial, anti-odour and anti-allergen filter with automatic air-conditioner / filtro antibatterico, antiodori e anti-allergeni con climatizzatore automatico	OM642LA	140	190	05/09	>				34.161.00
without fuel oil heater KNECHT-MAHLE / senza riscaldatore nafta KNECHT-MAHLE	OM642LA	140	190	05/09	>		24.112.00		
without fuel oil heater MANN+HUMMEL / senza riscaldatore nafta MANN+HUMMEL	OM642LA	140	190	05/09	>		24.077.00		
324 V6	M272E35	190	258	04/06	>	25.002.00		30.340.00	
with automatic air-conditioner / con climatizzatore automatico	M272E35	190	258	04/06	>				54.161.00
with manual air-conditioner / con climatizzatore manuale	M272E35	190	258	04/06	>				53.137.00
antibacterial, anti-odour and anti-allergen filter with automatic air-conditioner / filtro antibatterico, antiodori e anti-allergeni con climatizzatore automatico	M272E35	190	258	04/06	>				34.161.00
410 CDI	OM651LA	70	95	03/09	>	25.159.00		30.340.00	
with automatic air-conditioner / con climatizzatore automatico	OM651LA	70	95	03/09	>				54.161.00
with manual air-conditioner / con climatizzatore manuale	OM651LA	70	95	03/09	>				53.137.00
with fuel oil heater with water presence sensor / con riscaldatore nafta con sensore presenza acqua	OM651LA	70	95	03/09	>		24.149.00		
with fuel oil heater without water presence sensor / con riscaldatore nafta senza sensore presenza acqua	OM651LA	70	95	03/09	>		24.150.00		
antibacterial, anti-odour and anti-allergen filter with automatic air-conditioner / filtro antibatterico, antiodori e anti-allergeni con climatizzatore automatico	OM651LA	70	95	03/09	>				34.161.00
without fuel oil heater KNECHT-MAHLE / senza riscaldatore nafta KNECHT-MAHLE	OM651LA	70	95	03/09	>		24.112.00		
without fuel oil heater MANN+HUMMEL / senza riscaldatore nafta MANN+HUMMEL	OM651LA	70	95	03/09	>		24.077.00		
411 CDI	OM646LA	80	109	04/06	>	25.013.00	24.436.00	30.340.00	
with automatic air-conditioner / con climatizzatore automatico	OM646LA	80	109	04/06	>				54.161.00
with manual air-conditioner / con climatizzatore manuale	OM646LA	80	109	04/06	>				53.137.00
with facility for water sensor / con predisposizione per sensore acqua	OM646LA	80	109	04/06	>		24.107.00		
antibacterial, anti-odour and anti-allergen filter with automatic air-conditioner / filtro antibatterico, antiodori e anti-allergeni con climatizzatore automatico	OM646LA	80	109	04/06	>				34.161.00
413 CDI	OM651LA	95	129	05/09	>	25.159.00		30.340.00	
with automatic air-conditioner / con climatizzatore automatico	OM651LA	95	129	05/09	>				54.161.00
with manual air-conditioner / con climatizzatore manuale	OM651LA	95	129	05/09	>				53.137.00
with fuel oil heater with water presence sensor / con riscaldatore nafta con sensore presenza acqua	OM651LA	95	129	05/09	>		24.149.00		
with fuel oil heater without water presence sensor / con riscaldatore nafta senza sensore presenza acqua	OM651LA	95	129	05/09	>		24.150.00		
with water presence sensor / con sensore presenza acqua	OM651LA	95	129	05/09	>		24.193.00		
antibacterial, anti-odour and anti-allergen filter with automatic air-conditioner / filtro antibatterico, antiodori e anti-allergeni con climatizzatore automatico	OM651LA	95	129	05/09	>				34.161.00
without fuel oil heater MANN+HUMMEL / senza riscaldatore nafta MANN+HUMMEL	OM651LA	95	129	05/09	>		24.077.00		
414 CDI	OM651LA	105	143	05/18	>	25.159.00		30.340.00	
with automatic air-conditioner / con climatizzatore automatico	OM651LA	105	143	05/18	>				54.161.00
with manual air-conditioner / con climatizzatore manuale	OM651LA	105	143	05/18	>				53.137.00
with air-conditioner, assembly BEHR / con climatizzatore, montaggio BEHR	OM651LA	105	143	05/18	>				53.322.00
with fuel oil heater with water presence sensor / con riscaldatore nafta con sensore presenza acqua	OM651LA	105	143	05/18	>		24.149.00		
with fuel oil heater without water presence sensor / con riscaldatore nafta senza sensore presenza acqua	OM651LA	105	143	05/18	>		24.150.00		
with water presence sensor / con sensore presenza acqua	OM651LA	105	143	05/18	>		24.193.00		
antibacterial, anti-odour and anti-allergen filter with automatic air-conditioner / filtro antibatterico, antiodori e anti-allergeni con climatizzatore automatico	OM651LA	105	143	05/18	>				34.161.00
415 CDI	OM646LA	110	150	04/06	>	25.013.00	24.436.00	30.340.00	
with automatic air-conditioner / con climatizzatore automatico	OM646LA	110	150	04/06	>				54.161.00
with manual air-conditioner / con climatizzatore manuale	OM646LA	110	150	04/06	>				53.137.00
with facility for water sensor / con predisposizione per sensore acqua	OM646LA	110	150	04/06	>		24.107.00		
antibacterial, anti-odour and anti-allergen filter with automatic air-conditioner / filtro antibatterico, antiodori e anti-allergeni con climatizzatore automatico	OM646LA	110	150	04/06	>				34.161.00
416 CDI	OM651LA	120	163	05/09	>	25.159.00		30.340.00	
with automatic air-conditioner / con climatizzatore automatico	OM651LA	120	163	05/09	>				54.161.00
with manual air-conditioner / con climatizzatore manuale	OM651LA	120	163	05/09	>				53.137.00
with fuel oil heater with water presence sensor / con riscaldatore nafta con sensore presenza acqua	OM651LA	120	163	05/09	>		24.149.00		
with fuel oil heater without water presence sensor / con riscaldatore nafta senza sensore presenza acqua	OM651LA	120	163	05/09	>		24.150.00		
with water presence sensor / con sensore presenza acqua	OM651LA	120	163	05/09	>		24.193.00		
antibacterial, anti-odour and anti-allergen filter with automatic air-conditioner / filtro antibatterico, antiodori e anti-allergeni con climatizzatore automatico	OM651LA	120	163	05/09	>				34.161.00
without fuel oil heater KNECHT-MAHLE / senza riscaldatore nafta KNECHT-MAHLE	OM651LA	120	163	05/09	>		24.112.00		
without fuel oil heater MANN+HUMMEL / senza riscaldatore nafta MANN+HUMMEL	OM651LA	120	163	05/09	>		24.077.00		
418 CDI V6	OM642LA	135	184	04/06	>	25.069.00	24.436.00	30.340.00	
with automatic air-conditioner / con climatizzatore automatico	OM642LA	135	184	04/06	>				54.161.00
with manual air-conditioner / con climatizzatore manuale	OM642LA	135	184	04/06	>				53.137.00
with water presence sensor / con sensore presenza acqua	OM642LA	135	184	04/06	>		24.107.00		
antibacterial, anti-odour and anti-allergen filter with automatic air-conditioner / filtro antibatterico, antiodori e anti-allergeni con climatizzatore automatico	OM642LA	135	184	04/06	>				34.161.00
419 CDI V6	OM642LA	140	190	05/09	>	25.069.00		30.340.00	
with automatic air-conditioner / con climatizzatore automatico	OM642LA	140	190	05/09	>				54.161.00
with manual air-conditioner / con climatizzatore manuale	OM642LA	140	190	05/09	>				53.137.00
with fuel oil heater with water presence sensor / con riscaldatore nafta con sensore presenza acqua	OM642LA	140	190	05/09	>		24.149.00		
with fuel oil heater without water presence sensor / con riscaldatore nafta senza sensore presenza acqua	OM642LA	140	190	05/09	>		24.150.00		
antibacterial, anti-odour and anti-allergen filter with automatic air-conditioner / filtro antibatterico, antiodori e anti-allergeni con climatizzatore automatico	OM642LA	140	190	05/09	>				34.161.00
without fuel oil heater KNECHT-MAHLE / senza riscaldatore nafta KNECHT-MAHLE	OM642LA	140	190	05/09	>		24.112.00		
without fuel oil heater MANN+HUMMEL / senza riscaldatore nafta MANN+HUMMEL	OM642LA	140	190	05/09	>		24.077.00		
424 V6	M272E35	190	258	04/06	>	25.002.00		30.340.00	
with automatic air-conditioner / con climatizzatore automatico	M272E35	190	258	04/06	>				54.161.00
with manual air-conditioner / con climatizzatore manuale	M272E35	190	258	04/06	>				53.137.00
antibacterial, anti-odour and anti-allergen filter with automatic air-conditioner / filtro antibatterico, antiodori e anti-allergeni con climatizzatore automatico	M272E35	190	258	04/06	>				34.161.00

...MERCEDES BENZ - commercial vehicles/veicoli commerciali

509 CDI	OM646LA	65	88	04/06	>	25.013.00	24.436.00	30.340.00	
with automatic air-conditioner / con climatizzatore automatico	OM646LA	65	88	04/06	>				54.161.00
with manual air-conditioner / con climatizzatore manuale	OM646LA	65	88	04/06	>				53.137.00
with facility for water sensor / con predisposizione per sensore acqua	OM646LA	65	88	04/06	>		24.107.00		
antibacterial, anti-odour and anti-allergen filter with automatic air-conditioner / filtro antibatterico, antiodori e anti-allergeni con climatizzatore automatico	OM646LA	65	88	04/06	>				34.161.00
510 CDI	OM651LA	70	95	03/09	>	25.159.00		30.340.00	
with automatic air-conditioner / con climatizzatore automatico	OM651LA	70	95	03/09	>				54.161.00
with manual air-conditioner / con climatizzatore manuale	OM651LA	70	95	03/09	>				53.137.00
with fuel oil heater with water presence sensor / con riscaldatore nafta con sensore presenza acqua	OM651LA	70	95	03/09	>		24.149.00		
with fuel oil heater without water presence sensor / con riscaldatore nafta senza sensore presenza acqua	OM651LA	70	95	03/09	>		24.150.00		
antibacterial, anti-odour and anti-allergen filter with automatic air-conditioner / filtro antibatterico, antiodori e anti-allergeni con climatizzatore automatico	OM651LA	70	95	03/09	>				34.161.00
without fuel oil heater KNECHT-MAHLE / senza riscaldatore nafta KNECHT-MAHLE	OM651LA	70	95	03/09	>		24.112.00		
without fuel oil heater MANN+HUMMEL / senza riscaldatore nafta MANN+HUMMEL	OM651LA	70	95	03/09	>		24.077.00		
511 CDI	OM646LA	80	109	04/06	>	25.013.00	24.436.00	30.340.00	
with automatic air-conditioner / con climatizzatore automatico	OM646LA	80	109	04/06	>				54.161.00
with manual air-conditioner / con climatizzatore manuale	OM646LA	80	109	04/06	>				53.137.00
with facility for water sensor / con predisposizione per sensore acqua	OM646LA	80	109	04/06	>		24.107.00		
antibacterial, anti-odour and anti-allergen filter with automatic air-conditioner / filtro antibatterico, antiodori e anti-allergeni con climatizzatore automatico	OM646LA	80	109	04/06	>				34.161.00
511 CDI	OM651LA	84	114	05/18	>	25.159.00		30.340.00	
with automatic air-conditioner / con climatizzatore automatico	OM651LA	84	114	05/18	>				54.161.00
with manual air-conditioner / con climatizzatore manuale	OM651LA	84	114	05/18	>				53.137.00
with air-conditioner, assembly BEHR / con climatizzatore, montaggio BEHR	OM651LA	84	114	05/18	>				53.322.00
with fuel oil heater with water presence sensor / con riscaldatore nafta con sensore presenza acqua	OM651LA	84	114	05/18	>		24.149.00		
with fuel oil heater without water presence sensor / con riscaldatore nafta senza sensore presenza acqua	OM651LA	84	114	05/18	>		24.150.00		
with water presence sensor / con sensore presenza acqua	OM651LA	84	114	05/18	>		24.193.00		
antibacterial, anti-odour and anti-allergen filter with automatic air-conditioner / filtro antibatterico, antiodori e anti-allergeni con climatizzatore automatico	OM651LA	84	114	05/18	>				34.161.00
513 CDI	OM646LA	95	129	04/06	> 04/09	25.013.00	24.436.00	30.340.00	
with automatic air-conditioner / con climatizzatore automatico	OM646LA	95	129	04/06	> 04/09				54.161.00
with manual air-conditioner / con climatizzatore manuale	OM646LA	95	129	04/06	> 04/09				53.137.00
with facility for water sensor / con predisposizione per sensore acqua	OM646LA	95	129	04/06	> 04/09		24.107.00		
antibacterial, anti-odour and anti-allergen filter with automatic air-conditioner / filtro antibatterico, antiodori e anti-allergeni con climatizzatore automatico	OM646LA	95	129	04/06	> 04/09				34.161.00
513 CDI	OM651LA	95	129	05/09	>	25.159.00		30.340.00	
with automatic air-conditioner / con climatizzatore automatico	OM651LA	95	129	05/09	>				54.161.00
with manual air-conditioner / con climatizzatore manuale	OM651LA	95	129	05/09	>				53.137.00
with fuel oil heater with water presence sensor / con riscaldatore nafta con sensore presenza acqua	OM651LA	95	129	05/09	>		24.149.00		
with fuel oil heater without water presence sensor / con riscaldatore nafta senza sensore presenza acqua	OM651LA	95	129	05/09	>		24.150.00		
with water presence sensor / con sensore presenza acqua	OM651LA	95	129	05/09	>		24.193.00		
antibacterial, anti-odour and anti-allergen filter with automatic air-conditioner / filtro antibatterico, antiodori e anti-allergeni con climatizzatore automatico	OM651LA	95	129	05/09	>				34.161.00
without fuel oil heater MANN+HUMMEL / senza riscaldatore nafta MANN+HUMMEL	OM651LA	95	129	05/09	>		24.077.00		
514 CDI	OM651LA	105	143	05/18	>	25.159.00		30.340.00	
with automatic air-conditioner / con climatizzatore automatico	OM651LA	105	143	05/18	>				54.161.00
with manual air-conditioner / con climatizzatore manuale	OM651LA	105	143	05/18	>				53.137.00
with air-conditioner, assembly BEHR / con climatizzatore, montaggio BEHR	OM651LA	105	143	05/18	>				53.322.00
with fuel oil heater with water presence sensor / con riscaldatore nafta con sensore presenza acqua	OM651LA	105	143	05/18	>		24.149.00		
with fuel oil heater without water presence sensor / con riscaldatore nafta senza sensore presenza acqua	OM651LA	105	143	05/18	>		24.150.00		
with water presence sensor / con sensore presenza acqua	OM651LA	105	143	05/18	>		24.193.00		
antibacterial, anti-odour and anti-allergen filter with automatic air-conditioner / filtro antibatterico, antiodori e anti-allergeni con climatizzatore automatico	OM651LA	105	143	05/18	>				34.161.00
515 CDI	OM646LA	110	150	04/06	>	25.013.00	24.436.00	30.340.00	
with automatic air-conditioner / con climatizzatore automatico	OM646LA	110	150	04/06	>				54.161.00
with manual air-conditioner / con climatizzatore manuale	OM646LA	110	150	04/06	>				53.137.00
with facility for water sensor / con predisposizione per sensore acqua	OM646LA	110	150	04/06	>		24.107.00		
antibacterial, anti-odour and anti-allergen filter with automatic air-conditioner / filtro antibatterico, antiodori e anti-allergeni con climatizzatore automatico	OM646LA	110	150	04/06	>				34.161.00
516 CDI	OM651LA	120	163	03/09	>	25.159.00		30.340.00	
with automatic air-conditioner / con climatizzatore automatico	OM651LA	120	163	03/09	>				54.161.00
with manual air-conditioner / con climatizzatore manuale	OM651LA	120	163	03/09	>				53.137.00
with fuel oil heater with water presence sensor / con riscaldatore nafta con sensore presenza acqua	OM651LA	120	163	03/09	>		24.149.00		
with fuel oil heater without water presence sensor / con riscaldatore nafta senza sensore presenza acqua	OM651LA	120	163	03/09	>		24.150.00		
antibacterial, anti-odour and anti-allergen filter with automatic air-conditioner / filtro antibatterico, antiodori e anti-allergeni con climatizzatore automatico	OM651LA	120	163	03/09	>				34.161.00
without fuel oil heater KNECHT-MAHLE / senza riscaldatore nafta KNECHT-MAHLE	OM651LA	120	163	03/09	>		24.112.00		
without fuel oil heater MANN+HUMMEL / senza riscaldatore nafta MANN+HUMMEL	OM651LA	120	163	03/09	>		24.077.00		
516 NGT	M271.951	115	156	05/08	>	25.050.00		30.340.00	
with automatic air-conditioner / con climatizzatore automatico	M271.951	115	156	05/08	>				54.161.00
with manual air-conditioner / con climatizzatore manuale	M271.951	115	156	05/08	>				53.137.00
antibacterial, anti-odour and anti-allergen filter with automatic air-conditioner / filtro antibatterico, antiodori e anti-allergeni con climatizzatore automatico	M271.951	115	156	05/08	>				34.161.00
518 CDI V6	OM642LA	135	184	04/06	>	25.069.00	24.436.00	30.340.00	
with automatic air-conditioner / con climatizzatore automatico	OM642LA	135	184	04/06	>				54.161.00
with manual air-conditioner / con climatizzatore manuale	OM642LA	135	184	04/06	>				53.137.00

...MERCEDES BENZ - commercial vehicles/veicoli commerciali

M



with water presence sensor / con sensore presenza acqua	OM642LA	135	184	04/06	>		24.107.00		
antibacterial, anti-odour and anti-allergen filter with automatic air-conditioner / filtro antibatterico, antiodori e anti-allergeni con climatizzatore automatico	OM642LA	135	184	04/06	>				34.161.00
519 CDI V6	OM642LA	140	190	05/09	>	25.069.00		30.340.00	
with automatic air-conditioner / con climatizzatore automatico	OM642LA	140	190	05/09	>				54.161.00
with manual air-conditioner / con climatizzatore manuale	OM642LA	140	190	05/09	>				53.137.00
antibacterial, anti-odour and anti-allergen filter with automatic air-conditioner / filtro antibatterico, antiodori e anti-allergeni con climatizzatore automatico	OM642LA	140	190	05/09	>				34.161.00
without fuel oil heater KNECHT-MAHLE / senza riscaldatore nafta KNECHT-MAHLE	OM642LA	140	190	05/09	>		24.112.00		
without fuel oil heater MANN+HUMMEL / senza riscaldatore nafta MANN+HUMMEL	OM642LA	140	190	05/09	>		24.077.00		
524 V6	M272E35	190	258	04/06	>	25.002.00		30.340.00	
with automatic air-conditioner / con climatizzatore automatico	M272E35	190	258	04/06	>				54.161.00
with manual air-conditioner / con climatizzatore manuale	M272E35	190	258	04/06	>				53.137.00
antibacterial, anti-odour and anti-allergen filter with automatic air-conditioner / filtro antibatterico, antiodori e anti-allergeni con climatizzatore automatico	M272E35	190	258	04/06	>				34.161.00

Sprinter III (907)

211 CDI (RWD)	OM651	84	114	02/18	>	25.159.00	24.194.00	30.340.00	
with connection for water suction / con collegamento per aspirazione acqua	OM651	84	114	02/18	>		24.193.00		
214 CDI (RWD)	OM651	105	143	02/18	>	25.159.00	24.194.00	30.340.00	
with connection for water suction / con collegamento per aspirazione acqua	OM651	105	143	02/18	>		24.193.00		
216 CDI (RWD)	OM651	120	163	02/18	>	25.159.00	24.194.00	30.340.00	
with connection for water suction / con collegamento per aspirazione acqua	OM651	120	163	02/18	>		24.193.00		
219 CDI (RWD)	OM642	140	190	02/18	>	25.069.00	24.148.00	30.340.00	
311 CDI (RWD)	OM651	84	114	02/18	>	25.159.00	24.194.00	30.340.00	
with connection for water suction / con collegamento per aspirazione acqua	OM651	84	114	02/18	>		24.193.00		
314 CDI (RWD)	OM651	105	143	02/18	>	25.159.00	24.194.00	30.340.00	
with connection for water suction / con collegamento per aspirazione acqua	OM651	105	143	02/18	>		24.193.00		
316 CDI (RWD)	OM651	120	163	02/18	>	25.159.00	24.194.00	30.340.00	
with connection for water suction / con collegamento per aspirazione acqua	OM651	120	163	02/18	>		24.193.00		
319 CDI (RWD)	OM642	140	190	02/18	>	25.069.00	24.148.00	30.340.00	
411 CDI (RWD)	OM651	84	114	02/18	>	25.159.00	24.194.00	30.340.00	
with connection for water suction / con collegamento per aspirazione acqua	OM651	84	114	02/18	>		24.193.00		
414 CDI (RWD)	OM651	105	143	02/18	>	25.159.00	24.194.00	30.340.00	
with connection for water suction / con collegamento per aspirazione acqua	OM651	105	143	02/18	>		24.193.00		
416 CDI (RWD)	OM651	120	163	02/18	>	25.159.00	24.194.00	30.340.00	
with connection for water suction / con collegamento per aspirazione acqua	OM651	120	163	02/18	>		24.193.00		
419 CDI (RWD)	OM642	140	190	02/18	>	25.069.00	24.148.00	30.340.00	
511 CDI (RWD)	OM651	84	114	02/18	>	25.159.00	24.194.00	30.340.00	
with connection for water suction / con collegamento per aspirazione acqua	OM651	84	114	02/18	>		24.193.00		
514 CDI (RWD)	OM651	105	143	02/18	>	25.159.00	24.194.00	30.340.00	
with connection for water suction / con collegamento per aspirazione acqua	OM651	105	143	02/18	>		24.193.00		
516 CDI (RWD)	OM651	120	163	02/18	>	25.159.00	24.194.00	30.340.00	
with connection for water suction / con collegamento per aspirazione acqua	OM651	120	163	02/18	>		24.193.00		
519 CDI (RWD)	OM642	140	190	02/18	>	25.069.00	24.148.00	30.340.00	

Sprinter III (910)

211 CDI (FWD)	OM651	84	114	05/18	>	25.159.00	24.194.00		
with connection for water suction / con collegamento per aspirazione acqua	OM651	84	114	05/18	>		24.193.00		
214 CDI (FWD)	OM651	105	143	05/18	>	25.159.00	24.194.00		
with connection for water suction / con collegamento per aspirazione acqua	OM651	105	143	05/18	>		24.193.00		
216 CDI (FWD)	OM651	120	163	05/18	>	25.159.00	24.194.00		
with connection for water suction / con collegamento per aspirazione acqua	OM651	120	163	05/18	>		24.193.00		
219 CDI (FWD)	OM642	140	190	05/18	>	25.069.00	24.148.00		
311 CDI (FWD)	OM651	84	114	05/18	>	25.159.00	24.194.00		
with connection for water suction / con collegamento per aspirazione acqua	OM651	84	114	05/18	>		24.193.00		
314 CDI (FWD)	OM651	105	143	05/18	>	25.159.00	24.194.00		
with connection for water suction / con collegamento per aspirazione acqua	OM651	105	143	05/18	>		24.193.00		
316 CDI (FWD)	OM651	120	163	05/18	>	25.159.00	24.194.00		
with connection for water suction / con collegamento per aspirazione acqua	OM651	120	163	05/18	>		24.193.00		
319 CDI (FWD)	OM642	140	190	05/18	>	25.069.00	24.148.00		
411 CDI (FWD)	OM651	84	114	05/18	>	25.159.00	24.194.00		
with connection for water suction / con collegamento per aspirazione acqua	OM651	84	114	05/18	>		24.193.00		
414 CDI (FWD)	OM651	105	143	05/18	>	25.159.00	24.194.00		
with connection for water suction / con collegamento per aspirazione acqua	OM651	105	143	05/18	>		24.193.00		
416 CDI (FWD)	OM651	120	163	05/18	>	25.159.00	24.194.00		
with connection for water suction / con collegamento per aspirazione acqua	OM651	120	163	05/18	>		24.193.00		
419 CDI (FWD)	OM642	140	190	05/18	>	25.069.00	24.148.00		
511 CDI (FWD)	OM651	84	114	05/18	>	25.159.00	24.194.00		
with connection for water suction / con collegamento per aspirazione acqua	OM651	84	114	05/18	>		24.193.00		
514 CDI (FWD)	OM651	105	143	05/18	>	25.159.00	24.194.00		
with connection for water suction / con collegamento per aspirazione acqua	OM651	105	143	05/18	>		24.193.00		

...MERCEDES BENZ - commercial vehicles/veicoli commerciali

516 CDI (FWD)	OM651	120	163	05/18	>	25.159.00	24.194.00			
with connection for water suction / con collegamento per aspirazione acqua	OM651	120	163	05/18	>		24.193.00			
519 CDI (FWD)	OM642	140	190	05/18	>	25.069.00	24.148.00			
Vito I (638)										
108 CDI	OM611			01/99	>	10/03	25.013.00	24.416.00	30.080.00	53.114.00
with water presence sensor / con sensore presenza acqua	OM611			01/99	>	10/03	25.013.00	24.007.00	30.080.00	53.114.00
108 D (2.3)	OM601D23 (OM601.942)			12/95	>	10/03	25.095.00	24.321.00	30.086.00	53.114.00
110 CDI	OM611			01/99	>	10/03	25.013.00	24.416.00	30.080.00	53.114.00
with water presence sensor / con sensore presenza acqua	OM611			01/99	>	10/03	25.013.00	24.007.00	30.080.00	53.114.00
110 D (2.3)	OM601LAD23 (OM601.970)			12/95	>	10/03	25.095.00	24.321.00	30.086.00	53.114.00
112 CDI	OM611			01/99	>	10/03	25.013.00	24.416.00	30.080.00	53.114.00
with water presence sensor / con sensore presenza acqua	OM611			01/99	>	10/03	25.013.00	24.007.00	30.080.00	53.114.00
113 (2.0)	M111E20 (M111.948)			12/95	>	10/03	25.162.00	31.583.00	30.086.00	53.114.00
114 (2.3)	M111.978			12/96	>	10/03	25.162.00	31.583.00	30.086.00	53.114.00
Vito II (639)										
109 CDI										
with automatic air-conditioner THERMOTRONIC / con climatizzatore automatico THERMOTRONIC	OM646	65	88	09/03	>		25.013.00	24.436.00	30.257.00	54.145.00
with manual air-conditioner / con climatizzatore manuale	OM646	65	88	09/03	>		25.013.00	24.436.00	30.257.00	53.110.00
with water presence sensor / con sensore presenza acqua	OM646	65	88	09/03	>			24.107.00		
antibacterial, anti-odour and anti-allergen filter with automatic air-conditioner THERMOTRONIC / filtro antibatterico, antiodori e anti-allergeni con climatizzatore automatico THERMOTRONIC	OM646	65	88	09/03	>					34.145.00
109 CDI										
with automatic air-conditioner THERMOTRONIC / con climatizzatore automatico THERMOTRONIC	OM646	70	95	09/06	>		25.013.00	24.436.00	30.257.00	54.145.00
with manual air-conditioner / con climatizzatore manuale	OM646	70	95	09/06	>		25.013.00	24.436.00	30.257.00	53.110.00
with water presence sensor / con sensore presenza acqua	OM646	70	95	09/06	>			24.107.00		
antibacterial, anti-odour and anti-allergen filter with automatic air-conditioner THERMOTRONIC / filtro antibatterico, antiodori e anti-allergeni con climatizzatore automatico THERMOTRONIC	OM646	70	95	09/06	>					34.145.00
110 CDI	OM651LA	70	95	09/10	>		25.159.00		30.257.00	
with automatic air-conditioner / con climatizzatore automatico	OM651LA	70	95	09/10	>					54.145.00
with manual air-conditioner / con climatizzatore manuale	OM651LA	70	95	09/10	>					53.110.00
with fuel oil heater with connection for water suction / con riscaldatore nafta con collegamento per aspirazione acqua	OM651LA	70	95	09/10	>			24.149.00		
with fuel oil heater without connection for water suction / con riscaldatore nafta senza collegamento per aspirazione acqua	OM651LA	70	95	09/10	>			24.150.00		
antibacterial, anti-odour and anti-allergen filter with automatic air-conditioner / filtro antibatterico, antiodori e anti-allergeni con climatizzatore automatico	OM651LA	70	95	09/10	>					34.145.00
without fuel oil heater MANN+HUMMEL / senza riscaldatore nafta MANN+HUMMEL	OM651LA	70	95	09/10	>			24.077.00		
111 CDI										
with automatic air-conditioner THERMOTRONIC / con climatizzatore automatico THERMOTRONIC	OM646	80	109	09/03	>		25.013.00	24.436.00	30.257.00	54.145.00
with manual air-conditioner / con climatizzatore manuale	OM646	80	109	09/03	>		25.013.00	24.436.00	30.257.00	53.110.00
with water presence sensor / con sensore presenza acqua	OM646	80	109	09/03	>			24.107.00		
antibacterial, anti-odour and anti-allergen filter with automatic air-conditioner THERMOTRONIC / filtro antibatterico, antiodori e anti-allergeni con climatizzatore automatico THERMOTRONIC	OM646	80	109	09/03	>					34.145.00
111 CDI										
with automatic air-conditioner THERMOTRONIC / con climatizzatore automatico THERMOTRONIC	OM646	85	116	09/06	>		25.013.00	24.436.00	30.257.00	54.145.00
with manual air-conditioner / con climatizzatore manuale	OM646	85	116	09/06	>		25.013.00	24.436.00	30.257.00	53.110.00
with water presence sensor / con sensore presenza acqua	OM646	85	116	09/06	>			24.107.00		
antibacterial, anti-odour and anti-allergen filter with automatic air-conditioner THERMOTRONIC / filtro antibatterico, antiodori e anti-allergeni con climatizzatore automatico THERMOTRONIC	OM646	85	116	09/06	>					34.145.00
113 CDI	OM651LA	100	136	09/10	>		25.159.00		30.257.00	
with automatic air-conditioner / con climatizzatore automatico	OM651LA	100	136	09/10	>					54.145.00
with manual air-conditioner / con climatizzatore manuale	OM651LA	100	136	09/10	>					53.110.00
with fuel oil heater with connection for water suction / con riscaldatore nafta con collegamento per aspirazione acqua	OM651LA	100	136	09/10	>			24.149.00		
with fuel oil heater without connection for water suction / con riscaldatore nafta senza collegamento per aspirazione acqua	OM651LA	100	136	09/10	>			24.150.00		
antibacterial, anti-odour and anti-allergen filter with automatic air-conditioner / filtro antibatterico, antiodori e anti-allergeni con climatizzatore automatico	OM651LA	100	136	09/10	>					34.145.00
without fuel oil heater MANN+HUMMEL / senza riscaldatore nafta MANN+HUMMEL	OM651LA	100	136	09/10	>			24.077.00		
115 CDI										
with automatic air-conditioner THERMOTRONIC / con climatizzatore automatico THERMOTRONIC	OM646	110	150	09/03	>		25.013.00	24.436.00	30.257.00	54.145.00
with manual air-conditioner / con climatizzatore manuale	OM646	110	150	09/03	>		25.013.00	24.436.00	30.257.00	53.110.00
with water presence sensor / con sensore presenza acqua	OM646	110	150	09/03	>			24.107.00		
antibacterial, anti-odour and anti-allergen filter with automatic air-conditioner THERMOTRONIC / filtro antibatterico, antiodori e anti-allergeni con climatizzatore automatico THERMOTRONIC	OM646	110	150	09/03	>					34.145.00
116 CDI	OM651LA	120	163	09/10	>		25.159.00		30.257.00	
with automatic air-conditioner / con climatizzatore automatico	OM651LA	120	163	09/10	>					54.145.00
with manual air-conditioner / con climatizzatore manuale	OM651LA	120	163	09/10	>					53.110.00
with fuel oil heater with connection for water suction / con riscaldatore nafta con collegamento per aspirazione acqua	OM651LA	120	163	09/10	>			24.149.00		
with fuel oil heater without connection for water suction / con riscaldatore nafta senza collegamento per aspirazione acqua	OM651LA	120	163	09/10	>			24.150.00		
antibacterial, anti-odour and anti-allergen filter with automatic air-conditioner / filtro antibatterico, antiodori e anti-allergeni con climatizzatore automatico	OM651LA	120	163	09/10	>					34.145.00
without fuel oil heater MANN+HUMMEL / senza riscaldatore nafta MANN+HUMMEL	OM651LA	120	163	09/10	>			24.077.00		
119										
with automatic air-conditioner THERMOTRONIC / con climatizzatore automatico THERMOTRONIC	M112	140	190	09/03	>		25.002.00	31.848.00	30.257.00	54.145.00
with manual air-conditioner / con climatizzatore manuale	M112	140	190	09/03	>		25.002.00	31.848.00	30.257.00	53.110.00
antibacterial, anti-odour and anti-allergen filter with automatic air-conditioner THERMOTRONIC / filtro antibatterico, antiodori e anti-allergeni con climatizzatore automatico THERMOTRONIC	M112	140	190	09/03	>					34.145.00
120 CDI V6										
with automatic air-conditioner THERMOTRONIC / con climatizzatore automatico THERMOTRONIC	OM642LA	150	204	04/06	>	08/10	25.069.00	24.436.00	30.658.00	54.145.00

...MERCEDES BENZ - commercial vehicles/veicoli commerciali

M



with manual air-conditioner / con climatizzatore manuale	OM642LA	150	204	04/06 >	08/10	25.069.00	24.436.00	30.658.00	53.110.00
with water presence sensor / con sensore presenza acqua	OM642LA	150	204	04/06 >	08/10		24.107.00		
antibacterial, anti-odour and anti-allergen filter with automatic air-conditioner THERMOTRONIC / filtro antibatterico, antiodori e anti-allergeni con climatizzatore automatico THERMOTRONIC	OM642LA	150	204	04/06 >	08/10				34.145.00
122									
with automatic air-conditioner THERMOTRONIC / con climatizzatore automatico THERMOTRONIC	M112	160	218	09/03 >		25.002.00	31.848.00	30.257.00	54.145.00
with manual air-conditioner / con climatizzatore manuale	M112	160	218	09/03 >		25.002.00	31.848.00	30.257.00	53.110.00
antibacterial, anti-odour and anti-allergen filter with automatic air-conditioner THERMOTRONIC / filtro antibatterico, antiodori e anti-allergeni con climatizzatore automatico THERMOTRONIC	M112	160	218	09/03 >					34.145.00
122 CDI V6									
with automatic air-conditioner / con climatizzatore automatico	OM642LA	165	224	09/10 >		25.069.00	24.436.00	30.658.00	54.145.00
with manual air-conditioner / con climatizzatore manuale	OM642LA	165	224	09/10 >		25.069.00	24.436.00	30.658.00	53.110.00
with fuel oil heater with connection for water suction (R.H.D.) / con riscaldatore nafta con collegamento per aspirazione acqua (R.H.D.)	OM642LA	165	224	09/10 >			24.148.00		
with water presence sensor / con sensore presenza acqua	OM642LA	165	224	09/10 >			24.107.00		
antibacterial, anti-odour and anti-allergen filter with automatic air-conditioner / filtro antibatterico, antiodori e anti-allergeni con climatizzatore automatico	OM642LA	165	224	09/10 >					34.145.00
123									
with automatic air-conditioner THERMOTRONIC / con climatizzatore automatico THERMOTRONIC	M112E37	170	231	09/04 >		25.002.00	31.848.00	30.257.00	54.145.00
with manual air-conditioner / con climatizzatore manuale	M112E37	170	231	09/04 >		25.002.00	31.848.00	30.257.00	53.110.00
antibacterial, anti-odour and anti-allergen filter with automatic air-conditioner THERMOTRONIC / filtro antibatterico, antiodori e anti-allergeni con climatizzatore automatico THERMOTRONIC	M112E37	170	231	09/04 >					34.145.00
126									
with automatic air-conditioner / con climatizzatore automatico	M272.978	190	258	09/07 >		25.002.00	31.848.00	30.257.00	54.145.00
with manual air-conditioner / con climatizzatore manuale	M272.978	190	258	09/07 >		25.002.00	31.848.00	30.257.00	53.110.00
antibacterial, anti-odour and anti-allergen filter with automatic air-conditioner / filtro antibatterico, antiodori e anti-allergeni con climatizzatore automatico	M272.978	190	258	09/07 >					34.145.00
Vito III (W447)									
109 CDI	OM622.951	65	88	09/14 >		25.170.00	26.114.00	30.A67.00	
with air-conditioner rear / con climatizzatore posteriore	OM622.951	65	88	09/14 >					53.275.00
111 CDI	OM622.951	84	114	09/14 >		25.170.00	26.114.00	30.A67.00	
with air-conditioner rear / con climatizzatore posteriore	OM622.951	84	114	09/14 >					53.275.00
114 CDI	OM651.950	100	136	09/14 >		25.159.00	24.150.00	30.A67.00	
with air-conditioner rear / con climatizzatore posteriore	OM651.950	100	136	09/14 >					53.275.00
with OE 651 090 30 52 / con OE 651 090 30 52	OM651.950	100	136	09/14 >			24.193.00		
with OE 651 090 32 52 / con OE 651 090 32 52	OM651.950	100	136	09/14 >			24.194.00		
114 CDI	OM654.920	100	136	03/19 >				30.A67.00	
with air-conditioner rear / con climatizzatore posteriore	OM654.920	100	136	03/19 >					53.275.00
114 CDI 4Matic	OM654.920	100	136	03/19 >				30.A67.00	
with air-conditioner rear / con climatizzatore posteriore	OM654.920	100	136	03/19 >					53.275.00
116 CDI	OM651.950	120	163	09/14 >		25.159.00	24.150.00	30.A67.00	
with air-conditioner rear / con climatizzatore posteriore	OM651.950	120	163	09/14 >					53.275.00
with OE 651 090 30 52 / con OE 651 090 30 52	OM651.950	120	163	09/14 >			24.193.00		
with OE 651 090 32 52 / con OE 651 090 32 52	OM651.950	120	163	09/14 >			24.194.00		
116 CDI	OM654.920	120	163	03/19 >				30.A67.00	
with air-conditioner rear / con climatizzatore posteriore	OM654.920	120	163	03/19 >					53.275.00
116 CDI 4Matic	OM654.920	120	163	03/19 >				30.A67.00	
with air-conditioner rear / con climatizzatore posteriore	OM654.920	120	163	03/19 >					53.275.00
119	M274.920	135	184	11/15 >		25.178.00		30.A67.00	
with air-conditioner rear / con climatizzatore posteriore	M274.920	135	184	11/15 >					53.275.00
119 CDI	OM654.920	140	190	03/19 >				30.A67.00	
with air-conditioner rear / con climatizzatore posteriore	OM654.920	140	190	03/19 >					53.275.00
119 CDI 4Matic	OM654.920	140	190	03/19 >				30.A67.00	
with air-conditioner rear / con climatizzatore posteriore	OM654.920	140	190	03/19 >					53.275.00
119 CDI BlueTEC	OM651.950	140	190	09/14 >		25.159.00	24.150.00	30.A67.00	
with air-conditioner rear / con climatizzatore posteriore	OM651.950	140	190	09/14 >					53.275.00
with OE 651 090 30 52 / con OE 651 090 30 52	OM651.950	140	190	09/14 >			24.193.00		
with OE 651 090 32 52 / con OE 651 090 32 52	OM651.950	140	190	09/14 >			24.194.00		
119 CDI BlueTEC 4Matic	OM651.950	140	190	09/14 >		25.159.00	24.150.00	30.A67.00	
with air-conditioner rear / con climatizzatore posteriore	OM651.950	140	190	09/14 >					53.275.00
with OE 651 090 32 52 / con OE 651 090 32 52	OM651.950	140	190	09/14 >			24.194.00		
200 CDI	OM654.920	100	136	03/19 >				30.A67.00	
with air-conditioner rear / con climatizzatore posteriore	OM654.920	100	136	03/19 >					53.275.00
200 CDI 4Matic	OM654.920	100	136	03/19 >				30.A67.00	
with air-conditioner rear / con climatizzatore posteriore	OM654.920	100	136	03/19 >					53.275.00
220 CDI	OM654.920	120	163	03/19 >				30.A67.00	
with air-conditioner rear / con climatizzatore posteriore	OM654.920	120	163	03/19 >					53.275.00
220 CDI 4Matic	OM654.920	120	163	03/19 >				30.A67.00	
with air-conditioner rear / con climatizzatore posteriore	OM654.920	120	163	03/19 >					53.275.00
250 CDI	OM654.920	140	190	03/19 >				30.A67.00	
with air-conditioner rear / con climatizzatore posteriore	OM654.920	140	190	03/19 >					53.275.00
250 CDI 4Matic	OM654.920	140	190	03/19 >				30.A67.00	
with air-conditioner rear / con climatizzatore posteriore	OM654.920	140	190	03/19 >					53.275.00

...MERCEDES BENZ - commercial vehicles/veicoli commerciali

e-Vito	EM780.701	85	116	04/19	>	✗	✗	✗		
with air-conditioner rear / con climatizzatore posteriore	EM780.701	85	116	04/19	>					53.275.00
MG										
MG RV8										
3.9				04/93	>		23.131.00	31.500.00		
MGF										
1.6	16K4F	82	111	02/00	>	06/02	23.254.00	31.750.00		
to frame No. YD522572 / a telaio N. YD522572	16K4F	82	111	02/00	>				30.B21.00	
from frame No. YD522573 / da telaio N. YD522573	16K4F	82	111		>	06/02			30.432.00	
1.8	18K4F	88	120	09/95	>	06/02	23.254.00	31.750.00		
to frame No. YD522572 / a telaio N. YD522572	18K4F	88	120	09/95	>				30.B21.00	
from frame No. YD522573 / da telaio N. YD522573	18K4F	88	120		>	06/02			30.432.00	
1.8 VVC	18K4K	107	146	09/95	>	06/02	23.254.00	31.750.00		
to frame No. YD522572 / a telaio N. YD522572	18K4K	107	146	09/95	>				30.B21.00	
from frame No. YD522573 / da telaio N. YD522573	18K4K	107	146		>	06/02			30.432.00	
1.8 VVC Trophy	18K4K	118	160	05/01	>	06/02	23.254.00	31.750.00		30.432.00
to frame No. YD522572 / a telaio N. YD522572	18K4K	118	160	05/01	>				30.B21.00	
MGX-Power										
4.6 V8	Ford	230	313	01/03	>		23.463.00			
Montego MG										
2.0 Turbo				04/85	>		23.254.00	31.500.00	30.943.00	
to engine No. 223710 / a motore N. 223710										
TF 115										
1.6	K1.6	85	116	06/01	>	12/11	23.254.00	31.750.00		
to frame No. YD522572 / a telaio N. YD522572	K1.6	85	116	06/01	>				30.B21.00	
from frame No. YD522573 / da telaio N. YD522573	K1.6	85	116		>	12/11			30.432.00	
TF 120										
1.8 Stepspeed	K1.8	88	120	06/01	>		23.254.00	31.750.00	30.432.00	
to frame No. YD522572 / a telaio N. YD522572	K1.8	88	120	06/01	>				30.B21.00	
TF 135										
1.8	K1.8	100	136	06/01	>		23.254.00	31.750.00	30.432.00	
to frame No. YD522572 / a telaio N. YD522572	K1.8	100	136	06/01	>				30.B21.00	
TF 160										
1.8	K1.8 VVC	118	160	06/01	>		23.254.00	31.750.00	30.432.00	
to frame No. YD522572 / a telaio N. YD522572	K1.8 VVC	118	160	06/01	>				30.B21.00	
ZR 100										
2.0 TD				02/02	>		23.495.00	24.365.00	30.068.00	53.057.00
with air-conditioner and L.H.D. / con climatizzatore e guida a sinistra		74	101							
ZR 105										
1.4				06/01	>		23.254.00	31.750.00	30.022.00	53.057.00
with air-conditioner and L.H.D. / con climatizzatore e guida a sinistra		76	103							
ZR 115										
2.0 TD				02/02	>		23.495.00	24.365.00	30.068.00	53.057.00
with air-conditioner and L.H.D. / con climatizzatore e guida a sinistra		83	113							
ZR 120										
1.8				02/02	>		23.254.00	31.750.00	30.022.00	53.057.00
with air-conditioner and L.H.D. / con climatizzatore e guida a sinistra		86	117							
ZR 160										
1.8				09/01	>		23.254.00	31.750.00	30.022.00	53.057.00
with air-conditioner and L.H.D. / con climatizzatore e guida a sinistra		118	160							
ZS 100										
2.0 TD				02/02	>		23.495.00	24.365.00	30.068.00	53.057.00
with air-conditioner and L.H.D. / con climatizzatore e guida a sinistra		74	101							
without air-conditioner to series No. WD354434 / senza climatizzatore a serie N. WD354434		74	101	02/02	>					53.232.00
ZS 120										
1.8				07/01	>		23.254.00	31.750.00	30.022.00	53.057.00
with air-conditioner and L.H.D. / con climatizzatore e guida a sinistra		86	117							
without air-conditioner to series No. WD354434 / senza climatizzatore a serie N. WD354434		86	117	07/01	>					53.232.00
ZS 180										
2.5 V6				09/01	>		23.483.00	31.750.00		53.057.00
with air-conditioner and L.H.D. / con climatizzatore e guida a sinistra		130	177							
without air-conditioner to series No. WD354434 / senza climatizzatore a serie N. WD354434		130	177	09/01	>					53.232.00
ZT 120										
1.8	K18	88	120	01/03	>		23.254.00		30.142.00	54.123.00
ZT 120 Tourer										
1.8		88	120	01/03	>		23.254.00		30.142.00	54.123.00

...MG - cars/auto

ZT 135 CDTI												
2.0 CDTI 16V				96	131	10/02	>		25.001.00	24.417.00	27.353.00	54.123.00
ZT 135 CDTI Tourer												
2.0 CDTI 16V				96	131	10/02	>		25.001.00	24.417.00	27.353.00	54.123.00
ZT 160												
1.8 T				118	160	09/03	>		23.254.00		30.142.00	54.123.00
2.5	KV6			118	161	06/01	>		23.483.00		30.142.00	54.123.00
ZT 160 Tourer												
2.5	KV6			118	161	06/01	>		23.483.00		30.142.00	54.123.00
ZT 180												
2.5	KV6			130	177	02/02	>		23.483.00		30.142.00	54.123.00
ZT 180 Tourer												
2.5	KV6			130	177	02/02	>		23.483.00		30.142.00	54.123.00
ZT 190												
2.5	KV6			140	190	09/01	>		23.483.00		30.142.00	54.123.00
ZT 190 Tourer												
2.5	KV6			140	190	09/01	>		23.483.00		30.142.00	54.123.00
ZT 260												
4.6 V8	46F2F			191	260	09/03	>		23.463.00			
ZT 260 Tourer												
4.6 V8	46F2F			191	260	09/03	>		23.463.00			
ZT CDTI												
2.0 CDTI 16V				85	115	10/02	>	09/03	25.001.00	24.417.00	27.353.00	54.123.00
ZT CDTI Tourer												
2.0 CDTI 16V				85	115	10/02	>	09/03	25.001.00	24.417.00	27.353.00	54.123.00

MG MOTOR GAS LPG and CNG equipment/impianti GPL e Metano

NewEco DR1												
GPL/LPG												
spare part only MATRIX XF301 (Ø 42 x Ø 17 x 54 H) / solo ricambio MATRIX XF301 (Ø 42 x Ø 17 x 54 H)												
									46.007.00			

MICROCAR microcars/microvetture

Lyra												
505 Sprint		Lombardini LDW502							23.262.00	24.352.00		
505 TXE		Lombardini LDW502							23.262.00	24.352.00		
Virgo												
505		Lombardini LDW502							23.262.00	24.352.00		

MINI cars/auto

Mini												
1.3 i						06/10	>					53.156.00
with activated carbons / ai carboni attivi												
from engine No. BD134455 / da motore N. BD134455												
antibacterial, anti-odour and anti-allergen filter / filtro antibatterico, antiodori e anti-allergeni												
						06/10	>	06/01	23.254.00	31.564.00		54.175.00
antibacterial, anti-odour and anti-allergen filter / filtro antibatterico, antiodori e anti-allergeni												
						06/10	>					34.175.00
1.3 i Cooper												
from engine No. BD134455 / da motore N. BD134455												
						11/96	>	06/01	23.254.00	31.564.00		54.175.00
Mini (F55)												
1.2 One	B38A12/B38A12U0	75	102			02/14	>	10/17			∞	53.332.00
with automatic air-conditioner / con climatizzatore automatico												
	B38A12/B38A12U0	75	102			02/14	>	10/17				54.279.00
antibacterial, anti-odour and anti-allergen filter with automatic air-conditioner / filtro antibatterico, antiodori e anti-allergeni con climatizzatore automatico												
	B38A12/B38A12U0	75	102			02/14	>	10/17				34.279.00
assembly KNECHT-MAHLE / montaggio KNECHT-MAHLE												
	B38A12/B38A12U0	75	102			02/14	>	04/17	25.185.00			
assembly MANN+HUMMEL / montaggio MANN+HUMMEL												
	B38A12/B38A12U0	75	102			05/17	>	10/17	25.211.00			
1.2 One 75 (First)												
	B38A12A	55	75			06/14	>	10/17			∞	53.332.00
with automatic air-conditioner / con climatizzatore automatico												
	B38A12A	55	75			06/14	>	10/17				54.279.00
antibacterial, anti-odour and anti-allergen filter with automatic air-conditioner / filtro antibatterico, antiodori e anti-allergeni con climatizzatore automatico												
	B38A12A	55	75			06/14	>	10/17				34.279.00
assembly KNECHT-MAHLE / montaggio KNECHT-MAHLE												
	B38A12A	55	75			06/14	>	04/17	25.185.00			
assembly MANN+HUMMEL / montaggio MANN+HUMMEL												
	B38A12A	55	75			05/17	>	10/17	25.211.00			
1.5 Cooper												
	B38A15/B38A15M0	100	136			02/14	>				∞	53.332.00
with automatic air-conditioner / con climatizzatore automatico												
	B38A15/B38A15M0	100	136			02/14	>					54.279.00
antibacterial, anti-odour and anti-allergen filter / filtro antibatterico, antiodori e anti-allergeni												
	B38A15/B38A15M0	100	136			02/14	>					34.279.00
assembly KNECHT-MAHLE / montaggio KNECHT-MAHLE												
	B38A15/B38A15M0	100	136			02/14	>	04/17	25.185.00			
assembly MANN+HUMMEL / montaggio MANN+HUMMEL												
	B38A15/B38A15M0	100	136			05/17	>		25.211.00			
1.5 Cooper (USA)												
	B38A15/B38A15M0	100	136			02/14	>				∞	53.332.00
with automatic air-conditioner / con climatizzatore automatico												
	B38A15/B38A15M0	100	136			02/14	>					54.279.00
antibacterial, anti-odour and anti-allergen filter / filtro antibatterico, antiodori e anti-allergeni												
	B38A15/B38A15M0	100	136			02/14	>					34.279.00
assembly KNECHT-MAHLE / montaggio KNECHT-MAHLE												
	B38A15/B38A15M0	100	136			02/14	>	04/17	25.185.00			
assembly MANN+HUMMEL / montaggio MANN+HUMMEL												
	B38A15/B38A15M0	100	136			05/17	>		25.211.00			

...MINI - cars/auto

1.5 Cooper D	B37C15	85	116	02/14	>		31.926.01	30.622.00	53.332.00
with automatic air-conditioner / con climatizzatore automatico	B37C15	85	116	02/14	>				54.279.00
antibacterial, anti-odour and anti-allergen filter / filtro antibatterico, antiodori e anti-allergeni	B37C15	85	116	02/14	>				34.279.00
assembly KNECHT-MAHLE / montaggio KNECHT-MAHLE	B37C15	85	116	02/14	>	08/17	25.185.00		
assembly MANN+HUMMEL / montaggio MANN+HUMMEL	B37C15	85	116	09/17	>		25.211.00		
1.5 One	B38A15A	75	102	05/14	>	10/17		30.621.00	53.332.00
with automatic air-conditioner / con climatizzatore automatico	B38A15A	75	102	05/14	>	10/17			54.279.00
antibacterial, anti-odour and anti-allergen filter with automatic air-conditioner / filtro antibatterico, antiodori e anti-allergeni con climatizzatore automatico	B38A15A	75	102	05/14	>	10/17			34.279.00
assembly KNECHT-MAHLE / montaggio KNECHT-MAHLE	B38A15A	75	102	05/14	>	04/17	25.185.00		
assembly MANN+HUMMEL / montaggio MANN+HUMMEL	B38A15A	75	102	05/17	>	10/17	25.211.00		
1.5 One 75 (First)	B38A15A	55	75	11/17	>			30.622.00	53.332.00
with automatic air-conditioner / con climatizzatore automatico	B38A15A	55	75	11/17	>				54.279.00
antibacterial, anti-odour and anti-allergen filter / filtro antibatterico, antiodori e anti-allergeni	B38A15A	55	75	11/17	>				34.279.00
1.5 One D	B37C15	70	95	02/14	>		31.926.01	30.622.00	53.332.00
with automatic air-conditioner / con climatizzatore automatico	B37C15	70	95	02/14	>				54.279.00
antibacterial, anti-odour and anti-allergen filter / filtro antibatterico, antiodori e anti-allergeni	B37C15	70	95	02/14	>				34.279.00
assembly KNECHT-MAHLE / montaggio KNECHT-MAHLE	B37C15	70	95	02/14	>	08/17	25.185.00		
assembly MANN+HUMMEL / montaggio MANN+HUMMEL	B37C15	70	95	09/17	>		25.211.00		
2.0 Cooper S	B46A20A	141	192	02/14	>			30.622.00	53.332.00
with automatic air-conditioner / con climatizzatore automatico	B46A20A	141	192	02/14	>				54.279.00
antibacterial, anti-odour and anti-allergen filter / filtro antibatterico, antiodori e anti-allergeni	B46A20A	141	192	02/14	>				34.279.00
assembly KNECHT-MAHLE / montaggio KNECHT-MAHLE	B46A20A	141	192	02/14	>	04/17	25.185.00		
assembly MANN+HUMMEL / montaggio MANN+HUMMEL	B46A20A	141	192	05/17	>		25.211.00		
2.0 Cooper S	B48A20A	120	163	09/13	>			30.622.00	53.332.00
with automatic air-conditioner / con climatizzatore automatico	B48A20A	120	163	09/13	>				54.279.00
antibacterial, anti-odour and anti-allergen filter / filtro antibatterico, antiodori e anti-allergeni	B48A20A	120	163	09/13	>				34.279.00
assembly KNECHT-MAHLE / montaggio KNECHT-MAHLE	B48A20A	120	163	09/13	>	04/17	25.185.00		
assembly MANN+HUMMEL / montaggio MANN+HUMMEL	B48A20A	120	163	05/17	>		25.211.00		
2.0 Cooper S	B48A20A	141	192	02/14	>			30.622.00	53.332.00
with automatic air-conditioner / con climatizzatore automatico	B48A20A	141	192	02/14	>				54.279.00
antibacterial, anti-odour and anti-allergen filter / filtro antibatterico, antiodori e anti-allergeni	B48A20A	141	192	02/14	>				34.279.00
assembly KNECHT-MAHLE / montaggio KNECHT-MAHLE	B48A20A	141	192	02/14	>	04/17	25.185.00		
assembly MANN+HUMMEL / montaggio MANN+HUMMEL	B48A20A	141	192	05/17	>		25.211.00		
2.0 Cooper S John Cooper Works	B46A20A	155	211	02/14	>			30.622.00	53.332.00
with automatic air-conditioner / con climatizzatore automatico	B46A20A	155	211	02/14	>				54.279.00
antibacterial, anti-odour and anti-allergen filter / filtro antibatterico, antiodori e anti-allergeni	B46A20A	155	211	02/14	>				34.279.00
assembly KNECHT-MAHLE / montaggio KNECHT-MAHLE	B46A20A	155	211	02/14	>	04/17	25.185.00		
assembly MANN+HUMMEL / montaggio MANN+HUMMEL	B46A20A	155	211	05/17	>		25.211.00		
2.0 Cooper S John Cooper Works	B48A20A	155	211	02/14	>			30.622.00	53.332.00
with automatic air-conditioner / con climatizzatore automatico	B48A20A	155	211	02/14	>				54.279.00
antibacterial, anti-odour and anti-allergen filter / filtro antibatterico, antiodori e anti-allergeni	B48A20A	155	211	02/14	>				34.279.00
assembly KNECHT-MAHLE / montaggio KNECHT-MAHLE	B48A20A	155	211	02/14	>	04/17	25.185.00		
assembly MANN+HUMMEL / montaggio MANN+HUMMEL	B48A20A	155	211	05/17	>		25.211.00		
2.0 Cooper SD	B47C20A	120	163	02/14	>		31.926.01	30.622.00	53.332.00
with automatic air-conditioner / con climatizzatore automatico	B47C20A	120	163	02/14	>				54.279.00
antibacterial, anti-odour and anti-allergen filter / filtro antibatterico, antiodori e anti-allergeni	B47C20A	120	163	02/14	>				34.279.00
assembly KNECHT-MAHLE / montaggio KNECHT-MAHLE	B47C20A	120	163	02/14	>	08/17	25.185.00		
assembly MANN+HUMMEL / montaggio MANN+HUMMEL	B47C20A	120	163	09/17	>		25.211.00		
2.0 Cooper SD	B47C20A	125	170	02/14	>		31.926.01	30.622.00	53.332.00
with automatic air-conditioner / con climatizzatore automatico	B47C20A	125	170	02/14	>				54.279.00
antibacterial, anti-odour and anti-allergen filter / filtro antibatterico, antiodori e anti-allergeni	B47C20A	125	170	02/14	>				34.279.00
assembly KNECHT-MAHLE / montaggio KNECHT-MAHLE	B47C20A	125	170	02/14	>	08/17	25.185.00		
assembly MANN+HUMMEL / montaggio MANN+HUMMEL	B47C20A	125	170	09/17	>		25.211.00		
Mini (F56)									
1.2 One	B38A12	75	102	02/14	>		25.185.00	30.621.00	53.332.00
with automatic air-conditioner / con climatizzatore automatico	B38A12	75	102	02/14	>				54.279.00
antibacterial, anti-odour and anti-allergen filter / filtro antibatterico, antiodori e anti-allergeni	B38A12	75	102	02/14	>				34.279.00
1.2 One	B38A12A	55	75	07/14	>		25.185.00	30.621.00	53.332.00
with automatic air-conditioner / con climatizzatore automatico	B38A12A	55	75	07/14	>				54.279.00
antibacterial, anti-odour and anti-allergen filter / filtro antibatterico, antiodori e anti-allergeni	B38A12A	55	75	07/14	>				34.279.00
1.2 One (KOR)	B38A12	75	102	07/14	>		25.185.00	30.621.00	53.332.00
with automatic air-conditioner / con climatizzatore automatico	B38A12	75	102	07/14	>				54.279.00
antibacterial, anti-odour and anti-allergen filter / filtro antibatterico, antiodori e anti-allergeni	B38A12	75	102	07/14	>				34.279.00
1.5 Cooper	B38A15	100	136	02/14	>		25.185.00	30.621.00	53.332.00
with automatic air-conditioner / con climatizzatore automatico	B38A15	100	136	02/14	>				54.279.00
antibacterial, anti-odour and anti-allergen filter / filtro antibatterico, antiodori e anti-allergeni	B38A15	100	136	02/14	>				34.279.00
1.5 Cooper (KOR)	B38A15	100	136	02/14	>		25.185.00	30.622.00	53.332.00

...MINI - cars/auto

with activated carbons / ai carboni attivi	B38A15	100	136	02/14	>				54.279.00
antibacterial, anti-odour and anti-allergen filter / filtro antibatterico, antiodori e anti-allergeni	B38A15	100	136	02/14	>				34.279.00
1.5 One D	B37C15	70	95	02/14	>		31.926.01	30.622.00	53.332.00
with automatic air-conditioner / con climatizzatore automatico	B37C15	70	95	02/14	>				54.279.00
antibacterial, anti-odour and anti-allergen filter / filtro antibatterico, antiodori e anti-allergeni	B37C15	70	95	02/14	>				34.279.00
assembly KNECHT-MAHLE / montaggio KNECHT-MAHLE	B37C15	70	95	02/14	>	08/17	25.185.00		
assembly MANN+HUMMEL / montaggio MANN+HUMMEL	B37C15	70	95	09/17	>		25.211.00		
1.5 One D	B37C15	85	116	02/14	>		31.926.01	30.622.00	53.332.00
with automatic air-conditioner / con climatizzatore automatico	B37C15	85	116	02/14	>				54.279.00
antibacterial, anti-odour and anti-allergen filter / filtro antibatterico, antiodori e anti-allergeni	B37C15	85	116	02/14	>				34.279.00
assembly KNECHT-MAHLE / montaggio KNECHT-MAHLE	B37C15	85	116	02/14	>	08/17	25.185.00		
assembly MANN+HUMMEL / montaggio MANN+HUMMEL	B37C15	85	116	09/17	>		25.211.00		
2.0 Cooper S	B48A20	141	192	02/14	>		25.185.00		30.621.00
with automatic air-conditioner / con climatizzatore automatico	B48A20	141	192	02/14	>				54.279.00
antibacterial, anti-odour and anti-allergen filter / filtro antibatterico, antiodori e anti-allergeni	B48A20	141	192	02/14	>				34.279.00
for cold countries / per paesi freddi	B48A20	141	192	02/14	>			30.622.00	
2.0 Cooper S (KOR)	B48A20	141	192	02/14	>		25.185.00		30.622.00
with activated carbons / ai carboni attivi	B48A20	141	192	02/14	>				54.279.00
antibacterial, anti-odour and anti-allergen filter / filtro antibatterico, antiodori e anti-allergeni	B48A20	141	192	02/14	>				34.279.00
2.0 Cooper SD	B47C20A	125	170	07/14	>		31.926.01	30.622.00	53.332.00
with automatic air-conditioner / con climatizzatore automatico	B47C20A	125	170	07/14	>				54.279.00
antibacterial, anti-odour and anti-allergen filter / filtro antibatterico, antiodori e anti-allergeni	B47C20A	125	170	02/14	>				34.279.00
assembly KNECHT-MAHLE / montaggio KNECHT-MAHLE	B47C20A	125	170	07/14	>	08/17	25.185.00		
assembly MANN+HUMMEL / montaggio MANN+HUMMEL	B47C20A	125	170	09/17	>		25.211.00		
Mini (R50)									
1.4 One	W10B14A	55	75	06/01	>	06/04	25.034.00		30.168.00
	W10B14A	55	75	07/04	>	09/08	25.034.00		30.317.00
with activated carbons / ai carboni attivi	W10B14A	55	75	06/01	>	06/04	25.034.00		30.168.00
with activated carbons / ai carboni attivi	W10B14A	55	75	07/04	>	09/08	25.034.00		30.317.00
for cold countries / per paesi freddi	W10B14A	55	75	07/04	>	09/08			30.A46.00
1.4 One D	W17D14A	55	75	05/03	>	09/05	23.253.00	31.838.00	30.290.00
with activated carbons / ai carboni attivi	W17D14A	55	75	05/03	>	09/05	23.253.00	31.838.00	30.290.00
1.4 One D	W17D14A	65	88	09/05	>	12/06	23.253.00	31.838.00	30.290.00
with activated carbons / ai carboni attivi	W17D14A	65	88	09/05	>	12/06	23.253.00	31.838.00	30.290.00
1.6 Cooper	W10B16A	85	115	09/00	>	06/04	25.034.00		30.168.00
	W10B16A	85	115	07/04	>	12/06	25.034.00		30.317.00
with activated carbons / ai carboni attivi	W10B16A	85	115	09/00	>	06/04	25.034.00		30.168.00
with activated carbons / ai carboni attivi	W10B16A	85	115	07/04	>	12/06	25.034.00		30.317.00
for cold countries / per paesi freddi	W10B16A	85	115	09/00	>	06/04	25.034.00		30.290.00
for cold countries / per paesi freddi	W10B16A	85	115	07/04	>	12/06	25.034.00		30.A46.00
1.6 Cooper Autom.	W10B16A	85	115	09/00	>	12/06	25.034.00		30.168.00
with activated carbons / ai carboni attivi	W10B16A	85	115	09/00	>	12/06	25.034.00		30.168.00
for cold countries / per paesi freddi	W10B16A	85	115	09/00	>	12/06	25.034.00		30.290.00
1.6 One	W10B16A	66	90	09/00	>	06/04	25.034.00		30.168.00
	W10B16A	66	90	07/04	>	12/06	25.034.00		30.317.00
with activated carbons / ai carboni attivi	W10B16A	66	90	09/00	>	06/04	25.034.00		30.168.00
with activated carbons / ai carboni attivi	W10B16A	66	90	07/04	>	12/06	25.034.00		30.317.00
for cold countries / per paesi freddi	W10B16A	66	90	09/00	>	06/04	25.034.00		30.290.00
for cold countries / per paesi freddi	W10B16A	66	90	07/04	>	12/06			30.A46.00
1.6 One Autom.	W10B16A	66	90	09/00	>	12/06	25.034.00		30.168.00
with activated carbons / ai carboni attivi	W10B16A	66	90	09/00	>	12/06	25.034.00		54.137.00
for cold countries / per paesi freddi	W10B16A	66	90	09/00	>	12/06	25.034.00		30.290.00
Mini (R53)									
1.6 Cooper S	W11B16A	120	163	10/00	>	06/04	25.034.00		30.316.00
with activated carbons / ai carboni attivi	W11B16A	120	163	10/00	>	06/04			54.137.00
1.6 Cooper S	W11B16A	125	170	07/04	>	12/06	25.034.00		53.101.00
with activated carbons / ai carboni attivi	W11B16A	125	170	07/04	>	12/06			54.137.00
1.6 John Cooper Works	W11B16A	93	126	11/03	>	12/06	25.034.00		53.101.00
with activated carbons / ai carboni attivi	W11B16A	93	126	11/03	>	12/06			54.137.00
1.6 John Cooper Works S GP	W11B16A	160	218	06/06	>	09/06	25.034.00		53.101.00
with activated carbons / ai carboni attivi	W11B16A	160	218	06/06	>	09/06			54.137.00
with kit John Cooper Works / con kit John Cooper Works	W11B16A	160	218	06/06	>	09/06		27.E52.00	
1.6 John Cooper Works S	W11B16A	147	200	03/03	>	09/04	25.034.00		53.101.00
with activated carbons / ai carboni attivi	W11B16A	147	200	03/03	>	09/04			54.137.00
with kit John Cooper Works / con kit John Cooper Works	W11B16A	147	200	03/03	>	09/04		27.E52.00	
1.6 John Cooper Works S	W11B16A	154	210	10/04	>	12/06	25.034.00		53.101.00
with activated carbons / ai carboni attivi	W11B16A	154	210	10/04	>	12/06			54.137.00

...MINI - cars/auto

with kit John Cooper Works / con kit John Cooper Works		W11B16A	154	210	10/04 >	12/06			27.E52.00	
Mini (R56)										
1.4 One		N12B14A	55	75	03/09 >		25.060.00		30.345.00	53.156.00
with activated carbons / ai carboni attivi		N12B14A	55	75	03/09 >		25.060.00		30.345.00	54.175.00
antibacterial, anti-odour and anti-allergen filter / filtro antibatterico, antiodori e anti-allergeni		N12B14A	55	75	03/09 >					34.175.00
1.4 One		N12B14A	70	95	04/07 >		25.060.00		30.345.00	53.156.00
with activated carbons / ai carboni attivi		N12B14A	70	95	04/07 >		25.060.00		30.345.00	54.175.00
antibacterial, anti-odour and anti-allergen filter / filtro antibatterico, antiodori e anti-allergeni		N12B14A	70	95	04/07 >					34.175.00
1.6 Cooper		N12B16A	87	118	11/06 >		25.060.00		30.345.00	53.156.00
with activated carbons / ai carboni attivi		N12B16A	87	118	11/06 >		25.060.00		30.345.00	54.175.00
antibacterial, anti-odour and anti-allergen filter / filtro antibatterico, antiodori e anti-allergeni		N12B16A	87	118	11/06 >					34.175.00
1.6 Cooper		N12B16A	88	120	11/06 >		25.060.00		30.345.00	53.156.00
with activated carbons / ai carboni attivi		N12B16A	88	120	11/06 >		25.060.00		30.345.00	54.175.00
antibacterial, anti-odour and anti-allergen filter / filtro antibatterico, antiodori e anti-allergeni		N12B16A	88	120	11/06 >					34.175.00
1.6 Cooper (KOR)		N12B16A	88	120	11/06 >		25.060.00		30.346.00	53.156.00
with activated carbons / ai carboni attivi		N12B16A	88	120	11/06 >		25.060.00		30.346.00	54.175.00
antibacterial, anti-odour and anti-allergen filter / filtro antibatterico, antiodori e anti-allergeni		N12B16A	88	120	11/06 >					34.175.00
1.6 Cooper (USA)		N12B16A	88	120	11/06 >		25.060.00		30.346.00	53.156.00
with activated carbons / ai carboni attivi		N12B16A	88	120	11/06 >		25.060.00		30.346.00	54.175.00
antibacterial, anti-odour and anti-allergen filter / filtro antibatterico, antiodori e anti-allergeni		N12B16A	88	120	11/06 >					34.175.00
1.6 Cooper Auto.		N12B16A	87	118	11/06 >		25.060.00		30.346.00	53.156.00
with activated carbons / ai carboni attivi		N12B16A	87	118	11/06 >		25.060.00		30.346.00	54.175.00
antibacterial, anti-odour and anti-allergen filter / filtro antibatterico, antiodori e anti-allergeni		N12B16A	87	118	11/06 >					34.175.00
1.6 Cooper D		N47C16A	82	112	09/10 >		25.142.00	31.851.00	27.A53.00	53.156.00
with activated carbons / ai carboni attivi		N47C16A	82	112	09/10 >					54.175.00
antibacterial, anti-odour and anti-allergen filter / filtro antibatterico, antiodori e anti-allergeni		N47C16A	82	112	09/10 >					34.175.00
1.6 Cooper D		W16 (9HZ)	80	109	04/07 >	08/10	25.037.00	24.027.00	30.233.00	53.156.00
with activated carbons / ai carboni attivi		W16 (9HZ)	80	109	04/07 >	08/10	25.037.00	24.027.00	30.233.00	54.175.00
antibacterial, anti-odour and anti-allergen filter / filtro antibatterico, antiodori e anti-allergeni		W16 (9HZ)	80	109	04/07 >	08/10				34.175.00
1.6 Cooper S		N14B16A	127	172	11/06 >		25.060.00		30.368.00	53.156.00
with activated carbons / ai carboni attivi		N14B16A	127	172	11/06 >		25.060.00		30.368.00	54.175.00
antibacterial, anti-odour and anti-allergen filter / filtro antibatterico, antiodori e anti-allergeni		N14B16A	127	172	11/06 >					34.175.00
1.6 Cooper S		N14B16A	129	175	11/06 >		25.060.00		30.368.00	53.156.00
with activated carbons / ai carboni attivi		N14B16A	129	175	11/06 >		25.060.00		30.368.00	54.175.00
antibacterial, anti-odour and anti-allergen filter / filtro antibatterico, antiodori e anti-allergeni		N14B16A	129	175	11/06 >					34.175.00
1.6 Cooper S (KOR)		N14B16A	129	175	11/06 >		25.060.00		30.467.00	53.156.00
with activated carbons / ai carboni attivi		N14B16A	129	175	11/06 >		25.060.00		30.467.00	54.175.00
antibacterial, anti-odour and anti-allergen filter / filtro antibatterico, antiodori e anti-allergeni		N14B16A	129	175	11/06 >					34.175.00
1.6 Cooper S (USA)		N14B16A	129	175	11/06 >		25.060.00		30.467.00	53.156.00
with activated carbons / ai carboni attivi		N14B16A	129	175	11/06 >		25.060.00		30.467.00	54.175.00
antibacterial, anti-odour and anti-allergen filter / filtro antibatterico, antiodori e anti-allergeni		N14B16A	129	175	11/06 >					34.175.00
1.6 One		N16B16A	55	75	03/10 >		25.060.00		30.345.00	53.156.00
with activated carbons / ai carboni attivi		N16B16A	55	75	03/10 >		25.060.00		30.345.00	54.175.00
antibacterial, anti-odour and anti-allergen filter / filtro antibatterico, antiodori e anti-allergeni		N16B16A	55	75	03/10 >					34.175.00
1.6 One		N16B16U0	72	98	03/10 >		25.060.00		30.345.00	53.156.00
with activated carbons / ai carboni attivi		N16B16U0	72	98	03/10 >		25.060.00		30.345.00	54.175.00
antibacterial, anti-odour and anti-allergen filter / filtro antibatterico, antiodori e anti-allergeni		N16B16U0	72	98	03/10 >					34.175.00
1.6 One D		N47C16A	82	112	09/10 >		25.142.00	31.851.00	27.A53.00	53.156.00
with activated carbons / ai carboni attivi		N47C16A	82	112	09/10 >					54.175.00
antibacterial, anti-odour and anti-allergen filter / filtro antibatterico, antiodori e anti-allergeni		N47C16A	82	112	09/10 >					34.175.00
2.0 Cooper D		N47C20A	82	112	09/10 >		25.142.00	31.851.00	27.A53.00	53.156.00
with activated carbons / ai carboni attivi		N47C20A	82	112	09/10 >					54.175.00
antibacterial, anti-odour and anti-allergen filter / filtro antibatterico, antiodori e anti-allergeni		N47C20A	82	112	09/10 >					34.175.00
2.0 Cooper SD		N47C20A	100	136	09/10 >		25.142.00	31.851.00	27.A53.00	53.156.00
with activated carbons / ai carboni attivi		N47C20A	100	136	09/10 >					54.175.00
antibacterial, anti-odour and anti-allergen filter / filtro antibatterico, antiodori e anti-allergeni		N47C20A	100	136	09/10 >					34.175.00
2.0 Cooper SD		N47C20A	105	143	09/10 >		25.142.00	31.851.00	27.A53.00	53.156.00
with activated carbons / ai carboni attivi		N47C20A	105	143	09/10 >					54.175.00
antibacterial, anti-odour and anti-allergen filter / filtro antibatterico, antiodori e anti-allergeni		N47C20A	105	143	09/10 >					34.175.00
Mini Cabrio (F57)										
1.2 One		B38A12	75	102	03/16 >		25.185.00		30.621.00	53.332.00
with automatic air-conditioner / con climatizzatore automatico		B38A12	75	102	03/16 >					54.279.00
antibacterial, anti-odour and anti-allergen filter / filtro antibatterico, antiodori e anti-allergeni		B38A12	75	102	03/16 >					34.279.00
1.5 Cooper		B38A15	100	136	11/15 >				30.621.00	53.332.00
with automatic air-conditioner / con climatizzatore automatico		B38A15	100	136	11/15 >					54.279.00
antibacterial, anti-odour and anti-allergen filter / filtro antibatterico, antiodori e anti-allergeni		B38A15	100	136	11/15 >					34.279.00
assembly KNECHT-MAHLE / montaggio KNECHT-MAHLE		B38A15	100	136	11/15 >	04/17	25.185.00			

...MINI - cars/auto

M



assembly MANN+HUMMEL / montaggio MANN+HUMMEL	B38A15	100	136	05/17	>	25.211.00			
1.5 Cooper D	B37C15A	85	116	11/15	>		31.926.01	30.622.00	53.332.00
with automatic air-conditioner / con climatizzatore automatico	B37C15A	85	116	11/15	>				54.279.00
antibacterial, anti-odour and anti-allergen filter / filtro antibatterico, antiodori e anti-allergeni	B37C15A	85	116	11/15	>				34.279.00
assembly KNECHT-MAHLE / montaggio KNECHT-MAHLE	B37C15A	85	116	11/15	>	25.185.00			
assembly MANN+HUMMEL / montaggio MANN+HUMMEL	B37C15A	85	116	09/17	>	25.211.00			
1.5 One	B38A15	75	102	11/15	>	25.185.00		30.621.00	53.332.00
with automatic air-conditioner / con climatizzatore automatico	B38A15	75	102	11/15	>				54.279.00
antibacterial, anti-odour and anti-allergen filter / filtro antibatterico, antiodori e anti-allergeni	B38A15	75	102	11/15	>				34.279.00
2.0 Cooper S	B48A20A	141	192	11/15	>	25.185.00		30.621.00	53.332.00
with automatic air-conditioner / con climatizzatore automatico	B48A20A	141	192	11/15	>				54.279.00
antibacterial, anti-odour and anti-allergen filter / filtro antibatterico, antiodori e anti-allergeni	B48A20A	141	192	11/15	>				34.279.00
for cold countries / per paesi freddi	B48A20A	141	192	11/15	>			30.622.00	
for vehicles with external fuel filter export models / per veicoli con filtro carburante esterno modelli di esportazione	B48A20A	141	192	11/15	>	09/16	31.962.00		
2.0 Cooper S (KOR)	B48A20A	141	192	11/15	>	01/16	25.185.00		30.622.00
	B48A20A	141	192	02/16	>		25.185.00		30.622.00
with automatic air-conditioner / con climatizzatore automatico	B48A20A	141	192	11/15	>	01/16			54.279.00
antibacterial, anti-odour and anti-allergen filter / filtro antibatterico, antiodori e anti-allergeni	B48A20A	141	192	11/15	>				34.279.00
for vehicles with external fuel filter export models / per veicoli con filtro carburante esterno modelli di esportazione	B48A20A	141	192	11/15	>	09/16	31.962.00		
2.0 Cooper SD	B47C20A	125	170	03/16	>		31.926.01	30.622.00	53.332.00
with automatic air-conditioner / con climatizzatore automatico	B47C20A	125	170	03/16	>				54.279.00
antibacterial, anti-odour and anti-allergen filter / filtro antibatterico, antiodori e anti-allergeni	B47C20A	125	170	03/16	>				34.279.00
assembly KNECHT-MAHLE / montaggio KNECHT-MAHLE	B47C20A	125	170	03/16	>	08/17	25.185.00		
assembly MANN+HUMMEL / montaggio MANN+HUMMEL	B47C20A	125	170	09/17	>		25.211.00		
2.0 John Cooper Works	B48A20B	170	231	11/15	>	25.185.00		30.621.00	53.332.00
with automatic air-conditioner / con climatizzatore automatico	B48A20B	170	231	11/15	>				54.279.00
antibacterial, anti-odour and anti-allergen filter / filtro antibatterico, antiodori e anti-allergeni	B48A20B	170	231	11/15	>				34.279.00
for cold countries / per paesi freddi	B48A20B	170	231	11/15	>			30.622.00	
for vehicles with external fuel filter export models / per veicoli con filtro carburante esterno modelli di esportazione	B48A20B	170	231	11/15	>	09/16	31.962.00		
2.0 John Cooper Works (KOR)	B48A20B	170	231	11/15	>	25.185.00		30.622.00	53.332.00
with automatic air-conditioner / con climatizzatore automatico	B48A20B	170	231	11/15	>				54.279.00
antibacterial, anti-odour and anti-allergen filter / filtro antibatterico, antiodori e anti-allergeni	B48A20B	170	231	11/15	>				34.279.00
for vehicles with external fuel filter export models / per veicoli con filtro carburante esterno modelli di esportazione	B48A20B	170	231	11/15	>	09/16	31.962.00		
Mini Cabrio (R52)									
1.6 Cooper	W10B16A	85	115	07/04	>	07/08	25.034.00		30.317.00
with activated carbons / ai carboni attivi	W10B16A	85	115	07/04	>	07/08	25.034.00		30.317.00
for cold countries / per paesi freddi	W10B16A	85	115	07/04	>	07/08			30.A46.00
1.6 Cooper Auto.	W10B16A	85	115	03/03	>	07/08	25.034.00		30.168.00
with activated carbons / ai carboni attivi	W10B16A	85	115	03/03	>	07/08	25.034.00		30.168.00
for cold countries / per paesi freddi	W10B16A	85	115	03/03	>	07/08			30.290.00
1.6 Cooper S	W11B16A	125	170	07/04	>	07/08	25.034.00		30.316.00
with activated carbons / ai carboni attivi	W11B16A	125	170	07/04	>	07/08	25.034.00		30.316.00
1.6 One	W10B16A	66	90	01/03	>	07/08	25.034.00		30.317.00
with activated carbons / ai carboni attivi	W10B16A	66	90	01/03	>	07/08			54.137.00
for cold countries / per paesi freddi	W10B16A	66	90	01/03	>	07/08			30.A46.00
1.6 One Auto.	W10B16A	66	90	01/03	>	07/08	25.034.00		30.317.00
with activated carbons / ai carboni attivi	W10B16A	66	90	01/03	>	07/08			54.137.00
Mini Cabrio (R57)									
1.6 Cooper	N12B16A	88	120	10/07	>	06/10	25.060.00		30.345.00
with automatic air-conditioner / con climatizzatore automatico	N12B16A	88	120	10/07	>	06/10			54.175.00
antibacterial, anti-odour and anti-allergen filter / filtro antibatterico, antiodori e anti-allergeni	N12B16A	88	120	10/07	>	06/10			34.175.00
1.6 Cooper	N16B16MO	90	122	09/09	>	06/15	25.060.00		30.345.00
with automatic air-conditioner / con climatizzatore automatico	N16B16MO	90	122	09/09	>	06/15			54.175.00
antibacterial, anti-odour and anti-allergen filter / filtro antibatterico, antiodori e anti-allergeni	N16B16MO	90	122	09/09	>	06/15			34.175.00
1.6 Cooper (KOR)	N12B16A	88	120	10/07	>	06/10	25.060.00		30.346.00
with automatic air-conditioner / con climatizzatore automatico	N12B16A	88	120	10/07	>	06/10			53.156.00
antibacterial, anti-odour and anti-allergen filter / filtro antibatterico, antiodori e anti-allergeni	N12B16A	88	120	10/07	>	06/10			54.175.00
1.6 Cooper (KOR)	N16B16MO	90	122	01/10	>	06/15	25.060.00		30.346.00
with automatic air-conditioner / con climatizzatore automatico	N16B16MO	90	122	01/10	>	06/15			54.175.00
antibacterial, anti-odour and anti-allergen filter / filtro antibatterico, antiodori e anti-allergeni	N16B16MO	90	122	01/10	>	06/15			34.175.00
1.6 Cooper (USA)	N12B16A	88	120	11/07	>	07/10	25.060.00		30.346.00
with automatic air-conditioner / con climatizzatore automatico	N12B16A	88	120	11/07	>	07/10			54.175.00
antibacterial, anti-odour and anti-allergen filter / filtro antibatterico, antiodori e anti-allergeni	N12B16A	88	120	11/07	>	07/10			34.175.00
1.6 Cooper (USA)	N16B16MO	90	122	01/10	>	06/15	25.060.00		30.346.00
with automatic air-conditioner / con climatizzatore automatico	N16B16MO	90	122	01/10	>	06/15			54.175.00
antibacterial, anti-odour and anti-allergen filter / filtro antibatterico, antiodori e anti-allergeni	N16B16MO	90	122	01/10	>	06/15			34.175.00
1.6 Cooper D	N47C16U1	82	112	05/09	>	05/15	25.142.00	31.851.00	27.A53.00

...MINI - cars/auto

with automatic air-conditioner / con climatizzatore automatico	N47C16U1	82	112	05/09	>	05/15			54.175.00
antibacterial, anti-odour and anti-allergen filter / filtro antibatterico, antiodori e anti-allergeni	N47C16U1	82	112	05/09	>	05/15			34.175.00
1.6 Cooper S	N14B16A	129	175	11/07	>	07/00	25.060.00		30.368.00
with automatic air-conditioner / con climatizzatore automatico	N14B16A	129	175	11/07	>	07/00			54.175.00
antibacterial, anti-odour and anti-allergen filter / filtro antibatterico, antiodori e anti-allergeni	N14B16A	129	175	11/07	>	07/00			34.175.00
1.6 Cooper S	N18B16MO	135	184	06/09	>	06/15	25.060.00		30.467.00
with automatic air-conditioner / con climatizzatore automatico	N18B16MO	135	184	06/09	>	06/15			54.175.00
antibacterial, anti-odour and anti-allergen filter / filtro antibatterico, antiodori e anti-allergeni	N18B16MO	135	184	06/09	>	06/15			34.175.00
1.6 Cooper S (KOR)	N18B16MO	135	184	04/09	>	06/15	25.060.00		30.467.00
with automatic air-conditioner / con climatizzatore automatico	N18B16MO	135	184	04/09	>	06/15			54.175.00
antibacterial, anti-odour and anti-allergen filter / filtro antibatterico, antiodori e anti-allergeni	N18B16MO	135	184	04/09	>	06/15			34.175.00
1.6 Cooper S (USA)	N14B16A	129	175	11/07	>	07/00	25.060.00		30.467.00
with automatic air-conditioner / con climatizzatore automatico	N14B16A	129	175	11/07	>	07/00			54.175.00
antibacterial, anti-odour and anti-allergen filter / filtro antibatterico, antiodori e anti-allergeni	N14B16A	129	175	11/07	>	07/00			34.175.00
1.6 Cooper S (USA)	N18B16MO	135	184	04/09	>	06/15	25.060.00		30.467.00
with automatic air-conditioner / con climatizzatore automatico	N18B16MO	135	184	04/09	>	06/15			54.175.00
antibacterial, anti-odour and anti-allergen filter / filtro antibatterico, antiodori e anti-allergeni	N18B16MO	135	184	04/09	>	06/15			34.175.00
1.6 John Cooper Works	N14B16C	155	211	05/08	>	07/10	25.060.00		30.467.00
with automatic air-conditioner / con climatizzatore automatico	N14B16C	155	211	05/08	>	07/10			54.175.00
antibacterial, anti-odour and anti-allergen filter / filtro antibatterico, antiodori e anti-allergeni	N14B16C	155	211	05/08	>	07/10			34.175.00
1.6 John Cooper Works	N18B16TO	155	211	01/10	>	05/15	25.060.00		30.467.00
with automatic air-conditioner / con climatizzatore automatico	N18B16TO	155	211	01/10	>	05/15			54.175.00
antibacterial, anti-odour and anti-allergen filter / filtro antibatterico, antiodori e anti-allergeni	N18B16TO	155	211	01/10	>	05/15			34.175.00
1.6 John Cooper Works (USA)	N14B16C	155	211	05/08	>	07/10	25.060.00		30.467.00
with automatic air-conditioner / con climatizzatore automatico	N14B16C	155	211	05/08	>	07/10			54.175.00
antibacterial, anti-odour and anti-allergen filter / filtro antibatterico, antiodori e anti-allergeni	N14B16C	155	211	05/08	>	07/10			34.175.00
1.6 John Cooper Works (USA)	N18B16TO	155	211	03/10	>	05/15	25.060.00		30.467.00
with automatic air-conditioner / con climatizzatore automatico	N18B16TO	155	211	03/10	>	05/15			54.175.00
antibacterial, anti-odour and anti-allergen filter / filtro antibatterico, antiodori e anti-allergeni	N18B16TO	155	211	03/10	>	05/15			34.175.00
1.6 One	N16B16U0/N16B16A	72	98	09/09	>	06/15	25.060.00		30.345.00
with automatic air-conditioner / con climatizzatore automatico	N16B16U0/N16B16A	72	98	09/09	>	06/15			54.175.00
antibacterial, anti-odour and anti-allergen filter / filtro antibatterico, antiodori e anti-allergeni	N16B16U0/N16B16A	72	98	09/09	>	06/15			34.175.00
1.6 One (KOR)	N16B16U0/N16B16A	72	98	09/09	>	06/15	25.060.00		30.346.00
with automatic air-conditioner / con climatizzatore automatico	N16B16U0/N16B16A	72	98	09/09	>	06/15			54.175.00
antibacterial, anti-odour and anti-allergen filter / filtro antibatterico, antiodori e anti-allergeni	N16B16U0/N16B16A	72	98	09/09	>	06/15			34.175.00
2.0 Cooper D Auto	N47C20A	82	112	11/10	>	05/15	25.142.00	31.851.00	27.A53.00
with automatic air-conditioner / con climatizzatore automatico	N47C20A	82	112	11/10	>	05/15			54.175.00
antibacterial, anti-odour and anti-allergen filter / filtro antibatterico, antiodori e anti-allergeni	N47C20A	82	112	11/10	>	05/15			34.175.00
2.0 Cooper SD	N47C20U1	105	143	06/09	>	05/15	25.142.00	31.851.00	27.A53.00
with automatic air-conditioner / con climatizzatore automatico	N47C20U1	105	143	06/09	>	05/15			54.175.00
antibacterial, anti-odour and anti-allergen filter / filtro antibatterico, antiodori e anti-allergeni	N47C20U1	105	143	06/09	>	05/15			34.175.00
Mini Clubman (F54)									
1.5 Cooper	B36A15M0	100	136	07/15	>		25.185.00		30.621.00
with automatic air-conditioner / con climatizzatore automatico	B36A15M0	100	136	07/15	>				54.279.00
with complete filter KNECHT-MAHLE / con filtro completo KNECHT-MAHLE	B36A15M0	100	136	07/15	>	04/17	25.185.00		
with complete filter MANN+HUMMEL / con filtro completo MANN+HUMMEL	B36A15M0	100	136	05/17	>		25.211.00		
antibacterial, anti-odour and anti-allergen filter / filtro antibatterico, antiodori e anti-allergeni	B36A15M0	100	136	07/15	>				34.279.00
1.5 Cooper	B38A15A	100	136	07/15	>		25.185.00		30.621.00
with automatic air-conditioner / con climatizzatore automatico	B38A15A	100	136	07/15	>				54.279.00
with complete filter KNECHT-MAHLE / con filtro completo KNECHT-MAHLE	B38A15A	100	136	07/15	>	04/17	25.185.00		
with complete filter MANN+HUMMEL / con filtro completo MANN+HUMMEL	B38A15A	100	136	05/17	>		25.211.00		
antibacterial, anti-odour and anti-allergen filter / filtro antibatterico, antiodori e anti-allergeni	B38A15A	100	136	07/15	>				34.279.00
2.0 Cooper D	B47C20A	110	150	07/15	>			31.926.01	30.622.00
with automatic air-conditioner / con climatizzatore automatico	B47C20A	110	150	07/15	>				54.279.00
antibacterial, anti-odour and anti-allergen filter / filtro antibatterico, antiodori e anti-allergeni	B47C20A	110	150	07/15	>				34.279.00
assembly KNECHT-MAHLE / montaggio KNECHT-MAHLE	B47C20A	110	150	07/15	>	08/17	25.185.00		
assembly MANN+HUMMEL / montaggio MANN+HUMMEL	B47C20A	110	150	09/17	>		25.211.00		
2.0 Cooper S	B46A20A/B48A20F	131	178	11/20	>		25.211.00		30.622.00
with activated carbons / ai carboni attivi	B46A20A/B48A20F	131	178	11/20	>				54.279.00
antibacterial, anti-odour and anti-allergen filter / filtro antibatterico, antiodori e anti-allergeni	B46A20A/B48A20F	131	178	11/20	>				34.279.00
2.0 Cooper S	B48A20A	141	192	07/15	>				30.621.00
with automatic air-conditioner / con climatizzatore automatico	B48A20A	141	192	07/15	>				54.279.00
antibacterial, anti-odour and anti-allergen filter / filtro antibatterico, antiodori e anti-allergeni	B48A20A	141	192	07/15	>				34.279.00
assembly KNECHT-MAHLE / montaggio KNECHT-MAHLE	B48A20A	141	192	07/15	>	04/17	25.185.00		
assembly MANN+HUMMEL / montaggio MANN+HUMMEL	B48A20A	141	192	05/17	>		25.211.00		
for cold countries / per paesi freddi	B48A20A	141	192	07/15	>				30.622.00
2.0 Cooper S ALL4	B46A20M0	141	192	07/15	>				30.621.00

...MINI - cars/auto

with automatic air-conditioner / con climatizzatore automatico	B46A20M0	141	192	07/15	>				54.279.00	
antibacterial, anti-odour and anti-allergen filter / filtro antibatterico, antiodori e anti-allergeni	B46A20M0	141	192	07/15	>				34.279.00	
assembly KNECHT-MAHLE / montaggio KNECHT-MAHLE	B46A20M0	141	192	07/15	>	04/17	25.185.00			
assembly MANN+HUMMEL / montaggio MANN+HUMMEL	B46A20M0	141	192	05/17	>		25.211.00			
for cold countries / per paesi freddi	B46A20M0	141	192	07/15	>			30.622.00		
2.0 Cooper SX	B48A20F	131	178	11/20	>		25.211.00	30.622.00		
	B48A20F	131	178	11/20	>				54.279.00	
antibacterial, anti-odour and anti-allergen filter / filtro antibatterico, antiodori e anti-allergeni	B48A20F	131	178	11/20	>				34.279.00	
2.0 JCW		225	306	07/19	>			30.C61.00		
for cold countries / per paesi freddi		225	306	07/19	>			30.C65.00		
Mini Clubman (R55)										
1.4 One	N12B14A	70	95	08/08	>	02/10	25.060.00		30.345.00	53.156.00
with automatic air-conditioner / con climatizzatore automatico	N12B14A	70	95	08/08	>	02/10				54.175.00
antibacterial, anti-odour and anti-allergen filter / filtro antibatterico, antiodori e anti-allergeni	N12B14A	70	95	08/08	>	02/10				34.175.00
1.6 Cooper	N12B16A	88	120	07/07	>	07/10	25.060.00		30.345.00	53.156.00
with automatic air-conditioner / con climatizzatore automatico	N12B16A	88	120	07/07	>	07/10				54.175.00
antibacterial, anti-odour and anti-allergen filter / filtro antibatterico, antiodori e anti-allergeni	N12B16A	88	120	07/07	>	07/10				34.175.00
1.6 Cooper	N16B16A	90	122	03/09	>	06/14	25.060.00		30.345.00	53.156.00
with automatic air-conditioner / con climatizzatore automatico	N16B16A	90	122	03/09	>	06/14				54.175.00
antibacterial, anti-odour and anti-allergen filter / filtro antibatterico, antiodori e anti-allergeni	N16B16A	90	122	03/09	>	06/14				34.175.00
1.6 Cooper (KOR)	N12B16A	88	120	07/07	>	07/10	25.060.00		30.346.00	53.156.00
with automatic air-conditioner / con climatizzatore automatico	N12B16A	88	120	07/07	>	07/10				54.175.00
antibacterial, anti-odour and anti-allergen filter / filtro antibatterico, antiodori e anti-allergeni	N12B16A	88	120	07/07	>	07/10				34.175.00
1.6 Cooper (KOR)	N16B16A	90	122	03/09	>	06/14	25.060.00		30.346.00	53.156.00
with automatic air-conditioner / con climatizzatore automatico	N16B16A	90	122	03/09	>	06/14				54.175.00
antibacterial, anti-odour and anti-allergen filter / filtro antibatterico, antiodori e anti-allergeni	N16B16A	90	122	03/09	>	06/14				34.175.00
1.6 Cooper (USA)	N12B16A	88	120	07/07	>	07/10	25.060.00		30.346.00	53.156.00
with automatic air-conditioner / con climatizzatore automatico	N12B16A	88	120	07/07	>	07/10				54.175.00
antibacterial, anti-odour and anti-allergen filter / filtro antibatterico, antiodori e anti-allergeni	N12B16A	88	120	07/07	>	07/10				34.175.00
1.6 Cooper (USA)	N16B16A	90	122	03/09	>	06/14	25.060.00		30.346.00	53.156.00
with automatic air-conditioner / con climatizzatore automatico	N16B16A	90	122	03/09	>	06/14				54.175.00
antibacterial, anti-odour and anti-allergen filter / filtro antibatterico, antiodori e anti-allergeni	N16B16A	90	122	03/09	>	06/14				34.175.00
1.6 Cooper Auto.	N12B16A	88	120	07/07	>	07/10	25.060.00		30.346.00	53.156.00
with automatic air-conditioner / con climatizzatore automatico	N12B16A	88	120	07/07	>	07/10				54.175.00
antibacterial, anti-odour and anti-allergen filter / filtro antibatterico, antiodori e anti-allergeni	N12B16A	88	120	07/07	>	07/10				34.175.00
1.6 Cooper D	N47C16A	82	112	09/10	>	06/14	25.142.00	31.851.00	27.A53.00	53.156.00
with automatic air-conditioner / con climatizzatore automatico	N47C16A	82	112	09/10	>	06/14				54.175.00
antibacterial, anti-odour and anti-allergen filter / filtro antibatterico, antiodori e anti-allergeni	N47C16A	82	112	09/10	>	06/14				34.175.00
1.6 Cooper D	W16	80	109	07/07	>	08/10	25.037.00	24.027.00	30.233.00	53.156.00
with automatic air-conditioner / con climatizzatore automatico	W16	80	109	07/07	>	08/10				54.175.00
antibacterial, anti-odour and anti-allergen filter / filtro antibatterico, antiodori e anti-allergeni	W16	80	109	07/07	>	08/10				34.175.00
1.6 Cooper S	N14B16A	128	175	10/06	>	07/10	25.060.00		30.368.00	53.156.00
with automatic air-conditioner / con climatizzatore automatico	N14B16A	128	175	10/06	>	07/10				54.175.00
antibacterial, anti-odour and anti-allergen filter / filtro antibatterico, antiodori e anti-allergeni	N14B16A	128	175	10/06	>	07/10				34.175.00
1.6 Cooper S	N18B16A	120	163	10/07	>	06/14	25.060.00		30.467.00	53.156.00
with automatic air-conditioner / con climatizzatore automatico	N18B16A	120	163	10/07	>	06/14				54.175.00
antibacterial, anti-odour and anti-allergen filter / filtro antibatterico, antiodori e anti-allergeni	N18B16A	120	163	10/07	>	06/14				34.175.00
1.6 Cooper S	N18B16M0/N18B16A	135	184	06/09	>	06/14	25.060.00		30.467.00	53.156.00
with automatic air-conditioner / con climatizzatore automatico	N18B16M0/N18B16A	135	184	06/09	>	06/14				54.175.00
antibacterial, anti-odour and anti-allergen filter / filtro antibatterico, antiodori e anti-allergeni	N18B16M0/N18B16A	135	184	06/09	>	06/14				34.175.00
1.6 Cooper S (KOR)	N14B16A	128	175	10/06	>	07/10	25.060.00		30.467.00	53.156.00
with automatic air-conditioner / con climatizzatore automatico	N14B16A	128	175	10/06	>	07/10				54.175.00
antibacterial, anti-odour and anti-allergen filter / filtro antibatterico, antiodori e anti-allergeni	N14B16A	128	175	10/06	>	07/10				34.175.00
1.6 Cooper S (USA)	N14B16A	128	175	10/06	>	07/10	25.060.00		30.467.00	53.156.00
with automatic air-conditioner / con climatizzatore automatico	N14B16A	128	175	10/06	>	07/10				54.175.00
antibacterial, anti-odour and anti-allergen filter / filtro antibatterico, antiodori e anti-allergeni	N14B16A	128	175	10/06	>	07/10				34.175.00
1.6 Cooper S (USA)	N18B16M0/N18B16A	135	184	06/09	>	06/14	25.060.00		30.467.00	53.156.00
with automatic air-conditioner / con climatizzatore automatico	N18B16M0/N18B16A	135	184	06/09	>	06/14				54.175.00
antibacterial, anti-odour and anti-allergen filter / filtro antibatterico, antiodori e anti-allergeni	N18B16M0/N18B16A	135	184	06/09	>	06/14				34.175.00
1.6 John Cooper Works	N14B16	155	211	10/06	>	07/10	25.060.00		30.467.00	53.156.00
with automatic air-conditioner / con climatizzatore automatico	N14B16	155	211	10/06	>	07/10				54.175.00
antibacterial, anti-odour and anti-allergen filter / filtro antibatterico, antiodori e anti-allergeni	N14B16	155	211	10/06	>	07/10				34.175.00
1.6 John Cooper Works	N18B16T0	155	211	08/10	>	06/14	25.060.00		30.467.00	53.156.00
with automatic air-conditioner / con climatizzatore automatico	N18B16T0	155	211	08/10	>	06/14				54.175.00
antibacterial, anti-odour and anti-allergen filter / filtro antibatterico, antiodori e anti-allergeni	N18B16T0	155	211	08/10	>	06/14				34.175.00
1.6 John Cooper Works (USA)	N14B16	155	211	10/06	>	07/10	25.060.00		30.467.00	53.156.00
with automatic air-conditioner / con climatizzatore automatico	N14B16	155	211	10/06	>	07/10				54.175.00

...MINI - cars/auto

antibacterial, anti-odour and anti-allergen filter / filtro antibatterico, antiodori e anti-allergeni	N14B16	155	211	10/06	>	07/10				34.175.00
1.6 John Cooper Works (USA)	N18B16T0	155	211	08/10	>	06/14	25.060.00		30.467.00	53.156.00
with automatic air-conditioner / con climatizzatore automatico	N18B16T0	155	211	09/10	>	06/14				54.175.00
antibacterial, anti-odour and anti-allergen filter / filtro antibatterico, antiodori e anti-allergeni	N18B16T0	155	211	09/10	>	06/14				34.175.00
1.6 One	N16B16A	72	98	03/09	>	06/14	25.060.00		30.345.00	53.156.00
with automatic air-conditioner / con climatizzatore automatico	N16B16A	72	98	03/09	>	06/14				54.175.00
antibacterial, anti-odour and anti-allergen filter / filtro antibatterico, antiodori e anti-allergeni	N16B16A	72	98	03/09	>	06/14				34.175.00
1.6 One (KOR)	N16B16A	72	98	03/09	>	06/14	25.060.00		30.346.00	53.156.00
with automatic air-conditioner / con climatizzatore automatico	N16B16A	72	98	03/09	>	06/14				54.175.00
antibacterial, anti-odour and anti-allergen filter / filtro antibatterico, antiodori e anti-allergeni	N16B16A	72	98	06/10	>					34.175.00
1.6 One D	N47C16A	66	90	01/10	>	06/14	25.142.00	31.851.00	27.A53.00	53.156.00
with automatic air-conditioner / con climatizzatore automatico	N47C16A	66	90	01/10	>	06/14				54.175.00
antibacterial, anti-odour and anti-allergen filter / filtro antibatterico, antiodori e anti-allergeni	N47C16A	66	90	01/10	>	06/14				34.175.00
2.0 Cooper D Auto.	N47C20A	82	112	11/10	>	06/14	25.142.00	31.851.00	27.A53.00	53.156.00
with automatic air-conditioner / con climatizzatore automatico	N47C20A	82	112	11/10	>	06/14				54.175.00
antibacterial, anti-odour and anti-allergen filter / filtro antibatterico, antiodori e anti-allergeni	N47C20A	82	112	11/10	>	06/14				34.175.00
2.0 Cooper SD	N47C20C	105	143	05/09	>	06/14	25.142.00	31.851.00	27.A53.00	53.156.00
with automatic air-conditioner / con climatizzatore automatico	N47C20C	105	143	05/09	>	06/14				54.175.00
antibacterial, anti-odour and anti-allergen filter / filtro antibatterico, antiodori e anti-allergeni	N47C20C	105	143	05/09	>	06/14				34.175.00
Mini Clubvan (R55)										
1.6 Cooper	N16B16A	90	122	12/12	>	06/14	25.060.00		30.345.00	53.156.00
with automatic air-conditioner / con climatizzatore automatico	N16B16A	90	122	12/12	>	06/14				54.175.00
antibacterial, anti-odour and anti-allergen filter / filtro antibatterico, antiodori e anti-allergeni	N16B16A	90	122	12/12	>	06/14				34.175.00
1.6 Cooper (KOR)	N16B16A	90	122	12/12	>	06/14	25.060.00		30.346.00	53.156.00
with automatic air-conditioner / con climatizzatore automatico	N16B16A	90	122	12/12	>	06/14				54.175.00
antibacterial, anti-odour and anti-allergen filter / filtro antibatterico, antiodori e anti-allergeni	N16B16A	90	122	12/12	>	06/14				34.175.00
1.6 Cooper (USA)	N16B16A	90	122	12/12	>	06/14	25.060.00		30.346.00	53.156.00
with automatic air-conditioner / con climatizzatore automatico	N16B16A	90	122	12/12	>	06/14				54.175.00
antibacterial, anti-odour and anti-allergen filter / filtro antibatterico, antiodori e anti-allergeni	N16B16A	90	122	12/12	>	06/14				34.175.00
1.6 Cooper D	N47C16A	82	112	12/12	>	06/14	25.142.00	31.851.00	27.A53.00	53.156.00
with automatic air-conditioner / con climatizzatore automatico	N47C16A	82	112	12/12	>	06/14				54.175.00
antibacterial, anti-odour and anti-allergen filter / filtro antibatterico, antiodori e anti-allergeni	N47C16A	82	112	12/12	>	06/14				34.175.00
1.6 One	N16B16A	72	98	12/12	>	06/14	25.060.00		30.345.00	53.156.00
with automatic air-conditioner / con climatizzatore automatico	N16B16A	72	98	12/12	>	06/14				54.175.00
antibacterial, anti-odour and anti-allergen filter / filtro antibatterico, antiodori e anti-allergeni	N16B16A	72	98	12/12	>	06/14				34.175.00
1.6 One (KOR)	N16B16A	72	98	12/12	>	06/14	25.060.00		30.346.00	53.156.00
with automatic air-conditioner / con climatizzatore automatico	N16B16A	72	98	12/12	>	06/14				54.175.00
antibacterial, anti-odour and anti-allergen filter / filtro antibatterico, antiodori e anti-allergeni	N16B16A	72	98	12/12	>	06/14				34.175.00
2.0 Cooper D Auto.	N47C20A	82	112	12/12	>	06/14	25.142.00	31.851.00	27.A53.00	53.156.00
with automatic air-conditioner / con climatizzatore automatico	N47C20A	82	112	12/12	>	06/14				54.175.00
antibacterial, anti-odour and anti-allergen filter / filtro antibatterico, antiodori e anti-allergeni	N47C20A	82	112	12/12	>	06/14				34.175.00
Mini Countryman (F60)										
1.5 Cooper	B38A15A	100	136	11/16	>				∞	30.622.00
with automatic air-conditioner / con climatizzatore automatico	B38A15A	100	136	11/16	>					54.279.00
antibacterial, anti-odour and anti-allergen filter / filtro antibatterico, antiodori e anti-allergeni	B38A15A	100	136	11/16	>					34.279.00
assembly KNECHT-MAHLE / montaggio KNECHT-MAHLE	B38A15A	100	136	11/16	>	04/17	25.185.00			
assembly MANN+HUMMEL / montaggio MANN+HUMMEL	B38A15A	100	136	05/17	>		25.211.00			
1.5 Cooper ALL4	B38A15A	100	136	11/16	>				∞	30.622.00
with automatic air-conditioner / con climatizzatore automatico	B38A15A	100	136	11/16	>					54.279.00
antibacterial, anti-odour and anti-allergen filter / filtro antibatterico, antiodori e anti-allergeni	B38A15A	100	136	11/16	>					34.279.00
assembly KNECHT-MAHLE / montaggio KNECHT-MAHLE	B38A15A	100	136	11/16	>	04/17	25.185.00			
assembly MANN+HUMMEL / montaggio MANN+HUMMEL	B38A15A	100	136	05/17	>		25.211.00			
1.5 Cooper S.E. Plug-in Hybrid ALL4	B38A15A	165	224	06/17	>		25.211.00		∞	30.622.00
with automatic air-conditioner / con climatizzatore automatico	B38A15A	165	224	06/17	>					54.279.00
antibacterial, anti-odour and anti-allergen filter / filtro antibatterico, antiodori e anti-allergeni	B38A15A	165	224	06/17	>					34.279.00
1.5 One	B38A15A	75	102	11/16	>				∞	30.622.00
with automatic air-conditioner / con climatizzatore automatico	B38A15A	75	102	11/16	>					53.332.00
antibacterial, anti-odour and anti-allergen filter / filtro antibatterico, antiodori e anti-allergeni	B38A15A	75	102	11/16	>					34.279.00
assembly KNECHT-MAHLE / montaggio KNECHT-MAHLE	B38A15A	75	102	11/16	>	04/17	25.185.00			
assembly MANN+HUMMEL / montaggio MANN+HUMMEL	B38A15A	75	102	05/17	>		25.211.00			
1.5 One D	B37C15A	85	116	11/16	>			31.926.01	30.622.00	53.332.00
with automatic air-conditioner / con climatizzatore automatico	B37C15A	85	116	11/16	>					54.279.00
antibacterial, anti-odour and anti-allergen filter / filtro antibatterico, antiodori e anti-allergeni	B37C15A	85	116	11/16	>					34.279.00
assembly KNECHT-MAHLE / montaggio KNECHT-MAHLE	B37C15A	85	116	11/16	>	08/17	25.185.00			
assembly MANN+HUMMEL / montaggio MANN+HUMMEL	B37C15A	85	116	09/17	>		25.211.00			
2.0 Cooper D	B47C20A	110	150	11/16	>			31.926.01	30.622.00	53.332.00
with automatic air-conditioner / con climatizzatore automatico	B47C20A	110	150	11/16	>					54.279.00

...MINI - cars/auto

M



antibacterial, anti-odour and anti-allergen filter / filtro antibatterico, antiodori e anti-allergeni	B47C20A	110	150	11/16	>				34.279.00
assembly KNECHT-MAHLE / montaggio KNECHT-MAHLE	B47C20A	110	150	11/16	>	08/17	25.185.00		
assembly MANN+HUMMEL / montaggio MANN+HUMMEL	B47C20A	110	150	09/17	>		25.211.00		
2.0 Cooper D ALL4	B47C20A	110	150	11/16	>			31.926.01	30.622.00
with automatic air-conditioner / con climatizzatore automatico	B47C20A	110	150	11/16	>				54.279.00
antibacterial, anti-odour and anti-allergen filter / filtro antibatterico, antiodori e anti-allergeni	B47C20A	110	150	11/16	>				34.279.00
assembly KNECHT-MAHLE / montaggio KNECHT-MAHLE	B47C20A	110	150	11/16	>	08/17	25.185.00		
assembly MANN+HUMMEL / montaggio MANN+HUMMEL	B47C20A	110	150	09/17	>		25.211.00		
2.0 Cooper S	B48A20A	141	192	11/16	>				30.622.00
with automatic air-conditioner / con climatizzatore automatico	B48A20A	141	192	11/16	>				54.279.00
antibacterial, anti-odour and anti-allergen filter / filtro antibatterico, antiodori e anti-allergeni	B48A20A	141	192	11/16	>				34.279.00
assembly KNECHT-MAHLE / montaggio KNECHT-MAHLE	B48A20A	141	192	11/16	>	04/17	25.185.00		
assembly MANN+HUMMEL / montaggio MANN+HUMMEL	B48A20A	141	192	05/17	>		25.211.00		
2.0 Cooper S ALL4	B48A20A	141	192	11/16	>				30.622.00
with automatic air-conditioner / con climatizzatore automatico	B48A20A	141	192	11/16	>				54.279.00
antibacterial, anti-odour and anti-allergen filter / filtro antibatterico, antiodori e anti-allergeni	B48A20A	141	192	11/16	>				34.279.00
assembly KNECHT-MAHLE / montaggio KNECHT-MAHLE	B48A20A	141	192	11/16	>	04/17	25.185.00		
assembly MANN+HUMMEL / montaggio MANN+HUMMEL	B48A20A	141	192	05/17	>		25.211.00		
2.0 Cooper SD	B47C20A	140	190	11/16	>			31.926.01	30.622.00
with automatic air-conditioner / con climatizzatore automatico	B47C20A	140	190	11/16	>				54.279.00
antibacterial, anti-odour and anti-allergen filter / filtro antibatterico, antiodori e anti-allergeni	B47C20A	140	190	11/16	>				34.279.00
assembly KNECHT-MAHLE / montaggio KNECHT-MAHLE	B47C20A	140	190	11/16	>	08/17	25.185.00		
assembly MANN+HUMMEL / montaggio MANN+HUMMEL	B47C20A	140	190	09/17	>		25.211.00		
2.0 Cooper SD ALL4	B47C20A	140	190	11/16	>			31.926.01	30.622.00
with automatic air-conditioner / con climatizzatore automatico	B47C20A	140	190	11/16	>				54.279.00
antibacterial, anti-odour and anti-allergen filter / filtro antibatterico, antiodori e anti-allergeni	B47C20A	140	190	11/16	>				34.279.00
assembly KNECHT-MAHLE / montaggio KNECHT-MAHLE	B47C20A	140	190	11/16	>	08/17	25.185.00		
assembly MANN+HUMMEL / montaggio MANN+HUMMEL	B47C20A	140	190	09/17	>		25.211.00		
2.0 John Cooper Works ALL4	B48A20B	170	231	01/17	>		25.185.00		30.622.00
with automatic air-conditioner / con climatizzatore automatico	B48A20B	170	231	01/17	>				54.279.00
antibacterial, anti-odour and anti-allergen filter / filtro antibatterico, antiodori e anti-allergeni	B48A20B	170	231	01/17	>				34.279.00
Mini Countryman (R60)									
1.6 Cooper	N16B16M0	90	122	03/10	>	10/16	25.060.00		30.345.00
with automatic air-conditioner / con climatizzatore automatico	N16B16M0	90	122	03/10	>	10/16			54.175.00
antibacterial, anti-odour and anti-allergen filter / filtro antibatterico, antiodori e anti-allergeni	N16B16M0	90	122	03/10	>	10/16			34.175.00
1.6 Cooper (KOR)	N16B16M0	90	122	03/10	>	10/16	25.060.00		30.346.00
with automatic air-conditioner / con climatizzatore automatico	N16B16M0	90	122	03/10	>	10/16			54.175.00
antibacterial, anti-odour and anti-allergen filter / filtro antibatterico, antiodori e anti-allergeni	N16B16M0	90	122	03/10	>	10/16			34.175.00
1.6 Cooper (USA)	N16B16M0	90	122	03/10	>	10/16	25.060.00		30.346.00
with automatic air-conditioner / con climatizzatore automatico	N16B16M0	90	122	03/10	>	10/16			54.175.00
antibacterial, anti-odour and anti-allergen filter / filtro antibatterico, antiodori e anti-allergeni	N16B16M0	90	122	03/10	>	10/16			34.175.00
1.6 Cooper ALL4	N16B16M0	90	122	03/10	>	10/16	25.060.00		30.345.00
with automatic air-conditioner / con climatizzatore automatico	N16B16M0	90	122	03/10	>	10/16			54.175.00
antibacterial, anti-odour and anti-allergen filter / filtro antibatterico, antiodori e anti-allergeni	N16B16M0	90	122	03/10	>	10/16			34.175.00
1.6 Cooper D	N47C16U1	82	112	06/10	>	10/16	25.142.00	31.952.00	27.A53.00
with automatic air-conditioner / con climatizzatore automatico	N47C16U1	82	112	06/10	>	10/16			54.175.00
antibacterial, anti-odour and anti-allergen filter / filtro antibatterico, antiodori e anti-allergeni	N47C16U1	82	112	06/10	>	10/16			34.175.00
1.6 Cooper D ALL4	N47C16U1	82	112	06/10	>	10/16	25.142.00	31.952.00	27.A53.00
with automatic air-conditioner / con climatizzatore automatico	N47C16U1	82	112	06/10	>	10/16			54.175.00
antibacterial, anti-odour and anti-allergen filter / filtro antibatterico, antiodori e anti-allergeni	N47C16U1	82	112	06/10	>	10/16			34.175.00
1.6 Cooper S	N18B16M0	135	184	03/10	>	10/16	25.060.00		30.467.00
with automatic air-conditioner / con climatizzatore automatico	N18B16M0	135	184	03/10	>	10/16			54.175.00
antibacterial, anti-odour and anti-allergen filter / filtro antibatterico, antiodori e anti-allergeni	N18B16M0	135	184	03/10	>	10/16			34.175.00
1.6 Cooper S ALL4	N18B16M0	135	184	03/10	>	10/16	25.060.00		30.467.00
with automatic air-conditioner / con climatizzatore automatico	N18B16M0	135	184	03/10	>	10/16			54.175.00
antibacterial, anti-odour and anti-allergen filter / filtro antibatterico, antiodori e anti-allergeni	N18B16M0	135	184	03/10	>	10/16			34.175.00
1.6 John Cooper Works ALL4	N18B16T0	160	218	04/11	>	10/16	25.060.00		30.467.00
with automatic air-conditioner / con climatizzatore automatico	N18B16T0	160	218	04/11	>	10/16			54.175.00
antibacterial, anti-odour and anti-allergen filter / filtro antibatterico, antiodori e anti-allergeni	N18B16T0	160	218	04/11	>	10/16			34.175.00
1.6 John Cooper Works ALL4 (USA)	N18B16T0	155	211	04/11	>	10/16	25.060.00		30.467.00
with automatic air-conditioner / con climatizzatore automatico	N18B16T0	155	211	04/11	>	10/16			54.175.00
antibacterial, anti-odour and anti-allergen filter / filtro antibatterico, antiodori e anti-allergeni	N18B16T0	155	211	04/11	>	10/16			34.175.00
1.6 One	N16B16U0	72	98	03/10	>	10/16	25.060.00		30.345.00
with automatic air-conditioner / con climatizzatore automatico	N16B16U0	72	98	03/10	>	10/16			54.175.00
antibacterial, anti-odour and anti-allergen filter / filtro antibatterico, antiodori e anti-allergeni	N16B16U0	72	98	03/10	>	10/16			34.175.00
1.6 One (KOR)	N16B16U0	72	98	03/10	>	10/16	25.060.00		30.346.00
with automatic air-conditioner / con climatizzatore automatico	N16B16U0	72	98	03/10	>	10/16			54.175.00

...MINI - cars/auto

antibacterial, anti-odour and anti-allergen filter / filtro antibatterico, antiodori e anti-allergeni	N16B16U0	72	98	03/10	>	10/16				34.175.00
1.6 One D	N47C16K1	66	90	01/10	>	10/16	25.142.00	31.952.00	27.A53.00	53.156.00
with automatic air-conditioner / con climatizzatore automatico	N47C16K1	66	90	01/10	>	10/16				54.175.00
antibacterial, anti-odour and anti-allergen filter / filtro antibatterico, antiodori e anti-allergeni	N47C16K1	66	90	01/10	>	10/16				34.175.00
2.0 Cooper SD	N47D20C/N47C20U1	105	143	03/11	>	10/16	25.142.00	31.952.00	27.A53.00	53.156.00
with automatic air-conditioner / con climatizzatore automatico	N47D20C/N47C20U1	105	143	03/11	>	10/16				54.175.00
antibacterial, anti-odour and anti-allergen filter / filtro antibatterico, antiodori e anti-allergeni	N47D20C/N47C20U1	105	143	03/11	>	10/16				34.175.00
2.0 Cooper SD ALL4	N47D20C/N47C20U1	105	143	03/11	>	10/16	25.142.00	31.952.00	27.A53.00	53.156.00
with automatic air-conditioner / con climatizzatore automatico	N47D20C/N47C20U1	105	143	03/11	>	10/16				54.175.00
antibacterial, anti-odour and anti-allergen filter / filtro antibatterico, antiodori e anti-allergeni	N47D20C/N47C20U1	105	143	03/11	>	10/16				34.175.00
Mini Coupè (R58)										
1.6 Cooper	N16B16A	90	122	12/10	>	04/15	25.060.00		30.345.00	53.156.00
with activated carbons / ai carboni attivi	N16B16A	90	122	12/10	>	04/15				54.175.00
antibacterial, anti-odour and anti-allergen filter / filtro antibatterico, antiodori e anti-allergeni	N16B16A	90	122	12/10	>	04/15				34.175.00
1.6 Cooper (KOR)	N16B16A	90	122	12/10	>	04/15	25.060.00		30.346.00	53.156.00
with activated carbons / ai carboni attivi	N16B16A	90	122	12/10	>	04/15				54.175.00
antibacterial, anti-odour and anti-allergen filter / filtro antibatterico, antiodori e anti-allergeni	N16B16A	90	122	12/10	>	04/15				34.175.00
1.6 Cooper (USA)	N16B16A	90	122	01/11	>	04/15	25.060.00		30.346.00	53.156.00
with activated carbons / ai carboni attivi	N16B16A	90	122	01/11	>	04/15				54.175.00
antibacterial, anti-odour and anti-allergen filter / filtro antibatterico, antiodori e anti-allergeni	N16B16A	90	122	01/11	>	04/15				34.175.00
1.6 Cooper Auto.	N16B16A	90	122	12/10	>	04/15	25.060.00		30.346.00	53.156.00
with activated carbons / ai carboni attivi	N16B16A	90	122	12/10	>	04/15				54.175.00
antibacterial, anti-odour and anti-allergen filter / filtro antibatterico, antiodori e anti-allergeni	N16B16A	90	122	12/10	>	04/15				34.175.00
1.6 Cooper S	N18B16A	135	184	12/10	>	04/15	25.060.00		30.467.00	53.156.00
with activated carbons / ai carboni attivi	N18B16A	135	184	12/10	>	04/15				54.175.00
antibacterial, anti-odour and anti-allergen filter / filtro antibatterico, antiodori e anti-allergeni	N18B16A	135	184	12/10	>	04/15				34.175.00
1.6 Cooper S (KOR)	N18B16A	135	184	12/10	>	04/15	25.060.00		30.467.00	53.156.00
with activated carbons / ai carboni attivi	N18B16A	135	184	12/10	>	04/15				54.175.00
antibacterial, anti-odour and anti-allergen filter / filtro antibatterico, antiodori e anti-allergeni	N18B16A	135	184	12/10	>	04/15				34.175.00
1.6 Cooper S (USA)	N18B16A	135	184	01/11	>	05/15	25.060.00		30.467.00	53.156.00
with activated carbons / ai carboni attivi	N18B16A	135	184	01/11	>	05/15				54.175.00
antibacterial, anti-odour and anti-allergen filter / filtro antibatterico, antiodori e anti-allergeni	N18B16A	135	184	01/11	>	05/15				34.175.00
1.6 John Cooper Works	N14B16	155	211	12/10	>	07/12	25.060.00		30.467.00	53.156.00
with activated carbons / ai carboni attivi	N14B16	155	211	12/10	>	07/12				54.175.00
antibacterial, anti-odour and anti-allergen filter / filtro antibatterico, antiodori e anti-allergeni	N14B16	155	211	12/10	>	07/12				34.175.00
1.6 John Cooper Works	N18B16T0	155	211	07/12	>	05/15	25.060.00		30.467.00	53.156.00
with activated carbons / ai carboni attivi	N18B16T0	155	211	07/12	>	05/15				54.175.00
antibacterial, anti-odour and anti-allergen filter / filtro antibatterico, antiodori e anti-allergeni	N18B16T0	155	211	07/12	>	05/15				34.175.00
1.6 John Cooper Works (USA)	N14B16	155	211	01/11	>	07/12	25.060.00		30.467.00	53.156.00
with activated carbons / ai carboni attivi	N14B16	155	211	01/11	>	07/12				54.175.00
antibacterial, anti-odour and anti-allergen filter / filtro antibatterico, antiodori e anti-allergeni	N14B16	155	211	01/11	>	07/12				34.175.00
1.6 John Cooper Works (USA)	N18B16T0	155	211	09/12	>	05/15	25.060.00		30.467.00	53.156.00
with activated carbons / ai carboni attivi	N18B16T0	155	211	09/12	>	05/15				54.175.00
antibacterial, anti-odour and anti-allergen filter / filtro antibatterico, antiodori e anti-allergeni	N18B16T0	155	211	09/12	>	05/15				34.175.00
2.0 Cooper SD	N47D20C	105	143	12/10	>	05/15	25.142.00	31.851.00	27.A53.00	53.156.00
with activated carbons / ai carboni attivi	N47D20C	105	143	12/10	>	05/15				54.175.00
antibacterial, anti-odour and anti-allergen filter / filtro antibatterico, antiodori e anti-allergeni	N47D20C	105	143	12/10	>	05/15				34.175.00
Mini Paceman (R61)										
1.6 Cooper	N16B16A	88	120	04/12	>	09/16	25.060.00		30.345.00	53.156.00
with activated carbons / ai carboni attivi	N16B16A	88	120	04/12	>	09/16				54.175.00
antibacterial, anti-odour and anti-allergen filter / filtro antibatterico, antiodori e anti-allergeni	N16B16A	88	120	04/12	>	09/16				34.175.00
1.6 Cooper	N16B16A	90	122	04/12	>	09/16	25.060.00		30.345.00	53.156.00
with activated carbons / ai carboni attivi	N16B16A	90	122	04/12	>	09/16				54.175.00
antibacterial, anti-odour and anti-allergen filter / filtro antibatterico, antiodori e anti-allergeni	N16B16A	90	122	04/12	>	09/16				34.175.00
1.6 Cooper (KOR)	N16B16A	88	120	04/12	>	09/16	25.060.00		30.346.00	53.156.00
with activated carbons / ai carboni attivi	N16B16A	88	120	04/12	>	09/16				54.175.00
antibacterial, anti-odour and anti-allergen filter / filtro antibatterico, antiodori e anti-allergeni	N16B16A	88	120	04/12	>	09/16				34.175.00
1.6 Cooper (KOR)	N16B16A	90	122	04/12	>	09/16	25.060.00		30.346.00	53.156.00
with activated carbons / ai carboni attivi	N16B16A	90	122	04/12	>	09/16				54.175.00
antibacterial, anti-odour and anti-allergen filter / filtro antibatterico, antiodori e anti-allergeni	N16B16A	90	122	04/12	>	09/16				34.175.00
1.6 Cooper (USA)	N16B16A	88	120	04/12	>	09/16	25.060.00		30.346.00	53.156.00
with activated carbons / ai carboni attivi	N16B16A	88	120	04/12	>	09/16				54.175.00
antibacterial, anti-odour and anti-allergen filter / filtro antibatterico, antiodori e anti-allergeni	N16B16A	88	120	04/12	>	09/16				34.175.00
1.6 Cooper (USA)	N16B16A	90	122	04/12	>	09/16	25.060.00		30.346.00	53.156.00
with activated carbons / ai carboni attivi	N16B16A	90	122	04/12	>	09/16				54.175.00
antibacterial, anti-odour and anti-allergen filter / filtro antibatterico, antiodori e anti-allergeni	N16B16A	90	122	04/12	>	09/16				34.175.00
1.6 Cooper ALL4 Auto.	N16B16A	90	122	04/12	>	09/16	25.060.00		30.345.00	53.156.00

...MINI - cars/auto

with automatic air-conditioner / con climatizzatore automatico	N18B16M0	135	184	01/11 >	04/15			54.175.00
antibacterial, anti-odour and anti-allergen filter / filtro antibatterico, antiodori e anti-allergeni	N18B16M0	135	184	01/11 >	04/15			34.175.00
1.6 Cooper S (USA)	N18B16M0	135	184	01/11 >	04/15	25.060.00		53.156.00
with automatic air-conditioner / con climatizzatore automatico	N18B16M0	135	184	01/11 >	04/15			54.175.00
antibacterial, anti-odour and anti-allergen filter / filtro antibatterico, antiodori e anti-allergeni	N18B16M0	135	184	01/11 >	04/15			34.175.00
1.6 John Cooper Works	N14B16	155	211	05/11 >	04/15	25.060.00		53.156.00
with automatic air-conditioner / con climatizzatore automatico	N14B16	155	211	05/11 >	04/15			54.175.00
antibacterial, anti-odour and anti-allergen filter / filtro antibatterico, antiodori e anti-allergeni	N14B16	155	211	05/11 >	04/15			34.175.00
1.6 John Cooper Works	N18B16T0	155	211	08/11 >	04/15	25.060.00		53.156.00
with automatic air-conditioner / con climatizzatore automatico	N18B16T0	155	211	08/11 >	04/15			54.175.00
antibacterial, anti-odour and anti-allergen filter / filtro antibatterico, antiodori e anti-allergeni	N18B16T0	155	211	08/11 >	04/15			34.175.00
2.0 Cooper SD	N47C20U1	105	143	01/11 >	04/15	25.142.00	31.851.00	53.156.00
with automatic air-conditioner / con climatizzatore automatico	N47C20U1	105	143	01/11 >	04/15			54.175.00
antibacterial, anti-odour and anti-allergen filter / filtro antibatterico, antiodori e anti-allergeni	N47C20U1	105	143	01/11 >	04/15			34.175.00

MITSUBISHI

cars/auto

3000 GT

3000 GT V6 Biturbo (Z16A) (EU)	6G72			06/92 >		23.271.00		30.222.00
---------------------------------------	------	--	--	---------	--	-----------	--	-----------

ASX

1.6 2WD	4A92	86	117	04/10 >	03/12	23.265.00		30.533.00	53.218.00
	4A92	86	117	04/12 >		23.265.00		30.709.00	53.218.00
with activated carbons / ai carboni attivi	4A92	86	117	04/10 >					54.167.00
antibacterial, anti-odour and anti-allergen filter / filtro antibatterico, antiodori e anti-allergeni	4A92	86	117	04/10 >					34.167.00
1.6 2WD Bi-Fuel GPL	4A92	86	117	04/10 >	03/12	23.265.00		30.533.00	53.218.00
	4A92	86	117	04/12 >		23.265.00		30.709.00	53.218.00
with activated carbons / ai carboni attivi	4A92	86	117	04/10 >					54.167.00
antibacterial, anti-odour and anti-allergen filter / filtro antibatterico, antiodori e anti-allergeni	4A92	86	117	04/10 >					34.167.00
1.6 DI-D 2WD	9HD	84	114	07/15 >		25.037.00	24.127.00	30.645.00	53.218.00
with activated carbons / ai carboni attivi	9HD	84	114	07/15 >					54.167.00
antibacterial, anti-odour and anti-allergen filter / filtro antibatterico, antiodori e anti-allergeni	9HD	84	114	07/15 >					34.167.00
1.6 DI-D 4WD	9HD	84	114	07/15 >		25.037.00	24.127.00	30.645.00	53.218.00
with activated carbons / ai carboni attivi	9HD	84	114	07/15 >					54.167.00
antibacterial, anti-odour and anti-allergen filter / filtro antibatterico, antiodori e anti-allergeni	9HD	84	114	07/15 >					34.167.00
1.8 2WD	4B10	102	139	02/10 >	08/12	23.265.00		30.533.00	53.218.00
	4B10	102	139	09/12 >		23.265.00		30.709.00	53.218.00
with activated carbons / ai carboni attivi	4B10	102	139	02/10 >					54.167.00
antibacterial, anti-odour and anti-allergen filter / filtro antibatterico, antiodori e anti-allergeni	4B10	102	139	02/10 >					34.167.00
1.8 4WD	4B10	102	139	02/10 >	08/12	23.265.00		30.533.00	53.218.00
	4B10	102	139	09/12 >		23.265.00		30.709.00	53.218.00
with activated carbons / ai carboni attivi	4B10	102	139	02/10 >					54.167.00
antibacterial, anti-odour and anti-allergen filter / filtro antibatterico, antiodori e anti-allergeni	4B10	102	139	02/10 >					34.167.00
1.8 DI-D 2WD	4N13	110	150	04/10 >		23.265.00	24.465.00	30.601.00	53.218.00
with activated carbons / ai carboni attivi	4N13	110	150	04/10 >					54.167.00
antibacterial, anti-odour and anti-allergen filter / filtro antibatterico, antiodori e anti-allergeni	4N13	110	150	04/10 >					34.167.00
1.8 DI-D 2WD	4N13	85	116	06/10 >		23.265.00	24.465.00	30.601.00	53.218.00
with activated carbons / ai carboni attivi	4N13	85	116	06/10 >					54.167.00
antibacterial, anti-odour and anti-allergen filter / filtro antibatterico, antiodori e anti-allergeni	4N13	85	116	06/10 >					34.167.00
1.8 DI-D 4WD	4N13	110	150	04/10 >		23.265.00	24.465.00	30.601.00	53.218.00
with activated carbons / ai carboni attivi	4N13	110	150	04/10 >					54.167.00
antibacterial, anti-odour and anti-allergen filter / filtro antibatterico, antiodori e anti-allergeni	4N13	110	150	04/10 >					34.167.00
1.8 DI-D 4WD	4N13	85	116	06/10 >		23.265.00	24.465.00	30.601.00	53.218.00
with activated carbons / ai carboni attivi	4N13	85	116	06/10 >		23.265.00			54.167.00
antibacterial, anti-odour and anti-allergen filter / filtro antibatterico, antiodori e anti-allergeni	4N13	85	116	06/10 >					34.167.00
2.0 2WD	4B11	110	150	06/10 >	09/12	23.265.00		30.533.00	53.218.00
	4B11	110	150	10/12 >		23.265.00		30.709.00	53.218.00
with activated carbons / ai carboni attivi	4B11	110	150	06/10 >					54.167.00
antibacterial, anti-odour and anti-allergen filter / filtro antibatterico, antiodori e anti-allergeni	4B11	110	150	06/10 >					34.167.00
2.0 4WD	4B11	110	150	06/10 >	09/12	23.265.00		30.533.00	53.218.00
	4B11	110	150	10/12 >		23.265.00		30.709.00	53.218.00
with activated carbons / ai carboni attivi	4B11	110	150	06/10 >					54.167.00
antibacterial, anti-odour and anti-allergen filter / filtro antibatterico, antiodori e anti-allergeni	4B11	110	150	06/10 >					34.167.00
2.2 DI-D 4WD	4N14	110	150	04/13 >		23.265.00	24.465.00	30.601.00	53.218.00
with activated carbons / ai carboni attivi	4N14	110	150	04/13 >					54.167.00
antibacterial, anti-odour and anti-allergen filter / filtro antibatterico, antiodori e anti-allergeni	4N14	110	150	04/13 >					34.167.00

Attrage

1.2	3A92	59	80	10/13 >		23.265.00		30.781.00
------------	------	----	----	---------	--	-----------	--	-----------

Carisma

...MITSUBISHI - cars/auto

M



1.3 12V									
with air-conditioner / con climatizzatore	4G13	55	75	09/00 >	10/04	23.265.00		30.070.00	53.338.00
without air-conditioner / senza climatizzatore	4G13	55	75	09/00 >	10/04	23.265.00		30.070.00	53.404.00
1.3 16V									
with air-conditioner / con climatizzatore	4G13	60	82	09/00 >	10/04	23.265.00		30.070.00	53.338.00
without air-conditioner / senza climatizzatore	4G13	60	82	09/00 >	10/04	23.265.00		30.070.00	53.404.00
1.6 i (DA1A)									
with air-conditioner / con climatizzatore	4G92	66	90	01/00 >	06/06	23.265.00		30.070.00	53.338.00
without air-conditioner / senza climatizzatore	4G92	66	90	01/00 >	06/06	23.265.00		30.070.00	53.404.00
1.6 i 16V									
with air-conditioner / con climatizzatore	4G92	73	99	01/00 >	06/06	23.265.00		30.070.00	53.338.00
without air-conditioner / senza climatizzatore	4G92	73	99	01/00 >	06/06	23.265.00		30.070.00	53.404.00
1.8 i (DA2A) (SOHC)									
with air-conditioner / con climatizzatore	4G93	85	116	01/00 >	06/06	23.265.00		30.070.00	53.338.00
without air-conditioner / senza climatizzatore	4G93	85	116	01/00 >	06/06	23.265.00		30.070.00	53.404.00
1.9 DI-D Turbodiesel									
with air-conditioner / con climatizzatore	Renault	75	102	09/00 >	06/06	23.419.00	26.687.00	30.079.00	53.338.00
without air-conditioner / senza climatizzatore	Renault	75	102	09/00 >	06/06	23.419.00	26.687.00	30.079.00	53.404.00
1.9 DI-D Turbodiesel									
with air-conditioner / con climatizzatore	Renault	85	115	09/00 >	06/06	23.419.00	26.687.00	30.079.00	53.338.00
without air-conditioner / senza climatizzatore	Renault	85	115	09/00 >	06/06	23.419.00	26.687.00	30.079.00	53.404.00
1.9 Turbodiesel									
with air-conditioner / con climatizzatore	Renault	66	90	01/00 >	11/00	23.419.00	24.384.00	30.079.00	53.338.00
without air-conditioner / senza climatizzatore	Renault	66	90	01/00 >	11/00	23.419.00	24.384.00	30.079.00	53.404.00
Colt									
1.0 F				01/69 >		23.165.00		27.769.00	
1.1 F				01/69 >		23.165.00		27.769.00	
1.2				01/69 >		23.165.00		27.769.00	
1.3 i 12V (CJ1A)	4G13	55	75	03/96 >	09/00	23.485.00	31.592.00	30.275.00	
1.3 i 16V (CJ1A)	4G13	60	82	09/00 >	07/04	23.485.00		30.275.00	
1.5 (C12)				10/83 >		23.165.00		27.156.00	
1.5 (C52A)				10/87 >		23.165.00		27.156.00	
1.5 i 16V (CJ2A)	4G15	69	94	11/95 >	12/00	23.485.00		30.275.00	
1.5 i ECI (C52A)	4G15E			10/87 >		23.165.00		27.171.00	
1.6 i 16V (CJ4A)	4G92	66	90	01/96 >	09/00	23.485.00	31.592.00	30.275.00	
1.6 i 16V (CJ4A)	4G92	76	103	09/00 >	07/04	23.485.00		30.275.00	
1.6 i 16V GTI (C53A)	4G61			10/87 >		23.165.00		27.171.00	
Colt VI									
1.1 12V (Z32A)	3A91	55	75	10/04 >		23.479.00		30.253.00	
with activated carbons / ai carboni attivi	3A91	55	75	10/04 >					54.144.00
1.3 16V (Z34A)	4A90	70	95	06/04 >		23.479.00		30.253.00	
with activated carbons / ai carboni attivi	4A90	70	95	06/04 >					54.144.00
1.5 16V (Z36A)	4A91	80	109	06/04 >		23.479.00		30.253.00	
with activated carbons / ai carboni attivi	4A91	80	109	06/04 >					54.144.00
1.5 16V Turbo (Z37A)	4G15T	110	150	04/05 >		23.485.00		30.252.00	
with activated carbons / ai carboni attivi	4G15T	110	150	04/05 >					54.144.00
1.5 DI-D HP (Z38A)	OM639	50	68	08/04 >		23.478.00	24.436.00	30.252.00	
with activated carbons / ai carboni attivi	OM639	50	68	08/04 >					54.144.00
1.5 DI-D HP (Z39A)	OM639	70	95	08/04 >		23.478.00	24.436.00	30.252.00	
with activated carbons / ai carboni attivi	OM639	70	95	08/04 >					54.144.00
Debonair									
2.0 i V6	6G71			07/86 >		23.271.00		27.171.00	
3.0 i V6	6G72			07/86 >		23.271.00		27.171.00	
Eclipse									
2.0 i 16V (D32A) (EU)	4G63T			07/95 >		23.485.00		30.230.00	
2.4 i 16V GS cat	4G64	105	143	09/98 >		23.485.00		30.230.00	
Eclipse Cross									
1.5 T-MIVEC	4B40	120	163	12/17 >		23.265.00		30.843.00	53.218.00
with activated carbons / ai carboni attivi	4B40	120	163	12/17 >					54.167.00
antibacterial, anti-odour and anti-allergen filter / filtro antibatterico, antiodori e anti-allergeni	4B40	120	163	12/17 >					34.167.00
1.5 T-MIVEC 4WD	4B40	120	163	12/17 >		23.265.00		30.843.00	53.218.00
with activated carbons / ai carboni attivi	4B40	120	163	12/17 >					54.167.00
antibacterial, anti-odour and anti-allergen filter / filtro antibatterico, antiodori e anti-allergeni	4B40	120	163	12/17 >					34.167.00
2.2 DI-D 4WD		109	148	11/18 >		23.265.00	24.465.00	30.601.00	53.218.00
with activated carbons / ai carboni attivi		109	148	11/18 >					54.167.00
antibacterial, anti-odour and anti-allergen filter / filtro antibatterico, antiodori e anti-allergeni		109	148	11/18 >					34.167.00
Eterna (Sigma)									

...MITSUBISHI - cars/auto

2.0 i (E15A)	G63B			01/86 >	23.165.00			
2.0 i V6 (E17A)	6G71			06/89 >	23.271.00		27.171.00	
Forte								
1.6 (L025P)	G32B			09/78 >	23.165.00			
2.0 4WD (L026P)	G63B			10/80 >	23.165.00			
Galant								
2.0 GTO SL-5				01/74 >	23.165.00		27.770.00	
2.0 i 16V (EA2A)	4G63			09/96 >	23.265.00	31.731.00	30.169.00	
2.0 i 16V (EA5A)	4G63			09/96 >	23.265.00	31.731.00	30.169.00	
2.0 i 16V Turbo VR4	4G63T			10/89 >	23.165.00		27.171.00	
2.0 Turbodiesel (EA6A)	4D68T	66	90	09/96 >	23.237.00	24.368.00	27.579.00	
2.4 16V GDI (EA3A)	4G64	106	144	09/00 >	23.485.00			
2.4 16V GDI (EA3A)	4G64	110	150	12/98 > 09/00	23.485.00		30.169.00	
2.5 i V6 24V (STH)	6A13			09/96 >		31.731.00	30.169.00	
Galant (Sigma)								
2.0 GSL (A115)				01/80 >	23.165.00		27.770.00	
with double carburetor / con doppio carburatore								
2.0 GSL (A123)				01/80 >	23.165.00		27.770.00	
with double carburetor / con doppio carburatore								
2.0 GSR (A115)				01/80 >	23.165.00		27.770.00	
with double carburetor / con doppio carburatore								
2.0 GSR (A123)				01/80 >	23.165.00		27.770.00	
with double carburetor / con doppio carburatore								
2.0 i (E15A)	G63B			01/86 >	23.165.00			
2.0 i V6 (E17A)	6G71			10/86 >	23.271.00		27.171.00	
3.0 V6 F.I. (USA)				09/96 >	23.165.00		27.171.00	
Grandis								
2.0 DI-D		103	140	02/07 >	25.023.00	24.126.00		54.220.00
2.0 DI-D	BSY	100	136	09/05 >	25.023.00	24.126.00		54.220.00
2.4 16V	4G69	121	165	04/04 >	23.485.00		30.709.00	54.220.00
Hatchback								
1.4 Turbo				01/82 >	23.165.00			
i (HA)								
660	3B20	38	52	01/07 >	23.565.00			
with automatic air-conditioner / con climatizzatore automatico	3B20	38	52	01/07 >				54.286.00
with manual air-conditioner / con climatizzatore manuale	3B20	38	52	01/07 >				53.384.00
660	3B20T	42	57	01/07 >	23.565.00			
with automatic air-conditioner / con climatizzatore automatico	3B20T	42	57	01/07 >				54.286.00
with manual air-conditioner / con climatizzatore manuale	3B20T	42	57	01/07 >				53.384.00
i-MiEV	Y4F1	47	64	12/09 >	×	×	×	
with automatic air-conditioner / con climatizzatore automatico	Y4F1	47	64	12/09 >				54.286.00
with manual air-conditioner / con climatizzatore manuale	Y4F1	47	64	12/09 >				53.384.00
Lancer								
1.3 i 12V (CB1A)	4G13	55	75	06/92 > 09/03	23.265.00			
1.6 i 16V (CB4A)	4G92	66	90	12/95 > 09/03	23.485.00			
1.6 i 16V (CB4A)	4G92	83	113	06/92 > 09/03	23.265.00			
1.8 i 4WD (C77A)	4G37			05/89 >	23.271.00		27.171.00	
2.0 Diesel (CB8A)	4D68	50	68	03/93 > 09/03	23.237.00	24.368.00	27.579.00	
Lancer VII								
1.3				09/03 >	23.265.00		30.275.00	54.220.00
with air-conditioner / con climatizzatore		60	82					
1.6				09/03 >	23.265.00		30.275.00	54.220.00
with air-conditioner / con climatizzatore	4G18	72	98					
2.0 16V				09/03 >	23.485.00		30.275.00	54.220.00
with air-conditioner / con climatizzatore	4G63	99	135					
2.0 16V 4WD Evolution 8				02/04 > 12/05	23.485.00		30.275.00	54.220.00
with air-conditioner / con climatizzatore	4G63T	195	265					
2.0 16V 4WD Evolution 9				12/05 >	23.485.00		30.275.00	54.220.00
with air-conditioner / con climatizzatore	4G63T	206	280					
Lancer VIII								
1.5 MIVEC	4A91	80	109	08/09 >	23.479.00			53.218.00
with activated carbons / ai carboni attivi	4A91	80	109	08/09 >				54.167.00
antibacterial, anti-odour and anti-allergen filter / filtro antibatterico, antiodori e anti-allergeni	4A91	80	109	08/09 >				34.167.00
1.6 MIVEC	4A92	86	117	08/09 > 01/12	23.265.00		30.533.00	53.218.00
	4A92	86	117	02/12 >	23.265.00		30.709.00	53.218.00
with activated carbons / ai carboni attivi	4A92	86	117	08/09 >				54.167.00
antibacterial, anti-odour and anti-allergen filter / filtro antibatterico, antiodori e anti-allergeni	4A92	86	117	08/09 >				34.167.00

...MITSUBISHI - cars/auto

1.8		105	143	04/08	>	23.265.00		30.533.00	53.218.00
with activated carbons / ai carboni attivi		105	143	04/08	>				54.167.00
antibacterial, anti-odour and anti-allergen filter / filtro antibatterico, antiodori e anti-allergeni		105	143	04/08	>				34.167.00
1.8 DI-D	4N13	110	150	04/10	>	23.265.00		30.601.00	53.218.00
with activated carbons / ai carboni attivi	4N13	110	150	04/10	>				54.167.00
antibacterial, anti-odour and anti-allergen filter / filtro antibatterico, antiodori e anti-allergeni	4N13	110	150	04/10	>				34.167.00
1.8 DI-D	4N13	85	116	05/10	>	23.265.00		30.601.00	53.218.00
with activated carbons / ai carboni attivi	4N13	85	116	05/10	>				54.167.00
antibacterial, anti-odour and anti-allergen filter / filtro antibatterico, antiodori e anti-allergeni	4N13	85	116	05/10	>				34.167.00
1.8 Flex		105	143	04/08	>	23.265.00		30.533.00	53.218.00
with activated carbons / ai carboni attivi		105	143	04/08	>				54.167.00
antibacterial, anti-odour and anti-allergen filter / filtro antibatterico, antiodori e anti-allergeni		105	143	04/08	>				34.167.00
2.0 16V	4B11	108	147	01/09	>	23.265.00		30.533.00	53.218.00
with activated carbons / ai carboni attivi	4B11	108	147	01/09	>				54.167.00
antibacterial, anti-odour and anti-allergen filter / filtro antibatterico, antiodori e anti-allergeni	4B11	108	147	01/09	>				34.167.00
2.0 16V EVO	4B11 T/C	217	295	08/09	>	23.461.00			53.218.00
with activated carbons / ai carboni attivi	4B11 T/C	217	295	08/09	>				54.167.00
antibacterial, anti-odour and anti-allergen filter / filtro antibatterico, antiodori e anti-allergeni	4B11 T/C	217	295	08/09	>				34.167.00
2.0 DI-D	BKD	103	140	10/07	>	25.023.00		30.533.00	53.218.00
with activated carbons / ai carboni attivi	BKD	103	140	10/07	>				54.167.00
antibacterial, anti-odour and anti-allergen filter / filtro antibatterico, antiodori e anti-allergeni	BKD	103	140	10/07	>				34.167.00
2.0 Turbo Ralliart	4B11 T/C	177	240	08/08	>	23.461.00			53.218.00
with activated carbons / ai carboni attivi	4B11 T/C	177	240	08/08	>				54.167.00
antibacterial, anti-odour and anti-allergen filter / filtro antibatterico, antiodori e anti-allergeni	4B11 T/C	177	240	08/08	>				34.167.00
Lancer Wagon									
1.6 i 16V (CB4W)	4G92	83	113	06/92	> 09/03	23.265.00			
1.6 i 16V (CS3W)									
with air-conditioner / con climatizzatore	4G18	72	98	09/03	>	23.265.00		30.275.00	54.220.00
2.0 16V (CS9W)									
with air-conditioner / con climatizzatore	4G63	99	135	09/03	>	23.485.00		30.275.00	54.220.00
2.0 Diesel (CB8W)	4D68	50	68	06/92	> 09/03	23.237.00	24.368.00	27.579.00	
Outlander									
2.0 i 16V		100	136	04/03	> 02/07	23.485.00			30.275.00
2.0 i 16V 4WD Turbo		148	201	02/05	>	23.485.00			30.275.00
2.4 i 16V 4WD		118	160	02/05	>	23.485.00			30.275.00
Outlander II									
2.0 16V MIVEC	4B11	108	147	11/06	> 11/12	23.265.00		30.533.00	53.218.00
with activated carbons / ai carboni attivi	4B11	108	147	11/06	> 11/12				54.167.00
antibacterial, anti-odour and anti-allergen filter / filtro antibatterico, antiodori e anti-allergeni	4B11	108	147	11/06	> 11/12				34.167.00
dusty areas / zone polverose	4B11	108	147	11/06	> 11/12			30.539.00	
2.0 16V MIVEC 4WD	4B11	108	147	11/06	> 11/12	23.265.00		30.533.00	53.218.00
with activated carbons / ai carboni attivi	4B11	108	147	11/06	> 11/12				54.167.00
antibacterial, anti-odour and anti-allergen filter / filtro antibatterico, antiodori e anti-allergeni	4B11	108	147	11/06	> 11/12				34.167.00
dusty areas / zone polverose	4B11	108	147	11/06	> 11/12			30.539.00	
2.0 DI-D DPP	BSY	103	140	02/07	> 11/12	25.023.00	24.126.00	30.533.00	53.218.00
with activated carbons / ai carboni attivi	BSY	103	140	02/07	> 11/12				54.167.00
antibacterial, anti-odour and anti-allergen filter / filtro antibatterico, antiodori e anti-allergeni	BSY	103	140	02/07	> 11/12				34.167.00
dusty areas / zone polverose	BSY	103	140	02/07	> 11/12			30.539.00	
2.2 DI-D	4N14	130	170	11/06	> 11/12	23.265.00	24.465.00	30.601.00	53.218.00
with activated carbons / ai carboni attivi	4N14	130	170	11/06	> 11/12				54.167.00
antibacterial, anti-odour and anti-allergen filter / filtro antibatterico, antiodori e anti-allergeni	4N14	130	170	11/06	> 11/12				34.167.00
2.2 DI-D	Peugeot DW12BTED4	115	156	08/07	> 06/08	25.060.00	24.156.00	30.533.00	53.218.00
with activated carbons / ai carboni attivi	Peugeot DW12BTED4	115	156	08/07	> 11/12	25.060.00		30.533.00	53.218.00
antibacterial, anti-odour and anti-allergen filter / filtro antibatterico, antiodori e anti-allergeni	Peugeot DW12BTED4	115	156	08/07	> 11/12				54.167.00
dusty areas / zone polverose	Peugeot DW12BTED4	115	156	08/07	> 11/12			30.539.00	34.167.00
2.2 DI-D 4WD	4N14	103	140	09/10	> 11/12	23.265.00	24.465.00	30.601.00	53.218.00
with activated carbons / ai carboni attivi	4N14	103	140	09/10	> 11/12				54.167.00
antibacterial, anti-odour and anti-allergen filter / filtro antibatterico, antiodori e anti-allergeni	4N14	103	140	09/10	> 11/12				34.167.00
2.2 DI-D 4WD	4N14	130	170	11/06	> 11/12	23.265.00	24.465.00	30.601.00	53.218.00
with activated carbons / ai carboni attivi	4N14	130	170	11/06	> 11/12				54.167.00
antibacterial, anti-odour and anti-allergen filter / filtro antibatterico, antiodori e anti-allergeni	4N14	130	170	11/06	> 11/12				34.167.00
2.4 16V MIVEC	4B12	125	170	11/06	> 11/12	23.265.00		30.533.00	53.218.00
with activated carbons / ai carboni attivi	4B12	125	170	11/06	> 11/12				54.167.00
antibacterial, anti-odour and anti-allergen filter / filtro antibatterico, antiodori e anti-allergeni	4B12	125	170	11/06	> 11/12				34.167.00
dusty areas / zone polverose	4B12	125	170	11/06	> 11/12			30.539.00	
2.4 16V MIVEC 4WD	4B12	125	170	09/07	> 11/12	23.265.00		30.533.00	53.218.00

...MITSUBISHI - cars/auto

with activated carbons / ai carboni attivi	4B12	125	170	09/07 >	11/12				54.167.00
antibacterial, anti-odour and anti-allergen filter / filtro antibatterico, antiodori e anti-allergeni	4B12	125	170	09/07 >	11/12				34.167.00
dusty areas / zone polverose	4B12	125	170	09/07 >	11/12			30.539.00	
2.4 16V MIVEC Flex 4WD	4B12	125	170	09/07 >	11/12	23.265.00		30.533.00	53.218.00
with activated carbons / ai carboni attivi	4B12	125	170	09/07 >	11/12				54.167.00
antibacterial, anti-odour and anti-allergen filter / filtro antibatterico, antiodori e anti-allergeni	4B12	125	170	09/07 >	11/12				34.167.00
dusty areas / zone polverose	4B12	125	170	09/07 >	11/12			30.539.00	
3.0 V6 24V MIVEC 4WD	6B31	162	220	11/06 >	11/12	23.265.00			53.218.00
with activated carbons / ai carboni attivi	6B31	162	220	11/06 >	11/12				54.167.00
antibacterial, anti-odour and anti-allergen filter / filtro antibatterico, antiodori e anti-allergeni	6B31	162	220	11/06 >	11/12				34.167.00
dusty areas / zone polverose	6B31	162	220	11/06 >	11/12			30.539.00	
Outlander III									
2.0 Hybrid PHEV	4B11	89	121	04/13 >		23.265.00			53.218.00
with activated carbons / ai carboni attivi	4B11	89	121	04/13 >					54.167.00
antibacterial, anti-odour and anti-allergen filter / filtro antibatterico, antiodori e anti-allergeni	4B11	89	121	04/13 >					34.167.00
2.0 MIVEC (GF2W)	4B11	110	150	07/12 >		23.265.00		30.709.00	53.218.00
with activated carbons / ai carboni attivi	4B11	110	150	07/12 >					54.167.00
antibacterial, anti-odour and anti-allergen filter / filtro antibatterico, antiodori e anti-allergeni	4B11	110	150	07/12 >					34.167.00
2.2 DI-D (GF4W)	4N14	130	177	07/12 >		23.265.00	24.465.00	30.601.00	53.218.00
with activated carbons / ai carboni attivi	4N14	130	177	07/12 >					54.167.00
antibacterial, anti-odour and anti-allergen filter / filtro antibatterico, antiodori e anti-allergeni	4N14	130	177	07/12 >					34.167.00
2.2 DI-D 4WD	4N14	130	177	07/12 >		23.265.00	24.465.00	30.601.00	53.218.00
with activated carbons / ai carboni attivi	4N14	130	177	07/12 >					54.167.00
antibacterial, anti-odour and anti-allergen filter / filtro antibatterico, antiodori e anti-allergeni	4N14	130	177	07/12 >					34.167.00
Space Gear									
2.0 i 16V (PA3)	4G63			01/95 >		23.265.00	31.690.00	30.222.00	
2.0 i 16V (PB3)	4G63			01/95 >		23.265.00	31.690.00	30.222.00	
2.4 i 16V (PA4)	4G64			01/95 >		23.265.00	31.690.00	30.222.00	
2.4 i 16V (PD4W)	4G64			01/95 >		23.265.00	31.690.00	30.222.00	
2.5 Turbodiesel (PA5)	4D56T			01/95 >		23.237.00	24.366.00		
2.5 Turbodiesel (PB5)	4D56T			01/95 >		23.237.00	24.366.00		
2.5 Turbodiesel (PD5)	4D56T			01/95 >		23.237.00	24.366.00		
Space Runner									
2.0		100	136	08/99 >		23.485.00		30.169.00	
with air-conditioner / con climatizzatore		100	136	08/99 >					53.128.00
2.4 GDI		110	150	08/99 >		23.461.00		30.169.00	
with air-conditioner / con climatizzatore		110	150	08/99 >					53.128.00
Space Star									
1.3 i 16V (DG1A)				01/98 >				30.070.00	
1.8 i 16V GDI (DG5A)				01/98 >		23.265.00		30.070.00	
1.9 DI-D Turbodiesel	Renault			02/01 >		23.419.00	26.687.00	30.079.00	
Space Star II									
1.0		52	71	10/12 >		23.265.00		30.781.00	53.384.00
1.0 GPL/LPG		52	71	10/12 >		23.265.00		30.781.00	53.384.00
1.2		59	80	10/12 >		23.265.00		30.781.00	53.384.00
Space Wagon									
2.0 16V GDI	4G63	98	133	04/02 >	12/04	23.485.00		30.169.00	
with air-conditioner / con climatizzatore	4G63	98	133	04/02 >	12/04				53.128.00
2.4 16V GDI (N84W)	4G64	108	147	09/00 >		23.485.00		30.169.00	
with air-conditioner / con climatizzatore	4G64	108	147	09/00 >					53.128.00
2.4 16V GDI (N84W)	4G64	110	150	10/98 >	10/00	23.485.00		30.169.00	
with air-conditioner / con climatizzatore	4G64	110	150	10/98 >	10/00				53.128.00
MITSUBISHI off-road cars/fuoristrada									
Challenger									
3.0 i V6 GLS (UK)				01/98 >		23.271.00			
L 200 V									
2.4 DiD	4N15	133	181	11/14 >		23.265.00	26.045.00		53.218.00
2.4 DiD 4x4	4N15	133	181	11/14 >		23.265.00	26.045.00		53.218.00
Montero									
2.5 TDI Turbodiesel Intercooler				01/91 >		23.237.00	24.366.00	27.920.00	
with MITSUBISHI MD603446 / con MITSUBISHI MD603446				01/91 >		23.237.00	24.366.00	27.071.00	
metal bottoms / fondelli in metallo				01/91 >		23.237.00	24.366.00	27.071.01	
plastic bottoms / fondelli in plastica				01/91 >		23.237.00	24.366.00	27.071.01	
3.2 DI-D		118	160	02/07 >				30.220.00	
3.2 DI-D DPF Autom.		125	170	02/07 >				30.220.00	
Pajero									

...MITSUBISHI - off-road cars/fuoristrada

2.4 i (V41W)	4G64			01/91 > 12/00	23.265.00	31.650.00	30.222.00	
2.5 TDI (V20)								
with MITSUBISHI MD603446 / con MITSUBISHI MD603446	4D56T	85	115	02/89 >	23.237.00	24.366.00	27.920.00	
with MITSUBISHI MD620563 / con MITSUBISHI MD620563	4D56T	85	115	05/91 >	23.237.00	24.366.00	27.282.00	
metal bottoms / fondelli in metallo	4D56T	85	115	02/89 >	23.237.00	24.366.00	27.071.00	
plastic bottoms / fondelli in plastica	4D56T	85	115	02/89 >	23.237.00	24.366.00	27.071.01	
2.5 TDI (V24W)								
with MITSUBISHI MD603446 / con MITSUBISHI MD603446				02/89 >	23.237.00	24.366.00	27.920.00	
with MITSUBISHI MD620563 / con MITSUBISHI MD620563				05/91 >	23.237.00	24.366.00	27.282.00	
metal bottoms / fondelli in metallo				02/89 >	23.237.00	24.366.00	27.071.00	
plastic bottoms / fondelli in plastica				02/89 >	23.237.00	24.366.00	27.071.01	
2.5 TDI (V44W)								
with MITSUBISHI MD603446 / con MITSUBISHI MD603446				02/89 >	23.237.00	24.366.00	27.920.00	
with MITSUBISHI MD620563 / con MITSUBISHI MD620563				05/91 >	23.237.00	24.366.00	27.282.00	
metal bottoms / fondelli in metallo				02/89 >	23.237.00	24.366.00	27.071.00	
plastic bottoms / fondelli in plastica				02/89 >	23.237.00	24.366.00	27.071.01	
2.5 TDI Wagon								
with MITSUBISHI MD603446 / con MITSUBISHI MD603446				02/89 >	23.237.00	24.366.00	27.920.00	
with MITSUBISHI MD620563 / con MITSUBISHI MD620563				05/91 >	23.237.00	24.366.00	27.282.00	
metal bottoms / fondelli in metallo				02/89 >	23.237.00	24.366.00	27.071.00	
plastic bottoms / fondelli in plastica				02/89 >	23.237.00	24.366.00	27.071.01	
2.8 TDI (V26)								
with MITSUBISHI MD620563 / con MITSUBISHI MD620563	4M40			11/93 >	23.475.00	24.366.00	27.282.00	
metal bottoms / fondelli in metallo	4M40			11/93 >	23.475.00	24.366.00	27.071.00	
plastic bottoms / fondelli in plastica	4M40			11/93 >	23.475.00	24.366.00	27.071.01	
2.8 TDI (V44)								
with MITSUBISHI MD620563 / con MITSUBISHI MD620563	4M40			11/93 >	23.475.00	24.366.00	27.282.00	
metal bottoms / fondelli in metallo	4M40			11/93 >	23.475.00	24.366.00	27.071.00	
plastic bottoms / fondelli in plastica	4M40			11/93 >	23.475.00	24.366.00	27.071.01	
2.8 TDI (V46)								
with MITSUBISHI MD620563 / con MITSUBISHI MD620563	4M40			11/93 >	23.475.00	24.366.00	27.282.00	
metal bottoms / fondelli in metallo	4M40			11/93 >	23.475.00	24.366.00	27.071.00	
plastic bottoms / fondelli in plastica	4M40			11/93 >	23.475.00	24.366.00	27.071.01	
2.8 TDI Wagon (V46W)								
with MITSUBISHI MD620563 / con MITSUBISHI MD620563	4M40			05/94 >	23.475.00	24.366.00	27.282.00	
metal bottoms / fondelli in metallo	4M40			05/94 >	23.475.00	24.366.00	27.071.00	
plastic bottoms / fondelli in plastica	4M40			05/94 >	23.475.00	24.366.00	27.071.01	
3.0 V6 24V cat (V43W)	6G72			06/94 >	23.271.00		30.221.00	
3.2 16V DI-D (V68)								
with R.H.D. / con guida a destra	4M41T	118	160	09/01 >	23.475.00	24.423.00	30.220.00	
with L.H.D. / con guida a sinistra	4M41T	118	160	09/01 >	23.475.00	24.423.00	30.220.00	54.147.00
3.2 16V DI-D (V68)								
with R.H.D. / con guida a destra	4M41T	121	165	04/00 > 09/01	23.475.00	24.423.00	30.220.00	
with L.H.D. / con guida a sinistra	4M41T	121	165	04/00 > 09/01	23.475.00	24.423.00	30.220.00	54.147.00
3.2 16V DI-D (V78)								
with R.H.D. / con guida a destra	4M41T	118	160	09/01 >	23.475.00	24.423.00	30.220.00	
with L.H.D. / con guida a sinistra	4M41T	118	160	09/01 >	23.475.00	24.423.00	30.220.00	54.147.00
3.2 16V DI-D (V78)								
with R.H.D. / con guida a destra	4M41T	121	165	04/00 > 09/01	23.475.00	24.423.00	30.220.00	
with L.H.D. / con guida a sinistra	4M41T	121	165	04/00 > 09/01	23.475.00	24.423.00	30.220.00	54.147.00
3.2 DI-D (V8#)		118	160	02/07 >		24.411.00	30.220.00	
3.2 DI-D (V9#)		118	160	02/07 >		24.411.00	30.220.00	
3.2 DI-D DPF Autom. (V8#)		125	170	02/07 >	23.475.00	24.411.00	30.220.00	
with L.H.D. / con guida a sinistra		125	170	02/07 >				54.147.00
3.2 DI-D DPF Autom. (V9#)		125	170	02/07 >	23.475.00	24.411.00	30.220.00	
3.5 GDI V6 24V (V65/75)								
with R.H.D. / con guida a destra	6G74	149	202	04/00 >	23.271.00		30.220.00	
with L.H.D. / con guida a sinistra	6G74	149	202	04/00 >	23.271.00		30.220.00	54.147.00
3.5 V6 24V (V25W)	6G74			02/94 > 06/00	23.271.00		30.221.00	
3.5 V6 24V (V45)	6G74	153	208	03/94 >	23.271.00		30.221.00	
3.5 V6 24V Wagon (V45W)	6G74	153	208	03/94 >	23.271.00		30.221.00	
3.8 V6 24V MIVEC (V8#)		184	250	02/07 >	23.271.00		30.220.00	
with automatic air-conditioner and L.H.D. / con climatizzatore automatico e guida a sinistra		184	250	02/07 >				54.147.00
3.8 V6 24V MIVEC (V9#)		184	250	02/07 >	23.271.00		30.220.00	
with automatic air-conditioner and L.H.D. / con climatizzatore automatico e guida a sinistra		184	250	02/07 >				54.147.00
Pajero Pinin								
1.8 16V GDI (H66W) (EU)	4G93	88	120	08/99 > 06/07	23.485.00		30.230.00	

...MITSUBISHI - off-road cars/fuoristrada

some / alcuni	4G93	88	120	08/99 >	06/07	23.265.00				53.274.00
with air-conditioner / con climatizzatore	4G93	88	120	08/99 >	06/07					
1.8 16V MPI										
with air-conditioner / con climatizzatore	4G93	84	114	08/99 >	06/07					53.274.00
2.0 16V GDI (H77W)	4G94	95	129	08/00 >	06/07	23.265.00			30.230.00	
with air-conditioner / con climatizzatore	4G94	95	129	08/00 >	06/07					53.274.00
Pajero Sport										
2.5 TDI (K94W)	4D56			05/99 >		23.237.00	24.366.00			
with MITSUBISHI MD620563 / con MITSUBISHI MD620563	4D56			05/99 >		23.237.00	24.366.00	27.282.00		
3.0 i V6 24V				01/98 >		23.271.00				
Pajero Sport III										
2.4 DiD 4x4	4N15	133	181	08/15 >		23.265.00	26.045.00			53.218.00
Shogun										
2.5 TDI Turbodiesel Intercooler				01/91 >		23.237.00	24.366.00	27.920.00		
with MITSUBISHI MD603446 / con MITSUBISHI MD603446				01/91 >		23.237.00	24.366.00	27.071.00		
metal bottoms / fondelli in metallo				01/91 >		23.237.00	24.366.00	27.071.01		
plastic bottoms / fondelli in plastica										
2.5 Turbodiesel (L044)										
with MITSUBISHI MD603446 / con MITSUBISHI MD603446	4D56T			01/87 >		23.237.00	24.366.00	27.920.00		
metal bottoms / fondelli in metallo	4D56T			01/87 >		23.237.00	24.366.00	27.071.00		
plastic bottoms / fondelli in plastica	4D56T			01/87 >		23.237.00	24.366.00	27.071.01		
2.5 Turbodiesel (L049)										
with MITSUBISHI MD603446 / con MITSUBISHI MD603446	4D56T			01/87 >		23.237.00	24.366.00	27.920.00		
metal bottoms / fondelli in metallo	4D56T			01/87 >		23.237.00	24.366.00	27.071.00		
plastic bottoms / fondelli in plastica	4D56T			01/87 >		23.237.00	24.366.00	27.071.01		
2.8 TDI				01/94 >			24.366.00			
with MITSUBISHI MD620563 / con MITSUBISHI MD620563				01/94 >			24.366.00	27.282.00		
3.0 V6 (L146)	6G72			01/89 >		23.165.00	31.525.00	27.171.00		
3.2 16V DI-D	4M41T	118	160	04/00 >			24.423.00	30.220.00		
3.2 DI-D (V8#)		118	160	02/07 >			24.411.00	30.220.00		
3.2 DI-D (V9#)		118	160	02/07 >			24.411.00	30.220.00		
3.2 DI-D DPF Autom. (V8#)		125	170	02/07 >			24.411.00	30.220.00		
3.2 DI-D DPF Autom. (V9#)		125	170	02/07 >			24.411.00	30.220.00		
3.5 GDI V6 24V	6G74	149	202	06/00 >		23.271.00		30.220.00		
3.5 V6 24V				02/94 >	06/00	23.271.00		30.221.00		
3.8 V6 24V MIVEC (V8#)	6G75	184	250	02/07 >		23.271.00		30.220.00		
with automatic air-conditioner and L.H.D. / con climatizzatore automatico e guida a sinistra	6G75	184	250	02/07 >						54.147.00
3.8 V6 24V MIVEC (V9#)	6G75	184	250	02/07 >		23.271.00		30.220.00		
with automatic air-conditioner and L.H.D. / con climatizzatore automatico e guida a sinistra	6G75	184	250	02/07 >						54.147.00
MITSUBISHI commercial vehicles/veicoli commerciali										
Canter										
2.5 (FC35B)	4G54			01/81 >		23.165.00				
2.5 (FC432)	4G54			09/86 >		23.165.00				
3.3 D (FE35D)	4D30			08/86 >		23.232.00				
3.3 D (FE431)	4D30			08/86 >		23.232.00				
3.3 Turbodiesel (FE444)	4D31			08/86 >		23.232.00				
3.3 Turbodiesel (FE60TD)	4D31			08/86 >		23.232.00				
3.9 TD (FE439)	4D34T			10/93 >	12/00	23.475.00				
3.9 TD (FE449)	4D34T			10/93 >	12/00	23.475.00				
4.9 D (FK333)	6D31			01/90 >		23.475.00				
L 200										
2.0 (K12T)	4G63			01/87 >		23.165.00				
2.0 (KT22T)	4G63			01/87 >		23.165.00				
2.5 DI-D	4D56 HP	100	136	02/06 >		23.237.00	24.119.00	30.506.00		
2.5 DI-D	4D56 HP	123	167	10/07 >		23.237.00	24.119.00	30.506.00		
2.5 DI-D	4D56 HP	130	178	01/09 >		23.237.00	24.119.00	30.506.00		
2.5 DI-D	4D56 HP	94	128	04/10 >		23.237.00	24.119.00	30.506.00		
with fuel oil heater / con riscaldatore nafta	4D56 HP	94	128	04/10 >			24.411.00			
2.5 Diesel	4D56			01/91 >		23.237.00	24.366.00			
2.5 Diesel (K14T)	4D56			01/86 >		23.237.00	24.366.00			
2.5 Diesel (K24T)	4D56			01/86 >		23.237.00	24.366.00			
2.5 Diesel (K60T)	4D56			06/96 >		23.237.00	24.366.00	27.282.00		
2.5 TDI (K74T)				01/97 >		23.237.00	24.366.00			
L 200 V										
2.4 DiD	4N15	133	181	11/14 >		23.265.00	26.045.00			53.218.00
2.4 DiD 4x4	4N15	133	181	11/14 >		23.265.00	26.045.00			53.218.00

...MITSUBISHI - commercial vehicles/veicoli commerciali

 M

L 300							
1.6 (L062)	4G32			04/83 >	23.165.00	31.020.00	
2.0 cat (P03)				08/86 >	23.165.00	31.020.00	
2.0 cat (P13)				08/86 >	23.165.00	31.020.00	
2.5 Diesel (L039)	4D56			07/86 >	23.237.00	24.366.00	27.920.00
2.5 Diesel (P05)	4D56			07/86 >	23.237.00	24.366.00	27.920.00
2.5 Diesel (P15)	4D56			07/86 >	23.237.00	24.366.00	27.920.00
2.5 Diesel (P25W)	4D56			07/86 >	23.237.00	24.366.00	27.920.00
2.5 Turbodiesel (P24)	4D56T			01/88 >	23.237.00	24.366.00	27.920.00

L 300 Country							
2.4 cat (P04W)				08/86 >	23.165.00		
2.4 cat (P24)				08/86 >	23.165.00		

L 400							
2.0 i 16V	4G63	85	115	01/95 >	23.485.00	31.690.00	30.222.00
2.4 i 16V	4G64	97	132	01/95 >	23.485.00	31.690.00	30.222.00
2.5 Turbodiesel	4D56			01/96 >	23.237.00	24.366.00	

Wagon							
2.4 i				01/87 >	23.165.00		

MITSUBISHI-FUSO commercial vehicles/veicoli commerciali

Canter IX							
3C13	4P10-T2 (E5/EEV)	96	130	04/12 >		26.034.00	
3C13D	4P10-T2 (E5/EEV)	96	130	04/12 >		26.034.00	
3C15	4P10-T4 (E5/EEV)	110	150	04/12 >		26.034.00	
3C15D	4P10-T4 (E5/EEV)	110	150	04/12 >		26.034.00	
3C18	4P10-T6 (E5/EEV)	129	175	04/12 >		26.034.00	
3C18D	4P10-T6 (E5/EEV)	129	175	04/12 >		26.034.00	
3S15	4P10-T4 (E5/EEV)	110	150	04/12 >		26.034.00	
6C15	4P10-T4 (E5/EEV)	110	150	04/12 >		26.034.00	
6C15D	4P10-T4 (E5/EEV)	110	150	04/12 >		26.034.00	
6C18	4P10-T6 (E5/EEV)	129	175	04/12 >		26.034.00	
6C18D 4x4	4P10-T6 (E5/EEV)	129	175	04/12 >		26.034.00	
6S15	4P10-T4 (E5/EEV)	110	150	04/12 >		26.034.00	
7C15	4P10-T4 (E5/EEV)	110	150	04/12 >		26.034.00	
7C15D	4P10-T4 (E5/EEV)	110	150	04/12 >		26.034.00	
7C18	4P10-T6 (E5/EEV)	129	175	04/12 >		26.034.00	
7C18D	4P10-T6 (E5/EEV)	129	175	04/12 >		26.034.00	

Canter VI							
2.8 TD 35	4M40A/4M40-2AT	85	116	01/95 > 12/00	23.475.00		27.A72.00

Canter VII							
3.0 TD 35	4M42T Euro3	92	125	07/01 > 06/05	23.475.00		27.A72.00

Canter VIII							
3C11	4M42-3AT1 Euro4	81	110	10/06 >	23.475.00	24.423.00	27.A72.00
3C11D	4M42-3AT1 Euro4	81	110	10/06 >	23.475.00	24.423.00	27.A72.00
3C13	4P10 Euro5/EEV	96	130	10/09 >	23.546.00	31.071.00	27.A72.00
3C13D	4P10 Euro5/EEV	96	130	10/09 >	23.546.00	31.071.00	27.A72.00
3C15	4M42-3AT4 Euro4	107	145	10/06 >	23.475.00	24.423.00	27.A72.00
3C15	4P10 Euro5/EEV	107	145	10/09 >	23.546.00	31.071.00	27.A72.00
3C15D	4P10 Euro5/EEV	107	145	10/09 >	23.546.00	31.071.00	27.A72.00
3S11	4M42-3AT1 Euro4	81	110	10/06 >	23.475.00	24.423.00	27.A72.00
3S11D	4M42-3AT1 Euro4	81	110	10/06 >	23.475.00	24.423.00	27.A72.00
3S13	4M420AT/3AT2 Euro3+4	92	125	06/05 >	23.475.00	24.423.00	27.A72.00
3S13	4P10 Euro5/EEV	96	130	10/09 >	23.546.00	31.071.00	27.A72.00
3S13D	4M420AT/3AT2 Euro3+4	92	125	06/05 >	23.475.00	24.423.00	27.A72.00
3S13D	4P10 Euro5/EEV	96	130	10/09 >	23.546.00	31.071.00	27.A72.00
5S13	4M420AT/3AT2 Euro3+4	92	125	06/05 >	23.475.00	24.423.00	27.A72.00
5S13	4P10 Euro5/EEV	96	130	10/09 >	23.546.00	31.071.00	27.A72.00
5S13D	4M420AT/3AT2 Euro3+4	92	125	06/05 >	23.475.00	24.423.00	27.A72.00
5S13D	4P10 Euro5/EEV	96	130	10/09 >	23.546.00	31.071.00	27.A72.00
6C14	4D34-2AT6 Euro3	105	143	06/05 >	23.475.00	24.423.00	27.A72.00
6C14D	4D34-2AT6 Euro3	105	143	06/05 >	23.475.00	24.423.00	27.A72.00
6C15	4M42-3AT4 Euro4	107	145	10/06 >	23.475.00	24.423.00	27.A72.00
6C15	4P10 Euro5/EEV	107	145	10/09 >	23.546.00	31.071.00	27.A72.00
6C15D	4M42-3AT4 Euro4	107	145	10/06 >	23.475.00	24.423.00	27.A72.00
6C15D	4P10 Euro5/EEV	107	145	10/09 >	23.546.00	31.071.00	27.A72.00
6C18	4M50-T5 Euro4	132	180	10/06 >	23.475.00	26.149.00	27.A72.00
6C18	4P10 Euro5/EEV	129	175	10/09 >	23.546.00	31.071.00	27.A72.00

...MITSUBISHI-FUSO - commercial vehicles/veicoli commerciali

6C18D	4M50-T5 Euro4	132	180	10/06	>	23.475.00	26.149.00	27.A72.00	✗
6C18D	4P10 Euro5/EEV	129	175	10/09	>	23.546.00	31.071.00	27.A72.00	✗
7C14	4D34-2AT6 Euro3	105	143	06/05	>	23.475.00	24.423.00	27.A72.00	✗
7C14D	4D34-2AT6 Euro3	105	143	06/05	>	23.475.00	24.423.00	27.A72.00	✗
7C15	4M42-3AT4 Euro4	107	145	10/06	>	23.475.00	24.423.00	27.A72.00	✗
7C15	4P10 Euro5/EEV	107	145	10/09	>	23.546.00	31.071.00	27.A72.00	✗
7C15D	4M42-3AT4 Euro4	107	145	10/06	>	23.475.00	24.423.00	27.A72.00	✗
7C15D	4P10 Euro5/EEV	107	145	10/09	>	23.546.00	31.071.00	27.A72.00	✗
7C18	4M50-T5 Euro4	132	180	10/06	>	23.475.00	26.149.00	27.A72.00	✗
7C18	4P10 Euro5/EEV	129	175	10/09	>	23.546.00	31.071.00	27.A72.00	✗
7C18D	4M50-T5 Euro4	132	180	10/06	>	23.475.00	26.149.00	27.A72.00	✗
7C18D	4P10 Euro5/EEV	129	175	10/09	>	23.546.00	31.071.00	27.A72.00	✗

NISSAN

cars/auto

200 SX

1.6 F.I. (CDN)				01/95	>	23.240.00	31.529.00	30.973.00	
1.6 F.I. (USA)				01/95	>	23.240.00	31.529.00	30.973.00	
2.0 F.I. (CDN)				01/95	>		31.529.00	30.973.00	
2.0 F.I. (USA)				01/95	>		31.529.00	30.973.00	

200 SX (Silvia)

2.0i 16V Turbo (S14)	SR20DET	147	200	03/94	>	23.484.00	31.529.00	30.973.00	
----------------------	---------	-----	-----	-------	---	-----------	-----------	-----------	--

240 SX

240 SX (S13) (CDN)	KA24DE			07/90	>	23.240.00	31.529.00	30.973.00	
240 SX (S13) (USA)	KA24DE			07/90	>	23.240.00	31.529.00	30.973.00	

300 ZX

300 ZX (Z31) (CDN)	VG30E/ET			01/90	>	23.240.00		30.001.00	
or / oppure	VG30E/ET			01/90	>	23.240.00		30.001.00	
300 ZX (Z31) (USA)	VG30E/ET			01/90	>	23.240.00		30.001.00	
or / oppure	VG30E/ET			01/90	>	23.240.00		30.001.00	
300 ZX Turbo (Z31) (CDN)	VG30E/ET			01/90	>	23.240.00		30.001.00	
or / oppure	VG30E/ET			01/90	>	23.240.00		30.001.00	
300 ZX Turbo (Z31) (USA)	VG30E/ET			01/90	>	23.240.00		30.001.00	
or / oppure	VG30E/ET			01/90	>	23.240.00		30.001.00	
300 ZX Turbo 24V (Z32)	VG30DETT			08/90	>	23.240.00		30.001.00	

350 Z

3.5 V6	VQ35DE	206	280	09/03	>	23.484.00	∞	30.973.00	✗
--------	--------	-----	-----	-------	---	-----------	---	-----------	---

Almera (N15)

1.4 i	GA14DE	64	87	07/95	> 04/00	23.240.00	31.529.00	30.001.00	
1.6 i	GA16DE	73	99	07/95	> 04/00	23.240.00	31.529.00	30.001.00	
2.0 D	OD20	55	75	05/96	> 04/00	23.244.00	24.375.00	30.973.00	
2.0 GTI	SR20DE	105	143	04/96	> 04/00	23.484.00	31.529.00	30.973.00	

Almera (N16)

1.5 16V	QG15DE	72	98	10/02	>	23.484.00		30.973.00	53.035.00
1.5 DCI	K9K	60	82	12/02	>	23.418.00	24.013.00	30.181.00	53.035.00
1.5 i	QG15DE	66	90	02/00	> 12/02	23.484.00		30.973.00	53.035.00
1.8 i 16V	QG18DE	85	116	02/00	>	23.484.00		30.973.00	53.035.00
2.2 DCI	YD22	100	136	12/02	>	23.127.00		30.973.00	53.035.00
2.2 TD-DI	YD22DDT	81	110	03/00	> 05/01	25.052.00	24.375.00	30.973.00	53.035.00
	YD22DDT	81	110	06/01	> 03/03	25.052.00	24.444.00	30.973.00	53.035.00
	YD22DDT	81	110	04/03	>	23.127.00	24.444.00	30.973.00	53.035.00

Almera Tino (V10M)

1.8 i 16V	QG18DE	84	114	05/00	>	23.484.00		30.973.00	53.035.00
2.0 i 16V CVT	SR20DE	103	140	05/00	>	23.484.00		30.973.00	53.035.00
2.2 DCI	YD22	100	136	03/03	>	23.127.00		30.973.00	53.035.00
2.2 DCI	YD22	82	112	03/03	>	23.127.00		30.973.00	53.035.00
2.2 DI	YD22	81	110	03/00	> 05/01	25.052.00		30.973.00	53.035.00
	YD22	81	110	06/01	> 03/03	25.052.00	24.444.00	30.973.00	53.035.00
	YD22	81	110	04/03	>	23.127.00	24.444.00	30.973.00	53.035.00
2.2 TD-DI	YD22DDTI	84	114	05/00	> 03/03	25.052.00	24.442.00	30.973.00	53.035.00
	YD22DDTI	84	114	04/03	>	23.127.00	24.442.00	30.973.00	53.035.00

Altima

2.4 F.I. (USA)				01/97	>	23.240.00		30.973.00	
----------------	--	--	--	-------	---	-----------	--	-----------	--

Bluebird

1.8 i (T72)	CA18D			04/89	>	23.240.00			
180 B SSSE				01/76	>	23.256.00			
180 B SSSE Turbo				01/76	>	23.256.00			
2.0 Turbodiesel	LD20T			11/83	>	23.256.00	24.375.00	30.973.00	

...NISSAN - cars/auto

200 B G6-E				01/76 >	23.256.00			
200 B GX "U"				01/74 >	23.256.00		27.769.00	
Cube								
1.5 DCI	K9K	78	106	09/09 > 12/13	23.481.00	24.013.00	30.319.00	53.388.00
1.6 16V	HR16DE	81	110	09/09 > 12/13	23.484.00		30.362.00	53.388.00
Evalia								
1.5 DCI (M20K) (IND)	K9K	63	86	08/12 > 03/13	23.481.00	24.025.01	30.319.00	
	K9K	63	86	04/13 > 04/15	23.481.00		30.319.00	
1.5 DCI (M20KK) (IND)	K9K	63	86	04/15 >	23.481.00			
1.5 DCI (M20M)	K9K	63	86	04/11 > 10/13	23.481.00		30.319.00	
	K9K	63	86	11/13 >	23.628.00		30.319.00	
antibacterial, anti-odour and anti-allergen filter models made in Spain / filtro antibatterico, antiodori e anti-allergeni modelli prodotti in Spagna	K9K	63	86	04/11 >		24.098.00		34.264.00
models made in Japan DELPHI HDF938 (2 ?) / modelli prodotti in Giappone DELPHI HDF938 (2 ?)	K9K	63	86	04/11 >		24.052.00		
models made in Japan DELPHI HDF946 (3 ?) / modelli prodotti in Giappone DELPHI HDF946 (3 ?)	K9K	63	86	04/11 >				54.264.00
models made in Spain with activated carbons / modelli prodotti in Spagna ai carboni attivi	K9K	63	86	04/11 >		24.025.01		
models made in Spain with water presence sensor / modelli prodotti in Spagna con sensore presenza acqua	K9K	63	86	04/11 >		24.026.01		
models made in Spain without water presence sensor / modelli prodotti in Spagna senza sensore presenza acqua	K9K	63	86	04/11 >				53.104.00
models made in Spain spare part only / modelli prodotti in Spagna solo ricambio	K9K	63	86	11/13 >		26.115.00		
models made in Spain spare part only / modelli prodotti in Spagna solo ricambio	K9K	63	86	11/13 >	23.481.00		30.319.00	
1.5 DCI (M20M)	K9K	81	110	04/11 > 10/13	23.628.00		30.319.00	
	K9K	81	110	11/13 >				34.264.00
antibacterial, anti-odour and anti-allergen filter models made in Spain / filtro antibatterico, antiodori e anti-allergeni modelli prodotti in Spagna	K9K	81	110	04/11 >		24.098.00		
models made in Japan DELPHI HDF938 (2 ?) / modelli prodotti in Giappone DELPHI HDF938 (2 ?)	K9K	81	110	04/11 >		24.052.00		
models made in Japan DELPHI HDF946 (3 ?) / modelli prodotti in Giappone DELPHI HDF946 (3 ?)	K9K	81	110	04/11 >				54.264.00
models made in Spain with activated carbons / modelli prodotti in Spagna ai carboni attivi	K9K	81	110	04/11 >		24.025.01		
models made in Spain with water presence sensor / modelli prodotti in Spagna con sensore presenza acqua	K9K	81	110	04/11 >		24.026.01		
models made in Spain without water presence sensor / modelli prodotti in Spagna senza sensore presenza acqua	K9K	81	110	04/11 >				53.104.00
models made in Spain spare part only / modelli prodotti in Spagna solo ricambio	K9K	81	110	04/11 >		26.115.00		
models made in Spain spare part only / modelli prodotti in Spagna solo ricambio	K9K	81	110	11/13 >	23.481.00		30.319.00	
1.5 DCI (M20M)	K9K-892	66	90	04/11 > 10/13	23.628.00		30.319.00	
	K9K-892	66	90	11/13 >			30.319.00	
antibacterial, anti-odour and anti-allergen filter models made in Spain / filtro antibatterico, antiodori e anti-allergeni modelli prodotti in Spagna	K9K-892	66	90	04/11 >		24.098.00		34.264.00
models made in Japan DELPHI HDF938 (2 ?) / modelli prodotti in Giappone DELPHI HDF938 (2 ?)	K9K-892	66	90	04/11 >		24.052.00		
models made in Japan DELPHI HDF946 (3 ?) / modelli prodotti in Giappone DELPHI HDF946 (3 ?)	K9K-892	66	90	04/11 >				54.264.00
models made in Spain with activated carbons / modelli prodotti in Spagna ai carboni attivi	K9K-892	66	90	04/11 >		24.025.01		
models made in Spain with water presence sensor / modelli prodotti in Spagna con sensore presenza acqua	K9K-892	66	90	04/11 >		24.026.01		
models made in Spain without water presence sensor / modelli prodotti in Spagna senza sensore presenza acqua	K9K-892	66	90	04/11 >				53.104.00
models made in Spain spare part only / modelli prodotti in Spagna solo ricambio	K9K-892	66	90	04/11 >		26.115.00		
models made in Spain spare part only / modelli prodotti in Spagna solo ricambio	K9K-892	66	90	11/13 >	23.484.00		30.319.00	
1.6 (M20, M20M)	HR16DE	81	110	11/09 >				34.264.00
antibacterial, anti-odour and anti-allergen filter models made in Spain / filtro antibatterico, antiodori e anti-allergeni modelli prodotti in Spagna	HR16DE	81	110	04/11 >				54.264.00
models made in Spain with activated carbons / modelli prodotti in Spagna ai carboni attivi	HR16DE	81	110	04/11 >				53.104.00
models made in Spain spare part only / modelli prodotti in Spagna solo ricambio	HR16DE	81	110	03/12 >				
e-NV200	EM57	80	109	07/14 >				
Juke								
1.0 DIG-T 117 (F16)	HR10DDT	86	117	08/19 >	25.145.00			53.256.00
odour and allergen filter / filtro antiodori e allergeni	HR10DDT	86	117	08/19 >				54.388.00
1.2 DIG-T 115	HRA2DDT	85	116	05/14 >	25.145.00		30.001.00	53.223.00
with activated carbons / ai carboni attivi	HRA2DDT	85	116	05/14 >				54.285.00
antibacterial, anti-odour and anti-allergen filter / filtro antibatterico, antiodori e anti-allergeni	HRA2DDT	85	116	05/14 >				34.285.00
models made in Japan / modelli prodotti in Giappone	HRA2DDT	85	116	05/14 >				53.388.00
1.5 DCI	K9K Euro 6C	81	110	05/18 >	23.628.00	24.080.01	30.001.00	53.223.00
with activated carbons / ai carboni attivi	K9K Euro 6C	81	110	05/18 >				54.285.00
antibacterial, anti-odour and anti-allergen filter / filtro antibatterico, antiodori e anti-allergeni	K9K Euro 6C	81	110	05/18 >				34.285.00
1.5 DCI (MA)	K9K	81	110	05/14 > 04/18	23.628.00		30.001.00	53.223.00
with activated carbons / ai carboni attivi	K9K	81	110	05/14 > 04/18				54.285.00
antibacterial, anti-odour and anti-allergen filter / filtro antibatterico, antiodori e anti-allergeni	K9K	81	110	05/14 > 04/18				34.285.00
1.5 DCI (MA)	K9K Euro5	81	110	05/18 >	23.628.00	24.104.01	30.001.00	53.223.00
with activated carbons / ai carboni attivi	K9K Euro5	81	110	05/18 >				54.285.00
antibacterial, anti-odour and anti-allergen filter / filtro antibatterico, antiodori e anti-allergeni	K9K Euro5	81	110	05/18 >				34.285.00
1.5 DCI (RU)	K9K Euro5	81	110	05/18 >	23.628.00	24.104.01	30.001.00	53.223.00
with activated carbons / ai carboni attivi	K9K Euro5	81	110	05/18 >				54.285.00
antibacterial, anti-odour and anti-allergen filter / filtro antibatterico, antiodori e anti-allergeni	K9K Euro5	81	110	05/18 >				34.285.00
1.5 DCI (TR)	K9K	81	110	05/14 > 04/18	23.628.00		30.001.00	53.223.00
with activated carbons / ai carboni attivi	K9K	81	110	05/14 > 04/18				54.285.00
antibacterial, anti-odour and anti-allergen filter / filtro antibatterico, antiodori e anti-allergeni	K9K	81	110	05/14 > 04/18				34.285.00
1.5 DCI (TR)	K9K Euro 6C	81	110	05/18 >	23.628.00	24.104.01	30.001.00	53.223.00

...NISSAN - cars/auto

with activated carbons / ai carboni attivi	K9K Euro 6C	81	110	05/18 >				54.285.00
antibacterial, anti-odour and anti-allergen filter / filtro antibatterico, antiodori e anti-allergeni	K9K Euro 6C	81	110	05/18 >				34.285.00
1.5 DCI (ZA)	K9K	81	110	05/14 > 04/18	23.628.00		30.001.00	53.223.00
with activated carbons / ai carboni attivi	K9K	81	110	05/14 > 04/18				54.285.00
antibacterial, anti-odour and anti-allergen filter / filtro antibatterico, antiodori e anti-allergeni	K9K	81	110	05/14 > 04/18				34.285.00
1.5 DCI DPF	K9K	81	110	06/10 > 04/14	23.481.00		30.319.00	53.223.00
	K9K	81	110	05/14 >	23.628.00	24.080.00	30.001.00	53.223.00
with activated carbons / ai carboni attivi	K9K	81	110	06/10 >				54.285.00
with facility for water sensor / con predisposizione per sensore acqua	K9K	81	110	06/10 > 04/14		24.052.00		
antibacterial, anti-odour and anti-allergen filter / filtro antibatterico, antiodori e anti-allergeni	K9K	81	110	06/10 >				34.285.00
models made in Japan / modelli prodotti in Giappone	K9K	81	110	06/10 >				53.388.00
without water presence sensor / senza sensore presenza acqua	K9K	81	110	06/10 > 04/14		24.013.00		
1.6		69	94	11/12 >	23.484.00		30.001.00	53.223.00
with activated carbons / ai carboni attivi		69	94	11/12 >				54.285.00
antibacterial, anti-odour and anti-allergen filter / filtro antibatterico, antiodori e anti-allergeni		69	94	11/12 >				34.285.00
models made in Japan / modelli prodotti in Giappone		69	94	11/12 >				53.388.00
1.6 16V	HR16DE	83	113	07/18 >	23.484.00		30.001.00	53.223.00
with activated carbons / ai carboni attivi	HR16DE	83	113	07/18 >				54.285.00
antibacterial, anti-odour and anti-allergen filter / filtro antibatterico, antiodori e anti-allergeni	HR16DE	83	113	07/18 >				34.285.00
models made in Japan / modelli prodotti in Giappone	HR16DE	83	113	07/18 >				53.388.00
1.6 16V	HR16DE	86	117	06/10 >	23.484.00		30.001.00	53.223.00
with activated carbons / ai carboni attivi	HR16DE	86	117	06/10 >				54.285.00
antibacterial, anti-odour and anti-allergen filter / filtro antibatterico, antiodori e anti-allergeni	HR16DE	86	117	06/10 >				34.285.00
models made in Japan / modelli prodotti in Giappone	HR16DE	86	117	06/10 >				53.388.00
1.6 16V DIG-T	MR16DDT	140	190	06/10 >	23.484.00		30.001.00	53.223.00
with activated carbons / ai carboni attivi	MR16DDT	140	190	06/10 >				54.285.00
antibacterial, anti-odour and anti-allergen filter / filtro antibatterico, antiodori e anti-allergeni	MR16DDT	140	190	06/10 >				34.285.00
models made in Japan / modelli prodotti in Giappone	MR16DDT	140	190	06/10 >				53.388.00
1.6 16V DIG-T (Nismo RS)	MR16DDT	160	218	08/14 >	23.484.00	∞	30.001.00	53.223.00
with activated carbons / ai carboni attivi	MR16DDT	160	218	08/14 >				54.285.00
antibacterial, anti-odour and anti-allergen filter / filtro antibatterico, antiodori e anti-allergeni	MR16DDT	160	218	08/14 >				34.285.00
models made in Japan / modelli prodotti in Giappone	MR16DDT	160	218	08/14 >				53.388.00
1.6 16V DIG-T (Nismo)	MR16DDT	147	200	11/12 >	23.484.00		30.001.00	53.223.00
with activated carbons / ai carboni attivi	MR16DDT	147	200	11/12 >				54.285.00
antibacterial, anti-odour and anti-allergen filter / filtro antibatterico, antiodori e anti-allergeni	MR16DDT	147	200	11/12 >				34.285.00
models made in Japan / modelli prodotti in Giappone	MR16DDT	147	200	11/12 >				53.388.00
1.6 16V GPL/LPG	HR16DE	85	116	06/10 >	23.484.00		30.001.00	53.223.00
with activated carbons / ai carboni attivi	HR16DE	85	116	06/10 >				54.285.00
antibacterial, anti-odour and anti-allergen filter / filtro antibatterico, antiodori e anti-allergeni	HR16DE	85	116	06/10 >				34.285.00
models made in Japan / modelli prodotti in Giappone	HR16DE	85	116	06/10 >				53.388.00
Langley								
1.5 (N12)	E15			05/82 >	23.240.00		27.744.00	
1.5 EGI (N12)	E15E			05/82 >	23.240.00			
1.5 EGI Turbo	E15ET			05/83 >	23.240.00			
1.7 Diesel	CD17			05/83 >	23.134.00	24.327.00		
some / alcuni	CD17			03/84 >	23.134.00	24.375.00		
1.7 Diesel (N13)	CD17			10/86 >	23.134.00	24.375.00		
Leaf								
Electric (AC) (ZE0)	EM57	80	109	04/13 >	×	×	×	53.388.00
Electric (AC) (ZE0)	EM61	80	109	11/10 > 03/13	×	×	×	53.388.00
Electric (AC) (ZE1)	EM57	90	122	12/17 >	×	×	×	53.388.00
Maxima QX								
2.0 i V6 24V (A32)	VQ20DE	103	140	10/94 > 03/00		31.529.00	30.973.00	
2.0 i V6 24V (CA33)	VQ20DE	103	140	03/00 >	23.484.00			30.973.00
3.0 i V6 24V (A32)	VQ30DE	142	193	10/94 > 05/00		31.529.00	30.973.00	
3.0 i V6 24V (CA33)	VQ30DE	147	200	05/00 >	23.484.00			30.973.00
Micra (K11)								
1.0 i 16V	CG10, CG10DE	40	54	08/92 > 08/00	23.266.00	31.529.00	30.026.00	53.051.00
1.0 i 16V	CG10DE	44	60	08/00 > 06/03	23.266.00	31.529.00	30.026.00	53.051.00
1.3 i 16V	CG13, CG13DE	55	75	08/92 > 09/00	23.266.00	31.529.00	30.026.00	53.051.00
1.4 i 16V	CGA3DE	60	82	08/00 > 06/03	23.266.00	31.529.00	30.026.00	53.051.00
1.5 D	TD15	42	57	02/98 > 06/03	23.293.00	24.384.00	27.252.00	53.051.00
Micra (K11E)								
1.0 i 16V	CG10, CG10DE	40	54	08/92 > 08/00	23.266.00	31.529.00	30.026.00	53.051.00
1.0 i 16V	CG10DE	44	60	08/00 > 06/03	23.266.00	31.529.00	30.026.00	53.051.00
1.3 i 16V	CG13, CG13DE	55	75	08/92 > 09/00	23.266.00	31.529.00	30.026.00	53.051.00
1.4 i 16V	CGA3DE	60	82	08/00 > 06/03	23.266.00	31.529.00	30.026.00	53.051.00

...NISSAN - cars/auto

N

1.5 D	TD15	42	57	02/98 >	06/03	23.293.00	24.384.00	27.252.00	53.051.00
Micra (K12)									
1.0 16V		40	54	01/03 >	10/10	23.266.00		30.026.00	53.104.00
1.0 16V	CR10DE	48	65	01/03 >	10/10	23.266.00		30.026.00	53.104.00
1.2 16V	CR12DE	48	65	01/03 >	10/10	23.266.00		30.026.00	53.104.00
1.2 16V	CR12DE	59	80	01/03 >	10/10	23.266.00		30.026.00	53.104.00
1.4 16V	CR14DE	65	88	01/03 >	10/10	23.266.00		30.026.00	53.104.00
1.5 DCI	K9K	48	65	11/02 >	10/10	23.418.00	24.013.00	30.319.00	53.104.00
1.5 DCI	K9K	50	68	02/06 >	10/10	23.418.00	24.013.00	30.319.00	53.104.00
1.5 DCI	K9K	63	86	02/06 >	10/10	23.418.00	24.013.00	30.319.00	53.104.00
1.5 DCI	K9K-700	60	82	03/03 >	10/10	23.418.00	24.013.00	30.319.00	53.104.00
1.6 16V SR160	HR16DE	81	110	07/05 >	10/10	23.484.00		30.362.00	53.104.00
Micra (K13)									
1.2 12V	HR12DE	59	80	05/10 >		23.484.00		30.576.00	53.215.00
1.2 12V DIG-S	HR12DDR	72	98	04/11 >		23.484.00		30.876.00	53.215.00
1.2 12V GPL Eco	HR12DE	59	80	10/11 >		23.484.00		30.576.00	53.215.00
Micra C+C (CK12E)									
1.4 16V	CR14DE	65	88	08/05 >		23.266.00		30.026.00	53.104.00
1.6 16V	HR16DE	81	110	08/05 >		23.484.00		30.362.00	53.104.00
Micra V (K14F)									
0.9 IG-T	HR09DET	66	90	03/17 >		25.145.00			53.256.00
1.0	BR10DE	54	73	03/17 >		23.481.00			53.256.00
1.5 DCI	K9K628	66	90	03/17 >		23.628.00	26.115.00		53.256.00
Note (E11E)									
1.4 16V	CR14DE	65	88	03/06 >		23.266.00		30.026.00	53.104.00
1.5 DCI 100	K9K-278	76	103	12/07 >		23.481.00	24.013.00	30.319.00	53.104.00
with facility for water sensor / con predisposizione per sensore acqua	K9K-278	76	103	12/07 >			24.052.00		
1.5 DCI 70	K9K-274/K9K-700	51	70	03/06 >	09/07	23.418.00	24.013.00	30.319.00	53.104.00
	K9K-274/K9K-700	51	70	10/07 >		23.481.00	24.013.00	30.319.00	53.104.00
1.5 DCI 85	K9K-276	63	86	03/06 >	09/07	23.418.00	24.013.00	30.319.00	53.104.00
	K9K-276	63	86	10/07 >		23.481.00	24.013.00	30.319.00	53.104.00
with facility for water sensor / con predisposizione per sensore acqua	K9K-276	63	86	03/06 >			24.098.00		
1.5 DCI 90	K9K-276	66	90	09/10 >		23.481.00	24.013.00	30.319.00	53.104.00
with facility for water sensor / con predisposizione per sensore acqua	K9K-276	66	90	09/10 >			24.098.00		
1.6 16V	HR16DE	81	110	03/06 >		23.484.00		30.362.00	53.104.00
Note (E12)									
1.2	HR12DE	59	80	06/13 >		23.484.00		30.576.00	53.215.00
1.2 DIG-S	HR12DDR	72	98	06/13 >		23.484.00			53.215.00
1.2 GPL/LPG		59	80	03/15 >		23.484.00		30.576.00	53.215.00
1.5 DCI	K9K608	66	90	06/13 >		23.628.00		30.822.00	53.215.00
spare part only / solo ricambio	K9K608	66	90	06/13 >			26.115.00		
NV250									
1.5 dCi	K9K872	85	116	07/19 >				30.543.00	
1.5 dCi 80	K9K872	59	80	07/19 >				30.543.00	
1.5 dCi 95	K9K872	70	95	07/19 >				30.543.00	
NX Almera									
1.4 i S (N15)				01/95 >	07/00	23.240.00	31.529.00		
1.6 i SR (N15)				01/95 >	07/00	23.240.00	31.529.00		
Pixo (UA0)									
1.0 i 12V									
with air-conditioner / con climatizzatore	K10B	50	68	04/09 >		23.263.00		30.456.00	53.186.00
1.0 i 12V GPL									
with air-conditioner / con climatizzatore	K10B	50	68	04/09 >		23.263.00		30.456.00	53.186.00
assembly LANDI / montaggio LANDI	K10B	50	68	04/09 >			31.836.00		
Prairie									
2.0 i 4WD (M10)	CA20E			09/85 >		23.240.00			
2.4 i 12V (M11) (EU)	KA24E			04/92 >		23.240.00	31.529.00	30.973.00	
Prairie Pro									
2.0 i (M11)	CA20E			10/88 >		23.240.00			
2.0 i 4x4 (M11)	CA20E			10/88 >		23.240.00			
President									
4.4 (H251)	V8			01/76 >		23.256.00			
4.4 (H252)				11/79 >		23.134.00			
4.4 (H252)	V8			01/76 >		23.256.00			
Primera									
1.6 i 16V (P11E)									
with air-conditioner / con climatizzatore	GA16DE	73	99	06/96 >	07/02	23.240.00	31.529.00	30.001.00	53.052.00

...NISSAN - cars/auto

1.6 i 16V (P12E)	QG16DE			12/01 >	23.484.00		30.973.00	53.035.00
1.6 i 16V (W10)	(M.P.I.)	75	102	09/92 >	23.240.00	31.500.00		
1.8 i 16V (P12E)	QG18DE			12/01 >	23.484.00		30.973.00	53.035.00
1.9 DCI (P12E)	F9QT	88	120	02/03 > 05/04	23.418.00	26.687.00	30.234.00	53.035.00
	F9QT	88	120	06/04 >	23.481.00	26.687.00	30.234.00	53.035.00
2.0 Diesel (P10E)								
thread 1" 12 UNF / filetto 1" 12 UNF	CD20			01/90 >	23.244.00	24.375.00	30.973.00	
thread 3/4" 16 UNF / filetto 3/4" 16 UNF	CD20			01/90 >	23.134.00	24.375.00	30.973.00	
2.0 i 16V (P11E) (EU)								
with air-conditioner / con climatizzatore	SR20DE, SR20De			05/96 > 07/02	23.484.00		30.973.00	53.052.00
2.0 i 16V 4WD (P10E)	SR20DI			01/91 >	23.266.00	31.529.00		
2.0 i 16V CVT (P12E)	QR20DE			12/01 >	23.484.00		30.973.00	53.035.00
2.0 i 16V GT (P10E)	SR20DE			01/90 >	23.266.00	31.500.00	30.973.00	
2.0 i 16V GT 4WD (P10E)	SR20DE			01/90 >	23.266.00	31.529.00	30.973.00	
2.0 Turbodiesel (P11E)								
with air-conditioner / con climatizzatore	CD20T			05/96 > 07/02	23.244.00	24.375.00	30.973.00	53.052.00
2.2 DCI (P12E)	YD22	102	139	02/03 > 03/03	25.052.00		30.973.00	53.035.00
	YD22	102	139	04/03 >	23.127.00		30.973.00	53.035.00
2.2 TD-DI (P12E)	YD22DDT	93	126	12/01 > 03/03	25.052.00		30.973.00	53.035.00
	YD22DDT	93	126	04/03 >	23.127.00		30.973.00	53.035.00
Primera Wagon								
1.8 i 16V (WP11E)								
with air-conditioner / con climatizzatore	QG18DE			06/99 > 07/02		31.529.00	30.973.00	53.052.00
2.2 DCI (WP12E)	YD22	102	139	02/03 > 03/03	25.052.00		30.973.00	53.035.00
	YD22	102	139	04/03 >	23.127.00		30.973.00	53.035.00
Pulsar (C13M)								
1.2 DIG-T	HRA2DDT	85	116	10/14 >	25.145.00		30.001.00	53.223.00
1.5 DCI	K9K-636	81	110	07/14 >	23.628.00	24.080.00	30.001.00	53.223.00
1.5 DCI (MA)	K9K	81	110	07/14 >	23.628.00		30.001.00	53.223.00
1.5 DCI (TR)	K9K	81	110	03/16 >	23.628.00		30.001.00	53.223.00
1.5 DCI (ZA)	K9K	81	110	07/14 >	23.628.00		30.001.00	53.223.00
1.6 DIG-T	MR16DDT	140	190	02/15 >	23.484.00		30.001.00	53.223.00
Pulsar NX								
1.6 F.I. (KN13) (CDN), (USA)	GA16I			07/88 >	23.240.00	31.529.00		
Qashqai (J10E)								
1.5 DCI 16V	K9K	76	103	02/07 > 09/07	23.418.00	24.026.01	30.362.00	53.146.00
	K9K	76	103	10/07 > 01/14	23.481.00	24.026.01	30.362.00	53.146.00
with activated carbons / ai carboni attivi	K9K	76	103	02/07 > 01/14		24.025.01		54.268.00
with water presence sensor / con sensore presenza acqua	K9K	76	103	02/07 > 01/14				
antibacterial, anti-odour and anti-allergen filter / filtro antibatterico, antiodori e anti-allergeni	K9K	76	103	02/07 > 01/14				34.268.00
1.5 DCI 16V	K9K	78	106	02/07 > 09/07	23.418.00	24.026.01	30.362.00	53.146.00
	K9K	78	106	10/07 > 01/14	23.481.00	24.026.01	30.362.00	53.146.00
with activated carbons / ai carboni attivi	K9K	78	106	02/07 > 01/14				54.268.00
with water presence sensor / con sensore presenza acqua	K9K	78	106	02/07 > 01/14		24.025.01		
antibacterial, anti-odour and anti-allergen filter / filtro antibatterico, antiodori e anti-allergeni	K9K	78	106	02/07 > 01/14				34.268.00
1.6 16V	HR16DE	84	115	02/07 > 01/14	23.484.00		30.352.00	53.146.00
with activated carbons / ai carboni attivi	HR16DE	84	115	02/07 > 01/14				54.268.00
antibacterial, anti-odour and anti-allergen filter / filtro antibatterico, antiodori e anti-allergeni	HR16DE	84	115	02/07 > 01/14				34.268.00
1.6 DCI	R9M	96	130	09/11 > 01/14	25.170.00	24.061.01	30.352.00	53.146.00
with activated carbons / ai carboni attivi	R9M	96	130	09/11 > 01/14				54.268.00
antibacterial, anti-odour and anti-allergen filter / filtro antibatterico, antiodori e anti-allergeni	R9M	96	130	09/11 > 01/14				34.268.00
2.0 16V	MR20DE	104	141	02/07 > 01/14	23.484.00		30.352.00	53.146.00
with activated carbons / ai carboni attivi	MR20DE	104	141	02/07 > 01/14				54.268.00
antibacterial, anti-odour and anti-allergen filter / filtro antibatterico, antiodori e anti-allergeni	MR20DE	104	141	02/07 > 01/14				34.268.00
2.0 DCI 16V	M9R	110	150	02/07 > 01/14	25.094.00		30.352.00	53.146.00
with activated carbons / ai carboni attivi	M9R	110	150	02/07 > 01/14				54.268.00
antibacterial, anti-odour and anti-allergen filter / filtro antibatterico, antiodori e anti-allergeni	M9R	110	150	02/07 > 01/14				34.268.00
without water presence sensor / senza sensore presenza acqua	M9R	110	150	02/07 > 01/14		24.026.01		
Qashqai II (J11)								
1.2 DIG-T	H5FT/HRA2DDT	85	116	02/14 >	25.145.00		30.724.00	53.389.00
1.3 DIG-T 140	HR13	103	140	09/18 >	25.145.00		30.054.00	53.389.00
1.3 DIG-T 160	HR13	118	160	09/18 >	25.145.00		30.054.00	53.389.00
1.5 DCI 110	K9K-636/K9K-646	81	110	02/14 >	23.628.00		30.724.00	53.389.00
complete filter with sensor white upper cover / filtro completo con sensore coperchio superiore bianco	K9K-636/K9K-646	81	110	05/14 >		24.095.01		
complete filter with sensor black upper cover / filtro completo con sensore coperchio superiore nero	K9K-636/K9K-646	81	110	02/14 > 04/14		24.095.00		
1.5 DCI 115	K9K-872	85	115	08/18 >		55.517.00		53.389.00
1.5 DCI 115	K9K-873	85	115	08/18 >		55.517.00		53.389.00

...NISSAN - cars/auto

1.6 DCI	R9M	96	130	02/14 >	25.170.00		30.724.00	53.389.00
complete filter with sensor white upper cover / filtro completo con sensore coperchio superiore bianco	R9M	96	130	05/14 >		24.095.01		
complete filter with sensor black upper cover / filtro completo con sensore coperchio superiore nero	R9M	96	130	02/14 > 04/14		24.095.00		
1.6 DCI 4WD	R9M	96	130	02/14 >	25.170.00		30.724.00	53.389.00
complete filter with sensor white upper cover / filtro completo con sensore coperchio superiore bianco	R9M	96	130	05/14 >		24.095.01		
complete filter with sensor black upper cover / filtro completo con sensore coperchio superiore nero	R9M	96	130	02/14 > 04/14		24.095.00		
1.6 DIG-T	MR16DDT	120	163	11/14 >	23.484.00		30.724.00	53.389.00
1.7 BlueDCI	R9N	110	150	01/19 >				53.389.00
1.7 BlueDCI 4WD	R9N	110	150	01/19 >				53.389.00
2.0	MR20DD	106	144	06/14 >	23.484.00		30.724.00	53.389.00
Qashqai+2 (JJ10E)								
1.5 DCI 16V	K9K-430	81	110	01/10 > 01/14	23.481.00	24.026.01	30.362.00	53.146.00
with water presence sensor / con sensore presenza acqua	K9K-430	81	110	01/10 > 01/14		24.025.01		
1.5 DCI 16V DPF	K9K	76	103	09/08 > 01/14	23.481.00	24.026.01	30.362.00	53.146.00
with water presence sensor / con sensore presenza acqua	K9K	76	103	09/08 > 01/14		24.025.01		
1.6 16V	HR16DE	84	115	09/08 > 01/14	23.484.00		30.352.00	53.146.00
1.6 DCI	R9M	96	130	09/11 > 01/14	25.170.00	24.061.01	30.352.00	53.146.00
2.0 16V	MR20DE	104	141	09/08 > 01/14	23.484.00		30.352.00	53.146.00
2.0 DCI 16V DPF	M9R	110	150	09/08 > 01/14	25.094.00		30.352.00	53.146.00
without water presence sensor / senza sensore presenza acqua	M9R	110	150	09/08 > 01/14		24.026.01		
Serena								
1.6 i 16V (C23)	GA16DE	71	97	06/91 >	23.240.00	31.529.00	30.973.00	
1.6 i 16V (C23) (EU)	GA16DE	71	97	06/91 >	23.240.00	31.500.00	30.973.00	
2.0 Diesel (C23)	LD20			01/97 >	23.134.00	24.375.00	30.973.00	
2.0 Diesel (C23M)	LD20			01/97 >	23.134.00	24.375.00	30.973.00	
2.0 i 16V (C23)	SR20DE	93	126	06/91 >	23.266.00	31.529.00	30.973.00	
2.0 i 16V (C23) (EU)				06/91 >	23.266.00	31.500.00	30.973.00	
2.0 i 16V (C23M)	SR20DE	93	126	06/91 >	23.266.00	31.529.00	30.973.00	
2.0 i 16V (C23M) (EU)				06/91 >	23.266.00	31.500.00	30.973.00	
2.3 Diesel (C23)	CD23/LD23			01/97 > 05/01	23.134.00	24.375.00	30.973.00	
	CD23/LD23			06/01 >	23.134.00	24.444.00	30.973.00	
2.3 Diesel (C23M)	CD23/LD23			01/97 > 05/01	23.134.00	24.375.00	30.973.00	
	CD23/LD23			06/01 >	23.134.00	24.444.00	30.973.00	
Silvia								
1.8 i Turbo (S12)	CA18ET			02/86 >	23.240.00			
Sunny								
1.0 (N13)	E10S			11/88 >			27.744.00	
1.2 GX				01/72 >	23.122.00			
1.2 GXS				01/72 >	23.122.00			
1.4 (N13)	GA14S			01/90 >	23.240.00		27.200.00	
1.4 GX Excellent				01/76 >	23.122.00		27.744.00	
1.4 GXT Excellent				01/76 >	23.122.00		27.769.00	
1.4 SGXE				01/78 >	23.122.00			
1.6				01/76 >	23.256.00		27.769.00	
1.6 16V (N14)	GA16DS			01/90 >	23.240.00		27.200.00	
1.6 GX Excellent				01/76 >	23.256.00		27.769.00	
2.0 Diesel (N14)								
thread 1" 12 UNF / filetto 1" 12 UNF	CD20			01/90 >	23.244.00		30.973.00	
thread 3/4" 16 UNF / filetto 3/4" 16 UNF	CD20			01/90 >	23.134.00		30.973.00	
2.0 Diesel (Y10)								
thread 1" 12 UNF / filetto 1" 12 UNF	CD20			01/90 >	23.244.00		30.973.00	
thread 3/4" 16 UNF / filetto 3/4" 16 UNF	CD20			01/90 >	23.134.00		30.973.00	
2.0 i 16V GTI (B13)	SR20DE			10/90 >	23.266.00	31.529.00	30.973.00	
2.0 i 16V GTI (N14)	SR20DE			10/90 >	23.266.00	31.529.00	30.973.00	
2.0 i 16V GTI-R Turbo (B13)	SR20DET			10/90 >	23.266.00		30.973.00	
2.0 i 16V GTI-R Turbo (N14)	SR20DET			10/90 >	23.266.00		30.973.00	
Sunny FF (Sentra)								
1.7 Diesel								
thread 1" 12 UNF / filetto 1" 12 UNF	CD17			09/85 >	23.244.00	24.375.00	30.973.00	
thread 3/4" 16 UNF / filetto 3/4" 16 UNF	CD17			09/85 >	23.134.00	24.375.00	30.973.00	
Teana								
2.0 (J31)	QR20DE	100	136	09/03 > 02/08	23.484.00		30.973.00	53.260.00
2.3 V6 (J31)	QR23DE	127	173	09/03 > 02/08	23.484.00		30.973.00	53.260.00
2.3 V6 (J32)	QR23DE	127	173	07/08 > 09/13	23.484.00		30.973.00	53.367.00
2.5 V6 (J32)	VQ25DE	134	182	07/08 > 09/13	23.484.00		30.973.00	53.367.00
3.5 V6 (J31)	VQ35DE	180	245	09/03 > 02/08	23.484.00		30.973.00	53.260.00
3.5 V6 (J32)	VQ35DE	183	249	07/08 > 09/13	23.484.00		30.973.00	53.367.00

...NISSAN - cars/auto

Tiida									
1.5	HR15DE	80	109	05/04 >	02/07	23.484.00	∞	30.362.00	
1.5 DCI	K9K	76	103	01/07 >	09/07	23.418.00		30.319.00	
	K9K	76	103	10/07 >	06/13	23.481.00		30.319.00	
	with water presence sensor / con sensore presenza acqua	K9K	76	103	01/07 >	06/13		24.052.00	
	with water presence sensor DELPHI HDF938 (2 µ) / con sensore presenza acqua DELPHI HDF938 (2 µ)	K9K	76	103	01/07 >	06/13		24.098.00	
	without water presence sensor / senza sensore presenza acqua	K9K	76	103	01/07 >	06/13		24.013.00	
1.5 DCI	K9K	78	106	03/07 >	09/07	23.418.00		30.319.00	
	K9K	78	106	10/07 >	06/13	23.481.00		30.319.00	
	with water presence sensor / con sensore presenza acqua	K9K	78	106	03/07 >	06/13		24.052.00	
	with water presence sensor DELPHI HDF938 (2 µ) / con sensore presenza acqua DELPHI HDF938 (2 µ)	K9K	78	106	03/07 >	06/13		24.098.00	
	without water presence sensor / senza sensore presenza acqua	K9K	78	106	03/07 >	06/13		24.013.00	
1.6 16V	HR16DE	81	110	09/07 >	06/13	23.484.00	∞	30.362.00	
1.8 16V	MR18DE	93	126	09/07 >	06/13	23.484.00	∞	30.362.00	

Tiida III

1.6 (C13R) (RUS)	HR16DE	86	117	04/15 >		23.484.00	∞	30.001.00	53.223.00
with activated carbons / ai carboni attivi	HR16DE	86	117	04/15 >					54.285.00
antibacterial, anti-odour and anti-allergen filter / filtro antibatterico, antiodori e anti-allergeni	HR16DE	86	117	04/15 >					34.285.00

NISSAN

off-road cars/fuoristrada

King Cab

1.6 (D21)	Z16			08/85 >		23.134.00		27.769.00	
1.8 4x4 (D21)	Z18			08/85 >		23.134.00		27.769.00	
2.0 (D21)	Z20			08/85 >		23.134.00	31.529.00		
2.3 D (D21)	TD23			08/87 >			24.375.00	27.769.00	
2.5 D 4x4 (D21)	TD25			08/87 >		23.488.00	24.375.00	27.769.00	
2.5 TDI Intercooler 4x4 (D22)	TD25TI	76	103	01/98 >	08/05	23.488.00	24.375.00	27.524.00	

Murano (Z50)

3.5 V6	VQ35DE	172	234	03/05 >		23.484.00		30.973.00	53.260.00
--------	--------	-----	-----	---------	--	-----------	--	-----------	-----------

Murano (Z51)

2.5 DCI	YD25DDTI	140	190	05/10 >		23.127.00	24.026.01		53.367.00
3.5 V6	VQ35DE	188	256	09/08 >		23.484.00		30.973.00	53.367.00

Navara (D40)

2.5 DCI	YD25DDTI	126	171	09/06 >	04/08	23.127.00	55.582.00	30.155.00		
	YD25DDTI	126	171	05/08 >	03/10	23.127.00	24.446.01	30.155.00		
2 filters / N.2 filtri	YD25DDTI	126	171	09/06 >	03/10				53.214.00	
2.5 DCI (Thailand make)	YD25DDTI	120	163	03/12 >			24.081.00			
2.5 DCI 2WD	YD25DDTI	107	145	05/05 >	08/06	23.127.00	24.444.00	30.155.00		
	YD25DDTI	107	145	09/06 >	04/08	23.127.00	55.582.00	30.155.00		
	YD25DDTI	107	145	05/08 >	10/15	23.127.00	24.446.01	30.155.00		
	2 filters / N.2 filtri	YD25DDTI	107	145	05/05 >	10/15				53.214.00
2.5 DCI 4WD	YD25DDTI	128	174	05/05 >	08/06	23.127.00	24.444.00	30.155.00		
	YD25DDTI	128	174	09/06 >	04/08	23.127.00	55.582.00	30.155.00		
	YD25DDTI	128	174	05/08 >	10/15	23.127.00	24.446.01	30.155.00		
	2 filters / N.2 filtri	YD25DDTI	128	174	05/05 >	10/15				53.214.00
2.5 DCI 4WD	YD25DDTI	140	190	12/09 >	10/15	23.127.00		30.155.00		
	2 filters / N.2 filtri	YD25DDTI	140	190	12/09 >	10/15				53.214.00
3.0 DCI	V9X	170	231	04/10 >	10/15	23.564.00	24.018.01	30.155.00		
	2 filters / N.2 filtri	V9X	170	231	04/10 >	10/15				53.214.00
	prefilter / prefiltra	V9X	170	231	04/10 >	10/15		31.948.00		

Navara NP300 (D23)

2.3 DCI	YS23DDT	120	163	11/15 >		25.170.00	26.114.00	30.A59.00	
2.3 DCI	YS23DDTT	140	190	11/15 >		25.170.00	26.114.00	30.A59.00	

Pathfinder (R51M)

2.5 DCI	YD25DDTI	126	171	09/06 >	03/08	23.127.00	55.582.00	30.155.00	
	YD25DDTI	126	171	04/08 >	01/10	23.127.00	24.446.01	30.155.00	
	YD25DDTI	126	171	02/10 >		23.127.00	24.017.00	30.155.00	
2 filters / N.2 filtri	YD25DDTI	126	171	09/06 >					53.214.00
2.5 DCI	YD25DDTI	128	174	03/05 >	08/06	23.127.00	24.444.00	30.155.00	
	YD25DDTI	128	174	09/06 >	03/08	23.127.00	55.582.00	30.155.00	
	YD25DDTI	128	174	04/08 >	01/10	23.127.00	24.446.01	30.155.00	
	YD25DDTI	128	174	02/10 >		23.127.00	24.017.00	30.155.00	
	2 filters / N.2 filtri	YD25DDTI	128	174	03/05 >				
2.5 DCI	YD25DDTI	140	190	04/10 >		23.127.00		30.155.00	
	2 filters / N.2 filtri	YD25DDTI	140	190	04/10 >				
3.0 DCI	V9X	170	231	04/10 >		23.564.00	24.018.01	30.155.00	
	2 filters / N.2 filtri	V9X	170	231	04/10 >				

...NISSAN - off-road cars/ fuoristrada

prefilter / prefiltrato	V9X	170	231	04/10	>			31.948.00		
4.0 V6	VQ40DE	195	265	05/05	>				30.284.00	
2 filters / N.2 filtri	VQ40DE	195	265	05/05	>					53.214.00
Patrol GR										
2.7 TD (Y61)	TD27T	73	100	05/98	>	06/01	23.256.00	24.375.00		53.258.00
2.8 TD (Y61)	RD28TI	95	129	10/97	>	05/00	23.244.00	24.375.00	27.397.00	53.258.00
2.8 TD 4x4 (Y61)	RD28TI	95	129	10/97	>	05/00	23.244.00	24.375.00	27.397.00	53.258.00
3.0 TD-DI (Y61)	ZD30DDTI	116	158	05/00	>		25.026.00	24.375.00	27.397.00	53.258.00
Patrol Safari										
3.3 D (161)	SD33			08/83	>		23.152.00	24.327.00		
3.3 TD (161)	SD33-T			08/83	>		23.152.00	24.327.00		
4.0 (161)	PF40			08/82	>		23.256.00			
Safari Pick-up										
3.0 DI	ZD30DDTI			12/12	>				24.093.00	
Terrano I										
3.0 TDI (R50)	ZD30DDTI			02/99	>		25.026.00	24.375.00		
3.3 i V6 (R50)	VG33E			10/97	>	07/00			30.973.00	
3.5 i V6 (R50)	VQ35DE			07/00	>				30.973.00	
Terrano II										
2.4 i 12V (R20)										
with air-conditioner / con climatizzatore	KA24E			01/93	>	06/05	23.240.00	31.529.00	30.973.00	53.052.00
2.7 TDI (R20)										
with air-conditioner / con climatizzatore	TD27TI	92	125	05/96	>	05/01	23.488.00	24.375.00	27.524.00	53.052.00
2.7 Turbodiesel (R20)										
with air-conditioner / con climatizzatore	TD27T	74	100	06/96	>	06/05	23.488.00	24.375.00	27.524.00	53.052.00
3.0 DI 4WD (R20)										
with air-conditioner / con climatizzatore	ZD30DDTI	113	154	03/02	>	06/05	25.026.00		27.524.00	53.052.00
X-Trail (T30)										
2.0 i 16V	QR20DE	103	140	05/01	>	06/07	23.484.00	31.529.00	30.973.00	53.260.00
2.0 i Turbo	SR20VET	205	280	10/01	>	06/07	23.484.00		30.973.00	53.260.00
2.2 DCI	YD22ETI	100	136	09/03	>	10/05	23.127.00	24.444.00	30.973.00	53.260.00
	YD22ETI	100	136	11/05	>	06/07	23.127.00	55.394.00	30.973.00	53.260.00
2.2 TD-DI	YD22DDTI	84	114	05/01	>	03/03	25.052.00	24.442.00	30.973.00	53.260.00
	YD22DDTI	84	114	04/03	>	09/03	23.127.00	24.442.00	30.973.00	53.260.00
2.5 i 16V	QR25DE	121	165	02/03	>	06/07	23.484.00		30.973.00	53.260.00
X-Trail (T31)										
2.0 16V	MR20DE	104	141	07/07	>	09/10	23.484.00		30.352.00	53.146.00
with activated carbons / ai carboni attivi	MR20DE	104	141	07/07	>	09/10				54.268.00
antibacterial, anti-odour and anti-allergen filter / filtro antibatterico, antiodori e anti-allergeni	MR20DE	104	141	07/07	>	09/10				34.268.00
2.0 DCI	M9R	110	150	07/07	>	12/13	25.094.00		30.352.00	53.146.00
with activated carbons / ai carboni attivi	M9R	110	150	07/07	>	12/13				54.268.00
antibacterial, anti-odour and anti-allergen filter / filtro antibatterico, antiodori e anti-allergeni	M9R	110	150	07/07	>	12/13				34.268.00
without water presence sensor / senza sensore presenza acqua	M9R	110	150	07/07	>	12/13		24.026.01		
2.0 DCI	M9R	127	173	07/07	>	12/13	25.094.00		30.352.00	53.146.00
with activated carbons / ai carboni attivi	M9R	127	173	07/07	>	12/13				54.268.00
antibacterial, anti-odour and anti-allergen filter / filtro antibatterico, antiodori e anti-allergeni	M9R	127	173	07/07	>	12/13				34.268.00
without water presence sensor / senza sensore presenza acqua	M9R	127	173	07/07	>	12/13		24.026.01		
2.5 16V	QR25DE	124	169	07/07	>	09/10	23.484.00			53.146.00
with activated carbons / ai carboni attivi	QR25DE	124	169	07/07	>	09/10				54.268.00
antibacterial, anti-odour and anti-allergen filter / filtro antibatterico, antiodori e anti-allergeni	QR25DE	124	169	07/07	>	09/10				34.268.00
X-Trail (T32)										
1.3 DIG-T	HR13DDT	117	160	01/19	>		25.145.00		30.062.00	53.293.00
1.6 DCI 2WD	R9M	96	131	12/13	>	11/17	25.170.00		30.724.00	53.293.00
	R9M	96	131	12/17	>				30.062.00	
complete filter with sensor white upper cover / filtro completo con sensore coperchio superiore bianco	R9M	96	131	05/14	>			24.095.01		
complete filter with sensor black upper cover / filtro completo con sensore coperchio superiore nero	R9M	96	131	12/13	>	04/14		24.095.00		
1.6 DCI 4WD	R9M	96	131	12/13	>		25.170.00		30.724.00	53.293.00
complete filter with sensor white upper cover / filtro completo con sensore coperchio superiore bianco	R9M	96	131	05/14	>			24.095.01		
complete filter with sensor black upper cover / filtro completo con sensore coperchio superiore nero	R9M	96	131	12/13	>	04/14		24.095.00		
1.6 DIG-T	MR16DDT	120	163	06/15	>		23.484.00			53.293.00
2.0	MR20DD	106	144	09/14	>		23.484.00			53.293.00
	MR20DD	106	144	09/14	>	02/18			30.724.00	
	MR20DD	106	144	03/18	>				30.062.00	
2.0 DCI	M9R	130	177	11/16	>		25.170.00	24.095.04	30.062.00	53.293.00
2.5	QR25DE	104	141	04/14	>		23.484.00			53.293.00
	QR25DE	104	141	04/14	>	10/17			30.724.00	
	QR25DE	104	141	11/17	>				30.062.00	

NISSAN
commercial vehicles/veicoli commerciali
C80

C80 (3.5 t)				01/68 >	23.122.00			
-------------	--	--	--	---------	-----------	--	--	--

Cabstar E

110.35	BD30TI	81	110	03/99 > 05/01	23.256.00	24.375.00	27.679.00	✗
	BD30TI	81	110	06/01 > 10/06	23.256.00	24.444.00	27.679.00	✗
110.45	BD30TI	81	110	03/99 > 05/01	23.256.00	24.375.00	27.679.00	✗
	BD30TI	81	110	06/01 > 10/06	23.256.00	24.444.00	27.679.00	✗
120.35	BD30TI	88	120	03/99 > 05/01	23.256.00	24.375.00	27.679.00	✗
	BD30TI	88	120	06/01 > 10/06	23.256.00	24.444.00	27.679.00	✗
120.44	BD30TI	88	120	03/99 > 05/01	23.256.00	24.375.00	27.679.00	✗
	BD30TI	88	120	06/01 > 10/06	23.256.00	24.444.00	27.679.00	✗
120.45	BD30TI	88	120	03/99 > 05/01	23.256.00	24.375.00	27.679.00	✗
	BD30TI	88	120	06/01 > 10/06	23.256.00	24.444.00	27.679.00	✗
75.28	LD23 EGR	55	75	03/99 > 05/01	23.134.00	24.375.00	27.159.00	✗
	LD23 EGR	55	75	06/01 > 10/06	23.134.00	24.444.00	27.159.00	✗
90.32	TD27 EGR	66	90	03/99 > 05/01	23.256.00	24.375.00	27.679.00	✗
	TD27 EGR	66	90	06/01 > 10/06	23.256.00	24.444.00	27.679.00	✗
95.28	TD27 EGR	70	95	03/99 > 05/01	23.256.00	24.375.00	27.679.00	✗
	TD27 EGR	70	95	06/01 > 10/06	23.256.00	24.444.00	27.679.00	✗
95.32	TD27 EGR	67	92	03/99 > 05/01	23.256.00	24.375.00	27.679.00	✗
	TD27 EGR	67	92	06/01 > 10/06	23.256.00	24.444.00	27.679.00	✗
95.32	TD27 EGR	70	95	03/99 > 05/01	23.256.00	24.375.00	27.679.00	✗
	TD27 EGR	70	95	06/01 > 10/06	23.256.00	24.444.00	27.679.00	✗
TL 28.10	BD30T EGR	77	105	01/04 > 10/06	23.256.00	24.444.00	27.679.00	✗
TL 32.10	BD30T EGR	77	105	01/04 > 10/06	23.256.00	24.444.00	27.679.00	✗
TL 35.10	BD30T EGR	77	105	01/04 > 10/06	23.256.00	24.444.00	27.679.00	✗
TL 35.13	BD30TI	92	125	01/04 > 10/06	23.256.00	24.444.00	27.679.00	✗
TL 45.13	BD30TI	92	125	01/04 > 10/06	23.256.00	24.444.00	27.679.00	✗

Cabstar III (F24)

28.11 (2.5 DCI)	YD25	81	110	07/06 >	23.127.00	55.394.00	27.676.00	✗
28.12 (2.5 DCI)	YD25K3LD-5	90	122	01/12 >	23.127.00	55.394.00	27.676.00	✗
32.12 (2.5 DCI)	YD25K3LD-5	90	122	01/12 >	23.127.00	55.394.00	27.676.00	✗
35.12 (2.5 DCI)	YD25K3LD-5	90	122	01/12 >	23.127.00	55.394.00	27.676.00	✗
35.13 (2.5 DCI)	YD25	96	130	07/06 >	23.127.00	55.394.00	27.676.00	✗
35.14 (2.5 DCI)	YD25K3LD-5	100	136	01/12 >	23.127.00	55.394.00	27.676.00	✗
35.15 (3.0 DCI)	ZD30	110	150	07/06 >	25.026.00	55.394.00	27.676.00	✗
45.13 (2.5 DCI)	YD25	96	130	07/06 >	23.127.00	55.394.00	27.676.00	✗
45.14 (2.5 DCI)	YD25K3LD-5	100	136	01/12 >	23.127.00	55.394.00	27.676.00	✗
45.15 (3.0 DCI)	ZD30	110	150	07/06 >	25.026.00		27.676.00	✗

Caravan

2.0 Turbodiesel (E24)								
automatic drive / trasmissione automatica	LD20T			07/86 >	23.134.00	24.375.00	27.159.00	
manual drive / trasmissione manuale	LD20T			07/86 >	23.244.00	24.375.00	27.159.00	

Homey

2.0 Turbodiesel (AT)	LD20T			07/86 >	23.134.00	24.375.00	27.159.00	
2.0 Turbodiesel (MT)	LD20T			07/86 >	23.244.00	24.375.00	27.159.00	

Interstar

1.9 DCI	F9Q-772/774	59	80	04/02 > 02/11	23.481.00	26.693.00	30.099.00	
2.2 DCI	G9T	66	90	04/02 > 10/03	25.033.00	26.693.00	30.099.00	
	G9T	66	90	11/03 > 02/11	25.033.00	26.695.00	30.293.00	
some / alcuni	G9T	66	90	11/03 > 02/11	25.033.00	26.694.00	30.293.00	
2.5 DCI 100	G9U	73	100	11/03 > 02/11	25.033.00	26.695.00	30.293.00	
some / alcuni	G9U	73	100	11/03 > 02/11	25.033.00	26.694.00	30.293.00	
2.5 DCI 120	G9U	85	115	04/02 > 10/03	25.033.00	26.693.00	30.099.00	
	G9U	85	115	11/03 > 02/11	25.033.00	26.695.00	30.293.00	
some / alcuni	G9U	85	115	11/03 > 02/11	25.033.00	26.694.00	30.293.00	
2.5 DCI 120	G9U	88	120	09/06 > 02/11	25.033.00	26.695.00	30.293.00	
some / alcuni	G9U	88	120	09/06 > 02/11	25.033.00	26.694.00	30.293.00	
2.5 DCI 150	G9U-632	107	146	07/06 > 02/11	25.033.00	26.695.00	30.293.00	
some / alcuni	G9U-632	107	146	07/06 > 02/11	25.033.00	26.694.00	30.293.00	
3.0 DCI	ZD3	100	136	10/03 > 07/06	25.026.00	26.695.00	30.300.00	
some / alcuni	ZD3	100	136	10/03 > 07/06	25.026.00	26.694.00	30.300.00	

King Cab

2.2 Diesel	SD22, SD23, SD25			06/79 >			27.769.00	
2.3 Diesel	SD22, SD23, SD25			06/79 >			27.769.00	
2.3 Diesel	SD23, SD25			01/83 >	23.256.00			
2.5 Diesel	SD22, SD23, SD25			06/79 >			27.769.00	

...NISSAN - commercial vehicles/veicoli commerciali

2.5 Diesel	SD23, SD25			01/83 >	23.256.00			
2.5 TDI Intercooler 4x4 (D22)				01/98 >		24.375.00		
Kubistar								
1.2 i 16V	D4F	55	75	09/03 >	23.470.00	31.710.00	30.163.00	
with air-conditioner / con climatizzatore	D4F	55	75	09/03 >				53.060.00
without air-conditioner / senza climatizzatore	D4F	55	75	09/03 >				53.292.00
1.2 i 8V	D7F	44	60	09/03 >	23.470.00	31.710.00	27.273.00	
with air-conditioner / con climatizzatore	D7F	44	60	09/03 >				53.060.00
without air-conditioner / senza climatizzatore	D7F	44	60	09/03 >				53.292.00
1.4	K7J-700/K7J-701	55	75	09/03 >	23.418.00	31.710.00		
with air-conditioner / con climatizzatore	K7J-700/K7J-701	55	75	09/03 >				53.060.00
without air-conditioner / senza climatizzatore	K7J-700/K7J-701	55	75	09/03 >				53.292.00
1.5 DCI	K9K	42	57	09/03 >	23.418.00	24.013.00	30.181.00	
with air-conditioner / con climatizzatore	K9K	42	57	09/03 >				53.060.00
without air-conditioner / senza climatizzatore	K9K	42	57	09/03 >				53.292.00
1.5 DCI	K9K	47	65	09/03 >	23.418.00	24.013.00	30.181.00	
with air-conditioner / con climatizzatore	K9K	47	65	09/03 >				53.060.00
without air-conditioner / senza climatizzatore	K9K	47	65	09/03 >				53.292.00
1.5 DCI	K9K	50	68	06/05 >	23.418.00		30.181.00	
with air-conditioner / con climatizzatore	K9K	50	68	06/05 >				53.060.00
without air-conditioner / senza climatizzatore	K9K	50	68	06/05 >				53.292.00
1.5 DCI	K9K	60	82	09/03 >	23.418.00	24.013.00	30.181.00	
with air-conditioner / con climatizzatore	K9K	60	82	09/03 >				53.060.00
without air-conditioner / senza climatizzatore	K9K	60	82	09/03 >				53.292.00
1.5 DCI	K9K	62	85	06/05 >	23.418.00		30.181.00	
with air-conditioner / con climatizzatore	K9K	62	85	06/05 >				53.060.00
without air-conditioner / senza climatizzatore	K9K	62	85	06/05 >				53.292.00
1.6 i 16V	K4M	70	95	09/03 >	23.418.00	31.710.00	30.147.00	
with air-conditioner / con climatizzatore	K4M	70	95	09/03 >				53.060.00
without air-conditioner / senza climatizzatore	K4M	70	95	09/03 >				53.292.00
Navara (R51)								
2.5 DCI	Y25DDTI	107	145	05/05 >	23.127.00	24.444.00		
2.5 DCI	YD25DDTI	128	174	05/05 >	23.127.00	24.444.00		
NP300 Pick-up								
2.5 DCI	YD25EFI	98	133	01/08 > 07/10	25.052.00	24.398.00	27.079.00	✗
	YD25EFI	98	133	08/10 >	25.052.00	24.017.00	27.079.00	✗
2.5 DCI 4WD (D22) (Right Hand Drive) (ASIA)	YD25			03/11 > 11/12		24.375.00		
	YD25			12/12 >		24.082.00		
NT500								
35.15	ZD30	110	150	04/14 >	25.026.00		27.676.00	
NV200								
1.5 DCI (M20K) (RHD) (IND)	K9K	63	86	08/12 > 03/13	23.481.00	24.052.00	30.319.00	
	K9K	63	86	04/13 > 04/15	23.481.00		30.319.00	
	K9K	63	86	05/15 >	23.481.00			
1.5 DCI 106	K9K	78	106	01/11 > 10/13	23.481.00		30.319.00	
models made in Spain with air-conditioner / modelli prodotti in Spagna con climatizzatore	K9K	78	106	03/12 > 10/13				53.104.00
models made in Spain with water presence sensor / modelli prodotti in Spagna con sensore presenza acqua	K9K	78	106	01/11 > 10/13		24.025.01		
models made in Spain without water presence sensor / modelli prodotti in Spagna senza sensore presenza acqua	K9K	78	106	01/11 > 10/13		24.026.01		
1.5 DCI 110	K9K-636, K9K-646	81	110	04/11 > 10/13	23.481.00		30.319.00	
	K9K-636, K9K-646	81	110	11/13 >	23.628.00		30.319.00	
models made in Japan DELPHI HDF938 (2 µ) / modelli prodotti in Giappone DELPHI HDF938 (2 µ)	K9K-636, K9K-646	81	110	04/11 >		24.098.00		
models made in Japan DELPHI HDF946 (3 µ) / modelli prodotti in Giappone DELPHI HDF946 (3 µ)	K9K-636, K9K-646	81	110	04/11 >		24.052.00		
models made in Spain with air-conditioner / modelli prodotti in Spagna con climatizzatore	K9K-636, K9K-646	81	110	03/12 >				53.104.00
models made in Spain with water presence sensor / modelli prodotti in Spagna con sensore presenza acqua	K9K-636, K9K-646	81	110	07/11 >		24.025.01		
models made in Spain without water presence sensor / modelli prodotti in Spagna senza sensore presenza acqua	K9K-636, K9K-646	81	110	04/11 >		24.026.01		
models made in Spain spare part only / modelli prodotti in Spagna solo ricambio	K9K-636, K9K-646	81	110	11/13 >		26.115.00		
1.5 DCI 86	K9K	63	86	11/09 > 10/13	23.481.00		30.319.00	
	K9K	63	86	11/13 >	23.628.00		30.319.00	
models made in Japan DELPHI HDF938 (2 µ) / modelli prodotti in Giappone DELPHI HDF938 (2 µ)	K9K	63	86	11/09 >		24.098.00		
models made in Japan DELPHI HDF946 (3 µ) / modelli prodotti in Giappone DELPHI HDF946 (3 µ)	K9K	63	86	11/09 >		24.052.00		
models made in Spain with air-conditioner / modelli prodotti in Spagna con climatizzatore	K9K	63	86	03/12 >				53.104.00
models made in Spain with water presence sensor / modelli prodotti in Spagna con sensore presenza acqua	K9K	63	86	07/11 >		24.025.01		
models made in Spain without water presence sensor / modelli prodotti in Spagna senza sensore presenza acqua	K9K	63	86	11/09 >		24.026.01		
models made in Spain spare part only / modelli prodotti in Spagna solo ricambio	K9K	63	86	11/13 >		26.115.00		
1.5 DCI 86 (M20M) (RHD) (CY)	K9K Euro 4	63	86	01/13 > 10/13	23.481.00		30.319.00	
models made in Spain with air-conditioner / modelli prodotti in Spagna con climatizzatore	K9K Euro 4	63	86	01/13 > 10/13				53.104.00
models made in Spain with water presence sensor / modelli prodotti in Spagna con sensore presenza acqua	K9K Euro 4	63	86	01/13 > 10/13		24.025.01		

...NISSAN - commercial vehicles/veicoli commerciali

models made in Spain without water presence sensor / modelli prodotti in Spagna senza sensore presenza acqua	K9K Euro 4	63	86	01/13	>	10/13		24.026.01			
1.5 dCi 86 (M20M) (RHD) (CY)	K9K Euro 5	63	86	11/13	>	07/15	23.628.00	26.115.00	30.319.00		
with air-conditioner / con climatizzatore	K9K Euro 5	63	86	11/13	>	07/15				53.104.00	
1.5 dCi 86 (M20M) (RHD) (CY)	K9K Euro 6	63	86	08/15	>		23.628.00	26.115.00	30.319.00		
with air-conditioner / con climatizzatore	K9K Euro 6	63	86	08/15	>					53.104.00	
1.5 dCi 86 (M20M) (RHD) (M)	K9K Euro 4	63	86	01/13	>	10/13	23.481.00		30.319.00		
models made in Spain with air-conditioner / modelli prodotti in Spagna con climatizzatore	K9K Euro 4	63	86	01/13	>	10/13				53.104.00	
models made in Spain with water presence sensor / modelli prodotti in Spagna con sensore presenza acqua	K9K Euro 4	63	86	01/13	>	10/13		24.025.01			
models made in Spain without water presence sensor / modelli prodotti in Spagna senza sensore presenza acqua	K9K Euro 4	63	86	01/13	>	10/13		24.026.01			
1.5 dCi 86 (M20M) (RHD) (M)	K9K Euro 5	63	86	11/13	>	07/15	23.628.00	26.115.00	30.319.00		
with air-conditioner / con climatizzatore	K9K Euro 5	63	86	11/13	>	07/15				53.104.00	
1.5 dCi 86 (M20M) (RHD) (M)	K9K Euro 6	63	86	08/15	>		23.628.00	26.115.00	30.319.00		
with air-conditioner / con climatizzatore	K9K Euro 6	63	86	08/15	>					53.104.00	
1.5 dCi 86 (M20M) (RHD) (SGP)	K9K Euro 4	63	86	01/13	>	10/13	23.481.00		30.319.00		
models made in Spain with air-conditioner / modelli prodotti in Spagna con climatizzatore	K9K Euro 4	63	86	01/13	>	10/13				53.104.00	
models made in Spain with water presence sensor / modelli prodotti in Spagna con sensore presenza acqua	K9K Euro 4	63	86	01/13	>	10/13		24.025.01			
models made in Spain without water presence sensor / modelli prodotti in Spagna senza sensore presenza acqua	K9K Euro 4	63	86	01/13	>	10/13		24.026.01			
1.5 dCi 86 (M20M) (RHD) (ZA)	K9K Euro 4	63	86	01/13	>	10/13	23.481.00		30.319.00		
models made in Spain with air-conditioner / modelli prodotti in Spagna con climatizzatore	K9K Euro 4	63	86	01/13	>	10/13				53.104.00	
1.5 dCi 90	K9K-892	66	90	04/11	>	10/13	23.481.00		30.319.00		
	K9K-892	66	90	11/13	>		23.628.00		30.319.00		
models made in Japan DELPHI HDF938 (2 μ) / modelli prodotti in Giappone DELPHI HDF938 (2 μ)	K9K-892	66	90	04/11	>			24.098.00			
models made in Japan DELPHI HDF946 (3 μ) / modelli prodotti in Giappone DELPHI HDF946 (3 μ)	K9K-892	66	90	04/11	>			24.052.00			
models made in Spain with air-conditioner / modelli prodotti in Spagna con climatizzatore	K9K-892	66	90	03/12	>					53.104.00	
models made in Spain with water presence sensor / modelli prodotti in Spagna con sensore presenza acqua	K9K-892	66	90	07/11	>			24.025.01			
models made in Spain without water presence sensor / modelli prodotti in Spagna senza sensore presenza acqua	K9K-892	66	90	04/11	>			24.026.01			
models made in Spain spare part only / modelli prodotti in Spagna solo ricambio	K9K-892	66	90	11/13	>			26.115.00			
1.6	HR16DE	81	110	11/09	>		23.484.00	∞	30.362.00		
e-NV200	EM57	80	109	04/14	>		×	×	×		
NV250											
1.5 dCi (X61)	K9K872	85	116	07/19	>						53.164.00
1.5 dCi 80 (X61)	K9K872	59	80	09/19	>						53.164.00
1.5 dCi 95 (X61)	K9K872	70	95	07/19	>						53.164.00
NV300											
1.6 dCi 115	R9M	84	115	05/16	>		25.170.00		30.664.00		
with automatic air-conditioner / con climatizzatore automatico	R9M	84	115	05/16	>					54.234.00	
with manual air-conditioner / con climatizzatore manuale	R9M	84	115	05/16	>					53.276.00	
antibacterial, anti-odour and anti-allergen filter with automatic air-conditioner / filtro antibatterico, antiodori e anti-allergeni con climatizzatore automatico	R9M	84	115	05/16	>					34.234.00	
1.6 dCi 120	R9M	88	120	05/16	>		25.170.00		30.664.00		
with automatic air-conditioner / con climatizzatore automatico	R9M	88	120	05/16	>					54.234.00	
with manual air-conditioner / con climatizzatore manuale	R9M	88	120	05/16	>					53.276.00	
antibacterial, anti-odour and anti-allergen filter with automatic air-conditioner / filtro antibatterico, antiodori e anti-allergeni con climatizzatore automatico	R9M	88	120	05/16	>					34.234.00	
1.6 dCi 140	R9M	103	140	05/16	>		25.170.00		30.664.00		
with automatic air-conditioner / con climatizzatore automatico	R9M	103	140	05/16	>					54.234.00	
with manual air-conditioner / con climatizzatore manuale	R9M	103	140	05/16	>					53.276.00	
antibacterial, anti-odour and anti-allergen filter with automatic air-conditioner / filtro antibatterico, antiodori e anti-allergeni con climatizzatore automatico	R9M	103	140	05/16	>					34.234.00	
1.6 dCi 90	R9M	66	90	05/16	>		25.170.00		30.664.00		
with automatic air-conditioner / con climatizzatore automatico	R9M	66	90	05/16	>					54.234.00	
with manual air-conditioner / con climatizzatore manuale	R9M	66	90	05/16	>					53.276.00	
antibacterial, anti-odour and anti-allergen filter with automatic air-conditioner / filtro antibatterico, antiodori e anti-allergeni con climatizzatore automatico	R9M	66	90	05/16	>					34.234.00	
NV400											
2.3 dCi 100	M9T-670/M9T-690	74	100	01/11	>		25.170.00		30.556.00		53.164.00
assembly PURFLUX FC578/FC580 / montaggio PURFLUX FC578/FC580	M9T-670/M9T-690	74	100	01/11	>			26.694.00			
assembly PURFLUX FC579/FC581 / montaggio PURFLUX FC579/FC581	M9T-670/M9T-690	74	100	01/11	>			26.695.00			
2.3 dCi 110	M9T	81	110	06/14	>		25.170.00		30.556.00		53.164.00
assembly KNECHT-MAHLE / montaggio KNECHT-MAHLE	M9T	81	110	06/14	>			26.114.00			
2.3 dCi 125	M9T-670/M9T-690	92	125	01/11	>				30.556.00		53.164.00
assembly PURFLUX FC578/FC580 / montaggio PURFLUX FC578/FC580	M9T-670/M9T-690	92	125	01/11	>			26.694.00			
assembly PURFLUX FC579/FC581 / montaggio PURFLUX FC579/FC581	M9T-670/M9T-690	92	125	01/11	>			26.695.00			
2.3 dCi 150	M9T-880	110	150	01/13	>				30.556.00		53.164.00
assembly PURFLUX FC578/FC580 / montaggio PURFLUX FC578/FC580	M9T-880	110	150	01/13	>			26.694.00			
assembly PURFLUX FC579/FC581 / montaggio PURFLUX FC579/FC581	M9T-880	110	150	01/13	>			26.695.00			
2.3 dCi 150	M9T678	107	146	01/11	>				30.556.00		53.164.00
assembly PURFLUX FC578/FC580 / montaggio PURFLUX FC578/FC580	M9T678	107	146	01/11	>			26.694.00			
assembly PURFLUX FC579/FC581 / montaggio PURFLUX FC579/FC581	M9T678	107	146	01/11	>			26.695.00			
2.3 dCi 170	M9T	125	170	07/15	>		25.170.00		30.556.00		53.164.00
assembly KNECHT-MAHLE / montaggio KNECHT-MAHLE	M9T	125	170	07/15	>			26.114.00			








...NISSAN - commercial vehicles/veicoli commerciali

2.3 dCi 180	M9T716	132	179	01/20 >	25.170.00		30.556.00	53.164.00
2.3 DCI Biturbo 140	M9T	100	136	06/14 >	25.170.00		30.556.00	53.164.00
assembly KNECHT-MAHLE / montaggio KNECHT-MAHLE	M9T	100	136	06/14 >		26.114.00		
2.3 DCI Biturbo 160	M9T	120	163	06/14 >	25.170.00		30.556.00	53.164.00
assembly KNECHT-MAHLE / montaggio KNECHT-MAHLE	M9T	120	163	06/14 >		26.114.00		
Pick-up								
2.5 DI (D22)	YD25EFI	98	133	03/02 > 03/03	25.052.00	24.375.00	27.079.00	✗
	YD25EFI	98	133	04/03 > 08/05	23.127.00	24.375.00	27.079.00	✗
2.5 TDI 4WD (D22)	TD25TI	76	103	02/98 > 08/05		24.375.00	27.524.00	✗
2.7 Diesel	TD27			01/87 >	23.134.00		27.769.00	
2.7 Turbodiesel	TD27T			01/89 >			27.169.00	
3.0 V6 F.I. (D21) (USA)				01/89 >	23.240.00		30.973.00	
or / oppure				01/86 >	23.240.00			
3.0 V6 F.I. (D21U) (USA)				01/89 >	23.240.00		30.973.00	
or / oppure				01/86 >	23.240.00			
Primastar								
1.9 DCI 100	Renault F9Q-760	74	100	09/02 > 07/06	23.481.00	26.693.00	30.150.00	53.131.00
1.9 DCI 80	Renault F9Q-762	60	82	09/02 > 07/06	23.481.00	26.693.00	30.150.00	53.131.00
2.0 16V	Renault F4R	88	120	10/03 >	23.418.00	31.710.00	30.147.00	53.131.00
2.0 DCI 115	M9R	84	114	07/06 >	25.094.00	26.695.00	30.465.00	53.131.00
some / alcuni	M9R	84	114	07/06 >	25.094.00	26.694.00	30.465.00	53.131.00
2.0 DCI 90	M9R	66	90	07/06 >	25.094.00	26.695.00	30.465.00	53.131.00
some / alcuni	M9R	66	90	07/06 >	25.094.00	26.694.00	30.465.00	53.131.00
2.5 DCI 140	Renault G9U-730	99	135	09/02 > 07/06	25.033.00	26.695.00	30.465.00	53.131.00
some / alcuni	Renault G9U-730	99	135	09/02 > 07/06	25.033.00	26.694.00	30.465.00	53.131.00
2.5 DCI 150	G9U	107	146	07/06 >	25.033.00	26.695.00	30.465.00	53.131.00
some / alcuni	G9U	107	146	07/06 >	25.033.00	26.694.00	30.465.00	53.131.00
Trade								
2.0 Diesel (E)	LD20E			09/86 >	23.134.00	24.375.00		
2.0 Diesel (E)	LD20E II	46	63	03/87 >	23.134.00	24.375.00	27.881.00	
2.3 Diesel	LD23	55	75	05/97 > 05/01	23.134.00	24.375.00	27.679.00	
	LD23	55	75	06/01 >	23.134.00	24.444.00	27.679.00	
2.8 Diesel (E)	A4.28			03/87 >	23.256.00	24.360.00	27.881.00	
2.8 Diesel (E)	A4.28 II			01/91 >	23.256.00	24.375.00	27.881.00	
3.0 Diesel	BD30	63	86	09/96 > 05/01	23.256.00	24.375.00	27.828.00	
	BD30	63	86	06/01 >	23.256.00	24.444.00	27.828.00	
3.0 Diesel	BD30T1	79	108	04/93 > 05/01	23.256.00	24.375.00	27.679.00	
	BD30T1	79	108	06/01 >	23.256.00	24.444.00	27.679.00	
Vanette								
2.0 Diesel (GC22)								
thread 1" 12 UNF / filetto 1" 12 UNF	LD20	49	67	09/86 >	23.244.00	24.375.00		✗
thread 3/4" 16 UNF / filetto 3/4" 16 UNF	LD20	49	67	09/86 >	23.134.00	24.375.00		✗
2.3 Diesel (C23M)	LD23	55	75	02/95 >	23.134.00	24.375.00	30.973.00	✗

OPEL

cars/auto

Adam

1.0 EcoTec DI Turbo	B10XFL	66	90	07/14 >			30.588.00	53.124.00
with activated carbons / ai carboni attivi	B10XFL	66	90	07/14 >				54.162.00
antibacterial, anti-odour and anti-allergen filter / filtro antibatterico, antiodori e anti-allergeni	B10XFL	66	90	07/14 >				34.162.00
1.0 EcoTec DI Turbo	B10XFT	85	115	07/14 >			30.588.00	53.124.00
with activated carbons / ai carboni attivi	B10XFT	85	115	07/14 >				54.162.00
antibacterial, anti-odour and anti-allergen filter / filtro antibatterico, antiodori e anti-allergeni	B10XFT	85	115	07/14 >				34.162.00
1.2 16V	A12XEL/B12XEL	51	70	12/12 >	25.064.00		30.588.00	53.124.00
with activated carbons / ai carboni attivi	A12XEL/B12XEL	51	70	12/12 >				54.162.00
antibacterial, anti-odour and anti-allergen filter / filtro antibatterico, antiodori e anti-allergeni	A12XEL/B12XEL	51	70	12/12 >				34.162.00
1.4 16V	A14XEL/B14XEL	64	87	12/12 >	25.064.00		30.588.00	53.124.00
with activated carbons / ai carboni attivi	A14XEL/B14XEL	64	87	12/12 >				54.162.00
antibacterial, anti-odour and anti-allergen filter / filtro antibatterico, antiodori e anti-allergeni	A14XEL/B14XEL	64	87	12/12 >				34.162.00
1.4 16V	A14XER/B14XER	74	100	12/12 >	25.064.00		30.588.00	53.124.00
with activated carbons / ai carboni attivi	A14XER/B14XER	74	100	12/12 >				54.162.00
antibacterial, anti-odour and anti-allergen filter / filtro antibatterico, antiodori e anti-allergeni	A14XER/B14XER	74	100	12/12 >				34.162.00
1.4 16V LPG/GPL Tech	A14XEL/B14XEL	64	87	12/12 >	25.064.00		30.588.00	53.124.00
with activated carbons / ai carboni attivi	A14XEL/B14XEL	64	87	12/12 >				54.162.00
antibacterial, anti-odour and anti-allergen filter / filtro antibatterico, antiodori e anti-allergeni	A14XEL/B14XEL	64	87	12/12 >				34.162.00
1.4 S Turbo	B14NEH	110	150	01/15 >	25.064.00		30.588.00	53.124.00
with activated carbons / ai carboni attivi	B14NEH	110	150	01/15 >				54.162.00
antibacterial, anti-odour and anti-allergen filter / filtro antibatterico, antiodori e anti-allergeni	B14NEH	110	150	01/15 >				34.162.00

...OPEL - cars/auto

Agila A								
1.0 i 12V	Z10EP/Z10XEP	44	60	09/03 >	03/08			
to engine No. 19MA9234 / a motore N. 19MA9234	Z10EP/Z10XEP	44	60			25.012.00		30.129.00
from engine No. 19MA9235 / da motore N. 19MA9235	Z10EP/Z10XEP	44	60		> 03/08	25.064.00		
1.0 i 12V	Z10XE	43	58	05/00 >	10/03	25.012.00		30.129.00
1.2 i 16V	Z12XE	55	75	05/00 >	08/04	25.012.00		30.129.00
1.2 i 16V	Z12XEP	59	80	07/04 >	03/08			30.129.00
to engine No. 19MA9234 / a motore N. 19MA9234	Z12XEP	59	80			25.012.00		
from engine No. 19MA9235 / da motore N. 19MA9235	Z12XEP	59	80		> 03/08	25.064.00		
1.3 16V CDTI								
complete filter and disassembly key / filtro completo e chiave di smontaggio	Z13DT	51	70	09/03 >	03/08			55.116.00
assembly PURFLUX / montaggio PURFLUX	Z13DT	51	70	09/03 >	03/08	25.043.00	60.H2O.00	30.211.00
assembly UFI / montaggio UFI	Z13DT	51	70	01/05 >	03/08	25.031.00	60.H2O.00	30.211.00
Agila B								
1.0 12V	K10B	48	65	04/08 >		23.255.00		30.550.00
1.0 12V ecoFLEX	K10B	50	68	07/11 >		23.255.00		30.550.00
1.0 12V GPL/LPG	K10B	48	65	04/08 >		23.255.00		30.550.00
1.2 16V	K12B	63	86	04/08 >	03/10	23.255.00		30.550.00
1.2 16V Auto.	K12B	63	86	04/08 >	03/10	23.255.00		30.550.00
1.2 16V ecoFlex	K12B	69	94	04/10 >		23.255.00		53.183.00
to frame No. AM999999 / a telaio N. AM999999	K12B	69	94	04/10 >	08/10			30.550.00
from frame No. BM000001 / da telaio N. BM000001	K12B	69	94	09/10 >				30.553.00
1.2 16V ecoFlex Start & Stop	K12B	69	94	04/10 >		23.255.00		53.183.00
to frame No. AM999999 / a telaio N. AM999999	K12B	69	94	04/10 >	08/10			30.550.00
from frame No. BM000001 / da telaio N. BM000001	K12B	69	94	09/10 >				30.553.00
1.2 16V GPL/LPG	K12B	63	86	04/08 >	03/10	23.255.00		30.550.00
1.3 CDTI 16V	D13A/Z13DTJ	55	75	04/08 >		25.031.00	60.H2O.00	30.391.00
complete filter and disassembly key / filtro completo e chiave di smontaggio	D13A/Z13DTJ	55	75	04/08 >			55.116.00	19.008.00
Ampera								
1.4 E-REV	A14XFL	63	86	10/11 >		23.299.00		30.653.00
with activated carbons / ai carboni attivi	A14XFL	63	86	10/11 >				54.178.00
antibacterial, anti-odour and anti-allergen filter / filtro antibatterico, antiodori e anti-allergeni	A14XFL	63	86	10/11 >				34.178.00
Ampera-e								
Ampera-e (F17)	Electric	150	204	02/17 >				
antibacterial, anti-odour and anti-allergen filter / filtro antibatterico, antiodori e anti-allergeni	Electric	150	204	02/17 >				54.238.00
								34.238.00
Astra F								
1.4 i 16V	X 14 XE	66	90	02/96 >	03/01	23.129.02	31.611.00	30.017.00
1.4 i SE	C 14 SE	60	82	10/91 >	03/01	23.129.02	31.611.00	30.017.00
1.8 i 16V Cabrio	X 18 XE	85	116	11/94 >	03/01	23.129.02	31.611.00	30.017.00
Astra F Classic								
1.4 i	X 14 NZ	44	60	01/98 >	01/05	23.129.02	31.611.00	30.017.00
1.6 i	X 16 SZR	55	75	01/98 >	01/05	23.129.02	31.611.00	30.017.00
1.6 i 16V	X 16 XEL	74	101	01/98 >	01/05	23.129.02	31.611.00	30.017.00
Astra G								
1.2 i 16V								
with air-conditioner BEHR / con climatizzatore BEHR	X12XE	48	65	03/98 >	09/00	25.012.00	31.515.00	30.107.00
with air-conditioner DELPHI / con climatizzatore DELPHI	X12XE	48	65	03/98 >	09/00	25.012.00	31.515.00	30.107.00
with activated carbon air-conditioner BEHR / con climatizzatore, ai carboni attivi BEHR	X12XE	48	65	03/98 >	09/00			54.230.00
with activated carbon air-conditioner DELPHI / con climatizzatore, ai carboni attivi DELPHI	X12XE	48	65	03/98 >	09/00	25.012.00	31.515.00	30.107.00
antibacterial, anti-odour and anti-allergen filter with air-conditioner BEHR / filtro antibatterico, antiodori e anti-allergeni con climatizzatore BEHR	X12XE	48	65	03/98 >	09/00			34.230.00
antibacterial, anti-odour and anti-allergen filter with air-conditioner DELPHI / filtro antibatterico, antiodori e anti-allergeni con climatizzatore DELPHI	X12XE	48	65	03/98 >	09/00			34.143.00
1.2 i 16V								
with air-conditioner BEHR / con climatizzatore BEHR	Z12XE	55	75	10/00 >	01/05	25.012.00	31.515.00	30.107.00
with air-conditioner DELPHI / con climatizzatore DELPHI	Z12XE	55	75	10/00 >	01/05	25.012.00	31.515.00	30.107.00
with activated carbon air-conditioner BEHR / con climatizzatore, ai carboni attivi BEHR	Z12XE	55	75	10/00 >	01/05			54.230.00
with activated carbon air-conditioner DELPHI / con climatizzatore, ai carboni attivi DELPHI	Z12XE	55	75	10/00 >	01/05	25.012.00	31.515.00	30.107.00
antibacterial, anti-odour and anti-allergen filter with air-conditioner BEHR / filtro antibatterico, antiodori e anti-allergeni con climatizzatore BEHR	Z12XE	55	75	10/00 >	01/05			34.230.00
antibacterial, anti-odour and anti-allergen filter with air-conditioner DELPHI / filtro antibatterico, antiodori e anti-allergeni con climatizzatore DELPHI	Z12XE	55	75	10/00 >	01/05			34.143.00
1.4								
with air-conditioner BEHR / con climatizzatore BEHR	Z14XEP	66	90	09/07 >	12/09	23.299.00	31.515.00	30.107.00
with air-conditioner DELPHI / con climatizzatore DELPHI	Z14XEP	66	90	09/07 >	12/09	23.299.00	31.515.00	30.107.00
with activated carbon air-conditioner BEHR / con climatizzatore, ai carboni attivi BEHR	Z14XEP	66	90	09/07 >	12/09			54.230.00
with activated carbon air-conditioner DELPHI / con climatizzatore, ai carboni attivi DELPHI	Z14XEP	66	90	09/07 >	12/09	23.299.00	31.515.00	30.107.00
antibacterial, anti-odour and anti-allergen filter with air-conditioner BEHR / filtro antibatterico, antiodori e anti-allergeni con climatizzatore BEHR	Z14XEP	66	90	09/07 >	12/09			34.230.00
antibacterial, anti-odour and anti-allergen filter with air-conditioner DELPHI / filtro antibatterico, antiodori e anti-allergeni con climatizzatore DELPHI	Z14XEP	66	90	09/07 >	12/09			34.143.00
1.4 i 16V								
with air-conditioner BEHR / con climatizzatore BEHR	X14XE	66	90	03/98 >	09/00	23.129.02	31.515.00	30.107.00

...OPEL - cars/auto

with activated carbon air-conditioner DELPHI / con climatizzatore, ai carboni attivi DELPHI	Z16XEP	76	103	03/03	>	11/04	23.299.00	31.515.00	30.107.00	54.143.00
antibacterial, anti-odour and anti-allergen filter with air-conditioner BEHR / filtro antibatterico, antiodori e anti-allergeni con climatizzatore BEHR	Z16XEP	76	103	03/03	>	11/04				34.230.00
antibacterial, anti-odour and anti-allergen filter with air-conditioner DELPHI / filtro antibatterico, antiodori e anti-allergeni con climatizzatore DELPHI	Z16XEP	76	103	03/03	>	11/04				34.143.00
1.8 i 16V										
with air-conditioner BEHR / con climatizzatore BEHR	X18XE1	85	115	03/00	>	11/00	25.017.00	31.515.00	30.107.00	53.030.00
with air-conditioner DELPHI / con climatizzatore DELPHI	X18XE1	85	115	03/00	>	11/00	25.017.00	31.515.00	30.107.00	53.047.00
with activated carbon air-conditioner BEHR / con climatizzatore, ai carboni attivi BEHR	X18XE1	85	115	03/00	>	11/00				54.230.00
with activated carbon air-conditioner DELPHI / con climatizzatore, ai carboni attivi DELPHI	X18XE1	85	115	03/00	>	11/00	25.017.00	31.515.00	30.107.00	54.143.00
antibacterial, anti-odour and anti-allergen filter with air-conditioner BEHR / filtro antibatterico, antiodori e anti-allergeni con climatizzatore BEHR	X18XE1	85	115	03/00	>	11/00				34.230.00
antibacterial, anti-odour and anti-allergen filter with air-conditioner DELPHI / filtro antibatterico, antiodori e anti-allergeni con climatizzatore DELPHI	X18XE1	85	115	03/00	>	11/00				34.143.00
1.8 i 16V										
with air-conditioner BEHR / con climatizzatore BEHR	Z18XE	92	125	07/00	>	11/04	25.017.00	31.515.00	30.107.00	53.030.00
with air-conditioner DELPHI / con climatizzatore DELPHI	Z18XE	92	125	07/00	>	11/04	25.017.00	31.515.00	30.107.00	53.047.00
with activated carbon air-conditioner BEHR / con climatizzatore, ai carboni attivi BEHR	Z18XE	92	125	07/00	>	11/04				54.230.00
with activated carbon air-conditioner DELPHI / con climatizzatore, ai carboni attivi DELPHI	Z18XE	92	125	07/00	>	11/04	25.017.00	31.515.00	30.107.00	54.143.00
antibacterial, anti-odour and anti-allergen filter with air-conditioner BEHR / filtro antibatterico, antiodori e anti-allergeni con climatizzatore BEHR	Z18XE	92	125	07/00	>	11/04				34.230.00
antibacterial, anti-odour and anti-allergen filter with air-conditioner DELPHI / filtro antibatterico, antiodori e anti-allergeni con climatizzatore DELPHI	Z18XE	92	125	07/00	>	11/04				34.143.00
2.0 i 16V Turbo										
with air-conditioner BEHR / con climatizzatore BEHR	Z20LET	140	190	06/00	>	12/03	23.129.02	31.515.00	30.107.00	53.030.00
with air-conditioner BEHR / con climatizzatore BEHR	Z20LET	140	190	01/04	>	11/04	23.299.00	31.515.00	30.107.00	53.030.00
with air-conditioner DELPHI / con climatizzatore DELPHI	Z20LET	140	190	06/00	>	12/03	23.129.02	31.515.00	30.107.00	53.047.00
with air-conditioner DELPHI / con climatizzatore DELPHI	Z20LET	140	190	01/04	>	11/04	23.299.00	31.515.00	30.107.00	53.047.00
with activated carbon air-conditioner BEHR / con climatizzatore, ai carboni attivi BEHR	Z20LET	140	190	06/00	>	11/04				54.230.00
with activated carbon air-conditioner DELPHI / con climatizzatore, ai carboni attivi DELPHI	Z20LET	140	190	06/00	>	12/03	23.129.02	31.515.00	30.107.00	54.143.00
with activated carbon air-conditioner DELPHI / con climatizzatore, ai carboni attivi DELPHI	Z20LET	140	190	01/04	>	11/04	23.299.00	31.515.00	30.107.00	54.143.00
antibacterial, anti-odour and anti-allergen filter with air-conditioner BEHR / filtro antibatterico, antiodori e anti-allergeni con climatizzatore BEHR	Z20LET	140	190	06/00	>	11/04				34.230.00
antibacterial, anti-odour and anti-allergen filter with air-conditioner DELPHI / filtro antibatterico, antiodori e anti-allergeni con climatizzatore DELPHI	Z20LET	140	190	06/00	>	11/04				34.143.00
2.2 DTI 16V										
with air-conditioner BEHR / con climatizzatore BEHR	Y22DTR	92	125	07/02	>	11/04	25.003.00		30.258.00	53.030.00
with air-conditioner DELPHI / con climatizzatore DELPHI	Y22DTR	92	125	07/02	>	11/04	25.003.00		30.258.00	53.047.00
with activated carbon air-conditioner BEHR / con climatizzatore, ai carboni attivi BEHR	Y22DTR	92	125	07/02	>	11/04				54.230.00
with activated carbon air-conditioner DELPHI / con climatizzatore, ai carboni attivi DELPHI	Y22DTR	92	125	07/02	>	11/04	25.003.00		30.258.00	54.143.00
antibacterial, anti-odour and anti-allergen filter with air-conditioner BEHR / filtro antibatterico, antiodori e anti-allergeni con climatizzatore BEHR	Y22DTR	92	125	07/02	>	11/04				34.230.00
antibacterial, anti-odour and anti-allergen filter with air-conditioner DELPHI / filtro antibatterico, antiodori e anti-allergeni con climatizzatore DELPHI	Y22DTR	92	125	07/02	>	11/04				34.143.00
2.2 i 16V										
with air-conditioner BEHR / con climatizzatore BEHR	Z22SE	108	147	04/00	>	11/04	25.024.00	31.515.00	30.203.00	53.030.00
with air-conditioner DELPHI / con climatizzatore DELPHI	Z22SE	108	147	04/00	>	11/04	25.024.00	31.515.00	30.203.00	53.047.00
with activated carbon air-conditioner BEHR / con climatizzatore, ai carboni attivi BEHR	Z22SE	108	147	04/00	>	11/04				54.230.00
with activated carbon air-conditioner DELPHI / con climatizzatore, ai carboni attivi DELPHI	Z22SE	108	147	04/00	>	11/04	25.024.00	31.515.00	30.203.00	54.143.00
antibacterial, anti-odour and anti-allergen filter with air-conditioner BEHR / filtro antibatterico, antiodori e anti-allergeni con climatizzatore BEHR	Z22SE	108	147	04/00	>	11/04				34.230.00
antibacterial, anti-odour and anti-allergen filter with air-conditioner DELPHI / filtro antibatterico, antiodori e anti-allergeni con climatizzatore DELPHI	Z22SE	108	147	04/00	>	11/04				34.143.00
Astra H										
1.2										
to engine No. 19MA9234 / a motore N. 19MA9234	Z12XE	48	65	10/06	>		25.012.00			
with automatic air-conditioner / con climatizzatore automatico	Z12XE	48	65	10/06	>				30.107.00	54.143.00
with manual air-conditioner / con climatizzatore manuale	Z12XE	48	65	10/06	>				30.107.00	53.047.00
from engine No. 19MA9235 / da motore N. 19MA9235	Z12XE	48	65	10/06	>		25.064.00			
antibacterial, anti-odour and anti-allergen filter with automatic air-conditioner / filtro antibatterico, antiodori e anti-allergeni con climatizzatore automatico	Z12XE	48	65	10/06	>					34.143.00
1.2 16V										
to engine No. 19MA9234 / a motore N. 19MA9234	Z12XEP	59	80	08/05	>		25.012.00			
with automatic air-conditioner / con climatizzatore automatico	Z12XEP	59	80	08/05	>				30.107.00	54.143.00
with manual air-conditioner / con climatizzatore manuale	Z12XEP	59	80	08/05	>				30.107.00	53.047.00
from engine No. 19MA9235 / da motore N. 19MA9235	Z12XEP	59	80	08/05	>		25.064.00			
antibacterial, anti-odour and anti-allergen filter with automatic air-conditioner / filtro antibatterico, antiodori e anti-allergeni con climatizzatore automatico	Z12XEP	59	80	08/05	>					34.143.00
1.3 CDTI 16V										
with automatic air-conditioner / con climatizzatore automatico	Z13DTH	66	90	04/05	>	10/10	25.043.00	60.H2O.00	30.258.00	54.143.00
with manual air-conditioner / con climatizzatore manuale	Z13DTH	66	90	04/05	>	10/10	25.043.00	60.H2O.00	30.258.00	53.047.00
antibacterial, anti-odour and anti-allergen filter with automatic air-conditioner / filtro antibatterico, antiodori e anti-allergeni con climatizzatore automatico	Z13DTH	66	90	04/05	>	10/10				34.143.00
complete filter and disassembly key / filtro completo e chiave di smontaggio	Z13DTH	66	90	04/05	>	10/10		55.125.00		19.008.00
assembly UFI / montaggio UFI	Z13DTH	66	90	04/05	>	10/10	25.031.00	60.H2O.00	30.258.00	53.047.00
1.4 16V										
to engine No. 19MA9234 / a motore N. 19MA9234	Z14XEL	55	75	03/04	>		25.012.00			
with automatic air-conditioner / con climatizzatore automatico	Z14XEL	55	75	03/04	>				30.107.00	54.143.00
with manual air-conditioner / con climatizzatore manuale	Z14XEL	55	75	03/04	>				30.107.00	53.047.00
from engine No. 19MA9235 / da motore N. 19MA9235	Z14XEL	55	75	03/04	>		25.064.00			
antibacterial, anti-odour and anti-allergen filter with automatic air-conditioner / filtro antibatterico, antiodori e anti-allergeni con climatizzatore automatico	Z14XEL	55	75	03/04	>					34.143.00
1.4 16V										

...OPEL - cars/auto

to engine No. 19MA9234 / a motore N. 19MA9234	Z14XEP	66	90	03/04	>	10/10	25.012.00				
with automatic air-conditioner / con climatizzatore automatico	Z14XEP	66	90	03/04	>	10/10			30.107.00	54.143.00	
with manual air-conditioner / con climatizzatore manuale	Z14XEP	66	90	03/04	>	10/10			30.107.00	53.047.00	
from engine No. 19MA9235 / da motore N. 19MA9235	Z14XEP	66	90	03/04	>	10/10	25.064.00				
antibacterial, anti-odour and anti-allergen filter with automatic air-conditioner / filtro antibatterico, antiodori e anti-allergeni con climatizzatore automatico	Z14XEP	66	90	03/04	>	10/10					34.143.00
1.4 16V ecoFLEX GPL/LPG											
with automatic air-conditioner / con climatizzatore automatico	Z14XEP	66	90	03/10	>	10/10	25.064.00		30.107.00	54.143.00	
with manual air-conditioner / con climatizzatore manuale	Z14XEP	66	90	03/10	>	10/10	25.064.00		30.107.00	53.047.00	
with filter LANDI Omegas / con filtro LANDI Omegas	Z14XEP	66	90	03/10	>	10/10		31.836.00			
antibacterial, anti-odour and anti-allergen filter with automatic air-conditioner / filtro antibatterico, antiodori e anti-allergeni con climatizzatore automatico	Z14XEP	66	90	03/10	>	10/10					34.143.00
1.6 16V											
with automatic air-conditioner / con climatizzatore automatico	Z16XEP, Z16XE1	77	105	03/04	>	09/09	23.299.00		30.107.00	54.143.00	
with manual air-conditioner / con climatizzatore manuale	Z16XEP, Z16XE1	77	105	03/04	>	09/09	23.299.00		30.107.00	53.047.00	
antibacterial, anti-odour and anti-allergen filter with automatic air-conditioner / filtro antibatterico, antiodori e anti-allergeni con climatizzatore automatico	Z16XEP, Z16XE1	77	105	03/04	>	09/09					34.143.00
1.6 16V ecoFLEX GPL/LPG											
with automatic air-conditioner / con climatizzatore automatico	Z16XER, A16XER	85	115	12/09	>	10/10	25.064.00		30.107.00	54.143.00	
with manual air-conditioner / con climatizzatore manuale	Z16XER, A16XER	85	115	12/09	>	10/10	25.064.00		30.107.00	53.047.00	
with filter LANDI Omegas / con filtro LANDI Omegas	Z16XER, A16XER	85	115	12/09	>	10/10		31.836.00			
antibacterial, anti-odour and anti-allergen filter with automatic air-conditioner / filtro antibatterico, antiodori e anti-allergeni con climatizzatore automatico	Z16XER, A16XER	85	115	12/06	>	10/10					34.143.00
1.6 16V VVT											
with automatic air-conditioner / con climatizzatore automatico	Z16XER, A16XER	85	115	02/07	>	10/10	25.064.00		30.107.00	54.143.00	
with manual air-conditioner / con climatizzatore manuale	Z16XER, A16XER	85	115	02/07	>	10/10	25.064.00		30.107.00	53.047.00	
antibacterial, anti-odour and anti-allergen filter with automatic air-conditioner / filtro antibatterico, antiodori e anti-allergeni con climatizzatore automatico	Z16XER, A16XER	85	115	02/07	>	10/10					34.143.00
1.6 T 16V											
with automatic air-conditioner / con climatizzatore automatico	Z16LET	132	180	11/06	>	06/10	25.064.00		30.259.00	54.143.00	
with manual air-conditioner / con climatizzatore manuale	Z16LET	132	180	11/06	>	06/10	25.064.00		30.259.00	53.047.00	
antibacterial, anti-odour and anti-allergen filter with automatic air-conditioner / filtro antibatterico, antiodori e anti-allergeni con climatizzatore automatico	Z16LET	132	180	12/06	>	06/10					34.143.00
1.7 CDTI											
with automatic air-conditioner / con climatizzatore automatico	Z17DTH	74	101	03/04	>	06/07	25.027.00		30.258.00	54.143.00	
with manual air-conditioner / con climatizzatore manuale	Z17DTH	74	101	03/04	>	06/07	25.027.00		30.258.00	53.047.00	
antibacterial, anti-odour and anti-allergen filter with automatic air-conditioner / filtro antibatterico, antiodori e anti-allergeni con climatizzatore automatico	Z17DTH	74	101	03/04	>	06/07					34.143.00
1.7 CDTI											
with automatic air-conditioner / con climatizzatore automatico	Z17DTJ, A17DTJ	81	110	02/07	>	10/10	25.085.00	26.054.00	30.259.00	54.143.00	
with manual air-conditioner / con climatizzatore manuale	Z17DTJ, A17DTJ	81	110	02/07	>	10/10	25.085.00	26.054.00	30.259.00	53.047.00	
antibacterial, anti-odour and anti-allergen filter with automatic air-conditioner / filtro antibatterico, antiodori e anti-allergeni con climatizzatore automatico	Z17DTJ, A17DTJ	81	110	02/07	>	10/10					34.143.00
1.7 CDTI											
with automatic air-conditioner / con climatizzatore automatico	Z17DTL	59	80	03/04	>	05/05	25.027.00		30.258.00	54.143.00	
with manual air-conditioner / con climatizzatore manuale	Z17DTL	59	80	03/04	>	05/05	25.027.00		30.258.00	53.047.00	
antibacterial, anti-odour and anti-allergen filter with automatic air-conditioner / filtro antibatterico, antiodori e anti-allergeni con climatizzatore automatico	Z17DTL	59	80	03/04	>	05/05					34.143.00
1.7 CDTI 16V											
with automatic air-conditioner / con climatizzatore automatico	Z17DTR, A17DTR	92	125	02/07	>	10/10	25.085.00	26.054.00	30.259.00	54.143.00	
with manual air-conditioner / con climatizzatore manuale	Z17DTR, A17DTR	92	125	02/07	>	10/10	25.085.00	26.054.00	30.259.00	53.047.00	
antibacterial, anti-odour and anti-allergen filter with automatic air-conditioner / filtro antibatterico, antiodori e anti-allergeni con climatizzatore automatico	Z17DTR, A17DTR	92	125	02/07	>	10/10					34.143.00
1.8 16V											
with automatic air-conditioner / con climatizzatore automatico	Z18XE	92	125	03/04	>	10/06	23.299.00		30.107.00	54.143.00	
with manual air-conditioner / con climatizzatore manuale	Z18XE	92	125	03/04	>	10/06	23.299.00		30.107.00	53.047.00	
antibacterial, anti-odour and anti-allergen filter with automatic air-conditioner / filtro antibatterico, antiodori e anti-allergeni con climatizzatore automatico	Z18XE	92	125	03/04	>	10/06					34.143.00
1.8 16V											
with automatic air-conditioner / con climatizzatore automatico	Z18XER, A18XER	103	140	11/05	>	10/10	25.064.00		30.107.00	54.143.00	
with manual air-conditioner / con climatizzatore manuale	Z18XER, A18XER	103	140	11/05	>	10/10	25.064.00		30.107.00	53.047.00	
antibacterial, anti-odour and anti-allergen filter with automatic air-conditioner / filtro antibatterico, antiodori e anti-allergeni con climatizzatore automatico	Z18XER, A18XER	103	140	12/05	>	10/10					34.143.00
1.9 CDTI											
with automatic air-conditioner / con climatizzatore automatico	Z19DTL	74	101	09/05	>	06/10	25.049.00	60.H2O.00	30.259.00	54.143.00	
with manual air-conditioner / con climatizzatore manuale	Z19DTL	74	101	09/05	>	06/10	25.049.00	60.H2O.00	30.259.00	53.047.00	
antibacterial, anti-odour and anti-allergen filter with automatic air-conditioner / filtro antibatterico, antiodori e anti-allergeni con climatizzatore automatico	Z19DTL	74	101	09/05	>	06/10					34.143.00
complete filter and disassembly key / filtro completo e chiave di smontaggio	Z19DTL	74	101	09/05	>	06/10		55.152.00			19.008.00
1.9 CDTI 16V											
with automatic air-conditioner / con climatizzatore automatico	Z19DTH	110	150	07/04	>	10/10	25.049.00	60.H2O.00	30.259.00	54.143.00	
with manual air-conditioner / con climatizzatore manuale	Z19DTH	110	150	07/04	>	10/10	25.049.00	60.H2O.00	30.259.00	53.047.00	
antibacterial, anti-odour and anti-allergen filter with automatic air-conditioner / filtro antibatterico, antiodori e anti-allergeni con climatizzatore automatico	Z19DTH	110	150	07/04	>	10/10					34.143.00
complete filter and disassembly key / filtro completo e chiave di smontaggio	Z19DTH	110	150	07/04	>	10/10		55.125.00			19.008.00
1.9 CDTI 8V											
with automatic air-conditioner / con climatizzatore automatico	Z19DT/DTH/DTJ	88	120	07/04	>	10/10	25.049.00	60.H2O.00	30.259.00	54.143.00	
with manual air-conditioner / con climatizzatore manuale	Z19DT/DTH/DTJ	88	120	07/04	>	10/10	25.049.00	60.H2O.00	30.259.00	53.047.00	
antibacterial, anti-odour and anti-allergen filter with automatic air-conditioner / filtro antibatterico, antiodori e anti-allergeni con climatizzatore automatico	Z19DT/DTH/DTJ	88	120	07/04	>	10/10					34.143.00
complete filter and disassembly key / filtro completo e chiave di smontaggio	Z19DT/DTH/DTJ	88	120	07/04	>	10/10		55.125.00			19.008.00
2.0 T 170											

...OPEL - cars/auto

with automatic air-conditioner / con climatizzatore automatico	Z20LEL	125	170	03/04 >	10/06	23.299.00		30.107.00	54.143.00
with manual air-conditioner / con climatizzatore manuale	Z20LEL	125	170	03/04 >	10/06	23.299.00		30.107.00	53.047.00
antibacterial, anti-odour and anti-allergen filter with automatic air-conditioner / filtro antibatterico, antiodori e anti-allergeni con climatizzatore automatico	Z20LEL	125	170	03/04 >	10/06				34.143.00
2.0 T 200									
with automatic air-conditioner / con climatizzatore automatico	Z20LER	147	200	03/04 >	06/10	23.299.00		30.107.00	54.143.00
with manual air-conditioner / con climatizzatore manuale	Z20LER	147	200	03/04 >	06/10	23.299.00		30.107.00	53.047.00
antibacterial, anti-odour and anti-allergen filter with automatic air-conditioner / filtro antibatterico, antiodori e anti-allergeni con climatizzatore automatico	Z20LER	147	200	03/04 >	06/10				34.143.00
Astra H GTC									
1.2									
to engine No. 19MA9234 / a motore N. 19MA9234	Z12XE	48	65	10/06 >		25.012.00			
with automatic air-conditioner / con climatizzatore automatico	Z12XE	48	65	10/06 >				30.107.00	54.143.00
with manual air-conditioner / con climatizzatore manuale	Z12XE	48	65	10/06 >				30.107.00	53.047.00
from engine No. 19MA9235 / da motore N. 19MA9235	Z12XE	48	65	10/06 >		25.064.00			
antibacterial, anti-odour and anti-allergen filter with automatic air-conditioner / filtro antibatterico, antiodori e anti-allergeni con climatizzatore automatico	Z12XE	48	65	10/06 >					34.143.00
1.2 16V									
to engine No. 19MA9234 / a motore N. 19MA9234	Z12XEP	59	80	08/05 >		25.012.00			
with automatic air-conditioner / con climatizzatore automatico	Z12XEP	59	80	08/05 >				30.107.00	54.143.00
with manual air-conditioner / con climatizzatore manuale	Z12XEP	59	80	08/05 >				30.107.00	53.047.00
from engine No. 19MA9235 / da motore N. 19MA9235	Z12XEP	59	80	08/05 >		25.064.00			
antibacterial, anti-odour and anti-allergen filter with automatic air-conditioner / filtro antibatterico, antiodori e anti-allergeni con climatizzatore automatico	Z12XEP	59	80	08/05 >					34.143.00
1.3 CDTi 16V									
with automatic air-conditioner / con climatizzatore automatico	Z13DTH	66	90	02/05 >		25.043.00	60.H2O.00	30.258.00	54.143.00
with manual air-conditioner / con climatizzatore manuale	Z13DTH	66	90	02/05 >		25.043.00	60.H2O.00	30.258.00	53.047.00
antibacterial, anti-odour and anti-allergen filter with automatic air-conditioner / filtro antibatterico, antiodori e anti-allergeni con climatizzatore automatico	Z13DTH	66	90	02/05 >					34.143.00
complete filter and disassembly key / filtro completo e chiave di smontaggio	Z13DTH	66	90	02/05 >			55.125.00		19.008.00
assembly UFI / montaggio UFI	Z13DTH	66	90	02/05 >		25.031.00	60.H2O.00	30.258.00	53.047.00
1.4 16V									
to engine No. 19MA9234 / a motore N. 19MA9234	Z14XEP	66	90	02/05 >		25.012.00			
with automatic air-conditioner / con climatizzatore automatico	Z14XEP	66	90	02/05 >				30.107.00	54.143.00
with manual air-conditioner / con climatizzatore manuale	Z14XEP	66	90	02/05 >				30.107.00	53.047.00
from engine No. 19MA9235 / da motore N. 19MA9235	Z14XEP	66	90	02/05 >		25.064.00			
antibacterial, anti-odour and anti-allergen filter with automatic air-conditioner / filtro antibatterico, antiodori e anti-allergeni con climatizzatore automatico	Z14XEP	66	90	02/05 >					34.143.00
1.6 16V									
with automatic air-conditioner / con climatizzatore automatico	Z16XEP	77	105	02/05 >		23.299.00		30.107.00	54.143.00
with manual air-conditioner / con climatizzatore manuale	Z16XEP	77	105	02/05 >		23.299.00		30.107.00	53.047.00
antibacterial, anti-odour and anti-allergen filter with automatic air-conditioner / filtro antibatterico, antiodori e anti-allergeni con climatizzatore automatico	Z16XEP	77	105	02/05 >					34.143.00
1.6 16V VVT									
with automatic air-conditioner / con climatizzatore automatico	Z16XER	85	115	02/07 >		25.064.00		30.107.00	54.143.00
with manual air-conditioner / con climatizzatore manuale	Z16XER	85	115	02/07 >		25.064.00		30.107.00	53.047.00
antibacterial, anti-odour and anti-allergen filter with automatic air-conditioner / filtro antibatterico, antiodori e anti-allergeni con climatizzatore automatico	Z16XER	85	115	02/07 >					34.143.00
1.6 T 16V									
with automatic air-conditioner / con climatizzatore automatico	Z16LET	132	180	02/07 >		25.064.00		30.259.00	54.143.00
with manual air-conditioner / con climatizzatore manuale	Z16LET	132	180	02/07 >		25.064.00		30.259.00	53.047.00
antibacterial, anti-odour and anti-allergen filter with automatic air-conditioner / filtro antibatterico, antiodori e anti-allergeni con climatizzatore automatico	Z16LET	132	180	02/07 >					34.143.00
1.7 CDTi									
with automatic air-conditioner / con climatizzatore automatico	Z17DTJ/A17DTJ	81	110	02/07 >		25.085.00	26.054.00	30.259.00	54.143.00
with manual air-conditioner / con climatizzatore manuale	Z17DTJ/A17DTJ	81	110	02/07 >		25.085.00	26.054.00	30.259.00	53.047.00
antibacterial, anti-odour and anti-allergen filter with automatic air-conditioner / filtro antibatterico, antiodori e anti-allergeni con climatizzatore automatico	Z17DTJ/A17DTJ	81	110	02/07 >					34.143.00
1.7 CDTi 16V									
with automatic air-conditioner / con climatizzatore automatico	Z17DTH	74	101	02/05 >		25.027.00		30.258.00	54.143.00
with manual air-conditioner / con climatizzatore manuale	Z17DTH	74	101	02/05 >		25.027.00		30.258.00	53.047.00
antibacterial, anti-odour and anti-allergen filter with automatic air-conditioner / filtro antibatterico, antiodori e anti-allergeni con climatizzatore automatico	Z17DTH	74	101	10/06 >					34.143.00
1.7 CDTi 16V									
with automatic air-conditioner / con climatizzatore automatico	Z17DTR/A17DTR	92	125	02/07 >		25.085.00	26.054.00	30.259.00	54.143.00
with manual air-conditioner / con climatizzatore manuale	Z17DTR/A17DTR	92	125	02/07 >		25.085.00	26.054.00	30.259.00	53.047.00
antibacterial, anti-odour and anti-allergen filter with automatic air-conditioner / filtro antibatterico, antiodori e anti-allergeni con climatizzatore automatico	Z17DTR/A17DTR	92	125	02/07 >					34.143.00
1.8 16V									
with automatic air-conditioner / con climatizzatore automatico	Z18XE	92	125	02/05 >		23.299.00		30.107.00	54.143.00
with manual air-conditioner / con climatizzatore manuale	Z18XE	92	125	02/05 >		23.299.00		30.107.00	53.047.00
antibacterial, anti-odour and anti-allergen filter with automatic air-conditioner / filtro antibatterico, antiodori e anti-allergeni con climatizzatore automatico	Z18XE	92	125	02/05 >					34.143.00
1.8 16V									
with automatic air-conditioner / con climatizzatore automatico	Z18XER	103	140	02/06 >		25.064.00		30.107.00	54.143.00
with manual air-conditioner / con climatizzatore manuale	Z18XER	103	140	02/06 >		25.064.00		30.107.00	53.047.00
antibacterial, anti-odour and anti-allergen filter with automatic air-conditioner / filtro antibatterico, antiodori e anti-allergeni con climatizzatore automatico	Z18XER	103	140	02/06 >					34.143.00
1.9 CDTi 16V									
with automatic air-conditioner / con climatizzatore automatico	Z19DTH	110	150	02/05 >		25.049.00	60.H2O.00	30.259.00	54.143.00
with manual air-conditioner / con climatizzatore manuale	Z19DTH	110	150	02/05 >		25.049.00	60.H2O.00	30.259.00	53.047.00

...OPEL - cars/auto

antibacterial, anti-odour and anti-allergen filter with automatic air-conditioner / filtro antibatterico, antiodori e anti-allergeni con climatizzatore automatico	Z19DTH	110	150	02/05	>				34.143.00
complete filter and disassembly key / filtro completo e chiave di smontaggio	Z19DTH	110	150	02/05	>		55.125.00		19.008.00
1.9 CDTi 8V									
with automatic air-conditioner / con climatizzatore automatico	Z19DT/DTH/DTJ	88	120	02/05	>	25.049.00	60.H2O.00	30.259.00	54.143.00
with manual air-conditioner / con climatizzatore manuale	Z19DT/DTH/DTJ	88	120	02/05	>	25.049.00	60.H2O.00	30.259.00	53.047.00
antibacterial, anti-odour and anti-allergen filter with automatic air-conditioner / filtro antibatterico, antiodori e anti-allergeni con climatizzatore automatico	Z19DT/DTH/DTJ	88	120	02/05	>				34.143.00
complete filter and disassembly key / filtro completo e chiave di smontaggio	Z19DT/DTH/DTJ	88	120	02/05	>		55.125.00		19.008.00
2.0 T 170									
with automatic air-conditioner / con climatizzatore automatico	Z20LEL	125	170	02/05	>	23.299.00		30.107.00	54.143.00
with manual air-conditioner / con climatizzatore manuale	Z20LEL	125	170	02/05	>	23.299.00		30.107.00	53.047.00
antibacterial, anti-odour and anti-allergen filter with automatic air-conditioner / filtro antibatterico, antiodori e anti-allergeni con climatizzatore automatico	Z20LEL	125	170	02/05	>				34.143.00
2.0 T 200									
with automatic air-conditioner / con climatizzatore automatico	Z20LER	147	200	02/05	>	23.299.00		30.107.00	54.143.00
with manual air-conditioner / con climatizzatore manuale	Z20LER	147	200	02/05	>	23.299.00		30.107.00	53.047.00
antibacterial, anti-odour and anti-allergen filter with automatic air-conditioner / filtro antibatterico, antiodori e anti-allergeni con climatizzatore automatico	Z20LER	147	200	02/05	>				34.143.00
2.0 T 240									
with automatic air-conditioner / con climatizzatore automatico	Z20LEH	177	240	11/05	>	23.299.00		30.107.00	54.143.00
with manual air-conditioner / con climatizzatore manuale	Z20LEH	177	240	11/05	>	23.299.00		30.107.00	53.047.00
antibacterial, anti-odour and anti-allergen filter with automatic air-conditioner / filtro antibatterico, antiodori e anti-allergeni con climatizzatore automatico	Z20LEH	177	240	11/05	>				34.143.00
Astra H TwinTop									
1.6 16V									
with automatic air-conditioner / con climatizzatore automatico	Z16XEP, Z16XE1	77	105	09/05	> 07/07	23.299.00		30.107.00	54.143.00
with manual air-conditioner / con climatizzatore manuale	Z16XEP, Z16XE1	77	105	09/05	> 07/07	23.299.00		30.107.00	53.047.00
antibacterial, anti-odour and anti-allergen filter with automatic air-conditioner / filtro antibatterico, antiodori e anti-allergeni con climatizzatore automatico	Z16XEP, Z16XE1	77	105	09/05	> 07/07				34.143.00
1.6 16V VVT									
with automatic air-conditioner / con climatizzatore automatico	Z16XER, A16XER	85	115	11/06	> 10/10	25.064.00		30.107.00	54.143.00
with manual air-conditioner / con climatizzatore manuale	Z16XER, A16XER	85	115	11/06	> 10/10	25.064.00		30.107.00	53.047.00
antibacterial, anti-odour and anti-allergen filter with automatic air-conditioner / filtro antibatterico, antiodori e anti-allergeni con climatizzatore automatico	Z16XER, A16XER	85	115	11/06	> 10/10				34.143.00
1.6 T 16V									
with automatic air-conditioner / con climatizzatore automatico	Z16LET, A16LET	132	180	11/06	> 10/10	25.064.00		30.107.00	54.143.00
with manual air-conditioner / con climatizzatore manuale	Z16LET, A16LET	132	180	11/06	> 10/10	25.064.00		30.259.00	53.047.00
antibacterial, anti-odour and anti-allergen filter with automatic air-conditioner / filtro antibatterico, antiodori e anti-allergeni con climatizzatore automatico	Z16LET, A16LET	132	180	11/06	> 10/10				34.143.00
1.8 16V VVT									
with automatic air-conditioner / con climatizzatore automatico	Z18XER, A18XER	103	140	09/05	> 10/10	25.064.00		30.107.00	54.143.00
with manual air-conditioner / con climatizzatore manuale	Z18XER, A18XER	103	140	09/05	> 10/10	25.064.00		30.107.00	53.047.00
antibacterial, anti-odour and anti-allergen filter with automatic air-conditioner / filtro antibatterico, antiodori e anti-allergeni con climatizzatore automatico	Z18XER, A18XER	103	140	09/05	> 10/10				34.143.00
1.9 CDTi 16V									
with automatic air-conditioner / con climatizzatore automatico	Z19DTH	110	150	09/05	> 10/10	25.049.00	60.H2O.00	30.259.00	54.143.00
with manual air-conditioner / con climatizzatore manuale	Z19DTH	110	150	09/05	> 10/10	25.049.00	60.H2O.00	30.259.00	53.047.00
antibacterial, anti-odour and anti-allergen filter with automatic air-conditioner / filtro antibatterico, antiodori e anti-allergeni con climatizzatore automatico	Z19DTH	110	150	09/05	> 10/10				34.143.00
complete filter and disassembly key / filtro completo e chiave di smontaggio	Z19DTH	110	150	09/05	> 10/10		55.125.00		19.008.00
2.0 T 200									
with automatic air-conditioner / con climatizzatore automatico	Z20LER	147	200	09/05	> 06/10	23.299.00		30.107.00	54.143.00
with manual air-conditioner / con climatizzatore manuale	Z20LER	147	200	09/05	> 06/10	23.299.00		30.107.00	53.047.00
antibacterial, anti-odour and anti-allergen filter with automatic air-conditioner / filtro antibatterico, antiodori e anti-allergeni con climatizzatore automatico	Z20LER	147	200	09/05	> 06/10				34.143.00
Astra J									
1.3 CDTi	A13DTE	70	95	12/09	> 10/13	25.061.00	26.058.00	30.404.00	54.178.00
antibacterial, anti-odour and anti-allergen filter / filtro antibatterico, antiodori e anti-allergeni	A13DTE	70	95	12/09	> 10/13				34.178.00
heat exchanger / scambiatore di calore	A13DTE	70	95	12/09	> 10/13				00.G38.00
1.4 16V	A14XEL	64	87	12/09	>	25.064.00		30.422.00	54.178.00
antibacterial, anti-odour and anti-allergen filter / filtro antibatterico, antiodori e anti-allergeni	A14XEL	64	87	12/09	>				34.178.00
1.4 16V EcoFlex	A14XER	74	100	12/09	>	25.064.00		30.422.00	54.178.00
antibacterial, anti-odour and anti-allergen filter / filtro antibatterico, antiodori e anti-allergeni	A14XER	74	100	12/09	>				34.178.00
1.4 Turbo	A14NEL	88	120	10/10	>	25.064.00		30.404.00	54.178.00
antibacterial, anti-odour and anti-allergen filter / filtro antibatterico, antiodori e anti-allergeni	A14NEL	88	120	10/10	>				34.178.00
1.4 Turbo	A14NET	103	140	12/09	>	25.064.00		30.404.00	54.178.00
antibacterial, anti-odour and anti-allergen filter / filtro antibatterico, antiodori e anti-allergeni	A14NET	103	140	12/09	>				34.178.00
1.6 16V	A16XER	85	115	12/09	>	25.064.00		30.422.00	54.178.00
antibacterial, anti-odour and anti-allergen filter / filtro antibatterico, antiodori e anti-allergeni	A16XER	85	115	12/09	>				34.178.00
1.6 16V SIDI Turbo	A16SHT	147	200	07/13	>			30.404.00	54.178.00
antibacterial, anti-odour and anti-allergen filter / filtro antibatterico, antiodori e anti-allergeni	A16SHT	147	200	07/13	>				34.178.00
1.6 16V SIDI Turbo	A16XHT	125	170	01/13	>	25.225.00		30.404.00	54.178.00
antibacterial, anti-odour and anti-allergen filter / filtro antibatterico, antiodori e anti-allergeni	A16XHT	125	170	01/13	>				34.178.00
1.6 CDTi	B16DTH	100	136	01/14	>	25.199.00	26.058.00	30.404.00	54.178.00
antibacterial, anti-odour and anti-allergen filter / filtro antibatterico, antiodori e anti-allergeni	B16DTH	100	136	01/14	>				34.178.00
1.6 CDTi	B16DTL	81	110	02/14	>	25.199.00	26.058.00	30.404.00	54.178.00
antibacterial, anti-odour and anti-allergen filter / filtro antibatterico, antiodori e anti-allergeni	B16DTL	81	110	02/14	>				34.178.00

...OPEL - cars/auto

1.6 Turbo	A16LET	132	180	12/09	>	25.064.00		30.404.00	54.178.00
antibacterial, anti-odour and anti-allergen filter / filtro antibatterico, antiodori e anti-allergeni	A16LET	132	180	12/09	>				34.178.00
1.7 CDTI	A17DTJ	81	110	12/09	>	25.085.00	26.058.00	30.404.00	54.178.00
antibacterial, anti-odour and anti-allergen filter / filtro antibatterico, antiodori e anti-allergeni	A17DTJ	81	110	12/09	>				34.178.00
1.7 CDTI	A17DTR	92	125	12/09	>	25.085.00	26.058.00	30.404.00	54.178.00
antibacterial, anti-odour and anti-allergen filter / filtro antibatterico, antiodori e anti-allergeni	A17DTR	92	125	12/09	>				34.178.00
1.7 CDTI 130	A17DTS	96	130	09/11	>	25.085.00	26.058.00	30.404.00	54.178.00
antibacterial, anti-odour and anti-allergen filter / filtro antibatterico, antiodori e anti-allergeni	A17DTS	96	130	09/11	>				34.178.00
1.8	A18XER	103	140	10/11	>	25.064.00		30.A24.00	54.178.00
antibacterial, anti-odour and anti-allergen filter / filtro antibatterico, antiodori e anti-allergeni	A18XER	103	140	10/11	>				34.178.00
2.0 CDTI	A20DTH	118	160	12/09	>	25.093.00	26.058.00	30.404.00	54.178.00
antibacterial, anti-odour and anti-allergen filter / filtro antibatterico, antiodori e anti-allergeni	A20DTH	118	160	12/09	>				34.178.00
2.0 CDTI 165	A20DTH	121	165	06/11	>	25.093.00	26.058.00	30.404.00	54.178.00
antibacterial, anti-odour and anti-allergen filter / filtro antibatterico, antiodori e anti-allergeni	A20DTH	121	165	06/11	>				34.178.00
2.0 CDTI BiTurbo	A20DTR	143	195	10/12	>	25.093.00	26.058.00	30.404.00	54.178.00
antibacterial, anti-odour and anti-allergen filter / filtro antibatterico, antiodori e anti-allergeni	A20DTR	143	195	10/12	>				34.178.00
2.0 Turbo OPC	A20NFT	206	280	04/12	>	25.024.00		30.A24.00	54.178.00
antibacterial, anti-odour and anti-allergen filter / filtro antibatterico, antiodori e anti-allergeni	A20NFT	206	280	04/12	>				34.178.00
Astra K									
1.0 EcoTec DI Turbo	B10XFL	77	105	06/15	>			27.E61.00	54.238.00
antibacterial, anti-odour and anti-allergen filter / filtro antibatterico, antiodori e anti-allergeni	B10XFL	77	105	06/15	>				34.238.00
1.2 Turbo	F12SHL	81	110	08/19	>	23.650.00			54.238.00
antibacterial, anti-odour and anti-allergen filter / filtro antibatterico, antiodori e anti-allergeni	F12SHL	81	110	08/19	>				34.238.00
1.2 Turbo	F12SHR	107	145	08/19	>	23.650.00			54.238.00
antibacterial, anti-odour and anti-allergen filter / filtro antibatterico, antiodori e anti-allergeni	F12SHR	107	145	08/19	>				34.238.00
1.2 Turbo	F12SHT	96	130	08/19	>	23.650.00			54.238.00
antibacterial, anti-odour and anti-allergen filter / filtro antibatterico, antiodori e anti-allergeni	F12SHT	96	130	08/19	>				34.238.00
1.4 EcoTec	B14XE	74	101	06/15	>			27.E61.00	54.238.00
antibacterial, anti-odour and anti-allergen filter / filtro antibatterico, antiodori e anti-allergeni	B14XE	74	101	06/15	>				34.238.00
1.4 EcoTec CNG	B14XNT	81	110	08/17	> 06/18			27.E61.00	54.238.00
antibacterial, anti-odour and anti-allergen filter / filtro antibatterico, antiodori e anti-allergeni	B14XNT	81	110	08/17	> 06/18				34.238.00
1.4 EcoTec CNG	D14XNT	81	110	07/18	>			27.E61.00	54.238.00
antibacterial, anti-odour and anti-allergen filter / filtro antibatterico, antiodori e anti-allergeni	D14XNT	81	110	07/18	>				34.238.00
1.4 EcoTec DI Turbo	B14XFL	92	125	06/15	>			27.E61.00	54.238.00
antibacterial, anti-odour and anti-allergen filter / filtro antibatterico, antiodori e anti-allergeni	B14XFL	92	125	06/15	>				34.238.00
1.4 EcoTec DI Turbo	B14XFT	110	150	06/15	>			27.E61.00	54.238.00
antibacterial, anti-odour and anti-allergen filter / filtro antibatterico, antiodori e anti-allergeni	B14XFT	110	150	06/15	>				34.238.00
1.4 Turbo	F14SHT	107	145	08/19	>				54.238.00
antibacterial, anti-odour and anti-allergen filter / filtro antibatterico, antiodori e anti-allergeni	F14SHT	107	145	08/19	>				34.238.00
1.5 CDTI 105	D15DVC/F15DVC	77	105	08/19	>		26.122.00		54.238.00
antibacterial, anti-odour and anti-allergen filter / filtro antibatterico, antiodori e anti-allergeni	D15DVC/F15DVC	77	105	08/19	>				34.238.00
1.5 CDTI 122	D15DVC/F15DVC	90	122	08/19	>		26.122.00		54.238.00
antibacterial, anti-odour and anti-allergen filter / filtro antibatterico, antiodori e anti-allergeni	D15DVC/F15DVC	90	122	08/19	>				34.238.00
1.6 CDTI	B16DTE	70	95	06/15	> 05/18	25.199.00	26.122.00	27.F37.00	54.238.00
antibacterial, anti-odour and anti-allergen filter / filtro antibatterico, antiodori e anti-allergeni	B16DTE	70	95	06/15	> 05/18				34.238.00
1.6 CDTI	B16DTH	100	136	06/15	> 05/18	25.199.00	26.122.00	27.F37.00	54.238.00
antibacterial, anti-odour and anti-allergen filter / filtro antibatterico, antiodori e anti-allergeni	B16DTH	100	136	06/15	> 05/18				34.238.00
1.6 CDTI	B16DTU	81	110	06/15	>	25.199.00	26.122.00	27.F37.00	54.238.00
antibacterial, anti-odour and anti-allergen filter / filtro antibatterico, antiodori e anti-allergeni	B16DTU	81	110	06/15	>				34.238.00
1.6 CDTI	D16DTH	100	136	06/18	>	25.199.00	26.122.00	27.F37.00	54.238.00
antibacterial, anti-odour and anti-allergen filter / filtro antibatterico, antiodori e anti-allergeni	D16DTH	100	136	06/18	>				34.238.00
1.6 CDTI 110	D16DTI	81	110	06/18	>	25.199.00	26.122.00	27.F37.00	54.238.00
antibacterial, anti-odour and anti-allergen filter / filtro antibatterico, antiodori e anti-allergeni	D16DTI	81	110	06/18	>				34.238.00
1.6 CDTI BiTurbo	B16DTR	118	160	11/15	> 06/18	25.199.00	26.122.00	27.F37.00	54.238.00
antibacterial, anti-odour and anti-allergen filter / filtro antibatterico, antiodori e anti-allergeni	B16DTR	118	160	11/15	> 06/18				34.238.00
1.6 CDTI BiTurbo 150	D16DTR	110	150	07/18	>	25.199.00	26.122.00	27.F37.00	54.238.00
antibacterial, anti-odour and anti-allergen filter / filtro antibatterico, antiodori e anti-allergeni	D16DTR	110	150	07/18	>				34.238.00
1.6 Turbo	B16SHT	147	200	11/15	>	25.225.00		27.E61.00	54.238.00
antibacterial, anti-odour and anti-allergen filter / filtro antibatterico, antiodori e anti-allergeni	B16SHT	147	200	11/15	>				34.238.00
Cascada									
1.4 Turbo	A14NEL	88	120	02/13	>	25.064.00		30.404.00	53.254.00
with activated carbons / ai carboni attivi	A14NEL	88	120	02/13	>				54.178.00
antibacterial, anti-odour and anti-allergen filter / filtro antibatterico, antiodori e anti-allergeni	A14NEL	88	120	02/13	>				34.178.00
1.4 Turbo	A14NET	103	140	03/13	>	25.064.00		30.404.00	53.254.00
with activated carbons / ai carboni attivi	A14NET	103	140	03/13	>				54.178.00
antibacterial, anti-odour and anti-allergen filter / filtro antibatterico, antiodori e anti-allergeni	A14NET	103	140	03/13	>				34.178.00
1.6	D16SHJ	100	136	09/18	>	25.225.00		30.404.00	53.254.00

...OPEL - cars/auto

with activated carbons / ai carboni attivi	D16SHJ	100	136	09/18	>				54.178.00
antibacterial, anti-odour and anti-allergen filter / filtro antibatterico, antiodori e anti-allergeni	D16SHJ	100	136	09/18	>				34.178.00
1.6 SIDI Turbo 170	A16XHT	125	170	02/13	>	25.225.00		30.404.00	53.254.00
with activated carbons / ai carboni attivi	A16XHT	125	170	02/13	>				54.178.00
antibacterial, anti-odour and anti-allergen filter / filtro antibatterico, antiodori e anti-allergeni	A16XHT	125	170	02/13	>				34.178.00
1.6 SIDI Turbo 200	A16SHT	147	200	09/13	>	25.225.00		30.404.00	53.254.00
with activated carbons / ai carboni attivi	A16SHT	147	200	09/13	>				54.178.00
antibacterial, anti-odour and anti-allergen filter / filtro antibatterico, antiodori e anti-allergeni	A16SHT	147	200	09/13	>				34.178.00
2.0 CDTI	A20DTH	121	165	02/13	>	25.093.00	26.058.00	30.404.00	53.254.00
with activated carbons / ai carboni attivi	A20DTH	121	165	02/13	>				54.178.00
antibacterial, anti-odour and anti-allergen filter / filtro antibatterico, antiodori e anti-allergeni	A20DTH	121	165	02/13	>				34.178.00
2.0 CDTI	B20DTH	125	170	04/15	>	25.118.00	26.058.00	30.404.00	53.254.00
with activated carbons / ai carboni attivi	B20DTH	125	170	04/15	>				54.178.00
antibacterial, anti-odour and anti-allergen filter / filtro antibatterico, antiodori e anti-allergeni	B20DTH	125	170	04/15	>				34.178.00
2.0 CDTI BiTurbo	A20DTR	143	195	02/13	>	25.093.00	26.058.00	30.404.00	
with activated carbons / ai carboni attivi	A20DTR	143	195	02/13	>				54.178.00
antibacterial, anti-odour and anti-allergen filter / filtro antibatterico, antiodori e anti-allergeni	A20DTR	143	195	02/13	>				34.178.00
Combo E Life (X19)									
1.2 Turbo	D12XHL	81	110	08/18	>	23.439.00		30.718.00	54.172.00
antibacterial, anti-odour and anti-allergen filter / filtro antibatterico, antiodori e anti-allergeni	D12XHL	81	110	08/18	>				34.172.00
1.5 DCI 100	D15DT	75	102	08/18	>				54.172.00
antibacterial, anti-odour and anti-allergen filter / filtro antibatterico, antiodori e anti-allergeni	D15DT	75	102	08/18	>				34.172.00
1.5 DCI 130	D15DTH	96	130	08/18	>				54.172.00
antibacterial, anti-odour and anti-allergen filter / filtro antibatterico, antiodori e anti-allergeni	D15DTH	96	130	08/18	>				34.172.00
Corsa B									
1.0 i 12V (Eco)									
with air-conditioner and R.H.D. / con climatizzatore e guida a destra	X10XE	40	54	11/96	>	12/00			53.386.00
with air-conditioner and L.H.D. / con climatizzatore e guida a sinistra	X10XE	40	54	11/96	>	12/00	25.012.00	31.515.00	30.027.00
with air-conditioner and L.H.D. with activated carbons / con climatizzatore e guida a sinistra ai carboni attivi	X10XE	40	54	11/96	>	12/00			54.277.00
without air-conditioner / senza climatizzatore	X10XE	40	54	11/96	>	12/00	25.012.00	31.515.00	30.027.00
without activated carbon air-conditioner / senza climatizzatore, ai carboni attivi	X10XE	40	54	11/96	>	12/00			54.278.00
1.2 i									
with air-conditioner and R.H.D. / con climatizzatore e guida a destra	12NZ/C12NZ	33	45	04/93	>	12/00			53.386.00
with air-conditioner and L.H.D. / con climatizzatore e guida a sinistra	12NZ/C12NZ	33	45	04/93	>	12/00	23.129.02	31.515.00	30.027.00
with air-conditioner and L.H.D. with activated carbons / con climatizzatore e guida a sinistra ai carboni attivi	12NZ/C12NZ	33	45	04/93	>	12/00			54.277.00
without air-conditioner / senza climatizzatore	12NZ/C12NZ	33	45	04/93	>	12/00	23.129.02	31.515.00	30.027.00
without air-conditioner and L.H.D. with activated carbons / senza climatizzatore e guida a sinistra ai carboni attivi	12NZ/C12NZ	33	45	04/93	>	12/00			54.278.00
1.2 i 16V (Eco)									
with air-conditioner and R.H.D. / con climatizzatore e guida a destra	X12XE	48	65	09/97	>	12/00			53.386.00
with air-conditioner and L.H.D. / con climatizzatore e guida a sinistra	X12XE	48	65	09/97	>	12/00	25.012.00	31.515.00	30.027.00
with air-conditioner and L.H.D. with activated carbons / con climatizzatore e guida a sinistra ai carboni attivi	X12XE	48	65	09/97	>	12/00			54.277.00
without air-conditioner / senza climatizzatore	X12XE	48	65	09/97	>	12/00	25.012.00	31.515.00	30.027.00
without activated carbon air-conditioner / senza climatizzatore, ai carboni attivi	X12XE	48	65	09/97	>	12/00			54.278.00
1.4 i									
with air-conditioner and R.H.D. / con climatizzatore e guida a destra	C14NZ/14NZ (S.P.I.)	44	60	04/93	>	12/00			53.386.00
with air-conditioner and L.H.D. / con climatizzatore e guida a sinistra	C14NZ/14NZ (S.P.I.)	44	60	04/93	>	12/00	23.129.02	31.515.00	30.027.00
with air-conditioner and L.H.D. with activated carbons / con climatizzatore e guida a sinistra ai carboni attivi	C14NZ/14NZ (S.P.I.)	44	60	04/93	>	12/00			54.277.00
without air-conditioner / senza climatizzatore	C14NZ/14NZ (S.P.I.)	44	60	04/93	>	12/00	23.129.02	31.515.00	30.027.00
without activated carbon air-conditioner / senza climatizzatore, ai carboni attivi	C14NZ/14NZ (S.P.I.)	44	60	04/93	>	12/00			54.278.00
1.4 i									
with air-conditioner and R.H.D. / con climatizzatore e guida a destra	C14SE (M.P.I.)	60	82	04/93	>	12/00			53.386.00
with air-conditioner and L.H.D. / con climatizzatore e guida a sinistra	C14SE (M.P.I.)	60	82	04/93	>	12/00	23.129.02	31.515.00	30.027.00
with air-conditioner and L.H.D. with activated carbons / con climatizzatore e guida a sinistra ai carboni attivi	C14SE (M.P.I.)	60	82	04/93	>	12/00			54.277.00
without air-conditioner / senza climatizzatore	C14SE (M.P.I.)	60	82	04/93	>	12/00	23.129.02	31.515.00	30.027.00
without activated carbon air-conditioner / senza climatizzatore, ai carboni attivi	C14SE (M.P.I.)	60	82	04/93	>	12/00			54.278.00
1.4 i									
with air-conditioner and R.H.D. / con climatizzatore e guida a destra	X 14 SZ	44	60	08/99	>	09/00			53.386.00
with air-conditioner and L.H.D. / con climatizzatore e guida a sinistra	X 14 SZ	44	60	08/99	>	09/00	23.129.02	31.515.00	30.027.00
with air-conditioner and L.H.D. with activated carbons / con climatizzatore e guida a sinistra ai carboni attivi	X 14 SZ	44	60	08/99	>	09/00			54.277.00
without air-conditioner / senza climatizzatore	X 14 SZ	44	60	08/99	>	09/00	23.129.02	31.515.00	30.027.00
without activated carbon air-conditioner / senza climatizzatore, ai carboni attivi	X 14 SZ	44	60	08/99	>	09/00			54.278.00
1.4 i 16V									
with air-conditioner and R.H.D. / con climatizzatore e guida a destra	C14SEL	63	86	08/97	>	09/00			53.386.00
with air-conditioner and L.H.D. / con climatizzatore e guida a sinistra	C14SEL	63	86	08/97	>	09/00	23.129.02	31.515.00	30.027.00
with air-conditioner and L.H.D. with activated carbons / con climatizzatore e guida a sinistra ai carboni attivi	C14SEL	63	86	08/97	>	09/00			54.277.00
without air-conditioner / senza climatizzatore	C14SEL	63	86	08/97	>	09/00	23.129.02	31.515.00	30.027.00
without activated carbon air-conditioner / senza climatizzatore, ai carboni attivi	C14SEL	63	86	08/97	>	09/00			54.278.00

...OPEL - cars/auto

1.4 i 16V										
with air-conditioner and R.H.D. / con climatizzatore e guida a destra	X 14 XE	66	90	09/94	>	12/00			53.386.00	
with air-conditioner and L.H.D. / con climatizzatore e guida a sinistra	X 14 XE	66	90	09/94	>	12/00	23.129.02	31.515.00	30.027.00	53.015.00
with air-conditioner and L.H.D. with activated carbons / con climatizzatore e guida a sinistra ai carboni attivi	X 14 XE	66	90	09/94	>	12/00				54.277.00
without air-conditioner / senza climatizzatore	X 14 XE	66	90	09/94	>	12/00	23.129.02	31.515.00	30.027.00	53.001.00
without activated carbon air-conditioner / senza climatizzatore, ai carboni attivi	X 14 XE	66	90	09/94	>	12/00				54.278.00
1.5 D										
with air-conditioner and R.H.D. / con climatizzatore e guida a destra	15 D (Isuzu 4EC1)	37	50	04/93	>	12/00				53.386.00
with air-conditioner and L.H.D. / con climatizzatore e guida a sinistra	15 D (Isuzu 4EC1)	37	50	04/93	>	12/00	23.265.00	24.351.01	30.028.00	53.015.00
with air-conditioner and L.H.D. with activated carbons / con climatizzatore e guida a sinistra ai carboni attivi	15 D (Isuzu 4EC1)	37	50	04/93	>	12/00				54.277.00
without air-conditioner / senza climatizzatore	15 D (Isuzu 4EC1)	37	50	04/93	>	12/00	23.265.00	24.351.01	30.028.00	53.001.00
without activated carbon air-conditioner / senza climatizzatore, ai carboni attivi	15 D (Isuzu 4EC1)	37	50	04/93	>	12/00				54.278.00
1.5 TD										
with air-conditioner and R.H.D. / con climatizzatore e guida a destra	15 DT/X 15 DT (Isuzu T4EC1)	49	67	04/93	>	12/00				53.386.00
with air-conditioner and L.H.D. / con climatizzatore e guida a sinistra	15 DT/X 15 DT (Isuzu T4EC1)	49	67	04/93	>	12/00	23.265.00	24.351.01	30.028.00	53.015.00
with air-conditioner and L.H.D. with activated carbons / con climatizzatore e guida a sinistra ai carboni attivi	15 DT/X 15 DT (Isuzu T4EC1)	49	67	04/93	>	12/00				54.277.00
without air-conditioner / senza climatizzatore	15 DT/X 15 DT (Isuzu T4EC1)	49	67	04/93	>	12/00	23.265.00	24.351.01	30.028.00	53.001.00
without activated carbon air-conditioner / senza climatizzatore, ai carboni attivi	15 DT/X 15 DT (Isuzu T4EC1)	49	67	04/93	>	12/00				54.278.00
1.6 GSI 16V										
with air-conditioner and R.H.D. / con climatizzatore e guida a destra	C 16 XE	80	109	04/93	>	12/00				53.386.00
with air-conditioner and L.H.D. / con climatizzatore e guida a sinistra	C 16 XE	80	109	04/93	>	12/00	23.129.02	31.611.00	30.027.00	53.015.00
with air-conditioner and L.H.D. with activated carbons / con climatizzatore e guida a sinistra ai carboni attivi	C 16 XE	80	109	04/93	>	12/00				54.277.00
without air-conditioner / senza climatizzatore	C 16 XE	80	109	04/93	>	12/00	23.129.02	31.611.00	30.027.00	53.001.00
without activated carbon air-conditioner / senza climatizzatore, ai carboni attivi	C 16 XE	80	109	04/93	>	12/00				54.278.00
1.6 i 16V										
with air-conditioner and R.H.D. / con climatizzatore e guida a destra	C16SEL	74	101	08/97	>	09/00				53.386.00
with air-conditioner and L.H.D. / con climatizzatore e guida a sinistra	C16SEL	74	101	08/97	>	09/00	23.129.02	31.515.00	30.027.00	53.015.00
with air-conditioner and L.H.D. with activated carbons / con climatizzatore e guida a sinistra ai carboni attivi	C16SEL	74	101	08/97	>	09/00				54.277.00
without air-conditioner / senza climatizzatore	C16SEL	74	101	08/97	>	09/00	23.129.02	31.515.00	30.027.00	53.001.00
without activated carbon air-conditioner / senza climatizzatore, ai carboni attivi	C16SEL	74	101	08/97	>	09/00				54.278.00
1.6 i 16V										
with air-conditioner and R.H.D. / con climatizzatore e guida a destra	X 16 XE	78	106	09/94	>	12/00				53.386.00
with air-conditioner and L.H.D. / con climatizzatore e guida a sinistra	X 16 XE	78	106	09/94	>	12/00	23.129.02	31.515.00	30.027.00	53.015.00
with air-conditioner and L.H.D. with activated carbons / con climatizzatore e guida a sinistra ai carboni attivi	X 16 XE	78	106	09/94	>	12/00				54.277.00
without air-conditioner / senza climatizzatore	X 16 XE	78	106	09/94	>	12/00	23.129.02	31.515.00	30.027.00	53.001.00
without activated carbon air-conditioner / senza climatizzatore, ai carboni attivi	X 16 XE	78	106	09/94	>	12/00				54.278.00
1.7 D										
with air-conditioner and R.H.D. / con climatizzatore e guida a destra	17 D/X 17 D (Isuzu 4EE1)	44	60	01/96	>	12/00				53.386.00
with air-conditioner and L.H.D. / con climatizzatore e guida a sinistra	17 D/X 17 D (Isuzu 4EE1)	44	60	01/96	>	12/00	23.265.00	24.351.01	30.028.00	53.015.00
with air-conditioner and L.H.D. with activated carbons / con climatizzatore e guida a sinistra ai carboni attivi	17 D/X 17 D (Isuzu 4EE1)	44	60	04/93	>	12/00				54.277.00
without air-conditioner / senza climatizzatore	17 D/X 17 D (Isuzu 4EE1)	44	60	01/96	>	12/00	23.265.00	24.351.01	30.028.00	53.001.00
without activated carbon air-conditioner / senza climatizzatore, ai carboni attivi	17 D/X 17 D (Isuzu 4EE1)	44	60	04/93	>	12/00				54.278.00
Corsa C										
1.0 i 12V										
	Z10EP/XEP	44	60	07/03	>	11/06		31.515.00	30.159.00	53.045.00
to engine No. 19MA9234 / a motore N. 19MA9234	Z10EP/XEP	44	60				25.012.00			
with activated carbons / ai carboni attivi	Z10EP/XEP	44	60	07/03	>	11/06		31.515.00	30.159.00	54.100.00
from engine No. 19MA9235 / da motore N. 19MA9235	Z10EP/XEP	44	60			>	11/06	25.064.00		
antibacterial, anti-odour and anti-allergen filter / filtro antibatterico, antiodori e anti-allergeni	Z10EP/XEP	44	60	07/03	>	11/06				34.100.00
1.0 i 12V										
	Z10XE	43	58	09/00	>	11/06		31.515.00	30.159.00	53.045.00
to engine No. 19MA9234 / a motore N. 19MA9234	Z10XE	43	58				25.012.00			
with activated carbons / ai carboni attivi	Z10XE	43	58	09/00	>	11/06		31.515.00	30.159.00	54.100.00
from engine No. 19MA9235 / da motore N. 19MA9235	Z10XE	43	58			>	11/06	25.064.00		
antibacterial, anti-odour and anti-allergen filter / filtro antibatterico, antiodori e anti-allergeni	Z10XE	43	58	09/00	>	11/06				34.100.00
1.2 i 16V										
	Z12XE	55	75	09/00	>	07/04	25.012.00	31.515.00	30.159.00	53.045.00
with activated carbons / ai carboni attivi	Z12XE	55	75	09/00	>	07/04	25.012.00	31.515.00	30.159.00	54.100.00
antibacterial, anti-odour and anti-allergen filter / filtro antibatterico, antiodori e anti-allergeni	Z12XE	55	75	09/00	>	07/04				34.100.00
1.2 i 16V										
	Z12XEP	59	80	07/04	>	11/06		31.515.00	30.159.00	53.045.00
to engine No. 19MA9234 / a motore N. 19MA9234	Z12XEP	59	80				25.012.00			
with activated carbons / ai carboni attivi	Z12XEP	59	80	07/04	>	11/06		31.515.00	30.159.00	54.100.00
from engine No. 19MA9235 / da motore N. 19MA9235	Z12XEP	59	80			>	11/06	25.064.00		
antibacterial, anti-odour and anti-allergen filter / filtro antibatterico, antiodori e anti-allergeni	Z12XEP	59	80	07/04	>	11/06				34.100.00
1.3 CDTI 16V										
with activated carbons / ai carboni attivi	Y13DT/Z13DT	51	70	09/03	>	11/06	25.043.00	60.H2O.00	30.292.00	54.100.00
antibacterial, anti-odour and anti-allergen filter / filtro antibatterico, antiodori e anti-allergeni	Y13DT/Z13DT	51	70	09/03	>	11/06				34.100.00
complete filter and disassembly key / filtro completo e chiave di smontaggio	Y13DT/Z13DT	51	70	09/03	>	11/06		55.114.00		19.008.00
assembly PURFLUX / montaggio PURFLUX	Y13DT/Z13DT	51	70	09/03	>	11/06	25.043.00	60.H2O.00	30.292.00	53.045.00
assembly UFI / montaggio UFI	Y13DT/Z13DT	51	70	01/05	>	11/06	25.031.00	60.H2O.00	30.292.00	53.045.00

...OPEL - cars/auto

1.4 i 16V	Z14XE	66	90	09/00 >	12/03	23.129.02	31.515.00	30.159.00	53.045.00
	Z14XE	66	90	01/04 >	11/06	23.299.00	31.515.00	30.159.00	53.045.00
with activated carbons / ai carboni attivi	Z14XE	66	90	09/00 >	12/03	23.129.02	31.515.00	30.159.00	54.100.00
with activated carbons / ai carboni attivi	Z14XE	66	90	01/04 >	11/06	23.299.00	31.515.00	30.159.00	54.100.00
antibacterial, anti-odour and anti-allergen filter / filtro antibatterico, antiodori e anti-allergeni	Z14XE	66	90	09/00 >	11/06				34.100.00
1.4 i 16V	Z14XEP	66	90	07/03 >	11/06		31.515.00	30.159.00	53.045.00
to engine No. 19MA9234 / a motore N. 19MA9234	Z14XEP	66	90			25.012.00			
with activated carbons / ai carboni attivi	Z14XEP	66	90	07/03 >	11/06		31.515.00	30.159.00	54.100.00
from engine No. 19MA9235 / da motore N. 19MA9235	Z14XEP	66	90		> 11/06	25.064.00			
antibacterial, anti-odour and anti-allergen filter / filtro antibatterico, antiodori e anti-allergeni	Z14XEP	66	90	07/03 >	11/06				34.100.00
1.7 CDTI 16V	Z17DTH	74	100	09/03 >	11/06	25.027.00		30.292.00	53.045.00
with activated carbons / ai carboni attivi	Z17DTH	74	100	09/03 >	11/06	25.027.00		30.292.00	54.100.00
antibacterial, anti-odour and anti-allergen filter / filtro antibatterico, antiodori e anti-allergeni	Z17DTH	74	100	09/03 >	11/06				34.100.00
1.7 DI 16V	Y17DTL	48	65	09/00 >	11/06	25.027.00		30.159.00	53.045.00
with activated carbons / ai carboni attivi	Y17DTL	48	65	09/00 >	11/06	25.027.00		30.159.00	54.100.00
antibacterial, anti-odour and anti-allergen filter / filtro antibatterico, antiodori e anti-allergeni	Y17DTL	48	65	09/00 >	11/06				34.100.00
1.7 DTI 16V	Y17DIT/Y17DT	55	75	09/00 >	11/06	25.027.00		30.292.00	53.045.00
with activated carbons / ai carboni attivi	Y17DIT/Y17DT	55	75	09/00 >	11/06	25.027.00		30.292.00	54.100.00
antibacterial, anti-odour and anti-allergen filter / filtro antibatterico, antiodori e anti-allergeni	Y17DIT/Y17DT	55	75	09/00 >	11/06				34.100.00
1.8 i 16V GSI	Z18XE	92	125	09/00 >		25.017.00	31.515.00	30.159.00	53.045.00
to engine No. 20V00604 / a motore N. 20V00604	Z18XE	92	125	09/00 >	11/06		31.515.00	30.159.00	54.100.00
with activated carbons / ai carboni attivi	Z18XE	92	125		> 11/06	23.299.00	31.515.00	30.159.00	53.045.00
from engine No. 20V00605 / da motore N. 20V00605	Z18XE	92	125	09/00 >	11/06				34.100.00
antibacterial, anti-odour and anti-allergen filter / filtro antibatterico, antiodori e anti-allergeni	Z18XE	92	125	09/00 >	11/06				34.100.00
Corsa D									
1.0 12V	Z10XEP	44	60	07/06 >				30.297.00	53.124.00
to engine No. 19MA9234 / a motore N. 19MA9234	Z10XEP	44	60			25.012.00			
with activated carbons / ai carboni attivi	Z10XEP	44	60	07/06 >				30.297.00	54.162.00
from engine No. 19MA9235 / da motore N. 19MA9235	Z10XEP	44	60			25.064.00			
antibacterial, anti-odour and anti-allergen filter / filtro antibatterico, antiodori e anti-allergeni	Z10XEP	44	60	07/06 >					34.162.00
1.2 16V	Z12XEP	59	80	07/06 >				30.297.00	53.124.00
to engine No. 19MA9234 / a motore N. 19MA9234	Z12XEP	59	80			25.012.00			
with activated carbons / ai carboni attivi	Z12XEP	59	80	07/06 >				30.297.00	54.162.00
from engine No. 19MA9235 / da motore N. 19MA9235	Z12XEP	59	80			25.064.00			
antibacterial, anti-odour and anti-allergen filter / filtro antibatterico, antiodori e anti-allergeni	Z12XEP	59	80	07/06 >					34.162.00
1.2 16V EcoFlex	A12XER	63	86	12/09 >		25.064.00		30.297.00	53.124.00
with activated carbons / ai carboni attivi	A12XER	63	86	12/09 >		25.064.00		30.297.00	54.162.00
antibacterial, anti-odour and anti-allergen filter / filtro antibatterico, antiodori e anti-allergeni	A12XER	63	86	12/09 >					34.162.00
1.2 16V GPL	Z12XEP	59	80	07/09 >		25.064.00		30.297.00	53.124.00
with activated carbons / ai carboni attivi	Z12XEP	59	80	07/09 >		25.064.00		30.297.00	54.162.00
antibacterial, anti-odour and anti-allergen filter / filtro antibatterico, antiodori e anti-allergeni	Z12XEP	59	80	07/09 >					34.162.00
assembly LANDI Omegas / montaggio LANDI Omegas	Z12XEP	59	80	07/09 >			31.836.00		
1.2 EcoFlex	A12XEL	51	70	12/09 >		25.064.00		30.297.00	53.124.00
with activated carbons / ai carboni attivi	A12XEL	51	70	12/09 >		25.064.00		30.297.00	54.162.00
antibacterial, anti-odour and anti-allergen filter / filtro antibatterico, antiodori e anti-allergeni	A12XEL	51	70	12/09 >					34.162.00
1.3 CDTI 16V	Z13DTH	66	90	07/06 >	05/09		24.ONE.02		
to frame No. 96129269 / a telaio N. 96129269	Z13DTH	66	90	07/06 >	06/10			30.297.00	54.162.00
with activated carbons / ai carboni attivi	Z13DTH	66	90	06/09 >	06/10		24.099.00		
from frame No. 96129270 / da telaio N. 96129270	Z13DTH	66	90	07/06 >	06/10				34.162.00
antibacterial, anti-odour and anti-allergen filter / filtro antibatterico, antiodori e anti-allergeni	Z13DTH	66	90	07/06 >	06/10				34.162.00
assembly PURFLUX / montaggio PURFLUX	Z13DTH	66	90	07/06 >	06/10	25.043.00		30.297.00	53.124.00
assembly UFI / montaggio UFI	Z13DTH	66	90	07/06 >	06/10	25.031.00		30.297.00	53.124.00
1.3 CDTI 16V	Z13DTJ	55	75	07/06 >	05/09		24.ONE.02		
to frame No. 96129269 / a telaio N. 96129269	Z13DTJ	55	75	07/06 >	06/10			30.297.00	54.162.00
with activated carbons / ai carboni attivi	Z13DTJ	55	75	06/09 >	06/10		24.099.00		
from frame No. 96129270 / da telaio N. 96129270	Z13DTJ	55	75	07/06 >	06/10				34.162.00
antibacterial, anti-odour and anti-allergen filter / filtro antibatterico, antiodori e anti-allergeni	Z13DTJ	55	75	07/06 >	06/10				34.162.00
assembly PURFLUX / montaggio PURFLUX	Z13DTJ	55	75	07/06 >	06/10	25.043.00		30.297.00	53.124.00
assembly UFI / montaggio UFI	Z13DTJ	55	75	07/06 >	06/10	25.031.00		30.297.00	53.124.00
1.3 CDTI 16V EcoFlex	Z13DTJ	55	75	01/09 >		25.061.00		30.297.00	53.124.00
to frame No. 96129269 / a telaio N. 96129269	Z13DTJ	55	75	01/09 >	05/09		24.ONE.02		
with activated carbons / ai carboni attivi	Z13DTJ	55	75	01/09 >		25.061.00		30.297.00	54.162.00
from frame No. 96129270 / da telaio N. 96129270	Z13DTJ	55	75	06/09 >			24.099.00		
antibacterial, anti-odour and anti-allergen filter / filtro antibatterico, antiodori e anti-allergeni	Z13DTJ	55	75	01/09 >					34.162.00
1.3 CDTI 16V EcoFlex	Z13DTR	70	95	01/09 >		25.061.00		30.297.00	53.124.00
to frame No. 96129269 / a telaio N. 96129269	Z13DTR	70	95	01/09 >	05/09		24.ONE.02		
with activated carbons / ai carboni attivi	Z13DTR	70	95	01/09 >		25.061.00		30.297.00	54.162.00

...OPEL - cars/auto

from frame No. 96129270 / da telaio N. 96129270	Z13DTR	70	95	06/09 >		24.099.00			
antibacterial, anti-odour and anti-allergen filter / filtro antibatterico, antiodori e anti-allergeni	Z13DTR	70	95	01/09 >				34.162.00	
1.3 CDTI 95	A13DTR	70	95	07/10 > 08/14	25.061.00	24.099.00	30.297.00	53.124.00	
with activated carbons / ai carboni attivi	A13DTR	70	95	07/10 > 08/14				54.162.00	
antibacterial, anti-odour and anti-allergen filter / filtro antibatterico, antiodori e anti-allergeni	A13DTR	70	95	07/10 > 08/14				34.162.00	
heat exchanger / scambiatore di calore	A13DTR	70	95	07/10 > 08/14				00.G38.00	
1.3 CDTI EcoFlex	Z13DTE	70	95	12/09 > 09/10	25.061.00	24.099.00	30.297.00	53.124.00	
with activated carbons / ai carboni attivi	Z13DTE	70	95	12/09 > 09/10				54.162.00	
antibacterial, anti-odour and anti-allergen filter / filtro antibatterico, antiodori e anti-allergeni	Z13DTE	70	95	12/09 > 09/10				34.162.00	
heat exchanger / scambiatore di calore	Z13DTE	70	95	12/09 > 09/10				00.G38.00	
1.3 CDTI EcoFlex 75 S&S	A13DTC	55	75	07/10 >	25.061.00	24.099.00	30.297.00	53.124.00	
with activated carbons / ai carboni attivi	A13DTC	55	75	07/10 >				54.162.00	
antibacterial, anti-odour and anti-allergen filter / filtro antibatterico, antiodori e anti-allergeni	A13DTC	55	75	07/10 >				34.162.00	
1.3 CDTI EcoFlex 95 S&S	A13DTE	70	95	10/10 > 08/14	25.061.00	24.099.00	30.297.00	53.124.00	
with activated carbons / ai carboni attivi	A13DTE	70	95	10/10 > 08/14				54.162.00	
antibacterial, anti-odour and anti-allergen filter / filtro antibatterico, antiodori e anti-allergeni	A13DTE	70	95	10/10 > 08/14				34.162.00	
1.4 16V	A14XEL	64	87	12/09 >	25.064.00	∞	30.297.00	53.124.00	
with activated carbons / ai carboni attivi	A14XEL	64	87	12/09 >	25.064.00	∞	30.297.00	54.162.00	
antibacterial, anti-odour and anti-allergen filter / filtro antibatterico, antiodori e anti-allergeni	A14XEL	64	87	12/09 >				34.162.00	
1.4 16V	A14XER	74	100	12/09 >	25.064.00	∞	30.297.00	53.124.00	
with activated carbons / ai carboni attivi	A14XER	74	100	12/09 >	25.064.00	∞	30.297.00	54.162.00	
antibacterial, anti-odour and anti-allergen filter / filtro antibatterico, antiodori e anti-allergeni	A14XER	74	100	12/09 >				34.162.00	
1.4 16V	Z14XEP	66	90	07/06 >		∞	30.297.00	53.124.00	
to engine No. 19MA9234 / a motore N. 19MA9234	Z14XEP	66	90		25.012.00	∞			
with activated carbons / ai carboni attivi	Z14XEP	66	90	07/06 >		∞	30.297.00	54.162.00	
from engine No. 19MA9235 / da motore N. 19MA9235	Z14XEP	66	90		25.064.00	∞			
antibacterial, anti-odour and anti-allergen filter / filtro antibatterico, antiodori e anti-allergeni	Z14XEP	66	90	07/06 >				34.162.00	
1.4 T EcoFlex S&S	A14NEL	88	120	07/12 >	25.064.00	∞	30.297.00	53.124.00	
with activated carbons / ai carboni attivi	A14NEL	88	120	07/12 >	25.064.00	∞	30.297.00	54.162.00	
antibacterial, anti-odour and anti-allergen filter / filtro antibatterico, antiodori e anti-allergeni	A14NEL	88	120	07/12 >				34.162.00	
1.6 T 16V	Z16LEL	110	150	02/07 > 10/09	25.064.00	∞	30.297.00	53.124.00	
with activated carbons / ai carboni attivi	Z16LEL	110	150	02/07 > 10/09	25.064.00	∞	30.297.00	54.162.00	
antibacterial, anti-odour and anti-allergen filter / filtro antibatterico, antiodori e anti-allergeni	Z16LEL	110	150	02/07 > 10/09				34.162.00	
1.6 T 16V GSi	A16LEL	110	150	11/09 > 06/12	25.064.00	∞	30.297.00	53.124.00	
with activated carbons / ai carboni attivi	A16LEL	110	150	11/09 > 06/12	25.064.00	∞	30.297.00	54.162.00	
antibacterial, anti-odour and anti-allergen filter / filtro antibatterico, antiodori e anti-allergeni	A16LEL	110	150	11/09 > 06/12				34.162.00	
1.6 T 16V OPC	A16LER	141	192	11/09 >	25.064.00	∞	30.297.00	53.124.00	
with activated carbons / ai carboni attivi	A16LER	141	192	11/09 >	25.064.00	∞	30.297.00	54.162.00	
antibacterial, anti-odour and anti-allergen filter / filtro antibatterico, antiodori e anti-allergeni	A16LER	141	192	11/09 >				34.162.00	
1.6 T 16V OPC	Z16LER	141	192	02/07 > 10/09	25.064.00	∞	30.297.00	53.124.00	
with activated carbons / ai carboni attivi	Z16LER	141	192	02/07 > 10/09	25.064.00	∞	30.297.00	54.162.00	
antibacterial, anti-odour and anti-allergen filter / filtro antibatterico, antiodori e anti-allergeni	Z16LER	141	192	02/07 > 10/09				34.162.00	
1.6 T 210 OPC	A16LES	155	211	06/11 >	25.064.00	∞	30.297.00	53.124.00	
with activated carbons / ai carboni attivi	A16LES	155	211	06/11 >	25.064.00	∞	30.297.00	54.162.00	
antibacterial, anti-odour and anti-allergen filter / filtro antibatterico, antiodori e anti-allergeni	A16LES	155	211	06/11 >				34.162.00	
1.7 CDTI 16V	Z17DTR/A17DTR	92	125	11/06 >	25.085.00	26.054.00	30.297.00	53.124.00	
with activated carbons / ai carboni attivi	Z17DTR/A17DTR	92	125	11/06 >	25.085.00	26.054.00	30.297.00	54.162.00	
antibacterial, anti-odour and anti-allergen filter / filtro antibatterico, antiodori e anti-allergeni	Z17DTR/A17DTR	92	125	11/06 >				34.162.00	
1.7 CDTI 16V 130	A17DTS	96	130	03/10 >	25.085.00	24.099.00	30.297.00	53.124.00	
with activated carbons / ai carboni attivi	A17DTS	96	130	03/10 >	25.085.00	24.099.00	30.297.00	54.162.00	
antibacterial, anti-odour and anti-allergen filter / filtro antibatterico, antiodori e anti-allergeni	A17DTS	96	130	03/10 >				34.162.00	
Corsa E									
1.0 EcoTec DI Turbo	B10XFL	66	90	09/14 >		∞	30.A58.00	53.124.00	
with activated carbons / ai carboni attivi	B10XFL	66	90	09/14 >				54.162.00	
antibacterial, anti-odour and anti-allergen filter / filtro antibatterico, antiodori e anti-allergeni	B10XFL	66	90	09/14 >				34.162.00	
1.0 EcoTec DI Turbo	B10XFT	85	115	09/14 >		∞	30.A58.00	53.124.00	
with activated carbons / ai carboni attivi	B10XFT	85	115	09/14 >				54.162.00	
antibacterial, anti-odour and anti-allergen filter / filtro antibatterico, antiodori e anti-allergeni	B10XFT	85	115	09/14 >				34.162.00	
1.2	B12XEL	51	70	09/14 >	25.064.00	∞	30.A58.00	53.124.00	
with activated carbons / ai carboni attivi	B12XEL	51	70	09/14 >				54.162.00	
antibacterial, anti-odour and anti-allergen filter / filtro antibatterico, antiodori e anti-allergeni	B12XEL	51	70	09/14 >				34.162.00	
1.3 CDTI	B13DTC	55	75	09/14 >		24.099.00	30.A58.00	53.124.00	
with activated carbons / ai carboni attivi	B13DTC	55	75	09/14 >				54.162.00	
antibacterial, anti-odour and anti-allergen filter / filtro antibatterico, antiodori e anti-allergeni	B13DTC	55	75	09/14 >				34.162.00	
assembly UFI FILTERS / montaggio UFI FILTERS	B13DTC	55	75	09/14 >	25.139.00				
1.3 CDTI	B13DTE/B13DTR	70	95	09/14 >		24.099.00	30.A58.00	53.124.00	
with activated carbons / ai carboni attivi	B13DTE/B13DTR	70	95	09/14 >				54.162.00	

...OPEL - cars/auto

antibacterial, anti-odour and anti-allergen filter / filtro antibatterico, antiodori e anti-allergeni	B13DTE/B13DTR	70	95	09/14	>				34.162.00
assembly UFI FILTERS / montaggio UFI FILTERS	B13DTE/B13DTR	70	95	09/14	>	25.139.00			
1.4	B14XEJ	55	75	09/14	>	25.064.00		30.A58.00	53.124.00
with activated carbons / ai carboni attivi	B14XEJ	55	75	09/14	>				54.162.00
antibacterial, anti-odour and anti-allergen filter / filtro antibatterico, antiodori e anti-allergeni	B14XEJ	55	75	09/14	>				34.162.00
1.4	B14XEL	66	90	09/14	>	25.064.00		30.A58.00	53.124.00
with activated carbons / ai carboni attivi	B14XEL	66	90	09/14	>				54.162.00
antibacterial, anti-odour and anti-allergen filter / filtro antibatterico, antiodori e anti-allergeni	B14XEL	66	90	09/14	>				34.162.00
1.4 Automatic	B14XEJ	55	75	09/14	>			30.A58.00	53.124.00
with activated carbons / ai carboni attivi	B14XEJ	55	75	09/14	>				54.162.00
antibacterial, anti-odour and anti-allergen filter / filtro antibatterico, antiodori e anti-allergeni	B14XEJ	55	75	09/14	>				34.162.00
1.4 Automatic	B14XEL	66	90	09/14	>			30.A58.00	53.124.00
with activated carbons / ai carboni attivi	B14XEL	66	90	09/14	>				54.162.00
antibacterial, anti-odour and anti-allergen filter / filtro antibatterico, antiodori e anti-allergeni	B14XEL	66	90	09/14	>				34.162.00
1.4 Turbo	B14NEJ	74	100	09/14	>	25.064.00		30.A58.00	53.124.00
with activated carbons / ai carboni attivi	B14NEJ	74	100	09/14	>				54.162.00
antibacterial, anti-odour and anti-allergen filter / filtro antibatterico, antiodori e anti-allergeni	B14NEJ	74	100	09/14	>				34.162.00
1.4 Turbo 150	B14NEH	110	150	09/14	>	25.064.00		30.A58.00	53.124.00
with activated carbons / ai carboni attivi	B14NEH	110	150	09/14	>				54.162.00
antibacterial, anti-odour and anti-allergen filter / filtro antibatterico, antiodori e anti-allergeni	B14NEH	110	150	09/14	>				34.162.00
1.6 Turbo OPC	B16LES	152	207	09/14	>	25.064.00		30.A58.00	53.124.00
with activated carbons / ai carboni attivi	B16LES	152	207	09/14	>				54.162.00
antibacterial, anti-odour and anti-allergen filter / filtro antibatterico, antiodori e anti-allergeni	B16LES	152	207	09/14	>				34.162.00
Corsa F									
1.2	F12XEL (EB2FAD)	55	75	07/19	>	23.439.00		30.638.00	
with activated carbons / ai carboni attivi	F12XEL (EB2FAD)	55	75	07/19	>				54.319.00
1.2 Turbo	F12XHL (EB2ADTD)	74	101	07/19	>	23.439.00		30.718.00	
with activated carbons / ai carboni attivi	F12XHL (EB2ADTD)	74	101	07/19	>				54.319.00
1.2 Turbo	F12XHT (EB2ADTS)	96	130	07/19	>	23.439.00		30.718.00	
with activated carbons / ai carboni attivi	F12XHT (EB2ADTS)	96	130	07/19	>				54.319.00
1.5 Diesel	D15DT (DV5RD)	75	102	07/19	>	25.216.00			
with activated carbons / ai carboni attivi	D15DT (DV5RD)	75	102	07/19	>				54.319.00
Crossland-X (P17)									
1.2	B12XE (EB2F)	60	82	04/17	>	23.439.00		30.638.00	54.319.00
for vehicles with external fuel filter / per veicoli con filtro carburante esterno	B12XE (EB2F)	60	82	04/17	>		31.948.00		
1.2 GPL/LPG	B12XE (EB2F)	55	75	04/17	>	23.439.00		30.638.00	54.319.00
for vehicles with external fuel filter / per veicoli con filtro carburante esterno	B12XE (EB2F)	55	75	04/17	>		31.948.00		
1.2 Turbo 110	B12XHL	81	110	04/17	>	23.439.00		30.718.00	54.319.00
for vehicles with external fuel filter / per veicoli con filtro carburante esterno	B12XHL	81	110	04/17	>		31.948.00		
1.2 Turbo 130	B12XHT	96	130	04/17	>	23.439.00		30.718.00	54.319.00
for vehicles with external fuel filter / per veicoli con filtro carburante esterno	B12XHT	96	130	04/17	>		31.948.00		
1.5 Turbo Diesel 100	D15DT (DV5RD) (S/S)	75	102	07/18	>	25.216.00			54.319.00
1.5 Turbo Diesel 120	D15DTH (DV5RC) (S/S)	88	120	07/18	>	25.216.00			54.319.00
1.6 Turbo Diesel 100	B16DT (DV6FD)	73	99	04/17	>	25.187.00	26.104.00	30.648.00	54.319.00
1.6 Turbo Diesel 115	B16DTH (DV6FC)	85	116	08/17	>	25.187.00	26.104.00	30.648.00	
1.6 Turbo Diesel 120	B16DTH (DV6FC) (S/S)	88	120	04/17	>	25.187.00	26.104.00	30.648.00	54.319.00
Grandland-X (A18)									
1.2		60	82	10/17	>	23.439.00		30.718.00	54.172.00
antibacterial, anti-odour and anti-allergen filter / filtro antibatterico, antiodori e anti-allergeni		60	82	10/17	>				34.172.00
1.2 GPL/LPG		55	75	10/17	>	23.439.00		30.718.00	54.172.00
antibacterial, anti-odour and anti-allergen filter / filtro antibatterico, antiodori e anti-allergeni		55	75	10/17	>				34.172.00
1.2 Turbo	B12XHT (EB2DTS) (S/S)	96	130	07/17 > 06/18		23.439.00		30.718.00	54.172.00
antibacterial, anti-odour and anti-allergen filter / filtro antibatterico, antiodori e anti-allergeni	B12XHT (EB2DTS) (S/S)	96	130	07/17 > 06/18					34.172.00
1.2 Turbo	D12XHT (EB2ADTS) (S/S)	96	130	04/18	>	23.439.00		30.718.00	54.172.00
antibacterial, anti-odour and anti-allergen filter / filtro antibatterico, antiodori e anti-allergeni	D12XHT (EB2ADTS) (S/S)	96	130	04/18	>				34.172.00
1.5 Turbo Diesel 130	D15DTH (DV5RC) (S/S)	96	130	04/18	>	25.216.00			54.172.00
antibacterial, anti-odour and anti-allergen filter / filtro antibatterico, antiodori e anti-allergeni	D15DTH (DV5RC) (S/S)	96	130	04/18	>				34.172.00
1.6 Turbo	A16NHT (EP6FDT)	110	150	10/17	>	25.060.00		30.467.00	54.172.00
antibacterial, anti-odour and anti-allergen filter / filtro antibatterico, antiodori e anti-allergeni	A16NHT (EP6FDT)	110	150	10/17	>				34.172.00
1.6 Turbo 180	D16XHT (EP6FADTXD) (S/S)	133	180	07/18	>	25.060.00		30.467.00	54.172.00
antibacterial, anti-odour and anti-allergen filter / filtro antibatterico, antiodori e anti-allergeni	D16XHT (EP6FADTXD) (S/S)	133	180	07/18	>				34.172.00
1.6 Turbo Diesel	B16DTH (DV6FC) (S/S)	88	120	07/17 > 03/18		25.187.00	26.104.00	30.648.00	54.172.00
antibacterial, anti-odour and anti-allergen filter / filtro antibatterico, antiodori e anti-allergeni	B16DTH (DV6FC) (S/S)	88	120	07/17 > 03/18					34.172.00
2.0 Turbo Diesel	D20DTH (DW10FC) (S/S)	130	177	10/17	>	23.439.00	26.104.00	30.717.00	54.172.00
antibacterial, anti-odour and anti-allergen filter / filtro antibatterico, antiodori e anti-allergeni	D20DTH (DW10FC) (S/S)	130	177	10/17	>				34.172.00
GT									
2.0	Z20NHH	194	264	06/07	>	25.024.00			

...OPEL - cars/auto

Insignia A									
1.4 Turbo	A14NET	103	140	08/11	>	25.064.00		30.A23.00	54.178.00
antibacterial, anti-odour and anti-allergen filter / filtro antibatterico, antiodori e anti-allergeni	A14NET	103	140	08/11	>				34.178.00
1.4 Turbo GPL/LPG	A14NET	103	140	07/12	>	25.064.00		30.A23.00	54.178.00
antibacterial, anti-odour and anti-allergen filter / filtro antibatterico, antiodori e anti-allergeni	A14NET	103	140	07/12	>				34.178.00
1.6 16V	A16XER	85	115	07/08	>	25.064.00		30.388.00	54.178.00
antibacterial, anti-odour and anti-allergen filter / filtro antibatterico, antiodori e anti-allergeni	A16XER	85	115	07/08	>				34.178.00
1.6 16V SIDI Turbo	A16XHT	125	170	07/13	>	25.225.00		30.A23.00	54.178.00
antibacterial, anti-odour and anti-allergen filter / filtro antibatterico, antiodori e anti-allergeni	A16XHT	125	170	07/13	>				34.178.00
1.6 16V Turbo	A16LET	132	180	07/08	>	25.064.00		30.A23.00	54.178.00
antibacterial, anti-odour and anti-allergen filter / filtro antibatterico, antiodori e anti-allergeni	A16LET	132	180	07/08	>				34.178.00
1.6 CDTi 120	B16DTJ	88	120	07/15	>	25.199.00	26.058.00	30.A23.00	54.178.00
antibacterial, anti-odour and anti-allergen filter / filtro antibatterico, antiodori e anti-allergeni	B16DTJ	88	120	07/15	>				34.178.00
1.6 CDTi 136	B16DTH	100	136	07/15	>	25.199.00	26.058.00	30.A23.00	54.178.00
antibacterial, anti-odour and anti-allergen filter / filtro antibatterico, antiodori e anti-allergeni	B16DTH	100	136	07/15	>				34.178.00
1.8 16V VVT	A18XER	103	140	07/08	>	25.064.00		30.388.00	54.178.00
antibacterial, anti-odour and anti-allergen filter / filtro antibatterico, antiodori e anti-allergeni	A18XER	103	140	07/08	>				34.178.00
2.0 16V Turbo	A20NFT	162	220	10/10	>	25.024.00		30.A23.00	54.178.00
antibacterial, anti-odour and anti-allergen filter / filtro antibatterico, antiodori e anti-allergeni	A20NFT	162	220	10/10	>				34.178.00
2.0 16V Turbo	A20NFT	184	250	07/11	> 03/17			30.A23.00	54.178.00
spin-on / avvitabile	A20NFT	184	250	07/11	> 03/17	23.650.00			
antibacterial, anti-odour and anti-allergen filter / filtro antibatterico, antiodori e anti-allergeni	A20NFT	184	250	07/11	> 03/17				34.178.00
cartridge / immersione	A20NFT	184	250	07/11	> 03/17	25.024.00			
2.0 16V Turbo	A20NHT	162	220	07/08	> 07/13	25.024.00		30.A23.00	54.178.00
antibacterial, anti-odour and anti-allergen filter / filtro antibatterico, antiodori e anti-allergeni	A20NHT	162	220	07/08	> 07/13				34.178.00
2.0 16V Turbo 250	A20NHT	184	250	07/11	> 03/17			30.A23.00	54.178.00
from engine No. A20NHT (LDK), A20NFT (LHU) / da motore N. A20NHT (LDK), A20NFT (LHU)	A20NHT	184	250	07/11	> 03/17	25.024.00			
from engine No. A20NHT(LTG), B20NHT (LTG) / da motore N. A20NHT(LTG), B20NHT (LTG)	A20NHT	184	250	07/11	> 03/17	23.650.00			
antibacterial, anti-odour and anti-allergen filter / filtro antibatterico, antiodori e anti-allergeni	A20NHT	184	250	07/11	> 03/17				34.178.00
2.0 16V Turbo 4x4	A20NFT	184	250	09/11	> 03/17			30.A23.00	54.178.00
antibacterial, anti-odour and anti-allergen filter / filtro antibatterico, antiodori e anti-allergeni	A20NFT	184	250	09/11	> 03/17				34.178.00
cartridge / immersione	A20NFT	184	250	09/11	> 03/17	25.024.00			
2.0 16V Turbo 4x4	A20NHT	162	220	07/08	> 03/14	25.024.00		30.A23.00	54.178.00
antibacterial, anti-odour and anti-allergen filter / filtro antibatterico, antiodori e anti-allergeni	A20NHT	162	220	07/08	> 03/14				34.178.00
2.0 16V Turbo E85	A20NHT	162	220	09/10	> 03/14	25.024.00		30.A23.00	54.178.00
antibacterial, anti-odour and anti-allergen filter / filtro antibatterico, antiodori e anti-allergeni	A20NHT	162	220	09/10	> 03/14				34.178.00
2.0 CDTi 120	A20DTE	88	120	03/12	>	25.093.00	26.058.00	30.A23.00	54.178.00
antibacterial, anti-odour and anti-allergen filter / filtro antibatterico, antiodori e anti-allergeni	A20DTE	88	120	03/12	>				34.178.00
2.0 CDTi 140	A20DTE	103	140	06/13	>	25.093.00	26.058.00	30.A23.00	54.178.00
antibacterial, anti-odour and anti-allergen filter / filtro antibatterico, antiodori e anti-allergeni	A20DTE	103	140	06/13	>				34.178.00
2.0 CDTi 16V 163	A20DTH	120	163	07/13	>	25.093.00	26.058.00	30.A23.00	54.178.00
antibacterial, anti-odour and anti-allergen filter / filtro antibatterico, antiodori e anti-allergeni	A20DTH	120	163	07/13	>				34.178.00
2.0 CDTi 16V 163 4x4	A20DTH	120	163	07/13	>	25.093.00	26.058.00	30.A23.00	54.178.00
antibacterial, anti-odour and anti-allergen filter / filtro antibatterico, antiodori e anti-allergeni	A20DTH	120	163	07/13	>				34.178.00
2.0 CDTi 16V BiTurbo	A20DTR	143	195	01/12	>	25.093.00	26.058.00	30.A23.00	54.178.00
antibacterial, anti-odour and anti-allergen filter / filtro antibatterico, antiodori e anti-allergeni	A20DTR	143	195	01/12	>				34.178.00
2.0 CDTi 16V BiTurbo 4x4	A20DTR	143	195	01/12	>	25.093.00	26.058.00	30.A23.00	54.178.00
antibacterial, anti-odour and anti-allergen filter / filtro antibatterico, antiodori e anti-allergeni	A20DTR	143	195	01/12	>				34.178.00
2.0 CDTi 16V BiTurbo DPF	A20DTR	140	190	07/08	>	25.093.00	26.058.00	30.A23.00	54.178.00
antibacterial, anti-odour and anti-allergen filter / filtro antibatterico, antiodori e anti-allergeni	A20DTR	140	190	07/08	>				34.178.00
2.0 CDTi 16V BiTurbo DPF 4x4	A20DTR	140	190	05/09	>	25.093.00	26.058.00	30.A23.00	54.178.00
antibacterial, anti-odour and anti-allergen filter / filtro antibatterico, antiodori e anti-allergeni	A20DTR	140	190	05/09	>				34.178.00
2.0 CDTi 16V DPF	A20DTC/A20DTL	81	110	07/08	>	25.093.00	26.058.00	30.A23.00	54.178.00
antibacterial, anti-odour and anti-allergen filter / filtro antibatterico, antiodori e anti-allergeni	A20DTC/A20DTL	81	110	07/08	>				34.178.00
2.0 CDTi 16V DPF	A20DTJ	96	130	07/08	>	25.093.00	26.058.00	30.A23.00	54.178.00
antibacterial, anti-odour and anti-allergen filter / filtro antibatterico, antiodori e anti-allergeni	A20DTJ	96	130	07/08	>				34.178.00
2.0 CDTi 16V DPF 160	A20DTH	118	160	07/08	> 06/13	25.093.00	26.058.00	30.A23.00	54.178.00
antibacterial, anti-odour and anti-allergen filter / filtro antibatterico, antiodori e anti-allergeni	A20DTH	118	160	07/08	> 06/13				34.178.00
2.0 CDTi 16V DPF 160 4x4	A20DTH	118	160	07/08	> 06/13	25.093.00	26.058.00	30.A23.00	54.178.00
antibacterial, anti-odour and anti-allergen filter / filtro antibatterico, antiodori e anti-allergeni	A20DTH	118	160	07/08	> 06/13				34.178.00
2.0 CDTi 170	B20DTH	125	170	11/14	>	25.118.00	26.058.00	30.A23.00	54.178.00
antibacterial, anti-odour and anti-allergen filter / filtro antibatterico, antiodori e anti-allergeni	B20DTH	125	170	11/14	>				34.178.00
2.0 CDTi 170 4x4	B20DTH	125	170	11/14	>	25.118.00	26.058.00	30.A23.00	54.178.00
antibacterial, anti-odour and anti-allergen filter / filtro antibatterico, antiodori e anti-allergeni	B20DTH	125	170	11/14	>				34.178.00
2.8 V6 24V Turbo	A28NET	191	260	07/08	>	25.163.00		30.A23.00	54.178.00
antibacterial, anti-odour and anti-allergen filter / filtro antibatterico, antiodori e anti-allergeni	A28NET	191	260	07/08	>				34.178.00
2.8 V6 24V Turbo OPC	A28NER	239	325	07/09	>	25.163.00		30.A23.00	54.178.00

...OPEL - cars/auto

antibacterial, anti-odour and anti-allergen filter / filtro antibatterico, antiodori e anti-allergeni	A28NER	239	325	07/09	>				34.178.00
Insignia A Country Tourer									
2.0 BiTurbo CDTI 195 4x4	A20DTR	143	195	09/13	>	25.093.00	26.058.00	30.A23.00	54.178.00
antibacterial, anti-odour and anti-allergen filter / filtro antibatterico, antiodori e anti-allergeni	A20DTR	143	195	09/13	>				34.178.00
2.0 CDTI 163 4x4	A20DTH	120	163	09/13	>	25.093.00	26.058.00	30.A23.00	54.178.00
antibacterial, anti-odour and anti-allergen filter / filtro antibatterico, antiodori e anti-allergeni	A20DTH	120	163	09/13	>				34.178.00
2.0 CDTI 163 S&S 4x4	A20DTH	120	163	09/13	>	25.093.00	26.058.00	30.A23.00	54.178.00
antibacterial, anti-odour and anti-allergen filter / filtro antibatterico, antiodori e anti-allergeni	A20DTH	120	163	09/13	>				34.178.00
2.0 SIDI Turbo 4x4	A20NHT	184	250	09/13	>	23.650.00		30.A23.00	54.178.00
antibacterial, anti-odour and anti-allergen filter / filtro antibatterico, antiodori e anti-allergeni	A20NHT	184	250	09/13	>				34.178.00
2.0 SIDI Turbo EcoFlex 4x4	A20NHT	184	250	09/13	>	23.650.00		30.A23.00	54.178.00
antibacterial, anti-odour and anti-allergen filter / filtro antibatterico, antiodori e anti-allergeni	A20NHT	184	250	09/13	>				34.178.00
Insignia B (Z18)									
1.5 CDTI 122	F15DVH	90	122	02/20	>		26.E2X.01		54.238.00
antibacterial, anti-odour and anti-allergen filter / filtro antibatterico, antiodori e anti-allergeni	F15DVH	90	122	02/20	>				34.238.00
1.5 Turbo	B15XFL	103	140	03/17	>	23.650.00			54.238.00
antibacterial, anti-odour and anti-allergen filter / filtro antibatterico, antiodori e anti-allergeni	B15XFL	103	140	03/17	>				34.238.00
1.5 Turbo	B15XFT	121	165	03/17	>	23.650.00			54.238.00
antibacterial, anti-odour and anti-allergen filter / filtro antibatterico, antiodori e anti-allergeni	B15XFT	121	165	03/17	>				34.238.00
1.5 Turbo	D15XFL	103	140	07/18	>	23.650.00			54.238.00
antibacterial, anti-odour and anti-allergen filter / filtro antibatterico, antiodori e anti-allergeni	D15XFL	103	140	07/18	>				34.238.00
1.5 Turbo	D15XFT	121	165	07/18	>	23.650.00			54.238.00
antibacterial, anti-odour and anti-allergen filter / filtro antibatterico, antiodori e anti-allergeni	D15XFT	121	165	07/18	>				34.238.00
1.6 CDTI 110	B16DTE	81	110	03/17	>	25.199.00	26.E2X.01		54.238.00
antibacterial, anti-odour and anti-allergen filter / filtro antibatterico, antiodori e anti-allergeni	B16DTE	81	110	03/17	>				34.238.00
1.6 CDTI 136	B16DTH	100	136	03/17	>	25.199.00	26.E2X.01		54.238.00
antibacterial, anti-odour and anti-allergen filter / filtro antibatterico, antiodori e anti-allergeni	B16DTH	100	136	03/17	>				34.238.00
1.6 Turbo	D16SHT	147	200	06/18	>	25.225.00			54.238.00
antibacterial, anti-odour and anti-allergen filter / filtro antibatterico, antiodori e anti-allergeni	D16SHT	147	200	06/18	>				34.238.00
2.0 CDTI 170	B20DTH	125	170	03/17	>	25.118.00	26.E2X.01		54.238.00
antibacterial, anti-odour and anti-allergen filter / filtro antibatterico, antiodori e anti-allergeni	B20DTH	125	170	03/17	>				34.238.00
2.0 CDTI BiTurbo	B20DTR	154	210	03/17	>	25.118.00	26.E2X.01		54.238.00
antibacterial, anti-odour and anti-allergen filter / filtro antibatterico, antiodori e anti-allergeni	B20DTR	154	210	03/17	>				34.238.00
2.0 Turbo	B20NFT	191	260	03/17	>	23.650.00			54.238.00
antibacterial, anti-odour and anti-allergen filter / filtro antibatterico, antiodori e anti-allergeni	B20NFT	191	260	03/17	>				34.238.00
Insignia B Country Tourer (Z18)									
2.0 CDTI BiTurbo 4x4	B20DTR	154	210	10/17	>	25.118.00	26.E2X.01		54.238.00
antibacterial, anti-odour and anti-allergen filter / filtro antibatterico, antiodori e anti-allergeni	B20DTR	154	210	10/17	>				34.238.00
2.0 ECOTEC	B20NFT/D20NFT	191	260	06/17	>	23.650.00			54.238.00
antibacterial, anti-odour and anti-allergen filter / filtro antibatterico, antiodori e anti-allergeni	B20NFT/D20NFT	191	260	06/17	>				34.238.00
Insignia B Sports Tourer (Z18)									
1.5 CDTI 122	F15DVH	90	122	02/20	>		26.E2X.01		54.238.00
antibacterial, anti-odour and anti-allergen filter / filtro antibatterico, antiodori e anti-allergeni	F15DVH	90	122	02/20	>				34.238.00
2.0 ECOTEC	B20NFT/D20NFT	191	260	03/17	>	23.650.00			54.238.00
antibacterial, anti-odour and anti-allergen filter / filtro antibatterico, antiodori e anti-allergeni	B20NFT/D20NFT	191	260	03/17	>				34.238.00
Kadett D									
1.3 S (S)									
to engine No. S-1619634 / a motore N. S-1619634				08/79	>	23.103.00		30.807.00	
Kadett E									
1.3 S (S)									
to engine No. 1.3S-1619634 / a motore N. 1.3S-1619634	13 S	55	75	09/84	>			30.807.00	
1.8 GSI		66	90	08/90	>	23.129.02	31.611.00	30.990.00	
1.8 GSI		74	101	08/90	>	23.129.02	31.611.00	30.990.00	
1.8 i cat		74	101	08/90	>	23.129.02	31.611.00	30.990.00	
Karl									
1.0	B10XE	55	75	05/15	>			30.B50.00	53.254.00
with activated carbons / ai carboni attivi	B10XE	55	75	05/15	>				54.178.00
antibacterial, anti-odour and anti-allergen filter / filtro antibatterico, antiodori e anti-allergeni	B10XE	55	75	05/15	>				34.178.00
1.0	D10XE	54	73	03/18	>			30.B50.00	53.254.00
with activated carbons / ai carboni attivi	D10XE	54	73	03/18	>				54.178.00
antibacterial, anti-odour and anti-allergen filter / filtro antibatterico, antiodori e anti-allergeni	D10XE	54	73	03/18	>				34.178.00
1.0 GPL/LPG	B10XL	52	71	05/15	>			30.B50.00	53.254.00
with activated carbons / ai carboni attivi	B10XL	52	71	05/15	>				54.178.00
antibacterial, anti-odour and anti-allergen filter / filtro antibatterico, antiodori e anti-allergeni	B10XL	52	71	05/15	>				34.178.00
Meriva A									
1.3 CDTI 16V									
with activated carbons / ai carboni attivi	Y13DT/Z13DT	51	70	07/05	> 01/06		60.H2O.00	30.292.00	54.134.00

...OPEL - cars/auto

from frame No. 64138772 / da telaio N. 64138772	Y13DT/Z13DT	51	70		>	01/06		24.ONE.03	30.292.00		
complete filter with sensor and disassembly key / filtro completo con sensore e chiave di smontaggio	Y13DT/Z13DT	51	70	07/05	>	01/06		55.114.00			19.008.00
complete filter without sensor and disassembly key / filtro completo senza sensore e chiave di smontaggio	Y13DT/Z13DT	51	70	07/05	>	01/06		55.116.00			19.008.00
assembly PURFLUX / montaggio PURFLUX	Y13DT/Z13DT	51	70	07/05	>	01/06	25.043.00	60.H2O.00	30.292.00		53.098.00
assembly UFI / montaggio UFI	Y13DT/Z13DT	51	70	07/05	>	01/06	25.031.00	60.H2O.00	30.292.00		53.098.00
1.3 CDTI 16V											
with activated carbons / ai carboni attivi	Z13DTJ	55	75	12/05	>			60.H2O.00	30.292.00		54.134.00
from frame No. 64088961 / da telaio N. 64088961	Z13DTJ	55	75					24.ONE.03	30.292.00		
complete filter with sensor and disassembly key / filtro completo con sensore e chiave di smontaggio	Z13DTJ	55	75	12/05	>			55.114.00			19.008.00
complete filter without sensor and disassembly key / filtro completo senza sensore e chiave di smontaggio	Z13DTJ	55	75	12/05	>			55.116.00			19.008.00
assembly PURFLUX / montaggio PURFLUX	Z13DTJ	55	75	12/05	>		25.043.00	60.H2O.00	30.292.00		53.098.00
assembly UFI / montaggio UFI	Z13DTJ	55	75	12/05	>		25.031.00	60.H2O.00	30.292.00		53.098.00
1.4 i 16V											
to engine No. 19MA9234 / a motore N. 19MA9234	Z14XEP	66	90	07/04	>		25.012.00				
with activated carbons / ai carboni attivi	Z14XEP	66	90	07/04	>			31.515.00	30.159.00		54.134.00
from engine No. 19MA9235 / da motore N. 19MA9235	Z14XEP	66	90				25.064.00				
1.6 i											
	Z16SE	64	87	02/03	>	12/03	23.129.02	31.515.00	30.159.00		53.098.00
	Z16SE	64	87	01/04	>	08/04	23.299.00	31.515.00	30.159.00		53.098.00
with activated carbons / ai carboni attivi	Z16SE	64	87	02/03	>	12/03	23.129.02	31.515.00	30.159.00		54.134.00
with activated carbons / ai carboni attivi	Z16SE	64	87	01/04	>	08/04	23.299.00	31.515.00	30.159.00		54.134.00
1.6 i 16V											
	Z16XE	74	101	02/03	>	12/03	23.129.02	31.515.00	30.159.00		53.098.00
	Z16XE	74	101	01/04	>		23.299.00	31.515.00	30.159.00		53.098.00
with activated carbons / ai carboni attivi	Z16XE	74	101	02/03	>	12/03	23.129.02	31.515.00	30.159.00		54.134.00
with activated carbons / ai carboni attivi	Z16XE	74	101	01/04	>		23.299.00	31.515.00	30.159.00		54.134.00
1.6 i 16V											
	Z16XEP	77	105	02/06	>		23.299.00		30.159.00		53.098.00
with activated carbons / ai carboni attivi	Z16XEP	77	105	02/06	>		23.299.00		30.159.00		54.134.00
1.6 T 16V OPC											
	Z16LET	132	180	02/06	>		25.064.00	31.515.00	30.159.00		53.098.00
with activated carbons / ai carboni attivi	Z16LET	132	180	02/06	>		25.064.00	31.515.00	30.159.00		54.134.00
1.7 CDTI											
with activated carbons / ai carboni attivi	Z17DT/A17DT	74	101	11/06	>		25.085.00	26.054.00	30.292.00		53.098.00
	Z17DT/A17DT	74	101	11/06	>		25.085.00	26.054.00	30.292.00		54.134.00
1.7 CDTI 16V											
with activated carbons / ai carboni attivi	Z17DTH	74	101	02/03	>		25.027.00		30.159.00		53.098.00
	Z17DTH	74	101	02/03	>		25.027.00		30.159.00		54.134.00
1.7 CDTI 16V											
with activated carbons / ai carboni attivi	Z17DTR/A17DTR	92	125	11/06	>		25.085.00	26.054.00	30.292.00		53.098.00
	Z17DTR/A17DTR	92	125	11/06	>		25.085.00	26.054.00	30.292.00		54.134.00
1.7 DTI 16V											
with activated carbons / ai carboni attivi	Y17DIT	55	75	02/03	>	04/07	25.027.00		30.159.00		53.098.00
	Y17DIT	55	75	02/03	>	04/07	25.027.00		30.159.00		54.134.00
1.8 i 16V											
	Z18XE	92	125	02/03	>	12/03	23.129.02	31.515.00	30.159.00		53.098.00
	Z18XE	92	125	01/04	>		23.299.00	31.515.00	30.159.00		53.098.00
with activated carbons / ai carboni attivi	Z18XE	92	125	02/03	>	12/03	23.129.02	31.515.00	30.159.00		54.134.00
with activated carbons / ai carboni attivi	Z18XE	92	125	01/04	>		23.299.00	31.515.00	30.159.00		54.134.00
Meriva B											
1.3 CDTI 75											
with activated carbons, to frame No. C4999999 / ai carboni attivi, a telaio N. C4999999	A13DTC	55	75	05/10	>	03/17	25.061.00	26.058.00	30.A37.00		
with activated carbons, from frame No. D4000001 / ai carboni attivi, da telaio N. D4000001	A13DTC	55	75	07/12	>	03/17					54.178.00
antibacterial, anti-odour and anti-allergen filter to frame No. C4999999 / filtro antibatterico, antiodori e anti-allergeni a telaio N. C4999999	A13DTC	55	75	05/10	>	06/12					34.178.00
antibacterial, anti-odour and anti-allergen filter from frame No. D4000001 / filtro antibatterico, antiodori e anti-allergeni da telaio N. D4000001	A13DTC	55	75	07/12	>	03/17					34.238.00
1.3 CDTI 95											
with activated carbons, to frame No. C4999999 / ai carboni attivi, a telaio N. C4999999	A13DTE	70	95	05/10	>	11/14	25.061.00	26.058.00	30.A37.00		
with activated carbons, from frame No. D4000001 / ai carboni attivi, da telaio N. D4000001	A13DTE	70	95	05/10	>	06/12					54.178.00
antibacterial, anti-odour and anti-allergen filter to frame No. C4999999 / filtro antibatterico, antiodori e anti-allergeni a telaio N. C4999999	A13DTE	70	95	05/10	>	06/12					34.178.00
antibacterial, anti-odour and anti-allergen filter from frame No. D4000001 / filtro antibatterico, antiodori e anti-allergeni da telaio N. D4000001	A13DTE	70	95	07/12	>	11/14					34.238.00
heat exchanger / scambiatore di calore	A13DTE	70	95	05/10	>	11/14					00.G38.00
1.4 16V VVT											
with activated carbons, to frame No. C4999999 / ai carboni attivi, a telaio N. C4999999	A14XER	74	100	05/10	>	03/17	25.064.00		30.A37.00		
with activated carbons, from frame No. D4000001 / ai carboni attivi, da telaio N. D4000001	A14XER	74	100	05/10	>	06/12					54.178.00
with activated carbons, from frame No. D4000001 / ai carboni attivi, da telaio N. D4000001	A14XER	74	100	07/12	>	03/17					54.238.00
antibacterial, anti-odour and anti-allergen filter to frame No. C4999999 / filtro antibatterico, antiodori e anti-allergeni a telaio N. C4999999	A14XER	74	100	05/10	>	06/12					34.178.00
antibacterial, anti-odour and anti-allergen filter from frame No. D4000001 / filtro antibatterico, antiodori e anti-allergeni da telaio N. D4000001	A14XER	74	100	07/12	>	03/17					34.238.00
1.4 Turbo 120											
with activated carbons, to frame No. C4999999 / ai carboni attivi, a telaio N. C4999999	A14NEL	88	120	05/10	>	03/17	25.064.00		30.A37.00		
with activated carbons, from frame No. D4000001 / ai carboni attivi, da telaio N. D4000001	A14NEL	88	120	05/10	>	06/12					54.178.00
with activated carbons, from frame No. D4000001 / ai carboni attivi, da telaio N. D4000001	A14NEL	88	120	07/12	>	03/17					54.238.00
antibacterial, anti-odour and anti-allergen filter to frame No. C4999999 / filtro antibatterico, antiodori e anti-allergeni a telaio N. C4999999	A14NEL	88	120	05/10	>	06/12					34.178.00
antibacterial, anti-odour and anti-allergen filter from frame No. D4000001 / filtro antibatterico, antiodori e anti-allergeni da telaio N. D4000001	A14NEL	88	120	07/12	>	03/17					34.238.00
1.4 Turbo 120 GPL/LPG TECH											
with activated carbons, to frame No. C4999999 / ai carboni attivi, a telaio N. C4999999	A14NEL	88	120	05/10	>	03/17	25.064.00		30.A37.00		
with activated carbons, from frame No. D4000001 / ai carboni attivi, da telaio N. D4000001	A14NEL	88	120	05/10	>	06/12					54.178.00
with activated carbons, from frame No. D4000001 / ai carboni attivi, da telaio N. D4000001	A14NEL	88	120	07/12	>	03/17					54.238.00
antibacterial, anti-odour and anti-allergen filter to frame No. C4999999 / filtro antibatterico, antiodori e anti-allergeni a telaio N. C4999999	A14NEL	88	120	05/10	>	06/12					34.178.00
antibacterial, anti-odour and anti-allergen filter from frame No. D4000001 / filtro antibatterico, antiodori e anti-allergeni da telaio N. D4000001	A14NEL	88	120	07/12	>	03/17					34.238.00

...OPEL - cars/auto

1.4 Turbo 140	A14NET	103	140	05/10 >	03/17	25.064.00		30.A37.00	54.178.00
with activated carbons, to frame No. C4999999 / ai carboni attivi, a telaio N. C4999999	A14NET	103	140	05/10 >	06/12				54.238.00
with activated carbons, from frame No. D4000001 / ai carboni attivi, da telaio N. D4000001	A14NET	103	140	07/12 >	03/17				34.178.00
antibacterial, anti-odour and anti-allergen filter to frame No. C4999999 / filtro antibatterico, antiodori e anti-allergeni a telaio N. C4999999	A14NET	103	140	05/10 >	06/12				34.238.00
antibacterial, anti-odour and anti-allergen filter from frame No. D4000001 / filtro antibatterico, antiodori e anti-allergeni da telaio N. D4000001	A14NET	103	140	07/12 >	03/17				34.238.00
1.6 CDTI	B16DTC	70	95	01/14 >	03/17	25.199.00	26.058.00	30.A37.00	54.238.00
antibacterial, anti-odour and anti-allergen filter / filtro antibatterico, antiodori e anti-allergeni	B16DTC	70	95	01/14 >	03/17				34.238.00
1.6 CDTI	B16DTH	100	136	08/13 >	03/17	25.199.00	26.058.00	30.A37.00	54.238.00
antibacterial, anti-odour and anti-allergen filter / filtro antibatterico, antiodori e anti-allergeni	B16DTH	100	136	08/13 >	03/17				34.238.00
1.6 CDTI	B16DTL	81	110	03/14 >	03/17	25.199.00	26.058.00	30.A37.00	54.238.00
antibacterial, anti-odour and anti-allergen filter / filtro antibatterico, antiodori e anti-allergeni	B16DTL	81	110	03/14 >	03/17				34.238.00
1.7 CDTI 100 DPF	A17DT	74	100	05/10 >	12/11	25.085.00	26.058.00	30.A37.00	54.178.00
1.7 CDTI 110 DPF	A17DTC	81	110	05/10 >	03/17	25.085.00	26.058.00	30.A37.00	
with activated carbons, to frame No. C4999999 / ai carboni attivi, a telaio N. C4999999	A17DTC	81	110	05/10 >	06/12				54.178.00
with activated carbons, from frame No. D4000001 / ai carboni attivi, da telaio N. D4000001	A17DTC	81	110	07/12 >	03/17				54.238.00
antibacterial, anti-odour and anti-allergen filter to frame No. C4999999 / filtro antibatterico, antiodori e anti-allergeni a telaio N. C4999999	A17DTC	81	110	05/10 >	06/12				34.178.00
antibacterial, anti-odour and anti-allergen filter from frame No. D4000001 / filtro antibatterico, antiodori e anti-allergeni da telaio N. D4000001	A17DTC	81	110	07/12 >	03/17				34.238.00
1.7 CDTI 130 DPF	A17DTS	96	130	05/10 >	03/17	25.085.00	26.058.00	30.A37.00	
with activated carbons, to frame No. C4999999 / ai carboni attivi, a telaio N. C4999999	A17DTS	96	130	05/10 >	06/12				54.178.00
with activated carbons, from frame No. D4000001 / ai carboni attivi, da telaio N. D4000001	A17DTS	96	130	07/12 >	03/17				54.238.00
antibacterial, anti-odour and anti-allergen filter to frame No. C4999999 / filtro antibatterico, antiodori e anti-allergeni a telaio N. C4999999	A17DTS	96	130	05/10 >	06/12				34.178.00
antibacterial, anti-odour and anti-allergen filter from frame No. D4000001 / filtro antibatterico, antiodori e anti-allergeni da telaio N. D4000001	A17DTS	96	130	07/12 >	03/17				34.238.00
Mokka									
1.4 GPL/LPG	A14NET	103	140	09/12 >	11/14	25.064.00		30.609.00	53.254.00
with activated carbons / ai carboni attivi	A14NET	103	140	09/12 >	11/14				54.178.00
antibacterial, anti-odour and anti-allergen filter / filtro antibatterico, antiodori e anti-allergeni	A14NET	103	140	09/12 >	11/14				34.178.00
antibacterial, anti-odour and anti-allergen filter models made in Spain / filtro antibatterico, antiodori e anti-allergeni modelli prodotti in Spagna	A14NET	103	140	09/14 >	11/14				34.238.00
models made in Spain / modelli prodotti in Spagna	A14NET	103	140	09/14 >	11/14				54.238.00
1.4 LPG/GPL	B14NET	103	140	12/14 >	05/16	25.064.00		30.609.00	53.254.00
with activated carbons / ai carboni attivi	B14NET	103	140	12/14 >	05/16				54.178.00
antibacterial, anti-odour and anti-allergen filter / filtro antibatterico, antiodori e anti-allergeni	B14NET	103	140	12/14 >	05/16				34.178.00
antibacterial, anti-odour and anti-allergen filter models made in Spain / filtro antibatterico, antiodori e anti-allergeni modelli prodotti in Spagna	B14NET	103	140	12/14 >	05/16				34.238.00
models made in Spain / modelli prodotti in Spagna	B14NET	103	140	12/14 >	05/16				54.238.00
1.4 Turbo	A14NET	103	140	09/12 >	11/14	25.064.00		30.609.00	53.254.00
with activated carbons / ai carboni attivi	A14NET	103	140	09/12 >	11/14				54.178.00
antibacterial, anti-odour and anti-allergen filter / filtro antibatterico, antiodori e anti-allergeni	A14NET	103	140	09/12 >	11/14				34.178.00
antibacterial, anti-odour and anti-allergen filter models made in Spain / filtro antibatterico, antiodori e anti-allergeni modelli prodotti in Spagna	A14NET	103	140	09/14 >	11/14				34.238.00
models made in Spain / modelli prodotti in Spagna	A14NET	103	140	09/14 >	11/14				54.238.00
1.4 Turbo	B14NET	103	140	12/14 >				30.609.00	53.254.00
with activated carbons / ai carboni attivi	B14NET	103	140	12/14 >					54.178.00
with complete filter HENGST / con filtro completo HENGST	B14NET	103	140	12/14 >		25.064.00			
with complete filter UFI FILTERS / con filtro completo UFI FILTERS	B14NET	103	140	06/16 >		25.183.00			
antibacterial, anti-odour and anti-allergen filter / filtro antibatterico, antiodori e anti-allergeni	B14NET	103	140	12/14 >					34.178.00
antibacterial, anti-odour and anti-allergen filter models made in Spain / filtro antibatterico, antiodori e anti-allergeni modelli prodotti in Spagna	B14NET	103	140	12/14 >					34.238.00
models made in Spain / modelli prodotti in Spagna	B14NET	103	140	12/14 >					54.238.00
heat exchanger UFI FILTERS / scambiatore di calore UFI FILTERS	B14NET	103	140	06/16 >					00.G36.00
1.4 Turbo 4x4	A14NET	103	140	09/12 >	11/14	25.064.00		30.609.00	53.254.00
with activated carbons / ai carboni attivi	A14NET	103	140	09/12 >	11/14				54.178.00
antibacterial, anti-odour and anti-allergen filter / filtro antibatterico, antiodori e anti-allergeni	A14NET	103	140	09/12 >	11/14				34.178.00
antibacterial, anti-odour and anti-allergen filter models made in Spain / filtro antibatterico, antiodori e anti-allergeni modelli prodotti in Spagna	A14NET	103	140	09/14 >	11/14				34.238.00
models made in Spain / modelli prodotti in Spagna	A14NET	103	140	09/14 >	11/14				54.238.00
1.6	A16XER	85	116	09/12 >	11/14	25.064.00		30.609.00	53.254.00
with activated carbons / ai carboni attivi	A16XER	85	116	09/12 >	11/14				54.178.00
antibacterial, anti-odour and anti-allergen filter / filtro antibatterico, antiodori e anti-allergeni	A16XER	85	116	09/12 >	11/14				34.178.00
antibacterial, anti-odour and anti-allergen filter models made in Spain / filtro antibatterico, antiodori e anti-allergeni modelli prodotti in Spagna	A16XER	85	116	09/14 >	11/14				34.238.00
models made in Spain / modelli prodotti in Spagna	A16XER	85	116	09/14 >	11/14				54.238.00
1.6 CDTI	B16DTC	70	95	01/15 >		25.199.00	26.033.00	30.609.00	53.254.00
with activated carbons / ai carboni attivi	B16DTC	70	95	01/15 >					54.178.00
antibacterial, anti-odour and anti-allergen filter / filtro antibatterico, antiodori e anti-allergeni	B16DTC	70	95	01/15 >					34.178.00
antibacterial, anti-odour and anti-allergen filter models made in Spain / filtro antibatterico, antiodori e anti-allergeni modelli prodotti in Spagna	B16DTC	70	95	01/15 >					34.238.00
models made in Spain / modelli prodotti in Spagna	B16DTC	70	95	01/15 >					54.238.00
1.6 CDTI	B16DTH	100	136	01/15 >		25.199.00	26.033.00	30.609.00	53.254.00
with activated carbons / ai carboni attivi	B16DTH	100	136	01/15 >					54.178.00
antibacterial, anti-odour and anti-allergen filter / filtro antibatterico, antiodori e anti-allergeni	B16DTH	100	136	01/15 >					34.178.00
antibacterial, anti-odour and anti-allergen filter models made in Spain / filtro antibatterico, antiodori e anti-allergeni modelli prodotti in Spagna	B16DTH	100	136	01/15 >					34.238.00
models made in Spain / modelli prodotti in Spagna	B16DTH	100	136	01/15 >					54.238.00
1.6 CDTI	B16DTN	81	110	06/15 >		25.199.00	26.033.00	30.609.00	53.254.00

...OPEL - cars/auto

models made in Spain / modelli prodotti in Spagna	B14NET	103	140	05/16	>				54.238.00
heat exchanger UFILTERS / scambiatore di calore UFILTERS	B14NET	103	140	05/16	>				00.G36.00
1.4 Turbo Ecotec	D14NET	103	140	03/18	>			∞	30.609.00
with activated carbons / ai carboni attivi	D14NET	103	140	03/18	>				53.254.00
with complete filter HENGST / con filtro completo HENGST	D14NET	103	140	03/18	>	25.064.00			54.178.00
with complete filter UFILTERS / con filtro completo UFILTERS	D14NET	103	140	03/18	>	25.183.00			
antibacterial, anti-odour and anti-allergen filter / filtro antibatterico, antiodori e anti-allergeni	D14NET	103	140	03/18	>				34.178.00
antibacterial, anti-odour and anti-allergen filter models made in Spain / filtro antibatterico, antiodori e anti-allergeni modelli prodotti in Spagna	D14NET	103	140	03/18	>				34.238.00
models made in Spain / modelli prodotti in Spagna	D14NET	103	140	03/18	>				54.238.00
heat exchanger UFILTERS / scambiatore di calore UFILTERS	D14NET	103	140	03/18	>				00.G36.00
1.4 Turbo Ecotec 4x4	D14NET	103	140	03/18	>			∞	30.609.00
with activated carbons / ai carboni attivi	D14NET	103	140	03/18	>				53.254.00
with complete filter HENGST / con filtro completo HENGST	D14NET	103	140	03/18	>	25.064.00			54.178.00
with complete filter UFILTERS / con filtro completo UFILTERS	D14NET	103	140	03/18	>	25.183.00			
antibacterial, anti-odour and anti-allergen filter / filtro antibatterico, antiodori e anti-allergeni	D14NET	103	140	03/18	>				34.178.00
antibacterial, anti-odour and anti-allergen filter models made in Spain / filtro antibatterico, antiodori e anti-allergeni modelli prodotti in Spagna	D14NET	103	140	03/18	>				34.238.00
models made in Spain / modelli prodotti in Spagna	D14NET	103	140	03/18	>				54.238.00
heat exchanger UFILTERS / scambiatore di calore UFILTERS	D14NET	103	140	03/18	>				00.G36.00
1.6	B16XER	85	116	05/16	>	25.064.00		∞	30.609.00
with activated carbons / ai carboni attivi	B16XER	85	116	05/16	>				53.254.00
antibacterial, anti-odour and anti-allergen filter / filtro antibatterico, antiodori e anti-allergeni	B16XER	85	116	05/16	>				54.178.00
antibacterial, anti-odour and anti-allergen filter models made in Spain / filtro antibatterico, antiodori e anti-allergeni modelli prodotti in Spagna	B16XER	85	116	05/16	>				34.178.00
models made in Spain / modelli prodotti in Spagna	B16XER	85	116	05/16	>				34.238.00
1.6 CDTI	B16DTH	100	136	05/16	>	25.199.00	26.033.00	30.609.00	54.238.00
with activated carbons / ai carboni attivi	B16DTH	100	136	05/16	>				53.254.00
antibacterial, anti-odour and anti-allergen filter / filtro antibatterico, antiodori e anti-allergeni	B16DTH	100	136	05/16	>				54.178.00
antibacterial, anti-odour and anti-allergen filter models made in Spain / filtro antibatterico, antiodori e anti-allergeni modelli prodotti in Spagna	B16DTH	100	136	05/16	>				34.178.00
models made in Spain / modelli prodotti in Spagna	B16DTH	100	136	05/16	>				34.238.00
1.6 CDTI	B16DTU	81	110	05/16	>	25.199.00	26.033.00	30.609.00	54.238.00
with activated carbons / ai carboni attivi	B16DTU	81	110	05/16	>				53.254.00
antibacterial, anti-odour and anti-allergen filter / filtro antibatterico, antiodori e anti-allergeni	B16DTU	81	110	05/16	>				54.178.00
antibacterial, anti-odour and anti-allergen filter models made in Spain / filtro antibatterico, antiodori e anti-allergeni modelli prodotti in Spagna	B16DTU	81	110	05/16	>				34.178.00
models made in Spain / modelli prodotti in Spagna	B16DTU	81	110	05/16	>				34.238.00
1.6 CDTI 4x4	B16DTH	100	136	05/16	>	25.199.00	26.033.00	30.609.00	54.238.00
with activated carbons / ai carboni attivi	B16DTH	100	136	05/16	>				53.254.00
antibacterial, anti-odour and anti-allergen filter / filtro antibatterico, antiodori e anti-allergeni	B16DTH	100	136	05/16	>				54.178.00
antibacterial, anti-odour and anti-allergen filter models made in Spain / filtro antibatterico, antiodori e anti-allergeni modelli prodotti in Spagna	B16DTH	100	136	05/16	>				34.178.00
models made in Spain / modelli prodotti in Spagna	B16DTH	100	136	05/16	>				34.238.00
Omega B									
2.0 DTI 16V	X20DTH	74	101	09/99	> 12/00	25.003.00		30.041.00	54.135.00
2.0 i	X20SE	85	115	09/99	> 12/00	23.129.02	31.515.00	30.041.00	54.135.00
2.0 i 16V	X20XEV	100	136	09/99	> 12/00	23.129.02	31.515.00	30.041.00	54.135.00
2.2 DTI 16V	Y22DTH	81	110	09/00	> 07/03	25.003.00		30.041.00	54.135.00
2.2 DTI 16V	Y22DTH	88	120	09/00	> 07/03	25.003.00		30.041.00	54.135.00
2.2 i 16V	Y22XE	106	144	09/99	> 09/00	23.129.02	31.515.00	30.041.00	54.135.00
2.2 i 16V	Z22XE	106	144	10/00	> 07/03	23.299.00	31.515.00	30.041.00	54.135.00
2.5 DTI 24V	Y25TD	110	150	08/01	> 07/03	25.030.00	24.427.00	30.041.00	54.135.00
2.5 i V6 24V	X25XE	125	170	09/99	> 12/00	25.017.00	31.515.00	30.041.00	54.135.00
2.5 Turbodiesel	U/X25TD	96	130	09/99	> 08/01	25.009.00	24.351.01	30.041.00	54.135.00
2.6 V6	Y26SE	132	180	09/00	> 07/03	25.017.00	31.515.00	30.041.00	54.135.00
3.0 i V6 24V	X30XE	155	211	09/99	> 07/03	25.017.00	31.515.00	30.041.00	54.135.00
3.2 V6	Y32XE	160	218	03/01	> 07/03	25.017.00	31.515.00	30.041.00	54.135.00
Rekord E									
2.0 S									
to engine No. 20S-147082 / a motore N. 20S-147082				08/77	>	23.103.00			
Senator A									
2.3 Complex Diesel				01/85	>		24.351.01	27.828.00	
2.5 E/i									
with air-conditioner / con climatizzatore				01/83	>	23.114.02	31.611.00		
3.0 E									
from engine No. FD 1003807 / da motore N. FD 1003807				01/83	>	23.114.02	31.611.00		
3.0 i									
from engine No. FD 1003807 / da motore N. FD 1003807				01/83	>	23.114.02	31.611.00		
Signum									
1.8 i 16V	Z18XE	90	122	03/03	> 12/03	23.129.02	31.515.00	30.202.00	53.045.00
	Z18XE	90	122	01/04	> 10/09	23.299.00	31.515.00	30.202.00	53.045.00
with activated carbons / ai carboni attivi	Z18XE	90	122	03/03	> 12/03	23.129.02	31.515.00	30.202.00	54.100.00

...OPEL - cars/auto

with activated carbons / ai carboni attivi	Z18XE	90	122	01/04	>	10/09	23.299.00	31.515.00	30.202.00	54.100.00
antibacterial, anti-odour and anti-allergen filter / filtro antibatterico, antiodori e anti-allergeni	Z18XE	90	122	03/03	>	10/09				34.100.00
1.8 i 16V	Z18XER	103	140	02/06	>	10/09	25.064.00		30.202.00	53.045.00
with activated carbons / ai carboni attivi	Z18XER	103	140	02/06	>	10/09	25.064.00		30.202.00	54.100.00
antibacterial, anti-odour and anti-allergen filter / filtro antibatterico, antiodori e anti-allergeni	Z18XER	103	140	02/06	>	10/09				34.100.00
1.9 CDTI 16V	Z19DTH	110	150	04/04	>	10/09	25.049.00	60.H2O.00	30.197.00	53.045.00
with activated carbons / ai carboni attivi	Z19DTH	110	150	04/04	>	10/09	25.049.00	60.H2O.00	30.197.00	54.100.00
antibacterial, anti-odour and anti-allergen filter / filtro antibatterico, antiodori e anti-allergeni	Z19DTH	110	150	04/04	>	10/09				34.100.00
complete filter with R.H.D. and disassembly key / filtro completo con guida a destra e chiave di smontaggio	Z19DTH	110	150	04/04	>	10/09		55.125.00		19.008.00
complete filter with L.H.D. and disassembly key / filtro completo con guida a sinistra e chiave di smontaggio	Z19DTH	110	150	04/04	>	10/09		55.120.00		19.008.00
1.9 CDTI 8V	Z19DT/Z19DTJ	88	120	04/04	>	10/09	25.049.00	60.H2O.00	30.197.00	53.045.00
with activated carbons / ai carboni attivi	Z19DT/Z19DTJ	88	120	04/04	>	10/09	25.049.00	60.H2O.00	30.197.00	54.100.00
antibacterial, anti-odour and anti-allergen filter / filtro antibatterico, antiodori e anti-allergeni	Z19DT/Z19DTJ	88	120	04/04	>	10/09				34.100.00
complete filter with R.H.D. and disassembly key / filtro completo con guida a destra e chiave di smontaggio	Z19DT/Z19DTJ	88	120	04/04	>	10/09		55.125.00		19.008.00
complete filter with L.H.D. and disassembly key / filtro completo con guida a sinistra e chiave di smontaggio	Z19DT/Z19DTJ	88	120	04/04	>	10/09		55.120.00		19.008.00
1.9 CDTI 8V	Z19DTL	74	101	09/05	>	10/09	25.049.00	60.H2O.00	30.197.00	53.045.00
with activated carbons / ai carboni attivi	Z19DTL	74	101	09/05	>	10/09	25.049.00	60.H2O.00	30.197.00	54.100.00
antibacterial, anti-odour and anti-allergen filter / filtro antibatterico, antiodori e anti-allergeni	Z19DTL	74	101	09/05	>	10/09				34.100.00
complete filter with R.H.D. and disassembly key / filtro completo con guida a destra e chiave di smontaggio	Z19DTL	74	101	09/05	>	10/09		55.125.00		19.008.00
complete filter with L.H.D. and disassembly key / filtro completo con guida a sinistra e chiave di smontaggio	Z19DTL	74	101	09/05	>	10/09		55.120.00		19.008.00
2.0 DTI 16V	Y20DTH	74	101	03/03	>	10/09	25.003.00		30.197.00	53.045.00
with activated carbons / ai carboni attivi	Y20DTH	74	101	03/03	>	10/09	25.003.00		30.197.00	54.100.00
antibacterial, anti-odour and anti-allergen filter / filtro antibatterico, antiodori e anti-allergeni	Y20DTH	74	101	03/03	>	10/09				34.100.00
2.0 i 16V Turbo	Z20NET	129	175	03/03	>	10/09	25.024.00	31.515.00	30.197.00	53.045.00
with activated carbons / ai carboni attivi	Z20NET	129	175	03/03	>	10/09	25.024.00	31.515.00	30.197.00	54.100.00
antibacterial, anti-odour and anti-allergen filter / filtro antibatterico, antiodori e anti-allergeni	Z20NET	129	175	03/03	>	10/09				34.100.00
2.2 DTI 16V	Y22DTR	86	117	05/03	>	06/08	25.003.00		30.197.00	53.045.00
with activated carbons / ai carboni attivi	Y22DTR	86	117	05/03	>	06/08	25.003.00		30.197.00	54.100.00
antibacterial, anti-odour and anti-allergen filter / filtro antibatterico, antiodori e anti-allergeni	Y22DTR	86	117	05/03	>	10/09				34.100.00
2.2 DTI 16V	Y22DTR	92	125	03/03	>	10/09	25.003.00		30.197.00	53.045.00
with activated carbons / ai carboni attivi	Y22DTR	92	125	03/03	>	10/09	25.003.00		30.197.00	54.100.00
antibacterial, anti-odour and anti-allergen filter / filtro antibatterico, antiodori e anti-allergeni	Y22DTR	92	125	03/03	>	10/09				34.100.00
2.2 i 16V Direct	Z22YH	114	155	03/03	>	10/09	25.024.00	31.515.00	30.197.00	53.045.00
with activated carbons / ai carboni attivi	Z22YH	114	155	03/03	>	10/09	25.024.00	31.515.00	30.197.00	54.100.00
antibacterial, anti-odour and anti-allergen filter / filtro antibatterico, antiodori e anti-allergeni	Z22YH	114	155	03/03	>	10/09				34.100.00
2.8 V6 Turbo	Z28NEL	169	230	09/05	>	10/09	25.163.00	31.515.00	30.189.00	53.045.00
with activated carbons / ai carboni attivi	Z28NEL	169	230	09/05	>	10/09	25.163.00	31.515.00	30.189.00	54.100.00
antibacterial, anti-odour and anti-allergen filter / filtro antibatterico, antiodori e anti-allergeni	Z28NEL	169	230	09/05	>	10/09				34.100.00
2.8 V6 Turbo S	Z28NET	184	250	02/06	>	10/09	25.163.00	31.515.00	30.189.00	53.045.00
with activated carbons / ai carboni attivi	Z28NET	184	250	02/06	>	10/09	25.163.00	31.515.00	30.189.00	54.100.00
antibacterial, anti-odour and anti-allergen filter / filtro antibatterico, antiodori e anti-allergeni	Z28NET	184	250	02/06	>	10/09				34.100.00
3.0 V6 CDTI	Y30DT	130	177	03/03	>	08/05	25.108.00		30.197.00	53.045.00
with activated carbons / ai carboni attivi	Y30DT	130	177	03/03	>	08/05	25.108.00		30.197.00	54.100.00
antibacterial, anti-odour and anti-allergen filter / filtro antibatterico, antiodori e anti-allergeni	Y30DT	130	177	03/03	>	08/05				34.100.00
3.0 V6 CDTI	Z30DT	135	184	09/05	>	10/09			30.197.00	53.045.00
with activated carbons / ai carboni attivi	Z30DT	135	184	09/05	>	10/09			30.197.00	54.100.00
antibacterial, anti-odour and anti-allergen filter / filtro antibatterico, antiodori e anti-allergeni	Z30DT	135	184	09/05	>	10/09				34.100.00
3.2 i V6 24V	Z32SE	155	211	03/03	>	10/09	25.017.00	31.515.00	30.197.00	53.045.00
with activated carbons / ai carboni attivi	Z32SE	155	211	03/03	>	10/09	25.017.00	31.515.00	30.197.00	54.100.00
antibacterial, anti-odour and anti-allergen filter / filtro antibatterico, antiodori e anti-allergeni	Z32SE	155	211	03/03	>	10/09				34.100.00
Sintra										
3.0 V6 24V Autom.										
to engine No. 08300418 / a motore N. 08300418	X30XE			11/96	>		23.129.02		30.096.00	53.068.00
Speedster										
2.0 i Turbo	Z20LET/Z20ZET	147	200	03/03	>	09/05	23.299.00		30.107.00	
2.2 i 16V	Z22SE	108	147	08/00	>	09/05	25.024.00		30.063.00	
Tigra A										
1.4 i 16V										
with air-conditioner / con climatizzatore		63	86	08/97	>	12/00	23.129.02	31.515.00	30.027.00	53.015.00
with activated carbon air-conditioner / con climatizzatore, ai carboni attivi		63	86	08/97	>	12/00				54.277.00
without air-conditioner / senza climatizzatore		63	86	08/97	>	12/00	23.129.02	31.515.00	30.027.00	53.001.00
without activated carbon air-conditioner / senza climatizzatore, ai carboni attivi		63	86	08/97	>	12/00				54.278.00
1.4 i 16V										
with air-conditioner / con climatizzatore	X14XE	66	90	07/94	>	12/00	23.129.02	31.515.00	30.027.00	53.015.00
with activated carbon air-conditioner / con climatizzatore, ai carboni attivi	X14XE	66	90	07/94	>	12/00				54.277.00
without air-conditioner / senza climatizzatore	X14XE	66	90	07/94	>	12/00	23.129.02	31.515.00	30.027.00	53.001.00
without activated carbon air-conditioner / senza climatizzatore, ai carboni attivi	X14XE	66	90	07/94	>	12/00				54.278.00

...OPEL - cars/auto

1.6 i 16V										
with air-conditioner / con climatizzatore		74	100	08/97	>	12/00	23.129.02	31.515.00	30.027.00	53.015.00
with activated carbon air-conditioner / con climatizzatore, ai carboni attivi		74	100	08/97	>	12/00	23.129.02	31.515.00	30.027.00	54.277.00
without air-conditioner / senza climatizzatore		74	100	08/97	>	12/00	23.129.02	31.515.00	30.027.00	53.001.00
without activated carbon air-conditioner / senza climatizzatore, ai carboni attivi		74	100	08/97	>	12/00	23.129.02	31.515.00	30.027.00	54.278.00
1.6 i 16V										
with air-conditioner / con climatizzatore	X16XE	78	106	07/94	>	12/00	23.129.02	31.515.00	30.027.00	53.015.00
with activated carbon air-conditioner / con climatizzatore, ai carboni attivi	X16XE	78	106	07/94	>	12/00	23.129.02	31.515.00	30.027.00	54.277.00
without air-conditioner / senza climatizzatore	X16XE	78	106	07/94	>	12/00	23.129.02	31.515.00	30.027.00	53.001.00
without activated carbon air-conditioner / senza climatizzatore, ai carboni attivi	X16XE	78	106	07/94	>	12/00	23.129.02	31.515.00	30.027.00	54.278.00
Tigra Twin-Top B										
1.3 CDTI 16V										
with activated carbons / ai carboni attivi	Z13DT	51	70	12/04	>		25.043.00	60.H2O.00	30.292.00	54.100.00
antibacterial, anti-odour and anti-allergen filter / filtro antibatterico, antiodori e anti-allergeni	Z13DT	51	70	12/04	>					34.100.00
complete filter with sensor and disassembly key / filtro completo con sensore e chiave di smontaggio	Z13DT	51	70	12/04	>			55.116.01		19.008.00
complete filter without sensor and disassembly key / filtro completo senza sensore e chiave di smontaggio	Z13DT	51	70	12/04	>			55.114.01		19.008.00
assembly PURFLUX / montaggio PURFLUX	Z13DT	51	70	12/04	>		25.043.00	60.H2O.00	30.292.00	53.045.00
assembly UFI / montaggio UFI	Z13DT	51	70	12/04	>		25.031.00	60.H2O.00	30.292.00	53.045.00
1.4 i 16V										
to engine No. 19MA9234 / a motore N. 19MA9234	Z14XEP	66	90	07/04	>		25.012.00	31.515.00	30.159.00	53.045.00
with activated carbons / ai carboni attivi	Z14XEP	66	90				25.012.00			
from engine No. 19MA9235 / da motore N. 19MA9235	Z14XEP	66	90	07/04	>		25.012.00	31.515.00	30.159.00	54.100.00
antibacterial, anti-odour and anti-allergen filter / filtro antibatterico, antiodori e anti-allergeni	Z14XEP	66	90	07/04	>		25.064.00			34.100.00
1.8 i 16V										
with activated carbons / ai carboni attivi	Z18XE	92	125	07/04	>		23.299.00	31.515.00	30.159.00	53.045.00
antibacterial, anti-odour and anti-allergen filter / filtro antibatterico, antiodori e anti-allergeni	Z18XE	92	125	07/04	>		23.299.00	31.515.00	30.159.00	54.100.00
Vectra B										
1.6 i										
	1.6LZ, 1.6LZ2			10/95	>	03/02	23.129.02	31.515.00	30.063.00	53.014.00
with activated carbons / ai carboni attivi	1.6LZ, 1.6LZ2			10/95	>	03/02				54.197.00
1.6 i 16V										
	X16XEL, Y16XE, Z16XE			10/95	>	03/02	23.129.02	31.515.00	30.063.00	53.014.00
with activated carbons / ai carboni attivi	X16XEL, Y16XE, Z16XE			10/95	>	03/02				54.197.00
1.8 i 16V										
	X18XE1	85	115	06/98	>	12/00	25.017.00	31.515.00	30.063.00	53.014.00
with activated carbons / ai carboni attivi	X18XE1	85	115	06/98	>	12/00				54.197.00
1.8 i 16V										
	Z18XE	92	125	10/00	>	03/02	25.017.00	31.515.00	30.063.00	53.014.00
with activated carbons / ai carboni attivi	Z18XE	92	125	10/00	>	03/02				54.197.00
2.0 DI 16V Turbo										
	X20DTL	60	82	04/97	>	12/00	25.003.00		30.083.00	53.014.00
with activated carbons / ai carboni attivi	X20DTL	60	82	04/97	>	12/00				54.197.00
2.0 DTI 16V Turbo										
	X20DTH	74	101	06/97	>	03/02	25.003.00		30.083.00	53.014.00
with activated carbons / ai carboni attivi	X20DTH	74	101	06/97	>	03/02				54.197.00
2.0 i										
	2.0NE			10/95	>	03/02	23.129.02	31.515.00	30.063.00	53.014.00
with activated carbons / ai carboni attivi	2.0NE			10/95	>	03/02				54.197.00
2.0 i										
	2.0NEJ			10/95	>	03/02	23.129.02	31.515.00		53.014.00
with activated carbons / ai carboni attivi	2.0NEJ			10/95	>	03/02				54.197.00
2.0 i 16V										
	X20XEV, C20SEL			10/95	>	03/02	23.129.02	31.515.00	30.063.00	53.014.00
with activated carbons / ai carboni attivi	X20XEV, C20SEL			10/95	>	03/02				54.197.00
2.2 DTI 16V Turbo										
	Y22DTH	92	125	10/00	>	03/02	25.003.00		30.160.00	53.014.00
with activated carbons / ai carboni attivi	Y22DTH	92	125	10/00	>	03/02				54.197.00
2.2 DTI 16V Turbo										
	Y22DTR	92	125	10/00	>	03/02	25.003.00		30.160.00	53.014.00
with activated carbons / ai carboni attivi	Y22DTR	92	125	10/00	>	03/02				54.197.00
2.2 i 16V										
	C22SEL	106	145	09/99	>	03/02	23.129.02	31.515.00	30.063.00	53.014.00
with activated carbons / ai carboni attivi	C22SEL	106	145	09/99	>	03/02				54.197.00
2.2 i 16V										
	Z22SE	108	147	09/00	>	03/02	25.024.00	31.515.00	30.083.00	53.014.00
with activated carbons / ai carboni attivi	Z22SE	108	147	09/00	>	03/02				54.197.00
2.5 i V6 24V										
		125	170	06/98	>	12/00	25.017.00	31.515.00	30.063.00	53.014.00
with activated carbons / ai carboni attivi		125	170	10/95	>	12/00				54.197.00
2.5 i V6 24V										
		143	190	06/98	>	12/00	25.017.00	31.515.00	30.063.00	53.014.00
with activated carbons / ai carboni attivi		143	190	10/95	>	12/00				54.197.00
2.6 i V6										
	Y26SE	125	170	10/00	>	03/02	25.017.00	31.515.00	30.063.00	53.014.00
with activated carbons / ai carboni attivi	Y26SE	125	170	10/00	>	03/02				54.197.00
Vectra C										
1.6 16V										
	Z16XE	74	101	03/02	>	12/03	23.129.02	31.515.00	30.202.00	53.045.00
	Z16XE	74	101	01/04	>	12/05	23.299.00	31.515.00	30.202.00	53.045.00
with activated carbons / ai carboni attivi	Z16XE	74	101	03/02	>	12/03	23.129.02	31.515.00	30.202.00	54.100.00
with activated carbons / ai carboni attivi	Z16XE	74	101	01/04	>	12/05	23.299.00	31.515.00	30.202.00	54.100.00
antibacterial, anti-odour and anti-allergen filter / filtro antibatterico, antiodori e anti-allergeni	Z16XE	74	101	03/00	>	12/05				34.100.00
1.6 16V										
	Z16XEP	77	105	10/05	>	08/08	23.299.00		30.202.00	53.045.00
with activated carbons / ai carboni attivi	Z16XEP	77	105	10/05	>	08/08	23.299.00		30.202.00	54.100.00

...OPEL - cars/auto

antibacterial, anti-odour and anti-allergen filter / filtro antibatterico, antiodori e anti-allergeni	Z16XEP	77	105	10/05	>	08/08				34.100.00
1.8 16V	Z18XE	90	122	03/02	>	12/03	23.129.02	31.515.00	30.202.00	53.045.00
	Z18XE	90	122	01/04	>	12/05	23.299.00	31.515.00	30.202.00	53.045.00
with activated carbons / ai carboni attivi	Z18XE	90	122	03/02	>	12/03	23.129.02	31.515.00	30.202.00	54.100.00
with activated carbons / ai carboni attivi	Z18XE	90	122	01/04	>	12/05	23.299.00	31.515.00	30.202.00	54.100.00
antibacterial, anti-odour and anti-allergen filter / filtro antibatterico, antiodori e anti-allergeni	Z18XE	90	122	03/02	>	12/05				34.100.00
1.8 16V	Z18XEL	81	110	03/02	>	12/03	23.129.02	31.515.00	30.202.00	53.045.00
	Z18XEL	81	110	01/04	>	12/05	23.299.00	31.515.00	30.202.00	53.045.00
with activated carbons / ai carboni attivi	Z18XEL	81	110	03/02	>	12/03	23.129.02	31.515.00	30.202.00	54.100.00
with activated carbons / ai carboni attivi	Z18XEL	81	110	01/04	>	12/05	23.299.00	31.515.00	30.202.00	54.100.00
antibacterial, anti-odour and anti-allergen filter / filtro antibatterico, antiodori e anti-allergeni	Z18XEL	81	110	03/02	>	12/05				34.100.00
1.8 16V	Z18XER	103	140	10/05	>	08/08	25.064.00		30.202.00	53.045.00
with activated carbons / ai carboni attivi	Z18XER	103	140	10/05	>	08/08	25.064.00		30.202.00	54.100.00
antibacterial, anti-odour and anti-allergen filter / filtro antibatterico, antiodori e anti-allergeni	Z18XER	103	140	10/05	>	08/08				34.100.00
1.9 CDTI 16V	Z19DTH	110	150	01/04	>	08/08	25.049.00	60.H2O.00	30.197.00	53.045.00
with activated carbons / ai carboni attivi	Z19DTH	110	150	01/04	>	08/08	25.049.00	60.H2O.00	30.197.00	54.100.00
antibacterial, anti-odour and anti-allergen filter / filtro antibatterico, antiodori e anti-allergeni	Z19DTH	110	150	01/04	>	08/08				34.100.00
complete filter with R.H.D. and disassembly key / filtro completo con guida a destra e chiave di smontaggio	Z19DTH	110	150	01/04	>	08/08		55.125.00		19.008.00
complete filter with L.H.D. and disassembly key / filtro completo con guida a sinistra e chiave di smontaggio	Z19DTH	110	150	01/04	>	08/08		55.120.00		19.008.00
1.9 CDTI 8V	Z19DT/Z19DTJ	88	120	01/04	>	08/08	25.049.00	60.H2O.00	30.197.00	53.045.00
with activated carbons / ai carboni attivi	Z19DT/Z19DTJ	88	120	01/04	>	08/08	25.049.00	60.H2O.00	30.197.00	54.100.00
antibacterial, anti-odour and anti-allergen filter / filtro antibatterico, antiodori e anti-allergeni	Z19DT/Z19DTJ	88	120	01/04	>	12/05				34.100.00
complete filter with R.H.D. and disassembly key / filtro completo con guida a destra e chiave di smontaggio	Z19DT/Z19DTJ	88	120	01/04	>	08/08		55.125.00		19.008.00
complete filter with L.H.D. and disassembly key / filtro completo con guida a sinistra e chiave di smontaggio	Z19DT/Z19DTJ	88	120	01/04	>	08/08		55.120.00		19.008.00
1.9 CDTI 8V	Z19DTL	74	101	07/05	>	08/08	25.049.00	60.H2O.00	30.197.00	53.045.00
with activated carbons / ai carboni attivi	Z19DTL	74	101	07/05	>	08/08	25.049.00	60.H2O.00	30.197.00	54.100.00
antibacterial, anti-odour and anti-allergen filter / filtro antibatterico, antiodori e anti-allergeni	Z19DTL	74	101	07/05	>	08/08				34.100.00
2.0 DTI 16V	Y20DTH	74	101	03/02	>	11/04	25.003.00		30.197.00	53.045.00
with activated carbons / ai carboni attivi	Y20DTH	74	101	03/02	>	11/04	25.003.00		30.197.00	54.100.00
antibacterial, anti-odour and anti-allergen filter / filtro antibatterico, antiodori e anti-allergeni	Y20DTH	74	101	03/02	>	11/04				34.100.00
2.0 T	Z20NET	129	175	03/03	>	08/08	25.024.00		30.197.00	53.045.00
with activated carbons / ai carboni attivi	Z20NET	129	175	03/03	>	08/08	25.024.00		30.197.00	54.100.00
antibacterial, anti-odour and anti-allergen filter / filtro antibatterico, antiodori e anti-allergeni	Z20NET	129	175	03/00	>	08/08				34.100.00
2.2 16V	Z22SE/Z22XE	108	147	03/02	>	12/03	25.024.00	31.515.00	30.197.00	53.045.00
with activated carbons / ai carboni attivi	Z22SE/Z22XE	108	147	03/02	>	12/03	25.024.00	31.515.00	30.197.00	54.100.00
antibacterial, anti-odour and anti-allergen filter / filtro antibatterico, antiodori e anti-allergeni	Z22SE/Z22XE	108	147	03/02	>	12/03				34.100.00
2.2 16V Direct	Z22YH	114	155	09/03	>	08/08	25.024.00	31.515.00	30.197.00	53.045.00
with activated carbons / ai carboni attivi	Z22YH	114	155	09/03	>	08/08	25.024.00	31.515.00	30.197.00	54.100.00
antibacterial, anti-odour and anti-allergen filter / filtro antibatterico, antiodori e anti-allergeni	Z22YH	114	155	09/03	>	08/08				34.100.00
2.2 DTI 16V	Y22DTR	86	117	08/02	>	06/08	25.003.00		30.197.00	53.045.00
with activated carbons / ai carboni attivi	Y22DTR	86	117	08/02	>	06/08	25.003.00		30.197.00	54.100.00
antibacterial, anti-odour and anti-allergen filter / filtro antibatterico, antiodori e anti-allergeni	Y22DTR	86	117	08/02	>	06/08				34.100.00
2.2 DTI 16V	Y22DTR	92	125	03/02	>	11/04	25.003.00		30.197.00	53.045.00
with activated carbons / ai carboni attivi	Y22DTR	92	125	03/02	>	11/04	25.003.00		30.197.00	54.100.00
antibacterial, anti-odour and anti-allergen filter / filtro antibatterico, antiodori e anti-allergeni	Y22DTR	92	125	03/02	>	11/04				34.100.00
2.8 V6 T	Z28NEL	169	230	07/05	>	10/06	25.163.00	31.515.00	30.189.00	53.045.00
with activated carbons / ai carboni attivi	Z28NEL	169	230	07/05	>	10/06	25.163.00	31.515.00	30.189.00	54.100.00
antibacterial, anti-odour and anti-allergen filter / filtro antibatterico, antiodori e anti-allergeni	Z28NEL	169	230	07/05	>	10/06				34.100.00
2.8 V6 T OPC	Z28NET	184	250	09/06	>	08/08	25.163.00	31.515.00	30.189.00	53.045.00
with activated carbons / ai carboni attivi	Z28NET	184	250	09/06	>	08/08	25.163.00	31.515.00	30.189.00	54.100.00
antibacterial, anti-odour and anti-allergen filter / filtro antibatterico, antiodori e anti-allergeni	Z28NET	184	250	09/06	>	08/08				34.100.00
2.8 V6 T OPC	Z28NET	188	255	11/05	>	08/08	25.163.00	31.515.00	30.189.00	53.045.00
with activated carbons / ai carboni attivi	Z28NET	188	255	11/05	>	08/08	25.163.00	31.515.00	30.189.00	54.100.00
antibacterial, anti-odour and anti-allergen filter / filtro antibatterico, antiodori e anti-allergeni	Z28NET	188	255	11/05	>	08/08				34.100.00
2.8 V6 T OPC	Z28NET	206	280	07/06	>	08/08	25.163.00	31.515.00	30.189.00	53.045.00
with activated carbons / ai carboni attivi	Z28NET	206	280	07/06	>	08/08	25.163.00	31.515.00	30.189.00	54.100.00
antibacterial, anti-odour and anti-allergen filter / filtro antibatterico, antiodori e anti-allergeni	Z28NET	206	280	07/06	>	08/08				34.100.00
3.0 V6 CDTI	Y30DT	130	177	09/03	>	06/05	25.108.00		30.197.00	53.045.00
with activated carbons / ai carboni attivi	Y30DT	130	177	09/03	>	06/05	25.108.00		30.197.00	54.100.00
antibacterial, anti-odour and anti-allergen filter / filtro antibatterico, antiodori e anti-allergeni	Y30DT	130	177	09/03	>	06/05				34.100.00
3.0 V6 CDTI	Z30DT	135	184	07/05	>	08/08			30.197.00	53.045.00
with activated carbons / ai carboni attivi	Z30DT	135	184	07/05	>	08/08			30.197.00	54.100.00
antibacterial, anti-odour and anti-allergen filter / filtro antibatterico, antiodori e anti-allergeni	Z30DT	135	184	07/05	>	08/08				34.100.00
3.2 V6	Y32SE/Z32SE	155	211	03/02	>	06/05	25.017.00	31.515.00	30.197.00	53.045.00
with activated carbons / ai carboni attivi	Y32SE/Z32SE	155	211	03/02	>	06/05	25.017.00	31.515.00	30.197.00	54.100.00
antibacterial, anti-odour and anti-allergen filter / filtro antibatterico, antiodori e anti-allergeni	Y32SE/Z32SE	155	211	03/02	>	06/05				34.100.00

Zafira A

...OPEL - cars/auto

1.6 16V Eco M										
with air-conditioner BEHR / con climatizzatore BEHR	Z16YNG	71	97	07/01	>	03/05	23.299.00	31.515.00	30.107.00	53.030.00
with activated carbon air-conditioner BEHR / con climatizzatore, ai carboni attivi BEHR	Z16YNG	71	97	07/01	>	03/05				54.230.00
antibacterial, anti-odour and anti-allergen filter with air-conditioner BEHR / filtro antibatterico, antiodori e anti-allergeni con climatizzatore BEHR	Z16YNG	71	97	07/01	>	03/05				34.230.00
1.6 i 16V										
with air-conditioner BEHR / con climatizzatore BEHR	X16XEL	74	101	02/99	>	09/00	23.129.02	31.515.00	30.107.00	53.030.00
with activated carbon air-conditioner BEHR / con climatizzatore, ai carboni attivi BEHR	X16XEL	74	101	02/99	>	09/00				54.230.00
antibacterial, anti-odour and anti-allergen filter with air-conditioner BEHR / filtro antibatterico, antiodori e anti-allergeni con climatizzatore BEHR	X16XEL	74	101	02/99	>	09/00				34.230.00
1.6 i 16V										
with air-conditioner BEHR / con climatizzatore BEHR	Z16XE/Z16XEP	74	101	07/00	>	03/05	23.299.00	31.515.00	30.107.00	53.030.00
with activated carbon air-conditioner BEHR / con climatizzatore, ai carboni attivi BEHR	Z16XE/Z16XEP	74	101	07/00	>	03/05				54.230.00
antibacterial, anti-odour and anti-allergen filter with air-conditioner BEHR / filtro antibatterico, antiodori e anti-allergeni con climatizzatore BEHR	Z16XE/Z16XEP	74	101	07/00	>	03/05				34.230.00
1.8 i 16V										
with air-conditioner BEHR / con climatizzatore BEHR	X18XE1	85	115	02/99	>	06/00	25.017.00	31.515.00	30.107.00	53.030.00
with activated carbon air-conditioner BEHR / con climatizzatore, ai carboni attivi BEHR	X18XE1	85	115	02/99	>	06/00				54.230.00
antibacterial, anti-odour and anti-allergen filter with air-conditioner BEHR / filtro antibatterico, antiodori e anti-allergeni con climatizzatore BEHR	X18XE1	85	115	02/99	>	06/00				34.230.00
1.8 i 16V										
to engine No. 20V00604 / a motore N. 20V00604	Z18XE	92	125	07/00	>		25.017.00	31.515.00	30.107.00	
with air-conditioner BEHR / con climatizzatore BEHR	Z18XE	92	125	07/00	>	03/05				53.030.00
with activated carbon air-conditioner BEHR / con climatizzatore, ai carboni attivi BEHR	Z18XE	92	125	07/00	>	03/05				54.230.00
from engine No. 20V00605 / da motore N. 20V00605	Z18XE	92	125		>	03/05	23.299.00	31.515.00	30.107.00	
antibacterial, anti-odour and anti-allergen filter with air-conditioner BEHR / filtro antibatterico, antiodori e anti-allergeni con climatizzatore BEHR	Z18XE	92	125	07/00	>	03/05				34.230.00
2.0 DI 16V										
with air-conditioner BEHR / con climatizzatore BEHR	X20DTL	60	82	02/99	>	06/00	25.003.00		30.107.00	53.030.00
with activated carbon air-conditioner BEHR / con climatizzatore, ai carboni attivi BEHR	X20DTL	60	82	02/99	>	06/00				54.230.00
antibacterial, anti-odour and anti-allergen filter with air-conditioner BEHR / filtro antibatterico, antiodori e anti-allergeni con climatizzatore BEHR	X20DTL	60	82	02/99	>	06/00				34.230.00
2.0 DTI 16V										
with air-conditioner BEHR / con climatizzatore BEHR	Y20DTH	74	101	07/00	>	07/01	25.003.00		30.107.00	53.030.00
with air-conditioner BEHR / con climatizzatore BEHR	Y20DTH	74	101	08/01	>	03/05	25.003.00		30.258.00	53.030.00
with activated carbon air-conditioner BEHR / con climatizzatore, ai carboni attivi BEHR	Y20DTH	74	101	07/00	>	03/05				54.230.00
antibacterial, anti-odour and anti-allergen filter with air-conditioner BEHR / filtro antibatterico, antiodori e anti-allergeni con climatizzatore BEHR	Y20DTH	74	101	07/00	>	03/05				34.230.00
2.0 OPC Turbo										
with air-conditioner BEHR / con climatizzatore BEHR	Z20LET	141	192	04/01	>	03/05	23.129.02	31.515.00	30.107.00	53.030.00
with activated carbon air-conditioner BEHR / con climatizzatore, ai carboni attivi BEHR	Z20LET	141	192	04/01	>	03/05				54.230.00
antibacterial, anti-odour and anti-allergen filter with air-conditioner BEHR / filtro antibatterico, antiodori e anti-allergeni con climatizzatore BEHR	Z20LET	141	192	04/01	>	03/05				34.230.00
2.2 DTI 16V										
with air-conditioner BEHR / con climatizzatore BEHR	Y22DTR	92	125	12/01	>	07/05	25.003.00		30.258.00	53.030.00
with activated carbon air-conditioner BEHR / con climatizzatore, ai carboni attivi BEHR	Y22DTR	92	125	12/01	>	07/05				54.230.00
antibacterial, anti-odour and anti-allergen filter with air-conditioner BEHR / filtro antibatterico, antiodori e anti-allergeni con climatizzatore BEHR	Y22DTR	92	125	12/01	>	07/05				34.230.00
2.2 i 16V										
with air-conditioner BEHR / con climatizzatore BEHR	Z22SE	108	147	07/00	>	07/05	25.024.00	31.515.00	30.203.00	53.030.00
with activated carbon air-conditioner BEHR / con climatizzatore, ai carboni attivi BEHR	Z22SE	108	147	07/00	>	07/05				54.230.00
antibacterial, anti-odour and anti-allergen filter with air-conditioner BEHR / filtro antibatterico, antiodori e anti-allergeni con climatizzatore BEHR	Z22SE	108	147	07/00	>	07/05				34.230.00
Zafira B										
1.6 16V										
	A16XER	85	115	07/10	>	11/13	25.064.00		30.107.00	53.030.00
with activated carbons / ai carboni attivi	A16XER	85	115	07/10	>	11/13				54.230.00
antibacterial, anti-odour and anti-allergen filter / filtro antibatterico, antiodori e anti-allergeni	A16XER	85	115	07/10	>	11/13				34.230.00
1.6 16V										
	Z16XE1/Z16XEP	77	105	07/05	>	01/08	23.299.00		30.107.00	53.030.00
with activated carbons / ai carboni attivi	Z16XE1/Z16XEP	77	105	07/05	>	01/08				54.230.00
antibacterial, anti-odour and anti-allergen filter / filtro antibatterico, antiodori e anti-allergeni	Z16XE1/Z16XEP	77	105	07/05	>	01/08				34.230.00
1.6 16V										
	Z16XER	85	115	10/07	>	06/10	25.064.00		30.107.00	53.030.00
with activated carbons / ai carboni attivi	Z16XER	85	115	10/07	>	06/10				54.230.00
antibacterial, anti-odour and anti-allergen filter / filtro antibatterico, antiodori e anti-allergeni	Z16XER	85	115	10/07	>	06/10				34.230.00
1.6 16V Eco M										
	Z16YNG	69	94	07/06	>	11/10	23.299.00		30.107.00	53.030.00
with activated carbons / ai carboni attivi	Z16YNG	69	94	07/06	>	11/10				54.230.00
antibacterial, anti-odour and anti-allergen filter / filtro antibatterico, antiodori e anti-allergeni	Z16YNG	69	94	07/06	>	11/10				34.230.00
1.6 16V Eco M Turbo										
	A16XNT	110	150	07/10	>	11/13	25.064.00		30.259.00	53.030.00
with activated carbons / ai carboni attivi	A16XNT	110	150	07/10	>	11/13				54.230.00
antibacterial, anti-odour and anti-allergen filter / filtro antibatterico, antiodori e anti-allergeni	A16XNT	110	150	07/10	>	11/13				34.230.00
1.6 16V Eco M Turbo										
	Z16XNT	110	150	01/09	>	06/10	25.064.00		30.259.00	53.030.00
with activated carbons / ai carboni attivi	Z16XNT	110	150	01/09	>	06/10				54.230.00
antibacterial, anti-odour and anti-allergen filter / filtro antibatterico, antiodori e anti-allergeni	Z16XNT	110	150	01/09	>	06/10				34.230.00
1.7 CDTI										
	A17DTJ	81	110	07/10	>	08/11	25.085.00	26.054.00	30.259.00	53.030.00
with activated carbons / ai carboni attivi	A17DTJ	81	110	07/10	>	08/11				54.230.00
antibacterial, anti-odour and anti-allergen filter / filtro antibatterico, antiodori e anti-allergeni	A17DTJ	81	110	07/10	>	08/11				34.230.00
1.7 CDTI										
	A17DTR	92	125	09/11	>	09/14	25.085.00	26.054.00	30.259.00	53.030.00
with activated carbons / ai carboni attivi	A17DTR	92	125	09/11	>	09/14				54.230.00

...OPEL - cars/auto

antibacterial, anti-odour and anti-allergen filter / filtro antibatterico, antiodori e anti-allergeni	A17DTR	92	125	09/11	>	09/14				34.230.00
1.7 CDTi	Z17DTJ	81	110	12/07	>	06/10	25.085.00	26.054.00	30.259.00	53.030.00
with activated carbons / ai carboni attivi	Z17DTJ	81	110	12/07	>	06/10				54.230.00
antibacterial, anti-odour and anti-allergen filter / filtro antibatterico, antiodori e anti-allergeni	Z17DTJ	81	110	12/07	>	06/10				34.230.00
1.7 CDTi	Z17DTR/A17DTR	92	125	12/07	>	08/11	25.085.00	26.054.00	30.259.00	53.030.00
with activated carbons / ai carboni attivi	Z17DTR/A17DTR	92	125	12/07	>	08/11				54.230.00
antibacterial, anti-odour and anti-allergen filter / filtro antibatterico, antiodori e anti-allergeni	Z17DTR/A17DTR	92	125	12/07	>	08/11				34.230.00
1.8 16V ecoFlex GPL/LPG	A18XER	103	140	07/09	>	11/10	25.064.00	∞	30.107.00	53.030.00
with activated carbons / ai carboni attivi	A18XER	103	140	07/09	>	11/10				54.230.00
antibacterial, anti-odour and anti-allergen filter / filtro antibatterico, antiodori e anti-allergeni	A18XER	103	140	07/09	>	11/10				34.230.00
1.8 16V	A18XER	103	140	07/10	>	09/14	25.064.00	∞	30.107.00	53.030.00
with activated carbons / ai carboni attivi	A18XER	103	140	07/10	>	09/14				54.230.00
antibacterial, anti-odour and anti-allergen filter / filtro antibatterico, antiodori e anti-allergeni	A18XER	103	140	07/10	>	09/14				34.230.00
1.8 16V	Z18XER	103	140	07/05	>	11/10	25.064.00	∞	30.107.00	53.030.00
with activated carbons / ai carboni attivi	Z18XER	103	140	07/05	>	11/10				54.230.00
antibacterial, anti-odour and anti-allergen filter / filtro antibatterico, antiodori e anti-allergeni	Z18XER	103	140	07/05	>	11/10				34.230.00
1.9 CDTi 16V	Z19DTH	110	150	07/05	>	11/10	25.049.00	60.H2O.00	30.259.00	53.030.00
with activated carbons / ai carboni attivi	Z19DTH	110	150	07/05	>	11/10				54.230.00
antibacterial, anti-odour and anti-allergen filter / filtro antibatterico, antiodori e anti-allergeni	Z19DTH	110	150	07/05	>	11/10				34.230.00
complete filter and disassembly key / filtro completo e chiave di smontaggio	Z19DTH	110	150	07/05	>	11/10		55.152.00		19.008.00
1.9 CDTi 8V	Z19DT/Z19DTJ	88	120	07/05	>	11/10	25.049.00	60.H2O.00	30.259.00	53.030.00
with activated carbons / ai carboni attivi	Z19DT/Z19DTJ	88	120	07/05	>	11/10				54.230.00
antibacterial, anti-odour and anti-allergen filter / filtro antibatterico, antiodori e anti-allergeni	Z19DT/Z19DTJ	88	120	07/05	>	11/10				34.230.00
complete filter and disassembly key / filtro completo e chiave di smontaggio	Z19DT/Z19DTJ	88	120	07/05	>	11/10		55.152.00		19.008.00
1.9 CDTi 8V	Z19DTL	74	101	07/05	>	11/07	25.049.00	60.H2O.00	30.259.00	53.030.00
with activated carbons / ai carboni attivi	Z19DTL	74	101	07/05	>	11/07				54.230.00
antibacterial, anti-odour and anti-allergen filter / filtro antibatterico, antiodori e anti-allergeni	Z19DTL	74	101	07/05	>	11/07				34.230.00
complete filter and disassembly key / filtro completo e chiave di smontaggio	Z19DTL	74	101	07/05	>	11/07		55.152.00		19.008.00
2.0 16V Turbo	Z20LER	147	200	07/05	>	06/10	23.299.00	∞	30.107.00	53.030.00
with activated carbons / ai carboni attivi	Z20LER	147	200	07/05	>	06/10				54.230.00
antibacterial, anti-odour and anti-allergen filter / filtro antibatterico, antiodori e anti-allergeni	Z20LER	147	200	07/05	>	06/10				34.230.00
2.0 16V Turbo OPC	Z20LEH	177	240	11/05	>	06/10	23.299.00	∞	30.107.00	53.030.00
with activated carbons / ai carboni attivi	Z20LEH	177	240	11/05	>	06/10				54.230.00
antibacterial, anti-odour and anti-allergen filter / filtro antibatterico, antiodori e anti-allergeni	Z20LEH	177	240	11/05	>	06/10				34.230.00
2.2 16V Direct	Z22YH	110	150	07/05	>	11/10	25.024.00	∞	30.203.00	53.030.00
with activated carbons / ai carboni attivi	Z22YH	110	150	07/05	>	11/10				54.230.00
antibacterial, anti-odour and anti-allergen filter / filtro antibatterico, antiodori e anti-allergeni	Z22YH	110	150	07/05	>	11/10				34.230.00
Zafira Life										
1.5	D15DT(DV5RUCD)	75	102	03/19	>		25.216.00			53.154.00
antibacterial, anti-odour and anti-allergen filter / filtro antibatterico, antiodori e anti-allergeni	D15DT(DV5RUCD)	75	102	03/19	>					34.172.00
1.5	D15DTH(DV5RUC)	88	120	03/19	>		25.216.00			53.154.00
antibacterial, anti-odour and anti-allergen filter / filtro antibatterico, antiodori e anti-allergeni	D15DTH(DV5RUC)	88	120	03/19	>					34.172.00
2.0	D20DTH(DW10FD)	110	150	03/19	>			26.104.00	30.717.00	53.154.00
with activated carbons / ai carboni attivi	D20DTH(DW10FD)	110	150	03/19	>					54.172.00
antibacterial, anti-odour and anti-allergen filter / filtro antibatterico, antiodori e anti-allergeni	D20DTH(DW10FD)	110	150	03/19	>					34.172.00
2.0	D20DTL(DW10FE)	90	122	03/19	>			26.104.00	30.717.00	53.154.00
with activated carbons / ai carboni attivi	D20DTL(DW10FE)	90	122	03/19	>					54.172.00
antibacterial, anti-odour and anti-allergen filter / filtro antibatterico, antiodori e anti-allergeni	D20DTL(DW10FE)	90	122	03/19	>					34.172.00
2.0	D20DTR(DW10FDCU)	130	177	03/19	>			26.104.00	30.717.00	53.154.00
with activated carbons / ai carboni attivi	D20DTR(DW10FDCU)	130	177	03/19	>					54.172.00
antibacterial, anti-odour and anti-allergen filter / filtro antibatterico, antiodori e anti-allergeni	D20DTR(DW10FDCU)	130	177	03/19	>					34.172.00
2.0	DW10FDDU340/DW10FDDU370	106	144	09/20	>			26.104.00	30.717.00	53.154.00
with activated carbons / ai carboni attivi	DW10FDDU340/DW10FDDU370	106	144	09/20	>					54.172.00
antibacterial, anti-odour and anti-allergen filter / filtro antibatterico, antiodori e anti-allergeni	DW10FDDU340/DW10FDDU370	106	144	09/20	>					34.172.00
Electric										
with automatic air-conditioner / con climatizzatore automatico	ZK01	100	136	09/20	>					54.172.00
with manual air-conditioner / con climatizzatore manuale	ZK01	100	136	09/20	>					53.154.00
antibacterial, anti-odour and anti-allergen filter / filtro antibatterico, antiodori e anti-allergeni	ZK01	100	136	09/20	>					34.172.00
without air-conditioner / senza climatizzatore	ZK01	100	136	09/20	>					53.154.00
Zafira Tourer C										
1.4 Turbo	A14NEL/B14NEL	88	120	10/11	>		25.064.00	∞	30.404.00	54.178.00
antibacterial, anti-odour and anti-allergen filter / filtro antibatterico, antiodori e anti-allergeni	A14NEL/B14NEL	88	120	10/11	>					34.178.00
1.4 Turbo	A14NET/B14NET	103	140	10/11	>		25.064.00	∞	30.404.00	54.178.00
antibacterial, anti-odour and anti-allergen filter / filtro antibatterico, antiodori e anti-allergeni	A14NET/B14NET	103	140	10/11	>					34.178.00
1.4 Turbo GPL/LPG ecoFLEX	A14NET/B14NET	103	140	07/12	>		25.064.00	∞	30.404.00	54.178.00
antibacterial, anti-odour and anti-allergen filter / filtro antibatterico, antiodori e anti-allergeni	A14NET/B14NET	103	140	07/12	>					34.178.00
1.6	D16SHJ	100	136	09/18	>		25.225.00	∞	30.404.00	54.178.00

...OPEL - cars/auto

antibacterial, anti-odour and anti-allergen filter / filtro antibatterico, antiodori e anti-allergeni	D16SHJ	100	136	09/18	>				34.178.00
1.6 CDTi	B16DTH	100	136	02/13	>	25.199.00	26.058.00	30.404.00	54.178.00
antibacterial, anti-odour and anti-allergen filter / filtro antibatterico, antiodori e anti-allergeni	B16DTH	100	136	02/13	>				34.178.00
1.6 CDTi 120	B16DTJ	88	120	06/14	>	25.199.00	26.058.00	30.404.00	54.178.00
antibacterial, anti-odour and anti-allergen filter / filtro antibatterico, antiodori e anti-allergeni	B16DTJ	88	120	06/14	>				34.178.00
1.6 SIDI	A16SHT	147	200	07/13	>			30.404.00	54.178.00
antibacterial, anti-odour and anti-allergen filter / filtro antibatterico, antiodori e anti-allergeni	A16SHT	147	200	07/13	>				34.178.00
1.6 SIDI Turbo 170	A16XHT	125	170	12/12	>	25.225.00		30.404.00	54.178.00
antibacterial, anti-odour and anti-allergen filter / filtro antibatterico, antiodori e anti-allergeni	A16XHT	125	170	12/12	>				34.178.00
1.6 T ecoM 150	A16XNT/B16XNT	110	150	12/12	>	25.064.00		30.404.00	54.178.00
antibacterial, anti-odour and anti-allergen filter / filtro antibatterico, antiodori e anti-allergeni	A16XNT/B16XNT	110	150	12/12	>				34.178.00
1.8	A18XEL	85	115	10/11	>	25.064.00		30.A24.00	54.178.00
antibacterial, anti-odour and anti-allergen filter / filtro antibatterico, antiodori e anti-allergeni	A18XEL	85	115	10/11	>				34.178.00
1.8	A18XER	103	140	10/11	>	25.064.00		30.A24.00	54.178.00
antibacterial, anti-odour and anti-allergen filter / filtro antibatterico, antiodori e anti-allergeni	A18XER	103	140	10/11	>				34.178.00
2.0 CDTi	A20DT	96	130	10/11	>	25.093.00	26.058.00	30.404.00	54.178.00
antibacterial, anti-odour and anti-allergen filter / filtro antibatterico, antiodori e anti-allergeni	A20DT	96	130	10/11	>				34.178.00
2.0 CDTi	A20DTH	121	165	10/11	>	25.093.00	26.058.00	30.404.00	54.178.00
antibacterial, anti-odour and anti-allergen filter / filtro antibatterico, antiodori e anti-allergeni	A20DTH	121	165	10/11	>				34.178.00
2.0 CDTi	A20DTL	81	110	10/11	>	25.093.00	26.058.00	30.404.00	54.178.00
antibacterial, anti-odour and anti-allergen filter / filtro antibatterico, antiodori e anti-allergeni	A20DTL	81	110	10/11	>				34.178.00
2.0 CDTi	B20DTH	125	170	01/15	>	25.118.00	26.058.00	30.404.00	54.178.00
antibacterial, anti-odour and anti-allergen filter / filtro antibatterico, antiodori e anti-allergeni	B20DTH	125	170	01/15	>				34.178.00
2.0 CDTi BiTurbo	A20DTR	143	194	11/12	>	25.093.00	26.058.00	30.404.00	54.178.00
antibacterial, anti-odour and anti-allergen filter / filtro antibatterico, antiodori e anti-allergeni	A20DTR	143	194	11/12	>				34.178.00

OPEL

off-road cars/fuoristrada

Antara

2.0 CDTi	B20DTH	125	170	01/16	>	25.118.00	26.071.00	30.552.00	54.224.00
2.0 CDTi DPF	Z20DM	93	126	10/06	> 10/10	25.091.00	60.H2O.00	30.392.00	53.151.00
complete filter / filtro completo	Z20DM	93	126	10/06	> 10/10		55.163.00		
2.0 CDTi DPF	Z20DMH	110	150	10/06	> 10/10	25.091.00	60.H2O.00	30.392.00	53.151.00
complete filter / filtro completo	Z20DMH	110	150	10/06	> 10/10		55.163.00		
2.2 CDTi	A22DM	120	163	12/10	> 12/12	25.088.00	26.047.00	30.552.00	54.224.00
	A22DM	120	163	01/13	>	25.088.00	26.071.00	30.552.00	54.224.00
2.2 CDTi	A22DMH	135	184	12/10	> 12/12	25.088.00	26.047.00	30.552.00	54.224.00
	A22DMH	135	184	01/13	>	25.088.00	26.071.00	30.552.00	54.224.00
2.4 16V	A24XE	123	167	12/10	>				54.224.00
2.4 16V	Z24XE	103	140	10/06	> 10/10	23.129.02		30.392.00	53.151.00
2.4 4x4	Z24XE	103	140	10/06	> 10/10	23.129.02		30.392.00	53.151.00
2.4 GPL/LPG	Z24XE	103	140	10/06	> 10/10	23.129.02		30.392.00	53.151.00
2.4 GPL/LPG 4x4	Z24XE	103	140	10/06	> 10/10	23.129.02		30.392.00	53.151.00
	Z24XE	103	140	10/06	> 10/10	23.129.02		30.392.00	53.151.00
3.0 V6 4x4	A30XH	190	258	11/10	>	23.519.00			54.224.00
3.2 V6	Z32SE	167	227	10/06	> 10/10			30.392.00	53.151.00

Frontera B

2.2 DTi 16V	X22DTH	85	116	10/98	> 08/02	25.003.00		30.204.00	
2.2 DTi 16V	Y22DTH	88	120	09/02	>	25.003.00		30.204.00	
2.2 i 16V	X22SE, Y22SE			10/98	>	23.129.02	31.611.00	30.204.00	
3.2 i V6 24V	Y32NE, 6VD1			10/98	>	23.133.00	31.611.00	30.204.00	

OPEL

commercial vehicles/veicoli commerciali

Arena

1.9 D	Renault F8Q-600			03/98	> 08/01	23.418.00	26.687.00	27.084.00	
1.9 D									
to engine No. C057916 / a motore N. C057916	Renault F8Q-606			03/98	> 08/01	23.418.00	26.686.00	27.084.00	
from engine No. C057917 / da motore N. C057917	Renault F8Q-606			>	08/01	23.418.00	26.687.00	27.084.00	
2.5 D	Renault S8U-758			03/98	> 08/01	23.303.00	24.384.00	27.084.00	
2.5 D									
to engine No. Y257499 / a motore N. Y257499	Renault S8U-780			03/98	> 08/01	23.303.00	26.686.00	27.084.00	
from engine No. Y257500 / da motore N. Y257500	Renault S8U-780			>	08/01	23.303.00	26.687.00	27.084.00	
2.5 D									
to engine No. Y257499 / a motore N. Y257499	Renault S8U-782			03/98	> 08/01	23.303.00	26.686.00	27.084.00	
from engine No. Y257500 / da motore N. Y257500	Renault S8U-782			03/98	> 08/01	23.303.00	26.687.00	27.084.00	

Blitz

1.9 (1.9 t)						23.103.00			
2 t									

...OPEL - commercial vehicles/veicoli commerciali

to engine No. 3902925 / a motore N. 3902925	Peugeot Diesel				23.115.00	26.652.00		
from engine No. 3902926 / da motore N. 3902926	Peugeot Diesel				23.134.01	26.652.00		
2.5 (2 t)								
2.6 (2 t)								
to engine No. 26T26205-26T38000 / a motore N. 26T26205-26T38000					23.117.00			
from engine No. 26T38001 / da motore N. 26T38001					23.134.01			
Campo								
2.5 TD	Isuzu 4JA1T	56	76	07/94 > 07/01	23.274.00	24.366.00	27.193.00	
2.5 TD	Isuzu 4JA1T	74	101	08/01 >		24.366.00		
2.5 TD 4x4	Isuzu 4JA1T	56	76	07/94 > 07/01	23.274.00	24.366.00	27.193.00	
2.5 TD 4x4	Isuzu 4JA1T	74	101	08/01 >		24.366.00		
3.1 TD	Isuzu 4JG2T	80	109	12/92 >	23.274.00	24.366.00	27.647.00	
3.1 TD 4x4	Isuzu 4JG2T	80	109	12/92 >	23.274.00	24.366.00	27.647.00	
Combo (Kadett)								
1.7 D					23.187.00	24.351.01	30.963.00	
Combo A (Corsa)								
1.2 i cat								
with air-conditioner / con climatizzatore	C12NZ	33	45	04/93 > 08/01	23.129.02	31.515.00	30.027.00	53.015.00
with activated carbon air-conditioner / con climatizzatore, ai carboni attivi	C12NZ	33	45	04/93 > 08/01				54.277.00
without air-conditioner / senza climatizzatore	C12NZ	33	45	04/93 > 08/01	23.129.02	31.515.00	30.027.00	53.001.00
without activated carbon air-conditioner / senza climatizzatore, ai carboni attivi	C12NZ	33	45	04/93 > 08/01				54.278.00
1.4 i								
with air-conditioner / con climatizzatore	C14SE	60	82	07/94 > 08/01	23.129.02	31.515.00	30.027.00	53.015.00
with activated carbon air-conditioner / con climatizzatore, ai carboni attivi	C14SE	60	82	07/94 > 08/01				54.277.00
without air-conditioner / senza climatizzatore	C14SE	60	82	07/94 > 08/01	23.129.02	31.515.00	30.027.00	53.001.00
without activated carbon air-conditioner / senza climatizzatore, ai carboni attivi	C14SE	60	82	07/94 > 08/01				54.278.00
1.4 i 16V								
with air-conditioner / con climatizzatore	X14XE	66	90	08/99 > 08/01	23.129.02	31.515.00	30.027.00	53.015.00
with activated carbon air-conditioner / con climatizzatore, ai carboni attivi	X14XE	66	90	08/99 > 08/01				54.277.00
without air-conditioner / senza climatizzatore	X14XE	66	90	08/99 > 08/01	23.129.02	31.515.00	30.027.00	53.001.00
without activated carbon air-conditioner / senza climatizzatore, ai carboni attivi	X14XE	66	90	08/99 > 08/01				54.278.00
1.4 i cat								
with air-conditioner / con climatizzatore	C14NZ, X14SZ	44	60	10/93 > 08/01	23.129.02	31.515.00	30.027.00	53.015.00
with activated carbon air-conditioner / con climatizzatore, ai carboni attivi	C14NZ, X14SZ	44	60	10/93 > 08/01				54.277.00
without air-conditioner / senza climatizzatore	C14NZ, X14SZ	44	60	10/93 > 08/01	23.129.02	31.515.00	30.027.00	53.001.00
without activated carbon air-conditioner / senza climatizzatore, ai carboni attivi	C14NZ, X14SZ	44	60	10/93 > 08/01				54.278.00
1.7 D								
with air-conditioner / con climatizzatore	X17D (Isuzu 4EE1)	44	60	04/93 > 08/01	23.265.00	24.351.01	30.028.00	53.015.00
with activated carbon air-conditioner / con climatizzatore, ai carboni attivi	X17D (Isuzu 4EE1)	44	60	04/93 > 08/01				54.277.00
without air-conditioner / senza climatizzatore	X17D (Isuzu 4EE1)	44	60	04/93 > 08/01	23.265.00	24.351.01	30.028.00	53.001.00
without activated carbon air-conditioner / senza climatizzatore, ai carboni attivi	X17D (Isuzu 4EE1)	44	60	04/93 > 08/01				54.278.00
Combo B								
1.6 i (Euro 4)								
	Z16SE	64	87	09/01 > 12/03	23.129.02	31.515.00	30.159.00	53.045.00
	Z16SE	64	87	01/04 > 08/04	23.299.00	31.515.00	30.159.00	53.045.00
with activated carbons / ai carboni attivi	Z16SE	64	87	09/01 > 12/03	23.129.02	31.515.00	30.159.00	54.100.00
with activated carbons / ai carboni attivi	Z16SE	64	87	01/04 > 08/04	23.299.00	31.515.00	30.159.00	54.100.00
antibacterial, anti-odour and anti-allergen filter / filtro antibatterico, antiodori e anti-allergeni	Z16SE	64	87	09/01 > 12/03				34.100.00
1.7 DI 16V (Euro 3)								
	Y17DTL	48	65	09/01 > 08/04	25.027.00		30.159.00	53.045.00
with activated carbons / ai carboni attivi	Y17DTL	48	65	09/01 > 08/04	25.027.00		30.159.00	54.100.00
antibacterial, anti-odour and anti-allergen filter / filtro antibatterico, antiodori e anti-allergeni	Y17DTL	48	65	09/01 > 08/04				34.100.00
1.7 DTI 16V (Euro 3)								
	Y17DIT	55	75	09/01 > 08/04	25.027.00		30.292.00	53.045.00
with activated carbons / ai carboni attivi	Y17DIT	55	75	09/01 > 08/04	25.027.00		30.292.00	54.100.00
antibacterial, anti-odour and anti-allergen filter / filtro antibatterico, antiodori e anti-allergeni	Y17DIT	55	75	09/01 > 08/04				34.100.00
Combo C								
1.3 CDTI								
antibacterial, anti-odour and anti-allergen filter / filtro antibatterico, antiodori e anti-allergeni	Z13DT	51	70	06/04 >				34.100.00
complete filter with sensor and disassembly key / filtro completo con sensore e chiave di smontaggio	Z13DT	51	70	06/04 >		55.116.00		19.008.00
complete filter without sensor and disassembly key / filtro completo senza sensore e chiave di smontaggio	Z13DT	51	70	06/04 >		55.114.00		19.008.00
assembly PURFLUX / montaggio PURFLUX	Z13DT	51	70	06/04 >	25.043.00	60.H2O.00	30.292.00	54.100.00
assembly PURFLUX / montaggio PURFLUX	Z13DT	51	70	06/04 >	25.043.00	60.H2O.00	30.292.00	53.045.00
assembly UFI / montaggio UFI	Z13DT	51	70	01/05 >	25.031.00	60.H2O.00	30.292.00	53.045.00
1.3 CDTI								
antibacterial, anti-odour and anti-allergen filter / filtro antibatterico, antiodori e anti-allergeni	Z13DTJ	55	75	12/05 >				34.100.00
complete filter with sensor and disassembly key / filtro completo con sensore e chiave di smontaggio	Z13DTJ	55	75	12/05 >		55.116.00		19.008.00
complete filter without sensor and disassembly key / filtro completo senza sensore e chiave di smontaggio	Z13DTJ	55	75	12/05 >		55.114.00		19.008.00
assembly PURFLUX / montaggio PURFLUX	Z13DTJ	55	75	12/05 >	25.043.00	60.H2O.00	30.292.00	54.100.00
assembly PURFLUX / montaggio PURFLUX	Z13DTJ	55	75	12/05 >	25.043.00	60.H2O.00	30.292.00	53.045.00

...OPEL - commercial vehicles/veicoli commerciali

assembly UFI / montaggio UFI	Z13DTJ	55	75	12/05 >	25.031.00	60.H2O.00	30.292.00	53.045.00
1.4 16V	Z14XEP	66	90	06/04 >		31.515.00	30.159.00	53.045.00
to engine No. 19MA9234 / a motore N. 19MA9234	Z14XEP	66	90		25.012.00			
with activated carbons / ai carboni attivi	Z14XEP	66	90	06/04 >		31.515.00	30.159.00	54.100.00
from engine No. 19MA9235 / da motore N. 19MA9235	Z14XEP	66	90		25.064.00			
antibacterial, anti-odour and anti-allergen filter / filtro antibatterico, antiodori e anti-allergeni	Z14XEP	66	90	06/04 >				34.100.00
1.6 CNG	Y16YNG/Z16YNG	69	94	06/05 >	23.299.00	31.515.00	30.159.00	53.045.00
with activated carbons / ai carboni attivi	Y16YNG/Z16YNG	69	94	06/05 >	23.299.00	31.515.00	30.159.00	54.100.00
antibacterial, anti-odour and anti-allergen filter / filtro antibatterico, antiodori e anti-allergeni	Y16YNG/Z16YNG	69	94	06/05 >				34.100.00
1.7 CDTI	Z17DTH	74	100	06/04 >	25.027.00		30.292.00	53.045.00
with activated carbons / ai carboni attivi	Z17DTH	74	100	06/04 >	25.027.00		30.292.00	54.100.00
antibacterial, anti-odour and anti-allergen filter / filtro antibatterico, antiodori e anti-allergeni	Z17DTH	74	100	06/04 >				34.100.00
Combo D (X12)								
1.3 CDTI	A13FD	66	90	10/11 > 07/12	25.061.00	24.ONE.01	30.265.00	53.157.00
	A13FD	66	90	08/12 > 03/16	25.061.00	26.052.00	30.265.00	53.157.00
with air-conditioner and R.H.D. / con climatizzatore e guida a destra	A13FD	66	90	10/11 > 03/16				53.124.00
with air-conditioner and R.H.D. with activated carbons / con climatizzatore e guida a destra ai carboni attivi	A13FD	66	90	10/11 > 03/16				54.162.00
antibacterial, anti-odour and anti-allergen filter with air-conditioner and R.H.D. / filtro antibatterico, antiodori e anti-allergeni con climatizzatore e guida a destra	A13FD	66	90	10/11 > 03/16				34.162.00
1.3 CDTI	B13DTC	55	75	03/15 >		26.052.00		53.157.00
with air-conditioner and R.H.D. / con climatizzatore e guida a destra	B13DTC	55	75	03/15 >				53.124.00
with air-conditioner and R.H.D. with activated carbons / con climatizzatore e guida a destra ai carboni attivi	B13DTC	55	75	03/15 >				54.162.00
antibacterial, anti-odour and anti-allergen filter with air-conditioner and R.H.D. / filtro antibatterico, antiodori e anti-allergeni con climatizzatore e guida a destra	B13DTC	55	75	03/15 >				34.162.00
1.3 CDTI	Fiat 330A1000	70	95	03/16 >		26.052.00	30.793.00	53.157.00
with air-conditioner and R.H.D. / con climatizzatore e guida a destra	Fiat 330A1000	70	95	03/16 >				53.124.00
with air-conditioner and R.H.D. with activated carbons / con climatizzatore e guida a destra ai carboni attivi	Fiat 330A1000	70	95	03/16 >				54.162.00
antibacterial, anti-odour and anti-allergen filter with air-conditioner and R.H.D. / filtro antibatterico, antiodori e anti-allergeni con climatizzatore e guida a destra	Fiat 330A1000	70	95	03/16 >				34.162.00
assembly UFI FILTERS / montaggio UFI FILTERS	Fiat 330A1000	70	95	03/16 >	25.139.00			
1.3 CDTI Start/Stop	A13FD S/S	66	90	10/11 > 07/12	25.061.00	24.ONE.01	30.477.00	53.157.00
	A13FD S/S	66	90	08/12 > 03/16	25.061.00	26.052.00	30.477.00	53.157.00
with air-conditioner and R.H.D. / con climatizzatore e guida a destra	A13FD S/S	66	90	10/11 > 03/16				53.124.00
with air-conditioner and R.H.D. with activated carbons / con climatizzatore e guida a destra ai carboni attivi	A13FD S/S	66	90	10/11 > 03/16				54.162.00
antibacterial, anti-odour and anti-allergen filter with air-conditioner and R.H.D. / filtro antibatterico, antiodori e anti-allergeni con climatizzatore e guida a destra	A13FD S/S	66	90	10/11 > 03/16				34.162.00
1.3 CDTI Start/Stop	Fiat 330A1000	70	95	03/16 >		26.052.00	30.793.00	53.157.00
with air-conditioner and R.H.D. / con climatizzatore e guida a destra	Fiat 330A1000	70	95	03/16 >				53.124.00
with air-conditioner and R.H.D. with activated carbons / con climatizzatore e guida a destra ai carboni attivi	Fiat 330A1000	70	95	03/16 >				54.162.00
antibacterial, anti-odour and anti-allergen filter with air-conditioner and R.H.D. / filtro antibatterico, antiodori e anti-allergeni con climatizzatore e guida a destra	Fiat 330A1000	70	95	03/16 >				34.162.00
assembly UFI FILTERS / montaggio UFI FILTERS	Fiat 330A1000	70	95	03/16 >	25.139.00			
1.4	A14FP	70	95	10/11 >	23.438.00		30.135.00	53.157.00
with air-conditioner and R.H.D. / con climatizzatore e guida a destra	A14FP	70	95	10/11 >				53.124.00
with air-conditioner and R.H.D. with activated carbons / con climatizzatore e guida a destra ai carboni attivi	A14FP	70	95	10/11 >				54.162.00
antibacterial, anti-odour and anti-allergen filter with air-conditioner and R.H.D. / filtro antibatterico, antiodori e anti-allergeni con climatizzatore e guida a destra	A14FP	70	95	10/11 >				34.162.00
1.4 CNG/Metano Turbo	A14FC	88	120	10/11 >	25.043.00		30.604.00	53.157.00
with air-conditioner and R.H.D. / con climatizzatore e guida a destra	A14FC	88	120	10/11 >				53.124.00
with air-conditioner and R.H.D. with activated carbons / con climatizzatore e guida a destra ai carboni attivi	A14FC	88	120	10/11 >				54.162.00
antibacterial, anti-odour and anti-allergen filter with air-conditioner and R.H.D. / filtro antibatterico, antiodori e anti-allergeni con climatizzatore e guida a destra	A14FC	88	120	10/11 >				34.162.00
1.4 Start/Stop	A14FP	70	95	10/11 >	23.438.00		30.135.00	53.157.00
with air-conditioner and R.H.D. / con climatizzatore e guida a destra	A14FP	70	95	10/11 >				53.124.00
with air-conditioner and R.H.D. with activated carbons / con climatizzatore e guida a destra ai carboni attivi	A14FP	70	95	10/11 >				54.162.00
antibacterial, anti-odour and anti-allergen filter with air-conditioner and R.H.D. / filtro antibatterico, antiodori e anti-allergeni con climatizzatore e guida a destra	A14FP	70	95	10/11 >				34.162.00
1.6 CDTI	A16FDH	77	105	10/11 > 07/12	25.061.00	24.ONE.01	30.297.00	53.157.00
	A16FDH	77	105	08/12 > 03/16	25.061.00	26.052.00	30.297.00	53.157.00
with air-conditioner and R.H.D. / con climatizzatore e guida a destra	A16FDH	77	105	10/11 > 03/16				53.124.00
with air-conditioner and R.H.D. with activated carbons / con climatizzatore e guida a destra ai carboni attivi	A16FDH	77	105	10/11 > 03/16				54.162.00
antibacterial, anti-odour and anti-allergen filter with air-conditioner and R.H.D. / filtro antibatterico, antiodori e anti-allergeni con climatizzatore e guida a destra	A16FDH	77	105	10/11 > 03/16				34.162.00
1.6 CDTI	A16FDH Euro 6	88	120	05/15 >	25.061.00	26.052.00	30.297.00	53.157.00
with air-conditioner and R.H.D. / con climatizzatore e guida a destra	A16FDH Euro 6	88	120	05/15 >				53.124.00
with air-conditioner and R.H.D. with activated carbons / con climatizzatore e guida a destra ai carboni attivi	A16FDH Euro 6	88	120	05/15 >				54.162.00
antibacterial, anti-odour and anti-allergen filter with air-conditioner and R.H.D. / filtro antibatterico, antiodori e anti-allergeni con climatizzatore e guida a destra	A16FDH Euro 6	88	120	05/15 >				34.162.00
1.6 CDTI	A16FDL	66	90	10/11 > 07/12	25.061.00	24.ONE.01	30.297.00	53.157.00
	A16FDL	66	90	08/12 > 03/16	25.061.00	26.052.00	30.297.00	53.157.00
with air-conditioner and R.H.D. / con climatizzatore e guida a destra	A16FDL	66	90	10/11 > 03/16				53.124.00
with air-conditioner and R.H.D. with activated carbons / con climatizzatore e guida a destra ai carboni attivi	A16FDL	66	90	10/11 > 03/16				54.162.00
antibacterial, anti-odour and anti-allergen filter with air-conditioner and R.H.D. / filtro antibatterico, antiodori e anti-allergeni con climatizzatore e guida a destra	A16FDL	66	90	10/11 > 03/16				34.162.00
1.6 CDTI	A16FDL Euro 6	70	95	03/15 >	25.061.00	26.052.00	30.297.00	53.157.00
with air-conditioner and R.H.D. / con climatizzatore e guida a destra	A16FDL Euro 6	70	95	03/15 >				53.124.00
with air-conditioner and R.H.D. with activated carbons / con climatizzatore e guida a destra ai carboni attivi	A16FDL Euro 6	70	95	03/15 >				54.162.00
antibacterial, anti-odour and anti-allergen filter with air-conditioner and R.H.D. / filtro antibatterico, antiodori e anti-allergeni con climatizzatore e guida a destra	A16FDL Euro 6	70	95	03/15 >				34.162.00

...OPEL - commercial vehicles/veicoli commerciali

1.6 CDTI Start/Stop	A16FDH	77	105	10/11	>	07/12	25.083.00	24.ONE.01	30.297.00	53.157.00
	A16FDH	77	105	08/12	>	03/16	25.083.00	26.052.00	30.297.00	53.157.00
with air-conditioner and R.H.D. / con climatizzatore e guida a destra	A16FDH	77	105	10/11	>	03/16				53.124.00
with air-conditioner and R.H.D. with activated carbons / con climatizzatore e guida a destra ai carboni attivi	A16FDH	77	105	10/11	>	03/16				54.162.00
antibacterial, anti-odour and anti-allergen filter with air-conditioner and R.H.D. / filtro antibatterico, antiodori e anti-allergeni con climatizzatore e guida a destra	A16FDH	77	105	10/11	>	03/16				34.162.00
1.6 CDTI Start/Stop	A16FDL	66	90	10/11	>	07/12	25.083.00	24.ONE.01	30.297.00	53.157.00
	A16FDL	66	90	08/12	>	03/16	25.083.00	26.052.00	30.297.00	53.157.00
with air-conditioner and R.H.D. / con climatizzatore e guida a destra	A16FDL	66	90	10/11	>	03/16				53.124.00
with air-conditioner and R.H.D. with activated carbons / con climatizzatore e guida a destra ai carboni attivi	A16FDL	66	90	10/11	>	03/16				54.162.00
antibacterial, anti-odour and anti-allergen filter with air-conditioner and R.H.D. / filtro antibatterico, antiodori e anti-allergeni con climatizzatore e guida a destra	A16FDL	66	90	10/11	>	03/16				34.162.00
2.0 CDTI	A20FD	99	135	02/12	>	07/12	25.061.00	24.ONE.01	30.297.00	53.157.00
	A20FD	99	135	08/12	>	03/16	25.061.00	26.052.00	30.297.00	53.157.00
with air-conditioner and R.H.D. / con climatizzatore e guida a destra	A20FD	99	135	02/12	>	03/16				53.124.00
with air-conditioner and R.H.D. with activated carbons / con climatizzatore e guida a destra ai carboni attivi	A20FD	99	135	02/12	>	03/16				54.162.00
antibacterial, anti-odour and anti-allergen filter with air-conditioner and R.H.D. / filtro antibatterico, antiodori e anti-allergeni con climatizzatore e guida a destra	A20FD	99	135	02/12	>	03/16				34.162.00
2.0 CDTI Start/Stop	A20FD	99	135	02/12	>	07/12	25.083.00	24.ONE.01	30.297.00	53.157.00
	A20FD	99	135	08/12	>	08/13	25.083.00	26.052.00	30.297.00	53.157.00
with air-conditioner and R.H.D. / con climatizzatore e guida a destra	A20FD	99	135	02/12	>	08/13				53.124.00
with air-conditioner and R.H.D. with activated carbons / con climatizzatore e guida a destra ai carboni attivi	A20FD	99	135	02/12	>	08/13				54.162.00
antibacterial, anti-odour and anti-allergen filter with air-conditioner and R.H.D. / filtro antibatterico, antiodori e anti-allergeni con climatizzatore e guida a destra	A20FD	99	135	02/12	>	08/13				34.162.00
Combo E (X19)										
1.2 Turbo	D12XHL(EB2ADT)/F12XHL(EB2ADT)	81	110	08/18	>		23.439.00		30.718.00	53.154.00
with activated carbons / ai carboni attivi	D12XHL(EB2ADT)/F12XHL(EB2ADT)	81	110	08/18	>					54.172.00
antibacterial, anti-odour and anti-allergen filter / filtro antibatterico, antiodori e anti-allergeni	D12XHL(EB2ADT)/F12XHL(EB2ADT)	81	110	08/18	>					34.172.00
1.2 Turbo	F12XHT(EB2ADTS)	96	131	07/19	>		23.439.00		30.718.00	
with activated carbons / ai carboni attivi	F12XHT(EB2ADTS)	96	131	07/19	>					54.172.00
antibacterial, anti-odour and anti-allergen filter / filtro antibatterico, antiodori e anti-allergeni	F12XHT(EB2ADTS)	96	131	07/19	>					34.172.00
1.5 DCI 100	D15DT	75	102	08/18	>		25.216.00			53.154.00
with activated carbons / ai carboni attivi	D15DT	75	102	08/18	>					54.172.00
antibacterial, anti-odour and anti-allergen filter / filtro antibatterico, antiodori e anti-allergeni	D15DT	75	102	08/18	>					34.172.00
1.5 DCI 130	D15DTH	96	130	08/18	>		25.216.00			53.154.00
with activated carbons / ai carboni attivi	D15DTH	96	130	08/18	>					54.172.00
antibacterial, anti-odour and anti-allergen filter / filtro antibatterico, antiodori e anti-allergeni	D15DTH	96	130	08/18	>					34.172.00
1.5 DCI 75	D15DTL	56	76	08/18	>		25.216.00			53.154.00
with activated carbons / ai carboni attivi	D15DTL	56	76	08/18	>					54.172.00
antibacterial, anti-odour and anti-allergen filter / filtro antibatterico, antiodori e anti-allergeni	D15DTL	56	76	08/18	>					34.172.00
1.6	B16DT(DV6FD)	73	100	06/18	>		25.187.00	26.104.00	30.648.00	
antibacterial, anti-odour and anti-allergen filter / filtro antibatterico, antiodori e anti-allergeni	B16DT(DV6FD)	73	100	06/18	>					54.172.00
	B16DT(DV6FE)	73	100	06/18	>					34.172.00
1.6	B16DTL(DV6FE)	55	75	06/18	>		25.187.00	26.104.00	30.648.00	
with activated carbons / ai carboni attivi	B16DTL(DV6FE)	55	75	06/18	>					54.172.00
antibacterial, anti-odour and anti-allergen filter / filtro antibatterico, antiodori e anti-allergeni	B16DTL(DV6FE)	55	75	06/18	>					34.172.00
Combo Van (Kadett)										
1.6							23.129.02		30.806.00	
1.6 D										
with OPEL 813 565 / con OPEL 813 565							23.187.00	24.351.01	30.852.00	
with OPEL 813 566 / con OPEL 813 566							23.187.00	24.350.00	30.852.00	
Corsa E Van										
1.2	B12XEL	51	70	01/15	>		25.064.00			53.124.00
with activated carbons / ai carboni attivi	B12XEL	51	70	01/15	>					54.162.00
antibacterial, anti-odour and anti-allergen filter / filtro antibatterico, antiodori e anti-allergeni	B12XEL	51	70	01/15	>					34.162.00
1.3 CDTI	B13DTC	55	75	09/14	>			24.099.00		53.124.00
with activated carbons / ai carboni attivi	B13DTC	55	75	09/14	>					54.162.00
antibacterial, anti-odour and anti-allergen filter / filtro antibatterico, antiodori e anti-allergeni	B13DTC	55	75	09/14	>					34.162.00
1.3 CDTI	B13DTE/B13DTR	70	95	09/14	>			24.099.00		53.124.00
with activated carbons / ai carboni attivi	B13DTE/B13DTR	70	95	09/14	>					54.162.00
antibacterial, anti-odour and anti-allergen filter / filtro antibatterico, antiodori e anti-allergeni	B13DTE/B13DTR	70	95	09/14	>					34.162.00
1.4	B14XEJ	55	75	09/14	>		25.064.00			53.124.00
with activated carbons / ai carboni attivi	B14XEJ	55	75	09/14	>					54.162.00
antibacterial, anti-odour and anti-allergen filter / filtro antibatterico, antiodori e anti-allergeni	B14XEJ	55	75	09/14	>					34.162.00
1.4	B14XEL	66	90	09/14	>		25.064.00			53.124.00
with activated carbons / ai carboni attivi	B14XEL	66	90	09/14	>					54.162.00
antibacterial, anti-odour and anti-allergen filter / filtro antibatterico, antiodori e anti-allergeni	B14XEL	66	90	09/14	>					34.162.00
Corsa Van										
1.2 i cat										
with air-conditioner / con climatizzatore		33	45	04/93	>		23.129.02	31.515.00	30.027.00	53.015.00
without air-conditioner / senza climatizzatore		33	45	04/93	>		23.129.02	31.515.00	30.027.00	53.001.00

...OPEL - commercial vehicles/veicoli commerciali

1.3 CDTI									
with activated carbons / ai carboni attivi	Y13DT/Z13DT	51	70	09/03	>	25.043.00	60.H2O.00		54.100.00
antibacterial, anti-odour and anti-allergen filter / filtro antibatterico, antiodori e anti-allergeni	Y13DT/Z13DT	51	70	09/03	>				34.100.00
complete filter and disassembly key / filtro completo e chiave di smontaggio	Y13DT/Z13DT	51	70	09/03	>		55.114.00		19.008.00
assembly PURFLUX / montaggio PURFLUX	Y13DT/Z13DT	51	70	09/03	>	25.043.00	60.H2O.00		53.045.00
assembly UFI / montaggio UFI	Y13DT/Z13DT	51	70	01/05	>	25.031.00	60.H2O.00		53.045.00
1.5 D									
with air-conditioner / con climatizzatore	Isuzu			04/93	>	23.265.00	24.351.01	30.028.00	53.015.00
without air-conditioner / senza climatizzatore	Isuzu			04/93	>	23.265.00	24.351.01	30.028.00	53.001.00
Kadett Delivery Van									
1.6 D									
with OPEL 813 565 / con OPEL 813 565						23.187.00	24.351.01	30.852.00	
with OPEL 813 566 / con OPEL 813 566						23.187.00	24.350.00	30.852.00	
1.7 D									
						23.187.00	24.351.01	30.963.00	
Movano A									
1.9 CDTI									
assembly PURFLUX FC578/FC580 / montaggio PURFLUX FC578/FC580	Renault F9Q	60	82	11/03	> 06/10	23.481.00	26.694.00	30.099.00	
assembly PURFLUX FC579 / montaggio PURFLUX FC579	Renault F9Q	60	82	11/03	> 06/10	23.481.00	26.695.00	30.099.00	✗
1.9 DTI									
	Renault F9Q-770	59	80	10/01	> 12/03	23.481.00	26.687.00	30.150.00	
1.9 DTI									
	Renault F9Q-772/774	60	82	01/99	> 10/01	23.481.00	26.687.00	30.150.00	
2.2 CDTI									
assembly PURFLUX FC578/FC580 / montaggio PURFLUX FC578/FC580	Renault G9T	66	90	11/03	> 06/10	25.033.00	26.694.00	30.293.00	
assembly PURFLUX FC579 / montaggio PURFLUX FC579	Renault G9T	66	90	11/03	> 06/10	25.033.00	26.695.00	30.293.00	
2.2 DTI									
	Renault G9T-720/722/750	66	90	09/00	> 12/03	25.033.00	26.693.00	30.099.00	
2.5 CDTI									
assembly PURFLUX FC578/FC580 / montaggio PURFLUX FC578/FC580	Renault G9U	74	100	11/03	> 07/06	25.033.00	26.694.00	30.293.00	
assembly PURFLUX FC579 / montaggio PURFLUX FC579	Renault G9U	74	100	11/03	> 07/06	25.033.00	26.695.00	30.293.00	
2.5 CDTI									
assembly PURFLUX FC578/FC580 / montaggio PURFLUX FC578/FC580	Renault G9U	84	115	11/03	> 07/06	25.033.00	26.694.00	30.293.00	
assembly PURFLUX FC579 / montaggio PURFLUX FC579	Renault G9U	84	115	11/03	> 07/06	25.033.00	26.695.00	30.293.00	
2.5 CDTI									
assembly PURFLUX FC578/FC580 / montaggio PURFLUX FC578/FC580	Renault G9U-632	107	146	07/06	> 06/10	25.094.00	26.694.00	30.293.00	
assembly PURFLUX FC579 / montaggio PURFLUX FC579	Renault G9U-632	107	146	07/06	> 06/10	25.094.00	26.695.00	30.293.00	
2.5 CDTI									
assembly PURFLUX FC578/FC580 / montaggio PURFLUX FC578/FC580	Renault G9U-650	74	100	07/06	> 06/10	25.094.00	26.694.00	30.293.00	
assembly PURFLUX FC579 / montaggio PURFLUX FC579	Renault G9U-650	74	100	07/06	> 06/10	25.094.00	26.695.00	30.293.00	
2.5 CDTI									
assembly PURFLUX FC578/FC580 / montaggio PURFLUX FC578/FC580	Renault G9U-650	88	120	07/06	> 06/10	25.094.00	26.694.00	30.293.00	
assembly PURFLUX FC579 / montaggio PURFLUX FC579	Renault G9U-650	88	120	07/06	> 06/10	25.094.00	26.695.00	30.293.00	
2.5 D									
	Renault S8U-772	59	80	03/98	> 12/03	23.303.00	26.687.00	30.099.00	
2.5 DTI									
	Renault G9U-720	84	115	10/01	> 12/03	25.033.00	26.693.00	30.099.00	
2.5 DTI									
	Renault G9U-750/754	84	115	10/01	> 12/03	25.033.00	26.693.00	30.099.00	
2.8 DTI									
	Renault S9W-700	84	115	03/98	> 12/03	23.303.00	26.687.00	30.099.00	
2.8 DTI									
	Renault S9W-702	84	115	03/98	> 12/03	23.303.00	26.687.00	30.541.00	✗
3.0 CDTI									
assembly PURFLUX FC578/FC580 / montaggio PURFLUX FC578/FC580	Nissan ZD3-200/202	100	136	11/03	> 07/06	25.026.00	26.694.00	30.300.00	
assembly PURFLUX FC579 / montaggio PURFLUX FC579	Nissan ZD3-200/202	100	136	11/03	> 07/06	25.026.00	26.695.00	30.300.00	
Movano B									
2.3 CDTI 100									
assembly PURFLUX FC578/FC580 / montaggio PURFLUX FC578/FC580	M9T-670/M9T-690	74	100	04/10	>	25.170.00		30.556.00	53.164.00
2.3 CDTI 100									
assembly PURFLUX FC578/FC580 / montaggio PURFLUX FC578/FC580	M9T-672	74	100	04/10	>	25.170.00		30.556.00	53.164.00
2.3 CDTI 100									
assembly PURFLUX FC578/FC580 / montaggio PURFLUX FC578/FC580	M9T-672	74	100	04/10	>		26.694.00		
2.3 CDTI 100									
assembly PURFLUX FC578/FC580 / montaggio PURFLUX FC578/FC580	M9T-676/M9T-692/M9T-676/M9T-692	74	100	04/10	>	25.170.00		30.556.00	53.164.00
2.3 CDTI 100									
assembly PURFLUX FC578/FC580 / montaggio PURFLUX FC578/FC580	M9T-676/M9T-692/M9T-676/M9T-692	74	100	04/10	>		26.694.00		
2.3 CDTI 110									
	M9T-870/M9T-890	74	100	03/13	>	25.170.00	26.114.00	30.556.00	53.164.00
2.3 CDTI 110									
with air-conditioner / con climatizzatore	M9T-870	81	110	05/14	>	25.170.00		30.556.00	
	M9T-870	81	110	05/14	>				53.164.00
2.3 CDTI 125									
assembly PURFLUX FC578/FC580 / montaggio PURFLUX FC578/FC580	M9T-670/M9T-690	92	125	04/10	>	25.170.00		30.556.00	53.164.00
2.3 CDTI 125									
assembly PURFLUX FC578/FC580 / montaggio PURFLUX FC578/FC580	M9T-670/M9T-690	92	125	04/10	>		26.694.00		
2.3 CDTI 125									
assembly PURFLUX FC578/FC580 / montaggio PURFLUX FC578/FC580	M9T-672/M9T-686	92	125	04/10	>	25.170.00		30.556.00	53.164.00
2.3 CDTI 125									
assembly PURFLUX FC578/FC580 / montaggio PURFLUX FC578/FC580	M9T-672/M9T-686	92	125	04/10	>		26.694.00		
2.3 CDTI 125									
assembly PURFLUX FC578/FC580 / montaggio PURFLUX FC578/FC580	M9T-680/M9T-696/M9T-696	92	125	04/10	>	25.170.00		30.556.00	53.164.00
2.3 CDTI 125									
assembly PURFLUX FC578/FC580 / montaggio PURFLUX FC578/FC580	M9T-680/M9T-696/M9T-696	92	125	04/10	>		26.694.00		
2.3 CDTI 125									
assembly PURFLUX FC578/FC580 / montaggio PURFLUX FC578/FC580	M9T-870/M9T-890	92	125	09/13	>	25.170.00	26.114.00	30.556.00	53.164.00
2.3 CDTI 150									
	M9T-676/M9T-694/M9T-676/M9T-694	107	146	04/10	>	25.170.00		30.556.00	53.164.00

...OPEL - commercial vehicles/veicoli commerciali

assembly PURFLUX FC578/FC580 / montaggio PURFLUX FC578/FC580	M9T-678/M9T-694/M9T-678/M9T-694	107	146	04/10	>		26.694.00		
2.3 CDTI 150	M9T-680/M9T-696/M9T-696	107	146	04/10	>	25.170.00		30.556.00	53.164.00
assembly PURFLUX FC578/FC580 / montaggio PURFLUX FC578/FC580	M9T-680/M9T-696/M9T-696	107	146	04/10	>		26.694.00		
2.3 CDTI Biturbo 140	M9T-700/M9T-702	100	136	05/14	>	25.170.00		30.556.00	
with air-conditioner / con climatizzatore	M9T-700/M9T-702	100	136	05/14	>				53.164.00
2.3 CDTI Biturbo 160	M9T-700/M9T-702	120	163	05/14	>	25.170.00		30.556.00	
with air-conditioner / con climatizzatore	M9T-700/M9T-702	120	163	05/14	>				53.164.00
2.3 CDTI Biturbo 170	M9T Euro6	125	170	08/15	>	25.170.00	26.114.00	30.556.00	
with air-conditioner / con climatizzatore	M9T Euro6	125	170	08/15	>				53.164.00
Rekord Delivery Van									
2.3 D							24.351.01	30.852.00	
Vivaro A									
1.9 CDTI	Renault F9Q-760	74	101	09/06	>	23.481.00		30.150.00	53.131.00
DELPHI assembly / montaggio DELPHI	Renault F9Q-760	74	101	09/06	>		26.693.00		
assembly PURFLUX FC579 / montaggio PURFLUX FC579	Renault F9Q-760	74	101	09/06	>		26.695.00		
assembly PURFLUX FC580 / montaggio PURFLUX FC580	Renault F9Q-760	74	101	09/06	>		26.694.00		
1.9 DI	Renault F9Q-762	60	82	03/01	> 08/06	23.481.00		30.150.00	53.131.00
DELPHI assembly / montaggio DELPHI	Renault F9Q-762	60	82	03/01	> 08/06		26.693.00		
assembly PURFLUX FC579 / montaggio PURFLUX FC579	Renault F9Q-762	60	82	03/01	> 08/06		26.695.00		
assembly PURFLUX FC580 / montaggio PURFLUX FC580	Renault F9Q-762	60	82	03/01	> 08/06		26.694.00		
1.9 DTI	Renault F9Q-760	74	101	03/01	> 08/06	23.481.00		30.150.00	53.131.00
DELPHI assembly / montaggio DELPHI	Renault F9Q-760	74	101	03/01	> 08/06		26.693.00		
assembly PURFLUX FC579 / montaggio PURFLUX FC579	Renault F9Q-760	74	101	03/01	> 08/06		26.695.00		
assembly PURFLUX FC580 / montaggio PURFLUX FC580	Renault F9Q-760	74	101	03/01	> 08/06		26.694.00		
2.0 16V	Renault F4R	86	117	09/06	>	23.418.00	31.710.00	30.147.00	53.131.00
2.0 16V	Renault F4R	88	120	03/01	> 08/06	23.418.00	31.710.00	30.147.00	53.131.00
2.0 CDTI 120									
assembly PURFLUX FC579 / montaggio PURFLUX FC579	Renault M9R-780, M9R-784	84	114	09/06	>	25.094.00	26.695.00	30.465.00	53.131.00
assembly PURFLUX FC580 / montaggio PURFLUX FC580	Renault M9R-780, M9R-784	84	114	09/06	>	25.094.00	26.694.00	30.465.00	53.131.00
2.0 CDTI 90									
assembly PURFLUX FC579 / montaggio PURFLUX FC579	Renault M9R-780, M9R-782	66	90	09/06	>	25.094.00	26.695.00	30.465.00	53.131.00
assembly PURFLUX FC580 / montaggio PURFLUX FC580	Renault M9R-780, M9R-782	66	90	09/06	>	25.094.00	26.694.00	30.465.00	53.131.00
2.5 CDTI 150									
assembly PURFLUX FC579 / montaggio PURFLUX FC579	Renault G9U-630	107	146	09/06	>	25.094.00	26.695.00	30.465.00	53.131.00
assembly PURFLUX FC580 / montaggio PURFLUX FC580	Renault G9U-630	107	146	09/06	>	25.094.00	26.694.00	30.465.00	53.131.00
2.5 DTI	Renault G9U-720/730	99	135	03/01	> 08/06	25.033.00	26.693.00	30.465.00	53.131.00
Vivaro B									
1.6 CDTI 115									
with air-conditioner / con climatizzatore	R9M	84	115	06/14	>	25.170.00	26.114.00	30.664.00	54.234.00
antibacterial, anti-odour and anti-allergen filter / filtro antibatterico, antiodori e anti-allergeni	R9M	84	115	06/14	>				34.234.00
1.6 CDTI 125									
with air-conditioner / con climatizzatore	R9M	92	125	04/15	>	25.170.00	26.114.00	30.664.00	54.234.00
antibacterial, anti-odour and anti-allergen filter / filtro antibatterico, antiodori e anti-allergeni	R9M	92	125	04/15	>				34.234.00
1.6 CDTI 145									
with air-conditioner / con climatizzatore	R9M	107	145	04/15	>	25.170.00	26.114.00	30.664.00	54.234.00
antibacterial, anti-odour and anti-allergen filter / filtro antibatterico, antiodori e anti-allergeni	R9M	107	145	04/15	>				34.234.00
1.6 CDTI 90									
with air-conditioner / con climatizzatore	R9M	66	90	06/14	>	25.170.00	26.114.00	30.664.00	54.234.00
antibacterial, anti-odour and anti-allergen filter / filtro antibatterico, antiodori e anti-allergeni	R9M	66	90	06/14	>				34.234.00
1.6 CDTI 95									
with air-conditioner / con climatizzatore	R9M	70	95	04/15	>	25.170.00	26.114.00	30.664.00	54.234.00
antibacterial, anti-odour and anti-allergen filter / filtro antibatterico, antiodori e anti-allergeni	R9M	70	95	04/15	>				34.234.00
1.6 CDTI Biturbo 120									
with air-conditioner / con climatizzatore	R9M	88	120	06/14	>	25.170.00	26.114.00	30.664.00	54.234.00
antibacterial, anti-odour and anti-allergen filter / filtro antibatterico, antiodori e anti-allergeni	R9M	88	120	06/14	>				34.234.00
1.6 CDTI Biturbo 140									
with air-conditioner / con climatizzatore	R9M	103	140	06/14	>	25.170.00	26.114.00	30.664.00	54.234.00
antibacterial, anti-odour and anti-allergen filter / filtro antibatterico, antiodori e anti-allergeni	R9M	103	140	06/14	>				34.234.00
Vivaro C (K0)									
1.5	D15DT(DV5RUCD)	75	102	03/19	>	25.216.00			53.154.00
with activated carbons / ai carboni attivi	D15DT(DV5RUCD)	75	102	03/19	>				54.172.00
antibacterial, anti-odour and anti-allergen filter / filtro antibatterico, antiodori e anti-allergeni	D15DT(DV5RUCD)	75	102	03/19	>				34.172.00
1.5	D15DTH(DV5RUC)	88	120	03/19	>	25.216.00			53.154.00
with activated carbons / ai carboni attivi	D15DTH(DV5RUC)	88	120	03/19	>				54.172.00
antibacterial, anti-odour and anti-allergen filter / filtro antibatterico, antiodori e anti-allergeni	D15DTH(DV5RUC)	88	120	03/19	>				34.172.00
2.0	D20DTH(DW10FD)	110	150	03/19	>		26.104.00	30.717.00	53.154.00
with activated carbons / ai carboni attivi	D20DTH(DW10FD)	110	150	03/19	>				54.172.00

...OPEL - commercial vehicles/veicoli commerciali

antibacterial, anti-odour and anti-allergen filter / filtro antibatterico, antiodori e anti-allergeni	D20DTH(DW10FD)	110	150	03/19	>				34.172.00
2.0	D20DTL(DW10FE)	90	122	03/19	>		26.104.00	30.717.00	53.154.00
with activated carbons / ai carboni attivi	D20DTL(DW10FE)	90	122	03/19	>				54.172.00
antibacterial, anti-odour and anti-allergen filter / filtro antibatterico, antiodori e anti-allergeni	D20DTH(DW10FE)	90	122	03/19	>				34.172.00
2.0	D20DTR(DW10FDCU)	130	177	03/19	>		26.104.00	30.717.00	53.154.00
with activated carbons / ai carboni attivi	D20DTR(DW10FDCU)	130	177	03/19	>				54.172.00
antibacterial, anti-odour and anti-allergen filter / filtro antibatterico, antiodori e anti-allergeni	D20DTR(DW10FDCU)	130	177	03/19	>				34.172.00
2.0	DW10FDDU340/DW10FDDU370	106	144	09/20	>		26.104.00	30.717.00	
with activated carbons / ai carboni attivi	DW10FDDU340/DW10FDDU370	106	144	09/20	>				54.172.00
antibacterial, anti-odour and anti-allergen filter / filtro antibatterico, antiodori e anti-allergeni	DW10FDDU340/DW10FDDU370	106	144	09/20	>				34.172.00
Electric	ZK01	100	136	09/20	>				34.172.00

PANTHER

cars/auto

Kallista

2.8	Ford			01/82	>		23.127.02		
2.8 i	Ford			01/82	>		23.127.02	31.502.00	
2.9 i	Ford			01/88	>		23.127.02	31.502.00	

Solo

2.0 i 16V 4x4	Ford Cosworth			09/87	>		23.114.01		
----------------------	---------------	--	--	-------	---	--	-----------	--	--

PEUGEOT

cars/auto

1007

1.4	TU3JP/TU3A	54	73	04/05	>		25.060.00		30.185.00	53.038.00
with activated carbons / ai carboni attivi	TU3JP/TU3A	54	73	04/05	>		25.060.00		30.185.00	54.111.00
antibacterial, anti-odour and anti-allergen filter / filtro antibatterico, antiodori e anti-allergeni	TU3JP/TU3A	54	73	04/05	>					34.111.00
1.4 16V	ET3J4	65	88	10/05	>		25.060.00		30.185.00	53.038.00
with activated carbons / ai carboni attivi	ET3J4	65	88	10/05	>		25.060.00		30.185.00	54.111.00
antibacterial, anti-odour and anti-allergen filter / filtro antibatterico, antiodori e anti-allergeni	ET3J4	65	88	10/05	>					34.111.00
1.4 HDI	DV4TD	50	68	04/05	>		25.037.00		30.153.00	53.038.00
to series No. OPR10633 / a serie N. OPR10633	DV4TD	50	68					24.343.00		
with activated carbons / ai carboni attivi	DV4TD	50	68	04/05	>		25.037.00		30.153.00	54.111.00
from series No. OPR10634 / da serie N. OPR10634	DV4TD	50	68					24.015.00		
antibacterial, anti-odour and anti-allergen filter / filtro antibatterico, antiodori e anti-allergeni	DV4TD	50	68	04/05	>					34.111.00
dusty areas / zone polverose	DV4TD	50	68	04/05	>		25.037.00		30.311.00	
1.6 16V	TU5JP4	80	109	04/05	>		25.060.00		30.186.00	53.038.00
with activated carbons / ai carboni attivi	TU5JP4	80	109	04/05	>		25.060.00		30.186.00	54.111.00
antibacterial, anti-odour and anti-allergen filter / filtro antibatterico, antiodori e anti-allergeni	TU5JP4	80	109	04/05	>					34.111.00
1.6 HDI 16V FAP	DV6TED4	80	109	06/07	>		25.037.00	24.027.00	30.210.00	53.038.00
with activated carbons / ai carboni attivi	DV6TED4	80	109	06/07	>		25.037.00	24.027.00	30.210.00	54.111.00
antibacterial, anti-odour and anti-allergen filter / filtro antibatterico, antiodori e anti-allergeni	DV6TED4	80	109	06/07	>					34.111.00

106

1.0 i cat	TU9M	33	45	06/98	>		23.439.00	31.710.00	27.845.02	
with plastic filter / con filtro in plastica	TU9M	33	45	11/95	>			31.948.00		
1.0 i cat	TU9M	37	50	06/98	>		23.439.00	31.710.00	27.845.02	
with plastic filter / con filtro in plastica	TU9M	37	50	11/95	>			31.948.00		
1.1 i cat	TU1M	44	60	06/98	> 06/00		23.439.00	31.710.00	27.196.00	
	TU1M	44	60	07/00	>		25.032.00	31.710.00	27.196.00	
with plastic filter / con filtro in plastica	TU1M	44	60	11/95	>			31.948.00		
1.4 i	TU3JP	55	75	06/98	> 06/00		23.439.00	31.710.00	27.196.00	
1.4 i cat				06/98	> 06/00		23.439.00	31.710.00	27.196.00	
				07/00	>		25.032.00	31.710.00	27.196.00	
1.5 D cat										
assembly DELPHI / montaggio DELPHI	TUD5			06/98	>		23.439.00	24.350.02	27.252.00	
assembly PURFLUX / montaggio PURFLUX	TUD5			06/98	>		23.439.00	24.384.00	27.252.00	
or / oppure	TUD5			07/94	>			24.350.02	27.252.00	
1.6 i	TU5J2, TU5JP			06/98	> 06/00		23.439.00	31.710.00	27.196.00	
	TU5J2, TU5JP			07/00	>		25.032.00	31.710.00	27.196.00	
1.6 i 16V	TU5J4	87	118	06/98	>		23.439.00	31.710.00	30.166.00	
1.6 i S16	TU5J4	87	118	06/98	>		23.439.00	31.710.00	30.166.00	
1.6 Rallye				04/96	>		23.293.00	31.710.00	27.196.00	

107

1.0										
with air-conditioner / con climatizzatore	1KRFE	50	68	06/05	> 04/14		23.263.00		30.175.00	53.132.00
with activated carbon air-conditioner / con climatizzatore, ai carboni attivi	1KRFE	50	68	06/05	> 04/14					54.265.00
antibacterial, anti-odour and anti-allergen filter with air-conditioner / filtro antibatterico, antiodori e anti-allergeni con climatizzatore	1KRFE	50	68	06/05	> 04/14					34.265.00
1.4 HDI										
to series No. OPR10633 / a serie N. OPR10633	DV4TD	40	54	06/05	>			24.343.00		

...PEUGEOT - cars/auto

with air-conditioner / con climatizzatore	DV4TD	40	54	06/05 >	04/14	25.037.00		30.311.00	53.132.00
with activated carbon air-conditioner / con climatizzatore, ai carboni attivi	DV4TD	40	54	06/05 >	04/14				54.265.00
from series No. OPR10634 / da serie N. OPR10634	DV4TD	40	54		> 04/14		24.015.00		
antibacterial, anti-odour and anti-allergen filter with air-conditioner / filtro antibatterico, antiodori e anti-allergeni con climatizzatore	DV4TD	40	54	06/05 >	04/14				34.265.00
108									
1.0 VTi 68	384F	51	69	05/14 >		23.263.00		30.603.00	
with air-conditioner / con climatizzatore	384F	51	69	05/14 >					53.299.00
1.0 VTi 72	CFB (1KR)	53	72	05/18 >		23.263.00		30.603.00	
with air-conditioner / con climatizzatore	CFB (1KR)	53	72	05/18 >					53.299.00
1.2 VTi 82	EB2	60	82	05/14 >		23.439.00		30.693.00	
with air-conditioner / con climatizzatore	EB2	60	82	05/14 >					53.299.00
2008									
1.2 e-THP 110	EB2DT	81	110	12/14 >		23.439.00		30.718.00	53.143.00
with automatic air-conditioner / con climatizzatore automatico	EB2DT	81	110	12/14 >					54.164.00
antibacterial, anti-odour and anti-allergen filter with automatic air-conditioner / filtro antibatterico, antiodori e anti-allergeni con climatizzatore automatico	EB2DT	81	110	12/14 >					34.164.00
for vehicles with external fuel filter with plastic filter / per veicoli con filtro carburante esterno con filtro in plastica	EB2DT	81	110	12/14 >			31.948.00		
1.2 e-THP 130	EB2DTS	96	130	12/14 >		23.439.00		30.718.00	53.143.00
with automatic air-conditioner / con climatizzatore automatico	EB2DTS	96	130	12/14 >					54.164.00
antibacterial, anti-odour and anti-allergen filter with automatic air-conditioner / filtro antibatterico, antiodori e anti-allergeni con climatizzatore automatico	EB2DTS	96	130	12/14 >					34.164.00
for vehicles with external fuel filter with plastic filter / per veicoli con filtro carburante esterno con filtro in plastica	EB2DTS	96	130	12/14 >			31.948.00		
1.2 VTi	EB2	60	82	03/13 >		23.439.00		30.638.00	53.143.00
with automatic air-conditioner / con climatizzatore automatico	EB2	60	82	03/13 >					54.164.00
antibacterial, anti-odour and anti-allergen filter with automatic air-conditioner / filtro antibatterico, antiodori e anti-allergeni con climatizzatore automatico	EB2	60	82	03/13 >					34.164.00
for vehicles with external fuel filter with plastic filter / per veicoli con filtro carburante esterno con filtro in plastica	EB2	60	82	03/13 >			31.948.00		
1.4 e-HDi 70 FAP	DV4C	50	68	03/13 >		25.037.00	24.127.00	30.645.00	53.143.00
with automatic air-conditioner / con climatizzatore automatico	DV4C	50	68	03/13 >					54.164.00
antibacterial, anti-odour and anti-allergen filter with automatic air-conditioner / filtro antibatterico, antiodori e anti-allergeni con climatizzatore automatico	DV4C	50	68	03/13 >					34.164.00
1.5 BlueHDI 100	DV5RD	75	102	05/18 >		25.216.00			53.143.00
with automatic air-conditioner / con climatizzatore automatico	DV5RD	75	102	05/18 >					54.164.00
antibacterial, anti-odour and anti-allergen filter with automatic air-conditioner / filtro antibatterico, antiodori e anti-allergeni con climatizzatore automatico	DV5RD	75	102	05/18 >					34.164.00
1.5 BlueHDI 120	DV5RC	88	120	05/18 >		25.216.00			53.143.00
with automatic air-conditioner / con climatizzatore automatico	DV5RC	88	120	05/18 >					54.164.00
antibacterial, anti-odour and anti-allergen filter with automatic air-conditioner / filtro antibatterico, antiodori e anti-allergeni con climatizzatore automatico	DV5RC	88	120	05/18 >					34.164.00
1.6 BlueHDI 100	DV6FD	83	99	12/14 >		25.187.00	26.104.00	30.648.00	53.143.00
with automatic air-conditioner / con climatizzatore automatico	DV6FD	83	99	12/14 >					54.164.00
antibacterial, anti-odour and anti-allergen filter with automatic air-conditioner / filtro antibatterico, antiodori e anti-allergeni con climatizzatore automatico	DV6FD	83	99	12/14 >					34.164.00
1.6 BlueHDI 115	DV6FC	85	116	12/14 >		25.187.00	26.104.00	30.648.00	53.143.00
with automatic air-conditioner / con climatizzatore automatico	DV6FC	85	116	12/14 >					54.164.00
antibacterial, anti-odour and anti-allergen filter with automatic air-conditioner / filtro antibatterico, antiodori e anti-allergeni con climatizzatore automatico	DV6FC	85	116	12/14 >					34.164.00
1.6 BlueHDI 120	DV6FC	88	120	12/14 >		25.187.00	26.104.00	30.648.00	53.143.00
with automatic air-conditioner / con climatizzatore automatico	DV6FC	88	120	12/14 >					54.164.00
antibacterial, anti-odour and anti-allergen filter with automatic air-conditioner / filtro antibatterico, antiodori e anti-allergeni con climatizzatore automatico	DV6FC	88	120	12/14 >					34.164.00
1.6 BlueHDI 75	DV6FE	55	75	01/15 >		25.187.00	26.104.00	30.648.00	53.143.00
with automatic air-conditioner / con climatizzatore automatico	DV6FE	55	75	01/15 >					54.164.00
antibacterial, anti-odour and anti-allergen filter with automatic air-conditioner / filtro antibatterico, antiodori e anti-allergeni con climatizzatore automatico	DV6FE	55	75	01/15 >					34.164.00
1.6 e-HDi 115 FAP	DV6C	84	114	03/13 >		25.037.00	24.127.00	30.645.00	53.143.00
with automatic air-conditioner / con climatizzatore automatico	DV6C	84	114	03/13 >					54.164.00
antibacterial, anti-odour and anti-allergen filter with automatic air-conditioner / filtro antibatterico, antiodori e anti-allergeni con climatizzatore automatico	DV6C	84	114	03/13 >					34.164.00
1.6 e-HDi 90 FAP	DV6DTE	68	92	03/13 >		25.037.00	24.127.00	30.645.00	53.143.00
with automatic air-conditioner / con climatizzatore automatico	DV6DTE	68	92	03/13 >					54.164.00
antibacterial, anti-odour and anti-allergen filter with automatic air-conditioner / filtro antibatterico, antiodori e anti-allergeni con climatizzatore automatico	DV6DTE	68	92	03/13 >					34.164.00
1.6 VTi 120	EP6C	88	120	03/13 >		25.060.00		30.400.00	53.143.00
with automatic air-conditioner / con climatizzatore automatico	EP6C	88	120	03/13 >					54.164.00
antibacterial, anti-odour and anti-allergen filter with automatic air-conditioner / filtro antibatterico, antiodori e anti-allergeni con climatizzatore automatico	EP6C	88	120	03/13 >					34.164.00
for vehicles with external fuel filter with plastic filter / per veicoli con filtro carburante esterno con filtro in plastica	EP6C	88	120	03/13 >			31.948.00		
2008 II									
1.2 PureTech 100	EB2ADTD	74	101	11/19 >		23.439.00	31.948.00	30.718.00	
1.2 PureTech 130	EB2ADTS	96	130	08/19 >		23.439.00	31.948.00	30.718.00	
1.2 PureTech 155	EB2ADTX	114	155	08/19 >		23.439.00	31.948.00	30.718.00	
1.5 BlueHDI 100	DV5RD	75	102	08/19 >		25.216.00			
1.5 BlueHDI 110	DV5RCE	81	110	01/21 >		25.216.00			
1.5 BlueHDI 130	DV5RC	96	131	08/19 >		25.216.00			
205									
1.4	TU3F2, TU3-2			07/91 >		23.191.00	31.001.00	27.196.00	
1.4 i	TU3MC			07/94 >		23.293.00	31.500.00	27.196.00	
1.4 i Cabriolet	TU3MC			07/94 >		23.293.00	31.500.00	27.196.00	
1.6 (E)	Talbot					23.105.00	31.001.00		

...PEUGEOT - cars/auto

1.6 CTI	XU5J	76	103	02/84	>	23.191.00	31.506.00	27.065.00	
1.6 GTI	XU5J	76	103	02/84	>	23.191.00	31.506.00	27.065.00	
1.6 i Automatic	XU5M			07/94	>	23.293.00	31.510.00	27.845.02	
1.6 i CJ	XU5M			07/94	>	23.293.00	31.510.00	27.845.02	
1.6 i GR	XU5M			07/94	>	23.293.00	31.510.00	27.845.02	
1.8 Turbo 16 4x4						23.191.00			
1.8 Turbodiesel									
assembly BOSCH / montaggio BOSCH	XUD7T			07/95	>	23.293.00	26.676.00	27.239.00	
assembly DELPHI / montaggio DELPHI	XUD7T			07/95	>	23.293.00	24.390.00	27.239.00	
1.9 Diesel									
assembly BOSCH / montaggio BOSCH	XUD9			07/95	>	23.293.00	26.676.00	27.061.00	
assembly DELPHI / montaggio DELPHI	XUD9			07/95	>	23.293.00	24.390.00	27.061.00	
1.9 GTI	XU9J			02/84	>	23.191.00	31.506.00	27.065.00	
1.9 i SEVE		78	106			23.191.00		27.234.00	
206									
1.1 i	TU1JP	44	60	07/98	> 06/00	23.439.00	31.710.00	30.117.00	53.044.00
	TU1JP	44	60	07/00	> 12/03	25.032.00	31.710.00	30.117.00	53.044.00
	TU1JP	44	60	01/04	>	25.060.00	31.710.00	30.117.00	53.044.00
with activated carbons / ai carboni attivi	TU1JP	44	60	07/98	>				54.194.00
antibacterial, anti-odour and anti-allergen filter / filtro antibatterico, antiodori e anti-allergeni	TU1JP	44	60	07/98	>				34.194.00
dusty areas / zone polverose	TU1JP	44	60	07/98	> 06/00	23.439.00	31.710.00	30.149.00	53.044.00
dusty areas / zone polverose	TU1JP	44	60	07/00	> 12/03	25.032.00	31.710.00	30.149.00	53.044.00
dusty areas / zone polverose	TU1JP	44	60	01/04	>	25.060.00	31.710.00	30.149.00	53.044.00
1.4 HDI	DV4TD	50	68	09/01	> 03/09	25.037.00		30.153.00	53.044.00
to series No. OPR10633 / a serie N. OPR10633	DV4TD	50	68	09/01	>		24.343.00		
with activated carbons / ai carboni attivi	DV4TD	50	68	09/01	> 03/09				54.194.00
from series No. OPR10634 / da serie N. OPR10634	DV4TD	50	68		> 03/09		24.015.00		
antibacterial, anti-odour and anti-allergen filter / filtro antibatterico, antiodori e anti-allergeni	DV4TD	50	68	09/01	> 03/09				34.194.00
dusty areas / zone polverose	DV4TD	50	68	09/01	> 03/09	25.037.00		30.311.00	53.044.00
1.4 i	TU3JP	55	75	07/98	> 06/00	23.439.00	31.710.00	30.117.00	53.044.00
	TU3JP	55	75	07/00	> 12/03	25.032.00	31.710.00	30.117.00	53.044.00
	TU3JP	55	75	01/04	>	25.060.00	31.710.00	30.117.00	53.044.00
with activated carbons / ai carboni attivi	TU3JP	55	75	07/98	>				54.194.00
antibacterial, anti-odour and anti-allergen filter / filtro antibatterico, antiodori e anti-allergeni	TU3JP	55	75	07/98	>				34.194.00
dusty areas / zone polverose	TU3JP	55	75	07/98	> 06/00	23.439.00	31.710.00	30.149.00	53.044.00
dusty areas / zone polverose	TU3JP	55	75	07/00	> 12/03	25.032.00	31.710.00	30.149.00	53.044.00
dusty areas / zone polverose	TU3JP	55	75	01/04	>	25.060.00	31.710.00	30.149.00	53.044.00
1.4 i 16V	TU3JP4/ET3J4	65	88	10/03	>	25.060.00	31.710.00	30.262.00	53.044.00
with activated carbons / ai carboni attivi	TU3JP4/ET3J4	65	88	10/03	>				54.194.00
antibacterial, anti-odour and anti-allergen filter / filtro antibatterico, antiodori e anti-allergeni	TU3JP4/ET3J4	65	88	10/03	>				34.194.00
dusty areas / zone polverose	TU3JP4/ET3J4	65	88	10/03	>	25.060.00	31.710.00		53.044.00
1.6 HDI 16V	DV6TED4	80	109	04/04	>	25.037.00	24.027.00	30.210.00	53.044.00
with activated carbons / ai carboni attivi	DV6TED4	80	109	04/04	>				54.194.00
antibacterial, anti-odour and anti-allergen filter / filtro antibatterico, antiodori e anti-allergeni	DV6TED4	80	109	04/04	>				34.194.00
1.6 HDI 16V FAP	DV6TED4	80	109	04/04	>	25.037.00	24.027.00	30.210.00	53.044.00
with activated carbons / ai carboni attivi	DV6TED4	80	109	04/04	>				54.194.00
antibacterial, anti-odour and anti-allergen filter / filtro antibatterico, antiodori e anti-allergeni	DV6TED4	80	109	04/04	>				34.194.00
1.6 i	TU5JP	66	90	07/98	> 06/00	23.439.00	31.710.00	30.117.00	53.044.00
	TU5JP	66	90	07/00	> 12/00	25.032.00	31.710.00	30.117.00	53.044.00
with activated carbons / ai carboni attivi	TU5JP	66	90	07/98	> 12/00				54.194.00
antibacterial, anti-odour and anti-allergen filter / filtro antibatterico, antiodori e anti-allergeni	TU5JP	66	90	07/98	> 12/00				34.194.00
dusty areas / zone polverose	TU5JP	66	90	07/98	> 06/00	23.439.00	31.710.00	30.149.00	53.044.00
dusty areas / zone polverose	TU5JP	66	90	07/00	> 12/00	25.032.00	31.710.00	30.149.00	53.044.00
1.6 i 16V	TU5JP4	80	109	10/00	> 05/04	25.032.00	31.710.00	30.117.00	53.044.00
	TU5JP4	80	109	06/04	> 09/05	25.060.00	31.710.00	30.117.00	53.044.00
	TU5JP4	80	109	10/05	>	25.060.00	31.710.00	30.260.00	53.044.00
with activated carbons / ai carboni attivi	TU5JP4	80	109	10/00	>				54.194.00
antibacterial, anti-odour and anti-allergen filter / filtro antibatterico, antiodori e anti-allergeni	TU5JP4	80	109	10/00	>				34.194.00
dusty areas / zone polverose	TU5JP4	80	109	10/00	> 05/04	25.032.00	31.710.00	30.149.00	53.044.00
dusty areas / zone polverose	TU5JP4	80	109	06/04	> 09/05	25.060.00	31.710.00	30.149.00	53.044.00
dusty areas / zone polverose	TU5JP4	80	109	10/05	>	25.060.00	31.710.00	30.260.00	53.044.00
1.9 D	DW8, DW8B	51	69	07/98	> 12/03	23.439.00	26.688.00	30.116.00	53.044.00
with activated carbons / ai carboni attivi	DW8, DW8B	51	69	07/98	> 12/03				54.194.00
antibacterial, anti-odour and anti-allergen filter / filtro antibatterico, antiodori e anti-allergeni	DW8, DW8B	51	69	07/98	> 12/03				34.194.00
dusty areas / zone polverose	DW8, DW8B	51	69	07/98	> 12/03	23.439.00	26.688.00	30.149.00	53.044.00
2.0 HDI	DW10TD	66	90	04/99	>	23.439.00	26.691.00	30.149.00	53.044.00
with activated carbons / ai carboni attivi	DW10TD	66	90	04/99	>				54.194.00

...PEUGEOT - cars/auto

antibacterial, anti-odour and anti-allergen filter / filtro antibatterico, antiodori e anti-allergeni	DW10TD	66	90	04/99	>				34.194.00
2.0 i 16V RC	EW10J4S	130	177	09/02	>	23.439.00	31.710.00	30.116.00	53.044.00
with activated carbons / ai carboni attivi	EW10J4S	130	177	09/02	>				54.194.00
antibacterial, anti-odour and anti-allergen filter / filtro antibatterico, antiodori e anti-allergeni	EW10J4S	130	177	09/02	>				34.194.00
dusty areas / zone polverose	EW10J4S	130	177	09/02	>	23.439.00	31.710.00	30.149.00	53.044.00
2.0 i S16	EW10J4	100	136	04/99	> 12/03	23.439.00	31.710.00	30.116.00	53.044.00
with activated carbons / ai carboni attivi	EW10J4	100	136	04/99	> 12/03				54.194.00
antibacterial, anti-odour and anti-allergen filter / filtro antibatterico, antiodori e anti-allergeni	EW10J4	100	136	04/99	> 12/03				34.194.00
dusty areas / zone polverose	EW10J4	100	136	04/99	> 12/03	23.439.00	31.710.00	30.149.00	53.044.00
2.0 i V16	EW10J4	100	136	04/99	> 12/03	23.439.00	31.710.00	30.116.00	53.044.00
with activated carbons / ai carboni attivi	EW10J4	100	136	04/99	> 12/03				54.194.00
antibacterial, anti-odour and anti-allergen filter / filtro antibatterico, antiodori e anti-allergeni	EW10J4	100	136	04/99	> 12/03				34.194.00
dusty areas / zone polverose	EW10J4	100	136	04/99	> 12/03	23.439.00	31.710.00	30.149.00	53.044.00
206 CC									
1.6 HDI 16V FAP	DV6TED4	80	109	04/05	>	25.037.00	24.027.00	30.210.00	53.044.00
with activated carbons / ai carboni attivi	DV6TED4	80	109	04/05	>				54.194.00
antibacterial, anti-odour and anti-allergen filter / filtro antibatterico, antiodori e anti-allergeni	DV6TED4	80	109	04/05	>				34.194.00
1.6 i 16V	TU5JP4	80	109	11/00	> 05/04	25.032.00	31.710.00	30.117.00	53.044.00
	TU5JP4	80	109	06/04	> 09/05	25.060.00	31.710.00	30.117.00	53.044.00
	TU5JP4	80	109	10/05	>	25.060.00	31.710.00	30.260.00	53.044.00
with activated carbons / ai carboni attivi	TU5JP4	80	109	11/00	>				54.194.00
antibacterial, anti-odour and anti-allergen filter / filtro antibatterico, antiodori e anti-allergeni	TU5JP4	80	109	11/00	>				34.194.00
dusty areas / zone polverose	TU5JP4	80	109	11/00	> 05/04	25.032.00	31.710.00	30.149.00	53.044.00
dusty areas / zone polverose	TU5JP4	80	109	06/04	> 09/05	25.060.00	31.710.00	30.149.00	53.044.00
dusty areas / zone polverose	TU5JP4	80	109	10/05	>	25.060.00	31.710.00	30.260.00	53.044.00
2.0 i 16V	EW10J4	100	136	11/00	>	23.439.00	31.710.00	30.116.00	53.044.00
with activated carbons / ai carboni attivi	EW10J4	100	136	11/00	>				54.194.00
antibacterial, anti-odour and anti-allergen filter / filtro antibatterico, antiodori e anti-allergeni	EW10J4	100	136	11/00	>				34.194.00
dusty areas / zone polverose	EW10J4	100	136	11/00	>	23.439.00	31.710.00	30.149.00	53.044.00
206 Plus									
1.1	TU1A	44	60	03/09	>	25.060.00		30.262.00	53.044.00
with activated carbons / ai carboni attivi	TU1A	44	60	03/09	>				54.194.00
antibacterial, anti-odour and anti-allergen filter / filtro antibatterico, antiodori e anti-allergeni	TU1A	44	60	03/09	>				34.194.00
for vehicles with external fuel filter / per veicoli con filtro carburante esterno	TU1A	44	60	03/09	>		31.948.00		
1.1 Eco GPL/LPG	TU1A	44	60	03/09	>	25.060.00		30.262.00	53.044.00
with activated carbons / ai carboni attivi	TU1A	44	60	03/09	>				54.194.00
antibacterial, anti-odour and anti-allergen filter / filtro antibatterico, antiodori e anti-allergeni	TU1A	44	60	03/09	>				34.194.00
assembly BRC FJ1 HE / montaggio BRC FJ1 HE	TU1A	44	60	03/09	>		46.005.00		
1.4	TU3A	55	75	03/09	>	25.060.00		30.262.00	53.044.00
with activated carbons / ai carboni attivi	TU3A	55	75	03/09	>				54.194.00
antibacterial, anti-odour and anti-allergen filter / filtro antibatterico, antiodori e anti-allergeni	TU3A	55	75	03/09	>				34.194.00
for vehicles with external fuel filter / per veicoli con filtro carburante esterno	TU3A	55	75	03/09	>		31.948.00		
1.4 HDI	DV4C	50	68	02/10	>	25.037.00		30.645.00	53.044.00
with activated carbons / ai carboni attivi	DV4C	50	68	02/10	>				54.194.00
antibacterial, anti-odour and anti-allergen filter / filtro antibatterico, antiodori e anti-allergeni	DV4C	50	68	02/10	>				34.194.00
spare part only / solo ricambio	DV4C	50	68	02/10	>		24.127.00		
1.4 HDI	DV4TD	50	68	03/09	>	25.037.00		30.153.00	53.044.00
to series No. OPR10633 / a serie N. OPR10633	DV4TD	50	68				24.343.00		
with activated carbons / ai carboni attivi	DV4TD	50	68	03/09	>				54.194.00
from series No. OPR10634 / da serie N. OPR10634	DV4TD	50	68				24.015.00		
antibacterial, anti-odour and anti-allergen filter / filtro antibatterico, antiodori e anti-allergeni	DV4TD	50	68	03/09	>				34.194.00
dusty areas / zone polverose	DV4TD	50	68	03/09	>	25.037.00		30.311.00	53.044.00
1.6 16V	TU5JP4	80	109	07/10	>	25.060.00		30.260.00	53.044.00
with activated carbons / ai carboni attivi	TU5JP4	80	109	07/10	>				54.194.00
antibacterial, anti-odour and anti-allergen filter / filtro antibatterico, antiodori e anti-allergeni	TU5JP4	80	109	07/10	>				34.194.00
for vehicles with external fuel filter / per veicoli con filtro carburante esterno	TU5JP4	80	109	07/10	>		31.948.00		
206 SW									
1.1	TU1JP	44	60	05/02	> 12/03	25.032.00	31.710.00	30.117.00	53.044.00
	TU1JP	44	60	01/04	>	25.060.00	31.710.00	30.117.00	53.044.00
with activated carbons / ai carboni attivi	TU1JP	44	60	05/02	>				54.194.00
antibacterial, anti-odour and anti-allergen filter / filtro antibatterico, antiodori e anti-allergeni	TU1JP	44	60	05/02	>				34.194.00
dusty areas / zone polverose	TU1JP	44	60	05/02	> 12/03	25.032.00	31.710.00	30.149.00	53.044.00
dusty areas / zone polverose	TU1JP	44	60	01/04	>	25.060.00	31.710.00	30.149.00	53.044.00
1.4	TU3JP	55	75	05/02	> 12/03	25.032.00	31.710.00	30.117.00	53.044.00
	TU3JP	55	75	01/04	>	25.060.00	31.710.00	30.117.00	53.044.00
with activated carbons / ai carboni attivi	TU3JP	55	75	05/02	>				54.194.00
antibacterial, anti-odour and anti-allergen filter / filtro antibatterico, antiodori e anti-allergeni	TU3JP	55	75	05/02	>				34.194.00

...PEUGEOT - cars/auto

dusty areas / zone polverose	TU3JP	55	75	05/02 >	12/03	25.032.00	31.710.00	30.149.00	53.044.00
dusty areas / zone polverose	TU3JP	55	75	01/04 >		25.060.00	31.710.00	30.149.00	53.044.00
1.4 16V	ET3J4	65	88	10/03 >		25.060.00	31.710.00	30.262.00	53.044.00
with activated carbons / ai carboni attivi	ET3J4	65	88	10/03 >					54.194.00
antibacterial, anti-odour and anti-allergen filter / filtro antibatterico, antiodori e anti-allergeni	ET3J4	65	88	10/03 >					34.194.00
dusty areas / zone polverose	ET3J4	65	88	10/03 >		25.060.00	31.710.00		53.044.00
1.4 HDI	DV4TD	50	68	05/02 >		25.037.00		30.153.00	53.044.00
to series No. OPR10633 / a serie N. OPR10633	DV4TD	50	68				24.343.00		
with activated carbons / ai carboni attivi	DV4TD	50	68	05/02 >					54.194.00
from series No. OPR10634 / da serie N. OPR10634	DV4TD	50	68				24.015.00		
antibacterial, anti-odour and anti-allergen filter / filtro antibatterico, antiodori e anti-allergeni	DV4TD	50	68	05/02 >					34.194.00
dusty areas / zone polverose	DV4TD	50	68	05/02 >		25.037.00		30.311.00	53.044.00
1.6 16V	TU5JP4	80	109	05/02 >	05/04	25.032.00	31.710.00	30.117.00	53.044.00
	TU5JP4	80	109	06/04 >	09/05	25.060.00	31.710.00	30.117.00	53.044.00
	TU5JP4	80	109	10/05 >		25.060.00	31.710.00	30.260.00	53.044.00
with activated carbons / ai carboni attivi	TU5JP4	80	109	05/02 >					54.194.00
antibacterial, anti-odour and anti-allergen filter / filtro antibatterico, antiodori e anti-allergeni	TU5JP4	80	109	05/02 >					34.194.00
dusty areas / zone polverose	TU5JP4	80	109	05/02 >	05/04	25.032.00	31.710.00	30.149.00	53.044.00
dusty areas / zone polverose	TU5JP4	80	109	06/04 >	09/05	25.060.00	31.710.00	30.149.00	53.044.00
dusty areas / zone polverose	TU5JP4	80	109	10/05 >		25.060.00	31.710.00	30.260.00	53.044.00
1.6 HDI 16V FAP	DV6TED4	80	109	04/04 >		25.037.00	24.027.00	30.210.00	53.044.00
with activated carbons / ai carboni attivi	DV6TED4	80	109	04/04 >					54.194.00
antibacterial, anti-odour and anti-allergen filter / filtro antibatterico, antiodori e anti-allergeni	DV6TED4	80	109	04/04 >					34.194.00
2.0 16V	EW10J4	100	136	05/02 >		23.439.00	31.710.00	30.116.00	53.044.00
with activated carbons / ai carboni attivi	EW10J4	100	136	05/02 >					54.194.00
antibacterial, anti-odour and anti-allergen filter / filtro antibatterico, antiodori e anti-allergeni	EW10J4	100	136	05/02 >					34.194.00
2.0 HDI	DW10TD	66	90	05/02 >		23.439.00	26.691.00	30.149.00	53.044.00
with activated carbons / ai carboni attivi	DW10TD	66	90	05/02 >					54.194.00
antibacterial, anti-odour and anti-allergen filter / filtro antibatterico, antiodori e anti-allergeni	DW10TD	66	90	05/02 >					34.194.00
207									
1.4									
to frame No. ORGA 12410 / a telaio N. ORGA 12410	TU3A	54	73	02/06 >	10/10			30.185.00	
with automatic air-conditioner / con climatizzatore automatico	TU3A	54	73	02/06 >		25.060.00			54.164.00
with manual air-conditioner / con climatizzatore manuale	TU3A	54	73	02/06 >		25.060.00			53.143.00
from frame No. ORGA 12411 / da telaio N. ORGA 12411	TU3A	54	73	11/10 >				30.150.00	
antibacterial, anti-odour and anti-allergen filter with automatic air-conditioner / filtro antibatterico, antiodori e anti-allergeni con climatizzatore automatico	TU3A	54	73	02/06 >					34.164.00
for vehicles with external fuel filter with plastic filter / per veicoli con filtro carburante esterno con filtro in plastica	TU3A	54	73	02/06 >			31.948.00		
dusty areas to frame No. ORGA 12410 / zone polverose a telaio N. ORGA 12410	TU3A	54	73	02/06 >	10/10			30.186.00	
1.4 16V									
with automatic air-conditioner / con climatizzatore automatico	ET3J4	65	88	04/06 >		25.060.00		30.185.00	54.164.00
with manual air-conditioner / con climatizzatore manuale	ET3J4	65	88	04/06 >		25.060.00		30.185.00	53.143.00
with plastic filter / con filtro in plastica	ET3J4	65	88	04/06 >			31.948.00		
antibacterial, anti-odour and anti-allergen filter with automatic air-conditioner / filtro antibatterico, antiodori e anti-allergeni con climatizzatore automatico	ET3J4	65	88	04/06 >					34.164.00
dusty areas / zone polverose	ET3J4	65	88	04/06 >				30.186.00	
1.4 8V 75 Eco GPL/LPG									
with automatic air-conditioner / con climatizzatore automatico	TU3AE5	54	73	10/08 >		25.060.00		30.150.00	54.164.00
with manual air-conditioner / con climatizzatore manuale	TU3AE5	54	73	10/08 >		25.060.00		30.150.00	53.143.00
antibacterial, anti-odour and anti-allergen filter with automatic air-conditioner / filtro antibatterico, antiodori e anti-allergeni con climatizzatore automatico	TU3AE5	54	73	10/08 >					34.164.00
assembly BRC FJ1 HE / montaggio BRC FJ1 HE	TU3AE5	54	73	10/08 >			46.005.00		
for vehicles with external fuel filter with plastic filter / per veicoli con filtro carburante esterno con filtro in plastica	TU3AE5	54	73	10/08 >			31.948.00		
1.4 HDI									
with automatic air-conditioner / con climatizzatore automatico	DV4C	50	68	02/10 >		25.037.00	24.127.00	30.645.00	54.164.00
with manual air-conditioner / con climatizzatore manuale	DV4C	50	68	02/10 >		25.037.00	24.127.00	30.645.00	53.143.00
antibacterial, anti-odour and anti-allergen filter with automatic air-conditioner / filtro antibatterico, antiodori e anti-allergeni con climatizzatore automatico	DV4C	50	68	02/10 >					34.164.00
1.4 HDI									
to series No. OPR10633 / a serie N. OPR10633	DV4TD	50	68	04/06 >			24.343.00		
with automatic air-conditioner / con climatizzatore automatico	DV4TD	50	68	04/06 >	01/10	25.037.00		30.153.00	54.164.00
with manual air-conditioner / con climatizzatore manuale	DV4TD	50	68	04/06 >	01/10	25.037.00		30.153.00	53.143.00
from series No. OPR10634 / da serie N. OPR10634	DV4TD	50	68	>	01/10		24.015.00		
antibacterial, anti-odour and anti-allergen filter with automatic air-conditioner / filtro antibatterico, antiodori e anti-allergeni con climatizzatore automatico	DV4TD	50	68	04/06 >	01/10				34.164.00
dusty areas / zone polverose	DV4TD	50	68	04/06 >	01/10	25.037.00		30.311.00	
1.4 VTi 16V									
with automatic air-conditioner / con climatizzatore automatico	EP3	70	95	07/07 >		25.060.00		30.400.00	54.164.00
with manual air-conditioner / con climatizzatore manuale	EP3	70	95	07/07 >		25.060.00		30.400.00	53.143.00
antibacterial, anti-odour and anti-allergen filter with automatic air-conditioner / filtro antibatterico, antiodori e anti-allergeni con climatizzatore automatico	EP3	70	95	07/07 >					34.164.00
for vehicles with external fuel filter with plastic filter / per veicoli con filtro carburante esterno con filtro in plastica	EP3	70	95	07/07 >			31.948.00		
1.6 16V									

...PEUGEOT - cars/auto

with automatic air-conditioner / con climatizzatore automatico	EP6	85	116	11/06	>	25.060.00		30.400.00	54.164.00
with manual air-conditioner / con climatizzatore manuale	EP6	85	116	11/06	>	25.060.00		30.400.00	53.143.00
antibacterial, anti-odour and anti-allergen filter with automatic air-conditioner / filtro antibatterico, antiodori e anti-allergeni con climatizzatore automatico	EP6	85	116	11/06	>				34.164.00
for vehicles with external fuel filter with plastic filter / per veicoli con filtro carburante esterno con filtro in plastica	EP6	85	116	11/06	>		31.948.00		
1.6 16V									
with automatic air-conditioner / con climatizzatore automatico	TU5JP4	80	109	02/06	>	25.060.00		30.186.00	54.164.00
with manual air-conditioner / con climatizzatore manuale	TU5JP4	80	109	02/06	>	25.060.00		30.186.00	53.143.00
antibacterial, anti-odour and anti-allergen filter with automatic air-conditioner / filtro antibatterico, antiodori e anti-allergeni con climatizzatore automatico	TU5JP4	80	109	02/06	>				34.164.00
for vehicles with external fuel filter with plastic filter / per veicoli con filtro carburante esterno con filtro in plastica	TU5JP4	80	109	02/06	>		31.948.00		
1.6 16V GTI									
to series No. 11920 / a serie N. 11920	EP6DTS	128	174	02/07	> 06/09	25.060.00		30.368.00	
with automatic air-conditioner / con climatizzatore automatico	EP6DTS	128	174	02/07	>				54.164.00
with manual air-conditioner / con climatizzatore manuale	EP6DTS	128	174	02/07	>				53.143.00
from series No. 11921 / da serie N. 11921	EP6DTS	128	174	07/09	>	25.060.00		30.467.00	
antibacterial, anti-odour and anti-allergen filter with automatic air-conditioner / filtro antibatterico, antiodori e anti-allergeni con climatizzatore automatico	EP6DTS	128	174	02/07	>				34.164.00
for vehicles with external fuel filter with plastic filter / per veicoli con filtro carburante esterno con filtro in plastica	EP6DTS	128	174	02/07	>		31.948.00		
1.6 16V T									
to series No. 11920 / a serie N. 11920	EP6DT	110	150	09/06	> 06/09	25.060.00		30.368.00	
with automatic air-conditioner / con climatizzatore automatico	EP6DT	110	150	09/06	> 09/09				54.164.00
with manual air-conditioner / con climatizzatore manuale	EP6DT	110	150	09/06	> 09/09				53.143.00
from series No. 11921 / da serie N. 11921	EP6DT	110	150	07/09	> 09/09	25.060.00		30.467.00	
antibacterial, anti-odour and anti-allergen filter with automatic air-conditioner / filtro antibatterico, antiodori e anti-allergeni con climatizzatore automatico	EP6DT	110	150	09/06	> 09/09				34.164.00
for vehicles with external fuel filter with plastic filter / per veicoli con filtro carburante esterno con filtro in plastica	EP6DT	110	150	09/06	> 09/09		31.948.00		
1.6 16V T									
with automatic air-conditioner / con climatizzatore automatico	EP6DT	115	156	10/09	>				54.164.00
with manual air-conditioner / con climatizzatore manuale	EP6DT	115	156	10/09	>	25.060.00		30.467.00	53.143.00
antibacterial, anti-odour and anti-allergen filter with automatic air-conditioner / filtro antibatterico, antiodori e anti-allergeni con climatizzatore automatico	EP6DT	115	156	10/09	>				34.164.00
1.6 16V T RC									
to series No. 11920 / a serie N. 11920	EP6DTS	128	174	02/07	> 06/09	25.060.00		30.368.00	
with automatic air-conditioner / con climatizzatore automatico	EP6DTS	128	174	02/07	>				54.164.00
with manual air-conditioner / con climatizzatore manuale	EP6DTS	128	174	02/07	>				53.143.00
from series No. 11921 / da serie N. 11921	EP6DTS	128	174	07/09	>	25.060.00		30.467.00	
antibacterial, anti-odour and anti-allergen filter with automatic air-conditioner / filtro antibatterico, antiodori e anti-allergeni con climatizzatore automatico	EP6DTS	128	174	02/07	>				34.164.00
for vehicles with external fuel filter with plastic filter / per veicoli con filtro carburante esterno con filtro in plastica	EP6DTS	128	174	02/07	>		31.948.00		
1.6 HDI 110									
with automatic air-conditioner / con climatizzatore automatico	DV6CTED	82	112	03/10	>	25.037.00	24.127.00	30.645.00	54.164.00
with manual air-conditioner / con climatizzatore manuale	DV6CTED	82	112	03/10	>	25.037.00	24.127.00	30.645.00	53.143.00
antibacterial, anti-odour and anti-allergen filter with automatic air-conditioner / filtro antibatterico, antiodori e anti-allergeni con climatizzatore automatico	DV6CTED	82	112	03/10	>				34.164.00
1.6 HDI 16V									
with automatic air-conditioner / con climatizzatore automatico	DV6ATED4	66	90	04/06	>	25.037.00	24.027.00	30.210.00	54.164.00
with manual air-conditioner / con climatizzatore manuale	DV6ATED4	66	90	04/06	>	25.037.00	24.027.00	30.210.00	53.143.00
antibacterial, anti-odour and anti-allergen filter with automatic air-conditioner / filtro antibatterico, antiodori e anti-allergeni con climatizzatore automatico	DV6ATED4	66	90	04/06	>				34.164.00
1.6 HDI 16V									
with automatic air-conditioner / con climatizzatore automatico	DV6DTEd	68	92	03/10	>	25.037.00	24.127.00	30.645.00	54.164.00
with manual air-conditioner / con climatizzatore manuale	DV6DTEd	68	92	03/10	>	25.037.00	24.127.00	30.645.00	53.143.00
antibacterial, anti-odour and anti-allergen filter with automatic air-conditioner / filtro antibatterico, antiodori e anti-allergeni con climatizzatore automatico	DV6DTEd	68	92	03/10	>				34.164.00
1.6 HDI 16V									
with automatic air-conditioner / con climatizzatore automatico	DV6TED4	80	109	04/06	>	25.037.00	24.027.00	30.210.00	54.164.00
with manual air-conditioner / con climatizzatore manuale	DV6TED4	80	109	04/06	>	25.037.00	24.027.00	30.210.00	53.143.00
antibacterial, anti-odour and anti-allergen filter with automatic air-conditioner / filtro antibatterico, antiodori e anti-allergeni con climatizzatore automatico	DV6TED4	80	109	04/06	>				34.164.00
1.6 HDI 16V FAP									
with automatic air-conditioner / con climatizzatore automatico	DV6TED4 FAP	80	109	04/06	>	25.037.00	24.027.00	30.210.00	54.164.00
with manual air-conditioner / con climatizzatore manuale	DV6TED4 FAP	80	109	04/06	>	25.037.00	24.027.00	30.210.00	53.143.00
antibacterial, anti-odour and anti-allergen filter with automatic air-conditioner / filtro antibatterico, antiodori e anti-allergeni con climatizzatore automatico	DV6TED4 FAP	80	109	04/06	>				34.164.00
1.6 VTi 16V									
with automatic air-conditioner / con climatizzatore automatico	EP6	88	120	09/06	>				54.164.00
with manual air-conditioner / con climatizzatore manuale	EP6	88	120	09/06	>	25.060.00		30.400.00	53.143.00
antibacterial, anti-odour and anti-allergen filter with automatic air-conditioner / filtro antibatterico, antiodori e anti-allergeni con climatizzatore automatico	EP6	88	120	09/06	>				34.164.00
for vehicles with external fuel filter with plastic filter / per veicoli con filtro carburante esterno con filtro in plastica	EP6	88	120	09/06	>		31.948.00		
207 CC									
1.6 16V THP 150									
to series No. 11920 / a serie N. 11920	EP6DT	110	150	02/07	> 06/09	25.060.00		30.368.00	
with automatic air-conditioner / con climatizzatore automatico	EP6DT	110	150	02/07	> 09/09				54.164.00
with manual air-conditioner / con climatizzatore manuale	EP6DT	110	150	02/07	> 09/09				53.143.00
from series No. 11921 / da serie N. 11921	EP6DT	110	150	07/09	> 09/09	25.060.00		30.467.00	
antibacterial, anti-odour and anti-allergen filter with automatic air-conditioner / filtro antibatterico, antiodori e anti-allergeni con climatizzatore automatico	EP6DT	110	150	02/07	> 09/09				34.164.00
for vehicles with external fuel filter with plastic filter / per veicoli con filtro carburante esterno con filtro in plastica	EP6DT	110	150	02/07	> 09/09		31.948.00		

...PEUGEOT - cars/auto

1.6 16V THP 156									
with automatic air-conditioner / con climatizzatore automatico	EP6DT	115	156	10/09	>				54.164.00
with manual air-conditioner / con climatizzatore manuale	EP6DT	115	156	10/09	>	25.060.00		30.467.00	53.143.00
antibacterial, anti-odour and anti-allergen filter with automatic air-conditioner / filtro antibatterico, antiodori e anti-allergeni con climatizzatore automatico	EP6DT	115	156	10/09	>				34.164.00
1.6 16V VTi 120									
with automatic air-conditioner / con climatizzatore automatico	EP6	88	120	02/07	>	25.060.00		30.400.00	54.164.00
with manual air-conditioner / con climatizzatore manuale	EP6	88	120	02/07	>	25.060.00		30.400.00	53.143.00
antibacterial, anti-odour and anti-allergen filter with automatic air-conditioner / filtro antibatterico, antiodori e anti-allergeni con climatizzatore automatico	EP6	88	120	02/07	>				34.164.00
for vehicles with external fuel filter with plastic filter / per veicoli con filtro carburante esterno con filtro in plastica	EP6	88	120	02/07	>		31.948.00		
1.6 16V VTi 120 Automatic									
with automatic air-conditioner / con climatizzatore automatico	EP6	88	120	02/07	>	25.060.00		30.400.00	54.164.00
with manual air-conditioner / con climatizzatore manuale	EP6	88	120	02/07	>	25.060.00		30.400.00	53.143.00
antibacterial, anti-odour and anti-allergen filter with automatic air-conditioner / filtro antibatterico, antiodori e anti-allergeni con climatizzatore automatico	EP6	88	120	02/07	>				34.164.00
for vehicles with external fuel filter with plastic filter / per veicoli con filtro carburante esterno con filtro in plastica	EP6	88	120	02/07	>		31.948.00		
1.6 HDi 16V 110									
with automatic air-conditioner / con climatizzatore automatico	DV6C	82	112	03/10	>	25.037.00	24.127.00	30.645.00	54.164.00
with manual air-conditioner / con climatizzatore manuale	DV6C	82	112	03/10	>	25.037.00	24.127.00	30.645.00	53.143.00
antibacterial, anti-odour and anti-allergen filter with automatic air-conditioner / filtro antibatterico, antiodori e anti-allergeni con climatizzatore automatico	DV6C	82	112	03/10	>				34.164.00
1.6 HDi 16V FAP									
with automatic air-conditioner / con climatizzatore automatico	DV6TED4	80	109	02/07	>	25.037.00	24.027.00	30.210.00	54.164.00
with manual air-conditioner / con climatizzatore manuale	DV6TED4	80	109	02/07	>	25.037.00	24.027.00	30.210.00	53.143.00
antibacterial, anti-odour and anti-allergen filter with automatic air-conditioner / filtro antibatterico, antiodori e anti-allergeni con climatizzatore automatico	DV6TED4	80	109	02/07	>				34.164.00
207 SW									
1.4									
to frame No. ORGA 12410 / a telaio N. ORGA 12410	TU3A	54	73	07/07	> 10/10			30.185.00	
with automatic air-conditioner / con climatizzatore automatico	TU3A	54	73	07/07	>	25.060.00			54.164.00
with manual air-conditioner / con climatizzatore manuale	TU3A	54	73	07/07	>	25.060.00			53.143.00
from frame No. ORGA 12411 / da telaio N. ORGA 12411	TU3A	54	73	11/10	>			30.A15.00	
antibacterial, anti-odour and anti-allergen filter with automatic air-conditioner / filtro antibatterico, antiodori e anti-allergeni con climatizzatore automatico	TU3A	54	73	07/07	>				34.164.00
for vehicles with external fuel filter with plastic filter / per veicoli con filtro carburante esterno con filtro in plastica	TU3A	54	73	07/07	>		31.948.00		
dusty areas to frame No. ORGA 12410 / zone polverose a telaio N. ORGA 12410	TU3A	54	73	07/07	> 10/10	25.060.00		30.186.00	
1.4 8V Eco GPL/LPG									
with automatic air-conditioner / con climatizzatore automatico	TU3AE5	54	73	09/08	>	25.060.00		30.A15.00	54.164.00
with manual air-conditioner / con climatizzatore manuale	TU3AE5	54	73	09/08	>	25.060.00		30.A15.00	53.143.00
antibacterial, anti-odour and anti-allergen filter with automatic air-conditioner / filtro antibatterico, antiodori e anti-allergeni con climatizzatore automatico	TU3AE5	54	73	09/08	>				34.164.00
assembly BRC FJ1 HE / montaggio BRC FJ1 HE	TU3AE5	54	73	09/08	>		46.005.00		
for vehicles with external fuel filter with plastic filter / per veicoli con filtro carburante esterno con filtro in plastica	TU3AE5	54	73	09/08	>		31.948.00		
1.4 VTi 95									
with automatic air-conditioner / con climatizzatore automatico	EP3	70	95	07/07	>	25.060.00		30.400.00	54.164.00
with manual air-conditioner / con climatizzatore manuale	EP3	70	95	07/07	>	25.060.00		30.400.00	53.143.00
antibacterial, anti-odour and anti-allergen filter with automatic air-conditioner / filtro antibatterico, antiodori e anti-allergeni con climatizzatore automatico	EP3	70	95	07/07	>				34.164.00
for vehicles with external fuel filter with plastic filter / per veicoli con filtro carburante esterno con filtro in plastica	EP3	70	95	07/07	>		31.948.00		
1.4 VTi 98									
with automatic air-conditioner / con climatizzatore automatico	EP3C	72	98	07/07	>	25.060.00		30.400.00	54.164.00
with manual air-conditioner / con climatizzatore manuale	EP3C	72	98	07/07	>	25.060.00		30.400.00	53.143.00
antibacterial, anti-odour and anti-allergen filter with automatic air-conditioner / filtro antibatterico, antiodori e anti-allergeni con climatizzatore automatico	EP3C	72	98	07/07	>				34.164.00
for vehicles with external fuel filter with plastic filter / per veicoli con filtro carburante esterno con filtro in plastica	EP3C	72	98	07/07	>		31.948.00		
1.6 16V T RC									
to series No. 11920 / a serie N. 11920	EP6DTS	128	174	02/07	> 06/09	25.060.00		30.368.00	
with automatic air-conditioner / con climatizzatore automatico	EP6DTS	128	174	02/07	>				54.164.00
with manual air-conditioner / con climatizzatore manuale	EP6DTS	128	174	02/07	>				53.143.00
from series No. 11921 / da serie N. 11921	EP6DTS	128	174	07/09	>	25.060.00		30.467.00	
antibacterial, anti-odour and anti-allergen filter with automatic air-conditioner / filtro antibatterico, antiodori e anti-allergeni con climatizzatore automatico	EP6DTS	128	174	02/07	>				34.164.00
for vehicles with external fuel filter with plastic filter / per veicoli con filtro carburante esterno con filtro in plastica	EP6DTS	128	174	02/07	>		31.948.00		
1.6 16V Turbo 150									
to series No. 11920 / a serie N. 11920	EP6DT	110	150	02/07	> 06/09	25.060.00		30.368.00	
with automatic air-conditioner / con climatizzatore automatico	EP6DT	110	150	02/07	>				54.164.00
with manual air-conditioner / con climatizzatore manuale	EP6DT	110	150	02/07	>				53.143.00
from series No. 11921 / da serie N. 11921	EP6DT	110	150	07/09	>	25.060.00		30.467.00	
antibacterial, anti-odour and anti-allergen filter with automatic air-conditioner / filtro antibatterico, antiodori e anti-allergeni con climatizzatore automatico	EP6DT	110	150	02/07	>				34.164.00
for vehicles with external fuel filter with plastic filter / per veicoli con filtro carburante esterno con filtro in plastica	EP6DT	110	150	02/07	>		31.948.00		
1.6 HDi 110									
with automatic air-conditioner / con climatizzatore automatico	DV6CTED	82	112	03/10	>	25.037.00	24.127.00	30.645.00	54.164.00
with manual air-conditioner / con climatizzatore manuale	DV6CTED	82	112	03/10	>	25.037.00	24.127.00	30.645.00	53.143.00
antibacterial, anti-odour and anti-allergen filter with automatic air-conditioner / filtro antibatterico, antiodori e anti-allergeni con climatizzatore automatico	DV6CTED	82	112	03/10	>				34.164.00
1.6 HDi 16V									
with automatic air-conditioner / con climatizzatore automatico	DV6ATED4	66	90	07/07	>	25.037.00	24.027.00	30.210.00	54.164.00

...PEUGEOT - cars/auto

with manual air-conditioner / con climatizzatore manuale	DV6ATED4	66	90	07/07	>	25.037.00	24.027.00	30.210.00	53.143.00
antibacterial, anti-odour and anti-allergen filter with automatic air-conditioner / filtro antibatterico, antiodori e anti-allergeni con climatizzatore automatico	DV6ATED4	66	90	07/07	>				34.164.00
1.6 HDI 16V FAP									
with automatic air-conditioner / con climatizzatore automatico	DV6ATED4 FAP	66	90	07/07	>	25.037.00	24.027.00	30.210.00	54.164.00
with manual air-conditioner / con climatizzatore manuale	DV6ATED4 FAP	66	90	07/07	>	25.037.00	24.027.00	30.210.00	53.143.00
antibacterial, anti-odour and anti-allergen filter with automatic air-conditioner / filtro antibatterico, antiodori e anti-allergeni con climatizzatore automatico	DV6ATED4 FAP	66	90	07/07	>				34.164.00
1.6 HDI 16V FAP									
with automatic air-conditioner / con climatizzatore automatico	DV6TED4 FAP	80	109	07/07	>	25.037.00	24.027.00	30.210.00	54.164.00
with manual air-conditioner / con climatizzatore manuale	DV6TED4 FAP	80	109	07/07	>	25.037.00	24.027.00	30.210.00	53.143.00
antibacterial, anti-odour and anti-allergen filter with automatic air-conditioner / filtro antibatterico, antiodori e anti-allergeni con climatizzatore automatico	DV6TED4 FAP	80	109	07/07	>				34.164.00
1.6 HDI 92									
with automatic air-conditioner / con climatizzatore automatico	DV6DTED	68	92	03/10	>	25.037.00	24.127.00	30.645.00	54.164.00
with manual air-conditioner / con climatizzatore manuale	DV6DTED	68	92	03/10	>	25.037.00	24.127.00	30.645.00	53.143.00
antibacterial, anti-odour and anti-allergen filter with automatic air-conditioner / filtro antibatterico, antiodori e anti-allergeni con climatizzatore automatico	DV6DTED	68	92	03/10	>				34.164.00
1.6 VTi 16V									
with automatic air-conditioner / con climatizzatore automatico	EP6	88	120	07/07	>	25.060.00		30.400.00	54.164.00
with manual air-conditioner / con climatizzatore manuale	EP6	88	120	07/07	>	25.060.00		30.400.00	53.143.00
antibacterial, anti-odour and anti-allergen filter with automatic air-conditioner / filtro antibatterico, antiodori e anti-allergeni con climatizzatore automatico	EP6	88	120	07/07	>				34.164.00
for vehicles with external fuel filter with plastic filter / per veicoli con filtro carburante esterno con filtro in plastica	EP6	88	120	07/07	>		31.948.00		
208									
1.0 VTi 12V									
with automatic air-conditioner / con climatizzatore automatico	EB0	50	68	08/12	>	23.439.00		30.638.00	53.143.00
antibacterial, anti-odour and anti-allergen filter with automatic air-conditioner / filtro antibatterico, antiodori e anti-allergeni con climatizzatore automatico	EB0	50	68	08/12	>				54.164.00
for vehicles with external fuel filter with plastic filter / per veicoli con filtro carburante esterno con filtro in plastica	EB0	50	68	08/12	>		31.948.00		34.164.00
1.2 PureTech 82									
with automatic air-conditioner / con climatizzatore automatico	EB2	60	82	08/12	>	23.439.00		30.638.00	53.143.00
antibacterial, anti-odour and anti-allergen filter with automatic air-conditioner / filtro antibatterico, antiodori e anti-allergeni con climatizzatore automatico	EB2	60	82	08/12	>				54.164.00
for vehicles with external fuel filter with plastic filter / per veicoli con filtro carburante esterno con filtro in plastica	EB2	60	82	08/12	>		31.948.00		34.164.00
1.2 THP PureTech 110									
with automatic air-conditioner / con climatizzatore automatico	EB2DT	81	110	01/13	>	23.439.00		30.718.00	53.143.00
antibacterial, anti-odour and anti-allergen filter with automatic air-conditioner / filtro antibatterico, antiodori e anti-allergeni con climatizzatore automatico	EB2DT	81	110	01/13	>				54.164.00
for vehicles with external fuel filter with plastic filter / per veicoli con filtro carburante esterno con filtro in plastica	EB2DT	81	110	01/13	>		31.948.00		34.164.00
1.2 VTi 12V									
with automatic air-conditioner / con climatizzatore automatico	EB2	60	82	08/12	>	23.439.00		30.638.00	53.143.00
antibacterial, anti-odour and anti-allergen filter with automatic air-conditioner / filtro antibatterico, antiodori e anti-allergeni con climatizzatore automatico	EB2	60	82	08/12	>				54.164.00
for vehicles with external fuel filter with plastic filter / per veicoli con filtro carburante esterno con filtro in plastica	EB2	60	82	08/12	>		31.948.00		34.164.00
1.4 e-HDI 68									
with automatic air-conditioner / con climatizzatore automatico	DV4C	50	68	04/12	>	25.037.00	24.127.00	30.645.00	53.143.00
antibacterial, anti-odour and anti-allergen filter with automatic air-conditioner / filtro antibatterico, antiodori e anti-allergeni con climatizzatore automatico	DV4C	50	68	04/12	>				54.164.00
1.4 GPL									
with automatic air-conditioner / con climatizzatore automatico	EP3C	70	95	10/13	>	25.060.00		30.400.00	53.143.00
antibacterial, anti-odour and anti-allergen filter with automatic air-conditioner / filtro antibatterico, antiodori e anti-allergeni con climatizzatore automatico	EP3C	70	95	10/13	>				54.164.00
1.4 HDI 68									
with automatic air-conditioner / con climatizzatore automatico	DV4C	50	68	04/12	>	25.037.00	24.127.00	30.645.00	53.143.00
antibacterial, anti-odour and anti-allergen filter with automatic air-conditioner / filtro antibatterico, antiodori e anti-allergeni con climatizzatore automatico	DV4C	50	68	04/12	>				54.164.00
1.4 VTi 95									
with automatic air-conditioner / con climatizzatore automatico	EP3C	70	95	04/12	>	25.060.00		30.400.00	53.143.00
antibacterial, anti-odour and anti-allergen filter with automatic air-conditioner / filtro antibatterico, antiodori e anti-allergeni con climatizzatore automatico	EP3C	70	95	04/12	>				54.164.00
for vehicles with external fuel filter with plastic filter / per veicoli con filtro carburante esterno con filtro in plastica	EP3C	70	95	04/12	>		31.948.00		34.164.00
1.5 BlueHDI 100									
with automatic air-conditioner / con climatizzatore automatico	DV5RD	75	102	01/18	>	25.216.00			53.143.00
antibacterial, anti-odour and anti-allergen filter with automatic air-conditioner / filtro antibatterico, antiodori e anti-allergeni con climatizzatore automatico	DV5RD	75	102	01/18	>				54.164.00
1.6 BlueHDI 100									
with automatic air-conditioner / con climatizzatore automatico	DV6FD	73	99	01/15	>	25.187.00	26.104.00	30.648.00	53.143.00
antibacterial, anti-odour and anti-allergen filter with automatic air-conditioner / filtro antibatterico, antiodori e anti-allergeni con climatizzatore automatico	DV6FD	73	99	01/15	>				54.164.00
1.6 BlueHDI 115									
with automatic air-conditioner / con climatizzatore automatico	DV6FC	85	116	01/15	>	25.187.00	26.104.00	30.648.00	53.143.00
antibacterial, anti-odour and anti-allergen filter with automatic air-conditioner / filtro antibatterico, antiodori e anti-allergeni con climatizzatore automatico	DV6FC	85	116	01/15	>				54.164.00
1.6 BlueHDI 120									
with automatic air-conditioner / con climatizzatore automatico	DV6FC	88	120	01/15	>	25.187.00	26.104.00	30.648.00	53.143.00
antibacterial, anti-odour and anti-allergen filter with automatic air-conditioner / filtro antibatterico, antiodori e anti-allergeni con climatizzatore automatico	DV6FC	88	120	01/15	>				54.164.00
1.6 BlueHDI 75									
with automatic air-conditioner / con climatizzatore automatico	DV6FE	55	75	01/15	>	25.187.00	26.104.00	30.648.00	53.143.00
antibacterial, anti-odour and anti-allergen filter with automatic air-conditioner / filtro antibatterico, antiodori e anti-allergeni con climatizzatore automatico	DV6FE	55	75	01/15	>				54.164.00
1.6 e-HDI 115									
with automatic air-conditioner / con climatizzatore automatico	DV6C	84	114	04/12	>	25.037.00	24.127.00	30.645.00	53.143.00
antibacterial, anti-odour and anti-allergen filter with automatic air-conditioner / filtro antibatterico, antiodori e anti-allergeni con climatizzatore automatico	DV6C	84	114	04/12	>				54.164.00
	DV6C	84	114	04/12	>				34.164.00

...PEUGEOT - cars/auto

1.6 e-HDI 75	with automatic air-conditioner / con climatizzatore automatico	DV6ETED	55	75	07/12 >	25.037.00	24.127.00	30.645.00	53.143.00
	antibacterial, anti-odour and anti-allergen filter with automatic air-conditioner / filtro antibatterico, antiodori e anti-allergeni con climatizzatore automatico	DV6ETED	55	75	07/12 >				54.164.00
		DV6ETED	55	75	07/12 >				34.164.00
1.6 e-HDI 92	with automatic air-conditioner / con climatizzatore automatico	DV6DTEd	68	92	04/12 >	25.037.00	24.127.00	30.645.00	53.143.00
	antibacterial, anti-odour and anti-allergen filter with automatic air-conditioner / filtro antibatterico, antiodori e anti-allergeni con climatizzatore automatico	DV6DTEd	68	92	04/12 >				54.164.00
		DV6DTEd	68	92	04/12 >				34.164.00
1.6 HDI 110 FAP	with automatic air-conditioner / con climatizzatore automatico	DV6C	82	112	04/12 >	25.037.00	24.127.00	30.645.00	53.143.00
	antibacterial, anti-odour and anti-allergen filter with automatic air-conditioner / filtro antibatterico, antiodori e anti-allergeni con climatizzatore automatico	DV6C	82	112	04/12 >				54.164.00
		DV6C	82	112	04/12 >				34.164.00
1.6 THP 155	with automatic air-conditioner / con climatizzatore automatico	EP6CDT	115	156	04/12 >	25.060.00		30.467.00	53.143.00
	antibacterial, anti-odour and anti-allergen filter with automatic air-conditioner / filtro antibatterico, antiodori e anti-allergeni con climatizzatore automatico	EP6CDT	115	156	04/12 >				54.164.00
	for vehicles with external fuel filter with plastic filter / per veicoli con filtro carburante esterno con filtro in plastica	EP6CDT	115	156	04/12 >		31.948.00		34.164.00
1.6 THP 165	with automatic air-conditioner / con climatizzatore automatico	EP6FDT	120	163	03/15 >	25.060.00		30.467.00	53.143.00
	antibacterial, anti-odour and anti-allergen filter with automatic air-conditioner / filtro antibatterico, antiodori e anti-allergeni con climatizzatore automatico	EP6FDT	120	163	03/15 >				54.164.00
	for vehicles with external fuel filter with plastic filter / per veicoli con filtro carburante esterno con filtro in plastica	EP6FDT	120	163	03/15 >		31.948.00		34.164.00
1.6 THP GTI 200	with automatic air-conditioner / con climatizzatore automatico	EP6CDTX	147	200	08/12 >	25.060.00		30.467.00	53.143.00
	antibacterial, anti-odour and anti-allergen filter with automatic air-conditioner / filtro antibatterico, antiodori e anti-allergeni con climatizzatore automatico	EP6CDTX	147	200	08/12 >				54.164.00
	for vehicles with external fuel filter with plastic filter / per veicoli con filtro carburante esterno con filtro in plastica	EP6CDTX	147	200	08/12 >		31.948.00		34.164.00
1.6 THP GTI 30th	with automatic air-conditioner / con climatizzatore automatico	EP6CDTX	153	208	10/14 >	25.060.00		30.467.00	53.143.00
	antibacterial, anti-odour and anti-allergen filter with automatic air-conditioner / filtro antibatterico, antiodori e anti-allergeni con climatizzatore automatico	EP6CDTX	153	208	10/14 >				54.164.00
	for vehicles with external fuel filter with plastic filter / per veicoli con filtro carburante esterno con filtro in plastica	EP6CDTX	153	208	10/14 >		31.948.00		34.164.00
1.6 VTi 120	with automatic air-conditioner / con climatizzatore automatico	EP6C	88	120	04/12 >	25.060.00		30.400.00	53.143.00
	antibacterial, anti-odour and anti-allergen filter with automatic air-conditioner / filtro antibatterico, antiodori e anti-allergeni con climatizzatore automatico	EP6C	88	120	04/12 >				54.164.00
	for vehicles with external fuel filter with plastic filter / per veicoli con filtro carburante esterno con filtro in plastica	EP6C	88	120	04/12 >		31.948.00		34.164.00
208 II									
1.2 PureTech 100		EB2ADT	74	100	06/19 >	23.439.00			
1.2 PureTech 130 (P21E)		EB2ADTS	96	131	09/19 >	23.439.00		30.718.00	
1.2 PureTech 75 (P21E)		EB2FAD	55	75	09/19 >	23.439.00		30.638.00	
1.5 BlueHDI 100		DV5RD	75	102	06/19 >	25.216.00			
1.5 BlueHDI 130		DV5RC	96	131	09/19 >	25.216.00			
e-208		ZKX	100	136	06/19 >				
3008									
1.2 e-THP 130	with automatic air-conditioner / con climatizzatore automatico	EB2DTS	96	131	01/15 >	23.439.00		30.718.00	54.172.00
	with manual air-conditioner / con climatizzatore manuale	EB2DTS	96	131	01/15 >	23.439.00		30.718.00	53.154.00
	antibacterial, anti-odour and anti-allergen filter with automatic air-conditioner / filtro antibatterico, antiodori e anti-allergeni con climatizzatore automatico	EB2DTS	96	131	01/15 >				34.172.00
1.6 BlueHDI 115	with automatic air-conditioner / con climatizzatore automatico	DV6FC	85	116	05/14 >	25.187.00	26.104.00	30.648.00	54.172.00
	with manual air-conditioner / con climatizzatore manuale	DV6FC	85	116	05/14 >	25.187.00	26.104.00	30.648.00	53.154.00
	antibacterial, anti-odour and anti-allergen filter with automatic air-conditioner / filtro antibatterico, antiodori e anti-allergeni con climatizzatore automatico	DV6FC	85	116	05/14 >				34.172.00
1.6 BlueHDI 120	with automatic air-conditioner / con climatizzatore automatico	DV6FC	88	120	07/14 >	25.187.00	26.104.00	30.648.00	54.172.00
	with manual air-conditioner / con climatizzatore manuale	DV6FC	88	120	07/14 >	25.187.00	26.104.00	30.648.00	53.154.00
	antibacterial, anti-odour and anti-allergen filter with automatic air-conditioner / filtro antibatterico, antiodori e anti-allergeni con climatizzatore automatico	DV6FC	88	120	07/14 >				34.172.00
1.6 HDI 110 FAP	with automatic air-conditioner / con climatizzatore automatico	DV6CTED	82	112	01/10 >	25.037.00		30.645.00	54.172.00
	with manual air-conditioner / con climatizzatore manuale	DV6CTED	82	112	01/10 >	25.037.00		30.645.00	53.154.00
	antibacterial, anti-odour and anti-allergen filter with automatic air-conditioner / filtro antibatterico, antiodori e anti-allergeni con climatizzatore automatico	DV6CTED	82	112	01/10 >				34.172.00
spare part only / solo ricambio		DV6CTED	82	112	01/10 >		24.127.00		
1.6 HDi 110 FAP	with automatic air-conditioner / con climatizzatore automatico	DV6TED4	80	109	06/09 >	25.037.00	24.027.00	30.210.00	54.172.00
	with manual air-conditioner / con climatizzatore manuale	DV6TED4	80	109	06/09 >	25.037.00	24.027.00	30.210.00	53.154.00
	antibacterial, anti-odour and anti-allergen filter with automatic air-conditioner / filtro antibatterico, antiodori e anti-allergeni con climatizzatore automatico	DV6TED4	80	109	06/09 >				34.172.00
1.6 HDi 115 FAP	with automatic air-conditioner / con climatizzatore automatico	DV6CTED	85	115	10/12 >	25.037.00		30.645.00	54.172.00
	with manual air-conditioner / con climatizzatore manuale	DV6CTED	85	115	10/12 >	25.037.00		30.645.00	53.154.00
	antibacterial, anti-odour and anti-allergen filter with automatic air-conditioner / filtro antibatterico, antiodori e anti-allergeni con climatizzatore automatico	DV6CTED	85	115	10/12 >				34.172.00
spare part only / solo ricambio		DV6CTED	85	115	10/12 >		24.127.00		
1.6 THP 150	to series No. OPR11920 / a serie N. OPR11920	EP6DT	110	150	> 06/09	25.060.00		30.368.00	
	with automatic air-conditioner / con climatizzatore automatico	EP6DT	110	150	06/09 >				54.172.00
	with manual air-conditioner / con climatizzatore manuale	EP6DT	110	150	06/09 >				53.154.00

...PEUGEOT - cars/auto

from series No. OPR11921 / da serie N. OPR11921	EP6DT	110	150	07/09	>	25.060.00		30.467.00	
antibacterial, anti-odour and anti-allergen filter with automatic air-conditioner / filtro antibatterico, antiodori e anti-allergeni con climatizzatore automatico	EP6DT	110	150	06/09	>				34.172.00
for vehicles with external fuel filter with plastic filter / per veicoli con filtro carburante esterno con filtro in plastica	EP6DT	110	150	06/09	>		31.948.00		
1.6 THP 155									
to series No. OPR11920 / a serie N. OPR11920	EP6DT	115	156		> 06/09	25.060.00		30.368.00	
with automatic air-conditioner / con climatizzatore automatico	EP6DT	115	156	06/09	>				54.172.00
with manual air-conditioner / con climatizzatore manuale	EP6DT	115	156	06/09	>				53.154.00
from series No. OPR11921 / da serie N. OPR11921	EP6DT	115	156	07/09	>	25.060.00		30.467.00	
antibacterial, anti-odour and anti-allergen filter with automatic air-conditioner / filtro antibatterico, antiodori e anti-allergeni con climatizzatore automatico	EP6DT	115	156	06/09	>				34.172.00
for vehicles with external fuel filter with plastic filter / per veicoli con filtro carburante esterno con filtro in plastica	EP6DT	115	156	06/09	>		31.948.00		
1.6 THP 165									
with automatic air-conditioner / con climatizzatore automatico	EP6FDT	120	163	05/14	>	25.060.00		30.467.00	54.172.00
with manual air-conditioner / con climatizzatore manuale	EP6FDT	120	163	05/14	>	25.060.00		30.467.00	53.154.00
antibacterial, anti-odour and anti-allergen filter with automatic air-conditioner / filtro antibatterico, antiodori e anti-allergeni con climatizzatore automatico	EP6FDT	120	163	05/14	>				34.172.00
for vehicles with external fuel filter with plastic filter / per veicoli con filtro carburante esterno con filtro in plastica	EP6FDT	120	163	05/14	>		31.948.00		
1.6 VTi 120									
with automatic air-conditioner / con climatizzatore automatico	EP6	88	120	06/09	>	25.060.00		30.400.00	54.172.00
with manual air-conditioner / con climatizzatore manuale	EP6	88	120	06/09	>	25.060.00		30.400.00	53.154.00
antibacterial, anti-odour and anti-allergen filter with automatic air-conditioner / filtro antibatterico, antiodori e anti-allergeni con climatizzatore automatico	EP6	88	120	06/09	>				34.172.00
for vehicles with external fuel filter with plastic filter / per veicoli con filtro carburante esterno con filtro in plastica	EP6	88	120	06/09	>		31.948.00		
2.0 BlueHDI 150									
with automatic air-conditioner / con climatizzatore automatico	DW10FD	110	150	02/14	>	23.439.00			54.172.00
with manual air-conditioner / con climatizzatore manuale	DW10FD	110	150	02/14	>	23.439.00			53.154.00
antibacterial, anti-odour and anti-allergen filter with automatic air-conditioner / filtro antibatterico, antiodori e anti-allergeni con climatizzatore automatico	DW10FD	110	150	02/14	>				34.172.00
2.0 HDI 135									
with automatic air-conditioner / con climatizzatore automatico	DW10BTED4	100	136	09/11	>	25.060.00	26.022.00	30.351.00	54.172.00
with manual air-conditioner / con climatizzatore manuale	DW10BTED4	100	136	09/11	>	25.060.00	26.022.00	30.351.00	53.154.00
antibacterial, anti-odour and anti-allergen filter with automatic air-conditioner / filtro antibatterico, antiodori e anti-allergeni con climatizzatore automatico	DW10BTED4	100	136	09/11	>				34.172.00
2.0 HDI 16V 150 FAP									
with automatic air-conditioner / con climatizzatore automatico	DW10DTE4	110	150	06/09	>	25.060.00	26.055.00	30.351.00	54.172.00
with manual air-conditioner / con climatizzatore manuale	DW10DTE4	110	150	06/09	>	25.060.00	26.055.00	30.351.00	53.154.00
antibacterial, anti-odour and anti-allergen filter with automatic air-conditioner / filtro antibatterico, antiodori e anti-allergeni con climatizzatore automatico	DW10DTE4	110	150	06/09	>				34.172.00
2.0 HDI 16V 163 FAP									
with automatic air-conditioner / con climatizzatore automatico	DW10CTED4	120	163	06/09	>	25.060.00	26.055.00	30.351.00	54.172.00
with manual air-conditioner / con climatizzatore manuale	DW10CTED4	120	163	06/09	>	25.060.00	26.055.00	30.351.00	53.154.00
antibacterial, anti-odour and anti-allergen filter with automatic air-conditioner / filtro antibatterico, antiodori e anti-allergeni con climatizzatore automatico	DW10CTED4	120	163	06/09	>				34.172.00
2.0 HDI Hybrid4 200									
with automatic air-conditioner / con climatizzatore automatico	DW10CTED4	147	200	02/11	>	23.439.00	26.055.00	30.351.00	54.172.00
with manual air-conditioner / con climatizzatore manuale	DW10CTED4	147	200	02/11	>	23.439.00	26.055.00	30.351.00	53.154.00
antibacterial, anti-odour and anti-allergen filter with automatic air-conditioner / filtro antibatterico, antiodori e anti-allergeni con climatizzatore automatico	DW10CTED4	147	200	02/11	>				34.172.00
3008 II (P84)									
1.2 PureTech 130									
with automatic air-conditioner / con climatizzatore automatico	EB2DTS	96	131	09/16	>	23.439.00		30.718.00	54.172.00
with manual air-conditioner / con climatizzatore manuale	EB2DTS	96	131	09/16	>	23.439.00		30.718.00	53.154.00
antibacterial, anti-odour and anti-allergen filter with automatic air-conditioner / filtro antibatterico, antiodori e anti-allergeni con climatizzatore automatico	EB2DTS	96	131	09/16	>				34.172.00
1.5 BlueHDI 130									
with automatic air-conditioner / con climatizzatore automatico	DV5RC	96	130	01/18	>	25.216.00			53.154.00
antibacterial, anti-odour and anti-allergen filter with automatic air-conditioner / filtro antibatterico, antiodori e anti-allergeni con climatizzatore automatico	DV5RC	96	130	01/18	>				34.172.00
1.6 BlueHDI 100 FAP									
with automatic air-conditioner / con climatizzatore automatico	DV6FCD	74	100	09/16	>	25.187.00	26.104.00	30.648.00	54.172.00
with manual air-conditioner / con climatizzatore manuale	DV6FCD	74	100	09/16	>	25.187.00	26.104.00	30.648.00	53.154.00
antibacterial, anti-odour and anti-allergen filter with automatic air-conditioner / filtro antibatterico, antiodori e anti-allergeni con climatizzatore automatico	DV6FCD	74	100	09/16	>				34.172.00
1.6 BlueHDI 115 FAP									
with automatic air-conditioner / con climatizzatore automatico	DV6FC	85	116	09/16	>	25.187.00	26.104.00	30.648.00	54.172.00
with manual air-conditioner / con climatizzatore manuale	DV6FC	85	116	09/16	>	25.187.00	26.104.00	30.648.00	53.154.00
antibacterial, anti-odour and anti-allergen filter with automatic air-conditioner / filtro antibatterico, antiodori e anti-allergeni con climatizzatore automatico	DV6FC	85	116	01/16	>				34.172.00
1.6 BlueHDI 120 FAP									
with automatic air-conditioner / con climatizzatore automatico	DV6FC	88	120	09/16	>	25.187.00	26.104.00	30.648.00	54.172.00
with manual air-conditioner / con climatizzatore manuale	DV6FC	88	120	09/16	>	25.187.00	26.104.00	30.648.00	53.154.00
antibacterial, anti-odour and anti-allergen filter with automatic air-conditioner / filtro antibatterico, antiodori e anti-allergeni con climatizzatore automatico	DV6FC	88	120	01/15	>				34.172.00
1.6 THP 150									
with automatic air-conditioner / con climatizzatore automatico	EP6FDT	110	150	09/16	>	25.060.00		30.467.00	54.172.00
with manual air-conditioner / con climatizzatore manuale	EP6FDT	110	150	09/16	>	25.060.00		30.467.00	53.154.00
antibacterial, anti-odour and anti-allergen filter with automatic air-conditioner / filtro antibatterico, antiodori e anti-allergeni con climatizzatore automatico	EP6FDT	110	150	09/16	>				34.172.00
1.6 THP 165									
with automatic air-conditioner / con climatizzatore automatico	EP6FDT	121	165	09/16	>	25.060.00		30.467.00	54.172.00
with manual air-conditioner / con climatizzatore manuale	EP6FDT	121	165	09/16	>	25.060.00		30.467.00	53.154.00

...PEUGEOT - cars/auto

antibacterial, anti-odour and anti-allergen filter with automatic air-conditioner / filtro antibatterico, antiodori e anti-allergeni con climatizzatore automatico	EP6FDT	121	165	09/16	>				34.172.00
2.0 BlueHDI 135 FAP	DW10FD	100	136	11/16	>	23.439.00	26.104.00	30.717.00	53.154.00
with activated carbons with automatic air-conditioner / ai carboni attivi con climatizzatore automatico	DW10FD	100	136	11/16	>				54.172.00
antibacterial, anti-odour and anti-allergen filter with automatic air-conditioner / filtro antibatterico, antiodori e anti-allergeni con climatizzatore automatico	DW10FD	100	136	11/16	>				34.172.00
2.0 BlueHDI 150 FAP									
with automatic air-conditioner / con climatizzatore automatico	DW10FD	110	150	09/16	>	23.439.00	26.104.00	30.717.00	54.172.00
with manual air-conditioner / con climatizzatore manuale	DW10FD	110	150	09/16	>	23.439.00	26.104.00	30.717.00	53.154.00
antibacterial, anti-odour and anti-allergen filter with automatic air-conditioner / filtro antibatterico, antiodori e anti-allergeni con climatizzatore automatico	DW10FD	110	150	09/16	>				34.172.00
2.0 BlueHDI 180 FAP									
with automatic air-conditioner / con climatizzatore automatico	DW10FC	133	180	09/16	>	23.439.00	26.104.00	30.717.00	54.172.00
with manual air-conditioner / con climatizzatore manuale	DW10FC	133	180	09/16	>	23.439.00	26.104.00	30.717.00	53.154.00
antibacterial, anti-odour and anti-allergen filter with automatic air-conditioner / filtro antibatterico, antiodori e anti-allergeni con climatizzatore automatico	DW10FC	133	180	09/16	>				34.172.00
301									
1.2 VTi 72	EB2	53	72	11/12	>	23.439.00		30.638.00	53.313.00
for vehicles with external fuel filter / per veicoli con filtro carburante esterno	EB2	53	72	11/12	>		31.948.00		
1.2 VTi 82	EB2	60	82	12/14	>	23.439.00		30.638.00	53.313.00
for vehicles with external fuel filter / per veicoli con filtro carburante esterno	EB2	60	82	12/14	>		31.948.00		
1.5 BlueHDI 100	DV5RD	75	102	05/18	>	25.216.00			53.313.00
1.6 BlueHDI 100	DV6FD	73	99	04/14	>	25.187.00	26.104.00	30.648.00	53.313.00
1.6 HDi 92	DV6DTEd	68	92	11/12	>	25.037.00	24.127.00	30.645.00	53.313.00
1.6 VTi 115	EC5	86	115	11/12	>	25.060.00		30.186.00	53.313.00
for vehicles with external fuel filter / per veicoli con filtro carburante esterno	EC5	86	115	11/12	>		31.948.00		
305									
1.6 Autom.						23.173.01			
1.6 GT				04/83	>	23.191.00		27.061.00	
1.6 S5						23.173.01			
1.8 Diesel									
with pump BOSCH / con pompa BOSCH	XUD7			01/83	>	23.191.00	26.670.00	27.061.00	
with pump DELPHI / con pompa DELPHI	XUD7			01/83	>	23.191.00	24.361.00	27.061.00	
306									
1.1 i	TU1M, TU1M+	44	60	11/96	>	23.293.00	31.710.00	27.196.00	
1.4	TU3, TU3-2, TU3F2			11/96	>	23.293.00	31.710.00	27.196.00	
1.4 i	TU3M, TU3MC			07/98	>	23.439.00	31.710.00	27.196.00	
1.4 i Multipoint	TU3JP	55	75	07/98	>	23.439.00	31.710.00	27.258.00	
1.6 i	TU5JP	65	89	07/98	> 12/00	23.439.00	31.710.00	27.196.00	
1.6 i	TU5JP-L4	72	98	10/00	> 04/02	25.032.00	31.710.00	30.167.00	
1.6 i Cabriolet	TU5JP	65	89	07/98	> 12/00	23.439.00	31.710.00	27.196.00	
1.8 Diesel									
assembly DELPHI / montaggio DELPHI	XUD7	43	58	07/95	> 05/01	23.293.00	24.390.00	27.239.00	
assembly PURFLUX / montaggio PURFLUX	XUD7	43	58	07/95	> 05/01	23.293.00	26.676.00	27.239.00	
1.8 i	XU7JP	74	101	07/98	> 04/02	23.439.00	31.710.00	30.021.00	
1.8 i 16V	XU7JP4	81	110	07/98	> 04/02	23.439.00	31.710.00	30.095.00	
1.8 i 16V Cabriolet	XU7JP4	81	110	07/98	>	23.439.00	31.710.00	30.095.00	
1.8 i Autom.	XU7JP	74	101	07/98	> 04/02	23.439.00	31.710.00	30.021.00	
1.8 i Autom. Cabriolet	XU7JP	74	101	07/98	> 04/02	23.439.00	31.710.00	30.021.00	
1.8 i Cabriolet	XU7JP	74	101	07/98	> 04/02	23.439.00	31.710.00	30.021.00	
1.9 Diesel									
assembly DELPHI / montaggio DELPHI	XUD9, XUD9BSD			05/97	>	23.293.00	24.390.00	27.403.00	
assembly PURFLUX / montaggio PURFLUX	XUD9, XUD9BSD			05/97	>	23.293.00	26.676.00	27.403.00	
1.9 Diesel (1868)	DW8, DW8S			01/99	>	23.439.00	26.688.00	27.271.00	
1.9 Turbodiesel									
assembly DELPHI / montaggio DELPHI	XUD9TE	66	90	07/98	> 04/02	23.439.00	24.390.00	27.234.00	
assembly PURFLUX / montaggio PURFLUX	XUD9TE	66	90	07/98	> 04/02	23.439.00	26.676.00	27.234.00	
2.0 HDi	DW10TD			06/99	>	23.439.00	26.691.00	30.144.00	
dusty areas / zone polverose	DW10TD			06/99	>	23.439.00	26.691.00	30.157.00	
2.0 i	XU10J2	89	121	07/98	> 04/02	23.439.00	31.710.00	30.021.00	
2.0 i 16V	XU10J4R	97	132	07/98	> 04/02	23.439.00	31.710.00	30.095.00	
2.0 i 16V Cabriolet	XU10J4R	112	152	07/98	> 04/02	23.439.00	31.710.00	30.095.00	
2.0 i 16V GTI (6M / BV6)	XU10J4RS	120	163	07/98	> 05/01	23.439.00	31.710.00	27.234.00	
2.0 i 16V Rallye	XU10J4RS	120	163	07/98	> 05/01	23.439.00	31.710.00	27.234.00	
2.0 i Cabriolet	XU10J2	89	121	07/98	> 05/01	23.439.00	31.710.00	30.021.00	
2.0 i S16	XU10J4	110	150	07/98	> 05/01	23.439.00	31.710.00	27.234.00	
2.0 i S16	XU10J4Z	112	152	07/98	> 05/01	23.439.00	31.710.00	27.234.00	
307									
1.4									
with automatic air-conditioner / con climatizzatore automatico	TU3JP	55	75	08/00	> 12/03	25.032.00	31.710.00	30.139.00	54.111.00
with automatic air-conditioner / con climatizzatore automatico	TU3JP	55	75	01/04	>	25.060.00	31.710.00	30.139.00	54.111.00

...PEUGEOT - cars/auto

with manual air-conditioner / con climatizzatore manuale	TU3JP	55	75	08/00 >	12/03	25.032.00	31.710.00	30.139.00	53.038.00
with manual air-conditioner / con climatizzatore manuale	TU3JP	55	75	01/04 >		25.060.00	31.710.00	30.139.00	53.038.00
antibacterial, anti-odour and anti-allergen filter / filtro antibatterico, antiodori e anti-allergeni	TU3JP	55	75	08/00 >					34.111.00
1.4 16V									
with automatic air-conditioner / con climatizzatore automatico	ET3J4	65	88	02/04 >		25.060.00	31.710.00	30.262.00	54.111.00
with manual air-conditioner / con climatizzatore manuale	ET3J4	65	88	02/04 >		25.060.00	31.710.00	30.262.00	53.038.00
antibacterial, anti-odour and anti-allergen filter / filtro antibatterico, antiodori e anti-allergeni	ET3J4	65	88	02/04 >					34.111.00
1.4 HDI									
to series No. OPR10633 / a serie N. OPR10633	DV4TD	50	68				24.343.00		
with automatic air-conditioner / con climatizzatore automatico	DV4TD	50	68	10/01 >		25.037.00		30.153.00	54.111.00
with manual air-conditioner / con climatizzatore manuale	DV4TD	50	68	10/01 >		25.037.00		30.153.00	53.038.00
from series No. OPR10634 / da serie N. OPR10634	DV4TD	50	68				24.015.00		
antibacterial, anti-odour and anti-allergen filter / filtro antibatterico, antiodori e anti-allergeni	DV4TD	50	68	10/01 >					34.111.00
dusty areas / zone polverose	DV4TD	50	68	10/01 >		25.037.00		30.311.00	
1.6 16V									
with automatic air-conditioner / con climatizzatore automatico	TU5JP4	80	109	08/00 >	05/04	25.032.00	31.710.00	30.139.00	54.111.00
with automatic air-conditioner / con climatizzatore automatico	TU5JP4	80	109	05/04 >	05/05	25.060.00	31.710.00	30.139.00	54.111.00
with automatic air-conditioner / con climatizzatore automatico	TU5JP4	80	109	06/05 >		25.060.00	31.710.00	30.260.00	54.111.00
with manual air-conditioner / con climatizzatore manuale	TU5JP4	80	109	08/00 >	05/04	25.032.00	31.710.00	30.139.00	53.038.00
with manual air-conditioner / con climatizzatore manuale	TU5JP4	80	109	05/04 >	05/05	25.060.00	31.710.00	30.139.00	53.038.00
with manual air-conditioner / con climatizzatore manuale	TU5JP4	80	109	06/05 >		25.060.00	31.710.00	30.260.00	53.038.00
antibacterial, anti-odour and anti-allergen filter / filtro antibatterico, antiodori e anti-allergeni	TU5JP4	80	109	08/00 >					34.111.00
1.6 HDI									
with automatic air-conditioner / con climatizzatore automatico	DV6ATED4	66	90	09/05 >		25.037.00	24.027.00	30.210.00	54.111.00
with manual air-conditioner / con climatizzatore manuale	DV6ATED4	66	90	09/05 >		25.037.00	24.027.00	30.210.00	53.038.00
antibacterial, anti-odour and anti-allergen filter / filtro antibatterico, antiodori e anti-allergeni	DV6ATED4	66	90	09/05 >					34.111.00
1.6 HDI 16V FAP									
with automatic air-conditioner / con climatizzatore automatico	DV6TED4	80	109	02/04 >		25.037.00	24.027.00	30.210.00	54.111.00
with manual air-conditioner / con climatizzatore manuale	DV6TED4	80	109	02/04 >		25.037.00	24.027.00	30.210.00	53.038.00
antibacterial, anti-odour and anti-allergen filter / filtro antibatterico, antiodori e anti-allergeni	DV6TED4	80	109	02/04 >					34.111.00
2.0 16V									
with automatic air-conditioner / con climatizzatore automatico	EW10J4	100	136	08/00 >		23.439.00	31.710.00	30.139.00	54.111.00
with manual air-conditioner / con climatizzatore manuale	EW10J4	100	136	08/00 >		23.439.00	31.710.00	30.139.00	53.038.00
antibacterial, anti-odour and anti-allergen filter / filtro antibatterico, antiodori e anti-allergeni	EW10J4	100	136	08/00 >					34.111.00
2.0 16V Automatic									
with automatic air-conditioner / con climatizzatore automatico	EW10A	103	140	03/05 >		25.060.00		30.254.00	54.111.00
with manual air-conditioner / con climatizzatore manuale	EW10A	103	140	03/05 >		25.060.00		30.254.00	53.038.00
antibacterial, anti-odour and anti-allergen filter / filtro antibatterico, antiodori e anti-allergeni	EW10A	103	140	03/05 >					34.111.00
2.0 HDI									
with automatic air-conditioner / con climatizzatore automatico	DW10TD	66	90	08/00 >		23.439.00		30.180.00	54.111.00
with manual air-conditioner / con climatizzatore manuale	DW10TD	66	90	08/00 >		23.439.00		30.180.00	53.038.00
antibacterial, anti-odour and anti-allergen filter / filtro antibatterico, antiodori e anti-allergeni	DW10TD	66	90	08/00 >					34.111.00
assembly BOSCH / montaggio BOSCH	DW10TD	66	90	08/00 >		23.439.00	26.691.00	30.180.00	
assembly SIEMENS / montaggio SIEMENS	DW10TD	66	90	08/00 >		23.439.00	26.003.00	30.180.00	
2.0 HDI 16V FAP									
with automatic air-conditioner / con climatizzatore automatico	DW10BTED4	100	136	10/03 >		25.060.00	26.022.00	30.272.00	54.111.00
with manual air-conditioner / con climatizzatore manuale	DW10BTED4	100	136	10/03 >		25.060.00	26.022.00	30.272.00	53.038.00
antibacterial, anti-odour and anti-allergen filter / filtro antibatterico, antiodori e anti-allergeni	DW10BTED4	100	136	10/03 >					34.111.00
2.0 HDI FAP									
with automatic air-conditioner / con climatizzatore automatico	DW10ATED	80	109	08/00 >		23.439.00		30.180.00	54.111.00
with manual air-conditioner / con climatizzatore manuale	DW10ATED	80	109	08/00 >		23.439.00		30.180.00	53.038.00
antibacterial, anti-odour and anti-allergen filter / filtro antibatterico, antiodori e anti-allergeni	DW10ATED	80	109	08/00 >					34.111.00
assembly BOSCH / montaggio BOSCH	DW10ATED	80	109	08/00 >		23.439.00	26.691.00	30.180.00	
assembly SIEMENS / montaggio SIEMENS	DW10ATED	80	109	08/00 >		23.439.00	26.003.00	30.180.00	
307 Break									
1.4 16V									
with automatic air-conditioner / con climatizzatore automatico	ET3J4	65	88	10/03 >		25.060.00	31.710.00	30.262.00	54.111.00
with manual air-conditioner / con climatizzatore manuale	ET3J4	65	88	10/03 >		25.060.00	31.710.00	30.262.00	53.038.00
antibacterial, anti-odour and anti-allergen filter / filtro antibatterico, antiodori e anti-allergeni	ET3J4	65	88	10/03 >					34.111.00
1.6 16V									
with automatic air-conditioner / con climatizzatore automatico	TU5JP4	80	109	03/02 >	05/04	25.032.00	31.710.00	30.139.00	54.111.00
with automatic air-conditioner / con climatizzatore automatico	TU5JP4	80	109	05/04 >	05/05	25.060.00	31.710.00	30.139.00	54.111.00
with automatic air-conditioner / con climatizzatore automatico	TU5JP4	80	109	06/05 >		25.060.00	31.710.00	30.260.00	54.111.00
with manual air-conditioner / con climatizzatore manuale	TU5JP4	80	109	03/02 >	05/04	25.032.00	31.710.00	30.139.00	53.038.00
with manual air-conditioner / con climatizzatore manuale	TU5JP4	80	109	05/04 >	05/05	25.060.00	31.710.00	30.139.00	53.038.00
with manual air-conditioner / con climatizzatore manuale	TU5JP4	80	109	06/05 >		25.060.00	31.710.00	30.260.00	53.038.00
antibacterial, anti-odour and anti-allergen filter / filtro antibatterico, antiodori e anti-allergeni	TU5JP4	80	109	03/02 >	05/05				34.111.00

...PEUGEOT - cars/auto

P

1.6 HDI 16V FAP									
with automatic air-conditioner / con climatizzatore automatico	DV6TED4	80	109	02/04	>	25.037.00	24.027.00	30.210.00	54.111.00
with manual air-conditioner / con climatizzatore manuale	DV6TED4	80	109	02/04	>	25.037.00	24.027.00	30.210.00	53.038.00
antibacterial, anti-odour and anti-allergen filter / filtro antibatterico, antiodori e anti-allergeni	DV6TED4	80	109	02/04	>				34.111.00
2.0 HDI									
with automatic air-conditioner / con climatizzatore automatico	DW10TD	66	90	03/02	>	23.439.00		30.180.00	54.111.00
with manual air-conditioner / con climatizzatore manuale	DW10TD	66	90	03/02	>	23.439.00		30.180.00	53.038.00
antibacterial, anti-odour and anti-allergen filter / filtro antibatterico, antiodori e anti-allergeni	DW10TD	66	90	03/02	>				34.111.00
assembly BOSCH / montaggio BOSCH	DW10TD	66	90	03/02	>	23.439.00	26.691.00	30.180.00	
assembly SIEMENS / montaggio SIEMENS	DW10TD	66	90	03/02	>	23.439.00	26.003.00	30.180.00	
2.0 HDI 16V FAP									
with automatic air-conditioner / con climatizzatore automatico	DW10BTED4	100	136	10/03	>	25.060.00	26.022.00	30.272.00	54.111.00
with manual air-conditioner / con climatizzatore manuale	DW10BTED4	100	136	10/03	>	25.060.00	26.022.00	30.272.00	53.038.00
antibacterial, anti-odour and anti-allergen filter / filtro antibatterico, antiodori e anti-allergeni	DW10BTED4	100	136	10/03	>				34.111.00
2.0 HDI FAP									
with automatic air-conditioner / con climatizzatore automatico	DW10ATED	80	109	03/02	>	23.439.00		30.180.00	54.111.00
with manual air-conditioner / con climatizzatore manuale	DW10ATED	80	109	03/02	>	23.439.00		30.180.00	53.038.00
antibacterial, anti-odour and anti-allergen filter / filtro antibatterico, antiodori e anti-allergeni	DW10ATED	80	109	03/02	>				34.111.00
assembly BOSCH / montaggio BOSCH	DW10ATED	80	109	03/02	>	23.439.00	26.691.00	30.180.00	
assembly SIEMENS / montaggio SIEMENS	DW10ATED	80	109	03/02	>	23.439.00	26.003.00	30.180.00	
307 CC									
1.6 16V									
with automatic air-conditioner / con climatizzatore automatico	TU5JP4	80	109	08/00	> 05/04	25.032.00	31.710.00	30.139.00	54.111.00
with automatic air-conditioner / con climatizzatore automatico	TU5JP4	80	109	05/04	> 05/05	25.060.00	31.710.00	30.139.00	54.111.00
with automatic air-conditioner / con climatizzatore automatico	TU5JP4	80	109	06/05	>	25.060.00	31.710.00	30.260.00	54.111.00
with manual air-conditioner / con climatizzatore manuale	TU5JP4	80	109	08/00	> 05/04	25.032.00	31.710.00	30.139.00	53.038.00
with manual air-conditioner / con climatizzatore manuale	TU5JP4	80	109	05/04	> 05/05	25.060.00	31.710.00	30.139.00	53.038.00
with manual air-conditioner / con climatizzatore manuale	TU5JP4	80	109	06/05	>	25.060.00	31.710.00	30.260.00	53.038.00
antibacterial, anti-odour and anti-allergen filter / filtro antibatterico, antiodori e anti-allergeni	TU5JP4	80	109	08/00	>				34.111.00
2.0 16V									
with automatic air-conditioner / con climatizzatore automatico	EW10J4	100	136	08/00	>	23.439.00	31.710.00	30.139.00	54.111.00
with manual air-conditioner / con climatizzatore manuale	EW10J4	100	136	08/00	>	23.439.00	31.710.00	30.139.00	53.038.00
antibacterial, anti-odour and anti-allergen filter / filtro antibatterico, antiodori e anti-allergeni	EW10J4	100	136	08/00	>				34.111.00
2.0 16V									
with automatic air-conditioner / con climatizzatore automatico	EW10J4S	130	177	10/03	>	23.439.00	31.710.00	30.180.00	54.111.00
with manual air-conditioner / con climatizzatore manuale	EW10J4S	130	177	10/03	>	23.439.00	31.710.00	30.180.00	53.038.00
antibacterial, anti-odour and anti-allergen filter / filtro antibatterico, antiodori e anti-allergeni	EW10J4S	130	177	10/03	>				34.111.00
2.0 16V Automatic									
with automatic air-conditioner / con climatizzatore automatico	EW10A	103	140	03/05	>	25.060.00		30.254.00	54.111.00
with manual air-conditioner / con climatizzatore manuale	EW10A	103	140	03/05	>	25.060.00		30.254.00	53.038.00
antibacterial, anti-odour and anti-allergen filter / filtro antibatterico, antiodori e anti-allergeni	EW10A	103	140	03/05	>				34.111.00
2.0 HDI 16V FAP									
with automatic air-conditioner / con climatizzatore automatico	DW10BTED4 Euro4	100	136	01/04	>	25.060.00	26.022.00	30.272.00	54.111.00
with manual air-conditioner / con climatizzatore manuale	DW10BTED4 Euro4	100	136	01/04	>	25.060.00	26.022.00	30.272.00	53.038.00
antibacterial, anti-odour and anti-allergen filter / filtro antibatterico, antiodori e anti-allergeni	DW10BTED4 Euro4	100	136	01/04	>				34.111.00
307 SW									
1.4									
with automatic air-conditioner / con climatizzatore automatico	TU3JP	55	75	03/02	>	25.032.00	31.710.00	30.139.00	54.111.00
with manual air-conditioner / con climatizzatore manuale	TU3JP	55	75	03/02	>	25.032.00	31.710.00	30.139.00	53.038.00
antibacterial, anti-odour and anti-allergen filter / filtro antibatterico, antiodori e anti-allergeni	TU3JP	55	75	03/02	>				34.111.00
1.4 16V									
with automatic air-conditioner / con climatizzatore automatico	ET3J4	65	88	10/03	>	25.060.00	31.710.00	30.262.00	54.111.00
with manual air-conditioner / con climatizzatore manuale	ET3J4	65	88	10/03	>	25.060.00	31.710.00	30.262.00	53.038.00
antibacterial, anti-odour and anti-allergen filter / filtro antibatterico, antiodori e anti-allergeni	ET3J4	65	88	10/03	>				34.111.00
1.4 HDI									
to series No. OPR10633 / a serie N. OPR10633	DV4TD	50	68				24.343.00		
with automatic air-conditioner / con climatizzatore automatico	DV4TD	50	68	03/02	>	25.037.00		30.153.00	54.111.00
with manual air-conditioner / con climatizzatore manuale	DV4TD	50	68	03/02	>	25.037.00		30.153.00	53.038.00
from series No. OPR10634 / da serie N. OPR10634	DV4TD	50	68				24.015.00		
antibacterial, anti-odour and anti-allergen filter / filtro antibatterico, antiodori e anti-allergeni	DV4TD	50	68	03/02	>				34.111.00
clusty areas / zone polverose	DV4TD	50	68	03/02	>	25.037.00		30.311.00	
1.6 16V									
with automatic air-conditioner / con climatizzatore automatico	TU5JP4	80	109	03/02	> 05/04	25.032.00	31.710.00	30.139.00	54.111.00
with automatic air-conditioner / con climatizzatore automatico	TU5JP4	80	109	05/04	> 05/05	25.060.00	31.710.00	30.139.00	54.111.00
with automatic air-conditioner / con climatizzatore automatico	TU5JP4	80	109	06/05	>	25.060.00	31.710.00	30.260.00	54.111.00
with manual air-conditioner / con climatizzatore manuale	TU5JP4	80	109	03/02	> 05/04	25.032.00	31.710.00	30.139.00	53.038.00
with manual air-conditioner / con climatizzatore manuale	TU5JP4	80	109	05/04	> 05/05	25.060.00	31.710.00	30.139.00	53.038.00

...PEUGEOT - cars/auto

with manual air-conditioner / con climatizzatore manuale	TU5JP4	80	109	06/05 >	25.060.00	31.710.00	30.260.00	53.038.00
antibacterial, anti-odour and anti-allergen filter / filtro antibatterico, antiodori e anti-allergeni	TU5JP4	80	109	03/02 >				34.111.00
1.6 HDI 16V FAP								
with automatic air-conditioner / con climatizzatore automatico	DV6TED4	80	109	02/04 >	25.037.00	24.027.00	30.210.00	54.111.00
with manual air-conditioner / con climatizzatore manuale	DV6TED4	80	109	02/04 >	25.037.00	24.027.00	30.210.00	53.038.00
antibacterial, anti-odour and anti-allergen filter / filtro antibatterico, antiodori e anti-allergeni	DV6TED4	80	109	02/04 >				34.111.00
2.0 16V								
with automatic air-conditioner / con climatizzatore automatico	EW10J4	100	136	08/00 >	23.439.00	31.710.00	30.139.00	54.111.00
with manual air-conditioner / con climatizzatore manuale	EW10J4	100	136	08/00 >	23.439.00	31.710.00	30.139.00	53.038.00
antibacterial, anti-odour and anti-allergen filter / filtro antibatterico, antiodori e anti-allergeni	EW10J4	100	136	08/00 >				34.111.00
2.0 HDI								
with automatic air-conditioner / con climatizzatore automatico	DW10TD	66	90	03/02 >	23.439.00		30.180.00	54.111.00
with manual air-conditioner / con climatizzatore manuale	DW10TD	66	90	03/02 >	23.439.00		30.180.00	53.038.00
antibacterial, anti-odour and anti-allergen filter / filtro antibatterico, antiodori e anti-allergeni	DW10TD	66	90	03/02 >				34.111.00
assembly BOSCH / montaggio BOSCH	DW10TD	66	90	03/02 >	23.439.00	26.691.00	30.180.00	
assembly SIEMENS / montaggio SIEMENS	DW10TD	66	90	03/02 >	23.439.00	26.003.00	30.180.00	
2.0 HDI 16V FAP								
with automatic air-conditioner / con climatizzatore automatico	DW10BTED4	100	136	10/03 >	25.060.00	26.022.00	30.272.00	54.111.00
with manual air-conditioner / con climatizzatore manuale	DW10BTED4	100	136	10/03 >	25.060.00	26.022.00	30.272.00	53.038.00
antibacterial, anti-odour and anti-allergen filter / filtro antibatterico, antiodori e anti-allergeni	DW10BTED4	100	136	10/03 >				34.111.00
2.0 HDI FAP								
with automatic air-conditioner / con climatizzatore automatico	DW10ATED	80	109	03/02 >	23.439.00		30.180.00	54.111.00
with manual air-conditioner / con climatizzatore manuale	DW10ATED	80	109	03/02 >	23.439.00		30.180.00	53.038.00
antibacterial, anti-odour and anti-allergen filter / filtro antibatterico, antiodori e anti-allergeni	DW10ATED	80	109	03/02 >				34.111.00
assembly BOSCH / montaggio BOSCH	DW10ATED	80	109	03/02 >	23.439.00	26.691.00	30.180.00	
assembly SIEMENS / montaggio SIEMENS	DW10ATED	80	109	03/02 >	23.439.00	26.003.00	30.180.00	
308								
1.4	EP3	70	95	09/07 > 04/10	25.060.00		30.400.00	53.038.00
with activated carbons / ai carboni attivi	EP3	70	95	09/07 > 04/10				54.111.00
antibacterial, anti-odour and anti-allergen filter / filtro antibatterico, antiodori e anti-allergeni	EP3	70	95	09/07 > 04/10				34.111.00
1.4	EP3C	72	98	05/10 >	25.060.00	31.948.00	30.400.00	53.038.00
with activated carbons / ai carboni attivi	EP3C	72	98	05/10 >				54.111.00
antibacterial, anti-odour and anti-allergen filter / filtro antibatterico, antiodori e anti-allergeni	EP3C	72	98	05/10 >				34.111.00
1.6 Bioflex	TU5JP4/R95-02	82	112	03/09 >	25.060.00		30.260.00	53.038.00
with activated carbons / ai carboni attivi	TU5JP4/R95-02	82	112	03/09 >				54.111.00
antibacterial, anti-odour and anti-allergen filter / filtro antibatterico, antiodori e anti-allergeni	TU5JP4/R95-02	82	112	03/09 >				34.111.00
for vehicles with external fuel filter with plastic filter / per veicoli con filtro carburante esterno con filtro in plastica	TU5JP4/R95-02	82	112	03/09 >		31.948.00		
1.6 e-HDI 8V 112	DV6C	82	112	03/10 >	25.037.00	24.127.00	30.645.00	53.038.00
with activated carbons / ai carboni attivi	DV6C	82	112	03/10 >				54.111.00
antibacterial, anti-odour and anti-allergen filter / filtro antibatterico, antiodori e anti-allergeni	DV6C	82	112	03/10 >				34.111.00
1.6 GTI 200	EP6CDTX	147	200	07/10 >	25.060.00		30.467.00	53.038.00
with activated carbons / ai carboni attivi	EP6CDTX	147	200	07/10 >				54.111.00
antibacterial, anti-odour and anti-allergen filter / filtro antibatterico, antiodori e anti-allergeni	EP6CDTX	147	200	07/10 >				34.111.00
1.6 HDI 110 FAP	DV6CTED	82	112	03/10 >	25.037.00	24.127.00	30.645.00	53.038.00
with activated carbons / ai carboni attivi	DV6CTED	82	112	03/10 >				54.111.00
antibacterial, anti-odour and anti-allergen filter / filtro antibatterico, antiodori e anti-allergeni	DV6CTED	82	112	03/10 >				34.111.00
1.6 HDI 115 FAP	DV6C	84	115	03/13 >	25.037.00	24.127.00	30.645.00	53.038.00
with activated carbons / ai carboni attivi	DV6C	84	115	03/13 >				54.111.00
antibacterial, anti-odour and anti-allergen filter / filtro antibatterico, antiodori e anti-allergeni	DV6C	84	115	03/13 >				34.111.00
1.6 HDI 16V FAP	DV6ATED4	81	110	09/07 > 02/10	25.037.00	24.027.00	30.210.00	53.038.00
with activated carbons / ai carboni attivi	DV6ATED4	81	110	09/07 > 02/10				54.111.00
antibacterial, anti-odour and anti-allergen filter / filtro antibatterico, antiodori e anti-allergeni	DV6ATED4	81	110	09/07 > 02/10				34.111.00
1.6 HDI 90	DV6TED4	66	90	09/07 > 02/10	25.037.00	24.027.00	30.210.00	53.038.00
with activated carbons / ai carboni attivi	DV6TED4	66	90	09/07 > 02/10				54.111.00
antibacterial, anti-odour and anti-allergen filter / filtro antibatterico, antiodori e anti-allergeni	DV6TED4	66	90	09/07 > 02/10				34.111.00
1.6 HDI 90 FAP	DV6DTED	68	92	03/10 >	25.037.00	24.127.00	30.645.00	53.038.00
with activated carbons / ai carboni attivi	DV6DTED	68	92	03/10 >				54.111.00
antibacterial, anti-odour and anti-allergen filter / filtro antibatterico, antiodori e anti-allergeni	DV6DTED	68	92	03/10 >				34.111.00
1.6 THP 140								
to series No. 11920 / a serie N. 11920	EP6DT	103	140	09/07 > 06/09	25.060.00		30.368.00	53.038.00
with activated carbons / ai carboni attivi	EP6DT	103	140	09/07 > 04/10				54.111.00
from series No. 11921 / da serie N. 11921	EP6DT	103	140	07/09 > 04/10	25.060.00		30.467.00	53.038.00
antibacterial, anti-odour and anti-allergen filter / filtro antibatterico, antiodori e anti-allergeni	EP6DT	103	140	09/07 > 04/10				34.111.00
for vehicles with external fuel filter with plastic filter / per veicoli con filtro carburante esterno con filtro in plastica	EP6DT	103	140	09/07 > 04/10		31.948.00		
1.6 THP 150								
to series No. 11920 / a serie N. 11920	EP6DT	110	150	09/07 > 06/09	25.060.00		30.368.00	53.038.00
with activated carbons / ai carboni attivi	EP6DT	110	150	09/07 > 04/10				54.111.00

...PEUGEOT - cars/auto

P

from series No. 11921 / da serie N. 11921	EP6DT	110	150	07/09	>	04/10	25.060.00	∞	30.467.00	53.038.00
antibacterial, anti-odour and anti-allergen filter / filtro antibatterico, antiodori e anti-allergeni	EP6DT	110	150	09/07	>	04/10				34.111.00
for vehicles with external fuel filter with plastic filter / per veicoli con filtro carburante esterno con filtro in plastica	EP6DT	110	150	09/07	>	04/10		31.948.00		
1.6 THP 155	EP6CDT	115	156	05/10	>		25.060.00	∞	30.467.00	53.038.00
with activated carbons / ai carboni attivi	EP6CDT	115	156	05/10	>					54.111.00
antibacterial, anti-odour and anti-allergen filter / filtro antibatterico, antiodori e anti-allergeni	EP6CDT	115	156	05/10	>					34.111.00
for vehicles with external fuel filter with plastic filter / per veicoli con filtro carburante esterno con filtro in plastica	EP6CDT	115	156	05/10	>			31.948.00		
1.6 THP 165	EP6DT	120	163	01/12	>		25.060.00	∞	30.467.00	53.038.00
with activated carbons / ai carboni attivi	EP6DT	120	163	01/12	>					54.111.00
antibacterial, anti-odour and anti-allergen filter / filtro antibatterico, antiodori e anti-allergeni	EP6DT	120	163	01/12	>					34.111.00
for vehicles with external fuel filter with plastic filter / per veicoli con filtro carburante esterno con filtro in plastica	EP6DT	120	163	01/12	>			31.948.00		
1.6 THP 175	EP6DTS	128	174	03/08	>	06/09	25.060.00	∞	30.368.00	53.038.00
with activated carbons / ai carboni attivi	EP6DTS	128	174	03/08	>	04/10				54.111.00
from series No. 11921 / da serie N. 11921	EP6DTS	128	174	07/09	>	04/10	25.060.00	∞	30.467.00	53.038.00
antibacterial, anti-odour and anti-allergen filter / filtro antibatterico, antiodori e anti-allergeni	EP6DTS	128	174	03/08	>	04/10				34.111.00
1.6 VTi 120	EP6	88	120	09/07	>		25.060.00	∞	30.400.00	53.038.00
with activated carbons / ai carboni attivi	EP6	88	120	09/07	>					54.111.00
antibacterial, anti-odour and anti-allergen filter / filtro antibatterico, antiodori e anti-allergeni	EP6	88	120	09/07	>					34.111.00
for vehicles with external fuel filter with plastic filter / per veicoli con filtro carburante esterno con filtro in plastica	EP6	88	120	09/07	>			31.948.00		
1.6 VTi 120 Automatic	EP6	88	120	09/07	>		25.060.00	∞	30.400.00	53.038.00
with activated carbons / ai carboni attivi	EP6	88	120	09/07	>					54.111.00
antibacterial, anti-odour and anti-allergen filter / filtro antibatterico, antiodori e anti-allergeni	EP6	88	120	04/05	>					34.111.00
for vehicles with external fuel filter with plastic filter / per veicoli con filtro carburante esterno con filtro in plastica	EP6	88	120	09/07	>			31.948.00		
2.0 Bioflex	EW10A	103	140	01/08	>		25.060.00	∞	30.254.00	53.038.00
with activated carbons / ai carboni attivi	EW10A	103	140	01/08	>					54.111.00
antibacterial, anti-odour and anti-allergen filter / filtro antibatterico, antiodori e anti-allergeni	EW10A	103	140	01/08	>					34.111.00
for vehicles with external fuel filter with plastic filter / per veicoli con filtro carburante esterno con filtro in plastica	EW10A	103	140	01/08	>			31.948.00		
2.0 HDI 135 FAP	DW10BTED4	100	136	09/07	>	01/09	25.060.00	26.022.00	30.351.00	53.038.00
with activated carbons / ai carboni attivi	DW10BTED4	100	136	09/07	>	01/09				54.111.00
antibacterial, anti-odour and anti-allergen filter / filtro antibatterico, antiodori e anti-allergeni	DW10BTED4	100	136	09/07	>	01/09				34.111.00
2.0 HDI 135 FAP Automatic	DW10BTED4	100	136	09/07	>		25.060.00	26.022.00	30.351.00	53.038.00
with activated carbons / ai carboni attivi	DW10BTED4	100	136	09/07	>		25.060.00	26.022.00	30.351.00	54.111.00
antibacterial, anti-odour and anti-allergen filter / filtro antibatterico, antiodori e anti-allergeni	DW10BTED4	100	136	04/05	>					34.111.00
2.0 HDI 140 FAP	DW10BTED4	103	140	02/09	>		25.060.00	26.022.00	30.351.00	53.038.00
with activated carbons / ai carboni attivi	DW10BTED4	103	140	02/09	>					54.111.00
antibacterial, anti-odour and anti-allergen filter / filtro antibatterico, antiodori e anti-allergeni	DW10BTED4	103	140	02/09	>					34.111.00
2.0 HDI 150	DW10CTED4	110	150	10/11	>		25.060.00	26.055.00	30.351.00	53.038.00
with activated carbons / ai carboni attivi	DW10CTED4	110	150	10/11	>					54.111.00
antibacterial, anti-odour and anti-allergen filter / filtro antibatterico, antiodori e anti-allergeni	DW10CTED4	110	150	10/11	>					34.111.00
2.0 HDI 165 FAP	DW10CTED4/DW10CTEDD4	120	163	06/09	>		25.060.00	26.055.00	30.351.00	53.038.00
with activated carbons / ai carboni attivi	DW10CTED4/DW10CTEDD4	120	163	06/09	>					54.111.00
antibacterial, anti-odour and anti-allergen filter / filtro antibatterico, antiodori e anti-allergeni	DW10CTED4/DW10CTEDD4	120	163	06/09	>					34.111.00
308 CC										
1.6 HDI 112	DV6C	82	112	06/09	>		25.037.00	24.127.00	30.645.00	53.038.00
with activated carbons / ai carboni attivi	DV6C	82	112	06/09	>					54.111.00
antibacterial, anti-odour and anti-allergen filter / filtro antibatterico, antiodori e anti-allergeni	DV6C	82	112	06/09	>					34.111.00
1.6 HDI 115	DV6C	84	115	03/13	>		25.037.00	24.127.00	30.645.00	53.038.00
with activated carbons / ai carboni attivi	DV6C	84	115	03/13	>					54.111.00
antibacterial, anti-odour and anti-allergen filter / filtro antibatterico, antiodori e anti-allergeni	DV6C	84	115	03/13	>					34.111.00
1.6 THP 140	EP6DT	103	140	07/09	>	09/10	25.060.00	∞	30.467.00	53.038.00
with activated carbons / ai carboni attivi	EP6DT	103	140	07/09	>	09/10				54.111.00
antibacterial, anti-odour and anti-allergen filter / filtro antibatterico, antiodori e anti-allergeni	EP6DT	103	140	07/09	>	09/10				34.111.00
for vehicles with external fuel filter with plastic filter / per veicoli con filtro carburante esterno con filtro in plastica	EP6DT	103	140	07/09	>	09/10		31.948.00		
1.6 THP 150	EP6DT	110	150	07/09	>	09/10	25.060.00	∞	30.467.00	53.038.00
with activated carbons / ai carboni attivi	EP6DT	110	150	07/09	>	09/10				54.111.00
antibacterial, anti-odour and anti-allergen filter / filtro antibatterico, antiodori e anti-allergeni	EP6DT	110	150	07/09	>	09/10				34.111.00
for vehicles with external fuel filter with plastic filter / per veicoli con filtro carburante esterno con filtro in plastica	EP6DT	110	150	07/09	>	09/10		31.948.00		
1.6 THP 155	EP6CDT	115	156	10/10	>		25.060.00	∞	30.467.00	53.038.00
with activated carbons / ai carboni attivi	EP6CDT	115	156	10/10	>					54.111.00
antibacterial, anti-odour and anti-allergen filter / filtro antibatterico, antiodori e anti-allergeni	EP6CDT	115	156	10/10	>					34.111.00
for vehicles with external fuel filter with plastic filter / per veicoli con filtro carburante esterno con filtro in plastica	EP6CDT	115	156	10/10	>			31.948.00		
1.6 THP 200	EP6CDTX	147	200	10/10	>		25.060.00	∞	30.467.00	53.038.00
with activated carbons / ai carboni attivi	EP6CDTX	147	200	10/10	>					54.111.00
antibacterial, anti-odour and anti-allergen filter / filtro antibatterico, antiodori e anti-allergeni	EP6CDTX	147	200	10/10	>					34.111.00
1.6 VTi 120	EP6	88	120	06/09	>		25.060.00	∞	30.400.00	53.038.00
with activated carbons / ai carboni attivi	EP6	88	120	06/09	>					54.111.00

...PEUGEOT - cars/auto

antibacterial, anti-odour and anti-allergen filter / filtro antibatterico, antiodori e anti-allergeni for vehicles with external fuel filter with plastic filter / per veicoli con filtro carburante esterno con filtro in plastica	EP6	88	120	06/09	>				34.111.00
	EP6	88	120	06/09	>			31.948.00	
2.0 HDI 135 with activated carbons / ai carboni attivi	DW10BTED4	100	136	04/09	>	25.060.00		26.022.00	30.351.00
	DW10BTED4	100	136	04/09	>				54.111.00
antibacterial, anti-odour and anti-allergen filter / filtro antibatterico, antiodori e anti-allergeni	DW10BTED4	100	136	04/09	>				34.111.00
2.0 HDI 140 with activated carbons / ai carboni attivi	DW10BTED4	103	140	04/09	>	25.060.00		26.022.00	30.351.00
	DW10BTED4	103	140	04/09	>				54.111.00
antibacterial, anti-odour and anti-allergen filter / filtro antibatterico, antiodori e anti-allergeni	DW10BTED4	103	140	04/09	>				34.111.00
2.0 HDI 165 with activated carbons / ai carboni attivi	DW10CTED4	120	163	06/09	>	25.060.00		26.055.00	30.351.00
	DW10CTED4	120	163	06/09	>				54.111.00
antibacterial, anti-odour and anti-allergen filter / filtro antibatterico, antiodori e anti-allergeni	DW10CTED4	120	163	06/09	>				34.111.00
308 II									
1.2 e-THP 110 with automatic air-conditioner / con climatizzatore automatico	EB2DT	81	110	11/13	>	23.439.00			30.718.00
	EB2DT	81	110	11/13	>				54.254.00
antibacterial, anti-odour and anti-allergen filter with automatic air-conditioner / filtro antibatterico, antiodori e anti-allergeni con climatizzatore automatico	EB2DT	81	110	11/13	>				34.254.00
for vehicles with external fuel filter with plastic filter / per veicoli con filtro carburante esterno con filtro in plastica	EB2DT	81	110	11/13	>			31.948.00	
1.2 e-THP 130 with automatic air-conditioner / con climatizzatore automatico	EB2DTS	96	130	03/14	>	23.439.00			30.718.00
	EB2DTS	96	130	03/14	>				54.254.00
antibacterial, anti-odour and anti-allergen filter with automatic air-conditioner / filtro antibatterico, antiodori e anti-allergeni con climatizzatore automatico	EB2DTS	96	130	03/14	>				34.254.00
for vehicles with external fuel filter with plastic filter / per veicoli con filtro carburante esterno con filtro in plastica	EB2DTS	96	130	03/14	>			31.948.00	
1.2 VTi with automatic air-conditioner / con climatizzatore automatico	EB2	60	82	09/13	>	23.439.00			30.638.00
	EB2	60	82	09/13	>				54.254.00
antibacterial, anti-odour and anti-allergen filter with automatic air-conditioner / filtro antibatterico, antiodori e anti-allergeni con climatizzatore automatico	EB2	60	82	09/13	>				34.254.00
for vehicles with external fuel filter with plastic filter / per veicoli con filtro carburante esterno con filtro in plastica	EB2	60	82	09/13	>			31.948.00	
1.5 BlueHDI 100 with automatic air-conditioner / con climatizzatore automatico	DV5RD	75	102	07/17	>	25.216.00			53.277.00
	DV5RD	75	102	07/17	>				54.254.00
antibacterial, anti-odour and anti-allergen filter with automatic air-conditioner / filtro antibatterico, antiodori e anti-allergeni con climatizzatore automatico	DV5RD	75	102	07/17	>				34.254.00
1.5 BlueHDI 130 with automatic air-conditioner / con climatizzatore automatico	DV5RC	96	130	07/17	>	25.216.00			53.277.00
	DV5RC	96	130	07/17	>				54.254.00
antibacterial, anti-odour and anti-allergen filter with automatic air-conditioner / filtro antibatterico, antiodori e anti-allergeni con climatizzatore automatico	DV5RC	96	130	07/17	>				34.254.00
1.6 BlueHDI 100 with automatic air-conditioner / con climatizzatore automatico	DV6FD	74	101	03/14	>	25.187.00		26.104.00	30.648.00
	DV6FD	74	101	03/14	>				54.254.00
antibacterial, anti-odour and anti-allergen filter with automatic air-conditioner / filtro antibatterico, antiodori e anti-allergeni con climatizzatore automatico	DV6FD	74	101	03/14	>				34.254.00
1.6 BlueHDI 115 with automatic air-conditioner / con climatizzatore automatico	DV6FC	85	115	03/14	>	25.187.00		26.104.00	30.648.00
	DV6FC	85	115	03/14	>				54.254.00
antibacterial, anti-odour and anti-allergen filter with automatic air-conditioner / filtro antibatterico, antiodori e anti-allergeni con climatizzatore automatico	DV6FC	85	115	03/14	>				34.254.00
1.6 BlueHDI 120 with automatic air-conditioner / con climatizzatore automatico	DV6FC	88	120	03/14	>	25.187.00		26.104.00	30.648.00
	DV6FC	88	120	03/14	>				54.254.00
antibacterial, anti-odour and anti-allergen filter with automatic air-conditioner / filtro antibatterico, antiodori e anti-allergeni con climatizzatore automatico	DV6FC	88	120	03/14	>				34.254.00
1.6 BlueHDI 95 with automatic air-conditioner / con climatizzatore automatico	DV6FD	70	95	03/14	>	25.187.00		26.104.00	30.648.00
	DV6FD	70	95	03/14	>				54.254.00
antibacterial, anti-odour and anti-allergen filter with automatic air-conditioner / filtro antibatterico, antiodori e anti-allergeni con climatizzatore automatico	DV6FD	70	95	03/14	>				34.254.00
1.6 GT THP 205 with automatic air-conditioner / con climatizzatore automatico	EP6FDTX	151	205	10/14	>	25.060.00			30.467.00
	EP6FDTX	151	205	10/14	>				54.254.00
antibacterial, anti-odour and anti-allergen filter with automatic air-conditioner / filtro antibatterico, antiodori e anti-allergeni con climatizzatore automatico	EP6FDTX	151	205	10/14	>				34.254.00
for vehicles with external fuel filter with plastic filter / per veicoli con filtro carburante esterno con filtro in plastica	EP6FDTX	151	205	10/14	>			31.948.00	
1.6 GTI THP 250 with automatic air-conditioner / con climatizzatore automatico	EP6FDTR	184	250	08/15	>	25.060.00			30.467.00
	EP6FDTR	184	250	08/15	>				54.254.00
antibacterial, anti-odour and anti-allergen filter with automatic air-conditioner / filtro antibatterico, antiodori e anti-allergeni con climatizzatore automatico	EP6FDTR	184	250	08/15	>				34.254.00
1.6 GTI THP 270 with automatic air-conditioner / con climatizzatore automatico	EP6FDTR	200	272	07/15	>	25.060.00			30.467.00
	EP6FDTR	200	272	07/15	>				54.254.00
antibacterial, anti-odour and anti-allergen filter with automatic air-conditioner / filtro antibatterico, antiodori e anti-allergeni con climatizzatore automatico	EP6FDTR	200	272	07/15	>				34.254.00
1.6 HDI 115 FAP with automatic air-conditioner / con climatizzatore automatico	DV6C	85	115	09/13	>	25.037.00		24.127.00	30.645.00
	DV6C	85	115	09/13	>				54.254.00
antibacterial, anti-odour and anti-allergen filter with automatic air-conditioner / filtro antibatterico, antiodori e anti-allergeni con climatizzatore automatico	DV6C	85	115	09/13	>				34.254.00
1.6 HDI 92 FAP with automatic air-conditioner / con climatizzatore automatico	DV6DTEd	68	92	09/13	>	25.037.00		24.127.00	30.645.00
	DV6DTEd	68	92	09/13	>				54.254.00
antibacterial, anti-odour and anti-allergen filter with automatic air-conditioner / filtro antibatterico, antiodori e anti-allergeni con climatizzatore automatico	DV6DTEd	68	92	09/13	>				34.254.00
1.6 THP 125 with automatic air-conditioner / con climatizzatore automatico	EP6CDT	92	125	09/13	>	25.060.00			30.467.00
	EP6CDT	92	125	09/13	>				54.254.00
antibacterial, anti-odour and anti-allergen filter with automatic air-conditioner / filtro antibatterico, antiodori e anti-allergeni con climatizzatore automatico	EP6CDT	92	125	09/13	>				34.254.00
for vehicles with external fuel filter with plastic filter / per veicoli con filtro carburante esterno con filtro in plastica	EP6CDT	92	125	09/13	>			31.948.00	
1.6 THP 150 with automatic air-conditioner / con climatizzatore automatico	EP6CDT	110	150	03/14	>	25.060.00			30.467.00
	EP6CDT	110	150	03/14	>				54.254.00
antibacterial, anti-odour and anti-allergen filter with automatic air-conditioner / filtro antibatterico, antiodori e anti-allergeni con climatizzatore automatico	EP6CDT	110	150	03/14	>				34.254.00
for vehicles with external fuel filter with plastic filter / per veicoli con filtro carburante esterno con filtro in plastica	EP6CDT	110	150	03/14	>			31.948.00	
1.6 THP 155	EP6CDT	115	156	09/13	>	25.060.00			30.467.00

...PEUGEOT - cars/auto

with automatic air-conditioner / con climatizzatore automatico	EP6CDT	115	156	09/13	>				54.254.00
with plastic filter / con filtro in plastica	EP6CDT	115	156	09/13	>		31.948.00		
antibacterial, anti-odour and anti-allergen filter with automatic air-conditioner / filtro antibatterico, antiodori e anti-allergeni con climatizzatore automatico	EP6CDT	115	156	09/13	>				34.254.00
1.6 THP 165	EP6FDT	120	163	06/14	>	25.060.00		30.467.00	53.277.00
with automatic air-conditioner / con climatizzatore automatico	EP6FDT	120	163	06/14	>				54.254.00
antibacterial, anti-odour and anti-allergen filter with automatic air-conditioner / filtro antibatterico, antiodori e anti-allergeni con climatizzatore automatico	EP6FDT	120	163	06/14	>				34.254.00
for vehicles with external fuel filter with plastic filter / per veicoli con filtro carburante esterno con filtro in plastica	EP6FDT	120	163	06/14	>		31.948.00		
1.6 VTi 115	EC5	85	116	09/13	>	25.060.00		30.827.00	53.277.00
with automatic air-conditioner / con climatizzatore automatico	EC5	85	116	09/13	>				54.254.00
antibacterial, anti-odour and anti-allergen filter with automatic air-conditioner / filtro antibatterico, antiodori e anti-allergeni con climatizzatore automatico	EC5	85	116	09/13	>				34.254.00
for vehicles with external fuel filter with plastic filter / per veicoli con filtro carburante esterno con filtro in plastica	EC5	85	116	09/13	>		31.948.00		
2.0 BlueHDI 150	DW10FD	110	150	03/14	>	23.439.00	26.104.00	30.717.00	53.277.00
with automatic air-conditioner / con climatizzatore automatico	DW10FD	110	150	03/14	>				54.254.00
antibacterial, anti-odour and anti-allergen filter with automatic air-conditioner / filtro antibatterico, antiodori e anti-allergeni con climatizzatore automatico	DW10FD	110	150	03/14	>				34.254.00
2.0 GT BlueHDI 180	DW10FC	130	177	06/17	>	23.439.00	26.104.00	30.717.00	
with activated carbons / ai carboni attivi	DW10FC	130	177	06/17	>				54.254.00
antibacterial, anti-odour and anti-allergen filter / filtro antibatterico, antiodori e anti-allergeni	DW10FC	130	177	06/17	>				34.254.00
2.0 GT BlueHDI 180	DW10FC	132	179	06/17	>	23.439.00	26.001.00	30.717.00	53.277.00
with activated carbons / ai carboni attivi	DW10FC	132	179	06/17	>				54.254.00
antibacterial, anti-odour and anti-allergen filter / filtro antibatterico, antiodori e anti-allergeni	DW10FC	132	179	06/17	>				34.254.00
2.0 GT BlueHDI 180	DW10FC	133	181	03/14	>	23.439.00	26.104.00	30.717.00	53.277.00
with automatic air-conditioner / con climatizzatore automatico	DW10FC	133	181	03/14	>				54.254.00
antibacterial, anti-odour and anti-allergen filter with automatic air-conditioner / filtro antibatterico, antiodori e anti-allergeni con climatizzatore automatico	DW10FC	133	181	03/14	>				34.254.00
4007									
2.0	4B11MMC	108	147	11/10	>	23.265.00			53.218.00
with activated carbons / ai carboni attivi	4B11MMC	108	147	11/10	>				54.167.00
antibacterial, anti-odour and anti-allergen filter / filtro antibatterico, antiodori e anti-allergeni	4B11MMC	108	147	11/10	>				34.167.00
2.2 HDI FAP	DW12BTED4	115	156	02/07	> 06/08	25.060.00	24.156.00	30.533.00	53.218.00
	DW12BTED4	115	156	07/08	>	25.060.00		30.533.00	53.218.00
with activated carbons / ai carboni attivi	DW12BTED4	115	156	02/07	>				54.167.00
antibacterial, anti-odour and anti-allergen filter / filtro antibatterico, antiodori e anti-allergeni	DW12BTED4	115	156	02/07	>				34.167.00
dusty areas / zone polverose	DW12BTED4	115	156	02/07	>			30.539.00	
2.4	4B12MMC	125	170	02/07	>	23.265.00		30.533.00	53.218.00
with activated carbons / ai carboni attivi	4B12MMC	125	170	02/07	>				54.167.00
antibacterial, anti-odour and anti-allergen filter / filtro antibatterico, antiodori e anti-allergeni	4B12MMC	125	170	02/07	>				34.167.00
4008									
1.6	Mitsubishi 4A92	85	116	04/12	>	23.265.00			53.218.00
to frame No. ORGA13114 / a telaio N. ORGA13114	Mitsubishi 4A92	85	116	04/12	> 09/12			30.533.00	
with activated carbons / ai carboni attivi	Mitsubishi 4A92	85	116	04/12	>				54.167.00
from frame No. ORGA13115 / da telaio N. ORGA13115	Mitsubishi 4A92	85	116	10/12	>			30.709.00	
antibacterial, anti-odour and anti-allergen filter / filtro antibatterico, antiodori e anti-allergeni	Mitsubishi 4A92	85	116	04/12	>				34.167.00
1.6 HDI 110	DV6C	82	112	04/12	>	25.037.00	24.127.00	30.645.00	53.218.00
with activated carbons / ai carboni attivi	DV6C	82	112	04/12	>				54.167.00
antibacterial, anti-odour and anti-allergen filter / filtro antibatterico, antiodori e anti-allergeni	DV6C	82	112	04/12	>				34.167.00
1.8 HDI 150	Mitsubishi 4N13	110	150	04/12	>	23.265.00	24.465.00	30.601.00	53.218.00
with activated carbons / ai carboni attivi	Mitsubishi 4N13	110	150	04/12	>				54.167.00
antibacterial, anti-odour and anti-allergen filter / filtro antibatterico, antiodori e anti-allergeni	Mitsubishi 4N13	110	150	04/12	>				34.167.00
2.0	Mitsubishi 4B11, 4J11	110	150	04/12	>	23.265.00			53.218.00
to frame No. ORGA13114 / a telaio N. ORGA13114	Mitsubishi 4B11, 4J11	110	150	04/12	> 09/12			30.533.00	
with activated carbons / ai carboni attivi	Mitsubishi 4B11, 4J11	110	150	04/12	>				54.167.00
from frame No. ORGA13115 / da telaio N. ORGA13115	Mitsubishi 4B11, 4J11	110	150	10/12	>			30.709.00	
antibacterial, anti-odour and anti-allergen filter / filtro antibatterico, antiodori e anti-allergeni	Mitsubishi 4B11, 4J11	110	150	04/12	>				34.167.00
404									
1.6 (9cv) (1618)						23.191.00			
with servobrake / con servofreno						23.191.00			
1.6 Export (1618)						23.191.00			
1.8 Diesel (7cv) (1816)									
some / alcuni				10/70	>	23.115.00	26.609.00		
assembly BOSCH / montaggio BOSCH				10/70	>	23.115.00	26.635.00		
assembly DELPHI / montaggio DELPHI				10/70	>	23.115.00	24.360.00		
assembly PURFLUX / montaggio PURFLUX				10/70	>	23.115.00	26.652.00		
1.8 Export (1796)						23.191.00			
1.9 Diesel (8cv) (1948)									
some / alcuni				10/70	>	23.115.00	26.609.00		
assembly BOSCH / montaggio BOSCH				10/70	>	23.115.00	26.635.00		
assembly DELPHI / montaggio DELPHI				10/70	>	23.115.00	24.360.00		
assembly PURFLUX / montaggio PURFLUX				10/70	>	23.115.00	26.652.00		

...PEUGEOT - cars/auto

406										
1.6 i										
with air-conditioner VALEO / con climatizzatore VALEO	XU5JP	66	90	07/98	>	05/04	23.439.00	31.710.00	30.021.00	53.028.00
with activated carbon air-conditioner / con climatizzatore, ai carboni attivi	XU5JP	66	90	07/98	>	05/04	23.439.00	31.710.00	30.021.00	54.169.00
1.8 i										
with air-conditioner VALEO / con climatizzatore VALEO	XU7JB	66	90	07/98	>	12/00	23.439.00	31.710.00	30.021.00	53.028.00
with activated carbon air-conditioner / con climatizzatore, ai carboni attivi	XU7JB	66	90	07/98	>	12/00	23.439.00	31.710.00	30.021.00	54.169.00
1.8 i										
with air-conditioner VALEO / con climatizzatore VALEO	XU7JP	76	112	07/98	>	12/00	23.439.00	31.710.00	30.021.00	53.028.00
with activated carbon air-conditioner / con climatizzatore, ai carboni attivi	XU7JP	76	112	07/98	>	12/00	23.439.00	31.710.00	30.021.00	54.169.00
1.8 i 16V										
with air-conditioner VALEO / con climatizzatore VALEO	EW7J4	85	116	09/00	>	10/04	23.439.00	31.710.00	30.933.00	53.028.00
with activated carbon air-conditioner / con climatizzatore, ai carboni attivi	EW7J4	85	116	09/00	>	10/04	23.439.00	31.710.00	30.933.00	54.169.00
dusty areas / zone polverose	EW7J4	85	116	09/00	>	10/04	23.439.00	31.710.00	30.067.00	53.028.00
1.8 i 16V										
with air-conditioner VALEO / con climatizzatore VALEO	XU7JP4	81	110	07/98	>	12/00	23.439.00	31.710.00	30.933.00	53.028.00
with activated carbon air-conditioner / con climatizzatore, ai carboni attivi	XU7JP4	81	110	07/98	>	12/00	23.439.00	31.710.00	30.933.00	54.169.00
dusty areas / zone polverose	XU7JP4	81	110	07/98	>	12/00	23.439.00	31.710.00	30.067.00	53.028.00
1.9 D										
with activated carbon air-conditioner / con climatizzatore, ai carboni attivi	XUD9SD	55	75	07/99	>	05/04	23.439.00		30.933.00	54.169.00
assembly DELPHI / montaggio DELPHI	XUD9SD	55	75	07/99	>	05/04	23.439.00	24.390.00	30.933.00	53.028.00
assembly PURFLUX / montaggio PURFLUX	XUD9SD	55	75	07/99	>	05/04	23.439.00	26.676.00	30.933.00	53.028.00
dusty areas / zone polverose	XUD9SD	55	75	07/99	>	05/04	23.439.00		30.067.00	53.028.00
1.9 Turbodiesel										
with activated carbon air-conditioner / con climatizzatore, ai carboni attivi	XUD9TE	68	92	07/98	>	05/04	23.439.00		30.933.00	54.169.00
assembly DELPHI / montaggio DELPHI	XUD9TE	68	92	07/98	>	05/04	23.439.00	24.390.00	30.933.00	53.028.00
assembly PURFLUX / montaggio PURFLUX	XUD9TE	68	92	07/98	>	05/04	23.439.00	26.676.00	30.933.00	53.028.00
dusty areas / zone polverose	XUD9TE	68	92	07/98	>	05/04	23.439.00		30.067.00	53.028.00
1.9 Turbodiesel										
with activated carbon air-conditioner / con climatizzatore, ai carboni attivi	XUD9TF	66	90	07/98	>	10/04	23.439.00		30.933.00	54.169.00
assembly DELPHI / montaggio DELPHI	XUD9TF	66	90	07/98	>	10/04	23.439.00	24.390.00	30.933.00	53.028.00
assembly PURFLUX / montaggio PURFLUX	XUD9TF	66	90	07/98	>	10/04	23.439.00	26.676.00	30.933.00	53.028.00
dusty areas / zone polverose	XUD9TF	66	90	07/98	>	10/04	23.439.00		30.067.00	53.028.00
2.0 HDI										
with activated carbon air-conditioner / con climatizzatore, ai carboni attivi	DW10ATD	66	90	11/98	>	10/04	23.439.00		30.933.00	54.169.00
assembly BOSCH / montaggio BOSCH	DW10ATD	66	90	11/98	>	10/04	23.439.00	26.691.00	30.933.00	53.028.00
assembly SIEMENS / montaggio SIEMENS	DW10ATD	66	90	11/98	>	10/04	23.439.00	26.003.00	30.933.00	53.028.00
dusty areas / zone polverose	DW10ATD	66	90	11/98	>	10/04	23.439.00		30.067.00	53.028.00
2.0 HDI										
with activated carbon air-conditioner / con climatizzatore, ai carboni attivi	DW10ATED	81	110	11/98	>	10/04	23.439.00		30.933.00	54.169.00
assembly BOSCH / montaggio BOSCH	DW10ATED	81	110	11/98	>	10/04	23.439.00	26.691.00	30.933.00	53.028.00
assembly SIEMENS / montaggio SIEMENS	DW10ATED	81	110	11/98	>	10/04	23.439.00	26.003.00	30.933.00	53.028.00
dusty areas / zone polverose	DW10ATED	81	110	11/98	>	10/04	23.439.00		30.067.00	53.028.00
2.0 HPI 16V										
with air-conditioner VALEO / con climatizzatore VALEO	EW10D	103	140	05/01	>	05/04	23.439.00	31.710.00	30.933.00	53.028.00
with activated carbon air-conditioner / con climatizzatore, ai carboni attivi	EW10D	103	140	05/01	>	05/04	23.439.00	31.710.00	30.933.00	54.169.00
dusty areas / zone polverose	EW10D	103	140	05/01	>	05/04	23.439.00	31.710.00	30.067.00	53.028.00
2.0 i 16V										
with air-conditioner VALEO / con climatizzatore VALEO	DEW10J4-RFR	99	135	01/99	>	08/00	23.439.00	31.710.00	30.933.00	53.028.00
with activated carbon air-conditioner / con climatizzatore, ai carboni attivi	DEW10J4-RFR	99	135	01/99	>	08/00	23.439.00	31.710.00	30.933.00	54.169.00
dusty areas / zone polverose	DEW10J4-RFR	99	135	01/99	>	08/00	23.439.00	31.710.00	30.067.00	53.028.00
2.0 i 16V										
with air-conditioner VALEO / con climatizzatore VALEO	EW10J4	100	136	09/00	>	05/04	23.439.00	31.710.00	30.933.00	53.028.00
with activated carbon air-conditioner / con climatizzatore, ai carboni attivi	EW10J4	100	136	09/00	>	05/04	23.439.00	31.710.00	30.933.00	54.169.00
dusty areas / zone polverose	EW10J4	100	136	09/00	>	05/04	23.439.00	31.710.00	30.067.00	53.028.00
2.0 i 16V										
with air-conditioner VALEO / con climatizzatore VALEO	XU10J4R	99	135	07/98	>	09/00	23.439.00	31.710.00	30.933.00	53.028.00
with activated carbon air-conditioner / con climatizzatore, ai carboni attivi	XU10J4R	99	135	07/98	>	09/00	23.439.00	31.710.00	30.933.00	54.169.00
dusty areas / zone polverose	XU10J4R	99	135	07/98	>	09/00	23.439.00	31.710.00	30.067.00	53.028.00
2.0 i Turbo										
with air-conditioner VALEO / con climatizzatore VALEO	XU10J2TE	108	147	07/98	>	10/04	23.439.00	31.710.00	30.933.00	53.028.00
with activated carbon air-conditioner / con climatizzatore, ai carboni attivi	XU10J2TE	108	147	07/98	>	10/04	23.439.00	31.710.00	30.933.00	54.169.00
dusty areas / zone polverose	XU10J2TE	108	147	07/98	>	10/04	23.439.00	31.710.00	30.067.00	53.028.00
2.1 Turbodiesel										
with activated carbon air-conditioner / con climatizzatore, ai carboni attivi	XUD11BTE	80	109	07/98	>	10/04	23.439.00		30.933.00	54.169.00
assembly BOSCH / montaggio BOSCH	XUD11BTE	80	109	07/98	>	10/04	23.439.00	26.682.00	30.933.00	53.028.00
assembly DELPHI / montaggio DELPHI	XUD11BTE	80	109	07/98	>	10/04	23.439.00	24.389.00	30.933.00	53.028.00

...PEUGEOT - cars/auto

dusty areas / zone polverose	XUD11BTE	80	109	07/98 >	10/04	23.439.00		30.067.00	53.028.00
2.2 HDI 16V									
with activated carbon air-conditioner / con climatizzatore, ai carboni attivi	DW12TED4	98	133	03/00 >	12/04	23.439.00		30.067.00	54.169.00
assembly BOSCH / montaggio BOSCH	DW12TED4	98	133	03/00 >	12/04	23.439.00	26.691.00	30.067.00	53.028.00
assembly SIEMENS / montaggio SIEMENS	DW12TED4	98	133	03/00 >	12/04	23.439.00	26.003.00	30.067.00	53.028.00
2.2 i 16V									
with air-conditioner VALEO / con climatizzatore VALEO	EW12J4	118	160	07/00 >	05/04	23.439.00	31.710.00	30.933.00	53.028.00
with activated carbon air-conditioner / con climatizzatore, ai carboni attivi	EW12J4	118	160	07/00 >	05/04	23.439.00	31.710.00	30.933.00	54.169.00
dusty areas / zone polverose	EW12J4	118	160	07/00 >	05/04	23.439.00	31.710.00	30.067.00	53.028.00
3.0 i V6 24V									
with air-conditioner VALEO / con climatizzatore VALEO	ES9J4	140	190	08/96 >	05/00	23.191.00	31.710.00	30.933.00	53.028.00
with activated carbon air-conditioner / con climatizzatore, ai carboni attivi	ES9J4	140	190	08/96 >	05/00	23.191.00	31.710.00	30.933.00	54.169.00
dusty areas / zone polverose	ES9J4	140	190	08/96 >	05/00	23.191.00	31.710.00	30.067.00	53.028.00
3.0 i V6 24V									
with air-conditioner VALEO / con climatizzatore VALEO	ES9J4S	152	207	03/00 >	05/04	23.191.00	31.710.00	30.933.00	53.028.00
with activated carbon air-conditioner / con climatizzatore, ai carboni attivi	ES9J4S	152	207	03/00 >	05/04	23.191.00	31.710.00	30.933.00	54.169.00
dusty areas / zone polverose	ES9J4S	152	207	03/00 >	05/04	23.191.00	31.710.00	30.067.00	53.028.00
406 Coupè									
1.8 i 16V									
with air-conditioner VALEO / con climatizzatore VALEO	XU7JP4	82	112	07/98 >	12/00	23.439.00	31.710.00	30.933.00	53.028.00
with activated carbon air-conditioner / con climatizzatore, ai carboni attivi	XU7JP4	82	112	07/98 >	12/00	23.439.00	31.710.00	30.933.00	54.169.00
dusty areas / zone polverose	XU7JP4	82	112	07/98 >	12/00	23.439.00	31.710.00	30.067.00	53.028.00
2.0 i 16V									
with air-conditioner VALEO / con climatizzatore VALEO	DEW10J4-RFR	99	135	01/99 >	10/00	23.439.00	31.710.00	30.933.00	53.028.00
with activated carbon air-conditioner / con climatizzatore, ai carboni attivi	DEW10J4-RFR	99	135	01/99 >	10/00	23.439.00	31.710.00	30.933.00	54.169.00
dusty areas / zone polverose	DEW10J4-RFR	99	135	01/99 >	10/00	23.439.00	31.710.00	30.067.00	53.028.00
2.0 i 16V									
with air-conditioner VALEO / con climatizzatore VALEO	EW10J4	100	136	11/00 >	12/04	23.439.00	31.710.00	30.933.00	53.028.00
with activated carbon air-conditioner / con climatizzatore, ai carboni attivi	EW10J4	100	136	11/00 >	12/04	23.439.00	31.710.00	30.933.00	54.169.00
dusty areas / zone polverose	EW10J4	100	136	11/00 >	12/04	23.439.00	31.710.00	30.067.00	53.028.00
2.0 i 16V									
with air-conditioner VALEO / con climatizzatore VALEO	XU10J4R	97	132	07/98 >	12/04	23.439.00	31.710.00	30.933.00	53.028.00
with activated carbon air-conditioner / con climatizzatore, ai carboni attivi	XU10J4R	97	132	07/98 >	12/04	23.439.00	31.710.00	30.933.00	54.169.00
dusty areas / zone polverose	XU10J4R	97	132	07/98 >	12/04	23.439.00	31.710.00	30.067.00	53.028.00
2.2 HDI 16V									
with activated carbon air-conditioner / con climatizzatore, ai carboni attivi	DW12TED4	98	133	03/01 >	12/04	23.439.00		30.067.00	54.169.00
assembly BOSCH / montaggio BOSCH	DW12TED4	98	133	03/01 >	12/04	23.439.00	26.691.00	30.067.00	53.028.00
assembly SIEMENS / montaggio SIEMENS	DW12TED4	98	133	03/01 >	12/04	23.439.00	26.003.00	30.067.00	53.028.00
2.2 i 16V									
with air-conditioner VALEO / con climatizzatore VALEO	EW12J4	116	157	03/02 >	12/04	23.439.00	31.710.00	30.933.00	53.028.00
with activated carbon air-conditioner / con climatizzatore, ai carboni attivi	EW12J4	116	157	03/02 >	12/04	23.439.00	31.710.00	30.933.00	54.169.00
dusty areas / zone polverose	EW12J4	116	157	03/02 >	12/04	23.439.00	31.710.00	30.067.00	53.028.00
3.0 i V6 24V									
with air-conditioner VALEO / con climatizzatore VALEO	ES9J4	140	190	10/96 >	05/00	23.191.00	31.710.00	30.933.00	53.028.00
with activated carbon air-conditioner / con climatizzatore, ai carboni attivi	ES9J4	140	190	10/96 >	05/00	23.191.00	31.710.00	30.933.00	54.169.00
dusty areas / zone polverose	ES9J4	140	190	10/96 >	05/00	23.191.00	31.710.00	30.067.00	53.028.00
3.0 i V6 24V									
with air-conditioner VALEO / con climatizzatore VALEO	ES9J4S	152	207	03/00 >	12/04	23.191.00	31.710.00	30.933.00	53.028.00
dusty areas / zone polverose	ES9J4S	152	207	03/00 >	12/04	23.191.00	31.710.00	30.067.00	53.028.00
407									
1.6 HDI 16V									
with air-conditioner to series No. OPR11437 / con climatizzatore a serie N. OPR11437	DV6TED4	80	109	03/04 >	02/08				53.227.00
with activated carbon air-conditioner to series No. OPR11437 / con climatizzatore, ai carboni attivi a serie N. OPR11437	DV6TED4	80	109	03/04 >	02/08	25.037.00	24.027.00	30.233.00	54.142.00
with activated carbon air-conditioner from series No. OPR11438 / con climatizzatore, ai carboni attivi da serie N. OPR11438	DV6TED4	80	109	03/08 >		25.037.00	24.027.00	30.233.00	54.166.00
antibacterial, anti-odour and anti-allergen filter to series No. OPR11437 / filtro antibatterico, antiodori e anti-allergeni a serie N. OPR11437	DV6TED4	80	109	03/04 >	02/08				34.142.00
antibacterial, anti-odour and anti-allergen filter from series No. OPR11438 / filtro antibatterico, antiodori e anti-allergeni da serie N. OPR11438	DV6TED4	80	109	03/08 >					34.166.00
1.8 i 16V									
with air-conditioner to series No. OPR11437 / con climatizzatore a serie N. OPR11437	EW7A	92	125	10/05 >	02/08				53.227.00
with activated carbon air-conditioner to series No. OPR11437 / con climatizzatore, ai carboni attivi a serie N. OPR11437	EW7A	92	125	10/05 >	02/08	25.060.00	31.710.00	30.299.00	54.142.00
with activated carbon air-conditioner from series No. OPR11438 / con climatizzatore, ai carboni attivi da serie N. OPR11438	EW7A	92	125	03/08 >		25.060.00	31.710.00	30.299.00	54.166.00
antibacterial, anti-odour and anti-allergen filter to series No. OPR11437 / filtro antibatterico, antiodori e anti-allergeni a serie N. OPR11437	EW7A	92	125	03/04 >	02/08				34.142.00
antibacterial, anti-odour and anti-allergen filter from series No. OPR11438 / filtro antibatterico, antiodori e anti-allergeni da serie N. OPR11438	EW7A	92	125	03/08 >					34.166.00
1.8 i 16V									
with air-conditioner / con climatizzatore	EW7J4	85	115	03/04 >	09/05				53.227.00
with activated carbon air-conditioner / con climatizzatore, ai carboni attivi	EW7J4	85	115	03/04 >	09/05	23.439.00	31.710.00	30.299.00	54.142.00
antibacterial, anti-odour and anti-allergen filter / filtro antibatterico, antiodori e anti-allergeni	EW7J4	85	115	03/04 >	09/05				34.142.00
2.0 HDI 16V									

...PEUGEOT - cars/auto

antibacterial, anti-odour and anti-allergen filter to series No. OPR11437 / filtro antibatterico, antiodori e anti-allergeni a serie N. OPR11437	EW10A	103	140	05/05	>	02/08				34.142.00
antibacterial, anti-odour and anti-allergen filter from series No. OPR11438 / filtro antibatterico, antiodori e anti-allergeni da serie N. OPR11438	EW10A	103	140	03/08	>					34.166.00
2.0 i 16V										
with air-conditioner to series No. OPR11437 / con climatizzatore a serie N. OPR11437	EW10J4	100	136	03/04	>	02/08				53.227.00
with activated carbon air-conditioner to series No. OPR11437 / con climatizzatore, ai carboni attivi a serie N. OPR11437	EW10J4	100	136	03/04	>	02/08	23.439.00	31.710.00	30.299.00	54.142.00
with activated carbon air-conditioner from series No. OPR11438 / con climatizzatore, ai carboni attivi da serie N. OPR11438	EW10J4	100	136	03/08	>		23.439.00	31.710.00	30.299.00	54.166.00
antibacterial, anti-odour and anti-allergen filter to series No. OPR11437 / filtro antibatterico, antiodori e anti-allergeni a serie N. OPR11437	EW10J4	100	136	03/04	>	02/08				34.142.00
antibacterial, anti-odour and anti-allergen filter from series No. OPR11438 / filtro antibatterico, antiodori e anti-allergeni da serie N. OPR11438	EW10J4	100	136	03/08	>					34.166.00
2.2 HDI Biturbo FAP										
with air-conditioner to series No. OPR11437 / con climatizzatore a serie N. OPR11437	DW12BTED4	125	170	03/06	>	02/08				53.227.00
with activated carbon air-conditioner to series No. OPR11437 / con climatizzatore, ai carboni attivi a serie N. OPR11437	DW12BTED4	125	170	03/06	>	02/08	25.060.00	24.156.00	30.719.00	54.142.00
with activated carbon air-conditioner from series No. OPR11438 / con climatizzatore, ai carboni attivi da serie N. OPR11438	DW12BTED4	125	170	03/08	>		25.060.00	24.156.00	30.719.00	54.166.00
antibacterial, anti-odour and anti-allergen filter to series No. OPR11437 / filtro antibatterico, antiodori e anti-allergeni a serie N. OPR11437	DW12BTED4	125	170	03/05	>	02/08				34.142.00
antibacterial, anti-odour and anti-allergen filter from series No. OPR11438 / filtro antibatterico, antiodori e anti-allergeni da serie N. OPR11438	DW12BTED4	125	170	03/08	>					34.166.00
2.2 i 16V										
with air-conditioner to series No. OPR11437 / con climatizzatore a serie N. OPR11437	EW12J4	116	158	03/04	>	02/08				53.227.00
with activated carbon air-conditioner to series No. OPR11437 / con climatizzatore, ai carboni attivi a serie N. OPR11437	EW12J4	116	158	03/04	>	02/08	23.439.00	31.710.00	30.299.00	54.142.00
with activated carbon air-conditioner from series No. OPR11438 / con climatizzatore, ai carboni attivi da serie N. OPR11438	EW12J4	116	158	03/08	>		23.439.00	31.710.00	30.299.00	54.166.00
antibacterial, anti-odour and anti-allergen filter to series No. OPR11437 / filtro antibatterico, antiodori e anti-allergeni a serie N. OPR11437	EW12J4	116	158	03/04	>	02/08				34.142.00
antibacterial, anti-odour and anti-allergen filter from series No. OPR11438 / filtro antibatterico, antiodori e anti-allergeni da serie N. OPR11438	EW12J4	116	158	03/08	>					34.166.00
2.2 i 16V										
with air-conditioner to series No. OPR11437 / con climatizzatore a serie N. OPR11437	EW12J4	120	163	09/05	>	02/08				53.227.00
with activated carbon air-conditioner to series No. OPR11437 / con climatizzatore, ai carboni attivi a serie N. OPR11437	EW12J4	120	163	09/05	>	02/08	23.439.00	31.710.00	30.299.00	54.142.00
with activated carbon air-conditioner from series No. OPR11438 / con climatizzatore, ai carboni attivi da serie N. OPR11438	EW12J4	120	163	03/08	>		23.439.00	31.710.00	30.299.00	54.166.00
antibacterial, anti-odour and anti-allergen filter to series No. OPR11437 / filtro antibatterico, antiodori e anti-allergeni a serie N. OPR11437	EW12J4	120	163	09/05	>	02/08				34.142.00
antibacterial, anti-odour and anti-allergen filter from series No. OPR11438 / filtro antibatterico, antiodori e anti-allergeni da serie N. OPR11438	EW12J4	120	163	03/08	>					34.166.00
2.7 V6 HDI										
with air-conditioner to series No. OPR11437 / con climatizzatore a serie N. OPR11437	DT17TED4	150	204	09/05	>	02/08				53.227.00
with activated carbon air-conditioner to series No. OPR11437 / con climatizzatore, ai carboni attivi a serie N. OPR11437	DT17TED4	150	204	09/05	>	02/08	25.066.00	26.037.00	30.623.00	54.142.00
with activated carbon air-conditioner from series No. OPR11438 / con climatizzatore, ai carboni attivi da serie N. OPR11438	DT17TED4	150	204	03/08	>	08/11	25.066.00	26.037.00	30.623.00	54.166.00
antibacterial, anti-odour and anti-allergen filter to series No. OPR11437 / filtro antibatterico, antiodori e anti-allergeni a serie N. OPR11437	DT17TED4	150	204	09/05	>	02/08				34.142.00
antibacterial, anti-odour and anti-allergen filter from series No. OPR11438 / filtro antibatterico, antiodori e anti-allergeni da serie N. OPR11438	DT17TED4	150	204	03/08	>	08/11				34.166.00
3.0 i V6 24V										
with air-conditioner to series No. OPR11437 / con climatizzatore a serie N. OPR11437	ES9A	155	211	03/04	>	02/08				53.227.00
with activated carbon air-conditioner to series No. OPR11437 / con climatizzatore, ai carboni attivi a serie N. OPR11437	ES9A	155	211	03/04	>	02/08	23.439.00	31.710.00	30.299.00	54.142.00
with activated carbon air-conditioner from series No. OPR11438 / con climatizzatore, ai carboni attivi da serie N. OPR11438	ES9A	155	211	03/08	>		23.439.00	31.710.00	30.299.00	54.166.00
antibacterial, anti-odour and anti-allergen filter to series No. OPR11437 / filtro antibatterico, antiodori e anti-allergeni a serie N. OPR11437	ES9A	155	211	03/04	>	02/08				34.142.00
antibacterial, anti-odour and anti-allergen filter from series No. OPR11438 / filtro antibatterico, antiodori e anti-allergeni da serie N. OPR11438	ES9A	155	211	03/08	>					34.166.00
408										
1.6	TU5JP4	81	110	09/12	>		25.060.00	31.710.00	30.260.00	53.038.00
with activated carbons / ai carboni attivi	TU5JP4	81	110	09/12	>					54.111.00
antibacterial, anti-odour and anti-allergen filter / filtro antibatterico, antiodori e anti-allergeni	TU5JP4	81	110	09/12	>					34.111.00
1.6 HDI	DV6CTED	82	112	09/12	>		25.037.00		30.645.00	53.038.00
with activated carbons / ai carboni attivi	DV6CTED	82	112	09/12	>					54.111.00
antibacterial, anti-odour and anti-allergen filter / filtro antibatterico, antiodori e anti-allergeni	DV6CTED	82	112	09/12	>					34.111.00
1.6 Turbo	EP6DT	110	150	09/12	>		25.060.00	31.710.00	30.467.00	53.038.00
with activated carbons / ai carboni attivi	EP6DT	110	150	09/12	>					54.111.00
antibacterial, anti-odour and anti-allergen filter / filtro antibatterico, antiodori e anti-allergeni	EP6DT	110	150	09/12	>					34.111.00
1.6 Vti	EP6	88	120	09/12	>		25.060.00	31.710.00	30.400.00	53.038.00
with activated carbons / ai carboni attivi	EP6	88	120	09/12	>					54.111.00
antibacterial, anti-odour and anti-allergen filter / filtro antibatterico, antiodori e anti-allergeni	EP6	88	120	09/12	>					34.111.00
5008										
1.2 e-THP 130										
with automatic air-conditioner / con climatizzatore automatico	EB2DTS	96	130	01/15	>		23.439.00			54.172.00
with manual air-conditioner / con climatizzatore manuale	EB2DTS	96	130	01/15	>		23.439.00			53.154.00
antibacterial, anti-odour and anti-allergen filter with automatic air-conditioner / filtro antibatterico, antiodori e anti-allergeni con climatizzatore automatico	EB2DTS	96	130	01/15	>					34.172.00
for vehicles with external fuel filter with plastic filter / per veicoli con filtro carburante esterno con filtro in plastica	EB2DTS	96	130	01/15	>			31.948.00		
1.6 BlueHDI 120										
with automatic air-conditioner / con climatizzatore automatico	DV6FC	88	120	07/14	>		25.187.00	26.104.00	30.648.00	54.172.00
with manual air-conditioner / con climatizzatore manuale	DV6FC	88	120	07/14	>		25.187.00	26.104.00	30.648.00	53.154.00
antibacterial, anti-odour and anti-allergen filter with automatic air-conditioner / filtro antibatterico, antiodori e anti-allergeni con climatizzatore automatico	DV6FC	88	120	07/14	>					34.172.00
1.6 HDI 16V 110 FAP										
with automatic air-conditioner / con climatizzatore automatico	DV6CTED	82	112	01/10	>		25.037.00	24.127.00	30.645.00	54.172.00
with manual air-conditioner / con climatizzatore manuale	DV6CTED	82	112	01/10	>		25.037.00	24.127.00	30.645.00	53.154.00
antibacterial, anti-odour and anti-allergen filter with automatic air-conditioner / filtro antibatterico, antiodori e anti-allergeni con climatizzatore automatico	DV6CTED	82	112	01/10	>					34.172.00
1.6 HDI 16V 110 FAP										
with automatic air-conditioner / con climatizzatore automatico	DV6TED4	81	110	09/09	>		25.037.00	24.027.00	30.210.00	54.172.00

...PEUGEOT - cars/auto

with manual air-conditioner / con climatizzatore manuale	DV6TED4	81	110	09/09	>	25.037.00	24.027.00	30.210.00	53.154.00
antibacterial, anti-odour and anti-allergen filter with automatic air-conditioner / filtro antibatterico, antiodori e anti-allergeni con climatizzatore automatico	DV6TED4	81	110	09/09	>				34.172.00
1.6 HDI 16V 115									
with automatic air-conditioner / con climatizzatore automatico	DV6C	84	115	03/13	>	25.037.00	24.127.00	30.645.00	54.172.00
with manual air-conditioner / con climatizzatore manuale	DV6C	84	115	03/13	>	25.037.00	24.127.00	30.645.00	53.154.00
antibacterial, anti-odour and anti-allergen filter with automatic air-conditioner / filtro antibatterico, antiodori e anti-allergeni con climatizzatore automatico	DV6C	84	115	03/13	>				34.172.00
1.6 THP 150									
with automatic air-conditioner / con climatizzatore automatico	EP6CDT	110	150	02/12	>	25.060.00		30.467.00	54.172.00
with manual air-conditioner / con climatizzatore manuale	EP6CDT	110	150	02/12	>	25.060.00		30.467.00	53.154.00
antibacterial, anti-odour and anti-allergen filter with automatic air-conditioner / filtro antibatterico, antiodori e anti-allergeni con climatizzatore automatico	EP6CDT	110	150	02/12	>				34.172.00
for vehicles with external fuel filter with plastic filter / per veicoli con filtro carburante esterno con filtro in plastica	EP6CDT	110	150	02/12	>		31.948.00		
1.6 THP 156									
with automatic air-conditioner / con climatizzatore automatico	EP6DT	115	156	09/09	>	25.060.00		30.467.00	54.172.00
with manual air-conditioner / con climatizzatore manuale	EP6DT	115	156	09/09	>	25.060.00		30.467.00	53.154.00
antibacterial, anti-odour and anti-allergen filter with automatic air-conditioner / filtro antibatterico, antiodori e anti-allergeni con climatizzatore automatico	EP6DT	115	156	09/09	>				34.172.00
for vehicles with external fuel filter with plastic filter / per veicoli con filtro carburante esterno con filtro in plastica	EP6DT	115	156	09/09	>		31.948.00		
1.6 THP 163									
with automatic air-conditioner / con climatizzatore automatico	EP6CDT	120	163	02/12	>	25.060.00		30.467.00	54.172.00
with manual air-conditioner / con climatizzatore manuale	EP6CDT	120	163	02/12	>	25.060.00		30.467.00	53.154.00
antibacterial, anti-odour and anti-allergen filter with automatic air-conditioner / filtro antibatterico, antiodori e anti-allergeni con climatizzatore automatico	EP6CDT	120	163	02/12	>				34.172.00
for vehicles with external fuel filter with plastic filter / per veicoli con filtro carburante esterno con filtro in plastica	EP6CDT	120	163	02/12	>		31.948.00		
1.6 VTi 120									
with automatic air-conditioner / con climatizzatore automatico	EP6	88	120	09/09	>	25.060.00		30.400.00	54.172.00
with manual air-conditioner / con climatizzatore manuale	EP6	88	120	09/09	>	25.060.00		30.400.00	53.154.00
antibacterial, anti-odour and anti-allergen filter with automatic air-conditioner / filtro antibatterico, antiodori e anti-allergeni con climatizzatore automatico	EP6	88	120	09/09	>				34.172.00
for vehicles with external fuel filter with plastic filter / per veicoli con filtro carburante esterno con filtro in plastica	EP6	88	120	09/09	>		31.948.00		
2.0 HDI 136									
with automatic air-conditioner / con climatizzatore automatico	DW10CB	100	136	02/12	>	25.060.00	26.055.00	30.351.00	54.172.00
with manual air-conditioner / con climatizzatore manuale	DW10CB	100	136	02/12	>	25.060.00	26.055.00	30.351.00	53.154.00
antibacterial, anti-odour and anti-allergen filter with automatic air-conditioner / filtro antibatterico, antiodori e anti-allergeni con climatizzatore automatico	DW10CB	100	136	02/12	>				34.172.00
2.0 HDI 136									
with activated carbons with automatic air-conditioner / ai carboni attivi con climatizzatore automatico	DW10FD	100	136	09/09	> 03/17	23.439.00	26.104.00		53.154.00
antibacterial, anti-odour and anti-allergen filter with automatic air-conditioner / filtro antibatterico, antiodori e anti-allergeni con climatizzatore automatico	DW10FD	100	136	09/09	> 03/17				54.172.00
antibacterial, anti-odour and anti-allergen filter with automatic air-conditioner / filtro antibatterico, antiodori e anti-allergeni con climatizzatore automatico	DW10FD	100	136	09/09	> 03/17				34.172.00
2.0 HDI 16V 150 FAP									
with automatic air-conditioner / con climatizzatore automatico	DW10DTE4	110	150	09/09	>	25.060.00	26.055.00	30.351.00	54.172.00
with manual air-conditioner / con climatizzatore manuale	DW10DTE4	110	150	09/09	>	25.060.00	26.055.00	30.351.00	53.154.00
antibacterial, anti-odour and anti-allergen filter with automatic air-conditioner / filtro antibatterico, antiodori e anti-allergeni con climatizzatore automatico	DW10DTE4	110	150	09/09	>				34.172.00
2.0 HDI 16V 150 FAP									
with activated carbons with automatic air-conditioner / ai carboni attivi con climatizzatore automatico	DW10FD	110	150	06/09	> 03/17	23.439.00	26.104.00	30.351.00	53.154.00
antibacterial, anti-odour and anti-allergen filter with automatic air-conditioner / filtro antibatterico, antiodori e anti-allergeni con climatizzatore automatico	DW10FD	110	150	06/09	> 03/17				54.172.00
antibacterial, anti-odour and anti-allergen filter with automatic air-conditioner / filtro antibatterico, antiodori e anti-allergeni con climatizzatore automatico	DW10FD	110	150	06/09	> 03/17				34.172.00
2.0 HDI 16V 163 FAP									
with automatic air-conditioner / con climatizzatore automatico	DW10CTED4	120	163	06/09	>	25.060.00	26.055.00	30.351.00	54.172.00
with manual air-conditioner / con climatizzatore manuale	DW10CTED4	120	163	06/09	>	25.060.00	26.055.00	30.351.00	53.154.00
antibacterial, anti-odour and anti-allergen filter with automatic air-conditioner / filtro antibatterico, antiodori e anti-allergeni con climatizzatore automatico	DW10CTED4	120	163	06/09	>				34.172.00
5008 II (P87)									
1.2 PureTech									
with activated carbons / ai carboni attivi	EB2DTS	96	130	02/17	>	23.439.00		30.718.00	53.154.00
antibacterial, anti-odour and anti-allergen filter / filtro antibatterico, antiodori e anti-allergeni	EB2DTS	96	130	02/17	>				54.172.00
antibacterial, anti-odour and anti-allergen filter / filtro antibatterico, antiodori e anti-allergeni	EB2DTS	96	130	02/17	>				34.172.00
1.5 BlueHDI 130									
with activated carbons / ai carboni attivi	DV5RC	96	130	02/18	>	25.216.00			53.154.00
antibacterial, anti-odour and anti-allergen filter / filtro antibatterico, antiodori e anti-allergeni	DV5RC	96	130	02/18	>				54.172.00
antibacterial, anti-odour and anti-allergen filter / filtro antibatterico, antiodori e anti-allergeni	DV5RC	96	130	02/18	>				34.172.00
1.6 BlueHDI 100									
with activated carbons / ai carboni attivi	DV6FD	73	99	12/16	>	25.187.00	26.104.00	30.648.00	53.154.00
antibacterial, anti-odour and anti-allergen filter / filtro antibatterico, antiodori e anti-allergeni	DV6FD	73	99	12/16	>				54.172.00
antibacterial, anti-odour and anti-allergen filter / filtro antibatterico, antiodori e anti-allergeni	DV6FD	73	99	12/16	>				34.172.00
1.6 BlueHDI 115									
with activated carbons / ai carboni attivi	DV6FC	85	116	12/16	>	25.187.00	26.104.00	30.648.00	53.154.00
antibacterial, anti-odour and anti-allergen filter / filtro antibatterico, antiodori e anti-allergeni	DV6FC	85	116	12/16	>				54.172.00
antibacterial, anti-odour and anti-allergen filter / filtro antibatterico, antiodori e anti-allergeni	DV6FC	85	116	12/16	>				34.172.00
1.6 BlueHDI 120									
with activated carbons / ai carboni attivi	DV6FC	88	120	02/17	>	25.187.00	26.104.00	30.648.00	53.154.00
antibacterial, anti-odour and anti-allergen filter / filtro antibatterico, antiodori e anti-allergeni	DV6FC	88	120	02/17	>				54.172.00
antibacterial, anti-odour and anti-allergen filter / filtro antibatterico, antiodori e anti-allergeni	DV6FC	88	120	02/17	>				34.172.00
1.6 THP 165									
with activated carbons / ai carboni attivi	E96FDT	121	165	02/17	>	25.060.00		30.467.00	53.154.00
antibacterial, anti-odour and anti-allergen filter / filtro antibatterico, antiodori e anti-allergeni	E96FDT	121	165	02/17	>				54.172.00
antibacterial, anti-odour and anti-allergen filter / filtro antibatterico, antiodori e anti-allergeni	E96FDT	121	165	02/17	>				34.172.00
2.0 BlueHDI 135									
with activated carbons with automatic air-conditioner / ai carboni attivi con climatizzatore automatico	DW10FD	100	136	12/16	>	23.439.00	26.104.00	30.717.00	53.154.00
antibacterial, anti-odour and anti-allergen filter / filtro antibatterico, antiodori e anti-allergeni	DW10FD	100	136	12/16	>				54.172.00
antibacterial, anti-odour and anti-allergen filter / filtro antibatterico, antiodori e anti-allergeni	DW10FD	100	136	12/16	>				34.172.00
2.0 BlueHDI 150									
	DW10FD	110	150	02/17	>	23.439.00	26.104.00	30.717.00	53.154.00

...PEUGEOT - cars/auto

with activated carbons / ai carboni attivi	DW10FD	110	150	02/17	>				54.172.00
antibacterial, anti-odour and anti-allergen filter / filtro antibatterico, antiodori e anti-allergeni	DW10FD	110	150	02/17	>				34.172.00
2.0 BlueHDI 180	DW10FC	130	177	01/18	>	23.439.00	26.104.00	30.717.00	53.154.00
with activated carbons with automatic air-conditioner / ai carboni attivi con climatizzatore automatico	DW10FC	130	177	01/18	>				54.172.00
antibacterial, anti-odour and anti-allergen filter with automatic air-conditioner / filtro antibatterico, antiodori e anti-allergeni con climatizzatore automatico	DW10FC	130	177	01/18	>				34.172.00
2.0 BlueHDI 180	DW10FC	133	181	02/17	>	23.439.00	26.104.00	30.717.00	53.154.00
with activated carbons / ai carboni attivi	DW10FC	133	181	02/17	>				54.172.00
antibacterial, anti-odour and anti-allergen filter / filtro antibatterico, antiodori e anti-allergeni	DW10FC	133	181	02/17	>				34.172.00
504									
1.9 Diesel (1948)				11/81	>	23.191.00			
some / alcuni							26.609.00		
some / alcuni							26.652.00		
assembly BOSCH / montaggio BOSCH							26.635.00		
assembly DELPHI / montaggio DELPHI							24.360.00		
2.0 (1971)	11 CV							27.954.00	
2.1 Diesel (2112)				11/81	>	23.191.00			
some / alcuni							26.609.00		
some / alcuni							26.652.00		
assembly BOSCH / montaggio BOSCH							26.635.00		
assembly DELPHI / montaggio DELPHI							24.360.00		
2.3 Diesel (2304)				11/81	>	23.191.00			
some / alcuni							26.609.00		
some / alcuni							26.652.00		
assembly BOSCH / montaggio BOSCH							26.635.00		
assembly DELPHI / montaggio DELPHI							24.360.00		
2.3 Diesel 4x4 (2304)				11/81	>	23.191.00			
some / alcuni							26.609.00		
some / alcuni							26.652.00		
assembly BOSCH / montaggio BOSCH							26.635.00		
assembly DELPHI / montaggio DELPHI							24.360.00		
2.7 V6 (2664)									31.699.00
505									
2.0 i cat	XN6	72	98	10/83	>	23.191.00	31.502.00		
2.2 GTI Auto.									
from engine No. 1578001 / da motore N. 1578001	ZDJL	90	122	10/83	>	23.191.00	31.500.00	27.063.00	
2.3 Turbodiesel									
with pump DELPHI / con pompa DELPHI	XD2S	59	80	10/80	>		24.360.00		
with pump PURFLUX / con pompa PURFLUX	XD2S	59	80	10/80	>		26.652.00		
from engine No. 1545531 / da motore N. 1545531	XD2S	59	80	07/82	>	23.198.00			
2.5 Diesel									
with dry air filter / con filtro aria a secco	XD3	55	75	07/81	>			27.063.00	
with pump DELPHI / con pompa DELPHI	XD3	55	75	10/81	>	23.191.00	24.360.00		
with pump PURFLUX / con pompa PURFLUX	XD3	55	75	10/81	>	23.191.00	26.652.00		
2.8 V6									
from frame No. 1965001 / da telaio N. 1965001	ZN3J	125	170	06/86	>	23.198.00	31.506.00		
2.8 V6 Auto.									
from frame No. 1965001 / da telaio N. 1965001	ZN3J	125	170	06/86	>	23.198.00	31.506.00		
508									
1.6 BlueHDI 115	DV6FC	85	116	03/14	>	25.187.00	26.104.00	30.648.00	54.249.00
antibacterial, anti-odour and anti-allergen filter / filtro antibatterico, antiodori e anti-allergeni	DV6FC	85	116	03/14	>				34.249.00
1.6 BlueHDI 120	DV6FC	88	120	03/14	>	25.187.00	26.104.00	30.648.00	54.249.00
antibacterial, anti-odour and anti-allergen filter / filtro antibatterico, antiodori e anti-allergeni	DV6FC	88	120	03/14	>				34.249.00
1.6 e-HDI 16V 112 FAP	DV6C	82	112	11/10	>	25.037.00	24.127.00	30.645.00	54.249.00
antibacterial, anti-odour and anti-allergen filter / filtro antibatterico, antiodori e anti-allergeni	DV6C	82	112	11/10	>				34.249.00
1.6 e-HDI 8V 115	DV6C	84	115	03/12	>	25.037.00	24.127.00	30.645.00	54.249.00
antibacterial, anti-odour and anti-allergen filter / filtro antibatterico, antiodori e anti-allergeni	DV6C	84	115	03/12	>				34.249.00
1.6 HDI 16V 112 FAP	DV6C	82	112	11/10	>	25.037.00	24.127.00	30.645.00	54.249.00
antibacterial, anti-odour and anti-allergen filter / filtro antibatterico, antiodori e anti-allergeni	DV6C	82	112	11/10	>				34.249.00
1.6 HDI 8V 115	DV6CTED	84	115	03/12	>	25.037.00	24.127.00	30.645.00	54.249.00
antibacterial, anti-odour and anti-allergen filter / filtro antibatterico, antiodori e anti-allergeni	DV6CTED	84	115	03/12	>				34.249.00
1.6 THP 150	EP6CDT	110	150	11/10	>	25.060.00		30.467.00	54.249.00
antibacterial, anti-odour and anti-allergen filter / filtro antibatterico, antiodori e anti-allergeni	EP6CDT	110	150	11/10	>				34.249.00
for vehicles with external fuel filter with plastic filter / per veicoli con filtro carburante esterno con filtro in plastica	EP6CDT	110	150	11/10	>		31.948.00		
1.6 THP 156	EP6CDT	115	156	11/10	>	25.060.00		30.467.00	54.249.00
antibacterial, anti-odour and anti-allergen filter / filtro antibatterico, antiodori e anti-allergeni	EP6CDT	115	156	11/10	>				34.249.00
for vehicles with external fuel filter with plastic filter / per veicoli con filtro carburante esterno con filtro in plastica	EP6CDT	115	156	11/10	>		31.948.00		
1.6 THP 163	EP6FDT	120	163	01/12	>	25.060.00		30.467.00	54.249.00

...PEUGEOT - cars/auto

antibacterial, anti-odour and anti-allergen filter / filtro antibatterico, antiodori e anti-allergeni for vehicles with external fuel filter with plastic filter / per veicoli con filtro carburante esterno con filtro in plastica	EP6FDT	120	163	01/12	>				34.249.00
1.6 THP 165	EP6FDT	120	163	01/12	>			31.948.00	
antibacterial, anti-odour and anti-allergen filter / filtro antibatterico, antiodori e anti-allergeni for vehicles with external fuel filter with plastic filter / per veicoli con filtro carburante esterno con filtro in plastica	EP6CDTM/EP6FDT	121	165	09/11	>	25.060.00		30.467.00	54.249.00
1.6 VTI 115	EP6CDTM/EP6FDT	121	165	09/11	>			31.948.00	34.249.00
antibacterial, anti-odour and anti-allergen filter / filtro antibatterico, antiodori e anti-allergeni for vehicles with external fuel filter with plastic filter / per veicoli con filtro carburante esterno con filtro in plastica	EP6C	85	116	11/10	>	25.060.00		30.400.00	54.249.00
1.6 VTI 120	EP6C	85	116	11/10	>			31.948.00	34.249.00
antibacterial, anti-odour and anti-allergen filter / filtro antibatterico, antiodori e anti-allergeni for vehicles with external fuel filter with plastic filter / per veicoli con filtro carburante esterno con filtro in plastica	EP6C	85	116	11/10	>	25.060.00		30.400.00	54.249.00
2.0 BlueHDI 135	EP6C	88	120	11/10	>			31.948.00	34.249.00
with activated carbons / ai carboni attivi	EP6C	88	120	11/10	>				
antibacterial, anti-odour and anti-allergen filter / filtro antibatterico, antiodori e anti-allergeni	EP6C	88	120	11/10	>			31.948.00	34.249.00
2.0 BlueHDI 150	EP6C	88	120	11/10	>			31.948.00	34.249.00
antibacterial, anti-odour and anti-allergen filter / filtro antibatterico, antiodori e anti-allergeni	DW10FD	100	136	11/10	> 12/18	23.439.00		26.104.00	30.322.00
2.0 BlueHDI 180	DW10FD	100	136	11/10	> 12/18				54.249.00
antibacterial, anti-odour and anti-allergen filter / filtro antibatterico, antiodori e anti-allergeni	DW10FD	100	136	11/10	> 12/18				34.249.00
2.0 HDI 16V 136	DW10FD	110	150	10/13	>	23.439.00		26.104.00	30.322.00
antibacterial, anti-odour and anti-allergen filter / filtro antibatterico, antiodori e anti-allergeni	DW10FD	110	150	10/13	>				34.249.00
2.0 HDI 16V 136 FAP	DW10FC	133	181	10/13	>	23.439.00		26.104.00	30.322.00
antibacterial, anti-odour and anti-allergen filter / filtro antibatterico, antiodori e anti-allergeni	DW10FC	133	181	10/13	>				34.249.00
2.0 HDI 16V 140 FAP	DW10BTED4	100	136	11/10	>	25.060.00		26.022.00	30.322.00
antibacterial, anti-odour and anti-allergen filter / filtro antibatterico, antiodori e anti-allergeni	DW10BTED4	100	136	11/10	>				34.249.00
2.0 HDI 16V 163 FAP	DW10B	103	140	11/10	>	25.060.00		26.022.00	30.322.00
antibacterial, anti-odour and anti-allergen filter / filtro antibatterico, antiodori e anti-allergeni	DW10B	103	140	11/10	>				34.249.00
2.0 HDI 16V 163 FAP	DW10C	120	163	11/10	>	25.060.00		26.055.00	30.322.00
antibacterial, anti-odour and anti-allergen filter / filtro antibatterico, antiodori e anti-allergeni	DW10C	120	163	11/10	>				34.249.00
2.0 HDI Hybrid4	DW10CTED4	120	163	12/11	>	25.060.00		26.055.00	30.322.00
antibacterial, anti-odour and anti-allergen filter / filtro antibatterico, antiodori e anti-allergeni	DW10CTED4	120	163	12/11	>				34.249.00
2.2 HDI 16V 204 FAP	DW12C	150	204	11/10	>	25.060.00			30.322.00
antibacterial, anti-odour and anti-allergen filter / filtro antibatterico, antiodori e anti-allergeni	DW12C	150	204	11/10	>				34.249.00
508 II									
1.2 PureTech 130	EB2ADTS	96	131	06/20	>	23.439.00			30.718.00
antibacterial, anti-odour and anti-allergen filter / filtro antibatterico, antiodori e anti-allergeni	EB2ADTS	96	131	06/20	>				34.254.00
1.5 BlueHDI 130	DV5RC	96	130	08/18	>	25.216.00			53.154.00
with activated carbons / ai carboni attivi	DV5RC	96	130	08/18	>				54.172.00
antibacterial, anti-odour and anti-allergen filter / filtro antibatterico, antiodori e anti-allergeni	DV5RC	96	130	08/18	>				34.172.00
1.6 Plug in Hybrid	EP6FADTXHPD	133	181	08/19	>	25.060.00		31.948.00	30.368.00
with activated carbons / ai carboni attivi	EP6FADTXHPD	133	181	08/19	>				54.254.00
antibacterial, anti-odour and anti-allergen filter / filtro antibatterico, antiodori e anti-allergeni	EP6FADTXHPD	133	181	08/19	>				34.254.00
1.6 PureTech 180	EP6F	133	181	08/18	>	25.060.00			30.467.00
with activated carbons / ai carboni attivi	EP6F	133	181	08/18	>				54.172.00
antibacterial, anti-odour and anti-allergen filter / filtro antibatterico, antiodori e anti-allergeni	EP6F	133	181	08/18	>				34.172.00
1.6 PureTech 225	EP6FADTX	165	224	08/18	>	25.060.00		31.948.00	30.467.00
with activated carbons / ai carboni attivi	EP6FADTX	165	224	08/18	>				54.172.00
antibacterial, anti-odour and anti-allergen filter / filtro antibatterico, antiodori e anti-allergeni	EP6FADTX	165	224	08/18	>				34.172.00
1.6 THP 150	EP6FDTMD	110	150	09/18	>	25.060.00			30.368.00
with activated carbons / ai carboni attivi	EP6FDTMD	110	150	09/18	>				54.172.00
antibacterial, anti-odour and anti-allergen filter / filtro antibatterico, antiodori e anti-allergeni	EP6FDTMD	110	150	09/18	>				34.172.00
1.6 THP 165	EP6FDTM	121	165	08/18	>	25.060.00		31.948.00	30.467.00
with activated carbons / ai carboni attivi	EP6FDTM	121	165	08/18	>				54.172.00
antibacterial, anti-odour and anti-allergen filter / filtro antibatterico, antiodori e anti-allergeni	EP6FDTM	121	165	08/18	>				34.172.00
2.0 BlueHDI 160	DW10FCC	120	163	08/18	>			26.104.00	30.717.00
with activated carbons / ai carboni attivi	DW10FCC	120	163	08/18	>				54.172.00
antibacterial, anti-odour and anti-allergen filter / filtro antibatterico, antiodori e anti-allergeni	DW10FCC	120	163	08/18	>				34.172.00
2.0 BlueHDI 180	DW10FC	130	177	08/18	>			26.104.00	30.717.00
with activated carbons / ai carboni attivi	DW10FC	130	177	08/18	>			26.104.00	30.717.00
antibacterial, anti-odour and anti-allergen filter / filtro antibatterico, antiodori e anti-allergeni	DW10FC	130	177	08/18	>				34.172.00
508 II SW									
1.2 PureTech 130	EB2ADTS	96	131	06/20	>	23.439.00			30.718.00
antibacterial, anti-odour and anti-allergen filter / filtro antibatterico, antiodori e anti-allergeni	EB2ADTS	96	131	06/20	>				34.254.00
1.5 BlueHDI 130	DV5RC	96	130	08/18	>	25.216.00			53.154.00
with activated carbons / ai carboni attivi	DV5RC	96	130	08/18	>				54.172.00
antibacterial, anti-odour and anti-allergen filter / filtro antibatterico, antiodori e anti-allergeni	DV5RC	96	130	08/18	>				34.172.00
1.6 Plug in Hybrid	EP6FADTXHP	133	181	10/19	>	25.060.00		31.948.00	30.368.00
1.6 PureTech 180	EP6F	133	181	08/18	>	25.060.00			30.467.00
with activated carbons / ai carboni attivi	EP6F	133	181	08/18	>				54.172.00
antibacterial, anti-odour and anti-allergen filter / filtro antibatterico, antiodori e anti-allergeni	EP6F	133	181	08/18	>				34.172.00
1.6 PureTech 225	EP6FADTX	165	224	08/18	>	25.060.00		31.948.00	30.467.00
with activated carbons / ai carboni attivi	EP6FADTX	165	224	08/18	>				54.172.00

...PEUGEOT - cars/auto

antibacterial, anti-odour and anti-allergen filter / filtro antibatterico, antiodori e anti-allergeni	EP6FADTX	165	224	08/18	>				34.172.00
1.6 THP 165	EP6FDTM	121	165	08/18	>	25.060.00	31.948.00	30.467.00	53.154.00
with activated carbons / ai carboni attivi	EP6FDTM	121	165	08/18	>				54.172.00
antibacterial, anti-odour and anti-allergen filter / filtro antibatterico, antiodori e anti-allergeni	EP6FDTM	121	165	08/18	>				34.172.00
2.0 BlueHDI 160	DW10FCC	120	163	08/18	>		26.104.00	30.717.00	53.154.00
with activated carbons / ai carboni attivi	DW10FCC	120	163	08/18	>				54.172.00
antibacterial, anti-odour and anti-allergen filter / filtro antibatterico, antiodori e anti-allergeni	DW10FCC	120	163	08/18	>				34.172.00
2.0 BlueHDI 180	DW10FC	130	177	08/18	>		26.104.00	30.717.00	53.154.00
with activated carbons / ai carboni attivi	DW10FC	130	177	08/18	>				54.172.00
antibacterial, anti-odour and anti-allergen filter / filtro antibatterico, antiodori e anti-allergeni	DW10FC	130	177	08/18	>				34.172.00
508 SW									
1.6 BlueHDI 115	DV6FC	85	116	03/14	>	25.187.00	26.104.00	30.648.00	54.249.00
antibacterial, anti-odour and anti-allergen filter / filtro antibatterico, antiodori e anti-allergeni	DV6FC	85	116	03/14	>				34.249.00
1.6 BlueHDI 120	DV6FC	88	120	03/14	>	25.187.00	26.104.00	30.648.00	54.249.00
antibacterial, anti-odour and anti-allergen filter / filtro antibatterico, antiodori e anti-allergeni	DV6FC	88	120	03/14	>				34.249.00
1.6 e-HDI 16V 112 FAP	DV6C	82	112	11/10	>	25.037.00	24.127.00	30.645.00	54.249.00
antibacterial, anti-odour and anti-allergen filter / filtro antibatterico, antiodori e anti-allergeni	DV6C	82	112	11/10	>				34.249.00
1.6 e-HDI 8V 115	DV6C	84	115	03/12	>	25.037.00	24.127.00	30.645.00	54.249.00
antibacterial, anti-odour and anti-allergen filter / filtro antibatterico, antiodori e anti-allergeni	DV6C	84	115	03/12	>				34.249.00
1.6 HDI 16V 112 FAP	DV6C	82	112	11/10	>	25.037.00	24.127.00	30.645.00	54.249.00
antibacterial, anti-odour and anti-allergen filter / filtro antibatterico, antiodori e anti-allergeni	DV6C	82	112	11/10	>				34.249.00
1.6 HDI 8V 115	DV6CTED	84	115	03/12	>	25.037.00	24.127.00	30.645.00	54.249.00
antibacterial, anti-odour and anti-allergen filter / filtro antibatterico, antiodori e anti-allergeni	DV6CTED	84	115	03/12	>				34.249.00
1.6 THP 156	EP6CDT	115	156	11/10	>	25.060.00		30.467.00	54.249.00
antibacterial, anti-odour and anti-allergen filter / filtro antibatterico, antiodori e anti-allergeni	EP6CDT	115	156	03/14	>				34.249.00
for vehicles with external fuel filter with plastic filter / per veicoli con filtro carburante esterno con filtro in plastica	EP6CDT	115	156	11/10	>		31.948.00		
1.6 THP 165	EP6CDTM/EP6FDT	121	165	01/12	>	25.060.00		30.467.00	54.249.00
antibacterial, anti-odour and anti-allergen filter / filtro antibatterico, antiodori e anti-allergeni	EP6CDTM/EP6FDT	121	165	01/12	>				34.249.00
for vehicles with external fuel filter with plastic filter / per veicoli con filtro carburante esterno con filtro in plastica	EP6CDTM/EP6FDT	121	165	01/12	>		31.948.00		
1.6 VTi 120	EP6C	88	120	11/10	>	25.060.00		30.400.00	54.249.00
antibacterial, anti-odour and anti-allergen filter / filtro antibatterico, antiodori e anti-allergeni	EP6C	88	120	11/10	>				34.249.00
for vehicles with external fuel filter with plastic filter / per veicoli con filtro carburante esterno con filtro in plastica	EP6C	88	120	11/10	>		31.948.00		
2.0 BlueHDI 135	DW10FD	100	136	11/10	> 12/18	23.439.00	26.104.00	30.322.00	
with activated carbons / ai carboni attivi	DW10FD	100	136	11/10	> 12/18				54.249.00
antibacterial, anti-odour and anti-allergen filter / filtro antibatterico, antiodori e anti-allergeni	DW10FD	100	136	11/10	> 12/18				34.249.00
2.0 BlueHDI 150	DW10FD	110	150	10/13	>	23.439.00	26.104.00	30.322.00	54.249.00
antibacterial, anti-odour and anti-allergen filter / filtro antibatterico, antiodori e anti-allergeni	DW10FD	110	150	10/13	>				34.249.00
2.0 BlueHDI 180	DW10FC	133	181	10/13	>	23.439.00	26.104.00	30.322.00	54.249.00
antibacterial, anti-odour and anti-allergen filter / filtro antibatterico, antiodori e anti-allergeni	DW10FC	133	181	10/13	>				34.249.00
2.0 HDI 16V 136	DW10BTED4	100	136	11/10	>	25.060.00	26.022.00	30.322.00	54.249.00
antibacterial, anti-odour and anti-allergen filter / filtro antibatterico, antiodori e anti-allergeni	DW10BTED4	100	136	11/10	>				34.249.00
2.0 HDI 16V 140 FAP	DW10CTED4	103	140	11/10	>	25.060.00	26.022.00	30.322.00	54.249.00
antibacterial, anti-odour and anti-allergen filter / filtro antibatterico, antiodori e anti-allergeni	DW10CTED4	103	140	11/10	>				34.249.00
2.0 HDI 16V 163 FAP	DW10CTED4	120	163	11/10	>	25.060.00	26.055.00	30.322.00	54.249.00
antibacterial, anti-odour and anti-allergen filter / filtro antibatterico, antiodori e anti-allergeni	DW10CTED4	120	163	11/10	>				34.249.00
2.0 HDI Hybrid4	DW10CTED4	120	163	12/11	>	25.060.00	26.055.00	30.322.00	54.249.00
antibacterial, anti-odour and anti-allergen filter / filtro antibatterico, antiodori e anti-allergeni	DW10CTED4	120	163	12/11	>				34.249.00
2.2 HDI 16V 204 FAP	DW12C	150	204	11/10	>	25.060.00		30.322.00	54.249.00
antibacterial, anti-odour and anti-allergen filter / filtro antibatterico, antiodori e anti-allergeni	DW12C	150	204	11/10	>				34.249.00
604									
2.3 Turbodiesel									
with pump BOSCH / con pompa BOSCH	XD2S	59	80	07/82	>	23.198.00	26.652.00		
assembly DELPHI / montaggio DELPHI	XD2S	59	80	07/82	>	23.198.00	24.360.00		
2.5 Turbodiesel									
with pump BOSCH / con pompa BOSCH	XD3T	66	90	10/83	>	23.198.00	26.652.00		
assembly DELPHI / montaggio DELPHI	XD3T	66	90	10/83	>	23.198.00	24.360.00		
607									
2.0 HDI	DW10ATED	80	109	03/01	>	23.439.00	26.003.00	30.067.00	54.151.00
2.0 HDI 16V FAP	DW10BTED4 Euro4	100	136	09/05	>	25.060.00	26.022.00	30.350.00	54.151.00
2.0 i 16V	EW10J4	100	136	02/00	>	23.439.00	31.710.00	30.933.00	54.151.00
dusty areas / zone polverose	EW10J4	100	136	02/00	>	23.439.00	31.710.00	30.067.00	54.151.00
2.2 HDI	DW12TED4	98	133	03/00	>	23.439.00	26.691.00	30.067.00	54.151.00
2.2 HDI Biturbo FAP	DW12BTED4	125	170	05/06	>	25.060.00	24.156.00	30.350.00	54.151.00
2.2 HDI FAP	DW12TED4	98	133	01/00	>	23.439.00	26.691.00	30.067.00	54.151.00
2.2 i 16V	EW12J4	116	158	09/04	> 08/05	23.439.00	31.710.00	30.933.00	54.151.00
dusty areas / zone polverose	EW12J4	116	158	09/04	> 08/05	23.439.00	31.710.00	30.067.00	54.151.00
2.2 i 16V	EW12J4	118	161	03/00	> 08/04	23.439.00	31.710.00	30.933.00	54.151.00

...PEUGEOT - cars/auto

dusty areas / zone polverose	EW12J4	118	161	03/00	>	08/04	23.439.00	31.710.00	30.067.00	54.151.00
2.2 i 16V	EW12J4	120	163	09/05	>		23.439.00	31.710.00	30.933.00	54.151.00
dusty areas / zone polverose	EW12J4	120	163	09/05	>		23.439.00	31.710.00	30.067.00	54.151.00
2.7 V6 HDI FAP	DT17TED4	150	204	11/04	>		25.066.00	26.037.00	30.350.00	54.151.00
3.0 i V6 24V	ES9A	155	211	11/04	>		23.191.00	31.710.00	30.350.00	54.151.00
3.0 i V6 24V	ES9J4S	152	207	01/00	>	10/04	23.191.00	31.710.00	30.067.00	54.151.00
806										
1.8 i										
with air-conditioner / con climatizzatore	XU7JP	73	99	07/96	>	08/02	23.439.00	31.710.00	30.933.00	53.070.00
with plastic filter / con filtro in plastica	XU7JP	73	99	07/96	>	08/02		31.948.00		
1.9 Turbodiesel										
assembly DELPHI / montaggio DELPHI	XUD9TE	68	92	07/98	>	08/02	23.439.00	24.390.00	30.933.00	53.070.00
assembly PURFLUX / montaggio PURFLUX	XUD9TE	68	92	07/98	>	08/02	23.439.00	26.676.00	30.933.00	53.070.00
1.9 Turbodiesel										
assembly DELPHI / montaggio DELPHI	XUD9TF	66	90	07/98	>	08/02	23.439.00	24.390.00	30.933.00	53.070.00
assembly PURFLUX / montaggio PURFLUX	XUD9TF	66	90	07/98	>	08/02	23.439.00	26.676.00	30.933.00	53.070.00
2.0 16V	EW10J4	100	136	05/00	>	08/02	23.439.00	31.710.00	30.933.00	53.070.00
with plastic filter / con filtro in plastica	EW10J4	100	136	05/00	>	08/02		31.948.00		
2.0 16V										
with air-conditioner / con climatizzatore	XU10J4	97	132	07/98	>	08/02	23.439.00	31.710.00	30.933.00	53.070.00
with plastic filter / con filtro in plastica	XU10J4	97	132	07/96	>	08/02		31.948.00		
2.0 HDI										
assembly BOSCH / montaggio BOSCH	DW10ATED/4	80	109	09/99	>	04/01	23.439.00	26.691.00	30.067.00	53.070.00
assembly SIEMENS / montaggio SIEMENS	DW10ATED/4	80	109	04/01	>	08/02	23.439.00	26.003.00	30.067.00	53.070.00
2.0 i										
with air-conditioner / con climatizzatore	XU10J2	89	121	07/98	>	08/02	23.439.00	31.710.00	30.933.00	53.070.00
with plastic filter / con filtro in plastica	XU10J2	89	121	07/96	>	08/02		31.948.00		
2.0 i Turbo										
with air-conditioner / con climatizzatore	XU10J2TE	108	147	07/98	>	08/02	23.439.00	31.710.00	30.933.00	53.070.00
with plastic filter / con filtro in plastica	XU10J2TE	108	147	07/96	>	08/02		31.948.00		
2.1 Turbodiesel 12V										
assembly DELPHI / montaggio DELPHI	XUD11BTE	80	109	07/98	>	08/02	23.439.00	24.389.00	30.933.00	53.070.00
assembly PURFLUX / montaggio PURFLUX	XUD11BTE	80	109	07/98	>	08/02	23.439.00	26.682.00	30.933.00	53.070.00
807										
2.0 16V	EW10A	103	140	09/05	>		25.060.00		30.933.00	53.069.00
with activated carbons / ai carboni attivi	EW10A	103	140	09/05	>		25.060.00		30.933.00	54.156.00
dusty areas / zone polverose	EW10A	103	140	09/05	>		25.060.00		30.067.00	54.156.00
2.0 16V	EW10J4	100	136	05/02	>		23.439.00	31.710.00	30.933.00	53.069.00
with activated carbons / ai carboni attivi	EW10J4	100	136	05/02	>		23.439.00	31.710.00	30.933.00	54.156.00
2.0 HDI 16V	DW10ATED4	80	109	05/02	>	07/04	23.439.00	26.003.00	30.933.00	53.069.00
	DW10ATED4	80	109	08/04	>		23.439.00	26.003.00	30.261.00	53.069.00
with activated carbons / ai carboni attivi	DW10ATED4	80	109	05/02	>	07/04	23.439.00	26.003.00	30.933.00	54.156.00
with activated carbons / ai carboni attivi	DW10ATED4	80	109	08/04	>		23.439.00	26.003.00	30.261.00	54.156.00
2.0 HDI 16V	DW10CTED4	120	163	06/09	>		25.060.00	26.055.00	30.330.00	53.069.00
with activated carbons / ai carboni attivi	DW10CTED4	120	163	06/09	>		25.060.00	26.055.00	30.330.00	54.156.00
2.0 HDI 16V	DW10UTED4 Euro4	88	120	10/05	>		25.060.00	26.022.00	30.330.00	53.069.00
with activated carbons / ai carboni attivi	DW10UTED4 Euro4	88	120	10/05	>		25.060.00	26.022.00	30.330.00	54.156.00
2.0 HDI 16V FAP	DW10ATED4	79	107	05/02	>	07/04	23.439.00	26.003.00	30.933.00	53.069.00
	DW10ATED4	79	107	08/04	>		23.439.00	26.003.00	30.261.00	53.069.00
with activated carbons / ai carboni attivi	DW10ATED4	79	107	05/02	>	07/04	23.439.00	26.003.00	30.933.00	54.156.00
with activated carbons / ai carboni attivi	DW10ATED4	79	107	08/04	>		23.439.00	26.003.00	30.261.00	54.156.00
2.0 HDI 16V FAP	DW10BTED4 Euro4	100	136	05/06	>		25.060.00	26.022.00	30.330.00	53.069.00
with activated carbons / ai carboni attivi	DW10BTED4 Euro4	100	136	05/06	>		25.060.00	26.022.00	30.330.00	54.156.00
2.2 16V	EW12J4	116	158	05/02	>		23.439.00	31.710.00	30.933.00	53.069.00
with activated carbons / ai carboni attivi	EW12J4	116	158	05/02	>		23.439.00	31.710.00	30.933.00	54.156.00
2.2 HDI 16V	DW12ATED4	94	128	03/02	>		23.439.00	26.003.00	30.933.00	53.069.00
with activated carbons / ai carboni attivi	DW12ATED4	94	128	03/02	>		23.439.00	26.003.00	30.933.00	54.156.00
2.2 HDI 16V	DW12BTED4	125	170	10/07	>		25.060.00	24.156.00	30.330.00	53.069.00
with activated carbons / ai carboni attivi	DW12BTED4	125	170	10/07	>		25.060.00	24.156.00	30.330.00	54.156.00
2.2 HDI 16V FAP	DW12ATED4	94	128	03/02	>		23.439.00	26.003.00	30.933.00	53.069.00
with activated carbons / ai carboni attivi	DW12ATED4	94	128	03/02	>		23.439.00	26.003.00	30.933.00	54.156.00
3.0 V6 24V	ES9J4S	150	204	09/02	>		23.191.00	31.710.00	30.067.00	53.069.00
with activated carbons / ai carboni attivi	ES9J4S	150	204	09/02	>		23.191.00	31.710.00	30.067.00	54.156.00
Bipper Tepee										
1.3 BlueHDI	F13DTE6	59	80	12/15	>				30.477.00	
with air-conditioner and R.H.D. / con climatizzatore e guida a destra	F13DTE6	59	80	12/15	>					53.124.00
with air-conditioner and L.H.D. / con climatizzatore e guida a sinistra	F13DTE6	59	80	12/15	>					53.157.00

...PEUGEOT - cars/auto

with activated carbon R.H.D. / con guida a destra, ai carboni attivi	F13DTE6	59	80	12/15	>				54.162.00
antibacterial, anti-odour and anti-allergen filter with R.H.D. / filtro antibatterico, antiodori e anti-allergeni con guida a destra	F13DTE6	59	80	12/15	>				34.162.00
1.3 HDI 75 FAP Stop & Start	F130DTE5	55	75	09/10	>	25.061.00	24.ONE.01	30.477.00	
with air-conditioner and R.H.D. / con climatizzatore e guida a destra	F130DTE5	55	75	09/10	>				53.124.00
with air-conditioner and L.H.D. / con climatizzatore e guida a sinistra	F130DTE5	55	75	09/10	>				53.157.00
with activated carbon R.H.D. / con guida a destra, ai carboni attivi	F130DTE5	55	75	09/10	>				54.162.00
antibacterial, anti-odour and anti-allergen filter with R.H.D. / filtro antibatterico, antiodori e anti-allergeni con guida a destra	F130DTE5	55	75	09/10	>				34.162.00
1.4	TU3A	54	73	09/10	>	25.060.00	∞	30.371.00	
with air-conditioner and R.H.D. / con climatizzatore e guida a destra	TU3A	54	73	09/10	>				53.124.00
with air-conditioner and L.H.D. / con climatizzatore e guida a sinistra	TU3A	54	73	09/10	>				53.157.00
with activated carbon R.H.D. / con guida a destra, ai carboni attivi	TU3A	54	73	09/10	>				54.162.00
antibacterial, anti-odour and anti-allergen filter with R.H.D. / filtro antibatterico, antiodori e anti-allergeni con guida a destra	TU3A	54	73	09/10	>				34.162.00
iOn									
Electric	E	47	64	12/10	>	✗	✗	✗	
with air-conditioner / con climatizzatore	E	47	64	12/10	>				54.286.00
Partner I									
1.1 i									
with air-conditioner / con climatizzatore	TU1JP	44	60	06/00	> 12/00	25.032.00	31.710.00	27.196.00	53.021.00
with air-conditioner / con climatizzatore	TU1JP	44	60	01/01	> 12/02	25.032.00	31.710.00	27.196.00	53.039.00
with activated carbon air-conditioner / con climatizzatore, ai carboni attivi	TU1JP	44	60	06/00	> 12/00				54.235.00
with activated carbon air-conditioner / con climatizzatore, ai carboni attivi	TU1JP	44	60	01/01	> 12/02				54.282.00
with plastic filter / con filtro in plastica	TU1JP	44	60	06/00	> 12/02		31.948.00		
antibacterial, anti-odour and anti-allergen filter with air-conditioner / filtro antibatterico, antiodori e anti-allergeni con climatizzatore	TU1JP	44	60	01/01	> 12/02				34.282.00
1.1 i									
with air-conditioner / con climatizzatore	TU1M	44	60	07/98	> 06/00	23.439.00	31.710.00	27.196.00	53.021.00
with air-conditioner / con climatizzatore	TU1M	44	60	07/00	> 12/00	25.032.00	31.710.00	27.196.00	53.021.00
with air-conditioner / con climatizzatore	TU1M	44	60	01/01	> 12/02	25.032.00	31.710.00	27.196.00	53.039.00
with activated carbon air-conditioner / con climatizzatore, ai carboni attivi	TU1M	44	60	07/96	> 12/00				54.235.00
with activated carbon air-conditioner / con climatizzatore, ai carboni attivi	TU1M	44	60	01/01	> 12/02				54.282.00
with plastic filter / con filtro in plastica	TU1M	44	60	07/96	> 12/02		31.948.00		
antibacterial, anti-odour and anti-allergen filter with air-conditioner / filtro antibatterico, antiodori e anti-allergeni con climatizzatore	TU1M	44	60	01/01	> 12/02				34.282.00
1.4									
with air-conditioner / con climatizzatore	TU3-2	55	75	07/96	> 12/00	23.293.00	31.710.00	27.196.00	53.021.00
with air-conditioner / con climatizzatore	TU3-2	55	75	01/01	> 12/02	23.293.00	31.710.00	27.196.00	53.039.00
with activated carbon air-conditioner / con climatizzatore, ai carboni attivi	TU3-2	55	75	07/96	> 12/00				54.235.00
with activated carbon air-conditioner / con climatizzatore, ai carboni attivi	TU3-2	55	75	01/01	> 12/02				54.282.00
with plastic filter / con filtro in plastica	TU3-2	55	75	07/96	> 12/02		31.948.00		
antibacterial, anti-odour and anti-allergen filter with air-conditioner / filtro antibatterico, antiodori e anti-allergeni con climatizzatore	TU3-2	55	75	01/01	> 12/02				34.282.00
1.4 i Multipoint									
with air-conditioner / con climatizzatore	TU3JP	44	60	07/98	> 06/00	23.439.00	31.710.00	27.258.00	53.021.00
with air-conditioner / con climatizzatore	TU3JP	44	60	07/00	> 12/00	25.032.00	31.710.00	27.258.00	53.021.00
with air-conditioner / con climatizzatore	TU3JP	44	60	01/01	> 12/02	25.032.00	31.710.00	27.258.00	53.039.00
with activated carbon air-conditioner / con climatizzatore, ai carboni attivi	TU3JP	44	60	07/96	> 12/00				54.235.00
with activated carbon air-conditioner / con climatizzatore, ai carboni attivi	TU3JP	44	60	01/01	> 12/02				54.282.00
with plastic filter / con filtro in plastica	TU3JP	44	60	07/96	> 12/02		31.948.00		
antibacterial, anti-odour and anti-allergen filter with air-conditioner / filtro antibatterico, antiodori e anti-allergeni con climatizzatore	TU3JP	44	60	01/01	> 12/02				34.282.00
1.6 i 16V									
with air-conditioner / con climatizzatore	TU5JP4	80	109	10/00	> 12/00	25.032.00	31.710.00	30.152.00	53.021.00
with air-conditioner / con climatizzatore	TU5JP4	80	109	01/01	> 12/02	25.032.00	31.710.00	30.152.00	53.039.00
with activated carbon air-conditioner / con climatizzatore, ai carboni attivi	TU5JP4	80	109	10/00	> 12/00				54.235.00
with activated carbon air-conditioner / con climatizzatore, ai carboni attivi	TU5JP4	80	109	01/01	> 12/02				54.282.00
with plastic filter / con filtro in plastica	TU5JP4	80	109	10/00	> 12/02		31.948.00		
antibacterial, anti-odour and anti-allergen filter with air-conditioner / filtro antibatterico, antiodori e anti-allergeni con climatizzatore	TU5JP4	80	109	01/01	> 12/02				34.282.00
1.8 i									
with air-conditioner / con climatizzatore	XU7JB	66	90	07/98	> 12/00	23.439.00	31.710.00	30.021.00	53.021.00
with air-conditioner / con climatizzatore	XU7JB	66	90	01/01	> 12/02	23.439.00	31.710.00	30.021.00	53.039.00
with activated carbon air-conditioner / con climatizzatore, ai carboni attivi	XU7JB	66	90	06/97	> 12/00				54.235.00
with activated carbon air-conditioner / con climatizzatore, ai carboni attivi	XU7JB	66	90	01/01	> 12/02				54.282.00
with plastic filter / con filtro in plastica	XU7JB	66	90	06/97	> 12/02		31.948.00		
antibacterial, anti-odour and anti-allergen filter with air-conditioner / filtro antibatterico, antiodori e anti-allergeni con climatizzatore	XU7JB	66	90	01/01	> 12/02				34.282.00
1.9 Diesel									
with air-conditioner / con climatizzatore	DW8	51	70	01/98	> 12/00	23.439.00	26.688.00	27.271.00	53.021.00
with air-conditioner / con climatizzatore	DW8	51	70	01/01	> 12/02	23.439.00	26.688.00	27.271.00	53.039.00
with activated carbon air-conditioner / con climatizzatore, ai carboni attivi	DW8	51	70	01/98	> 12/00				54.235.00
with activated carbon air-conditioner / con climatizzatore, ai carboni attivi	DW8	51	70	01/01	> 12/02				54.282.00
antibacterial, anti-odour and anti-allergen filter with air-conditioner / filtro antibatterico, antiodori e anti-allergeni con climatizzatore	DW8	51	70	01/01	> 12/02				34.282.00
1.9 Diesel									

...PEUGEOT - cars/auto

with air-conditioner / con climatizzatore	DW8B	51	70	01/01	>	12/02	23.439.00	26.688.00	27.403.00	53.039.00
with activated carbon air-conditioner / con climatizzatore, ai carboni attivi	DW8B	51	70	01/01	>	12/02				54.282.00
antibacterial, anti-odour and anti-allergen filter with air-conditioner / filtro antibatterico, antiodori e anti-allergeni con climatizzatore	DW8B	51	70	01/01	>	12/02				34.282.00
1.9 Diesel										
with activated carbon air-conditioner / con climatizzatore, ai carboni attivi	XUD9/XUD9Y	50	68	07/96	>	12/00				54.235.00
with activated carbon air-conditioner / con climatizzatore, ai carboni attivi	XUD9/XUD9Y	50	68	01/01	>	12/02				54.282.00
antibacterial, anti-odour and anti-allergen filter with air-conditioner / filtro antibatterico, antiodori e anti-allergeni con climatizzatore	XUD9/XUD9Y	50	68	01/01	>	12/02				34.282.00
assembly DELPHI / montaggio DELPHI	XUD9/XUD9Y	50	68	07/98	>	12/00	23.439.00	24.390.00	27.271.00	53.021.00
assembly DELPHI / montaggio DELPHI	XUD9/XUD9Y	50	68	01/01	>	12/02	23.439.00	24.390.00	27.271.00	53.039.00
assembly PURFLUX / montaggio PURFLUX	XUD9/XUD9Y	50	68	07/98	>	12/00	23.439.00	26.676.00	27.271.00	53.021.00
assembly PURFLUX / montaggio PURFLUX	XUD9/XUD9Y	50	68	01/01	>	12/02	23.439.00	26.676.00	27.271.00	53.039.00
1.9 Diesel										
with activated carbon air-conditioner / con climatizzatore, ai carboni attivi	XUD9A	51	70	07/96	>	12/00				54.235.00
with activated carbon air-conditioner / con climatizzatore, ai carboni attivi	XUD9A	51	70	01/01	>	12/02				54.282.00
antibacterial, anti-odour and anti-allergen filter with air-conditioner / filtro antibatterico, antiodori e anti-allergeni con climatizzatore	XUD9A	51	70	01/01	>	12/02				34.282.00
assembly DELPHI / montaggio DELPHI	XUD9A	51	70	07/98	>	12/00	23.439.00	24.390.00	27.271.00	53.021.00
assembly DELPHI / montaggio DELPHI	XUD9A	51	70	01/01	>	12/02	23.439.00	24.390.00	27.271.00	53.039.00
assembly PURFLUX / montaggio PURFLUX	XUD9A	51	70	07/98	>	12/00	23.439.00	26.676.00	27.271.00	53.021.00
assembly PURFLUX / montaggio PURFLUX	XUD9A	51	70	01/01	>	12/02	23.439.00	26.676.00	27.271.00	53.039.00
2.0 HDI										
with activated carbon air-conditioner / con climatizzatore, ai carboni attivi	DW10TD	66	90	09/99	>	12/00				54.235.00
with activated carbon air-conditioner / con climatizzatore, ai carboni attivi	DW10TD	66	90	01/01	>	12/02				54.282.00
antibacterial, anti-odour and anti-allergen filter with air-conditioner / filtro antibatterico, antiodori e anti-allergeni con climatizzatore	DW10TD	66	90	01/01	>	12/02				34.282.00
assembly BOSCH / montaggio BOSCH	DW10TD	66	90	09/99	>	12/00	23.439.00	26.691.00	30.144.00	53.021.00
assembly BOSCH / montaggio BOSCH	DW10TD	66	90	01/01	>	12/02	23.439.00	26.691.00	30.144.00	53.039.00
assembly SIEMENS / montaggio SIEMENS	DW10TD	66	90	04/01	>	12/02	23.439.00	26.003.00	30.144.00	53.039.00
dusty areas / zone polverose	DW10TD	66	90	09/99	>	12/02	23.439.00			30.157.00
2.0 HDI 4x4										
with activated carbon air-conditioner / con climatizzatore, ai carboni attivi	DW10TD	66	90	02/00	>	12/00				54.235.00
with activated carbon air-conditioner / con climatizzatore, ai carboni attivi	DW10TD	66	90	01/01	>	12/02				54.282.00
antibacterial, anti-odour and anti-allergen filter with air-conditioner / filtro antibatterico, antiodori e anti-allergeni con climatizzatore	DW10TD	66	90	01/01	>	12/02				34.282.00
assembly BOSCH / montaggio BOSCH	DW10TD	66	90	02/00	>	12/00	23.439.00	26.691.00	30.144.00	53.021.00
assembly BOSCH / montaggio BOSCH	DW10TD	66	90	01/01	>	12/02	23.439.00	26.691.00	30.144.00	53.039.00
assembly SIEMENS / montaggio SIEMENS	DW10TD	66	90	04/01	>	12/02	23.439.00	26.003.00	30.144.00	53.039.00
dusty areas / zone polverose	DW10TD	66	90	02/00	>	12/02	23.439.00			30.157.00
Partner I Rest.										
1.1 i										
with air-conditioner and R.H.D. / con climatizzatore e guida a destra	TU1JP	44	60	11/02	>	05/08	25.032.00	31.710.00	30.185.00	53.021.00
with air-conditioner and R.H.D. with activated carbons / con climatizzatore e guida a destra ai carboni attivi	TU1JP	44	60	11/02	>	05/08				54.235.00
with air-conditioner and L.H.D. / con climatizzatore e guida a sinistra	TU1JP	44	60	11/02	>	05/08	25.032.00	31.710.00	30.185.00	53.039.00
with air-conditioner and L.H.D. with activated carbons / con climatizzatore e guida a sinistra ai carboni attivi	TU1JP	44	60	11/02	>	05/08				54.282.00
with plastic filter / con filtro in plastica	TU1JP	44	60	11/02	>	05/08		31.948.00		
antibacterial, anti-odour and anti-allergen filter with air-conditioner / filtro antibatterico, antiodori e anti-allergeni con climatizzatore	TU1JP	44	60	11/02	>	05/08				34.282.00
1.4 MPI										
with air-conditioner and R.H.D. / con climatizzatore e guida a destra	TU3JP	55	75	11/02	>	10/06	25.032.00	31.710.00	30.185.00	53.021.00
with air-conditioner and R.H.D. with activated carbons / con climatizzatore e guida a destra ai carboni attivi	TU3JP	55	75	11/02	>	10/06				54.235.00
with air-conditioner and L.H.D. / con climatizzatore e guida a sinistra	TU3JP	55	75	11/02	>	10/06	25.032.00	31.710.00	30.185.00	53.039.00
with air-conditioner and L.H.D. with activated carbons / con climatizzatore e guida a sinistra ai carboni attivi	TU3JP	55	75	11/02	>	10/06				54.282.00
with plastic filter / con filtro in plastica	TU3JP	55	75	11/02	>	10/06		31.948.00		
antibacterial, anti-odour and anti-allergen filter with air-conditioner / filtro antibatterico, antiodori e anti-allergeni con climatizzatore	TU3JP	55	75	11/02	>	10/06				34.282.00
1.6 HDI										
with air-conditioner and R.H.D. / con climatizzatore e guida a destra	DV6ATED4	66	90	07/05	>	05/08	25.037.00	24.027.00	30.210.00	53.021.00
with air-conditioner and R.H.D. with activated carbons / con climatizzatore e guida a destra ai carboni attivi	DV6ATED4	66	90	07/05	>	05/08				54.235.00
with air-conditioner and L.H.D. / con climatizzatore e guida a sinistra	DV6ATED4	66	90	07/05	>	05/08	25.037.00	24.027.00	30.210.00	53.039.00
with air-conditioner and L.H.D. with activated carbons / con climatizzatore e guida a sinistra ai carboni attivi	DV6ATED4	66	90	07/05	>	05/08				54.282.00
antibacterial, anti-odour and anti-allergen filter with air-conditioner / filtro antibatterico, antiodori e anti-allergeni con climatizzatore	DV6ATED4	66	90	07/05	>	05/08				34.282.00
1.6 HDI										
with air-conditioner and R.H.D. / con climatizzatore e guida a destra	DV6B	55	75	09/05	>	07/08	25.037.00	24.027.00	30.210.00	53.021.00
with air-conditioner and R.H.D. with activated carbons / con climatizzatore e guida a destra ai carboni attivi	DV6B	55	75	09/05	>	07/08				54.235.00
with air-conditioner and L.H.D. / con climatizzatore e guida a sinistra	DV6B	55	75	09/05	>	07/08	25.037.00	24.027.00	30.210.00	53.039.00
with air-conditioner and L.H.D. with activated carbons / con climatizzatore e guida a sinistra ai carboni attivi	DV6B	55	75	09/05	>	07/08				54.282.00
antibacterial, anti-odour and anti-allergen filter with air-conditioner / filtro antibatterico, antiodori e anti-allergeni con climatizzatore	DV6B	55	75	09/05	>	07/08				34.282.00
1.6 i 16V										
with air-conditioner and R.H.D. / con climatizzatore e guida a destra	TU5JP4	81	110	11/02	>	05/08	25.032.00	31.710.00	30.186.00	53.021.00
with air-conditioner and R.H.D. with activated carbons / con climatizzatore e guida a destra ai carboni attivi	TU5JP4	81	110	11/02	>	05/08				54.235.00
with air-conditioner and L.H.D. / con climatizzatore e guida a sinistra	TU5JP4	81	110	11/02	>	05/08	25.032.00	31.710.00	30.186.00	53.039.00
with air-conditioner and L.H.D. with activated carbons / con climatizzatore e guida a sinistra ai carboni attivi	TU5JP4	81	110	11/02	>	05/08				54.282.00

...PEUGEOT - cars/auto

with manual air-conditioner / con climatizzatore manuale	EP6CDTR	72	98	08/10	>		25.060.00		30.400.00	53.154.00
antibacterial, anti-odour and anti-allergen filter with automatic air-conditioner / filtro antibatterico, antiodori e anti-allergeni con climatizzatore automatico	EP6CDTR	72	98	08/10	>					34.172.00
for vehicles with external fuel filter with plastic filter / per veicoli con filtro carburante esterno con filtro in plastica	EP6CDTR	72	98	08/10	>			31.948.00		
Ranch I										
1.4										
with air-conditioner / con climatizzatore	TU3-2	55	75	07/96	>	12/00	23.293.00	31.710.00	27.196.00	53.021.00
with air-conditioner / con climatizzatore	TU3-2	55	75	01/01	>	12/02	23.293.00	31.710.00	27.196.00	53.039.00
with activated carbon air-conditioner / con climatizzatore, ai carboni attivi	TU3-2	55	75	07/96	>	12/00				54.235.00
with activated carbon air-conditioner / con climatizzatore, ai carboni attivi	TU3-2	55	75	01/01	>	12/02				54.282.00
with plastic filter / con filtro in plastica	TU3-2	55	75	07/96	>	12/02		31.948.00		
antibacterial, anti-odour and anti-allergen filter with air-conditioner / filtro antibatterico, antiodori e anti-allergeni con climatizzatore	TU3-2	55	75	01/01	>	12/02				34.282.00
1.4 i Multipoint										
with air-conditioner / con climatizzatore	TU3JP	55	75	07/98	>	06/00	23.439.00	31.710.00	27.258.00	53.021.00
with air-conditioner / con climatizzatore	TU3JP	55	75	07/00	>	12/00	25.032.00	31.710.00	27.258.00	53.021.00
with air-conditioner / con climatizzatore	TU3JP	55	75	01/01	>	12/02	25.032.00	31.710.00	27.258.00	53.039.00
with activated carbon air-conditioner / con climatizzatore, ai carboni attivi	TU3JP	55	75	07/96	>	12/00				54.235.00
with activated carbon air-conditioner / con climatizzatore, ai carboni attivi	TU3JP	55	75	01/01	>	12/02				54.282.00
with plastic filter / con filtro in plastica	TU3JP	55	75	07/96	>	12/02		31.948.00		
antibacterial, anti-odour and anti-allergen filter with air-conditioner / filtro antibatterico, antiodori e anti-allergeni con climatizzatore	TU3JP	55	75	01/01	>	12/02				34.282.00
1.6 i 16V										
with air-conditioner / con climatizzatore	TU5JP4	80	109	10/00	>	12/00	25.032.00	31.710.00	30.152.00	53.021.00
with air-conditioner / con climatizzatore	TU5JP4	80	109	01/01	>	12/02	25.032.00	31.710.00	30.152.00	53.039.00
with activated carbon air-conditioner / con climatizzatore, ai carboni attivi	TU5JP4	80	109	10/00	>	12/00				54.235.00
with activated carbon air-conditioner / con climatizzatore, ai carboni attivi	TU5JP4	80	109	01/01	>	12/02				54.282.00
with plastic filter / con filtro in plastica	TU5JP4	80	109	11/00	>	12/02		31.948.00		
antibacterial, anti-odour and anti-allergen filter with air-conditioner / filtro antibatterico, antiodori e anti-allergeni con climatizzatore	TU5JP4	80	109	01/01	>	12/02				34.282.00
1.8 i										
with air-conditioner / con climatizzatore	XU7JB	66	90	07/98	>	12/00	23.439.00	31.710.00	30.021.00	53.021.00
with air-conditioner / con climatizzatore	XU7JB	66	90	01/01	>	12/02	23.439.00	31.710.00	30.021.00	53.039.00
with activated carbon air-conditioner / con climatizzatore, ai carboni attivi	XU7JB	66	90	06/97	>	12/00				54.235.00
with activated carbon air-conditioner / con climatizzatore, ai carboni attivi	XU7JB	66	90	01/01	>	12/02				54.282.00
with plastic filter / con filtro in plastica	XU7JB	66	90	06/97	>	12/02		31.948.00		
antibacterial, anti-odour and anti-allergen filter with air-conditioner / filtro antibatterico, antiodori e anti-allergeni con climatizzatore	XU7JB	66	90	01/01	>	12/02				34.282.00
1.9 Diesel										
with air-conditioner / con climatizzatore	DW8	51	70	01/98	>	12/00	23.439.00	26.688.00	27.271.00	53.021.00
with air-conditioner / con climatizzatore	DW8	51	70	01/01	>	12/02	23.439.00	26.688.00	27.271.00	53.039.00
with activated carbon air-conditioner / con climatizzatore, ai carboni attivi	DW8	51	70	01/98	>	12/00				54.235.00
with activated carbon air-conditioner / con climatizzatore, ai carboni attivi	DW8	51	70	01/01	>	12/02				54.282.00
antibacterial, anti-odour and anti-allergen filter with air-conditioner / filtro antibatterico, antiodori e anti-allergeni con climatizzatore	DW8	51	70	01/01	>	12/02				34.282.00
1.9 Diesel										
with air-conditioner / con climatizzatore	DW8B	51	70	01/01	>	12/02	23.439.00	26.688.00	27.403.00	53.039.00
with activated carbon air-conditioner / con climatizzatore, ai carboni attivi	DW8B	51	70	01/01	>	12/02				54.282.00
antibacterial, anti-odour and anti-allergen filter with air-conditioner / filtro antibatterico, antiodori e anti-allergeni con climatizzatore	DW8B	51	70	01/01	>	12/02				34.282.00
1.9 Diesel										
with activated carbon air-conditioner / con climatizzatore, ai carboni attivi	XUD9/XUD9Y	50	68	07/96	>	12/00				54.235.00
with activated carbon air-conditioner / con climatizzatore, ai carboni attivi	XUD9/XUD9Y	50	68	01/01	>	12/02				54.282.00
antibacterial, anti-odour and anti-allergen filter with air-conditioner / filtro antibatterico, antiodori e anti-allergeni con climatizzatore	XUD9/XUD9Y	50	68	01/01	>	12/02				34.282.00
assembly DELPHI / montaggio DELPHI	XUD9/XUD9Y	50	68	07/98	>	12/00	23.439.00	24.390.00	27.239.00	53.021.00
assembly DELPHI / montaggio DELPHI	XUD9/XUD9Y	50	68	01/01	>	12/02	23.439.00	24.390.00	27.271.00	53.039.00
assembly PURFLUX / montaggio PURFLUX	XUD9/XUD9Y	50	68	07/98	>	12/00	23.439.00	26.676.00	27.239.00	53.021.00
assembly PURFLUX / montaggio PURFLUX	XUD9/XUD9Y	50	68	01/01	>	12/02	23.439.00	26.676.00	27.271.00	53.039.00
1.9 Diesel										
with activated carbon air-conditioner / con climatizzatore, ai carboni attivi	XUD9A	51	70	07/96	>	12/00				54.235.00
with activated carbon air-conditioner / con climatizzatore, ai carboni attivi	XUD9A	51	70	01/01	>	12/02				54.282.00
antibacterial, anti-odour and anti-allergen filter with air-conditioner / filtro antibatterico, antiodori e anti-allergeni con climatizzatore	XUD9A	51	70	01/01	>	12/02				34.282.00
assembly DELPHI / montaggio DELPHI	XUD9A	51	70	07/98	>	12/00	23.439.00	24.390.00	27.239.00	53.021.00
assembly DELPHI / montaggio DELPHI	XUD9A	51	70	01/01	>	12/02	23.439.00	24.390.00	27.271.00	53.039.00
assembly PURFLUX / montaggio PURFLUX	XUD9A	51	70	07/98	>	12/00	23.439.00	26.676.00	27.239.00	53.021.00
assembly PURFLUX / montaggio PURFLUX	XUD9A	51	70	01/01	>	12/02	23.439.00	26.676.00	27.271.00	53.039.00
2.0 HDI										
with activated carbon air-conditioner / con climatizzatore, ai carboni attivi	DW10TD	66	90	09/99	>	12/00				54.235.00
with activated carbon air-conditioner / con climatizzatore, ai carboni attivi	DW10TD	66	90	01/01	>	12/02				54.282.00
antibacterial, anti-odour and anti-allergen filter with air-conditioner / filtro antibatterico, antiodori e anti-allergeni con climatizzatore	DW10TD	66	90	01/01	>	12/02				34.282.00
assembly BOSCH / montaggio BOSCH	DW10TD	66	90	09/99	>	12/00	23.439.00	26.691.00	30.144.00	53.021.00
assembly BOSCH / montaggio BOSCH	DW10TD	66	90	01/01	>	12/02	23.439.00	26.691.00	30.144.00	53.039.00
assembly SIEMENS / montaggio SIEMENS	DW10TD	66	90	04/01	>	12/02	23.439.00	26.003.00	30.144.00	53.039.00
dusty areas / zone polverose	DW10TD	66	90	09/99	>	12/02	23.439.00		30.157.00	

...PEUGEOT - cars/auto

2.0 HDI 4x4									
with activated carbon air-conditioner / con climatizzatore, ai carboni attivi	DW10TD	66	90	09/99	>	12/00			54.235.00
with activated carbon air-conditioner / con climatizzatore, ai carboni attivi	DW10TD	66	90	01/01	>	12/02		54.282.00	
antibacterial, anti-odour and anti-allergen filter with air-conditioner / filtro antibatterico, antiodori e anti-allergeni con climatizzatore	DW10TD	66	90	01/01	>	12/02		34.282.00	
assembly BOSCH / montaggio BOSCH	DW10TD	66	90	09/99	>	01/00	26.691.00		
assembly BOSCH / montaggio BOSCH	DW10TD	66	90	02/00	>	12/00	23.439.00	26.691.00	
assembly BOSCH / montaggio BOSCH	DW10TD	66	90	01/01	>	12/02	23.439.00	26.691.00	
assembly SIEMENS / montaggio SIEMENS	DW10TD	66	90	04/01	>	12/02	23.439.00	26.003.00	
dusty areas / zone polverose	DW10TD	66	90	02/00	>	12/02	23.439.00	30.157.00	
Ranch I Rest.									
1.1 i									
with air-conditioner and R.H.D. / con climatizzatore e guida a destra	TU1JP	44	60	11/02	>	05/08	25.032.00	31.710.00	30.185.00
with air-conditioner and R.H.D. with activated carbons / con climatizzatore e guida a destra ai carboni attivi	TU1JP	44	60	11/02	>	05/08			54.235.00
with air-conditioner and L.H.D. / con climatizzatore e guida a sinistra	TU1JP	44	60	11/02	>	05/08	25.032.00	31.710.00	30.185.00
with air-conditioner and L.H.D. with activated carbons / con climatizzatore e guida a sinistra ai carboni attivi	TU1JP	44	60	11/02	>	05/08			54.282.00
with plastic filter / con filtro in plastica	TU1JP	44	60	11/02	>	05/08		31.948.00	
antibacterial, anti-odour and anti-allergen filter with air-conditioner / filtro antibatterico, antiodori e anti-allergeni con climatizzatore	TU1JP	44	60	11/02	>	05/08			34.282.00
1.4 MPI									
to engine No. 4717577 / a motore N. 4717577	TU3JP	55	75	11/02	>		25.032.00		
with air-conditioner and R.H.D. / con climatizzatore e guida a destra	TU3JP	55	75	11/02	>	12/09		31.710.00	30.185.00
with air-conditioner and R.H.D. with activated carbons / con climatizzatore e guida a destra ai carboni attivi	TU3JP	55	75	11/02	>	12/09			54.235.00
with air-conditioner and L.H.D. / con climatizzatore e guida a sinistra	TU3JP	55	75	11/02	>	12/09		31.710.00	30.185.00
with air-conditioner and L.H.D. with activated carbons / con climatizzatore e guida a sinistra ai carboni attivi	TU3JP	55	75	11/02	>	12/09			54.282.00
with plastic filter / con filtro in plastica	TU3JP	55	75	11/02	>	12/09		31.948.00	
from engine No. 4717578 / da motore N. 4717578	TU3JP	55	75		>	12/09	25.060.00		
antibacterial, anti-odour and anti-allergen filter with air-conditioner / filtro antibatterico, antiodori e anti-allergeni con climatizzatore	TU3JP	55	75	11/02	>	12/09			34.282.00
1.4 MPI BI-FUEL									
to engine No. 4717577 / a motore N. 4717577	TU3JP	55	75	11/02	>		25.032.00		
with air-conditioner and R.H.D. / con climatizzatore e guida a destra	TU3JP	55	75	11/02	>	12/09		31.710.00	30.185.00
with air-conditioner and R.H.D. with activated carbons / con climatizzatore e guida a destra ai carboni attivi	TU3JP	55	75	11/02	>	12/09			54.235.00
with air-conditioner and L.H.D. / con climatizzatore e guida a sinistra	TU3JP	55	75	11/02	>	12/09		31.710.00	30.185.00
with air-conditioner and L.H.D. with activated carbons / con climatizzatore e guida a sinistra ai carboni attivi	TU3JP	55	75	11/02	>	12/09			54.282.00
with plastic filter / con filtro in plastica	TU3JP	55	75	11/02	>	12/09		31.948.00	
from engine No. 4717578 / da motore N. 4717578	TU3JP	55	75		>	12/09	25.060.00		
antibacterial, anti-odour and anti-allergen filter with air-conditioner / filtro antibatterico, antiodori e anti-allergeni con climatizzatore	TU3JP	55	75	11/02	>	12/09			34.282.00
1.6 HDI									
with air-conditioner and R.H.D. / con climatizzatore e guida a destra	DV6ATED4	66	90	07/05	>	05/08	25.037.00	24.027.00	30.210.00
with air-conditioner and R.H.D. with activated carbons / con climatizzatore e guida a destra ai carboni attivi	DV6ATED4	66	90	07/05	>	05/08			54.235.00
with air-conditioner and L.H.D. / con climatizzatore e guida a sinistra	DV6ATED4	66	90	07/05	>	05/08	25.037.00	24.027.00	30.210.00
with air-conditioner and L.H.D. with activated carbons / con climatizzatore e guida a sinistra ai carboni attivi	DV6ATED4	66	90	07/05	>	05/08			54.282.00
antibacterial, anti-odour and anti-allergen filter with air-conditioner / filtro antibatterico, antiodori e anti-allergeni con climatizzatore	DV6ATED4	66	90	07/05	>	05/08			34.282.00
1.6 HDI									
with air-conditioner and R.H.D. / con climatizzatore e guida a destra	DV6B	55	75	09/05	>	12/09	25.037.00	24.027.00	30.210.00
with air-conditioner and R.H.D. with activated carbons / con climatizzatore e guida a destra ai carboni attivi	DV6B	55	75	09/05	>	12/09			54.235.00
with air-conditioner and L.H.D. / con climatizzatore e guida a sinistra	DV6B	55	75	09/05	>	12/09	25.037.00	24.027.00	30.210.00
with air-conditioner and L.H.D. with activated carbons / con climatizzatore e guida a sinistra ai carboni attivi	DV6B	55	75	09/05	>	12/09			54.282.00
antibacterial, anti-odour and anti-allergen filter with air-conditioner / filtro antibatterico, antiodori e anti-allergeni con climatizzatore	DV6B	55	75	09/05	>	12/09			34.282.00
1.6 i 16V									
with air-conditioner and R.H.D. / con climatizzatore e guida a destra	TU5JP4	81	110	11/02	>	05/08	25.032.00	31.710.00	30.186.00
with air-conditioner and R.H.D. with activated carbons / con climatizzatore e guida a destra ai carboni attivi	TU5JP4	81	110	11/02	>	05/08			54.235.00
with air-conditioner and L.H.D. / con climatizzatore e guida a sinistra	TU5JP4	81	110	11/02	>	05/08	25.032.00	31.710.00	30.186.00
with air-conditioner and L.H.D. with activated carbons / con climatizzatore e guida a sinistra ai carboni attivi	TU5JP4	81	110	11/02	>	05/08			54.282.00
with plastic filter / con filtro in plastica	TU5JP4	81	110	11/02	>	05/08		31.948.00	
antibacterial, anti-odour and anti-allergen filter with air-conditioner / filtro antibatterico, antiodori e anti-allergeni con climatizzatore	TU5JP4	81	110	11/02	>	05/08			34.282.00
1.9 D									
with air-conditioner and R.H.D. / con climatizzatore e guida a destra	DW8B	51	70	11/02	>	05/08	23.439.00	26.688.00	30.244.00
with air-conditioner and R.H.D. with activated carbons / con climatizzatore e guida a destra ai carboni attivi	DW8B	51	70	11/02	>	05/08			54.235.00
with air-conditioner and L.H.D. / con climatizzatore e guida a sinistra	DW8B	51	70	11/02	>	05/08	23.439.00	26.688.00	30.244.00
with air-conditioner and L.H.D. with activated carbons / con climatizzatore e guida a sinistra ai carboni attivi	DW8B	51	70	11/02	>	05/08			54.282.00
antibacterial, anti-odour and anti-allergen filter with air-conditioner / filtro antibatterico, antiodori e anti-allergeni con climatizzatore	DW8B	51	70	11/02	>	05/08			34.282.00
2.0 HDI									
with air-conditioner and R.H.D. / con climatizzatore e guida a destra	DW10TD	66	90	11/02	>	12/09	23.439.00	26.003.00	30.244.00
with air-conditioner and R.H.D. with activated carbons / con climatizzatore e guida a destra ai carboni attivi	DW10TD	66	90	11/02	>	12/09			54.235.00
with air-conditioner and L.H.D. / con climatizzatore e guida a sinistra	DW10TD	66	90	11/02	>	12/09	23.439.00	26.003.00	30.244.00
with air-conditioner and L.H.D. with activated carbons / con climatizzatore e guida a sinistra ai carboni attivi	DW10TD	66	90	11/02	>	12/09			54.282.00
antibacterial, anti-odour and anti-allergen filter with air-conditioner / filtro antibatterico, antiodori e anti-allergeni con climatizzatore	DW10TD	66	90	11/02	>	12/09			34.282.00
2.0 HDI 4x4									

...PEUGEOT - cars/auto

with air-conditioner and R.H.D. / con climatizzatore e guida a destra	DW10TD	66	90	11/02	>	12/09	23.439.00	26.003.00	30.244.00	53.021.00
with air-conditioner and R.H.D. with activated carbons / con climatizzatore e guida a destra ai carboni attivi	DW10TD	66	90	11/02	>	12/09				54.235.00
with air-conditioner and L.H.D. / con climatizzatore e guida a sinistra	DW10TD	66	90	11/02	>	12/09	23.439.00	26.003.00	30.244.00	53.039.00
with air-conditioner and L.H.D. with activated carbons / con climatizzatore e guida a sinistra ai carboni attivi	DW10TD	66	90	11/02	>	12/09				54.282.00
antibacterial, anti-odour and anti-allergen filter with air-conditioner / filtro antibatterico, antiodori e anti-allergeni con climatizzatore	DW10TD	66	90	11/02	>	12/09				34.282.00
Ranch II										
1.6 16V										
with automatic air-conditioner / con climatizzatore automatico	TU5JP4	80	109	05/08	>	12/10	25.060.00		30.260.00	54.172.00
with manual air-conditioner / con climatizzatore manuale	TU5JP4	80	109	05/08	>	12/10	25.060.00		30.260.00	53.154.00
antibacterial, anti-odour and anti-allergen filter with automatic air-conditioner / filtro antibatterico, antiodori e anti-allergeni con climatizzatore automatico	TU5JP4	80	109	05/08	>	12/10				34.172.00
1.6 16V										
with automatic air-conditioner / con climatizzatore automatico	TU5JP4B	66	90	05/08	>	12/10	25.060.00		30.260.00	54.172.00
with manual air-conditioner / con climatizzatore manuale	TU5JP4B	66	90	05/08	>	12/10	25.060.00		30.260.00	53.154.00
antibacterial, anti-odour and anti-allergen filter with automatic air-conditioner / filtro antibatterico, antiodori e anti-allergeni con climatizzatore automatico	TU5JP4B	66	90	05/08	>	12/10				34.172.00
1.6 HDI										
with automatic air-conditioner / con climatizzatore automatico	DV6ATED4	60	90	05/08	>	02/10	25.037.00	24.027.00	30.210.00	54.172.00
with manual air-conditioner / con climatizzatore manuale	DV6ATED4	60	90	05/08	>	02/10	25.037.00	24.027.00	30.210.00	53.154.00
antibacterial, anti-odour and anti-allergen filter with automatic air-conditioner / filtro antibatterico, antiodori e anti-allergeni con climatizzatore automatico	DV6ATED4	60	90	05/08	>	02/10				34.172.00
1.6 HDI										
with automatic air-conditioner / con climatizzatore automatico	DV6BTED4	55	75	05/08	>	02/10	25.037.00	24.027.00	30.210.00	54.172.00
with manual air-conditioner / con climatizzatore manuale	DV6BTED4	55	75	05/08	>	02/10	25.037.00	24.027.00	30.210.00	53.154.00
antibacterial, anti-odour and anti-allergen filter with automatic air-conditioner / filtro antibatterico, antiodori e anti-allergeni con climatizzatore automatico	DV6BTED4	55	75	05/08	>	02/10				34.172.00
1.6 HDI 110 FAP										
with automatic air-conditioner / con climatizzatore automatico	DV6CTED	82	112	03/10	>	12/10	25.037.00	24.127.00	30.645.00	54.172.00
with manual air-conditioner / con climatizzatore manuale	DV6CTED	82	112	03/10	>	12/10	25.037.00	24.127.00	30.645.00	53.154.00
antibacterial, anti-odour and anti-allergen filter with automatic air-conditioner / filtro antibatterico, antiodori e anti-allergeni con climatizzatore automatico	DV6CTED	82	112	03/10	>	12/10				34.172.00
1.6 HDI 75										
with automatic air-conditioner / con climatizzatore automatico	DV6ETED4	55	75	03/10	>	12/10	25.037.00	24.127.00	30.645.00	54.172.00
with manual air-conditioner / con climatizzatore manuale	DV6ETED4	55	75	03/10	>	12/10	25.037.00	24.127.00	30.645.00	53.154.00
antibacterial, anti-odour and anti-allergen filter with automatic air-conditioner / filtro antibatterico, antiodori e anti-allergeni con climatizzatore automatico	DV6ETED4	55	75	03/10	>	12/10				34.172.00
1.6 HDI 90 FAP										
with automatic air-conditioner / con climatizzatore automatico	DV6DTE4	68	92	03/10	>	12/10	25.037.00	24.127.00	30.645.00	54.172.00
with manual air-conditioner / con climatizzatore manuale	DV6DTE4	68	92	03/10	>	12/10	25.037.00	24.127.00	30.645.00	53.154.00
antibacterial, anti-odour and anti-allergen filter with automatic air-conditioner / filtro antibatterico, antiodori e anti-allergeni con climatizzatore automatico	DV6DTE4	68	92	03/10	>	12/10				34.172.00
1.6 HDI FAP										
with automatic air-conditioner / con climatizzatore automatico	DV6TED4	80	109	05/08	>	02/10	25.037.00	24.027.00	30.210.00	54.172.00
with manual air-conditioner / con climatizzatore manuale	DV6TED4	80	109	05/08	>	02/10	25.037.00	24.027.00	30.210.00	53.154.00
antibacterial, anti-odour and anti-allergen filter with automatic air-conditioner / filtro antibatterico, antiodori e anti-allergeni con climatizzatore automatico	DV6TED4	80	109	05/08	>	02/10				34.172.00
RCZ										
1.6 16V THP 156										
with activated carbons / ai carboni attivi	EP6CDT	115	156	03/10	>		25.060.00		30.467.00	53.038.00
antibacterial, anti-odour and anti-allergen filter / filtro antibatterico, antiodori e anti-allergeni	EP6CDT	115	156	03/10	>		25.060.00		30.467.00	54.111.00
antibacterial, anti-odour and anti-allergen filter / filtro antibatterico, antiodori e anti-allergeni	EP6CDT	115	156	03/10	>					34.111.00
1.6 16V THP 200										
with activated carbons / ai carboni attivi	EP6CDTX	147	200	06/10	>		25.060.00		30.467.00	53.038.00
antibacterial, anti-odour and anti-allergen filter / filtro antibatterico, antiodori e anti-allergeni	EP6CDTX	147	200	06/10	>		25.060.00		30.467.00	54.111.00
antibacterial, anti-odour and anti-allergen filter / filtro antibatterico, antiodori e anti-allergeni	EP6CDTX	147	200	06/10	>					34.111.00
2.0 HDI 16V FAP 163										
with activated carbons / ai carboni attivi	DW10CTED4	120	163	03/10	>		25.060.00	26.055.00	30.351.00	53.038.00
antibacterial, anti-odour and anti-allergen filter / filtro antibatterico, antiodori e anti-allergeni	DW10CTED4	120	163	03/10	>		25.060.00	26.055.00	30.351.00	54.111.00
antibacterial, anti-odour and anti-allergen filter / filtro antibatterico, antiodori e anti-allergeni	DW10CTED4	120	163	03/10	>					34.111.00
Rifter (K9)										
1.2 PureTech 110										
with activated carbons / ai carboni attivi	EB2ADT	81	110	08/18	>		23.439.00	31.948.00	30.718.00	53.154.00
antibacterial, anti-odour and anti-allergen filter / filtro antibatterico, antiodori e anti-allergeni	EB2ADT	81	110	08/18	>					54.172.00
antibacterial, anti-odour and anti-allergen filter / filtro antibatterico, antiodori e anti-allergeni	EB2ADT	81	110	08/18	>					34.172.00
1.2 PureTech 130										
with activated carbons / ai carboni attivi	EB2ADTS	96	130	08/18	>		23.439.00	31.948.00	30.718.00	53.154.00
antibacterial, anti-odour and anti-allergen filter / filtro antibatterico, antiodori e anti-allergeni	EB2ADTS	96	130	08/18	>					54.172.00
antibacterial, anti-odour and anti-allergen filter / filtro antibatterico, antiodori e anti-allergeni	EB2ADTS	96	130	08/18	>					34.172.00
1.5 BlueHDI 100										
with activated carbons / ai carboni attivi	DV5RD	73	99	08/18	>		25.216.00			53.154.00
antibacterial, anti-odour and anti-allergen filter / filtro antibatterico, antiodori e anti-allergeni	DV5RD	73	99	08/18	>					54.172.00
antibacterial, anti-odour and anti-allergen filter / filtro antibatterico, antiodori e anti-allergeni	DV5RD	73	99	08/18	>					34.172.00
1.5 BlueHDI 130										
with activated carbons / ai carboni attivi	DV5RC	96	130	08/18	>		25.216.00			53.154.00
antibacterial, anti-odour and anti-allergen filter / filtro antibatterico, antiodori e anti-allergeni	DV5RC	96	130	08/18	>					54.172.00
antibacterial, anti-odour and anti-allergen filter / filtro antibatterico, antiodori e anti-allergeni	DV5RC	96	130	08/18	>					34.172.00
1.5 BlueHDI 75										
with activated carbons / ai carboni attivi	DV5RE	55	75	08/18	>		25.216.00			53.154.00
antibacterial, anti-odour and anti-allergen filter / filtro antibatterico, antiodori e anti-allergeni	DV5RE	55	75	08/18	>					54.172.00
antibacterial, anti-odour and anti-allergen filter / filtro antibatterico, antiodori e anti-allergeni	DV5RE	55	75	08/18	>					34.172.00
1.5 BlueHDI 75/HDI 75										
with activated carbons / ai carboni attivi	DV6ETED/DV6FE	55	75	09/18	>		25.037.00	24.127.00	30.645.00	53.154.00
1.6 BlueHDI 100										
with activated carbons / ai carboni attivi	DV6FD	73	99	09/18	>		25.187.00	26.104.00	30.648.00	53.154.00
1.6 HDi 75										
with activated carbons / ai carboni attivi	DV6FE	55	75	09/18	>		25.187.00	26.104.00	30.648.00	53.154.00

...PEUGEOT - cars/auto

with activated carbons with automatic air-conditioner / ai carboni attivi con climatizzatore automatico	DV6FE	55	75	09/18	>				54.172.00
antibacterial, anti-odour and anti-allergen filter with automatic air-conditioner / filtro antibatterico, antiodori e anti-allergeni con climatizzatore automatico	DV6FE	55	75	09/18	>				34.172.00
1.6 HDi 92	DV6DTED	68	92	09/18	>	25.037.00	24.127.00	30.645.00	53.154.00
with activated carbons / ai carboni attivi	DV6DTED	68	92	09/18	>				54.172.00
antibacterial, anti-odour and anti-allergen filter / filtro antibatterico, antiodori e anti-allergeni	DV6DTED	68	92	09/18	>				34.172.00
Traveller									
1.5 BlueHDI 100	DV5RUCd	75	102	06/18	>	25.216.00			53.154.00
with activated carbons / ai carboni attivi	DV5RUCd	75	102	06/18	>				54.172.00
antibacterial, anti-odour and anti-allergen filter / filtro antibatterico, antiodori e anti-allergeni	DV5RUCd	75	102	06/18	>				34.172.00
1.5 BlueHDI 120	DV5RUC	88	120	06/18	>	25.216.00			53.154.00
with activated carbons / ai carboni attivi	DV5RUC	88	120	06/18	>				54.172.00
antibacterial, anti-odour and anti-allergen filter / filtro antibatterico, antiodori e anti-allergeni	DV5RUC	88	120	06/18	>				34.172.00
1.6 BlueHDI 115	DV6FCU	85	116	04/16	>	25.187.00	26.104.00	30.648.00	53.154.00
with activated carbons / ai carboni attivi	DV6FCU	85	116	04/16	>				54.172.00
antibacterial, anti-odour and anti-allergen filter / filtro antibatterico, antiodori e anti-allergeni	DV6FCU	85	116	04/18	>				34.172.00
1.6 BlueHDI 95	DV6FDU	70	95	04/16	>	25.187.00	26.104.00	30.648.00	53.154.00
with activated carbons / ai carboni attivi	DV6FDU	70	95	04/16	>				54.172.00
antibacterial, anti-odour and anti-allergen filter / filtro antibatterico, antiodori e anti-allergeni	DV6FDU	70	95	04/16	>				34.172.00
2.0 BlueHDI 120	DW10FE	90	122	09/19	>		26.104.00	30.717.00	53.154.00
with activated carbons with automatic air-conditioner / ai carboni attivi con climatizzatore automatico	DW10FE	90	122	09/19	>				54.172.00
antibacterial, anti-odour and anti-allergen filter with automatic air-conditioner / filtro antibatterico, antiodori e anti-allergeni con climatizzatore automatico	DW10FE	90	122	09/19	>				34.172.00
2.0 BlueHDI 150	DW10FD	110	150	04/16	>	23.439.00	26.104.00	30.717.00	53.154.00
with activated carbons / ai carboni attivi	DW10FD	110	150	04/16	>				54.172.00
antibacterial, anti-odour and anti-allergen filter / filtro antibatterico, antiodori e anti-allergeni	DW10FD	110	150	04/16	>				34.172.00
2.0 BlueHDI 180	DW10FC	130	177	04/16	>	23.439.00	26.104.00	30.717.00	53.154.00
with activated carbons / ai carboni attivi	DW10FC	130	177	04/16	>				54.172.00
antibacterial, anti-odour and anti-allergen filter / filtro antibatterico, antiodori e anti-allergeni	DW10FC	130	177	04/16	>				34.172.00

PEUGEOT

commercial vehicles/veicoli commerciali

106

1.5 D XAD									
with pump BOSCH / con pompa BOSCH				06/98	>	23.439.00	24.384.00	27.252.00	
assembly DELPHI / montaggio DELPHI				06/98	>	23.439.00	24.350.02	27.252.00	

207 Van

1.4									
with automatic air-conditioner / con climatizzatore automatico	TU3A	54	73	06/07	> 10/08				54.164.00
with manual air-conditioner / con climatizzatore manuale	TU3A	54	73	06/07	> 10/08	25.060.00		30.185.00	53.143.00
antibacterial, anti-odour and anti-allergen filter with automatic air-conditioner / filtro antibatterico, antiodori e anti-allergeni con climatizzatore automatico	TU3A	54	73	06/07	> 10/08				34.164.00
for vehicles with external fuel filter / per veicoli con filtro carburante esterno	TU3A	54	73	06/07	> 10/08		31.948.00		
dusty areas / zone polverose	TU3A	54	73	06/07	> 10/08			30.186.00	
1.4 HDI									
to series No. OPR10633 / a serie N. OPR10633	DV4TD	50	68				24.343.00		
with automatic air-conditioner / con climatizzatore automatico	DV4TD	50	68	04/07	>				54.164.00
with manual air-conditioner / con climatizzatore manuale	DV4TD	50	68	04/07	>	25.037.00		30.153.00	53.143.00
from series No. OPR10634 / da serie N. OPR10634	DV4TD	50	68				24.015.00		
antibacterial, anti-odour and anti-allergen filter with automatic air-conditioner / filtro antibatterico, antiodori e anti-allergeni con climatizzatore automatico	DV4TD	50	68	04/07	>				34.164.00
dusty areas / zone polverose	DV4TD	50	68	04/07	>			30.311.00	
1.6 HDI									
with automatic air-conditioner / con climatizzatore automatico	DV6TED4/DV6ATED4	66	90	04/07	>			24.343.00	54.164.00
with manual air-conditioner / con climatizzatore manuale	DV6TED4/DV6ATED4	66	90	04/07	>	25.037.00	24.027.00	30.210.00	53.143.00
antibacterial, anti-odour and anti-allergen filter with automatic air-conditioner / filtro antibatterico, antiodori e anti-allergeni con climatizzatore automatico	DV6TED4/DV6ATED4	66	90	04/07	>				34.164.00
1.6 HDi 92									
with automatic air-conditioner / con climatizzatore automatico	DV6DTED	68	92	11/09	>				54.164.00
with manual air-conditioner / con climatizzatore manuale	DV6DTED	68	92	11/09	>	25.037.00	24.127.00	30.645.00	53.143.00
antibacterial, anti-odour and anti-allergen filter with automatic air-conditioner / filtro antibatterico, antiodori e anti-allergeni con climatizzatore automatico	DV6DTED	68	92	11/09	>				34.164.00
208 Van									
1.4 HDI									
with automatic air-conditioner / con climatizzatore automatico	DV4C	50	68	10/12	>	25.037.00	24.127.00	30.645.00	53.143.00
with manual air-conditioner / con climatizzatore manuale	DV4C	50	68	10/12	>				54.164.00
antibacterial, anti-odour and anti-allergen filter with automatic air-conditioner / filtro antibatterico, antiodori e anti-allergeni con climatizzatore automatico	DV4C	50	68	10/12	>				34.164.00
1.6 BlueHDI 75									
with automatic air-conditioner / con climatizzatore automatico	DV6FE	55	75	04/15	>	25.187.00	26.104.00	30.648.00	53.143.00
with manual air-conditioner / con climatizzatore manuale	DV6FE	55	75	04/15	>				54.164.00
antibacterial, anti-odour and anti-allergen filter with automatic air-conditioner / filtro antibatterico, antiodori e anti-allergeni con climatizzatore automatico	DV6FE	55	75	04/15	>				34.164.00
1.6 HDI									
with automatic air-conditioner / con climatizzatore automatico	DV6DTED	68	92	03/14	>	25.037.00	24.127.00	30.645.00	53.143.00
with manual air-conditioner / con climatizzatore manuale	DV6DTED	68	92	03/14	>				54.164.00
antibacterial, anti-odour and anti-allergen filter with automatic air-conditioner / filtro antibatterico, antiodori e anti-allergeni con climatizzatore automatico	DV6DTED	68	92	03/14	>				34.164.00

306

1.9 D XAD (1905)									
-------------------------	--	--	--	--	--	--	--	--	--

...PEUGEOT - commercial vehicles/veicoli commerciali

assembly DELPHI / montaggio DELPHI					06/98 >	23.439.00	24.390.00	27.239.00	
assembly PURFLUX / montaggio PURFLUX					06/98 >	23.439.00	26.676.00	27.239.00	
Bipper									
1.3 BlueHDI 80 E6	F13DTE6	59	80	12/15 >			26.052.00	30.793.00	
with air-conditioner and R.H.D. / con climatizzatore e guida a destra	F13DTE6	59	80	12/15 >					53.124.00
with air-conditioner and L.H.D. / con climatizzatore e guida a sinistra	F13DTE6	59	80	12/15 >					53.157.00
1.3 HDI 75 E5	F13DTE5	55	75	09/10 >	25.061.00	24.ONE.01	30.477.00		
with air-conditioner and R.H.D. / con climatizzatore e guida a destra	F13DTE5	55	75	09/10 >					53.124.00
with air-conditioner and L.H.D. / con climatizzatore e guida a sinistra	F13DTE5	55	75	09/10 >					53.157.00
1.4	TU3A	54	73	11/07 >	25.060.00		30.371.00		
with air-conditioner and R.H.D. / con climatizzatore e guida a destra	TU3A	54	73	11/07 >					53.124.00
with air-conditioner and L.H.D. / con climatizzatore e guida a sinistra	TU3A	54	73	11/07 >					53.157.00
1.4 HDI	DV4TED	51	70	11/07 >	25.037.00		30.153.00		
to series No. OPR10633 / a serie N. OPR10633	DV4TED	51	70			24.343.00			
with air-conditioner and R.H.D. / con climatizzatore e guida a destra	DV4TED	51	70	11/07 >					53.124.00
with air-conditioner and L.H.D. / con climatizzatore e guida a sinistra	DV4TED	51	70	11/07 >					53.157.00
from series No. OPR10634 / da serie N. OPR10634	DV4TED	51	70			24.015.00			
Boxer I									
1.9 D									
assembly BOSCH (M8 x 1.25) / montaggio BOSCH (M8 x 1.25)	XUD9/XUD9A/XUD9AU (1905)	51	70	03/99 > 04/02	23.439.00	24.351.00	27.888.00		53.042.00
1.9 TD									
assembly BOSCH (M8 x 1.25) / montaggio BOSCH (M8 x 1.25)	XUD9TE/XUD9TF (1905)	67	92	03/99 > 04/02	23.439.00	24.351.00	27.228.00		53.042.00
2.0									
with air-conditioner / con climatizzatore	XU102C	79	107	08/94 > 04/02	23.293.00	31.010.00	27.228.00		53.042.00
2.0 HDI									
with air-conditioner / con climatizzatore	DW10TD	62	84	09/00 > 04/02	23.439.00	24.H2O.00	27.228.00		53.042.00
2.0 i cat									
with air-conditioner / con climatizzatore	XU10J2	80	109	06/98 > 04/02	23.439.00	31.515.00	27.228.00		53.042.00
2.5 D									
assembly BOSCH (M8 x 1.25) / montaggio BOSCH (M8 x 1.25)	DJ5 (2446)	63	86	03/99 > 04/02	23.191.00	24.351.00	27.888.00		53.042.00
2.5 D									
with air-conditioner / con climatizzatore	Sofim			09/00 > 04/02	23.303.00	24.351.00	27.228.00		53.042.00
2.5 TD									
assembly BOSCH (M8 x 1.25) / montaggio BOSCH (M8 x 1.25)	DJ5T (2446)	76	104	03/99 > 04/02	23.191.00	24.351.00	27.228.00		53.042.00
2.5 TDI									
assembly BOSCH (M8 x 1.25) / montaggio BOSCH (M8 x 1.25)	DJ5TED (2446)	79	107	03/99 > 04/02	23.191.00	24.351.00	27.228.00		53.042.00
2.8 D									
with air-conditioner / con climatizzatore	Sofim 8140.63			09/00 > 04/02	23.303.00	24.434.00	27.228.00		53.042.00
2.8 HDI									
with air-conditioner / con climatizzatore	Sofim 8140.43S	94	128	09/00 > 04/02	23.303.00	24.H2O.00	27.228.00		53.042.00
2.8 TD									
with air-conditioner / con climatizzatore	Sofim 8140.43			09/00 > 04/02	23.303.00	24.434.00	27.228.00		53.042.00
Boxer II									
2.0 HDI									
with air-conditioner / con climatizzatore	DW10UTD	62	84	02/02 > 09/02	23.439.00	24.H2O.00	27.228.00		53.042.00
with air-conditioner / con climatizzatore	DW10UTD	62	84	10/02 > 12/04	23.439.00	24.H2O.05	27.228.00		53.042.00
with air-conditioner / con climatizzatore	DW10UTD	62	84	01/05 >	23.439.00	60.H2O.00	27.228.00		53.042.00
complete filter and disassembly key / filtro completo e chiave di smontaggio	DW10UTD	62	84	01/05 >		55.127.00			19.008.00
2.0 i									
with air-conditioner / con climatizzatore	XU10J2U	81	110	02/02 >	23.439.00		27.228.00		53.042.00
2.0 i Bipower									
with air-conditioner / con climatizzatore	XU10J2	71	97	02/02 >	23.439.00		27.228.00		53.042.00
2.2 HDI									
with air-conditioner / con climatizzatore	DW12UTED	74	101	02/02 > 09/02	23.445.00	24.H2O.00	27.228.00		53.042.00
with air-conditioner / con climatizzatore	DW12UTED	74	101	10/02 > 12/04	23.445.00	24.H2O.05	27.228.00		53.042.00
with air-conditioner / con climatizzatore	DW12UTED	74	101	01/05 >	23.445.00	60.H2O.00	27.228.00		53.042.00
complete filter and disassembly key / filtro completo e chiave di smontaggio	DW12UTED	74	101	01/05 >		55.127.00			19.008.00
2.8 HDI 127									
with air-conditioner / con climatizzatore	Sofim 8140.43S	94	127	02/02 > 10/02	23.303.00	24.H2O.00	27.228.00		53.042.00
with air-conditioner / con climatizzatore	Sofim 8140.43S	94	127	11/02 > 10/04	23.303.00	24.H2O.05	27.228.00		53.042.00
with air-conditioner / con climatizzatore	Sofim 8140.43S	94	127	11/04 > 12/04	23.457.00	24.H2O.05	27.228.00		53.042.00
with air-conditioner / con climatizzatore	Sofim 8140.43S	94	127	01/05 >	23.457.00	60.H2O.00	27.228.00		53.042.00
complete filter and disassembly key / filtro completo e chiave di smontaggio	Sofim 8140.43S	94	127	01/05 >		55.127.00			19.008.00
2.8 HDI 146									
with air-conditioner / con climatizzatore	Sofim 8140.43N	107	146	04/04 > 10/04	23.303.00	24.H2O.05	27.228.00		53.042.00
with air-conditioner / con climatizzatore	Sofim 8140.43N	107	146	11/04 > 12/04	23.457.00	24.H2O.05	27.228.00		53.042.00
with air-conditioner / con climatizzatore	Sofim 8140.43N	107	146	01/05 >	23.457.00	60.H2O.00	27.228.00		53.042.00

...PEUGEOT - commercial vehicles/veicoli commerciali

complete filter and disassembly key / filtro completo e chiave di smontaggio	Sofim 8140.43N	107	146	01/05	>			55.127.00		19.008.00
Boxer III										
2.0 BlueHDI 110										
with air-conditioner / con climatizzatore	DW10FUE	81	110	07/15	>			26.053.00	27.628.00	53.130.00
with activated carbon air-conditioner / con climatizzatore, ai carboni attivi	DW10FUE	81	110	07/15	>					54.269.00
antibacterial, anti-odour and anti-allergen filter with air-conditioner / filtro antibatterico, antiodori e anti-allergeni con climatizzatore	DW10FUE	81	110	07/15	>					34.269.00
2.0 BlueHDI 130										
with air-conditioner / con climatizzatore	DW10FUD	96	130	07/15	>			26.053.00	27.628.00	53.130.00
with activated carbon air-conditioner / con climatizzatore, ai carboni attivi	DW10FUD	96	130	07/15	>					54.269.00
antibacterial, anti-odour and anti-allergen filter with air-conditioner / filtro antibatterico, antiodori e anti-allergeni con climatizzatore	DW10FUD	96	130	07/15	>					34.269.00
2.0 BlueHDI 130 S&S										
with air-conditioner / con climatizzatore	DW10FUD	96	130	12/15	>			26.053.00	27.628.00	53.130.00
with activated carbon air-conditioner / con climatizzatore, ai carboni attivi	DW10FUD	96	130	12/15	>					54.269.00
antibacterial, anti-odour and anti-allergen filter with air-conditioner / filtro antibatterico, antiodori e anti-allergeni con climatizzatore	DW10FUD	96	130	12/15	>					34.269.00
2.0 BlueHDI 160										
with air-conditioner / con climatizzatore	DW10FUC	118	160	07/15	>			26.053.00	27.628.00	53.130.00
with activated carbon air-conditioner / con climatizzatore, ai carboni attivi	DW10FUC	118	160	07/15	>					54.269.00
antibacterial, anti-odour and anti-allergen filter with air-conditioner / filtro antibatterico, antiodori e anti-allergeni con climatizzatore	DW10FUC	118	160	07/15	>					34.269.00
2.2 HDI 100										
with air-conditioner / con climatizzatore	22DT Puma (4HV)	74	100	05/06	>		25.060.00	60.H2O.00	27.628.00	53.130.00
with activated carbon air-conditioner / con climatizzatore, ai carboni attivi	22DT Puma (4HV)	74	100	05/06	>					54.269.00
antibacterial, anti-odour and anti-allergen filter with air-conditioner / filtro antibatterico, antiodori e anti-allergeni con climatizzatore	22DT Puma (4HV)	74	100	05/06	>					34.269.00
complete filter and disassembly key / filtro completo e chiave di smontaggio	22DT Puma (4HV)	74	100	05/06	>	09/10		55.147.00		19.008.00
dusty areas / zone polverose	22DT Puma (4HV)	74	100	05/06	>				27.A69.00	
2.2 HDI 110 FAP										
with air-conditioner / con climatizzatore	22DT Puma Euro5	81	110	07/11	>	09/13	25.060.00	60.H2O.00	27.628.00	53.130.00
with air-conditioner / con climatizzatore	22DT Puma Euro5	81	110	10/13	>		23.584.00	60.H2O.00	27.628.00	53.130.00
with activated carbon air-conditioner / con climatizzatore, ai carboni attivi	22DT Puma Euro5	81	110	07/11	>					54.269.00
antibacterial, anti-odour and anti-allergen filter with air-conditioner / filtro antibatterico, antiodori e anti-allergeni con climatizzatore	22DT Puma Euro5	81	110	07/11	>					34.269.00
2.2 HDI 120										
with air-conditioner / con climatizzatore	22DT Puma (4HU)	88	120	05/06	>		25.060.00	60.H2O.00	27.628.00	53.130.00
with activated carbon air-conditioner / con climatizzatore, ai carboni attivi	22DT Puma (4HU)	88	120	05/06	>					54.269.00
antibacterial, anti-odour and anti-allergen filter with air-conditioner / filtro antibatterico, antiodori e anti-allergeni con climatizzatore	22DT Puma (4HU)	88	120	05/06	>					34.269.00
complete filter and disassembly key / filtro completo e chiave di smontaggio	22DT Puma (4HU)	88	120	05/06	>	09/10		55.147.00		19.008.00
dusty areas / zone polverose	22DT Puma (4HU)	88	120	05/06	>				27.A69.00	
2.2 HDI 130 FAP										
with air-conditioner / con climatizzatore	22DT Puma Euro5	96	130	07/11	>	09/13	25.060.00	60.H2O.00	27.628.00	53.130.00
with air-conditioner / con climatizzatore	22DT Puma Euro5	96	130	10/13	>		23.584.00	60.H2O.00	27.628.00	53.130.00
with activated carbon air-conditioner / con climatizzatore, ai carboni attivi	22DT Puma Euro5	96	130	07/11	>					54.269.00
antibacterial, anti-odour and anti-allergen filter with air-conditioner / filtro antibatterico, antiodori e anti-allergeni con climatizzatore	22DT Puma Euro5	96	130	07/11	>					34.269.00
2.2 HDI 150 FAP										
with air-conditioner / con climatizzatore	22DT Puma Euro5	110	150	07/11	>	09/13	25.060.00	60.H2O.00	27.628.00	53.130.00
with air-conditioner / con climatizzatore	22DT Puma Euro5	110	150	10/13	>		23.584.00	60.H2O.00	27.628.00	53.130.00
with activated carbon air-conditioner / con climatizzatore, ai carboni attivi	22DT Puma Euro5	110	150	07/11	>					54.269.00
antibacterial, anti-odour and anti-allergen filter with air-conditioner / filtro antibatterico, antiodori e anti-allergeni con climatizzatore	22DT Puma Euro5	110	150	07/11	>					34.269.00
3.0 HDI 160										
with air-conditioner / con climatizzatore	F30DT	115	157	05/06	>		23.546.00	60.H2O.00	27.628.00	53.130.00
with activated carbon air-conditioner / con climatizzatore, ai carboni attivi	F30DT	115	157	05/06	>					54.269.00
antibacterial, anti-odour and anti-allergen filter with air-conditioner / filtro antibatterico, antiodori e anti-allergeni con climatizzatore	F30DT	115	157	05/06	>					34.269.00
filter BLOW-BY / filtro BLOW-BY	F30DT	115	157	05/06	>					27.689.00
complete filter and disassembly key / filtro completo e chiave di smontaggio	F30DT	115	157	05/06	>	09/10		55.148.00		19.008.00
dusty areas / zone polverose	F30DT	115	157	05/06	>				27.A69.00	
3.0 HDI 180 FAP										
with air-conditioner / con climatizzatore	F30DT Euro5	130	177	07/11	>	06/12	23.546.00	24.ONE.01	27.628.00	53.130.00
with air-conditioner / con climatizzatore	F30DT Euro5	130	177	07/12	>			24.ONE.0B		
with activated carbon air-conditioner / con climatizzatore, ai carboni attivi	F30DT Euro5	130	177	07/11	>					54.269.00
antibacterial, anti-odour and anti-allergen filter with air-conditioner / filtro antibatterico, antiodori e anti-allergeni con climatizzatore	F30DT Euro5	130	177	07/11	>					34.269.00
filter BLOW-BY / filtro BLOW-BY	F30DT Euro5	130	177	07/11	>					27.689.00
dusty areas / zone polverose	F30DT Euro5	130	177	07/11	>				27.A69.00	
Expert I										
1.6 (SPI)										
with air-conditioner / con climatizzatore	222A2	58	79	07/96	>		23.196.00	31.710.00	30.933.00	53.070.00
1.8 i										
with air-conditioner / con climatizzatore	XU7JB	66	90	06/98	>		23.439.00	31.710.00	30.933.00	53.070.00
1.8 i										
with air-conditioner / con climatizzatore	XU7JP	74	100	06/98	>		23.439.00	31.710.00	30.933.00	53.070.00
1.9 D										

...PEUGEOT - commercial vehicles/veicoli commerciali

with air-conditioner / con climatizzatore	DW8/DW8B	51	70	06/98 >	08/01	23.439.00	26.688.00	30.933.00	53.070.00
dusty areas / zone polverose	DW8/DW8B	51	70	06/98 >	08/01	23.439.00	26.688.00	30.067.00	53.070.00
1.9 D									
assembly DELPHI / montaggio DELPHI	XUD9/XUD9AU	51	70	09/95 >		23.293.00	24.390.00	30.933.00	53.070.00
assembly PURFLUX / montaggio PURFLUX	XUD9/XUD9AU	51	70	09/95 >		23.293.00	26.676.00	30.933.00	53.070.00
1.9 TD									
assembly DELPHI / montaggio DELPHI	XUD9TE/XUD9TF	66	90	06/98 >		23.439.00	24.390.00	30.933.00	53.070.00
assembly PURFLUX / montaggio PURFLUX	XUD9TE/XUD9TF	66	90	06/98 >		23.439.00	26.676.00	30.933.00	53.070.00
1.9 TD									
assembly DELPHI / montaggio DELPHI	XUD9TE/XUD9TF	68	92	06/98 >		23.439.00	24.390.00	30.933.00	53.070.00
assembly PURFLUX / montaggio PURFLUX	XUD9TE/XUD9TF	68	92	06/98 >		23.439.00	26.676.00	30.933.00	53.070.00
2.0 HDI									
with air-conditioner / con climatizzatore	DW10ATED	80	109	10/99 >	04/01	23.439.00	26.691.00	30.067.00	53.070.00
with air-conditioner / con climatizzatore	DW10ATED	80	109	05/01 >		23.439.00	26.003.00	30.067.00	53.070.00
2.0 HDI									
with air-conditioner / con climatizzatore	DW10ATED4	81	110	06/00 >	04/01	23.439.00	26.691.00	30.067.00	53.070.00
with air-conditioner / con climatizzatore	DW10ATED4	81	110	05/01 >		23.439.00	26.003.00	30.067.00	53.070.00
2.0 HDI									
with air-conditioner / con climatizzatore	DW10BTED	69	94	10/99 >	12/01	23.439.00	26.691.00	30.067.00	53.070.00
with air-conditioner / con climatizzatore	DW10BTED	69	94	01/02 >		23.439.00	26.003.00	30.067.00	53.070.00
2.0 i 16V									
with air-conditioner / con climatizzatore	EW10J4	100	136	03/00 >	01/07	23.439.00	31.710.00	30.933.00	53.070.00
Expert II									
1.6 HDI 90									
with air-conditioner / con climatizzatore	DV6UC E5	66	90	07/11 >		25.037.00		30.645.00	54.160.00
antibacterial, anti-odour and anti-allergen filter with air-conditioner / filtro antibatterico, antiodori e anti-allergeni con climatizzatore	DV6UC E5	66	90	07/11 >					34.160.00
without air-conditioner / senza climatizzatore	DV6UC E5	66	90	07/11 >		25.037.00		30.645.00	53.136.00
spare part only / solo ricambio	DV6UC E5	66	90	07/11 >			24.127.00		
1.6 HDI 90									
with air-conditioner / con climatizzatore	DV6UTED4 Euro4	66	90	11/06 >		25.037.00	24.027.00	30.233.00	54.160.00
antibacterial, anti-odour and anti-allergen filter with air-conditioner / filtro antibatterico, antiodori e anti-allergeni con climatizzatore	DV6UTED4 Euro4	66	90	11/06 >					34.160.00
without air-conditioner / senza climatizzatore	DV6UTED4 Euro4	66	90	11/06 >		25.037.00	24.027.00	30.233.00	53.136.00
2.0									
with air-conditioner / con climatizzatore	EW10A	103	140	11/06 >		25.060.00		30.330.00	54.160.00
antibacterial, anti-odour and anti-allergen filter with air-conditioner / filtro antibatterico, antiodori e anti-allergeni con climatizzatore	EW10A	103	140	11/06 >					34.160.00
without air-conditioner / senza climatizzatore	EW10A	103	140	11/06 >		25.060.00		30.330.00	53.136.00
2.0 HDI 120									
with air-conditioner / con climatizzatore	DW10UTED4 Euro4	88	120	11/06 >		25.060.00	26.022.00	30.330.00	54.160.00
antibacterial, anti-odour and anti-allergen filter with air-conditioner / filtro antibatterico, antiodori e anti-allergeni con climatizzatore	DW10UTED4 Euro4	88	120	11/06 >					34.160.00
without air-conditioner / senza climatizzatore	DW10UTED4 Euro4	88	120	11/06 >		25.060.00	26.022.00	30.330.00	53.136.00
2.0 HDI 125 FAP									
with air-conditioner / con climatizzatore	DW10CE E5	94	128	07/11 >		25.060.00	26.055.00	30.330.00	54.160.00
antibacterial, anti-odour and anti-allergen filter with air-conditioner / filtro antibatterico, antiodori e anti-allergeni con climatizzatore	DW10CE E5	94	128	07/11 >					34.160.00
without air-conditioner / senza climatizzatore	DW10CE E5	94	128	07/11 >		25.060.00	26.055.00	30.330.00	53.136.00
2.0 HDI 140 FAP									
with air-conditioner / con climatizzatore	DW10BTED4 Euro4	100	136	11/06 >		25.060.00	26.022.00	30.330.00	54.160.00
antibacterial, anti-odour and anti-allergen filter with air-conditioner / filtro antibatterico, antiodori e anti-allergeni con climatizzatore	DW10BTED4 Euro4	100	136	11/06 >					34.160.00
without air-conditioner / senza climatizzatore	DW10BTED4 Euro4	100	136	11/06 >		25.060.00	26.022.00	30.330.00	53.136.00
2.0 HDI 165 FAP									
with air-conditioner / con climatizzatore	DW10CTED4 E5	120	163	07/10 >		25.060.00	26.055.00	30.330.00	54.160.00
antibacterial, anti-odour and anti-allergen filter with air-conditioner / filtro antibatterico, antiodori e anti-allergeni con climatizzatore	DW10CTED4 E5	120	163	07/10 >					34.160.00
without air-conditioner / senza climatizzatore	DW10CTED4 E5	120	163	07/10 >		25.060.00	26.055.00	30.330.00	53.136.00
2.0 HDI 95 FAP									
with air-conditioner / con climatizzatore	DW10CD E5	72	98	07/11 >		25.060.00	26.055.00	30.330.00	54.160.00
antibacterial, anti-odour and anti-allergen filter with air-conditioner / filtro antibatterico, antiodori e anti-allergeni con climatizzatore	DW10CD E5	72	98	07/11 >					34.160.00
without air-conditioner / senza climatizzatore	DW10CD E5	72	98	07/11 >		25.060.00	26.055.00	30.330.00	53.136.00
Expert III									
1.5 BlueHDI 100									
with activated carbons / ai carboni attivi	DV5RUCD	75	102	06/18 >		25.216.00			53.154.00
antibacterial, anti-odour and anti-allergen filter / filtro antibatterico, antiodori e anti-allergeni	DV5RUCD	75	102	06/18 >					54.172.00
antibacterial, anti-odour and anti-allergen filter / filtro antibatterico, antiodori e anti-allergeni	DV5RUCD	75	102	06/18 >					34.172.00
1.5 BlueHDI 120									
with activated carbons / ai carboni attivi	DV5RUC	88	120	06/18 >		25.216.00			53.154.00
antibacterial, anti-odour and anti-allergen filter / filtro antibatterico, antiodori e anti-allergeni	DV5RUC	88	120	06/18 >					54.172.00
antibacterial, anti-odour and anti-allergen filter / filtro antibatterico, antiodori e anti-allergeni	DV5RUC	88	120	06/18 >					34.172.00
1.6 BlueHDI 115									
with activated carbons / ai carboni attivi	DV6FCU	85	116	04/16 >		25.187.00	26.104.00	30.648.00	53.154.00
antibacterial, anti-odour and anti-allergen filter / filtro antibatterico, antiodori e anti-allergeni	DV6FCU	85	116	04/16 >					54.172.00
antibacterial, anti-odour and anti-allergen filter / filtro antibatterico, antiodori e anti-allergeni	DV6FCU	85	116	04/16 >					34.172.00
1.6 BlueHDI 95									
with activated carbons / ai carboni attivi	DV6FDU	70	95	04/16 >		25.187.00	26.104.00	30.648.00	53.154.00

...PEUGEOT - commercial vehicles/veicoli commerciali

with activated carbons / ai carboni attivi	DV6FDU	70	95	04/16	>				54.172.00	
antibacterial, anti-odour and anti-allergen filter / filtro antibatterico, antiodori e anti-allergeni	DV6FDU	70	95	04/16	>				34.172.00	
2.0 BlueHDI 120	DW10FE	90	122	04/16	>	23.439.00	26.104.00	30.717.00	53.154.00	
with activated carbons / ai carboni attivi	DW10FE	90	122	04/16	>				54.172.00	
antibacterial, anti-odour and anti-allergen filter / filtro antibatterico, antiodori e anti-allergeni	DW10FE	90	122	04/16	>				34.172.00	
2.0 BlueHDI 150	DW10FD	110	150	04/16	>	23.439.00	26.104.00	30.717.00	53.154.00	
with activated carbons / ai carboni attivi	DW10FD	110	150	04/16	>				54.172.00	
antibacterial, anti-odour and anti-allergen filter / filtro antibatterico, antiodori e anti-allergeni	DW10FD	110	150	04/16	>				34.172.00	
2.0 BlueHDI 180	DW10FC	130	177	04/16	>	23.439.00	26.104.00	30.717.00	53.154.00	
with activated carbons / ai carboni attivi	DW10FC	130	177	04/16	>				54.172.00	
antibacterial, anti-odour and anti-allergen filter / filtro antibatterico, antiodori e anti-allergeni	DW10FC	130	177	04/16	>				34.172.00	
J5										
2.5 Diesel										
with pump BOSCH / con pompa BOSCH	CRD93	54	73	10/83	>	23.198.00	26.652.00	27.175.00		
with pump DELPHI / con pompa DELPHI	CRD93	54	73	10/83	>	23.198.00	24.360.00	27.175.00		
2.5 Turbodiesel										
with pump BOSCH / con pompa BOSCH	CRD93LS	70	95	10/83	>	23.198.00	26.652.00	27.175.00		
with pump DELPHI / con pompa DELPHI	CRD93LS	70	95	10/83	>	23.198.00	24.360.00	27.175.00		
2.5 Turbodiesel 4x4										
with pump BOSCH / con pompa BOSCH	CRD93LS	70	95	10/83	>	23.198.00	26.652.00	27.175.00		
with pump DELPHI / con pompa DELPHI	CRD93LS	70	95	10/83	>	23.198.00	24.360.00	27.175.00		
Partner I										
1.1 i										
with air-conditioner / con climatizzatore	TU1JP	44	60	06/00	>	12/00	25.032.00	31.710.00	27.196.00	53.021.00
with air-conditioner / con climatizzatore	TU1JP	44	60	01/01	>	12/02	25.032.00	31.710.00	27.196.00	53.039.00
with activated carbon air-conditioner / con climatizzatore, ai carboni attivi	TU1JP	44	60	06/00	>	12/00				54.235.00
with activated carbon air-conditioner / con climatizzatore, ai carboni attivi	TU1JP	44	60	01/01	>	12/02				54.282.00
with plastic filter / con filtro in plastica	TU1JP	44	60	06/00	>	12/02		31.948.00		
antibacterial, anti-odour and anti-allergen filter with air-conditioner / filtro antibatterico, antiodori e anti-allergeni con climatizzatore	TU1JP	44	60	01/01	>	12/02				34.282.00
1.1 i										
with air-conditioner / con climatizzatore	TU1M	44	60	06/98	>	06/00	23.439.00	31.710.00	27.196.00	53.021.00
with air-conditioner / con climatizzatore	TU1M	44	60	07/00	>	12/00	25.032.00	31.710.00	27.196.00	53.021.00
with air-conditioner / con climatizzatore	TU1M	44	60	01/01	>	12/02	25.032.00	31.710.00	27.196.00	53.039.00
with activated carbon air-conditioner / con climatizzatore, ai carboni attivi	TU1M	44	60	07/96	>	12/00				54.235.00
with activated carbon air-conditioner / con climatizzatore, ai carboni attivi	TU1M	44	60	01/01	>	12/02				54.282.00
with plastic filter / con filtro in plastica	TU1M	44	60	07/96	>	12/02		31.948.00		
antibacterial, anti-odour and anti-allergen filter with air-conditioner / filtro antibatterico, antiodori e anti-allergeni con climatizzatore	TU1M	44	60	01/01	>	12/02				34.282.00
1.4										
with air-conditioner / con climatizzatore	TU3-2	55	75	07/96	>	12/00	23.293.00	31.710.00	27.196.00	53.021.00
with air-conditioner / con climatizzatore	TU3-2	55	75	01/01	>	12/02	23.293.00	31.710.00	27.196.00	53.039.00
with activated carbon air-conditioner / con climatizzatore, ai carboni attivi	TU3-2	55	75	07/96	>	12/00				54.235.00
with activated carbon air-conditioner / con climatizzatore, ai carboni attivi	TU3-2	55	75	01/01	>	12/02				54.282.00
with plastic filter / con filtro in plastica	TU3-2	55	75	07/96	>	12/02		31.948.00		
antibacterial, anti-odour and anti-allergen filter with air-conditioner / filtro antibatterico, antiodori e anti-allergeni con climatizzatore	TU3-2	55	75	01/01	>	12/02				34.282.00
1.4 i Multipoint										
with air-conditioner / con climatizzatore	TU3JP	55	75	06/98	>	06/00	23.439.00	31.710.00	27.258.00	53.021.00
with air-conditioner / con climatizzatore	TU3JP	55	75	07/00	>	12/00	25.032.00	31.710.00	27.258.00	53.021.00
with air-conditioner / con climatizzatore	TU3JP	55	75	01/01	>	12/02	25.032.00	31.710.00	27.258.00	53.039.00
with activated carbon air-conditioner / con climatizzatore, ai carboni attivi	TU3JP	55	75	07/96	>	12/00				54.235.00
with activated carbon air-conditioner / con climatizzatore, ai carboni attivi	TU3JP	55	75	01/01	>	12/02				54.282.00
with plastic filter / con filtro in plastica	TU3JP	55	75	07/96	>	12/02		31.948.00		
antibacterial, anti-odour and anti-allergen filter with air-conditioner / filtro antibatterico, antiodori e anti-allergeni con climatizzatore	TU3JP	55	75	01/01	>	12/02				34.282.00
1.6 i 16V										
with air-conditioner / con climatizzatore	TU5JP4	80	109	10/00	>	12/00	25.032.00	31.710.00	30.152.00	53.021.00
with air-conditioner / con climatizzatore	TU5JP4	80	109	01/01	>	12/02	25.032.00	31.710.00	30.152.00	53.039.00
with activated carbon air-conditioner / con climatizzatore, ai carboni attivi	TU5JP4	80	109	10/00	>	12/00				54.235.00
with activated carbon air-conditioner / con climatizzatore, ai carboni attivi	TU5JP4	80	109	01/01	>	12/02				54.282.00
with plastic filter / con filtro in plastica	TU5JP4	80	109	10/00	>	12/02		31.948.00		
antibacterial, anti-odour and anti-allergen filter with air-conditioner / filtro antibatterico, antiodori e anti-allergeni con climatizzatore	TU5JP4	80	109	01/01	>	12/02				34.282.00
1.8 Diesel										
with activated carbon air-conditioner / con climatizzatore, ai carboni attivi	XUD7	43	58	07/96	>	12/00				54.235.00
with activated carbon air-conditioner / con climatizzatore, ai carboni attivi	XUD7	43	58	01/01	>	12/02				54.282.00
antibacterial, anti-odour and anti-allergen filter with air-conditioner / filtro antibatterico, antiodori e anti-allergeni con climatizzatore	XUD7	43	58	01/01	>	12/02				34.282.00
assembly DELPHI / montaggio DELPHI	XUD7	43	58	06/98	>	12/00	23.439.00	24.390.00	27.271.00	53.021.00
assembly DELPHI / montaggio DELPHI	XUD7	43	58	01/01	>	12/02	23.439.00	24.390.00	27.271.00	53.039.00
assembly PURFLUX / montaggio PURFLUX	XUD7	43	58	06/98	>	12/00	23.439.00	26.676.00	27.271.00	53.021.00
assembly PURFLUX / montaggio PURFLUX	XUD7	43	58	01/01	>	12/02	23.439.00	26.676.00	27.271.00	53.039.00

...PEUGEOT - commercial vehicles/veicoli commerciali

1.8 i										
with air-conditioner / con climatizzatore	XU7JB	66	90	07/98	>	12/00	23.439.00	31.710.00	30.021.00	53.021.00
with air-conditioner / con climatizzatore	XU7JB	66	90	01/01	>	12/02	23.439.00	31.710.00	30.021.00	53.039.00
with activated carbon air-conditioner / con climatizzatore, ai carboni attivi	XU7JB	66	90	06/97	>	12/00				54.235.00
with activated carbon air-conditioner / con climatizzatore, ai carboni attivi	XU7JB	66	90	01/01	>	12/02				54.282.00
with plastic filter / con filtro in plastica	XU7JB	66	90	06/97	>	12/02		31.948.00		
antibacterial, anti-odour and anti-allergen filter with air-conditioner / filtro antibatterico, antiodori e anti-allergeni con climatizzatore	XU7JB	66	90	01/01	>	12/02				34.282.00
1.9 Diesel										
with air-conditioner / con climatizzatore	DW8	51	69	01/98	>	12/00	23.439.00	26.688.00	27.271.00	53.021.00
with air-conditioner / con climatizzatore	DW8	51	69	01/01	>	12/02	23.439.00	26.688.00	27.271.00	53.039.00
with activated carbon air-conditioner / con climatizzatore, ai carboni attivi	DW8	51	69	01/98	>	12/00				54.235.00
with activated carbon air-conditioner / con climatizzatore, ai carboni attivi	DW8	51	69	01/01	>	12/02				54.282.00
antibacterial, anti-odour and anti-allergen filter with air-conditioner / filtro antibatterico, antiodori e anti-allergeni con climatizzatore	DW8	51	69	01/01	>	12/02				34.282.00
1.9 Diesel										
with air-conditioner / con climatizzatore	DW8B	51	69	01/01	>	12/02	23.439.00	26.688.00	27.403.00	53.039.00
with activated carbon air-conditioner / con climatizzatore, ai carboni attivi	DW8B	51	69	01/01	>	12/02				54.282.00
antibacterial, anti-odour and anti-allergen filter with air-conditioner / filtro antibatterico, antiodori e anti-allergeni con climatizzatore	DW8B	51	69	01/01	>	12/02				34.282.00
1.9 Diesel										
with activated carbon air-conditioner / con climatizzatore, ai carboni attivi	XUD9/XUD9Y	50	68	07/96	>	12/00				54.235.00
with activated carbon air-conditioner / con climatizzatore, ai carboni attivi	XUD9/XUD9Y	50	68	01/01	>	12/02				54.282.00
antibacterial, anti-odour and anti-allergen filter with air-conditioner / filtro antibatterico, antiodori e anti-allergeni con climatizzatore	XUD9/XUD9Y	50	68	01/01	>	12/02				34.282.00
assembly DELPHI / montaggio DELPHI	XUD9/XUD9Y	50	68	06/98	>	12/00	23.439.00	24.390.00	27.239.00	53.021.00
assembly DELPHI / montaggio DELPHI	XUD9/XUD9Y	50	68	01/01	>	12/02	23.439.00	24.390.00	27.271.00	53.039.00
assembly PURFLUX / montaggio PURFLUX	XUD9/XUD9Y	50	68	06/98	>	12/00	23.439.00	26.676.00	27.239.00	53.021.00
assembly PURFLUX / montaggio PURFLUX	XUD9/XUD9Y	50	68	01/01	>	12/02	23.439.00	26.676.00	27.271.00	53.039.00
1.9 Diesel										
with activated carbon air-conditioner / con climatizzatore, ai carboni attivi	XUD9A	51	69	07/96	>	12/00				54.235.00
with activated carbon air-conditioner / con climatizzatore, ai carboni attivi	XUD9A	51	69	01/01	>	12/02				54.282.00
antibacterial, anti-odour and anti-allergen filter with air-conditioner / filtro antibatterico, antiodori e anti-allergeni con climatizzatore	XUD9A	51	69	01/01	>	12/02				34.282.00
assembly DELPHI / montaggio DELPHI	XUD9A	51	69	06/98	>	12/00	23.439.00	24.390.00	27.239.00	53.021.00
assembly DELPHI / montaggio DELPHI	XUD9A	51	69	01/01	>	12/02	23.439.00	24.390.00	27.271.00	53.039.00
assembly PURFLUX / montaggio PURFLUX	XUD9A	51	69	06/98	>	12/00	23.439.00	26.676.00	27.239.00	53.021.00
assembly PURFLUX / montaggio PURFLUX	XUD9A	51	69	01/01	>	12/02	23.439.00	26.676.00	27.271.00	53.039.00
2.0 HDI										
with activated carbon air-conditioner / con climatizzatore, ai carboni attivi	DW10TD	66	90	09/99	>	12/00				54.235.00
with activated carbon air-conditioner / con climatizzatore, ai carboni attivi	DW10TD	66	90	01/01	>	12/02				54.282.00
antibacterial, anti-odour and anti-allergen filter with air-conditioner / filtro antibatterico, antiodori e anti-allergeni con climatizzatore	DW10TD	66	90	01/01	>	12/02				34.282.00
assembly BOSCH / montaggio BOSCH	DW10TD	66	90	09/99	>	12/00	23.439.00	26.691.00	30.144.00	53.021.00
assembly BOSCH / montaggio BOSCH	DW10TD	66	90	01/01	>	12/02	23.439.00	26.691.00	30.144.00	53.039.00
assembly SIEMENS / montaggio SIEMENS	DW10TD	66	90	04/01	>	12/02	23.439.00	26.003.00	30.144.00	53.039.00
dusty areas / zone polverose	DW10TD	66	90	09/99	>	12/02	23.439.00		30.157.00	
Partner I Rest.										
1.1 i										
with air-conditioner and R.H.D. / con climatizzatore e guida a destra	TU1JP	44	60	11/02	>	05/08	25.032.00	31.710.00	30.185.00	53.021.00
with air-conditioner and R.H.D. with activated carbons / con climatizzatore e guida a destra ai carboni attivi	TU1JP	44	60	11/02	>	05/08				54.235.00
with air-conditioner and L.H.D. / con climatizzatore e guida a sinistra	TU1JP	44	60	11/02	>	05/08	25.032.00	31.710.00	30.185.00	53.039.00
with air-conditioner and L.H.D. with activated carbons / con climatizzatore e guida a sinistra ai carboni attivi	TU1JP	44	60	11/02	>	05/08				54.282.00
with plastic filter / con filtro in plastica	TU1JP	44	60	11/02	>	05/08		31.948.00		
antibacterial, anti-odour and anti-allergen filter with air-conditioner / filtro antibatterico, antiodori e anti-allergeni con climatizzatore	TU1JP	44	60	11/02	>	05/08				34.282.00
1.4 MPI										
with air-conditioner and R.H.D. / con climatizzatore e guida a destra	TU3JP	55	75	11/02	>	10/06	25.032.00	31.710.00	30.185.00	53.021.00
with air-conditioner and R.H.D. with activated carbons / con climatizzatore e guida a destra ai carboni attivi	TU3JP	55	75	11/02	>	10/06				54.235.00
with air-conditioner and L.H.D. / con climatizzatore e guida a sinistra	TU3JP	55	75	11/02	>	10/06	25.032.00	31.710.00	30.185.00	53.039.00
with air-conditioner and L.H.D. with activated carbons / con climatizzatore e guida a sinistra ai carboni attivi	TU3JP	55	75	11/02	>	10/06				54.282.00
with plastic filter / con filtro in plastica	TU3JP	55	75	11/02	>	10/06		31.948.00		
antibacterial, anti-odour and anti-allergen filter with air-conditioner / filtro antibatterico, antiodori e anti-allergeni con climatizzatore	TU3JP	55	75	11/02	>	10/06				34.282.00
1.6 HDI										
with air-conditioner and R.H.D. / con climatizzatore e guida a destra	DV6ATED4	66	90	07/05	>	05/08	25.037.00	24.027.00	30.210.00	53.021.00
with air-conditioner and R.H.D. with activated carbons / con climatizzatore e guida a destra ai carboni attivi	DV6ATED4	66	90	07/05	>	05/08				54.235.00
with air-conditioner and L.H.D. / con climatizzatore e guida a sinistra	DV6ATED4	66	90	07/05	>	05/08	25.037.00	24.027.00	30.210.00	53.039.00
with air-conditioner and L.H.D. with activated carbons / con climatizzatore e guida a sinistra ai carboni attivi	DV6ATED4	66	90	07/05	>	05/08				54.282.00
antibacterial, anti-odour and anti-allergen filter with air-conditioner / filtro antibatterico, antiodori e anti-allergeni con climatizzatore	DV6ATED4	66	90	07/05	>	05/08				34.282.00
1.6 HDI										
with air-conditioner and R.H.D. / con climatizzatore e guida a destra	DV6B	55	75	09/05	>	07/08	25.037.00	24.027.00	30.210.00	53.021.00
with air-conditioner and R.H.D. with activated carbons / con climatizzatore e guida a destra ai carboni attivi	DV6B	55	75	09/05	>	07/08				54.235.00
with air-conditioner and L.H.D. / con climatizzatore e guida a sinistra	DV6B	55	75	09/05	>	07/08	25.037.00	24.027.00	30.210.00	53.039.00
with air-conditioner and L.H.D. with activated carbons / con climatizzatore e guida a sinistra ai carboni attivi	DV6B	55	75	09/05	>	07/08				54.282.00

...PEUGEOT - commercial vehicles/veicoli commerciali

antibacterial, anti-odour and anti-allergen filter with air-conditioner / filtro antibatterico, antiodori e anti-allergeni con climatizzatore	DV6B	55	75	09/05 >	07/08				34.282.00
1.6 i 16V									
with air-conditioner and R.H.D. / con climatizzatore e guida a destra	TU5JP4	81	110	11/02 >	05/08	25.032.00	31.710.00	30.186.00	53.021.00
with air-conditioner and R.H.D. with activated carbons / con climatizzatore e guida a destra ai carboni attivi	TU5JP4	81	110	11/02 >	05/08				54.235.00
with air-conditioner and L.H.D. / con climatizzatore e guida a sinistra	TU5JP4	81	110	11/02 >	05/08	25.032.00	31.710.00	30.186.00	53.039.00
with air-conditioner and L.H.D. with activated carbons / con climatizzatore e guida a sinistra ai carboni attivi	TU5JP4	81	110	11/02 >	05/08				54.282.00
with plastic filter / con filtro in plastica	TU5JP4	81	110	11/02 >	05/08		31.948.00		
antibacterial, anti-odour and anti-allergen filter with air-conditioner / filtro antibatterico, antiodori e anti-allergeni con climatizzatore	TU5JP4	81	110	11/02 >	05/08				34.282.00
1.9 D									
with air-conditioner and R.H.D. / con climatizzatore e guida a destra	DW8B	51	70	11/02 >	05/08	23.439.00	26.688.00	30.244.00	53.021.00
with air-conditioner and R.H.D. with activated carbons / con climatizzatore e guida a destra ai carboni attivi	DW8B	51	70	11/02 >	05/08				54.235.00
with air-conditioner and L.H.D. / con climatizzatore e guida a sinistra	DW8B	51	70	11/02 >	05/08	23.439.00	26.688.00	30.244.00	53.039.00
with air-conditioner and L.H.D. with activated carbons / con climatizzatore e guida a sinistra ai carboni attivi	DW8B	51	70	11/02 >	05/08				54.282.00
antibacterial, anti-odour and anti-allergen filter with air-conditioner / filtro antibatterico, antiodori e anti-allergeni con climatizzatore	DW8B	51	70	11/02 >	05/08				34.282.00
2.0 HDI									
with air-conditioner and R.H.D. / con climatizzatore e guida a destra	DW10TD	66	90	11/02 >	05/08	23.439.00	26.003.00	30.244.00	53.021.00
with air-conditioner and R.H.D. with activated carbons / con climatizzatore e guida a destra ai carboni attivi	DW10TD	66	90	11/02 >	05/08				54.235.00
with air-conditioner and L.H.D. / con climatizzatore e guida a sinistra	DW10TD	66	90	11/02 >	05/08	23.439.00	26.003.00	30.244.00	53.039.00
with air-conditioner and L.H.D. with activated carbons / con climatizzatore e guida a sinistra ai carboni attivi	DW10TD	66	90	11/02 >	05/08				54.282.00
antibacterial, anti-odour and anti-allergen filter with air-conditioner / filtro antibatterico, antiodori e anti-allergeni con climatizzatore	DW10TD	66	90	11/02 >	05/08				34.282.00
2.0 HDI 4x4									
with air-conditioner and R.H.D. / con climatizzatore e guida a destra	DW10TD	66	90	11/02 >	05/08	23.439.00	26.003.00	30.244.00	53.021.00
with air-conditioner and R.H.D. with activated carbons / con climatizzatore e guida a destra ai carboni attivi	DW10TD	66	90	11/02 >	05/08				54.235.00
with air-conditioner and L.H.D. / con climatizzatore e guida a sinistra	DW10TD	66	90	11/02 >	05/08	23.439.00	26.003.00	30.244.00	53.039.00
with air-conditioner and L.H.D. with activated carbons / con climatizzatore e guida a sinistra ai carboni attivi	DW10TD	66	90	11/02 >	05/08				54.282.00
antibacterial, anti-odour and anti-allergen filter with air-conditioner / filtro antibatterico, antiodori e anti-allergeni con climatizzatore	DW10TD	66	90	11/02 >	05/08				34.282.00
Partner II									
1.6									
with automatic air-conditioner / con climatizzatore automatico	EP6CDTR	72	98	08/10 >		25.060.00		30.400.00	54.172.00
with manual air-conditioner / con climatizzatore manuale	EP6CDTR	72	98	08/10 >		25.060.00		30.400.00	53.154.00
antibacterial, anti-odour and anti-allergen filter with automatic air-conditioner / filtro antibatterico, antiodori e anti-allergeni con climatizzatore automatico	EP6CDTR	72	98	08/10 >					34.172.00
for vehicles with external fuel filter / per veicoli con filtro carburante esterno	EP6CDTR	72	98	08/10 >			31.948.00		
1.6 16V									
with automatic air-conditioner / con climatizzatore automatico	TU5JP4B	66	90	05/08 >		25.060.00		30.260.00	54.172.00
with manual air-conditioner / con climatizzatore manuale	TU5JP4B	66	90	05/08 >		25.060.00		30.260.00	53.154.00
antibacterial, anti-odour and anti-allergen filter with automatic air-conditioner / filtro antibatterico, antiodori e anti-allergeni con climatizzatore automatico	TU5JP4B	66	90	05/08 >					34.172.00
for vehicles with external fuel filter / per veicoli con filtro carburante esterno	TU5JP4B	66	90	05/08 >			31.948.00		
1.6 BlueHDI 100									
with automatic air-conditioner / con climatizzatore automatico	DV6FD	73	99	02/15 >		25.187.00	26.104.00	30.648.00	54.172.00
with manual air-conditioner / con climatizzatore manuale	DV6FD	73	99	02/15 >		25.187.00	26.104.00	30.648.00	53.154.00
antibacterial, anti-odour and anti-allergen filter with automatic air-conditioner / filtro antibatterico, antiodori e anti-allergeni con climatizzatore automatico	DV6FD	73	99	02/15 >					34.172.00
1.6 BlueHDI 120									
with activated carbons / ai carboni attivi	DV6FC	88	120	04/15 >		25.187.00	26.104.00	30.648.00	53.154.00
antibacterial, anti-odour and anti-allergen filter / filtro antibatterico, antiodori e anti-allergeni	DV6FC	88	120	04/15 >					34.172.00
1.6 BlueHDI 75									
with automatic air-conditioner / con climatizzatore automatico	DV6FE	55	75	02/15 >		25.187.00	26.104.00	30.648.00	54.172.00
with manual air-conditioner / con climatizzatore manuale	DV6FE	55	75	02/15 >		25.187.00	26.104.00	30.648.00	53.154.00
antibacterial, anti-odour and anti-allergen filter with automatic air-conditioner / filtro antibatterico, antiodori e anti-allergeni con climatizzatore automatico	DV6FE	55	75	02/15 >					34.172.00
1.6 HDI									
with automatic air-conditioner / con climatizzatore automatico	DV6ATED4	66	90	05/08 >		25.037.00	24.027.00	30.210.00	54.172.00
with manual air-conditioner / con climatizzatore manuale	DV6ATED4	66	90	05/08 >		25.037.00	24.027.00	30.210.00	53.154.00
antibacterial, anti-odour and anti-allergen filter with automatic air-conditioner / filtro antibatterico, antiodori e anti-allergeni con climatizzatore automatico	DV6ATED4	66	90	08/08 >					34.172.00
1.6 HDI									
with automatic air-conditioner / con climatizzatore automatico	DV6BTED4	55	75	05/08 >		25.037.00	24.027.00	30.210.00	54.172.00
with manual air-conditioner / con climatizzatore manuale	DV6BTED4	55	75	05/08 >		25.037.00	24.027.00	30.210.00	53.154.00
antibacterial, anti-odour and anti-allergen filter with automatic air-conditioner / filtro antibatterico, antiodori e anti-allergeni con climatizzatore automatico	DV6BTED4	55	75	05/08 >					34.172.00
1.6 HDI FAP									
with automatic air-conditioner / con climatizzatore automatico	DV6TED4	80	109	05/08 >		25.037.00	24.027.00	30.210.00	54.172.00
with manual air-conditioner / con climatizzatore manuale	DV6TED4	80	109	05/08 >		25.037.00	24.027.00	30.210.00	53.154.00
antibacterial, anti-odour and anti-allergen filter with automatic air-conditioner / filtro antibatterico, antiodori e anti-allergeni con climatizzatore automatico	DV6TED4	80	109	05/08 >					34.172.00
Partner III (K9)									
1.2 PureTech 110									
with activated carbons / ai carboni attivi	EB2ADT	81	110	08/18 >		23.439.00	31.948.00	30.718.00	53.154.00
antibacterial, anti-odour and anti-allergen filter / filtro antibatterico, antiodori e anti-allergeni	EB2ADT	81	110	08/18 >					34.172.00
1.2 PureTech 130									
with activated carbons / ai carboni attivi	EB2ADTS	96	130	08/18 >		23.439.00	31.948.00	30.718.00	53.154.00
antibacterial, anti-odour and anti-allergen filter / filtro antibatterico, antiodori e anti-allergeni	EB2ADTS	96	130	08/18 >					34.172.00

...PEUGEOT - commercial vehicles/veicoli commerciali

1.5 BlueHDI 100	with activated carbons / ai carboni attivi	DV5RD	73	99	08/18	>		25.216.00			53.154.00
	antibacterial, anti-odour and anti-allergen filter / filtro antibatterico, antiodori e anti-allergeni	DV5RD	73	99	08/18	>					54.172.00
		DV5RD	73	99	08/18	>					34.172.00
1.5 BlueHDI 130	with activated carbons / ai carboni attivi	DV5RC	96	130	08/18	>		25.216.00			53.154.00
	antibacterial, anti-odour and anti-allergen filter / filtro antibatterico, antiodori e anti-allergeni	DV5RC	96	130	08/18	>					54.172.00
		DV5RC	96	130	08/18	>					34.172.00
1.5 BlueHDI 75	with activated carbons / ai carboni attivi	DV5RE	55	75	08/18	>		25.216.00			53.154.00
	antibacterial, anti-odour and anti-allergen filter / filtro antibatterico, antiodori e anti-allergeni	DV5RE	55	75	08/18	>					54.172.00
		DV5RE	55	75	08/18	>					34.172.00
1.6 BlueHDI 100		DV6FD	73	99	09/18	>		25.187.00	26.104.00	30.648.00	53.154.00
	antibacterial, anti-odour and anti-allergen filter / filtro antibatterico, antiodori e anti-allergeni	DV6FD	73	99	09/18	>					54.172.00
		DV6FD	73	99	09/18	>					34.172.00
1.6 BlueHDI 75	with activated carbons / ai carboni attivi	DV6FE	55	75	08/18	>		25.187.00	26.104.00	30.648.00	53.154.00
	antibacterial, anti-odour and anti-allergen filter / filtro antibatterico, antiodori e anti-allergeni	DV6FE	55	75	08/18	>					54.172.00
		DV6FE	55	75	08/18	>					34.172.00
Ranch I											
1.1 i	with air-conditioner / con climatizzatore	TU1JP	44	60	06/00	>	12/00	25.032.00	31.710.00	27.196.00	53.021.00
	with activated carbon air-conditioner / con climatizzatore, ai carboni attivi	TU1JP	44	60	06/00	>	12/00	25.032.00	31.710.00	27.196.00	53.039.00
	with activated carbon air-conditioner / con climatizzatore, ai carboni attivi	TU1JP	44	60	01/01	>	12/02				54.235.00
	with plastic filter / con filtro in plastica	TU1JP	44	60	06/00	>	12/02		31.948.00		54.282.00
	antibacterial, anti-odour and anti-allergen filter with air-conditioner / filtro antibatterico, antiodori e anti-allergeni con climatizzatore	TU1JP	44	60	01/01	>	12/02				34.282.00
	1.1 i	with air-conditioner / con climatizzatore	TU1M	44	60	06/98	>	06/00	23.439.00	31.710.00	27.196.00
with activated carbon air-conditioner / con climatizzatore, ai carboni attivi		TU1M	44	60	07/96	>	12/00	25.032.00	31.710.00	27.196.00	53.021.00
with activated carbon air-conditioner / con climatizzatore, ai carboni attivi		TU1M	44	60	01/01	>	12/02	25.032.00	31.710.00	27.196.00	53.039.00
with plastic filter / con filtro in plastica		TU1M	44	60	07/96	>	12/00				54.235.00
antibacterial, anti-odour and anti-allergen filter with air-conditioner / filtro antibatterico, antiodori e anti-allergeni con climatizzatore		TU1M	44	60	01/01	>	12/02		31.948.00		54.282.00
		TU1M	44	60	01/01	>	12/02				34.282.00
1.4	with air-conditioner / con climatizzatore	TU3-2	55	75	07/96	>	12/00	23.293.00	31.710.00	27.196.00	53.021.00
	with activated carbon air-conditioner / con climatizzatore, ai carboni attivi	TU3-2	55	75	01/01	>	12/02	23.293.00	31.948.00	27.196.00	53.039.00
	with activated carbon air-conditioner / con climatizzatore, ai carboni attivi	TU3-2	55	75	07/96	>	12/00				54.235.00
	with plastic filter / con filtro in plastica	TU3-2	55	75	01/01	>	12/02		31.948.00		54.282.00
	antibacterial, anti-odour and anti-allergen filter with air-conditioner / filtro antibatterico, antiodori e anti-allergeni con climatizzatore	TU3-2	55	75	07/96	>	12/02				34.282.00
		TU3-2	55	75	01/01	>	12/02				34.282.00
1.4 i Multipoint	with air-conditioner / con climatizzatore	TU3JP	55	75	06/98	>	06/00	23.439.00	31.710.00	27.196.00	53.021.00
	with activated carbon air-conditioner / con climatizzatore, ai carboni attivi	TU3JP	55	75	07/00	>	12/00	25.032.00	31.710.00	27.196.00	53.021.00
	with activated carbon air-conditioner / con climatizzatore, ai carboni attivi	TU3JP	55	75	01/01	>	12/02	25.032.00	31.710.00	27.196.00	53.039.00
	with plastic filter / con filtro in plastica	TU3JP	55	75	07/96	>	12/00				54.235.00
	antibacterial, anti-odour and anti-allergen filter with air-conditioner / filtro antibatterico, antiodori e anti-allergeni con climatizzatore	TU3JP	55	75	01/01	>	12/02		31.948.00		54.282.00
		TU3JP	55	75	07/96	>	12/02				34.282.00
1.6 i 16V	with air-conditioner / con climatizzatore	TU5JP4	80	109	10/00	>	12/00	25.032.00	31.710.00	30.152.00	53.021.00
	with activated carbon air-conditioner / con climatizzatore, ai carboni attivi	TU5JP4	80	109	01/01	>	12/02	25.032.00	31.710.00	30.152.00	53.039.00
	with activated carbon air-conditioner / con climatizzatore, ai carboni attivi	TU5JP4	80	109	10/00	>	12/00				54.235.00
	with plastic filter / con filtro in plastica	TU5JP4	80	109	01/01	>	12/02		31.948.00		54.282.00
	antibacterial, anti-odour and anti-allergen filter with air-conditioner / filtro antibatterico, antiodori e anti-allergeni con climatizzatore	TU5JP4	80	109	10/00	>	12/02				34.282.00
		TU5JP4	80	109	01/01	>	12/02				34.282.00
1.8 Diesel	with activated carbon air-conditioner / con climatizzatore, ai carboni attivi	XUD7	43	58	07/96	>	12/00				54.235.00
	antibacterial, anti-odour and anti-allergen filter with air-conditioner / filtro antibatterico, antiodori e anti-allergeni con climatizzatore	XUD7	43	58	01/01	>	12/02				54.282.00
	assembly DELPHI / montaggio DELPHI	XUD7	43	58	01/01	>	12/02				34.282.00
	assembly PURFLUX / montaggio PURFLUX	XUD7	43	58	06/98	>	12/00	23.439.00	24.390.00	27.239.00	53.021.00
	assembly PURFLUX / montaggio PURFLUX	XUD7	43	58	01/01	>	12/02	23.439.00	24.390.00	27.271.00	53.039.00
	assembly PURFLUX / montaggio PURFLUX	XUD7	43	58	06/98	>	12/00	23.439.00	26.676.00	27.239.00	53.021.00
1.8 i	with activated carbon air-conditioner / con climatizzatore, ai carboni attivi	XUD7	43	58	01/01	>	12/02	23.439.00	26.676.00	27.271.00	53.039.00
	with plastic filter / con filtro in plastica	XUD7	43	58	01/01	>	12/02				34.282.00
	with air-conditioner / con climatizzatore	XU7JB	66	90	07/98	>	12/00	23.439.00	31.710.00	30.021.00	53.021.00
	with activated carbon air-conditioner / con climatizzatore, ai carboni attivi	XU7JB	66	90	01/01	>	12/02	23.439.00	31.710.00	30.021.00	53.039.00
	with plastic filter / con filtro in plastica	XU7JB	66	90	06/97	>	12/00				54.235.00
		XU7JB	66	90	01/01	>	12/02		31.948.00		54.282.00

...PEUGEOT - commercial vehicles/veicoli commerciali

antibacterial, anti-odour and anti-allergen filter with air-conditioner / filtro antibatterico, antiodori e anti-allergeni con climatizzatore	XU7JB	66	90	01/01	>	12/02					34.282.00
1.9 Diesel											
with air-conditioner / con climatizzatore	DW8	51	70	01/98	>	12/00	23.439.00	26.688.00	27.271.00		53.021.00
with air-conditioner / con climatizzatore	DW8	51	70	01/01	>	12/02	23.439.00	26.688.00	27.271.00		53.039.00
with activated carbon air-conditioner / con climatizzatore, ai carboni attivi	DW8	51	70	01/98	>	12/00					54.235.00
with activated carbon air-conditioner / con climatizzatore, ai carboni attivi	DW8	51	70	01/01	>	12/02					54.282.00
antibacterial, anti-odour and anti-allergen filter with air-conditioner / filtro antibatterico, antiodori e anti-allergeni con climatizzatore	DW8	51	70	01/01	>	12/02					34.282.00
1.9 Diesel											
with air-conditioner / con climatizzatore	DW8B	51	70	01/01	>	12/02	23.439.00	26.688.00	27.403.00		53.039.00
with activated carbon air-conditioner / con climatizzatore, ai carboni attivi	DW8B	51	70	01/01	>	12/02					54.282.00
antibacterial, anti-odour and anti-allergen filter with air-conditioner / filtro antibatterico, antiodori e anti-allergeni con climatizzatore	DW8B	51	70	01/01	>	12/02					34.282.00
1.9 Diesel											
with activated carbon air-conditioner / con climatizzatore, ai carboni attivi	XUD9/XUD9Y	50	68	07/96	>	12/00					54.235.00
with activated carbon air-conditioner / con climatizzatore, ai carboni attivi	XUD9/XUD9Y	50	68	01/01	>	12/02					54.282.00
antibacterial, anti-odour and anti-allergen filter with air-conditioner / filtro antibatterico, antiodori e anti-allergeni con climatizzatore	XUD9/XUD9Y	50	68	01/01	>	12/02					34.282.00
assembly DELPHI / montaggio DELPHI	XUD9/XUD9Y	50	68	06/98	>	12/00	23.439.00	24.390.00	27.239.00		53.021.00
assembly DELPHI / montaggio DELPHI	XUD9/XUD9Y	50	68	01/01	>	12/02	23.439.00	24.390.00	27.271.00		53.039.00
assembly PURFLUX / montaggio PURFLUX	XUD9/XUD9Y	50	68	06/98	>	12/00	23.439.00	26.676.00	27.239.00		53.021.00
assembly PURFLUX / montaggio PURFLUX	XUD9/XUD9Y	50	68	01/01	>	12/02	23.439.00	26.676.00	27.271.00		53.039.00
1.9 Diesel											
with activated carbon air-conditioner / con climatizzatore, ai carboni attivi	XUD9A	51	70	07/96	>	12/00					54.235.00
with activated carbon air-conditioner / con climatizzatore, ai carboni attivi	XUD9A	51	70	01/01	>	12/02					54.282.00
antibacterial, anti-odour and anti-allergen filter with air-conditioner / filtro antibatterico, antiodori e anti-allergeni con climatizzatore	XUD9A	51	70	01/01	>	12/02					34.282.00
assembly DELPHI / montaggio DELPHI	XUD9A	51	70	06/98	>	12/00	23.439.00	24.390.00	27.239.00		53.021.00
assembly DELPHI / montaggio DELPHI	XUD9A	51	70	01/01	>	12/02	23.439.00	24.390.00	27.271.00		53.039.00
assembly PURFLUX / montaggio PURFLUX	XUD9A	51	70	06/98	>	12/00	23.439.00	26.676.00	27.239.00		53.021.00
assembly PURFLUX / montaggio PURFLUX	XUD9A	51	70	01/01	>	12/02	23.439.00	26.676.00	27.271.00		53.039.00
2.0 HDI											
with activated carbon air-conditioner / con climatizzatore, ai carboni attivi	DW10TD	66	90	09/99	>	12/00					54.235.00
with activated carbon air-conditioner / con climatizzatore, ai carboni attivi	DW10TD	66	90	01/01	>	12/02					54.282.00
antibacterial, anti-odour and anti-allergen filter with air-conditioner / filtro antibatterico, antiodori e anti-allergeni con climatizzatore	DW10TD	66	90	01/01	>	12/02					34.282.00
assembly BOSCH / montaggio BOSCH	DW10TD	66	90	09/99	>	12/00	23.439.00	26.691.00	30.144.00		53.021.00
assembly BOSCH / montaggio BOSCH	DW10TD	66	90	01/01	>	12/02	23.439.00	26.691.00	30.144.00		53.039.00
assembly SIEMENS / montaggio SIEMENS	DW10TD	66	90	04/01	>	12/02	23.439.00	26.003.00	30.144.00		53.039.00
dusty areas / zone polverose	DW10TD	66	90	09/99	>	12/02	23.439.00				30.157.00
Ranch I Rest.											
1.1 i											
with air-conditioner and R.H.D. / con climatizzatore e guida a destra	TU1JP	44	60	11/02	>	05/08	25.032.00	31.710.00	30.185.00		53.021.00
with air-conditioner and R.H.D. with activated carbons / con climatizzatore e guida a destra ai carboni attivi	TU1JP	44	60	11/02	>	05/08					54.235.00
with air-conditioner and L.H.D. / con climatizzatore e guida a sinistra	TU1JP	44	60	11/02	>	05/08	25.032.00	31.710.00	30.185.00		53.039.00
with air-conditioner and L.H.D. with activated carbons / con climatizzatore e guida a sinistra ai carboni attivi	TU1JP	44	60	11/02	>	05/08					54.282.00
with plastic filter / con filtro in plastica	TU1JP	44	60	11/02	>	05/08		31.948.00			
antibacterial, anti-odour and anti-allergen filter with air-conditioner and L.H.D. / filtro antibatterico, antiodori e anti-allergeni con climatizzatore e guida a sinistra	TU1JP	44	60	11/02	>	05/08					34.282.00
1.4 MPI											
to engine No. 4717577 / a motore N. 4717577	TU3JP	55	75	11/02	>		25.032.00				
with air-conditioner and R.H.D. / con climatizzatore e guida a destra	TU3JP	55	75	11/02	>	12/09		31.710.00	30.185.00		53.021.00
with air-conditioner and R.H.D. with activated carbons / con climatizzatore e guida a destra ai carboni attivi	TU3JP	55	75	11/02	>	12/09					54.235.00
with air-conditioner and L.H.D. / con climatizzatore e guida a sinistra	TU3JP	55	75	11/02	>	12/09		31.710.00	30.185.00		53.039.00
with air-conditioner and L.H.D. with activated carbons / con climatizzatore e guida a sinistra ai carboni attivi	TU3JP	55	75	11/02	>	12/09					54.282.00
with plastic filter / con filtro in plastica	TU3JP	55	75	11/02	>	12/09		31.948.00			
antibacterial, anti-odour and anti-allergen filter with air-conditioner and L.H.D. / filtro antibatterico, antiodori e anti-allergeni con climatizzatore e guida a sinistra	TU3JP	55	75	11/02	>	12/09					34.282.00
1.4 MPI BI-FUEL											
to engine No. 4717577 / a motore N. 4717577	TU3JP	55	75	11/02	>		25.032.00				
with air-conditioner and R.H.D. / con climatizzatore e guida a destra	TU3JP	55	75	11/02	>	12/09		31.710.00	30.185.00		53.021.00
with air-conditioner and R.H.D. with activated carbons / con climatizzatore e guida a destra ai carboni attivi	TU3JP	55	75	11/02	>	12/09					54.235.00
with air-conditioner and L.H.D. / con climatizzatore e guida a sinistra	TU3JP	55	75	11/02	>	12/09		31.710.00	30.185.00		53.039.00
with air-conditioner and L.H.D. with activated carbons / con climatizzatore e guida a sinistra ai carboni attivi	TU3JP	55	75	11/02	>	12/09					54.282.00
with plastic filter / con filtro in plastica	TU3JP	55	75	11/02	>	12/09		31.948.00			
antibacterial, anti-odour and anti-allergen filter with air-conditioner and L.H.D. / filtro antibatterico, antiodori e anti-allergeni con climatizzatore e guida a sinistra	TU3JP	55	75	11/02	>	05/08					34.282.00
1.6 HDI											
with air-conditioner and R.H.D. / con climatizzatore e guida a destra	DV6ATED4	66	90	07/05	>	05/08	25.037.00	24.027.00	30.210.00		53.021.00
with air-conditioner and R.H.D. with activated carbons / con climatizzatore e guida a destra ai carboni attivi	DV6ATED4	66	90	07/05	>	05/08					54.235.00
with air-conditioner and L.H.D. / con climatizzatore e guida a sinistra	DV6ATED4	66	90	07/05	>	05/08	25.037.00	24.027.00	30.210.00		53.039.00
with air-conditioner and L.H.D. with activated carbons / con climatizzatore e guida a sinistra ai carboni attivi	DV6ATED4	66	90	07/05	>	05/08					54.282.00
antibacterial, anti-odour and anti-allergen filter with air-conditioner and L.H.D. / filtro antibatterico, antiodori e anti-allergeni con climatizzatore e guida a sinistra	DV6ATED4	66	90	07/05	>	05/08					34.282.00
1.6 HDI											
with air-conditioner and R.H.D. / con climatizzatore e guida a destra	DV6B	55	75	09/05	>	05/08	25.037.00	24.027.00	30.210.00		53.021.00

...PEUGEOT - commercial vehicles/veicoli commerciali

with air-conditioner and R.H.D. with activated carbons / con climatizzatore e guida a destra ai carboni attivi	DV6B	55	75	09/05 >	05/08				54.235.00
with air-conditioner and L.H.D. / con climatizzatore e guida a sinistra	DV6B	55	75	09/05 >	05/08	25.037.00	24.027.00	30.210.00	53.039.00
with air-conditioner and L.H.D. with activated carbons / con climatizzatore e guida a sinistra ai carboni attivi	DV6B	55	75	09/05 >	05/08				54.282.00
antibacterial, anti-odour and anti-allergen filter with air-conditioner and L.H.D. / filtro antibatterico, antiodori e anti-allergeni con climatizzatore e guida a sinistra	DV6B	55	75	09/05 >	05/08				34.282.00
1.6 i 16V									
with air-conditioner and R.H.D. / con climatizzatore e guida a destra	TU5JP4	81	110	11/02 >	05/08	25.032.00	31.710.00	30.186.00	53.021.00
with air-conditioner and R.H.D. with activated carbons / con climatizzatore e guida a destra ai carboni attivi	TU5JP4	81	110	11/02 >	05/08				54.235.00
with air-conditioner and L.H.D. / con climatizzatore e guida a sinistra	TU5JP4	81	110	11/02 >	05/08	25.032.00	31.710.00	30.186.00	53.039.00
with air-conditioner and L.H.D. with activated carbons / con climatizzatore e guida a sinistra ai carboni attivi	TU5JP4	81	110	11/02 >	05/08				54.282.00
with plastic filter / con filtro in plastica	TU5JP4	81	110	11/02 >	05/08		31.948.00		
antibacterial, anti-odour and anti-allergen filter with air-conditioner and L.H.D. / filtro antibatterico, antiodori e anti-allergeni con climatizzatore e guida a sinistra	TU5JP4	81	110	11/02 >	05/08				34.282.00
1.9 D									
with air-conditioner and R.H.D. / con climatizzatore e guida a destra	DW8B	51	70	11/02 >	05/08	23.439.00	26.688.00	30.244.00	53.021.00
with air-conditioner and R.H.D. with activated carbons / con climatizzatore e guida a destra ai carboni attivi	DW8B	51	70	11/02 >	05/08				54.235.00
with air-conditioner and L.H.D. / con climatizzatore e guida a sinistra	DW8B	51	70	11/02 >	05/08	23.439.00	26.688.00	30.244.00	53.039.00
with air-conditioner and L.H.D. with activated carbons / con climatizzatore e guida a sinistra ai carboni attivi	DW8B	51	70	11/02 >	05/08				54.282.00
antibacterial, anti-odour and anti-allergen filter with air-conditioner and L.H.D. / filtro antibatterico, antiodori e anti-allergeni con climatizzatore e guida a sinistra	DW8B	51	70	11/02 >	05/08				34.282.00
2.0 HDI									
with air-conditioner and R.H.D. / con climatizzatore e guida a destra	DW10TD	66	90	11/02 >	05/08	23.439.00	26.003.00	30.244.00	53.021.00
with air-conditioner and R.H.D. with activated carbons / con climatizzatore e guida a destra ai carboni attivi	DW10TD	66	90	11/02 >	05/08				54.235.00
with air-conditioner and L.H.D. / con climatizzatore e guida a sinistra	DW10TD	66	90	11/02 >	05/08	23.439.00	26.003.00	30.244.00	53.039.00
with air-conditioner and L.H.D. with activated carbons / con climatizzatore e guida a sinistra ai carboni attivi	DW10TD	66	90	11/02 >	05/08				54.282.00
antibacterial, anti-odour and anti-allergen filter with air-conditioner and L.H.D. / filtro antibatterico, antiodori e anti-allergeni con climatizzatore e guida a sinistra	DW10TD	66	90	11/02 >	05/08				34.282.00
2.0 HDI 4x4									
with air-conditioner and R.H.D. / con climatizzatore e guida a destra	DW10TD	66	90	11/02 >	05/08	23.439.00	26.003.00	30.244.00	53.021.00
with air-conditioner and R.H.D. with activated carbons / con climatizzatore e guida a destra ai carboni attivi	DW10TD	66	90	11/02 >	05/08				54.235.00
with air-conditioner and L.H.D. / con climatizzatore e guida a sinistra	DW10TD	66	90	11/02 >	05/08	23.439.00	26.003.00	30.244.00	53.039.00
with air-conditioner and L.H.D. with activated carbons / con climatizzatore e guida a sinistra ai carboni attivi	DW10TD	66	90	11/02 >	05/08				54.282.00
antibacterial, anti-odour and anti-allergen filter with air-conditioner and L.H.D. / filtro antibatterico, antiodori e anti-allergeni con climatizzatore e guida a sinistra	DW10TD	66	90	11/02 >	05/08				34.282.00

Ranch II

1.6 16V									
with automatic air-conditioner / con climatizzatore automatico	TU5JP4B	66	90	05/08 >	12/10	25.060.00		30.260.00	54.172.00
with manual air-conditioner / con climatizzatore manuale	TU5JP4B	66	90	05/08 >	12/10	25.060.00		30.260.00	53.154.00
1.6 HDI									
with automatic air-conditioner / con climatizzatore automatico	DV6ATED4	66	90	05/08 >	02/10	25.037.00	24.027.00	30.210.00	54.172.00
with manual air-conditioner / con climatizzatore manuale	DV6ATED4	66	90	05/08 >	02/10	25.037.00	24.027.00	30.210.00	53.154.00
1.6 HDI									
with automatic air-conditioner / con climatizzatore automatico	DV6BTED4	55	75	05/08 >	02/10	25.037.00	24.027.00	30.210.00	54.172.00
with manual air-conditioner / con climatizzatore manuale	DV6BTED4	55	75	05/08 >	02/10	25.037.00	24.027.00	30.210.00	53.154.00
1.6 HDI 75									
with automatic air-conditioner / con climatizzatore automatico	DV6ETED4	55	75	03/10 >	12/10	25.037.00	24.127.00	30.645.00	54.172.00
with manual air-conditioner / con climatizzatore manuale	DV6ETED4	55	75	03/10 >	12/10	25.037.00	24.127.00	30.645.00	53.154.00
1.6 HDI FAP									
with automatic air-conditioner / con climatizzatore automatico	DV6TED4	80	109	05/08 >	02/10	25.037.00	24.027.00	30.210.00	54.172.00
with manual air-conditioner / con climatizzatore manuale	DV6TED4	80	109	05/08 >	02/10	25.037.00	24.027.00	30.210.00	53.154.00

PIAGGIO

tricar/motocarri

Ape Serie

Ape 703 V								30.880.00	
Ape Car Diesel									
with PIAGGIO 245303 / con PIAGGIO 245303						23.172.00	24.350.01	30.883.00	
with PIAGGIO 247444 / con PIAGGIO 247444						23.172.00	24.351.00	30.883.00	
Ape Car Serie II^									
Ape Poker				01/93 >		23.172.00		27.800.00	
Ape Poker Diesel									
with PIAGGIO 245303 / con PIAGGIO 245303						23.172.00	24.350.01	27.800.00	
with PIAGGIO 247444 / con PIAGGIO 247444						23.172.00	24.351.00	27.800.00	
Ape TM D LCS	Lombardini					23.172.00	24.351.00		
Ape TM P703									
Ape TM P703 Diesel (421)								30.880.00	
with PIAGGIO 245303 / con PIAGGIO 245303						23.172.00	24.350.01	30.883.00	
with PIAGGIO 247444 / con PIAGGIO 247444						23.172.00	24.351.00	30.883.00	
Ape TM P703/V Diesel									
				01/87 >	12/01	23.172.00	24.351.00	30.883.00	
Ape TM P703/V FL2									
								30.880.00	

PIAGGIO
commercial vehicles/veicoli commerciali
Porter

1.3 16V E4/E5 GPL/LPG	Daihatsu HC	48	65	01/08 >	23.255.00	31.694.00	27.550.00	✕
assembly BRC FJ1 HE / montaggio BRC FJ1 HE	Daihatsu HC	48	65	01/08 >		46.005.00		
1.3 i 16V	Daihatsu (4 cyl.)			06/98 > 12/09	23.255.00	31.694.00	30.088.00	

Porter D

1.2	Lombardini			01/95 > 12/00	23.439.00	24.351.00	30.966.00	
1.4	Lombardini			01/95 > 12/00	23.439.00	24.351.00	30.966.00	

Porter D120

1.2 E5	P120	47	64	01/11 >	25.061.00	24.H2O.04	30.966.00	
---------------	------	----	----	---------	-----------	-----------	-----------	--

Porter Maxxi D120

1.2 E5	P120	47	64	01/11 >	25.061.00	24.H2O.04	30.966.00	
---------------	------	----	----	---------	-----------	-----------	-----------	--

Quargo

700 D	Lombardini LDW702				23.262.00	24.352.00		
--------------	-------------------	--	--	--	-----------	-----------	--	--

PORSCHE
cars/auto
718 Boxster (982)

2.0	MDD.PB	220	299	03/16 >	25.149.00			
------------	--------	-----	-----	---------	-----------	--	--	--

718 Boxster S (982)

2.5	MDD.NC	257	349	03/16 >	25.149.00			
------------	--------	-----	-----	---------	-----------	--	--	--

718 Cayman (982)

2.0	MDD.PB	220	299	03/16 >	25.149.00			
------------	--------	-----	-----	---------	-----------	--	--	--

718 Cayman S (982)

2.5	MDD.NC	257	349	03/16 >	25.149.00			
------------	--------	-----	-----	---------	-----------	--	--	--

911 (991)

3.0 Carrera	MDC.KA	272	370	11/15 >	25.210.00	∞		
3.0 Carrera 4	MDC.KA	272	370	11/15 >	25.210.00	∞		
3.0 Carrera 4 GTS	MDC.JA	331	450	03/17 >	25.210.00	∞		
3.0 Carrera 4S	MDC.HA	309	420	11/15 >	25.210.00	∞		
3.0 Carrera GTS	MDC.JA	331	450	03/17 >	25.210.00	∞		
3.0 Carrera S	MDC.HA	309	420	11/15 >	25.210.00	∞		
3.0 Carrera T	MDC.KA	272	370	01/18 >	25.210.00	∞		
3.4 Carrera	MA1.04	257	350	10/11 >	25.210.00	∞		
3.4 Carrera 4	MA1.04	257	350	11/12 >	25.210.00	∞		
3.8 Carrera GTS	MA1.03WLS	316	430	07/12 >	25.210.00	∞		
3.8 Carrera S	MA1.03	294	400	10/11 >	25.210.00	∞		
3.8 Carrera S	MA1.03WLS	316	430	07/12 >	25.210.00	∞		
3.8 GT3	MA1.75	350	475	08/13 >		∞		
3.8 Turbo	MA1.71	383	520	09/13 > 12/15	25.210.00	∞		
3.8 Turbo	MDA.BA	397	540	01/16 >		∞		
3.8 Turbo S	MA1.71	412	560	09/13 > 12/15	25.210.00	∞		

911 (996)

3.4 Carrera	M96.01/M96.02/M96.04	221	301	06/97 > 09/01	25.165.00	31.A06.00	30.B11.00	53.028.00
with activated carbons / ai carboni attivi	M96.01/M96.02/M96.04	221	301	06/97 > 09/01				54.389.00
3.4 Carrera	M96.01S/M96.02S	235	320	06/99 > 08/01	25.165.00	31.A06.00	30.B11.00	53.028.00
	M96.01S/M96.02S	235	320	09/01 > 08/05	25.165.00	∞	30.B11.00	53.028.00
with activated carbons / ai carboni attivi	M96.01S/M96.02S	235	320	06/99 > 08/05				54.389.00
3.4 Carrera 4	M96.01/M96.02/M96.04	221	301	06/97 > 09/01	25.165.00	31.A06.00	30.B11.00	53.028.00
with activated carbons / ai carboni attivi	M96.01/M96.02/M96.04	221	301	06/97 > 09/01				54.389.00
3.4 Carrera 4	M96.01S/M96.02S	235	320	05/01 > 08/01	25.165.00	31.A06.00	30.B11.00	53.028.00
	M96.01S/M96.02S	235	320	09/01 > 08/05	25.165.00	∞	30.B11.00	53.028.00
with activated carbons / ai carboni attivi	M96.01S/M96.02S	235	320	05/01 > 08/05				54.389.00
3.6 Carrera	M96 Powerkit	254	345	05/02 > 08/05	25.165.00	∞	30.B11.00	53.028.00
with activated carbons / ai carboni attivi	M96 Powerkit	254	345	05/02 > 08/05				54.389.00
3.6 Carrera	M96.03	235	320	09/01 > 08/05	25.165.00	31.A06.00	30.B11.00	53.028.00
with activated carbons / ai carboni attivi	M96.03	235	320	09/01 > 08/05				54.389.00
3.6 Carrera 4	M96.03	235	320	10/01 > 08/05	25.165.00	31.A06.00	30.B11.00	53.028.00
with activated carbons / ai carboni attivi	M96.03	235	320	10/01 > 08/05				54.389.00
3.6 Carrera 4S	M96.03S	254	345	05/03 > 08/05	25.165.00	∞	30.B11.00	53.028.00
with activated carbons / ai carboni attivi	M96.03S	254	345	05/03 > 08/05				54.389.00
3.6 Carrera S	M96.03S	254	345	05/03 > 08/05	25.165.00	∞	30.B11.00	53.028.00
with activated carbons / ai carboni attivi	M96.03S	254	345	05/03 > 08/05				54.389.00
3.6 GT2	M96.70S	340	462	02/01 > 08/05	25.165.00	31.A10.00	30.B16.00	53.028.00
with activated carbons / ai carboni attivi	M96.70S	340	462	02/01 > 08/05				54.389.00
3.6 GT2	M96.70SL	355	483	10/03 > 08/05	25.165.00	31.A10.00	30.B16.00	53.028.00
with activated carbons / ai carboni attivi	M96.70SL	355	483	10/03 > 08/05				54.389.00
3.6 GT3	M96.76	265	360	03/99 > 08/05	25.165.00	31.A10.00	30.B16.00	53.028.00
with activated carbons / ai carboni attivi	M96.76	265	360	03/99 > 08/05				54.389.00

...PORSCHE - cars/auto

3.6 GT3	M96.79	280	381	02/03 >	08/05	25.165.00	31.A10.00	30.B16.00	53.028.00
with activated carbons / ai carboni attivi	M96.79	280	381	02/03 >	08/05				54.389.00
3.6 Turbo	M96.70	309	420	03/00 >	08/05	25.165.00	31.A10.00	30.B16.00	53.028.00
with activated carbons / ai carboni attivi	M96.70	309	420	03/00 >	08/05				54.389.00
3.6 Turbo 4	M96.70	309	420	10/03 >	08/05	25.165.00	31.A10.00	30.B16.00	53.028.00
with activated carbons / ai carboni attivi	M96.70	309	420	10/03 >	08/05				54.389.00
3.6 Turbo 4S	M96.70E/Powerkit	331	450	02/03 >	08/05	25.165.00	31.A10.00	30.B16.00	53.028.00
with activated carbons / ai carboni attivi	M96.70E/Powerkit	331	450	02/03 >	08/05				54.389.00
3.6 Turbo S	M96.70E/Powerkit	331	450	01/03 >	05/06	25.165.00	31.A10.00	30.B16.00	53.028.00
with activated carbons / ai carboni attivi	M96.70E/Powerkit	331	450	01/03 >	05/06				54.389.00
911 (997)									
3.6 Carrera	M96.05	239	325	07/04 >	06/08	25.165.00	∞	30.B11.00	53.028.00
with activated carbons / ai carboni attivi	M96.05	239	325	07/04 >	06/08				54.389.00
3.6 Carrera	MA1.02	254	345	07/08 >	12/11	25.210.00	∞		53.028.00
with activated carbons / ai carboni attivi	MA1.02	254	345	07/08 >	12/11				54.389.00
2 filters / N.2 filtri	MA1.02	254	345	07/08 >	12/11			27.A91.00	
3.6 Carrera 4	M96.05	239	325	07/04 >	06/08	25.165.00	∞	30.B11.00	53.028.00
with activated carbons / ai carboni attivi	M96.05	239	325	07/04 >	06/08				54.389.00
3.6 Carrera 4	MA1.02	254	345	07/08 >	12/12	25.210.00	∞		53.028.00
with activated carbons / ai carboni attivi	MA1.02	254	345	07/08 >	12/12				54.389.00
2 filters / N.2 filtri	MA1.02	254	345	07/08 >	12/12			27.A91.00	
3.6 GT2	M97.70S	390	530	09/07 >	12/12	25.165.00	∞		53.028.00
with activated carbons / ai carboni attivi	M97.70S	390	530	09/07 >	12/12				54.389.00
3.6 GT2 RS	M97.70	456	620	05/10 >	12/12	25.165.00	∞		53.028.00
with activated carbons / ai carboni attivi	M97.70	456	620	05/10 >	12/12				54.389.00
3.6 GT3	M97.76	305	415	03/06 >	03/09	25.165.00	∞		53.028.00
with activated carbons / ai carboni attivi	M97.76	305	415	03/06 >	03/09				54.389.00
3.6 Turbo	M97.70	353	480	06/06 >	12/09	25.165.00	∞		53.028.00
with activated carbons / ai carboni attivi	M97.70	353	480	06/06 >	12/09				54.389.00
3.8 Carrera 4S	M97.01	261	355	07/04 >	05/06	25.165.00	∞	30.B11.00	53.028.00
with activated carbons / ai carboni attivi	M97.01	261	355	06/06 >	12/08	25.165.00	∞		53.028.00
	M97.01	261	355	07/04 >	12/08				54.389.00
3.8 Carrera 4S	M97.01S	280	381	08/05 >	12/08	25.165.00	∞	30.B11.00	53.028.00
with activated carbons / ai carboni attivi	M97.01S	280	381	08/05 >	12/08				54.389.00
3.8 Carrera 4S	MA1.01	283	385	07/08 >	12/12	25.210.00	∞		53.028.00
with activated carbons / ai carboni attivi	MA1.01	283	385	07/08 >	12/12				54.389.00
2 filters / N.2 filtri	MA1.01	283	385	07/08 >	12/12			27.A91.00	
3.8 Carrera GTS	MA1.01S	300	408	06/09 >	12/11	25.210.00	∞		53.028.00
with activated carbons / ai carboni attivi	MA1.01S	300	408	06/09 >	12/11				54.389.00
2 filters / N.2 filtri	MA1.01S	300	408	06/09 >	12/11			27.A91.00	
3.8 Carrera GTS 4	MA1.01S	300	408	06/09 >	12/12	25.210.00	∞		53.028.00
with activated carbons / ai carboni attivi	MA1.01S	300	408	06/09 >	12/12				54.389.00
2 filters / N.2 filtri	MA1.01S	300	408	06/09 >	12/12			27.A91.00	
3.8 Carrera S	M97.01	261	355	07/04 >	05/06	25.165.00	∞	30.B11.00	53.028.00
with activated carbons / ai carboni attivi	M97.01	261	355	06/06 >	12/08	25.165.00	∞		53.028.00
	M97.01	261	355	07/04 >	12/08				54.389.00
3.8 Carrera S	M97.01S	280	381	08/05 >	12/08	25.165.00	∞	30.B11.00	53.028.00
with activated carbons / ai carboni attivi	M97.01S	280	381	08/05 >	12/08				54.389.00
3.8 Carrera S	MA1.01	283	385	07/08 >	12/11	25.210.00	∞		53.028.00
with activated carbons / ai carboni attivi	MA1.01	283	385	07/08 >	12/11				54.389.00
2 filters / N.2 filtri	MA1.01	283	385	07/08 >	12/11			27.A91.00	
3.8 GT3	M97.77	320	435	05/09 >	12/11	25.165.00	∞		53.028.00
with activated carbons / ai carboni attivi	M97.77	320	435	05/09 >	12/11				54.389.00
3.8 GT3 RS	M97.77 1004/M97.77R	331	450	08/09 >	12/11	25.165.00	∞		53.028.00
with activated carbons / ai carboni attivi	M97.77 1004/M97.77R	331	450	08/09 >	12/11				54.389.00
3.8 Turbo	MA1.70	368	500	09/09 >	12/12	25.210.00	∞		53.028.00
with activated carbons / ai carboni attivi	MA1.70	368	500	09/09 >	12/12				54.389.00
3.8 Turbo S	MA1.70S	390	530	02/10 >	12/12	25.210.00	∞		53.028.00
with activated carbons / ai carboni attivi	MA1.70S	390	530	02/10 >	12/12				54.389.00
4.0 GT3 RS	M97.44	368	500	06/11 >	12/12	25.165.00	∞		53.028.00
with activated carbons / ai carboni attivi	M97.44	368	500	06/11 >	12/12				54.389.00
911 Carrera									
2 3.6				07/89 >				31.575.00	
3.6 RS				06/91 >				31.575.00	
3.7 RS	64.20			06/95 >				31.575.00	
4 3.6				12/88 >				31.575.00	
4 3.7 RS	64.20			06/95 >				31.575.00	

...PORSCHE - cars/auto

4S 3.6				01/96 >		31.575.00		
911 Turbo								
3.6				01/95 >		31.575.00		
918 Spyder								
4.6	M18.00	652	886	11/13 >	25.165.00	∞		
928								
4.5 (4474) (USA) L-Jetronik / L-Jetronic				06/79 >		31.575.00		
4.7 S (4664) (USA) L-Jetronik / L-Jetronic				06/79 >		31.575.00		
5.4 GTS (5397)				08/91 >		31.575.00		
5.4 GTS Autom. (5397)				08/91 >		31.575.00		
Boxster (986)								
2.7	M96	155	211	08/99 > 08/01	25.165.00	31.A06.00	30.B12.00	53.028.00
	M96	155	211	09/01 > 09/02	25.165.00	∞	30.B12.00	53.028.00
with activated carbons / ai carboni attivi	M96	155	211	08/99 > 09/02				54.389.00
2.7	M96.22	162	220	06/99 > 08/01	25.165.00	31.A06.00	30.B12.00	53.028.00
	M96.22	162	220	09/01 > 09/02	25.165.00	∞	30.B12.00	53.028.00
with activated carbons / ai carboni attivi	M96.22	162	220	06/99 > 09/02				54.389.00
2.7	M96.23	168	228	07/02 > 01/05	25.165.00	∞	30.B12.00	53.028.00
with activated carbons / ai carboni attivi	M96.23	168	228	07/02 > 01/05				54.389.00
3.2 S	M96.21	185	252	08/99 > 08/01	25.165.00	31.A06.00	30.B12.00	53.028.00
	M96.21	185	252	09/01 > 09/02	25.165.00	∞	30.B12.00	53.028.00
with activated carbons / ai carboni attivi	M96.21	185	252	08/99 > 09/02				54.389.00
3.2 S	M96.24	191	260	07/02 > 01/05	25.165.00	∞	30.B12.00	53.028.00
with activated carbons / ai carboni attivi	M96.24	191	260	07/02 > 01/05				54.389.00
3.2 S	M96.24S	196	266	03/04 > 11/04	25.165.00	∞	30.B12.00	53.028.00
with activated carbons / ai carboni attivi	M96.24S	196	266	03/04 > 11/04				54.389.00
Boxster (987)								
2.7	M96.25	176	240	11/04 > 09/06	25.165.00	∞	27.B13.00	53.028.00
with activated carbons / ai carboni attivi	M96.25	176	240	11/04 > 09/06				54.389.00
2.7	M97.20	180	245	08/06 > 02/09	25.165.00	∞	27.B13.00	53.028.00
with activated carbons / ai carboni attivi	M97.20	180	245	08/06 > 02/09				54.389.00
2.9	MA1.20	188	255	02/09 > 01/12	25.198.00	∞	27.B13.00	53.028.00
with activated carbons / ai carboni attivi	MA1.20	188	255	02/09 > 01/12				54.389.00
3.2 S	M96.26	206	280	11/04 > 09/06	25.165.00	∞	27.B13.00	53.028.00
with activated carbons / ai carboni attivi	M96.26	206	280	11/04 > 09/06				54.389.00
3.4 S	M97.21	217	295	08/06 > 02/09	25.165.00	∞	27.B13.00	53.028.00
with activated carbons / ai carboni attivi	M97.21	217	295	08/06 > 02/09				54.389.00
3.4 S	MA1.21	228	310	02/09 > 01/12	25.198.00	∞	27.B13.00	53.028.00
with activated carbons / ai carboni attivi	MA1.21	228	310	02/09 > 01/12				54.389.00
3.4 S Black Edition	MA1.21	235	320	03/11 > 01/12	25.198.00	∞	27.B13.00	53.028.00
with activated carbons / ai carboni attivi	MA1.21	235	320	03/11 > 01/12				54.389.00
3.4 S Edition	M97.21	223	303	09/08 > 02/09	25.165.00	∞	27.B13.00	53.028.00
with activated carbons / ai carboni attivi	M97.21	223	303	09/08 > 02/09				54.389.00
Carrera 2								
3.6				01/89 >	23.110.02	31.575.00		
Carrera 4								
3.6				01/89 >	23.110.02	31.575.00		
Carrera GT (980)								
5.7 V10	M80.01	450	612	07/03 > 06/06	25.165.00	∞		54.297.00
Cayenne I (955)								
3.0 V6 Turbodiesel	M05.9D	176	240	02/09 > 05/10	25.105.00	26.015.00	30.329.00	54.148.00
antibacterial, anti-odour and anti-allergen filter / filtro antibatterico, antiodori e anti-allergeni	M05.9D	176	240	02/09 > 05/10				34.148.00
dusty areas / zone polverose	M05.9D	176	240	02/09 > 05/10			30.A25.00	
3.2 V6	M02.2Y	184	250	09/03 > 02/07	25.010.00	∞	30.329.00	54.148.00
antibacterial, anti-odour and anti-allergen filter / filtro antibatterico, antiodori e anti-allergeni	M02.2Y	184	250	09/03 > 02/07				34.148.00
dusty areas / zone polverose	M02.2Y	184	250	09/03 > 02/07			30.A25.00	
3.6 V6	M55.01	213	290	02/07 > 05/10	25.010.00	∞	30.329.00	54.148.00
antibacterial, anti-odour and anti-allergen filter / filtro antibatterico, antiodori e anti-allergeni	M55.01	213	290	02/07 > 05/10				34.148.00
dusty areas / zone polverose	M55.01	213	290	02/07 > 05/10			30.A25.00	
4.5 S	M48.00	250	340	11/02 > 02/07	25.165.00	∞		54.148.00
antibacterial, anti-odour and anti-allergen filter / filtro antibatterico, antiodori e anti-allergeni	M48.00	250	340	11/02 > 02/07				34.148.00
2 filters / N.2 filtri	M48.00	250	340	11/02 > 02/07			30.329.00	
2 filters dusty areas / N.2 filtri zone polverose	M48.00	250	340	11/02 > 02/07			30.A25.00	
4.5 Turbo	M48.50	331	450	11/02 > 02/07	25.165.00	∞		54.148.00
antibacterial, anti-odour and anti-allergen filter / filtro antibatterico, antiodori e anti-allergeni	M48.50	331	450	11/02 > 02/07				34.148.00

...PORSCHE - cars/auto

2 filters / N.2 filtri	M48.50	331	450	11/02 >	02/07			30.329.00	
2 filters dusty areas / N.2 filtri zone polverose	M48.50	331	450	11/02 >	02/07			30.A25.00	
4.5 Turbo	M48.50S Powerkit	368	500	12/04 >	02/07	25.165.00			54.148.00
antibacterial, anti-odour and anti-allergen filter / filtro antibatterico, antiodori e anti-allergeni	M48.50S Powerkit	368	500	12/04 >	02/07				34.148.00
2 filters / N.2 filtri	M48.50S Powerkit	368	500	12/04 >	02/07			30.329.00	
2 filters dusty areas / N.2 filtri zone polverose	M48.50S Powerkit	368	500	12/04 >	02/07			30.A25.00	
4.5 Turbo S	M48	383	521	02/06 >	02/07	25.165.00			54.148.00
antibacterial, anti-odour and anti-allergen filter / filtro antibatterico, antiodori e anti-allergeni	M48	383	521	02/06 >	02/07				34.148.00
2 filters / N.2 filtri	M48	383	521	02/06 >	02/07			30.329.00	
2 filters dusty areas / N.2 filtri zone polverose	M48	383	521	02/06 >	02/07			30.A25.00	
4.8 V8 GTS	M48.01	298	405	03/08 >	05/10	25.210.00			54.148.00
antibacterial, anti-odour and anti-allergen filter / filtro antibatterico, antiodori e anti-allergeni	M48.01	298	405	03/08 >	05/10				34.148.00
2 filters / N.2 filtri	M48.01	298	405	03/08 >	05/10			30.329.00	
2 filters dusty areas / N.2 filtri zone polverose	M48.01	298	405	03/08 >	05/10			30.A25.00	
4.8 V8 S	M48.01	283	385	02/07 >	05/10	25.210.00			54.148.00
antibacterial, anti-odour and anti-allergen filter / filtro antibatterico, antiodori e anti-allergeni	M48.01	283	385	02/07 >	05/10				34.148.00
2 filters / N.2 filtri	M48.01	283	385	02/07 >	05/10			30.329.00	
2 filters dusty areas / N.2 filtri zone polverose	M48.01	283	385	02/07 >	05/10			30.A25.00	
4.8 V8 Turbo	M48.51	368	500	02/07 >	05/10	25.210.00			54.148.00
antibacterial, anti-odour and anti-allergen filter / filtro antibatterico, antiodori e anti-allergeni	M48.51	368	500	02/07 >	05/10				34.148.00
2 filters / N.2 filtri	M48.51	368	500	02/07 >	05/10			30.329.00	
2 filters dusty areas / N.2 filtri zone polverose	M48.51	368	500	02/07 >	05/10			30.A25.00	
4.8 V8 Turbo	M48.51	397	540	02/07 >	05/10	25.210.00			54.148.00
antibacterial, anti-odour and anti-allergen filter / filtro antibatterico, antiodori e anti-allergeni	M48.51	397	540	02/07 >	05/10				34.148.00
2 filters / N.2 filtri	M48.51	397	540	02/07 >	05/10			30.329.00	
2 filters dusty areas / N.2 filtri zone polverose	M48.51	397	540	02/07 >	05/10			30.A25.00	
4.8 V8 Turbo S	M48.51	405	550	07/08 >	05/10	25.210.00			54.148.00
antibacterial, anti-odour and anti-allergen filter / filtro antibatterico, antiodori e anti-allergeni	M48.51	405	550	07/08 >	05/10				34.148.00
2 filters / N.2 filtri	M48.51	405	550	07/08 >	05/10			30.329.00	
2 filters dusty areas / N.2 filtri zone polverose	M48.51	405	550	07/08 >	05/10			30.A25.00	
Cayenne II (92A)									
3.0 S Hybrid	M06.EC	279	379	05/10 >		25.080.00		30.329.00	54.312.00
antibacterial, anti-odour and anti-allergen filter / filtro antibatterico, antiodori e anti-allergeni	M06.EC	279	379	05/10 >					34.312.00
dusty areas / zone polverose	M06.EC	279	379	05/10 >				30.A25.00	
3.0 S Hybrid	M06.EC	306	416	10/14 >		25.080.00		30.329.00	54.312.00
antibacterial, anti-odour and anti-allergen filter / filtro antibatterico, antiodori e anti-allergeni	M06.EC	306	416	10/14 >					34.312.00
dusty areas / zone polverose	M06.EC	306	416	10/14 >				30.A25.00	
3.0 V6 Turbodiesel	M05.9E	176	240	05/10 >	07/11	25.105.00	26.025.00	30.329.00	54.312.00
antibacterial, anti-odour and anti-allergen filter / filtro antibatterico, antiodori e anti-allergeni	M05.9E	176	240	05/10 >	07/11				34.312.00
dusty areas / zone polverose	M05.9E	176	240	05/10 >	07/11			30.A25.00	
3.0 V6 Turbodiesel	MCR.CA/CB	180	245	08/11 >		25.141.00	26.025.00	30.329.00	54.312.00
antibacterial, anti-odour and anti-allergen filter / filtro antibatterico, antiodori e anti-allergeni	MCR.CA/CB	180	245	08/11 >					34.312.00
dusty areas / zone polverose	MCR.CA/CB	180	245	08/11 >				30.A25.00	
3.6 V6	M55.02	220	300	05/10 >	07/11	25.010.00		30.329.00	54.312.00
antibacterial, anti-odour and anti-allergen filter / filtro antibatterico, antiodori e anti-allergeni	M55.02	220	300	08/11 >		25.089.00		30.329.00	54.312.00
	M55.02	220	300	05/10 >					34.312.00
4.2 V8 Diesel	MCU.DB	285	387	11/12 >		25.105.00	26.025.00		54.312.00
antibacterial, anti-odour and anti-allergen filter / filtro antibatterico, antiodori e anti-allergeni	MCU.DB	285	387	11/12 >					34.312.00
4.8 S	M48.02	294	400	05/10 >					54.312.00
antibacterial, anti-odour and anti-allergen filter / filtro antibatterico, antiodori e anti-allergeni	M48.02	294	400	05/10 >					34.312.00
4.8 Turbo	M48.52	368	500	05/10 >					54.312.00
antibacterial, anti-odour and anti-allergen filter / filtro antibatterico, antiodori e anti-allergeni	M48.52	368	500	05/10 >					34.312.00
Cayenne III (9YA)									
2.9 S Biturbo	MDC.AB	324	440	05/17 >					54.292.00
antibacterial, anti-odour and anti-allergen filter / filtro antibatterico, antiodori e anti-allergeni	MDC.AB	324	440	05/17 >					34.292.00
3.0 Turbo	MDC.BE	250	340	05/17 >					54.292.00
antibacterial, anti-odour and anti-allergen filter / filtro antibatterico, antiodori e anti-allergeni	MDC.BE	250	340	05/17 >					34.292.00
4.0 Turbo V8	MDC.UA	404	550	05/17 >					54.292.00
antibacterial, anti-odour and anti-allergen filter / filtro antibatterico, antiodori e anti-allergeni	MDC.UA	404	550	05/17 >					34.292.00
Cayman (981)									
2.7	MA1.22	202	275	01/13 >		25.198.00			
3.4 GTS	MA1.23 I011	250	340	04/14 >		25.198.00			
3.4 S	MA1.23	239	325	03/13 >		25.198.00			
Cayman (987)									
2.7	M97.20	180	245	07/06 >	02/09	25.165.00		27.B13.00	53.028.00
with activated carbons / ai carboni attivi	M97.20	180	245	07/06 >	02/09				54.389.00
2.9	MA1.20	195	265	02/09 >	12/12	25.198.00		27.B13.00	53.028.00

...PORSCHE - cars/auto

with activated carbons / ai carboni attivi	MA1.20	195	265	02/09 >	12/12				54.389.00
3.4 R	MA1.22	243	330	01/11 >	12/12	25.198.00		27.B13.00	53.028.00
with activated carbons / ai carboni attivi	MA1.22	243	330	01/11 >	12/12				54.389.00
3.4 S	M97.21	217	295	11/05 >	02/09	25.165.00		27.B13.00	53.028.00
with activated carbons / ai carboni attivi	M97.21	217	295	11/05 >	02/09				54.389.00
3.4 S	MA1.21	235	320	02/09 >	12/12	25.198.00		27.B13.00	53.028.00
with activated carbons / ai carboni attivi	MA1.21	235	320	02/09 >	12/12				54.389.00
3.4 S Sport	M97.21	223	303	09/08 >	02/09	25.165.00		27.B13.00	53.028.00
with activated carbons / ai carboni attivi	M97.21	223	303	09/08 >	02/09				54.389.00

Macan

2.0	MCN.CC/MCY.NA	174	237	03/14 >		25.153.00			53.153.00
with activated carbons / ai carboni attivi	MCN.CC/MCY.NA	174	237	03/14 >					54.168.00
antibacterial, anti-odour and anti-allergen filter / filtro antibatterico, antiodori e anti-allergeni	MCN.CC/MCY.NA	174	237	03/14 >					34.168.00
3.0 Diesel	MCT.BB	155	211	03/14 >		25.141.00	31.950.00		53.153.00
with activated carbons / ai carboni attivi	MCT.BB	155	211	03/14 >					54.168.00
antibacterial, anti-odour and anti-allergen filter / filtro antibatterico, antiodori e anti-allergeni	MCT.BB	155	211	03/14 >					34.168.00
3.0 S	MCT.MA	250	340	03/14 >		25.210.00			53.153.00
with activated carbons / ai carboni attivi	MCT.MA	250	340	03/14 >					54.168.00
antibacterial, anti-odour and anti-allergen filter / filtro antibatterico, antiodori e anti-allergeni	MCT.MA	250	340	03/14 >					34.168.00
3.0 S Diesel	MCD.UD	180	245	03/14 >		25.141.00	31.950.00		53.153.00
with activated carbons / ai carboni attivi	MCD.UD	180	245	03/14 >					54.168.00
antibacterial, anti-odour and anti-allergen filter / filtro antibatterico, antiodori e anti-allergeni	MCD.UD	180	245	03/14 >					34.168.00
3.0 S Diesel	MCT.BA	190	258	03/14 >		25.141.00	31.950.00		53.153.00
with activated carbons / ai carboni attivi	MCT.BA	190	258	03/14 >					54.168.00
antibacterial, anti-odour and anti-allergen filter / filtro antibatterico, antiodori e anti-allergeni	MCT.BA	190	258	03/14 >					34.168.00
3.0 S Diesel	MCT.BC	184	250	03/14 >		25.141.00	31.950.00		53.153.00
with activated carbons / ai carboni attivi	MCT.BC	184	250	03/14 >					54.168.00
antibacterial, anti-odour and anti-allergen filter / filtro antibatterico, antiodori e anti-allergeni	MCT.BC	184	250	03/14 >					34.168.00
3.6 Turbo	MCT.LA	294	400	03/14 >		25.210.00			53.153.00
with activated carbons / ai carboni attivi	MCT.LA	294	400	03/14 >					54.168.00
antibacterial, anti-odour and anti-allergen filter / filtro antibatterico, antiodori e anti-allergeni	MCT.LA	294	400	03/14 >					34.168.00

Panamera (970)

3.0 Diesel	MCR.OB	155	211	09/11 >		25.141.00			54.284.00
3.0 Diesel	MCR.CC	184	250	09/11 >		25.141.00			54.284.00
3.6	M46.20/40	221	300	06/10 >		25.210.00			54.284.00
4.8 S	M48.20/40	294	400	09/09 >		25.210.00			54.284.00
4.8 S4	M48.20/40	294	400	09/09 >		25.210.00			54.284.00
4.8 Turbo	M48.70	368	500	09/09 >		25.210.00			54.284.00

Panamera II (971)

2.9 4E Hybrid	MDG.PA/MCX.TA	340	462	09/16 >					
3.0	MDG.PA	243	330	09/16 >					
4.0 Turbo	MCV.DA	404	550	11/16 >					

Taycan

4S		390	530	05/19 >					
Turbo		500	680	05/19 >					
Turbo S		560	761	05/19 >					

PROTON

cars/auto

GEN-2

1.6 16V		82	112	08/06 >		23.265.00	31.515.00		
----------------	--	----	-----	---------	--	-----------	-----------	--	--

Persona

1.5 i 12V	4G15	64	87	11/93 >		23.271.00	31.609.00		
1.6 i 16V	4G92	83	113	12/93 >		23.271.00	31.609.00		
1.8 i 16V	4G93	85	115	04/96 >		23.271.00	31.609.00		
2.0 TD	4D68T			04/97 >		23.237.00	24.368.00		

Proton

1.5 MPI	4G15			08/92 >		23.271.00		27.171.00	
----------------	------	--	--	---------	--	-----------	--	-----------	--

Satria

1.3 i	G13B	55	75	01/00 >		23.461.00	31.609.00		
1.5 i	G15B	64	87	01/00 >		23.461.00	31.609.00		
1.6 i	4G92	70	95	01/00 >		23.265.00	31.609.00		
1.8 i 16V	4G93	103	141	01/00 >		23.265.00	31.609.00		

Savvy

1.2 16V	Renault D4F	55	75	09/05 >		23.470.00			
----------------	-------------	----	----	---------	--	-----------	--	--	--

Wira

1.3 i	G13B	55	75	08/00 >		23.461.00	31.609.00		
1.5 i	G15B	64	87	08/00 >		23.461.00	31.609.00		

...PROTON - cars/auto

1.6 i	4G92	70	94	01/00 >	02/02	23.265.00				
1.8 i 16V	4G93	85	114	01/00 >		23.265.00				
2.0 TD				03/00 >		23.237.00	24.368.00	27.171.00		

RAVON

cars/auto

Gentra

1.5	B15D2	78	106	01/15 >		23.585.00	31.843.00	30.277.00		
-----	-------	----	-----	---------	--	-----------	-----------	-----------	--	--

Nexia R3

1.5	B15D2	78	106	01/15 >		23.585.00	31.843.00	30.277.00		
-----	-------	----	-----	---------	--	-----------	-----------	-----------	--	--

R2

1.2		63	86	01/15 >		23.585.00		30.701.00		
-----	--	----	----	---------	--	-----------	--	-----------	--	--

R4

1.5	L2C	78	106	01/16 >		23.585.00		30.569.00		
-----	-----	----	-----	---------	--	-----------	--	-----------	--	--

RAYTON FISSORE

off-road cars/fuoristrada

Magnum

2.0 VX Volumex 4x4	Fiat 1995			09/84 >	12/03	23.168.00		27.888.00		
2.5 i V6 4x4	Alfa Romeo 2492			11/86 >	12/03	23.124.00				
2.5 i V6 4x4 Vip	Alfa Romeo 2492			04/86 >	12/03	23.124.00				
2.5 Turbodiesel 4x4	Sofim 2445			01/91 >	12/03	23.303.00	24.360.00			
with pump BOSCH / con pompa BOSCH	Sofim 2445			01/91 >	12/03	23.303.00	24.351.00			

RENAULT

cars/auto

Alaskan

2.3 DCI 160	M9T	118	160	09/17 >		25.170.00	26.114.00	30.A59.00		
with air-conditioner / con climatizzatore	M9T	118	160	05/98 >	09/02	23.418.00	31.710.00	30.969.00	53.083.00	
2.3 DCI TwinTurbo190	M9T	140	190	09/17 >		25.170.00	26.114.00	30.A59.00		

Alpine A 610

3.0 V6 Turbo	Z7X			03/91 >		23.401.00				
--------------	-----	--	--	---------	--	-----------	--	--	--	--

Avantime

2.0 i 16V Turbo										
with air-conditioner / con climatizzatore	F4R-760/F4R-761	120	163	06/01 >	05/03	23.418.00	31.710.00			53.037.00
with activated carbon air-conditioner / con climatizzatore, ai carboni attivi	F4R-760/F4R-761	120	163	06/01 >	05/03					54.252.00
2.2 DCI 16V										
with air-conditioner / con climatizzatore	G9T	110	150	04/02 >	05/03	25.033.00	26.687.00	30.324.00		53.037.00
with activated carbon air-conditioner / con climatizzatore, ai carboni attivi	G9T	110	150	04/02 >	05/03					54.252.00
3.0 i V6 24V										
with air-conditioner / con climatizzatore	L7X	152	207	06/01 >	05/03	23.401.00	31.710.00			53.037.00
with activated carbon air-conditioner / con climatizzatore, ai carboni attivi	L7X	152	207	06/01 >	05/03					54.252.00

Captur

0.9 TCe	H4BT-400	66	90	05/13 >		25.145.00		30.547.00		
with air-conditioner DENSO / con climatizzatore DENSO	H4BT-400	66	90	05/13 >						53.321.00
with activated carbon air-conditioner DENSO / con climatizzatore, ai carboni attivi DENSO	H4BT-400	66	90	05/13 >						54.227.00
antibacterial, anti-odour and anti-allergen filter with air-conditioner / filtro antibatterico, antiodori e anti-allergeni con climatizzatore	H4BT-400	66	90	05/13 >						34.227.00
1.2 TCe	H5F-403	83	113	05/13 >		25.145.00		30.547.00		
with air-conditioner DENSO / con climatizzatore DENSO	H5F-403	83	113	05/13 >						53.321.00
with activated carbon air-conditioner DENSO / con climatizzatore, ai carboni attivi DENSO	H5F-403	83	113	05/13 >						54.227.00
antibacterial, anti-odour and anti-allergen filter with air-conditioner / filtro antibatterico, antiodori e anti-allergeni con climatizzatore	H5F-403	83	113	05/13 >						34.227.00
1.2 TCe	H5F-403	88	120	06/13 >		25.145.00		30.547.00		
with air-conditioner DENSO / con climatizzatore DENSO	H5F-403	88	120	06/13 >						53.321.00
with activated carbon air-conditioner DENSO / con climatizzatore, ai carboni attivi DENSO	H5F-403	88	120	06/13 >						54.227.00
antibacterial, anti-odour and anti-allergen filter with air-conditioner / filtro antibatterico, antiodori e anti-allergeni con climatizzatore	H5F-403	88	120	05/13 >						34.227.00
1.2 TCe	H5F-408, H5F-412	87	118	01/16 >		25.145.00		30.547.00		
with air-conditioner DENSO / con climatizzatore DENSO	H5F-408, H5F-412	87	118	01/16 >						53.321.00
with activated carbon air-conditioner DENSO / con climatizzatore, ai carboni attivi DENSO	H5F-408, H5F-412	87	118	01/16 >						54.227.00
antibacterial, anti-odour and anti-allergen filter with air-conditioner / filtro antibatterico, antiodori e anti-allergeni con climatizzatore	H5F-408, H5F-412	87	118	01/16 >						34.227.00
1.2 TCe	H5FT-403	85	116	06/15 >		25.145.00		30.547.00		
with air-conditioner DENSO / con climatizzatore DENSO	H5FT-403	85	116	06/15 >						53.321.00
with activated carbon air-conditioner DENSO / con climatizzatore, ai carboni attivi DENSO	H5FT-403	85	116	06/15 >						54.227.00
antibacterial, anti-odour and anti-allergen filter with air-conditioner / filtro antibatterico, antiodori e anti-allergeni con climatizzatore	H5FT-403	85	116	06/15 >						34.227.00
1.3 TCe	H5H-450	110	150	02/18 >		25.145.00		30.547.00		
with air-conditioner DENSO / con climatizzatore DENSO	H5H-450	110	150	02/18 >						53.321.00
with activated carbon air-conditioner DENSO / con climatizzatore, ai carboni attivi DENSO	H5H-450	110	150	02/18 >						54.227.00
antibacterial, anti-odour and anti-allergen filter with air-conditioner / filtro antibatterico, antiodori e anti-allergeni con climatizzatore	H5H-450	110	150	02/18 >						34.227.00
1.5 DCI 110	K9K-646, K9K-674	81	110	02/15 >		23.628.00	26.115.00	30.547.00		
with air-conditioner DENSO / con climatizzatore DENSO	K9K-646, K9K-674	81	110	02/15 >						53.321.00
with activated carbon air-conditioner DENSO / con climatizzatore, ai carboni attivi DENSO	K9K-646, K9K-674	81	110	02/15 >						54.227.00

...RENAULT - cars/auto

antibacterial, anti-odour and anti-allergen filter with air-conditioner / filtro antibatterico, antiodori e anti-allergeni con climatizzatore	K9K-646, K9K-674	81	110	02/15	>				34.227.00
1.5 DCi 110	K9K856	81	110	05/13	>	23.481.00	26.115.00	30.547.00	
with air-conditioner DENSO / con climatizzatore DENSO	K9K856	81	110	05/13	>				53.321.00
with activated carbon air-conditioner DENSO / con climatizzatore, ai carboni attivi DENSO	K9K856	81	110	05/13	>				54.227.00
antibacterial, anti-odour and anti-allergen filter with air-conditioner / filtro antibatterico, antiodori e anti-allergeni con climatizzatore	K9K856	81	110	05/13	>				34.227.00
1.5 DCi 90	K9K-608, K9K-628, K9K-638	66	90	05/13	>	23.628.00	26.115.00	30.547.00	
with air-conditioner DENSO / con climatizzatore DENSO	K9K-608, K9K-628, K9K-638	66	90	05/13	>				53.321.00
with activated carbon air-conditioner DENSO / con climatizzatore, ai carboni attivi DENSO	K9K-608, K9K-628, K9K-638	66	90	05/13	>				54.227.00
antibacterial, anti-odour and anti-allergen filter with air-conditioner / filtro antibatterico, antiodori e anti-allergeni con climatizzatore	K9K-608, K9K-628, K9K-638	66	90	05/13	>				34.227.00
1.5 DCi 90	K9K-830, K9K-838	66	90	05/13	>	23.481.00	26.115.00	30.547.00	
with air-conditioner DENSO / con climatizzatore DENSO	K9K-830, K9K-838	66	90	05/13	>				53.321.00
with activated carbon air-conditioner DENSO / con climatizzatore, ai carboni attivi DENSO	K9K-830, K9K-838	66	90	05/13	>				54.227.00
antibacterial, anti-odour and anti-allergen filter with air-conditioner / filtro antibatterico, antiodori e anti-allergeni con climatizzatore	K9K-830, K9K-838	66	90	05/13	>				34.227.00
1.5 DCi 90 Auto.	K9K-609, K9K-629, K9K-639	66	90	05/13	>	23.628.00	26.115.00	30.547.00	
with air-conditioner DENSO / con climatizzatore DENSO	K9K-609, K9K-629, K9K-639	66	90	05/13	>				53.321.00
with activated carbon air-conditioner DENSO / con climatizzatore, ai carboni attivi DENSO	K9K-609, K9K-629, K9K-639	66	90	05/13	>				54.227.00
antibacterial, anti-odour and anti-allergen filter with air-conditioner / filtro antibatterico, antiodori e anti-allergeni con climatizzatore	K9K-609, K9K-629, K9K-639	66	90	05/13	>				34.227.00
1.6	H4M-750, H4M-751	84	114	02/18	>	23.484.00		30.547.00	
with air-conditioner DENSO / con climatizzatore DENSO	H4M-750, H4M-751	84	114	02/18	>				53.321.00
with activated carbon air-conditioner DENSO / con climatizzatore, ai carboni attivi DENSO	H4M-750, H4M-751	84	114	02/18	>				54.227.00
antibacterial, anti-odour and anti-allergen filter with air-conditioner / filtro antibatterico, antiodori e anti-allergeni con climatizzatore	H4M-750, H4M-751	84	114	02/18	>				34.227.00
Captur II									
1.0 LPG	H4D-460	74	101	01/20	>	25.145.00			
antibacterial, anti-odour and anti-allergen filter / filtro antibatterico, antiodori e anti-allergeni	H4D-460	74	101	01/20	>				34.244.00
1.0 TCe 100	H4D-450	74	101	01/20	>	25.145.00			
with activated carbons / ai carboni attivi	H4D-450	74	101	01/20	>				54.244.00
antibacterial, anti-odour and anti-allergen filter / filtro antibatterico, antiodori e anti-allergeni	H4D-450	74	101	01/20	>				34.244.00
1.0 TCe 155	H5H-470	113	154	01/20	>	25.145.00			
1.3 TCe 130	H5H-470	96	131	01/20	>	25.145.00			
with activated carbons / ai carboni attivi	H5H-470	96	131	01/20	>				54.244.00
antibacterial, anti-odour and anti-allergen filter / filtro antibatterico, antiodori e anti-allergeni	H5H-470	96	131	01/20	>				34.244.00
1.3 TCe 150	H5H-450	110	150	03/18	>	25.145.00		30.547.00	
with activated carbons / ai carboni attivi	H5H-450	110	150	03/18	>				54.244.00
antibacterial, anti-odour and anti-allergen filter / filtro antibatterico, antiodori e anti-allergeni	H5H-450	110	150	03/18	>				34.244.00
1.3 TCe 155	H5H-470	113	154	01/20	>	25.145.00			
with activated carbons / ai carboni attivi	H5H-470	113	154	01/20	>				54.244.00
1.5 Blue dCi 115									
with activated carbons / ai carboni attivi	K9K-872/K9K-873	85	116	01/20	>				54.244.00
antibacterial, anti-odour and anti-allergen filter / filtro antibatterico, antiodori e anti-allergeni	K9K-872/K9K-873	85	116	01/20	>				34.244.00
1.5 Blue dCi 95									
with activated carbons / ai carboni attivi	K9K-872	70	95	01/20	>				54.244.00
antibacterial, anti-odour and anti-allergen filter / filtro antibatterico, antiodori e anti-allergeni	K9K-872	70	95	01/20	>				34.244.00
1.6 E-TECH 160	H4M-630	68	92	01/20	>	23.258.00			
with activated carbons / ai carboni attivi	H4M-630	68	92	01/20	>				54.244.00
antibacterial, anti-odour and anti-allergen filter / filtro antibatterico, antiodori e anti-allergeni	H4M-630	68	92	01/20	>				34.244.00
Clio II									
1.2 i									
with air-conditioner / con climatizzatore	D7F	43	58	03/98	> 04/00	23.424.00	31.710.00	27.273.00	53.060.00
with air-conditioner / con climatizzatore	D7F	43	58	05/00	> 03/03	25.022.00	31.710.00	27.273.00	53.060.00
with air-conditioner / con climatizzatore	D7F	43	58	04/03	> 09/05	23.470.00	31.710.00	27.273.00	53.060.00
with activated carbon air-conditioner / con climatizzatore, ai carboni attivi	D7F	43	58	03/98	> 09/05				54.196.00
antibacterial, anti-odour and anti-allergen filter with air-conditioner / filtro antibatterico, antiodori e anti-allergeni con climatizzatore	D7F	43	58	03/98	> 09/05				34.196.00
1.2 i 16V									
with air-conditioner / con climatizzatore	D4F-712	55	75	01/01	> 03/03	25.022.00	31.710.00	30.163.00	53.060.00
with air-conditioner / con climatizzatore	D4F-712	55	75	04/03	> 09/05	23.470.00	31.710.00	30.163.00	53.060.00
with activated carbon air-conditioner / con climatizzatore, ai carboni attivi	D4F-712	55	75	01/01	> 09/05				54.196.00
antibacterial, anti-odour and anti-allergen filter with air-conditioner / filtro antibatterico, antiodori e anti-allergeni con climatizzatore	D4F-712	55	75	01/01	> 09/05				34.196.00
1.2 i 16V									
with air-conditioner / con climatizzatore	D4F-722	55	75	01/01	> 03/03	23.470.00	31.710.00	30.302.00	53.060.00
with air-conditioner / con climatizzatore	D4F-722	55	75	04/03	> 09/05	23.470.00	31.710.00	30.302.00	53.060.00
with activated carbon air-conditioner / con climatizzatore, ai carboni attivi	D4F-722	55	75	01/01	> 09/05				54.196.00
antibacterial, anti-odour and anti-allergen filter with air-conditioner / filtro antibatterico, antiodori e anti-allergeni con climatizzatore	D4F-722	55	75	01/01	> 09/05				34.196.00
1.4 i (BB0C)									
with air-conditioner / con climatizzatore	E7J-780	55	75	03/98	> 06/01	23.418.00	31.710.00	30.021.00	53.060.00
with activated carbon air-conditioner / con climatizzatore, ai carboni attivi	E7J-780	55	75	03/98	> 06/01				54.196.00
antibacterial, anti-odour and anti-allergen filter with air-conditioner / filtro antibatterico, antiodori e anti-allergeni con climatizzatore	E7J-780	55	75	03/98	> 06/01				34.196.00
1.4 i (BB0S)									

...RENAULT - cars/auto

with air-conditioner / con climatizzatore	E7J-634			03/99 > 09/05	23.418.00	31.710.00	30.217.00	53.060.00
with activated carbon air-conditioner / con climatizzatore, ai carboni attivi	E7J-634			03/99 > 09/05				54.196.00
antibacterial, anti-odour and anti-allergen filter with air-conditioner / filtro antibatterico, antiodori e anti-allergeni con climatizzatore	E7J-634			03/99 > 09/05				34.196.00
1.4 i (BB0S)								
with air-conditioner / con climatizzatore	E7J-635			03/99 > 09/05	23.418.00	31.710.00	30.217.00	53.060.00
with activated carbon air-conditioner / con climatizzatore, ai carboni attivi	E7J-635			03/99 > 09/05				54.196.00
antibacterial, anti-odour and anti-allergen filter with air-conditioner / filtro antibatterico, antiodori e anti-allergeni con climatizzatore	E7J-635			03/99 > 09/05				34.196.00
1.4 i (CB0S)								
with air-conditioner / con climatizzatore	E7J-634			03/99 > 09/05	23.418.00	31.710.00	30.217.00	53.060.00
with activated carbon air-conditioner / con climatizzatore, ai carboni attivi	E7J-634			03/99 > 09/05				54.196.00
antibacterial, anti-odour and anti-allergen filter with air-conditioner / filtro antibatterico, antiodori e anti-allergeni con climatizzatore	E7J-634			03/99 > 09/05				34.196.00
1.4 i (CB0S)								
with air-conditioner / con climatizzatore	E7J-635			03/99 > 09/05	23.418.00	31.710.00	30.217.00	53.060.00
with activated carbon air-conditioner / con climatizzatore, ai carboni attivi	E7J-635			03/99 > 09/05				54.196.00
antibacterial, anti-odour and anti-allergen filter with air-conditioner / filtro antibatterico, antiodori e anti-allergeni con climatizzatore	E7J-635			03/99 > 09/05				34.196.00
1.4 i (CB0S)								
with air-conditioner / con climatizzatore	E7J-780	55	75	03/98 > 06/01	23.418.00	31.710.00	30.021.00	53.060.00
with activated carbon air-conditioner / con climatizzatore, ai carboni attivi	E7J-780	55	75	03/98 > 06/01				54.196.00
antibacterial, anti-odour and anti-allergen filter with air-conditioner / filtro antibatterico, antiodori e anti-allergeni con climatizzatore	E7J-780	55	75	03/98 > 06/01				34.196.00
1.4 i 16V								
with air-conditioner / con climatizzatore	K4J	72	98	01/00 > 09/05	23.418.00	31.710.00	30.147.00	53.060.00
with activated carbon air-conditioner / con climatizzatore, ai carboni attivi	K4J	72	98	01/00 > 09/05				54.196.00
antibacterial, anti-odour and anti-allergen filter with air-conditioner / filtro antibatterico, antiodori e anti-allergeni con climatizzatore	K4J	72	98	01/00 > 09/05				34.196.00
1.5 DCI								
with air-conditioner / con climatizzatore	K9K	48	65	06/01 > 09/05	23.418.00	24.013.00	30.181.00	53.060.00
with activated carbon air-conditioner / con climatizzatore, ai carboni attivi	K9K	48	65	06/01 > 09/05				54.196.00
with facility for water sensor / con predisposizione per sensore acqua	K9K	48	65	06/01 > 12/04	23.418.00	24.050.00	30.181.00	53.060.00
with facility for water sensor / con predisposizione per sensore acqua	K9K	48	65	01/05 > 09/05	23.418.00	24.052.00	30.181.00	53.060.00
with facility for water sensor DELPHI HDF938 (2 µ) / con predisposizione per sensore acqua DELPHI HDF938 (2 µ)	K9K	48	65	01/05 > 09/05		24.098.00		
antibacterial, anti-odour and anti-allergen filter with air-conditioner / filtro antibatterico, antiodori e anti-allergeni con climatizzatore	K9K	48	65	06/01 > 09/05				34.196.00
1.5 DCI								
with air-conditioner / con climatizzatore	K9K	60	82	06/01 > 09/05	23.418.00	24.013.00	30.181.00	53.060.00
with activated carbon air-conditioner / con climatizzatore, ai carboni attivi	K9K	60	82	06/01 > 09/05				54.196.00
with facility for water sensor / con predisposizione per sensore acqua	K9K	60	82	06/01 > 12/04	23.418.00	24.050.00	30.181.00	53.060.00
with facility for water sensor / con predisposizione per sensore acqua	K9K	60	82	01/05 > 09/05	23.418.00	24.052.00	30.181.00	53.060.00
with facility for water sensor DELPHI HDF938 (2 µ) / con predisposizione per sensore acqua DELPHI HDF938 (2 µ)	K9K	60	82	01/05 > 09/05		24.098.00		
antibacterial, anti-odour and anti-allergen filter with air-conditioner / filtro antibatterico, antiodori e anti-allergeni con climatizzatore	K9K	60	82	06/01 > 09/05				34.196.00
1.5 DCI								
with air-conditioner / con climatizzatore	K9K-712	74	100	12/03 > 09/05	23.418.00	24.013.00	30.321.00	53.060.00
with activated carbon air-conditioner / con climatizzatore, ai carboni attivi	K9K-712	74	100	12/03 > 09/05				54.196.00
with facility for water sensor / con predisposizione per sensore acqua	K9K-712	74	100	12/03 > 12/04	23.418.00	24.050.00	30.321.00	53.060.00
with facility for water sensor / con predisposizione per sensore acqua	K9K-712	74	100	01/05 > 09/05	23.418.00	24.052.00	30.321.00	53.060.00
with facility for water sensor DELPHI HDF938 (2 µ) / con predisposizione per sensore acqua DELPHI HDF938 (2 µ)	K9K-712	74	100	01/05 > 09/05		24.098.00		
antibacterial, anti-odour and anti-allergen filter with air-conditioner / filtro antibatterico, antiodori e anti-allergeni con climatizzatore	K9K-712	74	100	12/03 > 09/05				34.196.00
1.6 i								
with air-conditioner / con climatizzatore	K7M	66	90	03/98 > 02/00	23.418.00	31.710.00	30.021.00	53.060.00
with activated carbon air-conditioner / con climatizzatore, ai carboni attivi	K7M	66	90	03/98 > 02/00				54.196.00
antibacterial, anti-odour and anti-allergen filter with air-conditioner / filtro antibatterico, antiodori e anti-allergeni con climatizzatore	K7M	66	90	03/98 > 02/00				34.196.00
1.6 i 16V								
with air-conditioner / con climatizzatore	K4M	79	107	09/98 > 09/05	23.418.00	31.710.00	30.147.00	53.060.00
with activated carbon air-conditioner / con climatizzatore, ai carboni attivi	K4M	79	107	09/98 > 09/05				54.196.00
antibacterial, anti-odour and anti-allergen filter with air-conditioner / filtro antibatterico, antiodori e anti-allergeni con climatizzatore	K4M	79	107	09/98 > 09/05				34.196.00
1.6 i Automatic								
with air-conditioner / con climatizzatore	K7M	79	107	03/98 > 09/05	23.418.00	31.710.00	30.021.00	53.060.00
with activated carbon air-conditioner / con climatizzatore, ai carboni attivi	K7M	79	107	03/98 > 09/05				54.196.00
antibacterial, anti-odour and anti-allergen filter with air-conditioner / filtro antibatterico, antiodori e anti-allergeni con climatizzatore	K7M	79	107	03/98 > 09/05				34.196.00
1.9 D (BB02/LB02/SB0R)								
with activated carbon air-conditioner / con climatizzatore, ai carboni attivi	F8Q-630/662	47	64	03/98 > 09/01				54.196.00
antibacterial, anti-odour and anti-allergen filter with air-conditioner / filtro antibatterico, antiodori e anti-allergeni con climatizzatore	F8Q-630/662	47	64	03/98 > 09/01				34.196.00
assembly DELPHI / montaggio DELPHI	F8Q-630/662	47	64	03/98 > 09/01	23.418.00	26.690.00	30.108.00	53.060.00
assembly PURFLUX / montaggio PURFLUX	F8Q-630/662	47	64	03/98 > 09/01	23.418.00	26.686.00	30.108.00	53.060.00
1.9 D (BB0E/CB0E/SB0E)								
with activated carbon air-conditioner / con climatizzatore, ai carboni attivi	F8Q-630/662	47	64	03/98 > 09/01				54.196.00
antibacterial, anti-odour and anti-allergen filter with air-conditioner / filtro antibatterico, antiodori e anti-allergeni con climatizzatore	F8Q-630/662	47	64	03/98 > 09/01				34.196.00
assembly DELPHI / montaggio DELPHI	F8Q-630/662	47	64	03/98 > 09/01	23.418.00	26.690.00	30.108.00	53.060.00
assembly PURFLUX / montaggio PURFLUX	F8Q-630/662	47	64	03/98 > 09/01	23.418.00	26.686.00	30.108.00	53.060.00
1.9 D (BB0J/CB0J/SB0J)								

...RENAULT - cars/auto

with activated carbon air-conditioner / con climatizzatore, ai carboni attivi	F8Q-632	47	64	03/98	>	09/01				54.196.00
antibacterial, anti-odour and anti-allergen filter with air-conditioner / filtro antibatterico, antiodori e anti-allergeni con climatizzatore	F8Q-632	47	64	03/98	>	09/01				34.196.00
assembly DELPHI / montaggio DELPHI	F8Q-632	47	64	03/98	>	09/01	23.418.00	26.690.00	30.213.00	53.060.00
assembly PURFLUX / montaggio PURFLUX	F8Q-632	47	64	03/98	>	09/01	23.418.00	26.686.00	30.213.00	53.060.00
1.9 DTI										
with activated carbon air-conditioner / con climatizzatore, ai carboni attivi	F9Q	59	80	01/99	>	06/01				54.196.00
antibacterial, anti-odour and anti-allergen filter with air-conditioner / filtro antibatterico, antiodori e anti-allergeni con climatizzatore	F9Q	59	80	01/99	>	06/01				34.196.00
assembly DELPHI / montaggio DELPHI	F9Q	59	80	01/99	>	06/01	23.481.00	26.690.00	30.150.00	53.060.00
2.0 i 16V Sport										
with air-conditioner / con climatizzatore	F4R	132	179	12/03	>	09/05	23.418.00	31.710.00		53.060.00
with activated carbon air-conditioner / con climatizzatore, ai carboni attivi	F4R	132	179	12/03	>	09/05				54.196.00
antibacterial, anti-odour and anti-allergen filter with air-conditioner / filtro antibatterico, antiodori e anti-allergeni con climatizzatore	F4R	132	179	12/03	>	09/05				34.196.00
2.0 i 16V Sport										
with air-conditioner / con climatizzatore	F4R-730/732	124	169	03/99	>	06/01	23.418.00	31.710.00	27.268.00	53.060.00
with air-conditioner / con climatizzatore	F4R-730/732	124	169	07/01	>	01/04	23.418.00	31.710.00		53.060.00
with activated carbon air-conditioner / con climatizzatore, ai carboni attivi	F4R-730/732	124	169	03/99	>	01/04				54.196.00
antibacterial, anti-odour and anti-allergen filter with air-conditioner / filtro antibatterico, antiodori e anti-allergeni con climatizzatore	F4R-730/732	124	169	03/99	>	01/04				34.196.00
3.0 i V6 24V Sport										
with air-conditioner / con climatizzatore	L7X	166	226	11/00	>	12/02	23.418.00	31.710.00	30.195.00	53.060.00
with activated carbon air-conditioner / con climatizzatore, ai carboni attivi	L7X	166	226	11/00	>	12/02				54.196.00
antibacterial, anti-odour and anti-allergen filter with air-conditioner / filtro antibatterico, antiodori e anti-allergeni con climatizzatore	L7X	166	226	11/00	>	12/02				34.196.00
3.0 i V6 24V Sport										
with air-conditioner / con climatizzatore	L7X	187	254	12/02	>	09/05	23.418.00	31.710.00	30.195.00	53.060.00
with activated carbon air-conditioner / con climatizzatore, ai carboni attivi	L7X	187	254	12/02	>	09/05				54.196.00
antibacterial, anti-odour and anti-allergen filter with air-conditioner / filtro antibatterico, antiodori e anti-allergeni con climatizzatore	L7X	187	254	12/02	>	09/05				34.196.00
Clio III										
1.2										
with activated carbons / ai carboni attivi		43	58	06/06	>	08/09	23.470.00	31.710.00	30.302.00	53.104.00
with plastic filter / con filtro in plastica		43	58	06/06	>	08/09		31.948.00		54.232.00
antibacterial, anti-odour and anti-allergen filter / filtro antibatterico, antiodori e anti-allergeni		43	58	06/06	>	08/09				34.232.00
1.2 16V										
	D4F-740	48	65	09/05	>		23.470.00	31.710.00	30.302.00	53.104.00
with activated carbons / ai carboni attivi	D4F-740	48	65	09/05	>					54.232.00
with plastic filter / con filtro in plastica	D4F-740	48	65	09/05	>			31.948.00		34.232.00
antibacterial, anti-odour and anti-allergen filter / filtro antibatterico, antiodori e anti-allergeni	D4F-740	48	65	09/05	>					34.232.00
1.2 16V										
	D4F-740	55	75	09/05	>		23.470.00	31.710.00	30.302.00	53.104.00
with activated carbons / ai carboni attivi	D4F-740	55	75	09/05	>					54.232.00
with plastic filter / con filtro in plastica	D4F-740	55	75	09/05	>			31.948.00		34.232.00
antibacterial, anti-odour and anti-allergen filter / filtro antibatterico, antiodori e anti-allergeni	D4F-740	55	75	09/05	>					34.232.00
1.2 16V										
	D4F-764	57	78	09/05	>		23.470.00	31.710.00	30.302.00	53.104.00
with activated carbons / ai carboni attivi	D4F-764	57	78	09/05	>					54.232.00
with plastic filter / con filtro in plastica	D4F-764	57	78	09/05	>			31.948.00		34.232.00
antibacterial, anti-odour and anti-allergen filter / filtro antibatterico, antiodori e anti-allergeni	D4F-764	57	78	09/05	>					34.232.00
1.2 16V										
	D4F-786	76	103	09/10	>		23.470.00	31.710.00	30.319.00	53.104.00
with activated carbons / ai carboni attivi	D4F-786	76	103	09/10	>					54.232.00
with plastic filter / con filtro in plastica	D4F-786	76	103	09/10	>			31.948.00		34.232.00
antibacterial, anti-odour and anti-allergen filter / filtro antibatterico, antiodori e anti-allergeni	D4F-786	76	103	09/10	>					34.232.00
1.2 16V Ethanol										
	D4F-740/D4F-742	55	75	07/08	>		23.470.00		30.302.00	53.104.00
with activated carbons / ai carboni attivi	D4F-740/D4F-742	55	75	07/08	>					54.232.00
antibacterial, anti-odour and anti-allergen filter / filtro antibatterico, antiodori e anti-allergeni	D4F-740/D4F-742	55	75	07/08	>					34.232.00
1.2 16V GPL/LPG										
	D4F-740	55	75	10/10	>		23.470.00		30.302.00	53.104.00
with activated carbons / ai carboni attivi	D4F-740	55	75	10/10	>					54.232.00
antibacterial, anti-odour and anti-allergen filter / filtro antibatterico, antiodori e anti-allergeni	D4F-740	55	75	10/10	>					34.232.00
1.2 16V Hi-Flex										
	D4F-740/D4F-742	55	75	07/08	>		23.470.00	31.710.00	30.302.00	53.104.00
with activated carbons / ai carboni attivi	D4F-740/D4F-742	55	75	07/08	>					54.232.00
with plastic filter / con filtro in plastica	D4F-740/D4F-742	55	75	07/08	>			31.948.00		34.232.00
antibacterial, anti-odour and anti-allergen filter / filtro antibatterico, antiodori e anti-allergeni	D4F-740/D4F-742	55	75	07/08	>					34.232.00
1.2 16V TCE										
	D4F-784	74	101	09/06	>		23.470.00	31.710.00	30.319.00	53.104.00
with activated carbons / ai carboni attivi	D4F-784	74	101	09/06	>					54.232.00
with plastic filter / con filtro in plastica	D4F-784	74	101	09/06	>			31.948.00		34.232.00
antibacterial, anti-odour and anti-allergen filter / filtro antibatterico, antiodori e anti-allergeni	D4F-784	74	101	09/06	>					34.232.00
1.4 16V										
	K4J-780	72	98	09/05	>		23.418.00	31.710.00	30.319.00	53.104.00
with activated carbons / ai carboni attivi	K4J-780	72	98	09/05	>					54.232.00
with plastic filter / con filtro in plastica	K4J-780	72	98	09/05	>			31.948.00		34.232.00
antibacterial, anti-odour and anti-allergen filter / filtro antibatterico, antiodori e anti-allergeni	K4J-780	72	98	09/05	>					34.232.00
1.5 DCI										
	K9K-750	60	82	09/05	>		23.418.00	24.087.00	30.319.00	53.104.00
with activated carbons / ai carboni attivi	K9K-750	60	82	09/05	>					54.232.00
with facility for water sensor / con predisposizione per sensore acqua	K9K-750	60	82	09/05	>			24.088.00		34.232.00

...RENAULT - cars/auto

R



antibacterial, anti-odour and anti-allergen filter / filtro antibatterico, antiodori e anti-allergeni	K9K-750	60	82	09/05	>				34.232.00
1.5 DCI	K9K-752	47	64	09/05	>	23.418.00	24.087.00	30.319.00	53.104.00
with activated carbons / ai carboni attivi	K9K-752	47	64	09/05	>				54.232.00
with facility for water sensor / con predisposizione per sensore acqua	K9K-752	47	64	09/05	>		24.088.00		
antibacterial, anti-odour and anti-allergen filter / filtro antibatterico, antiodori e anti-allergeni	K9K-752	47	64	09/05	>				34.232.00
1.5 DCI	K9K-764	78	106	09/05	> 08/07	23.418.00	24.087.00	30.319.00	53.104.00
	K9K-764	78	106	09/07	>	23.481.00	24.087.00	30.319.00	53.104.00
with activated carbons / ai carboni attivi	K9K-764	78	106	09/05	>				54.232.00
with facility for water sensor / con predisposizione per sensore acqua	K9K-764	78	106	09/05	>		24.088.00		
antibacterial, anti-odour and anti-allergen filter / filtro antibatterico, antiodori e anti-allergeni	K9K-764	78	106	09/05	>				34.232.00
1.5 DCI	K9K-766	63	86	09/05	> 08/07	23.418.00	24.087.00	30.319.00	53.104.00
	K9K-766	63	86	09/07	>	23.481.00	24.087.00	30.319.00	53.104.00
with activated carbons / ai carboni attivi	K9K-766	63	86	09/05	>				54.232.00
with facility for water sensor / con predisposizione per sensore acqua	K9K-766	63	86	09/05	>		24.088.00		
antibacterial, anti-odour and anti-allergen filter / filtro antibatterico, antiodori e anti-allergeni	K9K-766	63	86	09/05	>				34.232.00
1.5 DCI	K9K-768/K9K-714	50	68	09/05	> 08/07	23.418.00	24.087.00	30.319.00	53.104.00
	K9K-768/K9K-714	50	68	09/07	>	23.481.00	24.087.00	30.319.00	53.104.00
with activated carbons / ai carboni attivi	K9K-768/K9K-714	50	68	09/05	>				54.232.00
with facility for water sensor / con predisposizione per sensore acqua	K9K-768/K9K-714	50	68	09/05	>		24.088.00		
antibacterial, anti-odour and anti-allergen filter / filtro antibatterico, antiodori e anti-allergeni	K9K-768/K9K-714	50	68	09/05	>				34.232.00
1.5 DCI 75	K9K-770	55	75	08/10	>	23.481.00	24.087.00	30.319.00	53.104.00
with activated carbons / ai carboni attivi	K9K-770	55	75	08/10	>				54.232.00
with facility for water sensor / con predisposizione per sensore acqua	K9K-770	55	75	08/10	>		24.088.00		
antibacterial, anti-odour and anti-allergen filter / filtro antibatterico, antiodori e anti-allergeni	K9K-770	55	75	08/10	>				34.232.00
1.5 DCI 90	K9K-770	65	88	08/10	>	23.481.00	24.087.00	30.319.00	53.104.00
with activated carbons / ai carboni attivi	K9K-770	65	88	08/10	>				54.232.00
with facility for water sensor / con predisposizione per sensore acqua	K9K-770	65	88	08/10	>		24.088.00		
antibacterial, anti-odour and anti-allergen filter / filtro antibatterico, antiodori e anti-allergeni	K9K-770	65	88	08/10	>				34.232.00
1.5 DCI FAP	K9K-772	76	103	09/05	> 08/07	23.418.00	24.087.00	30.319.00	53.104.00
	K9K-772	76	103	09/07	>	23.481.00	24.087.00	30.319.00	53.104.00
with activated carbons / ai carboni attivi	K9K-772	76	103	09/05	>				54.232.00
with facility for water sensor / con predisposizione per sensore acqua	K9K-772	76	103	09/05	>		24.088.00		
antibacterial, anti-odour and anti-allergen filter / filtro antibatterico, antiodori e anti-allergeni	K9K-772	76	103	09/05	>				34.232.00
1.6 16V GT	K4M-862	94	128	09/05	>	23.418.00	31.710.00	30.319.00	53.104.00
with activated carbons / ai carboni attivi	K4M-862	94	128	09/05	>				54.232.00
with plastic filter / con filtro in plastica	K4M-862	94	128	09/05	>		31.948.00		
antibacterial, anti-odour and anti-allergen filter / filtro antibatterico, antiodori e anti-allergeni	K4M-862	94	128	09/05	>				34.232.00
1.6 16V	K4M-800	82	112	09/05	>	23.418.00	31.710.00	30.319.00	53.104.00
with activated carbons / ai carboni attivi	K4M-800	82	112	09/05	>				54.232.00
with plastic filter / con filtro in plastica	K4M-800	82	112	09/05	>		31.948.00		
antibacterial, anti-odour and anti-allergen filter / filtro antibatterico, antiodori e anti-allergeni	K4M-800	82	112	09/05	>				34.232.00
1.6 16V	K4M-804	65	88	09/05	>	23.418.00	31.710.00	30.319.00	53.104.00
with activated carbons / ai carboni attivi	K4M-804	65	88	09/05	>				54.232.00
with plastic filter / con filtro in plastica	K4M-804	65	88	09/05	>		31.948.00		
antibacterial, anti-odour and anti-allergen filter / filtro antibatterico, antiodori e anti-allergeni	K4M-804	65	88	09/05	>				34.232.00
1.6 16V Autom.	K4M-801	82	112	09/05	>	23.418.00	31.710.00	30.319.00	53.104.00
with activated carbons / ai carboni attivi	K4M-801	82	112	09/05	>				54.232.00
with plastic filter / con filtro in plastica	K4M-801	82	112	09/05	>		31.948.00		
antibacterial, anti-odour and anti-allergen filter / filtro antibatterico, antiodori e anti-allergeni	K4M-801	82	112	09/05	>				34.232.00
2.0 16V	M4R-700	102	139	09/06	>	23.484.00	31.710.00	30.319.00	53.104.00
with activated carbons / ai carboni attivi	M4R-700	102	139	09/06	>				54.232.00
with plastic filter / con filtro in plastica	M4R-700	102	139	09/06	>		31.948.00		
antibacterial, anti-odour and anti-allergen filter / filtro antibatterico, antiodori e anti-allergeni	M4R-700	102	139	09/06	>				34.232.00
2.0 16V Autom.	M4R-701	102	139	09/06	>	23.484.00	31.710.00	30.319.00	53.104.00
with activated carbons / ai carboni attivi	M4R-701	102	139	09/06	>				54.232.00
with plastic filter / con filtro in plastica	M4R-701	102	139	09/06	>		31.948.00		
antibacterial, anti-odour and anti-allergen filter / filtro antibatterico, antiodori e anti-allergeni	M4R-701	102	139	09/06	>				34.232.00
2.0 16V Sport	F4R-830	145	198	09/05	>	23.418.00	31.710.00	30.319.00	53.104.00
with activated carbons / ai carboni attivi	F4R-830	145	198	09/05	>				54.232.00
with plastic filter / con filtro in plastica	F4R-830	145	198	09/05	>		31.948.00		
antibacterial, anti-odour and anti-allergen filter / filtro antibatterico, antiodori e anti-allergeni	F4R-830	145	198	09/05	>				34.232.00
2.0 16V Sport	F4R-830	147	200	09/08	>	23.418.00	31.710.00	30.319.00	53.104.00
with activated carbons / ai carboni attivi	F4R-830	147	200	09/08	>				54.232.00
with plastic filter / con filtro in plastica	F4R-830	147	200	09/08	>		31.948.00		
antibacterial, anti-odour and anti-allergen filter / filtro antibatterico, antiodori e anti-allergeni	F4R-830	147	200	09/08	>				34.232.00
2.0 16V Sport	F4R-832	145	198	09/05	>	23.418.00	31.710.00	30.319.00	53.104.00
with activated carbons / ai carboni attivi	F4R-832	145	198	09/05	>				54.232.00

...RENAULT - cars/auto

with plastic filter / con filtro in plastica	F4R-832	145	198	09/05	>			31.948.00			
antibacterial, anti-odour and anti-allergen filter / filtro antibatterico, antiodori e anti-allergeni	F4R-832	145	198	09/05	>					34.232.00	
Clio III Grandtour											
1.2 16V Hi-Flex	D4F-740	55	75	07/08	>			23.470.00	31.710.00	30.302.00	53.104.00
with activated carbons / ai carboni attivi	D4F-740	55	75	07/08	>					54.232.00	
with plastic filter / con filtro in plastica	D4F-740	55	75	07/08	>			31.948.00			
antibacterial, anti-odour and anti-allergen filter / filtro antibatterico, antiodori e anti-allergeni	D4F-740	55	75	06/06	>	08/09				34.232.00	
1.2 16V	D4F-740	55	75	02/08	>			23.470.00	31.710.00	30.302.00	53.104.00
with activated carbons / ai carboni attivi	D4F-740	55	75	02/08	>					54.232.00	
with plastic filter / con filtro in plastica	D4F-740	55	75	02/08	>			31.948.00			
antibacterial, anti-odour and anti-allergen filter / filtro antibatterico, antiodori e anti-allergeni	D4F-740	55	75	02/08	>					34.232.00	
1.2 16V	D4F-764	57	78	02/08	>			23.470.00	31.710.00	30.302.00	53.104.00
with activated carbons / ai carboni attivi	D4F-764	57	78	02/08	>					54.232.00	
with plastic filter / con filtro in plastica	D4F-764	57	78	02/08	>			31.948.00			
antibacterial, anti-odour and anti-allergen filter / filtro antibatterico, antiodori e anti-allergeni	D4F-764	57	78	02/08	>					34.232.00	
1.2 16V TCE	D4F-784	74	101	02/08	>			23.470.00	31.710.00	30.319.00	53.104.00
with activated carbons / ai carboni attivi	D4F-784	74	101	02/08	>					54.232.00	
with plastic filter / con filtro in plastica	D4F-784	74	101	02/08	>			31.948.00			
antibacterial, anti-odour and anti-allergen filter / filtro antibatterico, antiodori e anti-allergeni	D4F-784	74	101	02/08	>					34.232.00	
Clio IV											
0.9 TCe GPL/LPG											
with air-conditioner DENSO / con climatizzatore DENSO	H4Bt-400	66	90	06/16	>					53.321.00	
with air-conditioner VALEO / con climatizzatore VALEO	H4Bt-400	66	90	06/16	>		25.145.00			30.547.00	54.244.00
with activated carbon air-conditioner DENSO / con climatizzatore, ai carboni attivi DENSO	H4Bt-400	66	90	06/16	>					54.227.00	
antibacterial, anti-odour and anti-allergen filter with air-conditioner DENSO / filtro antibatterico, antiodori e anti-allergeni con climatizzatore DENSO	H4Bt-400	66	90	06/16	>					34.227.00	
antibacterial, anti-odour and anti-allergen filter with air-conditioner VALEO / filtro antibatterico, antiodori e anti-allergeni con climatizzatore VALEO	H4Bt-400	66	90	06/16	>					34.244.00	
0.9 TCe											
with air-conditioner DENSO / con climatizzatore DENSO	H4Bt-400	66	90	11/12	>					53.321.00	
with air-conditioner VALEO / con climatizzatore VALEO	H4Bt-400	66	90	11/12	>		25.145.00			30.547.00	54.244.00
with activated carbon air-conditioner DENSO / con climatizzatore, ai carboni attivi DENSO	H4Bt-400	66	90	11/12	>					54.227.00	
antibacterial, anti-odour and anti-allergen filter with air-conditioner DENSO / filtro antibatterico, antiodori e anti-allergeni con climatizzatore DENSO	H4Bt-400	66	90	11/12	>					34.227.00	
antibacterial, anti-odour and anti-allergen filter with air-conditioner VALEO / filtro antibatterico, antiodori e anti-allergeni con climatizzatore VALEO	H4Bt-400	66	90	11/12	>					34.244.00	
0.9 TCe 75											
with air-conditioner DENSO / con climatizzatore DENSO	H4Bt	56	76	10/18	>					53.321.00	
with air-conditioner VALEO / con climatizzatore VALEO	H4Bt	56	76	10/18	>		25.145.00			30.547.00	54.244.00
with activated carbon air-conditioner DENSO / con climatizzatore, ai carboni attivi DENSO	H4Bt	56	76	10/18	>					54.227.00	
antibacterial, anti-odour and anti-allergen filter with air-conditioner DENSO / filtro antibatterico, antiodori e anti-allergeni con climatizzatore DENSO	H4Bt	56	76	10/18	>					34.227.00	
antibacterial, anti-odour and anti-allergen filter with air-conditioner VALEO / filtro antibatterico, antiodori e anti-allergeni con climatizzatore VALEO	H4Bt	56	76	10/18	>					34.244.00	
1.2 16V 75											
with air-conditioner DENSO / con climatizzatore DENSO	D4F-740	54	73	11/12	>					53.321.00	
with air-conditioner VALEO / con climatizzatore VALEO	D4F-740	54	73	11/12	>		23.470.00			30.302.00	54.244.00
with activated carbon air-conditioner DENSO / con climatizzatore, ai carboni attivi DENSO	D4F-740	54	73	11/12	>					54.227.00	
antibacterial, anti-odour and anti-allergen filter with air-conditioner DENSO / filtro antibatterico, antiodori e anti-allergeni con climatizzatore DENSO	D4F-740	54	73	11/12	>					34.227.00	
antibacterial, anti-odour and anti-allergen filter with air-conditioner VALEO / filtro antibatterico, antiodori e anti-allergeni con climatizzatore VALEO	D4F-740	54	73	11/12	>					34.244.00	
1.2 16V 75 GPL/LPG											
with air-conditioner DENSO / con climatizzatore DENSO	D4F-740	54	73	11/12	>					53.321.00	
with air-conditioner VALEO / con climatizzatore VALEO	D4F-740	54	73	11/12	>		23.470.00			30.302.00	54.244.00
with activated carbon air-conditioner DENSO / con climatizzatore, ai carboni attivi DENSO	D4F-740	54	73	11/12	>					54.227.00	
antibacterial, anti-odour and anti-allergen filter with air-conditioner DENSO / filtro antibatterico, antiodori e anti-allergeni con climatizzatore DENSO	D4F-740	54	73	11/12	>					34.227.00	
antibacterial, anti-odour and anti-allergen filter with air-conditioner VALEO / filtro antibatterico, antiodori e anti-allergeni con climatizzatore VALEO	D4F-740	54	73	11/12	>					34.244.00	
1.2 TCe 120											
with air-conditioner DENSO / con climatizzatore DENSO	H5FT-403	88	120	03/13	>					53.321.00	
with air-conditioner VALEO / con climatizzatore VALEO	H5FT-403	88	120	03/13	>		25.145.00			30.547.00	54.244.00
with activated carbon air-conditioner DENSO / con climatizzatore, ai carboni attivi DENSO	H5FT-403	88	120	03/13	>					54.227.00	
antibacterial, anti-odour and anti-allergen filter with air-conditioner DENSO / filtro antibatterico, antiodori e anti-allergeni con climatizzatore DENSO	H5FT-403	88	120	03/13	>					34.227.00	
antibacterial, anti-odour and anti-allergen filter with air-conditioner VALEO / filtro antibatterico, antiodori e anti-allergeni con climatizzatore VALEO	H5FT-403	88	120	03/13	>					34.244.00	
1.5 DCI 110											
with air-conditioner DENSO / con climatizzatore DENSO	K9K-646	81	110	07/16	>					53.321.00	
with air-conditioner VALEO / con climatizzatore VALEO	K9K-646	81	110	07/16	>		23.628.00	26.115.00		30.547.00	54.244.00
with activated carbon air-conditioner DENSO / con climatizzatore, ai carboni attivi DENSO	K9K-646	81	110	07/16	>					54.227.00	
antibacterial, anti-odour and anti-allergen filter with air-conditioner DENSO / filtro antibatterico, antiodori e anti-allergeni con climatizzatore DENSO	K9K-646	81	110	07/16	>					34.227.00	
antibacterial, anti-odour and anti-allergen filter with air-conditioner VALEO / filtro antibatterico, antiodori e anti-allergeni con climatizzatore VALEO	K9K-646	81	110	07/16	>					34.244.00	
1.5 DCI 75											
with air-conditioner DENSO / con climatizzatore DENSO	K9K-612	55	75	11/12	>					53.321.00	
with air-conditioner VALEO / con climatizzatore VALEO	K9K-612	55	75	11/12	>		23.628.00	26.115.00		30.547.00	54.244.00
with activated carbon air-conditioner DENSO / con climatizzatore, ai carboni attivi DENSO	K9K-612	55	75	11/12	>					54.227.00	
antibacterial, anti-odour and anti-allergen filter with air-conditioner DENSO / filtro antibatterico, antiodori e anti-allergeni con climatizzatore DENSO	K9K-612	55	75	11/12	>					34.227.00	

...RENAULT - cars/auto

R



antibacterial, anti-odour and anti-allergen filter with air-conditioner VALEO / filtro antibatterico, antiodori e anti-allergeni con climatizzatore VALEO	K9K-612	55	75	11/12	>				34.244.00
1.5 DCI 90	K9K-608	66	90	11/12	>	23.628.00	26.115.00	30.547.00	
with air-conditioner DENSO / con climatizzatore DENSO	K9K-608	66	90	11/12	>				53.321.00
with air-conditioner VALEO / con climatizzatore VALEO	K9K-608	66	90	11/12	>				54.244.00
with activated carbon air-conditioner DENSO / con climatizzatore, ai carboni attivi DENSO	K9K-608	66	90	11/12	>				54.227.00
antibacterial, anti-odour and anti-allergen filter with air-conditioner DENSO / filtro antibatterico, antiodori e anti-allergeni con climatizzatore DENSO	K9K-608	66	90	11/12	>				34.227.00
antibacterial, anti-odour and anti-allergen filter with air-conditioner VALEO / filtro antibatterico, antiodori e anti-allergeni con climatizzatore VALEO	K9K-608	66	90	11/12	>				34.244.00
1.6 RS 200 EDC									
with air-conditioner DENSO / con climatizzatore DENSO	M5M	147	200	03/13	>				53.321.00
with air-conditioner VALEO / con climatizzatore VALEO	M5M	147	200	03/13	>		∞	30.547.00	54.244.00
with activated carbon air-conditioner DENSO / con climatizzatore, ai carboni attivi DENSO	M5M	147	200	03/13	>				54.227.00
antibacterial, anti-odour and anti-allergen filter with air-conditioner DENSO / filtro antibatterico, antiodori e anti-allergeni con climatizzatore DENSO	M5M	147	200	03/13	>				34.227.00
antibacterial, anti-odour and anti-allergen filter with air-conditioner VALEO / filtro antibatterico, antiodori e anti-allergeni con climatizzatore VALEO	M5M	147	200	03/13	>				34.244.00
1.6 RS Trophy									
with air-conditioner DENSO / con climatizzatore DENSO	M5M	162	220	03/15	>				53.321.00
with air-conditioner VALEO / con climatizzatore VALEO	M5M	162	220	03/15	>		∞	30.547.00	54.244.00
with activated carbon air-conditioner DENSO / con climatizzatore, ai carboni attivi DENSO	M5M	162	220	03/15	>				54.227.00
antibacterial, anti-odour and anti-allergen filter with air-conditioner DENSO / filtro antibatterico, antiodori e anti-allergeni con climatizzatore DENSO	M5M	162	220	03/15	>				34.227.00
antibacterial, anti-odour and anti-allergen filter with air-conditioner VALEO / filtro antibatterico, antiodori e anti-allergeni con climatizzatore VALEO	M5M	162	220	03/15	>				34.244.00
Clio IV Grandtour (Estate/Spoter)									
0.9 TCe									
with air-conditioner DENSO / con climatizzatore DENSO	H4BT-400	66	90	11/12	>				53.321.00
with air-conditioner VALEO / con climatizzatore VALEO	H4BT-400	66	90	11/12	>	25.145.00	∞	30.547.00	54.244.00
with activated carbon air-conditioner DENSO / con climatizzatore, ai carboni attivi DENSO	H4BT-400	66	90	11/12	>				54.227.00
antibacterial, anti-odour and anti-allergen filter with air-conditioner DENSO / filtro antibatterico, antiodori e anti-allergeni con climatizzatore DENSO	H4BT-400	66	90	11/12	>				34.227.00
antibacterial, anti-odour and anti-allergen filter with air-conditioner VALEO / filtro antibatterico, antiodori e anti-allergeni con climatizzatore VALEO	H4BT-400	66	90	11/12	>				34.244.00
1.2 16V 75									
with air-conditioner DENSO / con climatizzatore DENSO	D4F-740	54	73	11/12	>				53.321.00
with air-conditioner VALEO / con climatizzatore VALEO	D4F-740	54	73	11/12	>	23.470.00	∞	30.302.00	54.244.00
with activated carbon air-conditioner DENSO / con climatizzatore, ai carboni attivi DENSO	D4F-740	54	73	11/12	>				54.227.00
antibacterial, anti-odour and anti-allergen filter with air-conditioner DENSO / filtro antibatterico, antiodori e anti-allergeni con climatizzatore DENSO	D4F-740	54	73	11/12	>				34.227.00
antibacterial, anti-odour and anti-allergen filter with air-conditioner VALEO / filtro antibatterico, antiodori e anti-allergeni con climatizzatore VALEO	D4F-740	54	73	11/12	>				34.244.00
1.2 TCe 120									
with air-conditioner DENSO / con climatizzatore DENSO	H5FT-403	88	120	11/12	>				53.321.00
with air-conditioner VALEO / con climatizzatore VALEO	H5FT-403	88	120	03/13	>	25.145.00	∞	30.547.00	54.244.00
with activated carbon air-conditioner DENSO / con climatizzatore, ai carboni attivi DENSO	H5FT-403	88	120	03/13	>				54.227.00
antibacterial, anti-odour and anti-allergen filter with air-conditioner DENSO / filtro antibatterico, antiodori e anti-allergeni con climatizzatore DENSO	H5FT-403	88	120	03/13	>				34.227.00
antibacterial, anti-odour and anti-allergen filter with air-conditioner VALEO / filtro antibatterico, antiodori e anti-allergeni con climatizzatore VALEO	H5FT-403	88	120	03/13	>				34.244.00
1.5 DCI 75									
with air-conditioner DENSO / con climatizzatore DENSO	K9K-612	55	75	11/12	>	23.628.00	26.115.00	30.547.00	
with air-conditioner VALEO / con climatizzatore VALEO	K9K-612	55	75	11/12	>				53.321.00
with activated carbon air-conditioner DENSO / con climatizzatore, ai carboni attivi DENSO	K9K-612	55	75	11/12	>				54.244.00
with activated carbon air-conditioner DENSO / con climatizzatore, ai carboni attivi DENSO	K9K-612	55	75	11/12	>				54.227.00
antibacterial, anti-odour and anti-allergen filter with air-conditioner DENSO / filtro antibatterico, antiodori e anti-allergeni con climatizzatore DENSO	K9K-612	55	75	11/12	>				34.227.00
antibacterial, anti-odour and anti-allergen filter with air-conditioner VALEO / filtro antibatterico, antiodori e anti-allergeni con climatizzatore VALEO	K9K-612	55	75	11/12	>				34.244.00
1.5 DCI 90									
with air-conditioner DENSO / con climatizzatore DENSO	K9K-608	66	90	11/12	>	23.628.00	26.115.00	30.547.00	
with air-conditioner VALEO / con climatizzatore VALEO	K9K-608	66	90	11/12	>				53.321.00
with air-conditioner VALEO / con climatizzatore VALEO	K9K-608	66	90	11/12	>				54.244.00
with activated carbon air-conditioner DENSO / con climatizzatore, ai carboni attivi DENSO	K9K-608	66	90	11/12	>				54.227.00
antibacterial, anti-odour and anti-allergen filter with air-conditioner DENSO / filtro antibatterico, antiodori e anti-allergeni con climatizzatore DENSO	K9K-608	66	90	11/12	>				34.227.00
antibacterial, anti-odour and anti-allergen filter with air-conditioner VALEO / filtro antibatterico, antiodori e anti-allergeni con climatizzatore VALEO	K9K-608	66	90	11/12	>				34.244.00
Clio Symbol									
1.4 i (RO)									
with air-conditioner / con climatizzatore	F7J	55	75	06/98	>	23.418.00	31.710.00	30.021.00	53.060.00
with activated carbon air-conditioner / con climatizzatore, ai carboni attivi	F7J	55	75	06/98	>				54.196.00
antibacterial, anti-odour and anti-allergen filter with air-conditioner / filtro antibatterico, antiodori e anti-allergeni con climatizzatore	F7J	55	75	06/98	>				34.196.00
1.4 i 16V (RO)									
with air-conditioner / con climatizzatore	K4J	72	98	01/00	>	23.418.00	31.710.00	30.147.00	53.060.00
with activated carbon air-conditioner / con climatizzatore, ai carboni attivi	K4J	72	98	01/00	>				54.196.00
antibacterial, anti-odour and anti-allergen filter with air-conditioner / filtro antibatterico, antiodori e anti-allergeni con climatizzatore	K4J	72	98	01/00	>				34.196.00
Clio V									
1.0 LPG									
with activated carbons / ai carboni attivi	H4D450/H4D452/H4D460/H4D472	74	101	06/19	>	25.145.00			53.256.00
with activated carbons / ai carboni attivi	H4D450/H4D452/H4D460/H4D472	74	101	06/19	>				54.244.00
antibacterial, anti-odour and anti-allergen filter / filtro antibatterico, antiodori e anti-allergeni	H4D450/H4D452/H4D460/H4D472	74	101	06/19	>				54.244.00
1.0 TCe 100									
with activated carbons / ai carboni attivi	H4D450/H4D452/H4D460/H4D472	74	101	06/19	>	25.145.00			53.256.00
with activated carbons / ai carboni attivi	H4D450/H4D452/H4D460/H4D472	74	101	06/19	>				54.244.00
antibacterial, anti-odour and anti-allergen filter / filtro antibatterico, antiodori e anti-allergeni	H4D450/H4D452/H4D460/H4D472	74	101	06/19	>				34.244.00
1.3 TCe 130									
	H5H450/H5H470	96	131	06/19	>	25.145.00			53.256.00

...RENAULT - cars/auto

with activated carbons / ai carboni attivi	H5H450/H5H470	96	131	06/19	>				54.244.00	
antibacterial, anti-odour and anti-allergen filter / filtro antibatterico, antiodori e anti-allergeni	H5H450/H5H470	96	131	06/19	>				34.244.00	
1.5 Blue DCI 115	K9K854/K9K862/K9K872	85	115	06/19	>				53.256.00	
with activated carbons / ai carboni attivi	K9K854/K9K862/K9K872	85	115	06/19	>				54.244.00	
antibacterial, anti-odour and anti-allergen filter / filtro antibatterico, antiodori e anti-allergeni	K9K854/K9K862/K9K872	85	115	06/19	>				34.244.00	
1.5 Blue DCI 85	K9K854/K9K872	63	86	06/19	>				53.256.00	
with activated carbons / ai carboni attivi	K9K854/K9K872	63	86	06/19	>				54.244.00	
antibacterial, anti-odour and anti-allergen filter / filtro antibatterico, antiodori e anti-allergeni	K9K854/K9K872	63	86	06/19	>				34.244.00	
Espace										
1.9 DTI (JE0M)	F9Q-720/722	72	98	02/99	>	10/00	23.418.00	26.687.00	27.588.00	53.037.00
with activated carbons / ai carboni attivi	F9Q-720/722	72	98	02/99	>	10/00				54.252.00
2.0 i (JE0A)	F3R			07/97	>	10/02	23.418.00	31.710.00	30.039.00	53.037.00
with activated carbons / ai carboni attivi	F3R			10/96	>	10/02				54.252.00
2.0 i 16V (JE0N)	F4R	103	140	05/98	>	10/02	23.418.00	31.710.00	30.147.00	53.037.00
with activated carbons / ai carboni attivi	F4R	103	140	05/98	>	10/02				54.252.00
2.2 DCI	G9T			08/00	>	10/02	25.033.00	24.086.00	30.324.00	53.037.00
with activated carbons / ai carboni attivi	G9T			08/00	>	10/02				54.252.00
2.2 Turbodiesel (JE0E)	G8T			01/99	>	08/00	23.191.00	26.687.00	30.111.00	53.037.00
with activated carbons / ai carboni attivi	G8T			10/96	>	08/00				54.252.00
3.0 i V6 (JE0D)	Z7X			07/97	>	10/00	23.401.00	31.710.00	30.046.00	53.037.00
with activated carbons / ai carboni attivi	Z7X			10/96	>	10/00				54.252.00
3.0 i V6 24V (JE0G)	L7X	140	190	05/98	>	10/02	23.191.00	31.710.00	30.215.00	53.037.00
with activated carbons / ai carboni attivi	L7X	140	190	05/98	>	10/02				54.252.00
Espace IV										
1.9 DCI										
with automatic air-conditioner / con climatizzatore automatico	F9QT	88	120	07/02	>		23.481.00	26.687.00	30.195.00	54.174.00
with manual air-conditioner / con climatizzatore manuale	F9QT	88	120	07/02	>		23.481.00	26.687.00	30.195.00	53.155.00
2.0 DCI										
with automatic air-conditioner / con climatizzatore automatico	M9R	110	150	04/06	>		25.094.00	26.687.00	30.195.00	54.174.00
with manual air-conditioner / con climatizzatore manuale	M9R	110	150	04/06	>		25.094.00	26.687.00	30.195.00	53.155.00
2.0 DCI										
with automatic air-conditioner / con climatizzatore automatico	M9R	127	175	04/06	>		25.094.00	26.687.00		54.174.00
with manual air-conditioner / con climatizzatore manuale	M9R	127	175	04/06	>		25.094.00	26.687.00		53.155.00
2.0 DCI										
with automatic air-conditioner / con climatizzatore automatico	M9R	96	130	04/06	>		25.094.00	26.687.00	30.195.00	54.174.00
with manual air-conditioner / con climatizzatore manuale	M9R	96	130	04/06	>		25.094.00	26.687.00	30.195.00	53.155.00
2.0 i 16V										
with automatic air-conditioner / con climatizzatore automatico	F4R	100	136	08/02	>		23.418.00	31.710.00	30.147.00	54.174.00
with manual air-conditioner / con climatizzatore manuale	F4R	100	136	08/02	>		23.418.00	31.710.00	30.147.00	53.155.00
2.0 i 16V Turbo										
with automatic air-conditioner / con climatizzatore automatico	F4RT	120	163	07/02	>		23.418.00	31.710.00	30.195.00	54.174.00
with manual air-conditioner / con climatizzatore manuale	F4RT	120	163	07/02	>		23.418.00	31.710.00	30.195.00	53.155.00
2.0 i 16V Turbo										
with automatic air-conditioner / con climatizzatore automatico	F4RT	125	170	05/05	>		23.418.00	31.710.00	30.195.00	54.174.00
with manual air-conditioner / con climatizzatore manuale	F4RT	125	170	05/05	>		23.418.00	31.710.00	30.195.00	53.155.00
2.2 DCI										
with automatic air-conditioner / con climatizzatore automatico	G9T	102	139	04/06	>		25.033.00	26.687.00	30.195.00	54.174.00
with manual air-conditioner / con climatizzatore manuale	G9T	102	139	04/06	>		25.033.00	26.687.00	30.195.00	53.155.00
2.2 DCI 16V										
with automatic air-conditioner / con climatizzatore automatico	G9T	110	150	07/02	>		25.033.00	26.687.00	30.195.00	54.174.00
with manual air-conditioner / con climatizzatore manuale	G9T	110	150	07/02	>		25.033.00	26.687.00	30.195.00	53.155.00
3.0 DCI V6 24V										
with automatic air-conditioner / con climatizzatore automatico	P9X-701	130	177	07/02	>	12/05		26.687.00	30.195.00	54.174.00
with manual air-conditioner / con climatizzatore manuale	P9X-701	130	177	07/02	>	12/05		26.687.00	30.195.00	53.155.00
3.0 DCI V6 FAP										
with automatic air-conditioner / con climatizzatore automatico	P9X-715	133	181	01/06	>			26.687.00		54.174.00
with manual air-conditioner / con climatizzatore manuale	P9X-715	133	181	01/06	>			26.687.00		53.155.00
3.5 V6 24V										
with automatic air-conditioner / con climatizzatore automatico	V4Y	177	241	10/02	>			31.710.00	30.195.00	54.174.00
with manual air-conditioner / con climatizzatore manuale	V4Y	177	241	10/02	>			31.710.00	30.195.00	53.155.00
Espace V										
1.6 DCI 130	R9M	96	130	06/15	>		25.170.00		30.712.00	54.291.00
antibacterial, anti-odour and anti-allergen filter / filtro antibatterico, antiodori e anti-allergeni	R9M	96	130	06/15	>					34.291.00
1.6 DCI 160	R9M	118	160	06/15	>		25.170.00		30.712.00	54.291.00
antibacterial, anti-odour and anti-allergen filter / filtro antibatterico, antiodori e anti-allergeni	R9M	118	160	06/15	>					34.291.00
1.6 TCe 200	M5M	147	200	03/15	>		23.484.00		30.712.00	54.291.00
antibacterial, anti-odour and anti-allergen filter / filtro antibatterico, antiodori e anti-allergeni	M5M	147	200	06/15	>					34.291.00

...RENAULT - cars/auto

with manual air-conditioner with activated carbons / con climatizzatore manuale ai carboni attivi	5AM-400	70	95	02/12	>				54.285.00	
antibacterial, anti-odour and anti-allergen filter with automatic air-conditioner / filtro antibatterico, antiodori e anti-allergeni con climatizzatore automatico	5AM-400	70	95	02/12	>				34.217.00	
antibacterial, anti-odour and anti-allergen filter with manual air-conditioner / filtro antibatterico, antiodori e anti-allergeni con climatizzatore manuale	5AM-400	70	95	02/12	>				34.285.00	
Grand Espace										
2.0 i				12/97	>	10/02	23.418.00	31.710.00	30.039.00	53.037.00
with activated carbons / ai carboni attivi				12/97	>	10/02				54.252.00
2.0 i 16V				12/97	>	10/02	23.418.00	31.710.00		53.037.00
with activated carbons / ai carboni attivi				12/97	>	10/02				54.252.00
2.2 DCI	G9T			08/00	>	10/02	25.033.00	24.086.00	30.324.00	53.037.00
with activated carbons / ai carboni attivi	G9T			08/00	>	10/02				54.252.00
2.2 Turbodiesel				01/99	>	10/02	23.191.00	26.687.00	30.111.00	53.037.00
with activated carbons / ai carboni attivi				12/97	>	10/02				54.252.00
3.0 i V6 24V				12/97	>	10/02	23.191.00	31.710.00	30.046.00	53.037.00
with activated carbons / ai carboni attivi				12/97	>	10/02				54.252.00
Grand Espace IV										
1.9 DCI										
with automatic air-conditioner / con climatizzatore automatico	F9QT	88	120	10/02	>		23.481.00	26.687.00	30.195.00	54.174.00
with manual air-conditioner / con climatizzatore manuale	F9QT	88	120	10/02	>		23.481.00	26.687.00	30.195.00	53.155.00
2.0 DCI										
with automatic air-conditioner / con climatizzatore automatico	M9R	110	150	04/06	>		25.094.00	26.687.00	30.195.00	54.174.00
with manual air-conditioner / con climatizzatore manuale	M9R	110	150	04/06	>		25.094.00	26.687.00	30.195.00	53.155.00
2.0 DCI										
with automatic air-conditioner / con climatizzatore automatico	M9R	127	175	04/06	>		25.094.00	26.687.00	30.195.00	54.174.00
with manual air-conditioner / con climatizzatore manuale	M9R	127	175	04/06	>		25.094.00	26.687.00	30.195.00	53.155.00
2.0 DCI										
with automatic air-conditioner / con climatizzatore automatico	M9R	96	130	04/06	>		25.094.00	26.687.00	30.195.00	54.174.00
with manual air-conditioner / con climatizzatore manuale	M9R	96	130	04/06	>		25.094.00	26.687.00	30.195.00	53.155.00
2.0 i 16V										
with automatic air-conditioner / con climatizzatore automatico	F4R	100	136	10/02	>		23.418.00	31.710.00	30.147.00	54.174.00
with manual air-conditioner / con climatizzatore manuale	F4R	100	136	10/02	>		23.418.00	31.710.00	30.147.00	53.155.00
2.0 i 16V Turbo										
with automatic air-conditioner / con climatizzatore automatico	F4RT	120	163	10/02	>		23.418.00	31.710.00	30.195.00	54.174.00
with manual air-conditioner / con climatizzatore manuale	F4RT	120	163	10/02	>		23.418.00	31.710.00	30.195.00	53.155.00
2.0 i 16V Turbo										
with automatic air-conditioner / con climatizzatore automatico	F4RT	125	170	05/05	>		23.418.00	31.710.00	30.195.00	54.174.00
with manual air-conditioner / con climatizzatore manuale	F4RT	125	170	05/05	>		23.418.00	31.710.00	30.195.00	53.155.00
2.2 DCI										
with automatic air-conditioner / con climatizzatore automatico	G9T-720	102	139	04/06	>		25.033.00	26.687.00	30.195.00	54.174.00
with manual air-conditioner / con climatizzatore manuale	G9T-720	102	139	04/06	>		25.033.00	26.687.00	30.195.00	53.155.00
2.2 DCI 16V										
with automatic air-conditioner / con climatizzatore automatico	G9T	110	150	10/02	>		25.033.00	26.687.00	30.195.00	54.174.00
with manual air-conditioner / con climatizzatore manuale	G9T	110	150	10/02	>		25.033.00	26.687.00	30.195.00	53.155.00
3.0 DCI V6 24V										
with automatic air-conditioner / con climatizzatore automatico	P9X-701	130	177	10/02	>	12/05		26.687.00	30.195.00	54.174.00
with manual air-conditioner / con climatizzatore manuale	P9X-701	130	177	10/02	>	12/05		26.687.00	30.195.00	53.155.00
3.0 DCI V6 FAP										
with automatic air-conditioner / con climatizzatore automatico	P9X-715	133	181	01/06	>			26.687.00		54.174.00
with manual air-conditioner / con climatizzatore manuale	P9X-715	133	181	01/06	>			26.687.00		53.155.00
3.5 V6 24V										
with automatic air-conditioner / con climatizzatore automatico	V4Y	177	241	10/02	>			31.710.00	30.195.00	54.174.00
with manual air-conditioner / con climatizzatore manuale	V4Y	177	241	10/02	>			31.710.00	30.195.00	53.155.00
Grand Modus										
1.2 16V	D4F	55	75	01/08	>		23.470.00		30.302.00	53.104.00
with activated carbons / ai carboni attivi	D4F	55	75	01/08	>					54.232.00
antibacterial, anti-odour and anti-allergen filter / filtro antibatterico, antiodori e anti-allergeni	D4F	55	75	01/08	>					34.232.00
1.2 TCE	D4F-784	74	101	01/08	>		23.470.00		30.302.00	53.104.00
with activated carbons / ai carboni attivi	D4F-784	74	101	01/08	>					54.232.00
antibacterial, anti-odour and anti-allergen filter / filtro antibatterico, antiodori e anti-allergeni	D4F-784	74	101	01/08	>					34.232.00
1.5 DCI 75	K9K-770	55	75	10/10	>		23.418.00		30.319.00	53.104.00
with activated carbons / ai carboni attivi	K9K-770	55	75	10/10	>					54.232.00
with facility for water sensor / con predisposizione per sensore acqua	K9K-770	55	75	10/10	>			24.088.00		
antibacterial, anti-odour and anti-allergen filter / filtro antibatterico, antiodori e anti-allergeni	K9K-770	55	75	10/10	>					34.232.00
without water presence sensor / senza sensore presenza acqua	K9K-770	55	75	10/10	>			24.087.00		
1.5 DCI 90	K9K-770	65	88	10/10	>		23.418.00		30.319.00	53.104.00
with activated carbons / ai carboni attivi	K9K-770	65	88	10/10	>					54.232.00
with facility for water sensor / con predisposizione per sensore acqua	K9K-770	65	88	10/10	>			24.088.00		
antibacterial, anti-odour and anti-allergen filter / filtro antibatterico, antiodori e anti-allergeni	K9K-770	65	88	10/10	>					34.232.00

...RENAULT - cars/auto

without water presence sensor / senza sensore presenza acqua	K9K-770	65	88	10/10	>		24.087.00		
1.6 16V BVA	K4M-790	82	113	01/08	>	23.418.00		30.319.00	53.104.00
with activated carbons / ai carboni attivi	K4M-790	82	113	01/08	>				54.232.00
antibacterial, anti-odour and anti-allergen filter / filtro antibatterico, antiodori e anti-allergeni	K4M-790	82	113	01/08	>				34.232.00
Grand Scenic									
1.5 DCI	K9K	74	101	04/03	>	23.418.00	24.014.00	30.417.00	53.106.00
with activated carbons / ai carboni attivi	K9K	74	101	04/03	>				54.237.00
with facility for water sensor / con predisposizione per sensore acqua	K9K	74	101	04/03	>		24.051.00		
without water presence sensor / senza sensore presenza acqua	K9K	74	101	01/05	>		24.132.00		
1.5 DCI	K9K	78	106	06/05	>	23.418.00		30.417.00	53.106.00
with activated carbons / ai carboni attivi	K9K	78	106	06/05	>				54.237.00
with facility for water sensor / con predisposizione per sensore acqua	K9K	78	106	06/05	>		55.418.00		
without water presence sensor / senza sensore presenza acqua	K9K	78	106	06/05	>		55.430.00		
1.6 16V	K4M	83	113	04/03	>	23.418.00	31.710.00	30.417.00	53.106.00
with activated carbons / ai carboni attivi	K4M	83	113	04/03	>				54.237.00
1.9 DCI	F9Q	88	120	04/03	>	23.481.00	26.687.00	30.417.00	53.106.00
with activated carbons / ai carboni attivi	F9Q	88	120	04/03	>				54.237.00
1.9 DCI FAP	F9Q	81	110	06/05	>	23.481.00	26.687.00	30.417.00	53.106.00
with activated carbons / ai carboni attivi	F9Q	81	110	06/05	>				54.237.00
1.9 DCI FAP	F9Q	96	130	06/05	>	23.481.00	26.687.00	30.417.00	53.106.00
with activated carbons / ai carboni attivi	F9Q	96	130	06/05	>				54.237.00
2.0 16V	F4R	99	135	04/03	>	23.418.00	31.710.00	30.417.00	53.106.00
with activated carbons / ai carboni attivi	F4R	99	135	04/03	>				54.237.00
2.0 DCI 16V	M9R	110	150	09/05	>	25.094.00		30.417.00	53.106.00
with activated carbons / ai carboni attivi	M9R	110	150	09/05	>				54.237.00
with facility for water sensor / con predisposizione per sensore acqua	M9R	110	150	09/05	>		55.418.00		
without water presence sensor / senza sensore presenza acqua	M9R	110	150	09/05	>		55.430.00		
2.0 DCI 16V FAP	M9R	110	150	09/05	>	25.094.00		30.417.00	53.106.00
with activated carbons / ai carboni attivi	M9R	110	150	09/05	>				54.237.00
with facility for water sensor / con predisposizione per sensore acqua	M9R	110	150	09/05	>		55.418.00		
without water presence sensor / senza sensore presenza acqua	M9R	110	150	09/05	>		55.430.00		
2.0 Turbo 16V	F4R	120	163	03/04	>	23.418.00	31.710.00	30.417.00	53.106.00
with activated carbons / ai carboni attivi	F4R	120	163	03/04	>				54.237.00
Grand Scenic III									
1.2 TCe	H5F-400	85	116	04/12	>	25.145.00	31.710.00	30.407.00	54.234.00
with plastic filter / con filtro in plastica	H5F-400	85	116	04/12	>		31.948.00		
antibacterial, anti-odour and anti-allergen filter / filtro antibatterico, antiodori e anti-allergeni	H5F-400	85	116	04/12	>				34.234.00
1.2 TCe	H5F-404	97	132	01/13	>	25.145.00	31.710.00	30.407.00	54.234.00
with plastic filter / con filtro in plastica	H5F-404	97	132	01/13	>		31.948.00		
antibacterial, anti-odour and anti-allergen filter / filtro antibatterico, antiodori e anti-allergeni	H5F-404	97	132	01/13	>				34.234.00
1.4 TCe 130	H4J-700	96	130	02/09	>	23.481.00	31.710.00	30.407.00	54.234.00
with plastic filter / con filtro in plastica	H4J-700	96	130	02/09	>		31.948.00		
antibacterial, anti-odour and anti-allergen filter / filtro antibatterico, antiodori e anti-allergeni	H4J-700	96	130	02/09	>				34.234.00
1.5 DCI 105	K9K-832	78	106	02/09	>	23.481.00	24.113.00	30.407.00	54.234.00
antibacterial, anti-odour and anti-allergen filter / filtro antibatterico, antiodori e anti-allergeni	K9K-832	78	106	02/09	>				34.234.00
1.5 DCI 110	K9K-636	81	110	02/09	>	23.628.00	24.187.00	30.407.00	54.234.00
	K9K-636	81	110	03/12	>	23.628.00	24.186.00	30.407.00	54.234.00
antibacterial, anti-odour and anti-allergen filter / filtro antibatterico, antiodori e anti-allergeni	K9K-636	81	110	02/09	>				34.234.00
1.5 DCI 110 FAP	K9K-836/K9K-837	81	110	02/09	>	23.481.00	24.113.00	30.407.00	54.234.00
antibacterial, anti-odour and anti-allergen filter / filtro antibatterico, antiodori e anti-allergeni	K9K-836/K9K-837	81	110	02/09	>				34.234.00
1.5 DCI 85	K9K-830	63	86	02/09	>	23.481.00	24.113.00	30.407.00	54.234.00
antibacterial, anti-odour and anti-allergen filter / filtro antibatterico, antiodori e anti-allergeni	K9K-830	63	86	02/09	>				34.234.00
1.5 DCI 95	K9K-846	70	95	02/09	>	23.481.00	24.113.00	30.407.00	54.234.00
antibacterial, anti-odour and anti-allergen filter / filtro antibatterico, antiodori e anti-allergeni	K9K-846	70	95	02/09	>				34.234.00
1.6 16V 110	K4M-858	81	110	02/09	>	23.418.00	31.710.00	30.407.00	54.234.00
with plastic filter / con filtro in plastica	K4M-858	81	110	02/09	>		31.948.00		
antibacterial, anti-odour and anti-allergen filter / filtro antibatterico, antiodori e anti-allergeni	K4M-858	81	110	02/09	>				34.234.00
1.6 DCI 130	R9M-402/R9M-404	96	130	05/11	>	25.170.00	24.147.00	30.407.00	54.234.00
antibacterial, anti-odour and anti-allergen filter / filtro antibatterico, antiodori e anti-allergeni	R9M-402/R9M-404	96	130	05/11	>				34.234.00
1.9 DCI 130 FAP	F9Q-870	96	130	02/09	>	23.564.00	24.113.00	30.407.00	54.234.00
antibacterial, anti-odour and anti-allergen filter / filtro antibatterico, antiodori e anti-allergeni	F9Q-870	96	130	02/09	>				34.234.00
2.0 16V 140	M4R-711/M4R-713	103	140	02/09	>	23.484.00	31.710.00	30.687.00	54.234.00
with plastic filter / con filtro in plastica	M4R-711/M4R-713	103	140	02/09	>		31.948.00		
antibacterial, anti-odour and anti-allergen filter / filtro antibatterico, antiodori e anti-allergeni	M4R-711/M4R-713	103	140	02/09	>				34.234.00
2.0 DCI 150 FAP	M9R-615	110	150	02/09	>	25.094.00	24.113.00	30.470.00	54.234.00
antibacterial, anti-odour and anti-allergen filter / filtro antibatterico, antiodori e anti-allergeni	M9R-615	110	150	02/09	>				34.234.00
2.0 DCI 160 FAP	M9R-610	118	160	02/09	>	25.094.00	24.113.00	30.470.00	54.234.00

...RENAULT - cars/auto

antibacterial, anti-odour and anti-allergen filter / filtro antibatterico, antiodori e anti-allergeni	M9R-610	118	160	02/09	>				34.234.00
Grand Scenic IV									
1.2 TCe 115	H5F-408	85	116	09/16	>	25.145.00			54.291.00
antibacterial, anti-odour and anti-allergen filter / filtro antibatterico, antiodori e anti-allergeni	H5F-408	85	116	09/16	>				34.291.00
1.2 TCe 130	H5F-408	96	130	09/16	>	25.145.00			54.291.00
antibacterial, anti-odour and anti-allergen filter / filtro antibatterico, antiodori e anti-allergeni	H5F-408	96	130	09/16	>				34.291.00
1.5 DCI 110	K9K-646, K9K-647	81	110	09/16	>	23.628.00		30.712.00	54.291.00
antibacterial, anti-odour and anti-allergen filter / filtro antibatterico, antiodori e anti-allergeni	K9K-646, K9K-647	81	110	09/16	>				34.291.00
1.5 DCI 110 S&S	K9K-646, K9K-647	81	110	09/16	>	23.628.00		30.712.00	54.291.00
antibacterial, anti-odour and anti-allergen filter / filtro antibatterico, antiodori e anti-allergeni	K9K-646, K9K-647	81	110	09/16	>				34.291.00
1.6 DCI 130	R9M-409	96	130	09/16	>	25.170.00		30.712.00	54.291.00
antibacterial, anti-odour and anti-allergen filter / filtro antibatterico, antiodori e anti-allergeni	R9M-409	96	130	09/16	>				34.291.00
1.6 DCI 160	R9M-452	118	160	09/16	>	25.170.00		30.712.00	54.291.00
antibacterial, anti-odour and anti-allergen filter / filtro antibatterico, antiodori e anti-allergeni	R9M-452	118	160	09/16	>				34.291.00
GTA									
2.5 V6 Turbo				01/86	>	23.401.00		31.500.00	
2.8 V6	Z6W			03/85	>	23.401.00			
Kadjar									
1.2 TCe 130	H5F	96	130	06/15	>	25.145.00		30.724.00	54.291.00
antibacterial, anti-odour and anti-allergen filter / filtro antibatterico, antiodori e anti-allergeni	H5F	96	130	06/15	>				34.291.00
1.3 TCe 140	H5H-470	103	140	08/18	>	25.145.00		30.724.00	54.291.00
antibacterial, anti-odour and anti-allergen filter / filtro antibatterico, antiodori e anti-allergeni	H5H-470	103	140	08/18	>				34.291.00
1.3 TCe 160	H5H-470	117	160	08/18	>	25.145.00		30.724.00	54.291.00
antibacterial, anti-odour and anti-allergen filter / filtro antibatterico, antiodori e anti-allergeni	H5H-470	117	160	08/18	>				34.291.00
1.5 Blue DCI 115	K9K-872	85	115	08/18	>			30.C54.00	54.291.00
antibacterial, anti-odour and anti-allergen filter / filtro antibatterico, antiodori e anti-allergeni	K9K-872	85	115	08/18	>				34.291.00
1.5 Blue DCI 115 4WD	K9K-872	85	115	08/18	>		55.517.00		54.291.00
antibacterial, anti-odour and anti-allergen filter / filtro antibatterico, antiodori e anti-allergeni	K9K-872	85	115	08/18	>				34.291.00
1.5 DCI 110	K9K	81	110	06/15	>	23.628.00	24.095.01	30.C54.00	54.291.00
antibacterial, anti-odour and anti-allergen filter / filtro antibatterico, antiodori e anti-allergeni	K9K	81	110	06/15	>				34.291.00
1.6 DCI 130	R9M	96	130	06/15	>	25.170.00	24.095.01	30.C54.00	54.291.00
antibacterial, anti-odour and anti-allergen filter / filtro antibatterico, antiodori e anti-allergeni	R9M	96	130	06/15	>				34.291.00
1.6 DCI 130 4WD	R9M	96	130	06/15	>	25.170.00	24.095.01	30.C54.00	54.291.00
antibacterial, anti-odour and anti-allergen filter / filtro antibatterico, antiodori e anti-allergeni	R9M	96	130	06/15	>				34.291.00
1.6 TCe 165	M5M	120	163	11/16	>	23.484.00		30.724.00	54.291.00
antibacterial, anti-odour and anti-allergen filter / filtro antibatterico, antiodori e anti-allergeni	M5M	120	163	11/16	>				34.291.00
1.7 Blue DCI 120	R9N	88	120	08/18	>			30.C54.00	54.291.00
antibacterial, anti-odour and anti-allergen filter / filtro antibatterico, antiodori e anti-allergeni	R9N	88	120	08/18	>				34.291.00
1.7 Blue DCI 150	R9N	110	150	08/18	>			30.C54.00	54.291.00
antibacterial, anti-odour and anti-allergen filter / filtro antibatterico, antiodori e anti-allergeni	R9N	110	150	08/18	>				34.291.00
1.7 Blue DCI 150 4WD	R9N	110	150	08/18	>			30.C54.00	54.291.00
antibacterial, anti-odour and anti-allergen filter / filtro antibatterico, antiodori e anti-allergeni	R9N	110	150	08/18	>				34.291.00
Kangoo									
1.2 i									
with air-conditioner / con climatizzatore	D7F	43	58	09/97	> 03/00	23.424.00	31.710.00	27.273.00	53.060.00
with air-conditioner / con climatizzatore	D7F	43	58	04/00	> 03/03	25.022.00	31.710.00	27.273.00	53.060.00
with air-conditioner / con climatizzatore	D7F	43	58	04/03	> 04/08	23.470.00	31.710.00	27.273.00	53.060.00
with activated carbon air-conditioner / con climatizzatore, ai carboni attivi	D7F	43	58	09/97	> 04/08				54.196.00
antibacterial, anti-odour and anti-allergen filter with air-conditioner / filtro antibatterico, antiodori e anti-allergeni con climatizzatore	D7F	43	58	09/97	> 04/08				34.196.00
without air-conditioner / senza climatizzatore	D7F	43	58	09/97	> 04/08				53.292.00
1.2 i 16V									
with air-conditioner / con climatizzatore	D4F	55	75	06/01	> 03/03	25.022.00	31.710.00	30.163.00	53.060.00
with air-conditioner / con climatizzatore	D4F	55	75	04/03	> 04/08	23.470.00	31.710.00	30.163.00	53.060.00
with activated carbon air-conditioner / con climatizzatore, ai carboni attivi	D4F	55	75	06/01	> 04/08				54.196.00
antibacterial, anti-odour and anti-allergen filter with air-conditioner / filtro antibatterico, antiodori e anti-allergeni con climatizzatore	D4F	55	75	06/01	> 04/08				34.196.00
without air-conditioner / senza climatizzatore	D4F	55	75	06/01	> 04/08				53.292.00
1.4 i (FC0C)									
with air-conditioner / con climatizzatore	E7J	55	75	06/97	> 04/08	23.418.00	31.710.00	30.021.00	53.060.00
with activated carbon air-conditioner / con climatizzatore, ai carboni attivi	E7J	55	75	06/97	> 04/08				54.196.00
antibacterial, anti-odour and anti-allergen filter with air-conditioner / filtro antibatterico, antiodori e anti-allergeni con climatizzatore	E7J	55	75	06/97	> 04/08				34.196.00
without air-conditioner / senza climatizzatore	E7J	55	75	06/97	> 04/08				53.292.00
1.4 i (FC0H)									
with air-conditioner / con climatizzatore	E7J-634	55	75	03/99	> 04/08	23.418.00	31.710.00	30.217.00	53.060.00
with activated carbon air-conditioner / con climatizzatore, ai carboni attivi	E7J-634	55	75	03/99	> 04/08				54.196.00
antibacterial, anti-odour and anti-allergen filter with air-conditioner / filtro antibatterico, antiodori e anti-allergeni con climatizzatore	E7J-634	55	75	03/99	> 04/08				34.196.00
without air-conditioner / senza climatizzatore	E7J-634	55	75	03/99	> 04/08				53.292.00
1.4 i (FC0H)									

...RENAULT - cars/auto

with air-conditioner / con climatizzatore	E7J-635	55	75	03/99 >	04/08	23.418.00	31.710.00	30.217.00	53.060.00
with activated carbon air-conditioner / con climatizzatore, ai carboni attivi	E7J-635	55	75	03/99 >	04/08				54.196.00
antibacterial, anti-odour and anti-allergen filter with air-conditioner / filtro antibatterico, antiodori e anti-allergeni con climatizzatore	E7J-635	55	75	03/99 >	04/08				34.196.00
without air-conditioner / senza climatizzatore	E7J-635	55	75	03/99 >	04/08				53.292.00
1.4 i (KC0C)									
with air-conditioner / con climatizzatore	E7J	55	75	06/97 >	04/08	23.418.00	31.710.00	30.021.00	53.060.00
with activated carbon air-conditioner / con climatizzatore, ai carboni attivi	E7J	55	75	06/97 >	04/08				54.196.00
antibacterial, anti-odour and anti-allergen filter with air-conditioner / filtro antibatterico, antiodori e anti-allergeni con climatizzatore	E7J	55	75	06/97 >	04/08				34.196.00
without air-conditioner / senza climatizzatore	E7J	55	75	06/97 >	04/08				53.292.00
1.4 i (KC0H)									
with air-conditioner / con climatizzatore	E7J-634	55	75	03/99 >	04/08	23.418.00	31.710.00	30.217.00	53.060.00
with activated carbon air-conditioner / con climatizzatore, ai carboni attivi	E7J-634	55	75	03/99 >	04/08				54.196.00
antibacterial, anti-odour and anti-allergen filter with air-conditioner / filtro antibatterico, antiodori e anti-allergeni con climatizzatore	E7J-634	55	75	03/99 >	04/08				34.196.00
without air-conditioner / senza climatizzatore	E7J-634	55	75	03/99 >	04/08				53.292.00
1.4 i (KC0H)									
with air-conditioner / con climatizzatore	E7J-635	55	75	03/99 >	04/08	23.418.00	31.710.00	30.217.00	53.060.00
with activated carbon air-conditioner / con climatizzatore, ai carboni attivi	E7J-635	55	75	03/99 >	04/08				54.196.00
antibacterial, anti-odour and anti-allergen filter with air-conditioner / filtro antibatterico, antiodori e anti-allergeni con climatizzatore	E7J-635	55	75	03/99 >	04/08				34.196.00
without air-conditioner / senza climatizzatore	E7J-635	55	75	03/99 >	04/08				53.292.00
1.5 DCI									
with air-conditioner / con climatizzatore	K9K	50	68	06/05 >	04/08	23.418.00	24.013.00	30.181.00	53.060.00
with activated carbon air-conditioner / con climatizzatore, ai carboni attivi	K9K	50	68	06/05 >	04/08				54.196.00
with facility for water sensor / con predisposizione per sensore acqua	K9K	50	68	06/05 >	04/08	23.418.00	24.052.00	30.181.00	53.060.00
with facility for water sensor DELPHI HDF938 (2 µ) / con predisposizione per sensore acqua DELPHI HDF938 (2 µ)	K9K	50	68	06/05 >	04/08		24.098.00		
antibacterial, anti-odour and anti-allergen filter with air-conditioner / filtro antibatterico, antiodori e anti-allergeni con climatizzatore	K9K	50	68	06/05 >	04/08				34.196.00
without air-conditioner / senza climatizzatore	K9K	50	68	06/05 >	04/08				53.292.00
1.5 DCI 65									
with air-conditioner / con climatizzatore	K9K	48	65	07/01 >	04/08	23.418.00	24.013.00	30.181.00	53.060.00
with activated carbon air-conditioner / con climatizzatore, ai carboni attivi	K9K	48	65	07/01 >	04/08				54.196.00
with facility for water sensor / con predisposizione per sensore acqua	K9K	48	65	07/01 >	12/04	23.418.00	24.050.00	30.181.00	53.060.00
with facility for water sensor / con predisposizione per sensore acqua	K9K	48	65	01/05 >	04/08	23.418.00	24.052.00	30.181.00	53.060.00
with facility for water sensor DELPHI HDF938 (2 µ) / con predisposizione per sensore acqua DELPHI HDF938 (2 µ)	K9K	48	65	01/05 >	04/08		24.098.00		
antibacterial, anti-odour and anti-allergen filter with air-conditioner / filtro antibatterico, antiodori e anti-allergeni con climatizzatore	K9K	48	65	07/01 >	04/08				34.196.00
without air-conditioner / senza climatizzatore	K9K	48	65	07/01 >	04/08				53.292.00
1.5 DCI 80									
with air-conditioner / con climatizzatore	K9K	60	82	07/01 >	04/08	23.418.00	24.013.00	30.181.00	53.060.00
with activated carbon air-conditioner / con climatizzatore, ai carboni attivi	K9K	60	82	07/01 >	04/08				54.196.00
with facility for water sensor / con predisposizione per sensore acqua	K9K	60	82	07/01 >	12/04	23.418.00	24.050.00	30.181.00	53.060.00
with facility for water sensor / con predisposizione per sensore acqua	K9K	60	82	01/05 >	04/08	23.418.00	24.052.00	30.181.00	53.060.00
with facility for water sensor DELPHI HDF938 (2 µ) / con predisposizione per sensore acqua DELPHI HDF938 (2 µ)	K9K	60	82	01/05 >	04/08		24.098.00		
antibacterial, anti-odour and anti-allergen filter with air-conditioner / filtro antibatterico, antiodori e anti-allergeni con climatizzatore	K9K	60	82	07/01 >	04/08				34.196.00
without air-conditioner / senza climatizzatore	K9K	60	82	07/01 >	04/08				53.292.00
1.5 DCI 85									
with air-conditioner / con climatizzatore	K9K	62	84	06/05 >	04/08	23.418.00	24.013.00	30.181.00	53.060.00
with activated carbon air-conditioner / con climatizzatore, ai carboni attivi	K9K	62	84	06/05 >	04/08				54.196.00
with facility for water sensor / con predisposizione per sensore acqua	K9K	62	84	06/05 >	04/08	23.418.00	24.052.00	30.181.00	53.060.00
with facility for water sensor DELPHI HDF938 (2 µ) / con predisposizione per sensore acqua DELPHI HDF938 (2 µ)	K9K	62	84	06/05 >	04/08		24.098.00		
antibacterial, anti-odour and anti-allergen filter with air-conditioner / filtro antibatterico, antiodori e anti-allergeni con climatizzatore	K9K	62	84	06/05 >	04/08				34.196.00
without air-conditioner / senza climatizzatore	K9K	62	84	06/05 >	04/08				53.292.00
1.6 16V Bivalent (CNG-GNV)									
with air-conditioner / con climatizzatore	K4M	60	82	07/06 >	04/08	23.418.00	31.710.00	30.147.00	53.060.00
with activated carbon air-conditioner / con climatizzatore, ai carboni attivi	K4M	60	82	07/06 >	04/08				54.196.00
antibacterial, anti-odour and anti-allergen filter with air-conditioner / filtro antibatterico, antiodori e anti-allergeni con climatizzatore	K4M	60	82	07/06 >	04/08				34.196.00
without air-conditioner / senza climatizzatore	K4M	60	82	07/06 >	04/08				53.292.00
1.6 i 16V									
with air-conditioner / con climatizzatore	K4M	70	95	07/01 >	04/08	23.418.00	31.710.00	30.147.00	53.060.00
with activated carbon air-conditioner / con climatizzatore, ai carboni attivi	K4M	70	95	07/01 >	04/08				54.196.00
antibacterial, anti-odour and anti-allergen filter with air-conditioner / filtro antibatterico, antiodori e anti-allergeni con climatizzatore	K4M	70	95	07/01 >	04/08				34.196.00
without air-conditioner / senza climatizzatore	K4M	70	95	07/01 >	04/08				53.292.00
1.6 i 16V 4x4									
with air-conditioner / con climatizzatore	K4M	70	95	10/01 >	04/08	23.418.00	31.710.00	30.147.00	53.060.00
with activated carbon air-conditioner / con climatizzatore, ai carboni attivi	K4M	70	95	10/01 >	04/08				54.196.00
antibacterial, anti-odour and anti-allergen filter with air-conditioner / filtro antibatterico, antiodori e anti-allergeni con climatizzatore	K4M	70	95	10/01 >	04/08				34.196.00
without air-conditioner / senza climatizzatore	K4M	70	95	10/01 >	04/08				53.292.00
1.9 D 65 (FC02/KC02)									
with activated carbon air-conditioner / con climatizzatore, ai carboni attivi	F8Q	47	64	09/97 >	04/08				54.196.00
with pump BOSCH and PURFLUX / con pompa BOSCH e PURFLUX	F8Q	47	64	09/97 >	04/08	23.419.00	26.686.00	30.108.00	53.060.00

...RENAULT - cars/auto

antibacterial, anti-odour and anti-allergen filter with air-conditioner / filtro antibatterico, antiodori e anti-allergeni con climatizzatore	F8Q	47	64	09/97 >	04/08				34.196.00
assembly DELPHI / montaggio DELPHI	F8Q	47	64	11/98 >	04/08	23.419.00	26.690.00	30.108.00	53.060.00
without air-conditioner / senza climatizzatore	F8Q	47	64	09/97 >	04/08				53.292.00
1.9 D 65 (FC0D/KC0D)									
with activated carbon air-conditioner / con climatizzatore, ai carboni attivi	F8Q-630/662	47	64	09/97 >	04/08				54.196.00
with pump BOSCH and PURFLUX / con pompa BOSCH e PURFLUX	F8Q-630/662	47	64	09/97 >	04/08	23.419.00	26.686.00	30.108.00	53.060.00
antibacterial, anti-odour and anti-allergen filter with air-conditioner / filtro antibatterico, antiodori e anti-allergeni con climatizzatore	F8Q-630/662	47	64	09/97 >	04/08				34.196.00
assembly DELPHI / montaggio DELPHI	F8Q-630/662	47	64	11/98 >	04/08	23.419.00	26.690.00	30.108.00	53.060.00
without air-conditioner / senza climatizzatore	F8Q-630/662	47	64	09/97 >	04/08				53.292.00
1.9 D 65 (FC0E/KC0E)									
with activated carbon air-conditioner / con climatizzatore, ai carboni attivi	F8Q	47	64	09/97 >	04/08				54.196.00
with pump BOSCH and PURFLUX / con pompa BOSCH e PURFLUX	F8Q	47	64	09/97 >	04/08	23.419.00	26.686.00	30.108.00	53.060.00
antibacterial, anti-odour and anti-allergen filter with air-conditioner / filtro antibatterico, antiodori e anti-allergeni con climatizzatore	F8Q	47	64	09/97 >	04/08				34.196.00
assembly DELPHI / montaggio DELPHI	F8Q	47	64	11/98 >	04/08	23.419.00	26.690.00	30.108.00	53.060.00
without air-conditioner / senza climatizzatore	F8Q	47	64	09/97 >	04/08				53.292.00
1.9 D 65 (FC0J/KC0J/FC0N/KC0N)									
with activated carbon air-conditioner / con climatizzatore, ai carboni attivi	F8Q-632	47	64	09/97 >	04/08				54.196.00
with pump BOSCH and PURFLUX / con pompa BOSCH e PURFLUX	F8Q-632	47	64	09/97 >	04/08	23.419.00	26.686.00	30.213.00	53.060.00
antibacterial, anti-odour and anti-allergen filter with air-conditioner / filtro antibatterico, antiodori e anti-allergeni con climatizzatore	F8Q-632	47	64	03/98 >	09/05				34.196.00
assembly DELPHI / montaggio DELPHI	F8Q-632	47	64	11/98 >	04/08	23.419.00	26.690.00	30.213.00	53.060.00
without air-conditioner / senza climatizzatore	F8Q-632	47	64	09/97 >	04/08				53.292.00
1.9 DCI									
with air-conditioner / con climatizzatore	F9Q	62	85	03/03 >	04/08	23.481.00		30.150.00	53.060.00
with activated carbon air-conditioner / con climatizzatore, ai carboni attivi	F9Q	62	85	03/03 >	04/08				54.196.00
antibacterial, anti-odour and anti-allergen filter with air-conditioner / filtro antibatterico, antiodori e anti-allergeni con climatizzatore	F9Q	62	85	03/03 >	04/08				34.196.00
without air-conditioner / senza climatizzatore	F9Q	62	85	03/03 >	04/08				53.292.00
1.9 DCI 4x4									
with air-conditioner / con climatizzatore	F9Q	62	85	03/03 >	04/08	23.481.00		30.150.00	53.060.00
with activated carbon air-conditioner / con climatizzatore, ai carboni attivi	F9Q	62	85	03/03 >	04/08				54.196.00
antibacterial, anti-odour and anti-allergen filter with air-conditioner / filtro antibatterico, antiodori e anti-allergeni con climatizzatore	F9Q	62	85	03/03 >	04/08				34.196.00
without air-conditioner / senza climatizzatore	F9Q	62	85	03/03 >	04/08				53.292.00
1.9 DTI 80									
with air-conditioner / con climatizzatore	F9Q	59	80	03/00 >	04/08	23.481.00		30.150.00	53.060.00
with activated carbon air-conditioner / con climatizzatore, ai carboni attivi	F9Q	59	80	03/00 >	04/08				54.196.00
antibacterial, anti-odour and anti-allergen filter with air-conditioner / filtro antibatterico, antiodori e anti-allergeni con climatizzatore	F9Q	59	80	03/00 >	04/08				34.196.00
without air-conditioner / senza climatizzatore	F9Q	59	80	03/00 >	04/08				53.292.00
1.9 DTI 80 4x4									
with air-conditioner / con climatizzatore	F9Q	59	80	03/00 >	04/08	23.481.00		30.150.00	53.060.00
with activated carbon air-conditioner / con climatizzatore, ai carboni attivi	F9Q	59	80	03/00 >	04/08				54.196.00
antibacterial, anti-odour and anti-allergen filter with air-conditioner / filtro antibatterico, antiodori e anti-allergeni con climatizzatore	F9Q	59	80	03/00 >	04/08				34.196.00
without air-conditioner / senza climatizzatore	F9Q	59	80	03/00 >	04/08				53.292.00
Kangoo Be Bop									
1.5 DCI 105	K9K	78	106	03/09 >	04/09	23.481.00		30.543.00	53.164.00
	K9K	78	106	03/09 >	04/09		24.117.00		
	K9K	78	106	05/09 >		23.481.00	24.114.00	30.543.00	53.164.00
	with water presence sensor / con sensore presenza acqua	K9K	78	106	03/09 >	04/09		24.073.00	
1.6 16V	K4M	78	106	03/09 >		23.418.00			53.164.00
Kangoo II									
1.2 TCe 115	H5F-400	84	115	07/13 >		25.145.00		30.543.00	53.164.00
1.5 Blue DCI 115	K9K	85	115	03/19 >				30.417.00	53.164.00
1.5 Blue DCI 80	K9K	59	80	03/19 >				30.417.00	53.164.00
1.5 Blue DCI 95	K9K	70	95	03/19 >				30.417.00	53.164.00
1.5 DCI 105	K9K-806	78	106	01/08 >	04/09	23.481.00		30.543.00	53.164.00
	K9K-806	78	106	01/08 >	04/09		24.117.00		
	K9K-806	78	106	05/09 >		23.481.00	24.114.00	30.543.00	53.164.00
	with water presence sensor / con sensore presenza acqua	K9K-806	78	106	01/08 >	04/09		24.073.00	
1.5 DCI 110	K9K-636	81	110	03/13 >	05/14	23.628.00	24.114.00	30.543.00	53.164.00
	K9K-636	81	110	06/14 >		23.628.00	26.115.00	30.543.00	53.164.00
1.5 DCI 110	K9K-646	81	110	03/13 >	05/14	23.628.00	24.114.00	30.543.00	53.164.00
	K9K-646	81	110	06/14 >		23.628.00	26.115.00	30.543.00	53.164.00
1.5 DCI 110	K9K-647	81	110	03/13 >	05/14	23.628.00	24.114.00	30.543.00	53.164.00
	K9K-647	81	110	06/14 >		23.628.00	26.115.00	30.543.00	53.164.00
1.5 DCI 110	K9K-804	80	109	09/10 >		23.481.00	24.114.00	30.543.00	53.164.00
1.5 DCI 70 eco2	K9K-800	50	68	01/08 >	04/09	23.481.00		30.543.00	53.164.00
	K9K-800	50	68	01/08 >	04/09		24.117.00		
	K9K-800	50	68	05/09 >		23.481.00	24.114.00	30.543.00	53.164.00
	with water presence sensor / con sensore presenza acqua	K9K-800	50	68	01/08 >	04/09		24.073.00	

...RENAULT - cars/auto

1.5 DCI 75	K9K-802	55	75	09/10	>	23.481.00	24.114.00	30.543.00	53.164.00
1.5 DCI 85 eco2	K9K-802	63	86	01/08	> 04/09	23.481.00		30.543.00	53.164.00
	K9K-802	63	86	01/08	> 04/09		24.117.00		
	K9K-802	63	86	05/09	>		24.114.00		
with water presence sensor / con sensore presenza acqua	K9K-802	63	86	01/08	> 04/09		24.073.00		
1.5 DCI 90	K9K-808	66	90	06/09	>	23.481.00	24.114.00	30.543.00	53.164.00
1.6 16V	K4M-830	78	106	02/08	>	23.418.00	31.948.00	30.147.00	53.164.00
1.6 16V LPG	K4M-834	72	98	02/08	>	23.418.00		30.147.00	53.164.00
1.6 8V	K7M-750	64	87	05/08	>	23.418.00		30.543.00	53.164.00
Z.E.	5AM-400	44	60	10/11	>	×	×	×	53.164.00
Kaptur									
1.6 16V (RUS)	H4M	84	114	06/16	>	23.484.00		30.A16.00	53.256.00
with activated carbons / ai carboni attivi	H4M	84	114	06/16	>				54.244.00
antibacterial, anti-odour and anti-allergen filter / filtro antibatterico, antiodori e anti-allergeni	H4M	84	114	06/16	>				34.244.00
2.0 16V (RUS)	F4R	105	143	06/16	>	23.418.00		30.A16.00	53.256.00
with activated carbons / ai carboni attivi	F4R	105	143	06/16	>				54.244.00
antibacterial, anti-odour and anti-allergen filter / filtro antibatterico, antiodori e anti-allergeni	F4R	105	143	06/16	>				34.244.00
Koleos									
2.0 DCI 150 4x2	M9R-832	110	150	06/08	>	25.094.00		30.352.00	
with automatic air-conditioner / con climatizzatore automatico	M9R-832	110	150	06/08	>				54.233.00
antibacterial, anti-odour and anti-allergen filter with automatic air-conditioner / filtro antibatterico, antiodori e anti-allergeni con climatizzatore automatico	M9R-832	110	150	06/08	>				34.233.00
without water presence sensor / senza sensore presenza acqua	M9R-832	110	150	06/08	>		24.026.01		
dusty areas / zone polverose	M9R-832	110	150	06/08	>			30.491.00	
2.0 DCI 150 4x4	M9R-832, M9R-833	110	150	06/08	>	25.094.00		30.352.00	
with automatic air-conditioner / con climatizzatore automatico	M9R-832, M9R-833	110	150	06/08	>				54.233.00
antibacterial, anti-odour and anti-allergen filter with automatic air-conditioner / filtro antibatterico, antiodori e anti-allergeni con climatizzatore automatico	M9R-832, M9R-833	110	150	06/08	>				34.233.00
without water presence sensor / senza sensore presenza acqua	M9R-832, M9R-833	110	150	06/08	>		24.026.01		
2.0 DCI 175 4x4	M9R-830, M9R-864, M9R-865	127	173	06/08	>	25.094.00		30.352.00	
with automatic air-conditioner / con climatizzatore automatico	M9R-830, M9R-864, M9R-865	127	173	06/08	>				54.233.00
antibacterial, anti-odour and anti-allergen filter with automatic air-conditioner / filtro antibatterico, antiodori e anti-allergeni con climatizzatore automatico	M9R-830, M9R-864, M9R-865	127	173	06/08	>				34.233.00
without water presence sensor / senza sensore presenza acqua	M9R-830, M9R-864, M9R-865	127	173	06/08	>		24.026.01		
dusty areas / zone polverose	M9R-830, M9R-864, M9R-865	127	173	06/08	>			30.491.00	
2.0 DCI 180 4x4	M9R-830	130	177	09/08	> 03/13	25.094.00		30.352.00	
with automatic air-conditioner / con climatizzatore automatico	M9R-830	130	177	09/08	> 03/13				54.233.00
antibacterial, anti-odour and anti-allergen filter with automatic air-conditioner / filtro antibatterico, antiodori e anti-allergeni con climatizzatore automatico	M9R-830	130	177	09/08	> 03/13				34.233.00
without water presence sensor / senza sensore presenza acqua	M9R-830	130	177	09/08	> 03/13		24.026.01		
dusty areas / zone polverose	M9R-830	130	177	09/13	> 03/13			30.491.00	
2.5 16V 4x2	2TR-700, 2TR-703	125	170	06/08	>	23.484.00	∞		
some RENAULT 1654630P00 / alcuni RENAULT 1654630P00	2TR-700, 2TR-703	125	170	06/08	>			30.001.00	
some RENAULT 16546JG30A / alcuni RENAULT 16546JG30A	2TR-700, 2TR-703	125	170	06/08	>			30.481.00	
with automatic air-conditioner / con climatizzatore automatico	2TR-700, 2TR-703	125	170	06/08	>				54.233.00
antibacterial, anti-odour and anti-allergen filter with automatic air-conditioner / filtro antibatterico, antiodori e anti-allergeni con climatizzatore automatico	2TR-700, 2TR-703	125	170	06/08	>				34.233.00
2.5 16V 4x4	2TR-700, 2TR-703	125	170	06/08	>	23.484.00	∞		
some RENAULT 1654630P00 / alcuni RENAULT 1654630P00	2TR-700, 2TR-703	125	170	06/08	>			30.001.00	
some RENAULT 16546JG30A / alcuni RENAULT 16546JG30A	2TR-700, 2TR-703	125	170	06/08	>			30.481.00	
with automatic air-conditioner / con climatizzatore automatico	2TR-700, 2TR-703	125	170	06/08	>				54.233.00
antibacterial, anti-odour and anti-allergen filter with automatic air-conditioner / filtro antibatterico, antiodori e anti-allergeni con climatizzatore automatico	2TR-700, 2TR-703	125	170	06/08	>				34.233.00
Koleos II (HZG)									
1.6 DCI 130	R9M-409	96	130	08/16	>	25.170.00	24.095.01		54.257.00
antibacterial, anti-odour and anti-allergen filter / filtro antibatterico, antiodori e anti-allergeni	R9M-409	96	130	08/16	>				34.257.00
1.6 DCI 130	R9M-414	96	130	08/16	>	25.170.00	24.095.01		54.257.00
antibacterial, anti-odour and anti-allergen filter / filtro antibatterico, antiodori e anti-allergeni	R9M-414	96	130	08/16	>				34.257.00
2.0 DCI	M9R-868	130	177	08/16	>	25.170.00	24.095.04		54.257.00
antibacterial, anti-odour and anti-allergen filter / filtro antibatterico, antiodori e anti-allergeni	M9R-868	130	177	08/16	>				34.257.00
2.0 DCI 4x4	M9R-868	130	177	08/16	>	25.170.00	24.095.04		54.257.00
antibacterial, anti-odour and anti-allergen filter / filtro antibatterico, antiodori e anti-allergeni	M9R-868	130	177	08/16	>				34.257.00
2.0 DCI 4x4	M9R-869	130	177	08/16	>	25.170.00	24.095.04		54.257.00
antibacterial, anti-odour and anti-allergen filter / filtro antibatterico, antiodori e anti-allergeni	M9R-869	130	177	08/16	>				34.257.00
Laguna I									
1.6 i 16V									
with R.H.D. / con guida a destra	K4M	79	107	11/97	> 03/01	23.418.00	31.710.00	30.147.00	53.099.00
with L.H.D. / con guida a sinistra	K4M	79	107	11/97	> 03/01	23.418.00	31.710.00	30.147.00	53.018.00
with activated carbon L.H.D. / con guida a sinistra, ai carboni attivi	K4M	79	107	11/97	> 03/01				54.280.00
1.8 i 16V									
with R.H.D. / con guida a destra	F4P-760	88	120	05/98	> 03/01	23.418.00	31.710.00	30.147.00	53.099.00
with L.H.D. / con guida a sinistra	F4P-760	88	120	05/98	> 03/01	23.418.00	31.710.00	30.147.00	53.018.00
with activated carbon L.H.D. / con guida a sinistra, ai carboni attivi	F4P-760	88	120	05/98	> 03/01				54.280.00

...RENAULT - cars/auto

1.9 DCI									
with R.H.D. / con guida a destra	F9Q-718	79	107	09/99 >	03/01	23.418.00	24.086.00	30.150.00	53.099.00
with L.H.D. / con guida a sinistra	F9Q-718	79	107	09/99 >	03/01	23.418.00	24.086.00	30.150.00	53.018.00
with activated carbon L.H.D. / con guida a sinistra, ai carboni attivi	F9Q-718	79	107	09/99 >	03/01				54.280.00
1.9 DTI									
with R.H.D. / con guida a destra	F9Q-716	72	98	09/99 >	03/01	23.418.00	26.686.00	30.150.00	53.099.00
with R.H.D., assembly DELPHI / con guida a destra, montaggio DELPHI	F9Q-716	72	98	09/99 >	03/01	23.418.00	26.690.00	30.150.00	53.099.00
with activated carbon L.H.D. / con guida a sinistra, ai carboni attivi	F9Q-716	72	98	05/98 >	03/01				54.280.00
with L.H.D., assembly DELPHI / con guida a sinistra, montaggio DELPHI	F9Q-716	72	98	09/99 >	03/01	23.418.00	26.690.00	30.150.00	53.018.00
assembly PURFLUX / montaggio PURFLUX	F9Q-716	72	98	09/99 >	03/01	23.418.00	26.686.00	30.150.00	53.018.00
2.0 i									
with R.H.D. / con guida a destra	F3R			05/98 >	03/01	23.418.00	31.710.00	30.039.00	53.099.00
with L.H.D. / con guida a sinistra	F3R			05/98 >	03/01	23.418.00	31.710.00	30.039.00	53.018.00
with activated carbon L.H.D. / con guida a sinistra, ai carboni attivi	F3R			05/98 >	03/01				54.280.00
2.0 i 16V									
with R.H.D. / con guida a destra	F4R			09/99 >	03/01	23.418.00	31.710.00	30.147.00	53.099.00
with L.H.D. / con guida a sinistra	F4R			09/99 >	03/01	23.418.00	31.710.00	30.147.00	53.018.00
with activated carbon L.H.D. / con guida a sinistra, ai carboni attivi	F4R			09/99 >	03/01				54.280.00
2.2 Turbodiesel (B569)									
with R.H.D. / con guida a destra	G8T			12/97 >	03/01	23.313.00	26.687.00	30.111.00	53.099.00
with L.H.D. / con guida a sinistra	G8T			12/97 >	03/01	23.313.00	26.687.00	30.111.00	53.018.00
with activated carbon L.H.D. / con guida a sinistra, ai carboni attivi	G8T			01/96 >	03/01				54.280.00
2.2 Turbodiesel (K569)									
with R.H.D. / con guida a destra	G8T			12/97 >	03/01	23.313.00	26.687.00	30.111.00	53.099.00
with L.H.D. / con guida a sinistra	G8T			12/97 >	03/01	23.313.00	26.687.00	30.111.00	53.018.00
with activated carbon L.H.D. / con guida a sinistra, ai carboni attivi	G8T			01/96 >	03/01				54.280.00
3.0 i V6 24V									
with R.H.D. / con guida a destra	L7X			03/97 >	03/01	23.191.00	31.710.00	30.215.00	53.099.00
with L.H.D. / con guida a sinistra	L7X			03/97 >	03/01	23.191.00	31.710.00	30.215.00	53.018.00
with activated carbon L.H.D. / con guida a sinistra, ai carboni attivi	L7X			03/97 >	03/01				54.280.00
Laguna II									
1.6 i 16V	K4M	79	107	11/00 >		23.418.00	31.710.00	30.147.00	53.086.00
with activated carbons / ai carboni attivi	K4M	79	107	11/00 >		23.418.00	31.710.00	30.147.00	54.122.00
antibacterial, anti-odour and anti-allergen filter / filtro antibatterico, antiodori e anti-allergeni	K4M	79	107	11/00 >					34.122.00
1.6 i 16V	K4M	82	112	02/05 >		23.418.00	31.710.00	30.147.00	53.086.00
with activated carbons / ai carboni attivi	K4M	82	112	02/05 >		23.418.00	31.710.00	30.147.00	54.122.00
antibacterial, anti-odour and anti-allergen filter / filtro antibatterico, antiodori e anti-allergeni	K4M	82	112	02/05 >					34.122.00
1.8 i 16V	F4P	85	115	03/01 >		23.418.00	31.710.00	30.147.00	53.086.00
with activated carbons / ai carboni attivi	F4P	85	115	03/01 >		23.418.00	31.710.00	30.147.00	54.122.00
antibacterial, anti-odour and anti-allergen filter / filtro antibatterico, antiodori e anti-allergeni	F4P	85	115	03/01 >					34.122.00
1.8 i 16V	F4P	88	120	11/00 >		23.418.00	31.710.00	30.147.00	53.086.00
with activated carbons / ai carboni attivi	F4P	88	120	11/00 >		23.418.00	31.710.00	30.147.00	54.122.00
antibacterial, anti-odour and anti-allergen filter / filtro antibatterico, antiodori e anti-allergeni	F4P	88	120	11/00 >					34.122.00
1.8 i 16V	F4P	89	121	11/00 >		23.418.00	31.710.00	30.147.00	53.086.00
with activated carbons / ai carboni attivi	F4P	89	121	11/00 >		23.418.00	31.710.00	30.147.00	54.122.00
antibacterial, anti-odour and anti-allergen filter / filtro antibatterico, antiodori e anti-allergeni	F4P	89	121	11/00 >					34.122.00
1.9 DCI	F9Q	68	92	03/04 >		23.481.00	24.086.00	30.195.00	53.086.00
with activated carbons / ai carboni attivi	F9Q	68	92	03/04 >		23.481.00	24.086.00	30.195.00	54.122.00
antibacterial, anti-odour and anti-allergen filter / filtro antibatterico, antiodori e anti-allergeni	F9Q	68	92	03/04 >					34.122.00
1.9 DCI	F9Q	79	107	03/01 >		23.481.00	24.086.00	30.195.00	53.086.00
with activated carbons / ai carboni attivi	F9Q	79	107	03/01 >		23.481.00	24.086.00	30.195.00	54.122.00
antibacterial, anti-odour and anti-allergen filter / filtro antibatterico, antiodori e anti-allergeni	F9Q	79	107	03/01 >					34.122.00
1.9 DCI	F9Q	81	110	01/05 >		23.481.00	26.687.00	30.195.00	53.086.00
with activated carbons / ai carboni attivi	F9Q	81	110	01/05 >		23.481.00	26.687.00	30.195.00	54.122.00
antibacterial, anti-odour and anti-allergen filter / filtro antibatterico, antiodori e anti-allergeni	F9Q	81	110	01/05 >					34.122.00
1.9 DCI (BG0E)	F9Q	77	105	06/01 >		23.481.00	24.086.00	30.195.00	53.086.00
with activated carbons / ai carboni attivi	F9Q	77	105	06/01 >		23.481.00	24.086.00	30.195.00	54.122.00
antibacterial, anti-odour and anti-allergen filter / filtro antibatterico, antiodori e anti-allergeni	F9Q	77	105	06/01 >					34.122.00
1.9 DCI (BG0G)	F9Q	88	120	03/01 >		23.481.00	26.687.00	30.195.00	53.086.00
with activated carbons / ai carboni attivi	F9Q	88	120	03/01 >		23.481.00	26.687.00	30.195.00	54.122.00
antibacterial, anti-odour and anti-allergen filter / filtro antibatterico, antiodori e anti-allergeni	F9Q	88	120	03/01 >					34.122.00
1.9 DCI (BG0R)	F9Q	74	100	10/01 >		23.481.00	24.086.00	30.195.00	53.086.00
with activated carbons / ai carboni attivi	F9Q	74	100	10/01 >		23.481.00	24.086.00	30.195.00	54.122.00
antibacterial, anti-odour and anti-allergen filter / filtro antibatterico, antiodori e anti-allergeni	F9Q	74	100	10/01 >					34.122.00
1.9 DCI FAP	F9Q	96	130	05/05 >		23.481.00	26.687.00	30.195.00	53.086.00
with activated carbons / ai carboni attivi	F9Q	96	130	05/05 >		23.481.00	26.687.00	30.195.00	54.122.00
antibacterial, anti-odour and anti-allergen filter / filtro antibatterico, antiodori e anti-allergeni	F9Q	96	130	05/05 >					34.122.00

...RENAULT - cars/auto

2.0 DCI	M9R	127	173	10/05	>	25.094.00	26.687.00	30.417.00	53.086.00
	with activated carbons / ai carboni attivi	M9R	127	173	10/05	>			54.122.00
	antibacterial, anti-odour and anti-allergen filter / filtro antibatterico, antiodori e anti-allergeni	M9R	127	173	10/05	>			34.122.00
2.0 DCI	M9R740	110	150	08/05	>	25.094.00	26.687.00	30.417.00	53.086.00
	with activated carbons / ai carboni attivi	M9R740	110	150	08/05	>			54.122.00
	antibacterial, anti-odour and anti-allergen filter / filtro antibatterico, antiodori e anti-allergeni	M9R740	110	150	08/05	>			34.122.00
2.0 i 16V	F4R-712/713/714/715	99	135	08/02	>	23.418.00	31.710.00	30.147.00	53.086.00
	with activated carbons / ai carboni attivi	F4R-712/713/714/715	99	135	08/02	>	23.418.00	31.710.00	54.122.00
	antibacterial, anti-odour and anti-allergen filter / filtro antibatterico, antiodori e anti-allergeni	F4R-712/713/714/715	99	135	08/02	>			34.122.00
2.0 i 16V Turbo	F4R	120	163	11/02	>	23.418.00		30.195.00	53.086.00
	with activated carbons / ai carboni attivi	F4R	120	163	11/02	>	23.418.00		54.122.00
	antibacterial, anti-odour and anti-allergen filter / filtro antibatterico, antiodori e anti-allergeni	F4R	120	163	11/02	>			34.122.00
2.0 i 16V Turbo	F4R	125	170	04/05	>	23.418.00		30.195.00	53.086.00
	with activated carbons / ai carboni attivi	F4R	125	170	04/05	>	23.418.00		54.122.00
	antibacterial, anti-odour and anti-allergen filter / filtro antibatterico, antiodori e anti-allergeni	F4R	125	170	04/05	>			34.122.00
2.0 i 16V Turbo GT	F4R	150	204	04/05	>	23.418.00		30.195.00	53.086.00
	with activated carbons / ai carboni attivi	F4R	150	204	04/05	>	23.418.00		54.122.00
	antibacterial, anti-odour and anti-allergen filter / filtro antibatterico, antiodori e anti-allergeni	F4R	150	204	04/05	>			34.122.00
2.0 i dE	F5R	103	140	06/01	> 08/03	23.418.00		30.195.00	53.086.00
	with activated carbons / ai carboni attivi	F5R	103	140	06/01	> 08/03	23.418.00		54.122.00
	antibacterial, anti-odour and anti-allergen filter / filtro antibatterico, antiodori e anti-allergeni	F5R	103	140	05/01	> 08/03			34.122.00
2.2 DCI	G9T	98	134	11/00	> 03/02	25.033.00	26.687.00	30.195.00	53.086.00
	with activated carbons / ai carboni attivi	G9T	98	134	11/00	> 03/02	25.033.00	26.687.00	54.122.00
	antibacterial, anti-odour and anti-allergen filter / filtro antibatterico, antiodori e anti-allergeni	G9T	98	134	11/00	> 03/02			34.122.00
2.2 DCI 16V (BGOF)	G9T	110	150	03/02	>	25.033.00	26.687.00	30.195.00	53.086.00
	with activated carbons / ai carboni attivi	G9T	110	150	03/02	>	25.033.00	26.687.00	54.122.00
	antibacterial, anti-odour and anti-allergen filter / filtro antibatterico, antiodori e anti-allergeni	G9T	110	150	03/02	>			34.122.00
2.2 DCI 16V FAP	G9T	102	139	12/04	>	25.033.00	26.687.00	30.195.00	53.086.00
	with activated carbons / ai carboni attivi	G9T	102	139	12/04	>	25.033.00	26.687.00	54.122.00
	antibacterial, anti-odour and anti-allergen filter / filtro antibatterico, antiodori e anti-allergeni	G9T	102	139	12/04	>			34.122.00
3.0 V6 24V	L7X	152	207	03/01	>	23.401.00	31.710.00	30.195.00	53.086.00
	with activated carbons / ai carboni attivi	L7X	152	207	03/01	>	23.401.00	31.710.00	54.122.00
	antibacterial, anti-odour and anti-allergen filter / filtro antibatterico, antiodori e anti-allergeni	L7X	152	207	03/01	>			34.122.00
Laguna III									
1.5 DCI	K9K-780	81	110	10/07	> 04/09	23.481.00		30.374.00	54.173.00
	K9K-780	81	110	10/07	> 04/09		24.117.00		
	K9K-780	81	110	05/09	>	23.481.00	24.114.00	30.374.00	54.173.00
	with water presence sensor / con sensore presenza acqua	K9K-780	81	110	10/07	> 04/09		24.073.00	
1.5 DCI	K9K-846	81	110	03/12	>	23.481.00	24.114.00	30.374.00	54.173.00
1.6 16V	K4M-824	81	110	10/07	>	23.418.00	31.948.00	30.375.00	54.173.00
2.0 16V HI-FLEX	M4R-726	103	140	10/07	>	23.484.00		30.375.00	54.173.00
2.0 16V	M4R-704	103	140	10/07	>	23.484.00	31.948.00	30.375.00	54.173.00
2.0 16V Turbo	F4R-811	125	170	10/07	>	23.418.00	31.948.00	30.375.00	54.173.00
2.0 16V Turbo GT	F4R-800	150	205	10/07	>	23.418.00	31.948.00	30.374.00	54.173.00
2.0 DCI	M9R	96	130	10/07	> 04/09	25.094.00		30.374.00	54.173.00
	M9R	96	130	10/07	> 04/09		24.117.00		
	M9R	96	130	05/09	>		24.114.00		
	with water presence sensor / con sensore presenza acqua	M9R	96	130	10/07	> 04/09		24.073.00	
	M9R-742	110	150	10/07	> 04/09	25.094.00		30.374.00	54.173.00
2.0 DCI	M9R-742	110	150	10/07	> 04/09		24.117.00		
	M9R-742	110	150	05/09	>		24.114.00		
	with water presence sensor / con sensore presenza acqua	M9R-742	110	150	10/07	> 04/09		24.073.00	
	M9R	110	150	10/07	> 04/09	25.094.00		30.374.00	54.173.00
	M9R	110	150	10/07	> 04/09		24.117.00		
2.0 DCI FAP	M9R	110	150	05/09	>	25.094.00	24.114.00	30.374.00	54.173.00
	with water presence sensor / con sensore presenza acqua	M9R	110	150	10/07	> 04/09		24.073.00	
	M9R-800	127	175	10/07	> 04/09	25.094.00		30.854.00	54.173.00
	M9R-800	127	175	10/07	> 04/09		24.117.00		
	M9R-800	127	175	05/09	>	25.094.00	24.114.00	30.854.00	54.173.00
2.0 DCI FAP	with water presence sensor / con sensore presenza acqua	M9R-800	127	175	10/07	> 04/09		24.073.00	
	M9R-802	96	130	10/07	> 04/09	25.094.00		30.374.00	54.173.00
	M9R-802	96	130	10/07	> 04/09		24.117.00		
	M9R-802	96	130	05/09	>		24.114.00		
	with water presence sensor / con sensore presenza acqua	M9R-802	96	130	10/07	> 04/09		24.073.00	
2.0 DCI FAP 180	M9R	131	180	10/07	> 04/09	25.094.00		30.854.00	54.173.00
	M9R	131	180	10/07	> 04/09		24.117.00		
	M9R	131	180	05/09	>		24.114.00		

...RENAULT - cars/auto

with water presence sensor / con sensore presenza acqua	M9R	131	180	10/07	>	04/09		24.073.00		
2.0 DCI FAP Auto.	M9R-805	110	150	10/07	>	04/09	25.094.00		30.374.00	54.173.00
	M9R-805	110	150	10/07	>	04/09		24.117.00		
	M9R-805	110	150	05/09	>			24.114.00		
with water presence sensor / con sensore presenza acqua	M9R-805	110	150	10/07	>	04/09		24.073.00		
3.0 DCI	V9X	173	235	12/08	>	04/09	23.564.00		30.B29.00	54.173.00
	V9X	173	235	12/08	>	04/09		24.117.00		
	V9X	173	235	05/09	>		23.564.00	24.114.00	30.B29.00	54.173.00
with water presence sensor / con sensore presenza acqua	V9X	173	235	12/08	>	04/09		24.073.00		
3.5 V6 24V	V4Y-713	175	240	09/08	>	11/10	23.484.00	31.948.00	30.B29.00	54.173.00
Latitude										
1.5 DCI	K9K-782	81	110	08/10	>	12/15	23.481.00	24.114.00	30.374.00	53.311.00
with activated carbons / ai carboni attivi	K9K-782	81	110	08/10	>	12/15				54.287.00
antibacterial, anti-odour and anti-allergen filter / filtro antibatterico, antiodori e anti-allergeni	K9K-782	81	110	08/10	>	12/15				34.287.00
2.0 16V E85	M4R	103	140	08/10	>	12/15	23.484.00	31.948.00		53.311.00
with activated carbons / ai carboni attivi	M4R	103	140	08/10	>	12/15				54.287.00
antibacterial, anti-odour and anti-allergen filter / filtro antibatterico, antiodori e anti-allergeni	M4R	103	140	08/10	>	12/15				34.287.00
2.0 DCI 150 FAP	M9R-824	110	150	08/10	>	12/15	25.094.00	24.114.00	30.B54.00	53.311.00
with activated carbons / ai carboni attivi	M9R-824	110	150	08/10	>	12/15				54.287.00
antibacterial, anti-odour and anti-allergen filter / filtro antibatterico, antiodori e anti-allergeni	M9R-824	110	150	08/10	>	12/15				34.287.00
2.0 DCI 175 FAP	M9R-804	127	173	08/10	>	12/15	25.094.00	24.114.00	30.B54.00	53.311.00
with activated carbons / ai carboni attivi	M9R-804	127	173	08/10	>	12/15				54.287.00
antibacterial, anti-odour and anti-allergen filter / filtro antibatterico, antiodori e anti-allergeni	M9R-804	127	173	08/10	>	12/15				34.287.00
2.0 DCI 175 FAP Auto.	M9R-817	127	173	08/10	>	12/15	25.094.00	24.114.00	30.B54.00	53.311.00
with activated carbons / ai carboni attivi	M9R-817	127	173	08/10	>	12/15				54.287.00
antibacterial, anti-odour and anti-allergen filter / filtro antibatterico, antiodori e anti-allergeni	M9R-817	127	173	08/10	>	12/15				34.287.00
2.5 V6	2ZV-604	133	180	08/10	>	12/15	23.484.00	31.948.00		53.311.00
with activated carbons / ai carboni attivi	2ZV-604	133	180	08/10	>	12/15				54.287.00
antibacterial, anti-odour and anti-allergen filter / filtro antibatterico, antiodori e anti-allergeni	2ZV-604	133	180	08/10	>	12/15				34.287.00
3.0 V6 DCI 240 Auto.	V9X-891	177	241	08/10	>	12/15	23.564.00	24.114.00	30.B26.00	53.311.00
with activated carbons / ai carboni attivi	V9X-891	177	241	08/10	>	12/15				54.287.00
antibacterial, anti-odour and anti-allergen filter / filtro antibatterico, antiodori e anti-allergeni	V9X-891	177	241	08/10	>	12/15				34.287.00
3.5 V6 24V	5ZV-604	177	241	08/10	>	12/15	23.484.00	31.948.00	30.B26.00	53.311.00
with activated carbons / ai carboni attivi	5ZV-604	177	241	08/10	>	12/15				54.287.00
antibacterial, anti-odour and anti-allergen filter / filtro antibatterico, antiodori e anti-allergeni	5ZV-604	177	241	08/10	>	12/15				34.287.00
Megane I										
1.4 e										
with air-conditioner / con climatizzatore	E7J-624	51	70	05/98	>	09/02	23.418.00	31.710.00	30.969.00	53.083.00
antibacterial, anti-odour and anti-allergen filter without air-conditioner / filtro antibatterico, antiodori e anti-allergeni senza climatizzatore	E7J-624	51	70	05/98	>	09/02				34.196.00
without air-conditioner / senza climatizzatore	E7J-624	51	70	05/98	>	09/02	23.418.00	31.710.00	30.969.00	53.060.00
without activated carbon air-conditioner / senza climatizzatore, ai carboni attivi	E7J-624	51	70	05/98	>	09/02				54.196.00
1.4 Eco										
with air-conditioner / con climatizzatore	E7J	52	71	05/98	>	09/02	23.418.00	31.710.00	30.969.00	53.083.00
antibacterial, anti-odour and anti-allergen filter without air-conditioner / filtro antibatterico, antiodori e anti-allergeni senza climatizzatore	E7J	52	71	05/98	>	09/02				34.196.00
without air-conditioner / senza climatizzatore	E7J	52	71	05/98	>	09/02	23.418.00	31.710.00	30.969.00	53.060.00
without activated carbon air-conditioner / senza climatizzatore, ai carboni attivi	E7J	52	71	05/98	>	09/02				54.196.00
1.4 i										
with air-conditioner / con climatizzatore	E7J-764	55	75	05/98	>	09/02	23.418.00	31.710.00	30.969.00	53.083.00
antibacterial, anti-odour and anti-allergen filter without air-conditioner / filtro antibatterico, antiodori e anti-allergeni senza climatizzatore	E7J-764	55	75	05/98	>	09/02				34.196.00
without air-conditioner / senza climatizzatore	E7J-764	55	75	05/98	>	09/02	23.418.00	31.710.00	30.969.00	53.060.00
without activated carbon air-conditioner / senza climatizzatore, ai carboni attivi	E7J-764	55	75	05/98	>	09/02				54.196.00
1.4 i (BA0V)										
with air-conditioner / con climatizzatore	E7J-626	55	75	03/99	>	09/02	23.418.00	31.710.00	30.217.00	53.083.00
antibacterial, anti-odour and anti-allergen filter without air-conditioner / filtro antibatterico, antiodori e anti-allergeni senza climatizzatore	E7J-626	55	75	03/99	>	09/02				34.196.00
without air-conditioner / senza climatizzatore	E7J-626	55	75	03/99	>	09/02	23.418.00	31.710.00	30.217.00	53.060.00
without activated carbon air-conditioner / senza climatizzatore, ai carboni attivi	E7J-626	55	75	03/99	>	09/02				54.196.00
1.4 i (KA0V)										
with air-conditioner / con climatizzatore	E7J-626	55	75	03/99	>	09/02	23.418.00	31.710.00	30.217.00	53.083.00
antibacterial, anti-odour and anti-allergen filter without air-conditioner / filtro antibatterico, antiodori e anti-allergeni senza climatizzatore	E7J-626	55	75	03/99	>	09/02				34.196.00
without air-conditioner / senza climatizzatore	E7J-626	55	75	03/99	>	09/02	23.418.00	31.710.00	30.217.00	53.060.00
without activated carbon air-conditioner / senza climatizzatore, ai carboni attivi	E7J-626	55	75	03/99	>	09/02				54.196.00
1.4 i (LA0V)										
with air-conditioner / con climatizzatore	E7J-626	55	75	03/99	>	09/02	23.418.00	31.710.00	30.217.00	53.083.00
antibacterial, anti-odour and anti-allergen filter without air-conditioner / filtro antibatterico, antiodori e anti-allergeni senza climatizzatore	E7J-626	55	75	03/99	>	09/02				34.196.00
without air-conditioner / senza climatizzatore	E7J-626	55	75	03/99	>	09/02	23.418.00	31.710.00	30.217.00	53.060.00
without activated carbon air-conditioner / senza climatizzatore, ai carboni attivi	E7J-626	55	75	03/99	>	09/02				54.196.00
1.4 i 16V										

...RENAULT - cars/auto

R

with air-conditioner / con climatizzatore	K4J-750	70	95	03/99	>	09/02	23.418.00	31.710.00	30.147.00	53.083.00
antibacterial, anti-odour and anti-allergen filter without air-conditioner / filtro antibatterico, antiodori e anti-allergeni senza climatizzatore	K4J-750	70	95	03/99	>	09/02				34.196.00
without air-conditioner / senza climatizzatore	K4J-750	70	95	03/99	>	09/02	23.418.00	31.710.00	30.147.00	53.060.00
without activated carbon air-conditioner / senza climatizzatore, ai carboni attivi	K4J-750	70	95	03/99	>	09/02				54.196.00
1.6 e										
with air-conditioner / con climatizzatore	K7M-702/703	66	90	05/98	>	09/02	23.418.00	31.710.00	27.824.00	53.083.00
antibacterial, anti-odour and anti-allergen filter without air-conditioner / filtro antibatterico, antiodori e anti-allergeni senza climatizzatore	K7M-702/703	66	90	05/98	>	09/02				34.196.00
without air-conditioner / senza climatizzatore	K7M-702/703	66	90	05/98	>	09/02	23.418.00	31.710.00	27.824.00	53.060.00
without activated carbon air-conditioner / senza climatizzatore, ai carboni attivi	K7M-702/703	66	90	05/98	>	09/02				54.196.00
dusty areas / zone polverose	K7M-702/703	66	90	11/95	>	09/02			27.699.00	
1.6 i										
with air-conditioner / con climatizzatore	K7M-720	55	75	05/98	>	09/02	23.418.00	31.710.00	27.824.00	53.083.00
antibacterial, anti-odour and anti-allergen filter without air-conditioner / filtro antibatterico, antiodori e anti-allergeni senza climatizzatore	K7M-720	55	75	05/98	>	09/02				34.196.00
without air-conditioner / senza climatizzatore	K7M-720	55	75	05/98	>	09/02	23.418.00	31.710.00	27.824.00	53.060.00
without activated carbon air-conditioner / senza climatizzatore, ai carboni attivi	K7M-720	55	75	05/98	>	09/02				54.196.00
dusty areas / zone polverose	K7M-720	55	75	11/95	>	09/02			27.699.00	
1.6 i 16V										
with air-conditioner / con climatizzatore	K4M-720	79	107	03/99	>	09/02	23.418.00	31.710.00	30.147.00	53.083.00
antibacterial, anti-odour and anti-allergen filter without air-conditioner / filtro antibatterico, antiodori e anti-allergeni senza climatizzatore	K4M-720	79	107	03/99	>	09/02				34.196.00
without air-conditioner / senza climatizzatore	K4M-720	79	107	03/99	>	09/02	23.418.00	31.710.00	30.147.00	53.060.00
without activated carbon air-conditioner / senza climatizzatore, ai carboni attivi	K4M-720	79	107	03/99	>	09/02				54.196.00
1.8 i 16V										
with air-conditioner / con climatizzatore	F4P	85	115	03/01	>	09/02	23.418.00	31.710.00	30.147.00	53.083.00
antibacterial, anti-odour and anti-allergen filter without air-conditioner / filtro antibatterico, antiodori e anti-allergeni senza climatizzatore	F4P	85	115	03/01	>	09/02				34.196.00
without air-conditioner / senza climatizzatore	F4P	85	115	03/01	>	09/02	23.418.00	31.710.00	30.147.00	53.060.00
without activated carbon air-conditioner / senza climatizzatore, ai carboni attivi	F4P	85	115	03/01	>	09/02				54.196.00
1.9 D										
with air-conditioner / con climatizzatore	F8Q-620	47	64	12/98	>	09/02	23.419.00		27.149.00	53.083.00
antibacterial, anti-odour and anti-allergen filter without air-conditioner / filtro antibatterico, antiodori e anti-allergeni senza climatizzatore	F8Q-620	47	64	04/98	>	09/02				34.196.00
without air-conditioner / senza climatizzatore	F8Q-620	47	64	12/98	>	09/02	23.419.00		27.149.00	53.060.00
without activated carbon air-conditioner / senza climatizzatore, ai carboni attivi	F8Q-620	47	64	04/98	>	09/02				54.196.00
1.9 D (BA0R/KA0R/LA0R/SA0R)										
with air-conditioner / con climatizzatore	F8Q-622	47	64	03/99	>	09/02				53.083.00
antibacterial, anti-odour and anti-allergen filter without air-conditioner / filtro antibatterico, antiodori e anti-allergeni senza climatizzatore	F8Q-622	47	64	03/99	>	09/02				34.196.00
assembly LUCAS / montaggio LUCAS	F8Q-622	47	64	03/99	>	09/02	23.418.00	26.690.00	30.213.00	53.060.00
assembly PURFLUX / montaggio PURFLUX	F8Q-622	47	64	03/99	>	09/02	23.418.00	26.686.00	30.213.00	53.060.00
without activated carbon air-conditioner / senza climatizzatore, ai carboni attivi	F8Q-622	47	64	03/99	>	09/02				54.196.00
1.9 D (KA0J/LA0J/SA0J)										
with air-conditioner / con climatizzatore	F8Q-790	47	64	03/99	>	09/02	23.418.00		30.213.00	53.083.00
antibacterial, anti-odour and anti-allergen filter without air-conditioner / filtro antibatterico, antiodori e anti-allergeni senza climatizzatore	F8Q-790	47	64	03/99	>	09/02				34.196.00
assembly DELPHI / montaggio DELPHI	F8Q-790	47	64	03/99	>	09/02	23.418.00	26.690.00	30.213.00	53.060.00
assembly PURFLUX / montaggio PURFLUX	F8Q-790	47	64	03/99	>	09/02	23.418.00	26.686.00	30.213.00	53.060.00
without activated carbon air-conditioner / senza climatizzatore, ai carboni attivi	F8Q-790	47	64	03/99	>	09/02				54.196.00
1.9 DCI										
with air-conditioner / con climatizzatore	F9Q	75	102	10/00	>	09/02	23.481.00	24.086.00	30.150.00	53.083.00
antibacterial, anti-odour and anti-allergen filter without air-conditioner / filtro antibatterico, antiodori e anti-allergeni senza climatizzatore	F9Q	75	102	10/00	>	09/02				34.196.00
without air-conditioner / senza climatizzatore	F9Q	75	102	10/00	>	09/02	23.481.00	24.086.00	30.150.00	53.060.00
without activated carbon air-conditioner / senza climatizzatore, ai carboni attivi	F9Q	75	102	10/00	>	09/02				54.196.00
1.9 DTI										
antibacterial, anti-odour and anti-allergen filter without air-conditioner / filtro antibatterico, antiodori e anti-allergeni senza climatizzatore	F9Q	69	94	04/98	>	09/02				34.196.00
assembly LUCAS / montaggio LUCAS	F9Q	69	94	01/99	>	09/02	23.418.00	26.690.00	27.253.00	53.061.00
without air-conditioner / senza climatizzatore	F9Q	69	94	04/98	>	09/02	23.418.00		27.253.00	53.060.00
without activated carbon air-conditioner / senza climatizzatore, ai carboni attivi	F9Q	69	94	04/98	>	09/02				54.196.00
1.9 DTI										
antibacterial, anti-odour and anti-allergen filter without air-conditioner / filtro antibatterico, antiodori e anti-allergeni senza climatizzatore	F9Q	72	98	05/98	>	09/02				34.196.00
assembly LUCAS / montaggio LUCAS	F9Q	72	98	01/99	>	09/02	23.418.00	26.690.00	27.253.00	
assembly PURFLUX / montaggio PURFLUX	F9Q	72	98	03/97	>	09/02	23.418.00	26.686.00	27.253.00	
without air-conditioner / senza climatizzatore	F9Q	72	98	05/98	>	09/02	23.418.00		27.253.00	53.060.00
without activated carbon air-conditioner / senza climatizzatore, ai carboni attivi	F9Q	72	98	05/98	>	09/02				54.196.00
1.9 TD										
with air-conditioner / con climatizzatore	F8Q	66	90	12/98	>	09/02	23.419.00		27.253.00	53.083.00
antibacterial, anti-odour and anti-allergen filter without air-conditioner / filtro antibatterico, antiodori e anti-allergeni senza climatizzatore	F8Q	66	90	05/98	>	09/02				34.196.00
without air-conditioner / senza climatizzatore	F8Q	66	90	12/98	>	09/02	23.419.00		27.253.00	53.060.00
without activated carbon air-conditioner / senza climatizzatore, ai carboni attivi	F8Q	66	90	05/98	>	09/02				54.196.00
2.0 e										
with air-conditioner / con climatizzatore	F3R-750	85	115	05/98	>	09/02	23.418.00	31.710.00	27.149.00	53.083.00
antibacterial, anti-odour and anti-allergen filter without air-conditioner / filtro antibatterico, antiodori e anti-allergeni senza climatizzatore	F3R-750	85	115	05/98	>	09/02				34.196.00

...RENAULT - cars/auto

without air-conditioner / senza climatizzatore	F3R-750	85	115	05/98 >	09/02	23.418.00	31.710.00	27.149.00	53.060.00
without activated carbon air-conditioner / senza climatizzatore, ai carboni attivi	F3R-750	85	115	05/98 >	09/02				54.196.00
2.0 i									
with air-conditioner / con climatizzatore	F3R-750	85	115	05/98 >	09/02	23.418.00	31.710.00	27.149.00	53.083.00
antibacterial, anti-odour and anti-allergen filter without air-conditioner / filtro antibatterico, antiodori e anti-allergeni senza climatizzatore	F3R-750	85	115	05/98 >	09/02				34.196.00
without air-conditioner / senza climatizzatore	F3R-750	85	115	05/98 >	09/02	23.418.00	31.710.00	27.149.00	53.060.00
without activated carbon air-conditioner / senza climatizzatore, ai carboni attivi	F3R-750	85	115	05/98 >	09/02				54.196.00
2.0 i 16V									
with air-conditioner / con climatizzatore	F5R	103	140	03/99 >	09/02	23.418.00	31.710.00	27.149.00	53.083.00
antibacterial, anti-odour and anti-allergen filter without air-conditioner / filtro antibatterico, antiodori e anti-allergeni senza climatizzatore	F5R	103	140	03/99 >	09/02				34.196.00
without air-conditioner / senza climatizzatore	F5R	103	140	03/99 >	09/02	23.418.00	31.710.00	27.149.00	53.060.00
without activated carbon air-conditioner / senza climatizzatore, ai carboni attivi	F5R	103	140	03/99 >	09/02				54.196.00
Megane II									
1.4 16V	K4J	60	82	10/02 >	10/08	23.418.00	31.710.00	30.147.00	53.107.00
with activated carbons / ai carboni attivi	K4J	60	82	10/02 >	10/08				54.201.00
antibacterial, anti-odour and anti-allergen filter / filtro antibatterico, antiodori e anti-allergeni	K4J	60	82	10/02 >	10/08				34.201.00
1.4 16V (CM0B0H)	K4J-730	70	95	10/02 >	10/08	23.418.00	31.710.00	30.147.00	53.107.00
with activated carbons / ai carboni attivi	K4J-730	70	95	10/02 >	10/08				54.201.00
antibacterial, anti-odour and anti-allergen filter / filtro antibatterico, antiodori e anti-allergeni	K4J-730	70	95	10/02 >	10/08				34.201.00
1.4 16V (CM0B0H)	K4J-730	72	98	10/02 >	10/08	23.418.00	31.710.00	30.147.00	53.107.00
with activated carbons / ai carboni attivi	K4J-730	72	98	10/02 >	10/08				54.201.00
antibacterial, anti-odour and anti-allergen filter / filtro antibatterico, antiodori e anti-allergeni	K4J-730	72	98	10/02 >	10/08				34.201.00
1.4 16V (LM0B0H)	K4J-730	72	98	05/03 >	10/08	23.418.00	31.710.00	30.147.00	53.107.00
with activated carbons / ai carboni attivi	K4J-730	72	98	05/03 >	10/08				54.201.00
antibacterial, anti-odour and anti-allergen filter / filtro antibatterico, antiodori e anti-allergeni	K4J-730	72	98	05/03 >	10/08				34.201.00
1.5 DCI	K9K	63	86	06/05 >	10/08	23.418.00		30.417.00	53.107.00
with activated carbons / ai carboni attivi	K9K	63	86	06/05 >	10/08				54.201.00
with facility for water sensor / con predisposizione per sensore acqua	K9K	63	86	06/05 >	10/08		55.418.00		
antibacterial, anti-odour and anti-allergen filter / filtro antibatterico, antiodori e anti-allergeni	K9K	63	86	06/05 >	10/08				34.201.00
without water presence sensor / senza sensore presenza acqua	K9K	63	86	06/05 >	10/08		55.430.00		
1.5 DCI	K9K	74	100	10/03 >	06/05	23.418.00	24.014.00	30.417.00	53.107.00
with activated carbons / ai carboni attivi	K9K	74	100	10/03 >	06/05				54.201.00
with facility for water sensor / con predisposizione per sensore acqua	K9K	74	100	10/03 >	12/04		24.051.00		
with facility for water sensor / con predisposizione per sensore acqua	K9K	74	100	01/05 >	06/05		24.132.00		
antibacterial, anti-odour and anti-allergen filter / filtro antibatterico, antiodori e anti-allergeni	K9K	74	100	10/03 >	06/05				34.201.00
1.5 DCI	K9K	78	106	06/05 >	10/08	23.418.00		30.417.00	53.107.00
with activated carbons / ai carboni attivi	K9K	78	106	06/05 >	10/08				54.201.00
with facility for water sensor / con predisposizione per sensore acqua	K9K	78	106	06/05 >	10/08		55.418.00		
antibacterial, anti-odour and anti-allergen filter / filtro antibatterico, antiodori e anti-allergeni	K9K	78	106	06/05 >	10/08				34.201.00
without water presence sensor / senza sensore presenza acqua	K9K	78	106	06/05 >	10/08		55.430.00		
1.5 DCI	K9K-728	76	103	01/07 >	10/08	23.418.00		30.417.00	53.107.00
with activated carbons / ai carboni attivi	K9K-728	76	103	01/07 >	10/08				54.201.00
with facility for water sensor / con predisposizione per sensore acqua	K9K-728	76	103	01/07 >	10/08		24.132.00		
antibacterial, anti-odour and anti-allergen filter / filtro antibatterico, antiodori e anti-allergeni	K9K-728	76	103	01/07 >	10/08				34.201.00
without water presence sensor / senza sensore presenza acqua	K9K-728	76	103	01/07 >	10/08		24.014.00		
1.5 DCI (CM0F05)	K9K-722	60	82	10/02 >	06/05	23.418.00	24.014.00	30.417.00	53.107.00
with activated carbons / ai carboni attivi	K9K-722	60	82	10/02 >	06/05				54.201.00
with facility for water sensor / con predisposizione per sensore acqua	K9K-722	60	82	10/02 >	12/04		24.051.00		
with facility for water sensor / con predisposizione per sensore acqua	K9K-722	60	82	01/05 >	06/05		24.132.00		
antibacterial, anti-odour and anti-allergen filter / filtro antibatterico, antiodori e anti-allergeni	K9K-722	60	82	10/02 >	06/05				34.201.00
1.5 DCI (LMR20A)	K9K-729	74	100	05/03 >	06/05	23.418.00	24.014.00	30.417.00	53.107.00
with activated carbons / ai carboni attivi	K9K-729	74	100	05/03 >	06/05				54.201.00
with facility for water sensor / con predisposizione per sensore acqua	K9K-729	74	100	05/03 >	12/04		24.051.00		
with facility for water sensor / con predisposizione per sensore acqua	K9K-729	74	100	01/05 >	06/05		24.132.00		
antibacterial, anti-odour and anti-allergen filter / filtro antibatterico, antiodori e anti-allergeni	K9K-729	74	100	05/03 >	06/05				34.201.00
1.5 DCI (LMR2B5)	K9K-729	74	100	05/03 >	06/05	23.418.00	24.014.00	30.417.00	53.107.00
with activated carbons / ai carboni attivi	K9K-729	74	100	05/03 >	06/05				54.201.00
with facility for water sensor / con predisposizione per sensore acqua	K9K-729	74	100	05/03 >	12/04		24.051.00		
with facility for water sensor / con predisposizione per sensore acqua	K9K-729	74	100	01/05 >	06/05		24.132.00		
antibacterial, anti-odour and anti-allergen filter / filtro antibatterico, antiodori e anti-allergeni	K9K-729	74	100	05/03 >	06/05				34.201.00
1.5 DCI (LMRFB5/LMRFC5/LM0FC5)	K9K-722	60	82	05/03 >	06/05	23.418.00	24.014.00	30.417.00	53.107.00
with activated carbons / ai carboni attivi	K9K-722	60	82	05/03 >	06/05				54.201.00
with facility for water sensor / con predisposizione per sensore acqua	K9K-722	60	82	05/03 >	12/04		24.051.00		
with facility for water sensor / con predisposizione per sensore acqua	K9K-722	60	82	01/05 >	06/05		24.132.00		
antibacterial, anti-odour and anti-allergen filter / filtro antibatterico, antiodori e anti-allergeni	K9K-722	60	82	05/03 >	06/05				34.201.00
1.6 16V	K4M-812/813	83	113	10/02 >	10/08	23.418.00	31.710.00	30.417.00	53.107.00
with activated carbons / ai carboni attivi	K4M-812/813	83	113	10/02 >	10/08				54.201.00

...RENAULT - cars/auto

R

antibacterial, anti-odour and anti-allergen filter / filtro antibatterico, antiodori e anti-allergeni	K4M-812/813	83	113	10/02	>	10/08				34.201.00
1.6 16V (CM0C0H)	K4M-760M	83	113	10/02	>	10/08	23.418.00	31.710.00	30.417.00	53.107.00
with activated carbons / ai carboni attivi	K4M-760M	83	113	10/02	>	10/08				54.201.00
antibacterial, anti-odour and anti-allergen filter / filtro antibatterico, antiodori e anti-allergeni	K4M-760M	83	113	10/02	>	10/08				34.201.00
1.6 16V (LM0C0H)	K4M-760/761	83	113	05/03	>	10/08	23.418.00	31.710.00	30.417.00	53.107.00
with activated carbons / ai carboni attivi	K4M-760/761	83	113	05/03	>	10/08				54.201.00
antibacterial, anti-odour and anti-allergen filter / filtro antibatterico, antiodori e anti-allergeni	K4M-760/761	83	113	05/03	>	10/08				34.201.00
1.6 16V Automatic (CM0J0A)	K4M-761	83	113	10/02	>	10/08	23.418.00	31.710.00	30.417.00	53.107.00
with activated carbons / ai carboni attivi	K4M-761	83	113	10/02	>	10/08				54.201.00
antibacterial, anti-odour and anti-allergen filter / filtro antibatterico, antiodori e anti-allergeni	K4M-761	83	113	10/02	>	10/08				34.201.00
1.6 16V Automatic (LMOJ0A)	K4M-761	83	113	05/03	>	10/08	23.418.00	31.710.00	30.417.00	53.107.00
with activated carbons / ai carboni attivi	K4M-761	83	113	05/03	>	10/08				54.201.00
antibacterial, anti-odour and anti-allergen filter / filtro antibatterico, antiodori e anti-allergeni	K4M-761	83	113	05/03	>	10/08				34.201.00
1.6 GPL/LPG	K4M-788	77	105	06/05	>	10/08	23.418.00	31.710.00	30.147.00	53.107.00
antibacterial, anti-odour and anti-allergen filter / filtro antibatterico, antiodori e anti-allergeni	K4M-788	77	105	06/05	>	10/08				34.201.00
1.9 DCI	F9Q	68	92	03/04	>	06/05	23.481.00	26.687.00	30.417.00	53.107.00
with activated carbons / ai carboni attivi	F9Q	68	92	03/04	>	06/05				54.201.00
antibacterial, anti-odour and anti-allergen filter / filtro antibatterico, antiodori e anti-allergeni	F9Q	68	92	03/04	>	06/05				34.201.00
1.9 DCI (CM0G06)	F9Q-800	88	120	10/02	>	06/05	23.481.00	26.687.00	30.417.00	53.107.00
with activated carbons / ai carboni attivi	F9Q-800	88	120	10/02	>	06/05				54.201.00
antibacterial, anti-odour and anti-allergen filter / filtro antibatterico, antiodori e anti-allergeni	F9Q-800	88	120	10/02	>	06/05				34.201.00
1.9 DCI (LMRG06/LM1G06)	F9Q-800	88	120	05/03	>	06/05	23.481.00	26.687.00	30.417.00	53.107.00
with activated carbons / ai carboni attivi	F9Q-800	88	120	05/03	>	06/05				54.201.00
antibacterial, anti-odour and anti-allergen filter / filtro antibatterico, antiodori e anti-allergeni	F9Q-800	88	120	05/03	>	06/05				34.201.00
1.9 DCI 16V	F9Q	103	140	10/04	>	10/08	23.481.00	26.687.00	30.417.00	53.107.00
with activated carbons / ai carboni attivi	F9Q	103	140	10/04	>	10/08				54.201.00
antibacterial, anti-odour and anti-allergen filter / filtro antibatterico, antiodori e anti-allergeni	F9Q	103	140	10/04	>	10/08				34.201.00
1.9 DCI FAP	F9Q	81	110	06/05	>	10/08	23.481.00	26.687.00	30.417.00	53.107.00
with activated carbons / ai carboni attivi	F9Q	81	110	06/05	>	10/08				54.201.00
antibacterial, anti-odour and anti-allergen filter / filtro antibatterico, antiodori e anti-allergeni	F9Q	81	110	06/05	>	10/08				34.201.00
1.9 DCI FAP	F9Q	96	130	06/05	>	10/08	23.481.00	26.687.00	30.417.00	53.107.00
with activated carbons / ai carboni attivi	F9Q	96	130	06/05	>	10/08				54.201.00
antibacterial, anti-odour and anti-allergen filter / filtro antibatterico, antiodori e anti-allergeni	F9Q	96	130	06/05	>	10/08				34.201.00
2.0 16V (CM0U06)	F4R-770M	99	135	10/02	>	10/08	23.418.00	31.710.00	30.417.00	53.107.00
with activated carbons / ai carboni attivi	F4R-770M	99	135	10/02	>	10/08				54.201.00
antibacterial, anti-odour and anti-allergen filter / filtro antibatterico, antiodori e anti-allergeni	F4R-770M	99	135	10/02	>	10/08				34.201.00
2.0 16V (LM1N06/LM0U06)	F4R-770	99	135	05/03	>	10/08	23.418.00	31.710.00	30.417.00	53.107.00
with activated carbons / ai carboni attivi	F4R-770	99	135	05/03	>	10/08				54.201.00
antibacterial, anti-odour and anti-allergen filter / filtro antibatterico, antiodori e anti-allergeni	F4R-770	99	135	05/03	>	10/08				34.201.00
2.0 16V Automatic (CM0U0A)	F4R-771	99	135	10/02	>	10/08	23.418.00	31.710.00	30.417.00	53.107.00
with activated carbons / ai carboni attivi	F4R-771	99	135	10/02	>	10/08				54.201.00
antibacterial, anti-odour and anti-allergen filter / filtro antibatterico, antiodori e anti-allergeni	F4R-771	99	135	10/02	>	10/08				34.201.00
2.0 16V Automatic (LM0U0A/LM0U06)	F4R-771	99	135	05/03	>	10/08	23.418.00	31.710.00	30.417.00	53.107.00
with activated carbons / ai carboni attivi	F4R-771	99	135	05/03	>	10/08				54.201.00
antibacterial, anti-odour and anti-allergen filter / filtro antibatterico, antiodori e anti-allergeni	F4R-771	99	135	05/03	>	10/08				34.201.00
2.0 DCI	M9R	110	150	09/05	>	10/08	25.094.00		30.417.00	53.107.00
with activated carbons / ai carboni attivi	M9R	110	150	09/05	>	10/08				54.201.00
with facility for water sensor / con predisposizione per sensore acqua	M9R	110	150	09/05	>	10/08		55.418.00		
antibacterial, anti-odour and anti-allergen filter / filtro antibatterico, antiodori e anti-allergeni	M9R	110	150	09/05	>	10/08				34.201.00
without water presence sensor / senza sensore presenza acqua	M9R	110	150	09/05	>	10/08		55.430.00		
2.0 DCI 16V	M9R	127	173	01/07	>	10/08	25.094.00		30.417.00	53.107.00
with activated carbons / ai carboni attivi	M9R	127	173	01/07	>	10/08				54.201.00
with facility for water sensor / con predisposizione per sensore acqua	M9R	127	173	01/07	>	10/08		55.418.00		
antibacterial, anti-odour and anti-allergen filter / filtro antibatterico, antiodori e anti-allergeni	M9R	127	173	01/07	>	10/08				34.201.00
without water presence sensor / senza sensore presenza acqua	M9R	127	173	01/07	>	10/08		55.430.00		
2.0 Turbo 16V	F4R-776	120	163	09/04	>	10/08	23.418.00	31.710.00	30.417.00	53.107.00
with activated carbons / ai carboni attivi	F4R-776	120	163	09/04	>	10/08				54.201.00
antibacterial, anti-odour and anti-allergen filter / filtro antibatterico, antiodori e anti-allergeni	F4R-776	120	163	09/04	>	10/08				34.201.00
2.0 Turbo 16V RS	F4R	165	225	10/03	>	10/08	23.418.00	31.710.00	30.417.00	53.107.00
with activated carbons / ai carboni attivi	F4R	165	225	10/03	>	10/08				54.201.00
antibacterial, anti-odour and anti-allergen filter / filtro antibatterico, antiodori e anti-allergeni	F4R	165	225	10/03	>	10/08				34.201.00
Megane II C-C										
1.6 16V	K4M	83	113	02/05	>	10/08	23.418.00	31.710.00	30.417.00	53.107.00
with activated carbons / ai carboni attivi	K4M	83	113	02/05	>	10/08				54.201.00
antibacterial, anti-odour and anti-allergen filter / filtro antibatterico, antiodori e anti-allergeni	K4M	83	113	02/05	>	10/08				34.201.00
1.9 DCI	F9Q	88	120	02/05	>	10/08	23.481.00	26.687.00	30.417.00	53.107.00
with activated carbons / ai carboni attivi	F9Q	88	120	02/05	>	10/08				54.201.00

...RENAULT - cars/auto

antibacterial, anti-odour and anti-allergen filter / filtro antibatterico, antiodori e anti-allergeni	F9Q	88	120	02/05	>	10/08				34.201.00
2.0 16V	F4R	99	135	02/05	>	10/08	23.418.00	31.710.00	30.417.00	53.107.00
with activated carbons / ai carboni attivi	F4R	99	135	05/05	>	10/08				54.201.00
antibacterial, anti-odour and anti-allergen filter / filtro antibatterico, antiodori e anti-allergeni	F4R	99	135	05/05	>	10/08				34.201.00
2.0 Turbo 16V	F4R-776	120	163	02/05	>	10/08	23.418.00	31.710.00	30.417.00	53.107.00
with activated carbons / ai carboni attivi	F4R-776	120	163	02/05	>	10/08				54.201.00
antibacterial, anti-odour and anti-allergen filter / filtro antibatterico, antiodori e anti-allergeni	F4R-776	120	163	02/05	>	10/08				34.201.00
Megane II Grandtour										
1.4 16V (KM0B0H)	K4J-740	72	98	10/02	>	10/08	23.418.00	31.710.00	30.147.00	53.107.00
with activated carbons / ai carboni attivi	K4J-740	72	98	10/02	>	10/08				54.201.00
antibacterial, anti-odour and anti-allergen filter / filtro antibatterico, antiodori e anti-allergeni	K4J-740	72	98	10/02	>	10/08				34.201.00
1.5 DCI (KMR205)	K9K-729	74	100	10/03	>	06/05	23.418.00	24.014.00	30.417.00	53.107.00
with activated carbons / ai carboni attivi	K9K-729	74	100	10/03	>	06/05				54.201.00
antibacterial, anti-odour and anti-allergen filter / filtro antibatterico, antiodori e anti-allergeni	K9K-729	74	100	10/03	>	06/05				34.201.00
1.5 DCI (KMRF05)	K9K-722	60	82	10/02	>	06/05	23.418.00	24.014.00	30.417.00	53.107.00
with activated carbons / ai carboni attivi	K9K-722	60	82	10/02	>	06/05				54.201.00
antibacterial, anti-odour and anti-allergen filter / filtro antibatterico, antiodori e anti-allergeni	K9K-722	60	82	10/02	>	06/05				34.201.00
1.6 16V (KM0C0H)	K4M-761	83	113	10/02	>	10/08	23.418.00	31.710.00	30.417.00	53.107.00
with activated carbons / ai carboni attivi	K4M-761	83	113	10/02	>	10/08				54.201.00
antibacterial, anti-odour and anti-allergen filter / filtro antibatterico, antiodori e anti-allergeni	K4M-761	83	113	10/02	>	10/08				34.201.00
1.9 DCI (KMRG06)	F9Q-800	88	120	10/03	>	06/05	23.481.00	26.687.00	30.417.00	53.107.00
with activated carbons / ai carboni attivi	F9Q-800	88	120	10/03	>	06/05				54.201.00
antibacterial, anti-odour and anti-allergen filter / filtro antibatterico, antiodori e anti-allergeni	F9Q-800	88	120	10/03	>	06/05				34.201.00
1.9 DCI FAP	F9Q-803/804/816	96	130	06/05	>	10/08	23.481.00	26.687.00	30.417.00	53.107.00
with activated carbons / ai carboni attivi	F9Q-803/804/816	96	130	06/05	>	10/08				54.201.00
antibacterial, anti-odour and anti-allergen filter / filtro antibatterico, antiodori e anti-allergeni	F9Q-803/804/816	96	130	06/05	>	10/08				34.201.00
2.0 16V (KM1N06)	F4R-770	99	134	10/02	>	10/08	23.418.00	31.710.00	30.417.00	53.107.00
with activated carbons / ai carboni attivi	F4R-770	99	134	10/02	>	10/08				54.201.00
antibacterial, anti-odour and anti-allergen filter / filtro antibatterico, antiodori e anti-allergeni	F4R-770	99	134	10/02	>	10/08				34.201.00
Megane III										
1.2 TCe	H5F-400	85	116	03/12	>		25.145.00	31.710.00	30.407.00	54.217.00
with plastic filter / con filtro in plastica	H5F-400	85	116	03/12	>			31.948.00		
antibacterial, anti-odour and anti-allergen filter with automatic air-conditioner / filtro antibatterico, antiodori e anti-allergeni con climatizzatore automatico	H5F-400	85	116	03/12	>					34.217.00
1.2 TCe 130	H5F-404	97	132	01/13	>		25.145.00	31.710.00	30.407.00	54.217.00
with plastic filter / con filtro in plastica	H5F-404	97	132	01/13	>			31.948.00		
antibacterial, anti-odour and anti-allergen filter with automatic air-conditioner / filtro antibatterico, antiodori e anti-allergeni con climatizzatore automatico	H5F-404	97	132	01/13	>					34.217.00
1.4 16V TCe	H4J-700	96	130	04/09	>		23.481.00	31.710.00	30.407.00	54.217.00
with plastic filter / con filtro in plastica	H4J-700	96	130	04/09	>			31.948.00		
antibacterial, anti-odour and anti-allergen filter with automatic air-conditioner / filtro antibatterico, antiodori e anti-allergeni con climatizzatore automatico	H4J-700	96	130	04/09	>					34.217.00
1.5 DCI 105	K9K-832	78	105	11/08	>		23.481.00	24.113.00	30.407.00	54.217.00
antibacterial, anti-odour and anti-allergen filter with automatic air-conditioner / filtro antibatterico, antiodori e anti-allergeni con climatizzatore automatico	K9K-832	78	105	11/08	>					34.217.00
1.5 DCI 110	K9K-636	81	110	02/09	>	02/12	23.628.00	24.187.00	30.407.00	54.217.00
	K9K-636	81	110	03/12	>		23.628.00	24.186.00	30.407.00	54.217.00
antibacterial, anti-odour and anti-allergen filter with automatic air-conditioner / filtro antibatterico, antiodori e anti-allergeni con climatizzatore automatico	K9K-636	81	110	02/09	>					34.217.00
1.5 DCI 110 DPF	K9K-836	81	110	11/08	>		23.481.00	24.113.00	30.407.00	54.217.00
antibacterial, anti-odour and anti-allergen filter with automatic air-conditioner / filtro antibatterico, antiodori e anti-allergeni con climatizzatore automatico	K9K-836	81	110	11/08	>					34.217.00
1.5 DCI 85	K9K-830	63	85	11/08	>		23.481.00	24.113.00	30.407.00	54.217.00
antibacterial, anti-odour and anti-allergen filter with automatic air-conditioner / filtro antibatterico, antiodori e anti-allergeni con climatizzatore automatico	K9K-830	63	85	11/08	>					34.217.00
1.5 DCI 90 DPF	K9K-834	66	90	11/08	>		23.481.00	24.113.00	30.407.00	54.217.00
antibacterial, anti-odour and anti-allergen filter with automatic air-conditioner / filtro antibatterico, antiodori e anti-allergeni con climatizzatore automatico	K9K-834	66	90	11/08	>					34.217.00
1.5 DCI 95	K9K-846	70	95	11/13	>		23.481.00	24.113.00	30.407.00	54.217.00
antibacterial, anti-odour and anti-allergen filter with automatic air-conditioner / filtro antibatterico, antiodori e anti-allergeni con climatizzatore automatico	K9K-846	70	95	11/13	>					34.217.00
1.6 16V	K4M	82	111	11/08	>		23.418.00	31.710.00	30.407.00	54.217.00
with plastic filter / con filtro in plastica	K4M	82	111	11/08	>			31.948.00		
antibacterial, anti-odour and anti-allergen filter with automatic air-conditioner / filtro antibatterico, antiodori e anti-allergeni con climatizzatore automatico	K4M	82	111	11/08	>					34.217.00
1.6 16V	K4M-848	74	100	11/08	>		23.418.00	31.710.00	30.407.00	54.217.00
with plastic filter / con filtro in plastica	K4M-848	74	100	11/08	>			31.948.00		
antibacterial, anti-odour and anti-allergen filter with automatic air-conditioner / filtro antibatterico, antiodori e anti-allergeni con climatizzatore automatico	K4M-848	74	100	11/08	>					34.217.00
1.6 16V	K4M-858	81	110	11/08	>		23.418.00	31.710.00	30.407.00	54.217.00
with plastic filter / con filtro in plastica	K4M-858	81	110	11/08	>			31.948.00		
antibacterial, anti-odour and anti-allergen filter with automatic air-conditioner / filtro antibatterico, antiodori e anti-allergeni con climatizzatore automatico	K4M-858	81	110	11/08	>					34.217.00
1.6 16V Bifuel	K4M-866	81	110	11/08	>		23.418.00	31.710.00	30.407.00	54.217.00
with plastic filter / con filtro in plastica	K4M-866	81	110	11/08	>			31.948.00		
antibacterial, anti-odour and anti-allergen filter with automatic air-conditioner / filtro antibatterico, antiodori e anti-allergeni con climatizzatore automatico	K4M-866	81	110	11/08	>					34.217.00
1.6 DCI	R9M-402	96	130	04/11	>		25.170.00	24.147.00	30.407.00	54.217.00
antibacterial, anti-odour and anti-allergen filter with automatic air-conditioner / filtro antibatterico, antiodori e anti-allergeni con climatizzatore automatico	R9M-402	96	130	04/11	>					34.217.00
1.6 DCI	R9M-404	96	130	04/11	>		25.170.00	24.147.00	30.407.00	54.217.00

...RENAULT - cars/auto

R

antibacterial, anti-odour and anti-allergen filter with automatic air-conditioner / filtro antibatterico, antiodori e anti-allergeni con climatizzatore automatico	R9M-404	96	130	04/11	>				34.217.00
1.9 DCI 130	F9Q-872	96	130	11/08	>	23.564.00	24.113.00	30.407.00	54.217.00
antibacterial, anti-odour and anti-allergen filter with automatic air-conditioner / filtro antibatterico, antiodori e anti-allergeni con climatizzatore automatico	F9Q-872	96	130	11/08	>				34.217.00
1.9 DCI 130 DPF	F9Q-870	96	130	11/08	>	23.564.00	24.113.00	30.407.00	54.217.00
antibacterial, anti-odour and anti-allergen filter with automatic air-conditioner / filtro antibatterico, antiodori e anti-allergeni con climatizzatore automatico	F9Q-870	96	130	11/08	>				34.217.00
2.0 16V CVT	M4R-711/M4R-713	103	140	02/09	>	23.484.00	31.710.00	30.687.00	54.217.00
with plastic filter / con filtro in plastica	M4R-711/M4R-713	103	140	02/09	>		31.948.00		
antibacterial, anti-odour and anti-allergen filter with automatic air-conditioner / filtro antibatterico, antiodori e anti-allergeni con climatizzatore automatico	M4R-711/M4R-713	103	140	02/09	>				34.217.00
2.0 16V RS Sport	F4R-874	184	250	12/09	>	23.481.00	31.710.00	30.470.00	54.217.00
with plastic filter / con filtro in plastica	F4R-874	184	250	12/09	>		31.948.00		
antibacterial, anti-odour and anti-allergen filter with automatic air-conditioner / filtro antibatterico, antiodori e anti-allergeni con climatizzatore automatico	F4R-874	184	250	12/09	>				34.217.00
2.0 16V RS Trophy	F4RT	201	273	07/14	>	23.481.00	31.710.00	30.470.00	54.217.00
with plastic filter / con filtro in plastica	F4RT	201	273	07/14	>		31.948.00		
antibacterial, anti-odour and anti-allergen filter with automatic air-conditioner / filtro antibatterico, antiodori e anti-allergeni con climatizzatore automatico	F4RT	201	273	07/14	>				34.217.00
2.0 16V TCE	F4R-870	132	180	11/08	>	23.481.00	31.710.00	30.470.00	54.217.00
with plastic filter / con filtro in plastica	F4R-870	132	180	11/08	>		31.948.00		
antibacterial, anti-odour and anti-allergen filter with automatic air-conditioner / filtro antibatterico, antiodori e anti-allergeni con climatizzatore automatico	F4R-870	132	180	11/08	>				34.217.00
2.0 16V TCE	F4R-872	140	190	04/12	>	23.481.00	31.710.00	30.470.00	54.217.00
with plastic filter / con filtro in plastica	F4R-872	140	190	04/12	>		31.948.00		
antibacterial, anti-odour and anti-allergen filter with automatic air-conditioner / filtro antibatterico, antiodori e anti-allergeni con climatizzatore automatico	F4R-872	140	190	04/12	>				34.217.00
2.0 16V TCE 220	F4R-874	162	220	01/14	>	23.481.00	31.710.00	30.470.00	54.217.00
with plastic filter / con filtro in plastica	F4R-874	162	220	01/14	>		31.948.00		
antibacterial, anti-odour and anti-allergen filter with automatic air-conditioner / filtro antibatterico, antiodori e anti-allergeni con climatizzatore automatico	F4R-874	162	220	01/14	>				34.217.00
2.0 DCI DPF	M9R-610	118	160	04/09	>	25.094.00	24.113.00	30.470.00	54.217.00
antibacterial, anti-odour and anti-allergen filter with automatic air-conditioner / filtro antibatterico, antiodori e anti-allergeni con climatizzatore automatico	M9R-610	118	160	04/09	>				34.217.00
2.0 DCI DPF	M9R-610	120	163	07/12	>	25.094.00	24.113.00	30.470.00	54.217.00
antibacterial, anti-odour and anti-allergen filter with automatic air-conditioner / filtro antibatterico, antiodori e anti-allergeni con climatizzatore automatico	M9R-610	120	163	07/12	>				34.217.00
2.0 DCI DPF	M9R-615	110	150	04/09	>	25.094.00	24.113.00	30.470.00	54.217.00
antibacterial, anti-odour and anti-allergen filter with automatic air-conditioner / filtro antibatterico, antiodori e anti-allergeni con climatizzatore automatico	M9R-615	110	150	04/09	>				34.217.00

Megane III C-C

1.2 TCe 110	H5F-400	85	116	03/12	>	25.145.00	31.710.00	30.407.00	54.217.00
with plastic filter / con filtro in plastica	H5F-400	85	116	03/12	>		31.948.00		
antibacterial, anti-odour and anti-allergen filter with automatic air-conditioner / filtro antibatterico, antiodori e anti-allergeni con climatizzatore automatico	H5F-400	85	116	03/12	>				34.217.00
1.2 TCe 130	H5F-404	97	132	01/13	>	25.145.00	31.710.00	30.407.00	54.217.00
with plastic filter / con filtro in plastica	H5F-404	97	132	01/13	>		31.948.00		
antibacterial, anti-odour and anti-allergen filter with automatic air-conditioner / filtro antibatterico, antiodori e anti-allergeni con climatizzatore automatico	H5F-404	97	132	01/13	>				34.217.00
1.4 TCe	H4J-700	96	130	06/10	>	23.481.00	31.710.00	30.407.00	54.217.00
with plastic filter / con filtro in plastica	H4J-700	96	130	06/10	>		31.948.00		
antibacterial, anti-odour and anti-allergen filter with automatic air-conditioner / filtro antibatterico, antiodori e anti-allergeni con climatizzatore automatico	H4J-700	96	130	06/10	>				34.217.00
1.5 DCI 110 DPF	K9K-832	81	110	06/10	>	23.481.00	24.147.00	30.407.00	54.217.00
antibacterial, anti-odour and anti-allergen filter with automatic air-conditioner / filtro antibatterico, antiodori e anti-allergeni con climatizzatore automatico	K9K-832	81	110	06/10	>				34.217.00
1.5 DCI 110 DPF	K9K-836/K9K-837	81	110	06/10	>	23.481.00	24.147.00	30.407.00	54.217.00
antibacterial, anti-odour and anti-allergen filter with automatic air-conditioner / filtro antibatterico, antiodori e anti-allergeni con climatizzatore automatico	K9K-836/K9K-837	81	110	06/10	>				34.217.00
1.6 16V	K4M-858	81	110	06/10	>	23.418.00	31.710.00	30.407.00	54.217.00
with plastic filter / con filtro in plastica	K4M-858	81	110	06/10	>		31.948.00		
antibacterial, anti-odour and anti-allergen filter with automatic air-conditioner / filtro antibatterico, antiodori e anti-allergeni con climatizzatore automatico	K4M-858	81	110	06/10	>				34.217.00
1.6 DCI 130	R9M-402/R9M-404	96	130	05/11	>	25.170.00	24.147.00	30.407.00	54.217.00
antibacterial, anti-odour and anti-allergen filter with automatic air-conditioner / filtro antibatterico, antiodori e anti-allergeni con climatizzatore automatico	R9M-402/R9M-404	96	130	05/11	>				34.217.00
1.9 DCI 130 DPF	F9Q-870/F9Q-872	96	130	06/10	>	23.564.00	24.147.00	30.407.00	54.217.00
antibacterial, anti-odour and anti-allergen filter with automatic air-conditioner / filtro antibatterico, antiodori e anti-allergeni con climatizzatore automatico	F9Q-870/F9Q-872	96	130	06/10	>				34.217.00
2.0 16V CVT	M4R-711/M4R-713	103	140	06/10	>	23.484.00	31.710.00	30.687.00	54.217.00
with plastic filter / con filtro in plastica	M4R-711/M4R-713	103	140	06/10	>		31.948.00		
antibacterial, anti-odour and anti-allergen filter with automatic air-conditioner / filtro antibatterico, antiodori e anti-allergeni con climatizzatore automatico	M4R-711/M4R-713	103	140	06/10	>				34.217.00
2.0 16V Turbo	F4R-874	195	265	10/11	>	23.481.00	31.710.00	30.470.00	54.217.00
with plastic filter / con filtro in plastica	F4R-874	195	265	10/11	>		31.948.00		
antibacterial, anti-odour and anti-allergen filter with automatic air-conditioner / filtro antibatterico, antiodori e anti-allergeni con climatizzatore automatico	F4R-874	195	265	10/11	>				34.217.00
2.0 DCI DPF	M9R-610	118	160	06/10	>	25.094.00	24.147.00	30.470.00	54.217.00
antibacterial, anti-odour and anti-allergen filter with automatic air-conditioner / filtro antibatterico, antiodori e anti-allergeni con climatizzatore automatico	M9R-610	118	160	06/10	>				34.217.00
2.0 TCe 16V	F4R-870	132	180	06/10	>	23.481.00	31.710.00	30.470.00	54.217.00
with plastic filter / con filtro in plastica	F4R-870	132	180	06/10	>		31.948.00		
antibacterial, anti-odour and anti-allergen filter with automatic air-conditioner / filtro antibatterico, antiodori e anti-allergeni con climatizzatore automatico	F4R-870	132	180	06/10	>				34.217.00

Megane IV

1.2 TCe 100	H5F	74	101	12/15	>	25.145.00			54.291.00
antibacterial, anti-odour and anti-allergen filter / filtro antibatterico, antiodori e anti-allergeni	H5F	74	101	12/15	>				34.291.00
1.2 TCe 130	H5F	97	132	12/15	>	25.145.00			54.291.00
antibacterial, anti-odour and anti-allergen filter / filtro antibatterico, antiodori e anti-allergeni	H5F	97	132	12/15	>				34.291.00
1.5 Blue DCI 115	K9K	85	116	08/18	>				54.291.00

...RENAULT - cars/auto

antibacterial, anti-odour and anti-allergen filter / filtro antibatterico, antiodori e anti-allergeni	K9K	85	116	08/18	>				34.291.00
1.5 Blue DCI 95	K9K	70	95	08/18	>				54.291.00
antibacterial, anti-odour and anti-allergen filter / filtro antibatterico, antiodori e anti-allergeni	K9K	70	95	08/18	>				34.291.00
1.5 DCI 110	K9K	81	110	12/15	>	23.628.00		30.712.00	54.291.00
antibacterial, anti-odour and anti-allergen filter / filtro antibatterico, antiodori e anti-allergeni	K9K	81	110	12/15	>				34.291.00
1.5 DCI 90	K9K	66	90	12/15	>	23.628.00		30.712.00	54.291.00
antibacterial, anti-odour and anti-allergen filter / filtro antibatterico, antiodori e anti-allergeni	K9K	66	90	12/15	>				34.291.00
1.6 DCI 130	R9M	96	130	12/15	>	25.170.00		30.712.00	54.291.00
antibacterial, anti-odour and anti-allergen filter / filtro antibatterico, antiodori e anti-allergeni	R9M	96	130	12/15	>				34.291.00
1.6 DCI 165	R9M452	120	163	12/15	>	25.170.00		30.712.00	54.291.00
antibacterial, anti-odour and anti-allergen filter / filtro antibatterico, antiodori e anti-allergeni	R9M452	120	163	12/15	>				34.291.00
1.6 SCe	H4M738	84	115	12/15	>	23.484.00			54.291.00
antibacterial, anti-odour and anti-allergen filter / filtro antibatterico, antiodori e anti-allergeni	H4M738	84	115	12/15	>				34.291.00
1.6 TCe 205	M5M	151	205	12/15	>	23.484.00		30.712.00	54.291.00
antibacterial, anti-odour and anti-allergen filter / filtro antibatterico, antiodori e anti-allergeni	M5M	151	205	12/15	>				34.291.00
Megane IV Grandtour									
1.2 TCe 100	H5F	74	101	04/16	>	25.145.00			54.291.00
antibacterial, anti-odour and anti-allergen filter / filtro antibatterico, antiodori e anti-allergeni	H5F	74	101	04/16	>				34.291.00
1.2 TCe 130	H5F	97	132	04/16	>	25.145.00			54.291.00
antibacterial, anti-odour and anti-allergen filter / filtro antibatterico, antiodori e anti-allergeni	H5F	97	132	04/16	>				34.291.00
1.3 TCe 100	H5H	75	102	01/18	>	25.145.00			54.291.00
antibacterial, anti-odour and anti-allergen filter / filtro antibatterico, antiodori e anti-allergeni	H5H	75	102	01/18	>				34.291.00
1.3 TCe 140	H5H470	103	140	01/18	>	25.145.00			54.291.00
antibacterial, anti-odour and anti-allergen filter / filtro antibatterico, antiodori e anti-allergeni	H5H470	103	140	01/18	>				34.291.00
1.3 TCe 160	H5H	117	160	01/18	>	25.145.00			54.257.00
antibacterial, anti-odour and anti-allergen filter / filtro antibatterico, antiodori e anti-allergeni	H5H	117	160	01/18	>				34.257.00
1.5 DCI 110	K9K	81	110	04/16	>	23.628.00		30.712.00	54.291.00
antibacterial, anti-odour and anti-allergen filter / filtro antibatterico, antiodori e anti-allergeni	K9K	81	110	04/16	>				34.291.00
1.5 DCI 90	K9K	66	90	04/16	>	23.628.00		30.712.00	54.291.00
antibacterial, anti-odour and anti-allergen filter / filtro antibatterico, antiodori e anti-allergeni	K9K	66	90	04/16	>				34.291.00
1.6 DCI 130	R9M409	96	130	04/16	>	25.170.00		30.712.00	54.291.00
antibacterial, anti-odour and anti-allergen filter / filtro antibatterico, antiodori e anti-allergeni	R9M409	96	130	04/16	>				34.291.00
1.6 DCI 165	R9M452	120	163	04/16	>	25.170.00		30.712.00	54.291.00
antibacterial, anti-odour and anti-allergen filter / filtro antibatterico, antiodori e anti-allergeni	R9M452	120	163	04/16	>				34.291.00
1.6 TCe 165	M5M	121	165	07/17	>	23.484.00		30.712.00	54.291.00
antibacterial, anti-odour and anti-allergen filter / filtro antibatterico, antiodori e anti-allergeni	M5M	121	165	07/17	>				34.291.00
1.6 TCe 205	M5M	151	205	04/16	>	23.484.00		30.712.00	54.291.00
antibacterial, anti-odour and anti-allergen filter / filtro antibatterico, antiodori e anti-allergeni	M5M	151	205	04/16	>				34.291.00
Modus									
1.2	D7F	48	65	05/05	>	23.470.00		30.302.00	53.104.00
with activated carbons / ai carboni attivi	D7F	48	65	05/05	>				54.232.00
antibacterial, anti-odour and anti-allergen filter / filtro antibatterico, antiodori e anti-allergeni	D7F	48	65	05/05	>				34.232.00
for vehicles with external fuel filter / per veicoli con filtro carburante esterno	D7F	48	65	05/05	>		31.710.00		
for vehicles with external fuel filter with plastic filter / per veicoli con filtro carburante esterno con filtro in plastica	D7F	48	65	05/05	>		31.948.00		
1.2 16V (JP0K05/JP0C05)	D4F-740	55	75	07/04	>	23.470.00		30.302.00	53.104.00
with activated carbons / ai carboni attivi	D4F-740	55	75	07/04	>				54.232.00
antibacterial, anti-odour and anti-allergen filter / filtro antibatterico, antiodori e anti-allergeni	D4F-740	55	75	07/04	>				34.232.00
for vehicles with external fuel filter / per veicoli con filtro carburante esterno	D4F-740	55	75	07/04	>		31.710.00		
for vehicles with external fuel filter with plastic filter / per veicoli con filtro carburante esterno con filtro in plastica	D4F-740	55	75	07/04	>		31.948.00		
1.2 16V TCe	D4F-784	74	101	05/07	>	23.470.00		30.319.00	53.104.00
with activated carbons / ai carboni attivi	D4F-784	74	101	05/07	>				54.232.00
antibacterial, anti-odour and anti-allergen filter / filtro antibatterico, antiodori e anti-allergeni	D4F-784	74	101	05/07	>				34.232.00
for vehicles with external fuel filter / per veicoli con filtro carburante esterno	D4F-784	74	101	05/07	>		31.710.00		
for vehicles with external fuel filter with plastic filter / per veicoli con filtro carburante esterno con filtro in plastica	D4F-784	74	101	05/07	>		31.948.00		
1.2 16V TCe	D4F-786	76	103	04/11	>	23.470.00		30.302.00	53.104.00
with activated carbons / ai carboni attivi	D4F-786	76	103	04/11	>				54.232.00
antibacterial, anti-odour and anti-allergen filter / filtro antibatterico, antiodori e anti-allergeni	D4F-786	76	103	04/11	>				34.232.00
for vehicles with external fuel filter / per veicoli con filtro carburante esterno	D4F-786	76	103	04/11	>		31.710.00		
for vehicles with external fuel filter with plastic filter / per veicoli con filtro carburante esterno con filtro in plastica	D4F-786	76	103	04/11	>		31.948.00		
1.4 16V (JP0J05/JP0A05)	K4J-770	72	98	07/04	>	23.418.00		30.319.00	53.104.00
with activated carbons / ai carboni attivi	K4J-770	72	98	07/04	>				54.232.00
antibacterial, anti-odour and anti-allergen filter / filtro antibatterico, antiodori e anti-allergeni	K4J-770	72	98	07/04	>				34.232.00
for vehicles with external fuel filter / per veicoli con filtro carburante esterno	K4J-770	72	98	07/04	>		31.710.00		
for vehicles with external fuel filter with plastic filter / per veicoli con filtro carburante esterno con filtro in plastica	K4J-770	72	98	07/04	>		31.948.00		
1.5 DCI 105 (JP0H06)	K9K-764 Euro4	78	106	04/05	>	23.418.00	24.087.00	30.319.00	53.104.00
with activated carbons / ai carboni attivi	K9K-764 Euro4	78	106	04/05	>				54.232.00
with facility for water sensor / con predisposizione per sensore acqua	K9K-764 Euro4	78	106	04/05	>		24.088.00		

...RENAULT - cars/auto

R

antibacterial, anti-odour and anti-allergen filter / filtro antibatterico, antiodori e anti-allergeni	K9K-764 Euro4	78	106	04/05	>				34.232.00
1.5 DCI 65 (JP0J05)	K9K-752	48	65	07/04	>	23.418.00	24.087.00	30.319.00	53.104.00
with activated carbons / ai carboni attivi	K9K-752	48	65	07/04	>				54.232.00
with facility for water sensor / con predisposizione per sensore acqua	K9K-752	48	65	07/04	>		24.088.00		
antibacterial, anti-odour and anti-allergen filter / filtro antibatterico, antiodori e anti-allergeni	K9K-752	48	65	07/04	>				34.232.00
1.5 DCI 68 (JP0G05)	K9K-762 Euro4	50	68	03/05	>	23.418.00	24.087.00	30.319.00	53.104.00
with activated carbons / ai carboni attivi	K9K-762 Euro4	50	68	03/05	>				54.232.00
with facility for water sensor / con predisposizione per sensore acqua	K9K-762 Euro4	50	68	03/05	>		24.088.00		
antibacterial, anti-odour and anti-allergen filter / filtro antibatterico, antiodori e anti-allergeni	K9K-762 Euro4	50	68	03/05	>				34.232.00
1.5 DCI 75	K9K-770	55	75	10/10	>	23.418.00	24.087.00	30.319.00	53.104.00
with activated carbons / ai carboni attivi	K9K-770	55	75	10/10	>				54.232.00
with facility for water sensor / con predisposizione per sensore acqua	K9K-770	55	75	10/10	>		24.088.00		
antibacterial, anti-odour and anti-allergen filter / filtro antibatterico, antiodori e anti-allergeni	K9K-770	55	75	10/10	>				34.232.00
1.5 DCI 82 (JP0D05)	K9K-750	60	82	07/04	>	23.418.00	24.087.00	30.319.00	53.104.00
with activated carbons / ai carboni attivi	K9K-750	60	82	07/04	>				54.232.00
with facility for water sensor / con predisposizione per sensore acqua	K9K-750	60	82	07/04	>		24.088.00		
antibacterial, anti-odour and anti-allergen filter / filtro antibatterico, antiodori e anti-allergeni	K9K-750	60	82	07/04	>				34.232.00
1.5 DCI 86 Autom. (JP0F0H)	K9K-760/K9K-766	63	86	03/05	>	23.418.00	24.087.00	30.319.00	53.104.00
with activated carbons / ai carboni attivi	K9K-760/K9K-766	63	86	03/05	>				54.232.00
with facility for water sensor / con predisposizione per sensore acqua	K9K-760/K9K-766	63	86	03/05	>		24.088.00		
antibacterial, anti-odour and anti-allergen filter / filtro antibatterico, antiodori e anti-allergeni	K9K-760/K9K-766	63	86	03/05	>				34.232.00
1.5 DCI 88 (JP0F05)	K9K-760 Euro4	65	88	03/05	>	23.418.00	24.087.00	30.319.00	53.104.00
with activated carbons / ai carboni attivi	K9K-760 Euro4	65	88	03/05	>				54.232.00
with facility for water sensor / con predisposizione per sensore acqua	K9K-760 Euro4	65	88	03/05	>		24.088.00		
antibacterial, anti-odour and anti-allergen filter / filtro antibatterico, antiodori e anti-allergeni	K9K-760 Euro4	65	88	03/05	>				34.232.00
1.5 DCI 90	K9K-750/K9K-770	65	88	10/10	>	23.418.00	24.087.00	30.319.00	53.104.00
with activated carbons / ai carboni attivi	K9K-750/K9K-770	65	88	10/10	>				54.232.00
with facility for water sensor / con predisposizione per sensore acqua	K9K-750/K9K-770	65	88	10/10	>		24.088.00		
antibacterial, anti-odour and anti-allergen filter / filtro antibatterico, antiodori e anti-allergeni	K9K-750/K9K-770	65	88	10/10	>				34.232.00
1.6 16V	K4M	65	88	07/04	>	23.418.00		30.319.00	53.104.00
with activated carbons / ai carboni attivi	K4M	65	88	07/04	>				54.232.00
antibacterial, anti-odour and anti-allergen filter / filtro antibatterico, antiodori e anti-allergeni	K4M	65	88	07/04	>				34.232.00
for vehicles with external fuel filter / per veicoli con filtro carburante esterno	K4M	65	88	07/04	>		31.710.00		
for vehicles with external fuel filter with plastic filter / per veicoli con filtro carburante esterno con filtro in plastica	K4M	65	88	07/04	>		31.948.00		
1.6 16V (JP0B05)	K4M-790	83	113	07/04	>	23.418.00		30.319.00	53.104.00
with activated carbons / ai carboni attivi	K4M-790	83	113	07/04	>				54.232.00
antibacterial, anti-odour and anti-allergen filter / filtro antibatterico, antiodori e anti-allergeni	K4M-790	83	113	07/04	>				34.232.00
for vehicles with external fuel filter / per veicoli con filtro carburante esterno	K4M-790	83	113	07/04	>		31.710.00		
for vehicles with external fuel filter with plastic filter / per veicoli con filtro carburante esterno con filtro in plastica	K4M-790	83	113	07/04	>		31.948.00		
1.6 16V Automatic (JP0B0A)	K4M-791	83	113	07/04	>	23.418.00		30.319.00	53.104.00
with activated carbons / ai carboni attivi	K4M-791	83	113	07/04	>				54.232.00
antibacterial, anti-odour and anti-allergen filter / filtro antibatterico, antiodori e anti-allergeni	K4M-791	83	113	07/04	>				34.232.00
for vehicles with external fuel filter / per veicoli con filtro carburante esterno	K4M-791	83	113	07/04	>		31.710.00		
for vehicles with external fuel filter with plastic filter / per veicoli con filtro carburante esterno con filtro in plastica	K4M-791	83	113	07/04	>		31.948.00		
R18									
2.0 i (1995) (USA)							23.127.00		27.824.00
Rodeo 5									
1.1 Hoggar (1108)	688-712	25	34	06/81	>		23.132.00		30.872.01
Safrane									
2.0 i 16S (B54L)									
with cabin filter kit, spare part only / con kit filtro abitacolo, solo ricambio	N7Q	100	136	07/96	> 12/00	23.401.00	31.561.00	30.057.00	53.085.00
2.0 i 16V (B54L)									
with cabin filter kit, spare part only / con kit filtro abitacolo, solo ricambio	N7Q	100	136	07/96	> 12/00	23.401.00	31.561.00	30.057.00	53.085.00
2.2 Turbodiesel									
with cabin filter kit, spare part only / con kit filtro abitacolo, solo ricambio	G8T	83	113	01/99	> 12/00	23.191.00	24.388.00	30.111.00	53.085.00
2.5 20V									
with cabin filter kit, spare part only / con kit filtro abitacolo, solo ricambio	N7U-700/701	121	165	07/96	> 12/00	23.401.00	31.561.00	27.381.00	53.085.00
3.0 i V6									
with cabin filter kit, spare part only / con kit filtro abitacolo, solo ricambio	Z7X	123	167	01/92	> 12/00	23.401.00	31.500.00		53.085.00
3.0 i V6 24V									
with cabin filter kit, spare part only / con kit filtro abitacolo, solo ricambio	L7X	140	190	03/99	> 12/00	23.401.00	31.561.00	30.215.00	53.085.00
3.0 i V6 4x4									
with cabin filter kit, spare part only / con kit filtro abitacolo, solo ricambio	Z7X	123	167	01/92	> 12/00	23.401.00	31.500.00		53.085.00
Scenic I Rest.									
1.4 i 16V									
with air-conditioner and R.H.D. / con climatizzatore e guida a destra	K4J-714/750	70	95	09/99	> 06/03				53.188.00
with air-conditioner and L.H.D. / con climatizzatore e guida a sinistra	K4J-714/750	70	95	09/99	> 06/03	23.418.00	31.710.00	30.147.00	53.087.00

...RENAULT - cars/auto

with activated carbon L.H.D. / con guida a sinistra, ai carboni attivi	K4J-714/750	70	95	09/99	>	06/03				54.198.00
1.6 i 16V										
with air-conditioner and R.H.D. / con climatizzatore e guida a destra	K4M-700/701/704/708	79	107	09/99	>	06/03				53.188.00
with air-conditioner and L.H.D. / con climatizzatore e guida a sinistra	K4M-700/701/704/708	79	107	09/99	>	06/03	23.418.00	31.710.00	30.147.00	53.087.00
with activated carbon L.H.D. / con guida a sinistra, ai carboni attivi	K4M-700/701/704/708	79	107	09/99	>	06/03				54.198.00
1.6 i 16V										
with air-conditioner and R.H.D. / con climatizzatore e guida a destra	K4M-720	85	115	09/99	>	06/03				53.188.00
with air-conditioner and L.H.D. / con climatizzatore e guida a sinistra	K4M-720	85	115	09/99	>	06/03	23.418.00	31.710.00	30.147.00	53.087.00
with activated carbon L.H.D. / con guida a sinistra, ai carboni attivi	K4M-720	85	115	09/99	>	06/03				54.198.00
1.8 i 16V										
with air-conditioner and R.H.D. / con climatizzatore e guida a destra	F4P-720/722	85	115	05/01	>	06/03				53.188.00
with air-conditioner and L.H.D. / con climatizzatore e guida a sinistra	F4P-720/722	85	115	05/01	>	06/03	23.418.00	31.710.00	30.147.00	53.087.00
with activated carbon L.H.D. / con guida a sinistra, ai carboni attivi	F4P-720/722	85	115	05/01	>	06/03				54.198.00
1.9 D (FA0J/JA0J)										
with air-conditioner and R.H.D. / con climatizzatore e guida a destra	F8Q-790	48	65	09/99	>	06/03				53.188.00
with air-conditioner and L.H.D. / con climatizzatore e guida a sinistra	F8Q-790	48	65	09/99	>	06/03	23.418.00	26.686.00	30.213.00	53.087.00
with activated carbon L.H.D. / con guida a sinistra, ai carboni attivi	F8Q-790	48	65	09/99	>	06/03				54.198.00
1.9 DCI										
with air-conditioner and R.H.D. / con climatizzatore e guida a destra	F9Q-732/733/740	75	102	03/00	>	06/03				53.188.00
with air-conditioner and L.H.D. / con climatizzatore e guida a sinistra	F9Q-732/733/740	75	102	03/00	>	06/03	23.481.00	24.086.00	30.150.00	53.087.00
with activated carbon L.H.D. / con guida a sinistra, ai carboni attivi	F9Q-732/733/740	75	102	03/00	>	06/03				54.198.00
1.9 DTI										
with air-conditioner and R.H.D. / con climatizzatore e guida a destra	F9Q-731/736	72	98	09/99	>	07/01				53.188.00
with air-conditioner and L.H.D. / con climatizzatore e guida a sinistra	F9Q-731/736	72	98	09/99	>	07/01	23.481.00		30.150.00	53.087.00
with activated carbon L.H.D. / con guida a sinistra, ai carboni attivi	F9Q-731/736	72	98	09/99	>	07/01				54.198.00
assembly DELPHI / montaggio DELPHI	F9Q-731/736	72	98	09/99	>	07/01		26.690.00		
assembly PURFLUX / montaggio PURFLUX	F9Q-731/736	72	98	09/99	>	07/01		26.686.00		
1.9 DTI										
with air-conditioner and R.H.D. / con climatizzatore e guida a destra	F9Q-744	59	80	04/01	>	06/03				53.188.00
with air-conditioner and L.H.D. / con climatizzatore e guida a sinistra	F9Q-744	59	80	04/01	>	06/03	23.481.00	26.686.00	30.150.00	53.087.00
with activated carbon L.H.D. / con guida a sinistra, ai carboni attivi	F9Q-744	59	80	04/01	>	06/03				54.198.00
2.0 i										
with air-conditioner and R.H.D. / con climatizzatore e guida a destra	F3R-750	80	109	09/99	>	06/03				53.188.00
with air-conditioner and L.H.D. / con climatizzatore e guida a sinistra	F3R-750	80	109	09/99	>	06/03	23.418.00	31.710.00	27.149.00	53.087.00
with activated carbon L.H.D. / con guida a sinistra, ai carboni attivi	F3R-750	80	109	09/99	>	06/03				54.198.00
2.0 i 16V										
with air-conditioner and R.H.D. / con climatizzatore e guida a destra	F4R-740/741/744	102	138	09/99	>	06/03				53.188.00
with air-conditioner and L.H.D. / con climatizzatore e guida a sinistra	F4R-740/741/744	102	138	09/99	>	06/03	23.418.00	31.710.00	30.147.00	53.087.00
with activated carbon L.H.D. / con guida a sinistra, ai carboni attivi	F4R-740/741/744	102	138	09/99	>	06/03				54.198.00
Scenic II										
1.4 16V	KJ4	72	98	04/03	>	01/09	23.418.00	31.710.00	30.147.00	53.106.00
with activated carbons / ai carboni attivi	KJ4	72	98	04/03	>	01/09				54.237.00
1.5 DCI	K9K	74	101	04/03	>	06/05	23.418.00	24.014.00	30.417.00	53.106.00
with activated carbons / ai carboni attivi	K9K	74	101	04/03	>	06/05				54.237.00
with facility for water sensor / con predisposizione per sensore acqua	K9K	74	101	04/03	>	12/04		24.051.00		
with facility for water sensor / con predisposizione per sensore acqua	K9K	74	101	01/05	>	06/05		24.132.00		
1.5 DCI	K9K	78	106	06/05	>	01/09	23.418.00		30.417.00	53.106.00
with activated carbons / ai carboni attivi	K9K	78	106	06/05	>	01/09				54.237.00
with facility for water sensor / con predisposizione per sensore acqua	K9K	78	106	06/05	>	01/09		55.418.00		
without water presence sensor / senza sensore presenza acqua	K9K	78	106	06/05	>	01/09		55.430.00		
1.5 DCI	K9K-722	60	82	04/03	>	06/05	23.418.00	24.014.00	30.417.00	53.106.00
with activated carbons / ai carboni attivi	K9K-722	60	82	04/03	>	06/05				54.237.00
with facility for water sensor / con predisposizione per sensore acqua	K9K-722	60	82	04/03	>	12/04		24.051.00		
with facility for water sensor / con predisposizione per sensore acqua	K9K-722	60	82	01/05	>	06/05		24.132.00		
1.6 16V	K4M	83	113	04/03	>	01/09	23.418.00	31.710.00	30.417.00	53.106.00
with activated carbons / ai carboni attivi	K4M	83	113	04/03	>	01/09				54.237.00
1.9 DCI	F9Q	88	120	04/03	>	06/05	23.481.00	26.687.00	30.417.00	53.106.00
with activated carbons / ai carboni attivi	F9Q	88	120	04/03	>	06/05				54.237.00
1.9 DCI FAP	F9Q	81	110	06/05	>	01/09	23.481.00	26.687.00	30.417.00	53.106.00
with activated carbons / ai carboni attivi	F9Q	81	110	06/05	>	01/09				54.237.00
1.9 DCI FAP	F9Q	96	130	06/05	>	01/09	23.481.00	26.687.00	30.417.00	53.106.00
with activated carbons / ai carboni attivi	F9Q	96	130	06/05	>	01/09				54.237.00
2.0 16V	F4R	99	135	04/03	>	01/09	23.418.00	31.710.00	30.417.00	53.106.00
with activated carbons / ai carboni attivi	F4R	99	135	04/03	>	01/09				54.237.00
2.0 DCI 16V	M9R	110	150	09/05	>	01/09	25.094.00		30.417.00	53.106.00
with activated carbons / ai carboni attivi	M9R	110	150	09/05	>	01/09				54.237.00
with facility for water sensor / con predisposizione per sensore acqua	M9R	110	150	09/05	>	01/09		55.418.00		

...RENAULT - cars/auto

R


without water presence sensor / senza sensore presenza acqua	M9R	110	150	09/05 >	01/09		55.430.00		
2.0 DCI 16V FAP	M9R	110	150	09/05 >	01/09	25.094.00		30.417.00	53.106.00
with activated carbons / ai carboni attivi	M9R	110	150	09/05 >	01/09				54.237.00
with facility for water sensor / con predisposizione per sensore acqua	M9R	110	150	09/05 >	01/09		55.418.00		
without water presence sensor / senza sensore presenza acqua	M9R	110	150	09/05 >	01/09		55.430.00		
2.0 Turbo 16V	F4R	120	163	03/04 >	01/09	23.418.00	31.710.00	30.417.00	53.106.00
with activated carbons / ai carboni attivi	F4R	120	163	03/04 >	01/09				54.237.00

Scenic III (X-Mod)

1.2 TCe	H5F-400	85	116	01/12 >		25.145.00	31.710.00	30.407.00	54.234.00
with plastic filter / con filtro in plastica	H5F-400	85	116	01/12 >			31.948.00		
antibacterial, anti-odour and anti-allergen filter / filtro antibatterico, antiodori e anti-allergeni	H5F-400	85	116	01/12 >					34.234.00
1.4 TCe 130	H4J-700	96	130	06/09 >		23.481.00	31.710.00	30.407.00	54.234.00
with plastic filter / con filtro in plastica	H4J-700	96	130	06/09 >			31.948.00		
antibacterial, anti-odour and anti-allergen filter / filtro antibatterico, antiodori e anti-allergeni	H4J-700	96	130	06/09 >					34.234.00
1.5 DCI 105	K9K-832	78	106	06/09 >		23.481.00	24.113.00	30.407.00	54.234.00
antibacterial, anti-odour and anti-allergen filter / filtro antibatterico, antiodori e anti-allergeni	K9K-832	78	106	06/09 >					34.234.00
1.5 DCI 110	K9K-636	81	110	02/09 >	02/12	23.628.00	24.187.00	30.407.00	54.234.00
	K9K-636	81	110	03/12 >		23.628.00	24.186.00	30.407.00	54.234.00
antibacterial, anti-odour and anti-allergen filter / filtro antibatterico, antiodori e anti-allergeni	K9K-636	81	110	02/09 >					34.234.00
1.5 DCI 110 FAP	K9K-836	81	110	06/09 >		23.481.00	24.113.00	30.407.00	54.234.00
antibacterial, anti-odour and anti-allergen filter / filtro antibatterico, antiodori e anti-allergeni	K9K-836	81	110	06/09 >					34.234.00
1.5 DCI 85	K9K-830	63	86	06/09 >		23.481.00	24.113.00	30.407.00	54.234.00
antibacterial, anti-odour and anti-allergen filter / filtro antibatterico, antiodori e anti-allergeni	K9K-830	63	86	06/09 >					34.234.00
1.5 DCI 95	K9K-846	70	95	11/10 >		23.481.00	24.113.00	30.407.00	54.234.00
antibacterial, anti-odour and anti-allergen filter / filtro antibatterico, antiodori e anti-allergeni	K9K-846	70	95	11/10 >					34.234.00
1.6 16V 110	K4M-858	81	110	06/09 >		23.418.00	31.710.00	30.407.00	54.234.00
with plastic filter / con filtro in plastica	K4M-858	81	110	06/09 >			31.948.00		
antibacterial, anti-odour and anti-allergen filter / filtro antibatterico, antiodori e anti-allergeni	K4M-858	81	110	06/09 >					34.234.00
1.6 16V 110 E85	K4M-866	81	110	06/09 >		23.418.00	31.710.00	30.407.00	54.234.00
with plastic filter / con filtro in plastica	K4M-866	81	110	06/09 >			31.948.00		
antibacterial, anti-odour and anti-allergen filter / filtro antibatterico, antiodori e anti-allergeni	K4M-866	81	110	06/09 >					34.234.00
1.6 DCI 130	R9M-402/R9M-404	96	130	05/11 >		25.170.00	24.147.00	30.407.00	54.234.00
antibacterial, anti-odour and anti-allergen filter / filtro antibatterico, antiodori e anti-allergeni	R9M-402/R9M-404	96	130	05/11 >					34.234.00
1.9 DCI 130	F9Q-870/872	96	130	06/09 >		23.564.00	24.113.00	30.407.00	54.234.00
antibacterial, anti-odour and anti-allergen filter / filtro antibatterico, antiodori e anti-allergeni	F9Q-870/872	96	130	06/09 >					34.234.00
1.9 DCI 130 FAP	F9Q-870/872	96	130	06/09 >		23.564.00	24.113.00	30.407.00	54.234.00
antibacterial, anti-odour and anti-allergen filter / filtro antibatterico, antiodori e anti-allergeni	F9Q-870/872	96	130	06/09 >					34.234.00
2.0 16V 140	M4R-711/M4R-713	103	140	06/09 >		23.484.00	31.710.00	30.687.00	54.234.00
with plastic filter / con filtro in plastica	M4R-711/M4R-713	103	140	06/09 >			31.948.00		
antibacterial, anti-odour and anti-allergen filter / filtro antibatterico, antiodori e anti-allergeni	M4R-711/M4R-713	103	140	06/09 >					34.234.00
2.0 DCI 150 FAP	M9R-615	110	150	06/09 >		25.094.00	24.113.00	30.470.00	54.234.00
antibacterial, anti-odour and anti-allergen filter / filtro antibatterico, antiodori e anti-allergeni	M9R-615	110	150	06/09 >					34.234.00
2.0 DCI 160 FAP	M9R-610	118	160	06/09 >		25.094.00	24.113.00	30.470.00	54.234.00
antibacterial, anti-odour and anti-allergen filter / filtro antibatterico, antiodori e anti-allergeni	M9R-610	118	160	06/09 >					34.234.00

Scenic IV

1.2 TCe 115	H5F-408	85	116	09/16 >		25.145.00			54.291.00
antibacterial, anti-odour and anti-allergen filter / filtro antibatterico, antiodori e anti-allergeni	H5F-408	85	116	09/16 >					34.291.00
1.2 TCe 130	H5F-408	96	130	09/16 >		25.145.00			54.291.00
antibacterial, anti-odour and anti-allergen filter / filtro antibatterico, antiodori e anti-allergeni	H5F-408	96	130	09/16 >					34.291.00
1.5 DCI 110	K9K-646, K9K-647	81	110	09/16 >		23.628.00		30.712.00	54.291.00
antibacterial, anti-odour and anti-allergen filter / filtro antibatterico, antiodori e anti-allergeni	K9K-646, K9K-647	81	110	09/16 >					34.291.00
1.5 DCI 95	K9K	70	95	09/16 >		23.628.00		30.712.00	54.291.00
antibacterial, anti-odour and anti-allergen filter / filtro antibatterico, antiodori e anti-allergeni	K9K	70	95	09/16 >					34.291.00
1.5 DCI Hybrid	K9K-500	81	110	09/16 >		23.628.00		30.712.00	54.291.00
antibacterial, anti-odour and anti-allergen filter / filtro antibatterico, antiodori e anti-allergeni	K9K-500	81	110	09/16 >					34.291.00
1.6 DCI 130	R9M-409	96	130	09/16 >		25.170.00		30.712.00	54.291.00
antibacterial, anti-odour and anti-allergen filter / filtro antibatterico, antiodori e anti-allergeni	R9M-409	96	130	09/16 >					34.291.00
1.6 DCI 160	R9M-452	118	160	09/16 >		25.170.00		30.712.00	54.291.00
antibacterial, anti-odour and anti-allergen filter / filtro antibatterico, antiodori e anti-allergeni	R9M-452	118	160	09/16 >					34.291.00

Scenic RX4

1.9 DCI									
with air-conditioner and R.H.D. / con climatizzatore e guida a destra	F9Q	77	105	06/00 >	08/03				53.188.00
with air-conditioner and L.H.D. / con climatizzatore e guida a sinistra	F9Q	77	105	06/00 >	08/03	23.481.00	24.086.00	30.150.00	53.087.00
with activated carbon L.H.D. / con guida a sinistra, ai carboni attivi	F9Q	77	105	06/00 >	08/03				54.198.00
2.0 i 16V									
with air-conditioner and R.H.D. / con climatizzatore e guida a destra	F4R	103	140	03/00 >	08/03				53.188.00
with air-conditioner and L.H.D. / con climatizzatore e guida a sinistra	F4R	103	140	03/00 >	08/03	23.418.00	31.710.00	30.147.00	53.087.00

...RENAULT - cars/auto

with activated carbon L.H.D. / con guida a sinistra, ai carboni attivi	F4R	103	140	03/00	>	08/03				54.198.00
Talisman										
1.5 DCI 110	K9K-646	81	110	11/15	>		23.628.00		30.712.00	54.291.00
antibacterial, anti-odour and anti-allergen filter / filtro antibatterico, antiodori e anti-allergeni	K9K-646	81	110	11/15	>					34.291.00
1.5 DCI 110	K9K-647	81	110	11/15	>		23.628.00		30.712.00	54.291.00
antibacterial, anti-odour and anti-allergen filter / filtro antibatterico, antiodori e anti-allergeni	K9K-647	81	110	11/15	>					34.291.00
1.6 DCI 130	R9M-409	96	130	11/15	>		25.170.00		30.712.00	54.291.00
antibacterial, anti-odour and anti-allergen filter / filtro antibatterico, antiodori e anti-allergeni	R9M-409	96	130	11/15	>					34.291.00
1.6 DCI 160	R9M-452	118	160	11/15	>		25.170.00		30.712.00	54.291.00
antibacterial, anti-odour and anti-allergen filter / filtro antibatterico, antiodori e anti-allergeni	R9M-452	118	160	11/15	>					34.291.00
1.6 TCe 150	M5M-450	110	150	11/15	>		23.484.00		30.712.00	54.291.00
antibacterial, anti-odour and anti-allergen filter / filtro antibatterico, antiodori e anti-allergeni	M5M-450	110	150	11/15	>					34.291.00
1.6 TCe 200	M5M-450	147	200	11/15	>		23.484.00		30.712.00	54.291.00
antibacterial, anti-odour and anti-allergen filter / filtro antibatterico, antiodori e anti-allergeni	M5M-450	147	200	11/15	>					34.291.00
1.7 Blue DCI 150	R9N-401	110	150	09/18	>				30.712.00	54.291.00
antibacterial, anti-odour and anti-allergen filter / filtro antibatterico, antiodori e anti-allergeni	R9N-401	110	150	09/18	>					34.291.00
Talisman Grandtour										
1.5 DCI 110	K9K-646	81	110	03/16	>		23.628.00		30.712.00	54.291.00
antibacterial, anti-odour and anti-allergen filter / filtro antibatterico, antiodori e anti-allergeni	K9K-646	81	110	03/16	>					34.291.00
1.5 DCI 110	K9K-647	81	110	03/16	>		23.628.00		30.712.00	54.291.00
antibacterial, anti-odour and anti-allergen filter / filtro antibatterico, antiodori e anti-allergeni	K9K-647	81	110	03/16	>					34.291.00
1.6 DCI 130	R9M-409	96	130	03/16	>		25.170.00		30.712.00	54.291.00
antibacterial, anti-odour and anti-allergen filter / filtro antibatterico, antiodori e anti-allergeni	R9M-409	96	130	03/16	>					34.291.00
1.6 DCI 160	R9M-452	118	160	03/16	>		25.170.00		30.712.00	54.291.00
antibacterial, anti-odour and anti-allergen filter / filtro antibatterico, antiodori e anti-allergeni	R9M-452	118	160	03/16	>					34.291.00
1.6 TCe 150	M5M-450	110	150	03/16	>		23.484.00		30.712.00	54.291.00
antibacterial, anti-odour and anti-allergen filter / filtro antibatterico, antiodori e anti-allergeni	M5M-450	110	150	03/16	>					34.291.00
1.6 TCe 200	M5M-450	147	200	03/16	>		23.484.00		30.712.00	54.291.00
antibacterial, anti-odour and anti-allergen filter / filtro antibatterico, antiodori e anti-allergeni	M5M-450	147	200	03/16	>					34.291.00
Thalia										
1.4 e	E7J	55	75	09/98	>		23.418.00	31.710.00	30.021.00	53.060.00
antibacterial, anti-odour and anti-allergen filter without air-conditioner / filtro antibatterico, antiodori e anti-allergeni senza climatizzatore	E7J	55	75	09/98	>					34.196.00
without activated carbon air-conditioner / senza climatizzatore, ai carboni attivi	E7J	55	75	09/98	>					54.196.00
1.4 i 16V	K4J	72	98	01/00	>		23.418.00	31.710.00	30.147.00	53.060.00
antibacterial, anti-odour and anti-allergen filter without air-conditioner / filtro antibatterico, antiodori e anti-allergeni senza climatizzatore	K4J	72	98	01/00	>					34.196.00
without activated carbon air-conditioner / senza climatizzatore, ai carboni attivi	K4J	72	98	01/00	>					54.196.00
1.5 DCI	K9K	48	65	03/02	>		23.418.00	24.013.00	30.181.00	53.060.00
with facility for water sensor / con predisposizione per sensore acqua	K9K	48	65	03/02	>	12/04	23.418.00	24.050.00	30.181.00	53.060.00
with facility for water sensor / con predisposizione per sensore acqua	K9K	48	65	01/05	>		23.418.00	24.052.00	30.181.00	53.060.00
with facility for water sensor DELPHI HDF938 (2 µ) / con predisposizione per sensore acqua DELPHI HDF938 (2 µ)	K9K	48	65	01/05	>			24.098.00		
antibacterial, anti-odour and anti-allergen filter without air-conditioner / filtro antibatterico, antiodori e anti-allergeni senza climatizzatore	K9K	48	65	03/02	>					34.196.00
without activated carbon air-conditioner / senza climatizzatore, ai carboni attivi	K9K	48	65	03/02	>					54.196.00
1.6 i 16V	K4M	79	107	03/02	>		23.418.00	31.710.00	30.147.00	53.060.00
antibacterial, anti-odour and anti-allergen filter without air-conditioner / filtro antibatterico, antiodori e anti-allergeni senza climatizzatore	K4M	79	107	03/02	>					34.196.00
without activated carbon air-conditioner / senza climatizzatore, ai carboni attivi	K4M	79	107	03/02	>					54.196.00
Twingo 2										
1.2 i										
with cabin filter kit, spare part only / con kit filtro abitacolo, solo ricambio	D7F-703/704			01/98	>	04/00	23.424.00	31.710.00	27.267.00	53.082.00
with cabin filter kit, spare part only / con kit filtro abitacolo, solo ricambio	D7F-703/704			04/00	>	03/03	25.022.00	31.710.00	27.267.00	53.082.00
with cabin filter kit, spare part only / con kit filtro abitacolo, solo ricambio	D7F-703/704			04/03	>	03/07	23.470.00	31.710.00	27.267.00	53.082.00
1.2 i 16V										
with cabin filter kit, spare part only / con kit filtro abitacolo, solo ricambio	D4F			07/00	>	03/03	25.022.00	31.710.00	30.163.00	53.082.00
with cabin filter kit, spare part only / con kit filtro abitacolo, solo ricambio	D4F			04/03	>	03/07	23.470.00	31.710.00	30.163.00	53.082.00
1.2 i 16V										
with cabin filter kit, spare part only / con kit filtro abitacolo, solo ricambio	D4F-740	55	75	02/04	>	03/07	23.470.00	31.710.00	30.302.00	53.082.00
Twingo III										
0.9 GT TCe 110	H4B	80	109	06/16	>		25.145.00		30.B20.00	54.288.00
antibacterial, anti-odour and anti-allergen filter / filtro antibatterico, antiodori e anti-allergeni	H4B	80	109	06/16	>					34.288.00
0.9 TCe 90	H4B-401	66	90	09/14	>		25.145.00		30.B20.00	54.288.00
antibacterial, anti-odour and anti-allergen filter / filtro antibatterico, antiodori e anti-allergeni	H4B-401	66	90	09/14	>					34.288.00
0.9 TCe 90 LPG	H4B-451	66	90	08/18	>		25.145.00		30.B20.00	54.288.00
antibacterial, anti-odour and anti-allergen filter / filtro antibatterico, antiodori e anti-allergeni	H4B-451	66	90	08/18	>					34.288.00
0.9 TCe 95	H4B-453	68	92	03/19	>		25.145.00		30.B20.00	54.288.00
antibacterial, anti-odour and anti-allergen filter / filtro antibatterico, antiodori e anti-allergeni	H4B-453	68	92	03/19	>					34.288.00
1.0 SCe 65	B4D-403	48	65	09/14	>		23.481.00		30.B20.00	54.288.00
antibacterial, anti-odour and anti-allergen filter / filtro antibatterico, antiodori e anti-allergeni	B4D-403	48	65	09/14	>					34.288.00
1.0 SCe 70	H4D-400	52	71	09/14	>		23.481.00		30.B20.00	54.288.00

...RENAULT - cars/auto

R



antibacterial, anti-odour and anti-allergen filter / filtro antibatterico, antiodori e anti-allergeni	H4D-400	52	71	09/14	>				34.288.00
1.0 SCe 75	B4D-403	54	73	09/14	>	23.481.00		30.820.00	54.288.00
antibacterial, anti-odour and anti-allergen filter / filtro antibatterico, antiodori e anti-allergeni	B4D-403	54	73	09/14	>				34.288.00
Twingo Nouvelle									
1.2 (CN0D05)	D7F-800	43	58	03/07	>	23.470.00		27.273.00	53.104.00
with activated carbons / ai carboni attivi	D7F-800	43	58	03/07	>				54.232.00
antibacterial, anti-odour and anti-allergen filter / filtro antibatterico, antiodori e anti-allergeni	D7F-800	43	58	03/07	>				34.232.00
1.2 16V (CN0A05)	D4F-772	55	75	03/07	>	23.470.00		27.273.00	53.104.00
with activated carbons / ai carboni attivi	D4F-772	55	75	03/07	>				54.232.00
antibacterial, anti-odour and anti-allergen filter / filtro antibatterico, antiodori e anti-allergeni	D4F-772	55	75	03/07	>				34.232.00
1.2 16V (CN0A0H) BVR	D4F-772	55	75	03/07	>	23.470.00		27.273.00	53.104.00
with activated carbons / ai carboni attivi	D4F-772	55	75	03/07	>				54.232.00
antibacterial, anti-odour and anti-allergen filter / filtro antibatterico, antiodori e anti-allergeni	D4F-772	55	75	03/07	>				34.232.00
1.2 16V TCE (CN0C05)	D4F-780	74	101	03/07	>	23.470.00		30.834.00	53.104.00
with activated carbons / ai carboni attivi	D4F-780	74	101	03/07	>				54.232.00
with plastic filter / con filtro in plastica	D4F-780	74	101	03/07	>		31.948.00		
antibacterial, anti-odour and anti-allergen filter / filtro antibatterico, antiodori e anti-allergeni	D4F-780	74	101	03/07	>				34.232.00
1.5 DCI (CN0E05)	K9K-740	47	65	03/07	> 09/07	23.418.00		30.321.00	53.104.00
	K9K-740	47	65	03/07	> 04/09		24.117.00		
	K9K-740	47	65	10/07	> 04/09	23.481.00		30.321.00	53.104.00
	K9K-740	47	65	05/09	>	23.481.00	24.114.00	30.321.00	53.104.00
with activated carbons / ai carboni attivi	K9K-740	47	65	03/07	>				54.232.00
with water presence sensor / con sensore presenza acqua	K9K-740	47	65	03/07	> 04/09		24.073.00		
antibacterial, anti-odour and anti-allergen filter / filtro antibatterico, antiodori e anti-allergeni	K9K-740	47	65	03/07	>				34.232.00
1.5 DCI (CN0U05)	K9K-718	63	86	03/07	> 09/07	23.418.00		30.321.00	53.104.00
	K9K-718	63	86	03/07	> 04/09		24.117.00		
	K9K-718	63	86	10/07	> 04/09	23.481.00		30.321.00	53.104.00
	K9K-718	63	86	05/09	>	23.481.00	24.114.00	30.321.00	53.104.00
with activated carbons / ai carboni attivi	K9K-718	63	86	03/07	>				54.232.00
with water presence sensor / con sensore presenza acqua	K9K-718	63	86	03/07	> 04/09		24.073.00		
antibacterial, anti-odour and anti-allergen filter / filtro antibatterico, antiodori e anti-allergeni	K9K-718	63	86	03/07	>				34.232.00
1.5 DCI 75	K9K-820	55	75	10/10	>	23.481.00	24.114.00	30.654.00	53.104.00
with activated carbons / ai carboni attivi	K9K-820	55	75	10/10	>				54.232.00
antibacterial, anti-odour and anti-allergen filter / filtro antibatterico, antiodori e anti-allergeni	K9K-820	55	75	10/10	>				34.232.00
1.5 DCI 85	K9K-820	63	86	10/10	>	23.481.00	24.114.00	30.654.00	53.104.00
with activated carbons / ai carboni attivi	K9K-820	63	86	10/10	>				54.232.00
antibacterial, anti-odour and anti-allergen filter / filtro antibatterico, antiodori e anti-allergeni	K9K-820	63	86	10/10	>				34.232.00
1.5 DCI 90	K9K-830	63	86	10/10	>	23.481.00	24.114.00	30.654.00	53.104.00
with activated carbons / ai carboni attivi	K9K-830	63	86	10/10	>				54.232.00
antibacterial, anti-odour and anti-allergen filter / filtro antibatterico, antiodori e anti-allergeni	K9K-830	63	86	10/10	>				34.232.00
1.6 16V RS (CN0R05)	K4M	98	133	09/08	>	23.418.00		30.663.00	53.104.00
with activated carbons / ai carboni attivi	K4M	98	133	09/08	>				54.232.00
antibacterial, anti-odour and anti-allergen filter / filtro antibatterico, antiodori e anti-allergeni	K4M	98	133	09/08	>				34.232.00
Vel Satis									
2.0 16V Turbo	F4R	125	170	04/05	>	23.418.00		30.195.00	53.086.00
with activated carbons / ai carboni attivi	F4R	125	170	04/05	>	23.418.00		30.195.00	54.122.00
antibacterial, anti-odour and anti-allergen filter / filtro antibatterico, antiodori e anti-allergeni	F4R	125	170	04/05	>				34.122.00
2.0 16V Turbo (BJ0K06)	F4R	120	163	02/02	>	23.418.00		30.195.00	53.086.00
with activated carbons / ai carboni attivi	F4R	120	163	02/02	>	23.418.00		30.195.00	54.122.00
antibacterial, anti-odour and anti-allergen filter / filtro antibatterico, antiodori e anti-allergeni	F4R	120	163	02/02	>				34.122.00
2.0 DCI	M9R	110	150	05/06	>	25.094.00	26.687.00		53.086.00
with activated carbons / ai carboni attivi	M9R	110	150	05/06	>	25.094.00	26.687.00		54.122.00
antibacterial, anti-odour and anti-allergen filter / filtro antibatterico, antiodori e anti-allergeni	M9R	110	150	05/06	>				34.122.00
2.0 DCI	M9R	127	173	05/06	>	25.094.00	26.687.00		53.086.00
with activated carbons / ai carboni attivi	M9R	127	173	05/06	>	25.094.00	26.687.00		54.122.00
antibacterial, anti-odour and anti-allergen filter / filtro antibatterico, antiodori e anti-allergeni	M9R	127	173	05/06	>				34.122.00
2.2 DCI 16V	G9T	84	115	02/02	>	25.033.00	26.687.00	30.195.00	53.086.00
with activated carbons / ai carboni attivi	G9T	84	115	02/02	>	25.033.00	26.687.00	30.195.00	54.122.00
antibacterial, anti-odour and anti-allergen filter / filtro antibatterico, antiodori e anti-allergeni	G9T	84	115	02/02	>				34.122.00
2.2 DCI 16V (BJ0E06)	G9T	110	150	02/02	>	25.033.00	26.687.00	30.195.00	53.086.00
with activated carbons / ai carboni attivi	G9T	110	150	02/02	>	25.033.00	26.687.00	30.195.00	54.122.00
antibacterial, anti-odour and anti-allergen filter / filtro antibatterico, antiodori e anti-allergeni	G9T	110	150	02/02	>				34.122.00
2.2 DCI 16V FAP	G9T	102	139	09/04	>	25.033.00	26.687.00	30.195.00	53.086.00
with activated carbons / ai carboni attivi	G9T	102	139	09/04	>	25.033.00	26.687.00	30.195.00	54.122.00
antibacterial, anti-odour and anti-allergen filter / filtro antibatterico, antiodori e anti-allergeni	G9T	102	139	09/04	>				34.122.00
3.0 DCI V6 24V (BJ0J0B)	P9X-701	130	177	10/01	> 09/05		26.687.00	30.195.00	53.086.00
with activated carbons / ai carboni attivi	P9X-701	130	177	10/01	> 09/05		26.687.00	30.195.00	54.122.00

...RENAULT - cars/auto

antibacterial, anti-odour and anti-allergen filter / filtro antibatterico, antiodori e anti-allergeni	P9X-701	130	177	10/01	>	09/05				34.122.00
3.0 DCI V6 24V FAP	P9X-715	133	181	10/05	>			26.687.00		53.086.00
with activated carbons / ai carboni attivi	P9X-715	133	181	10/05	>			26.687.00		54.122.00
antibacterial, anti-odour and anti-allergen filter / filtro antibatterico, antiodori e anti-allergeni	P9X-715	133	181	10/05	>					34.122.00
3.5 V6 24V (BJ0V0B)	V4Y	177	241	10/01	>	09/05			30.195.00	53.086.00
	V4Y	177	241	10/05	>					53.086.00
with activated carbons / ai carboni attivi	V4Y	177	241	10/01	>	09/05			30.195.00	54.122.00
with activated carbons / ai carboni attivi	V4Y	177	241	10/05	>					54.122.00
antibacterial, anti-odour and anti-allergen filter / filtro antibatterico, antiodori e anti-allergeni	V4Y	177	241	10/01	>					34.122.00
Wind										
1.2 16V TCe		74	100	06/10	>		23.470.00		30.834.00	53.104.00
with activated carbons / ai carboni attivi		74	100	06/10	>					54.232.00
antibacterial, anti-odour and anti-allergen filter / filtro antibatterico, antiodori e anti-allergeni		74	100	06/10	>					34.232.00
1.6 16V		98	133	06/10	>		23.418.00		30.663.00	53.104.00
with activated carbons / ai carboni attivi		98	133	06/10	>					54.232.00
antibacterial, anti-odour and anti-allergen filter / filtro antibatterico, antiodori e anti-allergeni		98	133	06/10	>					34.232.00
ZOE										
Z.E.	5AM			06/12	>					53.293.00
with activated carbons / ai carboni attivi	5AM			06/12	>					54.257.00
antibacterial, anti-odour and anti-allergen filter / filtro antibatterico, antiodori e anti-allergeni	5AM			06/12	>					34.257.00

RENAULT

off-road cars/fuoristrada

Cherokee										
4.0 i EFI	(6 cyl.)			09/86	>		23.177.00		30.972.00	
Cherokee Chief										
2.1 Turbodiesel				10/84	>		23.177.00		27.150.00	
CJ7 Laredo										
2.0				07/84	>		23.401.00		27.824.00	
2.1 Diesel										
with pump BOSCH / con pompa BOSCH				05/82	>		23.177.00	24.351.00	30.902.00	
with pump DELPHI / con pompa DELPHI				05/82	>		23.177.00	24.361.00	30.902.00	
CJ7 Renegade										
2.0				07/84	>		23.401.00		27.824.00	
2.1 Diesel										
with pump BOSCH / con pompa BOSCH				05/82	>		23.177.00	24.351.00	30.902.00	
with pump DELPHI / con pompa DELPHI				05/82	>		23.177.00	24.361.00	30.902.00	
CJ7 Standard										
2.0				07/84	>		23.401.00		27.824.00	
2.1 Diesel										
with pump BOSCH / con pompa BOSCH				05/82	>		23.177.00	24.351.00	30.902.00	
with pump DELPHI / con pompa DELPHI				05/82	>		23.177.00	24.361.00	30.902.00	
Comanche										
4.0 i EFI	(6 cyl.)			09/86	>		23.177.00		30.972.00	
Wagoner										
4.0 i EFI	(6 cyl.)			09/86	>		23.177.00		30.972.00	

RENAULT

commercial vehicles/veicoli commerciali

Estafette										
1.1 (6cv) (1108)							23.114.01		27.701.00	
or / oppure							23.114.01		27.750.00	
1.3 (7cv) (1289)							23.114.01		27.731.00	
Diesel (R4134)	Indenor XLPD						23.115.00	26.652.00		
Express (Rapid)										
1.1 (F401)	C1E (1108)			08/90	>		23.195.00	31.010.00	30.871.00	
1.2 (F40F)	C1G (1237)			06/90	>		23.195.00	31.010.00	30.871.00	
1.2 i	D7F (1149)			01/96	>		23.424.00	31.710.00	27.267.00	
1.4 (F40A)	E6J (1390)			06/90	>			31.010.00	30.969.00	
without air-conditioner / senza climatizzatore	E6J (1390)			06/90	>		23.194.00	31.010.00	30.969.00	
1.4 i (F40)	E7J (1390)			09/91	>			31.500.00	30.969.00	
without air-conditioner / senza climatizzatore	E7J (1390)			09/91	>		23.194.00	31.500.00	30.969.00	
1.4 i (F407)	C3J (1397)			06/87	>		23.195.00	31.500.00	30.871.00	
1.4 i (F40D)	E7J (1390)			09/91	>			31.500.00	30.969.00	
without air-conditioner / senza climatizzatore	E7J (1390)			09/91	>		23.194.00	31.500.00	30.969.00	
1.4 i (F40U)	E7J (1390)			09/91	>			31.500.00	30.969.00	
without air-conditioner / senza climatizzatore	E7J (1390)			09/91	>		23.194.00	31.500.00	30.969.00	
1.4 i (F40V)	E7J (1390)			09/91	>			31.500.00	30.969.00	
without air-conditioner / senza climatizzatore	E7J (1390)			09/91	>		23.194.00	31.500.00	30.969.00	

...RENAULT - commercial vehicles/veicoli commerciali

R

1.6 Diesel (F404)							
with pump BOSCH / con pompa BOSCH	F8M-720/730/760 (1595)		01/86 >	23.177.00	26.652.00	30.852.00	
with pump DELPHI / con pompa DELPHI	F8M-720/730/760 (1595)		01/86 >	23.177.00	24.360.00	30.852.00	
1.6 Diesel (F404)							
to engine No. C99634 / a motore N. C99634	F8M-736 (1595)			23.177.00		30.852.00	
with pump BOSCH / con pompa BOSCH	F8M-736 (1595)				26.652.00	30.852.00	
with pump DELPHI / con pompa DELPHI	F8M-736 (1595)				24.360.00	30.852.00	
from engine No. C99635 / da motore N. C99635	F8M-736 (1595)			23.281.00		30.852.00	
1.9 Diesel (F40)							
with pump BOSCH / con pompa BOSCH	F8Q (1870)		03/96 >	23.419.00	26.652.00	27.194.00	
with pump DELPHI / con pompa DELPHI	F8Q (1870)		03/96 >	23.419.00	24.388.00	27.194.00	
1.9 Diesel (F40E)							
with pump BOSCH / con pompa BOSCH	F8Q (1870)		03/96 >	23.419.00	26.652.00	27.194.00	
with pump DELPHI / con pompa DELPHI	F8Q (1870)		03/96 >	23.419.00	24.388.00	27.194.00	
1.9 Diesel (F40N)							
with pump BOSCH / con pompa BOSCH	F8Q (1870)		03/96 >	23.419.00	26.652.00	27.194.00	
with pump DELPHI / con pompa DELPHI	F8Q (1870)		03/96 >	23.419.00	24.388.00	27.194.00	
1.9 Diesel (F40P)							
with pump BOSCH / con pompa BOSCH	F8Q (1870)		03/96 >	23.419.00	26.652.00	27.194.00	
with pump DELPHI / con pompa DELPHI	F8Q (1870)		03/96 >	23.419.00	24.388.00	27.194.00	
1.9 Diesel (F40R)							
with pump BOSCH / con pompa BOSCH	F8Q (1870)		03/96 >	23.419.00	26.652.00	27.194.00	
with pump DELPHI / con pompa DELPHI	F8Q (1870)		03/96 >	23.419.00	24.388.00	27.194.00	
Extra							
1.2 i	D7F (1149)		01/96 >	23.424.00	31.710.00	27.267.00	
Kangoo							
1.2 i							
with air-conditioner / con climatizzatore	D7F		09/97 > 04/00	23.424.00	31.710.00	27.273.00	53.060.00
with air-conditioner / con climatizzatore	D7F		05/00 > 03/03	25.022.00	31.710.00	27.273.00	53.060.00
with air-conditioner / con climatizzatore	D7F		04/03 > 04/08	23.470.00	31.710.00	27.273.00	53.060.00
with activated carbon air-conditioner / con climatizzatore, ai carboni attivi	D7F		09/97 > 04/08				54.196.00
without air-conditioner / senza climatizzatore	D7F		09/97 > 04/08				53.292.00
1.2 i 16V							
with air-conditioner / con climatizzatore	D4F	55 75	06/01 > 03/03	25.022.00	31.710.00	30.163.00	53.060.00
with air-conditioner / con climatizzatore	D4F	55 75	04/03 > 04/08	23.470.00	31.710.00	30.163.00	53.060.00
with activated carbon air-conditioner / con climatizzatore, ai carboni attivi	D4F	55 75	06/01 > 04/08				54.196.00
without air-conditioner / senza climatizzatore	D4F	55 75	06/01 > 04/08				53.292.00
1.4 i							
with air-conditioner / con climatizzatore	E7J		09/97 > 04/08	23.418.00	31.710.00	30.021.00	53.060.00
with activated carbon air-conditioner / con climatizzatore, ai carboni attivi	E7J		09/97 > 04/08				54.196.00
without air-conditioner / senza climatizzatore	E7J		09/97 > 04/08				53.292.00
1.9 D							
with air-conditioner / con climatizzatore	F8Q	40 55	09/97 > 04/08	23.419.00		30.108.00	53.060.00
with activated carbon air-conditioner / con climatizzatore, ai carboni attivi	F8Q	40 55	09/97 > 04/08				54.196.00
with pump BOSCH and PURFLUX / con pompa BOSCH e PURFLUX	F8Q	40 55	09/97 > 04/08		26.686.00		
with pump DELPHI / con pompa DELPHI	F8Q	40 55	11/98 > 04/08		26.690.00		
without air-conditioner / senza climatizzatore	F8Q	40 55	09/97 > 04/08				53.292.00
1.9 D							
with air-conditioner / con climatizzatore	F8Q	47 65	09/97 > 04/08	23.419.00		30.108.00	53.060.00
with activated carbon air-conditioner / con climatizzatore, ai carboni attivi	F8Q	47 65	09/97 > 04/08				54.196.00
with pump BOSCH and PURFLUX / con pompa BOSCH e PURFLUX	F8Q	47 65	09/97 > 04/08		26.686.00		
with pump DELPHI / con pompa DELPHI	F8Q	47 65	11/98 > 04/08		26.690.00		
without air-conditioner / senza climatizzatore	F8Q	47 65	09/97 > 04/08				53.292.00
Kangoo Express							
1.5 DCI 60							
with air-conditioner / con climatizzatore	K9K	42 57	11/02 > 04/08	23.418.00	24.013.00	30.181.00	53.060.00
with activated carbon air-conditioner / con climatizzatore, ai carboni attivi	K9K	42 57	11/02 > 04/08				54.196.00
with facility for water sensor / con predisposizione per sensore acqua	K9K	42 57	11/02 > 12/04	23.418.00	24.050.00	30.181.00	53.060.00
with facility for water sensor / con predisposizione per sensore acqua	K9K	42 57	01/05 > 04/08	23.418.00	24.052.00	30.181.00	53.060.00
with facility for water sensor DELPHI HDF938 (2 µ) / con predisposizione per sensore acqua DELPHI HDF938 (2 µ)	K9K	42 57	01/05 > 04/08		24.098.00		
antibacterial, anti-odour and anti-allergen filter with air-conditioner / filtro antibatterico, antiodori e anti-allergeni con climatizzatore	K9K	42 57	11/02 > 04/08				34.196.00
without air-conditioner / senza climatizzatore	K9K	42 57	11/02 > 04/08				53.292.00
1.5 DCI 65							
with air-conditioner / con climatizzatore	K9K	48 65	07/01 > 04/08	23.418.00	24.013.00	30.181.00	53.060.00
with activated carbon air-conditioner / con climatizzatore, ai carboni attivi	K9K	48 65	07/01 > 04/08				54.196.00
with facility for water sensor / con predisposizione per sensore acqua	K9K	48 65	07/01 > 12/04	23.418.00	24.050.00	30.181.00	53.060.00
with facility for water sensor / con predisposizione per sensore acqua	K9K	48 65	01/05 > 04/08	23.418.00	24.052.00	30.181.00	53.060.00

...RENAULT - commercial vehicles/veicoli commerciali

with facility for water sensor DELPHI HDF938 (2 µ) / con predisposizione per sensore acqua DELPHI HDF938 (2 µ)	K9K	48	65	01/05 >	04/08		24.098.00			
antibacterial, anti-odour and anti-allergen filter with air-conditioner / filtro antibatterico, antiodori e anti-allergeni con climatizzatore	K9K	48	65	07/01 >	04/08					34.196.00
without air-conditioner / senza climatizzatore	K9K	48	65	07/01 >	04/08					53.292.00
1.5 DCI 70										
with air-conditioner / con climatizzatore	K9K	48	65	07/01 >	04/08	23.418.00	24.013.00	30.181.00		53.060.00
with activated carbon air-conditioner / con climatizzatore, ai carboni attivi	K9K	48	65	07/01 >	04/08					54.196.00
with facility for water sensor / con predisposizione per sensore acqua	K9K	48	65	07/01 >	12/04	23.418.00	24.050.00	30.181.00		53.060.00
with facility for water sensor / con predisposizione per sensore acqua	K9K	48	65	01/05 >	04/08	23.418.00	24.052.00	30.181.00		53.060.00
with facility for water sensor DELPHI HDF938 (2 µ) / con predisposizione per sensore acqua DELPHI HDF938 (2 µ)	K9K	48	65	01/05 >	04/08		24.098.00			
antibacterial, anti-odour and anti-allergen filter with air-conditioner / filtro antibatterico, antiodori e anti-allergeni con climatizzatore	K9K	48	65	07/01 >	04/08					34.196.00
without air-conditioner / senza climatizzatore	K9K	48	65	07/01 >	04/08					53.292.00
1.5 DCI 80										
with air-conditioner / con climatizzatore	K9K	60	82	07/01 >	04/08	23.418.00	24.013.00	30.181.00		53.060.00
with activated carbon air-conditioner / con climatizzatore, ai carboni attivi	K9K	60	82	07/01 >	04/08					54.196.00
with facility for water sensor / con predisposizione per sensore acqua	K9K	60	82	07/01 >	12/04	23.418.00	24.050.00	30.181.00		53.060.00
with facility for water sensor / con predisposizione per sensore acqua	K9K	60	82	01/05 >	04/08	23.418.00	24.052.00	30.181.00		53.060.00
with facility for water sensor DELPHI HDF938 (2 µ) / con predisposizione per sensore acqua DELPHI HDF938 (2 µ)	K9K	60	82	01/05 >	04/08		24.098.00			
antibacterial, anti-odour and anti-allergen filter with air-conditioner / filtro antibatterico, antiodori e anti-allergeni con climatizzatore	K9K	60	82	07/01 >	04/08					34.196.00
without air-conditioner / senza climatizzatore	K9K	60	82	07/01 >	04/08					53.292.00
Kangoo Express II										
1.5 DCI 105	K9K	78	106	01/08 >	04/09		24.117.00			
	K9K	78	106	01/08 >	04/09	23.481.00		30.543.00		53.164.00
	K9K	78	106	05/09 >		23.481.00	24.114.00	30.543.00		53.164.00
with water presence sensor / con sensore presenza acqua	K9K	78	106	01/08 >			24.073.00			
1.5 DCI 105 FAP	K9K	78	106	01/08 >	04/09	23.481.00		30.543.00		53.164.00
	K9K	78	106	01/08 >	04/09		24.117.00			
	K9K	78	106	05/09 >		23.481.00	24.114.00	30.543.00		53.164.00
with water presence sensor / con sensore presenza acqua	K9K	78	106	01/08 >			24.073.00			
1.5 DCI 70 eco2	K9K	50	68	01/08 >	04/09		24.117.00			
	K9K	50	68	01/08 >	04/09	23.481.00		30.543.00		53.164.00
	K9K	50	68	05/09 >		23.481.00	24.114.00	30.543.00		53.164.00
with water presence sensor / con sensore presenza acqua	K9K	50	68	01/08 >			24.073.00			
1.5 DCI 85 eco2	K9K	63	86	01/08 >	04/09	23.481.00		30.543.00		53.164.00
	K9K	63	86	01/08 >	04/09		24.117.00			
	K9K	63	86	05/09 >		23.481.00	24.114.00	30.543.00		53.164.00
with water presence sensor / con sensore presenza acqua	K9K	63	86	01/08 >			24.073.00			
1.6 16V	K4M	78	106	01/08 >		23.418.00		30.147.00		53.164.00
Z.E.	5AM400	44	60	10/11 >		✗	✗	✗		53.164.00
Master										
1.9 DCI	F9Q-772/774	60	82	09/00 >	06/10	23.481.00		30.099.00		✗
assembly DELPHI / montaggio DELPHI	F9Q-772/774	60	82	09/00 >	06/10		26.693.00			
assembly PURFLUX FC578/FC580 / montaggio PURFLUX FC578/FC580	F9Q-772/774	60	82	09/00 >	06/10		26.694.00			
assembly PURFLUX FC579 / montaggio PURFLUX FC579	F9Q-772/774	60	82	09/00 >	06/10		26.695.00			
1.9 DTI	F9Q-770/780	59	80	06/97 >	11/03	23.481.00	26.687.00	30.150.00		✗
2.2 DCI	G9T-720, G9T-722	66	90	10/00 >	11/03	25.033.00		30.099.00		✗
assembly DELPHI / montaggio DELPHI	G9T-720, G9T-722	66	90	10/00 >	11/03		26.693.00			
assembly PURFLUX FC500E / montaggio PURFLUX FC500E	G9T-720, G9T-722	66	90	10/00 >	11/03		24.086.00			
assembly PURFLUX FC578/FC580 / montaggio PURFLUX FC578/FC580	G9T-720, G9T-722	66	90	10/00 >	11/03		26.694.00			
assembly PURFLUX FC579 / montaggio PURFLUX FC579	G9T-720, G9T-722	66	90	10/00 >	11/03		26.695.00			
2.2 DCI	G9T-750	66	90	11/03 >	06/10	25.033.00		30.293.00		✗
assembly DELPHI / montaggio DELPHI	G9T-750	66	90	11/03 >	06/10		26.693.00			
assembly PURFLUX FC578/FC580 / montaggio PURFLUX FC578/FC580	G9T-750	66	90	11/03 >	06/10		26.694.00			
assembly PURFLUX FC579 / montaggio PURFLUX FC579	G9T-750	66	90	11/03 >	06/10		26.695.00			
2.5 D	S8U-770	59	80	10/97 >	12/03	23.303.00	26.687.00	30.099.00		✗
2.5 DCI	G9U-720	84	115	10/01 >	12/03	25.033.00		30.099.00		✗
assembly DELPHI / montaggio DELPHI	G9U-720	84	115	10/01 >	12/03		26.693.00			
assembly PURFLUX FC578/FC580 / montaggio PURFLUX FC578/FC580	G9U-720	84	115	10/01 >	12/03		26.694.00			
assembly PURFLUX FC579 / montaggio PURFLUX FC579	G9U-720	84	115	10/01 >	12/03		26.695.00			
2.5 DCI	G9U-726	84	115	11/03 >	07/06	25.033.00	26.693.00	30.293.00		
2.5 DCI	G9U-754	73	100	11/03 >	07/06	25.033.00		30.293.00		✗
assembly DELPHI / montaggio DELPHI	G9U-754	73	100	11/03 >	07/06		26.693.00			
assembly PURFLUX FC578/FC580 / montaggio PURFLUX FC578/FC580	G9U-754	73	100	11/03 >	07/06		26.694.00			
assembly PURFLUX FC579 / montaggio PURFLUX FC579	G9U-754	73	100	11/03 >	07/06		26.695.00			
2.5 DCI 100	G9U-650	74	100	07/06 >	06/10	25.094.00		30.293.00		✗
DELPHI assembly / montaggio DELPHI	G9U-650	74	100	07/06 >	06/10		26.693.00			
assembly PURFLUX FC578/FC580 / montaggio PURFLUX FC578/FC580	G9U-650	74	100	07/06 >	06/10		26.694.00			

...RENAULT - commercial vehicles/veicoli commerciali

R

assembly PURFLUX FC579 / montaggio PURFLUX FC579	G9U-650	74	100	07/06 >	06/10		26.695.00		
2.5 DCI 120	G9U-650	84	115	07/06 >	06/10	25.094.00		30.293.00	✗
DELPHI assembly / montaggio DELPHI	G9U-650	84	115	07/06 >	06/10		26.693.00		
assembly PURFLUX FC578/FC580 / montaggio PURFLUX FC578/FC580	G9U-650	84	115	07/06 >	06/10		26.694.00		
assembly PURFLUX FC579 / montaggio PURFLUX FC579	G9U-650	84	115	07/06 >	06/10		26.695.00		
2.5 DCI 120	G9U-750	84	115	10/03 >	07/06	25.033.00		30.293.00	✗
DELPHI assembly / montaggio DELPHI	G9U-750	84	115	10/03 >	07/06		26.693.00		
assembly PURFLUX FC578/FC580 / montaggio PURFLUX FC578/FC580	G9U-750	84	115	10/03 >	07/06		26.694.00		
assembly PURFLUX FC579 / montaggio PURFLUX FC579	G9U-750	84	115	10/03 >	07/06		26.695.00		
2.5 DCI 150	G9U-632	107	146	07/06 >	06/10	25.094.00		30.293.00	✗
DELPHI assembly / montaggio DELPHI	G9U-632	107	146	07/06 >	06/10		26.693.00		
assembly PURFLUX FC578/FC580 / montaggio PURFLUX FC578/FC580	G9U-632	107	146	07/06 >	06/10		26.694.00		
assembly PURFLUX FC579 / montaggio PURFLUX FC579	G9U-632	107	146	07/06 >	06/10		26.695.00		
2.5 TD	S8U Turbo			10/97 >	12/03	23.303.00	26.687.00	30.099.00	
2.8 DTI	Sofim (S9W-700)	84	115	10/97 >	12/03	23.303.00	26.687.00	30.099.00	✗
2.8 DTI	Sofim (S9W-702)	84	115	10/97 >	12/03	23.303.00	26.687.00	30.099.00	✗
dusty areas / zone polverose	Sofim (S9W-702)	84	115	10/97 >	12/03			30.541.00	
3.0 DCI 120	ZD3-600	85	116	05/04 >	06/10	25.026.00		30.300.00	✗
assembly PURFLUX FC578/FC580 / montaggio PURFLUX FC578/FC580	ZD3-600	85	116	05/04 >	06/10		26.694.00		
assembly PURFLUX FC579 / montaggio PURFLUX FC579	ZD3-600	85	116	05/04 >	06/10		26.695.00		
3.0 DCI 140	ZD3-200/202	100	136	11/03 >	07/06	25.026.00		30.300.00	✗
assembly PURFLUX FC578/FC580 / montaggio PURFLUX FC578/FC580	ZD3-200/202	100	136	11/03 >	07/06		26.694.00		
assembly PURFLUX FC579 / montaggio PURFLUX FC579	ZD3-200/202	100	136	11/03 >	07/06		26.695.00		
3.0 DCI 160	ZD3-604/A604	115	156	05/04 >	06/10	25.026.00		30.300.00	✗
assembly PURFLUX FC578/FC580 / montaggio PURFLUX FC578/FC580	ZD3-604/A604	115	156	05/04 >	06/10		26.694.00		
assembly PURFLUX FC579 / montaggio PURFLUX FC579	ZD3-604/A604	115	156	05/04 >	06/10		26.695.00		
Master III									
2.3 DCI 100	M9T-670	74	100	04/10 >		25.170.00		30.556.00	53.164.00
with filter PURFLUX FC578/FC580 / con filtro PURFLUX FC578/FC580	M9T-670	74	100	04/10 >			26.694.00		
with filter PURFLUX FC579/FC581 / con filtro PURFLUX FC579/FC581	M9T-670	74	100	04/10 >	08/10		26.695.00		
2.3 DCI 100	M9T-870	74	100	01/13 >		25.170.00		30.556.00	53.164.00
with filter PURFLUX FC578/FC580 / con filtro PURFLUX FC578/FC580	M9T-870	74	100	01/13 >			26.694.00		
2.3 DCI 110	M9T	81	110	08/14 >		25.170.00	26.114.00	30.556.00	53.164.00
2.3 DCI 125	M9T-672	92	125	04/10 >		25.170.00		30.556.00	53.164.00
with filter PURFLUX FC578/FC580 / con filtro PURFLUX FC578/FC580	M9T-672	92	125	04/10 >			26.694.00		
with filter PURFLUX FC579/FC581 / con filtro PURFLUX FC579/FC581	M9T-672	92	125	04/10 >	08/10		26.695.00		
2.3 DCI 150	M9T-678	110	150	04/10 >		25.170.00		30.556.00	53.164.00
with filter PURFLUX FC578/FC580 / con filtro PURFLUX FC578/FC580	M9T-678	110	150	04/10 >			26.694.00		
with filter PURFLUX FC579/FC581 / con filtro PURFLUX FC579/FC581	M9T-678	110	150	04/10 >	08/10		26.695.00		
2.3 DCI 150	M9T-880	110	150	01/13 >		25.170.00		30.556.00	53.164.00
with filter PURFLUX FC578/FC580 / con filtro PURFLUX FC578/FC580	M9T-880	110	150	01/13 >			26.694.00		
2.3 DCI Biturbo 140	M9T	100	136	08/14 >		25.170.00	26.114.00	30.556.00	53.164.00
2.3 DCI Biturbo 160	M9T	120	163	08/14 >		25.170.00	26.114.00	30.556.00	53.164.00
2.3 DCI Biturbo 170	M9T	125	170	08/15 >		25.170.00	26.114.00	30.556.00	53.164.00
R11 Cargo									
1.1 GTL (1108)							23.195.00		
with (Ø 6) / con (Ø 6)							23.195.00	31.010.00	30.871.00
with (Ø 8) / con (Ø 8)									30.871.00
1.4 GTL (1397)							23.195.00		30.871.00
with (Ø 6) / con (Ø 6)							23.195.00	31.010.00	30.871.00
with (Ø 8) / con (Ø 8)									30.871.00
1.6 Diesel									
with pump BOSCH / con pompa BOSCH	F8M (1595)						23.177.00	24.351.00	30.852.00
with pump DELPHI / con pompa DELPHI	F8M (1595)						23.177.00	24.360.00	30.852.00
or / oppure	F8M (1595)						23.177.00		30.852.00
R4									
0.8 Van 400 Kg (R2108) (845)							23.118.00		27.702.00
with antipollution assembly / con montaggio antinquinamento							23.118.00		
or / oppure									27.713.00
R4 F4									
0.8 (845)							23.118.00		27.702.00
or / oppure							23.118.00		27.713.00
R4 F6									
1.1 (1108)				07/84 >			23.195.00		27.701.00
some / alcuni				07/84 >			23.195.00		30.872.01
or / oppure				07/84 >			23.195.00		27.750.00
R5									

...RENAULT - commercial vehicles/veicoli commerciali

1.0 Cargo GL (956)					23.195.00			
1.0 Société (956)					23.195.00			
1.1 Cargo GL (1108)					23.195.00			
1.1 Société (1108)					23.195.00			
R5 Van								
1.6 Diesel								
with pump BOSCH / con pompa BOSCH		F8M (1595)			23.177.00	26.652.00	30.852.00	
with pump DELPHI / con pompa DELPHI		F8M (1595)			23.177.00	24.360.00	30.852.00	
Trafic I								
2.5 D								
with pump BOSCH / con pompa BOSCH		8140-67 (S8U-750/752)	56	76	04/89 > 03/01	23.303.00	24.351.00	27.084.00
with pump DELPHI / con pompa DELPHI		8140-67 (S8U-750/752)	56	76	04/89 > 03/01	23.303.00	24.361.00	27.084.00
with pump PURFLUX / con pompa PURFLUX		8140-67 (S8U-750/752)	56	76	04/89 > 03/01	23.303.00	24.384.00	27.084.00
Trafic II								
1.9 DCI 100		F9Q-760	74	101	02/01 > 08/06	23.481.00		30.150.00
DELPHI assembly / montaggio DELPHI		F9Q-760	74	101	02/01 > 08/06		26.693.00	
assembly PURFLUX FC579/FC581 / montaggio PURFLUX FC579/FC581		F9Q-760	74	101	02/01 > 08/06		26.695.00	
assembly PURFLUX FC580 / montaggio PURFLUX FC580		F9Q-760	74	101	02/01 > 08/06		26.694.00	
1.9 DCI 80		F9Q	59	80	02/01 > 08/06	23.481.00		30.150.00
DELPHI assembly / montaggio DELPHI		F9Q	59	80	02/01 > 08/06		26.693.00	
assembly PURFLUX FC579/FC581 / montaggio PURFLUX FC579/FC581		F9Q	59	80	02/01 > 08/06		26.695.00	
assembly PURFLUX FC580 / montaggio PURFLUX FC580		F9Q	59	80	02/01 > 08/06		26.694.00	
1.9 DCI 80		F9Q-762	60	82	02/01 > 08/06	23.481.00		30.150.00
DELPHI assembly / montaggio DELPHI		F9Q-762	60	82	02/01 > 08/06		26.693.00	
assembly PURFLUX FC579/FC581 / montaggio PURFLUX FC579/FC581		F9Q-762	60	82	02/01 > 08/06		26.695.00	
assembly PURFLUX FC580 / montaggio PURFLUX FC580		F9Q-762	60	82	02/01 > 08/06		26.694.00	
2.0 16V		F4R	88	120	02/01 >	23.418.00	31.710.00	30.147.00
with plastic filter / con filtro in plastica		F4R	88	120	02/01 >		31.948.00	
2.0 16V		F4R	90	122	02/01 >	23.418.00	31.710.00	30.147.00
with plastic filter / con filtro in plastica		F4R	90	122	02/01 >		31.948.00	
2.0 16V		F4R-820	86	117	08/06 >	23.418.00	31.710.00	30.147.00
with plastic filter / con filtro in plastica		F4R-820	86	117	08/06 >		31.948.00	
2.0 DCI 115		M9R	84	114	09/06 >	25.094.00	26.695.00	30.465.00
some / alcuni		M9R	84	114	09/06 >	25.094.00	26.694.00	30.465.00
2.0 DCI 90		M9R	66	90	09/06 >	25.094.00	26.695.00	30.465.00
some / alcuni		M9R	66	90	09/06 >	25.094.00	26.694.00	30.465.00
2.5 DCI 140		G9U-730	99	135	09/02 > 08/06	25.033.00	26.695.00	30.465.00
some / alcuni		G9U-730	99	135	09/02 > 08/06	25.033.00	26.694.00	30.465.00
2.5 DCI 150		G9U	107	146	09/06 >	25.033.00	26.695.00	30.465.00
some / alcuni		G9U	107	146	09/06 >	25.033.00	26.694.00	30.465.00
Trafic III								
1.6 DCI 115		R9M	84	115	07/14 >	25.170.00	26.114.00	30.664.00
with automatic air-conditioner / con climatizzatore automatico		R9M	84	115	07/14 >			54.234.00
antibacterial, anti-odour and anti-allergen filter with automatic air-conditioner / filtro antibatterico, antiodori e anti-allergeni con climatizzatore automatico		R9M	84	115	07/14 >			34.234.00
1.6 DCI 120		R9M	88	120	07/14 >	25.170.00	26.114.00	30.664.00
with automatic air-conditioner / con climatizzatore automatico		R9M	88	120	07/14 >			54.234.00
antibacterial, anti-odour and anti-allergen filter with automatic air-conditioner / filtro antibatterico, antiodori e anti-allergeni con climatizzatore automatico		R9M	88	120	07/14 >			34.234.00
1.6 DCI 125		R9M	92	125	07/15 >	25.170.00	26.114.00	30.664.00
with automatic air-conditioner / con climatizzatore automatico		R9M	92	125	07/15 >			54.234.00
antibacterial, anti-odour and anti-allergen filter with automatic air-conditioner / filtro antibatterico, antiodori e anti-allergeni con climatizzatore automatico		R9M	92	125	07/14 >			34.234.00
1.6 DCI 140		R9M	103	140	07/14 >	25.170.00	26.114.00	30.664.00
with automatic air-conditioner / con climatizzatore automatico		R9M	103	140	07/14 >			54.234.00
antibacterial, anti-odour and anti-allergen filter with automatic air-conditioner / filtro antibatterico, antiodori e anti-allergeni con climatizzatore automatico		R9M	103	140	07/14 >			34.234.00
1.6 DCI 145		R9M	107	145	07/15 >	25.170.00	26.114.00	30.664.00
with automatic air-conditioner / con climatizzatore automatico		R9M	107	145	07/15 >			54.234.00
antibacterial, anti-odour and anti-allergen filter with automatic air-conditioner / filtro antibatterico, antiodori e anti-allergeni con climatizzatore automatico		R9M	107	145	07/15 >			34.234.00
1.6 DCI 90		R9M	66	90	07/14 >	25.170.00	26.114.00	30.664.00
with automatic air-conditioner / con climatizzatore automatico		R9M	66	90	07/14 >			54.234.00
antibacterial, anti-odour and anti-allergen filter with automatic air-conditioner / filtro antibatterico, antiodori e anti-allergeni con climatizzatore automatico		R9M	66	90	07/14 >			34.234.00
1.6 DCI 90 Stop & Start		R9M	66	90	07/14 >	25.170.00	26.114.00	30.664.00
with automatic air-conditioner / con climatizzatore automatico		R9M	66	90	07/14 >			54.234.00
antibacterial, anti-odour and anti-allergen filter with automatic air-conditioner / filtro antibatterico, antiodori e anti-allergeni con climatizzatore automatico		R9M	66	90	07/14 >			34.234.00
1.6 DCI 95		R9M	70	95	07/15 >	25.170.00	26.114.00	30.664.00
with automatic air-conditioner / con climatizzatore automatico		R9M	70	95	07/15 >			54.234.00
antibacterial, anti-odour and anti-allergen filter with automatic air-conditioner / filtro antibatterico, antiodori e anti-allergeni con climatizzatore automatico		R9M	70	95	07/15 >			34.234.00

RENAULT (E)
commercial vehicles/veicoli commerciali
Express

1.1 (1108)		37	50	10/91 >	23.195.00	31.010.00	30.871.00
1.2 (1237)		41	55		23.194.00	31.010.00	30.871.00
1.4 (1390)		59	80	10/91 >	23.194.00	31.010.00	30.923.01
1.6 Diesel (1595)		41	55		23.177.00	24.360.00	30.852.00
or / oppure		41	55		23.177.00	26.652.00	30.852.00
1.9 Diesel (1870)		48	65		23.281.00	26.652.00	27.194.00

R4 F6

R4 F6							
thread M20 x 1.5 / filetto M20 x 1.5		28	38	04/84 >	23.195.00		27.750.00

RENAULT (E)
cars/auto
Clio

1.1 (1108)					23.195.00	31.010.00	30.871.00
1.2 (1171)				09/95 >	23.418.00	31.010.00	30.923.01
1.2 i	D7F (1149)			04/98 >	23.424.00	31.710.00	27.273.00
1.4 (1390)					23.194.00	31.010.00	30.923.01
1.7 (1721)					23.194.00	31.010.00	27.194.00
1.8 i (1794)	F3P				23.194.00	31.500.00	27.194.00
1.8 i 16V (1764)						31.500.00	30.005.00
1.9 Diesel (1870)					23.281.00	26.652.00	27.194.00
2.0 i 16V Williams						31.500.00	30.005.00

R10

1.1 (1108)					23.114.01		27.750.00
1.3 (1289)					23.114.01		27.750.00

R11

1.2 (1237)							
thread M20 x 1.5 / filetto M20 x 1.5				04/84 >	23.194.00	31.010.00	30.871.00
1.4 (1397)							
thread M20 x 1.5 / filetto M20 x 1.5				04/84 >	23.194.00	31.010.00	30.871.00
1.4 Turbo (1397)					23.194.00		27.731.00
1.6 Diesel (1595)							
with pump BOSCH / con pompa BOSCH					23.177.00	24.351.00	30.852.00
with pump DELPHI / con pompa DELPHI					23.177.00	24.360.00	30.852.00
1.7 (1721)					23.402.00	31.010.00	30.923.01

R12

1.3					23.114.01		27.731.00
1.4					23.114.01		27.731.00

R18

1.6 (1647)							
thread M20 x 1.5 / filetto M20 x 1.5				04/84 >	23.194.00	31.010.00	27.731.00
1.6 Turbo (1565)							
thread M20 x 1.5 / filetto M20 x 1.5				04/84 >	23.402.00	31.010.00	27.824.00
2.0 GTX (1995)					23.402.00	31.010.00	27.824.00
2.1 Diesel (2068)							
with pump BOSCH / con pompa BOSCH					23.177.00	24.351.00	30.852.00
with pump DELPHI / con pompa DELPHI					23.177.00	24.361.00	30.852.00

R19

1.2 i (1171)					23.194.00	31.500.00	30.923.01
1.4 i	E7J-700				23.194.00	31.500.00	30.923.01
1.4 TR (1397)	C1J				23.194.00	31.010.00	30.871.00
1.4 TSE (Energy)	E6J				23.194.00	31.010.00	27.824.00
1.7 i (1721)					23.194.00	31.500.00	27.268.00
1.7 TXE (1721)	F2N				23.194.00	31.010.00	27.149.00
1.8 16V (1764)	F7P					31.500.00	27.149.00
1.8 i (1794)	F3P	70	95		23.194.00	31.500.00	
1.8 i (1794)	F3P	83	113		23.194.00	31.500.00	27.149.00
1.9 Diesel (1870)					23.177.00	24.360.00	27.149.00
1.9 Turbodiesel (1870)					23.177.00	24.360.00	27.253.00

R19 Chamade

1.4 i	E7J-700				23.194.00	31.500.00	30.923.01
1.4 TR (1397)	C1J				23.194.00	31.010.00	30.871.00
1.4 TSE (Energy)	E6J				23.194.00	31.010.00	27.824.00
1.7 i (1721)					23.194.00	31.500.00	27.268.00
1.7 TXE (1721)	F2N				23.194.00	31.010.00	27.149.00
1.8 16V (1764)	F7P					31.500.00	27.149.00
1.9 Diesel (1870)					23.177.00	24.360.00	27.149.00

...RENAULT (E) - cars/auto

R21					
1.7 GTS (1721)		09/89 >	23.402.00	31.010.00	27.149.00
2.0 12V GTI (1995)	J7R-A20		23.402.00	31.500.00	27.824.00
2.0 12V TXI (1995)	J7R-A20		23.402.00	31.500.00	27.824.00
2.0 i TXE (1995)			23.402.00	31.500.00	27.824.00
2.1 Diesel (2068)					
with pump BOSCH / con pompa BOSCH		09/89 >	23.177.00	24.361.00	27.084.00
with pump DELPHI / con pompa DELPHI		09/89 >	23.177.00	24.361.00	27.084.00
2.1 Turbodiesel (2068)					
with pump BOSCH / con pompa BOSCH			23.177.00	24.351.00	27.084.00
with pump DELPHI / con pompa DELPHI			23.177.00	24.361.00	27.084.00
R21 Nevada					
1.7 GTS (1721)		09/89 >	23.402.00	31.010.00	27.149.00
2.0 i TXE (1995)			23.402.00	31.500.00	27.824.00
2.1 Diesel (2068)					
with pump BOSCH / con pompa BOSCH		09/89 >	23.177.00	24.351.00	27.084.00
with pump DELPHI / con pompa DELPHI		09/89 >	23.177.00	24.361.00	27.084.00
2.1 Turbodiesel (2068)					
with pump BOSCH / con pompa BOSCH			23.177.00	24.351.00	27.084.00
with pump DELPHI / con pompa DELPHI			23.177.00	24.361.00	27.084.00
R4					
0.9 (852)			23.118.00		
1.1 (1108)					
thread M20 x 1.5 / filetto M20 x 1.5		04/84 >	23.195.00		27.750.00
R5					
1.1 (1108)					
thread M20 x 1.5 / filetto M20 x 1.5		04/84 >	23.195.00		30.872.01
1.4 Automatic (1397)			23.194.00	31.010.00	30.871.00
1.4 Copa Turbo (1397)					27.731.00
1.4 GT Turbo			23.194.00		
1.4 TS (1397)					
thread M20 x 1.5 / filetto M20 x 1.5		04/84 >	23.194.00		27.731.00
1.4 TX (1397)					
thread M20 x 1.5 / filetto M20 x 1.5		04/84 >	23.194.00		27.731.00
1.7 (1721)			23.194.00	31.010.00	30.923.01
R6					
1.0 TL (956)					
thread M20 x 1.5 / filetto M20 x 1.5		04/84 >	23.195.00		27.750.00
1.1 (1108)					
thread M20 x 1.5 / filetto M20 x 1.5		04/84 >	23.195.00		27.750.00
1.1 GTL (1108)					
thread M20 x 1.5 / filetto M20 x 1.5		04/84 >	23.195.00		27.750.00
R7					
1.0 TL (1037)			23.132.00		27.906.00
1.1 GTL (1108)			23.132.00		30.872.01
1.1 TL (1108)			23.132.00		27.906.00
R8					
1.0 (956)			23.114.01		27.750.00
1.1 (1108)			23.114.01		27.750.00
1.1 TS (1108)			23.114.01		27.750.00
R9					
1.2 (1237)					
thread M20 x 1.5 / filetto M20 x 1.5		04/84 >	23.194.00	31.010.00	30.871.00
1.4 (1237)					
thread M20 x 1.5 / filetto M20 x 1.5		04/84 >	23.194.00	31.010.00	30.871.00
1.4 (1397)					
thread M20 x 1.5 / filetto M20 x 1.5		04/84 >	23.194.00	31.010.00	30.871.00
1.4 Turbo (1397)			23.194.00		27.731.00
1.6 Diesel (1595)					
with pump BOSCH / con pompa BOSCH			23.177.00	24.351.00	30.852.00
with pump DELPHI / con pompa DELPHI			23.177.00	24.360.00	30.852.00
1.7 (1721)			23.402.00	31.010.00	30.923.01
Safrane					
2.2 i	J7T-762		23.402.00	31.500.00	30.852.00
2.2 i S	J7T-760		23.402.00	31.500.00	30.852.00
Supercinco					
1.0 (956)			23.194.00	31.010.00	27.110.00

...RENAULT (E) - cars/auto

1.1 (1108)			23.194.00	31.010.00	27.110.00	
1.2 (1237)			23.194.00	31.010.00	30.871.00	
1.4 (1397)			23.194.00	31.010.00	30.871.00	
1.4 Turbo (1397)				31.010.00	27.089.00	
1.6 Diesel (1595)			23.177.00	24.360.00	30.852.00	
Twingo						
1.2 i (55 CV)						
without air-conditioner / senza climatizzatore		09/95 >	23.418.00	31.562.00	30.025.00	
1.2 i (60 CV)	D7F	04/96 >	23.424.00	31.562.00	27.267.00	

ROLLS ROYCE

cars/auto

Camargue

6.8 V8 (OHV) (6750)		01/78 >	23.544.00			
6.8 V8 (OHV) (6750) (CDN), (J), (USA)		01/81 >	23.544.00	31.502.00		

Corniche

6.8 V8 (OHV) (6750)		01/78 >	23.544.00			
6.8 V8 (OHV) (6750) (AUS), (CDN), (J), (USA)		01/87 >	23.544.00	31.502.00		
6.8 V8 (OHV) (6750) (EU)		03/86 >	23.544.00	31.502.00		

Corniche cat

6.8 V8 (OHV) (6750)		01/78 >	23.544.00			
6.8 V8 (OHV) (6750) (AUS), (CDN), (J), (USA)		01/87 >	23.544.00	31.502.00		
6.8 V8 (OHV) (6750) (EU)		03/86 >	23.544.00	31.502.00		

Dawn

6.6	N74B66A	420 571	09/15 >	25.201.00			53.229.00
with activated carbons / ai carboni attivi	N74B66A	420 571	09/15 >				54.231.00
antibacterial, anti-odour and anti-allergen filter / filtro antibatterico, antiodori e anti-allergeni	N74B66A	420 571	09/15 >				34.231.00

Ghost

6.6 V12		420 570	08/08 >	25.201.00			54.231.00
antibacterial, anti-odour and anti-allergen filter / filtro antibatterico, antiodori e anti-allergeni		420 570	08/08 >				34.231.00
6.7 V12	N74B68A	420 571	08/20 >	25.201.00			

Ghost EWB

6.6 V12		420 570	01/11 >	25.201.00			54.231.00
antibacterial, anti-odour and anti-allergen filter / filtro antibatterico, antiodori e anti-allergeni		420 570	01/11 >				34.231.00

Park Ward

5.4 V12 MkII	M73B54		04/00 >	25.038.00			
--------------	--------	--	---------	-----------	--	--	--

Phantom V

6.2 V8 (6230)			01/78 >	23.544.00			
---------------	--	--	---------	-----------	--	--	--

Phantom VI

6.8 V8 (OHV) (6750)			01/78 >	23.544.00			
---------------------	--	--	---------	-----------	--	--	--

Silver Seraph

5.4 V12	M73B54		03/98 >	25.038.00			
---------	--------	--	---------	-----------	--	--	--

Silver Shadow II

6.8 V8 (OHV) (6750)			01/78 >	23.544.00			
---------------------	--	--	---------	-----------	--	--	--

Silver Spirit

6.8 V8 (6750)	L410MN1T		03/94 >		31.814.00		
---------------	----------	--	---------	--	-----------	--	--

Silver Spirit cat

6.8 V8 (OHV) (6750)			10/80 >	23.544.00			
6.8 V8 (OHV) (6750) (EU)			03/86 >	23.544.00	31.502.00		

Silver Spur

6.8 V8 (6750)			10/80 >	23.544.00			
6.8 V8 (OHV) (6750) (EU)			03/86 >	23.544.00	31.502.00		

Silver Spur cat

6.8 V8 (6750)			10/80 >	23.544.00			
6.8 V8 (OHV) (6750) (EU)			03/86 >	23.544.00	31.502.00		

Silver Spur III

6.8 V8 (6750)			04/93 >		31.814.00		
---------------	--	--	---------	--	-----------	--	--

Wraith

6.6 V12	N74B66A	465 632	11/12 >	25.201.00	31.962.00		53.229.00
---------	---------	---------	---------	-----------	-----------	--	-----------

ROVER

cars/auto

100 Serie

111 i			04/90 >	23.254.00	31.564.00	27.174.00	
111 i Cabriolet			04/90 >	23.254.00	31.564.00	27.174.00	
111 SL	serie K		01/90 >	23.254.00			
114 GS	serie K		01/90 >	23.254.00			
114 GTI 16V			05/91 >	23.254.00	31.564.00	30.022.00	
114 i GS			01/90 >	23.254.00	31.564.00	27.174.00	

...ROVER - cars/auto

200 Serie										
200 1.1 i	with air-conditioner and L.H.D. / con climatizzatore e guida a sinistra	11K2D	44	60	01/98 >	04/00	23.254.00	31.750.00	30.022.00	53.057.00
200 1.4 i	with air-conditioner and L.H.D. / con climatizzatore e guida a sinistra	serie K	55	75	11/95 >	04/00	23.254.00	31.750.00	30.022.00	53.057.00
200 1.4 i 16V	with air-conditioner and L.H.D. / con climatizzatore e guida a sinistra	serie K	76	103	11/95 >	04/00	23.254.00	31.750.00	30.022.00	53.057.00
200 1.6 i 16V	with air-conditioner and L.H.D. / con climatizzatore e guida a sinistra	serie K	82	111	11/95 >	04/00	23.254.00	31.750.00	30.022.00	53.057.00
200 VI 1.8 i 16V	with air-conditioner and L.H.D. / con climatizzatore e guida a sinistra	18K4K	107	145	11/95 >	04/00	23.254.00	31.750.00	30.022.00	53.057.00
211 i	with air-conditioner and L.H.D. / con climatizzatore e guida a sinistra	11K2D	44	60	01/98 >	04/00	23.254.00	31.750.00	30.022.00	53.057.00
214 i	with air-conditioner and L.H.D. / con climatizzatore e guida a sinistra	K14K2F	55	75	11/95 >	04/00	23.254.00	31.750.00	30.022.00	53.057.00
214 SI 16V (1396)	with air-conditioner and L.H.D. / con climatizzatore e guida a sinistra	serie K	76	103	11/95 >		23.254.00	31.750.00	30.022.00	53.057.00
216 SI 16V	with air-conditioner and L.H.D. / con climatizzatore e guida a sinistra	serie K	82	111	11/95 >		23.254.00	31.750.00	30.022.00	53.057.00
220 SD Turbodiesel	with air-conditioner and L.H.D. / con climatizzatore e guida a sinistra	20T2R	63	86	02/96 >	04/00	23.246.00	24.365.00	30.068.00	53.057.00
220 SDI Turbodiesel	with air-conditioner and L.H.D. / con climatizzatore e guida a sinistra	20T2N	77	105	02/96 >	04/00	23.246.00	24.365.00	30.068.00	53.057.00
25										
1.1 i	with air-conditioner and L.H.D. / con climatizzatore e guida a sinistra	11K2F	44	60	11/99 >	05/03	23.254.00	31.750.00	30.022.00	53.057.00
1.1 i	with air-conditioner and L.H.D. / con climatizzatore e guida a sinistra	11K4F	55	75	04/01 >		23.254.00	31.750.00	30.022.00	53.057.00
1.4 i 16V	with air-conditioner and L.H.D. / con climatizzatore e guida a sinistra	14K4F	76	103	11/99 >		23.254.00	31.750.00	30.022.00	53.057.00
1.4 i 16V	with air-conditioner and L.H.D. / con climatizzatore e guida a sinistra	14K4M	62	84	11/99 >		23.254.00	31.750.00	30.022.00	53.057.00
1.6 i 16V	with air-conditioner and L.H.D. / con climatizzatore e guida a sinistra	16K4F	80	109	11/99 >		23.254.00	31.750.00	30.022.00	53.057.00
1.8 i 16V Steptronic	with air-conditioner and L.H.D. / con climatizzatore e guida a sinistra	18K4F	85	116	11/99 >		23.254.00	31.750.00	30.022.00	53.057.00
1.8 i V6C	with air-conditioner and L.H.D. / con climatizzatore e guida a sinistra	18K4K	107	146	11/99 >		23.254.00	31.750.00	30.022.00	53.057.00
2.0 i DT Turbodiesel	with air-conditioner and L.H.D. / con climatizzatore e guida a sinistra	20T2N	74	101	11/99 >		23.495.00	24.365.00	30.068.00	53.057.00
2.0 i DT Turbodiesel	with air-conditioner and L.H.D. / con climatizzatore e guida a sinistra	serie L	83	113	12/02 >		23.495.00	24.365.00	30.068.00	53.057.00
400 Serie										
400 1.4 i 16V	with air-conditioner and L.H.D. / con climatizzatore e guida a sinistra	serie K	76	103	05/95 >	03/00	23.254.00	31.750.00	30.068.00	53.057.00
	without air-conditioner to series No. WD354434 / senza climatizzatore a serie N. WD354434	serie K	76	103	05/95 >					53.232.00
400 1.6 i 16V	with air-conditioner and L.H.D. / con climatizzatore e guida a sinistra	serie K	82	111	05/95 >	03/00	23.254.00	31.750.00	30.068.00	53.057.00
	without air-conditioner to series No. WD354434 / senza climatizzatore a serie N. WD354434	serie K	82	111	05/95 >					53.232.00
414 i 16V	with air-conditioner and L.H.D. / con climatizzatore e guida a sinistra	serie K	76	103	05/95 >	03/00	23.254.00	31.750.00	30.068.00	53.057.00
	without air-conditioner to series No. WD354434 / senza climatizzatore a serie N. WD354434	serie K	76	103	05/95 >					53.232.00
416 SI 16V	with air-conditioner and L.H.D. / con climatizzatore e guida a sinistra	serie K	82	111	05/95 >	03/00	23.254.00	31.750.00	30.068.00	53.057.00
	without air-conditioner to series No. WD354434 / senza climatizzatore a serie N. WD354434	serie K	82	111	05/95 >					53.232.00
416 SI 16V Automatic	with air-conditioner / con climatizzatore	Honda	83	113	05/95 >	03/00	23.243.00	31.621.00	30.235.00	53.063.00
420 GSI	with air-conditioner and L.H.D. / con climatizzatore e guida a sinistra				12/95 >	03/00	23.197.00	31.750.00	30.068.00	53.057.00
	without air-conditioner to series No. WD354434 / senza climatizzatore a serie N. WD354434				12/95 >					53.232.00
420 i	with air-conditioner and L.H.D. / con climatizzatore e guida a sinistra				12/95 >		23.197.00	31.750.00	30.068.00	53.057.00
	without air-conditioner to series No. WD354434 / senza climatizzatore a serie N. WD354434				12/95 >					53.232.00
420 SI	with air-conditioner and L.H.D. / con climatizzatore e guida a sinistra				12/95 >	03/00	23.197.00	31.750.00	30.068.00	53.057.00
	without air-conditioner to series No. WD354434 / senza climatizzatore a serie N. WD354434				12/95 >					53.232.00
420 SLI										

...ROVER - cars/auto

with air-conditioner and L.H.D. / con climatizzatore e guida a sinistra				12/95 > 03/00	23.197.00	31.750.00	30.068.00	53.057.00
without air-conditioner to series No. WD354434 / senza climatizzatore a serie N. WD354434				12/95 >				53.232.00
420 Turbodiesel								
with air-conditioner and L.H.D. / con climatizzatore e guida a sinistra				01/96 > 03/00	23.246.00	24.365.00	30.068.00	53.057.00
without air-conditioner to series No. WD354434 / senza climatizzatore a serie N. WD354434				01/96 >				53.232.00
45								
1.4 i 16V								
with air-conditioner and L.H.D. / con climatizzatore e guida a sinistra	14K4F	76	103	12/99 > 05/05	23.254.00	31.750.00	30.068.00	53.057.00
without air-conditioner to series No. WD354434 / senza climatizzatore a serie N. WD354434	14K4F	76	103	12/99 >				53.232.00
1.6 i 16V								
with air-conditioner and L.H.D. / con climatizzatore e guida a sinistra	16K4F	80	109	12/99 > 05/05	23.254.00	31.750.00	30.068.00	53.057.00
without air-conditioner to series No. WD354434 / senza climatizzatore a serie N. WD354434	16K4F	80	109	12/99 >				53.232.00
1.8 i 16V								
with air-conditioner and L.H.D. / con climatizzatore e guida a sinistra	18K4F	86	117	12/99 > 05/05	23.254.00	31.750.00	30.068.00	53.057.00
without air-conditioner to series No. WD354434 / senza climatizzatore a serie N. WD354434	18K4F	86	117	12/99 >				53.232.00
2.0 i DT Turbodiesel								
with air-conditioner and L.H.D. / con climatizzatore e guida a sinistra	20T2N	74	101	12/99 > 05/05	23.495.00	24.365.00	30.068.00	53.057.00
without air-conditioner to series No. WD354434 / senza climatizzatore a serie N. WD354434	20T2N	74	101	12/99 >				53.232.00
2.0 i DT Turbodiesel								
with air-conditioner and L.H.D. / con climatizzatore e guida a sinistra	serie L	83	113	12/02 > 05/05	23.495.00	24.365.00	30.068.00	53.057.00
without air-conditioner to series No. WD354434 / senza climatizzatore a serie N. WD354434	serie L	83	113	12/02 >				53.232.00
2.0 V6 24V								
with air-conditioner and L.H.D. / con climatizzatore e guida a sinistra	20K4F (KV6)	110	150	12/99 > 05/05	23.483.00	31.750.00	30.305.00	53.057.00
without air-conditioner to series No. WD354434 / senza climatizzatore a serie N. WD354434	20K4F (KV6)	110	150	12/99 >				53.232.00
600 Serie								
620 i 16V								
from frame No. BM246797 / da telaio N. BM246797	Honda F20Z2	85	115	02/96 > 09/00	23.243.00	31.621.00	30.239.00	
620 i 16V (J)								
from frame No. BM246797 / da telaio N. BM246797	Honda F20Z2	85	115	02/96 > 09/00	23.243.00	31.621.00	30.239.00	
620 i 16V (UK)								
from frame No. BM246797 / da telaio N. BM246797	Honda F20Z2	85	115	02/96 > 09/00	23.243.00	31.621.00	30.239.00	
620 SI 16V								
from frame No. BM246797 / da telaio N. BM246797	Honda F20Z1	96	131	02/96 > 09/00	23.243.00	31.621.00	30.239.00	
620 SLI 16V								
with R.H.D. / con guida a destra	Honda F20Z1	96	131	04/93 > 09/00	23.243.00		30.239.00	
with L.H.D. / con guida a sinistra	Honda F20Z1	96	131	04/93 > 09/00	23.243.00	31.535.00	30.239.00	
75								
1.8 i 16V	serie K			02/99 >	23.254.00		30.142.00	54.123.00
2.0 CDT 16V	BMW M47R	85	115	02/99 >	25.001.00	24.417.00	27.353.00	54.123.00
2.0 CDTi 16V	M47	96	131	02/03 >	25.001.00	24.417.00	27.353.00	54.123.00
2.0 i V6				02/99 >	23.483.00		30.142.00	54.123.00
2.5 i V6				02/99 >	23.483.00		30.142.00	54.123.00
800 Serie								
820 i				11/91 >	23.197.00			
820 SI				11/91 >	23.197.00			
825 Turbodiesel	VM			04/90 >	23.164.02	24.351.00		
CityRover								
1.4	Tata 475SI45	62	84	11/03 >	23.191.00			
Streetwise								
1.4 i								
with air-conditioner / con climatizzatore	14K4M	62	84	09/03 >	23.254.00	31.750.00	30.022.00	53.057.00
1.4 i 16V								
with air-conditioner / con climatizzatore	14K4F	76	103	09/03 >	23.254.00	31.750.00	30.022.00	53.057.00
1.6 i 16V								
with air-conditioner / con climatizzatore	16K4F	80	109	03/04 >	23.254.00	31.750.00	30.022.00	53.057.00
1.8 i 16V								
with air-conditioner / con climatizzatore	18K4F	85	116	03/04 >	23.254.00	31.750.00	30.022.00	53.057.00
2.0 TD								
with air-conditioner / con climatizzatore	20T2N	74	101	09/03 >	23.495.00	24.365.00	30.068.00	53.057.00
SAAB								
cars/auto								
9-3 I								
2.0 i 16V	B204I/B205I	96	130	02/98 > 07/00	23.298.00	31.814.00	30.036.00	53.244.00
	B204I/B205I	96	130	08/00 > 08/02	23.298.00	31.814.00	30.218.00	53.244.00
2.0 i 16V Cabrio	B204I/B205I	96	130	02/98 > 07/00	23.298.00	31.814.00	30.036.00	53.244.00
	B204I/B205I	96	130	08/00 > 08/02	23.298.00	31.814.00	30.218.00	53.244.00
2.0 i 16V Turbo	B204/B205	113	154	02/98 > 07/00	23.298.00	31.814.00	30.036.00	53.244.00

...SAAB - cars/auto

	B204/B205	113	154	08/00	>	08/02	23.298.00	31.814.00	30.218.00	53.244.00
2.0 i 16V Turbo Cabrio	B204/B205	113	154	02/98	>	07/00	23.298.00	31.814.00	30.036.00	53.244.00
	B204/B205	113	154	08/00	>	08/02	23.298.00	31.814.00	30.218.00	53.244.00
2.2 TiD	D223	85	115	02/98	>	09/00	25.003.00		30.216.00	53.244.00
2.2 TiD	D223L	92	125	08/00	>	08/02	25.003.00		30.216.00	53.244.00
2.3 i 16V	B234I	110	150	02/98	>	07/00	23.298.00	31.814.00	30.036.00	53.244.00
	B234I	110	150	08/00	>	08/02	23.298.00	31.814.00	30.218.00	53.244.00
2.3 i 16V Cabrio	B234I	110	150	02/98	>	07/00	23.298.00	31.814.00	30.036.00	53.244.00
	B234I	110	150	08/00	>	08/02	23.298.00	31.814.00	30.218.00	53.244.00
9-3 II										
1.8 i	Z18XE	90	122	08/03	>		23.299.00	31.515.00	30.190.00	53.045.00
with activated carbons / ai carboni attivi	Z18XE	90	122	08/03	>		23.299.00	31.515.00	30.190.00	54.100.00
antibacterial, anti-odour and anti-allergen filter / filtro antibatterico, antiodori e anti-allergeni	Z18XE	90	122	08/03	>					34.100.00
1.8 t	B207E	110	150	09/02	>		25.024.00	31.515.00	30.189.00	53.045.00
with activated carbons / ai carboni attivi	B207E	110	150	09/02	>		25.024.00	31.515.00	30.189.00	54.100.00
antibacterial, anti-odour and anti-allergen filter / filtro antibatterico, antiodori e anti-allergeni	B207E	110	150	09/02	>					34.100.00
1.8 t Biopower	B207E E85	129	175	10/05	>		25.024.00	31.515.00	30.189.00	53.045.00
with activated carbons / ai carboni attivi	B207E E85	129	175	10/05	>		25.024.00	31.515.00	30.189.00	54.100.00
antibacterial, anti-odour and anti-allergen filter / filtro antibatterico, antiodori e anti-allergeni	B207E E85	129	175	10/05	>					34.100.00
1.9 TiD 16V	Z19DTH	110	150	05/04	>	09/05	25.049.00	60.H2O.00	30.190.00	53.045.00
	Z19DTH	110	150	10/05	>	09/09	25.049.00	24.526.00	30.190.00	53.045.00
	Z19DTH	110	150	10/09	>		25.049.00	26.058.00	30.190.00	53.045.00
with activated carbons / ai carboni attivi	Z19DTH	110	150	05/04	>	09/05	25.049.00	60.H2O.00	30.190.00	54.100.00
with activated carbons / ai carboni attivi	Z19DTH	110	150	10/05	>	09/09	25.049.00	24.526.00	30.190.00	54.100.00
with activated carbons / ai carboni attivi	Z19DTH	110	150	10/09	>		25.049.00	26.058.00	30.190.00	54.100.00
antibacterial, anti-odour and anti-allergen filter / filtro antibatterico, antiodori e anti-allergeni	Z19DTH	110	150	05/04	>					34.100.00
complete filter with R.H.D. and disassembly key / filtro completo con guida a destra e chiave di smontaggio	Z19DTH	110	150	05/04	>	09/05		55.125.00		19.008.00
complete filter with L.H.D. and disassembly key / filtro completo con guida a sinistra e chiave di smontaggio	Z19DTH	110	150	05/04	>	09/05		55.120.00		19.008.00
1.9 TiD 8V	Z19DT	88	120	05/04	>	09/05	25.049.00	60.H2O.00	30.190.00	53.045.00
	Z19DT	88	120	10/05	>		25.049.00	24.526.00	30.190.00	53.045.00
with activated carbons / ai carboni attivi	Z19DT	88	120	05/04	>	09/05	25.049.00	60.H2O.00	30.190.00	54.100.00
with activated carbons / ai carboni attivi	Z19DT	88	120	10/05	>		25.049.00	24.526.00	30.190.00	54.100.00
antibacterial, anti-odour and anti-allergen filter / filtro antibatterico, antiodori e anti-allergeni	Z19DT	88	120	05/04	>					34.100.00
complete filter with R.H.D. and disassembly key / filtro completo con guida a destra e chiave di smontaggio	Z19DT	88	120	05/04	>	09/05		55.125.00		19.008.00
complete filter with L.H.D. and disassembly key / filtro completo con guida a sinistra e chiave di smontaggio	Z19DT	88	120	05/04	>	09/05		55.120.00		19.008.00
1.9 TTiD 16V	A19DTR	118	160	12/07	>		25.061.00	24.526.00	30.190.00	53.045.00
with activated carbons / ai carboni attivi	A19DTR	118	160	12/07	>		25.061.00	24.526.00	30.190.00	54.100.00
antibacterial, anti-odour and anti-allergen filter / filtro antibatterico, antiodori e anti-allergeni	A19DTR	118	160	12/07	>					34.100.00
1.9 TTiD 16V	Z19DTR	132	180	08/07	>	09/09	25.061.00	24.526.00	30.190.00	53.045.00
	Z19DTR	132	180	10/09	>		25.061.00	26.058.00	30.190.00	53.045.00
with activated carbons / ai carboni attivi	Z19DTR	132	180	08/07	>	09/09	25.061.00	24.526.00	30.190.00	54.100.00
with activated carbons / ai carboni attivi	Z19DTR	132	180	10/09	>		25.061.00	26.058.00	30.190.00	54.100.00
antibacterial, anti-odour and anti-allergen filter / filtro antibatterico, antiodori e anti-allergeni	Z19DTR	132	180	08/07	>					34.100.00
2.0 t	B207L	129	175	09/02	>		25.024.00	31.515.00	30.189.00	53.045.00
with activated carbons / ai carboni attivi	B207L	129	175	09/02	>		25.024.00	31.515.00	30.189.00	54.100.00
antibacterial, anti-odour and anti-allergen filter / filtro antibatterico, antiodori e anti-allergeni	B207L	129	175	09/02	>					34.100.00
2.0 T Aero	B205R	155	210	09/02	>		25.024.00	31.515.00	30.189.00	53.045.00
with activated carbons / ai carboni attivi	B205R	155	210	09/02	>		25.024.00	31.515.00	30.189.00	54.100.00
antibacterial, anti-odour and anti-allergen filter / filtro antibatterico, antiodori e anti-allergeni	B205R	155	210	09/02	>					34.100.00
2.2 TiD	D223L	92	125	09/02	>	09/04	25.003.00		30.190.00	53.045.00
with activated carbons / ai carboni attivi	D223L	92	125	09/02	>	09/04	25.003.00		30.190.00	54.100.00
antibacterial, anti-odour and anti-allergen filter / filtro antibatterico, antiodori e anti-allergeni	D223L	92	125	09/02	>	09/04				34.100.00
2.8 V6 Turbo	B284L	184	250	08/05	>		25.163.00	31.515.00	30.189.00	53.045.00
with activated carbons / ai carboni attivi	B284L	184	250	08/05	>		25.163.00	31.515.00	30.189.00	54.100.00
antibacterial, anti-odour and anti-allergen filter / filtro antibatterico, antiodori e anti-allergeni	B284L	184	250	08/05	>					34.100.00
2.8 V6 Turbo	B284L	188	255	08/07	>		25.163.00	31.515.00	30.189.00	53.045.00
with activated carbons / ai carboni attivi	B284L	188	255	08/07	>		25.163.00	31.515.00	30.189.00	54.100.00
antibacterial, anti-odour and anti-allergen filter / filtro antibatterico, antiodori e anti-allergeni	B284L	188	255	08/07	>					34.100.00
2.8 V6 Turbo	B284L	206	280	11/07	>		25.163.00	31.515.00	30.189.00	53.045.00
with activated carbons / ai carboni attivi	B284L	206	280	11/07	>		25.163.00	31.515.00	30.189.00	54.100.00
antibacterial, anti-odour and anti-allergen filter / filtro antibatterico, antiodori e anti-allergeni	B284L	206	280	11/07	>					34.100.00
2.8 V6 Turbo	LP9	169	230	03/05	>		25.163.00	31.515.00	30.189.00	53.045.00
with activated carbons / ai carboni attivi	LP9	169	230	03/05	>		25.163.00	31.515.00	30.189.00	54.100.00
antibacterial, anti-odour and anti-allergen filter / filtro antibatterico, antiodori e anti-allergeni	LP9	169	230	03/05	>					34.100.00
2.8 V6 Turbo (CH)	B284L	203	276	04/08	>		25.163.00	31.515.00	30.189.00	53.045.00
with activated carbons / ai carboni attivi	B284L	203	276	04/08	>		25.163.00	31.515.00	30.189.00	54.100.00
antibacterial, anti-odour and anti-allergen filter / filtro antibatterico, antiodori e anti-allergeni	B284L	203	276	04/08	>					34.100.00

...SAAB - cars/auto

S

2.8 V6 Turbo (UK)	B284L	203	276	04/08	>	25.163.00	31.515.00	30.189.00	53.045.00
with activated carbons / ai carboni attivi	B284L	203	276	04/08	>	25.163.00	31.515.00	30.189.00	54.100.00
antibacterial, anti-odour and anti-allergen filter / filtro antibatterico, antiodori e anti-allergeni	B284L	203	276	04/08	>				34.100.00
9-5									
1.9 TiD 16V	Z19DTH	110	150	09/05	>	25.049.00	24.526.00		54.139.00
1.9 TiD 16V	Z19DTH	129	175	01/07	>	25.049.00	24.526.00		54.139.00
2.0 t	B204R	141	192	01/98	> 07/00	23.298.00		27.354.00	54.139.00
to frame No. 53510415 / a telaio N. 53510415	B204R	141	192	01/98	>		31.814.00		
from frame No. 53510416 / da telaio N. 53510416	B204R	141	192		> 07/00		31.515.00		
2.0 T	B205E	136	185	06/97	> 10/05	23.298.00	31.814.00	27.354.00	54.139.00
2.0 T	B205E	140	190	01/98	> 10/05	23.298.00	31.814.00	27.354.00	54.139.00
2.0 T BioPower		132	179	11/05	>	23.298.00	31.814.00	27.354.00	54.139.00
2.0 T Ipt	B205E	110	150	06/97	> 10/05	23.298.00	31.814.00	27.354.00	54.139.00
2.2 TiD	D223L	88	120	01/02	> 07/03	25.003.00		27.354.00	54.139.00
	D223L	88	120	08/03	> 10/05	25.003.00			54.139.00
2.3 T	B235	134	182	04/08	>	23.298.00	∞	27.354.00	54.139.00
2.3 T	B235	136	185	02/01	> 10/05	23.298.00		27.354.00	54.139.00
to frame No. 53510415 / a telaio N. 53510415	B235	136	185	02/01	>		31.814.00		
from frame No. 53510416 / da telaio N. 53510416	B235	136	185		> 10/05		31.515.00		
2.3 T	B235	162	220	07/03	> 10/05	23.298.00	31.814.00	27.354.00	54.139.00
2.3 T	B235R	169	230	10/99	> 09/01	23.298.00	31.814.00	27.354.00	54.139.00
2.3 T Aero	B235R	191	260	10/05	>	23.298.00		27.354.00	54.139.00
to frame No. 53510415 / a telaio N. 53510415	B235R	191	260				31.814.00		
from frame No. 53510416 / da telaio N. 53510416	B235R	191	260				31.515.00		
2.3 T BioPower	B235	136	185	01/07	>	23.298.00	∞	27.354.00	54.139.00
2.3 T BioPower	B235	154	210	11/05	>	23.298.00	31.814.00	27.354.00	54.139.00
2.3 T Ipt	B235E	125	170	06/97	> 04/01	23.298.00	31.814.00	27.354.00	54.139.00
2.3 TS Aero	B235	184	250	06/97	> 10/05	23.298.00	31.814.00	27.354.00	54.139.00
3.0 TiD	D308L	130	176	07/01	> 04/03	25.108.00		27.485.00	54.139.00
	D308L	130	176	05/03	> 10/05	25.108.00			54.139.00
3.0 V6 24V Turbo Ipt	B308E	147	200	06/97	> 09/03	23.298.00	31.814.00	27.354.00	54.139.00
9-5 II									
1.6 T	A16LET	132	180	09/10	>	25.064.00	∞		54.178.00
antibacterial, anti-odour and anti-allergen filter / filtro antibatterico, antiodori e anti-allergeni	A16LET	132	180	09/10	>				34.178.00
2.0 T	A20NHT	162	220	09/10	>	25.024.00	∞		54.178.00
antibacterial, anti-odour and anti-allergen filter / filtro antibatterico, antiodori e anti-allergeni	A20NHT	162	220	09/10	>				34.178.00
2.0 T4 BP	A20NFT	162	220	09/10	>	25.024.00	∞		54.178.00
antibacterial, anti-odour and anti-allergen filter / filtro antibatterico, antiodori e anti-allergeni	A20NFT	162	220	09/10	>				34.178.00
2.0 TiD	A20DTH	118	160	09/10	>	25.093.00	26.058.00	30.A23.00	54.178.00
antibacterial, anti-odour and anti-allergen filter / filtro antibatterico, antiodori e anti-allergeni	A20DTH	118	160	09/10	>				34.178.00
2.0 TTiD	A20DTR	140	190	09/10	>	25.093.00	26.058.00	30.A23.00	54.178.00
antibacterial, anti-odour and anti-allergen filter / filtro antibatterico, antiodori e anti-allergeni	A20DTR	140	190	09/10	>				34.178.00
2.8 T	A28NER	221	301	09/10	>	25.163.00	∞	30.A23.00	54.178.00
antibacterial, anti-odour and anti-allergen filter / filtro antibatterico, antiodori e anti-allergeni	A28NER	221	301	09/10	>				34.178.00
SAO cars/auto									
Penza									
1.3				06/91	>	23.271.00			
SAVEL microcars/microvetture									
Spacia 2 RE									
Spacia 2 RE	Lombardini LDW502					23.262.00	24.352.00		
SEAT cars/auto									
1200 Sport									
1.2 (1197)				03/77	>	23.128.00	31.001.00		
some / alcuni				03/77	>	23.127.00	31.001.00		
124									
1.2 (1197)						23.128.00	31.001.00	27.719.00	
some / alcuni						23.127.00	31.001.00	27.719.00	
1.4 (1438)						23.128.00	31.001.00	27.719.00	
some / alcuni						23.127.00	31.001.00	27.719.00	
1.5 Diesel	Sava 1.5					23.102.00	24.360.00		
1.6 (1608)						23.128.00	31.001.00	27.719.00	
some / alcuni						23.127.00	31.001.00	27.719.00	
1.8 (1756)						23.128.00	31.001.00	27.719.00	
some / alcuni						23.127.00	31.001.00	27.719.00	

...SEAT - cars/auto

1.8 Diesel	Enasa 9721			26.652.00	27.713.00	
1.9 (1919)			23.128.00	31.001.00	27.719.00	
some / alcuni			23.127.00	31.001.00	27.719.00	
1600 Sport (1608)			23.128.00	31.001.00		
some / alcuni			23.127.00	31.001.00		
124 D						
1.2 (1197)			23.128.00	31.001.00	27.719.00	
some / alcuni			23.127.00	31.001.00	27.719.00	
1.4 (1438)			23.128.00	31.001.00	27.719.00	
some / alcuni			23.127.00	31.001.00	27.719.00	
1.6 (1608)			23.128.00	31.001.00	27.719.00	
some / alcuni			23.127.00	31.001.00	27.719.00	
1.8 (1756)			23.128.00	31.001.00	27.719.00	
some / alcuni			23.127.00	31.001.00	27.719.00	
1.9 (1919)			23.128.00	31.001.00	27.719.00	
some / alcuni			23.127.00	31.001.00	27.719.00	
124 D Especial						
1.2 (1197)			23.128.00	31.001.00	27.719.00	
some / alcuni			23.127.00	31.001.00	27.719.00	
1.4 (1438)			23.128.00	31.001.00	27.719.00	
some / alcuni			23.127.00	31.001.00	27.719.00	
1.6 (1608)			23.128.00	31.001.00	27.719.00	
some / alcuni			23.127.00	31.001.00	27.719.00	
1.8 (1756)			23.128.00	31.001.00	27.719.00	
some / alcuni			23.127.00	31.001.00	27.719.00	
1.9 (1919)			23.128.00	31.001.00	27.719.00	
some / alcuni			23.127.00	31.001.00	27.719.00	
124 D LS						
1.2 (1197)			23.128.00	31.001.00	27.719.00	
some / alcuni			23.127.00	31.001.00	27.719.00	
1.4 (1438)			23.128.00	31.001.00	27.719.00	
some / alcuni			23.127.00	31.001.00	27.719.00	
1.6 (1608)			23.128.00	31.001.00	27.719.00	
some / alcuni			23.127.00	31.001.00	27.719.00	
1.8 (1756)			23.128.00	31.001.00	27.719.00	
some / alcuni			23.127.00	31.001.00	27.719.00	
1.9 (1919)			23.128.00	31.001.00	27.719.00	
some / alcuni			23.127.00	31.001.00	27.719.00	
127						
0.9 (903)		07/83 >	23.169.00	31.001.00	27.728.00	
1.0 Especial (1010)		07/83 >	23.169.00	31.001.00		
128 3P						
1200			23.128.00	31.001.00		
some / alcuni			23.127.00	31.001.00		
1430			23.128.00	31.001.00		
some / alcuni			23.127.00	31.001.00		
131						
1.8 Diesel (1760)	Perkins 4.108		23.102.02	24.360.00		
1600			23.128.00	31.001.00	27.719.00	
1800			23.128.00	31.001.00	27.719.00	
2.0 Diesel	Mercedes Benz OM 615.964		20.012.02	26.609.00		
2000			23.128.00	31.001.00	27.719.00	
2500 Diesel (2445)	Sofim		23.167.00	24.360.00	27.800.00	
132						
1600			23.128.00	31.001.00	27.719.00	
some / alcuni			23.127.00	31.001.00	27.719.00	
1800			23.128.00	31.001.00	27.719.00	
some / alcuni			23.127.00	31.001.00	27.719.00	
2.0 Diesel	Mercedes Benz OM615		20.012.02	26.609.00		
2.2 Diesel	Mercedes Benz OM615		20.012.02	26.609.00		
2000 (1919)			23.128.00	31.001.00	27.719.00	
some / alcuni			23.127.00	31.001.00	27.719.00	
133						
0.8 Especial (843)			23.127.05	31.001.00	27.720.00	
0.8 L (843)			23.127.05	31.001.00	27.720.00	
0.8 N (843)			23.127.05	31.001.00	27.720.00	
0.8 S (843)			23.127.05	31.001.00	27.720.00	

...SEAT - cars/auto

1430							
1.5 Diesel	Sava 1.5			23.102.00	24.360.00		
1.8 Diesel	Enasa 9721				26.652.00	27.713.00	
1430 Sport							
1.4 (1438)			03/77 >	23.128.00	31.001.00		
some / alcuni			03/77 >	23.127.00	31.001.00		
Alhambra I (7V)							
1.8 T 20V		110 150	07/00 > 08/10	23.436.00	31.500.00	30.183.00	54.118.00
antibacterial, anti-odour and anti-allergen filter / filtro antibatterico, antiodori e anti-allergeni		110 150	07/00 > 08/10				34.118.00
1.8 T 20V	AJH	110 150	01/98 > 06/00	23.436.00	31.500.00	30.090.00	53.017.00
1.9 TDI		85 115	07/00 > 08/10	25.011.00	24.003.00	30.183.00	54.118.00
antibacterial, anti-odour and anti-allergen filter / filtro antibatterico, antiodori e anti-allergeni		85 115	07/00 > 08/10				34.118.00
1.9 TDI		96 130	10/02 > 08/10	25.023.00	24.003.00	30.183.00	54.118.00
antibacterial, anti-odour and anti-allergen filter / filtro antibatterico, antiodori e anti-allergeni		96 130	10/02 > 08/10				34.118.00
1.9 TDI	AFN	81 110	05/97 > 06/00	23.417.00	24.365.01	30.090.00	53.017.00
1.9 TDI	AHU	66 90	07/96 > 06/00	23.429.00	24.365.01	30.090.00	53.017.00
1.9 TDI	ANU	66 90	07/00 > 08/10	25.011.00	24.003.00	30.183.00	54.118.00
antibacterial, anti-odour and anti-allergen filter / filtro antibatterico, antiodori e anti-allergeni	ANU	66 90	07/00 > 08/10				34.118.00
1.9 TDI	ASZ	96 130	06/05 > 11/08	25.023.00	24.003.00	30.183.00	54.118.00
antibacterial, anti-odour and anti-allergen filter / filtro antibatterico, antiodori e anti-allergeni	ASZ	96 130	06/05 > 11/08				34.118.00
1.9 TDI	BTB	110 150	09/05 > 08/10	25.023.00	24.003.00	30.183.00	54.118.00
antibacterial, anti-odour and anti-allergen filter / filtro antibatterico, antiodori e anti-allergeni	BTB	110 150	09/05 > 08/10				34.118.00
1.9 TDI TT4		85 115	07/00 > 08/10	25.011.00	24.003.00	30.183.00	54.118.00
antibacterial, anti-odour and anti-allergen filter / filtro antibatterico, antiodori e anti-allergeni		85 115	07/00 > 08/10				34.118.00
2.0 i		85 116	07/00 > 08/10	23.436.00	31.500.00	30.183.00	54.118.00
antibacterial, anti-odour and anti-allergen filter / filtro antibatterico, antiodori e anti-allergeni		85 116	07/00 > 08/10				34.118.00
2.0 i	ADY	85 116	03/96 > 06/00	23.436.00	31.500.00	30.090.00	53.017.00
2.0 i Autom.	ADY	85 116	03/96 > 06/00	23.436.00	31.500.00	30.090.00	53.017.00
2.0 TDI	BRT	103 140	11/05 > 08/10	25.023.00	24.003.00	30.183.00	54.118.00
antibacterial, anti-odour and anti-allergen filter / filtro antibatterico, antiodori e anti-allergeni	BRT	103 140	11/05 > 08/10				34.118.00
2.8 V6 24V 4x4		150 204	07/00 > 08/10	25.023.00	31.500.00	30.183.00	54.118.00
antibacterial, anti-odour and anti-allergen filter / filtro antibatterico, antiodori e anti-allergeni		150 204	07/00 > 08/10				34.118.00
Alhambra II (71)							
1.4 TSI	CAVA	110 150	08/10 > 07/12	23.573.00	31.855.00	30.187.00	53.148.00
with air-conditioner and R.H.D. / con climatizzatore e guida a destra	CAVA	110 150	08/10 > 07/12				54.376.00
with air-conditioner and L.H.D. / con climatizzatore e guida a sinistra	CAVA	110 150	08/10 > 07/12	23.573.00	31.855.00	30.187.00	54.124.00
antibacterial, anti-odour and anti-allergen filter with air-conditioner and L.H.D. / filtro antibatterico, antiodori e anti-allergeni con climatizzatore e guida a sinistra	CAVA	110 150	08/10 > 07/12				34.124.00
for cold countries / per paesi freddi	CAVA	110 150	08/10 > 07/12	23.573.00	31.855.00	30.370.00	53.148.00
1.4 TSI	CNWB	110 150	08/10 > 07/12	23.573.00	31.855.00	30.187.00	53.148.00
with air-conditioner and R.H.D. / con climatizzatore e guida a destra	CNWB	110 150	08/10 > 07/12				54.376.00
with air-conditioner and L.H.D. / con climatizzatore e guida a sinistra	CNWB	110 150	08/10 > 07/12	23.573.00	31.855.00	30.187.00	54.124.00
antibacterial, anti-odour and anti-allergen filter with air-conditioner and L.H.D. / filtro antibatterico, antiodori e anti-allergeni con climatizzatore e guida a sinistra	CNWB	110 150	08/10 > 07/12				34.124.00
for cold countries / per paesi freddi	CNWB	110 150	08/10 > 07/12	23.573.00	31.855.00	30.370.00	53.148.00
1.4 TSI	CTHA	110 150	05/12 >	23.573.00	31.855.00	30.187.00	53.148.00
with air-conditioner and R.H.D. / con climatizzatore e guida a destra	CTHA	110 150	05/12 >				54.376.00
with air-conditioner and L.H.D. / con climatizzatore e guida a sinistra	CTHA	110 150	05/12 >	23.573.00	31.855.00	30.187.00	54.124.00
antibacterial, anti-odour and anti-allergen filter with air-conditioner and L.H.D. / filtro antibatterico, antiodori e anti-allergeni con climatizzatore e guida a sinistra	CTHA	110 150	05/12 >				34.124.00
for cold countries / per paesi freddi	CTHA	110 150	05/12 >	23.573.00	31.855.00	30.370.00	53.148.00
1.4 TSI	CZDA	110 150	05/15 >	23.575.00	31.855.00	30.549.00	53.148.00
with air-conditioner and R.H.D. / con climatizzatore e guida a destra	CZDA	110 150	05/15 >				54.376.00
with air-conditioner and L.H.D. / con climatizzatore e guida a sinistra	CZDA	110 150	05/15 >				54.124.00
antibacterial, anti-odour and anti-allergen filter with air-conditioner and L.H.D. / filtro antibatterico, antiodori e anti-allergeni con climatizzatore e guida a sinistra	CZDA	110 150	05/15 >				34.124.00
1.8 TSI	CDAA	118 160	05/12 >	23.493.00	31.855.00	30.187.00	53.148.00
with air-conditioner and R.H.D. / con climatizzatore e guida a destra	CDAA	118 160	05/12 >				54.376.00
with air-conditioner and L.H.D. / con climatizzatore e guida a sinistra	CDAA	118 160	05/12 >	23.493.00	31.855.00	30.187.00	54.124.00
antibacterial, anti-odour and anti-allergen filter with air-conditioner and L.H.D. / filtro antibatterico, antiodori e anti-allergeni con climatizzatore e guida a sinistra	CDAA	118 160	02/12 >				34.124.00
for cold countries / per paesi freddi	CDAA	118 160	05/12 >			30.370.00	
2.0 TDI	CFFA	100 136	08/10 > 05/11	25.106.00	26.026.00	30.187.00	53.148.00
with air-conditioner and R.H.D. / con climatizzatore e guida a destra	CFFA	100 136	08/10 > 05/11				54.376.00
with air-conditioner and L.H.D. / con climatizzatore e guida a sinistra	CFFA	100 136	08/10 > 05/11	25.106.00	26.026.00	30.187.00	54.124.00
antibacterial, anti-odour and anti-allergen filter with air-conditioner and L.H.D. / filtro antibatterico, antiodori e anti-allergeni con climatizzatore e guida a sinistra	CFFA	100 136	08/10 > 05/11				34.124.00
for cold countries / per paesi freddi	CFFA	100 136	08/10 > 05/11	25.106.00	26.026.00	30.370.00	53.148.00
2.0 TDI	CFFB	103 140	08/10 >	25.106.00	26.026.00	30.187.00	53.148.00
with air-conditioner and R.H.D. / con climatizzatore e guida a destra	CFFB	103 140	08/10 >				54.376.00
with air-conditioner and L.H.D. / con climatizzatore e guida a sinistra	CFFB	103 140	08/10 >	25.106.00	26.026.00	30.187.00	54.124.00
antibacterial, anti-odour and anti-allergen filter with air-conditioner and L.H.D. / filtro antibatterico, antiodori e anti-allergeni con climatizzatore e guida a sinistra	CFFB	103 140	08/10 >				34.124.00
for cold countries / per paesi freddi	CFFB	103 140	08/10 >	25.106.00	26.026.00	30.370.00	53.148.00

...SEAT - cars/auto

2.0 TDI	CFFE	85	115	05/11	>	25.106.00	26.026.00	30.187.00	53.148.00
with air-conditioner and R.H.D. / con climatizzatore e guida a destra	CFFE	85	115	05/11	>				54.376.00
with air-conditioner and L.H.D. / con climatizzatore e guida a sinistra	CFFE	85	115	05/11	>	25.106.00	26.026.00	30.187.00	54.124.00
antibacterial, anti-odour and anti-allergen filter with air-conditioner and L.H.D. / filtro antibatterico, antiodori e anti-allergeni con climatizzatore e guida a sinistra	CFFE	85	115	05/11	>				34.124.00
for cold countries / per paesi freddi	CFFE	85	115	05/11	>	25.106.00	26.026.00	30.370.00	53.148.00
2.0 TDI	CFGB	125	170	08/10	>	25.106.00	26.026.00	30.187.00	53.148.00
with air-conditioner and R.H.D. / con climatizzatore e guida a destra	CFGB	125	170	08/10	>				54.376.00
with air-conditioner and L.H.D. / con climatizzatore e guida a sinistra	CFGB	125	170	08/10	>	25.106.00	26.026.00	30.187.00	54.124.00
antibacterial, anti-odour and anti-allergen filter with air-conditioner and L.H.D. / filtro antibatterico, antiodori e anti-allergeni con climatizzatore e guida a sinistra	CFGB	125	170	08/10	>				34.124.00
for cold countries / per paesi freddi	CFGB	125	170	08/10	>	25.106.00	26.026.00	30.370.00	53.148.00
2.0 TDI	CFGC	130	177	11/12	>	25.106.00	26.026.00	30.187.00	53.148.00
with air-conditioner and R.H.D. / con climatizzatore e guida a destra	CFGC	130	177	11/12	>				54.376.00
with air-conditioner and L.H.D. / con climatizzatore e guida a sinistra	CFGC	130	177	11/12	>				54.124.00
antibacterial, anti-odour and anti-allergen filter with air-conditioner and L.H.D. / filtro antibatterico, antiodori e anti-allergeni con climatizzatore e guida a sinistra	CFGC	130	177	11/12	>				34.124.00
for cold countries / per paesi freddi	CFGC	130	177	11/12	>			30.370.00	
2.0 TDI	CUVA	85	115	05/15	>	25.144.00	26.026.00	30.187.00	53.148.00
with air-conditioner and R.H.D. / con climatizzatore e guida a destra	CUVA	85	115	05/15	>				54.376.00
with air-conditioner and L.H.D. / con climatizzatore e guida a sinistra	CUVA	85	115	05/15	>				54.124.00
antibacterial, anti-odour and anti-allergen filter with air-conditioner and L.H.D. / filtro antibatterico, antiodori e anti-allergeni con climatizzatore e guida a sinistra	CUVA	85	115	05/15	>				34.124.00
for cold countries / per paesi freddi	CUVA	85	115	05/15	>			30.370.00	
2.0 TDI	CUVC	110	150	05/15	>	25.144.00	26.026.00	30.187.00	53.148.00
with air-conditioner and R.H.D. / con climatizzatore e guida a destra	CUVC	110	150	05/15	>				54.376.00
with air-conditioner and L.H.D. / con climatizzatore e guida a sinistra	CUVC	110	150	05/15	>				54.124.00
antibacterial, anti-odour and anti-allergen filter with air-conditioner and L.H.D. / filtro antibatterico, antiodori e anti-allergeni con climatizzatore e guida a sinistra	CUVC	110	150	05/15	>				34.124.00
for cold countries / per paesi freddi	CUVC	110	150	05/15	>			30.370.00	
2.0 TDI	CUWA	135	184	05/15	>	25.144.00	26.026.00	30.187.00	53.148.00
with air-conditioner and R.H.D. / con climatizzatore e guida a destra	CUWA	135	184	05/15	>				54.376.00
with air-conditioner and L.H.D. / con climatizzatore e guida a sinistra	CUWA	135	184	05/15	>				54.124.00
antibacterial, anti-odour and anti-allergen filter with air-conditioner and L.H.D. / filtro antibatterico, antiodori e anti-allergeni con climatizzatore e guida a sinistra	CUWA	135	184	05/15	>				34.124.00
for cold countries / per paesi freddi	CUWA	135	184	05/15	>			30.370.00	
2.0 TDI	DFMA	135	184	10/15	>	25.144.00	26.026.00	30.187.00	53.148.00
with air-conditioner and R.H.D. / con climatizzatore e guida a destra	DFMA	135	184	10/15	>				54.376.00
with air-conditioner and L.H.D. / con climatizzatore e guida a sinistra	DFMA	135	184	10/15	>				54.124.00
antibacterial, anti-odour and anti-allergen filter with air-conditioner and L.H.D. / filtro antibatterico, antiodori e anti-allergeni con climatizzatore e guida a sinistra	DFMA	135	184	08/10	> 07/12				34.124.00
for cold countries / per paesi freddi	DFMA	135	184	10/15	>			30.370.00	
2.0 TSI	CCZA	147	200	11/10	>	23.493.00	31.855.00	30.187.00	53.148.00
with air-conditioner and R.H.D. / con climatizzatore e guida a destra	CCZA	147	200	11/10	>				54.376.00
with air-conditioner and L.H.D. / con climatizzatore e guida a sinistra	CCZA	147	200	11/10	>	23.493.00	31.855.00	30.187.00	54.124.00
antibacterial, anti-odour and anti-allergen filter with air-conditioner and L.H.D. / filtro antibatterico, antiodori e anti-allergeni con climatizzatore e guida a sinistra	CCZA	147	200	08/10	> 07/12				34.124.00
2.0 TSI	DEDA	162	220	05/15	>	25.153.00	31.855.00	30.187.00	53.148.00
with air-conditioner and R.H.D. / con climatizzatore e guida a destra	DEDA	162	220	05/15	>				54.376.00
with air-conditioner and L.H.D. / con climatizzatore e guida a sinistra	DEDA	162	220	05/15	>				54.124.00
antibacterial, anti-odour and anti-allergen filter with air-conditioner and L.H.D. / filtro antibatterico, antiodori e anti-allergeni con climatizzatore e guida a sinistra	DEDA	162	220	08/10	> 07/12				34.124.00
for cold countries / per paesi freddi	DEDA	162	220	05/15	>			30.370.00	
Altea (5P1)									
1.2 TSI	CBZB	77	105	02/10	>	23.573.00	31.840.00	27.401.00	53.148.00
with air-conditioner and R.H.D. / con climatizzatore e guida a destra	CBZB	77	105	02/10	>				54.376.00
with air-conditioner and L.H.D. / con climatizzatore e guida a sinistra	CBZB	77	105	02/10	>	23.573.00	31.840.00	27.401.00	54.124.00
antibacterial, anti-odour and anti-allergen filter with air-conditioner and L.H.D. / filtro antibatterico, antiodori e anti-allergeni con climatizzatore e guida a sinistra	CBZB	77	105	08/10	> 07/12				34.124.00
for cold countries / per paesi freddi	CBZB	77	105	02/10	>	23.573.00	31.840.00	27.402.00	53.148.00
1.4 16V	BXW	63	86	05/06	> 05/10	23.453.00	31.832.00	30.342.00	53.148.00
with air-conditioner and R.H.D. / con climatizzatore e guida a destra	BXW	63	86	05/06	> 05/10				54.376.00
with air-conditioner and L.H.D. / con climatizzatore e guida a sinistra	BXW	63	86	05/06	> 05/10	23.453.00	31.832.00	30.342.00	54.124.00
antibacterial, anti-odour and anti-allergen filter with air-conditioner and L.H.D. / filtro antibatterico, antiodori e anti-allergeni con climatizzatore e guida a sinistra	BXW	63	86	05/06	> 05/10				34.124.00
1.4 16V	CGGB	63	86	05/06	> 06/13	23.453.00	31.832.00	30.342.00	53.148.00
with air-conditioner and R.H.D. / con climatizzatore e guida a destra	CGGB	63	86	05/06	> 06/13				54.376.00
with air-conditioner and L.H.D. / con climatizzatore e guida a sinistra	CGGB	63	86	05/06	> 06/13	23.453.00	31.832.00	30.342.00	54.124.00
antibacterial, anti-odour and anti-allergen filter with air-conditioner and L.H.D. / filtro antibatterico, antiodori e anti-allergeni con climatizzatore e guida a sinistra	CGGB	63	86	05/06	> 06/13				34.124.00
1.4 TSI									
to frame No. 5P_8_090 000 / a telaio N. 5P_8_090 000	CAXA/CAXC	92	125	09/07	> 05/08	25.047.00	31.840.00	27.401.00	53.148.00
with air-conditioner and R.H.D. / con climatizzatore e guida a destra	CAXA/CAXC	92	125	09/07	>				54.376.00
with air-conditioner and L.H.D. / con climatizzatore e guida a sinistra	CAXA/CAXC	92	125	09/07	> 05/08	25.047.00	31.840.00	27.401.00	54.124.00
with air-conditioner and L.H.D. / con climatizzatore e guida a sinistra	CAXA/CAXC	92	125	06/08	> 05/10	23.494.00	31.840.00	27.401.00	54.124.00
with air-conditioner and L.H.D. / con climatizzatore e guida a sinistra	CAXA/CAXC	92	125	06/10	>	23.573.00	31.840.00	27.401.00	54.124.00
from frame No. 5P_8_090 001 / da telaio N. 5P_8_090 001	CAXA/CAXC	92	125	06/08	> 05/10	23.494.00	31.840.00	27.401.00	53.148.00
antibacterial, anti-odour and anti-allergen filter with air-conditioner and L.H.D. / filtro antibatterico, antiodori e anti-allergeni con climatizzatore e guida a sinistra	CAXA/CAXC	92	125	09/07	>				34.124.00
for cold countries / per paesi freddi	CAXA/CAXC	92	125	09/07	> 05/08	25.047.00	31.840.00	27.402.00	53.148.00

...SEAT - cars/auto

for cold countries / per paesi freddi	CAXA/CAXC	92	125	06/08	>	05/10	23.494.00	31.840.00	27.402.00	53.148.00
for cold countries / per paesi freddi	CAXA/CAXC	92	125	06/10	>		23.573.00	31.840.00	27.402.00	53.148.00
1.6	BGU	75	102	04/04	>		23.436.00	31.833.00	27.401.00	53.148.00
with air-conditioner and R.H.D. / con climatizzatore e guida a destra	BGU	75	102	04/04	>					54.376.00
with air-conditioner and L.H.D. / con climatizzatore e guida a sinistra	BGU	75	102	04/04	>		23.436.00	31.833.00	27.401.00	54.124.00
antibacterial, anti-odour and anti-allergen filter with air-conditioner and L.H.D. / filtro antibatterico, antiodori e anti-allergeni con climatizzatore e guida a sinistra	BGU	75	102	04/04	>					34.124.00
for cold countries / per paesi freddi	BGU	75	102	04/04	>		23.436.00	31.833.00	27.402.00	53.148.00
1.6	BSE	75	102	04/04	>		23.436.00	31.833.00	27.401.00	53.148.00
with air-conditioner and R.H.D. / con climatizzatore e guida a destra	BSE	75	102	04/04	>					54.376.00
with air-conditioner and L.H.D. / con climatizzatore e guida a sinistra	BSE	75	102	04/04	>		23.436.00	31.833.00	27.401.00	54.124.00
antibacterial, anti-odour and anti-allergen filter with air-conditioner and L.H.D. / filtro antibatterico, antiodori e anti-allergeni con climatizzatore e guida a sinistra	BSE	75	102	04/04	>					34.124.00
for cold countries / per paesi freddi	BSE	75	102	04/04	>		23.436.00	31.833.00	27.402.00	53.148.00
1.6	BSF	75	102	04/04	>		23.436.00	31.833.00	27.401.00	53.148.00
with air-conditioner and R.H.D. / con climatizzatore e guida a destra	BSF	75	102	04/04	>					54.376.00
with air-conditioner and L.H.D. / con climatizzatore e guida a sinistra	BSF	75	102	04/04	>		23.436.00	31.833.00	27.401.00	54.124.00
antibacterial, anti-odour and anti-allergen filter with air-conditioner and L.H.D. / filtro antibatterico, antiodori e anti-allergeni con climatizzatore e guida a sinistra	BSF	75	102	04/04	>					34.124.00
for cold countries / per paesi freddi	BSF	75	102	04/04	>		23.436.00	31.833.00	27.402.00	53.148.00
1.6 Dual GPL/LPG	CHGA	75	102	09/09	>		23.436.00	31.833.00	27.401.00	53.148.00
with air-conditioner and R.H.D. / con climatizzatore e guida a destra	CHGA	75	102	09/09	>					54.376.00
with air-conditioner and L.H.D. / con climatizzatore e guida a sinistra	CHGA	75	102	09/09	>		23.436.00	31.833.00	27.401.00	54.124.00
antibacterial, anti-odour and anti-allergen filter with air-conditioner and L.H.D. / filtro antibatterico, antiodori e anti-allergeni con climatizzatore e guida a sinistra	CHGA	75	102	09/09	>					34.124.00
assembly LANDI Omegas Plus / montaggio LANDI Omegas Plus	CHGA	75	102	09/09	>	12/10		31.836.00		
for cold countries / per paesi freddi	CHGA	75	102	09/09	>		23.436.00	31.833.00	27.402.00	53.148.00
1.6 MultiFuel E85	CCSA	75	102	10/06	>	05/10	23.436.00	31.853.00	27.401.00	53.148.00
with air-conditioner and R.H.D. / con climatizzatore e guida a destra	CCSA	75	102	10/06	>	05/10				54.376.00
with air-conditioner and L.H.D. / con climatizzatore e guida a sinistra	CCSA	75	102	10/06	>	05/10	23.436.00	31.853.00	27.401.00	54.124.00
antibacterial, anti-odour and anti-allergen filter with air-conditioner and L.H.D. / filtro antibatterico, antiodori e anti-allergeni con climatizzatore e guida a sinistra	CCSA	75	102	10/06	>	05/10				34.124.00
for cold countries / per paesi freddi	CCSA	75	102	10/06	>	05/10	23.436.00	31.853.00	27.402.00	53.148.00
1.6 MultiFuel E85	CMXA	75	102	05/10	>		23.436.00	31.853.00	27.401.00	53.148.00
with air-conditioner and R.H.D. / con climatizzatore e guida a destra	CMXA	75	102	05/10	>					54.376.00
with air-conditioner and L.H.D. / con climatizzatore e guida a sinistra	CMXA	75	102	05/10	>		23.436.00	31.853.00	27.401.00	54.124.00
antibacterial, anti-odour and anti-allergen filter with air-conditioner and L.H.D. / filtro antibatterico, antiodori e anti-allergeni con climatizzatore e guida a sinistra	CMXA	75	102	05/10	>					34.124.00
for cold countries / per paesi freddi	CMXA	75	102	05/10	>		23.436.00	31.853.00	27.402.00	53.148.00
1.6 TDI CR DPF	CAYC	77	105	11/09	>		25.106.00	26.007.00	30.187.00	53.148.00
with air-conditioner and R.H.D. / con climatizzatore e guida a destra	CAYC	77	105	11/09	>					54.376.00
with air-conditioner and L.H.D. / con climatizzatore e guida a sinistra	CAYC	77	105	11/09	>		25.106.00	26.007.00	30.187.00	54.124.00
antibacterial, anti-odour and anti-allergen filter with air-conditioner and L.H.D. / filtro antibatterico, antiodori e anti-allergeni con climatizzatore e guida a sinistra	CAYC	77	105	11/09	>					34.124.00
for cold countries / per paesi freddi	CAYC	77	105	11/09	>		25.106.00	26.007.00	30.370.00	53.148.00
1.8 TSI	BYT	118	160	01/07	>	03/09	23.493.00	31.840.00	30.187.00	53.148.00
with air-conditioner and R.H.D. / con climatizzatore e guida a destra	BYT	118	160	01/07	>	03/09				54.376.00
with air-conditioner and L.H.D. / con climatizzatore e guida a sinistra	BYT	118	160	01/07	>	03/09	23.493.00	31.840.00	30.187.00	54.124.00
antibacterial, anti-odour and anti-allergen filter with air-conditioner and L.H.D. / filtro antibatterico, antiodori e anti-allergeni con climatizzatore e guida a sinistra	BYT	118	160	01/07	>	03/09				34.124.00
for cold countries / per paesi freddi	BYT	118	160	01/07	>	03/09	23.493.00	31.840.00	30.370.00	53.148.00
1.8 TSI	BZB	118	160	05/07	>	03/09	23.493.00	31.840.00	30.187.00	53.148.00
with air-conditioner and R.H.D. / con climatizzatore e guida a destra	BZB	118	160	05/07	>	03/09				54.376.00
with air-conditioner and L.H.D. / con climatizzatore e guida a sinistra	BZB	118	160	05/07	>	03/09	23.493.00	31.840.00	30.187.00	54.124.00
antibacterial, anti-odour and anti-allergen filter with air-conditioner and L.H.D. / filtro antibatterico, antiodori e anti-allergeni con climatizzatore e guida a sinistra	BZB	118	160	05/07	>	03/09				34.124.00
for cold countries / per paesi freddi	BZB	118	160	05/07	>	03/09	23.493.00	31.840.00	30.370.00	53.148.00
1.8 TSI	CDAA	118	160	03/09	>		23.493.00	31.840.00	30.187.00	53.148.00
with air-conditioner and R.H.D. / con climatizzatore e guida a destra	CDAA	118	160	03/09	>					54.376.00
with air-conditioner and L.H.D. / con climatizzatore e guida a sinistra	CDAA	118	160	03/09	>		23.493.00	31.840.00	30.187.00	54.124.00
antibacterial, anti-odour and anti-allergen filter with air-conditioner and L.H.D. / filtro antibatterico, antiodori e anti-allergeni con climatizzatore e guida a sinistra	CDAA	118	160	03/09	>					34.124.00
for cold countries / per paesi freddi	CDAA	118	160	03/09	>		23.493.00	31.840.00	30.370.00	53.148.00
1.9 TDI	BJB	77	105	04/04	>					54.376.00
with air-conditioner and R.H.D. / con climatizzatore e guida a destra	BJB	77	105	04/04	>					54.376.00
with air-conditioner and L.H.D. / con climatizzatore e guida a sinistra	BJB	77	105	04/04	>		25.023.00		30.187.00	54.124.00
antibacterial, anti-odour and anti-allergen filter with air-conditioner and L.H.D. / filtro antibatterico, antiodori e anti-allergeni con climatizzatore e guida a sinistra	BJB	77	105	04/04	>					34.124.00
assembly MANN+HUMMEL / montaggio MANN+HUMMEL	BJB	77	105	04/04	>		25.023.00	26.014.00	30.187.00	53.148.00
assembly UFI / montaggio UFI	BJB	77	105	04/04	>		25.023.00	26.007.00	30.187.00	53.148.00
for cold countries / per paesi freddi	BJB	77	105	04/04	>		25.023.00		30.370.00	53.148.00
1.9 TDI	BKC	77	105	04/04	>					54.376.00
with air-conditioner and R.H.D. / con climatizzatore e guida a destra	BKC	77	105	04/04	>					54.376.00
with air-conditioner and L.H.D. / con climatizzatore e guida a sinistra	BKC	77	105	04/04	>		25.023.00		30.187.00	54.124.00
antibacterial, anti-odour and anti-allergen filter with air-conditioner and L.H.D. / filtro antibatterico, antiodori e anti-allergeni con climatizzatore e guida a sinistra	BKC	77	105	04/04	>					34.124.00
assembly MANN+HUMMEL / montaggio MANN+HUMMEL	BKC	77	105	04/04	>		25.023.00	26.014.00	30.187.00	53.148.00
assembly UFI / montaggio UFI	BKC	77	105	04/04	>		25.023.00	26.007.00	30.187.00	53.148.00
for cold countries / per paesi freddi	BKC	77	105	04/04	>		25.023.00		30.370.00	53.148.00

...SEAT - cars/auto

S



assembly UFI / montaggio UFI	BMN	125	170	02/06	>	05/10	25.023.00	26.007.00	30.187.00	53.148.00
for cold countries / per paesi freddi	BMN	125	170	02/06	>	05/10	25.023.00		30.370.00	53.148.00
2.0 TFSI FR	BWA	147	200	05/06	>	05/09	25.040.00	31.840.00	30.315.00	53.148.00
with air-conditioner and R.H.D. / con climatizzatore e guida a destra	BWA	147	200	05/06	>	05/09				54.376.00
with air-conditioner and L.H.D. / con climatizzatore e guida a sinistra	BWA	147	200	05/06	>	05/09	25.040.00	31.840.00	30.315.00	54.124.00
antibacterial, anti-odour and anti-allergen filter with air-conditioner and L.H.D. / filtro antibatterico, antiodori e anti-allergeni con climatizzatore e guida a sinistra	BWA	147	200	05/06	>	05/09				34.124.00
Altea XL (5P5)										
1.2 TSI	CBZB	77	105	02/10	>		23.573.00	31.840.00	27.401.00	53.148.00
with air-conditioner and R.H.D. / con climatizzatore e guida a destra	CBZB	77	105	02/10	>					54.376.00
with air-conditioner and L.H.D. / con climatizzatore e guida a sinistra	CBZB	77	105	02/10	>		23.573.00	31.840.00	27.401.00	54.124.00
antibacterial, anti-odour and anti-allergen filter with air-conditioner and L.H.D. / filtro antibatterico, antiodori e anti-allergeni con climatizzatore e guida a sinistra	CBZB	77	105	02/10	>					34.124.00
for cold countries / per paesi freddi	CBZB	77	105	02/10	>		23.573.00	31.840.00	27.402.00	53.148.00
1.4 16V	BXW	63	86	10/06	>		23.453.00	31.832.00	30.342.00	53.148.00
with air-conditioner and R.H.D. / con climatizzatore e guida a destra	BXW	63	86	10/06	>					54.376.00
with air-conditioner and L.H.D. / con climatizzatore e guida a sinistra	BXW	63	86	10/06	>		23.453.00	31.832.00	30.342.00	54.124.00
antibacterial, anti-odour and anti-allergen filter with air-conditioner and L.H.D. / filtro antibatterico, antiodori e anti-allergeni con climatizzatore e guida a sinistra	BXW	63	86	10/06	>					34.124.00
1.4 TSI										
to frame No. 5P_8_090 000 / a telaio N. 5P_8_090 000	CAXA/CAXC	92	125	09/07	>	05/08	25.047.00	31.840.00	27.401.00	53.148.00
with air-conditioner and R.H.D. / con climatizzatore e guida a destra	CAXA/CAXC	92	125	09/07	>					54.376.00
with air-conditioner and L.H.D. / con climatizzatore e guida a sinistra	CAXA/CAXC	92	125	09/07	>	05/08	25.047.00	31.840.00	27.401.00	54.124.00
with air-conditioner and L.H.D. / con climatizzatore e guida a sinistra	CAXA/CAXC	92	125	06/08	>	05/10	23.494.00	31.840.00	27.401.00	54.124.00
with air-conditioner and L.H.D. / con climatizzatore e guida a sinistra	CAXA/CAXC	92	125	06/10	>		23.573.00	31.840.00	27.401.00	54.124.00
from frame No. 5P_8_090 001 / da telaio N. 5P_8_090 001	CAXA/CAXC	92	125	06/08	>	05/10	23.494.00	31.840.00	27.401.00	53.148.00
antibacterial, anti-odour and anti-allergen filter with air-conditioner and L.H.D. / filtro antibatterico, antiodori e anti-allergeni con climatizzatore e guida a sinistra	CAXA/CAXC	92	125	09/07	>					34.124.00
for cold countries / per paesi freddi	CAXA/CAXC	92	125	09/07	>	05/08	25.047.00	31.840.00	27.402.00	53.148.00
for cold countries / per paesi freddi	CAXA/CAXC	92	125	06/08	>	05/10	23.494.00	31.840.00	27.402.00	53.148.00
for cold countries / per paesi freddi	CAXA/CAXC	92	125	06/10	>		23.573.00	31.840.00	27.402.00	53.148.00
1.6	BGU/BSE/BSF	75	102	10/06	>		23.436.00	31.833.00	27.401.00	53.148.00
with air-conditioner and R.H.D. / con climatizzatore e guida a destra	BGU/BSE/BSF	75	102	10/06	>					54.376.00
with air-conditioner and L.H.D. / con climatizzatore e guida a sinistra	BGU/BSE/BSF	75	102	10/06	>		23.436.00	31.833.00	27.401.00	54.124.00
antibacterial, anti-odour and anti-allergen filter with air-conditioner and L.H.D. / filtro antibatterico, antiodori e anti-allergeni con climatizzatore e guida a sinistra	BGU/BSE/BSF	75	102	10/06	>					34.124.00
for cold countries / per paesi freddi	BGU/BSE/BSF	75	102	10/06	>		23.436.00	31.833.00	27.402.00	53.148.00
1.6 Dual GPL/LPG	CHGA	75	102	09/09	>		23.436.00	31.833.00	27.401.00	53.148.00
with air-conditioner and R.H.D. / con climatizzatore e guida a destra	CHGA	75	102	09/09	>					54.376.00
with air-conditioner and L.H.D. / con climatizzatore e guida a sinistra	CHGA	75	102	09/09	>		23.436.00	31.833.00	27.401.00	54.124.00
antibacterial, anti-odour and anti-allergen filter with air-conditioner and L.H.D. / filtro antibatterico, antiodori e anti-allergeni con climatizzatore e guida a sinistra	CHGA	75	102	09/09	>					34.124.00
assembly LANDI Omegas Plus / montaggio LANDI Omegas Plus	CHGA	75	102	09/09	>	12/10		31.836.00		
for cold countries / per paesi freddi	CHGA	75	102	09/09	>		23.436.00	31.833.00	27.402.00	53.148.00
1.6 MultiFuel E85	CCSA	75	102	10/06	>	05/10	23.436.00	31.853.00	27.401.00	53.148.00
with air-conditioner and R.H.D. / con climatizzatore e guida a destra	CCSA	75	102	10/06	>	05/10				54.376.00
with air-conditioner and L.H.D. / con climatizzatore e guida a sinistra	CCSA	75	102	10/06	>	05/10	23.436.00	31.853.00	27.401.00	54.124.00
antibacterial, anti-odour and anti-allergen filter with air-conditioner and L.H.D. / filtro antibatterico, antiodori e anti-allergeni con climatizzatore e guida a sinistra	CCSA	75	102	10/06	>	05/10				34.124.00
for cold countries / per paesi freddi	CCSA	75	102	10/06	>	05/10	23.436.00	31.853.00	27.402.00	53.148.00
1.6 MultiFuel E85	CMXA	75	102	05/10	>		23.436.00	31.853.00	27.401.00	53.148.00
with air-conditioner and R.H.D. / con climatizzatore e guida a destra	CMXA	75	102	05/10	>					54.376.00
with air-conditioner and L.H.D. / con climatizzatore e guida a sinistra	CMXA	75	102	05/10	>		23.436.00	31.853.00	27.401.00	54.124.00
antibacterial, anti-odour and anti-allergen filter with air-conditioner and L.H.D. / filtro antibatterico, antiodori e anti-allergeni con climatizzatore e guida a sinistra	CMXA	75	102	05/10	>					34.124.00
for cold countries / per paesi freddi	CMXA	75	102	05/10	>		23.436.00	31.853.00	27.402.00	53.148.00
1.8 TFSI	BYT	118	160	11/06	>			31.840.00	30.187.00	53.148.00
with air-conditioner and R.H.D. / con climatizzatore e guida a destra	BYT	118	160	11/06	>					54.376.00
with air-conditioner and L.H.D. / con climatizzatore e guida a sinistra	BYT	118	160	11/06	>			31.840.00	30.187.00	54.124.00
antibacterial, anti-odour and anti-allergen filter with air-conditioner and L.H.D. / filtro antibatterico, antiodori e anti-allergeni con climatizzatore e guida a sinistra	BYT	118	160	11/06	>					34.124.00
for cold countries / per paesi freddi	BYT	118	160	11/06	>			31.840.00	30.370.00	53.148.00
1.9 TDI										
with air-conditioner and R.H.D. / con climatizzatore e guida a destra		77	105	10/06	>					54.376.00
with air-conditioner and L.H.D. / con climatizzatore e guida a sinistra		77	105	10/06	>		25.023.00		30.187.00	54.124.00
antibacterial, anti-odour and anti-allergen filter with air-conditioner and L.H.D. / filtro antibatterico, antiodori e anti-allergeni con climatizzatore e guida a sinistra		77	105	10/06	>					34.124.00
assembly MANN+HUMMEL / montaggio MANN+HUMMEL		77	105	10/06	>		25.023.00	26.014.00	30.187.00	53.148.00
assembly UFI / montaggio UFI		77	105	10/06	>		25.023.00	26.007.00	30.187.00	53.148.00
for cold countries / per paesi freddi		77	105	10/06	>		25.023.00		30.370.00	53.148.00
1.9 TDI DPF										
with air-conditioner and R.H.D. / con climatizzatore e guida a destra		77	105	10/06	>					54.376.00
with air-conditioner and L.H.D. / con climatizzatore e guida a sinistra		77	105	10/06	>		25.023.00		30.187.00	54.124.00
antibacterial, anti-odour and anti-allergen filter with air-conditioner and L.H.D. / filtro antibatterico, antiodori e anti-allergeni con climatizzatore e guida a sinistra		77	105	10/06	>					34.124.00
assembly MANN+HUMMEL / montaggio MANN+HUMMEL		77	105	10/06	>		25.023.00	26.014.00	30.187.00	53.148.00
assembly UFI / montaggio UFI		77	105	10/06	>		25.023.00	26.007.00	30.187.00	53.148.00
for cold countries / per paesi freddi		77	105	10/06	>		25.023.00		30.370.00	53.148.00

...SEAT - cars/auto

2.0 FSI		110	150	10/06	>	25.040.00	31.840.00	27.401.00	53.148.00
with air-conditioner and R.H.D. / con climatizzatore e guida a destra		110	150	10/06	>				54.376.00
with air-conditioner and L.H.D. / con climatizzatore e guida a sinistra		110	150	10/06	>	25.040.00	31.840.00	27.401.00	54.124.00
antibacterial, anti-odour and anti-allergen filter with air-conditioner and L.H.D. / filtro antibatterico, antiodori e anti-allergeni con climatizzatore e guida a sinistra		110	150	10/06	>				34.124.00
for cold countries / per paesi freddi		110	150	10/06	>	25.040.00	31.840.00	27.402.00	53.148.00
2.0 TDI									
with air-conditioner and R.H.D. / con climatizzatore e guida a destra	BKD/BMM	103	140	10/06	>				54.376.00
with air-conditioner and L.H.D. / con climatizzatore e guida a sinistra	BKD/BMM	103	140	10/06	>	25.023.00		30.187.00	54.124.00
antibacterial, anti-odour and anti-allergen filter with air-conditioner and L.H.D. / filtro antibatterico, antiodori e anti-allergeni con climatizzatore e guida a sinistra	BKD/BMM	103	140	10/06	>				34.124.00
assembly MANN+HUMMEL (1K0127400C/E/J) / montaggio MANN+HUMMEL (1K0127400C/E/J)	BKD/BMM	103	140	10/06	>	25.023.00	26.014.00	30.187.00	53.148.00
assembly MANN+HUMMEL (1K0127400K) / montaggio MANN+HUMMEL (1K0127400K)	BKD/BMM	103	140	10/06	>		26.021.00		
assembly UFI (3C0127400C) / montaggio UFI (3C0127400C)	BKD/BMM	103	140	10/06	>	25.023.00	26.007.00	30.187.00	53.148.00
for cold countries / per paesi freddi	BKD/BMM	103	140	10/06	>	25.023.00		30.370.00	53.148.00
2.0 TDI 16V									
with air-conditioner and R.H.D. / con climatizzatore e guida a destra	CFHC	103	140	09/10	>				54.376.00
with air-conditioner and L.H.D. / con climatizzatore e guida a sinistra	CFHC	103	140	09/10	>				54.124.00
antibacterial, anti-odour and anti-allergen filter with air-conditioner and L.H.D. / filtro antibatterico, antiodori e anti-allergeni con climatizzatore e guida a sinistra	CFHC	103	140	09/10	>				34.124.00
assembly MANN+HUMMEL (1K0127400C/E/J) / montaggio MANN+HUMMEL (1K0127400C/E/J)	CFHC	103	140	09/10	>	25.106.00	26.014.00	30.187.00	53.148.00
assembly MANN+HUMMEL (1K0127400K) / montaggio MANN+HUMMEL (1K0127400K)	CFHC	103	140	09/10	>		26.021.00		
assembly UFI (3C0127400C) / montaggio UFI (3C0127400C)	CFHC	103	140	09/10	>	25.106.00	26.007.00	30.187.00	53.148.00
for cold countries / per paesi freddi	CFHC	103	140	09/10	>			30.370.00	
2.0 TDI DPF									
with air-conditioner and R.H.D. / con climatizzatore e guida a destra		125	170	10/06	>				54.376.00
with air-conditioner and L.H.D. / con climatizzatore e guida a sinistra		125	170	10/06	>	25.023.00		30.187.00	54.124.00
antibacterial, anti-odour and anti-allergen filter with air-conditioner and L.H.D. / filtro antibatterico, antiodori e anti-allergeni con climatizzatore e guida a sinistra		125	170	10/06	>				34.124.00
assembly MANN+HUMMEL / montaggio MANN+HUMMEL		125	170	10/06	>	25.023.00	26.014.00	30.187.00	53.148.00
assembly UFI / montaggio UFI		125	170	10/06	>	25.023.00	26.007.00	30.187.00	53.148.00
for cold countries / per paesi freddi		125	170	10/06	>	25.023.00		30.370.00	53.148.00
2.0 TDI DPF									
with air-conditioner and R.H.D. / con climatizzatore e guida a destra	BKD/BMM	103	140	10/06	>				54.376.00
with air-conditioner and L.H.D. / con climatizzatore e guida a sinistra	BKD/BMM	103	140	10/06	>	25.023.00		30.187.00	54.124.00
antibacterial, anti-odour and anti-allergen filter with air-conditioner and L.H.D. / filtro antibatterico, antiodori e anti-allergeni con climatizzatore e guida a sinistra	BKD/BMM	103	140	10/06	>				34.124.00
assembly MANN+HUMMEL (1K0127400C/E/J) / montaggio MANN+HUMMEL (1K0127400C/E/J)	BKD/BMM	103	140	10/06	>	25.023.00	26.014.00	30.187.00	53.148.00
assembly MANN+HUMMEL (1K0127400K) / montaggio MANN+HUMMEL (1K0127400K)	BKD/BMM	103	140	10/06	>		26.021.00		
assembly UFI (3C0127400C) / montaggio UFI (3C0127400C)	BKD/BMM	103	140	10/06	>	25.023.00	26.007.00	30.187.00	53.148.00
for cold countries / per paesi freddi	BKD/BMM	103	140	10/06	>	25.023.00		30.370.00	53.148.00
2.0 TFSI									
with air-conditioner and R.H.D. / con climatizzatore e guida a destra	BWA	147	200	05/06	> 05/09	25.040.00	31.840.00	30.315.00	53.148.00
with air-conditioner and L.H.D. / con climatizzatore e guida a sinistra	BWA	147	200	05/06	> 05/09	25.040.00	31.840.00	30.315.00	54.376.00
antibacterial, anti-odour and anti-allergen filter with air-conditioner and L.H.D. / filtro antibatterico, antiodori e anti-allergeni con climatizzatore e guida a sinistra	BWA	147	200	05/06	> 05/09				54.124.00
		147	200	05/06	> 05/09				34.124.00
Altea XL Freetrack									
2.0 TDI PD DPF									
with air-conditioner and R.H.D. / con climatizzatore e guida a destra		103	140	06/07	>				54.376.00
with air-conditioner and L.H.D. / con climatizzatore e guida a sinistra		103	140	06/07	>	25.023.00		30.187.00	54.124.00
antibacterial, anti-odour and anti-allergen filter with air-conditioner and L.H.D. / filtro antibatterico, antiodori e anti-allergeni con climatizzatore e guida a sinistra		103	140	06/07	>				34.124.00
assembly MANN+HUMMEL / montaggio MANN+HUMMEL		103	140	06/07	>	25.023.00	26.014.00	30.187.00	53.148.00
assembly UFI / montaggio UFI		103	140	06/07	>	25.023.00	26.007.00	30.187.00	53.148.00
for cold countries / per paesi freddi		103	140	06/07	>	25.023.00		30.370.00	53.148.00
2.0 TDI PD DPF TT4									
with air-conditioner and R.H.D. / con climatizzatore e guida a destra		125	170	06/07	>				54.376.00
with air-conditioner and L.H.D. / con climatizzatore e guida a sinistra		125	170	06/07	>	25.023.00		30.187.00	54.124.00
antibacterial, anti-odour and anti-allergen filter with air-conditioner and L.H.D. / filtro antibatterico, antiodori e anti-allergeni con climatizzatore e guida a sinistra		125	170	06/07	>				34.124.00
assembly MANN+HUMMEL / montaggio MANN+HUMMEL		125	170	06/07	>	25.023.00	26.014.00	30.187.00	53.148.00
assembly UFI / montaggio UFI		125	170	06/07	>	25.023.00	26.007.00	30.187.00	53.148.00
for cold countries / per paesi freddi		125	170	06/07	>	25.023.00		30.370.00	53.148.00
2.0 TSI 4WD									
with air-conditioner and R.H.D. / con climatizzatore e guida a destra	CCZB	155	211	05/10	>	23.493.00		30.187.00	53.148.00
with air-conditioner and L.H.D. / con climatizzatore e guida a sinistra	CCZB	155	211	05/10	>	23.493.00		30.187.00	54.376.00
antibacterial, anti-odour and anti-allergen filter with air-conditioner and L.H.D. / filtro antibatterico, antiodori e anti-allergeni con climatizzatore e guida a sinistra	CCZB	155	211	05/10	>				34.124.00
for cold countries / per paesi freddi	CCZB	155	211	05/10	>	23.493.00		30.370.00	53.148.00
2.0 TSI TT4									
with air-conditioner and R.H.D. / con climatizzatore e guida a destra	BWA	147	200	06/07	> 09/09	25.040.00	31.840.00	30.315.00	53.148.00
with air-conditioner and L.H.D. / con climatizzatore e guida a sinistra	BWA	147	200	06/07	> 09/09	25.040.00	31.840.00	30.315.00	54.376.00
antibacterial, anti-odour and anti-allergen filter with air-conditioner and L.H.D. / filtro antibatterico, antiodori e anti-allergeni con climatizzatore e guida a sinistra	BWA	147	200	06/07	> 09/09				54.124.00
	BWA	147	200	06/07	> 09/09				34.124.00
Arona (KJ)									
1.0 EcoTSI	CHZJ	85	116	09/17	>	23.575.00		30.A51.00	
with automatic air-conditioner / con climatizzatore automatico	CHZJ	85	116	09/17	>				54.314.00

...SEAT - cars/auto

S

antibacterial, anti-odour and anti-allergen filter with automatic air-conditioner / filtro antibatterico, antiodori e anti-allergeni con climatizzatore automatico	CHZJ	85	116	09/17	>				34.314.00	
1.0 EcoTSI	CHZL	70	95	09/17	>	23.575.00		30.A51.00		
with automatic air-conditioner / con climatizzatore automatico	CHZL	70	95	09/17	>				54.314.00	
antibacterial, anti-odour and anti-allergen filter with automatic air-conditioner / filtro antibatterico, antiodori e anti-allergeni con climatizzatore automatico	CHZL	70	95	09/17	>				34.314.00	
1.0 EcoTSI	DKJA	85	116	09/17	>	23.575.00		30.A51.00		
with automatic air-conditioner / con climatizzatore automatico	DKJA	85	116	09/17	>				54.314.00	
antibacterial, anti-odour and anti-allergen filter with automatic air-conditioner / filtro antibatterico, antiodori e anti-allergeni con climatizzatore automatico	DKJA	85	116	09/17	>				34.314.00	
1.0 TGI CNG	DBYA	66	90	11/18	>	23.575.00		30.A51.00		
with automatic air-conditioner / con climatizzatore automatico	DBYA	66	90	11/18	>				54.314.00	
antibacterial, anti-odour and anti-allergen filter with automatic air-conditioner / filtro antibatterico, antiodori e anti-allergeni con climatizzatore automatico	DBYA	66	90	11/18	>				34.314.00	
1.0 TSI	DKLA	70	95	07/18	>	23.575.00		30.A51.00		
with automatic air-conditioner / con climatizzatore automatico	DKLA	70	95	07/18	>				54.314.00	
antibacterial, anti-odour and anti-allergen filter with automatic air-conditioner / filtro antibatterico, antiodori e anti-allergeni con climatizzatore automatico	DKLA	70	95	07/18	>				34.314.00	
1.0 TSI	DKRF	85	116	07/18	>	23.575.00		30.A51.00		
with automatic air-conditioner / con climatizzatore automatico	DKRF	85	116	07/18	>				54.314.00	
antibacterial, anti-odour and anti-allergen filter with automatic air-conditioner / filtro antibatterico, antiodori e anti-allergeni con climatizzatore automatico	DKRF	85	116	07/18	>				34.314.00	
1.5 TSI	DADA	110	150	11/17	>	23.575.00		30.A45.00		
with automatic air-conditioner / con climatizzatore automatico	DADA	110	150	11/17	>				54.314.00	
antibacterial, anti-odour and anti-allergen filter with automatic air-conditioner / filtro antibatterico, antiodori e anti-allergeni con climatizzatore automatico	DADA	110	150	11/17	>				34.314.00	
1.6 MPI SRE	CWVA	81	110	11/17	>	23.575.00		30.713.00		
with automatic air-conditioner / con climatizzatore automatico	CWVA	81	110	11/17	>				54.314.00	
antibacterial, anti-odour and anti-allergen filter with automatic air-conditioner / filtro antibatterico, antiodori e anti-allergeni con climatizzatore automatico	CWVA	81	110	11/17	>				34.314.00	
1.6 TDI	DGTA	85	115	12/17	>	25.144.00	26.038.00	30.532.00		
with automatic air-conditioner / con climatizzatore automatico	DGTA	85	115	12/17	>				54.314.00	
antibacterial, anti-odour and anti-allergen filter with automatic air-conditioner / filtro antibatterico, antiodori e anti-allergeni con climatizzatore automatico	DGTA	85	115	12/17	>				34.314.00	
1.6 TDI	DGTD	70	95	11/17	>	25.144.00	26.038.00	30.532.00		
with automatic air-conditioner / con climatizzatore automatico	DGTD	70	95	11/17	>				54.314.00	
antibacterial, anti-odour and anti-allergen filter with automatic air-conditioner / filtro antibatterico, antiodori e anti-allergeni con climatizzatore automatico	DGTD	70	95	11/17	>				34.314.00	
Arosa										
1.0 i	AHT	37	50	10/98	>	01/01	23.435.00	31.722.00	30.038.01	53.006.00
with activated carbons / ai carboni attivi	AHT	37	50	10/98	>	01/01				54.263.00
antibacterial, anti-odour and anti-allergen filter / filtro antibatterico, antiodori e anti-allergeni	AHT	37	50	10/98	>	01/01				34.263.00
1.0 i	ALD	37	50	09/99	>	07/00	23.453.00	31.722.00	30.134.00	53.006.00
with activated carbons / ai carboni attivi	ALD	37	50	07/99	>	07/00				54.263.00
antibacterial, anti-odour and anti-allergen filter / filtro antibatterico, antiodori e anti-allergeni	ALD	37	50	07/99	>	07/00				34.263.00
1.0 i	ANV	37	50	07/99	>	07/00	23.453.00	31.722.00	30.134.00	53.006.00
with activated carbons / ai carboni attivi	ANV	37	50	07/99	>	07/00				54.263.00
antibacterial, anti-odour and anti-allergen filter / filtro antibatterico, antiodori e anti-allergeni	ANV	37	50	07/99	>	07/00				34.263.00
1.0 i	AUC	37	50	05/03	>	06/04	23.453.00	31.722.00	30.134.00	53.006.00
with activated carbons / ai carboni attivi	AUC	37	50	05/03	>	06/04				54.263.00
antibacterial, anti-odour and anti-allergen filter / filtro antibatterico, antiodori e anti-allergeni	AUC	37	50	05/03	>	06/04				34.263.00
1.2 TDI 3L	ANY	45	61	10/99	>	05/05	25.023.00	24.426.00		53.006.00
with activated carbons / ai carboni attivi	ANY	45	61	10/99	>	05/05				54.263.00
antibacterial, anti-odour and anti-allergen filter / filtro antibatterico, antiodori e anti-allergeni	ANY	45	61	10/99	>	05/05				34.263.00
1.4 i	AKK, ANW	44	60	07/99	>	10/00	23.453.00	31.722.00	30.134.00	53.006.00
with activated carbons / ai carboni attivi	AKK, ANW	44	60	07/99	>	10/00				54.263.00
antibacterial, anti-odour and anti-allergen filter / filtro antibatterico, antiodori e anti-allergeni	AKK, ANW	44	60	07/99	>	10/00				34.263.00
1.4 i	AUD	44	60	07/00	>	05/03	23.453.00	31.722.00	30.134.00	53.006.00
with activated carbons / ai carboni attivi	AUD	44	60	07/00	>	05/03				54.263.00
antibacterial, anti-odour and anti-allergen filter / filtro antibatterico, antiodori e anti-allergeni	AUD	44	60	07/00	>	05/03				34.263.00
1.4 i 16V	AFK	74	101	02/00	>	09/00	23.453.00	31.722.00	30.124.00	53.006.00
with activated carbons / ai carboni attivi	AFK	74	101	02/00	>	09/00				54.263.00
antibacterial, anti-odour and anti-allergen filter / filtro antibatterico, antiodori e anti-allergeni	AFK	74	101	02/00	>	09/00				34.263.00
dusty areas / zone polverose	AFK	74	101	02/00	>	09/00	23.453.00	31.722.00	30.184.00	53.006.00
1.4 i 16V	AQQ	74	101	10/99	>	09/00	23.453.00	31.722.00	30.124.00	53.006.00
with activated carbons / ai carboni attivi	AQQ	74	101	10/99	>	09/00				54.263.00
antibacterial, anti-odour and anti-allergen filter / filtro antibatterico, antiodori e anti-allergeni	AQQ	74	101	10/99	>	09/00				34.263.00
dusty areas / zone polverose	AQQ	74	101	10/99	>	09/00	23.453.00	31.722.00	30.184.00	53.006.00
1.4 i 16V	AUB	74	101	09/00	>	05/03	23.453.00	31.722.00	30.124.00	53.006.00
with activated carbons / ai carboni attivi	AUB	74	101	09/00	>	05/03				54.263.00
antibacterial, anti-odour and anti-allergen filter / filtro antibatterico, antiodori e anti-allergeni	AUB	74	101	09/00	>	05/03				34.263.00
dusty areas / zone polverose	AUB	74	101	09/00	>	05/03	23.453.00	31.722.00	30.184.00	53.006.00
1.4 TDI	AMF	55	75	10/99	>	06/04	25.023.00	24.426.00	27.257.00	53.006.00
with activated carbons / ai carboni attivi	AMF	55	75	10/99	>	06/04				54.263.00
antibacterial, anti-odour and anti-allergen filter / filtro antibatterico, antiodori e anti-allergeni	AMF	55	75	10/99	>	06/04				34.263.00
1.7 SDI	AKU	44	60	08/97	>	05/00	23.425.00	24.400.00	27.257.00	53.006.00
to frame No. 6H-Y020000 / a telaio N. 6H-Y020000										

...SEAT - cars/auto

with activated carbons / ai carboni attivi	AKU	44	60	08/97	>	06/04				54.263.00
from frame No. 6H-Y020001 / da telaio N. 6H-Y020001	AKU	44	60	06/00	>	06/04	23.425.00	24.426.00	27.257.00	53.006.00
antibacterial, anti-odour and anti-allergen filter / filtro antibatterico, antiodori e anti-allergeni	AKU	44	60	08/97	>	06/04				34.263.00
Ateca (KH)										
1.0 TSI	CHZJ	85	116	06/16	>		23.575.00		30.A51.00	53.298.00
with automatic air-conditioner / con climatizzatore automatico	CHZJ	85	116	06/16	>					54.219.00
antibacterial, anti-odour and anti-allergen filter with automatic air-conditioner / filtro antibatterico, antiodori e anti-allergeni con climatizzatore automatico	CHZJ	85	116	06/16	>					34.219.00
1.0 TSI	DKRF	85	116	07/18	>		23.575.00		30.A51.00	53.298.00
with automatic air-conditioner / con climatizzatore automatico	DKRF	85	116	07/18	>					54.219.00
antibacterial, anti-odour and anti-allergen filter with automatic air-conditioner / filtro antibatterico, antiodori e anti-allergeni con climatizzatore automatico	DKRF	85	116	07/18	>					34.219.00
1.0 TSI	DLAA	81	110	09/20	>		23.575.00			53.298.00
with activated carbons / ai carboni attivi	DLAA	81	110	09/20	>					54.219.00
antibacterial, anti-odour and anti-allergen filter / filtro antibatterico, antiodori e anti-allergeni	DLAA	81	110	09/20	>					34.219.00
1.4 TSI	CZEA	110	150	06/16	>		23.575.00		30.549.00	53.298.00
with automatic air-conditioner / con climatizzatore automatico	CZEA	110	150	06/16	>					54.219.00
antibacterial, anti-odour and anti-allergen filter with automatic air-conditioner / filtro antibatterico, antiodori e anti-allergeni con climatizzatore automatico	CZEA	110	150	06/16	>					34.219.00
1.4 TSI 4Drive	CZEA	110	150	06/16	>		23.575.00		30.549.00	53.298.00
with automatic air-conditioner / con climatizzatore automatico	CZEA	110	150	06/16	>					54.219.00
antibacterial, anti-odour and anti-allergen filter with automatic air-conditioner / filtro antibatterico, antiodori e anti-allergeni con climatizzatore automatico	CZEA	110	150	06/16	>					34.219.00
1.5 TSI	DADA	110	150	07/18	>		23.575.00		30.A45.00	53.298.00
with automatic air-conditioner / con climatizzatore automatico	DADA	110	150	07/18	>					54.219.00
antibacterial, anti-odour and anti-allergen filter with automatic air-conditioner / filtro antibatterico, antiodori e anti-allergeni con climatizzatore automatico	DADA	110	150	07/18	>					34.219.00
1.5 TSI 4Drive	DADA	110	150	07/18	>		23.575.00		30.A45.00	53.298.00
with automatic air-conditioner / con climatizzatore automatico	DADA	110	150	07/18	>					54.219.00
antibacterial, anti-odour and anti-allergen filter with automatic air-conditioner / filtro antibatterico, antiodori e anti-allergeni con climatizzatore automatico	DADA	110	150	07/18	>					34.219.00
1.6 TDI	DDYA	85	116	05/16	>		25.144.00	26.038.00	30.532.00	53.298.00
with automatic air-conditioner / con climatizzatore automatico	DDYA	85	116	05/16	>					54.219.00
antibacterial, anti-odour and anti-allergen filter with automatic air-conditioner / filtro antibatterico, antiodori e anti-allergeni con climatizzatore automatico	DDYA	85	116	05/16	>					34.219.00
export models DIESEL PLUS / modelli di esportazione DIESEL PLUS	DDYA	85	116	05/16	>			26.065.00		
for cold countries / per paesi freddi	DDYA	85	116	05/16	>				30.587.00	
1.6 TDI	DGTE	85	116	07/18	>		25.144.00	26.038.00	30.532.00	53.298.00
with automatic air-conditioner / con climatizzatore automatico	DGTE	85	116	07/18	>					54.219.00
antibacterial, anti-odour and anti-allergen filter with automatic air-conditioner / filtro antibatterico, antiodori e anti-allergeni con climatizzatore automatico	DGTE	85	116	07/18	>					34.219.00
export models DIESEL PLUS / modelli di esportazione DIESEL PLUS	DGTE	85	116	07/18	>			26.065.00		
for cold countries / per paesi freddi	DGTE	85	116	07/18	>				30.587.00	
2.0 TDI	CRVA	81	110	11/16	>		25.144.00	26.038.00	30.532.00	53.298.00
with automatic air-conditioner / con climatizzatore automatico	CRVA	81	110	11/16	>					54.219.00
antibacterial, anti-odour and anti-allergen filter with automatic air-conditioner / filtro antibatterico, antiodori e anti-allergeni con climatizzatore automatico	CRVA	81	110	11/16	>					34.219.00
export models DIESEL PLUS / modelli di esportazione DIESEL PLUS	CRVA	81	110	11/16	>			26.065.00		
for cold countries / per paesi freddi	CRVA	81	110	11/16	>				30.587.00	
2.0 TDI	CRVC	105	143	10/16	>		25.144.00	26.038.00	30.532.00	53.298.00
with automatic air-conditioner / con climatizzatore automatico	CRVC	105	143	10/16	>					54.219.00
antibacterial, anti-odour and anti-allergen filter with automatic air-conditioner / filtro antibatterico, antiodori e anti-allergeni con climatizzatore automatico	CRVC	105	143	10/16	>					34.219.00
export models DIESEL PLUS / modelli di esportazione DIESEL PLUS	CRVC	105	143	10/16	>			26.065.00		
for cold countries / per paesi freddi	CRVC	105	143	10/16	>				30.587.00	
2.0 TDI	DFFA	110	150	05/16	>		25.144.00	26.038.00	30.532.00	53.298.00
with automatic air-conditioner / con climatizzatore automatico	DFFA	110	150	05/16	>					54.219.00
antibacterial, anti-odour and anti-allergen filter with automatic air-conditioner / filtro antibatterico, antiodori e anti-allergeni con climatizzatore automatico	DFFA	110	150	05/16	>					34.219.00
export models DIESEL PLUS / modelli di esportazione DIESEL PLUS	DFFA	110	150	05/16	>			26.065.00		
for cold countries / per paesi freddi	DFFA	110	150	05/16	>				30.587.00	
2.0 TDI 4Drive	DFFA	110	150	05/16	>		25.144.00	26.038.00	30.532.00	53.298.00
with automatic air-conditioner / con climatizzatore automatico	DFFA	110	150	05/16	>					54.219.00
antibacterial, anti-odour and anti-allergen filter with automatic air-conditioner / filtro antibatterico, antiodori e anti-allergeni con climatizzatore automatico	DFFA	110	150	05/16	>					34.219.00
export models DIESEL PLUS / modelli di esportazione DIESEL PLUS	DFFA	110	150	05/16	>			26.065.00		
for cold countries / per paesi freddi	DFFA	110	150	05/16	>				30.587.00	
2.0 TDI 4Drive	DFHA	140	190	06/16	>		25.144.00	26.038.00	30.532.00	53.298.00
with automatic air-conditioner / con climatizzatore automatico	DFHA	140	190	06/16	>					54.219.00
antibacterial, anti-odour and anti-allergen filter with automatic air-conditioner / filtro antibatterico, antiodori e anti-allergeni con climatizzatore automatico	DFHA	140	190	06/16	>					34.219.00
export models DIESEL PLUS / modelli di esportazione DIESEL PLUS	DFHA	140	190	06/16	>			26.065.00		
for cold countries / per paesi freddi	DFHA	140	190	06/16	>				30.587.00	
2.0 TSI 4Drive	CZPB	140	190	05/17	>	07/18	25.153.00		30.532.00	53.298.00
with automatic air-conditioner / con climatizzatore automatico	CZPB	140	190	05/17	>	07/18				54.219.00
antibacterial, anti-odour and anti-allergen filter with automatic air-conditioner / filtro antibatterico, antiodori e anti-allergeni con climatizzatore automatico	CZPB	140	190	05/17	>	07/18				34.219.00
2.0 TSI 4Drive	DKZA	140	190	07/18	>		25.153.00		30.532.00	53.298.00
with automatic air-conditioner / con climatizzatore automatico	DKZA	140	190	07/18	>					54.219.00
antibacterial, anti-odour and anti-allergen filter with automatic air-conditioner / filtro antibatterico, antiodori e anti-allergeni con climatizzatore automatico	DKZA	140	190	07/18	>					34.219.00
2.0 TSI Cupra 4Drive	DNUE	221	300	09/18	>		25.153.00		30.532.00	53.298.00

...SEAT - cars/auto

S



with automatic air-conditioner / con climatizzatore automatico	DNUE	221	300	09/18	>				54.219.00
antibacterial, anti-odour and anti-allergen filter with automatic air-conditioner / filtro antibatterico, antiodori e anti-allergeni con climatizzatore automatico	DNUE	221	300	09/18	>				34.219.00
Cordoba									
1.0 i									
to engine No. 220081 / a motore N. 220081	AER	37	50	09/96	>			23.428.00	30.038.01
1.0 i									
with air-conditioner / con climatizzatore	ANV	37	50	06/99	>	12/02		23.453.00	31.722.00
with activated carbon air-conditioner / con climatizzatore, ai carboni attivi	ANV	37	50	06/99	>	12/02			54.263.00
antibacterial, anti-odour and anti-allergen filter with air-conditioner / filtro antibatterico, antiodori e anti-allergeni con climatizzatore	ANV	37	50	06/99	>	12/02			34.263.00
1.2 i 12V									
with activated carbons / ai carboni attivi	AZQ	47	64	10/02	>	11/09		25.029.00	31.832.00
with gasoline filter with pressure regulator / con filtro benzina con regolatore di pressione	AZQ	47	64	10/02	>	11/09		25.029.00	31.832.00
with gasoline filter without pressure regulator / con filtro benzina senza regolatore di pressione	AZQ	47	64	10/02	>	11/09		25.029.00	31.722.00
antibacterial, anti-odour and anti-allergen filter / filtro antibatterico, antiodori e anti-allergeni	AZQ	47	64	10/02	>	11/09			34.114.00
1.2 i 12V									
with activated carbons / ai carboni attivi	BXV	51	70	06/06	>	11/09		25.029.00	31.833.00
antibacterial, anti-odour and anti-allergen filter / filtro antibatterico, antiodori e anti-allergeni	BXV	51	70	06/06	>	10/09			34.114.00
1.4 i									
to engine No. 908122 / a motore N. 908122	AEX	44	60	12/95	>			23.428.00	30.038.01
1.4 i									
with activated carbon air-conditioner / con climatizzatore, ai carboni attivi	AKK	44	60	06/99	>	12/02		23.453.00	31.722.00
antibacterial, anti-odour and anti-allergen filter with air-conditioner / filtro antibatterico, antiodori e anti-allergeni con climatizzatore	AKK	44	60	06/99	>	12/02			34.263.00
1.4 i									
with activated carbon air-conditioner / con climatizzatore, ai carboni attivi	AUD	44	60	06/00	>	12/02		23.453.00	31.722.00
antibacterial, anti-odour and anti-allergen filter with air-conditioner / filtro antibatterico, antiodori e anti-allergeni con climatizzatore	AUD	44	60	06/00	>	12/02			34.263.00
1.4 i 16V									
with activated carbon air-conditioner / con climatizzatore, ai carboni attivi	APE	55	75	06/99	>	12/02		23.453.00	31.722.00
antibacterial, anti-odour and anti-allergen filter with air-conditioner / filtro antibatterico, antiodori e anti-allergeni con climatizzatore	APE	55	75	06/99	>	12/02			34.263.00
dusty areas / zone polverose	APE	55	75	06/99	>	12/02		23.453.00	31.722.00
1.4 i 16V									
with activated carbon air-conditioner / con climatizzatore, ai carboni attivi	AQQ	74	101	08/99	>	12/02		23.453.00	31.722.00
antibacterial, anti-odour and anti-allergen filter with air-conditioner / filtro antibatterico, antiodori e anti-allergeni con climatizzatore	AQQ	74	101	08/99	>	12/02			34.263.00
1.4 i 16V									
with activated carbons / ai carboni attivi	AUB	74	101	10/02	>	11/09		23.453.00	31.832.00
with air-conditioner with activated carbons / con climatizzatore ai carboni attivi	AUB	74	101	08/99	>	10/02			54.263.00
with gasoline filter with pressure regulator / con filtro benzina con regolatore di pressione	AUB	74	101	10/02	>	11/09		23.453.00	31.832.00
with gasoline filter without pressure regulator / con filtro benzina senza regolatore di pressione	AUB	74	101	10/02	>	11/09		23.453.00	31.722.00
antibacterial, anti-odour and anti-allergen filter / filtro antibatterico, antiodori e anti-allergeni	AUB	74	101	08/99	>	11/09			34.114.00
antibacterial, anti-odour and anti-allergen filter with air-conditioner / filtro antibatterico, antiodori e anti-allergeni con climatizzatore	AUB	74	101	08/99	>	10/02			34.263.00
1.4 i 16V									
with activated carbons / ai carboni attivi	BBY	55	75	10/02	>	11/09		23.453.00	31.832.00
with gasoline filter with pressure regulator / con filtro benzina con regolatore di pressione	BBY	55	75	10/02	>	11/09		23.453.00	31.832.00
with gasoline filter without pressure regulator / con filtro benzina senza regolatore di pressione	BBY	55	75	10/02	>	11/09		23.453.00	31.722.00
antibacterial, anti-odour and anti-allergen filter / filtro antibatterico, antiodori e anti-allergeni	BBY	55	75	10/02	>	11/09			34.114.00
1.4 i 16V									
with activated carbons / ai carboni attivi	BBZ	74	101	10/02	>	11/09		23.453.00	31.832.00
with gasoline filter with pressure regulator / con filtro benzina con regolatore di pressione	BBZ	74	101	10/02	>	11/09		23.453.00	31.832.00
with gasoline filter without pressure regulator / con filtro benzina senza regolatore di pressione	BBZ	74	101	10/02	>	11/09		23.453.00	31.722.00
antibacterial, anti-odour and anti-allergen filter / filtro antibatterico, antiodori e anti-allergeni	BBZ	74	101	10/02	>	11/09			34.114.00
1.4 i 16V									
with activated carbons / ai carboni attivi	BXW	63	86	06/06	>	11/09		23.453.00	31.833.00
antibacterial, anti-odour and anti-allergen filter / filtro antibatterico, antiodori e anti-allergeni	BXW	63	86	06/06	>	11/09			34.114.00
1.4 TDI									
with activated carbons / ai carboni attivi	AMF	55	75	02/03	>	11/09		25.023.00	24.428.00
antibacterial, anti-odour and anti-allergen filter / filtro antibatterico, antiodori e anti-allergeni	AMF	55	75	02/03	>	11/09		25.023.00	24.428.00
dusty areas / zone polverose	AMF	55	75	02/03	>	11/09		25.023.00	24.428.00
1.4 TDI									
with activated carbons / ai carboni attivi	BMS/BNV	59	80	06/05	>	11/09		25.023.00	24.437.00
antibacterial, anti-odour and anti-allergen filter / filtro antibatterico, antiodori e anti-allergeni	BMS/BNV	59	80	06/05	>	11/09			34.114.00
dusty areas / zone polverose	BMS/BNV	59	80	06/05	>	11/09		25.023.00	24.437.00
1.4 TDI									
with activated carbons / ai carboni attivi	BNM	51	70	06/05	>	11/09		25.023.00	24.437.00
antibacterial, anti-odour and anti-allergen filter / filtro antibatterico, antiodori e anti-allergeni	BNM	51	70	06/05	>	11/09			34.114.00
dusty areas / zone polverose	BNM	51	70	06/05	>	11/09		25.023.00	24.437.00
1.6 i									
with activated carbon air-conditioner / con climatizzatore, ai carboni attivi	AEH	74	101	06/99	>	12/02		23.436.00	31.722.00
antibacterial, anti-odour and anti-allergen filter with air-conditioner / filtro antibatterico, antiodori e anti-allergeni con climatizzatore	AEH	74	101	06/99	>	12/02			34.263.00

...SEAT - cars/auto

1.6 i	ALM	55	75	06/99	>	12/02	23.453.00	31.722.00	30.038.01	53.006.00
with activated carbon air-conditioner / con climatizzatore, ai carboni attivi	ALM	55	75	06/99	>	12/02				54.263.00
antibacterial, anti-odour and anti-allergen filter with air-conditioner / filtro antibatterico, antiodori e anti-allergeni con climatizzatore	ALM	55	75	06/99	>	12/02				34.263.00
1.6 i 16V	BAH	74	101	04/03	>	11/09	23.453.00	31.832.00	30.124.00	53.031.00
with activated carbons / ai carboni attivi	BAH	74	101	04/03	>	11/09	23.453.00	31.832.00	30.124.00	54.114.00
antibacterial, anti-odour and anti-allergen filter / filtro antibatterico, antiodori e anti-allergeni	BAH	74	101	04/03	>	11/09				34.114.00
1.6 i 16V	BTS	77	105	09/06	>	11/09	25.047.00	31.833.00	30.342.00	53.031.00
with activated carbons / ai carboni attivi	BTS	77	105	09/06	>	11/09	25.047.00	31.833.00	30.342.00	54.114.00
antibacterial, anti-odour and anti-allergen filter / filtro antibatterico, antiodori e anti-allergeni	BTS	77	105	09/06	>	11/09				34.114.00
1.8 T 20V	AQX	114	156	06/99	>	12/02	23.436.00	31.722.00	30.161.00	53.006.00
with activated carbon air-conditioner / con climatizzatore, ai carboni attivi	AQX	114	156	06/99	>	12/02				54.263.00
antibacterial, anti-odour and anti-allergen filter with air-conditioner / filtro antibatterico, antiodori e anti-allergeni con climatizzatore	AQX	114	156	06/99	>	12/02				34.263.00
1.9 SDI	AGP/AQM	50	68	06/99	>	12/02	25.011.00	24.415.00	30.161.00	53.006.00
with activated carbon air-conditioner / con climatizzatore, ai carboni attivi	AGP/AQM	50	68	06/99	>	12/02				54.263.00
antibacterial, anti-odour and anti-allergen filter with air-conditioner / filtro antibatterico, antiodori e anti-allergeni con climatizzatore	AGP/AQM	50	68	06/99	>	12/02				34.263.00
1.9 SDI	ASY	47	64	10/02	>	11/09	25.023.00	24.428.00	30.133.00	53.031.00
with activated carbons / ai carboni attivi	ASY	47	64	10/02	>	11/09	25.023.00	24.428.00	30.133.00	54.114.00
antibacterial, anti-odour and anti-allergen filter / filtro antibatterico, antiodori e anti-allergeni	ASY	47	64	10/02	>	11/09				34.114.00
dusty areas / zone polverose	ASY	47	64	10/02	>	11/09	25.023.00	24.428.00	30.369.00	53.031.00
1.9 TDI	AGR/ALH	66	90	06/99	>	12/02	25.011.00	24.415.00	30.161.00	53.006.00
with activated carbon air-conditioner / con climatizzatore, ai carboni attivi	AGR/ALH	66	90	06/99	>	12/02				54.263.00
antibacterial, anti-odour and anti-allergen filter with air-conditioner / filtro antibatterico, antiodori e anti-allergeni con climatizzatore	AGR/ALH	66	90	06/99	>	12/02				34.263.00
1.9 TDI	ASK/ASV	81	110	06/99	>	12/02	25.011.00	24.415.00	30.161.00	53.006.00
with activated carbon air-conditioner / con climatizzatore, ai carboni attivi	ASK/ASV	81	110	06/99	>	12/02				54.263.00
antibacterial, anti-odour and anti-allergen filter with air-conditioner / filtro antibatterico, antiodori e anti-allergeni con climatizzatore	ASK/ASV	81	110	06/99	>	12/02				34.263.00
1.9 TDI (Euro 3)	ASZ/BLT	96	130	10/02	>	04/05	25.023.00	24.428.00	30.133.00	53.031.00
	ASZ/BLT	96	130	05/05	>	11/09	25.023.00	24.004.00	30.133.00	53.031.00
with activated carbons / ai carboni attivi	ASZ/BLT	96	130	10/02	>	04/05	25.023.00	24.428.00	30.133.00	54.114.00
with activated carbons / ai carboni attivi	ASZ/BLT	96	130	05/05	>	11/09	25.023.00	24.004.00	30.133.00	54.114.00
antibacterial, anti-odour and anti-allergen filter / filtro antibatterico, antiodori e anti-allergeni	ASZ/BLT	96	130	10/02	>	11/09				34.114.00
dusty areas / zone polverose	ASZ/BLT	96	130	10/02	>	04/05	25.023.00	24.428.00	30.369.00	53.031.00
dusty areas / zone polverose	ASZ/BLT	96	130	05/05	>	11/09	25.023.00	24.004.00	30.369.00	53.031.00
1.9 TDI (Euro 3)	ATD/AXR	74	101	10/02	>	04/05	25.023.00	24.428.00	30.133.00	53.031.00
	ATD/AXR	74	101	05/05	>	11/09	25.023.00	24.004.00	30.133.00	53.031.00
with activated carbons / ai carboni attivi	ATD/AXR	74	101	10/02	>	04/05	25.023.00	24.428.00	30.133.00	54.114.00
with activated carbons / ai carboni attivi	ATD/AXR	74	101	05/05	>	11/09	25.023.00	24.004.00	30.133.00	54.114.00
antibacterial, anti-odour and anti-allergen filter / filtro antibatterico, antiodori e anti-allergeni	ATD/AXR	74	101	10/02	>	11/09				34.114.00
dusty areas / zone polverose	ATD/AXR	74	101	10/02	>	04/05	25.023.00	24.428.00	30.369.00	53.031.00
dusty areas / zone polverose	ATD/AXR	74	101	05/05	>	11/09	25.023.00	24.004.00	30.369.00	53.031.00
2.0 i	AZL/BBX	85	116	03/03	>	11/09	23.436.00	31.832.00	30.133.00	53.031.00
with activated carbons / ai carboni attivi	AZL/BBX	85	116	03/03	>	11/09	23.436.00	31.832.00	30.133.00	54.114.00
antibacterial, anti-odour and anti-allergen filter / filtro antibatterico, antiodori e anti-allergeni	AZL/BBX	85	116	03/03	>	11/09				34.114.00
dusty areas / zone polverose	AZL/BBX	85	116	03/03	>	11/09	23.436.00	31.832.00	30.369.00	53.031.00
Cordoba Vario										
1.4 i		44	60	06/99	>	10/02	23.453.00	31.722.00	30.134.00	53.006.00
with activated carbon air-conditioner / con climatizzatore, ai carboni attivi		44	60	06/99	>	10/02				54.263.00
1.4 i	AEX	44	60	05/97	>		23.428.00		30.038.01	53.006.00
to engine No. 908122 / a motore N. 908122										
1.4 i 16V		55	75	06/99	>	10/02	23.453.00	31.722.00	30.124.00	53.006.00
with activated carbon air-conditioner / con climatizzatore, ai carboni attivi		55	75	06/99	>	10/02				54.263.00
antibacterial, anti-odour and anti-allergen filter with air-conditioner / filtro antibatterico, antiodori e anti-allergeni con climatizzatore		55	75	06/99	>	10/02				34.263.00
dusty areas / zone polverose		55	75	06/99	>	10/02	23.453.00	31.722.00	30.184.00	53.006.00
1.4 TDI	BMS/BNV	59	80	06/05	>	06/09	25.023.00	24.437.00	30.133.00	53.031.00
with activated carbons / ai carboni attivi	BMS/BNV	59	80	06/05	>	06/09	25.023.00	24.437.00	30.133.00	54.114.00
antibacterial, anti-odour and anti-allergen filter / filtro antibatterico, antiodori e anti-allergeni	BMS/BNV	59	80	06/05	>	06/09				34.114.00
dusty areas / zone polverose	BMS/BNV	59	80	06/05	>	06/09	25.023.00	24.437.00	30.369.00	53.031.00
1.4 TDI	BNM	51	70	06/05	>	06/09	25.023.00	24.437.00	30.133.00	53.031.00
with activated carbons / ai carboni attivi	BNM	51	70	06/05	>	06/09	25.023.00	24.437.00	30.133.00	54.114.00
antibacterial, anti-odour and anti-allergen filter / filtro antibatterico, antiodori e anti-allergeni	BNM	51	70	06/05	>	06/09				34.114.00
dusty areas / zone polverose	BNM	51	70	06/05	>	06/09	25.023.00	24.437.00	30.369.00	53.031.00
1.6 i 16V		74	101	06/99	>	10/02	23.436.00	31.722.00	30.161.00	53.006.00
with activated carbon air-conditioner / con climatizzatore, ai carboni attivi		74	101	06/99	>	10/02				54.263.00
antibacterial, anti-odour and anti-allergen filter with air-conditioner / filtro antibatterico, antiodori e anti-allergeni con climatizzatore		74	101	06/99	>	10/02				34.263.00
1.9 SDI		50	68	06/99	>	10/02	25.011.00	24.415.00	30.161.00	53.006.00
with activated carbon air-conditioner / con climatizzatore, ai carboni attivi		50	68	06/99	>	10/02				54.263.00
antibacterial, anti-odour and anti-allergen filter with air-conditioner / filtro antibatterico, antiodori e anti-allergeni con climatizzatore		50	68	06/99	>	10/02				34.263.00
1.9 TDI		66	90	06/99	>	10/02	25.011.00	24.415.00	30.161.00	53.006.00

...SEAT - cars/auto

2.0 TDI CR DPF	CAGC	88	120	06/09	>	11/11	25.023.00	31.921.00	30.162.00	53.032.00
with activated carbons / ai carboni attivi	CAGC	88	120	06/09	>	11/11				54.101.00
antibacterial, anti-odour and anti-allergen filter / filtro antibatterico, antiodori e anti-allergeni	CAGC	88	120	06/09	>	11/11				34.101.00
2.0 TDI CR DPF	CAHA	125	170	06/09	>	11/11	25.023.00	31.921.00	30.162.00	53.032.00
with activated carbons / ai carboni attivi	CAHA	125	170	06/09	>	11/11				54.101.00
antibacterial, anti-odour and anti-allergen filter / filtro antibatterico, antiodori e anti-allergeni	CAHA	125	170	06/09	>	11/11				34.101.00
2.0 TSI	BWE	147	200	06/09	>		25.040.00	31.831.00	30.162.00	53.032.00
with activated carbons / ai carboni attivi	BWE	147	200	06/09	>		25.040.00	31.831.00	30.162.00	54.101.00
antibacterial, anti-odour and anti-allergen filter / filtro antibatterico, antiodori e anti-allergeni	BWE	147	200	06/09	>					34.101.00
2.0 TSI	CDND	155	211	05/10	>		23.493.00	31.831.00	30.162.00	53.032.00
with activated carbons / ai carboni attivi	CDND	155	211	05/10	>		23.493.00	31.831.00	30.162.00	54.101.00
antibacterial, anti-odour and anti-allergen filter / filtro antibatterico, antiodori e anti-allergeni	CDND	155	211	05/10	>					34.101.00
Fura										
0.9 (903)				07/83	>		23.169.00	31.001.00	27.728.00	
Ibiza										
1.0 i										
to engine No. 220081 / a motore N. 220081	AER	37	50	07/96	>		23.428.00		30.038.01	53.006.00
1.4 i										
to engine No. 908122 / a motore N. 908122	AEX	44	60	12/95	>		23.428.00		30.038.01	53.006.00
1.4 i Superjingle										
to engine No. 908122 / a motore N. 908122	AEX	44	60	12/95	>		23.428.00		30.038.01	53.006.00
Ibiza III										
1.0 16V	AST/AVZ	51	70	08/99	>	02/02	23.453.00	31.515.00	30.184.00	53.006.00
with activated carbons / ai carboni attivi	AST/AVZ	51	70	08/99	>	02/02				54.263.00
antibacterial, anti-odour and anti-allergen filter / filtro antibatterico, antiodori e anti-allergeni	AST/AVZ	51	70	08/99	>	02/02				34.263.00
1.0 i	ALD, ANV	37	50	08/99	>	02/02	23.453.00	31.722.00	30.134.00	53.006.00
with activated carbons / ai carboni attivi	ALD, ANV	37	50	08/99	>	02/02				54.263.00
antibacterial, anti-odour and anti-allergen filter / filtro antibatterico, antiodori e anti-allergeni	ALD, ANV	37	50	08/99	>	02/02				34.263.00
1.0 i	AUC	37	50	08/99	>	02/02	23.453.00	31.722.00	30.134.00	53.006.00
with activated carbons / ai carboni attivi	AUC	37	50	08/99	>	02/02				54.263.00
antibacterial, anti-odour and anti-allergen filter / filtro antibatterico, antiodori e anti-allergeni	AUC	37	50	08/99	>	02/02				34.263.00
1.4 i	AKK, ANW	44	60	08/99	>	02/02	23.453.00	31.722.00	30.134.00	53.006.00
with activated carbons / ai carboni attivi	AKK, ANW	44	60	08/99	>	02/02				54.263.00
antibacterial, anti-odour and anti-allergen filter / filtro antibatterico, antiodori e anti-allergeni	AKK, ANW	44	60	08/99	>	02/02				34.263.00
1.4 i	AUD	44	60	06/00	>	02/02	23.453.00	31.722.00	30.134.00	53.006.00
with activated carbons / ai carboni attivi	AUD	44	60	06/00	>	02/02				54.263.00
antibacterial, anti-odour and anti-allergen filter / filtro antibatterico, antiodori e anti-allergeni	AUD	44	60	06/00	>	02/02				34.263.00
1.4 i 16V		55	75	08/99	>	02/02	23.453.00	31.722.00	30.124.00	53.006.00
with activated carbons / ai carboni attivi		55	75	08/99	>	02/02				54.263.00
antibacterial, anti-odour and anti-allergen filter / filtro antibatterico, antiodori e anti-allergeni		55	75	08/99	>	02/02				34.263.00
dusty areas / zone polverose		55	75	08/99	>	02/02	23.453.00	31.722.00	30.184.00	53.006.00
1.4 i 16V		74	101	08/99	>	02/02	23.453.00	31.722.00	30.124.00	53.006.00
with activated carbons / ai carboni attivi		74	101	08/99	>	02/02				54.263.00
antibacterial, anti-odour and anti-allergen filter / filtro antibatterico, antiodori e anti-allergeni		74	101	08/99	>	02/02				34.263.00
dusty areas / zone polverose		74	101	08/99	>	02/02	23.453.00	31.722.00	30.184.00	53.006.00
1.6 i		55	75	08/99	>	02/02	23.453.00	31.722.00	30.038.01	53.006.00
with activated carbons / ai carboni attivi		55	75	08/99	>	02/02				54.263.00
antibacterial, anti-odour and anti-allergen filter / filtro antibatterico, antiodori e anti-allergeni		55	75	08/99	>	02/02				34.263.00
1.6 i 16V		74	101	08/99	>	02/02	23.436.00	31.722.00	30.161.00	53.006.00
with activated carbons / ai carboni attivi		74	101	08/99	>	02/02				54.263.00
antibacterial, anti-odour and anti-allergen filter / filtro antibatterico, antiodori e anti-allergeni		74	101	08/99	>	02/02				34.263.00
1.8 T 20V Cupra		114	156	08/99	>	02/02	23.436.00	31.722.00	30.161.00	53.006.00
with activated carbons / ai carboni attivi		114	156	08/99	>	02/02				54.263.00
antibacterial, anti-odour and anti-allergen filter / filtro antibatterico, antiodori e anti-allergeni		114	156	08/99	>	02/02				34.263.00
1.9 SDI		50	68	08/99	>	02/02	25.011.00	24.415.00	30.161.00	53.006.00
with activated carbons / ai carboni attivi		50	68	08/99	>	02/02				54.263.00
antibacterial, anti-odour and anti-allergen filter / filtro antibatterico, antiodori e anti-allergeni		50	68	08/99	>	02/02				34.263.00
1.9 TDI		66	90	08/99	>	02/02	25.011.00	24.415.00	30.161.00	53.006.00
with activated carbons / ai carboni attivi		66	90	08/99	>	02/02				54.263.00
antibacterial, anti-odour and anti-allergen filter / filtro antibatterico, antiodori e anti-allergeni		66	90	08/99	>	02/02				34.263.00
1.9 TDI		81	110	08/99	>	02/02	25.011.00	24.415.00	30.161.00	53.006.00
with activated carbons / ai carboni attivi		81	110	08/99	>	02/02				54.263.00
antibacterial, anti-odour and anti-allergen filter / filtro antibatterico, antiodori e anti-allergeni		81	110	08/99	>	02/02				34.263.00
Ibiza IV										
1.2 i	BBM	44	60	06/07	>	05/08	25.029.00	31.833.00	30.132.00	53.031.00
with activated carbons / ai carboni attivi	BBM	44	60	06/07	>	05/08	25.029.00	31.833.00	30.132.00	54.114.00
antibacterial, anti-odour and anti-allergen filter / filtro antibatterico, antiodori e anti-allergeni	BBM	44	60	06/07	>	05/08				34.114.00

...SEAT - cars/auto

1.2 i 12V										
with activated carbons / ai carboni attivi	AZQ Euro4	47	64	11/01	>	05/08	25.029.00	31.832.00	30.165.00	54.114.00
with gasoline filter with pressure regulator / con filtro benzina con regolatore di pressione	AZQ Euro4	47	64	11/01	>	05/08	25.029.00	31.832.00	30.165.00	53.031.00
with gasoline filter without pressure regulator / con filtro benzina senza regolatore di pressione	AZQ Euro4	47	64	11/01	>	05/08	25.029.00	31.722.00	30.165.00	53.031.00
antibacterial, anti-odour and anti-allergen filter / filtro antibatterico, antiodori e anti-allergeni	AZQ Euro4	47	64	11/01	>	05/08				34.114.00
1.2 i 12V										
with activated carbons / ai carboni attivi	BXV	51	70	06/06	>	05/08	25.029.00	31.833.00	30.165.00	53.031.00
antibacterial, anti-odour and anti-allergen filter / filtro antibatterico, antiodori e anti-allergeni	BXV	51	70	06/06	>	05/08	25.029.00	31.833.00	30.165.00	54.114.00
1.4 i 16V										
with activated carbons / ai carboni attivi	AUB Euro4	74	101	11/01	>	05/08	23.453.00	31.832.00	30.158.00	54.114.00
with gasoline filter with pressure regulator (3 bar) / con filtro benzina con regolatore di pressione (3 bar)	AUB Euro4	74	101	11/01	>	05/08	23.453.00	31.832.00	30.158.00	53.031.00
with gasoline filter without pressure regulator / con filtro benzina senza regolatore di pressione	AUB Euro4	74	101	11/01	>	05/08	23.453.00	31.722.00	30.158.00	53.031.00
antibacterial, anti-odour and anti-allergen filter / filtro antibatterico, antiodori e anti-allergeni	AUB Euro4	74	101	11/01	>	05/08				34.114.00
1.4 i 16V										
with activated carbons / ai carboni attivi	BBY Euro4	55	75	11/01	>	05/08	23.453.00	31.832.00	30.158.00	54.114.00
with gasoline filter with pressure regulator (3 bar) / con filtro benzina con regolatore di pressione (3 bar)	BBY Euro4	55	75	11/01	>	05/08	23.453.00	31.832.00	30.158.00	53.031.00
with gasoline filter without pressure regulator / con filtro benzina senza regolatore di pressione	BBY Euro4	55	75	11/01	>	05/08	23.453.00	31.722.00	30.158.00	53.031.00
antibacterial, anti-odour and anti-allergen filter / filtro antibatterico, antiodori e anti-allergeni	BBY Euro4	55	75	11/01	>	05/08				34.114.00
1.4 i 16V										
with activated carbons / ai carboni attivi	BXW	63	86	05/06	>	05/08	23.453.00	31.832.00	30.342.00	53.031.00
antibacterial, anti-odour and anti-allergen filter / filtro antibatterico, antiodori e anti-allergeni	BXW	63	86	05/06	>	05/08	23.453.00	31.832.00	30.342.00	54.114.00
1.4 TDI										
with activated carbons / ai carboni attivi	BMS/BNV	59	80	06/05	>	05/08	25.023.00	24.437.00	30.133.00	53.031.00
antibacterial, anti-odour and anti-allergen filter / filtro antibatterico, antiodori e anti-allergeni	BMS/BNV	59	80	06/05	>	05/08	25.023.00	24.437.00	30.133.00	54.114.00
dusty areas / zone polverose	BMS/BNV	59	80	06/05	>	05/08	25.023.00	24.437.00	30.369.00	53.031.00
1.4 TDI										
with activated carbons / ai carboni attivi	BNM	51	70	06/05	>	05/08	25.023.00	24.437.00	30.133.00	53.031.00
antibacterial, anti-odour and anti-allergen filter / filtro antibatterico, antiodori e anti-allergeni	BNM	51	70	06/05	>	05/08	25.023.00	24.437.00	30.133.00	54.114.00
dusty areas / zone polverose	BNM	51	70	06/05	>	05/08	25.023.00	24.437.00	30.369.00	53.031.00
1.4 TDI (Euro 3)										
with activated carbons / ai carboni attivi		55	75	02/02	>	05/08	25.023.00	24.428.00	30.133.00	54.114.00
excluding dusty areas / escluso per zone polverose		55	75	02/02	>	05/08	25.023.00	24.428.00	30.133.00	53.031.00
antibacterial, anti-odour and anti-allergen filter / filtro antibatterico, antiodori e anti-allergeni		55	75	02/02	>	05/08				34.114.00
dusty areas / zone polverose		55	75	02/02	>	05/08	25.023.00	24.428.00	30.369.00	53.031.00
1.6 i 16V										
with activated carbons / ai carboni attivi	BAH	74	101	02/03	>	05/08	23.453.00	31.832.00	30.124.00	53.031.00
antibacterial, anti-odour and anti-allergen filter / filtro antibatterico, antiodori e anti-allergeni	BAH	74	101	02/03	>	05/08	23.453.00	31.832.00	30.124.00	54.114.00
1.6 i 16V										
with activated carbons / ai carboni attivi	BTS	77	105	09/06	>	05/08	25.047.00	31.832.00	30.342.00	53.031.00
antibacterial, anti-odour and anti-allergen filter / filtro antibatterico, antiodori e anti-allergeni	BTS	77	105	09/06	>	05/08	25.047.00	31.832.00	30.342.00	54.114.00
1.8 T 20V Cupra										
with activated carbons / ai carboni attivi	BBU/BLZ	132	179	05/04	>	05/08	23.436.00	31.832.00	30.133.00	53.031.00
antibacterial, anti-odour and anti-allergen filter / filtro antibatterico, antiodori e anti-allergeni	BBU/BLZ	132	179	05/04	>	05/08	23.436.00	31.832.00	30.133.00	54.114.00
dusty areas / zone polverose	BBU/BLZ	132	179	05/04	>	05/08	23.436.00	31.832.00	30.369.00	53.031.00
1.8 T 20V FR										
with activated carbons / ai carboni attivi	BJX/BKV	110	150	02/04	>	05/08	23.436.00	31.832.00	30.133.00	53.031.00
antibacterial, anti-odour and anti-allergen filter / filtro antibatterico, antiodori e anti-allergeni	BJX/BKV	110	150	02/04	>	05/08	23.436.00	31.832.00	30.133.00	54.114.00
dusty areas / zone polverose	BJX/BKV	110	150	02/04	>	05/08	23.436.00	31.832.00	30.369.00	53.031.00
1.9 SDI (Euro 3)										
with activated carbons / ai carboni attivi	ASY	47	64	11/01	>	05/08	25.023.00	24.428.00	30.133.00	53.031.00
antibacterial, anti-odour and anti-allergen filter / filtro antibatterico, antiodori e anti-allergeni	ASY	47	64	11/01	>	05/08	25.023.00	24.428.00	30.133.00	54.114.00
dusty areas / zone polverose	ASY	47	64	11/01	>	05/08	25.023.00	24.428.00	30.369.00	53.031.00
1.9 TDI (Euro 3)										
	ASZ/BLT	96	130	11/01	>	04/05	25.023.00	24.428.00	30.133.00	53.031.00
with activated carbons / ai carboni attivi	ASZ/BLT	96	130	05/05	>	05/08	25.023.00	24.004.00	30.133.00	53.031.00
with activated carbons / ai carboni attivi	ASZ/BLT	96	130	11/01	>	04/05	25.023.00	24.428.00	30.133.00	54.114.00
antibacterial, anti-odour and anti-allergen filter / filtro antibatterico, antiodori e anti-allergeni	ASZ/BLT	96	130	05/05	>	05/08	25.023.00	24.004.00	30.133.00	54.114.00
dusty areas / zone polverose	ASZ/BLT	96	130	11/01	>	05/08	25.023.00	24.428.00	30.369.00	34.114.00
dusty areas / zone polverose	ASZ/BLT	96	130	11/01	>	04/05	25.023.00	24.428.00	30.369.00	53.031.00
dusty areas / zone polverose	ASZ/BLT	96	130	05/05	>	05/08	25.023.00	24.004.00	30.369.00	53.031.00
1.9 TDI (Euro 3)										
	ATD/AXR	74	101	11/01	>	04/05	25.023.00	24.428.00	30.133.00	53.031.00
with activated carbons / ai carboni attivi	ATD/AXR	74	101	05/05	>	05/08	25.023.00	24.004.00	30.133.00	53.031.00
with activated carbons / ai carboni attivi	ATD/AXR	74	101	11/01	>	04/05	25.023.00	24.428.00	30.133.00	54.114.00
antibacterial, anti-odour and anti-allergen filter / filtro antibatterico, antiodori e anti-allergeni	ATD/AXR	74	101	05/05	>	05/08	25.023.00	24.004.00	30.133.00	54.114.00
dusty areas / zone polverose	ATD/AXR	74	101	11/01	>	05/08	25.023.00	24.428.00	30.369.00	34.114.00
dusty areas / zone polverose	ATD/AXR	74	101	11/01	>	04/05	25.023.00	24.428.00	30.369.00	53.031.00
dusty areas / zone polverose	ATD/AXR	74	101	05/05	>	05/08	25.023.00	24.004.00	30.369.00	53.031.00
1.9 TDI Cupra										
	BPX/BUK	118	160	05/04	>	04/05	25.023.00	24.428.00	30.133.00	53.031.00

...SEAT - cars/auto

	BPX/BUK	118	160	05/05 >	05/08	25.023.00	24.004.00	30.133.00	53.031.00
with activated carbons / ai carboni attivi	BPX/BUK	118	160	05/04 >	04/05	25.023.00	24.428.00	30.133.00	54.114.00
with activated carbons / ai carboni attivi	BPX/BUK	118	160	05/05 >	05/08	25.023.00	24.004.00	30.133.00	54.114.00
antibacterial, anti-odour and anti-allergen filter / filtro antibatterico, antiodori e anti-allergeni	BPX/BUK	118	160	05/04 >	05/08				34.114.00
dusty areas / zone polverose	BPX/BUK	118	160	05/04 >	04/05	25.023.00	24.428.00	30.369.00	53.031.00
dusty areas / zone polverose	BPX/BUK	118	160	05/05 >	05/08	25.023.00	24.004.00	30.369.00	53.031.00
1.9 TDI Cupra R	ARL	110	150	01/04 >	04/05	25.023.00	24.428.00	30.133.00	53.031.00
	ARL	110	150	05/05 >	05/08	25.023.00	24.004.00	30.133.00	53.031.00
with activated carbons / ai carboni attivi	ARL	110	150	01/04 >	04/05	25.023.00	24.428.00	30.133.00	54.114.00
with activated carbons / ai carboni attivi	ARL	110	150	05/05 >	05/08	25.023.00	24.004.00	30.133.00	54.114.00
antibacterial, anti-odour and anti-allergen filter / filtro antibatterico, antiodori e anti-allergeni	ARL	110	150	01/04 >	05/08				34.114.00
dusty areas / zone polverose	ARL	110	150	01/04 >	04/05	25.023.00	24.428.00	30.369.00	53.031.00
dusty areas / zone polverose	ARL	110	150	05/05 >	05/08	25.023.00	24.004.00	30.369.00	53.031.00
2.0 i	AZL/BBX	85	116	05/03 >	05/08	23.436.00	31.832.00	30.133.00	53.031.00
with activated carbons / ai carboni attivi	AZL/BBX	85	116	05/03 >	05/08	23.436.00	31.832.00	30.133.00	54.114.00
antibacterial, anti-odour and anti-allergen filter / filtro antibatterico, antiodori e anti-allergeni	AZL/BBX	85	116	05/03 >	05/08				34.114.00
dusty areas / zone polverose	AZL/BBX	85	116	05/03 >	05/08	23.436.00	31.832.00	30.369.00	53.031.00
Ibiza V (6J)									
1.0	CHYB	55	75	05/15 >		23.575.00	31.833.00	30.589.00	53.190.00
with activated carbons / ai carboni attivi	CHYB	55	75	05/15 >					54.199.00
antibacterial, anti-odour and anti-allergen filter / filtro antibatterico, antiodori e anti-allergeni	CHYB	55	75	05/15 >					34.199.00
1.0 TFSI	CHZB	70	95	05/15 >		23.575.00	31.840.00	30.A51.00	53.190.00
with activated carbons / ai carboni attivi	CHZB	70	95	05/15 >					54.199.00
antibacterial, anti-odour and anti-allergen filter / filtro antibatterico, antiodori e anti-allergeni	CHZB	70	95	05/15 >					34.199.00
1.0 TFSI	CHZC	81	110	05/15 >		23.575.00	31.840.00	30.A51.00	53.190.00
with activated carbons / ai carboni attivi	CHZC	81	110	05/15 >					54.199.00
antibacterial, anti-odour and anti-allergen filter / filtro antibatterico, antiodori e anti-allergeni	CHZC	81	110	05/15 >					34.199.00
1.2 12V	BZG	51	70	05/08 >	09/10	25.029.00	31.833.00	30.132.00	53.031.00
	BZG	51	70	10/10 >	05/11	25.029.00	31.833.00	30.132.00	53.190.00
with activated carbons / ai carboni attivi	BZG	51	70	05/08 >	09/10				54.114.00
with activated carbons / ai carboni attivi	BZG	51	70	10/10 >	05/11				54.199.00
antibacterial, anti-odour and anti-allergen filter / filtro antibatterico, antiodori e anti-allergeni	BZG	51	70	05/08 >	09/10				34.114.00
antibacterial, anti-odour and anti-allergen filter / filtro antibatterico, antiodori e anti-allergeni	BZG	51	70	10/10 >	05/11				34.199.00
1.2 12V	CGPA	51	70	03/09 >	09/10	25.029.00	31.833.00	30.132.00	53.031.00
	CGPA	51	70	10/10 >		25.029.00	31.833.00	30.132.00	53.190.00
with activated carbons / ai carboni attivi	CGPA	51	70	03/09 >	09/10				54.114.00
with activated carbons / ai carboni attivi	CGPA	51	70	10/10 >					54.199.00
antibacterial, anti-odour and anti-allergen filter / filtro antibatterico, antiodori e anti-allergeni	CGPA	51	70	03/09 >	09/10				34.114.00
antibacterial, anti-odour and anti-allergen filter / filtro antibatterico, antiodori e anti-allergeni	CGPA	51	70	10/10 >					34.199.00
1.2 12V	CGPB	44	60	06/09 >	09/10	25.029.00	31.833.00	30.132.00	53.031.00
	CGPB	44	60	10/10 >		25.029.00	31.833.00	30.132.00	53.190.00
with activated carbons / ai carboni attivi	CGPB	44	60	06/09 >	09/10				54.114.00
with activated carbons / ai carboni attivi	CGPB	44	60	10/10 >					54.199.00
antibacterial, anti-odour and anti-allergen filter / filtro antibatterico, antiodori e anti-allergeni	CGPB	44	60	06/09 >	09/10				34.114.00
antibacterial, anti-odour and anti-allergen filter / filtro antibatterico, antiodori e anti-allergeni	CGPB	44	60	10/10 >					34.199.00
1.2 12V	CHFA	44	60	06/09 >	09/10	25.029.00	31.833.00	30.132.00	53.031.00
	CHFA	44	60	10/10 >		25.029.00	31.833.00	30.132.00	53.190.00
with activated carbons / ai carboni attivi	CHFA	44	60	06/09 >	09/10				54.114.00
with activated carbons / ai carboni attivi	CHFA	44	60	10/10 >					54.199.00
antibacterial, anti-odour and anti-allergen filter / filtro antibatterico, antiodori e anti-allergeni	CHFA	44	60	06/09 >	09/10				34.114.00
antibacterial, anti-odour and anti-allergen filter / filtro antibatterico, antiodori e anti-allergeni	CHFA	44	60	10/10 >					34.199.00
1.2 12V	CJLB	51	70	02/12 >		25.029.00	31.833.00	30.132.00	53.190.00
with activated carbons / ai carboni attivi	CJLB	51	70	02/12 >					54.199.00
antibacterial, anti-odour and anti-allergen filter / filtro antibatterico, antiodori e anti-allergeni	CJLB	51	70	02/12 >					34.199.00
1.2 TDI CR	CFWA	55	75	04/10 >	09/10	25.115.00	24.106.00	27.621.00	53.031.00
	CFWA	55	75	10/10 >		25.115.00	24.106.00	27.621.00	53.190.00
with activated carbons / ai carboni attivi	CFWA	55	75	04/10 >	09/10				54.114.00
with activated carbons / ai carboni attivi	CFWA	55	75	10/10 >					54.199.00
antibacterial, anti-odour and anti-allergen filter / filtro antibatterico, antiodori e anti-allergeni	CFWA	55	75	04/10 >	09/10				34.114.00
antibacterial, anti-odour and anti-allergen filter / filtro antibatterico, antiodori e anti-allergeni	CFWA	55	75	10/10 >					34.199.00
prefilter / prefiltrato	CFWA	55	75	04/10 >	11/12		31.845.00		
1.2 TSI	CBZA	63	86	08/12 >		23.573.00	31.840.00	27.621.00	53.190.00
with activated carbons / ai carboni attivi	CBZA	63	86	08/12 >					54.199.00
antibacterial, anti-odour and anti-allergen filter / filtro antibatterico, antiodori e anti-allergeni	CBZA	63	86	08/12 >					34.199.00
1.2 TSI	CBZB	77	105	06/10 >	09/10	23.573.00	31.840.00	27.621.00	53.031.00
	CBZB	77	105	10/10 >		23.573.00	31.840.00	27.621.00	53.190.00
with activated carbons / ai carboni attivi	CBZB	77	105	06/10 >	09/10				54.114.00

...SEAT - cars/auto

with activated carbons / ai carboni attivi	CBZB	77	105	10/10	>				54.199.00
antibacterial, anti-odour and anti-allergen filter / filtro antibatterico, antiodori e anti-allergeni	CBZB	77	105	06/10	> 09/10				34.114.00
antibacterial, anti-odour and anti-allergen filter / filtro antibatterico, antiodori e anti-allergeni	CBZB	77	105	10/10	>				34.199.00
1.2 TSI	CJZC	66	90	05/15	>	23.575.00	31.840.00	30.549.00	53.190.00
with activated carbons / ai carboni attivi	CJZC	66	90	05/15	>				54.199.00
antibacterial, anti-odour and anti-allergen filter / filtro antibatterico, antiodori e anti-allergeni	CJZC	66	90	05/15	>				34.199.00
1.2 TSI	CJZD	81	110	09/15	>	23.575.00	31.840.00		53.190.00
with activated carbons / ai carboni attivi	CJZD	81	110	09/15	>				54.199.00
antibacterial, anti-odour and anti-allergen filter / filtro antibatterico, antiodori e anti-allergeni	CJZD	81	110	09/15	>				34.199.00
1.4 16V	BXW	63	86	05/08	> 09/10	23.453.00	31.833.00	30.342.00	53.031.00
with activated carbons / ai carboni attivi	BXW	63	86	10/10	> 05/11	23.453.00	31.833.00	30.342.00	53.190.00
with activated carbons / ai carboni attivi	BXW	63	86	05/08	> 09/10				54.114.00
with activated carbons / ai carboni attivi	BXW	63	86	10/10	> 05/11				54.199.00
antibacterial, anti-odour and anti-allergen filter / filtro antibatterico, antiodori e anti-allergeni	BXW	63	86	05/08	> 09/10				34.114.00
antibacterial, anti-odour and anti-allergen filter / filtro antibatterico, antiodori e anti-allergeni	BXW	63	86	10/10	> 05/11				34.199.00
1.4 16V	CGGB	63	86	06/09	> 09/10	23.453.00	31.833.00	30.342.00	53.031.00
with activated carbons / ai carboni attivi	CGGB	63	86	10/10	>	23.453.00	31.833.00	30.342.00	53.190.00
with activated carbons / ai carboni attivi	CGGB	63	86	06/09	> 09/10				54.114.00
with activated carbons / ai carboni attivi	CGGB	63	86	10/10	>	23.453.00	31.833.00	30.342.00	54.199.00
antibacterial, anti-odour and anti-allergen filter / filtro antibatterico, antiodori e anti-allergeni	CGGB	63	86	06/09	> 09/10				34.114.00
antibacterial, anti-odour and anti-allergen filter / filtro antibatterico, antiodori e anti-allergeni	CGGB	63	86	10/10	>				34.199.00
1.4 16V Dual GPL		63	86	05/08	> 09/10	23.453.00	31.833.00	30.342.00	53.031.00
with activated carbons / ai carboni attivi		63	86	10/10	>	23.453.00	31.833.00	30.342.00	53.190.00
with activated carbons / ai carboni attivi		63	86	05/08	> 09/10				54.114.00
with activated carbons / ai carboni attivi		63	86	10/10	>				54.199.00
antibacterial, anti-odour and anti-allergen filter / filtro antibatterico, antiodori e anti-allergeni		63	86	05/08	> 09/10				34.114.00
antibacterial, anti-odour and anti-allergen filter / filtro antibatterico, antiodori e anti-allergeni		63	86	10/10	>				34.199.00
assembly LANDI Omegas Plus / montaggio LANDI Omegas Plus		63	86	05/08	>		31.836.00		
1.4 TDI	CUSA	55	75	07/15	>	23.717.00	24.106.00	30.692.00	53.190.00
with activated carbons / ai carboni attivi	CUSA	55	75	07/15	>				54.199.00
antibacterial, anti-odour and anti-allergen filter / filtro antibatterico, antiodori e anti-allergeni	CUSA	55	75	07/15	>				34.199.00
1.4 TDI	CUSB	66	90	05/15	>	23.717.00	24.106.00	30.692.00	53.190.00
with activated carbons / ai carboni attivi	CUSB	66	90	05/15	>				54.199.00
antibacterial, anti-odour and anti-allergen filter / filtro antibatterico, antiodori e anti-allergeni	CUSB	66	90	05/15	>				34.199.00
1.4 TDI	CUTA	77	105	05/15	>	23.717.00	24.106.00	30.692.00	53.190.00
with activated carbons / ai carboni attivi	CUTA	77	105	05/15	>				54.199.00
antibacterial, anti-odour and anti-allergen filter / filtro antibatterico, antiodori e anti-allergeni	CUTA	77	105	05/15	>				34.199.00
1.4 TDI DPF	BMS	59	80	07/08	> 07/10	25.023.00	24.437.00	30.133.00	53.031.00
with activated carbons / ai carboni attivi	BMS	59	80	07/08	> 07/10				54.114.00
antibacterial, anti-odour and anti-allergen filter / filtro antibatterico, antiodori e anti-allergeni	BMS	59	80	07/08	> 07/10				34.114.00
dusty areas / zone polverose	BMS	59	80	07/08	> 07/10			30.369.00	
1.4 TSI	CNUB/CTHF/CTJB	110	150	05/11	>	23.573.00	31.840.00	27.621.00	53.190.00
with activated carbons / ai carboni attivi	CNUB/CTHF/CTJB	110	150	05/11	>				54.199.00
antibacterial, anti-odour and anti-allergen filter / filtro antibatterico, antiodori e anti-allergeni	CNUB/CTHF/CTJB	110	150	05/11	>				34.199.00
1.4 TSI	CPTA	103	140	10/13	>	23.573.00	31.840.00	30.549.00	53.190.00
with activated carbons / ai carboni attivi	CPTA	103	140	10/13	>				54.199.00
antibacterial, anti-odour and anti-allergen filter / filtro antibatterico, antiodori e anti-allergeni	CPTA	103	140	10/13	>				34.199.00
1.4 TSI	CZEA	110	150	11/15	>	23.575.00	31.840.00	30.549.00	53.190.00
with activated carbons / ai carboni attivi	CZEA	110	150	11/15	>				54.199.00
antibacterial, anti-odour and anti-allergen filter / filtro antibatterico, antiodori e anti-allergeni	CZEA	110	150	11/15	>				34.199.00
1.4 TSI Cupra	CAVE/CTHE/CTJC	132	180	06/09	> 05/10	23.494.00	31.840.00	27.621.00	53.031.00
with activated carbons / ai carboni attivi	CAVE/CTHE/CTJC	132	180	06/10	> 09/10	23.573.00	31.840.00	27.621.00	53.031.00
with activated carbons / ai carboni attivi	CAVE/CTHE/CTJC	132	180	10/10	> 05/11	23.573.00	31.840.00	27.621.00	53.190.00
with activated carbons / ai carboni attivi	CAVE/CTHE/CTJC	132	180	06/09	> 09/10				54.114.00
with activated carbons / ai carboni attivi	CAVE/CTHE/CTJC	132	180	10/10	> 05/11				54.199.00
antibacterial, anti-odour and anti-allergen filter / filtro antibatterico, antiodori e anti-allergeni	CAVE/CTHE/CTJC	132	180	06/09	> 09/10				34.114.00
antibacterial, anti-odour and anti-allergen filter / filtro antibatterico, antiodori e anti-allergeni	CAVE/CTHE/CTJC	132	180	10/10	> 05/11				34.199.00
1.4 TSI FR Biturbo	CAVF	110	150	06/09	> 05/10	23.494.00	31.840.00	27.621.00	53.031.00
with activated carbons / ai carboni attivi	CAVF	110	150	06/10	> 09/10	23.573.00	31.840.00	27.621.00	53.031.00
with activated carbons / ai carboni attivi	CAVF	110	150	10/10	> 05/11	23.573.00	31.840.00	27.621.00	53.190.00
with activated carbons / ai carboni attivi	CAVF	110	150	06/09	> 09/10				54.114.00
with activated carbons / ai carboni attivi	CAVF	110	150	10/10	> 05/11				54.199.00
antibacterial, anti-odour and anti-allergen filter / filtro antibatterico, antiodori e anti-allergeni	CAVF	110	150	06/09	> 09/10				34.114.00
antibacterial, anti-odour and anti-allergen filter / filtro antibatterico, antiodori e anti-allergeni	CAVF	110	150	10/10	> 05/11				34.199.00
1.6 16V	BTS	77	105	05/08	> 09/10	25.047.00	31.833.00	30.342.00	53.031.00
with activated carbons / ai carboni attivi	BTS	77	105	10/10	> 05/11	25.047.00	31.833.00	30.342.00	53.190.00
with activated carbons / ai carboni attivi	BTS	77	105	05/08	> 09/10				54.114.00

...SEAT - cars/auto

with activated carbons / ai carboni attivi	BTS	77	105	10/10	>	05/11				54.199.00
antibacterial, anti-odour and anti-allergen filter / filtro antibatterico, antiodori e anti-allergeni	BTS	77	105	05/08	>	09/10				34.114.00
antibacterial, anti-odour and anti-allergen filter / filtro antibatterico, antiodori e anti-allergeni	BTS	77	105	10/10	>	05/11				34.199.00
1.6 BiFuel GPL/LPG	CNKA	60	82	05/11	>		23.573.00	31.833.00	30.342.00	53.190.00
with activated carbons / ai carboni attivi	CNKA	60	82	05/11	>					54.199.00
antibacterial, anti-odour and anti-allergen filter / filtro antibatterico, antiodori e anti-allergeni	CNKA	60	82	05/11	>					34.199.00
1.6 MPI	CWVA	81	110	05/15	>		23.575.00	31.833.00	30.713.00	53.190.00
with activated carbons / ai carboni attivi	CWVA	81	110	05/15	>					54.199.00
antibacterial, anti-odour and anti-allergen filter / filtro antibatterico, antiodori e anti-allergeni	CWVA	81	110	05/15	>					34.199.00
1.6 MPI	CWVB	66	90	05/15	>		23.575.00	31.833.00	30.713.00	53.190.00
with activated carbons / ai carboni attivi	CWVB	66	90	05/15	>					54.199.00
antibacterial, anti-odour and anti-allergen filter / filtro antibatterico, antiodori e anti-allergeni	CWVB	66	90	05/15	>					34.199.00
1.6 TDI CR DPF	CAYA	55	75	05/10	>	09/10	25.106.00	24.437.00	27.621.00	53.031.00
	CAYA	55	75	10/10	>		25.106.00	24.437.00	27.621.00	53.190.00
with activated carbons / ai carboni attivi	CAYA	55	75	05/10	>	09/10				54.114.00
with activated carbons / ai carboni attivi	CAYA	55	75	10/10	>					54.199.00
antibacterial, anti-odour and anti-allergen filter / filtro antibatterico, antiodori e anti-allergeni	CAYA	55	75	05/10	>	09/10				34.114.00
1.6 TDI CR DPF	CAYB	66	90	05/09	>	09/10	25.106.00	24.437.00	27.621.00	53.031.00
	CAYB	66	90	10/10	>	05/11	25.106.00	24.437.00	27.621.00	53.190.00
with activated carbons / ai carboni attivi	CAYB	66	90	05/09	>	09/10				54.114.00
with activated carbons / ai carboni attivi	CAYB	66	90	10/10	>	05/11				54.199.00
antibacterial, anti-odour and anti-allergen filter / filtro antibatterico, antiodori e anti-allergeni	CAYB	66	90	05/09	>	09/10				34.114.00
antibacterial, anti-odour and anti-allergen filter / filtro antibatterico, antiodori e anti-allergeni	CAYB	66	90	10/10	>	05/11				34.199.00
1.6 TDI CR DPF	CAYC	77	105	05/09	>	09/10	25.106.00	24.437.00	27.621.00	53.031.00
	CAYC	77	105	10/10	>	05/11	25.106.00	24.437.00	27.621.00	53.190.00
with activated carbons / ai carboni attivi	CAYC	77	105	05/09	>	09/10				54.114.00
with activated carbons / ai carboni attivi	CAYC	77	105	10/10	>	05/11				54.199.00
antibacterial, anti-odour and anti-allergen filter / filtro antibatterico, antiodori e anti-allergeni	CAYC	77	105	05/09	>	09/10				34.114.00
antibacterial, anti-odour and anti-allergen filter / filtro antibatterico, antiodori e anti-allergeni	CAYC	77	105	10/10	>	05/11				34.199.00
1.6 TDI CR DPF	CLNA	77	105	05/09	>	09/10	25.106.00	24.437.00	27.621.00	53.031.00
	CLNA	77	105	10/10	>	05/11	25.106.00	24.437.00	27.621.00	53.190.00
with activated carbons / ai carboni attivi	CLNA	77	105	05/09	>	09/10				54.114.00
with activated carbons / ai carboni attivi	CLNA	77	105	10/10	>	05/11				54.199.00
antibacterial, anti-odour and anti-allergen filter / filtro antibatterico, antiodori e anti-allergeni	CLNA	77	105	05/09	>	09/10				34.114.00
antibacterial, anti-odour and anti-allergen filter / filtro antibatterico, antiodori e anti-allergeni	CLNA	77	105	10/10	>	05/11				34.199.00
1.8 TSI Cupra	DAJA	141	192	11/15	>		25.153.00	31.840.00		53.190.00
with activated carbons / ai carboni attivi	DAJA	141	192	11/15	>					54.199.00
antibacterial, anti-odour and anti-allergen filter / filtro antibatterico, antiodori e anti-allergeni	DAJA	141	192	11/15	>					34.199.00
1.9 TDI	BLS	77	105	05/08	>	07/10	25.023.00	24.437.00	30.133.00	53.031.00
with activated carbons / ai carboni attivi	BLS	77	105	05/08	>	07/10				54.114.00
antibacterial, anti-odour and anti-allergen filter / filtro antibatterico, antiodori e anti-allergeni	BLS	77	105	05/08	>	07/10				34.114.00
dusty areas / zone polverose	BLS	77	105	05/08	>	07/10			30.369.00	
1.9 TDI DPF	BLS	77	105	05/08	>	07/10	25.023.00	24.437.00	30.133.00	53.031.00
with activated carbons / ai carboni attivi	BLS	77	105	05/08	>	07/10				54.114.00
antibacterial, anti-odour and anti-allergen filter / filtro antibatterico, antiodori e anti-allergeni	BLS	77	105	05/08	>	07/10				34.114.00
dusty areas / zone polverose	BLS	77	105	05/08	>	07/10			30.369.00	
1.9 TDI DPF	BXJ	66	90	07/08	>	07/10	25.023.00	24.437.00	30.133.00	53.031.00
with activated carbons / ai carboni attivi	BXJ	66	90	07/08	>	07/10				54.114.00
antibacterial, anti-odour and anti-allergen filter / filtro antibatterico, antiodori e anti-allergeni	BXJ	66	90	07/08	>	07/10				34.114.00
dusty areas / zone polverose	BXJ	66	90	07/08	>	07/10			30.369.00	
2.0	CEKA	85	115	05/08	>	09/10	23.436.00	31.833.00	30.133.00	53.031.00
	CEKA	85	115	10/10	>	05/11	23.436.00	31.833.00	30.133.00	53.190.00
with activated carbons / ai carboni attivi	CEKA	85	115	05/08	>	09/10				54.114.00
with activated carbons / ai carboni attivi	CEKA	85	115	10/10	>	05/11				54.199.00
antibacterial, anti-odour and anti-allergen filter / filtro antibatterico, antiodori e anti-allergeni	CEKA	85	115	05/08	>	09/10				34.114.00
antibacterial, anti-odour and anti-allergen filter / filtro antibatterico, antiodori e anti-allergeni	CEKA	85	115	10/10	>	05/11				34.199.00
dusty areas / zone polverose	CEKA	85	115	05/08	>	05/11			30.369.00	
2.0 TDI CR	CFHD	105	143	01/10	>	09/10				53.031.00
	CFHD	105	143	10/10	>	05/11				53.190.00
with activated carbons / ai carboni attivi	CFHD	105	143	01/10	>	09/10	25.106.00	24.016.00	30.355.00	54.114.00
with activated carbons / ai carboni attivi	CFHD	105	143	10/10	>	05/11	25.106.00	24.016.00	30.355.00	54.199.00
antibacterial, anti-odour and anti-allergen filter / filtro antibatterico, antiodori e anti-allergeni	CFHD	105	143	01/10	>	09/10				34.114.00
antibacterial, anti-odour and anti-allergen filter / filtro antibatterico, antiodori e anti-allergeni	CFHD	105	143	10/10	>	05/11				34.199.00
dusty areas / zone polverose	CFHD	105	143	01/10	>	05/11			30.356.00	
Ibiza VI (KJ)										
1.0 EcoTSI	CHZJ	85	116	05/17	>		23.575.00		30.A51.00	
with automatic air-conditioner / con climatizzatore automatico	CHZJ	85	116	05/17	>					54.314.00

...SEAT - cars/auto

antibacterial, anti-odour and anti-allergen filter with automatic air-conditioner / filtro antibatterico, antiodori e anti-allergeni con climatizzatore automatico	CHZJ	85	116	05/17	>				34.314.00
1.0 EcoTSI	CHZL	70	95	05/17	>	23.575.00		30.A51.00	
with automatic air-conditioner / con climatizzatore automatico	CHZL	70	95	05/17	>				54.314.00
antibacterial, anti-odour and anti-allergen filter with automatic air-conditioner / filtro antibatterico, antiodori e anti-allergeni con climatizzatore automatico	CHZL	70	95	05/17	>				34.314.00
1.0 MPI	CHYB	55	75	05/17	>	23.575.00		30.A42.00	
with automatic air-conditioner / con climatizzatore automatico	CHYB	55	75	05/17	>				54.314.00
antibacterial, anti-odour and anti-allergen filter with automatic air-conditioner / filtro antibatterico, antiodori e anti-allergeni con climatizzatore automatico	CHYB	55	75	05/17	>				34.314.00
1.0 MPI	CHYC	48	65	07/17	>	23.575.00		30.A42.00	
with automatic air-conditioner / con climatizzatore automatico	CHYC	48	65	07/17	>				54.314.00
antibacterial, anti-odour and anti-allergen filter with automatic air-conditioner / filtro antibatterico, antiodori e anti-allergeni con climatizzatore automatico	CHYC	48	65	07/17	>				34.314.00
1.0 MPI	DFNA	59	80	09/18	>	23.575.00		30.A45.00	
with automatic air-conditioner / con climatizzatore automatico	DFNA	59	80	09/18	>				54.314.00
antibacterial, anti-odour and anti-allergen filter with automatic air-conditioner / filtro antibatterico, antiodori e anti-allergeni con climatizzatore automatico	DFNA	59	80	09/18	>				34.314.00
1.0 MPI	DFNB	48	65	07/18	>	23.575.00		30.A45.00	
with automatic air-conditioner / con climatizzatore automatico	DFNB	48	65	07/18	>				54.314.00
antibacterial, anti-odour and anti-allergen filter with automatic air-conditioner / filtro antibatterico, antiodori e anti-allergeni con climatizzatore automatico	DFNB	48	65	07/18	>				34.314.00
1.0 TGI CNG	DBYA	66	90	11/17	>	23.575.00		30.A51.00	
with automatic air-conditioner / con climatizzatore automatico	DBYA	66	90	11/17	>				54.314.00
antibacterial, anti-odour and anti-allergen filter with automatic air-conditioner / filtro antibatterico, antiodori e anti-allergeni con climatizzatore automatico	DBYA	66	90	11/17	>				34.314.00
1.0 TSi 110									
with activated carbons / ai carboni attivi	DLAA	81	110	08/20	>				54.314.00
antibacterial, anti-odour and anti-allergen filter with automatic air-conditioner / filtro antibatterico, antiodori e anti-allergeni con climatizzatore automatico	DLAA	81	110	08/20	>				34.314.00
1.0 TSi 115	DKJA	85	116	01/17	>	23.575.00		30.A51.00	
with automatic air-conditioner / con climatizzatore automatico	DKJA	85	116	01/17	>				54.314.00
antibacterial, anti-odour and anti-allergen filter with automatic air-conditioner / filtro antibatterico, antiodori e anti-allergeni con climatizzatore automatico	DKJA	85	116	01/17	>				34.314.00
1.0 TSi 115	DKRF	85	116	07/18	>	23.575.00		30.A51.00	
with automatic air-conditioner / con climatizzatore automatico	DKRF	85	116	07/18	>				54.314.00
antibacterial, anti-odour and anti-allergen filter with automatic air-conditioner / filtro antibatterico, antiodori e anti-allergeni con climatizzatore automatico	DKRF	85	116	07/18	>				34.314.00
1.0 TSi 95	DKLA	70	95	07/18	>	23.575.00		30.A51.00	
with automatic air-conditioner / con climatizzatore automatico	DKLA	70	95	07/18	>				54.314.00
antibacterial, anti-odour and anti-allergen filter with automatic air-conditioner / filtro antibatterico, antiodori e anti-allergeni con climatizzatore automatico	DKLA	70	95	07/18	>				34.314.00
1.5 TSi	DADA	110	150	05/17	>	23.575.00		30.A45.00	
with automatic air-conditioner / con climatizzatore automatico	DADA	110	150	05/17	>				54.314.00
antibacterial, anti-odour and anti-allergen filter with automatic air-conditioner / filtro antibatterico, antiodori e anti-allergeni con climatizzatore automatico	DADA	110	150	05/17	>				34.314.00
1.6 MPI	CWVA	81	110	05/17	>	23.575.00		30.713.00	
with automatic air-conditioner / con climatizzatore automatico	CWVA	81	110	05/17	>				54.314.00
antibacterial, anti-odour and anti-allergen filter with automatic air-conditioner / filtro antibatterico, antiodori e anti-allergeni con climatizzatore automatico	CWVA	81	110	05/17	>				34.314.00
1.6 MPI	CWVB	66	90	09/17	>	23.575.00		30.713.00	
with automatic air-conditioner / con climatizzatore automatico	CWVB	66	90	09/17	>				54.314.00
antibacterial, anti-odour and anti-allergen filter with automatic air-conditioner / filtro antibatterico, antiodori e anti-allergeni con climatizzatore automatico	CWVB	66	90	09/17	>				34.314.00
1.6 TDI	DGTA	85	115	12/17	>	25.144.00	26.038.00	30.532.00	
with automatic air-conditioner / con climatizzatore automatico	DGTA	85	115	12/17	>				54.314.00
antibacterial, anti-odour and anti-allergen filter with automatic air-conditioner / filtro antibatterico, antiodori e anti-allergeni con climatizzatore automatico	DGTA	85	115	12/17	>				34.314.00
1.6 TDI	DGTC	59	80	11/17	>	25.144.00	26.038.00	30.532.00	
with automatic air-conditioner / con climatizzatore automatico	DGTC	59	80	11/17	>				54.314.00
antibacterial, anti-odour and anti-allergen filter with automatic air-conditioner / filtro antibatterico, antiodori e anti-allergeni con climatizzatore automatico	DGTC	59	80	11/17	>				34.314.00
1.6 TDI	DGTD	70	95	09/17	>	25.144.00	26.038.00	30.532.00	
with automatic air-conditioner / con climatizzatore automatico	DGTD	70	95	09/17	>				54.314.00
antibacterial, anti-odour and anti-allergen filter with automatic air-conditioner / filtro antibatterico, antiodori e anti-allergeni con climatizzatore automatico	DGTD	70	95	09/17	>				34.314.00
Leon I									
1.4 i 16V	AHW/APE	55	75	11/99	> 10/05	23.453.00	31.718.00	30.124.00	53.006.00
with activated carbons / ai carboni attivi	AHW/APE	55	75	11/99	> 10/05				54.263.00
antibacterial, anti-odour and anti-allergen filter / filtro antibatterico, antiodori e anti-allergeni	AHW/APE	55	75	11/99	> 10/05				34.263.00
dusty areas / zone polverose	AHW/APE	55	75	11/99	> 10/05	23.453.00	31.718.00	30.184.00	53.006.00
1.6 i	AEH/AKL/APF	74	101	11/99	> 10/05	23.436.00	31.718.00	30.077.00	53.006.00
with activated carbons / ai carboni attivi	AEH/AKL/APF	74	101	11/99	> 10/05				54.263.00
antibacterial, anti-odour and anti-allergen filter / filtro antibatterico, antiodori e anti-allergeni	AEH/AKL/APF	74	101	11/99	> 10/05				34.263.00
for cold countries / per paesi freddi	AEH/AKL/APF	74	101	11/99	> 10/05	23.436.00	31.718.00	30.364.00	53.006.00
1.6 i 16V	ATN/AUS/AZD/BCB	77	105	09/00	> 04/01	23.453.00	31.718.00	30.124.00	53.006.00
	ATN/AUS/AZD/BCB	77	105	05/01	> 10/05	23.453.00	31.718.00	30.158.00	53.006.00
with activated carbons / ai carboni attivi	ATN/AUS/AZD/BCB	77	105	09/00	> 10/05				54.263.00
antibacterial, anti-odour and anti-allergen filter / filtro antibatterico, antiodori e anti-allergeni	ATN/AUS/AZD/BCB	77	105	09/00	> 10/05				34.263.00
dusty areas / zone polverose	ATN/AUS/AZD/BCB	77	105	09/00	> 04/01	23.453.00	31.718.00	30.184.00	53.006.00
1.6 i Auto.	AEH/AKL/APF	74	101	11/99	> 10/05	23.436.00	31.718.00	30.077.00	53.006.00
with activated carbons / ai carboni attivi	AEH/AKL/APF	74	101	11/99	> 10/05				54.263.00
antibacterial, anti-odour and anti-allergen filter / filtro antibatterico, antiodori e anti-allergeni	AEH/AKL/APF	74	101	11/99	> 10/05				34.263.00
for cold countries / per paesi freddi	AEH/AKL/APF	74	101	11/99	> 10/05	23.436.00	31.718.00	30.364.00	53.006.00

...SEAT - cars/auto

1.8 i 20V	AGN/APG	92	125	11/99	>	10/05	23.436.00	31.718.00	30.077.00	53.006.00
with activated carbons / ai carboni attivi	AGN/APG	92	125	11/99	>	10/05				54.263.00
antibacterial, anti-odour and anti-allergen filter / filtro antibatterico, antiodori e anti-allergeni	AGN/APG	92	125	11/99	>	10/05				34.263.00
for cold countries / per paesi freddi	AGN/APG	92	125	11/99	>	10/05	23.436.00	31.718.00	30.364.00	53.006.00
1.8 i 20V Cupra R	AMK	154	210	01/02	>	10/05	23.436.00	31.718.00	30.077.00	53.006.00
with activated carbons / ai carboni attivi	AMK	154	210	01/02	>	10/05				54.263.00
antibacterial, anti-odour and anti-allergen filter / filtro antibatterico, antiodori e anti-allergeni	AMK	154	210	01/02	>	10/05				34.263.00
for cold countries / per paesi freddi	AMK	154	210	01/02	>	10/05	23.436.00	31.718.00	30.364.00	53.006.00
1.8 i 20V Cupra R	BAM	165	225	05/03	>	10/05	23.436.00	31.718.00	30.077.00	53.006.00
with activated carbons / ai carboni attivi	BAM	165	225	05/03	>	10/05				54.263.00
antibacterial, anti-odour and anti-allergen filter / filtro antibatterico, antiodori e anti-allergeni	BAM	165	225	05/03	>	10/05				34.263.00
for cold countries / per paesi freddi	BAM	165	225	05/03	>	10/05	23.436.00	31.718.00	30.364.00	53.006.00
1.8 i 20V Turbo	APP	132	180	11/99	>	10/05	23.436.00	31.718.00	30.077.00	53.006.00
with activated carbons / ai carboni attivi	APP	132	180	11/99	>	10/05				54.263.00
antibacterial, anti-odour and anti-allergen filter / filtro antibatterico, antiodori e anti-allergeni	APP	132	180	11/99	>	10/05				34.263.00
for cold countries / per paesi freddi	APP	132	180	11/99	>	10/05	23.436.00	31.718.00	30.364.00	53.006.00
1.8 i 20V Turbo 4x4	APP	132	180	11/99	>	10/05	23.436.00	31.718.00	30.077.00	53.006.00
with activated carbons / ai carboni attivi	APP	132	180	11/99	>	10/05				54.263.00
antibacterial, anti-odour and anti-allergen filter / filtro antibatterico, antiodori e anti-allergeni	APP	132	180	11/99	>	10/05				34.263.00
for cold countries / per paesi freddi	APP	132	180	11/99	>	10/05	23.436.00	31.718.00	30.364.00	53.006.00
1.9 SDI	AQM	50	68	11/99	>	01/03	25.011.00	24.391.00	30.077.00	53.006.00
with activated carbons / ai carboni attivi	AQM	50	68	11/99	>	10/05				54.263.00
with complete filter / con filtro completo	AQM	50	68	11/99	>	01/03		55.427.00		
antibacterial, anti-odour and anti-allergen filter / filtro antibatterico, antiodori e anti-allergeni	AQM	50	68	11/99	>	10/05				34.263.00
for cold countries / per paesi freddi	AQM	50	68	11/99	>	01/03	25.011.00	24.391.00	30.364.00	53.006.00
for cold countries / per paesi freddi	AQM	50	68	02/03	>	10/05	25.011.00	24.440.00	30.364.00	53.006.00
1.9 TDI	AGR/ALH	66	90	11/99	>	01/03	25.011.00	24.391.00	30.077.00	53.006.00
with activated carbons / ai carboni attivi	AGR/ALH	66	90	11/99	>	10/05				54.263.00
with complete filter / con filtro completo	AGR/ALH	66	90	11/99	>	01/03		55.427.00		
antibacterial, anti-odour and anti-allergen filter / filtro antibatterico, antiodori e anti-allergeni	AGR/ALH	66	90	11/99	>	10/05				34.263.00
for cold countries / per paesi freddi	AGR/ALH	66	90	11/99	>	01/03	25.011.00	24.391.00	30.364.00	53.006.00
for cold countries / per paesi freddi	AGR/ALH	66	90	02/03	>	10/05	25.011.00	24.440.00	30.364.00	53.006.00
1.9 TDI	AHF/ASV	81	110	11/99	>	01/03	25.011.00	24.391.00	30.077.00	53.006.00
with activated carbons / ai carboni attivi	AHF/ASV	81	110	11/99	>	10/05				54.263.00
with complete filter / con filtro completo	AHF/ASV	81	110	11/99	>	01/03		55.427.00		
antibacterial, anti-odour and anti-allergen filter / filtro antibatterico, antiodori e anti-allergeni	AHF/ASV	81	110	11/99	>	10/05				34.263.00
for cold countries / per paesi freddi	AHF/ASV	81	110	11/99	>	01/03	25.011.00	24.391.00	30.364.00	53.006.00
for cold countries / per paesi freddi	AHF/ASV	81	110	02/03	>	10/05	25.011.00	24.440.00	30.364.00	53.006.00
1.9 TDI	ARL	110	150	03/01	>	01/03	25.011.00	24.391.00	30.077.00	53.006.00
with activated carbons / ai carboni attivi	ARL	110	150	02/03	>	10/05				54.263.00
with complete filter / con filtro completo	ARL	110	150	03/01	>	01/03		55.427.00		
antibacterial, anti-odour and anti-allergen filter / filtro antibatterico, antiodori e anti-allergeni	ARL	110	150	02/03	>	10/05				34.263.00
for cold countries / per paesi freddi	ARL	110	150	03/01	>	01/03	25.011.00	24.391.00	30.364.00	53.006.00
for cold countries / per paesi freddi	ARL	110	150	02/03	>	10/05	25.011.00	24.440.00	30.364.00	53.006.00
1.9 TDI	ASZ	96	130	03/03	>	10/05	25.011.00	24.440.00	30.077.00	53.006.00
with activated carbons / ai carboni attivi	ASZ	96	130	03/03	>	10/05				54.263.00
antibacterial, anti-odour and anti-allergen filter / filtro antibatterico, antiodori e anti-allergeni	ASZ	96	130	03/03	>	10/05				34.263.00
for cold countries / per paesi freddi	ASZ	96	130	03/03	>	10/05	25.011.00	24.440.00	30.364.00	53.006.00
1.9 TDI	AXR	74	101	10/05	>	06/06	25.011.00	24.440.00	30.077.00	53.006.00
with activated carbons / ai carboni attivi	AXR	74	101	10/05	>	06/06				54.263.00
antibacterial, anti-odour and anti-allergen filter / filtro antibatterico, antiodori e anti-allergeni	AXR	74	101	10/05	>	06/06				34.263.00
for cold countries / per paesi freddi	AXR	74	101	10/05	>	06/06	25.011.00	24.440.00	30.364.00	53.006.00
2.3 V5				11/99	>	10/05	25.023.00	31.718.00	30.077.00	53.006.00
with activated carbons / ai carboni attivi				11/99	>	10/05				54.263.00
antibacterial, anti-odour and anti-allergen filter / filtro antibatterico, antiodori e anti-allergeni				11/99	>	10/05				34.263.00
for cold countries / per paesi freddi				11/99	>	10/05	25.023.00	31.718.00	30.364.00	53.006.00
2.8 VR6 Cupra 4	AUE	150	204	02/01	>	10/05	25.011.00	31.718.00	30.077.00	53.006.00
with activated carbons / ai carboni attivi	AUE	150	204	02/01	>	10/05				54.263.00
antibacterial, anti-odour and anti-allergen filter / filtro antibatterico, antiodori e anti-allergeni	AUE	150	204	02/01	>	10/05				34.263.00
for cold countries / per paesi freddi	AUE	150	204	02/01	>	10/05	25.011.00	31.718.00	30.364.00	53.006.00
2.8 VR6 Cupra 4	BDE	150	204	02/01	>	10/05	25.011.00	31.718.00	30.077.00	53.006.00
with activated carbons / ai carboni attivi	BDE	150	204	02/01	>	10/05				54.263.00
antibacterial, anti-odour and anti-allergen filter / filtro antibatterico, antiodori e anti-allergeni	BDE	150	204	02/01	>	10/05				34.263.00

...SEAT - cars/auto

S

for cold countries / per paesi freddi	BDE	150	204	02/01 >	10/05	25.011.00	31.718.00	30.364.00	53.006.00
Leon II									
1.2 TSI	CBZB	77	105	02/10 >		23.573.00	31.840.00	27.401.00	53.148.00
with air-conditioner and R.H.D. / con climatizzatore e guida a destra	CBZB	77	105	02/10 >					54.376.00
with air-conditioner and L.H.D. / con climatizzatore e guida a sinistra	CBZB	77	105	02/10 >		23.573.00	31.840.00	27.401.00	54.124.00
antibacterial, anti-odour and anti-allergen filter with air-conditioner and L.H.D. / filtro antibatterico, antiodori e anti-allergeni con climatizzatore e guida a sinistra	CBZB	77	105	02/10 >					34.124.00
for cold countries / per paesi freddi	CBZB	77	105	02/10 >		23.573.00	31.840.00	27.402.00	53.148.00
1.4 16V	BXW	63	86	06/06 >	05/10	23.453.00	31.833.00	30.342.00	53.148.00
with air-conditioner and R.H.D. / con climatizzatore e guida a destra	BXW	63	86	06/06 >	05/10				54.376.00
with air-conditioner and L.H.D. / con climatizzatore e guida a sinistra	BXW	63	86	06/06 >	05/10	23.453.00	31.833.00	30.342.00	54.124.00
antibacterial, anti-odour and anti-allergen filter with air-conditioner and L.H.D. / filtro antibatterico, antiodori e anti-allergeni con climatizzatore e guida a sinistra	BXW	63	86	06/06 >	05/10				34.124.00
antibacterial, anti-odour and anti-allergen filter with air-conditioner and L.H.D. / filtro antibatterico, antiodori e anti-allergeni con climatizzatore e guida a sinistra	BXW	63	86	06/06 >	05/10				34.124.00
1.4 16V	CGGB	63	86	05/10 >		23.453.00	31.833.00	30.342.00	53.148.00
with air-conditioner and R.H.D. / con climatizzatore e guida a destra	CGGB	63	86	05/10 >					54.376.00
with air-conditioner and L.H.D. / con climatizzatore e guida a sinistra	CGGB	63	86	05/10 >		23.453.00	31.833.00	30.342.00	54.124.00
antibacterial, anti-odour and anti-allergen filter with air-conditioner and L.H.D. / filtro antibatterico, antiodori e anti-allergeni con climatizzatore e guida a sinistra	CGGB	63	86	05/10 >					34.124.00
1.4 TSI									
to frame No. 1P_8_119 000 / a telaio N. 1P_8_119 000	CAXA/CAXC	92	125	09/07 >	05/08	25.047.00	31.840.00	27.401.00	53.148.00
with air-conditioner and R.H.D. / con climatizzatore e guida a destra	CAXA/CAXC	92	125	09/07 >					54.376.00
with air-conditioner and L.H.D. / con climatizzatore e guida a sinistra	CAXA/CAXC	92	125	09/07 >	05/08	25.047.00	31.840.00	27.401.00	54.124.00
with air-conditioner and L.H.D. / con climatizzatore e guida a sinistra	CAXA/CAXC	92	125	06/08 >	05/10	23.494.00	31.840.00	27.401.00	54.124.00
with air-conditioner and L.H.D. / con climatizzatore e guida a sinistra	CAXA/CAXC	92	125	06/10 >		23.573.00	31.840.00	27.401.00	54.124.00
from frame No. 1P_8_119 001 / da telaio N. 1P_8_119 001	CAXA/CAXC	92	125	06/08 >	05/10	23.494.00	31.840.00	27.401.00	53.148.00
antibacterial, anti-odour and anti-allergen filter with air-conditioner and L.H.D. / filtro antibatterico, antiodori e anti-allergeni con climatizzatore e guida a sinistra	CAXA/CAXC	92	125	09/07 >					34.124.00
for cold countries / per paesi freddi	CAXA/CAXC	92	125	09/07 >	05/08	25.047.00	31.840.00	27.402.00	53.148.00
for cold countries / per paesi freddi	CAXA/CAXC	92	125	06/08 >	05/10	23.494.00	31.840.00	27.402.00	53.148.00
for cold countries / per paesi freddi	CAXA/CAXC	92	125	06/10 >		23.573.00	31.840.00	27.402.00	53.148.00
1.6	BSE/BSF	75	102	08/05 >		23.436.00	31.833.00	27.401.00	53.148.00
with air-conditioner and R.H.D. / con climatizzatore e guida a destra	BSE/BSF	75	102	08/05 >					54.376.00
with air-conditioner and L.H.D. / con climatizzatore e guida a sinistra	BSE/BSF	75	102	08/05 >		23.436.00	31.833.00	27.401.00	54.124.00
antibacterial, anti-odour and anti-allergen filter with air-conditioner and L.H.D. / filtro antibatterico, antiodori e anti-allergeni con climatizzatore e guida a sinistra	BSE/BSF	75	102	08/05 >					34.124.00
for cold countries / per paesi freddi	BSE/BSF	75	102	08/05 >		23.436.00	31.833.00	27.402.00	53.148.00
1.6 BiFuel	CHGA	75	102	12/09 >		23.436.00	31.833.00	27.401.00	53.148.00
with air-conditioner and R.H.D. / con climatizzatore e guida a destra	CHGA	75	102	12/09 >					54.376.00
with air-conditioner and L.H.D. / con climatizzatore e guida a sinistra	CHGA	75	102	12/09 >		23.436.00	31.833.00	27.401.00	54.124.00
antibacterial, anti-odour and anti-allergen filter with air-conditioner and L.H.D. / filtro antibatterico, antiodori e anti-allergeni con climatizzatore e guida a sinistra	CHGA	75	102	12/09 >					34.124.00
assembly LANDI Omegas Plus / montaggio LANDI Omegas Plus	CHGA	75	102	12/09 >			31.836.00		
for cold countries / per paesi freddi	CHGA	75	102	12/09 >		23.436.00	31.833.00	27.402.00	53.148.00
1.6 MultiFuel	CCSA	75	102	07/05 >		23.436.00	31.853.00	27.401.00	53.148.00
with air-conditioner and R.H.D. / con climatizzatore e guida a destra	CCSA	75	102	07/05 >					54.376.00
with air-conditioner and L.H.D. / con climatizzatore e guida a sinistra	CCSA	75	102	07/05 >		23.436.00	31.853.00	27.401.00	54.124.00
antibacterial, anti-odour and anti-allergen filter with air-conditioner and L.H.D. / filtro antibatterico, antiodori e anti-allergeni con climatizzatore e guida a sinistra	CCSA	75	102	07/05 >					34.124.00
for cold countries / per paesi freddi	CCSA	75	102	07/05 >		23.436.00	31.853.00	27.402.00	53.148.00
1.6 MultiFuel	CMXA	75	102	05/10 >		23.436.00	31.853.00	27.401.00	53.148.00
with air-conditioner and R.H.D. / con climatizzatore e guida a destra	CMXA	75	102	05/10 >					54.376.00
with air-conditioner and L.H.D. / con climatizzatore e guida a sinistra	CMXA	75	102	05/10 >		23.436.00	31.853.00	27.401.00	54.124.00
antibacterial, anti-odour and anti-allergen filter with air-conditioner and L.H.D. / filtro antibatterico, antiodori e anti-allergeni con climatizzatore e guida a sinistra	CMXA	75	102	05/10 >					34.124.00
for cold countries / per paesi freddi	CMXA	75	102	05/10 >		23.436.00	31.853.00	27.402.00	53.148.00
1.6 TDI CR DPF	CAYB	66	90	11/10 >		25.106.00	26.007.00	30.187.00	53.148.00
with air-conditioner and R.H.D. / con climatizzatore e guida a destra	CAYB	66	90	11/10 >					54.376.00
with air-conditioner and L.H.D. / con climatizzatore e guida a sinistra	CAYB	66	90	11/10 >		25.106.00	26.007.00	30.187.00	54.124.00
antibacterial, anti-odour and anti-allergen filter with air-conditioner and L.H.D. / filtro antibatterico, antiodori e anti-allergeni con climatizzatore e guida a sinistra	CAYB	66	90	11/10 >					34.124.00
for cold countries / per paesi freddi	CAYB	66	90	11/10 >		25.106.00	26.007.00	30.370.00	53.148.00
1.6 TDI CR DPF	CAYC	77	105	12/09 >		25.106.00	26.007.00	30.187.00	53.148.00
with air-conditioner and R.H.D. / con climatizzatore e guida a destra	CAYC	77	105	12/09 >					54.376.00
with air-conditioner and L.H.D. / con climatizzatore e guida a sinistra	CAYC	77	105	12/09 >		25.106.00	26.007.00	30.187.00	54.124.00
antibacterial, anti-odour and anti-allergen filter with air-conditioner and L.H.D. / filtro antibatterico, antiodori e anti-allergeni con climatizzatore e guida a sinistra	CAYC	77	105	12/10 >					34.124.00
for cold countries / per paesi freddi	CAYC	77	105	12/09 >		25.106.00	26.007.00	30.370.00	53.148.00
1.8 TFSI	BZB/CDAA	118	160	08/07 >		23.493.00	31.840.00	30.187.00	53.148.00
with air-conditioner and R.H.D. / con climatizzatore e guida a destra	BZB/CDAA	118	160	08/07 >					54.376.00
with air-conditioner and L.H.D. / con climatizzatore e guida a sinistra	BZB/CDAA	118	160	08/07 >		23.493.00	31.840.00	30.187.00	54.124.00
antibacterial, anti-odour and anti-allergen filter with air-conditioner and L.H.D. / filtro antibatterico, antiodori e anti-allergeni con climatizzatore e guida a sinistra	BZB/CDAA	118	160	08/07 >					34.124.00
for cold countries / per paesi freddi	BZB/CDAA	118	160	08/07 >		23.493.00	31.840.00	30.370.00	53.148.00
1.9 TDI									
with air-conditioner and R.H.D. / con climatizzatore e guida a destra	BKC/BLS	77	105	08/05 >					54.376.00
with air-conditioner and L.H.D. / con climatizzatore e guida a sinistra	BKC/BLS	77	105	08/05 >		25.023.00		30.187.00	54.124.00
antibacterial, anti-odour and anti-allergen filter with air-conditioner and L.H.D. / filtro antibatterico, antiodori e anti-allergeni con climatizzatore e guida a sinistra	BKC/BLS	77	105	08/05 >					34.124.00

...SEAT - cars/auto

with air-conditioner and L.H.D. / con climatizzatore e guida a sinistra	BMN	125	170	01/06	>	25.023.00		30.187.00	54.124.00
antibacterial, anti-odour and anti-allergen filter with air-conditioner and L.H.D. / filtro antibatterico, antiodori e anti-allergeni con climatizzatore e guida a sinistra	BMN	125	170	01/06	>				34.124.00
assembly MANN+HUMMEL (1K0127400J) / montaggio MANN+HUMMEL (1K0127400J)	BMN	125	170	01/06	>	25.023.00	26.014.00	30.187.00	53.148.00
assembly MANN+HUMMEL (1K0127400K) / montaggio MANN+HUMMEL (1K0127400K)	BMN	125	170	01/06	>	25.023.00	26.021.00	30.187.00	53.148.00
assembly UFI (3C0127400C) / montaggio UFI (3C0127400C)	BMN	125	170	01/06	>	25.023.00	26.007.00	30.187.00	53.148.00
for cold countries / per paesi freddi	BMN	125	170	01/06	>	25.023.00		30.370.00	53.148.00
2.0 TFSI	BWA	136	185	11/05	>	25.040.00	31.840.00	30.315.00	53.148.00
with air-conditioner and R.H.D. / con climatizzatore e guida a destra	BWA	136	185	11/05	>				54.376.00
with air-conditioner and L.H.D. / con climatizzatore e guida a sinistra	BWA	136	185	11/05	>	25.040.00	31.840.00	30.315.00	54.124.00
antibacterial, anti-odour and anti-allergen filter with air-conditioner and L.H.D. / filtro antibatterico, antiodori e anti-allergeni con climatizzatore e guida a sinistra	BWA	136	185	11/05	>				34.124.00
2.0 TFSI Cupra	BWJ	177	241	05/06	> 05/10	25.040.00	31.840.00	30.657.00	53.148.00
with air-conditioner and R.H.D. / con climatizzatore e guida a destra	BWJ	177	241	05/06	> 05/10				54.376.00
with air-conditioner and L.H.D. / con climatizzatore e guida a sinistra	BWJ	177	241	05/06	> 05/10				54.124.00
antibacterial, anti-odour and anti-allergen filter with air-conditioner and L.H.D. / filtro antibatterico, antiodori e anti-allergeni con climatizzatore e guida a sinistra	BWJ	177	241	05/06	> 05/10				34.124.00
2.0 TFSI Cupra	CDLD	177	241	11/06	> 05/11	25.040.00	31.840.00	30.657.00	53.148.00
with air-conditioner and R.H.D. / con climatizzatore e guida a destra	CDLD	177	241	11/06	> 05/11				54.376.00
with air-conditioner and L.H.D. / con climatizzatore e guida a sinistra	CDLD	177	241	11/06	> 05/11				54.124.00
antibacterial, anti-odour and anti-allergen filter with air-conditioner and L.H.D. / filtro antibatterico, antiodori e anti-allergeni con climatizzatore e guida a sinistra	CDLD	177	241	11/06	> 05/11				34.124.00
2.0 TFSI Cupra R	CDLA	195	265	07/09	> 12/12	25.040.00	31.840.00	30.657.00	53.148.00
with air-conditioner and R.H.D. / con climatizzatore e guida a destra	CDLA	195	265	07/09	> 12/12				54.376.00
with air-conditioner and L.H.D. / con climatizzatore e guida a sinistra	CDLA	195	265	07/09	> 12/12	25.040.00	31.840.00		54.124.00
antibacterial, anti-odour and anti-allergen filter with air-conditioner and L.H.D. / filtro antibatterico, antiodori e anti-allergeni con climatizzatore e guida a sinistra	CDLA	195	265	07/09	> 12/12				34.124.00
2.0 TFSI FR	BWA	147	200	05/06	>	25.040.00	31.840.00	30.315.00	53.148.00
with air-conditioner and R.H.D. / con climatizzatore e guida a destra	BWA	147	200	05/06	>				54.376.00
with air-conditioner and L.H.D. / con climatizzatore e guida a sinistra	BWA	147	200	05/06	>	25.040.00	31.840.00	30.315.00	54.124.00
antibacterial, anti-odour and anti-allergen filter with air-conditioner and L.H.D. / filtro antibatterico, antiodori e anti-allergeni con climatizzatore e guida a sinistra	BWA	147	200	05/06	>				34.124.00
2.0 TFSI FR	CCZB	155	211	07/09	>	23.493.00	31.840.00	30.187.00	53.148.00
with air-conditioner and R.H.D. / con climatizzatore e guida a destra	CCZB	155	211	07/09	>				54.376.00
with air-conditioner and L.H.D. / con climatizzatore e guida a sinistra	CCZB	155	211	07/09	>	23.493.00	31.840.00	30.187.00	54.124.00
antibacterial, anti-odour and anti-allergen filter with air-conditioner and L.H.D. / filtro antibatterico, antiodori e anti-allergeni con climatizzatore e guida a sinistra	CCZB	155	211	07/09	>				34.124.00
for cold countries / per paesi freddi	CCZB	155	211	07/09	>	23.493.00	31.840.00	30.370.00	53.148.00
Leon III (5F1/5F5)									
1.0 TSI	CHZD	85	116	05/15	>	23.575.00		30.A51.00	53.298.00
with automatic air-conditioner / con climatizzatore automatico	CHZD	85	116	05/15	>				54.219.00
antibacterial, anti-odour and anti-allergen filter with automatic air-conditioner / filtro antibatterico, antiodori e anti-allergeni con climatizzatore automatico	CHZD	85	116	05/15	>				34.219.00
1.2 TSI	CJZA	77	105	11/12	>	23.575.00		30.549.00	53.298.00
with automatic air-conditioner / con climatizzatore automatico	CJZA	77	105	11/12	>				54.219.00
antibacterial, anti-odour and anti-allergen filter with automatic air-conditioner / filtro antibatterico, antiodori e anti-allergeni con climatizzatore automatico	CJZA	77	105	11/12	>				34.219.00
1.2 TSI	CJZB	63	86	11/12	>	23.575.00		30.549.00	53.298.00
with automatic air-conditioner / con climatizzatore automatico	CJZB	63	86	11/12	>				54.219.00
antibacterial, anti-odour and anti-allergen filter with automatic air-conditioner / filtro antibatterico, antiodori e anti-allergeni con climatizzatore automatico	CJZB	63	86	11/12	>				34.219.00
1.2 TSI	CYVA	63	86	05/14	>	23.575.00		30.549.00	53.298.00
with automatic air-conditioner / con climatizzatore automatico	CYVA	63	86	05/14	>				54.219.00
antibacterial, anti-odour and anti-allergen filter with automatic air-conditioner / filtro antibatterico, antiodori e anti-allergeni con climatizzatore automatico	CYVA	63	86	05/14	>				34.219.00
1.2 TSI	CYVB	81	110	04/14	>	23.575.00		30.549.00	53.298.00
with automatic air-conditioner / con climatizzatore automatico	CYVB	81	110	04/14	>				54.219.00
antibacterial, anti-odour and anti-allergen filter with automatic air-conditioner / filtro antibatterico, antiodori e anti-allergeni con climatizzatore automatico	CYVB	81	110	04/14	>				34.219.00
1.4 TGI	CPWA	81	110	02/13	>	23.575.00		30.549.00	53.298.00
with automatic air-conditioner / con climatizzatore automatico	CPWA	81	110	02/13	>				54.219.00
antibacterial, anti-odour and anti-allergen filter with automatic air-conditioner / filtro antibatterico, antiodori e anti-allergeni con climatizzatore automatico	CPWA	81	110	02/13	>				34.219.00
1.4 TSI	CHPA	103	140	11/12	>	23.575.00		30.549.00	53.298.00
with automatic air-conditioner / con climatizzatore automatico	CHPA	103	140	11/12	>				54.219.00
antibacterial, anti-odour and anti-allergen filter with automatic air-conditioner / filtro antibatterico, antiodori e anti-allergeni con climatizzatore automatico	CHPA	103	140	11/12	>				34.219.00
1.4 TSI	CMBA	90	122	11/12	>	23.575.00		30.549.00	53.298.00
with automatic air-conditioner / con climatizzatore automatico	CMBA	90	122	11/12	>				54.219.00
antibacterial, anti-odour and anti-allergen filter with automatic air-conditioner / filtro antibatterico, antiodori e anti-allergeni con climatizzatore automatico	CMBA	90	122	11/12	>				34.219.00
1.4 TSI	CPTA	103	140	11/12	>	23.575.00		30.549.00	53.298.00
with automatic air-conditioner / con climatizzatore automatico	CPTA	103	140	11/12	>				54.219.00
antibacterial, anti-odour and anti-allergen filter with automatic air-conditioner / filtro antibatterico, antiodori e anti-allergeni con climatizzatore automatico	CPTA	103	140	11/12	>				34.219.00
1.4 TSI	CXSA	90	122	11/12	>	23.575.00		30.549.00	53.298.00
with automatic air-conditioner / con climatizzatore automatico	CXSA	90	122	11/12	>				54.219.00
antibacterial, anti-odour and anti-allergen filter with automatic air-conditioner / filtro antibatterico, antiodori e anti-allergeni con climatizzatore automatico	CXSA	90	122	11/12	>				34.219.00
1.4 TSI	CZCA	92	125	05/14	>	23.575.00		30.549.00	53.298.00
with automatic air-conditioner / con climatizzatore automatico	CZCA	92	125	05/14	>				54.219.00
antibacterial, anti-odour and anti-allergen filter with automatic air-conditioner / filtro antibatterico, antiodori e anti-allergeni con climatizzatore automatico	CZCA	92	125	05/14	>				34.219.00
1.4 TSI	CZDA/CZEA	110	150	04/14	>	23.575.00		30.549.00	53.298.00
with automatic air-conditioner / con climatizzatore automatico	CZDA/CZEA	110	150	04/14	>				54.219.00

...SEAT - cars/auto

antibacterial, anti-odour and anti-allergen filter with automatic air-conditioner / filtro antibatterico, antiodori e anti-allergeni con climatizzatore automatico	CRVA	81	110	11/12	>				34.219.00
export models Diesel Plus / modelli di esportazione Diesel Plus	CRVA	81	110	11/12	>		26.065.00		
for cold countries / per paesi freddi	CRVA	81	110	11/12	>			30.587.00	
2.0 TDI	CRVC	105	143	04/13	>	25.144.00	26.038.00	30.532.00	53.298.00
with automatic air-conditioner / con climatizzatore automatico	CRVC	105	143	04/13	>				54.219.00
antibacterial, anti-odour and anti-allergen filter with automatic air-conditioner / filtro antibatterico, antiodori e anti-allergeni con climatizzatore automatico	CRVC	105	143	04/13	>				34.219.00
export models Diesel Plus / modelli di esportazione Diesel Plus	CRVC	105	143	04/13	>		26.065.00		
for cold countries / per paesi freddi	CRVC	105	143	04/13	>			30.587.00	
2.0 TDI	CUNA	135	184	05/13	>	25.144.00	26.038.00	30.532.00	53.298.00
with automatic air-conditioner / con climatizzatore automatico	CUNA	135	184	05/13	>				54.219.00
antibacterial, anti-odour and anti-allergen filter with automatic air-conditioner / filtro antibatterico, antiodori e anti-allergeni con climatizzatore automatico	CUNA	135	184	05/13	>				34.219.00
export models Diesel Plus / modelli di esportazione Diesel Plus	CUNA	135	184	05/13	>		26.065.00		
for cold countries / per paesi freddi	CUNA	135	184	05/13	>			30.587.00	
2.0 TDI FR	CRGA	130	177	02/16	>	25.144.00	26.038.00	30.532.00	53.298.00
with automatic air-conditioner / con climatizzatore automatico	CRGA	130	177	02/16	>				54.219.00
antibacterial, anti-odour and anti-allergen filter with automatic air-conditioner / filtro antibatterico, antiodori e anti-allergeni con climatizzatore automatico	CRGA	130	177	02/16	>				34.219.00
export models Diesel Plus / modelli di esportazione Diesel Plus	CRGA	130	177	02/16	>		26.065.00		
for cold countries / per paesi freddi	CRGA	130	177	02/16	>			30.587.00	
2.0 TDI FR	CUNA	135	184	05/13	>	25.144.00	26.038.00	30.532.00	53.298.00
with automatic air-conditioner / con climatizzatore automatico	CUNA	135	184	05/13	>				54.219.00
antibacterial, anti-odour and anti-allergen filter with automatic air-conditioner / filtro antibatterico, antiodori e anti-allergeni con climatizzatore automatico	CUNA	135	184	05/13	>				34.219.00
export models Diesel Plus / modelli di esportazione Diesel Plus	CUNA	135	184	05/13	>		26.065.00		
for cold countries / per paesi freddi	CUNA	135	184	05/13	>			30.587.00	
2.0 TDI FR	CUPA	135	184	11/12	>	25.144.00	26.038.00	30.532.00	53.298.00
with automatic air-conditioner / con climatizzatore automatico	CUPA	135	184	11/12	>				54.219.00
antibacterial, anti-odour and anti-allergen filter with automatic air-conditioner / filtro antibatterico, antiodori e anti-allergeni con climatizzatore automatico	CUPA	135	184	11/12	>				34.219.00
export models Diesel Plus / modelli di esportazione Diesel Plus	CUPA	135	184	11/12	>		26.065.00		
for cold countries / per paesi freddi	CUPA	135	184	11/12	>			30.587.00	
2.0 TSI Cupra	CJXE	195	265	01/14	>	25.153.00		30.532.00	53.298.00
with automatic air-conditioner / con climatizzatore automatico	CJXE	195	265	01/14	>				54.219.00
antibacterial, anti-odour and anti-allergen filter with automatic air-conditioner / filtro antibatterico, antiodori e anti-allergeni con climatizzatore automatico	CJXE	195	265	01/14	>				34.219.00
for cold countries / per paesi freddi	CJXE	195	265	01/14	>			30.587.00	
2.0 TSI Cupra 280	CJXA	206	280	01/14	>	25.153.00		30.532.00	53.298.00
with automatic air-conditioner / con climatizzatore automatico	CJXA	206	280	01/14	>				54.219.00
antibacterial, anti-odour and anti-allergen filter with automatic air-conditioner / filtro antibatterico, antiodori e anti-allergeni con climatizzatore automatico	CJXA	206	280	01/14	>				34.219.00
for cold countries / per paesi freddi	CJXA	206	280	01/14	>			30.587.00	
2.0 TSI Cupra 290	CJXH	213	290	10/15	>	25.153.00		30.532.00	53.298.00
with automatic air-conditioner / con climatizzatore automatico	CJXH	213	290	10/15	>				54.219.00
antibacterial, anti-odour and anti-allergen filter with automatic air-conditioner / filtro antibatterico, antiodori e anti-allergeni con climatizzatore automatico	CJXH	213	290	10/15	>				34.219.00
for cold countries / per paesi freddi	CJXH	213	290	10/15	>			30.587.00	
2.0 TSI Cupra 300	CJXC	221	300	11/16	>	25.153.00		30.532.00	53.298.00
with automatic air-conditioner / con climatizzatore automatico	CJXC	221	300	11/16	>				54.219.00
antibacterial, anti-odour and anti-allergen filter with automatic air-conditioner / filtro antibatterico, antiodori e anti-allergeni con climatizzatore automatico	CJXC	221	300	11/16	>				34.219.00
for cold countries / per paesi freddi	CJXC	221	300	11/16	>			30.587.00	
2.0 TSI Cupra 300 4Drive	CJXC	221	300	11/16	>	25.153.00		30.532.00	53.298.00
with automatic air-conditioner / con climatizzatore automatico	CJXC	221	300	11/16	>				54.219.00
antibacterial, anti-odour and anti-allergen filter with automatic air-conditioner / filtro antibatterico, antiodori e anti-allergeni con climatizzatore automatico	CJXC	221	300	11/16	>				34.219.00
for cold countries / per paesi freddi	CJXC	221	300	11/16	>			30.587.00	
2.0 TSI Cupra R 310	CJXG	228	310	11/17	>	25.153.00		30.532.00	53.298.00
with automatic air-conditioner / con climatizzatore automatico	CJXG	228	310	11/17	>				54.219.00
antibacterial, anti-odour and anti-allergen filter with automatic air-conditioner / filtro antibatterico, antiodori e anti-allergeni con climatizzatore automatico	CJXG	228	310	11/17	>				34.219.00
for cold countries / per paesi freddi	CJXG	228	310	11/17	>			30.587.00	
Leon IV (KL1/KL8)									
1.0 TSI (KL1)	DLAA	81	110	03/20	>	23.575.00		30.A45.00	53.298.00
with activated carbons / ai carboni attivi	DLAA	81	110	03/20	>				54.219.00
antibacterial, anti-odour and anti-allergen filter / filtro antibatterico, antiodori e anti-allergeni	DLAA	81	110	03/20	>				34.219.00
1.0 TSI (KL1)	DLAB	66	90	03/20	>	23.575.00		30.A45.00	53.298.00
with activated carbons / ai carboni attivi	DLAB	66	90	03/20	>				54.219.00
antibacterial, anti-odour and anti-allergen filter / filtro antibatterico, antiodori e anti-allergeni	DLAB	66	90	03/20	>				34.219.00
1.0 TSi Sportstourer (KL8)	DLAA	81	110	03/20	>			30.A45.00	
1.0 TSi Sportstourer (KL8)	DLAB	66	90	03/20	>			30.A45.00	
1.4 TSi Plug-in Hybrid (KL1)	DGEA	110	150	05/20	>	23.575.00			53.298.00
with activated carbons / ai carboni attivi	DGEA	110	150	05/20	>				54.219.00
antibacterial, anti-odour and anti-allergen filter / filtro antibatterico, antiodori e anti-allergeni	DGEA	110	150	05/20	>				34.219.00
1.4 TSi Sportstourer Plug-in Hybrid (KL8)	DGEA	110	150	05/20	>	23.575.00			53.298.00
with activated carbons / ai carboni attivi	DGEA	110	150	05/20	>				54.219.00
antibacterial, anti-odour and anti-allergen filter / filtro antibatterico, antiodori e anti-allergeni	DGEA	110	150	05/20	>				34.219.00

...SEAT - cars/auto

1.5 e-TSI (KL1)	DFYA	110	150	11/19	>	23.575.00			53.298.00
with activated carbons / ai carboni attivi	DFYA	110	150	11/19	>				54.219.00
antibacterial, anti-odour and anti-allergen filter / filtro antibatterico, antiodori e anti-allergeni	DFYA	110	150	11/19	>				34.219.00
assembly FILTRON / montaggio FILTRON	DFYA	110	150	11/19	>			30.A45.00	
1.5 TGi CNG (KL1)	DHFA	96	131	08/20	>	23.575.00		30.A45.00	53.298.00
with activated carbons / ai carboni attivi	DHFA	96	131	08/20	>				54.219.00
antibacterial, anti-odour and anti-allergen filter / filtro antibatterico, antiodori e anti-allergeni	DHFA	96	131	08/20	>				54.219.00
2.0 TDI (KL1)	DSTB	110	150	11/19	>		26.038.00	30.532.00	53.298.00
with activated carbons / ai carboni attivi	DSTB	110	150	11/19	>				54.219.00
antibacterial, anti-odour and anti-allergen filter / filtro antibatterico, antiodori e anti-allergeni	DSTB	110	150	11/19	>				34.219.00
for cold countries / per paesi freddi	DSTB	110	150	11/19	>			30.587.00	
2.0 TDI (KL1)	DSUD	85	116	11/19	>		26.038.00	30.532.00	53.298.00
with activated carbons / ai carboni attivi	DSUD	85	116	11/19	>				54.219.00
antibacterial, anti-odour and anti-allergen filter / filtro antibatterico, antiodori e anti-allergeni	DSUD	85	116	11/19	>				34.219.00
for cold countries / per paesi freddi	DSUD	85	116	11/19	>			30.587.00	
2.0 TDi Sportstourer (KL8)	DSTB	110	150	04/20	>		26.038.00		
Marbella									
899 i cat				01/97	>	23.169.00	31.500.00	30.802.01	
Mii (KF1)									
1.0									
with air-conditioner / con climatizzatore	CHYA	44	60	12/11	>	23.575.00		30.589.00	53.233.00
without air-conditioner / senza climatizzatore	CHYA	44	60	12/11	>				×
1.0									
with air-conditioner / con climatizzatore	CHYB	55	75	12/11	>	23.575.00		30.589.00	53.233.00
without air-conditioner / senza climatizzatore	CHYB	55	75	12/11	>				×
1.0 Metano/CNG									
with air-conditioner / con climatizzatore	CPGA	50	68	11/12	>	23.575.00		30.589.00	53.233.00
without air-conditioner / senza climatizzatore	CPGA	50	68	11/12	>				×
Ritmo									
1.2 65	Fiat	47	64			23.128.00	31.001.00		
1.4 75	Fiat	57	77			23.128.00	31.001.00		
100 TC Crono						23.176.00	31.001.00	27.719.00	
Tarraco									
1.5 TSI	DADA	110	150	12/18	>	23.575.00		30.A45.00	53.298.00
with automatic air-conditioner / con climatizzatore automatico	DADA	110	150	12/18	>				54.219.00
antibacterial, anti-odour and anti-allergen filter with automatic air-conditioner / filtro antibatterico, antiodori e anti-allergeni con climatizzatore automatico	DADA	110	150	12/18	>				34.219.00
2.0 TDI	DFGA	110	150	12/18	>	25.144.00	26.038.00	30.532.00	53.298.00
with automatic air-conditioner / con climatizzatore automatico	DFGA	110	150	12/18	>				54.219.00
antibacterial, anti-odour and anti-allergen filter with automatic air-conditioner / filtro antibatterico, antiodori e anti-allergeni con climatizzatore automatico	DFGA	110	150	12/18	>				34.219.00
export models DIESEL PLUS / modelli di esportazione DIESEL PLUS	DFGA	110	150	12/18	>		26.065.00		
for cold countries / per paesi freddi	DFGA	110	150	12/18	>			30.587.00	
2.0 TDi	DTUA	147	200	07/20	>		26.038.00	30.532.00	53.298.00
with activated carbons / ai carboni attivi	DTUA	147	200	07/20	>				54.219.00
antibacterial, anti-odour and anti-allergen filter / filtro antibatterico, antiodori e anti-allergeni	DTUA	147	200	07/20	>				34.219.00
for cold countries / per paesi freddi	DTUA	147	200	07/20	>			30.587.00	
2.0 TDI 4Drive	DFGA	110	150	12/18	>	25.144.00	26.038.00	30.532.00	53.298.00
with automatic air-conditioner / con climatizzatore automatico	DFGA	110	150	12/18	>				54.219.00
antibacterial, anti-odour and anti-allergen filter with automatic air-conditioner / filtro antibatterico, antiodori e anti-allergeni con climatizzatore automatico	DFGA	110	150	12/18	>				34.219.00
export models DIESEL PLUS / modelli di esportazione DIESEL PLUS	DFGA	110	150	12/18	>		26.065.00		
for cold countries / per paesi freddi	DFGA	110	150	12/18	>			30.587.00	
2.0 TDI 4Drive	DFHA	140	190	12/18	>	25.144.00	26.038.00	30.532.00	53.298.00
with automatic air-conditioner / con climatizzatore automatico	DFHA	140	190	12/18	>				54.219.00
antibacterial, anti-odour and anti-allergen filter with automatic air-conditioner / filtro antibatterico, antiodori e anti-allergeni con climatizzatore automatico	DFHA	140	190	12/18	>				34.219.00
export models DIESEL PLUS / modelli di esportazione DIESEL PLUS	DFHA	140	190	12/18	>		26.065.00		
for cold countries / per paesi freddi	DFHA	140	190	12/18	>			30.587.00	
2.0 TSI 4Drive	DKZA	140	190	12/18	>	25.153.00		30.532.00	53.298.00
with automatic air-conditioner / con climatizzatore automatico	DKZA	140	190	12/18	>				54.219.00
antibacterial, anti-odour and anti-allergen filter with automatic air-conditioner / filtro antibatterico, antiodori e anti-allergeni con climatizzatore automatico	DKZA	140	190	12/18	>				34.219.00
Toledo II (1M2)									
1.4 i 16V	AHW	55	75	09/99	> 10/04	23.453.00	31.718.00	30.124.00	53.006.00
with activated carbons / ai carboni attivi	AHW	55	75	03/99	> 10/04				54.263.00
antibacterial, anti-odour and anti-allergen filter / filtro antibatterico, antiodori e anti-allergeni	AHW	55	75	03/99	> 10/04				34.263.00
1.6 i	AEH/AKL	74	101	03/99	> 12/00	23.436.00	31.718.00	30.077.00	53.006.00
with activated carbons / ai carboni attivi	AEH/AKL	74	101	03/99	> 12/00				54.263.00
antibacterial, anti-odour and anti-allergen filter / filtro antibatterico, antiodori e anti-allergeni	AEH/AKL	74	101	03/99	> 12/00				34.263.00
for cold countries / per paesi freddi	AEH/AKL	74	101	03/99	> 12/00	23.436.00	31.718.00	30.364.00	53.006.00
1.6 i 16V	AUS	77	105	10/00	> 04/01	23.453.00	31.718.00	30.124.00	53.006.00

...SEAT - cars/auto

	AUS	77	105	05/01	>	12/04	23.453.00	31.718.00	30.158.00	53.006.00
with activated carbons / ai carboni attivi	AUS	77	105	10/00	>	12/04				54.263.00
antibacterial, anti-odour and anti-allergen filter / filtro antibatterico, antiodori e anti-allergeni	AUS	77	105	10/00	>	12/04				34.263.00
dusty areas / zone polverose	AUS	77	105	10/00	>	04/01	23.453.00	31.718.00	30.184.00	53.006.00
1.6 i 16V	AZD	77	105	10/00	>	04/01	23.453.00	31.718.00	30.124.00	53.006.00
	AZD	77	105	05/01	>	12/04	23.453.00	31.718.00	30.158.00	53.006.00
with activated carbons / ai carboni attivi	AZD	77	105	10/00	>	12/04				54.263.00
antibacterial, anti-odour and anti-allergen filter / filtro antibatterico, antiodori e anti-allergeni	AZD	77	105	10/00	>	12/04				34.263.00
dusty areas / zone polverose	AZD	77	105	10/00	>	04/01	23.453.00	31.718.00	30.184.00	53.006.00
1.8 i 20V	AGN/APG	92	125	03/99	>	12/04	23.436.00	31.718.00	30.077.00	53.006.00
with activated carbons / ai carboni attivi	AGN/APG	92	125	03/99	>	10/04				54.263.00
antibacterial, anti-odour and anti-allergen filter / filtro antibatterico, antiodori e anti-allergeni	AGN/APG	92	125	03/99	>	10/04				34.263.00
for cold countries / per paesi freddi	AGN/APG	92	125	03/99	>	12/04	23.436.00	31.718.00	30.364.00	53.006.00
1.8 T 20V	AUQ	132	180	07/02	>	12/04	23.436.00	31.718.00	30.077.00	53.006.00
with activated carbons / ai carboni attivi	AUQ	132	180	07/02	>	12/04				54.263.00
antibacterial, anti-odour and anti-allergen filter / filtro antibatterico, antiodori e anti-allergeni	AUQ	132	180	07/02	>	12/04				34.263.00
for cold countries / per paesi freddi	AUQ	132	180	07/02	>	12/04	23.436.00	31.718.00	30.364.00	53.006.00
1.9 SDI	AQM	50	68	03/99	>	01/03	25.011.00	24.391.00	30.077.00	53.006.00
	AQM	50	68	02/03	>	12/04	25.011.00	24.440.00	30.077.00	53.006.00
with activated carbons / ai carboni attivi	AQM	50	68	03/99	>	12/04				54.263.00
with complete filter / con filtro completo	AQM	50	68	03/99	>	01/03		55.427.00		
antibacterial, anti-odour and anti-allergen filter / filtro antibatterico, antiodori e anti-allergeni	AQM	50	68	03/99	>	12/04				34.263.00
for cold countries / per paesi freddi	AQM	50	68	03/99	>	01/03	25.011.00	24.391.00	30.364.00	53.006.00
for cold countries / per paesi freddi	AQM	50	68	02/03	>	12/04	25.011.00	24.440.00	30.364.00	53.006.00
1.9 TDI	AGR/ALH	66	90	03/99	>	01/03	25.011.00	24.391.00	30.077.00	53.006.00
	AGR/ALH	66	90	02/03	>	12/04	25.011.00	24.440.00	30.077.00	53.006.00
with activated carbons / ai carboni attivi	AGR/ALH	66	90	03/99	>	12/04				54.263.00
with complete filter / con filtro completo	AGR/ALH	66	90	03/99	>	01/03		55.427.00		
antibacterial, anti-odour and anti-allergen filter / filtro antibatterico, antiodori e anti-allergeni	AGR/ALH	66	90	03/99	>	12/04				34.263.00
for cold countries / per paesi freddi	AGR/ALH	66	90	03/99	>	01/03	25.011.00	24.391.00	30.364.00	53.006.00
for cold countries / per paesi freddi	AGR/ALH	66	90	02/03	>	12/04	25.011.00	24.440.00	30.364.00	53.006.00
1.9 TDI	AHF/ASV	81	110	03/99	>	01/03	25.011.00	24.391.00	30.077.00	53.006.00
	AHF/ASV	81	110	02/03	>	12/04	25.011.00	24.440.00	30.077.00	53.006.00
with activated carbons / ai carboni attivi	AHF/ASV	81	110	03/99	>	12/04				54.263.00
with complete filter / con filtro completo	AHF/ASV	81	110	03/99	>	01/03		55.427.00		
antibacterial, anti-odour and anti-allergen filter / filtro antibatterico, antiodori e anti-allergeni	AHF/ASV	81	110	03/99	>	12/04				34.263.00
for cold countries / per paesi freddi	AHF/ASV	81	110	03/99	>	01/03	25.011.00	24.391.00	30.364.00	53.006.00
for cold countries / per paesi freddi	AHF/ASV	81	110	02/03	>	12/04	25.011.00	24.440.00	30.364.00	53.006.00
1.9 TDI	ARL	110	150	03/01	>	01/03	25.011.00	24.391.00	30.077.00	53.006.00
	ARL	110	150	02/03	>	12/04	25.011.00	24.440.00	30.077.00	53.006.00
with activated carbons / ai carboni attivi	ARL	110	150	03/01	>	12/04				54.263.00
with complete filter / con filtro completo	ARL	110	150	03/01	>	01/03		55.427.00		
antibacterial, anti-odour and anti-allergen filter / filtro antibatterico, antiodori e anti-allergeni	ARL	110	150	03/01	>	12/04				34.263.00
for cold countries / per paesi freddi	ARL	110	150	03/01	>	01/03	25.011.00	24.391.00	30.364.00	53.006.00
for cold countries / per paesi freddi	ARL	110	150	02/03	>	12/04	25.011.00	24.440.00	30.364.00	53.006.00
1.9 TDI	ASZ	96	130	03/03	>	12/04	25.011.00	24.440.00	30.077.00	53.006.00
with activated carbons / ai carboni attivi	ASZ	96	130	03/03	>	12/04				54.263.00
antibacterial, anti-odour and anti-allergen filter / filtro antibatterico, antiodori e anti-allergeni	ASZ	96	130	03/03	>	12/04				34.263.00
for cold countries / per paesi freddi	ASZ	96	130	03/03	>	12/04	25.011.00	24.440.00	30.364.00	53.006.00
1.9 TDI PD	ARL	110	150	03/01	>	01/03	25.011.00	24.391.00	30.077.00	53.006.00
	ARL	110	150	02/03	>	12/04	25.011.00	24.440.00	30.077.00	53.006.00
with activated carbons / ai carboni attivi	ARL	110	150	03/01	>	12/04				54.263.00
with complete filter / con filtro completo	ARL	110	150	03/01	>	01/03		55.427.00		
antibacterial, anti-odour and anti-allergen filter / filtro antibatterico, antiodori e anti-allergeni	ARL	110	150	03/01	>	12/04				34.263.00
for cold countries / per paesi freddi	ARL	110	150	03/01	>	01/03	25.011.00	24.391.00	30.364.00	53.006.00
for cold countries / per paesi freddi	ARL	110	150	02/03	>	12/04	25.011.00	24.440.00	30.364.00	53.006.00
2.3 i V5	AGZ	110	150	03/99	>	05/01	25.023.00	31.718.00	30.077.00	53.006.00
with activated carbons / ai carboni attivi	AGZ	110	150	03/99	>	05/01				54.263.00
antibacterial, anti-odour and anti-allergen filter / filtro antibatterico, antiodori e anti-allergeni	AGZ	110	150	03/99	>	05/01				34.263.00
for cold countries / per paesi freddi	AGZ	110	150	03/99	>	05/01	25.023.00	31.718.00	30.364.00	53.006.00
2.3 i V5 20V	AQN	125	170	10/00	>	12/04	25.023.00	31.718.00	30.077.00	53.006.00
with activated carbons / ai carboni attivi	AQN	125	170	10/00	>	12/04				54.263.00
antibacterial, anti-odour and anti-allergen filter / filtro antibatterico, antiodori e anti-allergeni	AQN	125	170	10/00	>	12/04				34.263.00
for cold countries / per paesi freddi	AQN	125	170	10/00	>	12/04	25.023.00	31.718.00	30.364.00	53.006.00
Toledo III (5P2)										
1.4 16V	BXW	63	86	05/06	>	05/09	23.453.00		30.342.00	53.148.00
with activated carbon L.H.D. / con guida a sinistra, ai carboni attivi	BXW	63	86	05/06	>	05/09				54.124.00

...SEAT - cars/auto



2.0 TDI									
with air-conditioner and R.H.D. / con climatizzatore e guida a destra	BKD	103	140	11/04	>				54.376.00
with air-conditioner and L.H.D. / con climatizzatore e guida a sinistra	BKD	103	140	11/04	>	25.023.00		30.187.00	54.124.00
antibacterial, anti-odour and anti-allergen filter with air-conditioner and L.H.D. / filtro antibatterico, antiodori e anti-allergeni con climatizzatore e guida a sinistra	BKD	103	140	11/04	>				34.124.00
assembly MANN+HUMMEL / montaggio MANN+HUMMEL	BKD	103	140	11/04	>	25.023.00	26.014.00	30.187.00	53.148.00
assembly UFI / montaggio UFI	BKD	103	140	11/04	>	25.023.00	26.007.00	30.187.00	53.148.00
for cold countries / per paesi freddi	BKD	103	140	11/04	>	25.023.00		30.370.00	53.148.00
2.0 TDI									
with air-conditioner and R.H.D. / con climatizzatore e guida a destra	BMM	103	140	11/04	>				54.376.00
with air-conditioner and L.H.D. / con climatizzatore e guida a sinistra	BMM	103	140	11/04	>	25.023.00		30.187.00	54.124.00
antibacterial, anti-odour and anti-allergen filter with air-conditioner and L.H.D. / filtro antibatterico, antiodori e anti-allergeni con climatizzatore e guida a sinistra	BMM	103	140	11/04	>				34.124.00
assembly MANN+HUMMEL / montaggio MANN+HUMMEL	BMM	103	140	11/04	>	25.023.00	26.014.00	30.187.00	53.148.00
assembly UFI / montaggio UFI	BMM	103	140	11/04	>	25.023.00	26.007.00	30.187.00	53.148.00
for cold countries / per paesi freddi	BMM	103	140	11/04	>	25.023.00		30.370.00	53.148.00
2.0 TDI									
with air-conditioner and R.H.D. / con climatizzatore e guida a destra	BMN	125	170	01/06	>				54.376.00
with air-conditioner and L.H.D. / con climatizzatore e guida a sinistra	BMN	125	170	01/06	>	25.023.00		30.187.00	54.124.00
antibacterial, anti-odour and anti-allergen filter with air-conditioner and L.H.D. / filtro antibatterico, antiodori e anti-allergeni con climatizzatore e guida a sinistra	BMN	125	170	01/06	>				34.124.00
assembly MANN+HUMMEL / montaggio MANN+HUMMEL	BMN	125	170	01/06	>	25.023.00	26.014.00	30.187.00	53.148.00
assembly UFI / montaggio UFI	BMN	125	170	01/06	>	25.023.00	26.007.00	30.187.00	53.148.00
for cold countries / per paesi freddi	BMN	125	170	01/06	>	25.023.00		30.370.00	53.148.00
2.0 TDI									
with air-conditioner and R.H.D. / con climatizzatore e guida a destra	CEGA	125	170	03/09	> 05/09				54.376.00
with air-conditioner and L.H.D. / con climatizzatore e guida a sinistra	CEGA	125	170	03/09	> 05/09	25.023.00		30.187.00	54.124.00
antibacterial, anti-odour and anti-allergen filter with air-conditioner and L.H.D. / filtro antibatterico, antiodori e anti-allergeni con climatizzatore e guida a sinistra	CEGA	125	170	03/09	> 05/09				34.124.00
assembly MANN+HUMMEL / montaggio MANN+HUMMEL	CEGA	125	170	03/09	> 05/09	25.023.00	26.014.00	30.187.00	53.148.00
assembly UFI / montaggio UFI	CEGA	125	170	03/09	> 05/09	25.023.00	26.007.00	30.187.00	53.148.00
for cold countries / per paesi freddi	CEGA	125	170	03/09	> 05/09	25.023.00		30.370.00	53.148.00
2.0 TFSI									
with air-conditioner and R.H.D. / con climatizzatore e guida a destra	BWA	147	200	11/05	>	25.040.00	31.840.00	30.315.00	53.148.00
with air-conditioner and L.H.D. / con climatizzatore e guida a sinistra	BWA	147	200	11/05	>	25.040.00	31.840.00	30.315.00	54.124.00
antibacterial, anti-odour and anti-allergen filter with air-conditioner and L.H.D. / filtro antibatterico, antiodori e anti-allergeni con climatizzatore e guida a sinistra	BWA	147	200	11/05	>				34.124.00
Toledo IV (KG3)									
1.0 TSI									
with activated carbons / ai carboni attivi	CHZB	70	95	05/17	> 04/19	23.575.00		30.A51.00	53.190.00
antibacterial, anti-odour and anti-allergen filter / filtro antibatterico, antiodori e anti-allergeni	CHZB	70	95	05/17	> 04/19				54.199.00
with activated carbons / ai carboni attivi	CHZC	81	110	05/17	> 04/19	23.575.00		30.A51.00	53.190.00
antibacterial, anti-odour and anti-allergen filter / filtro antibatterico, antiodori e anti-allergeni	CHZC	81	110	05/17	> 04/19				54.199.00
with activated carbons / ai carboni attivi	DKLD	70	95	07/18	> 04/19	23.575.00		30.A51.00	53.190.00
antibacterial, anti-odour and anti-allergen filter / filtro antibatterico, antiodori e anti-allergeni	DKLD	70	95	07/18	> 04/19				54.199.00
with activated carbons / ai carboni attivi	DKRC	81	110	07/18	> 04/19	23.575.00		30.A51.00	53.190.00
antibacterial, anti-odour and anti-allergen filter / filtro antibatterico, antiodori e anti-allergeni	DKRC	81	110	07/18	> 04/19				54.199.00
with activated carbons / ai carboni attivi	CGPC	55	75	07/12	>	25.029.00	31.833.00	30.132.00	53.190.00
antibacterial, anti-odour and anti-allergen filter / filtro antibatterico, antiodori e anti-allergeni	CGPC	55	75	07/12	>				54.199.00
with activated carbons / ai carboni attivi	CBZA	63	85	07/12	>	23.573.00	31.840.00	27.621.00	53.190.00
antibacterial, anti-odour and anti-allergen filter / filtro antibatterico, antiodori e anti-allergeni	CBZA	63	85	07/12	>				54.199.00
with activated carbons / ai carboni attivi	CBZB	77	105	07/12	>	23.573.00	31.840.00	27.621.00	53.190.00
antibacterial, anti-odour and anti-allergen filter / filtro antibatterico, antiodori e anti-allergeni	CBZB	77	105	07/12	>				54.199.00
with activated carbons / ai carboni attivi	CJZC	66	90	05/15	>	23.575.00	31.840.00	30.549.00	53.190.00
antibacterial, anti-odour and anti-allergen filter / filtro antibatterico, antiodori e anti-allergeni	CJZC	66	90	05/15	>				54.199.00
with activated carbons / ai carboni attivi	CJZD	81	110	05/15	>	23.575.00	31.840.00	30.549.00	53.190.00
antibacterial, anti-odour and anti-allergen filter / filtro antibatterico, antiodori e anti-allergeni	CJZD	81	110	05/15	>				54.199.00
with activated carbons / ai carboni attivi	CUSB	66	90	05/15	>	23.717.00	24.106.00	30.692.00	53.190.00
antibacterial, anti-odour and anti-allergen filter / filtro antibatterico, antiodori e anti-allergeni	CUSB	66	90	05/15	>				54.199.00
with activated carbons / ai carboni attivi	CAXA	90	122	07/12	>	23.573.00	31.840.00	27.621.00	53.190.00
antibacterial, anti-odour and anti-allergen filter / filtro antibatterico, antiodori e anti-allergeni	CAXA	90	122	07/12	>				54.199.00
with activated carbons / ai carboni attivi	CZCA	92	125	05/15	>	23.575.00		30.549.00	53.190.00

...SEAT - cars/auto

with activated carbons / ai carboni attivi	CZCA	92	125	05/15	>				54.199.00
antibacterial, anti-odour and anti-allergen filter / filtro antibatterico, antiodori e anti-allergeni	CZCA	92	125	05/15	>				34.199.00
1.6	CWVA	81	110	05/15	>	23.575.00		30.713.00	53.190.00
with activated carbons / ai carboni attivi	CWVA	81	110	05/15	>				54.199.00
antibacterial, anti-odour and anti-allergen filter / filtro antibatterico, antiodori e anti-allergeni	CWVA	81	110	05/15	>				34.199.00
1.6 MPI	CFNA	77	105	07/12	>	23.573.00	31.833.00	30.342.00	53.190.00
with activated carbons / ai carboni attivi	CFNA	77	105	07/12	>				54.199.00
antibacterial, anti-odour and anti-allergen filter / filtro antibatterico, antiodori e anti-allergeni	CFNA	77	105	07/12	>				34.199.00
1.6 TDI	CAYB	66	90	07/12	>	25.106.00	24.437.00	27.621.00	53.190.00
with activated carbons / ai carboni attivi	CAYB	66	90	07/12	>				54.199.00
antibacterial, anti-odour and anti-allergen filter / filtro antibatterico, antiodori e anti-allergeni	CAYB	66	90	07/12	>				34.199.00
1.6 TDI	CAYC	77	105	07/12	>	25.106.00	24.437.00	27.621.00	53.190.00
with activated carbons / ai carboni attivi	CAYC	77	105	07/12	>				54.199.00
antibacterial, anti-odour and anti-allergen filter / filtro antibatterico, antiodori e anti-allergeni	CAYC	77	105	07/12	>				34.199.00
1.6 TDI	CLNA	77	105	07/12	>	25.106.00	24.437.00	27.621.00	53.190.00
with activated carbons / ai carboni attivi	CLNA	77	105	07/12	>				54.199.00
antibacterial, anti-odour and anti-allergen filter / filtro antibatterico, antiodori e anti-allergeni	CLNA	77	105	07/12	>				34.199.00
1.6 TDI	CXMA	85	116	05/15	>	25.144.00	24.106.00	30.509.00	53.190.00
with activated carbons / ai carboni attivi	CXMA	85	116	05/15	>				54.199.00
antibacterial, anti-odour and anti-allergen filter / filtro antibatterico, antiodori e anti-allergeni	CXMA	85	116	05/15	>				34.199.00
dusty areas / zone polverose	CXMA	85	116	05/15	>			30.508.00	

SEAT

commercial vehicles/veicoli commerciali

Furgoneta Trans

0.9 (903)				07/83	>	23.169.00	31.001.00	27.785.00	
------------------	--	--	--	-------	---	-----------	-----------	-----------	--

Inca

1.4 i	AEX	44	60	09/99	>	02/04	23.453.00	31.510.00	30.038.01	53.006.00
with activated carbons / ai carboni attivi	AEX	44	60	11/95	>	02/04				54.263.00
antibacterial, anti-odour and anti-allergen filter / filtro antibatterico, antiodori e anti-allergeni	AEX	44	60	11/95	>	02/04				34.263.00
1.4 i	APQ	44	60	09/99	>	04/01	23.453.00	31.510.00	30.038.01	53.006.00
with activated carbons / ai carboni attivi	APQ	44	60	11/95	>	04/01				54.263.00
antibacterial, anti-odour and anti-allergen filter / filtro antibatterico, antiodori e anti-allergeni	APQ	44	60	11/95	>	04/01				34.263.00
1.4 i	AUD	44	60	09/00	>	06/03	23.453.00	31.510.00	30.134.00	53.006.00
with activated carbons / ai carboni attivi	AUD	44	60	09/00	>	06/03				54.263.00
antibacterial, anti-odour and anti-allergen filter / filtro antibatterico, antiodori e anti-allergeni	AUD	44	60	09/00	>	06/03				34.263.00
1.4 i (D)	AKV	44	60	09/99	>	09/00	23.453.00	31.510.00	30.038.01	53.006.00
with activated carbons / ai carboni attivi	AKV	44	60	11/95	>	09/00				54.263.00
antibacterial, anti-odour and anti-allergen filter / filtro antibatterico, antiodori e anti-allergeni	AKV	44	60	11/95	>	09/00				34.263.00
1.4 i 16V	AUA	55	75	04/00	>	06/03	23.453.00	31.510.00	30.184.00	53.006.00
with activated carbons / ai carboni attivi	AUA	55	75	04/00	>	06/03				54.263.00
antibacterial, anti-odour and anti-allergen filter / filtro antibatterico, antiodori e anti-allergeni	AUA	55	75	04/00	>	06/03				34.263.00
1.6 i	AEE	55	75	09/99	>	09/00	23.453.00	31.510.00	30.038.01	53.006.00
with activated carbons / ai carboni attivi	AEE	55	75	06/97	>	09/00				54.263.00
antibacterial, anti-odour and anti-allergen filter / filtro antibatterico, antiodori e anti-allergeni	AEE	55	75	06/97	>	09/00				34.263.00
1.7 SDI (F)	AHB	42	57	09/96	>	09/00	23.164.00	24.400.00	30.019.00	53.006.00
with activated carbons / ai carboni attivi	AHB	42	57	09/96	>	09/00				54.263.00
antibacterial, anti-odour and anti-allergen filter / filtro antibatterico, antiodori e anti-allergeni	AHB	42	57	09/96	>	09/00				34.263.00
or / oppure	AHB	42	57	09/96	>	09/00	23.164.03	24.400.00	30.019.00	53.006.00
dusty areas / zone polverose	AHB	42	57	09/96	>	09/00	23.164.00	24.400.00	30.113.00	53.006.00
1.9 D	1Y	47	65	11/95	>	06/03	23.164.00	24.400.00	30.019.00	53.006.00
with activated carbons / ai carboni attivi	1Y	47	65	11/95	>	06/03				54.263.00
antibacterial, anti-odour and anti-allergen filter / filtro antibatterico, antiodori e anti-allergeni	1Y	47	65	11/95	>	06/03				34.263.00
or / oppure	1Y	47	65	11/95	>	06/03	23.164.03	24.400.00	30.019.00	53.006.00
dusty areas / zone polverose	1Y	47	65	11/95	>	06/03	23.164.00	24.400.00	30.113.00	53.006.00
1.9 SDI	AEY	47	65	11/95	>	09/00	23.164.00	24.400.00	30.019.00	53.006.00
with activated carbons / ai carboni attivi	AEY	47	65	11/95	>	09/00				54.263.00
antibacterial, anti-odour and anti-allergen filter / filtro antibatterico, antiodori e anti-allergeni	AEY	47	65	11/95	>	09/00				34.263.00
or / oppure	AEY	47	65	11/95	>	09/00	23.164.03	24.400.00	30.019.00	53.006.00
dusty areas / zone polverose	AEY	47	65	11/95	>	09/00	23.164.00	24.400.00	30.113.00	53.006.00
1.9 SDI	AYQ	47	64	08/99	>	06/03	25.011.00	24.415.00	30.161.00	53.006.00
with activated carbons / ai carboni attivi	AYQ	47	64	08/99	>	06/03				54.263.00
antibacterial, anti-odour and anti-allergen filter / filtro antibatterico, antiodori e anti-allergeni	AYQ	47	64	08/99	>	06/03				34.263.00
1.9 TDI		66	90	09/96	>	02/04	23.164.00	24.400.00	30.019.00	53.006.00
with activated carbons / ai carboni attivi		66	90	09/96	>	02/04				54.263.00
antibacterial, anti-odour and anti-allergen filter / filtro antibatterico, antiodori e anti-allergeni		66	90	09/96	>	02/04				34.263.00
or / oppure		66	90	09/96	>	02/04	23.164.03	24.400.00	30.019.00	53.006.00
dusty areas / zone polverose		66	90	09/96	>	02/04	23.164.00	24.400.00	30.113.00	53.006.00

...SEAT - commercial vehicles/veicoli commerciali

Marbella Van								
0.9 (903)					07/83 >	23.169.00	31.001.00	27.785.00
Terra								
0.9 (903)					01/87 >	23.169.00	31.001.00	27.785.00
1.3 D	MN (1272)	33	45		03/90 >	23.164.00	24.365.00	30.925.00
or / oppure	MN (1272)	33	45		03/90 >	23.164.03	24.365.00	30.925.00
1.4 D	1W	35	48		10/90 >	23.164.00	24.365.00	30.925.00
or / oppure	1W	35	48		10/90 >	23.164.03	24.365.00	30.925.00

SKODA cars/auto

Citigo (NF1)									
1.0									
with air-conditioner / con climatizzatore	CHYA	44	60		11/11 >	23.575.00	∞	30.589.00	53.233.00
without air-conditioner / senza climatizzatore	CHYA	44	60		11/11 >				×
1.0									
with air-conditioner / con climatizzatore	CHYB	55	75		11/11 >	23.575.00	∞	30.589.00	53.233.00
without air-conditioner / senza climatizzatore	CHYB	55	75		11/11 >				×
1.0 Metano/CNG									
with air-conditioner / con climatizzatore	CPGA	50	68		11/12 >	23.575.00	∞	30.589.00	53.233.00
without air-conditioner / senza climatizzatore	CPGA	50	68		11/12 >				×
Fabia (6Y2/6Y3)									
1.0 i	ARV/ATY/AQV	37	50		09/99 > 08/02	23.435.00		30.132.00	53.031.00
to frame No. F6Y_1_247000/F6Y_1X016200 / a telaio N. F6Y_1_247000/F6Y_1X016200	ARV/ATY/AQV	37	50		09/99 >		31.722.00		
with activated carbons / ai carboni attivi	ARV/ATY/AQV	37	50		09/99 > 08/02	23.435.00		30.132.00	54.114.00
from frame No. F6Y_1_247001/F6Y_1X016201 / da telaio N. F6Y_1_247001/F6Y_1X016201	ARV/ATY/AQV	37	50		> 08/02		31.832.00		
antibacterial, anti-odour and anti-allergen filter / filtro antibatterico, antiodori e anti-allergeni	ARV/ATY/AQV	37	50		09/99 > 08/02				34.114.00
1.2 i									
with activated carbons / ai carboni attivi	AWY	40	54		07/01 > 05/04	25.029.00	31.832.00	30.196.00	54.114.00
with gasoline filter with pressure regulator (3 bar) / con filtro benzina con regolatore di pressione (3 bar)	AWY	40	54		07/01 > 05/04	25.029.00	31.832.00	30.196.00	53.031.00
with gasoline filter without pressure regulator / con filtro benzina senza regolatore di pressione	AWY	40	54		07/01 > 05/04	25.029.00	31.722.00	30.196.00	53.031.00
antibacterial, anti-odour and anti-allergen filter / filtro antibatterico, antiodori e anti-allergeni	AWY	40	54		07/01 > 05/04				34.114.00
1.2 i									
with activated carbons / ai carboni attivi	BMD	40	54		08/02 > 12/07	25.029.00	31.832.00	30.132.00	54.114.00
with gasoline filter with pressure regulator (3 bar) / con filtro benzina con regolatore di pressione (3 bar)	BMD	40	54		08/02 > 12/07	25.029.00	31.832.00	30.132.00	53.031.00
with gasoline filter with pressure regulator (4 bar) / con filtro benzina con regolatore di pressione (4 bar)	BMD	40	54		08/02 > 12/07		31.833.00		
with gasoline filter without pressure regulator / con filtro benzina senza regolatore di pressione	BMD	40	54		08/02 > 12/07	25.029.00	31.722.00	30.132.00	53.031.00
antibacterial, anti-odour and anti-allergen filter / filtro antibatterico, antiodori e anti-allergeni	BMD	40	54		08/02 > 12/07				34.114.00
1.2 i 12V									
with activated carbons / ai carboni attivi	AZQ	47	64		08/02 > 12/04	25.029.00	31.832.00	30.165.00	54.114.00
with gasoline filter with pressure regulator (3 bar) / con filtro benzina con regolatore di pressione (3 bar)	AZQ	47	64		08/02 > 12/04	25.029.00	31.832.00	30.165.00	53.031.00
with gasoline filter with pressure regulator (4 bar) / con filtro benzina con regolatore di pressione (4 bar)	AZQ	47	64		08/02 > 12/04		31.833.00		
with gasoline filter without pressure regulator / con filtro benzina senza regolatore di pressione	AZQ	47	64		08/02 > 12/04	25.029.00	31.722.00	30.165.00	53.031.00
antibacterial, anti-odour and anti-allergen filter / filtro antibatterico, antiodori e anti-allergeni	AZQ	47	64		08/02 > 12/04				34.114.00
1.4 16V									
with activated carbons / ai carboni attivi	BUD	59	80		04/06 > 12/07	23.453.00	31.833.00	30.342.00	53.031.00
antibacterial, anti-odour and anti-allergen filter / filtro antibatterico, antiodori e anti-allergeni	BUD	59	80		04/06 > 12/07	23.453.00	31.833.00	30.342.00	54.114.00
1.4 i									
to frame No. F6Y_1247000/F6Y_1X016200 / a telaio N. F6Y_1247000/F6Y_1X016200	AME/AQW/ATZ	50	68		09/99 > 05/03	23.435.00		30.132.00	53.031.00
with activated carbons / ai carboni attivi	AME/AQW/ATZ	50	68		09/99 > 05/03	23.435.00		30.132.00	54.114.00
from frame No. F6Y_1_247001/F6Y_1X016201 / da telaio N. F6Y_1_247001/F6Y_1X016201	AME/AQW/ATZ	50	68		> 05/03		31.832.00		
antibacterial, anti-odour and anti-allergen filter / filtro antibatterico, antiodori e anti-allergeni	AME/AQW/ATZ	50	68		09/99 > 05/03				34.114.00
1.4 i	AZE/AZF	44	60		09/99 > 03/03	23.435.00		30.132.00	53.031.00
to frame No. F6Y_1_247000/F6Y_1X016200 / a telaio N. F6Y_1_247000/F6Y_1X016200	AZE/AZF	44	60		09/99 >		31.722.00		
with activated carbons / ai carboni attivi	AZE/AZF	44	60		09/99 > 03/03	23.435.00		30.132.00	54.114.00
from frame No. F6Y_1_247001/F6Y_1X016201 / da telaio N. F6Y_1_247001/F6Y_1X016201	AZE/AZF	44	60		> 03/03		31.832.00		
antibacterial, anti-odour and anti-allergen filter / filtro antibatterico, antiodori e anti-allergeni	AZE/AZF	44	60		09/99 > 03/03				34.114.00
1.4 i 16V	AUA	55	75		09/99 > 08/03	23.453.00	31.832.00	30.158.00	53.031.00
with activated carbons / ai carboni attivi	AUA	55	75		09/99 > 08/03	23.453.00	31.832.00	30.158.00	54.114.00
antibacterial, anti-odour and anti-allergen filter / filtro antibatterico, antiodori e anti-allergeni	AUA	55	75		09/99 > 08/03				34.114.00
1.4 i 16V	AUB	74	101		09/99 > 08/03	23.453.00	31.832.00	30.158.00	53.031.00
with activated carbons / ai carboni attivi	AUB	74	101		09/99 > 08/03	23.453.00	31.832.00	30.158.00	54.114.00
antibacterial, anti-odour and anti-allergen filter / filtro antibatterico, antiodori e anti-allergeni	AUB	74	101		09/99 > 08/03				34.114.00
1.4 i 16V	BBY	55	75		04/02 > 05/04	23.453.00	31.832.00	30.158.00	53.031.00
with activated carbons / ai carboni attivi	BBY	55	75		04/02 > 05/04	23.453.00	31.832.00	30.158.00	54.114.00
antibacterial, anti-odour and anti-allergen filter / filtro antibatterico, antiodori e anti-allergeni	BBY	55	75		04/02 > 05/04				34.114.00
1.4 i 16V	BBZ	74	101		05/02 > 12/07	23.453.00	31.832.00	30.158.00	53.031.00
with activated carbons / ai carboni attivi	BBZ	74	101		05/02 > 12/07	23.453.00	31.832.00	30.158.00	54.114.00

...SKODA - cars/auto

antibacterial, anti-odour and anti-allergen filter / filtro antibatterico, antiodori e anti-allergeni	BBZ	74	101	05/02 >	12/07				34.114.00
1.4 i 16V	BKY	55	75	05/04 >	12/07	23.453.00	31.832.00	30.158.00	53.031.00
with activated carbons / ai carboni attivi	BKY	55	75	05/04 >	12/07	23.453.00	31.832.00	30.158.00	54.114.00
antibacterial, anti-odour and anti-allergen filter / filtro antibatterico, antiodori e anti-allergeni	BKY	55	75	05/04 >	12/07				34.114.00
1.4 TDI	AMF/BAY	55	75	04/03 >	10/05	25.023.00	24.428.00	30.133.00	53.031.00
with activated carbons / ai carboni attivi	AMF/BAY	55	75	04/03 >	10/05	25.023.00	24.428.00	30.133.00	54.114.00
antibacterial, anti-odour and anti-allergen filter / filtro antibatterico, antiodori e anti-allergeni	AMF/BAY	55	75	04/03 >	10/05				34.114.00
dusty areas / zone polverose	AMF/BAY	55	75	04/03 >	10/05	25.023.00	24.428.00	30.369.00	53.031.00
1.4 TDI	BMS/BNV	58	80	09/05 >	12/07	25.023.00	24.437.00	30.133.00	53.031.00
with activated carbons / ai carboni attivi	BMS/BNV	58	80	09/05 >	12/07	25.023.00	24.437.00	30.133.00	54.114.00
antibacterial, anti-odour and anti-allergen filter / filtro antibatterico, antiodori e anti-allergeni	BMS/BNV	58	80	09/05 >	12/07				34.114.00
dusty areas / zone polverose	BMS/BNV	58	80	09/05 >	12/07	25.023.00	24.437.00	30.369.00	53.031.00
1.4 TDI	BNM	51	70	09/05 >	12/07	25.023.00	24.437.00	30.133.00	53.031.00
with activated carbons / ai carboni attivi	BNM	51	70	09/05 >	12/07	25.023.00	24.437.00	30.133.00	54.114.00
antibacterial, anti-odour and anti-allergen filter / filtro antibatterico, antiodori e anti-allergeni	BNM	51	70	09/05 >	12/07				34.114.00
dusty areas / zone polverose	BNM	51	70	09/05 >	12/07	25.023.00	24.437.00	30.369.00	53.031.00
1.9 SDI	ASY	47	64	09/99 >	03/08	25.023.00	24.428.00	30.133.00	53.031.00
with activated carbons / ai carboni attivi	ASY	47	64	09/99 >	03/08	25.023.00	24.428.00	30.133.00	54.114.00
antibacterial, anti-odour and anti-allergen filter / filtro antibatterico, antiodori e anti-allergeni	ASY	47	64	09/99 >	08/02				34.114.00
dusty areas / zone polverose	ASY	47	64	09/99 >	03/08	25.023.00	24.428.00	30.369.00	53.031.00
1.9 TDI									
to frame No. 5-391600 / a telaio N. 5-391600	ATD	74	101	09/99 >	04/05	25.023.00	24.428.00	30.133.00	53.031.00
with activated carbons / ai carboni attivi	ATD	74	101	09/99 >	04/05	25.023.00	24.428.00	30.133.00	54.114.00
with activated carbons / ai carboni attivi	ATD	74	101	05/05 >	10/05	25.023.00	24.004.00	30.133.00	54.114.00
from frame No. 5-391601 / da telaio N. 5-391601	ATD	74	101	05/05 >	10/05	25.023.00	24.004.00	30.133.00	53.031.00
antibacterial, anti-odour and anti-allergen filter / filtro antibatterico, antiodori e anti-allergeni	ATD	74	101	09/99 >	10/05				34.114.00
dusty areas / zone polverose	ATD	74	101	09/99 >	04/05	25.023.00	24.428.00	30.369.00	53.031.00
dusty areas / zone polverose	ATD	74	101	05/05 >	10/05	25.023.00	24.004.00	30.369.00	53.031.00
1.9 TDI RS									
to frame No. 5-391600 / a telaio N. 5-391600	ASZ	96	130	09/03 >	04/05	25.023.00	24.428.00	30.133.00	53.031.00
with activated carbons / ai carboni attivi	ASZ	96	130	09/03 >	04/05	25.023.00	24.428.00	30.133.00	54.114.00
with activated carbons / ai carboni attivi	ASZ	96	130	05/05 >	10/05	25.023.00	24.004.00	30.133.00	54.114.00
from frame No. 5-391601 / da telaio N. 5-391601	ASZ	96	130	05/05 >	10/05	25.023.00	24.004.00	30.133.00	53.031.00
antibacterial, anti-odour and anti-allergen filter / filtro antibatterico, antiodori e anti-allergeni	ASZ	96	130	09/03 >	10/05				34.114.00
dusty areas / zone polverose	ASZ	96	130	09/03 >	04/05	25.023.00	24.428.00	30.369.00	53.031.00
dusty areas / zone polverose	ASZ	96	130	05/05 >	10/05	25.023.00	24.004.00	30.369.00	53.031.00
2.0 i	AQY/AZL	85	116	12/99 >	12/07	23.436.00		30.133.00	53.031.00
to frame No. F6Y_1247000/F6Y_1X016200 / a telaio N. F6Y_1247000/F6Y_1X016200	AQY/AZL	85	116	12/99 >			31.722.00		
with activated carbons / ai carboni attivi	AQY/AZL	85	116	12/99 >	12/07	23.436.00		30.133.00	54.114.00
from frame No. F6Y_1_247001/F6Y_1X016201 / da telaio N. F6Y_1_247001/F6Y_1X016201	AQY/AZL	85	116		12/07		31.832.00		
antibacterial, anti-odour and anti-allergen filter / filtro antibatterico, antiodori e anti-allergeni	AQY/AZL	85	116	12/99 >	12/07				34.114.00
dusty areas / zone polverose	AQY/AZL	85	116	12/99 >	12/07	23.436.00		30.369.00	53.031.00
Fabia II (5J6/5J9)									
1.2 12V	BBM	44	60	12/06 >	05/09	25.029.00	31.833.00	30.132.00	53.031.00
with activated carbons / ai carboni attivi	BBM	44	60	12/06 >	05/09	25.029.00	31.833.00	30.132.00	54.114.00
antibacterial, anti-odour and anti-allergen filter / filtro antibatterico, antiodori e anti-allergeni	BBM	44	60	12/06 >	05/09				34.114.00
1.2 12V	BZG	51	70	01/07 >	05/09	25.029.00	31.833.00	30.132.00	53.031.00
with activated carbons / ai carboni attivi	BZG	51	70	01/07 >	05/09	25.029.00	31.833.00	30.132.00	54.114.00
1.2 12V	CEVA	51	70	01/08 >	07/10	25.029.00	31.833.00	30.132.00	53.031.00
	CEVA	51	70	08/10 >	09/10	25.029.00	31.833.00	30.132.00	53.190.00
with activated carbons / ai carboni attivi	CEVA	51	70	01/08 >	07/10	25.029.00	31.833.00	30.132.00	54.114.00
with activated carbons / ai carboni attivi	CEVA	51	70	08/10 >	09/10	25.029.00	31.833.00	30.132.00	54.199.00
antibacterial, anti-odour and anti-allergen filter / filtro antibatterico, antiodori e anti-allergeni	CEVA	51	70	01/08 >	07/10				34.114.00
antibacterial, anti-odour and anti-allergen filter / filtro antibatterico, antiodori e anti-allergeni	CEVA	51	70	08/10 >	09/10				34.199.00
1.2 12V	CGPA	51	70	03/09 >	07/10	25.029.00	31.833.00	30.132.00	53.031.00
	CGPA	51	70	08/10 >	12/14	25.029.00	31.833.00	30.132.00	53.190.00
with activated carbons / ai carboni attivi	CGPA	51	70	03/09 >	07/10	25.029.00	31.833.00	30.132.00	54.114.00
with activated carbons / ai carboni attivi	CGPA	51	70	08/10 >	12/14	25.029.00	31.833.00	30.132.00	54.199.00
antibacterial, anti-odour and anti-allergen filter / filtro antibatterico, antiodori e anti-allergeni	CGPA	51	70	03/09 >	07/10				34.114.00
antibacterial, anti-odour and anti-allergen filter / filtro antibatterico, antiodori e anti-allergeni	CGPA	51	70	08/10 >	12/14				34.199.00
1.2 12V	CHFA	44	60	03/09 >	07/10	25.029.00	31.833.00	30.132.00	53.031.00
	CHFA	44	60	08/10 >	11/11	25.029.00	31.833.00	30.132.00	53.190.00
with activated carbons / ai carboni attivi	CHFA	44	60	03/09 >	07/10	25.029.00	31.833.00	30.132.00	54.114.00
with activated carbons / ai carboni attivi	CHFA	44	60	08/10 >	11/11	25.029.00	31.833.00	30.132.00	54.199.00
antibacterial, anti-odour and anti-allergen filter / filtro antibatterico, antiodori e anti-allergeni	CHFA	44	60	03/09 >	07/10				34.114.00
antibacterial, anti-odour and anti-allergen filter / filtro antibatterico, antiodori e anti-allergeni	CHFA	44	60	08/10 >	11/11				34.199.00
1.2 12V	CHTA	51	70	01/07 >	03/10	25.029.00	31.833.00	30.132.00	53.031.00

...SKODA - cars/auto

with activated carbons / ai carboni attivi	CHTA	51	70	01/07 >	03/10	25.029.00	31.833.00	30.132.00	54.114.00
antibacterial, anti-odour and anti-allergen filter / filtro antibatterico, antiodori e anti-allergeni	CHTA	51	70	01/07 >	03/10				34.114.00
1.2 12V GPLine	BBM	44	60	02/07 >	05/09	25.029.00	31.833.00	30.132.00	53.031.00
with activated carbons / ai carboni attivi	BBM	44	60	02/07 >	05/09	25.029.00	31.833.00	30.132.00	54.114.00
antibacterial, anti-odour and anti-allergen filter / filtro antibatterico, antiodori e anti-allergeni	BBM	44	60	02/07 >	05/09				34.114.00
assembly LANDI Omegas / montaggio LANDI Omegas	BBM	44	60	02/07 >	05/09		31.836.00		
1.2 12V GPLine	BZG	51	70	02/07 >	05/09	25.029.00	31.833.00	30.132.00	53.031.00
with activated carbons / ai carboni attivi	BZG	51	70	02/07 >	05/09	25.029.00	31.833.00	30.132.00	54.114.00
antibacterial, anti-odour and anti-allergen filter / filtro antibatterico, antiodori e anti-allergeni	BZG	51	70	02/07 >	05/09				34.114.00
assembly LANDI Omegas / montaggio LANDI Omegas	BZG	51	70	02/07 >	05/09		31.836.00		
1.2 TDI CR	CFWA	55	75	03/10 >	07/10	25.115.00	24.106.00	27.621.00	53.031.00
	CFWA	55	75	08/10 >	12/14	25.115.00	24.106.00	27.621.00	53.190.00
with activated carbons / ai carboni attivi	CFWA	55	75	03/10 >	07/10	25.115.00	24.106.00	27.621.00	54.114.00
with activated carbons / ai carboni attivi	CFWA	55	75	08/10 >	12/14	25.115.00	24.106.00	27.621.00	54.199.00
antibacterial, anti-odour and anti-allergen filter / filtro antibatterico, antiodori e anti-allergeni	CFWA	55	75	03/10 >	07/10				34.114.00
antibacterial, anti-odour and anti-allergen filter / filtro antibatterico, antiodori e anti-allergeni	CFWA	55	75	08/10 >	12/14				34.199.00
prefilter / prefiltrato	CFWA	55	75	03/10 >	11/12		31.845.00		
1.2 TDI CR GreenLine	CFWA	55	75	03/10 >	07/10	25.115.00	24.106.00	27.621.00	53.031.00
	CFWA	55	75	08/10 >	12/14	25.115.00	24.106.00	27.621.00	53.190.00
with activated carbons / ai carboni attivi	CFWA	55	75	03/10 >	07/10	25.115.00	24.106.00	27.621.00	54.114.00
with activated carbons / ai carboni attivi	CFWA	55	75	08/10 >	12/14	25.115.00	24.106.00	27.621.00	54.199.00
antibacterial, anti-odour and anti-allergen filter / filtro antibatterico, antiodori e anti-allergeni	CFWA	55	75	03/10 >	07/10				34.114.00
antibacterial, anti-odour and anti-allergen filter / filtro antibatterico, antiodori e anti-allergeni	CFWA	55	75	08/10 >	12/14				34.199.00
prefilter / prefiltrato	CFWA	55	75	03/10 >	07/10		31.845.00		
1.2 TSI	CBZA	63	86	03/10 >	07/10	23.573.00	31.840.00	27.621.00	53.031.00
	CBZA	63	86	08/10 >	12/14	23.573.00	31.840.00	27.621.00	53.190.00
with activated carbons / ai carboni attivi	CBZA	63	86	03/10 >	07/10	23.573.00	31.840.00	27.621.00	54.114.00
with activated carbons / ai carboni attivi	CBZA	63	86	08/10 >	12/14	23.573.00	31.840.00	27.621.00	54.199.00
antibacterial, anti-odour and anti-allergen filter / filtro antibatterico, antiodori e anti-allergeni	CBZA	63	86	03/10 >	07/10				34.114.00
antibacterial, anti-odour and anti-allergen filter / filtro antibatterico, antiodori e anti-allergeni	CBZA	63	86	08/10 >	12/14				34.199.00
1.2 TSI	CBZB	77	105	03/10 >	07/10	23.573.00	31.840.00	27.621.00	53.031.00
	CBZB	77	105	08/10 >	12/14	23.573.00	31.840.00	27.621.00	53.190.00
with activated carbons / ai carboni attivi	CBZB	77	105	03/10 >	07/10	23.573.00	31.840.00	27.621.00	54.114.00
with activated carbons / ai carboni attivi	CBZB	77	105	08/10 >	12/14	23.573.00	31.840.00	27.621.00	54.199.00
antibacterial, anti-odour and anti-allergen filter / filtro antibatterico, antiodori e anti-allergeni	CBZB	77	105	03/10 >	07/10				34.114.00
antibacterial, anti-odour and anti-allergen filter / filtro antibatterico, antiodori e anti-allergeni	CBZB	77	105	08/10 >	12/14				34.199.00
1.4 16V	BXW	63	86	01/07 >	03/10	23.453.00	31.833.00	30.342.00	53.031.00
with activated carbons / ai carboni attivi	BXW	63	86	01/07 >	03/10	23.453.00	31.833.00	30.342.00	54.114.00
antibacterial, anti-odour and anti-allergen filter / filtro antibatterico, antiodori e anti-allergeni	BXW	63	86	01/07 >	03/10				34.114.00
1.4 16V	CGGB	63	86	03/09 >	07/10	23.453.00	31.833.00	30.342.00	53.031.00
	CGGB	63	86	08/10 >	12/14	23.453.00	31.833.00	30.342.00	53.190.00
with activated carbons / ai carboni attivi	CGGB	63	86	03/09 >	07/10	23.453.00	31.833.00	30.342.00	54.114.00
with activated carbons / ai carboni attivi	CGGB	63	86	08/10 >	12/14	23.453.00	31.833.00	30.342.00	54.199.00
antibacterial, anti-odour and anti-allergen filter / filtro antibatterico, antiodori e anti-allergeni	CGGB	63	86	03/09 >	07/10				34.114.00
antibacterial, anti-odour and anti-allergen filter / filtro antibatterico, antiodori e anti-allergeni	CGGB	63	86	08/10 >	12/14				34.199.00
1.4 16V GPLine	BXW	63	86	02/07 >	03/10	23.453.00	31.833.00	30.342.00	53.031.00
with activated carbons / ai carboni attivi	BXW	63	86	02/07 >	03/10	23.453.00	31.833.00	30.342.00	54.114.00
antibacterial, anti-odour and anti-allergen filter / filtro antibatterico, antiodori e anti-allergeni	BXW	63	86	02/07 >	03/10				34.114.00
assembly LANDI Omegas / montaggio LANDI Omegas	BXW	63	86	02/07 >	03/10		31.836.00		
1.4 TDI	BNM	51	70	02/07 >	07/10	25.023.00	24.437.00	30.133.00	53.031.00
	BNM	51	70	08/10 >	09/10	25.023.00	24.437.00	30.133.00	53.190.00
with activated carbons / ai carboni attivi	BNM	51	70	02/07 >	07/10	25.023.00	24.437.00	30.133.00	54.114.00
with activated carbons / ai carboni attivi	BNM	51	70	08/10 >	09/10	25.023.00	24.437.00	30.133.00	54.199.00
antibacterial, anti-odour and anti-allergen filter / filtro antibatterico, antiodori e anti-allergeni	BNM	51	70	02/07 >	07/10				34.114.00
antibacterial, anti-odour and anti-allergen filter / filtro antibatterico, antiodori e anti-allergeni	BNM	51	70	08/10 >	09/10				34.199.00
dusty areas / zone polverose	BNM	51	70	02/07 >	09/10			30.369.00	
1.4 TDI PD	BMS	59	80	02/07 >	03/10	25.023.00	24.437.00	30.133.00	53.031.00
with activated carbons / ai carboni attivi	BMS	59	80	02/07 >	03/10	25.023.00	24.437.00	30.133.00	54.114.00
antibacterial, anti-odour and anti-allergen filter / filtro antibatterico, antiodori e anti-allergeni	BMS	59	80	02/07 >	03/10				34.114.00
dusty areas / zone polverose	BMS	59	80	02/07 >	03/10			30.369.00	
1.4 TDI PD	BNV	59	80	02/07 >	03/10	25.023.00	24.437.00	30.133.00	53.031.00
with activated carbons / ai carboni attivi	BNV	59	80	02/07 >	03/10	25.023.00	24.437.00	30.133.00	54.114.00
antibacterial, anti-odour and anti-allergen filter / filtro antibatterico, antiodori e anti-allergeni	BNV	59	80	02/07 >	03/10				34.114.00
dusty areas / zone polverose	BNV	59	80	02/07 >	03/10			30.369.00	
1.4 TSI RS	CAVE/CTHE	132	180	05/10 >	06/10	23.494.00	31.840.00	27.621.00	53.031.00
	CAVE/CTHE	132	180	06/10 >	07/10	23.494.00	31.840.00	27.621.00	53.031.00
	CAVE/CTHE	132	180	08/10 >	12/14	23.573.00	31.840.00	27.621.00	53.190.00

...SKODA - cars/auto

with activated carbons / ai carboni attivi	CAVE/CTHE	132	180	05/10	>	06/10	23.494.00	31.840.00	27.621.00	54.114.00
with activated carbons / ai carboni attivi	CAVE/CTHE	132	180	06/10	>	07/10	23.494.00	31.840.00	27.621.00	54.114.00
with activated carbons / ai carboni attivi	CAVE/CTHE	132	180	08/10	>	12/14	23.573.00	31.840.00	27.621.00	54.199.00
antibacterial, anti-odour and anti-allergen filter / filtro antibatterico, antiodori e anti-allergeni	CAVE/CTHE	132	180	05/10	>	07/10				34.114.00
antibacterial, anti-odour and anti-allergen filter / filtro antibatterico, antiodori e anti-allergeni	CAVE/CTHE	132	180	08/10	>	12/14				34.199.00
1.6 16V	BTS	77	105	04/07	>	07/10	25.047.00	31.833.00	30.342.00	53.031.00
with activated carbons / ai carboni attivi	BTS	77	105	04/07	>	07/10	25.047.00	31.833.00	30.342.00	54.114.00
antibacterial, anti-odour and anti-allergen filter / filtro antibatterico, antiodori e anti-allergeni	BTS	77	105	04/07	>	07/10				34.114.00
1.6 16V	CFNA	77	105	03/10	>	07/10	23.573.00	31.833.00	30.342.00	53.031.00
	CFNA	77	105	08/10	>	12/14	23.573.00	31.833.00	30.342.00	53.190.00
with activated carbons / ai carboni attivi	CFNA	77	105	03/10	>	07/10	23.573.00	31.833.00	30.342.00	54.114.00
with activated carbons / ai carboni attivi	CFNA	77	105	08/10	>	12/14	23.573.00	31.833.00	30.342.00	54.199.00
antibacterial, anti-odour and anti-allergen filter / filtro antibatterico, antiodori e anti-allergeni	CFNA	77	105	03/10	>	07/10				34.114.00
antibacterial, anti-odour and anti-allergen filter / filtro antibatterico, antiodori e anti-allergeni	CFNA	77	105	08/10	>	12/14				34.199.00
1.6 16V GPLine	BTS	77	105	04/07	>	07/10	25.047.00	31.833.00	30.342.00	53.031.00
with activated carbons / ai carboni attivi	BTS	77	105	04/07	>	07/10	25.047.00	31.833.00	30.342.00	54.114.00
antibacterial, anti-odour and anti-allergen filter / filtro antibatterico, antiodori e anti-allergeni	BTS	77	105	04/07	>	07/10				34.114.00
assembly LANDI Omegas / montaggio LANDI Omegas	BTS	77	105	04/07	>	07/10		31.836.00		
1.6 TDI CR	CAYA	55	75	03/10	>	07/10	25.106.00	24.437.00	27.621.00	53.031.00
	CAYA	55	75	08/10	>	12/14	25.106.00	24.437.00	27.621.00	53.190.00
with activated carbons / ai carboni attivi	CAYA	55	75	03/10	>	07/10	25.106.00	24.437.00	27.621.00	54.114.00
with activated carbons / ai carboni attivi	CAYA	55	75	08/10	>	12/14	25.106.00	24.437.00	27.621.00	54.199.00
antibacterial, anti-odour and anti-allergen filter / filtro antibatterico, antiodori e anti-allergeni	CAYA	55	75	03/10	>	07/10				34.114.00
antibacterial, anti-odour and anti-allergen filter / filtro antibatterico, antiodori e anti-allergeni	CAYA	55	75	08/10	>	12/14				34.199.00
1.6 TDI CR	CAYB	66	90	03/10	>	07/10	25.106.00	24.437.00	27.621.00	53.031.00
	CAYB	66	90	08/10	>	12/14	25.105.00	24.437.00	27.621.00	53.190.00
with activated carbons / ai carboni attivi	CAYB	66	90	03/10	>	07/10	25.106.00	24.437.00	27.621.00	54.114.00
with activated carbons / ai carboni attivi	CAYB	66	90	08/10	>	12/14	25.106.00	24.437.00	27.621.00	54.199.00
antibacterial, anti-odour and anti-allergen filter / filtro antibatterico, antiodori e anti-allergeni	CAYB	66	90	03/10	>	07/10				34.114.00
antibacterial, anti-odour and anti-allergen filter / filtro antibatterico, antiodori e anti-allergeni	CAYB	66	90	08/10	>	12/14				34.199.00
1.6 TDI CR	CAYC	77	105	03/10	>	07/10	25.106.00	24.437.00	27.621.00	53.031.00
	CAYC	77	105	08/10	>	12/14	25.106.00	24.437.00	27.621.00	53.190.00
with activated carbons / ai carboni attivi	CAYC	77	105	03/10	>	07/10	25.106.00	24.437.00	27.621.00	54.114.00
with activated carbons / ai carboni attivi	CAYC	77	105	08/10	>	12/14	25.106.00	24.437.00	27.621.00	54.199.00
antibacterial, anti-odour and anti-allergen filter / filtro antibatterico, antiodori e anti-allergeni	CAYC	77	105	03/10	>	07/10				34.114.00
antibacterial, anti-odour and anti-allergen filter / filtro antibatterico, antiodori e anti-allergeni	CAYC	77	105	08/10	>	12/14				34.199.00
1.9 TDI PD	BLS	77	105	02/07	>	03/10	25.023.00	24.004.00	30.133.00	53.031.00
with activated carbons / ai carboni attivi	BLS	77	105	02/07	>	03/10	25.023.00	24.004.00	30.133.00	54.114.00
antibacterial, anti-odour and anti-allergen filter / filtro antibatterico, antiodori e anti-allergeni	BLS	77	105	02/07	>	07/10				34.114.00
dusty areas / zone polverose	BLS	77	105	02/07	>	03/10			30.369.00	
1.9 TDI PD	BSW	77	105	02/07	>	03/10	25.023.00	24.004.00	30.133.00	53.031.00
with activated carbons / ai carboni attivi	BSW	77	105	02/07	>	03/10	25.023.00	24.004.00	30.133.00	54.114.00
antibacterial, anti-odour and anti-allergen filter / filtro antibatterico, antiodori e anti-allergeni	BSW	77	105	02/07	>	07/10				34.114.00
dusty areas / zone polverose	BSW	77	105	02/07	>	03/10			30.369.00	
Fabia III (NJ3/NJ5)										
1.0 MPI	CHYA	44	60	09/14	>		23.575.00	31.833.00	30.589.00	53.190.00
with activated carbons / ai carboni attivi	CHYA	44	60	09/14	>					54.199.00
antibacterial, anti-odour and anti-allergen filter / filtro antibatterico, antiodori e anti-allergeni	CHYA	44	60	09/14	>					34.199.00
1.0 MPI	CHYB	55	75	09/14	>		23.575.00	31.833.00	30.589.00	53.190.00
with activated carbons / ai carboni attivi	CHYB	55	75	09/14	>					54.199.00
antibacterial, anti-odour and anti-allergen filter / filtro antibatterico, antiodori e anti-allergeni	CHYB	55	75	09/14	>					34.199.00
1.0 TSI	CHZB	70	95	05/17	>		23.575.00		30.A51.00	53.190.00
with activated carbons / ai carboni attivi	CHZB	70	95	05/17	>					54.199.00
antibacterial, anti-odour and anti-allergen filter / filtro antibatterico, antiodori e anti-allergeni	CHZB	70	95	05/17	>					34.199.00
1.0 TSI	CHZC	85	116	05/17	>		23.575.00		30.A51.00	53.190.00
with activated carbons / ai carboni attivi	CHZC	85	116	05/17	>					54.199.00
antibacterial, anti-odour and anti-allergen filter / filtro antibatterico, antiodori e anti-allergeni	CHZC	85	116	05/17	>					34.199.00
1.2 TSI	CJZC	66	90	09/14	>		23.575.00	31.840.00	30.549.00	53.190.00
with activated carbons / ai carboni attivi	CJZC	66	90	09/14	>					54.199.00
antibacterial, anti-odour and anti-allergen filter / filtro antibatterico, antiodori e anti-allergeni	CJZC	66	90	09/14	>					34.199.00
1.2 TSI	CJZD	81	110	09/14	>		23.575.00	31.840.00	30.549.00	53.190.00
with activated carbons / ai carboni attivi	CJZD	81	110	09/14	>					54.199.00
antibacterial, anti-odour and anti-allergen filter / filtro antibatterico, antiodori e anti-allergeni	CJZD	81	110	09/14	>					34.199.00
1.4 TDI	CUSB	66	90	09/14	>		23.717.00	24.106.00	30.692.00	53.190.00
with activated carbons / ai carboni attivi	CUSB	66	90	09/14	>					54.199.00
antibacterial, anti-odour and anti-allergen filter / filtro antibatterico, antiodori e anti-allergeni	CUSB	66	90	09/14	>					34.199.00
1.4 TDI	CUTA	77	105	10/14	>		23.717.00	24.106.00	30.692.00	53.190.00

...SKODA - cars/auto

S



with activated carbons / ai carboni attivi	CUTA	77	105	10/14	>				54.199.00	
antibacterial, anti-odour and anti-allergen filter / filtro antibatterico, antiodori e anti-allergeni	CUTA	77	105	10/14	>				34.199.00	
1.4 TDI	CYZA	77	105	09/14	>	23.717.00	24.106.00	30.692.00	53.190.00	
with activated carbons / ai carboni attivi	CYZA	77	105	09/14	>				54.199.00	
antibacterial, anti-odour and anti-allergen filter / filtro antibatterico, antiodori e anti-allergeni	CYZA	77	105	09/14	>				34.199.00	
1.4 TSI R5	CZCA	92	125	02/18	>	23.575.00		30.549.00	53.190.00	
with activated carbons / ai carboni attivi	CZCA	92	125	02/18	>				54.199.00	
antibacterial, anti-odour and anti-allergen filter / filtro antibatterico, antiodori e anti-allergeni	CZCA	92	125	02/18	>				34.199.00	
1.6 MPI	CWVA	81	110	09/14	>	23.575.00	31.833.00	30.713.00	53.190.00	
with activated carbons / ai carboni attivi	CWVA	81	110	09/14	>				54.199.00	
antibacterial, anti-odour and anti-allergen filter / filtro antibatterico, antiodori e anti-allergeni	CWVA	81	110	09/14	>				34.199.00	
Fabia Wagon (6Y5)										
1.2 i 12V										
with activated carbons / ai carboni attivi	AZQ	47	64	08/02	>	12/04	25.029.00	31.832.00	30.165.00	54.114.00
with gasoline filter with pressure regulator (3 bar) / con filtro benzina con regolatore di pressione (3 bar)	AZQ	47	64	08/02	>	12/04	25.029.00	31.832.00	30.165.00	53.031.00
with gasoline filter with pressure regulator (4 bar) / con filtro benzina con regolatore di pressione (4 bar)	AZQ	47	64	08/02	>	12/04		31.833.00		
with gasoline filter without pressure regulator / con filtro benzina senza regolatore di pressione	AZQ	47	64	08/02	>	12/04	25.029.00	31.722.00	30.165.00	53.031.00
antibacterial, anti-odour and anti-allergen filter / filtro antibatterico, antiodori e anti-allergeni	AZQ	47	64	08/02	>	12/04				34.114.00
1.4 i	AME/AQW/ATZ	50	68	08/99	>	05/03	23.435.00		30.132.00	53.031.00
to frame No. F6Y_1247000/F6Y_1X016200 / a telaio N. F6Y_1247000/F6Y_1X016200	AME/AQW/ATZ	50	68	08/99	>			31.722.00		
with activated carbons / ai carboni attivi	AME/AQW/ATZ	50	68	08/99	>	05/03	23.435.00	31.722.00	30.132.00	54.114.00
from frame No. F6Y_1_247001/F6Y_1X016201 / da telaio N. F6Y_1_247001/F6Y_1X016201	AME/AQW/ATZ	50	68		>	05/03		31.832.00		
antibacterial, anti-odour and anti-allergen filter / filtro antibatterico, antiodori e anti-allergeni	AME/AQW/ATZ	50	68	08/99	>	05/03				34.114.00
1.4 i 16V	AUA	55	75	09/99	>	08/03	23.453.00	31.832.00	30.158.00	53.031.00
with activated carbons / ai carboni attivi	AUA	55	75	09/99	>	08/03	23.453.00	31.832.00	30.158.00	54.114.00
antibacterial, anti-odour and anti-allergen filter / filtro antibatterico, antiodori e anti-allergeni	AUA	55	75	09/99	>	08/03				34.114.00
1.4 i 16V	AUB	74	101	09/99	>	08/03	23.453.00	31.832.00	30.158.00	53.031.00
with activated carbons / ai carboni attivi	AUB	74	101	09/99	>	08/03	23.453.00	31.832.00	30.158.00	54.114.00
antibacterial, anti-odour and anti-allergen filter / filtro antibatterico, antiodori e anti-allergeni	AUB	74	101	09/99	>	08/03				34.114.00
1.4 i 16V	BBY	55	75	04/02	>	05/04	23.453.00	31.832.00	30.158.00	53.031.00
with activated carbons / ai carboni attivi	BBY	55	75	04/02	>	05/04	23.453.00	31.832.00	30.158.00	54.114.00
antibacterial, anti-odour and anti-allergen filter / filtro antibatterico, antiodori e anti-allergeni	BBY	55	75	04/02	>	05/04				34.114.00
1.4 i 16V	BBZ	74	101	05/02	>	12/07	23.453.00	31.832.00	30.158.00	53.031.00
with activated carbons / ai carboni attivi	BBZ	74	101	05/02	>	12/07	23.453.00	31.832.00	30.158.00	54.114.00
antibacterial, anti-odour and anti-allergen filter / filtro antibatterico, antiodori e anti-allergeni	BBZ	74	101	05/02	>	12/07				34.114.00
1.4 i 16V	BKY	55	75	05/04	>	12/07	23.453.00	31.832.00	30.158.00	53.031.00
with activated carbons / ai carboni attivi	BKY	55	75	05/04	>	12/07	23.453.00	31.832.00	30.158.00	54.114.00
antibacterial, anti-odour and anti-allergen filter / filtro antibatterico, antiodori e anti-allergeni	BKY	55	75	05/04	>	12/07				34.114.00
1.4 TDI	AMF/BAY	55	75	04/03	>	10/05	25.023.00	24.428.00	30.133.00	53.031.00
with activated carbons / ai carboni attivi	AMF/BAY	55	75	04/03	>	10/05	25.023.00	24.428.00		54.114.00
antibacterial, anti-odour and anti-allergen filter / filtro antibatterico, antiodori e anti-allergeni	AMF/BAY	55	75	04/03	>	10/05				34.114.00
dusty areas / zone polverose	AMF/BAY	55	75	04/03	>	10/05	25.023.00	24.428.00	30.369.00	53.031.00
1.4 TDI	BMS/BNV	59	80	09/05	>	12/07	25.023.00	24.437.00	30.133.00	53.031.00
with activated carbons / ai carboni attivi	BMS/BNV	59	80	09/05	>	12/07	25.023.00	24.437.00	30.133.00	54.114.00
antibacterial, anti-odour and anti-allergen filter / filtro antibatterico, antiodori e anti-allergeni	BMS/BNV	59	80	09/05	>	12/07				34.114.00
dusty areas / zone polverose	BMS/BNV	59	80	09/05	>	12/07	25.023.00	24.437.00	30.369.00	53.031.00
1.4 TDI	BNM	51	70	09/05	>	12/07	25.023.00	24.437.00	30.133.00	53.031.00
with activated carbons / ai carboni attivi	BNM	51	70	09/05	>	12/07	25.023.00	24.437.00	30.133.00	54.114.00
antibacterial, anti-odour and anti-allergen filter / filtro antibatterico, antiodori e anti-allergeni	BNM	51	70	09/05	>	12/07				34.114.00
dusty areas / zone polverose	BNM	51	70	09/05	>	12/07	25.023.00	24.437.00	30.369.00	53.031.00
1.9 SDI	ASY	47	64	09/99	>	03/08	25.023.00	24.428.00	30.133.00	53.031.00
with activated carbons / ai carboni attivi	ASY	47	64	09/99	>	03/08	25.023.00	24.428.00	30.133.00	54.114.00
antibacterial, anti-odour and anti-allergen filter / filtro antibatterico, antiodori e anti-allergeni	ASY	47	64	09/99	>	03/08				34.114.00
dusty areas / zone polverose	ASY	47	64	09/99	>	03/08	25.023.00	24.428.00	30.369.00	53.031.00
1.9 TDI	ATD	74	101	10/00	>	04/05	25.023.00	24.428.00	30.133.00	53.031.00
to frame No. 5-391600 / a telaio N. 5-391600	ATD	74	101	10/00	>	04/05	25.023.00	24.428.00	30.133.00	54.114.00
with activated carbons / ai carboni attivi	ATD	74	101	05/05	>	10/05	25.023.00	24.004.00	30.133.00	54.114.00
from frame No. 5-391601 / da telaio N. 5-391601	ATD	74	101	05/05	>	10/05	25.023.00	24.004.00	30.133.00	53.031.00
antibacterial, anti-odour and anti-allergen filter / filtro antibatterico, antiodori e anti-allergeni	ATD	74	101	10/00	>	10/05				34.114.00
dusty areas / zone polverose	ATD	74	101	10/00	>	04/05	25.023.00	24.428.00	30.369.00	53.031.00
dusty areas / zone polverose	ATD	74	101	05/05	>	10/05	25.023.00	24.004.00	30.369.00	53.031.00
2.0 i	AQY/AZL	85	116	12/99	>	12/07	23.436.00		30.133.00	53.031.00
to frame No. F6Y_1247000/F6Y_1X016200 / a telaio N. F6Y_1247000/F6Y_1X016200	AQY/AZL	85	116	12/99	>			31.722.00		
with activated carbons / ai carboni attivi	AQY/AZL	85	116	12/99	>	12/07	23.436.00		30.133.00	54.114.00
from frame No. F6Y_1_247001/F6Y_1X016201 / da telaio N. F6Y_1_247001/F6Y_1X016201	AQY/AZL	85	116		>	12/07		31.832.00		
antibacterial, anti-odour and anti-allergen filter / filtro antibatterico, antiodori e anti-allergeni	AQY/AZL	85	116	12/99	>	12/07				34.114.00

...SKODA - cars/auto

dusty areas / zone polverose	AQY/AZL	85	116	12/99 >	12/07	23.436.00		30.369.00	53.031.00
Favorit									
135 Le				01/88 >		23.435.00	31.012.00	30.803.00	✗
135 LS				01/88 >		23.435.00	31.012.00	30.803.00	✗
135 LSe				01/88 >		23.435.00	31.012.00	30.803.00	✗
136 LS	781.136			09/87 >		23.435.00	31.012.00	30.803.00	✗
Felicia									
1.3				10/94 >	08/01	23.435.00	31.012.00	30.803.00	✗
1.3 i cat				10/94 >	08/01	23.435.00	31.510.00	30.038.01	✗
1.3 MPI	136B/136M			10/94 >	08/01	23.435.00	31.510.00	30.994.00	✗
1.6 i									
some / alcuni		55	75	08/95 >	08/01	23.282.00	31.510.00	30.994.00	✗
some / alcuni		55	75	08/95 >	08/01	23.282.00	31.510.00	30.019.00	✗
dusty areas / zone polverose		55	75	08/95 >	08/01	23.282.00	31.510.00	30.113.00	✗
1.9 D									
some / alcuni	AEF	47	64	11/95 >	08/01	23.425.00	24.400.00	30.994.00	✗
some / alcuni	AEF	47	64	11/95 >	08/01	23.425.00	24.400.00	30.019.00	✗
dusty areas / zone polverose	AEF	47	64	11/95 >	08/01	23.425.00	24.400.00	30.113.00	✗
Felicia Wagon									
1.3 i				11/94 >	08/01	23.435.00	31.510.00	30.038.01	✗
1.6 i									
some / alcuni				09/95 >	08/01	23.282.00	31.510.00	30.019.00	✗
some / alcuni				09/95 >	08/01	23.282.00	31.510.00	30.994.00	✗
dusty areas / zone polverose				09/95 >	08/01	23.282.00	31.510.00	30.113.00	✗
1.9 D									
some / alcuni				11/95 >	08/01	23.425.00	24.400.00	30.994.00	✗
some / alcuni				11/95 >	08/01	23.425.00	24.400.00	30.019.00	✗
dusty areas / zone polverose				11/95 >	08/01	23.425.00	24.400.00	30.113.00	✗
Kamiq									
1.0 TGI CNG	DBYA	66	90	11/19 >		23.575.00	∞	30.A51.00	
with automatic air-conditioner / con climatizzatore automatico	DBYA	66	90	11/19 >					54.314.00
antibacterial, anti-odour and anti-allergen filter with automatic air-conditioner / filtro antibatterico, antiodori e anti-allergeni con climatizzatore automatico	DBYA	66	90	11/19 >					34.314.00
1.0 TSI	DKLA	70	95	02/19 >		23.575.00	∞	30.A51.00	
with automatic air-conditioner / con climatizzatore automatico	DKLA	70	95	02/19 >					54.314.00
antibacterial, anti-odour and anti-allergen filter with automatic air-conditioner / filtro antibatterico, antiodori e anti-allergeni con climatizzatore automatico	DKLA	70	95	02/19 >					34.314.00
1.0 TSI	DKRF	85	116	02/19 >		23.575.00	∞	30.A51.00	
with automatic air-conditioner / con climatizzatore automatico	DKRF	85	116	02/19 >					54.314.00
antibacterial, anti-odour and anti-allergen filter with automatic air-conditioner / filtro antibatterico, antiodori e anti-allergeni con climatizzatore automatico	DKRF	85	116	02/19 >					34.314.00
1.5 TSI	DADA	110	150	02/19 >		23.575.00	∞	30.A45.00	
with automatic air-conditioner / con climatizzatore automatico	DADA	110	150	02/19 >					54.314.00
antibacterial, anti-odour and anti-allergen filter with automatic air-conditioner / filtro antibatterico, antiodori e anti-allergeni con climatizzatore automatico	DADA	110	150	02/19 >					34.314.00
1.5 TSI	DPCA	110	150	07/19 >		23.575.00	∞	30.A45.00	
with automatic air-conditioner / con climatizzatore automatico	DPCA	110	150	07/19 >					54.314.00
antibacterial, anti-odour and anti-allergen filter with automatic air-conditioner / filtro antibatterico, antiodori e anti-allergeni con climatizzatore automatico	DPCA	110	150	07/19 >					34.314.00
1.6 SRE	CWVA	66	90	07/19 >		23.575.00	∞	30.713.00	
with automatic air-conditioner / con climatizzatore automatico	CWVA	66	90	07/19 >					54.314.00
antibacterial, anti-odour and anti-allergen filter with automatic air-conditioner / filtro antibatterico, antiodori e anti-allergeni con climatizzatore automatico	CWVA	66	90	07/19 >					34.314.00
1.6 SRE	CWVA	81	110	07/19 >		23.575.00		30.713.00	
with activated carbons / ai carboni attivi	CWVA	81	110	07/19 >					54.314.00
antibacterial, anti-odour and anti-allergen filter with automatic air-conditioner / filtro antibatterico, antiodori e anti-allergeni con climatizzatore automatico	CWVA	81	110	07/19 >					34.314.00
1.6 TDI	DGTA	85	115	02/19 >		25.144.00	26.038.00	30.532.00	
with automatic air-conditioner / con climatizzatore automatico	DGTA	85	115	02/19 >					54.314.00
antibacterial, anti-odour and anti-allergen filter with automatic air-conditioner / filtro antibatterico, antiodori e anti-allergeni con climatizzatore automatico	DGTA	85	115	02/19 >					34.314.00
export models Diesel Plus / modelli di esportazione Diesel Plus	DGTA	85	115	02/19 >			26.065.00		
for cold countries / per paesi freddi	DGTA	85	115	02/19 >				30.587.00	
1.6 TDI	DGTD	70	95	09/19 >		25.144.00	26.038.00	30.532.00	
with activated carbons / ai carboni attivi	DGTD	70	95	09/19 >					54.314.00
with drain / con spurgo	DGTD	70	95	09/19 >			26.065.00		
antibacterial, anti-odour and anti-allergen filter with automatic air-conditioner / filtro antibatterico, antiodori e anti-allergeni con climatizzatore automatico	DGTD	70	95	09/19 >					34.314.00
Karoq (NU)									
1.0 TSI	CHZJ	85	116	07/17 >		23.575.00	∞	30.A51.00	53.298.00
with automatic air-conditioner / con climatizzatore automatico	CHZJ	85	116	07/17 >					54.219.00
antibacterial, anti-odour and anti-allergen filter with automatic air-conditioner / filtro antibatterico, antiodori e anti-allergeni con climatizzatore automatico	CHZJ	85	116	07/17 >					34.219.00
1.0 TSI	DKRA	85	116	07/17 >		23.575.00	∞	30.A51.00	53.298.00
with automatic air-conditioner / con climatizzatore automatico	DKRA	85	116	07/17 >					54.219.00
antibacterial, anti-odour and anti-allergen filter with automatic air-conditioner / filtro antibatterico, antiodori e anti-allergeni con climatizzatore automatico	DKRA	85	116	07/17 >					34.219.00
1.5 TSI	DADA	110	150	07/17 >		23.575.00	∞	30.A45.00	53.298.00

...SKODA - cars/auto

for cold countries / per paesi freddi	CRFC	105	143	02/17	>			30.587.00	
2.0 TDI 115	DFGC	85	116	07/18	>	25.144.00	26.038.00	30.532.00	53.298.00
with automatic air-conditioner / con climatizzatore automatico	DFGC	85	116	07/18	>				54.219.00
antibacterial, anti-odour and anti-allergen filter with automatic air-conditioner / filtro antibatterico, antiodori e anti-allergeni con climatizzatore automatico	DFGC	85	116	07/18	>				34.219.00
export models Diesel Plus / modelli di esportazione Diesel Plus	DFGC	85	116	07/18	>		26.065.00		
for cold countries / per paesi freddi	DFGC	85	116	07/18	>			30.587.00	
2.0 TDI 150	DBGA	110	150	02/17	>	25.144.00	26.038.00	30.532.00	53.298.00
with automatic air-conditioner / con climatizzatore automatico	DBGA	110	150	02/17	>				54.219.00
antibacterial, anti-odour and anti-allergen filter with automatic air-conditioner / filtro antibatterico, antiodori e anti-allergeni con climatizzatore automatico	DBGA	110	150	02/17	>				34.219.00
export models Diesel Plus / modelli di esportazione Diesel Plus	DBGA	110	150	02/17	>		26.065.00		
for cold countries / per paesi freddi	DBGA	110	150	02/17	>			30.587.00	
2.0 TDI 150	DFGA	110	150	02/17	>	25.144.00	26.038.00	30.532.00	53.298.00
with automatic air-conditioner / con climatizzatore automatico	DFGA	110	150	02/17	>				54.219.00
antibacterial, anti-odour and anti-allergen filter with automatic air-conditioner / filtro antibatterico, antiodori e anti-allergeni con climatizzatore automatico	DFGA	110	150	02/17	>				34.219.00
export models Diesel Plus / modelli di esportazione Diesel Plus	DFGA	110	150	02/17	>		26.065.00		
for cold countries / per paesi freddi	DFGA	110	150	02/17	>			30.587.00	
2.0 TDI 150 4x4	DBGA	110	150	02/17	>	25.144.00	26.038.00	30.532.00	53.298.00
with automatic air-conditioner / con climatizzatore automatico	DBGA	110	150	02/17	>				54.219.00
antibacterial, anti-odour and anti-allergen filter with automatic air-conditioner / filtro antibatterico, antiodori e anti-allergeni con climatizzatore automatico	DBGA	110	150	02/17	>				34.219.00
export models Diesel Plus / modelli di esportazione Diesel Plus	DBGA	110	150	02/17	>		26.065.00		
for cold countries / per paesi freddi	DBGA	110	150	02/17	>			30.587.00	
2.0 TDI 150 4x4	DFGA	110	150	02/17	>	25.144.00	26.038.00	30.532.00	53.298.00
with automatic air-conditioner / con climatizzatore automatico	DFGA	110	150	02/17	>				54.219.00
antibacterial, anti-odour and anti-allergen filter with automatic air-conditioner / filtro antibatterico, antiodori e anti-allergeni con climatizzatore automatico	DFGA	110	150	02/17	>				34.219.00
export models Diesel Plus / modelli di esportazione Diesel Plus	DFGA	110	150	02/17	>		26.065.00		
for cold countries / per paesi freddi	DFGA	110	150	02/17	>			30.587.00	
2.0 TDI 190 4x4	DFHA	140	190	02/17	>	25.144.00	26.038.00	30.532.00	53.298.00
with automatic air-conditioner / con climatizzatore automatico	DFHA	140	190	02/17	>				54.219.00
antibacterial, anti-odour and anti-allergen filter with automatic air-conditioner / filtro antibatterico, antiodori e anti-allergeni con climatizzatore automatico	DFHA	140	190	02/17	>				34.219.00
export models Diesel Plus / modelli di esportazione Diesel Plus	DFHA	140	190	02/17	>		26.065.00		
for cold countries / per paesi freddi	DFHA	140	190	02/17	>			30.587.00	
2.0 TDi 200	DTUA	147	200	02/20	>				53.298.00
with activated carbons / ai carboni attivi	DTUA	147	200	02/20	>				54.219.00
antibacterial, anti-odour and anti-allergen filter / filtro antibatterico, antiodori e anti-allergeni	DTUA	147	200	02/20	>				34.219.00
filter without drain / filtro senza spurgo	DTUA	147	200	02/20	>		26.038.00		
2.0 TDi 200 4x4	DTUA	147	200	02/20	>			30.532.00	53.298.00
with activated carbons / ai carboni attivi	DTUA	147	200	02/20	>				54.219.00
antibacterial, anti-odour and anti-allergen filter / filtro antibatterico, antiodori e anti-allergeni	DTUA	147	200	02/20	>				34.219.00
filter without drain / filtro senza spurgo	DTUA	147	200	02/20	>		26.038.00		
for cold countries / per paesi freddi	DTUA	147	200	02/20	>			30.587.00	
2.0 TDI 240	CUAA	176	239	07/18	>	25.144.00	26.038.00	30.532.00	53.298.00
with automatic air-conditioner / con climatizzatore automatico	CUAA	176	239	07/18	>				54.219.00
antibacterial, anti-odour and anti-allergen filter with automatic air-conditioner / filtro antibatterico, antiodori e anti-allergeni con climatizzatore automatico	CUAA	176	239	07/18	>				34.219.00
export models Diesel Plus / modelli di esportazione Diesel Plus	CUAA	176	239	07/18	>		26.065.00		
for cold countries / per paesi freddi	CUAA	176	239	07/18	>			30.587.00	
2.0 TSI 180 4x4	CZPA	132	179	02/17	>	25.153.00		30.532.00	53.298.00
with automatic air-conditioner / con climatizzatore automatico	CZPA	132	179	02/17	>				54.219.00
antibacterial, anti-odour and anti-allergen filter with automatic air-conditioner / filtro antibatterico, antiodori e anti-allergeni con climatizzatore automatico	CZPA	132	179	02/17	>				34.219.00
for cold countries / per paesi freddi	CZPA	132	179	02/17	>			30.587.00	
2.0 TSI 190 4x4	DKZA	140	190	07/18	>	25.153.00		30.532.00	53.298.00
with automatic air-conditioner / con climatizzatore automatico	DKZA	140	190	07/18	>				54.219.00
antibacterial, anti-odour and anti-allergen filter with automatic air-conditioner / filtro antibatterico, antiodori e anti-allergeni con climatizzatore automatico	DKZA	140	190	07/18	>				34.219.00
for cold countries / per paesi freddi	DKZA	140	190	07/18	>			30.587.00	
Octavia I									
1.4	AMD	44	60	04/99	>	07/04	23.435.00	31.718.00	30.077.00
with activated carbon air-conditioner / con climatizzatore, ai carboni attivi	AMD	44	60	04/99	>	07/04			54.109.00
antibacterial, anti-odour and anti-allergen filter / filtro antibatterico, antiodori e anti-allergeni	AMD	44	60	04/99	>	07/04			34.109.00
antibacterial, anti-odour and anti-allergen filter without air-conditioner / filtro antibatterico, antiodori e anti-allergeni senza climatizzatore	AMD	44	60	04/99	>	07/04			34.263.00
for cold countries / per paesi freddi	AMD	44	60	04/99	>	07/04			30.364.00
without air-conditioner / senza climatizzatore	AMD	44	60	04/99	>	07/04			53.006.00
without activated carbon air-conditioner / senza climatizzatore, ai carboni attivi	AMD	44	60	04/99	>	07/04			54.263.00
1.4	AME	50	68	01/00	>	08/00	23.435.00	31.718.00	30.077.00
antibacterial, anti-odour and anti-allergen filter / filtro antibatterico, antiodori e anti-allergeni	AME	50	68	09/00	>	07/04	23.435.00	31.718.00	30.077.00
antibacterial, anti-odour and anti-allergen filter without air-conditioner / filtro antibatterico, antiodori e anti-allergeni senza climatizzatore	AME	50	68	01/00	>	08/00			34.109.00
antibacterial, anti-odour and anti-allergen filter without air-conditioner / filtro antibatterico, antiodori e anti-allergeni senza climatizzatore	AME	50	68	01/00	>	07/04			34.263.00
for cold countries / per paesi freddi	AME	50	68	01/00	>	08/00	23.435.00	31.718.00	30.364.00
for cold countries / per paesi freddi	AME	50	68	09/00	>	07/04	23.435.00	31.718.00	30.364.00
for cold countries / per paesi freddi	AME	50	68	09/00	>	07/04	23.435.00	31.718.00	30.364.00
for cold countries / per paesi freddi	AME	50	68	09/00	>	07/04	23.435.00	31.718.00	53.006.00

...SKODA - cars/auto

for cold countries / per paesi freddi	AGR	66	90	09/96	>	08/00	25.011.00	24.391.00	30.364.00	54.109.00
for cold countries / per paesi freddi	AGR	66	90	09/00	>	09/04	25.011.00	24.391.00	30.364.00	53.006.00
without activated carbon air-conditioner / senza climatizzatore, ai carboni attivi	AGR	66	90	09/96	>	09/04				54.263.00
1.9 TDI	AHF/ASV	81	110	05/97	>	08/00	25.011.00	24.391.00	30.077.00	54.109.00
	AHF/ASV	81	110	09/00	>	09/04	25.011.00	24.391.00	30.077.00	53.006.00
with complete filter / con filtro completo	AHF/ASV	81	110	05/97	>	09/04		55.427.00		
antibacterial, anti-odour and anti-allergen filter / filtro antibatterico, antiodori e anti-allergeni	AHF/ASV	81	110	05/97	>	08/00				34.109.00
antibacterial, anti-odour and anti-allergen filter without air-conditioner / filtro antibatterico, antiodori e anti-allergeni senza climatizzatore	AHF/ASV	81	110	05/97	>	09/04				34.263.00
for cold countries / per paesi freddi	AHF/ASV	81	110	05/97	>	08/00	25.011.00	24.391.00	30.364.00	54.109.00
for cold countries / per paesi freddi	AHF/ASV	81	110	09/00	>	09/04	25.011.00	24.391.00	30.364.00	53.006.00
without activated carbon air-conditioner / senza climatizzatore, ai carboni attivi	AHF/ASV	81	110	05/97	>	09/04				54.263.00
1.9 TDI	ALH	66	90	08/00	>	09/04	25.011.00	24.391.00	30.077.00	53.006.00
with complete filter / con filtro completo	ALH	66	90	08/00	>	09/04		55.427.00		
antibacterial, anti-odour and anti-allergen filter without air-conditioner / filtro antibatterico, antiodori e anti-allergeni senza climatizzatore	ALH	66	90	08/00	>	09/04				34.263.00
for cold countries / per paesi freddi	ALH	66	90	08/00	>	09/04	25.011.00	24.391.00	30.364.00	53.006.00
without activated carbon air-conditioner / senza climatizzatore, ai carboni attivi	ALH	66	90	08/00	>	09/04				54.263.00
1.9 TDI	ASZ	96	130	02/03	>	09/04	25.011.00	24.391.00	30.077.00	53.006.00
with complete filter / con filtro completo	ASZ	96	130	02/03	>	09/04		55.427.00		
antibacterial, anti-odour and anti-allergen filter without air-conditioner / filtro antibatterico, antiodori e anti-allergeni senza climatizzatore	ASZ	96	130	02/03	>	09/04				34.263.00
for cold countries / per paesi freddi	ASZ	96	130	02/03	>	09/04	25.011.00	24.391.00	30.364.00	53.006.00
without activated carbon air-conditioner / senza climatizzatore, ai carboni attivi	ASZ	96	130	02/03	>	09/04				54.263.00
1.9 TDI	ATD	74	101	09/00	>	02/06	25.011.00	24.391.00	30.077.00	53.006.00
with complete filter / con filtro completo	ATD	74	101	09/00	>	02/06		55.427.00		
antibacterial, anti-odour and anti-allergen filter without air-conditioner / filtro antibatterico, antiodori e anti-allergeni senza climatizzatore	ATD	74	101	09/00	>	02/06				34.263.00
for cold countries / per paesi freddi	ATD	74	101	09/00	>	02/06	25.011.00	24.391.00	30.364.00	53.006.00
without activated carbon air-conditioner / senza climatizzatore, ai carboni attivi	ATD	74	101	09/00	>	02/06				54.263.00
1.9 TDI	AXR	74	101	05/05	>	02/06	25.011.00	24.391.00	30.077.00	53.006.00
with complete filter / con filtro completo	AXR	74	101	05/05	>	02/06		55.427.00		
antibacterial, anti-odour and anti-allergen filter without air-conditioner / filtro antibatterico, antiodori e anti-allergeni senza climatizzatore	AXR	74	101	05/05	>	02/06				34.263.00
for cold countries / per paesi freddi	AXR	74	101	05/05	>	02/06	25.011.00	24.391.00	30.364.00	53.006.00
without activated carbon air-conditioner / senza climatizzatore, ai carboni attivi	AXR	74	101	05/05	>	02/06				54.263.00
1.9 TDI 4x4	ATD/AXR	74	101	09/00	>	02/06	25.011.00	24.391.00	30.077.00	53.006.00
with complete filter / con filtro completo	ATD/AXR	74	101	09/00	>	02/06		55.427.00		
antibacterial, anti-odour and anti-allergen filter without air-conditioner / filtro antibatterico, antiodori e anti-allergeni senza climatizzatore	ATD/AXR	74	101	09/00	>	02/06				34.263.00
for cold countries / per paesi freddi	ATD/AXR	74	101	09/00	>	02/06	25.011.00	24.391.00	30.364.00	53.006.00
without activated carbon air-conditioner / senza climatizzatore, ai carboni attivi	ATD/AXR	74	101	09/00	>	02/06				54.263.00
2.0	AEG/APK/AQY/AZH/AZJ	85	116	04/99	>	08/00	23.436.00	31.718.00	30.077.00	54.109.00
	AEG/APK/AQY/AZH/AZJ	85	116	09/00	>	09/04	23.436.00	31.718.00	30.077.00	53.006.00
antibacterial, anti-odour and anti-allergen filter / filtro antibatterico, antiodori e anti-allergeni	AEG/APK/AQY/AZH/AZJ	85	116	04/99	>	08/00				34.109.00
antibacterial, anti-odour and anti-allergen filter without air-conditioner / filtro antibatterico, antiodori e anti-allergeni senza climatizzatore	AEG/APK/AQY/AZH/AZJ	85	116	04/99	>	09/04				34.263.00
for cold countries / per paesi freddi	AEG/APK/AQY/AZH/AZJ	85	116	04/99	>	08/00	23.436.00	31.718.00	30.364.00	54.109.00
for cold countries / per paesi freddi	AEG/APK/AQY/AZH/AZJ	85	116	09/00	>	09/04	23.436.00	31.718.00	30.364.00	53.006.00
without activated carbon air-conditioner / senza climatizzatore, ai carboni attivi	AEG/APK/AQY/AZH/AZJ	85	116	04/99	>	09/04				54.263.00
2.0	ATF	88	120	01/00	>	08/00	23.436.00	31.718.00	30.077.00	54.109.00
	ATF	88	120	09/00	>	09/04	23.436.00	31.718.00	30.077.00	53.006.00
antibacterial, anti-odour and anti-allergen filter / filtro antibatterico, antiodori e anti-allergeni	ATF	88	120	01/00	>	08/00				34.109.00
antibacterial, anti-odour and anti-allergen filter without air-conditioner / filtro antibatterico, antiodori e anti-allergeni senza climatizzatore	ATF	88	120	01/00	>	09/04				34.263.00
for cold countries / per paesi freddi	ATF	88	120	01/00	>	08/00	23.436.00	31.718.00	30.364.00	54.109.00
for cold countries / per paesi freddi	ATF	88	120	09/00	>	09/04	23.436.00	31.718.00	30.364.00	53.006.00
without activated carbon air-conditioner / senza climatizzatore, ai carboni attivi	ATF	88	120	01/00	>	09/04				54.263.00
Octavia II										
1.2 TSI	CBZB	77	105	02/10	>	04/13	23.573.00	31.840.00	27.401.00	53.148.00
with air-conditioner and R.H.D. / con climatizzatore e guida a destra	CBZB	77	105	02/10	>	04/13				54.376.00
with air-conditioner and L.H.D. / con climatizzatore e guida a sinistra	CBZB	77	105	02/10	>	04/13	23.573.00	31.840.00	27.401.00	54.124.00
antibacterial, anti-odour and anti-allergen filter with air-conditioner and L.H.D. / filtro antibatterico, antiodori e anti-allergeni con climatizzatore e guida a sinistra	CBZB	77	105	02/10	>	04/13				34.124.00
for cold countries / per paesi freddi	CBZB	77	105	02/10	>	04/13	23.573.00	31.840.00	27.402.00	53.148.00
1.4 i 16V	BCA	55	75	05/04	>	05/06	23.453.00	31.833.00	30.158.00	53.148.00
with air-conditioner and R.H.D. / con climatizzatore e guida a destra	BCA	55	75	05/04	>	05/06				54.376.00
with air-conditioner and L.H.D. / con climatizzatore e guida a sinistra	BCA	55	75	05/04	>	05/06	23.453.00	31.833.00	30.158.00	54.124.00
antibacterial, anti-odour and anti-allergen filter with air-conditioner and L.H.D. / filtro antibatterico, antiodori e anti-allergeni con climatizzatore e guida a sinistra	BCA	55	75	05/04	>	05/06				34.124.00
1.4 i 16V	BUD	59	80	05/06	>	11/10	23.453.00	31.833.00	30.342.00	53.148.00
with air-conditioner and R.H.D. / con climatizzatore e guida a destra	BUD	59	80	05/06	>	11/10				54.376.00
with air-conditioner and L.H.D. / con climatizzatore e guida a sinistra	BUD	59	80	05/06	>	11/10	23.453.00	31.833.00	30.342.00	54.124.00
antibacterial, anti-odour and anti-allergen filter with air-conditioner and L.H.D. / filtro antibatterico, antiodori e anti-allergeni con climatizzatore e guida a sinistra	BUD	59	80	05/06	>	11/10				34.124.00
1.4 i 16V	CGGA	59	80	11/08	>	11/10	23.453.00	31.833.00	30.342.00	53.148.00
with air-conditioner and R.H.D. / con climatizzatore e guida a destra	CGGA	59	80	11/08	>	11/10				54.376.00
with air-conditioner and L.H.D. / con climatizzatore e guida a sinistra	CGGA	59	80	11/08	>	11/10	23.453.00	31.833.00	30.342.00	54.124.00

...SKODA - cars/auto

antibacterial, anti-odour and anti-allergen filter with air-conditioner and L.H.D. / filtro antibatterico, antiodori e anti-allergeni con climatizzatore e guida a sinistra	CDAА	118	160	11/08	>				34.124.00
for cold countries / per paesi freddi	CDAА	118	160	11/08	>	23.493.00	31.840.00	30.370.00	53.148.00
1.9 TDI									
with air-conditioner and R.H.D. / con climatizzatore e guida a destra	BJB	77	105	05/04	>	12/10			54.376.00
with air-conditioner and L.H.D. / con climatizzatore e guida a sinistra	BJB	77	105	05/04	>	12/10	25.023.00	30.187.00	54.124.00
antibacterial, anti-odour and anti-allergen filter with air-conditioner and L.H.D. / filtro antibatterico, antiodori e anti-allergeni con climatizzatore e guida a sinistra	BJB	77	105	05/04	>	12/10			34.124.00
assembly MANN+HUMMEL / montaggio MANN+HUMMEL	BJB	77	105	05/04	>	12/10	25.023.00	26.014.00	30.187.00
assembly MANN+HUMMEL (1K0127400K) / montaggio MANN+HUMMEL (1K0127400K)	BJB	77	105	04/06	>	12/10	25.023.00	26.021.00	30.187.00
assembly UFI / montaggio UFI	BJB	77	105	11/04	>	12/10	25.023.00	26.007.00	30.187.00
for cold countries / per paesi freddi	BJB	77	105	05/04	>	12/10	25.023.00		30.370.00
1.9 TDI									
with air-conditioner and R.H.D. / con climatizzatore e guida a destra	BKC	77	105	05/04	>	02/06			54.376.00
with air-conditioner and L.H.D. / con climatizzatore e guida a sinistra	BKC	77	105	05/04	>	02/06	25.023.00	30.187.00	54.124.00
antibacterial, anti-odour and anti-allergen filter with air-conditioner and L.H.D. / filtro antibatterico, antiodori e anti-allergeni con climatizzatore e guida a sinistra	BKC	77	105	05/04	>	02/06			34.124.00
assembly MANN+HUMMEL / montaggio MANN+HUMMEL	BKC	77	105	05/04	>	02/06	25.023.00	26.014.00	30.187.00
assembly UFI / montaggio UFI	BKC	77	105	11/04	>	02/06	25.023.00	26.007.00	30.187.00
for cold countries / per paesi freddi	BKC	77	105	05/04	>	02/06	25.023.00		30.370.00
1.9 TDI									
with air-conditioner and R.H.D. / con climatizzatore e guida a destra	BLS	77	105	05/06	>	05/10			54.376.00
with air-conditioner and L.H.D. / con climatizzatore e guida a sinistra	BLS	77	105	05/06	>	05/10	25.023.00	30.187.00	54.124.00
antibacterial, anti-odour and anti-allergen filter with air-conditioner and L.H.D. / filtro antibatterico, antiodori e anti-allergeni con climatizzatore e guida a sinistra	BLS	77	105	05/06	>	05/10			34.124.00
assembly MANN+HUMMEL (1K0127400J) / montaggio MANN+HUMMEL (1K0127400J)	BLS	77	105	05/06	>	05/10	25.023.00	26.014.00	30.187.00
assembly MANN+HUMMEL (1K0127400K) / montaggio MANN+HUMMEL (1K0127400K)	BLS	77	105	05/06	>	05/10	25.023.00	26.021.00	30.187.00
assembly / montaggio UFI (3C0127400C)	BLS	77	105	05/06	>	05/10	25.023.00	26.007.00	30.187.00
for cold countries / per paesi freddi	BLS	77	105	05/06	>	05/10	25.023.00		30.370.00
2.0 FSI	BLR/BLX/BLY	110	150	10/04	>	11/05	25.040.00	31.840.00	27.401.00
with air-conditioner and R.H.D. / con climatizzatore e guida a destra	BLR/BLX/BLY	110	150	10/04	>	11/05			54.376.00
with air-conditioner and L.H.D. / con climatizzatore e guida a sinistra	BLR/BLX/BLY	110	150	10/04	>	11/05	25.040.00	31.840.00	27.401.00
antibacterial, anti-odour and anti-allergen filter with air-conditioner and L.H.D. / filtro antibatterico, antiodori e anti-allergeni con climatizzatore e guida a sinistra	BLR/BLX/BLY	110	150	10/04	>	11/05			34.124.00
for cold countries / per paesi freddi	BLR/BLX/BLY	110	150	10/04	>	11/05	25.040.00	31.840.00	27.402.00
2.0 FSI	BVX/BVY/BVZ	110	150	11/05	>	10/08	25.040.00	31.840.00	27.401.00
with air-conditioner and R.H.D. / con climatizzatore e guida a destra	BVX/BVY/BVZ	110	150	11/05	>	10/08			54.376.00
with air-conditioner and L.H.D. / con climatizzatore e guida a sinistra	BVX/BVY/BVZ	110	150	11/05	>	10/08	25.040.00	31.840.00	27.401.00
antibacterial, anti-odour and anti-allergen filter with air-conditioner and L.H.D. / filtro antibatterico, antiodori e anti-allergeni con climatizzatore e guida a sinistra	BVX/BVY/BVZ	110	150	11/05	>	10/08			34.124.00
for cold countries / per paesi freddi	BVX/BVY/BVZ	110	150	11/05	>	10/08	25.040.00	31.840.00	27.402.00
2.0 RS TFSI	BWA	147	200	09/05	>	10/08	25.040.00	31.840.00	30.315.00
with air-conditioner and R.H.D. / con climatizzatore e guida a destra	BWA	147	200	09/05	>	10/08			54.376.00
with air-conditioner and L.H.D. / con climatizzatore e guida a sinistra	BWA	147	200	09/05	>	10/08	25.040.00	31.840.00	30.315.00
antibacterial, anti-odour and anti-allergen filter with air-conditioner and L.H.D. / filtro antibatterico, antiodori e anti-allergeni con climatizzatore e guida a sinistra	BWA	147	200	09/05	>	10/08			34.124.00
2.0 RS TFSI	CCZA	147	200	11/08	>	02/13	23.493.00	31.840.00	30.187.00
with air-conditioner and R.H.D. / con climatizzatore e guida a destra	CCZA	147	200	11/08	>	02/13			54.376.00
with air-conditioner and L.H.D. / con climatizzatore e guida a sinistra	CCZA	147	200	11/08	>	02/13	23.493.00	31.840.00	30.187.00
antibacterial, anti-odour and anti-allergen filter with air-conditioner and L.H.D. / filtro antibatterico, antiodori e anti-allergeni con climatizzatore e guida a sinistra	CCZA	147	200	11/08	>	02/13			34.124.00
for cold countries / per paesi freddi	CCZA	147	200	11/08	>	02/13	23.493.00	31.840.00	30.370.00
2.0 TDI	CFHC	103	140	03/10	>		25.106.00	26.007.00	30.187.00
with air-conditioner and R.H.D. / con climatizzatore e guida a destra	CFHC	103	140	03/10	>				54.376.00
with air-conditioner and L.H.D. / con climatizzatore e guida a sinistra	CFHC	103	140	03/10	>				54.124.00
antibacterial, anti-odour and anti-allergen filter with air-conditioner and L.H.D. / filtro antibatterico, antiodori e anti-allergeni con climatizzatore e guida a sinistra	CFHC	103	140	03/10	>				34.124.00
for cold countries / per paesi freddi	CFHC	103	140	03/10	>			30.370.00	
2.0 TDI	CFHF	81	110	03/10	>		25.106.00	26.007.00	30.187.00
with air-conditioner and R.H.D. / con climatizzatore e guida a destra	CFHF	81	110	03/10	>				54.376.00
with air-conditioner and L.H.D. / con climatizzatore e guida a sinistra	CFHF	81	110	03/10	>				54.124.00
antibacterial, anti-odour and anti-allergen filter with air-conditioner and L.H.D. / filtro antibatterico, antiodori e anti-allergeni con climatizzatore e guida a sinistra	CFHF	81	110	03/10	>				34.124.00
for cold countries / per paesi freddi	CFHF	81	110	03/10	>			30.370.00	
2.0 TDI	CLCA	81	110	03/10	>		25.106.00	26.031.00	30.187.00
with air-conditioner and R.H.D. / con climatizzatore e guida a destra	CLCA	81	110	03/10	>				54.376.00
with air-conditioner and L.H.D. / con climatizzatore e guida a sinistra	CLCA	81	110	03/10	>				54.124.00
antibacterial, anti-odour and anti-allergen filter with air-conditioner and L.H.D. / filtro antibatterico, antiodori e anti-allergeni con climatizzatore e guida a sinistra	CLCA	81	110	03/10	>				34.124.00
for cold countries / per paesi freddi	CLCA	81	110	03/10	>			30.370.00	
2.0 TDI	CLCB	103	140	02/10	>		25.106.00	26.031.00	30.187.00
with air-conditioner and R.H.D. / con climatizzatore e guida a destra	CLCB	103	140	02/10	>				54.376.00
with air-conditioner and L.H.D. / con climatizzatore e guida a sinistra	CLCB	103	140	02/10	>				54.124.00
antibacterial, anti-odour and anti-allergen filter with air-conditioner and L.H.D. / filtro antibatterico, antiodori e anti-allergeni con climatizzatore e guida a sinistra	CLCB	103	140	02/10	>				34.124.00
for cold countries / per paesi freddi	CLCB	103	140	02/10	>			30.370.00	
2.0 TDI 16V									
with air-conditioner and R.H.D. / con climatizzatore e guida a destra	AZV	100	136	02/04	>	05/10			54.376.00
with air-conditioner and L.H.D. / con climatizzatore e guida a sinistra	AZV	100	136	02/04	>	05/10	25.023.00	30.187.00	54.124.00

...SKODA - cars/auto

S



antibacterial, anti-odour and anti-allergen filter with air-conditioner and L.H.D. / filtro antibatterico, antiodori e anti-allergeni con climatizzatore e guida a sinistra	AZV	100	136	02/04	>	05/10					34.124.00
assembly MANN+HUMMEL / montaggio MANN+HUMMEL	AZV	100	136	02/04	>	05/10	25.023.00	26.014.00	30.187.00		53.148.00
assembly MANN+HUMMEL (1K0127400K) / montaggio MANN+HUMMEL (1K0127400K)	AZV	100	136	04/06	>	05/10	25.023.00	26.021.00	30.187.00		53.148.00
assembly UFI / montaggio UFI	AZV	100	136	11/04	>	05/10	25.023.00	26.007.00	30.187.00		53.148.00
for cold countries / per paesi freddi	AZV	100	136	02/04	>	05/10	25.023.00			30.370.00	53.148.00
2.0 TDI 16V											
with air-conditioner and R.H.D. / con climatizzatore e guida a destra	BKD/BMM	103	140	05/04	>	05/10					54.376.00
with air-conditioner and L.H.D. / con climatizzatore e guida a sinistra	BKD/BMM	103	140	05/04	>	05/10	25.023.00		30.187.00		54.124.00
antibacterial, anti-odour and anti-allergen filter with air-conditioner and L.H.D. / filtro antibatterico, antiodori e anti-allergeni con climatizzatore e guida a sinistra	BKD/BMM	103	140	05/04	>	05/10					34.124.00
assembly MANN+HUMMEL / montaggio MANN+HUMMEL	BKD/BMM	103	140	05/04	>	05/10	25.023.00	26.014.00	30.187.00		53.148.00
assembly MANN+HUMMEL (1K0127400K) / montaggio MANN+HUMMEL (1K0127400K)	BKD/BMM	103	140	04/06	>	05/10	25.023.00	26.021.00	30.187.00		53.148.00
assembly UFI / montaggio UFI	BKD/BMM	103	140	11/04	>	05/10	25.023.00	26.007.00	30.187.00		53.148.00
for cold countries / per paesi freddi	BKD/BMM	103	140	05/04	>	05/10	25.023.00			30.370.00	53.148.00
2.0 TDI 16V RS											
with air-conditioner and R.H.D. / con climatizzatore e guida a destra	BMN	125	170	07/06	>	05/10					54.376.00
with air-conditioner and L.H.D. / con climatizzatore e guida a sinistra	BMN	125	170	07/06	>	05/10	25.023.00		30.187.00		54.124.00
antibacterial, anti-odour and anti-allergen filter with air-conditioner and L.H.D. / filtro antibatterico, antiodori e anti-allergeni con climatizzatore e guida a sinistra	BMN	125	170	07/06	>	05/10					34.124.00
assembly MANN+HUMMEL (1K0127400K) / montaggio MANN+HUMMEL (1K0127400K)	BMN	125	170	07/06	>	05/10	25.023.00	26.021.00	30.187.00		53.148.00
assembly UFI / montaggio UFI	BMN	125	170	07/06	>	05/10	25.023.00	26.007.00	30.187.00		53.148.00
for cold countries / per paesi freddi	BMN	125	170	07/06	>	05/10	25.023.00			30.370.00	53.148.00
2.0 TDI 16V RS											
with air-conditioner and R.H.D. / con climatizzatore e guida a destra	CEGA	125	170	05/08	>	02/13					54.376.00
with air-conditioner and L.H.D. / con climatizzatore e guida a sinistra	CEGA	125	170	05/08	>	02/03	25.023.00		30.187.00		54.124.00
antibacterial, anti-odour and anti-allergen filter with air-conditioner and L.H.D. / filtro antibatterico, antiodori e anti-allergeni con climatizzatore e guida a sinistra	CEGA	125	170	05/08	>	02/13					34.124.00
assembly UFI (3C0127400C) / montaggio UFI (3C0127400C)	CEGA	125	170	05/08	>	02/13	25.023.00	26.007.00	30.187.00		53.148.00
for cold countries / per paesi freddi	CEGA	125	170	05/08	>	02/13	25.023.00			30.370.00	53.148.00
Octavia II Scout											
1.8 TSI 4x4											
with activated carbon R.H.D. / con guida a destra, ai carboni attivi	CDA	118	160	11/08	>		23.493.00	31.840.00	30.187.00		53.148.00
with activated carbon L.H.D. / con guida a sinistra, ai carboni attivi	CDA	118	160	11/08	>		23.493.00	31.840.00	30.187.00		54.124.00
antibacterial, anti-odour and anti-allergen filter with L.H.D. / filtro antibatterico, antiodori e anti-allergeni con guida a sinistra	CDA	118	160	11/08	>						34.124.00
for cold countries / per paesi freddi	CDA	118	160	11/08	>		23.493.00	31.840.00	30.370.00		53.148.00
2.0 TDI PD DPF 4x4											
with activated carbon R.H.D. / con guida a destra, ai carboni attivi		103	140	11/08	>		25.023.00			30.187.00	53.148.00
with activated carbon L.H.D. / con guida a sinistra, ai carboni attivi		103	140	11/08	>		25.023.00		30.187.00		54.124.00
antibacterial, anti-odour and anti-allergen filter with L.H.D. / filtro antibatterico, antiodori e anti-allergeni con guida a sinistra		103	140	11/08	>						34.124.00
assembly MANN+HUMMEL (1K0127400C/E/J) / montaggio MANN+HUMMEL (1K0127400C/E/J)		103	140	11/08	>			26.014.00			
assembly MANN+HUMMEL (1K0127400K) / montaggio MANN+HUMMEL (1K0127400K)		103	140	11/08	>			26.021.00			
assembly UFI (3C0127400C) / montaggio UFI (3C0127400C)		103	140	11/08	>			26.007.00			
for cold countries / per paesi freddi		103	140	11/08	>		25.023.00			30.370.00	53.148.00
Octavia II Wagon											
1.2 TSI											
with air-conditioner and R.H.D. / con climatizzatore e guida a destra	CBZB	77	105	02/10	>	04/13	23.573.00	31.840.00	27.401.00		53.148.00
with air-conditioner and L.H.D. / con climatizzatore e guida a sinistra	CBZB	77	105	02/10	>	04/13	23.573.00	31.840.00	27.401.00		54.124.00
antibacterial, anti-odour and anti-allergen filter with air-conditioner and L.H.D. / filtro antibatterico, antiodori e anti-allergeni con climatizzatore e guida a sinistra	CBZB	77	105	02/10	>	04/13					34.124.00
for cold countries / per paesi freddi	CBZB	77	105	02/10	>	04/13	23.573.00	31.840.00	27.402.00		53.148.00
1.4 i 16V											
with air-conditioner and R.H.D. / con climatizzatore e guida a destra	BCA	55	75	05/04	>	05/06	23.453.00	31.833.00	30.158.00		53.148.00
with air-conditioner and L.H.D. / con climatizzatore e guida a sinistra	BCA	55	75	05/04	>	05/06	23.453.00	31.833.00	30.158.00		54.124.00
antibacterial, anti-odour and anti-allergen filter with air-conditioner and L.H.D. / filtro antibatterico, antiodori e anti-allergeni con climatizzatore e guida a sinistra	BCA	55	75	05/04	>	05/06					34.124.00
1.4 TSI											
	CAXA	90	122	11/08	>	06/10	23.494.00	31.840.00	27.401.00		53.148.00
	CAXA	90	122	07/10	>	06/13	23.573.00	31.840.00	27.401.00		53.148.00
with air-conditioner and R.H.D. / con climatizzatore e guida a destra	CAXA	90	122	11/08	>	06/13					54.376.00
with air-conditioner and L.H.D. / con climatizzatore e guida a sinistra	CAXA	90	122	11/08	>	06/10	23.494.00	31.840.00	27.401.00		54.124.00
with air-conditioner and L.H.D. / con climatizzatore e guida a sinistra	CAXA	90	122	07/10	>	06/13	23.573.00	31.840.00	27.401.00		54.124.00
antibacterial, anti-odour and anti-allergen filter with air-conditioner and L.H.D. / filtro antibatterico, antiodori e anti-allergeni con climatizzatore e guida a sinistra	CAXA	90	122	11/08	>	06/13					34.124.00
for cold countries / per paesi freddi	CAXA	90	122	11/08	>	06/10	23.494.00	31.840.00	27.402.00		53.148.00
for cold countries / per paesi freddi	CAXA	90	122	07/10	>	06/13	23.573.00	31.840.00	27.402.00		53.148.00
1.6 FSI											
with air-conditioner and R.H.D. / con climatizzatore e guida a destra	BLF	85	115	05/04	>	10/08	25.047.00	31.840.00	30.209.00		53.148.00
with air-conditioner and L.H.D. / con climatizzatore e guida a sinistra	BLF	85	115	05/04	>	10/08	25.047.00	31.840.00	30.209.00		54.124.00
antibacterial, anti-odour and anti-allergen filter with air-conditioner and L.H.D. / filtro antibatterico, antiodori e anti-allergeni con climatizzatore e guida a sinistra	BLF	85	115	05/04	>	10/08					34.124.00
1.6 GPLine											
with air-conditioner and R.H.D. / con climatizzatore e guida a destra	CHGA	75	102	08/09	>		23.436.00	31.833.00	27.401.00		53.148.00
with air-conditioner and L.H.D. / con climatizzatore e guida a sinistra	CHGA	75	102	08/09	>		23.436.00	31.833.00	27.401.00		54.124.00
antibacterial, anti-odour and anti-allergen filter with air-conditioner and L.H.D. / filtro antibatterico, antiodori e anti-allergeni con climatizzatore e guida a sinistra	CHGA	75	102	08/09	>						34.124.00
assembly LANDI Omegas / montaggio LANDI Omegas	CHGA	75	102	08/09	>	09/12		31.836.00			

...SKODA - cars/auto

for cold countries / per paesi freddi	CHGA	75	102	08/09	>	23.436.00	31.833.00	27.402.00	53.148.00
1.6 i	BGU	75	102	05/04	> 05/05	23.436.00	31.833.00	27.401.00	53.148.00
with air-conditioner and R.H.D. / con climatizzatore e guida a destra	BGU	75	102	05/04	> 05/05				54.376.00
with air-conditioner and L.H.D. / con climatizzatore e guida a sinistra	BGU	75	102	05/04	> 05/05	23.436.00	31.833.00	27.401.00	54.124.00
antibacterial, anti-odour and anti-allergen filter with air-conditioner and L.H.D. / filtro antibatterico, antiodori e anti-allergeni con climatizzatore e guida a sinistra	BGU	75	102	05/04	> 05/05				34.124.00
for cold countries / per paesi freddi	BGU	75	102	05/04	> 05/05	23.436.00	31.833.00	27.402.00	53.148.00
1.6 i	BSE	75	102	05/05	>	23.436.00	31.833.00	27.401.00	53.148.00
with air-conditioner and R.H.D. / con climatizzatore e guida a destra	BSE	75	102	05/05	>				54.376.00
with air-conditioner and L.H.D. / con climatizzatore e guida a sinistra	BSE	75	102	05/05	>	23.436.00	31.833.00	27.401.00	54.124.00
antibacterial, anti-odour and anti-allergen filter with air-conditioner and L.H.D. / filtro antibatterico, antiodori e anti-allergeni con climatizzatore e guida a sinistra	BSE	75	102	05/05	>				34.124.00
for cold countries / per paesi freddi	BSE	75	102	05/05	>	23.436.00	31.833.00	27.402.00	53.148.00
1.6 i	BSF	75	102	05/05	>	23.436.00	31.833.00	27.401.00	53.148.00
with air-conditioner and R.H.D. / con climatizzatore e guida a destra	BSF	75	102	05/05	>				54.376.00
with air-conditioner and L.H.D. / con climatizzatore e guida a sinistra	BSF	75	102	05/05	>	23.436.00	31.833.00	27.401.00	54.124.00
antibacterial, anti-odour and anti-allergen filter with air-conditioner and L.H.D. / filtro antibatterico, antiodori e anti-allergeni con climatizzatore e guida a sinistra	BSF	75	102	05/05	>				34.124.00
for cold countries / per paesi freddi	BSF	75	102	05/05	>	23.436.00	31.833.00	27.402.00	53.148.00
1.6 i	CCSA	75	102	05/04	> 10/08	23.436.00	31.833.00	27.401.00	53.148.00
with air-conditioner and R.H.D. / con climatizzatore e guida a destra	CCSA	75	102	05/04	> 10/08				54.376.00
with air-conditioner and L.H.D. / con climatizzatore e guida a sinistra	CCSA	75	102	05/04	> 10/08	23.436.00	31.833.00	27.401.00	54.124.00
antibacterial, anti-odour and anti-allergen filter with air-conditioner and L.H.D. / filtro antibatterico, antiodori e anti-allergeni con climatizzatore e guida a sinistra	CCSA	75	102	05/04	> 10/08				34.124.00
for cold countries / per paesi freddi	CCSA	75	102	05/04	> 10/08	23.436.00	31.833.00	27.402.00	53.148.00
1.6 MultiFuel	CCSA	75	102	11/08	> 06/13	23.436.00	31.853.00	27.401.00	53.148.00
with air-conditioner and R.H.D. / con climatizzatore e guida a destra	CCSA	75	102	11/08	> 06/13				54.376.00
with air-conditioner and L.H.D. / con climatizzatore e guida a sinistra	CCSA	75	102	11/08	> 06/13	23.436.00	31.853.00	27.401.00	54.124.00
antibacterial, anti-odour and anti-allergen filter with air-conditioner and L.H.D. / filtro antibatterico, antiodori e anti-allergeni con climatizzatore e guida a sinistra	CCSA	75	102	11/08	> 06/13				34.124.00
for cold countries / per paesi freddi	CCSA	75	102	11/08	> 06/13	23.436.00	31.853.00	27.402.00	53.148.00
1.6 MultiFuel	CMXA	75	102	11/08	> 06/13	23.436.00	31.853.00	27.401.00	53.148.00
with air-conditioner and R.H.D. / con climatizzatore e guida a destra	CMXA	75	102	11/08	> 06/13				54.376.00
with air-conditioner and L.H.D. / con climatizzatore e guida a sinistra	CMXA	75	102	11/08	> 06/13	23.436.00	31.853.00	27.401.00	54.124.00
antibacterial, anti-odour and anti-allergen filter with air-conditioner and L.H.D. / filtro antibatterico, antiodori e anti-allergeni con climatizzatore e guida a sinistra	CMXA	75	102	11/08	> 06/13				34.124.00
for cold countries / per paesi freddi	CMXA	75	102	11/08	> 06/13	23.436.00	31.853.00	27.402.00	53.148.00
1.6 TDI CR DPF	CAYC	77	105	06/09	>	25.106.00	26.007.00	30.187.00	53.148.00
with air-conditioner and R.H.D. / con climatizzatore e guida a destra	CAYC	77	105	06/09	>				54.376.00
with air-conditioner and L.H.D. / con climatizzatore e guida a sinistra	CAYC	77	105	06/09	>	25.106.00	26.007.00	30.187.00	54.124.00
antibacterial, anti-odour and anti-allergen filter with air-conditioner and L.H.D. / filtro antibatterico, antiodori e anti-allergeni con climatizzatore e guida a sinistra	CAYC	77	105	06/09	>				34.124.00
for cold countries / per paesi freddi	CAYC	77	105	06/09	>	25.106.00	26.007.00	30.370.00	53.148.00
1.8 TFSI	BYT	118	160	11/06	> 08/07		31.840.00	30.187.00	53.148.00
with air-conditioner and R.H.D. / con climatizzatore e guida a destra	BYT	118	160	11/06	> 08/07				54.376.00
with air-conditioner and L.H.D. / con climatizzatore e guida a sinistra	BYT	118	160	11/06	> 08/07		31.840.00	30.187.00	54.124.00
antibacterial, anti-odour and anti-allergen filter with air-conditioner and L.H.D. / filtro antibatterico, antiodori e anti-allergeni con climatizzatore e guida a sinistra	BYT	118	160	11/06	> 08/07				34.124.00
for cold countries / per paesi freddi	BYT	118	160	11/06	> 08/07		31.840.00	30.370.00	53.148.00
1.8 TFSI	BZB	118	160	06/07	> 10/08	23.493.00	31.840.00	30.187.00	53.148.00
with air-conditioner and R.H.D. / con climatizzatore e guida a destra	BZB	118	160	06/07	> 10/08				54.376.00
with air-conditioner and L.H.D. / con climatizzatore e guida a sinistra	BZB	118	160	06/07	> 10/08	23.493.00	31.840.00	30.187.00	54.124.00
antibacterial, anti-odour and anti-allergen filter with air-conditioner and L.H.D. / filtro antibatterico, antiodori e anti-allergeni con climatizzatore e guida a sinistra	BZB	118	160	06/07	> 10/08				34.124.00
for cold countries / per paesi freddi	BZB	118	160	06/07	> 10/08	23.493.00	31.840.00	30.370.00	53.148.00
1.8 TFSI	CDAA	118	160	11/08	>	23.493.00	31.840.00	30.187.00	53.148.00
with air-conditioner and R.H.D. / con climatizzatore e guida a destra	CDAA	118	160	11/08	>				54.376.00
with air-conditioner and L.H.D. / con climatizzatore e guida a sinistra	CDAA	118	160	11/08	>	23.493.00	31.840.00	30.187.00	54.124.00
antibacterial, anti-odour and anti-allergen filter with air-conditioner and L.H.D. / filtro antibatterico, antiodori e anti-allergeni con climatizzatore e guida a sinistra	CDAA	118	160	11/08	>				34.124.00
for cold countries / per paesi freddi	CDAA	118	160	11/08	>	23.493.00	31.840.00	30.370.00	53.148.00
1.8 TFSI	CDAB	112	152	11/08	>	23.493.00	31.840.00	30.187.00	53.148.00
with air-conditioner and R.H.D. / con climatizzatore e guida a destra	CDAB	112	152	11/08	>				54.376.00
with air-conditioner and L.H.D. / con climatizzatore e guida a sinistra	CDAB	112	152	11/08	>	23.493.00	31.840.00	30.187.00	54.124.00
antibacterial, anti-odour and anti-allergen filter with air-conditioner and L.H.D. / filtro antibatterico, antiodori e anti-allergeni con climatizzatore e guida a sinistra	CDAB	112	152	11/08	>				34.124.00
for cold countries / per paesi freddi	CDAB	112	152	11/08	>	23.493.00	31.840.00	30.370.00	53.148.00
1.9 TDI									
with air-conditioner and R.H.D. / con climatizzatore e guida a destra	BJB/BKC	77	105	05/04	>				54.376.00
with air-conditioner and L.H.D. / con climatizzatore e guida a sinistra	BJB/BKC	77	105	05/04	>	25.023.00		30.187.00	54.124.00
antibacterial, anti-odour and anti-allergen filter with air-conditioner and L.H.D. / filtro antibatterico, antiodori e anti-allergeni con climatizzatore e guida a sinistra	BJB/BKC	77	105	05/04	>				34.124.00
assembly MANN+HUMMEL / montaggio MANN+HUMMEL	BJB/BKC	77	105	05/04	>	25.023.00	26.014.00	30.187.00	53.148.00
assembly MANN+HUMMEL (1K0127400K) / montaggio MANN+HUMMEL (1K0127400K)	BJB/BKC	77	105	04/06	>	25.023.00	26.021.00	30.187.00	53.148.00
assembly UFI / montaggio UFI	BJB/BKC	77	105	11/04	>	25.023.00	26.007.00	30.187.00	53.148.00
for cold countries / per paesi freddi	BJB/BKC	77	105	05/04	>	25.023.00		30.370.00	53.148.00
2.0 FSI	BLR/BLX/BLY	110	150	10/04	> 11/05	25.040.00	31.840.00	27.401.00	53.148.00
with air-conditioner and R.H.D. / con climatizzatore e guida a destra	BLR/BLX/BLY	110	150	10/04	> 11/05				54.376.00
with air-conditioner and L.H.D. / con climatizzatore e guida a sinistra	BLR/BLX/BLY	110	150	10/04	> 11/05	25.040.00	31.840.00	27.401.00	54.124.00

...SKODA - cars/auto

S



antibacterial, anti-odour and anti-allergen filter with air-conditioner and L.H.D. / filtro antibatterico, antiodori e anti-allergeni con climatizzatore e guida a sinistra	BLR/BLX/BLY	110	150	10/04	>	11/05				34.124.00
for cold countries / per paesi freddi	BLR/BLX/BLY	110	150	10/04	>	11/05	25.040.00	31.840.00	27.402.00	53.148.00
2.0 FSI	BVX/BVY/BVZ	110	150	11/05	>	10/08	25.040.00	31.840.00	27.401.00	53.148.00
with air-conditioner and R.H.D. / con climatizzatore e guida a destra	BVX/BVY/BVZ	110	150	11/05	>	10/08				54.376.00
with air-conditioner and L.H.D. / con climatizzatore e guida a sinistra	BVX/BVY/BVZ	110	150	11/05	>	10/08	25.040.00	31.840.00	27.401.00	54.124.00
antibacterial, anti-odour and anti-allergen filter with air-conditioner and L.H.D. / filtro antibatterico, antiodori e anti-allergeni con climatizzatore e guida a sinistra	BVX/BVY/BVZ	110	150	11/05	>	10/08				34.124.00
for cold countries / per paesi freddi	BVX/BVY/BVZ	110	150	11/05	>	10/08	25.040.00	31.840.00	27.402.00	53.148.00
2.0 RS TFSI	BWA	147	200	09/05	>		25.040.00	31.840.00	30.315.00	53.148.00
with air-conditioner and R.H.D. / con climatizzatore e guida a destra	BWA	147	200	09/05	>					54.376.00
with air-conditioner and L.H.D. / con climatizzatore e guida a sinistra	BWA	147	200	09/05	>		25.040.00	31.840.00	30.315.00	54.124.00
antibacterial, anti-odour and anti-allergen filter with air-conditioner and L.H.D. / filtro antibatterico, antiodori e anti-allergeni con climatizzatore e guida a sinistra	BWA	147	200	09/05	>					34.124.00
2.0 TDI	CFHF	81	110	03/10	>		25.106.00	26.007.00	30.187.00	53.148.00
with air-conditioner and R.H.D. / con climatizzatore e guida a destra	CFHF	81	110	03/10	>					54.376.00
with air-conditioner and L.H.D. / con climatizzatore e guida a sinistra	CFHF	81	110	03/10	>					54.124.00
antibacterial, anti-odour and anti-allergen filter with air-conditioner and L.H.D. / filtro antibatterico, antiodori e anti-allergeni con climatizzatore e guida a sinistra	CFHF	81	110	03/10	>					34.124.00
for cold countries / per paesi freddi	CFHF	81	110	03/10	>				30.370.00	
2.0 TDI 16V										
with air-conditioner and R.H.D. / con climatizzatore e guida a destra	AZV	100	136	02/04	>	05/10				54.376.00
with air-conditioner and L.H.D. / con climatizzatore e guida a sinistra	AZV	100	136	02/04	>	05/10	25.023.00		30.187.00	54.124.00
antibacterial, anti-odour and anti-allergen filter with air-conditioner and L.H.D. / filtro antibatterico, antiodori e anti-allergeni con climatizzatore e guida a sinistra	AZV	100	136	02/04	>	05/10				34.124.00
assembly MANN+HUMMEL / montaggio MANN+HUMMEL	AZV	100	136	02/04	>	05/10	25.023.00	26.014.00	30.187.00	53.148.00
assembly MANN+HUMMEL (1K0127400K) / montaggio MANN+HUMMEL (1K0127400K)	AZV	100	136	04/06	>	05/10	25.023.00	26.021.00	30.187.00	53.148.00
assembly UFI / montaggio UFI	AZV	100	136	11/04	>	05/10	25.023.00	26.007.00	30.187.00	53.148.00
for cold countries / per paesi freddi	AZV	100	136	02/04	>	05/10	25.023.00		30.370.00	53.148.00
2.0 TDI 16V										
with air-conditioner and R.H.D. / con climatizzatore e guida a destra	BKD	103	140	05/04	>	05/10				54.376.00
with air-conditioner and L.H.D. / con climatizzatore e guida a sinistra	BKD	103	140	05/04	>	05/10	25.023.00		30.187.00	54.124.00
antibacterial, anti-odour and anti-allergen filter with air-conditioner and L.H.D. / filtro antibatterico, antiodori e anti-allergeni con climatizzatore e guida a sinistra	BKD	103	140	05/04	>	05/10				34.124.00
assembly MANN+HUMMEL / montaggio MANN+HUMMEL	BKD	103	140	05/04	>	05/10	25.023.00	26.014.00	30.187.00	53.148.00
assembly MANN+HUMMEL (1K0127400K) / montaggio MANN+HUMMEL (1K0127400K)	BKD	103	140	04/06	>	05/10	25.023.00	26.021.00	30.187.00	53.148.00
assembly UFI / montaggio UFI	BKD	103	140	11/04	>	05/10	25.023.00	26.007.00	30.187.00	53.148.00
for cold countries / per paesi freddi	BKD	103	140	05/04	>	05/10	25.023.00		30.370.00	53.148.00
2.0 TDI 16V RS										
with air-conditioner and R.H.D. / con climatizzatore e guida a destra	BMN	125	170	07/06	>					54.376.00
with air-conditioner and L.H.D. / con climatizzatore e guida a sinistra	BMN	125	170	07/06	>		25.023.00		30.187.00	54.124.00
antibacterial, anti-odour and anti-allergen filter with air-conditioner and L.H.D. / filtro antibatterico, antiodori e anti-allergeni con climatizzatore e guida a sinistra	BMN	125	170	07/06	>					34.124.00
assembly MANN+HUMMEL / montaggio MANN+HUMMEL	BMN	125	170	07/06	>		25.023.00	26.021.00	30.187.00	53.148.00
assembly UFI / montaggio UFI	BMN	125	170	07/06	>		25.023.00	26.007.00	30.187.00	53.148.00
for cold countries / per paesi freddi	BMN	125	170	07/06	>		25.023.00		30.370.00	53.148.00
Octavia III										
1.0 TSI	CHZD/DKRA	85	115	05/16	>		23.575.00		30.A51.00	53.298.00
with automatic air-conditioner / con climatizzatore automatico	CHZD/DKRA	85	115	05/16	>					54.219.00
antibacterial, anti-odour and anti-allergen filter with automatic air-conditioner / filtro antibatterico, antiodori e anti-allergeni con climatizzatore automatico	CHZD/DKRA	85	115	05/16	>					34.219.00
1.2 TSI	CJZA	77	105	11/12	>		23.575.00		30.549.00	53.298.00
with automatic air-conditioner / con climatizzatore automatico	CJZA	77	105	11/12	>					54.219.00
antibacterial, anti-odour and anti-allergen filter with automatic air-conditioner / filtro antibatterico, antiodori e anti-allergeni con climatizzatore automatico	CJZA	77	105	11/12	>					34.219.00
1.2 TSI	CJZB	63	86	11/12	>		23.575.00		30.549.00	53.298.00
with automatic air-conditioner / con climatizzatore automatico	CJZB	63	86	11/12	>					54.219.00
antibacterial, anti-odour and anti-allergen filter with automatic air-conditioner / filtro antibatterico, antiodori e anti-allergeni con climatizzatore automatico	CJZB	63	86	11/12	>					34.219.00
1.2 TSI	CYVA	63	86	05/15	>	02/17	23.575.00		30.549.00	53.298.00
with automatic air-conditioner / con climatizzatore automatico	CYVA	63	86	05/15	>	02/17				54.219.00
antibacterial, anti-odour and anti-allergen filter with automatic air-conditioner / filtro antibatterico, antiodori e anti-allergeni con climatizzatore automatico	CYVA	63	86	05/15	>	02/17				34.219.00
1.2 TSI	CYVB	81	110	05/15	>		23.575.00		30.549.00	53.298.00
with automatic air-conditioner / con climatizzatore automatico	CYVB	81	110	05/15	>					54.219.00
antibacterial, anti-odour and anti-allergen filter with automatic air-conditioner / filtro antibatterico, antiodori e anti-allergeni con climatizzatore automatico	CYVB	81	110	05/15	>					34.219.00
1.4 TSI	CHPA	103	140	01/13	>		23.575.00		30.549.00	53.298.00
with automatic air-conditioner / con climatizzatore automatico	CHPA	103	140	01/13	>					54.219.00
antibacterial, anti-odour and anti-allergen filter with automatic air-conditioner / filtro antibatterico, antiodori e anti-allergeni con climatizzatore automatico	CHPA	103	140	01/13	>					34.219.00
1.4 TSI	CHPB/CZDA	110	150	08/14	>		23.575.00		30.549.00	53.298.00
with automatic air-conditioner / con climatizzatore automatico	CHPB/CZDA	110	150	08/14	>					54.219.00
antibacterial, anti-odour and anti-allergen filter with automatic air-conditioner / filtro antibatterico, antiodori e anti-allergeni con climatizzatore automatico	CHPB/CZDA	110	150	08/14	>					34.219.00
1.4 TSI	CMBA	90	122	11/12	>		23.575.00		30.549.00	53.298.00
with automatic air-conditioner / con climatizzatore automatico	CMBA	90	122	11/12	>					54.219.00
antibacterial, anti-odour and anti-allergen filter with automatic air-conditioner / filtro antibatterico, antiodori e anti-allergeni con climatizzatore automatico	CMBA	90	122	11/12	>					34.219.00
1.4 TSI	CPTA	103	140	01/13	>		23.575.00		30.549.00	53.298.00
with automatic air-conditioner / con climatizzatore automatico	CPTA	103	140	01/13	>					54.219.00
antibacterial, anti-odour and anti-allergen filter with automatic air-conditioner / filtro antibatterico, antiodori e anti-allergeni con climatizzatore automatico	CPTA	103	140	01/13	>					34.219.00

...SKODA - cars/auto

for cold countries / per paesi freddi	CRLB	110	150	11/12	>			30.587.00	
2.0 TDI 4x4	CRMB	110	150	11/12	>	25.144.00	26.038.00	30.532.00	53.298.00
with automatic air-conditioner / con climatizzatore automatico	CRMB	110	150	11/12	>				54.219.00
antibacterial, anti-odour and anti-allergen filter with automatic air-conditioner / filtro antibatterico, antiodori e anti-allergeni con climatizzatore automatico	CRMB	110	150	11/12	>				34.219.00
export models Diesel Plus / modelli di esportazione Diesel Plus	CRMB	110	150	11/12	>		26.065.00		
for cold countries / per paesi freddi	CRMB	110	150	11/12	>			30.587.00	
2.0 TDI RS	CUNA	135	184	11/12	>	25.144.00	26.038.00	30.532.00	53.298.00
with automatic air-conditioner / con climatizzatore automatico	CUNA	135	184	11/12	>				54.219.00
antibacterial, anti-odour and anti-allergen filter with automatic air-conditioner / filtro antibatterico, antiodori e anti-allergeni con climatizzatore automatico	CUNA	135	184	11/12	>				34.219.00
export models Diesel Plus / modelli di esportazione Diesel Plus	CUNA	135	184	11/12	>		26.065.00		
for cold countries / per paesi freddi	CUNA	135	184	11/12	>			30.587.00	
2.0 TDI RS	CUPA	135	184	05/13	>	25.144.00	26.038.00	30.532.00	53.298.00
with automatic air-conditioner / con climatizzatore automatico	CUPA	135	184	05/13	>				54.219.00
antibacterial, anti-odour and anti-allergen filter with automatic air-conditioner / filtro antibatterico, antiodori e anti-allergeni con climatizzatore automatico	CUPA	135	184	05/13	>				34.219.00
export models Diesel Plus / modelli di esportazione Diesel Plus	CUPA	135	184	05/13	>		26.065.00		
for cold countries / per paesi freddi	CUPA	135	184	05/13	>			30.587.00	
2.0 TDI RS	DJGA	135	184	02/17	>	25.144.00	26.038.00	30.532.00	53.298.00
with automatic air-conditioner / con climatizzatore automatico	DJGA	135	184	02/17	>				54.219.00
antibacterial, anti-odour and anti-allergen filter with automatic air-conditioner / filtro antibatterico, antiodori e anti-allergeni con climatizzatore automatico	DJGA	135	184	02/17	>				34.219.00
export models Diesel Plus / modelli di esportazione Diesel Plus	DJGA	135	184	02/17	>		26.065.00		
for cold countries / per paesi freddi	DJGA	135	184	02/17	>			30.587.00	
2.0 TDI RS 4x4	CUNA	135	184	11/12	>	25.144.00	26.038.00	30.532.00	53.298.00
with automatic air-conditioner / con climatizzatore automatico	CUNA	135	184	11/12	>				54.219.00
antibacterial, anti-odour and anti-allergen filter with automatic air-conditioner / filtro antibatterico, antiodori e anti-allergeni con climatizzatore automatico	CUNA	135	184	11/12	>				34.219.00
export models Diesel Plus / modelli di esportazione Diesel Plus	CUNA	135	184	11/12	>		26.065.00		
for cold countries / per paesi freddi	CUNA	135	184	11/12	>			30.587.00	
2.0 TDI RS 4x4	CUPA	135	184	07/13	>	25.144.00	26.038.00	30.532.00	53.298.00
with automatic air-conditioner / con climatizzatore automatico	CUPA	135	184	07/13	>				54.219.00
antibacterial, anti-odour and anti-allergen filter with automatic air-conditioner / filtro antibatterico, antiodori e anti-allergeni con climatizzatore automatico	CUPA	135	184	07/13	>				34.219.00
export models Diesel Plus / modelli di esportazione Diesel Plus	CUPA	135	184	07/13	>		26.065.00		
for cold countries / per paesi freddi	CUPA	135	184	07/13	>			30.587.00	
2.0 TSI 190	DKZA	140	190	02/17	>	25.153.00	∞	30.532.00	53.298.00
with automatic air-conditioner / con climatizzatore automatico	DKZA	140	190	02/17	>				54.219.00
antibacterial, anti-odour and anti-allergen filter with automatic air-conditioner / filtro antibatterico, antiodori e anti-allergeni con climatizzatore automatico	DKZA	140	190	02/17	>				34.219.00
2.0 TSI RS	CHHA	169	230	05/15	>	25.153.00	∞	30.532.00	53.298.00
with automatic air-conditioner / con climatizzatore automatico	CHHA	169	230	05/15	>				54.219.00
antibacterial, anti-odour and anti-allergen filter with automatic air-conditioner / filtro antibatterico, antiodori e anti-allergeni con climatizzatore automatico	CHHA	169	230	05/15	>				34.219.00
2.0 TSI RS	CHHB	162	220	07/13	>	25.153.00	∞	30.532.00	53.298.00
with automatic air-conditioner / con climatizzatore automatico	CHHB	162	220	07/13	>				54.219.00
antibacterial, anti-odour and anti-allergen filter with automatic air-conditioner / filtro antibatterico, antiodori e anti-allergeni con climatizzatore automatico	CHHB	162	220	07/13	>				34.219.00
2.0 TSI RS 245	DHGA/DLBA	180	245	02/17	>	25.153.00	∞	30.532.00	53.298.00
with automatic air-conditioner / con climatizzatore automatico	DHGA/DLBA	180	245	02/17	>				54.219.00
antibacterial, anti-odour and anti-allergen filter with automatic air-conditioner / filtro antibatterico, antiodori e anti-allergeni con climatizzatore automatico	DHGA/DLBA	180	245	02/17	>				34.219.00
Octavia IV									
1.0 TSI (NX3, NX5)	DLAA	81	100	06/20	>	23.575.00			53.298.00
with activated carbons / ai carboni attivi	DLAA	81	100	06/20	>				54.219.00
antibacterial, anti-odour and anti-allergen filter / filtro antibatterico, antiodori e anti-allergeni	DLAA	81	100	06/20	>				34.219.00
1.4 (NX3,NX5)	DJKA	110	150	06/20	>	23.575.00		30.549.00	53.298.00
with activated carbons / ai carboni attivi	DJKA	110	150	06/20	>				54.219.00
antibacterial, anti-odour and anti-allergen filter / filtro antibatterico, antiodori e anti-allergeni	DJKA	110	150	06/20	>				34.219.00
1.4 TSI Hybrid (NX3, NX5)	DGEA	110	150	06/20	>	23.575.00		30.549.00	53.298.00
with activated carbons / ai carboni attivi	DGEA	110	150	06/20	>				54.219.00
antibacterial, anti-odour and anti-allergen filter / filtro antibatterico, antiodori e anti-allergeni	DGEA	110	150	06/20	>				34.219.00
1.5 TSI (NX3, NX5)	DPCA	110	150	11/19	>	23.575.00	∞	30.445.00	53.298.00
with activated carbons / ai carboni attivi	DPCA	110	150	11/19	>				54.219.00
antibacterial, anti-odour and anti-allergen filter / filtro antibatterico, antiodori e anti-allergeni	DPCA	110	150	11/19	>				34.219.00
1.5 TSi G-TEC (NX3,NX5)	DHFA	96	131	06/20	>	23.575.00		30.445.00	53.298.00
with activated carbons / ai carboni attivi	DHFA	96	131	06/20	>				54.219.00
antibacterial, anti-odour and anti-allergen filter / filtro antibatterico, antiodori e anti-allergeni	DHFA	96	131	06/20	>				34.219.00
1.6 SRE (NX3,NX5)	CWVA	81	110	06/20	>				53.298.00
with activated carbons / ai carboni attivi	CWVA	81	110	06/20	>				54.219.00
antibacterial, anti-odour and anti-allergen filter / filtro antibatterico, antiodori e anti-allergeni	CWVA	81	110	06/20	>				34.219.00
2.0 RS (NX3,NX5)	DLBA	180	245	03/20	>	25.153.00		30.532.00	53.298.00
with activated carbons / ai carboni attivi	DLBA	180	245	03/20	>				54.219.00
antibacterial, anti-odour and anti-allergen filter / filtro antibatterico, antiodori e anti-allergeni	DLBA	180	245	03/20	>				34.219.00
2.0 TDI (NX3, NX5)	DSTA	110	150	11/19	>		26.038.00	30.532.00	53.298.00
with activated carbons / ai carboni attivi	DSTA	110	150	11/19	>				54.219.00

...SKODA - cars/auto

antibacterial, anti-odour and anti-allergen filter / filtro antibatterico, antiodori e anti-allergeni	DSTA	110	150	11/19	>				34.219.00
for cold countries / per paesi freddi	DSTA	110	150	11/19	>			30.587.00	
2.0 TDI (NX3, NX5)	DSTB	110	150	11/19	>		26.038.00	30.532.00	53.298.00
with activated carbons / ai carboni attivi	DSTB	110	150	11/19	>				54.219.00
antibacterial, anti-odour and anti-allergen filter / filtro antibatterico, antiodori e anti-allergeni	DSTB	110	150	11/19	>				34.219.00
for cold countries / per paesi freddi	DSTB	110	150	11/19	>			30.587.00	
2.0 TDI (NX3, NX5)	DSUD	85	116	11/19	>		26.038.00	30.532.00	53.298.00
with activated carbons / ai carboni attivi	DSUD	85	116	11/19	>				54.219.00
antibacterial, anti-odour and anti-allergen filter / filtro antibatterico, antiodori e anti-allergeni	DSUD	85	116	11/19	>				34.219.00
for cold countries / per paesi freddi	DSUD	85	116	11/19	>			30.587.00	
2.0 TDi (NX3,NX5)	CRVC	105	143	06/20	>	25.144.00	26.065.00	30.532.00	53.298.00
with activated carbons / ai carboni attivi	CRVC	105	143	06/20	>				54.219.00
antibacterial, anti-odour and anti-allergen filter / filtro antibatterico, antiodori e anti-allergeni	CRVC	105	143	06/20	>				34.219.00
2.0 TDi (NX3,NX5)	DTUA	147	200	07/20	>		26.038.00	30.532.00	53.298.00
with activated carbons / ai carboni attivi	DTUA	147	200	07/20	>				54.219.00
antibacterial, anti-odour and anti-allergen filter / filtro antibatterico, antiodori e anti-allergeni	DTUA	147	200	07/20	>				34.219.00
for cold countries / per paesi freddi	DTUA	147	200	07/20	>			30.587.00	
2.0 TFSi (NX3,NX5)	CZPB	140	190	07/20	>				53.298.00
with activated carbons / ai carboni attivi	CZPB	140	190	07/20	>				54.219.00
antibacterial, anti-odour and anti-allergen filter / filtro antibatterico, antiodori e anti-allergeni	CZPB	140	190	07/20	>				34.219.00
Rapid (NA2)									
1.6 MPI	CLSA	77	105	11/11	>	23.573.00	31.833.00		53.031.00
with activated carbons / ai carboni attivi	CLSA	77	105	11/11	>				54.114.00
antibacterial, anti-odour and anti-allergen filter / filtro antibatterico, antiodori e anti-allergeni	CLSA	77	105	11/11	>				34.114.00
1.6 TDI	CLNA	77	105	11/11	>	25.106.00			53.031.00
with activated carbons / ai carboni attivi	CLNA	77	105	11/11	>				54.114.00
antibacterial, anti-odour and anti-allergen filter / filtro antibatterico, antiodori e anti-allergeni	CLNA	77	105	11/11	>				34.114.00
Rapid (NH3)									
1.2 MPI	CGPC	55	75	07/12	> 06/15	25.029.00	31.833.00	30.132.00	53.190.00
with activated carbons / ai carboni attivi	CGPC	55	75	07/12	> 06/15				54.199.00
antibacterial, anti-odour and anti-allergen filter / filtro antibatterico, antiodori e anti-allergeni	CGPC	55	75	07/12	> 06/15				34.199.00
1.2 TSI	CBZA	63	85	07/12	> 05/15	23.573.00	31.840.00	27.621.00	53.190.00
with activated carbons / ai carboni attivi	CBZA	63	85	07/12	> 05/15				54.199.00
antibacterial, anti-odour and anti-allergen filter / filtro antibatterico, antiodori e anti-allergeni	CBZA	63	85	07/12	> 06/15				34.199.00
1.2 TSI	CBZB	77	105	07/12	> 05/15	23.573.00	31.840.00	27.621.00	53.190.00
with activated carbons / ai carboni attivi	CBZB	77	105	07/12	> 05/15				54.199.00
antibacterial, anti-odour and anti-allergen filter / filtro antibatterico, antiodori e anti-allergeni	CBZB	77	105	07/12	> 06/15				34.199.00
1.2 TSI	CJZC	66	90	05/15	>	23.575.00	31.840.00	30.549.00	53.190.00
with activated carbons / ai carboni attivi	CJZC	66	90	05/15	>				54.199.00
antibacterial, anti-odour and anti-allergen filter / filtro antibatterico, antiodori e anti-allergeni	CJZC	66	90	05/15	>				34.199.00
1.2 TSI	CJZD	81	110	05/15	>	23.575.00	31.840.00	30.549.00	53.190.00
with activated carbons / ai carboni attivi	CJZD	81	110	05/15	>				54.199.00
antibacterial, anti-odour and anti-allergen filter / filtro antibatterico, antiodori e anti-allergeni	CJZD	81	110	05/15	>				34.199.00
1.4 TDI CR	CUSB	66	90	07/14	>	23.717.00	24.106.00	30.692.00	53.190.00
with activated carbons / ai carboni attivi	CUSB	66	90	07/14	>				54.199.00
antibacterial, anti-odour and anti-allergen filter / filtro antibatterico, antiodori e anti-allergeni	CUSB	66	90	07/14	>				34.199.00
1.4 TSI	CAXA	90	122	07/12	> 06/15	23.573.00	31.840.00	27.621.00	53.190.00
with activated carbons / ai carboni attivi	CAXA	90	122	07/12	> 06/15				54.199.00
antibacterial, anti-odour and anti-allergen filter / filtro antibatterico, antiodori e anti-allergeni	CAXA	90	122	07/12	> 06/15				34.199.00
1.4 TSI	CZCA	92	125	05/15	>	23.575.00	31.840.00	30.549.00	53.190.00
with activated carbons / ai carboni attivi	CZCA	92	125	05/15	>				54.199.00
antibacterial, anti-odour and anti-allergen filter / filtro antibatterico, antiodori e anti-allergeni	CZCA	92	125	05/15	>				34.199.00
1.5 TDI (IND)	CWXB	77	105	05/14	> 08/16	25.106.00		27.621.00	53.190.00
with activated carbons / ai carboni attivi	CWXB	77	105	05/14	> 08/16				54.199.00
antibacterial, anti-odour and anti-allergen filter / filtro antibatterico, antiodori e anti-allergeni	CWXB	77	105	05/14	> 08/16				34.199.00
1.6 MPI	CFNA	77	105	07/12	> 06/15	23.573.00	31.833.00	30.342.00	53.190.00
with activated carbons / ai carboni attivi	CFNA	77	105	07/12	> 06/15				54.199.00
antibacterial, anti-odour and anti-allergen filter / filtro antibatterico, antiodori e anti-allergeni	CFNA	77	105	07/12	> 06/15				34.199.00
1.6 MPI	CWVA	81	110	05/15	>	23.575.00		30.713.00	53.190.00
with activated carbons / ai carboni attivi	CWVA	81	110	05/15	>				54.199.00
antibacterial, anti-odour and anti-allergen filter / filtro antibatterico, antiodori e anti-allergeni	CWVA	81	110	05/15	>				34.199.00
1.6 MPI	CWVB	66	90	05/15	>	23.575.00		30.713.00	53.190.00
with activated carbons / ai carboni attivi	CWVB	66	90	05/15	>				54.199.00
antibacterial, anti-odour and anti-allergen filter / filtro antibatterico, antiodori e anti-allergeni	CWVB	66	90	05/15	>				34.199.00
1.6 TDI CR	CAYB	66	90	08/13	> 05/15	25.106.00	24.437.00	27.621.00	53.190.00
with activated carbons / ai carboni attivi	CAYB	66	90	08/13	> 05/15				54.199.00
antibacterial, anti-odour and anti-allergen filter / filtro antibatterico, antiodori e anti-allergeni	CAYB	66	90	08/13	> 05/15				34.199.00

...SKODA - cars/auto

1.6 TDI CR	CAYC	77	105	07/12	>	05/15	25.106.00	24.437.00	27.621.00	53.190.00
with activated carbons / ai carboni attivi	CAYC	77	105	07/12	>	05/15				54.199.00
antibacterial, anti-odour and anti-allergen filter / filtro antibatterico, antiodori e anti-allergeni	CAYC	77	105	07/12	>	05/15				34.199.00
1.6 TDI CR	CLNA	77	105	10/12	>		25.106.00	24.437.00	27.621.00	53.190.00
with activated carbons / ai carboni attivi	CLNA	77	105	10/12	>					54.199.00
antibacterial, anti-odour and anti-allergen filter / filtro antibatterico, antiodori e anti-allergeni	CLNA	77	105	10/12	>					34.199.00
1.6 TDI CR	CXMA	85	116	05/15	>		25.144.00	24.106.00	30.509.00	53.190.00
with activated carbons / ai carboni attivi	CXMA	85	116	05/15	>					54.199.00
antibacterial, anti-odour and anti-allergen filter / filtro antibatterico, antiodori e anti-allergeni	CXMA	85	116	05/15	>					34.199.00
dusty areas / zone polverose	CXMA	85	116	05/15	>				30.508.00	
1.6 TDI CR (IND)	CLNA	77	105	10/12	>		25.106.00		27.621.00	53.190.00
with activated carbons / ai carboni attivi	CLNA	77	105	10/12	>					54.199.00
antibacterial, anti-odour and anti-allergen filter / filtro antibatterico, antiodori e anti-allergeni	CLNA	77	105	10/12	>					34.199.00
Roomster (5J)										
1.2 12V	BZG	51	70	01/07	>	05/09	25.029.00	31.833.00	30.132.00	53.031.00
with activated carbons / ai carboni attivi	BZG	51	70	01/07	>	05/09	25.029.00	31.833.00	30.132.00	54.114.00
antibacterial, anti-odour and anti-allergen filter / filtro antibatterico, antiodori e anti-allergeni	BZG	51	70	01/07	>	05/09				34.114.00
1.2 12V	CGPA	51	69	03/09	>	07/10	25.029.00	31.833.00	30.132.00	53.031.00
with activated carbons / ai carboni attivi	CGPA	51	69	08/10	>		25.029.00	31.833.00	30.132.00	53.190.00
with activated carbons / ai carboni attivi	CGPA	51	69	03/09	>	07/10	25.029.00	31.833.00	30.132.00	54.114.00
antibacterial, anti-odour and anti-allergen filter / filtro antibatterico, antiodori e anti-allergeni	CGPA	51	69	08/10	>		25.029.00	31.833.00	30.132.00	54.199.00
antibacterial, anti-odour and anti-allergen filter / filtro antibatterico, antiodori e anti-allergeni	CGPA	51	69	03/09	>	07/10				34.114.00
antibacterial, anti-odour and anti-allergen filter / filtro antibatterico, antiodori e anti-allergeni	CGPA	51	69	08/10	>					34.199.00
1.2 12V GPLine	BZG	51	70	01/07	>	05/09	25.029.00	31.833.00	30.132.00	53.031.00
with activated carbons / ai carboni attivi	BZG	51	70	01/07	>	05/09	25.029.00	31.833.00	30.132.00	54.114.00
antibacterial, anti-odour and anti-allergen filter / filtro antibatterico, antiodori e anti-allergeni	BZG	51	70	01/07	>	05/09				34.114.00
assembly LANDI Omegas / montaggio LANDI Omegas	BZG	51	70	01/07	>	05/09		31.836.00		
1.2 12V HTP	BME	47	64	05/06	>	12/07	25.029.00	31.833.00	30.165.00	53.031.00
with activated carbons / ai carboni attivi	BME	47	64	05/06	>	12/07	25.029.00	31.833.00	30.165.00	54.114.00
antibacterial, anti-odour and anti-allergen filter / filtro antibatterico, antiodori e anti-allergeni	BME	47	64	05/06	>	12/07				34.114.00
1.2 TDI CR	CFWA	55	75	03/10	>	07/10	25.115.00	24.106.00	27.621.00	53.031.00
with activated carbons / ai carboni attivi	CFWA	55	75	08/10	>		25.115.00	24.106.00	27.621.00	53.190.00
with activated carbons / ai carboni attivi	CFWA	55	75	03/10	>	07/10	25.115.00	24.106.00	27.621.00	54.114.00
with activated carbons / ai carboni attivi	CFWA	55	75	08/10	>		25.115.00	24.106.00	27.621.00	54.199.00
antibacterial, anti-odour and anti-allergen filter / filtro antibatterico, antiodori e anti-allergeni	CFWA	55	75	03/10	>	07/10				34.114.00
antibacterial, anti-odour and anti-allergen filter / filtro antibatterico, antiodori e anti-allergeni	CFWA	55	75	08/10	>					34.199.00
1.2 TDI CR GreenLine	CFWA	55	75	03/10	>	07/10	25.115.00	24.106.00	27.621.00	53.031.00
with activated carbons / ai carboni attivi	CFWA	55	75	08/10	>		25.115.00	24.106.00	27.621.00	53.190.00
with activated carbons / ai carboni attivi	CFWA	55	75	03/10	>	07/10	25.115.00	24.106.00	27.621.00	54.114.00
antibacterial, anti-odour and anti-allergen filter / filtro antibatterico, antiodori e anti-allergeni	CFWA	55	75	08/10	>		25.115.00	24.106.00	27.621.00	54.199.00
antibacterial, anti-odour and anti-allergen filter / filtro antibatterico, antiodori e anti-allergeni	CFWA	55	75	03/10	>	07/10				34.114.00
antibacterial, anti-odour and anti-allergen filter / filtro antibatterico, antiodori e anti-allergeni	CFWA	55	75	08/10	>					34.199.00
1.2 TSI	CBZA	63	86	03/10	>	07/10	23.573.00	31.840.00	27.621.00	53.031.00
with activated carbons / ai carboni attivi	CBZA	63	86	08/10	>		23.573.00	31.840.00	27.621.00	53.190.00
with activated carbons / ai carboni attivi	CBZA	63	86	03/10	>	07/10	23.573.00	31.840.00	27.621.00	54.114.00
with activated carbons / ai carboni attivi	CBZA	63	86	08/10	>		23.573.00	31.840.00	27.621.00	54.199.00
antibacterial, anti-odour and anti-allergen filter / filtro antibatterico, antiodori e anti-allergeni	CBZA	63	86	03/10	>	07/10				34.114.00
antibacterial, anti-odour and anti-allergen filter / filtro antibatterico, antiodori e anti-allergeni	CBZA	63	86	08/10	>					34.199.00
1.2 TSI	CBZB	77	105	03/10	>	07/10	23.573.00	31.840.00	27.621.00	53.031.00
with activated carbons / ai carboni attivi	CBZB	77	105	08/10	>		23.573.00	31.840.00	27.621.00	53.190.00
with activated carbons / ai carboni attivi	CBZB	77	105	03/10	>	07/10	23.573.00	31.840.00	27.621.00	54.114.00
with activated carbons / ai carboni attivi	CBZB	77	105	08/10	>		23.573.00	31.840.00	27.621.00	54.199.00
antibacterial, anti-odour and anti-allergen filter / filtro antibatterico, antiodori e anti-allergeni	CBZB	77	105	03/10	>	07/10				34.114.00
antibacterial, anti-odour and anti-allergen filter / filtro antibatterico, antiodori e anti-allergeni	CBZB	77	105	08/10	>					34.199.00
1.4 16V	BXW	63	86	05/06	>	03/10	23.453.00	31.833.00	30.342.00	53.031.00
with activated carbons / ai carboni attivi	BXW	63	86	05/06	>	03/10	23.453.00	31.833.00	30.342.00	54.114.00
antibacterial, anti-odour and anti-allergen filter / filtro antibatterico, antiodori e anti-allergeni	BXW	63	86	05/06	>	03/10				34.114.00
1.4 16V	CGGB	63	86	03/10	>	07/10	23.453.00	31.833.00	30.342.00	53.031.00
with activated carbons / ai carboni attivi	CGGB	63	86	08/10	>		23.453.00	31.833.00	30.342.00	53.190.00
with activated carbons / ai carboni attivi	CGGB	63	86	03/10	>	07/10	23.453.00	31.833.00	30.342.00	54.114.00
with activated carbons / ai carboni attivi	CGGB	63	86	08/10	>		23.453.00	31.833.00	30.342.00	54.199.00
antibacterial, anti-odour and anti-allergen filter / filtro antibatterico, antiodori e anti-allergeni	CGGB	63	86	03/10	>	07/10				34.114.00
antibacterial, anti-odour and anti-allergen filter / filtro antibatterico, antiodori e anti-allergeni	CGGB	63	86	08/10	>					34.199.00
1.4 16V GPLine	BXW	63	86	02/07	>	03/10	23.453.00	31.833.00	30.342.00	53.031.00
with activated carbons / ai carboni attivi	BXW	63	86	02/07	>	03/10	23.453.00	31.833.00	30.342.00	54.114.00
antibacterial, anti-odour and anti-allergen filter / filtro antibatterico, antiodori e anti-allergeni	BXW	63	86	02/07	>	03/10				34.114.00
assembly LANDI Omegas / montaggio LANDI Omegas	BXW	63	86	02/07	>	03/10		31.836.00		

...SKODA - cars/auto

1.4 TDI	BMS	59	80	06/06 >	03/10	25.023.00	24.437.00	30.133.00	53.031.00
with activated carbons / ai carboni attivi	BMS	59	80	06/06 >	03/10	25.023.00	24.437.00	30.133.00	54.114.00
antibacterial, anti-odour and anti-allergen filter / filtro antibatterico, antiodori e anti-allergeni	BMS	59	80	06/06 >	03/10				34.114.00
dusty areas / zone polverose	BMS	59	80	06/06 >	03/10			30.369.00	
1.4 TDI	BNM	51	70	06/06 >	03/10	25.023.00	24.437.00	30.133.00	53.031.00
with activated carbons / ai carboni attivi	BNM	51	70	06/06 >	03/10	25.023.00	24.437.00	30.133.00	54.114.00
antibacterial, anti-odour and anti-allergen filter / filtro antibatterico, antiodori e anti-allergeni	BNM	51	70	06/06 >	03/10				34.114.00
dusty areas / zone polverose	BNM	51	70	06/06 >	03/10			30.369.00	
1.4 TDI	BNV	59	80	06/06 >	03/10	25.023.00	24.437.00	30.133.00	53.031.00
with activated carbons / ai carboni attivi	BNV	59	80	06/06 >	03/10	25.023.00	24.437.00	30.133.00	54.114.00
antibacterial, anti-odour and anti-allergen filter / filtro antibatterico, antiodori e anti-allergeni	BNV	59	80	06/06 >	03/10				34.114.00
dusty areas / zone polverose	BNV	59	80	06/06 >	03/10			30.369.00	
1.6 16V	BTS	77	105	06/06 >	06/10	25.047.00	31.833.00	30.342.00	53.031.00
with activated carbons / ai carboni attivi	BTS	77	105	06/06 >	06/10	25.047.00	31.833.00	30.342.00	54.114.00
antibacterial, anti-odour and anti-allergen filter / filtro antibatterico, antiodori e anti-allergeni	BTS	77	105	06/06 >	06/10				34.114.00
1.6 16V	CFNA	77	105	06/10 >	07/10	25.047.00	31.833.00	30.342.00	53.031.00
with activated carbons / ai carboni attivi	CFNA	77	105	08/10 >		25.047.00	31.833.00	30.342.00	53.190.00
with activated carbons / ai carboni attivi	CFNA	77	105	06/10 >	07/10	25.047.00	31.833.00	30.342.00	54.114.00
antibacterial, anti-odour and anti-allergen filter / filtro antibatterico, antiodori e anti-allergeni	CFNA	77	105	08/10 >		25.047.00	31.833.00	30.342.00	54.199.00
antibacterial, anti-odour and anti-allergen filter / filtro antibatterico, antiodori e anti-allergeni	CFNA	77	105	06/10 >	07/10				34.114.00
antibacterial, anti-odour and anti-allergen filter / filtro antibatterico, antiodori e anti-allergeni	CFNA	77	105	08/10 >					34.199.00
1.6 16V GPline	BTS	77	105	02/07 >	06/10	25.047.00	31.833.00	30.342.00	53.031.00
with activated carbons / ai carboni attivi	BTS	77	105	02/07 >	06/10	25.047.00	31.833.00	30.342.00	54.114.00
antibacterial, anti-odour and anti-allergen filter / filtro antibatterico, antiodori e anti-allergeni	BTS	77	105	02/07 >	06/10				34.114.00
assembly LANDI Omegas / montaggio LANDI Omegas	BTS	77	105	02/07 >	06/10		31.836.00		
1.6 TDI CR	CAYB	66	90	03/10 >	07/10	25.106.00	24.437.00	27.621.00	53.031.00
with activated carbons / ai carboni attivi	CAYB	66	90	08/10 >		25.106.00	24.437.00	27.621.00	53.190.00
with activated carbons / ai carboni attivi	CAYB	66	90	03/10 >	07/10	25.106.00	24.437.00	27.621.00	54.114.00
antibacterial, anti-odour and anti-allergen filter / filtro antibatterico, antiodori e anti-allergeni	CAYB	66	90	08/10 >		25.106.00	24.437.00	27.621.00	54.199.00
antibacterial, anti-odour and anti-allergen filter / filtro antibatterico, antiodori e anti-allergeni	CAYB	66	90	03/10 >	07/10				34.114.00
antibacterial, anti-odour and anti-allergen filter / filtro antibatterico, antiodori e anti-allergeni	CAYB	66	90	08/10 >					34.199.00
1.6 TDI CR	CAYC	77	105	03/10 >	07/10	25.106.00	24.437.00	27.621.00	53.031.00
with activated carbons / ai carboni attivi	CAYC	77	105	08/10 >		25.106.00	24.437.00	27.621.00	53.190.00
with activated carbons / ai carboni attivi	CAYC	77	105	03/10 >	07/10	25.106.00	24.437.00	27.621.00	54.114.00
antibacterial, anti-odour and anti-allergen filter / filtro antibatterico, antiodori e anti-allergeni	CAYC	77	105	08/10 >		25.106.00	24.437.00	27.621.00	54.199.00
antibacterial, anti-odour and anti-allergen filter / filtro antibatterico, antiodori e anti-allergeni	CAYC	77	105	03/10 >	07/10				34.114.00
antibacterial, anti-odour and anti-allergen filter / filtro antibatterico, antiodori e anti-allergeni	CAYC	77	105	08/10 >					34.199.00
1.9 TDI	AXR	74	101	03/06 >	12/07	25.023.00	24.004.00	30.133.00	53.031.00
with activated carbons / ai carboni attivi	AXR	74	101	03/06 >	12/07	25.023.00	24.004.00	30.133.00	54.114.00
antibacterial, anti-odour and anti-allergen filter / filtro antibatterico, antiodori e anti-allergeni	AXR	74	101	03/06 >	12/07				34.114.00
dusty areas / zone polverose	AXR	74	101	03/06 >	12/07			30.369.00	
1.9 TDI	BLS	77	105	06/06 >	03/10	25.023.00	24.004.00	30.133.00	53.031.00
with activated carbons / ai carboni attivi	BLS	77	105	06/06 >	03/10	25.023.00	24.004.00	30.133.00	54.114.00
antibacterial, anti-odour and anti-allergen filter / filtro antibatterico, antiodori e anti-allergeni	BLS	77	105	06/06 >	03/10				34.114.00
dusty areas / zone polverose	BLS	77	105	06/06 >	03/10			30.369.00	
1.9 TDI	BSW	77	105	05/06 >	03/10	25.023.00	24.004.00	30.133.00	53.031.00
with activated carbons / ai carboni attivi	BSW	77	105	05/06 >	03/10	25.023.00	24.004.00	30.133.00	54.114.00
antibacterial, anti-odour and anti-allergen filter / filtro antibatterico, antiodori e anti-allergeni	BSW	77	105	05/06 >	03/10				34.114.00
dusty areas / zone polverose	BSW	77	105	05/06 >	03/10			30.369.00	
Scala									
1.0 TGI CNG	DBYA	66	90	11/19 >		23.575.00		30.A51.00	
with automatic air-conditioner / con climatizzatore automatico	DBYA	66	90	11/19 >					54.314.00
antibacterial, anti-odour and anti-allergen filter with automatic air-conditioner / filtro antibatterico, antiodori e anti-allergeni con climatizzatore automatico	DBYA	66	90	11/19 >					34.314.00
1.0 TSI	DKLA	70	95	02/19 >		23.575.00		30.A51.00	
with automatic air-conditioner / con climatizzatore automatico	DKLA	70	95	02/19 >					54.314.00
antibacterial, anti-odour and anti-allergen filter with automatic air-conditioner / filtro antibatterico, antiodori e anti-allergeni con climatizzatore automatico	DKLA	70	95	02/19 >					34.314.00
1.0 TSI	DKRF	85	116	02/19 >		23.575.00		30.A51.00	
with automatic air-conditioner / con climatizzatore automatico	DKRF	85	116	02/19 >					54.314.00
antibacterial, anti-odour and anti-allergen filter with automatic air-conditioner / filtro antibatterico, antiodori e anti-allergeni con climatizzatore automatico	DKRF	85	116	02/19 >					34.314.00
1.0 TSI	DLAA	81	110	08/20 >		23.575.00		30.A45.00	
with activated carbons / ai carboni attivi	DLAA	81	110	08/20 >					54.314.00
antibacterial, anti-odour and anti-allergen filter / filtro antibatterico, antiodori e anti-allergeni	DLAA	81	110	08/20 >					34.314.00
1.5 TSI	DADA	110	150	02/19 >		23.575.00		30.A45.00	
with automatic air-conditioner / con climatizzatore automatico	DADA	110	150	02/19 >					54.314.00
antibacterial, anti-odour and anti-allergen filter with automatic air-conditioner / filtro antibatterico, antiodori e anti-allergeni con climatizzatore automatico	DADA	110	150	02/19 >					34.314.00
1.5 TSI	DKLA	70	95	02/19 >		23.575.00		30.A51.00	
with automatic air-conditioner / con climatizzatore automatico	DKLA	70	95	02/19 >					54.314.00

...SKODA - cars/auto

antibacterial, anti-odour and anti-allergen filter with automatic air-conditioner / filtro antibatterico, antiodori e anti-allergeni con climatizzatore automatico	DKLA	70	95	02/19	>				34.314.00	
1.5 TSI										
with automatic air-conditioner / con climatizzatore automatico	DPCA	110	150	07/19	>	23.575.00		30.445.00		
antibacterial, anti-odour and anti-allergen filter with automatic air-conditioner / filtro antibatterico, antiodori e anti-allergeni con climatizzatore automatico	DPCA	110	150	07/19	>				54.314.00	
1.6 SRE									34.314.00	
with automatic air-conditioner / con climatizzatore automatico	CWVA	66	90	07/19	>	23.575.00		30.713.00		
antibacterial, anti-odour and anti-allergen filter with automatic air-conditioner / filtro antibatterico, antiodori e anti-allergeni con climatizzatore automatico	CWVA	66	90	07/19	>				54.314.00	
1.6 TDI									34.314.00	
with automatic air-conditioner / con climatizzatore automatico	DGTA	85	116	02/19	>	25.144.00	26.038.00	30.532.00		
antibacterial, anti-odour and anti-allergen filter with automatic air-conditioner / filtro antibatterico, antiodori e anti-allergeni con climatizzatore automatico	DGTA	85	116	02/19	>				54.314.00	
export models Diesel Plus / modelli di esportazione Diesel Plus	DGTA	85	116	02/19	>		26.065.00		34.314.00	
for cold countries / per paesi freddi	DGTA	85	116	02/19	>			30.587.00		
1.6 TDI										
with automatic air-conditioner / con climatizzatore automatico	DGTD	70	95	09/19	>	25.144.00	26.038.00	30.532.00		
antibacterial, anti-odour and anti-allergen filter with automatic air-conditioner / filtro antibatterico, antiodori e anti-allergeni con climatizzatore automatico	DGTD	70	95	09/19	>				54.314.00	
export models Diesel Plus / modelli di esportazione Diesel Plus	DGTD	70	95	09/19	>		26.065.00		34.314.00	
for cold countries / per paesi freddi	DGTD	70	95	09/19	>			30.587.00		
Superb I (3U)										
1.8 T										
with activated carbons / ai carboni attivi	AWT	110	150	09/01	>	09/08	23.164.03	31.500.00	30.192.00	53.006.00
antibacterial, anti-odour and anti-allergen filter / filtro antibatterico, antiodori e anti-allergeni	AWT	110	150	09/01	>	09/08				54.263.00
1.9 TDI										34.263.00
to frame No. 3U-3-018401 / a telaio N. 3U-3-018401	AVB	74	100	09/01	>	07/02	25.011.00	24.414.00	30.192.00	53.006.00
with activated carbons / ai carboni attivi	AVB	74	100	09/01	>	09/08				54.263.00
with complete filter / con filtro completo	AVB	74	100	08/02	>	09/08		55.427.00		
from frame No. 3U-3-018402 / da telaio N. 3U-3-018402	AVB	74	100	08/02	>	09/08	25.011.00	24.391.00	30.192.00	53.006.00
antibacterial, anti-odour and anti-allergen filter / filtro antibatterico, antiodori e anti-allergeni	AVB	74	100	09/01	>	09/08				34.263.00
1.9 TDI										
to frame No. 3U-3-018401 / a telaio N. 3U-3-018401	AVF	96	130	09/01	>	07/02	25.011.00	24.414.00	30.192.00	53.006.00
with activated carbons / ai carboni attivi	AVF	96	130	09/01	>	09/08				54.263.00
with complete filter / con filtro completo	AVF	96	130	08/02	>	09/08		55.427.00		
from frame No. 3U-3-018402 / da telaio N. 3U-3-018402	AVF	96	130	08/02	>	09/08	25.011.00	24.391.00	30.192.00	53.006.00
antibacterial, anti-odour and anti-allergen filter / filtro antibatterico, antiodori e anti-allergeni	AVF	96	130	09/01	>	09/08				34.263.00
1.9 TDI										
to frame No. 3U-3-018401 / a telaio N. 3U-3-018401	AWX	96	130	09/01	>	07/02	25.011.00	24.414.00	30.192.00	53.006.00
with activated carbons / ai carboni attivi	AWX	96	130	09/01	>	09/08				54.263.00
with complete filter / con filtro completo	AWX	96	130	08/02	>	09/08		55.427.00		
from frame No. 3U-3-018402 / da telaio N. 3U-3-018402	AWX	96	130	08/02	>	09/08	25.011.00	24.391.00	30.192.00	53.006.00
antibacterial, anti-odour and anti-allergen filter / filtro antibatterico, antiodori e anti-allergeni	AWX	96	130	09/01	>	09/08				34.263.00
1.9 TDI										
with activated carbons / ai carboni attivi	BPZ	85	115	02/07	>	09/08	25.011.00	24.391.00	30.192.00	53.006.00
with complete filter / con filtro completo	BPZ	85	115	02/07	>	09/08		55.427.00		54.263.00
antibacterial, anti-odour and anti-allergen filter / filtro antibatterico, antiodori e anti-allergeni	BPZ	85	115	02/07	>	09/08				34.263.00
1.9 TDI										
with activated carbons / ai carboni attivi	BSV	77	105	09/05	>	09/08	25.011.00	24.391.00	30.192.00	53.006.00
with complete filter / con filtro completo	BSV	77	105	09/05	>	09/08		55.427.00		54.263.00
antibacterial, anti-odour and anti-allergen filter / filtro antibatterico, antiodori e anti-allergeni	BSV	77	105	09/05	>	09/08				34.263.00
2.0 i										
with activated carbons / ai carboni attivi	AZM	85	116	09/01	>	09/08	23.436.00	31.500.00	30.192.00	53.006.00
antibacterial, anti-odour and anti-allergen filter / filtro antibatterico, antiodori e anti-allergeni	AZM	85	116	09/01	>	09/08				54.263.00
2.0 TDI										34.263.00
with activated carbons / ai carboni attivi	BSS	103	140	09/05	>	09/08	25.011.00	24.391.00	30.192.00	53.006.00
with complete filter / con filtro completo	BSS	103	140	09/05	>	09/08		55.427.00		54.263.00
antibacterial, anti-odour and anti-allergen filter / filtro antibatterico, antiodori e anti-allergeni	BSS	103	140	09/05	>	09/08				34.263.00
2.0 TDI										
with activated carbons / ai carboni attivi	BWW	91	124	03/06	>	09/08	25.011.00	24.391.00	30.192.00	53.006.00
with complete filter / con filtro completo	BWW	91	124	03/06	>	09/08		55.427.00		54.263.00
antibacterial, anti-odour and anti-allergen filter / filtro antibatterico, antiodori e anti-allergeni	BWW	91	124	03/06	>	09/08				34.263.00
2.5 TDI V6										
with activated carbons / ai carboni attivi	AYM	114	155	09/01	>	09/08	25.019.00	24.424.00	30.100.00	53.006.00
antibacterial, anti-odour and anti-allergen filter / filtro antibatterico, antiodori e anti-allergeni	AYM	114	155	09/01	>	09/08				54.263.00
for cold countries / per paesi freddi	AYM	114	155	09/01	>	09/08	25.019.00	24.424.00	30.192.00	53.006.00
2.5 TDI V6										
with activated carbons / ai carboni attivi	BDG	120	163	06/03	>	09/08	25.019.00	24.424.00	30.100.00	53.006.00
antibacterial, anti-odour and anti-allergen filter / filtro antibatterico, antiodori e anti-allergeni	BDG	120	163	06/03	>	09/08				54.263.00
for cold countries / per paesi freddi	BDG	120	163	06/03	>	09/08	25.019.00	24.424.00	30.192.00	53.006.00
2.8 V6										
	AMX/BBG	142	193	09/01	>	09/08	23.465.00	31.500.00	30.192.00	53.006.00

...SKODA - cars/auto

S



with activated carbons / ai carboni attivi	AMX/BBG	142	193	09/01	>	09/08				54.263.00
antibacterial, anti-odour and anti-allergen filter / filtro antibatterico, antiodori e anti-allergeni	AMX/BBG	142	193	09/01	>	09/08				34.263.00
Superb II (3T)										
1.4 TSI	CAXC	92	125	05/08	>	06/10	23.494.00	31.840.00	27.401.00	53.148.00
	CAXC	92	125	07/10	>		23.573.00	31.840.00	27.401.00	53.148.00
with air-conditioner and R.H.D. / con climatizzatore e guida a destra	CAXC	92	125	05/08	>					54.376.00
with air-conditioner and L.H.D. / con climatizzatore e guida a sinistra	CAXC	92	125	05/08	>	06/10	23.494.00	31.840.00	27.401.00	54.124.00
with air-conditioner and L.H.D. / con climatizzatore e guida a sinistra	CAXC	92	125	07/10	>		23.573.00	31.840.00	27.401.00	54.124.00
antibacterial, anti-odour and anti-allergen filter with air-conditioner and L.H.D. / filtro antibatterico, antiodori e anti-allergeni con climatizzatore e guida a sinistra	CAXC	92	125	05/08	>					34.124.00
for cold countries / per paesi freddi	CAXC	92	125	05/08	>	06/10	23.494.00	31.840.00	27.402.00	53.148.00
for cold countries / per paesi freddi	CAXC	92	125	07/10	>		23.573.00	31.840.00	27.402.00	53.148.00
1.6 TDI CR	CAYC	77	105	09/10	>		25.106.00	26.007.00	30.187.00	53.148.00
with air-conditioner and R.H.D. / con climatizzatore e guida a destra	CAYC	77	105	09/10	>					54.376.00
with air-conditioner and L.H.D. / con climatizzatore e guida a sinistra	CAYC	77	105	09/10	>		25.106.00	26.007.00	30.187.00	54.124.00
antibacterial, anti-odour and anti-allergen filter with air-conditioner and L.H.D. / filtro antibatterico, antiodori e anti-allergeni con climatizzatore e guida a sinistra	CAYC	77	105	09/10	>					34.124.00
for cold countries / per paesi freddi	CAYC	77	105	09/10	>		25.106.00	26.007.00	30.370.00	53.148.00
1.8 TSI	BZB	118	160	03/08	>	05/09	23.493.00	31.840.00	30.187.00	53.148.00
with air-conditioner and R.H.D. / con climatizzatore e guida a destra	BZB	118	160	03/08	>	05/09				54.376.00
with air-conditioner and L.H.D. / con climatizzatore e guida a sinistra	BZB	118	160	03/08	>	05/09	23.493.00	31.840.00	30.187.00	54.124.00
antibacterial, anti-odour and anti-allergen filter with air-conditioner and L.H.D. / filtro antibatterico, antiodori e anti-allergeni con climatizzatore e guida a sinistra	BZB	118	160	03/08	>	05/09				34.124.00
for cold countries / per paesi freddi	BZB	118	160	03/08	>	05/09	23.493.00	31.840.00	30.370.00	53.148.00
1.8 TSI	CDAA	118	160	09/08	>		23.493.00	31.840.00	30.187.00	53.148.00
with air-conditioner and R.H.D. / con climatizzatore e guida a destra	CDAA	118	160	09/08	>					54.376.00
with air-conditioner and L.H.D. / con climatizzatore e guida a sinistra	CDAA	118	160	09/08	>		23.493.00	31.840.00	30.187.00	54.124.00
for cold countries / per paesi freddi	CDAA	118	160	09/08	>		23.493.00	31.840.00	30.370.00	53.148.00
1.8 TSI	CDAB	112	152	03/09	>		23.493.00	31.840.00	30.187.00	53.148.00
with air-conditioner and R.H.D. / con climatizzatore e guida a destra	CDAB	112	152	03/09	>					54.376.00
with air-conditioner and L.H.D. / con climatizzatore e guida a sinistra	CDAB	112	152	03/09	>		23.493.00	31.840.00	30.187.00	54.124.00
antibacterial, anti-odour and anti-allergen filter with air-conditioner and L.H.D. / filtro antibatterico, antiodori e anti-allergeni con climatizzatore e guida a sinistra	CDAB	112	152	03/09	>					34.124.00
for cold countries / per paesi freddi	CDAB	112	152	03/09	>		23.493.00	31.840.00	30.370.00	53.148.00
1.8 TSI 4x4	CDAA	118	160	11/08	>		23.493.00	31.840.00	30.187.00	53.148.00
with air-conditioner and R.H.D. / con climatizzatore e guida a destra	CDAA	118	160	11/08	>					54.376.00
with air-conditioner and L.H.D. / con climatizzatore e guida a sinistra	CDAA	118	160	11/08	>		23.493.00	31.840.00	30.187.00	54.124.00
antibacterial, anti-odour and anti-allergen filter with air-conditioner and L.H.D. / filtro antibatterico, antiodori e anti-allergeni con climatizzatore e guida a sinistra	CDAA	118	160	11/08	>					34.124.00
for cold countries / per paesi freddi	CDAA	118	160	11/08	>		23.493.00	31.840.00	30.370.00	53.148.00
1.8 TSI 4x4	CDAB	112	152	03/09	>		23.493.00	31.840.00	30.187.00	53.148.00
with air-conditioner and R.H.D. / con climatizzatore e guida a destra	CDAB	112	152	03/09	>					54.376.00
with air-conditioner and L.H.D. / con climatizzatore e guida a sinistra	CDAB	112	152	03/09	>		23.493.00	31.840.00	30.187.00	54.124.00
antibacterial, anti-odour and anti-allergen filter with air-conditioner and L.H.D. / filtro antibatterico, antiodori e anti-allergeni con climatizzatore e guida a sinistra	CDAB	112	152	03/09	>					34.124.00
for cold countries / per paesi freddi	CDAB	112	152	03/09	>		23.493.00	31.840.00	30.370.00	53.148.00
1.9 TDI PD	BLS/BXE	77	105	03/08	>	11/10	25.023.00	26.007.00	30.187.00	53.148.00
with air-conditioner and R.H.D. / con climatizzatore e guida a destra	BLS/BXE	77	105	03/08	>	11/10				54.376.00
with air-conditioner and L.H.D. / con climatizzatore e guida a sinistra	BLS/BXE	77	105	03/08	>	11/10	25.023.00	26.007.00	30.187.00	54.124.00
antibacterial, anti-odour and anti-allergen filter with air-conditioner and L.H.D. / filtro antibatterico, antiodori e anti-allergeni con climatizzatore e guida a sinistra	BLS/BXE	77	105	03/08	>	11/10				34.124.00
for cold countries / per paesi freddi	BLS/BXE	77	105	03/08	>	11/10	25.023.00	26.007.00	30.370.00	53.148.00
1.9 TDI PD DPF	BLS/BXE	77	105	05/08	>	11/10	25.023.00	26.007.00	30.187.00	53.148.00
with air-conditioner and R.H.D. / con climatizzatore e guida a destra	BLS/BXE	77	105	05/08	>	11/10				54.376.00
with air-conditioner and L.H.D. / con climatizzatore e guida a sinistra	BLS/BXE	77	105	05/08	>	11/10	25.023.00	26.007.00	30.187.00	54.124.00
antibacterial, anti-odour and anti-allergen filter with air-conditioner and L.H.D. / filtro antibatterico, antiodori e anti-allergeni con climatizzatore e guida a sinistra	BLS/BXE	77	105	05/08	>	11/10				34.124.00
for cold countries / per paesi freddi	BLS/BXE	77	105	05/08	>	11/10	25.023.00	26.007.00	30.370.00	53.148.00
2.0 TDI (IND)	CLJA	103	140	02/10	>		25.106.00	26.031.00	30.187.00	54.376.00
2.0 TDI 16V	BKD	103	140	01/09	>	03/10	25.023.00	26.007.00	30.187.00	53.148.00
with air-conditioner and R.H.D. / con climatizzatore e guida a destra	BKD	103	140	01/09	>	03/10				54.376.00
with air-conditioner and L.H.D. / con climatizzatore e guida a sinistra	BKD	103	140	01/09	>	03/10	25.023.00	26.007.00	30.187.00	54.124.00
antibacterial, anti-odour and anti-allergen filter with air-conditioner and L.H.D. / filtro antibatterico, antiodori e anti-allergeni con climatizzatore e guida a sinistra	BKD	103	140	01/09	>	03/10				34.124.00
for cold countries / per paesi freddi	BKD	103	140	01/09	>	03/10	25.023.00	26.007.00	30.370.00	53.148.00
2.0 TDI CR	CFFB	103	140	03/10	>		25.106.00	26.007.00	30.187.00	53.148.00
with air-conditioner and R.H.D. / con climatizzatore e guida a destra	CFFB	103	140	03/10	>					54.376.00
with air-conditioner and L.H.D. / con climatizzatore e guida a sinistra	CFFB	103	140	03/10	>		25.106.00	26.007.00	30.187.00	54.124.00
antibacterial, anti-odour and anti-allergen filter with air-conditioner and L.H.D. / filtro antibatterico, antiodori e anti-allergeni con climatizzatore e guida a sinistra	CFFB	103	140	03/10	>					34.124.00
for cold countries / per paesi freddi	CFFB	103	140	03/10	>		25.106.00	26.007.00	30.370.00	53.148.00
2.0 TDI CR	CFGB	125	170	05/10	>		25.106.00	26.007.00	30.187.00	53.148.00
with air-conditioner and R.H.D. / con climatizzatore e guida a destra	CFGB	125	170	05/10	>					54.376.00
with air-conditioner and L.H.D. / con climatizzatore e guida a sinistra	CFGB	125	170	05/10	>		25.106.00	26.007.00	30.187.00	54.124.00
antibacterial, anti-odour and anti-allergen filter with air-conditioner and L.H.D. / filtro antibatterico, antiodori e anti-allergeni con climatizzatore e guida a sinistra	CFGB	125	170	05/10	>					34.124.00
for cold countries / per paesi freddi	CFGB	125	170	05/10	>		25.106.00	26.007.00	30.370.00	53.148.00
2.0 TDI CR DPF	CBBB	125	170	06/08	>	05/10	25.023.00	26.007.00	30.187.00	53.148.00

...SKODA - cars/auto

with air-conditioner and R.H.D. / con climatizzatore e guida a destra	CBBB	125	170	06/08	>	05/10				54.376.00
with air-conditioner and L.H.D. / con climatizzatore e guida a sinistra	CBBB	125	170	06/08	>	05/10	25.023.00	26.007.00	30.187.00	54.124.00
antibacterial, anti-odour and anti-allergen filter with air-conditioner and L.H.D. / filtro antibatterico, antiodori e anti-allergeni con climatizzatore e guida a sinistra	CBBB	125	170	06/08	>	05/10				34.124.00
for cold countries / per paesi freddi	CBBB	125	170	06/08	>	05/10	25.023.00	26.007.00	30.370.00	53.148.00
2.0 TDI CR DPF 4x4	CBBB	125	170	09/08	>	05/10	25.023.00	26.007.00	30.187.00	53.148.00
with air-conditioner and R.H.D. / con climatizzatore e guida a destra	CBBB	125	170	09/08	>	05/10				54.376.00
with air-conditioner and L.H.D. / con climatizzatore e guida a sinistra	CBBB	125	170	09/08	>	05/10	25.023.00	26.007.00	30.187.00	54.124.00
antibacterial, anti-odour and anti-allergen filter with air-conditioner and L.H.D. / filtro antibatterico, antiodori e anti-allergeni con climatizzatore e guida a sinistra	CBBB	125	170	09/08	>	05/10				34.124.00
for cold countries / per paesi freddi	CBBB	125	170	09/08	>	05/10	25.023.00	26.007.00	30.370.00	53.148.00
2.0 TDI PD DPF	BMP	103	140	03/08	>	03/10	25.023.00	26.007.00	30.187.00	53.148.00
with air-conditioner and R.H.D. / con climatizzatore e guida a destra	BMP	103	140	03/08	>	03/10				54.376.00
with air-conditioner and L.H.D. / con climatizzatore e guida a sinistra	BMP	103	140	03/08	>	03/10	25.023.00	26.007.00	30.187.00	54.124.00
antibacterial, anti-odour and anti-allergen filter with air-conditioner and L.H.D. / filtro antibatterico, antiodori e anti-allergeni con climatizzatore e guida a sinistra	BMP	103	140	03/08	>	03/10				34.124.00
for cold countries / per paesi freddi	BMP	103	140	03/08	>	03/10	25.023.00	26.007.00	30.370.00	53.148.00
2.0 TSI	CCZA	147	200	05/10	>		23.493.00	31.840.00	30.187.00	53.148.00
with air-conditioner and R.H.D. / con climatizzatore e guida a destra	CCZA	147	200	05/10	>					54.376.00
with air-conditioner and L.H.D. / con climatizzatore e guida a sinistra	CCZA	147	200	05/10	>		23.493.00	31.840.00	30.187.00	54.124.00
antibacterial, anti-odour and anti-allergen filter with air-conditioner and L.H.D. / filtro antibatterico, antiodori e anti-allergeni con climatizzatore e guida a sinistra	CCZA	147	200	05/10	>					34.124.00
for cold countries / per paesi freddi	CCZA	147	200	05/10	>		23.493.00	31.840.00	30.370.00	53.148.00
3.6 FSI V6	CDVA	191	260	09/08	>		25.023.00	31.840.00	30.303.00	53.148.00
with air-conditioner and R.H.D. / con climatizzatore e guida a destra	CDVA	191	260	09/08	>					54.376.00
with air-conditioner and L.H.D. / con climatizzatore e guida a sinistra	CDVA	191	260	09/08	>		25.023.00	31.840.00	30.303.00	54.124.00
antibacterial, anti-odour and anti-allergen filter with air-conditioner and L.H.D. / filtro antibatterico, antiodori e anti-allergeni con climatizzatore e guida a sinistra	CDVA	191	260	09/08	>					34.124.00
for cold countries / per paesi freddi	CDVA	191	260	09/08	>		25.023.00	31.840.00	30.A35.00	53.148.00
3.6 FSI V6 4x4	CDVA	191	260	11/08	>		25.023.00	31.840.00	30.303.00	53.148.00
with air-conditioner and R.H.D. / con climatizzatore e guida a destra	CDVA	191	260	11/08	>					54.376.00
with air-conditioner and L.H.D. / con climatizzatore e guida a sinistra	CDVA	191	260	11/08	>		25.023.00	31.840.00	30.303.00	54.124.00
antibacterial, anti-odour and anti-allergen filter with air-conditioner and L.H.D. / filtro antibatterico, antiodori e anti-allergeni con climatizzatore e guida a sinistra	CDVA	191	260	11/08	>					34.124.00
for cold countries / per paesi freddi	CDVA	191	260	11/08	>		25.023.00	31.840.00	30.A35.00	53.148.00
Superb III (3V)										
1.4 TSI	CZCA	92	125	03/15	>		23.575.00		30.549.00	53.298.00
with automatic air-conditioner / con climatizzatore automatico	CZCA	92	125	03/15	>					54.219.00
antibacterial, anti-odour and anti-allergen filter with automatic air-conditioner / filtro antibatterico, antiodori e anti-allergeni con climatizzatore automatico	CZCA	92	125	03/15	>					34.219.00
1.4 TSI	CZDA/CZEA	110	150	03/15	>		23.575.00		30.549.00	53.298.00
with automatic air-conditioner / con climatizzatore automatico	CZDA/CZEA	110	150	03/15	>					54.219.00
antibacterial, anti-odour and anti-allergen filter with automatic air-conditioner / filtro antibatterico, antiodori e anti-allergeni con climatizzatore automatico	CZDA/CZEA	110	150	03/15	>					34.219.00
1.4 TSI 4x4	CZEA	110	150	03/15	>		23.575.00		30.549.00	53.298.00
with automatic air-conditioner / con climatizzatore automatico	CZEA	110	150	03/15	>					54.219.00
antibacterial, anti-odour and anti-allergen filter with automatic air-conditioner / filtro antibatterico, antiodori e anti-allergeni con climatizzatore automatico	CZEA	110	150	03/15	>					34.219.00
1.5 TSI	DADA	110	150	03/15	>		23.575.00		30.A45.00	53.298.00
with automatic air-conditioner / con climatizzatore automatico	DADA	110	150	03/15	>					54.219.00
antibacterial, anti-odour and anti-allergen filter with automatic air-conditioner / filtro antibatterico, antiodori e anti-allergeni con climatizzatore automatico	DADA	110	150	03/15	>					34.219.00
1.5 TSI 4x4	DADA	110	150	03/15	>		23.575.00		30.A45.00	53.298.00
with automatic air-conditioner / con climatizzatore automatico	DADA	110	150	03/15	>					54.219.00
antibacterial, anti-odour and anti-allergen filter with automatic air-conditioner / filtro antibatterico, antiodori e anti-allergeni con climatizzatore automatico	DADA	110	150	03/15	>					34.219.00
1.6 TDI	DCXA/DCZA	88	120	03/15	>		25.144.00	26.038.00	30.532.00	53.298.00
with automatic air-conditioner / con climatizzatore automatico	DCXA/DCZA	88	120	03/15	>					54.219.00
antibacterial, anti-odour and anti-allergen filter with automatic air-conditioner / filtro antibatterico, antiodori e anti-allergeni con climatizzatore automatico	DCXA/DCZA	88	120	03/15	>					34.219.00
for cold countries / per paesi freddi	DCXA/DCZA	88	120	03/15	>				30.587.00	
1.8 TSI	CJSA/CJSC	132	180	03/15	>		25.153.00		30.532.00	53.298.00
with automatic air-conditioner / con climatizzatore automatico	CJSA/CJSC	132	180	03/15	>					54.219.00
antibacterial, anti-odour and anti-allergen filter with automatic air-conditioner / filtro antibatterico, antiodori e anti-allergeni con climatizzatore automatico	CJSA/CJSC	132	180	03/15	>					34.219.00
2.0 TDI	CRLB/DFEA/DFGA	110	150	03/15	>		25.144.00	26.038.00	30.532.00	53.298.00
with automatic air-conditioner / con climatizzatore automatico	CRLB/DFEA/DFGA	110	150	03/15	>					54.219.00
antibacterial, anti-odour and anti-allergen filter with automatic air-conditioner / filtro antibatterico, antiodori e anti-allergeni con climatizzatore automatico	CRLB/DFEA/DFGA	110	150	03/15	>					34.219.00
for cold countries / per paesi freddi	CRLB/DFEA/DFGA	110	150	03/15	>				30.587.00	
2.0 TDI	DDAA/DFCA	140	190	03/15	>		25.144.00	26.038.00	30.532.00	53.298.00
with automatic air-conditioner / con climatizzatore automatico	DDAA/DFCA	140	190	03/15	>					54.219.00
antibacterial, anti-odour and anti-allergen filter with automatic air-conditioner / filtro antibatterico, antiodori e anti-allergeni con climatizzatore automatico	DDAA/DFCA	140	190	03/15	>					34.219.00
for cold countries / per paesi freddi	DDAA/DFCA	140	190	03/15	>				30.587.00	
2.0 TDI	DSRA/DSRB	110	150	07/19	>			26.038.00	30.532.00	53.298.00
with automatic air-conditioner / con climatizzatore automatico	DSRA/DSRB	110	150	07/19	>					54.219.00
antibacterial, anti-odour and anti-allergen filter with automatic air-conditioner / filtro antibatterico, antiodori e anti-allergeni con climatizzatore automatico	DSRA/DSRB	110	150	07/19	>					34.219.00
for cold countries / per paesi freddi	DSRA/DSRB	110	150	07/19	>				30.587.00	
2.0 TDI	DSUB	90	122	11/19	>			26.038.00	30.532.00	53.298.00
with automatic air-conditioner / con climatizzatore automatico	DSUB	90	122	11/19	>					54.219.00
antibacterial, anti-odour and anti-allergen filter with automatic air-conditioner / filtro antibatterico, antiodori e anti-allergeni con climatizzatore automatico	DSUB	90	122	11/19	>					34.219.00

...SKODA - cars/auto

for cold countries / per paesi freddi	DSUB	90	122	11/19	>			30.587.00	
2.0 TDI	DTRA	90	122	07/20	>		26.038.00	30.532.00	53.298.00
for cold countries / per paesi freddi	DTRA	90	122	07/20	>		26.038.00	30.532.00	53.298.00
2.0 TDI									
for cold countries / per paesi freddi	DTUA	147	200	09/20	>			30.587.00	
2.0 TDI 4x4	CRLB/DFEA/DFGA	110	150	03/15	>	25.144.00	26.038.00	30.532.00	53.298.00
with automatic air-conditioner / con climatizzatore automatico	CRLB/DFEA/DFGA	110	150	03/15	>				54.219.00
antibacterial, anti-odour and anti-allergen filter with automatic air-conditioner / filtro antibatterico, antiodori e anti-allergeni con climatizzatore automatico	CRLB/DFEA/DFGA	110	150	03/15	>				34.219.00
for cold countries / per paesi freddi	CRLB/DFEA/DFGA	110	150	03/15	>			30.587.00	
2.0 TDI 4x4	DDAA/DFCA	140	190	03/15	>	25.144.00	26.038.00	30.532.00	53.298.00
with automatic air-conditioner / con climatizzatore automatico	DDAA/DFCA	140	190	03/15	>				54.219.00
antibacterial, anti-odour and anti-allergen filter with automatic air-conditioner / filtro antibatterico, antiodori e anti-allergeni con climatizzatore automatico	DDAA/DFCA	140	190	03/15	>				34.219.00
for cold countries / per paesi freddi	DDAA/DFCA	140	190	03/15	>			30.587.00	
2.0 TSI	CHHB	162	220	03/15	>	25.153.00		30.532.00	53.298.00
with automatic air-conditioner / con climatizzatore automatico	CHHB	162	220	03/15	>				54.219.00
antibacterial, anti-odour and anti-allergen filter with automatic air-conditioner / filtro antibatterico, antiodori e anti-allergeni con climatizzatore automatico	CHHB	162	220	03/15	>				34.219.00
2.0 TSI	DNUA	200	272	11/18	>	25.153.00		30.532.00	53.298.00
with automatic air-conditioner / con climatizzatore automatico	DNUA	200	272	11/18	>				54.219.00
antibacterial, anti-odour and anti-allergen filter with automatic air-conditioner / filtro antibatterico, antiodori e anti-allergeni con climatizzatore automatico	DNUA	200	272	11/18	>				34.219.00
2.0 TSI 4x4	CJXA	206	280	03/15	>	25.153.00		30.532.00	53.298.00
with automatic air-conditioner / con climatizzatore automatico	CJXA	206	280	03/15	>				54.219.00
antibacterial, anti-odour and anti-allergen filter with automatic air-conditioner / filtro antibatterico, antiodori e anti-allergeni con climatizzatore automatico	CJXA	206	280	03/15	>				34.219.00
Yeti (5L)									
1.2 TSI	CBZB	77	105	09/09	>	23.573.00	31.840.00	27.401.00	53.148.00
with activated carbons / ai carboni attivi	CBZB	77	105	09/09	>	23.573.00	31.840.00	27.401.00	54.124.00
with air-conditioner and R.H.D. / con climatizzatore e guida a destra	CBZB	77	105	09/09	>				54.376.00
antibacterial, anti-odour and anti-allergen filter / filtro antibatterico, antiodori e anti-allergeni	CBZB	77	105	09/09	>				34.124.00
for cold countries / per paesi freddi	CBZB	77	105	09/09	>	23.573.00	31.840.00	27.402.00	53.148.00
1.2 TSI	CYVB	81	110	05/14	>	23.575.00	31.840.00	30.549.00	53.148.00
with activated carbons / ai carboni attivi	CYVB	81	110	05/14	>				54.124.00
with air-conditioner and R.H.D. / con climatizzatore e guida a destra	CYVB	81	110	05/14	>				54.376.00
antibacterial, anti-odour and anti-allergen filter / filtro antibatterico, antiodori e anti-allergeni	CYVB	81	110	05/14	>				34.124.00
1.4 TSI	CAXA	90	122	06/10	>	23.573.00	31.840.00	27.401.00	53.148.00
with activated carbons / ai carboni attivi	CAXA	90	122	06/10	>	23.573.00	31.840.00	27.401.00	54.124.00
with air-conditioner and R.H.D. / con climatizzatore e guida a destra	CAXA	90	122	06/10	>				54.376.00
antibacterial, anti-odour and anti-allergen filter / filtro antibatterico, antiodori e anti-allergeni	CAXA	90	122	06/10	>				34.124.00
for cold countries / per paesi freddi	CAXA	90	122	06/10	>	23.573.00	31.840.00	27.402.00	53.148.00
1.4 TSI	CZCA	92	125	05/14	>	23.575.00	31.840.00	30.549.00	53.148.00
with activated carbons / ai carboni attivi	CZCA	92	125	05/14	>				54.124.00
with air-conditioner and R.H.D. / con climatizzatore e guida a destra	CZCA	92	125	05/14	>				54.376.00
antibacterial, anti-odour and anti-allergen filter / filtro antibatterico, antiodori e anti-allergeni	CZCA	92	125	05/14	>				34.124.00
1.4 TSI 4x4	CZDA	110	150	05/14	>	23.575.00	31.840.00	30.549.00	53.148.00
with activated carbons / ai carboni attivi	CZDA	110	150	05/14	>				54.124.00
with air-conditioner and R.H.D. / con climatizzatore e guida a destra	CZDA	110	150	05/14	>				54.376.00
antibacterial, anti-odour and anti-allergen filter / filtro antibatterico, antiodori e anti-allergeni	CZDA	110	150	05/14	>				34.124.00
1.6 MPI	CWVA	81	110	05/14	>	23.575.00	31.833.00	30.713.00	53.148.00
with activated carbons / ai carboni attivi	CWVA	81	110	05/14	>				54.124.00
with air-conditioner and R.H.D. / con climatizzatore e guida a destra	CWVA	81	110	05/14	>				54.376.00
antibacterial, anti-odour and anti-allergen filter / filtro antibatterico, antiodori e anti-allergeni	CWVA	81	110	05/14	>				34.124.00
1.6 TDI	CAYC	77	105	11/10	> 11/13	25.106.00	26.007.00	30.187.00	53.148.00
with activated carbons / ai carboni attivi	CAYC	77	105	11/10	> 11/13	25.106.00	26.007.00	30.187.00	54.124.00
with air-conditioner and R.H.D. / con climatizzatore e guida a destra	CAYC	77	105	11/10	> 11/13				54.376.00
antibacterial, anti-odour and anti-allergen filter / filtro antibatterico, antiodori e anti-allergeni	CAYC	77	105	11/10	> 11/13				34.124.00
for cold countries / per paesi freddi	CAYC	77	105	11/10	> 11/13	25.106.00	26.007.00	30.370.00	53.148.00
1.8 TSI 4x4	CDA A	118	160	08/09	>	23.493.00	31.840.00	30.187.00	53.148.00
with activated carbons / ai carboni attivi	CDA A	118	160	08/09	>	23.493.00	31.840.00	30.187.00	54.124.00
with air-conditioner and R.H.D. / con climatizzatore e guida a destra	CDA A	118	160	08/09	>				54.376.00
antibacterial, anti-odour and anti-allergen filter / filtro antibatterico, antiodori e anti-allergeni	CDA A	118	160	08/09	>				34.124.00
for cold countries / per paesi freddi	CDA A	118	160	08/09	>	23.493.00	31.840.00	30.370.00	53.148.00
1.8 TSI 4x4	CDAB	112	152	08/09	>	23.493.00	31.840.00	30.187.00	53.148.00
with activated carbons / ai carboni attivi	CDAB	112	152	08/09	>	23.493.00	31.840.00	30.187.00	54.124.00
with air-conditioner and R.H.D. / con climatizzatore e guida a destra	CDAB	112	152	08/09	>				54.376.00
antibacterial, anti-odour and anti-allergen filter / filtro antibatterico, antiodori e anti-allergeni	CDAB	112	152	08/09	>				34.124.00
for cold countries / per paesi freddi	CDAB	112	152	08/09	>	23.493.00	31.840.00	30.370.00	53.148.00
2.0 TDI	CUUB	110	150	05/15	>	25.144.00	26.007.00	30.187.00	53.148.00
with activated carbons / ai carboni attivi	CUUB	110	150	05/15	>				54.124.00
with air-conditioner and R.H.D. / con climatizzatore e guida a destra	CUUB	110	150	05/15	>				54.376.00

...SKODA - cars/auto

antibacterial, anti-odour and anti-allergen filter / filtro antibatterico, antiodori e anti-allergeni for cold countries / per paesi freddi	CUUB	110	150	05/15	>			30.370.00	34.124.00
2.0 TDI 4x4	CUUB	110	150	05/15	>	25.144.00	26.007.00	30.187.00	53.148.00
with activated carbons / ai carboni attivi	CUUB	110	150	05/15	>				54.124.00
with air-conditioner and R.H.D. / con climatizzatore e guida a destra	CUUB	110	150	05/15	>				54.376.00
antibacterial, anti-odour and anti-allergen filter / filtro antibatterico, antiodori e anti-allergeni for cold countries / per paesi freddi	CUUB	110	150	05/15	>			30.370.00	34.124.00
2.0 TDI CR DPF	CFHA/CFHF	81	110	08/09	>	25.106.00	26.007.00	30.187.00	53.148.00
with activated carbons / ai carboni attivi	CFHA/CFHF	81	110	08/09	>	25.106.00	26.007.00	30.187.00	54.124.00
with air-conditioner and R.H.D. / con climatizzatore e guida a destra	CFHA/CFHF	81	110	08/09	>				54.376.00
antibacterial, anti-odour and anti-allergen filter / filtro antibatterico, antiodori e anti-allergeni for cold countries / per paesi freddi	CFHA/CFHF	81	110	08/09	>	25.106.00	26.007.00	30.370.00	53.148.00
2.0 TDI CR DPF	CLCA	81	110	11/09	>	25.106.00	26.007.00	30.187.00	53.148.00
with activated carbons / ai carboni attivi	CLCA	81	110	11/09	>	25.106.00	26.007.00	30.187.00	54.124.00
with air-conditioner and R.H.D. / con climatizzatore e guida a destra	CLCA	81	110	11/09	>				54.376.00
antibacterial, anti-odour and anti-allergen filter / filtro antibatterico, antiodori e anti-allergeni for cold countries / per paesi freddi	CLCA	81	110	11/09	>	25.106.00	26.007.00	30.370.00	53.148.00
2.0 TDI CR DPF 4x4	CBDB	103	140	05/09	> 11/09	25.023.00	26.007.00	30.187.00	53.148.00
with activated carbons / ai carboni attivi	CBDB	103	140	05/09	> 11/09	25.023.00	26.007.00	30.187.00	54.124.00
with air-conditioner and R.H.D. / con climatizzatore e guida a destra	CBDB	103	140	05/09	> 11/09				54.376.00
antibacterial, anti-odour and anti-allergen filter / filtro antibatterico, antiodori e anti-allergeni for cold countries / per paesi freddi	CBDB	103	140	05/09	> 11/09	25.023.00	26.007.00	30.370.00	53.148.00
2.0 TDI CR DPF 4x4	CEGA	125	170	11/09	>	25.023.00	26.007.00	30.187.00	53.148.00
with activated carbons / ai carboni attivi	CEGA	125	170	11/09	>	25.023.00	26.007.00	30.187.00	54.124.00
with air-conditioner and R.H.D. / con climatizzatore e guida a destra	CEGA	125	170	11/09	>				54.376.00
antibacterial, anti-odour and anti-allergen filter / filtro antibatterico, antiodori e anti-allergeni for cold countries / per paesi freddi	CEGA	125	170	11/09	>	25.023.00	26.007.00	30.370.00	53.148.00
2.0 TDI CR DPF 4x4	CFHA/CFHF	81	110	08/09	>	25.106.00	26.007.00	30.187.00	53.148.00
with activated carbons / ai carboni attivi	CFHA/CFHF	81	110	08/09	>	25.106.00	26.007.00	30.187.00	54.124.00
with air-conditioner and R.H.D. / con climatizzatore e guida a destra	CFHA/CFHF	81	110	08/09	>				54.376.00
antibacterial, anti-odour and anti-allergen filter / filtro antibatterico, antiodori e anti-allergeni for cold countries / per paesi freddi	CFHA/CFHF	81	110	08/09	>	25.106.00	26.007.00	30.370.00	53.148.00
2.0 TDI CR DPF 4x4	CFHC	103	140	08/09	>	25.106.00	26.007.00	30.187.00	53.148.00
with activated carbons / ai carboni attivi	CFHC	103	140	08/09	>	25.106.00	26.007.00	30.187.00	54.124.00
with air-conditioner and R.H.D. / con climatizzatore e guida a destra	CFHC	103	140	08/09	>				54.376.00
antibacterial, anti-odour and anti-allergen filter / filtro antibatterico, antiodori e anti-allergeni for cold countries / per paesi freddi	CFHC	103	140	08/09	>	25.106.00	26.007.00	30.370.00	53.148.00
2.0 TDI CR DPF 4x4	CFJA	125	170	08/09	>	25.106.00	26.007.00	30.187.00	53.148.00
with activated carbons / ai carboni attivi	CFJA	125	170	08/09	>	25.106.00	26.007.00	30.187.00	54.124.00
with air-conditioner and R.H.D. / con climatizzatore e guida a destra	CFJA	125	170	08/09	>				54.376.00
antibacterial, anti-odour and anti-allergen filter / filtro antibatterico, antiodori e anti-allergeni for cold countries / per paesi freddi	CFJA	125	170	08/09	>	25.106.00	26.007.00	30.370.00	53.148.00
2.0 TDI CR DPF 4x4	CLCB	103	140	05/10	>	25.106.00	26.007.00	30.187.00	53.148.00
with activated carbons / ai carboni attivi	CLCB	103	140	05/10	>	25.106.00	26.007.00	30.187.00	54.124.00
with air-conditioner and R.H.D. / con climatizzatore e guida a destra	CLCB	103	140	05/10	>				54.376.00
antibacterial, anti-odour and anti-allergen filter / filtro antibatterico, antiodori e anti-allergeni for cold countries / per paesi freddi	CLCB	103	140	05/10	>	25.106.00	26.007.00	30.370.00	53.148.00

SKODA

commercial vehicles/veicoli commerciali

Pick-up

1.3 MPI	136B			11/95	> 03/01	23.435.00	31.510.00	30.994.00	✗
1.3 MPI	136M			11/95	> 03/01	23.435.00	31.510.00	30.994.00	✗
1.6 i	AEE			11/95	> 03/01	23.282.00	31.510.00	30.994.00	✗
1.9 Diesel	AEF			11/95	> 03/01	23.425.00	24.400.00	30.994.00	✗
some / alcuni	AEF			11/95	> 03/01	23.425.00	24.400.00	30.019.00	✗
dusty areas / zone polverose	AEF			11/95	> 03/01	23.425.00	24.400.00	30.113.00	✗

Praktik

1.2 12V	BZG	51	70	06/07	> 05/09	25.029.00	31.833.00	30.132.00	53.031.00
with activated carbons / ai carboni attivi	BZG	51	70	06/07	> 05/09	25.029.00	31.833.00	30.132.00	54.114.00
antibacterial, anti-odour and anti-allergen filter / filtro antibatterico, antiodori e anti-allergeni	BZG	51	70	06/07	> 05/09				34.114.00
1.4 16V	BXW	63	86	06/07	> 03/10	23.453.00	31.833.00	30.342.00	53.031.00
with activated carbons / ai carboni attivi	BXW	63	86	06/07	> 03/10	23.453.00	31.833.00	30.342.00	54.114.00
antibacterial, anti-odour and anti-allergen filter / filtro antibatterico, antiodori e anti-allergeni	BXW	63	86	06/07	> 03/10				34.114.00
1.4 TDI PD	BMS/BNV	59	80	06/07	> 03/10	25.023.00	24.437.00	30.133.00	53.031.00
with activated carbons / ai carboni attivi	BMS/BNV	59	80	06/07	> 03/10	25.023.00	24.437.00	30.133.00	54.114.00
antibacterial, anti-odour and anti-allergen filter / filtro antibatterico, antiodori e anti-allergeni	BMS/BNV	59	80	06/07	> 03/10				34.114.00
dusty areas / zone polverose	BMS/BNV	59	80	06/07	> 03/10			30.369.00	

...SKODA - commercial vehicles/veicoli commerciali

1.4 TDI PD	BNM	51	70	06/07 >	07/10	25.023.00	24.437.00	30.133.00	53.031.00
	BNM	51	70	08/10 >	09/10	25.023.00	24.437.00	30.133.00	53.190.00
with activated carbons / ai carboni attivi	BNM	51	70	06/07 >	07/10	25.023.00	24.437.00	30.133.00	54.114.00
with activated carbons / ai carboni attivi	BNM	51	70	08/10 >	09/10	25.023.00	24.437.00	30.133.00	54.199.00
antibacterial, anti-odour and anti-allergen filter / filtro antibatterico, antiodori e anti-allergeni	BNM	51	70	06/07 >	07/10				34.114.00
antibacterial, anti-odour and anti-allergen filter / filtro antibatterico, antiodori e anti-allergeni	BNM	51	70	08/10 >	09/10				34.199.00
dusty areas / zone polverose	BNM	51	70	06/07 >	09/10			30.369.00	
Roomster Van									
1.2 TSI	CBZA	63	86	03/10 >			31.840.00	27.621.00	53.031.00
with activated carbons / ai carboni attivi	CBZA	63	86	03/10 >			31.840.00	27.621.00	54.114.00
antibacterial, anti-odour and anti-allergen filter / filtro antibatterico, antiodori e anti-allergeni	CBZA	63	86	03/10 >					34.114.00
1.6 TDI CR	CAYB	66	90	03/10 >		25.106.00	24.437.00	27.621.00	53.031.00
with activated carbons / ai carboni attivi	CAYB	66	90	03/10 >		25.106.00	24.437.00	27.621.00	54.114.00
antibacterial, anti-odour and anti-allergen filter / filtro antibatterico, antiodori e anti-allergeni	CAYB	66	90	03/10 >					34.114.00
SMART								cars/auto	
Smart									
600	M160	33	45	08/97 >	01/04	25.035.00	31.710.00	27.386.00	54.113.00
	M160	40	55	06/98 >	01/04	25.035.00	31.710.00	27.386.00	54.113.00
	M160	45	62	01/01 >	01/04	25.035.00	31.710.00	27.386.00	54.113.00
600 Crossblade	M160	52	71	06/02 >	03/07	25.035.00	31.710.00	27.592.00	
700	M160	37	50	01/03 >	01/04	25.035.00	31.710.00	27.386.00	54.113.00
	M160	45	62	01/03 >	01/04	25.035.00	31.710.00	27.386.00	54.113.00
	M160	55	75	01/03 >	01/04	25.035.00	31.710.00	27.386.00	54.113.00
700 Roadster	M160	45	62	04/03 >	12/05	25.035.00	31.710.00	27.592.00	
with activated carbons / ai carboni attivi	M160	45	62	04/03 >	12/05				54.144.00
700 Roadster	M160	60	82	04/03 >	12/05	25.035.00	31.710.00	27.592.00	
with activated carbons / ai carboni attivi	M160	60	82	04/03 >	12/05				54.144.00
700 Roadster	M160	74	101	12/03 >	12/05	25.035.00	31.710.00	27.592.00	
with activated carbons / ai carboni attivi	M160	74	101	12/03 >	12/05				54.144.00
700 Roadster Racing edition	M160	66	90	07/05 >	12/05	25.035.00	31.710.00	27.592.00	
with activated carbons / ai carboni attivi	M160	66	90	07/05 >	12/05				54.144.00
800 CDI	OM660	30	41	11/99 >	01/04	25.035.00	31.835.00	27.385.00	54.113.00
Smart Forfour									
1.1	M134	47	64	03/05 >	06/06	23.479.00		30.253.00	
with activated carbons / ai carboni attivi	M134	47	64	03/05 >	06/06				54.144.00
1.1	M134	55	75	04/04 >	06/06	23.479.00		30.253.00	
with activated carbons / ai carboni attivi	M134	55	75	04/04 >	06/06				54.144.00
1.3	M135	70	95	04/04 >	06/06	23.479.00		30.253.00	
with activated carbons / ai carboni attivi	M135	70	95	04/04 >	06/06				54.144.00
1.5	M135	80	109	04/04 >	06/06	23.479.00		30.253.00	
with activated carbons / ai carboni attivi	M135	80	109	04/04 >	06/06				54.144.00
1.5 Brabus	M122	130	177	05/05 >	06/06	23.485.00		30.252.00	
with activated carbons / ai carboni attivi	M122	130	177	05/05 >	06/06				54.144.00
1.5 CDI	OM639	50	68	04/04 >	06/06	23.478.00	24.436.00	30.252.00	
with activated carbons / ai carboni attivi	OM639	50	68	04/04 >	06/06				54.144.00
1.5 CDI	OM639	70	95	04/04 >	06/06	23.478.00	24.436.00	30.252.00	
with activated carbons / ai carboni attivi	OM639	70	95	04/04 >	06/06				54.144.00
1.5 SB3		90	122	10/04 >	06/06	23.479.00		30.253.00	
with activated carbons / ai carboni attivi		90	122	04/04 >	06/06				54.144.00
Smart Forfour (453)									
0.9 Brabus Turbo	M281.910	80	109	05/16 >		25.145.00		30.820.00	54.288.00
with plastic filter / con filtro in plastica	M281.910	80	109	05/16 >			31.948.00		
antibacterial, anti-odour and anti-allergen filter / filtro antibatterico, antiodori e anti-allergeni	M281.910	80	109	05/16 >					34.288.00
0.9 Turbo	M281.910	66	90	09/14 >		25.145.00		30.820.00	54.288.00
with plastic filter / con filtro in plastica	M281.910	66	90	09/14 >			31.948.00		
antibacterial, anti-odour and anti-allergen filter / filtro antibatterico, antiodori e anti-allergeni	M281.910	66	90	09/14 >					34.288.00
1.0	M281.920	44	60	01/15 >		23.481.00		30.820.00	54.288.00
with plastic filter / con filtro in plastica	M281.920	44	60	01/15 >			31.948.00		
antibacterial, anti-odour and anti-allergen filter / filtro antibatterico, antiodori e anti-allergeni	M281.920	44	60	01/15 >					34.288.00
1.0	M281.920	52	71	09/14 >		23.481.00		30.820.00	54.288.00
with plastic filter / con filtro in plastica	M281.920	52	71	09/14 >			31.948.00		
antibacterial, anti-odour and anti-allergen filter / filtro antibatterico, antiodori e anti-allergeni	M281.920	52	71	09/14 >					34.288.00
Smart Fortwo (451)									
1.0	M132	45	61	03/07 >	09/14	23.565.00		30.466.00	54.176.00
antibacterial, anti-odour and anti-allergen filter / filtro antibatterico, antiodori e anti-allergeni	M132	45	61	03/07 >	09/14				34.176.00
1.0	M132	52	71	03/07 >		23.565.00		30.466.00	54.176.00

...SMART - cars/auto

antibacterial, anti-odour and anti-allergen filter / filtro antibatterico, antiodori e anti-allergeni	M132	52	71	03/07 >				34.176.00
1.0 Brabus ultimate 120	M132	88	120	04/12 > 09/14	23.565.00		30.466.00	54.176.00
antibacterial, anti-odour and anti-allergen filter / filtro antibatterico, antiodori e anti-allergeni	M132	88	120	04/12 > 09/14				34.176.00
1.0 Turbo	M132	62	84	03/07 > 09/14	23.565.00		30.466.00	54.176.00
antibacterial, anti-odour and anti-allergen filter / filtro antibatterico, antiodori e anti-allergeni	M132	62	84	03/07 > 09/14				34.176.00
1.0 Turbo Brabus	M132	72	98	03/07 > 08/10	23.565.00		30.466.00	54.176.00
antibacterial, anti-odour and anti-allergen filter / filtro antibatterico, antiodori e anti-allergeni	M132	72	98	03/07 > 08/10				34.176.00
1.0 Turbo Brabus	M132	75	102	09/10 > 09/14	23.565.00		30.466.00	54.176.00
antibacterial, anti-odour and anti-allergen filter / filtro antibatterico, antiodori e anti-allergeni	M132	75	102	09/10 > 09/14				34.176.00
800 CDI	OM660.950	33	45	03/07 > 09/14	25.035.00	31.923.00	30.466.00	54.176.00
antibacterial, anti-odour and anti-allergen filter / filtro antibatterico, antiodori e anti-allergeni	OM660.950	33	45	03/07 > 09/14				34.176.00
800 CDI	OM660.951	40	54	08/09 > 09/14	25.035.00	31.923.00	30.466.00	54.176.00
antibacterial, anti-odour and anti-allergen filter / filtro antibatterico, antiodori e anti-allergeni	OM660.951	40	54	08/09 > 09/14				34.176.00
ED electric drive		55	75	05/12 >				54.176.00
antibacterial, anti-odour and anti-allergen filter / filtro antibatterico, antiodori e anti-allergeni		55	75	05/12 >				34.176.00

Smart Fortwo (453)

0.9 Brabus Turbo	M281.910	80	109	05/16 >	25.145.00		30.B20.00	54.288.00
with plastic filter / con filtro in plastica	M281.910	80	109	05/16 >		31.948.00		
antibacterial, anti-odour and anti-allergen filter / filtro antibatterico, antiodori e anti-allergeni	M281.910	80	109	05/16 >				34.288.00
0.9 Turbo	M281.910	66	90	09/14 >	25.145.00		30.B20.00	54.288.00
with plastic filter / con filtro in plastica	M281.910	66	90	09/14 >		31.948.00		
antibacterial, anti-odour and anti-allergen filter / filtro antibatterico, antiodori e anti-allergeni	M281.910	66	90	09/14 >				34.288.00
1.0	M281.920	44	60	01/15 >	23.481.00		30.B20.00	54.288.00
with plastic filter / con filtro in plastica	M281.920	44	60	01/15 >		31.948.00		
antibacterial, anti-odour and anti-allergen filter / filtro antibatterico, antiodori e anti-allergeni	M281.920	44	60	01/15 >				34.288.00
1.0	M281.920	52	71	09/14 >	23.481.00		30.B20.00	54.288.00
with plastic filter / con filtro in plastica	M281.920	52	71	09/14 >		31.948.00		
antibacterial, anti-odour and anti-allergen filter / filtro antibatterico, antiodori e anti-allergeni	M281.920	52	71	09/14 >				34.288.00

Smart Fortwo Cabrio

700 Brabus	M160	55	75	01/03 > 03/07	25.035.00	31.710.00	27.386.00	54.113.00
700 Passion	M160	45	61	01/03 > 03/07	25.035.00	31.710.00	27.386.00	54.113.00
700 Pulse	M160	45	61	01/03 > 03/07	25.035.00	31.710.00	27.386.00	54.113.00
700 Pure	M160	37	50	01/03 > 03/07	25.035.00	31.710.00	27.386.00	54.113.00
700 Pure	M160	45	61	01/03 > 03/07	25.035.00	31.710.00	27.386.00	54.113.00
800 CDI Passion	OM660.950	33	45	03/07 >	25.035.00	31.923.00	30.466.00	54.176.00
antibacterial, anti-odour and anti-allergen filter / filtro antibatterico, antiodori e anti-allergeni	OM660.950	33	45	03/07 >				34.176.00
800 CDI Pulse	OM660.950	33	45	03/07 >	25.035.00	31.923.00	30.466.00	54.176.00
antibacterial, anti-odour and anti-allergen filter / filtro antibatterico, antiodori e anti-allergeni	OM660.950	33	45	03/07 >				34.176.00
800 CDI Pure	OM660.950	33	45	03/07 >	25.035.00	31.923.00	30.466.00	54.176.00
antibacterial, anti-odour and anti-allergen filter / filtro antibatterico, antiodori e anti-allergeni	OM660.950	33	45	03/07 >				34.176.00
800 Passion CDI	OM660DE8LA	30	41	01/03 > 03/07	25.035.00	31.835.00	27.385.00	54.113.00
800 Pulse CDI	OM660DE8LA	30	41	01/03 > 03/07	25.035.00	31.835.00	27.385.00	54.113.00
800 Pure CDI	OM660DE8LA	30	41	01/03 > 03/07	25.035.00	31.835.00	27.385.00	54.113.00

Smart Fortwo Coupè

700 Brabus	M160	55	75	01/03 > 03/07	25.035.00	31.710.00	27.386.00	54.113.00
700 Passion		45	61	01/03 > 03/07	25.035.00	31.710.00	27.386.00	54.113.00
700 Pulse		45	61	01/03 > 03/07	25.035.00	31.710.00	27.386.00	54.113.00
700 Pure		37	50	01/03 > 03/07	25.035.00	31.710.00	27.386.00	54.113.00
700 Pure		45	61	01/03 > 03/07	25.035.00	31.710.00	27.386.00	54.113.00
800 CDI Passion	OM660.950	33	45	03/07 >	25.035.00	31.923.00	30.466.00	54.176.00
antibacterial, anti-odour and anti-allergen filter / filtro antibatterico, antiodori e anti-allergeni	OM660.950	33	45	03/07 >				34.176.00
800 CDI Pulse	OM660.950	33	45	03/07 >	25.035.00	31.923.00	30.466.00	54.176.00
antibacterial, anti-odour and anti-allergen filter / filtro antibatterico, antiodori e anti-allergeni	OM660.950	33	45	03/07 >				34.176.00
800 CDI Pure	OM660.950	33	45	03/07 >	25.035.00	31.923.00	30.466.00	54.176.00
antibacterial, anti-odour and anti-allergen filter / filtro antibatterico, antiodori e anti-allergeni	OM660.950	33	45	03/07 >				34.176.00
800 Passion CDI	OM660DE8LA	30	41	01/03 > 03/07	25.035.00	31.835.00	27.385.00	54.113.00
800 Pulse CDI	OM660DE8LA	30	41	01/03 > 03/07	25.035.00	31.835.00	27.385.00	54.113.00
800 Pure CDI	OM660DE8LA	30	41	01/03 > 03/07	25.035.00	31.835.00	27.385.00	54.113.00

SSANGYONG

off-road cars/fuoristrada

Actyon I

2.0 XDi	OM664.951/D20DT	104	141	11/05 >	25.162.00	24.445.00		
with facility for water sensor / con predisposizione per sensore acqua	OM664.951/D20DT	104	141	11/05 >		24.131.00		
2.0 XDi 4WD	OM664.951/D20DT	104	141	07/07 >	25.162.00	24.445.00		
with facility for water sensor / con predisposizione per sensore acqua	OM664.951/D20DT	104	141	07/07 >		24.131.00		
2.3	G23D	110	150	11/06 >	25.162.00			
2.3 4WD	G23D	110	150	11/06 >	25.162.00			

...SSANGYONG - off-road cars/fuoristrada

SSANGYONG cars/auto									
Actyon II									
2.0	G20	110	150	08/12	>	25.219.00	∞		
KJ									
2.9 D	Mercedes Benz OM602			01/96	>	25.528.00	24.321.00	30.911.00	
prefilter / prefiltrato	Mercedes Benz OM602			01/96	>		31.013.00		
3.2 i 24V	Mercedes Benz			02/95	>	25.162.00			
Korando (CK)									
2.0 e-XGi	G20D	110	150	02/12	>	25.219.00			
2.0 e-XGi 4WD	G20D	110	150	02/12	>	25.219.00			
2.0 GPL/LPG	G20	110	150	05/15	>	25.219.00			
2.0 GPL/LPG 4WD	G20	110	150	09/15	>	25.219.00			
Korando (KJ)									
2.0 i 16V E	Mercedes Benz M111	94	128	05/97	>	25.162.00			
2.3 D	Mercedes Benz OM601.940	58	79	12/96	>	25.528.00	24.321.00	30.893.00	
2.3 i 16V E	Mercedes Benz M111	103	140	05/97	>	25.162.00			
2.3 i 16V E	Mercedes Benz M111	105	143	01/99	>	25.162.00			
2.3 i 16V E	Mercedes Benz M111	110	150	01/02	>	25.162.00			
2.9 D	Mercedes Benz OM662	72	98	12/96	>	25.528.00	24.321.00		
prefilter / prefiltrato	Mercedes Benz OM662	72	98	12/96	>		31.013.00		
3.2 24V E	Mercedes Benz M104	154	209	12/96	>	25.162.00			×
Korando 661									
2.3 TD	Mercedes Benz			01/00	> 09/05	25.528.00	24.321.00		×
Korando 662									
2.9 TD	Mercedes Benz			01/00	> 09/05	25.528.00	24.321.00		×
Kyron									
2.0 XDi	D20DT	104	141	02/06	>	25.162.00	24.445.00		
with facility for water sensor / con predisposizione per sensore acqua	D20DT	104	141	02/06	>		24.131.00		
2.0 XDi 4WD	D20DT	104	141	02/06	>	25.162.00	24.445.00		
with facility for water sensor / con predisposizione per sensore acqua	D20DT	104	141	02/06	>		24.131.00		
2.7 XDi	D27DT	121	165	05/05	>	25.162.00	24.445.00		
with facility for water sensor / con predisposizione per sensore acqua	D27DT	121	165	05/05	>		24.131.00		
Musso (FJ)									
2.3 D	Mercedes Benz OM661	59	80	10/95	>	25.528.00	24.321.00	30.893.00	×
prefilter / prefiltrato	Mercedes Benz OM661	59	80	10/95	>		31.013.00		
Musso (MJ) 661									
2.3 TD	Mercedes Benz			01/00	> 02/06	25.528.00	24.321.00		×
Musso (MJ) 662									
2.9 TD	Mercedes Benz			04/98	> 02/06	25.528.00	24.321.00		×
prefilter / prefiltrato	Mercedes Benz			04/98	> 02/06		31.013.00		
Musso (MJ) E									
2.3 i 16V	Mercedes Benz			01/99	>	25.162.00			×
3.2 i 24V	Mercedes Benz			01/00	>	25.162.00			×
Musso 601									
2.3 D	Mercedes Benz OM601			01/94	>	25.528.00	24.321.00	30.893.00	×
prefilter / prefiltrato	Mercedes Benz OM601			01/94	>		31.013.00		
Musso 602									
2.9 D	Mercedes Benz OM602			01/93	>	25.528.00	24.321.00	30.911.00	×
prefilter / prefiltrato	Mercedes Benz OM602			01/93	>		31.013.00		
Musso E									
2.0 i 16V	Mercedes Benz	100	136	02/95	>	25.162.00		30.072.00	×
2.3 i 16V	Mercedes Benz	103	140	02/95	>	25.162.00			×
3.2 i 24V	Mercedes Benz	162	220	02/95	>	25.162.00	31.583.00		×
Rexton									
270 XDi		118	160	03/11	>	25.162.00	24.445.00		
with facility for water sensor / con predisposizione per sensore acqua		118	160	03/11	>		24.131.00		
270 XDi		132	179	03/11	>	25.162.00	24.445.00		
with facility for water sensor / con predisposizione per sensore acqua		132	179	03/11	>		24.131.00		
270 XDi	Mercedes Benz	121	165	06/04	> 08/06	25.162.00	24.445.00		
with facility for water sensor / con predisposizione per sensore acqua	Mercedes Benz	121	165	06/04	> 08/06		24.131.00		
290 TD	Mercedes Benz	88	120	08/01	>	25.095.00	24.321.00		
320 24V	Mercedes Benz	162	220	09/01	>	25.162.00			
SSANGYONG cars/auto									
Istana									
2.9 D	Mercedes Benz OM662	72	98	10/92	> 12/03	25.095.00	24.321.00		×
Rodius									
2.7 XDi	Mercedes Benz	121	165	05/05	>	25.162.00	24.445.00		

...SSANGYONG - cars/auto

with facility for water sensor / con predisposizione per sensore acqua	Mercedes Benz	121	165	05/05	>		24.131.00		
2.7 XDi 4WD	Mercedes Benz	121	165	05/05	>	25.162.00	24.445.00		
with facility for water sensor / con predisposizione per sensore acqua	Mercedes Benz	121	165	05/05	>		24.131.00		
3.2		162	220	07/07	>	25.162.00			

Tivoli

1.6	G16DF	94	128	04/15	>	23.481.00		30.C44.00	
1.6 D	D16DTF	85	116	04/15	>			30.C44.00	

XLV

1.6	G16DF	94	128	04/16	>			30.C44.00	
1.6 D	D16DTF	85	116	04/16	>			30.C44.00	

STEYR / DAIMLER / PUCH

off-road cars/fuoristrada

Pinzgauer

2.4 Turbodiesel (2383)	VW (NY)			10/86	>	23.156.03	24.351.00	27.804.00	
-------------------------------	---------	--	--	-------	---	-----------	-----------	-----------	--

SUBARU

cars/auto

1.3 STD

1.3 STD				01/84	>	23.188.00			
----------------	--	--	--	-------	---	-----------	--	--	--

1.8 4WD

1.8 4WD				11/84	>	23.188.00			
----------------	--	--	--	-------	---	-----------	--	--	--

1.8 GL

1.8 GL				11/84	>	23.188.00			
---------------	--	--	--	-------	---	-----------	--	--	--

1.8 GLSE

1.8 GLSE				11/84	>	23.188.00			
-----------------	--	--	--	-------	---	-----------	--	--	--

B9 Tribeca

3.0 R 24V	EZ30	180	245	11/06	>	23.259.00		30.615.00	53.103.00
------------------	------	-----	-----	-------	---	-----------	--	-----------	-----------

3.6	EZ36D	190	258	09/07	>	23.259.00		30.615.00	53.103.00
------------	-------	-----	-----	-------	---	-----------	--	-----------	-----------

BRZ

2.0 16V	FA20	147	200	06/12	>			30.289.00	53.109.00
----------------	------	-----	-----	-------	---	--	--	-----------	-----------

Columbus

1.2	EF12			01/87	>	23.258.00			
------------	------	--	--	-------	---	-----------	--	--	--

E10 Libero

1.0 2WD	EF10			09/86	>	23.258.00			
----------------	------	--	--	-------	---	-----------	--	--	--

1.0 4x4 (KJ5)	EF10			09/86	>	23.258.00			
----------------------	------	--	--	-------	---	-----------	--	--	--

1.0 4x4 (KJ6)	EF10			09/86	>	23.258.00			
----------------------	------	--	--	-------	---	-----------	--	--	--

E12 Libero

1.2 2WD (E Wagon)	EF12			01/93	>	23.258.00			
--------------------------	------	--	--	-------	---	-----------	--	--	--

1.2 4x4 (KJ8)	EF12			09/86	>	23.258.00			
----------------------	------	--	--	-------	---	-----------	--	--	--

Forester (SF)

2.0 16V 4WD	EJ20	92	125	07/98	>	06/00	23.259.00	31.541.00	
--------------------	------	----	-----	-------	---	-------	-----------	-----------	--

	EJ20	92	125	07/00	>	09/02	23.259.00	31.541.00	
--	------	----	-----	-------	---	-------	-----------	-----------	--

2.0 16V 4WD Turbo	EJ20G	125	170	04/99	>	06/00	23.259.00	31.541.00	30.973.00
--------------------------	-------	-----	-----	-------	---	-------	-----------	-----------	-----------

	EJ20G	125	170	07/00	>	03/01	23.259.00	31.541.00	30.973.00
--	-------	-----	-----	-------	---	-------	-----------	-----------	-----------

2.0 16V 4WD Turbo	EJ20G	130	177	03/01	>	09/02	23.259.00	31.541.00	30.973.00
--------------------------	-------	-----	-----	-------	---	-------	-----------	-----------	-----------

Forester (SG)

2.0	EJ20	115	156	09/05	>	03/08	23.259.00	31.541.00	
------------	------	-----	-----	-------	---	-------	-----------	-----------	--

with air-conditioner / con climatizzatore	EJ20	115	156	09/05	>	03/08			53.260.00
---	------	-----	-----	-------	---	-------	--	--	-----------

2.0	EJ20	92	125	09/02	>	03/08	23.259.00	31.541.00	
------------	------	----	-----	-------	---	-------	-----------	-----------	--

with air-conditioner / con climatizzatore	EJ20	92	125	09/02	>	03/08			53.260.00
---	------	----	-----	-------	---	-------	--	--	-----------

2.0 S Turbo	EJ20G	130	177	09/02	>	03/08	23.259.00	31.541.00	30.973.00
--------------------	-------	-----	-----	-------	---	-------	-----------	-----------	-----------

with air-conditioner / con climatizzatore	EJ20G	130	177	09/02	>	03/08			53.260.00
---	-------	-----	-----	-------	---	-------	--	--	-----------

2.0 XT Turbo	EJ20G	130	177	09/02	>	03/08	23.259.00	31.541.00	30.973.00
---------------------	-------	-----	-----	-------	---	-------	-----------	-----------	-----------

with air-conditioner / con climatizzatore	EJ20G	130	177	09/02	>	03/08			53.260.00
---	-------	-----	-----	-------	---	-------	--	--	-----------

2.5	EJ25D	121	165	07/05	>	03/08	23.259.00	31.541.00	30.973.00
------------	-------	-----	-----	-------	---	-------	-----------	-----------	-----------

with air-conditioner / con climatizzatore	EJ25D	121	165	07/05	>	03/08			53.260.00
---	-------	-----	-----	-------	---	-------	--	--	-----------

2.5 RX	EJ25	115	156	11/02	>	08/05	23.259.00	31.541.00	
---------------	------	-----	-----	-------	---	-------	-----------	-----------	--

with air-conditioner / con climatizzatore	EJ25	115	156	11/02	>	08/05			53.260.00
---	------	-----	-----	-------	---	-------	--	--	-----------

2.5 XT Turbo	EJ25	155	211	09/04	>	03/08	23.259.00	31.541.00	30.973.00
---------------------	------	-----	-----	-------	---	-------	-----------	-----------	-----------

with air-conditioner / con climatizzatore	EJ25	155	211	09/04	>	03/08			53.260.00
---	------	-----	-----	-------	---	-------	--	--	-----------

2.5 XT Turbo	EJ25	169	230	09/05	>	03/08	23.259.00	31.541.00	30.973.00
---------------------	------	-----	-----	-------	---	-------	-----------	-----------	-----------

with air-conditioner / con climatizzatore	EJ25	169	230	09/05	>	03/08			53.260.00
---	------	-----	-----	-------	---	-------	--	--	-----------

Forester (SH)

2.0 AWD	EJ20	110	150	04/08	>		23.258.00		30.615.00
----------------	------	-----	-----	-------	---	--	-----------	--	-----------

	FB20	110	150	04/08	>				53.329.00
--	------	-----	-----	-------	---	--	--	--	-----------

2.0 D	EE20	108	147	10/08	>	02/13		24.465.00	30.615.00
--------------	------	-----	-----	-------	---	-------	--	-----------	-----------

2.5 X	EJ25	126	171	06/10	>		23.259.00		30.615.00
--------------	------	-----	-----	-------	---	--	-----------	--	-----------

	FB25	126	171	06/10	>				53.329.00
--	------	-----	-----	-------	---	--	--	--	-----------

...SUBARU - cars/auto

2.5 XT	EJ25	169	230	04/08 >	23.259.00		30.615.00	53.329.00
Forester (SJ)								
2.0	FB20B	110	150	03/13 >			30.615.00	53.329.00
engine filter / filtro motore	FB20B	110	150	03/13 >	23.617.00			
2.0 D	EE20	108	147	03/13 >		24.469.00	30.615.00	53.329.00
2.0 XT	FA20F	177	240	03/13 >			30.615.00	53.329.00
engine filter / filtro motore	FA20F	177	240	03/13 >	23.617.00			
Forester (SK)								
2.0 Hybrid	FB20X	107	145	04/18 >	23.617.00			
2.0 Hybrid	FB20X	110	150	04/18 >	23.617.00			
Impreza I (GC/GF/GFC)								
1.6 i 16V	EJ16	70	95	06/98 > 12/00	23.259.00	31.541.00		
1.6 i 16V	EJ16E	66	90	12/96 > 12/00	23.259.00	31.541.00	30.973.00	
1.6 i 16V 4WD	EJ16	66	90	08/92 > 12/00	23.259.00	31.541.00	30.973.00	
1.8 i 16V	EJ18	76	103	08/92 > 12/00	23.259.00	31.541.00	30.973.00	
1.8 i 16V 4WD	EJ18	76	103	08/92 > 12/00	23.259.00	31.541.00		
2.0 i 16V 4WD	EJ20	85	115	10/95 > 12/00	23.259.00	31.541.00	30.973.00	
2.0 i 16V 4WD	EJ20	92	125	06/98 > 12/00	23.259.00	31.541.00		
2.0 i 16V 4WD Turbo	EJ20T	155	211	08/92 > 12/00	23.259.00	31.541.00	30.973.00	
2.0 i 16V 4WD Turbo GT	EJ20T	160	218	06/98 > 12/00	23.259.00	31.541.00	30.973.00	
2.0 i 16V 4WD Turbo WWW	EJ20T	155	211	06/98 > 12/00	23.259.00	31.541.00	30.973.00	
Impreza II (GD/GG)								
1.5 R	EJ15	77	105	09/06 > 08/07	23.258.00	31.541.00		
with air-conditioner / con climatizzatore	EJ15	77	105	09/06 > 08/07				53.249.00
with activated carbon air-conditioner / con climatizzatore, ai carboni attivi	EJ15	77	105	09/06 > 08/07				54.138.00
1.6	EJ16	70	95	12/00 > 12/05	23.259.00	31.541.00		
with air-conditioner / con climatizzatore	EJ16	70	95	12/00 > 12/05				53.249.00
with activated carbon air-conditioner / con climatizzatore, ai carboni attivi	EJ16	70	95	12/00 > 12/05				54.138.00
2.0 GX	EJ20	92	125	12/00 > 12/05	23.259.00	31.541.00		
with air-conditioner / con climatizzatore	EJ20	92	125	12/00 > 12/05				53.249.00
with activated carbon air-conditioner / con climatizzatore, ai carboni attivi	EJ20	92	125	12/00 > 12/05				54.138.00
2.0 R	EJ20	118	160	11/05 > 08/07	23.258.00	31.541.00		
with air-conditioner / con climatizzatore	EJ20	118	160	11/05 > 08/07				53.249.00
with activated carbon air-conditioner / con climatizzatore, ai carboni attivi	EJ20	118	160	11/05 > 08/07				54.138.00
2.0 WRX	EJ20T	160	218	12/00 > 03/03	23.259.00	31.541.00	30.973.00	
with air-conditioner / con climatizzatore	EJ20T	160	218	12/00 > 03/03				53.249.00
with activated carbon air-conditioner / con climatizzatore, ai carboni attivi	EJ20T	160	218	12/00 > 03/03				54.138.00
2.0 WRX	EJ20T	165	225	02/03 > 12/05	23.259.00	31.541.00		
with air-conditioner / con climatizzatore	EJ20T	165	225	02/03 > 12/05				53.249.00
with activated carbon air-conditioner / con climatizzatore, ai carboni attivi	EJ20T	165	225	02/03 > 12/05				54.138.00
2.0 WRX STI	EJ20T	195	265	02/02 > 12/05	23.259.00	31.541.00	30.973.00	
with air-conditioner / con climatizzatore	EJ20T	195	265	02/02 > 12/05				53.249.00
with activated carbon air-conditioner / con climatizzatore, ai carboni attivi	EJ20T	195	265	02/02 > 12/05				54.138.00
2.0 WRX STI S202	EJ20T	235	320	07/02 > 12/05	23.259.00		30.973.00	
with air-conditioner / con climatizzatore	EJ20T	235	320	07/02 > 12/05				53.249.00
with activated carbon air-conditioner / con climatizzatore, ai carboni attivi	EJ20T	235	320	07/02 > 12/05				54.138.00
2.5 WRX	EJ25	169	230	11/05 > 08/07	23.258.00		30.973.00	
with air-conditioner / con climatizzatore	EJ25	169	230	11/05 > 08/07				53.249.00
with activated carbon air-conditioner / con climatizzatore, ai carboni attivi	EJ25	169	230	11/05 > 08/07				54.138.00
2.5 WRX STI	EJ25	206	280	11/05 > 08/07	23.258.00		30.973.00	
with air-conditioner / con climatizzatore	EJ25	206	280	11/05 > 08/07				53.249.00
with activated carbon air-conditioner / con climatizzatore, ai carboni attivi	EJ25	206	280	11/05 > 08/07				54.138.00
Impreza III (G3)								
1.5 16V AWD	EJ15	79	107	02/08 >	23.258.00		30.615.00	53.329.00
1.5 16V	EJ15	79	107	09/07 >	23.258.00		30.615.00	53.329.00
2.0 16V R AWD	EJ20	110	150	01/08 >	23.258.00		30.615.00	53.329.00
2.0 16V	EJ20	110	150	09/07 >	23.258.00		30.615.00	53.329.00
2.0 D AWD	EE20	110	150	10/08 >		24.465.00	30.615.00	53.329.00
2.0 D AWD	EE20	80	109	01/11 >		24.465.00	30.615.00	53.329.00
2.5 AWD	EJ255	169	230	02/08 >	23.258.00		30.615.00	53.329.00
2.5 STI		294	400	04/10 >	23.258.00		30.615.00	53.329.00
2.5 WRX STI AWD	EJ25T	221	300	02/08 >	23.258.00		30.615.00	53.329.00
Impreza IV								
1.6	FB16	84	114	06/12 >			30.615.00	53.329.00
1.6 AWD	FB16	84	114	06/12 >			30.615.00	53.329.00
2.5 WRX STI		221	300	06/12 >	23.258.00		30.615.00	53.329.00
Impreza V								

...SUBARU - cars/auto

1.6 i	FB16	84	114	01/16 >	23.617.00			
2.0 i	FB20	113	154	01/16 >	23.617.00			
2.0 i	FB20	115	156	01/16 >	23.617.00			
Justy								
1.0 (J10)	EF10, EL, EL1			01/87 >	23.258.00			27.744.00
1.0 (KA5)	EF10, EL, EL1			01/87 >	23.258.00			27.744.00
1.0 12V	1KR-FE	51	69	09/07 >				30.175.00
1.0 12V BI-FUEL	1KR-FE	51	69	10/08 >	25.116.00			30.175.00
assembly BRC FJ1 HE / montaggio BRC FJ1 HE	1KR-FE	51	69	10/08 >		46.005.00		
1.0 4WD (J10)	EF10, EL, EL1			01/87 >	23.258.00			27.744.00
1.0 4WD (KA6)	EF10, EL, EL1			01/87 >	23.258.00			27.744.00
1.0 4WD (KD6)	EF10, EL, EL1			01/87 >	23.258.00			27.744.00
1.0 cat (J10)				01/90 >	23.258.00			
1.0 cat (KA5)				01/90 >	23.258.00			
1.0 cat 4WD (J10)				01/90 >	23.258.00			
1.0 cat 4WD (KA5)				01/90 >	23.258.00			
1.0 cat 4WD (KA6)				01/90 >	23.258.00			
1.0 cat ECVT (J10)				01/90 >	23.258.00			
1.0 cat ECVT (KA5)				01/90 >	23.258.00			
1.2 cat (J12)				01/90 >	23.258.00			
1.2 cat (KA7)				01/90 >	23.258.00			
1.2 cat 4WD (J12)				01/90 >	23.258.00			
1.2 cat 4WD (KA8)				01/90 >	23.258.00			
1.2 cat 4WD ECVT (J12)				01/90 >	23.258.00			
1.2 cat 4WD ECVT (KA8)				01/90 >	23.258.00			
1.2 cat ECVT (J12)				01/90 >	23.258.00			
1.2 cat ECVT (KA7)				01/90 >	23.258.00			
1.2 i (J12)				01/91 >	23.258.00			
1.2 i 4WD (J12)				01/91 >	23.258.00			
1.2 i 4WD ECVT (J12)				01/91 >	23.258.00			
1.2 i ECVT (J12)				01/93 >	23.258.00			
1.3 GX 4WD	EF13	50	68	10/95 > 12/00	23.255.00			
	EF13	50	68	01/01 > 01/04	23.251.00			
1.3 i 16V GX	G13B	63	86	01/01 > 01/04	23.251.00			
Justy G3X								
1.3 16V AWD (Y51S)								
with air-conditioner / con climatizzatore	M13A	69	94	09/03 >	23.251.00			30.283.00 53.075.00
1.3 Turbodiesel Multijet								
complete filter and disassembly key / filtro completo e chiave di smontaggio	Z13DT	51	70	12/03 >		55.116.00		19.008.00
assembly PURFLUX / montaggio PURFLUX	Z13DT	51	70	12/03 >	25.043.00	60.H2O.00		30.211.00 53.075.00
assembly UFI / montaggio UFI	Z13DT	51	70	01/05 >	25.031.00	60.H2O.00		30.211.00 53.075.00
1.5 16V AWD (Y81S)								
with air-conditioner / con climatizzatore	M15A	73	99	09/03 >	23.251.00			30.283.00 53.075.00
L								
1.6	AE71			09/79 >	23.188.00	31.010.00		
1.8 i cat Coupè (AG5)	AE82			08/85 >	23.188.00			
1.8 i Coupè (AG4)	AE82			08/85 >	23.188.00			
1.8 i Coupè Turbo 4WD (AG4)	AE82T			08/85 >	23.188.00			
1.8 i Coupè Turbo 4WD (AG5)	AE82T			08/85 >	23.188.00			
Legacy								
1.8 4WD				09/89 >	23.259.00			30.001.00
1.8 4WD Autom.				09/89 >	23.259.00			30.001.00
1.8 4WD Touring Wagon				09/89 >	23.259.00			30.001.00
1.8 4WD Touring Wagon Autom.				09/89 >	23.259.00			30.001.00
1.8 i 4WD cat GTouring Wagon				09/89 >	23.259.00	31.541.00		30.001.00
1.8 i cat 4WD GL				09/89 >	23.259.00	31.541.00		30.001.00
2.0 i 16V 4WD Touring Wagon				01/91 >	23.259.00	31.541.00		30.973.00
2.0 i 16V Turbo	EJ20T			01/91 >	23.259.00	31.541.00		30.973.00
2.0 i 4WD (SOHC)				01/91 >	23.259.00	31.541.00		30.973.00
2.2 F.I. (USA)				06/89 >	23.259.00	31.541.00		30.973.00
2.2 F.I. 4WD (USA)				06/89 >	23.259.00	31.541.00		30.973.00
2.2 F.I. Touring Wagon (USA)				06/89 >	23.259.00	31.541.00		30.973.00
2.2 F.I. Touring Wagon 4WD (USA)				06/89 >	23.259.00	31.541.00		30.973.00
2.2 i cat 4WD GX	EJ22			09/89 >	23.259.00	31.541.00		30.973.00
2.2 i cat Touring Wagon GX				09/89 >	23.259.00	31.541.00		30.973.00
2.5 F.I. Outback 4WD Wagon (USA)				01/96 >	23.259.00	31.541.00		30.973.00
2.5 i 16V 4WD Outback				01/96 > 02/04	23.259.00	31.541.00		

...SUBARU - cars/auto

S

Legacy III								
2.0 16V								
with air-conditioner / con climatizzatore	EJ20	101 138	10/03 >		23.258.00		30.615.00	53.103.00
2.0 16V								
with air-conditioner / con climatizzatore	EJ20	110 150	09/07 >		23.258.00		30.615.00	53.103.00
2.0 16V								
with air-conditioner / con climatizzatore	EJ20	121 165	09/05 >		23.258.00		30.615.00	53.103.00
2.0 D								
with air-conditioner / con climatizzatore	EE20Z	110 150	02/08 >				30.615.00	53.050.00
with activated carbon air-conditioner / con climatizzatore, ai carboni attivi	EE20Z	110 150	02/08 >					54.264.00
antibacterial, anti-odour and anti-allergen filter with air-conditioner / filtro antibatterico, antiodori e anti-allergeni con climatizzatore	EE20Z	110 150	02/08 >					34.264.00
2.5								
with air-conditioner / con climatizzatore	EJ25	121 165	10/03 >		23.258.00		30.615.00	53.103.00
2.5 i 16V T.W. AWD Bi-Fuel								
with air-conditioner / con climatizzatore	EJ25	121 165	10/03 >		23.258.00		30.615.00	53.103.00
3.0								
with air-conditioner / con climatizzatore	EZ30	180 245	10/03 >		23.259.00		30.615.00	53.103.00
3.0R 24V T.W. AWD								
with air-conditioner / con climatizzatore	EZ30	180 245	10/03 >		23.259.00		30.615.00	53.103.00
Legacy IV								
2.0 D								
with air-conditioner / con climatizzatore	EE20Z	110 150	09/09 >				30.615.00	53.147.00
2.0 i								
with air-conditioner / con climatizzatore	EJ204	110 150	09/09 >		23.258.00		30.615.00	53.147.00
2.0 i								
with air-conditioner / con climatizzatore	FB204	110 150	09/09 >				30.615.00	53.147.00
2.0 i Bi-Fuel								
with air-conditioner / con climatizzatore		110 150	09/09 >				30.615.00	53.147.00
2.5								
with air-conditioner / con climatizzatore	EJ253	123 167	09/09 >		23.258.00		30.615.00	53.147.00
2.5 GT								
with air-conditioner / con climatizzatore	EJ255	195 265	09/09 >		23.258.00		30.615.00	53.147.00
Leone								
1200 (A25)			01/73 >		23.188.00	31.010.00	27.744.00	
1200 (A65)			01/73 >		23.188.00	31.010.00	27.744.00	
1400 (A22) (SEEC-T)			01/75 >		23.188.00		27.744.00	
1400 RX (A22Z)			01/73 >		23.188.00			
1600 (A26) (SEEC-T)			01/75 >		23.188.00		27.744.00	
1600 (A33)					23.188.00	31.010.00		
Levorg								
1.6	FB16/FB16F	125 170	09/15 >		23.485.00		30.615.00	53.329.00
Liberty								
2.2 F.I. (AUS)			06/91 >		23.259.00		30.973.00	
2.2 F.I. 4WD (AUS)			06/91 >		23.259.00		30.973.00	
2.2 F.I. 4WD Station Wagon (AUS)			06/91 >		23.259.00		30.973.00	
Minibus								
1000 (KJ5)	EF10		01/86 >		23.258.00			
1000 4x4 (KJ6)	EF10		09/86 >		23.258.00			
1200 4x4 (KJ8)	EF12		08/86 >		23.258.00			
700 (KR3)	EK42		10/83 >		23.271.00			
Outback								
2.0 D 16V AWD		110 150	02/08 > 09/09				30.615.00	53.050.00
with activated carbons / ai carboni attivi		110 150	02/08 > 09/09					54.264.00
antibacterial, anti-odour and anti-allergen filter / filtro antibatterico, antiodori e anti-allergeni		110 150	02/08 > 09/09					34.264.00
2.5 16V AWD	EJ25	121 165	02/04 > 09/09		23.258.00		30.615.00	53.103.00
3.0 R 24V AWD	EZ30	180 245	02/04 > 09/09		23.259.00		30.615.00	53.103.00
Outback III								
2.0 D								
with air-conditioner / con climatizzatore		110 150	09/09 >				30.615.00	53.147.00
2.5 i								
with air-conditioner / con climatizzatore		123 167	09/09 >		23.258.00		30.615.00	53.147.00
2.5 i Bi-Fuel								
with air-conditioner / con climatizzatore		123 167	09/09 >		23.258.00		30.615.00	53.147.00
3.6 R								
with air-conditioner / con climatizzatore		191 260	09/09 >				30.615.00	53.147.00
Outback IV								
2.0 D		110 150	03/15 >			24.469.00	30.615.00	53.147.00

...SUBARU - cars/auto

2.5 engine filter / filtro motore	FB25B FB25B	129 175 129 175	03/15 > 03/15 >		23.617.00		30.615.00	53.147.00
Sumo								
1.0 (KJ5)	EF10		01/88 >		23.258.00			
1.2 (KJ8)	EF12		01/88 >		23.258.00			
SVX								
3.3 i 24V cat	EG33		01/92 >			31.541.00	30.973.00	
Traviq								
2.2 i 16V		108 147	08/01 >		25.024.00	31.515.00		
Trendy								
1.2 cat (J12)			01/90 >		23.258.00			
1.2 i cat (J12)			01/91 >		23.258.00			
Trezia								
1.3 i	1NR-FE	73 99	01/11 >		25.116.00		30.176.00	53.147.00
1.4 D	1ND-TV	66 90	01/11 >		25.150.00	24.413.00	30.470.00	53.147.00
Vivio								
660 i cat	EN07		10/92 >		23.258.00			
660 i cat 4WD	EN07		10/92 >		23.258.00			
WRX								
2.5 STi AWD		221 300	06/14 >		23.258.00		30.615.00	53.329.00
XT								
1.8 i Turbo (AX4)	AE82T		04/85 >		23.188.00			
1.8 i Turbo 4WD (AX7)	AE82T		04/85 >		23.188.00			
XV								
1.6 engine filter / filtro motore	FB16B FB16B	84 114 84 114	03/12 > 03/12 >		23.617.00		30.615.00	53.329.00
2.0 engine filter / filtro motore	FB20B FB20B	110 150 110 150	03/12 > 03/12 >		23.617.00		30.615.00	53.329.00
2.0 D		108 147	03/12 >			24.465.00	30.615.00	53.329.00
2.0 D		80 109	03/12 >			24.465.00	30.615.00	53.329.00
XV II								
1.6 i (GT3)	FB16	84 114	06/17 >		23.617.00			
2.0 Hybrid	FB20W/FB20X	110 150	10/19 >		23.617.00			
2.0 i (GT7)	FB20	115 156	06/17 >		23.617.00			
SUZUKI cars/auto								
Across								
2.5 Plug-In Hybrid with activated carbons / ai carboni attivi	A5Z425F A5Z425F	136 185 136 185	06/20 > 06/20 >		23.263.00			54.331.00
Alto								
1.0 i (SH410/EF)	G10B	39 53	04/96 > 06/02		23.255.00	31.724.00	30.A66.00	
1.0 i 12V (GF) with air-conditioner / con climatizzatore	K10B	50 68	03/09 >		23.263.00		30.456.00	53.186.00
1.0 i 12V GPL (GF) with air-conditioner / con climatizzatore	K10B	50 68	03/09 >		23.263.00		30.456.00	53.186.00
assembly BRC FJ1 HE / montaggio BRC FJ1 HE	K10B	50 68	03/09 >			46.005.00		
1.1 (FF)	F10B	46 63	06/02 > 12/08		23.255.00		30.780.00	
800 (SB 308)			01/94 >		23.255.00			
Baleno								
1.3 i 16V cat (EG)	G13BB	56 76	03/95 > 05/02		23.255.00	31.543.00	30.A50.00	
1.3 i 16V cat (EG)	G13BB	63 85	03/95 > 05/02		23.255.00	31.543.00	30.A50.00	
1.3 i cat (SOHC)	G13BA	52 71	07/95 > 05/02		23.255.00	31.543.00	30.A50.00	
1.6 i 16V cat (SOHC)	G16B	68 92	07/95 > 05/02		23.255.00	31.543.00	30.A50.00	
1.6 i cat	G16B	72 98	07/95 > 05/02		23.255.00	31.543.00	30.A50.00	
1.8 i 16V Wagon	J18A	89 121	03/96 > 05/02		23.251.00	31.543.00	30.A50.00	
1.8 i GT (EG)	J18A	89 121	03/96 > 05/02		23.251.00	31.543.00	30.A50.00	
1.9 TD	DHW (XUD9SD)	55 75	04/98 > 05/02		23.439.00	24.360.00	30.A50.00	
Baleno II								
1.0	K10C	85 116	02/16 >		23.255.00			
1.2 Dualjet	K12C	66 90	02/16 >					
1.2 Hybrid	K12C	66 90	02/16 >					
Fronte								
550	F5A (3 cyl.)		01/77 >		23.131.01			
800	(3 cyl.)		01/79 >		23.131.01			
Ignis I								
1.3 i 16V (RG413)	M13A	61 83	10/00 > 01/04		23.251.00		30.270.00	
1.3 i 16V 4WD (RG413)	M13A	61 83	10/00 > 01/04		23.251.00		30.270.00	

...SUZUKI - cars/auto

S



Ignis II									
1.3 16V (HR51S)									
with air-conditioner / con climatizzatore	M13A	69	94	09/03	>	23.251.00		30.283.00	53.075.00
1.3 DDiS 16V									
complete filter and disassembly key / filtro completo e chiave di smontaggio	Z13DT	51	70	09/03	>		55.116.00		19.008.00
assembly PURFLUX / montaggio PURFLUX	Z13DT	51	70	09/03	>	25.043.00	60.H2O.00	30.211.00	53.075.00
assembly UFI / montaggio UFI	Z13DT	51	70	01/05	>	25.031.00	60.H2O.00	30.211.00	53.075.00
1.5 16V (HR81S)									
with air-conditioner / con climatizzatore	M15A	73	99	09/03	>	23.251.00		30.283.00	53.075.00
1.5 16V 4WD (HR81S)									
with air-conditioner / con climatizzatore	M15A	73	99	09/03	>	23.251.00		30.283.00	53.075.00
1.5 16V Sport									
with air-conditioner / con climatizzatore	M15A	80	109	12/03	>	23.251.00		30.283.00	53.075.00
Ignis III									
1.2 DualJet									
	K12C	66	90	10/16	>			30.C40.00	53.424.00
1.2 DualJet AllGrip									
	K12C	66	90	10/16	>			30.C40.00	53.424.00
1.2 HYBRID									
		66	90	10/16	>			30.C40.00	
Jimny									
1.5 800									
	K15B	75	102	07/18	>				53.424.00
	F8A			01/76	>	23.131.01			
Liana (ER)									
1.3 i 16V									
with air-conditioner (spare part only) / con climatizzatore (solo ricambio)	M13A	66	90	06/01	> 11/02	23.251.00		30.327.00	✗
with air-conditioner (spare part only) / con climatizzatore (solo ricambio)	M13A	66	90	12/02	>	23.251.00		30.328.00	53.135.00
1.4 DDiS 16V									
with air-conditioner (spare part only) / con climatizzatore (solo ricambio)	DV4TED4	66	90	06/04	>	25.037.00	24.027.00	30.210.00	53.135.00
1.6 i 16V									
with air-conditioner (spare part only) / con climatizzatore (solo ricambio)	M16A	76	103	06/01	> 11/02	23.251.00		30.327.00	✗
with air-conditioner (spare part only) / con climatizzatore (solo ricambio)	M16A	76	103	12/02	>	23.251.00		30.328.00	53.135.00
1.6 i 16V									
with air-conditioner (spare part only) / con climatizzatore (solo ricambio)	M16A	78	106	04/02	> 11/02	23.251.00		30.327.00	✗
with air-conditioner (spare part only) / con climatizzatore (solo ricambio)	M16A	78	106	12/02	>	23.251.00		30.328.00	53.135.00
1.6 i 16V 4x4									
with air-conditioner (spare part only) / con climatizzatore (solo ricambio)	M16A	78	106	06/01	> 11/02	23.251.00		30.327.00	✗
with air-conditioner (spare part only) / con climatizzatore (solo ricambio)	M16A	78	106	12/02	>	23.251.00		30.328.00	53.135.00
Splash									
1.0 12V VVT									
	K10B	50	68	09/11	>	23.255.00		30.550.00	53.183.00
1.0 12V									
	K10B	48	65	05/08	>	23.255.00		30.550.00	53.183.00
1.0 12V GPL									
assembly BRC FJ1 HE / montaggio BRC FJ1 HE	K10B	48	65	05/08	>	23.255.00		30.550.00	53.183.00
	K10B	48	65	05/08	>		46.005.00		
1.2 16V									
to frame No. S0050000 / a telaio N. S0050000	K12B	63	86	05/08	>	23.255.00		30.550.00	53.183.00
from frame No. S0050001 / da telaio N. S0050001	K12B	63	86					30.553.00	
1.2 16V Auto.									
to frame No. S0050000 / a telaio N. S0050000	K12B	63	86	05/08	>	23.255.00		30.550.00	53.183.00
from frame No. S0050001 / da telaio N. S0050001	K12B	63	86					30.553.00	
1.2 16V VVT									
	K12B	66	90	06/11	>	23.255.00		30.553.00	53.183.00
1.2 16V VVT									
to frame No. S0050000 / a telaio N. S0050000	K12B	69	94	09/10	>	23.255.00		30.550.00	53.183.00
from frame No. S0050001 / da telaio N. S0050001	K12B	69	94					30.553.00	
1.3 DDiS 16V									
complete filter and disassembly key / filtro completo e chiave di smontaggio	Z13DTJ	55	75	05/08	>		55.116.00		19.008.00
assembly PURFLUX / montaggio PURFLUX	Z13DTJ	55	75	05/08	>	25.043.00	60.H2O.00	30.391.00	53.183.00
assembly UFI / montaggio UFI	Z13DTJ	55	75	05/08	>	25.031.00	60.H2O.00	30.391.00	53.183.00
1.3 DDiS 16V DPF									
complete filter and disassembly key / filtro completo e chiave di smontaggio	D13A	55	75	05/08	>		55.116.00		19.008.00
assembly PURFLUX / montaggio PURFLUX	D13A	55	75	05/08	>	25.043.00	60.H2O.00	30.391.00	53.183.00
assembly UFI / montaggio UFI	D13A	55	75	05/08	>	25.031.00	60.H2O.00	30.391.00	53.183.00
SS 40									
0.5 (543)									
						23.131.01			
SS 80									
0.8 (796)									
						23.131.01			
Swift									
1.0 i (AA44)									
	G10			01/89	> 05/01	23.131.01	31.565.00		
1.0 i (AB44)									
	G10			01/89	> 05/01	23.131.01	31.565.00		
1.0 i (SX310)									
	G10			01/89	> 05/01	23.131.01	31.565.00		
1.0 i cat (SF310)									
	G10A			01/89	> 05/01	23.131.01	31.565.00		

...SUZUKI - cars/auto

1.2	KB12	69	94	09/10 >	23.255.00		30.553.00	53.109.00
1.2 4x4	KB12	69	94	09/10 >			30.553.00	
1.2 Dual-Jet	KB12	66	90	07/14 >	23.255.00		30.553.00	53.109.00
1.2 Dual-Jet 4x4	KB12	66	90	07/14 >	23.255.00		30.553.00	53.109.00
1.3 16V (MZ/SG)	M13A	68	92	05/05 > 08/10	23.251.00			53.109.00
models made in Japan / modelli prodotti in Giappone	M13A	68	92	05/05 > 08/10			30.628.00	
models made in Hungary / modelli prodotti in Ungheria	M13A	68	92	05/05 > 08/10			30.384.00	
1.3 16V 4x4 (MZ/SG)	M13A	68	92	05/05 > 08/10	23.251.00			53.109.00
models made in Japan / modelli prodotti in Giappone	M13A	68	92	05/05 > 08/10			30.628.00	
models made in Hungary / modelli prodotti in Ungheria	M13A	68	92	05/05 > 08/10			30.384.00	
1.3 DDiS 16V (AZG412/413)	D13A	55	75	09/10 >	25.061.00	60.H2O.00	30.391.00	53.109.00
complete filter and disassembly key / filtro completo e chiave di smontaggio	D13A	55	75	09/10 >				19.008.00
heat exchanger / scambiatore di calore	D13A	55	75	09/10 >				00.G39.00
1.3 DDiS 16V (AZG413)	D13AA	55	75	09/12 >	25.061.00	60.H2O.00	30.391.00	53.109.00
complete filter and disassembly key / filtro completo e chiave di smontaggio	D13AA	55	75	09/12 >				19.008.00
heat exchanger / scambiatore di calore	D13AA	55	75	09/12 >				00.G39.00
1.3 DDiS 16V (MZ/SG)	Z13DT	51	70	08/05 > 08/10		55.116.00		19.008.00
complete filter and disassembly key / filtro completo e chiave di smontaggio	Z13DT	51	70	08/05 > 08/10	25.043.00	60.H2O.00	30.391.00	53.109.00
assembly PURFLUX / montaggio PURFLUX	Z13DT	51	70	08/05 > 08/10	25.031.00	60.H2O.00	30.391.00	53.109.00
assembly UFI / montaggio UFI	Z13DT	51	70	08/05 > 08/10				
1.3 i 16V GTi (SF413)	G13BA			01/89 > 05/01	23.131.01	31.565.00		×
1.3 i cat (SF413)	G13BA	51	69	01/89 > 05/01	23.131.01	31.565.00		×
1.5 16V (MZ/SG)	M15A	75	102	05/05 > 08/10	23.251.00			53.109.00
models made in Japan / modelli prodotti in Giappone	M15A	75	102	05/05 > 08/10			30.628.00	
models made in Hungary / modelli prodotti in Ungheria	M15A	75	102	05/05 > 08/10			30.384.00	
1.6 16V (AJ14)	G16B			01/89 > 05/01	23.210.00			×
1.6 16V (SF416)	G16B			01/89 > 05/01	23.210.00			×
1.6 i 16V (SF416)	G16B			01/89 > 05/01	23.210.00	31.565.00		×
1.6 i 16V 4WD (SF416)	G16B			01/90 > 05/01	23.210.00	31.565.00		×
1.6 VVT Sport	M16A	100	136	01/12 >	23.251.00		30.405.00	53.109.00
1.6 VVT Sport	M16A	92	125	01/06 > 08/10	23.251.00			53.109.00
models made in Japan / modelli prodotti in Giappone	M16A	92	125	01/06 > 08/10			30.628.00	
models made in Hungary / modelli prodotti in Ungheria	M16A	92	125	01/06 > 08/10			30.384.00	
Swift V								
1.2	A2L412	66	90	04/17 >			30.C40.00	
1.2 Allgrip	A2L412	66	90	04/17 >			30.C40.00	
1.2 SHVS	A2L412	66	90	04/17 >			30.C40.00	
1.2 SHVS Allgrip	A2L412	66	90	04/17 >			30.C40.00	
Swift VI								
1.0 Hybrid	K10C	82	112	03/17 >	23.255.00		30.C41.00	53.157.00
1.2 DualJet	K12C	66	90	05/17 >				
1.2 DualJet 4WD	K12C	66	90	05/17 >				
Wagon R+								
1.0		48	65	02/98 > 06/00	23.255.00		30.780.00	
1.2	K12A	51	69	02/98 > 06/00	23.255.00		30.780.00	
1.2 4WD	K12A	51	69	02/98 > 06/00	23.255.00		30.780.00	
1.3 16V (RB413)	G13BB	56	76	05/00 > 02/04	23.251.00		30.129.00	
1.3 16V VVT	M13A	69	94	09/03 >	23.251.00		30.283.00	53.075.00
1.3 DDiS 16V								
complete filter and disassembly key / filtro completo e chiave di smontaggio		51	70	09/03 >		55.116.00		19.008.00
assembly PURFLUX / montaggio PURFLUX		51	70	09/03 >	25.043.00	60.H2O.00	30.211.00	53.075.00
assembly UFI / montaggio UFI		51	70	01/05 >	25.031.00	60.H2O.00	30.211.00	53.075.00
SUZUKI off-road cars/fuoristrada								
Grand Vitara								
1.6 16V	M16A	78	106	10/05 >	23.251.00		30.725.00	53.222.00
1.9 DDiS	Renault F9Q	95	129	10/05 >				53.222.00
to frame No. 00610000 / a telaio N. 00610000	Renault F9Q	95	129		23.481.00	26.687.00	30.725.00	
from frame No. 00610001 / da telaio N. 00610001	Renault F9Q	95	129		23.564.00	24.113.00	30.A96.00	
2.0 16V	J20A	103	140	10/05 >	23.251.00		30.725.00	53.222.00
2.0 16V								
with air-conditioner and L.H.D. / con climatizzatore e guida a sinistra	J20A	94	128	03/98 > 10/02	23.251.00		30.460.00	53.201.00
with air-conditioner and L.H.D. / con climatizzatore e guida a sinistra	J20A	94	128	11/02 > 09/05	23.251.00		30.460.00	53.213.00
without air-conditioner / senza climatizzatore	J20A	94	128	03/98 > 09/05				×
2.0 TD								
with air-conditioner and L.H.D. / con climatizzatore e guida a sinistra	RFM	63	86	03/98 > 08/01	23.274.00	24.366.00	30.460.00	53.201.00
without air-conditioner / senza climatizzatore	RFM	63	86	03/98 > 08/01	23.274.00	24.366.00	30.460.00	×

...SUZUKI - off-road cars/fuoristrada

2.0 TD 16V									
with air-conditioner / con climatizzatore	Peugeot RHW	80	109	04/03 >	09/05	23.439.00	26.003.00	30.460.00	53.213.00
without air-conditioner / senza climatizzatore	Peugeot RHW	80	109	04/03 >	09/05	23.439.00	26.003.00	30.460.00	✗
2.0 TD 16V XL7	Peugeot RHW	80	109	06/03 >	09/05	23.439.00	26.003.00	30.460.00	
2.0 TD 8V	Peugeot RHZ	80	109	02/01 >	10/02	23.439.00	26.691.00	30.460.00	53.201.00
	Peugeot RHZ	80	109	11/02 >	05/03	23.439.00	26.691.00	30.460.00	
2.0 TD 8V	Peugeot RHZ40	80	109	02/01 >	10/02	23.439.00	26.691.00	30.460.00	53.201.00
	Peugeot RHZ40	80	109	11/02 >	05/03	23.439.00	26.691.00	30.460.00	
2.4	J24B	124	169	10/08 >		23.251.00		30.A96.00	53.222.00
2.5 V6 24V									
with air-conditioner / con climatizzatore	H25A	106	144	04/98 >	10/02	23.210.00		30.460.00	53.201.00
with air-conditioner / con climatizzatore	H25A	106	144	11/02 >	09/05	23.210.00		30.460.00	53.213.00
without air-conditioner / senza climatizzatore	H25A	106	144	04/98 >	09/05	23.210.00		30.460.00	✗
2.7 V6 24V	H27A	127	173	02/01 >	10/02	23.210.00			53.201.00
	H27A	127	173	11/02 >	12/03	23.210.00			53.213.00
to frame No. 200000 / a telaio N. 200000	H27A	127	173					30.460.00	
without air-conditioner / senza climatizzatore	H27A	127	173	02/01 >	12/03	23.210.00			✗
2.7 V6 24V									
to frame No. 200000 / a telaio N. 200000	H27A	136	184					30.460.00	
with air-conditioner / con climatizzatore	H27A	136	184	12/03 >	09/05	23.210.00			53.213.00
without air-conditioner / senza climatizzatore	H27A	136	184	12/03 >	09/05	23.210.00			✗
3.2 V6	N32A	171	232	10/08 >				30.A96.00	53.222.00
Grand Vitara Cabrio									
1.6 i 16V (SQ416Q)	G16B			01/98 >	09/05	23.251.00	31.801.00		
2.0 i 16V (SQ420Q)	J20A			01/99 >	09/05		31.801.00	30.460.00	
Jimny (FJ)									
1.3 16V									
with air-conditioner / con climatizzatore	G13BB	59	80	09/98 >		23.251.00		30.269.00	53.127.00
1.3 16V									
with air-conditioner / con climatizzatore	M13A	60	82	02/01 >		23.251.00		30.269.00	53.127.00
1.3 16V 4WD									
with air-conditioner / con climatizzatore	G13BB	59	80	09/98 >		23.251.00		30.269.00	53.127.00
1.3 16V 4WD									
with air-conditioner / con climatizzatore	M13A	60	82	02/01 >		23.251.00		30.269.00	53.127.00
1.5 DDiS 4WD									
with air-conditioner / con climatizzatore	Renault K9K	48	65	12/03 >		23.418.00		30.383.00	53.127.00
assembly DELPHI / montaggio DELPHI	Renault K9K	48	65	12/03 >			24.013.00		
without water presence sensor KNECHT-MAHLE / senza sensore presenza acqua KNECHT-MAHLE	Renault K9K	48	65	12/03 >			55.392.00		
1.5 DDiS 4WD									
with air-conditioner / con climatizzatore	Renault K9K	63	86	12/05 >	05/07	23.418.00	24.013.00	30.383.00	53.127.00
with air-conditioner / con climatizzatore	Renault K9K	63	86	06/07 >		23.418.00	55.392.00	30.383.00	53.127.00
Jimny (GJ)									
1.5 AllGrip 4WD	K15B	75	102	07/18 >		23.255.00			53.424.00
LJ 80									
0.8 (797)				01/79 >		23.131.01		27.074.00	
Samurai									
1.3 (1298)						23.210.00		27.090.00	✗
1.3 (1324)						23.210.00		27.090.00	✗
1.3 i cat (SJ413)	G13BA (1324)			01/90 >		23.210.00		27.090.00	✗
1.3 i cat (SJ416)	G13B (1298)			01/88 >		23.210.00		27.090.00	✗
1.9 D (SJ419D)	Renault	47	64	07/01 >		23.418.00	26.686.00	30.213.00	✗
1.9 TD (SJ419TD)	Peugeot XUD9	46	63	11/98 >	12/04	23.439.00		30.967.00	✗
Sidekick									
1.3				01/88 >		23.210.00		27.090.00	
1.6 i				01/88 >		23.210.00		30.967.00	
1.6 i 16V				09/91 >		23.210.00			
SJ 410									
1.0 (970)				01/82 >		23.131.01		27.074.00	
SJ 413									
1.3 (1324)						23.210.00		27.090.00	
1.3 cat (1324)						23.210.00		27.090.00	
SJ 500 X									
1.3 (1324)	G13A	47	64			23.210.00		27.090.00	
SX4									
1.5 16V	M15A	73	99	03/06 >	08/09	23.251.00		30.347.00	
with air-conditioner models made in Japan / con climatizzatore modelli prodotti in Giappone	M15A	73	99	03/06 >	08/09				53.426.00
models made in Hungary / modelli prodotti in Ungheria	M15A	73	99	03/06 >	08/09				53.109.00

...SUZUKI - off-road cars/fuoristrada

1.5 16V	M15A	82	112	09/09 >	23.251.00		30.405.00		
with air-conditioner models made in Japan / con climatizzatore modelli prodotti in Giappone	M15A	82	112	09/09 >				53.426.00	
models made in Hungary / modelli prodotti in Ungheria	M15A	82	112	09/09 >				53.109.00	
1.6 16V	M16A	79	107	03/06 > 08/09	23.251.00		30.347.00		
with air-conditioner models made in Japan / con climatizzatore modelli prodotti in Giappone	M16A	79	107	03/06 > 08/09				53.426.00	
models made in Hungary / modelli prodotti in Ungheria	M16A	79	107	03/06 > 08/09				53.109.00	
1.6 16V	M16A	88	120	09/09 >	23.251.00		30.405.00		
with air-conditioner models made in Japan / con climatizzatore modelli prodotti in Giappone	M16A	88	120	09/09 >				53.426.00	
models made in Hungary / modelli prodotti in Ungheria	M16A	88	120	09/09 >				53.109.00	
1.6 16V 4WD	M16A	79	107	03/06 > 08/09	23.251.00		30.347.00		
with air-conditioner models made in Japan / con climatizzatore modelli prodotti in Giappone	M16A	79	107	03/06 > 08/09				53.426.00	
models made in Hungary / modelli prodotti in Ungheria	M16A	79	107	03/06 > 08/09				53.109.00	
1.6 16V 4WD	M16A	88	120	09/09 >	23.251.00		30.405.00		
with air-conditioner models made in Japan / con climatizzatore modelli prodotti in Giappone	M16A	88	120	03/09 >				53.426.00	
models made in Hungary / modelli prodotti in Ungheria	M16A	88	120	09/09 >				53.109.00	
1.6 DDiS 16V	9HX	66	90	03/07 >	25.037.00	24.027.00	30.210.00		
with air-conditioner models made in Japan / con climatizzatore modelli prodotti in Giappone	9HX	66	90	03/07 >				53.426.00	
models made in Hungary / modelli prodotti in Ungheria	9HX	66	90	03/07 >				53.109.00	
1.9 DDiS 4WD									
with air-conditioner models made in Japan / con climatizzatore modelli prodotti in Giappone	D19AA	88	120	10/05 >				53.426.00	
complete filter and disassembly key / filtro completo e chiave di smontaggio	D19AA	88	120	10/05 >		55.179.00		19.008.00	
models made in Hungary / modelli prodotti in Ungheria	D19AA	88	120	10/05 >				53.109.00	
assembly MANN+HUMMEL / montaggio MANN+HUMMEL	D19AA	88	120	10/05 >	25.049.00	60.H2O.00	30.393.00		
2.0 DDiS 4WD	D20AA	99	135	09/09 >	25.061.00	60.H2O.00	30.416.00		
with air-conditioner models made in Japan / con climatizzatore modelli prodotti in Giappone	D20AA	99	135	09/09 >				53.426.00	
models made in Hungary / modelli prodotti in Ungheria	D20AA	99	135	09/09 >				53.109.00	
SX4 S-Cross									
1.0	K10C	82	112	07/16 >	23.255.00		30.C41.00	53.249.00	
1.4 4WD	K14C	103	140	07/16 >	23.255.00			53.249.00	
1.6 DDiS	D16AA	88	120	11/13 >	25.083.00	60.H2O.00		53.249.00	
complete filter and disassembly key / filtro completo e chiave di smontaggio	D16AA	88	120	11/13 >		55.179.00		19.008.00	
1.6 DDiS 4WD	D16AA	88	120	11/13 >	25.083.00	60.H2O.00		53.249.00	
complete filter and disassembly key / filtro completo e chiave di smontaggio	D16AA	88	120	11/13 >		55.179.00		19.008.00	
1.6 VVT	M16A	88	120	11/13 >	23.251.00		30.A49.00	53.249.00	
1.6 VVT 4WD	M16A	88	120	11/13 >	23.251.00		30.A49.00	53.249.00	
Vitara									
2.0 HDI	Peugeot DW10TD	64	87	09/01 > 09/05	23.439.00	26.691.00	30.460.00	✗	
with pump SIEMENS / con pompa SIEMENS	Peugeot DW10TD	64	87	09/01 > 09/05	23.439.00	26.003.00	30.460.00	✗	
2.0 HDI	Peugeot DW10TD	66	90	09/01 >	23.439.00	26.691.00	30.460.00	✗	
with pump SIEMENS / con pompa SIEMENS	Peugeot DW10TD	66	90	09/01 >	23.439.00	26.003.00	30.460.00	✗	
Vitara Cabrio									
1.6 i 16V (SQ 416Q)	G16B			01/99 >		31.801.00			
2.0 i 16V (SQ 420Q)	J20A			01/99 >		31.801.00			
Vitara II									
1.0 Booster Jet	K10C	82	111	02/18 >	23.255.00		30.C41.00	53.249.00	
1.0 Booster Jet 4WD	K10C	82	111	02/18 >	23.255.00		30.C41.00	53.249.00	
1.4 Booster Jet		103	140	09/15 >	23.255.00			53.249.00	
1.6 DDiS		88	120	02/15 >	25.083.00	60.H2O.00		53.249.00	
1.6 DDiS 4WD		88	120	02/15 >	25.083.00	60.H2O.00		53.249.00	
1.6 VVT		88	120	02/15 >	23.251.00		30.A49.00	53.249.00	
1.6 VVT 4WD		88	120	02/15 >	23.251.00		30.A49.00	53.249.00	
SUZUKI commercial vehicles/veicoli commerciali									
Carry									
1.3 (DA 32 V, DA 32 W)	G13BB	58	79	06/99 > 09/04	23.255.00		30.A84.00	✗	
1.3 (GA 413)	G13BB	58	79	03/99 > 09/04	23.255.00		30.A84.00	✗	
Super Carry									
1.0	F10A			01/86 >	23.131.01		27.074.00		
TX 1000									
1.0 (4 cyl.)	F10A			01/86 >	23.131.01		27.074.00		
TALBOT cars/auto									
Bagheera									
1.3 (1294)				06/73 >	23.105.00		27.845.02		
1.3 S (1294)				06/73 >	23.105.00		27.845.02		
1.5 (1442)				06/73 >	23.105.00		27.845.02		
1.5 S (1442)				06/73 >	23.105.00		27.845.02		

...TALBOT - cars/auto

1.5 X (1442)		06/73 >	23.105.00		27.845.02	
Horizon						
1.1 GL (1118)		01/78 >	23.105.00		27.845.02	
1.1 LS (1118)		01/78 >	23.105.00		27.845.02	
1.3 GL (1294)		01/78 >	23.105.00		27.845.02	
1.3 LS (1294)		01/78 >	23.105.00		27.845.02	
1.4 EX (1442)		01/78 >	23.105.00		27.845.02	
1.4 GLS (1442)		01/78 >	23.105.00		27.845.02	
1.4 S (1442)		01/78 >	23.105.00		27.845.02	
1.4 SX (1442)		01/78 >	23.105.00		27.845.02	
1.4 SX Autom. (1442)		01/78 >	23.105.00		27.845.02	
1.4 Ultra (1442)		01/78 >	23.105.00		27.845.02	
1.5 EX (1442)		01/78 >	23.105.00		27.845.02	
1.5 GLS (1442)		01/78 >	23.105.00		27.845.02	
1.5 S (1442)		01/78 >	23.105.00		27.845.02	
1.5 SX (1442)		01/78 >	23.105.00		27.845.02	
1.5 SX Autom. (1442)		01/78 >	23.105.00		27.845.02	
1.5 Ultra (1442)		01/78 >	23.105.00		27.845.02	
1.6 GLS (1592)	J2		23.105.00			
1.6 Premium (1592)		01/82 >	23.105.00			
1.9 EXD (1905)						
with pump BOSCH / con pompa BOSCH		10/82 >	23.191.00	26.652.00	27.061.00	
with pump DELPHI / con pompa DELPHI		10/82 >	23.191.00	24.360.00	27.061.00	
1.9 LD (1905)						
with pump BOSCH / con pompa BOSCH		10/82 >	23.191.00	26.652.00	27.061.00	
with pump DELPHI / con pompa DELPHI		10/82 >	23.191.00	24.360.00	27.061.00	

TASSO
microcars/microvetture
Bingo

505	Lombardini LDW502		23.262.00	24.352.00		
505 SS Europe	Lombardini LDW502		23.262.00	24.352.00		

C1DB

505 TS	Lombardini LDW502		23.262.00	24.352.00		
--------	-------------------	--	-----------	-----------	--	--

Domino

505 Pick-up	Lombardini LDW502		23.262.00	24.352.00		
-------------	-------------------	--	-----------	-----------	--	--

Hola

505	Lombardini LDW502		23.262.00	24.352.00		
-----	-------------------	--	-----------	-----------	--	--

TATA
off-road cars/fuoristrada
Estate

2.0 i 16V	4PL	10/95 >		31.500.00		✗
-----------	-----	---------	--	-----------	--	---

Gurkha

1.9 D	483PLII	50 68	08/95 >	23.189.00	21.061.00	27.888.00	✗
1.9 TD							
assembly BOSCH / montaggio BOSCH	483DL	68 92	06/97 >		21.061.00		✗
assembly DELPHI / montaggio DELPHI	483DL	68 92	06/97 >		24.360.00		✗

Loadbeta

1.9 D							
assembly BOSCH / montaggio BOSCH	483DLII	50 68	01/93 >	23.189.00	21.061.00	27.888.00	✗
assembly DELPHI / montaggio DELPHI	483DLII	50 68	01/93 >	23.189.00	24.360.00	27.888.00	✗

Safari

1.9 TD 4x2							
assembly BOSCH / montaggio BOSCH	483DL	66 90	04/00 >		21.061.00		✗
assembly DELPHI / montaggio DELPHI	483DL	66 90	04/00 >		24.360.00		✗
1.9 TD 4x4							
assembly BOSCH / montaggio BOSCH	483DL	66 90	04/00 >		21.061.00		✗
assembly DELPHI / montaggio DELPHI	483DL	66 90	04/00 >		24.360.00		✗

Sierra

2.0 i 16V	4PL	10/95 >		31.500.00		✗
-----------	-----	---------	--	-----------	--	---

Tatamobile

2.0 i 16V		10/95 >		31.500.00		✗
-----------	--	---------	--	-----------	--	---

Telcoline

1.9 D							
assembly BOSCH / montaggio BOSCH	483DL		01/01 >	23.189.00	21.061.00	27.888.00	✗
assembly DELPHI / montaggio DELPHI	483DL		01/01 >	23.189.00	24.360.00	27.888.00	✗
1.9 TDI							
assembly BOSCH / montaggio BOSCH	483DTII	66 90	01/01 >		21.061.00	27.888.00	✗

...TATA - off-road cars/ fuoristrada

assembly DELPHI / montaggio DELPHI		483DTII	66	90	01/01 >		24.360.00	27.888.00	✕
TATA cars/auto									
Indica									
1.4			63	85	10/98 >				✕
1.4 D		475DL	46	62	10/98 >		24.360.00		✕
1.4 MPFI			63	85	10/98 >				✕
1.4 TDI			52	71	10/98 >				✕
Indigo									
1.4			63	85	10/98 >				✕
1.4 D		475DL	46	62	10/98 >		24.360.00		✕
1.4 TDI			52	71	10/98 >				✕
Vista									
1.3 Quadrajel			55	75	08/08 >		25.031.00	24.ONE.00	
TOYOTA cars/auto									
Alphard I									
2.4		2AZ-FE	117	160	09/03 > 03/08		23.251.00	∞	30.338.00
2.4 Hybrid		2AZ-FXE	117	160	09/03 > 03/08		23.251.00	∞	30.338.00
3.0 V6		1MZ-FE	162	220	09/03 > 03/08		23.253.00	∞	30.788.00
Alphard II									
2.4		2AZ-FE	125	170	04/08 >		23.251.00	∞	30.452.00
with activated carbons / ai carboni attivi		2AZ-FE	125	170	04/08 >				54.266.00
antibacterial, anti-odour and anti-allergen filter / filtro antibatterico, antiodori e anti-allergeni		2AZ-FE	125	170	04/08 >				34.266.00
2.5 Hybrid		2AR-FXE	112	152	01/15 >		25.196.00	∞	54.331.00
3.5 V6		2GR-FE	206	280	04/08 >		25.196.00	∞	30.452.00
with activated carbons / ai carboni attivi		2GR-FE	206	280	04/08 >				54.266.00
antibacterial, anti-odour and anti-allergen filter / filtro antibatterico, antiodori e anti-allergeni		2GR-FE	206	280	04/08 >				34.266.00
Auris I (E15#)									
1.33 Dual VVT-i		1NR-FE	74	100	11/08 >		25.116.00		30.554.00
with activated carbons / ai carboni attivi		1NR-FE	74	100	11/08 >				54.266.00
antibacterial, anti-odour and anti-allergen filter / filtro antibatterico, antiodori e anti-allergeni		1NR-FE	74	100	11/08 >				34.266.00
1.4 D-4D		1ND-TV	66	90	10/06 > 12/08		23.253.00	24.452.00	30.504.00
		1ND-TV	66	90	01/09 >		25.150.00	24.452.00	30.504.00
with activated carbons / ai carboni attivi		1ND-TV	66	90	10/06 >				54.266.00
antibacterial, anti-odour and anti-allergen filter / filtro antibatterico, antiodori e anti-allergeni		1ND-TV	66	90	10/06 >				34.266.00
1.4 D-4D M-MT		1ND-TV	66	90	10/06 > 12/08		23.253.00	24.452.00	30.504.00
		1ND-TV	66	90	01/09 >		25.150.00	24.452.00	30.504.00
with activated carbons / ai carboni attivi		1ND-TV	66	90	10/06 >				54.266.00
antibacterial, anti-odour and anti-allergen filter / filtro antibatterico, antiodori e anti-allergeni		1ND-TV	66	90	10/06 >				34.266.00
1.4 VVT-i		4ZZ-FE	71	97	02/07 > 11/08		23.263.00		30.554.00
with activated carbons / ai carboni attivi		4ZZ-FE	71	97	02/07 > 11/08				54.266.00
antibacterial, anti-odour and anti-allergen filter / filtro antibatterico, antiodori e anti-allergeni		4ZZ-FE	71	97	02/07 > 11/08				34.266.00
1.6 16V		1ZR-FAE	97	132	05/09 >		25.086.00		30.554.00
with activated carbons / ai carboni attivi		1ZR-FAE	97	132	05/09 >				54.266.00
antibacterial, anti-odour and anti-allergen filter / filtro antibatterico, antiodori e anti-allergeni		1ZR-FAE	97	132	05/09 >				34.266.00
1.6 Dual VVT-i		1ZR-FE	91	124	02/07 > 02/09		23.263.00		30.554.00
		1ZR-FE	91	124	03/09 >		25.086.00		30.554.00
with activated carbons / ai carboni attivi		1ZR-FE	91	124	02/07 >				54.266.00
antibacterial, anti-odour and anti-allergen filter / filtro antibatterico, antiodori e anti-allergeni		1ZR-FE	91	124	02/07 >				34.266.00
1.6 Dual VVT-i M-MT		1ZR-FE	91	124	02/07 > 02/09		23.263.00		30.554.00
		1ZR-FE	91	124	03/09 >		25.086.00		30.554.00
with activated carbons / ai carboni attivi		1ZR-FE	91	124	02/07 >				54.266.00
antibacterial, anti-odour and anti-allergen filter / filtro antibatterico, antiodori e anti-allergeni		1ZR-FE	91	124	02/07 >				34.266.00
1.8 16V		2ZR-FAE	108	147	02/09 >		25.086.00		30.554.00
with activated carbons / ai carboni attivi		2ZR-FAE	108	147	02/09 >				54.266.00
antibacterial, anti-odour and anti-allergen filter / filtro antibatterico, antiodori e anti-allergeni		2ZR-FAE	108	147	02/09 >				34.266.00
1.8 HSD (ZWE150)		2ZR-FXE	73	99	09/10 > 03/12		25.086.00	∞	30.625.00
with activated carbons / ai carboni attivi		2ZR-FXE	73	99	09/10 > 03/12				54.266.00
antibacterial, anti-odour and anti-allergen filter / filtro antibatterico, antiodori e anti-allergeni		2ZR-FXE	73	99	09/10 > 03/12				34.266.00
2.0 D-4D		1AD-FTV	93	126	10/06 >		25.077.00	24.452.00	30.504.00
with activated carbons / ai carboni attivi		1AD-FTV	93	126	10/06 >				54.266.00
antibacterial, anti-odour and anti-allergen filter / filtro antibatterico, antiodori e anti-allergeni		1AD-FTV	93	126	10/06 >				34.266.00
2.0 D-4D D-Cat		1AD-FTV	93	126	10/06 >		25.077.00	24.452.00	30.504.00
with activated carbons / ai carboni attivi		1AD-FTV	93	126	10/06 >				54.266.00
antibacterial, anti-odour and anti-allergen filter / filtro antibatterico, antiodori e anti-allergeni		1AD-FTV	93	126	10/06 >				34.266.00
2.2 D-4D D-Cat		2AD-FHV	130	177	02/07 >		25.077.00	24.452.00	30.504.00

...TOYOTA - cars/auto

with activated carbons / ai carboni attivi	2AD-FHV	130	177	02/07	>				54.266.00	
antibacterial, anti-odour and anti-allergen filter / filtro antibatterico, antiodori e anti-allergeni	2AD-FHV	130	177	02/07	>				34.266.00	
Auris II (E18#)										
1.2	8NR-FTS	85	116	03/15	>		23.263.00		30.554.00	53.147.00
with activated carbons / ai carboni attivi	8NR-FTS	85	116	03/15	>					54.266.00
antibacterial, anti-odour and anti-allergen filter / filtro antibatterico, antiodori e anti-allergeni	8NR-FTS	85	116	03/15	>					34.266.00
1.33 VVT-i	1NR-FE	73	99	10/12	>		25.116.00		30.554.00	53.147.00
with activated carbons / ai carboni attivi	1NR-FE	73	99	10/12	>					54.266.00
antibacterial, anti-odour and anti-allergen filter / filtro antibatterico, antiodori e anti-allergeni	1NR-FE	73	99	10/12	>					34.266.00
1.4 D-4D	1ND-TV	66	90	10/12	>		25.150.00	24.452.00	30.504.00	53.147.00
with activated carbons / ai carboni attivi	1ND-TV	66	90	10/12	>					54.266.00
antibacterial, anti-odour and anti-allergen filter / filtro antibatterico, antiodori e anti-allergeni	1ND-TV	66	90	10/12	>					34.266.00
1.6 D-4D	1WW	82	111	05/15	>		25.142.00		30.660.00	53.147.00
with activated carbons / ai carboni attivi	1WW	82	111	05/15	>					54.266.00
antibacterial, anti-odour and anti-allergen filter / filtro antibatterico, antiodori e anti-allergeni	1WW	82	111	05/15	>					34.266.00
1.6 Dual VVT-i	1ZR-FAE	97	132	10/12	>		25.086.00		30.554.00	53.147.00
with activated carbons / ai carboni attivi	1ZR-FAE	97	132	10/12	>					54.266.00
antibacterial, anti-odour and anti-allergen filter / filtro antibatterico, antiodori e anti-allergeni	1ZR-FAE	97	132	10/12	>					34.266.00
1.8 Hybrid	2ZR-FXE	100	136	10/12	>		25.086.00		30.625.00	53.147.00
with activated carbons / ai carboni attivi	2ZR-FXE	100	136	10/12	>					54.266.00
antibacterial, anti-odour and anti-allergen filter / filtro antibatterico, antiodori e anti-allergeni	2ZR-FXE	100	136	10/12	>					34.266.00
2.0 D-4D	1AD-FTV	91	124	10/12	>		25.077.00	24.452.00	30.504.00	53.147.00
with activated carbons / ai carboni attivi	1AD-FTV	91	124	10/12	>					54.266.00
antibacterial, anti-odour and anti-allergen filter / filtro antibatterico, antiodori e anti-allergeni	1AD-FTV	91	124	10/12	>					34.266.00
Avalon										
3.0 V6 24V F.I. (USA)	1MZ-FE			10/97	>	07/05	23.253.00		30.223.00	
Avanza										
1.3 (F6)		67	91	08/06	>				30.871.00	
1.3 (F602, F601)		63	86	12/03	>				30.871.00	
1.3 (F602, F601)		65	88	09/02	>				30.871.00	
1.5 (F6)		76	103	11/11	>				30.871.00	
1.5 (F602, F601)		76	103	08/06	>				30.871.00	
1.5 (F602, F601)		80	109	08/06	>				30.871.00	
Avenis I										
1.6 16V (AT220)										
with air-conditioner and L.H.D. / con climatizzatore e guida a sinistra	4A-FE	74	101	07/98	>	08/00	23.263.00	31.776.00	30.075.00	53.197.00
1.6 16V (ZZT220)										
with air-conditioner and L.H.D. / con climatizzatore e guida a sinistra	3ZZ-FE	81	110	08/00	>	02/03	23.263.00	31.914.00	30.075.00	53.197.00
1.8 16V (AT221)										
with air-conditioner and L.H.D. / con climatizzatore e guida a sinistra	7A-FE	81	110	07/98	>	10/00	23.263.00	31.776.00	30.075.00	53.197.00
1.8 16V (ZZT221)										
with air-conditioner and L.H.D. / con climatizzatore e guida a sinistra	1ZZ-FE	95	129	08/00	>	02/03	23.263.00	31.914.00	30.075.00	53.197.00
2.0 16V (ST220)										
with air-conditioner and L.H.D. / con climatizzatore e guida a sinistra	3S-FE	94	128	07/98	>	10/00	23.263.00	31.776.00	30.075.00	53.197.00
2.0 16V VVT-I (AZT220)										
with air-conditioner and L.H.D. / con climatizzatore e guida a sinistra	1AZ-FSE	110	150	07/00	>	02/03	23.251.00	31.927.00	30.075.00	53.197.00
2.0 TD (CT220)										
with air-conditioner and L.H.D. / con climatizzatore e guida a sinistra	2C-TE	66	90	10/97	>	07/00	23.476.00	24.413.00		53.197.00
2.0 TDI D4-D (CDT220)										
with air-conditioner and L.H.D. / con climatizzatore e guida a sinistra	1CD-FTV	81	110	08/99	>	02/03	23.248.00	24.413.00	30.225.00	53.197.00
Avenis II										
1.6 VVT-i (ZZT250)										
with activated carbons / ai carboni attivi	3ZZ-FE	81	110	03/03	>					54.273.00
with air-conditioner / con climatizzatore	3ZZ-FE	81	110	03/03	>		23.263.00		30.289.00	53.125.00
antibacterial, anti-odour and anti-allergen filter / filtro antibatterico, antiodori e anti-allergeni	3ZZ-FE	81	110	03/03	>					34.273.00
1.8 VVT-i (ZZT251)										
with activated carbons / ai carboni attivi	1ZZ-FE	95	129	03/03	>					54.273.00
with air-conditioner / con climatizzatore	1ZZ-FE	95	129	03/03	>		23.263.00		30.289.00	53.125.00
antibacterial, anti-odour and anti-allergen filter / filtro antibatterico, antiodori e anti-allergeni	1ZZ-FE	95	129	03/03	>					34.273.00
2.0 16V D-4D										
with activated carbons / ai carboni attivi	1AD-FTV	93	126	04/06	>	11/08				54.273.00
with air-conditioner / con climatizzatore	1AD-FTV	93	126	04/06	>	11/08	25.077.00	24.413.00	30.334.00	53.125.00
antibacterial, anti-odour and anti-allergen filter / filtro antibatterico, antiodori e anti-allergeni	1AD-FTV	93	126	04/06	>	11/08				34.273.00
2.0 16V D-4D (AZT250)										
with activated carbons / ai carboni attivi	1CD-FTV	85	116	03/03	>	09/05				54.273.00
with air-conditioner / con climatizzatore	1CD-FTV	85	116	03/03	>	09/05	23.476.00	24.411.00	30.247.00	53.125.00
antibacterial, anti-odour and anti-allergen filter / filtro antibatterico, antiodori e anti-allergeni	1CD-FTV	85	116	03/03	>	09/05				34.273.00

...TOYOTA - cars/auto

2.0 16V D-4D (CDZT250)								
with activated carbons / ai carboni attivi	1CD-FTV	85	116	03/03 >	09/05			54.273.00
with air-conditioner / con climatizzatore	1CD-FTV	85	116	03/03 >	09/05	23.476.00	24.411.00	53.125.00
antibacterial, anti-odour and anti-allergen filter / filtro antibatterico, antiodori e anti-allergeni	1CD-FTV	85	116	03/03 >	09/05			34.273.00
2.0 VVT-i (AZT250)								
with activated carbons / ai carboni attivi	1AZ-FSE	108	147	03/03 >	11/08			54.273.00
with air-conditioner / con climatizzatore	1AZ-FSE	108	147	03/03 >	11/08	23.263.00		53.125.00
antibacterial, anti-odour and anti-allergen filter / filtro antibatterico, antiodori e anti-allergeni	1AZ-FSE	108	147	03/03 >	11/08			34.273.00
2.2 16V D-4D								
with activated carbons / ai carboni attivi	2AD-FTV	110	150	04/05 >	11/09			54.273.00
with air-conditioner / con climatizzatore	2AD-FTV	110	150	04/05 >	11/09	25.077.00	24.413.00	53.125.00
antibacterial, anti-odour and anti-allergen filter / filtro antibatterico, antiodori e anti-allergeni	2AD-FTV	110	150	04/05 >	11/09			34.273.00
2.2 16V D-4D cat								
with activated carbons / ai carboni attivi	2AD-FHV	130	177	06/05 >	11/08			54.273.00
with air-conditioner / con climatizzatore	2AD-FHV	130	177	06/05 >	11/08	25.077.00	24.413.00	53.125.00
antibacterial, anti-odour and anti-allergen filter / filtro antibatterico, antiodori e anti-allergeni	2AD-FHV	130	177	06/05 >	11/08			34.273.00
2.4 VVT-i (AZT251)								
with activated carbons / ai carboni attivi	2AZ-FSE	120	163	10/03 >	11/08			54.273.00
with air-conditioner / con climatizzatore	2AZ-FSE	120	163	10/03 >	11/08	23.251.00		53.125.00
antibacterial, anti-odour and anti-allergen filter / filtro antibatterico, antiodori e anti-allergeni	2AZ-FSE	120	163	10/03 >	11/08			34.273.00
2.4 VVT-i (AZT251)								
with activated carbons / ai carboni attivi	2AZ-FSE	125	170	10/03 >	11/08			54.273.00
with air-conditioner / con climatizzatore	2AZ-FSE	125	170	10/03 >	11/08	23.251.00		53.125.00
antibacterial, anti-odour and anti-allergen filter / filtro antibatterico, antiodori e anti-allergeni	2AZ-FSE	125	170	10/03 >	11/08			34.273.00
Avensis III (T27)								
1.6								
with activated carbons / ai carboni attivi	1ZR-FAE	97	132	11/08 >		25.086.00		54.266.00
antibacterial, anti-odour and anti-allergen filter / filtro antibatterico, antiodori e anti-allergeni	1ZR-FAE	97	132	11/08 >				34.266.00
1.6 D-4D								
with activated carbons / ai carboni attivi	1WW	82	111	04/15 >		25.142.00		54.266.00
antibacterial, anti-odour and anti-allergen filter / filtro antibatterico, antiodori e anti-allergeni	1WW	82	111	04/15 >			30.660.00	53.147.00
1.8								
with activated carbons / ai carboni attivi	2ZR-FAE	108	147	11/08 >		25.086.00		54.266.00
antibacterial, anti-odour and anti-allergen filter / filtro antibatterico, antiodori e anti-allergeni	2ZR-FAE	108	147	11/08 >			30.554.00	53.147.00
2.0								
with activated carbons / ai carboni attivi	3ZR-FAE	112	152	11/08 >		25.086.00		54.266.00
antibacterial, anti-odour and anti-allergen filter / filtro antibatterico, antiodori e anti-allergeni	3ZR-FAE	112	152	11/08 >			30.554.00	53.147.00
2.0								
with activated carbons / ai carboni attivi	3ZR-FE	102	140	11/08 >		25.086.00		54.266.00
antibacterial, anti-odour and anti-allergen filter / filtro antibatterico, antiodori e anti-allergeni	3ZR-FE	102	140	11/08 >			30.554.00	53.147.00
2.0 D-4D								
with activated carbons / ai carboni attivi	1AD-FTV	93	126	11/08 >		25.077.00	24.413.00	54.266.00
antibacterial, anti-odour and anti-allergen filter / filtro antibatterico, antiodori e anti-allergeni	1AD-FTV	93	126	11/08 >				34.266.00
2.0 D-4D								
with activated carbons / ai carboni attivi	2WW	105	143	04/15 >		25.142.00		54.266.00
antibacterial, anti-odour and anti-allergen filter / filtro antibatterico, antiodori e anti-allergeni	2WW	105	143	04/15 >			30.660.00	53.147.00
2.2 D-4D								
with activated carbons / ai carboni attivi	2AD-FTV	110	150	11/08 >		25.077.00	24.413.00	54.266.00
antibacterial, anti-odour and anti-allergen filter / filtro antibatterico, antiodori e anti-allergeni	2AD-FTV	110	150	11/08 >				34.266.00
2.2 D-Cat								
with activated carbons / ai carboni attivi	2AD-FHV	130	177	11/08 >		25.077.00	24.413.00	54.266.00
antibacterial, anti-odour and anti-allergen filter / filtro antibatterico, antiodori e anti-allergeni	2AD-FHV	130	177	11/08 >				34.266.00
Avensis Verso								
2.0 16V								
with air-conditioner / con climatizzatore	1AZ-FE	110	150	05/01 >		23.251.00		54.117.00
antibacterial, anti-odour and anti-allergen filter with air-conditioner / filtro antibatterico, antiodori e anti-allergeni con climatizzatore	1AZ-FE	110	150	05/01 >			30.289.00	34.117.00
2.0 TDI D-4D								
with air-conditioner / con climatizzatore	1CD-FTV	81	110	10/00 >	02/03	23.248.00	24.413.00	54.117.00
antibacterial, anti-odour and anti-allergen filter with air-conditioner / filtro antibatterico, antiodori e anti-allergeni con climatizzatore	1CD-FTV	81	110	10/00 >	02/03			34.117.00
2.0 TDI D-4D								
with air-conditioner / con climatizzatore	1CD-FTV	85	116	04/01 >	02/03	23.248.00	24.413.00	54.117.00
with air-conditioner / con climatizzatore	1CD-FTV	85	116	03/03 >		23.476.00	24.413.00	54.117.00
antibacterial, anti-odour and anti-allergen filter with air-conditioner / filtro antibatterico, antiodori e anti-allergeni con climatizzatore	1CD-FTV	85	116	04/01 >				34.117.00
Aygo I								
1.0 VVT-i (KGB10)								
with air-conditioner / con climatizzatore	1KR-FE	50	68	02/05 >	04/14	23.263.00		53.132.00
with activated carbon air-conditioner / con climatizzatore, ai carboni attivi	1KR-FE	50	68	02/05 >	04/14		30.175.00	54.265.00

...TOYOTA - cars/auto

antibacterial, anti-odour and anti-allergen filter with air-conditioner / filtro antibatterico, antiodori e anti-allergeni con climatizzatore	1KR-FE	50	68	02/05 >	04/14				34.265.00
1.0 VVT-i GPL/LPG									
with air-conditioner / con climatizzatore	1KR-FE	50	68	01/10 >	04/14		31.836.00		53.132.00
with activated carbon air-conditioner / con climatizzatore, ai carboni attivi	1KR-FE	50	68	01/10 >	04/14				54.265.00
antibacterial, anti-odour and anti-allergen filter with air-conditioner / filtro antibatterico, antiodori e anti-allergeni con climatizzatore	1KR-FE	50	68	01/10 >	04/14				34.265.00
1.4 D									
with air-conditioner / con climatizzatore	2WZ-TV	40	54	07/05 >	04/14	25.037.00	24.343.00	30.311.00	53.132.00
with activated carbon air-conditioner / con climatizzatore, ai carboni attivi	2WZ-TV	40	54	07/05 >	04/14				54.265.00
antibacterial, anti-odour and anti-allergen filter with air-conditioner / filtro antibatterico, antiodori e anti-allergeni con climatizzatore	2WZ-TV	40	54	07/05 >	04/14				34.265.00
without fuel oil heater / senza riscaldatore nafta	2WZ-TV	40	54	07/05 >	04/14	25.037.00	24.015.00	30.311.00	53.132.00
Aygo II									
1.0	1KR-FE	50	68	05/14 >		23.263.00		30.603.00	
with air-conditioner / con climatizzatore	1KR-FE	50	68	05/14 >					53.299.00
1.2	1PP	60	82	05/14 >		23.439.00		30.693.00	
with air-conditioner / con climatizzatore	1PP	60	82	05/14 >					53.299.00
C-HR									
1.2 Turbo CVT	8NR-FTS	85	116	10/16 >		23.263.00			
1.2 Turbo CVT 4x4	8NR-FTS	85	116	10/16 >		23.263.00			
1.8 Hybrid	2ZR-FXE	100	136	10/16 >		25.086.00		30.603.00	
with automatic air-conditioner / con climatizzatore automatico	2ZR-FXE	100	136	10/16 >					54.331.00
2.0 Hybrid									
with activated carbons / ai carboni attivi	M20A-FXS	112	152	10/19 >					54.331.00
2.0 Hybrid									
with activated carbons / ai carboni attivi	M20A-FXS	82	112	10/19 >					54.331.00
Camry									
2.0 VVTi (ACV3#)	1AZ-FE	110	150	08/01 >	01/06	23.251.00		30.788.00	
2.2 i 16V (SXV20)	5S-FE	93	126	09/00 >		23.253.00		30.223.00	
2.2 i 16V (SXV20)	5S-FE	96	131	08/96 >	08/00	23.263.00	31.669.00	30.223.00	
2.4 i 16V VVTi (ACV30)	2AZ-FE	112	153	09/00 >		23.251.00			
models made in Japan / modelli prodotti in Giappone	2AZ-FE	112	153	09/00 >				30.788.00	
models made in USA / modelli prodotti in USA	2AZ-FE	112	153	09/00 >				30.721.00	
2.5 (XV50)	2AR-FE	133	181	09/11 >				30.721.00	
3.0 i V6 24V (MCV20)	1MZ-FE	140	190	08/96 >	07/01	23.253.00		30.223.00	
3.5 V6 (GSV40)	2GR-FE	204	277	01/06 >				30.452.00	53.147.00
Camry VIII									
2.0 VVTi	6AR-FSE	110	150	10/17 >		25.196.00			
with activated carbons / ai carboni attivi	6AR-FSE	110	150	10/17 >					54.331.00
2.5 VVTi	2AR-FE	133	180	08/17 >		25.196.00			
with activated carbons / ai carboni attivi	2AR-FE	133	180	08/17 >					54.331.00
3.5 VVTi	2GR-FKS	183	248	10/17 >		25.196.00			
with activated carbons / ai carboni attivi	2GR-FKS	183	248	10/17 >					54.331.00
Carina E									
1.6 i 16V (AT190)	4A-FE			04/92 >		23.263.00	31.558.00	30.076.00	
assembly NIPPON DENSO / montaggio NIPPON DENSO	4A-FE			04/92 >		23.263.00	31.558.00	30.076.00	
1.8 i 16V	74-FE	79	107	04/92 >		23.263.00	31.558.00	30.076.00	
assembly NIPPON DENSO / montaggio NIPPON DENSO	74-FE	79	107	04/92 >		23.263.00	31.558.00	30.076.00	
2.0 GTi 16V (ST191)	3S-GE			08/93 >		23.263.00	31.523.00	30.075.00	
assembly MANN+HUMMEL / montaggio MANN+HUMMEL	3S-GE			08/93 >		23.263.00	31.523.00	30.075.00	
assembly NIPPON DENSO / montaggio NIPPON DENSO	3S-GE			04/92 >		23.263.00	31.523.00	30.076.00	
2.0 i 16V (ST190)	3S-FE			04/92 >		23.263.00		30.076.00	
assembly NIPPON DENSO / montaggio NIPPON DENSO	3S-FE			04/92 >		23.263.00		30.076.00	
2.0 i 16V (ST191)	3S-FE			04/92 >		23.263.00		30.076.00	
assembly NIPPON DENSO / montaggio NIPPON DENSO	3S-FE			04/92 >		23.263.00		30.076.00	
Celica									
1.6 i 16V (AT160)	4A-GELC			08/87 >		23.251.00			
1.8 i 16V	1ZZ-FE	105	143	10/99 >	12/05				54.117.00
with activated carbons / ai carboni attivi	1ZZ-FE	105	143	10/99 >	12/05	23.251.00			53.103.00
with air-conditioner / con climatizzatore	1ZZ-FE	105	143	10/99 >	12/05				34.117.00
antibacterial, anti-odour and anti-allergen filter / filtro antibatterico, antiodori e anti-allergeni	1ZZ-FE	105	143	10/99 >	12/05				34.117.00
1.8 TS	2ZZ-GE	141	192	09/00 >	12/05				54.117.00
with activated carbons / ai carboni attivi	2ZZ-GE	141	192	09/00 >	12/05	23.251.00			53.103.00
with air-conditioner / con climatizzatore	2ZZ-GE	141	192	09/00 >	12/05				34.117.00
antibacterial, anti-odour and anti-allergen filter / filtro antibatterico, antiodori e anti-allergeni	2ZZ-GE	141	192	09/00 >	12/05				34.117.00
Corolla									
1.4 D-4D (E12#)	1ND-TV	66	90	09/04 >		23.253.00	24.413.00	30.247.00	53.125.00
1.4 i 16V (ZZE111)	4ZZ-FE	71	97	10/99 >	01/02	23.263.00	31.802.00	30.143.00	
models made in Japan / modelli prodotti in Giappone	4ZZ-FE	71	97	10/99 >	01/02	23.263.00	31.802.00	30.143.00	

...TOYOTA - cars/auto

models made in UK / modelli prodotti in UK	4ZZ-FE	71	97	10/99 >	01/02	23.263.00	31.802.00	30.248.00	
1.4 i 16V (ZZE12#)	4ZZ-FE	71	97	11/01 >		23.263.00		30.289.00	
1.6 (AE82)	4A			07/87 >		23.263.00	31.026.00	27.155.00	
1.6 16V	1ZR-FE	91	124	04/07 >	07/07	23.263.00		30.554.00	53.147.00
1.6 4WD (AE92)	4A-F			09/87 >		23.263.00	31.026.00		
1.6 4WD (AE95)	4A-F			09/87 >		23.263.00	31.026.00		
1.6 i 16V (ZZE112)									
models made in Japan / modelli prodotti in Giappone	3ZZ-FE			10/99 >	01/02	23.263.00	31.802.00	30.143.00	
models made in UK / modelli prodotti in UK	3ZZ-FE			10/99 >	01/02	23.263.00	31.802.00	30.248.00	
1.6 i 16V G6 (ZZE112)									
models made in Japan / modelli prodotti in Giappone	3ZZ-FE			10/99 >	01/02	23.263.00	31.802.00	30.143.00	
models made in UK / modelli prodotti in UK	3ZZ-FE			10/99 >	01/02	23.263.00	31.802.00	30.248.00	
1.8 16V VVTL-i TS	2ZZ-GE	141	192	11/01 >	11/05	23.251.00		30.289.00	
1.8 16V VVTL-i TS Compressor	2ZZ-GE	165	225	04/05 >		23.251.00		30.289.00	
1.8 EFI (AE10#) (USA)	7A-FE			06/92 >		23.263.00	31.560.00	30.143.00	
1.9 D (WZE110)	1WZ	51	69	10/99 >	12/01	23.293.00	26.688.00	30.076.00	53.117.00
160 i (ZA)	4A-FE			05/97 >		23.263.00	31.560.00	30.143.00	
160 RSI 20V (ZA)	4A-GE			04/97 >		23.251.00	31.560.00	30.143.00	
180 i (ZA)	7A-FE			05/97 >		23.263.00	31.560.00	30.143.00	
2.0 16V D-4D (CDE120)	1CDFTV	85	116	10/01 >		23.476.00	24.411.00		
2.0 TDI D-4D (CDE110)	1CDTFV	66	90	08/00 >	09/01	23.248.00	24.413.00	30.361.00	53.117.00
Corolla (E12#)									
1.4 D-4D	1ND-TV	66	90	08/04 >	02/07	23.253.00	24.413.00	30.247.00	53.125.00
with activated carbons / ai carboni attivi	1ND-TV	66	90	08/04 >	02/07				54.273.00
antibacterial, anti-odour and anti-allergen filter / filtro antibatterico, antiodori e anti-allergeni	1ND-TV	66	90	08/04 >	02/07				34.273.00
1.4 VVT-i	4ZZ-FE	71	97	01/02 >	02/07	23.263.00		30.289.00	53.125.00
with activated carbons / ai carboni attivi	4ZZ-FE	71	97	01/02 >	02/07				54.273.00
antibacterial, anti-odour and anti-allergen filter / filtro antibatterico, antiodori e anti-allergeni	4ZZ-FE	71	97	01/02 >	02/07				34.273.00
1.6 VVT-i	3ZZ-FE	81	110	01/02 >	02/07	23.263.00		30.289.00	53.125.00
with activated carbons / ai carboni attivi	3ZZ-FE	81	110	01/02 >	02/07				54.273.00
antibacterial, anti-odour and anti-allergen filter / filtro antibatterico, antiodori e anti-allergeni	3ZZ-FE	81	110	01/02 >	02/07				34.273.00
2.0 D-4D	1CD-FTV	66	90	11/01 >	05/04	23.476.00	24.413.00	30.247.00	53.125.00
with activated carbons / ai carboni attivi	1CD-FTV	66	90	11/01 >	05/04				54.273.00
antibacterial, anti-odour and anti-allergen filter / filtro antibatterico, antiodori e anti-allergeni	1CD-FTV	66	90	11/01 >	05/04				34.273.00
Corolla (E18)									
1.33 VVT-i	1NR-FE	73	99	06/13 >		25.116.00		30.554.00	53.147.00
with activated carbons / ai carboni attivi	1NR-FE	73	99	06/13 >					54.266.00
antibacterial, anti-odour and anti-allergen filter / filtro antibatterico, antiodori e anti-allergeni	1NR-FE	73	99	06/13 >					34.266.00
1.4 D-4D	1ND-TV	66	90	06/13 >		25.150.00		30.504.00	53.147.00
with activated carbons / ai carboni attivi	1ND-TV	66	90	06/13 >					54.266.00
antibacterial, anti-odour and anti-allergen filter / filtro antibatterico, antiodori e anti-allergeni	1ND-TV	66	90	06/13 >					34.266.00
1.6 VVT-i	1ZR-FE	91	124	06/13 >				30.554.00	53.147.00
with activated carbons / ai carboni attivi	1ZR-FE	91	124	06/13 >					54.266.00
antibacterial, anti-odour and anti-allergen filter / filtro antibatterico, antiodori e anti-allergeni	1ZR-FE	91	124	06/13 >					34.266.00
1.6 VVTi	1ZR-FAE	97	132	06/13 >		25.086.00		30.554.00	53.147.00
with activated carbons / ai carboni attivi	1ZR-FAE	97	132	06/13 >					54.266.00
antibacterial, anti-odour and anti-allergen filter / filtro antibatterico, antiodori e anti-allergeni	1ZR-FAE	97	132	06/13 >					34.266.00
1.8 VVT-i	2ZR-FE	100	136	06/13 >				30.554.00	53.147.00
with activated carbons / ai carboni attivi	2ZR-FE	100	136	06/13 >					54.266.00
antibacterial, anti-odour and anti-allergen filter / filtro antibatterico, antiodori e anti-allergeni	2ZR-FE	100	136	06/13 >					34.266.00
Corolla (E210)									
1.2 VVT-iE	8NRFTS	85	116	02/19 >		23.270.00			
with activated carbons / ai carboni attivi	8NRFTS	85	116	02/19 >					54.331.00
1.6 VVTi	1ZRFAE/1ZRFE	90	122	01/19 >		23.270.00			
with activated carbons / ai carboni attivi	1ZRFAE/1ZRFE	90	122	01/19 >					54.331.00
1.6 VVTi	1ZRFAE/1ZRFE	97	132	01/19 >		23.270.00			
with activated carbons / ai carboni attivi	1ZRFAE/1ZRFE	97	132	01/19 >					54.331.00
1.8 Hybrid	2ZRFXE	72	98	10/18 >		23.270.00		30.603.00	
with activated carbons / ai carboni attivi	2ZRFXE	72	98	10/18 >					54.331.00
1.8 VVTi Hybrid	2ZRFXE	72	98	01/19 >		23.270.00		30.603.00	
with activated carbons / ai carboni attivi	2ZRFXE	72	98	01/19 >					54.331.00
2.0 Hybrid	M20AFXS	112	152	02/19 >		23.263.00		30.046.00	
with activated carbons / ai carboni attivi	M20AFXS	112	152	02/19 >					54.331.00
Corolla Verso									
1.4 16V (E12J)	4ZZ-FE	71	97	09/01 >	05/04	23.263.00		30.289.00	53.184.00
1.6 16V (E12J)	3ZZ-FE	81	110	09/01 >	03/04	23.263.00		30.289.00	53.184.00
	3ZZ-FE	81	110	04/04 >	03/09	23.263.00		30.289.00	53.125.00

...TOYOTA - cars/auto

with activated carbons / ai carboni attivi	3ZZ-FE	81	110	04/04 >	03/09				54.273.00
antibacterial, anti-odour and anti-allergen filter / filtro antibatterico, antiodori e anti-allergeni	3ZZ-FE	81	110	04/04 >	03/09				34.273.00
1.8 16V (E12J)	1ZZ-FE	95	129	03/03 >	03/04	23.263.00		30.289.00	53.184.00
	1ZZ-FE	95	129	04/04 >	03/09	23.263.00		30.289.00	53.125.00
with activated carbons / ai carboni attivi	1ZZ-FE	95	129	04/04 >	03/09				54.273.00
antibacterial, anti-odour and anti-allergen filter / filtro antibatterico, antiodori e anti-allergeni	1ZZ-FE	95	129	04/04 >	03/09				34.273.00
1.8 16V (E12J)	1ZZ-FE	99	135	04/02 >	05/04	23.263.00		30.289.00	53.184.00
2.0 16V D-4D (CDE120)									
with fuel oil heater / con riscaldatore nafta	1CD-FTV	85	116	09/01 >	05/04	23.476.00	24.411.00	30.247.00	53.184.00
without fuel oil heater / senza riscaldatore nafta	1CD-FTV	85	116	09/01 >	05/04	23.476.00	24.413.00	30.247.00	53.184.00
2.0 16V D-4D (CUR10)	1CD-FTV	85	116	02/04 >	08/05	23.476.00	24.374.00	30.247.00	53.125.00
with activated carbons / ai carboni attivi	1CD-FTV	85	116	02/04 >	08/05				54.273.00
antibacterial, anti-odour and anti-allergen filter / filtro antibatterico, antiodori e anti-allergeni	1CD-FTV	85	116	02/04 >	08/05				34.273.00
2.0 16V D-4D (E12J)	1CD-FTV	66	90	11/01 >	05/04	23.476.00	24.413.00	30.247.00	53.184.00
2.2 16V D-4D (AUR10)	2AD-FTV	100	136	08/05 >	03/09	25.077.00	24.413.00	30.334.00	53.125.00
with activated carbons / ai carboni attivi	2AD-FTV	100	136	08/05 >	03/09				54.273.00
antibacterial, anti-odour and anti-allergen filter / filtro antibatterico, antiodori e anti-allergeni	2AD-FTV	100	136	08/05 >	03/09				34.273.00
2.2 16V D-4D cat (AUR10)	2AD-FHV	130	177	08/05 >	03/09	25.077.00	24.413.00	30.334.00	53.125.00
with activated carbons / ai carboni attivi	2AD-FHV	130	177	08/05 >	03/09				54.273.00
antibacterial, anti-odour and anti-allergen filter / filtro antibatterico, antiodori e anti-allergeni	2AD-FHV	130	177	08/05 >	03/09				34.273.00
Corona									
2.0 (RT132)	18R			09/78 >		23.121.00	31.006.00	27.133.00	
Funcruiser									
2.0 i 16V (SXA10)	3S-FE			01/93 >		23.263.00		30.076.00	
GT86 (ZN6)									
2.0 16V	FA20	147	200	06/12 >				30.289.00	53.109.00
Highlander									
2.5 Hybrid	A25AFXS	179	243	12/19 >		23.263.00			54.331.00
3.5 VVTi									
with activated carbons / ai carboni attivi	2GR-FKS	183	249	12/19 >					54.331.00
iQ									
1.0 VVT-i	1KR-FE	50	68	11/08 >		23.263.00		30.639.00	53.185.00
1.33 Dual VVT-i	1NR-FE	72	98	11/08 >		25.116.00		30.639.00	53.185.00
1.4 D-4D DPF	1ND-TV	66	90	11/08 >		25.150.00	24.413.00	30.470.00	53.185.00
EV	EM	47	64	09/12 >					53.185.00
iQ+									
1.0 VVT-i	1KR-FE	50	68	11/08 >		23.263.00		30.639.00	53.185.00
1.33 Dual VVT-i	1NR-FE	72	98	11/08 >		25.116.00		30.639.00	53.185.00
1.4 D-4D DPF	1ND-TV	66	90	11/08 >		25.150.00	24.413.00	30.470.00	53.185.00
Mirai (JPD10)									
Fuel Cell	AJM	113	154	12/14 >					53.147.00
with activated carbons / ai carboni attivi	AJM	113	154	12/14 >					54.266.00
antibacterial, anti-odour and anti-allergen filter / filtro antibatterico, antiodori e anti-allergeni	AJM	113	154	12/14 >					34.266.00
MR2									
2.0 i 16V EFI (SW20)	3S-GE, 3S-FE			06/90 >		23.263.00		30.076.00	
2.0 i 16V Turbo (SW20) (USA)	3S-GTE			01/90 >		23.251.00			
2.2 i 16V (SW21) (USA)	5S-FE			01/90 >		23.263.00			
Paseo									
1.5 i 16V (EL44) (CA)	5E-FE			01/95 >		23.263.00			
1.5 i 16V (EL44) (CDN), (USA)	5E-FE			01/95 >		23.263.00			
1.5 i 16V (EL54L) (EU)	5E-FE			01/95 >		23.263.00			
1.5 i 16V (EL54R) (EU)	5E-FE			01/95 >		23.263.00			
Picnic									
2.0 i 16V (SXM10)	3S-FE			01/97 >		23.263.00		30.076.00	
2.2 Turbodiesel (CXM10)	3C-TE	66	90	09/97 >	05/01	23.476.00	24.413.00	30.361.00	
Previa									
2.0 TDI D4-D									
with air-conditioner / con climatizzatore	1CD-FTV	85	115	02/01 >		23.476.00	24.413.00	30.225.00	54.117.00
antibacterial, anti-odour and anti-allergen filter with air-conditioner / filtro antibatterico, antiodori e anti-allergeni con climatizzatore	1CD-FTV	85	115	02/01 >					34.117.00
2.4 i 16V									
with air-conditioner / con climatizzatore	2AZ-FE			06/00 >		23.251.00		30.338.00	54.117.00
antibacterial, anti-odour and anti-allergen filter with air-conditioner / filtro antibatterico, antiodori e anti-allergeni con climatizzatore	2AZ-FE			06/00 >					34.117.00
2.4 i 16V (TCR10)	2T-ZFE			01/90 >	09/00	23.253.00			
2.4 i 16V (TCR11)	2T-ZFE			10/90 >	09/00	23.253.00			
2.4 i 16V (TCR20)	2T-ZFE			01/90 >	09/00	23.253.00			
Prius									
1.5 (NHW20)	1NZ-FXE	57	78	08/03 >	04/09	23.263.00		30.097.00	

...TOYOTA - cars/auto

with air-conditioner / con climatizzatore	1NZ-FXE	57	78	08/03 >	04/09				53.103.00
with activated carbon air-conditioner / con climatizzatore, ai carboni attivi	1NZ-FXE	57	78	08/03 >	04/09				54.117.00
antibacterial, anti-odour and anti-allergen filter / filtro antibatterico, antiodori e anti-allergeni	1NZ-FXE	57	78	08/03 >	04/09				34.117.00
1.5 16V (NHW11)									
with activated carbons / ai carboni attivi	1NZ-FXE	53	72	05/00 >	12/03	23.263.00			54.117.00
with air-conditioner / con climatizzatore	1NZ-FXE	53	72	05/00 >	12/03	23.263.00			53.103.00
antibacterial, anti-odour and anti-allergen filter / filtro antibatterico, antiodori e anti-allergeni	1NZ-FXE	53	72	05/00 >	12/03				34.117.00
1.8 Hybrid (ZVW30)	2ZR-FXE	73	99	04/09 >	03/12	25.086.00		30.625.00	53.147.00
Prius+									
1.8 Hybrid (ZVW40)	2ZR-FXE	100	136	03/12 >		25.086.00		30.625.00	53.147.00
1.8 Hybrid (ZVW50)	2ZR-FXE	72	98	11/15 >		25.086.00		30.603.00	
with activated carbons / ai carboni attivi	2ZR-FXE	72	98	11/15 >					54.331.00
Starlet									
1.5 Diesel (NP70)	1N			12/86 >		23.264.00		24.374.00	
1.5 Diesel (NP80)	1N			12/86 >		23.264.00		24.374.00	
Supra GR									
2.0 i Turbo	B48H	190	258	06/19 >		25.188.00			
2.0 i Turbo	B48L	145	197	06/19 >		25.188.00			
3.0 i Turbo (DB4#)	B58	250	340	03/19 >		25.148.00			
Tarago									
2.4 i 16V (TRC10) (AUS)	2T-ZFE			01/90 >		23.253.00			
2.4 i 16V (TRC20) (AUS)	2T-ZFE			01/90 >		23.253.00			
Tercel									
1.5 4WD (AL25)	3A-C, 3A-U			06/87 >		23.263.00		31.006.00	27.155.00
1.5 EFI (CDN), (USA)	3E-FE			01/95 >		23.263.00			
Urban Cruiser									
1.33 VVT-i (NSP110)	1NR-FE	74	100	01/09 >		25.116.00		30.176.00	53.147.00
with activated carbons / ai carboni attivi	1NR-FE	74	100	01/09 >					54.266.00
antibacterial, anti-odour and anti-allergen filter / filtro antibatterico, antiodori e anti-allergeni	1NR-FE	74	100	01/09 >					34.266.00
1.4 D-4D AWD	1ND-TV	66	90	01/09 >		25.150.00	24.413.00	30.470.00	53.147.00
with activated carbons / ai carboni attivi	1ND-TV	66	90	01/09 >					54.266.00
antibacterial, anti-odour and anti-allergen filter / filtro antibatterico, antiodori e anti-allergeni	1ND-TV	66	90	01/09 >					34.266.00
Verso									
1.6 16V (ZGR2#)	1ZR-FAE	97	132	02/09 >		25.086.00		30.554.00	53.147.00
with activated carbons / ai carboni attivi	1ZR-FAE	97	132	02/09 >					54.266.00
antibacterial, anti-odour and anti-allergen filter / filtro antibatterico, antiodori e anti-allergeni	1ZR-FAE	97	132	02/09 >					34.266.00
1.6 D-4D	1WW	82	111	02/14 >		25.142.00		30.660.00	53.147.00
with activated carbons / ai carboni attivi	1WW	82	111	02/09 >					54.266.00
antibacterial, anti-odour and anti-allergen filter / filtro antibatterico, antiodori e anti-allergeni	1WW	82	111	02/09 >					34.266.00
1.8 16V (ZGR2#)	2ZR-FAE	108	147	02/09 >		25.086.00		30.554.00	53.147.00
with activated carbons / ai carboni attivi	2ZR-FAE	108	147	02/09 >					54.266.00
antibacterial, anti-odour and anti-allergen filter / filtro antibatterico, antiodori e anti-allergeni	2ZR-FAE	108	147	02/09 >					34.266.00
2.0 D-4D DPF (AUR2#)	1AD-FTV	91	124	02/09 >		25.077.00	24.413.00	30.504.00	53.147.00
with activated carbons / ai carboni attivi	1AD-FTV	91	124	02/09 >					54.266.00
antibacterial, anti-odour and anti-allergen filter / filtro antibatterico, antiodori e anti-allergeni	1AD-FTV	91	124	02/09 >					34.266.00
2.0 D-4D DPF (AUR2#)	1AD-FTV	93	126	02/09 >		25.077.00	24.413.00	30.504.00	53.147.00
with activated carbons / ai carboni attivi	1AD-FTV	93	126	02/09 >					54.266.00
antibacterial, anti-odour and anti-allergen filter / filtro antibatterico, antiodori e anti-allergeni	1AD-FTV	93	126	02/09 >					34.266.00
2.2 D-Cat 150 (AUR2#)	2AD-FTV	110	150	02/09 >		25.077.00	24.413.00	30.504.00	53.147.00
with activated carbons / ai carboni attivi	2AD-FTV	110	150	02/09 >					54.266.00
antibacterial, anti-odour and anti-allergen filter / filtro antibatterico, antiodori e anti-allergeni	2AD-FTV	110	150	02/09 >					34.266.00
2.2 D-Cat 180 (AUR2#)	2AD-FHV	130	177	02/09 >		25.077.00	24.413.00	30.504.00	53.147.00
with activated carbons / ai carboni attivi	2AD-FHV	130	177	02/09 >					54.266.00
antibacterial, anti-odour and anti-allergen filter / filtro antibatterico, antiodori e anti-allergeni	2AD-FHV	130	177	02/09 >					34.266.00
Verso-S									
1.33 VVT-i		73	99	11/10 >		25.116.00		30.176.00	53.147.00
with activated carbons / ai carboni attivi		73	99	11/10 >					54.266.00
antibacterial, anti-odour and anti-allergen filter / filtro antibatterico, antiodori e anti-allergeni		73	99	11/10 >					34.266.00
1.4 D-4D DPF		66	90	11/10 >		25.150.00	24.413.00	30.470.00	53.147.00
with activated carbons / ai carboni attivi		66	90	11/10 >					54.266.00
antibacterial, anti-odour and anti-allergen filter / filtro antibatterico, antiodori e anti-allergeni		66	90	11/10 >					34.266.00
Yaris									
1.0 i 16V (SCP10L)									
antibacterial, anti-odour and anti-allergen filter models made in Japan / filtro antibatterico, antiodori e anti-allergeni modelli prodotti in Giappone	1SZ-FE	48	65	01/99 >	11/05				34.264.00
models made in France / modelli prodotti in Francia	1SZ-FE	48	65	01/01 >	11/05	23.263.00		30.175.00	53.103.00
models made in Japan / modelli prodotti in Giappone	1SZ-FE	48	65	01/99 >	11/05	23.263.00		30.175.00	53.050.00
models made in Japan with activated carbons / modelli prodotti in Giappone ai carboni attivi	1SZ-FE	48	65	01/99 >	11/05				54.264.00

...TOYOTA - cars/auto

models made in France / modelli prodotti in Francia	1KR-FE	50	68	01/10 >			31.836.00		53.147.00
models made in France with activated carbons / modelli prodotti in Francia ai carboni attivi	1KR-FE	50	68	01/10 >					54.266.00
1.3 VVT-i (SCP90)									
antibacterial, anti-odour and anti-allergen filter / filtro antibatterico, antiodori e anti-allergeni	2SZ-FE	64	87	12/05 > 03/09					34.266.00
models made in France / modelli prodotti in Francia	2SZ-FE	64	87	12/05 > 03/09	23.263.00			30.175.00	53.147.00
models made in France with activated carbons / modelli prodotti in Francia ai carboni attivi	2SZ-FE	64	87	12/05 > 03/09					54.266.00
1.33 Dual VVT-i (NSP90)									
antibacterial, anti-odour and anti-allergen filter / filtro antibatterico, antiodori e anti-allergeni	1NR-FE	74	100	01/09 >					34.266.00
models made in France / modelli prodotti in Francia	1NR-FE	74	100	01/09 >	25.116.00			30.176.00	53.147.00
models made in France with activated carbons / modelli prodotti in Francia ai carboni attivi	1NR-FE	74	100	01/09 >					54.266.00
1.4 D-4D (NLP90)									
antibacterial, anti-odour and anti-allergen filter / filtro antibatterico, antiodori e anti-allergeni	1ND-TV	66	90	11/05 >					34.266.00
models made in France / modelli prodotti in Francia	1ND-TV	66	90	11/05 > 10/08	23.253.00	24.413.00		30.385.00	53.147.00
models made in France / modelli prodotti in Francia	1ND-TV	66	90	11/08 >	25.150.00	24.413.00		30.470.00	53.147.00
models made in France with activated carbons / modelli prodotti in Francia ai carboni attivi	1ND-TV	66	90	11/05 >					54.266.00
1.8 TS (ZSP90)									
antibacterial, anti-odour and anti-allergen filter / filtro antibatterico, antiodori e anti-allergeni	2ZR-FE	98	133	11/06 >					34.266.00
models made in France with activated carbons / modelli prodotti in Francia ai carboni attivi	2ZR-FE	98	133	11/06 >	25.086.00			30.554.00	53.147.00
Yaris III									
1.0 VVT-i									
	1KR-FE	51	69	07/11 > 06/14	23.263.00			30.175.00	53.147.00
	1KR-FE	51	69	07/14 >	23.263.00			30.603.00	53.147.00
with activated carbons / ai carboni attivi	1KR-FE	51	69	07/11 >					54.266.00
antibacterial, anti-odour and anti-allergen filter / filtro antibatterico, antiodori e anti-allergeni	1KR-FE	51	69	07/11 >					34.266.00
1.33 Dual VVT-i									
with activated carbons / ai carboni attivi	1NR-FE	73	99	07/11 >	25.116.00			30.176.00	53.147.00
antibacterial, anti-odour and anti-allergen filter / filtro antibatterico, antiodori e anti-allergeni	1NR-FE	73	99	07/11 >					34.266.00
1.4 D-4D									
with activated carbons / ai carboni attivi	1ND-TV	66	90	07/11 >	25.150.00	26.073.00		30.470.00	53.147.00
antibacterial, anti-odour and anti-allergen filter / filtro antibatterico, antiodori e anti-allergeni	1ND-TV	66	90	07/11 >					34.266.00
1.5 HSD									
with activated carbons / ai carboni attivi	1NZ-FXE	74	100	03/12 >	23.263.00			30.603.00	53.147.00
antibacterial, anti-odour and anti-allergen filter / filtro antibatterico, antiodori e anti-allergeni	1NZ-FXE	74	100	03/12 >					34.266.00
1.5 VVT-i									
with activated carbons / ai carboni attivi	2NR-FKE	82	111	03/17 >	25.116.00			30.554.00	53.147.00
antibacterial, anti-odour and anti-allergen filter / filtro antibatterico, antiodori e anti-allergeni	2NR-FKE	82	111	03/17 >					34.266.00
Yaris IV									
1.0 VVTi									
with activated carbons / ai carboni attivi	1KR-FE	53	72	02/20 >	23.270.00				54.331.00
1.5 Hybrid									
with activated carbons / ai carboni attivi	M15AFXE	68	92	02/20 >	23.263.00			30.046.00	54.331.00
1.5 VVTi									
with activated carbons / ai carboni attivi	M15AFKS	92	125	02/20 >	23.263.00				54.331.00
Yaris Luna									
1.3 i 16V (NCP10L)									
models made in France / modelli prodotti in Francia				01/01 >	23.263.00			30.176.00	53.103.00
models made in Japan / modelli prodotti in Giappone				11/99 >	23.263.00			30.176.00	53.050.00
1.3 i 16V (NCP10R)									
models made in France / modelli prodotti in Francia				01/01 >	23.263.00			30.176.00	53.103.00
models made in Japan / modelli prodotti in Giappone				11/99 >	23.263.00			30.176.00	53.050.00
Yaris Sol									
1.0 i 16V (SCP10L)									
models made in France / modelli prodotti in Francia				01/01 >	23.263.00			30.175.00	53.103.00
models made in Japan / modelli prodotti in Giappone				01/99 >	23.263.00			30.175.00	53.050.00
1.0 i 16V (SCP10R)									
models made in France / modelli prodotti in Francia				01/01 >	23.263.00			30.175.00	53.103.00
models made in Japan / modelli prodotti in Giappone				01/99 >	23.263.00			30.175.00	53.050.00
1.3 i 16V (NCP10L)									
models made in France / modelli prodotti in Francia				01/01 >	23.263.00			30.176.00	53.103.00
models made in Japan / modelli prodotti in Giappone				11/99 >	23.263.00			30.176.00	53.050.00
1.3 i 16V (NCP10R)									
models made in France / modelli prodotti in Francia				01/01 >	23.263.00			30.176.00	53.103.00
models made in Japan / modelli prodotti in Giappone				11/99 >	23.263.00			30.176.00	53.050.00
Yaris Verso									
1.3 i 16V (NCP2#)									
models made in Japan / modelli prodotti in Giappone	2NZ-FE	63	86	08/99 > 09/05	23.263.00			30.176.00	53.050.00
1.4 TDI D-4D (NCP2#)									
models made in Japan / modelli prodotti in Giappone	1ND-TV	55	75	09/01 >	23.253.00	24.413.00		30.206.00	53.050.00

...TOYOTA - cars/auto

1.5 i 16V (NCP2#)											
models made in Japan / modelli prodotti in Giappone		1NZ-FE	78	106	03/00 >	09/05	23.263.00			30.176.00	53.050.00
TOYOTA							off-road cars/fuoristrada				
4 Runner											
2.4 i (RN61) (EU)		22R-E, 22R-EC			03/88 >		23.253.00				
3.0 i V6 SR5 (AUS)		3V-ZE			01/90 >		23.253.00	31.556.00			
4.0		1GR-FE	174	237	09/05 >	09/09	23.253.00			30.A86.00	53.103.00
with activated carbons / ai carboni attivi		1GR-FE	174	237	09/05 >	09/09					54.117.00
antibacterial, anti-odour and anti-allergen filter / filtro antibatterico, antiodori e anti-allergeni		1GR-FE	174	237	09/05 >	09/09					34.117.00
4.0 (N21)		1GR-FE	183	249	08/02 >	07/09	23.253.00			30.A86.00	53.103.00
with activated carbons / ai carboni attivi		1GR-FE	183	249	08/02 >	07/09					54.117.00
antibacterial, anti-odour and anti-allergen filter / filtro antibatterico, antiodori e anti-allergeni		1GR-FE	183	249	08/02 >	07/09					34.117.00
Blizzard											
2.4 Diesel (LD20)		2L			05/84 >		23.102.00	24.374.00		27.132.00	
2.4 Turbodiesel (LD20)		2L-T			05/84 >		23.102.00	24.374.00		27.132.00	
2.4 Turbodiesel (LD21)		2L-T			01/87 >		23.248.00	24.374.00		27.132.00	
FJ Cruiser											
4.0		1GR-FE	176	239	06/05 >	10/09	23.253.00			30.A86.00	
Hi-Lux											
2.0 (GUN1)		TGN110, TGN120	102	139	08/15 >					30.B86.00	
2.0 EFI (YN61)		3Y-E			08/86 >		23.121.00				
2.4 D (GUN1)			110	150	05/15 >					30.B86.00	
2.4 D (GUN112, GUN122, GUN125, GUN135)		2GD-FTV	110	150	05/15 >			26.139.00			
with activated carbons / ai carboni attivi		2GD-FTV	110	150	05/15 >						54.331.00
2.4 D (GUN112, GUN122, GUN125, GUN135)		2GD-FTV	125	170	10/18 >						54.331.00
with activated carbons / ai carboni attivi		2GD-FTV	125	170	10/18 >						54.331.00
2.4 D (LN105)					08/87 >		23.248.00	24.374.00		27.172.00	
2.4 D 4WD (GUN1)			110	150	05/15 >					30.B86.00	
2.4 D 4WD (GUN12)			110	150	05/15 >			26.139.00			
2.4 i 4x4 (RN106)		22R-E			09/89 >		23.253.00				
2.4 i 4x4 (RN110)		22R-E			09/89 >		23.253.00				
2.7 (GUN1)			122	166	05/15 >					30.B86.00	
2.7 4WD (GUN1)			122	165	08/15 >					30.B86.00	
2.8 D (GUN1)			130	177	05/15 >					30.B86.00	
2.8 D (GUN126, GUN136)		1GD-FTV	130	177	05/15 >						54.331.00
with activated carbons / ai carboni attivi		1GD-FTV	130	177	05/15 >						54.331.00
2.8 D (GUN126)		1GD-FTV	150	204	06/20 >						54.331.00
with activated carbons / ai carboni attivi		1GD-FTV	150	204	06/20 >						54.331.00
2.8 D 4WD (GUN1)			130	177	05/15 >					30.B86.00	
Land Cruiser											
2.4 TD (LJ70)		2L-T			08/87 >		23.248.00	24.374.00		27.140.00	
2.4 TD (LJ73)		2L-T			08/87 >		23.248.00	24.374.00		27.140.00	
2.5 TD (BJ73)		VM (2494)			02/86 >		23.164.02	24.374.00		27.140.00	
some / alcuni		VM (2494)			02/86 >		23.164.02	24.374.00		27.132.00	
2.8 TDI D4-D (J15#, KDJ15#)		1JD-FTV	130	177	06/15 >		23.253.00			30.A91.00	53.147.00
with activated carbons / ai carboni attivi		1JD-FTV	130	177	06/15 >						54.266.00
antibacterial, anti-odour and anti-allergen filter / filtro antibatterico, antiodori e anti-allergeni		1JD-FTV	130	177	06/15 >						34.266.00
250 TD Intercooler (VM)		VM			02/86 >		23.164.02	24.374.00		27.140.00	
some / alcuni		VM			02/86 >		23.164.02	24.374.00		27.132.00	
3.0 TD (KJ70)					08/93 >		23.248.00	24.374.00		27.097.00	
3.0 TD (KZJ70)					08/93 >		23.248.00	24.374.00		27.097.00	
3.0 TD (KZJ90)		1KZ-TE	92	125	04/96 >	09/02	23.248.00	24.374.00		27.583.00	
3.0 TD (KZJ95)		1KZ-TE	92	125	04/96 >	09/02	23.248.00	24.374.00		27.583.00	
3.0 TDI D4-D (J15#)		1KD-FTV	140	190	08/09 >		23.253.00				53.147.00
3.0 TDI D4-D (KDJ12#)		1KD-FTV	120	163	09/02 >	05/05	23.248.00	24.411.00		30.505.00	53.103.00
3.0 TDI D4-D (KDJ12#)		1KD-FTV	122	166	02/04 >	08/06	23.248.00	24.374.00		30.505.00	53.103.00
3.0 TDI D4-D (KDJ12#)		1KD-FTV	127	173	08/06 >	12/07	23.253.00	24.374.00			53.103.00
		1KD-FTV	127	173	01/08 >	11/08	23.253.00	24.374.00			
		1KD-FTV	127	173	12/08 >	02/10	23.253.00				
3.0 TDI D4-D (KDJ90)		1KD-FTV	120	163	10/00 >	02/03	23.248.00	24.411.00			
3.0 TDI D4-D (KDJ95)		1KD-FTV	120	163	10/00 >	02/03	23.248.00	24.411.00			
3.4 (BJ74)		13BT			10/85 >		23.102.00			27.097.00	
3.4 D (BJ46)		3B			10/82 >		23.102.00			27.097.00	
3.4 D (BJ70)		3B			11/84 >		23.102.00			27.097.00	
3.4 D (BJ73)		3B			11/84 >		23.102.00			27.097.00	
3.4 TD (BJ71)		13BT			10/85 >		23.102.00			27.097.00	

...TOYOTA - off-road cars/fuoristrada

4.0 VWTi (GRJ12#)	1GR-FE	183	249	09/02 >	23.477.00		30.886.00	53.103.00
4.2 TD (HD80)	1H-DT			01/90 >	23.248.00	24.374.00	27.097.00	
4.2 TD (HDJ80)	1H-DT			01/90 >	23.248.00	24.374.00	27.097.00	
4.2 TD 24V (HDJ100)	1HD-FTE	150	204	01/98 > 08/07	23.248.00	24.411.00		
4.5 24V (FZJ80) (USA)	1F-ZFE			08/92 >	23.102.00			
4.5 D-4D	1VD-FTV	200	272	03/12 >		26.138.00	30.785.00	53.147.00
with activated carbons / ai carboni attivi	1VD-FTV	200	272	03/12 >				54.266.00
antibacterial, anti-odour and anti-allergen filter / filtro antibatterico, antiodori e anti-allergeni	1VD-FTV	200	272	03/12 >				34.266.00
4.5 D-4D (J20#)	1VD-FTV	210	286	01/08 >		26.138.00	30.785.00	53.147.00
with activated carbons / ai carboni attivi	1VD-FTV	210	286	01/08 >				54.266.00
antibacterial, anti-odour and anti-allergen filter / filtro antibatterico, antiodori e anti-allergeni	1VD-FTV	210	286	01/08 >				34.266.00
4.5 D4-D	1VD-FTV	173	235	08/07 >		26.138.00		53.147.00
with activated carbons / ai carboni attivi	1VD-FTV	173	235	01/08 >				54.266.00
antibacterial, anti-odour and anti-allergen filter / filtro antibatterico, antiodori e anti-allergeni	1VD-FTV	173	235	01/08 >				34.266.00
4.7 V8 32V (ZJ100)	1UFZ-FE/2UZ-FE	173	235	01/98 > 12/06	23.477.00			
Land Cruiser Prado								
2.7 EFI (RZJ95R) (AUS)								
manual drive / trasmissione manuale	3RZ-FE			07/96 >	23.253.00			
2.7 EFI Automatic (RZJ95R) (AUS)								
automatic drive / trasmissione automatica	3RZ-FE			07/96 >	23.253.00			
3.4 V6 EFI (VZJ95R)	5VE-FE			07/96 >	23.253.00			
4.0 V6 VWT-i	GRJ150 - GRJ125	207	282	08/09 >		31.160.00		
RAV4 V								
2.0 VWTi	M20AFKS	110	150	12/18 >	23.263.00			54.331.00
with activated carbons / ai carboni attivi	M20AFKS	110	150	12/18 >				54.331.00
2.0 VWTi	M20AFKS	127	173	12/18 >	23.263.00			
with activated carbons / ai carboni attivi	M20AFKS	127	173	12/18 >				54.331.00
2.0 VWTi	M20AFKS	129	175	12/18 >	23.263.00			
with activated carbons / ai carboni attivi	M20AFKS	129	175	12/18 >				54.331.00
2.5 Hybrid								
with activated carbons / ai carboni attivi	A25AFXS	136	185	06/20 >				54.331.00
2.5 VWTi	A25AFKS	149	203	12/18 >	23.263.00			
with activated carbons / ai carboni attivi	A25AFKS	149	203	12/18 >				54.331.00
2.5 VWTi Hybrid	A25AFXS	131	178	12/19 >	23.263.00			
with activated carbons / ai carboni attivi	A25AFXS	131	178	12/19 >				54.331.00
RAV4 I								
2.0 16V F.I. (USA)	3S-FE			06/94 > 07/00	23.263.00	31.592.00	30.076.00	✗
2.0 i 16V (SXA1#) (UK)	3S-FE	95	129	09/97 > 07/00	23.263.00		30.076.00	✗
RAV4 II								
1.8 VWT-i	1ZZ-FE	92	125	06/00 > 02/06	23.263.00		30.288.00	53.050.00
with activated carbons / ai carboni attivi	1ZZ-FE	92	125	06/00 > 02/06				54.264.00
antibacterial, anti-odour and anti-allergen filter / filtro antibatterico, antiodori e anti-allergeni	1ZZ-FE	92	125	06/00 > 02/06				34.264.00
2.0 TDI D4-D (CLA21)	1CD-FTV	85	116	05/00 > 04/05	23.476.00	24.374.00	30.225.00	53.050.00
	1CD-FTV	85	116	05/05 > 02/06	23.476.00	24.374.00		53.050.00
with activated carbons / ai carboni attivi	1CD-FTV	85	116	05/00 > 02/06				54.264.00
antibacterial, anti-odour and anti-allergen filter / filtro antibatterico, antiodori e anti-allergeni	1CD-FTV	85	116	05/00 > 02/06				34.264.00
2.0 VWT-i	1AZ-FE	110	150	06/00 > 02/06	23.263.00		30.338.00	53.050.00
with activated carbons / ai carboni attivi	1AZ-FE	110	150	06/00 > 02/06				54.264.00
antibacterial, anti-odour and anti-allergen filter / filtro antibatterico, antiodori e anti-allergeni	1AZ-FE	110	150	06/00 > 02/06				34.264.00
RAV4 III								
2.0 16V VWT-i	3ZR-FAE	116	158	12/08 >	25.086.00		30.554.00	53.147.00
with activated carbons / ai carboni attivi	3ZR-FAE	116	158	12/08 >				54.266.00
antibacterial, anti-odour and anti-allergen filter / filtro antibatterico, antiodori e anti-allergeni	3ZR-FAE	116	158	12/08 >				34.266.00
2.0 16V VWT-i Crossover	3ZR-FAE	116	158	12/08 >	25.086.00		30.554.00	53.147.00
with activated carbons / ai carboni attivi	3ZR-FAE	116	158	12/08 >				54.266.00
antibacterial, anti-odour and anti-allergen filter / filtro antibatterico, antiodori e anti-allergeni	3ZR-FAE	116	158	12/08 >				34.266.00
2.0 VWT-i	1AZ-FE	112	152	03/06 >	23.251.00		30.452.00	53.147.00
with activated carbons / ai carboni attivi	1AZ-FE	112	152	03/06 >				54.266.00
antibacterial, anti-odour and anti-allergen filter / filtro antibatterico, antiodori e anti-allergeni	1AZ-FE	112	152	03/06 >				34.266.00
2.2 D D-4D	2AD-FTV	100	136	11/05 >	25.077.00	24.413.00	30.453.00	53.147.00
with activated carbons / ai carboni attivi	2AD-FTV	100	136	11/05 >				54.266.00
antibacterial, anti-odour and anti-allergen filter / filtro antibatterico, antiodori e anti-allergeni	2AD-FTV	100	136	11/05 >				34.266.00
2.2 D D-4D	2AD-FTV	110	150	12/08 >	25.077.00	24.413.00	30.453.00	53.147.00
with activated carbons / ai carboni attivi	2AD-FTV	110	150	12/08 >				54.266.00
antibacterial, anti-odour and anti-allergen filter / filtro antibatterico, antiodori e anti-allergeni	2AD-FTV	110	150	12/08 >				34.266.00
2.2 D D-4D cat	2AD-FHV	130	177	11/05 >	25.077.00	24.413.00	30.453.00	53.147.00
with activated carbons / ai carboni attivi	2AD-FHV	130	177	11/05 >				54.266.00

...TOYOTA - off-road cars/fuoristrada

antibacterial, anti-odour and anti-allergen filter / filtro antibatterico, antiodori e anti-allergeni	2AD-FHV	130	177	11/05	>				34.266.00
2.4 VVT-i	2AZ-FE	125	170	11/05	>	23.251.00		30.452.00	53.147.00
with activated carbons / ai carboni attivi	2AZ-FE	125	170	11/05	>				54.266.00
antibacterial, anti-odour and anti-allergen filter / filtro antibatterico, antiodori e anti-allergeni	2AZ-FE	125	170	11/05	>				34.266.00
3.5 VVT-i	2GR-FE	201	273	11/05	>			30.452.00	53.147.00
with activated carbons / ai carboni attivi	2GR-FE	201	273	11/05	>				54.266.00
antibacterial, anti-odour and anti-allergen filter / filtro antibatterico, antiodori e anti-allergeni	2GR-FE	201	273	11/05	>				34.266.00
RAV4 IV									
2.0 4WD	3ZR-FAE	111	151	12/12	>	25.086.00			53.147.00
with activated carbons / ai carboni attivi	3ZR-FAE	111	151	12/12	>				54.266.00
antibacterial, anti-odour and anti-allergen filter / filtro antibatterico, antiodori e anti-allergeni	3ZR-FAE	111	151	12/12	>				34.266.00
2.0 D-4D	2WW	105	143	10/15	>	25.142.00		30.660.00	53.147.00
with activated carbons / ai carboni attivi	2WW	105	143	10/15	>				54.266.00
antibacterial, anti-odour and anti-allergen filter / filtro antibatterico, antiodori e anti-allergeni	2WW	105	143	10/15	>				34.266.00
2.0 D-4D 2WD	1AD-FTV	91	124	12/12	>	25.077.00	24.413.00	30.453.00	53.147.00
with activated carbons / ai carboni attivi	1AD-FTV	91	124	12/12	>				54.266.00
antibacterial, anti-odour and anti-allergen filter / filtro antibatterico, antiodori e anti-allergeni	1AD-FTV	91	124	12/12	>				34.266.00
2.0 D-4D 4WD	1AD-FTV	91	124	12/12	>	25.077.00	24.413.00	30.453.00	53.147.00
with activated carbons / ai carboni attivi	1AD-FTV	91	124	12/12	>				54.266.00
antibacterial, anti-odour and anti-allergen filter / filtro antibatterico, antiodori e anti-allergeni	1AD-FTV	91	124	12/12	>				34.266.00
2.2 D-4D 4WD	2AD-FTV	110	150	12/12	>	25.077.00	24.413.00	30.453.00	53.147.00
with activated carbons / ai carboni attivi	2AD-FTV	110	150	12/12	>				54.266.00
antibacterial, anti-odour and anti-allergen filter / filtro antibatterico, antiodori e anti-allergeni	2AD-FTV	110	150	12/12	>				34.266.00
2.2 D-Cat 4WD	2AD-FHV	110	150	12/12	>	25.077.00	24.413.00	30.453.00	53.147.00
with activated carbons / ai carboni attivi	2AD-FHV	110	150	12/12	>				54.266.00
antibacterial, anti-odour and anti-allergen filter / filtro antibatterico, antiodori e anti-allergeni	2AD-FHV	110	150	12/12	>				34.266.00
2.5 VVT-i Hybrid	2AR-FXE	145	197	10/15	>	25.196.00		30.625.00	53.147.00
with activated carbons / ai carboni attivi	2AR-FXE	145	197	10/15	>				54.266.00
antibacterial, anti-odour and anti-allergen filter / filtro antibatterico, antiodori e anti-allergeni	2AR-FXE	145	197	10/15	>				34.266.00
2.5 VVT-i Hybrid 4WD	2AR-FXE	145	197	10/15	>	25.196.00		30.625.00	53.147.00
with activated carbons / ai carboni attivi	2AR-FXE	145	197	10/15	>				54.266.00
antibacterial, anti-odour and anti-allergen filter / filtro antibatterico, antiodori e anti-allergeni	2AR-FXE	145	197	10/15	>				34.266.00
T 100									
3.0 V6 F.I. 4WD (USA)	3V-ZE			08/92	>	23.253.00		31.556.00	
3.4 V6 F.I. 4WD (USA)	5V-ZFE			08/92	>	23.253.00		31.556.00	
Tacoma									
2.7 F.I. 4WD (USA)	3R-ZFE			08/92	>	23.253.00			
3.4 V6 F.I. 4WD (USA)	5V-ZFE			08/92	>	23.253.00		31.556.00	
4.0 4WD	1GR-FE	175	238	09/04	> 07/15	23.477.00		30.886.00	
TOYOTA					commercial vehicles/veicoli commerciali				
Dyna									
2.8 Diesel (LY61L)	3L			01/89	>	23.248.00		24.374.00	
3.0 Diesel (BU20)	B			08/77	>	23.102.00		24.370.00	
Dyna (U4#)									
4.0 TDI D4-D	N04C	110	150					27.891.00	
4.6 TDI D4-D	S05C	108	147					27.891.00	
Dyna 100									
1.8 (YH81)	2Y			08/85	>	23.121.00		31.005.00	
2.4 Diesel (LH80)	2L			08/85	>	23.102.00		24.374.00	
Dyna 200									
3.0 Diesel (BU75)	B			09/85	>	23.102.00		24.374.00	
3.4 Diesel (BU85)	13B			09/85	>	23.102.00		27.097.00	
Hi-Ace									
2.0 (TRH2, KDH2)		98	133	01/15	>			30.885.00	
2.0 EFI (RZH102)	1RZ-E			08/94	>	23.253.00			
2.0 EFI (RZH112)	1RZ-E			08/94	>	23.253.00			
2.4 D (LH112)	2L	57	78	08/89	>	23.248.00		24.374.00	
2.4 D (LXH12#)	2L	58	79	08/97	> 08/01	23.248.00		24.413.00	27.D10.00
2.4 EFI 4WD (RZH109)	2RZ-E			08/94	>	23.253.00			
2.4 EFI 4WD (RZH110)	2RZ-E			08/94	>	23.253.00			
2.4 EFI 4WD (RZH113)	2RZ-E			08/94	>	23.253.00			
2.4 EFI 4WD (RZH119)	2RZ-E			08/94	>	23.253.00			
2.5 D-4D (H1#/H2#)	2KD-FTV	65	88	08/01	> 03/04	23.127.00		24.411.00	27.D10.00
	2KD-FTV	65	88	04/04	> 07/04	23.127.00		24.374.00	27.D10.00
	2KD-FTV	65	88	08/04	>	23.253.00		24.374.00	27.D10.00
2.5 D-4D (TRH2, KDH2)		75	102	12/13	>			30.885.00	

...TOYOTA - commercial vehicles/veicoli commerciali

2.5 D-4D (TRH2, KDH2)		86	117	09/06 >				30.A85.00	
2.5 D-4D (TRH2, KDH2)	KDH200, KDH220	80	109	12/13 >				30.A85.00	
2.5 D-4D (TRH2, KDH2)	KDH222	80	109					30.A85.00	
2.7 16V (KDH2#, LH2#, TRH2#) (RUS)	2TR-FE	111	151	12/13 > 01/15	23.253.00				
	2TR-FE	111	151	02/15 > 12/16	23.253.00			30.A85.00	
2.7 EFI (RCH13/19/23/29)	3RZ-FE			08/95 > 05/06	23.253.00			27.D10.00	
2.7 VVTi (LH1, RZH1, LH1)		111	151	01/15 >				30.A85.00	
2.7 VVTi (LH1)		111	151	01/15 >				30.A85.00	
3.0 D (TRH2, KDH2)		65	88	12/13 >				30.A85.00	
Hi-Lux									
2.5 D-4D (KDN165)	2KD-FTV	65	89	08/01 > 08/05	23.253.00	24.374.00	27.C10.00		✗
2.5 D-4D (KDN165)	2KD-FTV	75	102	08/01 > 08/05	23.253.00	24.374.00	27.C10.00		✗
2.5 D-4D (KUN1#)	2KD-FTV	88	120	07/05 >	23.253.00	26.045.00	27.691.00		✗
with air-conditioner / con climatizzatore	2KD-FTV	88	120	07/05 >				53.147.00	
2.5 D-4D (KUN15)	2KD-FTV	75	102	07/05 >	23.253.00	26.045.00	27.691.00		✗
with air-conditioner / con climatizzatore	2KD-FTV	75	102	07/05 >				53.147.00	
2.5 D-4D (KUN2#)	2KD-FTV	75	102	07/05 >	23.253.00	26.045.00	27.691.00		✗
with air-conditioner / con climatizzatore	2KD-FTV	75	102	07/05 >				53.147.00	
2.5 D-4D (KUN2#)	2KD-FTV	88	120	07/05 >	23.253.00	26.045.00	27.691.00		✗
with air-conditioner / con climatizzatore	2KD-FTV	88	120	07/05 >				53.147.00	
3.0 D-4D (KUN2#)	1KD-FTV	126	171	10/06 >	23.253.00	26.045.00	27.691.00		✗
with air-conditioner / con climatizzatore	1KD-FTV	126	171	08/08 >				53.147.00	
4.0 4WD	1GR-FE	175	238	08/05 >	23.253.00			30.A86.00	53.147.00
with activated carbons / ai carboni attivi	1GR-FE	175	238	08/05 >					54.266.00
antibacterial, anti-odour and anti-allergen filter / filtro antibatterico, antiodori e anti-allergeni	1GR-FE	175	238	08/05 >					34.266.00
Massy-Dyna									
3.9	F, 2F				23.102.00			27.097.00	
4.2	F, 2F				23.102.00			27.097.00	
4.5 (QC10H)	DQ100			01/70 >				27.097.00	
4.5 (QC12)	DQ100			01/70 >				27.097.00	
4.5 (QC15)	DQ100			01/70 >				27.097.00	
Master-Ace									
1.8 (YR20)				11/82 >	23.121.00				
2.0 (YR21)				11/82 >	23.121.00				
Model F									
2.0 (YR21)	3Y			08/84 >	23.121.00				
2.2 i (YR22) (AUS)	4Y-EC			08/86 >	23.121.00				
2.2 i (YR31) (AUS)	4Y-EC			08/86 >	23.121.00				
ProAce									
1.6 D4-D	3WZ-TV	66	90	09/13 >	25.037.00	24.127.00	30.645.00	53.136.00	
with activated carbons / ai carboni attivi	3WZ-TV	66	90	09/13 >					54.160.00
antibacterial, anti-odour and anti-allergen filter / filtro antibatterico, antiodori e anti-allergeni	3WZ-TV	66	90	09/13 >					34.160.00
2.0 D4-D 128	4WZ-FTV	94	128	09/13 >	25.060.00	26.055.00	30.330.00	53.136.00	
with activated carbons / ai carboni attivi	4WZ-FTV	94	128	09/13 >					54.160.00
antibacterial, anti-odour and anti-allergen filter / filtro antibatterico, antiodori e anti-allergeni	4WZ-FTV	94	128	09/13 >					34.160.00
2.0 D4-D 163	4WZ-FHV	120	163	09/13 >	25.060.00	26.055.00	30.330.00	53.136.00	
with activated carbons / ai carboni attivi	4WZ-FHV	120	163	09/13 >					54.160.00
antibacterial, anti-odour and anti-allergen filter / filtro antibatterico, antiodori e anti-allergeni	4WZ-FHV	120	163	09/13 >					34.160.00
Proace City									
1.2 VWT-i 110	EB2ADT	81	110	10/19 >	23.439.00			30.718.00	53.154.00
with activated carbons / ai carboni attivi	EB2ADT	81	110	10/19 >					54.172.00
antibacterial, anti-odour and anti-allergen filter / filtro antibatterico, antiodori e anti-allergeni	EB2ADT	81	110	10/19 >					34.172.00
1.2 VWT-i 130	EB2ADTS	96	131	10/19 >	23.439.00			30.718.00	53.154.00
with activated carbons / ai carboni attivi	EB2ADTS	96	131	10/19 >					54.172.00
antibacterial, anti-odour and anti-allergen filter / filtro antibatterico, antiodori e anti-allergeni	EB2ADTS	96	131	10/19 >					34.172.00
1.5 D-4D 100	DV5RD	75	102	10/19 >	25.216.00				53.154.00
with activated carbons / ai carboni attivi	DV5RD	75	102	10/19 >					54.172.00
antibacterial, anti-odour and anti-allergen filter / filtro antibatterico, antiodori e anti-allergeni	DV5RD	75	102	10/19 >					34.172.00
1.5 D-4D 130	DV5RC	96	131	10/19 >	25.216.00				53.154.00
with activated carbons / ai carboni attivi	DV5RC	96	131	10/19 >					54.172.00
antibacterial, anti-odour and anti-allergen filter / filtro antibatterico, antiodori e anti-allergeni	DV5RC	96	131	10/19 >					34.172.00
1.5 D-4D 75	DV5RE	55	75	10/19 >	25.216.00				53.154.00
with activated carbons / ai carboni attivi	DV5RE	55	75	10/19 >					54.172.00
antibacterial, anti-odour and anti-allergen filter / filtro antibatterico, antiodori e anti-allergeni	DV5RE	55	75	10/19 >					34.172.00
Proace City Verso									
1.2 VWT-i 110	EB2ADT	81	110	10/19 >	23.439.00			30.718.00	53.154.00
with activated carbons / ai carboni attivi	EB2ADT	81	110	10/19 >					54.172.00

...TOYOTA - commercial vehicles/veicoli commerciali

antibacterial, anti-odour and anti-allergen filter / filtro antibatterico, antiodori e anti-allergeni	EB2ADT	81	110	10/19	>				34.172.00
1.2 VVT-i 130	EB2ADTS	96	131	10/19	>	23.439.00		30.718.00	53.154.00
with activated carbons / ai carboni attivi	EB2ADTS	96	131	10/19	>				54.172.00
antibacterial, anti-odour and anti-allergen filter / filtro antibatterico, antiodori e anti-allergeni	EB2ADTS	96	131	10/19	>				34.172.00
1.5 D-4D 100	DV5RD	75	102	10/19	>	25.216.00			53.154.00
with activated carbons / ai carboni attivi	DV5RD	75	102	10/19	>				54.172.00
antibacterial, anti-odour and anti-allergen filter / filtro antibatterico, antiodori e anti-allergeni	DV5RD	75	102	10/19	>				34.172.00
1.5 D-4D 130	DV5RC	96	131	10/19	>	25.216.00			53.154.00
with activated carbons / ai carboni attivi	DV5RC	96	131	10/19	>				54.172.00
antibacterial, anti-odour and anti-allergen filter / filtro antibatterico, antiodori e anti-allergeni	DV5RC	96	131	10/19	>				34.172.00
ProAce II									
1.5 D4-D	5WZHV (PSA DV5RUC)	88	120	08/18	>	25.216.00			53.154.00
with activated carbons / ai carboni attivi	5WZHV (PSA DV5RUC)	88	120	08/18	>				54.172.00
antibacterial, anti-odour and anti-allergen filter / filtro antibatterico, antiodori e anti-allergeni	5WZHV (PSA DV5RUC)	88	120	08/18	>				34.172.00
1.5 D4-D	5WZTV (PSA DV5RUCD)	75	102	08/18	>	25.216.00			53.154.00
with activated carbons / ai carboni attivi	5WZTV (PSA DV5RUCD)	75	102	08/18	>				54.172.00
antibacterial, anti-odour and anti-allergen filter / filtro antibatterico, antiodori e anti-allergeni	5WZTV (PSA DV5RUCD)	75	102	08/18	>				34.172.00
1.6 D4-D 115	3WZHV (PSA DV6FCU)	85	116	08/16	>	25.187.00	26.104.00	30.648.00	53.154.00
with activated carbons / ai carboni attivi	3WZHV (PSA DV6FCU)	85	116	08/16	>				54.172.00
antibacterial, anti-odour and anti-allergen filter / filtro antibatterico, antiodori e anti-allergeni	3WZHV (PSA DV6FCU)	85	116	08/16	>				34.172.00
1.6 D4-D 95	3WZTV (PSA DV6FDU)	70	95	08/16	>	25.187.00	26.104.00	30.648.00	53.154.00
with activated carbons / ai carboni attivi	3WZTV (PSA DV6FDU)	70	95	08/16	>				54.172.00
antibacterial, anti-odour and anti-allergen filter / filtro antibatterico, antiodori e anti-allergeni	3WZTV (PSA DV6FDU)	70	95	08/16	>				34.172.00
2.0 D4-D 120	4WZFTV (PSA DW10FE)	90	122	08/16	>		26.104.00	30.717.00	53.154.00
with activated carbons / ai carboni attivi	4WZFTV (PSA DW10FE)	90	122	08/16	>				54.172.00
antibacterial, anti-odour and anti-allergen filter / filtro antibatterico, antiodori e anti-allergeni	4WZFTV (PSA DW10FE)	90	122	08/16	>				34.172.00
2.0 D4-D 150	4WZFTV (PSA DW10FD)	110	150	08/16	>	23.439.00	26.104.00	30.717.00	53.154.00
with activated carbons / ai carboni attivi	4WZFTV (PSA DW10FD)	110	150	08/16	>				54.172.00
antibacterial, anti-odour and anti-allergen filter / filtro antibatterico, antiodori e anti-allergeni	4WZFTV (PSA DW10FD)	110	150	08/16	>				34.172.00
2.0 D4-D 180	4WZFHV (PSA DW10FC)	130	177	08/16	>	23.439.00	26.104.00	30.717.00	53.154.00
with activated carbons / ai carboni attivi	4WZFHV (PSA DW10FC)	130	177	08/16	>				54.172.00
antibacterial, anti-odour and anti-allergen filter / filtro antibatterico, antiodori e anti-allergeni	4WZFHV (PSA DW10FC)	130	177	08/16	>				34.172.00
Stout									
2.0 (RK101)				01/70	>	23.127.00			
T 100									
2.7 F.I. (RCK10) (USA)	3RZ-FE			10/93	>	23.253.00			
3.0 V6 F.I. (VCK10) (USA)	3V-ZE			08/92	>	23.253.00	31.556.00		
3.0 V6 F.I. (VCK20) (USA)	3V-ZE			08/92	>	23.253.00	31.556.00		
3.4 V6 F.I. (USA)	5V-ZFE			08/92	>	23.253.00	31.556.00		
Tacoma									
2.4 F.I. (USA)	2R-ZFE			08/92	>	23.253.00			
2.7 F.I. 4WD (USA)	3R-ZFE			08/92	>	23.253.00			
3.4 V6 F.I. 4WD (USA)	5V-ZFE			08/92	>	23.253.00	31.556.00		
Toyo-Ace									
2.2 Diesel				03/79	>	23.102.00			
TVR cars/auto									
S2									
2.9 i V6									
with R.H.D. / con guida a destra	Ford			10/86	>	23.114.01		30.910.00	
with L.H.D. / con guida a sinistra	Ford			10/86	>	23.127.02		30.910.00	
S2C									
2.8 i V6									
with R.H.D. / con guida a destra	Ford			10/86	>	23.114.01		30.910.00	
with L.H.D. / con guida a sinistra	Ford			10/86	>	23.127.02		30.910.00	
2.9 i V6									
with R.H.D. / con guida a destra	Ford			10/86	>	23.114.01		30.910.00	
with L.H.D. / con guida a sinistra	Ford			10/86	>	23.127.02		30.910.00	
S3									
2.9 i V6									
with R.H.D. / con guida a destra	Ford			10/86	>	23.114.01		30.910.00	
with L.H.D. / con guida a sinistra	Ford			10/86	>	23.127.02		30.910.00	
S3C									
2.9 i V6									
with R.H.D. / con guida a destra	Ford			10/86	>	23.114.01		30.910.00	
with L.H.D. / con guida a sinistra	Ford			10/86	>	23.127.02		30.910.00	

UAZ off-road cars/fuoristrada

452							
2.3 Diesel	Peugeot (2304)		10/81 > 12/00	23.191.00	24.360.00		
cartridge / immersione	Peugeot (2304)		10/81 > 12/00	23.191.00	26.652.00		
469							
2.4 Turbodiesel	VM (2393)		04/86 >	23.164.02	24.351.00		
2.4 Turbodiesel Dakar	VM (2393)		04/86 >	23.164.02	24.351.00		
2.5 Diesel	Peugeot (2498)		04/86 >	23.191.00	24.360.00	27.063.00	
2.5 Diesel Marathon	Peugeot (2498)		04/86 >	23.191.00	24.360.00	27.063.00	

UMM off-road cars/fuoristrada

Alter							
2.5 Diesel	Peugeot (2498)		09/84 >	23.191.00	24.360.00	27.878.00	
Cournil							
2.0 4x4	Renault			23.127.00			
2.1 Diesel 4x4	Peugeot (2112)			23.115.00	24.360.00		
some / alcuni	Peugeot (2112)			23.115.00	26.652.00		
2.3 Diesel 4x4	Peugeot (2304)		10/81 >	23.191.00	24.360.00	27.878.00	
some / alcuni	Peugeot (2304)		10/81 >	23.191.00	26.652.00	27.878.00	
Entrepreneur							
2.3 Diesel	Peugeot (2304)		01/84 >	23.191.00	24.360.00		
Jabato							
2.5 Diesel	Peugeot (2498)		09/84 >	23.191.00	24.360.00	27.878.00	

VAUXHALL cars/auto

Adam							
1.0 EcoTec DI Turbo	B10XFL	66 90	07/14 >			30.588.00	54.162.00
antibacterial, anti-odour and anti-allergen filter / filtro antibatterico, antiodori e anti-allergeni	B10XFL	66 90	07/14 >				34.162.00
1.0 EcoTec DI Turbo	B10XFT	85 115	07/14 >			30.588.00	54.162.00
antibacterial, anti-odour and anti-allergen filter / filtro antibatterico, antiodori e anti-allergeni	B10XFT	85 115	07/14 >				34.162.00
1.2 16V	A12XEL	51 70	12/12 >	25.064.00		30.588.00	54.162.00
antibacterial, anti-odour and anti-allergen filter / filtro antibatterico, antiodori e anti-allergeni	A12XEL	51 70	12/12 >				34.162.00
1.4 16V	A14XEL	64 87	12/12 >	25.064.00		30.588.00	54.162.00
antibacterial, anti-odour and anti-allergen filter / filtro antibatterico, antiodori e anti-allergeni	A14XEL	64 87	12/12 >				34.162.00
1.4 16V	A14XER	74 100	12/12 >	25.064.00		30.588.00	54.162.00
antibacterial, anti-odour and anti-allergen filter / filtro antibatterico, antiodori e anti-allergeni	A14XER	74 100	12/12 >				34.162.00
1.4 S Turbo	B14NEH	110 150	01/15 >	25.064.00		30.588.00	54.162.00
antibacterial, anti-odour and anti-allergen filter / filtro antibatterico, antiodori e anti-allergeni	B14NEH	110 150	01/15 >				34.162.00
Agila Mk1							
1.0 i 12V	Z10XE	43 58	05/00 > 10/03	25.012.00		30.129.00	53.075.00
1.0 i 12V	Z10XEP/Z10EP	44 60	09/03 > 03/08			30.129.00	53.075.00
to engine No. 19MA9234 / a motore N. 19MA9234	Z10XEP/Z10EP	44 60		25.012.00			
from engine No. 19MA9235 / da motore N. 19MA9235	Z10XEP/Z10EP	44 60	> 03/08	25.064.00			
1.2 i 16V	Z12XE	55 75	05/00 > 08/04	25.012.00		30.129.00	53.075.00
1.2 i 16V	Z12XEP	59 80	07/04 > 03/08			30.129.00	53.075.00
to engine No. 19MA9234 / a motore N. 19MA9234	Z12XEP	59 80		25.012.00			
from engine No. 19MA9235 / da motore N. 19MA9235	Z12XEP	59 80	> 03/08	25.064.00			
1.3 16V CDTI	Z13DT	51 70	09/03 > 03/08		55.116.00		19.008.00
complete filter and disassembly key / filtro completo e chiave di smontaggio	Z13DT	51 70	09/03 > 03/08	25.043.00	60.H2O.00	30.211.00	53.075.00
assembly PURFLUX / montaggio PURFLUX	Z13DT	51 70	01/05 > 03/08	25.031.00	60.H2O.00	30.211.00	53.075.00
assembly UFI / montaggio UFI	Z13DT	51 70					
Agila Mk2							
1.0 12V	K10B	48 65	01/08 >	23.255.00		30.550.00	53.183.00
1.2 16V	K12B	63 86	04/08 > 03/10	23.255.00		30.550.00	53.183.00
1.2 16V Auto.	K12B	63 86	04/08 > 03/10	23.255.00		30.550.00	53.183.00
1.2 16V VVT	K12B	69 94	04/10 >	23.255.00			53.183.00
to frame No. AM999999 / a telaio N. AM999999	K12B	69 94	04/10 > 08/10			30.550.00	
from frame No. BM000001 / da telaio N. BM000001	K12B	69 94	09/10 >			30.553.00	
1.2 16V VVT Auto.	K12B	69 94	04/10 >	23.255.00			53.183.00
to frame No. AM999999 / a telaio N. AM999999	K12B	69 94	04/10 > 08/10			30.550.00	
from frame No. BM000001 / da telaio N. BM000001	K12B	69 94	09/10 >			30.553.00	
1.3 CDTI 16V	D13A/Z13DTJ	55 75	01/08 >	25.031.00	60.H2O.00	30.391.00	53.183.00
complete filter and disassembly key / filtro completo e chiave di smontaggio	D13A/Z13DTJ	55 75	01/08 >		55.116.00		19.008.00
Ampera							
1.4 E-REV	A14XFL	63 86	10/11 >	23.299.00		30.653.00	53.254.00
with activated carbons / ai carboni attivi	A14XFL	63 86	10/11 >				54.178.00
antibacterial, anti-odour and anti-allergen filter / filtro antibatterico, antiodori e anti-allergeni	A14XFL	63 86	10/11 >				34.178.00
Astra Mk4							

...VAUXHALL - cars/auto

with activated carbon air-conditioner DELPHI / con climatizzatore, ai carboni attivi DELPHI	X20DTL/Y20DTL	60	82	08/01	>	05/05	25.003.00		30.214.00	54.143.00
antibacterial, anti-odour and anti-allergen filter with air-conditioner BEHR / filtro antibatterico, antiodori e anti-allergeni con climatizzatore BEHR	X20DTL/Y20DTL	60	82	03/98	>	05/05				34.230.00
antibacterial, anti-odour and anti-allergen filter with air-conditioner DELPHI / filtro antibatterico, antiodori e anti-allergeni con climatizzatore DELPHI	X20DTL/Y20DTL	60	82	03/98	>	05/05				34.143.00
2.0 DTI 16V										
with air-conditioner BEHR / con climatizzatore BEHR	X20DTH/Y20DTH	74	101	08/99	>	07/01	25.003.00		30.107.00	53.030.00
with air-conditioner BEHR / con climatizzatore BEHR	X20DTH/Y20DTH	74	101	08/01	>	05/05	25.003.00		30.258.00	53.030.00
with air-conditioner DELPHI / con climatizzatore DELPHI	X20DTH/Y20DTH	74	101	08/99	>	07/01	25.003.00		30.107.00	53.047.00
with air-conditioner DELPHI / con climatizzatore DELPHI	X20DTH/Y20DTH	74	101	08/01	>	05/05	25.003.00		30.258.00	53.047.00
with activated carbon air-conditioner BEHR / con climatizzatore, ai carboni attivi BEHR	X20DTH/Y20DTH	74	101	08/99	>	05/05				54.230.00
with activated carbon air-conditioner DELPHI / con climatizzatore, ai carboni attivi DELPHI	X20DTH/Y20DTH	74	101	08/99	>	07/01	25.003.00		30.107.00	54.143.00
with activated carbon air-conditioner DELPHI / con climatizzatore, ai carboni attivi DELPHI	X20DTH/Y20DTH	74	101	08/01	>	05/05	25.003.00		30.258.00	54.143.00
antibacterial, anti-odour and anti-allergen filter with air-conditioner BEHR / filtro antibatterico, antiodori e anti-allergeni con climatizzatore BEHR	X20DTH/Y20DTH	74	101	08/99	>	05/05				34.230.00
antibacterial, anti-odour and anti-allergen filter with air-conditioner DELPHI / filtro antibatterico, antiodori e anti-allergeni con climatizzatore DELPHI	X20DTH/Y20DTH	74	101	08/99	>	05/05				34.143.00
2.0 i 16V										
with air-conditioner BEHR / con climatizzatore BEHR	X20XEV	100	136	03/98	>	12/00	23.129.02	31.515.00	30.107.00	53.030.00
with air-conditioner DELPHI / con climatizzatore DELPHI	X20XEV	100	136	03/98	>	12/00	23.129.02	31.515.00	30.107.00	53.047.00
with activated carbon air-conditioner BEHR / con climatizzatore, ai carboni attivi BEHR	X20XEV	100	136	03/98	>	12/00				54.230.00
with activated carbon air-conditioner DELPHI / con climatizzatore, ai carboni attivi DELPHI	X20XEV	100	136	03/98	>	12/00	23.129.02	31.515.00	30.107.00	54.143.00
antibacterial, anti-odour and anti-allergen filter with air-conditioner BEHR / filtro antibatterico, antiodori e anti-allergeni con climatizzatore BEHR	X20XEV	100	136	03/98	>	12/00				34.230.00
antibacterial, anti-odour and anti-allergen filter with air-conditioner DELPHI / filtro antibatterico, antiodori e anti-allergeni con climatizzatore DELPHI	X20XEV	100	136	03/98	>	12/00				34.143.00
2.0 i 16V OPC										
with air-conditioner BEHR / con climatizzatore BEHR	X20XER	118	160	11/99	>	07/01	23.129.02	31.515.00	30.107.00	53.030.00
with air-conditioner DELPHI / con climatizzatore DELPHI	X20XER	118	160	11/99	>	07/01	23.129.02	31.515.00	30.107.00	53.047.00
with activated carbon air-conditioner BEHR / con climatizzatore, ai carboni attivi BEHR	X20XER	118	160	11/99	>	07/01				54.230.00
with activated carbon air-conditioner DELPHI / con climatizzatore, ai carboni attivi DELPHI	X20XER	118	160	11/99	>	07/01	23.129.02	31.515.00	30.107.00	54.143.00
antibacterial, anti-odour and anti-allergen filter with air-conditioner BEHR / filtro antibatterico, antiodori e anti-allergeni con climatizzatore BEHR	X20XER	118	160	11/99	>	07/01				34.230.00
antibacterial, anti-odour and anti-allergen filter with air-conditioner DELPHI / filtro antibatterico, antiodori e anti-allergeni con climatizzatore DELPHI	X20XER	118	160	11/99	>	07/01				34.143.00
2.0 SRI Turbo										
with air-conditioner BEHR / con climatizzatore BEHR	Z20LET	141	192	03/00	>	12/03	23.129.02	31.515.00	30.107.00	53.030.00
with air-conditioner BEHR / con climatizzatore BEHR	Z20LET	141	192	01/04	>	08/05	23.299.00	31.515.00	30.107.00	53.030.00
with air-conditioner DELPHI / con climatizzatore DELPHI	Z20LET	141	192	03/00	>	12/03	23.129.02	31.515.00	30.107.00	53.047.00
with air-conditioner DELPHI / con climatizzatore DELPHI	Z20LET	141	192	01/04	>	08/05	23.299.00	31.515.00	30.107.00	53.047.00
with activated carbon air-conditioner BEHR / con climatizzatore, ai carboni attivi BEHR	Z20LET	141	192	03/00	>	08/05				54.230.00
with activated carbon air-conditioner DELPHI / con climatizzatore, ai carboni attivi DELPHI	Z20LET	141	192	03/00	>	12/03	23.129.02	31.515.00	30.107.00	54.143.00
with activated carbon air-conditioner DELPHI / con climatizzatore, ai carboni attivi DELPHI	Z20LET	141	192	01/04	>	08/05	23.299.00	31.515.00	30.107.00	54.143.00
antibacterial, anti-odour and anti-allergen filter with air-conditioner BEHR / filtro antibatterico, antiodori e anti-allergeni con climatizzatore BEHR	Z20LET	141	192	03/00	>	08/05				34.230.00
antibacterial, anti-odour and anti-allergen filter with air-conditioner DELPHI / filtro antibatterico, antiodori e anti-allergeni con climatizzatore DELPHI	Z20LET	141	192	03/00	>	08/05				34.143.00
2.2 DTI 16V										
with air-conditioner BEHR / con climatizzatore BEHR	Y22DTR	92	125	09/02	>	05/05	25.003.00		30.258.00	53.030.00
with air-conditioner DELPHI / con climatizzatore DELPHI	Y22DTR	92	125	09/02	>	05/05	25.003.00		30.258.00	53.047.00
with activated carbon air-conditioner BEHR / con climatizzatore, ai carboni attivi BEHR	Y22DTR	92	125	09/02	>	05/05				54.230.00
with activated carbon air-conditioner DELPHI / con climatizzatore, ai carboni attivi DELPHI	Y22DTR	92	125	09/02	>	05/05	25.003.00		30.258.00	54.143.00
antibacterial, anti-odour and anti-allergen filter with air-conditioner BEHR / filtro antibatterico, antiodori e anti-allergeni con climatizzatore BEHR	Y22DTR	92	125	09/02	>	05/05				34.230.00
antibacterial, anti-odour and anti-allergen filter with air-conditioner DELPHI / filtro antibatterico, antiodori e anti-allergeni con climatizzatore DELPHI	Y22DTR	92	125	09/02	>	05/05				34.143.00
2.2 i 16V										
with air-conditioner BEHR / con climatizzatore BEHR	Z22SE	108	147	03/00	>	10/05	25.024.00	31.515.00	30.203.00	53.030.00
with air-conditioner DELPHI / con climatizzatore DELPHI	Z22SE	108	147	03/00	>	10/05	25.024.00	31.515.00	30.203.00	53.047.00
with activated carbon air-conditioner BEHR / con climatizzatore, ai carboni attivi BEHR	Z22SE	108	147	03/00	>	10/05				54.230.00
with activated carbon air-conditioner DELPHI / con climatizzatore, ai carboni attivi DELPHI	Z22SE	108	147	03/00	>	10/05	25.024.00	31.515.00	30.203.00	54.143.00
antibacterial, anti-odour and anti-allergen filter with air-conditioner BEHR / filtro antibatterico, antiodori e anti-allergeni con climatizzatore BEHR	Z22SE	108	147	03/00	>	10/05				34.230.00
antibacterial, anti-odour and anti-allergen filter with air-conditioner DELPHI / filtro antibatterico, antiodori e anti-allergeni con climatizzatore DELPHI	Z22SE	108	147	03/00	>	10/05				34.143.00
Astra Mk5										
1.3 CDTI										
with automatic air-conditioner / con climatizzatore automatico	Z13DTH	66	90	04/05	>		25.043.00	60.H2O.00	30.258.00	54.143.00
with manual air-conditioner / con climatizzatore manuale	Z13DTH	66	90	04/05	>		25.043.00	60.H2O.00	30.258.00	53.047.00
antibacterial, anti-odour and anti-allergen filter with automatic air-conditioner / filtro antibatterico, antiodori e anti-allergeni con climatizzatore automatico	Z13DTH	66	90	04/05	>					34.143.00
complete filter and disassembly key / filtro completo e chiave di smontaggio	Z13DTH	66	90	04/05	>			55.125.00		19.008.00
assembly UFI / montaggio UFI	Z13DTH	66	90	04/05	>		25.031.00	60.H2O.00	30.258.00	53.047.00
1.4 i 16V										
to engine No. 19MA9234 / a motore N. 19MA9234	Z14XEL	55	75				25.012.00			
with automatic air-conditioner / con climatizzatore automatico	Z14XEL	55	75	03/04	>				30.107.00	54.143.00
with manual air-conditioner / con climatizzatore manuale	Z14XEL	55	75	03/04	>				30.107.00	53.047.00
from engine No. 19MA9235 / da motore N. 19MA9235	Z14XEL	55	75				25.064.00			
antibacterial, anti-odour and anti-allergen filter with automatic air-conditioner / filtro antibatterico, antiodori e anti-allergeni con climatizzatore automatico	Z14XEL	55	75	03/04	>					34.143.00
1.4 i 16V										
to engine No. 19MA9234 / a motore N. 19MA9234	Z14XEP	66	90				25.012.00			
with automatic air-conditioner / con climatizzatore automatico	Z14XEP	66	90	03/04	>				30.107.00	54.143.00

...VAUXHALL - cars/auto

with manual air-conditioner / con climatizzatore manuale	Z14XEP	66	90	03/04	>				
from engine No. 19MA9235 / da motore N. 19MA9235	Z14XEP	66	90			25.064.00			
antibacterial, anti-odour and anti-allergen filter with automatic air-conditioner / filtro antibatterico, antiodori e anti-allergeni con climatizzatore automatico	Z14XEP	66	90	03/04	>				34.143.00
1.6 16V									
with automatic air-conditioner / con climatizzatore automatico	Z16XER	85	115	10/06	>	25.064.00			54.143.00
with manual air-conditioner / con climatizzatore manuale	Z16XER	85	115	10/06	>	25.064.00			53.047.00
antibacterial, anti-odour and anti-allergen filter with automatic air-conditioner / filtro antibatterico, antiodori e anti-allergeni con climatizzatore automatico	Z16XER	85	115	10/06	>				34.143.00
1.6 i 16V									
with automatic air-conditioner / con climatizzatore automatico	Z16XEP	77	105	03/04	>	23.299.00			54.143.00
with manual air-conditioner / con climatizzatore manuale	Z16XEP	77	105	03/04	>	23.299.00			53.047.00
antibacterial, anti-odour and anti-allergen filter with automatic air-conditioner / filtro antibatterico, antiodori e anti-allergeni con climatizzatore automatico	Z16XEP	77	105	03/04	>				34.143.00
1.6 T 16V									
with automatic air-conditioner / con climatizzatore automatico	Z16LET	132	180	10/06	>	25.064.00			54.143.00
with manual air-conditioner / con climatizzatore manuale	Z16LET	132	180	10/06	>	25.064.00			53.047.00
antibacterial, anti-odour and anti-allergen filter with automatic air-conditioner / filtro antibatterico, antiodori e anti-allergeni con climatizzatore automatico	Z16LET	132	180	10/06	>				34.143.00
1.7 CDTI									
with automatic air-conditioner / con climatizzatore automatico	Z17DTH	74	101	03/04	>	25.027.00			54.143.00
with manual air-conditioner / con climatizzatore manuale	Z17DTH	74	101	03/04	>	25.027.00			53.047.00
antibacterial, anti-odour and anti-allergen filter with automatic air-conditioner / filtro antibatterico, antiodori e anti-allergeni con climatizzatore automatico	Z17DTH	74	101	03/04	>				34.143.00
1.7 CDTI									
with automatic air-conditioner / con climatizzatore automatico	Z17DTL	59	80	03/04	>	25.027.00			54.143.00
with manual air-conditioner / con climatizzatore manuale	Z17DTL	59	80	03/04	>	25.027.00			53.047.00
antibacterial, anti-odour and anti-allergen filter with automatic air-conditioner / filtro antibatterico, antiodori e anti-allergeni con climatizzatore automatico	Z17DTL	59	80	03/04	>				34.143.00
1.8 i 16V									
with automatic air-conditioner / con climatizzatore automatico	Z18XE	92	125	03/04	>	23.299.00			54.143.00
with manual air-conditioner / con climatizzatore manuale	Z18XE	92	125	03/04	>	23.299.00			53.047.00
antibacterial, anti-odour and anti-allergen filter with automatic air-conditioner / filtro antibatterico, antiodori e anti-allergeni con climatizzatore automatico	Z18XE	92	125	03/04	>				34.143.00
1.8 i 16V									
with automatic air-conditioner / con climatizzatore automatico	Z18XER	103	140	09/05	>	25.064.00			54.143.00
with manual air-conditioner / con climatizzatore manuale	Z18XER	103	140	09/05	>	25.064.00			53.047.00
antibacterial, anti-odour and anti-allergen filter with automatic air-conditioner / filtro antibatterico, antiodori e anti-allergeni con climatizzatore automatico	Z18XER	103	140	09/05	>				34.143.00
1.9 CDTI 16V									
with automatic air-conditioner / con climatizzatore automatico	Z19DTH	110	150	07/04	>	25.049.00	60.H2O.00	30.259.00	54.143.00
with manual air-conditioner / con climatizzatore manuale	Z19DTH	110	150	07/04	>	25.049.00	60.H2O.00	30.259.00	53.047.00
antibacterial, anti-odour and anti-allergen filter with automatic air-conditioner / filtro antibatterico, antiodori e anti-allergeni con climatizzatore automatico	Z19DTH	110	150	04/05	>				34.143.00
complete filter and disassembly key / filtro completo e chiave di smontaggio	Z19DTH	110	150	07/04	>		55.125.00		19.008.00
1.9 CDTI 8V									
with automatic air-conditioner / con climatizzatore automatico	Z19DTL	88	120	07/04	>	25.049.00	60.H2O.00	30.259.00	54.143.00
with manual air-conditioner / con climatizzatore manuale	Z19DTL	88	120	07/04	>	25.049.00	60.H2O.00	30.259.00	53.047.00
antibacterial, anti-odour and anti-allergen filter with automatic air-conditioner / filtro antibatterico, antiodori e anti-allergeni con climatizzatore automatico	Z19DTL	88	120	07/04	>				34.143.00
complete filter and disassembly key / filtro completo e chiave di smontaggio	Z19DTL	88	120	07/04	>		55.125.00		19.008.00
2.0 i 16V Turbo									
with automatic air-conditioner / con climatizzatore automatico	Z02LET	125	170	03/04	>	23.299.00			54.143.00
with manual air-conditioner / con climatizzatore manuale	Z02LET	125	170	03/04	>	23.299.00			53.047.00
antibacterial, anti-odour and anti-allergen filter with automatic air-conditioner / filtro antibatterico, antiodori e anti-allergeni con climatizzatore automatico	Z02LET	125	170	03/04	>				34.143.00
Astra Mk6									
1.3 CDTI									
antibacterial, anti-odour and anti-allergen filter / filtro antibatterico, antiodori e anti-allergeni	A13DTE	70	95	11/09	>	10/13	25.061.00	26.058.00	30.404.00
heat exchanger / scambiatore di calore	A13DTE	70	95	12/09	>	10/13			00.G38.00
1.4 16V VVT									
antibacterial, anti-odour and anti-allergen filter / filtro antibatterico, antiodori e anti-allergeni	A14XEL	64	87	11/09	>		25.064.00		54.178.00
1.4 16V VVT									
antibacterial, anti-odour and anti-allergen filter / filtro antibatterico, antiodori e anti-allergeni	A14XER	74	100	11/09	>		25.064.00		54.178.00
1.4 16V VVT Turbo									
antibacterial, anti-odour and anti-allergen filter / filtro antibatterico, antiodori e anti-allergeni	A14NET	103	140	11/09	>		25.064.00		54.178.00
1.6 16V SIDI Turbo									
antibacterial, anti-odour and anti-allergen filter / filtro antibatterico, antiodori e anti-allergeni	A16XHT	125	170	12/12	>		25.064.00		54.178.00
1.6 16V Turbo									
antibacterial, anti-odour and anti-allergen filter / filtro antibatterico, antiodori e anti-allergeni	A16LET	132	180	11/09	>		25.064.00		54.178.00
1.6 16V VVT									
antibacterial, anti-odour and anti-allergen filter / filtro antibatterico, antiodori e anti-allergeni	A16XER	85	115	11/09	>		25.064.00		54.178.00
1.6 CDTI 110									
antibacterial, anti-odour and anti-allergen filter / filtro antibatterico, antiodori e anti-allergeni	B16DTL	81	110	02/14	>		25.199.00	26.058.00	30.404.00
1.6 CDTI 136									
antibacterial, anti-odour and anti-allergen filter / filtro antibatterico, antiodori e anti-allergeni	B16DTH	100	136	04/13	>		25.199.00	26.058.00	30.404.00
1.6 CDTI 95									
antibacterial, anti-odour and anti-allergen filter / filtro antibatterico, antiodori e anti-allergeni	B16DTC	70	95	02/14	>		25.199.00	26.058.00	30.404.00
1.6 CDTI 95									
antibacterial, anti-odour and anti-allergen filter / filtro antibatterico, antiodori e anti-allergeni	B16DTC	70	95	02/14	>				34.178.00

...VAUXHALL - cars/auto

1.7 CDTi 16V	A17DTJ	81	110	11/09	>	25.085.00	26.058.00	30.404.00	54.178.00
antibacterial, anti-odour and anti-allergen filter / filtro antibatterico, antiodori e anti-allergeni	A17DTJ	81	110	11/09	>				34.178.00
1.7 CDTi 16V	A17DTR	92	125	11/09	>	25.085.00	26.058.00	30.404.00	54.178.00
antibacterial, anti-odour and anti-allergen filter / filtro antibatterico, antiodori e anti-allergeni	A17DTR	92	125	11/09	>				34.178.00
2.0 CDTi 16V	A20DTH	118	160	11/09	>	25.093.00	26.058.00	30.404.00	54.178.00
antibacterial, anti-odour and anti-allergen filter / filtro antibatterico, antiodori e anti-allergeni	A20DTH	118	160	11/09	>				34.178.00
2.0 CDTi 16V 165	A20DTH	121	165	06/11	>	25.093.00	26.058.00	30.404.00	54.178.00
antibacterial, anti-odour and anti-allergen filter / filtro antibatterico, antiodori e anti-allergeni	A20DTH	121	165	06/11	>				34.178.00
2.0 CDTi 16V BiTurbo	A20DTR	143	195	10/12	>	25.093.00	26.058.00	30.404.00	54.178.00
antibacterial, anti-odour and anti-allergen filter / filtro antibatterico, antiodori e anti-allergeni	A20DTR	143	195	10/12	>				34.178.00
Astra Mk7									
1.0 EcoTec DI Turbo	B10XFL	77	105	08/15	>			27.E61.00	54.238.00
antibacterial, anti-odour and anti-allergen filter / filtro antibatterico, antiodori e anti-allergeni	B10XFL	77	105	08/15	>				34.238.00
1.4 EcoTec	B14XE	74	100	08/15	>			27.E61.00	54.238.00
antibacterial, anti-odour and anti-allergen filter / filtro antibatterico, antiodori e anti-allergeni	B14XE	74	100	08/15	>				34.238.00
1.4 EcoTec CNG	B14XNT	81	110	10/17	>			27.E61.00	54.238.00
antibacterial, anti-odour and anti-allergen filter / filtro antibatterico, antiodori e anti-allergeni	B14XNT	81	110	10/17	>				34.238.00
1.4 EcoTec DI Turbo	B14XFL	92	125	08/15	>			27.E61.00	54.238.00
antibacterial, anti-odour and anti-allergen filter / filtro antibatterico, antiodori e anti-allergeni	B14XFL	92	125	08/15	>				34.238.00
1.4 EcoTec DI Turbo	B14XFT	110	150	08/15	>			27.E61.00	54.238.00
antibacterial, anti-odour and anti-allergen filter / filtro antibatterico, antiodori e anti-allergeni	B14XFT	110	150	08/15	>				34.238.00
1.5 CRDI 105	D15DVC/F15DVC	77	105	08/19	>			26.122.00	54.238.00
antibacterial, anti-odour and anti-allergen filter / filtro antibatterico, antiodori e anti-allergeni	D15DVC/F15DVC	77	105	08/19	>				34.238.00
1.5 CRDI 122	D15DVH/F15DVH	90	122	08/19	>			26.122.00	54.238.00
antibacterial, anti-odour and anti-allergen filter / filtro antibatterico, antiodori e anti-allergeni	D15DVH/F15DVH	90	122	08/19	>				34.238.00
1.6 CDTi	B16DTE	70	95	08/15	>	25.199.00	26.122.00	27.F37.00	54.238.00
antibacterial, anti-odour and anti-allergen filter / filtro antibatterico, antiodori e anti-allergeni	B16DTE	70	95	08/15	>				34.238.00
1.6 CDTi	B16DTH	100	136	08/15	>	25.199.00	26.122.00	27.F37.00	54.238.00
antibacterial, anti-odour and anti-allergen filter / filtro antibatterico, antiodori e anti-allergeni	B16DTH	100	136	08/15	>				34.238.00
1.6 CDTi	B16DTU	81	110	08/15	>	25.199.00	26.122.00	27.F37.00	54.238.00
antibacterial, anti-odour and anti-allergen filter / filtro antibatterico, antiodori e anti-allergeni	B16DTU	81	110	08/15	>				34.238.00
1.6 CDTi BiTurbo	B16DTR	118	160	11/15	> 06/18	25.199.00	26.122.00	27.F37.00	54.238.00
antibacterial, anti-odour and anti-allergen filter / filtro antibatterico, antiodori e anti-allergeni	B16DTR	118	160	11/15	> 06/18				34.238.00
1.6 CDTi BiTurbo 150	D16DTR	110	150	07/18	>	25.199.00	26.122.00	27.F37.00	54.238.00
antibacterial, anti-odour and anti-allergen filter / filtro antibatterico, antiodori e anti-allergeni	D16DTR	110	150	07/18	>				34.238.00
1.6 Turbo	B16SHT	147	200	11/15	>	25.225.00		27.E61.00	54.238.00
antibacterial, anti-odour and anti-allergen filter / filtro antibatterico, antiodori e anti-allergeni	B16SHT	147	200	11/15	>				34.238.00
Cascada									
1.4 Turbo 120	A14NEL	88	120	02/13	>	25.064.00		30.404.00	53.254.00
with activated carbons / ai carboni attivi	A14NEL	88	120	02/13	>				54.178.00
antibacterial, anti-odour and anti-allergen filter / filtro antibatterico, antiodori e anti-allergeni	A14NEL	88	120	02/13	>				34.178.00
1.4 Turbo 140	A14NET	103	140	02/13	>	25.064.00		30.404.00	53.254.00
with activated carbons / ai carboni attivi	A14NET	103	140	02/13	>				54.178.00
antibacterial, anti-odour and anti-allergen filter / filtro antibatterico, antiodori e anti-allergeni	A14NET	103	140	02/13	>				34.178.00
1.6 SIDI Turbo 170	A16XHT	125	170	02/13	>	25.225.00		30.404.00	53.254.00
with activated carbons / ai carboni attivi	A16XHT	125	170	02/13	>				54.178.00
antibacterial, anti-odour and anti-allergen filter / filtro antibatterico, antiodori e anti-allergeni	A16XHT	125	170	02/13	>				34.178.00
1.6 SIDI Turbo 200	A16SHT	147	200	09/13	>	25.225.00		30.404.00	53.254.00
with activated carbons / ai carboni attivi	A16SHT	147	200	09/13	>				54.178.00
antibacterial, anti-odour and anti-allergen filter / filtro antibatterico, antiodori e anti-allergeni	A16SHT	147	200	09/13	>				34.178.00
2.0 CDTi	A20DTH	121	165	02/13	>	25.093.00	26.058.00	30.404.00	53.254.00
with activated carbons / ai carboni attivi	A20DTH	121	165	02/13	>				54.178.00
antibacterial, anti-odour and anti-allergen filter / filtro antibatterico, antiodori e anti-allergeni	A20DTH	121	165	02/13	>				34.178.00
2.0 CDTi	B20DTH	125	170	04/15	>	25.118.00	26.058.00	30.404.00	53.254.00
with activated carbons / ai carboni attivi	B20DTH	125	170	04/15	>				54.178.00
antibacterial, anti-odour and anti-allergen filter / filtro antibatterico, antiodori e anti-allergeni	B20DTH	125	170	04/15	>				34.178.00
2.0 CDTi BiTurbo	A20DTR	143	195	02/13	>	25.093.00	26.058.00	30.404.00	53.254.00
with activated carbons / ai carboni attivi	A20DTR	143	195	02/13	>				54.178.00
antibacterial, anti-odour and anti-allergen filter / filtro antibatterico, antiodori e anti-allergeni	A20DTR	143	195	02/13	>				34.178.00
Cavalier									
1.4	14 NV			10/88	>	23.129.02		30.806.00	
1.6									
from frame No. L1000124, L5000001 / da telaio N. L1000124, L5000001				01/90	>	23.129.02	31.611.00	30.958.00	
Corsa Mk1									
1.0 i 12V (Eco)									
with air-conditioner / con climatizzatore	X10XE	40	54	11/96	> 10/00	25.012.00	31.515.00	30.027.00	53.386.00
without air-conditioner / senza climatizzatore	X10XE	40	54	11/96	> 10/00	25.012.00	31.515.00	30.027.00	53.001.00

...VAUXHALL - cars/auto

without activated carbon air-conditioner / senza climatizzatore, ai carboni attivi	X10XE	40	54	11/96	>	10/00				54.278.00
1.2 i										
with air-conditioner / con climatizzatore	1.2NZ/C12NZ	33	45	03/93	>	10/00	23.129.02	31.515.00	30.027.00	53.386.00
without air-conditioner / senza climatizzatore	1.2NZ/C12NZ	33	45	03/93	>	10/00	23.129.02	31.515.00	30.027.00	53.001.00
without activated carbon air-conditioner / senza climatizzatore, ai carboni attivi	1.2NZ/C12NZ	33	45	03/93	>	10/00				54.278.00
1.2 i 16V										
with air-conditioner / con climatizzatore	X 12 XE	48	65	01/98	>	10/00	25.012.00	31.515.00	30.027.00	53.386.00
without air-conditioner / senza climatizzatore	X 12 XE	48	65	01/98	>	10/00	25.012.00	31.515.00	30.027.00	53.001.00
without activated carbon air-conditioner / senza climatizzatore, ai carboni attivi	X 12 XE	48	65	01/98	>	10/00				54.278.00
1.4 i										
with air-conditioner / con climatizzatore	X 14 SZ/X 14 SX	44	60	11/96	>	10/00	23.129.02	31.515.00	30.027.00	53.386.00
without air-conditioner / senza climatizzatore	X 14 SZ/X 14 SX	44	60	11/96	>	10/00	23.129.02	31.515.00	30.027.00	53.001.00
without activated carbon air-conditioner / senza climatizzatore, ai carboni attivi	X 14 SZ/X 14 SX	44	60	11/96	>	10/00				54.278.00
1.4 i (SPI)										
with air-conditioner / con climatizzatore	1.4 NZ/C 14 NZ	44	60	03/93	>	10/00	23.129.02	31.515.00	30.027.00	53.386.00
without air-conditioner / senza climatizzatore	1.4 NZ/C 14 NZ	44	60	03/93	>	10/00	23.129.02	31.515.00	30.027.00	53.001.00
without activated carbon air-conditioner / senza climatizzatore, ai carboni attivi	1.4 NZ/C 14 NZ	44	60	03/93	>	10/00				54.278.00
1.4 i 16V										
with air-conditioner / con climatizzatore	C14SEL	63	86	08/97	>	10/00	23.129.02	31.515.00	30.027.00	53.386.00
without air-conditioner / senza climatizzatore	C14SEL	63	86	08/97	>	10/00	23.129.02	31.515.00	30.027.00	53.001.00
without activated carbon air-conditioner / senza climatizzatore, ai carboni attivi	C14SEL	63	86	08/97	>	10/00				54.278.00
1.4 i 16V										
with air-conditioner / con climatizzatore	X 14 XE/Z 14 XE	66	90	09/94	>	10/00	23.129.02	31.515.00	30.027.00	53.386.00
without air-conditioner / senza climatizzatore	X 14 XE/Z 14 XE	66	90	09/94	>	10/00	23.129.02	31.515.00	30.027.00	53.001.00
without activated carbon air-conditioner / senza climatizzatore, ai carboni attivi	X 14 XE/Z 14 XE	66	90	09/94	>	10/00				54.278.00
1.4 i S (MPI)										
with air-conditioner / con climatizzatore	1.4 SE/C 14 SE	60	82	03/93	>	10/00	23.129.02	31.515.00	30.027.00	53.386.00
without air-conditioner / senza climatizzatore	1.4 SE/C 14 SE	60	82	03/93	>	10/00	23.129.02	31.515.00	30.027.00	53.001.00
without activated carbon air-conditioner / senza climatizzatore, ai carboni attivi	1.4 SE/C 14 SE	60	82	03/93	>	10/00				54.278.00
1.5 D										
with air-conditioner / con climatizzatore	15 D (4EC1)	37	50	04/93	>	09/00	23.265.00	24.351.01	30.028.00	53.386.00
without air-conditioner / senza climatizzatore	15 D (4EC1)	37	50	04/93	>	09/00	23.265.00	24.351.01	30.028.00	53.001.00
without activated carbon air-conditioner / senza climatizzatore, ai carboni attivi	15 D (4EC1)	37	50	04/93	>	09/00				54.278.00
1.5 TD										
with air-conditioner / con climatizzatore	X15DT (T4EC1)	49	67	04/93	>	09/00	23.265.00	24.351.01	30.028.00	53.386.00
without air-conditioner / senza climatizzatore	X15DT (T4EC1)	49	67	04/93	>	09/00	23.265.00	24.351.01	30.028.00	53.001.00
without activated carbon air-conditioner / senza climatizzatore, ai carboni attivi	X15DT (T4EC1)	49	67	04/93	>	09/00				54.278.00
1.6 GSI 16V										
with air-conditioner / con climatizzatore	1.6 XE	80	109	04/93	>	09/00	23.129.02	31.515.00	30.027.00	53.386.00
without air-conditioner / senza climatizzatore	1.6 XE	80	109	04/93	>	09/00	23.129.02	31.515.00	30.027.00	53.001.00
without activated carbon air-conditioner / senza climatizzatore, ai carboni attivi	1.6 XE	80	109	04/93	>	09/00				54.278.00
1.6 i 16V										
with air-conditioner / con climatizzatore	C16SEL	74	101	08/97	>	10/00	23.129.02	31.515.00	30.027.00	53.386.00
without air-conditioner / senza climatizzatore	C16SEL	74	101	08/97	>	10/00	23.129.02	31.515.00	30.027.00	53.001.00
without activated carbon air-conditioner / senza climatizzatore, ai carboni attivi	C16SEL	74	101	08/97	>	10/00				54.278.00
1.7 D (1686)										
with air-conditioner / con climatizzatore	X17D (Isuzu 4EE1)	44	60	02/96	>	09/00	23.265.00	24.351.01	30.028.00	53.386.00
without air-conditioner / senza climatizzatore	X17D (Isuzu 4EE1)	44	60	02/96	>	09/00	23.265.00	24.351.01	30.028.00	53.001.00
without activated carbon air-conditioner / senza climatizzatore, ai carboni attivi	X17D (Isuzu 4EE1)	44	60	02/96	>	09/00				54.278.00
Corsa Mk2										
1.0 i 12V										
	Z10XE			09/00	>		25.012.00	31.515.00	30.159.00	53.045.00
with activated carbons / ai carboni attivi	Z10XE			09/00	>		25.012.00	31.515.00	30.159.00	54.100.00
antibacterial, anti-odour and anti-allergen filter / filtro antibatterico, antiodori e anti-allergeni	Z10XE			09/00	>					34.100.00
1.2 i 16V										
	Z12XE			09/00	>		25.012.00	31.515.00	30.159.00	53.045.00
with activated carbons / ai carboni attivi	Z12XE			09/00	>		25.012.00	31.515.00	30.159.00	54.100.00
antibacterial, anti-odour and anti-allergen filter / filtro antibatterico, antiodori e anti-allergeni	Z12XE			09/00	>					34.100.00
1.3 CDTi 16V										
with activated carbons / ai carboni attivi	Y13DT/Z13DT	51	70	09/03	>		25.043.00	60.H2O.00	30.292.00	54.100.00
antibacterial, anti-odour and anti-allergen filter / filtro antibatterico, antiodori e anti-allergeni	Y13DT/Z13DT	51	70	09/03	>					34.100.00
complete filter and disassembly key / filtro completo e chiave di smontaggio	Y13DT/Z13DT	51	70	09/03	>			55.114.00		19.008.00
assembly PURFLUX / montaggio PURFLUX	Y13DT/Z13DT	51	70	09/03	>		25.043.00	60.H2O.00	30.292.00	53.045.00
assembly UFI / montaggio UFI	Y13DT/Z13DT	51	70	01/05	>		25.031.00	60.H2O.00	30.292.00	53.045.00
1.4 i 16V										
	Z14XE			09/00	>	12/03	23.129.02	31.515.00	30.159.00	53.045.00
	Z14XE			01/04	>		23.299.00	31.515.00	30.159.00	53.045.00
with activated carbons / ai carboni attivi	Z14XE			09/00	>	12/03	23.129.02	31.515.00	30.159.00	54.100.00
with activated carbons / ai carboni attivi	Z14XE			01/04	>		23.299.00	31.515.00	30.159.00	54.100.00
antibacterial, anti-odour and anti-allergen filter / filtro antibatterico, antiodori e anti-allergeni	Z14XE			09/00	>					34.100.00

...VAUXHALL - cars/auto

1.7 DI 16V	Y17DTL			09/00 >	25.027.00		30.159.00	53.045.00
with activated carbons / ai carboni attivi	Y17DTL			09/00 >	25.027.00		30.159.00	54.100.00
antibacterial, anti-odour and anti-allergen filter / filtro antibatterico, antiodori e anti-allergeni	Y17DTL			09/00 >				34.100.00
1.7 DTI 16V	Y17DT/Y17DIT			09/00 >	25.027.00		30.292.00	53.045.00
with activated carbons / ai carboni attivi	Y17DT/Y17DIT			09/00 >	25.027.00		30.292.00	54.100.00
antibacterial, anti-odour and anti-allergen filter / filtro antibatterico, antiodori e anti-allergeni	Y17DT/Y17DIT			09/00 >				34.100.00
1.8 i 16V	Z18XE			09/00 >	25.017.00	31.515.00	30.159.00	53.045.00
with activated carbons / ai carboni attivi	Z18XE			09/00 >	25.017.00	31.515.00	30.159.00	54.100.00
antibacterial, anti-odour and anti-allergen filter / filtro antibatterico, antiodori e anti-allergeni	Z18XE			09/00 >				34.100.00
Corsa Mk3								
1.0 12V	Z10XEP	44	60	09/06 >			30.297.00	53.124.00
to engine No. 19MA9234 / a motore N. 19MA9234	Z10XEP	44	60		25.012.00			
with activated carbons / ai carboni attivi	Z10XEP	44	60	09/06 >			30.297.00	54.162.00
from engine No. 19MA9235 / da motore N. 19MA9235	Z10XEP	44	60		25.064.00			
antibacterial, anti-odour and anti-allergen filter / filtro antibatterico, antiodori e anti-allergeni	Z10XEP	44	60	09/06 >				34.162.00
1.2 16V	A12XEL	51	70	01/10 >	25.064.00		30.297.00	53.124.00
with activated carbons / ai carboni attivi	A12XEL	51	70	01/10 >	25.064.00		30.297.00	54.162.00
antibacterial, anti-odour and anti-allergen filter / filtro antibatterico, antiodori e anti-allergeni	A12XEL	51	70	01/10 >				34.162.00
1.2 16V	Z12XEP	59	80	09/06 > 12/09			30.297.00	53.124.00
to engine No. 19MA9234 / a motore N. 19MA9234	Z12XEP	59	80	09/06 >	25.012.00			
with activated carbons / ai carboni attivi	Z12XEP	59	80	09/06 > 12/09			30.297.00	54.162.00
from engine No. 19MA9235 / da motore N. 19MA9235	Z12XEP	59	80	> 12/09	25.064.00			
antibacterial, anti-odour and anti-allergen filter / filtro antibatterico, antiodori e anti-allergeni	Z12XEP	59	80	09/06 > 12/09				34.162.00
1.2 16V EcoFlex	A12XER	63	86	01/10 >	25.064.00		30.297.00	53.124.00
with activated carbons / ai carboni attivi	A12XER	63	86	01/10 >	25.064.00		30.297.00	54.162.00
antibacterial, anti-odour and anti-allergen filter / filtro antibatterico, antiodori e anti-allergeni	A12XER	63	86	01/10 >				34.162.00
1.3 CDTI 16V	A13DTE/Z13DTE	70	95	01/10 > 08/14	25.061.00	24.099.00	30.297.00	53.124.00
with activated carbons / ai carboni attivi	A13DTE/Z13DTE	70	95	01/10 > 08/14				54.162.00
antibacterial, anti-odour and anti-allergen filter / filtro antibatterico, antiodori e anti-allergeni	A13DTE/Z13DTE	70	95	01/10 > 08/14				34.162.00
heat exchanger / scambiatore di calore	A13DTE/Z13DTE	70	95	01/10 > 08/14				00.G38.00
1.3 CDTI 16V	Z13DTH	66	90	09/06 > 05/09		24.ONE.02		
to frame No. 96129269 / a telaio N. 96129269	Z13DTH	66	90	09/06 >				54.162.00
with activated carbons / ai carboni attivi	Z13DTH	66	90	06/09 >		24.099.00		
from frame No. 96129270 / da telaio N. 96129270	Z13DTH	66	90	09/06 >				34.162.00
antibacterial, anti-odour and anti-allergen filter / filtro antibatterico, antiodori e anti-allergeni	Z13DTH	66	90	09/06 >				34.162.00
assembly PURFLUX / montaggio PURFLUX	Z13DTH	66	90	09/06 >	25.043.00		30.297.00	53.124.00
assembly UFI / montaggio UFI	Z13DTH	66	90	09/06 >	25.031.00		30.297.00	53.124.00
1.3 CDTI 16V	Z13DTJ	55	75	09/06 > 05/09		24.ONE.02		
to frame No. 96129269 / a telaio N. 96129269	Z13DTJ	55	75	09/06 >				54.162.00
with activated carbons / ai carboni attivi	Z13DTJ	55	75	06/09 >		24.099.00		
from frame No. 96129270 / da telaio N. 96129270	Z13DTJ	55	75	09/06 >				34.162.00
antibacterial, anti-odour and anti-allergen filter / filtro antibatterico, antiodori e anti-allergeni	Z13DTJ	55	75	09/06 >				34.162.00
assembly PURFLUX / montaggio PURFLUX	Z13DTJ	55	75	09/06 >	25.043.00		30.297.00	53.124.00
assembly UFI / montaggio UFI	Z13DTJ	55	75	09/06 >	25.031.00		30.297.00	53.124.00
1.3 CDTI 16V EcoFlex	Z13DTJ	55	75	01/09 >	25.061.00		30.297.00	53.124.00
to frame No. 96129269 / a telaio N. 96129269	Z13DTJ	55	75	01/09 > 05/09		24.ONE.02		
with activated carbons / ai carboni attivi	Z13DTJ	55	75	01/09 >				54.162.00
from frame No. 96129270 / da telaio N. 96129270	Z13DTJ	55	75	06/09 >		24.099.00		
antibacterial, anti-odour and anti-allergen filter / filtro antibatterico, antiodori e anti-allergeni	Z13DTJ	55	75	01/09 >				34.162.00
1.3 CDTI 16V EcoFlex	Z13DTR/A13DTR	70	95	01/09 > 08/14	25.061.00		30.297.00	53.124.00
to frame No. 96129269 / a telaio N. 96129269	Z13DTR/A13DTR	70	95	01/09 > 05/09		24.ONE.02		
with activated carbons / ai carboni attivi	Z13DTR/A13DTR	70	95	01/09 > 08/14				54.162.00
from frame No. 96129270 / da telaio N. 96129270	Z13DTR/A13DTR	70	95	06/09 > 08/14		24.099.00		
antibacterial, anti-odour and anti-allergen filter / filtro antibatterico, antiodori e anti-allergeni	Z13DTR/A13DTR	70	95	01/09 > 08/14				34.162.00
heat exchanger / scambiatore di calore	Z13DTR/A13DTR	70	95	01/09 > 08/14				00.G38.00
1.4 16V	A14XER	74	100	01/10 >	25.064.00		30.297.00	53.124.00
with activated carbons / ai carboni attivi	A14XER	74	100	01/10 >	25.064.00		30.297.00	54.162.00
antibacterial, anti-odour and anti-allergen filter / filtro antibatterico, antiodori e anti-allergeni	A14XER	74	100	01/10 >				34.162.00
1.4 16V	Z14XEP	66	90	09/06 >			30.297.00	53.124.00
to engine No. 19MA9234 / a motore N. 19MA9234	Z14XEP	66	90		25.012.00			
with activated carbons / ai carboni attivi	Z14XEP	66	90	09/06 >			30.297.00	54.162.00
from engine No. 19MA9235 / da motore N. 19MA9235	Z14XEP	66	90		25.064.00			
antibacterial, anti-odour and anti-allergen filter / filtro antibatterico, antiodori e anti-allergeni	Z14XEP	66	90	09/06 >				34.162.00
1.7 CDTI 16V	Z17DTR/A17DTR	92	125	11/06 >	25.085.00	26.054.00	30.297.00	53.124.00
with activated carbons / ai carboni attivi	Z17DTR/A17DTR	92	125	11/06 >	25.085.00	26.054.00	30.297.00	54.162.00
antibacterial, anti-odour and anti-allergen filter / filtro antibatterico, antiodori e anti-allergeni	Z17DTR/A17DTR	92	125	11/06 >				34.162.00
Corsa Mk4								

...VAUXHALL - cars/auto

1.0 EcoTec DI Turbo	B10XFL	66	90	09/14	>			30.A58.00	53.124.00
with activated carbons / ai carboni attivi	B10XFL	66	90	09/14	>				54.162.00
antibacterial, anti-odour and anti-allergen filter / filtro antibatterico, antiodori e anti-allergeni	B10XFL	66	90	09/14	>				34.162.00
1.0 EcoTec DI Turbo	B10XFT	85	115	09/14	>			30.A58.00	53.124.00
with activated carbons / ai carboni attivi	B10XFT	85	115	09/14	>				54.162.00
antibacterial, anti-odour and anti-allergen filter / filtro antibatterico, antiodori e anti-allergeni	B10XFT	85	115	09/14	>				34.162.00
1.2	B12XEL	51	70	09/14	>	25.064.00		30.A58.00	53.124.00
with activated carbons / ai carboni attivi	B12XEL	51	70	09/14	>				54.162.00
antibacterial, anti-odour and anti-allergen filter / filtro antibatterico, antiodori e anti-allergeni	B12XEL	51	70	09/14	>				34.162.00
1.3 CDTI 75	B13DTC	55	75	09/14	>		24.099.00	30.A58.00	53.124.00
with activated carbons / ai carboni attivi	B13DTC	55	75	09/14	>				54.162.00
antibacterial, anti-odour and anti-allergen filter / filtro antibatterico, antiodori e anti-allergeni	B13DTC	55	75	09/14	>				34.162.00
assembly UFI FILTERS / montaggio UFI FILTERS	B13DTC	55	75	09/14	>	25.139.00			
1.3 CDTI 95	B13DTE/B13DTR	70	95	09/14	>		24.099.00	30.A58.00	53.124.00
with activated carbons / ai carboni attivi	B13DTE/B13DTR	70	95	09/14	>				54.162.00
antibacterial, anti-odour and anti-allergen filter / filtro antibatterico, antiodori e anti-allergeni	B13DTE/B13DTR	70	95	09/14	>				34.162.00
assembly UFI FILTERS / montaggio UFI FILTERS	B13DTE/B13DTR	70	95	09/14	>	25.139.00			
1.4	B14XEJ	55	75	09/14	>	25.064.00		30.A58.00	53.124.00
with activated carbons / ai carboni attivi	B14XEJ	55	75	09/14	>				54.162.00
antibacterial, anti-odour and anti-allergen filter / filtro antibatterico, antiodori e anti-allergeni	B14XEJ	55	75	09/14	>				34.162.00
1.4	B14XEL	66	90	09/14	>	25.064.00		30.A58.00	53.124.00
with activated carbons / ai carboni attivi	B14XEL	66	90	09/14	>				54.162.00
antibacterial, anti-odour and anti-allergen filter / filtro antibatterico, antiodori e anti-allergeni	B14XEL	66	90	09/14	>				34.162.00
1.4 Automatic	B14XEJ	55	75	09/14	>			30.A58.00	53.124.00
with activated carbons / ai carboni attivi	B14XEJ	55	75	09/14	>				54.162.00
antibacterial, anti-odour and anti-allergen filter / filtro antibatterico, antiodori e anti-allergeni	B14XEJ	55	75	09/14	>				34.162.00
1.4 Automatic	B14XEL	66	90	09/14	>			30.A58.00	53.124.00
with activated carbons / ai carboni attivi	B14XEL	66	90	09/14	>				54.162.00
antibacterial, anti-odour and anti-allergen filter / filtro antibatterico, antiodori e anti-allergeni	B14XEL	66	90	09/14	>				34.162.00
1.4 Turbo	B14NEJ	74	100	09/14	>	25.064.00		30.A58.00	53.124.00
with activated carbons / ai carboni attivi	B14NEJ	74	100	09/14	>				54.162.00
antibacterial, anti-odour and anti-allergen filter / filtro antibatterico, antiodori e anti-allergeni	B14NEJ	74	100	09/14	>				34.162.00
1.4 Turbo 150	B14NEH	110	150	03/15	>	25.064.00		30.A58.00	53.124.00
with activated carbons / ai carboni attivi	B14NEH	110	150	03/15	>				54.162.00
antibacterial, anti-odour and anti-allergen filter / filtro antibatterico, antiodori e anti-allergeni	B14NEH	110	150	03/15	>				34.162.00
1.6 Turbo OPC	B16LES	152	207	03/15	>	25.064.00		30.A58.00	53.124.00
with activated carbons / ai carboni attivi	B16LES	152	207	03/15	>				54.162.00
antibacterial, anti-odour and anti-allergen filter / filtro antibatterico, antiodori e anti-allergeni	B16LES	152	207	03/15	>				34.162.00
Corsa Mk5									
1.2	D12XHL (EB2ADT)	81	110	06/18	>	23.439.00		30.718.00	
with activated carbons / ai carboni attivi	D12XHL (EB2ADT)	81	110	06/18	>				54.172.00
antibacterial, anti-odour and anti-allergen filter / filtro antibatterico, antiodori e anti-allergeni	D12XHL (EB2ADT)	81	110	06/18	>				34.172.00
1.2	F12XEL (EB2FAD)	55	75	07/19	>	23.439.00		30.638.00	
with activated carbons / ai carboni attivi	F12XEL (EB2FAD)	55	75	07/19	>				54.319.00
1.2	F12XHL (EB2ADTD)	74	100	07/19	>	23.439.00		30.718.00	
1.2	F12XHT (EB2ADTS)	96	131	07/19	>	23.439.00		30.718.00	
with activated carbons / ai carboni attivi	F12XHT (EB2ADTS)	96	131	07/19	>				54.172.00
antibacterial, anti-odour and anti-allergen filter / filtro antibatterico, antiodori e anti-allergeni	F12XHT (EB2ADTS)	96	131	07/19	>				34.172.00
1.5	D15DT (DV5RD)	75	102	06/18	>	25.216.00			
with activated carbons / ai carboni attivi	D15DT (DV5RD)	75	102	06/18	>				54.172.00
antibacterial, anti-odour and anti-allergen filter / filtro antibatterico, antiodori e anti-allergeni	D15DT (DV5RD)	75	102	06/18	>				34.172.00
1.5	D15DTH (DV5RC)	96	131	06/18	>	25.216.00			
with activated carbons / ai carboni attivi	D15DTH (DV5RC)	96	131	06/18	>				54.172.00
antibacterial, anti-odour and anti-allergen filter / filtro antibatterico, antiodori e anti-allergeni	D15DTH (DV5RC)	96	131	06/18	>				34.172.00
1.6	B16DT (DV6FD)	73	99	06/18	>	25.187.00	26.104.00	30.648.00	
with activated carbons / ai carboni attivi	B16DT (DV6FD)	73	99	06/18	>				54.172.00
antibacterial, anti-odour and anti-allergen filter / filtro antibatterico, antiodori e anti-allergeni	B16DT (DV6FD)	73	99	06/18	>				34.172.00
1.6	B16DTL (DV6FE)	55	75	06/18	>	25.187.00	26.104.00	30.648.00	
with activated carbons / ai carboni attivi	B16DTL (DV6FE)	55	75	06/18	>				54.172.00
antibacterial, anti-odour and anti-allergen filter / filtro antibatterico, antiodori e anti-allergeni	B16DTL (DV6FE)	55	75	06/18	>				34.172.00
Crossland-X (P17)									
1.2	B12XE	60	82	04/17	>	23.439.00		30.638.00	54.319.00
1.2 Turbo 110	B12XHL	81	110	04/17	>	23.439.00		30.718.00	54.319.00
1.2 Turbo 130	B12XHT	96	130	04/17	>	23.439.00		30.718.00	54.319.00
1.5 Turbo Diesel 102	D15DT (DV5RD) (S/S)	75	102	07/18	>	25.216.00			54.319.00
1.5 Turbo Diesel 120	D15DTH (DV5RC) (S/S)	88	120	07/18	>	25.216.00			54.319.00
1.6 CDTI 100	B16DT	73	99	04/17	>	25.187.00	26.104.00	30.648.00	54.319.00

...VAUXHALL - cars/auto

1.6 CDTi 120	B16DTH	88	120	04/17	>	25.187.00	26.104.00	30.648.00	54.319.00
Grandland-X (A18)									
1.2 Turbo	D12XHT	96	131	07/17	>	23.439.00		30.718.00	54.172.00
antibacterial, anti-odour and anti-allergen filter / filtro antibatterico, antiodori e anti-allergeni	D12XHT	96	131	07/17	>				34.172.00
1.5 DCI 130	D15DTH	96	130	03/18	>	25.216.00			54.172.00
antibacterial, anti-odour and anti-allergen filter / filtro antibatterico, antiodori e anti-allergeni	D15DTH	96	130	03/18	>				34.172.00
1.6 CDTi	B16DTH	88	120	07/17	>	25.187.00	26.104.00	30.648.00	54.172.00
antibacterial, anti-odour and anti-allergen filter / filtro antibatterico, antiodori e anti-allergeni	B16DTH	88	120	07/17	>				34.172.00
2.0 CDTi 180	D20DTH (DW10FC)	130	177	10/17	>	23.439.00	26.104.00	30.717.00	
with activated carbons / ai carboni attivi	D20DTH (DW10FC)	130	177	10/17	>				54.172.00
antibacterial, anti-odour and anti-allergen filter / filtro antibatterico, antiodori e anti-allergeni	D20DTH (DW10FC)	130	177	10/17	>				34.172.00
Insignia									
1.4 Turbo EcoFlex	A14NET	103	140	08/11	>	25.064.00		30.A23.00	54.178.00
antibacterial, anti-odour and anti-allergen filter / filtro antibatterico, antiodori e anti-allergeni	A14NET	103	140	08/11	>				34.178.00
1.6	A16XER	85	115	11/08	>	25.064.00		30.388.00	54.178.00
antibacterial, anti-odour and anti-allergen filter / filtro antibatterico, antiodori e anti-allergeni	A16XER	85	115	11/08	>				34.178.00
1.6 16V SIDI Turbo	A16XHT	125	170	03/13	>	25.225.00		30.A23.00	54.178.00
antibacterial, anti-odour and anti-allergen filter / filtro antibatterico, antiodori e anti-allergeni	A16XHT	125	170	03/13	>				34.178.00
1.6 Turbo	A16LET	132	180	11/08	>	25.064.00		30.A23.00	54.178.00
antibacterial, anti-odour and anti-allergen filter / filtro antibatterico, antiodori e anti-allergeni	A16LET	132	180	11/08	>				34.178.00
1.8 16V VVT	A18XER	103	140	11/08	>	25.064.00		30.388.00	54.178.00
antibacterial, anti-odour and anti-allergen filter / filtro antibatterico, antiodori e anti-allergeni	A18XER	103	140	11/08	>				34.178.00
2.0 16V Turbo	A20NFT	184	250	08/11	>	25.024.00		30.A23.00	54.178.00
antibacterial, anti-odour and anti-allergen filter / filtro antibatterico, antiodori e anti-allergeni	A20NFT	184	250	08/11	>				34.178.00
2.0 16V Turbo	A20NHT	162	220	07/08	> 12/10	25.024.00		30.388.00	54.178.00
	A20NHT	162	220	01/11	>	25.024.00		30.A23.00	54.178.00
antibacterial, anti-odour and anti-allergen filter / filtro antibatterico, antiodori e anti-allergeni	A20NHT	162	220	07/08	>				34.178.00
2.0 16V Turbo 4x4	A20NFT	184	250	08/11	>	25.024.00		30.A23.00	54.178.00
antibacterial, anti-odour and anti-allergen filter / filtro antibatterico, antiodori e anti-allergeni	A20NFT	184	250	08/11	>				34.178.00
2.0 16V Turbo 4x4	A20NHT	162	220	07/08	> 12/10	25.024.00		30.388.00	54.178.00
	A20NHT	162	220	01/11	>	25.024.00		30.A23.00	54.178.00
antibacterial, anti-odour and anti-allergen filter / filtro antibatterico, antiodori e anti-allergeni	A20NHT	162	220	07/08	>				34.178.00
2.0 CDTi 110	A20DTC	81	110	07/08	>	25.093.00	26.058.00	30.A23.00	54.178.00
antibacterial, anti-odour and anti-allergen filter / filtro antibatterico, antiodori e anti-allergeni	A20DTC	81	110	07/08	>				34.178.00
2.0 CDTi 120	A20DTE	88	120	03/12	>	25.093.00	26.058.00	30.A23.00	54.178.00
antibacterial, anti-odour and anti-allergen filter / filtro antibatterico, antiodori e anti-allergeni	A20DTE	88	120	03/12	>				34.178.00
2.0 CDTi 140	A20DTE	103	140	06/13	>	25.093.00	26.058.00	30.A23.00	54.178.00
antibacterial, anti-odour and anti-allergen filter / filtro antibatterico, antiodori e anti-allergeni	A20DTE	103	140	06/13	>				34.178.00
2.0 CDTi 163	A20DTH	120	163	06/13	>	25.093.00	26.058.00	30.A23.00	54.178.00
antibacterial, anti-odour and anti-allergen filter / filtro antibatterico, antiodori e anti-allergeni	A20DTH	120	163	06/13	>				34.178.00
2.0 CDTi 163 4x4	A20DTH	120	163	06/13	>	25.093.00	26.058.00	30.A23.00	54.178.00
antibacterial, anti-odour and anti-allergen filter / filtro antibatterico, antiodori e anti-allergeni	A20DTH	120	163	06/13	>				34.178.00
2.0 CDTi 16V 4x4	A20DTH	118	160	07/08	>	25.093.00	26.058.00	30.A23.00	54.178.00
antibacterial, anti-odour and anti-allergen filter / filtro antibatterico, antiodori e anti-allergeni	A20DTH	118	160	10/11	>				34.178.00
2.0 CDTi 16V BiTurbo	A20DTR	140	190	11/08	>	25.093.00	26.058.00	30.A23.00	54.178.00
antibacterial, anti-odour and anti-allergen filter / filtro antibatterico, antiodori e anti-allergeni	A20DTR	140	190	11/08	>				34.178.00
2.0 CDTi 16V BiTurbo	A20DTR	143	195	01/12	>	25.093.00	26.058.00	30.A23.00	54.178.00
antibacterial, anti-odour and anti-allergen filter / filtro antibatterico, antiodori e anti-allergeni	A20DTR	143	195	01/12	>				34.178.00
2.0 CDTi 16V DPF	A20DTH	118	160	07/08	>	25.093.00	26.058.00	30.A23.00	54.178.00
antibacterial, anti-odour and anti-allergen filter / filtro antibatterico, antiodori e anti-allergeni	A20DTH	118	160	07/08	>				34.178.00
2.0 CDTi 16V DPF	A20DTJ	96	130	07/08	>	25.093.00	26.058.00	30.A23.00	54.178.00
antibacterial, anti-odour and anti-allergen filter / filtro antibatterico, antiodori e anti-allergeni	A20DTJ	96	130	07/08	>				34.178.00
2.0 CDTi 170	B20DTH	125	170	11/14	>	25.118.00	26.058.00	30.A23.00	54.178.00
antibacterial, anti-odour and anti-allergen filter / filtro antibatterico, antiodori e anti-allergeni	B20DTH	125	170	11/14	>				34.178.00
2.0 CDTi 170 4x4	B20DTH	125	170	11/14	>	25.118.00	26.058.00	30.A23.00	54.178.00
antibacterial, anti-odour and anti-allergen filter / filtro antibatterico, antiodori e anti-allergeni	B20DTH	125	170	11/14	>				34.178.00
2.0 ECOTEC	A20NHT/B20NHT	184	250	07/13	> 05/17	23.650.00			54.178.00
	B20NFT	191	260	03/17	>	23.650.00			54.238.00
antibacterial, anti-odour and anti-allergen filter / filtro antibatterico, antiodori e anti-allergeni	B20NFT	191	260	03/17	>				34.238.00
2.8 V6 24V Turbo	A28NET	191	260	07/08	>	25.163.00		30.A23.00	54.178.00
antibacterial, anti-odour and anti-allergen filter / filtro antibatterico, antiodori e anti-allergeni	A28NET	191	260	07/08	>				34.178.00
2.8 V6 24V Turbo 4x4	A28NET	191	260	07/08	>	25.163.00		30.A23.00	54.178.00
antibacterial, anti-odour and anti-allergen filter / filtro antibatterico, antiodori e anti-allergeni	A28NET	191	260	07/08	>				34.178.00
2.8 V6 Turbo	A28NER	239	325	07/09	>	25.163.00		30.A23.00	54.178.00
antibacterial, anti-odour and anti-allergen filter / filtro antibatterico, antiodori e anti-allergeni	A28NER	239	325	07/09	>				34.178.00
Insignia Mk2 (Z18)									
1.5 CDTi 122	F15DVH	90	122	02/20	>		26.E2X.01		54.238.00

...VAUXHALL - cars/auto

antibacterial, anti-odour and anti-allergen filter / filtro antibatterico, antiodori e anti-allergeni	F15DVH	90	122	02/20	>				34.238.00
1.5 Turbo	B15XFL	103	140	03/17	>				54.238.00
antibacterial, anti-odour and anti-allergen filter / filtro antibatterico, antiodori e anti-allergeni	B15XFL	103	140	03/17	>				34.238.00
1.5 Turbo	B15XFT	122	166	03/17	>				54.238.00
antibacterial, anti-odour and anti-allergen filter / filtro antibatterico, antiodori e anti-allergeni	B15XFT	122	166	03/17	>				34.238.00
1.6 CDTi 110	B16DTE	81	110	03/17	>	25.199.00		26.E2X.01	54.238.00
antibacterial, anti-odour and anti-allergen filter / filtro antibatterico, antiodori e anti-allergeni	B16DTE	81	110	03/17	>				34.238.00
1.6 CDTi 136	B16DTH	100	136	03/17	>	25.199.00		26.E2X.01	54.238.00
antibacterial, anti-odour and anti-allergen filter / filtro antibatterico, antiodori e anti-allergeni	B16DTH	100	136	03/17	>				34.238.00
2.0 CDTi 122	F15DVH	90	122	02/20	>			26.E2X.01	
with activated carbons / ai carboni attivi	F15DVH	90	122	02/20	>				54.238.00
antibacterial, anti-odour and anti-allergen filter / filtro antibatterico, antiodori e anti-allergeni	F15DVH	90	122	02/20	>				34.238.00
2.0 CDTi 170	B20DTH	125	170	03/17	>	25.118.00		26.E2X.01	54.238.00
antibacterial, anti-odour and anti-allergen filter / filtro antibatterico, antiodori e anti-allergeni	B20DTH	125	170	03/17	>				34.238.00
2.0 Turbo	B20NFT	191	260	03/17	>				54.238.00
antibacterial, anti-odour and anti-allergen filter / filtro antibatterico, antiodori e anti-allergeni	B20NFT	191	260	03/17	>				34.238.00
Insignia Sports Tourer									
2.0 ECOTEC	A20NHT/B20NHT	184	250	07/13	> 05/17	23.650.00			54.178.00
antibacterial, anti-odour and anti-allergen filter / filtro antibatterico, antiodori e anti-allergeni	A20NHT/B20NHT	184	250	07/13	> 05/17				34.178.00
2.0 ECOTEC	B20NFT	191	260	03/17	>	23.650.00			54.238.00
antibacterial, anti-odour and anti-allergen filter / filtro antibatterico, antiodori e anti-allergeni	B20NFT	191	260	03/17	>				34.238.00
Meriva Mk1									
1.3 CDTi									
with activated carbons / ai carboni attivi	Y13DT/Z13DT	51	70	07/05	> 01/06			60.H2O.00	30.292.00
from frame No. 64138772 / da telaio N. 64138772	Y13DT/Z13DT	51	70		> 01/06			24.ONE.03	30.292.00
complete filter with sensor and disassembly key / filtro completo con sensore e chiave di smontaggio	Y13DT/Z13DT	51	70	07/05	> 01/06			55.114.00	19.008.00
complete filter without sensor and disassembly key / filtro completo senza sensore e chiave di smontaggio	Y13DT/Z13DT	51	70	07/05	> 01/06			55.116.00	19.008.00
assembly PURFLUX / montaggio PURFLUX	Y13DT/Z13DT	51	70	07/05	> 01/06	25.043.00		60.H2O.00	30.292.00
assembly UFI / montaggio UFI	Y13DT/Z13DT	51	70	07/05	> 01/06	25.031.00		60.H2O.00	30.292.00
1.3 CDTi 16V									
with activated carbons / ai carboni attivi	Z13DTJ	55	75	12/05	>			60.H2O.00	30.292.00
from frame No. 64088961 / da telaio N. 64088961	Z13DTJ	55	75					24.ONE.03	30.292.00
complete filter with sensor and disassembly key / filtro completo con sensore e chiave di smontaggio	Z13DTJ	55	75	12/05	>			55.114.00	19.008.00
complete filter without sensor and disassembly key / filtro completo senza sensore e chiave di smontaggio	Z13DTJ	55	75	12/05	>			55.116.00	19.008.00
assembly PURFLUX / montaggio PURFLUX	Z13DTJ	55	75	12/05	>	25.043.00		60.H2O.00	30.292.00
assembly UFI / montaggio UFI	Z13DTJ	55	75	12/05	>	25.031.00		60.H2O.00	30.292.00
1.4 i 16V	Z14XEP	66	90	07/04	>			31.515.00	30.159.00
to engine No. 19MA9234 / a motore N. 19MA9234	Z14XEP	66	90			25.012.00			
with activated carbons / ai carboni attivi	Z14XEP	66	90	07/04	>			31.515.00	30.159.00
from engine No. 19MA9235 / da motore N. 19MA9235	Z14XEP	66	90			25.064.00			
1.6 i	Z16SE	64	87	02/03	> 12/03	23.129.02		31.515.00	30.159.00
	Z16SE	64	87	01/04	>	23.299.00		31.515.00	30.159.00
with activated carbons / ai carboni attivi	Z16SE	64	87	02/03	> 12/03	23.129.02		31.515.00	30.159.00
with activated carbons / ai carboni attivi	Z16SE	64	87	01/04	>	23.299.00		31.515.00	30.159.00
1.6 i 16V	Z16XE	74	101	02/03	> 12/03	23.129.02		31.515.00	30.159.00
	Z16XE	74	101	01/04	>	23.299.00		31.515.00	30.159.00
with activated carbons / ai carboni attivi	Z16XE	74	101	02/03	> 12/03	23.129.02		31.515.00	30.159.00
with activated carbons / ai carboni attivi	Z16XE	74	101	01/04	>	23.299.00		31.515.00	30.159.00
1.6 i 16V	Z16XEP	77	105	02/06	>	23.299.00			30.159.00
with activated carbons / ai carboni attivi	Z16XEP	77	105	02/06	>	23.299.00			30.159.00
1.6 T 16V OPC	Z16LET	132	180	02/06	>	25.064.00		31.515.00	30.159.00
with activated carbons / ai carboni attivi	Z16LET	132	180	02/06	>	25.064.00		31.515.00	30.159.00
1.7 CDTi 16V	Z17DTH	74	101	09/03	>	25.027.00			30.159.00
with activated carbons / ai carboni attivi	Z17DTH	74	101	09/03	>	25.027.00			30.159.00
1.7 CDTi 16V	Z17DTR/A17DTR	92	125	11/06	>	25.085.00		26.054.00	30.292.00
with activated carbons / ai carboni attivi	Z17DTR/A17DTR	92	125	11/06	>	25.085.00		26.054.00	30.292.00
1.8 i 16V	Z18XE	92	125	02/03	> 12/03	23.129.02		31.515.00	30.159.00
	Z18XE	92	125	01/04	>	23.299.00		31.515.00	30.159.00
with activated carbons / ai carboni attivi	Z18XE	92	125	02/03	> 12/03	23.129.02		31.515.00	30.159.00
with activated carbons / ai carboni attivi	Z18XE	92	125	01/04	>	23.299.00		31.515.00	30.159.00
Meriva Mk2									
1.3 CDTi 75	A13DTC	55	75	05/10	> 03/17	25.061.00		26.058.00	30.A37.00
with activated carbons, to frame No. C4999999 / ai carboni attivi, a telaio N. C4999999	A13DTC	55	75	05/10	> 06/12				54.178.00
with activated carbons, from frame No. D4000001 / ai carboni attivi, da telaio N. D4000001	A13DTC	55	75	07/12	> 03/17				54.238.00
antibacterial, anti-odour and anti-allergen filter to frame No. C4999999 / filtro antibatterico, antiodori e anti-allergeni a telaio N. C4999999	A13DTC	55	75	05/10	> 06/12				34.178.00
antibacterial, anti-odour and anti-allergen filter from frame No. D4000001 / filtro antibatterico, antiodori e anti-allergeni da telaio N. D4000001	A13DTC	55	75	07/12	> 03/17				34.238.00
1.3 CDTi 95	A13DTE	70	95	05/10	> 03/17	25.061.00		26.058.00	30.A37.00

...VAUXHALL - cars/auto

with activated carbons, to frame No. C4999999 / ai carboni attivi, a telaio N. C4999999	A13DTE	70	95	05/10	>	06/12				54.178.00
with activated carbons, from frame No. D4000001 / ai carboni attivi, da telaio N. D4000001	A13DTE	70	95	07/12	>	03/17				54.238.00
antibacterial, anti-odour and anti-allergen filter to frame No. C4999999 / filtro antibatterico, antiodori e anti-allergeni a telaio N. C4999999	A13DTE	70	95	05/10	>	06/12				34.178.00
antibacterial, anti-odour and anti-allergen filter from frame No. D4000001 / filtro antibatterico, antiodori e anti-allergeni da telaio N. D4000001	A13DTE	70	95	07/12	>	03/17				34.238.00
heat exchanger / scambiatore di calore	A13DTE	70	95	05/10	>	03/17				00.G38.00
1.4 16V VVT	A14XER	74	100	05/10	>	03/17	25.064.00		30.A37.00	
with activated carbons, to frame No. C4999999 / ai carboni attivi, a telaio N. C4999999	A14XER	74	100	05/10	>	06/12				54.178.00
antibacterial, anti-odour and anti-allergen filter to frame No. C4999999 / filtro antibatterico, antiodori e anti-allergeni a telaio N. C4999999	A14XER	74	100	05/10	>	06/12				34.178.00
antibacterial, anti-odour and anti-allergen filter from frame No. D4000001 / filtro antibatterico, antiodori e anti-allergeni da telaio N. D4000001	A14XER	74	100	07/12	>	03/17				34.238.00
1.4 16V VVT Turbo	A14NEL	88	120	05/10	>	03/17	25.064.00		30.A37.00	
with activated carbons, to frame No. C4999999 / ai carboni attivi, a telaio N. C4999999	A14NEL	88	120	05/10	>	06/12				54.178.00
with activated carbons, from frame No. D4000001 / ai carboni attivi, da telaio N. D4000001	A14NEL	88	120	07/12	>	03/17				54.238.00
antibacterial, anti-odour and anti-allergen filter to frame No. C4999999 / filtro antibatterico, antiodori e anti-allergeni a telaio N. C4999999	A14NEL	88	120	05/10	>	06/12				34.178.00
antibacterial, anti-odour and anti-allergen filter from frame No. D4000001 / filtro antibatterico, antiodori e anti-allergeni da telaio N. D4000001	A14NEL	88	120	07/12	>	03/17				34.238.00
1.4 16V VVT Turbo	A14NET	103	140	05/10	>	03/17	25.064.00		30.A37.00	
with activated carbons, to frame No. C4999999 / ai carboni attivi, a telaio N. C4999999	A14NET	103	140	05/10	>	06/12				54.178.00
with activated carbons, from frame No. D4000001 / ai carboni attivi, da telaio N. D4000001	A14NET	103	140	07/12	>	03/17				54.238.00
antibacterial, anti-odour and anti-allergen filter to frame No. C4999999 / filtro antibatterico, antiodori e anti-allergeni a telaio N. C4999999	A14NET	103	140	05/10	>	06/12				34.178.00
antibacterial, anti-odour and anti-allergen filter from frame No. D4000001 / filtro antibatterico, antiodori e anti-allergeni da telaio N. D4000001	A14NET	103	140	07/12	>	03/17				34.238.00
1.4 16V VVT Turbo LPG	A14NEL	88	120	05/10	>	03/17	25.064.00		30.A37.00	
with activated carbons, to frame No. C4999999 / ai carboni attivi, a telaio N. C4999999	A14NEL	88	120	05/10	>	06/12				54.178.00
with activated carbons, from frame No. D4000001 / ai carboni attivi, da telaio N. D4000001	A14NEL	88	120	07/12	>	03/17				54.238.00
antibacterial, anti-odour and anti-allergen filter to frame No. C4999999 / filtro antibatterico, antiodori e anti-allergeni a telaio N. C4999999	A14NEL	88	120	05/10	>	06/12				34.178.00
antibacterial, anti-odour and anti-allergen filter from frame No. D4000001 / filtro antibatterico, antiodori e anti-allergeni da telaio N. D4000001	A14NEL	88	120	07/12	>	03/17				34.238.00
1.6 CDTi 110	B16DTL	81	110	04/14	>	03/17	25.199.00	26.058.00	30.A37.00	
with activated carbons / ai carboni attivi	B16DTL	81	110	04/14	>	03/17				54.238.00
antibacterial, anti-odour and anti-allergen filter / filtro antibatterico, antiodori e anti-allergeni	B16DTL	81	110	04/14	>	03/17				34.238.00
1.6 CDTi 136	B16DTH	100	136	04/13	>	03/17	25.199.00	26.058.00	30.A37.00	
with activated carbons / ai carboni attivi	B16DTH	100	136	04/13	>	03/17				54.238.00
antibacterial, anti-odour and anti-allergen filter / filtro antibatterico, antiodori e anti-allergeni	B16DTH	100	136	04/13	>	03/17				34.238.00
1.6 CDTi 95	B16DTC	70	95	04/14	>	03/17	25.199.00	26.058.00	30.A37.00	
with activated carbons / ai carboni attivi	B16DTC	70	95	04/14	>	03/17				54.238.00
antibacterial, anti-odour and anti-allergen filter / filtro antibatterico, antiodori e anti-allergeni	B16DTC	70	95	04/14	>	03/17				34.238.00
1.7 CDTi 100 DPF	A17DT	74	100	05/10	>	03/17	25.085.00	26.058.00	30.A37.00	
with activated carbons, to frame No. C4999999 / ai carboni attivi, a telaio N. C4999999	A17DT	74	100	05/10	>	06/12				54.178.00
with activated carbons, from frame No. D4000001 / ai carboni attivi, da telaio N. D4000001	A17DT	74	100	07/12	>	03/17				54.238.00
antibacterial, anti-odour and anti-allergen filter to frame No. C4999999 / filtro antibatterico, antiodori e anti-allergeni a telaio N. C4999999	A17DT	74	100	05/10	>	06/12				34.178.00
antibacterial, anti-odour and anti-allergen filter from frame No. D4000001 / filtro antibatterico, antiodori e anti-allergeni da telaio N. D4000001	A17DT	74	100	07/12	>	03/17				34.238.00
1.7 CDTi 110	A17DTC	81	110	05/10	>	03/17	25.085.00	26.058.00	30.A37.00	
with activated carbons, to frame No. C4999999 / ai carboni attivi, a telaio N. C4999999	A17DTC	81	110	05/10	>	06/12				54.178.00
with activated carbons, from frame No. D4000001 / ai carboni attivi, da telaio N. D4000001	A17DTC	81	110	07/12	>	03/17				54.238.00
antibacterial, anti-odour and anti-allergen filter to frame No. C4999999 / filtro antibatterico, antiodori e anti-allergeni a telaio N. C4999999	A17DTC	81	110	05/10	>	06/12				34.178.00
antibacterial, anti-odour and anti-allergen filter from frame No. D4000001 / filtro antibatterico, antiodori e anti-allergeni da telaio N. D4000001	A17DTC	81	110	07/12	>	03/17				34.238.00
1.7 CDTi 130	A17DTS	96	130	05/10	>	03/17	25.085.00	26.058.00	30.A37.00	
with activated carbons, to frame No. C4999999 / ai carboni attivi, a telaio N. C4999999	A17DTS	96	130	05/10	>	06/12				54.178.00
with activated carbons, from frame No. D4000001 / ai carboni attivi, da telaio N. D4000001	A17DTS	96	130	07/12	>	03/17				54.238.00
antibacterial, anti-odour and anti-allergen filter to frame No. C4999999 / filtro antibatterico, antiodori e anti-allergeni a telaio N. C4999999	A17DTS	96	130	05/10	>	06/12				34.178.00
antibacterial, anti-odour and anti-allergen filter from frame No. D4000001 / filtro antibatterico, antiodori e anti-allergeni da telaio N. D4000001	A17DTS	96	130	07/12	>	03/17				34.238.00
Mokka										
1.4 Turbo	A14NET	103	140	09/12	>				30.609.00	53.254.00
with activated carbons / ai carboni attivi	A14NET	103	140	09/12	>					54.178.00
with complete filter HENGST / con filtro completo HENGST	A14NET	103	140	09/12	>		25.064.00			
with complete filter UFI FILTERS / con filtro completo UFI FILTERS	A14NET	103	140	06/16	>		25.183.00			
antibacterial, anti-odour and anti-allergen filter / filtro antibatterico, antiodori e anti-allergeni	A14NET	103	140	09/12	>					34.178.00
antibacterial, anti-odour and anti-allergen filter models made in Spain / filtro antibatterico, antiodori e anti-allergeni modelli prodotti in Spagna	A14NET	103	140	09/14	>					34.238.00
models made in Spain / modelli prodotti in Spagna	A14NET	103	140	09/14	>					54.238.00
heat exchanger UFI FILTERS / scambiatore di calore UFI FILTERS	A14NET	103	140	06/16	>					00.G36.00
1.4 Turbo 4x4	A14NET	103	140	09/12	>				30.609.00	53.254.00
with activated carbons / ai carboni attivi	A14NET	103	140	09/12	>					54.178.00
with complete filter HENGST / con filtro completo HENGST	A14NET	103	140	09/12	>		25.064.00			
with complete filter UFI FILTERS / con filtro completo UFI FILTERS	A14NET	103	140	06/16	>		25.183.00			
antibacterial, anti-odour and anti-allergen filter / filtro antibatterico, antiodori e anti-allergeni	A14NET	103	140	09/12	>					34.178.00
antibacterial, anti-odour and anti-allergen filter models made in Spain / filtro antibatterico, antiodori e anti-allergeni modelli prodotti in Spagna	A14NET	103	140	09/14	>					34.238.00
models made in Spain / modelli prodotti in Spagna	A14NET	103	140	09/14	>					54.238.00
heat exchanger UFI FILTERS / scambiatore di calore UFI FILTERS	A14NET	103	140	06/16	>					00.G36.00
1.6	A16XER	85	116	09/12	>		25.064.00		30.609.00	53.254.00
with activated carbons / ai carboni attivi	A16XER	85	116	09/12	>					54.178.00

...VAUXHALL - cars/auto

models made in Spain / modelli prodotti in Spagna	B16XER	85	116	06/16	>				54.238.00
1.6 CDTi 110	B16DTU	81	110	06/16	>	25.199.00	26.033.00	30.609.00	53.254.00
with activated carbons / ai carboni attivi	B16DTU	81	110	06/16	>				54.178.00
antibacterial, anti-odour and anti-allergen filter / filtro antibatterico, antiodori e anti-allergeni	B16DTU	81	110	06/16	>				34.178.00
antibacterial, anti-odour and anti-allergen filter models made in Spain / filtro antibatterico, antiodori e anti-allergeni modelli prodotti in Spagna	B16DTU	81	110	06/16	>				34.238.00
models made in Spain / modelli prodotti in Spagna	B16DTU	81	110	06/16	>				54.238.00
1.6 CDTi 136	B16DTH	100	136	06/16	>	25.199.00	26.033.00	30.609.00	53.254.00
with activated carbons / ai carboni attivi	B16DTH	100	136	06/16	>				54.178.00
antibacterial, anti-odour and anti-allergen filter / filtro antibatterico, antiodori e anti-allergeni	B16DTH	100	136	06/16	>				34.178.00
antibacterial, anti-odour and anti-allergen filter models made in Spain / filtro antibatterico, antiodori e anti-allergeni modelli prodotti in Spagna	B16DTH	100	136	06/16	>				34.238.00
models made in Spain / modelli prodotti in Spagna	B16DTH	100	136	06/16	>				54.238.00
1.6 CDTi 136 4x4	B16DTH	100	136	06/16	>	25.199.00	26.033.00	30.609.00	53.254.00
with activated carbons / ai carboni attivi	B16DTH	100	136	06/16	>				54.178.00
antibacterial, anti-odour and anti-allergen filter / filtro antibatterico, antiodori e anti-allergeni	B16DTH	100	136	06/16	>				34.178.00
antibacterial, anti-odour and anti-allergen filter models made in Spain / filtro antibatterico, antiodori e anti-allergeni modelli prodotti in Spagna	B16DTH	100	136	06/16	>				34.238.00
models made in Spain / modelli prodotti in Spagna	B16DTH	100	136	06/16	>				54.238.00
Omega									
2.0 DTi 16V	X20DTH	74	101	09/99	> 12/00	25.003.00		30.041.00	54.135.00
2.0 i	X20SE	85	115	09/99	> 12/00	23.129.02	31.515.00	30.041.00	54.135.00
2.0 i 16V	X20XEV	100	136	09/99	> 12/00	23.129.02	31.515.00	30.041.00	54.135.00
2.2 DTi 16V	Y22DTH	88	120	09/00	> 07/03	25.003.00		30.041.00	54.135.00
2.2 i 16V	Y22XE	106	144	09/99	> 09/00	23.129.02	31.515.00	30.041.00	54.135.00
2.2 i 16V	Z22XE	106	144	10/00	> 12/03	23.299.00	31.515.00	30.041.00	54.135.00
2.5 DTi 24V	Y25TD	110	150	09/01	> 12/03	25.030.00	24.427.00	30.041.00	54.135.00
2.5 i V6	X25XE	125	170	09/99	> 10/00	25.017.00	31.515.00	30.041.00	54.135.00
2.5 Turbodiesel	U/X25TD	96	130	09/99	> 08/01	25.009.00	24.351.01	30.041.00	54.135.00
2.6 V6	Y26SE	132	180	10/00	> 12/03	25.017.00	31.515.00	30.041.00	54.135.00
3.0 i V6 24V	X30XE	155	211	09/99	> 12/03	25.017.00	31.515.00	30.041.00	54.135.00
3.2 V6	Y32XE	160	218	03/01	> 12/03	25.017.00	31.515.00	30.041.00	54.135.00
Royale									
2.8				10/78	> 10/02	23.117.00			
Signum									
1.8 i 16V	Z18XE	90	122	03/03	> 12/03	23.129.02	31.515.00	30.202.00	53.045.00
	Z18XE	90	122	01/04	> 10/09	23.299.00	31.515.00	30.202.00	53.045.00
with activated carbons / ai carboni attivi	Z18XE	90	122	03/03	> 12/03	23.129.02	31.515.00	30.202.00	54.100.00
with activated carbons / ai carboni attivi	Z18XE	90	122	01/04	> 10/09	23.299.00	31.515.00	30.202.00	54.100.00
antibacterial, anti-odour and anti-allergen filter / filtro antibatterico, antiodori e anti-allergeni	Z18XE	90	122	03/03	> 10/09				34.100.00
1.8 i 16V	Z18XER	103	140	02/06	> 10/09	25.064.00		30.202.00	53.045.00
with activated carbons / ai carboni attivi	Z18XER	103	140	02/06	> 10/09	25.064.00		30.202.00	54.100.00
antibacterial, anti-odour and anti-allergen filter / filtro antibatterico, antiodori e anti-allergeni	Z18XER	103	140	02/06	> 10/09				34.100.00
1.9 CDTi 16V	Z19DTH	110	150	04/04	> 10/09	25.049.00	60.H2O.00	30.197.00	53.045.00
with activated carbons / ai carboni attivi	Z19DTH	110	150	04/04	> 10/09	25.049.00	60.H2O.00	30.197.00	54.100.00
antibacterial, anti-odour and anti-allergen filter / filtro antibatterico, antiodori e anti-allergeni	Z19DTH	110	150	04/04	> 10/09				34.100.00
complete filter with R.H.D. and disassembly key / filtro completo con guida a destra e chiave di smontaggio	Z19DTH	110	150	04/04	> 10/09		55.125.00		19.008.00
1.9 CDTi 8V	Z19DT/Z19DTJ	88	120	04/04	> 10/09	25.049.00	60.H2O.00	30.197.00	53.045.00
with activated carbons / ai carboni attivi	Z19DT/Z19DTJ	88	120	04/04	> 10/09	25.049.00	60.H2O.00	30.197.00	54.100.00
antibacterial, anti-odour and anti-allergen filter / filtro antibatterico, antiodori e anti-allergeni	Z19DT/Z19DTJ	88	120	04/04	> 10/09				34.100.00
complete filter with R.H.D. and disassembly key / filtro completo con guida a destra e chiave di smontaggio	Z19DT/Z19DTJ	88	120	04/04	> 10/09		55.125.00		19.008.00
1.9 CDTi 8V	Z19DTL	74	101	09/05	> 10/09	25.049.00	60.H2O.00	30.197.00	53.045.00
with activated carbons / ai carboni attivi	Z19DTL	74	101	09/05	> 10/09	25.049.00	60.H2O.00	30.197.00	54.100.00
antibacterial, anti-odour and anti-allergen filter / filtro antibatterico, antiodori e anti-allergeni	Z19DTL	74	101	09/05	> 10/09				34.100.00
complete filter with R.H.D. and disassembly key / filtro completo con guida a destra e chiave di smontaggio	Z19DTL	74	101	09/05	> 10/09		55.125.00		19.008.00
2.0 DTi 16V	Y20DTH	74	101	03/03	> 10/09	25.003.00		30.197.00	53.045.00
with activated carbons / ai carboni attivi	Y20DTH	74	101	03/03	> 10/09	25.003.00		30.197.00	54.100.00
antibacterial, anti-odour and anti-allergen filter / filtro antibatterico, antiodori e anti-allergeni	Y20DTH	74	101	03/03	> 10/09				34.100.00
2.0 i 16V Turbo	Z20NET	129	175	03/03	> 10/09	25.024.00	31.515.00	30.197.00	53.045.00
with activated carbons / ai carboni attivi	Z20NET	129	175	03/03	> 10/09	25.024.00	31.515.00	30.197.00	54.100.00
antibacterial, anti-odour and anti-allergen filter / filtro antibatterico, antiodori e anti-allergeni	Z20NET	129	175	03/03	> 10/09				34.100.00
2.2 DTi 16V	Y22DTR	92	125	03/03	> 10/09	25.003.00		30.197.00	53.045.00
with activated carbons / ai carboni attivi	Y22DTR	92	125	03/03	> 10/09	25.003.00		30.197.00	54.100.00
antibacterial, anti-odour and anti-allergen filter / filtro antibatterico, antiodori e anti-allergeni	Y22DTR	92	125	03/03	> 10/09				34.100.00
2.2 i 16V Direct	Z22YH	114	155	03/03	> 10/09	25.024.00	31.515.00	30.197.00	53.045.00
with activated carbons / ai carboni attivi	Z22YH	114	155	03/03	> 10/09	25.024.00	31.515.00	30.197.00	54.100.00
antibacterial, anti-odour and anti-allergen filter / filtro antibatterico, antiodori e anti-allergeni	Z22YH	114	155	03/03	> 10/09				34.100.00
2.8 V6 Turbo	Z28NEL	169	230	09/05	> 10/09	25.163.00	31.515.00	30.189.00	53.045.00
with activated carbons / ai carboni attivi	Z28NEL	169	230	09/05	> 10/09	25.163.00	31.515.00	30.189.00	54.100.00
antibacterial, anti-odour and anti-allergen filter / filtro antibatterico, antiodori e anti-allergeni	Z28NEL	169	230	09/05	> 10/09				34.100.00

...VAUXHALL - cars/auto

2.8 V6 Turbo S	Z28NET	184	250	11/05	>	10/09	25.163.00	31.515.00	30.189.00	53.045.00
with activated carbons / ai carboni attivi	Z28NET	184	250	11/05	>	10/09	25.163.00	31.515.00	30.189.00	54.100.00
antibacterial, anti-odour and anti-allergen filter / filtro antibatterico, antiodori e anti-allergeni	Z28NET	184	250	11/05	>	10/09				34.100.00
3.0 V6 CDTI	Y30DT	130	177	03/03	>	08/05	25.108.00		30.197.00	53.045.00
with activated carbons / ai carboni attivi	Y30DT	130	177	03/03	>	08/05	25.108.00		30.197.00	54.100.00
antibacterial, anti-odour and anti-allergen filter / filtro antibatterico, antiodori e anti-allergeni	Y30DT	130	177	03/03	>	08/05				34.100.00
3.0 V6 CDTI	Z30DT	135	184	09/05	>	10/09			30.197.00	53.045.00
with activated carbons / ai carboni attivi	Z30DT	135	184	09/05	>	10/09			30.197.00	54.100.00
antibacterial, anti-odour and anti-allergen filter / filtro antibatterico, antiodori e anti-allergeni	Z30DT	135	184	09/05	>	10/09				34.100.00
3.2 i V6 24V	Z32SE	155	211	03/03	>	10/09	25.017.00	31.515.00	30.197.00	53.045.00
with activated carbons / ai carboni attivi	Z32SE	155	211	03/03	>	10/09	25.017.00	31.515.00	30.197.00	54.100.00
antibacterial, anti-odour and anti-allergen filter / filtro antibatterico, antiodori e anti-allergeni	Z32SE	155	211	03/03	>	10/09				34.100.00
Tigra Mk1										
1.4 i 16V										
with air-conditioner / con climatizzatore	X14XE	66	90	11/94	>	12/00	23.129.02	31.515.00	30.027.00	53.386.00
without air-conditioner / senza climatizzatore	X14XE	66	90	11/94	>	12/00	23.129.02	31.515.00	30.027.00	53.001.00
without activated carbon air-conditioner / senza climatizzatore, ai carboni attivi	X14XE	66	90	11/94	>	12/00				54.278.00
1.6 i 16V										
with air-conditioner / con climatizzatore	X16XE	78	106	11/94	>	12/00	23.129.02	31.515.00	30.027.00	53.386.00
without air-conditioner / senza climatizzatore	X16XE	78	106	11/94	>	12/00	23.129.02	31.515.00	30.027.00	53.001.00
without activated carbon air-conditioner / senza climatizzatore, ai carboni attivi	X16XE	78	106	11/94	>	12/00				54.278.00
Tigra Mk2										
1.3 CDTI 16V										
with activated carbons / ai carboni attivi	Z13DT	51	70	01/05	>		25.043.00	60.H2O.00	30.292.00	54.100.00
antibacterial, anti-odour and anti-allergen filter / filtro antibatterico, antiodori e anti-allergeni	Z13DT	51	70	01/05	>					34.100.00
complete filter with sensor and disassembly key / filtro completo con sensore e chiave di smontaggio	Z13DT	51	70	01/05	>			55.116.01		19.008.00
complete filter without sensor and disassembly key / filtro completo senza sensore e chiave di smontaggio	Z13DT	51	70	01/05	>			55.114.01		19.008.00
assembly PURFLUX / montaggio PURFLUX	Z13DT	51	70	01/05	>		25.043.00	60.H2O.00	30.292.00	53.045.00
assembly UFI / montaggio UFI	Z13DT	51	70	01/05	>		25.031.00	60.H2O.00	30.292.00	53.045.00
1.4 i 16V										
to engine No. 19MA9234 / a motore N. 19MA9234	Z16XEP	66	90	07/04	>		25.012.00	31.515.00	30.159.00	53.045.00
with activated carbons / ai carboni attivi	Z16XEP	66	90	07/04	>			31.515.00	30.159.00	54.100.00
from engine No. 19MA9235 / da motore N. 19MA9235	Z16XEP	66	90				25.064.00			
antibacterial, anti-odour and anti-allergen filter / filtro antibatterico, antiodori e anti-allergeni	Z16XEP	66	90	07/04	>					34.100.00
1.8 i 16V										
with activated carbons / ai carboni attivi	Z18XE	92	125	07/04	>		23.299.00	31.515.00	30.159.00	53.045.00
antibacterial, anti-odour and anti-allergen filter / filtro antibatterico, antiodori e anti-allergeni	Z18XE	92	125	07/04	>		23.299.00	31.515.00	30.159.00	54.100.00
	Z18XE	92	125	07/04	>					34.100.00
Vectra										
1.6 i										
with activated carbons / ai carboni attivi	1.6 LZ			09/95	>	03/02	23.129.02	31.515.00	30.063.00	53.014.00
	1.6 LZ			09/95	>	03/02				54.197.00
1.6 i										
with activated carbons / ai carboni attivi	X16SZ, X16SZR			09/95	>	03/02	23.129.02	31.515.00	30.063.00	53.014.00
	X16SZ, X16SZR			09/95	>	03/02				54.197.00
1.6 i 16V										
with activated carbons / ai carboni attivi	X16XEL			09/95	>	03/02	23.129.02	31.515.00	30.063.00	53.014.00
	X16XEL			09/95	>	03/02				54.197.00
1.7 Turbodiesel										
with activated carbons / ai carboni attivi	X17TD			09/95	>	03/02	23.243.00	24.351.01	30.064.00	53.014.00
	X17TD			09/95	>	03/02				54.197.00
1.8 i 16V										
with activated carbons / ai carboni attivi	X18XE1	85	115	06/98	>	12/00	25.017.00	31.515.00	30.063.00	53.014.00
	X18XE1	85	115	06/98	>	12/00				54.197.00
1.8 i 16V										
with activated carbons / ai carboni attivi	Z18XE	92	125	10/00	>	03/02	25.017.00	31.515.00	30.063.00	53.014.00
	Z18XE	92	125	10/00	>	03/02				54.197.00
2.0 DI Diesel										
with activated carbons / ai carboni attivi				04/97	>	03/02	25.003.00		30.083.00	53.014.00
				10/96	>	03/02				54.197.00
2.0 DTI 16V										
with activated carbons / ai carboni attivi				09/97	>	03/02	25.003.00		30.083.00	53.014.00
				09/97	>	03/02				54.197.00
2.0 i										
with activated carbons / ai carboni attivi	2.0 NE/20NEJ			09/95	>	03/02	23.129.02	31.515.00	30.063.00	53.014.00
	2.0 NE/20NEJ			09/95	>	03/02				54.197.00
2.0 i 16V										
with activated carbons / ai carboni attivi	X20XEV			09/95	>	03/02	23.129.02	31.515.00	30.063.00	53.014.00
	X20XEV			09/95	>	03/02				54.197.00
2.2 DTI 16V										
with activated carbons / ai carboni attivi	Y22DTH	92	125	09/00	>	03/02	25.003.00		30.160.00	53.014.00
	Y22DTH	92	125	09/00	>	03/02				54.197.00
2.2 DTI 16V										
with activated carbons / ai carboni attivi	Y22DTR	92	125	09/00	>	03/02	25.003.00		30.160.00	53.014.00
	Y22DTR	92	125	09/00	>	03/02				54.197.00
2.2 i 16V										
with activated carbons / ai carboni attivi	Z22SE	108	147	09/00	>	03/02	25.024.00	31.515.00	30.083.00	53.014.00
	Z22SE	108	147	09/00	>	03/02				54.197.00
2.5 i V6 24V										
with activated carbons / ai carboni attivi	X25XE			09/95	>	03/02				54.197.00
from engine No. W1285447/7154529 / da motore N. W1285447/7154529	X25XE			06/98	>	03/02	25.017.00	31.515.00	30.063.00	53.014.00

...VAUXHALL - cars/auto

2.6 i V6	Y26SE				10/00 > 03/02	25.017.00	31.515.00	30.063.00	53.014.00
with activated carbons / ai carboni attivi	Y26SE				10/00 > 03/02				54.197.00
Vectra Mk2									
1.8 i 16V	Z18XE	90	122		03/02 >	23.129.02	31.515.00	30.202.00	53.045.00
with activated carbons / ai carboni attivi	Z18XE	90	122		03/02 >	23.129.02	31.515.00	30.202.00	54.100.00
antibacterial, anti-odour and anti-allergen filter / filtro antibatterico, antiodori e anti-allergeni	Z18XE	90	122		03/02 >				34.100.00
1.8 i 16V	Z18XER	103	140		10/05 >	25.064.00		30.202.00	53.045.00
with activated carbons / ai carboni attivi	Z18XER	103	140		10/05 >	25.064.00		30.202.00	54.100.00
antibacterial, anti-odour and anti-allergen filter / filtro antibatterico, antiodori e anti-allergeni	Z18XER	103	140		10/05 >				34.100.00
1.9 CDTi 16V	Z19DTH	110	150		04/04 >	25.049.00	60.H2O.00	30.197.00	53.045.00
with activated carbons / ai carboni attivi	Z19DTH	110	150		04/04 >	25.049.00	60.H2O.00	30.197.00	54.100.00
antibacterial, anti-odour and anti-allergen filter / filtro antibatterico, antiodori e anti-allergeni	Z19DTH	110	150		04/04 >				34.100.00
complete filter with R.H.D. and disassembly key / filtro completo con guida a destra e chiave di smontaggio	Z19DTH	110	150		04/04 >		55.125.00		19.008.00
1.9 CDTi 8V	Z19DTL	88	120		04/04 >	25.049.00	60.H2O.00	30.197.00	53.045.00
with activated carbons / ai carboni attivi	Z19DTL	88	120		04/04 >	25.049.00	60.H2O.00	30.197.00	54.100.00
antibacterial, anti-odour and anti-allergen filter / filtro antibatterico, antiodori e anti-allergeni	Z19DTL	88	120		04/04 >				34.100.00
complete filter with R.H.D. and disassembly key / filtro completo con guida a destra e chiave di smontaggio	Z19DTL	88	120		04/04 >		55.125.00		19.008.00
2.0 DTi 16V	Y20DTH	74	101		03/02 >	25.003.00		30.197.00	53.045.00
with activated carbons / ai carboni attivi	Y20DTH	74	101		03/02 >	25.003.00		30.197.00	54.100.00
antibacterial, anti-odour and anti-allergen filter / filtro antibatterico, antiodori e anti-allergeni	Y20DTH	74	101		03/02 >				34.100.00
2.2 DTi 16V	Y22DTR	92	125		03/02 >	25.003.00		30.197.00	53.045.00
with activated carbons / ai carboni attivi	Y22DTR	92	125		03/02 >	25.003.00		30.197.00	54.100.00
antibacterial, anti-odour and anti-allergen filter / filtro antibatterico, antiodori e anti-allergeni	Y22DTR	92	125		03/02 >				34.100.00
2.2 i 16V	Z22XE	108	147		03/02 >	25.024.00	31.515.00		53.045.00
with activated carbons / ai carboni attivi	Z22XE	108	147		03/02 >	25.024.00	31.515.00		54.100.00
antibacterial, anti-odour and anti-allergen filter / filtro antibatterico, antiodori e anti-allergeni	Z22XE	108	147		03/02 >				34.100.00
2.2 i 16V Direct	Z22YH	114	155		09/03 >	25.024.00	31.515.00		53.045.00
with activated carbons / ai carboni attivi	Z22YH	114	155		09/03 >	25.024.00	31.515.00		54.100.00
antibacterial, anti-odour and anti-allergen filter / filtro antibatterico, antiodori e anti-allergeni	Z22YH	114	155		09/03 >				34.100.00
2.8 V6 Turbo	Z28NEL	169	230		09/05 >	25.163.00	31.515.00	30.189.00	53.045.00
with activated carbons / ai carboni attivi	Z28NEL	169	230		09/05 >	25.163.00	31.515.00	30.189.00	54.100.00
antibacterial, anti-odour and anti-allergen filter / filtro antibatterico, antiodori e anti-allergeni	Z28NEL	169	230		09/05 >				34.100.00
2.8 V6 Turbo	Z28NET	188	255		11/05 >	25.163.00	31.515.00	30.189.00	53.045.00
with activated carbons / ai carboni attivi	Z28NET	188	255		11/05 >	25.163.00	31.515.00	30.189.00	54.100.00
antibacterial, anti-odour and anti-allergen filter / filtro antibatterico, antiodori e anti-allergeni	Z28NET	188	255		11/05 >				34.100.00
2.8 V6 Turbo	Z28NET	206	280		09/06 >	25.163.00	31.515.00	30.189.00	53.045.00
with activated carbons / ai carboni attivi	Z28NET	206	280		09/06 >	25.163.00	31.515.00	30.189.00	54.100.00
antibacterial, anti-odour and anti-allergen filter / filtro antibatterico, antiodori e anti-allergeni	Z28NET	206	280		09/06 >				34.100.00
3.0 V6 CDTi	Y30DT	130	177		09/03 >	25.108.00		30.197.00	53.045.00
with activated carbons / ai carboni attivi	Y30DT	130	177		09/03 >	25.108.00		30.197.00	54.100.00
antibacterial, anti-odour and anti-allergen filter / filtro antibatterico, antiodori e anti-allergeni	Y30DT	130	177		09/03 >				34.100.00
3.2 i V6	Y32SE, Z32SE	155	211		03/02 >	25.017.00	31.515.00	30.197.00	53.045.00
with activated carbons / ai carboni attivi	Y32SE, Z32SE	155	211		03/02 >	25.017.00	31.515.00	30.197.00	54.100.00
antibacterial, anti-odour and anti-allergen filter / filtro antibatterico, antiodori e anti-allergeni	Y32SE, Z32SE	155	211		03/02 >				34.100.00
Viva									
1.0	B10XE	55	75		05/15 >			30.B50.00	53.254.00
with activated carbons / ai carboni attivi	B10XE	55	75		05/15 >				54.178.00
antibacterial, anti-odour and anti-allergen filter / filtro antibatterico, antiodori e anti-allergeni	B10XE	55	75		05/15 >				34.178.00
1.0	B10XL	52	71		05/15 >			30.B50.00	53.254.00
with activated carbons / ai carboni attivi	B10XL	52	71		05/15 >				54.178.00
antibacterial, anti-odour and anti-allergen filter / filtro antibatterico, antiodori e anti-allergeni	B10XL	52	71		05/15 >				34.178.00
1.0	D10XE	54	73		03/18 >	23.650.00		30.B50.00	53.254.00
with activated carbons / ai carboni attivi	D10XE	54	73		03/18 >				54.178.00
antibacterial, anti-odour and anti-allergen filter / filtro antibatterico, antiodori e anti-allergeni	D10XE	54	73		03/18 >				34.178.00
1.0 LPG	B10XL, D10XE	54	73		06/15 > 03/18	23.650.00		30.B50.00	53.254.00
with activated carbons / ai carboni attivi	B10XL, D10XE	54	73		06/15 > 03/18				54.178.00
antibacterial, anti-odour and anti-allergen filter / filtro antibatterico, antiodori e anti-allergeni	B10XL, D10XE	54	73		06/15 > 03/18				34.178.00
VX 220									
2.0 i Turbo	Z20LET/Z20ZET	147	200		03/03 > 09/05	23.299.00			
2.2 i 16V	Z22SE	108	147		09/00 > 09/05	25.024.00		30.063.00	
Zafira Mk1									
1.6 i 16V									
with air-conditioner BEHR / con climatizzatore BEHR	X16XEL, Z16XE	74	100		02/99 > 07/05	23.129.02	31.515.00	30.107.00	53.030.00
with activated carbon air-conditioner BEHR / con climatizzatore, ai carboni attivi BEHR	X16XEL, Z16XE	74	100		02/99 > 07/05				54.230.00
antibacterial, anti-odour and anti-allergen filter with air-conditioner BEHR / filtro antibatterico, antiodori e anti-allergeni con climatizzatore BEHR	X16XEL, Z16XE	74	100		02/99 > 07/05				34.230.00
1.8 i 16V									
with air-conditioner BEHR / con climatizzatore BEHR	X18XE1	85	115		02/99 > 12/00	25.017.00	31.515.00	30.107.00	53.030.00

...VAUXHALL - cars/auto

with activated carbon air-conditioner BEHR / con climatizzatore, ai carboni attivi BEHR	X18XE1	85	115	02/99	>	12/00				54.230.00
antibacterial, anti-odour and anti-allergen filter with air-conditioner BEHR / filtro antibatterico, antiodori e anti-allergeni con climatizzatore BEHR	X18XE1	85	115	02/99	>	12/00				34.230.00
1.8 i 16V										
to engine No. 20V00604 / a motore N. 20V00604	Z18XE	92	125	10/00	>		25.017.00	31.515.00	30.107.00	
with air-conditioner BEHR / con climatizzatore BEHR	Z18XE	92	125	10/00	>	07/05				53.030.00
with activated carbon air-conditioner BEHR / con climatizzatore, ai carboni attivi BEHR	Z18XE	92	125	10/00	>	07/05				54.230.00
from engine No. 20V00605 / da motore N. 20V00605	Z18XE	92	125		>	07/05	23.299.00	31.515.00	30.107.00	
antibacterial, anti-odour and anti-allergen filter with air-conditioner BEHR / filtro antibatterico, antiodori e anti-allergeni con climatizzatore BEHR	Z18XE	92	125	10/00	>	07/05				34.230.00
2.0 DTI 16V										
with air-conditioner BEHR / con climatizzatore BEHR	X20DTL	60	82	02/99	>	12/00	25.003.00		30.107.00	53.030.00
with activated carbon air-conditioner BEHR / con climatizzatore, ai carboni attivi BEHR	X20DTL	60	82	02/99	>	12/00				54.230.00
antibacterial, anti-odour and anti-allergen filter with air-conditioner BEHR / filtro antibatterico, antiodori e anti-allergeni con climatizzatore BEHR	X20DTL	60	82	02/99	>	12/00				34.230.00
2.0 DTI 16V										
with air-conditioner BEHR / con climatizzatore BEHR	Y20DTH	74	100	10/00	>	07/01	25.003.00		30.107.00	53.030.00
with air-conditioner BEHR / con climatizzatore BEHR	Y20DTH	74	100	08/01	>	07/05	25.003.00		30.258.00	53.030.00
with activated carbon air-conditioner BEHR / con climatizzatore, ai carboni attivi BEHR	Y20DTH	74	100	10/00	>	07/05				54.230.00
antibacterial, anti-odour and anti-allergen filter with air-conditioner BEHR / filtro antibatterico, antiodori e anti-allergeni con climatizzatore BEHR	Y20DTH	74	100	10/00	>	07/05				34.230.00
2.0 OPC Turbo										
with air-conditioner BEHR / con climatizzatore BEHR	Z20LET	140	190	04/01	>	07/05	23.129.02	31.515.00	30.107.00	53.030.00
with activated carbon air-conditioner BEHR / con climatizzatore, ai carboni attivi BEHR	Z20LET	140	190	04/01	>	07/05				54.230.00
antibacterial, anti-odour and anti-allergen filter with air-conditioner BEHR / filtro antibatterico, antiodori e anti-allergeni con climatizzatore BEHR	Z20LET	140	190	04/01	>	07/05				34.230.00
2.2 DTI 16V										
with air-conditioner BEHR / con climatizzatore BEHR	Y22DTR	92	125	12/01	>	07/05	25.003.00		30.258.00	53.030.00
with activated carbon air-conditioner BEHR / con climatizzatore, ai carboni attivi BEHR	Y22DTR	92	125	12/01	>	07/05				54.230.00
antibacterial, anti-odour and anti-allergen filter with air-conditioner BEHR / filtro antibatterico, antiodori e anti-allergeni con climatizzatore BEHR	Y22DTR	92	125	12/01	>	07/05				34.230.00
2.2 i 16V										
with air-conditioner BEHR / con climatizzatore BEHR	Z22SE	108	147	10/00	>	07/05	25.024.00	31.515.00	30.203.00	53.030.00
with activated carbon air-conditioner BEHR / con climatizzatore, ai carboni attivi BEHR	Z22SE	108	147	10/00	>	07/05				54.230.00
antibacterial, anti-odour and anti-allergen filter with air-conditioner BEHR / filtro antibatterico, antiodori e anti-allergeni con climatizzatore BEHR	Z22SE	108	147	10/00	>	07/05				34.230.00
Zafira Mk2										
1.6 16V	A16XER	85	115	07/10	>	11/13	25.064.00		30.107.00	53.030.00
with activated carbons / ai carboni attivi	A16XER	85	115	07/10	>	11/13				54.230.00
antibacterial, anti-odour and anti-allergen filter / filtro antibatterico, antiodori e anti-allergeni	A16XER	85	115	07/10	>	11/13				34.230.00
1.6 16V	Z16XEP/Z16XE1	77	105	07/05	>	01/08	23.299.00		30.107.00	53.030.00
with activated carbons / ai carboni attivi	Z16XEP/Z16XE1	77	105	07/05	>	01/08				54.230.00
antibacterial, anti-odour and anti-allergen filter / filtro antibatterico, antiodori e anti-allergeni	Z16XEP/Z16XE1	77	105	07/05	>	01/08				34.230.00
1.6 16V	Z16XER	85	115	11/07	>	06/10	25.064.00		30.107.00	53.030.00
with activated carbons / ai carboni attivi	Z16XER	85	115	11/07	>	06/10				54.230.00
antibacterial, anti-odour and anti-allergen filter / filtro antibatterico, antiodori e anti-allergeni	Z16XER	85	115	11/07	>	06/10				34.230.00
1.6 CNG	Z16YNG	69	94	07/06	>	11/10	23.299.00		30.107.00	53.030.00
with activated carbons / ai carboni attivi	Z16YNG	69	94	07/06	>	11/10				54.230.00
antibacterial, anti-odour and anti-allergen filter / filtro antibatterico, antiodori e anti-allergeni	Z16YNG	69	94	07/06	>	11/10				34.230.00
1.6 CNG Turbo	A16XNT	110	150	07/10	>	11/13	25.064.00		30.259.00	53.030.00
with activated carbons / ai carboni attivi	A16XNT	110	150	07/10	>	11/13				54.230.00
antibacterial, anti-odour and anti-allergen filter / filtro antibatterico, antiodori e anti-allergeni	A16XNT	110	150	07/10	>	11/13				34.230.00
1.6 CNG Turbo	Z16XNT	110	150	01/09	>	06/10	25.064.00		30.259.00	53.030.00
with activated carbons / ai carboni attivi	Z16XNT	110	150	01/09	>	06/10				54.230.00
antibacterial, anti-odour and anti-allergen filter / filtro antibatterico, antiodori e anti-allergeni	Z16XNT	110	150	01/09	>	06/10				34.230.00
1.7 CDTI	A17DTJ	81	110	07/10	>	08/11	25.085.00	26.054.00	30.259.00	53.030.00
with activated carbons / ai carboni attivi	A17DTJ	81	110	07/10	>	08/11				54.230.00
antibacterial, anti-odour and anti-allergen filter / filtro antibatterico, antiodori e anti-allergeni	A17DTJ	81	110	07/10	>	08/11				34.230.00
1.7 CDTI	A17DTR	92	125	09/11	>	09/14	25.085.00	26.054.00	30.259.00	53.030.00
with activated carbons / ai carboni attivi	A17DTR	92	125	09/11	>	09/14				54.230.00
antibacterial, anti-odour and anti-allergen filter / filtro antibatterico, antiodori e anti-allergeni	A17DTR	92	125	09/11	>	09/14				34.230.00
1.7 CDTI	Z17DTJ	81	110	12/07	>	06/10	25.085.00	26.054.00	30.259.00	53.030.00
with activated carbons / ai carboni attivi	Z17DTJ	81	110	12/07	>	06/10				54.230.00
antibacterial, anti-odour and anti-allergen filter / filtro antibatterico, antiodori e anti-allergeni	Z17DTJ	81	110	12/07	>	06/10				34.230.00
1.7 CDTI	Z17DTR	92	125	12/07	>	08/11	25.085.00	26.054.00	30.259.00	53.030.00
with activated carbons / ai carboni attivi	Z17DTR	92	125	12/07	>	08/11				54.230.00
antibacterial, anti-odour and anti-allergen filter / filtro antibatterico, antiodori e anti-allergeni	Z17DTR	92	125	12/07	>	08/11				34.230.00
1.8 16V LPG ecoFLEX	Z18XER	103	140	07/09	>	11/10	25.064.00		30.107.00	53.030.00
with activated carbons / ai carboni attivi	Z18XER	103	140	07/09	>	11/10				54.230.00
antibacterial, anti-odour and anti-allergen filter / filtro antibatterico, antiodori e anti-allergeni	Z18XER	103	140	07/09	>	11/10				34.230.00
1.8 16V	A18XER	103	140	07/10	>	09/14	25.064.00		30.107.00	53.030.00
with activated carbons / ai carboni attivi	A18XER	103	140	07/10	>	09/14				54.230.00
antibacterial, anti-odour and anti-allergen filter / filtro antibatterico, antiodori e anti-allergeni	A18XER	103	140	07/10	>	09/14				34.230.00
1.8 16V	Z18XER	103	140	08/05	>	11/10	25.064.00		30.107.00	53.030.00

...VAUXHALL - cars/auto

with activated carbons / ai carboni attivi	Z18XER	103	140	08/05	>	11/10				54.230.00
antibacterial, anti-odour and anti-allergen filter / filtro antibatterico, antiodori e anti-allergeni	Z18XER	103	140	08/05	>	11/10				34.230.00
1.9 CDTI 16V	Z19DTH	110	150	07/05	>	11/10	25.049.00	60.H2O.00	30.259.00	53.030.00
with activated carbons / ai carboni attivi	Z19DTH	110	150	07/05	>	11/10				54.230.00
antibacterial, anti-odour and anti-allergen filter / filtro antibatterico, antiodori e anti-allergeni	Z19DTH	110	150	07/05	>	11/10				34.230.00
complete filter and disassembly key / filtro completo e chiave di smontaggio	Z19DTH	110	150	07/05	>	11/10		55.152.00		19.008.00
1.9 CDTI 8V	Z19DT/Z19DTJ	88	120	07/05	>	11/10	25.049.00	60.H2O.00	30.259.00	53.030.00
with activated carbons / ai carboni attivi	Z19DT/Z19DTJ	88	120	07/05	>	11/10				54.230.00
antibacterial, anti-odour and anti-allergen filter / filtro antibatterico, antiodori e anti-allergeni	Z19DT/Z19DTJ	88	120	07/05	>	11/10				34.230.00
complete filter and disassembly key / filtro completo e chiave di smontaggio	Z19DT/Z19DTJ	88	120	07/05	>	11/10		55.152.00		19.008.00
1.9 CDTI 8V	Z19DTL	74	100	07/05	>	11/07	25.049.00	60.H2O.00	30.259.00	53.030.00
with activated carbons / ai carboni attivi	Z19DTL	74	100	07/05	>	11/07				54.230.00
antibacterial, anti-odour and anti-allergen filter / filtro antibatterico, antiodori e anti-allergeni	Z19DTL	74	100	07/05	>	11/07				34.230.00
complete filter and disassembly key / filtro completo e chiave di smontaggio	Z19DTL	74	100	07/05	>	11/07		55.152.00		19.008.00
2.0 16V Turbo	Z20LER	147	200	07/05	>	06/10	23.299.00		30.107.00	53.030.00
with activated carbons / ai carboni attivi	Z20LER	147	200	07/05	>	06/10				54.230.00
antibacterial, anti-odour and anti-allergen filter / filtro antibatterico, antiodori e anti-allergeni	Z20LER	147	200	07/05	>	06/10				34.230.00
2.0 Turbo OPC VXR	Z20LEH	177	240	11/05	>	06/10	23.299.00		30.107.00	53.030.00
with activated carbons / ai carboni attivi	Z20LEH	177	240	11/05	>	06/10				54.230.00
antibacterial, anti-odour and anti-allergen filter / filtro antibatterico, antiodori e anti-allergeni	Z20LEH	177	240	11/05	>	06/10				34.230.00
2.2 16V Direct	Z22YH	110	150	07/05	>	11/10	25.024.00		30.203.00	53.030.00
with activated carbons / ai carboni attivi	Z22YH	110	150	07/05	>	11/10				54.230.00
antibacterial, anti-odour and anti-allergen filter / filtro antibatterico, antiodori e anti-allergeni	Z22YH	110	150	07/05	>	11/10				34.230.00
2.2 16V Direct Automatic	Z22YH	110	150	07/05	>	11/10	25.024.00		30.203.00	53.030.00
with activated carbons / ai carboni attivi	Z22YH	110	150	07/05	>	11/10				54.230.00
antibacterial, anti-odour and anti-allergen filter / filtro antibatterico, antiodori e anti-allergeni	Z22YH	110	150	07/05	>	11/10				34.230.00

Zafira Tourer Mk3

1.4 Turbo	A14NEL	88	120	10/11	>		25.064.00		30.404.00	54.178.00
antibacterial, anti-odour and anti-allergen filter / filtro antibatterico, antiodori e anti-allergeni	A14NEL	88	120	10/11	>					34.178.00
1.4 Turbo	A14NET	103	140	10/11	>		25.064.00		30.404.00	54.178.00
antibacterial, anti-odour and anti-allergen filter / filtro antibatterico, antiodori e anti-allergeni	A14NET	103	140	10/11	>					34.178.00
1.6 CDTI	B16DTH	100	136	02/13	>		25.199.00	26.058.00	30.404.00	54.178.00
antibacterial, anti-odour and anti-allergen filter / filtro antibatterico, antiodori e anti-allergeni	B16DTH	100	136	02/13	>					34.178.00
1.6 CDTI 120	B16DTJ	88	120	06/14	>		25.199.00	26.058.00	30.404.00	54.178.00
antibacterial, anti-odour and anti-allergen filter / filtro antibatterico, antiodori e anti-allergeni	B16DTJ	88	120	06/14	>					34.178.00
1.6 SIDI Turbo	A16SHT	147	200	10/13	>		25.225.00		30.404.00	53.254.00
with activated carbons / ai carboni attivi	A16SHT	147	200	10/13	>					54.178.00
antibacterial, anti-odour and anti-allergen filter / filtro antibatterico, antiodori e anti-allergeni	A16SHT	147	200	10/13	>					34.178.00
1.6 SIDI Turbo	A16XHT	125	170	01/13	>		25.225.00		30.404.00	53.254.00
with activated carbons / ai carboni attivi	A16XHT	125	170	01/13	>					54.178.00
antibacterial, anti-odour and anti-allergen filter / filtro antibatterico, antiodori e anti-allergeni	A16XHT	125	170	01/13	>					34.178.00
1.6 T ecoM 150	A16XNT/B16XNT	110	150	10/11	>		25.064.00		30.404.00	54.178.00
antibacterial, anti-odour and anti-allergen filter / filtro antibatterico, antiodori e anti-allergeni	A16XNT/B16XNT	110	150	10/11	>					34.178.00
1.8	A18XEL	85	115	10/11	>		25.064.00		30.A24.00	54.178.00
antibacterial, anti-odour and anti-allergen filter / filtro antibatterico, antiodori e anti-allergeni	A18XEL	85	115	10/11	>					34.178.00
1.8	A18XER	103	140	10/11	>		25.064.00		30.A24.00	54.178.00
antibacterial, anti-odour and anti-allergen filter / filtro antibatterico, antiodori e anti-allergeni	A18XER	103	140	10/11	>					34.178.00
2.0 CDTI	A20DT	96	130	10/11	>		25.093.00	26.058.00	30.404.00	54.178.00
antibacterial, anti-odour and anti-allergen filter / filtro antibatterico, antiodori e anti-allergeni	A20DT	96	130	10/11	>					34.178.00
2.0 CDTI	A20DTH	121	165	10/11	>		25.093.00	26.058.00	30.404.00	54.178.00
antibacterial, anti-odour and anti-allergen filter / filtro antibatterico, antiodori e anti-allergeni	A20DTH	121	165	10/11	>					34.178.00
2.0 CDTI	A20DTL	81	110	10/11	>		25.093.00	26.058.00	30.404.00	54.178.00
antibacterial, anti-odour and anti-allergen filter / filtro antibatterico, antiodori e anti-allergeni	A20DTL	81	110	10/11	>					34.178.00
2.0 CDTI	B20DTH	125	170	01/15	>		25.118.00	26.058.00	30.404.00	54.178.00
antibacterial, anti-odour and anti-allergen filter / filtro antibatterico, antiodori e anti-allergeni	B20DTH	125	170	01/15	>					34.178.00
2.0 CDTI BiTurbo	A20DTR	143	194	01/13	>		25.093.00	26.058.00	30.404.00	54.178.00
antibacterial, anti-odour and anti-allergen filter / filtro antibatterico, antiodori e anti-allergeni	A20DTR	143	194	01/13	>					34.178.00

VAUXHALL

off-road cars/fuoristrada

Antara

2.0 CDTI DPF	Z20DM	93	126	11/06	>	10/10	25.091.00	60.H2O.00	30.392.00	53.151.00
complete filter / filtro completo	Z20DM	93	126	11/06	>	10/10		55.163.00		19.008.00
2.0 CDTI DPF	Z20DMH	110	150	11/06	>	10/10	25.091.00	60.H2O.00	30.392.00	53.151.00
complete filter / filtro completo	Z20DMH	110	150	11/06	>	10/10		55.163.00		
2.2 CDTI	A22DM	120	163	12/10	>	12/12	25.088.00	26.047.00	30.552.00	54.224.00
	A22DM	120	163	01/13	>		25.088.00	26.071.00	30.552.00	54.224.00
2.2 CDTI	A22DMH	135	184	12/10	>	12/12	25.088.00	26.047.00	30.552.00	54.224.00

...VAUXHALL - off-road cars/fuoristrada

	A22DMH	135	184	01/13	>		25.088.00	26.071.00	30.552.00	54.224.00
2.4	A24XE	123	167	12/10	>			∞		54.224.00
2.4	Z24XE	103	140	11/06	>	10/10	23.129.02	∞	30.392.00	53.151.00
3.0 V6	A30XH	188	256	12/10	>		23.519.00	∞		54.224.00
3.2 V6	Z32SE	167	227	11/06	>	10/10		∞	30.392.00	53.151.00
Frontera Mk II										
2.2 i 16V	X22SE			10/98	>		23.129.02	31.611.00	30.204.00	
2.2 TDI 16V	X22DTH			10/98	>		25.003.00		30.204.00	
3.2 i V6 24V	32			10/98	>		23.133.00	31.611.00	30.204.00	

VAUXHALL

commercial vehicles/veicoli commerciali

Albany Seven Seater

2.0 Estate				09/90	>		23.271.00			
------------	--	--	--	-------	---	--	-----------	--	--	--

Arena

1.9 D	Renault F8Q-600	44	60	03/98	>	08/01	23.418.00	26.687.00	27.084.00	
1.9 D										
	to engine No. C057916 / a motore N. C057916	Renault F8Q-606	44	60	01/97	>	23.418.00	26.686.00	27.084.00	
	from engine No. C057917 / da motore N. C057917	Renault F8Q-606	44	60		>	08/01	23.418.00	26.687.00	27.084.00
2.5 D	Renault S8U-758			01/97	>	08/01	23.303.00	24.384.00	27.084.00	
2.5 D	Renault S8U-780			03/98	>	08/01	23.303.00	26.687.00	27.084.00	
2.5 D										
	to engine No. Y257499 / a motore N. Y257499	Renault S8U-782		01/97	>		23.303.00	26.686.00	27.084.00	
	from engine No. Y257500 / da motore N. Y257500	Renault S8U-782			>	08/01	23.303.00	26.687.00	27.084.00	

Astravan Envoy

1.7 DTI 16V											
	with air-conditioner BEHR / con climatizzatore BEHR	Y17DIT, Y17DITE	55	75	08/99	>	07/01	25.027.00		30.107.00	53.030.00
	with air-conditioner BEHR / con climatizzatore BEHR	Y17DIT, Y17DITE	55	75	08/01	>	05/04	25.027.00		30.214.00	53.030.00
	with air-conditioner DELPHI / con climatizzatore DELPHI	Y17DIT, Y17DITE	55	75	08/99	>	07/01	25.027.00		30.107.00	53.047.00
	with air-conditioner DELPHI / con climatizzatore DELPHI	Y17DIT, Y17DITE	55	75	08/01	>	05/04	25.027.00		30.214.00	53.047.00
	with activated carbon air-conditioner BEHR / con climatizzatore, ai carboni attivi BEHR	Y17DIT, Y17DITE	55	75	08/99	>	05/04				54.230.00
	with activated carbon air-conditioner DELPHI / con climatizzatore, ai carboni attivi DELPHI	Y17DIT, Y17DITE	55	75	08/99	>	05/04				54.143.00
	antibacterial, anti-odour and anti-allergen filter with air-conditioner BEHR / filtro antibatterico, antiodori e anti-allergeni con climatizzatore BEHR	Y17DIT, Y17DITE	55	75	08/99	>	05/04				34.230.00
	antibacterial, anti-odour and anti-allergen filter with air-conditioner DELPHI / filtro antibatterico, antiodori e anti-allergeni con climatizzatore DELPHI	Y17DIT, Y17DITE	55	75	08/99	>	05/04				34.143.00

Brava

2.5 TD	Isuzu 4JA1T	56	76	07/94	>	07/01	23.274.00	24.366.00	27.193.00	
2.5 TD	Isuzu 4JA1T	74	101	08/01	>			24.366.00		
2.5 TD 4x4	Isuzu 4JA1T	56	76	07/94	>	07/01	23.274.00	24.366.00	27.193.00	
2.5 TD 4x4	Isuzu 4JA1T	74	101	08/01	>			24.366.00		
3.1 TD	Isuzu 4JG2T	80	109	12/92	>		23.274.00	24.366.00	27.647.00	
3.1 TD 4x4	Isuzu 4JG2T	80	109	12/92	>		23.274.00	24.366.00	27.647.00	

Combo

1.3 CDTI											
	with activated carbons / ai carboni attivi	Z13DT	51	70	06/04	>		25.043.00	60.H2O.00	30.292.00	54.100.00
	antibacterial, anti-odour and anti-allergen filter / filtro antibatterico, antiodori e anti-allergeni	Z13DT	51	70	06/04	>					34.100.00
	complete filter with sensor and disassembly key / filtro completo con sensore e chiave di smontaggio	Z13DT	51	70	06/04	>			55.116.00		19.008.00
	complete filter without sensor and disassembly key / filtro completo senza sensore e chiave di smontaggio	Z13DT	51	70	06/04	>			55.114.00		19.008.00
	assembly PURFLUX / montaggio PURFLUX	Z13DT	51	70	06/04	>		25.043.00	60.H2O.00	30.292.00	53.045.00
	assembly UFI / montaggio UFI	Z13DT	51	70	01/05	>		25.031.00	60.H2O.00	30.292.00	53.045.00
1.3 CDTI											
	with activated carbons / ai carboni attivi	Z13DTJ	55	75	10/05	>		25.043.00	60.H2O.00	30.292.00	54.100.00
	antibacterial, anti-odour and anti-allergen filter / filtro antibatterico, antiodori e anti-allergeni	Z13DTJ	55	75	10/05	>					34.100.00
	complete filter with sensor and disassembly key / filtro completo con sensore e chiave di smontaggio	Z13DTJ	55	75	10/05	>			55.116.00		19.008.00
	complete filter without sensor and disassembly key / filtro completo senza sensore e chiave di smontaggio	Z13DTJ	55	75	10/05	>			55.114.00		19.008.00
	assembly PURFLUX / montaggio PURFLUX	Z13DTJ	55	75	10/05	>		25.043.00	60.H2O.00	30.292.00	53.045.00
	assembly UFI / montaggio UFI	Z13DTJ	55	75	10/05	>		25.031.00	60.H2O.00	30.292.00	53.045.00
1.4 16V											
	to engine No. 19MA9234 / a motore N. 19MA9234	Z14XEP	66	90	06/04	>			31.515.00	30.159.00	53.045.00
	with activated carbons / ai carboni attivi	Z14XEP	66	90			25.012.00				
	from engine No. 19MA9235 / da motore N. 19MA9235	Z14XEP	66	90	06/04	>			31.515.00	30.159.00	54.100.00
	antibacterial, anti-odour and anti-allergen filter / filtro antibatterico, antiodori e anti-allergeni	Z14XEP	66	90			25.064.00				
		Z14XEP	66	90	06/04	>					34.100.00
1.6 i (Euro 4)											
		Z16SE	64	87	10/01	>	12/03	23.129.02	31.515.00	30.159.00	53.045.00
		Z16SE	64	87	01/04	>	08/04	23.299.00	31.515.00	30.159.00	53.045.00
	with activated carbons / ai carboni attivi	Z16SE	64	87	10/01	>	12/03	23.129.02	31.515.00	30.159.00	54.100.00
	with activated carbons / ai carboni attivi	Z16SE	64	87	01/04	>	08/04	23.299.00	31.515.00	30.159.00	54.100.00
	antibacterial, anti-odour and anti-allergen filter / filtro antibatterico, antiodori e anti-allergeni	Z16SE	64	87	10/01	>	08/04				34.100.00
1.7 CDTI											
	with activated carbons / ai carboni attivi	Z17DTH	74	100	06/04	>		25.027.00		30.292.00	53.045.00
		Z17DTH	74	100	06/04	>		25.027.00		30.292.00	54.100.00

...VAUXHALL - commercial vehicles/veicoli commerciali

antibacterial, anti-odour and anti-allergen filter / filtro antibatterico, antiodori e anti-allergeni	Z17DTH	74	100	06/04	>				34.100.00
1.7 DI 16V (Euro 3)	Y17DTL	48	65	10/01	>	08/04	25.027.00		53.045.00
with activated carbons / ai carboni attivi	Y17DTL	48	65	10/01	>	08/04	25.027.00	30.159.00	54.100.00
antibacterial, anti-odour and anti-allergen filter / filtro antibatterico, antiodori e anti-allergeni	Y17DTL	48	65	10/01	>	08/04			34.100.00
1.7 DTI 16V (Euro 3)	Y17DT	55	75	10/01	>	08/04	25.027.00		53.045.00
with activated carbons / ai carboni attivi	Y17DT	55	75	10/01	>	08/04	25.027.00	30.292.00	54.100.00
antibacterial, anti-odour and anti-allergen filter / filtro antibatterico, antiodori e anti-allergeni	Y17DT	55	75	10/01	>	08/04			34.100.00
Combo (Corsa)									
1.2 i									
with air-conditioner / con climatizzatore	X12SZ	33	45	07/94	>	10/01	23.129.02	31.515.00	53.386.00
without air-conditioner / senza climatizzatore	X12SZ	33	45	07/94	>	10/01	23.129.02	31.515.00	53.001.00
without activated carbon air-conditioner / senza climatizzatore, ai carboni attivi	X12SZ	33	45	07/94	>	10/01			54.278.00
1.4 i									
with air-conditioner / con climatizzatore	C14NZ	44	60	10/93	>	10/01	23.129.02	31.515.00	53.386.00
without air-conditioner / senza climatizzatore	C14NZ	44	60	10/93	>	10/01	23.129.02	31.515.00	53.001.00
without activated carbon air-conditioner / senza climatizzatore, ai carboni attivi	C14NZ	44	60	10/93	>	10/01			54.278.00
1.4 i									
with air-conditioner / con climatizzatore	C14SE	60	82	10/93	>	10/01	23.129.02	31.515.00	53.386.00
without air-conditioner / senza climatizzatore	C14SE	60	82	10/93	>	10/01	23.129.02	31.515.00	53.001.00
without activated carbon air-conditioner / senza climatizzatore, ai carboni attivi	C14SE	60	82	10/93	>	10/01			54.278.00
1.4 i 16V									
with air-conditioner / con climatizzatore	X14XE	66	90	08/99	>	10/01	23.129.02	31.515.00	53.386.00
without air-conditioner / senza climatizzatore	X14XE	66	90	08/99	>	10/01	23.129.02	31.515.00	53.001.00
without activated carbon air-conditioner / senza climatizzatore, ai carboni attivi	X14XE	66	90	08/99	>	10/01			54.278.00
1.7 Diesel									
with air-conditioner / con climatizzatore	X17D (Isuzu 4EE1)	44	60	10/93	>	10/01	23.265.00	24.351.01	53.386.00
without air-conditioner / senza climatizzatore	X17D (Isuzu 4EE1)	44	60	10/93	>	10/01	23.265.00	24.351.01	53.001.00
without activated carbon air-conditioner / senza climatizzatore, ai carboni attivi	X17D (Isuzu 4EE1)	44	60	10/93	>	10/01			54.278.00
Combo Mk3 (X12)									
1.3 CDTI									
with air-conditioner / con climatizzatore	A13FD	66	90	10/11	>	01/12	25.061.00	24.ONE.01	53.124.00
with air-conditioner / con climatizzatore	A13FD	66	90	02/12	>		25.061.00	26.052.00	53.124.00
1.3 CDTI 95 E6	Fiat 330A1000	70	95	03/16	>			26.052.00	30.793.00
with air-conditioner / con climatizzatore	Fiat 330A1000	70	95	03/16	>				53.124.00
with activated carbon air-conditioner / con climatizzatore, ai carboni attivi	Fiat 330A1000	70	95	03/16	>				54.162.00
antibacterial, anti-odour and anti-allergen filter / filtro antibatterico, antiodori e anti-allergeni	Fiat 330A1000	70	95	03/16	>				34.162.00
assembly UFI FILTERS / montaggio UFI FILTERS	Fiat 330A1000	70	95	03/16	>	25.139.00			
1.3 CDTI 95 E6 Start/Stop	Fiat 330A1000	70	95	03/16	>			26.052.00	30.793.00
with air-conditioner / con climatizzatore	Fiat 330A1000	70	95	03/16	>				53.124.00
with activated carbon air-conditioner / con climatizzatore, ai carboni attivi	Fiat 330A1000	70	95	03/16	>				54.162.00
antibacterial, anti-odour and anti-allergen filter / filtro antibatterico, antiodori e anti-allergeni	Fiat 330A1000	70	95	03/16	>				34.162.00
assembly UFI FILTERS / montaggio UFI FILTERS	Fiat 330A1000	70	95	03/16	>	25.139.00			
1.3 CDTI Start/Stop									
with air-conditioner / con climatizzatore	A13FD	66	90	10/11	>	01/12	25.061.00	24.ONE.01	53.124.00
with air-conditioner / con climatizzatore	A13FD	66	90	02/12	>		25.061.00	26.052.00	53.124.00
1.4 CNG Turbo									
with air-conditioner / con climatizzatore	A14FC	88	120	02/12	>		25.043.00		30.604.00
1.4 Start/Stop									
with air-conditioner / con climatizzatore	A14FP	70	95	10/11	>		23.438.00		30.135.00
1.6 CDTI Start/Stop									
with air-conditioner / con climatizzatore	A16FDH	77	105	10/11	>	01/12	25.083.00	24.ONE.01	53.124.00
with air-conditioner / con climatizzatore	A16FDH	77	105	02/12	>		25.083.00	26.052.00	53.124.00
1.6 CDTI Start/Stop									
with air-conditioner / con climatizzatore	A16FDL	66	90	10/11	>	01/12	25.083.00	24.ONE.01	53.124.00
with air-conditioner / con climatizzatore	A16FDL	66	90	02/12	>		25.083.00	26.052.00	53.124.00
2.0 CDTI Start/Stop									
with air-conditioner / con climatizzatore	A20FD	99	135	10/11	>	01/12	25.083.00	24.ONE.01	53.124.00
with air-conditioner / con climatizzatore	A20FD	99	135	02/12	>		25.083.00	26.052.00	53.124.00
Combo Mk4 (X19)									
1.2 Turbo	D12XHL, F12XHL	81	110	08/18	>		23.439.00		30.718.00
with activated carbons / ai carboni attivi	D12XHL, F12XHL	81	110	08/18	>				54.172.00
antibacterial, anti-odour and anti-allergen filter / filtro antibatterico, antiodori e anti-allergeni	D12XHL, F12XHL	81	110	08/18	>				34.172.00
1.2 Turbo									
with activated carbons / ai carboni attivi	F12XHT	96	131	07/19	>				54.172.00
antibacterial, anti-odour and anti-allergen filter / filtro antibatterico, antiodori e anti-allergeni	F12XHT	96	131	07/19	>				34.172.00
1.5 DCI 100	D15DT	75	102	08/18	>		25.216.00		
with activated carbons / ai carboni attivi	D15DT	75	102	08/18	>				54.172.00

...VAUXHALL - commercial vehicles/veicoli commerciali

antibacterial, anti-odour and anti-allergen filter / filtro antibatterico, antiodori e anti-allergeni	D15DT	75	102	08/18	>				34.172.00
1.5 DCI 130	D15DTH	96	130	08/18	>	25.216.00			
with activated carbons / ai carboni attivi	D15DTH	96	130	08/18	>				54.172.00
antibacterial, anti-odour and anti-allergen filter / filtro antibatterico, antiodori e anti-allergeni	D15DTH	96	130	08/18	>				34.172.00
1.5 DCI 75	D15DTL	56	76	08/18	>	25.216.00			
with activated carbons / ai carboni attivi	D15DTL	56	76	08/18	>				54.172.00
antibacterial, anti-odour and anti-allergen filter / filtro antibatterico, antiodori e anti-allergeni	D15DTL	56	76	08/18	>				34.172.00
1.6	B16DT(DV6FD)	73	99	06/18	>		26.104.00		
with activated carbons / ai carboni attivi	B16DT(DV6FD)	73	99	06/18	>				54.172.00
antibacterial, anti-odour and anti-allergen filter / filtro antibatterico, antiodori e anti-allergeni	B16DT(DV6FD)	73	99	06/18	>				34.172.00
1.6	B16DTL(DV6FE)	55	75	06/18	>		26.104.00		
with activated carbons / ai carboni attivi	B16DTL(DV6FE)	55	75	06/18	>				54.172.00
antibacterial, anti-odour and anti-allergen filter / filtro antibatterico, antiodori e anti-allergeni	B16DTL(DV6FE)	55	75	06/18	>				34.172.00
Corsa Van Mk4									
1.2	B12XEL	51	70	09/14	>	25.064.00			53.124.00
with activated carbons / ai carboni attivi	B12XEL	51	70	09/14	>				54.162.00
antibacterial, anti-odour and anti-allergen filter / filtro antibatterico, antiodori e anti-allergeni	B12XEL	51	70	09/14	>				34.162.00
1.3 CDTI	B13DTC	55	75	09/14	>		24.099.00		53.124.00
with activated carbons / ai carboni attivi	B13DTC	55	75	09/14	>				54.162.00
antibacterial, anti-odour and anti-allergen filter / filtro antibatterico, antiodori e anti-allergeni	B13DTC	55	75	09/14	>				34.162.00
1.3 CDTI	B13DTE	70	95	09/14	>		24.099.00		53.124.00
with activated carbons / ai carboni attivi	B13DTE	70	95	09/14	>				54.162.00
antibacterial, anti-odour and anti-allergen filter / filtro antibatterico, antiodori e anti-allergeni	B13DTE	70	95	09/14	>				34.162.00
Corsavan Mk2									
1.2 i 16V	Z12XE			09/00	> 08/04	25.012.00	31.515.00	30.159.00	53.045.00
with activated carbons / ai carboni attivi	Z12XE			09/00	> 08/04	25.012.00	31.515.00	30.159.00	54.100.00
antibacterial, anti-odour and anti-allergen filter / filtro antibatterico, antiodori e anti-allergeni	Z12XE			09/00	> 08/04				34.100.00
1.3 CDTI									
with activated carbons / ai carboni attivi	Y13DT/Z13DT	51	70	09/03	>	25.043.00	60.H2O.00	30.292.00	54.100.00
antibacterial, anti-odour and anti-allergen filter / filtro antibatterico, antiodori e anti-allergeni	Y13DT/Z13DT	51	70	09/03	>				34.100.00
complete filter and disassembly key / filtro completo e chiave di smontaggio	Y13DT/Z13DT	51	70	09/03	>		55.114.00		19.008.00
assembly PURFLUX / montaggio PURFLUX	Y13DT/Z13DT	51	70	09/03	>	25.043.00	60.H2O.00	30.292.00	53.045.00
assembly UFI / montaggio UFI	Y13DT/Z13DT	51	70	01/05	>	25.031.00	60.H2O.00	30.292.00	53.045.00
1.7 CDTI	Z17DTH	74	100	06/04	>	25.027.00		30.292.00	53.045.00
with activated carbons / ai carboni attivi	Z17DTH	74	100	06/04	>	25.027.00		30.292.00	54.100.00
antibacterial, anti-odour and anti-allergen filter / filtro antibatterico, antiodori e anti-allergeni	Z17DTH	74	100	06/04	>				34.100.00
1.7 DI 16V	Y17DTL			09/00	> 08/04	25.027.00		30.159.00	53.045.00
with activated carbons / ai carboni attivi	Y17DTL			09/00	> 08/04	25.027.00		30.159.00	54.100.00
antibacterial, anti-odour and anti-allergen filter / filtro antibatterico, antiodori e anti-allergeni	Y17DTL			09/00	> 08/04				34.100.00
1.7 DTI 16V	Y17DT, Y17DIT			09/00	> 08/04	25.027.00		30.292.00	53.045.00
with activated carbons / ai carboni attivi	Y17DT, Y17DIT			09/00	> 08/04	25.027.00		30.292.00	54.100.00
antibacterial, anti-odour and anti-allergen filter / filtro antibatterico, antiodori e anti-allergeni	Y17DT, Y17DIT			09/00	> 08/04				34.100.00
Midi									
2.0				06/90	>	23.271.00			
2.0 Turbodiesel	Isuzu			06/90	>		24.368.00		
full-flow	Isuzu			06/90	>	23.271.00			
2.2 Diesel				06/90	>		24.368.00		
full-flow				06/90	>	23.271.00			
Movano Mk1									
1.9 CDTI									
assembly PURFLUX FC578/FC580 / montaggio PURFLUX FC578/FC580	Renault F9Q	60	82	11/03	> 06/10	23.481.00	26.694.00	30.099.00	
assembly PURFLUX FC579 / montaggio PURFLUX FC579	Renault F9Q	60	82	11/03	> 06/10	23.481.00	26.695.00	30.099.00	
1.9 DTI	Renault F9Q-770	59	80	10/01	> 12/03	23.481.00	26.687.00	30.150.00	
1.9 DTI	Renault F9Q-772/774	60	82	01/99	> 10/01	23.481.00	26.687.00	30.150.00	
2.2 CDTI									
assembly PURFLUX FC578/FC580 / montaggio PURFLUX FC578/FC580	Renault G9T	66	90	11/03	> 06/10	25.033.00	26.694.00	30.293.00	
assembly PURFLUX FC579 / montaggio PURFLUX FC579	Renault G9T	66	90	11/03	> 06/10	25.033.00	26.695.00	30.293.00	
2.2 DTI	Renault G9T-720/722/750	66	90	09/00	> 12/03	25.033.00	26.693.00	30.099.00	
2.5 CDTI									
assembly PURFLUX FC578/FC580 / montaggio PURFLUX FC578/FC580	Renault G9U	74	100	11/03	> 06/10	25.033.00	26.694.00	30.293.00	
assembly PURFLUX FC579 / montaggio PURFLUX FC579	Renault G9U	74	100	11/03	> 06/10	25.033.00	26.695.00	30.293.00	
2.5 CDTI									
assembly PURFLUX FC578/FC580 / montaggio PURFLUX FC578/FC580	Renault G9U-632	107	146	07/06	> 06/10	25.094.00	26.694.00	30.293.00	
assembly PURFLUX FC579 / montaggio PURFLUX FC579	Renault G9U-632	107	146	07/06	> 06/10	25.094.00	26.695.00	30.293.00	
2.5 CDTI									
assembly PURFLUX FC578/FC580 / montaggio PURFLUX FC578/FC580	Renault G9U-650	74	100	07/06	> 06/10	25.094.00	26.694.00	30.293.00	
assembly PURFLUX FC579 / montaggio PURFLUX FC579	Renault G9U-650	74	100	07/06	> 06/10	25.094.00	26.695.00	30.293.00	

...VAUXHALL - commercial vehicles/veicoli commerciali

2.5 CDTI										
assembly PURFLUX FC578/FC580 / montaggio PURFLUX FC578/FC580	Renault G9U-650	88	120	07/06	>	06/10	25.094.00	26.694.00	30.293.00	
assembly PURFLUX FC579 / montaggio PURFLUX FC579	Renault G9U-650	88	120	07/06	>	06/10	25.094.00	26.695.00	30.293.00	
2.5 CDTI										
assembly PURFLUX FC578/FC580 / montaggio PURFLUX FC578/FC580	Renault G9U-754	84	115	11/03	>	07/06	25.033.00	26.694.00	30.293.00	
assembly PURFLUX FC579 / montaggio PURFLUX FC579	Renault G9U-754	84	115	11/03	>	07/06	25.033.00	26.695.00	30.293.00	
2.5 D										
	Renault S8U	59	80	01/99	>	12/03	23.303.00	26.687.00	30.099.00	
2.5 DTI										
	Renault G9U-720	84	115	10/01	>	12/03	25.033.00	26.693.00	30.099.00	
2.5 DTI										
	Renault G9U-750/754	84	115	10/01	>	12/03	25.033.00	26.693.00	30.099.00	
2.8 DTI										
	Renault S9W-700	84	115	01/99	>	12/03	23.303.00	26.687.00	30.099.00	
2.8 DTI										
	Renault S9W-702	84	115	01/99	>	12/03	23.303.00	26.687.00	30.541.00	X
3.0 CDTI										
assembly PURFLUX FC578/FC580 / montaggio PURFLUX FC578/FC580	ZD3-200/202	100	136	11/03	>	07/06	25.026.00	26.694.00	30.300.00	
assembly PURFLUX FC579 / montaggio PURFLUX FC579	ZD3-200/202	100	136	11/03	>	07/06	25.026.00	26.695.00	30.300.00	
Movano Mk2										
2.3 CDTI 100										
assembly PURFLUX FC578/FC580 / montaggio PURFLUX FC578/FC580	M9T-670	74	100	04/10	>		25.170.00		30.556.00	53.164.00
	M9T-670	74	100	04/10	>			26.694.00		
2.3 CDTI 110										
	M9T-870	81	110	05/14	>		25.170.00	26.114.00	30.556.00	
with air-conditioner / con climatizzatore	M9T-870	81	110	05/14	>					53.164.00
2.3 CDTI 125										
assembly PURFLUX FC578/FC580 / montaggio PURFLUX FC578/FC580	M9T-690	92	125	04/10	>		25.170.00		30.556.00	53.164.00
	M9T-690	92	125	04/10	>			26.694.00		
2.3 CDTI 150										
assembly PURFLUX FC578/FC580 / montaggio PURFLUX FC578/FC580	M9T-678	107	146	04/10	>		25.170.00		30.556.00	53.164.00
	M9T-678	107	146	04/10	>			26.694.00		
2.3 CDTI 150										
with air-conditioner / con climatizzatore	M9T-880	110	150	01/13	>		25.170.00		30.556.00	
assembly PURFLUX FC578/FC580 / montaggio PURFLUX FC578/FC580	M9T-880	110	150	01/13	>			26.694.00		53.164.00
2.3 CDTI Biturbo 140										
with air-conditioner / con climatizzatore	M9T-700/M9T-702	100	136	05/14	>		25.170.00	26.114.00	30.556.00	
	M9T-700/M9T-702	100	136	05/14	>					53.164.00
2.3 CDTI Biturbo 160										
with air-conditioner / con climatizzatore	M9T-700/M9T-702	120	163	05/14	>		25.170.00	26.114.00	30.556.00	
	M9T-700/M9T-702	120	163	05/14	>					53.164.00
Novavan										
1.0				09/89	>		23.103.00		30.807.00	
1.2				09/89	>		23.129.02		30.806.00	
1.5 Diesel				09/89	>		23.133.00	24.351.01	30.973.00	
Vivaro										
1.9 CDTI										
assembly DELPHI / montaggio DELPHI	Renault F9Q	74	101	09/06	>		23.481.00		30.150.00	53.131.00
assembly PURFLUX FC579 / montaggio PURFLUX FC579	Renault F9Q	74	101	09/06	>			26.693.00		
assembly PURFLUX FC580 / montaggio PURFLUX FC580	Renault F9Q	74	101	09/06	>			26.695.00		
assembly PURFLUX FC580 / montaggio PURFLUX FC580	Renault F9Q	74	101	09/06	>			26.694.00		
1.9 DI										
assembly DELPHI / montaggio DELPHI	Renault F9Q	60	82	03/01	>	08/06	23.481.00		30.150.00	53.131.00
assembly PURFLUX FC579 / montaggio PURFLUX FC579	Renault F9Q	60	82	03/01	>	08/06		26.693.00		
assembly PURFLUX FC580 / montaggio PURFLUX FC580	Renault F9Q	60	82	03/01	>	08/06		26.695.00		
assembly PURFLUX FC580 / montaggio PURFLUX FC580	Renault F9Q	60	82	03/01	>	08/06		26.694.00		
1.9 DTI										
assembly DELPHI / montaggio DELPHI	Renault F9Q	74	101	03/01	>	08/06	23.481.00		30.150.00	53.131.00
assembly PURFLUX FC579 / montaggio PURFLUX FC579	Renault F9Q	74	101	03/01	>	08/06		26.693.00		
assembly PURFLUX FC580 / montaggio PURFLUX FC580	Renault F9Q	74	101	03/01	>	08/06		26.695.00		
assembly PURFLUX FC580 / montaggio PURFLUX FC580	Renault F9Q	74	101	03/01	>	08/06		26.694.00		
2.0 16V										
	Renault F4R	86	117	09/06	>		23.418.00	31.710.00	30.147.00	53.131.00
	Renault F4R	88	120	03/01	>	08/06	23.418.00	31.710.00	30.147.00	53.131.00
2.0 CDTI 120										
assembly PURFLUX FC579 / montaggio PURFLUX FC579	Renault M9R	84	114	09/06	>		25.094.00	26.695.00	30.465.00	53.131.00
assembly PURFLUX FC580 / montaggio PURFLUX FC580	Renault M9R	84	114	09/06	>		25.094.00	26.694.00	30.465.00	53.131.00
2.0 CDTI 90										
assembly PURFLUX FC579 / montaggio PURFLUX FC579	Renault M9R	66	90	09/06	>		25.094.00	26.695.00	30.465.00	53.131.00
assembly PURFLUX FC580 / montaggio PURFLUX FC580	Renault M9R	66	90	09/06	>		25.094.00	26.694.00	30.465.00	53.131.00
2.5 CDTI 150										
assembly PURFLUX FC579 / montaggio PURFLUX FC579	Renault G9U	107	146	09/06	>		25.094.00	26.695.00	30.465.00	53.131.00
assembly PURFLUX FC580 / montaggio PURFLUX FC580	Renault G9U	107	146	09/06	>		25.094.00	26.694.00	30.465.00	53.131.00
2.5 DTI										
	Renault G9U-720/730	99	135	03/01	>	08/06	25.033.00	26.693.00	30.465.00	53.131.00
Vivaro B										
1.6 CDTI 115										
with air-conditioner / con climatizzatore	R9M	84	115	07/14	>		25.170.00	26.114.00	30.664.00	54.234.00
antibacterial, anti-odour and anti-allergen filter / filtro antibatterico, antiodori e anti-allergeni	R9M	84	115	07/14	>					34.234.00
1.6 CDTI 125										
with air-conditioner / con climatizzatore	R9M	92	125	04/15	>		25.170.00	26.114.00	30.664.00	54.234.00
antibacterial, anti-odour and anti-allergen filter / filtro antibatterico, antiodori e anti-allergeni	R9M	92	125	04/15	>					34.234.00
1.6 CDTI 145										

...VAUXHALL - commercial vehicles/veicoli commerciali

with air-conditioner / con climatizzatore	R9M	107	145	08/16	>	25.170.00	26.114.00	30.664.00	54.234.00
antibacterial, anti-odour and anti-allergen filter / filtro antibatterico, antiodori e anti-allergeni	R9M	107	145	08/16	>				34.234.00
1.6 CDTI 90									
with air-conditioner / con climatizzatore	R9M	66	90	07/14	>	25.170.00	26.114.00	30.664.00	54.234.00
antibacterial, anti-odour and anti-allergen filter / filtro antibatterico, antiodori e anti-allergeni	R9M	66	90	07/14	>				34.234.00
1.6 CDTI 95									
with air-conditioner / con climatizzatore	R9M	70	95	08/16	>	25.170.00	26.114.00	30.664.00	54.234.00
antibacterial, anti-odour and anti-allergen filter / filtro antibatterico, antiodori e anti-allergeni	R9M	70	95	08/16	>				34.234.00
1.6 CDTI Biturbo 120									
with air-conditioner / con climatizzatore	R9M	88	120	07/14	>	25.170.00	26.114.00	30.664.00	54.234.00
antibacterial, anti-odour and anti-allergen filter / filtro antibatterico, antiodori e anti-allergeni	R9M	88	120	07/14	>				34.234.00
1.6 CDTI Biturbo 140									
with air-conditioner / con climatizzatore	R9M	103	140	07/14	>	25.170.00	26.114.00	30.664.00	54.234.00
antibacterial, anti-odour and anti-allergen filter / filtro antibatterico, antiodori e anti-allergeni	R9M	103	140	07/14	>				34.234.00
Vivaro C (K0)									
1.5	D15DT(DV5RUCD)	75	102	03/19	>	25.216.00			
1.5	D15DTH(DV5RUC)	88	120	03/19	>	25.216.00			
2.0	D20DTH(DW10FD)	110	150	03/19	>		26.104.00	30.717.00	
2.0	D20DTL(DW10FE)	90	122	03/19	>		26.104.00	30.717.00	
2.0	D20DTR(DW10FDCU)	130	177	03/19	>		26.104.00	30.717.00	
2.0	DW10FDDU	106	144	09/20	>		26.104.00	30.717.00	
with activated carbons / ai carboni attivi	DW10FDDU	106	144	09/20	>				54.172.00
antibacterial, anti-odour and anti-allergen filter / filtro antibatterico, antiodori e anti-allergeni	DW10FDDU	106	144	09/20	>				34.172.00
Electric									
with activated carbons / ai carboni attivi	ZK01	100	136	09/20	>				54.172.00
antibacterial, anti-odour and anti-allergen filter / filtro antibatterico, antiodori e anti-allergeni	ZK01	100	136	09/20	>				34.172.00

VOLKSWAGEN

cars/auto

Ameo (630)

1.2 (IND)	CJLA	55	75	05/16	>	25.029.00	31.833.00	30.132.00	53.190.00
with activated carbons / ai carboni attivi	CJLA	55	75	05/16	>				54.199.00
antibacterial, anti-odour and anti-allergen filter / filtro antibatterico, antiodori e anti-allergeni	CJLA	55	75	05/16	>				34.199.00
1.5 TDI (IND)	CWXC	81	110	05/16	>	25.106.00			53.190.00
with activated carbons / ai carboni attivi	CWXC	81	110	05/16	>				54.199.00
antibacterial, anti-odour and anti-allergen filter / filtro antibatterico, antiodori e anti-allergeni	CWXC	81	110	05/16	>				34.199.00

Arteon (3H)

1.5 TSI 150	DADA	110	150	11/17	>	23.575.00		30.A45.00	53.298.00
with automatic air-conditioner / con climatizzatore automatico	DADA	110	150	11/17	>				54.219.00
antibacterial, anti-odour and anti-allergen filter with automatic air-conditioner / filtro antibatterico, antiodori e anti-allergeni con climatizzatore automatico	DADA	110	150	11/17	>				34.219.00
1.5 TSI 150	DADA/DPCA	110	150	06/20	>	23.575.00		30.A45.00	53.298.00
with activated carbons / ai carboni attivi	DADA/DPCA	110	150	06/20	>				54.219.00
antibacterial, anti-odour and anti-allergen filter / filtro antibatterico, antiodori e anti-allergeni	DADA/DPCA	110	150	06/20	>				34.219.00
2.0 Bi-TDI 4Motion	CUAA	176	240	04/17	>	25.144.00	26.038.00	30.661.00	53.298.00
with automatic air-conditioner / con climatizzatore automatico	CUAA	176	240	04/17	>				54.219.00
antibacterial, anti-odour and anti-allergen filter with automatic air-conditioner / filtro antibatterico, antiodori e anti-allergeni con climatizzatore automatico	CUAA	176	240	04/17	>				34.219.00
export models Diesel Plus / modelli di esportazione Diesel Plus	CUAA	176	240	04/17	>		26.065.00		
for cold countries / per paesi freddi	CUAA	176	240	04/17	>			30.662.00	
2.0 TDI	DFGA	110	150	03/17	>	25.144.00	26.038.00	30.532.00	53.298.00
with automatic air-conditioner / con climatizzatore automatico	DFGA	110	150	03/17	>				54.219.00
antibacterial, anti-odour and anti-allergen filter with automatic air-conditioner / filtro antibatterico, antiodori e anti-allergeni con climatizzatore automatico	DFGA	110	150	03/17	>				34.219.00
export models Diesel Plus / modelli di esportazione Diesel Plus	DFGA	110	150	03/17	>		26.065.00		
for cold countries / per paesi freddi	DFGA	110	150	03/17	>			30.587.00	
2.0 TDI 190	DFHA	140	190	04/17	>	25.144.00	26.038.00	30.661.00	53.298.00
with automatic air-conditioner / con climatizzatore automatico	DFHA	140	190	04/17	>				54.219.00
antibacterial, anti-odour and anti-allergen filter with automatic air-conditioner / filtro antibatterico, antiodori e anti-allergeni con climatizzatore automatico	DFHA	140	190	04/17	>				34.219.00
export models Diesel Plus / modelli di esportazione Diesel Plus	DFHA	140	190	04/17	>		26.065.00		
for cold countries / per paesi freddi	DFHA	140	190	04/17	>			30.662.00	
2.0 TDI 190 4Motion	DFHA	140	190	04/17	>	25.144.00	26.038.00	30.661.00	53.298.00
with automatic air-conditioner / con climatizzatore automatico	DFHA	140	190	04/17	>				54.219.00
antibacterial, anti-odour and anti-allergen filter with automatic air-conditioner / filtro antibatterico, antiodori e anti-allergeni con climatizzatore automatico	DFHA	140	190	11/17	>				34.219.00
export models Diesel Plus / modelli di esportazione Diesel Plus	DFHA	140	190	04/17	>		26.065.00		
for cold countries / per paesi freddi	DFHA	140	190	04/17	>			30.662.00	
2.0 TSI	CZPB	140	190	04/17	>	25.153.00		30.532.00	53.298.00
with automatic air-conditioner / con climatizzatore automatico	CZPB	140	190	04/17	>				54.219.00
antibacterial, anti-odour and anti-allergen filter with automatic air-conditioner / filtro antibatterico, antiodori e anti-allergeni con climatizzatore automatico	CZPB	140	190	04/17	>				34.219.00
2.0 TSI 4Motion	DJHC	206	280	04/17	>	25.153.00		30.532.00	53.298.00
with automatic air-conditioner / con climatizzatore automatico	DJHC	206	280	04/17	>				54.219.00

...VOLKSWAGEN - cars/auto

antibacterial, anti-odour and anti-allergen filter with automatic air-conditioner / filtro antibatterico, antiodori e anti-allergeni con climatizzatore automatico	DJHC	206	280	04/17	>					34.219.00
Beetle										
1.4 i 16V	BCA	55	75	08/01	>	09/10	23.453.00	31.718.00	30.124.00	54.109.00
antibacterial, anti-odour and anti-allergen filter / filtro antibatterico, antiodori e anti-allergeni	BCA	55	75	08/01	>	09/10				34.109.00
dusty areas / zone polverose	BCA	55	75	08/01	>	09/10	23.453.00	31.718.00	30.184.00	54.109.00
1.6	BFS	75	102	06/01	>	09/10	23.436.00	31.718.00	30.077.00	54.109.00
antibacterial, anti-odour and anti-allergen filter / filtro antibatterico, antiodori e anti-allergeni	BFS	75	102	06/01	>	09/10				34.109.00
for cold countries / per paesi freddi	BFS	75	102	06/01	>	09/10	23.436.00	31.718.00	30.364.00	54.109.00
1.6 i	AWH	74	101	10/99	>	10/00	23.436.00	31.718.00	30.077.00	54.109.00
antibacterial, anti-odour and anti-allergen filter / filtro antibatterico, antiodori e anti-allergeni	AWH	74	101	10/99	>	10/00				34.109.00
for cold countries / per paesi freddi	AWH	74	101	10/99	>	10/00	23.436.00	31.718.00	30.364.00	54.109.00
1.6 i	AYD	75	102	06/00	>	07/05	23.436.00	31.718.00	30.077.00	54.109.00
antibacterial, anti-odour and anti-allergen filter / filtro antibatterico, antiodori e anti-allergeni	AYD	75	102	06/00	>	07/05				34.109.00
for cold countries / per paesi freddi	AYD	75	102	06/00	>	07/05	23.436.00	31.718.00	30.364.00	54.109.00
1.8 T	APH	110	150	01/98	>	07/05	23.436.00	31.718.00	30.077.00	54.109.00
antibacterial, anti-odour and anti-allergen filter / filtro antibatterico, antiodori e anti-allergeni	APH	110	150	01/98	>	07/05				34.109.00
for cold countries / per paesi freddi	APH	110	150	01/98	>	07/05	23.436.00	31.718.00	30.364.00	54.109.00
1.8 T	AVC	110	150	01/98	>	05/01	23.436.00	31.718.00	30.077.00	54.109.00
antibacterial, anti-odour and anti-allergen filter / filtro antibatterico, antiodori e anti-allergeni	AVC	110	150	08/01	>	09/10				34.109.00
for cold countries / per paesi freddi	AVC	110	150	01/98	>	05/01	23.436.00	31.718.00	30.364.00	54.109.00
1.8 T	AWP	132	180	06/01	>	07/05	23.436.00	31.718.00	30.077.00	54.109.00
antibacterial, anti-odour and anti-allergen filter / filtro antibatterico, antiodori e anti-allergeni	AWP	132	180	06/01	>	07/05				34.109.00
for cold countries / per paesi freddi	AWP	132	180	06/01	>	07/05	23.436.00	31.718.00	30.364.00	54.109.00
1.8 T	AWU	110	150	01/98	>	09/10	23.436.00	31.718.00	30.077.00	54.109.00
antibacterial, anti-odour and anti-allergen filter / filtro antibatterico, antiodori e anti-allergeni	AWU	110	150	01/98	>	09/10				34.109.00
for cold countries / per paesi freddi	AWU	110	150	01/98	>	09/10	23.436.00	31.718.00	30.364.00	54.109.00
1.8 T	AWV	110	150	01/98	>	07/05	23.436.00	31.718.00	30.077.00	54.109.00
antibacterial, anti-odour and anti-allergen filter / filtro antibatterico, antiodori e anti-allergeni	AWV	110	150	01/98	>	07/05				34.109.00
for cold countries / per paesi freddi	AWV	110	150	01/98	>	07/05	23.436.00	31.718.00	30.364.00	54.109.00
1.8 T	BKF	110	150	06/01	>	07/05	23.436.00	31.718.00	30.077.00	54.109.00
antibacterial, anti-odour and anti-allergen filter / filtro antibatterico, antiodori e anti-allergeni	BKF	110	150	06/01	>	07/05				34.109.00
for cold countries / per paesi freddi	BKF	110	150	06/01	>	07/05	23.436.00	31.718.00	30.364.00	54.109.00
1.8 T	BNU	132	180	06/01	>	07/05	23.436.00	31.718.00	30.077.00	54.109.00
antibacterial, anti-odour and anti-allergen filter / filtro antibatterico, antiodori e anti-allergeni	BNU	132	180	06/01	>	07/05				34.109.00
for cold countries / per paesi freddi	BNU	132	180	06/01	>	07/05	23.436.00	31.718.00	30.364.00	54.109.00
1.9 TDI	ALH	66	90	01/99	>	02/01	25.011.00	24.391.00	30.077.00	54.109.00
with complete filter / con filtro completo	ALH	66	90	01/99	>	01/01				55.427.00
for cold countries / per paesi freddi	ALH	66	90	01/99	>	02/01	25.011.00	24.391.00	30.364.00	54.109.00
1.9 TDI	ATD	74	101	10/00	>	07/05	25.011.00	24.391.00	30.077.00	54.109.00
with complete filter / con filtro completo	ATD	74	101	10/00	>	07/05				55.427.00
antibacterial, anti-odour and anti-allergen filter / filtro antibatterico, antiodori e anti-allergeni	ATD	74	101	10/00	>	07/05				34.109.00
for cold countries / per paesi freddi	ATD	74	101	10/00	>	07/05	25.011.00	24.391.00	30.364.00	54.109.00
1.9 TDI	AXR/BEW	74	101	06/03	>	09/10	25.011.00	24.391.00	30.077.00	54.109.00
with complete filter / con filtro completo	AXR/BEW	74	101	06/03	>	09/10				55.427.00
antibacterial, anti-odour and anti-allergen filter / filtro antibatterico, antiodori e anti-allergeni	AXR/BEW	74	101	06/03	>	09/10				34.109.00
for cold countries / per paesi freddi	AXR/BEW	74	101	06/03	>	09/10	25.011.00	24.391.00	30.364.00	54.109.00
1.9 TDI	BSW	77	105	07/05	>	09/10	25.011.00	24.391.00	30.077.00	54.109.00
with complete filter / con filtro completo	BSW	77	105	07/05	>	09/10				55.427.00
antibacterial, anti-odour and anti-allergen filter / filtro antibatterico, antiodori e anti-allergeni	BSW	77	105	07/05	>	09/10				34.109.00
for cold countries / per paesi freddi	BSW	77	105	07/05	>	09/10	25.011.00	24.391.00	30.364.00	54.109.00
2.0	APK	85	116	01/98	>	07/05	23.436.00	31.718.00	30.077.00	54.109.00
antibacterial, anti-odour and anti-allergen filter / filtro antibatterico, antiodori e anti-allergeni	APK	85	116	01/98	>	07/05				34.109.00
for cold countries / per paesi freddi	APK	85	116	01/98	>	07/05	23.436.00	31.718.00	30.364.00	54.109.00
2.0	AQY	85	116	01/98	>	07/05	23.436.00	31.718.00	30.077.00	54.109.00
antibacterial, anti-odour and anti-allergen filter / filtro antibatterico, antiodori e anti-allergeni	AQY	85	116	01/98	>	07/05				34.109.00
for cold countries / per paesi freddi	AQY	85	116	01/98	>	07/05	23.436.00	31.718.00	30.364.00	54.109.00
2.0	AZG	85	116	08/00	>	07/05	23.436.00	31.718.00	30.077.00	54.109.00
antibacterial, anti-odour and anti-allergen filter / filtro antibatterico, antiodori e anti-allergeni	AZG	85	116	08/00	>	07/05				34.109.00
for cold countries / per paesi freddi	AZG	85	116	08/00	>	07/05	23.436.00	31.718.00	30.364.00	54.109.00
2.0	BDC	85	116	09/02	>	07/05	23.436.00	31.718.00	30.077.00	54.109.00
antibacterial, anti-odour and anti-allergen filter / filtro antibatterico, antiodori e anti-allergeni	BDC	85	116	09/02	>	07/05				34.109.00
for cold countries / per paesi freddi	BDC	85	116	09/02	>	07/05	23.436.00	31.718.00	30.364.00	54.109.00
2.0	BEJ	85	116	06/01	>	07/05	23.436.00	31.718.00	30.077.00	54.109.00
antibacterial, anti-odour and anti-allergen filter / filtro antibatterico, antiodori e anti-allergeni	BEJ	85	116	06/01	>	07/05				34.109.00
for cold countries / per paesi freddi	BEJ	85	116	06/01	>	07/05	23.436.00	31.718.00	30.364.00	54.109.00
2.0	BER/BEV/BHP	85	116	06/01	>	09/10	23.436.00	31.718.00	30.077.00	54.109.00
antibacterial, anti-odour and anti-allergen filter / filtro antibatterico, antiodori e anti-allergeni	BER/BEV/BHP	85	116	06/01	>	09/10				34.109.00

...VOLKSWAGEN - cars/auto

for cold countries / per paesi freddi	BER/BEV/BHP	85	116	06/01 >	09/10	23.436.00	31.718.00	30.364.00	54.109.00
2.0	BGD	85	116	09/02 >	07/05	23.436.00	31.718.00	30.077.00	54.109.00
antibacterial, anti-odour and anti-allergen filter / filtro antibatterico, anti-odori e anti-allergeni	BGD	85	116	09/02 >	07/05				34.109.00
for cold countries / per paesi freddi	BGD	85	116	09/02 >	07/05	23.436.00	31.718.00	30.364.00	54.109.00
2.0 F.I. (USA)				01/98 >		23.436.00	31.718.00	30.077.00	54.109.00
antibacterial, anti-odour and anti-allergen filter / filtro antibatterico, anti-odori e anti-allergeni				01/98 >					34.109.00
for cold countries / per paesi freddi				01/98 >		23.436.00	31.718.00	30.364.00	54.109.00
2.0 i	AEG	85	116	01/98 >	10/00	23.436.00	31.718.00	30.077.00	54.109.00
antibacterial, anti-odour and anti-allergen filter / filtro antibatterico, anti-odori e anti-allergeni	AEG	85	116	01/98 >	10/00				34.109.00
for cold countries / per paesi freddi	AEG	85	116	01/98 >	10/00	23.436.00	31.718.00	30.364.00	54.109.00
2.0 i	AQY	85	116	06/98 >	07/05	23.436.00	31.718.00	30.077.00	54.109.00
antibacterial, anti-odour and anti-allergen filter / filtro antibatterico, anti-odori e anti-allergeni	AQY	85	116	06/98 >	07/05				34.109.00
for cold countries / per paesi freddi	AQY	85	116	06/98 >	07/05	23.436.00	31.718.00	30.364.00	54.109.00
2.0 i	BEJ	85	116	06/01 >	07/05	23.436.00	31.718.00	30.077.00	54.109.00
antibacterial, anti-odour and anti-allergen filter / filtro antibatterico, anti-odori e anti-allergeni	BEJ	85	116	06/01 >	07/05				34.109.00
for cold countries / per paesi freddi	BEJ	85	116	06/01 >	07/05	23.436.00	31.718.00	30.364.00	54.109.00
2.3 V5	AGZ	110	150	01/99 >	12/00	25.023.00	31.718.00	30.077.00	54.109.00
antibacterial, anti-odour and anti-allergen filter / filtro antibatterico, anti-odori e anti-allergeni	AGZ	110	150	01/99 >	12/00				34.109.00
for cold countries / per paesi freddi	AGZ	110	150	01/99 >	12/00	25.023.00	31.718.00	30.364.00	54.109.00
2.3 V5 24V	AQN	125	170	10/00 >	09/05	25.023.00	31.718.00	30.077.00	54.109.00
antibacterial, anti-odour and anti-allergen filter / filtro antibatterico, anti-odori e anti-allergeni	AQN	125	170	10/00 >	09/05				34.109.00
for cold countries / per paesi freddi	AQN	125	170	10/00 >	09/05	25.023.00	31.718.00	30.364.00	54.109.00
2.5 V5	BPR/BPS	110	150	07/05 >	09/10	25.040.00	31.718.00	30.077.00	54.109.00
antibacterial, anti-odour and anti-allergen filter / filtro antibatterico, anti-odori e anti-allergeni	BPR/BPS	110	150	07/05 >	09/10				34.109.00
for cold countries / per paesi freddi	BPR/BPS	110	150	07/05 >	09/10	25.040.00	31.718.00	30.364.00	54.109.00
3.2 RSI	AXJ	165	225	05/00 >	05/01	25.023.00	31.718.00	30.077.00	54.109.00
antibacterial, anti-odour and anti-allergen filter / filtro antibatterico, anti-odori e anti-allergeni	AXJ	165	225	05/00 >	05/01				34.109.00
for cold countries / per paesi freddi	AXJ	165	225	05/00 >	05/01	25.023.00	31.718.00	30.364.00	54.109.00
Beetle/Maggiolino (5C)									
1.2 TSI	CBZB	77	105	10/11 >		23.573.00	31.840.00	27.401.00	53.148.00
with air-conditioner and R.H.D. / con climatizzatore e guida a destra	CBZB	77	105	10/11 >					54.376.00
with air-conditioner and L.H.D. / con climatizzatore e guida a sinistra	CBZB	77	105	10/11 >					54.124.00
antibacterial, anti-odour and anti-allergen filter with air-conditioner and L.H.D. / filtro antibatterico, anti-odori e anti-allergeni con climatizzatore e guida a sinistra	CBZB	77	105	10/11 >					34.124.00
1.2 TSI	CYVD	77	105	12/14 >		23.575.00	31.840.00	30.549.00	53.148.00
with air-conditioner and R.H.D. / con climatizzatore e guida a destra	CYVD	77	105	12/14 >					54.376.00
with air-conditioner and L.H.D. / con climatizzatore e guida a sinistra	CYVD	77	105	12/14 >					54.124.00
antibacterial, anti-odour and anti-allergen filter with air-conditioner and L.H.D. / filtro antibatterico, anti-odori e anti-allergeni con climatizzatore e guida a sinistra	CYVD	77	105	12/14 >					34.124.00
1.4 TSI	CAVD	118	160	10/11 >		23.573.00	31.840.00	30.187.00	53.148.00
with air-conditioner and R.H.D. / con climatizzatore e guida a destra	CAVD	118	160	10/11 >					54.376.00
with air-conditioner and L.H.D. / con climatizzatore e guida a sinistra	CAVD	118	160	10/11 >					54.124.00
antibacterial, anti-odour and anti-allergen filter with air-conditioner and L.H.D. / filtro antibatterico, anti-odori e anti-allergeni con climatizzatore e guida a sinistra	CAVD	118	160	10/11 >					34.124.00
for cold countries / per paesi freddi	CAVD	118	160	10/11 >				30.370.00	
1.4 TSI	CNWA	118	160	10/11 >		23.573.00	31.840.00	30.187.00	53.148.00
with air-conditioner and R.H.D. / con climatizzatore e guida a destra	CNWA	118	160	10/11 >					54.376.00
with air-conditioner and L.H.D. / con climatizzatore e guida a sinistra	CNWA	118	160	10/11 >					54.124.00
antibacterial, anti-odour and anti-allergen filter with air-conditioner and L.H.D. / filtro antibatterico, anti-odori e anti-allergeni con climatizzatore e guida a sinistra	CNWA	118	160	10/11 >					34.124.00
for cold countries / per paesi freddi	CNWA	118	160	10/11 >				30.370.00	
1.4 TSI	CTHD	118	160	07/12 >		23.573.00	31.840.00	30.187.00	53.148.00
with air-conditioner and R.H.D. / con climatizzatore e guida a destra	CTHD	118	160	07/12 >					54.376.00
with air-conditioner and L.H.D. / con climatizzatore e guida a sinistra	CTHD	118	160	07/12 >					54.124.00
antibacterial, anti-odour and anti-allergen filter with air-conditioner and L.H.D. / filtro antibatterico, anti-odori e anti-allergeni con climatizzatore e guida a sinistra	CTHD	118	160	07/12 >					34.124.00
for cold countries / per paesi freddi	CTHD	118	160	07/12 >				30.370.00	
1.4 TSI	CTKA	118	160	07/12 >		23.573.00	31.840.00	30.187.00	53.148.00
with air-conditioner and R.H.D. / con climatizzatore e guida a destra	CTKA	118	160	07/12 >					54.376.00
with air-conditioner and L.H.D. / con climatizzatore e guida a sinistra	CTKA	118	160	07/12 >					54.124.00
antibacterial, anti-odour and anti-allergen filter with air-conditioner and L.H.D. / filtro antibatterico, anti-odori e anti-allergeni con climatizzatore e guida a sinistra	CTKA	118	160	07/12 >					34.124.00
for cold countries / per paesi freddi	CTKA	118	160	07/12 >				30.370.00	
1.4 TSI	CZDA	110	150	12/14 >		23.575.00	31.840.00	30.549.00	53.148.00
with air-conditioner and R.H.D. / con climatizzatore e guida a destra	CZDA	110	150	12/14 >					54.376.00
with air-conditioner and L.H.D. / con climatizzatore e guida a sinistra	CZDA	110	150	12/14 >					54.124.00
antibacterial, anti-odour and anti-allergen filter with air-conditioner and L.H.D. / filtro antibatterico, anti-odori e anti-allergeni con climatizzatore e guida a sinistra	CZDA	110	150	12/14 >					34.124.00
1.6 TDI	CAYC	77	105	10/11 >		25.106.00	26.021.00	30.187.00	53.148.00
with air-conditioner and R.H.D. / con climatizzatore e guida a destra	CAYC	77	105	10/11 >					54.376.00
with air-conditioner and L.H.D. / con climatizzatore e guida a sinistra	CAYC	77	105	10/11 >					54.124.00
antibacterial, anti-odour and anti-allergen filter with air-conditioner and L.H.D. / filtro antibatterico, anti-odori e anti-allergeni con climatizzatore e guida a sinistra	CAYC	77	105	10/11 >					34.124.00
for cold countries / per paesi freddi	CAYC	77	105	10/11 >				30.370.00	
1.8 TSI	CPKA	125	170	08/13 >		25.153.00	31.840.00	30.187.00	53.148.00

...VOLKSWAGEN - cars/auto

antibacterial, anti-odour and anti-allergen filter with air-conditioner and L.H.D. / filtro antibatterico, antiodori e anti-allergeni con climatizzatore e guida a sinistra	CBTA	125	170	10/11	>				34.124.00	
2.5 V5	CBUA	125	170	10/11	>	25.040.00	31.833.00	30.C55.00	53.148.00	
with air-conditioner and R.H.D. / con climatizzatore e guida a destra	CBUA	125	170	10/11	>				54.376.00	
with air-conditioner and L.H.D. / con climatizzatore e guida a sinistra	CBUA	125	170	10/11	>				54.124.00	
antibacterial, anti-odour and anti-allergen filter with air-conditioner and L.H.D. / filtro antibatterico, antiodori e anti-allergeni con climatizzatore e guida a sinistra	CBUA	125	170	10/11	>				34.124.00	
2.5 V5	CCCA	125	170	10/11	>	25.040.00	31.833.00	30.C55.00	53.148.00	
with air-conditioner and R.H.D. / con climatizzatore e guida a destra	CCCA	125	170	10/11	>				54.376.00	
with air-conditioner and L.H.D. / con climatizzatore e guida a sinistra	CCCA	125	170	10/11	>				54.124.00	
antibacterial, anti-odour and anti-allergen filter with air-conditioner and L.H.D. / filtro antibatterico, antiodori e anti-allergeni con climatizzatore e guida a sinistra	CCCA	125	170	10/11	>				34.124.00	
Bora										
1.4 i 16V		55	75	08/99	>	05/05	23.453.00	31.718.00	30.124.00	54.109.00
antibacterial, anti-odour and anti-allergen filter / filtro antibatterico, antiodori e anti-allergeni		55	75	10/98	>	05/05				34.109.00
dusty areas / zone polverose		55	75	08/99	>	05/05	23.453.00	31.718.00	30.184.00	54.109.00
1.4 i 16V	AXP/BCA	55	75	05/00	>	05/05	23.453.00	31.718.00	30.124.00	54.109.00
antibacterial, anti-odour and anti-allergen filter / filtro antibatterico, antiodori e anti-allergeni	AXP/BCA	55	75	05/00	>	05/05				34.109.00
dusty areas / zone polverose	AXP/BCA	55	75	05/00	>	05/05	23.453.00	31.718.00	30.184.00	54.109.00
1.6 FSI	BAD	81	110	01/02	>	05/05	23.453.00	31.718.00	30.077.00	54.109.00
antibacterial, anti-odour and anti-allergen filter / filtro antibatterico, antiodori e anti-allergeni	BAD	81	110	01/02	>	05/05				34.109.00
for cold countries / per paesi freddi	BAD	81	110	01/02	>	05/05	23.453.00	31.718.00	30.364.00	54.109.00
1.6 i		74	101	09/98	>	05/05	23.436.00	31.718.00	30.077.00	54.109.00
antibacterial, anti-odour and anti-allergen filter / filtro antibatterico, antiodori e anti-allergeni		74	101	09/98	>	05/05				34.109.00
for cold countries / per paesi freddi		74	101	09/98	>	05/05	23.436.00	31.718.00	30.364.00	54.109.00
1.6 i	AVU	75	102	10/00	>	05/05	23.436.00	31.718.00	30.077.00	54.109.00
antibacterial, anti-odour and anti-allergen filter / filtro antibatterico, antiodori e anti-allergeni	AVU	75	102	10/00	>	05/05				34.109.00
for cold countries / per paesi freddi	AVU	75	102	10/00	>	05/05	23.436.00	31.718.00	30.364.00	54.109.00
1.6 i 16V	ATN/AUS	77	105	02/00	>	05/05	23.453.00	31.718.00	30.124.00	54.109.00
antibacterial, anti-odour and anti-allergen filter / filtro antibatterico, antiodori e anti-allergeni	ATN/AUS	77	105	02/00	>	05/05				34.109.00
dusty areas / zone polverose	ATN/AUS	77	105	02/00	>	05/05	23.453.00	31.718.00	30.184.00	54.109.00
1.6 i 16V	AZD	77	105	02/00	>	05/05	23.453.00	31.718.00	30.158.00	54.109.00
antibacterial, anti-odour and anti-allergen filter / filtro antibatterico, antiodori e anti-allergeni	AZD	77	105	02/00	>	05/05				34.109.00
1.6 i 16V	BCB	77	105	11/01	>	05/05	23.453.00	31.718.00	30.158.00	54.109.00
antibacterial, anti-odour and anti-allergen filter / filtro antibatterico, antiodori e anti-allergeni	BCB	77	105	11/01	>	05/05				34.109.00
1.6 i 16V 4Motion	AZD	77	105	02/00	>	05/05	23.453.00	31.718.00	30.158.00	54.109.00
antibacterial, anti-odour and anti-allergen filter / filtro antibatterico, antiodori e anti-allergeni	AZD	77	105	02/00	>	05/05				34.109.00
1.6 i 16V 4Motion	BCB	77	105	11/01	>	05/05	23.453.00	31.718.00	30.158.00	54.109.00
antibacterial, anti-odour and anti-allergen filter / filtro antibatterico, antiodori e anti-allergeni	BCB	77	105	11/01	>	05/05				34.109.00
1.8 i 20V	AGN	92	125	09/98	>	05/05	23.436.00	31.718.00	30.077.00	54.109.00
antibacterial, anti-odour and anti-allergen filter / filtro antibatterico, antiodori e anti-allergeni	AGN	92	125	09/98	>	05/05				34.109.00
for cold countries / per paesi freddi	AGN	92	125	09/98	>	05/05	23.436.00	31.718.00	30.364.00	54.109.00
1.8 i 20V 4Motion	AGN	92	125	09/98	>	05/05	23.436.00	31.718.00	30.077.00	54.109.00
antibacterial, anti-odour and anti-allergen filter / filtro antibatterico, antiodori e anti-allergeni	AGN	92	125	09/98	>	05/05				34.109.00
for cold countries / per paesi freddi	AGN	92	125	09/98	>	05/05	23.436.00	31.718.00	30.364.00	54.109.00
1.8 T 20V		110	150	10/00	>	05/05	23.436.00	31.718.00	30.077.00	54.109.00
antibacterial, anti-odour and anti-allergen filter / filtro antibatterico, antiodori e anti-allergeni		110	150	10/00	>	05/05				34.109.00
for cold countries / per paesi freddi		110	150	10/00	>	05/05	23.436.00	31.718.00	30.364.00	54.109.00
1.8 T 20V Sport Edition	AUQ	132	180	03/02	>	05/05	23.436.00	31.718.00	30.077.00	54.109.00
antibacterial, anti-odour and anti-allergen filter / filtro antibatterico, antiodori e anti-allergeni	AUQ	132	180	03/02	>	05/05				34.109.00
for cold countries / per paesi freddi	AUQ	132	180	03/02	>	05/05	23.436.00	31.718.00	30.364.00	54.109.00
1.9 SDI	AGP/AQM	50	68	05/99	>	05/05	25.011.00	24.391.00	30.077.00	54.109.00
with complete filter / con filtro completo	AGP/AQM	50	68	05/99	>	05/05		55.427.00		
antibacterial, anti-odour and anti-allergen filter / filtro antibatterico, antiodori e anti-allergeni	AGP/AQM	50	68	05/99	>	05/05				34.109.00
for cold countries / per paesi freddi	AGP/AQM	50	68	05/99	>	05/05	25.011.00	24.391.00	30.364.00	54.109.00
1.9 TDI	AGR/ALH	66	90	10/98	>	06/02	25.011.00	24.391.00	30.077.00	54.109.00
with complete filter / con filtro completo	AGR/ALH	66	90	10/98	>	06/02		55.427.00		
antibacterial, anti-odour and anti-allergen filter / filtro antibatterico, antiodori e anti-allergeni	AGR/ALH	66	90	10/98	>	06/02				34.109.00
for cold countries / per paesi freddi	AGR/ALH	66	90	10/98	>	06/02	25.011.00	24.391.00	30.364.00	54.109.00
1.9 TDI	AHF/ASV	81	110	10/98	>	06/02	25.011.00	24.391.00	30.077.00	54.109.00
with complete filter / con filtro completo	AHF/ASV	81	110	10/98	>	06/02		55.427.00		
antibacterial, anti-odour and anti-allergen filter / filtro antibatterico, antiodori e anti-allergeni	AHF/ASV	81	110	10/98	>	06/02				34.109.00
for cold countries / per paesi freddi	AHF/ASV	81	110	10/98	>	06/02	25.011.00	24.391.00	30.364.00	54.109.00
1.9 TDI	AJM/AUY	85	115	10/98	>	09/01	25.011.00	24.391.00	30.077.00	54.109.00
with complete filter / con filtro completo	AJM/AUY	85	115	10/98	>	09/01		55.427.00		
antibacterial, anti-odour and anti-allergen filter / filtro antibatterico, antiodori e anti-allergeni	AJM/AUY	85	115	10/98	>	09/01				34.109.00
for cold countries / per paesi freddi	AJM/AUY	85	115	10/98	>	09/01	25.011.00	24.391.00	30.364.00	54.109.00
1.9 TDI	ARL	110	150	05/00	>	05/05	25.011.00	24.391.00	30.077.00	54.109.00
with complete filter / con filtro completo	ARL	110	150	05/00	>	05/05		55.427.00		
antibacterial, anti-odour and anti-allergen filter / filtro antibatterico, antiodori e anti-allergeni	ARL	110	150	05/00	>	05/05				34.109.00

...VOLKSWAGEN - cars/auto

for cold countries / per paesi freddi	ARL	110	150	05/00 >	05/05	25.011.00	24.391.00	30.364.00	54.109.00
1.9 TDI	ASZ	96	130	04/01 >	05/05	25.011.00	24.391.00	30.077.00	54.109.00
with complete filter / con filtro completo	ASZ	96	130	04/01 >	05/05		55.427.00		
antibacterial, anti-odour and anti-allergen filter / filtro antibatterico, antiodori e anti-allergeni	ASZ	96	130	04/01 >	05/05				34.109.00
for cold countries / per paesi freddi	ASZ	96	130	04/01 >	05/05	25.011.00	24.391.00	30.364.00	54.109.00
1.9 TDI	ATD	74	101	09/98 >	05/06	25.011.00	24.391.00	30.077.00	54.109.00
with complete filter / con filtro completo	ATD	74	101	09/98 >	05/06		55.427.00		
antibacterial, anti-odour and anti-allergen filter / filtro antibatterico, antiodori e anti-allergeni	ATD	74	101	09/98 >	05/06				34.109.00
for cold countries / per paesi freddi	ATD	74	101	09/98 >	05/06	25.011.00	24.391.00	30.364.00	54.109.00
2.0 i		85	116	10/98 >	05/05	23.436.00	31.718.00	30.077.00	54.109.00
antibacterial, anti-odour and anti-allergen filter / filtro antibatterico, antiodori e anti-allergeni		85	116	10/98 >	05/05				34.109.00
for cold countries / per paesi freddi		85	116	10/98 >	05/05	23.436.00	31.718.00	30.364.00	54.109.00
2.0 i 4Motion		85	116	10/98 >	05/05	23.436.00	31.718.00	30.077.00	54.109.00
antibacterial, anti-odour and anti-allergen filter / filtro antibatterico, antiodori e anti-allergeni		85	116	10/98 >	05/05				34.109.00
for cold countries / per paesi freddi		85	116	10/98 >	05/05	23.436.00	31.718.00	30.364.00	54.109.00
2.0 i 4Motion	ATF	88	120	12/99 >	05/03	23.436.00	31.718.00	30.077.00	54.109.00
antibacterial, anti-odour and anti-allergen filter / filtro antibatterico, antiodori e anti-allergeni	ATF	88	120	12/99 >	05/03				34.109.00
for cold countries / per paesi freddi	ATF	88	120	12/99 >	05/03	23.436.00	31.718.00	30.364.00	54.109.00
2.3 V5	AGZ	110	150	10/98 >	12/00	25.023.00	31.718.00	30.077.00	54.109.00
antibacterial, anti-odour and anti-allergen filter / filtro antibatterico, antiodori e anti-allergeni	AGZ	110	150	10/98 >	12/00				34.109.00
for cold countries / per paesi freddi	AGZ	110	150	10/98 >	12/00	25.023.00	31.718.00	30.364.00	54.109.00
2.3 V5 24V	AQN	125	170	10/00 >	06/02	25.023.00	31.718.00	30.077.00	54.109.00
antibacterial, anti-odour and anti-allergen filter / filtro antibatterico, antiodori e anti-allergeni	AQN	125	170	10/00 >	06/02				34.109.00
for cold countries / per paesi freddi	AQN	125	170	10/00 >	06/02	25.023.00	31.718.00	30.364.00	54.109.00
2.3 V5 24V 4Motion	AQN	125	170	10/00 >	06/02	25.023.00	31.718.00	30.077.00	54.109.00
antibacterial, anti-odour and anti-allergen filter / filtro antibatterico, antiodori e anti-allergeni	AQN	125	170	10/00 >	06/02				34.109.00
for cold countries / per paesi freddi	AQN	125	170	10/00 >	06/02	25.023.00	31.718.00	30.364.00	54.109.00
2.3 V5 4Motion	AGZ	110	150	11/98 >	12/00	25.023.00	31.718.00	30.077.00	54.109.00
antibacterial, anti-odour and anti-allergen filter / filtro antibatterico, antiodori e anti-allergeni	AGZ	110	150	11/98 >	12/00				34.109.00
for cold countries / per paesi freddi	AGZ	110	150	11/98 >	12/00	25.023.00	31.718.00	30.364.00	54.109.00
2.8 V6 24V		150	204	04/99 >	05/05	25.023.00	31.718.00	30.077.00	54.109.00
antibacterial, anti-odour and anti-allergen filter / filtro antibatterico, antiodori e anti-allergeni		150	204	04/99 >	05/05				34.109.00
for cold countries / per paesi freddi		150	204	04/99 >	05/05	25.023.00	31.718.00	30.364.00	54.109.00
2.8 V6 24V 4Motion		150	204	04/99 >	05/05	25.023.00	31.718.00	30.077.00	54.109.00
antibacterial, anti-odour and anti-allergen filter / filtro antibatterico, antiodori e anti-allergeni		150	204	04/99 >	05/05				34.109.00
for cold countries / per paesi freddi		150	204	04/99 >	05/05	25.023.00	31.718.00	30.364.00	54.109.00
CC (358)									
1.4 TSI	CTHD	118	160	11/12 >		23.573.00		30.187.00	53.148.00
with air-conditioner and R.H.D. / con climatizzatore e guida a destra	CTHD	118	160	11/12 >					54.376.00
with air-conditioner and L.H.D. / con climatizzatore e guida a sinistra	CTHD	118	160	11/12 >		23.573.00		30.187.00	54.124.00
antibacterial, anti-odour and anti-allergen filter with air-conditioner and L.H.D. / filtro antibatterico, antiodori e anti-allergeni con climatizzatore e guida a sinistra	CTHD	118	160	11/12 >					34.124.00
for cold countries / per paesi freddi	CTHD	118	160	11/12 >		23.573.00		30.370.00	53.148.00
1.4 TSI	CZDA	110	150	05/15 >		23.575.00		30.549.00	53.148.00
with air-conditioner and R.H.D. / con climatizzatore e guida a destra	CZDA	110	150	05/15 >					54.376.00
with air-conditioner and L.H.D. / con climatizzatore e guida a sinistra	CZDA	110	150	05/15 >					54.124.00
antibacterial, anti-odour and anti-allergen filter with air-conditioner and L.H.D. / filtro antibatterico, antiodori e anti-allergeni con climatizzatore e guida a sinistra	CZDA	110	150	05/15 >					34.124.00
1.4 TSI Multifuel	CKMA	118	160	11/11 >	11/12	23.573.00		30.187.00	53.148.00
with air-conditioner and R.H.D. / con climatizzatore e guida a destra	CKMA	118	160	11/11 >	11/12				54.376.00
with air-conditioner and L.H.D. / con climatizzatore e guida a sinistra	CKMA	118	160	11/11 >	11/12	23.573.00		30.187.00	54.124.00
antibacterial, anti-odour and anti-allergen filter with air-conditioner and L.H.D. / filtro antibatterico, antiodori e anti-allergeni con climatizzatore e guida a sinistra	CKMA	118	160	11/11 >	11/12				34.124.00
for cold countries / per paesi freddi	CKMA	118	160	11/11 >	11/12	23.573.00		30.370.00	53.148.00
1.8 TSI	CDAA	118	160	02/12 >		23.493.00		30.187.00	53.148.00
with air-conditioner and R.H.D. / con climatizzatore e guida a destra	CDAA	118	160	02/12 >					54.376.00
with air-conditioner and L.H.D. / con climatizzatore e guida a sinistra	CDAA	118	160	02/12 >					54.124.00
antibacterial, anti-odour and anti-allergen filter with air-conditioner and L.H.D. / filtro antibatterico, antiodori e anti-allergeni con climatizzatore e guida a sinistra	CDAA	118	160	02/12 >					34.124.00
1.8 TSI	CDAB	112	152	11/11 >		23.493.00		30.187.00	53.148.00
with air-conditioner and R.H.D. / con climatizzatore e guida a destra	CDAB	112	152	10/11 >					54.376.00
with air-conditioner and L.H.D. / con climatizzatore e guida a sinistra	CDAB	112	152	11/11 >					54.124.00
antibacterial, anti-odour and anti-allergen filter with air-conditioner and L.H.D. / filtro antibatterico, antiodori e anti-allergeni con climatizzatore e guida a sinistra	CDAB	112	152	10/11 >					34.124.00
2.0 TDI	CFFA	100	136	11/11 >		25.106.00	26.026.00	30.187.00	53.148.00
with air-conditioner and R.H.D. / con climatizzatore e guida a destra	CFFA	100	136	11/11 >					54.376.00
with air-conditioner and L.H.D. / con climatizzatore e guida a sinistra	CFFA	100	136	11/11 >					54.124.00
antibacterial, anti-odour and anti-allergen filter with air-conditioner and L.H.D. / filtro antibatterico, antiodori e anti-allergeni con climatizzatore e guida a sinistra	CFFA	100	136	11/11 >					34.124.00
export models DIESEL PLUS / modelli di esportazione DIESEL PLUS	CFFA	100	136	11/12 >			26.032.00		
for cold countries / per paesi freddi	CFFA	100	136	11/11 >				30.370.00	
2.0 TDI	CFFB	103	140	02/12 >		25.106.00	26.026.00	30.187.00	53.148.00
with air-conditioner and R.H.D. / con climatizzatore e guida a destra	CFFB	103	140	02/12 >					54.376.00

...VOLKSWAGEN - cars/auto

CrossGolf

1.4 TSI	BMY	103	140	11/06	>	25.047.00	31.840.00	30.187.00	53.148.00
with air-conditioner and R.H.D. / con climatizzatore e guida a destra	BMY	103	140	11/06	>				54.376.00
with air-conditioner and L.H.D. / con climatizzatore e guida a sinistra	BMY	103	140	11/06	>	25.047.00	31.840.00	30.187.00	54.124.00
antibacterial, anti-odour and anti-allergen filter with air-conditioner and L.H.D. / filtro antibatterico, antiodori e anti-allergeni con climatizzatore e guida a sinistra	BMY	103	140	11/06	>				34.124.00
for cold countries / per paesi freddi	BMY	103	140	11/06	>	25.047.00	31.840.00	30.370.00	53.148.00
<hr/>									
1.6		75	102	11/06	>	23.436.00	31.833.00	27.401.00	53.148.00
with air-conditioner and R.H.D. / con climatizzatore e guida a destra		75	102	11/06	>				54.376.00
with air-conditioner and L.H.D. / con climatizzatore e guida a sinistra		75	102	11/06	>	23.436.00	31.833.00	27.401.00	54.124.00
antibacterial, anti-odour and anti-allergen filter with air-conditioner and L.H.D. / filtro antibatterico, antiodori e anti-allergeni con climatizzatore e guida a sinistra		75	102	11/06	>				34.124.00
for cold countries / per paesi freddi		75	102	11/06	>	23.436.00	31.833.00	27.402.00	53.148.00
<hr/>									
1.9 TDI DPF		77	105	11/06	>	25.023.00	26.021.00	30.187.00	53.148.00
with air-conditioner and R.H.D. / con climatizzatore e guida a destra		77	105	11/06	>				54.376.00
with air-conditioner and L.H.D. / con climatizzatore e guida a sinistra		77	105	11/06	>	25.023.00	26.021.00	30.187.00	54.124.00
antibacterial, anti-odour and anti-allergen filter with air-conditioner and L.H.D. / filtro antibatterico, antiodori e anti-allergeni con climatizzatore e guida a sinistra		77	105	11/06	>				34.124.00
for cold countries / per paesi freddi		77	105	11/06	>	25.023.00	26.021.00	30.370.00	53.148.00
<hr/>									
2.0 TDI DPF		103	140	11/06	>	25.023.00	26.021.00	30.187.00	53.148.00
with air-conditioner and R.H.D. / con climatizzatore e guida a destra		103	140	11/06	>				54.376.00
with air-conditioner and L.H.D. / con climatizzatore e guida a sinistra		103	140	11/06	>	25.023.00	26.021.00	30.187.00	54.124.00
antibacterial, anti-odour and anti-allergen filter with air-conditioner and L.H.D. / filtro antibatterico, antiodori e anti-allergeni con climatizzatore e guida a sinistra		103	140	11/06	>				34.124.00
for cold countries / per paesi freddi		103	140	11/06	>	25.023.00	26.021.00	30.370.00	53.148.00

Eos

1.4 TSI	CAVD	118	160	05/08	>	06/10	23.494.00	31.840.00	30.187.00	53.148.00
	CAVD	118	160	07/10	>		23.573.00	31.840.00	30.187.00	53.148.00
with air-conditioner and R.H.D. / con climatizzatore e guida a destra	CAVD	118	160	05/08	>					54.376.00
with air-conditioner and L.H.D. / con climatizzatore e guida a sinistra	CAVD	118	160	05/08	>	06/10	23.494.00	31.840.00	30.187.00	54.124.00
with air-conditioner and L.H.D. / con climatizzatore e guida a sinistra	CAVD	118	160	07/10	>		23.573.00	31.840.00	30.187.00	54.124.00
antibacterial, anti-odour and anti-allergen filter with air-conditioner and L.H.D. / filtro antibatterico, antiodori e anti-allergeni con climatizzatore e guida a sinistra	CAVD	118	160	05/08	>					34.124.00
for cold countries / per paesi freddi	CAVD	118	160	05/08	>	06/10	23.494.00	31.840.00	30.370.00	53.148.00
for cold countries / per paesi freddi	CAVD	118	160	07/10	>		23.573.00	31.840.00	30.370.00	53.148.00
<hr/>										
1.4 TSI		92	125	10/07	>	05/08	25.047.00	31.840.00	27.401.00	53.148.00
to frame No. 1F_8_070999 / a telaio N. 1F_8_070999	CAXA	92	125	10/07	>	05/08				54.376.00
with air-conditioner and R.H.D. / con climatizzatore e guida a destra	CAXA	92	125	10/07	>	05/08	25.047.00	31.840.00	27.401.00	54.124.00
with air-conditioner and L.H.D. / con climatizzatore e guida a sinistra	CAXA	92	125	06/08	>	06/10	23.494.00	31.840.00	27.401.00	54.124.00
with air-conditioner and L.H.D. / con climatizzatore e guida a sinistra	CAXA	92	125	07/10	>		23.573.00	31.840.00	27.401.00	54.124.00
from frame No. 1F_9_000001 / da telaio N. 1F_9_000001	CAXA	92	125	06/08	>	06/10	23.494.00	31.840.00	27.401.00	53.148.00
antibacterial, anti-odour and anti-allergen filter with air-conditioner and L.H.D. / filtro antibatterico, antiodori e anti-allergeni con climatizzatore e guida a sinistra	CAXA	92	125	06/08	>					34.124.00
for cold countries / per paesi freddi	CAXA	92	125	10/07	>	05/08	25.047.00	31.840.00	27.402.00	53.148.00
<hr/>										
1.6 FSI	BLF	85	115	05/06	>	05/08	25.047.00	31.840.00	30.209.00	53.148.00
with air-conditioner and R.H.D. / con climatizzatore e guida a destra	BLF	85	115	05/06	>	05/08				54.376.00
with air-conditioner and L.H.D. / con climatizzatore e guida a sinistra	BLF	85	115	05/06	>	05/08	25.047.00	31.840.00	30.209.00	54.124.00
antibacterial, anti-odour and anti-allergen filter with air-conditioner and L.H.D. / filtro antibatterico, antiodori e anti-allergeni con climatizzatore e guida a sinistra	BLF	85	115	05/06	>	05/08				34.124.00
<hr/>										
2.0 FSI	BVY	110	150	03/06	>	05/08	25.040.00	31.840.00	27.401.00	53.148.00
with air-conditioner and R.H.D. / con climatizzatore e guida a destra	BVY	110	150	03/06	>	05/08				54.376.00
with air-conditioner and L.H.D. / con climatizzatore e guida a sinistra	BVY	110	150	03/06	>	05/08	25.040.00	31.840.00	27.401.00	54.124.00
antibacterial, anti-odour and anti-allergen filter with air-conditioner and L.H.D. / filtro antibatterico, antiodori e anti-allergeni con climatizzatore e guida a sinistra	BVY	110	150	03/06	>	05/08				34.124.00
for cold countries / per paesi freddi	BVY	110	150	03/06	>	05/08	25.040.00	31.840.00	27.402.00	53.148.00
<hr/>										
2.0 FSI	BVZ	110	150	05/06	>	05/08	25.040.00	31.840.00	27.401.00	53.148.00
with air-conditioner and R.H.D. / con climatizzatore e guida a destra	BVZ	110	150	05/06	>	05/08				54.376.00
with air-conditioner and L.H.D. / con climatizzatore e guida a sinistra	BVZ	110	150	05/06	>	05/08	25.040.00	31.840.00	27.401.00	54.124.00
antibacterial, anti-odour and anti-allergen filter with air-conditioner and L.H.D. / filtro antibatterico, antiodori e anti-allergeni con climatizzatore e guida a sinistra	BVZ	110	150	05/06	>	05/08				34.124.00
for cold countries / per paesi freddi	BVZ	110	150	05/06	>	05/08	25.040.00	31.840.00	27.402.00	53.148.00
<hr/>										
2.0 TDI	BMM	103	140	05/06	>	05/08	25.023.00	26.014.00	30.187.00	53.148.00
with air-conditioner and R.H.D. / con climatizzatore e guida a destra	BMM	103	140	05/06	>	05/08				54.376.00
with air-conditioner and L.H.D. / con climatizzatore e guida a sinistra	BMM	103	140	05/06	>	05/08	25.023.00	26.014.00	30.187.00	54.124.00
antibacterial, anti-odour and anti-allergen filter with air-conditioner and L.H.D. / filtro antibatterico, antiodori e anti-allergeni con climatizzatore e guida a sinistra	BMM	103	140	05/06	>	05/08				34.124.00
for cold countries / per paesi freddi	BMM	103	140	05/06	>	05/08	25.023.00	26.014.00	30.370.00	53.148.00
<hr/>										
2.0 TDI	CBAB	103	140	05/08	>	11/10	25.023.00	26.007.00	30.187.00	53.148.00
with air-conditioner and R.H.D. / con climatizzatore e guida a destra	CBAB	103	140	05/08	>	11/10				54.376.00
with air-conditioner and L.H.D. / con climatizzatore e guida a sinistra	CBAB	103	140	05/08	>	11/10	25.023.00	26.007.00	30.187.00	54.124.00
antibacterial, anti-odour and anti-allergen filter with air-conditioner and L.H.D. / filtro antibatterico, antiodori e anti-allergeni con climatizzatore e guida a sinistra	CBAB	103	140	05/08	>	11/10				34.124.00
for cold countries / per paesi freddi	CBAB	103	140	05/08	>	11/10	25.023.00	26.007.00	30.370.00	53.148.00
<hr/>										
2.0 TDI	CFFA	100	136	11/10	>		25.106.00	26.007.00	30.187.00	53.148.00
with air-conditioner and R.H.D. / con climatizzatore e guida a destra	CFFA	100	136	11/10	>					54.376.00
with air-conditioner and L.H.D. / con climatizzatore e guida a sinistra	CFFA	100	136	11/10	>		25.106.00	26.007.00	30.187.00	54.124.00
antibacterial, anti-odour and anti-allergen filter with air-conditioner and L.H.D. / filtro antibatterico, antiodori e anti-allergeni con climatizzatore e guida a sinistra	CFFA	100	136	11/10	>					34.124.00

...VOLKSWAGEN - cars/auto

for cold countries / per paesi freddi	CFFA	100	136	11/10	>	25.106.00	26.007.00	30.370.00	53.148.00
2.0 TDI BlueMotion	CFFB	103	140	11/10	>	25.106.00	26.007.00	30.187.00	53.148.00
with air-conditioner and R.H.D. / con climatizzatore e guida a destra	CFFB	103	140	11/10	>				54.376.00
with air-conditioner and L.H.D. / con climatizzatore e guida a sinistra	CFFB	103	140	11/10	>	25.106.00	26.007.00	30.187.00	54.124.00
antibacterial, anti-odour and anti-allergen filter with air-conditioner and L.H.D. / filtro antibatterico, antiodori e anti-allergeni con climatizzatore e guida a sinistra	CFFB	103	140	11/10	>				34.124.00
for cold countries / per paesi freddi	CFFB	103	140	11/10	>	25.106.00	26.007.00	30.370.00	53.148.00
2.0 TFSI	BPY	147	200	05/06	> 05/09	25.040.00	31.840.00	30.315.00	53.148.00
with air-conditioner and R.H.D. / con climatizzatore e guida a destra	BPY	147	200	05/06	> 05/09				54.376.00
with air-conditioner and L.H.D. / con climatizzatore e guida a sinistra	BPY	147	200	05/06	> 05/09	25.040.00	31.840.00	30.315.00	54.124.00
antibacterial, anti-odour and anti-allergen filter with air-conditioner and L.H.D. / filtro antibatterico, antiodori e anti-allergeni con climatizzatore e guida a sinistra	BPY	147	200	05/06	> 05/09				34.124.00
2.0 TFSI	BWA	147	200	05/06	> 11/10	25.040.00	31.840.00	30.315.00	53.148.00
with air-conditioner and R.H.D. / con climatizzatore e guida a destra	BWA	147	200	05/06	> 11/10				54.376.00
with air-conditioner and L.H.D. / con climatizzatore e guida a sinistra	BWA	147	200	05/06	> 11/10	25.040.00	31.840.00	30.315.00	54.124.00
antibacterial, anti-odour and anti-allergen filter with air-conditioner and L.H.D. / filtro antibatterico, antiodori e anti-allergeni con climatizzatore e guida a sinistra	BWA	147	200	05/06	> 11/10				34.124.00
2.0 TFSI	CAWB	147	200	05/08	> 11/09	23.493.00	31.840.00	30.187.00	53.148.00
with air-conditioner and R.H.D. / con climatizzatore e guida a destra	CAWB	147	200	05/08	> 11/09				54.376.00
with air-conditioner and L.H.D. / con climatizzatore e guida a sinistra	CAWB	147	200	05/08	> 11/09	23.493.00	31.840.00	30.187.00	54.124.00
antibacterial, anti-odour and anti-allergen filter with air-conditioner and L.H.D. / filtro antibatterico, antiodori e anti-allergeni con climatizzatore e guida a sinistra	CAWB	147	200	05/08	> 11/09				34.124.00
2.0 TFSI	CBFA	147	200	11/07	>	23.493.00	31.840.00	30.187.00	53.148.00
with air-conditioner and R.H.D. / con climatizzatore e guida a destra	CBFA	147	200	11/07	>				54.376.00
with air-conditioner and L.H.D. / con climatizzatore e guida a sinistra	CBFA	147	200	11/07	>	23.493.00	31.840.00	30.187.00	54.124.00
antibacterial, anti-odour and anti-allergen filter with air-conditioner and L.H.D. / filtro antibatterico, antiodori e anti-allergeni con climatizzatore e guida a sinistra	CBFA	147	200	11/07	>				34.124.00
2.0 TFSI	CCTA	147	200	11/07	>	23.493.00	31.840.00	30.187.00	53.148.00
with air-conditioner and R.H.D. / con climatizzatore e guida a destra	CCTA	147	200	11/07	>				54.376.00
with air-conditioner and L.H.D. / con climatizzatore e guida a sinistra	CCTA	147	200	11/07	>	23.493.00	31.840.00	30.187.00	54.124.00
antibacterial, anti-odour and anti-allergen filter with air-conditioner and L.H.D. / filtro antibatterico, antiodori e anti-allergeni con climatizzatore e guida a sinistra	CCTA	147	200	11/07	>				34.124.00
2.0 TFSI	CCZA	147	200	05/09	>	23.493.00	31.840.00	30.187.00	53.148.00
with air-conditioner and R.H.D. / con climatizzatore e guida a destra	CCZA	147	200	05/09	>				54.376.00
with air-conditioner and L.H.D. / con climatizzatore e guida a sinistra	CCZA	147	200	05/09	>	23.493.00	31.840.00	30.187.00	54.124.00
antibacterial, anti-odour and anti-allergen filter with air-conditioner and L.H.D. / filtro antibatterico, antiodori e anti-allergeni con climatizzatore e guida a sinistra	CCZA	147	200	05/09	>				34.124.00
2.0 TFSI	CCZB	155	210	11/09	>	23.493.00	31.840.00	30.187.00	53.148.00
with air-conditioner and R.H.D. / con climatizzatore e guida a destra	CCZB	155	210	11/09	>				54.376.00
with air-conditioner and L.H.D. / con climatizzatore e guida a sinistra	CCZB	155	210	11/09	>	23.493.00	31.840.00	30.187.00	54.124.00
antibacterial, anti-odour and anti-allergen filter with air-conditioner and L.H.D. / filtro antibatterico, antiodori e anti-allergeni con climatizzatore e guida a sinistra	CCZB	155	210	11/09	>				34.124.00
2.0 TFSI	CULC	162	220	11/13	>	25.153.00		30.187.00	53.148.00
with air-conditioner and R.H.D. / con climatizzatore e guida a destra	CULC	162	220	11/13	>				54.376.00
with air-conditioner and L.H.D. / con climatizzatore e guida a sinistra	CULC	162	220	11/13	>	25.153.00		30.187.00	54.124.00
antibacterial, anti-odour and anti-allergen filter with air-conditioner and L.H.D. / filtro antibatterico, antiodori e anti-allergeni con climatizzatore e guida a sinistra	CULC	162	220	11/13	>				34.124.00
3.2 V6	BUB	184	250	05/06	> 05/09	25.023.00	31.833.00	30.303.00	53.148.00
with air-conditioner and R.H.D. / con climatizzatore e guida a destra	BUB	184	250	05/06	> 05/09				54.376.00
with air-conditioner and L.H.D. / con climatizzatore e guida a sinistra	BUB	184	250	05/06	> 05/09	25.023.00	31.833.00	30.303.00	54.124.00
antibacterial, anti-odour and anti-allergen filter with air-conditioner and L.H.D. / filtro antibatterico, antiodori e anti-allergeni con climatizzatore e guida a sinistra	BUB	184	250	05/06	> 05/09				34.124.00
for cold countries / per paesi freddi	BUB	184	250	05/06	> 05/09	25.023.00	31.833.00	30.A35.00	53.148.00
3.2 V6 (USA, CDN)	CBRA	184	250	05/07	> 05/09	25.023.00	31.833.00	30.303.00	53.148.00
with air-conditioner and R.H.D. / con climatizzatore e guida a destra	CBRA	184	250	05/07	> 05/09				54.376.00
with air-conditioner and L.H.D. / con climatizzatore e guida a sinistra	CBRA	184	250	05/07	> 05/09	25.023.00	31.833.00	30.303.00	54.124.00
antibacterial, anti-odour and anti-allergen filter with air-conditioner and L.H.D. / filtro antibatterico, antiodori e anti-allergeni con climatizzatore e guida a sinistra	CBRA	184	250	05/07	> 05/09				34.124.00
for cold countries / per paesi freddi	CBRA	184	250	05/07	> 05/09	25.023.00	31.833.00	30.A35.00	53.148.00
3.6 FSI V6	CDVA	191	260	06/09	>	25.023.00	31.840.00	30.303.00	53.148.00
with air-conditioner and R.H.D. / con climatizzatore e guida a destra	CDVA	191	260	06/09	>				54.376.00
with air-conditioner and L.H.D. / con climatizzatore e guida a sinistra	CDVA	191	260	06/09	>	25.023.00	31.840.00	30.303.00	54.124.00
antibacterial, anti-odour and anti-allergen filter with air-conditioner and L.H.D. / filtro antibatterico, antiodori e anti-allergeni con climatizzatore e guida a sinistra	CDVA	191	260	06/09	>				34.124.00
for cold countries / per paesi freddi	CDVA	191	260	06/09	>	25.023.00	31.840.00	30.A35.00	53.148.00
Fox									
302 1.8 i (BR)	ABG	61	83	09/90	>	23.130.01	31.503.00		
307 1.8 i (BR)	ABG	61	83	09/90	>	23.130.01	31.503.00		
Fox (5Z)									
1.2	CHFA	44	60	09/10	>	25.029.00	31.722.00	30.132.00	53.031.00
with activated carbons / ai carboni attivi	CHFA	44	60	09/10	>				54.114.00
antibacterial, anti-odour and anti-allergen filter / filtro antibatterico, antiodori e anti-allergeni	CHFA	44	60	09/10	>				34.114.00
1.2 i	BMD	40	54	04/05	>	25.029.00		30.132.00	53.031.00
with activated carbons / ai carboni attivi	BMD	40	54	04/05	>	25.029.00		30.132.00	54.114.00
antibacterial, anti-odour and anti-allergen filter / filtro antibatterico, antiodori e anti-allergeni	BMD	40	54	04/05	>				34.114.00
1.4 16V Bi-Fuel G		55	75	04/05	>	23.453.00		30.264.00	53.031.00
with activated carbons / ai carboni attivi		55	75	04/05	>	23.453.00		30.264.00	54.114.00
antibacterial, anti-odour and anti-allergen filter / filtro antibatterico, antiodori e anti-allergeni		55	75	04/05	>				34.114.00
1.4 i 16V	BKR	55	75	04/05	>	23.453.00		30.264.00	53.031.00

...VOLKSWAGEN - cars/auto

with activated carbons / ai carboni attivi	BKR	55	75	04/05	>	23.453.00		30.264.00	54.114.00	
antibacterial, anti-odour and anti-allergen filter / filtro antibatterico, antiodori e anti-allergeni	BKR	55	75	04/05	>				34.114.00	
1.4 TDI PD	BNM	51	70	04/05	>	25.023.00	24.437.00	30.133.00	53.031.00	
with activated carbons / ai carboni attivi	BNM	51	70	04/05	>	25.023.00	24.437.00	30.133.00	54.114.00	
antibacterial, anti-odour and anti-allergen filter / filtro antibatterico, antiodori e anti-allergeni	BNM	51	70	04/05	>				34.114.00	
Fusca										
2.0 i (BR)				01/98	>			31.718.00		
Golf Cabriolet										
1.6 i	AEK/AFT	74	101	09/93	>	04/00	23.436.00	31.500.00	30.996.00	53.006.00
with activated carbons / ai carboni attivi	AEK/AFT	74	101	09/93	>	04/00				54.263.00
antibacterial, anti-odour and anti-allergen filter / filtro antibatterico, antiodori e anti-allergeni	AEK/AFT	74	101	09/93	>	04/00				34.263.00
1.6 i	AKS	74	101	09/93	>	10/00	23.436.00	31.500.00	30.996.00	53.006.00
with activated carbons / ai carboni attivi	AKS	74	101	09/93	>	10/00				54.263.00
antibacterial, anti-odour and anti-allergen filter / filtro antibatterico, antiodori e anti-allergeni	AKS	74	101	09/93	>	10/00				34.263.00
1.8 i	AAM	55	75	09/93	>	10/00	23.436.00	31.500.00	30.996.00	53.006.00
with activated carbons / ai carboni attivi	AAM	55	75	09/93	>	10/00				54.263.00
antibacterial, anti-odour and anti-allergen filter / filtro antibatterico, antiodori e anti-allergeni	AAM	55	75	09/93	>	10/00				34.263.00
1.8 i	ABS/ANN	66	90	09/93	>	06/02	23.436.00	31.500.00	30.996.00	53.006.00
1.8 i	ADZ	66	90	09/93	>	10/00	23.436.00	31.500.00	30.996.00	53.006.00
with activated carbons / ai carboni attivi	ADZ	66	90	09/93	>	10/00				54.263.00
antibacterial, anti-odour and anti-allergen filter / filtro antibatterico, antiodori e anti-allergeni	ADZ	66	90	09/93	>	10/00				34.263.00
1.8 i	ANP	55	75	09/93	>	06/02	23.436.00	31.500.00	30.996.00	53.006.00
with activated carbons / ai carboni attivi	ANP	55	75	09/93	>	06/02				54.263.00
antibacterial, anti-odour and anti-allergen filter / filtro antibatterico, antiodori e anti-allergeni	ANP	55	75	09/93	>	06/02				34.263.00
1.9 TDI	ALE	66	90	09/93	>	06/02	23.429.00	24.365.01	30.996.00	53.006.00
with activated carbons / ai carboni attivi	ALE	66	90	09/93	>	06/02				54.263.00
antibacterial, anti-odour and anti-allergen filter / filtro antibatterico, antiodori e anti-allergeni	ALE	66	90	09/93	>	06/02				34.263.00
2.0 i	AKR	85	116	09/93	>	04/00	23.436.00	31.500.00	30.996.00	53.006.00
with activated carbons / ai carboni attivi	AKR	85	116	09/93	>	04/00				54.263.00
antibacterial, anti-odour and anti-allergen filter / filtro antibatterico, antiodori e anti-allergeni	AKR	85	116	09/93	>	04/00				34.263.00
Golf IV										
1.4 i 16V		55	75	08/99	>	12/03	23.453.00	31.718.00	30.124.00	54.109.00
antibacterial, anti-odour and anti-allergen filter / filtro antibatterico, antiodori e anti-allergeni		55	75	08/97	>	12/03				34.109.00
dusty areas / zone polverose		55	75	08/99	>	12/03	23.453.00	31.718.00	30.184.00	54.109.00
1.6 FSI	BAD	81	110	05/01	>	06/05	23.453.00	31.718.00	30.077.00	54.109.00
antibacterial, anti-odour and anti-allergen filter / filtro antibatterico, antiodori e anti-allergeni	BAD	81	110	05/01	>	06/05				34.109.00
for cold countries / per paesi freddi	BAD	81	110	05/01	>	06/05	23.453.00	31.718.00	30.364.00	54.109.00
1.6 i		74	101	08/97	>	12/03	23.436.00	31.718.00	30.077.00	54.109.00
antibacterial, anti-odour and anti-allergen filter / filtro antibatterico, antiodori e anti-allergeni		74	101	08/97	>	12/03				34.109.00
for cold countries / per paesi freddi		74	101	08/97	>	12/03	23.436.00	31.718.00	30.364.00	54.109.00
1.6 i	AVU	75	102	09/00	>	12/03	23.436.00	31.718.00	30.077.00	54.109.00
antibacterial, anti-odour and anti-allergen filter / filtro antibatterico, antiodori e anti-allergeni	AVU	75	102	09/00	>	12/03				34.109.00
for cold countries / per paesi freddi	AVU	75	102	09/00	>	12/03	23.436.00	31.718.00	30.364.00	54.109.00
1.6 i 16V	ATN/AUS	77	105	01/99	>	12/03	23.453.00	31.718.00	30.124.00	54.109.00
antibacterial, anti-odour and anti-allergen filter / filtro antibatterico, antiodori e anti-allergeni	ATN/AUS	77	105	01/99	>	12/03				34.109.00
dusty areas / zone polverose	ATN/AUS	77	105	01/99	>	12/03	23.453.00	31.718.00	30.184.00	54.109.00
1.6 i 16V	AZD	77	105	02/00	>	12/03	23.453.00	31.718.00	30.158.00	54.109.00
antibacterial, anti-odour and anti-allergen filter / filtro antibatterico, antiodori e anti-allergeni	AZD	77	105	02/00	>	12/03				34.109.00
1.6 i 16V Variant	AZD	77	105	02/00	>	12/03	23.453.00	31.718.00	30.158.00	54.109.00
antibacterial, anti-odour and anti-allergen filter / filtro antibatterico, antiodori e anti-allergeni	AZD	77	105	02/00	>	12/03				34.109.00
1.8 i 20V		92	125	08/97	>	12/03	23.436.00	31.718.00	30.077.00	54.109.00
antibacterial, anti-odour and anti-allergen filter / filtro antibatterico, antiodori e anti-allergeni		92	125	08/97	>	12/03				34.109.00
for cold countries / per paesi freddi		92	125	08/97	>	12/03	23.436.00	31.718.00	30.364.00	54.109.00
1.8 i 20V 4Motion Variant	AGN	92	125	05/99	>	12/03	23.436.00	31.718.00	30.077.00	54.109.00
antibacterial, anti-odour and anti-allergen filter / filtro antibatterico, antiodori e anti-allergeni	AGN	92	125	05/99	>	12/03				34.109.00
for cold countries / per paesi freddi	AGN	92	125	05/99	>	12/03	23.436.00	31.718.00	30.364.00	54.109.00
1.8 i 20V Turbo GTI		110	150	08/97	>	12/03	23.436.00	31.718.00	30.077.00	54.109.00
antibacterial, anti-odour and anti-allergen filter / filtro antibatterico, antiodori e anti-allergeni		110	150	08/97	>	12/03				34.109.00
for cold countries / per paesi freddi		110	150	08/97	>	12/03	23.436.00	31.718.00	30.364.00	54.109.00
1.8 i 20V Turbo GTI	AUQ	132	180	08/01	>	06/05	23.436.00	31.718.00	30.077.00	54.109.00
antibacterial, anti-odour and anti-allergen filter / filtro antibatterico, antiodori e anti-allergeni	AUQ	132	180	08/01	>	06/05				34.109.00
for cold countries / per paesi freddi	AUQ	132	180	08/01	>	06/05	23.436.00	31.718.00	30.364.00	54.109.00
1.9 DI		47	64	08/97	>	12/03	25.011.00	24.391.00	30.077.00	54.109.00
with complete filter / con filtro completo		47	64	08/97	>	12/03		55.427.00		
antibacterial, anti-odour and anti-allergen filter / filtro antibatterico, antiodori e anti-allergeni		47	64	08/97	>	12/03				34.109.00
for cold countries / per paesi freddi		47	64	08/97	>	12/03	25.011.00	24.391.00	30.364.00	54.109.00
1.9 DI		50	68	08/97	>	12/03	25.011.00	24.391.00	30.077.00	54.109.00

...VOLKSWAGEN - cars/auto

with complete filter / con filtro completo		50	68	08/97	>	12/03		55.427.00			
antibacterial, anti-odour and anti-allergen filter / filtro antibatterico, antiodori e anti-allergeni		50	68	08/97	>	12/03					34.109.00
for cold countries / per paesi freddi		50	68	08/97	>	12/03	25.011.00	24.391.00	30.364.00		54.109.00
1.9 SDI		47	64	08/97	>	12/03	25.011.00	24.391.00	30.077.00		54.109.00
with complete filter / con filtro completo		47	64	08/97	>	12/03		55.427.00			
antibacterial, anti-odour and anti-allergen filter / filtro antibatterico, antiodori e anti-allergeni		47	64	08/97	>	12/03					34.109.00
for cold countries / per paesi freddi		47	64	08/97	>	12/03	25.011.00	24.391.00	30.364.00		54.109.00
1.9 SDI		50	68	08/97	>	12/03	25.011.00	24.391.00	30.077.00		54.109.00
with complete filter / con filtro completo		50	68	08/97	>	12/03		55.427.00			
antibacterial, anti-odour and anti-allergen filter / filtro antibatterico, antiodori e anti-allergeni		50	68	08/97	>	12/03					34.109.00
for cold countries / per paesi freddi		50	68	08/97	>	12/03	25.011.00	24.391.00	30.364.00		54.109.00
1.9 TDI		66	90	08/97	>	12/03	25.011.00	24.391.00	30.077.00		54.109.00
with complete filter / con filtro completo		66	90	08/97	>	12/03		55.427.00			
antibacterial, anti-odour and anti-allergen filter / filtro antibatterico, antiodori e anti-allergeni		66	90	08/97	>	12/03					34.109.00
for cold countries / per paesi freddi		66	90	08/97	>	12/03	25.011.00	24.391.00	30.364.00		54.109.00
1.9 TDI		81	110	08/97	>	12/03	25.011.00	24.391.00	30.077.00		54.109.00
with complete filter / con filtro completo		81	110	08/97	>	12/03		55.427.00			
antibacterial, anti-odour and anti-allergen filter / filtro antibatterico, antiodori e anti-allergeni		81	110	08/97	>	12/03					34.109.00
for cold countries / per paesi freddi		81	110	08/97	>	12/03	25.011.00	24.391.00	30.364.00		54.109.00
1.9 TDI	AJM	85	115	12/98	>	12/03	25.011.00	24.391.00	30.077.00		54.109.00
with complete filter / con filtro completo	AJM	85	115	12/98	>	12/03		55.427.00			
antibacterial, anti-odour and anti-allergen filter / filtro antibatterico, antiodori e anti-allergeni	AJM	85	115	12/98	>	12/03					34.109.00
for cold countries / per paesi freddi	AJM	85	115	12/98	>	12/03	25.011.00	24.391.00	30.364.00		54.109.00
1.9 TDI	ARL	110	150	10/00	>	12/03	25.011.00	24.391.00	30.077.00		54.109.00
with complete filter / con filtro completo	ARL	110	150	10/00	>	12/03		55.427.00			
antibacterial, anti-odour and anti-allergen filter / filtro antibatterico, antiodori e anti-allergeni	ARL	110	150	10/00	>	12/03					34.109.00
for cold countries / per paesi freddi	ARL	110	150	10/00	>	12/03	25.011.00	24.391.00	30.364.00		54.109.00
1.9 TDI	ASZ	96	130	03/01	>	12/03	25.011.00	24.391.00	30.077.00		54.109.00
with complete filter / con filtro completo	ASZ	96	130	03/01	>	12/03		55.427.00			
antibacterial, anti-odour and anti-allergen filter / filtro antibatterico, antiodori e anti-allergeni	ASZ	96	130	03/01	>	12/03					34.109.00
for cold countries / per paesi freddi	ASZ	96	130	03/01	>	12/03	25.011.00	24.391.00	30.364.00		54.109.00
1.9 TDI	ATD	74	101	09/00	>	12/03	25.011.00	24.391.00	30.077.00		54.109.00
with complete filter / con filtro completo	ATD	74	101	09/00	>	12/03		55.427.00			
antibacterial, anti-odour and anti-allergen filter / filtro antibatterico, antiodori e anti-allergeni	ATD	74	101	09/00	>	12/03					34.109.00
for cold countries / per paesi freddi	ATD	74	101	09/00	>	12/03	25.011.00	24.391.00	30.364.00		54.109.00
1.9 TDI 4Motion	ARL	110	150	05/02	>	06/05	25.011.00	24.391.00	30.077.00		54.109.00
with complete filter / con filtro completo	ARL	110	150	05/02	>	12/03		55.427.00			
antibacterial, anti-odour and anti-allergen filter / filtro antibatterico, antiodori e anti-allergeni	ARL	110	150	05/02	>	06/05					34.109.00
for cold countries / per paesi freddi	ARL	110	150	05/02	>	06/05	25.011.00	24.391.00	30.364.00		54.109.00
2.0	APK	85	116	01/98	>	12/03	23.436.00	31.718.00	30.077.00		54.109.00
antibacterial, anti-odour and anti-allergen filter / filtro antibatterico, antiodori e anti-allergeni	APK	85	116	01/98	>	12/03					34.109.00
for cold countries / per paesi freddi	APK	85	116	01/98	>	12/03	23.436.00	31.718.00	30.364.00		54.109.00
2.0 Bi-Fuel Variant	BEH	85	116	02/02	>	12/03	23.436.00	31.718.00	30.077.00		54.109.00
antibacterial, anti-odour and anti-allergen filter / filtro antibatterico, antiodori e anti-allergeni	BEH	85	116	02/02	>	12/03					34.109.00
for cold countries / per paesi freddi	BEH	85	116	02/02	>	12/03	23.436.00	31.718.00	30.364.00		54.109.00
2.0 i 4Motion Variant	ATF	88	120	12/99	>	06/06	23.436.00	31.718.00	30.077.00		54.109.00
antibacterial, anti-odour and anti-allergen filter / filtro antibatterico, antiodori e anti-allergeni	ATF	88	120	12/99	>	06/06					34.109.00
for cold countries / per paesi freddi	ATF	88	120	12/99	>	06/06			30.364.00		
2.0 i 4Motion Variant	AZH/AZJ	85	116	10/97	>	06/05	23.436.00	31.718.00	30.077.00		54.109.00
antibacterial, anti-odour and anti-allergen filter / filtro antibatterico, antiodori e anti-allergeni	AZH/AZJ	85	116	10/97	>	06/05					34.109.00
for cold countries / per paesi freddi	AZH/AZJ	85	116	10/97	>	06/05	23.436.00	31.718.00	30.364.00		54.109.00
2.3 i V5	AGZ	110	150	08/97	>	12/00	25.023.00	31.718.00	30.077.00		54.109.00
antibacterial, anti-odour and anti-allergen filter / filtro antibatterico, antiodori e anti-allergeni	AGZ	110	150	08/97	>	12/00					34.109.00
for cold countries / per paesi freddi	AGZ	110	150	08/97	>	12/00	25.023.00	31.718.00	30.364.00		54.109.00
2.3 i V5	AQN	125	170	10/00	>	06/02	25.023.00	31.718.00	30.077.00		54.109.00
antibacterial, anti-odour and anti-allergen filter / filtro antibatterico, antiodori e anti-allergeni	AQN	125	170	10/00	>	06/02					34.109.00
for cold countries / per paesi freddi	AQN	125	170	10/00	>	06/02	25.023.00	31.718.00	30.364.00		54.109.00
2.8 V6 4 motion	AQP	150	204	04/99	>	12/03	25.023.00	31.718.00	30.077.00		54.109.00
antibacterial, anti-odour and anti-allergen filter / filtro antibatterico, antiodori e anti-allergeni	AQP	150	204	04/99	>	12/03					34.109.00
for cold countries / per paesi freddi	AQP	150	204	04/99	>	12/03	25.023.00	31.718.00	30.364.00		54.109.00
3.2 R32	BFH	177	241	08/02	>	12/03	25.023.00	31.718.00	30.077.00		54.109.00
antibacterial, anti-odour and anti-allergen filter / filtro antibatterico, antiodori e anti-allergeni	BFH	177	241	08/02	>	12/03					34.109.00
for cold countries / per paesi freddi	BFH	177	241	08/02	>	12/03	25.023.00	31.718.00	30.364.00		54.109.00
Golf Plus V											
1.4 16V	BCA	55	75	11/04	>	06/06	23.453.00	31.833.00	30.158.00		53.148.00
with air-conditioner and R.H.D. / con climatizzatore e guida a destra	BCA	55	75	11/04	>	06/06					54.376.00
with air-conditioner and L.H.D. / con climatizzatore e guida a sinistra	BCA	55	75	11/04	>	06/06	23.453.00	31.833.00	30.158.00		54.124.00

...VOLKSWAGEN - cars/auto

antibacterial, anti-odour and anti-allergen filter with air-conditioner and L.H.D. / filtro antibatterico, antiodori e anti-allergeni con climatizzatore e guida a sinistra	BCA	55	75	11/04	>	06/06				34.124.00
1.4 FSI	BKG/BLN	66	90	11/04	>	07/06	25.047.00		30.209.00	53.148.00
with air-conditioner and R.H.D. / con climatizzatore e guida a destra	BKG/BLN	66	90	11/04	>	07/06				54.376.00
with air-conditioner and L.H.D. / con climatizzatore e guida a sinistra	BKG/BLN	66	90	11/04	>	07/06	25.047.00		30.209.00	54.124.00
antibacterial, anti-odour and anti-allergen filter with air-conditioner and L.H.D. / filtro antibatterico, antiodori e anti-allergeni con climatizzatore e guida a sinistra	BKG/BLN	66	90	11/04	>	07/06				34.124.00
1.4 TSI										
with air-conditioner and R.H.D. / con climatizzatore e guida a destra	BLG	125	170	05/07	>	06/08				54.376.00
with air-conditioner and L.H.D. / con climatizzatore e guida a sinistra	BLG	125	170	05/07	>	06/08				54.124.00
with L.H.D. / con guida a sinistra	BLG	125	170	05/07	>	06/08	25.047.00	31.840.00	30.187.00	53.148.00
antibacterial, anti-odour and anti-allergen filter with air-conditioner and L.H.D. / filtro antibatterico, antiodori e anti-allergeni con climatizzatore e guida a sinistra	BLG	125	170	05/07	>	06/08				34.124.00
for cold countries / per paesi freddi	BLG	125	170	05/07	>	06/08			30.370.00	
1.4 TSI										
with air-conditioner and R.H.D. / con climatizzatore e guida a destra	BMY	103	140	05/07	>	06/08				54.376.00
with air-conditioner and L.H.D. / con climatizzatore e guida a sinistra	BMY	103	140	05/07	>	06/08				54.124.00
with L.H.D. / con guida a sinistra	BMY	103	140	05/07	>	06/08	25.047.00	31.840.00	30.187.00	53.148.00
antibacterial, anti-odour and anti-allergen filter with air-conditioner and L.H.D. / filtro antibatterico, antiodori e anti-allergeni con climatizzatore e guida a sinistra	BMY	103	140	05/07	>	06/08				34.124.00
for cold countries / per paesi freddi	BMY	103	140	05/07	>	06/08			30.370.00	
1.4 TSI	CAVD	118	160	06/08	>	09/09	23.494.00	31.840.00	30.187.00	53.148.00
with air-conditioner and R.H.D. / con climatizzatore e guida a destra	CAVD	118	160	06/08	>	09/09				54.376.00
with air-conditioner and L.H.D. / con climatizzatore e guida a sinistra	CAVD	118	160	06/08	>	09/09	23.494.00	31.840.00	30.187.00	54.124.00
antibacterial, anti-odour and anti-allergen filter with air-conditioner and L.H.D. / filtro antibatterico, antiodori e anti-allergeni con climatizzatore e guida a sinistra	CAVD	118	160	06/08	>	09/09				34.124.00
for cold countries / per paesi freddi	CAVD	118	160	06/08	>	09/09	23.494.00	31.840.00	30.370.00	53.148.00
1.4 TSI	CAXA	90	122	06/07	>	05/08	25.047.00	31.840.00	27.401.00	53.148.00
	CAXA	90	122	06/08	>	09/09	23.494.00	31.840.00	27.401.00	53.148.00
with air-conditioner and R.H.D. / con climatizzatore e guida a destra	CAXA	90	122	06/07	>	09/09				54.376.00
with air-conditioner and L.H.D. / con climatizzatore e guida a sinistra	CAXA	90	122	06/07	>	05/08	25.047.00	31.840.00	27.401.00	54.124.00
with air-conditioner and L.H.D. / con climatizzatore e guida a sinistra	CAXA	90	122	06/08	>	09/09	23.494.00	31.840.00	27.401.00	54.124.00
antibacterial, anti-odour and anti-allergen filter with air-conditioner and L.H.D. / filtro antibatterico, antiodori e anti-allergeni con climatizzatore e guida a sinistra	CAXA	90	122	06/07	>	09/09				34.124.00
for cold countries / per paesi freddi	CAXA	90	122	06/07	>	05/08	25.047.00	31.840.00	27.402.00	53.148.00
for cold countries / per paesi freddi	CAXA	90	122	06/08	>	09/09	23.494.00	31.840.00	27.402.00	53.148.00
1.6	BGU/BSE/BSF	75	102	11/04	>	09/09	23.436.00	31.833.00	27.401.00	53.148.00
with air-conditioner and R.H.D. / con climatizzatore e guida a destra	BGU/BSE/BSF	75	102	11/04	>	09/09				54.376.00
with air-conditioner and L.H.D. / con climatizzatore e guida a sinistra	BGU/BSE/BSF	75	102	11/04	>	09/09	23.436.00	31.833.00	27.401.00	54.124.00
antibacterial, anti-odour and anti-allergen filter with air-conditioner and L.H.D. / filtro antibatterico, antiodori e anti-allergeni con climatizzatore e guida a sinistra	BGU/BSE/BSF	75	102	11/04	>	09/09				34.124.00
for cold countries / per paesi freddi	BGU/BSE/BSF	75	102	11/04	>	09/09	23.436.00	31.833.00	27.402.00	53.148.00
1.6 16V Bi-Fuel G	CCSA	75	102	11/04	>	09/09	23.436.00	31.833.00	27.401.00	53.148.00
with air-conditioner and R.H.D. / con climatizzatore e guida a destra	CCSA	75	102	11/04	>	09/09				54.376.00
with air-conditioner and L.H.D. / con climatizzatore e guida a sinistra	CCSA	75	102	11/04	>	09/09	23.436.00	31.833.00	27.401.00	54.124.00
antibacterial, anti-odour and anti-allergen filter with air-conditioner and L.H.D. / filtro antibatterico, antiodori e anti-allergeni con climatizzatore e guida a sinistra	CCSA	75	102	11/04	>	09/09				34.124.00
for cold countries / per paesi freddi	CCSA	75	102	11/04	>	09/09	23.436.00	31.833.00	27.402.00	53.148.00
1.6 FSI	BAG/BLF/BLP	85	115	11/04	>	09/05	25.047.00	31.833.00	30.209.00	53.148.00
	BAG/BLF/BLP	85	115	10/05	>	09/09	25.047.00	31.840.00	30.209.00	53.148.00
with air-conditioner and R.H.D. / con climatizzatore e guida a destra	BAG/BLF/BLP	85	115	11/04	>	09/09				54.376.00
with air-conditioner and L.H.D. / con climatizzatore e guida a sinistra	BAG/BLF/BLP	85	115	11/04	>	09/05	25.047.00	31.833.00	30.209.00	54.124.00
with air-conditioner and L.H.D. / con climatizzatore e guida a sinistra	BAG/BLF/BLP	85	115	10/05	>	09/09	25.047.00	31.840.00	30.209.00	54.124.00
antibacterial, anti-odour and anti-allergen filter with air-conditioner and L.H.D. / filtro antibatterico, antiodori e anti-allergeni con climatizzatore e guida a sinistra	BAG/BLF/BLP	85	115	11/04	>	09/09				34.124.00
1.9 TDI										
to frame No. 1K-6-600000 / a telaio N. 1K-6-600000	BJB/BKC/BXE	77	105	11/04	>		25.023.00	26.014.00	30.187.00	53.148.00
with air-conditioner and R.H.D. / con climatizzatore e guida a destra	BJB/BKC/BXE	77	105	11/04	>	09/09				54.376.00
with air-conditioner and L.H.D. / con climatizzatore e guida a sinistra	BJB/BKC/BXE	77	105	11/04	>	09/09	25.023.00		30.187.00	54.124.00
from frame No. 1K-6-600001 / da telaio N. 1K-6-600001	BJB/BKC/BXE	77	105		>	09/09	25.023.00	26.021.00	30.187.00	53.148.00
antibacterial, anti-odour and anti-allergen filter with air-conditioner and L.H.D. / filtro antibatterico, antiodori e anti-allergeni con climatizzatore e guida a sinistra	BJB/BKC/BXE	77	105	11/04	>	09/09				34.124.00
for cold countries / per paesi freddi	BJB/BKC/BXE	77	105	11/04	>	09/09	25.023.00		30.370.00	53.148.00
1.9 TDI										
to frame No. 1K-6-600000 / a telaio N. 1K-6-600000	BRU/BXF	66	90	11/04	>		25.023.00	26.014.00	30.187.00	53.148.00
with air-conditioner and R.H.D. / con climatizzatore e guida a destra	BRU/BXF	66	90	11/04	>	09/09				54.376.00
with air-conditioner and L.H.D. / con climatizzatore e guida a sinistra	BRU/BXF	66	90	11/04	>	09/09	25.023.00		30.187.00	54.124.00
from frame No. 1K-6-600001 / da telaio N. 1K-6-600001	BRU/BXF	66	90		>	09/09	25.023.00	26.021.00	30.187.00	53.148.00
antibacterial, anti-odour and anti-allergen filter with air-conditioner and L.H.D. / filtro antibatterico, antiodori e anti-allergeni con climatizzatore e guida a sinistra	BRU/BXF	66	90	11/04	>	09/09				34.124.00
for cold countries / per paesi freddi	BRU/BXF	66	90	11/04	>	09/09	25.023.00		30.370.00	53.148.00
2.0 FSI	AXW	110	150	11/04	>	09/09	25.040.00	31.722.00	27.401.00	53.148.00
with air-conditioner and R.H.D. / con climatizzatore e guida a destra	AXW	110	150	11/04	>	09/09				54.376.00
with air-conditioner and L.H.D. / con climatizzatore e guida a sinistra	AXW	110	150	11/04	>	09/09	25.040.00	31.722.00	27.401.00	54.124.00
antibacterial, anti-odour and anti-allergen filter with air-conditioner and L.H.D. / filtro antibatterico, antiodori e anti-allergeni con climatizzatore e guida a sinistra	AXW	110	150	11/04	>	09/09				34.124.00
for cold countries / per paesi freddi	AXW	110	150	11/04	>	09/09	25.040.00	31.722.00	27.402.00	53.148.00
2.0 FSI	BLR/BLX/BLY	110	150	11/04	>	09/09	25.040.00	31.840.00	27.401.00	53.148.00
with air-conditioner and R.H.D. / con climatizzatore e guida a destra	BLR/BLX/BLY	110	150	11/04	>	09/09				54.376.00

...VOLKSWAGEN - cars/auto

with air-conditioner and L.H.D. / con climatizzatore e guida a sinistra	BLR/BLX/BLY	110	150	11/04	>	09/09	25.040.00	31.840.00	27.401.00	54.124.00
antibacterial, anti-odour and anti-allergen filter with air-conditioner and L.H.D. / filtro antibatterico, antiodori e anti-allergeni con climatizzatore e guida a sinistra	BLR/BLX/BLY	110	150	11/04	>	09/09				34.124.00
for cold countries / per paesi freddi	BLR/BLX/BLY	110	150	11/04	>	09/09	25.040.00	31.840.00	27.402.00	53.148.00
2.0 FSI	BVX/BVY/BVZ	110	150	11/04	>	09/09	25.040.00	31.840.00	27.401.00	53.148.00
with air-conditioner and R.H.D. / con climatizzatore e guida a destra	BVX/BVY/BVZ	110	150	11/04	>	09/09				54.376.00
with air-conditioner and L.H.D. / con climatizzatore e guida a sinistra	BVX/BVY/BVZ	110	150	11/04	>	09/09	25.040.00	31.840.00	27.401.00	54.124.00
antibacterial, anti-odour and anti-allergen filter with air-conditioner and L.H.D. / filtro antibatterico, antiodori e anti-allergeni con climatizzatore e guida a sinistra	BVX/BVY/BVZ	110	150	11/04	>	09/09				34.124.00
for cold countries / per paesi freddi	BVX/BVY/BVZ	110	150	11/04	>	09/09	25.040.00	31.840.00	27.402.00	53.148.00
2.0 TDI	AZV/BKD/BMM	103	140	11/04	>		25.023.00	26.014.00	30.187.00	53.148.00
to frame No. 1K-6-600000 / a telaio N. 1K-6-600000	AZV/BKD/BMM	103	140	11/04	>	09/09				54.376.00
with air-conditioner and R.H.D. / con climatizzatore e guida a destra	AZV/BKD/BMM	103	140	11/04	>	09/09	25.023.00		30.187.00	54.124.00
with air-conditioner and L.H.D. / con climatizzatore e guida a sinistra	AZV/BKD/BMM	103	140	11/04	>	09/09	25.023.00	26.021.00	30.187.00	53.148.00
from frame No. 1K-6-600001 / da telaio N. 1K-6-600001	AZV/BKD/BMM	103	140	11/04	>	09/09				34.124.00
antibacterial, anti-odour and anti-allergen filter with air-conditioner and L.H.D. / filtro antibatterico, antiodori e anti-allergeni con climatizzatore e guida a sinistra	AZV/BKD/BMM	103	140	11/04	>	09/09				34.124.00
for cold countries / per paesi freddi	AZV/BKD/BMM	103	140	11/04	>	09/09	25.023.00		30.370.00	53.148.00
2.0 TDI	BMN	125	170	11/05	>		25.023.00	26.014.00	30.187.00	53.148.00
to frame No. 1K-6-600000 / a telaio N. 1K-6-600000	BMN	125	170	11/05	>	09/09				54.376.00
with air-conditioner and R.H.D. / con climatizzatore e guida a destra	BMN	125	170	11/05	>	09/09	25.023.00		30.187.00	54.124.00
with air-conditioner and L.H.D. / con climatizzatore e guida a sinistra	BMN	125	170	11/05	>	09/09	25.023.00	26.021.00	30.187.00	53.148.00
from frame No. 1K-6-600001 / da telaio N. 1K-6-600001	BMN	125	170	11/05	>	09/09				34.124.00
antibacterial, anti-odour and anti-allergen filter with air-conditioner and L.H.D. / filtro antibatterico, antiodori e anti-allergeni con climatizzatore e guida a sinistra	BMN	125	170	11/05	>	09/09				34.124.00
for cold countries / per paesi freddi	BMN	125	170	11/05	>	09/09	25.023.00		30.370.00	53.148.00
Golf Plus VI (521)										
1.2 TSI	CBZA	63	86	05/10	>	05/11				54.124.00
with air-conditioner and L.H.D. / con climatizzatore e guida a sinistra	CBZA	63	86	05/10	>	05/11				54.376.00
with R.H.D. / con guida a destra	CBZA	63	86	05/10	>	05/11				54.376.00
with L.H.D. / con guida a sinistra	CBZA	63	86	05/10	>	05/11	23.573.00	31.840.00	27.401.00	53.148.00
antibacterial, anti-odour and anti-allergen filter with air-conditioner and L.H.D. / filtro antibatterico, antiodori e anti-allergeni con climatizzatore e guida a sinistra	CBZA	63	86	05/10	>	05/11				34.124.00
for cold countries / per paesi freddi	CBZA	63	86	05/10	>	05/11			27.402.00	
1.2 TSI	CBZB	77	105	11/09	>	12/13				54.124.00
with air-conditioner and L.H.D. / con climatizzatore e guida a sinistra	CBZB	77	105	11/09	>	12/13				54.376.00
with R.H.D. / con guida a destra	CBZB	77	105	11/09	>	12/13				54.376.00
with L.H.D. / con guida a sinistra	CBZB	77	105	11/09	>	03/10	23.494.00	31.840.00	27.401.00	53.148.00
with L.H.D. / con guida a sinistra	CBZB	77	105	04/10	>	12/13	23.573.00	31.840.00	27.401.00	53.148.00
antibacterial, anti-odour and anti-allergen filter with air-conditioner and L.H.D. / filtro antibatterico, antiodori e anti-allergeni con climatizzatore e guida a sinistra	CBZB	77	105	11/09	>	12/13				34.124.00
for cold countries / per paesi freddi	CBZB	77	105	11/09	>	12/13			27.402.00	
1.4	BUD	59	80	05/07	>	05/11	23.453.00	31.833.00	30.342.00	53.148.00
with air-conditioner and R.H.D. / con climatizzatore e guida a destra	BUD	59	80	05/07	>	05/11				54.376.00
with air-conditioner and L.H.D. / con climatizzatore e guida a sinistra	BUD	59	80	05/07	>	05/11				54.124.00
antibacterial, anti-odour and anti-allergen filter with air-conditioner and L.H.D. / filtro antibatterico, antiodori e anti-allergeni con climatizzatore e guida a sinistra	BUD	59	80	05/07	>	05/11				34.124.00
1.4	CGGA	59	80	01/09	>	05/11	23.453.00	31.833.00	30.342.00	53.148.00
with air-conditioner and R.H.D. / con climatizzatore e guida a destra	CGGA	59	80	01/09	>	05/11				54.376.00
with air-conditioner and L.H.D. / con climatizzatore e guida a sinistra	CGGA	59	80	01/09	>	05/11				54.124.00
antibacterial, anti-odour and anti-allergen filter with air-conditioner and L.H.D. / filtro antibatterico, antiodori e anti-allergeni con climatizzatore e guida a sinistra	CGGA	59	80	01/09	>	05/11				34.124.00
1.4 TSI	CAVD	118	160	06/08	>	05/11				54.376.00
with air-conditioner and R.H.D. / con climatizzatore e guida a destra	CAVD	118	160	06/08	>	05/11				54.124.00
with air-conditioner and L.H.D. / con climatizzatore e guida a sinistra	CAVD	118	160	06/08	>	06/10	23.494.00	31.840.00	30.187.00	53.148.00
with L.H.D. / con guida a sinistra	CAVD	118	160	07/10	>	05/11	23.573.00	31.840.00	30.187.00	53.148.00
antibacterial, anti-odour and anti-allergen filter with air-conditioner and L.H.D. / filtro antibatterico, antiodori e anti-allergeni con climatizzatore e guida a sinistra	CAVD	118	160	06/08	>	05/11				34.124.00
for cold countries / per paesi freddi	CAVD	118	160	06/08	>	05/11			30.370.00	
1.4 TSI	CAXA	90	122	10/08	>	12/13				54.376.00
with air-conditioner and R.H.D. / con climatizzatore e guida a destra	CAXA	90	122	10/08	>	12/13				54.124.00
with air-conditioner and L.H.D. / con climatizzatore e guida a sinistra	CAXA	90	122	10/08	>	06/10	23.494.00	31.840.00	27.401.00	53.148.00
with L.H.D. / con guida a sinistra	CAXA	90	122	07/10	>	12/13	23.573.00	31.840.00	27.401.00	53.148.00
with L.H.D. / con guida a sinistra	CAXA	90	122	10/08	>	12/13				34.124.00
antibacterial, anti-odour and anti-allergen filter with air-conditioner and L.H.D. / filtro antibatterico, antiodori e anti-allergeni con climatizzatore e guida a sinistra	CAXA	90	122	10/08	>	12/13				34.124.00
for cold countries / per paesi freddi	CAXA	90	122	10/08	>	12/13			27.402.00	
1.4 TSI	CNWA	118	160	01/09	>	12/13				54.376.00
with air-conditioner and R.H.D. / con climatizzatore e guida a destra	CNWA	118	160	01/09	>	12/13				54.124.00
with air-conditioner and L.H.D. / con climatizzatore e guida a sinistra	CNWA	118	160	01/09	>	06/10	23.494.00	31.840.00	30.187.00	53.148.00
with L.H.D. / con guida a sinistra	CNWA	118	160	07/10	>	12/13	23.573.00	31.840.00	30.187.00	53.148.00
with L.H.D. / con guida a sinistra	CNWA	118	160	01/09	>	12/13				34.124.00
antibacterial, anti-odour and anti-allergen filter with air-conditioner and L.H.D. / filtro antibatterico, antiodori e anti-allergeni con climatizzatore e guida a sinistra	CNWA	118	160	01/09	>	12/13				34.124.00
for cold countries / per paesi freddi	CNWA	118	160	01/09	>	12/13			30.370.00	
1.6	CCSA	75	102	05/07	>	12/08				54.376.00
with R.H.D. / con guida a destra	CCSA	75	102	05/07	>	12/08				54.376.00

...VOLKSWAGEN - cars/auto

with L.H.D. / con guida a sinistra	CCSA	75	102	05/07	>	12/08	23.436.00	31.833.00	27.401.00	54.124.00
antibacterial, anti-odour and anti-allergen filter with L.H.D. / filtro antibatterico, antiodori e anti-allergeni con guida a sinistra	CCSA	75	102	05/07	>	12/08				34.124.00
1.6 BiFuel										
with air-conditioner and L.H.D. / con climatizzatore e guida a sinistra	CHGA	75	102	03/09	>	12/13				54.124.00
with R.H.D. / con guida a destra	CHGA	75	102	03/09	>	12/13				54.376.00
with L.H.D. / con guida a sinistra	CHGA	75	102	03/09	>	12/13	23.436.00	31.833.00	27.401.00	53.148.00
antibacterial, anti-odour and anti-allergen filter with air-conditioner and L.H.D. / filtro antibatterico, antiodori e anti-allergeni con climatizzatore e guida a sinistra	CHGA	75	102	03/09	>	12/13				34.124.00
assembly LANDI Omegas Plus / montaggio LANDI Omegas Plus	CHGA	75	102	03/09	>	05/11		31.836.00		
1.6 MultiFuel										
with R.H.D. / con guida a destra	CCSA/CMXA	75	102	12/08	>	07/13				54.376.00
with L.H.D. / con guida a sinistra	CCSA/CMXA	75	102	12/08	>	07/13	23.436.00	31.853.00	27.401.00	54.124.00
antibacterial, anti-odour and anti-allergen filter with L.H.D. / filtro antibatterico, antiodori e anti-allergeni con guida a sinistra	CCSA/CMXA	75	102	12/08	>	07/13				34.124.00
1.6 TDI										
with air-conditioner and L.H.D. / con climatizzatore e guida a sinistra	CAYB	66	90	02/09	>	12/13				54.124.00
with R.H.D. / con guida a destra	CAYB	66	90	02/09	>	12/13				54.376.00
with L.H.D. / con guida a sinistra	CAYB	66	90	02/09	>	12/13	25.106.00	26.021.00	30.187.00	53.148.00
antibacterial, anti-odour and anti-allergen filter with air-conditioner and L.H.D. / filtro antibatterico, antiodori e anti-allergeni con climatizzatore e guida a sinistra	CAYB	66	90	02/09	>	12/13				34.124.00
for cold countries / per paesi freddi	CAYB	66	90	02/09	>	12/13			30.370.00	
1.6 TDI										
with air-conditioner and L.H.D. / con climatizzatore e guida a sinistra	CAYC	77	105	05/09	>	12/13				54.124.00
with R.H.D. / con guida a destra	CAYC	77	105	05/09	>	12/13				54.376.00
with L.H.D. / con guida a sinistra	CAYC	77	105	05/09	>	12/13	25.106.00	26.021.00	30.187.00	53.148.00
antibacterial, anti-odour and anti-allergen filter with air-conditioner and L.H.D. / filtro antibatterico, antiodori e anti-allergeni con climatizzatore e guida a sinistra	CAYC	77	105	05/09	>	12/13				34.124.00
for cold countries / per paesi freddi	CAYC	77	105	05/09	>	12/13			30.370.00	
2.0 TDI										
to frame No. 1K-6-600000 / a telaio N. 1K-6-600000	BEE	96	130	05/05	>		25.023.00	26.014.00	30.187.00	53.148.00
with air-conditioner and R.H.D. / con climatizzatore e guida a destra	BEE	96	130	05/05	>	05/07				54.376.00
with air-conditioner and L.H.D. / con climatizzatore e guida a sinistra	BEE	96	130	05/05	>	05/07				54.124.00
from frame No. 1K-6-600001 / da telaio N. 1K-6-600001	BEE	96	130		>	05/07	25.023.00	26.021.00	30.187.00	53.148.00
antibacterial, anti-odour and anti-allergen filter with air-conditioner and L.H.D. / filtro antibatterico, antiodori e anti-allergeni con climatizzatore e guida a sinistra	BEE	96	130	05/05	>	05/07				34.124.00
for cold countries / per paesi freddi	BEE	96	130	05/05	>	05/07			30.370.00	
2.0 TDI										
with air-conditioner and L.H.D. / con climatizzatore e guida a sinistra	CBDA	100	136	01/09	>	11/09				54.124.00
with R.H.D. / con guida a destra	CBDA	100	136	01/09	>	11/09				54.376.00
with L.H.D. / con guida a sinistra	CBDA	100	136	01/09	>	11/09	25.023.00	26.021.00	30.187.00	53.148.00
antibacterial, anti-odour and anti-allergen filter with air-conditioner and L.H.D. / filtro antibatterico, antiodori e anti-allergeni con climatizzatore e guida a sinistra	CBDA	100	136	01/09	>	11/09				34.124.00
for cold countries / per paesi freddi	CBDA	100	136	01/09	>	11/09			30.370.00	
2.0 TDI										
with air-conditioner and L.H.D. / con climatizzatore e guida a sinistra	CBDB	103	140	01/09	>	11/09				54.124.00
with R.H.D. / con guida a destra	CBDB	103	140	01/09	>	11/09				54.376.00
with L.H.D. / con guida a sinistra	CBDB	103	140	01/09	>	11/09	25.023.00	26.021.00	30.187.00	53.148.00
antibacterial, anti-odour and anti-allergen filter with air-conditioner and L.H.D. / filtro antibatterico, antiodori e anti-allergeni con climatizzatore e guida a sinistra	CBDB	103	140	01/09	>	11/09				34.124.00
for cold countries / per paesi freddi	CBDB	103	140	01/09	>	11/09			30.370.00	
2.0 TDI										
with air-conditioner and L.H.D. / con climatizzatore e guida a sinistra	CBDC	81	110	01/09	>	05/10				54.124.00
with R.H.D. / con guida a destra	CBDC	81	110	01/09	>	05/10				54.376.00
with L.H.D. / con guida a sinistra	CBDC	81	110	01/09	>	05/10	25.023.00	26.021.00	30.187.00	53.148.00
antibacterial, anti-odour and anti-allergen filter with air-conditioner and L.H.D. / filtro antibatterico, antiodori e anti-allergeni con climatizzatore e guida a sinistra	CBDC	81	110	01/09	>	05/10				34.124.00
for cold countries / per paesi freddi	CBDC	81	110	01/09	>	05/10			30.370.00	
2.0 TDI										
with air-conditioner and L.H.D. / con climatizzatore e guida a sinistra	CFHB	100	136	11/09	>	05/11				54.124.00
with R.H.D. / con guida a destra	CFHB	100	136	11/09	>	05/11				54.376.00
with L.H.D. / con guida a sinistra	CFHB	100	136	11/09	>	05/11	25.106.00	26.021.00	30.187.00	53.148.00
antibacterial, anti-odour and anti-allergen filter with air-conditioner and L.H.D. / filtro antibatterico, antiodori e anti-allergeni con climatizzatore e guida a sinistra	CFHB	100	136	11/09	>	05/11				34.124.00
for cold countries / per paesi freddi	CFHB	100	136	11/09	>	05/11			30.370.00	
2.0 TDI										
with air-conditioner and L.H.D. / con climatizzatore e guida a sinistra	CFHC	103	140	01/09	>	12/13				54.124.00
with R.H.D. / con guida a destra	CFHC	103	140	01/09	>	12/13				54.376.00
with L.H.D. / con guida a sinistra	CFHC	103	140	01/09	>	12/13	25.106.00	26.021.00	30.187.00	53.148.00
antibacterial, anti-odour and anti-allergen filter with air-conditioner and L.H.D. / filtro antibatterico, antiodori e anti-allergeni con climatizzatore e guida a sinistra	CFHC	103	140	01/09	>	12/13				34.124.00
for cold countries / per paesi freddi	CFHC	103	140	01/09	>	12/13			30.370.00	
2.0 TDI										
with air-conditioner and L.H.D. / con climatizzatore e guida a sinistra	CLCA	81	110	05/10	>	05/11				54.124.00
with R.H.D. / con guida a destra	CLCA	81	110	05/10	>	05/11				54.376.00
with L.H.D. / con guida a sinistra	CLCA	81	110	05/10	>	05/11	25.106.00	26.021.00	30.187.00	53.148.00
antibacterial, anti-odour and anti-allergen filter with air-conditioner and L.H.D. / filtro antibatterico, antiodori e anti-allergeni con climatizzatore e guida a sinistra	CLCA	81	110	05/10	>	05/11				34.124.00
for cold countries / per paesi freddi	CLCA	81	110	05/10	>	05/11			30.370.00	

...VOLKSWAGEN - cars/auto

Golf Sportsvan									
1.0 TSI	CHZC	81	110	05/17	>	23.575.00		30.A51.00	53.298.00
with automatic air-conditioner / con climatizzatore automatico	CHZC	81	110	05/17	>				54.219.00
antibacterial, anti-odour and anti-allergen filter with automatic air-conditioner / filtro antibatterico, antiodori e anti-allergeni con climatizzatore automatico	CHZC	81	110	05/17	>				34.219.00
1.0 TSI	CHZD	85	116	03/15	>	23.575.00		30.A51.00	53.298.00
with automatic air-conditioner / con climatizzatore automatico	CHZD	85	116	03/15	>				54.219.00
antibacterial, anti-odour and anti-allergen filter with automatic air-conditioner / filtro antibatterico, antiodori e anti-allergeni con climatizzatore automatico	CHZD	85	116	03/15	>				34.219.00
1.0 TSI	CHZK	63	86	05/17	>	23.575.00		30.A51.00	53.298.00
with automatic air-conditioner / con climatizzatore automatico	CHZK	63	86	05/17	>				54.219.00
antibacterial, anti-odour and anti-allergen filter with automatic air-conditioner / filtro antibatterico, antiodori e anti-allergeni con climatizzatore automatico	CHZK	63	86	05/17	>				34.219.00
1.2 TSI 110	CYVB	81	110	02/14	>	23.575.00		30.549.00	53.298.00
with automatic air-conditioner / con climatizzatore automatico	CYVB	81	110	02/14	>				54.219.00
antibacterial, anti-odour and anti-allergen filter with automatic air-conditioner / filtro antibatterico, antiodori e anti-allergeni con climatizzatore automatico	CYVB	81	110	02/14	>				34.219.00
1.2 TSI 85	CYVA	63	86	02/14	>	23.575.00		30.549.00	53.298.00
with automatic air-conditioner / con climatizzatore automatico	CYVA	63	86	02/14	>				54.219.00
antibacterial, anti-odour and anti-allergen filter with automatic air-conditioner / filtro antibatterico, antiodori e anti-allergeni con climatizzatore automatico	CYVA	63	86	02/14	>				34.219.00
1.4 TSI 125	CZCA	92	125	02/14	>	23.575.00		30.549.00	53.298.00
with automatic air-conditioner / con climatizzatore automatico	CZCA	92	125	02/14	>				54.219.00
antibacterial, anti-odour and anti-allergen filter with automatic air-conditioner / filtro antibatterico, antiodori e anti-allergeni con climatizzatore automatico	CZCA	92	125	02/14	>				34.219.00
1.4 TSI 125 E85/E100	CPVB	92	125	02/14	>	23.575.00		30.549.00	53.298.00
with automatic air-conditioner / con climatizzatore automatico	CPVB	92	125	02/14	>				54.219.00
antibacterial, anti-odour and anti-allergen filter with automatic air-conditioner / filtro antibatterico, antiodori e anti-allergeni con climatizzatore automatico	CPVB	92	125	02/14	>				34.219.00
1.4 TSI 150	CZDA	110	150	02/14	>	23.575.00		30.549.00	53.298.00
with automatic air-conditioner / con climatizzatore automatico	CZDA	110	150	02/14	>				54.219.00
antibacterial, anti-odour and anti-allergen filter with automatic air-conditioner / filtro antibatterico, antiodori e anti-allergeni con climatizzatore automatico	CZDA	110	150	02/14	>				34.219.00
1.5 TSI 130	DACA	96	130	11/17	>	23.575.00		30.A45.00	53.298.00
with automatic air-conditioner / con climatizzatore automatico	DACA	96	130	11/17	>				54.219.00
antibacterial, anti-odour and anti-allergen filter with automatic air-conditioner / filtro antibatterico, antiodori e anti-allergeni con climatizzatore automatico	DACA	96	130	11/17	>				34.219.00
1.5 TSI 150	DADA	110	150	11/17	>	23.575.00		30.A45.00	53.298.00
with automatic air-conditioner / con climatizzatore automatico	DADA	110	150	11/17	>				54.219.00
antibacterial, anti-odour and anti-allergen filter with automatic air-conditioner / filtro antibatterico, antiodori e anti-allergeni con climatizzatore automatico	DADA	110	150	11/17	>				34.219.00
1.6 SRE 110	CWVA	81	110	02/14	>	23.575.00		30.713.00	53.298.00
with automatic air-conditioner / con climatizzatore automatico	CWVA	81	110	02/14	>				54.219.00
antibacterial, anti-odour and anti-allergen filter with automatic air-conditioner / filtro antibatterico, antiodori e anti-allergeni con climatizzatore automatico	CWVA	81	110	02/14	>				34.219.00
1.6 TDI 110	CRKB/CXXB	81	110	02/14	>	25.144.00	26.038.00	30.532.00	53.298.00
with automatic air-conditioner / con climatizzatore automatico	CRKB/CXXB	81	110	02/14	>				54.219.00
antibacterial, anti-odour and anti-allergen filter with automatic air-conditioner / filtro antibatterico, antiodori e anti-allergeni con climatizzatore automatico	CRKB/CXXB	81	110	02/14	>				34.219.00
export models Diesel Plus / modelli di esportazione Diesel Plus	CRKB/CXXB	81	110	02/14	>		26.065.00		
for cold countries / per paesi freddi	CRKB/CXXB	81	110	02/14	>			30.587.00	
1.6 TDI 115	DDYA	85	116	11/16	>	25.144.00	26.038.00	30.532.00	53.298.00
with automatic air-conditioner / con climatizzatore automatico	DDYA	85	116	11/16	>				54.219.00
antibacterial, anti-odour and anti-allergen filter with automatic air-conditioner / filtro antibatterico, antiodori e anti-allergeni con climatizzatore automatico	DDYA	85	116	11/16	>				34.219.00
export models Diesel Plus / modelli di esportazione Diesel Plus	DDYA	85	116	11/16	>		26.065.00		
for cold countries / per paesi freddi	DDYA	85	116	11/16	>			30.587.00	
1.6 TDI 90	CRKA	66	90	02/14	>	25.144.00	26.038.00	30.532.00	53.298.00
with automatic air-conditioner / con climatizzatore automatico	CRKA	66	90	02/14	>				54.219.00
antibacterial, anti-odour and anti-allergen filter with automatic air-conditioner / filtro antibatterico, antiodori e anti-allergeni con climatizzatore automatico	CRKA	66	90	02/14	>				34.219.00
export models Diesel Plus / modelli di esportazione Diesel Plus	CRKA	66	90	02/14	>		26.065.00		
for cold countries / per paesi freddi	CRKA	66	90	02/14	>			30.587.00	
1.6 TDI 90	DDYB	66	90	11/16	>	25.144.00	26.038.00	30.532.00	53.298.00
with automatic air-conditioner / con climatizzatore automatico	DDYB	66	90	11/16	>				54.219.00
antibacterial, anti-odour and anti-allergen filter with automatic air-conditioner / filtro antibatterico, antiodori e anti-allergeni con climatizzatore automatico	DDYB	66	90	11/16	>				34.219.00
export models Diesel Plus / modelli di esportazione Diesel Plus	DDYB	66	90	11/16	>		26.065.00		
for cold countries / per paesi freddi	DDYB	66	90	11/16	>			30.587.00	
2.0 TDI 110	CRLD	81	110	05/16	> 11/17	25.144.00	26.038.00	30.532.00	53.298.00
with automatic air-conditioner / con climatizzatore automatico	CRLD	81	110	05/16	> 11/17				54.219.00
antibacterial, anti-odour and anti-allergen filter with automatic air-conditioner / filtro antibatterico, antiodori e anti-allergeni con climatizzatore automatico	CRLD	81	110	05/16	> 11/17				34.219.00
export models Diesel Plus / modelli di esportazione Diesel Plus	CRLD	81	110	05/16	> 11/17		26.065.00		
for cold countries / per paesi freddi	CRLD	81	110	05/16	> 11/17			30.587.00	
2.0 TDI 110	CRVA	81	110	02/14	>	25.144.00	26.038.00	30.532.00	53.298.00
with automatic air-conditioner / con climatizzatore automatico	CRVA	81	110	02/14	>				54.219.00
antibacterial, anti-odour and anti-allergen filter with automatic air-conditioner / filtro antibatterico, antiodori e anti-allergeni con climatizzatore automatico	CRVA	81	110	02/14	>				34.219.00
export models Diesel Plus / modelli di esportazione Diesel Plus	CRVA	81	110	02/14	>		26.065.00		
for cold countries / per paesi freddi	CRVA	81	110	02/14	>			30.587.00	
2.0 TDI 110	DCYB	81	110	11/16	> 11/17	25.144.00	26.038.00	30.532.00	53.298.00
with automatic air-conditioner / con climatizzatore automatico	DCYB	81	110	11/16	> 11/17				54.219.00
antibacterial, anti-odour and anti-allergen filter with automatic air-conditioner / filtro antibatterico, antiodori e anti-allergeni con climatizzatore automatico	DCYB	81	110	11/16	> 11/17				34.219.00

...VOLKSWAGEN - cars/auto

export models Diesel Plus / modelli di esportazione Diesel Plus for cold countries / per paesi freddi	DCYB	81	110	11/16	>	11/17		26.065.00		
	DCYB	81	110	11/16	>	11/17			30.587.00	
2.0 TDI 150	CRLB	110	150	02/14	>		25.144.00	26.038.00	30.532.00	53.298.00
with automatic air-conditioner / con climatizzatore automatico	CRLB	110	150	02/14	>					54.219.00
antibacterial, anti-odour and anti-allergen filter with automatic air-conditioner / filtro antibatterico, antiodori e anti-allergeni con climatizzatore automatico	CRLB	110	150	02/14	>					34.219.00
export models Diesel Plus / modelli di esportazione Diesel Plus for cold countries / per paesi freddi	CRLB	110	150	02/14	>			26.065.00		
	CRLB	110	150	02/14	>				30.587.00	
2.0 TDI 150	DCYA	110	150	11/16	>	07/18	25.144.00	26.038.00	30.532.00	53.298.00
with automatic air-conditioner / con climatizzatore automatico	DCYA	110	150	11/16	>	07/18				54.219.00
antibacterial, anti-odour and anti-allergen filter with automatic air-conditioner / filtro antibatterico, antiodori e anti-allergeni con climatizzatore automatico	DCYA	110	150	11/16	>	07/18				34.219.00
export models Diesel Plus / modelli di esportazione Diesel Plus for cold countries / per paesi freddi	DCYA	110	150	11/16	>	07/18		26.065.00		
	DCYA	110	150	11/16	>	07/18			30.587.00	
Golf V										
1.4 16V	BCA	55	75	10/03	>	06/06	23.453.00	31.833.00	30.158.00	53.148.00
with air-conditioner and R.H.D. / con climatizzatore e guida a destra	BCA	55	75	10/03	>	06/06				54.376.00
with air-conditioner and L.H.D. / con climatizzatore e guida a sinistra	BCA	55	75	10/03	>	06/06	23.453.00	31.833.00	30.158.00	54.124.00
antibacterial, anti-odour and anti-allergen filter with air-conditioner and L.H.D. / filtro antibatterico, antiodori e anti-allergeni con climatizzatore e guida a sinistra	BCA	55	75	10/03	>	06/06				34.124.00
1.4 16V	BUD	59	80	06/06	>	09/09	23.453.00	31.833.00	30.342.00	53.148.00
with air-conditioner and R.H.D. / con climatizzatore e guida a destra	BUD	59	80	06/06	>	09/09				54.376.00
with air-conditioner and L.H.D. / con climatizzatore e guida a sinistra	BUD	59	80	06/06	>	09/09	23.453.00	31.833.00	30.342.00	54.124.00
antibacterial, anti-odour and anti-allergen filter with air-conditioner and L.H.D. / filtro antibatterico, antiodori e anti-allergeni con climatizzatore e guida a sinistra	BUD	59	80	06/06	>	09/09				34.124.00
1.4 FSI	BCG	66	90	12/03	>		25.047.00	31.722.00	30.199.00	53.148.00
with air-conditioner and R.H.D. / con climatizzatore e guida a destra	BCG	66	90	12/03	>					54.376.00
with air-conditioner and L.H.D. / con climatizzatore e guida a sinistra	BCG	66	90	12/03	>		25.047.00	31.722.00	30.199.00	54.124.00
antibacterial, anti-odour and anti-allergen filter with air-conditioner and L.H.D. / filtro antibatterico, antiodori e anti-allergeni con climatizzatore e guida a sinistra	BCG	66	90	12/03	>					34.124.00
1.4 FSI	BKG	66	90	10/03	>	12/04	25.047.00	31.722.00	30.199.00	53.148.00
with air-conditioner and R.H.D. / con climatizzatore e guida a destra	BKG	66	90	10/03	>	12/04				54.376.00
with air-conditioner and L.H.D. / con climatizzatore e guida a sinistra	BKG	66	90	10/03	>	12/04	25.047.00	31.722.00	30.199.00	54.124.00
antibacterial, anti-odour and anti-allergen filter with air-conditioner and L.H.D. / filtro antibatterico, antiodori e anti-allergeni con climatizzatore e guida a sinistra	BKG	66	90	10/03	>	12/04				34.124.00
1.4 FSI	BLN	66	90	11/04	>	07/06	25.047.00	31.722.00	30.199.00	53.148.00
with air-conditioner and R.H.D. / con climatizzatore e guida a destra	BLN	66	90	11/04	>	07/06				54.376.00
with air-conditioner and L.H.D. / con climatizzatore e guida a sinistra	BLN	66	90	11/04	>	07/06	25.047.00	31.722.00	30.199.00	54.124.00
antibacterial, anti-odour and anti-allergen filter with air-conditioner and L.H.D. / filtro antibatterico, antiodori e anti-allergeni con climatizzatore e guida a sinistra	BLN	66	90	11/04	>	07/06				34.124.00
1.4 TSI	BMY	103	140	06/06	>	09/09	25.047.00	31.840.00	30.187.00	53.148.00
with air-conditioner and R.H.D. / con climatizzatore e guida a destra	BMY	103	140	06/06	>	09/09				54.376.00
with air-conditioner and L.H.D. / con climatizzatore e guida a sinistra	BMY	103	140	06/06	>	09/09	25.047.00	31.840.00	30.187.00	54.124.00
antibacterial, anti-odour and anti-allergen filter with air-conditioner and L.H.D. / filtro antibatterico, antiodori e anti-allergeni con climatizzatore e guida a sinistra	BMY	103	140	06/06	>	09/09				34.124.00
for cold countries / per paesi freddi	BMY	103	140	06/06	>	09/09	25.047.00	31.840.00	30.370.00	53.148.00
1.4 TSI	CAVD	118	160	06/08	>	09/09	23.494.00	31.840.00	30.187.00	53.148.00
with air-conditioner and R.H.D. / con climatizzatore e guida a destra	CAVD	118	160	06/08	>	09/09				54.376.00
with air-conditioner and L.H.D. / con climatizzatore e guida a sinistra	CAVD	118	160	06/08	>	09/09	23.494.00	31.840.00	30.187.00	54.124.00
antibacterial, anti-odour and anti-allergen filter with air-conditioner and L.H.D. / filtro antibatterico, antiodori e anti-allergeni con climatizzatore e guida a sinistra	CAVD	118	160	06/08	>	09/09				34.124.00
for cold countries / per paesi freddi	CAVD	118	160	06/08	>	09/09	23.494.00	31.840.00	30.370.00	53.148.00
1.4 TSI	CAXA	90	122	06/07	>	05/08	25.047.00	31.840.00	27.401.00	53.148.00
	CAXA	90	122	06/08	>	09/09	23.494.00	31.840.00	27.401.00	53.148.00
with air-conditioner and R.H.D. / con climatizzatore e guida a destra	CAXA	90	122	06/07	>	09/09				54.376.00
with air-conditioner and L.H.D. / con climatizzatore e guida a sinistra	CAXA	90	122	06/07	>	05/08	25.047.00	31.840.00	27.401.00	54.124.00
with air-conditioner and L.H.D. / con climatizzatore e guida a sinistra	CAXA	90	122	06/08	>	09/09	23.494.00	31.840.00	27.401.00	54.124.00
antibacterial, anti-odour and anti-allergen filter with air-conditioner and L.H.D. / filtro antibatterico, antiodori e anti-allergeni con climatizzatore e guida a sinistra	CAXA	90	122	06/07	>	09/09				34.124.00
for cold countries / per paesi freddi	CAXA	90	122	06/07	>	05/08	25.047.00	31.840.00	27.402.00	53.148.00
for cold countries / per paesi freddi	CAXA	90	122	06/08	>	09/09	23.494.00	31.840.00	27.402.00	53.148.00
1.4 TSI GT	BLG	125	170	11/05	>	09/09	25.047.00	31.840.00	30.187.00	53.148.00
with air-conditioner and R.H.D. / con climatizzatore e guida a destra	BLG	125	170	11/05	>	09/09				54.376.00
with air-conditioner and L.H.D. / con climatizzatore e guida a sinistra	BLG	125	170	11/05	>	09/09	25.047.00	31.840.00	30.187.00	54.124.00
antibacterial, anti-odour and anti-allergen filter with air-conditioner and L.H.D. / filtro antibatterico, antiodori e anti-allergeni con climatizzatore e guida a sinistra	BLG	125	170	11/05	>	09/09				34.124.00
for cold countries / per paesi freddi	BLG	125	170	11/05	>	09/09	25.047.00	31.840.00	30.370.00	53.148.00
1.6 16V	BGU/BSE/BSF/CCSA	75	102	10/03	>	09/09	23.436.00	31.833.00	27.401.00	53.148.00
with air-conditioner and R.H.D. / con climatizzatore e guida a destra	BGU/BSE/BSF/CCSA	75	102	10/03	>	09/09				54.376.00
with air-conditioner and L.H.D. / con climatizzatore e guida a sinistra	BGU/BSE/BSF/CCSA	75	102	10/03	>	09/09	23.436.00	31.833.00	27.401.00	54.124.00
antibacterial, anti-odour and anti-allergen filter with air-conditioner and L.H.D. / filtro antibatterico, antiodori e anti-allergeni con climatizzatore e guida a sinistra	BGU/BSE/BSF/CCSA	75	102	10/03	>	09/09				34.124.00
for cold countries / per paesi freddi	BGU/BSE/BSF/CCSA	75	102	10/03	>	09/09	23.436.00	31.833.00	27.402.00	53.148.00
1.6 16V Bi-Fuel G		75	102	10/03	>	09/09	23.436.00	31.833.00	27.401.00	53.148.00
with air-conditioner and R.H.D. / con climatizzatore e guida a destra		75	102	10/03	>	09/09				54.376.00
with air-conditioner and L.H.D. / con climatizzatore e guida a sinistra		75	102	10/03	>	09/09	23.436.00	31.833.00	27.401.00	54.124.00
antibacterial, anti-odour and anti-allergen filter with air-conditioner and L.H.D. / filtro antibatterico, antiodori e anti-allergeni con climatizzatore e guida a sinistra		75	102	10/03	>	09/09				34.124.00
for cold countries / per paesi freddi		75	102	10/03	>	09/09	23.436.00	31.833.00	27.402.00	53.148.00
1.6 FSI	BAG	85	115	10/03	>	07/05	25.047.00	31.722.00	30.209.00	53.148.00

...VOLKSWAGEN - cars/auto

to frame No. 1K-6-160000 / a telaio N. 1K-6-160000	BDK	55	75	12/03	>	25.023.00	26.014.00	27.401.00	53.148.00
with air-conditioner and R.H.D. / con climatizzatore e guida a destra	BDK	55	75	12/03	> 11/08				54.376.00
with air-conditioner and L.H.D. / con climatizzatore e guida a sinistra	BDK	55	75	12/03	> 11/08	25.023.00		27.401.00	54.124.00
from frame No. 1K-6-160001 / da telaio N. 1K-6-160001	BDK	55	75		> 11/08	25.023.00	26.021.00	27.401.00	53.148.00
antibacterial, anti-odour and anti-allergen filter with air-conditioner and L.H.D. / filtro antibatterico, antiodori e anti-allergeni con climatizzatore e guida a sinistra	BDK	55	75	12/03	> 11/08				34.124.00
for cold countries / per paesi freddi	BDK	55	75	12/03	> 11/08	25.023.00		27.402.00	53.148.00
2.0 TDI									
to frame No. 1K-6-160000 / a telaio N. 1K-6-160000	AZV	103	140	10/03	>	25.023.00	26.014.00	30.187.00	53.148.00
with air-conditioner and R.H.D. / con climatizzatore e guida a destra	AZV	103	140	10/03	> 09/09				54.376.00
with air-conditioner and L.H.D. / con climatizzatore e guida a sinistra	AZV	103	140	10/03	> 09/09	25.023.00		30.187.00	54.124.00
from frame No. 1K-6-160001 / da telaio N. 1K-6-160001	AZV	103	140		> 09/09	25.023.00	26.021.00	30.187.00	53.148.00
antibacterial, anti-odour and anti-allergen filter with air-conditioner and L.H.D. / filtro antibatterico, antiodori e anti-allergeni con climatizzatore e guida a sinistra	AZV	103	140	10/03	> 09/09				34.124.00
for cold countries / per paesi freddi	AZV	103	140	10/03	> 09/09	25.023.00		30.370.00	53.148.00
2.0 TDI									
to frame No. 1K-6-160000 / a telaio N. 1K-6-160000	BKD	103	140	10/03	>	25.023.00	26.014.00	30.187.00	53.148.00
with air-conditioner and R.H.D. / con climatizzatore e guida a destra	BKD	103	140	10/03	> 09/09				54.376.00
with air-conditioner and L.H.D. / con climatizzatore e guida a sinistra	BKD	103	140	10/03	> 09/09	25.023.00		30.187.00	54.124.00
from frame No. 1K-6-160001 / da telaio N. 1K-6-160001	BKD	103	140		> 09/09	25.023.00	26.021.00	30.187.00	53.148.00
antibacterial, anti-odour and anti-allergen filter with air-conditioner and L.H.D. / filtro antibatterico, antiodori e anti-allergeni con climatizzatore e guida a sinistra	BKD	103	140	10/03	> 09/09				34.124.00
for cold countries / per paesi freddi	BKD	103	140	10/03	> 09/09	25.023.00		30.370.00	53.148.00
2.0 TDI									
to frame No. 1K-6-160000 / a telaio N. 1K-6-160000	BMN	125	170	11/05	>	25.023.00	26.014.00	30.187.00	53.148.00
with air-conditioner and R.H.D. / con climatizzatore e guida a destra	BMN	125	170	11/05	> 11/08				54.376.00
with air-conditioner and L.H.D. / con climatizzatore e guida a sinistra	BMN	125	170	11/05	> 11/08	25.023.00		30.187.00	54.124.00
from frame No. 1K-6-160001 / da telaio N. 1K-6-160001	BMN	125	170		> 11/08	25.023.00	26.021.00	30.187.00	53.148.00
antibacterial, anti-odour and anti-allergen filter with air-conditioner and L.H.D. / filtro antibatterico, antiodori e anti-allergeni con climatizzatore e guida a sinistra	BMN	125	170	11/05	> 11/08				34.124.00
for cold countries / per paesi freddi	BMN	125	170	11/05	> 11/08	25.023.00		30.370.00	53.148.00
2.0 TFSI GTI									
to frame No. 1K-6-160000 / a telaio N. 1K-6-160000	AXX/BPY/BWA	147	200	11/04	> 09/09	25.040.00	31.840.00	30.315.00	53.148.00
with air-conditioner and R.H.D. / con climatizzatore e guida a destra	AXX/BPY/BWA	147	200	11/04	> 09/09				54.376.00
with air-conditioner and L.H.D. / con climatizzatore e guida a sinistra	AXX/BPY/BWA	147	200	11/04	> 09/09	25.040.00	31.840.00	30.315.00	54.124.00
antibacterial, anti-odour and anti-allergen filter with air-conditioner and L.H.D. / filtro antibatterico, antiodori e anti-allergeni con climatizzatore e guida a sinistra	AXX/BPY/BWA	147	200	11/04	> 09/09				34.124.00
2.0 TFSI GTI									
to frame No. 1K-6-160000 / a telaio N. 1K-6-160000	BYD	169	230	11/06	> 11/08	25.040.00	31.840.00	30.657.00	53.148.00
with air-conditioner and R.H.D. / con climatizzatore e guida a destra	BYD	169	230	11/06	> 11/08				54.376.00
with air-conditioner and L.H.D. / con climatizzatore e guida a sinistra	BYD	169	230	11/06	> 11/08				54.124.00
antibacterial, anti-odour and anti-allergen filter with air-conditioner and L.H.D. / filtro antibatterico, antiodori e anti-allergeni con climatizzatore e guida a sinistra	BYD	169	230	11/06	> 11/08				34.124.00
3.2 RS32									
to frame No. 1K-6-160000 / a telaio N. 1K-6-160000	BUB	184	250	05/05	> 09/09	25.023.00	31.840.00	30.303.00	53.148.00
with air-conditioner and R.H.D. / con climatizzatore e guida a destra	BUB	184	250	05/05	> 09/09				54.376.00
with air-conditioner and L.H.D. / con climatizzatore e guida a sinistra	BUB	184	250	05/05	> 09/09	25.023.00	31.840.00	30.303.00	54.124.00
antibacterial, anti-odour and anti-allergen filter with air-conditioner and L.H.D. / filtro antibatterico, antiodori e anti-allergeni con climatizzatore e guida a sinistra	BUB	184	250	05/05	> 09/09				34.124.00
for cold countries / per paesi freddi	BUB	184	250	05/05	> 09/09			30.A35.00	
Golf V Variant (1K5)									
1.4 16V									
to frame No. 1K-6-160000 / a telaio N. 1K-6-160000	BUD	59	80	06/07	>	23.453.00	31.833.00	30.342.00	53.148.00
with air-conditioner and R.H.D. / con climatizzatore e guida a destra	BUD	59	80	06/07	>				54.376.00
with air-conditioner and L.H.D. / con climatizzatore e guida a sinistra	BUD	59	80	06/07	>	23.453.00	31.833.00	30.342.00	54.124.00
antibacterial, anti-odour and anti-allergen filter with air-conditioner and L.H.D. / filtro antibatterico, antiodori e anti-allergeni con climatizzatore e guida a sinistra	BUD	59	80	06/07	>				34.124.00
1.4 TSI									
to frame No. 1K-6-160000 / a telaio N. 1K-6-160000	BLG	125	170	06/07	>	25.047.00	31.840.00	30.187.00	53.148.00
with air-conditioner and R.H.D. / con climatizzatore e guida a destra	BLG	125	170	06/07	>				54.376.00
with air-conditioner and L.H.D. / con climatizzatore e guida a sinistra	BLG	125	170	06/07	>	25.047.00	31.840.00	30.187.00	54.124.00
antibacterial, anti-odour and anti-allergen filter with air-conditioner and L.H.D. / filtro antibatterico, antiodori e anti-allergeni con climatizzatore e guida a sinistra	BLG	125	170	06/07	>				34.124.00
for cold countries / per paesi freddi	BLG	125	170	06/07	>	25.047.00	31.840.00	30.370.00	53.148.00
1.4 TSI									
to frame No. 1K-6-160000 / a telaio N. 1K-6-160000	BMY	103	140	06/07	>	25.047.00	31.840.00	30.187.00	53.148.00
with air-conditioner and R.H.D. / con climatizzatore e guida a destra	BMY	103	140	06/07	>				54.376.00
with air-conditioner and L.H.D. / con climatizzatore e guida a sinistra	BMY	103	140	06/07	>	25.047.00	31.840.00	30.187.00	54.124.00
antibacterial, anti-odour and anti-allergen filter with air-conditioner and L.H.D. / filtro antibatterico, antiodori e anti-allergeni con climatizzatore e guida a sinistra	BMY	103	140	06/07	>				34.124.00
for cold countries / per paesi freddi	BMY	103	140	06/07	>	25.047.00	31.840.00	30.370.00	53.148.00
1.4 TSI									
to frame No. 1K-6-160000 / a telaio N. 1K-6-160000	CAVD	118	160	07/08	>	23.494.00	31.840.00	30.187.00	53.148.00
with air-conditioner and R.H.D. / con climatizzatore e guida a destra	CAVD	118	160	07/08	>				54.376.00
with air-conditioner and L.H.D. / con climatizzatore e guida a sinistra	CAVD	118	160	07/08	>	23.494.00	31.840.00	30.187.00	54.124.00
antibacterial, anti-odour and anti-allergen filter with air-conditioner and L.H.D. / filtro antibatterico, antiodori e anti-allergeni con climatizzatore e guida a sinistra	CAVD	118	160	07/08	>				34.124.00
for cold countries / per paesi freddi	CAVD	118	160	07/08	>	23.494.00	31.840.00	30.370.00	53.148.00
1.4 TSI									
to frame No. 1K-6-160000 / a telaio N. 1K-6-160000	CAXA	90	122	06/07	> 05/08	25.047.00	31.840.00	27.401.00	53.148.00
with air-conditioner and R.H.D. / con climatizzatore e guida a destra	CAXA	90	122	06/08	>	23.494.00	31.840.00	27.401.00	53.148.00
with air-conditioner and L.H.D. / con climatizzatore e guida a sinistra	CAXA	90	122	06/07	>				54.376.00
with air-conditioner and L.H.D. / con climatizzatore e guida a sinistra	CAXA	90	122	06/07	> 05/08	25.047.00	31.840.00	27.401.00	54.124.00
with air-conditioner and L.H.D. / con climatizzatore e guida a sinistra	CAXA	90	122	06/08	>	23.494.00	31.840.00	27.401.00	54.124.00
antibacterial, anti-odour and anti-allergen filter with air-conditioner and L.H.D. / filtro antibatterico, antiodori e anti-allergeni con climatizzatore e guida a sinistra	CAXA	90	122	06/07	>				34.124.00
for cold countries / per paesi freddi	CAXA	90	122	06/07	> 05/08	25.047.00	31.840.00	27.402.00	53.148.00

...VOLKSWAGEN - cars/auto

for cold countries / per paesi freddi	CAXA	90	122	06/08	>	23.494.00	31.840.00	27.402.00	53.148.00
1.6 16V	BSE/BSF/CCSA	75	102	06/07	>	23.436.00	31.833.00	27.401.00	53.148.00
with air-conditioner and R.H.D. / con climatizzatore e guida a destra	BSE/BSF/CCSA	75	102	06/07	>				54.376.00
with air-conditioner and L.H.D. / con climatizzatore e guida a sinistra	BSE/BSF/CCSA	75	102	06/07	>	23.436.00	31.833.00	27.401.00	54.124.00
antibacterial, anti-odour and anti-allergen filter with air-conditioner and L.H.D. / filtro antibatterico, antiodori e anti-allergeni con climatizzatore e guida a sinistra	BSE/BSF/CCSA	75	102	06/07	>				34.124.00
for cold countries / per paesi freddi	BSE/BSF/CCSA	75	102	06/07	>	23.436.00	31.833.00	27.402.00	53.148.00
1.6 16V Auto.	BSE/BSF	75	102	06/07	>	23.436.00	31.833.00	27.401.00	53.148.00
with air-conditioner and R.H.D. / con climatizzatore e guida a destra	BSE/BSF	75	102	06/07	>				54.376.00
with air-conditioner and L.H.D. / con climatizzatore e guida a sinistra	BSE/BSF	75	102	06/07	>	23.436.00	31.833.00	27.401.00	54.124.00
antibacterial, anti-odour and anti-allergen filter with air-conditioner and L.H.D. / filtro antibatterico, antiodori e anti-allergeni con climatizzatore e guida a sinistra	BSE/BSF	75	102	06/07	>				34.124.00
for cold countries / per paesi freddi	BSE/BSF	75	102	06/07	>	23.436.00	31.833.00	27.402.00	53.148.00
1.6 16V Bi-Fuel G		75	102	06/07	>	23.436.00	31.833.00	27.401.00	53.148.00
with air-conditioner and R.H.D. / con climatizzatore e guida a destra		75	102	06/07	>				54.376.00
with air-conditioner and L.H.D. / con climatizzatore e guida a sinistra		75	102	06/07	>	23.436.00	31.833.00	27.401.00	54.124.00
antibacterial, anti-odour and anti-allergen filter with air-conditioner and L.H.D. / filtro antibatterico, antiodori e anti-allergeni con climatizzatore e guida a sinistra		75	102	06/07	>				34.124.00
for cold countries / per paesi freddi		75	102	06/07	>	23.436.00	31.833.00	27.402.00	53.148.00
1.9 TDI DPF	BLS/BXE	77	105	06/07	>	25.023.00	26.021.00	30.187.00	53.148.00
with air-conditioner and R.H.D. / con climatizzatore e guida a destra	BLS/BXE	77	105	06/07	>				54.376.00
with air-conditioner and L.H.D. / con climatizzatore e guida a sinistra	BLS/BXE	77	105	06/07	>	25.023.00	26.021.00	30.187.00	54.124.00
antibacterial, anti-odour and anti-allergen filter with air-conditioner and L.H.D. / filtro antibatterico, antiodori e anti-allergeni con climatizzatore e guida a sinistra	BLS/BXE	77	105	06/07	>				34.124.00
for cold countries / per paesi freddi	BLS/BXE	77	105	06/07	>	25.023.00	26.021.00	30.370.00	53.148.00
1.9 TDI DPF 4Motion	BLS	77	105	06/07	>	25.023.00	26.021.00	30.187.00	53.148.00
with air-conditioner and R.H.D. / con climatizzatore e guida a destra	BLS	77	105	06/07	>				54.376.00
with air-conditioner and L.H.D. / con climatizzatore e guida a sinistra	BLS	77	105	06/07	>	25.023.00	26.021.00	30.187.00	54.124.00
antibacterial, anti-odour and anti-allergen filter with air-conditioner and L.H.D. / filtro antibatterico, antiodori e anti-allergeni con climatizzatore e guida a sinistra	BLS	77	105	06/07	>				34.124.00
for cold countries / per paesi freddi	BLS	77	105	06/07	>	25.023.00	26.021.00	30.370.00	53.148.00
2.0 TDI DPF	BKD/BMM	103	140	06/07	>	25.023.00	26.021.00	30.187.00	53.148.00
with air-conditioner and R.H.D. / con climatizzatore e guida a destra	BKD/BMM	103	140	06/07	>				54.376.00
with air-conditioner and L.H.D. / con climatizzatore e guida a sinistra	BKD/BMM	103	140	06/07	>	25.023.00	26.021.00	30.187.00	54.124.00
antibacterial, anti-odour and anti-allergen filter with air-conditioner and L.H.D. / filtro antibatterico, antiodori e anti-allergeni con climatizzatore e guida a sinistra	BKD/BMM	103	140	06/07	>				34.124.00
for cold countries / per paesi freddi	BKD/BMM	103	140	06/07	>	25.023.00	26.021.00	30.370.00	53.148.00
Golf VI (5K1)									
1.2 TSI									
with air-conditioner and L.H.D. / con climatizzatore e guida a sinistra	CBZA	63	86	05/10	> 11/12				54.124.00
with R.H.D. / con guida a destra	CBZA	63	86	05/10	> 11/12				54.376.00
with L.H.D. / con guida a sinistra	CBZA	63	86	05/10	> 11/12	23.573.00	31.840.00	27.401.00	53.148.00
antibacterial, anti-odour and anti-allergen filter with air-conditioner and L.H.D. / filtro antibatterico, antiodori e anti-allergeni con climatizzatore e guida a sinistra	CBZA	63	86	05/10	> 11/12				34.124.00
for cold countries / per paesi freddi	CBZA	63	86	05/10	> 11/12			27.402.00	
1.2 TSI									
with air-conditioner and L.H.D. / con climatizzatore e guida a sinistra	CBZB	77	105	11/09	> 11/12				54.124.00
with R.H.D. / con guida a destra	CBZB	77	105	11/09	> 11/12				54.376.00
with L.H.D. / con guida a sinistra	CBZB	77	105	11/09	> 03/10	23.494.00	31.840.00	27.401.00	53.148.00
with L.H.D. / con guida a sinistra	CBZB	77	105	04/10	> 11/12	23.573.00	31.840.00	27.401.00	53.148.00
for cold countries / per paesi freddi	CBZB	77	105	11/09	> 11/12			27.402.00	
1.4									
with air-conditioner and L.H.D. / con climatizzatore e guida a sinistra	CGGA	59	80	11/08	> 07/13				54.124.00
with R.H.D. / con guida a destra	CGGA	59	80	10/08	> 07/13				54.376.00
with L.H.D. / con guida a sinistra	CGGA	59	80	10/08	> 07/13	23.453.00	31.833.00	30.342.00	53.148.00
antibacterial, anti-odour and anti-allergen filter with air-conditioner and L.H.D. / filtro antibatterico, antiodori e anti-allergeni con climatizzatore e guida a sinistra	CGGA	59	80	11/08	> 07/13				34.124.00
1.4 TSI									
with air-conditioner and L.H.D. / con climatizzatore e guida a sinistra	CAVD	118	160	10/08	> 07/13				54.124.00
with R.H.D. / con guida a destra	CAVD	118	160	10/08	> 07/13				54.376.00
with L.H.D. / con guida a sinistra	CAVD	118	160	10/08	> 06/10	23.494.00	31.840.00	30.187.00	53.148.00
with L.H.D. / con guida a sinistra	CAVD	118	160	07/10	> 07/13	23.573.00	31.840.00	30.187.00	53.148.00
antibacterial, anti-odour and anti-allergen filter with air-conditioner and L.H.D. / filtro antibatterico, antiodori e anti-allergeni con climatizzatore e guida a sinistra	CAVD	118	160	10/08	> 07/13				34.124.00
for cold countries / per paesi freddi	CAVD	118	160	10/08	> 07/13			30.370.00	
1.4 TSI									
with air-conditioner and L.H.D. / con climatizzatore e guida a sinistra	CAXA	90	122	10/08	> 11/13				54.124.00
with R.H.D. / con guida a destra	CAXA	90	122	10/08	> 11/13				54.376.00
with L.H.D. / con guida a sinistra	CAXA	90	122	10/08	> 06/10	23.494.00	31.840.00	27.401.00	53.148.00
with L.H.D. / con guida a sinistra	CAXA	90	122	07/10	> 11/13	23.573.00	31.840.00	27.401.00	53.148.00
antibacterial, anti-odour and anti-allergen filter with air-conditioner and L.H.D. / filtro antibatterico, antiodori e anti-allergeni con climatizzatore e guida a sinistra	CAXA	90	122	10/08	> 11/13				34.124.00
for cold countries / per paesi freddi	CAXA	90	122	10/08	> 11/13			27.402.00	
1.4 TSI									
with air-conditioner and L.H.D. / con climatizzatore e guida a sinistra	CNWA/CTHD/CTKA	118	160	07/09	> 07/13				54.124.00
with R.H.D. / con guida a destra	CNWA/CTHD/CTKA	118	160	07/09	> 07/13				54.376.00
with L.H.D. / con guida a sinistra	CNWA/CTHD/CTKA	118	160	07/09	> 06/10	23.494.00	31.840.00	30.187.00	53.148.00

...VOLKSWAGEN - cars/auto

with L.H.D. / con guida a sinistra	CNWA/CTHD/CTKA	118	160	07/10	>	07/13	23.573.00	31.840.00	30.187.00	53.148.00
antibacterial, anti-odour and anti-allergen filter with air-conditioner and L.H.D. / filtro antibatterico, antiodori e anti-allergeni con climatizzatore e guida a sinistra	CNWA/CTHD/CTKA	118	160	07/09	>	07/13				34.124.00
for cold countries / per paesi freddi	CNWA/CTHD/CTKA	118	160	07/09	>	07/13			30.370.00	
1.6										
with air-conditioner and L.H.D. / con climatizzatore e guida a sinistra	BSE	75	102	10/08	>	11/12				54.124.00
with R.H.D. / con guida a destra	BSE	75	102	10/08	>	11/12				54.376.00
with L.H.D. / con guida a sinistra	BSE	75	102	10/08	>	11/12	23.436.00	31.833.00	27.401.00	53.148.00
antibacterial, anti-odour and anti-allergen filter with air-conditioner and L.H.D. / filtro antibatterico, antiodori e anti-allergeni con climatizzatore e guida a sinistra	BSE	75	102	10/08	>	11/12				34.124.00
for cold countries / per paesi freddi	BSE	75	102	10/08	>	11/12			27.402.00	
1.6										
with air-conditioner and L.H.D. / con climatizzatore e guida a sinistra	BSF	75	102	10/08	>	11/12				54.124.00
with R.H.D. / con guida a destra	BSF	75	102	10/08	>	11/12				54.376.00
with L.H.D. / con guida a sinistra	BSF	75	102	10/08	>	11/12	23.436.00	31.833.00	27.401.00	53.148.00
antibacterial, anti-odour and anti-allergen filter with air-conditioner and L.H.D. / filtro antibatterico, antiodori e anti-allergeni con climatizzatore e guida a sinistra	BSF	75	102	10/08	>	11/12				34.124.00
for cold countries / per paesi freddi	BSF	75	102	10/08	>	11/12			27.402.00	
1.6										
with air-conditioner and L.H.D. / con climatizzatore e guida a sinistra	CCSA	75	102	05/07	>	07/13				54.124.00
with R.H.D. / con guida a destra	CCSA	75	102	05/07	>	07/13				54.376.00
with L.H.D. / con guida a sinistra	CCSA	75	102	05/07	>	07/13	23.436.00	31.833.00	27.401.00	53.148.00
antibacterial, anti-odour and anti-allergen filter with air-conditioner and L.H.D. / filtro antibatterico, antiodori e anti-allergeni con climatizzatore e guida a sinistra	CCSA	75	102	05/07	>	07/13				34.124.00
for cold countries / per paesi freddi	CCSA	75	102	05/07	>	07/13			27.402.00	
1.6 BiFuel										
with air-conditioner and L.H.D. / con climatizzatore e guida a sinistra	CHGA	75	102	10/08	>	12/13				54.124.00
with R.H.D. / con guida a destra	CHGA	75	102	10/08	>	12/13				54.376.00
with L.H.D. / con guida a sinistra	CHGA	75	102	10/08	>	12/13	23.436.00	31.833.00	27.401.00	53.148.00
antibacterial, anti-odour and anti-allergen filter with air-conditioner and L.H.D. / filtro antibatterico, antiodori e anti-allergeni con climatizzatore e guida a sinistra	CHGA	75	102	10/08	>	12/13				34.124.00
assembly LANDI Omegas Plus / montaggio LANDI Omegas Plus	CHGA	75	102	10/08	>	05/11		31.836.00		
for cold countries / per paesi freddi	CHGA	75	102	10/08	>	12/13			27.402.00	
1.6 MultiFuel										
with air-conditioner and L.H.D. / con climatizzatore e guida a sinistra	CCSA	75	102	05/07	>	07/13				54.124.00
with R.H.D. / con guida a destra	CCSA	75	102	05/07	>	07/13				54.376.00
with L.H.D. / con guida a sinistra	CCSA	75	102	05/07	>	07/13	23.436.00	31.853.00	27.401.00	53.148.00
antibacterial, anti-odour and anti-allergen filter with air-conditioner and L.H.D. / filtro antibatterico, antiodori e anti-allergeni con climatizzatore e guida a sinistra	CCSA	75	102	05/07	>	07/13				34.124.00
for cold countries / per paesi freddi	CCSA	75	102	05/07	>	07/13			27.402.00	
1.6 MultiFuel										
with air-conditioner and L.H.D. / con climatizzatore e guida a sinistra	CMXA	75	102	10/08	>	07/13				54.124.00
with R.H.D. / con guida a destra	CMXA	75	102	10/08	>	07/13				54.376.00
with L.H.D. / con guida a sinistra	CMXA	75	102	10/08	>	07/13	23.436.00	31.853.00	27.401.00	53.148.00
antibacterial, anti-odour and anti-allergen filter with air-conditioner and L.H.D. / filtro antibatterico, antiodori e anti-allergeni con climatizzatore e guida a sinistra	CMXA	75	102	10/08	>	07/13				34.124.00
for cold countries / per paesi freddi	CMXA	75	102	10/08	>	07/13			27.402.00	
1.6 TDI										
with air-conditioner and L.H.D. / con climatizzatore e guida a sinistra	CAYB	66	90	02/09	>	12/13				54.124.00
with R.H.D. / con guida a destra	CAYB	66	90	02/09	>	12/13				54.376.00
with L.H.D. / con guida a sinistra	CAYB	66	90	02/09	>	12/13	25.106.00	26.021.00	30.187.00	53.148.00
antibacterial, anti-odour and anti-allergen filter with air-conditioner and L.H.D. / filtro antibatterico, antiodori e anti-allergeni con climatizzatore e guida a sinistra	CAYB	66	90	02/09	>	12/13				34.124.00
for cold countries / per paesi freddi	CAYB	66	90	02/09	>	12/13			30.370.00	
1.6 TDI										
with air-conditioner and L.H.D. / con climatizzatore e guida a sinistra	CAYC	77	105	05/09	>	12/13				54.124.00
with R.H.D. / con guida a destra	CAYC	77	105	05/09	>	12/13				54.376.00
with L.H.D. / con guida a sinistra	CAYC	77	105	05/09	>	12/13	25.106.00	26.021.00	30.187.00	53.148.00
antibacterial, anti-odour and anti-allergen filter with air-conditioner and L.H.D. / filtro antibatterico, antiodori e anti-allergeni con climatizzatore e guida a sinistra	CAYC	77	105	05/09	>	12/13				34.124.00
for cold countries / per paesi freddi	CAYC	77	105	05/09	>	12/13			30.370.00	
1.8 TSI										
with air-conditioner and L.H.D. / con climatizzatore e guida a sinistra	CDA A	118	160	06/09	>	01/11				54.124.00
with L.H.D. / con guida a sinistra	CDA A	118	160	06/09	>	01/11	23.493.00	31.840.00	30.187.00	53.148.00
antibacterial, anti-odour and anti-allergen filter with air-conditioner and L.H.D. / filtro antibatterico, antiodori e anti-allergeni con climatizzatore e guida a sinistra	CDA A	118	160	06/09	>	01/11				34.124.00
for cold countries / per paesi freddi	CDA A	118	160	06/09	>	01/11			30.370.00	
2.0 TDI										
with air-conditioner and L.H.D. / con climatizzatore e guida a sinistra	CBAA	103	140	10/08	>	11/09				54.124.00
with R.H.D. / con guida a destra	CBAA	103	140	10/08	>	11/09				54.376.00
with L.H.D. / con guida a sinistra	CBAA	103	140	10/08	>	11/09	25.023.00	26.021.00	30.187.00	53.148.00
antibacterial, anti-odour and anti-allergen filter with air-conditioner and L.H.D. / filtro antibatterico, antiodori e anti-allergeni con climatizzatore e guida a sinistra	CBAA	103	140	10/08	>	11/09				34.124.00
for cold countries / per paesi freddi	CBAA	103	140	10/08	>	11/09			30.370.00	
2.0 TDI										
with air-conditioner and L.H.D. / con climatizzatore e guida a sinistra	CBAB	103	140	10/08	>	11/09				54.124.00
with R.H.D. / con guida a destra	CBAB	103	140	10/08	>	11/09				54.376.00
with L.H.D. / con guida a sinistra	CBAB	103	140	10/08	>	11/09	25.023.00	26.021.00	30.187.00	53.148.00

...VOLKSWAGEN - cars/auto

with R.H.D. / con guida a destra	CCZB	155	210	04/09	>	11/13				54.376.00
with L.H.D. / con guida a sinistra	CCZB	155	210	04/09	>	11/13	23.493.00	31.840.00	30.187.00	53.148.00
antibacterial, anti-odour and anti-allergen filter with air-conditioner and L.H.D. / filtro antibatterico, antiodori e anti-allergeni con climatizzatore e guida a sinistra	CCZB	155	210	04/09	>	11/13				34.124.00
for cold countries / per paesi freddi	CCZB	155	210	04/09	>	11/13			30.370.00	
2.0 TSI GTI										
with air-conditioner and L.H.D. / con climatizzatore e guida a sinistra	CDLG	173	235	05/11	>	11/12				54.124.00
with L.H.D. / con guida a sinistra	CDLG	173	235	05/11	>	11/12	25.040.00	31.840.00	30.657.00	53.148.00
antibacterial, anti-odour and anti-allergen filter with air-conditioner and L.H.D. / filtro antibatterico, antiodori e anti-allergeni con climatizzatore e guida a sinistra	CDLG	173	235	05/11	>	11/12				34.124.00
2.0 TSI GTI Ed.35										
with air-conditioner and L.H.D. / con climatizzatore e guida a sinistra	CDLD	173	235	06/11	>	11/13				54.124.00
with R.H.D. / con guida a destra	CDLD	173	235	06/11	>	11/13				54.376.00
with L.H.D. / con guida a sinistra	CDLD	173	235	06/11	>	11/13	25.040.00	31.840.00	30.657.00	53.148.00
antibacterial, anti-odour and anti-allergen filter with air-conditioner and L.H.D. / filtro antibatterico, antiodori e anti-allergeni con climatizzatore e guida a sinistra	CDLD	173	235	06/11	>	11/13				34.124.00
2.0 TSI R 4Motion										
with air-conditioner and L.H.D. / con climatizzatore e guida a sinistra	CDLA	195	265	11/09	>	05/11				54.124.00
with L.H.D. / con guida a sinistra	CDLA	195	265	11/09	>	05/11	25.040.00	31.840.00	30.657.00	53.148.00
antibacterial, anti-odour and anti-allergen filter with air-conditioner and L.H.D. / filtro antibatterico, antiodori e anti-allergeni con climatizzatore e guida a sinistra	CDLA	195	265	11/09	>	05/11				34.124.00
2.0 TSI R 4Motion										
with air-conditioner and L.H.D. / con climatizzatore e guida a sinistra	CDLC	188	256	11/09	>	11/13				54.124.00
with L.H.D. / con guida a sinistra	CDLC	188	256	11/09	>	11/13	25.040.00	31.840.00	30.657.00	53.148.00
antibacterial, anti-odour and anti-allergen filter with air-conditioner and L.H.D. / filtro antibatterico, antiodori e anti-allergeni con climatizzatore e guida a sinistra	CDLC	188	256	11/09	>	11/13				34.124.00
2.0 TSI R 4Motion										
with air-conditioner and L.H.D. / con climatizzatore e guida a sinistra	CDLF	199	270	11/09	>	11/12				54.124.00
with R.H.D. / con guida a destra	CDLF	199	270	11/09	>	11/12				54.376.00
with L.H.D. / con guida a sinistra	CDLF	199	270	11/09	>	11/12	25.040.00	31.840.00	30.657.00	53.148.00
antibacterial, anti-odour and anti-allergen filter with air-conditioner and L.H.D. / filtro antibatterico, antiodori e anti-allergeni con climatizzatore e guida a sinistra	CDLF	199	270	11/09	>	11/12				34.124.00
2.0 TSI R 4Motion										
with air-conditioner and L.H.D. / con climatizzatore e guida a sinistra	CRZA	188	256	11/09	>	11/13				54.124.00
with L.H.D. / con guida a sinistra	CRZA	188	256	11/09	>	11/13	25.040.00	31.840.00	30.657.00	53.148.00
antibacterial, anti-odour and anti-allergen filter with air-conditioner and L.H.D. / filtro antibatterico, antiodori e anti-allergeni con climatizzatore e guida a sinistra	CRZA	188	256	11/09	>	11/13				34.124.00
2.5 V5										
	CBTA, CBUA	125	170	07/09	>				30.055.00	
Golf VI Cabriolet										
1.2 TSI										
with air-conditioner and L.H.D. / con climatizzatore e guida a sinistra	CBZB	77	105	03/11	>	12/13				54.124.00
with R.H.D. / con guida a destra	CBZB	77	105	03/11	>	12/13				54.376.00
with L.H.D. / con guida a sinistra	CBZB	77	105	03/11	>	12/13	23.573.00	31.840.00	27.401.00	53.148.00
antibacterial, anti-odour and anti-allergen filter with air-conditioner and L.H.D. / filtro antibatterico, antiodori e anti-allergeni con climatizzatore e guida a sinistra	CBZB	77	105	03/11	>	12/13				34.124.00
for cold countries / per paesi freddi	CBZB	77	105	03/11	>	12/13			27.402.00	
1.2 TSI										
with air-conditioner and L.H.D. / con climatizzatore e guida a sinistra	CJZA	77	105	11/13	>					54.124.00
with R.H.D. / con guida a destra	CJZA	77	105	11/13	>					54.376.00
with L.H.D. / con guida a sinistra	CJZA	77	105	11/13	>		23.575.00	31.840.00	30.549.00	53.148.00
antibacterial, anti-odour and anti-allergen filter with air-conditioner and L.H.D. / filtro antibatterico, antiodori e anti-allergeni con climatizzatore e guida a sinistra	CJZA	77	105	11/13	>					34.124.00
1.4 TSI										
with air-conditioner and L.H.D. / con climatizzatore e guida a sinistra	CAVD/CNWA/CTHD/CTKA	118	160	03/11	>	11/13				54.124.00
with R.H.D. / con guida a destra	CAVD/CNWA/CTHD/CTKA	118	160	03/11	>	11/13				54.376.00
with L.H.D. / con guida a sinistra	CAVD/CNWA/CTHD/CTKA	118	160	03/11	>	11/13	23.573.00	31.840.00	30.187.00	53.148.00
antibacterial, anti-odour and anti-allergen filter with air-conditioner and L.H.D. / filtro antibatterico, antiodori e anti-allergeni con climatizzatore e guida a sinistra	CAVD/CNWA/CTHD/CTKA	118	160	03/11	>	11/13				34.124.00
for cold countries / per paesi freddi	CAVD/CNWA/CTHD/CTKA	118	160	03/11	>	11/13			30.370.00	
1.4 TSI										
with activated carbon L.H.D. / con guida a sinistra, ai carboni attivi	CAXA	90	122	11/11	>	11/13	23.573.00	31.840.00	27.401.00	53.148.00
antibacterial, anti-odour and anti-allergen filter with L.H.D. / filtro antibatterico, antiodori e anti-allergeni con guida a sinistra	CAXA	90	122	11/11	>	11/13				54.124.00
for cold countries / per paesi freddi	CAXA	90	122	11/11	>	11/13			27.402.00	34.124.00
1.4 TSI										
with air-conditioner and L.H.D. / con climatizzatore e guida a sinistra	CHPB/CZDA	110	150	11/13	>					54.124.00
with R.H.D. / con guida a destra	CHPB/CZDA	110	150	11/13	>					54.376.00
with L.H.D. / con guida a sinistra	CHPB/CZDA	110	150	11/13	>		23.575.00	31.840.00	30.549.00	53.148.00
antibacterial, anti-odour and anti-allergen filter with air-conditioner and L.H.D. / filtro antibatterico, antiodori e anti-allergeni con climatizzatore e guida a sinistra	CHPB/CZDA	110	150	11/13	>					34.124.00
1.4 TSI										
with air-conditioner and L.H.D. / con climatizzatore e guida a sinistra	CXSB/CZCA	92	125	11/13	>					54.124.00
with R.H.D. / con guida a destra	CXSB/CZCA	92	125	11/13	>					54.376.00
with L.H.D. / con guida a sinistra	CXSB/CZCA	92	125	11/13	>		23.575.00	31.840.00	30.549.00	53.148.00
antibacterial, anti-odour and anti-allergen filter with air-conditioner and L.H.D. / filtro antibatterico, antiodori e anti-allergeni con climatizzatore e guida a sinistra	CXSB/CZCA	92	125	11/13	>					34.124.00
1.6 TDI										
with air-conditioner and L.H.D. / con climatizzatore e guida a sinistra	CAYC	77	105	03/11	>	11/13				54.124.00
with R.H.D. / con guida a destra	CAYC	77	105	03/11	>	11/13				54.376.00
with L.H.D. / con guida a sinistra	CAYC	77	105	03/11	>	11/13	25.106.00	26.007.00	30.187.00	53.148.00

...VOLKSWAGEN - cars/auto

antibacterial, anti-odour and anti-allergen filter with air-conditioner and L.H.D. / filtro antibatterico, antiodori e anti-allergeni con climatizzatore e guida a sinistra	CAYC	77	105	03/11	>	11/13				34.124.00
2.0 GTI										
with air-conditioner and L.H.D. / con climatizzatore e guida a sinistra	CCZB	155	210	11/11	>	11/13				54.124.00
with R.H.D. / con guida a destra	CCZB	155	210	11/11	>	11/13				54.376.00
with L.H.D. / con guida a sinistra	CCZB	155	210	11/11	>	11/13	23.493.00	31.840.00	30.187.00	53.148.00
antibacterial, anti-odour and anti-allergen filter with air-conditioner and L.H.D. / filtro antibatterico, antiodori e anti-allergeni con climatizzatore e guida a sinistra	CCZB	155	210	11/11	>	11/13				34.124.00
for cold countries / per paesi freddi	CCZB	155	210	11/11	>	11/13			30.370.00	
2.0 R										
with air-conditioner and L.H.D. / con climatizzatore e guida a sinistra	CDLA	195	265	01/13	>					54.124.00
with R.H.D. / con guida a destra	CDLA	195	265	01/13	>					54.376.00
with L.H.D. / con guida a sinistra	CDLA	195	265	01/13	>		25.040.00	31.840.00	30.657.00	53.148.00
antibacterial, anti-odour and anti-allergen filter with air-conditioner and L.H.D. / filtro antibatterico, antiodori e anti-allergeni con climatizzatore e guida a sinistra	CDLA	195	265	01/13	>					34.124.00
2.0 TDI										
with air-conditioner and L.H.D. / con climatizzatore e guida a sinistra	CFHC	103	140	07/09	>	11/13				54.124.00
with R.H.D. / con guida a destra	CFHC	103	140	07/09	>	11/13				54.376.00
with L.H.D. / con guida a sinistra	CFHC	103	140	07/09	>	11/13	25.106.00	26.007.00	30.187.00	53.148.00
antibacterial, anti-odour and anti-allergen filter with air-conditioner and L.H.D. / filtro antibatterico, antiodori e anti-allergeni con climatizzatore e guida a sinistra	CFHC	103	140	07/09	>	11/13				34.124.00
for cold countries / per paesi freddi	CFHC	103	140	07/09	>	11/13			30.370.00	
2.0 TDI										
with air-conditioner and L.H.D. / con climatizzatore e guida a sinistra	CUUA	81	110	11/13	>					54.124.00
with R.H.D. / con guida a destra	CUUA	81	110	11/13	>					54.376.00
with L.H.D. / con guida a sinistra	CUUA	81	110	11/13	>		25.144.00	26.007.00	30.187.00	53.148.00
antibacterial, anti-odour and anti-allergen filter with air-conditioner and L.H.D. / filtro antibatterico, antiodori e anti-allergeni con climatizzatore e guida a sinistra	CUUA	81	110	11/13	>					34.124.00
for cold countries / per paesi freddi	CUUA	81	110	11/13	>				30.370.00	
2.0 TDI										
with air-conditioner and L.H.D. / con climatizzatore e guida a sinistra	CUUB	110	150	11/13	>					54.124.00
with R.H.D. / con guida a destra	CUUB	110	150	11/13	>					54.376.00
with L.H.D. / con guida a sinistra	CUUB	110	150	11/13	>		25.144.00	26.007.00	30.187.00	53.148.00
antibacterial, anti-odour and anti-allergen filter with air-conditioner and L.H.D. / filtro antibatterico, antiodori e anti-allergeni con climatizzatore e guida a sinistra	CUUB	110	150	11/13	>					34.124.00
for cold countries / per paesi freddi	CUUB	110	150	11/13	>				30.370.00	
2.0 TSI										
with air-conditioner and L.H.D. / con climatizzatore e guida a sinistra	CULC	162	220	11/13	>					54.124.00
with R.H.D. / con guida a destra	CULC	162	220	11/13	>					54.376.00
with L.H.D. / con guida a sinistra	CULC	162	220	11/13	>		25.153.00	31.840.00	30.187.00	53.148.00
antibacterial, anti-odour and anti-allergen filter with air-conditioner and L.H.D. / filtro antibatterico, antiodori e anti-allergeni con climatizzatore e guida a sinistra	CULC	162	220	11/13	>					34.124.00
2.5 V5	CBTA, CBUA	125	170	07/09	>				30.055.00	
Golf VI Variant (AJ5)										
1.2 TSI										
with air-conditioner and L.H.D. / con climatizzatore e guida a sinistra	CBZA	63	86	07/10	>	07/13				54.124.00
with R.H.D. / con guida a destra	CBZA	63	86	07/10	>	07/13				54.376.00
with L.H.D. / con guida a sinistra	CBZA	63	86	07/10	>	07/13	23.573.00	31.840.00	27.401.00	53.148.00
antibacterial, anti-odour and anti-allergen filter with air-conditioner and L.H.D. / filtro antibatterico, antiodori e anti-allergeni con climatizzatore e guida a sinistra	CBZA	63	86	07/10	>	07/13				34.124.00
for cold countries / per paesi freddi	CBZA	63	86	07/10	>	07/13			27.402.00	
1.2 TSI										
with air-conditioner and L.H.D. / con climatizzatore e guida a sinistra	CBZB	77	105	08/09	>	07/13				54.124.00
with R.H.D. / con guida a destra	CBZB	77	105	08/09	>	07/13				54.376.00
with L.H.D. / con guida a sinistra	CBZB	77	105	08/09	>	03/10	23.494.00	31.840.00	27.401.00	53.148.00
with L.H.D. / con guida a sinistra	CBZB	77	105	04/10	>	07/13	23.573.00	31.840.00	27.401.00	53.148.00
antibacterial, anti-odour and anti-allergen filter with air-conditioner and L.H.D. / filtro antibatterico, antiodori e anti-allergeni con climatizzatore e guida a sinistra	CBZB	77	105	08/09	>	07/13				34.124.00
for cold countries / per paesi freddi	CBZB	77	105	08/09	>	07/13			27.402.00	
1.4										
with air-conditioner and L.H.D. / con climatizzatore e guida a sinistra	BUD	59	80	07/09	>	07/13				54.124.00
with R.H.D. / con guida a destra	BUD	59	80	07/09	>	07/13				54.376.00
with L.H.D. / con guida a sinistra	BUD	59	80	07/09	>	07/13	23.453.00	31.833.00	30.342.00	53.148.00
antibacterial, anti-odour and anti-allergen filter with air-conditioner and L.H.D. / filtro antibatterico, antiodori e anti-allergeni con climatizzatore e guida a sinistra	BUD	59	80	07/09	>	07/13				34.124.00
1.4										
with air-conditioner and L.H.D. / con climatizzatore e guida a sinistra	CGGA	59	80	07/09	>	07/13				54.124.00
with R.H.D. / con guida a destra	CGGA	59	80	07/09	>	07/13				54.376.00
with L.H.D. / con guida a sinistra	CGGA	59	80	07/09	>	07/13	23.453.00	31.833.00	30.342.00	53.148.00
antibacterial, anti-odour and anti-allergen filter with air-conditioner and L.H.D. / filtro antibatterico, antiodori e anti-allergeni con climatizzatore e guida a sinistra	CGGA	59	80	07/09	>	07/13				34.124.00
1.4 TSI										
with air-conditioner and L.H.D. / con climatizzatore e guida a sinistra	CAVD/CNWA/CTHD/CTKA	118	160	07/09	>	07/13				54.124.00
with R.H.D. / con guida a destra	CAVD/CNWA/CTHD/CTKA	118	160	07/09	>	07/13				54.376.00
with L.H.D. / con guida a sinistra	CAVD/CNWA/CTHD/CTKA	118	160	07/09	>	06/10	23.494.00	31.840.00	30.187.00	53.148.00
with L.H.D. / con guida a sinistra	CAVD/CNWA/CTHD/CTKA	118	160	07/10	>	07/13	23.573.00	31.840.00	30.187.00	53.148.00
antibacterial, anti-odour and anti-allergen filter with air-conditioner and L.H.D. / filtro antibatterico, antiodori e anti-allergeni con climatizzatore e guida a sinistra	CAVD/CNWA/CTHD/CTKA	118	160	07/09	>	07/13				34.124.00
for cold countries / per paesi freddi	CAVD/CNWA/CTHD/CTKA	118	160	07/09	>	07/13			30.370.00	

...VOLKSWAGEN - cars/auto

export models Diesel Plus / modelli di esportazione Diesel Plus for cold countries / per paesi freddi	CRGA	130 177	11/15 >		26.065.00		
2.0 GTI TCR	CRGA	130 177	11/15 >			30.587.00	
with automatic air-conditioner / con climatizzatore automatico	DNUC	213 290	09/18 >	25.153.00	∞	30.532.00	53.298.00
antibacterial, anti-odour and anti-allergen filter with automatic air-conditioner / filtro antibatterico, antiodori e anti-allergeni con climatizzatore automatico	DNUC	213 290	09/18 >				54.219.00
2.0 R 4Motion	CJXB	206 280	11/13 >	25.153.00	∞	30.532.00	53.298.00
with automatic air-conditioner / con climatizzatore automatico	CJXB	206 280	11/13 >				54.219.00
antibacterial, anti-odour and anti-allergen filter with automatic air-conditioner / filtro antibatterico, antiodori e anti-allergeni con climatizzatore automatico	CJXB	206 280	11/13 >				34.219.00
2.0 R 4Motion	CJXC	221 300	11/13 > 03/17	25.153.00	∞	30.532.00	53.298.00
with automatic air-conditioner / con climatizzatore automatico	CJXC	221 300	11/13 > 03/17				54.219.00
antibacterial, anti-odour and anti-allergen filter with automatic air-conditioner / filtro antibatterico, antiodori e anti-allergeni con climatizzatore automatico	CJXC	221 300	11/13 > 03/17				34.219.00
2.0 R 4Motion	CJXD	213 290	11/13 >	25.153.00	∞	30.532.00	53.298.00
with automatic air-conditioner / con climatizzatore automatico	CJXD	213 290	11/13 >				54.219.00
antibacterial, anti-odour and anti-allergen filter with automatic air-conditioner / filtro antibatterico, antiodori e anti-allergeni con climatizzatore automatico	CJXD	213 290	11/13 >				34.219.00
2.0 R TSI	CYFB	215 292	11/14 > 06/17	25.153.00	∞	30.532.00	53.298.00
with automatic air-conditioner / con climatizzatore automatico	CYFB	215 292	11/14 > 06/17				54.219.00
antibacterial, anti-odour and anti-allergen filter with automatic air-conditioner / filtro antibatterico, antiodori e anti-allergeni con climatizzatore automatico	CYFB	215 292	11/14 > 06/17				34.219.00
2.0 R TSI	DJJA	215 292	07/17 >	25.153.00	∞	30.532.00	53.298.00
with automatic air-conditioner / con climatizzatore automatico	DJJA	215 292	07/17 >				54.219.00
antibacterial, anti-odour and anti-allergen filter with automatic air-conditioner / filtro antibatterico, antiodori e anti-allergeni con climatizzatore automatico	DJJA	215 292	07/17 >				34.219.00
2.0 R TSI 4Motion	CJYG	228 310	09/16 >	25.153.00	∞	30.532.00	53.298.00
with automatic air-conditioner / con climatizzatore automatico	CJYG	228 310	09/16 >				54.219.00
antibacterial, anti-odour and anti-allergen filter with automatic air-conditioner / filtro antibatterico, antiodori e anti-allergeni con climatizzatore automatico	CJYG	228 310	09/16 >				34.219.00
2.0 TDI	CKFC/CRBC/CRLB/CRMB	110 150	11/12 >	25.144.00	26.038.00	30.532.00	53.298.00
with automatic air-conditioner / con climatizzatore automatico	CKFC/CRBC/CRLB/CRMB	110 150	11/12 >				54.219.00
antibacterial, anti-odour and anti-allergen filter with automatic air-conditioner / filtro antibatterico, antiodori e anti-allergeni con climatizzatore automatico	CKFC/CRBC/CRLB/CRMB	110 150	11/12 >				34.219.00
export models Diesel Plus / modelli di esportazione Diesel Plus for cold countries / per paesi freddi	CKFC/CRBC/CRLB/CRMB	110 150	11/12 >		26.065.00		
	CKFC/CRBC/CRLB/CRMB	110 150	11/12 >			30.587.00	
2.0 TDI	CRBB	105 143	11/12 >	25.144.00	26.038.00	30.532.00	53.298.00
with automatic air-conditioner / con climatizzatore automatico	CRBB	105 143	11/12 >				54.219.00
antibacterial, anti-odour and anti-allergen filter with automatic air-conditioner / filtro antibatterico, antiodori e anti-allergeni con climatizzatore automatico	CRBB	105 143	11/12 >				34.219.00
export models Diesel Plus / modelli di esportazione Diesel Plus for cold countries / per paesi freddi	CRBB	105 143	11/12 >		26.065.00		
	CRBB	105 143	11/12 >			30.587.00	
2.0 TDI	CRVA	81 110	11/12 >	25.144.00	26.038.00	30.532.00	53.298.00
with automatic air-conditioner / con climatizzatore automatico	CRVA	81 110	11/12 >				54.219.00
antibacterial, anti-odour and anti-allergen filter with automatic air-conditioner / filtro antibatterico, antiodori e anti-allergeni con climatizzatore automatico	CRVA	81 110	11/12 >				34.219.00
export models Diesel Plus / modelli di esportazione Diesel Plus for cold countries / per paesi freddi	CRVA	81 110	11/12 >		26.065.00		
	CRVA	81 110	11/12 >			30.587.00	
2.0 TDI	CYKB	81 110	11/16 >	25.144.00	26.038.00	30.532.00	53.298.00
with automatic air-conditioner / con climatizzatore automatico	CYKB	81 110	11/16 >				54.219.00
antibacterial, anti-odour and anti-allergen filter with automatic air-conditioner / filtro antibatterico, antiodori e anti-allergeni con climatizzatore automatico	CYKB	81 110	11/16 >				34.219.00
export models Diesel Plus / modelli di esportazione Diesel Plus for cold countries / per paesi freddi	CYKB	81 110	11/16 >		26.065.00		
	CYKB	81 110	11/16 >			30.587.00	
2.0 TDI	DEJA	110 150	06/15 >	25.144.00	26.038.00	30.532.00	53.298.00
with automatic air-conditioner / con climatizzatore automatico	DEJA	110 150	06/15 >				54.219.00
antibacterial, anti-odour and anti-allergen filter with automatic air-conditioner / filtro antibatterico, antiodori e anti-allergeni con climatizzatore automatico	DEJA	110 150	06/15 >				34.219.00
export models Diesel Plus / modelli di esportazione Diesel Plus for cold countries / per paesi freddi	DEJA	110 150	06/15 >		26.065.00		
	DEJA	110 150	06/15 >			30.587.00	
2.0 TDI	DEJB	81 110	05/16 > 03/17	25.144.00	26.038.00	30.532.00	53.298.00
with automatic air-conditioner / con climatizzatore automatico	DEJB	81 110	05/16 > 03/17				54.219.00
antibacterial, anti-odour and anti-allergen filter with automatic air-conditioner / filtro antibatterico, antiodori e anti-allergeni con climatizzatore automatico	DEJB	81 110	05/16 > 03/17				34.219.00
export models Diesel Plus / modelli di esportazione Diesel Plus for cold countries / per paesi freddi	DEJB	81 110	05/16 > 03/17		26.065.00		
	DEJB	81 110	05/16 > 03/17			30.587.00	
2.0 TDI 4Motion	CKFC/CRBC/CRLB/CRMB	110 150	11/12 >	25.144.00	26.038.00	30.532.00	53.298.00
with automatic air-conditioner / con climatizzatore automatico	CKFC/CRBC/CRLB/CRMB	110 150	11/12 >				54.219.00
antibacterial, anti-odour and anti-allergen filter with automatic air-conditioner / filtro antibatterico, antiodori e anti-allergeni con climatizzatore automatico	CKFC/CRBC/CRLB/CRMB	110 150	11/12 >				34.219.00
export models Diesel Plus / modelli di esportazione Diesel Plus for cold countries / per paesi freddi	CKFC/CRBC/CRLB/CRMB	110 150	11/12 >		26.065.00		
	CKFC/CRBC/CRLB/CRMB	110 150	11/12 >			30.587.00	
2.0 TDI GTD	CUNA	135 184	04/13 >	25.144.00	26.038.00	30.532.00	53.298.00
with automatic air-conditioner / con climatizzatore automatico	CUNA	135 184	04/13 >				54.219.00
antibacterial, anti-odour and anti-allergen filter with automatic air-conditioner / filtro antibatterico, antiodori e anti-allergeni con climatizzatore automatico	CUNA	135 184	04/13 >				34.219.00
export models Diesel Plus / modelli di esportazione Diesel Plus for cold countries / per paesi freddi	CUNA	135 184	04/13 >		26.065.00		
	CUNA	135 184	04/13 >			30.587.00	
2.0 TSI	CJXE	195 265	02/16 > 03/17	25.153.00	∞	30.532.00	53.298.00
with automatic air-conditioner / con climatizzatore automatico	CJXE	195 265	02/16 > 03/17				54.219.00
antibacterial, anti-odour and anti-allergen filter with automatic air-conditioner / filtro antibatterico, antiodori e anti-allergeni con climatizzatore automatico	CJXE	195 265	02/16 > 03/17				34.219.00
2.0 TSI	CNTA	155 211	11/13 >	25.153.00	∞	30.532.00	53.298.00

...VOLKSWAGEN - cars/auto

with automatic air-conditioner / con climatizzatore automatico	CNTA	155	211	11/13	>				54.219.00	
antibacterial, anti-odour and anti-allergen filter with automatic air-conditioner / filtro antibatterico, antiodori e anti-allergeni con climatizzatore automatico	CNTA	155	211	11/13	>				34.219.00	
2.0 TSI	CNTC	162	220	05/17	>	25.153.00	∞	30.532.00	53.298.00	
with automatic air-conditioner / con climatizzatore automatico	CNTC	162	220	05/17	>				54.219.00	
antibacterial, anti-odour and anti-allergen filter with automatic air-conditioner / filtro antibatterico, antiodori e anti-allergeni con climatizzatore automatico	CNTC	162	220	05/17	>				34.219.00	
2.0 TSI GTI	CHHA	169	230	04/13	>	25.153.00	∞	30.532.00	53.298.00	
with automatic air-conditioner / con climatizzatore automatico	CHHA	169	230	04/13	>				54.219.00	
antibacterial, anti-odour and anti-allergen filter with automatic air-conditioner / filtro antibatterico, antiodori e anti-allergeni con climatizzatore automatico	CHHA	169	230	04/13	>				34.219.00	
2.0 TSI GTI	CHHB	162	220	04/13	>	25.153.00	∞	30.532.00	53.298.00	
with automatic air-conditioner / con climatizzatore automatico	CHHB	162	220	04/13	>				54.219.00	
antibacterial, anti-odour and anti-allergen filter with automatic air-conditioner / filtro antibatterico, antiodori e anti-allergeni con climatizzatore automatico	CHHB	162	220	04/13	>				34.219.00	
2.0 TSI GTI	DLBA	180	265	03/17	>	25.153.00	∞	30.532.00	53.298.00	
with automatic air-conditioner / con climatizzatore automatico	DLBA	180	265	03/17	>				54.219.00	
antibacterial, anti-odour and anti-allergen filter with automatic air-conditioner / filtro antibatterico, antiodori e anti-allergeni con climatizzatore automatico	DLBA	180	265	03/17	>				34.219.00	
e-Golf	EAGA	85	116	03/14	>	×	×	×	53.298.00	
with automatic air-conditioner / con climatizzatore automatico	EAGA	85	116	03/14	>				54.219.00	
antibacterial, anti-odour and anti-allergen filter with automatic air-conditioner / filtro antibatterico, antiodori e anti-allergeni con climatizzatore automatico	EAGA	85	116	03/14	>				34.219.00	
e-Golf	EAZA	100	136	12/16	>	×	×	×	53.298.00	
with automatic air-conditioner / con climatizzatore automatico	EAZA	100	136	12/16	>				54.219.00	
antibacterial, anti-odour and anti-allergen filter with automatic air-conditioner / filtro antibatterico, antiodori e anti-allergeni con climatizzatore automatico	EAZA	100	136	12/16	>				34.219.00	
Golf VII Alltrack (BA5)										
1.6 TDI 4Motion	CRKB/CXXB	81	110	12/14	>	25.144.00		26.038.00	30.532.00	53.298.00
with automatic air-conditioner / con climatizzatore automatico	CRKB/CXXB	81	110	12/14	>					54.219.00
antibacterial, anti-odour and anti-allergen filter with automatic air-conditioner / filtro antibatterico, antiodori e anti-allergeni con climatizzatore automatico	CRKB/CXXB	81	110	12/14	>					34.219.00
export models Diesel Plus / modelli di esportazione Diesel Plus for cold countries / per paesi freddi	CRKB/CXXB	81	110	12/14	>			26.065.00		
	CRKB/CXXB	81	110	12/14	>				30.587.00	
1.8 TSI 4Motion	CJSB	132	180	12/14	>	25.153.00	∞		30.532.00	53.298.00
with automatic air-conditioner / con climatizzatore automatico	CJSB	132	180	12/14	>					54.219.00
antibacterial, anti-odour and anti-allergen filter with automatic air-conditioner / filtro antibatterico, antiodori e anti-allergeni con climatizzatore automatico	CJSB	132	180	12/14	>					34.219.00
2.0 TDI 4Motion	CRLB/CRBC	110	150	12/14	>	25.144.00		26.038.00	30.532.00	53.298.00
with automatic air-conditioner / con climatizzatore automatico	CRLB/CRBC	110	150	12/14	>					54.219.00
antibacterial, anti-odour and anti-allergen filter with automatic air-conditioner / filtro antibatterico, antiodori e anti-allergeni con climatizzatore automatico	CRLB/CRBC	110	150	12/14	>					34.219.00
export models Diesel Plus / modelli di esportazione Diesel Plus for cold countries / per paesi freddi	CRLB/CRBC	110	150	12/14	>			26.065.00		
	CRLB/CRBC	110	150	12/14	>				30.587.00	
2.0 TDI 4Motion	CUNA	135	184	12/14	>	25.144.00		26.038.00	30.532.00	53.298.00
with automatic air-conditioner / con climatizzatore automatico	CUNA	135	184	12/14	>					54.219.00
antibacterial, anti-odour and anti-allergen filter with automatic air-conditioner / filtro antibatterico, antiodori e anti-allergeni con climatizzatore automatico	CUNA	135	184	12/14	>					34.219.00
export models Diesel Plus / modelli di esportazione Diesel Plus for cold countries / per paesi freddi	CUNA	135	184	12/14	>			26.065.00		
	CUNA	135	184	12/14	>				30.587.00	
Golf VII Variant (BA5)										
1.0 TSI	CHZD	85	116	03/15	>	23.575.00	∞		30.A51.00	53.298.00
with automatic air-conditioner / con climatizzatore automatico	CHZD	85	116	03/15	>					54.219.00
antibacterial, anti-odour and anti-allergen filter with automatic air-conditioner / filtro antibatterico, antiodori e anti-allergeni con climatizzatore automatico	CHZD	85	116	03/15	>					34.219.00
1.0 TSI	CHZK	63	86	03/15	>	23.575.00	∞		30.A51.00	53.298.00
with automatic air-conditioner / con climatizzatore automatico	CHZK	63	86	03/15	>					54.219.00
antibacterial, anti-odour and anti-allergen filter with automatic air-conditioner / filtro antibatterico, antiodori e anti-allergeni con climatizzatore automatico	CHZK	63	86	03/15	>					34.219.00
1.2 TSI	CJZA	77	105	05/13	>	23.575.00	∞		30.549.00	53.298.00
with automatic air-conditioner / con climatizzatore automatico	CJZA	77	105	05/13	>					54.219.00
antibacterial, anti-odour and anti-allergen filter with automatic air-conditioner / filtro antibatterico, antiodori e anti-allergeni con climatizzatore automatico	CJZA	77	105	05/13	>					34.219.00
1.2 TSI	CJZB	63	86	05/13	>	23.575.00	∞		30.549.00	53.298.00
with automatic air-conditioner / con climatizzatore automatico	CJZB	63	86	05/13	>					54.219.00
antibacterial, anti-odour and anti-allergen filter with automatic air-conditioner / filtro antibatterico, antiodori e anti-allergeni con climatizzatore automatico	CJZB	63	86	05/13	>					34.219.00
1.2 TSI	CYVA	63	86	05/13	>	23.575.00	∞		30.549.00	53.298.00
with automatic air-conditioner / con climatizzatore automatico	CYVA	63	86	05/13	>					54.219.00
antibacterial, anti-odour and anti-allergen filter with automatic air-conditioner / filtro antibatterico, antiodori e anti-allergeni con climatizzatore automatico	CYVA	63	86	05/13	>					34.219.00
1.2 TSI	CYVB	81	110	04/14	>	23.575.00	∞		30.549.00	53.298.00
with automatic air-conditioner / con climatizzatore automatico	CYVB	81	110	04/14	>					54.219.00
antibacterial, anti-odour and anti-allergen filter with automatic air-conditioner / filtro antibatterico, antiodori e anti-allergeni con climatizzatore automatico	CYVB	81	110	04/14	>					34.219.00
1.4 TGI BlueMotion CNG	CPWA	81	110	09/13	>	23.575.00			30.549.00	53.298.00
with automatic air-conditioner / con climatizzatore automatico	CPWA	81	110	09/13	>					54.219.00
antibacterial, anti-odour and anti-allergen filter with automatic air-conditioner / filtro antibatterico, antiodori e anti-allergeni con climatizzatore automatico	CPWA	81	110	09/13	>					34.219.00
1.4 TSI	CHPA	103	140	05/13	>	23.575.00	∞		30.549.00	53.298.00
with automatic air-conditioner / con climatizzatore automatico	CHPA	103	140	05/13	>					54.219.00
antibacterial, anti-odour and anti-allergen filter with automatic air-conditioner / filtro antibatterico, antiodori e anti-allergeni con climatizzatore automatico	CHPA	103	140	05/13	>					34.219.00
1.4 TSI	CHPB	110	150	05/13	>	23.575.00	∞		30.549.00	53.298.00
with automatic air-conditioner / con climatizzatore automatico	CHPB	110	150	05/13	>					54.219.00
antibacterial, anti-odour and anti-allergen filter with automatic air-conditioner / filtro antibatterico, antiodori e anti-allergeni con climatizzatore automatico	CHPB	110	150	05/13	>					34.219.00

...VOLKSWAGEN - cars/auto

2.0 TDI	CRBB	105	143	08/12	>	25.144.00	26.038.00	30.532.00	53.298.00
with automatic air-conditioner / con climatizzatore automatico	CRBB	105	143	08/12	>				54.219.00
antibacterial, anti-odour and anti-allergen filter with automatic air-conditioner / filtro antibatterico, antiodori e anti-allergeni con climatizzatore automatico	CRBB	105	143	08/12	>				34.219.00
export models Diesel Plus / modelli di esportazione Diesel Plus	CRBB	105	143	08/12	>		26.065.00		
for cold countries / per paesi freddi	CRBB	105	143	08/12	>			30.587.00	
2.0 TDI	CRBC	110	150	04/13	>	25.144.00	26.038.00	30.532.00	53.298.00
with automatic air-conditioner / con climatizzatore automatico	CRBC	110	150	04/13	>				54.219.00
antibacterial, anti-odour and anti-allergen filter with automatic air-conditioner / filtro antibatterico, antiodori e anti-allergeni con climatizzatore automatico	CRBC	110	150	04/13	>				34.219.00
export models Diesel Plus / modelli di esportazione Diesel Plus	CRBC	110	150	04/13	>		26.065.00		
for cold countries / per paesi freddi	CRBC	110	150	04/13	>			30.587.00	
2.0 TDI	CRLB	110	150	04/13	>	25.144.00	26.038.00	30.532.00	53.298.00
with automatic air-conditioner / con climatizzatore automatico	CRLB	110	150	04/13	>				54.219.00
antibacterial, anti-odour and anti-allergen filter with automatic air-conditioner / filtro antibatterico, antiodori e anti-allergeni con climatizzatore automatico	CRLB	110	150	03/15	>				34.219.00
export models Diesel Plus / modelli di esportazione Diesel Plus	CRLB	110	150	04/13	>		26.065.00		
for cold countries / per paesi freddi	CRLB	110	150	04/13	>			30.587.00	
2.0 TDI	CRMB	110	150	08/12	> 05/14	25.144.00	26.038.00	30.532.00	53.298.00
with automatic air-conditioner / con climatizzatore automatico	CRMB	110	150	08/12	> 05/14				54.219.00
antibacterial, anti-odour and anti-allergen filter with automatic air-conditioner / filtro antibatterico, antiodori e anti-allergeni con climatizzatore automatico	CRMB	110	150	03/15	>				34.219.00
export models Diesel Plus / modelli di esportazione Diesel Plus	CRMB	110	150	08/12	> 05/14		26.065.00		
for cold countries / per paesi freddi	CRMB	110	150	08/12	> 05/14			30.587.00	
2.0 TDI	CRVA	81	110	11/12	>	25.144.00	26.038.00	30.532.00	53.298.00
with automatic air-conditioner / con climatizzatore automatico	CRVA	81	110	11/12	>				54.219.00
antibacterial, anti-odour and anti-allergen filter with automatic air-conditioner / filtro antibatterico, antiodori e anti-allergeni con climatizzatore automatico	CRVA	81	110	03/15	>				34.219.00
export models Diesel Plus / modelli di esportazione Diesel Plus	CRVA	81	110	11/12	>		26.065.00		
for cold countries / per paesi freddi	CRVA	81	110	11/12	>			30.587.00	
2.0 TDI 4Motion	CKFC	110	150	08/12	> 05/14	25.144.00	26.038.00	30.532.00	53.298.00
with automatic air-conditioner / con climatizzatore automatico	CKFC	110	150	08/12	> 05/14				54.219.00
antibacterial, anti-odour and anti-allergen filter with automatic air-conditioner / filtro antibatterico, antiodori e anti-allergeni con climatizzatore automatico	CKFC	110	150	03/15	>				34.219.00
export models Diesel Plus / modelli di esportazione Diesel Plus	CKFC	110	150	08/12	> 05/14		26.065.00		
for cold countries / per paesi freddi	CKFC	110	150	08/12	> 05/14			30.587.00	
2.0 TDI 4Motion	CRBC	110	150	04/13	>	25.144.00	26.038.00	30.532.00	53.298.00
with automatic air-conditioner / con climatizzatore automatico	CRBC	110	150	04/13	>				54.219.00
antibacterial, anti-odour and anti-allergen filter with automatic air-conditioner / filtro antibatterico, antiodori e anti-allergeni con climatizzatore automatico	CRBC	110	150	03/15	>				34.219.00
export models Diesel Plus / modelli di esportazione Diesel Plus	CRBC	110	150	04/13	>		26.065.00		
for cold countries / per paesi freddi	CRBC	110	150	04/13	>			30.587.00	
2.0 TDI 4Motion	CRLB	110	150	04/13	>	25.144.00	26.038.00	30.532.00	53.298.00
with automatic air-conditioner / con climatizzatore automatico	CRLB	110	150	04/13	>				54.219.00
antibacterial, anti-odour and anti-allergen filter with automatic air-conditioner / filtro antibatterico, antiodori e anti-allergeni con climatizzatore automatico	CRLB	110	150	03/15	>				34.219.00
export models Diesel Plus / modelli di esportazione Diesel Plus	CRLB	110	150	04/13	>		26.065.00		
for cold countries / per paesi freddi	CRLB	110	150	04/13	>			30.587.00	
2.0 TDI 4Motion	CRMB	110	150	04/13	>	25.144.00	26.038.00	30.532.00	53.298.00
with automatic air-conditioner / con climatizzatore automatico	CRMB	110	150	04/13	>				54.219.00
antibacterial, anti-odour and anti-allergen filter with automatic air-conditioner / filtro antibatterico, antiodori e anti-allergeni con climatizzatore automatico	CRMB	110	150	03/15	>				34.219.00
export models Diesel Plus / modelli di esportazione Diesel Plus	CRMB	110	150	04/13	>		26.065.00		
for cold countries / per paesi freddi	CRMB	110	150	04/13	>			30.587.00	
2.0 TDI GTD	CUNA	135	184	12/14	>	25.144.00	26.038.00	30.532.00	53.298.00
with automatic air-conditioner / con climatizzatore automatico	CUNA	135	184	12/14	>				54.219.00
antibacterial, anti-odour and anti-allergen filter with automatic air-conditioner / filtro antibatterico, antiodori e anti-allergeni con climatizzatore automatico	CUNA	135	184	03/15	>				34.219.00
export models Diesel Plus / modelli di esportazione Diesel Plus	CUNA	135	184	12/14	>		26.065.00		
for cold countries / per paesi freddi	CUNA	135	184	12/14	>			30.587.00	

Golf VIII

1.0 Mild Hybrid	DLAA	81	110	06/20	>	23.575.00		30.A45.00	53.298.00
with activated carbons / ai carboni attivi	DLAA	81	110	06/20	>				54.219.00
antibacterial, anti-odour and anti-allergen filter / filtro antibatterico, antiodori e anti-allergeni	DLAA	81	110	06/20	>				34.219.00
1.0 TSi	DKJA/DKRF	85	116	12/18	>	23.575.00		30.A51.00	
with activated carbons / ai carboni attivi	DKJA/DKRF	85	116	12/18	>				54.314.00
antibacterial, anti-odour and anti-allergen filter / filtro antibatterico, antiodori e anti-allergeni	DKJA/DKRF	85	116	12/18	>				34.314.00
1.0 TSi BlueMotion	DLAA	81	110	02/20	>			30.A45.00	
1.0 TSi BlueMotion	DLAB	66	90	02/20	>			30.A45.00	
1.4 GTE Plug-in Hybrid	DGEA	110	150	07/20	>				53.298.00
with activated carbons / ai carboni attivi	DGEA	110	150	07/20	>				54.219.00
antibacterial, anti-odour and anti-allergen filter / filtro antibatterico, antiodori e anti-allergeni	DGEA	110	150	07/20	>				34.219.00
1.5 eTSi BlueMotion	DFYA	110	150	12/19	>	23.575.00		30.A45.00	53.298.00
with activated carbons / ai carboni attivi	DFYA	110	150	12/19	>				54.219.00
antibacterial, anti-odour and anti-allergen filter / filtro antibatterico, antiodori e anti-allergeni	DFYA	110	150	12/19	>				34.219.00
1.5 TGI Bluemotion	DHFA	96	131	09/20	>			30.A45.00	53.298.00
with activated carbons / ai carboni attivi	DHFA	96	131	09/20	>				54.219.00

...VOLKSWAGEN - cars/auto

antibacterial, anti-odour and anti-allergen filter / filtro antibatterico, antiodori e anti-allergeni	DHFA	96	131	09/20	>				34.219.00
1.5 TSI 130	DPBA	96	130	07/19	>	23.575.00		30.A45.00	53.298.00
with automatic air-conditioner / con climatizzatore automatico	DPBA	96	130	07/19	>				54.219.00
antibacterial, anti-odour and anti-allergen filter with automatic air-conditioner / filtro antibatterico, antiodori e anti-allergeni con climatizzatore automatico	DPBA	96	130	07/19	>				34.219.00
1.5 TSI 150	DPCA	110	150	07/19	>	23.575.00		30.A45.00	53.298.00
with automatic air-conditioner / con climatizzatore automatico	DPCA	110	150	07/19	>				54.219.00
antibacterial, anti-odour and anti-allergen filter with automatic air-conditioner / filtro antibatterico, antiodori e anti-allergeni con climatizzatore automatico	DPCA	110	150	07/19	>				34.219.00
2.0 GTi	DNFC	221	300	10/20	>	25.153.00		30.532.00	53.298.00
with activated carbons / ai carboni attivi	DNFC	221	300	10/20	>				54.219.00
antibacterial, anti-odour and anti-allergen filter / filtro antibatterico, antiodori e anti-allergeni	DNFC	221	300	10/20	>				34.219.00
2.0 GTi	DNPA	180	245	09/20	>	25.153.00		30.532.00	53.298.00
with activated carbons / ai carboni attivi	DNPA	180	245	09/20	>				54.219.00
antibacterial, anti-odour and anti-allergen filter / filtro antibatterico, antiodori e anti-allergeni	DNPA	180	245	09/20	>				34.219.00
2.0 TDi Blue Motion	DSRB	110	150	08/19	>		26.038.00	30.532.00	53.298.00
with activated carbons / ai carboni attivi	DSRB	110	150	08/19	>				54.219.00
with facility for water sensor / con predisposizione per sensore acqua	DSRB	110	150	08/19	>		26.065.00		
antibacterial, anti-odour and anti-allergen filter / filtro antibatterico, antiodori e anti-allergeni	DSRB	110	150	08/19	>				34.219.00
2.0 TDi Blue Motion	DSUD	85	116	08/19	>		26.038.00	30.532.00	53.298.00
with activated carbons / ai carboni attivi	DSUD	85	116	08/19	>				54.314.00
with facility for water sensor / con predisposizione per sensore acqua	DSUD	85	116	08/19	>		26.065.00		
antibacterial, anti-odour and anti-allergen filter / filtro antibatterico, antiodori e anti-allergeni	DSUD	85	116	08/19	>				34.314.00
for cold countries / per paesi freddi	DSUD	85	116	08/19	>			30.587.00	
2.0 TDi BlueMotion	DTUA	147	200	09/20	>		26.038.00	30.532.00	53.298.00
with activated carbons / ai carboni attivi	DTUA	147	200	09/20	>				54.219.00
antibacterial, anti-odour and anti-allergen filter / filtro antibatterico, antiodori e anti-allergeni	DTUA	147	200	09/20	>				34.219.00
for cold countries / per paesi freddi	DTUA	147	200	09/20	>			30.587.00	
2.0 TSi R	DNFG	235	320	09/20	>	25.153.00		30.532.00	53.298.00
with activated carbons / ai carboni attivi	DNFG	235	320	09/20	>				54.219.00
antibacterial, anti-odour and anti-allergen filter / filtro antibatterico, antiodori e anti-allergeni	DNFG	235	320	09/20	>				34.219.00
Golf VIII Alltrack									
2.0 TDi BlueMotion	DTUA	147	200	11/20	>		26.038.00	30.532.00	53.298.00
with activated carbons / ai carboni attivi	DTUA	147	200	11/20	>				54.219.00
antibacterial, anti-odour and anti-allergen filter / filtro antibatterico, antiodori e anti-allergeni	DTUA	147	200	11/20	>				34.219.00
for cold countries / per paesi freddi	DTUA	147	200	11/20	>			30.587.00	
Golf VIII Variant									
1.0 Mild Hybrid	DLAA	81	110	09/20	>	23.575.00		30.A45.00	53.298.00
with activated carbons / ai carboni attivi	DLAA	81	110	09/20	>				54.219.00
antibacterial, anti-odour and anti-allergen filter / filtro antibatterico, antiodori e anti-allergeni	DLAA	81	110	09/20	>				34.219.00
1.0 TSi	DLAA	81	110	09/20	>	23.575.00		30.A45.00	53.298.00
with activated carbons / ai carboni attivi	DLAA	81	110	09/20	>				54.219.00
antibacterial, anti-odour and anti-allergen filter / filtro antibatterico, antiodori e anti-allergeni	DLAA	81	110	09/20	>				34.219.00
1.0 TSi	DLAB	66	90	09/20	>	23.575.00		30.A45.00	53.298.00
with activated carbons / ai carboni attivi	DLAB	66	90	09/20	>				54.219.00
antibacterial, anti-odour and anti-allergen filter / filtro antibatterico, antiodori e anti-allergeni	DLAB	66	90	09/20	>				34.219.00
1.5 Mild Hybrid	DPBA	96	131	12/20	>	23.575.00		30.A45.00	53.219.00
with activated carbons / ai carboni attivi	DPBA	96	131	12/20	>				54.219.00
antibacterial, anti-odour and anti-allergen filter / filtro antibatterico, antiodori e anti-allergeni	DPBA	96	131	12/20	>				34.219.00
1.5 Mild Hybrid	DPCA	110	150	12/20	>	23.575.00		30.A45.00	53.298.00
with activated carbons / ai carboni attivi	DPCA	110	150	12/20	>				54.219.00
antibacterial, anti-odour and anti-allergen filter / filtro antibatterico, antiodori e anti-allergeni	DPCA	110	150	12/20	>				34.219.00
1.5 TSi	DPBA	96	131	09/20	>	23.575.00		30.A45.00	53.298.00
with activated carbons / ai carboni attivi	DPBA	96	131	09/20	>				54.219.00
antibacterial, anti-odour and anti-allergen filter / filtro antibatterico, antiodori e anti-allergeni	DPBA	96	131	09/20	>				34.219.00
1.5 TSi	DPCA	110	150	09/20	>	23.575.00		30.A45.00	53.298.00
with activated carbons / ai carboni attivi	DPCA	110	150	09/20	>				54.219.00
antibacterial, anti-odour and anti-allergen filter / filtro antibatterico, antiodori e anti-allergeni	DPCA	110	150	09/20	>				34.219.00
2.0 GTi	DNPA	180	245	09/20	>	25.153.00		30.532.00	53.298.00
with activated carbons / ai carboni attivi	DNPA	180	245	09/20	>				54.219.00
antibacterial, anti-odour and anti-allergen filter / filtro antibatterico, antiodori e anti-allergeni	DNPA	180	245	09/20	>				34.219.00
2.0 TDi BlueMotion	DTSB	110	150	09/20	>		26.038.00	30.532.00	53.298.00
with activated carbons / ai carboni attivi	DTSB	110	150	09/20	>				54.219.00
antibacterial, anti-odour and anti-allergen filter / filtro antibatterico, antiodori e anti-allergeni	DTSB	110	150	09/20	>				34.219.00
filter without drain / filtro senza spurgo	DTSB	110	150	09/20	>		26.038.00		
for cold countries / per paesi freddi	DTSB	110	150	09/20	>			30.587.00	
Jetta II (1K2)									
1.4 TSi	BLG	125	170	07/06	> 10/10	25.047.00	31.840.00	30.187.00	53.148.00
with air-conditioner and R.H.D. / con climatizzatore e guida a destra	BLG	125	170	07/06	> 10/10				54.376.00

...VOLKSWAGEN - cars/auto

2.0 FSI	AXW	110	150	07/05	>	10/10	25.040.00	31.840.00	27.401.00	53.148.00
with air-conditioner and R.H.D. / con climatizzatore e guida a destra	AXW	110	150	07/05	>	10/10				54.376.00
with air-conditioner and L.H.D. / con climatizzatore e guida a sinistra	AXW	110	150	07/05	>	10/10	25.040.00	31.840.00	27.401.00	54.124.00
antibacterial, anti-odour and anti-allergen filter with air-conditioner and L.H.D. / filtro antibatterico, antiodori e anti-allergeni con climatizzatore e guida a sinistra	AXW	110	150	07/05	>	10/10				34.124.00
for cold countries / per paesi freddi	AXW	110	150	07/05	>	10/10	25.040.00	31.840.00	27.402.00	53.148.00
2.0 FSI	BLR/BLY/BVY/BVZ	110	150	07/05	>	10/10	25.040.00	31.840.00	27.401.00	53.148.00
with air-conditioner and R.H.D. / con climatizzatore e guida a destra	BLR/BLY/BVY/BVZ	110	150	07/05	>	10/10				54.376.00
with air-conditioner and L.H.D. / con climatizzatore e guida a sinistra	BLR/BLY/BVY/BVZ	110	150	07/05	>	10/10	25.040.00	31.840.00	27.401.00	54.124.00
antibacterial, anti-odour and anti-allergen filter with air-conditioner and L.H.D. / filtro antibatterico, antiodori e anti-allergeni con climatizzatore e guida a sinistra	BLR/BLY/BVY/BVZ	110	150	07/05	>	10/10				34.124.00
for cold countries / per paesi freddi	BLR/BLY/BVY/BVZ	110	150	07/05	>	10/10	25.040.00	31.840.00	27.402.00	53.148.00
2.0 TDI	AZV	100	136	09/05	>		25.023.00	26.014.00	30.187.00	53.148.00
to frame No. 1K-7-600000 / a telaio N. 1K-7-600000	AZV	100	136	09/05	>	10/10				54.376.00
with air-conditioner and R.H.D. / con climatizzatore e guida a destra	AZV	100	136	09/05	>	10/10	25.023.00		30.187.00	54.124.00
with air-conditioner and L.H.D. / con climatizzatore e guida a sinistra	AZV	100	136	09/05	>	10/10	25.023.00	26.021.00	30.187.00	53.148.00
from frame No. 1K-7-600001 / da telaio N. 1K-7-600001	AZV	100	136	09/05	>	10/10				34.124.00
antibacterial, anti-odour and anti-allergen filter with air-conditioner and L.H.D. / filtro antibatterico, antiodori e anti-allergeni con climatizzatore e guida a sinistra	AZV	100	136	09/05	>	10/10				34.124.00
for cold countries / per paesi freddi	AZV	100	136	09/05	>	10/10	25.023.00		30.370.00	53.148.00
2.0 TDI	BKD/BMM	103	140	07/05	>		25.023.00	26.014.00	30.187.00	53.148.00
to frame No. 1K-7-600000 / a telaio N. 1K-7-600000	BKD/BMM	103	140	07/05	>	10/10				54.376.00
with air-conditioner and R.H.D. / con climatizzatore e guida a destra	BKD/BMM	103	140	07/05	>	10/10	25.023.00		30.187.00	54.124.00
with air-conditioner and L.H.D. / con climatizzatore e guida a sinistra	BKD/BMM	103	140	07/05	>	10/10	25.023.00	26.021.00	30.187.00	53.148.00
from frame No. 1K-7-600001 / da telaio N. 1K-7-600001	BKD/BMM	103	140	07/05	>	10/10				34.124.00
antibacterial, anti-odour and anti-allergen filter with air-conditioner and L.H.D. / filtro antibatterico, antiodori e anti-allergeni con climatizzatore e guida a sinistra	BKD/BMM	103	140	07/05	>	10/10				34.124.00
for cold countries / per paesi freddi	BKD/BMM	103	140	07/05	>	10/10	25.023.00		30.370.00	53.148.00
2.0 TDI	BMN	125	170	07/06	>	10/10	25.023.00	26.021.00	30.187.00	53.148.00
with air-conditioner and R.H.D. / con climatizzatore e guida a destra	BMN	125	170	07/06	>	10/10				54.376.00
with air-conditioner and L.H.D. / con climatizzatore e guida a sinistra	BMN	125	170	07/06	>	10/10	25.023.00	26.021.00	30.187.00	54.124.00
antibacterial, anti-odour and anti-allergen filter with air-conditioner and L.H.D. / filtro antibatterico, antiodori e anti-allergeni con climatizzatore e guida a sinistra	BMN	125	170	07/06	>	10/10				34.124.00
for cold countries / per paesi freddi	BMN	125	170	07/06	>	10/10	25.023.00	26.021.00	30.370.00	53.148.00
2.0 TFSI	BWA/BPY	147	200	09/05	>	10/10	25.040.00	31.840.00	30.315.00	53.148.00
with air-conditioner and R.H.D. / con climatizzatore e guida a destra	BWA/BPY	147	200	09/05	>	10/10				54.376.00
with air-conditioner and L.H.D. / con climatizzatore e guida a sinistra	BWA/BPY	147	200	09/05	>	10/10	25.040.00	31.840.00	30.315.00	54.124.00
antibacterial, anti-odour and anti-allergen filter with air-conditioner and L.H.D. / filtro antibatterico, antiodori e anti-allergeni con climatizzatore e guida a sinistra	BWA/BPY	147	200	09/05	>	10/10				34.124.00
2.0 TFSI	CAWA	125	170	03/08	>	10/10	23.493.00	31.840.00	30.187.00	53.148.00
with activated carbon L.H.D. / con guida a sinistra, ai carboni attivi	CAWA	125	170	03/08	>	10/10				54.124.00
antibacterial, anti-odour and anti-allergen filter with air-conditioner and L.H.D. / filtro antibatterico, antiodori e anti-allergeni con climatizzatore e guida a sinistra	CAWA	125	170	03/08	>	10/10				34.124.00
for cold countries / per paesi freddi	CAWA	125	170	03/08	>	10/10			30.370.00	
2.0 TFSI	CCTA	147	200	04/08	>	10/10	23.493.00	31.840.00	30.187.00	53.148.00
with air-conditioner and R.H.D. / con climatizzatore e guida a destra	CCTA	147	200	07/08	>	10/10				54.376.00
with air-conditioner and L.H.D. / con climatizzatore e guida a sinistra	CCTA	147	200	04/08	>	10/10	23.493.00	31.840.00	30.187.00	54.124.00
antibacterial, anti-odour and anti-allergen filter with air-conditioner and L.H.D. / filtro antibatterico, antiodori e anti-allergeni con climatizzatore e guida a sinistra	CCTA	147	200	04/08	>	10/10				34.124.00
for cold countries / per paesi freddi	CCTA	147	200	04/08	>	10/10	23.493.00	31.840.00	30.370.00	54.124.00
2.5 FSI	CCCA/CBUA/CBTA	125	170	07/07	>	10/10	25.040.00	31.833.00	30.055.00	53.148.00
with activated carbon L.H.D. / con guida a sinistra, ai carboni attivi	CCCA/CBUA/CBTA	125	170	07/07	>	10/10				54.124.00
antibacterial, anti-odour and anti-allergen filter with L.H.D. / filtro antibatterico, antiodori e anti-allergeni con guida a sinistra	CCCA/CBUA/CBTA	125	170	07/07	>	10/10				34.124.00
2.5 V5	BTK	110	150	01/06	>	07/07	25.040.00	31.833.00	30.055.00	53.148.00
with air-conditioner and R.H.D. / con climatizzatore e guida a destra	BTK	110	150	01/06	>	07/07				54.376.00
with air-conditioner and L.H.D. / con climatizzatore e guida a sinistra	BTK	110	150	01/06	>	07/07	25.040.00	31.833.00	30.055.00	54.124.00
antibacterial, anti-odour and anti-allergen filter with air-conditioner and L.H.D. / filtro antibatterico, antiodori e anti-allergeni con climatizzatore e guida a sinistra	BTK	110	150	01/06	>	07/07				34.124.00
Jetta IV (162)										
1.2 TSI	CBZB	77	105	10/10	>					54.376.00
with air-conditioner and R.H.D. / con climatizzatore e guida a destra	CBZB	77	105	10/10	>					54.124.00
with air-conditioner and L.H.D. / con climatizzatore e guida a sinistra	CBZB	77	105	10/10	>		23.573.00	31.840.00	27.401.00	53.148.00
with L.H.D. / con guida a sinistra	CBZB	77	105	10/10	>					34.124.00
antibacterial, anti-odour and anti-allergen filter with air-conditioner and L.H.D. / filtro antibatterico, antiodori e anti-allergeni con climatizzatore e guida a sinistra	CBZB	77	105	10/10	>					34.124.00
1.2 TSI	CYVD	77	105	08/14	>					54.376.00
with air-conditioner and R.H.D. / con climatizzatore e guida a destra	CYVD	77	105	08/14	>					54.124.00
with air-conditioner and L.H.D. / con climatizzatore e guida a sinistra	CYVD	77	105	08/14	>		23.575.00	31.840.00	30.549.00	53.148.00
with L.H.D. / con guida a sinistra	CYVD	77	105	08/14	>					34.124.00
antibacterial, anti-odour and anti-allergen filter with air-conditioner and L.H.D. / filtro antibatterico, antiodori e anti-allergeni con climatizzatore e guida a sinistra	CYVD	77	105	08/14	>					34.124.00
1.4 TSI	CAVD/CTHD	118	160	01/11	>					54.376.00
with air-conditioner and R.H.D. / con climatizzatore e guida a destra	CAVD/CTHD	118	160	01/11	>					54.124.00
with air-conditioner and L.H.D. / con climatizzatore e guida a sinistra	CAVD/CTHD	118	160	01/11	>		23.573.00	31.840.00	30.187.00	53.148.00
with L.H.D. / con guida a sinistra	CAVD/CTHD	118	160	01/11	>					34.124.00
antibacterial, anti-odour and anti-allergen filter with air-conditioner and L.H.D. / filtro antibatterico, antiodori e anti-allergeni con climatizzatore e guida a sinistra	CAVD/CTHD	118	160	01/11	>					34.124.00
for cold countries / per paesi freddi	CAVD/CTHD	118	160	01/11	>				30.370.00	
1.4 TSI										

...VOLKSWAGEN - cars/auto

with air-conditioner and L.H.D. / con climatizzatore e guida a sinistra	CZCA	92	125	08/14	>				54.124.00
with R.H.D. / con guida a destra	CZCA	92	125	08/14	>				54.376.00
with L.H.D. / con guida a sinistra	CZCA	92	125	08/14	>	23.575.00	31.840.00	30.549.00	53.148.00
antibacterial, anti-odour and anti-allergen filter with air-conditioner and L.H.D. / filtro antibatterico, antiodori e anti-allergeni con climatizzatore e guida a sinistra	CZCA	92	125	08/14	>				34.124.00
1.4 TSI 150									
with air-conditioner and R.H.D. / con climatizzatore e guida a destra	CAVA/CTHA	110	150	04/11	>	10/14			54.376.00
with air-conditioner and L.H.D. / con climatizzatore e guida a sinistra	CAVA/CTHA	110	150	04/11	>	10/14			54.124.00
with L.H.D. / con guida a sinistra	CAVA/CTHA	110	150	04/11	>	10/14	23.573.00	31.840.00	30.187.00
antibacterial, anti-odour and anti-allergen filter with air-conditioner and L.H.D. / filtro antibatterico, antiodori e anti-allergeni con climatizzatore e guida a sinistra	CAVA/CTHA	110	150	04/11	>	10/14			34.124.00
for cold countries / per paesi freddi	CAVA/CTHA	110	150	04/11	>	10/14			30.370.00
1.4 TSI 150									
with air-conditioner and L.H.D. / con climatizzatore e guida a sinistra	CZDA	110	150	08/14	>				54.124.00
with R.H.D. / con guida a destra	CZDA	110	150	08/14	>				54.376.00
with L.H.D. / con guida a sinistra	CZDA	110	150	08/14	>	23.575.00	31.840.00	30.549.00	53.148.00
antibacterial, anti-odour and anti-allergen filter with air-conditioner and L.H.D. / filtro antibatterico, antiodori e anti-allergeni con climatizzatore e guida a sinistra	CZDA	110	150	08/14	>				34.124.00
1.4 TSI Hybrid									
with air-conditioner and R.H.D. / con climatizzatore e guida a destra	CNLA	110	150	07/12	>				54.376.00
with air-conditioner and L.H.D. / con climatizzatore e guida a sinistra	CNLA	110	150	07/12	>				54.124.00
with L.H.D. / con guida a sinistra	CNLA	110	150	07/12	>	23.575.00	31.840.00	30.549.00	53.148.00
antibacterial, anti-odour and anti-allergen filter with air-conditioner and L.H.D. / filtro antibatterico, antiodori e anti-allergeni con climatizzatore e guida a sinistra	CNLA	110	150	07/12	>				34.124.00
1.4 TSI Hybrid									
with air-conditioner and R.H.D. / con climatizzatore e guida a destra	CRJA	110	150	07/12	>				54.376.00
with air-conditioner and L.H.D. / con climatizzatore e guida a sinistra	CRJA	110	150	07/12	>				54.124.00
with L.H.D. / con guida a sinistra	CRJA	110	150	07/12	>	23.575.00	31.840.00	30.549.00	53.148.00
antibacterial, anti-odour and anti-allergen filter with air-conditioner and L.H.D. / filtro antibatterico, antiodori e anti-allergeni con climatizzatore e guida a sinistra	CRJA	110	150	07/12	>				34.124.00
1.6									
with air-conditioner and R.H.D. / con climatizzatore e guida a destra	CFNA/CLRA	77	105	12/11	>				54.376.00
with air-conditioner and L.H.D. / con climatizzatore e guida a sinistra	CFNA/CLRA	77	105	12/11	>				54.124.00
with L.H.D. / con guida a sinistra	CFNA/CLRA	77	105	12/11	>	23.573.00	31.833.00	30.342.00	53.148.00
antibacterial, anti-odour and anti-allergen filter with air-conditioner and L.H.D. / filtro antibatterico, antiodori e anti-allergeni con climatizzatore e guida a sinistra	CFNA/CLRA	77	105	12/11	>				34.124.00
1.6									
with air-conditioner and R.H.D. / con climatizzatore e guida a destra	CFNB	63	86	03/13	>				54.376.00
with air-conditioner and L.H.D. / con climatizzatore e guida a sinistra	CFNB	63	86	03/13	>				54.124.00
with L.H.D. / con guida a sinistra	CFNB	63	86	03/13	>	23.573.00	31.833.00	30.342.00	53.148.00
antibacterial, anti-odour and anti-allergen filter with air-conditioner and L.H.D. / filtro antibatterico, antiodori e anti-allergeni con climatizzatore e guida a sinistra	CFNB	63	86	03/13	>				34.124.00
1.6 TDI									
with air-conditioner and R.H.D. / con climatizzatore e guida a destra	CAYC	77	105	10/10	>				54.376.00
with air-conditioner and L.H.D. / con climatizzatore e guida a sinistra	CAYC	77	105	10/10	>				54.124.00
with L.H.D. / con guida a sinistra	CAYC	77	105	10/10	>	25.106.00	26.007.00	30.187.00	53.148.00
antibacterial, anti-odour and anti-allergen filter with air-conditioner and L.H.D. / filtro antibatterico, antiodori e anti-allergeni con climatizzatore e guida a sinistra	CAYC	77	105	10/10	>				34.124.00
for cold countries / per paesi freddi	CAYC	77	105	10/10	>				30.370.00
1.8 TSI									
with air-conditioner and R.H.D. / con climatizzatore e guida a destra	CPKA	125	170	07/13	>				54.376.00
with air-conditioner and L.H.D. / con climatizzatore e guida a sinistra	CPKA	125	170	07/13	>				54.124.00
with L.H.D. / con guida a sinistra	CPKA	125	170	07/13	>	25.153.00	31.840.00	30.187.00	53.148.00
antibacterial, anti-odour and anti-allergen filter with air-conditioner and L.H.D. / filtro antibatterico, antiodori e anti-allergeni con climatizzatore e guida a sinistra	CPKA	125	170	07/13	>				34.124.00
1.8 TSI									
with air-conditioner and R.H.D. / con climatizzatore e guida a destra	CPRA	125	170	07/13	>				54.376.00
with air-conditioner and L.H.D. / con climatizzatore e guida a sinistra	CPRA	125	170	07/13	>				54.124.00
with L.H.D. / con guida a sinistra	CPRA	125	170	07/13	>	25.153.00	31.840.00	30.187.00	53.148.00
antibacterial, anti-odour and anti-allergen filter with air-conditioner and L.H.D. / filtro antibatterico, antiodori e anti-allergeni con climatizzatore e guida a sinistra	CPRA	125	170	07/13	>				34.124.00
2.0									
with air-conditioner and R.H.D. / con climatizzatore e guida a destra	CKJA	85	116	10/10	>				54.376.00
with air-conditioner and L.H.D. / con climatizzatore e guida a sinistra	CKJA	85	116	10/10	>				54.124.00
with L.H.D. / con guida a sinistra	CKJA	85	116	10/10	>	23.436.00	31.833.00	27.401.00	53.148.00
antibacterial, anti-odour and anti-allergen filter with air-conditioner and L.H.D. / filtro antibatterico, antiodori e anti-allergeni con climatizzatore e guida a sinistra	CKJA	85	116	10/10	>				34.124.00
for cold countries / per paesi freddi	CKJA	85	116	10/10	>				27.402.00
2.0 (MEX)									
with air-conditioner and R.H.D. / con climatizzatore e guida a destra	CBPA	85	116	01/11	>				54.376.00
with air-conditioner and L.H.D. / con climatizzatore e guida a sinistra	CBPA	85	116	01/11	>				54.124.00
with L.H.D. / con guida a sinistra	CBPA	85	116	01/11	>		31.833.00	27.401.00	53.148.00
antibacterial, anti-odour and anti-allergen filter with air-conditioner and L.H.D. / filtro antibatterico, antiodori e anti-allergeni con climatizzatore e guida a sinistra	CBPA	85	116	01/11	>				34.124.00
2.0 (USA)									
with air-conditioner and R.H.D. / con climatizzatore e guida a destra	CBPA	85	116	06/10	>				54.376.00
with air-conditioner and L.H.D. / con climatizzatore e guida a sinistra	CBPA	85	116	06/10	>				54.124.00
with L.H.D. / con guida a sinistra	CBPA	85	116	06/10	>	23.436.00	31.833.00	27.401.00	53.148.00
antibacterial, anti-odour and anti-allergen filter with air-conditioner and L.H.D. / filtro antibatterico, antiodori e anti-allergeni con climatizzatore e guida a sinistra	CBPA	85	116	06/10	>				34.124.00

...VOLKSWAGEN - cars/auto

for cold countries / per paesi freddi	CBPA	85	116	06/10	>			27.402.00	
2.0 TDI									
with air-conditioner and R.H.D. / con climatizzatore e guida a destra	CFFB	103	140	10/10	>				54.376.00
with air-conditioner and L.H.D. / con climatizzatore e guida a sinistra	CFFB	103	140	10/10	>				54.124.00
with L.H.D. / con guida a sinistra	CFFB	103	140	10/10	>	25.106.00	26.021.00	30.187.00	53.148.00
antibacterial, anti-odour and anti-allergen filter with air-conditioner and L.H.D. / filtro antibatterico, antiodori e anti-allergeni con climatizzatore e guida a sinistra	CFFB	103	140	10/10	>				34.124.00
for cold countries / per paesi freddi	CFFB	103	140	10/10	>			30.370.00	
2.0 TDI									
with air-conditioner and R.H.D. / con climatizzatore e guida a destra	CJAA	103	140	01/11	>				54.376.00
with air-conditioner and L.H.D. / con climatizzatore e guida a sinistra	CJAA	103	140	01/11	>				54.124.00
with L.H.D. / con guida a sinistra	CJAA	103	140	01/11	>	25.023.00	26.014.00	30.370.00	53.148.00
antibacterial, anti-odour and anti-allergen filter with air-conditioner and L.H.D. / filtro antibatterico, antiodori e anti-allergeni con climatizzatore e guida a sinistra	CJAA	103	140	10/10	>				34.124.00
2.0 TDI									
with air-conditioner and R.H.D. / con climatizzatore e guida a destra	CLCA	81	110	10/10	>				54.376.00
with air-conditioner and L.H.D. / con climatizzatore e guida a sinistra	CLCA	81	110	10/10	>				54.124.00
with L.H.D. / con guida a sinistra	CLCA	81	110	10/10	>	25.106.00	26.021.00	30.187.00	53.148.00
antibacterial, anti-odour and anti-allergen filter with air-conditioner and L.H.D. / filtro antibatterico, antiodori e anti-allergeni con climatizzatore e guida a sinistra	CLCA	81	110	10/10	>				34.124.00
for cold countries / per paesi freddi	CLCA	81	110	10/10	>			30.370.00	
2.0 TDI									
with air-conditioner and R.H.D. / con climatizzatore e guida a destra	CLCB	103	140	01/11	>				54.376.00
with air-conditioner and L.H.D. / con climatizzatore e guida a sinistra	CLCB	103	140	01/11	>				54.124.00
with L.H.D. / con guida a sinistra	CLCB	103	140	01/11	>	25.106.00	26.021.00	30.187.00	53.148.00
antibacterial, anti-odour and anti-allergen filter with air-conditioner and L.H.D. / filtro antibatterico, antiodori e anti-allergeni con climatizzatore e guida a sinistra	CLCB	103	140	01/11	>				34.124.00
for cold countries / per paesi freddi	CLCB	103	140	01/11	>			30.370.00	
2.0 TDI (RA)									
with air-conditioner and R.H.D. / con climatizzatore e guida a destra	CLCA	81	110	10/10	>				54.376.00
with air-conditioner and L.H.D. / con climatizzatore e guida a sinistra	CLCA	81	110	10/10	>				54.124.00
with L.H.D. / con guida a sinistra	CLCA	81	110	10/10	>	25.106.00	26.014.00	30.187.00	53.148.00
antibacterial, anti-odour and anti-allergen filter with air-conditioner and L.H.D. / filtro antibatterico, antiodori e anti-allergeni con climatizzatore e guida a sinistra	CLCA	81	110	10/10	>				34.124.00
for cold countries / per paesi freddi	CLCA	81	110	10/10	>			30.370.00	
2.0 TDI 110									
with air-conditioner and R.H.D. / con climatizzatore e guida a destra	CUUA	81	110	08/14	>				54.376.00
with air-conditioner and L.H.D. / con climatizzatore e guida a sinistra	CUUA	81	110	08/14	>				54.124.00
with L.H.D. / con guida a sinistra	CUUA	81	110	08/14	>	25.144.00	26.038.00	30.187.00	53.148.00
antibacterial, anti-odour and anti-allergen filter with air-conditioner and L.H.D. / filtro antibatterico, antiodori e anti-allergeni con climatizzatore e guida a sinistra	CUUA	81	110	08/14	>				34.124.00
export models Diesel Plus / modelli di esportazione Diesel Plus	CUUA	81	110	08/14	>		26.065.00		
for cold countries / per paesi freddi	CUUA	81	110	08/14	>			30.370.00	
2.0 TDI 150									
with air-conditioner and R.H.D. / con climatizzatore e guida a destra	CUUB/CVCA	110	150	07/14	>				54.376.00
with air-conditioner and L.H.D. / con climatizzatore e guida a sinistra	CUUB/CVCA	110	150	07/14	>				54.124.00
with L.H.D. / con guida a sinistra	CUUB/CVCA	110	150	07/14	>	25.144.00	26.038.00	30.187.00	53.148.00
antibacterial, anti-odour and anti-allergen filter with air-conditioner and L.H.D. / filtro antibatterico, antiodori e anti-allergeni con climatizzatore e guida a sinistra	CUUB/CVCA	110	150	07/14	>				34.124.00
export models Diesel Plus / modelli di esportazione Diesel Plus	CUUB/CVCA	110	150	07/14	>		26.065.00		
for cold countries / per paesi freddi	CUUB/CVCA	110	150	07/14	>			30.370.00	
2.0 TSI									
with air-conditioner and R.H.D. / con climatizzatore e guida a destra	CBFA	147	200	02/11	>				54.376.00
with air-conditioner and L.H.D. / con climatizzatore e guida a sinistra	CBFA	147	200	02/11	>				54.124.00
with L.H.D. / con guida a sinistra	CBFA	147	200	02/11	>	23.493.00	31.840.00	30.187.00	53.148.00
antibacterial, anti-odour and anti-allergen filter with air-conditioner and L.H.D. / filtro antibatterico, antiodori e anti-allergeni con climatizzatore e guida a sinistra	CBFA	147	200	02/11	>				34.124.00
for cold countries / per paesi freddi	CBFA	147	200	02/11	>			30.370.00	
2.0 TSI									
with air-conditioner and R.H.D. / con climatizzatore e guida a destra	CCTA	147	200	02/11	>				54.376.00
with air-conditioner and L.H.D. / con climatizzatore e guida a sinistra	CCTA	147	200	02/11	>				54.124.00
with L.H.D. / con guida a sinistra	CCTA	147	200	02/11	>	23.493.00	31.840.00	30.187.00	53.148.00
antibacterial, anti-odour and anti-allergen filter with air-conditioner and L.H.D. / filtro antibatterico, antiodori e anti-allergeni con climatizzatore e guida a sinistra	CCTA	147	200	02/11	>				34.124.00
for cold countries / per paesi freddi	CCTA	147	200	02/11	>			30.370.00	
2.0 TSI									
with air-conditioner and R.H.D. / con climatizzatore e guida a destra	CCZA	147	200	12/10	>				54.376.00
with air-conditioner and L.H.D. / con climatizzatore e guida a sinistra	CCZA	147	200	12/10	>				54.124.00
with L.H.D. / con guida a sinistra	CCZA	147	200	12/10	>	23.493.00	31.840.00	30.187.00	53.148.00
antibacterial, anti-odour and anti-allergen filter with air-conditioner and L.H.D. / filtro antibatterico, antiodori e anti-allergeni con climatizzatore e guida a sinistra	CCZA	147	200	12/10	>				34.124.00
for cold countries / per paesi freddi	CCZA	147	200	12/10	>			30.370.00	
2.0 TSI									
with air-conditioner and R.H.D. / con climatizzatore e guida a destra	CPLA	155	211	12/12	>				54.376.00
with air-conditioner and L.H.D. / con climatizzatore e guida a sinistra	CPLA	155	211	12/12	>				54.124.00
with L.H.D. / con guida a sinistra	CPLA	155	211	12/12	>	25.153.00	31.840.00	30.187.00	53.148.00
antibacterial, anti-odour and anti-allergen filter with air-conditioner and L.H.D. / filtro antibatterico, antiodori e anti-allergeni con climatizzatore e guida a sinistra	CPLA	155	211	12/12	>				34.124.00

...VOLKSWAGEN - cars/auto

for cold countries / per paesi freddi	CPLA	155	211	12/12	>			30.370.00	
2.0 TSI									
with air-conditioner and R.H.D. / con climatizzatore e guida a destra	CPPA	155	211	12/12	>				54.376.00
with air-conditioner and L.H.D. / con climatizzatore e guida a sinistra	CPPA	155	211	12/12	>				54.124.00
with L.H.D. / con guida a sinistra	CPPA	155	211	12/12	>	25.153.00	31.840.00	30.187.00	53.148.00
antibacterial, anti-odour and anti-allergen filter with air-conditioner and L.H.D. / filtro antibatterico, antiodori e anti-allergeni con climatizzatore e guida a sinistra	CPPA	155	211	12/12	>				34.124.00
for cold countries / per paesi freddi	CPPA	155	211	12/12	>			30.370.00	
2.5 V5									
with air-conditioner and R.H.D. / con climatizzatore e guida a destra	CBTA	125	170	04/10	>				54.376.00
with air-conditioner and L.H.D. / con climatizzatore e guida a sinistra	CBTA	125	170	04/10	>				54.124.00
with L.H.D. / con guida a sinistra	CBTA	125	170	04/10	>	25.040.00	31.833.00	30.C55.00	53.148.00
antibacterial, anti-odour and anti-allergen filter with air-conditioner and L.H.D. / filtro antibatterico, antiodori e anti-allergeni con climatizzatore e guida a sinistra	CBTA	125	170	04/10	>				34.124.00
2.5 V5									
with air-conditioner and R.H.D. / con climatizzatore e guida a destra	CBUA	125	170	01/11	>				54.376.00
with air-conditioner and L.H.D. / con climatizzatore e guida a sinistra	CBUA	125	170	01/11	>				54.124.00
with L.H.D. / con guida a sinistra	CBUA	125	170	01/11	>	25.040.00	31.833.00	30.C55.00	53.148.00
antibacterial, anti-odour and anti-allergen filter with air-conditioner and L.H.D. / filtro antibatterico, antiodori e anti-allergeni con climatizzatore e guida a sinistra	CBUA	125	170	01/11	>				34.124.00
2.5 V5									
with air-conditioner and R.H.D. / con climatizzatore e guida a destra	CCCA	125	170	01/11	>			30.C55.00	
with air-conditioner and L.H.D. / con climatizzatore e guida a sinistra	CCCA	125	170	01/11	>				54.376.00
with L.H.D. / con guida a sinistra	CCCA	125	170	01/11	>	25.040.00	31.833.00	30.C55.00	54.124.00
antibacterial, anti-odour and anti-allergen filter with air-conditioner and L.H.D. / filtro antibatterico, antiodori e anti-allergeni con climatizzatore e guida a sinistra	CCCA	125	170	01/11	>				53.148.00
									34.124.00
Kaefer									
1600 i (Mexico)	ACD	34	46	10/92	>	07/03	23.130.01	31.500.00	30.818.00
Lupo									
1.0 i	AER	37	50	08/99	>	05/05	23.453.00	31.722.00	30.038.01
with activated carbons / ai carboni attivi	AER	37	50	08/99	>	05/05	23.453.00	31.722.00	30.038.01
with activated carbons some (frame 1J0819648) / ai carboni attivi alcuni (telaio 1J0819648)	AER	37	50	10/98	>	05/05			54.109.00
antibacterial, anti-odour and anti-allergen filter / filtro antibatterico, antiodori e anti-allergeni	AER	37	50	10/98	>	05/05			34.263.00
antibacterial, anti-odour and anti-allergen filter some (frame 1J0819648) / filtro antibatterico, antiodori e anti-allergeni alcuni (telaio 1J0819648)	AER	37	50	10/98	>	05/05			34.109.00
1.0 i	AHT	37	50	10/98	>	05/05	23.435.00	31.722.00	30.038.01
with activated carbons / ai carboni attivi	AHT	37	50	10/98	>	05/05	23.435.00	31.722.00	30.038.01
with activated carbons some (frame 1J0819648) / ai carboni attivi alcuni (telaio 1J0819648)	AHT	37	50	10/98	>	05/05			54.109.00
antibacterial, anti-odour and anti-allergen filter / filtro antibatterico, antiodori e anti-allergeni	AHT	37	50	10/98	>	05/05			34.263.00
antibacterial, anti-odour and anti-allergen filter some (frame 1J0819648) / filtro antibatterico, antiodori e anti-allergeni alcuni (telaio 1J0819648)	AHT	37	50	10/98	>	05/05			34.109.00
1.0 i	ALD	37	50	08/99	>	05/05	23.453.00	31.722.00	30.134.00
with activated carbons / ai carboni attivi	ALD	37	50	08/99	>	05/05	23.453.00	31.722.00	30.134.00
with activated carbons some (frame 1J0819648) / ai carboni attivi alcuni (telaio 1J0819648)	ALD	37	50	10/98	>	05/05			54.263.00
antibacterial, anti-odour and anti-allergen filter / filtro antibatterico, antiodori e anti-allergeni	ALD	37	50	10/98	>	05/05			34.263.00
antibacterial, anti-odour and anti-allergen filter some (frame 1J0819648) / filtro antibatterico, antiodori e anti-allergeni alcuni (telaio 1J0819648)	ALD	37	50	10/98	>	05/05			34.109.00
1.0 i	ALL	37	50	08/99	>	05/05	23.453.00	31.722.00	30.038.01
with activated carbons / ai carboni attivi	ALL	37	50	08/99	>	05/05	23.453.00	31.722.00	30.038.01
with activated carbons some (frame 1J0819648) / ai carboni attivi alcuni (telaio 1J0819648)	ALL	37	50	10/98	>	05/05			54.109.00
antibacterial, anti-odour and anti-allergen filter / filtro antibatterico, antiodori e anti-allergeni	ALL	37	50	10/98	>	05/05			34.263.00
antibacterial, anti-odour and anti-allergen filter some (frame 1J0819648) / filtro antibatterico, antiodori e anti-allergeni alcuni (telaio 1J0819648)	ALL	37	50	10/98	>	05/05			34.109.00
1.0 i	ANV/AUC	37	50	08/99	>	05/05	23.453.00	31.722.00	30.134.00
with activated carbons / ai carboni attivi	ANV/AUC	37	50	08/99	>	05/05	23.453.00	31.722.00	30.134.00
with activated carbons some (frame 1J0819648) / ai carboni attivi alcuni (telaio 1J0819648)	ANV/AUC	37	50	10/98	>	05/05			54.109.00
antibacterial, anti-odour and anti-allergen filter / filtro antibatterico, antiodori e anti-allergeni	ANV/AUC	37	50	10/98	>	05/05			34.263.00
antibacterial, anti-odour and anti-allergen filter some (frame 1J0819648) / filtro antibatterico, antiodori e anti-allergeni alcuni (telaio 1J0819648)	ANV/AUC	37	50	10/98	>	05/05			34.109.00
1.2 TDI (3 L)	ANY	45	61	08/99	>	07/05	25.023.00	24.426.00	27.257.00
with activated carbons / ai carboni attivi	ANY	45	61	08/99	>	07/05	25.023.00	24.426.00	27.257.00
with activated carbons some (frame 1J0819648) / ai carboni attivi alcuni (telaio 1J0819648)	ANY	45	61	08/99	>	07/05			54.109.00
antibacterial, anti-odour and anti-allergen filter / filtro antibatterico, antiodori e anti-allergeni	ANY	45	61	08/99	>	07/05			34.263.00
antibacterial, anti-odour and anti-allergen filter some (frame 1J0819648) / filtro antibatterico, antiodori e anti-allergeni alcuni (telaio 1J0819648)	ANY	45	61	08/99	>	07/05			34.109.00
1.4 FSI	ARR	77	105	08/00	>	05/05	23.453.00	31.722.00	30.134.00
with activated carbons / ai carboni attivi	ARR	77	105	08/00	>	05/05	23.453.00	31.722.00	30.134.00
with activated carbons some (frame 1J0819648) / ai carboni attivi alcuni (telaio 1J0819648)	ARR	77	105	08/00	>	05/05			54.109.00
antibacterial, anti-odour and anti-allergen filter / filtro antibatterico, antiodori e anti-allergeni	ARR	77	105	08/00	>	05/05			34.263.00
antibacterial, anti-odour and anti-allergen filter some (frame 1J0819648) / filtro antibatterico, antiodori e anti-allergeni alcuni (telaio 1J0819648)	ARR	77	105	08/00	>	05/05			34.109.00
1.4 i	AUD	44	60	09/00	>	05/05	23.453.00	31.722.00	30.134.00
with activated carbons / ai carboni attivi	AUD	44	60	09/00	>	05/05	23.453.00	31.722.00	30.124.00
with activated carbons some (frame 1J0819648) / ai carboni attivi alcuni (telaio 1J0819648)	AUD	44	60	09/00	>	05/05			54.109.00
antibacterial, anti-odour and anti-allergen filter / filtro antibatterico, antiodori e anti-allergeni	AUD	44	60	09/00	>	05/05			34.263.00
antibacterial, anti-odour and anti-allergen filter some (frame 1J0819648) / filtro antibatterico, antiodori e anti-allergeni alcuni (telaio 1J0819648)	AUD	44	60	09/00	>	05/05			34.109.00
1.4 i 16V	AFK/ANM/AQQ/AUB	74	101	08/99	>	05/05	23.453.00	31.722.00	30.124.00
with activated carbons / ai carboni attivi	AFK/ANM/AQQ/AUB	74	101	08/99	>	05/05	23.453.00	31.722.00	30.124.00

...VOLKSWAGEN - cars/auto

with activated carbons some (frame 1J0819648) / ai carboni attivi alcuni (telaio 1J0819648)	AFK/ANM/AQQ/AUB	74	101	10/98	>	05/05				54.109.00
antibacterial, anti-odour and anti-allergen filter / filtro antibatterico, antiodori e anti-allergeni	AFK/ANM/AQQ/AUB	74	101	10/98	>	05/05				34.263.00
antibacterial, anti-odour and anti-allergen filter some (frame 1J0819648) / filtro antibatterico, antiodori e anti-allergeni alcuni (telaio 1J0819648)	AFK/ANM/AQQ/AUB	74	101	10/98	>	05/05				34.109.00
dusty areas / zone polverose	AFK/ANM/AQQ/AUB	74	101	08/99	>	05/05	23.453.00	31.722.00	30.184.00	53.006.00
1.4 i 16V	AHW/AUA	55	75	08/99	>	05/05	23.453.00	31.722.00	30.124.00	53.006.00
with activated carbons / ai carboni attivi	AHW/AUA	55	75	08/99	>	05/05	23.453.00	31.722.00	30.124.00	54.263.00
with activated carbons some (frame 1J0819648) / ai carboni attivi alcuni (telaio 1J0819648)	AHW/AUA	55	75	10/98	>	05/05				54.109.00
antibacterial, anti-odour and anti-allergen filter / filtro antibatterico, antiodori e anti-allergeni	AHW/AUA	55	75	10/98	>	05/05				34.263.00
antibacterial, anti-odour and anti-allergen filter some (frame 1J0819648) / filtro antibatterico, antiodori e anti-allergeni alcuni (telaio 1J0819648)	AHW/AUA	55	75	10/98	>	05/05				34.109.00
dusty areas / zone polverose	AHW/AUA	55	75	08/99	>	05/05	23.453.00	31.722.00	30.184.00	53.006.00
1.4 i 16V	AKQ/APE	55	75	08/99	>	05/05	23.453.00	31.722.00	30.124.00	53.006.00
with activated carbons / ai carboni attivi	AKQ/APE	55	75	08/99	>	05/05	23.453.00	31.722.00	30.124.00	54.263.00
with activated carbons some (frame 1J0819648) / ai carboni attivi alcuni (telaio 1J0819648)	AKQ/APE	55	75	10/98	>	05/05				54.109.00
antibacterial, anti-odour and anti-allergen filter / filtro antibatterico, antiodori e anti-allergeni	AKQ/APE	55	75	10/98	>	05/05				34.263.00
antibacterial, anti-odour and anti-allergen filter some (frame 1J0819648) / filtro antibatterico, antiodori e anti-allergeni alcuni (telaio 1J0819648)	AKQ/APE	55	75	10/98	>	05/05				34.109.00
dusty areas / zone polverose	AKQ/APE	55	75	08/99	>	05/05	23.453.00	31.722.00	30.184.00	53.006.00
1.4 TDI	AMF	55	75	01/99	>	05/05	25.023.00	24.426.00	27.257.00	53.006.00
with activated carbons / ai carboni attivi	AMF	55	75	01/99	>	05/05	25.023.00	24.426.00	27.257.00	54.263.00
with activated carbons some (frame 1J0819648) / ai carboni attivi alcuni (telaio 1J0819648)	AMF	55	75	01/99	>	05/05				54.109.00
antibacterial, anti-odour and anti-allergen filter / filtro antibatterico, antiodori e anti-allergeni	AMF	55	75	10/99	>	05/05				34.263.00
antibacterial, anti-odour and anti-allergen filter some (frame 1J0819648) / filtro antibatterico, antiodori e anti-allergeni alcuni (telaio 1J0819648)	AMF	55	75	01/99	>	05/05				34.109.00
1.6 GTI	AVY	92	125	06/00	>	07/05	23.453.00	31.722.00	30.124.00	53.006.00
with activated carbons / ai carboni attivi	AVY	92	125	06/00	>	07/05	23.453.00	31.722.00	30.124.00	54.263.00
with activated carbons some (frame 1J0819648) / ai carboni attivi alcuni (telaio 1J0819648)	AVY	92	125	06/00	>	07/05				54.109.00
antibacterial, anti-odour and anti-allergen filter / filtro antibatterico, antiodori e anti-allergeni	AVY	92	125	06/00	>	07/05				34.263.00
antibacterial, anti-odour and anti-allergen filter some (frame 1J0819648) / filtro antibatterico, antiodori e anti-allergeni alcuni (telaio 1J0819648)	AVY	92	125	06/00	>	07/05				34.109.00
dusty areas / zone polverose	AVY	92	125	06/00	>	07/05	23.453.00	31.722.00	30.184.00	53.006.00
1.7 SDI										
to frame No. 6X-Y060000 / a telaio N. 6X-Y060000	AKU	42	57	10/98	>	03/00	23.425.00	24.400.00	27.257.00	53.006.00
with activated carbons some (frame 1J0819648) / ai carboni attivi alcuni (telaio 1J0819648)	AKU	42	57	10/98	>	05/05				54.109.00
with activated carbons, to frame No. 6X-Y060000 / ai carboni attivi, a telaio N. 6X-Y060000	AKU	42	57	10/98	>	03/00	23.425.00	24.400.00	27.257.00	54.263.00
with activated carbons, from frame No. 6X-Y060001 / ai carboni attivi, da telaio N. 6X-Y060001	AKU	42	57	04/00	>	05/05	23.425.00	24.426.00	27.257.00	54.263.00
from frame No. 6X-Y060001 / da telaio N. 6X-Y060001	AKU	42	57	04/00	>	05/05	23.425.00	24.426.00	27.257.00	53.006.00
antibacterial, anti-odour and anti-allergen filter / filtro antibatterico, antiodori e anti-allergeni	AKU	42	57	10/98	>	05/05				34.263.00
antibacterial, anti-odour and anti-allergen filter some (frame 1J0819648) / filtro antibatterico, antiodori e anti-allergeni alcuni (telaio 1J0819648)	AKU	42	57	10/98	>	05/05				34.109.00
1.7 SDI										
to frame No. 6X-Y060000 / a telaio N. 6X-Y060000	AKU	44	60	10/98	>	03/00	23.425.00	24.400.00	27.257.00	53.006.00
with activated carbons some (frame 1J0819648) / ai carboni attivi alcuni (telaio 1J0819648)	AKU	44	60	10/98	>	05/05				54.109.00
with activated carbons, to frame No. 6X-Y060000 / ai carboni attivi, a telaio N. 6X-Y060000	AKU	44	60	10/98	>	03/00		24.400.00	27.257.00	54.263.00
with activated carbons, from frame No. 6X-Y060001 / ai carboni attivi, da telaio N. 6X-Y060001	AKU	44	60	04/00	>	05/05	23.425.00	24.426.00	27.257.00	54.263.00
from frame No. 6X-Y060001 / da telaio N. 6X-Y060001	AKU	44	60	04/00	>	05/05	23.425.00	24.426.00	27.257.00	53.006.00
antibacterial, anti-odour and anti-allergen filter / filtro antibatterico, antiodori e anti-allergeni	AKU	44	60	10/98	>	05/05				34.263.00
antibacterial, anti-odour and anti-allergen filter some (frame 1J0819648) / filtro antibatterico, antiodori e anti-allergeni alcuni (telaio 1J0819648)	AKU	44	60	10/98	>	05/05				34.109.00
Passat										
1.6 i	ADP	74	101	10/96	>	10/00	23.436.00	31.500.00	30.192.00	53.013.00
with activated carbons / ai carboni attivi	ADP	74	101	10/96	>	10/00				54.195.00
antibacterial, anti-odour and anti-allergen filter / filtro antibatterico, antiodori e anti-allergeni	ADP	74	101	10/96	>	10/00				34.195.00
1.6 i	AHL	74	101	10/96	>	10/00	23.436.00	31.500.00	30.192.00	53.013.00
with activated carbons / ai carboni attivi	AHL	74	101	10/96	>	10/00				54.195.00
antibacterial, anti-odour and anti-allergen filter / filtro antibatterico, antiodori e anti-allergeni	AHL	74	101	10/96	>	10/00				34.195.00
1.6 i	ALZ	75	102	11/00	>	09/05	23.436.00	31.500.00	30.192.00	53.006.00
with activated carbons / ai carboni attivi	ALZ	75	102	11/00	>	09/05				54.263.00
antibacterial, anti-odour and anti-allergen filter / filtro antibatterico, antiodori e anti-allergeni	ALZ	75	102	11/00	>	09/05				34.263.00
1.6 i Variant	ADP	74	101	10/96	>	10/00	23.436.00	31.500.00	30.192.00	53.013.00
with activated carbons / ai carboni attivi	ADP	74	101	10/96	>	10/00				54.195.00
antibacterial, anti-odour and anti-allergen filter / filtro antibatterico, antiodori e anti-allergeni	ADP	74	101	10/96	>	10/00				34.195.00
1.6 i Variant	AHL	74	101	10/96	>	10/00	23.436.00	31.500.00	30.192.00	53.013.00
with activated carbons / ai carboni attivi	AHL	74	101	10/96	>	10/00				54.195.00
antibacterial, anti-odour and anti-allergen filter / filtro antibatterico, antiodori e anti-allergeni	AHL	74	101	10/96	>	10/00				34.195.00
1.8 i	APT	92	125	03/03	>	03/05	23.436.00	31.500.00	30.192.00	53.006.00
with activated carbons / ai carboni attivi	APT	92	125	03/03	>	03/05				54.263.00
antibacterial, anti-odour and anti-allergen filter / filtro antibatterico, antiodori e anti-allergeni	APT	92	125	03/03	>	03/05				34.263.00
1.8 i 20V	ADR	92	125	10/96	>	10/00	23.436.00	31.500.00	30.192.00	53.013.00
with activated carbons / ai carboni attivi	ADR	92	125	10/96	>	10/00				54.195.00
antibacterial, anti-odour and anti-allergen filter / filtro antibatterico, antiodori e anti-allergeni	ADR	92	125	10/96	>	10/00				34.195.00
1.8 T	AEB	110	150	10/96	>	10/00	23.436.00	31.500.00	30.192.00	53.013.00
with activated carbons / ai carboni attivi	AEB	110	150	10/96	>	10/00				54.195.00

...VOLKSWAGEN - cars/auto

antibacterial, anti-odour and anti-allergen filter / filtro antibatterico, antiodori e anti-allergeni	AEB	110	150	10/96	>	10/00				34.195.00
1.8 T	AWM	125	170	02/01	>	09/05	23.164.03	31.500.00	30.192.00	53.006.00
with activated carbons / ai carboni attivi	AWM	125	170	02/01	>	09/05				54.263.00
antibacterial, anti-odour and anti-allergen filter / filtro antibatterico, antiodori e anti-allergeni	AWM	125	170	02/01	>	09/05				34.263.00
1.8 T	AWT	110	150	11/00	>	09/05	23.164.03	31.500.00	30.192.00	53.006.00
with activated carbons / ai carboni attivi	AWT	110	150	11/00	>	09/05				54.263.00
antibacterial, anti-odour and anti-allergen filter / filtro antibatterico, antiodori e anti-allergeni	AWT	110	150	11/00	>	09/05				34.263.00
1.8 T 4Motion	AWM	125	170	02/01	>	09/05	23.164.03	31.748.00	30.192.00	53.006.00
with activated carbons / ai carboni attivi	AWM	125	170	02/01	>	09/05				54.263.00
antibacterial, anti-odour and anti-allergen filter / filtro antibatterico, antiodori e anti-allergeni	AWM	125	170	02/01	>	09/05				34.263.00
1.9 TDI	AFN/AVG	81	110	04/99	>	01/00	23.459.00	24.379.01	30.192.00	53.013.00
	AFN/AVG	81	110	02/00	>	12/00	23.459.00	24.391.00	30.192.00	53.013.00
with activated carbons / ai carboni attivi	AFN/AVG	81	110	10/96	>	12/00				54.195.00
with complete filter / con filtro completo	AFN/AVG	81	110	02/00	>	12/00		55.427.00		
antibacterial, anti-odour and anti-allergen filter / filtro antibatterico, antiodori e anti-allergeni	AFN/AVG	81	110	10/96	>	12/00				34.195.00
1.9 TDI	AHH/AHU	66	90	04/99	>	01/00	23.459.00	24.379.01	30.192.00	53.013.00
	AHH/AHU	66	90	02/00	>	10/00	23.459.00	24.391.00	30.192.00	53.013.00
with activated carbons / ai carboni attivi	AHH/AHU	66	90	10/96	>	10/00				54.195.00
with complete filter / con filtro completo	AHH/AHU	66	90	02/00	>	10/00		55.427.00		
antibacterial, anti-odour and anti-allergen filter / filtro antibatterico, antiodori e anti-allergeni	AHH/AHU	66	90	10/96	>	10/00				34.195.00
1.9 TDI	AJM	85	115	11/97	>	10/00	25.011.00	24.414.00	30.192.00	53.013.00
with activated carbons / ai carboni attivi	AJM	85	115	11/97	>	10/00				54.195.00
antibacterial, anti-odour and anti-allergen filter / filtro antibatterico, antiodori e anti-allergeni	AJM	85	115	11/97	>	10/00				34.195.00
1.9 TDI	AVB	74	101	02/00	>	10/00	25.011.00	24.414.00	30.192.00	53.013.00
to frame No. 3B-2-400000 / a telaio N. 3B-2-400000	AVB	74	101	11/00	>		25.011.00	24.414.00	30.192.00	53.006.00
with activated carbons / ai carboni attivi	AVB	74	101	02/00	>	10/00				54.195.00
with activated carbons / ai carboni attivi	AVB	74	101	11/00	>	09/05				54.263.00
with complete filter from frame No. 3B-2-400001 / con filtro completo da telaio N. 3B-2-400001	AVB	74	101		>	09/05		55.427.00		
from frame No. 3B-2-400001 / da telaio N. 3B-2-400001	AVB	74	101		>	09/05	25.011.00	24.391.00	30.192.00	53.006.00
antibacterial, anti-odour and anti-allergen filter / filtro antibatterico, antiodori e anti-allergeni	AVB	74	101	02/00	>	10/00				34.263.00
antibacterial, anti-odour and anti-allergen filter / filtro antibatterico, antiodori e anti-allergeni	AVB	74	101	02/00	>	10/00				34.195.00
1.9 TDI	AVF/AWX	96	130	11/00	>		25.011.00	24.414.00	30.192.00	53.006.00
to frame No. 3B-2-400000 / a telaio N. 3B-2-400000	AVF/AWX	96	130	11/00	>	09/05				54.263.00
with activated carbons / ai carboni attivi	AVF/AWX	96	130		>	09/05		55.427.00		
with complete filter from frame No. 3B-2-400001 / con filtro completo da telaio N. 3B-2-400001	AVF/AWX	96	130		>	09/05	25.011.00	24.391.00	30.192.00	53.006.00
from frame No. 3B-2-400001 / da telaio N. 3B-2-400001	AVF/AWX	96	130		>	09/05				34.263.00
antibacterial, anti-odour and anti-allergen filter / filtro antibatterico, antiodori e anti-allergeni	AVF/AWX	96	130	11/00	>	09/05				34.195.00
1.9 TDI 4Motion	AVF/AWX	96	130	11/00	>		25.011.00	24.414.00	30.192.00	53.006.00
to frame No. 3B-2-400000 / a telaio N. 3B-2-400000	AVF/AWX	96	130	11/00	>	09/05				54.263.00
with activated carbons / ai carboni attivi	AVF/AWX	96	130		>	09/05		55.427.00		
with complete filter from frame No. 3B-2-400001 / con filtro completo da telaio N. 3B-2-400001	AVF/AWX	96	130		>	09/05	25.011.00	24.391.00	30.192.00	53.006.00
from frame No. 3B-2-400001 / da telaio N. 3B-2-400001	AVF/AWX	96	130	11/00	>	09/05				34.263.00
antibacterial, anti-odour and anti-allergen filter / filtro antibatterico, antiodori e anti-allergeni	AVF/AWX	96	130	11/00	>	09/05				34.195.00
2.0 i	ALT	96	130	11/01	>	09/04	23.436.00	31.500.00	30.192.00	53.006.00
with activated carbons / ai carboni attivi	ALT	96	130	11/01	>	09/04				54.263.00
antibacterial, anti-odour and anti-allergen filter / filtro antibatterico, antiodori e anti-allergeni	ALT	96	130	11/01	>	09/04				34.263.00
2.0 i	ASU/AUZ	88	120	04/00	>	11/00	23.436.00	31.500.00	30.192.00	53.013.00
with activated carbons / ai carboni attivi	ASU/AUZ	88	120	04/00	>	11/00				54.195.00
antibacterial, anti-odour and anti-allergen filter / filtro antibatterico, antiodori e anti-allergeni	ASU/AUZ	88	120	04/00	>	11/00				34.195.00
2.0 i	AZM	85	116	11/00	>	09/05	23.436.00	31.500.00	30.192.00	53.006.00
with activated carbons / ai carboni attivi	AZM	85	116	11/00	>	09/05				54.263.00
antibacterial, anti-odour and anti-allergen filter / filtro antibatterico, antiodori e anti-allergeni	AZM	85	116	11/00	>	09/05				34.263.00
2.0 i 4Motion	ASU/AUZ	88	120	04/00	>	11/00	23.436.00	31.748.00	30.192.00	53.013.00
with activated carbons / ai carboni attivi	ASU/AUZ	88	120	04/00	>	11/00				54.195.00
antibacterial, anti-odour and anti-allergen filter / filtro antibatterico, antiodori e anti-allergeni	ASU/AUZ	88	120	04/00	>	11/00				34.195.00
2.0 i 4Motion	AZM	85	116	11/00	>	09/05	23.436.00	31.748.00	30.192.00	53.006.00
with activated carbons / ai carboni attivi	AZM	85	116	11/00	>	09/05				54.263.00
antibacterial, anti-odour and anti-allergen filter / filtro antibatterico, antiodori e anti-allergeni	AZM	85	116	11/00	>	09/05				34.263.00
2.0 TDI	BGW/BHW	100	136	09/03	>	09/05	25.011.00	24.391.00	30.192.00	53.006.00
with activated carbons / ai carboni attivi	BGW/BHW	100	136	09/03	>	09/05				54.263.00
with complete filter / con filtro completo	BGW/BHW	100	136	09/03	>	09/05		55.427.00		
antibacterial, anti-odour and anti-allergen filter / filtro antibatterico, antiodori e anti-allergeni	BGW/BHW	100	136	09/03	>	09/05				34.263.00
2.3 i V5	AZX	125	170	11/00	>	09/05	25.010.00	31.500.00	30.192.00	53.006.00
with activated carbons / ai carboni attivi	AZX	125	170	11/00	>	09/05				54.263.00
antibacterial, anti-odour and anti-allergen filter / filtro antibatterico, antiodori e anti-allergeni	AZX	125	170	11/00	>	09/05				34.263.00
2.3 i V5 4Motion	AZX	125	170	11/00	>	09/05	25.010.00	31.748.00	30.192.00	53.006.00
with activated carbons / ai carboni attivi	AZX	125	170	11/00	>	09/05				54.263.00

...VOLKSWAGEN - cars/auto

antibacterial, anti-odour and anti-allergen filter / filtro antibatterico, antiodori e anti-allergeni	AZX	125	170	11/00	>	09/05				34.263.00
2.3 i VR5	AGZ	110	150	10/96	>	10/00	25.010.00	31.500.00	30.192.00	53.013.00
with activated carbons / ai carboni attivi	AGZ	110	150	10/96	>	10/00				54.195.00
antibacterial, anti-odour and anti-allergen filter / filtro antibatterico, antiodori e anti-allergeni	AGZ	110	150	10/96	>	10/00				34.195.00
2.3 i VR5 Syncro	AGZ	110	150	06/97	>	10/00	25.010.00	31.748.00	30.192.00	53.013.00
with activated carbons / ai carboni attivi	AGZ	110	150	06/97	>	10/00				54.195.00
antibacterial, anti-odour and anti-allergen filter / filtro antibatterico, antiodori e anti-allergeni	AGZ	110	150	06/97	>	10/00				34.195.00
2.5 TDI V6	AFB	110	150	07/98	>	10/00	25.019.00	24.424.00	30.109.00	53.013.00
with activated carbons / ai carboni attivi	AFB	110	150	07/98	>	10/00				54.195.00
antibacterial, anti-odour and anti-allergen filter / filtro antibatterico, antiodori e anti-allergeni	AFB	110	150	07/98	>	10/00				34.195.00
2.5 TDI V6	AFB/AKN	110	150	11/00	>	09/05	25.019.00	24.424.00	30.109.00	53.006.00
with activated carbons / ai carboni attivi	AFB/AKN	110	150	11/00	>	09/05				54.263.00
antibacterial, anti-odour and anti-allergen filter / filtro antibatterico, antiodori e anti-allergeni	AFB/AKN	110	150	11/00	>	09/05				34.263.00
2.5 TDI V6	AKN	110	150	07/98	>	10/00	25.019.00	24.424.00	30.109.00	53.013.00
with activated carbons / ai carboni attivi	AKN	110	150	07/98	>	10/00				54.195.00
antibacterial, anti-odour and anti-allergen filter / filtro antibatterico, antiodori e anti-allergeni	AKN	110	150	07/98	>	10/00				34.195.00
2.5 TDI V6	BAU/BDH	132	180	05/02	>	09/05	25.019.00	24.424.00	30.109.00	53.006.00
with activated carbons / ai carboni attivi	BAU/BDH	132	180	05/02	>	09/05				54.263.00
antibacterial, anti-odour and anti-allergen filter / filtro antibatterico, antiodori e anti-allergeni	BAU/BDH	132	180	05/02	>	09/05				34.263.00
2.5 TDI V6	BDG	120	163	05/02	>	09/05	25.019.00	24.424.00	30.109.00	53.006.00
with activated carbons / ai carboni attivi	BDG	120	163	05/02	>	09/05				54.263.00
antibacterial, anti-odour and anti-allergen filter / filtro antibatterico, antiodori e anti-allergeni	BDG	120	163	05/02	>	09/05				34.263.00
2.5 TDI V6 Syncro	AFB/AKN	110	150	07/98	>	10/00	25.019.00	24.424.00	30.109.00	53.013.00
with activated carbons / ai carboni attivi	AFB/AKN	110	150	07/98	>	10/00				54.195.00
antibacterial, anti-odour and anti-allergen filter / filtro antibatterico, antiodori e anti-allergeni	AFB/AKN	110	150	07/98	>	10/00				34.195.00
2.5 TDI V6 Variant	AFB/AKN	110	150	07/98	>	10/00	25.019.00	24.424.00	30.109.00	53.013.00
	AFB/AKN	110	150	11/00	>	09/05	25.019.00	24.424.00	30.109.00	53.006.00
with activated carbons / ai carboni attivi	AFB/AKN	110	150	07/98	>	10/00				54.195.00
with activated carbons / ai carboni attivi	AFB/AKN	110	150	11/00	>	09/05				54.263.00
antibacterial, anti-odour and anti-allergen filter / filtro antibatterico, antiodori e anti-allergeni	AFB/AKN	110	150	07/98	>	10/00				34.195.00
antibacterial, anti-odour and anti-allergen filter / filtro antibatterico, antiodori e anti-allergeni	AFB/AKN	110	150	11/00	>	09/05				34.263.00
2.8 i V6	ATX	140	190	09/99	>	11/00	23.465.00	31.500.00	30.192.00	53.013.00
with activated carbons / ai carboni attivi	ATX	140	190	09/99	>	11/00				54.195.00
antibacterial, anti-odour and anti-allergen filter / filtro antibatterico, antiodori e anti-allergeni	ATX	140	190	09/99	>	11/00				34.195.00
2.8 i V6 4Motion	AMX/ATQ	142	193	11/00	>	09/05	23.465.00	31.748.00	30.192.00	53.006.00
with activated carbons / ai carboni attivi	AMX/ATQ	142	193	11/00	>	09/05				54.263.00
antibacterial, anti-odour and anti-allergen filter / filtro antibatterico, antiodori e anti-allergeni	AMX/ATQ	142	193	11/00	>	09/05				34.263.00
2.8 i V6 4Motion	ATX	140	190	09/99	>	11/00	23.465.00	31.748.00	30.192.00	53.013.00
with activated carbons / ai carboni attivi	ATX	140	190	09/99	>	11/00				54.195.00
antibacterial, anti-odour and anti-allergen filter / filtro antibatterico, antiodori e anti-allergeni	ATX	140	190	09/99	>	11/00				34.195.00
2.8 V6	ACK/APR/AQD	142	193	10/96	>	10/00	23.465.00	31.500.00	30.192.00	53.013.00
with activated carbons / ai carboni attivi	ACK/APR/AQD	142	193	10/96	>	10/00				54.195.00
antibacterial, anti-odour and anti-allergen filter / filtro antibatterico, antiodori e anti-allergeni	ACK/APR/AQD	142	193	10/96	>	10/00				34.195.00
2.8 V6 (RUS)	AGE	132	180	10/96	>	10/00	23.465.00	31.500.00	30.192.00	53.013.00
with activated carbons / ai carboni attivi	AGE	132	180	10/96	>	10/00				54.195.00
antibacterial, anti-odour and anti-allergen filter / filtro antibatterico, antiodori e anti-allergeni	AGE	132	180	10/96	>	10/00				34.195.00
2.8 V6 (TJ)	AGE	132	180	10/96	>	10/00	23.465.00	31.500.00	30.192.00	53.013.00
with activated carbons / ai carboni attivi	AGE	132	180	10/96	>	10/00				54.195.00
antibacterial, anti-odour and anti-allergen filter / filtro antibatterico, antiodori e anti-allergeni	AGE	132	180	10/96	>	10/00				34.195.00
4.0 W8 4Motion	BDN/BDP	202	274	03/01	>	10/04	25.010.00	31.748.00	30.192.00	53.006.00
with activated carbons / ai carboni attivi	BDN/BDP	202	274	03/01	>	10/04				54.263.00
antibacterial, anti-odour and anti-allergen filter / filtro antibatterico, antiodori e anti-allergeni	BDN/BDP	202	274	03/01	>	10/04				34.263.00
Passat (362/365)										
1.4 TSI	CAXA	90	122	11/10	>	12/14	23.573.00		27.401.00	53.148.00
with air-conditioner and R.H.D. / con climatizzatore e guida a destra	CAXA	90	122	11/10	>	12/14				54.376.00
with air-conditioner and L.H.D. / con climatizzatore e guida a sinistra	CAXA	90	122	11/10	>	12/14				54.124.00
antibacterial, anti-odour and anti-allergen filter with air-conditioner and L.H.D. / filtro antibatterico, antiodori e anti-allergeni con climatizzatore e guida a sinistra	CAXA	90	122	10/10	>					34.124.00
for cold countries / per paesi freddi	CAXA	90	122	11/10	>	12/14			27.402.00	
1.4 TSI	CKMA	118	160	11/10	>	12/14	23.573.00		30.187.00	53.148.00
with air-conditioner and R.H.D. / con climatizzatore e guida a destra	CKMA	118	160	11/10	>	12/14				54.376.00
with air-conditioner and L.H.D. / con climatizzatore e guida a sinistra	CKMA	118	160	11/10	>	12/14				54.124.00
antibacterial, anti-odour and anti-allergen filter with air-conditioner and L.H.D. / filtro antibatterico, antiodori e anti-allergeni con climatizzatore e guida a sinistra	CKMA	118	160	11/10	>	12/14				34.124.00
for cold countries / per paesi freddi	CKMA	118	160	11/10	>	12/14	23.573.00		30.370.00	53.148.00
1.4 TSI	CTHD	118	160	11/12	>	05/13	23.573.00		30.187.00	53.148.00
with air-conditioner and R.H.D. / con climatizzatore e guida a destra	CTHD	118	160	11/12	>	05/13				54.376.00
with air-conditioner and L.H.D. / con climatizzatore e guida a sinistra	CTHD	118	160	11/12	>	05/13				54.124.00
antibacterial, anti-odour and anti-allergen filter with air-conditioner and L.H.D. / filtro antibatterico, antiodori e anti-allergeni con climatizzatore e guida a sinistra	CTHD	118	160	11/12	>	05/13				34.124.00

...VOLKSWAGEN - cars/auto

2.0 TDI 4Motion	CFGB	125	170	11/10	>	12/14	25.106.00	26.026.00	30.187.00	53.148.00
with air-conditioner and R.H.D. / con climatizzatore e guida a destra	CFGB	125	170	11/10	>	12/14				54.376.00
with air-conditioner and L.H.D. / con climatizzatore e guida a sinistra	CFGB	125	170	11/10	>	12/14				54.124.00
antibacterial, anti-odour and anti-allergen filter with air-conditioner and L.H.D. / filtro antibatterico, antiodori e anti-allergeni con climatizzatore e guida a sinistra	CFGB	125	170	11/10	>	12/14				34.124.00
export models DIESEL PLUS / modelli di esportazione DIESEL PLUS	CFGB	125	170	11/12	>	12/14		26.032.00		
for cold countries / per paesi freddi	CFGB	125	170	11/10	>	12/14			30.370.00	
2.0 TDI 4Motion	CFGC	130	177	01/13	>	12/14	25.106.00	26.026.00	30.187.00	53.148.00
with air-conditioner and R.H.D. / con climatizzatore e guida a destra	CFGC	130	177	01/13	>	12/14				54.376.00
with air-conditioner and L.H.D. / con climatizzatore e guida a sinistra	CFGC	130	177	01/13	>	12/14				54.124.00
antibacterial, anti-odour and anti-allergen filter with air-conditioner and L.H.D. / filtro antibatterico, antiodori e anti-allergeni con climatizzatore e guida a sinistra	CFGC	130	177	01/13	>	12/14				34.124.00
export models DIESEL PLUS / modelli di esportazione DIESEL PLUS	CFGC	130	177	01/13	>	12/14		26.032.00		
for cold countries / per paesi freddi	CFGC	130	177	01/13	>	12/14			30.370.00	
2.0 TDI 4Motion	CLLA	125	170	11/10	>	12/14	25.106.00	26.026.00	30.187.00	53.148.00
with air-conditioner and R.H.D. / con climatizzatore e guida a destra	CLLA	125	170	11/10	>	12/14				54.376.00
with air-conditioner and L.H.D. / con climatizzatore e guida a sinistra	CLLA	125	170	11/10	>	12/14				54.124.00
antibacterial, anti-odour and anti-allergen filter with air-conditioner and L.H.D. / filtro antibatterico, antiodori e anti-allergeni con climatizzatore e guida a sinistra	CLLA	125	170	11/10	>	12/14				34.124.00
export models DIESEL PLUS / modelli di esportazione DIESEL PLUS	CLLA	125	170	11/12	>	12/14		26.032.00		
for cold countries / per paesi freddi	CLLA	125	170	11/10	>	12/14			30.370.00	
2.0 TSI	CCZB	155	211	11/10	>	12/14	23.493.00		30.187.00	53.148.00
with air-conditioner and R.H.D. / con climatizzatore e guida a destra	CCZB	155	211	11/10	>	12/14				54.376.00
with air-conditioner and L.H.D. / con climatizzatore e guida a sinistra	CCZB	155	211	11/10	>	12/14				54.124.00
antibacterial, anti-odour and anti-allergen filter with air-conditioner and L.H.D. / filtro antibatterico, antiodori e anti-allergeni con climatizzatore e guida a sinistra	CCZB	155	211	11/10	>	12/14				34.124.00
2.5	CBTA, CBUA, CCCA	125	170	01/11	>					30.055.00
3.6 FSI	BWS	220	300	11/10	>	12/14	25.089.00		30.303.00	53.148.00
with air-conditioner and R.H.D. / con climatizzatore e guida a destra	BWS	220	300	11/10	>	12/14				54.376.00
with air-conditioner and L.H.D. / con climatizzatore e guida a sinistra	BWS	220	300	11/10	>	12/14				54.124.00
antibacterial, anti-odour and anti-allergen filter with air-conditioner and L.H.D. / filtro antibatterico, antiodori e anti-allergeni con climatizzatore e guida a sinistra	BWS	220	300	11/10	>	12/14				34.124.00
for cold countries / per paesi freddi	BWS	220	300	11/10	>	12/14			30.035.00	
Passat (3C2/3C5)										
1.4 TSI										
with R.H.D. / con guida a destra	CAXA	90	122	09/07	>	11/10				54.376.00
with L.H.D. / con guida a sinistra	CAXA	90	122	09/07	>	05/08	25.047.00		27.401.00	53.148.00
with L.H.D. / con guida a sinistra	CAXA	90	122	06/08	>	06/10	23.494.00		27.401.00	53.148.00
with L.H.D. / con guida a sinistra	CAXA	90	122	07/10	>	11/10	23.573.00		27.401.00	53.148.00
with activated carbon L.H.D. / con guida a sinistra, ai carboni attivi	CAXA	90	122	09/07	>	11/10				54.124.00
antibacterial, anti-odour and anti-allergen filter with L.H.D. / filtro antibatterico, antiodori e anti-allergeni con guida a sinistra	CAXA	90	122	09/07	>	11/10				34.124.00
for cold countries / per paesi freddi	CAXA	90	122	09/07	>	11/10			27.402.00	
1.4 TSI EcoFuel										
with R.H.D. / con guida a destra	CDGA	110	150	01/09	>	11/10				54.376.00
with L.H.D. / con guida a sinistra	CDGA	110	150	01/09	>	06/10	23.494.00		30.187.00	53.148.00
with L.H.D. / con guida a sinistra	CDGA	110	150	07/10	>	11/10	23.573.00		30.187.00	53.148.00
with activated carbon L.H.D. / con guida a sinistra, ai carboni attivi	CDGA	110	150	01/09	>	11/10				54.124.00
antibacterial, anti-odour and anti-allergen filter with L.H.D. / filtro antibatterico, antiodori e anti-allergeni con guida a sinistra	CDGA	110	150	01/09	>	11/10				34.124.00
for cold countries / per paesi freddi	CDGA	110	150	01/09	>	11/10			30.370.00	
1.6 16V										
with R.H.D. / con guida a destra	BSE	75	102	03/05	>	11/10				54.376.00
with L.H.D. / con guida a sinistra	BSE	75	102	03/05	>	11/10	23.436.00		27.401.00	53.148.00
with activated carbon L.H.D. / con guida a sinistra, ai carboni attivi	BSE	75	102	03/05	>	11/10				54.124.00
antibacterial, anti-odour and anti-allergen filter with L.H.D. / filtro antibatterico, antiodori e anti-allergeni con guida a sinistra	BSE	75	102	03/05	>	11/10				34.124.00
for cold countries / per paesi freddi	BSE	75	102	03/05	>	11/10			27.402.00	
1.6 16V										
with R.H.D. / con guida a destra	BSF	75	102	03/05	>	11/10				54.376.00
with L.H.D. / con guida a sinistra	BSF	75	102	03/05	>	11/10	23.436.00		27.401.00	53.148.00
with activated carbon L.H.D. / con guida a sinistra, ai carboni attivi	BSF	75	102	03/05	>	11/10	23.436.00		27.401.00	54.124.00
antibacterial, anti-odour and anti-allergen filter with L.H.D. / filtro antibatterico, antiodori e anti-allergeni con guida a sinistra	BSF	75	102	03/05	>	11/10				34.124.00
for cold countries / per paesi freddi	BSF	75	102	03/05	>	11/10	23.436.00		27.402.00	53.148.00
1.6 FSI										
with R.H.D. / con guida a destra	BLF	85	115	03/05	>	06/08				54.376.00
with L.H.D. / con guida a sinistra	BLF	85	115	03/05	>	06/08	25.047.00		30.209.00	53.148.00
with activated carbon L.H.D. / con guida a sinistra, ai carboni attivi	BLF	85	115	03/05	>	06/08				54.124.00
antibacterial, anti-odour and anti-allergen filter with L.H.D. / filtro antibatterico, antiodori e anti-allergeni con guida a sinistra	BLF	85	115	03/05	>	06/08				34.124.00
1.6 TDI DPF										
with R.H.D. / con guida a destra	CAYC	77	105	08/09	>	12/14				54.376.00
with L.H.D. / con guida a sinistra	CAYC	77	105	08/09	>	12/14	25.106.00	26.007.00	30.187.00	53.148.00
with activated carbon L.H.D. / con guida a sinistra, ai carboni attivi	CAYC	77	105	08/09	>	12/14	25.106.00	26.007.00	30.187.00	54.124.00
antibacterial, anti-odour and anti-allergen filter with L.H.D. / filtro antibatterico, antiodori e anti-allergeni con guida a sinistra	CAYC	77	105	08/09	>	12/14				34.124.00
for cold countries / per paesi freddi	CAYC	77	105	08/09	>	12/14			30.370.00	

...VOLKSWAGEN - cars/auto

1.8 TSI									
with R.H.D. / con guida a destra	BZB	118 160	09/07 >	10/11					54.376.00
with L.H.D. / con guida a sinistra	BZB	118 160	09/07 >	10/11	23.493.00		30.187.00		53.148.00
with activated carbon L.H.D. / con guida a sinistra, ai carboni attivi	BZB	118 160	09/07 >	10/11	23.493.00		30.187.00		54.124.00
antibacterial, anti-odour and anti-allergen filter with L.H.D. / filtro antibatterico, antiodori e anti-allergeni con guida a sinistra	BZB	118 160	09/07 >	10/11					34.124.00
for cold countries / per paesi freddi	BZB	118 160	09/07 >	10/11	23.493.00		30.370.00		53.148.00
1.8 TSI									
with L.H.D. / con guida a sinistra	CDAB	112 152	11/09 >	07/10	23.493.00		30.187.00		53.148.00
with activated carbon L.H.D. / con guida a sinistra, ai carboni attivi	CDAB	112 152	11/09 >	07/10					54.124.00
antibacterial, anti-odour and anti-allergen filter with L.H.D. / filtro antibatterico, antiodori e anti-allergeni con guida a sinistra	CDAB	112 152	11/09 >	07/10					34.124.00
for cold countries / per paesi freddi	CDAB	112 152	11/09 >	07/10			30.370.00		
1.8 TSI									
with L.H.D. / con guida a sinistra	CGYA	112 152	11/08 >	05/10	23.493.00		30.187.00		53.148.00
with activated carbon L.H.D. / con guida a sinistra, ai carboni attivi	CGYA	112 152	11/08 >	05/10					54.124.00
antibacterial, anti-odour and anti-allergen filter with L.H.D. / filtro antibatterico, antiodori e anti-allergeni con guida a sinistra	CGYA	112 152	11/08 >	05/10					34.124.00
for cold countries / per paesi freddi	CGYA	112 152	11/08 >	05/10			30.370.00		
1.9 TDI									
with R.H.D. / con guida a destra	BKC	77 105	03/05 >	05/07					54.376.00
with L.H.D. / con guida a sinistra	BKC	77 105	03/05 >	05/07	25.023.00	26.007.00	30.187.00		53.148.00
with activated carbon L.H.D. / con guida a sinistra, ai carboni attivi	BKC	77 105	03/05 >	05/07	25.023.00	26.007.00	30.187.00		54.124.00
antibacterial, anti-odour and anti-allergen filter with L.H.D. / filtro antibatterico, antiodori e anti-allergeni con guida a sinistra	BKC	77 105	03/05 >	05/07					34.124.00
for cold countries / per paesi freddi	BKC	77 105	03/05 >	05/07	25.023.00	26.007.00	30.370.00		53.148.00
1.9 TDI									
with R.H.D. / con guida a destra	BLS	77 105	03/05 >	11/08					54.376.00
with L.H.D. / con guida a sinistra	BLS	77 105	03/05 >	11/08	25.023.00	26.007.00	30.187.00		53.148.00
with activated carbon L.H.D. / con guida a sinistra, ai carboni attivi	BLS	77 105	03/05 >	11/08	25.023.00	26.007.00	30.187.00		54.124.00
antibacterial, anti-odour and anti-allergen filter with L.H.D. / filtro antibatterico, antiodori e anti-allergeni con guida a sinistra	BLS	77 105	03/05 >	11/08					34.124.00
for cold countries / per paesi freddi	BLS	77 105	03/05 >	11/08	25.023.00	26.007.00	30.370.00		53.148.00
2.0 BlueTDI									
with R.H.D. / con guida a destra	CBAC	105 143	06/08 >	11/10					54.376.00
with L.H.D. / con guida a sinistra	CBAC	105 143	06/08 >	11/10	25.023.00	26.007.00	30.187.00		53.148.00
with activated carbon L.H.D. / con guida a sinistra, ai carboni attivi	CBAC	105 143	06/08 >	11/10					54.124.00
antibacterial, anti-odour and anti-allergen filter with L.H.D. / filtro antibatterico, antiodori e anti-allergeni con guida a sinistra	CBAC	105 143	06/08 >	11/10					34.124.00
for cold countries / per paesi freddi	CBAC	105 143	06/08 >	11/10			30.370.00		
2.0 FSI									
with R.H.D. / con guida a destra	BLR/BLX/BLY	110 150	03/05 >	05/07					54.376.00
with L.H.D. / con guida a sinistra	BLR/BLX/BLY	110 150	03/05 >	05/07	25.040.00		27.401.00		53.148.00
with activated carbon L.H.D. / con guida a sinistra, ai carboni attivi	BLR/BLX/BLY	110 150	03/05 >	05/07	25.040.00		27.401.00		54.124.00
antibacterial, anti-odour and anti-allergen filter with L.H.D. / filtro antibatterico, antiodori e anti-allergeni con guida a sinistra	BLR/BLX/BLY	110 150	03/05 >	05/07					34.124.00
for cold countries / per paesi freddi	BLR/BLX/BLY	110 150	03/05 >	05/07	25.040.00		30.370.00		53.148.00
2.0 FSI									
with R.H.D. / con guida a destra	BVX/BVY/BVZ	110 150	03/05 >	11/10					54.376.00
with L.H.D. / con guida a sinistra	BVX/BVY/BVZ	110 150	03/05 >	11/10	25.040.00		27.401.00		53.148.00
with activated carbon L.H.D. / con guida a sinistra, ai carboni attivi	BVX/BVY/BVZ	110 150	03/05 >	11/10	25.040.00		27.401.00		54.124.00
antibacterial, anti-odour and anti-allergen filter with L.H.D. / filtro antibatterico, antiodori e anti-allergeni con guida a sinistra	BVX/BVY/BVZ	110 150	03/05 >	11/10					34.124.00
for cold countries / per paesi freddi	BVX/BVY/BVZ	110 150	03/05 >	11/10	25.040.00		27.402.00		53.148.00
2.0 FSI									
with L.H.D. / con guida a sinistra	CCTB	125 170	08/07 >	07/10	25.040.00		30.187.00		53.148.00
with activated carbon L.H.D. / con guida a sinistra, ai carboni attivi	CCTB	125 170	08/07 >	07/10					54.124.00
antibacterial, anti-odour and anti-allergen filter with L.H.D. / filtro antibatterico, antiodori e anti-allergeni con guida a sinistra	CCTB	125 170	08/07 >	07/10					34.124.00
for cold countries / per paesi freddi	CCTB	125 170	08/07 >	07/10			30.370.00		
2.0 TDI									
with R.H.D. / con guida a destra	BKP	103 140	03/05 >	05/09					54.376.00
with L.H.D. / con guida a sinistra	BKP	103 140	03/05 >	05/09	25.023.00	26.007.00	30.187.00		53.148.00
with activated carbon L.H.D. / con guida a sinistra, ai carboni attivi	BKP	103 140	03/05 >	05/09	25.023.00	26.007.00	30.187.00		54.124.00
antibacterial, anti-odour and anti-allergen filter with L.H.D. / filtro antibatterico, antiodori e anti-allergeni con guida a sinistra	BKP	103 140	03/05 >	05/09					34.124.00
for cold countries / per paesi freddi	BKP	103 140	03/05 >	05/09	25.023.00	26.007.00	30.370.00		53.148.00
2.0 TDI									
with R.H.D. / con guida a destra	BMA	100 136	03/05 >	05/09					54.376.00
with L.H.D. / con guida a sinistra	BMA	100 136	03/05 >	05/09	25.023.00	26.007.00	30.187.00		53.148.00
with activated carbon L.H.D. / con guida a sinistra, ai carboni attivi	BMA	100 136	03/05 >	05/09	25.023.00	26.007.00	30.187.00		54.124.00
antibacterial, anti-odour and anti-allergen filter with L.H.D. / filtro antibatterico, antiodori e anti-allergeni con guida a sinistra	BMA	100 136	03/05 >	05/09					34.124.00
for cold countries / per paesi freddi	BMA	100 136	03/05 >	05/09	25.023.00	26.007.00	30.370.00		53.148.00
2.0 TDI									
with R.H.D. / con guida a destra	BMP	103 140	03/05 >	05/09					54.376.00
with L.H.D. / con guida a sinistra	BMP	103 140	03/05 >	05/09	25.023.00	26.007.00	30.187.00		53.148.00
with activated carbon L.H.D. / con guida a sinistra, ai carboni attivi	BMP	103 140	03/05 >	05/09	25.023.00	26.007.00	30.187.00		54.124.00

...VOLKSWAGEN - cars/auto

antibacterial, anti-odour and anti-allergen filter with L.H.D. / filtro antibatterico, antiodori e anti-allergeni con guida a sinistra for cold countries / per paesi freddi	BMP	103	140	03/05	>	05/09				34.124.00
	BMP	103	140	03/05	>	05/09	25.023.00	26.007.00	30.370.00	53.148.00
2.0 TDI										
with R.H.D. / con guida a destra	BMR	125	170	05/05	>	05/09				54.376.00
with L.H.D. / con guida a sinistra	BMR	125	170	05/05	>	05/09	25.023.00	26.007.00	30.187.00	53.148.00
with activated carbon L.H.D. / con guida a sinistra, ai carboni attivi	BMR	125	170	05/05	>	05/09				54.124.00
antibacterial, anti-odour and anti-allergen filter with L.H.D. / filtro antibatterico, antiodori e anti-allergeni con guida a sinistra for cold countries / per paesi freddi	BMR	125	170	05/05	>	05/09				34.124.00
	BMR	125	170	05/05	>	05/09			30.370.00	
2.0 TDI										
with R.H.D. / con guida a destra	BUZ	120	163	10/05	>	05/09				54.376.00
with L.H.D. / con guida a sinistra	BUZ	120	163	10/05	>	05/09	25.023.00	26.007.00	30.187.00	53.148.00
with activated carbon L.H.D. / con guida a sinistra, ai carboni attivi	BUZ	120	163	10/05	>	05/09				54.124.00
antibacterial, anti-odour and anti-allergen filter with L.H.D. / filtro antibatterico, antiodori e anti-allergeni con guida a sinistra for cold countries / per paesi freddi	BUZ	120	163	10/05	>	05/09				34.124.00
	BUZ	120	163	10/05	>	05/09			30.370.00	
2.0 TDI										
with R.H.D. / con guida a destra	BVD/BVE	90	122	06/05	>	05/06				54.376.00
with L.H.D. / con guida a sinistra	BVD/BVE	90	122	06/05	>	05/06	25.023.00	26.007.00	30.187.00	53.148.00
with activated carbon L.H.D. / con guida a sinistra, ai carboni attivi	BVD/BVE	90	122	06/05	>	05/06	25.023.00	26.007.00	30.187.00	54.124.00
antibacterial, anti-odour and anti-allergen filter with L.H.D. / filtro antibatterico, antiodori e anti-allergeni con guida a sinistra for cold countries / per paesi freddi	BVD/BVE	90	122	06/05	>	05/06				34.124.00
	BVD/BVE	90	122	06/05	>	05/06	25.023.00	26.007.00	30.370.00	53.148.00
2.0 TDI										
with L.H.D. / con guida a sinistra	BWV	88	120	11/05	>	05/07	25.023.00	26.007.00	30.187.00	53.148.00
with activated carbon L.H.D. / con guida a sinistra, ai carboni attivi	BWV	88	120	11/05	>	05/07				54.124.00
antibacterial, anti-odour and anti-allergen filter with L.H.D. / filtro antibatterico, antiodori e anti-allergeni con guida a sinistra for cold countries / per paesi freddi	BWV	88	120	11/05	>	05/07				34.124.00
	BWV	88	120	11/05	>	05/07			30.370.00	
2.0 TDI										
with R.H.D. / con guida a destra	CBAB	103	140	05/07	>	11/10				54.376.00
with L.H.D. / con guida a sinistra	CBAB	103	140	05/07	>	11/10	25.023.00	26.007.00	30.187.00	53.148.00
with activated carbon L.H.D. / con guida a sinistra, ai carboni attivi	CBAB	103	140	05/07	>	11/10				54.124.00
antibacterial, anti-odour and anti-allergen filter with L.H.D. / filtro antibatterico, antiodori e anti-allergeni con guida a sinistra for cold countries / per paesi freddi	CBAB	103	140	05/07	>	11/10				34.124.00
	CBAB	103	140	05/07	>	11/10			30.370.00	
2.0 TDI DPF										
with R.H.D. / con guida a destra	CBBB	125	170	05/08	>	11/10				54.376.00
with L.H.D. / con guida a sinistra	CBBB	125	170	05/08	>	11/10	25.023.00	26.007.00	30.187.00	53.148.00
with activated carbon L.H.D. / con guida a sinistra, ai carboni attivi	CBBB	125	170	05/08	>	11/10				54.124.00
antibacterial, anti-odour and anti-allergen filter with L.H.D. / filtro antibatterico, antiodori e anti-allergeni con guida a sinistra for cold countries / per paesi freddi	CBBB	125	170	05/08	>	11/10				34.124.00
	CBBB	125	170	05/08	>	11/10			30.370.00	
2.0 TDI DPF										
with R.H.D. / con guida a destra	CBDC	81	110	10/08	>	11/10				54.376.00
with L.H.D. / con guida a sinistra	CBDC	81	110	10/08	>	11/10	25.023.00	26.007.00	30.187.00	53.148.00
with activated carbon L.H.D. / con guida a sinistra, ai carboni attivi	CBDC	81	110	10/08	>	11/10	25.023.00	26.007.00	30.187.00	54.124.00
antibacterial, anti-odour and anti-allergen filter with L.H.D. / filtro antibatterico, antiodori e anti-allergeni con guida a sinistra for cold countries / per paesi freddi	CBDC	81	110	10/08	>	11/10				34.124.00
	CBDC	81	110	10/08	>	11/10	25.023.00	26.007.00	30.370.00	53.148.00
2.0 TDI DPF 4Motion										
with R.H.D. / con guida a destra	CBBB	125	170	05/09	>	11/10				54.376.00
with L.H.D. / con guida a sinistra	CBBB	125	170	05/09	>	11/10	25.023.00	26.007.00	30.187.00	53.148.00
with activated carbon L.H.D. / con guida a sinistra, ai carboni attivi	CBBB	125	170	05/09	>	11/10				54.124.00
antibacterial, anti-odour and anti-allergen filter with L.H.D. / filtro antibatterico, antiodori e anti-allergeni con guida a sinistra for cold countries / per paesi freddi	CBBB	125	170	05/09	>	11/10				34.124.00
	CBBB	125	170	05/09	>	11/10			30.370.00	
2.0 TFSI										
with R.H.D. / con guida a destra	AXX	147	200	03/05	>	05/07				54.376.00
with L.H.D. / con guida a sinistra	AXX	147	200	03/05	>	05/07	25.040.00		30.315.00	53.148.00
with activated carbon L.H.D. / con guida a sinistra, ai carboni attivi	AXX	147	200	03/05	>	05/07	25.040.00		30.315.00	54.124.00
antibacterial, anti-odour and anti-allergen filter with L.H.D. / filtro antibatterico, antiodori e anti-allergeni con guida a sinistra for cold countries / per paesi freddi	AXX	147	200	03/05	>	05/07				34.124.00
2.0 TFSI										
with R.H.D. / con guida a destra	BPY	147	200	06/05	>	11/10				54.376.00
with L.H.D. / con guida a sinistra	BPY	147	200	06/05	>	11/10	25.040.00		30.315.00	53.148.00
with activated carbon L.H.D. / con guida a sinistra, ai carboni attivi	BPY	147	200	06/05	>	11/10	25.040.00		30.315.00	54.124.00
antibacterial, anti-odour and anti-allergen filter with L.H.D. / filtro antibatterico, antiodori e anti-allergeni con guida a sinistra for cold countries / per paesi freddi	BPY	147	200	06/05	>	11/10				34.124.00
2.0 TFSI										
with R.H.D. / con guida a destra	BWA	147	200	07/05	>	05/08				54.376.00
with L.H.D. / con guida a sinistra	BWA	147	200	07/05	>	05/08	25.040.00		30.315.00	53.148.00
with activated carbon L.H.D. / con guida a sinistra, ai carboni attivi	BWA	147	200	07/05	>	05/08	25.040.00		30.315.00	54.124.00
antibacterial, anti-odour and anti-allergen filter with L.H.D. / filtro antibatterico, antiodori e anti-allergeni con guida a sinistra for cold countries / per paesi freddi	BWA	147	200	07/05	>	05/08				34.124.00
2.0 TFSI										
with R.H.D. / con guida a destra	CAWB	147	200	11/07	>	11/10				54.376.00
with L.H.D. / con guida a sinistra	CAWB	147	200	11/07	>	11/10	23.493.00		30.187.00	53.148.00

...VOLKSWAGEN - cars/auto

with activated carbon L.H.D. / con guida a sinistra, ai carboni attivi	CAWB	147	200	11/07	>	11/10	23.493.00		30.187.00	54.124.00
antibacterial, anti-odour and anti-allergen filter with L.H.D. / filtro antibatterico, antiodori e anti-allergeni con guida a sinistra	CAWB	147	200	11/07	>	11/10				34.124.00
2.0 TFSI										
with R.H.D. / con guida a destra	CBFA	147	200	12/07	>	11/10				54.376.00
with L.H.D. / con guida a sinistra	CBFA	147	200	12/07	>	11/10	23.493.00		30.187.00	53.148.00
with activated carbon L.H.D. / con guida a sinistra, ai carboni attivi	CBFA	147	200	12/07	>	11/10	23.493.00		30.187.00	54.124.00
antibacterial, anti-odour and anti-allergen filter with L.H.D. / filtro antibatterico, antiodori e anti-allergeni con guida a sinistra	CBFA	147	200	12/07	>	11/10				34.124.00
2.0 TFSI										
with R.H.D. / con guida a destra	CCTA	147	200	12/07	>	11/10				54.376.00
with L.H.D. / con guida a sinistra	CCTA	147	200	12/07	>	11/10	23.493.00		30.187.00	53.148.00
with activated carbon L.H.D. / con guida a sinistra, ai carboni attivi	CCTA	147	200	12/07	>	11/10	23.493.00		30.187.00	54.124.00
antibacterial, anti-odour and anti-allergen filter with L.H.D. / filtro antibatterico, antiodori e anti-allergeni con guida a sinistra	CCTA	147	200	12/07	>	11/10				34.124.00
2.0 TFSI										
with R.H.D. / con guida a destra	CCZA	147	200	05/08	>	11/10				54.376.00
with L.H.D. / con guida a sinistra	CCZA	147	200	05/08	>	11/10	23.493.00		30.187.00	53.148.00
with activated carbon L.H.D. / con guida a sinistra, ai carboni attivi	CCZA	147	200	05/08	>	11/10	23.493.00		30.187.00	54.124.00
antibacterial, anti-odour and anti-allergen filter with L.H.D. / filtro antibatterico, antiodori e anti-allergeni con guida a sinistra	CCZA	147	200	05/08	>	11/10				34.124.00
3.2 FSI 4motion										
with air-conditioner and R.H.D. / con climatizzatore e guida a destra	AXZ	184	250	09/05	>	11/10				54.376.00
with air-conditioner and L.H.D. / con climatizzatore e guida a sinistra	AXZ	184	250	09/05	>	11/10	25.023.00		30.303.00	54.124.00
with L.H.D. / con guida a sinistra	AXZ	184	250	09/05	>	11/10	25.023.00		30.303.00	53.148.00
antibacterial, anti-odour and anti-allergen filter with air-conditioner and L.H.D. / filtro antibatterico, antiodori e anti-allergeni con climatizzatore e guida a sinistra	AXZ	184	250	09/05	>	11/10				34.124.00
for cold countries / per paesi freddi	AXZ	184	250	09/05	>	11/10			30.A35.00	
3.6 FSI 4motion										
with air-conditioner and R.H.D. / con climatizzatore e guida a destra	BLV	206	280	09/05	>	01/12				54.376.00
with air-conditioner and L.H.D. / con climatizzatore e guida a sinistra	BLV	206	280	09/05	>	01/12	25.023.00		30.303.00	54.124.00
with L.H.D. / con guida a sinistra	BLV	206	280	09/05	>	01/12	25.023.00		30.303.00	53.148.00
antibacterial, anti-odour and anti-allergen filter with air-conditioner and L.H.D. / filtro antibatterico, antiodori e anti-allergeni con climatizzatore e guida a sinistra	BLV	206	280	09/05	>	01/12				34.124.00
for cold countries / per paesi freddi	BLV	206	280	09/05	>	01/12			30.A35.00	
3.6 R36 4Motion										
to frame No. 3C_B_200 000 / a telaio N. 3C_B_200 000	BWS	220	299	04/07	>	12/10	25.023.00			
with air-conditioner and R.H.D. / con climatizzatore e guida a destra	BWS	220	299	04/07	>	12/10				54.376.00
with air-conditioner and L.H.D. / con climatizzatore e guida a sinistra	BWS	220	299	04/07	>	12/10			30.303.00	54.124.00
with L.H.D. / con guida a sinistra	BWS	220	299	04/07	>	12/10			30.303.00	53.148.00
antibacterial, anti-odour and anti-allergen filter with air-conditioner and L.H.D. / filtro antibatterico, antiodori e anti-allergeni con climatizzatore e guida a sinistra	BWS	220	299	04/07	>	12/10				34.124.00
for cold countries / per paesi freddi	BWS	220	299	04/07	>	12/10			30.A35.00	
Passat (3G2/3G5)										
1.4 GTE TSI Hybrid										
with automatic air-conditioner / con climatizzatore automatico	CUKC	115	156	06/15	>		23.575.00		30.549.00	53.298.00
antibacterial, anti-odour and anti-allergen filter with automatic air-conditioner / filtro antibatterico, antiodori e anti-allergeni con climatizzatore automatico	CUKC	115	156	06/15	>					54.219.00
antibacterial, anti-odour and anti-allergen filter with automatic air-conditioner / filtro antibatterico, antiodori e anti-allergeni con climatizzatore automatico	CUKC	115	156	06/15	>					34.219.00
1.4 TSI										
with automatic air-conditioner / con climatizzatore automatico	CZCA	92	125	11/14	>		23.575.00		30.549.00	53.298.00
antibacterial, anti-odour and anti-allergen filter with automatic air-conditioner / filtro antibatterico, antiodori e anti-allergeni con climatizzatore automatico	CZCA	92	125	11/14	>					54.219.00
antibacterial, anti-odour and anti-allergen filter with automatic air-conditioner / filtro antibatterico, antiodori e anti-allergeni con climatizzatore automatico	CZCA	92	125	11/14	>					34.219.00
1.4 TSI										
with automatic air-conditioner / con climatizzatore automatico	CZDA	110	150	11/14	>		23.575.00		30.549.00	53.298.00
antibacterial, anti-odour and anti-allergen filter with automatic air-conditioner / filtro antibatterico, antiodori e anti-allergeni con climatizzatore automatico	CZDA	110	150	11/14	>					54.219.00
antibacterial, anti-odour and anti-allergen filter with automatic air-conditioner / filtro antibatterico, antiodori e anti-allergeni con climatizzatore automatico	CZDA	110	150	11/14	>					34.219.00
1.4 TSI										
with automatic air-conditioner / con climatizzatore automatico	CZEA	110	150	11/14	>		23.575.00		30.549.00	53.298.00
antibacterial, anti-odour and anti-allergen filter with automatic air-conditioner / filtro antibatterico, antiodori e anti-allergeni con climatizzatore automatico	CZEA	110	150	11/14	>					54.219.00
antibacterial, anti-odour and anti-allergen filter with automatic air-conditioner / filtro antibatterico, antiodori e anti-allergeni con climatizzatore automatico	CZEA	110	150	11/14	>					34.219.00
1.4 TSI 4Motion										
with automatic air-conditioner / con climatizzatore automatico	CZEA	110	150	11/14	>		23.575.00		30.549.00	53.298.00
antibacterial, anti-odour and anti-allergen filter with automatic air-conditioner / filtro antibatterico, antiodori e anti-allergeni con climatizzatore automatico	CZEA	110	150	11/14	>					54.219.00
antibacterial, anti-odour and anti-allergen filter with automatic air-conditioner / filtro antibatterico, antiodori e anti-allergeni con climatizzatore automatico	CZEA	110	150	11/14	>					34.219.00
1.6 TDI										
with automatic air-conditioner / con climatizzatore automatico	DCXA	88	120	11/14	>		25.144.00	26.038.00	30.532.00	53.298.00
antibacterial, anti-odour and anti-allergen filter with automatic air-conditioner / filtro antibatterico, antiodori e anti-allergeni con climatizzatore automatico	DCXA	88	120	11/14	>					54.219.00
antibacterial, anti-odour and anti-allergen filter with automatic air-conditioner / filtro antibatterico, antiodori e anti-allergeni con climatizzatore automatico	DCXA	88	120	11/14	>					34.219.00
export models Diesel Plus / modelli di esportazione Diesel Plus	DCXA	88	120	11/14	>			26.065.00		
for cold countries / per paesi freddi	DCXA	88	120	11/14	>				30.587.00	
1.8 TSI										
with automatic air-conditioner / con climatizzatore automatico	CJSA/CJSC	132	180	08/14	>		25.153.00		30.532.00	53.298.00
antibacterial, anti-odour and anti-allergen filter with automatic air-conditioner / filtro antibatterico, antiodori e anti-allergeni con climatizzatore automatico	CJSA/CJSC	132	180	08/14	>					54.219.00
antibacterial, anti-odour and anti-allergen filter with automatic air-conditioner / filtro antibatterico, antiodori e anti-allergeni con climatizzatore automatico	CJSA/CJSC	132	180	08/14	>					34.219.00
1.8 TSI										
with automatic air-conditioner / con climatizzatore automatico	CJSB	132	180	08/14	>		25.153.00		30.532.00	53.298.00
antibacterial, anti-odour and anti-allergen filter with automatic air-conditioner / filtro antibatterico, antiodori e anti-allergeni con climatizzatore automatico	CJSB	132	180	08/14	>					54.219.00
antibacterial, anti-odour and anti-allergen filter with automatic air-conditioner / filtro antibatterico, antiodori e anti-allergeni con climatizzatore automatico	CJSB	132	180	08/14	>					34.219.00
2.0 TDI										
with automatic air-conditioner / con climatizzatore automatico	CRLB	110	150	11/14	>		25.144.00	26.038.00	30.532.00	53.298.00
antibacterial, anti-odour and anti-allergen filter with automatic air-conditioner / filtro antibatterico, antiodori e anti-allergeni con climatizzatore automatico	CRLB	110	150	11/14	>					54.219.00
antibacterial, anti-odour and anti-allergen filter with automatic air-conditioner / filtro antibatterico, antiodori e anti-allergeni con climatizzatore automatico	CRLB	110	150	11/14	>					34.219.00
export models Diesel Plus / modelli di esportazione Diesel Plus	CRLB	110	150	11/14	>			26.065.00		

...VOLKSWAGEN - cars/auto

for cold countries / per paesi freddi	CRLB	110	150	11/14	>			30.587.00	
2.0 TDI	CUPA	135	184	07/15	>	25.144.00	26.038.00	30.532.00	53.298.00
with automatic air-conditioner / con climatizzatore automatico	CUPA	135	184	07/15	>				54.219.00
antibacterial, anti-odour and anti-allergen filter with automatic air-conditioner / filtro antibatterico, antiodori e anti-allergeni con climatizzatore automatico	CUPA	135	184	07/15	>				34.219.00
export models Diesel Plus / modelli di esportazione Diesel Plus	CUPA	135	184	07/15	>		26.065.00		
for cold countries / per paesi freddi	CUPA	135	184	07/15	>			30.587.00	
2.0 TDI	DDAA	140	190	11/14	>	25.144.00	26.038.00	30.532.00	53.298.00
with automatic air-conditioner / con climatizzatore automatico	DDAA	140	190	11/14	>				54.219.00
antibacterial, anti-odour and anti-allergen filter with automatic air-conditioner / filtro antibatterico, antiodori e anti-allergeni con climatizzatore automatico	DDAA	140	190	11/14	>				34.219.00
export models Diesel Plus / modelli di esportazione Diesel Plus	DDAA	140	190	11/14	>		26.065.00		
for cold countries / per paesi freddi	DDAA	140	190	11/14	>			30.587.00	
2.0 TDI 110	DBGB	81	110	05/16	>	25.144.00	26.038.00	30.532.00	53.298.00
with automatic air-conditioner / con climatizzatore automatico	DBGB	81	110	05/16	>				54.219.00
antibacterial, anti-odour and anti-allergen filter with automatic air-conditioner / filtro antibatterico, antiodori e anti-allergeni con climatizzatore automatico	DBGB	81	110	05/16	>				34.219.00
export models Diesel Plus / modelli di esportazione Diesel Plus	DBGB	81	110	05/16	>		26.065.00		
for cold countries / per paesi freddi	DBGB	81	110	05/16	>			30.587.00	
2.0 TDI 4Motion	CRLB	110	150	11/14	>	25.144.00	26.038.00	30.532.00	53.298.00
with automatic air-conditioner / con climatizzatore automatico	CRLB	110	150	11/14	>				54.219.00
antibacterial, anti-odour and anti-allergen filter with automatic air-conditioner / filtro antibatterico, antiodori e anti-allergeni con climatizzatore automatico	CRLB	110	150	11/14	>				34.219.00
export models Diesel Plus / modelli di esportazione Diesel Plus	CRLB	110	150	11/14	>		26.065.00		
for cold countries / per paesi freddi	CRLB	110	150	11/14	>			30.587.00	
2.0 TDI 4Motion	CUAA	176	240	11/14	>	25.144.00	26.038.00	30.661.00	53.298.00
with automatic air-conditioner / con climatizzatore automatico	CUAA	176	240	11/14	>				54.219.00
antibacterial, anti-odour and anti-allergen filter with automatic air-conditioner / filtro antibatterico, antiodori e anti-allergeni con climatizzatore automatico	CUAA	176	240	11/14	>				34.219.00
export models Diesel Plus / modelli di esportazione Diesel Plus	CUAA	176	240	11/14	>		26.065.00		
for cold countries / per paesi freddi	CUAA	176	240	11/14	>			30.662.00	
2.0 TDI 4Motion	DDAA	140	190	11/14	>	25.144.00	26.038.00	30.532.00	53.298.00
with automatic air-conditioner / con climatizzatore automatico	DDAA	140	190	11/14	>				54.219.00
antibacterial, anti-odour and anti-allergen filter with automatic air-conditioner / filtro antibatterico, antiodori e anti-allergeni con climatizzatore automatico	DDAA	140	190	11/14	>				34.219.00
export models Diesel Plus / modelli di esportazione Diesel Plus	DDAA	140	190	11/14	>		26.065.00		
for cold countries / per paesi freddi	DDAA	140	190	11/14	>			30.587.00	
2.0 TDi BlueMotion	DTUA	147	200	08/20	>		26.038.00	30.587.00	53.298.00
with activated carbons / ai carboni attivi	DTUA	147	200	08/20	>				54.219.00
antibacterial, anti-odour and anti-allergen filter / filtro antibatterico, antiodori e anti-allergeni	DTUA	147	200	08/20	>				34.219.00
for cold countries / per paesi freddi	DTUA	147	200	08/20	>			30.532.00	
2.0 TSI	CHHB	162	220	01/15	>	25.153.00		30.532.00	53.298.00
with automatic air-conditioner / con climatizzatore automatico	CHHB	162	220	01/15	>				54.219.00
antibacterial, anti-odour and anti-allergen filter with automatic air-conditioner / filtro antibatterico, antiodori e anti-allergeni con climatizzatore automatico	CHHB	162	220	01/15	>				34.219.00
for cold countries / per paesi freddi	CHHB	162	220	01/15	>			30.587.00	
2.0 TSI 4Motion	CJXA	206	280	08/14	>	25.153.00		30.532.00	53.298.00
with automatic air-conditioner / con climatizzatore automatico	CJXA	206	280	08/14	>				54.219.00
antibacterial, anti-odour and anti-allergen filter with automatic air-conditioner / filtro antibatterico, antiodori e anti-allergeni con climatizzatore automatico	CJXA	206	280	08/14	>				34.219.00
Passat Alltrack (365)									
1.8 TSI	CDAA	118	160	01/12	> 12/14	23.493.00		30.187.00	53.148.00
with air-conditioner and R.H.D. / con climatizzatore e guida a destra	CDAA	118	160	01/12	> 12/14				54.376.00
with air-conditioner and L.H.D. / con climatizzatore e guida a sinistra	CDAA	118	160	01/12	> 12/14				54.124.00
antibacterial, anti-odour and anti-allergen filter with air-conditioner and L.H.D. / filtro antibatterico, antiodori e anti-allergeni con climatizzatore e guida a sinistra	CDAA	118	160	01/12	> 12/14				34.124.00
for cold countries / per paesi freddi	CDAA	118	160	01/12	> 12/14			30.370.00	
1.8 TSI	CDAB	112	152	01/12	> 12/14	23.493.00		30.187.00	53.148.00
with air-conditioner and R.H.D. / con climatizzatore e guida a destra	CDAB	112	152	01/12	> 12/14				54.376.00
with air-conditioner and L.H.D. / con climatizzatore e guida a sinistra	CDAB	112	152	01/12	> 12/14				54.124.00
antibacterial, anti-odour and anti-allergen filter with air-conditioner and L.H.D. / filtro antibatterico, antiodori e anti-allergeni con climatizzatore e guida a sinistra	CDAB	112	152	01/12	> 12/14				34.124.00
for cold countries / per paesi freddi	CDAB	112	152	01/12	> 12/14			30.370.00	
2.0 TDI	CFFB	103	140	01/12	> 12/14	25.106.00	26.026.00	30.187.00	53.148.00
with air-conditioner and R.H.D. / con climatizzatore e guida a destra	CFFB	103	140	01/12	> 12/14				54.376.00
with air-conditioner and L.H.D. / con climatizzatore e guida a sinistra	CFFB	103	140	01/12	> 12/14				54.124.00
antibacterial, anti-odour and anti-allergen filter with air-conditioner and L.H.D. / filtro antibatterico, antiodori e anti-allergeni con climatizzatore e guida a sinistra	CFFB	103	140	01/12	> 12/14				34.124.00
export models DIESEL PLUS / modelli di esportazione DIESEL PLUS	CFFB	103	140	11/12	> 12/14		26.032.00		
for cold countries / per paesi freddi	CFFB	103	140	01/12	> 12/14			30.370.00	
2.0 TDI 4Motion	CFFB	103	140	01/12	> 12/14	25.106.00	26.026.00	30.187.00	53.148.00
with air-conditioner and R.H.D. / con climatizzatore e guida a destra	CFFB	103	140	01/12	> 12/14				54.376.00
with air-conditioner and L.H.D. / con climatizzatore e guida a sinistra	CFFB	103	140	01/12	> 12/14				54.124.00
antibacterial, anti-odour and anti-allergen filter with air-conditioner and L.H.D. / filtro antibatterico, antiodori e anti-allergeni con climatizzatore e guida a sinistra	CFFB	103	140	01/12	> 12/14				34.124.00
export models DIESEL PLUS / modelli di esportazione DIESEL PLUS	CFFB	103	140	11/12	> 12/14		26.032.00		
for cold countries / per paesi freddi	CFFB	103	140	01/12	> 12/14			30.370.00	
2.0 TDI 4Motion	CFGB	125	170	01/12	> 12/14	25.106.00	26.026.00	30.187.00	53.148.00
with air-conditioner and R.H.D. / con climatizzatore e guida a destra	CFGB	125	170	01/12	> 12/14				54.376.00

...VOLKSWAGEN - cars/auto

with air-conditioner and L.H.D. / con climatizzatore e guida a sinistra	CFGB	125	170	01/12	>	12/14				54.124.00
antibacterial, anti-odour and anti-allergen filter with air-conditioner and L.H.D. / filtro antibatterico, antiodori e anti-allergeni con climatizzatore e guida a sinistra	CFGB	125	170	01/12	>	12/14				34.124.00
export models DIESEL PLUS / modelli di esportazione DIESEL PLUS	CFGB	125	170	11/12	>	12/14		26.032.00		
for cold countries / per paesi freddi	CFGB	125	170	01/12	>	12/14			30.370.00	
2.0 TDI 4Motion	CFGC	130	177	01/13	>	12/14	25.106.00	26.026.00	30.187.00	53.148.00
with air-conditioner and R.H.D. / con climatizzatore e guida a destra	CFGC	130	177	01/13	>	12/14				54.376.00
with air-conditioner and L.H.D. / con climatizzatore e guida a sinistra	CFGC	130	177	01/13	>	12/14				54.124.00
antibacterial, anti-odour and anti-allergen filter with air-conditioner and L.H.D. / filtro antibatterico, antiodori e anti-allergeni con climatizzatore e guida a sinistra	CFGC	130	177	01/13	>	12/14				34.124.00
export models DIESEL PLUS / modelli di esportazione DIESEL PLUS	CFGC	130	177	01/13	>	12/14		26.032.00		
for cold countries / per paesi freddi	CFGC	130	177	01/13	>	12/14			30.370.00	
2.0 TSI 4Motion	CCZB	155	210	01/12	>	12/14	23.493.00		30.187.00	53.148.00
with air-conditioner and R.H.D. / con climatizzatore e guida a destra	CCZB	155	210	01/12	>	12/14				54.376.00
with air-conditioner and L.H.D. / con climatizzatore e guida a sinistra	CCZB	155	210	01/12	>	12/14				54.124.00
antibacterial, anti-odour and anti-allergen filter with air-conditioner and L.H.D. / filtro antibatterico, antiodori e anti-allergeni con climatizzatore e guida a sinistra	CCZB	155	210	01/12	>	12/14				34.124.00
Passat CC (357)										
1.4 TSI	CKMA	118	160	11/10	>		23.573.00		30.187.00	53.148.00
with activated carbon L.H.D. / con guida a sinistra, ai carboni attivi	CKMA	118	160	11/10	>					54.124.00
antibacterial, anti-odour and anti-allergen filter with L.H.D. / filtro antibatterico, antiodori e anti-allergeni con guida a sinistra	CKMA	118	160	11/10	>					34.124.00
for cold countries / per paesi freddi	CKMA	118	160	11/10	>				30.370.00	
1.8 TSI	BZB	118	160	02/08	>	11/10	23.493.00		30.187.00	53.148.00
with air-conditioner and R.H.D. / con climatizzatore e guida a destra	BZB	118	160	02/08	>	11/10				54.376.00
with air-conditioner and L.H.D. / con climatizzatore e guida a sinistra	BZB	118	160	02/08	>	11/10	23.493.00		30.187.00	54.124.00
antibacterial, anti-odour and anti-allergen filter with air-conditioner and L.H.D. / filtro antibatterico, antiodori e anti-allergeni con climatizzatore e guida a sinistra	BZB	118	160	02/08	>	11/10				34.124.00
for cold countries / per paesi freddi	BZB	118	160	02/08	>	11/10			30.370.00	
1.8 TSI	CDAA	118	160	11/09	>		23.493.00		30.187.00	53.148.00
with activated carbon L.H.D. / con guida a sinistra, ai carboni attivi	CDAA	118	160	11/09	>					54.124.00
antibacterial, anti-odour and anti-allergen filter with L.H.D. / filtro antibatterico, antiodori e anti-allergeni con guida a sinistra	CDAA	118	160	11/09	>					34.124.00
for cold countries / per paesi freddi	CDAA	118	160	11/09	>				30.370.00	
1.8 TSI	CDAB	112	152	11/08	>	05/10	23.493.00		30.187.00	53.148.00
with activated carbon L.H.D. / con guida a sinistra, ai carboni attivi	CDAB	112	152	11/08	>	05/10				54.124.00
antibacterial, anti-odour and anti-allergen filter with L.H.D. / filtro antibatterico, antiodori e anti-allergeni con guida a sinistra	CDAB	112	152	11/08	>	05/10				34.124.00
for cold countries / per paesi freddi	CDAB	112	152	11/08	>	05/10			30.370.00	
1.8 TSI	CGYA	112	152	11/08	>	05/10	23.493.00		30.187.00	53.148.00
with activated carbon L.H.D. / con guida a sinistra, ai carboni attivi	CGYA	112	152	11/08	>	05/10				54.124.00
antibacterial, anti-odour and anti-allergen filter with L.H.D. / filtro antibatterico, antiodori e anti-allergeni con guida a sinistra	CGYA	112	152	11/08	>	05/10				34.124.00
for cold countries / per paesi freddi	CGYA	112	152	11/08	>	05/10			30.370.00	
2.0 BlueTDI	CBAC	105	143	05/09	>		25.023.00	26.007.00	30.187.00	53.148.00
with air-conditioner and R.H.D. / con climatizzatore e guida a destra	CBAC	105	143	05/09	>					54.376.00
with air-conditioner and L.H.D. / con climatizzatore e guida a sinistra	CBAC	105	143	05/09	>		25.023.00	26.007.00	30.187.00	54.124.00
antibacterial, anti-odour and anti-allergen filter with air-conditioner and L.H.D. / filtro antibatterico, antiodori e anti-allergeni con climatizzatore e guida a sinistra	CBAC	105	143	05/09	>					34.124.00
2.0 TDI	CBAA	100	136	02/08	>	05/11	25.023.00	26.007.00	30.187.00	53.148.00
with air-conditioner and R.H.D. / con climatizzatore e guida a destra	CBAA	100	136	02/08	>	05/11				54.376.00
with air-conditioner and L.H.D. / con climatizzatore e guida a sinistra	CBAA	100	136	02/08	>	05/11	25.023.00	26.007.00	30.187.00	54.124.00
antibacterial, anti-odour and anti-allergen filter with air-conditioner and L.H.D. / filtro antibatterico, antiodori e anti-allergeni con climatizzatore e guida a sinistra	CBAA	100	136	02/08	>	05/11				34.124.00
for cold countries / per paesi freddi	CBAA	100	136	02/08	>	05/11			30.370.00	
2.0 TDI	CBAB	103	140	02/08	>	11/10	25.023.00	26.007.00	30.187.00	53.148.00
with air-conditioner and R.H.D. / con climatizzatore e guida a destra	CBAB	103	140	02/08	>	11/10				54.376.00
with air-conditioner and L.H.D. / con climatizzatore e guida a sinistra	CBAB	103	140	02/08	>	11/10	25.023.00	26.007.00	30.187.00	54.124.00
antibacterial, anti-odour and anti-allergen filter with air-conditioner and L.H.D. / filtro antibatterico, antiodori e anti-allergeni con climatizzatore e guida a sinistra	CBAB	103	140	02/08	>	11/10				34.124.00
for cold countries / per paesi freddi	CBAB	103	140	02/08	>	11/10			30.370.00	
2.0 TDI	CBBA	120	163	02/08	>	05/11	25.023.00	26.007.00	30.187.00	53.148.00
with air-conditioner and R.H.D. / con climatizzatore e guida a destra	CBBA	120	163	02/08	>	05/11				54.376.00
with air-conditioner and L.H.D. / con climatizzatore e guida a sinistra	CBBA	120	163	02/08	>	05/11	25.023.00	26.007.00	30.187.00	54.124.00
antibacterial, anti-odour and anti-allergen filter with air-conditioner and L.H.D. / filtro antibatterico, antiodori e anti-allergeni con climatizzatore e guida a sinistra	CBBA	120	163	02/08	>	05/11				34.124.00
for cold countries / per paesi freddi	CBBA	120	163	02/08	>	05/11			30.370.00	
2.0 TDI	CBBB	125	170	08/08	>	11/10	25.023.00	26.007.00	30.187.00	53.148.00
with air-conditioner and R.H.D. / con climatizzatore e guida a destra	CBBB	125	170	08/08	>	11/10				54.376.00
with air-conditioner and L.H.D. / con climatizzatore e guida a sinistra	CBBB	125	170	08/08	>	11/10	25.023.00	26.007.00	30.187.00	54.124.00
antibacterial, anti-odour and anti-allergen filter with air-conditioner and L.H.D. / filtro antibatterico, antiodori e anti-allergeni con climatizzatore e guida a sinistra	CBBB	125	170	08/08	>	11/10				34.124.00
for cold countries / per paesi freddi	CBBB	125	170	08/08	>	11/10			30.370.00	
2.0 TDI	CFFA	100	136	11/10	>		25.106.00	26.026.00	30.187.00	53.148.00
with air-conditioner and R.H.D. / con climatizzatore e guida a destra	CFFA	100	136	11/10	>					54.376.00
with air-conditioner and L.H.D. / con climatizzatore e guida a sinistra	CFFA	100	136	11/10	>		25.106.00	26.026.00	30.187.00	54.124.00
antibacterial, anti-odour and anti-allergen filter with air-conditioner and L.H.D. / filtro antibatterico, antiodori e anti-allergeni con climatizzatore e guida a sinistra	CFFA	100	136	11/10	>					34.124.00
for cold countries / per paesi freddi	CFFA	100	136	11/10	>				30.370.00	
2.0 TDI	CFFB	103	140	11/10	>		25.106.00	26.026.00	30.187.00	53.148.00
with air-conditioner and R.H.D. / con climatizzatore e guida a destra	CFFB	103	140	11/10	>					54.376.00

...VOLKSWAGEN - cars/auto

for cold countries / per paesi freddi	BWS	220	299	02/08	>			30.A35.00	
3.6 V6 FSI 4Motion DSG	CNNA	206	280	06/08	>	25.089.00		30.303.00	53.148.00
with activated carbon L.H.D. / con guida a sinistra, ai carboni attivi	CNNA	206	280	06/08	>				54.124.00
antibacterial, anti-odour and anti-allergen filter with L.H.D. / filtro antibatterico, antiodori e anti-allergeni con guida a sinistra	CNNA	206	280	06/08	>				34.124.00
Phaeton									
3.0 FSI (CN)	CPFA	184	250	01/12	>	25.010.00	31.854.00		
3.0 TDI V6	BMK	165	224	05/04	> 05/07	25.068.00	26.014.00		54.302.00
3.0 TDI V6									
to frame No. 3D_8_005 000 / a telaio N. 3D_8_005 000	CARA	171	232	06/07	>	25.068.00	26.014.00		54.302.00
from frame No. 3D_8_005 001 / da telaio N. 3D_8_005 001	CARA	171	232			25.105.00	26.014.00		54.302.00
3.0 TDI V6									
to frame No. 3D_8_005 000 / a telaio N. 3D_8_005 000	CARB	176	240	05/07	>	25.068.00	26.014.00		54.302.00
from frame No. 3D_8_005 001 / da telaio N. 3D_8_005 001	CARB	176	240			25.105.00	26.014.00		54.302.00
3.0 TDI V6	CEXA	176	240	11/08	>	25.105.00	26.014.00		54.302.00
3.0 TDI V6 4Motion									
to frame No. 3D_8_005 000 / a telaio N. 3D_8_005 000	CARA	171	232	06/07	>	25.068.00	26.014.00		54.302.00
from frame No. 3D_8_005 001 / da telaio N. 3D_8_005 001	CARA	171	232			25.105.00	26.014.00		54.302.00
3.0 TDI V6 4Motion									
to frame No. 3D_8_005 000 / a telaio N. 3D_8_005 000	CARB/CEXA	176	240	05/07	>	25.068.00	26.014.00		54.302.00
from frame No. 3D_8_005 001 / da telaio N. 3D_8_005 001	CARB/CEXA	176	240			25.105.00	26.014.00		54.302.00
3.0 TDI V6 4Motion	CEXB	180	245	11/13	>	25.105.00	26.014.00		
with activated carbons / ai carboni attivi	CEXB	180	245	11/13	>				54.302.00
3.2 V6	AYT/BKL	177	241	04/02	> 12/08	25.010.00	31.718.00	30.700.00	54.302.00
3.2 V6 4Motion	BKL/BRK	177	241	04/02	> 12/08	25.010.00	31.718.00	30.700.00	54.302.00
3.6 FSI	CMVA	206	280	05/10	>	25.010.00	31.854.00		
3.6 V6	CHNA	206	280	11/08	>	25.010.00	31.854.00	30.700.00	54.302.00
3.6 V6 4Motion	CHNA	206	280	11/08	>	25.010.00	31.854.00	30.700.00	54.302.00
4.2 V8	BGH/BGJ	246	335	07/03	>	25.257.00	31.718.00		54.302.00
air filter right side / filtro aria destro	BGH/BGJ	246	335	07/03	>			30.700.00	
air filter left side / filtro aria sinistro	BGH/BGJ	246	335	07/03	>			30.B28.00	
5.0 TDI V10	AJS	230	313	11/02	> 12/08	25.197.00			54.302.00
air filter left side / filtro aria sinistro	AJS	230	313	11/02	> 12/08			30.B28.00	
6.0 W12	BAN	309	420	04/02	> 06/05		31.718.00		54.302.00
air filter right side / filtro aria destro	BAN	309	420	04/02	> 06/05			30.700.00	
air filter left side / filtro aria sinistro	BAN	309	420	04/02	> 06/05			30.B28.00	
6.0 W12	BRN/BTT	331	450	06/05	>		31.718.00		54.302.00
air filter right side / filtro aria destro	BRN/BTT	331	450	06/05	>			30.700.00	
air filter left side / filtro aria sinistro	BRN/BTT	331	450	06/05	>			30.B28.00	
Polo									
1.0 i	ALD	37	50	08/99	> 11/01	23.453.00	31.722.00	30.134.00	53.006.00
with activated carbons / ai carboni attivi	ALD	37	50	08/99	> 11/01				54.263.00
with activated carbons some (frame 1J0819648) / ai carboni attivi alcuni (telaio 1J0819648)	ALD	37	50	08/99	> 11/01				54.109.00
antibacterial, anti-odour and anti-allergen filter / filtro antibatterico, antiodori e anti-allergeni	ALD	37	50	08/99	> 11/01				34.263.00
antibacterial, anti-odour and anti-allergen filter some (frame 1J0819648) / filtro antibatterico, antiodori e anti-allergeni alcuni (telaio 1J0819648)	ALD	37	50	08/99	> 11/01				34.109.00
1.0 i									
with activated carbons / ai carboni attivi	ALL	37	50	08/99	> 11/01				54.263.00
with activated carbons some (frame 1J0819648) / ai carboni attivi alcuni (telaio 1J0819648)	ALL	37	50	08/99	> 11/01				54.109.00
antibacterial, anti-odour and anti-allergen filter / filtro antibatterico, antiodori e anti-allergeni	ALL	37	50	08/99	> 11/01				34.263.00
antibacterial, anti-odour and anti-allergen filter some (frame 1J0819648) / filtro antibatterico, antiodori e anti-allergeni alcuni (telaio 1J0819648)	ALL	37	50	08/99	> 11/01				34.109.00
1.0 i									
with activated carbons / ai carboni attivi	ANV	37	50	08/99	> 11/01				54.263.00
with activated carbons some (frame 1J0819648) / ai carboni attivi alcuni (telaio 1J0819648)	ANV	37	50	08/99	> 11/01				54.109.00
antibacterial, anti-odour and anti-allergen filter / filtro antibatterico, antiodori e anti-allergeni	ANV	37	50	08/99	> 11/01				34.263.00
antibacterial, anti-odour and anti-allergen filter some (frame 1J0819648) / filtro antibatterico, antiodori e anti-allergeni alcuni (telaio 1J0819648)	ANV	37	50	08/99	> 11/01				34.109.00
1.0 i	AUC	37	50	08/99	> 11/01	23.453.00	31.722.00	30.134.00	54.109.00
with activated carbons / ai carboni attivi	AUC	37	50	08/99	> 11/01				54.263.00
with activated carbons some (frame 1J0819648) / ai carboni attivi alcuni (telaio 1J0819648)	AUC	37	50	08/99	> 11/01				54.109.00
antibacterial, anti-odour and anti-allergen filter / filtro antibatterico, antiodori e anti-allergeni	AUC	37	50	08/99	> 11/01				34.263.00
antibacterial, anti-odour and anti-allergen filter some (frame 1J0819648) / filtro antibatterico, antiodori e anti-allergeni alcuni (telaio 1J0819648)	AUC	37	50	08/99	> 11/01				34.109.00
1.2	BBM	44	60	05/07	> 11/09	25.029.00	31.833.00	30.132.00	53.031.00
with activated carbons / ai carboni attivi	BBM	44	60	05/07	> 11/09	25.029.00	31.833.00	30.132.00	54.114.00
antibacterial, anti-odour and anti-allergen filter / filtro antibatterico, antiodori e anti-allergeni	BBM	44	60	05/07	> 11/09				34.114.00
1.2	BZG	51	70	05/07	> 11/09	25.029.00	31.833.00	30.132.00	53.031.00
with activated carbons / ai carboni attivi	BZG	51	70	05/07	> 11/09	25.029.00	31.833.00	30.132.00	54.114.00
antibacterial, anti-odour and anti-allergen filter / filtro antibatterico, antiodori e anti-allergeni	BZG	51	70	05/07	> 11/09				34.114.00
1.2 i									
with activated carbons / ai carboni attivi	AWY/BMD	40	54	11/01	> 05/05	25.029.00	31.832.00	30.196.00	54.114.00

...VOLKSWAGEN - cars/auto

with gasoline filter with pressure regulator (3 bar) / con filtro benzina con regolatore di pressione (3 bar)	AWY/BMD	40	54	11/01	>	05/05	25.029.00	31.832.00	30.196.00	53.031.00
with gasoline filter without pressure regulator / con filtro benzina senza regolatore di pressione	AWY/BMD	40	54	11/01	>	05/05	25.029.00	31.722.00	30.196.00	53.031.00
antibacterial, anti-odour and anti-allergen filter / filtro antibatterico, antiodori e anti-allergeni	AWY/BMD	40	54	11/01	>	05/05				34.114.00
1.2 i	BMD	40	54	05/04	>	05/07	25.029.00	31.832.00	30.132.00	53.031.00
with activated carbons / ai carboni attivi	BMD	40	54	05/04	>	05/07	25.029.00	31.832.00	30.132.00	54.114.00
antibacterial, anti-odour and anti-allergen filter / filtro antibatterico, antiodori e anti-allergeni	BMD	40	54	05/04	>	05/07				34.114.00
1.2 i 12V										
with activated carbons / ai carboni attivi	AZQ/BME	47	64	10/01	>	07/07	25.029.00	31.832.00	30.165.00	54.114.00
with gasoline filter with pressure regulator (3 bar) / con filtro benzina con regolatore di pressione (3 bar)	AZQ/BME	47	64	10/01	>	07/07	25.029.00	31.832.00	30.165.00	53.031.00
with gasoline filter without pressure regulator / con filtro benzina senza regolatore di pressione	AZQ/BME	47	64	10/01	>	07/07	25.029.00	31.722.00	30.165.00	53.031.00
antibacterial, anti-odour and anti-allergen filter / filtro antibatterico, antiodori e anti-allergeni	AZQ/BME	47	64	10/01	>	07/07				34.114.00
1.4 16V Bi-Fuel G		59	80	06/06	>	11/09	23.453.00	31.833.00	30.342.00	53.031.00
with activated carbons / ai carboni attivi		59	80	06/06	>	11/09	23.453.00	31.833.00	30.342.00	54.114.00
antibacterial, anti-odour and anti-allergen filter / filtro antibatterico, antiodori e anti-allergeni		59	80	06/06	>	11/09				34.114.00
1.4 FSI 16V	AXU	63	86	10/01	>	06/06	25.047.00	31.832.00	30.199.00	53.031.00
with activated carbons / ai carboni attivi	AXU	63	86	10/01	>	06/06	25.047.00	31.832.00	30.199.00	54.114.00
antibacterial, anti-odour and anti-allergen filter / filtro antibatterico, antiodori e anti-allergeni	AXU	63	86	10/01	>	06/06				34.114.00
1.4 i	AKK	44	60	08/99	>	11/01	23.453.00	31.722.00	30.134.00	53.006.00
with activated carbons / ai carboni attivi	AKK	44	60	08/99	>	11/01				54.263.00
with activated carbons some (frame 1J0819648) / ai carboni attivi alcuni (telaio 1J0819648)	AKK	44	60	08/99	>	11/01				54.109.00
antibacterial, anti-odour and anti-allergen filter / filtro antibatterico, antiodori e anti-allergeni	AKK	44	60	08/99	>	11/01				34.263.00
antibacterial, anti-odour and anti-allergen filter some (frame 1J0819648) / filtro antibatterico, antiodori e anti-allergeni alcuni (telaio 1J0819648)	AKK	44	60	08/99	>	11/01				34.109.00
1.4 i	AKP	40	54	08/99	>	11/01	23.453.00	31.722.00	30.134.00	53.006.00
with activated carbons / ai carboni attivi	AKP	40	54	08/99	>	11/01				54.263.00
with activated carbons some (frame 1J0819648) / ai carboni attivi alcuni (telaio 1J0819648)	AKP	40	54	08/99	>	11/01				54.109.00
antibacterial, anti-odour and anti-allergen filter / filtro antibatterico, antiodori e anti-allergeni	AKP	40	54	08/99	>	11/01				34.263.00
antibacterial, anti-odour and anti-allergen filter some (frame 1J0819648) / filtro antibatterico, antiodori e anti-allergeni alcuni (telaio 1J0819648)	AKP	40	54	08/99	>	11/01				34.109.00
1.4 i	ANW	44	60	08/99	>	11/01	23.453.00	31.722.00	30.134.00	53.006.00
with activated carbons / ai carboni attivi	ANW	44	60	08/99	>	11/01				54.263.00
with activated carbons some (frame 1J0819648) / ai carboni attivi alcuni (telaio 1J0819648)	ANW	44	60	08/99	>	11/01				54.109.00
antibacterial, anti-odour and anti-allergen filter / filtro antibatterico, antiodori e anti-allergeni	ANW	44	60	08/99	>	11/01				34.263.00
antibacterial, anti-odour and anti-allergen filter some (frame 1J0819648) / filtro antibatterico, antiodori e anti-allergeni alcuni (telaio 1J0819648)	ANW	44	60	08/79	>	11/01				34.109.00
1.4 i 16V	AFK/AUB	74	101	08/99	>	11/01	23.453.00	31.722.00	30.124.00	53.006.00
with activated carbons / ai carboni attivi	AFK/AUB	74	101	08/99	>	11/01				54.263.00
with activated carbons some (frame 1J0819648) / ai carboni attivi alcuni (telaio 1J0819648)	AFK/AUB	74	101	08/99	>	11/01				54.109.00
antibacterial, anti-odour and anti-allergen filter / filtro antibatterico, antiodori e anti-allergeni	AFK/AUB	74	101	08/99	>	11/01				34.263.00
antibacterial, anti-odour and anti-allergen filter some (frame 1J0819648) / filtro antibatterico, antiodori e anti-allergeni alcuni (telaio 1J0819648)	AFK/AUB	74	101	08/99	>	11/01				34.109.00
dusty areas / zone polverose	AFK/AUB	74	101	08/99	>	11/01	23.453.00	31.722.00	30.184.00	53.006.00
1.4 i 16V	AHW/APE/AUA	55	75	08/99	>	11/01	23.453.00	31.722.00	30.124.00	53.006.00
with activated carbons / ai carboni attivi	AHW/APE/AUA	55	75	08/99	>	11/01				54.263.00
with activated carbons some (frame 1J0819648) / ai carboni attivi alcuni (telaio 1J0819648)	AHW/APE/AUA	55	75	08/99	>	11/01				54.109.00
antibacterial, anti-odour and anti-allergen filter / filtro antibatterico, antiodori e anti-allergeni	AHW/APE/AUA	55	75	08/99	>	11/01				34.263.00
antibacterial, anti-odour and anti-allergen filter some (frame 1J0819648) / filtro antibatterico, antiodori e anti-allergeni alcuni (telaio 1J0819648)	AHW/APE/AUA	55	75	08/99	>	11/01				34.109.00
dusty areas / zone polverose	AHW/APE/AUA	55	75	08/99	>	11/01	23.453.00	31.722.00	30.184.00	53.006.00
1.4 i 16V										
with activated carbons / ai carboni attivi	AHW/AUA/BBY	55	75	10/01	>	05/08	23.453.00	31.832.00	30.158.00	54.114.00
with gasoline filter with pressure regulator (3 bar) / con filtro benzina con regolatore di pressione (3 bar)	AHW/AUA/BBY	55	75	10/01	>	05/08	23.453.00	31.832.00	30.158.00	53.031.00
with gasoline filter without pressure regulator / con filtro benzina senza regolatore di pressione	AHW/AUA/BBY	55	75	10/01	>	05/08	23.453.00	31.722.00	30.158.00	53.031.00
antibacterial, anti-odour and anti-allergen filter / filtro antibatterico, antiodori e anti-allergeni	AHW/AUA/BBY	55	75	10/01	>	05/08				34.114.00
1.4 i 16V										
with activated carbons / ai carboni attivi	BBZ Euro 4	74	100	05/02	>	06/08	23.453.00	31.832.00	30.158.00	54.114.00
with gasoline filter with pressure regulator (3 bar) / con filtro benzina con regolatore di pressione (3 bar)	BBZ Euro 4	74	100	05/02	>	06/08	23.453.00	31.832.00	30.158.00	53.031.00
with gasoline filter without pressure regulator / con filtro benzina senza regolatore di pressione	BBZ Euro 4	74	100	05/02	>	06/08	23.453.00	31.722.00	30.158.00	53.031.00
antibacterial, anti-odour and anti-allergen filter / filtro antibatterico, antiodori e anti-allergeni	BBZ Euro 4	74	100	05/02	>	06/08				34.114.00
1.4 i 16V	BUD	59	80	06/06	>	11/09	23.453.00	31.833.00	30.342.00	53.031.00
with activated carbons / ai carboni attivi	BUD	59	80	06/06	>	11/09	23.453.00	31.833.00	30.342.00	54.114.00
antibacterial, anti-odour and anti-allergen filter / filtro antibatterico, antiodori e anti-allergeni	BUD	59	80	06/06	>	11/09				34.114.00
1.4 TDI	AMF	55	75	08/99	>	11/01	25.023.00	24.426.00	27.257.00	53.006.00
with activated carbons / ai carboni attivi	AMF	55	75	08/99	>	11/01				54.263.00
with activated carbons some (frame 1J0819648) / ai carboni attivi alcuni (telaio 1J0819648)	AMF	55	75	08/99	>	11/01				54.109.00
antibacterial, anti-odour and anti-allergen filter / filtro antibatterico, antiodori e anti-allergeni	AMF	55	75	08/99	>	11/01				34.263.00
antibacterial, anti-odour and anti-allergen filter some (frame 1J0819648) / filtro antibatterico, antiodori e anti-allergeni alcuni (telaio 1J0819648)	AMF	55	75	08/99	>	11/01				34.109.00
1.4 TDI	AMF/BAY Euro 3	55	75	10/01	>	05/05	25.023.00	24.428.00	30.133.00	53.031.00
with activated carbons / ai carboni attivi	AMF/BAY Euro 3	55	75	10/01	>	05/05	25.023.00	24.428.00	30.133.00	54.114.00
antibacterial, anti-odour and anti-allergen filter / filtro antibatterico, antiodori e anti-allergeni	AMF/BAY Euro 3	55	75	10/01	>	05/05				34.114.00
dusty areas / zone polverose	AMF/BAY Euro 3	55	75	10/01	>	05/05	25.023.00	24.428.00	30.369.00	53.031.00
1.4 TDI	BNM	51	70	05/05	>	11/09	25.023.00	24.437.00	30.133.00	53.031.00

...VOLKSWAGEN - cars/auto

with activated carbons / ai carboni attivi	BNM	51	70	05/05	>	11/09	25.023.00	24.437.00	30.133.00	54.114.00
antibacterial, anti-odour and anti-allergen filter / filtro antibatterico, antiodori e anti-allergeni	BNM	51	70	05/05	>	11/09				34.114.00
dusty areas / zone polverose	BNM	51	70	05/05	>	11/09	25.023.00	24.437.00	30.369.00	53.031.00
1.4 TDI	BNV	59	80	05/05	>	11/09	25.023.00	24.437.00	30.133.00	53.031.00
with activated carbons / ai carboni attivi	BNV	59	80	05/05	>	11/09	25.023.00	24.437.00	30.133.00	54.114.00
antibacterial, anti-odour and anti-allergen filter / filtro antibatterico, antiodori e anti-allergeni	BNV	59	80	05/05	>	11/09				34.114.00
dusty areas / zone polverose	BNV	59	80	05/05	>	11/09	25.023.00	24.437.00	30.369.00	53.031.00
1.6	BAH	74	101	08/02	>	05/05	23.453.00	31.833.00	30.158.00	53.031.00
with activated carbons / ai carboni attivi	BAH	74	101	08/02	>	05/05				54.114.00
antibacterial, anti-odour and anti-allergen filter / filtro antibatterico, antiodori e anti-allergeni	BAH	74	101	08/02	>	05/05				34.114.00
1.6	BPA	74	101	08/02	>	05/05	23.453.00	31.833.00	30.124.00	53.031.00
with activated carbons / ai carboni attivi	BPA	74	101	08/02	>	05/05				54.114.00
antibacterial, anti-odour and anti-allergen filter / filtro antibatterico, antiodori e anti-allergeni	BPA	74	101	08/02	>	05/05				34.114.00
1.6 GTI 16V	ARC/AVY	92	125	08/99	>	11/01	23.453.00	31.722.00	30.124.00	53.006.00
with activated carbons / ai carboni attivi	ARC/AVY	92	125	08/99	>	11/01				54.263.00
with activated carbons some (frame 1J0819648) / ai carboni attivi alcuni (telaio 1J0819648)	ARC/AVY	92	125	08/99	>	11/01				54.109.00
antibacterial, anti-odour and anti-allergen filter / filtro antibatterico, antiodori e anti-allergeni	ARC/AVY	92	125	08/99	>	11/01				34.263.00
antibacterial, anti-odour and anti-allergen filter some (frame 1J0819648) / filtro antibatterico, antiodori e anti-allergeni alcuni (telaio 1J0819648)	ARC/AVY	92	125	08/99	>	11/01				34.109.00
dusty areas / zone polverose	ARC/AVY	92	125	08/99	>	11/01	23.453.00	31.722.00	30.184.00	53.006.00
1.6 i 16V	AJV	88	120	08/99	>	11/01	23.453.00	31.722.00	30.124.00	53.006.00
with activated carbons / ai carboni attivi	AJV	88	120	08/99	>	11/01				54.263.00
with activated carbons some (frame 1J0819648) / ai carboni attivi alcuni (telaio 1J0819648)	AJV	88	120	08/99	>	11/01				54.109.00
antibacterial, anti-odour and anti-allergen filter / filtro antibatterico, antiodori e anti-allergeni	AJV	88	120	08/99	>	11/01				34.263.00
antibacterial, anti-odour and anti-allergen filter some (frame 1J0819648) / filtro antibatterico, antiodori e anti-allergeni alcuni (telaio 1J0819648)	AJV	88	120	08/99	>	11/01				34.109.00
dusty areas / zone polverose	AJV	88	120	08/99	>	11/01	23.453.00	31.722.00	30.184.00	53.006.00
1.6 i 16V	BTS	77	105	06/06	>	11/09	25.047.00	31.833.00	30.342.00	53.031.00
with activated carbons / ai carboni attivi	BTS	77	105	06/06	>	11/09	25.047.00	31.833.00	30.342.00	54.114.00
antibacterial, anti-odour and anti-allergen filter / filtro antibatterico, antiodori e anti-allergeni	BTS	77	105	06/06	>	11/09				34.114.00
1.7 SDI	AKU	44	60	10/99	>		23.425.00	24.400.00	27.257.00	53.006.00
to frame No. 6N-Y-500000 / a telaio N. 6N-Y-500000	AKU	44	60	10/99	>					54.263.00
with activated carbons / ai carboni attivi	AKU	44	60	10/99	>	11/01				54.109.00
with activated carbons some (frame 1J0819648) / ai carboni attivi alcuni (telaio 1J0819648)	AKU	44	60	10/99	>	11/01				54.109.00
from frame No. 6N-Y-500001 / da telaio N. 6N-Y-500001	AKU	44	60		>	11/01	23.425.00	24.426.00	27.257.00	53.006.00
antibacterial, anti-odour and anti-allergen filter / filtro antibatterico, antiodori e anti-allergeni	AKU	44	60	10/99	>	11/01				34.263.00
antibacterial, anti-odour and anti-allergen filter some (frame 1J0819648) / filtro antibatterico, antiodori e anti-allergeni alcuni (telaio 1J0819648)	AKU	44	60	10/99	>	11/01				34.109.00
1.8 GTI	BBU	132	180	06/06	>	11/09	23.436.00		30.133.00	53.031.00
with activated carbons / ai carboni attivi	BBU	132	180	06/06	>	11/09	23.436.00		30.133.00	54.114.00
antibacterial, anti-odour and anti-allergen filter / filtro antibatterico, antiodori e anti-allergeni	BBU	132	180	06/06	>	11/09				34.114.00
dusty areas / zone polverose	BBU	132	180	06/06	>	11/09	23.436.00		30.369.00	53.031.00
1.8 GTI	BJX	110	150	09/05	>	06/08	23.436.00		30.133.00	53.031.00
with activated carbons / ai carboni attivi	BJX	110	150	09/05	>	06/08	23.436.00		30.133.00	54.114.00
antibacterial, anti-odour and anti-allergen filter / filtro antibatterico, antiodori e anti-allergeni	BJX	110	150	09/05	>	06/08				34.114.00
dusty areas / zone polverose	BJX	110	150	09/05	>	06/08	23.436.00		30.369.00	53.031.00
1.9 D	AEF	47	64	08/99	>		23.425.00	24.400.00	27.257.00	53.006.00
to frame No. 6N-Y-500000 / a telaio N. 6N-Y-500000	AEF	47	64	08/99	>	10/01				54.263.00
with activated carbons / ai carboni attivi	AEF	47	64	08/99	>	11/01				54.109.00
with activated carbons some (frame 1J0819648) / ai carboni attivi alcuni (telaio 1J0819648)	AEF	47	64	08/99	>	11/01				54.109.00
from frame No. 6N-Y-500001 / da telaio N. 6N-Y-500001	AEF	47	64		>	11/01	23.425.00	24.426.00	27.257.00	53.006.00
antibacterial, anti-odour and anti-allergen filter / filtro antibatterico, antiodori e anti-allergeni	AEF	47	64	08/99	>	11/01				34.263.00
antibacterial, anti-odour and anti-allergen filter some (frame 1J0819648) / filtro antibatterico, antiodori e anti-allergeni alcuni (telaio 1J0819648)	AEF	47	64	08/99	>	11/01				34.109.00
1.9 SDI	AGD/ASX	47	64	08/99	>		23.425.00	24.400.00	27.257.00	53.006.00
to frame No. 6N-Y-500000 / a telaio N. 6N-Y-500000	AGD/ASX	47	64	08/99	>	11/01				54.263.00
with activated carbons / ai carboni attivi	AGD/ASX	47	64	08/99	>	11/01				54.109.00
with activated carbons some (frame 1J0819648) / ai carboni attivi alcuni (telaio 1J0819648)	AGD/ASX	47	64	08/99	>	11/01				54.109.00
from frame No. 6N-Y-500001 / da telaio N. 6N-Y-500001	AGD/ASX	47	64		>	11/01	23.425.00	24.426.00	27.257.00	53.006.00
antibacterial, anti-odour and anti-allergen filter / filtro antibatterico, antiodori e anti-allergeni	AGD/ASX	47	64	08/99	>	11/01				34.263.00
antibacterial, anti-odour and anti-allergen filter some (frame 1J0819648) / filtro antibatterico, antiodori e anti-allergeni alcuni (telaio 1J0819648)	AGD/ASX	47	64	08/99	>	11/01				34.109.00
1.9 SDI	ASY Euro 3	47	64	10/01	>	11/09	25.023.00	24.428.00	30.133.00	53.031.00
with activated carbons / ai carboni attivi	ASY Euro 3	47	64	10/01	>	11/09	25.023.00	24.428.00	30.133.00	54.114.00
antibacterial, anti-odour and anti-allergen filter / filtro antibatterico, antiodori e anti-allergeni	ASY Euro 3	47	64	10/01	>	11/09				34.114.00
dusty areas / zone polverose	ASY Euro 3	47	64	10/01	>	11/09	25.023.00	24.428.00	30.369.00	53.031.00
1.9 TDI	ASZ/BLT Euro 3	96	130	09/03	>	04/05	25.023.00	24.428.00	30.133.00	53.031.00
with activated carbons / ai carboni attivi	ASZ/BLT Euro 3	96	130	05/05	>	11/09	25.023.00	24.004.00	30.133.00	53.031.00
with activated carbons / ai carboni attivi	ASZ/BLT Euro 3	96	130	09/03	>	04/05	25.023.00	24.428.00	30.133.00	54.114.00
antibacterial, anti-odour and anti-allergen filter / filtro antibatterico, antiodori e anti-allergeni	ASZ/BLT Euro 3	96	130	05/05	>	11/09	25.023.00	24.004.00	30.133.00	54.114.00
dusty areas / zone polverose	ASZ/BLT Euro 3	96	130	09/03	>	11/09				34.114.00
	ASZ/BLT Euro 3	96	130	09/03	>	04/05	25.023.00	24.428.00	30.369.00	53.031.00

...VOLKSWAGEN - cars/auto

dusty areas / zone polverose	ASZ/BLT Euro 3	96	130	05/05 >	11/09	25.023.00	24.004.00	30.369.00	53.031.00
1.9 TDI	ATD/AXR Euro 3	74	101	10/01 >	04/05	25.023.00	24.428.00	30.133.00	53.031.00
	ATD/AXR Euro 3	74	101	05/05 >	11/09	25.023.00	24.004.00	30.133.00	53.031.00
with activated carbons / ai carboni attivi	ATD/AXR Euro 3	74	101	10/01 >	04/05	25.023.00	24.428.00	30.133.00	54.114.00
with activated carbons / ai carboni attivi	ATD/AXR Euro 3	74	101	05/05 >	11/09	25.023.00	24.004.00	30.133.00	54.114.00
antibacterial, anti-odour and anti-allergen filter / filtro antibatterico, antiodori e anti-allergeni	ATD/AXR Euro 3	74	101	10/01 >	11/09				34.114.00
dusty areas / zone polverose	ATD/AXR Euro 3	74	101	10/01 >	04/05	25.023.00	24.428.00	30.369.00	53.031.00
dusty areas / zone polverose	ATD/AXR Euro 3	74	101	05/05 >	11/09	25.023.00	24.004.00	30.369.00	53.031.00
Polo (6RA/6C)									
1.0	CHYA	44	60	02/14 >		23.575.00	31.833.00	30.589.00	53.190.00
with activated carbons / ai carboni attivi	CHYA	44	60	02/14 >					54.199.00
antibacterial, anti-odour and anti-allergen filter / filtro antibatterico, antiodori e anti-allergeni	CHYA	44	60	02/14 >					34.199.00
1.0	CHYB	55	75	02/14 >		23.575.00	31.833.00	30.589.00	53.190.00
with activated carbons / ai carboni attivi	CHYB	55	75	02/14 >					54.199.00
antibacterial, anti-odour and anti-allergen filter / filtro antibatterico, antiodori e anti-allergeni	CHYB	55	75	02/14 >					34.199.00
1.0 TSI	CHZB	70	95	11/14 >		23.575.00	31.840.00	30.A51.00	53.190.00
with activated carbons / ai carboni attivi	CHZB	70	95	11/14 >					54.199.00
antibacterial, anti-odour and anti-allergen filter / filtro antibatterico, antiodori e anti-allergeni	CHZB	70	95	11/14 >					34.199.00
1.0 TSI	CHZC	81	110	11/14 >		23.575.00	31.840.00	30.A51.00	53.190.00
with activated carbons / ai carboni attivi	CHZC	81	110	11/14 >					54.199.00
antibacterial, anti-odour and anti-allergen filter / filtro antibatterico, antiodori e anti-allergeni	CHZC	81	110	11/14 >					34.199.00
1.2	CGPA	51	70	03/09 >	05/10	25.029.00	31.833.00	30.132.00	53.031.00
	CGPA	51	70	06/10 >	05/14	25.029.00	31.833.00	30.132.00	53.190.00
with activated carbons / ai carboni attivi	CGPA	51	70	03/09 >	05/10				54.114.00
with activated carbons / ai carboni attivi	CGPA	51	70	06/10 >	05/14				54.199.00
antibacterial, anti-odour and anti-allergen filter / filtro antibatterico, antiodori e anti-allergeni	CGPA	51	70	03/09 >	05/10				34.114.00
antibacterial, anti-odour and anti-allergen filter / filtro antibatterico, antiodori e anti-allergeni	CGPA	51	70	06/10 >	05/14				34.199.00
1.2	CGPB	44	60	03/09 >	05/10	25.029.00	31.833.00	30.132.00	53.031.00
	CGPB	44	60	06/10 >	05/14	25.029.00	31.833.00	30.132.00	53.190.00
with activated carbons / ai carboni attivi	CGPB	44	60	03/09 >	05/10				54.114.00
with activated carbons / ai carboni attivi	CGPB	44	60	06/10 >	05/14				54.199.00
antibacterial, anti-odour and anti-allergen filter / filtro antibatterico, antiodori e anti-allergeni	CGPB	44	60	09/09 >	05/10				34.114.00
antibacterial, anti-odour and anti-allergen filter / filtro antibatterico, antiodori e anti-allergeni	CGPB	44	60	06/10 >	05/14				34.199.00
1.2	CHFA	44	60	06/09 >	09/12	25.029.00	31.833.00	30.132.00	53.031.00
with activated carbons / ai carboni attivi	CHFA	44	60	06/09 >	09/12				54.114.00
antibacterial, anti-odour and anti-allergen filter / filtro antibatterico, antiodori e anti-allergeni	CHFA	44	60	06/09 >	09/12				34.114.00
1.2 TDI BlueMotion	CFWA	55	75	10/09 >	05/10	25.115.00	24.106.00	27.621.00	53.031.00
	CFWA	55	75	06/10 >	05/14	25.115.00	24.106.00	27.621.00	53.190.00
with activated carbons / ai carboni attivi	CFWA	55	75	10/09 >	05/10				54.114.00
with activated carbons / ai carboni attivi	CFWA	55	75	06/10 >	05/14				54.199.00
antibacterial, anti-odour and anti-allergen filter / filtro antibatterico, antiodori e anti-allergeni	CFWA	55	75	10/09 >	05/10				34.114.00
antibacterial, anti-odour and anti-allergen filter / filtro antibatterico, antiodori e anti-allergeni	CFWA	55	75	06/10 >	05/14				34.199.00
prefilter / prefiltrato	CFWA	55	75	10/09 >	11/12		31.845.00		
1.2 TSI	CBZB	77	105	06/09 >		23.573.00	31.840.00	27.621.00	53.031.00
with activated carbons / ai carboni attivi	CBZB	77	105	06/09 >					54.114.00
antibacterial, anti-odour and anti-allergen filter / filtro antibatterico, antiodori e anti-allergeni	CBZB	77	105	06/09 >					34.114.00
1.2 TSI	CBZC	66	90	05/11 >	05/14	23.573.00	31.840.00	27.621.00	53.190.00
with activated carbons / ai carboni attivi	CBZC	66	90	05/11 >	05/14				54.199.00
antibacterial, anti-odour and anti-allergen filter / filtro antibatterico, antiodori e anti-allergeni	CBZC	66	90	05/11 >	05/14				34.199.00
1.2 TSI	CJZC	66	90	02/14 >		23.575.00	31.840.00	30.549.00	53.190.00
with activated carbons / ai carboni attivi	CJZC	66	90	02/14 >					54.199.00
antibacterial, anti-odour and anti-allergen filter / filtro antibatterico, antiodori e anti-allergeni	CJZC	66	90	02/14 >					34.199.00
1.2 TSI	CJZD	81	110	02/14 >		23.575.00	31.840.00	30.549.00	53.190.00
with activated carbons / ai carboni attivi	CJZD	81	110	02/14 >					54.199.00
antibacterial, anti-odour and anti-allergen filter / filtro antibatterico, antiodori e anti-allergeni	CJZD	81	110	02/14 >					34.199.00
1.4	CGGB	63	85	06/09 >	05/10	23.453.00	31.833.00	30.342.00	53.031.00
	CGGB	63	85	06/10 >	05/14	23.453.00	31.833.00	30.342.00	53.190.00
with activated carbons / ai carboni attivi	CGGB	63	85	06/09 >	05/10				54.114.00
with activated carbons / ai carboni attivi	CGGB	63	85	06/10 >	05/14				54.199.00
antibacterial, anti-odour and anti-allergen filter / filtro antibatterico, antiodori e anti-allergeni	CGGB	63	85	06/09 >	05/10				34.114.00
antibacterial, anti-odour and anti-allergen filter / filtro antibatterico, antiodori e anti-allergeni	CGGB	63	85	06/10 >	05/14				34.199.00
1.4 BiFuel	CGGB	60	82	04/10 >	05/10	23.453.00	31.833.00	30.342.00	53.031.00
	CGGB	60	82	06/10 >	05/14	23.453.00	31.833.00	30.342.00	53.190.00
with activated carbons / ai carboni attivi	CGGB	60	82	04/10 >	05/10				54.114.00
with activated carbons / ai carboni attivi	CGGB	60	82	06/10 >	05/14				54.199.00
antibacterial, anti-odour and anti-allergen filter / filtro antibatterico, antiodori e anti-allergeni	CGGB	60	82	04/10 >	05/10				34.114.00
antibacterial, anti-odour and anti-allergen filter / filtro antibatterico, antiodori e anti-allergeni	CGGB	60	82	06/10 >	05/14				34.199.00

...VOLKSWAGEN - cars/auto

assembly LANDI Omegas Plus / montaggio LANDI Omegas Plus	CGGB	60	82	04/10 >	05/14		31.836.00		
1.4 BiFuel	CMAA	60	82	03/10 >	05/10	23.453.00	31.833.00	30.342.00	53.031.00
	CMAA	60	82	06/10 >	01/11	23.453.00	31.833.00	30.342.00	53.190.00
with activated carbons / ai carboni attivi	CMAA	60	82	03/10 >	05/10				54.114.00
with activated carbons / ai carboni attivi	CMAA	60	82	06/10 >	01/11				54.199.00
antibacterial, anti-odour and anti-allergen filter / filtro antibatterico, antiodori e anti-allergeni	CMAA	60	82	03/10 >	05/10				34.114.00
antibacterial, anti-odour and anti-allergen filter / filtro antibatterico, antiodori e anti-allergeni	CMAA	60	82	06/10 >	01/11				34.199.00
1.4 Blue GT	CPTA	103	140	09/12 >	05/14	23.575.00	31.840.00	27.621.00	53.190.00
with activated carbons / ai carboni attivi	CPTA	103	140	09/12 >	05/14				54.199.00
antibacterial, anti-odour and anti-allergen filter / filtro antibatterico, antiodori e anti-allergeni	CPTA	103	140	09/12 >	05/14				34.199.00
1.4 TDI	CUTA	77	105	02/14 >	10/17	23.717.00	24.106.00	30.692.00	53.190.00
with activated carbons / ai carboni attivi	CUTA	77	105	02/14 >	10/17				54.199.00
antibacterial, anti-odour and anti-allergen filter / filtro antibatterico, antiodori e anti-allergeni	CUTA	77	105	02/14 >	10/17				34.199.00
1.4 TDI	CYZA	77	105	05/14 >	10/17				53.190.00
with activated carbons / ai carboni attivi	CYZA	77	105	05/14 >	10/17				54.199.00
antibacterial, anti-odour and anti-allergen filter / filtro antibatterico, antiodori e anti-allergeni	CYZA	77	105	05/14 >	10/17				34.199.00
1.4 TDI CR	CUSA	55	75	02/14 >	10/17	23.717.00	24.106.00	30.692.00	53.190.00
with activated carbons / ai carboni attivi	CUSA	55	75	02/14 >	10/17				54.199.00
antibacterial, anti-odour and anti-allergen filter / filtro antibatterico, antiodori e anti-allergeni	CUSA	55	75	02/14 >	10/17				34.199.00
1.4 TDI CR	CUSB	66	90	02/14 >	10/17	23.717.00	24.106.00	30.692.00	53.190.00
with activated carbons / ai carboni attivi	CUSB	66	90	02/14 >	10/17				54.199.00
antibacterial, anti-odour and anti-allergen filter / filtro antibatterico, antiodori e anti-allergeni	CUSB	66	90	02/14 >	10/17				34.199.00
1.4 TDI CR	CYZB	55	75	02/14 >		23.717.00	24.106.00		53.190.00
with activated carbons / ai carboni attivi	CYZB	55	75	02/14 >					54.199.00
antibacterial, anti-odour and anti-allergen filter / filtro antibatterico, antiodori e anti-allergeni	CYZB	55	75	02/14 >					34.199.00
1.4 TSI	CZEA	110	150	05/14 >		23.575.00	31.840.00	30.549.00	53.190.00
with activated carbons / ai carboni attivi	CZEA	110	150	05/14 >					54.199.00
antibacterial, anti-odour and anti-allergen filter / filtro antibatterico, antiodori e anti-allergeni	CZEA	110	150	05/14 >					34.199.00
1.4 TSI GTI	CAVE/CTHE	132	180	04/10 >	05/10	23.573.00	31.840.00	27.621.00	53.031.00
	CAVE/CTHE	132	180	06/10 >	05/12	23.573.00	31.840.00	27.621.00	53.190.00
with activated carbons / ai carboni attivi	CAVE/CTHE	132	180	04/10 >	05/10				54.114.00
with activated carbons / ai carboni attivi	CAVE/CTHE	132	180	06/10 >	05/12				54.199.00
antibacterial, anti-odour and anti-allergen filter / filtro antibatterico, antiodori e anti-allergeni	CAVE/CTHE	132	180	04/10 >	05/10				34.114.00
antibacterial, anti-odour and anti-allergen filter / filtro antibatterico, antiodori e anti-allergeni	CAVE/CTHE	132	180	06/10 >	05/12				34.199.00
1.6	CWVA	81	110	07/14 >		23.575.00	31.833.00	30.713.00	53.190.00
with activated carbons / ai carboni attivi	CWVA	81	110	07/14 >					54.199.00
antibacterial, anti-odour and anti-allergen filter / filtro antibatterico, antiodori e anti-allergeni	CWVA	81	110	07/14 >					34.199.00
1.6	CWVB	66	90	06/14 >		23.575.00	31.833.00	30.713.00	53.190.00
with activated carbons / ai carboni attivi	CWVB	66	90	06/14 >					54.199.00
antibacterial, anti-odour and anti-allergen filter / filtro antibatterico, antiodori e anti-allergeni	CWVB	66	90	06/14 >					34.199.00
1.6 BiFuel	CNKA	60	82	01/11 >	05/14	23.573.00	31.833.00	30.342.00	53.190.00
with activated carbons / ai carboni attivi	CNKA	60	82	01/11 >	05/14				54.199.00
antibacterial, anti-odour and anti-allergen filter / filtro antibatterico, antiodori e anti-allergeni	CNKA	60	82	01/11 >	05/14				34.199.00
1.6 TDI CR	CAYA	55	75	06/09 >	05/10	25.106.00	24.437.00	27.621.00	53.031.00
	CAYA	55	75	06/10 >	02/11	25.106.00	24.437.00	27.621.00	53.190.00
with activated carbons / ai carboni attivi	CAYA	55	75	06/09 >	05/10				54.114.00
with activated carbons / ai carboni attivi	CAYA	55	75	06/10 >	02/11				54.199.00
antibacterial, anti-odour and anti-allergen filter / filtro antibatterico, antiodori e anti-allergeni	CAYA	55	75	06/09 >	05/10				34.114.00
antibacterial, anti-odour and anti-allergen filter / filtro antibatterico, antiodori e anti-allergeni	CAYA	55	75	06/10 >	02/11				34.199.00
1.6 TDI CR	CAYB	66	90	06/09 >	05/10	25.106.00	24.437.00	27.621.00	53.031.00
	CAYB	66	90	06/10 >	05/14	25.106.00	24.437.00	27.621.00	53.190.00
with activated carbons / ai carboni attivi	CAYB	66	90	06/09 >	05/10				54.114.00
with activated carbons / ai carboni attivi	CAYB	66	90	06/10 >	05/14				54.199.00
antibacterial, anti-odour and anti-allergen filter / filtro antibatterico, antiodori e anti-allergeni	CAYB	66	90	06/09 >	05/10				34.114.00
antibacterial, anti-odour and anti-allergen filter / filtro antibatterico, antiodori e anti-allergeni	CAYB	66	90	06/10 >	05/14				34.199.00
1.6 TDI CR	CAYC	77	105	06/09 >	05/10	25.106.00	24.437.00	27.621.00	53.031.00
	CAYC	77	105	06/10 >	05/14	25.106.00	24.437.00	27.621.00	53.190.00
with activated carbons / ai carboni attivi	CAYC	77	105	06/09 >	05/10				54.114.00
with activated carbons / ai carboni attivi	CAYC	77	105	06/10 >	05/14				54.199.00
antibacterial, anti-odour and anti-allergen filter / filtro antibatterico, antiodori e anti-allergeni	CAYC	77	105	06/09 >	05/10				34.114.00
antibacterial, anti-odour and anti-allergen filter / filtro antibatterico, antiodori e anti-allergeni	CAYC	77	105	06/10 >	05/14				34.199.00
1.6 TDI CR	CLNA	77	105	02/11 >	07/14	25.106.00	24.437.00	27.621.00	53.190.00
with activated carbons / ai carboni attivi	CLNA	77	105	02/11 >	07/14				54.199.00
antibacterial, anti-odour and anti-allergen filter / filtro antibatterico, antiodori e anti-allergeni	CLNA	77	105	02/11 >	07/14				34.199.00
1.6 TDI CR (IND)	CLNA	77	105	05/10 >	05/14	25.106.00		27.621.00	53.190.00
with activated carbons / ai carboni attivi	CLNA	77	105	05/10 >	05/14				54.199.00
antibacterial, anti-odour and anti-allergen filter / filtro antibatterico, antiodori e anti-allergeni	CLNA	77	105	05/10 >	05/14				34.199.00

...VOLKSWAGEN - cars/auto

1.6 TDI CR (ZA)	CLNA	77	105	05/10	>	05/11	25.106.00	24.437.00	27.621.00	53.190.00
	CLNA	77	105	06/11	>	05/14	25.106.00	24.016.00	27.621.00	53.190.00
with activated carbons / ai carboni attivi	CLNA	77	105	05/10	>	05/14				54.199.00
antibacterial, anti-odour and anti-allergen filter / filtro antibatterico, antiodori e anti-allergeni	CLNA	77	105	05/10	>	05/14				34.199.00
1.8 GTI	DAJA/DAJB	141	192	11/14	>		25.153.00	31.840.00	30.509.00	53.190.00
with activated carbons / ai carboni attivi	DAJA/DAJB	141	192	11/14	>					54.199.00
antibacterial, anti-odour and anti-allergen filter / filtro antibatterico, antiodori e anti-allergeni	DAJA/DAJB	141	192	11/14	>					34.199.00
2.0 TSI R WRC	CDLJ	162	220	08/13	>		25.040.00	31.840.00		53.190.00
with activated carbons / ai carboni attivi	CDLJ	162	220	08/13	>					54.199.00
antibacterial, anti-odour and anti-allergen filter / filtro antibatterico, antiodori e anti-allergeni	CDLJ	162	220	08/13	>					34.199.00
Polo Classic										
1.4 i	AKK/ANW	44	60	08/99	>	11/01	23.453.00	31.722.00	30.134.00	53.006.00
with activated carbons / ai carboni attivi	AKK/ANW	44	60	08/99	>	11/01				54.263.00
antibacterial, anti-odour and anti-allergen filter / filtro antibatterico, antiodori e anti-allergeni	AKK/ANW	44	60	08/99	>	11/01				34.263.00
dusty areas / zone polverose	AKK/ANW	44	60	08/99	>	11/01	23.453.00	31.722.00		53.006.00
1.4 i	APQ	44	60	12/97	>	11/01	23.453.00	31.722.00	30.038.01	53.006.00
with activated carbons / ai carboni attivi	APQ	44	60	12/97	>	11/01				54.263.00
with activated carbons some (frame 1J0819648) / ai carboni attivi alcuni (telaio 1J0819648)	APQ	44	60	12/97	>	11/01				54.109.00
antibacterial, anti-odour and anti-allergen filter / filtro antibatterico, antiodori e anti-allergeni	APQ	44	60	12/97	>	11/01				34.263.00
antibacterial, anti-odour and anti-allergen filter some (frame 1J0819648) / filtro antibatterico, antiodori e anti-allergeni alcuni (telaio 1J0819648)	APQ	44	60	12/97	>	11/01				34.109.00
1.4 i 16V	APE	55	75	08/99	>	11/01	23.453.00	31.722.00	30.124.00	53.006.00
with activated carbons / ai carboni attivi	APE	55	75	08/99	>	11/01				54.263.00
with activated carbons some (frame 1J0819648) / ai carboni attivi alcuni (telaio 1J0819648)	APE	55	75	08/99	>	11/01				54.109.00
antibacterial, anti-odour and anti-allergen filter / filtro antibatterico, antiodori e anti-allergeni	APE	55	75	08/99	>	11/01				34.263.00
antibacterial, anti-odour and anti-allergen filter some (frame 1J0819648) / filtro antibatterico, antiodori e anti-allergeni alcuni (telaio 1J0819648)	APE	55	75	08/99	>	11/01				34.109.00
dusty areas / zone polverose	APE	55	75	08/99	>	11/01	23.453.00	31.722.00	30.184.00	53.006.00
1.4 i 16V	AUA	55	75	08/99	>	11/01	23.453.00	31.722.00	30.124.00	53.006.00
with activated carbons / ai carboni attivi	AUA	55	75	08/99	>	11/01				54.263.00
with activated carbons some (frame 1J0819648) / ai carboni attivi alcuni (telaio 1J0819648)	AUA	55	75	08/99	>	11/01				54.109.00
antibacterial, anti-odour and anti-allergen filter / filtro antibatterico, antiodori e anti-allergeni	AUA	55	75	08/99	>	11/01				34.263.00
antibacterial, anti-odour and anti-allergen filter some (frame 1J0819648) / filtro antibatterico, antiodori e anti-allergeni alcuni (telaio 1J0819648)	AUA	55	75	08/99	>	11/01				34.109.00
dusty areas / zone polverose	AUA	55	75	08/99	>	11/01	23.453.00	31.722.00	30.184.00	53.006.00
1.6 i	AEH/AKL	74	101	08/99	>	11/01	23.436.00	31.722.00	30.161.00	53.006.00
with activated carbons / ai carboni attivi	AEH/AKL	74	101	08/99	>	11/01				54.263.00
with activated carbons some (frame 1J0819648) / ai carboni attivi alcuni (telaio 1J0819648)	AEH/AKL	74	101	08/99	>	11/01				54.109.00
antibacterial, anti-odour and anti-allergen filter / filtro antibatterico, antiodori e anti-allergeni	AEH/AKL	74	101	08/99	>	11/01				34.263.00
antibacterial, anti-odour and anti-allergen filter some (frame 1J0819648) / filtro antibatterico, antiodori e anti-allergeni alcuni (telaio 1J0819648)	AEH/AKL	74	101	08/99	>	11/01				34.109.00
1.6 i	AUR	55	75	08/99	>	11/01	23.436.00	31.722.00	30.161.00	53.006.00
with activated carbons / ai carboni attivi	AUR	55	75	08/99	>	11/01				54.263.00
with activated carbons some (frame 1J0819648) / ai carboni attivi alcuni (telaio 1J0819648)	AUR	55	75	08/99	>	11/01				54.109.00
antibacterial, anti-odour and anti-allergen filter / filtro antibatterico, antiodori e anti-allergeni	AUR	55	75	08/99	>	11/01				34.263.00
antibacterial, anti-odour and anti-allergen filter some (frame 1J0819648) / filtro antibatterico, antiodori e anti-allergeni alcuni (telaio 1J0819648)	AUR	55	75	08/99	>	11/01				34.109.00
1.7 SDI	AKW	42	57	07/97	>	09/01	23.164.00	24.400.00	30.019.00	53.006.00
with activated carbons / ai carboni attivi	AKW	42	57	07/97	>	09/01				54.263.00
with activated carbons some (frame 1J0819648) / ai carboni attivi alcuni (telaio 1J0819648)	AKW	42	57	07/97	>	09/01				54.109.00
antibacterial, anti-odour and anti-allergen filter / filtro antibatterico, antiodori e anti-allergeni	AKW	42	57	07/97	>	09/01				34.263.00
antibacterial, anti-odour and anti-allergen filter some (frame 1J0819648) / filtro antibatterico, antiodori e anti-allergeni alcuni (telaio 1J0819648)	AKW	42	57	07/97	>	09/01				34.109.00
or / oppure	AKW	42	57	07/97	>	09/01	23.164.03	24.400.00	30.019.00	53.006.00
1.9 SDI		50	68	08/99	>	11/01	25.011.00	24.415.00	30.161.00	53.006.00
with activated carbons / ai carboni attivi		50	68	08/99	>	11/01				54.263.00
with activated carbons some (frame 1J0819648) / ai carboni attivi alcuni (telaio 1J0819648)		50	68	08/99	>	11/01				54.109.00
antibacterial, anti-odour and anti-allergen filter / filtro antibatterico, antiodori e anti-allergeni		50	68	08/99	>	11/01				34.263.00
antibacterial, anti-odour and anti-allergen filter some (frame 1J0819648) / filtro antibatterico, antiodori e anti-allergeni alcuni (telaio 1J0819648)		50	68	08/99	>	11/01				34.109.00
1.9 TDI		66	90	08/99	>	11/01	25.011.00	24.415.00	30.161.00	53.006.00
with activated carbons / ai carboni attivi		66	90	08/99	>	11/01				54.263.00
with activated carbons some (frame 1J0819648) / ai carboni attivi alcuni (telaio 1J0819648)		66	90	08/99	>	11/01				54.109.00
antibacterial, anti-odour and anti-allergen filter / filtro antibatterico, antiodori e anti-allergeni		66	90	08/99	>	11/01				34.263.00
antibacterial, anti-odour and anti-allergen filter some (frame 1J0819648) / filtro antibatterico, antiodori e anti-allergeni alcuni (telaio 1J0819648)		66	90	08/99	>	11/01				34.109.00
1.9 TDI		81	110	08/99	>	11/01	25.011.00	24.415.00	30.161.00	53.006.00
with activated carbons / ai carboni attivi		81	110	08/99	>	11/01				54.263.00
with activated carbons some (frame 1J0819648) / ai carboni attivi alcuni (telaio 1J0819648)		81	110	08/99	>	11/01				54.109.00
antibacterial, anti-odour and anti-allergen filter / filtro antibatterico, antiodori e anti-allergeni		81	110	08/99	>	11/01				34.263.00
antibacterial, anti-odour and anti-allergen filter some (frame 1J0819648) / filtro antibatterico, antiodori e anti-allergeni alcuni (telaio 1J0819648)		81	110	08/99	>	11/01				34.109.00
Polo V Limousine (61)										
1.6 (RUS)	CFNA	77	105	05/10	>		23.573.00	31.833.00	30.342.00	53.031.00
with activated carbons / ai carboni attivi	CFNA	77	105	05/10	>		23.573.00	31.833.00	30.342.00	54.114.00
antibacterial, anti-odour and anti-allergen filter / filtro antibatterico, antiodori e anti-allergeni	CFNA	77	105	05/10	>					34.114.00

...VOLKSWAGEN - cars/auto

1.6 (RUS)	CFNB	63	86	11/10	>	23.573.00		30.342.00	53.031.00	
with activated carbons / ai carboni attivi	CFNB	63	86	11/10	>	23.573.00		30.342.00	54.114.00	
antibacterial, anti-odour and anti-allergen filter / filtro antibatterico, antiodori e anti-allergeni	CFNB	63	86	11/10	>				34.114.00	
Polo Variant										
1.4 i	AKK/ANW	44	60	08/99	>	09/01	23.453.00	31.722.00	30.134.00	53.006.00
with activated carbons / ai carboni attivi	AKK/ANW	44	60	08/99	>	09/01				54.263.00
with activated carbons some (frame 1J0819648) / ai carboni attivi alcuni (telaio 1J0819648)	AKK/ANW	44	60	08/99	>	09/01				54.109.00
antibacterial, anti-odour and anti-allergen filter / filtro antibatterico, antiodori e anti-allergeni	AKK/ANW	44	60	08/99	>	09/01				34.263.00
antibacterial, anti-odour and anti-allergen filter some (frame 1J0819648) / filtro antibatterico, antiodori e anti-allergeni alcuni (telaio 1J0819648)	AKK/ANW	44	60	08/99	>	09/01				34.109.00
dusty areas / zone polverose	AKK/ANW	44	60	08/99	>	09/01	23.453.00	31.722.00		53.006.00
1.4 i	AUD	44	60	08/99	>	09/01	23.453.00	31.722.00	30.134.00	53.006.00
with activated carbons / ai carboni attivi	AUD	44	60	08/99	>	09/01				54.263.00
with activated carbons some (frame 1J0819648) / ai carboni attivi alcuni (telaio 1J0819648)	AUD	44	60	08/99	>	09/01				54.109.00
antibacterial, anti-odour and anti-allergen filter / filtro antibatterico, antiodori e anti-allergeni	AUD	44	60	08/99	>	09/01				34.263.00
antibacterial, anti-odour and anti-allergen filter some (frame 1J0819648) / filtro antibatterico, antiodori e anti-allergeni alcuni (telaio 1J0819648)	AUD	44	60	08/99	>	09/01				34.109.00
dusty areas / zone polverose	AUD	44	60	08/99	>	09/01	23.453.00	31.722.00		53.006.00
1.4 i 16V	APE/AUA	55	75	08/99	>	11/01	23.453.00	31.722.00	30.124.00	53.006.00
with activated carbons / ai carboni attivi	APE/AUA	55	75	08/99	>	11/01				54.263.00
with activated carbons some (frame 1J0819648) / ai carboni attivi alcuni (telaio 1J0819648)	APE/AUA	55	75	08/99	>	11/01				54.109.00
antibacterial, anti-odour and anti-allergen filter / filtro antibatterico, antiodori e anti-allergeni	APE/AUA	55	75	08/99	>	11/01				34.263.00
antibacterial, anti-odour and anti-allergen filter some (frame 1J0819648) / filtro antibatterico, antiodori e anti-allergeni alcuni (telaio 1J0819648)	APE/AUA	55	75	08/99	>	11/01				34.109.00
dusty areas / zone polverose	APE/AUA	55	75	08/99	>	11/01	23.453.00	31.722.00	30.184.00	53.006.00
1.6 i		74	101	08/99	>	11/01	23.436.00	31.722.00	30.161.00	53.006.00
with activated carbons / ai carboni attivi		74	101	08/99	>	11/01				54.263.00
with activated carbons some (frame 1J0819648) / ai carboni attivi alcuni (telaio 1J0819648)		74	101	08/99	>	11/01				54.109.00
antibacterial, anti-odour and anti-allergen filter / filtro antibatterico, antiodori e anti-allergeni		74	101	08/99	>	11/01				34.263.00
antibacterial, anti-odour and anti-allergen filter some (frame 1J0819648) / filtro antibatterico, antiodori e anti-allergeni alcuni (telaio 1J0819648)		74	101	08/99	>	11/01				34.109.00
1.6 i	AUR	55	75	08/99	>	11/01	23.436.00	31.722.00	30.161.00	53.006.00
with activated carbons / ai carboni attivi	AUR	55	75	08/99	>	11/01				54.263.00
with activated carbons some (frame 1J0819648) / ai carboni attivi alcuni (telaio 1J0819648)	AUR	55	75	08/99	>	11/01				54.109.00
antibacterial, anti-odour and anti-allergen filter / filtro antibatterico, antiodori e anti-allergeni	AUR	55	75	08/99	>	11/01				34.263.00
antibacterial, anti-odour and anti-allergen filter some (frame 1J0819648) / filtro antibatterico, antiodori e anti-allergeni alcuni (telaio 1J0819648)	AUR	55	75	08/99	>	11/01				34.109.00
1.8 i	ADZ	66	90	05/97	>	09/01	23.436.00	31.722.00	30.019.00	53.006.00
with activated carbons / ai carboni attivi	ADZ	66	90	05/97	>	09/01				54.263.00
with activated carbons some (frame 1J0819648) / ai carboni attivi alcuni (telaio 1J0819648)	ADZ	66	90	05/97	>	09/01				54.109.00
antibacterial, anti-odour and anti-allergen filter / filtro antibatterico, antiodori e anti-allergeni	ADZ	66	90	05/97	>	09/01				34.263.00
antibacterial, anti-odour and anti-allergen filter some (frame 1J0819648) / filtro antibatterico, antiodori e anti-allergeni alcuni (telaio 1J0819648)	ADZ	66	90	05/97	>	09/01				34.109.00
1.9 SDI	AGP/AQM	50	68	08/99	>	11/01	25.011.00	24.415.00	30.161.00	53.006.00
with activated carbons / ai carboni attivi	AGP/AQM	50	68	08/99	>	11/01				54.263.00
with activated carbons some (frame 1J0819648) / ai carboni attivi alcuni (telaio 1J0819648)	AGP/AQM	50	68	08/99	>	11/01				54.109.00
antibacterial, anti-odour and anti-allergen filter / filtro antibatterico, antiodori e anti-allergeni	AGP/AQM	50	68	08/99	>	11/01				34.263.00
antibacterial, anti-odour and anti-allergen filter some (frame 1J0819648) / filtro antibatterico, antiodori e anti-allergeni alcuni (telaio 1J0819648)	AGP/AQM	50	68	08/99	>	11/01				34.109.00
1.9 TDI	AGR/ALH	66	90	08/99	>	11/01	25.011.00	24.415.00	30.161.00	53.006.00
with activated carbons / ai carboni attivi	AGR/ALH	66	90	08/99	>	11/01				54.263.00
with activated carbons some (frame 1J0819648) / ai carboni attivi alcuni (telaio 1J0819648)	AGR/ALH	66	90	08/99	>	11/01				54.109.00
antibacterial, anti-odour and anti-allergen filter / filtro antibatterico, antiodori e anti-allergeni	AGR/ALH	66	90	08/99	>	11/01				34.263.00
antibacterial, anti-odour and anti-allergen filter some (frame 1J0819648) / filtro antibatterico, antiodori e anti-allergeni alcuni (telaio 1J0819648)	AGR/ALH	66	90	08/99	>	11/01				34.109.00
1.9 TDI	ASV	81	110	08/99	>	11/01	25.011.00	24.415.00	30.161.00	53.006.00
with activated carbons / ai carboni attivi	ASV	81	110	08/99	>	11/01				54.263.00
with activated carbons some (frame 1J0819648) / ai carboni attivi alcuni (telaio 1J0819648)	ASV	81	110	08/99	>	11/01				54.109.00
antibacterial, anti-odour and anti-allergen filter / filtro antibatterico, antiodori e anti-allergeni	ASV	81	110	08/99	>	11/01				34.263.00
antibacterial, anti-odour and anti-allergen filter some (frame 1J0819648) / filtro antibatterico, antiodori e anti-allergeni alcuni (telaio 1J0819648)	ASV	81	110	08/99	>	11/01				34.109.00
Polo VI (AW)										
1.0 MPI	CHYC	48	65	07/17	>		23.575.00		30.A42.00	
with automatic air-conditioner / con climatizzatore automatico	CHYC	48	65	07/17	>					54.314.00
antibacterial, anti-odour and anti-allergen filter with automatic air-conditioner / filtro antibatterico, antiodori e anti-allergeni con climatizzatore automatico	CHYC	48	65	07/17	>					34.314.00
1.0 MPI	DFNA	59	80	09/18	>		23.575.00		30.A45.00	
with automatic air-conditioner / con climatizzatore automatico	DFNA	59	80	09/18	>					54.314.00
antibacterial, anti-odour and anti-allergen filter with automatic air-conditioner / filtro antibatterico, antiodori e anti-allergeni con climatizzatore automatico	DFNA	59	80	09/18	>					34.314.00
1.0 MPI	DFNB	48	65	07/18	>		23.575.00		30.A45.00	
with automatic air-conditioner / con climatizzatore automatico	DFNB	48	65	07/18	>					54.314.00
antibacterial, anti-odour and anti-allergen filter with automatic air-conditioner / filtro antibatterico, antiodori e anti-allergeni con climatizzatore automatico	DFNB	48	65	07/18	>					34.314.00
1.0 MPI 75	CHYB	55	75	07/17	>		23.575.00		30.A42.00	
with automatic air-conditioner / con climatizzatore automatico	CHYB	55	75	07/17	>					54.314.00
antibacterial, anti-odour and anti-allergen filter with automatic air-conditioner / filtro antibatterico, antiodori e anti-allergeni con climatizzatore automatico	CHYB	55	75	07/17	>					34.314.00
1.0 TGI CNG/Metano	DBYA	66	90	07/17	>		23.575.00		30.A51.00	
with automatic air-conditioner / con climatizzatore automatico	DBYA	66	90	07/17	>					54.314.00

...VOLKSWAGEN - cars/auto

antibacterial, anti-odour and anti-allergen filter with automatic air-conditioner / filtro antibatterico, antiodori e anti-allergeni con climatizzatore automatico	DBYA	66	90	07/17	>				34.314.00	
1.0 TSI	CHZL	70	95	07/17	>	23.575.00		30.A51.00		
with automatic air-conditioner / con climatizzatore automatico	CHZL	70	95	07/17	>				54.314.00	
antibacterial, anti-odour and anti-allergen filter with automatic air-conditioner / filtro antibatterico, antiodori e anti-allergeni con climatizzatore automatico	CHZL	70	95	07/17	>				34.314.00	
1.0 TSI 115	CHZJ	85	116	09/17	>	23.575.00		30.A51.00		
with automatic air-conditioner / con climatizzatore automatico	CHZJ	85	116	09/17	>				54.314.00	
antibacterial, anti-odour and anti-allergen filter with automatic air-conditioner / filtro antibatterico, antiodori e anti-allergeni con climatizzatore automatico	CHZJ	85	116	09/17	>				34.314.00	
1.0 TSI 115	DKJA	85	116	09/17	>	23.575.00		30.A51.00		
with automatic air-conditioner / con climatizzatore automatico	DKJA	85	116	09/17	>				54.314.00	
antibacterial, anti-odour and anti-allergen filter with automatic air-conditioner / filtro antibatterico, antiodori e anti-allergeni con climatizzatore automatico	DKJA	85	116	09/17	>				34.314.00	
1.5 TSI 150	DADA	115	150	09/18	>	23.575.00		30.A45.00		
with automatic air-conditioner / con climatizzatore automatico	DADA	115	150	09/18	>				54.314.00	
antibacterial, anti-odour and anti-allergen filter with automatic air-conditioner / filtro antibatterico, antiodori e anti-allergeni con climatizzatore automatico	DADA	115	150	09/18	>				34.314.00	
1.6 TDI	DGTC	59	80	11/17	>	25.144.00	26.038.00	30.532.00		
with automatic air-conditioner / con climatizzatore automatico	DGTC	59	80	11/17	>				54.314.00	
antibacterial, anti-odour and anti-allergen filter with automatic air-conditioner / filtro antibatterico, antiodori e anti-allergeni con climatizzatore automatico	DGTC	59	80	11/17	>				34.314.00	
1.6 TDI	DGTD	70	95	11/17	>	25.144.00	26.038.00	30.532.00		
with automatic air-conditioner / con climatizzatore automatico	DGTD	70	95	11/17	>				54.314.00	
antibacterial, anti-odour and anti-allergen filter with automatic air-conditioner / filtro antibatterico, antiodori e anti-allergeni con climatizzatore automatico	DGTD	70	95	11/17	>				34.314.00	
2.0 GTI	CZPC	147	200	11/17	>	25.153.00		30.532.00		
with automatic air-conditioner / con climatizzatore automatico	CZPC	147	200	11/17	>				54.314.00	
antibacterial, anti-odour and anti-allergen filter with automatic air-conditioner / filtro antibatterico, antiodori e anti-allergeni con climatizzatore automatico	CZPC	147	200	11/17	>				34.314.00	
Scirocco (1K8)										
1.4 TSI	CAVD/CNWA	118	160	06/08	>	06/10	23.494.00	31.840.00	30.187.00	53.148.00
	CAVD/CNWA	118	160	07/10	>	05/14	23.573.00	31.840.00	30.187.00	53.148.00
with activated carbon R.H.D. / con guida a destra, ai carboni attivi	CAVD/CNWA	118	160	06/08	>	05/14				54.376.00
with activated carbon L.H.D. / con guida a sinistra, ai carboni attivi	CAVD/CNWA	118	160	06/08	>	05/14				54.124.00
antibacterial, anti-odour and anti-allergen filter with L.H.D. / filtro antibatterico, antiodori e anti-allergeni con guida a sinistra	CAVD/CNWA	118	160	06/08	>	05/14				34.124.00
for cold countries / per paesi freddi	CAVD/CNWA	118	160	06/08	>	05/14			30.370.00	
1.4 TSI	CAXA	90	122	10/08	>	06/10	23.494.00	31.840.00	27.401.00	53.148.00
	CAXA	90	122	07/10	>		23.573.00	31.840.00	27.401.00	53.148.00
with activated carbon R.H.D. / con guida a destra, ai carboni attivi	CAXA	90	122	10/08	>					54.376.00
with activated carbon L.H.D. / con guida a sinistra, ai carboni attivi	CAXA	90	122	10/08	>					54.124.00
antibacterial, anti-odour and anti-allergen filter with L.H.D. / filtro antibatterico, antiodori e anti-allergeni con guida a sinistra	CAXA	90	122	10/08	>					34.124.00
1.4 TSI	CMSB	90	122	05/11	>		23.573.00	31.840.00	27.401.00	53.148.00
with activated carbon R.H.D. / con guida a destra, ai carboni attivi	CMSB	90	122	05/11	>					54.376.00
with activated carbon L.H.D. / con guida a sinistra, ai carboni attivi	CMSB	90	122	05/11	>					54.124.00
antibacterial, anti-odour and anti-allergen filter with L.H.D. / filtro antibatterico, antiodori e anti-allergeni con guida a sinistra	CMSB	90	122	05/11	>					34.124.00
1.4 TSI	CTHD/CTKA	118	160	06/08	>	06/10	23.494.00	31.840.00	30.187.00	53.148.00
	CTHD/CTKA	118	160	07/10	>		23.573.00	31.840.00	30.187.00	53.148.00
with activated carbon R.H.D. / con guida a destra, ai carboni attivi	CTHD/CTKA	118	160	06/08	>					54.376.00
with activated carbon L.H.D. / con guida a sinistra, ai carboni attivi	CTHD/CTKA	118	160	06/08	>					54.124.00
antibacterial, anti-odour and anti-allergen filter with L.H.D. / filtro antibatterico, antiodori e anti-allergeni con guida a sinistra	CTHD/CTKA	118	160	06/08	>					34.124.00
for cold countries / per paesi freddi	CTHD/CTKA	118	160	06/08	>				30.370.00	
1.4 TSI	CXSB	92	125	11/13	>	05/14	23.575.00	31.840.00	30.549.00	53.148.00
with activated carbon R.H.D. / con guida a destra, ai carboni attivi	CXSB	92	125	11/13	>	05/14				54.376.00
with activated carbon L.H.D. / con guida a sinistra, ai carboni attivi	CXSB	92	125	11/13	>	05/14				54.124.00
antibacterial, anti-odour and anti-allergen filter with L.H.D. / filtro antibatterico, antiodori e anti-allergeni con guida a sinistra	CXSB	92	125	11/13	>	05/14				34.124.00
1.4 TSI	CZCA	92	125	05/14	>		23.575.00	31.840.00	30.549.00	53.148.00
with activated carbon R.H.D. / con guida a destra, ai carboni attivi	CZCA	92	125	05/14	>					54.376.00
with activated carbon L.H.D. / con guida a sinistra, ai carboni attivi	CZCA	92	125	05/14	>					54.124.00
antibacterial, anti-odour and anti-allergen filter with L.H.D. / filtro antibatterico, antiodori e anti-allergeni con guida a sinistra	CZCA	92	125	05/14	>					34.124.00
2.0 TDI	CBBB	125	170	05/09	>		25.023.00	26.007.00	30.187.00	53.148.00
with activated carbon R.H.D. / con guida a destra, ai carboni attivi	CBBB	125	170	05/09	>					54.376.00
with activated carbon L.H.D. / con guida a sinistra, ai carboni attivi	CBBB	125	170	05/09	>					54.124.00
antibacterial, anti-odour and anti-allergen filter with L.H.D. / filtro antibatterico, antiodori e anti-allergeni con guida a sinistra	CBBB	125	170	05/09	>					34.124.00
for cold countries / per paesi freddi	CBBB	125	170	05/09	>				30.370.00	
2.0 TDI	CBDB	103	140	08/08	>	11/10	25.023.00	26.007.00	30.187.00	53.148.00
with activated carbon R.H.D. / con guida a destra, ai carboni attivi	CBDB	103	140	08/08	>	11/10				54.376.00
with activated carbon L.H.D. / con guida a sinistra, ai carboni attivi	CBDB	103	140	08/08	>	11/10				54.124.00
antibacterial, anti-odour and anti-allergen filter with L.H.D. / filtro antibatterico, antiodori e anti-allergeni con guida a sinistra	CBDB	103	140	08/08	>	11/10				34.124.00
for cold countries / per paesi freddi	CBDB	103	140	08/08	>	11/10			30.370.00	
2.0 TDI	CFGB	125	170	11/10	>	11/13	25.106.00	26.007.00	30.187.00	53.148.00
with activated carbon L.H.D. / con guida a sinistra, ai carboni attivi	CFGB	125	170	11/10	>	11/13				54.124.00
antibacterial, anti-odour and anti-allergen filter with L.H.D. / filtro antibatterico, antiodori e anti-allergeni con guida a sinistra	CFGB	125	170	11/10	>	11/13				34.124.00
for cold countries / per paesi freddi	CFGB	125	170	11/10	>	11/13			30.370.00	
2.0 TDI	CFGC	130	177	01/13	>		25.106.00	26.007.00	30.187.00	53.148.00

...VOLKSWAGEN - cars/auto

with activated carbon L.H.D. / con guida a sinistra, ai carboni attivi	CFGC	130	177	01/13	>				54.124.00	
antibacterial, anti-odour and anti-allergen filter with L.H.D. / filtro antibatterico, antiodori e anti-allergeni con guida a sinistra	CFGC	130	177	01/13	>				34.124.00	
for cold countries / per paesi freddi	CFGC	130	177	01/13	>			30.370.00		
2.0 TDI	CFHB	100	136	11/10	>	11/13	25.106.00	26.007.00	30.187.00	53.148.00
with activated carbon L.H.D. / con guida a sinistra, ai carboni attivi	CFHB	100	136	11/10	>	11/13				54.124.00
antibacterial, anti-odour and anti-allergen filter with L.H.D. / filtro antibatterico, antiodori e anti-allergeni con guida a sinistra	CFHB	100	136	11/10	>	11/13				34.124.00
for cold countries / per paesi freddi	CFHB	100	136	11/10	>	11/13			30.370.00	
2.0 TDI	CFHC	103	140	11/10	>	05/14	25.106.00	26.007.00	30.187.00	53.148.00
with activated carbon L.H.D. / con guida a sinistra, ai carboni attivi	CFHC	103	140	11/10	>	05/14				54.124.00
antibacterial, anti-odour and anti-allergen filter with L.H.D. / filtro antibatterico, antiodori e anti-allergeni con guida a sinistra	CFHC	103	140	11/10	>	05/14				34.124.00
for cold countries / per paesi freddi	CFHC	103	140	11/10	>	05/14			30.370.00	
2.0 TDI 150	CUUB	110	150	05/14	>		25.144.00	26.038.00	30.187.00	53.148.00
with activated carbon L.H.D. / con guida a sinistra, ai carboni attivi	CUUB	110	150	05/14	>					54.124.00
export models Diesel Plus / modelli di esportazione Diesel Plus	CUUB	110	150	05/14	>			26.065.00		
for cold countries / per paesi freddi	CUUB	110	150	05/14	>				30.370.00	
2.0 TDI 180	CUWA	135	184	05/14	>		25.144.00	26.038.00	30.187.00	53.148.00
with activated carbon L.H.D. / con guida a sinistra, ai carboni attivi	CUWA	135	184	05/14	>					54.124.00
antibacterial, anti-odour and anti-allergen filter with L.H.D. / filtro antibatterico, antiodori e anti-allergeni con guida a sinistra	CUWA	135	184	05/14	>					34.124.00
export models Diesel Plus / modelli di esportazione Diesel Plus	CUWA	135	184	05/14	>			26.065.00		
for cold countries / per paesi freddi	CUWA	135	184	05/14	>				30.370.00	
2.0 TDI 180	CUXA	132	180	05/14	>		25.144.00	26.038.00	30.187.00	53.148.00
with activated carbon L.H.D. / con guida a sinistra, ai carboni attivi	CUXA	132	180	05/14	>					54.124.00
antibacterial, anti-odour and anti-allergen filter with L.H.D. / filtro antibatterico, antiodori e anti-allergeni con guida a sinistra	CUXA	132	180	05/14	>					34.124.00
export models Diesel Plus / modelli di esportazione Diesel Plus	CUXA	132	180	05/14	>			26.065.00		
for cold countries / per paesi freddi	CUXA	132	180	05/14	>				30.370.00	
2.0 TFSI	CAWB	147	200	05/08	>	11/09	23.493.00	31.840.00	30.187.00	53.148.00
with activated carbon R.H.D. / con guida a destra, ai carboni attivi	CAWB	147	200	05/08	>	11/09				54.376.00
with activated carbon L.H.D. / con guida a sinistra, ai carboni attivi	CAWB	147	200	05/08	>	11/09				54.124.00
antibacterial, anti-odour and anti-allergen filter with L.H.D. / filtro antibatterico, antiodori e anti-allergeni con guida a sinistra	CAWB	147	200	05/08	>	11/09				34.124.00
2.0 TSI 180	CULA	132	179	05/14	>		25.153.00		30.187.00	53.148.00
with activated carbon R.H.D. / con guida a destra, ai carboni attivi	CULA	132	179	05/14	>					54.376.00
with activated carbon L.H.D. / con guida a sinistra, ai carboni attivi	CULA	132	179	05/14	>					54.124.00
antibacterial, anti-odour and anti-allergen filter with L.H.D. / filtro antibatterico, antiodori e anti-allergeni con guida a sinistra	CULA	132	179	05/14	>					34.124.00
for cold countries / per paesi freddi	CULA	132	179	05/14	>				30.370.00	
2.0 TSI 220	CULC	162	220	05/14	>		25.153.00		30.187.00	53.148.00
with activated carbon R.H.D. / con guida a destra, ai carboni attivi	CULC	162	220	05/14	>					54.376.00
with activated carbon L.H.D. / con guida a sinistra, ai carboni attivi	CULC	162	220	05/14	>					54.124.00
antibacterial, anti-odour and anti-allergen filter with L.H.D. / filtro antibatterico, antiodori e anti-allergeni con guida a sinistra	CULC	162	220	05/14	>					34.124.00
for cold countries / per paesi freddi	CULC	162	220	05/14	>				30.370.00	
2.0 TSI GTI	CCZB	155	210	10/09	>		23.493.00	31.840.00	30.187.00	53.148.00
with activated carbon R.H.D. / con guida a destra, ai carboni attivi	CCZB	155	210	10/09	>					54.376.00
with activated carbon L.H.D. / con guida a sinistra, ai carboni attivi	CCZB	155	210	10/09	>					54.124.00
antibacterial, anti-odour and anti-allergen filter with L.H.D. / filtro antibatterico, antiodori e anti-allergeni con guida a sinistra	CCZB	155	210	10/09	>					34.124.00
2.0 TSI R	CDLA	195	265	11/09	>		25.040.00	31.840.00	30.657.00	53.148.00
with activated carbon R.H.D. / con guida a destra, ai carboni attivi	CDLA	195	265	11/09	>					54.376.00
with activated carbon L.H.D. / con guida a sinistra, ai carboni attivi	CDLA	195	265	11/09	>					54.124.00
antibacterial, anti-odour and anti-allergen filter with L.H.D. / filtro antibatterico, antiodori e anti-allergeni con guida a sinistra	CDLA	195	265	11/09	>					34.124.00
2.0 TSI R	CDLC	188	256	11/09	>		25.040.00	31.840.00	30.657.00	53.148.00
with activated carbon R.H.D. / con guida a destra, ai carboni attivi	CDLC	188	256	11/09	>					54.376.00
with activated carbon L.H.D. / con guida a sinistra, ai carboni attivi	CDLC	188	256	11/09	>					54.124.00
antibacterial, anti-odour and anti-allergen filter with L.H.D. / filtro antibatterico, antiodori e anti-allergeni con guida a sinistra	CDLC	188	256	11/09	>					34.124.00
2.0 TSI R	CDLK	206	280	05/14	>		25.040.00		30.657.00	53.148.00
with activated carbon R.H.D. / con guida a destra, ai carboni attivi	CDLK	206	280	05/14	>					54.376.00
with activated carbon L.H.D. / con guida a sinistra, ai carboni attivi	CDLK	206	280	05/14	>					54.124.00
antibacterial, anti-odour and anti-allergen filter with L.H.D. / filtro antibatterico, antiodori e anti-allergeni con guida a sinistra	CDLK	206	280	05/14	>					34.124.00
Sharan I (7M)										
1.8 i T 20V	AJH	110	150	09/97	>	03/00	23.436.00	31.500.00	30.090.00	53.017.00
1.8 i T 20V	AWC	110	150	04/00	>	08/10	23.436.00	31.500.00	30.183.00	54.118.00
antibacterial, anti-odour and anti-allergen filter / filtro antibatterico, antiodori e anti-allergeni	AWC	110	150	04/00	>	08/10				34.118.00
1.9 TDI	AFN/AVG	81	110	09/96	>	03/00	23.417.00	24.365.01	30.090.00	53.017.00
1.9 TDI	AHU	66	90	07/96	>	03/00	23.429.00	24.365.01	30.090.00	53.017.00
1.9 TDI	ANU	66	90	03/99	>	03/00	25.011.00	24.365.01	30.090.00	53.017.00
	ANU	66	90	04/00	>	08/10	25.011.00	24.003.00	30.183.00	54.118.00
antibacterial, anti-odour and anti-allergen filter / filtro antibatterico, antiodori e anti-allergeni	ANU	66	90	04/00	>	08/10				34.118.00
1.9 TDI	ASZ	96	130	10/02	>	08/10	25.023.00	24.003.00	30.183.00	54.118.00
antibacterial, anti-odour and anti-allergen filter / filtro antibatterico, antiodori e anti-allergeni	ASZ	96	130	10/02	>	08/10				34.118.00
1.9 TDI	AUY	85	115	04/00	>	08/10	25.011.00	24.003.00	30.183.00	54.118.00

...VOLKSWAGEN - cars/auto

antibacterial, anti-odour and anti-allergen filter / filtro antibatterico, antiodori e anti-allergeni	AUY	85	115	04/00	>	08/10					34.118.00
1.9 TDI	BTB	110	150	01/05	>	08/10	25.023.00	24.003.00	30.183.00		54.118.00
antibacterial, anti-odour and anti-allergen filter / filtro antibatterico, antiodori e anti-allergeni	BTB	110	150	01/05	>	08/10					34.118.00
1.9 TDI 4motion	AUY	85	115	04/00	>	08/10	25.011.00	24.003.00	30.183.00		54.118.00
antibacterial, anti-odour and anti-allergen filter / filtro antibatterico, antiodori e anti-allergeni	AUY	85	115	04/00	>	08/10					34.118.00
2.0 i	ADY	85	116	07/95	>	03/00	23.436.00	31.500.00	30.090.00		53.017.00
2.0 i	ATM	85	116	04/00	>	08/10	23.436.00	31.500.00	30.183.00		54.118.00
antibacterial, anti-odour and anti-allergen filter / filtro antibatterico, antiodori e anti-allergeni	ATM	85	116	04/00	>	08/10					34.118.00
2.0 i 16V	ABF	110	150	08/96	>	03/00	23.436.00	31.500.00	30.090.00		53.017.00
2.0 LPG	ATM	85	116	05/08	>	08/10	23.436.00	31.500.00	30.183.00		54.118.00
antibacterial, anti-odour and anti-allergen filter / filtro antibatterico, antiodori e anti-allergeni	ATM	85	116	05/08	>	08/10					34.118.00
2.0 TDI	BRT/BVH	103	140	11/05	>	08/10	25.023.00	24.003.00	30.183.00		54.118.00
antibacterial, anti-odour and anti-allergen filter / filtro antibatterico, antiodori e anti-allergeni	BRT/BVH	103	140	11/05	>	08/10					34.118.00
2.8 i VR6											
from engine No. 176890 / da motore N. 176890	AAA	128	174	12/95	>	03/00	25.010.00	31.500.00	30.090.00		53.017.00
2.8 i VR6	AMY	128	174	04/98	>	03/00	25.010.00	31.500.00	30.090.00		53.017.00
2.8 i VR6 Syncro	AMY	128	174	04/98	>	03/00	25.010.00	31.500.00	30.090.00		53.017.00
2.8 i VR6 Syncro Autom.	AAA	128	174	07/96	>	03/00	25.010.00	31.500.00	30.090.00		53.017.00
2.8 VR6 24V	AYL	150	204	04/00	>	08/10	25.023.00	31.500.00	30.183.00		54.118.00
antibacterial, anti-odour and anti-allergen filter / filtro antibatterico, antiodori e anti-allergeni	AYL	150	204	04/00	>	08/10					34.118.00
2.8 VR6 24V 4motion	AYL	150	204	04/00	>	08/10	25.023.00	31.500.00	30.183.00		54.118.00
antibacterial, anti-odour and anti-allergen filter / filtro antibatterico, antiodori e anti-allergeni	AYL	150	204	04/00	>	08/10					34.118.00
Sharan II (7N)											
1.4 TSI	CAVA/CTHA/CNWB	110	150	05/10	>		23.573.00	31.855.00	30.187.00		53.148.00
with air-conditioner and R.H.D. / con climatizzatore e guida a destra	CAVA/CTHA/CNWB	110	150	05/10	>						54.376.00
with air-conditioner and L.H.D. / con climatizzatore e guida a sinistra	CAVA/CTHA/CNWB	110	150	05/10	>		23.573.00	31.855.00	30.187.00		54.124.00
antibacterial, anti-odour and anti-allergen filter with air-conditioner and L.H.D. / filtro antibatterico, antiodori e anti-allergeni con climatizzatore e guida a sinistra	CAVA/CTHA/CNWB	110	150	05/10	>						34.124.00
for cold countries / per paesi freddi	CAVA/CTHA/CNWB	110	150	05/10	>		23.573.00	31.855.00	30.370.00		53.148.00
1.8 TSI	CDAA	118	160	07/12	>		23.493.00	31.855.00	30.187.00		53.148.00
with air-conditioner and R.H.D. / con climatizzatore e guida a destra	CDAA	118	160	07/12	>						54.376.00
with air-conditioner and L.H.D. / con climatizzatore e guida a sinistra	CDAA	118	160	07/12	>		23.493.00	31.855.00	30.187.00		54.124.00
antibacterial, anti-odour and anti-allergen filter with air-conditioner and L.H.D. / filtro antibatterico, antiodori e anti-allergeni con climatizzatore e guida a sinistra	CDAA	118	160	07/12	>						34.124.00
for cold countries / per paesi freddi	CDAA	118	160	07/12	>				30.370.00		
2.0 TDI	CFFA	100	136	08/10	>		25.106.00	26.026.00	30.187.00		53.148.00
with air-conditioner and R.H.D. / con climatizzatore e guida a destra	CFFA	100	136	08/10	>						54.376.00
with air-conditioner and L.H.D. / con climatizzatore e guida a sinistra	CFFA	100	136	08/10	>		25.106.00	26.026.00	30.187.00		54.124.00
antibacterial, anti-odour and anti-allergen filter with air-conditioner and L.H.D. / filtro antibatterico, antiodori e anti-allergeni con climatizzatore e guida a sinistra	CFFA	100	136	08/10	>						34.124.00
for cold countries / per paesi freddi	CFFA	100	136	08/10	>		25.106.00	26.026.00	30.370.00		53.148.00
2.0 TDI	CFFB	103	140	08/10	>		25.106.00	26.026.00	30.187.00		53.148.00
with air-conditioner and R.H.D. / con climatizzatore e guida a destra	CFFB	103	140	08/10	>						54.376.00
with air-conditioner and L.H.D. / con climatizzatore e guida a sinistra	CFFB	103	140	08/10	>		25.106.00	26.026.00	30.187.00		54.124.00
antibacterial, anti-odour and anti-allergen filter with air-conditioner and L.H.D. / filtro antibatterico, antiodori e anti-allergeni con climatizzatore e guida a sinistra	CFFB	103	140	08/10	>						34.124.00
for cold countries / per paesi freddi	CFFB	103	140	08/10	>		25.106.00	26.026.00	30.370.00		53.148.00
2.0 TDI	CFFE	85	115	07/11	>		25.106.00	26.026.00	30.187.00		53.148.00
with air-conditioner and R.H.D. / con climatizzatore e guida a destra	CFFE	85	115	07/11	>						54.376.00
with air-conditioner and L.H.D. / con climatizzatore e guida a sinistra	CFFE	85	115	07/11	>		25.106.00	26.026.00	30.187.00		54.124.00
antibacterial, anti-odour and anti-allergen filter with air-conditioner and L.H.D. / filtro antibatterico, antiodori e anti-allergeni con climatizzatore e guida a sinistra	CFFE	85	115	07/11	>						34.124.00
for cold countries / per paesi freddi	CFFE	85	115	07/11	>		25.106.00	26.026.00	30.370.00		53.148.00
2.0 TDI	CFGB	125	170	05/10	>	01/13	25.106.00	26.026.00	30.187.00		53.148.00
with air-conditioner and R.H.D. / con climatizzatore e guida a destra	CFGB	125	170	05/10	>	01/13					54.376.00
with air-conditioner and L.H.D. / con climatizzatore e guida a sinistra	CFGB	125	170	05/10	>	01/13	25.106.00	26.026.00	30.187.00		54.124.00
antibacterial, anti-odour and anti-allergen filter with air-conditioner and L.H.D. / filtro antibatterico, antiodori e anti-allergeni con climatizzatore e guida a sinistra	CFGB	125	170	05/10	>	01/13					34.124.00
for cold countries / per paesi freddi	CFGB	125	170	05/10	>	01/13	25.106.00	26.026.00	30.370.00		53.148.00
2.0 TDI	CFGC	130	177	01/13	>		25.106.00	26.026.00	30.187.00		53.148.00
with air-conditioner and R.H.D. / con climatizzatore e guida a destra	CFGC	130	177	01/13	>						54.376.00
with air-conditioner and L.H.D. / con climatizzatore e guida a sinistra	CFGC	130	177	01/13	>		25.106.00	26.026.00	30.187.00		54.124.00
antibacterial, anti-odour and anti-allergen filter with air-conditioner and L.H.D. / filtro antibatterico, antiodori e anti-allergeni con climatizzatore e guida a sinistra	CFGC	130	177	01/13	>						34.124.00
for cold countries / per paesi freddi	CFGC	130	177	01/13	>		25.106.00	26.026.00	30.370.00		53.148.00
2.0 TDI 4motion	CFFA	100	136	08/10	>		25.106.00	26.026.00	30.187.00		53.148.00
with air-conditioner and R.H.D. / con climatizzatore e guida a destra	CFFA	100	136	08/10	>						54.376.00
with air-conditioner and L.H.D. / con climatizzatore e guida a sinistra	CFFA	100	136	08/10	>		25.106.00	26.026.00	30.187.00		54.124.00
antibacterial, anti-odour and anti-allergen filter with air-conditioner and L.H.D. / filtro antibatterico, antiodori e anti-allergeni con climatizzatore e guida a sinistra	CFFA	100	136	08/10	>						34.124.00
for cold countries / per paesi freddi	CFFA	100	136	08/10	>		25.106.00	26.026.00	30.370.00		53.148.00
2.0 TSI	CCZA	147	200	11/10	>		23.493.00	31.855.00	30.187.00		53.148.00
with air-conditioner and R.H.D. / con climatizzatore e guida a destra	CCZA	147	200	11/10	>						54.376.00
with air-conditioner and L.H.D. / con climatizzatore e guida a sinistra	CCZA	147	200	11/10	>		23.493.00	31.855.00	30.187.00		54.124.00
antibacterial, anti-odour and anti-allergen filter with air-conditioner and L.H.D. / filtro antibatterico, antiodori e anti-allergeni con climatizzatore e guida a sinistra	CCZA	147	200	11/10	>						34.124.00

...VOLKSWAGEN - cars/auto

for cold countries / per paesi freddi		CCZA	147	200	11/10	>			30.370.00	
Sharan III										
1.4 TSI	DJKA	110	150	08/18	>		23.575.00		30.187.00	53.148.00
with air-conditioner and R.H.D. / con climatizzatore e guida a destra	DJKA	110	150	08/18	>					54.376.00
with air-conditioner and L.H.D. / con climatizzatore e guida a sinistra	DJKA	110	150	08/18	>					54.124.00
antibacterial, anti-odour and anti-allergen filter with air-conditioner and L.H.D. / filtro antibatterico, antiodori e anti-allergeni con climatizzatore e guida a sinistra	DJKA	110	150	08/18	>					34.124.00
2.0 TDI CR	DLTA	110	150	07/18	>		25.144.00	26.026.00	30.370.00	53.148.00
with air-conditioner and R.H.D. / con climatizzatore e guida a destra	DLTA	110	150	07/18	>					54.376.00
with air-conditioner and L.H.D. / con climatizzatore e guida a sinistra	DLTA	110	150	07/18	>					54.124.00
antibacterial, anti-odour and anti-allergen filter with air-conditioner and L.H.D. / filtro antibatterico, antiodori e anti-allergeni con climatizzatore e guida a sinistra	DLTA	110	150	07/18	>					34.124.00
2.0 TDI CR	DLTC	85	116	11/18	>		25.144.00	26.026.00	30.370.00	53.148.00
with air-conditioner and R.H.D. / con climatizzatore e guida a destra	DLTC	85	116	11/18	>					54.376.00
with air-conditioner and L.H.D. / con climatizzatore e guida a sinistra	DLTC	85	116	11/18	>					54.124.00
antibacterial, anti-odour and anti-allergen filter with air-conditioner and L.H.D. / filtro antibatterico, antiodori e anti-allergeni con climatizzatore e guida a sinistra	DLTC	85	116	11/18	>					34.124.00
2.0 TDI CR	DLUB	130	177	11/18	>		25.144.00	26.026.00	30.370.00	53.148.00
with air-conditioner and R.H.D. / con climatizzatore e guida a destra	DLUB	130	177	11/18	>					54.376.00
with air-conditioner and L.H.D. / con climatizzatore e guida a sinistra	DLUB	130	177	11/18	>					54.124.00
antibacterial, anti-odour and anti-allergen filter with air-conditioner and L.H.D. / filtro antibatterico, antiodori e anti-allergeni con climatizzatore e guida a sinistra	DLUB	130	177	11/18	>					34.124.00
T-Cross										
1.0 TSI	CHZL/DKLA/DLAC	70	95	12/18	>		23.575.00		30.A51.00	
with automatic air-conditioner / con climatizzatore automatico	CHZL/DKLA/DLAC	70	95	12/18	>					54.314.00
antibacterial, anti-odour and anti-allergen filter with automatic air-conditioner / filtro antibatterico, antiodori e anti-allergeni con climatizzatore automatico	CHZL/DKLA/DLAC	70	95	12/18	>					34.314.00
1.0 TSI	DKRF	85	116	12/18	>		23.575.00		30.A51.00	
with automatic air-conditioner / con climatizzatore automatico	DKRF	85	116	12/18	>					54.314.00
antibacterial, anti-odour and anti-allergen filter with automatic air-conditioner / filtro antibatterico, antiodori e anti-allergeni con climatizzatore automatico	DKRF	85	116	12/18	>					34.314.00
1.0 TSI	DLAA	81	110	06/20	>				30.A45.00	
1.5 TSI	DADA	110	150	01/20	>		23.575.00		30.A45.00	
with activated carbons / ai carboni attivi	DADA	110	150	01/20	>					54.314.00
antibacterial, anti-odour and anti-allergen filter / filtro antibatterico, antiodori e anti-allergeni	DADA	110	150	01/20	>					34.314.00
1.6 TDI	DGTD	70	95	03/19	>		25.144.00	26.038.00	30.532.00	
with automatic air-conditioner / con climatizzatore automatico	DGTD	70	95	03/19	>					54.314.00
antibacterial, anti-odour and anti-allergen filter with automatic air-conditioner / filtro antibatterico, antiodori e anti-allergeni con climatizzatore automatico	DGTD	70	95	03/19	>					34.314.00
export models Diesel Plus / modelli di esportazione Diesel Plus	DGTD	70	95	03/19	>			26.065.00		
for cold countries / per paesi freddi	DGTD	70	95	03/19	>					30.587.00
T-Roc (A1)										
1.0 TSI	CHZJ	85	116	09/17	>		23.575.00		30.A51.00	53.298.00
with automatic air-conditioner / con climatizzatore automatico	CHZJ	85	116	09/17	>					54.219.00
antibacterial, anti-odour and anti-allergen filter with automatic air-conditioner / filtro antibatterico, antiodori e anti-allergeni con climatizzatore automatico	CHZJ	85	116	09/17	>					34.219.00
1.0 TSI	DKRF	85	116	07/18	>		23.575.00		30.A51.00	53.298.00
with automatic air-conditioner / con climatizzatore automatico	DKRF	85	116	07/18	>					54.219.00
antibacterial, anti-odour and anti-allergen filter with automatic air-conditioner / filtro antibatterico, antiodori e anti-allergeni con climatizzatore automatico	DKRF	85	116	07/18	>					34.219.00
1.0 TSI	DLAA	81	110	09/20	>		23.575.00			53.298.00
with activated carbons / ai carboni attivi	DLAA	81	110	09/20	>					54.219.00
antibacterial, anti-odour and anti-allergen filter / filtro antibatterico, antiodori e anti-allergeni	DLAA	81	110	09/20	>					34.219.00
1.5 TSI	DADA	110	150	09/17	>		23.575.00		30.A45.00	53.298.00
with automatic air-conditioner / con climatizzatore automatico	DADA	110	150	09/17	>					54.219.00
antibacterial, anti-odour and anti-allergen filter with automatic air-conditioner / filtro antibatterico, antiodori e anti-allergeni con climatizzatore automatico	DADA	110	150	09/17	>					34.219.00
1.6 TDI	DGTE	85	116	05/18	>		25.144.00	26.038.00	30.532.00	53.298.00
with automatic air-conditioner / con climatizzatore automatico	DGTE	85	116	05/18	>					54.219.00
antibacterial, anti-odour and anti-allergen filter with automatic air-conditioner / filtro antibatterico, antiodori e anti-allergeni con climatizzatore automatico	DGTE	85	116	05/18	>					34.219.00
export models Diesel Plus / modelli di esportazione Diesel Plus	DGTE	85	116	05/18	>			26.065.00		
for cold countries / per paesi freddi	DGTE	85	116	05/18	>					30.587.00
2.0 TDI 4Motion	DFFA	110	150	09/17	>		25.144.00	26.038.00	30.532.00	53.298.00
with automatic air-conditioner / con climatizzatore automatico	DFFA	110	150	09/17	>					54.219.00
antibacterial, anti-odour and anti-allergen filter with automatic air-conditioner / filtro antibatterico, antiodori e anti-allergeni con climatizzatore automatico	DFFA	110	150	09/17	>					34.219.00
export models Diesel Plus / modelli di esportazione Diesel Plus	DFFA	110	150	09/17	>			26.065.00		
for cold countries / per paesi freddi	DFFA	110	150	09/17	>					30.587.00
2.0 TDI 4Motion	DFHA	140	190	11/18	>		25.144.00	26.038.00	30.532.00	53.298.00
with automatic air-conditioner / con climatizzatore automatico	DFHA	140	190	11/18	>					54.219.00
antibacterial, anti-odour and anti-allergen filter with automatic air-conditioner / filtro antibatterico, antiodori e anti-allergeni con climatizzatore automatico	DFHA	140	190	11/18	>					34.219.00
export models Diesel Plus / modelli di esportazione Diesel Plus	DFHA	140	190	11/18	>			26.065.00		
for cold countries / per paesi freddi	DFHA	140	190	11/18	>					30.587.00
2.0 TSI 4Motion	CZPB	140	190	09/17	>		25.153.00		30.532.00	53.298.00
with automatic air-conditioner / con climatizzatore automatico	CZPB	140	190	09/17	>					54.219.00
antibacterial, anti-odour and anti-allergen filter with automatic air-conditioner / filtro antibatterico, antiodori e anti-allergeni con climatizzatore automatico	CZPB	140	190	09/17	>					34.219.00
2.0 TSI 4Motion	DKZA	140	190	11/18	>		25.153.00		30.532.00	53.298.00
with automatic air-conditioner / con climatizzatore automatico	DKZA	140	190	11/18	>					54.219.00

...VOLKSWAGEN - cars/auto

antibacterial, anti-odour and anti-allergen filter with automatic air-conditioner / filtro antibatterico, antiodori e anti-allergeni con climatizzatore automatico	DKZA	140	190	11/18	>				34.219.00	
Teramont (CA)										
2.0 TSI 220	CXDA	162	220	11/17	>		25.153.00		53.298.00	
with automatic air-conditioner / con climatizzatore automatico	CXDA	162	220	11/17	>				54.219.00	
antibacterial, anti-odour and anti-allergen filter with automatic air-conditioner / filtro antibatterico, antiodori e anti-allergeni con climatizzatore automatico	CXDA	162	220	11/17	>				34.219.00	
2.0 TSI 240	DCGA	175	238	11/17	>		25.153.00		53.298.00	
with automatic air-conditioner / con climatizzatore automatico	DCGA	175	238	11/17	>				54.219.00	
antibacterial, anti-odour and anti-allergen filter with automatic air-conditioner / filtro antibatterico, antiodori e anti-allergeni con climatizzatore automatico	DCGA	175	238	11/17	>				34.219.00	
3.6 V6 FSI	CDVC	206	280	11/17	>		25.089.00		53.298.00	
with automatic air-conditioner / con climatizzatore automatico	CDVC	206	280	11/17	>				54.219.00	
antibacterial, anti-odour and anti-allergen filter with automatic air-conditioner / filtro antibatterico, antiodori e anti-allergeni con climatizzatore automatico	CDVC	206	280	11/17	>				34.219.00	
Tiguan (5N)										
1.4 TSI	BWK	110	150	11/07	>	11/08	25.047.00		30.187.00	53.148.00
with air-conditioner and R.H.D. / con climatizzatore e guida a destra	BWK	110	150	11/07	>	11/08				54.376.00
with air-conditioner and L.H.D. / con climatizzatore e guida a sinistra	BWK	110	150	11/07	>	11/08	25.047.00		30.187.00	54.124.00
antibacterial, anti-odour and anti-allergen filter with air-conditioner and L.H.D. / filtro antibatterico, antiodori e anti-allergeni con climatizzatore e guida a sinistra	BWK	110	150	11/07	>	11/08				34.124.00
for cold countries / per paesi freddi	BWK	110	150	11/07	>	11/08	25.047.00		30.370.00	53.148.00
1.4 TSI	CAVA	110	150	05/08	>	10/08	25.047.00		30.187.00	53.148.00
	CAVA	110	150	11/08	>	06/10	23.494.00		30.187.00	53.148.00
	CAVA	110	150	07/10	>		23.573.00		30.187.00	53.148.00
with air-conditioner and R.H.D. / con climatizzatore e guida a destra	CAVA	110	150	05/08	>					54.376.00
with air-conditioner and L.H.D. / con climatizzatore e guida a sinistra	CAVA	110	150	05/08	>	10/08	25.047.00		30.187.00	54.124.00
with air-conditioner and L.H.D. / con climatizzatore e guida a sinistra	CAVA	110	150	11/08	>	06/10	23.494.00		30.187.00	54.124.00
with air-conditioner and L.H.D. / con climatizzatore e guida a sinistra	CAVA	110	150	07/10	>		23.573.00		30.187.00	54.124.00
antibacterial, anti-odour and anti-allergen filter with air-conditioner and L.H.D. / filtro antibatterico, antiodori e anti-allergeni con climatizzatore e guida a sinistra	CAVA	110	150	05/08	>					34.124.00
for cold countries / per paesi freddi	CAVA	110	150	05/08	>	10/08	25.047.00		30.370.00	53.148.00
for cold countries / per paesi freddi	CAVA	110	150	11/08	>	06/10	23.494.00		30.370.00	53.148.00
for cold countries / per paesi freddi	CAVA	110	150	07/10	>		23.573.00		30.370.00	53.148.00
1.4 TSI	CAVD	118	160	05/11	>	09/12	23.573.00		30.187.00	53.148.00
with air-conditioner and R.H.D. / con climatizzatore e guida a destra	CAVD	118	160	05/11	>	09/12				54.376.00
with air-conditioner and L.H.D. / con climatizzatore e guida a sinistra	CAVD	118	160	05/11	>	09/12	23.573.00		30.187.00	54.124.00
antibacterial, anti-odour and anti-allergen filter with air-conditioner and L.H.D. / filtro antibatterico, antiodori e anti-allergeni con climatizzatore e guida a sinistra	CAVD	118	160	05/11	>	09/12				34.124.00
for cold countries / per paesi freddi	CAVD	118	160	05/11	>	09/12			30.370.00	
1.4 TSI	CAXA	90	122	08/10	>		23.573.00		27.401.00	53.148.00
with air-conditioner and R.H.D. / con climatizzatore e guida a destra	CAXA	90	122	08/10	>					54.376.00
with air-conditioner and L.H.D. / con climatizzatore e guida a sinistra	CAXA	90	122	08/10	>		23.573.00		27.401.00	54.124.00
antibacterial, anti-odour and anti-allergen filter with air-conditioner and L.H.D. / filtro antibatterico, antiodori e anti-allergeni con climatizzatore e guida a sinistra	CAXA	90	122	08/10	>					34.124.00
for cold countries / per paesi freddi	CAXA	90	122	08/10	>		23.573.00		27.402.00	53.148.00
1.4 TSI	CTHA	110	150	05/11	>		23.573.00		30.187.00	53.148.00
with air-conditioner and R.H.D. / con climatizzatore e guida a destra	CTHA	110	150	05/11	>					54.376.00
with air-conditioner and L.H.D. / con climatizzatore e guida a sinistra	CTHA	110	150	05/11	>		23.573.00		30.187.00	54.124.00
antibacterial, anti-odour and anti-allergen filter with air-conditioner and L.H.D. / filtro antibatterico, antiodori e anti-allergeni con climatizzatore e guida a sinistra	CTHA	110	150	05/11	>					34.124.00
for cold countries / per paesi freddi	CTHA	110	150	05/11	>		23.573.00		30.370.00	53.148.00
1.4 TSI	CTHD	118	160	05/11	>		23.573.00		30.187.00	53.148.00
with air-conditioner and R.H.D. / con climatizzatore e guida a destra	CTHD	118	160	05/11	>					54.376.00
with air-conditioner and L.H.D. / con climatizzatore e guida a sinistra	CTHD	118	160	05/11	>		23.573.00		30.187.00	54.124.00
antibacterial, anti-odour and anti-allergen filter with air-conditioner and L.H.D. / filtro antibatterico, antiodori e anti-allergeni con climatizzatore e guida a sinistra	CTHD	118	160	05/11	>					34.124.00
for cold countries / per paesi freddi	CTHD	118	160	05/11	>				30.370.00	
1.4 TSI	CZDA	110	150	05/15	>		23.575.00		30.549.00	53.148.00
with air-conditioner and R.H.D. / con climatizzatore e guida a destra	CZDA	110	150	05/15	>					54.376.00
with air-conditioner and L.H.D. / con climatizzatore e guida a sinistra	CZDA	110	150	05/15	>					54.124.00
antibacterial, anti-odour and anti-allergen filter with air-conditioner and L.H.D. / filtro antibatterico, antiodori e anti-allergeni con climatizzatore e guida a sinistra	CZDA	110	150	05/15	>					34.124.00
1.4 TSI	CZDB	92	125	05/15	>		23.575.00		30.549.00	53.148.00
with air-conditioner and R.H.D. / con climatizzatore e guida a destra	CZDB	92	125	05/15	>					54.376.00
with air-conditioner and L.H.D. / con climatizzatore e guida a sinistra	CZDB	92	125	05/15	>					54.124.00
antibacterial, anti-odour and anti-allergen filter with air-conditioner and L.H.D. / filtro antibatterico, antiodori e anti-allergeni con climatizzatore e guida a sinistra	CZDB	92	125	05/15	>					34.124.00
1.4 TSI 4Motion	BWK	110	150	11/07	>	11/08	25.047.00		30.187.00	53.148.00
with air-conditioner and R.H.D. / con climatizzatore e guida a destra	BWK	110	150	11/07	>	11/08				54.376.00
with air-conditioner and L.H.D. / con climatizzatore e guida a sinistra	BWK	110	150	11/07	>	11/08	25.047.00		30.187.00	54.124.00
antibacterial, anti-odour and anti-allergen filter with air-conditioner and L.H.D. / filtro antibatterico, antiodori e anti-allergeni con climatizzatore e guida a sinistra	BWK	110	150	11/07	>	11/08				34.124.00
for cold countries / per paesi freddi	BWK	110	150	11/07	>	11/08	25.047.00		30.370.00	53.148.00
1.4 TSI 4Motion	CAVA	110	150	05/08	>	10/08	25.047.00		30.187.00	53.148.00
	CAVA	110	150	11/08	>	06/10	23.494.00		30.187.00	53.148.00
	CAVA	110	150	07/10	>		23.573.00		30.187.00	53.148.00
with air-conditioner and R.H.D. / con climatizzatore e guida a destra	CAVA	110	150	05/08	>					54.376.00
with air-conditioner and L.H.D. / con climatizzatore e guida a sinistra	CAVA	110	150	05/08	>	10/08	25.047.00		30.187.00	54.124.00
with air-conditioner and L.H.D. / con climatizzatore e guida a sinistra	CAVA	110	150	11/08	>	06/10	23.494.00		30.187.00	54.124.00

...VOLKSWAGEN - cars/auto

with air-conditioner and L.H.D. / con climatizzatore e guida a sinistra	CAVA	110	150	07/10	>	23.573.00		30.187.00	54.124.00
antibacterial, anti-odour and anti-allergen filter with air-conditioner and L.H.D. / filtro antibatterico, antiodori e anti-allergeni con climatizzatore e guida a sinistra	CAVA	110	150	05/08	>				34.124.00
for cold countries / per paesi freddi	CAVA	110	150	05/08	> 10/08	25.047.00		30.370.00	53.148.00
for cold countries / per paesi freddi	CAVA	110	150	11/08	> 06/10	23.494.00		30.370.00	53.148.00
for cold countries / per paesi freddi	CAVA	110	150	07/10	>	23.573.00		30.370.00	53.148.00
1.4 TSI 4Motion	CAVD	118	160	05/11	> 09/12	23.573.00		30.187.00	53.148.00
with air-conditioner and R.H.D. / con climatizzatore e guida a destra	CAVD	118	160	05/11	> 09/12				54.376.00
with air-conditioner and L.H.D. / con climatizzatore e guida a sinistra	CAVD	118	160	05/11	> 09/12	23.573.00		30.187.00	54.124.00
antibacterial, anti-odour and anti-allergen filter with air-conditioner and L.H.D. / filtro antibatterico, antiodori e anti-allergeni con climatizzatore e guida a sinistra	CAVD	118	160	05/11	> 09/12				34.124.00
for cold countries / per paesi freddi	CAVD	118	160	05/11	> 09/12			30.370.00	
1.4 TSI 4Motion	CTHA	110	150	05/11	>	23.573.00		30.187.00	53.148.00
with air-conditioner and R.H.D. / con climatizzatore e guida a destra	CTHA	110	150	05/11	>				54.376.00
with air-conditioner and L.H.D. / con climatizzatore e guida a sinistra	CTHA	110	150	05/11	>	23.573.00		30.187.00	54.124.00
antibacterial, anti-odour and anti-allergen filter with air-conditioner and L.H.D. / filtro antibatterico, antiodori e anti-allergeni con climatizzatore e guida a sinistra	CTHA	110	150	05/11	>				34.124.00
for cold countries / per paesi freddi	CTHA	110	150	05/11	>	23.573.00		30.370.00	53.148.00
1.4 TSI 4Motion	CTHD	118	160	05/11	>	23.573.00		30.187.00	53.148.00
with air-conditioner and R.H.D. / con climatizzatore e guida a destra	CTHD	118	160	05/11	>				54.376.00
with air-conditioner and L.H.D. / con climatizzatore e guida a sinistra	CTHD	118	160	05/11	>	23.573.00		30.187.00	54.124.00
antibacterial, anti-odour and anti-allergen filter with air-conditioner and L.H.D. / filtro antibatterico, antiodori e anti-allergeni con climatizzatore e guida a sinistra	CTHD	118	160	05/11	>				34.124.00
for cold countries / per paesi freddi	CTHD	118	160	05/11	>			30.370.00	
2.0 TDI	CBAA	100	136	11/07	> 05/10	25.023.00	26.007.00	30.187.00	53.148.00
with air-conditioner and R.H.D. / con climatizzatore e guida a destra	CBAA	100	136	11/07	> 05/10				54.376.00
with air-conditioner and L.H.D. / con climatizzatore e guida a sinistra	CBAA	100	136	11/07	> 05/10	25.023.00	26.007.00	30.187.00	54.124.00
antibacterial, anti-odour and anti-allergen filter with air-conditioner and L.H.D. / filtro antibatterico, antiodori e anti-allergeni con climatizzatore e guida a sinistra	CBAA	100	136	11/07	> 05/10				34.124.00
export models RA, CN / modelli di esportazione RA, CN	CBAA	100	136	03/10	> 05/10		26.031.00		
for cold countries / per paesi freddi	CBAA	100	136	11/07	> 05/10	25.023.00	26.007.00	30.370.00	53.148.00
2.0 TDI	CBAB	103	140	11/07	> 05/11	25.023.00	26.007.00	30.187.00	53.148.00
	CBAB	103	140	06/11	>	25.023.00	26.026.00	30.187.00	53.148.00
with air-conditioner and R.H.D. / con climatizzatore e guida a destra	CBAB	103	140	11/07	>				54.376.00
with air-conditioner and L.H.D. / con climatizzatore e guida a sinistra	CBAB	103	140	11/07	>				54.124.00
antibacterial, anti-odour and anti-allergen filter with air-conditioner and L.H.D. / filtro antibatterico, antiodori e anti-allergeni con climatizzatore e guida a sinistra	CBAB	103	140	11/07	>				34.124.00
export models RA, CN / modelli di esportazione RA, CN	CBAB	103	140	03/10	>		26.031.00		
for cold countries / per paesi freddi	CBAB	103	140	11/07	>			30.370.00	
2.0 TDI	CBBA	120	163	03/08	> 08/09	25.023.00	26.007.00	30.187.00	53.148.00
with air-conditioner and R.H.D. / con climatizzatore e guida a destra	CBBA	120	163	03/08	> 08/09				54.376.00
with air-conditioner and L.H.D. / con climatizzatore e guida a sinistra	CBBA	120	163	03/08	> 08/09	25.023.00	26.007.00	30.187.00	54.124.00
antibacterial, anti-odour and anti-allergen filter with air-conditioner and L.H.D. / filtro antibatterico, antiodori e anti-allergeni con climatizzatore e guida a sinistra	CBBA	120	163	03/08	> 08/09				34.124.00
for cold countries / per paesi freddi	CBBA	120	163	03/08	> 08/09	25.023.00	26.007.00	30.370.00	53.148.00
2.0 TDI	CBBB	125	170	02/08	> 07/09	25.023.00	26.007.00	30.187.00	53.148.00
with air-conditioner and R.H.D. / con climatizzatore e guida a destra	CBBB	125	170	02/08	> 07/09				54.376.00
with air-conditioner and L.H.D. / con climatizzatore e guida a sinistra	CBBB	125	170	02/08	> 07/09	25.023.00	26.007.00	30.187.00	54.124.00
antibacterial, anti-odour and anti-allergen filter with air-conditioner and L.H.D. / filtro antibatterico, antiodori e anti-allergeni con climatizzatore e guida a sinistra	CBBB	125	170	02/08	> 07/09				34.124.00
for cold countries / per paesi freddi	CBBB	125	170	02/08	> 07/09	25.023.00	26.007.00	30.370.00	53.148.00
2.0 TDI	CFFA	100	136	05/10	> 05/11	25.106.00	26.007.00	30.187.00	53.148.00
	CFFA	100	136	06/11	>	25.106.00	26.026.00	30.187.00	53.148.00
with air-conditioner and R.H.D. / con climatizzatore e guida a destra	CFFA	100	136	05/10	>				54.376.00
with air-conditioner and L.H.D. / con climatizzatore e guida a sinistra	CFFA	100	136	05/10	>				54.124.00
antibacterial, anti-odour and anti-allergen filter with air-conditioner and L.H.D. / filtro antibatterico, antiodori e anti-allergeni con climatizzatore e guida a sinistra	CFFA	100	136	05/10	>				34.124.00
export models DIESEL PLUS / modelli di esportazione DIESEL PLUS	CFFA	100	136	11/12	>		26.032.00		
export models RA, CN / modelli di esportazione RA, CN	CFFA	100	136	05/10	>		26.031.00		
for cold countries / per paesi freddi	CFFA	100	136	05/10	>			30.370.00	
2.0 TDI	CFFB	103	140	11/09	> 05/11	25.106.00	26.007.00	30.187.00	53.148.00
	CFFB	103	140	06/11	>	25.106.00	26.026.00	30.187.00	53.148.00
with air-conditioner and R.H.D. / con climatizzatore e guida a destra	CFFB	103	140	11/09	>				54.376.00
with air-conditioner and L.H.D. / con climatizzatore e guida a sinistra	CFFB	103	140	11/09	>				54.124.00
antibacterial, anti-odour and anti-allergen filter with air-conditioner and L.H.D. / filtro antibatterico, antiodori e anti-allergeni con climatizzatore e guida a sinistra	CFFB	103	140	11/09	>				34.124.00
export models DIESEL PLUS / modelli di esportazione DIESEL PLUS	CFFB	103	140	11/12	>		26.032.00		
for cold countries / per paesi freddi	CFFB	103	140	11/09	>			30.370.00	
2.0 TDI	CFFD	81	110	05/10	> 05/11	25.106.00	26.007.00	30.187.00	53.148.00
	CFFD	81	110	06/11	>	25.106.00	26.026.00	30.187.00	
with air-conditioner and R.H.D. / con climatizzatore e guida a destra	CFFD	81	110	05/10	>				54.376.00
with air-conditioner and L.H.D. / con climatizzatore e guida a sinistra	CFFD	81	110	05/10	>				54.124.00
antibacterial, anti-odour and anti-allergen filter with air-conditioner and L.H.D. / filtro antibatterico, antiodori e anti-allergeni con climatizzatore e guida a sinistra	CFFD	81	110	05/10	>				34.124.00
export models DIESEL PLUS / modelli di esportazione DIESEL PLUS	CFFD	81	110	11/12	>		26.032.00		
export models RA, CN / modelli di esportazione RA, CN	CFFD	81	110	05/10	>		26.031.00		
for cold countries / per paesi freddi	CFFD	81	110	05/10	>			30.370.00	
2.0 TDI	CFGB	125	170	05/10	> 05/11	25.106.00	26.007.00	30.187.00	53.148.00

...VOLKSWAGEN - cars/auto

with air-conditioner and L.H.D. / con climatizzatore e guida a sinistra	CCZA	147	200	11/09	>	23.493.00		30.187.00	54.124.00
antibacterial, anti-odour and anti-allergen filter with air-conditioner and L.H.D. / filtro antibatterico, antiodori e anti-allergeni con climatizzatore e guida a sinistra	CCZA	147	200	11/09	>				34.124.00
for cold countries / per paesi freddi	CCZA	147	200	11/09	>	23.493.00		30.370.00	53.148.00
2.0 TSI	CCZC	125	170	11/09	>	23.493.00		30.187.00	53.148.00
with air-conditioner and R.H.D. / con climatizzatore e guida a destra	CCZC	125	170	11/09	>				54.376.00
with air-conditioner and L.H.D. / con climatizzatore e guida a sinistra	CCZC	125	170	11/09	>	23.493.00		30.187.00	54.124.00
antibacterial, anti-odour and anti-allergen filter with air-conditioner and L.H.D. / filtro antibatterico, antiodori e anti-allergeni con climatizzatore e guida a sinistra	CCZC	125	170	11/09	>				34.124.00
for cold countries / per paesi freddi	CCZC	125	170	11/09	>	23.493.00		30.370.00	53.148.00
2.0 TSI 4Motion	CCZB	155	211	05/11	>	23.493.00		30.187.00	53.148.00
with air-conditioner and R.H.D. / con climatizzatore e guida a destra	CCZB	155	211	05/11	>				54.376.00
with air-conditioner and L.H.D. / con climatizzatore e guida a sinistra	CCZB	155	211	05/11	>	23.493.00		30.187.00	54.124.00
antibacterial, anti-odour and anti-allergen filter with air-conditioner and L.H.D. / filtro antibatterico, antiodori e anti-allergeni con climatizzatore e guida a sinistra	CCZB	155	211	05/11	>				34.124.00
for cold countries / per paesi freddi	CCZB	155	211	05/11	>			30.370.00	
2.0 TSI 4Motion	CCZD	132	180	05/11	>	23.493.00		30.187.00	53.148.00
with air-conditioner and R.H.D. / con climatizzatore e guida a destra	CCZD	132	180	05/11	>				54.376.00
with air-conditioner and L.H.D. / con climatizzatore e guida a sinistra	CCZD	132	180	05/11	>	23.493.00		30.187.00	54.124.00
antibacterial, anti-odour and anti-allergen filter with air-conditioner and L.H.D. / filtro antibatterico, antiodori e anti-allergeni con climatizzatore e guida a sinistra	CCZD	132	180	05/11	>				34.124.00
for cold countries / per paesi freddi	CCZD	132	180	05/11	>			30.370.00	
2.0 TSI Tiptronic	CAWB	147	200	11/07	>	23.493.00		30.187.00	53.148.00
with air-conditioner and R.H.D. / con climatizzatore e guida a destra	CAWB	147	200	11/07	>				54.376.00
with air-conditioner and L.H.D. / con climatizzatore e guida a sinistra	CAWB	147	200	11/07	>	23.493.00		30.187.00	54.124.00
antibacterial, anti-odour and anti-allergen filter with air-conditioner and L.H.D. / filtro antibatterico, antiodori e anti-allergeni con climatizzatore e guida a sinistra	CAWB	147	200	11/07	>				34.124.00
for cold countries / per paesi freddi	CAWB	147	200	11/07	>	23.493.00		30.370.00	53.148.00
Tiguan Allspace (BW)									
1.4 TSI	CZDA/CZEA	110	150	06/17	>	23.575.00		30.549.00	53.298.00
with automatic air-conditioner / con climatizzatore automatico	CZDA/CZEA	110	150	06/17	>				54.219.00
antibacterial, anti-odour and anti-allergen filter with automatic air-conditioner / filtro antibatterico, antiodori e anti-allergeni con climatizzatore automatico	CZDA/CZEA	110	150	06/17	>				34.219.00
1.4 TSI E100	CWLA	110	150	07/17	>	23.575.00		30.549.00	53.298.00
with automatic air-conditioner / con climatizzatore automatico	CWLA	110	150	07/17	>				54.219.00
antibacterial, anti-odour and anti-allergen filter with automatic air-conditioner / filtro antibatterico, antiodori e anti-allergeni con climatizzatore automatico	CWLA	110	150	07/17	>				34.219.00
1.5 TSI 150	DADA	110	150	09/18	>	23.575.00		30.445.00	53.298.00
with automatic air-conditioner / con climatizzatore automatico	DADA	110	150	09/18	>				54.219.00
antibacterial, anti-odour and anti-allergen filter with automatic air-conditioner / filtro antibatterico, antiodori e anti-allergeni con climatizzatore automatico	DADA	110	150	09/18	>				34.219.00
2.0 Bi-TDI 4Motion	CUAA	176	239	06/17	>	25.144.00	26.038.00	30.532.00	53.298.00
with automatic air-conditioner / con climatizzatore automatico	CUAA	176	239	06/17	>				54.219.00
antibacterial, anti-odour and anti-allergen filter with automatic air-conditioner / filtro antibatterico, antiodori e anti-allergeni con climatizzatore automatico	CUAA	176	239	06/17	>				34.219.00
export models Diesel Plus / modelli di esportazione Diesel Plus	CUAA	176	239	06/17	>		26.065.00		
for cold countries / per paesi freddi	CUAA	176	239	06/17	>			30.587.00	
2.0 TDI	DBGC	110	150	06/17	>	25.144.00	26.038.00	30.532.00	53.298.00
with automatic air-conditioner / con climatizzatore automatico	DBGC	110	150	06/17	>				54.219.00
antibacterial, anti-odour and anti-allergen filter with automatic air-conditioner / filtro antibatterico, antiodori e anti-allergeni con climatizzatore automatico	DBGC	110	150	06/17	>				34.219.00
export models Diesel Plus / modelli di esportazione Diesel Plus	DBGC	110	150	06/17	>		26.065.00		
for cold countries / per paesi freddi	DBGC	110	150	06/17	>			30.587.00	
2.0 TDI	DFGA	110	150	06/17	>	25.144.00	26.038.00	30.532.00	53.298.00
with automatic air-conditioner / con climatizzatore automatico	DFGA	110	150	06/17	>				54.219.00
antibacterial, anti-odour and anti-allergen filter with automatic air-conditioner / filtro antibatterico, antiodori e anti-allergeni con climatizzatore automatico	DFGA	110	150	06/17	>				34.219.00
export models Diesel Plus / modelli di esportazione Diesel Plus	DFGA	110	150	06/17	>		26.065.00		
for cold countries / per paesi freddi	DFGA	110	150	06/17	>			30.587.00	
2.0 TDI 4Motion	DBGC	110	150	06/17	>	25.144.00	26.038.00	30.532.00	53.298.00
with automatic air-conditioner / con climatizzatore automatico	DBGC	110	150	06/17	>				54.219.00
antibacterial, anti-odour and anti-allergen filter with automatic air-conditioner / filtro antibatterico, antiodori e anti-allergeni con climatizzatore automatico	DBGC	110	150	06/17	>				34.219.00
export models Diesel Plus / modelli di esportazione Diesel Plus	DBGC	110	150	06/17	>		26.065.00		
for cold countries / per paesi freddi	DBGC	110	150	06/17	>			30.587.00	
2.0 TDI 4Motion	DFGA	110	150	06/17	>	25.144.00	26.038.00	30.532.00	53.298.00
with automatic air-conditioner / con climatizzatore automatico	DFGA	110	150	06/17	>				54.219.00
antibacterial, anti-odour and anti-allergen filter with automatic air-conditioner / filtro antibatterico, antiodori e anti-allergeni con climatizzatore automatico	DFGA	110	150	06/17	>				34.219.00
export models Diesel Plus / modelli di esportazione Diesel Plus	DFGA	110	150	06/17	>		26.065.00		
for cold countries / per paesi freddi	DFGA	110	150	06/17	>			30.587.00	
2.0 TDI 4Motion	DFHA	140	190	06/17	>	25.144.00	26.038.00	30.532.00	53.298.00
with automatic air-conditioner / con climatizzatore automatico	DFHA	140	190	06/17	>				54.219.00
antibacterial, anti-odour and anti-allergen filter with automatic air-conditioner / filtro antibatterico, antiodori e anti-allergeni con climatizzatore automatico	DFHA	140	190	06/17	>				34.219.00
export models Diesel Plus / modelli di esportazione Diesel Plus	DFHA	140	190	06/17	>		26.065.00		
for cold countries / per paesi freddi	DFHA	140	190	06/17	>			30.587.00	
2.0 TSI	DGUA	137	186	04/17	>	25.153.00		30.532.00	53.298.00
with automatic air-conditioner / con climatizzatore automatico	DGUA	137	186	04/17	>				54.219.00
antibacterial, anti-odour and anti-allergen filter with automatic air-conditioner / filtro antibatterico, antiodori e anti-allergeni con climatizzatore automatico	DGUA	137	186	06/17	>				34.219.00
for cold countries / per paesi freddi	DGUA	137	186	04/17	>			30.587.00	

...VOLKSWAGEN - cars/auto

2.0 TSI 4Motion	CXDA	162	220	07/17	>	25.153.00		30.532.00	53.298.00
with automatic air-conditioner / con climatizzatore automatico	CXDA	162	220	07/17	>				54.219.00
antibacterial, anti-odour and anti-allergen filter with automatic air-conditioner / filtro antibatterico, antiodori e anti-allergeni con climatizzatore automatico	CXDA	162	220	07/17	>				34.219.00
for cold countries / per paesi freddi	CXDA	162	220	07/17	>			30.587.00	
2.0 TSI 4Motion	DGUA	137	186	04/17	>	25.153.00		30.532.00	53.298.00
with automatic air-conditioner / con climatizzatore automatico	DGUA	137	186	04/17	>				54.219.00
antibacterial, anti-odour and anti-allergen filter with automatic air-conditioner / filtro antibatterico, antiodori e anti-allergeni con climatizzatore automatico	DGUA	137	186	04/17	>				34.219.00
for cold countries / per paesi freddi	DGUA	137	186	04/17	>			30.587.00	
2.0 TSI 4Motion	DGVA	132	180	03/17	>	25.153.00		30.532.00	53.298.00
with automatic air-conditioner / con climatizzatore automatico	DGVA	132	180	03/17	>				54.219.00
antibacterial, anti-odour and anti-allergen filter with automatic air-conditioner / filtro antibatterico, antiodori e anti-allergeni con climatizzatore automatico	DGVA	132	180	03/17	>				34.219.00
for cold countries / per paesi freddi	DGVA	132	180	03/17	>			30.587.00	
Tiguan II (AD1)									
1.4 eHybrid		110	150	11/20	>				53.298.00
with activated carbons / ai carboni attivi		110	150	11/20	>				54.219.00
antibacterial, anti-odour and anti-allergen filter / filtro antibatterico, antiodori e anti-allergeni		110	150	11/20	>				34.219.00
1.4 TSI	CZCA	92	125	02/16	>	23.575.00		30.549.00	53.298.00
with automatic air-conditioner / con climatizzatore automatico	CZCA	92	125	02/16	>				54.219.00
antibacterial, anti-odour and anti-allergen filter with automatic air-conditioner / filtro antibatterico, antiodori e anti-allergeni con climatizzatore automatico	CZCA	92	125	02/16	>				34.219.00
1.4 TSI	CZDA	110	150	05/16	>	23.575.00		30.549.00	53.298.00
with automatic air-conditioner / con climatizzatore automatico	CZDA	110	150	05/16	>				54.219.00
antibacterial, anti-odour and anti-allergen filter with automatic air-conditioner / filtro antibatterico, antiodori e anti-allergeni con climatizzatore automatico	CZDA	110	150	05/16	>				34.219.00
1.4 TSI	CZEA	110	150	05/16	>	23.575.00		30.549.00	53.298.00
with automatic air-conditioner / con climatizzatore automatico	CZEA	110	150	05/16	>				54.219.00
antibacterial, anti-odour and anti-allergen filter with automatic air-conditioner / filtro antibatterico, antiodori e anti-allergeni con climatizzatore automatico	CZEA	110	150	05/16	>				34.219.00
1.4 TSI	DJVA	110	150	05/17	>	23.575.00		30.549.00	53.298.00
with automatic air-conditioner / con climatizzatore automatico	DJVA	110	150	05/17	>				54.219.00
antibacterial, anti-odour and anti-allergen filter with automatic air-conditioner / filtro antibatterico, antiodori e anti-allergeni con climatizzatore automatico	DJVA	110	150	05/17	>				34.219.00
1.4 TSI 4Motion	CZDA/CZEA	110	150	05/16	>	23.575.00		30.549.00	53.298.00
with automatic air-conditioner / con climatizzatore automatico	CZDA/CZEA	110	150	05/16	>				54.219.00
antibacterial, anti-odour and anti-allergen filter with automatic air-conditioner / filtro antibatterico, antiodori e anti-allergeni con climatizzatore automatico	CZDA/CZEA	110	150	05/16	>				34.219.00
1.5 TSI 150	DADA	110	150	08/18	>	23.575.00		30.445.00	53.298.00
with automatic air-conditioner / con climatizzatore automatico	DADA	110	150	08/18	>				54.219.00
antibacterial, anti-odour and anti-allergen filter with automatic air-conditioner / filtro antibatterico, antiodori e anti-allergeni con climatizzatore automatico	DADA	110	150	08/18	>				34.219.00
1.6 TDI	DGDB	85	116	05/16	>	25.144.00	26.038.00	30.532.00	53.298.00
with automatic air-conditioner / con climatizzatore automatico	DGDB	85	116	05/16	>				54.219.00
antibacterial, anti-odour and anti-allergen filter with automatic air-conditioner / filtro antibatterico, antiodori e anti-allergeni con climatizzatore automatico	DGDB	85	116	05/16	>				34.219.00
export models Diesel Plus / modelli di esportazione Diesel Plus	DGDB	85	116	05/16	>		26.065.00		
for cold countries / per paesi freddi	DGDB	85	116	05/16	>			30.587.00	
2.0 Bi-TDI 4Motion	CUAA	176	239	05/16	>	25.144.00	26.038.00	30.532.00	53.298.00
with automatic air-conditioner / con climatizzatore automatico	CUAA	176	239	05/16	>				54.219.00
antibacterial, anti-odour and anti-allergen filter with automatic air-conditioner / filtro antibatterico, antiodori e anti-allergeni con climatizzatore automatico	CUAA	176	239	05/16	>				34.219.00
export models Diesel Plus / modelli di esportazione Diesel Plus	CUAA	176	239	05/16	>		26.065.00		
for cold countries / per paesi freddi	CUAA	176	239	05/16	>			30.587.00	
2.0 TDI	CRFD	105	143	06/16	>	25.144.00	26.038.00	30.532.00	53.298.00
with automatic air-conditioner / con climatizzatore automatico	CRFD	105	143	06/16	>				54.219.00
antibacterial, anti-odour and anti-allergen filter with automatic air-conditioner / filtro antibatterico, antiodori e anti-allergeni con climatizzatore automatico	CRFD	105	143	06/16	>				34.219.00
export models Diesel Plus / modelli di esportazione Diesel Plus	CRFD	105	143	06/16	>		26.065.00		
for cold countries / per paesi freddi	CRFD	105	143	06/16	>			30.587.00	
2.0 TDI	CRGB	130	177	08/16	>	25.144.00	26.038.00	30.532.00	53.298.00
with automatic air-conditioner / con climatizzatore automatico	CRGB	130	177	08/16	>				54.219.00
antibacterial, anti-odour and anti-allergen filter with automatic air-conditioner / filtro antibatterico, antiodori e anti-allergeni con climatizzatore automatico	CRGB	130	177	08/16	>				34.219.00
export models Diesel Plus / modelli di esportazione Diesel Plus	CRGB	130	177	08/16	>		26.065.00		
for cold countries / per paesi freddi	CRGB	130	177	08/16	>			30.587.00	
2.0 TDI	CYKC	81	110	08/16	>	25.144.00	26.038.00	30.532.00	53.298.00
with automatic air-conditioner / con climatizzatore automatico	CYKC	81	110	08/16	>				54.219.00
antibacterial, anti-odour and anti-allergen filter with automatic air-conditioner / filtro antibatterico, antiodori e anti-allergeni con climatizzatore automatico	CYKC	81	110	08/16	>				34.219.00
export models Diesel Plus / modelli di esportazione Diesel Plus	CYKC	81	110	08/16	>		26.065.00		
for cold countries / per paesi freddi	CYKC	81	110	08/16	>			30.587.00	
2.0 TDI	DFGA	110	150	01/16	>	25.144.00	26.038.00	30.532.00	53.298.00
with automatic air-conditioner / con climatizzatore automatico	DFGA	110	150	01/16	>				54.219.00
antibacterial, anti-odour and anti-allergen filter with automatic air-conditioner / filtro antibatterico, antiodori e anti-allergeni con climatizzatore automatico	DFGA	110	150	01/16	>				34.219.00
export models Diesel Plus / modelli di esportazione Diesel Plus	DFGA	110	150	01/16	>		26.065.00		
for cold countries / per paesi freddi	DFGA	110	150	01/16	>			30.587.00	
2.0 TDI	DFGC	85	116	05/16	>	25.144.00	26.038.00	30.532.00	53.298.00
with automatic air-conditioner / con climatizzatore automatico	DFGC	85	116	05/16	>				54.219.00
antibacterial, anti-odour and anti-allergen filter with automatic air-conditioner / filtro antibatterico, antiodori e anti-allergeni con climatizzatore automatico	DFGC	85	116	05/16	>				34.219.00

...VOLKSWAGEN - cars/auto

export models Diesel Plus / modelli di esportazione Diesel Plus	DFGC	85	116	05/16	>		26.065.00		
for cold countries / per paesi freddi	DFGC	85	116	05/16	>			30.587.00	
2.0 TDI	DTRC	90	122	06/20	>			30.532.00	53.298.00
with activated carbons / ai carboni attivi	DTRC	90	122	06/20	>				54.219.00
antibacterial, anti-odour and anti-allergen filter / filtro antibatterico, antiodori e anti-allergeni	DTRC	90	122	06/20	>				34.219.00
for cold countries / per paesi freddi	DTRC	90	122	06/20	>			30.587.00	
2.0 TDI	DTUA	147	200	06/20	>			30.532.00	53.298.00
with activated carbons / ai carboni attivi	DTUA	147	200	06/20	>				54.219.00
antibacterial, anti-odour and anti-allergen filter / filtro antibatterico, antiodori e anti-allergeni	DTUA	147	200	06/20	>				34.219.00
for cold countries / per paesi freddi	DTUA	147	200	06/20	>			30.587.00	
2.0 TDI 4Motion	DBGC	110	150	08/16	>	25.144.00	26.038.00	30.532.00	53.298.00
with automatic air-conditioner / con climatizzatore automatico	DBGC	110	150	08/16	>				54.219.00
antibacterial, anti-odour and anti-allergen filter with automatic air-conditioner / filtro antibatterico, antiodori e anti-allergeni con climatizzatore automatico	DBGC	110	150	08/16	>				34.219.00
export models Diesel Plus / modelli di esportazione Diesel Plus	DBGC	110	150	08/16	>		26.065.00		
for cold countries / per paesi freddi	DBGC	110	150	08/16	>			30.587.00	
2.0 TDI 4Motion	DFGA	110	150	01/16	>	25.144.00	26.038.00	30.532.00	53.298.00
with automatic air-conditioner / con climatizzatore automatico	DFGA	110	150	01/16	>				54.219.00
antibacterial, anti-odour and anti-allergen filter with automatic air-conditioner / filtro antibatterico, antiodori e anti-allergeni con climatizzatore automatico	DFGA	110	150	01/16	>				34.219.00
export models Diesel Plus / modelli di esportazione Diesel Plus	DFGA	110	150	01/16	>		26.065.00		
for cold countries / per paesi freddi	DFGA	110	150	01/16	>			30.587.00	
2.0 TDI 4Motion	DFHA	140	190	02/16	>	25.144.00	26.038.00	30.532.00	53.298.00
with automatic air-conditioner / con climatizzatore automatico	DFHA	140	190	02/16	>				54.219.00
antibacterial, anti-odour and anti-allergen filter with automatic air-conditioner / filtro antibatterico, antiodori e anti-allergeni con climatizzatore automatico	DFHA	140	190	02/16	>				34.219.00
export models Diesel Plus / modelli di esportazione Diesel Plus	DFHA	140	190	02/16	>		26.065.00		
for cold countries / per paesi freddi	DFHA	140	190	02/16	>			30.587.00	
2.0 TSI		180	245	01/21	>				53.298.00
with activated carbons / ai carboni attivi		180	245	01/21	>				54.219.00
antibacterial, anti-odour and anti-allergen filter / filtro antibatterico, antiodori e anti-allergeni		180	245	01/21	>				34.219.00
2.0 TSI 4Motion	CHHB	162	220	06/16	>	25.153.00		30.532.00	53.298.00
with automatic air-conditioner / con climatizzatore automatico	CHHB	162	220	06/16	>				54.219.00
antibacterial, anti-odour and anti-allergen filter with automatic air-conditioner / filtro antibatterico, antiodori e anti-allergeni con climatizzatore automatico	CHHB	162	220	06/16	>				34.219.00
for cold countries / per paesi freddi	CHHB	162	220	06/16	>			30.587.00	
2.0 TSI 4Motion	CZPA	132	180	02/16	>	25.153.00		30.532.00	53.298.00
with automatic air-conditioner / con climatizzatore automatico	CZPA	132	180	02/16	>				54.219.00
antibacterial, anti-odour and anti-allergen filter with automatic air-conditioner / filtro antibatterico, antiodori e anti-allergeni con climatizzatore automatico	CZPA	132	180	02/16	>				34.219.00
for cold countries / per paesi freddi	CZPA	132	180	02/16	>			30.587.00	
2.0 TSi R	DNFG	235	320	11/20	>	25.153.00		30.532.00	53.298.00
with activated carbons / ai carboni attivi	DNFG	235	320	11/20	>				54.219.00
antibacterial, anti-odour and anti-allergen filter / filtro antibatterico, antiodori e anti-allergeni	DNFG	235	320	11/20	>				34.219.00
Touareg I (7L)									
2.5 R5 TDI	BAC	128	174	05/03	> 04/10	25.023.00	31.849.00	30.329.00	53.189.00
with activated carbons / ai carboni attivi	BAC	128	174	05/03	> 04/10				54.148.00
antibacterial, anti-odour and anti-allergen filter / filtro antibatterico, antiodori e anti-allergeni	BAC	128	174	05/03	> 04/10				34.148.00
dusty areas / zone polverose	BAC	128	174	05/03	> 04/10			30.A25.00	
2.5 R5 TDI	BLK	128	174	05/03	> 04/10	25.023.00	31.849.00	30.329.00	53.189.00
with activated carbons / ai carboni attivi	BLK	128	174	05/03	> 04/10				54.148.00
antibacterial, anti-odour and anti-allergen filter / filtro antibatterico, antiodori e anti-allergeni	BLK	128	174	05/03	> 04/10				34.148.00
dusty areas / zone polverose	BLK	128	174	05/03	> 04/10			30.A25.00	
2.5 R5 TDI	BPD	128	174	05/03	> 04/10	25.023.00	31.849.00	30.329.00	53.189.00
with activated carbons / ai carboni attivi	BPD	128	174	05/03	> 04/10				54.148.00
antibacterial, anti-odour and anti-allergen filter / filtro antibatterico, antiodori e anti-allergeni	BPD	128	174	05/03	> 04/10				34.148.00
dusty areas / zone polverose	BPD	128	174	05/03	> 04/10			30.A25.00	
2.5 R5 TDI	BPE	128	174	05/03	> 04/10	25.023.00	31.849.00	30.329.00	53.189.00
with activated carbons / ai carboni attivi	BPE	128	174	05/03	> 04/10				54.148.00
antibacterial, anti-odour and anti-allergen filter / filtro antibatterico, antiodori e anti-allergeni	BPE	128	174	05/03	> 04/10				34.148.00
dusty areas / zone polverose	BPE	128	174	05/03	> 04/10			30.A25.00	
3.0 TDI V6	BKS	165	224	11/04	> 05/08		26.015.00	30.329.00	53.189.00
to frame No. 7L_8_059000 / a telaio N. 7L_8_059000	BKS	165	224	11/04	>	25.068.00			
with activated carbons / ai carboni attivi	BKS	165	224	11/04	> 05/08				54.148.00
from frame No. 7L_8_059001 / da telaio N. 7L_8_059001	BKS	165	224	>	05/08	25.105.00			
antibacterial, anti-odour and anti-allergen filter / filtro antibatterico, antiodori e anti-allergeni	BKS	165	224	11/04	> 05/08				34.148.00
dusty areas / zone polverose	BKS	165	224	11/04	> 05/08			30.A25.00	
3.0 TDI V6	BUN	155	211	04/06	> 11/07	25.068.00	26.015.00	30.329.00	53.189.00
with activated carbons / ai carboni attivi	BUN	155	211	04/06	> 11/07				54.148.00
antibacterial, anti-odour and anti-allergen filter / filtro antibatterico, antiodori e anti-allergeni	BUN	155	211	04/06	> 11/07				34.148.00
dusty areas / zone polverose	BUN	155	211	04/06	> 11/07			30.A25.00	
3.0 TDI V6	CASA	176	240	11/07	> 04/10		26.015.00	30.329.00	53.189.00

...VOLKSWAGEN - cars/auto

to frame No. 7L_8_070000 / a telaio N. 7L_8_070000	CASA	176	240	11/07	>	25.068.00			
with activated carbons / ai carboni attivi	CASA	176	240	11/07	> 04/10				54.148.00
from frame No. 7L_8_070001 / da telaio N. 7L_8_070001	CASA	176	240		> 04/10	25.105.00			
antibacterial, anti-odour and anti-allergen filter / filtro antibatterico, antiodori e anti-allergeni	CASA	176	240	11/07	> 04/10				34.148.00
dusty areas / zone polverose	CASA	176	240	11/07	> 04/10			30.A25.00	
3.0 TDI V6	CASB	155	211	11/07	> 04/10		26.015.00	30.329.00	53.189.00
to frame No. 7L_8_070000 / a telaio N. 7L_8_070000	CASB	155	211	11/07	>	25.068.00			
with activated carbons / ai carboni attivi	CASB	155	211	11/07	> 04/10				54.148.00
from frame No. 7L_8_070001 / da telaio N. 7L_8_070001	CASB	155	211		> 04/10	25.105.00			
antibacterial, anti-odour and anti-allergen filter / filtro antibatterico, antiodori e anti-allergeni	CASB	155	211	11/07	> 04/10				34.148.00
dusty areas / zone polverose	CASB	155	211	11/07	> 04/10			30.A25.00	
3.0 TDI V6	CASC	176	240	11/07	> 04/10		26.015.00	30.329.00	53.189.00
to frame No. 7L_8_070000 / a telaio N. 7L_8_070000	CASC	176	240	11/07	>	25.068.00			
with activated carbons / ai carboni attivi	CASC	176	240	11/07	> 04/10				54.148.00
from frame No. 7L_8_070001 / da telaio N. 7L_8_070001	CASC	176	240		> 04/10	25.105.00			
antibacterial, anti-odour and anti-allergen filter / filtro antibatterico, antiodori e anti-allergeni	CASC	176	240	11/07	> 04/10				34.148.00
dusty areas / zone polverose	CASC	176	240	11/07	> 04/10			30.A25.00	
3.0 TDI V6	CATA	165	224	02/09	> 04/10	25.105.00	26.015.00	30.329.00	53.189.00
with activated carbons / ai carboni attivi	CATA	165	224	02/09	> 04/10				54.148.00
antibacterial, anti-odour and anti-allergen filter / filtro antibatterico, antiodori e anti-allergeni	CATA	165	224	02/09	> 04/10				34.148.00
dusty areas / zone polverose	CATA	165	224	02/09	> 04/10			30.A25.00	
3.2 V6	AZZ/BAA/BRS	162	220	11/02	> 04/10	25.010.00			30.329.00
with activated carbons / ai carboni attivi	AZZ/BAA/BRS	162	220	11/02	> 04/10				54.148.00
antibacterial, anti-odour and anti-allergen filter / filtro antibatterico, antiodori e anti-allergeni	AZZ/BAA/BRS	162	220	11/02	> 04/10				34.148.00
dusty areas / zone polverose	AZZ/BAA/BRS	162	220	11/02	> 04/10			30.A25.00	
3.2 V6	BMV/BMX/BKJ/BRJ	177	241	09/03	> 04/10	25.010.00			30.329.00
with activated carbons / ai carboni attivi	BMV/BMX/BKJ/BRJ	177	241	09/03	> 04/10				54.148.00
antibacterial, anti-odour and anti-allergen filter / filtro antibatterico, antiodori e anti-allergeni	BMV/BMX/BKJ/BRJ	177	241	09/03	> 04/10				34.148.00
dusty areas / zone polverose	BMV/BMX/BKJ/BRJ	177	241	09/03	> 04/10			30.A25.00	
3.6 FSI	BHK	206	280	10/05	> 04/10	25.010.00			30.329.00
with activated carbons / ai carboni attivi	BHK	206	280	10/05	> 04/10				54.148.00
antibacterial, anti-odour and anti-allergen filter / filtro antibatterico, antiodori e anti-allergeni	BHK	206	280	10/05	> 04/10				34.148.00
dusty areas / zone polverose	BHK	206	280	10/05	> 04/10			30.A25.00	
4.2 V8	AXQ	228	310	05/03	> 04/10				53.189.00
with activated carbons / ai carboni attivi	AXQ	228	310	05/03	> 04/10				54.148.00
antibacterial, anti-odour and anti-allergen filter / filtro antibatterico, antiodori e anti-allergeni	AXQ	228	310	05/03	> 04/10				34.148.00
2 filters / N.2 filtri	AXQ	228	310	05/03	> 04/10			30.329.00	
2 filters dusty areas / N.2 filtri zone polverose	AXQ	228	310	05/03	> 04/10			30.A25.00	
4.2 V8	BHX	228	310	05/03	> 04/10				53.189.00
with activated carbons / ai carboni attivi	BHX	228	310	05/03	> 04/10				54.148.00
antibacterial, anti-odour and anti-allergen filter / filtro antibatterico, antiodori e anti-allergeni	BHX	228	310	05/03	> 04/10				34.148.00
2 filters / N.2 filtri	BHX	228	310	05/03	> 04/10			30.329.00	
2 filters dusty areas / N.2 filtri zone polverose	BHX	228	310	05/03	> 04/10			30.A25.00	
4.2 V8 FSI tiptronic	BAR	257	350	12/06	> 04/10	25.143.00			53.189.00
with activated carbons / ai carboni attivi	BAR	257	350	12/06	> 04/10				54.148.00
antibacterial, anti-odour and anti-allergen filter / filtro antibatterico, antiodori e anti-allergeni	BAR	257	350	12/06	> 04/10				34.148.00
2 filters / N.2 filtri	BAR	257	350	12/06	> 04/10			30.329.00	
2 filters dusty areas / N.2 filtri zone polverose	BAR	257	350	12/06	> 04/10			30.A25.00	
5.0 TDI V10	AYH	230	313	05/03	> 04/10	25.197.00			53.189.00
with activated carbons / ai carboni attivi	AYH	230	313	05/03	> 04/10				54.148.00
antibacterial, anti-odour and anti-allergen filter / filtro antibatterico, antiodori e anti-allergeni	AYH	230	313	05/03	> 04/10				34.148.00
2 filters / N.2 filtri	AYH	230	313	05/03	> 04/10			30.329.00	
2 filters dusty areas / N.2 filtri zone polverose	AYH	230	313	05/03	> 04/10			30.A25.00	
5.0 TDI V10	BLE	230	313	05/03	> 04/10		26.085.00		53.189.00
with activated carbons / ai carboni attivi	BLE	230	313	05/03	> 04/10				54.148.00
antibacterial, anti-odour and anti-allergen filter / filtro antibatterico, antiodori e anti-allergeni	BLE	230	313	05/03	> 04/10				34.148.00
2 filters / N.2 filtri	BLE	230	313	05/03	> 04/10			30.329.00	
2 filters dusty areas / N.2 filtri zone polverose	BLE	230	313	05/03	> 04/10			30.A25.00	
5.0 TDI V10 R50	CBWA	258	350	10/07	> 04/10	25.197.00	26.085.00		53.189.00
with activated carbons / ai carboni attivi	CBWA	258	350	10/07	> 04/10				54.148.00
antibacterial, anti-odour and anti-allergen filter / filtro antibatterico, antiodori e anti-allergeni	CBWA	258	350	11/07	> 04/10				34.148.00
2 filters / N.2 filtri	CBWA	258	350	10/07	> 04/10			30.329.00	
2 filters dusty areas / N.2 filtri zone polverose	CBWA	258	350	10/07	> 04/10			30.A25.00	
6.0 W12	BJN	316	430	10/04	> 04/10				53.189.00
with activated carbons / ai carboni attivi	BJN	316	430	10/04	> 04/10				54.148.00
antibacterial, anti-odour and anti-allergen filter / filtro antibatterico, antiodori e anti-allergeni	BJN	316	430	10/04	> 04/10				34.148.00
2 filters / N.2 filtri	BJN	316	430	10/04	> 04/10			30.329.00	

...VOLKSWAGEN - cars/auto

2 filters dusty areas / N.2 filtri zone polverose	BJN	316	430	10/04 >	04/10			30.A25.00	
6.0 W12 Sport Edition	BTT	331	450	03/05 >	04/10				53.189.00
with activated carbons / ai carboni attivi	BTT	331	450	03/05 >	04/10				54.148.00
antibacterial, anti-odour and anti-allergen filter / filtro antibatterico, antiodori e anti-allergeni	BTT	331	450	03/05 >	04/10				34.148.00
2 filters / N.2 filtri	BTT	331	450	03/05 >	04/10			30.329.00	
2 filters dusty areas / N.2 filtri zone polverose	BTT	331	450	03/05 >	04/10			30.A25.00	
6.0 W12 Sport Edition	CFRA	331	450	02/08 >	04/10				53.189.00
with activated carbons / ai carboni attivi	CFRA	331	450	02/08 >	04/10				54.148.00
antibacterial, anti-odour and anti-allergen filter / filtro antibatterico, antiodori e anti-allergeni	CFRA	331	450	02/08 >	04/10				34.148.00
2 filters / N.2 filtri	CFRA	331	450	02/08 >	04/10			30.329.00	
2 filters dusty areas / N.2 filtri zone polverose	CFRA	331	450	02/08 >	04/10			30.A25.00	
Touareg II (7P)									
3.0 TSI	CJTA	213	290	09/10 >		25.080.00			54.312.00
antibacterial, anti-odour and anti-allergen filter / filtro antibatterico, antiodori e anti-allergeni	CJTA	213	290	09/10 >					34.312.00
3.0 TSI Hybrid	CGEA/CGFA	245	333	04/10 >		25.080.00			54.312.00
antibacterial, anti-odour and anti-allergen filter / filtro antibatterico, antiodori e anti-allergeni	CGEA/CGFA	245	333	04/10 >					34.312.00
3.0 V6 TDI DPF tiptronic	CASA	176	240	04/10 >		25.105.00	26.025.00		54.312.00
antibacterial, anti-odour and anti-allergen filter / filtro antibatterico, antiodori e anti-allergeni	CASA	176	240	04/10 >					34.312.00
3.0 V6 TDI DPF tiptronic	CASD	150	204	11/10 >		25.105.00	26.025.00		54.312.00
antibacterial, anti-odour and anti-allergen filter / filtro antibatterico, antiodori e anti-allergeni	CASD	150	204	11/10 >					34.312.00
3.0 V6 TDI DPF tiptronic	CATA	165	224	09/10 >		25.105.00	26.025.00		54.312.00
antibacterial, anti-odour and anti-allergen filter / filtro antibatterico, antiodori e anti-allergeni	CATA	165	224	09/10 >					34.312.00
3.0 V6 TDI DPF tiptronic	CJGD	180	245	05/11 >		25.141.00	26.025.00		54.312.00
antibacterial, anti-odour and anti-allergen filter / filtro antibatterico, antiodori e anti-allergeni	CJGD	180	245	05/11 >					34.312.00
3.0 V6 TSI tiptronic Hybrid		280	380	04/10 >		25.080.00			54.312.00
antibacterial, anti-odour and anti-allergen filter / filtro antibatterico, antiodori e anti-allergeni		280	380	04/10 >					34.312.00
3.6 FSI	CGRA	206	280	06/10 >	05/11	25.010.00			54.312.00
	CGRA	206	280	06/11 >		25.089.00			54.312.00
antibacterial, anti-odour and anti-allergen filter / filtro antibatterico, antiodori e anti-allergeni	CGRA	206	280	06/10 >					34.312.00
3.6 FSI	CMTA	183	249	06/10 >	05/11	25.010.00			54.312.00
	CMTA	183	249	06/11 >		25.089.00			54.312.00
antibacterial, anti-odour and anti-allergen filter / filtro antibatterico, antiodori e anti-allergeni	CMTA	183	249	06/10 >					34.312.00
4.2 V8 FSI	CGNA	265	360	01/11 >		25.143.00			54.312.00
antibacterial, anti-odour and anti-allergen filter / filtro antibatterico, antiodori e anti-allergeni	CGNA	265	360	01/11 >					34.312.00
4.2 V8 TDI DPF tiptronic		240	326	04/10 >		25.105.00	26.025.00		54.312.00
with activated carbons / ai carboni attivi		240	326	04/10 >					54.312.00
antibacterial, anti-odour and anti-allergen filter / filtro antibatterico, antiodori e anti-allergeni		240	326	04/10 >					34.312.00
4.2 V8 TDI DPF tiptronic	CKDA	250	340	04/10 >		25.105.00	26.025.00		54.312.00
antibacterial, anti-odour and anti-allergen filter / filtro antibatterico, antiodori e anti-allergeni	CKDA	250	340	04/10 >					34.312.00
Touareg III (CR)									
2.0 TSI	CYRB	185	252	04/18 >		25.153.00		30.B15.00	54.292.00
antibacterial, anti-odour and anti-allergen filter / filtro antibatterico, antiodori e anti-allergeni	CYRB	185	252	04/18 >					34.292.00
2.0 TSI	CYRC	183	249	04/18 >		25.153.00		30.B15.00	54.292.00
antibacterial, anti-odour and anti-allergen filter / filtro antibatterico, antiodori e anti-allergeni	CYRC	183	249	04/18 >					34.292.00
2.0 TSI	DMFA	180	245	08/18 >		25.153.00		30.B15.00	54.292.00
antibacterial, anti-odour and anti-allergen filter / filtro antibatterico, antiodori e anti-allergeni	DMFA	180	245	08/18 >					34.292.00
3.0 eHybrid/R		250	340	11/20 >					34.292.00
antibacterial, anti-odour and anti-allergen filter / filtro antibatterico, antiodori e anti-allergeni		250	340	11/20 >					34.292.00
3.0 TDI	CVMC	190	258	04/18 >		25.180.00	26.129.00	30.B15.00	54.292.00
with connection for water suction / con collegamento per aspirazione acqua	CVMC	190	258	04/18 >			26.130.00		54.292.00
antibacterial, anti-odour and anti-allergen filter / filtro antibatterico, antiodori e anti-allergeni	CVMC	190	258	04/18 >					34.292.00
3.0 TDI	CVMD	183	249	04/18 >		25.180.00	26.129.00	30.B15.00	54.292.00
with connection for water suction / con collegamento per aspirazione acqua	CVMD	183	249	04/18 >			26.130.00		54.292.00
antibacterial, anti-odour and anti-allergen filter / filtro antibatterico, antiodori e anti-allergeni	CVMD	183	249	04/18 >					34.292.00
3.0 TDI	DENA	210	286	04/18 >		25.180.00	26.129.00	30.B15.00	54.292.00
with connection for water suction / con collegamento per aspirazione acqua	DENA	210	286	04/18 >			26.130.00		54.292.00
antibacterial, anti-odour and anti-allergen filter / filtro antibatterico, antiodori e anti-allergeni	DENA	210	286	04/18 >					34.292.00
3.0 TDI	DEND	170	231	04/18 >		25.180.00	26.129.00	30.B15.00	54.292.00
with connection for water suction / con collegamento per aspirazione acqua	DEND	170	231	04/18 >			26.130.00		54.292.00
antibacterial, anti-odour and anti-allergen filter / filtro antibatterico, antiodori e anti-allergeni	DEND	170	231	04/18 >					34.292.00
3.0 TSI	DCBE	250	340	04/18 >					54.292.00
	DCBE	250	340	04/18 >					54.292.00
antibacterial, anti-odour and anti-allergen filter / filtro antibatterico, antiodori e anti-allergeni	DCBE	250	340	04/18 >					34.292.00
Touran (1T)									
1.2 TSI	CBZB	77	105	06/10 >		23.573.00	31.840.00	27.401.00	53.148.00
with air-conditioner and R.H.D. / con climatizzatore e guida a destra	CBZB	77	105	06/10 >					54.376.00
with air-conditioner and L.H.D. / con climatizzatore e guida a sinistra	CBZB	77	105	06/10 >		23.573.00	31.840.00	27.401.00	54.124.00

...VOLKSWAGEN - cars/auto

antibacterial, anti-odour and anti-allergen filter with air-conditioner and L.H.D. / filtro antibatterico, antiodori e anti-allergeni con climatizzatore e guida a sinistra for cold countries / per paesi freddi	CBZB	77	105	06/10	>					34.124.00
1.4 TSI	BLG	125	170	11/06	>	05/09	25.047.00	31.840.00	30.187.00	53.148.00
with air-conditioner and R.H.D. / con climatizzatore e guida a destra	BLG	125	170	11/06	>	05/09				54.376.00
with air-conditioner and L.H.D. / con climatizzatore e guida a sinistra	BLG	125	170	11/06	>	05/09	25.047.00	31.840.00	30.187.00	54.124.00
antibacterial, anti-odour and anti-allergen filter with air-conditioner and L.H.D. / filtro antibatterico, antiodori e anti-allergeni con climatizzatore e guida a sinistra for cold countries / per paesi freddi	BLG	125	170	11/06	>	05/09				34.124.00
	BLG	125	170	11/06	>	05/09	25.047.00	31.840.00	30.370.00	53.148.00
1.4 TSI	BMV	103	140	02/06	>	05/10	25.047.00	31.840.00	30.187.00	53.148.00
with air-conditioner and R.H.D. / con climatizzatore e guida a destra	BMV	103	140	02/06	>	05/10				54.376.00
with air-conditioner and L.H.D. / con climatizzatore e guida a sinistra	BMV	103	140	02/06	>	05/10	25.047.00	31.840.00	30.187.00	54.124.00
antibacterial, anti-odour and anti-allergen filter with air-conditioner and L.H.D. / filtro antibatterico, antiodori e anti-allergeni con climatizzatore e guida a sinistra for cold countries / per paesi freddi	BMV	103	140	02/06	>	05/10				34.124.00
	BMV	103	140	02/06	>	05/10	25.047.00	31.840.00	30.370.00	53.148.00
1.4 TSI	CAVB	125	170	05/08	>	06/10	23.494.00	31.840.00	30.187.00	53.148.00
	CAVB	125	170	07/10	>		23.573.00	31.840.00	30.187.00	53.148.00
with air-conditioner and R.H.D. / con climatizzatore e guida a destra	CAVB	125	170	05/08	>					54.376.00
with air-conditioner and L.H.D. / con climatizzatore e guida a sinistra	CAVB	125	170	05/08	>	06/10	23.494.00	31.840.00	30.187.00	54.124.00
with air-conditioner and L.H.D. / con climatizzatore e guida a sinistra	CAVB	125	170	07/10	>		23.573.00	31.840.00	30.187.00	54.124.00
antibacterial, anti-odour and anti-allergen filter with air-conditioner and L.H.D. / filtro antibatterico, antiodori e anti-allergeni con climatizzatore e guida a sinistra for cold countries / per paesi freddi	CAVB	125	170	05/08	>					34.124.00
	CAVB	125	170	05/08	>				30.370.00	
1.4 TSI	CAVC	103	140	11/08	>	05/10	23.494.00	31.840.00	30.187.00	53.148.00
with air-conditioner and R.H.D. / con climatizzatore e guida a destra	CAVC	103	140	11/08	>	05/10				54.376.00
with air-conditioner and L.H.D. / con climatizzatore e guida a sinistra	CAVC	103	140	11/08	>	05/10	23.494.00	31.840.00	30.187.00	54.124.00
antibacterial, anti-odour and anti-allergen filter with air-conditioner and L.H.D. / filtro antibatterico, antiodori e anti-allergeni con climatizzatore e guida a sinistra for cold countries / per paesi freddi	CAVC	103	140	11/08	>	05/10				34.124.00
	CAVC	103	140	11/08	>	05/10	23.494.00	31.840.00	30.370.00	53.148.00
1.4 TSI	CTHB	125	170	05/10	>		23.573.00	31.840.00	30.187.00	53.148.00
with air-conditioner and R.H.D. / con climatizzatore e guida a destra	CTHB	125	170	05/10	>					54.376.00
with air-conditioner and L.H.D. / con climatizzatore e guida a sinistra	CTHB	125	170	05/10	>		23.573.00	31.840.00	30.187.00	54.124.00
antibacterial, anti-odour and anti-allergen filter with air-conditioner and L.H.D. / filtro antibatterico, antiodori e anti-allergeni con climatizzatore e guida a sinistra for cold countries / per paesi freddi	CTHB	125	170	05/10	>					34.124.00
	CTHB	125	170	05/10	>				30.370.00	
1.4 TSI	CTHC	103	140	05/10	>		23.573.00	31.840.00	30.187.00	53.148.00
with air-conditioner and R.H.D. / con climatizzatore e guida a destra	CTHC	103	140	05/10	>					54.376.00
with air-conditioner and L.H.D. / con climatizzatore e guida a sinistra	CTHC	103	140	05/10	>		23.573.00	31.840.00	30.187.00	54.124.00
antibacterial, anti-odour and anti-allergen filter with air-conditioner and L.H.D. / filtro antibatterico, antiodori e anti-allergeni con climatizzatore e guida a sinistra for cold countries / per paesi freddi	CTHC	103	140	05/10	>					34.124.00
	CTHC	103	140	05/10	>				30.370.00	
1.4 TSI EcoFuel	CDGA	110	150	05/09	>	06/10	23.494.00	31.840.00	30.187.00	53.148.00
	CDGA	110	150	07/10	>		23.573.00	31.840.00	30.187.00	53.148.00
with air-conditioner and R.H.D. / con climatizzatore e guida a destra	CDGA	110	150	05/09	>					54.376.00
with air-conditioner and L.H.D. / con climatizzatore e guida a sinistra	CDGA	110	150	05/09	>	06/10	23.494.00	31.840.00	30.187.00	54.124.00
with air-conditioner and L.H.D. / con climatizzatore e guida a sinistra	CDGA	110	150	07/10	>		23.573.00	31.840.00	30.187.00	54.124.00
antibacterial, anti-odour and anti-allergen filter with air-conditioner and L.H.D. / filtro antibatterico, antiodori e anti-allergeni con climatizzatore e guida a sinistra for cold countries / per paesi freddi	CDGA	110	150	05/09	>					34.124.00
	CDGA	110	150	05/09	>				30.370.00	
1.6 Bi-Fuel G		75	102	03/06	>		23.436.00	31.833.00	27.401.00	53.148.00
with air-conditioner and R.H.D. / con climatizzatore e guida a destra		75	102	03/06	>					54.376.00
with air-conditioner and L.H.D. / con climatizzatore e guida a sinistra		75	102	03/06	>		23.436.00	31.833.00	27.401.00	54.124.00
antibacterial, anti-odour and anti-allergen filter with air-conditioner and L.H.D. / filtro antibatterico, antiodori e anti-allergeni con climatizzatore e guida a sinistra assembly LANDI Omegas Plus / montaggio LANDI Omegas Plus		75	102	03/06	>			31.836.00		34.124.00
for cold countries / per paesi freddi		75	102	03/06	>		23.436.00	31.833.00	27.402.00	53.148.00
1.6 FSI										
to frame No. 1T-4-020000 / a telaio N. 1T-4-020000	BAG	85	115	02/03	>		25.047.00	31.722.00	30.199.00	53.148.00
with air-conditioner and R.H.D. / con climatizzatore e guida a destra	BAG	85	115	02/03	>					54.376.00
with air-conditioner and L.H.D. / con climatizzatore e guida a sinistra	BAG	85	115	02/03	>		25.047.00	31.722.00		54.124.00
from frame No. 1T-4-020001 / da telaio N. 1T-4-020001	BAG	85	115				25.047.00	31.722.00	30.209.00	53.148.00
antibacterial, anti-odour and anti-allergen filter with air-conditioner and L.H.D. / filtro antibatterico, antiodori e anti-allergeni con climatizzatore e guida a sinistra	BAG	85	115	02/03	>					34.124.00
1.6 FSI										
to frame No. 1T-4-020000 / a telaio N. 1T-4-020000	BLP/BLF	85	115	02/03	>		25.047.00	31.722.00	30.199.00	53.148.00
with air-conditioner and R.H.D. / con climatizzatore e guida a destra	BLP/BLF	85	115	02/03	>					54.376.00
with air-conditioner and L.H.D. / con climatizzatore e guida a sinistra	BLP/BLF	85	115	02/03	>		25.047.00	31.722.00		54.124.00
from frame No. 1T-4-020001 / da telaio N. 1T-4-020001	BLP/BLF	85	115				25.047.00	31.722.00	30.209.00	53.148.00
antibacterial, anti-odour and anti-allergen filter with air-conditioner and L.H.D. / filtro antibatterico, antiodori e anti-allergeni con climatizzatore e guida a sinistra	BLP/BLF	85	115	05/10	>					34.124.00
1.6 i	BGU/BSE/BSF	75	102	02/03	>		23.436.00	31.833.00	27.401.00	53.148.00
with air-conditioner and R.H.D. / con climatizzatore e guida a destra	BGU/BSE/BSF	75	102	02/03	>					54.376.00
with air-conditioner and L.H.D. / con climatizzatore e guida a sinistra	BGU/BSE/BSF	75	102	02/03	>		23.436.00	31.833.00	27.401.00	54.124.00
antibacterial, anti-odour and anti-allergen filter with air-conditioner and L.H.D. / filtro antibatterico, antiodori e anti-allergeni con climatizzatore e guida a sinistra for cold countries / per paesi freddi	BGU/BSE/BSF	75	102	02/03	>					34.124.00
	BGU/BSE/BSF	75	102	02/03	>		23.436.00	31.833.00	27.402.00	53.148.00
1.6 TDI CR	CAYB	66	90	05/10	>		25.106.00	26.007.00	30.187.00	53.148.00
with air-conditioner and R.H.D. / con climatizzatore e guida a destra	CAYB	66	90	05/10	>					54.376.00
with air-conditioner and L.H.D. / con climatizzatore e guida a sinistra	CAYB	66	90	05/10	>		25.106.00	26.007.00	30.187.00	54.124.00

...VOLKSWAGEN - cars/auto

antibacterial, anti-odour and anti-allergen filter with air-conditioner and L.H.D. / filtro antibatterico, antiodori e anti-allergeni con climatizzatore e guida a sinistra	CAYB	66	90	05/10	>					34.124.00
for cold countries / per paesi freddi	CAYB	66	90	05/10	>	25.106.00	26.007.00	30.370.00		53.148.00
1.6 TDI CR	CAYC	77	105	05/10	>	25.106.00	26.007.00	30.187.00		53.148.00
with air-conditioner and R.H.D. / con climatizzatore e guida a destra	CAYC	77	105	05/10	>					54.376.00
with air-conditioner and L.H.D. / con climatizzatore e guida a sinistra	CAYC	77	105	05/10	>	25.106.00	26.007.00	30.187.00		54.124.00
antibacterial, anti-odour and anti-allergen filter with air-conditioner and L.H.D. / filtro antibatterico, antiodori e anti-allergeni con climatizzatore e guida a sinistra	CAYC	77	105	05/10	>					34.124.00
for cold countries / per paesi freddi	CAYC	77	105	05/10	>	25.106.00	26.007.00	30.370.00		53.148.00
1.9 TDI	AVQ	74	101	02/03	> 04/04	25.023.00	26.014.00	30.187.00		53.148.00
with air-conditioner and R.H.D. / con climatizzatore e guida a destra	AVQ	74	101	02/03	> 04/04					54.376.00
with air-conditioner and L.H.D. / con climatizzatore e guida a sinistra	AVQ	74	101	02/03	> 04/04	25.023.00	26.014.00	30.187.00		54.124.00
antibacterial, anti-odour and anti-allergen filter with air-conditioner and L.H.D. / filtro antibatterico, antiodori e anti-allergeni con climatizzatore e guida a sinistra	AVQ	74	101	02/03	> 04/04					34.124.00
for cold countries / per paesi freddi	AVQ	74	101	02/03	> 04/04	25.023.00	26.014.00	30.370.00		53.148.00
1.9 TDI										
to frame No. 1T-6-045000 / a telaio N. 1T-6-045000	BKC/BLS/BXE	77	105	04/04	>	25.023.00	26.014.00	30.187.00		53.148.00
with air-conditioner and R.H.D. / con climatizzatore e guida a destra	BKC/BLS/BXE	77	105	04/04	>					54.376.00
with air-conditioner and L.H.D. / con climatizzatore e guida a sinistra	BKC/BLS/BXE	77	105	04/04	>	25.023.00		30.187.00		54.124.00
from frame No. 1T-6-045001 / da telaio N. 1T-6-045001	BKC/BLS/BXE	77	105			25.023.00	26.007.00	30.187.00		53.148.00
antibacterial, anti-odour and anti-allergen filter with air-conditioner and L.H.D. / filtro antibatterico, antiodori e anti-allergeni con climatizzatore e guida a sinistra	BKC/BLS/BXE	77	105	04/04	>					34.124.00
for cold countries / per paesi freddi	BKC/BLS/BXE	77	105	04/04	>	25.023.00		30.370.00		53.148.00
1.9 TDI										
to frame No. 1T-6-045000 / a telaio N. 1T-6-045000	BRU/BXF	66	90	11/04	>	25.023.00	26.014.00	30.187.00		53.148.00
with air-conditioner and R.H.D. / con climatizzatore e guida a destra	BRU/BXF	66	90	11/04	>					54.376.00
with air-conditioner and L.H.D. / con climatizzatore e guida a sinistra	BRU/BXF	66	90	11/04	>	25.023.00		30.187.00		54.124.00
from frame No. 1T-6-045001 / da telaio N. 1T-6-045001	BRU/BXF	66	90			25.023.00	26.007.00	30.187.00		53.148.00
antibacterial, anti-odour and anti-allergen filter with air-conditioner and L.H.D. / filtro antibatterico, antiodori e anti-allergeni con climatizzatore e guida a sinistra	BRU/BXF	66	90	11/04	>					34.124.00
for cold countries / per paesi freddi	BRU/BXF	66	90	11/04	>	25.023.00		30.370.00		53.148.00
2.0 Eco-Fuel	BSX	80	109	03/06	>	23.436.00	31.840.00	27.401.00		53.148.00
with air-conditioner and R.H.D. / con climatizzatore e guida a destra	BSX	80	109	03/06	>					54.376.00
with air-conditioner and L.H.D. / con climatizzatore e guida a sinistra	BSX	80	109	03/06	>	23.436.00	31.840.00	27.401.00		54.124.00
antibacterial, anti-odour and anti-allergen filter with air-conditioner and L.H.D. / filtro antibatterico, antiodori e anti-allergeni con climatizzatore e guida a sinistra	BSX	80	109	03/06	>					34.124.00
for cold countries / per paesi freddi	BSX	80	109	03/06	>	23.436.00	31.840.00	27.402.00		53.148.00
2.0 FSI	AXW	110	150	09/03	>	25.040.00	31.722.00	27.401.00		53.148.00
with air-conditioner and R.H.D. / con climatizzatore e guida a destra	AXW	110	150	09/03	>					54.376.00
with air-conditioner and L.H.D. / con climatizzatore e guida a sinistra	AXW	110	150	09/03	>	25.040.00	31.722.00	27.401.00		54.124.00
antibacterial, anti-odour and anti-allergen filter with air-conditioner and L.H.D. / filtro antibatterico, antiodori e anti-allergeni con climatizzatore e guida a sinistra	AXW	110	150	09/03	>					34.124.00
for cold countries / per paesi freddi	AXW	110	150	09/03	>	25.040.00	31.722.00	27.402.00		53.148.00
2.0 FSI	BLX/BLR/BLY	110	150	05/04	>	25.040.00	31.840.00	27.401.00		53.148.00
with air-conditioner and R.H.D. / con climatizzatore e guida a destra	BLX/BLR/BLY	110	150	05/04	>					54.376.00
with air-conditioner and L.H.D. / con climatizzatore e guida a sinistra	BLX/BLR/BLY	110	150	05/04	>	25.040.00	31.840.00	27.401.00		54.124.00
antibacterial, anti-odour and anti-allergen filter with air-conditioner and L.H.D. / filtro antibatterico, antiodori e anti-allergeni con climatizzatore e guida a sinistra	BLX/BLR/BLY	110	150	05/04	>					34.124.00
for cold countries / per paesi freddi	BLX/BLR/BLY	110	150	05/04	>	25.040.00	31.840.00	27.402.00		53.148.00
2.0 TDI	AZV	100	136	02/03	> 04/04	25.023.00	26.014.00	30.187.00		53.148.00
with air-conditioner and R.H.D. / con climatizzatore e guida a destra	AZV	100	136	02/03	> 04/04					54.376.00
with air-conditioner and L.H.D. / con climatizzatore e guida a sinistra	AZV	100	136	02/03	> 04/04	25.023.00	26.014.00	30.187.00		54.124.00
antibacterial, anti-odour and anti-allergen filter with air-conditioner and L.H.D. / filtro antibatterico, antiodori e anti-allergeni con climatizzatore e guida a sinistra	AZV	100	136	02/03	> 04/04					34.124.00
for cold countries / per paesi freddi	AZV	100	136	02/03	> 04/04	25.023.00	26.014.00	30.370.00		53.148.00
2.0 TDI										
to frame No. 1T-6-045000 / a telaio N. 1T-6-045000	BKD/BMM	103	140	03/04	>	25.023.00	26.014.00	30.187.00		53.148.00
with air-conditioner and R.H.D. / con climatizzatore e guida a destra	BKD/BMM	103	140	03/04	>					54.376.00
with air-conditioner and L.H.D. / con climatizzatore e guida a sinistra	BKD/BMM	103	140	03/04	>	25.023.00		30.187.00		54.124.00
from frame No. 1T-6-045001 / da telaio N. 1T-6-045001	BKD/BMM	103	140			25.023.00	26.007.00	30.187.00		53.148.00
antibacterial, anti-odour and anti-allergen filter with air-conditioner and L.H.D. / filtro antibatterico, antiodori e anti-allergeni con climatizzatore e guida a sinistra	BKD/BMM	103	140	03/04	>					34.124.00
for cold countries / per paesi freddi	BKD/BMM	103	140	03/04	>	25.023.00		30.370.00		53.148.00
2.0 TDI	BMN	125	170	11/05	>	25.023.00	26.007.00	30.187.00		53.148.00
with air-conditioner and R.H.D. / con climatizzatore e guida a destra	BMN	125	170	11/05	>					54.376.00
with air-conditioner and L.H.D. / con climatizzatore e guida a sinistra	BMN	125	170	11/05	>	25.023.00	26.007.00	30.187.00		54.124.00
antibacterial, anti-odour and anti-allergen filter with air-conditioner and L.H.D. / filtro antibatterico, antiodori e anti-allergeni con climatizzatore e guida a sinistra	BMN	125	170	11/05	>					34.124.00
for cold countries / per paesi freddi	BMN	125	170	11/05	>	25.023.00	26.007.00	30.370.00		53.148.00
2.0 TDI	CFHC	103	140	05/10	>	25.106.00	26.007.00	30.187.00		53.148.00
with air-conditioner and R.H.D. / con climatizzatore e guida a destra	CFHC	103	140	05/10	>					54.376.00
with air-conditioner and L.H.D. / con climatizzatore e guida a sinistra	CFHC	103	140	05/10	>	25.106.00	26.007.00	30.187.00		54.124.00
antibacterial, anti-odour and anti-allergen filter with air-conditioner and L.H.D. / filtro antibatterico, antiodori e anti-allergeni con climatizzatore e guida a sinistra	CFHC	103	140	05/10	>					34.124.00
for cold countries / per paesi freddi	CFHC	103	140	05/10	>	25.106.00	26.007.00	30.370.00		53.148.00
2.0 TDI	CFHF	81	110	04/13	>	25.106.00	26.007.00	30.187.00		53.148.00
with air-conditioner and R.H.D. / con climatizzatore e guida a destra	CFHF	81	110	04/13	>					54.376.00
with air-conditioner and L.H.D. / con climatizzatore e guida a sinistra	CFHF	81	110	04/13	>	25.106.00	26.007.00	30.187.00		54.124.00
antibacterial, anti-odour and anti-allergen filter with air-conditioner and L.H.D. / filtro antibatterico, antiodori e anti-allergeni con climatizzatore e guida a sinistra	CFHF	81	110	04/13	>					34.124.00

...VOLKSWAGEN - cars/auto

for cold countries / per paesi freddi	CFHF	81	110	04/13	>	25.106.00	26.007.00	30.370.00	53.148.00
2.0 TDI	CFJA	125	170	05/10	> 01/13	25.106.00	26.007.00	30.187.00	53.148.00
with air-conditioner and R.H.D. / con climatizzatore e guida a destra	CFJA	125	170	05/10	> 01/13				54.376.00
with air-conditioner and L.H.D. / con climatizzatore e guida a sinistra	CFJA	125	170	05/10	> 01/13	25.106.00	26.007.00	30.187.00	54.124.00
antibacterial, anti-odour and anti-allergen filter with air-conditioner and L.H.D. / filtro antibatterico, antiodori e anti-allergeni con climatizzatore e guida a sinistra	CFJA	125	170	05/10	> 01/13				34.124.00
for cold countries / per paesi freddi	CFJA	125	170	05/10	> 01/13	25.106.00	26.007.00	30.370.00	53.148.00
2.0 TDI	CFJB	130	177	01/13	>	25.106.00	26.007.00	30.187.00	53.148.00
with air-conditioner and R.H.D. / con climatizzatore e guida a destra	CFJB	130	177	01/13	>				54.376.00
with air-conditioner and L.H.D. / con climatizzatore e guida a sinistra	CFJB	130	177	01/13	>	25.106.00	26.007.00	30.187.00	54.124.00
antibacterial, anti-odour and anti-allergen filter with air-conditioner and L.H.D. / filtro antibatterico, antiodori e anti-allergeni con climatizzatore e guida a sinistra	CFJB	130	177	01/13	>				34.124.00
for cold countries / per paesi freddi	CFJB	130	177	01/13	>	25.106.00	26.007.00	30.370.00	53.148.00
2.0 TDI	CLCA	81	110	05/10	>	25.106.00	26.007.00	30.187.00	53.148.00
with air-conditioner and R.H.D. / con climatizzatore e guida a destra	CLCA	81	110	05/10	>				54.376.00
with air-conditioner and L.H.D. / con climatizzatore e guida a sinistra	CLCA	81	110	05/10	>	25.106.00	26.007.00	30.187.00	54.124.00
antibacterial, anti-odour and anti-allergen filter with air-conditioner and L.H.D. / filtro antibatterico, antiodori e anti-allergeni con climatizzatore e guida a sinistra	CLCA	81	110	05/10	>				34.124.00
for cold countries / per paesi freddi	CLCA	81	110	05/10	>	25.106.00	26.007.00	30.370.00	53.148.00
Touran (5T)									
1.0 TSI	DKRB	85	116	12/18	>	23.575.00		30.451.00	53.298.00
with automatic air-conditioner / con climatizzatore automatico	DKRB	85	116	12/18	>				54.219.00
antibacterial, anti-odour and anti-allergen filter with automatic air-conditioner / filtro antibatterico, antiodori e anti-allergeni con climatizzatore automatico	DKRB	85	116	12/18	>				34.219.00
1.2 TSI	CYVB	81	110	05/15	>	23.575.00		30.549.00	53.298.00
with automatic air-conditioner / con climatizzatore automatico	CYVB	81	110	05/15	>				54.219.00
antibacterial, anti-odour and anti-allergen filter with automatic air-conditioner / filtro antibatterico, antiodori e anti-allergeni con climatizzatore automatico	CYVB	81	110	05/15	>				34.219.00
1.4 TSI	CZDA	110	150	05/15	>	23.575.00		30.549.00	53.298.00
with automatic air-conditioner / con climatizzatore automatico	CZDA	110	150	05/15	>				54.219.00
antibacterial, anti-odour and anti-allergen filter with automatic air-conditioner / filtro antibatterico, antiodori e anti-allergeni con climatizzatore automatico	CZDA	110	150	05/15	>				34.219.00
1.5 TSI 150	DADA	110	150	08/18	>	23.575.00		30.445.00	53.298.00
with automatic air-conditioner / con climatizzatore automatico	DADA	110	150	08/18	>				54.219.00
antibacterial, anti-odour and anti-allergen filter with automatic air-conditioner / filtro antibatterico, antiodori e anti-allergeni con climatizzatore automatico	DADA	110	150	08/18	>				34.219.00
1.6 TDI	CRKB	81	110	05/15	>	25.144.00		30.532.00	53.298.00
with automatic air-conditioner / con climatizzatore automatico	CRKB	81	110	05/15	>				54.219.00
antibacterial, anti-odour and anti-allergen filter with automatic air-conditioner / filtro antibatterico, antiodori e anti-allergeni con climatizzatore automatico	CRKB	81	110	05/15	>				34.219.00
export models Diesel Plus / modelli di esportazione Diesel Plus	CRKB	81	110	05/15	>		26.065.00		
assembly UFI FILTERS / montaggio UFI FILTERS	CRKB	81	110	05/15	>		26.038.00		
for cold countries / per paesi freddi	CRKB	81	110	05/15	>			30.587.00	
1.6 TDI	DGDA	85	116	05/16	>	25.144.00		30.532.00	53.298.00
with automatic air-conditioner / con climatizzatore automatico	DGDA	85	116	05/16	>				54.219.00
antibacterial, anti-odour and anti-allergen filter with automatic air-conditioner / filtro antibatterico, antiodori e anti-allergeni con climatizzatore automatico	DGDA	85	116	05/16	>				34.219.00
export models Diesel Plus / modelli di esportazione Diesel Plus	DGDA	85	116	05/16	>		26.065.00		
assembly UFI FILTERS / montaggio UFI FILTERS	DGDA	85	116	05/16	>		26.038.00		
for cold countries / per paesi freddi	DGDA	85	116	05/16	>			30.587.00	
1.8 TSI	CJSA	132	179	11/15	>	25.153.00		30.532.00	53.298.00
with automatic air-conditioner / con climatizzatore automatico	CJSA	132	179	11/15	>				54.219.00
antibacterial, anti-odour and anti-allergen filter with automatic air-conditioner / filtro antibatterico, antiodori e anti-allergeni con climatizzatore automatico	CJSA	132	179	11/15	>				34.219.00
2.0 TDI	CRVA/CYKB/DFEB/DFGB	81	110	11/15	>	25.144.00		30.532.00	53.298.00
with automatic air-conditioner / con climatizzatore automatico	CRVA/CYKB/DFEB/DFGB	81	110	11/15	>				54.219.00
antibacterial, anti-odour and anti-allergen filter with automatic air-conditioner / filtro antibatterico, antiodori e anti-allergeni con climatizzatore automatico	CRVA/CYKB/DFEB/DFGB	81	110	11/15	>				34.219.00
export models Diesel Plus / modelli di esportazione Diesel Plus	CRVA/CYKB/DFEB/DFGB	81	110	11/15	>		26.065.00		
assembly UFI FILTERS / montaggio UFI FILTERS	CRVA/CYKB/DFEB/DFGB	81	110	11/15	>		26.038.00		
for cold countries / per paesi freddi	CRVA/CYKB/DFEB/DFGB	81	110	11/15	>			30.587.00	
2.0 TDI	DFEA/DFGA	110	150	05/15	>	25.144.00		30.532.00	53.298.00
with automatic air-conditioner / con climatizzatore automatico	DFEA/DFGA	110	150	05/15	>				54.219.00
antibacterial, anti-odour and anti-allergen filter with automatic air-conditioner / filtro antibatterico, antiodori e anti-allergeni con climatizzatore automatico	DFEA/DFGA	110	150	05/15	>				34.219.00
export models Diesel Plus / modelli di esportazione Diesel Plus	DFEA/DFGA	110	150	05/15	>		26.065.00		
assembly UFI FILTERS / montaggio UFI FILTERS	DFEA/DFGA	110	150	05/15	>		26.038.00		
for cold countries / per paesi freddi	DFEA/DFGA	110	150	05/15	>			30.587.00	
2.0 TDI	DFHA	140	190	11/15	>	25.144.00		30.532.00	53.298.00
with automatic air-conditioner / con climatizzatore automatico	DFHA	140	190	11/15	>				54.219.00
antibacterial, anti-odour and anti-allergen filter with automatic air-conditioner / filtro antibatterico, antiodori e anti-allergeni con climatizzatore automatico	DFHA	140	190	11/15	>				34.219.00
export models Diesel Plus / modelli di esportazione Diesel Plus	DFHA	140	190	11/15	>		26.065.00		
assembly UFI FILTERS / montaggio UFI FILTERS	DFHA	140	190	11/15	>		26.038.00		
for cold countries / per paesi freddi	DFHA	140	190	11/15	>			30.587.00	
Up! (121, 122)									
1.0	CHYA	44	60	08/11	>	23.575.00		30.589.00	53.233.00
with air-conditioner / con climatizzatore	CHYA	44	60	08/11	>				
without air-conditioner / senza climatizzatore	CHYA	44	60	08/11	>				
1.0									

...VOLKSWAGEN - cars/auto

with air-conditioner / con climatizzatore	CHYB	55	75	08/11 >	23.575.00	∞	30.589.00	53.233.00
without air-conditioner / senza climatizzatore	CHYB	55	75	08/11 >				×
1.0 eco-UP Metano/CNG								
with air-conditioner / con climatizzatore	CPGA	50	68	11/12 >	23.575.00	∞	30.589.00	53.233.00
without air-conditioner / senza climatizzatore	CPGA	50	68	11/12 >				×
1.0 TSI								
with air-conditioner / con climatizzatore	CHZA	66	90	05/16 >	23.575.00	∞	30.A51.00	53.233.00
without air-conditioner / senza climatizzatore	CHZA	66	90	05/16 >				×
1.0 TSI GTI								
with air-conditioner / con climatizzatore	DKRA	85	116	11/17 >	23.575.00	∞	30.A51.00	53.233.00
without air-conditioner / senza climatizzatore	DKRA	85	116	11/17 >				×
e-UP (BL14E1)								
with air-conditioner / con climatizzatore	EABA	60	82	07/13 >	×	×	×	53.233.00
without air-conditioner / senza climatizzatore	EABA	60	82	07/13 >	×	×	×	×

Vento

1.6 (IND)								
with air-conditioner / con climatizzatore	CDEA	77	105	07/10 >	23.573.00	31.833.00		53.031.00
with activated carbon air-conditioner / con climatizzatore, ai carboni attivi	CDEA	77	105	07/10 >				54.114.00
antibacterial, anti-odour and anti-allergen filter / filtro antibatterico, antiodori e anti-allergeni	CDEA	77	105	07/10 >				34.114.00
1.6 TDI (IND)								
with air-conditioner / con climatizzatore	CLNA	77	105	07/10 >	25.106.00		27.621.00	53.031.00
with activated carbon air-conditioner / con climatizzatore, ai carboni attivi	CLNA	77	105	07/10 >				54.114.00
antibacterial, anti-odour and anti-allergen filter / filtro antibatterico, antiodori e anti-allergeni	CLNA	77	105	07/10 >				34.114.00

XL1

0.8 TDI Hybrid								
with activated carbons / ai carboni attivi	CSCA	35	48	05/13 >		24.016.00	30.264.00	53.226.00
antibacterial, anti-odour and anti-allergen filter / filtro antibatterico, antiodori e anti-allergeni	CSCA	35	48	05/13 >				54.153.00
	CSCA	35	48	05/13 >				34.153.00

VOLKSWAGEN

commercial vehicles/veicoli commerciali

Amarok (2H)

2.0 TDI CR								
with activated carbons / ai carboni attivi	CDBA	90	122	09/10 >	25.106.00	24.145.00	30.512.00	53.189.00
antibacterial, anti-odour and anti-allergen filter / filtro antibatterico, antiodori e anti-allergeni	CDBA	90	122	09/10 >				54.148.00
	CDBA	90	122	09/10 >				34.148.00
2.0 TDI CR								
with activated carbons / ai carboni attivi	CDCA	120	163	11/09 >	25.106.00	24.145.00	30.512.00	53.189.00
antibacterial, anti-odour and anti-allergen filter / filtro antibatterico, antiodori e anti-allergeni	CDCA	120	163	11/09 >				54.148.00
	CDCA	120	163	11/09 >				34.148.00
2.0 TDI CR								
with activated carbons / ai carboni attivi	CNEA	132	180	11/11 >	25.106.00	24.145.00	30.512.00	53.189.00
antibacterial, anti-odour and anti-allergen filter / filtro antibatterico, antiodori e anti-allergeni	CNEA	132	180	11/11 >				54.148.00
	CNEA	132	180	11/11 >				34.148.00
2.0 TDI CR								
with activated carbons / ai carboni attivi	CNFA	90	122	11/11 >	25.106.00	24.145.00	30.512.00	53.189.00
antibacterial, anti-odour and anti-allergen filter / filtro antibatterico, antiodori e anti-allergeni	CNFA	90	122	11/11 >				54.148.00
	CNFA	90	122	11/11 >				34.148.00
2.0 TDI CR								
with activated carbons / ai carboni attivi	CNFB	103	140	07/12 >	25.106.00	24.145.00	30.512.00	53.189.00
antibacterial, anti-odour and anti-allergen filter / filtro antibatterico, antiodori e anti-allergeni	CNFB	103	140	07/12 >				54.148.00
	CNFB	103	140	07/12 >				34.148.00
2.0 TDI CR								
with activated carbons / ai carboni attivi	CSHA	132	180	11/11 >	25.106.00	24.145.00	30.512.00	53.189.00
antibacterial, anti-odour and anti-allergen filter / filtro antibatterico, antiodori e anti-allergeni	CSHA	132	180	11/11 >				54.148.00
	CSHA	132	180	11/11 >				34.148.00
2.0 TFSI								
with activated carbons / ai carboni attivi	CFPA	118	160	12/10 >	23.493.00		30.512.00	53.189.00
antibacterial, anti-odour and anti-allergen filter / filtro antibatterico, antiodori e anti-allergeni	CFPA	118	160	12/10 >				54.148.00
	CFPA	118	160	12/10 >				34.148.00

Caddy

1.4 i								
with activated carbons / ai carboni attivi	AEX	44	60	09/99 > 02/04	23.453.00	31.510.00	30.038.01	53.006.00
antibacterial, anti-odour and anti-allergen filter / filtro antibatterico, antiodori e anti-allergeni	AEX	44	60	11/95 > 02/04				54.263.00
	AEX	44	60	11/95 > 02/04				34.263.00
dusty areas / zone polverose	AEX	44	60	09/99 > 02/04	23.453.00	31.510.00		53.006.00
1.4 i								
with activated carbons / ai carboni attivi	AKV	44	60	09/99 > 02/04	23.453.00	31.510.00	30.038.01	53.006.00
antibacterial, anti-odour and anti-allergen filter / filtro antibatterico, antiodori e anti-allergeni	AKV	44	60	11/95 > 02/04				54.263.00
	AKV	44	60	11/95 > 02/04				34.263.00
dusty areas / zone polverose	AKV	44	60	09/99 > 02/04	23.453.00	31.510.00		53.006.00
1.4 i								
with activated carbons / ai carboni attivi	APQ	44	60	09/99 > 02/04	23.453.00	31.510.00	30.038.01	53.006.00
antibacterial, anti-odour and anti-allergen filter / filtro antibatterico, antiodori e anti-allergeni	APQ	44	60	11/95 > 02/04				54.263.00
	APQ	44	60	11/95 > 02/04				34.263.00
dusty areas / zone polverose	APQ	44	60	09/99 > 02/04	23.453.00	31.510.00		53.006.00
1.4 i								
with activated carbons / ai carboni attivi	AUD	44	60	09/00 > 02/04	23.453.00	31.510.00	30.134.00	53.006.00
antibacterial, anti-odour and anti-allergen filter / filtro antibatterico, antiodori e anti-allergeni	AUD	44	60	09/00 > 02/04				54.263.00
	AUD	44	60	09/00 > 02/04				34.263.00

...VOLKSWAGEN - commercial vehicles/veicoli commerciali

1.4 i 16V									
with activated carbons / ai carboni attivi	AUA	55	75	09/00	>	02/04			54.263.00
excluding dusty areas / escluso per zone polverose	AUA	55	75	09/00	>	02/04	23.453.00	31.510.00	30.124.00
antibacterial, anti-odour and anti-allergen filter / filtro antibatterico, antiodori e anti-allergeni	AUA	55	75	09/00	>	02/04			34.263.00
dusty areas / zone polverose	AUA	55	75	09/00	>	02/04	23.453.00	31.510.00	30.184.00
1.6 i									
with activated carbons / ai carboni attivi	1F	55	75	11/95	>	02/04			54.263.00
antibacterial, anti-odour and anti-allergen filter / filtro antibatterico, antiodori e anti-allergeni	1F	55	75	11/95	>	02/04			34.263.00
dusty areas / zone polverose	1F	55	75	11/95	>	02/04	23.436.00	31.510.00	30.113.00
1.7 SDI									
with activated carbons / ai carboni attivi	AHB	42	57	07/96	>	02/04			54.263.00
antibacterial, anti-odour and anti-allergen filter / filtro antibatterico, antiodori e anti-allergeni	AHB	42	57	07/96	>	02/04			34.263.00
or / oppure	AHB	42	57	07/96	>	02/04	23.164.03	24.400.00	30.019.00
dusty areas / zone polverose	AHB	42	57	07/96	>	02/04	23.164.00	24.400.00	30.113.00
1.9 SDI									
with activated carbons / ai carboni attivi	AYQ	47	64	09/00	>	02/04			54.263.00
antibacterial, anti-odour and anti-allergen filter / filtro antibatterico, antiodori e anti-allergeni	AYQ	47	64	09/00	>	02/04			34.263.00
1.9 TDI									
with activated carbons / ai carboni attivi	ALH	66	90	09/00	>	02/04			54.263.00
antibacterial, anti-odour and anti-allergen filter / filtro antibatterico, antiodori e anti-allergeni	ALH	66	90	09/00	>	02/04			34.263.00
Caddy III									
1.4									
with air-conditioner and R.H.D. / con climatizzatore e guida a destra	BCA	55	75	02/04	>	12/10			54.376.00
with air-conditioner and L.H.D. / con climatizzatore e guida a sinistra	BCA	55	75	02/04	>	12/10	23.453.00	31.833.00	30.158.00
antibacterial, anti-odour and anti-allergen filter with air-conditioner and L.H.D. / filtro antibatterico, antiodori e anti-allergeni con climatizzatore e guida a sinistra	BCA	55	75	02/04	>	12/10			34.124.00
1.4 16V									
with air-conditioner and R.H.D. / con climatizzatore e guida a destra	BUD	59	80	06/06	>	12/10			54.376.00
with air-conditioner and L.H.D. / con climatizzatore e guida a sinistra	BUD	59	80	06/06	>	12/10	23.453.00	31.833.00	30.342.00
antibacterial, anti-odour and anti-allergen filter with air-conditioner and L.H.D. / filtro antibatterico, antiodori e anti-allergeni con climatizzatore e guida a sinistra	BUD	59	80	06/06	>	12/10			34.124.00
1.6									
with air-conditioner and R.H.D. / con climatizzatore e guida a destra	BGU/BSE/BSF	75	102	02/04	>	12/10			54.376.00
with air-conditioner and L.H.D. / con climatizzatore e guida a sinistra	BGU/BSE/BSF	75	102	02/04	>	12/10	23.436.00	31.833.00	27.401.00
antibacterial, anti-odour and anti-allergen filter with air-conditioner and L.H.D. / filtro antibatterico, antiodori e anti-allergeni con climatizzatore e guida a sinistra	BGU/BSE/BSF	75	102	02/04	>	12/10			34.124.00
for cold countries / per paesi freddi	BGU/BSE/BSF	75	102	02/04	>	12/10	23.436.00	31.833.00	27.402.00
1.6									
with air-conditioner and R.H.D. / con climatizzatore e guida a destra	BRY	74	101	03/05	>	12/10			54.376.00
with air-conditioner and L.H.D. / con climatizzatore e guida a sinistra	BRY	74	101	03/05	>	12/10	23.436.00	31.833.00	27.401.00
antibacterial, anti-odour and anti-allergen filter with air-conditioner and L.H.D. / filtro antibatterico, antiodori e anti-allergeni con climatizzatore e guida a sinistra	BRY	74	101	03/05	>	12/10			34.124.00
for cold countries / per paesi freddi	BRY	74	101	03/05	>	12/10	23.436.00	31.833.00	27.402.00
1.9 TDI									
to frame No. 2K-6-090000 (M+H 1K0127400B/C/J) / a telaio N. 2K-6-090000 (M+H 1K0127400B/C/J)	BJB/BLS	77	105	02/04	>		25.023.00	26.014.00	30.187.00
to frame No. 2K-6-090000 (M+H 1K0127400K) / a telaio N. 2K-6-090000 (M+H 1K0127400K)	BJB/BLS	77	105	02/04	>		25.023.00	26.021.00	30.187.00
with air-conditioner and R.H.D. / con climatizzatore e guida a destra	BJB/BLS	77	105	02/04	>	12/10			54.376.00
with air-conditioner and L.H.D. / con climatizzatore e guida a sinistra	BJB/BLS	77	105	02/04	>	12/10	25.023.00		30.187.00
from frame No. 2K-6-090001 / da telaio N. 2K-6-090001	BJB/BLS	77	105		>	12/10	25.023.00	26.007.00	30.187.00
antibacterial, anti-odour and anti-allergen filter with air-conditioner and L.H.D. / filtro antibatterico, antiodori e anti-allergeni con climatizzatore e guida a sinistra	BJB/BLS	77	105	02/04	>	12/10			34.124.00
for cold countries / per paesi freddi	BJB/BLS	77	105	02/04	>	12/10	25.023.00		30.370.00
1.9 TDI									
to frame No. 2K-6-090000 (M+H 1K0127400B/C/J) / a telaio N. 2K-6-090000 (M+H 1K0127400B/C/J)	BSU	55	75	09/05	>		25.023.00	26.014.00	30.187.00
to frame No. 2K-6-090000 (M+H 1K0127400K) / a telaio N. 2K-6-090000 (M+H 1K0127400K)	BSU	55	75	09/05	>		25.023.00	26.021.00	30.187.00
with air-conditioner and R.H.D. / con climatizzatore e guida a destra	BSU	55	75	09/05	>	12/10			54.376.00
with air-conditioner and L.H.D. / con climatizzatore e guida a sinistra	BSU	55	75	09/05	>	12/10	25.023.00		30.187.00
from frame No. 2K-6-090001 / da telaio N. 2K-6-090001	BSU	55	75		>	12/10	25.023.00	26.007.00	30.187.00
antibacterial, anti-odour and anti-allergen filter with air-conditioner and L.H.D. / filtro antibatterico, antiodori e anti-allergeni con climatizzatore e guida a sinistra	BSU	55	75	09/05	>	12/10			34.124.00
for cold countries / per paesi freddi	BSU	55	75	09/05	>	12/10	25.023.00		30.370.00
2.0 EcoFuel									
with air-conditioner and R.H.D. / con climatizzatore e guida a destra	BSX	80	109	04/06	>	12/10			54.376.00
with air-conditioner and L.H.D. / con climatizzatore e guida a sinistra	BSX	80	109	04/06	>	12/10	23.436.00	31.833.00	27.401.00
antibacterial, anti-odour and anti-allergen filter with air-conditioner and L.H.D. / filtro antibatterico, antiodori e anti-allergeni con climatizzatore e guida a sinistra	BSX	80	109	04/06	>	12/10			34.124.00
for cold countries / per paesi freddi	BSX	80	109	04/06	>	12/10	23.436.00	31.833.00	27.402.00
2.0 SDI									
to frame No. 2K-6-090000 (M+H 1K0127400B/C/J) / a telaio N. 2K-6-090000 (M+H 1K0127400B/C/J)	BDJ/BST	51	70	02/04	>		25.023.00	26.014.00	27.401.00
to frame No. 2K-6-090000 (M+H 1K0127400K) / a telaio N. 2K-6-090000 (M+H 1K0127400K)	BDJ/BST	51	70	02/04	>		25.023.00	26.021.00	27.401.00
with air-conditioner and R.H.D. / con climatizzatore e guida a destra	BDJ/BST	51	70	02/04	>	12/10			54.376.00
with air-conditioner and L.H.D. / con climatizzatore e guida a sinistra	BDJ/BST	51	70	02/04	>	12/10	25.023.00		27.401.00
from frame No. 2K-6-090001 / da telaio N. 2K-6-090001	BDJ/BST	51	70		>	12/10	25.023.00	26.007.00	27.401.00
antibacterial, anti-odour and anti-allergen filter with air-conditioner and L.H.D. / filtro antibatterico, antiodori e anti-allergeni con climatizzatore e guida a sinistra	BDJ/BST	51	70	02/04	>	12/10			34.124.00

...VOLKSWAGEN - commercial vehicles/veicoli commerciali

without air-conditioner / senza climatizzatore	CFHF	81	110	09/10	>	06/15	25.106.00	26.007.00	30.187.00	53.148.00
2.0 TDI										
with air-conditioner and R.H.D. / con climatizzatore e guida a destra	CFJA	125	170	05/12	>	06/15			30.187.00	54.376.00
with air-conditioner and L.H.D. / con climatizzatore e guida a sinistra	CFJA	125	170	05/12	>	06/15	25.106.00	26.007.00	30.187.00	54.124.00
antibacterial, anti-odour and anti-allergen filter with air-conditioner and L.H.D. / filtro antibatterico, antiodori e anti-allergeni con climatizzatore e guida a sinistra	CFJA	125	170	05/12	>	06/15				34.124.00
for cold countries / per paesi freddi	CFJA	125	170	05/12	>	06/15	25.106.00	26.007.00	30.370.00	
without air-conditioner / senza climatizzatore	CFJA	125	170	05/12	>	06/15	25.106.00	26.007.00	30.187.00	53.148.00
2.0 TDI										
with air-conditioner and R.H.D. / con climatizzatore e guida a destra	CLCA	81	110	09/10	>	06/15				54.376.00
with air-conditioner and L.H.D. / con climatizzatore e guida a sinistra	CLCA	81	110	09/10	>	06/15	25.106.00	26.007.00	30.187.00	54.124.00
antibacterial, anti-odour and anti-allergen filter with air-conditioner and L.H.D. / filtro antibatterico, antiodori e anti-allergeni con climatizzatore e guida a sinistra	CLCA	81	110	09/10	>	06/15				34.124.00
for cold countries / per paesi freddi	CLCA	81	110	09/10	>	06/15	25.106.00	26.007.00	30.370.00	
without air-conditioner / senza climatizzatore	CLCA	81	110	09/10	>	06/15	25.106.00	26.007.00	30.187.00	53.148.00
Caddy IV (2K/SA/SE)										
1.0 TSI	CHZG	75	102	11/15	>		23.575.00	31.840.00	30.A51.00	
with air-conditioner and R.H.D. / con climatizzatore e guida a destra	CHZG	75	102	11/15	>					54.376.00
with air-conditioner and L.H.D. / con climatizzatore e guida a sinistra	CHZG	75	102	11/15	>					54.124.00
with L.H.D. / con guida a sinistra	CHZG	75	102	11/15	>					53.148.00
antibacterial, anti-odour and anti-allergen filter with air-conditioner and L.H.D. / filtro antibatterico, antiodori e anti-allergeni con climatizzatore e guida a sinistra	CHZG	75	102	11/15	>					34.124.00
1.0 TSI	DKRD	62	84	11/18	>		23.575.00	31.840.00	30.A51.00	
with air-conditioner and R.H.D. / con climatizzatore e guida a destra	DKRD	62	84	11/18	>					54.376.00
with air-conditioner and L.H.D. / con climatizzatore e guida a sinistra	DKRD	62	84	11/18	>					54.124.00
with L.H.D. / con guida a sinistra	DKRD	62	84	11/18	>					53.148.00
antibacterial, anti-odour and anti-allergen filter with air-conditioner and L.H.D. / filtro antibatterico, antiodori e anti-allergeni con climatizzatore e guida a sinistra	DKRD	62	84	11/18	>					34.124.00
1.2 TSI	CYVC	62	84	06/15	>		23.575.00	31.840.00	30.549.00	
with air-conditioner and R.H.D. / con climatizzatore e guida a destra	CYVC	62	84	06/15	>					54.376.00
with air-conditioner and L.H.D. / con climatizzatore e guida a sinistra	CYVC	62	84	06/15	>					54.124.00
with L.H.D. / con guida a sinistra	CYVC	62	84	06/15	>					53.148.00
antibacterial, anti-odour and anti-allergen filter with air-conditioner and L.H.D. / filtro antibatterico, antiodori e anti-allergeni con climatizzatore e guida a sinistra	CYVC	62	84	11/15	>					34.124.00
1.4 TGI CNG/Metano	CPWA	81	110	06/15	>		23.575.00	31.833.00	30.549.00	
with air-conditioner and R.H.D. / con climatizzatore e guida a destra	CPWA	81	110	06/15	>					54.376.00
with air-conditioner and L.H.D. / con climatizzatore e guida a sinistra	CPWA	81	110	06/15	>					54.124.00
with L.H.D. / con guida a sinistra	CPWA	81	110	06/15	>					53.148.00
antibacterial, anti-odour and anti-allergen filter with air-conditioner and L.H.D. / filtro antibatterico, antiodori e anti-allergeni con climatizzatore e guida a sinistra	CPWA	81	110	06/15	>					34.124.00
1.4 TSI	DJKD	96	130	07/18	>		23.575.00	31.840.00	30.549.00	
with air-conditioner and R.H.D. / con climatizzatore e guida a destra	DJKD	96	130	07/18	>					54.376.00
with air-conditioner and L.H.D. / con climatizzatore e guida a sinistra	DJKD	96	130	07/18	>					54.124.00
with L.H.D. / con guida a sinistra	DJKD	96	130	07/18	>					53.148.00
antibacterial, anti-odour and anti-allergen filter with air-conditioner and L.H.D. / filtro antibatterico, antiodori e anti-allergeni con climatizzatore e guida a sinistra	DJKD	96	130	07/18	>					34.124.00
1.4 TSI	CZCB	92	125	06/15	>		23.575.00	31.840.00	30.549.00	
with air-conditioner and R.H.D. / con climatizzatore e guida a destra	CZCB	92	125	06/15	>					54.376.00
with air-conditioner and L.H.D. / con climatizzatore e guida a sinistra	CZCB	92	125	06/15	>					54.124.00
with L.H.D. / con guida a sinistra	CZCB	92	125	06/15	>					53.148.00
antibacterial, anti-odour and anti-allergen filter with air-conditioner and L.H.D. / filtro antibatterico, antiodori e anti-allergeni con climatizzatore e guida a sinistra	CZCB	92	125	06/15	>					34.124.00
1.6 MPI	CWVA	81	110	11/15	>		23.575.00	31.833.00	30.713.00	
with air-conditioner and R.H.D. / con climatizzatore e guida a destra	CWVA	81	110	11/15	>					54.376.00
with air-conditioner and L.H.D. / con climatizzatore e guida a sinistra	CWVA	81	110	11/15	>					54.124.00
with L.H.D. / con guida a sinistra	CWVA	81	110	11/15	>					53.148.00
antibacterial, anti-odour and anti-allergen filter with air-conditioner and L.H.D. / filtro antibatterico, antiodori e anti-allergeni con climatizzatore e guida a sinistra	CWVA	81	110	11/15	>					34.124.00
1.6 TDI	CAYD	75	102	05/15	>		25.106.00	26.007.00	30.187.00	
with air-conditioner and R.H.D. / con climatizzatore e guida a destra	CAYD	75	102	05/15	>					54.376.00
with air-conditioner and L.H.D. / con climatizzatore e guida a sinistra	CAYD	75	102	05/15	>					54.124.00
with L.H.D. / con guida a sinistra	CAYD	75	102	05/15	>					53.148.00
antibacterial, anti-odour and anti-allergen filter with air-conditioner and L.H.D. / filtro antibatterico, antiodori e anti-allergeni con climatizzatore e guida a sinistra	CAYD	75	102	05/15	>					34.124.00
for cold countries / per paesi freddi	CAYD	75	102	05/15	>				30.370.00	
1.6 TDI	CAYE	55	75	05/15	>		25.106.00	26.007.00	30.187.00	
with air-conditioner and R.H.D. / con climatizzatore e guida a destra	CAYE	55	75	05/15	>					54.376.00
with air-conditioner and L.H.D. / con climatizzatore e guida a sinistra	CAYE	55	75	05/15	>					54.124.00
with L.H.D. / con guida a sinistra	CAYE	55	75	05/15	>					53.148.00
for cold countries / per paesi freddi	CAYE	55	75	05/15	>				30.370.00	
2.0 TDI	CFHC	103	140	05/15	>		25.106.00		30.187.00	
with air-conditioner and R.H.D. / con climatizzatore e guida a destra	CFHC	103	140	05/15	>					54.376.00
with air-conditioner and L.H.D. / con climatizzatore e guida a sinistra	CFHC	103	140	05/15	>					54.124.00
with complete filter 1K0127400N / con filtro completo 1K0127400N	CFHC	103	140	05/15	>			26.038.00		
with complete filter 3C0127400D / con filtro completo 3C0127400D	CFHC	103	140	05/15	>			26.007.00		
with L.H.D. / con guida a sinistra	CFHC	103	140	05/15	>					53.148.00
antibacterial, anti-odour and anti-allergen filter with air-conditioner and L.H.D. / filtro antibatterico, antiodori e anti-allergeni con climatizzatore e guida a sinistra	CFHC	103	140	05/15	>					34.124.00

...VOLKSWAGEN - commercial vehicles/veicoli commerciali

for cold countries / per paesi freddi	CFHC	103	140	05/15	>			30.370.00		
2.0 TDI	CFHF	81	110	05/15	>	25.106.00		30.187.00		
with air-conditioner and R.H.D. / con climatizzatore e guida a destra	CFHF	81	110	05/15	>				54.376.00	
with air-conditioner and L.H.D. / con climatizzatore e guida a sinistra	CFHF	81	110	05/15	>				54.124.00	
with complete filter 1K0127400N / con filtro completo 1K0127400N	CFHF	81	110	05/15	>		26.038.00			
with complete filter 3C0127400D / con filtro completo 3C0127400D	CFHF	81	110	05/15	>		26.007.00			
with L.H.D. / con guida a sinistra	CFHF	81	110	05/15	>				53.148.00	
antibacterial, anti-odour and anti-allergen filter with air-conditioner and L.H.D. / filtro antibatterico, antiodori e anti-allergeni con climatizzatore e guida a sinistra	CFHF	81	110	05/15	>				34.124.00	
for cold countries / per paesi freddi	CFHF	81	110	05/15	>			30.370.00		
2.0 TDI	CUUB/DFSB	110	150	05/15	>	25.144.00		30.187.00		
with air-conditioner and R.H.D. / con climatizzatore e guida a destra	CUUB/DFSB	110	150	05/15	>				54.376.00	
with air-conditioner and L.H.D. / con climatizzatore e guida a sinistra	CUUB/DFSB	110	150	05/15	>				54.124.00	
with complete filter 1K0127400N / con filtro completo 1K0127400N	CUUB/DFSB	110	150	05/15	>		26.038.00			
with complete filter 3C0127400D / con filtro completo 3C0127400D	CUUB/DFSB	110	150	05/15	>		26.007.00			
with L.H.D. / con guida a sinistra	CUUB/DFSB	110	150	05/15	>				53.148.00	
antibacterial, anti-odour and anti-allergen filter with air-conditioner and L.H.D. / filtro antibatterico, antiodori e anti-allergeni con climatizzatore e guida a sinistra	CUUB/DFSB	110	150	05/15	>				34.124.00	
for cold countries / per paesi freddi	CUUB/DFSB	110	150	05/15	>			30.370.00		
2.0 TDI	CUUC/DFSC	55	75	05/15	>	25.144.00		30.187.00		
with air-conditioner and R.H.D. / con climatizzatore e guida a destra	CUUC/DFSC	55	75	05/15	>				54.376.00	
with air-conditioner and L.H.D. / con climatizzatore e guida a sinistra	CUUC/DFSC	55	75	05/15	>				54.124.00	
with complete filter 1K0127400N / con filtro completo 1K0127400N	CUUC/DFSC	55	75	05/15	>		26.038.00			
with complete filter 3C0127400D / con filtro completo 3C0127400D	CUUC/DFSC	55	75	05/15	>		26.007.00			
with L.H.D. / con guida a sinistra	CUUC/DFSC	55	75	05/15	>				53.148.00	
antibacterial, anti-odour and anti-allergen filter with air-conditioner and L.H.D. / filtro antibatterico, antiodori e anti-allergeni con climatizzatore e guida a sinistra	CUUC/DFSC	55	75	05/15	>				34.124.00	
for cold countries / per paesi freddi	CUUC/DFSC	55	75	05/15	>			30.370.00		
2.0 TDI	CUUD/DFSD	75	102	05/15	>	25.144.00		30.187.00		
with air-conditioner and R.H.D. / con climatizzatore e guida a destra	CUUD/DFSD	75	102	05/15	>				54.376.00	
with air-conditioner and L.H.D. / con climatizzatore e guida a sinistra	CUUD/DFSD	75	102	05/15	>				54.124.00	
with complete filter 1K0127400N / con filtro completo 1K0127400N	CUUD/DFSD	75	102	05/15	>		26.038.00			
with complete filter 3C0127400D / con filtro completo 3C0127400D	CUUD/DFSD	75	102	05/15	>		26.007.00			
with L.H.D. / con guida a sinistra	CUUD/DFSD	75	102	05/15	>				53.148.00	
antibacterial, anti-odour and anti-allergen filter with air-conditioner and L.H.D. / filtro antibatterico, antiodori e anti-allergeni con climatizzatore e guida a sinistra	CUUD/DFSD	75	102	05/15	>				34.124.00	
for cold countries / per paesi freddi	CUUD/DFSD	75	102	05/15	>			30.370.00		
2.0 TDI	CUUE/DFSE	90	122	05/15	>	25.144.00		30.187.00		
with air-conditioner and R.H.D. / con climatizzatore e guida a destra	CUUE/DFSE	90	122	05/15	>				54.376.00	
with air-conditioner and L.H.D. / con climatizzatore e guida a sinistra	CUUE/DFSE	90	122	05/15	>				54.124.00	
with complete filter 1K0127400N / con filtro completo 1K0127400N	CUUE/DFSE	90	122	05/15	>		26.038.00			
with complete filter 3C0127400D / con filtro completo 3C0127400D	CUUE/DFSE	90	122	05/15	>		26.007.00			
with L.H.D. / con guida a sinistra	CUUE/DFSE	90	122	05/15	>				53.148.00	
antibacterial, anti-odour and anti-allergen filter with air-conditioner and L.H.D. / filtro antibatterico, antiodori e anti-allergeni con climatizzatore e guida a sinistra	CUUE/DFSE	90	122	05/15	>				34.124.00	
for cold countries / per paesi freddi	CUUE/DFSE	90	122	05/15	>			30.370.00		
2.0 TDI	CUUF/DFSF	55	75	05/15	>	25.144.00		30.187.00		
with air-conditioner and R.H.D. / con climatizzatore e guida a destra	CUUF/DFSF	55	75	05/15	>				54.376.00	
with air-conditioner and L.H.D. / con climatizzatore e guida a sinistra	CUUF/DFSF	55	75	05/15	>				54.124.00	
with complete filter 1K0127400N / con filtro completo 1K0127400N	CUUF/DFSF	55	75	05/15	>		26.038.00			
with complete filter 3C0127400D / con filtro completo 3C0127400D	CUUF/DFSF	55	75	05/15	>		26.007.00			
with L.H.D. / con guida a sinistra	CUUF/DFSF	55	75	05/15	>				53.148.00	
antibacterial, anti-odour and anti-allergen filter with air-conditioner and L.H.D. / filtro antibatterico, antiodori e anti-allergeni con climatizzatore e guida a sinistra	CUUF/DFSF	55	75	05/15	>				34.124.00	
for cold countries / per paesi freddi	CUUF/DFSF	55	75	05/15	>			30.370.00		
2.0 TDI 4Motion	CFHC	103	140	05/15	>	25.106.00		30.187.00		
with air-conditioner and R.H.D. / con climatizzatore e guida a destra	CFHC	103	140	05/15	>				54.376.00	
with air-conditioner and L.H.D. / con climatizzatore e guida a sinistra	CFHC	103	140	05/15	>				54.124.00	
with complete filter 1K0127400N / con filtro completo 1K0127400N	CFHC	103	140	05/15	>		26.038.00			
with complete filter 3C0127400D / con filtro completo 3C0127400D	CFHC	103	140	05/15	>		26.007.00			
with L.H.D. / con guida a sinistra	CFHC	103	140	05/15	>				53.148.00	
antibacterial, anti-odour and anti-allergen filter with air-conditioner and L.H.D. / filtro antibatterico, antiodori e anti-allergeni con climatizzatore e guida a sinistra	CFHC	103	140	05/15	>				34.124.00	
for cold countries / per paesi freddi	CFHC	103	140	05/15	>			30.370.00		
Caddy kombi										
1.6 i	AEE	55	75	09/99	>	02/04	23.453.00	31.510.00	30.038.01	53.006.00
with activated carbons / ai carboni attivi	AEE	55	75	06/96	>	02/04				54.263.00
antibacterial, anti-odour and anti-allergen filter / filtro antibatterico, antiodori e anti-allergeni	AEE	55	75	06/96	>	02/04				34.263.00
1.9 D	1Y	47	64	11/95	>	02/04	23.164.00	24.400.00	30.019.00	53.006.00
with activated carbons / ai carboni attivi	1Y	47	64	11/95	>	02/04				54.263.00
some / alcuni	1Y	47	64	11/95	>	02/04	23.164.00	24.365.01	30.019.00	53.006.00
antibacterial, anti-odour and anti-allergen filter / filtro antibatterico, antiodori e anti-allergeni	1Y	47	64	11/95	>	02/04				34.263.00
or / oppure	1Y	47	64	11/95	>	02/04	23.164.03	24.400.00	30.019.00	53.006.00
dusty areas / zone polverose	1Y	47	64	11/95	>	02/04	23.164.00	24.400.00	30.113.00	53.006.00

...VOLKSWAGEN - commercial vehicles/veicoli commerciali

1.9 SDI	AEF	47	64	06/96 >	02/04	23.164.00	24.400.00	30.019.00	53.006.00
with activated carbons / ai carboni attivi	AEF	47	64	06/96 >	02/04				54.263.00
antibacterial, anti-odour and anti-allergen filter / filtro antibatterico, antiodori e anti-allergeni	AEF	47	64	06/96 >	02/04				34.263.00
or / oppure	AEF	47	64	06/96 >	02/04	23.164.03	24.400.00	30.019.00	53.006.00
dusty areas / zone polverose	AEF	47	64	06/96 >	02/04	23.164.00	24.400.00	30.113.00	53.006.00
1.9 SDI	AEY	47	64	11/95 >	02/04	23.164.00	24.400.00	30.019.00	53.006.00
with activated carbons / ai carboni attivi	AEY	47	64	11/95 >	02/04				54.263.00
some / alcuni	AEY	47	64	11/95 >	02/04	23.164.00	24.365.01	30.019.00	53.006.00
antibacterial, anti-odour and anti-allergen filter / filtro antibatterico, antiodori e anti-allergeni	AEY	47	64	11/95 >	02/04				34.263.00
or / oppure	AEY	47	64	11/95 >	02/04	23.164.03	24.400.00	30.019.00	53.006.00
dusty areas / zone polverose	AEY	47	64	11/95 >	02/04	23.164.00	24.400.00	30.113.00	53.006.00
1.9 TDI	AHU/ALE	66	90	09/96 >	02/04	23.164.00	24.400.00	30.019.00	53.006.00
with activated carbons / ai carboni attivi	AHU/ALE	66	90	09/96 >	02/04				54.263.00
antibacterial, anti-odour and anti-allergen filter / filtro antibatterico, antiodori e anti-allergeni	AHU/ALE	66	90	09/96 >	02/04				34.263.00
or / oppure	AHU/ALE	66	90	09/96 >	02/04	23.164.03	24.400.00	30.019.00	53.006.00
dusty areas / zone polverose	AHU/ALE	66	90	09/96 >	02/04	23.164.00	24.400.00	30.113.00	53.006.00
Caddy pick-up									
1.6 i	AEE	55	75	09/99 >	12/00	23.453.00	31.510.00	30.994.00	
dusty areas / zone polverose	AEE	55	75	09/99 >	12/00	23.453.00	31.510.00	30.113.00	
1.9 SDI	AEF	47	64	06/96 >	12/00	23.425.00	24.400.00	30.994.00	
dusty areas / zone polverose	AEF	47	64	06/96 >	12/00	23.425.00	24.400.00	30.113.00	
Caddy V (SB)									
1.5 TSI EVO 115	DPBC	84	114	01/21 >		23.575.00		30.445.00	
antibacterial, anti-odour and anti-allergen filter / filtro antibatterico, antiodori e anti-allergeni	DPBC	84	114	01/21 >					34.219.00
2.0 TDI 100	DTRE	75	102	09/20 >			26.038.00	30.532.00	53.298.00
with activated carbons / ai carboni attivi	DTRE	75	102	09/20 >					54.219.00
antibacterial, anti-odour and anti-allergen filter / filtro antibatterico, antiodori e anti-allergeni	DTRE	75	102	09/20 >					34.219.00
export models Diesel Plus / modelli di esportazione Diesel Plus	DTRE	75	102	09/20 >			26.065.00		
for cold countries / per paesi freddi	DTRE	75	102	09/20 >				30.587.00	
2.0 TDI 125	DTRC	90	122	09/20 >			26.038.00	30.532.00	53.298.00
with activated carbons / ai carboni attivi	DTRC	90	122	09/20 >					54.219.00
antibacterial, anti-odour and anti-allergen filter / filtro antibatterico, antiodori e anti-allergeni	DTRC	90	122	09/20 >					34.219.00
export models Diesel Plus / modelli di esportazione Diesel Plus	DTRC	90	122	09/20 >			26.065.00		
for cold countries / per paesi freddi	DTRC	90	122	09/20 >				30.587.00	
2.0 TDI BMT 75	DTRF	55	75	09/20 >			26.038.00	30.532.00	53.298.00
with activated carbons / ai carboni attivi	DTRF	55	75	09/20 >					54.219.00
antibacterial, anti-odour and anti-allergen filter / filtro antibatterico, antiodori e anti-allergeni	DTRF	55	75	09/20 >					34.219.00
export models Diesel Plus / modelli di esportazione Diesel Plus	DTRF	55	75	09/20 >			26.065.00		
for cold countries / per paesi freddi	DTRF	55	75	09/20 >				30.587.00	
California									
1.9 TD	ABL	50	68	07/95 >	06/03	23.417.00	24.365.01	30.085.00	53.067.00
from frame No. 70T-200001 / da telaio N. 70T-200001									
2.0	AAC	62	84	07/95 >	06/03	23.130.01	31.500.00	30.085.00	53.067.00
to frame No. 70T-200001 - / a telaio N. 70T-200001 -									
export models VAG 044 129 620 A / modelli di esportazione VAG 044 129 620 A	AAC	62	84	10/92 >	06/03	23.130.01	31.500.00	27.982.00	53.067.00
dusty areas / zone polverose	AAC	62	84	07/95 >	06/03	23.130.01	31.500.00	30.193.00	53.067.00
2.0 TSI	CJKA	150	204	05/11 >	08/12	23.493.00	31.840.00	30.320.00	53.189.00
	CJKA	150	204	09/12 >			31.840.00	30.320.00	53.148.00
with activated carbons / ai carboni attivi	CJKA	150	204	05/11 >					54.148.00
antibacterial, anti-odour and anti-allergen filter / filtro antibatterico, antiodori e anti-allergeni	CJKA	150	204	05/11 >					34.148.00
2.0 TSI	CJKB	110	150	07/12 >	08/12	23.493.00	31.840.00	30.320.00	53.189.00
	CJKB	110	150	09/12 >			31.840.00	30.320.00	53.148.00
with activated carbons / ai carboni attivi	CJKB	110	150	07/12 >					54.148.00
antibacterial, anti-odour and anti-allergen filter / filtro antibatterico, antiodori e anti-allergeni	CJKB	110	150	07/12 >					34.148.00
2.4 D	AAB	57	78	07/95 >	06/03	23.156.03	24.365.01	30.085.00	53.067.00
from frame No. 70T-200001 / da telaio N. 70T-200001									
export models VAG 044 129 620 A / modelli di esportazione VAG 044 129 620 A	AAB	57	78	10/92 >	06/03	23.156.03	24.365.01	27.982.00	53.067.00
dusty areas / zone polverose	AAB	57	78	07/95 >	06/03	23.156.03	24.365.01	30.193.00	53.067.00
2.4 D Syncro	AAB	57	78	07/95 >	06/03	23.156.03	24.365.01	30.085.00	53.067.00
from frame No. 70T-200001 / da telaio N. 70T-200001									
export models VAG 044 129 620 A / modelli di esportazione VAG 044 129 620 A	AAB	57	78	11/92 >	06/03	23.156.03	24.365.01	27.982.00	53.067.00
dusty areas / zone polverose	AAB	57	78	07/95 >	06/03	23.156.03	24.365.01	30.193.00	53.067.00
2.5 i	ACU	81	110	07/95 >	06/03	23.156.03	31.500.00	30.085.00	53.067.00
from frame No. 70T-200001 / da telaio N. 70T-200001									
export models VAG 044 129 620 A / modelli di esportazione VAG 044 129 620 A	ACU	81	110	07/94 >	06/03	23.156.03	31.500.00	27.982.00	53.067.00
dusty areas / zone polverose	ACU	81	110	07/95 >	06/03	23.156.03	31.500.00	30.193.00	53.067.00
2.5 i Syncro									

...VOLKSWAGEN - commercial vehicles/veicoli commerciali

from frame No. 70T-200001 / da telaio N. 70T-200001	ACU	81	110	07/95 > 06/03	23.156.03	31.500.00	30.085.00	53.067.00
export models VAG 044 129 620 A / modelli di esportazione VAG 044 129 620 A	ACU	81	110	01/94 > 06/03	23.156.03	31.500.00	27.982.00	53.067.00
dusty areas / zone polverose	ACU	81	110	07/95 > 06/03	23.156.03	31.500.00	30.193.00	53.067.00
2.5 i Syncro	AET	81	110	08/96 > 06/03	23.156.03	31.500.00	30.085.00	53.067.00
dusty areas / zone polverose	AET	81	110	08/96 > 06/03	23.156.03	31.500.00	30.193.00	53.067.00
2.5 TDI								
from frame No. 70T-200001 / da telaio N. 70T-200001	ACV	75	102	07/95 > 06/03	23.156.03	24.365.01	30.085.00	53.067.00
dusty areas / zone polverose	ACV	75	102	07/95 > 06/03	23.156.03	24.365.01	30.193.00	53.067.00
3.2 i V6	CFLA	173	235	05/08 > 12/09	25.010.00	31.718.00	30.320.00	53.189.00
with activated carbons / ai carboni attivi	CFLA	173	235	05/08 > 12/09				54.148.00
antibacterial, anti-odour and anti-allergen filter / filtro antibatterico, antiodori e anti-allergeni	CFLA	173	235	05/08 > 12/09				34.148.00
California (T6)								
2.0 Bi-TDI	CXEB	150	204	04/15 >	25.144.00		30.320.00	53.189.00
with activated carbons / ai carboni attivi	CXEB	150	204	04/15 >				54.148.00
antibacterial, anti-odour and anti-allergen filter / filtro antibatterico, antiodori e anti-allergeni	CXEB	150	204	04/15 >				34.148.00
dusty areas / zone polverose	CXEB	150	204	04/15 >			30.647.00	
2.0 Bi-TDI 4Motion	CXEB	150	204	04/15 >	25.144.00		30.320.00	53.189.00
with activated carbons / ai carboni attivi	CXEB	150	204	04/15 >				54.148.00
antibacterial, anti-odour and anti-allergen filter / filtro antibatterico, antiodori e anti-allergeni	CXEB	150	204	04/15 >				34.148.00
dusty areas / zone polverose	CXEB	150	204	04/15 >			30.647.00	
2.0 TDI	CAAA	62	84	04/15 >	25.106.00	31.849.00	30.320.00	53.189.00
with activated carbons / ai carboni attivi	CAAA	62	84	04/15 >				54.148.00
antibacterial, anti-odour and anti-allergen filter / filtro antibatterico, antiodori e anti-allergeni	CAAA	62	84	04/15 >				34.148.00
dusty areas / zone polverose	CAAA	62	84	04/15 >			30.647.00	
2.0 TDI	CAAB	75	102	04/15 >	25.106.00	31.849.00	30.320.00	53.189.00
with activated carbons / ai carboni attivi	CAAB	75	102	04/15 >				54.148.00
antibacterial, anti-odour and anti-allergen filter / filtro antibatterico, antiodori e anti-allergeni	CAAB	75	102	04/15 >				34.148.00
dusty areas / zone polverose	CAAB	75	102	04/15 >			30.647.00	
2.0 TDI	CXFA	110	150	04/15 >	25.144.00		30.320.00	53.189.00
with activated carbons / ai carboni attivi	CXFA	110	150	04/15 >				54.148.00
antibacterial, anti-odour and anti-allergen filter / filtro antibatterico, antiodori e anti-allergeni	CXFA	110	150	04/15 >				34.148.00
dusty areas / zone polverose	CXFA	110	150	04/15 >			30.647.00	
2.0 TDI	CXGA	62	84	04/15 >	25.144.00		30.320.00	53.189.00
with activated carbons / ai carboni attivi	CXGA	62	84	04/15 >				54.148.00
antibacterial, anti-odour and anti-allergen filter / filtro antibatterico, antiodori e anti-allergeni	CXGA	62	84	04/15 >				34.148.00
dusty areas / zone polverose	CXGA	62	84	04/15 >			30.647.00	
2.0 TDI	CXGB	75	102	04/15 >	25.144.00		30.320.00	53.189.00
with activated carbons / ai carboni attivi	CXGB	75	102	04/15 >				54.148.00
antibacterial, anti-odour and anti-allergen filter / filtro antibatterico, antiodori e anti-allergeni	CXGB	75	102	04/15 >				34.148.00
dusty areas / zone polverose	CXGB	75	102	04/15 >			30.647.00	
2.0 TDI	CXHA	110	150	04/15 >	25.144.00		30.320.00	53.189.00
with activated carbons / ai carboni attivi	CXHA	110	150	04/15 >				54.148.00
antibacterial, anti-odour and anti-allergen filter / filtro antibatterico, antiodori e anti-allergeni	CXHA	110	150	04/15 >				34.148.00
dusty areas / zone polverose	CXHA	110	150	04/15 >			30.647.00	
2.0 TDI 4Motion	CXFA	110	150	04/15 >	25.144.00		30.320.00	53.189.00
with activated carbons / ai carboni attivi	CXFA	110	150	04/15 >				54.148.00
antibacterial, anti-odour and anti-allergen filter / filtro antibatterico, antiodori e anti-allergeni	CXFA	110	150	04/15 >				34.148.00
dusty areas / zone polverose	CXFA	110	150	04/15 >			30.647.00	
2.0 TDI 4Motion	CXHA	110	150	04/15 >	25.144.00		30.320.00	53.189.00
with activated carbons / ai carboni attivi	CXHA	110	150	04/15 >				54.148.00
antibacterial, anti-odour and anti-allergen filter / filtro antibatterico, antiodori e anti-allergeni	CXHA	110	150	04/15 >				34.148.00
dusty areas / zone polverose	CXHA	110	150	04/15 >			30.647.00	
2.0 TSI	CJKA	150	204	04/15 >	23.597.00	31.840.00	30.320.00	53.189.00
with activated carbons / ai carboni attivi	CJKA	150	204	04/15 >				54.148.00
antibacterial, anti-odour and anti-allergen filter / filtro antibatterico, antiodori e anti-allergeni	CJKA	150	204	04/15 >				34.148.00
dusty areas / zone polverose	CJKA	150	204	04/15 >			30.647.00	
2.0 TSI	CJKB	110	150	04/15 >	23.597.00	31.840.00	30.320.00	53.189.00
with activated carbons / ai carboni attivi	CJKB	110	150	04/15 >				54.148.00
antibacterial, anti-odour and anti-allergen filter / filtro antibatterico, antiodori e anti-allergeni	CJKB	110	150	04/15 >				34.148.00
dusty areas / zone polverose	CJKB	110	150	04/15 >			30.647.00	
2.0 TSI 4Motion	CJKA	150	204	04/15 >	23.597.00	31.840.00	30.320.00	53.189.00
with activated carbons / ai carboni attivi	CJKA	150	204	04/15 >				54.148.00
antibacterial, anti-odour and anti-allergen filter / filtro antibatterico, antiodori e anti-allergeni	CJKA	150	204	04/15 >				34.148.00
dusty areas / zone polverose	CJKA	150	204	04/15 >			30.647.00	
Caravelle								
1.9 TD								
from frame No. 70T-200001 / da telaio N. 70T-200001	ABL	50	68	07/95 > 06/03	23.417.00	24.365.01	30.085.00	53.067.00

...VOLKSWAGEN - commercial vehicles/veicoli commerciali

2.0 i	from frame No. 70T-200001 / da telaio N. 70T-200001	AAC	62	84	07/95	>	04/02	23.130.01	31.500.00	30.085.00	53.067.00
	export models VAG 044 129 620 A / modelli di esportazione VAG 044 129 620 A	AAC	62	84	10/92	>	04/02	23.130.01	31.500.00	27.982.00	53.067.00
	dusty areas / zone polverose	AAC	62	84	07/95	>	04/02	23.130.01	31.500.00	30.193.00	53.067.00
2.0 TDI		CAAD	84	114	05/11	>		25.106.00	31.849.00	30.320.00	53.189.00
	with activated carbons / ai carboni attivi	CAAD	84	114	05/11	>					54.148.00
	antibacterial, anti-odour and anti-allergen filter / filtro antibatterico, antiodori e anti-allergeni	CAAD	84	114	05/11	>					34.148.00
2.0 TSI		CJKA	150	204	05/11	>	08/12	23.493.00	31.840.00	30.320.00	53.189.00
		CJKA	150	204	09/12	>		23.597.00	31.840.00	30.320.00	53.148.00
	with activated carbons / ai carboni attivi	CJKA	150	204	05/11	>					54.148.00
	antibacterial, anti-odour and anti-allergen filter / filtro antibatterico, antiodori e anti-allergeni	CJKA	150	204	05/11	>					34.148.00
2.0 TSI		CJKB	110	150	07/12	>	08/12	23.493.00	31.840.00	30.320.00	53.189.00
		CJKB	110	150	09/12	>		23.597.00	31.840.00	30.320.00	53.148.00
	with activated carbons / ai carboni attivi	CJKB	110	150	07/12	>					54.148.00
	antibacterial, anti-odour and anti-allergen filter / filtro antibatterico, antiodori e anti-allergeni	CJKB	110	150	07/12	>					34.148.00
2.5 i		AET	81	110	08/96	>	09/03	23.156.03	31.500.00	30.085.00	53.067.00
	dusty areas / zone polverose	AET	81	110	08/96	>	09/03	23.156.03	31.500.00	30.193.00	53.067.00
2.5 i (PRC)		AEU	81	110	08/96	>	06/03	23.156.03	31.500.00	30.085.00	53.067.00
	dusty areas / zone polverose	AEU	81	110	08/96	>	06/03	23.156.03	31.500.00	30.193.00	53.067.00
2.5 i (RUS)		AEU	81	110	08/96	>	06/03	23.156.03	31.500.00	30.085.00	53.067.00
	dusty areas / zone polverose	AEU	81	110	08/96	>	06/03	23.156.03	31.500.00	30.193.00	53.067.00
2.5 TDI		ACV	75	102	09/95	>	09/03	23.156.03	24.365.01	30.085.00	53.067.00
	dusty areas / zone polverose	ACV	75	102	09/95	>	09/03	23.156.03	24.365.01	30.193.00	53.067.00
2.5 TDI		AHY	111	150	05/98	>	09/00	23.156.03	24.365.01	30.085.00	53.067.00
	dusty areas / zone polverose	AHY	111	150	05/98	>	09/00	23.156.03	24.365.01	30.193.00	53.067.00
2.8 VR6		AES	103	140	01/96	>	05/00	25.010.00	31.500.00	30.085.00	53.067.00
	dusty areas / zone polverose	AES	103	140	01/96	>	05/00	25.010.00	31.500.00	30.193.00	53.067.00
3.2 i V6		CFLA	173	235	05/08	>	12/09	25.010.00	31.718.00	30.320.00	53.189.00
		CFLA	173	235	05/08	>	12/09				34.148.00
	with activated carbons / ai carboni attivi	CFLA	173	235	05/08	>	12/09				54.148.00
Caravelle (T6)											
2.0 Bi-TDI		CXEB	150	204	04/15	>		25.144.00		30.320.00	53.189.00
	with activated carbons / ai carboni attivi	CXEB	150	204	04/15	>					54.148.00
	antibacterial, anti-odour and anti-allergen filter / filtro antibatterico, antiodori e anti-allergeni	CXEB	150	204	04/15	>					34.148.00
	dusty areas / zone polverose	CXEB	150	204	04/15	>				30.647.00	
2.0 Bi-TDI 4Motion		CXEB	150	204	04/15	>		25.144.00		30.320.00	53.189.00
	with activated carbons / ai carboni attivi	CXEB	150	204	04/15	>					54.148.00
	antibacterial, anti-odour and anti-allergen filter / filtro antibatterico, antiodori e anti-allergeni	CXEB	150	204	04/15	>					34.148.00
	dusty areas / zone polverose	CXEB	150	204	04/15	>				30.647.00	
2.0 TDI		CAAA	62	84	04/15	>		25.106.00	31.849.00	30.320.00	53.189.00
	with activated carbons / ai carboni attivi	CAAA	62	84	04/15	>					54.148.00
	antibacterial, anti-odour and anti-allergen filter / filtro antibatterico, antiodori e anti-allergeni	CAAA	62	84	04/15	>					34.148.00
	dusty areas / zone polverose	CAAA	62	84	04/15	>				30.647.00	
2.0 TDI		CAAB	75	102	04/15	>		25.106.00	31.849.00	30.320.00	53.189.00
	with activated carbons / ai carboni attivi	CAAB	75	102	04/15	>					54.148.00
	antibacterial, anti-odour and anti-allergen filter / filtro antibatterico, antiodori e anti-allergeni	CAAB	75	102	04/15	>					34.148.00
	dusty areas / zone polverose	CAAB	75	102	04/15	>				30.647.00	
2.0 TDI		CXFA	110	150	04/15	>		25.144.00		30.320.00	53.189.00
	with activated carbons / ai carboni attivi	CXFA	110	150	04/15	>					54.148.00
	antibacterial, anti-odour and anti-allergen filter / filtro antibatterico, antiodori e anti-allergeni	CXFA	110	150	04/15	>					34.148.00
	dusty areas / zone polverose	CXFA	110	150	04/15	>				30.647.00	
2.0 TDI		CXGA	62	84	04/15	>		25.144.00		30.320.00	53.189.00
	with activated carbons / ai carboni attivi	CXGA	62	84	04/15	>					54.148.00
	antibacterial, anti-odour and anti-allergen filter / filtro antibatterico, antiodori e anti-allergeni	CXGA	62	84	04/15	>					34.148.00
	dusty areas / zone polverose	CXGA	62	84	04/15	>				30.647.00	
2.0 TDI		CXGB	75	102	04/15	>		25.144.00		30.320.00	53.189.00
	with activated carbons / ai carboni attivi	CXGB	75	102	04/15	>					54.148.00
	antibacterial, anti-odour and anti-allergen filter / filtro antibatterico, antiodori e anti-allergeni	CXGB	75	102	04/15	>					34.148.00
	dusty areas / zone polverose	CXGB	75	102	04/15	>				30.647.00	
2.0 TDI		CXHA	110	150	04/15	>		25.144.00		30.320.00	53.189.00
	with activated carbons / ai carboni attivi	CXHA	110	150	04/15	>					54.148.00
	antibacterial, anti-odour and anti-allergen filter / filtro antibatterico, antiodori e anti-allergeni	CXHA	110	150	04/15	>					34.148.00
	dusty areas / zone polverose	CXHA	110	150	04/15	>				30.647.00	
2.0 TDI 4Motion		CXFA	110	150	04/15	>		25.144.00		30.320.00	53.189.00
	with activated carbons / ai carboni attivi	CXFA	110	150	04/15	>					54.148.00
	antibacterial, anti-odour and anti-allergen filter / filtro antibatterico, antiodori e anti-allergeni	CXFA	110	150	04/15	>					34.148.00
	dusty areas / zone polverose	CXFA	110	150	04/15	>				30.647.00	

...VOLKSWAGEN - commercial vehicles/veicoli commerciali

2.0 TDI 4Motion	CXHA	110	150	04/15	>	25.144.00		30.320.00	53.189.00
with activated carbons / ai carboni attivi	CXHA	110	150	04/15	>				54.148.00
antibacterial, anti-odour and anti-allergen filter / filtro antibatterico, antiodori e anti-allergeni	CXHA	110	150	04/15	>				34.148.00
dusty areas / zone polverose	CXHA	110	150	04/15	>			30.647.00	
2.0 TSI	CJKA	150	204	04/15	>	23.597.00	31.840.00	30.320.00	53.189.00
with activated carbons / ai carboni attivi	CJKA	150	204	04/15	>				54.148.00
antibacterial, anti-odour and anti-allergen filter / filtro antibatterico, antiodori e anti-allergeni	CJKA	150	204	04/15	>				34.148.00
dusty areas / zone polverose	CJKA	150	204	04/15	>			30.647.00	
2.0 TSI	CJKB	110	150	04/15	>	23.597.00	31.840.00	30.320.00	53.189.00
with activated carbons / ai carboni attivi	CJKB	110	150	04/15	>				54.148.00
antibacterial, anti-odour and anti-allergen filter / filtro antibatterico, antiodori e anti-allergeni	CJKB	110	150	04/15	>				34.148.00
dusty areas / zone polverose	CJKB	110	150	04/15	>			30.647.00	
2.0 TSI 4Motion	CJKA	150	204	04/15	>	23.597.00	31.840.00	30.320.00	53.189.00
with activated carbons / ai carboni attivi	CJKA	150	204	04/15	>				54.148.00
antibacterial, anti-odour and anti-allergen filter / filtro antibatterico, antiodori e anti-allergeni	CJKA	150	204	04/15	>				34.148.00
dusty areas / zone polverose	CJKA	150	204	04/15	>			30.647.00	
Crafter 30 (2E/2F)									
2.0 BiTDI	CKUB	120	163	07/11	> 12/16	25.106.00	24.144.00	30.340.00	54.161.00
with air-conditioner BEHR / con climatizzatore BEHR	CKUB	120	163	07/11	> 12/16				53.322.00
antibacterial, anti-odour and anti-allergen filter / filtro antibatterico, antiodori e anti-allergeni	CKUB	120	163	07/11	> 12/16				34.161.00
2.0 BiTDI	CKUC	105	143	10/11	> 12/16	25.106.00		30.340.00	54.161.00
with air-conditioner BEHR / con climatizzatore BEHR	CKUC	105	143	10/11	> 12/16				53.322.00
antibacterial, anti-odour and anti-allergen filter / filtro antibatterico, antiodori e anti-allergeni	CKUC	105	143	10/11	> 12/16				34.161.00
2.0 TDI	CKTB	80	109	05/11	> 12/16	25.106.00	24.144.00	30.340.00	54.161.00
with air-conditioner BEHR / con climatizzatore BEHR	CKTB	80	109	05/11	> 12/16				53.322.00
antibacterial, anti-odour and anti-allergen filter / filtro antibatterico, antiodori e anti-allergeni	CKTB	80	109	05/11	> 12/16				34.161.00
2.0 TDI	CKTC	100	136	05/11	> 12/16	25.106.00	24.144.00	30.340.00	54.161.00
with air-conditioner BEHR / con climatizzatore BEHR	CKTC	100	136	05/11	> 12/16				53.322.00
antibacterial, anti-odour and anti-allergen filter / filtro antibatterico, antiodori e anti-allergeni	CKTC	100	136	05/11	> 12/16				34.161.00
2.0 TDI	CSLB	84	114	11/13	> 12/16	25.106.00	24.144.00	30.340.00	54.161.00
with air-conditioner BEHR / con climatizzatore BEHR	CSLB	84	114	11/13	> 12/16				53.322.00
antibacterial, anti-odour and anti-allergen filter / filtro antibatterico, antiodori e anti-allergeni	CSLB	84	114	11/13	> 12/16				34.161.00
2.0 TDI	CSNA	120	163	11/13	> 12/16	25.106.00	24.144.00	30.340.00	54.161.00
with air-conditioner BEHR / con climatizzatore BEHR	CSNA	120	163	11/13	> 12/16				53.322.00
antibacterial, anti-odour and anti-allergen filter / filtro antibatterico, antiodori e anti-allergeni	CSNA	120	163	11/13	> 12/16				34.161.00
2.5 TDI	BJJ	65	88	04/06	> 07/11	25.011.00	26.012.00	30.340.00	54.161.00
with automatic air-conditioner / con climatizzatore automatico	BJJ	65	88	04/06	> 07/11				53.322.00
with air-conditioner BEHR / con climatizzatore BEHR	BJJ	65	88	04/06	> 07/11	25.011.00	26.012.00	30.340.00	53.137.00
with manual air-conditioner / con climatizzatore manuale	BJJ	65	88	04/06	> 07/11				34.161.00
antibacterial, anti-odour and anti-allergen filter with automatic air-conditioner / filtro antibatterico, antiodori e anti-allergeni con climatizzatore automatico	BJJ	65	88	04/06	> 07/11				
2.5 TDI	BJK	80	109	04/06	> 07/11	25.011.00	26.012.00	30.340.00	54.161.00
with automatic air-conditioner / con climatizzatore automatico	BJK	80	109	04/06	> 07/11				53.322.00
with air-conditioner BEHR / con climatizzatore BEHR	BJK	80	109	04/06	> 07/11	25.011.00	26.012.00	30.340.00	53.137.00
with manual air-conditioner / con climatizzatore manuale	BJK	80	109	04/06	> 07/11				34.161.00
antibacterial, anti-odour and anti-allergen filter with automatic air-conditioner / filtro antibatterico, antiodori e anti-allergeni con climatizzatore automatico	BJK	80	109	04/06	> 07/11				
2.5 TDI	BJL	100	136	12/05	> 07/11	25.011.00	26.012.00	30.340.00	54.161.00
with automatic air-conditioner / con climatizzatore automatico	BJL	100	136	12/05	> 07/11				53.322.00
with air-conditioner BEHR / con climatizzatore BEHR	BJL	100	136	12/05	> 07/11	25.011.00	26.012.00	30.340.00	53.137.00
with manual air-conditioner / con climatizzatore manuale	BJL	100	136	12/05	> 07/11				34.161.00
antibacterial, anti-odour and anti-allergen filter with automatic air-conditioner / filtro antibatterico, antiodori e anti-allergeni con climatizzatore automatico	BJL	100	136	12/05	> 07/11				
2.5 TDI	BJM	120	163	04/06	> 07/11	25.011.00	26.012.00	30.340.00	54.161.00
with automatic air-conditioner / con climatizzatore automatico	BJM	120	163	04/06	> 07/11				53.322.00
with air-conditioner BEHR / con climatizzatore BEHR	BJM	120	163	04/06	> 07/11	25.011.00	26.012.00	30.340.00	53.137.00
with manual air-conditioner / con climatizzatore manuale	BJM	120	163	04/06	> 07/11				34.161.00
antibacterial, anti-odour and anti-allergen filter with automatic air-conditioner / filtro antibatterico, antiodori e anti-allergeni con climatizzatore automatico	BJM	120	163	04/06	> 07/11				
2.5 TDI	CEBA	65	88	05/09	> 07/11	25.011.00	26.012.00	30.340.00	54.161.00
with automatic air-conditioner / con climatizzatore automatico	CEBA	65	88	05/09	> 07/11				53.322.00
with air-conditioner BEHR / con climatizzatore BEHR	CEBA	65	88	05/09	> 07/11	25.011.00	26.012.00	30.340.00	53.137.00
with manual air-conditioner / con climatizzatore manuale	CEBA	65	88	05/09	> 07/11				34.161.00
antibacterial, anti-odour and anti-allergen filter with automatic air-conditioner / filtro antibatterico, antiodori e anti-allergeni con climatizzatore automatico	CEBA	65	88	05/09	> 07/11				
2.5 TDI	CEBB	80	109	05/09	> 05/13	25.011.00	26.012.00	30.340.00	54.161.00
with automatic air-conditioner / con climatizzatore automatico	CEBB	80	109	05/09	> 05/13				53.322.00
with air-conditioner BEHR / con climatizzatore BEHR	CEBB	80	109	05/09	> 05/13	25.011.00	26.012.00	30.340.00	53.137.00
with manual air-conditioner / con climatizzatore manuale	CEBB	80	109	05/09	> 05/13				34.161.00
antibacterial, anti-odour and anti-allergen filter with automatic air-conditioner / filtro antibatterico, antiodori e anti-allergeni con climatizzatore automatico	CEBB	80	109	05/09	> 05/13				
2.5 TDI	CECA	100	136	05/09	> 05/13	25.011.00	26.012.00	30.340.00	54.161.00
with automatic air-conditioner / con climatizzatore automatico	CECA	100	136	05/09	> 05/13				

...VOLKSWAGEN - commercial vehicles/veicoli commerciali

2.0 TDI 140	DAUA	103	140	09/16	>	25.144.00		30.A41.00	53.298.00	
with automatic air-conditioner / con climatizzatore automatico	DAUA	103	140	09/16	>				54.219.00	
antibacterial, anti-odour and anti-allergen filter with automatic air-conditioner / filtro antibatterico, antiodori e anti-allergeni con climatizzatore automatico	DAUA	103	140	09/16	>				34.219.00	
2.0 TDI BiTurbo 180	DAVA	130	177	11/16	>	25.144.00		30.A41.00	53.298.00	
with automatic air-conditioner / con climatizzatore automatico	DAVA	130	177	11/16	>				54.219.00	
antibacterial, anti-odour and anti-allergen filter with automatic air-conditioner / filtro antibatterico, antiodori e anti-allergeni con climatizzatore automatico	DAVA	130	177	11/16	>				34.219.00	
2.0 TDI BiTurbo 180	DAWA	130	177	05/17	>	25.144.00		30.A41.00	53.298.00	
with automatic air-conditioner / con climatizzatore automatico	DAWA	130	177	05/17	>				54.219.00	
antibacterial, anti-odour and anti-allergen filter with automatic air-conditioner / filtro antibatterico, antiodori e anti-allergeni con climatizzatore automatico	DAWA	130	177	05/17	>				34.219.00	
Eurovan										
2.4 D										
from frame No. 70T-200001 / da telaio N. 70T-200001	AAB	57	78	07/95	>	06/03	23.156.03	24.365.01	30.085.00	53.067.00
export models VAG 044 129 620 A / modelli di esportazione VAG 044 129 620 A	AAB	57	78	10/92	>	06/03	23.156.03	24.365.01	27.982.00	53.067.00
dusty areas / zone polverose	AAB	57	78	07/95	>	06/03	23.156.03	24.365.01	30.193.00	53.067.00
2.5 TDI										
from frame No. 70T-200001 / da telaio N. 70T-200001	ACV	75	102	07/95	>	06/03	23.156.03	24.365.01	30.085.00	53.067.00
dusty areas / zone polverose	ACV	75	102	07/95	>	06/03	23.156.03	24.365.01	30.193.00	53.067.00
2.8 VR6	AES	103	140	05/96	>	06/03	25.010.00	31.500.00	30.085.00	53.067.00
dusty areas / zone polverose	AES	103	140	05/96	>	06/03	25.010.00	31.500.00	30.193.00	53.067.00
LT28										
2.3 i	AGL	105	143	05/96	>	05/06	25.162.00	31.583.00	30.080.00	53.059.00
dusty areas / zone polverose	AGL	105	143	05/96	>	05/06			30.082.00	
2.5 SDI	AGX	55	75	09/96	>	09/01	25.011.00	24.391.00	30.080.00	53.059.00
with complete filter / con filtro completo	AGX	55	75	09/96	>	09/01		55.427.00		
dusty areas / zone polverose	AGX	55	75	09/96	>	09/01	25.011.00	24.391.00	30.082.00	53.059.00
2.5 TDI	ANJ	80	109	08/99	>	05/06	25.011.00	24.391.00	30.080.00	53.059.00
with complete filter / con filtro completo	ANJ	80	109	08/99	>	05/06		55.427.00		
dusty areas / zone polverose	ANJ	80	109	08/99	>	05/06	25.011.00	24.391.00	30.082.00	53.059.00
2.5 TDI	APA	66	90	08/99	>	09/01	25.011.00	24.391.00	30.080.00	53.059.00
with complete filter / con filtro completo	APA	66	90	08/99	>	09/01		55.427.00		
dusty areas / zone polverose	APA	66	90	08/99	>	09/01	25.011.00	24.391.00	30.082.00	53.059.00
2.5 TDI	BBE	61	83	05/01	>	05/06	25.011.00	24.391.00	30.080.00	53.059.00
with complete filter / con filtro completo	BBE	61	83	05/01	>	05/06		55.427.00		
dusty areas / zone polverose	BBE	61	83	05/01	>	05/06	25.011.00	24.391.00	30.082.00	53.059.00
2.8 TDI	ATA	96	130	05/97	>	05/02	23.482.00	24.391.00	30.080.00	53.059.00
with complete filter / con filtro completo	ATA	96	130	05/97	>	05/02		55.427.00		
dusty areas / zone polverose	ATA	96	130	05/97	>	05/02	23.482.00	24.391.00	30.082.00	53.059.00
2.8 TDI	AUH	116	158	04/02	>	05/06	23.482.00	26.057.00	30.080.00	53.059.00
dusty areas / zone polverose	AUH	116	158	04/02	>	05/06	23.482.00	26.057.00	30.082.00	53.059.00
2.8 TDI	BCQ	116	158	04/02	>	05/06	23.482.00	26.057.00	30.080.00	53.059.00
dusty areas / zone polverose	BCQ	116	158	04/02	>	05/06	23.482.00	26.057.00	30.082.00	53.059.00
LT31										
2.3 i	AGL	105	143	05/96	>	05/06	25.162.00	31.583.00	30.080.00	53.059.00
dusty areas / zone polverose	AGL	105	143	05/96	>	05/06			30.082.00	
LT35										
2.3 i	AGL	105	143	05/96	>	05/06	25.162.00	31.583.00	30.080.00	53.059.00
dusty areas / zone polverose	AGL	105	143	05/96	>	05/06			30.082.00	
2.5 SDI	AGX	55	75	09/96	>	09/01	25.011.00	24.391.00	30.080.00	53.059.00
with complete filter / con filtro completo	AGX	55	75	09/96	>	09/01		55.427.00		
dusty areas / zone polverose	AGX	55	75	09/96	>	09/01	25.011.00	24.391.00	30.082.00	53.059.00
2.5 TDI	ANJ	80	109	08/99	>	05/06	25.011.00	24.391.00	30.080.00	53.059.00
with complete filter / con filtro completo	ANJ	80	109	08/99	>	05/06		55.427.00		
dusty areas / zone polverose	ANJ	80	109	08/99	>	05/06	25.011.00	24.391.00	30.082.00	53.059.00
2.5 TDI	APA	66	90	08/99	>	09/01	25.011.00	24.391.00	30.080.00	53.059.00
with complete filter / con filtro completo	APA	66	90	08/99	>	09/01		55.427.00		
dusty areas / zone polverose	APA	66	90	08/99	>	09/01	25.011.00	24.391.00	30.082.00	53.059.00
2.8 TDI	ATA	96	130	05/97	>	05/02	23.482.00	24.391.00	30.080.00	53.059.00
with complete filter / con filtro completo	ATA	96	130	05/97	>	05/02		55.427.00		
dusty areas / zone polverose	ATA	96	130	05/97	>	05/02	23.482.00	24.391.00	30.082.00	53.059.00
2.8 TDI	AUH	116	158	04/02	>	05/06	23.482.00	26.057.00	30.080.00	53.059.00
dusty areas / zone polverose	AUH	116	158	04/02	>	05/06	23.482.00	26.057.00	30.082.00	53.059.00
2.8 TDI	BCQ	116	158	04/02	>	05/06	23.482.00	26.057.00	30.080.00	53.059.00
dusty areas / zone polverose	BCQ	116	158	04/02	>	05/06	23.482.00	26.057.00	30.082.00	53.059.00
LT46										
2.3 i	AGL	105	143	05/96	>	05/06	25.162.00	31.583.00	30.080.00	53.059.00
dusty areas / zone polverose	AGL	105	143	05/96	>	05/06			30.082.00	
2.5 SDI	AGX	55	75	09/96	>	09/01	25.011.00	24.391.00	30.080.00	53.059.00

...VOLKSWAGEN - commercial vehicles/veicoli commerciali

with complete filter / con filtro completo	AGX	55	75	09/96 > 09/01		55.427.00		
dusty areas / zone polverose	AGX	55	75	09/96 > 09/01	25.011.00	24.391.00	30.082.00	53.059.00
2.5 TDI	ANJ	80	109	08/99 > 05/06	25.011.00	24.391.00	30.080.00	53.059.00
with complete filter / con filtro completo	ANJ	80	109	08/99 > 05/06		55.427.00		
dusty areas / zone polverose	ANJ	80	109	08/99 > 05/06	25.011.00	24.391.00	30.082.00	53.059.00
2.5 TDI	APA	66	90	08/99 > 09/01	25.011.00	24.391.00	30.080.00	53.059.00
with complete filter / con filtro completo	APA	66	90	08/99 > 09/01		55.427.00		
dusty areas / zone polverose	APA	66	90	08/99 > 09/01	25.011.00	24.391.00	30.082.00	53.059.00
2.8 TDI	ATA	96	130	05/97 > 05/02	23.482.00	24.391.00	30.080.00	53.059.00
with complete filter / con filtro completo	ATA	96	130	05/97 > 05/02		55.427.00		
dusty areas / zone polverose	ATA	96	130	05/97 > 05/02	23.482.00	24.391.00	30.082.00	53.059.00
2.8 TDI	AUH	116	158	04/02 > 05/06	23.482.00	26.057.00	30.080.00	53.059.00
dusty areas / zone polverose	AUH	116	158	04/02 > 05/06	23.482.00	26.057.00	30.082.00	53.059.00
Multivan								
1.9 Turbodiesel								
from frame No. 70T-200001 / da telaio N. 70T-200001	ABL	50	68	07/95 > 06/03	23.417.00	24.365.01	30.085.00	53.067.00
dusty areas / zone polverose	ABL	50	68	07/95 > 06/03	23.417.00	24.365.01	30.193.00	53.067.00
2.0 i								
from frame No. 70T-200001 / da telaio N. 70T-200001	AAC	62	84	07/95 > 06/03	23.130.01	31.500.00	30.085.00	53.067.00
export models VAG 044 129 620 A / modelli di esportazione VAG 044 129 620 A	AAC	62	84	10/92 > 06/03	23.130.01	31.500.00	27.982.00	53.067.00
dusty areas / zone polverose	AAC	62	84	07/95 > 06/03	23.130.01	31.500.00	30.193.00	53.067.00
2.4 Diesel								
from frame No. 70T-200001 / da telaio N. 70T-200001	AAB	57	78	07/95 > 06/03	23.156.03	24.365.01	30.085.00	53.067.00
export models VAG 044 129 620 A / modelli di esportazione VAG 044 129 620 A	AAB	57	78	10/92 > 06/03	23.156.03	24.365.01	27.982.00	53.067.00
dusty areas / zone polverose	AAB	57	78	07/95 > 06/03	23.156.03	24.365.01	30.193.00	53.067.00
2.4 Diesel Syncro								
from frame No. 70T-200001 / da telaio N. 70T-200001	AAB	57	78	07/95 > 06/03	23.156.03	24.365.01	30.085.00	53.067.00
export models VAG 044 129 620 A / modelli di esportazione VAG 044 129 620 A	AAB	57	78	11/92 > 06/03	23.156.03	24.365.01	27.982.00	53.067.00
dusty areas / zone polverose	AAB	57	78	07/95 > 06/03	23.156.03	24.365.01	30.193.00	53.067.00
2.5 i								
from frame No. 70T-200001 / da telaio N. 70T-200001	ACU	81	110	07/95 > 06/03	23.156.03	31.500.00	30.085.00	53.067.00
export models VAG 044 129 620 A / modelli di esportazione VAG 044 129 620 A	ACU	81	110	07/94 > 06/03	23.156.03	31.500.00	27.982.00	53.067.00
dusty areas / zone polverose	ACU	81	110	07/95 > 06/03	23.156.03	31.500.00	30.193.00	53.067.00
2.5 i								
dusty areas / zone polverose	AET	81	110	08/96 > 06/03	23.156.03	31.500.00	30.085.00	53.067.00
dusty areas / zone polverose	AET	81	110	08/96 > 06/03	23.156.03	31.500.00	30.193.00	53.067.00
2.5 i (PRC)								
dusty areas / zone polverose	AEU	81	110	08/96 > 06/03	23.156.03	31.500.00	30.193.00	53.067.00
2.5 i (RUS)								
dusty areas / zone polverose	AEU	81	110	08/96 > 06/03	23.156.03	31.500.00	30.193.00	53.067.00
2.5 i Syncro								
from frame No. 70T-200001 / da telaio N. 70T-200001	ACU	81	110	07/95 > 06/03	23.156.03	31.500.00	30.085.00	53.067.00
export models VAG 044 129 620 A / modelli di esportazione VAG 044 129 620 A	ACU	81	110	07/94 > 06/03	23.156.03	31.500.00	27.982.00	53.067.00
dusty areas / zone polverose	ACU	81	110	07/95 > 06/03	23.156.03	31.500.00	30.193.00	53.067.00
2.5 i Syncro								
dusty areas / zone polverose	AET	81	110	08/96 > 06/03	23.156.03	31.500.00	30.085.00	53.067.00
dusty areas / zone polverose	AET	81	110	08/96 > 06/03	23.156.03	31.500.00	30.193.00	53.067.00
2.5 TDI								
from frame No. 70T-200001 / da telaio N. 70T-200001	ACV	75	102	07/95 > 06/03	23.156.03	24.365.01	30.085.00	53.067.00
dusty areas / zone polverose	ACV	75	102	07/95 > 06/03	23.156.03	24.365.01	30.193.00	53.067.00
2.5 TDI								
dusty areas / zone polverose	AHY	111	150	05/98 > 06/03	23.156.03	24.365.01	30.085.00	53.067.00
dusty areas / zone polverose	AHY	111	150	05/98 > 06/03	23.156.03	24.365.01	30.193.00	53.067.00
2.8 VR6								
dusty areas / zone polverose	AES	103	140	01/96 > 06/03	25.010.00	31.500.00	30.085.00	53.067.00
dusty areas / zone polverose	AES	103	140	01/96 > 06/03	25.010.00	31.500.00	30.193.00	53.067.00
Multivan (T5)								
1.9 TDI								
with activated carbons / ai carboni attivi	AXB	77	105	04/03 > 12/09	25.023.00	31.849.00	30.320.00	53.189.00
antibacterial, anti-odour and anti-allergen filter / filtro antibatterico, antiodori e anti-allergeni	AXB	77	105	04/03 > 12/09				54.148.00
antibacterial, anti-odour and anti-allergen filter / filtro antibatterico, antiodori e anti-allergeni	AXB	77	105	04/03 > 12/09				34.148.00
1.9 TDI								
with activated carbons / ai carboni attivi	AXC	63	85	04/03 > 12/09	25.023.00	31.849.00	30.320.00	53.189.00
antibacterial, anti-odour and anti-allergen filter / filtro antibatterico, antiodori e anti-allergeni	AXC	63	85	04/03 > 12/09				54.148.00
antibacterial, anti-odour and anti-allergen filter / filtro antibatterico, antiodori e anti-allergeni	AXC	63	85	04/03 > 12/09				34.148.00
1.9 TDI								
with activated carbons / ai carboni attivi	BRR	62	84	01/06 > 12/09	25.023.00	31.849.00	30.320.00	53.189.00
antibacterial, anti-odour and anti-allergen filter / filtro antibatterico, antiodori e anti-allergeni	BRR	62	84	01/06 > 12/09				54.148.00
antibacterial, anti-odour and anti-allergen filter / filtro antibatterico, antiodori e anti-allergeni	BRR	62	84	01/06 > 12/09				34.148.00
1.9 TDI								
with activated carbons / ai carboni attivi	BRS	75	102	01/06 > 12/09	25.023.00	31.849.00	30.320.00	53.189.00
antibacterial, anti-odour and anti-allergen filter / filtro antibatterico, antiodori e anti-allergeni	BRS	75	102	01/06 > 12/09				54.148.00
antibacterial, anti-odour and anti-allergen filter / filtro antibatterico, antiodori e anti-allergeni	BRS	75	102	01/06 > 12/09				34.148.00
2.0 BI-TDI								
with activated carbons / ai carboni attivi	CFCA	132	180	09/09 > 08/15	23.660.00	31.849.00	30.320.00	53.189.00
with activated carbons / ai carboni attivi	CFCA	132	180	09/09 > 08/15				54.148.00

...VOLKSWAGEN - commercial vehicles/veicoli commerciali

antibacterial, anti-odour and anti-allergen filter / filtro antibatterico, antiodori e anti-allergeni	CFCA	132	180	09/09	>	08/15				34.148.00
2.0 BI-TDI 4motion	CFCA	132	180	09/09	>	08/15	23.660.00	31.849.00	30.320.00	53.189.00
with activated carbons / ai carboni attivi	CFCA	132	180	09/09	>	08/15				54.148.00
antibacterial, anti-odour and anti-allergen filter / filtro antibatterico, antiodori e anti-allergeni	CFCA	132	180	09/09	>	08/15				34.148.00
2.0 i	AXA	85	115	04/03	>	05/11	23.436.00	31.718.00	30.320.00	53.189.00
with activated carbons / ai carboni attivi	AXA	85	115	04/03	>	05/11				54.148.00
antibacterial, anti-odour and anti-allergen filter / filtro antibatterico, antiodori e anti-allergeni	AXA	85	115	04/03	>	05/11				34.148.00
2.0 TDI	CAAA	62	84	09/09	>		25.106.00	31.849.00	30.320.00	53.189.00
with activated carbons / ai carboni attivi	CAAA	62	84	09/09	>					54.148.00
antibacterial, anti-odour and anti-allergen filter / filtro antibatterico, antiodori e anti-allergeni	CAAA	62	84	09/09	>					34.148.00
2.0 TDI	CAAB	75	102	09/09	>		25.106.00	31.849.00	30.320.00	53.189.00
with activated carbons / ai carboni attivi	CAAB	75	102	09/09	>					54.148.00
antibacterial, anti-odour and anti-allergen filter / filtro antibatterico, antiodori e anti-allergeni	CAAB	75	102	09/09	>					34.148.00
2.0 TDI	CAAC	103	140	09/09	>		25.106.00	31.849.00	30.320.00	53.189.00
with activated carbons / ai carboni attivi	CAAC	103	140	09/09	>					54.148.00
antibacterial, anti-odour and anti-allergen filter / filtro antibatterico, antiodori e anti-allergeni	CAAC	103	140	09/09	>					34.148.00
2.0 TDI	CAAE	100	136	05/10	>		25.106.00	31.849.00	30.320.00	53.189.00
with activated carbons / ai carboni attivi	CAAE	100	136	05/10	>					54.148.00
antibacterial, anti-odour and anti-allergen filter / filtro antibatterico, antiodori e anti-allergeni	CAAE	100	136	05/10	>					34.148.00
2.0 TDI	CCHA	103	140	09/09	>		25.106.00	31.849.00	30.320.00	53.189.00
with activated carbons / ai carboni attivi	CCHA	103	140	09/09	>					54.148.00
antibacterial, anti-odour and anti-allergen filter / filtro antibatterico, antiodori e anti-allergeni	CCHA	103	140	09/09	>					34.148.00
2.0 TDI	CCHB	100	136	05/10	>		25.106.00	31.849.00	30.320.00	53.189.00
with activated carbons / ai carboni attivi	CCHB	100	136	05/10	>					54.148.00
antibacterial, anti-odour and anti-allergen filter / filtro antibatterico, antiodori e anti-allergeni	CCHB	100	136	05/10	>					34.148.00
2.0 TDI 4motion	CAAE	100	136	05/10	>		25.106.00	31.849.00	30.320.00	53.189.00
with activated carbons / ai carboni attivi	CAAE	100	136	05/10	>					54.148.00
antibacterial, anti-odour and anti-allergen filter / filtro antibatterico, antiodori e anti-allergeni	CAAE	100	136	05/10	>					34.148.00
2.0 TDI 4motion	CCHB	100	136	05/10	>		25.106.00	31.849.00	30.320.00	53.189.00
with activated carbons / ai carboni attivi	CCHB	100	136	05/10	>					54.148.00
antibacterial, anti-odour and anti-allergen filter / filtro antibatterico, antiodori e anti-allergeni	CCHB	100	136	05/10	>					34.148.00
2.5 TDI										
to frame No. 7H_8_120000 / a telaio N. 7H_8_120000	AXD	96	130	04/03	>	02/08	25.023.00	31.849.00	30.320.00	53.189.00
with activated carbons / ai carboni attivi	AXD	96	130	04/03	>	12/09				54.148.00
from frame No. 7H_8_120001 / da telaio N. 7H_8_120001	AXD	96	130	03/08	>	12/09	25.023.00	31.947.00	30.320.00	53.189.00
antibacterial, anti-odour and anti-allergen filter / filtro antibatterico, antiodori e anti-allergeni	AXD	96	130	04/03	>	02/08				34.148.00
2.5 TDI										
to frame No. 7H_8_120000 / a telaio N. 7H_8_120000	AXE	128	174	04/03	>	02/08	25.023.00	31.849.00	30.320.00	53.189.00
with activated carbons / ai carboni attivi	AXE	128	174	04/03	>	12/09				54.148.00
from frame No. 7H_8_120001 / da telaio N. 7H_8_120001	AXE	128	174	03/08	>	12/09	25.023.00	31.947.00	30.320.00	53.189.00
antibacterial, anti-odour and anti-allergen filter / filtro antibatterico, antiodori e anti-allergeni	AXE	128	174	04/03	>	02/08				34.148.00
2.5 TDI										
to frame No. 7H_8_120000 / a telaio N. 7H_8_120000	BLJ	128	174	11/03	>	02/08	25.023.00	31.849.00	30.320.00	53.189.00
with activated carbons / ai carboni attivi	BLJ	128	174	11/03	>	12/09				54.148.00
from frame No. 7H_8_120001 / da telaio N. 7H_8_120001	BLJ	128	174	03/08	>	12/09	25.023.00	31.947.00	30.320.00	53.189.00
antibacterial, anti-odour and anti-allergen filter / filtro antibatterico, antiodori e anti-allergeni	BLJ	128	174	11/03	>	02/08				34.148.00
2.5 TDI 4motion										
to frame No. 7H_8_120000 / a telaio N. 7H_8_120000	AXD	96	130	07/04	>	02/08	25.023.00	31.849.00	30.320.00	53.189.00
with activated carbons / ai carboni attivi	AXD	96	130	07/04	>	12/09				54.148.00
from frame No. 7H_8_120001 / da telaio N. 7H_8_120001	AXD	96	130	03/08	>	12/09	25.023.00	31.947.00	30.320.00	53.189.00
antibacterial, anti-odour and anti-allergen filter / filtro antibatterico, antiodori e anti-allergeni	AXD	96	130	07/04	>	12/09				34.148.00
2.5 TDI 4motion										
to frame No. 7H_8_120000 / a telaio N. 7H_8_120000	AXE	128	174	07/04	>	02/08	25.023.00	31.849.00	30.320.00	53.189.00
with activated carbons / ai carboni attivi	AXE	128	174	07/04	>	12/09				54.148.00
from frame No. 7H_8_120001 / da telaio N. 7H_8_120001	AXE	128	174	03/08	>	12/09	25.023.00	31.947.00	30.320.00	53.189.00
antibacterial, anti-odour and anti-allergen filter / filtro antibatterico, antiodori e anti-allergeni	AXE	128	174	07/04	>	12/09				34.148.00
3.2 i V6	BDL	170	230	04/03	>	12/09	25.010.00	31.718.00	30.320.00	53.189.00
with activated carbons / ai carboni attivi	BDL	170	230	04/03	>	12/09				54.148.00
antibacterial, anti-odour and anti-allergen filter / filtro antibatterico, antiodori e anti-allergeni	BDL	170	230	04/03	>	12/09				34.148.00
3.2 i V6	BKK	170	230	04/03	>	12/09	25.010.00	31.718.00	30.320.00	53.189.00
with activated carbons / ai carboni attivi	BKK	170	230	04/03	>	12/09				54.148.00
antibacterial, anti-odour and anti-allergen filter / filtro antibatterico, antiodori e anti-allergeni	BKK	170	230	04/03	>	12/09				34.148.00
3.2 i V6	CFLA	173	235	05/08	>	12/09	25.010.00	31.718.00	30.320.00	53.189.00
with activated carbons / ai carboni attivi	CFLA	173	235	05/08	>	12/09				54.148.00
antibacterial, anti-odour and anti-allergen filter / filtro antibatterico, antiodori e anti-allergeni	CFLA	173	235	05/08	>	12/09				34.148.00
3.2 i V6 4motion	BKK	170	230	07/04	>	12/09	25.010.00	31.718.00	30.320.00	53.189.00
with activated carbons / ai carboni attivi	BKK	170	230	07/04	>	12/09				54.148.00

...VOLKSWAGEN - commercial vehicles/veicoli commerciali

antibacterial, anti-odour and anti-allergen filter / filtro antibatterico, antiodori e anti-allergeni		BKK	170	230	07/04 >	12/09				34.148.00	
Multivan (T6)											
2.0 Bi-TDI	CXEB	150	204	04/15 >			25.144.00		30.320.00	53.189.00	
with activated carbons / ai carboni attivi	CXEB	150	204	04/15 >						54.148.00	
antibacterial, anti-odour and anti-allergen filter / filtro antibatterico, antiodori e anti-allergeni	CXEB	150	204	04/15 >						34.148.00	
dusty areas / zone polverose	CXEB	150	204	04/15 >				30.647.00			
2.0 Bi-TDI 4Motion	CXEB	150	204	04/15 >			25.144.00		30.320.00	53.189.00	
with activated carbons / ai carboni attivi	CXEB	150	204	04/15 >						54.148.00	
antibacterial, anti-odour and anti-allergen filter / filtro antibatterico, antiodori e anti-allergeni	CXEB	150	204	04/15 >						34.148.00	
dusty areas / zone polverose	CXEB	150	204	04/15 >				30.647.00			
2.0 TDI	CAAA	62	84	04/15 >			25.106.00	31.849.00	30.320.00	53.189.00	
with activated carbons / ai carboni attivi	CAAA	62	84	04/15 >						54.148.00	
antibacterial, anti-odour and anti-allergen filter / filtro antibatterico, antiodori e anti-allergeni	CAAA	62	84	04/15 >						34.148.00	
dusty areas / zone polverose	CAAA	62	84	04/15 >					30.647.00		
2.0 TDI	CAAB	75	102	04/15 >			25.106.00	31.849.00	30.320.00	53.189.00	
with activated carbons / ai carboni attivi	CAAB	75	102	04/15 >						54.148.00	
antibacterial, anti-odour and anti-allergen filter / filtro antibatterico, antiodori e anti-allergeni	CAAB	75	102	04/15 >						34.148.00	
dusty areas / zone polverose	CAAB	75	102	04/15 >					30.647.00		
2.0 TDI	CFCA	132	180	04/15 >			23.660.00	31.849.00	30.320.00	53.189.00	
with activated carbons / ai carboni attivi	CFCA	132	180	04/15 >						54.148.00	
antibacterial, anti-odour and anti-allergen filter / filtro antibatterico, antiodori e anti-allergeni	CFCA	132	180	04/15 >						34.148.00	
dusty areas / zone polverose	CFCA	132	180	04/15 >					30.647.00		
2.0 TDI	CXFA	110	150	04/15 >			25.144.00		30.320.00	53.189.00	
with activated carbons / ai carboni attivi	CXFA	110	150	04/15 >						54.148.00	
antibacterial, anti-odour and anti-allergen filter / filtro antibatterico, antiodori e anti-allergeni	CXFA	110	150	04/15 >						34.148.00	
dusty areas / zone polverose	CXFA	110	150	04/15 >					30.647.00		
2.0 TDI	CXGA	62	84	04/15 >			25.144.00		30.320.00	53.189.00	
with activated carbons / ai carboni attivi	CXGA	62	84	04/15 >						54.148.00	
antibacterial, anti-odour and anti-allergen filter / filtro antibatterico, antiodori e anti-allergeni	CXGA	62	84	04/15 >						34.148.00	
dusty areas / zone polverose	CXGA	62	84	04/15 >					30.647.00		
2.0 TDI	CXGB	75	102	04/15 >			25.144.00		30.320.00	53.189.00	
with activated carbons / ai carboni attivi	CXGB	75	102	04/15 >						54.148.00	
antibacterial, anti-odour and anti-allergen filter / filtro antibatterico, antiodori e anti-allergeni	CXGB	75	102	04/15 >						34.148.00	
dusty areas / zone polverose	CXGB	75	102	04/15 >					30.647.00		
2.0 TDI	CXHA	110	150	04/15 >			25.144.00		30.320.00	53.189.00	
with activated carbons / ai carboni attivi	CXHA	110	150	04/15 >						54.148.00	
antibacterial, anti-odour and anti-allergen filter / filtro antibatterico, antiodori e anti-allergeni	CXHA	110	150	04/15 >						34.148.00	
dusty areas / zone polverose	CXHA	110	150	04/15 >					30.647.00		
2.0 TDI	CXHB	84	114	04/15 >			25.144.00		30.320.00	53.189.00	
with activated carbons / ai carboni attivi	CXHB	84	114	04/15 >						54.148.00	
antibacterial, anti-odour and anti-allergen filter / filtro antibatterico, antiodori e anti-allergeni	CXHB	84	114	04/15 >						34.148.00	
dusty areas / zone polverose	CXHB	84	114	04/15 >					30.647.00		
2.0 TDI 4Motion	CXFA	110	150	04/15 >			25.144.00		30.320.00	53.189.00	
with activated carbons / ai carboni attivi	CXFA	110	150	04/15 >						54.148.00	
antibacterial, anti-odour and anti-allergen filter / filtro antibatterico, antiodori e anti-allergeni	CXFA	110	150	04/15 >						34.148.00	
dusty areas / zone polverose	CXFA	110	150	04/15 >					30.647.00		
2.0 TDI 4Motion	CXHA	110	150	04/15 >			25.144.00		30.320.00	53.189.00	
with activated carbons / ai carboni attivi	CXHA	110	150	04/15 >						54.148.00	
antibacterial, anti-odour and anti-allergen filter / filtro antibatterico, antiodori e anti-allergeni	CXHA	110	150	04/15 >						34.148.00	
dusty areas / zone polverose	CXHA	110	150	04/15 >					30.647.00		
2.0 TSI	CJKA	150	204	04/15 >			23.597.00	31.840.00	30.320.00	53.189.00	
with activated carbons / ai carboni attivi	CJKA	150	204	04/15 >						54.148.00	
antibacterial, anti-odour and anti-allergen filter / filtro antibatterico, antiodori e anti-allergeni	CJKA	150	204	04/15 >						34.148.00	
dusty areas / zone polverose	CJKA	150	204	04/15 >					30.647.00		
2.0 TSI	CJKB	110	150	04/15 >			23.597.00	31.840.00	30.320.00	53.189.00	
with activated carbons / ai carboni attivi	CJKB	110	150	04/15 >						54.148.00	
antibacterial, anti-odour and anti-allergen filter / filtro antibatterico, antiodori e anti-allergeni	CJKB	110	150	04/15 >						34.148.00	
dusty areas / zone polverose	CJKB	110	150	04/15 >					30.647.00		
2.0 TSI 4Motion	CJKA	150	204	04/15 >			23.597.00	31.840.00	30.320.00	53.189.00	
with activated carbons / ai carboni attivi	CJKA	150	204	04/15 >						54.148.00	
antibacterial, anti-odour and anti-allergen filter / filtro antibatterico, antiodori e anti-allergeni	CJKA	150	204	04/15 >						34.148.00	
dusty areas / zone polverose	CJKA	150	204	04/15 >					30.647.00		
Taro											
1.8											
to frame No. 7A-PH010000 - 7A-P9510000 / a telaio N. 7A-PH010000 - 7A-P9510000	Toyota 2Y						23.121.00	31.006.00	27.133.00		
from frame No. 7A-RH000001 - 7A-R9500001 / da telaio N. 7A-RH000001 - 7A-R9500001	Toyota 2Y						23.251.00	31.006.00	27.133.00		
2.2											

...VOLKSWAGEN - commercial vehicles/veicoli commerciali

to frame No. 7A-L9503250 / a telaio N. 7A-L9503250	Toyota 4Y	69	94	06/89	>	23.121.00	31.006.00	27.133.00	
2.2 4x4									
to frame No. 7A-L9503250 / a telaio N. 7A-L9503250	Toyota 4Y	69	94	06/89	>	23.121.00	31.006.00	27.133.00	
Transporter (T4)									
1.9 Turbodiesel									
from frame No. 70T-200001 / da telaio N. 70T-200001	ABL	50	68	07/95	> 06/03	23.417.00	24.365.01	30.085.00	53.067.00
dusty areas / zone polverose	ABL	50	68	07/95	> 06/03	23.417.00	24.365.01	30.193.00	53.067.00
2.0 i									
from frame No. 70T-200001 / da telaio N. 70T-200001	AAC	62	84	08/95	> 06/03	23.130.01	31.500.00	30.085.00	53.067.00
export models VAG 044 129 620 A / modelli di esportazione VAG 044 129 620 A	AAC	62	84	10/92	> 06/03	23.130.01	31.500.00	27.982.00	53.067.00
dusty areas / zone polverose	AAC	62	84	08/95	> 06/03	23.130.01	31.500.00	30.193.00	53.067.00
2.4 Diesel									
from frame No. 70T-200001 / da telaio N. 70T-200001	AAB	57	78	07/95	> 06/03	23.156.03	24.365.01	30.085.00	53.067.00
export models VAG 044 129 620 A / modelli di esportazione VAG 044 129 620 A	AAB	57	78	10/92	> 06/03	23.156.03	24.365.01	27.982.00	53.067.00
dusty areas / zone polverose	AAB	57	78	07/95	> 06/03	23.156.03	24.365.01	30.193.00	53.067.00
2.4 Diesel									
dusty areas / zone polverose	AJA	55	75	05/97	> 06/03	23.156.03	24.365.01	30.085.00	53.067.00
dusty areas / zone polverose	AJA	55	75	05/97	> 06/03	23.156.03	24.365.01	30.193.00	53.067.00
2.5 i									
export models VAG 044 129 620 A / modelli di esportazione VAG 044 129 620 A	ACU	81	110	01/94	> 06/03	23.156.03	31.500.00	27.982.00	53.067.00
dusty areas / zone polverose	ACU	81	110	07/95	> 06/03	23.156.03	31.500.00	30.193.00	53.067.00
2.5 i									
dusty areas / zone polverose	AET	81	110	07/96	> 06/03	23.156.03	31.500.00	30.085.00	53.067.00
dusty areas / zone polverose	AET	81	110	07/96	> 06/03	23.156.03	31.500.00	30.193.00	53.067.00
2.5 i									
dusty areas / zone polverose	APL	85	115	05/96	> 06/03	23.156.03	31.500.00	30.085.00	53.067.00
dusty areas / zone polverose	APL	85	115	05/96	> 06/03	23.156.03	31.500.00	30.193.00	53.067.00
2.5 i									
dusty areas / zone polverose	AVT	85	115	05/96	> 06/03	23.156.03	31.500.00	30.085.00	53.067.00
dusty areas / zone polverose	AVT	85	115	05/96	> 06/03	23.156.03	31.500.00	30.193.00	53.067.00
2.5 i (PRC)									
dusty areas / zone polverose	AEU	81	110	08/96	> 06/03	23.156.03	31.500.00	30.085.00	53.067.00
dusty areas / zone polverose	AEU	81	110	08/96	> 06/03	23.156.03	31.500.00	30.193.00	53.067.00
2.5 i (RUS)									
dusty areas / zone polverose	AEU	81	110	08/96	> 06/03	23.156.03	31.500.00	30.085.00	53.067.00
dusty areas / zone polverose	AEU	81	110	08/96	> 06/03	23.156.03	31.500.00	30.193.00	53.067.00
2.5 i Syncro									
export models VAG 044 129 620 A / modelli di esportazione VAG 044 129 620 A	ACU	81	110	01/94	> 06/03	23.156.03	31.500.00	27.982.00	53.067.00
dusty areas / zone polverose	ACU	81	110	07/95	> 06/03	23.156.03	31.500.00	30.193.00	53.067.00
2.5 i Syncro									
dusty areas / zone polverose	AET	81	110	05/96	> 06/03	23.156.03	31.500.00	30.085.00	53.067.00
dusty areas / zone polverose	AET	81	110	05/96	> 06/03	23.156.03	31.500.00	30.193.00	53.067.00
2.5 TDI									
dusty areas / zone polverose	ACV	75	102	08/95	> 06/03	23.156.03	24.365.01	30.085.00	53.067.00
dusty areas / zone polverose	ACV	75	102	08/95	> 06/03	23.156.03	24.365.01	30.193.00	53.067.00
2.5 TDI									
dusty areas / zone polverose	AHY	111	151	05/98	> 06/03	23.156.03	24.365.01	30.085.00	53.067.00
dusty areas / zone polverose	AHY	111	151	05/98	> 06/03	23.156.03	24.365.01	30.193.00	53.067.00
2.5 TDI									
dusty areas / zone polverose	AJT	65	88	05/98	> 06/03	23.156.03	24.365.01	30.085.00	53.067.00
dusty areas / zone polverose	AJT	65	88	05/98	> 06/03	23.156.03	24.365.01	30.193.00	53.067.00
2.5 TDI									
dusty areas / zone polverose	AUF	75	102	08/95	> 06/03	23.156.03	24.365.01	30.085.00	53.067.00
dusty areas / zone polverose	AUF	75	102	08/95	> 06/03	23.156.03	24.365.01	30.193.00	53.067.00
2.5 TDI									
dusty areas / zone polverose	AXG	111	151	09/00	> 06/03	23.156.03	24.365.01	30.085.00	53.067.00
dusty areas / zone polverose	AXG	111	151	09/00	> 06/03	23.156.03	24.365.01	30.193.00	53.067.00
2.5 TDI									
dusty areas / zone polverose	AYC	75	102	04/01	> 06/03	23.156.03	24.365.01	30.085.00	53.067.00
dusty areas / zone polverose	AYC	75	102	04/01	> 06/03	23.156.03	24.365.01	30.193.00	53.067.00
2.5 TDI									
dusty areas / zone polverose	AYY	65	88	04/01	> 06/03	23.156.03	24.365.01	30.085.00	53.067.00
dusty areas / zone polverose	AYY	65	88	04/01	> 06/03	23.156.03	24.365.01	30.193.00	53.067.00
2.8 i V6 24V									
dusty areas / zone polverose	AMV	150	204	04/00	> 06/03	25.023.00	31.500.00	30.085.00	53.067.00
dusty areas / zone polverose	AMV	150	204	04/00	> 06/03	25.023.00	31.500.00	30.193.00	53.067.00
2.8 VR6									
dusty areas / zone polverose	AES	103	140	01/96	> 06/03	25.010.00	31.500.00	30.085.00	53.067.00
dusty areas / zone polverose	AES	103	140	01/96	> 06/03	25.010.00	31.500.00	30.193.00	53.067.00
Transporter (T5)									
1.9 TDI									
with activated carbons / ai carboni attivi	AXB	77	105	04/03	> 12/09	25.023.00	31.849.00	30.320.00	53.189.00
antibacterial, anti-odour and anti-allergen filter / filtro antibatterico, antiodori e anti-allergeni	AXB	77	105	04/03	> 12/09				54.148.00
antibacterial, anti-odour and anti-allergen filter / filtro antibatterico, antiodori e anti-allergeni	AXB	77	105	04/03	> 12/09				34.148.00
1.9 TDI									
with activated carbons / ai carboni attivi	AXC	63	85	04/03	> 12/09	25.023.00	31.849.00	30.320.00	53.189.00
antibacterial, anti-odour and anti-allergen filter / filtro antibatterico, antiodori e anti-allergeni	AXC	63	85	04/03	> 12/09				54.148.00
antibacterial, anti-odour and anti-allergen filter / filtro antibatterico, antiodori e anti-allergeni	AXC	63	85	04/03	> 12/09				34.148.00
1.9 TDI									
with activated carbons / ai carboni attivi	BRR	62	84	01/06	> 12/09	25.023.00	31.849.00	30.320.00	53.189.00
antibacterial, anti-odour and anti-allergen filter / filtro antibatterico, antiodori e anti-allergeni	BRR	62	84	01/06	> 12/09				54.148.00
antibacterial, anti-odour and anti-allergen filter / filtro antibatterico, antiodori e anti-allergeni	BRR	62	84	01/06	> 12/09				34.148.00
1.9 TDI									
with activated carbons / ai carboni attivi	BRS	75	102	01/06	> 12/09	25.023.00	31.849.00	30.320.00	53.189.00
antibacterial, anti-odour and anti-allergen filter / filtro antibatterico, antiodori e anti-allergeni	BRS	75	102	01/06	> 12/09				54.148.00
antibacterial, anti-odour and anti-allergen filter / filtro antibatterico, antiodori e anti-allergeni	BRS	75	102	01/06	> 12/09				34.148.00
2.0 Bi-TDI									
	CFCA	132	180	09/09	> 08/15	23.660.00	31.849.00	30.320.00	53.189.00

...VOLKSWAGEN - commercial vehicles/veicoli commerciali

with activated carbons / ai carboni attivi	CFCA	132	180	09/09	>	08/15				54.148.00
antibacterial, anti-odour and anti-allergen filter / filtro antibatterico, antiodori e anti-allergeni	CFCA	132	180	09/09	>	08/15				34.148.00
2.0 BI-TDI 4motion	CFCA	132	180	09/09	>	08/15	23.660.00	31.849.00	30.320.00	53.189.00
with activated carbons / ai carboni attivi	CFCA	132	180	09/09	>	08/15				54.148.00
antibacterial, anti-odour and anti-allergen filter / filtro antibatterico, antiodori e anti-allergeni	CFCA	132	180	09/09	>	08/15				34.148.00
2.0 i	AXA	85	115	04/03	>	12/09	23.436.00	31.718.00	30.320.00	53.189.00
with activated carbons / ai carboni attivi	AXA	85	115	04/03	>	12/09				54.148.00
antibacterial, anti-odour and anti-allergen filter / filtro antibatterico, antiodori e anti-allergeni	AXA	85	115	04/03	>	12/09				34.148.00
2.0 TDI	CAAA	62	84	09/09	>		25.106.00	31.849.00	30.320.00	53.189.00
with activated carbons / ai carboni attivi	CAAA	62	84	09/09	>					54.148.00
antibacterial, anti-odour and anti-allergen filter / filtro antibatterico, antiodori e anti-allergeni	CAAA	62	84	09/09	>					34.148.00
2.0 TDI	CAAB	75	102	09/09	>		25.106.00	31.849.00	30.320.00	53.189.00
with activated carbons / ai carboni attivi	CAAB	75	102	09/09	>					54.148.00
antibacterial, anti-odour and anti-allergen filter / filtro antibatterico, antiodori e anti-allergeni	CAAB	75	102	09/09	>					34.148.00
2.0 TDI	CAAC	103	140	09/09	>		25.106.00	31.849.00	30.320.00	53.189.00
with activated carbons / ai carboni attivi	CAAC	103	140	09/09	>					54.148.00
antibacterial, anti-odour and anti-allergen filter / filtro antibatterico, antiodori e anti-allergeni	CAAC	103	140	09/09	>					34.148.00
2.0 TDI	CAAE	100	136	05/10	>		25.106.00	31.849.00	30.320.00	53.189.00
with activated carbons / ai carboni attivi	CAAE	100	136	05/10	>					54.148.00
antibacterial, anti-odour and anti-allergen filter / filtro antibatterico, antiodori e anti-allergeni	CAAE	100	136	05/10	>					34.148.00
2.0 TDI	CCHA	103	140	09/09	>		25.106.00	31.849.00	30.320.00	53.189.00
with activated carbons / ai carboni attivi	CCHA	103	140	09/09	>					54.148.00
antibacterial, anti-odour and anti-allergen filter / filtro antibatterico, antiodori e anti-allergeni	CCHA	103	140	09/09	>					34.148.00
2.0 TDI	CCHB	100	136	05/10	>		25.106.00	31.849.00	30.320.00	53.189.00
with activated carbons / ai carboni attivi	CCHB	100	136	05/10	>					54.148.00
antibacterial, anti-odour and anti-allergen filter / filtro antibatterico, antiodori e anti-allergeni	CCHB	100	136	05/10	>					34.148.00
2.0 TDI 4motion	CAAE	100	136	05/10	>		25.106.00	31.849.00	30.320.00	53.189.00
with activated carbons / ai carboni attivi	CAAE	100	136	05/10	>					54.148.00
antibacterial, anti-odour and anti-allergen filter / filtro antibatterico, antiodori e anti-allergeni	CAAE	100	136	05/10	>					34.148.00
2.0 TDI 4motion	CCHB	100	136	05/10	>		25.106.00	31.849.00	30.320.00	53.189.00
with activated carbons / ai carboni attivi	CCHB	100	136	05/10	>					54.148.00
antibacterial, anti-odour and anti-allergen filter / filtro antibatterico, antiodori e anti-allergeni	CCHB	100	136	05/10	>					34.148.00
2.0 TDI Blue Motion	CAAD	84	114	05/11	>		25.106.00	31.849.00	30.320.00	53.189.00
with activated carbons / ai carboni attivi	CAAD	84	114	05/11	>					54.148.00
antibacterial, anti-odour and anti-allergen filter / filtro antibatterico, antiodori e anti-allergeni	CAAD	84	114	05/11	>					34.148.00
2.0 TSI	CJKA	150	204	05/11	>	08/12	23.493.00	31.840.00	30.320.00	53.189.00
with activated carbons / ai carboni attivi	CJKA	150	204	09/12	>		23.597.00	31.840.00	30.320.00	53.189.00
antibacterial, anti-odour and anti-allergen filter / filtro antibatterico, antiodori e anti-allergeni	CJKA	150	204	05/11	>					34.148.00
2.0 TSI	CJKB	110	150	07/12	>	08/12	23.493.00	31.840.00	30.320.00	53.189.00
with activated carbons / ai carboni attivi	CJKB	110	150	09/12	>		23.597.00	31.840.00	30.320.00	53.189.00
antibacterial, anti-odour and anti-allergen filter / filtro antibatterico, antiodori e anti-allergeni	CJKB	110	150	07/12	>					34.148.00
2.0 TSI 4motion	CJKA	150	204	05/11	>	08/12	23.493.00	31.840.00	30.320.00	53.189.00
with activated carbons / ai carboni attivi	CJKA	150	204	09/12	>		23.597.00	31.840.00	30.320.00	53.189.00
antibacterial, anti-odour and anti-allergen filter / filtro antibatterico, antiodori e anti-allergeni	CJKA	150	204	05/11	>					34.148.00
2.0 TSI 4motion	CJKB	110	150	07/12	>	08/12	23.493.00	31.840.00	30.320.00	53.189.00
with activated carbons / ai carboni attivi	CJKB	110	150	09/12	>		23.597.00	31.840.00	30.320.00	53.189.00
antibacterial, anti-odour and anti-allergen filter / filtro antibatterico, antiodori e anti-allergeni	CJKB	110	150	07/12	>					34.148.00
2.5 TDI	AXD	96	130	04/03	>	02/08	25.023.00	31.849.00	30.320.00	53.189.00
to frame No. 7H_8_120000 / a telaio N. 7H_8_120000	AXD	96	130	04/03	>	12/09				54.148.00
with activated carbons / ai carboni attivi	AXD	96	130	03/08	>	12/09	25.023.00	31.947.00	30.320.00	53.189.00
antibacterial, anti-odour and anti-allergen filter / filtro antibatterico, antiodori e anti-allergeni	AXD	96	130	04/03	>	12/09				34.148.00
2.5 TDI	AXE	128	174	04/03	>	02/08	25.023.00	31.849.00	30.320.00	53.189.00
to frame No. 7H_8_120000 / a telaio N. 7H_8_120000	AXE	128	174	04/03	>	12/09				54.148.00
with activated carbons / ai carboni attivi	AXE	128	174	03/08	>	12/09	25.023.00	31.947.00	30.320.00	53.189.00
antibacterial, anti-odour and anti-allergen filter / filtro antibatterico, antiodori e anti-allergeni	AXE	128	174	04/03	>	12/09				34.148.00
2.5 TDI	BLJ	128	174	11/03	>	02/08	25.023.00	31.849.00	30.320.00	53.189.00
to frame No. 7H_8_120000 / a telaio N. 7H_8_120000	BLJ	128	174	11/03	>	12/09				54.148.00
with activated carbons / ai carboni attivi	BLJ	128	174	03/08	>	12/09	25.023.00	31.947.00	30.320.00	53.189.00
antibacterial, anti-odour and anti-allergen filter / filtro antibatterico, antiodori e anti-allergeni	BLJ	128	174	11/03	>	12/09				34.148.00
2.5 TDI										

...VOLKSWAGEN - commercial vehicles/veicoli commerciali

to frame No. 7H_8_120000 / a telaio N. 7H_8_120000	BNZ	96	130	01/06 >	02/08	25.023.00	31.849.00	30.320.00	53.189.00
with activated carbons / ai carboni attivi	BNZ	96	130	01/06 >	12/09				54.148.00
from frame No. 7H_8_120001 / da telaio N. 7H_8_120001	BNZ	96	130	03/08 >	12/09	25.023.00	31.947.00	30.320.00	53.189.00
antibacterial, anti-odour and anti-allergen filter / filtro antibatterico, antiodori e anti-allergeni	BNZ	96	130	01/06 >	12/09				34.148.00
2.5 TDI									
to frame No. 7H_8_120000 / a telaio N. 7H_8_120000	BPC	128	174	01/06 >	02/08	25.023.00	31.849.00	30.320.00	53.189.00
with activated carbons / ai carboni attivi	BPC	128	174	01/06 >	12/09				54.148.00
from frame No. 7H_8_120001 / da telaio N. 7H_8_120001	BPC	128	174	03/08 >	12/09	25.023.00	31.947.00	30.320.00	53.189.00
antibacterial, anti-odour and anti-allergen filter / filtro antibatterico, antiodori e anti-allergeni	BPC	128	174	01/06 >	12/09				34.148.00
2.5 TDI 4motion									
to frame No. 7H_8_120000 / a telaio N. 7H_8_120000	AXD	96	130	07/04 >	02/08	25.023.00	31.849.00	30.320.00	53.189.00
with activated carbons / ai carboni attivi	AXD	96	130	07/04 >	12/09				54.148.00
from frame No. 7H_8_120001 / da telaio N. 7H_8_120001	AXD	96	130	03/08 >	12/09	25.023.00	31.947.00	30.320.00	53.189.00
antibacterial, anti-odour and anti-allergen filter / filtro antibatterico, antiodori e anti-allergeni	AXD	96	130	07/04 >	02/08				34.148.00
2.5 TDI 4motion									
to frame No. 7H_8_120000 / a telaio N. 7H_8_120000	AXE	128	174	07/04 >	02/08	25.023.00	31.849.00	30.320.00	53.189.00
with activated carbons / ai carboni attivi	AXE	128	174	07/04 >	12/09				54.148.00
from frame No. 7H_8_120001 / da telaio N. 7H_8_120001	AXE	128	174	03/08 >	12/09	25.023.00	31.947.00	30.320.00	53.189.00
antibacterial, anti-odour and anti-allergen filter / filtro antibatterico, antiodori e anti-allergeni	AXE	128	174	07/04 >	12/09				34.148.00
3.2 i V6									
with activated carbons / ai carboni attivi	BDL	170	230	04/03 >	12/09	25.010.00	31.718.00	30.320.00	53.189.00
antibacterial, anti-odour and anti-allergen filter / filtro antibatterico, antiodori e anti-allergeni	BDL	170	230	04/03 >	12/09				34.148.00
3.2 i V6									
with activated carbons / ai carboni attivi	BKK	170	230	08/03 >	12/09	25.010.00	31.718.00	30.320.00	53.189.00
antibacterial, anti-odour and anti-allergen filter / filtro antibatterico, antiodori e anti-allergeni	BKK	170	230	08/03 >	12/09				34.148.00
3.2 i V6									
with activated carbons / ai carboni attivi	CFLA	173	235	05/08 >	12/09	25.010.00	31.718.00	30.320.00	53.189.00
antibacterial, anti-odour and anti-allergen filter / filtro antibatterico, antiodori e anti-allergeni	CFLA	173	235	05/08 >	12/09				34.148.00
Transporter (T6)									
2.0 Bi-TDI									
with activated carbons / ai carboni attivi	CFCA	132	180	04/15 >		23.660.00	31.849.00	30.320.00	53.189.00
antibacterial, anti-odour and anti-allergen filter / filtro antibatterico, antiodori e anti-allergeni	CFCA	132	180	04/15 >					34.148.00
dusty areas / zone polverose	CFCA	132	180	04/15 >				30.647.00	
2.0 Bi-TDI									
with activated carbons / ai carboni attivi	CXEB	150	204	04/15 >		25.144.00		30.320.00	53.189.00
antibacterial, anti-odour and anti-allergen filter / filtro antibatterico, antiodori e anti-allergeni	CXEB	150	204	04/15 >					34.148.00
dusty areas / zone polverose	CXEB	150	204	04/15 >				30.647.00	
2.0 Bi-TDI									
with activated carbons / ai carboni attivi	CXEC	146	199	11/18 >		25.144.00		30.320.00	53.189.00
antibacterial, anti-odour and anti-allergen filter / filtro antibatterico, antiodori e anti-allergeni	CXEC	146	199	11/18 >					34.148.00
dusty areas / zone polverose	CXEC	146	199	11/18 >				30.647.00	
2.0 Bi-TDI 4Motion									
with activated carbons / ai carboni attivi	CFCA	132	180	04/15 >		23.660.00	31.849.00	30.320.00	53.189.00
antibacterial, anti-odour and anti-allergen filter / filtro antibatterico, antiodori e anti-allergeni	CFCA	132	180	04/15 >					34.148.00
dusty areas / zone polverose	CFCA	132	180	04/15 >				30.647.00	
2.0 Bi-TDI 4Motion									
with activated carbons / ai carboni attivi	CXEB	150	204	04/15 >		25.144.00		30.320.00	53.189.00
antibacterial, anti-odour and anti-allergen filter / filtro antibatterico, antiodori e anti-allergeni	CXEB	150	204	04/15 >					34.148.00
dusty areas / zone polverose	CXEB	150	204	04/15 >				30.647.00	
2.0 Bi-TDI 4Motion									
with activated carbons / ai carboni attivi	CXEC	146	199	11/18 >		25.144.00		30.320.00	53.189.00
antibacterial, anti-odour and anti-allergen filter / filtro antibatterico, antiodori e anti-allergeni	CXEC	146	199	11/18 >					34.148.00
dusty areas / zone polverose	CXEC	146	199	11/18 >				30.647.00	
2.0 TDI									
with activated carbons / ai carboni attivi	CAAA	62	84	04/15 >		25.106.00	31.849.00	30.320.00	53.189.00
antibacterial, anti-odour and anti-allergen filter / filtro antibatterico, antiodori e anti-allergeni	CAAA	62	84	04/15 >					34.148.00
dusty areas / zone polverose	CAAA	62	84	04/15 >				30.647.00	
2.0 TDI									
with activated carbons / ai carboni attivi	CAAB	75	102	04/15 >		25.106.00	31.849.00	30.320.00	53.189.00
antibacterial, anti-odour and anti-allergen filter / filtro antibatterico, antiodori e anti-allergeni	CAAB	75	102	04/15 >					34.148.00
dusty areas / zone polverose	CAAB	75	102	04/15 >				30.647.00	
2.0 TDI									
with activated carbons / ai carboni attivi	CAAC	103	140	04/15 >		25.106.00	31.849.00	30.320.00	53.189.00
antibacterial, anti-odour and anti-allergen filter / filtro antibatterico, antiodori e anti-allergeni	CAAC	103	140	04/15 >					34.148.00
dusty areas / zone polverose	CAAC	103	140	04/15 >				30.647.00	
2.0 TDI									
with activated carbons / ai carboni attivi	CXFA	110	150	04/15 >		25.144.00		30.320.00	53.189.00
	CXFA	110	150	04/15 >					54.148.00

...VOLKSWAGEN - commercial vehicles/veicoli commerciali

antibacterial, anti-odour and anti-allergen filter / filtro antibatterico, antiodori e anti-allergeni	CXFA	110	150	04/15	>				34.148.00
dusty areas / zone polverose	CXFA	110	150	04/15	>			30.647.00	
2.0 TDI	CXGA	62	84	04/15	>	25.144.00		30.320.00	53.189.00
with activated carbons / ai carboni attivi	CXGA	62	84	04/15	>				54.148.00
antibacterial, anti-odour and anti-allergen filter / filtro antibatterico, antiodori e anti-allergeni	CXGA	62	84	04/15	>				34.148.00
dusty areas / zone polverose	CXGA	62	84	04/15	>			30.647.00	
2.0 TDI	CXGB	75	102	04/15	>	25.144.00		30.320.00	53.189.00
with activated carbons / ai carboni attivi	CXGB	75	102	04/15	>				54.148.00
antibacterial, anti-odour and anti-allergen filter / filtro antibatterico, antiodori e anti-allergeni	CXGB	75	102	04/15	>				34.148.00
dusty areas / zone polverose	CXGB	75	102	04/15	>			30.647.00	
2.0 TDI	CXHA	110	150	04/15	>	25.144.00		30.320.00	53.189.00
with activated carbons / ai carboni attivi	CXHA	110	150	04/15	>				54.148.00
antibacterial, anti-odour and anti-allergen filter / filtro antibatterico, antiodori e anti-allergeni	CXHA	110	150	04/15	>				34.148.00
dusty areas / zone polverose	CXHA	110	150	04/15	>			30.647.00	
2.0 TDI 4Motion	CAAC	103	140	04/15	>	25.106.00	31.849.00	30.320.00	53.189.00
with activated carbons / ai carboni attivi	CAAC	103	140	04/15	>				54.148.00
antibacterial, anti-odour and anti-allergen filter / filtro antibatterico, antiodori e anti-allergeni	CAAC	103	140	04/15	>				34.148.00
dusty areas / zone polverose	CAAC	103	140	04/15	>			30.647.00	
2.0 TDI 4Motion	CXFA	110	150	04/15	>	25.144.00		30.320.00	53.189.00
with activated carbons / ai carboni attivi	CXFA	110	150	04/15	>				54.148.00
antibacterial, anti-odour and anti-allergen filter / filtro antibatterico, antiodori e anti-allergeni	CXFA	110	150	04/15	>				34.148.00
dusty areas / zone polverose	CXFA	110	150	04/15	>			30.647.00	
2.0 TDI 4Motion	CXHA	110	150	04/15	>	25.144.00		30.320.00	53.189.00
with activated carbons / ai carboni attivi	CXHA	110	150	04/15	>				54.148.00
antibacterial, anti-odour and anti-allergen filter / filtro antibatterico, antiodori e anti-allergeni	CXHA	110	150	04/15	>				34.148.00
dusty areas / zone polverose	CXHA	110	150	04/15	>			30.647.00	
2.0 TSI	CJKA	150	204	04/15	>	23.597.00	31.840.00	30.320.00	53.189.00
with activated carbons / ai carboni attivi	CJKA	150	204	04/15	>				54.148.00
antibacterial, anti-odour and anti-allergen filter / filtro antibatterico, antiodori e anti-allergeni	CJKA	150	204	04/15	>				34.148.00
dusty areas / zone polverose	CJKA	150	204	04/15	>			30.647.00	
2.0 TSI	CJKB	110	150	04/15	>	23.597.00	31.840.00	30.320.00	53.189.00
with activated carbons / ai carboni attivi	CJKB	110	150	04/15	>				54.148.00
antibacterial, anti-odour and anti-allergen filter / filtro antibatterico, antiodori e anti-allergeni	CJKB	110	150	04/15	>				34.148.00
dusty areas / zone polverose	CJKB	110	150	04/15	>			30.647.00	
2.0 TSI 4Motion	CJKA	150	204	04/15	>	23.597.00	31.840.00	30.320.00	53.189.00
with activated carbons / ai carboni attivi	CJKA	150	204	04/15	>				54.148.00
antibacterial, anti-odour and anti-allergen filter / filtro antibatterico, antiodori e anti-allergeni	CJKA	150	204	04/15	>				34.148.00
dusty areas / zone polverose	CJKA	150	204	04/15	>			30.647.00	

VOLVO

cars/auto

240

2.0	B19K, B200K	09/83	>	23.257.00		30.860.00	
2.0 cat S.W. Polar		09/84	>	23.257.00	31.502.00	30.860.00	
2.0 cat S.W. Polar Super		09/84	>	23.257.00	31.502.00	30.860.00	
2.0 cat Super		09/84	>	23.257.00	31.502.00	30.860.00	
2.0 i	B200E	09/84	>	23.257.00	31.502.00	30.860.00	
2.0 i Turbo	B19ET, B21ET	01/82	>	23.257.00	31.506.00		
2.0 i Turbo S.W.	B19ET, B21ET	01/82	>	23.257.00	31.506.00		
2.0 S.W. Polar		09/84	>	23.257.00	31.502.00	30.860.00	
2.1	B21A, B230A/K/CI	01/82	>	23.257.00		30.860.00	
2.1 i Turbo	B19ET, B21ET	01/82	>	23.257.00	31.506.00		
2.1 i Turbo S.W.	B19ET, B21ET	01/82	>	23.257.00	31.506.00		
2.3	B21A, B230A/K/CI	01/82	>	23.257.00		30.860.00	

262

2.7	B27A, B28A	05/75	>	23.257.00			
2.8	B27A, B28A	05/75	>	23.257.00			

264

2.7	B27A, B28A	05/75	>	23.257.00			
2.8	B27A, B28A	05/75	>	23.257.00			

265

2.7	B27A, B28A	05/75	>	23.257.00			
2.8	B27A, B28A	05/75	>	23.257.00			

340

1.4	B14.3E/.4E/.4S	05/84	>	23.279.00			
1.6 Diesel							
assembly BOSCH / montaggio BOSCH	D16	01/85	>	23.279.00	24.351.00	30.852.00	
assembly DELPHI / montaggio DELPHI	D16	01/85	>	23.279.00	24.361.00	30.852.00	

...VOLVO - cars/auto

or / oppure	D16		01/85 >	23.279.00	24.350.00	30.852.00	
1.7	B17, B172K		01/85 >	23.279.00			
2.0	B200K		09/84 >	23.257.00		30.860.00	
2.0 i	B200E		09/84 >	23.257.00	31.502.00		
343							
2.0	B19A		08/80 >	23.257.00		30.860.00	
345							
2.0	B19A		08/80 >	23.257.00		30.860.00	
360							
1.7	B14, B17			23.279.00			
2.0	B200K		09/84 >	23.257.00		30.860.00	
2.0 i	B200E		09/84 >	23.257.00	31.502.00		
440							
1.6 i	B16F (1596)		01/90 >	23.279.00	31.506.00	30.955.00	
1.7			01/88 >	23.279.00		30.923.01	
1.7 cat			01/88 >	23.279.00		30.923.01	
1.7 GLE			01/88 >	23.279.00		30.923.01	
1.7 GLE cat			01/88 >	23.279.00		30.923.01	
1.7 i GLE			01/88 >	23.279.00	31.506.00	30.955.00	
1.7 i GLE cat			01/88 >	23.279.00	31.506.00	30.955.00	
1.7 i GLT			01/88 >	23.279.00	31.506.00	30.955.00	
1.7 i GLT cat			01/88 >	23.279.00	31.506.00	30.955.00	
1.7 i Turbo	B18FT, B18FTM		01/88 >	23.279.00	31.506.00	30.955.00	
1.7 i Turbo cat	B18FT, B18FTM		01/88 >	23.279.00	31.506.00	30.955.00	
1.8 i	B18U		01/92 >	23.279.00	31.506.00	30.955.00	
2.0 i	B20F, B20U			23.279.00	31.506.00	30.955.00	
740							
2.0							
to frame No. 49053 / a telaio N. 49053	B19E	86 117	08/83 >	23.257.00	31.502.00	30.915.00	
2.0	B200K	76 103	01/84 >	23.257.00		30.948.00	
2.0	B20K		01/84 >	23.257.00		30.948.00	
2.0	B23F, B200E, B230E/F		01/84 >	23.257.00	31.502.00	30.948.00	
2.0 i 16V	B204E	103 140	01/88 >	23.257.00	31.502.00	30.948.00	
2.0 i 16V cat Turbo	B204ET, B204FT		01/84 >	23.257.00	31.502.00	30.890.00	
2.0 i 16V cat Turbo S.W.	B204ET, B204FT		01/84 >	23.257.00	31.502.00	30.890.00	
2.0 i 16V GLE S.W.	B204E		01/88 >	23.257.00	31.502.00	30.948.00	
2.0 i 16V GLT	B204E		01/88 >	23.257.00	31.502.00	30.948.00	
2.0 i 16V GLT S.W.	B204E		01/88 >	23.257.00	31.502.00	30.948.00	
2.0 i 16V Turbo	B204ET, B204FT		01/84 >	23.257.00	31.502.00	30.890.00	
2.0 i 16V Turbo S.W.	B204ET, B204FT		01/84 >	23.257.00	31.502.00	30.890.00	
2.0 S.W.	B200K, B230A, B230K		01/84 >	23.257.00		30.948.00	
2.0 S.W.	B20K, B23A, B23K		01/84 >	23.257.00		30.948.00	
2.0 S.W.	B23F, B200E, B230E/F		01/84 >	23.257.00	31.502.00	30.948.00	
2.3	B23A, B23K		01/84 >	23.257.00		30.948.00	
2.3							
to frame No. 49053 / a telaio N. 49053	B23E	95 129	08/83 >	23.257.00	31.502.00	30.915.00	
2.3	B23F, B200E, B230E/F		01/84 >	23.257.00	31.502.00	30.948.00	
2.3 i 16V GLT S.W.	B234E/F		01/88 >	23.257.00	31.502.00	30.948.00	
2.3 S.W.	B200K, B230A, B230K		01/84 >	23.257.00		30.948.00	
2.3 S.W.	B20K, B23A, B23K		01/84 >	23.257.00		30.948.00	
2.3 S.W.	B23F, B200E, B230E/F		01/84 >	23.257.00	31.502.00	30.948.00	
760							
2.0							
to frame No. 49053 / a telaio N. 49053	B19E, B23E		01/82 >	23.257.00	31.502.00	30.915.00	
2.0	B200K, B230A, B230K		01/84 >	23.257.00		30.948.00	
2.0	B20K, B23A, B23K		01/84 >	23.257.00		30.948.00	
2.0	B23F, B200E, B230E/F		01/84 >	23.257.00	31.502.00	30.948.00	
2.0 i 16V Turbo	B204ET, B204FT			23.257.00	31.502.00	30.890.00	
2.0 i Turbo	B200ET, B200FT			23.257.00	31.502.00	30.890.00	
2.0 S.W.	B200K, B230A, B230K		01/84 >	23.257.00		30.948.00	
2.0 S.W.	B20K, B23A, B23K		01/84 >	23.257.00		30.948.00	
2.0 S.W.	B23F, B200E, B230E/F		01/84 >	23.257.00	31.502.00	30.948.00	
2.3							
to frame No. 49053 / a telaio N. 49053	B19E, B23E			23.257.00	31.502.00	30.915.00	
from frame No. 49054 / da telaio N. 49054	B19E, B23E			23.257.00	31.502.00	30.948.00	
2.3	B200K, B230A, B230K		01/84 >	23.257.00		30.948.00	
2.3	B20K, B23A, B23K		01/84 >	23.257.00		30.948.00	

...VOLVO - cars/auto

2.3	B23F, B200E, B230E/F			01/84 >	23.257.00	31.502.00	30.948.00	
2.3 S.W.	B200K, B230A, B230K			01/84 >	23.257.00		30.948.00	
2.3 S.W.	B20K, B23A, B23K			01/84 >	23.257.00		30.948.00	
2.3 S.W.	B23F, B200E, B230E/F			01/84 >	23.257.00	31.502.00	30.948.00	
2.3 Turbo	B23ET, B230ET			09/83 >	23.257.00	31.502.00	30.890.00	
2.3 Turbo Intercooler	B23ET, B230ET			09/83 >	23.257.00	31.502.00	30.890.00	
2.3 Turbo Intercooler S.W.	B23ET, B230ET			09/83 >	23.257.00	31.502.00	30.890.00	
2.3 Turbo S.W.	B23ET, B230ET			09/83 >	23.257.00	31.502.00	30.890.00	
2.8 V6 Automatic	B28, B28E			02/82 >	23.257.00	31.502.00	30.915.00	
780								
2.0 Turbo	B19ET, B200ET			01/86 >	23.257.00	31.502.00	30.890.00	
2.0 Turbo Intercooler	B19ET, B200ET			01/86 >	23.257.00	31.502.00	30.890.00	
2.8 V6	B280E/F				23.257.00	31.502.00	30.948.00	
2.8 V6 Automatic	B28, B28E			01/86 >	23.257.00	31.502.00		
with VOLVO 1276389-2 / con VOLVO 1276389-2	B28, B28E				23.257.00	31.502.00	30.915.00	
C30								
1.6								
with automatic air-conditioner and L.H.D. / con climatizzatore automatico e guida a sinistra	B4164S3	74	100	11/06 > 05/07	23.413.00	31.842.00	30.245.00	54.158.00
with automatic air-conditioner and L.H.D. / con climatizzatore automatico e guida a sinistra	B4164S3	74	100	06/07 > 10/10	23.267.00	31.842.00	27.675.00	54.158.00
with air-conditioner and L.H.D. / con climatizzatore e guida a sinistra	B4164S3	74	100	11/06 > 05/07	23.413.00	31.842.00	30.245.00	53.129.00
with air-conditioner and L.H.D. / con climatizzatore e guida a sinistra	B4164S3	74	100	06/07 > 10/10	23.267.00	31.842.00	27.675.00	53.129.00
antibacterial, anti-odour and anti-allergen filter with automatic air-conditioner and L.H.D. / filtro antibatterico, antiodori e anti-allergeni con climatizzatore automatico e guida a sinistra	B4164S3	74	100	11/06 > 10/10				34.158.00
1.6 D								
with automatic air-conditioner and L.H.D. / con climatizzatore automatico e guida a sinistra	D4164T	80	109	11/06 > 05/07	25.037.00	55.170.00	30.246.00	54.158.00
with automatic air-conditioner and L.H.D. / con climatizzatore automatico e guida a sinistra	D4164T	80	109	06/07 > 10/10	25.037.00	55.170.00	27.675.00	54.158.00
with air-conditioner and L.H.D. / con climatizzatore e guida a sinistra	D4164T	80	109	11/06 > 05/07	25.037.00	55.170.00	30.246.00	53.129.00
with air-conditioner and L.H.D. / con climatizzatore e guida a sinistra	D4164T	80	109	06/07 > 10/10	25.037.00	55.170.00	27.675.00	53.129.00
antibacterial, anti-odour and anti-allergen filter with automatic air-conditioner and L.H.D. / filtro antibatterico, antiodori e anti-allergeni con climatizzatore automatico e guida a sinistra	D4164T	80	109	11/06 > 10/10				34.158.00
1.6 D2								
with automatic air-conditioner and L.H.D. / con climatizzatore automatico e guida a sinistra	D4162T	84	115	10/10 > 12/12	25.037.00		27.675.00	54.158.00
with air-conditioner and L.H.D. / con climatizzatore e guida a sinistra	D4162T	84	115	10/10 > 12/12	25.037.00		27.675.00	53.129.00
antibacterial, anti-odour and anti-allergen filter with automatic air-conditioner and L.H.D. / filtro antibatterico, antiodori e anti-allergeni con climatizzatore automatico e guida a sinistra	D4162T	84	115	10/10 > 12/12				34.158.00
spare part only / solo ricambio	D4162T	84	115	10/10 > 12/12		24.128.00		
1.6 DRIVe								
with automatic air-conditioner and L.H.D. / con climatizzatore automatico e guida a sinistra	D4162T	84	115	10/10 > 12/12	25.037.00		27.675.00	54.158.00
with air-conditioner and L.H.D. / con climatizzatore e guida a sinistra	D4162T	84	115	10/10 > 12/12	25.037.00		27.675.00	53.129.00
antibacterial, anti-odour and anti-allergen filter with automatic air-conditioner and L.H.D. / filtro antibatterico, antiodori e anti-allergeni con climatizzatore automatico e guida a sinistra	D4162T	84	115	10/10 > 12/12				34.158.00
spare part only / solo ricambio	D4162T	84	115	10/10 > 12/12		24.128.00		
1.8								
with automatic air-conditioner and L.H.D. / con climatizzatore automatico e guida a sinistra	B4184S11	92	125	11/06 > 05/07	23.413.00	31.842.00	30.245.00	54.158.00
with automatic air-conditioner and L.H.D. / con climatizzatore automatico e guida a sinistra	B4184S11	92	125	06/07 > 11/09	23.413.00	31.842.00	27.675.00	54.158.00
with air-conditioner and L.H.D. / con climatizzatore e guida a sinistra	B4184S11	92	125	11/06 > 05/07	23.413.00	31.842.00	30.245.00	53.129.00
with air-conditioner and L.H.D. / con climatizzatore e guida a sinistra	B4184S11	92	125	06/07 > 11/09	23.413.00	31.842.00	27.675.00	53.129.00
antibacterial, anti-odour and anti-allergen filter with automatic air-conditioner and L.H.D. / filtro antibatterico, antiodori e anti-allergeni con climatizzatore automatico e guida a sinistra	B4184S11	92	125	11/06 > 10/09				34.158.00
1.8 FlexiFuel								
with automatic air-conditioner and L.H.D. / con climatizzatore automatico e guida a sinistra	B4184S8	92	125	03/07 > 05/07	23.413.00		30.245.00	54.158.00
with automatic air-conditioner and L.H.D. / con climatizzatore automatico e guida a sinistra	B4184S8	92	125	06/07 > 11/09	23.413.00		27.675.00	54.158.00
with air-conditioner and L.H.D. / con climatizzatore e guida a sinistra	B4184S8	92	125	03/07 > 05/07	23.413.00		30.245.00	53.129.00
with air-conditioner and L.H.D. / con climatizzatore e guida a sinistra	B4184S8	92	125	06/07 > 11/09	23.413.00		27.675.00	53.129.00
antibacterial, anti-odour and anti-allergen filter with automatic air-conditioner and L.H.D. / filtro antibatterico, antiodori e anti-allergeni con climatizzatore automatico e guida a sinistra	B4184S8	92	125	03/07 > 12/09				34.158.00
2.0								
with automatic air-conditioner and L.H.D. / con climatizzatore automatico e guida a sinistra	B4204S3	107	145	11/06 > 05/07	23.413.00	31.842.00	30.245.00	54.158.00
with automatic air-conditioner and L.H.D. / con climatizzatore automatico e guida a sinistra	B4204S3	107	145	06/07 > 12/12	23.413.00	31.842.00	27.675.00	54.158.00
with air-conditioner and L.H.D. / con climatizzatore e guida a sinistra	B4204S3	107	145	11/06 > 05/07	23.413.00	31.842.00	30.245.00	53.129.00
with air-conditioner and L.H.D. / con climatizzatore e guida a sinistra	B4204S3	107	145	06/07 > 12/12	23.413.00	31.842.00	27.675.00	53.129.00
antibacterial, anti-odour and anti-allergen filter with automatic air-conditioner and L.H.D. / filtro antibatterico, antiodori e anti-allergeni con climatizzatore automatico e guida a sinistra	B4204S3	107	145	11/06 > 12/12				34.158.00
2.0 D								
with automatic air-conditioner and L.H.D. / con climatizzatore automatico e guida a sinistra	D4204T	100	136	11/06 > 05/07	25.060.00	26.022.00	30.241.00	54.158.00
with automatic air-conditioner and L.H.D. / con climatizzatore automatico e guida a sinistra	D4204T	100	136	06/07 > 10/10	25.060.00	26.022.00	27.675.00	54.158.00
with air-conditioner and L.H.D. / con climatizzatore e guida a sinistra	D4204T	100	136	11/06 > 05/07	25.060.00	26.022.00	30.241.00	53.129.00
with air-conditioner and L.H.D. / con climatizzatore e guida a sinistra	D4204T	100	136	06/07 > 10/10	25.060.00	26.022.00	27.675.00	53.129.00
antibacterial, anti-odour and anti-allergen filter with automatic air-conditioner and L.H.D. / filtro antibatterico, antiodori e anti-allergeni con climatizzatore automatico e guida a sinistra	D4204T	100	136	11/06 > 10/10				34.158.00
2.0 D3								
with automatic air-conditioner and L.H.D. / con climatizzatore automatico e guida a sinistra	D5204T	110	150	10/10 > 12/12	25.154.00	26.020.00	30.349.00	54.158.00
with air-conditioner and L.H.D. / con climatizzatore e guida a sinistra	D5204T	110	150	10/10 > 12/12	25.154.00	26.020.00	30.349.00	53.129.00
antibacterial, anti-odour and anti-allergen filter with automatic air-conditioner and L.H.D. / filtro antibatterico, antiodori e anti-allergeni con climatizzatore automatico e guida a sinistra	D5204T	110	150	10/10 > 12/12				34.158.00
2.0 D4								

...VOLVO - cars/auto

with automatic air-conditioner and L.H.D. / con climatizzatore automatico e guida a sinistra	D5204T5	130	177	10/10	>	12/12	25.154.00	26.020.00	30.349.00	54.158.00
with air-conditioner and L.H.D. / con climatizzatore e guida a sinistra	D5204T5	130	177	10/10	>	12/12	25.154.00	26.020.00	30.349.00	53.129.00
antibacterial, anti-odour and anti-allergen filter with automatic air-conditioner and L.H.D. / filtro antibatterico, antiodori e anti-allergeni con climatizzatore automatico e guida a sinistra	D5204T5	130	177	10/10	>	12/12				34.158.00
2.0 FlexiFuel										
with automatic air-conditioner and L.H.D. / con climatizzatore automatico e guida a sinistra	B4204S4	107	145	11/06	>	05/07	23.413.00	31.842.00	30.245.00	54.158.00
with automatic air-conditioner and L.H.D. / con climatizzatore automatico e guida a sinistra	B4204S4	107	145	06/07	>	12/12	23.413.00	31.842.00	27.675.00	54.158.00
with air-conditioner and L.H.D. / con climatizzatore e guida a sinistra	B4204S4	107	145	11/06	>	05/07	23.413.00	31.842.00	30.245.00	53.129.00
with air-conditioner and L.H.D. / con climatizzatore e guida a sinistra	B4204S4	107	145	06/07	>	12/12	23.413.00	31.842.00	27.675.00	53.129.00
antibacterial, anti-odour and anti-allergen filter with automatic air-conditioner and L.H.D. / filtro antibatterico, antiodori e anti-allergeni con climatizzatore automatico e guida a sinistra	B4204S4	107	145	11/06	>	12/12				34.158.00
2.4										
with automatic air-conditioner and L.H.D. / con climatizzatore automatico e guida a sinistra	B5244S4	125	170	11/06	>	04/10	25.039.00	31.842.00	30.212.00	54.158.00
with air-conditioner and L.H.D. / con climatizzatore e guida a sinistra	B5244S4	125	170	11/06	>	04/10	25.039.00	31.842.00	30.212.00	53.129.00
antibacterial, anti-odour and anti-allergen filter with automatic air-conditioner and L.H.D. / filtro antibatterico, antiodori e anti-allergeni con climatizzatore automatico e guida a sinistra	B5244S4	125	170	11/06	>	04/10				34.158.00
2.4 D5 (B)										
with automatic air-conditioner and L.H.D. / con climatizzatore automatico e guida a sinistra	D5244T9	120	163	11/06	>	04/10	25.039.00	26.020.00	30.349.00	54.158.00
with air-conditioner and L.H.D. / con climatizzatore e guida a sinistra	D5244T9	120	163	11/06	>	04/10	25.039.00	26.020.00	30.349.00	53.129.00
antibacterial, anti-odour and anti-allergen filter with automatic air-conditioner and L.H.D. / filtro antibatterico, antiodori e anti-allergeni con climatizzatore automatico e guida a sinistra	D5244T9	120	163	11/06	>	04/10				34.158.00
2.4 D5 Auto.										
with automatic air-conditioner and L.H.D. / con climatizzatore automatico e guida a sinistra	D5244T8	132	180	11/06	>	04/10	25.039.00	26.020.00	30.349.00	54.158.00
with air-conditioner and L.H.D. / con climatizzatore e guida a sinistra	D5244T8	132	180	11/06	>	04/10	25.039.00	26.020.00	30.349.00	53.129.00
antibacterial, anti-odour and anti-allergen filter with automatic air-conditioner and L.H.D. / filtro antibatterico, antiodori e anti-allergeni con climatizzatore automatico e guida a sinistra	D5244T8	132	180	11/06	>	04/10				34.158.00
2.5 T5										
with automatic air-conditioner and L.H.D. / con climatizzatore automatico e guida a sinistra	B5254T3	162	220	11/06	>	12/08	25.039.00	31.842.00	30.212.00	54.158.00
with air-conditioner and L.H.D. / con climatizzatore e guida a sinistra	B5254T3	162	220	11/06	>	12/08	25.039.00	31.842.00	30.212.00	53.129.00
antibacterial, anti-odour and anti-allergen filter with automatic air-conditioner and L.H.D. / filtro antibatterico, antiodori e anti-allergeni con climatizzatore automatico e guida a sinistra	B5254T3	162	220	11/06	>	12/08				34.158.00
2.5 T5										
with automatic air-conditioner and L.H.D. / con climatizzatore automatico e guida a sinistra	B5254T7	169	230	03/07	>	12/12	25.039.00	31.842.00	30.212.00	54.158.00
with air-conditioner and L.H.D. / con climatizzatore e guida a sinistra	B5254T7	169	230	03/07	>	12/12	25.039.00	31.842.00	30.212.00	53.129.00
antibacterial, anti-odour and anti-allergen filter with automatic air-conditioner and L.H.D. / filtro antibatterico, antiodori e anti-allergeni con climatizzatore automatico e guida a sinistra	B5254T7	169	230	03/07	>	12/12				34.158.00
C70										
2.0 Turbo 20V										
	B5204T3			07/98	>	06/00	25.018.00	31.513.00	30.007.00	53.079.00
with L.H.D. / con guida a sinistra	B5204T3			07/00	>	12/01	25.018.00	31.513.00	30.007.00	53.091.00
with activated carbon L.H.D. / con guida a sinistra, ai carboni attivi	B5204T3			07/00	>	12/01	25.018.00	31.513.00	30.007.00	54.126.00
2.0 Turbo 20V										
	B5204T4			07/98	>	06/00	25.018.00	31.513.00	30.007.00	53.079.00
with L.H.D. / con guida a sinistra	B5204T4			07/00	>	08/02	25.018.00	31.513.00	30.007.00	53.091.00
with L.H.D. / con guida a sinistra	B5204T4			09/02	>		25.018.00	31.811.00	30.007.00	53.091.00
with activated carbon L.H.D. / con guida a sinistra, ai carboni attivi	B5204T4			07/00	>	08/02	25.018.00	31.513.00	30.007.00	54.126.00
with activated carbon L.H.D. / con guida a sinistra, ai carboni attivi	B5204T4			09/02	>		25.018.00	31.811.00	30.007.00	54.126.00
2.3 Turbo 20V T5										
	B5234T3			07/98	>	06/00	25.018.00	31.513.00	30.007.00	53.079.00
with L.H.D. / con guida a sinistra	B5234T3			07/00	>	08/02	25.018.00	31.513.00	30.007.00	53.091.00
with activated carbon L.H.D. / con guida a sinistra, ai carboni attivi	B5234T3			07/00	>	08/02	25.018.00	31.513.00	30.007.00	54.126.00
2.3 Turbo 20V T5										
with L.H.D. / con guida a sinistra	B5234T9			08/02	>		25.018.00	31.811.00	30.007.00	53.091.00
with activated carbon L.H.D. / con guida a sinistra, ai carboni attivi	B5234T9			08/02	>		25.018.00	31.811.00	30.007.00	54.126.00
2.4 20V										
	B5244S	121	165	03/99	>	06/00	25.018.00	31.513.00	30.007.00	53.079.00
2.4 20V										
	B5254S	125	170	07/98	>	06/00	25.018.00	31.513.00	30.007.00	53.079.00
2.4 Turbo 20V										
with L.H.D. / con guida a sinistra	B5244T7			08/02	>		25.018.00	31.811.00	30.007.00	53.091.00
with activated carbon L.H.D. / con guida a sinistra, ai carboni attivi	B5244T7			08/02	>		25.018.00	31.811.00	30.007.00	54.126.00
2.4 Turbo 20V T5										
	B5244T	142	193	03/00	>	06/00	25.018.00	31.513.00	30.007.00	53.079.00
with L.H.D. / con guida a sinistra	B5244T	142	193	07/00	>	08/02	25.018.00	31.513.00	30.007.00	53.091.00
with activated carbon L.H.D. / con guida a sinistra, ai carboni attivi	B5244T	142	193	07/00	>	08/02	25.018.00	31.513.00	30.007.00	54.126.00
C70 II										
2.0 D										
with L.H.D. / con guida a sinistra	D4204T	100	136	05/08	>		25.060.00	26.022.00	27.675.00	54.158.00
antibacterial, anti-odour and anti-allergen filter with L.H.D. / filtro antibatterico, antiodori e anti-allergeni con guida a sinistra	D4204T	100	136	05/08	>					34.158.00
2.0 D3										
with L.H.D. / con guida a sinistra	D5204T	110	150	10/10	>		25.154.00	26.020.00	30.349.00	54.158.00
antibacterial, anti-odour and anti-allergen filter with L.H.D. / filtro antibatterico, antiodori e anti-allergeni con guida a sinistra	D5204T	110	150	10/10	>					34.158.00
2.0 D4										
with L.H.D. / con guida a sinistra	D5204T5	130	177	10/10	>		25.154.00	26.020.00	30.349.00	54.158.00
antibacterial, anti-odour and anti-allergen filter with L.H.D. / filtro antibatterico, antiodori e anti-allergeni con guida a sinistra	D5204T5	130	177	10/10	>					34.158.00
2.4										
with L.H.D. / con guida a sinistra	B5244S4	125	170	03/06	>		25.039.00	31.842.00	30.212.00	54.158.00
antibacterial, anti-odour and anti-allergen filter with L.H.D. / filtro antibatterico, antiodori e anti-allergeni con guida a sinistra	B5244S4	125	170	03/06	>					34.158.00
2.4										
with L.H.D. / con guida a sinistra	B5244S5	103	140	03/06	>		25.039.00	31.842.00	30.212.00	54.158.00

...VOLVO - cars/auto

antibacterial, anti-odour and anti-allergen filter with L.H.D. / filtro antibatterico, antiodori e anti-allergeni con guida a sinistra	B5244S5	103	140	03/06	>				34.158.00
2.4 D5									
with L.H.D. / con guida a sinistra	D5244T13	132	180	03/06	>	25.039.00	26.020.00	30.349.00	54.158.00
antibacterial, anti-odour and anti-allergen filter with L.H.D. / filtro antibatterico, antiodori e anti-allergeni con guida a sinistra	D5244T13	132	180	03/06	>				34.158.00
2.4 D5 (B)									
with L.H.D. / con guida a sinistra	D5244T9	120	163	03/06	>	25.039.00	26.020.00	30.349.00	54.158.00
antibacterial, anti-odour and anti-allergen filter with L.H.D. / filtro antibatterico, antiodori e anti-allergeni con guida a sinistra	D5244T9	120	163	03/06	>				34.158.00
2.4 D5 Auto.									
with L.H.D. / con guida a sinistra	D5244T8	132	180	03/06	>	25.039.00	26.020.00	30.349.00	54.158.00
antibacterial, anti-odour and anti-allergen filter with L.H.D. / filtro antibatterico, antiodori e anti-allergeni con guida a sinistra	D5244T8	132	180	03/06	>				34.158.00
2.5 T5									
with L.H.D. / con guida a sinistra		269	230	03/07	>	25.039.00	31.842.00	30.212.00	54.158.00
antibacterial, anti-odour and anti-allergen filter with L.H.D. / filtro antibatterico, antiodori e anti-allergeni con guida a sinistra		269	230	03/07	>				34.158.00
2.5 T5									
with L.H.D. / con guida a sinistra	B5254T3	162	220	03/06	>	25.039.00	31.842.00	30.212.00	54.158.00
antibacterial, anti-odour and anti-allergen filter with L.H.D. / filtro antibatterico, antiodori e anti-allergeni con guida a sinistra	B5254T3	162	220	03/06	>				34.158.00
S40									
1.6									
with automatic air-conditioner and L.H.D. / con climatizzatore automatico e guida a sinistra	S4164S3	74	101	12/04	> 05/07	23.413.00	31.842.00	30.245.00	54.158.00
with automatic air-conditioner and L.H.D. / con climatizzatore automatico e guida a sinistra	S4164S3	74	101	06/07	>	23.267.00	31.842.00	27.675.00	54.158.00
with air-conditioner and L.H.D. / con climatizzatore e guida a sinistra	S4164S3	74	101	12/04	> 05/07	23.413.00	31.842.00	30.245.00	53.129.00
with air-conditioner and L.H.D. / con climatizzatore e guida a sinistra	S4164S3	74	101	06/07	>	23.267.00	31.842.00	27.675.00	53.129.00
antibacterial, anti-odour and anti-allergen filter with automatic air-conditioner and L.H.D. / filtro antibatterico, antiodori e anti-allergeni con climatizzatore automatico e guida a sinistra	S4164S3	74	101	12/04	>				34.158.00
1.6 16V									
with manual air-conditioner / con climatizzatore manuale	B4164S, B4164S2	80	109	01/00	> 02/04				53.230.00
from frame No. 190625 / da telaio N. 190625	B4164S, B4164S2	80	109	01/00	> 04/00	25.018.00	31.747.00	30.097.00	54.120.00
from frame No. 190625 / da telaio N. 190625	B4164S, B4164S2	80	109	05/00	> 02/04	25.018.00	31.811.00	30.097.00	54.120.00
1.6 D									
to engine No. 10JB52000016 / a motore N. 10JB52000016	D4164T Euro3	81	110				24.027.00		
with automatic air-conditioner and L.H.D. / con climatizzatore automatico e guida a sinistra	D4164T Euro3	81	110	12/04	> 05/07	25.037.00		30.246.00	54.158.00
with automatic air-conditioner and L.H.D. / con climatizzatore automatico e guida a sinistra	D4164T Euro3	81	110	06/07	>	25.037.00		27.675.00	54.158.00
with air-conditioner and L.H.D. / con climatizzatore e guida a sinistra	D4164T Euro3	81	110	12/04	> 05/07	25.037.00		30.246.00	53.129.00
with air-conditioner and L.H.D. / con climatizzatore e guida a sinistra	D4164T Euro3	81	110	06/07	>	25.037.00		27.675.00	53.129.00
from engine No. 10JB52000017 / da motore N. 10JB52000017	D4164T Euro3	81	110				55.170.00		
antibacterial, anti-odour and anti-allergen filter with automatic air-conditioner and L.H.D. / filtro antibatterico, antiodori e anti-allergeni con climatizzatore automatico e guida a sinistra	D4164T Euro3	81	110	12/04	>				34.158.00
1.6 D									
to engine No. 10JB63000029 / a motore N. 10JB63000029	D4164T Euro4	80	109				24.027.00		
with automatic air-conditioner and L.H.D. / con climatizzatore automatico e guida a sinistra	D4164T Euro4	80	109	12/04	> 05/07	25.037.00		30.246.00	54.158.00
with automatic air-conditioner and L.H.D. / con climatizzatore automatico e guida a sinistra	D4164T Euro4	80	109	06/07	>	25.037.00		27.675.00	54.158.00
with air-conditioner and L.H.D. / con climatizzatore e guida a sinistra	D4164T Euro4	80	109	12/04	> 05/07	25.037.00		30.246.00	53.129.00
with air-conditioner and L.H.D. / con climatizzatore e guida a sinistra	D4164T Euro4	80	109	06/07	>	25.037.00		27.675.00	53.129.00
from engine No. 10JB63000030 / da motore N. 10JB63000030	D4164T Euro4	80	109				55.170.00		
antibacterial, anti-odour and anti-allergen filter with automatic air-conditioner and L.H.D. / filtro antibatterico, antiodori e anti-allergeni con climatizzatore automatico e guida a sinistra	D4164T Euro4	80	109	12/04	>				34.158.00
1.6 D2									
with automatic air-conditioner and L.H.D. / con climatizzatore automatico e guida a sinistra	D4162T	84	115	10/10	>	25.037.00		27.675.00	54.158.00
with air-conditioner and L.H.D. / con climatizzatore e guida a sinistra	D4162T	84	115	10/10	>	25.037.00		27.675.00	53.129.00
antibacterial, anti-odour and anti-allergen filter with automatic air-conditioner and L.H.D. / filtro antibatterico, antiodori e anti-allergeni con climatizzatore automatico e guida a sinistra	D4162T	84	115	10/10	>				34.158.00
spare part only / solo ricambio	D4162T	84	115	10/10	>		24.128.00		
1.6 DRIVe									
with automatic air-conditioner and L.H.D. / con climatizzatore automatico e guida a sinistra	D4162T	84	115	10/10	>	25.037.00		27.675.00	54.158.00
with air-conditioner and L.H.D. / con climatizzatore e guida a sinistra	D4162T	84	115	10/10	>	25.037.00		27.675.00	53.129.00
antibacterial, anti-odour and anti-allergen filter with automatic air-conditioner and L.H.D. / filtro antibatterico, antiodori e anti-allergeni con climatizzatore automatico e guida a sinistra	D4162T	84	115	10/10	>				34.158.00
spare part only / solo ricambio	D4162T	84	115	10/10	>		24.128.00		
1.8									
with automatic air-conditioner and L.H.D. / con climatizzatore automatico e guida a sinistra	B4184S11	92	125	04/04	> 05/07	23.413.00	31.842.00	30.245.00	54.158.00
with automatic air-conditioner and L.H.D. / con climatizzatore automatico e guida a sinistra	B4184S11	92	125	06/07	>	23.413.00	31.842.00	27.675.00	54.158.00
with air-conditioner and L.H.D. / con climatizzatore e guida a sinistra	B4184S11	92	125	04/04	> 05/07	23.413.00	31.842.00	30.245.00	53.129.00
with air-conditioner and L.H.D. / con climatizzatore e guida a sinistra	B4184S11	92	125	06/07	>	23.413.00	31.842.00	27.675.00	53.129.00
antibacterial, anti-odour and anti-allergen filter with automatic air-conditioner and L.H.D. / filtro antibatterico, antiodori e anti-allergeni con climatizzatore automatico e guida a sinistra	B4184S11	92	125	04/04	>				34.158.00
1.8 FlexiFuel									
with automatic air-conditioner and L.H.D. / con climatizzatore automatico e guida a sinistra	B4184S8	92	125	04/04	> 05/07	23.413.00	31.842.00	30.245.00	54.158.00
with automatic air-conditioner and L.H.D. / con climatizzatore automatico e guida a sinistra	B4184S8	92	125	06/07	>	23.413.00	31.842.00	27.675.00	54.158.00
with air-conditioner and L.H.D. / con climatizzatore e guida a sinistra	B4184S8	92	125	04/04	> 05/07	23.413.00	31.842.00	30.245.00	53.129.00
with air-conditioner and L.H.D. / con climatizzatore e guida a sinistra	B4184S8	92	125	06/07	>	23.413.00	31.842.00	27.675.00	53.129.00
antibacterial, anti-odour and anti-allergen filter with automatic air-conditioner and L.H.D. / filtro antibatterico, antiodori e anti-allergeni con climatizzatore automatico e guida a sinistra	B4184S8	92	125	04/04	>				34.158.00
1.8 i 16V (1783)									
	B4184S2/S3/S9/S10	90	122	01/00	> 04/00	25.018.00	31.747.00	30.097.00	54.120.00
	B4184S2/S3/S9/S10	90	122	05/00	> 02/04	25.018.00	31.811.00	30.097.00	54.120.00

...VOLVO - cars/auto

with manual air-conditioner / con climatizzatore manuale	B4184S2/S3/S9/S10	90	122	01/00	>	02/04				53.230.00
1.8 id 16V (1834)	S4184SJ	92	125	01/00	>	04/00	23.265.00	31.747.00	30.070.00	54.120.00
	S4184SJ	92	125	05/00	>	02/04	23.265.00	31.811.00	30.070.00	54.120.00
with manual air-conditioner / con climatizzatore manuale	S4184SJ	92	125	01/00	>	02/04				53.230.00
1.9 16V T4 (1855)	B4194T, B4194T2	147	200	01/00	>	07/00	25.018.00	31.747.00	30.125.00	54.120.00
with manual air-conditioner / con climatizzatore manuale	B4194T, B4194T2	147	200	01/00	>	07/00				53.230.00
1.9 TDI	D4192T2	70	95	01/00	>	07/00	23.458.00	24.384.00	30.079.00	54.120.00
with manual air-conditioner / con climatizzatore manuale	D4192T2	70	95	01/00	>	07/00				53.230.00
1.9 TDI	D4192T3	85	115	07/00	>	02/04	23.458.00	26.687.00	30.079.00	54.120.00
with manual air-conditioner / con climatizzatore manuale	D4192T3	85	115	07/00	>	02/04				53.230.00
1.9 TDI	D4192T4	75	102	07/00	>	02/04	23.458.00	26.687.00	30.079.00	54.120.00
with manual air-conditioner / con climatizzatore manuale	D4192T4	75	102	07/00	>	02/04				53.230.00
2.0										
with automatic air-conditioner and L.H.D. / con climatizzatore automatico e guida a sinistra	B4204S3	107	145	09/06	>	05/07	23.413.00	31.842.00	30.245.00	54.158.00
with automatic air-conditioner and L.H.D. / con climatizzatore automatico e guida a sinistra	B4204S3	107	145	06/07	>		23.413.00	31.842.00	27.675.00	54.158.00
with air-conditioner and L.H.D. / con climatizzatore e guida a sinistra	B4204S3	107	145	09/06	>	05/07	23.413.00	31.842.00	30.245.00	53.129.00
with air-conditioner and L.H.D. / con climatizzatore e guida a sinistra	B4204S3	107	145	06/07	>		23.413.00	31.842.00	27.675.00	53.129.00
antibacterial, anti-odour and anti-allergen filter with automatic air-conditioner and L.H.D. / filtro antibatterico, antiodori e anti-allergeni con climatizzatore automatico e guida a sinistra	B4204S3	107	145	09/06	>					34.158.00
2.0 16V										
with manual air-conditioner / con climatizzatore manuale	B4204S/S2	100	136	01/00	>	02/04				53.230.00
from frame No. 190625 / da telaio N. 190625	B4204S/S2	100	136	01/00	>	04/00	25.018.00	31.747.00	30.097.00	54.120.00
from frame No. 190625 / da telaio N. 190625	B4204S/S2	100	136	05/00	>	02/04	25.018.00	31.811.00	30.097.00	54.120.00
2.0 16V Turbo (1948)	B4204T	118	160	01/00	>	04/00	25.018.00	31.747.00	30.125.00	54.120.00
	B4204T	118	160	05/00	>	02/04	25.018.00	31.811.00	30.125.00	54.120.00
with manual air-conditioner / con climatizzatore manuale	B4204T	118	160	01/00	>	02/04				53.230.00
2.0 16V Turbo (1948)	B4204T	120	163	01/00	>	04/00	25.018.00	31.747.00	30.125.00	54.120.00
	B4204T	120	163	05/00	>	02/04	25.018.00	31.811.00	30.125.00	54.120.00
with manual air-conditioner / con climatizzatore manuale	B4204T	120	163	01/00	>	02/04				53.230.00
2.0 16V Turbo (1948)	B4204T3	121	165	05/00	>	02/04	25.018.00	31.811.00	30.125.00	54.120.00
with manual air-conditioner / con climatizzatore manuale	B4204T3	121	165	05/00	>	02/04				53.230.00
2.0 16V Turbo T4 (1948)	B4204T5	147	200	05/00	>	02/04	25.018.00	31.811.00	30.125.00	54.120.00
with manual air-conditioner / con climatizzatore manuale	B4204T5	147	200	05/00	>	02/04				53.230.00
2.0 D										
with automatic air-conditioner and L.H.D. / con climatizzatore automatico e guida a sinistra	D4204T	100	136	02/04	>	05/07	25.060.00	26.022.00	30.241.00	54.158.00
with automatic air-conditioner and L.H.D. / con climatizzatore automatico e guida a sinistra	D4204T	100	136	06/07	>		25.060.00	26.022.00	27.675.00	54.158.00
with air-conditioner and L.H.D. / con climatizzatore e guida a sinistra	D4204T	100	136	02/04	>	05/07	25.060.00	26.022.00	30.241.00	53.129.00
with air-conditioner and L.H.D. / con climatizzatore e guida a sinistra	D4204T	100	136	06/07	>		25.060.00	26.022.00	27.675.00	53.129.00
antibacterial, anti-odour and anti-allergen filter with automatic air-conditioner and L.H.D. / filtro antibatterico, antiodori e anti-allergeni con climatizzatore automatico e guida a sinistra	D4204T	100	136	02/04	>					34.158.00
2.0 D3										
with automatic air-conditioner and L.H.D. / con climatizzatore automatico e guida a sinistra	D5204T	110	150	10/10	>		25.154.00	26.020.00	30.349.00	54.158.00
with air-conditioner and L.H.D. / con climatizzatore e guida a sinistra	D5204T	110	150	10/10	>		25.154.00	26.020.00	30.349.00	53.129.00
antibacterial, anti-odour and anti-allergen filter with automatic air-conditioner and L.H.D. / filtro antibatterico, antiodori e anti-allergeni con climatizzatore automatico e guida a sinistra	D5204T	110	150	10/10	>					34.158.00
2.0 D4										
with automatic air-conditioner and L.H.D. / con climatizzatore automatico e guida a sinistra	D4204T2	96	130	07/05	>	05/07	25.060.00	26.022.00	30.241.00	54.158.00
with automatic air-conditioner and L.H.D. / con climatizzatore automatico e guida a sinistra	D4204T2	96	130	06/07	>		25.060.00	26.022.00	27.675.00	54.158.00
with air-conditioner and L.H.D. / con climatizzatore e guida a sinistra	D4204T2	96	130	07/05	>	05/07	25.060.00	26.022.00	30.241.00	53.129.00
with air-conditioner and L.H.D. / con climatizzatore e guida a sinistra	D4204T2	96	130	06/07	>		25.060.00	26.022.00	27.675.00	53.129.00
antibacterial, anti-odour and anti-allergen filter with automatic air-conditioner and L.H.D. / filtro antibatterico, antiodori e anti-allergeni con climatizzatore automatico e guida a sinistra	D4204T2	96	130	07/05	>					34.158.00
2.0 D4										
with automatic air-conditioner and L.H.D. / con climatizzatore automatico e guida a sinistra	D5204T5	130	177	10/10	>		25.154.00	26.020.00	30.349.00	54.158.00
with air-conditioner and L.H.D. / con climatizzatore e guida a sinistra	D5204T5	130	177	10/10	>		25.154.00	26.020.00	30.349.00	53.129.00
antibacterial, anti-odour and anti-allergen filter with automatic air-conditioner and L.H.D. / filtro antibatterico, antiodori e anti-allergeni con climatizzatore automatico e guida a sinistra	D5204T5	130	177	10/10	>					34.158.00
2.4										
with automatic air-conditioner and L.H.D. / con climatizzatore automatico e guida a sinistra	B5244S	125	170	02/04	>		25.039.00	31.842.00	30.212.00	54.158.00
with air-conditioner and L.H.D. / con climatizzatore e guida a sinistra	B5244S	125	170	02/04	>		25.039.00	31.842.00	30.212.00	53.129.00
antibacterial, anti-odour and anti-allergen filter with automatic air-conditioner and L.H.D. / filtro antibatterico, antiodori e anti-allergeni con climatizzatore automatico e guida a sinistra	B5244S	125	170	02/04	>					34.158.00
2.4										
with automatic air-conditioner and L.H.D. / con climatizzatore automatico e guida a sinistra	B5244S5	103	140	02/04	>		25.039.00	31.842.00	30.212.00	54.158.00
with air-conditioner and L.H.D. / con climatizzatore e guida a sinistra	B5244S5	103	140	02/04	>		25.039.00	31.842.00	30.212.00	53.129.00
antibacterial, anti-odour and anti-allergen filter with automatic air-conditioner and L.H.D. / filtro antibatterico, antiodori e anti-allergeni con climatizzatore automatico e guida a sinistra	B5244S5	103	140	02/04	>					34.158.00
2.4 D5 FAP										
with automatic air-conditioner and L.H.D. / con climatizzatore automatico e guida a sinistra	D5244T13	132	180	06/06	>		25.039.00	26.020.00	30.349.00	54.158.00
with air-conditioner and L.H.D. / con climatizzatore e guida a sinistra	D5244T13	132	180	06/06	>		25.039.00	26.020.00	30.349.00	53.129.00
antibacterial, anti-odour and anti-allergen filter with automatic air-conditioner and L.H.D. / filtro antibatterico, antiodori e anti-allergeni con climatizzatore automatico e guida a sinistra	D5244T13	132	180	06/06	>					34.158.00
2.4 D5 FAP Auto.										
with automatic air-conditioner and L.H.D. / con climatizzatore automatico e guida a sinistra	D5244T8	132	180	06/06	>		25.039.00	26.020.00	30.349.00	54.158.00
with air-conditioner and L.H.D. / con climatizzatore e guida a sinistra	D5244T8	132	180	06/06	>		25.039.00	26.020.00	30.349.00	53.129.00

...VOLVO - cars/auto

antibacterial, anti-odour and anti-allergen filter with automatic air-conditioner and L.H.D. / filtro antibatterico, antiodori e anti-allergeni con climatizzatore automatico e guida a sinistra	D5244T8	132	180	06/06	>				34.158.00
2.5 R T (VS)	B5254T3	221	300	03/03	> 02/04	25.018.00		30.164.00	54.120.00
with manual air-conditioner / con climatizzatore manuale	B5254T3	221	300	03/03	> 02/04				53.230.00
2.5 T5									
with automatic air-conditioner and L.H.D. / con climatizzatore automatico e guida a sinistra	B5254T3	162	220	02/04	>	25.039.00	31.842.00	30.212.00	54.158.00
with air-conditioner and L.H.D. / con climatizzatore e guida a sinistra	B5254T3	162	220	02/04	>	25.039.00	31.842.00	30.212.00	53.129.00
antibacterial, anti-odour and anti-allergen filter with automatic air-conditioner and L.H.D. / filtro antibatterico, antiodori e anti-allergeni con climatizzatore automatico e guida a sinistra	B5254T3	162	220	02/04	>				34.158.00
2.5 T5									
with automatic air-conditioner and L.H.D. / con climatizzatore automatico e guida a sinistra	B5254T7	169	230	03/07	>	25.039.00	31.842.00	30.212.00	54.158.00
with air-conditioner and L.H.D. / con climatizzatore e guida a sinistra	B5254T7	169	230	03/07	>	25.039.00	31.842.00	30.212.00	53.129.00
antibacterial, anti-odour and anti-allergen filter with automatic air-conditioner and L.H.D. / filtro antibatterico, antiodori e anti-allergeni con climatizzatore automatico e guida a sinistra	B5254T7	169	230	03/07	>				34.158.00
2.5 T5 AWD									
with automatic air-conditioner and L.H.D. / con climatizzatore automatico e guida a sinistra	B5254T3	162	220	02/04	>	25.039.00	31.842.00	30.212.00	54.158.00
with air-conditioner and L.H.D. / con climatizzatore e guida a sinistra	B5254T3	162	220	02/04	>	25.039.00	31.842.00	30.212.00	53.129.00
antibacterial, anti-odour and anti-allergen filter with automatic air-conditioner and L.H.D. / filtro antibatterico, antiodori e anti-allergeni con climatizzatore automatico e guida a sinistra	B5254T3	162	220	02/04	>				34.158.00
S60									
2.0 T 20V									
to frame No. 18763 / a telaio N. 18763	B5204T5	132	180				31.747.00		
with R.H.D. / con guida a destra	B5204T5	132	180	07/00	>				53.418.00
with L.H.D. / con guida a sinistra	B5204T5	132	180	07/00	>	25.018.00		30.164.00	53.091.00
with activated carbon L.H.D. / con guida a sinistra, ai carboni attivi	B5204T5	132	180	07/00	>	25.018.00		30.164.00	54.126.00
from frame No. 18764 / da telaio N. 18764	B5204T5	132	180				31.811.00		
2.3 T 20V									
to frame No. 18763 / a telaio N. 18763	B5234T7	147	200				31.747.00		
with L.H.D. / con guida a sinistra	B5234T7	147	200	07/00	>	25.018.00		30.164.00	53.091.00
with activated carbon L.H.D. / con guida a sinistra, ai carboni attivi	B5234T7	147	200	07/00	>	25.018.00		30.164.00	54.126.00
from frame No. 18764 / da telaio N. 18764	B5234T7	147	200				31.811.00		
2.3 T5 20V									
to frame No. 18763 / a telaio N. 18763	B5234T3	184	250	07/00	>		31.747.00		
with R.H.D. / con guida a destra	B5234T3	184	250	07/00	>				53.418.00
with L.H.D. / con guida a sinistra	B5234T3	184	250	07/00	> 06/04	25.018.00		30.164.00	53.091.00
with activated carbon L.H.D. / con guida a sinistra, ai carboni attivi	B5234T3	184	250	07/00	> 06/04	25.018.00		30.164.00	54.126.00
from frame No. 18764 / da telaio N. 18764	B5234T3	184	250		> 06/04		31.811.00		
2.4 20V									
to frame No. 18763 / a telaio N. 18763	B5244S	125	170				31.747.00		
with R.H.D. / con guida a destra	B5244S	125	170	07/00	>				53.418.00
with L.H.D. / con guida a sinistra	B5244S	125	170	07/00	>	25.018.00		30.164.00	53.091.00
with activated carbon L.H.D. / con guida a sinistra, ai carboni attivi	B5244S	125	170	07/00	>	25.018.00		30.164.00	54.126.00
from frame No. 18764 / da telaio N. 18764	B5244S	125	170				31.811.00		
2.4 20V									
to frame No. 18763 / a telaio N. 18763	B5244S2	103	140				31.747.00		
with R.H.D. / con guida a destra	B5244S2	103	140	07/00	>				53.418.00
with L.H.D. / con guida a sinistra	B5244S2	103	140	07/00	>	25.018.00		30.164.00	53.091.00
with activated carbon L.H.D. / con guida a sinistra, ai carboni attivi	B5244S2	103	140	07/00	>	25.018.00		30.164.00	54.126.00
from frame No. 18764 / da telaio N. 18764	B5244S2	103	140				31.811.00		
2.4 20V CNG									
to frame No. 18763 / a telaio N. 18763	B5244SG	103	140				31.747.00		
with L.H.D. / con guida a sinistra	B5244SG	103	140	07/00	>	25.018.00		30.164.00	53.091.00
with activated carbon L.H.D. / con guida a sinistra, ai carboni attivi	B5244SG	103	140	07/00	>	25.018.00		30.164.00	54.126.00
from frame No. 18764 / da telaio N. 18764	B5244SG	103	140				31.811.00		
2.4 20V LPG									
to frame No. 18763 / a telaio N. 18763	B5244SG2	103	140				31.747.00		
with L.H.D. / con guida a sinistra	B5244SG2	103	140	07/00	>	25.018.00		30.164.00	53.091.00
with activated carbon L.H.D. / con guida a sinistra, ai carboni attivi	B5244SG2	103	140	07/00	>	25.018.00		30.164.00	54.126.00
from frame No. 18764 / da telaio N. 18764	B5244SG2	103	140				31.811.00		
2.4 D									
to frame No. 367586 / a telaio N. 367586	D5244T2	96	130			25.039.00	24.441.00	30.164.00	54.126.00
with R.H.D. / con guida a destra	D5244T2	96	130	10/01	>				53.418.00
with L.H.D. / con guida a sinistra	D5244T2	96	130	10/01	>	25.039.00		30.164.00	53.091.00
with activated carbon L.H.D. / con guida a sinistra, ai carboni attivi	D5244T2	96	130	10/01	>	25.039.00		30.164.00	54.126.00
from frame No. 367587 / da telaio N. 367587	D5244T2	96	130			25.039.00	26.018.00	30.164.00	54.126.00
2.4 D									
with air-conditioner and L.H.D. / con climatizzatore e guida a sinistra	D5244T5	120	163	08/05	>	25.039.00	26.018.00		54.126.00
with R.H.D. / con guida a destra	D5244T5	120	163	08/05	>				53.418.00
with L.H.D. / con guida a sinistra	D5244T5	120	163	08/05	>	25.039.00	26.018.00		53.091.00
2.4 D									
with air-conditioner and L.H.D. / con climatizzatore e guida a sinistra	D5244T7	93	126	08/05	>	25.039.00	26.018.00		54.126.00

...VOLVO - cars/auto

with R.H.D. / con guida a destra	D5244T7	93	126	08/05	>				53.418.00
with L.H.D. / con guida a sinistra	D5244T7	93	126	08/05	>	25.039.00	26.018.00		53.091.00
2.4 D (F)									
with R.H.D. / con guida a destra	D5244T3	85	116	10/03	> 12/05				53.418.00
2.4 D5									
to frame No. 367586 / a telaio N. 367586	D5244T	120	163			25.039.00	24.441.00	30.164.00	54.126.00
with air-conditioner and L.H.D. / con climatizzatore e guida a sinistra	D5244T	120	163	03/01	>	25.039.00		30.164.00	54.126.00
with R.H.D. / con guida a destra	D5244T	120	163	03/01	>				53.418.00
with L.H.D. / con guida a sinistra	D5244T	120	163	03/01	>	25.039.00		30.164.00	53.091.00
from frame No. 367587 / da telaio N. 367587	D5244T	120	163			25.039.00	26.018.00	30.164.00	54.126.00
2.4 D5									
with air-conditioner and L.H.D. / con climatizzatore e guida a sinistra	D5244T4	136	185	08/05	>	25.039.00	26.018.00		54.126.00
with R.H.D. / con guida a destra	D5244T4	136	185	08/05	>				53.418.00
with L.H.D. / con guida a sinistra	D5244T4	136	185	08/05	>	25.039.00	26.018.00		53.091.00
2.4 T 20V									
to frame No. 18763 / a telaio N. 18763	B5244T3/B5244T5	147	200	07/00	>		31.747.00		
with R.H.D. / con guida a destra	B5244T3/B5244T5	147	200	07/00	> 12/02				53.418.00
with L.H.D. / con guida a sinistra	B5244T3/B5244T5	147	200	07/00	> 12/02	25.018.00		30.164.00	53.091.00
with activated carbon L.H.D. / con guida a sinistra, ai carboni attivi	B5244T3/B5244T5	147	200	07/00	> 12/02	25.018.00		30.164.00	54.126.00
from frame No. 18764 / da telaio N. 18764	B5244T3/B5244T5	147	200		> 12/02		31.811.00		
2.4 T5 20V									
with R.H.D. / con guida a destra	B5244T5 HPT	191	260	06/04	>				53.418.00
with L.H.D. / con guida a sinistra	B5244T5 HPT	191	260	06/04	>	25.018.00	31.811.00	30.164.00	53.091.00
with activated carbon L.H.D. / con guida a sinistra, ai carboni attivi	B5244T5 HPT	191	260	06/04	>	25.018.00	31.811.00	30.164.00	54.126.00
2.5 T 20V AWD									
with R.H.D. / con guida a destra	B5254T2	154	210	08/02	>				53.418.00
with L.H.D. / con guida a sinistra	B5254T2	154	210	08/02	>	25.018.00	31.811.00	30.164.00	53.091.00
with activated carbon L.H.D. / con guida a sinistra, ai carboni attivi	B5254T2	154	210	08/02	>	25.018.00	31.811.00	30.164.00	54.126.00
2.5 T 20V AWD R									
with R.H.D. / con guida a destra	B5254T4	221	300	03/03	>				53.418.00
with L.H.D. / con guida a sinistra	B5254T4	221	300	03/03	>	25.018.00	31.846.00	27.587.00	53.091.00
with activated carbon L.H.D. / con guida a sinistra, ai carboni attivi	B5254T4	221	300	03/03	>	25.018.00	31.846.00	27.587.00	54.126.00
S60 II									
1.5 T3	B4154T4	112	152	03/15	>			30.341.00	54.159.00
antibacterial, anti-odour and anti-allergen filter / filtro antibatterico, antiodori e anti-allergeni	B4154T4	112	152	03/15	>				34.159.00
1.6 DRIVE	D4162T	84	115	04/11	>	25.037.00	24.128.00	30.341.00	54.159.00
antibacterial, anti-odour and anti-allergen filter / filtro antibatterico, antiodori e anti-allergeni	D4162T	84	115	04/11	>				34.159.00
1.6 T3	B4164T3	110	150	11/10	>	23.267.00		30.341.00	54.159.00
antibacterial, anti-odour and anti-allergen filter / filtro antibatterico, antiodori e anti-allergeni	B4164T3	110	150	11/10	>				34.159.00
for vehicles with external fuel filter / per veicoli con filtro carburante esterno	B4164T3	110	150	11/10	>		31.951.00		
1.6 T4	B4164T	132	180	11/10	>	23.267.00		30.341.00	54.159.00
antibacterial, anti-odour and anti-allergen filter / filtro antibatterico, antiodori e anti-allergeni	B4164T	132	180	11/10	>				34.159.00
for vehicles with external fuel filter / per veicoli con filtro carburante esterno	B4164T	132	180	11/10	>		31.951.00		
1.6 T4F	B4164T2	132	180	04/11	>	23.267.00		30.341.00	54.159.00
antibacterial, anti-odour and anti-allergen filter / filtro antibatterico, antiodori e anti-allergeni	B4164T2	132	180	04/11	>				34.159.00
2.0 D2	D4204T20	88	120	03/15	>	25.110.00	26.020.00	30.341.00	54.159.00
antibacterial, anti-odour and anti-allergen filter / filtro antibatterico, antiodori e anti-allergeni	D4204T20	88	120	03/15	>				34.159.00
2.0 D3	D5204T2	120	163	04/10	>	25.154.00	26.020.00	30.341.00	54.159.00
antibacterial, anti-odour and anti-allergen filter / filtro antibatterico, antiodori e anti-allergeni	D5204T2	120	163	04/10	>				34.159.00
2.0 D3	D5204T3	120	163	04/11	>	25.154.00	26.020.00	30.341.00	54.159.00
antibacterial, anti-odour and anti-allergen filter / filtro antibatterico, antiodori e anti-allergeni	D5204T3	120	163	04/11	>				34.159.00
2.0 D3	D5204T7	100	136	05/12	>	25.154.00	26.020.00	30.341.00	54.159.00
antibacterial, anti-odour and anti-allergen filter / filtro antibatterico, antiodori e anti-allergeni	D5204T7	100	136	05/12	>				34.159.00
2.0 D4	D4204T5	133	181	11/13	>	25.110.00	26.020.00	30.341.00	54.159.00
antibacterial, anti-odour and anti-allergen filter / filtro antibatterico, antiodori e anti-allergeni	D4204T5	133	181	11/13	>				34.159.00
2.0 D4	D5204T3	120	163	05/12	>	25.154.00	26.020.00	30.341.00	54.159.00
antibacterial, anti-odour and anti-allergen filter / filtro antibatterico, antiodori e anti-allergeni	D5204T3	120	163	05/12	>				34.159.00
2.0 D5	D4204T11	165	224	03/15	>	25.110.00	26.020.00	30.341.00	54.159.00
antibacterial, anti-odour and anti-allergen filter / filtro antibatterico, antiodori e anti-allergeni	D4204T11	165	224	03/15	>				34.159.00
2.0 T	B4204T6	149	203	04/10	>			30.341.00	54.159.00
antibacterial, anti-odour and anti-allergen filter / filtro antibatterico, antiodori e anti-allergeni	B4204T6	149	203	04/10	>				34.159.00
for vehicles with external fuel filter / per veicoli con filtro carburante esterno	B4204T6	149	203	04/10	>		31.951.00		
2.0 T3	B4204T37	112	152	03/15	>	25.110.00		30.341.00	54.159.00
antibacterial, anti-odour and anti-allergen filter / filtro antibatterico, antiodori e anti-allergeni	B4204T37	112	152	03/15	>				34.159.00
2.0 T5	B4204T11	180	245	11/13	>	25.110.00		30.341.00	54.159.00
antibacterial, anti-odour and anti-allergen filter / filtro antibatterico, antiodori e anti-allergeni	B4204T11	180	245	11/13	>				34.159.00
2.0 T5	B4204T7	177	240	11/10	>			30.341.00	54.159.00

...VOLVO - cars/auto

antibacterial, anti-odour and anti-allergen filter / filtro antibatterico, antiodori e anti-allergeni for vehicles with external fuel filter / per veicoli con filtro carburante esterno	B4204T7	177	240	11/10	>			31.951.00		34.159.00
2.0 T6	B4204T7	177	240	11/10	>					
antibacterial, anti-odour and anti-allergen filter / filtro antibatterico, antiodori e anti-allergeni	B4204T9	225	306	11/13	>	25.110.00			30.341.00	54.159.00
2.4 D4 AWD	D5244T12	133	181	11/13	>	25.154.00	26.020.00		30.341.00	54.159.00
antibacterial, anti-odour and anti-allergen filter / filtro antibatterico, antiodori e anti-allergeni	D5244T12	133	181	11/13	>					34.159.00
2.4 D5	D5244T10	151	205	04/10	>	25.154.00	26.020.00		30.341.00	54.159.00
antibacterial, anti-odour and anti-allergen filter / filtro antibatterico, antiodori e anti-allergeni	D5244T10	151	205	04/10	>					34.159.00
2.4 D5	D5244T11	158	215	06/11	>	25.154.00	26.020.00		30.341.00	54.159.00
antibacterial, anti-odour and anti-allergen filter / filtro antibatterico, antiodori e anti-allergeni	D5244T11	158	215	06/11	>					34.159.00
2.4 D5 AWD	D5244T10	151	205	04/10	>	25.154.00	26.020.00		30.341.00	54.159.00
antibacterial, anti-odour and anti-allergen filter / filtro antibatterico, antiodori e anti-allergeni	D5244T10	151	205	04/10	>					34.159.00
2.4 D5 AWD	D5244T15	158	215	06/11	>	25.154.00	26.020.00		30.341.00	54.159.00
antibacterial, anti-odour and anti-allergen filter / filtro antibatterico, antiodori e anti-allergeni	D5244T15	158	215	06/11	>					34.159.00
2.4 D5 FWD	D5244T15	158	215	06/11	>	25.154.00	26.020.00		30.341.00	54.159.00
antibacterial, anti-odour and anti-allergen filter / filtro antibatterico, antiodori e anti-allergeni	D5244T15	158	215	06/11	>					34.159.00
2.4 D6 AWD Hybrid	D82PHEV	158	215	06/12	>	25.154.00	26.020.00		30.341.00	54.159.00
antibacterial, anti-odour and anti-allergen filter / filtro antibatterico, antiodori e anti-allergeni	D82PHEV	158	215	06/12	>					34.159.00
3.0 T6 AWD	B6304T4	224	304	04/10	>	25.177.00			30.686.00	54.159.00
antibacterial, anti-odour and anti-allergen filter / filtro antibatterico, antiodori e anti-allergeni for vehicles with external fuel filter / per veicoli con filtro carburante esterno	B6304T4	224	304	04/10	>			31.951.00		34.159.00
S60 III										
2.0 T4	B4204T31/B4204T44	140	190	02/19	>	25.110.00			30.C64.00	53.314.00
with activated carbons / ai carboni attivi	B4204T31/B4204T44	140	190	02/19	>					54.293.00
antibacterial, anti-odour and anti-allergen filter / filtro antibatterico, antiodori e anti-allergeni	B4204T31/B4204T44	140	190	02/19	>					34.293.00
2.0 T4 Polestar	B4204T31P	155	211	07/19	>	25.110.00			30.C64.00	53.314.00
with activated carbons / ai carboni attivi	B4204T31P	155	211	07/19	>					54.293.00
antibacterial, anti-odour and anti-allergen filter / filtro antibatterico, antiodori e anti-allergeni	B4204T31P	155	211	07/19	>					34.293.00
2.0 T5	B4204T20	183	249	05/19	>	25.110.00			30.C64.00	53.314.00
with activated carbons / ai carboni attivi	B4204T20	183	249	05/19	>					54.293.00
antibacterial, anti-odour and anti-allergen filter / filtro antibatterico, antiodori e anti-allergeni	B4204T20	183	249	05/19	>					34.293.00
2.0 T5	B4204T23	187	254	05/19	>			31.994.00		
2.0 T5	B4204T26	184	250	06/18	>	25.110.00			30.C64.00	
with automatic air-conditioner / con climatizzatore automatico	B4204T26	184	250	06/18	>					54.293.00
with manual air-conditioner / con climatizzatore manuale	B4204T26	184	250	06/18	>					53.314.00
antibacterial, anti-odour and anti-allergen filter with automatic air-conditioner / filtro antibatterico, antiodori e anti-allergeni con climatizzatore automatico	B4204T26	184	250	06/18	>					34.293.00
2.0 T5 Polestar	B4204T26P	186	253	07/19	>	25.110.00			30.C64.00	53.314.00
with activated carbons / ai carboni attivi	B4204T26P	186	253	07/19	>					54.293.00
antibacterial, anti-odour and anti-allergen filter / filtro antibatterico, antiodori e anti-allergeni	B4204T26P	186	253	07/19	>					34.293.00
2.0 T6	B4204T29	228	310	06/18	>	25.110.00			30.C64.00	
with automatic air-conditioner / con climatizzatore automatico	B4204T29	228	310	06/18	>					54.293.00
with manual air-conditioner / con climatizzatore manuale	B4204T29	228	310	06/18	>					53.314.00
antibacterial, anti-odour and anti-allergen filter with automatic air-conditioner / filtro antibatterico, antiodori e anti-allergeni con climatizzatore automatico	B4204T29	228	310	06/18	>					34.293.00
2.0 T6 Drive-E Polestar/T8 Twin Engine Polestar	B4204T48	233	317	02/19	>					54.293.00
with activated carbons / ai carboni attivi	B4204T48	233	317	02/19	>	25.110.00			30.C64.00	53.314.00
antibacterial, anti-odour and anti-allergen filter / filtro antibatterico, antiodori e anti-allergeni	B4204T48	233	317	02/19	>					34.293.00
2.0 T6 Twin Engine Hybrid	B4204T46	186	253	01/19	>	25.110.00			30.C64.00	
with automatic air-conditioner / con climatizzatore automatico	B4204T46	186	253	01/19	>					54.293.00
with manual air-conditioner / con climatizzatore manuale	B4204T46	186	253	01/19	>					53.314.00
antibacterial, anti-odour and anti-allergen filter with automatic air-conditioner / filtro antibatterico, antiodori e anti-allergeni con climatizzatore automatico	B4204T46	186	253	01/19	>					34.293.00
2.0 T8 Plug-in Hybrid	B4204T35	235	320	05/19	>	25.110.00			30.C64.00	53.314.00
with activated carbons / ai carboni attivi	B4204T35	235	320	05/19	>					54.239.00
2.0 T8 Twin Engine Hybrid	B4204T34	223	303	06/18	>	25.110.00			30.C64.00	
with automatic air-conditioner / con climatizzatore automatico	B4204T34	223	303	06/18	>					54.293.00
with manual air-conditioner / con climatizzatore manuale	B4204T34	223	303	06/18	>					53.314.00
antibacterial, anti-odour and anti-allergen filter with automatic air-conditioner / filtro antibatterico, antiodori e anti-allergeni con climatizzatore automatico	B4204T34	223	303	06/18	>					34.293.00
S70										
2.0	B5202S	93	126	07/98	> 06/00	25.018.00		31.513.00	30.007.00	53.079.00
with L.H.D. / con guida a sinistra	B5202S	93	126	07/00	> 12/00	25.018.00		31.513.00	30.007.00	53.091.00
with activated carbon L.H.D. / con guida a sinistra, ai carboni attivi	B5202S	93	126	07/00	> 12/00	25.018.00		31.513.00	30.007.00	54.126.00
2.0 20V	B5204F	104	143	07/98	> 06/00	25.018.00		31.513.00	30.007.00	53.079.00
with L.H.D. / con guida a sinistra	B5204F	104	143	07/00	> 12/00	25.018.00		31.513.00	30.007.00	53.091.00
with activated carbon L.H.D. / con guida a sinistra, ai carboni attivi	B5204F	104	143	07/00	> 12/00	25.018.00		31.513.00	30.007.00	54.126.00
2.0 Turbo 20V	B5204T4	120	163	07/98	> 06/00	25.018.00		31.513.00	30.007.00	53.079.00
with L.H.D. / con guida a sinistra	B5204T4	120	163	07/00	> 12/00	25.018.00		31.513.00	30.007.00	53.091.00
with activated carbon L.H.D. / con guida a sinistra, ai carboni attivi	B5204T4	120	163	07/00	> 12/00	25.018.00		31.513.00	30.007.00	54.126.00
2.0 Turbo 20V R	B5204T3	166	225	07/98	> 06/00	25.018.00		31.513.00	30.007.00	53.079.00

...VOLVO - cars/auto

with L.H.D. / con guida a sinistra	B5244SG	103	140	09/01	>	25.018.00	31.811.00	30.115.00	53.091.00
with activated carbon L.H.D. / con guida a sinistra, ai carboni attivi	B5244SG	103	140	09/01	>	25.018.00	31.811.00	30.115.00	54.126.00
2.4 D 20V									
to frame No. 359376 / a telaio N. 359376	D5244T	96	130			25.039.00	24.441.00	30.164.00	54.126.00
with L.H.D. / con guida a sinistra	D5244T	96	130	03/01	>	25.039.00		30.164.00	53.091.00
with activated carbon L.H.D. / con guida a sinistra, ai carboni attivi	D5244T	96	130	03/01	>	25.039.00		30.164.00	54.126.00
from frame No. 359377 / da telaio N. 359377	D5244T	96	130			25.039.00	26.018.00	30.164.00	54.126.00
2.4 D5 20V									
to frame No. 359376 / a telaio N. 359376	D5244T2	120	163			25.039.00	24.441.00	30.164.00	54.126.00
with L.H.D. / con guida a sinistra	D5244T2	120	163	03/01	>	25.039.00		30.164.00	53.091.00
with activated carbon L.H.D. / con guida a sinistra, ai carboni attivi	D5244T2	120	163	03/01	>	25.039.00		30.164.00	54.126.00
from frame No. 359377 / da telaio N. 359377	D5244T2	120	163			25.039.00	26.018.00	30.164.00	54.126.00
2.4 Optima									
with L.H.D. / con guida a sinistra	B5244S	125	170	05/98	> 10/00	25.018.00	31.747.00	30.115.00	53.091.00
with L.H.D. / con guida a sinistra	B5244S	125	170	11/00	>	25.018.00	31.811.00	30.115.00	53.091.00
with activated carbon L.H.D. / con guida a sinistra, ai carboni attivi	B5244S	125	170	05/98	> 10/00	25.018.00	31.747.00	30.115.00	54.126.00
with activated carbon L.H.D. / con guida a sinistra, ai carboni attivi	B5244S	125	170	11/00	>	25.018.00	31.811.00	30.115.00	54.126.00
2.4 Optima									
with L.H.D. / con guida a sinistra	B5244SG2	103	140	01/99	> 10/00	25.018.00	31.747.00	30.115.00	53.091.00
with L.H.D. / con guida a sinistra	B5244SG2	103	140	11/00	>	25.018.00	31.811.00	30.115.00	53.091.00
with activated carbon L.H.D. / con guida a sinistra, ai carboni attivi	B5244SG2	103	140	01/99	> 10/00	25.018.00	31.747.00	30.115.00	54.126.00
with activated carbon L.H.D. / con guida a sinistra, ai carboni attivi	B5244SG2	103	140	11/00	>	25.018.00	31.811.00	30.115.00	54.126.00
2.4 T									
with L.H.D. / con guida a sinistra	B5244T3	147	200	06/00	> 10/00	25.018.00	31.747.00	30.115.00	53.091.00
with L.H.D. / con guida a sinistra	B5244T3	147	200	11/00	>	25.018.00	31.811.00	30.115.00	53.091.00
with activated carbon L.H.D. / con guida a sinistra, ai carboni attivi	B5244T3	147	200	06/00	> 10/00	25.018.00	31.747.00	30.115.00	54.126.00
with activated carbon L.H.D. / con guida a sinistra, ai carboni attivi	B5244T3	147	200	11/00	>	25.018.00	31.811.00	30.115.00	54.126.00
2.5 T AWD									
with L.H.D. / con guida a sinistra	B5254T2	154	210	07/03	>	25.018.00		30.115.00	53.091.00
with activated carbon L.H.D. / con guida a sinistra, ai carboni attivi	B5254T2	154	210	07/03	>	25.018.00		30.115.00	54.126.00
2.5 TDI									
with L.H.D. / con guida a sinistra	D5252T	103	140	05/98	> 07/01	23.167.00	24.379.01	30.115.00	53.091.00
with activated carbon L.H.D. / con guida a sinistra, ai carboni attivi	D5252T	103	140	05/98	> 07/01	23.167.00	24.379.01	30.115.00	54.126.00
2.5 TDI Optima									
with L.H.D. / con guida a sinistra	D5252T	103	140	05/98	> 07/01	23.167.00	24.379.01	30.115.00	53.091.00
with activated carbon L.H.D. / con guida a sinistra, ai carboni attivi	D5252T	103	140	05/98	> 07/01	23.167.00	24.379.01	30.115.00	54.126.00
2.8 T6 Autom.									
with L.H.D. / con guida a sinistra	B6284T	200	272	05/98	> 10/00	25.018.00	31.747.00	30.115.00	53.091.00
with L.H.D. / con guida a sinistra	B6284T	200	272	11/00	>	25.018.00	31.811.00	30.115.00	53.091.00
with activated carbon L.H.D. / con guida a sinistra, ai carboni attivi	B6284T	200	272	05/98	> 10/00	25.018.00	31.747.00	30.115.00	54.126.00
with activated carbon L.H.D. / con guida a sinistra, ai carboni attivi	B6284T	200	272	11/00	>	25.018.00	31.811.00	30.115.00	54.126.00
2.8 T6 Optima Autom.									
with L.H.D. / con guida a sinistra	B6284T	200	272	05/98	> 10/00	25.018.00	31.747.00	30.115.00	53.091.00
with L.H.D. / con guida a sinistra	B6284T	200	272	11/00	>	25.018.00	31.811.00	30.115.00	53.091.00
with activated carbon L.H.D. / con guida a sinistra, ai carboni attivi	B6284T	200	272	05/98	> 10/00	25.018.00	31.747.00	30.115.00	54.126.00
with activated carbon L.H.D. / con guida a sinistra, ai carboni attivi	B6284T	200	272	11/00	>	25.018.00	31.811.00	30.115.00	54.126.00
2.9									
with L.H.D. / con guida a sinistra	B6304S3	150	204	05/98	> 10/00	25.018.00	31.747.00	30.115.00	53.091.00
with L.H.D. / con guida a sinistra	B6304S3	150	204	11/00	>	25.018.00	31.811.00	30.115.00	53.091.00
with activated carbon L.H.D. / con guida a sinistra, ai carboni attivi	B6304S3	150	204	05/98	> 10/00	25.018.00	31.747.00	30.115.00	54.126.00
with activated carbon L.H.D. / con guida a sinistra, ai carboni attivi	B6304S3	150	204	11/00	>	25.018.00	31.811.00	30.115.00	54.126.00
2.9 Optima									
with L.H.D. / con guida a sinistra	B6304S3	150	204	05/98	> 10/00	25.018.00	31.747.00	30.115.00	53.091.00
with L.H.D. / con guida a sinistra	B6304S3	150	204	11/00	>	25.018.00	31.811.00	30.115.00	53.091.00
with activated carbon L.H.D. / con guida a sinistra, ai carboni attivi	B6304S3	150	204	05/98	> 10/00	25.018.00	31.747.00	30.115.00	54.126.00
with activated carbon L.H.D. / con guida a sinistra, ai carboni attivi	B6304S3	150	204	11/00	>	25.018.00	31.811.00	30.115.00	54.126.00
2.9 T 24V T6									
with L.H.D. / con guida a sinistra	B6294T	200	272	06/01	>	25.018.00	31.811.00	30.115.00	53.091.00
with activated carbon L.H.D. / con guida a sinistra, ai carboni attivi	B6294T	200	272	06/01	>	25.018.00	31.811.00	30.115.00	54.126.00
S80 II									
1.6 D2									
with automatic air-conditioner / con climatizzatore automatico	D4162T	84	115	06/11	>	25.037.00	24.128.00	30.341.00	54.159.00
with manual air-conditioner / con climatizzatore manuale	D4162T	84	115	06/11	>				53.206.00
antibacterial, anti-odour and anti-allergen filter with automatic air-conditioner / filtro antibatterico, anticodori e anti-allergeni con climatizzatore automatico	D4162T	84	115	06/11	>				34.159.00
1.6 DRIVE									
with automatic air-conditioner / con climatizzatore automatico	D4164T	80	109	04/09	> 06/11	25.037.00	55.170.00	30.341.00	54.159.00
with manual air-conditioner / con climatizzatore manuale	D4164T	80	109	04/09	> 06/11				53.206.00

...VOLVO - cars/auto

antibacterial, anti-odour and anti-allergen filter with automatic air-conditioner / filtro antibatterico, antiodori e anti-allergeni con climatizzatore automatico	D4164T	80	109	04/09	>	06/11				34.159.00
1.6 T4										
with automatic air-conditioner / con climatizzatore automatico	B4164T	132	180	11/10	>		23.267.00		30.341.00	54.159.00
with manual air-conditioner / con climatizzatore manuale	B4164T	132	180	11/10	>					53.206.00
antibacterial, anti-odour and anti-allergen filter with automatic air-conditioner / filtro antibatterico, antiodori e anti-allergeni con climatizzatore automatico	B4164T	132	180	11/10	>					34.159.00
for vehicles with external fuel filter / per veicoli con filtro carburante esterno	B4164T	132	180	11/10	>			31.951.00		
1.6 T4F										
with automatic air-conditioner / con climatizzatore automatico	B4164T2	132	180	05/11	>		23.267.00		30.341.00	54.159.00
with manual air-conditioner / con climatizzatore manuale	B4164T2	132	180	05/11	>					53.206.00
antibacterial, anti-odour and anti-allergen filter with automatic air-conditioner / filtro antibatterico, antiodori e anti-allergeni con climatizzatore automatico	B4164T2	132	180	05/11	>					34.159.00
2.0										
with automatic air-conditioner / con climatizzatore automatico	B4204S3	107	145	10/07	>	10/10	23.413.00		30.331.00	54.159.00
with manual air-conditioner / con climatizzatore manuale	B4204S3	107	145	10/07	>	10/10				53.206.00
antibacterial, anti-odour and anti-allergen filter with automatic air-conditioner / filtro antibatterico, antiodori e anti-allergeni con climatizzatore automatico	B4204S3	107	145	10/07	>	10/10				34.159.00
2.0 D										
with automatic air-conditioner / con climatizzatore automatico	D4204T	100	136	10/07	>	03/10	25.060.00	26.020.00	30.331.00	54.159.00
with manual air-conditioner / con climatizzatore manuale	D4204T	100	136	10/07	>	03/10				53.206.00
antibacterial, anti-odour and anti-allergen filter with automatic air-conditioner / filtro antibatterico, antiodori e anti-allergeni con climatizzatore automatico	D4204T	100	136	10/07	>	03/10				34.159.00
2.0 Flexfuel E85										
with automatic air-conditioner / con climatizzatore automatico	B4204S4	107	145	12/07	>		23.413.00		30.331.00	54.159.00
with manual air-conditioner / con climatizzatore manuale	B4204S4	107	145	12/07	>					53.206.00
antibacterial, anti-odour and anti-allergen filter with automatic air-conditioner / filtro antibatterico, antiodori e anti-allergeni con climatizzatore automatico	B4204S4	107	145	12/07	>					34.159.00
2.0 T										
with automatic air-conditioner / con climatizzatore automatico	B4204T6	149	203	01/10	>				30.341.00	54.159.00
with manual air-conditioner / con climatizzatore manuale	B4204T6	149	203	01/10	>					53.206.00
antibacterial, anti-odour and anti-allergen filter with automatic air-conditioner / filtro antibatterico, antiodori e anti-allergeni con climatizzatore automatico	B4204T6	149	203	01/10	>					34.159.00
for vehicles with external fuel filter / per veicoli con filtro carburante esterno	B4204T6	149	203	01/10	>			31.951.00		
2.0 T5										
with automatic air-conditioner / con climatizzatore automatico	B4204T11	180	245	11/13	>		25.110.00		30.341.00	54.159.00
with manual air-conditioner / con climatizzatore manuale	B4204T11	180	245	11/13	>					53.206.00
antibacterial, anti-odour and anti-allergen filter with automatic air-conditioner / filtro antibatterico, antiodori e anti-allergeni con climatizzatore automatico	B4204T11	180	245	11/13	>					34.159.00
2.4 D FAP										
with automatic air-conditioner / con climatizzatore automatico	D5244T5 Euro4	120	163	05/06	>		25.039.00	26.020.00	30.341.00	54.159.00
with manual air-conditioner / con climatizzatore manuale	D5244T5 Euro4	120	163	05/06	>					53.206.00
antibacterial, anti-odour and anti-allergen filter with automatic air-conditioner / filtro antibatterico, antiodori e anti-allergeni con climatizzatore automatico	D5244T5 Euro4	120	163	05/06	>					34.159.00
2.4 D5										
with automatic air-conditioner / con climatizzatore automatico	D5244T11/D5244T15	158	215	06/11	>		25.154.00	26.020.00	30.341.00	54.159.00
with manual air-conditioner / con climatizzatore manuale	D5244T11/D5244T15	158	215	06/11	>					53.206.00
antibacterial, anti-odour and anti-allergen filter with automatic air-conditioner / filtro antibatterico, antiodori e anti-allergeni con climatizzatore automatico	D5244T11/D5244T15	158	215	06/11	>					34.159.00
2.4 D5 AWD										
with automatic air-conditioner / con climatizzatore automatico	D5244T11/D5244T15	158	215	06/11	>		25.154.00	26.020.00	30.341.00	54.159.00
with manual air-conditioner / con climatizzatore manuale	D5244T11/D5244T15	158	215	06/11	>					53.206.00
antibacterial, anti-odour and anti-allergen filter with automatic air-conditioner / filtro antibatterico, antiodori e anti-allergeni con climatizzatore automatico	D5244T11/D5244T15	158	215	06/11	>					34.159.00
2.4 D5 FAP										
with automatic air-conditioner / con climatizzatore automatico	D5244T4 Euro4	136	185	05/06	>		25.039.00	26.020.00	30.341.00	54.159.00
with manual air-conditioner / con climatizzatore manuale	D5244T4 Euro4	136	185	05/06	>					53.206.00
antibacterial, anti-odour and anti-allergen filter with automatic air-conditioner / filtro antibatterico, antiodori e anti-allergeni con climatizzatore automatico	D5244T4 Euro4	136	185	05/06	>					34.159.00
2.4 D5 FAP AWD										
with automatic air-conditioner / con climatizzatore automatico	D5244T4 Euro4	136	185	05/06	>		25.039.00	26.020.00	30.341.00	54.159.00
with manual air-conditioner / con climatizzatore manuale	D5244T4 Euro4	136	185	05/06	>					53.206.00
antibacterial, anti-odour and anti-allergen filter with automatic air-conditioner / filtro antibatterico, antiodori e anti-allergeni con climatizzatore automatico	D5244T4 Euro4	136	185	05/06	>					34.159.00
2.5 T										
with automatic air-conditioner / con climatizzatore automatico	B5254T6	147	200	05/06	>		25.039.00		30.212.00	54.159.00
with manual air-conditioner / con climatizzatore manuale	B5254T6	147	200	05/06	>					53.206.00
antibacterial, anti-odour and anti-allergen filter with automatic air-conditioner / filtro antibatterico, antiodori e anti-allergeni con climatizzatore automatico	B5254T6	147	200	05/06	>					34.159.00
3.0 T6										
with automatic air-conditioner / con climatizzatore automatico	B6304T2	210	285	05/07	>	04/10	25.177.00		30.686.00	54.159.00
with manual air-conditioner / con climatizzatore manuale	B6304T2	210	285	05/07	>	04/10				53.206.00
antibacterial, anti-odour and anti-allergen filter with automatic air-conditioner / filtro antibatterico, antiodori e anti-allergeni con climatizzatore automatico	B6304T2	210	285	05/07	>	04/10				34.159.00
3.0 T6										
with automatic air-conditioner / con climatizzatore automatico	B6304T4	224	304	05/10	>		25.177.00		30.686.00	54.159.00
with manual air-conditioner / con climatizzatore manuale	B6304T4	224	304	05/10	>					53.206.00
antibacterial, anti-odour and anti-allergen filter with automatic air-conditioner / filtro antibatterico, antiodori e anti-allergeni con climatizzatore automatico	B6304T4	224	304	05/10	>					34.159.00
3.2										
with automatic air-conditioner / con climatizzatore automatico	B6324S	175	238	05/06	>	04/10	25.177.00		30.686.00	54.159.00
with manual air-conditioner / con climatizzatore manuale	B6324S	175	238	05/06	>	04/10				53.206.00
antibacterial, anti-odour and anti-allergen filter with automatic air-conditioner / filtro antibatterico, antiodori e anti-allergeni con climatizzatore automatico	B6324S	175	238	05/06	>	04/10				34.159.00

...VOLVO - cars/auto

3.2 AWD								
with automatic air-conditioner / con climatizzatore automatico	B6324S5	179 243	05/10 >		25.177.00		30.686.00	54.159.00
with manual air-conditioner / con climatizzatore manuale	B6324S5	179 243	05/10 >					53.206.00
antibacterial, anti-odour and anti-allergen filter with automatic air-conditioner / filtro antibatterico, antiodori e anti-allergeni con climatizzatore automatico	B6324S5	179 243	05/10 >					34.159.00
4.4 V8 AWD								
with automatic air-conditioner / con climatizzatore automatico	B8444S	232 315	05/06 > 10/10		25.018.00		30.341.00	54.159.00
with manual air-conditioner / con climatizzatore manuale	B8444S	232 315	05/06 > 10/10					53.206.00
antibacterial, anti-odour and anti-allergen filter with automatic air-conditioner / filtro antibatterico, antiodori e anti-allergeni con climatizzatore automatico	B8444S	232 315	05/06 > 10/10					34.159.00
S90 II								
2.0 B4 Mild-Hybrid	B420T6	145 197	03/20 >		25.110.00		30.C64.00	53.314.00
with activated carbons / ai carboni attivi	B420T6	145 197	03/20 >					54.293.00
antibacterial, anti-odour and anti-allergen filter / filtro antibatterico, antiodori e anti-allergeni	B420T6	145 197	03/20 >					34.293.00
2.0 B5 Mild-Hybrid	B4204T26	184 250	03/20 >		25.110.00	31.994.00	30.C64.00	53.314.00
with activated carbons / ai carboni attivi	B4204T26	184 250	03/20 >					54.293.00
antibacterial, anti-odour and anti-allergen filter / filtro antibatterico, antiodori e anti-allergeni	B4204T26	184 250	03/20 >					34.293.00
2.0 D3		110 150	03/16 >				30.C64.00	53.314.00
with activated carbons / ai carboni attivi		110 150	03/16 >					54.293.00
antibacterial, anti-odour and anti-allergen filter / filtro antibatterico, antiodori e anti-allergeni		110 150	03/16 >					34.293.00
2.0 D4		140 190	03/16 >				30.C64.00	53.314.00
with activated carbons / ai carboni attivi		140 190	03/16 >					54.293.00
antibacterial, anti-odour and anti-allergen filter / filtro antibatterico, antiodori e anti-allergeni		140 190	03/16 >					34.293.00
2.0 D4 AWD		140 190	03/16 >				30.C64.00	53.314.00
with activated carbons / ai carboni attivi		140 190	03/16 >					54.293.00
antibacterial, anti-odour and anti-allergen filter / filtro antibatterico, antiodori e anti-allergeni		140 190	03/16 >					34.293.00
2.0 D5 AWD		173 235	03/16 >				30.C64.00	53.314.00
with activated carbons / ai carboni attivi		173 235	03/16 >					54.293.00
antibacterial, anti-odour and anti-allergen filter / filtro antibatterico, antiodori e anti-allergeni		173 235	03/16 >					34.293.00
2.0 T5		187 254	03/16 >		25.110.00		30.C64.00	53.314.00
with activated carbons / ai carboni attivi		187 254	03/16 >					54.293.00
antibacterial, anti-odour and anti-allergen filter / filtro antibatterico, antiodori e anti-allergeni		187 254	03/16 >					34.293.00
2.0 T6 AWD		235 320	03/16 >		25.110.00		30.C64.00	53.314.00
with activated carbons / ai carboni attivi		235 320	03/16 >					54.293.00
antibacterial, anti-odour and anti-allergen filter / filtro antibatterico, antiodori e anti-allergeni		235 320	03/16 >					34.293.00
V40								
1.6 16V	B4164S, B4164S2		01/00 > 04/00		25.018.00	31.747.00	30.097.00	54.120.00
	B4164S, B4164S2		05/00 > 05/04		25.018.00	31.811.00	30.097.00	54.120.00
with manual air-conditioner / con climatizzatore manuale	B4164S, B4164S2		01/00 > 05/04					53.230.00
1.8 i 16V (1783)	B4184S2/S3/S9/S10		01/00 > 04/00		25.018.00	31.747.00	30.097.00	54.120.00
	B4184S2/S3/S9/S10		05/00 > 05/04		25.018.00	31.811.00	30.097.00	54.120.00
with manual air-conditioner / con climatizzatore manuale	B4184S2/S3/S9/S10		01/00 > 05/04					53.230.00
1.8 id 16V	(1834)	92 125	01/00 > 04/00		23.265.00	31.747.00	30.070.00	54.120.00
	(1834)	92 125	05/00 > 05/04		23.265.00	31.811.00	30.070.00	54.120.00
with manual air-conditioner / con climatizzatore manuale	(1834)	92 125	01/00 > 05/04					53.230.00
1.9 16V T4 (1855)	B4194T, B4194T2		01/00 > 07/00		25.018.00	31.747.00	30.125.00	54.120.00
with manual air-conditioner / con climatizzatore manuale	B4194T, B4194T2		01/00 > 07/00					53.230.00
1.9 TDI		70 95	01/00 > 07/00		23.458.00	24.384.00	30.079.00	54.120.00
with manual air-conditioner / con climatizzatore manuale		70 95	01/00 > 07/00					53.230.00
1.9 TDI		75 102	07/00 > 05/04		23.458.00	26.687.00	30.079.00	54.120.00
with manual air-conditioner / con climatizzatore manuale		75 102	07/00 > 05/04					53.230.00
1.9 TDI		85 115	07/00 > 05/04		23.458.00	26.687.00	30.079.00	54.120.00
with manual air-conditioner / con climatizzatore manuale		85 115	07/00 > 05/04					53.230.00
2.0 16V	B4204S	103 140	01/00 > 04/00		25.018.00	31.747.00	30.097.00	54.120.00
	B4204S	103 140	05/00 > 05/04		25.018.00	31.811.00	30.097.00	54.120.00
with manual air-conditioner / con climatizzatore manuale	B4204S	103 140	01/00 > 05/04					53.230.00
2.0 16V Turbo		118 160	01/00 > 04/00		25.018.00	31.747.00	30.125.00	54.120.00
		118 160	05/00 > 05/04		25.018.00	31.811.00	30.125.00	54.120.00
with manual air-conditioner / con climatizzatore manuale		118 160	01/00 > 05/04					53.230.00
2.0 16V Turbo		120 163	01/00 > 04/00		25.018.00	31.747.00	30.125.00	54.120.00
		120 163	05/00 > 05/04		25.018.00	31.811.00	30.125.00	54.120.00
with manual air-conditioner / con climatizzatore manuale		120 163	01/00 > 05/04					53.230.00
2.0 16V Turbo	B4204T3	121 165	05/00 > 05/04		25.018.00	31.811.00	30.125.00	54.120.00
with manual air-conditioner / con climatizzatore manuale	B4204T3	121 165	05/00 > 05/04					53.230.00
2.0 16V Turbo T4	B4204T5	147 200	05/00 > 05/04		25.018.00	31.811.00	30.125.00	54.120.00
with manual air-conditioner / con climatizzatore manuale	B4204T5	147 200	05/00 > 05/04					53.230.00
V40 Cross Country								
1.5 T3	B4154T4	112 152	02/15 >		25.110.00		30.A62.00	53.422.00
with automatic air-conditioner / con climatizzatore automatico	B4154T4	112 152	02/15 >					54.218.00

...VOLVO - cars/auto

with automatic air-conditioner / con climatizzatore automatico	D5204T6	110	150	06/12	>				54.218.00	
antibacterial, anti-odour and anti-allergen filter with automatic air-conditioner / filtro antibatterico, antiodori e anti-allergeni con climatizzatore automatico	D5204T6	110	150	06/12	>				34.218.00	
2.0 D4	D4204T14	140	190	04/14	>	25.110.00		30.A62.00	53.422.00	
with automatic air-conditioner / con climatizzatore automatico	D4204T14	140	190	04/14	>				54.218.00	
antibacterial, anti-odour and anti-allergen filter with automatic air-conditioner / filtro antibatterico, antiodori e anti-allergeni con climatizzatore automatico	D4204T14	140	190	04/14	>				34.218.00	
2.0 D4	D5204T4	130	177	06/12	>	25.154.00	26.020.00	30.349.00	53.422.00	
with automatic air-conditioner / con climatizzatore automatico	D5204T4	130	177	06/12	>				54.218.00	
antibacterial, anti-odour and anti-allergen filter with automatic air-conditioner / filtro antibatterico, antiodori e anti-allergeni con climatizzatore automatico	D5204T4	130	177	06/12	>				34.218.00	
2.0 T2	B4204T38	90	122	02/15	>	25.110.00		30.A62.00	53.422.00	
with automatic air-conditioner / con climatizzatore automatico	B4204T38	90	122	02/15	>				54.218.00	
antibacterial, anti-odour and anti-allergen filter with automatic air-conditioner / filtro antibatterico, antiodori e anti-allergeni con climatizzatore automatico	B4204T38	90	122	02/15	>				34.218.00	
for vehicles with external fuel filter / per veicoli con filtro carburante esterno	B4204T38	90	122	02/15	>		31.918.03			
2.0 T3	B4204T37	112	152	02/15	>	25.110.00		30.A62.00	53.422.00	
with automatic air-conditioner / con climatizzatore automatico	B4204T37	112	152	02/15	>				54.218.00	
antibacterial, anti-odour and anti-allergen filter with automatic air-conditioner / filtro antibatterico, antiodori e anti-allergeni con climatizzatore automatico	B4204T37	112	152	02/15	>				34.218.00	
for vehicles with external fuel filter / per veicoli con filtro carburante esterno	B4204T37	112	152	02/15	>		31.918.03			
2.0 T4	B4204T21	140	190	05/14	>	25.110.00		30.A62.00	53.422.00	
with automatic air-conditioner / con climatizzatore automatico	B4204T21	140	190	05/14	>				54.218.00	
antibacterial, anti-odour and anti-allergen filter with automatic air-conditioner / filtro antibatterico, antiodori e anti-allergeni con climatizzatore automatico	B4204T21	140	190	05/14	>				34.218.00	
for vehicles with external fuel filter / per veicoli con filtro carburante esterno	B4204T21	140	190	05/14	>		31.918.03			
2.0 T4	B5204T8	132	180	06/12	>	25.039.00		30.212.00	53.422.00	
with automatic air-conditioner / con climatizzatore automatico	B5204T8	132	180	06/12	>				54.218.00	
antibacterial, anti-odour and anti-allergen filter with automatic air-conditioner / filtro antibatterico, antiodori e anti-allergeni con climatizzatore automatico	B5204T8	132	180	06/12	>				34.218.00	
for vehicles with external fuel filter / per veicoli con filtro carburante esterno	B5204T8	132	180	06/12	>		31.918.03			
2.0 T5	B4204T11	180	245	05/14	>	25.110.00		30.A62.00	53.422.00	
with automatic air-conditioner / con climatizzatore automatico	B4204T11	180	245	05/14	>				54.218.00	
antibacterial, anti-odour and anti-allergen filter with automatic air-conditioner / filtro antibatterico, antiodori e anti-allergeni con climatizzatore automatico	B4204T11	180	245	05/14	>				34.218.00	
for vehicles with external fuel filter / per veicoli con filtro carburante esterno	B4204T11	180	245	05/14	>		31.918.03			
2.0 T5	B5204T9	157	213	06/12	>	25.039.00		30.212.00	53.422.00	
with automatic air-conditioner / con climatizzatore automatico	B5204T9	157	213	06/12	>				54.218.00	
antibacterial, anti-odour and anti-allergen filter with automatic air-conditioner / filtro antibatterico, antiodori e anti-allergeni con climatizzatore automatico	B5204T9	157	213	06/12	>				34.218.00	
for vehicles with external fuel filter / per veicoli con filtro carburante esterno	B5204T9	157	213	06/12	>		31.918.03			
2.5 T5	B5254T12	187	254	06/12	>	25.039.00		30.212.00	53.422.00	
with automatic air-conditioner / con climatizzatore automatico	B5254T12	187	254	06/12	>				54.218.00	
antibacterial, anti-odour and anti-allergen filter with automatic air-conditioner / filtro antibatterico, antiodori e anti-allergeni con climatizzatore automatico	B5254T12	187	254	06/12	>				34.218.00	
for vehicles with external fuel filter / per veicoli con filtro carburante esterno	B5254T12	187	254	06/12	>		31.918.03			
2.5 T5	B5254T14	183	249	01/14	>	25.039.00		30.212.00	53.422.00	
with automatic air-conditioner / con climatizzatore automatico	B5254T14	183	249	01/14	>				54.218.00	
antibacterial, anti-odour and anti-allergen filter with automatic air-conditioner / filtro antibatterico, antiodori e anti-allergeni con climatizzatore automatico	B5254T14	183	249	01/14	>				34.218.00	
for vehicles with external fuel filter / per veicoli con filtro carburante esterno	B5254T14	183	249	01/14	>		31.918.03			
V50										
1.6										
with automatic air-conditioner and L.H.D. / con climatizzatore automatico e guida a sinistra	B4164S3	74	101	12/04	> 05/07	23.413.00	31.842.00	30.245.00	54.158.00	
with automatic air-conditioner and L.H.D. / con climatizzatore automatico e guida a sinistra	B4164S3	74	101	06/07	>	23.267.00	31.842.00	27.675.00	54.158.00	
with air-conditioner and L.H.D. / con climatizzatore e guida a sinistra	B4164S3	74	101	12/04	> 05/07	23.413.00	31.842.00	30.245.00	53.129.00	
with air-conditioner and L.H.D. / con climatizzatore e guida a sinistra	B4164S3	74	101	06/07	>	23.267.00	31.842.00	27.675.00	53.129.00	
antibacterial, anti-odour and anti-allergen filter with automatic air-conditioner and L.H.D. / filtro antibatterico, antiodori e anti-allergeni con climatizzatore automatico e guida a sinistra	B4164S3	74	101	12/04	>				34.158.00	
1.6 D										
to engine No. 10JB52000016 / a motore N. 10JB52000016	D4164T Euro3	81	110							24.027.00
with automatic air-conditioner and L.H.D. / con climatizzatore automatico e guida a sinistra	D4164T Euro3	81	110	12/04	> 05/07	25.037.00		30.246.00	54.158.00	
with automatic air-conditioner and L.H.D. / con climatizzatore automatico e guida a sinistra	D4164T Euro3	81	110	06/07	>	25.037.00		27.675.00	54.158.00	
with air-conditioner and L.H.D. / con climatizzatore e guida a sinistra	D4164T Euro3	81	110	12/04	> 05/07	25.037.00		30.246.00	53.129.00	
with air-conditioner and L.H.D. / con climatizzatore e guida a sinistra	D4164T Euro3	81	110	06/07	>	25.037.00		27.675.00	53.129.00	
from engine No. 10JB52000017 / da motore N. 10JB52000017	D4164T Euro3	81	110							55.170.00
antibacterial, anti-odour and anti-allergen filter with automatic air-conditioner and L.H.D. / filtro antibatterico, antiodori e anti-allergeni con climatizzatore automatico e guida a sinistra	D4164T Euro3	81	110	12/04	>				34.158.00	
1.6 D2										
to engine No. 10JB63000029 / a motore N. 10JB63000029	D4164T Euro4	80	109							24.027.00
with automatic air-conditioner and L.H.D. / con climatizzatore automatico e guida a sinistra	D4164T Euro4	80	109	12/04	> 05/07	25.037.00		30.246.00	54.158.00	
with automatic air-conditioner and L.H.D. / con climatizzatore automatico e guida a sinistra	D4164T Euro4	80	109	06/07	>	25.037.00		27.675.00	54.158.00	
with air-conditioner and L.H.D. / con climatizzatore e guida a sinistra	D4164T Euro4	80	109	12/04	> 05/07	25.037.00		30.246.00	53.129.00	
with air-conditioner and L.H.D. / con climatizzatore e guida a sinistra	D4164T Euro4	80	109	06/07	>	25.037.00		27.675.00	53.129.00	
from engine No. 10JB63000030 / da motore N. 10JB63000030	D4164T Euro4	80	109							55.170.00
antibacterial, anti-odour and anti-allergen filter with automatic air-conditioner and L.H.D. / filtro antibatterico, antiodori e anti-allergeni con climatizzatore automatico e guida a sinistra	D4164T Euro4	80	109	12/04	>				34.158.00	
1.6 D2										
with automatic air-conditioner and L.H.D. / con climatizzatore automatico e guida a sinistra	D4162T	84	114	01/10	>	25.037.00		27.675.00	54.158.00	
with air-conditioner and L.H.D. / con climatizzatore e guida a sinistra	D4162T	84	114	01/10	>	25.037.00		27.675.00	53.129.00	
antibacterial, anti-odour and anti-allergen filter with automatic air-conditioner and L.H.D. / filtro antibatterico, antiodori e anti-allergeni con climatizzatore automatico e guida a sinistra	D4162T	84	114	01/10	>				34.158.00	

...VOLVO - cars/auto

antibacterial, anti-odour and anti-allergen filter with automatic air-conditioner and L.H.D. / filtro antibatterico, antiodori e anti-allergeni con climatizzatore automatico e guida a sinistra		B5254T3	162	220	03/04	>				34.158.00	
V60											
1.5 T2		B4154T5	90	122	10/15	>		25.110.00		30.341.00	54.159.00
antibacterial, anti-odour and anti-allergen filter / filtro antibatterico, antiodori e anti-allergeni		B4154T5	90	122	10/15	>					34.159.00
1.5 T3		B4154T4	112	152	03/15	>		25.110.00		30.341.00	54.159.00
antibacterial, anti-odour and anti-allergen filter / filtro antibatterico, antiodori e anti-allergeni		B4154T4	112	152	03/15	>					34.159.00
1.6 DRIVE		D4162T	84	115	04/11	>		25.037.00	24.128.00	30.341.00	54.159.00
antibacterial, anti-odour and anti-allergen filter / filtro antibatterico, antiodori e anti-allergeni		D4162T	84	115	04/11	>					34.159.00
1.6 T3		B4164T3	110	150	07/10	>		23.267.00		30.341.00	54.159.00
antibacterial, anti-odour and anti-allergen filter / filtro antibatterico, antiodori e anti-allergeni		B4164T3	110	150	07/10	>					34.159.00
1.6 T4		B4164T	132	180	07/10	>		23.267.00		30.341.00	54.159.00
antibacterial, anti-odour and anti-allergen filter / filtro antibatterico, antiodori e anti-allergeni		B4164T	132	180	07/10	>					34.159.00
1.6 T4F FlexiFuel		B4164T2	132	180	01/11	>					54.159.00
antibacterial, anti-odour and anti-allergen filter / filtro antibatterico, antiodori e anti-allergeni		B4164T2	132	180	01/11	>					34.159.00
2.0 D3		D5204T2	120	163	07/10	>		25.154.00	26.020.00	30.341.00	54.159.00
antibacterial, anti-odour and anti-allergen filter / filtro antibatterico, antiodori e anti-allergeni		D5204T2	120	163	07/10	>					34.159.00
2.0 D3		D5204T3	120	163	04/11	>		25.154.00	26.020.00	30.341.00	54.159.00
antibacterial, anti-odour and anti-allergen filter / filtro antibatterico, antiodori e anti-allergeni		D5204T3	120	163	04/11	>					34.159.00
2.0 T		B4204T6	149	203	07/10	>				30.341.00	54.159.00
antibacterial, anti-odour and anti-allergen filter / filtro antibatterico, antiodori e anti-allergeni		B4204T6	149	203	07/10	>					34.159.00
for vehicles with external fuel filter / per veicoli con filtro carburante esterno		B4204T6	149	203	07/10	>			31.951.00		
2.0 T5		B4204T7	177	240	07/10	>				30.341.00	54.159.00
antibacterial, anti-odour and anti-allergen filter / filtro antibatterico, antiodori e anti-allergeni		B4204T7	177	240	07/10	>					34.159.00
for vehicles with external fuel filter / per veicoli con filtro carburante esterno		B4204T7	177	240	07/10	>			31.951.00		
2.0 T6		B4204T9	225	306	11/13	>		25.110.00		30.341.00	54.159.00
antibacterial, anti-odour and anti-allergen filter / filtro antibatterico, antiodori e anti-allergeni		B4204T9	225	306	11/13	>					34.159.00
2.4 D4 AWD		D5244T17	120	163	05/12	>		25.154.00	26.020.00	30.341.00	54.159.00
antibacterial, anti-odour and anti-allergen filter / filtro antibatterico, antiodori e anti-allergeni		D5244T17	120	163	05/12	>					34.159.00
2.4 D5		D5244T10	151	205	07/10	>		25.154.00	26.020.00	30.341.00	54.159.00
antibacterial, anti-odour and anti-allergen filter / filtro antibatterico, antiodori e anti-allergeni		D5244T10	151	205	07/10	>					34.159.00
2.4 D5		D5244T11	158	215	06/11	>		25.154.00	26.020.00	30.341.00	54.159.00
antibacterial, anti-odour and anti-allergen filter / filtro antibatterico, antiodori e anti-allergeni		D5244T11	158	215	06/11	>					34.159.00
3.0 T6		B6304T4	224	304	07/10	>		25.177.00		30.686.00	54.159.00
antibacterial, anti-odour and anti-allergen filter / filtro antibatterico, antiodori e anti-allergeni		B6304T4	224	304	07/10	>					34.159.00
for vehicles with external fuel filter / per veicoli con filtro carburante esterno		B6304T4	224	304	07/10	>			31.951.00		
V60 II											
2.0 D3 AWD Auto.		D4204T4	110	150	06/18	>		25.110.00		30.C64.00	
with automatic air-conditioner / con climatizzatore automatico		D4204T4	110	150	06/18	>					54.293.00
with manual air-conditioner / con climatizzatore manuale		D4204T4	110	150	06/18	>					53.314.00
antibacterial, anti-odour and anti-allergen filter with automatic air-conditioner / filtro antibatterico, antiodori e anti-allergeni con climatizzatore automatico		D4204T4	110	150	06/18	>					34.293.00
2.0 D3 FWD		D4204T16	110	150	06/18	>		25.110.00		30.C64.00	
with automatic air-conditioner / con climatizzatore automatico		D4204T16	110	150	06/18	>					54.293.00
with manual air-conditioner / con climatizzatore manuale		D4204T16	110	150	06/18	>					53.314.00
antibacterial, anti-odour and anti-allergen filter with automatic air-conditioner / filtro antibatterico, antiodori e anti-allergeni con climatizzatore automatico		D4204T16	110	150	06/18	>					34.293.00
2.0 D4		D4204T14	140	190	06/18	>		25.110.00		30.C64.00	
with automatic air-conditioner / con climatizzatore automatico		D4204T14	140	190	06/18	>					54.293.00
with manual air-conditioner / con climatizzatore manuale		D4204T14	140	190	06/18	>					53.314.00
antibacterial, anti-odour and anti-allergen filter with automatic air-conditioner / filtro antibatterico, antiodori e anti-allergeni con climatizzatore automatico		D4204T14	140	190	06/18	>					34.293.00
2.0 T4 FWD Auto.		B4204T31	140	190	06/18	>		25.110.00		30.C64.00	
with automatic air-conditioner / con climatizzatore automatico		B4204T31	140	190	06/18	>					54.293.00
with manual air-conditioner / con climatizzatore manuale		B4204T31	140	190	06/18	>					53.314.00
antibacterial, anti-odour and anti-allergen filter with automatic air-conditioner / filtro antibatterico, antiodori e anti-allergeni con climatizzatore automatico		B4204T31	140	190	06/18	>					34.293.00
2.0 T5		B4204T26	184	250	06/18	>		25.110.00		30.C64.00	
with automatic air-conditioner / con climatizzatore automatico		B4204T26	184	250	06/18	>					54.293.00
with manual air-conditioner / con climatizzatore manuale		B4204T26	184	250	06/18	>					53.314.00
antibacterial, anti-odour and anti-allergen filter with automatic air-conditioner / filtro antibatterico, antiodori e anti-allergeni con climatizzatore automatico		B4204T26	184	250	06/18	>					34.293.00
2.0 T5 AWD		B4204T26	184	250	06/18	>		25.110.00		30.C64.00	
with automatic air-conditioner / con climatizzatore automatico		B4204T26	184	250	06/18	>					54.293.00
with manual air-conditioner / con climatizzatore manuale		B4204T26	184	250	06/18	>					53.314.00
antibacterial, anti-odour and anti-allergen filter with automatic air-conditioner / filtro antibatterico, antiodori e anti-allergeni con climatizzatore automatico		B4204T26	184	250	06/18	>					34.293.00
2.0 T6		B4204T29	228	310	06/18	>		25.110.00		30.C64.00	
with automatic air-conditioner / con climatizzatore automatico		B4204T29	228	310	06/18	>					54.293.00
with manual air-conditioner / con climatizzatore manuale		B4204T29	228	310	06/18	>					53.314.00
antibacterial, anti-odour and anti-allergen filter with automatic air-conditioner / filtro antibatterico, antiodori e anti-allergeni con climatizzatore automatico		B4204T29	228	310	06/18	>					34.293.00
2.0 T6 Twin Engine Hybrid		B4204T46	186	253	01/19	>		25.110.00		30.C64.00	
with automatic air-conditioner / con climatizzatore automatico		B4204T46	186	253	01/19	>					54.293.00
with manual air-conditioner / con climatizzatore manuale		B4204T46	186	253	01/19	>					53.314.00

...VOLVO - cars/auto

antibacterial, anti-odour and anti-allergen filter with automatic air-conditioner / filtro antibatterico, antiodori e anti-allergeni con climatizzatore automatico	B4204T46	186	253	01/19	>				34.293.00
2.0 T8 Twin Engine Hybrid	B4204T34	223	303	06/18	>	25.110.00		30.C64.00	
with automatic air-conditioner / con climatizzatore automatico	B4204T34	223	303	06/18	>				54.293.00
with manual air-conditioner / con climatizzatore manuale	B4204T34	223	303	06/18	>				53.314.00
antibacterial, anti-odour and anti-allergen filter with automatic air-conditioner / filtro antibatterico, antiodori e anti-allergeni con climatizzatore automatico	B4204T34	223	303	06/18	>				34.293.00
V60 II Cross Country									
2.0 B5 Mild-Hybrid	B420T2	184	250	01/20	>	25.110.00	31.994.00	30.C64.00	53.314.00
with activated carbons / ai carboni attivi	B420T2	184	250	01/20	>				54.293.00
antibacterial, anti-odour and anti-allergen filter / filtro antibatterico, antiodori e anti-allergeni	B420T2	184	250	01/20	>				34.293.00
2.0 D4 AWD Auto.	D4204T14	140	190	06/18	>	25.110.00		30.C64.00	
with automatic air-conditioner / con climatizzatore automatico	D4204T14	140	190	06/18	>				54.293.00
with manual air-conditioner / con climatizzatore manuale	D4204T14	140	190	06/18	>				53.314.00
antibacterial, anti-odour and anti-allergen filter with automatic air-conditioner / filtro antibatterico, antiodori e anti-allergeni con climatizzatore automatico	D4204T14	140	190	06/18	>				34.293.00
2.0 T5 AWD Auto.	B4204T26	184	250	06/18	>	25.110.00		30.C64.00	
with automatic air-conditioner / con climatizzatore automatico	B4204T26	184	250	06/18	>				54.293.00
with manual air-conditioner / con climatizzatore manuale	B4204T26	184	250	06/18	>				53.314.00
antibacterial, anti-odour and anti-allergen filter with automatic air-conditioner / filtro antibatterico, antiodori e anti-allergeni con climatizzatore automatico	B4204T26	184	250	06/18	>				34.293.00
V70 I									
2.0	B5202FS/B5202S	93	126	07/98	> 06/00	25.018.00	31.513.00	30.007.00	53.079.00
with R.H.D. / con guida a destra	B5202FS/B5202S	93	126	07/00	>				53.418.00
2.0	B5204S	105	143	07/98	> 06/00	25.018.00	31.513.00	30.007.00	53.079.00
2.0 Turbo 20V	B5204T5	132	180	03/00	> 06/00	25.018.00		30.164.00	53.079.00
to frame No. 83267 / a telaio N. 83267	B5204T5	132	180				31.747.00		
with L.H.D. / con guida a sinistra	B5204T5	132	180	07/00	>	25.018.00		30.164.00	53.091.00
with activated carbon L.H.D. / con guida a sinistra, ai carboni attivi	B5204T5	132	180	07/00	>	25.018.00		30.164.00	54.126.00
from frame No. 83268 / da telaio N. 83268	B5204T5	132	180				31.811.00		
2.0 Turbo 20V R				07/98	> 06/00	25.018.00	31.513.00	30.007.00	53.079.00
2.0 Turbo 20V R Autom.				07/98	> 06/00	25.018.00	31.513.00	30.007.00	53.079.00
2.0 Turbo 20V R AWD				07/98	> 06/00	25.018.00	31.513.00	30.007.00	53.079.00
2.0 Turbo 20V T				07/98	> 06/00	25.018.00	31.513.00	30.007.00	53.079.00
2.0 Turbo 20V T5				07/98	> 06/00	25.018.00	31.513.00	30.007.00	53.079.00
2.0 Turbo 20V T5 AWD				07/98	> 06/00	25.018.00	31.513.00	30.007.00	53.079.00
2.3 Turbo 20V (THA)	B5234T7	147	200	03/00	> 06/00	25.018.00		30.164.00	53.079.00
to frame No. 83267 / a telaio N. 83267	B5234T7	147	200				31.747.00		
with L.H.D. / con guida a sinistra	B5234T7	147	200	07/00	>	25.018.00		30.164.00	53.091.00
with activated carbon L.H.D. / con guida a sinistra, ai carboni attivi	B5234T7	147	200	07/00	>	25.018.00		30.164.00	54.126.00
from frame No. 83268 / da telaio N. 83268	B5234T7	147	200				31.811.00		
2.3 Turbo 20V R				07/98	> 06/00	25.018.00	31.513.00	30.007.00	53.079.00
2.3 Turbo 20V R Autom.				07/98	> 06/00	25.018.00	31.513.00	30.007.00	53.079.00
2.3 Turbo 20V R AWD				07/98	> 06/00	25.018.00	31.513.00	30.007.00	53.079.00
2.3 Turbo 20V T5				07/98	> 06/00	25.018.00	31.513.00	30.007.00	53.079.00
2.3 Turbo 20V T5	B5234T3	184	250	03/00	> 06/00	25.018.00		30.164.00	53.079.00
to frame No. 83267 / a telaio N. 83267	B5234T3	184	250		> 06/04		31.747.00		
with R.H.D. / con guida a destra	B5234T3	184	250	07/00	>				53.418.00
with L.H.D. / con guida a sinistra	B5234T3	184	250	07/00	> 06/04	25.018.00		30.164.00	53.091.00
with activated carbon L.H.D. / con guida a sinistra, ai carboni attivi	B5234T3	184	250	07/00	> 06/04	25.018.00		30.164.00	54.126.00
from frame No. 83268 / da telaio N. 83268	B5234T3	184	250	07/00	>		31.811.00		
2.4 20V	B5244S	125	170	03/00	> 06/00	25.018.00		30.164.00	53.079.00
to frame No. 83267 / a telaio N. 83267	B5244S	125	170				31.747.00		
with R.H.D. / con guida a destra	B5244S	125	170	07/00	>				53.418.00
with L.H.D. / con guida a sinistra	B5244S	125	170	07/00	>	25.018.00		30.164.00	53.091.00
with activated carbon L.H.D. / con guida a sinistra, ai carboni attivi	B5244S	125	170	07/00	>	25.018.00		30.164.00	54.126.00
from frame No. 83268 / da telaio N. 83268	B5244S	125	170				31.811.00		
2.4 20V	B5244S2	103	140	03/00	> 06/00	25.018.00		30.164.00	53.079.00
to frame No. 83267 / a telaio N. 83267	B5244S2	103	140				31.747.00		
with R.H.D. / con guida a destra	B5244S2	103	140	07/00	>				53.418.00
with L.H.D. / con guida a sinistra	B5244S2	103	140	07/00	>	25.018.00		30.164.00	53.091.00
with activated carbon L.H.D. / con guida a sinistra, ai carboni attivi	B5244S2	103	140	07/00	>	25.018.00		30.164.00	54.126.00
from frame No. 83268 / da telaio N. 83268	B5244S2	103	140				31.811.00		
2.4 Bi-Fuel (CNG)	B5244SG	103	140	07/98	> 06/00	25.018.00	31.513.00	30.007.00	53.079.00
to frame No. 83267 / a telaio N. 83267	B5244SG	103	140				31.747.00		
with L.H.D. / con guida a sinistra	B5244SG	103	140	07/00	>	25.018.00		30.164.00	53.091.00
with activated carbon L.H.D. / con guida a sinistra, ai carboni attivi	B5244SG	103	140	07/00	>	25.018.00		30.164.00	54.126.00
from frame No. 83268 / da telaio N. 83268	B5244SG	103	140				31.811.00		
2.4 Bi-Fuel (LPG)	B5244SG2	103	140	03/00	> 06/00	25.018.00		30.164.00	53.079.00
to frame No. 83267 / a telaio N. 83267	B5244SG2	103	140				31.747.00		
with L.H.D. / con guida a sinistra	B5244SG2	103	140	07/00	>	25.018.00		30.164.00	53.091.00

...VOLVO - cars/auto

V



with activated carbon L.H.D. / con guida a sinistra, ai carboni attivi	B5244SG2	103	140	07/00	>	25.018.00		30.164.00	54.126.00
from frame No. 83268 / da telaio N. 83268	B5244SG2	103	140				31.811.00		
2.4 D									
with R.H.D. / con guida a destra	D5244T	93	126	07/00	>				53.418.00
with L.H.D. / con guida a sinistra	D5244T	93	126	05/05	>	25.039.00	26.018.00	30.164.00	53.091.00
with activated carbon L.H.D. / con guida a sinistra, ai carboni attivi	D5244T	93	126	05/05	>	25.039.00	26.018.00	30.164.00	54.126.00
2.4 D									
to frame No. 400539 / a telaio N. 400539	D5244T	96	130			25.039.00	24.441.00	30.164.00	54.126.00
with air-conditioner and L.H.D. / con climatizzatore e guida a sinistra	D5244T	96	130	06/01	>	25.039.00		30.164.00	54.126.00
with R.H.D. / con guida a destra	D5244T	96	130	07/00	>				53.418.00
with L.H.D. / con guida a sinistra	D5244T	96	130	06/01	>	25.039.00		30.164.00	53.091.00
from frame No. 400540 / da telaio N. 400540	D5244T	96	130			25.039.00	26.018.00	30.164.00	54.126.00
2.4 D5									
to frame No. 400539/397951 / a telaio N. 400539/397951	D5244T2	120	163	06/01	>	25.039.00	24.441.00		54.126.00
to frame No. 554220/555059 / a telaio N. 554220/555059	D5244T2	120	163	06/01	>			30.164.00	
with R.H.D. / con guida a destra	D5244T2	120	163	07/00	>				53.418.00
with L.H.D. / con guida a sinistra	D5244T2	120	163	06/01	> 09/07	25.039.00		30.164.00	53.091.00
with activated carbon L.H.D. / con guida a sinistra, ai carboni attivi	D5244T2	120	163	06/01	> 09/07	25.039.00		30.164.00	54.126.00
from frame No. 400540/397952 / da telaio N. 400540/397952	D5244T2	120	163		> 09/07	25.039.00	26.018.00		54.126.00
from frame No. 554221/555060 / da telaio N. 554221/555060	D5244T2	120	163		> 09/07			30.366.00	
2.4 D5									
with R.H.D. / con guida a destra	D5244T4	136	185	07/00	>				53.418.00
with L.H.D. / con guida a sinistra	D5244T4	136	185	08/05	>	25.039.00	26.018.00	30.164.00	53.091.00
with activated carbon L.H.D. / con guida a sinistra, ai carboni attivi	D5244T4	136	185	08/05	>	25.039.00	26.018.00	30.164.00	54.126.00
2.4 D5 AWD									
with L.H.D. / con guida a sinistra		136	185	08/05	>	25.039.00		30.164.00	53.091.00
with activated carbon L.H.D. / con guida a sinistra, ai carboni attivi		136	185	08/05	>	25.039.00		30.164.00	54.126.00
2.4 T5									
with R.H.D. / con guida a destra	B5244T5	191	260	07/00	>				53.418.00
with L.H.D. / con guida a sinistra	B5244T5	191	260	06/04	>	25.018.00	31.811.00	30.164.00	53.091.00
with activated carbon L.H.D. / con guida a sinistra, ai carboni attivi	B5244T5	191	260	06/04	>	25.018.00	31.811.00	30.164.00	54.126.00
2.4 Turbo 20V									
to frame No. 83267 / a telaio N. 83267	B5244T3	147	200	03/00	> 06/00	25.018.00		30.164.00	53.079.00
with R.H.D. / con guida a destra	B5244T3	147	200	07/00	>		31.747.00		53.418.00
with L.H.D. / con guida a sinistra	B5244T3	147	200	07/00	>	25.018.00		30.164.00	53.091.00
with activated carbon L.H.D. / con guida a sinistra, ai carboni attivi	B5244T3	147	200	07/00	>	25.018.00		30.164.00	54.126.00
from frame No. 83268 / da telaio N. 83268	B5244T3	147	200				31.811.00		
2.4 Turbo 20V AWD									
to frame No. 83267 / a telaio N. 83267	B5244T3	147	200	03/00	> 06/00	25.018.00		30.164.00	53.079.00
with R.H.D. / con guida a destra	B5244T3	147	200	07/00	>		31.747.00		53.418.00
with L.H.D. / con guida a sinistra	B5244T3	147	200	07/00	>	25.018.00		30.164.00	53.091.00
with activated carbon L.H.D. / con guida a sinistra, ai carboni attivi	B5244T3	147	200	07/00	>	25.018.00		30.164.00	54.126.00
from frame No. 83268 / da telaio N. 83268	B5244T3	147	200				31.811.00		
2.4 Turbo 20V T5 AWD									
				07/98	> 06/00	25.018.00	31.513.00	30.007.00	53.079.00
2.5 T AWD R									
with R.H.D. / con guida a destra	B5254T4	221	300	07/00	>				53.418.00
with L.H.D. / con guida a sinistra	B5254T4	221	300	03/03	>	25.018.00	31.846.00	27.587.00	53.091.00
with activated carbon L.H.D. / con guida a sinistra, ai carboni attivi	B5254T4	221	300	03/03	>	25.018.00	31.846.00	27.587.00	54.126.00
2.5 TDI									
with R.H.D. / con guida a destra	D5252T	103	140	01/97	> 06/00	23.167.00	24.379.01	30.007.00	53.079.00
with R.H.D. / con guida a destra	D5252T	103	140	07/00	>				53.418.00
with L.H.D. / con guida a sinistra	D5252T	103	140	07/00	> 09/01	23.167.00	24.379.01	30.007.00	53.091.00
with activated carbon L.H.D. / con guida a sinistra, ai carboni attivi	D5252T	103	140	07/00	> 09/01	23.167.00	24.379.01	30.007.00	54.126.00
2.5 Turbo 20V T									
with R.H.D. / con guida a destra	B5254T2	154	210	07/00	>				53.418.00
with L.H.D. / con guida a sinistra	B5254T2	154	210	08/02	>	25.018.00	31.811.00	30.164.00	53.091.00
with activated carbon L.H.D. / con guida a sinistra, ai carboni attivi	B5254T2	154	210	08/02	>	25.018.00	31.811.00	30.164.00	54.126.00
V70 II									
2.0 Turbo 20V									
to frame No. 83267 / a telaio N. 83267	B5204T5	132	180				31.747.00		
with L.H.D. / con guida a sinistra	B5204T5	132	180	07/00	>	25.018.00		30.164.00	53.091.00
with activated carbon L.H.D. / con guida a sinistra, ai carboni attivi	B5204T5	132	180	07/01	>	25.018.00		30.164.00	54.126.00
from frame No. 83268 / da telaio N. 83268	B5204T5	132	180				31.811.00		
V70 III									
1.6 D									
with automatic air-conditioner / con climatizzatore automatico	D4164T	80	109	01/10	> 12/11	25.037.00	55.170.00	30.341.00	54.159.00
with manual air-conditioner / con climatizzatore manuale	D4164T	80	109	01/10	> 12/11				53.206.00
antibacterial, anti-odour and anti-allergen filter with automatic air-conditioner / filtro antibatterico, antiodori e anti-allergeni con climatizzatore automatico	D4164T	80	109	01/10	> 12/11				34.159.00

...VOLVO - cars/auto

1.6 D2									
with automatic air-conditioner / con climatizzatore automatico	D4162T	84	115	06/11	>	25.037.00		30.341.00	54.159.00
with manual air-conditioner / con climatizzatore manuale	D4162T	84	115	06/11	>				53.206.00
antibacterial, anti-odour and anti-allergen filter with automatic air-conditioner / filtro antibatterico, antiodori e anti-allergeni con climatizzatore automatico	D4162T	84	115	06/11	>				34.159.00
spare part only / solo ricambio	D4162T	84	115	06/11	>		24.128.00		
1.6 T4									
with automatic air-conditioner / con climatizzatore automatico	B4164T	132	180	10/10	>	23.267.00		30.341.00	54.159.00
with manual air-conditioner / con climatizzatore manuale	B4164T	132	180	10/10	>				53.206.00
antibacterial, anti-odour and anti-allergen filter with automatic air-conditioner / filtro antibatterico, antiodori e anti-allergeni con climatizzatore automatico	B4164T	132	180	10/10	>				34.159.00
1.6 T4F Flexifuel									
with automatic air-conditioner / con climatizzatore automatico	B4164T2	132	180	01/11	>	23.267.00		30.341.00	54.159.00
with manual air-conditioner / con climatizzatore manuale	B4164T2	132	180	01/11	>				53.206.00
antibacterial, anti-odour and anti-allergen filter with automatic air-conditioner / filtro antibatterico, antiodori e anti-allergeni con climatizzatore automatico	B4164T2	132	180	01/11	>				34.159.00
2.0									
with automatic air-conditioner / con climatizzatore automatico	B4204S3	107	145	08/07	> 09/10	23.413.00		30.331.00	54.159.00
with manual air-conditioner / con climatizzatore manuale	B4204S3	107	145	08/07	> 09/10				53.206.00
antibacterial, anti-odour and anti-allergen filter with automatic air-conditioner / filtro antibatterico, antiodori e anti-allergeni con climatizzatore automatico	B4204S3	107	145	08/07	> 09/10				34.159.00
2.0 BiFuel GPL/LPG									
with automatic air-conditioner / con climatizzatore automatico	B5204T9	157	213	03/13	>	25.039.00		30.212.00	54.159.00
with manual air-conditioner / con climatizzatore manuale	B5204T9	157	213	03/13	>				53.206.00
antibacterial, anti-odour and anti-allergen filter with automatic air-conditioner / filtro antibatterico, antiodori e anti-allergeni con climatizzatore automatico	B5204T9	157	213	03/13	>				34.159.00
2.0 D									
with automatic air-conditioner / con climatizzatore automatico	D4204T	100	136	08/07	> 04/10	25.060.00	26.020.00	30.331.00	54.159.00
with manual air-conditioner / con climatizzatore manuale	D4204T	100	136	08/07	> 04/10				53.206.00
antibacterial, anti-odour and anti-allergen filter with automatic air-conditioner / filtro antibatterico, antiodori e anti-allergeni con climatizzatore automatico	D4204T	100	136	08/07	> 04/10				34.159.00
2.0 D3									
with automatic air-conditioner / con climatizzatore automatico	D5204T2	120	163	05/10	>	25.154.00	26.020.00	30.341.00	54.159.00
with manual air-conditioner / con climatizzatore manuale	D5204T2	120	163	05/10	>				53.206.00
antibacterial, anti-odour and anti-allergen filter with automatic air-conditioner / filtro antibatterico, antiodori e anti-allergeni con climatizzatore automatico	D5204T2	120	163	05/10	>				34.159.00
2.0 D3									
with automatic air-conditioner / con climatizzatore automatico	D5204T7	100	136	05/10	>	25.154.00		30.341.00	54.159.00
with manual air-conditioner / con climatizzatore manuale	D5204T7	100	136	05/10	>				53.206.00
antibacterial, anti-odour and anti-allergen filter with automatic air-conditioner / filtro antibatterico, antiodori e anti-allergeni con climatizzatore automatico	D5204T7	100	136	05/10	>				34.159.00
2.0 D4									
with automatic air-conditioner / con climatizzatore automatico	D4204T5	133	181	11/13	>	25.110.00	26.020.00	30.341.00	54.159.00
with manual air-conditioner / con climatizzatore manuale	D4204T5	133	181	11/13	>				53.206.00
antibacterial, anti-odour and anti-allergen filter with automatic air-conditioner / filtro antibatterico, antiodori e anti-allergeni con climatizzatore automatico	D4204T5	133	181	11/13	>				34.159.00
2.0 D4									
with automatic air-conditioner / con climatizzatore automatico	D5204T3	120	163	05/10	>	25.154.00		30.341.00	54.159.00
with manual air-conditioner / con climatizzatore manuale	D5204T3	120	163	05/10	>				53.206.00
antibacterial, anti-odour and anti-allergen filter with automatic air-conditioner / filtro antibatterico, antiodori e anti-allergeni con climatizzatore automatico	D5204T3	120	163	05/10	>				34.159.00
2.0 Flexifuel E85									
with automatic air-conditioner / con climatizzatore automatico	B4204S4	107	145	08/07	> 09/10	23.413.00		30.331.00	54.159.00
with manual air-conditioner / con climatizzatore manuale	B4204S4	107	145	08/07	> 09/10				53.206.00
antibacterial, anti-odour and anti-allergen filter with automatic air-conditioner / filtro antibatterico, antiodori e anti-allergeni con climatizzatore automatico	B4204S4	107	145	08/07	> 09/10				34.159.00
2.0 T									
with automatic air-conditioner / con climatizzatore automatico	B4204T6	149	203	04/10	>	23.632.00		30.341.00	54.159.00
with manual air-conditioner / con climatizzatore manuale	B4204T6	149	203	04/10	>				53.206.00
antibacterial, anti-odour and anti-allergen filter with automatic air-conditioner / filtro antibatterico, antiodori e anti-allergeni con climatizzatore automatico	B4204T6	149	203	04/10	>				34.159.00
2.0 T5									
with automatic air-conditioner / con climatizzatore automatico	B4204T11	180	245	11/13	>	25.110.00		30.341.00	54.159.00
with manual air-conditioner / con climatizzatore manuale	B4204T11	180	245	11/13	>				53.206.00
antibacterial, anti-odour and anti-allergen filter with automatic air-conditioner / filtro antibatterico, antiodori e anti-allergeni con climatizzatore automatico	B4204T11	180	245	11/13	>				34.159.00
2.0 T5									
with automatic air-conditioner / con climatizzatore automatico	B4204T7	177	240	01/10	>	23.632.00		30.341.00	54.159.00
with manual air-conditioner / con climatizzatore manuale	B4204T7	177	240	01/10	>				53.206.00
antibacterial, anti-odour and anti-allergen filter with automatic air-conditioner / filtro antibatterico, antiodori e anti-allergeni con climatizzatore automatico	B4204T7	177	240	01/10	>				34.159.00
2.4 D									
with automatic air-conditioner / con climatizzatore automatico	D5244T14	129	175	04/09	> 05/10	25.154.00		30.341.00	54.159.00
with manual air-conditioner / con climatizzatore manuale	D5244T14	129	175	04/09	> 05/10				53.206.00
antibacterial, anti-odour and anti-allergen filter with automatic air-conditioner / filtro antibatterico, antiodori e anti-allergeni con climatizzatore automatico	D5244T14	129	175	04/09	> 05/10				34.159.00
2.4 D									
with automatic air-conditioner / con climatizzatore automatico	D5244T5	120	163	08/07	> 04/09	25.039.00	26.020.00	30.341.00	54.159.00
with manual air-conditioner / con climatizzatore manuale	D5244T5	120	163	08/07	> 04/09				53.206.00
antibacterial, anti-odour and anti-allergen filter with automatic air-conditioner / filtro antibatterico, antiodori e anti-allergeni con climatizzatore automatico	D5244T5	120	163	08/07	> 04/09				34.159.00
2.4 D4 AWD									
with automatic air-conditioner / con climatizzatore automatico	D5244T17	120	163	05/10	>	25.154.00		30.341.00	54.159.00

...VOLVO - cars/auto

with manual air-conditioner / con climatizzatore manuale	D5244T17	120	163	05/10	>				53.206.00
antibacterial, anti-odour and anti-allergen filter with automatic air-conditioner / filtro antibatterico, antiodori e anti-allergeni con climatizzatore automatico	D5244T17	120	163	05/10	>				34.159.00
2.4 D4 FWD									
with automatic air-conditioner / con climatizzatore automatico	D5244T17	120	163	05/12	>	25.154.00	26.020.00	30.341.00	54.159.00
with manual air-conditioner / con climatizzatore manuale	D5244T17	120	163	05/12	>				53.206.00
antibacterial, anti-odour and anti-allergen filter with automatic air-conditioner / filtro antibatterico, antiodori e anti-allergeni con climatizzatore automatico	D5244T17	120	163	05/12	>				34.159.00
2.4 D5									
with automatic air-conditioner / con climatizzatore automatico	D5244T10	151	205	04/09	>	25.154.00	26.020.00	30.341.00	54.159.00
with manual air-conditioner / con climatizzatore manuale	D5244T10	151	205	04/09	>				53.206.00
antibacterial, anti-odour and anti-allergen filter with automatic air-conditioner / filtro antibatterico, antiodori e anti-allergeni con climatizzatore automatico	D5244T10	151	205	04/09	>				34.159.00
2.4 D5									
with automatic air-conditioner / con climatizzatore automatico	D5244T11	158	215	05/10	>	25.154.00		30.341.00	54.159.00
with manual air-conditioner / con climatizzatore manuale	D5244T11	158	215	05/10	>				53.206.00
antibacterial, anti-odour and anti-allergen filter with automatic air-conditioner / filtro antibatterico, antiodori e anti-allergeni con climatizzatore automatico	D5244T11	158	215	05/10	>				34.159.00
2.4 D5									
with automatic air-conditioner / con climatizzatore automatico	D5244T4	136	185	08/07	> 03/09	25.039.00	26.020.00	30.341.00	54.159.00
with manual air-conditioner / con climatizzatore manuale	D5244T4	136	185	08/07	> 03/09				53.206.00
antibacterial, anti-odour and anti-allergen filter with automatic air-conditioner / filtro antibatterico, antiodori e anti-allergeni con climatizzatore automatico	D5244T4	136	185	08/07	> 03/09				34.159.00
2.4 D5 AWD									
with automatic air-conditioner / con climatizzatore automatico	D5244T15	158	215	05/10	>	25.154.00		30.341.00	54.159.00
with manual air-conditioner / con climatizzatore manuale	D5244T15	158	215	05/10	>				53.206.00
antibacterial, anti-odour and anti-allergen filter with automatic air-conditioner / filtro antibatterico, antiodori e anti-allergeni con climatizzatore automatico	D5244T15	158	215	05/10	>				34.159.00
2.4 D5 AWD									
with automatic air-conditioner / con climatizzatore automatico	D5244T4	136	185	08/07	> 03/09	25.039.00	26.020.00	30.341.00	54.159.00
with manual air-conditioner / con climatizzatore manuale	D5244T4	136	185	08/07	> 03/09				53.206.00
antibacterial, anti-odour and anti-allergen filter with automatic air-conditioner / filtro antibatterico, antiodori e anti-allergeni con climatizzatore automatico	D5244T4	136	185	08/07	> 03/09				34.159.00
2.5 FT									
with automatic air-conditioner / con climatizzatore automatico	B5254T11	170	231	10/09	>	25.039.00	31.951.00	30.212.00	54.159.00
with manual air-conditioner / con climatizzatore manuale	B5254T11	170	231	10/09	>				53.206.00
antibacterial, anti-odour and anti-allergen filter with automatic air-conditioner / filtro antibatterico, antiodori e anti-allergeni con climatizzatore automatico	B5254T11	170	231	10/09	>				34.159.00
2.5 T									
with automatic air-conditioner / con climatizzatore automatico	B5254T10	170	231	10/09	>	25.039.00		30.212.00	54.159.00
with manual air-conditioner / con climatizzatore manuale	B5254T10	170	231	10/09	>				53.206.00
antibacterial, anti-odour and anti-allergen filter with automatic air-conditioner / filtro antibatterico, antiodori e anti-allergeni con climatizzatore automatico	B5254T10	170	231	10/09	>				34.159.00
2.5 T									
with automatic air-conditioner / con climatizzatore automatico	B5254T6	147	200	08/07	> 12/09	25.039.00	31.811.00	30.212.00	54.159.00
with manual air-conditioner / con climatizzatore manuale	B5254T6	147	200	08/07	> 12/09				53.206.00
antibacterial, anti-odour and anti-allergen filter with automatic air-conditioner / filtro antibatterico, antiodori e anti-allergeni con climatizzatore automatico	B5254T6	147	200	08/07	> 12/09				34.159.00
3.0 T6									
with automatic air-conditioner / con climatizzatore automatico	B6304T4	224	304	05/10	>	25.177.00		30.686.00	54.159.00
with manual air-conditioner / con climatizzatore manuale	B6304T4	224	304	05/10	>				53.206.00
antibacterial, anti-odour and anti-allergen filter with automatic air-conditioner / filtro antibatterico, antiodori e anti-allergeni con climatizzatore automatico	B6304T4	224	304	05/10	>				34.159.00
3.0 T6 AWD									
with automatic air-conditioner / con climatizzatore automatico	B6304T2	210	285	08/07	> 04/10	25.177.00		30.686.00	54.159.00
with manual air-conditioner / con climatizzatore manuale	B6304T2	210	285	08/07	> 04/10				53.206.00
antibacterial, anti-odour and anti-allergen filter with automatic air-conditioner / filtro antibatterico, antiodori e anti-allergeni con climatizzatore automatico	B6304T2	210	285	08/07	> 04/10				34.159.00
3.2 Automatic									
with automatic air-conditioner / con climatizzatore automatico	B6324S	175	238	08/07	> 04/10	25.177.00		30.686.00	54.159.00
with manual air-conditioner / con climatizzatore manuale	B6324S	175	238	08/07	> 04/10				53.206.00
antibacterial, anti-odour and anti-allergen filter with automatic air-conditioner / filtro antibatterico, antiodori e anti-allergeni con climatizzatore automatico	B6324S	175	238	08/07	> 04/10				34.159.00
3.2 Automatic AWD									
with automatic air-conditioner / con climatizzatore automatico	B6324S	175	238	08/07	> 04/10	25.177.00		30.686.00	54.159.00
with manual air-conditioner / con climatizzatore manuale	B6324S	175	238	08/07	> 04/10				53.206.00
antibacterial, anti-odour and anti-allergen filter with automatic air-conditioner / filtro antibatterico, antiodori e anti-allergeni con climatizzatore automatico	B6324S	175	238	08/07	> 04/10				34.159.00
3.2 AWD									
with automatic air-conditioner / con climatizzatore automatico	B6324S5	179	243	05/10	>	25.177.00		30.686.00	54.159.00
with manual air-conditioner / con climatizzatore manuale	B6324S5	179	243	05/10	>				53.206.00
antibacterial, anti-odour and anti-allergen filter with automatic air-conditioner / filtro antibatterico, antiodori e anti-allergeni con climatizzatore automatico	B6324S5	179	243	05/10	>				34.159.00
V70XC									
2.0 Turbo 20V AWD	B5204T3	166	226	07/98	> 06/00	25.018.00	31.513.00	30.007.00	53.079.00
2.4 D AWD									
to frame No. 145267 / a telaio N. 145267	D5244T	120	163			25.039.00	24.441.00	30.164.00	54.126.00
with L.H.D. / con guida a sinistra	D5244T	120	163	09/02	>	25.039.00		30.164.00	53.091.00
with activated carbon L.H.D. / con guida a sinistra, ai carboni attivi	D5244T	120	163	09/02	>	25.039.00		30.164.00	54.126.00
from frame No. 145268 / da telaio N. 145268	D5244T	120	163			25.039.00	26.018.00	30.164.00	54.126.00
2.4 Turbo 20V AWD									
	B5244T	147	200	07/98	> 02/00	25.018.00	31.513.00	30.007.00	53.079.00
2.4 Turbo 20V AWD									
	B5244T3	147	200	03/00	> 06/00	25.018.00		30.164.00	53.079.00

...VOLVO - cars/auto

to frame No. 16633 / a telaio N. 16633	B5244T3	147	200				31.747.00		
with L.H.D. / con guida a sinistra	B5244T3	147	200	07/00	>	25.018.00		30.164.00	53.091.00
with activated carbon L.H.D. / con guida a sinistra, ai carboni attivi	B5244T3	147	200	07/00	>	25.018.00		30.164.00	54.126.00
from frame No. 16634 / da telaio N. 16634	B5244T3	147	200				31.811.00		
2.4 Turbo 20V AWD	B5254T	142	193	07/98	> 06/00	25.018.00	31.513.00	30.007.00	53.079.00
V90 II									
2.0 B6 Mild-Hybrid	B420T	256	348	03/20	>	25.110.00		30.C64.00	53.314.00
with activated carbons / ai carboni attivi	B420T	256	348	03/20	>				54.293.00
with R.H.D. with activated carbons / con guida a destra ai carboni attivi	B420T	256	348	03/20	>				54.293.00
antibacterial, anti-odour and anti-allergen filter / filtro antibatterico, antiodori e anti-allergeni	B420T	256	348	03/20	>				34.293.00
2.0 D3	D4204T9	110	150	03/16	>			30.C64.00	53.314.00
with activated carbons / ai carboni attivi	D4204T9	110	150	03/16	>				54.293.00
antibacterial, anti-odour and anti-allergen filter / filtro antibatterico, antiodori e anti-allergeni	D4204T9	110	150	03/20	>				34.293.00
2.0 D4	D4204T14	140	190	03/16	>			30.C64.00	53.314.00
with activated carbons / ai carboni attivi	D4204T14	140	190	03/16	>				54.293.00
antibacterial, anti-odour and anti-allergen filter / filtro antibatterico, antiodori e anti-allergeni	D4204T14	140	190	03/20	>				34.293.00
2.0 D4 AWD		140	190	03/16	>			30.C64.00	53.314.00
with activated carbons / ai carboni attivi		140	190	03/16	>				54.293.00
antibacterial, anti-odour and anti-allergen filter / filtro antibatterico, antiodori e anti-allergeni		140	190	03/20	>				34.293.00
2.0 D5 AWD	D4204T23	173	235	03/16	>			30.C64.00	53.314.00
with activated carbons / ai carboni attivi	D4204T23	173	235	03/16	>				54.293.00
antibacterial, anti-odour and anti-allergen filter / filtro antibatterico, antiodori e anti-allergeni	D4204T23	173	235	03/20	>				34.293.00
2.0 T5	B4204T23	187	254	03/16	>	25.110.00		30.C64.00	53.314.00
with activated carbons / ai carboni attivi	B4204T23	187	254	03/16	>				54.293.00
antibacterial, anti-odour and anti-allergen filter / filtro antibatterico, antiodori e anti-allergeni	B4204T23	187	254	03/20	>				34.293.00
2.0 T6 AWD	B4204T27	235	320	03/16	>	25.110.00		30.C64.00	53.314.00
with activated carbons / ai carboni attivi	B4204T27	235	320	03/16	>				54.293.00
antibacterial, anti-odour and anti-allergen filter / filtro antibatterico, antiodori e anti-allergeni	B4204T27	235	320	03/20	>				34.293.00
XC40									
1.5 T2	B3154T9	95	129	04/19	>	25.173.01			
1.5 T3	B3154T	115	156	04/18	>	25.173.01			
1.5 T3	B3154T2	120	163	04/18	>	25.173.01			
1.5 T3	B3154T7	120	163	04/19	>	25.173.01			
1.5 T5 Hybrid Autom.	B3154T5	192	262	04/19	>	25.173.01			
2.0 D3	D4204T16	110	150	10/17	>	25.110.00			
2.0 D4 AWD	D4204T12	140	190	12/17	>	25.110.00			
2.0 T4	B4204T47	140	190	05/18	>	25.110.00			
2.0 T4 AWD	B4204T47	140	190	05/18	>	25.110.00			
2.0 T5 AWD	B4204T14	182	247	12/17	>	25.110.00			
XC60									
2.0 D3									
with automatic air-conditioner / con climatizzatore automatico	D5204T2	120	163	05/10	>	25.154.00	26.020.00	30.341.00	54.159.00
antibacterial, anti-odour and anti-allergen filter with automatic air-conditioner / filtro antibatterico, antiodori e anti-allergeni con climatizzatore automatico	D5204T2	120	163	05/10	>				34.159.00
2.0 D3									
with automatic air-conditioner / con climatizzatore automatico	D5204T3	120	163	06/11	>		26.020.00	30.341.00	54.159.00
antibacterial, anti-odour and anti-allergen filter with automatic air-conditioner / filtro antibatterico, antiodori e anti-allergeni con climatizzatore automatico	D5204T3	120	163	06/11	>				34.159.00
2.0 D4									
with automatic air-conditioner / con climatizzatore automatico	D4204T5	133	181	11/13	>	25.110.00	26.020.00	30.341.00	54.159.00
antibacterial, anti-odour and anti-allergen filter with automatic air-conditioner / filtro antibatterico, antiodori e anti-allergeni con climatizzatore automatico	D4204T5	133	181	11/13	>				34.159.00
2.0 DRIVe									
with automatic air-conditioner / con climatizzatore automatico	D5204T2	120	163	05/10	>		26.020.00	30.341.00	54.159.00
antibacterial, anti-odour and anti-allergen filter with automatic air-conditioner / filtro antibatterico, antiodori e anti-allergeni con climatizzatore automatico	D5204T2	120	163	05/10	>				34.159.00
2.0 DRIVe									
with automatic air-conditioner / con climatizzatore automatico	D5204T3	120	163	06/11	>		26.020.00	30.341.00	54.159.00
antibacterial, anti-odour and anti-allergen filter with automatic air-conditioner / filtro antibatterico, antiodori e anti-allergeni con climatizzatore automatico	D5204T3	120	163	06/11	>				34.159.00
2.0 T									
with automatic air-conditioner / con climatizzatore automatico	B4204T6	149	203	05/10	>			30.341.00	54.159.00
antibacterial, anti-odour and anti-allergen filter with automatic air-conditioner / filtro antibatterico, antiodori e anti-allergeni con climatizzatore automatico	B4204T6	149	203	05/10	>				34.159.00
2.0 T5									
with automatic air-conditioner / con climatizzatore automatico	B4204T11	180	245	11/13	>	25.110.00		30.341.00	54.159.00
antibacterial, anti-odour and anti-allergen filter with automatic air-conditioner / filtro antibatterico, antiodori e anti-allergeni con climatizzatore automatico	B4204T11	180	245	11/13	>				34.159.00
2.0 T5									
with automatic air-conditioner / con climatizzatore automatico	B4204T7	177	240	05/10	>			30.341.00	54.159.00
antibacterial, anti-odour and anti-allergen filter with automatic air-conditioner / filtro antibatterico, antiodori e anti-allergeni con climatizzatore automatico	B4204T7	177	240	05/10	>				34.159.00
2.0 T6									
with automatic air-conditioner / con climatizzatore automatico	B4204T9	225	306	11/13	>	25.110.00		30.341.00	54.159.00
antibacterial, anti-odour and anti-allergen filter with automatic air-conditioner / filtro antibatterico, antiodori e anti-allergeni con climatizzatore automatico	B4204T9	225	306	11/13	>				34.159.00

...VOLVO - cars/auto

antibacterial, anti-odour and anti-allergen filter / filtro antibatterico, antiodori e anti-allergeni	B4204T34	223	303	06/17	>				34.293.00
2.0 T8 Hybrid	B4204T35	235	320	06/17	>			30.C64.00	53.314.00
with activated carbons / ai carboni attivi	B4204T35	235	320	06/17	>				54.293.00
antibacterial, anti-odour and anti-allergen filter / filtro antibatterico, antiodori e anti-allergeni	B4204T35	235	320	06/17	>				34.293.00
B4 Mild-Hybrid	B4204T46	186	253	01/21	>	25.110.00	31.944.00	30.C64.00	53.314.00
XC70									
2.3 T AWD									
to frame No. 16633 / a telaio N. 16633	B5234T7	184	250					31.747.00	
with L.H.D. / con guida a sinistra	B5234T7	184	250	09/02	>	25.018.00		30.164.00	53.091.00
with activated carbon L.H.D. / con guida a sinistra, ai carboni attivi	B5234T7	184	250	09/02	>	25.018.00		30.164.00	54.126.00
from frame No. 16634 / da telaio N. 16634	B5234T7	184	250					31.811.00	
2.4 D AWD									
to frame No. 145267 / a telaio N. 145267	D5244T	96	130					24.441.00	
with L.H.D. / con guida a sinistra	D5244T	96	130	09/02	>	25.039.00		30.164.00	53.091.00
with activated carbon L.H.D. / con guida a sinistra, ai carboni attivi	D5244T	96	130	09/02	>	25.039.00		30.164.00	54.126.00
from frame No. 145268 / da telaio N. 145268	D5244T	96	130					26.018.00	
2.4 D5 20V AWD									
to frame No. 145267 / a telaio N. 145267	D5244T2	120	163			25.039.00		24.441.00	30.164.00
with R.H.D. / con guida a destra	D5244T2	120	163	08/02	> 08/05				53.418.00
with L.H.D. / con guida a sinistra	D5244T2	120	163	08/02	> 08/05				53.091.00
with activated carbon L.H.D. / con guida a sinistra, ai carboni attivi	D5244T2	120	163	08/02	> 08/05				54.126.00
from frame No. 145268-220844 / da telaio N. 145268-220844	D5244T2	120	163			25.039.00	26.018.00	30.164.00	
from frame No. 220845 / da telaio N. 220845	D5244T2	120	163		> 08/05	25.039.00	26.018.00	30.366.00	
2.4 D5 AWD									
to frame No. 145267 / a telaio N. 145267	D5244T4	136	185	08/05	>			24.441.00	
with R.H.D. / con guida a destra	D5244T4	136	185	08/02	> 08/05				53.418.00
with L.H.D. / con guida a sinistra	D5244T4	136	185	08/05	>	25.039.00		30.164.00	53.091.00
with activated carbon L.H.D. / con guida a sinistra, ai carboni attivi	D5244T4	136	185	08/05	>	25.039.00		30.164.00	54.126.00
from frame No. 145268 / da telaio N. 145268	D5244T4	136	185		> 09/07			26.018.00	
2.5 T									
to frame No. 16633 / a telaio N. 16633	B5254T2	154	209					31.747.00	
with R.H.D. / con guida a destra	B5254T2	154	209	08/02	> 08/05				53.418.00
with L.H.D. / con guida a sinistra	B5254T2	154	209	09/02	>	25.018.00		30.164.00	53.091.00
with activated carbon L.H.D. / con guida a sinistra, ai carboni attivi	B5254T2	154	209	09/02	>	25.018.00		30.164.00	54.126.00
from frame No. 16634 / da telaio N. 16634	B5254T2	154	209					31.811.00	
2.5 T AWD									
to frame No. 16633 / a telaio N. 16633	B5254T2	154	209					31.747.00	
with R.H.D. / con guida a destra	B5254T2	154	209	08/02	> 08/05				53.418.00
with L.H.D. / con guida a sinistra	B5254T2	154	209	09/02	>	25.018.00		30.164.00	53.091.00
with activated carbon L.H.D. / con guida a sinistra, ai carboni attivi	B5254T2	154	209	09/02	>	25.018.00		30.164.00	54.126.00
from frame No. 16634 / da telaio N. 16634	B5254T2	154	209					31.811.00	
XC70 II									
2.0 D3									
with automatic air-conditioner / con climatizzatore automatico	D5204T2	120	163	05/10	>	25.154.00	26.020.00	30.341.00	54.159.00
antibacterial, anti-odour and anti-allergen filter with automatic air-conditioner / filtro antibatterico, antiodori e anti-allergeni con climatizzatore automatico	D5204T2	120	163	05/10	>				34.159.00
2.0 D4									
with automatic air-conditioner / con climatizzatore automatico	D4204T5	133	181	11/13	>	25.110.00	26.020.00	30.341.00	54.159.00
antibacterial, anti-odour and anti-allergen filter / filtro antibatterico, antiodori e anti-allergeni	D4204T5	133	181	11/13	>				34.159.00
2.0 T5									
with automatic air-conditioner / con climatizzatore automatico	B4204T11	180	245	11/13	>	25.110.00		30.341.00	54.159.00
antibacterial, anti-odour and anti-allergen filter / filtro antibatterico, antiodori e anti-allergeni	B4204T11	180	245	11/13	>				34.159.00
2.4 D									
with automatic air-conditioner / con climatizzatore automatico	D5244T14	129	175	04/09	>	25.154.00	26.020.00	30.341.00	54.159.00
antibacterial, anti-odour and anti-allergen filter with automatic air-conditioner / filtro antibatterico, antiodori e anti-allergeni con climatizzatore automatico	D5244T14	129	175	04/09	>				34.159.00
2.4 D AWD									
with automatic air-conditioner / con climatizzatore automatico	D5244T16	120	163	08/09	>	25.154.00	26.020.00	30.341.00	54.159.00
antibacterial, anti-odour and anti-allergen filter with automatic air-conditioner / filtro antibatterico, antiodori e anti-allergeni con climatizzatore automatico	D5244T16	120	163	08/09	>				34.159.00
2.4 D AWD									
with automatic air-conditioner / con climatizzatore automatico	D5244T5	120	163	08/07	>	25.039.00	26.020.00	30.341.00	54.159.00
antibacterial, anti-odour and anti-allergen filter with automatic air-conditioner / filtro antibatterico, antiodori e anti-allergeni con climatizzatore automatico	D5244T5	120	163	08/07	>				34.159.00
2.4 D3 AWD									
with automatic air-conditioner / con climatizzatore automatico	D5244T17	120	163	06/11	>	25.154.00	26.020.00	30.341.00	54.159.00
antibacterial, anti-odour and anti-allergen filter with automatic air-conditioner / filtro antibatterico, antiodori e anti-allergeni con climatizzatore automatico	D5244T17	120	163	06/11	>				34.159.00
2.4 D4 AWD									
with automatic air-conditioner / con climatizzatore automatico	D5244T12	133	181	11/13	>	25.154.00	26.020.00	30.341.00	54.159.00
antibacterial, anti-odour and anti-allergen filter / filtro antibatterico, antiodori e anti-allergeni	D5244T12	133	181	11/13	>				34.159.00
2.4 D5 AWD									
with automatic air-conditioner / con climatizzatore automatico	D5244T10	151	205	04/09	>	25.154.00	26.020.00	30.341.00	54.159.00
antibacterial, anti-odour and anti-allergen filter with automatic air-conditioner / filtro antibatterico, antiodori e anti-allergeni con climatizzatore automatico	D5244T10	151	205	04/09	>				34.159.00
2.4 D5 AWD									

...VOLVO - cars/auto

with automatic air-conditioner / con climatizzatore automatico	D5244T4	136	185	08/07 >	03/09	25.039.00	26.020.00	30.341.00	54.159.00
antibacterial, anti-odour and anti-allergen filter with automatic air-conditioner / filtro antibatterico, antiodori e anti-allergeni con climatizzatore automatico	D5244T4	136	185	08/07 >	03/09				34.159.00
3.0 T6 AWD									
with automatic air-conditioner / con climatizzatore automatico	B6304T2	210	285	09/08 >	04/10	25.177.00	31.846.00	30.686.00	54.159.00
antibacterial, anti-odour and anti-allergen filter with automatic air-conditioner / filtro antibatterico, antiodori e anti-allergeni con climatizzatore automatico	B6304T2	210	285	09/08 >	04/10				34.159.00
3.0 T6 AWD									
with automatic air-conditioner / con climatizzatore automatico	B6304T4	224	304	05/10 >		25.177.00		30.686.00	54.159.00
antibacterial, anti-odour and anti-allergen filter with automatic air-conditioner / filtro antibatterico, antiodori e anti-allergeni con climatizzatore automatico	B6304T4	224	304	05/10 >					34.159.00
3.2 AWD									
with automatic air-conditioner / con climatizzatore automatico	B6324S	175	238	08/07 >	12/08	25.177.00	31.846.00	30.686.00	54.159.00
antibacterial, anti-odour and anti-allergen filter with automatic air-conditioner / filtro antibatterico, antiodori e anti-allergeni con climatizzatore automatico	B6324S	175	238	08/07 >	12/08				34.159.00
XC90									
2.4 D5									
to frame No. 71956 / a telaio N. 71956	D5244T/D5244T2	120	163			25.039.00	24.441.00	30.274.00	54.126.00
with R.H.D. / con guida a destra	D5244T/D5244T2	120	163	09/02 >					53.418.00
with L.H.D. / con guida a sinistra	D5244T/D5244T2	120	163	09/02 >		25.039.00	24.441.00	30.274.00	53.091.00
with activated carbon L.H.D. / con guida a sinistra, ai carboni attivi	D5244T/D5244T2	120	163	09/02 >		25.039.00	24.441.00	30.274.00	54.126.00
from frame No. 71957 / da telaio N. 71957	D5244T/D5244T2	120	163			25.039.00	26.018.00	30.274.00	54.126.00
2.4 D5 AWD									
with R.H.D. / con guida a destra	D5244T4	136	185	08/05 >					53.418.00
with L.H.D. / con guida a sinistra	D5244T4	136	185	08/05 >		25.039.00	26.018.00	30.366.00	53.091.00
with activated carbon L.H.D. / con guida a sinistra, ai carboni attivi	D5244T4	136	185	08/05 >		25.039.00	26.018.00	30.366.00	54.126.00
2.5 T AWD									
with L.H.D. / con guida a sinistra	B5254T2	154	209	09/02 >	10/06	25.018.00	31.811.00	30.274.00	53.091.00
with activated carbon L.H.D. / con guida a sinistra, ai carboni attivi	B5254T2	154	209	09/02 >	10/06	25.018.00	31.811.00	30.274.00	54.126.00
2.9 T AWD T6									
with R.H.D. / con guida a destra	B6294T	200	272	09/02 >					53.418.00
with L.H.D. / con guida a sinistra	B6294T	200	272	09/02 >		25.018.00	31.811.00	30.274.00	53.091.00
with activated carbon L.H.D. / con guida a sinistra, ai carboni attivi	B6294T	200	272	09/02 >		25.018.00	31.811.00	30.274.00	54.126.00
3.2									
with R.H.D. / con guida a destra	B6324S	175	238	05/06 >					53.418.00
with L.H.D. / con guida a sinistra	B6324S	175	238	05/06 >		25.177.00	31.811.00		53.091.00
with activated carbon L.H.D. / con guida a sinistra, ai carboni attivi	B6324S	175	238	05/06 >		25.177.00	31.811.00		54.126.00
3.2 AWD									
with R.H.D. / con guida a destra	B6324SS	179	243	04/10 >					53.418.00
with L.H.D. / con guida a sinistra	B6324SS	179	243	04/10 >		25.177.00	31.846.00		53.091.00
with activated carbon L.H.D. / con guida a sinistra, ai carboni attivi	B6324SS	179	243	04/10 >		25.177.00	31.846.00		54.126.00
4.4 V8 AWD Autom.									
with R.H.D. / con guida a destra	B8444S	232	315	01/05 >					53.418.00
with L.H.D. / con guida a sinistra	B8444S	232	315	01/05 >		25.018.00	31.811.00		53.091.00
with activated carbon L.H.D. / con guida a sinistra, ai carboni attivi	B8444S	232	315	01/05 >		25.018.00	31.811.00		54.126.00
XC90 II									
2.0 B5 Mild-Hybrid									
with activated carbons / ai carboni attivi	B4204T26	250	184	01/20 >		25.110.00	31.944.00	30.C64.00	53.314.00
antibacterial, anti-odour and anti-allergen filter / filtro antibatterico, antiodori e anti-allergeni	B4204T26	250	184	01/20 >					54.293.00
antibacterial, anti-odour and anti-allergen filter / filtro antibatterico, antiodori e anti-allergeni	B4204T26	250	184	01/20 >					34.293.00
2.0 D4									
antibacterial, anti-odour and anti-allergen filter / filtro antibatterico, antiodori e anti-allergeni	D4204T14	140	190	01/15 >		25.110.00		30.341.00	54.293.00
antibacterial, anti-odour and anti-allergen filter / filtro antibatterico, antiodori e anti-allergeni	D4204T14	140	190	01/15 >					34.293.00
2.0 D4 AWD									
antibacterial, anti-odour and anti-allergen filter / filtro antibatterico, antiodori e anti-allergeni	D4204T14	140	190	01/15 >		25.110.00		30.341.00	54.293.00
antibacterial, anti-odour and anti-allergen filter / filtro antibatterico, antiodori e anti-allergeni	D4204T14	140	190	01/15 >					34.293.00
2.0 D4 AWD									
antibacterial, anti-odour and anti-allergen filter / filtro antibatterico, antiodori e anti-allergeni	D4204T6	140	190	05/16 >		25.110.00		30.341.00	54.293.00
antibacterial, anti-odour and anti-allergen filter / filtro antibatterico, antiodori e anti-allergeni	D4204T6	140	190	05/16 >					34.293.00
2.0 D5 AWD									
antibacterial, anti-odour and anti-allergen filter / filtro antibatterico, antiodori e anti-allergeni	D4204T11	165	224	01/15 >		25.110.00		30.C64.00	54.293.00
antibacterial, anti-odour and anti-allergen filter / filtro antibatterico, antiodori e anti-allergeni	D4204T11	165	224	01/15 >					34.293.00
2.0 D5 AWD									
antibacterial, anti-odour and anti-allergen filter / filtro antibatterico, antiodori e anti-allergeni	D4204T23	173	235	05/16 >		25.110.00		30.341.00	54.293.00
antibacterial, anti-odour and anti-allergen filter / filtro antibatterico, antiodori e anti-allergeni	D4204T23	173	235	05/16 >					34.293.00
2.0 T5 AWD									
antibacterial, anti-odour and anti-allergen filter / filtro antibatterico, antiodori e anti-allergeni	B4204T20	183	249	06/15 >				30.C64.00	54.293.00
antibacterial, anti-odour and anti-allergen filter / filtro antibatterico, antiodori e anti-allergeni	B4204T20	183	249	06/15 >			31.944.00		34.293.00
for vehicles with external fuel filter variation G302 / per veicoli con filtro carburante esterno variante G302	B4204T20	183	249	06/15 >			31.944.00		
2.0 T5 AWD									
antibacterial, anti-odour and anti-allergen filter / filtro antibatterico, antiodori e anti-allergeni	B4204T23	187	254	06/15 >				30.C64.00	54.293.00
antibacterial, anti-odour and anti-allergen filter / filtro antibatterico, antiodori e anti-allergeni	B4204T23	187	254	06/15 >					34.293.00
for vehicles with external fuel filter variation G302 / per veicoli con filtro carburante esterno variante G302	B4204T23	187	254	06/15 >			31.944.00		
2.0 T6 AWD									
antibacterial, anti-odour and anti-allergen filter / filtro antibatterico, antiodori e anti-allergeni	B4204T27	236	321	09/14 >				30.C64.00	54.293.00
antibacterial, anti-odour and anti-allergen filter / filtro antibatterico, antiodori e anti-allergeni	B4204T27	236	321	09/14 >					34.293.00
for vehicles with external fuel filter variation G302 / per veicoli con filtro carburante esterno variante G302	B4204T27	236	321	09/14 >			31.944.00		
2.0 T8 Hybrid AWD									
antibacterial, anti-odour and anti-allergen filter / filtro antibatterico, antiodori e anti-allergeni	B1APHEV/B4204T35	236	321	01/15 >		25.110.00		30.C64.00	54.293.00
antibacterial, anti-odour and anti-allergen filter / filtro antibatterico, antiodori e anti-allergeni	B1APHEV/B4204T35	236	321	01/15 >					34.293.00

WARTBURG

cars/auto

353						
1.3	VW (V.A.G.) 1272		23.130.01	31.012.00	30.835.00	
1.3 Tourist	VW (V.A.G.) 1272		23.130.01	31.012.00	30.835.00	

WEISMANN

cars/auto

Roadster						
2.8		142 193	01/96 >	25.004.00		
3.2		236 321	01/96 >	25.548.00		

ZASTAVA (YUGO)

cars/auto

125 P						
1.3 (PL)					27.719.00	
1.5 (PL)					27.719.00	
Z 1.5					27.719.00	
128						
1.1				23.175.00	27.728.00	
1.3				23.175.00		
1.3 Nogaro				23.175.00		
1300						
1300 F					27.708.00	
some / alcuni					27.719.00	
1300 K					27.708.00	
some / alcuni					27.719.00	
131						
131				23.128.00		
132						
1.8				23.128.00	27.719.00	
1500						
1500 F					27.708.00	
some / alcuni					27.719.00	
1500 K					27.708.00	
some / alcuni					27.719.00	
430						
430 F					27.720.00	
430 K					27.720.00	
435						
435 F					27.720.00	
435 K					27.720.00	
750						
750		10/73 >			27.720.00	
750 S					27.720.00	
850						
850					27.720.00	
Skala						
1.1		04/83 >		23.175.00	27.728.00	
1.3				23.175.00		
Skala 101 (55)						
1.1		03/88 >		23.175.00	27.728.00	
Skala 101 (65)						
1.3		03/88 >		23.175.00		
Yugo 311						
1.1		10/82 >		23.175.00	27.728.00	
Yugo 45						
45 0.9 (903)		04/80 >		23.169.00	27.728.00	
some / alcuni		04/80 >		23.169.00	27.785.00	
45 AE 0.9 (903)		04/80 >		23.169.00	27.728.00	
some / alcuni		04/80 >		23.169.00	27.785.00	
45 AX 0.9 (903)		04/80 >		23.169.00	27.728.00	
some / alcuni		04/80 >		23.169.00	27.785.00	
Yugo 511						
1.1		10/82 >		23.175.00	27.728.00	
Yugo 513						
1.3		10/82 >		23.175.00		
Yugo 55						
55 AE		04/83 >		23.175.00	27.728.00	
55 AX		04/83 >		23.175.00	27.728.00	
55 GLS		04/83 >		23.175.00	27.728.00	

...ZASTAVA (YUGO) - cars/auto

Z


55 GLT	04/83 >	23.175.00		27.728.00	
55 GV Plus	01/89 >	23.175.00	31.500.00		
55 L	04/83 >	23.175.00		27.728.00	
Yugo 60					
60 1.1 i	07/89 >	23.175.00	31.500.00		
Yugo 65					
65	04/83 >	23.175.00		27.728.00	
65 1.3 i	07/89 >	23.175.00	31.500.00		
65 GLT	04/83 >	23.175.00		27.728.00	
65 GV Plus	01/89 >	23.175.00	31.500.00		
Yugo Cabrio					
1.1 i	07/89 >	23.175.00	31.500.00		
1.3 i	07/89 >	23.175.00	31.500.00		
Yugo Florida					
1.1 i cat	01/89 >	23.175.00	31.500.00		
1.3 i EFI cat	01/89 >	23.175.00	31.500.00		
1.4		23.175.00		30.932.00	
1.6		23.175.00		30.932.00	

ZASTAVA (YUGO)

commercial vehicles/veicoli commerciali

Z Serie

Z 30.8 Rival			24.360.00	27.888.00	
Z 35.8 Rival			24.360.00	27.888.00	

ZAVOLI

LPG and CNG equipment/impianti GPL e Metano

Alisei

N GPL/LPG					
spare part only MATRIX XF301 (Ø 42 x Ø 17 x 54 H) / solo ricambio MATRIX XF301 (Ø 42 x Ø 17 x 54 H)			46.007.00		
Zeta GPL/LPG					
spare part only MATRIX XF301 (Ø 42 x Ø 17 x 54 H) / solo ricambio MATRIX XF301 (Ø 42 x Ø 17 x 54 H)			46.007.00		

00.G36.00 CHEVROLET (EU) CHEVROLET (USA) OPEL VAUXHALL	AUSTIN HEALEY BEDFORD FORD FREIGHT ROVER INNOCENTI LOTUS MG MINI OPEL RILEY STEYR / DAIMLER / PUCH VANDEN PLAS VAUXHALL WOLSELEY	23.122.00 MASERATI NISSAN SUBARU	23.130.00 CITROEN DE TOMASO MAZDA VOLKSWAGEN	23.151.00 CITROEN FIAT	FIAT IVECO RENAULT SEAT VOLKSWAGEN VOLVO	23.188.00 FORD MAZDA SUBARU	23.213.00 CHEVROLET (USA) DAIHATSU TOYOTA
00.G37.00 CHEVROLET (USA)	23.104.00 BREMACH	23.124.00 ALFA ROMEO FIAT LANCIA RAYTON FISSORE	23.130.01 ACM (ALI CIEMME) ARO AUDI BARKAS BIAGINI (ACM) NSU (AUDI NSU) PORSCHE SEAT TRABANT TRESER VOLKSWAGEN WARTBURG	23.152.00 EBRO NISSAN NISSAN	23.168.00 FIAT IATO IVECO LANCIA RAYTON FISSORE UAZ	23.189.00 FORD TATA	23.231.00 DAIHATSU MITSUBISHI PORTARO
00.G38.00 ALFA ROMEO FIAT OPEL VAUXHALL	23.105.00 CITROEN PEUGEOT TALBOT	23.127.00 ALFA ROMEO ALPINE CHRYSLER DAIHATSU DODGE FIAT FORD FSO (FIAT POLSKI) INNOCENTI JEEP LANCIA MITSUBISHI NISSAN RENAULT RENAULT (E) SAAB SEAT TOYOTA UMM VOLKSWAGEN	23.130.02 BERTONE BMW BMW ALPINA	23.156.00 EBRO NISSAN VOLKSWAGEN	23.169.00 ALFA ROMEO FIAT INNOCENTI LANCIA LANCIA AUTOBIANCHI SEAT ZASTAVA (YUGO)	23.191.00 ARO AUSTIN CITROEN FIAT LADA (VAZ) LANCIA PEUGEOT RENAULT ROVER SUZUKI TALBOT UAZ UMM	23.232.00 BEDFORD CHEVROLET (USA) ISUZU MITSUBISHI OPEL VAUXHALL
00.G39.00 SUZUKI	23.107.01 EBRO NISSAN	23.127.02 A.C. ASQUITH MOTOR CARRIAGE AUSTIN BREMACH FORD FREIGHT ROVER LOTUS MG PANTHER SAAB TVR WOLSELEY	23.130.03 MERCEDES BENZ STEYR / DAIMLER / PUCH	23.159.00 HONDA MAZDA	23.171.00 MASERATI	23.194.00 ARO RENAULT RENAULT (E)	23.234.00 BEDFORD ISUZU JEEP
19.008.00 CITROEN FIAT LANCIA OPEL PEUGEOT SAAB SUBARU SUZUKI VAUXHALL	23.110.02 LAMBORGHINI PORSCHE	23.127.02 GLAS	23.131.00 AIXAM AUSTIN FORD MG ROVER	23.162.02 FERRARI LANCIA	23.172.00 DR MOTOR COMPANY EFFEDI FIAT PIAGGIO	23.195.00 RENAULT RENAULT (E)	23.236.00 CHEVROLET (USA) ISUZU
20.012.00 FIAT	23.113.00 MASERATI	23.127.05 ALFA ROMEO FIAT LANCIA AUTOBIANCHI NISSAN SEAT	23.131.01 BEDFORD CHEVROLET (USA) DAEWOO DAIHATSU INNOCENTI ISUZU LAND ROVER SANTANA MARUTI (SUZUKI) PONTIAC (USA) SUZUKI	23.164.00 ACM (ALI CIEMME) ARO AUDI DACIA FORD SEAT VOLKSWAGEN VOLVO	23.173.01 CITROEN PEUGEOT TALBOT	23.196.00 CITROEN FIAT INNOCENTI LANCIA LANCIA AUTOBIANCHI PEUGEOT	23.237.00 EFFEDI HYUNDAI MITSUBISHI PROTON
20.012.02 MERCEDES BENZ SEAT	23.114.01 ALPINE ARO DACIA FIAT FORD LADA (VAZ) LANCIA LANCIA AUTOBIANCHI LOTUS PANTHER RENAULT RENAULT (E) TVR	23.128.00 FIAT LANCIA LANCIA AUTOBIANCHI SAAB SEAT ZASTAVA (YUGO)	23.131.02 BMW	23.164.02 ALFA ROMEO CIEMME FORD LAND ROVER RAYTON FISSORE ROVER TOYOTA UAZ	23.175.00 ALFA ROMEO BERTONE FIAT INNOCENTI LANCIA LANCIA AUTOBIANCHI SAAB ZASTAVA (YUGO)	23.197.00 AUSTIN FREIGHT ROVER LAND ROVER MG ROVER	23.238.00 NISSAN
20.020.00 MERCEDES BENZ	23.114.02 OPEL VAUXHALL	23.129.01 CITROEN	23.132.00 ALPINE LOTUS RENAULT RENAULT (E)	23.164.03 ACM (ALI CIEMME) ARO AUDI DACIA FORD SEAT SKODA VOLKSWAGEN VOLVO	23.176.00 FIAT LANCIA SEAT	23.198.00 CITROEN LAND ROVER PEUGEOT TALBOT	23.240.00 EBRO NISSAN FORD INFINITI NISSAN
21.050.00 MERCEDES BENZ	23.115.00 ARO CITROEN OPEL PEUGEOT RENAULT UAZ UMM	23.129.02 BEDFORD CHEVROLET (EU) DAEWOO OPEL ROVER SAAB VAUXHALL	23.133.00 CHEVROLET (EU) OPEL VAUXHALL	23.165.00 CHEVROLET (USA) DODGE ISUZU MAZDA MITSUBISHI	23.177.00 ARO DODGE JEEP RENAULT RENAULT (E)	23.199.00 ALFA ROMEO	23.241.00 PORSCH STEYR / DAIMLER / PUCH VOLKSWAGEN-PORSCHE
21.061.00 MERCEDES BENZ TATA	23.117.00 BREMACH OPEL VAUXHALL	23.129.02 OPEL ROVER SAAB VAUXHALL	23.134.00 EBRO NISSAN NISSAN	23.166.00 ALFA ROMEO EFFEDI FIAT IATO INNOCENTI LANCIA SEAT	23.178.00 HONDA ROVER TRIUMPH	23.200.00 CITROEN FIAT	23.242.00 FORD MAZDA
23.102.00 ALFA ROMEO ASTON MARTIN CITROEN DAIHATSU DE TOMASO EBRO NISSAN FERRARI FIAT FORD LANCIA MASERATI MAZDA SEAT TOYOTA VOLVO	23.118.00 BREMACH RENAULT RENAULT (E)	23.129.02 BEDFORD CHEVROLET (EU) DAEWOO OPEL ROVER SAAB VAUXHALL	23.134.01 OPEL VOLKSWAGEN VOLKSWAGEN-PORSCHE	23.167.00 ALFA ROMEO AUDI	23.182.00 GLAS	23.209.00 LAND ROVER SANTANA SUZUKI	23.243.00 HONDA ISUZU MAZDA OPEL ROVER VAUXHALL
23.103.00 AUSTIN	23.121.00 DAIHATSU TOYOTA VOLKSWAGEN				23.185.01 HONDA ROVER TRIUMPH	23.210.00 ALFA ROMEO	23.244.00 NISSAN
					23.186.01 FORD	23.211.00 OPEL VAUXHALL	23.246.00 AUSTIN FREIGHT ROVER HONDA MG ROVER
					23.187.00 BEDFORD OPEL ROVER VAUXHALL	23.212.00 FIAT	23.248.00 LONDON TAXI COMPANY MAZDA TOYOTA

00.G36.00...
... 23.248.00

23.248.00 ...
... 23.583.00

VOLKSWAGEN 23.249.00	JDM LIGIER MICROCAR PIAGGIO SAVEL TASSO 23.263.00	MITSUBISHI OPEL SUZUKI VAUXHALL 23.278.00	23.401.00	FIAT LANCIA 23.435.00	FIAT LANCIA 23.452.00	23.473.00	SKODA VOLKSWAGEN 23.494.00
ALFA ROMEO CHRYSLER JEEP LDV LONDON TAXI COMPANY OPEL VAUXHALL 23.251.00	CHEVROLET (USA) CITROEN LEXUS NISSAN PEUGEOT SUZUKI TOYOTA 23.264.00	BEDFORD OPEL VAUXHALL 23.279.00	ALPINE JEEP RENAULT 23.402.00	CHRYSLER JEEP SEAT SKODA VOLKSWAGEN 23.436.00	HYUNDAI KIA 23.453.00	JAGUAR LAND ROVER 23.474.00	AUDI SEAT SKODA VOLKSWAGEN 23.495.00
CHEVROLET (USA) FIAT SUBARU SUZUKI TOYOTA VOLKSWAGEN 23.253.00	TOYOTA 23.265.00	VOLVO 23.280.00	AUDI 23.413.00	AUDI SEAT SKODA VOLKSWAGEN 23.438.00	AUDI SEAT SKODA VOLKSWAGEN 23.455.00	JAGUAR 23.475.00	HONDA LAND ROVER MG ROVER 23.496.00
LEXUS MINI TOYOTA VOLKSWAGEN 23.254.00	CHRYSLER CITROEN DODGE FIAT FORD HAVAL HONDA HYUNDAI INFINITI KIA MAZDA MITSUBISHI OPEL PEUGEOT PROTON VAUXHALL VOLVO 23.266.00	ASQUITH MOTOR CARRIAGE FORD 23.281.00	FORD MAZDA VOLVO 23.414.00	ALFA ROMEO CHRYSLER FIAT FORD LANCIA OPEL VAUXHALL 23.439.00	ALFA ROMEO FIAT LANCIA 23.457.00	TOYOTA 23.477.00	NISSAN 23.519.00
AUSTIN LAND ROVER LOTUS MG MINI ROVER 23.255.00	FORD HONDA HYUNDAI INFINITI KIA MAZDA MITSUBISHI OPEL PEUGEOT VAUXHALL VOLVO 23.267.00	RENAULT RENAULT (E) 23.282.00	ALFA ROMEO FIAT LANCIA 23.415.00	CITROEN DAIHATSU DS AUTOMOBILES FIAT FORD LANCIA OPEL PEUGEOT SUZUKI TOYOTA VAUXHALL 23.440.00	CITROEN FIAT IVECO PEUGEOT 23.458.00	LEXUS TOYOTA 23.478.00	ALFA ROMEO (EU) CHRYSLER DODGE FIAT JEEP LANCIA OPEL VAUXHALL 23.544.00
CHEVROLET (EU) DAEWOO DAIHATSU OPEL PIAGGIO SUBARU SUZUKI VAUXHALL 23.256.00	INFINITI NISSAN 23.269.00	SEAT SKODA VOLKSWAGEN 23.284.00	ALFA ROMEO FIAT LANCIA 23.416.00	FORD LANCIA OPEL PEUGEOT SUZUKI TOYOTA VAUXHALL 23.444.00	VOLVO 23.459.00	MITSUBISHI SMART 23.479.00	ASTON MARTIN BENTLEY DAIMLER JAGUAR ROLLS ROYCE 23.545.00
EBRO NISSAN LONDON TAXI COMPANY NISSAN 23.257.00	FIAT FORD VOLVO 23.270.00	FERRARI 23.293.00	FORD 23.417.00	FORD LANCIA OPEL PEUGEOT SUZUKI TOYOTA VAUXHALL 23.448.00	AUDI VOLKSWAGEN 23.460.00	MITSUBISHI SMART 23.481.00	DAICIA FIAT HONDA JEEP NISSAN OPEL RENAULT SMART SSANGYONG SUZUKI VAUXHALL 23.482.00
LADA (VAZ) PORTARO VOLVO 23.258.00	TOYOTA 23.271.00	AUSTIN CITROEN DAEWOO FIAT HYUNDAI LADA (VAZ) LANCIA NISSAN PEUGEOT ROVER SUZUKI TOYOTA 23.295.00	SEAT VOLKSWAGEN 23.418.00	CHRYSLER FORD JEEP MAZDA 23.444.00	ALFA ROMEO LANCIA 23.461.00	DACIA FIAT HONDA JEEP NISSAN OPEL RENAULT SMART SUZUKI VAUXHALL 23.483.00	HYUNDAI KIA 23.546.00
BELLIER CASALINI HONDA KIA MAZDA RENAULT SUBARU 23.259.00	BEDFORD DODGE HONDA HYUNDAI ISUZU LOTUS MAZDA MITSUBISHI OPEL PROTON SAO SUBARU VAUXHALL 23.272.00	AUSTIN CITROEN DAEWOO FIAT HYUNDAI LADA (VAZ) LANCIA NISSAN PEUGEOT ROVER SUZUKI TOYOTA 23.297.00	ALFA ROMEO DACIA LADA (VAZ) LANCIA NISSAN OPEL RENAULT RENAULT (E) SUZUKI VAUXHALL 23.419.00	ALFA ROMEO FIAT IVECO LANCIA LANCIA AUTOBIANCHI LAND ROVER 23.445.00	HYUNDAI KIA MAZDA MITSUBISHI PROTON 23.462.00	VOLKSWAGEN 23.483.00	CITROEN FIAT IVECO MITSUBISHI-FUSO PEUGEOT 23.564.00
SUBARU 23.260.00	MAZDA 23.273.00	FIAT LANCIA 23.297.00	JEEP MITSUBISHI RENAULT 23.424.00	ALFA ROMEO CITROEN FIAT INNOCENTI LANCIA PEUGEOT 23.447.00	FORD MAZDA MG 23.464.00	MG ROVER 23.484.00	INFINITI NISSAN RENAULT SUZUKI 23.565.00
FORD KIA MAZDA 23.262.00	BEDFORD ISUZU OPEL VAUXHALL 23.274.00	LANCIA LAND ROVER 23.298.00	AIXAM RENAULT RENAULT (E) 23.425.00	ALFA ROMEO FIAT INNOCENTI LANCIA LANCIA AUTOBIANCHI 23.448.00	AUDI 23.465.00	DACIA INFINITI NISSAN RENAULT 23.485.00	MITSUBISHI SMART 23.573.00
AIXAM BELLIER CARLETTI CASALINI CHATENET GRECAV 23.274.00	DAIHATSU ISUZU MAZDA 23.274.00	SAAB 23.299.00	SEAT SKODA VOLKSWAGEN 23.428.00	ALFA ROMEO FIAT INNOCENTI LANCIA LANCIA AUTOBIANCHI 23.448.00	AUDI SKODA VOLKSWAGEN 23.470.00	MITSUBISHI SMART SUBARU 23.486.00	AUDI SEAT SKODA VOLKSWAGEN 23.575.00
		CHEVROLET (EU) FIAT OPEL SAAB VAUXHALL 23.303.00	SEAT SKODA VOLKSWAGEN 23.429.00	ALFA ROMEO BERTONE FIAT INNOCENTI LANCIA LANCIA AUTOBIANCHI 23.449.00	DACIA NISSAN PROTON RENAULT 23.471.00	HYUNDAI KIA 23.488.00	AUDI CUPRA SEAT SKODA VOLKSWAGEN 23.583.00
		ALFA ROMEO CITROEN FIAT IVECO LANCIA OPEL PEUGEOT RAYTON FISSORE RENAULT VAUXHALL 23.313.00	FORD SEAT VOLKSWAGEN 23.434.00		IVECO 23.472.00	NISSAN 23.489.00	
		RENAULT 23.313.00	ALFA ROMEO 23.434.00		HYUNDAI KIA 23.493.00	FIAT IVECO 23.493.00	HYUNDAI KIA
					AUDI SEAT		

24.374.00 ...
... 25.043.00

VOLKSWAGEN 24.375.00	IVECO 24.394.00	FIAT 24.418.00	SEAT 24.440.00	HYUNDAI KIA 24.468.00	CHRYSLER CITROEN FIAT FORD LANCIA OPEL PEUGEOT VAUXHALL 25.014.00	MERCEDES BENZ 25.015.00	BMW BMW ALPINA LAND ROVER OPEL VAUXHALL 25.030.00
EBRO NISSAN FORD LONDON TAXI COMPANY NISSAN 24.379.00	BMW LAND ROVER 24.398.00	MITSUBISHI MITSUBISHI-FUSO 24.424.00	VOLVO 24.442.00	SUBARU 24.525.00	FORD JAGUAR LDV LONDON TAXI COMPANY 25.017.00	FORD JAGUAR LDV LONDON TAXI COMPANY 25.017.00	ALFA ROMEO FIAT FORD LANCIA OPEL SUBARU SUZUKI TATA VAUXHALL 25.031.00
AUDI 24.379.01	NISSAN 24.399.00	AUDI SKODA VOLKSWAGEN 24.425.00	NISSAN 24.443.00	LAND ROVER 24.526.00	OPEL VAUXHALL 24.ONE.02	CADILLAC (USA) OPEL VAUXHALL 25.018.00	ALFA ROMEO FIAT FORD LANCIA OPEL SUBARU SUZUKI TATA VAUXHALL 25.032.00
AUDI VOLKSWAGEN VOLVO 24.380.00	BMW 24.400.00	AUDI 24.426.00	HYUNDAI KIA 24.444.00	CADILLAC (USA) SAAB 24.528.01	OPEL VAUXHALL 24.ONE.03	VOLVO 25.019.00	CITROEN PEUGEOT 25.033.00
AUDI 24.381.00	SEAT SKODA VOLKSWAGEN 24.401.00	SEAT VOLKSWAGEN 24.427.00	NISSAN 24.445.00	CHRYSLER DODGE JEEP 24.529.00	OPEL VAUXHALL 24.ONE.0B	AUDI SKODA VOLKSWAGEN 25.021.00	CITROEN PEUGEOT 25.034.00
AUDI 24.382.00	FORD 24.403.00	BMW LAND ROVER OPEL VAUXHALL 24.428.00	FORD HYUNDAI JAGUAR KIA SSANGYONG 24.446.01	DODGE FIAT JEEP LANCIA 24.H2O.00	BMW LAND ROVER MG ROVER 25.002.00	BMW BMW ALPINA 25.022.00	NISSAN OPEL RENAULT VAUXHALL 25.035.00
FORD MAZDA 24.383.00	VOLKSWAGEN 24.404.00	SEAT SKODA VOLKSWAGEN 24.429.00	NISSAN 24.450.00	ALFA ROMEO CITROEN FIAT KIA LANCIA PEUGEOT 24.H2O.01	CHRYSLER MERCEDES BENZ 25.003.00	RENAULT 25.023.00	CHRYSLER FIAT JEEP MINI 25.037.00
CITROEN EFFEDI FIAT INNOCENTI PEUGEOT 24.384.00	VOLKSWAGEN 24.408.00	MERCEDES BENZ 24.430.00	FORD 24.451.00	IVECO JEEP 24.H2O.02	OPEL SAAB VAUXHALL 25.004.00	AUDI CHRYSLER DODGE FORD JEEP MITSUBISHI SEAT SKODA VOLKSWAGEN 25.024.00	SMART 25.037.00
CITROEN MITSUBISHI NISSAN OPEL PEUGEOT RENAULT ROVER VAUXHALL VOLVO 24.388.00	FORD 24.411.00	FORD 24.432.00	TOYOTA 24.454.00	FIAT 24.H2O.03	BMW BMW ALPINA LAND ROVER WEISMANN 25.008.00	ALFA ROMEO CADILLAC (USA) CHEVROLET (EU) CHEVROLET (USA) FIAT OLDSMOBILE (USA) OPEL PONTIAC (USA) SAAB SUBARU VAUXHALL 25.026.00	CITROEN DS AUTOMOBILES FIAT FORD MAZDA MINI MITSUBISHI PEUGEOT SUZUKI TOYOTA VOLVO 25.038.00
RENAULT 24.389.00	FORD MAZDA MITSUBISHI TOYOTA 24.412.00	FORD LDV LONDON TAXI COMPANY 24.433.00	LAND ROVER 24.455.00	ALFA ROMEO BMC FIAT LANCIA LDV LONDON TAXI COMPANY PIAGGIO 24.H2O.04	BMW 25.009.00	BMW LAND ROVER OPEL VAUXHALL 25.010.00	BENTLEY BMW BMW ALPINA LAND ROVER ROLLS ROYCE 25.039.00
CITROEN FIAT LANCIA PEUGEOT 24.390.00	FIAT 24.413.00	FORD 24.434.00	FORD LDV 24.457.00	ALFA ROMEO FIAT LANCIA LDV LONDON TAXI COMPANY PIAGGIO 24.H2O.05	BMW LAND ROVER OPEL VAUXHALL 25.011.00	AUDI FORD JEEP MERCEDES BENZ PORSCHE VOLKSWAGEN 25.012.00	NISSAN OPEL RENAULT VAUXHALL 25.027.00
CITROEN DAEWOO FIAT LANCIA PEUGEOT 24.391.00	MAZDA SUBARU TOYOTA 24.414.00	CITROEN FIAT LANCIA PEUGEOT 24.435.00	FORD 24.458.00	FIAT KIA 24.H2O.07	AUDI FORD SEAT SKODA VOLKSWAGEN 25.013.00	HONDA OPEL VAUXHALL 25.028.00	FORD VOLVO 25.040.00
AUDI FIAT SEAT SKODA VOLKSWAGEN 24.392.00	AUDI SKODA VOLKSWAGEN 24.415.00	HONDA 24.436.00	FORD 24.459.00	CHRYSLER FIAT KIA 24.H2O.08	CHRYSLER 24.ONE.00	BMW 25.029.00	AUDI SEAT SKODA VOLKSWAGEN 25.041.00
SEAT VOLKSWAGEN 24.416.00	SEAT VOLKSWAGEN 24.417.00	CHRYSLER MERCEDES BENZ MITSUBISHI SMART 24.437.00	LAND ROVER 24.460.00	CHRYSLER 24.ONE.01	OPEL VAUXHALL 25.012.00	BMW 25.029.00	MERCEDES BENZ 25.043.00
MERCEDES BENZ 24.417.00	BMW BMW ALPINA LAND ROVER MG ROVER 24.419.00	AUDI SEAT SKODA VOLKSWAGEN 24.439.00	HYUNDAI 24.464.00	FIAT FORD TATA 24.ONE.01	JEEP MERCEDES BENZ	SEAT SKODA VOLKSWAGEN	ABARTH ALFA ROMEO CHRYSLER FIAT
MAZDA SUZUKI 24.393.00		HYUNDAI KIA	LAND ROVER 24.465.00				
MAZDA			CITROEN MITSUBISHI PEUGEOT SUBARU				

FORD JEEP LANCIA OPEL SUBARU SUZUKI VAUXHALL 25.047.00	PIAGGIO SAAB SUZUKI VAUXHALL 25.063.00	25.083.00	VOLKSWAGEN 25.108.00	25.148.00	JEEP 25.168.00	25.196.00	25.249.00
AUDI SEAT SKODA VOLKSWAGEN 25.048.00	MERCEDES BENZ 25.064.00	ALFA ROMEO FIAT JEEP LANCIA OPEL SUZUKI VAUXHALL 25.084.00	OPEL SAAB VAUXHALL 25.110.00	BMW TOYOTA 25.149.00	LAND ROVER 25.170.00	LEXUS TOYOTA 25.197.00	FORD 25.251.00
BMW 25.049.00	ALFA ROMEO CHEVROLET (EU) CHEVROLET (USA) FIAT OPEL SAAB VAUXHALL 25.065.00	BMW BMW ALPINA 25.085.00	VOLVO 25.112.00	BMW PORSCHE 25.150.00	FIAT MERCEDES BENZ NISSAN OPEL RENAULT VAUXHALL 25.171.00	VOLKSWAGEN 25.198.00	CHRYSLER FIAT JEEP LANCIA 25.253.00
ALFA ROMEO CADILLAC (USA) FIAT OPEL SAAB SUZUKI VAUXHALL 25.050.00	ALFA ROMEO FIAT 25.066.00	CHEVROLET (EU) OPEL VAUXHALL 25.086.00	JEEP LANCIA MASERATI 25.115.00	SUBARU TOYOTA 25.151.00	BMW 25.172.00	PORSCHE 25.199.00	AUDI 25.257.00
MERCEDES BENZ 25.052.00	CITROEN JAGUAR LAND ROVER PEUGEOT 25.067.00	TOYOTA 25.088.00	SEAT SKODA VOLKSWAGEN 25.116.00	HYUNDAI KIA 25.152.00	MERCEDES BENZ 25.173.01	OPEL VAUXHALL 25.201.00	AUDI VOLKSWAGEN 25.402.01
NISSAN 25.053.00	ALFA ROMEO FIAT 25.068.00	CHEVROLET (EU) OPEL VAUXHALL 25.089.00	ASTON MARTIN DAIHATSU SUBARU TOYOTA 25.118.00	CITROEN JAGUAR LAND ROVER PEUGEOT 25.153.00	VOLVO 25.177.00	BMW BMW ALPINA ROLLS ROYCE 25.204.00	FORD 25.406.01
CHRYSLER HYUNDAI KIA 25.054.00	MERCEDES BENZ 25.069.00	PORSCHE VOLKSWAGEN 25.090.00	OPEL VAUXHALL 25.128.00	AUDI CUPRA PORSCHE SEAT SKODA VOLKSWAGEN 25.154.00	LAND ROVER VOLVO 25.178.00	MERCEDES BENZ 25.210.00	BMW IVECO MERCEDES BENZ NSU (AUDI NSU) STEYR / DAIMLER / PUCH 25.407.01
CHRYSLER 25.056.00	AUDI VOLKSWAGEN 25.070.00	AUDI BENTLEY 25.091.00	ALFA ROMEO CHRYSLER FIAT LANCIA 25.139.00	VOLVO 25.155.00	INFINITI MERCEDES BENZ 25.179.00	PORSCHE 25.211.00	ALFA ROMEO CITROEN DAIMLER JAGUAR 25.408.00
FORD MAZDA 25.058.00	CHRYSLER JEEP MERCEDES BENZ 25.071.00	CHEVROLET (EU) OPEL VAUXHALL 25.093.00	ALFA ROMEO FIAT OPEL VAUXHALL 25.141.00	MERCEDES BENZ 25.159.00	BMW 25.180.00	BMW MINI 25.213.00	A.C. ASTON MARTIN AUSTIN AUSTIN HEALEY LOTUS MG RILEY TRIUMPH TVR VANDEN PLAS WOLSELEY 25.409.01
BMW BMW ALPINA 25.059.00	HYUNDAI KIA 25.072.00	CHEVROLET (EU) OPEL SAAB VAUXHALL 25.094.00	AUDI PORSCHE VOLKSWAGEN 25.142.00	DODGE INFINITI JEEP LAND ROVER MERCEDES BENZ 25.160.00	AUDI VOLKSWAGEN 25.183.00	HYUNDAI 25.216.00	CITROEN DS AUTOMOBILES FORD OPEL PEUGEOT TOYOTA VAUXHALL 25.219.00
MERCEDES BENZ 25.060.00	HONDA 25.073.02	NISSAN OPEL RENAULT VAUXHALL 25.095.00	BMW BMW ALPINA MINI TOYOTA 25.143.00	ALFA ROMEO 25.162.00	CHEVROLET (EU) CHEVROLET (USA) OPEL VAUXHALL 25.185.00	SSANGYONG 25.223.00	JAGUAR LAND ROVER 25.225.00
CITROEN DS AUTOMOBILES FIAT FORD JAGUAR LANCIA LAND ROVER MINI MITSUBISHI OPEL PEUGEOT TOYOTA VOLVO 25.061.00	JAGUAR LAND ROVER 25.074.00	DAEWOO MERCEDES BENZ SSANGYONG 25.096.00	AUDI LAMBORGHINI VOLKSWAGEN 25.144.00	DAEWOO MERCEDES BENZ SSANGYONG VOLKSWAGEN 25.163.00	BMW MINI 25.186.00	JAGUAR LAND ROVER 25.226.00	OPEL VAUXHALL 25.225.00
ALFA ROMEO CHEVROLET (EU) CHRYSLER CITROEN FIAT FORD LANCIA OPEL PEUGEOT 25.062.00	HONDA 25.075.00	BMW 25.099.00	AUDI MAN SEAT SKODA VOLKSWAGEN 25.145.00	ALFA ROMEO CADILLAC (USA) OPEL SAAB VAUXHALL 25.164.00	CHRYSLER JEEP LANCIA 25.187.00	HYUNDAI KIA 25.232.00	BMW 25.247.00
ALFA ROMEO CHEVROLET (EU) CHRYSLER CITROEN FIAT FORD LANCIA OPEL PEUGEOT 25.063.00	LEXUS TOYOTA 25.080.00	MERCEDES BENZ 25.105.00	DACIA MERCEDES BENZ NISSAN RENAULT SMART 25.146.00	BMW 25.165.00	CITROEN DS AUTOMOBILES OPEL PEUGEOT TOYOTA VAUXHALL 25.188.00	BMW 25.247.00	AUDI 25.248.00
ALFA ROMEO CHEVROLET (EU) CHRYSLER CITROEN FIAT FORD LANCIA OPEL PEUGEOT 25.064.00	AUDI PORSCHE VOLKSWAGEN 25.106.00	AUDI PORSCHE SKODA VOLKSWAGEN 25.106.00	BMW 25.146.00	PORSCHE 25.166.00	JEEP 25.191.00	CHRYSLER FIAT JEEP LANCIA 25.248.00	A.C. FORD LOTUS 25.421.00
ALFA ROMEO CHEVROLET (EU) CHRYSLER CITROEN FIAT FORD LANCIA OPEL PEUGEOT 25.065.00	AUDI SEAT SKODA 25.106.00	AUDI SEAT SKODA 25.106.00	BMW 25.146.00	HYUNDAI KIA 25.167.00	FORD MAZDA 25.191.00	FORD MAZDA 25.248.00	ALFA ROMEO

25.043.00...
... 25.421.00

25.421.00...
... 27.111.00

BEDFORD FORD VOLVO 25.439.00	FORD VOLKSWAGEN 25.590.00	FORD LANCIA PEUGEOT VOLVO 26.023.00	OPEL VAUXHALL 26.054.00	FIAT MERCEDES BENZ NISSAN OPEL RENAULT VAUXHALL 26.114.00	PEUGEOT 26.635.00	VOLVO 26.688.00	MERCEDES BENZ 27.067.00
ALFA ROMEO 25.443.00	AUDI 25.607.00	AUDI 26.025.00	CITROEN FIAT FORD PEUGEOT TOYOTA 26.055.00	DACIA MERCEDES BENZ NISSAN RENAULT 26.115.00	IVECO 26.645.00	CITROEN FIAT PEUGEOT TOYOTA 26.690.00	TOYOTA 27.068.00
BOND FORD TRIUMPH VAUXHALL 25.455.00	FORD LAND ROVER 25.901.00	PORSCHE VOLKSWAGEN 26.026.00	VOLKSWAGEN 26.057.00	DACIA MERCEDES BENZ NISSAN RENAULT 26.122.00	ALFA ROMEO ARO CITROEN EBRO NISSAN FIAT OPEL PEUGEOT RENAULT RENAULT (E) SEAT TALBOT UAZ UMM 26.652.00	DACIA RENAULT 26.691.00	ISUZU TOYOTA 27.069.00
ASTON MARTIN AUSTIN BEDFORD LAND ROVER LAND ROVER SANTANA MAZDA VANDEN PLAS 25.455.01	PEUGEOT 26.001.00	AUDI SEAT VOLKSWAGEN 26.031.00	CHEVROLET (EU) OPEL SAAB VAUXHALL 26.058.00	OPEL VAUXHALL 26.123.00	CITROEN PEUGEOT 26.655.00	CITROEN FIAT LANCIA PEUGEOT SUZUKI 26.693.00	MITSUBISHI 27.071.00
BMW 25.499.00	BMW 26.005.00	SKODA VOLKSWAGEN 26.032.00	AUDI SEAT SKODA VOLKSWAGEN 26.071.00	CITROEN PEUGEOT 26.129.00	ALFA ROMEO FERRARI 26.660.00	NISSAN OPEL RENAULT VAUXHALL 26.694.00	MITSUBISHI 27.071.01
MERCEDES BENZ STEYR / DAIMLER / PUCH 25.499.01	MERCEDES BENZ 26.006.00	CHEVROLET (EU) OPEL VAUXHALL 26.034.00	CHEVROLET (EU) OPEL VAUXHALL 26.072.00	AUDI BENTLEY VOLKSWAGEN 26.130.00	AIXAM 26.664.00	NISSAN OPEL RENAULT VAUXHALL 26.695.00	MITSUBISHI 27.074.00
MERCEDES BENZ 25.503.00	AUDI SEAT SKODA VOLKSWAGEN 26.007.00	IVECO MITSUBISHI-FUSO 26.037.00	IVECO 26.073.00	AUDI BENTLEY VOLKSWAGEN 26.131.00	GLAS MERCEDES BENZ 26.670.00	NISSAN OPEL RENAULT VAUXHALL 26.696.00	BEDFORD DAEWOO LAND ROVER SANTANA SUZUKI 27.076.00
LAMBORGHINI MASERATI 25.528.00	VOLKSWAGEN 26.012.00	CITROEN PEUGEOT 26.038.00	TOYOTA 26.074.00	ISUZU 26.138.00	CITROEN FIAT PEUGEOT RENAULT 26.676.00	FORD 26.E2X.01	FORD 27.077.00
DAEWOO MERCEDES BENZ SSANGYONG STEYR / DAIMLER / PUCH 25.530.00	CHRYSLER 26.013.00	AUDI SEAT SKODA VOLKSWAGEN 26.042.02	FORD 26.076.00	LEXUS TOYOTA 26.139.00	CITROEN FIAT HYUNDAI LANCIA PEUGEOT 26.680.00	CHEVROLET (USA) OPEL VAUXHALL 26.696.00	ALFA ROMEO IVECO 27.078.00
MERCEDES BENZ STEYR / DAIMLER / PUCH 25.530.01	AUDI SEAT SKODA VOLKSWAGEN 26.014.00	CHEVROLET (USA) 26.045.00	FIAT 26.076.01	TOYOTA 26.149.00	MITSUBISHI-FUSO 26.682.00	FORD 26.H2O.00	FIAT 27.081.00
MERCEDES BENZ STEYR / DAIMLER / PUCH 25.539.00	AUDI PORSCH VOLKSWAGEN 26.015.00	FIAT ISUZU LEXUS MITSUBISHI TOYOTA 26.047.00	ALFA ROMEO 26.077.00	MITSUBISHI-FUSO 26.149.00	AIXAM 26.680.00	ALFA ROMEO FIAT 26.695.00	ALFA ROMEO IVECO 27.083.00
BMW BMW ALPINA 25.540.00	VOLVO 26.018.00	FIAT HONDA 26.079.00	HONDA 26.079.00	TOYOTA 26.149.00	BEDFORD FORD MAZDA 26.682.00	CITROEN FIAT LANCIA PEUGEOT 26.682.00	OPEL RENAULT RENAULT (E) VAUXHALL 27.084.00
BMW 25.541.00	JEEP LANCIA 26.019.01	FIAT ISUZU LEXUS MITSUBISHI TOYOTA 26.080.00	FIAT 26.079.00	MITSUBISHI-FUSO 26.149.00	ASTON MARTIN 26.602.00	CITROEN FIAT LANCIA PEUGEOT 26.683.00	OPEL 27.085.00
BMW 25.548.00	FORD VOLVO 26.020.00	OPEL VAUXHALL 26.085.00	ALFA ROMEO 26.077.00	ALFA ROMEO FIAT 26.601.00	BEDFORD FORD MAZDA 26.606.00	ALFA ROMEO FIAT 26.680.00	OPEL 27.086.00
BMW WEISMANN 25.555.00	AUDI SEAT SKODA VOLKSWAGEN 26.021.00	ALFA ROMEO CHRYSLER CITROEN FIAT JEEP LANCIA MASERATI OPEL PEUGEOT VAUXHALL 26.052.00	ALFA ROMEO CHRYSLER CITROEN FIAT JEEP LANCIA MASERATI OPEL PEUGEOT VAUXHALL 26.077.00	BEDFORD FORD MAZDA 26.601.00	ASTON MARTIN 26.606.00	AIXAM 26.680.00	OPEL 27.086.00
BMW LAND ROVER OPEL VAUXHALL 25.587.00	AUDI SEAT SKODA VOLKSWAGEN 26.022.00	ALFA ROMEO CHRYSLER CITROEN FIAT JEEP LANCIA MASERATI OPEL PEUGEOT VAUXHALL 26.053.00	CITROEN DS AUTOMOBILES FORD OPEL PEUGEOT TOYOTA VAUXHALL 26.077.00	BREMACH MERCEDES BENZ PEUGEOT SEAT 26.609.00	ALFA ROMEO FIAT 26.609.00	BELLIER CHATENET 26.686.00	AUSTIN 27.089.00
BMW 25.587.00	CITROEN FIAT 26.022.00	CITROEN PEUGEOT 26.053.00	CITROEN DS AUTOMOBILES FORD OPEL PEUGEOT TOYOTA VAUXHALL 26.102.00	ALFA ROMEO FERRARI 26.617.00	ALFA ROMEO FERRARI 26.609.00	CITROEN MITSUBISHI NISSAN OPEL PEUGEOT RENAULT SUZUKI VAUXHALL 26.687.00	RENAULT RENAULT (E) 27.090.00
				LAMBORGHINI 26.618.00		CITROEN PEUGEOT 27.065.00	RENAULT 27.110.00
						CITROEN PEUGEOT 27.063.00	RENAULT 27.111.00

27.128.00	NISSAN	27.236.00	BMW ALPINA LAND ROVER MG ROVER	27.520.00	27.591.00	27.647.00	27.708.00
FIAT	27.171.00	ALFA ROMEO LANCIA	27.354.00	SAAB VOLKSWAGEN	HONDA	ISUZU OPEL VAUXHALL	FERRARI FIAT LANCIA AUTOBIANCHI ZASTAVA (YUGO)
27.132.00	DODGE HYUNDAI MITSUBISHI PROTON	27.239.00	SAAB	27.521.00	27.592.00	27.648.00	27.709.00
DAIHATSU PORTARO TOYOTA	27.172.00	CITROEN LADA (VAZ) PEUGEOT	27.355.00	MERCEDES BENZ	SMART	HYUNDAI	FIAT LANCIA AUTOBIANCHI
27.133.00	TOYOTA VOLKSWAGEN	27.252.00	MERCEDES BENZ	27.522.00	MERCEDES BENZ	27.675.00	27.710.00
DAIHATSU TOYOTA VOLKSWAGEN	27.173.00	CITROEN NISSAN PEUGEOT ROVER	27.356.00	MAZDA	27.594.00	FORD MAZDA VOLVO	FIAT FORD
27.134.00	DAIHATSU	27.253.00	IVECO	27.523.00	BMW	27.676.00	27.713.00
MERCEDES BENZ STEYR / DAIMLER / PUCH	27.174.00	RENAULT RENAULT (E)	27.366.00	HONDA	27.595.00	NISSAN	RENAULT SEAT
27.135.00	AUSTIN ROVER	27.254.00	ALFA ROMEO LANCIA	FORD NISSAN	BMW	27.678.00	27.715.00
MERCEDES BENZ STEYR / DAIMLER / PUCH	27.175.00	FIAT	27.367.00	27.525.00	MERCEDES BENZ	ISUZU NISSAN	AUSTIN INNOCENTI MG RILEY VANDEN PLAS WOLSELEY
27.137.00	CITROEN FIAT PEUGEOT	27.257.00	FIAT	HONDA	27.597.00	27.679.00	NISSAN
LAND ROVER	27.176.00	AUDI SEAT VOLKSWAGEN	RENAULT	NISSAN	AUDI	27.688.00	ALFA ROMEO
27.138.00	FORD	27.258.00	27.384.00	27.526.00	27.598.00	27.689.00	CITROEN FIAT IVECO PEUGEOT
LAND ROVER	27.177.00	CITROEN PEUGEOT	BMW BMW ALPINA LAND ROVER	LAND ROVER ROVER	AUDI	27.691.00	AUSTIN INNOCENTI MG RILEY VANDEN PLAS WOLSELEY
27.139.00	FORD	ALFA ROMEO	27.385.00	27.527.00	27.599.00	27.692.00	FIAT FSO (FIAT POLSKI) LADA (VAZ) LANCIA LANCIA AUTOBIANCHI SEAT ZASTAVA (YUGO)
LAND ROVER	27.193.00	RENAULT RENAULT (E)	SMART	PIAGGIO	HONDA	27.693.00	27.720.00
27.140.00	BEDFORD ISUZU OPEL VAUXHALL	27.265.00	27.386.00	27.579.00	HONDA	AUDI	FIAT SEAT ZASTAVA (YUGO)
BEDFORD ISUZU TOYOTA	27.194.00	ALFA ROMEO	SMART	MITSUBISHI	LAND ROVER	27.699.00	27.725.00
27.149.00	RENAULT RENAULT (E)	27.267.00	BMW	27.580.00	27.603.00	FORD MAZDA TOYOTA	BMW
RENAULT RENAULT (E)	27.195.00	RENAULT RENAULT (E)	27.397.00	DODGE MITSUBISHI	AUDI	27.692.00	27.726.00
27.150.00	VOLKSWAGEN	RENAULT RENAULT (E)	NISSAN	MITSUBISHI	MITSUBISHI	27.693.00	AUSTIN INNOCENTI MG RILEY VANDEN PLAS WOLSELEY
CHRYSLER JEEP RENAULT	27.196.00	CITROEN PEUGEOT	27.400.00	TOYOTA	NISSAN	AUDI	FIAT SEAT ZASTAVA (YUGO)
27.153.00	CITROEN PEUGEOT	ALFA ROMEO LANCIA	ALFA ROMEO LANCIA	TOYOTA	27.606.00	27.701.00	27.728.00
SAAB	27.200.00	RENAULT RENAULT (E)	27.401.00	TOYOTA	ALFA ROMEO	ALPINE RENAULT VOLVO	FIAT INNOCENTI LANCIA AUTOBIANCHI SEAT SUZUKI ZASTAVA (YUGO)
27.154.00	NISSAN	RENAULT	AUDI SEAT SKODA VOLKSWAGEN	27.584.00	27.621.00	27.702.00	27.729.00
SAAB	27.228.00	NISSAN RENAULT RENAULT (E)	27.402.00	LAND ROVER	AUDI SEAT SKODA VOLKSWAGEN	RENAULT	ALFA ROMEO
27.155.00	CITROEN FIAT PEUGEOT	DAEWOO	AUDI SEAT SKODA VOLKSWAGEN	MERCEDES BENZ	27.628.00	27.706.00	27.730.00
CHEVROLET (USA) DAIHATSU TOYOTA	27.231.00	NISSAN RENAULT RENAULT (E)	27.403.00	MERCEDES BENZ	CITROEN FIAT PEUGEOT	FIAT	ALFA ROMEO FIAT IVECO
27.156.00	MERCEDES BENZ	MITSUBISHI	CITROEN PEUGEOT	27.587.00	27.629.00	AIXAM ALFA ROMEO AUSTIN CASALINI CITROEN FIAT FORD LANCIA AUTOBIANCHI ROVER TRIUMPH VANDEN PLAS VAUXHALL WOLSELEY	ALFA ROMEO
DODGE MITSUBISHI PROTON	27.232.00	MERCEDES BENZ	MERCEDES BENZ	VOLVO	ALFA ROMEO	27.630.00	27.729.00
27.159.00	IVECO	FIAT LANCIA	SAAB	RENAULT	ALFA ROMEO CHRYSLER FIAT LANCIA	27.636.00	27.730.00
EBRO NISSAN NISSAN	27.234.00	FIAT LANCIA	27.486.00	HONDA	BMW		
27.162.00	CITROEN PEUGEOT	NISSAN	MERCEDES BENZ	27.590.00			
MERCEDES BENZ	27.235.00	BMW					
27.169.00							
FORD							

27.128.00...
... 27.730.00

27.731.00	VANDEN PLAS	27.878.00	27.947.00	MAZDA	30.004.00	30.028.00	30.053.00
ALPINE	27.781.00	FIAT	SAAB	27.B91.00	FORD	OPEL	FIAT
ARO	BMW	MAZDA	27.954.00	TOYOTA	30.005.00	VAUXHALL	INNOCENTI
ASTON MARTIN	27.785.00	UMM	27.881.00	27.C09.00	RENAULT	30.029.00	30.054.00
DACIA	FIAT	EBRO NISSAN	FIAT	CHRYSLER	RENAULT (E)	BMW	OPEL
LOTUS	INNOCENTI	FORD	PEUGEOT	27.C10.00	BMW ALPINA	VAUXHALL	VAUXHALL
RENAULT	SEAT	NISSAN	27.956.00	TOYOTA	30.030.00	30.030.00	30.057.00
RENAULT (E)	ZASTAVA (YUGO)	STEYR / DAIMLER / PUCH	AUSTIN	27.D10.00	FIAT	FIAT	RENAULT
VOLVO	27.792.00	VOLKSWAGEN	MG	LONDON TAXI COMPANY	LANCIA	LANCIA	30.058.00
27.734.00	ALFA ROMEO	27.888.00	27.982.00	TOYOTA	30.032.00	30.032.00	AUDI
FIAT	NISSAN	ALFA ROMEO	VOLKSWAGEN	NISSAN	OPEL	FIAT	VAUXHALL
LANCIA AUTOBIANCHI	27.797.00	CITROEN	27.993.00	27.D79.00	SAAB	LANCIA	30.062.00
27.735.00	FORD	FIAT	VOLKSWAGEN	ISUZU	VAUXHALL	FIAT	FORD
TRABANT	JAGUAR	IVECO	27.A00.00	OPEL	BMW	LANCIA	MAZDA
27.736.00	MERCEDES BENZ	PEUGEOT	FORD	VAUXHALL	30.012.00	SAAB	30.063.00
SKODA	27.799.00	RAYTON FISSORE	27.A05.00	MAZDA	MAZDA	30.034.00	OPEL
27.740.00	HONDA	TATA	KIA	30.013.00	MAZDA	FIAT	VAUXHALL
DAIHATSU	MAZDA	ZASTAVA (YUGO)	27.E34.00	MAZDA	FORD	LANCIA	30.064.00
TOYOTA	27.800.00	EFFEDI	NISSAN	30.016.00	SAAB	FIAT	OPEL
27.744.00	ALFA ROMEO	FIAT	27.E44.00	FORD	FIAT	LANCIA	VAUXHALL
MAZDA	CITROEN	INNOCENTI	MITSUBISHI	30.017.00	SEAT	SEAT	OPEL
NISSAN	FIAT	LANCIA	27.E50.00	BEDFORD	SKODA	SKODA	VAUXHALL
SUBARU	LANCIA	PEUGEOT	ISUZU	OPEL	VOLKSWAGEN	VOLKSWAGEN	FIAT
27.750.00	PEUGEOT	PIAGGIO	OPEL	VAUXHALL	SEAT	SEAT	ALFA ROMEO
RENAULT	PIAGGIO	SEAT	27.E52.00	MINI	SKODA	SKODA	FIAT
RENAULT (E)	SEAT	VOLKSWAGEN	27.E61.00	OPEL	VOLKSWAGEN	VOLKSWAGEN	CITROEN
27.752.00	VOLKSWAGEN	MITSUBISHI	AUDI	VAUXHALL	RENAULT	RENAULT (E)	FIAT
A.C.	27.804.00	LANCIA	27.A48.00	MINI	SEAT	RENAULT (E)	LANCIA
DACIA	STEYR / DAIMLER / PUCH	SAAB	27.A51.00	OPEL	SKODA	RENAULT (E)	PEUGEOT
FORD	VOLKSWAGEN	MITSUBISHI	MERCEDES BENZ	VAUXHALL	VOLKSWAGEN	RENAULT (E)	PEUGEOT
LOTUS	27.801.00	FIAT	27.A53.00	MAZDA	SEAT	SEAT	PEUGEOT
VAUXHALL	ALFA ROMEO	RENAULT	MINI	30.019.00	SKODA	SEAT	PEUGEOT
27.756.00	STEYR / DAIMLER / PUCH	RENAULT (E)	27.A54.00	SEAT	VOLKSWAGEN	SKODA	PEUGEOT
FIAT	VOLKSWAGEN	FIAT	AUDI	VOLKSWAGEN	RENAULT	RENAULT (E)	PEUGEOT
FSM (FIAT POLSKI)	27.804.00	RENAULT	27.A69.00	VAUXHALL	RENAULT (E)	RENAULT (E)	PEUGEOT
27.761.00	MERCEDES BENZ	RENAULT (E)	CITROEN	SEAT	RENAULT (E)	RENAULT (E)	PEUGEOT
TALBOT	27.817.00	EFFEDI	FIAT	VAUXHALL	RENAULT (E)	RENAULT (E)	PEUGEOT
CITROEN	ALFA ROMEO	LAND ROVER	PEUGEOT	MINI	RENAULT (E)	RENAULT (E)	PEUGEOT
27.762.00	STEYR / DAIMLER / PUCH	SANTANA	MITSUBISHI-FUSO	OPEL	RENAULT (E)	RENAULT (E)	PEUGEOT
JEEP	VOLKSWAGEN	MITSUBISHI	PORSCHE	VAUXHALL	RENAULT (E)	RENAULT (E)	PEUGEOT
RENAULT	27.824.00	FIAT	27.A72.00	MINI	RENAULT (E)	RENAULT (E)	PEUGEOT
RENAULT (E)	CITROEN	RENAULT	MITSUBISHI-FUSO	OPEL	RENAULT (E)	RENAULT (E)	PEUGEOT
27.769.00	JEEP	RENAULT (E)	PORSCHE	VAUXHALL	RENAULT (E)	RENAULT (E)	PEUGEOT
BEDFORD	RENAULT	RENAULT (E)	27.A91.00	MINI	RENAULT (E)	RENAULT (E)	PEUGEOT
EBRO NISSAN	RENAULT (E)	RENAULT (E)	PORSCHE	OPEL	RENAULT (E)	RENAULT (E)	PEUGEOT
ISUZU	LANCIA	EFFEDI	27.A92.00	VAUXHALL	RENAULT (E)	RENAULT (E)	PEUGEOT
LONDON TAXI COMPANY	27.826.00	LAND ROVER	INFINITI	MINI	RENAULT (E)	RENAULT (E)	PEUGEOT
MITSUBISHI	ALFA ROMEO	SANTANA	MERCEDES BENZ	OPEL	RENAULT (E)	RENAULT (E)	PEUGEOT
NISSAN	STEYR / DAIMLER / PUCH	MITSUBISHI	27.A97.00	VAUXHALL	RENAULT (E)	RENAULT (E)	PEUGEOT
OPEL	VOLKSWAGEN	FIAT	BMW	MINI	RENAULT (E)	RENAULT (E)	PEUGEOT
VAUXHALL	27.828.00	RENAULT	27.B12.00	OPEL	RENAULT (E)	RENAULT (E)	PEUGEOT
27.770.00	EBRO NISSAN	RENAULT (E)	MERCEDES BENZ	VAUXHALL	RENAULT (E)	RENAULT (E)	PEUGEOT
DAIHATSU	IVECO	RENAULT (E)	27.B13.00	MINI	RENAULT (E)	RENAULT (E)	PEUGEOT
DODGE	NISSAN	RENAULT (E)	PORSCHE	OPEL	RENAULT (E)	RENAULT (E)	PEUGEOT
MITSUBISHI	OPEL	RENAULT (E)	27.B54.00	VAUXHALL	RENAULT (E)	RENAULT (E)	PEUGEOT
TOYOTA	27.845.02	RENAULT (E)	BMW	MINI	RENAULT (E)	RENAULT (E)	PEUGEOT
27.775.00	CITROEN	RENAULT (E)	27.B74.00	OPEL	RENAULT (E)	RENAULT (E)	PEUGEOT
INNOCENTI	PEUGEOT	RENAULT (E)	MERCEDES BENZ	VAUXHALL	RENAULT (E)	RENAULT (E)	PEUGEOT
27.778.00	TALBOT	RENAULT (E)	30.001.00	MINI	RENAULT (E)	RENAULT (E)	PEUGEOT
AUSTIN	27.853.00	RENAULT (E)	HONDA	OPEL	RENAULT (E)	RENAULT (E)	PEUGEOT
INNOCENTI	MASERATI	RENAULT (E)	INFINITI	VAUXHALL	RENAULT (E)	RENAULT (E)	PEUGEOT
27.778.00	27.871.00	RENAULT (E)	NISSAN	MINI	RENAULT (E)	RENAULT (E)	PEUGEOT
AUSTIN	FERRARI	RENAULT (E)	RENAULT	OPEL	RENAULT (E)	RENAULT (E)	PEUGEOT
INNOCENTI	27.871.00	RENAULT (E)	SSANGYONG	VAUXHALL	RENAULT (E)	RENAULT (E)	PEUGEOT
27.778.00	FERRARI	RENAULT (E)	30.073.00	MINI	RENAULT (E)	RENAULT (E)	PEUGEOT
27.778.00	FERRARI	RENAULT (E)	30.075.00	OPEL	RENAULT (E)	RENAULT (E)	PEUGEOT
27.778.00	FERRARI	RENAULT (E)	30.076.00	VAUXHALL	RENAULT (E)	RENAULT (E)	PEUGEOT
27.778.00	FERRARI	RENAULT (E)	30.077.00	MINI	RENAULT (E)	RENAULT (E)	PEUGEOT
27.778.00	FERRARI	RENAULT (E)	30.077.00	OPEL	RENAULT (E)	RENAULT (E)	PEUGEOT
27.778.00	FERRARI	RENAULT (E)	30.077.00	VAUXHALL	RENAULT (E)	RENAULT (E)	PEUGEOT
27.778.00	FERRARI	RENAULT (E)	30.077.00	MINI	RENAULT (E)	RENAULT (E)	PEUGEOT
27.778.00	FERRARI	RENAULT (E)	30.077.00	OPEL	RENAULT (E)	RENAULT (E)	PEUGEOT
27.778.00	FERRARI	RENAULT (E)	30.077.00	VAUXHALL	RENAULT (E)	RENAULT (E)	PEUGEOT
27.778.00	FERRARI	RENAULT (E)	30.077.00	MINI	RENAULT (E)	RENAULT (E)	PEUGEOT
27.778.00	FERRARI	RENAULT (E)	30.077.00	OPEL	RENAULT (E)	RENAULT (E)	PEUGEOT
27.778.00	FERRARI	RENAULT (E)	30.077.00	VAUXHALL	RENAULT (E)	RENAULT (E)	PEUGEOT
27.778.00	FERRARI	RENAULT (E)	30.077.00	MINI	RENAULT (E)	RENAULT (E)	PEUGEOT
27.778.00	FERRARI	RENAULT (E)	30.077.00	OPEL	RENAULT (E)	RENAULT (E)	PEUGEOT
27.778.00	FERRARI	RENAULT (E)	30.077.00	VAUXHALL	RENAULT (E)	RENAULT (E)	PEUGEOT
27.778.00	FERRARI	RENAULT (E)	30.077.00	MINI	RENAULT (E)	RENAULT (E)	PEUGEOT
27.778.00	FERRARI	RENAULT (E)	30.077.00	OPEL	RENAULT (E)	RENAULT (E)	PEUGEOT
27.778.00	FERRARI	RENAULT (E)	30.077.00	VAUXHALL	RENAULT (E)	RENAULT (E)	PEUGEOT
27.778.00	FERRARI	RENAULT (E)	30.077.00	MINI	RENAULT (E)	RENAULT (E)	PEUGEOT
27.778.00	FERRARI	RENAULT (E)	30.077.00	OPEL	RENAULT (E)	RENAULT (E)	PEUGEOT
27.778.00	FERRARI	RENAULT (E)	30.077.00	VAUXHALL	RENAULT (E)	RENAULT (E)	PEUGEOT
27.778.00	FERRARI	RENAULT (E)	30.077.00	MINI	RENAULT (E)	RENAULT (E)	PEUGEOT
27.778.00	FERRARI	RENAULT (E)	30.077.00	OPEL	RENAULT (E)	RENAULT (E)	PEUGEOT
27.778.00	FERRARI	RENAULT (E)	30.077.00	VAUXHALL	RENAULT (E)	RENAULT (E)	PEUGEOT
27.778.00	FERRARI	RENAULT (E)	30.077.00	MINI	RENAULT (E)	RENAULT (E)	PEUGEOT
27.778.00	FERRARI	RENAULT (E)	30.077.00	OPEL	RENAULT (E)	RENAULT (E)	PEUGEOT
27.778.00	FERRARI	RENAULT (E)	30.077.00	VAUXHALL	RENAULT (E)	RENAULT (E)	PEUGEOT
27.778.00	FERRARI	RENAULT (E)	30.077.00	MINI	RENAULT (E)	RENAULT (E)	PEUGEOT
27.778.00	FERRARI	RENAULT (E)	30.077.00	OPEL	RENAULT (E)	RENAULT (E)	PEUGEOT
27.778.00	FERRARI	RENAULT (E)	30.077.00	VAUXHALL	RENAULT (E)	RENAULT (E)	PEUGEOT
27.778.00	FERRARI	RENAULT (E)	30.077.00	MINI	RENAULT (E)	RENAULT (E)	PEUGEOT
27.778.00	FERRARI	RENAULT (E)	30.077.00	OPEL	RENAULT (E)	RENAULT (E)	PEUGEOT
27.778.00	FERRARI	RENAULT (E)	30.077.00	VAUXHALL	RENAULT (E)	RENAULT (E)	PEUGEOT
27.778.00	FERRARI	RENAULT (E)	30.077.00	MINI	RENAULT (E)	RENAULT (E)	PEUGEOT
27.778.00	FERRARI	RENAULT (E)	30.077.00	OPEL	RENAULT (E)	RENAULT (E)	PEUGEOT
27.778.00	FERRARI	RENAULT (E)	30.077.00	VAUXHALL	RENAULT (E)	RENAULT (E)	PEUGEOT
27.778.00	FERRARI	RENAULT (E)	30.077.00	MINI	RENAULT (E)	RENAULT (E)	PEUGEOT
27.778.00	FERRARI	RENAULT (E)	30.077.00	OPEL	RENAULT (E)	RENAULT (E)	PEUGEOT
27.778.00	FERRARI	RENAULT (E)	30.077.00	VAUXHALL	RENAULT (E)	RENAULT (E)	PEUGEOT
27.778.00	FERRARI	RENAULT (E)	30.077.00	MINI	RENAULT (E)	RENAULT (E)	PEUGEOT
27.778.00	FERRARI	RENAULT (E)	30.077.00	OPEL	RENAULT (E)	RENAULT (E)	PEUGEOT
27.778.00	FERRARI	RENAULT (E)	30.077.00	VAUXHALL	RENAULT (E)	RENAULT (E)	PEUGEOT
27.778.00	FERRARI	RENAULT (E)	30.077.00	MINI	RENAULT (E)	RENAULT (E)	PEUGEOT
27.778.00	FERRARI	RENAULT (E)	30.077.00	OPEL	RENAULT (E)	RENAULT (E)	PEUGEOT
27.778.00	FERRARI	RENAULT (E)	30.077.00	VAUXHALL	RENAULT (E)	RENAULT (E)	PEUGEOT
27.778.00	FERRARI	RENAULT (E)	30.077.00	MINI	RENAULT (E)	RENAULT (E)	PEUGEOT
27.778.00	FERRARI	RENAULT (E)	30.077.00	OPEL	RENAULT (E)	RENAULT (E)	PEUGEOT
27.778.00	FERRARI	RENAULT (E)	30.077.00	VAUXHALL	RENAULT (E)	RENAULT (E)	PEUGEOT
27.778.00	FERRARI	RENAULT (E)	30.077.00	MINI	RENAULT (E)	RENAULT (E)	PEUGEOT
27.778.00	FERRARI	RENAULT (E)	30.077.00	OPEL	RENAULT (E)	RENAULT (E)	PEUGEOT
27.778.00	FERRARI	RENAULT (E)	30.077.00	VAUXHALL	RENAULT (E)	RENAULT (E)	PEUGEOT
27.778.00	FERRARI	RENAULT (E)	30.077.00	MINI	RENAULT (E)	RENAULT (E)	PEUGEOT
27.778.00	FERRARI	RENAULT (E)	30.077.00	OPEL	RENAULT (E)	RENAULT (E)	PEUGEOT
27.778.00	FERRARI	RENAULT (E)	30.077.00	VAUXHALL	RENAULT (E)	RENAULT (E)	PEUGEOT
27.778.00	FERRARI	RENAULT (E)	30.077.00	MINI	RENAULT (E)	RENAULT (E)	PEUGEOT
27.778.00	FERRARI	RENAULT (E)	30.077.00	OPEL	RENAULT (E)	RENAULT (E)	PEUGEOT
27.778.00	FERRARI	RENAULT (E)	30.077.00	VAUXHALL	RENAULT (E)	RENAULT (E)	PEUGEOT
27.778.00	FERRARI	RENAULT (E)	30.077.00	MINI	RENAULT (E)	RENAULT (E)	PEUGEOT
27.778.00	FERRARI	RENAULT (E)	30.077.00	OPEL	RENAULT (E)	RENAULT (E)	PEUGEOT
27.778.00	FERRARI	RENAULT (E)	30.077.00				

VOLKSWAGEN 30.078.01	DAEWOO 30.102.00	VOLVO 30.125.00	FORD LONDON TAXI COMPANY 30.146.00	AUDI SEAT 30.162.00	CITROEN PEUGEOT 30.180.00	VAUXHALL 30.198.00	SAAB 30.218.00
RENAULT 30.079.00	DAEWOO 30.103.00	HYUNDAI 30.126.00	DACIA LADA (VAZ) NISSAN OPEL RENAULT VAUXHALL 30.147.00	NISSAN RENAULT 30.163.00	NISSAN RENAULT 30.181.00	VOLKSWAGEN 30.199.00	MITSUBISHI 30.220.00
MITSUBISHI VOLVO 30.080.00	CHEVROLET (EU) DAEWOO 30.104.00	ALFA ROMEO 30.127.00	MERCEDES BENZ 30.148.00	VOLVO 30.164.00	MERCEDES BENZ 30.182.00	VOLKSWAGEN 30.201.00	MITSUBISHI 30.221.00
MERCEDES BENZ VOLKSWAGEN 30.082.00	DAEWOO 30.105.00	ALFA ROMEO 30.128.00	MERCEDES BENZ 30.149.00	SEAT SKODA VOLKSWAGEN 30.165.00	FORD SEAT VOLKSWAGEN 30.183.00	MERCEDES BENZ 30.202.00	MITSUBISHI 30.222.00
MERCEDES BENZ VOLKSWAGEN 30.083.00	FORD 30.106.00	OPEL SUZUKI VAUXHALL 30.129.00	CITROEN PEUGEOT 30.150.00	CITROEN PEUGEOT 30.166.00	SEAT SKODA VOLKSWAGEN 30.184.00	FIAT OPEL VAUXHALL 30.203.00	MITSUBISHI 30.223.00
OPEL VAUXHALL 30.085.00	LONDON TAXI COMPANY OPEL VAUXHALL 30.107.00	KIA 30.130.00	NISSAN OPEL RENAULT VAUXHALL 30.151.00	CITROEN PEUGEOT 30.167.00	CITROEN PEUGEOT 30.185.00	OPEL VAUXHALL 30.204.00	LEXUS TOYOTA 30.224.00
VOLKSWAGEN 30.086.00	RENAULT 30.108.00	SEAT SKODA VOLKSWAGEN 30.132.00	FIAT 30.152.00	FORD MAZDA MINI 30.168.00	CITROEN PEUGEOT 30.186.00	OPEL VAUXHALL 30.206.00	TOYOTA CHRYSLER DODGE 30.225.00
MERCEDES BENZ 30.087.00	AUDI VOLKSWAGEN 30.109.00	SEAT VOLKSWAGEN 30.133.00	CITROEN PEUGEOT 30.153.00	FORD MAZDA MITSUBISHI 30.169.00	CITROEN PEUGEOT 30.187.00	TOYOTA 30.207.00	CHRYSLER DODGE 30.226.00
FORD 30.088.00	RENAULT 30.111.00	SEAT VOLKSWAGEN 30.134.00	CITROEN PEUGEOT 30.154.00	TOYOTA 30.170.00	AUDI SEAT SKODA VOLKSWAGEN 30.188.00	FIAT 30.209.00	HONDA 30.227.00
DAIHATSU PIAGGIO 30.089.00	FIAT LANCIA 30.112.00	ALFA ROMEO FIAT LANCIA OPEL VAUXHALL 30.135.00	FORD 30.155.00	MAZDA 30.171.00	CADILLAC (USA) OPEL SAAB VAUXHALL 30.189.00	AUDI SKODA VOLKSWAGEN 30.210.00	HONDA 30.228.00
FIAT 30.090.00	SEAT SKODA VOLKSWAGEN 30.113.00	FIAT 30.136.00	FORD LDV NISSAN 30.156.00	FORD MAZDA 30.172.00	CADILLAC (USA) SAAB 30.190.00	CITROEN PEUGEOT SUZUKI 30.211.00	CHRYSLER DODGE MAZDA MITSUBISHI 30.229.00
FORD SEAT VOLKSWAGEN 30.095.00	VOLVO 30.115.00	FIAT 30.137.00	LAMBORGHINI 30.157.00	MAZDA 30.173.00	AUDI 30.191.00	OPEL SUBARU SUZUKI VAUXHALL 30.212.00	HONDA 30.230.00
CITROEN PEUGEOT 30.096.00	CITROEN PEUGEOT 30.116.00	FIAT 30.139.00	CITROEN PEUGEOT 30.158.00	HYUNDAI 30.174.00	CADILLAC (USA) SAAB 30.192.00	FORD VOLVO 30.213.00	CHRYSLER DODGE MAZDA MITSUBISHI 30.231.00
OPEL VAUXHALL 30.097.00	CITROEN PEUGEOT 30.117.00	CITROEN PEUGEOT 30.141.00	SEAT SKODA VOLKSWAGEN 30.159.00	MAZDA 30.175.00	AUDI SKODA VOLKSWAGEN 30.193.00	OPEL VAUXHALL 30.214.00	HONDA 30.232.00
VOLVO 30.098.00	FIAT LANCIA 30.118.01	LAND ROVER 30.142.00	OPEL VAUXHALL 30.160.00	HYUNDAI 30.176.00	VOLKSWAGEN 30.194.00	OPEL VAUXHALL 30.215.00	HONDA 30.233.00
FIAT 30.099.00	MERCEDES BENZ 30.119.00	MG ROVER 30.143.00	OPEL VAUXHALL 30.161.00	CITROEN DAIHATSU PEUGEOT SUBARU TOYOTA 30.177.00	FIAT LANCIA 30.195.00	RENAULT 30.216.00	CITROEN FIAT MINI PEUGEOT 30.234.00
NISSAN OPEL RENAULT VAUXHALL 30.100.00	RENAULT 30.120.00	MAZDA TOYOTA 30.144.00	OPEL VAUXHALL 30.162.00	KIA MAZDA 30.178.00	RENAULT 30.196.00	SAAB 30.217.00	NISSAN 30.235.00
AUDI SKODA 30.101.00	FORD 30.121.00	CITROEN PEUGEOT 30.145.01	SEAT VOLKSWAGEN 30.163.00	MAZDA 30.179.00	SKODA VOLKSWAGEN 30.197.00	DACIA RENAULT 30.218.00	HONDA ISUZU 30.236.00
FORD 30.102.00	SEAT SKODA VOLKSWAGEN 30.122.00	FIAT 30.146.00			FIAT OPEL 30.198.00	HONDA 30.219.00	HONDA 30.237.00

30.077.00...
... 30.237.00

30.238.00 ...
... 30.403.00

30.238.00 HONDA	30.257.00 MERCEDES BENZ	30.276.00 HONDA	30.297.00 ABARTH ALFA ROMEO FIAT OPEL VAUXHALL	30.316.00 MINI	30.337.00 CHEVROLET (EU) DAEWOO	30.360.00 HONDA	30.381.00 HONDA
30.239.00 HONDA ROVER	30.258.00 OPEL VAUXHALL	30.277.00 CHEVROLET (EU) DAEWOO RAVON	30.298.00 FIAT	30.317.00 MINI	30.338.00 TOYOTA	30.361.00 TOYOTA	30.382.00 KIA
30.240.00 HONDA	30.259.00 OPEL VAUXHALL	30.278.00 CHEVROLET (EU)	30.299.00 CITROEN PEUGEOT	30.318.00 MERCEDES BENZ	30.339.00 FIAT	30.362.00 INFINITI NISSAN	30.383.00 SUZUKI
30.241.00 FORD VOLVO	30.260.00 CITROEN PEUGEOT	30.279.00 CHEVROLET (EU) DAEWOO	30.300.00 NISSAN OPEL RENAULT VAUXHALL	30.319.00 NISSAN RENAULT	30.340.00 MERCEDES BENZ VOLKSWAGEN	30.363.00 HYUNDAI KIA	30.384.00 SUZUKI
30.242.00 HONDA	30.261.00 CITROEN FIAT LANCIA PEUGEOT	30.280.00 HYUNDAI KIA	30.301.00 NISSAN OPEL RENAULT VAUXHALL	30.320.00 MERCEDES BENZ VOLKSWAGEN	30.341.00 VOLVO	30.364.00 AUDI SEAT SKODA VOLKSWAGEN	30.385.00 TOYOTA
30.243.00 HONDA ROVER	30.262.00 CITROEN PEUGEOT	30.281.00 JEEP	30.302.00 ALFA ROMEO CHRYSLER FIAT FORD LANCIA	30.321.00 DACIA RENAULT	30.342.00 SEAT SKODA VOLKSWAGEN	30.365.00 AUDI	30.386.00 HYUNDAI KIA
30.244.00 CITROEN PEUGEOT	30.263.00 FORD	30.283.00 SUBARU SUZUKI	30.303.00 DACIA RENAULT	30.322.00 CITROEN PEUGEOT	30.344.00 MAZDA	30.366.00 VOLVO	30.388.00 CHEVROLET (EU) OPEL VAUXHALL
30.245.00 FORD VOLVO	30.264.00 VOLKSWAGEN	30.284.00 JEEP NISSAN	30.304.00 AUDI SKODA VOLKSWAGEN	30.324.00 RENAULT	30.345.00 MINI	30.367.00 BMW BMW ALPINA	30.389.00 MERCEDES BENZ
30.246.00 FORD MAZDA VOLVO	30.265.00 ALFA ROMEO FIAT FORD LANCIA OPEL	30.285.00 HYUNDAI	30.305.00 ROVER	30.325.00 HONDA	30.346.00 MINI	30.368.00 CITROEN MINI PEUGEOT	30.390.00 FORD MAZDA
30.247.00 TOYOTA	30.266.00 HYUNDAI KIA	30.286.00 HYUNDAI	30.307.00 HYUNDAI	30.326.00 HYUNDAI	30.347.00 FIAT SUZUKI	30.369.00 SEAT SKODA VOLKSWAGEN	30.391.00 OPEL SUZUKI VAUXHALL
30.248.00 TOYOTA	30.267.00 HYUNDAI KIA	30.287.00 HYUNDAI	30.308.00 KIA	30.327.00 SUZUKI	30.348.00 HYUNDAI	30.370.00 AUDI SEAT SKODA VOLKSWAGEN	30.392.00 CHEVROLET (EU) OPEL VAUXHALL
30.249.00 HONDA	30.268.00 SUZUKI	30.288.00 LEXUS TOYOTA	30.309.00 HYUNDAI	30.328.00 SUZUKI	30.349.00 VOLVO	30.371.00 AUDI SEAT SKODA VOLKSWAGEN	30.393.00 FIAT SUZUKI
30.250.00 JAGUAR	30.269.00 SUZUKI	30.289.00 SUBARU TOYOTA	30.310.00 FORD	30.329.00 AUDI PORSCHE VOLKSWAGEN	30.350.00 PEUGEOT	30.372.00 CITROEN FIAT PEUGEOT	30.395.00 BMW
30.251.00 BMW	30.270.00 SUZUKI	30.290.00 MINI	30.311.00 CITROEN PEUGEOT TOYOTA	30.330.00 CITROEN FIAT LANCIA PEUGEOT TOYOTA	30.351.00 CITROEN DS AUTOMOBILES PEUGEOT	30.373.00 FORD	30.396.00 BMW
30.252.00 MITSUBISHI SMART	30.272.00 SUZUKI	30.292.00 OPEL VAUXHALL	30.312.00 KIA	30.331.00 FORD VOLVO	30.352.00 NISSAN RENAULT	30.374.00 RENAULT	30.397.00 TOYOTA
30.253.00 MITSUBISHI SMART	30.273.00 CITROEN PEUGEOT	30.293.00 NISSAN OPEL RENAULT VAUXHALL	30.313.00 HONDA	30.332.00 FORD	30.353.00 ALFA ROMEO FIAT	30.375.00 RENAULT	30.398.00 VOLKSWAGEN
30.254.00 CITROEN PEUGEOT	30.274.00 MERCEDES BENZ	30.294.00 FORD	30.314.00 LAND ROVER	30.334.00 TOYOTA	30.355.00 AUDI SEAT	30.376.00 ALFA ROMEO CHRYSLER FIAT LANCIA	30.399.00 JAGUAR
30.255.00 HONDA	30.275.00 VOLVO	30.295.00 KIA	30.315.00 AUDI SEAT SKODA VOLKSWAGEN	30.335.00 CHEVROLET (EU) DAEWOO	30.356.00 SEAT	30.380.00 HONDA	30.400.00 CITROEN PEUGEOT
30.256.00 HONDA	30.296.00 MITSUBISHI			30.336.00 HYUNDAI	30.357.00 BMW BMW ALPINA		30.403.00 HYUNDAI

30.404.00 CHEVROLET (EU) OPEL VAUXHALL	30.461.00 SUZUKI	30.496.00 HYUNDAI	30.540.00 BMW	30.559.00 LAND ROVER	30.603.00 CITROEN PEUGEOT TOYOTA	30.632.00 HYUNDAI KIA	30.660.00 TOYOTA
30.405.00 FIAT SUZUKI	30.462.00 MERCEDES BENZ	30.497.00 HONDA	30.541.00 OPEL RENAULT VAUXHALL	30.569.00 CHEVROLET (EU) CHEVROLET (USA) RAVON	30.604.00 FIAT OPEL VAUXHALL	30.633.00 KIA	30.661.00 AUDI VOLKSWAGEN
30.406.00 BMW	30.463.00 MERCEDES BENZ	30.498.00 DODGE JEEP	30.542.00 LAND ROVER	30.573.00 HONDA	30.606.00 JAGUAR	30.634.00 HYUNDAI KIA	30.662.00 AUDI VOLKSWAGEN
30.407.00 RENAULT	30.464.00 KIA	30.500.00 FIAT	30.543.00 MERCEDES BENZ NISSAN RENAULT	30.574.00 HYUNDAI KIA	30.607.00 FIAT	30.635.00 HYUNDAI KIA	30.663.00 RENAULT
30.408.00 HONDA	30.465.00 NISSAN OPEL RENAULT VAUXHALL	30.503.00 HONDA	30.544.00 CHRYSLER JEEP LANCIA	30.575.00 MERCEDES BENZ	30.609.00 CHEVROLET (EU) CHEVROLET (USA) OPEL VAUXHALL	30.638.00 CITROEN DS AUTOMOBILES OPEL PEUGEOT VAUXHALL	30.664.00 FIAT NISSAN OPEL RENAULT VAUXHALL
30.409.00 MAZDA	30.466.00 SMART	30.504.00 TOYOTA	30.546.00 DACIA	30.576.00 NISSAN	30.615.00 SUBARU	30.639.00 ASTON MARTIN TOYOTA	30.665.00 FORD
30.416.00 FIAT SUZUKI	30.467.00 CITROEN DS AUTOMOBILES MINI OPEL PEUGEOT	30.505.00 TOYOTA	30.547.00 DACIA RENAULT	30.587.00 AUDI SEAT SKODA VOLKSWAGEN	30.617.00 HONDA	30.645.00 CITROEN FIAT MITSUBISHI PEUGEOT TOYOTA	30.676.00 CHEVROLET (EU)
30.417.00 RENAULT	30.468.00 HYUNDAI	30.506.00 ISUZU MITSUBISHI	30.548.00 FIAT	30.588.00 OPEL VAUXHALL	30.618.00 HONDA	30.647.00 VOLKSWAGEN	30.677.00 FIAT JEEP
30.422.00 CHEVROLET (EU) OPEL VAUXHALL	30.469.00 HYUNDAI KIA	30.508.00 AUDI SEAT SKODA	30.549.00 AUDI SEAT SKODA VOLKSWAGEN	30.589.00 SEAT SKODA VOLKSWAGEN	30.619.00 HONDA	30.648.00 CITROEN DS AUTOMOBILES OPEL PEUGEOT TOYOTA VAUXHALL	30.686.00 VOLVO
30.432.00 MG	30.470.00 SUBARU TOYOTA	30.509.00 AUDI SEAT SKODA VOLKSWAGEN	30.550.00 OPEL SUZUKI VAUXHALL	30.591.00 HONDA	30.620.00 HYUNDAI	30.652.00 FIAT	30.687.00 RENAULT
30.437.00 HYUNDAI	30.471.00 HONDA	30.512.00 VOLKSWAGEN	30.552.00 CHEVROLET (EU) OPEL VAUXHALL	30.592.00 DODGE JEEP	30.621.00 BMW MINI	30.653.00 CHEVROLET (EU) OPEL VAUXHALL	30.688.00 DACIA LADA (VAZ)
30.450.00 CHEVROLET (EU)	30.477.00 ALFA ROMEO CHRYSLER CITROEN FIAT FORD LANCIA OPEL PEUGEOT VAUXHALL	30.512.00 VOLKSWAGEN	30.553.00 OPEL SUZUKI VAUXHALL	30.593.00 CHRYSLER	30.622.00 BMW MINI	30.654.00 RENAULT	30.692.00 AUDI SEAT SKODA VOLKSWAGEN
30.451.00 HONDA	30.481.00 RENAULT	30.512.00 VOLKSWAGEN	30.554.00 TOYOTA	30.594.00 HYUNDAI KIA	30.625.00 LEXUS TOYOTA	30.655.00 BMW BMW ALPINA	30.693.00 CITROEN PEUGEOT TOYOTA
30.452.00 LOTUS TOYOTA	30.482.00 HONDA	30.532.00 MERCEDES BENZ	30.555.00 LAND ROVER	30.595.00 INFINITI MERCEDES BENZ	30.626.00 MAZDA	30.657.00 AUDI SEAT VOLKSWAGEN	30.700.00 VOLKSWAGEN
30.453.00 LEXUS TOYOTA	30.483.00 KIA	30.533.00 AUDI SEAT SKODA VOLKSWAGEN	30.556.00 NISSAN OPEL RENAULT VAUXHALL	30.596.00 MERCEDES BENZ	30.627.00 KIA	30.658.00 MERCEDES BENZ	30.701.00 CHEVROLET (EU) RAVON
30.454.00 HYUNDAI KIA	30.485.00 MERCEDES BENZ	30.533.00 AUDI SEAT SKODA VOLKSWAGEN	30.557.00 TOYOTA	30.597.00 BMW	30.628.00 SUZUKI	30.659.00 AUDI SEAT VOLKSWAGEN	30.709.00 CITROEN MITSUBISHI PEUGEOT
30.455.00 BMW	30.491.00 RENAULT	30.533.00 AUDI SEAT SKODA VOLKSWAGEN	30.558.00 BMW	30.600.00 CHRYSLER	30.629.00 IVECO	30.659.00 MERCEDES BENZ	30.710.00 HYUNDAI KIA
30.456.00 NISSAN SUZUKI	30.491.00 RENAULT	30.533.00 AUDI SEAT SKODA VOLKSWAGEN	30.558.00 BMW	30.601.00 CITROEN MITSUBISHI PEUGEOT	30.630.00 IVECO	30.659.00 CHRYSLER	
30.460.00 SUZUKI		30.533.00 AUDI SEAT SKODA VOLKSWAGEN			30.631.00 HYUNDAI KIA		

30.404.00...
... 30.710.00

30.711.00 BMW	30.781.00 MITSUBISHI	30.815.00 BMW	30.862.00 FERRARI	30.899.00 FORD	30.929.00 MERCEDES BENZ STEYR / DAIMLER / PUCH	30.953.00 FORD	30.977.00 BMW
30.712.00 RENAULT	30.785.00 LEXUS TOYOTA	30.818.00 AUDI DODGE FORD JEEP VOLKSWAGEN	30.864.00 ACM (ALI CIEMME) ARO AUDI DACIA VOLKSWAGEN	30.902.00 JEEP RENAULT	30.930.00 EFFEDI FIAT	30.954.00 BMW	30.978.01 OPEL VAUXHALL
30.713.00 SEAT SKODA VOLKSWAGEN	30.786.00 MAZDA	30.822.00 BMW	30.867.00 FERRARI	30.904.00 BMW	30.932.00 FIAT INNOCENTI LANCIA ZASTAVA (YUGO)	30.955.00 VOLVO	30.979.02 FERRARI
30.714.00 BMW	30.787.00 MAZDA	30.826.00 PORSCHE	30.871.00 ARO FORD RENAULT RENAULT (E) SAAB	30.906.00 ALFA ROMEO	30.933.00 AUSTIN CITROEN FIAT LANCIA PEUGEOT ROVER	30.958.00 OPEL VAUXHALL	30.981.00 FORD
30.717.00 CITROEN DS AUTOMOBILES OPEL PEUGEOT TOYOTA VAUXHALL	30.788.00 LEXUS TOYOTA	30.830.00 FERRARI LAMBORGHINI VOLKSWAGEN	30.872.01 RENAULT RENAULT (E)	30.908.00 OPEL VAUXHALL	30.935.00 ALFA ROMEO FIAT LANCIA	30.960.00 FIAT	30.987.01 FORD
30.718.00 CITROEN DS AUTOMOBILES OPEL PEUGEOT TOYOTA VAUXHALL	30.793.00 CITROEN FIAT OPEL PEUGEOT VAUXHALL	30.835.00 AUDI BARKAS DAIMLER JAGUAR LADA (VAZ) PORSCHE TRABANT VOLKSWAGEN VOLVO WARTBURG	30.878.00 FIAT LANCIA	30.910.00 FORD TVR	30.936.00 MERCEDES BENZ SSANGYONG STEYR / DAIMLER / PUCH	30.961.00 MERCEDES BENZ	30.990.00 DAEWOO OPEL VAUXHALL
30.719.00 CITROEN PEUGEOT	30.794.00 FIAT	30.836.00 ACM (ALI CIEMME) ARO BIAGINI (ACM) VOLKSWAGEN	30.880.00 PIAGGIO	30.911.00 BERTONE BMW BMW ALPINA	30.914.02 VOLVO	30.963.00 BEDFORD OPEL VAUXHALL	30.991.00 BMW BMW ALPINA
30.721.00 TOYOTA	30.795.00 FIAT	30.843.01 MERCEDES BENZ	30.883.00 PIAGGIO	30.915.00 VOLVO	30.916.00 MERCEDES BENZ	30.964.00 MASERATI	30.993.00 MERCEDES BENZ
30.723.00 HYUNDAI KIA	30.800.00 BEDFORD FORD LOTUS VAUXHALL	30.847.00 BMW MERCEDES BENZ	30.887.02 FERRARI	30.917.01 ASQUITH MOTOR CARRIAGE FORD	30.919.00 FIAT FSM (FIAT POLSKI)	30.965.00 CITROEN PEUGEOT	30.994.00 SEAT SKODA VOLKSWAGEN
30.724.00 NISSAN RENAULT	30.802.01 AUDI CITROEN FORD SAAB SEAT SKODA VOLKSWAGEN	30.851.00 AUDI CHRYSLER DODGE TRESER VOLKSWAGEN	30.888.00 LAMBORGHINI	30.922.01 FIAT	30.923.01 FORD	30.966.00 DAIHATSU FIAT INNOCENTI PIAGGIO	30.996.00 VOLKSWAGEN
30.725.00 SUZUKI	30.803.00 FORD SKODA	30.852.00 ARO BEDFORD OPEL RENAULT RENAULT (E) VAUXHALL VOLVO	30.889.00 FIAT	30.924.00 FORD	30.924.00 ALFA ROMEO LANCIA NISSAN	30.967.00 SUZUKI	30.997.00 BELLIER CASALINI CHATENET GRECAV LIGIER
30.726.00 HYUNDAI	30.804.00 FORD	30.857.00 FIAT	30.890.00 VOLVO	30.925.00 RENAULT RENAULT (E) VOLVO	30.925.00 AUSTIN MG ROVER	30.969.00 RENAULT	30.999.00 ALFA ROMEO FIAT LANCIA
30.727.00 BMW	30.806.00 BEDFORD OPEL VAUXHALL	30.858.00 FIAT	30.891.00 AUDI	30.926.00 OPEL VAUXHALL	30.942.00 ALFA ROMEO LANCIA NISSAN	30.970.00 BMW	30.999.00 ALFA ROMEO FIAT LANCIA
30.728.00 BMW BMW ALPINA	30.807.00 AUDI BEDFORD OPEL VAUXHALL VOLKSWAGEN	30.860.00 VOLVO	30.893.00 MERCEDES BENZ SSANGYONG	30.928.00 OPEL VAUXHALL	30.943.00 AUSTIN MG ROVER	30.972.00 JEEP RENAULT	30.A15.00 CITROEN PEUGEOT
30.729.00 BMW BMW ALPINA	30.809.00 AUDI	30.860.00 VOLVO	30.893.03 MERCEDES BENZ	30.928.00 FIAT IATO	30.944.00 OPEL VAUXHALL	30.973.00 BMW	30.A16.00 DACIA LADA (VAZ) RENAULT
30.780.00 MAZDA	30.811.00 AUDI		30.894.00 MERCEDES BENZ		30.945.00 FIAT INNOCENTI	30.974.00 FORD INFINITI ISUZU NISSAN OPEL SUBARU VAUXHALL	30.A17.00 FORD
			30.898.00 FIAT LANCIA		30.946.00 AUDI BIAGINI (ACM) VOLKSWAGEN	30.975.00 MERCEDES BENZ	30.A20.00 HYUNDAI KIA
					30.948.00 VOLVO	30.976.00 MERCEDES BENZ	30.A21.00 HYUNDAI
					30.950.00 OPEL VAUXHALL	30.977.00 MERCEDES BENZ	30.A23.00 OPEL
					30.952.00 FORD		

SAAB VAUXHALL 30.A24.00	SKODA VOLKSWAGEN 30.A52.00	30.A74.00	30.B14.00	30.B54.00	30.C47.00	31.010.00	MG NISSAN PEUGEOT RENAULT RENAULT (E) ROVER SEAT SKODA TATA TRIUMPH TVR VOLKSWAGEN ZASTAVA (YUGO) 31.501.00	
CHEVROLET (EU) CHEVROLET (USA) OPEL VAUXHALL 30.A25.00	FORD 30.A53.00	ALFA ROMEO 30.A75.00	BMW BMW ALPINA 30.B15.00	RENAULT 30.B56.00	FORD 30.C54.00	BEDFORD CITROEN FIAT INNOCENTI ISUZU LANCIA LANCIA AUTOBIANCHI LAND ROVER SANTANA MAZDA OPEL PEUGEOT RENAULT RENAULT (E) SUBARU VAUXHALL 31.012.00	FIAT INNOCENTI LANCIA 31.502.00	
AUDI PORSCHE VOLKSWAGEN 30.A33.00	MAZDA 30.A54.00	ALFA ROMEO 30.A76.00	AUDI VOLKSWAGEN 30.B16.00	MERCEDES BENZ 30.B62.00	HONDA 30.C55.00	VOLKSWAGEN 30.C56.00	AUDI (ALI CIEMME) ARO AUDI BARKAS BIAGINI (ACM) FORD NSU (AUDI NSU) SEAT SKODA TRABANT VOLKSWAGEN WARTBURG 31.013.00	AUDI BENTLEY FERRARI FORD LANCIA PANTHER PEUGEOT ROLLS ROYCE SAAB SEAT TVR VOLKSWAGEN VOLVO 31.503.00
JAGUAR 30.A34.00	HONDA 30.A55.00	ALFA ROMEO 30.A84.00	PORSCHE 30.B17.00	MERCEDES BENZ 30.B71.00	MAZDA MERCEDES BENZ 30.C61.00	BMW MINI 30.C62.00	DAEWOO MERCEDES BENZ SSANGYONG STEYR / DAIMLER / PUCH 31.020.00	AUDI VOLKSWAGEN 31.504.00
RENAULT 30.A35.00	HYUNDAI 30.A56.00	TOYOTA 30.A85.00	BMW 30.B20.00	TOYOTA 30.B76.00	NISSAN 30.C63.00	NISSAN 30.C63.00	DODGE MITSUBISHI PROTON 31.024.00	ALFA ROMEO BUGATTI CITROEN FIAT LAMBORGHINI LANCIA PEUGEOT 31.505.00
AUDI SKODA VOLKSWAGEN 30.A37.00	HONDA 30.A58.00	TOYOTA 30.A86.00	RENAULT SMART 30.B21.00	NISSAN 30.B86.00	HONDA 30.C64.00	HONDA 30.C64.00	HONDA 31.026.00	BENTLEY FERRARI MERCEDES BENZ ROLLS ROYCE STEYR / DAIMLER / PUCH 31.506.00
OPEL VAUXHALL 30.A38.00	OPEL VAUXHALL 30.A59.00	TOYOTA 30.A91.00	LOTUS MG 30.B22.00	TOYOTA 30.B87.00	VOLVO 30.C65.00	BMW MINI 31.001.00	CHEVROLET (USA) DAIHATSU TOYOTA 31.027.00	ALFA ROMEO AUDI DAIMLER FIAT JAGUAR LANCIA PEUGEOT SAAB VOLKSWAGEN VOLVO 31.507.00
INFINITI MERCEDES BENZ 30.A40.00	MERCEDES BENZ NISSAN RENAULT 30.A60.00	TOYOTA 30.A95.00	NISSAN 30.B23.00	INFINITI MERCEDES BENZ 30.C03.00	LAND ROVER 30.C65.00	AIXAM ALFA ROMEO ARO BELLIER CHATENET CITROEN FIAT FSM (FIAT POLSKI) FSO (FIAT POLSKI) IATO INNOCENTI LADA (VAZ) LANCIA LANCIA AUTOBIANCHI LIGIER PEUGEOT SAAB SEAT TALBOT 31.005.00	ALFA ROMEO AUDI DAIMLER FIAT JAGUAR LANCIA PEUGEOT SAAB VOLKSWAGEN VOLVO 31.508.00	
OPEL VAUXHALL 30.A41.00	MERCEDES BENZ 30.A61.00	HYUNDAI 30.A96.00	CITROEN PEUGEOT 30.B24.00	LAND ROVER 30.C03.00	MERCEDES BENZ 30.C35.00	BMW MINI 31.001.00	IVECO 31.071.00	ALFA ROMEO AUDI DAIMLER FIAT JAGUAR LANCIA PEUGEOT SAAB VOLKSWAGEN VOLVO 31.509.00
MAN VOLKSWAGEN 30.A42.00	MERCEDES BENZ 30.A62.00	MAZDA 30.A97.00	CITROEN PEUGEOT 30.B25.00	MERCEDES BENZ 30.C36.00	MERCEDES BENZ 30.C36.00	DAIHATSU TOYOTA 31.006.00	IVECO MITSUBISHI-FUSO 31.500.00	ALFA ROMEO AUDI VOLKSWAGEN 31.510.00
SEAT VOLKSWAGEN 30.A43.00	MERCEDES BENZ 30.A63.00	HYUNDAI 30.A99.00	MERCEDES BENZ 30.B26.00	FORD 30.C37.00	FORD 30.C37.00	DAIHATSU TOYOTA 31.006.00	ALFA ROMEO AUDI DAIMLER FIAT JAGUAR LANCIA PEUGEOT SAAB VOLKSWAGEN VOLVO 31.510.00	
DODGE FIAT 30.A44.00	JAGUAR LAND ROVER 30.A64.00	MAZDA 30.B01.00	RENAULT 30.B27.00	LAND ROVER 30.C38.00	LAND ROVER 30.C38.00	DAIHATSU TOYOTA 31.006.00	ALFA ROMEO AUDI DAIMLER FIAT JAGUAR LANCIA PEUGEOT SAAB VOLKSWAGEN VOLVO 31.510.00	
BMW BMW ALPINA 30.A45.00	KIA 30.A66.00	DAIHATSU 30.B03.00	PEUGEOT 30.B28.00	LAND ROVER 30.C39.00	LAND ROVER 30.C39.00	DAIHATSU TOYOTA 31.006.00	ALFA ROMEO AUDI DAIMLER FIAT JAGUAR LANCIA PEUGEOT SAAB VOLKSWAGEN VOLVO 31.510.00	
AUDI CUPRA SEAT SKODA VOLKSWAGEN 30.A46.00	SUZUKI 30.A67.00	DAIHATSU 30.B04.00	VOLKSWAGEN 30.B29.00	HONDA 30.C40.00	HONDA 30.C40.00	DAIHATSU TOYOTA 31.006.00	ALFA ROMEO AUDI DAIMLER FIAT JAGUAR LANCIA PEUGEOT SAAB VOLKSWAGEN VOLVO 31.510.00	
MINI 30.A49.00	MERCEDES BENZ 30.A68.00	DAIHATSU 30.B05.00	RENAULT 30.B41.00	SUZUKI 30.C41.00	SUZUKI 30.C41.00	DAIHATSU TOYOTA 31.006.00	ALFA ROMEO AUDI DAIMLER FIAT JAGUAR LANCIA PEUGEOT SAAB VOLKSWAGEN VOLVO 31.510.00	
SUZUKI 30.A50.00	MERCEDES BENZ 30.A69.00	HONDA 30.B06.00	BMW 30.B42.00	SUZUKI 30.C42.00	SUZUKI 30.C42.00	DAIHATSU TOYOTA 31.006.00	ALFA ROMEO AUDI DAIMLER FIAT JAGUAR LANCIA PEUGEOT SAAB VOLKSWAGEN VOLVO 31.510.00	
SUZUKI 30.A51.00	ABARTH 30.A70.00	KIA 30.B08.00	CHRYSLER MERCEDES BENZ 30.B43.00	HYUNDAI 30.C43.00	HYUNDAI 30.C43.00	DAIHATSU TOYOTA VOLKSWAGEN 31.007.00	ALFA ROMEO AUDI AUSTIN BERTONE BIAGINI (ACM) BMW BMW ALPINA CITROEN FIAT FORD JAGUAR LANCIA LAND ROVER 31.510.00	
AUDI SEAT	RENAULT 30.A71.00	HONDA 30.B10.00	MITSUBISHI 30.B44.00	CHRYSLER 30.C44.00	CHRYSLER 30.C44.00	TOYOTA 31.009.00	ALFA ROMEO AUDI AUSTIN BERTONE BIAGINI (ACM) BMW BMW ALPINA CITROEN FIAT FORD JAGUAR LANCIA LAND ROVER 31.510.00	
	JAGUAR 30.A72.00	MERCEDES BENZ 30.B11.00	CHRYSLER 30.B45.00	JEEP 30.C45.00	JEEP 30.C45.00	BMW CASALINI DACIA FORD LADA (VAZ) SAAB	ALFA ROMEO AUDI BMW BMW ALPINA 31.510.00	
	MERCEDES BENZ 30.A73.00	PORSCHE 30.B12.00	HONDA 30.B50.00	LEXUS TOYOTA	LEXUS TOYOTA		ALFA ROMEO AUDI BMW BMW ALPINA	
	JEEP	PORSCHE 30.B13.00	OPEL VAUXHALL					

30.A23.00...
... 31.510.00

CITROEN FIAT INNOCENTI LANCIA PEUGEOT SEAT SKODA VOLKSWAGEN	31.531.00	31.570.00	31.669.00	31.740.00	31.817.00	DAEWOO RAVON	31.921.00
BMW		MERCEDES BENZ	LEXUS TOYOTA	FIAT	FORD	31.844.00	AUDI SEAT
31.535.00		31.575.00	31.690.00	31.740.03	31.824.00	FORD MAZDA	31.922.00
HONDA ROVER	31.539.00	PORSCHE	DAIHATSU PIAGGIO	ALFA ROMEO FIAT	BMW	31.845.00	AUDI
31.541.00		31.580.00	31.694.00	31.741.00	31.825.00	SEAT SKODA VOLKSWAGEN	31.923.00
HONDA	31.543.00	TOYOTA	DAIHATSU PIAGGIO	LADA (VAZ)	HYUNDAI	31.828.00	SMART
LANCIA AUTOBIANCHI SAAB	31.547.00	31.583.00	31.695.00	31.747.00	31.830.00	31.846.00	31.924.00
31.512.00		MERCEDES BENZ SSANGYONG VOLKSWAGEN	DAIHATSU	VOLVO	KIA	VOLVO	BMW
FIAT INNOCENTI LANCIA LANCIA AUTOBIANCHI	31.513.00	31.589.00	31.696.00	31.748.00	31.831.00	31.847.00	31.925.00
FORD VOLVO	31.514.00	ISUZU	MAZDA	ALFA ROMEO AUDI FERRARI LANCIA VOLKSWAGEN	AUDI	BMW	LAND ROVER
FORD MAZDA	31.515.00	31.592.00	31.699.00	31.749.00	AUDI LAMBORGHINI SEAT	31.848.00	31.926.01
ALFA ROMEO CADILLAC (USA) CITROEN DAEWOO FIAT JAGUAR LADA (VAZ) LANCIA OPEL PEUGEOT PROTON ROVER SAAB SEAT SUBARU VAUXHALL	31.517.00	MITSUBISHI TOYOTA	AUDI FERRARI FIAT FORD LANCIA PEUGEOT PORSCHE RENAULT SAAB VOLKSWAGEN VOLVO	HYUNDAI	31.832.00	MERCEDES BENZ	BMW MINI
HYUNDAI MITSUBISHI	31.551.00	31.594.00	31.710.00	31.750.00	AUDI SEAT SKODA VOLKSWAGEN	31.849.00	31.927.00
HYUNDAI MITSUBISHI	31.556.00	AUDI VOLKSWAGEN	CITROEN DACIA FIAT LANCIA NISSAN OPEL PEUGEOT RENAULT RENAULT (E) SMART VAUXHALL	LAND ROVER LOTUS MG ROVER	31.833.00	VOLKSWAGEN	TOYOTA
HYUNDAI LEXUS TOYOTA	31.558.00	31.609.00	31.712.00	31.751.00	AUDI SEAT SKODA VOLKSWAGEN	31.850.00	31.941.00
TOYOTA	31.560.00	DODGE LEXUS MITSUBISHI PROTON TOYOTA	31.715.00	MAZDA	31.834.00	CHEVROLET (EU) DAEWOO	ALFA ROMEO FIAT JEEP
TOYOTA	31.561.00	31.611.00	31.718.00	KIA	MERCEDES BENZ	31.851.00	31.944.00
RENAULT RENAULT (E)	31.562.00	BEDFORD FIAT ISUZU LADA (VAZ) LANCIA OPEL VAUXHALL	31.722.00	KIA	SMART	BMW MINI	VOLVO
RENAULT RENAULT (E)	31.563.00	31.618.00	31.725.00	31.761.00	FIAT SEAT SKODA VOLKSWAGEN	31.852.00	31.946.00
MAZDA	31.564.00	HONDA ROVER	31.728.00	31.764.00	31.835.00	BMW BMW ALPINA	AUDI
MAZDA	31.565.00	31.621.00	31.731.00	31.768.00	31.836.00	AUDI SEAT SKODA VOLKSWAGEN	VOLKSWAGEN
DAIHATSU DODGE MITSUBISHI TOYOTA	31.569.00	HONDA ISUZU ROVER	31.732.00	BMW	31.837.00	31.853.00	31.947.00
MITSUBISHI		TOYOTA	31.735.00	FORD JAGUAR	31.838.00	AUDI SEAT SKODA VOLKSWAGEN	31.948.00
FORD INFINITI ISUZU NISSAN OPEL VAUXHALL		RENAULT RENAULT (E)	31.738.00	FORD	MINI	31.854.00	CITROEN DACIA DS AUTOMOBILES NISSAN OPEL PEUGEOT RENAULT SMART
		MERCEDES BENZ STEYR / DAIMLER / PUCH	31.740.00	TOYOTA	BMW	31.855.00	31.950.00
		31.624.00	31.742.00	TOYOTA	31.839.00	VOLKSWAGEN	AUDI PORSCHE
		FORD MAZDA	31.744.00	SUZUKI	31.840.00	SEAT VOLKSWAGEN	31.951.00
		31.627.00	31.745.00	TOYOTA	BMW	31.857.04	VOLVO
		MAZDA	31.747.00	TOYOTA	AUDI SEAT SKODA VOLKSWAGEN	31.859.00	31.952.00
		31.648.00	31.748.00	TOYOTA	31.841.00	BMW BMW ALPINA	BMW MINI
		DODGE MITSUBISHI	31.749.00	TOYOTA	31.842.00	BENTLEY	31.953.00
		31.649.00	31.750.00	TOYOTA	CHRYSLER MERCEDES BENZ	TOYOTA	AUDI
		MAZDA	31.751.00	VOLVO	31.843.00	31.918.03	31.958.00
		31.649.00	31.752.00	BENTLEY ROLLS ROYCE SAAB	FORD MAZDA VOLVO	31.919.00	31.962.00
		MAZDA	31.753.00		31.843.00	AUDI	BMW MINI ROLLS ROYCE
		31.650.00	31.754.00				
		MITSUBISHI	31.755.00				
		KIA	31.756.00				
		31.664.00	31.757.00				
			31.758.00				
			31.759.00				
			31.760.00				
			31.761.00				
			31.762.00				
			31.763.00				
			31.764.00				
			31.765.00				
			31.766.00				
			31.767.00				
			31.768.00				
			31.769.00				
			31.770.00				
			31.771.00				
			31.772.00				
			31.773.00				
			31.774.00				
			31.775.00				
			31.776.00				
			31.777.00				
			31.778.00				
			31.779.00				
			31.780.00				
			31.781.00				
			31.782.00				
			31.783.00				
			31.784.00				
			31.785.00				
			31.786.00				
			31.787.00				
			31.788.00				
			31.789.00				
			31.790.00				
			31.791.00				
			31.792.00				
			31.793.00				
			31.794.00				
			31.795.00				
			31.796.00				
			31.797.00				
			31.798.00				
			31.799.00				
			31.800.00				
			31.801.00				
			31.802.00				
			31.803.00				
			31.804.00				
			31.805.00				
			31.806.00				
			31.807.00				
			31.808.00				
			31.809.00				
			31.810.00				
			31.811.00				
			31.812.00				
			31.813.00				
			31.814.00				
			31.815.00				
			31.816.00				
			31.817.00				
			31.818.00				
			31.819.00				
			31.820.00				
			31.821.00				
			31.822.00				
			31.823.00				
			31.824.00				
			31.825.00				
			31.826.00				
			31.827.00				
			31.828.00				
			31.829.00				
			31.830.00				
			31.831.00				
			31.832.00				
			31.833.00				
			31.834.00				
			31.835.00				
			31.836.00				
			31.837.00				
			31.838.00				
			31.839.00				
			31.840.00				
			31.841.00				
			31.842.00				
			31.843.00				
			31.844.00				
			31.845.00				
			31.846.00				
			31.847.00				
			31.848.00				
			31.849.00				
			31.850.00				
			31.851.00				
			31.852.00				
			31.853.00				
			31.854.00				
			31.855.00				
			31.856.00				
			31.857.00				
			31.858.00				
			31.859.00				
			31.860.00				
			31.861.00				
			31.862.00				
			31.863.00				
			31.864.00				
			31.865.00				
			31.866.00				
			31.867.00				
			31.868.00				
			31.869.00				
			31.870.00				
			31.871.00				
			31.872.00				
			31.873.00				
			31.874.00				
			31.875.00				
			31.876.00				
			31.877.00				
			31.878.00				

31.985.00	34.119.00	PEUGEOT TOYOTA	34.196.00	RENAULT VAUXHALL	34.265.00	34.291.00	53.009.00
AUDI	FORD JAGUAR	34.161.00	RENAULT	34.236.00	CITROEN PEUGEOT TOYOTA	RENAULT	AUDI
31.994.00	34.121.00	MERCEDES BENZ VOLKSWAGEN	34.199.00	INFINITI MERCEDES BENZ	34.266.00	34.292.00	53.010.00
SEAT VOLVO	BMW BMW ALPINA	34.162.00	AUDI SEAT SKODA VOLKSWAGEN	34.238.00	DAIHATSU JAGUAR LAND ROVER LEXUS TOYOTA	AUDI BENTLEY PORSCHE VOLKSWAGEN	OPEL VAUXHALL
31.A06.00	34.122.00	ABARTH ALFA ROMEO CITROEN FIAT OPEL PEUGEOT VAUXHALL	34.201.00	CADILLAC (USA) OPEL VAUXHALL	34.240.00	34.293.00	53.011.00
PORSCHE	RENAULT	34.163.00	RENAULT	34.215.00	BMW BMW ALPINA	VOLVO	AUDI
31.A10.00	34.124.00	MERCEDES BENZ	34.217.00	34.241.00	NISSAN	34.294.00	53.012.00
PORSCHE	AUDI SEAT SKODA VOLKSWAGEN	34.164.00	RENAULT	34.218.00	CITROEN FIAT PEUGEOT	34.312.00	FORD MAZDA
31.A16.00	34.127.00	CITROEN DS AUTOMOBILES PEUGEOT	34.219.00	BMW BMW ALPINA	34.270.00	MERCEDES BENZ	53.013.00
TOYOTA	BMW BMW ALPINA	34.166.00	FORD VOLVO	34.243.00	CHRYSLER MERCEDES BENZ	34.314.00	AUDI VOLKSWAGEN
34.100.00	34.131.00	CITROEN PEUGEOT	34.219.00	BMW	MAZDA	AUDI SEAT SKODA VOLKSWAGEN	53.014.00
CADILLAC (USA) FIAT OPEL SAAB VAUXHALL	MERCEDES BENZ	34.167.00	AUDI CUPRA MAN SEAT SKODA VOLKSWAGEN	34.244.00	34.271.00	46.005.00	OPEL VAUXHALL
34.101.00	34.133.00	CITROEN ISUZU MITSUBISHI PEUGEOT	34.221.00	DACIA RENAULT	34.272.00	53.015.00	OPEL VAUXHALL
AUDI SEAT	MERCEDES BENZ	34.168.00	ABARTH FIAT FORD	34.245.00	HYUNDAI KIA	CHEVROLET (EU) CITROEN FORD PEUGEOT PIAGGIO SUBARU SUZUKI	53.016.00
34.103.00	34.136.00	AUDI PORSCHE	34.222.00	FIAT JEEP	34.273.00	FORD	53.017.00
CHRYSLER FIAT LANCIA	FORD	34.170.00	AUDI BENTLEY	34.246.00	TOYOTA	FORD SEAT VOLKSWAGEN	53.018.00
34.104.00	34.142.00	FORD	34.223.00	MERCEDES BENZ	34.274.00	53.019.00	53.018.00
ALFA ROMEO	CITROEN PEUGEOT	34.171.00	FORD	34.248.00	DAIHATSU	LOVATO	RENAULT RENAULT (E)
34.106.00	34.143.00	CITROEN DS AUTOMOBILES OPEL PEUGEOT TOYOTA VAUXHALL	34.226.00	ABARTH CHRYSLER FIAT LANCIA	34.275.00	46.007.00	53.019.00
FORD	OPEL VAUXHALL	34.172.00	BMW BMW ALPINA	34.249.00	CHRYSLER DODGE FIAT JEEP LANCIA	46.008.00	ALFA ROMEO FIAT LANCIA
34.108.00	34.145.00	MINI	34.227.00	PEUGEOT	34.279.00	53.001.00	53.020.00
BMW BMW ALPINA	MERCEDES BENZ	34.176.00	LADA (VAZ) RENAULT	ALFA ROMEO	BMW MINI	OPEL VAUXHALL	ALFA ROMEO FIAT LANCIA SAAB
34.109.00	34.146.00	SMART	34.230.00	34.257.00	CITROEN PEUGEOT	53.002.00	53.021.00
AUDI SKODA VOLKSWAGEN	MERCEDES BENZ	34.178.00	OPEL VAUXHALL	DACIA RENAULT	34.285.00	AUDI	CITROEN PEUGEOT
34.111.00	34.148.00	CADILLAC (USA) CHEVROLET (EU) CHEVROLET (USA) OPEL SAAB VAUXHALL	BMW BMW ALPINA ROLLS ROYCE	34.261.00	NISSAN RENAULT	53.004.00	53.022.00
AUDI SKODA VOLKSWAGEN	AUDI PORSCHE VOLKSWAGEN	34.194.00	34.232.00	FORD	RENAULT	VOLKSWAGEN	53.023.00
34.114.00	34.153.00	PEUGEOT	34.233.00	FIAT	34.287.00	53.005.00	53.024.00
CITROEN DS AUTOMOBILES PEUGEOT	AUDI LAMBORGHINI VOLKSWAGEN	34.195.00	34.234.00	AUDI SEAT SKODA VOLKSWAGEN	34.288.00	MERCEDES BENZ	53.025.00
34.115.00	34.155.00	AUDI VOLKSWAGEN	FIAT NISSAN SUBARU TOYOTA	34.264.00	34.289.00	AUDI SEAT SKODA VOLKSWAGEN	53.025.00
CITROEN DS AUTOMOBILES PEUGEOT	LAND ROVER	AUDI VOLKSWAGEN	DACIA RENAULT	RENAULT VAUXHALL	34.290.00	53.006.00	53.025.00
34.117.00	34.158.00	FIAT VOLKSWAGEN	34.233.00	34.261.00	RENAULT SMART	AUDI SEAT SKODA VOLKSWAGEN	53.024.00
FORD	FORD VOLVO	RENAULT	34.233.00	34.262.00	FORD	53.007.00	53.025.00
34.117.00	34.159.00	RENAULT	34.234.00	34.263.00	JAGUAR	CHRYSLER MERCEDES BENZ	53.025.00
TOYOTA	JAGUAR LAND ROVER VOLVO	FIAT NISSAN OPEL	34.234.00	34.263.00			
34.118.00	34.160.00						
FORD SEAT VOLKSWAGEN	CITROEN FIAT						

31.985.00...
... 53.025.00

53.026.00	OPEL SAAB VAUXHALL	LANCIA PEUGEOT	53.095.00	53.116.00	53.133.00	LANCIA	53.185.00
BMW BMW ALPINA	53.046.00	53.071.00	MERCEDES BENZ	HYUNDAI KIA	CHEVROLET (EU) DAEWOO	53.151.00	TOYOTA
53.027.00	BMW BMW ALPINA	SEAT VOLKSWAGEN	53.098.00	53.117.00	53.134.00	CHEVROLET (EU) OPEL VAUXHALL	53.186.00
PEUGEOT	53.047.00	53.073.00	OPEL VAUXHALL	TOYOTA	DAEWOO	53.152.00	NISSAN SUZUKI
53.028.00	OPEL VAUXHALL	BMW	53.099.00	53.118.00	53.135.00	HYUNDAI KIA	53.188.00
PEUGEOT PORSCHE	53.049.00	53.074.00	RENAULT	HYUNDAI	SUZUKI	53.153.00	RENAULT
53.030.00	VOLKSWAGEN	FIAT	53.100.00	53.119.00	53.136.00	AUDI PORSCHE	53.189.00
OPEL VAUXHALL	53.050.00	53.075.00	MERCEDES BENZ	HYUNDAI	CITROEN FIAT PEUGEOT TOYOTA	53.154.00	AUDI VOLKSWAGEN
53.031.00	SUBARU TOYOTA	OPEL SUBARU SUZUKI VAUXHALL	53.101.00	53.120.00	53.137.00	CITROEN DS AUTOMOBILES OPEL PEUGEOT TOYOTA VAUXHALL	53.190.00
AUDI MERCEDES BENZ SEAT SKODA VOLKSWAGEN	53.051.00	53.076.00	MINI	MAZDA	MERCEDES BENZ VOLKSWAGEN	53.155.00	SEAT SKODA VOLKSWAGEN
53.032.00	NISSAN	FORD	53.102.00	53.121.00	53.138.00	RENAULT	53.191.00
AUDI DS AUTOMOBILES SEAT	53.052.00	HYUNDAI KIA	FORD	HYUNDAI	DAEWOO	MINI	HYUNDAI KIA
53.033.00	FORD NISSAN	53.077.00	SUBARU TOYOTA	CHRYSLER	53.141.00	53.156.00	53.197.00
53.034.00	53.057.00	53.079.00	53.104.00	HAVAL HONDA	CHEVROLET (EU) DAEWOO	TOYOTA	53.201.00
FIAT	MG ROVER	VOLVO	DACIA NISSAN RENAULT	53.124.00	53.142.00	SUZUKI	53.205.00
53.035.00	53.058.00	HONDA	53.105.00	ABARTH ALFA ROMEO CITROEN FIAT OPEL PEUGEOT VAUXHALL	CHEVROLET (EU) DAEWOO	RENAULT	53.206.00
FORD	FORD	53.082.00	LAND ROVER	53.106.00	53.143.00	CITROEN DS AUTOMOBILES PEUGEOT	BMW
53.037.00	53.059.00	RENAULT	RENAULT	RENAULT	53.144.00	53.158.00	53.159.00
NISSAN	MERCEDES BENZ VOLKSWAGEN	53.083.00	53.107.00	RENAULT	CHEVROLET (EU)	HYUNDAI KIA	HONDA
RENAULT	53.060.00	RENAULT	RENAULT	RENAULT	53.145.00	HONDA	HONDA
53.038.00	NISSAN RENAULT	53.084.00	53.108.00	HONDA	53.146.00	IVECO	FORD
CITROEN DS AUTOMOBILES PEUGEOT	53.061.00	RENAULT	HONDA	53.109.00	SUZUKI	53.162.00	HYUNDAI KIA
53.039.00	RENAULT	RENAULT	DAIHATSU FIAT HONDA SUBARU SUZUKI TOYOTA	53.110.00	NISSAN	53.163.00	ALFA ROMEO
CITROEN PEUGEOT	HONDA ROVER	RENAULT	53.110.00	MERCEDES BENZ	DAIHATSU JAGUAR LEXUS SUBARU TOYOTA	FORD JAGUAR	53.210.00
53.040.00	53.064.00	RENAULT	53.111.00	53.111.00	53.127.00	53.164.00	ABARTH CHRYSLER FIAT LANCIA
CITROEN	MERCEDES BENZ	RENAULT	KIA	FIAT	FIAT VOLVO	HYUNDAI	53.211.00
53.041.00	53.065.00	RENAULT	53.112.00	53.112.00	CITROEN FIAT PEUGEOT	MERCEDES BENZ NISSAN OPEL RENAULT VAUXHALL	FIAT JEEP
CITROEN	HONDA	RENAULT	HYUNDAI KIA	53.113.00	53.131.00	53.183.00	HYUNDAI
53.042.00	53.067.00	RENAULT	53.113.00	FIAT	NISSAN OPEL RENAULT VAUXHALL	53.184.00	SUZUKI
CITROEN FIAT PEUGEOT	VOLKSWAGEN	RENAULT	53.114.00	53.114.00	53.149.00	TOYOTA	53.212.00
53.043.00	53.068.00	CITROEN	MERCEDES BENZ	53.115.00	CHRYSLER FIAT HYUNDAI KIA LANCIA	OPEL SUZUKI VAUXHALL	NISSAN
FIAT LANCIA	OPEL VAUXHALL	VOLVO	KIA	ALFA ROMEO	AUDI SEAT SKODA VOLKSWAGEN	TOYOTA	53.215.00
53.044.00	53.069.00	MAZDA	HYUNDAI KIA	ALFA ROMEO	53.150.00	CHRYSLER DODGE FIAT JEEP	NISSAN
PEUGEOT	CITROEN FIAT LANCIA PEUGEOT	53.094.00	53.114.00	ALFA ROMEO	CITROEN PEUGEOT TOYOTA	TOYOTA	NISSAN
53.045.00	53.070.00	MERCEDES BENZ	53.115.00	ALFA ROMEO			NISSAN
CADILLAC (USA) FIAT	CITROEN FIAT						

53.218.00 CITROEN FIAT MITSUBISHI PEUGEOT	53.239.00 DODGE JEEP	53.259.00 HYUNDAI KIA	53.314.00 VOLVO	53.334.00 HYUNDAI	53.404.00 MITSUBISHI VOLVO	54.111.00 CITROEN DS AUTOMOBILES PEUGEOT	LAND ROVER
53.219.00 MAZDA VOLKSWAGEN	53.240.00 KIA	53.260.00 NISSAN SUBARU	53.315.00 IVECO	53.338.00 MITSUBISHI	53.407.00 HYUNDAI	54.112.00 CHRYSLER	54.129.00 MAZDA
53.220.00 CHEVROLET (EU)	53.242.00 HONDA	53.261.00 KIA	53.316.00 LAND ROVER	53.365.00 MAZDA	53.418.00 VOLVO	54.113.00 SMART	54.130.00 MERCEDES BENZ
53.222.00 SUZUKI	53.243.00 BMW	53.273.00 KIA	53.317.00 FIAT	53.367.00 NISSAN	53.422.00 FORD VOLVO	54.114.00 AUDI LAMBORGHINI MERCEDES BENZ SEAT SKODA VOLKSWAGEN	54.131.00 MERCEDES BENZ
53.223.00 NISSAN RENAULT	53.244.00 SAAB	53.274.00 MITSUBISHI	53.318.00 BMW BMW ALPINA	53.368.00 MAZDA	53.423.00 FORD	54.115.00 FORD	54.132.00 MERCEDES BENZ
53.224.00 BMW BMW ALPINA	53.245.00 MERCEDES BENZ	53.275.00 MERCEDES BENZ	53.319.00 BMW	53.374.00 LADA (VAZ)	53.424.00 SUZUKI	54.116.00 FORD	54.133.00 MERCEDES BENZ
53.226.00 AUDI VOLKSWAGEN	53.246.00 BMW	53.276.00 FIAT NISSAN RENAULT	53.320.00 MERCEDES BENZ	53.379.00 HYUNDAI	53.426.00 SUZUKI	54.117.00 FORD	54.134.00 MERCEDES BENZ
53.227.00 CITROEN PEUGEOT	53.247.00 MERCEDES BENZ	53.277.00 PEUGEOT	53.321.00 RENAULT	53.383.00 FORD MAZDA	54.100.00 CADILLAC (USA) FIAT OPEL SAAB VAUXHALL	54.118.00 TOYOTA	54.135.00 OPEL VAUXHALL
53.228.00 BMW BMW ALPINA	53.248.00 LEXUS	53.292.00 NISSAN RENAULT	53.322.00 MERCEDES BENZ VOLKSWAGEN	53.384.00 MITSUBISHI	54.101.00 AUDI SEAT	54.119.00 FORD SEAT VOLKSWAGEN	54.136.00 FORD
53.229.00 BMW BMW ALPINA ROLLS ROYCE	53.249.00 SUBARU SUZUKI	53.293.00 DACIA NISSAN RENAULT	53.323.00 FORD	53.385.00 JAGUAR	54.102.00 MERCEDES BENZ	54.120.00 VOLVO	54.137.00 MINI
53.230.00 VOLVO	53.250.00 FORD MAZDA	53.294.00 CHRYSLER INFINITI LANCIA	53.324.00 AUDI	53.386.00 OPEL VAUXHALL	54.103.00 CHRYSLER FIAT LANCIA	54.121.00 BMW BMW ALPINA	54.138.00 SUBARU
53.231.00 LAND ROVER	53.251.00 BMW BMW ALPINA	53.298.00 AUDI CUPRA MAN SEAT SKODA VOLKSWAGEN	53.325.00 JEEP	53.387.00 HYUNDAI KIA	54.104.00 ALFA ROMEO	54.122.00 RENAULT	54.139.00 SAAB
53.232.00 HONDA MG ROVER	53.252.00 FIAT	53.299.00 CITROEN PEUGEOT TOYOTA	53.326.00 JEEP	53.388.00 NISSAN	54.105.00 ALFA ROMEO LANCIA MASERATI	54.123.00 MG ROVER	54.140.00 JAGUAR
53.233.00 SEAT SKODA VOLKSWAGEN	53.253.00 BMW BMW ALPINA	53.310.00 MAZDA	53.327.00 ISUZU	53.389.00 NISSAN	54.106.00 FORD	54.124.00 AUDI SEAT SKODA VOLKSWAGEN	54.141.00 MERCEDES BENZ
53.234.00 BMW BMW ALPINA	53.254.00 CADILLAC (USA) CHEVROLET (EU) CHEVROLET (USA) OPEL VAUXHALL	53.311.00 RENAULT	53.328.00 ISUZU OPEL VAUXHALL	53.390.00 HYUNDAI KIA	54.107.00 ALFA ROMEO LANCIA	54.125.00 CITROEN	54.142.00 CITROEN PEUGEOT
53.235.00 MAZDA	53.255.00 BMW	53.312.00 CHRYSLER LANCIA	53.329.00 SUBARU	53.391.00 ALFA ROMEO	54.108.00 BMW BMW ALPINA	54.126.00 VOLVO	54.143.00 OPEL VAUXHALL
53.236.00 BMW BMW ALPINA	53.256.00 DACIA LADA (VAZ) NISSAN RENAULT	53.313.00 CITROEN PEUGEOT	53.330.00 MAZDA	53.394.00 HYUNDAI	54.109.00 AUDI SKODA VOLKSWAGEN	54.127.00 BMW BMW ALPINA	54.144.00 MITSUBISHI SMART
53.237.00 BMW BMW ALPINA	53.257.00 JEEP	53.331.00 CITROEN PEUGEOT	53.331.00 HYUNDAI KIA	53.396.00 HYUNDAI KIA	54.110.00 AUDI	54.128.00 BMW	54.145.00 MERCEDES BENZ
53.238.00 BMW BMW ALPINA	53.258.00 NISSAN		53.332.00 BMW MINI	53.397.00 MAZDA			54.146.00 MERCEDES BENZ
			53.333.00 HYUNDAI	53.400.00 HYUNDAI			54.147.00 MITSUBISHI
							54.148.00 AUDI PORSCHE VOLKSWAGEN

53.218.00...
... 54.148.00

54.149.00 MERCEDES BENZ	54.165.00 AUDI	54.198.00 RENAULT	54.233.00 RENAULT	54.252.00 RENAULT	54.273.00 TOYOTA	54.292.00 AUDI BENTLEY PORSCHE VOLKSWAGEN	54.377.00 JAGUAR
54.150.00 ALFA ROMEO	54.166.00 CITROEN PEUGEOT	54.199.00 AUDI SEAT SKODA VOLKSWAGEN	54.234.00 FIAT NISSAN OPEL RENAULT VAUXHALL	54.253.00 CHEVROLET (EU)	54.274.00 DAIHATSU	54.293.00 VOLVO	54.388.00 NISSAN
54.151.00 PEUGEOT	54.167.00 CITROEN ISUZU MITSUBISHI PEUGEOT	54.201.00 RENAULT	54.235.00 CITROEN PEUGEOT	54.254.00 PEUGEOT	54.275.00 CHRYSLER DODGE FIAT JEEP LANCIA	54.294.00 MERCEDES BENZ	54.389.00 PORSCHE
54.152.00 HONDA	54.168.00 AUDI PORSCHE	54.215.00 MERCEDES BENZ	54.236.00 INFINITI MERCEDES BENZ	54.255.00 BMW	54.277.00 OPEL VAUXHALL	54.295.00 CHRYSLER	55.084.00 FIAT LANCIA
54.153.00 AUDI LAMBORGHINI VOLKSWAGEN	54.169.00 PEUGEOT	54.217.00 RENAULT	54.237.00 RENAULT	54.256.00 ALFA ROMEO	54.278.00 OPEL VAUXHALL	54.296.00 FERRARI MASERATI	55.108.00 FIAT
54.154.00 BMW BMW ALPINA	54.170.00 FORD	54.218.00 FORD VOLVO	54.238.00 CADILLAC (USA) OPEL VAUXHALL	54.257.00 DACIA RENAULT	54.279.00 OPEL VAUXHALL	54.297.00 PORSCHE	55.112.00 FIAT
54.155.00 LAND ROVER	54.171.00 CITROEN	54.219.00 AUDI CUPRA MAN SEAT SKODA VOLKSWAGEN	54.239.00 ALFA ROMEO VOLVO	54.261.00 FORD	54.280.00 BMW MINI	54.302.00 VOLKSWAGEN	55.114.00 OPEL VAUXHALL
54.156.00 CITROEN FIAT LANCIA PEUGEOT	54.172.00 CITROEN DS AUTOMOBILES OPEL PEUGEOT TOYOTA VAUXHALL	54.220.00 MITSUBISHI	54.240.00 BMW BMW ALPINA	54.262.00 FIAT	54.281.00 RENAULT RENAULT (E)	54.306.00 HAVAL HONDA	55.114.01 OPEL VAUXHALL
54.157.00 LANCIA	54.173.00 RENAULT	54.221.00 ABARTH FIAT FORD	54.241.00 BMW BMW ALPINA	54.263.00 AUDI SEAT SKODA VOLKSWAGEN	54.282.00 MERCEDES BENZ	54.312.00 PORSCHE VOLKSWAGEN	55.116.00 OPEL SUBARU SUZUKI VAUXHALL
54.158.00 FORD VOLVO	54.174.00 RENAULT	54.222.00 AUDI BENTLEY	54.242.00 BMW BMW ALPINA	54.264.00 NISSAN SUBARU TOYOTA	54.283.00 MAZDA	54.314.00 AUDI SEAT SKODA VOLKSWAGEN	55.116.01 OPEL VAUXHALL
54.159.00 JAGUAR LAND ROVER VOLVO	54.175.00 MINI	54.223.00 FORD	54.243.00 BMW	54.265.00 CITROEN PEUGEOT TOYOTA	54.284.00 PORSCHE	54.317.00 FORD	55.120.00 OPEL SAAB
54.160.00 CITROEN FIAT PEUGEOT TOYOTA	54.176.00 SMART	54.224.00 CHEVROLET (EU) OPEL VAUXHALL	54.244.00 DACIA RENAULT	54.266.00 DAIHATSU JAGUAR LAND ROVER LEXUS TOYOTA	54.285.00 NISSAN RENAULT	54.318.00 BMW	55.125.00 OPEL SAAB VAUXHALL
54.161.00 MERCEDES BENZ VOLKSWAGEN	54.178.00 CADILLAC (USA) CHEVROLET (EU) CHEVROLET (USA) OPEL SAAB VAUXHALL	54.226.00 BMW BMW ALPINA	54.245.00 FIAT JEEP	54.267.00 FIAT	54.286.00 CITROEN MITSUBISHI PEUGEOT	54.319.00 CITROEN OPEL VAUXHALL	55.127.00 CITROEN FIAT PEUGEOT
54.162.00 ABARTH ALFA ROMEO CITROEN FIAT OPEL PEUGEOT VAUXHALL	54.194.00 PEUGEOT	54.227.00 LADA (VAZ) RENAULT	54.246.00 MERCEDES BENZ	54.268.00 NISSAN	54.287.00 RENAULT	54.320.00 INFINITI	55.134.00 FIAT
54.163.00 MERCEDES BENZ	54.195.00 AUDI VOLKSWAGEN	54.230.00 OPEL VAUXHALL	54.247.00 MERCEDES BENZ	54.269.00 CITROEN FIAT PEUGEOT	54.288.00 RENAULT SMART	54.322.00 BMW BMW ALPINA	55.139.00 FIAT
54.164.00 CITROEN DS AUTOMOBILES PEUGEOT	54.196.00 RENAULT	54.231.00 BMW BMW ALPINA ROLLS ROYCE	54.248.00 ABARTH CHRYSLER FIAT LANCIA	54.270.00 CHRYSLER MERCEDES BENZ	54.289.00 FORD	54.331.00 LEXUS MAZDA SUZUKI TOYOTA	55.143.00 FIAT
54.164.00 CITROEN DS AUTOMOBILES PEUGEOT	54.197.00 OPEL VAUXHALL	54.232.00 DACIA RENAULT	54.249.00 PEUGEOT	54.271.00 MAZDA	54.290.00 JAGUAR	54.376.00 AUDI SEAT SKODA VOLKSWAGEN	55.144.00 FIAT
				54.272.00 HYUNDAI KIA	54.291.00 RENAULT	55.145.00 FIAT	55.147.00 CITROEN

FIAT PEUGEOT	60.H2O.00
55.148.00	CHEVROLET (EU) CITROEN FIAT LANCIA OPEL PEUGEOT SAAB SUBARU SUZUKI VAUXHALL
CITROEN FIAT PEUGEOT	
55.152.00	
OPEL VAUXHALL	
55.163.00	
CHEVROLET (EU) OPEL VAUXHALL	
55.170.00	
FORD MAZDA VOLVO	
55.173.00	
FIAT LANCIA	
55.175.00	
FIAT	
55.178.00	
FIAT	
55.179.00	
FIAT SUZUKI	
55.181.00	
FIAT LANCIA	
55.392.00	
DACIA SUZUKI	
55.393.00	
DACIA	
55.394.00	
NISSAN	
55.418.00	
RENAULT	
55.427.00	
AUDI FIAT SEAT SKODA VOLKSWAGEN	
55.430.00	
RENAULT	
55.517.00	
NISSAN RENAULT	
55.582.00	
NISSAN	

55.147.00...
 ... 60.H2O.00

ABARTH	UFI								
⇒ FIAT									
AC DELCO	UFI								
A1116C	27.604.00	AC70V	25.421.00	GF657	31.609.00	PC2237E	30.169.00	PC3358E	30.559.00
A1126C	30.078.01	AC71V	25.443.00	GF661	31.520.00	PC2239E	30.141.00	PC3360E	30.558.00
A1142C	27.150.00	AC72A	25.455.00	GF662	31.550.00	PC224	30.822.00	PC3361E	30.540.00
A1147C	27.090.00	AC72A	25.455.01	GF663	31.541.00	PC2248E	30.239.00	PC3362E	30.532.00
A1153C	27.590.00	AC73	25.443.00	GF665	31.618.00	PC2267E	30.012.00	PC342	27.701.00
A1154C	30.256.00	AC87	20.020.00	GF671	31.519.00	PC2295E	30.078.01	PC345	27.845.02
A1160C	30.914.02	AC95	20.012.02	GF675	31.558.00	PC230	27.762.00	PC350	30.803.00
A1164C	30.076.00	ACD115	26.652.00	GF684	31.020.00	PC2312E	30.593.00	PC351	27.712.00
A1166C	30.972.00	ACD116	26.635.00	GF697	31.535.00	PC2336E	30.248.00	PC355	30.836.00
A1201C	27.171.00	ACD127	26.664.00	GF706	31.508.00	PC2344E	30.155.00	PC358	30.860.00
A1208C	30.096.00	ACD151	24.360.00	GF710	31.649.00	PC235	27.728.00	PC359	30.807.00
A1223C	30.177.00	ACD171	26.618.00	GF718	31.611.00	PC2358E	30.068.00	PC360	30.851.00
A1225C	30.242.00	ACD185	21.050.00	GF727	31.547.00	PC2361E	30.234.00	PC363	27.817.00
A1255C	30.013.00	ACD189	26.670.00	GF729	31.650.00	PC2363E	30.324.00	PC369	27.824.00
A1257C	30.001.00	ACD205	26.676.00	GF733	31.513.00	PC2365E	30.128.00	PC375	27.706.00
A1282C	30.222.00	ACD30	26.602.00	GF735	31.621.00	PC2375E	27.591.00	PC376	27.730.00
A1283C	30.230.00	ACD50	24.362.00	GF736	24.365.01	PC2396E	30.236.00	PC380	30.835.00
A1286C	30.223.00	ACD51	24.360.01	GF742	31.580.00	PC2404E	30.118.01	PC384	27.713.00
A1289C	30.236.00	ACD519	24.361.00	GF745	31.648.00	PC241	30.802.01	PC385	27.702.00
A1296C	30.237.00	ACD55	26.609.00	GF747	31.523.00	PC2418E	30.218.00	PC386	30.872.01
A1388C	27.523.00	ACD56	26.618.00	GF756	31.525.00	PC2419E	30.223.00	PC390	27.982.00
A1406C	30.177.00	ACD58	26.652.00	GF801	31.551.00	PC243	30.804.00	PC398	27.730.00
A1413C	30.221.00	ACD61	26.601.00	GF802	31.569.00	PC2432E	30.127.00	PC40	27.702.00
A1416C	30.372.00	ACD8070E	26.014.00	GF805	31.712.00	PC2445E	30.372.00	PC408	27.954.00
A1432R	27.716.00	ACD8091E	26.012.00	GF807	31.669.00	PC2456E	30.237.00	PC409	30.852.00
A1511C	30.001.00	ACF192	(N.1 FILTRO/FILTER)	GF809	31.592.00	PC2460E	27.604.00	PC41	27.707.00
A1515C	30.285.00	AF128T	30.223.00	GF814	31.543.00	PC2463E	27.521.00	PC431	30.847.00
A1545C	30.336.00	CAF1	53.015.00	GF815	31.515.00	PC2464E	30.112.00	PC433	27.946.00
A1549C	30.173.00	CAF11	53.010.00	GF832	31.769.00	PC2489E	30.187.00	PC436	27.956.00
A1610C	30.844.00	CAF2	53.001.00	GF854	31.747.00	PC2490E	30.370.00	PC449	27.800.00
A1611C	30.227.00	CAF4	53.006.00	GF855	31.718.00	PC2493E	27.599.00	PC450	30.922.01
A1620C	30.041.00	CAF5	53.013.00	GF857	31.751.00	PC2503E	30.303.00	PC459	30.908.00
A2052C	30.267.00	CAF9	53.016.00	M12	25.409.01	PC2504E	30.835.00	PC462	30.858.00
A2054C	27.009.00	CF176	54.178.00	P203	20.012.00	PC2521E	30.148.00	PC463	27.898.00
A2055C	30.226.00	FF23	26.601.00	P209	20.020.00	PC2544E	30.257.00	PC467	27.086.00
A2070R	27.752.00	FF3	25.406.01	PBV	30.800.00	PC268	27.785.00	PC474	30.939.00
A2933C	30.788.00	FS10	31.009.00	PC100	30.943.00	PC279	27.781.00	PC475	30.804.00
A2941C	30.281.00	FS13	31.006.00	PC108	27.947.00	PC280	30.826.00	PC476	30.079.00
A299C	27.878.00	FS15	31.001.00	PC120	30.806.00	PC283	27.708.00	PC477	30.917.01
A301C	27.902.00	FS16	31.502.00	PC124	30.818.00	PC285	27.736.00	PC479	27.069.00
A302C	27.920.00	FS17	31.500.00	PC12A		PC29	27.750.00	PC481	27.140.00
A3081C	30.279.00	FS18	31.539.00	PC124 (FIAT)	30.857.00	PC2991E	30.336.00	PC483	27.890.00
A3128C	30.388.00	FS19	31.024.00	PC133K	27.902.00	PC2996E	27.282.00	PC484	30.893.00
A3144C	30.404.00	FS1B	31.001.00	PC135	27.893.00	PC30	27.715.00	PC485	30.899.00
A3148C	30.653.00	FS20	31.513.00	PC136K	27.878.00	PC300	27.799.00	PC486	30.872.01
A3155C	30.786.00	FS22	31.506.00	PC137K	27.920.00	PC301	30.815.00	PC487	30.944.00
A3202C	27.861.00	FS23	31.503.00	PC160	30.809.00	PC304	27.769.00	PC488	30.924.00
A428C	27.893.00	FS25	31.507.00	PC161	27.725.00	PC3051E	27.596.00	PC489	30.926.00
A475C	27.923.00	FS28	31.519.00	PC162	27.797.00	PC3059E	27.812.00	PC490	30.978.01
A855C	27.155.00	FS29	31.520.00	PC164	30.802.01	PC3068E	27.693.00	PC491	27.074.00
A916C	27.069.00	FS31	31.514.00	PC165	30.803.00	PC3073E	27.193.00	PC497	27.939.00
AC103	25.407.01	FS4	31.010.00	PC166	30.830.00	PC3094E	30.332.00	PC498	30.891.00
AC111	25.439.00	FS9128E	31.515.00	PC177	27.828.00	PC3095E	30.444.00	PC499	30.928.00
AC165	25.406.01	FS9193E	31.724.00	PC179	27.804.00	PC3147E	30.503.00	PC501	30.894.00
AC184	25.499.00	GF481	31.564.00	PC180	27.881.00	PC3150E	30.471.00	PC502	30.889.00
AC196	25.539.00	GF484	31.699.00	PC189	27.792.00	PC3153E	30.496.00	PC503	30.890.00
AC20	25.402.01	GF500	31.013.00	PC196	27.801.00	PC3164E	30.409.00	PC504	30.915.00
AC201	25.530.01	GF510	31.624.00	PC2007E	27.592.00	PC3170E	30.506.00	PC505	30.911.00
AC202	25.528.00	GF511	31.007.00	PC2010E	27.593.00	PC3171E	30.533.00	PC506	30.896.00
AC203	25.530.00	GF516	31.611.00	PC2016E	27.367.00	PC3177E	30.555.00	PC508	30.929.00
AC206	25.555.00	GF518	31.594.00	PC2018E	27.341.00	PC3188E	30.375.00	PC509	30.906.00
AC207	25.541.00	GF519	31.506.00	PC2033E	27.074.00	PC3189E	30.374.00	PC511	30.914.02
AC208	25.548.00	GF520	31.503.00	PC2035E	27.355.00	PC3206E	30.504.00	PC512	27.084.00
AC209	25.003.00	GF522	31.505.00	PC2036E	27.588.00	PC3210E	(N.1 FILTRO/FILTER)	PC513	27.061.00
AC21	25.419.00	GF523	31.563.00	PC2046E	27.402.00	PC3213E	30.134.00	PC515	30.973.00
AC30A	25.413.00	GF527	31.502.00	PC205	27.813.00	PC3214E	30.315.00	PC516	30.910.00
AC30B	25.413.00	GF538	31.500.00	PC2051E	27.602.00	PC3219E	30.264.00	PC517	27.174.00
AC32A	25.409.01	GF539	31.026.00	PC2082E	27.527.00	PC3226E	30.388.00	PC518	30.958.00
AC32B	25.409.01	GF554	31.511.00	PC212	27.235.00	PC3229E	30.554.00	PC520	30.898.00
AC33A	25.408.00	GF563	31.589.00	PC2137E	27.605.00	PC3231E	30.341.00	PC522	30.950.00
AC33B	25.408.00	GF584	31.517.00	PC2141E	30.238.00	PC3236E	30.725.00	PC523	30.011.00
AC334	25.407.01	GF589	31.565.00	PC2147E	30.244.00	PC3238E	30.327.00	PC528	30.930.00
AC6036E	25.084.00	GF600	31.529.00	PC2155E	30.242.00	PC3256E	30.543.00	PC529	30.932.00
AC61	25.406.01	GF604	31.539.00	PC2156E	30.275.00	PC326	27.906.00	PC530	27.062.00
AC6198E	25.053.00	GF608	31.024.00	PC2157E	30.235.00	PC3284E	30.466.00	PC531	27.065.00
AC6205E	25.040.00	GF613	31.741.00	PC2159E	30.286.00	PC3296E	27.079.00	PC537	30.933.00
AC6206E	25.023.00	GF618	31.515.00	PC216	27.729.00	PC331	27.923.00	PC540	30.990.00
AC6209E	25.041.00	GF621	31.564.00	PC2169E	27.583.00	PC3315E	30.719.00	PC542	30.963.00
AC6211E	25.021.00	GF626	31.564.00	PC218	27.778.00	PC3318E	27.691.00	PC543	27.083.00
AC6273E	25.010.00	GF629	31.560.00	PC2190E	30.001.00	PC3322E	30.556.00	PC545	27.775.00
AC6284E	25.165.00	GF633	31.515.00	PC2192E	30.243.00	PC3324E	30.645.00	PC546	27.888.00
AC70	25.421.00	GF634	31.515.00	PC2196E	30.397.00	PC3326E	30.860.00	PC547	27.137.00
		GF635	31.611.00	PC2202E	30.296.00	PC3334E	30.416.00	PC548	27.139.00
		GF640	31.750.00	PC221	27.720.00	PC3336E	27.400.00	PC551	27.110.00
		GF643	31.627.00	PC222	27.734.00	PC3337E	30.576.00	PC552	27.111.00
		GF651	31.564.00	PC223	27.756.00	PC3345E	30.376.00	PC553	30.923.01
		GF656	31.556.00	PC2230E	30.139.00	PC3354E	27.853.00	PC556	30.973.00
						PC3355E	30.805.00	PC557	30.987.01

PC561	30.017.00	PC971	30.237.00	X118	23.271.00	XD76	24.319.01	ADB112202	30.406.00
PC562	30.017.00	PF1051	23.272.00	X119	23.243.00	XD77	24.351.00	ADB112203	30.233.00
PC563	30.017.00	PF1127	23.271.00	X120	23.165.00	XD78	24.370.00	ADB112204	30.711.00
PC567	27.176.00	PF1250	23.463.00	X121	23.240.00	XD79	24.366.00	ADB112205	30.345.00
PC568	27.177.00	PF13	23.127.00	X122	23.134.00	XD80	24.321.00	ADB112206	30.444.00
PC569	30.022.00	PF14	23.108.00	X123	23.213.00	XD81	24.365.00	ADB112207	30.557.00
PC57	30.800.00	PF2227E	25.017.00	X124	23.127.00	XD9059E	24.460.00	ADB112209	30.357.00
PC570	27.527.00	PF2244G	25.024.00	X126	23.130.03	XD9267E	24.451.00	ADB112210	27.636.00
PC571	30.955.00	PF2260G	25.093.00	X13	23.118.00	XD9284E	24.455.00	ADB112212	30.B14.00
PC572	27.154.00	PF2263G	25.183.00	X131	23.254.00	XD9285E	24.119.00	ADB112213	30.B13.00
PC574	30.028.00	PF34	23.121.00	X132	23.273.00	XD9298E	24.ONE.00	ADB112214	27.E52.00
PC575	30.027.00	PF40	23.129.02	X133	23.278.00	XD9310E	55.418.00	ADB112215	27.A97.00
PC577	30.242.00	PF457G	25.024.00	X139	23.131.01	XD9311E	55.430.00	ADB112216	30.776.00
PC578	30.012.00	PF48	23.519.00	X140	23.246.00	XD9315E	24.110.00	ADB112219	30.621.00
PC58	30.811.00	PF6	23.124.00	X146	23.260.00	XD9318E	24.ONE.02	ADB112221	30.622.00
PC580	27.200.00	PF64	23.650.00	X148	23.298.00	XD9326E	24.111.00	ADB112222	30.540.00
PC582	30.942.00	PF65	23.299.00	X149	23.303.00			ADB112225	30.655.00
PC583	30.935.00	PF867	23.272.00	X150	23.164.02			ADB112228	30.777.00
PC586	30.953.00	PF9	23.271.00	X152	23.440.00	ADL (BLUEPRINT)	UFI	ADB112235	30.778.00
PC587	30.041.00	PF967	23.272.00	X154	23.280.00	ADA102101	25.023.00	ADB112245	30.395.00
PC588	30.041.00	PU1010E	53.138.00	X155	23.281.00	ADA102102	25.002.00	ADB112251	30.A46.00
PC589	30.041.00	PU1023E	53.134.00	X156	23.265.00	ADA102103	25.010.00	ADB112255	30.B41.00
PC590	27.076.00	PU1040-2E	53.009.00	X160	23.274.00	ADA102104	25.069.00	ADB112301	31.851.00
PC591	30.974.00	PU1133E	53.189.00	X161	23.263.00	ADA102105	25.054.00	ADB112302	31.857.04
PC593	30.965.00	PU1158E	53.231.00	X164	23.244.00	ADA102106	25.053.00	ADB112305	31.962.00
PC594	30.952.00	PU1200E		X165	23.258.00	ADA102107	25.163.00	ADB112501	54.243.00
PC595	30.946.00	(N.1 FILTRO/FILTER)	53.143.00	X166	23.266.00	ADA102108	25.024.00	ADB112502	53.255.00
PC596	30.981.00	PU1218E	53.218.00	X169	23.243.00	ADA102109	25.049.00	ADB112503	54.318.00
PC597	27.194.00	PU1225E	53.222.00	X17	23.156.00	ADA102110	25.013.00	ADB112504	53.246.00
PC598	27.196.00	PU1240E	53.209.00	X170	23.253.00	ADA102112	23.519.00	ADB112505	54.154.00
PC599	30.021.00	PU1241E	53.220.00	X174	23.242.00	ADA102112	23.650.00	ADB112506	53.236.00
PC601	30.996.00	PU1253E	53.210.00	X18	23.131.00	ADA102114	23.249.00	ADB112507	54.175.00
PC602	30.025.00	PUK1038E	54.111.00	X19	23.127.02	ADA102116	25.167.00	ADB112508	53.156.00
PC603	30.024.00	PUK1040E	54.110.00	X200	23.293.00	ADA102119	23.127.00	ADB112509	54.231.00
PC604	30.035.00	PUK1044E	54.101.00	X21	23.164.02	ADA102126	25.186.00	ADB112510	53.229.00
PC605	30.090.00	PUK1046E	54.135.00	X23	23.173.01	ADA102128	25.248.00	ADB112511	54.137.00
PC606	30.063.00	PUK1051E	54.165.00	X24	23.151.00	ADA102131	25.251.00	ADB112519	53.224.00
PC607	30.063.00	PUK1064E	54.106.00	X28	23.187.00	ADA102201	30.281.00	ADB112521	54.241.00
PC608	30.064.00	PUK1067E	54.195.00	X29	23.102.00	ADA102202	30.593.00	ADB112522	53.251.00
PC609	30.083.00	PUK1075E	54.121.00	X35	23.127.00	ADA102204	30.226.00	ADBP210008	25.211.00
PC610	30.026.00	PUK1079-2E	54.141.00	X37	23.121.00	ADA102205	30.600.00	ADBP210024	25.249.00
PC611	27.171.00	PUK1080E	54.103.00	X38	23.108.00	ADA102206	30.B42.00	ADBP210051	23.664.00
PC612	30.239.00	PUK1082-2E	54.108.00	X3A	23.129.01	ADA102208	30.851.00	ADBP210055	25.219.00
PC613	30.076.00	PUK1083E	54.109.00	X4028E	23.482.00	ADA102211	30.544.00	ADBP220027	30.C46.00
PC617	30.945.00	PUK1087E	54.105.00	X4034E	23.129.02	ADA102213	30.284.00	ADBP220030	30.B15.00
PC618	30.019.00	PUK1089E	54.102.00	X4052E	23.483.00	ADA102214	30.972.00	ADBP250009	54.389.00
PC619	30.020.00	PUK1172E		X4053E	23.473.00	ADA102217	30.498.00	ADC42103	23.165.00
PC623	30.039.00	(N.1 FILTRO/FILTER)	54.164.00	X4054E	23.474.00	ADA102221	30.592.00	ADC42105	23.237.00
PC626	30.967.00	PUK1173E	54.215.00	X41	23.152.00	ADA102222	27.150.00	ADC42110	23.475.00
PC627	27.149.00	PUK1181E	54.160.00	X4242E	23.475.00	ADA102226	30.189.00	ADC42112	23.485.00
PC63	27.731.00	PUK1182E	54.220.00	X4331E	25.901.00	ADA102227	30.190.00	ADC42115	23.418.00
PC630	27.252.00	PUK1185E	54.234.00	X4334E	23.565.00	ADA102230	30.C45.00	ADC42119	23.478.00
PC632	30.008.00	PUK1186E	54.243.00	X4337E	23.564.00	ADA102238	30.659.00	ADC42121	23.565.00
PC633	30.004.00	PUK1248E	54.226.00	X44	23.159.00	ADA102240	30.B44.00	ADC42122	25.060.00
PC634	27.175.00	PUK1250E	54.222.00	X47	23.110.02	ADA102250	30.107.00	ADC42123	25.035.00
PC636	30.003.00	SC	23.102.00	X48A	23.115.00	ADA102301	31.841.00	ADC42124	23.546.00
PC637	30.036.00	SD	23.103.00	X49	23.185.01	ADA102302	24.107.00	ADC42207	27.156.00
PC639	30.034.00	SE	23.121.00	X4A	23.105.00	ADA102304	26.013.00	ADC42208	27.580.00
PC64	27.769.00	SEF	23.117.00	X50	23.108.00	ADA102305	24.331.00	ADC42210	27.071.00
PC640	27.234.00	SF	23.127.00	X501	23.169.00	ADA102306	24.338.00	ADC42212	27.604.00
PC641	30.802.01	SH	23.114.01	X503	23.167.00	ADA102309	24.005.00	ADC42215	27.920.00
PC645	30.948.00	SJ	23.127.00	X504	23.130.02	ADA102313	24.030.00	ADC42217	27.171.00
PC647	30.032.00	SK	23.134.00	X52	23.127.00	ADA102316	24.H2O.08	ADC42221	27.E44.00
PC648	30.960.00	SPA	23.102.02	X62	23.544.00	ADA102318		ADC42222	30.222.00
PC649	30.033.00	SR		X65	23.128.00	(CHRYSLER)	24.528.01	ADC42225	30.230.00
PC650	30.994.00	(FIAT, LANCIA, RENAULT)	23.114.01	X66	23.124.00	ADA102318		ADC42227	30.221.00
PC655	30.170.00	ST	23.134.01	X7	23.132.00	(CADILLAC)	24.526.00	ADC42228	27.282.00
PC660	27.239.00	SX	23.156.00	X71	23.130.01	ADA102319	24.H2O.01	ADC42229	27.579.00
PC662	30.066.00	SY	23.121.00	X72	23.188.00	ADA102324	26.019.01	ADC42230	30.275.00
PC663	30.087.00	TP1007	26.042.02	X75	23.127.05	ADA102502	54.270.00	ADC42233	30.070.00
PC68	27.719.00	TP1015	26.122.00	X79	23.197.00	ADA102503	54.112.00	ADC42234	30.079.00
PC70	27.770.00	TP1016	26.E2X.01	X82	23.127.00	ADA102504	53.122.00	ADC42235	30.169.00
PC71	27.740.00	X10	23.134.01	X84	23.182.00	ADA102505	54.100.00	ADC42236	27.A72.00
PC74	27.710.00	X100	23.164.00	X87	23.131.00	ADA102509	53.150.00	ADC42238	30.220.00
PC77	30.803.00	X100		X88	23.133.00	ADA102511	53.294.00	ADC42246	30.709.00
PC801	30.864.00	(O/O/R)	23.164.03	X89	23.133.00	ADA102513	53.239.00	ADC42247	30.253.00
PC803	30.942.00	X104	23.191.00	X9	23.242.00	ADA102515	54.295.00	ADC42248	30.252.00
PC804	27.904.00	X105	23.189.00	X90	23.104.00	ADA102516	53.257.00	ADC42249	30.506.00
PC805	27.927.00	X106	23.194.00	X93	23.129.02	ADA102517	53.325.00	ADC42250	30.533.00
PC809	30.871.00	X107	23.198.00	X95	23.177.00	ADA102518	53.294.00	ADC42263	30.781.00
PC810	30.843.01	X108	23.195.00	X97	23.114.02	ADB112102	25.232.00	ADC42266	30.B43.00
PC82	27.720.00	X109	23.211.00	XD138	24.365.01	ADB112103	25.201.00	ADC42303	24.366.00
PC85	27.735.00	X11	23.156.00	XD142	24.350.02	ADB112104	25.096.00	ADC42305	24.368.00
PC86	27.744.00	X110	23.232.00	XD159	24.368.00	ADB112105	25.084.00	ADC42307	31.020.00
PC87	30.807.00	X111	23.234.00	XD162	24.375.00	ADB112107	25.142.00	ADC42314	31.525.00
PC93	27.761.00	X113	23.186.01	XD163	24.371.00	ADB112117	25.148.00	ADC42318	31.648.00
PC94	30.804.00	X115	23.131.01	XD67	24.351.01	ADB112124	25.188.00	ADC42320	31.609.00
PC97	27.707.00	X116	23.121.00	XD701	24.350.00	ADB112201	27.384.00	ADC42330	31.592.00

ADC42335	24.384.00	ADG02143	25.213.00	ADG02293	30.469.00	ADH22223	30.235.00	(DELPHI HDF935)	24.459.00
ADC42336	31.731.00	ADG02144	23.583.00	ADG02294	30.469.00	ADH22225	27.589.00	ADJ132312	24.188.00
ADC42348	24.423.00	ADG02147	25.064.00	ADG02295	30.450.00	ADH22226	30.237.00	ADJ132501	54.290.00
ADC42358	24.436.00	ADG02149	23.133.00	ADG02296	30.676.00	ADH22227	30.243.00	ADJ132502	54.155.00
ADC42359	24.119.00	ADG02150	25.088.00	ADG02297	30.895.00	ADH22229	30.236.00	ADJ132503	53.231.00
ADC42360	26.149.00	ADG02159	25.226.00	ADG02298	30.496.00	ADH22232	30.238.00	ADJ132504	54.128.00
ADC42361	24.156.00	ADG02170	25.183.00	ADG02299	30.701.00	ADH22234	27.523.00	ADJ132505	53.316.00
ADC42362	24.126.00	ADG02201	30.911.00	ADG02301	24.321.00	ADH22237	30.249.00	ADJ132508	54.159.00
ADC42363	31.071.00	ADG02202	30.990.00	ADG02302	31.564.00	ADH22238	30.068.00	ADJ132513	54.377.00
ADC42364	24.465.00	ADG02205	30.177.00	ADG02303	31.551.00	ADH22240	30.231.00	ADJ132515	53.385.00
ADC42502	53.338.00	ADG02207	30.924.00	ADG02304	31.556.00	ADH22241	30.227.00	ADJ132516	54.119.00
ADC42503	53.274.00	ADG02208	30.028.00	ADG02309	31.712.00	ADH22242	30.238.00	ADK82102	23.251.00
ADC42504	53.128.00	ADG02210	30.285.00	ADG02311	31.749.00	ADH22243	30.228.00	ADK82104	25.043.00
ADC42506	54.147.00	ADG022100	30.574.00	ADG02319	24.339.00	ADH22246	27.601.00	ADK82107	25.061.00
ADC42507	54.220.00	ADG022101	30.404.00	ADG02320	31.664.00	ADH22251	30.232.00	ADK82206	27.090.00
ADC42508	54.144.00	ADG022102	30.422.00	ADG02325	31.843.00	ADH22252	30.276.00	ADK82207	27.074.00
ADC42509	53.338.00	ADG022104	30.723.00	ADG02326	24.443.00	ADH22253	30.360.00	ADK82214	30.967.00
ADC42509	53.404.00	ADG022105	30.552.00	ADG02327	31.825.00	ADH22254	30.497.00	ADK82218	30.450.00
ADC42511	54.167.00	ADG022106	30.631.00	ADG02328	31.828.00	ADH22255	30.380.00	ADK82219	30.460.00
ADC42514	54.147.00	ADG022112	30.632.00	ADG02331	31.850.00	ADH22256	30.471.00	ADK82220	30.537.00
ADC42518	53.384.00	ADG022113	30.594.00	ADG02333	24.012.00	ADH22258	30.325.00	ADK82222	30.780.00
ADD62104	23.255.00	ADG022115	30.635.00	ADG02342	24.445.00	ADH22259	30.591.00	ADK82223	30.269.00
ADD62106	23.439.00	ADG022116	30.574.00	ADG02343	31.838.00	ADH22260	30.503.00	ADK82224	30.844.00
ADD62109	25.116.00	ADG022117	30.569.00	ADG02348	24.460.00	ADH22261	30.313.00	ADK82225	30.129.00
ADD62204	27.132.00	ADG02212	30.286.00	ADG02350	24.H20.00	ADH22263	30.381.00	ADK82226	30.270.00
ADD62210	27.173.00	ADG02213	30.336.00	ADG02352	24.131.00	ADH22264	30.482.00	ADK82227	30.320.00
ADD62215	30.966.00	ADG022130	30.653.00	ADG02361	26.676.00	ADH22265	30.618.00	ADK82228	30.328.00
ADD62219	30.088.00	ADG022135	30.634.00	ADG02362	24.131.00	ADH22266	30.408.00	ADK82229	30.211.00
ADD62220	30.B04.00	ADG022137	30.627.00	ADG02365	24.439.00	ADH22267	30.573.00	ADK82231	30.283.00
ADD62227	30.B03.00	ADG022141	30.609.00	ADG02366	24.122.00	ADH22268	30.451.00	ADK82232	30.210.00
ADD62305	24.326.00	ADG022144	30.726.00	ADG02369	26.058.00	ADH22271	30.617.00	ADK82233	30.393.00
ADD62306	24.366.00	ADG022146	30.A24.00	ADG02370	26.047.00	ADH22275	30.619.00	ADK82234	30.384.00
ADD62317	31.547.00	ADG022148	30.A21.00	ADG02372	26.033.00	ADH22278	30.A40.00	ADK82235	30.725.00
ADD62324	31.694.00	ADG022149	30.C44.00	ADG02392	24.123.00	ADH22279	30.B05.00	ADK82236	30.391.00
ADF122102	25.060.00	ADG02215	30.126.00	ADG02501	53.077.00	ADH22280	30.A54.00	ADK82237	30.347.00
ADF122103	25.177.00	ADG022155	30.710.00	ADG02502	53.014.00	ADH22281	30.C39.00	ADK82238	30.628.00
ADF122104	25.154.00	ADG022156	30.022.00	ADG02503	53.138.00	ADH22282	30.A56.00	ADK82240	30.A96.00
ADF122105	23.632.00	ADG022158	30.B21.00	ADG02505	53.141.00	ADH22283	30.B08.00	ADK82241	30.213.00
ADF122122	23.739.00	ADG02218	30.102.00	ADG02507	53.142.00	ADH22289	30.B62.00	ADK82242	30.405.00
ADF122126	23.687.00	ADG02219	30.104.00	ADG02508	53.118.00	ADH22290	30.525.00	ADK82243	30.416.00
ADF122201	30.212.00	ADG02220	30.103.00	ADG02509	53.400.00	ADH22298	30.C63.00	ADK82245	30.553.00
ADF122202	27.675.00	ADG02221	30.105.00	ADG02512	53.101.00	ADH22314	31.024.00	ADK82246	30.A49.00
ADF122203	30.686.00	ADG02223	30.464.00	ADG02513	53.112.00	ADH22315	31.539.00	ADK82253	30.C41.00
ADF122204	30.341.00	ADG02224	30.267.00	ADG02514	53.121.00	ADH22322	31.535.00	ADK82255	30.C40.00
ADF122205	30.331.00	ADG02226	30.130.00	ADG02515	53.111.00	ADH22323	31.535.00	ADK82308	31.565.00
ADF122210	30.101.00	ADG02232	30.174.00	ADG02516	53.116.00	ADH22325	31.535.00	ADK82312	24.368.00
ADF122210	30.C47.00	ADG02233	30.337.00	ADG02517	53.334.00	ADH22329	31.621.00	ADK82313	31.543.00
ADF122220	30.C64.00	ADG02234	30.287.00	ADG02518	53.240.00	ADH22330	24.365.00	ADK82316	31.724.00
ADF122221	30.A17.00	ADG02236	30.266.00	ADG02519	53.121.00	ADH22338	24.435.00	ADK82317	31.543.00
ADF122228	30.A62.00	ADG02237	30.295.00	ADG02520	53.119.00	ADH22341	24.196.00	ADK82319	24.360.00
ADF122230	30.665.00	ADG02239	30.279.00	ADG02522	53.407.00	ADH22342	26.077.00	ADK82324	26.003.00
ADF122233	30.349.00	ADG02240	30.224.00	ADG02523	53.126.00	ADH22501	53.065.00	ADK82325	26.691.00
ADF122235	30.A52.00	ADG02241	27.648.00	ADG02528	53.145.00	ADH22504	54.152.00	ADK82327	60.H20.00
ADF122238	30.C37.00	ADG02242	27.274.00	ADG02533	53.208.00	ADH22505	53.109.00	ADK82328	31.565.00
ADF122301	26.022.00	ADG02245	30.229.00	ADG02534	53.259.00	ADH22506	53.063.00	ADK82331	31.801.00
ADF122302	26.020.00	ADG02246	30.312.00	ADG02543	53.152.00	ADH22507	53.123.00	ADK82334	55.392.00
ADF122313	24.455.00	ADG02247	30.309.00	ADG02545	53.151.00	ADH22508		ADK82336	24.113.00
ADF122314	26.074.00	ADG02248	30.277.00	ADG02548	53.261.00	(N.2 FILTRI/FILTERS)	53.242.00	ADK82336	24.186.00
ADF122317	31.944.00	ADG02249	30.168.00	ADG02549	53.163.00	ADH22510	53.108.00	ADK82501	53.075.00
ADF122501	53.206.00	ADG02250	30.316.00	ADG02550	53.144.00	ADH22511	53.080.00	ADK82502	53.127.00
ADF122502	54.159.00	ADG02251	30.290.00	ADG02551	53.191.00	ADH22513	53.159.00	ADK82503	53.213.00
ADF122503	53.102.00	ADG02254	30.308.00	ADG02553	53.394.00	ADH22514	54.306.00	ADK82504	53.222.00
ADF122504	54.136.00	ADG02255	30.348.00	ADG02554	53.220.00	ADH22515	53.160.00	ADK82505	53.201.00
ADF122505	54.170.00	ADG02256	30.335.00	ADG02555	53.149.00	ADH22516	53.160.00	ADK82506	53.075.00
ADF122508	54.261.00	ADG02257	30.C42.00	ADG02556	53.333.00	ADJ132102	25.066.00	ADK82507	
ADF122509	54.223.00	ADG02258	30.437.00	ADG02557	53.208.00	ADJ132103	23.191.00	(SENZA TELAIO/WITHOUT FRAME)	53.135.00
ADF122517	54.289.00	ADG02263	30.403.00	ADG02559	53.379.00	ADJ132105	25.073.02	ADK82508	53.183.00
ADF122520	53.422.00	ADG02264	30.363.00	ADG02561	53.254.00	ADJ132107	25.152.00	ADK82509	53.426.00
ADF122525	54.293.00	ADG02267	30.386.00	ADG02562	54.178.00	ADJ132108	25.009.00	ADK82513	53.249.00
ADF122526	53.418.00	ADG02268	30.B01.00	ADG02563	53.331.00	ADJ132121	25.901.00	ADK82516	53.424.00
ADG02101	25.528.00	ADG02270	30.A55.00	ADG02570	53.212.00	ADJ132127	23.584.00	ADL142101	25.061.00
ADG02102	23.129.02	ADG02272	30.278.00	ADG02578	53.396.00	ADJ132128	25.223.00	ADL142102	23.438.00
ADG02105	25.162.00	ADG02273	30.A64.00	ADG02579	54.224.00	ADJ132201	30.A33.00	ADL142103	25.083.00
ADG02109	23.452.00	ADG02274	30.B06.00	ADG02588	53.273.00	ADJ132206	30.C03.00	ADL142110	25.160.00
ADG02110	23.131.01	ADG02275	30.382.00	ADG02592	53.387.00	ADJ132210	30.050.00	ADL142111	25.139.00
ADG02115	23.461.00	ADG02276	30.307.00	ADH22103	23.182.00	ADJ132211	27.527.00	ADL142201	30.297.00
ADG02116	23.545.00	ADG02277	30.326.00	ADH22114	23.265.00	ADJ132212	30.559.00	ADL142203	30.301.00
ADG02117	23.472.00	ADG02278	30.307.00	ADH22115	25.027.00	ADJ132213	30.555.00	ADL142204	30.265.00
ADG02121	23.486.00	ADG02279	30.280.00	ADH22116	25.072.00	ADJ132222	30.250.00	ADL142205	30.339.00
ADG02123	25.053.00	ADG02280	30.392.00	ADH22117	25.074.00	ADJ132231	30.A71.00	ADL142206	30.699.00
ADG02124	25.034.00	ADG02281	30.454.00	ADH22208	27.599.00	ADJ132235	30.A63.00	ADL142207	27.630.00
ADG02128	25.071.00	ADG02283	30.483.00	ADH22210	30.240.00	ADJ132301	24.130.00	ADL142208	30.477.00
ADG02129	25.070.00	ADG02285	30.317.00	ADH22212	30.256.00	ADJ132302	31.769.00	ADL142210	27.688.00
ADG02131	25.095.00	ADG02287	30.468.00	ADH22216	30.242.00	ADJ132303C	24.454.00	ADL142211	30.376.00
ADG02136	25.091.00	ADG02288	27.E34.00	ADH22217	27.591.00	ADJ132306	24.427.00	ADL142217	30.677.00
ADG02140	25.151.00	ADG02289	30.368.00	ADH22218	27.525.00	ADJ132309		ADL142224	30.443.00
ADG02141	25.166.00	ADG02291	30.538.00	ADH22220	27.590.00	(DELPHI HDF965)	24.190.00	ADL142230	30.795.00
ADG02142	23.585.00	ADG02292	30.346.00	ADH22221	30.239.00	ADJ132309		ADL142231	30.793.00



ADL142232	30.794.00	ADM52529	53.383.00	ADN12502	53.051.00	ADT32118	25.077.00	ADT32519	53.184.00
ADL142301	24.ONE.01	ADM52531	53.330.00	ADN12504	53.052.00	ADT32120	25.150.00	ADT32525	53.185.00
ADL142302	24.ONE.00	ADM52534	53.365.00	ADN12505	53.218.00	ADT32201	27.770.00	ADT32526	54.264.00
ADL142307	26.052.00	ADN12101	23.256.00	ADN12506	53.104.00	ADT32202	27.133.00	ADT32528	54.273.00
ADL142309	26.076.01	ADN12102	23.134.00	ADN12508	53.214.00	ADT32204	27.740.00	ADT32550	53.299.00
ADL142501	53.043.00	ADN12103		ADN12509	53.131.00	ADT32208	27.939.00	ADT32552	54.331.00
ADL142502	53.149.00	(ALTRE/OTHER APPL.)	23.240.00	ADN12510	53.258.00	ADT322100	30.554.00	ADU172106	25.204.00
ADL142503	53.043.00	ADN12104	23.496.00	ADN12511	54.268.00	ADT322101	30.504.00	ADU172201	30.531.00
ADL142506	54.256.00	ADN12110	23.266.00	ADN12516	53.060.00	ADT322105	30.785.00	ADU172203	30.B10.00
ADL142509	54.103.00	ADN12112	23.484.00	ADN12517	53.186.00	ADT322107	30.639.00	ADU172204	30.466.00
ADL142519	53.391.00	ADN12113	23.244.00	ADN12519	53.367.00	ADT322109	30.470.00	ADU172205	27.386.00
ADM52101	23.243.00	ADN12114	25.052.00	ADN12521	53.215.00	ADT32211	27.097.00	ADU172206	27.385.00
ADM52105	23.260.00	ADN12115	25.026.00	ADN12522	53.214.00	ADT322110	30.625.00	ADU172207	27.592.00
ADM52106	23.258.00	ADN12119	23.127.00	ADN12523	54.320.00	ADT322114	30.721.00	ADU172210	30.A60.00
ADM52107	(ALTRE/OTHER APPL.)	ADN12120	25.033.00	ADN12524	53.388.00	ADT322115	30.603.00	ADU172222	30.A61.00
ADM52107	(HYUNDAI)	ADN12121	23.481.00	ADN12526	53.223.00	ADT322121	30.B71.00	ADU172227	30.B87.00
ADM52107	(MITSUBISHI, SMART)	ADN12125	23.470.00	ADN12539	53.389.00	ADT322125	30.A85.00	ADU172227	30.C36.00
ADM52111	23.452.00	ADN12126	25.022.00	ADN12542	53.293.00	ADT322126	30.660.00	ADU172231	30.A67.00
ADM52111	(MITSUBISHI, SMART)	ADN12127	25.094.00	ADP152102	25.216.00	ADT322128	30.A91.00	ADU172232	30.B25.00
ADM52111	23.479.00	ADN12129	23.263.00	ADP152201	30.260.00	ADT322130	30.B86.00	ADU172233	30.A72.00
ADM52111	23.267.00	ADN12131	23.564.00	ADP152203	30.371.00	ADT32214	27.068.00	ADU172238	30.B56.00
ADM52114	25.056.00	ADN12134	25.145.00	ADP152205	30.185.00	ADT32216	27.155.00	ADU172247	30.C35.00
ADM52117	23.440.00	ADN12201	27.769.00	ADP152206	30.351.00	ADT32219	27.172.00	ADU172250	30.B63.00
ADM52118	23.413.00	ADN12203	27.744.00	ADP152207	30.645.00	ADT32220	30.361.00	ADU172301	31.710.00
ADM52118	23.721.00	ADN12210	27.605.00	ADP152211	30.693.00	ADT32222	27.057.00	ADU172302C	24.111.00
ADM52119	25.037.00	ADN12214	27.678.00	ADP152215	30.717.00	ADT32230	30.076.00	ADU172303C	24.077.00
ADM52121	23.258.00	ADN12215	30.973.00	ADP152220	30.718.00	ADT32231		ADU172315	24.193.00
ADM52122	23.267.00	ADN12217	27.200.00	ADP152224	30.A15.00	(CITROEN, MITSUBISHI, PEUGEOT)	30.601.00	ADU172316	24.194.00
ADM52124	25.191.00	ADN12218	27.169.00	ADP152225	30.B23.00	ADT32236	30.223.00	ADU172501	54.163.00
ADM52206	27.799.00	ADN12222	27.159.00	ADP152226	30.B24.00	ADT32237	30.170.00	ADU172502	54.176.00
ADM52216	(MAZDA)	ADN12223	30.026.00	ADP152229	30.B27.00	ADT32239	30.143.00	ADU172503	54.113.00
ADM52216	(FORD FIESTA, MAZDA 121)	ADN12226	30.001.00	ADP152301	26.055.00	ADT32241	30.075.00	ADU172504	54.246.00
ADM52217	30.062.00	ADN12227	27.524.00	ADP152302	26.104.00	ADT32245	27.C10.00	ADV182101	25.029.00
ADM52217	30.013.00	ADN12232	27.397.00	ADP152501	54.172.00	ADT32248	27.D10.00	ADV182102	23.453.00
ADM52222	30.172.00	ADN12237	27.252.00	ADP152502	53.154.00	ADT32251	27.583.00	ADV182103	25.080.00
ADM52226	30.173.00	ADN12238	27.679.00	ADP152503	53.157.00	ADT32256	30.505.00	ADV182104	25.047.00
ADM52231	30.172.00	ADN12240	30.099.00	ADP152505	53.154.00	ADT32259	30.288.00	ADV182105	23.493.00
ADM52234	30.177.00	ADN12241	30.150.00	ADP152507	54.164.00	ADT32260	30.175.00	ADV182107	23.494.00
ADM52235	30.171.00	ADN12242	30.465.00	ADP152508	53.143.00	ADT32262	30.176.00	ADV182110	25.106.00
ADM52236	30.178.00	ADN12243	30.293.00	ADP152509	53.038.00	ADT32266	30.248.00	ADV182111	
ADM52237	27.522.00	ADN12245	27.273.00	ADP152510	54.111.00	ADT32267	30.338.00	(ALTRE/OTHER APPL.)	25.068.00
ADM52242	30.787.00	ADN12246	30.163.00	ADP152514	53.277.00	ADT32269	30.397.00	ADV182111	
ADM52246	30.171.00	ADN12248	30.319.00	ADP152530	54.319.00	ADT32274	27.582.00	(LAND ROVER)	25.168.00
ADM52247	30.168.00	ADN12249	30.362.00	ADR162202	30.217.00	ADT32276	30.289.00	ADV182112	25.040.00
ADM52248	30.153.00	ADN12250	30.300.00	ADR162203	30.407.00	ADT32279	30.788.00	ADV182113	25.143.00
ADM52249	30.409.00	ADN12252	30.302.00	ADR162204	30.A70.00	ADT32281	30.225.00	ADV182114	25.115.00
ADM52251	30.344.00	ADN12253	30.234.00	ADR162205	30.687.00	ADT32282	30.206.00	ADV182115	25.090.00
ADM52252	30.246.00	ADN12254	27.676.00	ADR162206	30.543.00	ADT32285	30.247.00	ADV182117	25.011.00
ADM52256	30.310.00	ADN12255	30.155.00	ADR162209	30.664.00	ADT32287	30.A86.00	ADV182118	23.575.00
ADM52257	30.390.00	ADN12256	30.352.00	ADR162214	30.A34.00	ADT32291	30.A97.00	ADV182124	25.257.00
ADM52259	30.390.00	ADN12256	30.352.00	ADR162219	30.663.00	ADT32292	27.B91.00	ADV182125	25.144.00
ADM52260	30.626.00	ADN12260	30.321.00	ADR162220	30.B20.00	ADT32293	30.334.00	ADV182128	25.197.00
ADM52261	30.786.00	ADN12263	27.769.00	ADR162221	30.688.00	ADT32295	27.691.00	ADV182131	23.660.00
ADM52262	27.675.00	ADN12265	30.456.00	ADR162223	30.C54.00	ADT32296	30.452.00	ADV182139	23.717.00
ADM52264	30.779.00	ADN12270	30.576.00	ADR162225	30.B26.00	ADT32298	30.453.00	ADV182140	25.210.00
ADM52265	30.A99.00	ADN12274	27.D79.00	ADR162229	30.B29.00	ADT32299	30.385.00	ADV182201	30.133.00
ADM52266	30.A53.00	ADN12280	30.B76.00	ADR162229	30.B54.00	ADT32302	31.005.00	ADV182202	27.401.00
ADM52269	30.C56.00	ADN12285	30.B22.00	ADR162301C	24.073.00	ADT32306	31.006.00	ADV182203	30.303.00
ADM52309	31.517.00	ADN12287	30.724.00	ADR162302C	24.110.00	ADT32309	31.026.00	ADV182204	30.187.00
ADM52312	31.519.00	ADN12287	30.C62.00	ADR162306	30.724.00	ADT323100	24.127.00	ADV182205	30.365.00
ADM52313	31.520.00	ADN12289	30.A38.00	ADR162501	54.217.00	ADT323104	26.139.00	ADV182206	30.342.00
ADM52319	31.696.00	ADN12290	30.A59.00	ADR162502	53.164.00	ADT323105		ADV182207	30.132.00
ADM52324	31.514.00	ADN12305	24.327.00	ADR162503	54.234.00	(SENZA STAFFA/WITHOUT BRACKET)	31.A16.00	ADV182208	30.162.00
ADM52325	24.382.00	ADN12310	24.375.00	ADR162505	54.232.00	ADT32313	24.374.00	ADV182209	27.692.00
ADM52326	31.520.00	ADN12316	31.529.00	ADR162512	54.257.00	ADT32327	31.556.00	ADV182210	27.693.00
ADM52328	31.715.00	ADN12317	31.500.00	ADR162514	54.288.00	ADT32329	31.558.00	ADV182211	30.657.00
ADM52331	31.751.00	ADN12322	24.444.00	ADR162515	54.388.00	ADT32332	31.609.00	ADV182212	27.621.00
ADM52333	24.411.00	ADN12323	26.693.00	ADS72101	23.271.00	ADT32333	31.560.00	ADV182213C	27.B54.00
ADM52338	24.343.00	ADN12324	31.948.00	ADS72202	27.744.00	ADT32336	31.580.00	ADV182215	30.355.00
ADM52339	24.027.00	ADN12325	24.013.00	ADS72207	30.001.00	ADT32341	24.413.00	ADV182216	30.532.00
ADM52340	31.844.00	ADN12326	24.398.00	ADS72213	30.615.00	ADT32342	31.558.00	ADV182220	30.A35.00
ADM52342	24.411.00	ADN12327	26.694.00	ADS72305	31.541.00	ADT32343	31.669.00	ADV182221	30.549.00
ADM52343	55.170.00	ADN12328	26.695.00	ADS72501	54.138.00	ADT32362	31.802.00	ADV182227	27.A54.00
ADM52344	26.102.00	ADN12329	31.529.00	ADS72501	53.249.00	ADT32370	26.688.00	ADV182238	30.264.00
ADM52350	24.128.00	ADN12330	24.087.00	ADS72503	53.260.00	ADT32374	31.776.00	ADV182239	30.356.00
ADM52501	54.129.00	ADN12331		ADS72504	53.329.00	ADT32381	26.045.00	ADV182240	30.512.00
ADM52502	53.012.00	(SENZA VALVOLA/WITHOUT VALVE)	55.582.00	ADS72505	53.147.00	ADT32388	24.452.00	ADV182243	27.F32.00
ADM52503	53.093.00	ADN12332	24.026.01	ADT32101	23.102.00	ADT32389	26.138.00	ADV182255	30.587.00
ADM52503	54.271.00	ADN12333	55.394.00	ADT32102	23.121.00	ADT32392	26.073.00	ADV182256	30.329.00
ADM52508	53.120.00	ADN12338	24.098.00	ADT32103	23.127.00	ADT32501	53.117.00	ADV182262	30.692.00
ADM52511	53.076.00	ADN12339	26.694.00	ADT32108	23.253.00	ADT32502	53.248.00	ADV182267	30.509.00
ADM52516	53.250.00	ADN12341	24.025.01	ADT32109	23.263.00	ADT32504	53.103.00	ADV182268	27.G11.00
ADM52517	53.219.00	ADN12350	26.114.00	ADT32110	23.264.00	ADT32505	53.050.00	ADV182271	27.G10.00
ADM52518	53.207.00	ADN12352	24.061.01	ADT32111	23.248.00	ADT32508	53.125.00	ADV182272	27.G33.00
ADM52519	53.120.00	ADN12353	26.115.00	ADT32112	23.251.00	ADT32510	53.132.00	ADV182273	27.G31.00
ADM52520	53.093.00	ADN12357	24.080.00	ADT32114	23.477.00	ADT32511	53.147.00	ADV182275	30.A41.00
ADM52527	53.368.00	ADN12501	53.035.00	ADT32115	23.476.00	ADT32514	53.147.00	ADV182276	30.A51.00
				ADT32116	23.293.00	ADT32517	53.147.00	ADV182279	30.A42.00

ADV182282	30.A45.00	FF008	31.020.00	MD130	30.802.01	MD384	27.956.00	MD5146	30.118.01
ADV182283	30.B12.00	FF010	31.009.00	MD132	27.701.00	MD389	25.022.00	MD5148	27.583.00
ADV182284	27.B13.00	FF011	31.026.00	MD134	27.097.00	MD391	25.019.00	MD515	25.049.00
ADV182301	26.007.00	FF014	31.027.00	MD140	27.797.00	MD393	26.691.00	MD5154	27.355.00
ADV182302	24.437.00	FF015	31.013.00	MD141	26.609.00	MD395	26.686.00	MD5160	27.386.00
ADV182303	31.840.00	FF029	31.024.00	MD141/1	21.050.00	MD397	26.687.00	MD5162	30.145.01
ADV182304	31.920.00	FF032	31.512.00	MD142	27.726.00	MD399	25.026.00	MD5166	27.648.00
ADV182305	31.922.00	FF057	24.050.00	MD148	27.071.00	MD400	30.818.00	MD517	26.005.00
ADV182306	31.833.00	FF058	24.343.00	MD156	30.806.00	MD401	25.052.00	MD5170	27.D79.00
ADV182307	26.021.00	FF063	24.086.00	MD158	30.807.00	MD404	30.864.00	MD519	25.048.00
ADV182308	31.832.00	FF064	24.027.00	MD182	27.713.00	MD406	30.852.00	MD5224	27.593.00
ADV182309	31.921.00	FF065	24.014.00	MD184	27.906.00	MD408	30.836.00	MD5226	27.401.00
ADV182312	26.038.00	FF066	24.051.00	MD186	27.702.00	MD416	30.922.01	MD5226C	27.402.00
ADV182332	26.026.00	FF068	24.013.00	MD188	27.133.00	MD423	25.027.00	MD5228	27.586.00
ADV182333	26.032.00	FF069	24.014.00	MD192	27.584.00	MD424	27.155.00	MD5230	27.585.00
ADV182343	31.985.00	FF073	24.015.00	MD192K	27.920.00	MD425	25.032.00	MD5234	27.691.00
ADV182345	26.129.00	FF074	24.144.00	MD195	24.361.00	MD427	25.029.00	MD5242	27.394.00
ADV182501	54.114.00	MD-3016	30.C54.00	MD196	27.736.00	MD432	30.835.00	MD5244	27.597.00
ADV182502	54.124.00	MD-3023	25.216.00	MD204	27.799.00	MD434	30.858.00	MD525	25.060.00
ADV182503	53.031.00	MD-3030	30.C35.00	MD206	27.792.00	MD435	25.015.00	MD5250	27.603.00
ADV182504	53.148.00	MD-3034	30.C37.00	MD207	20.020.00	MD436	30.851.00	MD5254	27.587.00
ADV182505	54.168.00	MD-3060	30.C41.00	MD208	27.729.00	MD437	25.023.00	MD5256	27.594.00
ADV182507	53.032.00	MD-3072	30.C56.00	MD212	27.781.00	MD439	25.030.00	MD5266	27.596.00
ADV182508	54.101.00	MD-5342	27.E52.00	MD215	25.406.01	MD441	25.041.00	MD5274	27.628.00
ADV182509	53.153.00	MD-5382	27.G11.00	MD217	25.499.00	MD443	26.006.00	MD5278	27.E34.00
ADV182510C	54.222.00	MD-5384	27.G31.00	MD218K	27.902.00	MD444	30.894.00	MD5280	27.676.00
ADV182525	54.312.00	MD-5386	27.G33.00	MD222	27.893.00	MD445	25.067.00	MD5282	27.636.00
ADV182526	53.298.00	MD-5388	27.G10.00	MD226	27.770.00	MD446	30.942.00	MD529	25.069.00
ADV182529	54.292.00	MD-719	25.257.00	MD227	25.539.00	MD448	30.860.00	MD5294	27.675.00
ADV182534	54.376.00	MD-767	25.251.00	MD232	27.881.00	MD449	25.035.00	MD530	27.086.00
ADW192101	25.064.00	MD-8372	30.B71.00	MD234	27.140.00	MD450	30.890.00	MD5300	27.598.00
ADW192102	25.093.00	MD-8390	30.C44.00	MD237	25.530.01	MD452	30.847.00	MD531	26.694.00
ADW192103	25.085.00	MD-8548	30.B10.00	MD244	27.785.00	MD455	25.028.00	MD5320	27.621.00
ADW192104	25.170.00	MD-8582	30.C45.00	MD249	25.528.00	MD459	25.021.00	MD5322	27.693.00
ADW192112	25.199.00	MD-881	25.223.00	MD265	25.541.00	MD469		MD5324	27.688.00
ADW192201	30.388.00	MD-8896	30.B15.00	MD267	24.371.00	(VOLVO)	25.039.00	MD5326	27.629.00
ADW192202	30.A23.00	MD-8938	30.B56.00	MD270	27.775.00	MD469		MD5328	27.A51.00
ADW192203	30.A37.00	MD-8958	30.C40.00	MD271	25.548.00	(VAG)	25.040.00	MD5332	27.A00.00
ADW192204	30.556.00	MD-8972	30.B14.00	MD276	27.824.00	MD475	25.165.00	MD5334/1	27.A53.00
ADW192211	30.B50.00	MD-8974	30.B13.00	MD278	27.947.00	MD477	25.033.00	MD5348	27.A54.00
ADW192213	27.E61.00	MD-9534	30.B12.00	MD279	25.555.00	MD491	25.095.00	MD535	25.047.00
ADW192216	27.F37.00	MD001	25.455.00	MD281	25.162.00	MD493	26.003.00	MD5354	27.A91.00
ADW192306	26.122.00	MD001B	25.455.01	MD285	25.095.00	MD494	27.982.00	MD536	27.904.00
ADW192501	54.178.00	MD002	27.716.00	MD286	30.843.01	MD498	27.828.00	MD5368	27.A92.00
ADW192502	53.254.00	MD003	25.407.01	MD296	27.761.00	MD5000	27.059.00	MD537	25.043.00
ADW192503	54.162.00	MD004	27.715.00	MD300	27.804.00	MD5002	27.845.02	MD5374	27.A97.00
ADZ92102	23.234.00	MD005	25.409.01	MD3001	25.139.00	MD5008	27.800.00	MD5378	27.B13.00
ADZ92103	23.273.00	MD006	27.707.00	MD3015	25.183.00	MD5010	30.975.00	MD539	26.014.00
ADZ92108	23.274.00	MD007	25.413.00	MD3021	25.211.00	MD5016	27.067.00	MD5390	27.E61.00
ADZ92113	23.271.00	MD008	30.800.00	MD3024	30.795.00	MD5018	27.888.00	MD5392	27.F37.00
ADZ92118	25.003.00	MD009	25.408.00	MD3026	30.794.00	MD502	27.134.00	MD542	27.599.00
ADZ92119	25.012.00	MD013	25.402.01	MD303	25.590.00	MD5022	27.890.00	MD543	25.050.00
ADZ92129	23.652.00	MD014	27.752.00	MD3032	30.525.00	MD5024	27.946.00	MD545	25.065.00
ADZ92202	27.140.00	MD017	20.012.02	MD304	30.943.00	MD5028	27.079.00	MD547	25.031.00
ADZ92204	27.069.00	MD017A	20.012.02	MD306	30.871.00	MD503	25.034.00	MD548	30.987.01
ADZ92210	27.193.00	MD018	30.811.00	MD313	26.618.00	MD5032	27.062.00	MD553	26.018.00
ADZ92211	27.647.00	MD019	25.421.00	MD316	27.069.00	MD5034	27.065.00	MD555	26.057.00
ADZ92214	27.E50.00	MD024	27.719.00	MD318	30.916.00	MD5036	27.110.00	MD556	30.911.00
ADZ92216	30.204.00	MD027A	25.406.01	MD326	27.706.00	MD5038	27.084.00	MD558	30.929.00
ADZ92217	30.147.00	MD027B	25.406.01	MD332	30.872.01	MD5040	27.176.00	MD560	27.063.00
ADZ92218	30.107.00	MD027C	25.406.01	MD335	25.017.00	MD5042	30.078.01	MD563	26.022.00
ADZ92219	30.159.00	MD030	27.725.00	MD337	25.003.00	MD5046	27.177.00	MD567	26.695.00
ADZ92223	30.297.00	MD034	27.708.00	MD337A	25.003.00	MD5048	27.128.00	MD572	27.239.00
ADZ92224	30.550.00	MD035	25.419.00	MD337B	25.001.00	MD5050	27.162.00	MD574	27.083.00
ADZ92230	30.477.00	MD037	25.443.00	MD337C	25.002.00	MD5054	27.085.00	MD575	26.037.00
ADZ92231	30.604.00	MD042	30.803.00	MD340	27.931.00	MD5056	27.089.00	MD576	27.927.00
ADZ92305	24.370.00	MD044	27.728.00	MD341	25.162.00	MD506	27.605.00	MD577	60.H20.00
ADZ92309	26.687.00	MD046	27.770.00	MD343	25.008.00	MD5062	27.149.00	MD578	27.591.00
ADZ92310	26.689.00	MD048	27.740.00	MD344	27.939.00	MD5064	27.268.00	MD581	25.116.00
ADZ92314	24.ONE.02	MD056	30.871.00	MD345	25.009.00	MD5066	27.154.00	MD586	30.899.00
ADZ92317	26.131.00	MD058	27.720.00	MD348	30.872.01	MD5068	27.153.00	MD588	30.948.00
ADZ92503	53.047.00	MD069	26.676.00	MD349	25.012.00	MD5070	27.196.00	MD589	25.075.00
ADZ92505	53.045.00	MD076	27.731.00	MD350	27.817.00	MD5074	27.175.00	MD590	27.756.00
ADZ92507	53.124.00	MD078	30.809.00	MD351	25.014.00	MD5078	27.081.00	MD591	25.074.00
ADZ92509	53.327.00	MD080	27.090.00	MD353	25.010.00	MD509	25.037.00	MD593	26.045.00
ADZ92510	54.167.00	MD081	25.004.00	MD354	27.195.00	MD5100	27.C10.00	MD596	27.193.00
		MD082	27.707.00	MD355	25.011.00	MD5108	27.397.00	MD597	26.023.00
		MD092	27.712.00	MD357	25.018.00	MD510K	27.132.00	MD598K	27.923.00
		MD093	24.360.01	MD361	24.388.00	MD5112	27.D10.00	MD600	27.107.00
		MD095	26.602.00	MD363	24.389.00	MD5116	27.267.00	MD604K	27.137.00
		MD097	26.601.00	MD365	24.390.00	MD5118	27.273.00	MD605	25.063.00
		MD098	30.804.00	MD367	24.401.00	MD5122	27.403.00	MD612K	27.920.00
		MD100	27.744.00	MD368	27.156.00	MD5124	27.588.00	MD613	26.007.00
		MD101	26.652.00	MD375	26.688.00	MD5126	30.116.00	MD615	26.021.00
		MD102	27.769.00	MD376	27.898.00	MD513	26.693.00	MD616	30.939.00
		MD106	27.235.00	MD377	26.690.00	MD5132	27.265.00	MD618	30.917.01
		MD111	26.670.00	MD380	27.074.00	MD5136	27.582.00	MD619	25.064.00
		MD120K	27.878.00	MD381	26.689.00	MD5142	27.341.00	MD620	30.924.00
AIXAM		UFI							
1WL008	27.A05.00	MD095	26.602.00	MD363	24.389.00	MD5116	27.267.00	MD604K	27.137.00
1WL098	23.262.00	MD097	26.601.00	MD365	24.390.00	MD5118	27.273.00	MD605	25.063.00
JD059911275	23.258.00	MD098	30.804.00	MD367	24.401.00	MD5122	27.403.00	MD612K	27.920.00
ALCO FILTERS		UFI							
FF003	31.005.00	MD106	27.235.00	MD377	26.690.00	MD5132	27.265.00	MD618	30.917.01
FF004	31.006.00	MD111	26.670.00	MD380	27.074.00	MD5136	27.582.00	MD619	25.064.00
FF007	31.012.00	MD120K	27.878.00	MD381	26.689.00	MD5142	27.341.00	MD620	30.924.00

MD625	25.068.00	MD8040	30.158.00	MD8316	30.382.00	MD8570	30.557.00	MD8866	30.509.00
MD627	25.177.00	MD8046	30.320.00	MD8318	30.380.00	MD8572	30.405.00	MD8870	30.713.00
MD628	30.923.01	MD8050	30.132.00	MD8322	30.391.00	MD8576	30.631.00	MD8876	30.B87.00
MD629	26.012.00	MD8052	30.214.00	MD8324	30.347.00	MD8578	30.553.00	MD8882	30.C64.00
MD631	25.094.00	MD8054	30.432.00	MD8328	30.260.00	MD8580	30.626.00	MD8886	30.712.00
MD635	26.131.00	MD8058	30.788.00	MD8330	30.B06.00	MD8588	30.A54.00	MD8888	30.A91.00
MD637	25.061.00	MD8060	30.187.00	MD8332	30.541.00	MD8598	30.A23.00	MD8890	30.A16.00
MD640	27.076.00	MD8062	30.409.00	MD8334	30.319.00	MD8600	30.B26.00	MD8892	30.A62.00
MD641	25.091.00	MD8064	30.231.00	MD8338	30.403.00	MD8602	30.663.00	MD8894	30.B27.00
MD647	26.020.00	MD8076	30.217.00	MD8342	30.A55.00	MD8606	30.A40.00	MD8900	30.A51.00
MD651	25.150.00	MD8078	30.206.00	MD8344	30.393.00	MD8611	26.122.00	MD8912	30.A59.00
MD652	27.169.00	MD8080	30.294.00	MD8346	30.332.00	MD8610	30.A15.00	MD8924	30.793.00
MD653	26.058.00	MD8082	30.276.00	MD8350	30.A33.00	MD8612	30.559.00	MD8931	25.188.00
MD655	25.085.00	MD8086	30.234.00	MD8352	30.686.00	MD8614	30.653.00	MD8940	30.B86.00
MD657	26.055.00	MD8090	30.417.00	MD8354	30.331.00	MD8616	30.776.00	MD8956	30.A49.00
MD659	26.015.00	MD8094	30.265.00	MD8356	30.504.00	MD8618	30.297.00	MD8966	30.C63.00
MD663	26.077.00	MD8100	30.329.00	MD8358	30.342.00	MD8620	30.A38.00	MD8971	26.129.00
MD665	26.123.00	MD8106	30.241.00	MD8362	30.591.00	MD8624	30.A96.00	MD8984	30.A52.00
MD668	27.194.00	MD8108	30.245.00	MD8364	30.721.00	MD8628	30.546.00	MD8989	26.130.00
MD669	25.083.00	MD8111	26.032.00	MD8366	30.408.00	MD8630	30.589.00	MD8996	30.A42.00
MD675	25.086.00	MD8110	30.194.00	MD8370	30.317.00	MD8634	30.634.00	MD9000	30.815.00
MD678	27.527.00	MD8112	30.253.00	MD8374	30.346.00	MD8636	30.779.00	MD9002	30.906.00
MD679	25.106.00	MD8118	27.486.00	MD8376	30.310.00	MD8640	30.540.00	MD9014	30.822.00
MD681	26.072.00	MD8122	30.308.00	MD8380	30.466.00	MD8646	30.597.00	MD9020	30.908.00
MD683	25.159.00	MD8124	30.277.00	MD8382	30.A44.00	MD8648	30.A99.00	MD9024	30.889.00
MD686	27.135.00	MD8126	30.337.00	MD8384	30.367.00	MD8651	25.148.00	MD9030	30.965.00
MD690	27.228.00	MD8128	30.312.00	MD8388	30.330.00	MD8650	30.A43.00	MD9032	30.973.00
MD691	26.026.00	MD8130	30.280.00	MD8392	30.383.00	MD8652	30.595.00	MD9034	30.928.00
MD692	27.138.00	MD8132	30.272.00	MD8394	30.550.00	MD8654	30.558.00	MD9036	30.976.00
MD695	25.163.00	MD8136	30.229.00	MD8396	30.451.00	MD8656	30.532.00	MD9040	30.807.00
MD697	25.166.00	MD8138	30.B04.00	MD8398	30.533.00	MD8658	30.C39.00	MD9044	30.915.00
MD7000	27.801.00	MD8140	30.328.00	MD8404	30.600.00	MD8660	30.B08.00	MD9046	30.919.00
MD7006	27.283.00	MD8144	30.497.00	MD8408	30.455.00	MD8662	30.632.00	MD9050	30.942.00
MD706	27.602.00	MD8151	25.185.00	MD8414	30.404.00	MD8664	30.A17.00	MD9052	30.926.00
MD7074	27.231.00	MD8150	30.A86.00	MD8416	30.468.00	MD8666	30.638.00	MD9054	30.930.00
MD709	25.178.00	MD8154	30.318.00	MD8418	30.341.00	MD8670	30.512.00	MD9060	30.878.00
MD7096	27.813.00	MD8156	30.259.00	MD8420	30.C42.00	MD8674	30.594.00	MD9064	30.898.00
MD7116	27.477.00	MD8158	30.246.00	MD8424	27.630.00	MD8678	30.A20.00	MD9066	30.904.00
MD715	25.154.00	MD8160	30.465.00	MD8426	30.A97.00	MD8682	30.355.00	MD9072	30.955.00
MD717	25.164.00	MD8162	30.293.00	MD8428	30.592.00	MD8688	30.603.00	MD9076	30.902.00
MD721	25.204.00	MD8164	30.257.00	MD8431	26.139.00	MD8692	30.627.00	MD9078	30.891.00
MD731	25.144.00	MD8166	30.307.00	MD8430	30.B23.00	MD8696	30.A56.00	MD9084	30.916.00
MD734	27.524.00	MD8168	30.292.00	MD8434	30.538.00	MD8698	30.629.00	MD9086	30.914.02
MD736	27.522.00	MD8170	30.505.00	MD8436	30.469.00	MD8702	30.B62.00	MD9088	30.933.00
MD737	26.149.00	MD8172	30.273.00	MD8438	30.A95.00	MD8706	27.B74.00	MD9090	30.924.00
MD739	25.073.02	MD8174	30.262.00	MD8444	30.B42.00	MD8712	30.781.00	MD9092	30.944.00
MD7398	27.356.00	MD8176	30.233.00	MD8446	30.390.00	MD8714	30.A69.00	MD9094	30.993.00
MD743	25.145.00	MD8184	30.301.00	MD8448	30.345.00	MD8722	30.549.00	MD9096	30.946.00
MD744	27.253.00	MD8186	30.298.00	MD8451	25.199.00	MD8724	30.652.00	MD9100	30.936.00
MD745	25.153.00	MD8188	30.725.00	MD8452	30.357.00	MD8726	30.709.00	MD9102	30.935.00
MD746	27.257.00	MD8190	30.299.00	MD8454	30.365.00	MD8728	30.B76.00	MD9108	30.960.00
MD748	27.236.00	MD8192	30.325.00	MD8456	30.351.00	MD8730	30.607.00	MD9110	30.955.00
MD7484	27.A72.00	MD8194	30.386.00	MD8460	30.388.00	MD8732	30.604.00	MD9112	30.004.00
MD749	26.073.00	MD8196	30.471.00	MD8468	30.723.00	MD8734	30.588.00	MD9116	30.952.00
MD750	27.520.00	MD8198	30.334.00	MD8470	30.687.00	MD8738	30.688.00	MD9118	30.954.00
MD7542	27.A05.00	MD8202	30.628.00	MD8472	30.639.00	MD8742	30.B17.00	MD9122	30.945.00
MD7554	27.367.00	MD8204	30.278.00	MD8474	30.456.00	MD8744	30.A53.00	MD9126	30.953.00
MD759	26.052.00	MD8212	30.167.00	MD8476	30.211.00	MD8748	30.655.00	MD9132	30.012.00
MD761	26.074.00	MD8218	30.180.00	MD8478	30.371.00	MD8750	30.B22.00	MD9134	30.950.00
MD763	25.180.00	MD8222	30.302.00	MD8480	30.550.00	MD8752	30.609.00	MD9136	30.076.00
MD7648	27.B91.00	MD8226	30.554.00	MD8482	30.395.00	MD8758	30.724.00	MD9150	30.240.00
MD773	26.034.00	MD8228	30.309.00	MD8486	30.153.00	MD8764	30.A61.00	MD9152	30.256.00
MD775	26.085.00	MD8232	30.274.00	MD8488	30.374.00	MD8766	30.635.00	MD9166	30.974.00
MD779	25.191.00	MD8234	30.168.00	MD8490	30.555.00	MD8768	30.777.00	MD9170	30.969.00
MD783	25.110.00	MD8236	30.399.00	MD8496	30.498.00	MD8771	25.160.00	MD9172	30.972.00
MD786	27.354.00	MD8238	30.381.00	MD8500	30.A60.00	MD8774	30.726.00	MD9178	30.965.00
MD788	27.232.00	MD8240	30.B03.00	MD8506	30.A70.00	MD8782	30.660.00	MD9182	30.001.00
MD789	26.115.00	MD8242	30.344.00	MD8508	30.574.00	MD8784	30.622.00	MD9190	30.017.00
MD791	25.210.00	MD8248	30.209.00	MD8511	26.114.00	MD8786	30.654.00	MD9192	30.017.00
MD8000	30.182.00	MD8256	30.A64.00	MD8512	30.556.00	MD8788	30.630.00	MD9194	30.017.00
MD8002	30.201.00	MD8260	30.366.00	MD8516	30.406.00	MD8794	30.648.00	MD9198	30.239.00
MD8004	30.288.00	MD8264	30.417.00	MD8518	30.B24.00	MD8796	30.665.00	MD9200	30.996.00
MD8006	30.224.00	MD8266	30.B44.00	MD8520	30.701.00	MD8798	30.659.00	MD9202	30.188.00
MD8008	30.232.00	MD8270	30.453.00	MD8522	30.376.00	MD8802	30.657.00	MD9204	30.991.00
MD8010	30.279.00	MD8272	30.385.00	MD8526	30.645.00	MD8804	30.A67.00	MD9206	30.977.00
MD8012	30.136.00	MD8274	30.618.00	MD8531	26.102.00	MD8812	30.A21.00	MD9208	30.994.00
MD8018	30.135.00	MD8276	30.352.00	MD8530	30.422.00	MD8814	30.A73.00	MD9210	30.020.00
MD8020	30.168.00	MD8278	30.268.00	MD8532	30.573.00	MD8816	30.C03.00	MD9212	30.076.00
MD8022	30.164.00	MD8280	30.324.00	MD8534	30.B05.00	MD8818	30.717.00	MD9214	30.999.00
MD8024	30.203.00	MD8282	30.340.00	MD8536	30.496.00	MD8820	30.718.00	MD9216	30.058.00
MD8026	30.137.00	MD8284	30.315.00	MD8538	30.404.00	MD8824	30.B20.00	MD9218	30.003.00
MD8028	30.195.00	MD8288	30.362.00	MD8540	30.A37.00	MD8828	30.677.00	MD9220	30.981.00
MD803	25.201.00	MD8296	30.313.00	MD8550	30.617.00	MD8836	30.B50.00	MD9222	30.016.00
MD8030	30.244.00	MD8298	30.606.00	MD8552	30.416.00	MD8851	26.104.00	MD9224	30.005.00
MD8032	30.226.00	MD8302	30.506.00	MD8556	30.407.00	MD8850	30.B25.00	MD9228	27.174.00
MD8034	30.196.00	MD8308	30.297.00	MD8562	30.625.00	MD8852	30.363.00	MD9232	30.040.00
MD8036	30.281.00	MD8310	30.392.00	MD8564	30.576.00	MD8862	30.658.00	MD9244	30.172.00
MD8038	30.210.00	MD8314	30.437.00	MD8568	30.711.00	MD8864	30.B11.00	MD9248	30.024.00

MD9250	30.021.00	MD9500	27.271.00	MD9874	30.967.00	MS6176	53.044.00	MS6325	53.159.00
MD9252		MD9502	30.115.00	MD9878	27.173.00	MS6179	53.158.00	MS6326	53.145.00
(BMW)	30.029.00	MD9504	27.353.00	MD9880	30.242.00	MS6179C	54.121.00	MS6328	53.144.00
MD9252		MD9510	30.157.00	MD9882	27.200.00	MS6182C	54.113.00	MS6330	53.137.00
(VAG)	30.192.00	MD9512	30.119.00	MD9886	27.525.00	MS6183C	54.247.00	MS6330C	54.161.00
MD9254	30.119.00	MD9514	30.099.00	MD9894	30.013.00	MS6185	53.035.00	MS6331	53.102.00
MD9254/1	30.119.00	MD9516	27.384.00	MD9902	27.526.00	MS6187	53.075.00	MS6332	53.131.00
MD9256	30.035.00	MD9518	27.254.00	MD9906	27.589.00	MS6188	53.050.00	MS6333	53.105.00
MD9258	30.027.00	MD9528	30.531.00	MD9912	27.E44.00	MS6190	53.094.00	MS6337	53.214.00
MD9260	30.028.00	MD9536	30.111.00	MD9914	30.222.00	MS6191	53.087.00	MS6339	53.124.00
MD9268	30.032.00	MD9540	30.141.00	MD9922	30.243.00	MS6194	53.068.00	MS6343	53.188.00
MD9270	30.033.00	MD9556	30.911.00	MD9924	30.026.00	MS6202	53.032.00	MS6345	53.146.00
MD9272	30.034.00	MD9558	30.929.00	MD9926	30.461.00	MS6202C	54.101.00	MS6346	53.246.00
MD9274	30.008.00	MD9560	30.134.00	MD9928	30.255.00	MS6203	53.086.00	MS6347C	54.215.00
MD9276	30.398.00	MD9584	30.082.00	MD9930	30.237.00	MS6203C	54.122.00	MS6348	53.208.00
MD9280	30.025.00	MD9586	30.899.00	MD9932	30.143.00	MS6204C	54.119.00	MS6351	53.073.00
MD9284	30.072.00	MD9588	30.948.00	MD9934	30.170.00	MS6208	53.230.00	MS6354C	54.149.00
MD9286	30.961.00	MD9590	30.169.00	MD9936	30.223.00	MS6216	53.031.00	MS6360	53.274.00
MD9292	30.036.00	MD9592	30.176.00	MD9938		MS6216C	54.114.00	MS6363C	54.163.00
MD9294	30.007.00	MD9600	30.338.00	(CITROEN, MITSUBISHI, PEUGEOT)	30.601.00	MS6223	53.040.00	MS6364	53.316.00
MD9296	30.041.00	MD9606	30.228.00	MD9942	30.230.00	MS6224	53.045.00	MS6368	53.147.00
MD9298	30.071.00	MD9608	30.327.00	MD9944	27.579.00	MS6224C	54.100.00	MS6369C	54.168.00
MD9300	30.049.00	MD9618	30.780.00	MD9964	30.173.00	MS6225	53.319.00	MS6370	53.143.00
MD9302	30.041.00	MD9620	30.162.00	MD9966		MS6227	53.257.00	MS6371	53.151.00
MD9304	30.070.00	MD9622	30.199.00	(MAZDA)	30.012.00	MS6231	53.039.00	MS6372	53.222.00
MD9306	30.075.00	MD9624	30.165.00	MD9966		MS6233	53.235.00	MS6375	53.255.00
MD9316	30.041.00	MD9626	30.932.00	(FORD FIESTA, MAZDA 121)	30.062.00	MS6237	53.038.00	MS6375C	54.243.00
MD9318	30.045.00	MD9628	30.148.00	MD9968	30.178.00	MS6238	53.118.00	MS6376	53.218.00
MD9326	30.053.00	MD9630	30.289.00	MD9972	30.973.00	MS6240	54.117.00	MS6380	53.157.00
MD9328	30.066.00	MD9632	30.213.00	MD9974	30.A50.00	MS6240	53.103.00	MS6381C	54.275.00
MD9332	30.286.00	MD9636	30.963.00	MD9976	30.221.00	MS6241	53.149.00	MS6383	53.219.00
MD9336	30.966.00	MD9638	30.910.00	MD9986	30.236.00	MS6245	53.043.00	MS6386	53.126.00
MD9340	30.030.00	MD9640	30.973.00	MD9992	30.238.00	MS6246	53.197.00	MS6389	53.239.00
MD9348	30.022.00	MD9650	27.523.00	MD9994	30.460.00	MS6247	53.386.00	MS6391	53.160.00
MD9354	30.039.00	MD9662	30.537.00	MD9996	30.787.00	MS6249C	54.240.00	MS6392	53.426.00
MD9356	30.052.00	MD9664	30.126.00	MS-6289	53.400.00	MS6250	53.095.00	MS6393	53.207.00
MD9358	30.057.00	MD9666	30.104.00	MS-6524	53.424.00	MS6251	53.108.00	MS6394	53.261.00
MD9360	30.046.00	MD9668	30.102.00	MS6006	53.012.00	MS6255	53.069.00	MS6395	53.164.00
MD9362	30.080.00	MD9670	30.103.00	MS6011	53.026.00	MS6256	53.058.00	MS6396	53.186.00
MD9364	30.073.00	MD9672	30.105.00	MS6013	53.019.00	MS6258	53.119.00	MS6400	53.154.00
MD9368	30.048.00	MD9678	27.274.00	MS6014	53.020.00	MS6259C	54.115.00	MS6401	53.223.00
MD9370	30.063.00	MD9682	30.175.00	MS6018	53.021.00	MS6265	54.147.00	MS6403C	54.217.00
MD9374	30.064.00	MD9688	30.275.00	MS6020	53.017.00	MS6267	53.125.00	MS6404	53.229.00
MD9382	30.107.00	MD9690	30.220.00	MS6020C	54.118.00	MS6267C	54.273.00	MS6404C	54.231.00
MD9386	30.083.00	MD9706	30.112.00	MS6024	53.037.00	MS6270	53.142.00	MS6406C	54.166.00
MD9388	30.096.00	MD9708	30.155.00	MS6025	53.059.00	MS6271	53.107.00	MS6411	53.149.00
MD9394	30.090.00	MD9710	30.161.00	MS6026	53.114.00	MS6272	53.242.00	MS6413	53.397.00
MD9396	30.050.00	MD9712	30.287.00	MS6100	53.005.00	MS6273	53.109.00	MS6414C	54.173.00
MD9400		MD9714	30.150.00	MS6101	53.007.00	MS6274	53.148.00	MS6415	53.220.00
(ALTRE/OTHER APPL.)	30.818.00	MD9718	30.A71.00	MS6102	53.013.00	MS6274C	54.124.00	MS6416	53.388.00
MD9400		MD9720	30.269.00	MS6103	53.001.00	MS6275	53.218.00	MS6417C	54.312.00
(FIAT)	30.857.00	MD9724	30.270.00	MS6104	53.027.00	MS6276	53.125.00	MS6418	53.183.00
MD9402	30.121.00	MD9726	30.129.00	MS6105	53.015.00	MS6277	53.189.00	MS6420	53.041.00
MD9404	30.864.00	MD9728	30.372.00	MS6107	53.010.00	MS6277C	54.148.00	MS6421	53.209.00
MD9406	30.852.00	MD9730	30.146.00	MS6109	53.006.00	MS6279	53.093.00	MS6425	53.215.00
MD9408	30.836.00	MD9732	30.159.00	MS6109C	54.263.00	MS6280	54.138.00	MS6427	53.250.00
MD9410	30.067.00	MD9734	30.098.00	MS6112	53.024.00	MS6280	53.249.00	MS6432	53.394.00
MD9414	30.086.00	MD9740	30.216.00	MS6113	53.011.00	MS6283	53.104.00	MS6433	53.251.00
MD9420	30.085.00	MD9742	30.575.00	MS6114	53.018.00	MS6285	53.106.00	MS6433C	54.241.00
MD9422	30.077.00	MD9744	30.204.00	MS6115		MS6285C	54.237.00	MS6435	53.327.00
MD9428	30.120.00	MD9746	30.397.00	(N. 1 FILTRO/FILTER)	53.009.00	MS6290	53.117.00	MS6436	53.311.00
MD9430	30.068.00	MD9748	30.263.00	MS6116	53.011.00	MS6291	53.123.00	MS6436C	54.287.00
MD9432	30.835.00	MD9750	30.180.00	MS6118	53.013.00	MS6294	53.116.00	MS6437C	54.222.00
MD9434	30.858.00	MD9752	30.139.00	MS6118C	54.195.00	MS6295C	54.125.00	MS6438	53.190.00
MD9436	30.851.00	MD9754	30.248.00	MS6119	53.014.00	MS6296	53.101.00	MS6438C	54.199.00
MD9438	30.087.00	MD9756	30.311.00	MS6120	53.016.00	MS6296C	54.137.00	MS6440C	54.226.00
MD9440	30.079.00	MD9760	30.225.00	MS6120C	54.317.00	MS6299	53.228.00	MS6441	53.379.00
MD9444	30.894.00	MD9764	27.601.00	MS6123	53.023.00	MS6299C	54.127.00	MS6442	53.260.00
MD9446	30.942.00	MD9766	30.171.00	MS6124	53.046.00	MS6302	53.088.00	MS6448	53.233.00
MD9448	30.860.00	MD9768	30.133.00	MS6127	53.066.00	MS6303	53.129.00	MS6449C	54.249.00
MD9450	30.890.00	MD9770	30.295.00	MS6133	53.067.00	MS6303C	54.158.00	MS6451	53.259.00
MD9452	30.847.00	MD9772	30.186.00	MS6141	53.234.00	MS6304	53.247.00	MS6453	53.191.00
MD9456	30.896.00	MD9774	30.144.00	MS6141C	54.108.00	MS6304C	54.146.00	MS6456	53.396.00
MD9458	30.893.00	MD9776	30.163.00	MS6145	53.042.00	MS6305	53.236.00	MS6458C	54.238.00
MD9470	30.101.00	MD9778	30.181.00	MS6148	53.034.00	MS6305C	54.154.00	MS6459C	54.219.00
MD9472	30.109.00	MD9780	30.185.00	MS6148C	54.106.00	MS6306	53.227.00	MS6460C	54.223.00
MD9474	30.596.00	MD9782	30.267.00	MS6149	53.074.00	MS6307	53.112.00	MS6461	53.210.00
MD9476	30.117.00	MD9788	30.128.00	MS6150	53.028.00	MS6310	53.115.00	MS6463C	54.284.00
MD9478	30.100.00	MD9790	30.183.00	MS6151	53.060.00	MS6311	53.231.00	MS6466	53.422.00
MD9480	30.314.00	MD9792	30.320.00	MS6152	53.002.00	MS6311C	54.155.00	MS6467	53.384.00
MD9482	30.124.00	MD9794	30.127.00	MS6158	53.084.00	MS6313	53.132.00	MS6470	53.383.00
MD9484	30.177.00	MD9802	27.172.00	MS6160	53.030.00	MS6314	53.120.00	MS6477	53.389.00
MD9486	30.095.00	MD9814	27.581.00	MS6161	53.047.00	MS6315	53.201.00	MS6478	53.277.00
MD9488	27.252.00	MD9818	27.057.00	MS6162	53.083.00	MS6316	53.226.00	MS6478C	54.254.00
MD9490	30.108.00	MD9846	27.159.00	MS6163	53.057.00	MS6316C	54.153.00	MS6480	53.293.00
MD9492	30.147.00	MD9858	27.590.00	MS6167	53.244.00	MS6320	53.141.00	MS6482	53.256.00
MD9496	30.106.00	MD9860	27.604.00	MS6172	53.292.00	MS6323	53.110.00	MS6483	53.320.00
MD9498	30.249.00	MD9862	27.171.00	MS6175	53.052.00	MS6323C	54.145.00	MS6485	53.390.00

10-09-904	23.236.00	10-H0-003	25.071.00	20-02-282	27.C10.00	(MITSUBISHI)	27.156.00	20-OH-H31	30.634.00
10-09-906	23.273.00	10-H0-004	25.053.00	20-02-283	30.289.00	20-05-512	27.604.00	20-OH-H32	30.C42.00
10-09-908	23.274.00	10-H0-004U	23.545.00	20-02-284	30.338.00	20-05-514	30.781.00	20-OH-H33	30.A21.00
10-09-913	23.440.00	10-K0-K005	23.472.00	20-02-286	30.176.00	20-05-516	27.171.00	20-OH-H35	30.710.00
10-09-916	23.652.00	10-K0-006	23.486.00	20-02-287	27.582.00	20-05-523	27.282.00	20-OK-011	30.308.00
10-09-997	25.528.00	10-M0-001	23.479.00	20-02-288	30.175.00	20-05-524	30.220.00	20-OK-014	27.E34.00
10-OH-005	23.265.00	10-W0-000	23.131.01	20-02-291	27.D10.00	20-05-526	27.A72.00	20-OK-K15	30.386.00
10-OL-L06	23.584.00	10-W0-001	23.255.00	20-02-292	27.583.00	20-05-531	30.533.00	20-OK-K16	30.363.00
10-OL-L09	23.632.00	10-W0-W02	23.585.00	20-02-298	30.223.00	20-05-534	30.709.00	20-OK-K17	30.483.00
10-OM-000	25.035.00	20-00-001	30.592.00	20-02-299		20-05-575	27.A72.00	20-OK-K18	30.B06.00
10-OM-M02	23.565.00	20-00-007	30.593.00	(CITROEN, MITSUBISHI, PEUGEOT)	30.601.00	20-05-578	30.126.00	20-OK-K19	30.382.00
10-ECO003	25.014.00	20-00-008	30.600.00	20-03-301	27.744.00	20-05-586	30.221.00	20-OK-K20	30.A64.00
10-ECO004	25.008.00	20-00-009	27.C09.00	20-03-302	27.799.00	20-05-587	30.275.00	20-OK-K21	30.454.00
10-ECO005	25.003.00	20-00-015	30.B44.00	20-03-311	30.A53.00	20-05-589	30.070.00	20-OK-K22	30.469.00
10-ECO006	25.002.00	20-00-018	30.498.00	20-03-321	30.012.00	20-05-590	30.336.00	20-OK-K27	30.723.00
10-ECO007	25.001.00	20-00-0200	30.793.00	20-03-323	30.013.00	20-05-592	30.286.00	20-OK-K28	30.631.00
10-ECO008	25.011.00	20-00-0201	30.795.00	20-03-325	30.171.00	20-05-593	30.285.00	20-OK-K29	30.632.00
10-ECO009	25.162.00	20-00-043	30.688.00	20-03-327	30.172.00	20-05-597	27.E44.00	20-OK-K30	30.627.00
10-ECO010	25.019.00	20-00-098	30.075.00	20-03-331	30.277.00	20-05-598	30.222.00	20-OK-K31	30.594.00
10-ECO011	25.009.00	20-01-100	30.181.00	20-03-332	30.335.00	20-05-599	30.230.00	20-OL-L02	30.268.00
10-ECO012	25.004.00	20-01-101	27.769.00	20-03-335	30.409.00	20-06-615	30.088.00	20-OL-L10	30.068.00
10-ECO013	25.010.00	20-01-102	27.744.00	20-03-337	30.344.00	20-06-616	30.B03.00	20-OL-L14	30.555.00
10-ECO014	25.038.00	20-01-108	30.973.00	20-03-338	30.787.00	20-06-618	27.173.00	20-OL-L17	30.C03.00
10-ECO017	25.012.00	20-01-110	27.235.00	20-03-340	30.626.00	20-06-692	30.B04.00	20-OL-L18	30.559.00
10-ECO018	25.017.00	20-01-111	27.D79.00	20-03-341	27.675.00	20-07-702	27.744.00	20-OL-L21	30.A63.00
10-ECO019	25.024.00	20-01-114	27.605.00	20-03-342	30.A99.00	20-07-706	27.744.00	20-OM-000	27.386.00
10-ECO021	25.013.00	20-01-120	27.159.00	20-03-343	30.779.00	20-07-709	30.973.00	20-OM-M03	30.466.00
10-ECO022	25.015.00	20-01-121	27.200.00	20-03-344	30.786.00	20-07-710		20-OM-M04	30.B20.00
10-ECO023	25.023.00	20-01-128	30.319.00	20-03-345	27.B74.00	(TOYOTA)	30.397.00	20-OS-S06	30.C44.00
10-ECO024	25.022.00	20-01-129	30.155.00	20-03-346	30.390.00	20-07-714	30.615.00	20-OW-W07	30.278.00
10-ECO026	25.148.00	20-01-133	30.099.00	20-03-383	30.169.00	20-07-715	30.283.00	20-OW-W08	30.392.00
10-ECO028	25.024.00	20-01-134	30.362.00	20-03-385	30.102.00	20-08-801	30.328.00	20-OW-W09	30.676.00
10-ECO030	25.033.00	20-01-135	30.352.00	20-03-387	30.103.00	20-08-803	27.074.00	20-OW-W10	30.450.00
10-ECO031	25.095.00	20-01-136	27.676.00	20-03-389	30.178.00	20-08-807	27.090.00	20-OW-W11	30.422.00
10-ECO032	25.039.00	20-01-142	30.576.00	20-03-392	27.522.00	20-08-810	30.967.00	20-OW-W12	30.404.00
10-ECO033	25.018.00	20-01-145	30.556.00	20-03-394		20-08-815	30.269.00	20-OW-W13	30.701.00
10-ECO035	25.030.00	20-01-148	30.B76.00	(DAEWOO)	30.990.00	20-08-817	30.550.00	20-OW-W14	30.569.00
10-ECO036	25.056.00	20-01-149	30.724.00	20-03-397	30.173.00	20-08-819	30.384.00	20-OW-W19	30.653.00
10-ECO037	25.032.00	20-01-154	30.B22.00	20-04-400	30.618.00	20-08-822	30.391.00	20-H0-001	27.648.00
10-ECO038	25.027.00	20-01-155	30.A59.00	20-04-402	27.799.00	20-08-823	30.383.00	20-H0-002	30.287.00
10-ECO041	25.067.00	20-01-188	27.679.00	20-04-412	27.599.00	20-08-824	30.725.00	20-H0-003	30.267.00
10-ECO044	25.043.00	20-01-193	27.397.00	20-04-413	30.256.00	20-08-826	30.210.00	20-H0-004	30.174.00
10-ECO045	25.070.00	20-01-194	27.524.00	20-04-416	30.242.00	20-08-827	30.393.00	20-H0-005	30.229.00
10-ECO048	25.066.00	20-01-196	30.001.00	20-04-417		20-08-828	30.347.00	20-H0-006	30.309.00
10-ECO051	25.116.00	20-01-197	30.026.00	(HONDA)	27.591.00	20-08-829	30.628.00	20-H0-008	30.224.00
10-ECO053	25.069.00	20-01-199	27.526.00	20-04-418	27.525.00	20-08-830	30.456.00	20-H0-009	30.348.00
10-ECO054	25.077.00	20-02-200	30.385.00	20-04-420	27.590.00	20-08-831	30.A96.00	20-H0-010	30.266.00
10-ECO055	25.074.00	20-02-2000	30.625.00	20-04-421	27.589.00	20-08-832	30.405.00	20-K0-002	30.130.00
10-ECO056	25.075.00	20-02-2004	27.B91.00	20-04-422	30.239.00	20-08-843	30.C40.00	20-K0-006	30.295.00
10-ECO057	25.077.00	20-02-2005	30.721.00	20-04-423	30.255.00	20-08-884	30.270.00	20-K0-007	30.464.00
10-ECO058	25.049.00	20-02-2009	30.603.00	20-04-424	30.231.00	20-08-885	30.A84.00	20-K0-010	30.312.00
10-ECO059	25.091.00	20-02-201	27.770.00	20-04-427	30.237.00	20-08-886	30.327.00	20-M0-001	30.252.00
10-ECO060	25.060.00	20-02-2010	30.A85.00	20-04-431	27.523.00	20-08-889	30.780.00	20-W0-000	27.274.00
10-ECO061	25.050.00	20-02-2011	30.B71.00	20-04-432	27.601.00	20-08-896	30.A50.00	20-W0-001	30.105.00
10-ECO062	25.058.00	20-02-2012	30.660.00	20-04-434	30.232.00	20-08-897	30.460.00	20-W0-002	30.104.00
10-ECO063	25.040.00	20-02-2014	30.A91.00	20-04-435	30.276.00	20-08-898	30.537.00	20-W0-004	30.337.00
10-ECO067	25.167.00	20-02-2016	30.B86.00	20-04-436	30.380.00	20-08-899	30.461.00	20-W0-005	30.279.00
10-ECO068	25.094.00	20-02-203	27.740.00	20-04-437	30.360.00	20-09-900	27.069.00	21-CH-CH1	53.122.00
10-ECO072	25.186.00	20-02-204	27.133.00	20-04-438	30.591.00	20-09-904	30.973.00	21-CH-CH3	53.150.00
10-ECO073	25.064.00	20-02-205	27.939.00	20-04-439	30.325.00	20-09-906	27.E50.00	21-CH-CH5	54.295.00
10-ECO074	25.063.00	20-02-207	27.155.00	20-04-440	30.497.00	20-09-908	30.281.00	21-DC-DC01	53.293.00
10-ECO076	25.151.00	20-02-213	27.097.00	20-04-441	30.573.00	20-09-909	30.C45.00	21-DG-DG0	53.239.00
10-ECO077	25.150.00	20-02-215	27.068.00	20-04-442	30.408.00	20-09-910	30.544.00	21-DW-W0	53.134.00
10-ECO085	25.257.00	20-02-222	27.068.00	20-04-444	30.451.00	20-09-914	30.B42.00	21-DW-W1	53.138.00
10-ECO096	25.166.00	20-02-223	27.057.00	20-04-445	30.617.00	20-09-918	30.659.00	21-DW-W11	53.141.00
10-ECO098	25.106.00	20-02-231	27.097.00	20-04-449	30.313.00	20-09-924	30.652.00	21-DW-W12	53.151.00
10-ECO100	25.084.00	20-02-234	27.172.00	20-04-450	30.381.00	20-09-927	30.677.00	21-DW-W13	53.126.00
10-ECO118	25.029.00	20-02-238	30.076.00	20-04-454	30.619.00	20-09-974	30.226.00	21-DW-W14	53.144.00
10-ECO121	25.213.00	20-02-246	27.282.00	20-04-455	30.503.00	20-09-985	30.284.00	21-DW-W15	53.254.00
10-ECO124	25.153.00	20-02-250	30.170.00	20-04-456	30.B05.00	20-09-987	30.851.00	21-DW-W16	53.220.00
10-ECO126	25.191.00	20-02-251	30.505.00	20-04-457	30.A56.00	20-09-991		21-DW-W18	54.224.00
10-ECO127	25.128.00	20-02-252	30.788.00	20-04-458	30.B08.00	(MITSUBISHI)	27.920.00	21-DW-W2	53.133.00
10-ECO129	25.145.00	20-02-253	30.334.00	20-04-459	30.A54.00	20-09-995	27.193.00	21-DW-W3	53.142.00
10-ECO131	25.248.00	20-02-255	30.453.00	20-04-460	30.C39.00	20-09-999	27.150.00	21-H0-H00	53.063.00
10-ECO132	25.226.00	20-02-257	30.452.00	20-04-462	30.A40.00	20-0H-011	30.307.00	21-H0-H01	53.232.00
10-ECO133	25.180.00	20-02-258	30.248.00	20-04-464	30.525.00	20-0H-012	30.280.00	21-H0-H02	53.160.00
10-ECO134	25.185.00	20-02-259	27.691.00	20-04-470	30.C63.00	20-0H-013	30.326.00	21-H0-H03	53.163.00
10-ECO137	25.219.00	20-02-261	30.554.00	20-04-474	30.471.00	20-0H-H14	30.403.00	21-H0-H05	
10-ECO141	25.188.00	20-02-262	30.504.00	20-04-486	30.249.00	20-0H-H15	30.A55.00	(N.2 FILTRI/FILTERS)	53.242.00
10-ECO142	25.251.00	20-02-264	30.785.00	20-04-487	30.238.00	20-0H-H16	30.468.00	21-H0-H04	53.108.00
10-ECO146	25.139.00	20-02-266	30.A86.00	20-04-488	30.068.00	20-0H-H17	30.496.00	21-H0-H06	54.152.00
10-ECO147	25.160.00	20-02-267	30.639.00	20-04-494	27.174.00	20-0H-H18	30.620.00	21-H0-H09	53.159.00
10-ECO148	25.216.00	20-02-268	30.A97.00	20-04-495	30.236.00	20-0H-H19	30.726.00	21-HY-H00	53.077.00
10-GAS1S	46.005.00	20-02-269	30.470.00	20-04-496	30.235.00	20-0H-H20	30.B01.00	21-HY-H03	53.118.00
10-GAS2S	31.836.00	20-02-276	30.288.00	20-04-498	30.243.00	20-0H-H22	30.A95.00	21-HY-H05	53.119.00
10-GAS3S	46.007.00	20-02-277	30.225.00	20-05-500	30.506.00	20-0H-H23	30.574.00	21-HY-H07	53.407.00
10-GAS9S	46.006.00	20-02-278	30.247.00	20-05-508	27.071.00	20-0H-H24	30.538.00	21-HY-H08	53.400.00
10-H0-002	23.293.00	20-02-279	30.206.00	20-05-510		2			

21-HY-H17	53.333.00	30-02-215	24.374.00	30-W0-001		2397F	53.044.00	2478	54.271.00
21-HY-H23	53.145.00	30-02-236	31.802.00	(CHEVROLET, DAEWOO)	31.843.00	2398	54.101.00	2478F	53.093.00
21-HY-H27	53.394.00	30-02-240	24.411.00	30-W0-003	26.676.00	2399	54.110.00	2479	54.138.00
21-HY-H28	53.208.00	30-02-244	31.914.00	30ECO040	26.104.00	2399F	53.009.00	2479F	53.249.00
21-HY-H29	53.191.00	30-02-256	24.452.00	30ECO093	26.076.01	2403	54.121.00	2480	54.232.00
21-HY-H31	53.212.00	30-02-259		30ECO095	26.139.00	2403F	53.158.00	2480F	53.104.00
21-HY-H32	53.396.00	(SENZA STAFFA/WITHOUT BRACKET)	31.A16.00	FA-0303JM	30.C47.00	2404 COUPLE	54.242.00	2481	54.174.00
21-HY-H33	53.379.00	30-02-295	24.413.00			2407F	53.091.00	2481F	53.155.00
21-HY-HY38	53.387.00	30-03-300	24.027.00	ASTER	UFI	2408	54.113.00	2482	54.237.00
21-IS-IS1	53.327.00	30-03-322	31.828.00			2409	54.247.00	2482F	53.106.00
21-JE-JE1	53.257.00	30-03-350	31.844.00	2016F	53.059.00	2409F	53.100.00	2484F	53.240.00
21-KI-K00	53.240.00	30-03-351	24.343.00	2049F	53.161.00	2411F	53.035.00	2486	54.151.00
21-KI-K09	53.116.00	30-03-394	31.664.00	2050	54.161.00	2413F	53.075.00	2487	54.221.00
21-KI-K10	53.111.00	30-04-418	24.435.00	2050F	53.137.00	2414F	53.050.00	2487F	53.088.00
21-KI-K11	53.121.00	30-04-424	24.196.00	2300F	53.020.00	2415F	53.082.00	2488	54.137.00
21-KI-K17	53.259.00	30-04-498	31.621.00	2314F	53.026.00	2416	54.131.00	2488F	53.101.00
21-KI-K18	53.152.00	30-05-500	24.119.00	2318	54.197.00	2416F	53.094.00	2489	54.125.00
21-KI-K19	53.261.00	30-05-502		2318	54.277.00	2417	54.198.00	2489F	53.090.00
21-KI-K20	53.149.00	(ALTRE/OTHER APPL.)	24.366.00	2318F	53.015.00	2417F	53.087.00	2491	54.136.00
21-KI-K21	53.273.00	30-05-502		2319F	53.001.00	2418	54.123.00	2491F	53.102.00
21-LR-LR2	53.105.00	(MAZDA)	24.392.00	2323F	53.046.00	2419	54.171.00	2492	54.140.00
21-LR-LR3		30-05-507	24.465.00	2328F	53.016.00	2419F	53.040.00	2493F	53.122.00
(N.2 FILTRI/FILTERS)	53.316.00	30-05-509	24.368.00	2329	54.263.00	2420	54.126.00	2494	54.145.00
21-LR-LR4	53.231.00	30-05-519	31.731.00	2329F	53.006.00	2421	54.100.00	2494F	53.110.00
21-MA-MA0	54.129.00	30-05-528	24.126.00	2329F	53.256.00	2421F	53.045.00	2495	54.149.00
21-MA-MA15	53.330.00	30-05-531	26.687.00	2330	54.270.00	2422	54.128.00	2496 COUPLE	54.153.00
21-MA-MA16	53.368.00	30-05-573	31.825.00	2330F	53.007.00	2423	54.114.00	2496F COUPLE	53.226.00
21-MA-MA18	53.383.00	30-05-574	24.423.00	2332F	53.049.00	2424F	53.031.00	2497F	53.123.00
21-MA-MA19	53.365.00	30-05-585	31.749.00	2333F	53.027.00	2425F	53.257.00	2499	54.318.00
21-MA-MA3	54.129.00	30-05-598	31.550.00	2340F	53.244.00	2426	54.104.00	2499F	53.246.00
21-MA-MA4	54.283.00	30-06-611	24.326.00	2341	54.235.00	2427F	53.068.00	2500F	53.250.00
21-MA-MA5	53.093.00	30-06-695	24.351.00	2341F	53.021.00	2428F	53.032.00	2501	54.127.00
21-MA-MA8	53.120.00	30-07-707	31.541.00	2345	54.105.00	2429	54.122.00	2501F	53.228.00
21-MI-MI2	53.338.00	30-08-822	26.686.00	2345F	53.025.00	2429F	53.086.00	2502F	53.120.00
21-MI-MI3	53.128.00	30-09-988	24.005.00	2346F	53.070.00	2430	54.119.00	2503F	53.141.00
21-MI-MI5	54.220.00	30-09-989	26.013.00	2347F	53.010.00	2431	54.135.00	2504F	53.133.00
21-MI-MI6	54.147.00	30-09-991	24.321.00	2348	54.195.00	2433F	53.162.00	2505F	53.116.00
21-MI-MI7	53.218.00	30-09-992	24.321.00	2348F	53.013.00	2434	54.120.00	2506F	53.126.00
21-MI-MI8	53.274.00	30-09-995	24.338.00	2350	54.107.00	2434F	53.230.00	2507F	53.112.00
21-MI-MI9	53.384.00	30-09-997	24.331.00	2350	54.239.00	2436F	53.043.00	2508	54.146.00
21-NS-NS0	53.052.00	30-0H-H03	24.012.00	2350F	53.023.00	2437	54.282.00	2508F	53.247.00
21-NS-NS10	53.146.00	30-OL-LO2	24.365.00	2352F	53.002.00	2437F	53.039.00	2509	54.296.00
21-NS-NS13	53.223.00	30-OL-LO5		2353F	53.018.00	2438	54.112.00	2510	54.158.00
21-NS-NS14	53.367.00	(DELPHI HDF935)	24.459.00	2355F	53.005.00	2439	54.129.00	2510F	53.129.00
21-NS-NS15	53.215.00	30-OL-LO5		2356	54.116.00	2439F	53.235.00	2511F	53.103.00
21-NS-NS18	53.388.00	(DELPHI HDF965)	24.190.00	2356F	53.012.00	2440F	53.051.00	2512	54.142.00
21-NS-NS2	53.051.00	30-OL-LO8	24.351.00	2357	54.118.00	2441F	53.041.00	2512F	53.227.00
21-NS-NS20	54.320.00	30-OL-L12	24.454.00	2357F	53.017.00	2444F	53.065.00	2513	54.144.00
21-NS-NS22	53.389.00	30-OM-001	31.835.00	2358F	53.085.00	2446	54.111.00	2514F	53.111.00
21-NS-NS4	53.035.00	30-ECO-016	60.H20.00	2359	54.108.00	2446F	53.038.00	2515	54.154.00
21-NS-NS6	53.104.00	30-ECO001	26.001.00	2359F COUPLE	53.234.00	2447F	53.118.00	2515F	53.236.00
21-NS-NS7	53.258.00	30-ECO002	26.006.00	2360F	53.061.00	2448F	53.077.00	2516	54.265.00
21-NS-NS8	53.218.00	30-ECO004	26.688.00	2362F	53.019.00	2449	54.117.00	2516F	53.132.00
21-NS-NS9	53.214.00	30-ECO005	24.390.00	2363	54.169.00	2450F	53.197.00	2517	54.150.00
21-SB-SB0	53.249.00	30-ECO007	26.686.00	2363F	53.028.00	2451	54.103.00	2517F	53.115.00
21-SZ-SZ10	53.186.00	30-ECO008	26.690.00	2367F	53.057.00	2451F	53.149.00	2519	54.155.00
21-SZ-SZ12	53.249.00	30-ECO009	26.689.00	2370F	53.024.00	2452	54.147.00	2519F	53.231.00
21-SZ-Z01	53.201.00	30-ECO010	26.693.00	2371F	53.042.00	2454F	53.067.00	2521 COUPLE	54.215.00
21-SZ-Z03	53.075.00	30-ECO011	26.691.00	2372F	53.074.00	2455F	53.080.00	2522F	53.121.00
21-SZ-Z04		30-ECO012	26.138.00	2373F	53.004.00	2456F	53.108.00	2523F	53.145.00
(SENZA TELAIO/WITHOUT FRAME)	53.135.00	30-ECO013	26.131.00	2374	54.165.00	2457F	53.125.00	2524F	53.214.00
21-SZ-Z07	53.222.00	30-ECO014	26.694.00	2374F	53.011.00	2457F	53.184.00	2526	54.162.00
21-SZ-Z09	53.183.00	30-ECO015	26.687.00	2375F	53.014.00	2458 COUPLE	54.240.00	2526F	53.124.00
21-TY-TY0	53.117.00	30-ECO017	26.695.00	2376	54.230.00	2459	54.133.00	2528F	53.147.00
21-TY-TY1	53.197.00	30-ECO018	26.077.00	2376F	53.030.00	2459F	53.095.00	2529F	53.222.00
21-TY-TY11	53.185.00	30-ECO019	26.003.00	2377	54.139.00	2460	54.152.00	2530F	53.135.00
21-TY-TY15	53.299.00	30-ECO020	26.058.00	2378F	53.079.00	2461	54.157.00	2532F	53.144.00
21-TY-TY2	53.050.00	30-ECO032	26.012.00	2379	54.252.00	2464	54.156.00	2537F	53.113.00
21-TY-TY20	54.331.00	30-ECO036	26.073.00	2379F	53.037.00	2464F	53.069.00	2540	54.164.00
21-TY-TY7	53.125.00	30-ECO038	26.102.00	2380F	53.084.00	2465F	53.058.00	2540F	53.143.00
21-TY-TY9	53.147.00	30-ECO075	26.696.00	2381	54.196.00	2467F	53.119.00	2541F	53.159.00
21SZSZ11	53.426.00	30-ECO076	26.023.00	2381F	53.060.00	2468	54.115.00	2542	54.269.00
30-00-001	24.030.00	30-ECO080	26.019.01	2382F	53.083.00	2468F	53.076.00	2542F	53.130.00
30-00-012	24.107.00	30-ECO082	26.033.00	2383F	53.232.00	2469F	53.142.00	2543	54.200.00
30-01-100		30-ECO083	26.047.00	2384F	53.063.00	2470	54.201.00	2544F	53.206.00
(SENZA VALVOLA/WITHOUT VALVE)	55.582.00	30-ECO084	26.074.00	2385	54.143.00	2470F	53.107.00	2546F	53.152.00
30-01-103	24.370.00	30-ECO097	26.115.00	2385F	53.047.00	2471F	53.242.00	2547F	53.127.00
30-01-106	24.327.00	30-HO-004	24.460.00	2386	54.106.00	2472	54.274.00	2547F	53.201.00
30-01-108	24.013.00	30-HO-005	24.439.00	2386F	53.034.00	2472F	53.109.00	2548	54.175.00
30-01-109	24.375.00	30-HO-011	24.443.00	2387F	53.033.00	2473	54.124.00	2548F	53.156.00
30-01-111	31.529.00	30-KO-003		2388F	53.138.00	2473F	53.148.00	2549	54.275.00
30-01-120	31.710.00	(SOLO RICAMBIO/SPARE PART ONLY)	24.339.00	2389F	53.134.00	2474	54.167.00	2549F	53.150.00
30-01-122	24.026.01	30-KO-009	24.445.00	2390	54.109.00	2474F	53.218.00	2550F	53.191.00
30-01-123	55.394.00	30-MO-002	24.436.00	2391F	53.258.00	2475	54.273.00	2551	54.176.00
30-01-190	24.444.00	30-VW-VW01	24.144.00	2394	54.102.00	2476	54.148.00	2552F COUPLE	53.259.00
30-01-197	24.398.00	30-VW-VW02	24.145.00	2394F	53.064.00	2476F	53.189.00	2553	54.159.00
30-02-200	26.045.00	30-WO-001		2396F	53.052.00	2477	54.134.00	2554	54.172.00
30-02-208	24.370.00	(OPEL)	31.515.00	2397	54.194.00	2477F	53.098.00	2554F COUPLE	53.154.00

2555	54.160.00	2657F	53.384.00	BF1104	31.529.00	PA2014	27.770.00	PA4124	30.464.00
2555F	53.136.00	2660F	53.326.00	BF1108	31.523.00	PA2031	27.744.00	PA4126	30.050.00
2557	54.224.00	2662	54.289.00	BF1120	31.539.00	PA2037	27.740.00	PA4132	30.226.00
2557F	53.151.00	2663F	53.365.00	BF1123	31.529.00	PA2041	30.076.00	PA4138	30.336.00
2558F	53.213.00	2674F	53.387.00	BF1129	31.519.00	PA2042	27.097.00	PA4144	30.169.00
2559	54.283.00			BF1131	31.520.00	PA2065		PA4150	30.788.00
2561F	53.274.00	ASTON MARTIN	UFI	BF1136	31.525.00	(BMW)	27.781.00	PA4159	54.112.00
2562F	53.208.00			BF1148	31.556.00	PA2074	27.946.00	PA4177	30.C43.00
2564	54.168.00	4481118	23.544.00	BF1160	31.024.00	PA2075	27.799.00	PA4321	30.786.00
2564F	53.153.00	SPE6757	23.544.00	BF1162	31.761.00	PA2081	30.843.01	PA4333	30.452.00
2566F	53.146.00			BF1166	31.627.00	PA2099	27.731.00	PA4362	30.498.00
2567	54.163.00	AUDI	UFI	BF1175	31.508.00	PA2101A		PA4366	30.497.00
2570 COUPLE	54.243.00	⇒ VAG		BF1178	31.020.00	(ALTRE/OTHER APPL.)	30.818.00	PA4390	30.340.00
2570F	53.243.00			BF1186	31.589.00	PA2103	30.851.00	PA4395	54.124.00
2570F COUPLE	53.255.00	BALDWIN	UFI	BF1188	31.535.00	PA2124	27.155.00	PA4417	30.A40.00
2571F	53.219.00			BF1193	31.621.00	PA2125	27.770.00	PA4462	53.325.00
2572F	53.157.00	B109	23.232.00	BF1195	31.500.00	PA2126	27.133.00	PA4468	30.525.00
2573F	53.183.00	B113		BF1196	31.551.00	PA2129	27.069.00	PA4483	30.544.00
2574	54.173.00	(SUBARU)	23.188.00	BF1215	24.365.01	PA2135	30.973.00	PA4484	30.A73.00
2575	54.166.00	B113	23.240.00	BF1276	24.351.00	PA2142	27.156.00	PA4648	27.583.00
2577	54.178.00	B114	23.164.00	BF46037	24.150.00	PA2161	30.078.01	PA4649	27.582.00
2577F	53.254.00	B114		BF587D	24.351.01	PA2163	30.972.00	PA5475	53.161.00
2578	54.297.00	(O/OR)	23.164.03	BF661	31.507.00	PA2170	30.076.00	PA695	30.871.00
2579F	53.185.00	B120	23.134.00	BF7522	24.371.00	PA2172	30.256.00	PA696	27.707.00
2580	54.233.00	B131		BF7532	24.375.00	PA2176	27.604.00	PA699	27.708.00
2581F	53.164.00	(TOYOTA)	23.213.00	BF7533	24.374.00	PA2181	30.860.00	PA7043	30.285.00
2582	54.217.00	B132	23.257.00	BF7534	24.366.00	PA2194	27.171.00	PF7596	26.652.00
2583	54.170.00	B1400	23.258.00	BF7535	24.374.00	PA2197	30.948.00	PF7761	26.001.00
2583F	53.207.00	B1401	23.260.00	BF7668	31.769.00	PA2198	30.890.00	PF834	26.609.00
2584F	53.163.00	B1402	23.265.00	BF7670	31.718.00	PA2199	30.177.00	PF838	24.362.00
2585	54.255.00	B1405	23.253.00	BF7683	24.326.00	PA2204	30.239.00	PF872	26.680.00
2588F	53.186.00	B1406	23.266.00	BF7721	31.618.00	PA2210	30.242.00	PF9803	26.149.00
2589F	53.261.00	B1407	23.188.00	BF7725	31.027.00	PA2215	27.090.00	PF981	26.683.00
2590 COUPLE	54.231.00	B1408	23.279.00	BF7756	24.416.00	PA2220	30.013.00	PF986	26.618.00
2590F COUPLE	53.229.00	B141	23.139.00	BF7778	24.006.00	PA2231	30.096.00	PF9865	26.072.00
2591	54.234.00	B143	23.121.00	BF790	24.304.00	PA2235	30.977.00	PT108	25.402.01
2591F	53.276.00	B156	23.182.00	BF805	31.006.00	PA2236	30.946.00	PT108HD	25.402.01
2592F COUPLE	53.239.00	B159	23.210.00	BF825	24.360.01	PA2239	30.802.01	PT12	25.455.00
2593F	53.388.00	B161S	23.243.00	BF840	31.001.00	PA2243	30.143.00	PT12	
2594F	53.223.00	B163	23.127.00	BF853	31.564.00	PA2244	30.007.00	(BMW)	25.455.01
2595	54.312.00	B166	23.159.00	BF873	31.026.00	PA2246	30.221.00	PT29	25.407.01
2596F	53.160.00	B168	23.272.00	BF884	24.361.00	PA2380FN	27.931.00	RS3544	27.356.00
2597	54.253.00	B173S	23.165.00	BF885	31.506.00	PA2416	27.804.00	RS3546	27.550.00
2597F	53.220.00	B178	23.130.00	BF933	31.005.00	PA2536	27.235.00	RS3715	27.A05.00
2600F	53.215.00	B179	23.271.00	BF940	24.326.00	PA2767	27.828.00	RS3954	27.550.00
2601	54.256.00	B195	23.115.00	BF944	31.503.00	PA2792	27.881.00	RS4130	27.C09.00
2601F	53.209.00	B199	23.272.00	BF954	24.370.00	PA2845	27.804.00	RS4806	27.A72.00
2603F	53.149.00	B2	23.102.00	BF966	31.624.00	PA2860FN	27.137.00		
2604F	53.294.00	B202		BT126	23.102.02	PA2862	27.107.00	BENTLEY	UFI
2605	54.222.00	(FORD)	23.189.00	BT217	23.156.00	PA2884	27.193.00	079198405D	25.090.00
2606F	53.368.00	B202	23.231.00	BT223	23.253.00	PA2888	27.067.00	07V121717A	23.544.00
2608 COUPLE	54.241.00	B228		BT237	23.156.00	PA2904	27.678.00	3D0201511A	31.718.00
2608F	53.251.00	(BMW)	23.131.02	BT251	23.156.00	PA2984	30.917.01	3D0201511B	31.718.00
2609	54.320.00	B228		BT267	23.108.00	PA2985	30.811.00	3W8201511A	31.861.00
2610F	53.379.00	(ALTRE/OTHER APPL.)	23.131.00	BT292	23.110.02	PA2986	30.899.00	3W8201511B	31.861.00
2613	54.249.00	B233	23.127.00	BT347	23.107.01	PA2987	30.852.00	3W8201511C	31.861.00
2617F	53.131.00	B246	23.256.00	BT5	23.128.00	PA3405	27.139.00		
2618F COUPLE	53.212.00	B253	23.102.02	C200K	20.020.00	PA3411FN	27.132.00		
2621	54.226.00	B253		F1111	26.045.00	PA3612	27.801.00	BMW	UFI
2621F	53.224.00	(FERRARI)	23.162.02	F834F	21.061.00	PA3753	27.283.00	0661135	25.406.01
2622	54.218.00	B281	23.113.00	F953F	21.050.00	PA3770	30.993.00	0661160	25.406.01
2623	54.236.00	B295	23.122.00	GF324	24.404.00	PA3771	30.976.00	0742120	27.725.00
2624F	53.233.00	B297	23.102.00	P102	25.499.00	PA3773	27.520.00	11420251964	25.455.01
2626	54.248.00	B301	23.259.00	P106	25.406.01	PA3791-FN	27.920.00	11420661135	25.406.01
2626F	53.210.00	B329	23.463.00	P106HD	25.406.01	PA3836	27.888.00	11421250534	23.131.02
2629	54.244.00	B33	23.263.00	P1419	25.162.00	PA3961	27.232.00	11421251964	25.455.01
2629	54.227.00	B34	23.127.00	P1445	25.024.00	PA4015	30.230.00	11421256260	25.406.01
2630	54.223.00	B37	23.251.00	P15	25.421.00	PA4016	30.222.00	11421256402	25.455.01
2632F	53.383.00	B7001	23.280.00	P162	25.503.00	PA4018	30.001.00	11421256714	25.455.01
2633	54.219.00	B7152	23.257.00	P171	25.409.01	PA4023	30.967.00	11421258038	23.131.02
2633F	53.298.00	B975	23.152.00	P172	25.409.01	PA4028	30.223.00	11421258039	23.131.02
2636	54.238.00	BD142	23.236.00	P174	25.408.00	PA4041	27.173.00	11421265945	25.455.01
2637	54.245.00	BD232	23.303.00	P176	25.413.00	PA4042	30.826.00	11421266773	23.130.02
2637F	53.211.00	BD322	23.303.00	P177	25.407.01	PA4045	30.177.00	11421267268	25.539.00
2639	54.261.00	BD323	23.303.00	P190	25.443.00	PA4047	30.914.02	11421267597	23.131.02
2640	54.257.00	BD7028	23.475.00	P240	25.419.00	PA4051	30.237.00	11421269373	25.539.00
2640F	53.293.00	BD7029	23.248.00	P7017	25.099.00	PA4052	27.590.00	11421272604	23.131.02
2641F	53.330.00	BD7100	23.313.00	P7087	25.541.00	PA4077	30.236.00	11421287836	23.130.02
2642F	53.332.00	BD7120	23.303.00	P7088	25.548.00	PA4084	30.173.00	11421427908	25.004.00
2643F COUPLE	53.313.00	BF1003	31.565.00	P7255	25.015.00	PA4096	53.026.00	11421432097	25.008.00
2644F	53.253.00	BF1010	31.649.00	PA10083	54.245.00	PA4099	30.238.00	11421706867	25.539.00
2646F	53.190.00	BF1047	31.513.00	PA1636FN	27.902.00	PA4100	30.001.00	11421707779	23.130.02
2647	54.254.00	BF1048	31.541.00	PA1657	27.769.00	PA4101	27.523.00	11421709865	25.541.00
2651F	53.273.00	BF1049	31.611.00	PA1667FN	27.920.00	PA4103	30.275.00	11421711568	25.548.00
2652	54.294.00	BF1050	31.560.00	PA1681FN	27.878.00	PA4104	30.227.00	11421711569	25.548.00
2653F	53.299.00	BF1059	31.580.00	PA1814	27.720.00	PA4109	30.B44.00	11421713698	25.540.00
2654	54.288.00	BF1061	31.592.00	PA1885	27.893.00	PA4111	30.077.00		
2656F	53.249.00	BF1103	31.517.00	PA1902FN	27.923.00	PA4117	27.522.00		

11421716192	25.008.00	13322248279	24.417.00	13721285934	30.970.00	64316945586	34.243.00	0450905200	31.814.00
11421718816	25.539.00	13327512019	31.847.00	13721287480	30.904.00	64316945596	53.243.00	0450905201	31.500.00
11421718820	25.539.00	13327785350	24.427.00	13721287481	30.904.00	64316946628	54.154.00	0450905202	31.500.00
11421727300	25.541.00	13327786647	24.344.00	13721287482	30.904.00	64316946629	53.236.00	0450905203	31.505.00
11421730389	25.548.00	13327794576	31.824.00	13721289650	30.914.02	64316962548	53.236.00	0450905206	31.500.00
11421731635	25.540.00	13327787825	24.427.00	13721311880	30.977.00	64316962549	54.154.00	0450905208	31.563.00
11421743398	25.008.00	13327788700	31.851.00	13721329294	30.851.00	64316962551	53.236.00	0450905216	31.513.00
11421745390	25.038.00	13327793672	31.852.00	13721433933	30.029.00	64316962553	54.154.00	0450905220	31.502.00
11422243359	25.555.00	13327794549	31.824.00	13721702158	30.029.00	64318409043	53.319.00	0450905231	31.748.00
11422244332	25.555.00	13327802241	31.852.00	13721707021	30.936.00	64318409044	54.128.00	0450905262	31.500.00
11422245339	25.587.00	13327811227	31.851.00	13721707050	30.914.02	64319069926	53.318.00	0450905264	31.500.00
11422245406	25.587.00	13327811401	31.851.00	13721715881	30.914.02	64319069927	53.234.00	0450905273	31.515.00
11422246131	25.009.00	13328511053	31.952.00	13721720861	30.914.02	64319070072		0450905275	31.583.00
11422247018	25.001.00	13328514121	31.926.01	13721726916	30.977.00	(N.1 FILTRO/FILTER)	54.242.00	0450905280	31.611.00
11422247392	25.030.00	13328572515	31.852.00	13721730449	30.991.00	64319071933	53.073.00	0450905284	31.500.00
11427508969	25.028.00	13328572518	31.952.00	13721730918	30.977.00	64319071935	34.121.00	0450905287	31.710.00
11427509430	25.004.00	13328572522	31.952.00	13721730946	30.991.00	64319142114	53.236.00	0450905316	31.722.00
11427510717	25.038.00	13328576972	31.857.04	13721736675	30.029.00	64319142115	54.154.00	0450905318	31.718.00
11427512300	25.004.00	13328584868	31.926.01	13722242025	30.954.00	64319159606	54.255.00	0450905320	31.515.00
11427512301	25.004.00	13328584874	31.857.04	16126765756	31.839.00	64319171858	54.127.00	0450905324	31.514.00
11427541827	25.058.00	13328597828	31.926.01	16127451424	31.962.00	64319171858	34.127.00	0450905326	
11427566327	25.058.00	13329063164	31.508.00	1707099	30.914.02	64319174370	(F5326)		31.529.00
11427583220	25.201.00	13329063165	31.500.00	1707645	30.936.00	64319174371	54.127.00	0450905401	31.506.00
11427600089	25.201.00	13710445636	27.636.00	1713689	25.540.00	64319174371	34.127.00	0450905405	31.505.00
11427605342	25.164.00	13711247405	30.049.00	1715862	30.914.02	64319194098	53.243.00	0450905601	31.502.00
11427611969	25.164.00	13711256410	27.725.00	1718820	25.539.00	64319195193	53.246.00	0450905603	31.563.00
11427618461	25.179.00	13711265624	27.781.00	32411120717	25.406.01	64319195194	54.318.00	0450905604	31.563.00
11427618462	25.146.00	13711287480	30.904.00	64106907746	54.322.00	64319216589	53.234.00	0450905901	31.508.00
11427634291	25.179.00	13711287481	30.904.00	64110088138	53.234.00	64319216590	34.121.00	0450905902	31.514.00
11427634292	25.146.00	13711287482	30.904.00	64111393489	53.026.00	64319216591	53.158.00	0450905903	31.561.00
11427635557	25.164.00	13711736675	30.029.00	64112182533	54.108.00	64319218706	54.128.00	0450905904	31.562.00
11427635802	25.146.00	13712243783	30.003.00	64112182533	34.108.00	64319224084	53.319.00	0450905905	31.569.00
11427640862	25.171.00	13712245401	30.071.00	64116809933	54.231.00	64319224085	54.128.00	0450905906	31.748.00
11427787697	25.021.00	13712246416	30.003.00	64116821995	54.226.00	64319237157	54.241.00	0450905907	31.575.00
11427788454	25.048.00	13712246997	27.353.00	64116821995	34.226.00	64319237157	34.241.00	0450905908	31.747.00
11427788460	25.048.00	13712247444	27.384.00	64116823726	54.279.00	64319237158	53.251.00	0450905911	31.750.00
11427788461	25.048.00	13713419934	30.396.00	64116921019		64319257504	54.121.00	0450905912	31.556.00
11427807177	25.084.00	13713428558	30.395.00	(N.1 FILTRO/FILTER)	54.240.00	64319257504	34.121.00	0450905915	31.712.00
11427808443	25.096.00	13713465456	30.660.00	64116921019	34.240.00	64319272810	54.242.00	0450905916	31.621.00
11427833769	25.548.00	13717503141	27.394.00	64116945593	53.255.00	64319312316	53.251.00	0450905917	31.740.00
11427848321	25.201.00	13717509544	27.D83.00	64116945594	54.243.00	64319312317	54.241.00	0450905919	31.710.00
11427854049	25.232.00	13717521033	30.251.00	64116945594	34.243.00	64319312317	34.241.00	0450905920	31.543.00
11427854445	25.232.00	13717521038	30.251.00	64118390377	53.318.00	64319312318	54.241.00	0450905921	31.811.00
11427953125	25.171.00	13717524412	27.594.00	64118390447		64319312318	34.241.00	0450905926	31.844.00
11427953129	25.058.00	13717532754	27.595.00	(N.1 FILTRO/FILTER)	54.242.00	64319313517	53.236.00	0450905927	31.817.00
11428507683	25.142.00	13717536006	27.636.00	64119069895	53.026.00	64319313519	54.154.00	0450905928	31.825.00
11428513375	25.030.00	13717542294	30.B17.00	64119163328	53.229.00	64319346267	54.318.00	0450905930	24.416.00
11428513377	25.048.00	13717542545	30.455.00	64119163329	54.231.00	64319395930	54.241.00	0450905931	24.415.00
11428570590	25.185.00	13717556961	30.A44.00	64119163329	34.231.00			0450905936	31.510.00
11428575210	25.185.00	13717571355	30.711.00	64119237159	53.253.00			0450905939	31.769.00
11428575211	25.188.00	13717577457	30.B14.00	64119237554	53.224.00			0450905942	31.768.00
11428583898	25.148.00	13717577458	30.B13.00	64119237555	54.226.00	0450902151	31.512.00	0450905951	31.927.00
11428593186	25.211.00	13717582908	30.557.00	64119237555	34.226.00	0450902161	31.710.00	0450905952	31.847.00
11428683196	25.058.00	13717590597	30.776.00	64119248294	54.243.00	0450902162	31.565.00	0450905953	31.731.00
11428683204	25.171.00	13717599285	30.778.00	64119248294	34.243.00	0450904001	31.009.00	0450905954	31.724.00
11429061197	23.131.02	13717601868	30.597.00	64119272641	53.229.00	0450904002	31.009.00	0450905956	31.519.00
11429061198	23.130.02	13717602643	30.777.00	64119272642	54.231.00	0450904058	31.009.00	0450905957	31.764.00
11429063138	25.539.00	13717605436	30.B41.00	64119272642	34.231.00	0450904059	31.009.00	0450905959	31.840.00
11507425104	25.406.01	13717605913	30.714.00	64119272643	54.240.00	0450904060	31.027.00	0450905960	31.924.00
1260795	27.725.00	13717619267	30.621.00	64119272643	34.240.00	0450904069	31.012.00	0450905964	31.502.00
1269373	25.539.00	13717630911	30.558.00	64119321875	54.279.00	0450904077	31.013.00	0450905966	31.514.00
1285521	30.970.00	13717793647	30.367.00	64119321875	34.279.00	0450904097	31.012.00	0450905967	31.751.00
13311269244	31.531.00	13717797465	30.357.00	64119321876	53.332.00	0450904149	31.012.00	0450905969	31.843.00
13321256492	31.510.00	13717798342	30.406.00	64311390836	53.046.00	0450904150	31.012.00	0450905970	31.828.00
13321268231	31.500.00	13717800151	27.A97.00	64312182458	54.121.00	0450904159	31.010.00	0450905975	31.848.00
13321269244	31.531.00	13718480400	30.C61.00	64312182458	34.121.00	0450905002	31.510.00	0450905976	31.850.00
13321270038	31.500.00	13718480931	30.C65.00	64312207985	54.108.00	0450905004	31.505.00	0450905977	31.695.00
13321270039	31.531.00	13718507320	30.558.00	64312207985	34.108.00	0450905005	31.511.00	0450905978	31.914.00
13321277481	31.009.00	13718510239	30.655.00	64312218428	54.128.00	0450905007	31.570.00	0450905980	31.802.00
13321277497	31.009.00	13718511668	30.540.00	64312284827	53.251.00	0450905020	31.570.00	0450905983	31.715.00
13321278272	31.009.00	13718513944	30.622.00	64312284828	54.241.00	0450905021	31.699.00	0450905986	31.801.00
13321405092	31.768.00	13718518111	30.655.00	64312284828	34.241.00	0450905025	31.594.00	0450906101	24.365.00
13321439407	31.847.00	13718692202	30.621.00	64312339888	54.242.00	0450905030	31.500.00	0450906102	24.365.00
13321702632	31.569.00	13720742120	27.725.00	64312452163	34.241.00	0450905064	31.506.00	0450906161	24.365.01
13321709535	31.924.00	13721247404	30.049.00	64316803970	54.154.00	0450905066	31.503.00	0450906163	24.365.00
13321713807	31.508.00	13721247405	30.049.00	64316804939	54.243.00	0450905084	31.531.00	0450906172	24.365.00
13321713808	31.508.00	13721247637	30.049.00	64316835404	53.332.00	0450905087	31.506.00	0450906174	24.365.01
13321718261	31.508.00	13721247840	30.914.02	64316835405	54.279.00	0450905091	31.507.00	0450906261	24.382.00
13321720101	31.508.00	13721247842	30.914.02	64316835405	34.279.00	0450905095	31.500.00	0450906267	24.365.01
13321720102	31.508.00	13721250795	27.725.00	64316835406	54.279.00	0450905100	31.531.00	0450906274	24.400.00
13321740985	31.569.00	13721256410	27.725.00	64316835406	34.279.00	0450905104	31.506.0		

0450906308	24.418.00	0451103027	23.173.01	0451103189	23.173.01	0451103335	23.474.00	0451203008	23.256.00
0450906312	24.426.00	0451103028	23.185.01	0451103190	23.130.03	0451103336	23.418.00	0451203009	23.102.02
0450906322	24.428.00	0451103029		0451103191	23.127.00	0451103337	23.435.00	0451203010	23.156.00
0450906334	24.430.00	(ALTRE/OTHER APPL.)	23.127.02	0451103192	23.173.01	0451103340	23.483.00	0451203011	23.128.00
0450906357	24.409.00	0451103029		0451103193	23.196.00	0451103341	23.495.00	0451203012	23.164.00
0450906359	24.409.00	(ALFA ROMEO)	23.127.00	0451103195	23.297.00	0451103342	23.444.00	0451203012	
0450906373	24.426.00	0451103031	23.129.01	0451103204		0451103344	23.473.00	(O/OR)	23.164.03
0450906374	24.391.00	0451103032	23.121.00	(N.10 FILTRI/FILTERS)	23.129.02	0451103346	23.164.00	0451203058	23.128.00
0450906376	24.433.00	0451103033	23.130.01	0451103211	23.186.01	0451103347	23.429.00	0451203059	23.241.00
0450906406	24.450.00	0451103034	23.173.01	0451103216	23.194.00	0451103348	23.464.00	0451203061	23.164.00
0450906407	24.450.00	0451103035	23.188.00	0451103217	23.211.00	0451103349	23.447.00	0451203061	
0450906409	24.415.00	0451103037	23.151.00	0451103219	23.257.00	0451103350	23.444.00	(O/OR)	23.164.03
0450906414	24.072.00	0451103040	23.114.01	0451103221		0451103351	23.448.00	0451203078	23.108.00
0450906416	24.451.00	0451103041	23.118.00	(N.10 FILTRI/FILTERS)	23.257.00	0451103352	23.445.00	0451203087	
0450906426	24.004.00	0451103042	23.105.00	0451103222	23.257.00	0451103353	23.191.00	(ALTRE/OTHER APPL.)	23.156.02
0450906428	24.451.00	0451103043	23.131.02	0451103224	23.279.00	0451103354	23.449.00	0451203087	23.156.03
0450906429	24.451.00	0451103044	23.127.02	0451103227	23.242.00	0451103355	23.439.00	0451203088	23.164.00
0450906431	24.072.00	0451103046	23.130.01	0451103228	23.130.01	0451103357	23.256.00	0451203088	
0450906437	24.440.00	0451103047	23.173.01	0451103232	23.278.00	0451103363	23.413.00	(O/OR)	23.164.03
0450906440	24.435.00	0451103048	23.188.00	0451103233	23.418.00	0451103364		0451203108	23.189.00
0450906442	24.435.00	0451103049	23.103.00	0451103238	23.198.00	(ALTRE/OTHER APPL.)	23.265.00	0451203112	23.167.00
0450906450	31.824.00	0451103050	23.131.02	0451103240	23.281.00	0451103364		0451203125	23.280.00
0450906451	24.427.00	0451103051	23.130.02	0451103241	23.166.00	(ALFA ROMEO, FIAT, FORD, LANCIA, OPEL)	23.438.00	0451203151	23.175.00
0450906452	24.412.00	0451103052	23.117.00	0451103242	23.129.02	0451103365	23.476.00	0451203152	23.108.00
0450906453	24.425.00	0451103057	23.134.01	0451103243	23.278.00	0451103366	23.472.00	0451203153	23.164.02
0450906455	24.086.00	0451103060	23.114.01	0451103244	23.196.00	0451103368	23.482.00	0451203154	23.127.00
0450906456	31.849.00	0451103062	23.127.04	0451103245	23.186.01	0451103369	23.473.00	0451203155	23.175.00
0450906457	31.851.00	0451103063	23.102.00	0451103246	23.281.00	0451103370	23.299.00	0451203177	23.167.00
0450906458	24.002.00	0451103068	23.115.00	0451103247	23.242.00	0451103372	23.479.00	0451203178	23.167.00
0450906459	24.001.00	0451103069	23.130.02	0451103249	23.404.00	0451103901		0451203194	23.164.02
0450906460	24.343.00	0451103073	23.131.00	0451103250	23.282.00	(N.10 FILTRI/FILTERS)	23.103.00	0451203196	23.198.00
0450906461	24.086.00	0451103074	23.130.00	0451103251		0451103902		0451203197	23.209.00
0450906462	31.838.00	0451103075	23.131.00	(CHRYSLER, JEEP A.M.C.)	23.127.00	(N.10 FILTRI/FILTERS)	23.127.00	0451203199	23.303.00
0450906463	31.839.00	0451103079	23.129.02	0451103252	23.280.00	0451103903		0451203201	23.303.00
0450906467	31.849.00	0451103080	23.131.00	0451103253	23.164.00	(N.10 FILTRI/FILTERS)	23.127.02	0451203212	23.189.00
0450906468	24.013.00	0451103082	23.173.01	0451103253		0451103904		0451203218	23.110.02
0450906469	24.014.00	0451103083	23.173.01	(O/OR)	23.164.03	(N.10 FILTRI/FILTERS)	23.130.01	0451203223	23.167.00
0450906471	24.027.00	0451103084	23.134.01	0451103255	23.175.00	0451103906		0451203226	23.152.00
0450906473	24.087.00	0451103085	23.187.00	0451103257	23.167.00	(O/OR) (N.10 FILTRI/FILTERS)	23.164.03	0451203227	23.152.00
0450906500	24.437.00	0451103086	23.130.02	0451103258	23.249.00	0451103906		0451203234	23.152.00
0450906502	24.099.00	0451103089	23.191.00	0451103259	23.440.00	(N.10 FILTRI/FILTERS)	23.164.00	0451203236	23.313.00
0450906503	24.099.00	0451103091	23.130.02	0451103260	23.458.00	0451103907		0986450002	31.005.00
0450906508	24.445.00	0451103092	23.186.01	0451103261	23.293.00	(N.10 FILTRI/FILTERS)	23.416.00	0986450004	31.007.00
0450906511	24.445.00	0451103093	23.114.02	0451103262	23.298.00	0451104001	23.102.00	0986450012	31.001.00
0450907006	24.027.00	0451103094	23.127.05	0451103268	23.212.00	0451104003	23.241.00	0986450018	31.006.00
0450907007	24.015.00	0451103095	23.169.00	0451103271	23.131.00	0451104004	23.110.02	0986450037	31.024.00
0450907008	24.098.00	0451103096	23.175.00	0451103274	23.114.01	0451104014		0986450038	31.020.00
0450907009	24.132.00	0451103097	23.129.02	0451103275	23.259.00	(LAND ROVER)	23.297.00	0986450039	31.026.00
0450907011	24.052.00	0451103098	23.187.00	0451103276	23.251.00	0451104025	23.470.00	0986450100	31.539.00
0450907012	24.051.00	0451103099	23.177.00	0451103277		0451104026	23.254.00	0986450101	31.529.00
0450907013	24.013.00	0451103100	23.127.00	(UNIPART GFE171)	23.197.00	0451104063	23.102.00	0986450102	31.517.00
0450907014	24.014.00	0451103103	23.195.00	0451103277		0451104065	23.241.00	0986450103	31.523.00
0450907015	24.087.00	0451103104	23.194.00	(UNIPART GFE280)	23.254.00	0451104066	23.110.02	0986450104	31.535.00
0450907016	24.088.00	0451103105	23.130.03	0451103278	23.544.00	0451104067	23.102.02	0986450108	31.520.00
0450915001	31.834.00	0451103106	23.177.00	0451103280	23.462.00	0451104501	23.127.05	0986450113	31.648.00
0450915003	31.841.00	0451103107	23.127.00	0451103281	23.195.00	0451104503	23.218.00	0986450114	31.541.00
0451001001	23.132.00	0451103109	23.200.00	0451103283	23.196.00	0451104504	23.282.00	0986450115	31.560.00
0451001002	23.132.00	0451103110		0451103286	23.166.00	0451104505	23.440.00	0986450118	31.565.00
0451001053	23.132.00	(ALTRE/OTHER APPL.)	23.117.00	0451103288	23.282.00	0451104507	23.417.00	0986450119	31.564.00
0451001150	23.132.00	0451103110		0451103289	23.425.00	0451104508	23.280.00	0986450120	31.550.00
0451001179	23.195.00	(FORD)	23.188.00	0451103290	23.417.00	0451104509	23.424.00	0986450123	31.558.00
0451001180	23.173.01	0451103111	23.196.00	0451103292	23.424.00	0451104510	23.419.00	0986450124	31.741.00
0451001181	23.195.00	0451103122	23.127.00	0451103293	23.419.00	0451104511	23.164.00	0986450151	31.547.00
0451102001	23.103.00	0451103123	23.169.00	0451103294	23.428.00	0451104511		0986450152	31.624.00
0451102002	23.117.00	0451103124	23.131.00	0451103296	23.194.00	(O/OR)	23.164.03	0986450154	31.627.00
0451102056	23.103.00	0451103126	23.127.00	0451103297	23.299.00	0451104513	23.164.02	0986450182	31.580.00
0451102901	23.103.00	0451103127	23.103.00	0451103298	23.416.00	0451104514	23.127.02	0986450187	31.592.00
0451103001	23.134.01	0451103128	23.114.01	0451103298		0451104515	23.130.02	0986450220	31.740.00
0451103002	23.134.01	0451103129	23.105.00	(VAG)	23.435.00	0451104516	23.200.00	0986450221	31.669.00
0451103003	23.127.02	0451103133	23.118.00	0451103299		0451104517	23.428.00	0986450225	31.749.00
0451103006	23.134.01	0451103134	23.130.01	(Ø 76)	23.401.00	0451104518		0986450240	
0451103007	23.114.01	0451103136	23.114.01	0451103299		(Ø 76)	23.401.00	(ALTRE/OTHER APPL.)	31.510.00
0451103008	23.127.04	0451103139	23.105.00	(Ø 86)	23.402.00	0451104518		0986450240	
0451103009	23.130.01	0451103141	23.118.00	0451103300	23.415.00	(Ø 86)	23.402.00	(OPEL, VAUXHALL)	31.611.00
0451103010	23.105.00	0451103144	23.151.00	0451103301	23.242.00	0451104519		0986450500	24.374.00
0451103011	23.127.00	0451103145	23.129.01	0451103303	23.293.00	(UNIPART GFE171)	23.197.00	0986450506	24.416.00
0451103012	23.134.01	0451103146	23.127.05	0451103304	23.440.00	0451104519		0986450508	24.366.00
0451103013	23.130.01	0451103147	23.177.00	0451103306	23.417.00	(UNIPART GFE280)	23.254.00	0986450509	24.424.00
0451103015	23.105.00	0451103148	23.191.00	0451103307	23.416.00	0451104520	23.198.00	0986450514	24.366.00
0451103017	23.129.01	0451103160	23.177.00	0451103308	23.401.00	0451104521	23.313.00	0986450603	31.649.00
0451103018	23.118.00	0451103163	23.173.01	0451103309	23.413.00	0451104522	23.303.00	0986450604	31.609.00
0451103020	23.105.00	0451103167	23.127.00	0451103311	23.246.00	0451104523	23.416.00	0986450615	31.550.00
0451103021	23.103.00	0451103169	23.172.00	0451103313	23.465.00	0451163019	23.131.00	0986450624	31.551.00
0451103022	23.127.02	0451103170	23.166.00	0451103314	23.436.00	0451203001	23.156.00	0986450695	
0451103023	23.114.01	0451103171	23.176.00	0451103316	23.271.00	0451203			

0986452004	23.121.00	0986626844	30.101.00	0986AF6039	24.133.00	0986TF0166	24.413.00	1457429124	25.162.00
0986452005	23.256.00	0986626845	30.281.00	0986AF8092	31.505.00	0986TF0182	26.609.00	1457429126	25.041.00
0986452006	23.272.00	0986626850	30.159.00	0986AF8093	31.563.00	0986TF0187	26.001.00	1457429127	25.035.00
0986452007	23.271.00	0986626851	30.284.00	0986B02353		0986TF0235	26.693.00	1457429129	25.067.00
0986452008	23.139.00	0986626853	30.299.00	(BR)	30.338.00	0986TF0238	24.439.00	1457429138	25.002.00
0986452009	23.159.00	0986626859	30.041.00	0986B02371		0986TF0239	26.687.00	1457429139	25.009.00
0986452015	23.182.00	0986626865	30.996.00	(BR)	30.132.00	0986TF0248	25.095.00	1457429141	25.038.00
0986452016	23.165.00	0986626868	30.072.00	0986BF0515		0986TF0400	24.401.00	1457429142	25.010.00
0986452017	23.213.00	0986626870	30.007.00	(BR)	53.113.00	0986TF0013	26.691.00	1457429144	25.165.00
0986452019	23.131.01	0986626871	30.082.00	0986BF0521	53.060.00	1457070000	26.003.00	1457429147	25.014.00
0986452020	23.231.00	0986627574	23.413.00	0986BF0528	53.061.00	1457070001	60.H20.00	1457429148	25.004.00
0986452023		0986627577	23.164.03	0986BF0533	53.044.00	1457070007	26.014.00	1457429152	25.019.00
(NISSAN)	23.240.00	0986627608	23.266.00	0986BF0534	53.040.00	1457070008	26.007.00	1457429157	25.003.00
0986452023		0986627624	23.198.00	0986BF0539	53.074.00	1457070010	26.015.00	1457429170	20.012.02
(SUBARU)	23.188.00	0986628500	34.163.00	0986BF0545	53.045.00	1457070013	26.021.00	1457429172	20.012.02
0986452024	23.134.00	0986628501	34.111.00	0986BF0705	54.107.00	1457070014	26.038.00	1457429175	20.020.00
0986452026	23.182.00	0986628502	34.232.00	0986BF0710	54.105.00	1457429001	27.762.00	1457429176	20.020.00
0986452027	23.210.00	0986628504	34.199.00	0986BF0713	54.103.00	1457429005	27.731.00	1457429178	25.017.00
0986452028	23.263.00	0986628505	34.153.00	0986TF0005	25.162.00	1457429007	27.731.00	1457429179	
0986452030	23.264.00	0986628506	34.136.00	0986TF0007	25.011.00	1457429008	27.736.00	(VOLVO)	25.039.00
0986452035	23.496.00	0986628507	34.170.00	0986TF0008	23.453.00	1457429009	27.824.00	1457429179	
0986452036	23.243.00	0986628509	34.109.00	0986TF0011	25.013.00	1457429010	27.845.02	(VAG)	25.040.00
0986452038	23.270.00	0986628510	34.172.00	0986TF0012	30.119.00	1457429013	27.701.00	1457429183	25.024.00
0986452041		0986628511	34.270.00	0986TF0013	30.977.00	1457429014	30.807.00	1457429184	25.022.00
(ALFA ROMEO, FIAT, LANCIA)	23.438.00	0986628512	34.178.00	0986TF0019	25.022.00	1457429015	27.785.00	1457429185	
0986452041		0986628513	34.101.00	0986TF0021	24.388.00	1457429021	30.800.00	(BMW)	25.021.00
(ALTRE/OTHER APPL.)	23.265.00	0986628514	34.162.00	0986TF0022	30.057.00	1457429024	27.797.00	1457429185	
0986452042	23.237.00	0986628516	34.106.00	0986TF0024	27.273.00	1457429025	27.728.00	(FIAT)	25.065.00
0986452042		0986628517	34.148.00	0986TF0027	27.253.00	1457429027	27.719.00	1457429188	25.012.00
(KIA)	23.472.00	0986628518	34.127.00	0986TF0029	25.043.00	1457429029	30.807.00	1457429190	20.012.00
0986452044	23.253.00	0986628519	34.167.00	0986TF0030	23.418.00	1457429030	30.836.00	1457429191	20.012.00
0986452046	23.244.00	0986628520	34.146.00	0986TF0031	30.181.00	1457429032	27.707.00	1457429192	25.023.00
0986452058	23.255.00	0986628522	34.168.00	0986TF0032	26.688.00	1457429033	27.878.00	1457429193	25.032.00
0986452059	23.271.00	0986628523	53.147.00	0986TF0033	23.196.00	1457429037	27.713.00	1457429194	25.029.00
0986452060	23.266.00	0986628523	34.266.00	0986TF0034	30.150.00	1457429041	30.851.00	1457429196	25.002.00
0986452061	23.258.00	0986628524	34.268.00	0986TF0037	25.023.00	1457429042	27.946.00	1457429197	25.034.00
0986452062	23.248.00	0986628525	34.230.00	0986TF0038	30.147.00	1457429044	27.720.00	1457429198	25.033.00
0986452063	23.475.00	0986628526	34.196.00	0986TF0039	53.060.00	1457429045	30.811.00	1457429199	25.027.00
0986452064	23.274.00	0986628529	34.273.00	0986TF0040	30.244.00	1457429047	27.906.00	1457429200	20.020.00
0986452066	23.237.00	098662853	34.131.00	0986TF0041	30.417.00	1457429049	30.872.01	1457429201	20.020.00
0986452068	23.413.00	0986628530	34.219.00	0986TF0042	53.107.00	1457429050	30.807.00	1457429205	26.601.00
0986452400	23.459.00	0986628531	34.248.00	0986TF0045	23.280.00	1457429052	27.725.00	1457429209	26.601.00
0986452551	23.256.00	0986628532	34.143.00	0986TF0046	25.015.00	1457429053	30.806.00	1457429210	26.602.00
0986452552		0986628533	34.164.00	0986TF0047	30.099.00	1457429054	30.802.01	1457429214	26.602.00
(NISSAN)	23.240.00	0986628534	34.217.00	0986TF0048	30.187.00	1457429055	30.809.00	1457429215	24.360.00
0986452553	23.134.00	0986628535	34.194.00	0986TF0050	23.129.02	1457429057	27.781.00	1457429219	24.360.00
0986452554	23.243.00	0986628536	34.158.00	0986TF0051	23.449.00	1457429058	30.871.00	1457429220	24.362.00
0986452555	23.265.00	0986628537	34.234.00	0986TF0052	53.083.00	1457429059	27.712.00	1457429224	24.362.00
0986452556	23.266.00	0986628538	34.218.00	0986TF0054	30.148.00	1457429060	27.797.00	1457429238	25.037.00
0986452558	23.263.00	0986628539	34.114.00	0986TF0056	54.109.00	1457429061	30.835.00	1457429239	25.015.00
0986452900	23.121.00	0986628540	34.244.00	0986TF0057	30.320.00	1457429064	30.803.00	1457429242	25.056.00
0986452903	23.127.00	0986628541	34.221.00	0986TF0058	23.440.00	1457429066	30.804.00	1457429243	25.040.00
0986452904	23.121.00	0986628542	34.245.00	0986TF0059	23.271.00	1457429070	30.847.00	1457429244	25.039.00
0986452905	23.256.00	0986628543	34.226.00	0986TF0061	25.033.00	1457429076	30.818.00	1457429248	25.049.00
0986452906	23.272.00	0986628544	34.279.00	0986TF0071	23.267.00	1457429077	30.830.00	1457429249	25.060.00
0986452907	23.271.00	0986628545	34.236.00	0986TF0072	23.472.00	1457429078	30.910.00	1457429252	25.048.00
0986452908	23.139.00	0986628547	34.254.00	0986TF0073	25.047.00	1457429079	30.852.00	1457429256	25.043.00
0986452909	23.159.00	0986628548	34.249.00	0986TF0076	30.217.00	1457429080	30.843.01	1457429257	25.056.00
0986452916	23.165.00	0986628549	34.133.00	0986TF0077	27.271.00	1457429082	30.916.00	1457429260	25.499.00
0986452917	23.213.00	0986628551	34.124.00	0986TF0079	53.005.00	1457429083	30.815.00	1457429261	25.050.00
0986452919	23.131.01	0986628558	34.231.00	0986TF0082	23.243.00	1457429085	30.860.00	1457429262	25.028.00
0986452927	23.210.00	0986628559	34.222.00	0986TF0087	23.237.00	1457429086	30.807.00	1457429263	25.059.00
0986452928	23.263.00	0986628560	34.215.00	0986TF0088	30.224.00	1457429087	27.728.00	1457429263	25.002.00
0986452929	23.240.00	0986628561	34.159.00	0986TF0090	30.168.00	1457429088	30.872.01	1457429264	25.548.00
0986452930	23.134.00	0986AF0009		0986TF0094	25.037.00	1457429089	30.807.00	1457429265	25.499.00
0986626800	30.835.00	(TOYOTA Diesel appl.)	25.150.00	0986TF0095	25.002.00	1457429090	27.725.00	1457429266	25.499.00
0986626802	30.531.00	0986AF0009		0986TF0096	27.403.00	1457429091	30.806.00	1457429267	25.499.01
0986626803	30.107.00	(TOYOTA Petrol appl.)	25.196.00	0986TF0097	30.153.00	1457429092	30.802.01	1457429268	25.080.00
0986626804	30.973.00	0986AF0126	23.265.00	0986TF0098	30.139.00	1457429093	30.809.00	1457429269	25.058.00
0986626805	30.991.00	0986AF0189	25.086.00	0986TF0105	23.472.00	1457429094	27.781.00	1457429269	25.232.00
0986626806	30.085.00	0986AF1014	23.484.00	0986TF0109	30.319.00	1457429096	30.803.00	1457429271	25.026.00
0986626807	30.933.00	0986AF1034	23.461.00	0986TF0110	53.021.00	1457429098	30.818.00	1457429272	25.067.00
0986626809	27.675.00	0986AF1039	23.258.00	0986TF0114	54.100.00	1457429099	30.836.00	1457429273	25.528.00
0986626810	30.080.00	0986AF1041	23.263.00	0986TF0116	30.233.00	1457429101	25.409.01	1457429274	25.528.00
0986626811	30.946.00	0986AF1042	23.253.00	0986TF0117	30.262.00	1457429102	25.004.00	1457429275	25.587.00
0986626812	30.245.00	0986AF1043	23.251.00	0986TF0118	27.355.00	1457429103	25.590.00	1457429278	25.095.00
0986626814	27.402.00	0986AF1153	25.070.00	0986TF0119	53.064.00	1457429104	25.540.00	1457429279	26.652.00
0986626815	30.029.00	0986AF1178	25.058.00	0986TF0122	53.042.00	1457429105	25.406.01	1457429280	26.670.00
0986626816	30.146.00	0986AF1502	25.002.00	0986TF0124	54.102.00	1457429106	25.406.01	1457429281	26.676.00
0986626817	30.990.00	0986AF1504	25.162.00	0986TF0125	24.050.00	1457429108	25.008.00	1457429284	25.052.00
0986626818	30.070.00	0986AF1506	25.004.00	0986TF0126	24.051.00	1457429109	26.601.00	1457429289	26.670.00
0986626819	30.162.00	0986AF1507	25.028.00	0986TF0133	31.740.00	1457429115	25.402.01	1457429291	26.676.00
0986626820	30.183.00	0986AF1508	25.008.00	0986TF0146	24.343.00	1457429116	25.013.00	1457429298	25.012.00
0986626822	30.115.00	0986AF2103	30.077.00	0986TF0150	30.246.00	1457429117	25.402.01	1457429301	25.04

1457429307	25.066.00	1457429849	30.893.03	1457431161	21.050.00	1457433002	30.961.00	1457433253	30.999.00
1457429308	25.071.00	1457429868	27.719.00	1457431164	21.050.00	1457433003	30.990.00	1457433254	27.175.00
1457429359	21.061.00	1457429869	30.936.00	1457431168	21.050.00	1457433004	30.991.00	1457433255	30.032.00
1457429403	30.199.00	1457429870		1457431243	26.664.00	1457433005	27.031.00	1457433256	30.033.00
1457429435	25.443.00	(OPEL, VAUXHALL)	30.924.00	1457431260	26.618.00	1457433006	27.279.00	1457433257	30.034.00
1457429436	25.443.00	1457429870		1457431261	26.609.00	1457433007	30.017.00	1457433259	30.960.00
1457429440	25.421.00	(VAG)	30.192.00	1457431311	26.609.00	1457433008	30.994.00	1457433260	30.039.00
1457429441	25.421.00	1457429871	27.521.00	1457431314	26.618.00	1457433011	27.065.00	1457433261	30.046.00
1457429445	25.455.00	1457429873	30.926.00	1457431315	26.618.00	1457433012	27.089.00	1457433263	30.036.00
1457429449	25.455.00	1457429875	30.893.00	1457431324	26.618.00	1457433015	30.923.01	1457433264	30.019.00
1457429490	25.408.00	1457429876	30.978.01	1457431325	26.609.00	1457433023	30.996.00	1457433265	30.066.00
1457429493	25.408.00	1457429877	30.944.00	1457431327	26.635.00	1457433024	30.902.00	1457433266	30.052.00
1457429494	25.408.00	1457429878	30.946.00	1457431329	26.609.00	1457433025	27.267.00	1457433268	30.087.00
1457429515	25.406.01	1457429879	30.852.00	1457431393	26.691.00	1457433028	30.994.00	1457433269	30.966.00
1457429525	25.413.00	1457429880	30.847.00	1457431406	27.797.00	1457433029	27.065.00	1457433270	27.232.00
1457429529	25.413.00	1457429882	27.107.00	1457431426	25.406.01	1457433030	27.267.00	1457433271	27.233.00
1457429540	25.402.01	1457429883	27.067.00	1457431428	25.402.01	1457433032	30.005.00	1457433272	30.069.00
1457429545	25.439.00	1457429884	27.813.00	1457431458	26.609.00	1457433036	30.008.00	1457433273	30.026.00
1457429546	25.439.00	1457429890	27.520.00	1457431483	20.012.02	1457433037	30.967.00	1457433274	30.001.00
1457429555	25.455.01	1457429893	30.987.01	1457431484	20.020.00	1457433043	30.201.00	1457433275	27.169.00
1457429556	25.455.00	1457429894	30.973.00	1457431487	20.012.00	1457433044	27.385.00	1457433276	30.073.00
1457429557	25.455.00	1457429895	30.950.00	1457431700	26.686.00	1457433045	30.160.00	1457433279	30.243.00
1457429559	25.455.00	1457429896	30.958.00	1457431701	24.388.00	1457433046	30.162.00	1457433280	30.116.00
1457429604	25.530.01	1457429898	30.011.00	1457431702	24.389.00	1457433047	30.146.00	1457433281	30.107.00
1457429605	25.530.01	1457429900	27.947.00	1457431703	26.688.00	1457433048	27.137.00	1457433282	30.111.00
1457429606	25.530.00	1457429902	27.716.00	1457431704	26.006.00	1457433049	30.842.00	1457433285	30.945.00
1457429618	25.548.00	1457429903	27.239.00	1457431705	26.687.00	1457433052	30.596.00	1457433286	30.053.00
1457429619	25.011.00	1457429904	30.802.01	1457431708	26.005.00	1457433055	30.159.00	1457433289	30.098.00
1457429621	24.388.00	1457429907	27.731.00	1457431712	26.690.00	1457433056	30.096.00	1457433290	30.285.00
1457429638	25.548.00	1457429908	27.845.02	1457431713	26.676.00	1457433057	30.113.00	1457433294	27.174.00
1457429647	25.099.00	1457429913	27.715.00	1457431714	26.003.00	1457433058	30.161.00	1457433296	30.213.00
1457429655	26.001.00	1457429914	30.807.00	1457431715	26.014.00	1457433059	30.158.00	1457433297	30.166.00
1457429656	26.689.00	1457429915	30.802.01	1457431720	26.693.00	1457433061	30.157.00	1457433298	30.972.00
1457429657	26.686.00	1457429916	30.871.00	1457431723	26.022.00	1457433062	27.699.00	1457433299	30.902.00
1457429678	24.361.00	1457429917	30.908.00	1457431724	26.694.00	1457433064	27.403.00	1457433300	30.164.00
1457429700	25.409.01	1457429918	30.871.00	1457431726	26.690.00	1457433065	30.148.00	1457433303	30.089.00
1457429706	25.407.01	1457429919	27.792.00	1457431727	26.688.00	1457433066	30.178.00	1457433306	30.168.00
1457429709	25.407.01	1457429920	30.922.01	1457431728	26.015.00	1457433069	27.593.00	1457433307	27.367.00
1457429710	25.413.00	1457429921	30.800.00	1457431729	26.085.00	1457433070	30.155.00	1457433309	30.027.00
1457429745	25.539.00	1457429922	27.946.00	1457432100	27.750.00	1457433071	30.531.00	1457433310	30.924.00
1457429746	25.539.00	1457429923	30.923.01	1457432102	27.702.00	1457433072	30.172.00	1457433311	30.217.00
1457429750	25.407.01	1457429926	30.847.00	1457432103	27.702.00	1457433073	30.336.00	1457433315	30.209.00
1457429755	25.539.00	1457429927	27.076.00	1457432106	27.731.00	1457433075	30.195.00	1457433316	30.194.00
1457429756	25.539.00	1457429932	27.881.00	1457432108	27.719.00	1457433076	30.153.00	1457433317	30.135.00
1457429760	25.541.00	1457429933	27.920.00	1457432109	27.728.00	1457433077	27.403.00	1457433319	30.165.00
1457429761	25.541.00	1457429935	30.899.00	1457432110	27.756.00	1457433078	30.163.00	1457433322	30.228.00
1457429762	25.018.00	1457429936	30.915.00	1457432111	27.785.00	1457433079	30.203.00	1457433323	30.245.00
1457429775	27.176.00	1457429939	27.085.00	1457432112	30.811.00	1457433081	30.364.00	1457433324	30.151.00
1457429777	30.946.00	1457429940	27.134.00	1457432113	27.800.00	1457433083	30.263.00	1457433325	30.186.00
1457429778	30.955.00	1457429941	27.828.00	1457432114	27.713.00	1457433084	27.592.00	1457433326	30.286.00
1457429781	30.954.00	1457429944	27.982.00	1457432116	27.762.00	1457433086	30.128.00	1457433327	30.233.00
1457429783	30.911.00	1457429946	27.804.00	1457432118	27.906.00	1457433087	30.958.00	1457433329	27.400.00
1457429785	30.188.00	1457429947	30.811.00	1457432122	30.800.00	1457433088	30.372.00	1457433330	30.145.01
1457429787	30.974.00	1457429948	30.975.00	1457432124	27.824.00	1457433089	30.183.00	1457433331	30.320.00
1457429789	30.807.00	1457429949	27.162.00	1457432126	27.845.02	1457433090	30.139.00	1457433332	27.356.00
1457429791	30.981.00	1457429951	27.902.00	1457432128	30.872.01	1457433093	27.394.00	1457433333	27.585.00
1457429792	30.058.00	1457429952	27.797.00	1457432134	30.871.00	1457433094	30.251.00	1457433334	27.586.00
1457429793	30.003.00	1457429953	27.927.00	1457432136	27.062.00	1457433096	30.241.00	1457433336	27.587.00
1457429795	27.195.00	1457429954	30.939.00	1457432138	27.888.00	1457433097	30.224.00	1457433337	30.260.00
1457429800	27.769.00	1457429956	30.896.00	1457432139	27.904.00	1457433098	30.272.00	1457433338	30.593.00
1457429801	27.744.00	1457429957	30.851.00	1457432140	27.927.00	1457433099	30.246.00	1457433339	30.220.00
1457429802	27.770.00	1457429958	27.707.00	1457432141	30.925.00	1457433100	30.317.00	1457433340	30.135.00
1457429803	27.740.00	1457429959	30.807.00	1457432143	30.847.00	1457433102	30.315.00	1457433401	27.252.00
1457429804	27.133.00	1457429960	27.728.00	1457432144	27.898.00	1457433150	30.180.00	1457433402	30.019.00
1457429806	27.799.00	1457429961	30.835.00	1457432146	30.858.00	1457433152	30.137.00	1457433404	27.750.00
1457429807	27.744.00	1457429962	30.800.00	1457432148	30.878.00	1457433153	30.129.00	1457433405	30.087.00
1457429813	27.744.00	1457429963	27.824.00	1457432149	27.890.00	1457433154	27.524.00	1457433411	30.871.00
1457429814	30.977.00	1457429964	30.914.02	1457432150	30.942.00	1457433155	30.136.00	1457433421	27.062.00
1457429816	27.799.00	1457429970	30.976.00	1457432153	30.802.01	1457433156	30.127.00	1457433424	27.196.00
1457429818	30.078.01	1457429973	30.851.00	1457432154	27.239.00	1457433158	30.185.00	1457433430	27.194.00
1457429819	27.177.00	1457429974	27.785.00	1457432159	30.852.00	1457433159	30.186.00	1457433431	27.234.00
1457429820	25.406.01	1457429977	27.893.00	1457432171	27.792.00	1457433160	30.210.00	1457433432	27.824.00
1457429825	25.413.00	1457429983	30.904.00	1457432172	30.898.00	1457433161	27.588.00	1457433433	27.253.00
1457429826	25.413.00	1457429984	30.860.00	1457432173	30.894.00	1457433163	30.181.00	1457433435	27.149.00
1457429827	30.847.00	1457429986	30.893.00	1457432174	30.942.00	1457433164	30.367.00	1457433442	30.021.00
1457429828	30.893.00	1457429987	30.948.00	1457432175	30.889.00	1457433205	27.923.00	1457433443	30.025.00
1457429831	30.922.01	1457429988	30.929.00	1457432179	30.928.00	1457433226	27.063.00	1457433446	30.973.00
1457429832	30.914.02	1457429989	30.843.01	1457432180	30.932.00	1457433227	27.196.00	1457433451	30.953.00
1457429833	30.899.00	1457429992	30.896.00	1457432182	30.919.00	1457433229	27.234.00	1457433460	30.034.00
1457429834	30.908.00	1457429993	30.993.00	1457432183	30.935.00	1457433230	27.268.00	1457433461	30.066.00
1457429836	30.910.00	1457429994	30.864.00	1457432185	30.930.00	1457433231		1457433462	30.052.00
1457429837	27.076.00	1457429995	30.916.00	1457432186	27.734.00	(RENAULT)	27.084.00	1457433464</	

1457433523	30.320.00	1457433674	27.931.00	1457433807	30.073.00	(ALTRE/OTHER APPL.)	24.366.00	1987429156	27.068.00
1457433525	30.017.00	1457433675	27.902.00	1457433808	30.124.00	1457434301		1987429157	27.583.00
1457433526	30.117.00	1457433677	27.159.00	1457433809	30.090.00	(MAZDA)	24.392.00	1987429159	27.E44.00
1457433528	30.215.00	1457433678	27.138.00	1457433810	27.355.00	1457434302	24.393.00	1987429160	30.250.00
1457433529	30.147.00	1457433682	27.604.00	1457433811		1457434310	24.H2O.07	1987429162	30.204.00
1457433530	27.381.00	1457433685	30.287.00	(MAZDA)	30.012.00	1457434314	24.H2O.00	1987429163	30.338.00
1457433531	30.150.00	1457433686	30.101.00	1457433811		1457434321	24.383.00	1987429165	27.274.00
1457433532	30.132.00	1457433686	30.C47.00	(FORD FIESTA, MAZDA 121)	30.062.00	1457434324	24.344.00	1987429166	30.104.00
1457433533	30.248.00	1457433690	30.004.00	1457433812	30.926.00	1457434329	24.414.00	1987429167	30.126.00
1457433534	27.097.00	1457433697	30.049.00	1457433813	30.950.00	1457434331	24.321.00	1987429169	27.282.00
1457433535	30.079.00	1457433698		1457433814	30.072.00	1457434400	24.401.00	1987429170	27.526.00
1457433536	30.115.00	(BMW)	30.029.00	1457433815	30.035.00	1457434405	24.380.00	1987429173	30.211.00
1457433537	30.100.00	1457433698		1457433816	30.063.00	1457434408	24.371.00	1987429175	30.327.00
1457433538	27.257.00	(VAG)	30.192.00	1457433817	30.119.00	1457434415	24.321.00	1987429177	30.206.00
1457433539		1457433699	30.073.00	1457433818	27.273.00	1457434416	24.429.00	1987429178	30.360.00
(N.1 FILTRO/FILTER)	30.134.00	1457433702	27.477.00	1457433819	30.108.00	1457434431	24.414.00	1987429179	30.464.00
1457433540	30.038.01	1457433703	30.082.00	1457433822	30.045.00	1457434433	24.352.00	1987429180	30.312.00
1457433541	30.030.00	1457433704	30.946.00	1457433825	30.117.00	1457434435	24.368.00	1987429181	30.316.00
1457433543	30.095.00	1457433705	30.974.00	1457433950	30.239.00	1457434436	24.441.00	1987429182	30.244.00
1457433544	27.271.00	1457433706	30.894.00	1457433951	30.235.00	1457434437	24.436.00	1987429183	30.247.00
1457433546	30.A71.00	1457433707	30.932.00	1457433952		1457434438	24.411.00	1987429184	30.409.00
1457433547	30.050.00	1457433708	30.999.00	(CITROEN, MITSUBISHI, PEUGEOT)	30.601.00	1457434439	24.444.00	1987429185	30.231.00
1457433548	30.296.00	1457433709	30.032.00	1457433953	30.A50.00	1457434440	24.413.00	1987429187	30.788.00
1457433549	30.141.00	1457433710	30.960.00	1457433955	30.238.00	1457434448	24.331.00	1987429188	30.171.00
1457433550	30.142.00	1457433711	30.045.00	1457433956	30.460.00	1457434450	24.338.00	1987429189	30.281.00
1457433553	27.341.00	1457433712	27.257.00	1457433958	30.143.00	1457434451	24.444.00	1987429190	30.329.00
1457433554	30.269.00	1457433713	30.028.00	1457433959	30.173.00	1457434453		1987429191	30.232.00
1457433555	30.144.00	1457433714	30.077.00	1457433961	30.177.00	(MAZDA)	24.392.00	1987429192	30.276.00
1457433571	30.041.00	1457433715	27.355.00	1457433962	30.103.00	1457434453		1987429193	30.189.00
1457433573	30.417.00	1457433716	30.124.00	1457433963	30.102.00	(ALTRE/OTHER APPL.)	24.366.00	1987429194	30.226.00
1457433574	30.196.00	1457433732	27.736.00	1457433965	30.222.00	1457434455	24.H2O.02	1987429302	27.156.00
1457433575	30.133.00	1457433734	27.172.00	1457433967	30.237.00	1457434458	24.439.00	1987429303	27.090.00
1457433576	27.402.00	1457433736	30.022.00	1457433968	30.230.00	1457434459	24.423.00	1987429401	27.486.00
1457433577	30.324.00	1457433739	27.386.00	1457433969	30.275.00	1457434460	24.H2O.03	1987429403	30.199.00
1457433578	30.202.00	1457433740	30.063.00	1457433970	30.236.00	1457434510	24.439.00	1987429404	30.187.00
1457433579	30.197.00	1457433741	30.064.00	1457433971	30.175.00	1457434511	24.443.00	1987429405	27.401.00
1457433580	30.309.00	1457433742	30.090.00	1457433972	30.176.00	1457434516	24.012.00	1987429406	30.417.00
1457433582	30.225.00	1457433743	30.057.00	1457434011	24.360.00	1457434900	24.360.00	1987429611	30.001.00
1457433583	30.212.00	1457433744	27.254.00	1457434053	24.351.00	1457434901	24.360.00	1987431001	53.007.00
1457433584	30.229.00	1457433745	27.128.00	1457434058	24.351.00	1457434903	24.360.00	1987431002	53.026.00
1457433585	30.318.00	1457433746	27.273.00	1457434061	24.351.00	1457434904	24.360.00	1987431003	53.023.00
1457433587	30.274.00	1457433747	30.085.00	1457434071	24.351.00	1457434905	24.360.00	1987431005	53.020.00
1457433588	27.363.00	1457433748	30.080.00	1457434075	24.351.00	1457434909	24.360.00	1987431006	53.012.00
1457433589	27.384.00	1457433750		1457434083	24.351.00	1457434910	24.360.00	1987431007	53.028.00
1457433590	27.354.00	(FORD)	30.016.00	1457434087	24.360.00	1457437001	25.013.00	1987431009	53.061.00
1457433591	30.299.00	1457433750		1457434093	24.351.00	1457437002	25.003.00	1987431010	53.015.00
1457433592	30.262.00	(VOLVO)	30.044.00	1457434094	24.351.00	1457437003	25.004.00	1987431011	53.071.00
1457433593	30.168.00	1457433751	30.575.00	1457434095	24.319.01	1928497902	27.353.00	1987431012	53.006.00
1457433594	30.273.00	1457433752	30.119.00	1457434096	24.319.01	1928497951	27.384.00	1987431013	53.004.00
1457433595	30.319.00	1457433753	30.086.00	1457434099	24.350.01	1986452000	23.121.00	1987431014	53.019.00
1457433597	30.258.00	1457433754	30.933.00	1457434101	24.351.00	1986452001	23.102.00	1987431015	53.001.00
1457433598	30.259.00	1457433755	27.845.02	1457434103	24.350.00	1986452002	23.102.00	1987431016	53.010.00
1457433599	30.253.00	1457433756	27.176.00	1457434105	24.351.01	1986452003	23.127.00	1987431017	53.013.00
1457433600	30.119.00	1457433757	30.027.00	1457434106		1986452004	23.121.00	1987431018	53.016.00
1457433601	30.040.00	1457433758	30.981.00	(ALTRE/OTHER APPL.)	24.351.00	1986452005	23.256.00	1987431019	53.024.00
1457433602	30.017.00	1457433759	30.923.01	1457434107	24.351.00	1986452008	23.139.00	1987431020	53.005.00
1457433603	30.027.00	1457433760	30.991.00	1457434108	24.319.01	1986452009	23.159.00	1987431021	53.021.00
1457433604	30.027.00	1457433761	27.177.00	1457434110	24.351.00	1987429002	27.769.00	1987431022	53.027.00
1457433605		1457433762	30.024.00	1457434113	24.351.00	1987429003	27.744.00	1987431023	53.085.00
(MAZDA)	30.012.00	1457433763		1457434118	24.350.00	1987429010	27.770.00	1987431024	53.011.00
1457433605		(OPEL, VAUXHALL)	30.924.00	1457434119	24.351.01	1987429011	27.740.00	1987431027	53.018.00
(FORD FIESTA, MAZDA 121)	30.062.00	1457433763		1457434123	24.321.00	1987429018	27.799.00	1987431028	53.017.00
1457433606	30.021.00	(VAG)	30.192.00	1457434150	24.351.00	1987429022	27.744.00	1987431029	53.025.00
1457433607	30.072.00	1457433764	30.049.00	1457434153	24.319.01	1987429029	27.155.00	1987431030	53.014.00
1457433608	30.035.00	1457433765	30.935.00	1457434157	24.321.00	1987429030	27.799.00	1987431032	53.046.00
1457433609	30.024.00	1457433766	30.942.00	1457434159	24.351.00	1987429032	27.939.00	1987431033	53.002.00
1457433612	30.996.00	1457433767	30.858.00	1457434177		1987429042	27.074.00	1987431034	53.084.00
1457433613	30.017.00	1457433768	30.033.00	(ALTRE/OTHER APPL.)	24.351.00	1987429051	30.973.00	1987431036	53.158.00
1457433614	30.958.00	1457433769	27.258.00	1457434184	24.379.01	1987429106	27.068.00	1987431037	53.064.00
1457433615	30.891.00	1457433770	30.041.00	1457434187	24.397.00	1987429109	27.071.01	1987431038	53.030.00
1457433616	30.071.00	1457433771	30.083.00	1457434188	24.399.00	1987429114	27.132.00	1987431039	53.060.00
1457433617	30.154.00	1457433772	30.109.00	1457434189	24.327.00	1987429115	27.605.00	1987431040	53.047.00
1457433618	30.041.00	1457433773	30.108.00	1457434194	24.434.00	1987429117	27.235.00	1987431042	53.042.00
1457433619	30.041.00	1457433781	30.068.00	1457434198	24.460.00	1987429118	27.599.00	1987431043	53.059.00
1457433621	30.120.00	1457433782	27.385.00	1457434200	24.361.00	1987429119	30.012.00	1987431044	53.114.00
1457433622	27.272.00	1457433784	30.170.00	1457434201	24.360.00	1987429121	27.156.00	1987431045	53.034.00
1457433623	30.025.00	1457433790	27.228.00	1457434220	24.361.00	1987429125	27.090.00	1987431048	53.044.00
1457433624	27.253.00	1457433791	27.236.00	1457434221	24.360.00	1987429127	27.171.00	1987431049	53.037.00
1457433625	27.081.00	1457433792	30.106.00	1457434280	24.350.02	1987429135	30.076.00	1987431050	53.099.00
1457433627	27.283.00	1457433794	30.099.00	1457434281	24.375.00	1987429136	30.242.00	1987431052	53.068.00
1457433642	30.007.00	1457433796	27.153.00	1457434283	24.350.02	1987429144	30.256.00	1987431053	53.063.00
1457433646	27.132.00	1457433797	30.216.00	1457434286	24.384.00	1987429146	30.013.00	1987431054	53.040.00
1457433648	27.956.00	1457433798	27.149.00	1457434287	24.379.01	1987429148	27.200.00	1987431055	53.065.00
1457433652	30.943.00	1457433							

1987431061	53.083.00	1987432015	53.001.00	1987432136	53.143.00	1987432330	54.197.00	(N.10 FILTRI/FILTERS)	53.007.00
1987431062	53.079.00	1987432016	53.010.00	1987432137	53.154.00	1987432336	54.121.00	1987432807	
1987431064	53.091.00	1987432017	53.013.00	1987432155	53.117.00	1987432337	54.102.00	(N.10 FILTRI/FILTERS)	53.015.00
1987431066	53.075.00	1987432018	53.016.00	1987432156	53.201.00	1987432343	54.281.00	1987432808	
1987431069	53.087.00	1987432019	53.024.00	1987432157	53.404.00	1987432345	54.106.00	(N.10 FILTRI/FILTERS)	53.006.00
1987431070	53.094.00	1987432020	53.005.00	1987432158	53.118.00	1987432348	54.194.00	1987432809	
1987431071	53.032.00	1987432021	53.021.00	1987432159	53.197.00	1987432354	54.171.00	(N.10 FILTRI/FILTERS)	53.004.00
1987431072	53.043.00	1987432022	53.027.00	1987432160	53.121.00	1987432357	54.114.00	1987432810	
1987431074	53.108.00	1987432024	53.011.00	1987432161	53.119.00	1987432360	54.105.00	(N.10 FILTRI/FILTERS)	53.001.00
1987431075	53.035.00	1987432026	53.232.00	1987432163	53.120.00	1987432361	54.108.00	1987432811	
1987431076	53.045.00	1987432027	53.018.00	1987432164	53.116.00	1987432362	54.242.00	(N.10 FILTRI/FILTERS)	53.013.00
1987431079	53.038.00	1987432028	53.017.00	1987432166	53.123.00	1987432363	54.120.00	1987432812	
1987431081	53.095.00	1987432030	53.014.00	1987432167	53.080.00	1987432364	54.247.00	(N.10 FILTRI/FILTERS)	53.016.00
1987431082	53.101.00	1987432032	53.046.00	1987432169	53.316.00	1987432365	54.262.00	1987432814	
1987431083	53.039.00	1987432033	53.002.00	1987432170	53.112.00	1987432366	54.135.00	(N.10 FILTRI/FILTERS)	53.014.00
1987431084	53.050.00	1987432036	53.158.00	1987432171	53.144.00	1987432367	54.110.00	1987435001	54.163.00
1987431085	53.103.00	1987432037	53.064.00	1987432172	53.135.00	1987432368	54.318.00	1987435002	53.190.00
1987431088	53.125.00	1987432038	53.030.00	1987432173	53.109.00	1987432369	54.168.00	1987435003	53.224.00
1987431090	53.084.00	1987432039	53.060.00	1987432175	53.134.00	1987432370	54.131.00	1987435005	53.210.00
1987431091	53.069.00	1987432040	53.047.00	1987432177	53.123.00	1987432371	54.101.00	1987435006	53.258.00
1987431092	53.093.00	1987432042	53.042.00	1987432183	53.113.00	1987432373	54.119.00	1987435007	53.257.00
1987431093	53.107.00	1987432043	53.059.00	1987432184	53.122.00	1987432376	54.100.00	1987435008	53.239.00
1987431094	53.106.00	1987432044	53.114.00	1987432188	54.162.00	1987432377	54.103.00	1987435010	53.293.00
1987431095	53.082.00	1987432045	53.034.00	1987432188	53.124.00	1987432378	54.113.00	1987435011	53.256.00
1987431097	53.148.00	1987432048	53.044.00	1987432189	53.132.00	1987432379	54.111.00	1987435012	53.250.00
1987431105	53.138.00	1987432049	53.037.00	1987432190	53.147.00	1987432380	54.122.00	1987435013	53.220.00
1987431106	53.088.00	1987432050	53.099.00	1987432194	53.214.00	1987432381	54.133.00	1987435015	53.394.00
1987431107	53.074.00	1987432052	53.068.00	1987432195	53.110.00	1987432382	54.137.00	1987435016	53.153.00
1987431111	53.098.00	1987432053	53.063.00	1987432197	54.196.00	1987432383	54.282.00	1987435017	53.211.00
1987431113	53.129.00	1987432055	53.152.00	1987432198	53.090.00	1987432386	54.104.00	1987435018	53.422.00
1987431115	53.109.00	1987432056	53.067.00	1987432203	53.159.00	1987432387	54.115.00	1987435019	53.330.00
1987431116	53.105.00	1987432057	53.031.00	1987432204	53.208.00	1987432392	54.271.00	1987435020	53.407.00
1987431119	53.051.00	1987432058	53.052.00	1987432205	53.206.00	1987432393	54.201.00	1987435026	53.154.00
1987431120	53.104.00	1987432059	53.033.00	1987432206	53.136.00	1987432394	54.237.00	1987435027	53.145.00
1987431121	53.057.00	1987432060	53.070.00	1987432208	53.131.00	1987432397	54.124.00	1987435028	53.323.00
1987431194	54.262.00	1987432061	53.083.00	1987432209	53.397.00	1987432398	54.125.00	1987435031	54.227.00
1987431300	54.109.00	1987432062	53.079.00	1987432213	53.137.00	1987432399	54.151.00	1987435033	53.313.00
1987431303	54.107.00	1987432063	53.230.00	1987432214	53.183.00	1987432400	54.174.00	1987435037	53.426.00
1987431306	54.116.00	1987432064	53.091.00	1987432215	53.207.00	1987432401	54.139.00	1987435049	53.185.00
1987431307	54.169.00	1987432065	53.130.00	1987432216	53.218.00	1987432402	54.127.00	1987435050	53.212.00
1987431318	54.317.00	1987432066	53.075.00	1987432219	53.255.00	1987432405	54.159.00	1987435055	53.253.00
1987431324	54.165.00	1987432068	53.246.00	1987432220	53.108.00	1987432406	54.160.00	1987435056	53.383.00
1987431328	54.118.00	1987432069	53.087.00	1987432221	53.213.00	1987432407	54.389.00	1987435057	53.389.00
1987431345	54.106.00	1987432070	53.094.00	1987432222	53.151.00	1987432409	54.136.00	1987435058	53.320.00
1987431354	54.171.00	1987432071	53.032.00	1987432223	53.126.00	1987432410	54.146.00	1987435061	53.418.00
1987431357	54.114.00	1987432072	53.043.00	1987432224	53.191.00	1987432411	54.134.00	1987435066	53.299.00
1987431360	54.105.00	1987432073	53.162.00	1987432228	53.157.00	1987432412	54.142.00	1987435069	53.315.00
1987431361	54.108.00	1987432074	53.108.00	1987432234	53.160.00	1987432413	54.158.00	1987435085	53.365.00
1987431362	54.242.00	1987432075	53.035.00	1987432235	53.231.00	1987432415	54.170.00	1987435096	53.384.00
1987431365	54.262.00	1987432076	53.045.00	1987432236	53.222.00	1987432416	54.167.00	1987435097	53.208.00
1987431366	54.135.00	1987432078	53.164.00	1987432238	53.146.00	1987432419		1987435112	53.391.00
1987431367	54.110.00	1987432079	53.038.00	1987432241	53.141.00	(N.1 FILTRO/FILTER)	54.243.00	1987435114	53.390.00
1987431370	54.131.00	1987432080	53.086.00	1987432242	53.251.00	1987432422	54.153.00	1987435501	54.232.00
1987431371	54.101.00	1987432081	53.095.00	1987432243	53.374.00	1987432424	54.154.00	1987435503	54.226.00
1987431373	54.119.00	1987432082	53.101.00	1987432246	53.215.00	1987432425	54.128.00	1987435505	54.236.00
1987431376	54.100.00	1987432083	53.039.00	1987432247	53.223.00	1987432426	54.220.00	1987435506	54.302.00
1987431377	54.103.00	1987432084	53.050.00	1987432250	53.260.00	1987432428	54.140.00	1987435509	54.377.00
1987431378	54.113.00	1987432085	53.103.00	1987432251	53.209.00	1987432431	54.148.00	1987435511	54.284.00
1987431379	54.111.00	1987432086	53.338.00	1987432253	53.149.00	1987432433	54.150.00	1987435512	54.312.00
1987431380	54.122.00	1987432087	53.076.00	1987432254	53.111.00	1987432434	54.144.00	1987435514	54.143.00
1987431382	54.137.00	1987432088	53.125.00	1987432255	53.400.00	1987432436	54.164.00	1987435515	54.230.00
1987431386	54.104.00	1987432090	53.084.00	1987432258	53.161.00	1987432437	54.172.00	1987435516	54.264.00
1987431387	54.115.00	1987432091	53.069.00	1987432262	53.329.00	1987432464	54.126.00	1987435517	53.260.00
1987431397	54.124.00	1987432092	53.093.00	1987432266	53.109.00	1987432469	54.198.00	1987435518	54.306.00
1987431398	54.125.00	1987432093	53.107.00	1987432267	53.388.00	1987432482	54.123.00	1987435522	54.172.00
1987431399	54.151.00	1987432094	53.106.00	1987432268	53.396.00	1987432495	54.145.00	1987435524	54.261.00
1987431400	54.174.00	1987432095	53.082.00	1987432272	53.233.00	1987432497	54.112.00	1987435525	54.254.00
1987431401	54.139.00	1987432096	53.244.00	1987432273	53.150.00	1987432498	54.147.00	1987435526	54.274.00
1987431402	54.127.00	1987432097	53.148.00	1987432275	53.219.00	1987432499	54.176.00	1987435534	54.287.00
1987431409	54.136.00	1987432102	53.228.00	1987432277	53.259.00	1987432500	54.173.00	1987435537	54.175.00
1987431410	54.146.00	1987432105	53.138.00	1987432296	53.156.00	1987432512	54.132.00	1987435538	54.279.00
1987431411	54.134.00	1987432106	53.088.00	1987432300	54.109.00	1987432533	54.141.00	1987435546	54.294.00
1987431412	54.142.00	1987432107	53.074.00	1987432301	54.270.00	1987432535	54.155.00	1987435552	54.289.00
1987431413	54.158.00	1987432108	53.317.00	1987432303	54.107.00	1987432536	54.140.00	1987435559	54.293.00
1987431459	54.107.00	1987432111	53.098.00	1987432304	54.178.00	1987432537	54.162.00	1987435562	54.291.00
1987432001	53.007.00	1987432112	53.227.00	1987432306	54.116.00	1987432539	53.102.00	1987435590	54.331.00
1987432002	53.026.00	1987432113	53.129.00	1987432307	54.169.00	1987432540	53.298.00	1987435591	54.319.00
1987432003	53.023.00	1987432114	53.189.00	1987432308	54.170.00	1987432542	54.241.00	71001	31.570.00
1987432004	53.254.00	1987432115	53.109.00	1987432309	54.215.00	1987432543	54.219.00	71016	31.511.00
1987432005	53.020.00	1987432116	53.105.00	1987432310	54.277.00	1987432545	54.234.00	71020	31.699.00
1987432006	53.012.00	1987432117	53.235.00	1987432311	54.166.00	1987432548	54.222.00	71023	31.594.00
1987432007	53.028.00	1987432119	53.051.00	1987432312	54.263.00	1987432549	54.249.00	71028	31.500.00
1987432009	53.061.00	1987432120	53						

71039	31.502.00	9451730708	27.707.00	A326	53.026.00	D302	24.319.01	F026400099	30.268.00
71040	31.563.00	9451730710	27.720.00	A350	53.042.00	D505	24.321.00	F026400101	30.362.00
71042	31.506.00	9451730711	27.708.00	A400	53.019.00	D701	24.351.00	F026400102	30.606.00
71044	31.507.00	9451730712	27.785.00	A402	53.067.00	D703	24.365.00	F026400103	30.465.00
71046	31.506.00	9451730713	27.800.00	A403	53.079.00	D800	24.365.01	F026400104	30.555.00
71047	31.563.00	9451730714	30.857.00	A404	53.109.00	F000KF0002		F026400105	30.A33.00
71049	31.513.00	9451730719	30.858.00	A405	53.059.00	(BR)	31.624.00	F026400106	30.332.00
71051	31.505.00	9451730720	27.792.00	A406	53.104.00	F000KF0004		F026400107	30.295.00
71058	31.841.00	9451730721	27.898.00	A407	53.057.00	(BR)	31.627.00	F026400109	30.331.00
71504	31.535.00	9451730722	27.775.00	A420	53.027.00	F0012	31.001.00	F026400110	30.310.00
71506	31.539.00	9451730723	27.817.00	A421	53.004.00	F0037	31.024.00	F026400111	30.388.00
71512	31.517.00	9451730725	27.927.00	A422	53.061.00	F0038	31.020.00	F026400112	30.125.00
71514	31.556.00	9451730730	27.904.00	A431	53.069.00	F0039	31.026.00	F026400113	30.130.00
71521	31.523.00	9451730731	30.878.00	A500	53.001.00	F0100	31.539.00	F026400114	30.554.00
71523	31.565.00	9451730732	30.942.00	A501	53.006.00	F0101	31.529.00	F026400119	30.357.00
71525	31.539.00	9451730734	27.888.00	A502	53.011.00	F0102	31.517.00	F026400121	30.334.00
71529	31.550.00	9451730735	27.890.00	A503	53.021.00	F0103	31.523.00	F026400122	30.257.00
71534	31.541.00	9451730736	30.889.00	A504	53.085.00	F0104	31.535.00	F026400123	30.174.00
71537	31.589.00	9451730800	27.756.00	A505	53.024.00	F0108	31.520.00	F026400125	30.725.00
71540	31.520.00	9451732602	25.413.00	A507	53.018.00	F0113	31.648.00	F026400126	30.352.00
71542	31.624.00	9451732603	25.406.01	A508	53.068.00	F0114	31.541.00	F026400128	30.538.00
71550	31.519.00	9451733000	24.360.00	A509	53.031.00	F0115	31.560.00	F026400129	30.344.00
71552	31.558.00	9451733006	24.361.00	A510	53.033.00	F0119	31.564.00	F026400131	27.B13.00
71558	31.648.00	9451733012	31.001.00	A511	53.052.00	F0120	31.550.00	F026400132	30.619.00
71566	31.525.00	9451733300	26.606.00	A513	53.083.00	F0123	31.558.00	F026400133	30.B10.00
71574	31.529.00	9455160246	24.360.00	A520	53.025.00	F0124	31.741.00	F026400134	30.A60.00
71581	31.565.00	9455160251	24.319.01	A521	53.002.00	F0151	31.547.00	F026400135	30.390.00
71593	31.520.00	9455160316	24.350.00	A522	53.005.00	F0152	31.624.00	F026400136	27.675.00
71600	31.589.00	9455160317	24.351.00	A524	53.046.00	F0154	31.627.00	F026400137	30.469.00
71601	31.618.00	9455160328	24.361.00	A526	53.047.00	F0182	31.580.00	F026400138	30.407.00
71614	31.627.00	9455160329	21.050.00	A528	53.065.00	F0187	31.592.00	F026400139	30.687.00
73285	30.237.00	9457200230	20.020.00	A529	53.105.00	F0220	31.740.00	F026400140	30.470.00
73299	30.223.00	9457200400	25.408.00	A531	53.051.00	F0221	31.669.00	F026400143	30.385.00
73324	30.076.00	9457200420	25.409.01	A532	53.037.00	F0225	31.749.00	F026400144	30.466.00
73326	30.242.00	9457201810	25.402.01	A532	53.101.00	F026400001	30.270.00	F026400146	30.686.00
73366	30.239.00	9457202360	25.421.00	A536	53.075.00	F026400002	30.265.00	F026400147	30.395.00
73372	30.222.00	9457208540	25.443.00	A538	53.087.00	F026400005	30.311.00	F026400148	30.A44.00
73375	30.013.00	9457208570	25.439.00	A539	53.094.00	F026400006	30.252.00	F026400149	30.557.00
73396	30.177.00	9457216030	25.455.00	A541	53.050.00	F026400007	30.647.00	F026400150	30.351.00
73439	30.230.00	9457216560	25.407.01	A542	53.103.00	F026400010	30.149.00	F026400151	30.368.00
73453	30.236.00	9457222130	27.702.00	A543	53.125.00	F026400011	27.273.00	F026400153	30.625.00
73464	30.173.00	9457222750	27.716.00	A545	53.099.00	F026400012	30.259.00	F026400154	30.639.00
74010	24.351.00	9457226140	27.731.00	A551	53.060.00	F026400013	30.258.00	F026400156	27.621.00
9450732000	23.128.00	9457228260	30.804.00	A570	53.044.00	F026400014	30.099.00	F026400157	30.365.00
9450732001	23.128.00	9457231780	27.713.00	A575	53.034.00	F026400015	30.213.00	F026400159	30.471.00
9450732002	23.127.05	9457232100	27.762.00	A578	53.043.00	F026400016	30.348.00	F026400160	30.591.00
9450732004	23.105.00	9457232230	27.906.00	A579	53.108.00	F026400017	30.289.00	F026400161	30.503.00
9450732005	23.127.00	9457232250	30.803.00	A581	53.035.00	F026400018	27.595.00	F026400165	30.169.00
9450732006	23.118.00	9457232470	30.800.00	A585	53.084.00	F026400019	30.184.00	F026400165	30.A99.00
9450732008	23.102.00	9457233110	30.818.00	A586	53.093.00	F026400020	30.292.00	F026400166	30.293.00
9450732009	23.124.00	9457233170	30.807.00	A590	53.138.00	F026400024	27.596.00	F026400167	30.278.00
9450732010	23.103.00	9457233200	27.824.00	A591	53.088.00	F026400026	30.366.00	F026400168	30.620.00
9450732012	23.110.02	9457233580	27.845.02	A592	53.074.00	F026400027	27.603.00	F026400170	30.A97.00
9450732014	23.127.00	9457234170	30.852.00	A594	53.098.00	F026400028	27.598.00	F026400171	30.504.00
9450732016	23.166.00	9457234520	30.802.01	A595	53.129.00	F026400029	27.636.00	F026400172	30.370.00
9450732018	23.108.00	9457241270	20.020.00	A600	53.010.00	F026400030	30.B17.00	F026400173	30.264.00
9450732019	23.167.00	9457280600	23.114.01	A601	53.007.00	F026400033	30.155.00	F026400175	30.234.00
9450732021	23.168.00	9457281270	23.132.00	A602	53.095.00	F026400035	30.342.00	F026400176	30.453.00
9450732022	23.169.00	9457281290	23.105.00	A603	53.030.00	F026400036	30.301.00	F026400177	30.290.00
9450732023	23.175.00	9457282160	23.152.00	A604	53.063.00	F026400039	27.606.00	F026400178	30.657.00
9450732024	23.172.00	9457282340	23.102.00	A608	53.040.00	F026400040	27.582.00	F026400180	30.303.00
9450732025	23.176.00	9457282440	23.151.00	A609	53.038.00	F026400041	30.207.00	F026400181	30.341.00
9450732028	23.164.02	9457282850	23.129.01	A612	53.039.00	F026400043	30.279.00	F026400182	30.A25.00
9450732030	23.127.00	9457283080	23.130.00	A614	53.082.00	F026400044	30.280.00	F026400187	30.266.00
9450732031	23.127.05	9457283520	23.177.00	A615	53.107.00	F026400047	30.319.00	F026400188	30.452.00
9450732032	23.303.00	9457283710	23.114.01	A616	53.106.00	F026400048	30.386.00	F026400191	30.628.00
9450732034	23.131.01	9879993002	26.602.00	A617	53.148.00	F026400049	30.297.00	F026400193	27.C10.00
9450732035	23.297.00	9879993003	26.618.00	A750	53.064.00	F026400050		F026400194	27.630.00
9450732900		9879993004	26.609.00	A752	53.114.00	(MINI)	30.345.00	F026400198	27.597.00
(ALTRE/OTHER APPL.)	23.117.00	9879993013	26.652.00	A753	53.091.00	F026400050		F026400199	27.D79.00
9450732900		9879993015	24.362.00	A8502	34.232.00	(CITROEN, PEUGEOT)	30.400.00	F026400200	30.533.00
(FORD, SUBARU)	23.188.00	9879993019	26.635.00	A8503	34.131.00	F026400051	30.321.00	F026400203	30.392.00
9450905880		9879993023	26.606.00	A8505	34.153.00	F026400052	30.374.00	F026400205	27.B12.00
(MEX)	31.624.00	9879993029	26.635.00	A8513	34.101.00	F026400054	30.497.00	F026400206	30.615.00
9451080060	24.351.00	9879993036	24.360.00	A8519	34.167.00	F026400055	30.340.00	F026400212	30.437.00
9451160005	27.893.00	9879993042	26.635.00	A8522	34.168.00	F026400057	30.297.00	F026400213	27.A91.00
9451160006	27.920.00	A100	53.016.00	A8524	34.268.00	F026400059	27.628.00	F026400214	27.A51.00
9451160008	27.804.00	A102	53.017.00	A8525	34.230.00	F026400061	27.601.00	F026400215	30.462.00
9451160016	27.881.00	A200	53.020.00	A8526	34.196.00	F026400062	30.326.00	F026400216	30.463.00
9451160018	27.878.00	A240	27.062.00	A8529	34.273.00	F026400063	30.454.00	F026400217	30.404.00
9451160022	27.982.00	A240	53.158.00	A8532	34.143.00	F026400090	30.328.00	F026400218	30.721.00
9451160026	27.902.00	A250	53.014.00	A8543	34.226.00	F026400091	30.403.00	F026400219	30.467.00
9451160038	27.828.00	A300	53.071.00	A8547	34.254.00	F026400092	27.D10.00	F026400220	30.645.00
9451730700	27.728.00	A302	53.013.00	A8549	34.133.00	F026400093	30.363.00	F026400221	30.506.00
9451730701	27.719.00	A303	53.015.00	A8559	34.222.00	F026400095	27.594.00	F026400222	30.576.00
9451730702	27.709.00	A304	53.012.00	A8560	34.215.00	F026400096	30.294.00	F026400223	30.451.00
9451730703	27.712.00	A310	53.023.00	B002	31.009.00	F026400097	30.297.00	F026400224	30.617.00
9451730705	27.729.00	A325	53.028.00	B003	31.012.00	F026400098	30.325.00	F026400225	30.505.00

F026400226	30.785.00	F026400457	30.A53.00	F026402068	31.920.00	F026407002	25.068.00	F026407231	25.145.00
F026400227	30.B03.00	F026400460	30.621.00	F026402071	24.408.00	F026407004	23.164.03	F026407233	23.439.00
F026400228	30.574.00	F026400461	30.622.00	F026402075	24.115.00	F026407005	23.298.00	F026407237	25.204.00
F026400229	30.A70.00	F026400462	27.D83.00	F026402076	24.ONE.01	F026407006	25.064.00	F026407245	23.739.00
F026400230	30.556.00	F026400465	30.724.00	F026402077	24.051.00	F026407007	25.257.00	F026407259	25.139.00
F026400234	30.B54.00	F026400465	30.C62.00	F026402078	26.020.00	F026407008	25.069.00	F026407264	25.148.00
F026400235	30.A37.00	F026400466	30.A69.00	F026402079	24.455.00	F026407011	25.143.00	F026407275	25.223.00
F026400236	30.711.00	F026400467	27.E61.00	F026402081	24.073.00	F026407014	25.094.00	F026407277	25.211.00
F026400244	30.A23.00	F026400468	30.B56.00	F026402082	24.110.00	F026407015	25.012.00	F026407298	25.249.00
F026400250	30.543.00	F026400473	30.A49.00	F026402084	26.023.00	F026407016	25.024.00	F026408900	
F026400259	30.541.00	F026400476	30.776.00	F026402085	31.852.00	F026407017	23.439.00	(N.10 FILTRI/FILTERS)	23.293.00
F026400261	27.A48.00	F026400477	30.A35.00	F026402086	24.126.00	F026407022	23.481.00	F026408901	
F026400263	30.B21.00	F026400478	30.C55.00	F026402088	24.456.00	F026407023	25.106.00	(N.10 FILTRI/FILTERS)	23.130.02
F026400265	30.391.00	F026400479	30.B11.00	F026402090	24.132.00	F026407024	23.489.00	F026408902	
F026400266	30.300.00	F026400480	27.A92.00	F026402092	31.947.00	F026407025	23.265.00	(N.10 FILTRI/FILTERS)	23.436.00
F026400267	30.375.00	F026400482	30.A72.00	F026402093	26.054.00	F026407053	23.457.00	F026408903	
F026400276	27.A72.00	F026400492	27.675.00	F026402094	24.351.00	F026407061	25.075.00	(N.10 FILTRI/FILTERS)	23.127.00
F026400283	27.693.00	F026400494	30.B05.00	F026402095	31.925.00	F026407062	25.070.00	F026408904	
F026400285	30.589.00	F026400497	30.B87.00	F026402096	55.582.00	F026407066	25.105.00	(N.10 FILTRI/FILTERS)	23.110.02
F026400287	30.532.00	F026400498	30.A58.00	F026402097	24.525.00	F026407067	25.031.00	F0603	31.649.00
F026400289	27.A54.00	F026400501	30.A62.00	F026402099	26.072.00	F026407068	25.074.00	F0624	31.551.00
F026400290	30.714.00	F026400502	30.677.00	F026402101	26.012.00	F026407069	25.053.00	F2151	31.512.00
F026400291	30.632.00	F026400503	30.A61.00	F026402103	24.111.00	F026407071	25.091.00	F2161	31.710.00
F026400294	30.A96.00	F026400505	30.A67.00	F026402104	24.112.00	F026407072	25.084.00	F2162	31.565.00
F026400295	30.618.00	F026400507	30.781.00	F026402106	31.857.04	F026407074	25.199.00	F3001	31.776.00
F026400297	27.688.00	F026400507	30.B71.00	F026402110	24.452.00	F026407075	25.177.00	F3003	31.830.00
F026400298	27.629.00	F026400511	30.648.00	F026402111	31.922.00	F026407077	23.265.00	F3006	31.833.00
F026400299	27.E52.00	F026400515	30.661.00	F026402113	24.459.00	F026407078	23.267.00	F3013	31.853.00
F026400301	30.A64.00	F026400516	30.662.00	F026402115	26.045.00	F026407079	23.494.00	F3014	31.951.00
F026400302	30.A86.00	F026400517	30.718.00	F026402120	26.055.00	F026407080	23.493.00	F3754	31.962.00
F026400312	30.658.00	F026400520	30.B23.00	F026402125	24.026.01	F026407082	25.187.00	F3900	
F026400323	30.546.00	F026400522	30.B06.00	F026402126	24.025.01	F026407083	23.546.00	(N.10 FILTRI/FILTERS)	31.009.00
F026400324	30.559.00	F026400530	30.A95.00	F026402127	24.351.01	F026407087	25.093.00	F4058	31.009.00
F026400334	27.693.00	F026400534	30.A16.00	F026402128	26.020.00	F026407089	23.565.00	F4149	31.012.00
F026400341	30.550.00	F026400543	30.692.00	F026402155	26.034.00	F026407090	25.077.00	F4159	31.010.00
F026400342	30.549.00	F026400545	30.660.00	F026402200	24.080.00	F026407091	25.086.00	F5001	31.834.00
F026400343	30.547.00	F026400548	30.B22.00	F026402204	55.170.00	F026407092		F5002	31.510.00
F026400344	27.691.00	F026400553	30.665.00	F026402207	26.130.00	(TOYOTA 04152-YZZA7)	25.116.00	F5003/1	31.841.00
F026400345	30.609.00	F026400555	30.509.00	F026402221	26.129.00	F026407092		F5005	31.511.00
F026400346	30.477.00	F026400558	30.A21.00	F026402224	24.190.00	(TOYOTA 04152-YZZA6)	25.086.00	F5021	31.699.00
F026400347	30.779.00	F026400559	30.712.00	F026402225	26.139.00	F026407093	25.150.00	F5030	31.500.00
F026400348	30.588.00	F026400561	30.C54.00	F026402232	24.187.00	F026407094	25.096.00	F5066	31.503.00
F026400349	30.701.00	F026400564	30.B08.00	F026402239	26.123.00	F026407095	25.093.00	F5084	31.531.00
F026400350	30.594.00	F026400567	30.C64.00	F026402240	24.468.00	F026407096	25.061.00	F5087	31.506.00
F026400351	30.A24.00	F026400579	30.C63.00	F026402254	26.065.00	F026407097	25.154.00	F5095	31.500.00
F026400353	30.709.00	F026400581	30.713.00	F026402533	26.104.00	F026407098	25.196.00	F5104	31.506.00
F026400356	30.777.00	F026400584	30.B50.00	F026402740	24.188.00	F026407099	25.901.00	F5133	31.507.00
F026400359	30.B04.00	F026400589	30.607.00	F026402771	24.086.00	F026407102	25.210.00	F5143	31.503.00
F026400360	30.622.00	F026400595	30.B20.00	F026402795	26.122.00	F026407108	25.083.00	F5145	31.502.00
F026400361	30.B76.00	F026400600	30.C35.00	F026402809	26.026.00	F026407109	25.163.00	F5177	31.563.00
F026400365	27.A97.00	F026400609	30.512.00	F026402810	26.073.00	F026407112	25.159.00	F5200	31.814.00
F026400367	27.A53.00	F026400611	30.A51.00	F026402813	24.122.00	F026407116	23.573.00	F5201	31.500.00
F026400373	30.A17.00	F026400612	30.B24.00	F026402820	26.038.00	F026407122	25.141.00	F5203	31.505.00
F026400374	30.540.00	F026400614	30.C03.00	F026402824	31.926.01	F026407123	25.142.00	F5216	31.513.00
F026400375	30.558.00	F026402000	24.437.00	F026402825	26.115.00	F026407124	23.583.00	F5231	31.748.00
F026400376	30.638.00	F026402001	31.835.00	F026402828	24.145.00	F026407125	25.170.00	F5264	31.500.00
F026400377	30.688.00	F026402002	24.417.00	F026402835	24.106.00	F026407126	25.168.00	F5273	31.515.00
F026400378	30.376.00	F026402003	24.006.00	F026402837	24.148.00	F026407128	23.519.00	F5275	31.583.00
F026400379	30.595.00	F026402004	26.037.00	F026402838	24.150.00	F026407128	23.650.00	F5287	31.710.00
F026400380	30.A38.00	F026402005	26.018.00	F026402839	24.151.00	F026407130	23.585.00	F5316	31.722.00
F026400382	30.371.00	F026402006	26.007.00	F026402840	24.149.00	F026407132	25.155.00	F5318	31.718.00
F026400385	30.422.00	F026402007	26.696.00	F026402841	24.193.00	F026407136	23.167.00	F5324	31.514.00
F026400387	30.302.00	F026402008	26.021.00	F026402842	24.194.00	F026407143	23.575.00	F5401	31.506.00
F026400388	30.462.00	F026402009	26.014.00	F026402846	24.156.00	F026407144	25.115.00	F5601	31.502.00
F026400389	30.463.00	F026402010	24.443.00	F026402853	24.144.00	F026407147	25.151.00	F5901	31.508.00
F026400391	27.621.00	F026402013	24.H20.05	F026402855	26.025.00	F026407153	23.717.00	F5902	31.514.00
F026400393	27.G10.00	F026402015	26.015.00	F026402856	24.114.00	F026407155	25.152.00	F5903	31.561.00
F026400394	27.692.00	F026402016	55.430.00	F026402857	26.114.00	F026407156	25.166.00	F5904	31.562.00
F026400407	30.652.00	F026402019	55.393.00	F026402861	26.131.00	F026407157	25.144.00	F5905	31.569.00
F026400408	30.653.00	F026402040	24.432.00	F026402862	24.127.00	F026407158	25.201.00	F5906	31.748.00
F026400409	30.655.00	F026402043	24.526.00	F026402864	24.128.00	F026407159	25.128.00	F5907	31.575.00
F026400412	30.A54.00	F026402044	24.007.00	F026403001	31.776.00	F026407173	25.164.00	F5908	31.747.00
F026400418	30.780.00	F026402045	31.071.00	F026403003	31.830.00	F026407174	25.153.00	F5911	31.750.00
F026400422	27.G33.00	F026402046	55.170.00	F026403006	31.833.00	F026407175	25.171.00	F5912	31.556.00
F026400423	30.A63.00	F026402047	26.695.00	F026403008	31.832.00	F026407176	23.628.00	F5915	31.712.00
F026400425	27.G11.00	F026402048	24.H20.04	F026403009	31.842.00	F026407177	25.191.00	F5916	31.621.00
F026400426	30.A59.00	F026402049	24.ONE.01	F026403012	31.831.00	F026407178	25.179.00	F5917	31.740.00
F026400428	30.B27.00	F026402051	24.ONE.02	F026403013	31.853.00	F026407179	23.597.00	F5919	31.710.00
F026400429	30.B25.00	F026402054	24.ONE.03	F026403014	31.951.00	F026407181	23.494.00	F5920	31.543.00
F026400432	30.B63.00	F026402056	24.107.00	F026403016	31.958.00	F026407183	23.573.00	F5921	31.811.00
F026400433	30.717.00	F026402061	55.418.00	F026403026		F026407188	23.584.00	F5926	31.844.00
F026400436	27.F37.00	F026402062	26.058.00	(SENZA STAFFA/WITHOUT BRACKET)	31.A16.00	F026407202	23.660.00	F5927	31.817.00
F026400438	30.603.00	F026402063	24.196.00	F026403754	31.962.00	F026407203	23.632.00	F5928	31.825.00
F026400439	30.A56.00	F026402065	24.077.00	F026403900		F026407204	25.185.00	F5939	31.769.00
F026400445	30.634.00	F026402066	31.921.00	(N.10 FILTRI/FILTERS)	31.009.00	F026407205	25.188.00	F5951	31.927.00
F026400447	30.597.00	F026402067	24.113.00	F026407001	23.452.00	F026407206	25.186.00	F5952	31.847.00
F026400449	30.B26.00	F026402067	24.187.00	F026407001		F026407210	23.258.00	F5953	31.731.00
F026400453	30.C39.00	F026402067	24.186.00	(NISSAN, RENAULT)	23.484.00	F026407214	25.118.00	F5954	31.724.00

F5956	31.519.00	K102	54.118.00	L301	30.872.01	M2040	53.047.00	M2194	53.214.00
F5957	31.764.00	K304	54.116.00	L302	30.807.00	M2042	53.042.00	M2198	53.090.00
F5959	31.840.00	K310	54.107.00	L303	30.119.00	M2043	53.059.00	M2203	53.159.00
F5960	31.924.00	K325	54.169.00	L304	30.063.00	M2044	53.114.00	M2204	53.208.00
F5964	31.502.00	K351	54.119.00	L305	27.750.00	M2045	53.034.00	M2205	53.206.00
F5966	31.514.00	K352	54.137.00	L307	27.785.00	M2048	53.044.00	M2206	53.136.00
F5967	31.751.00	K353	54.151.00	L308	30.811.00	M2049	53.037.00	M2208	53.131.00
F5969	31.843.00	K356	54.142.00	L309	27.719.00	M2050	53.099.00	M2213	53.137.00
F5970	31.828.00	K441	54.125.00	L310	27.744.00	M2052	53.068.00	M2214	53.183.00
F5975	31.848.00	K442	54.127.00	L311	30.922.01	M2053	53.063.00	M2215	53.207.00
F5976	31.850.00	K502	54.165.00	L312	30.910.00	M2055	53.152.00	M2216	53.218.00
F5977	31.695.00	K509	54.114.00	L313	30.077.00	M2056	53.067.00	M2219	53.255.00
F5978	31.914.00	K525	54.109.00	L314	30.073.00	M2057	53.031.00	M2220	53.108.00
F5980	31.802.00	K539	54.131.00	L315	30.035.00	M2058	53.052.00	M2221	53.213.00
F5983	31.715.00	K575	54.106.00	L316	30.066.00	M2059	53.033.00	M2222	53.151.00
F5986	31.801.00	K576	54.101.00	L317	30.052.00	M2060	53.070.00	M2224	53.191.00
G01	24.360.00	K577	54.103.00	L318	30.124.00	M2061	53.083.00	M2234	53.160.00
G02		K580	54.113.00	L320	30.926.00	M2062	53.079.00	M2235	53.231.00
(ALTRE/OTHER APPL.)	24.351.00	K582	54.100.00	L330	30.017.00	M2063	53.230.00	M2236	53.222.00
G03	24.361.00	K583	54.122.00	L331	30.835.00	M2064	53.091.00	M2242	53.251.00
G04	26.652.00	K584	54.104.00	L332	30.973.00	M2065	53.130.00	M2243	53.374.00
G05	26.670.00	K594	54.134.00	L333	30.994.00	M2066	53.075.00	M2246	53.215.00
G06	26.676.00	K595	54.158.00	L335		M2068	53.246.00	M2247	53.223.00
G07	24.350.02	K597	54.136.00	(MAZDA)	30.012.00	M2069	53.087.00	M2251	53.209.00
G08	24.384.00	K602	54.105.00	L335		M2070	53.094.00	M2253	53.149.00
G09	24.365.01	K606	54.262.00	(FORD FIESTA, MAZDA 121)	30.062.00	M2071	53.032.00	M2255	53.400.00
G10	24.365.00	K607	54.135.00	L336	30.950.00	M2072	53.043.00	M2258	53.161.00
G12	24.379.01	K608	54.171.00	L337	30.072.00	M2073	53.162.00	M2266	53.109.00
G15	26.686.00	K609	54.110.00	L338	27.252.00	M2074	53.108.00	M2267	53.388.00
G16	24.388.00	K610	54.115.00	L340	30.996.00	M2075	53.035.00	M2272	53.233.00
GM604	31.609.00	K611	54.111.00	L345	30.958.00	M2076	53.045.00	M2273	53.150.00
H01	23.169.00	K617	54.124.00	L346	30.090.00	M2079	53.038.00	M2275	53.219.00
H02	23.105.00	K618	54.174.00	L350	27.824.00	M2081	53.095.00	M2277	53.259.00
H03	23.127.00	K619	54.139.00	L360	30.049.00	M2082	53.101.00	M2296	53.156.00
H04	23.118.00	K751	54.108.00	L390	30.871.00	M2083	53.039.00	M2540	53.298.00
H05	23.103.00	K754	54.146.00	L400	30.807.00	M2084	53.050.00	M2805	
H07	23.114.01	L085	30.932.00	L403	30.802.01	M2085	53.103.00	(N.10 FILTRI/FILTERS)	53.007.00
H11	23.130.01	L086	30.894.00	L404	30.803.00	M2086	53.338.00	M2807	
H15	23.177.00	L087	30.032.00	L407	27.946.00	M2088	53.125.00	(N.10 FILTRI/FILTERS)	53.015.00
H17	23.173.01	L090	30.836.00	L408	27.799.00	M2090	53.084.00	M2808	
H19	23.175.00	L101	30.818.00	L410	27.176.00	M2091	53.069.00	(N.10 FILTRI/FILTERS)	53.006.00
H23	23.194.00	L102	30.851.00	L413	30.806.00	M2092	53.093.00	M2809	
H24	23.195.00	L103	30.864.00	L450	30.923.01	M2093	53.107.00	(N.10 FILTRI/FILTERS)	53.004.00
H25	23.129.02	L104	30.852.00	L465	27.156.00	M2094	53.106.00	M2810	
H26	23.278.00	L106	30.021.00	L470	27.177.00	M2095	53.082.00	(N.10 FILTRI/FILTERS)	53.001.00
H27	23.186.01	L108	30.025.00	L501	27.781.00	M2096	53.244.00	M2811	
H28	23.166.00	L109	30.108.00	L503	30.843.01	M2097	53.148.00	(N.10 FILTRI/FILTERS)	53.013.00
H29	23.196.00	L110	30.033.00	L504	30.916.00	M2102	53.228.00	M2812	
H30	23.281.00	L135	30.935.00	L507	27.065.00	M2105	53.138.00	(N.10 FILTRI/FILTERS)	53.016.00
H31	23.242.00	L145	30.858.00	L508	27.257.00	M2106	53.088.00	M2814	
H33	23.198.00	L200	30.800.00	L509	27.253.00	M2107	53.074.00	(N.10 FILTRI/FILTERS)	53.014.00
H34	23.313.00	L201	30.960.00	L510	27.234.00	M2111	53.098.00	M5002	53.190.00
H35	23.418.00	L203	30.893.00	L512	27.084.00	M2112	53.227.00	M5003	53.224.00
H36	23.419.00	L204	30.914.02	L542	27.076.00	M2113	53.129.00	M5005	53.210.00
H37	23.243.00	L205	27.067.00	L610	30.896.00	M2114	53.189.00	M5006	53.258.00
H38	23.265.00	L205	30.899.00	L700	30.847.00	M2115	53.109.00	M5007	53.257.00
H39	23.282.00	L206	30.908.00	L710	30.974.00	M2116	53.105.00	M5008	53.239.00
H41	23.424.00	L207	30.024.00	M2001	53.007.00	M2117	53.235.00	M5010	53.293.00
H43		L208	30.953.00	M2002	53.026.00	M2119	53.051.00	M5011	53.256.00
(Ø 76)	23.401.00	L210	30.933.00	M2003	53.023.00	M2120	53.104.00	M5012	53.250.00
H43		L211	30.034.00	M2004	53.254.00	M2121	53.057.00	M5013	53.220.00
(Ø 86)	23.402.00	L212	27.355.00	M2005	53.020.00	M2122	53.226.00	M5017	53.211.00
H44	25.541.00	L213		M2006	53.012.00	M2124	53.236.00	M5019	53.330.00
H46	23.134.00	(OPEL, VAUXHALL)	30.924.00	M2007	53.028.00	M2133	53.115.00	M5026	53.154.00
H47	23.127.02	L213	30.192.00	M2009	53.061.00	M2136	53.143.00	M5027	53.145.00
H49	23.127.05	L214	27.062.00	M2010	53.015.00	M2137	53.154.00	M5028	53.323.00
H50	23.266.00	L220	30.045.00	M2011	53.071.00	M2155	53.117.00	M5056	53.383.00
H51	23.428.00	L225	30.117.00	M2012	53.006.00	M2156	53.201.00	M5057	53.389.00
H52		L234	27.090.00	M2013	53.004.00	M2157	53.404.00	M5061	53.418.00
(NISSAN)	23.240.00	L235	30.999.00	M2014	53.019.00	M2158	53.118.00	M5066	53.299.00
H53		L236	30.946.00	M2015	53.001.00	M2159	53.197.00	M5085	53.365.00
(UNIPART GFE171)	23.197.00	L240	30.017.00	M2016	53.010.00	M2160	53.121.00	M5096	53.384.00
H53		L245	30.027.00	M2017	53.013.00	M2161	53.119.00	M5112	53.391.00
(UNIPART GFE280)	23.254.00	L249	30.116.00	M2018	53.016.00	M2163	53.120.00	M5114	53.390.00
H54	23.280.00	L250	30.991.00	M2019	53.024.00	M2164	53.116.00	M5517	53.260.00
H56	23.200.00	L251	30.942.00	M2020	53.005.00	M2166	53.123.00	N0000	26.003.00
H57	23.130.02	L252	30.028.00	M2021	53.021.00	M2169	53.316.00	N0001	60.H20.00
H58	23.417.00	L254	27.239.00	M2022	53.027.00	M2170	53.112.00	N0013	26.691.00
H59	23.440.00	L255	27.196.00	M2024	53.011.00	M2171	53.144.00	N0014	26.038.00
H61	23.256.00	L260	30.030.00	M2027	53.018.00	M2172	53.135.00	N0500	24.374.00
H62	23.164.00	L270	27.845.02	M2028	53.017.00	M2173	53.109.00	N0506	24.416.00
H62		L277	27.149.00	M2030	53.014.00	M2175	53.134.00	N0508	24.366.00
(O/OR)	23.164.03	L279	27.194.00	M2032	53.046.00	M2177	53.123.00	N1028	26.652.00
H63	23.164.02	L284	30.087.00	M2033	53.002.00	M2183	53.113.00	N1158	21.050.00
H64	25.528.00	L285	30.019.00	M2036	53.158.00	M2184	53.122.00	N1260	26.618.00
H65	23.303.00	L291	27.267.00	M2037	53.064.00	M2188	53.124.00	N1261	26.609.00
H66	23.416.00	L292	27.273.00	M2038	53.030.00	M2189	53.132.00	N1324	26.618.00
H68	23.263.00	L300	27.728.00	M2039	53.060.00	M2190	53.147.00	N1325	26.609.00

N1327	26.635.00	N2856	24.114.00	N6431	24.072.00	O317	23.213.00	(ALTRE/OTHER APPL.)	23.156.02
N1702	24.389.00	N2857	26.114.00	N6437	24.440.00	O318	23.240.00	P3087	23.156.03
N1703	26.688.00	N2861	26.131.00	N6440	24.435.00	O322	25.530.01	P3092	23.186.01
N1704	26.006.00	N4060	31.027.00	N6450	31.824.00	O326	23.210.00	P3093	23.114.02
N1705	26.687.00	N4077	31.013.00	N6451	24.427.00	O403	23.187.00	P3095	23.169.00
N1708	26.005.00	N4099	24.350.01	N6452	24.412.00	O407	23.189.00	P3096	23.175.00
N1712	26.690.00	N4103	24.350.00	N6453	24.425.00	O410	25.548.00	P3105	23.130.03
N1713	26.676.00	N4105	24.351.01	N6455	24.086.00	O414	20.012.02	P3108	23.189.00
N1714	26.003.00	N4106		N6457	31.851.00	O502	23.130.02	P3109	23.200.00
N1715	26.014.00	(ALTRE/OTHER APPL.)	24.351.00	N6458	24.002.00	O503	23.130.03	P3110	
N1720	26.693.00	N4123	24.321.00	N6459	24.001.00	O506	23.169.00	(ALTRE/OTHER APPL.)	23.117.00
N1723	26.022.00	N4150	24.351.00	N6461	24.086.00	O508	23.440.00	P3110	
N1724	26.694.00	N4153	24.319.01	N6462	31.838.00	O513	23.121.00	(FORD)	23.188.00
N1729	26.085.00	N4159	24.351.00	N6463	31.839.00	O516	23.256.00	P3111	23.196.00
N2001	31.835.00	N4184	24.379.01	N6467	31.849.00	O527	25.539.00	P3124	23.131.00
N2002	24.417.00	N4187	24.397.00	N6468	24.013.00	O530	23.130.01	P3125	23.280.00
N2003	24.006.00	N4188	24.399.00	N6469	24.014.00	O600	23.186.01	P3139	23.105.00
N2004	26.037.00	N4189	24.327.00	N6471	24.027.00	O626	23.164.00	P3141	23.118.00
N2005	26.018.00	N4194	24.434.00	N6473	24.087.00	O626	23.440.00	P3144	23.151.00
N2006	26.007.00	N4198	24.460.00	N6503	24.099.00	(O/OR)	23.164.03	P3145	23.129.01
N2007	26.696.00	N4200	24.361.00	N6508	24.445.00	O636	25.162.00	P3146	23.127.05
N2008	26.021.00	N4201	24.360.00	N7000	60.H2O.00	O702	25.528.00	P3152	23.108.00
N2009	26.014.00	N4281	24.375.00	N7006	24.027.00	O810	25.499.00	P3154	23.127.00
N2010	24.443.00	N4283	24.350.02	N7007	24.015.00	OO364		P3170	23.166.00
N2015	26.015.00	N4291	24.384.00	N7008	24.098.00	(ALTRE/OTHER APPL.)	23.265.00	P3178	23.167.00
N2016	55.430.00	N4293	24.408.00	N7009	24.132.00	OO364		P3189	23.173.01
N2040	24.432.00	N4300	24.370.00	N7011	24.052.00	(ALFA ROMEO, FIAT, FORD, LANCIA, OPEL)	23.438.00	P3194	23.164.02
N2044	24.007.00	N4301		N9209	26.601.00	P1181	23.195.00	P3201	23.303.00
N2045	31.071.00	(ALTRE/OTHER APPL.)	24.366.00	N9214	26.602.00	P2000	23.121.00	P3216	23.194.00
N2046	55.170.00	N4301		N9224	24.362.00	P2001	23.102.00	P3217	23.211.00
N2049	24.ONE.00	(MAZDA)	24.392.00	N9289	26.670.00	P2003	23.127.00	P3218	23.110.02
N2054	24.ONE.03	N4302	24.393.00	N9291	26.676.00	P2005	23.256.00	P3219	23.257.00
N2056	24.107.00	N4310	24.H2O.07	N9359	21.061.00	P2006	23.272.00	P3223	23.167.00
N2061	55.418.00	N4314	24.H2O.00	N9621	24.388.00	P2007	23.271.00	P3224	23.279.00
N2062	26.058.00	N4321	24.383.00	N9655	26.001.00	P2008	23.139.00	P3226	23.152.00
N2063	24.196.00	N4324	24.344.00	N9656	26.689.00	P2015	23.182.00	P3227	23.242.00
N2065	24.077.00	N4329	24.414.00	N9657	26.686.00	P2016	23.165.00	P3227/1	23.152.00
N2066	31.921.00	N4331	24.321.00	OO009		P2017	23.213.00	P3228	23.130.01
N2067	24.113.00	N4400	24.401.00	(TOYOTA Diesel appl.)	25.150.00	P2019	23.131.01	P3232	23.278.00
N2071	24.408.00	N4405	24.380.00	OO009		P2020	23.231.00	P3233	23.418.00
N2075	24.115.00	N4408	24.371.00	(TOYOTA Petrol appl.)	25.196.00	P2023		P3234/1	23.152.00
N2076	24.ONE.01	N4416	24.429.00	OO03	23.195.00	(NISSAN)	23.240.00	P3236	23.313.00
N2077	24.051.00	N4431	24.414.00	OO04	23.263.00	P2023		P3238	23.198.00
N2078	26.020.00	N4433	24.352.00	OO08	23.194.00	(SUBARU)	23.188.00	P3240	23.281.00
N2079	24.455.00	N4435	24.368.00	OO126	23.265.00	P2024	23.134.00	P3249	23.404.00
N2081	24.073.00	N4436	24.441.00	OO189	25.086.00	P2027	23.210.00	P3250	23.282.00
N2082	24.110.00	N4437	24.436.00	O1014	23.484.00	P2028	23.263.00	P3251	
N2084	26.023.00	N4438	24.411.00	O1034	23.461.00	P2030	23.264.00	(CHRYSLER, JEEP A.M.C.)	23.127.00
N2085	31.852.00	N4439	24.444.00	O1039	23.258.00	P2035	23.496.00	P3252	23.280.00
N2086	24.126.00	N4440	24.413.00	O1041	23.263.00	P2036	23.243.00	P3253	23.164.00
N2090	24.132.00	N4448	24.331.00	O1042	23.253.00	P2038	23.270.00	P3253	
N2093	26.054.00	N4450	24.338.00	O1043	23.251.00	P2041	23.265.00	(O/OR)	23.164.03
N2094	24.351.00	N4451	24.444.00	O1178	25.058.00	P2041		P3257	23.167.00
N2095	31.925.00	N4453		O122	23.129.02	(ALFA ROMEO, FIAT, LANCIA)	23.438.00	P3258	23.249.00
N2097	24.525.00	(MAZDA)	24.392.00	O123	23.271.00	P2042	23.237.00	P3259	23.440.00
N2099	26.072.00	N4453		O124	23.282.00	P2042		P3260	23.458.00
N2101	26.012.00	(ALTRE/OTHER APPL.)	24.366.00	O125	23.182.00	(KIA)	23.472.00	P3261	23.293.00
N2103	24.111.00	N4455	24.H2O.02	O126	23.165.00	P2044	23.253.00	P3262	23.298.00
N2104	24.112.00	N4458	24.439.00	O127	23.131.01	P2046	23.244.00	P3268	23.212.00
N2106	31.857.04	N4459	24.423.00	O133	23.103.00	P2056	23.103.00	P3271	23.131.00
N2111	31.922.00	N4460	24.H2O.03	O134	23.188.00	P2058	23.255.00	P3274	23.114.01
N2113	24.459.00	N4510	24.439.00	O136	23.257.00	P2059	23.271.00	P3275	23.259.00
N2115	26.045.00	N4511	24.443.00	O1502	25.002.00	P2060	23.266.00	P3276	23.251.00
N2120	26.055.00	N4516	24.012.00	O1504	25.162.00	P2061	23.258.00	P3277	
N2125	24.026.01	N5930	24.416.00	O1506	25.004.00	P2062	23.248.00	(UNIPART GFE171)	23.197.00
N2127	24.351.01	N5931	24.415.00	O1507	25.028.00	P2063	23.475.00	P3277	
N2128	26.020.00	N5942	31.768.00	O1508	25.008.00	P2064	23.274.00	(UNIPART GFE280)	23.254.00
N2155	26.034.00	N6172	24.365.00	O200	23.191.00	P2066	23.237.00	P3278	23.544.00
N2207	26.130.00	N6174	24.365.01	O201	23.293.00	P2068	23.413.00	P3280	23.462.00
N2221	26.129.00	N6261	24.382.00	O205	25.541.00	P2400	23.459.00	P3289	23.425.00
N2224	24.190.00	N6267	24.365.01	O213	23.131.02	P3001	23.156.00	P3290	23.417.00
N2239	26.123.00	N6274	24.400.00	O214	23.131.00	P3002	23.152.00	P3292	23.424.00
N2240	24.468.00	N6281	24.403.00	O219	23.114.01	P3010	23.156.00	P3293	23.419.00
N2254	26.065.00	N6288	24.391.00	O220	23.105.00	P3012	23.164.00	P3294	23.428.00
N2533	26.104.00	N6295	55.427.00	O222	23.118.00	P3012		P3297	23.299.00
N2740	24.188.00	N6298	24.404.00	O227	23.134.00	(O/OR)	23.164.03	P3298	23.416.00
N2795	26.122.00	N6308	24.418.00	O229	23.173.01	P3028	23.185.01	P3298	
N2810	26.073.00	N6322	24.428.00	O231	23.127.02	P3029	23.127.02	(VAG)	23.435.00
N2813	24.122.00	N6334	24.430.00	O232	23.128.00	P3033	23.130.01	P3299	
N2820	26.038.00	N6357	24.409.00	O233	23.127.05	P3050	23.131.02	(Ø 76)	23.401.00
N2824	31.926.01	N6373	24.426.00	O234	23.177.00	P3052	23.117.00	P3299	
N2825	26.115.00	N6374	24.391.00	O235	23.166.00	P3058	23.128.00	(Ø 86)	23.402.00
N2837	24.148.00	N6376	24.433.00	O305	23.175.00	P3060	23.114.01	P3300	23.415.00
N2839	24.151.00	N6407	24.450.00	O306	23.196.00	P3062	23.127.04	P3309	23.413.00
N2840	24.149.00	N6409	24.415.00	O313	23.127.00	P3074	23.130.00	P3311	23.246.00
N2841	24.193.00	N6414	24.072.00	O314	23.127.00	P3079	23.129.02	P3313	23.465.00
N2842	24.194.00	N6416	24.451.00	O315	23.272.00	P3086	23.130.02	P3314	23.436.00
N2853	24.144.00	N6429	24.451.00	O316	23.139.00	P3087		P3316	23.271.00

P3317	23.295.00	P7136	23.167.00	P9261	25.050.00	R2394	54.237.00	S0041	30.207.00
P3318	23.453.00	P7143	23.575.00	P9262	25.028.00	R2397	54.124.00	S0043	30.279.00
P3333	23.463.00	P7147	25.151.00	P9263	25.059.00	R2398	54.125.00	S0044	30.280.00
P3335	23.474.00	P7153	23.717.00	P9264	25.548.00	R2399	54.151.00	S0047	30.319.00
P3336	23.418.00	P7156	25.166.00	P9265	25.499.00	R2400	54.174.00	S0048	30.386.00
P3337	23.435.00	P7157	25.144.00	P9267	25.499.01	R2401	54.139.00	S0049	30.297.00
P3340	23.483.00	P7158	25.201.00	P9268	25.080.00	R2402	54.127.00	S0050	
P3341	23.495.00	P7173	25.164.00	P9269	25.058.00	R2405	54.159.00	(MINI)	30.345.00
P3342	23.444.00	P7175	25.171.00	P9269	25.232.00	R2406	54.160.00	S0050	
P3344	23.473.00	P7177	25.191.00	P9271	25.026.00	R2407	54.389.00	(CITROEN, PEUGEOT)	30.400.00
P3346	23.164.00	P7178	25.179.00	P9272	25.067.00	R2409	54.136.00	S0051	30.321.00
P3347	23.429.00	P7179	23.597.00	P9274	25.528.00	R2410	54.146.00	S0052	30.374.00
P3348	23.464.00	P7181	23.494.00	P9275	25.587.00	R2411	54.134.00	S0055	30.340.00
P3349	23.447.00	P7183	23.573.00	P9278	25.095.00	R2412	54.142.00	S0059	27.628.00
P3350	23.444.00	P7188	23.584.00	P9284	25.052.00	R2413	54.158.00	S0061	27.601.00
P3351	23.448.00	P7202	23.660.00	P9298	25.012.00	R2415	54.170.00	S0063	30.454.00
P3352	23.445.00	P7203	23.632.00	P9301	25.047.00	R2416	54.167.00	S0090	30.328.00
P3353	23.191.00	P7205	25.188.00	P9302	25.108.00	R2419		S0092	27.D10.00
P3354	23.449.00	P7206	25.186.00	P9306	25.063.00	(N.1 FILTRO/FILTER)	54.243.00	S0093	30.363.00
P3355	23.439.00	P7214	25.118.00	P9307	25.066.00	R2422	54.153.00	S0096	30.294.00
P3357	23.256.00	P7231	25.145.00	P9308	25.071.00	R2424	54.154.00	S0098	30.325.00
P3363	23.413.00	P7237	25.204.00	P9441	25.421.00	R2425	54.128.00	S0101	30.362.00
P3364	(ALTRE/OTHER APPL.)	P7245	23.739.00	P9493	25.408.00	R2426	54.220.00	S0102	30.606.00
P3364	(ALFA ROMEO, FIAT, FORD, LANCIA, OPEL)	P7259	25.139.00	P9494	25.408.00	R2428	54.140.00	S0103	30.465.00
P3364		P7264	25.148.00	P9555	25.455.01	R2431	54.148.00	S0104	30.555.00
P3365	23.476.00	P7275	25.223.00	P9559	25.455.00	R2433	54.150.00	S0105	30.A33.00
P3366	23.472.00	P7277	25.211.00	P9605	25.530.01	R2434	54.144.00	S0106	30.332.00
P3368	23.482.00	P8900		P9606	25.530.00	R2436	54.164.00	S0109	30.331.00
P3369	23.473.00	(N.10 FILTRI/FILTERS)	23.293.00	P9619	25.011.00	R2437	54.172.00	S0110	30.310.00
P3370	23.299.00	P8901		P9638	25.548.00	R2469	54.198.00	S0111	30.388.00
P3372	23.479.00	(N.10 FILTRI/FILTERS)	23.130.02	P9647	25.099.00	R2482	54.123.00	S0112	30.125.00
P4014	23.297.00	P8902		P9750	25.407.01	R2495	54.145.00	S0113	30.130.00
P4025	23.470.00	(N.10 FILTRI/FILTERS)	23.436.00	P9755	25.539.00	R2498	54.147.00	S0114	30.554.00
P4026	23.254.00	P8903		P9760	25.541.00	R2499	54.176.00	S0119	30.357.00
P4026	23.102.00	(N.10 FILTRI/FILTERS)	23.127.00	P9762	25.018.00	R2500	54.173.00	S0121	30.334.00
P4065	23.241.00	P8904		P9820	25.406.01	R2512	54.132.00	S0123	30.174.00
P4066	23.110.02	(N.10 FILTRI/FILTERS)	23.110.02	R1459	54.107.00	R2533	54.141.00	S0125	30.725.00
P4067	23.102.02	P9102	25.004.00	R2188	54.162.00	R2535	54.155.00	S0126	30.352.00
P7001	23.452.00	P9103	25.590.00	R2197	54.196.00	R2542	54.241.00	S0128	30.538.00
P7001/1	23.484.00	P9105	25.406.01	R2300	54.109.00	R2543	54.219.00	S0131	27.B13.00
P7002	25.068.00	P9108	25.008.00	R2301	54.270.00	R2545	54.234.00	S0132	30.619.00
P7004	23.164.03	P9116	25.013.00	R2303	54.107.00	R2548	54.222.00	S0133	30.B10.00
P7005	23.298.00	P9117	25.402.01	R2304	54.178.00	R2549	54.249.00	S0134	30.A60.00
P7006	25.064.00	P9118	25.030.00	R2306	54.116.00	R2568	54.290.00	S0135	30.390.00
P7007	25.257.00	P9119	25.001.00	R2307	54.169.00	R2571	54.149.00	S0136	27.675.00
P7008	25.069.00	P9122	25.162.00	R2308	54.170.00	R2574	54.223.00	S0137	30.469.00
P7011	25.143.00	P9123	25.555.00	R2309	54.215.00	R2598	54.218.00	S0138	30.407.00
P7014	25.094.00	P9126	25.041.00	R2310	54.277.00	R5031	54.227.00	S0139	30.687.00
P7015	25.012.00	P9127	25.035.00	R2311	54.166.00	R5503	54.226.00	S0140	30.470.00
P7016	25.024.00	P9129	25.067.00	R2312	54.263.00	R5505	54.236.00	S0144	30.466.00
P7017	23.439.00	P9138	25.002.00	R2315	54.231.00	R5506	54.302.00	S0146	30.686.00
P7022	23.481.00	P9139	25.009.00	R2317	54.195.00	R5509	54.377.00	S0147	30.395.00
P7023	25.106.00	P9141	25.038.00	R2318	54.317.00	R5511	54.284.00	S0148	30.A44.00
P7024	23.489.00	P9142	25.010.00	R2324	54.165.00	R5512	54.312.00	S0149	30.557.00
P7025	23.265.00	P9144	25.165.00	R2327	54.217.00	R5515	54.230.00	S0153	30.625.00
P7053	23.457.00	P9147	25.014.00	R2328	54.118.00	R5516	54.264.00	S0154	30.639.00
P7061	25.075.00	P9152	25.019.00	R2330	54.197.00	R5518	54.306.00	S0156	27.621.00
P7062	25.070.00	P9157	25.003.00	R2336	54.121.00	R5524	54.261.00	S0159	30.471.00
P7067	25.031.00	P9170	20.012.02	R2337	54.102.00	R5525	54.254.00	S0160	30.591.00
P7068	25.074.00	P9175	20.020.00	R2343	54.281.00	R5526	54.274.00	S0161	30.503.00
P7069	25.053.00	P9178	25.017.00	R2345	54.106.00	R5546	54.294.00	S0168	30.620.00
P7072	25.084.00	P9179		R2348	54.194.00	R5552	54.289.00	S0170	30.A97.00
P7074	25.199.00	(VOLVO)	25.039.00	R2354	54.171.00	R5559	54.293.00	S0171	30.504.00
P7075	25.177.00	P9179		R2357	54.114.00	R5591	54.319.00	S0172	30.370.00
P7077	23.265.00	(VAG)	25.040.00	R2360	54.105.00	RF039	24.133.00	S0173	30.264.00
P7078	23.267.00	P9183	25.024.00	R2361	54.108.00	S0001	30.270.00	S0175	30.234.00
P7079	23.494.00	P9184	25.022.00	R2362	54.242.00	S0002	30.265.00	S0176	30.453.00
P7083	23.546.00	P9185		R2364	54.247.00	S0005	30.311.00	S0177	30.290.00
P7089	23.565.00	(BMW)	25.021.00	R2365	54.262.00	S0006	30.252.00	S0178	30.657.00
P7090	25.077.00	P9185		R2366	54.135.00	S0007	30.647.00	S0180	30.303.00
P7091	25.086.00	(FIAT)	25.065.00	R2367	54.110.00	S0010	30.149.00	S0181	30.341.00
P7092		P9188	25.012.00	R2368	54.318.00	S0011	27.273.00	S0182	30.A25.00
P7092		P9192	25.023.00	R2369	54.168.00	S0012	30.259.00	S0187	30.266.00
P7093	25.116.00	P9193	25.032.00	R2370	54.131.00	S0013	30.258.00	S0191	30.628.00
P7095	25.093.00	P9194	25.029.00	R2371	54.101.00	S0014	30.099.00	S0193	27.C10.00
P7096	25.061.00	P9197	25.034.00	R2373	54.119.00	S0015	30.213.00	S0194	27.630.00
P7097	25.154.00	P9198	25.033.00	R2376	54.100.00	S0018	27.595.00	S0198	27.597.00
P7099	25.901.00	P9199	25.027.00	R2377	54.103.00	S0019	30.184.00	S0199	27.D79.00
P7102	25.210.00	P9238	25.037.00	R2378	54.113.00	S0020	30.292.00	S0200	30.533.00
P7108	25.083.00	P9239	25.015.00	R2379	54.111.00	S0024	27.596.00	S0203	30.392.00
P7109	25.163.00	P9242	25.056.00	R2380	54.122.00	S0027	27.603.00	S0205	27.B12.00
P7112	25.159.00	P9243	25.040.00	R2381	54.133.00	S0028	27.598.00	S0206	30.615.00
P7116	23.573.00	P9244	25.039.00	R2382	54.137.00	S0029	27.636.00	S0212	30.437.00
P7122	25.141.00	P9248	25.049.00	R2383	54.282.00	S0030	30.B17.00	S0213	27.A91.00
P7123	25.142.00	P9249	25.060.00	R2386	54.104.00	S0035	30.342.00	S0214	27.A51.00
P7126	25.168.00	P9252	25.048.00	R2387	54.115.00	S0036	30.301.00	S0215	30.462.00
P7130	23.585.00	P9256	25.043.00	R2392	54.271.00	S0039	27.606.00	S0216	30.463.00
		P9257	25.056.00	R2393	54.201.00	S0040	27.582.00	S0218	30.721.00

S0220	30.645.00	S0482	30.A72.00	S3057	30.113.00	S3297	30.166.00	S3602	30.017.00
S0221	30.506.00	S0492	27.675.00	S3058	30.161.00	S3298	30.972.00	S3603	30.027.00
S0222	30.576.00	S0494	30.B05.00	S3059	30.158.00	S3299	30.902.00	S3605	
S0223	30.451.00	S0498	30.A58.00	S3061	30.157.00	S3300	30.164.00	(MAZDA)	30.012.00
S0224	30.617.00	S0501	30.A62.00	S3062	27.699.00	S3306	30.168.00	S3605	
S0225	30.505.00	S0502	30.677.00	S3064	27.403.00	S3307	27.367.00	(FORD FIESTA, MAZDA 121)	30.062.00
S0226	30.785.00	S0503	30.A61.00	S3065	30.148.00	S3309	30.027.00	S3606	30.021.00
S0227	30.B03.00	S0505	30.A67.00	S3066	30.178.00	S3310	30.924.00	S3607	30.072.00
S0228	30.574.00	S0507	30.781.00	S3069	27.593.00	S3311	30.217.00	S3608	30.035.00
S0230	30.556.00	S0516	30.662.00	S3070	30.155.00	S3315	30.209.00	S3609	30.024.00
S0234	30.B54.00	S0517	30.718.00	S3071	30.531.00	S3316	30.194.00	S3615	30.891.00
S0235	30.A37.00	S0520	30.B23.00	S3072	30.172.00	S3317	30.135.00	S3616	30.071.00
S0236	30.711.00	S0522	30.B06.00	S3073	30.336.00	S3319	30.165.00	S3617	30.154.00
S0244	30.A23.00	S0530	30.A95.00	S3075	30.195.00	S3322	30.228.00	S3618	30.041.00
S0250	30.543.00	S0534	30.A16.00	S3076	30.153.00	S3323	30.245.00	S3619	30.041.00
S0259	30.541.00	S0543	30.692.00	S3077	27.403.00	S3324	30.151.00	S3621	30.120.00
S0261	27.A48.00	S0545	30.660.00	S3078	30.163.00	S3325	30.186.00	S3622	27.272.00
S0263	30.B21.00	S0553	30.665.00	S3079	30.203.00	S3326	30.286.00	S3623	30.025.00
S0265	30.391.00	S0555	30.509.00	S3081	30.364.00	S3327	30.233.00	S3624	27.253.00
S0266	30.300.00	S0558	30.A21.00	S3083	30.263.00	S3329	27.400.00	S3625	27.081.00
S0267	30.375.00	S0559	30.712.00	S3084	27.592.00	S3330	30.145.01	S3627	27.283.00
S0276	27.A72.00	S0564	30.B08.00	S3086	30.128.00	S3331	30.320.00	S3642	30.007.00
S0285	30.589.00	S0579	30.C63.00	S3087	30.958.00	S3332	27.356.00	S3646	27.132.00
S0287	30.532.00	S0581	30.713.00	S3088	30.372.00	S3333	27.585.00	S3648	27.956.00
S0289	27.A54.00	S0584	30.B50.00	S3089	30.183.00	S3334	27.586.00	S3652	30.943.00
S0290	30.714.00	S0589	30.607.00	S3090	30.139.00	S3336	27.587.00	S3655	30.190.00
S0291	30.632.00	S0595	30.B20.00	S3093	27.394.00	S3337	30.260.00	S3659	30.121.00
S0294	30.A96.00	S0600	30.C35.00	S3094	30.251.00	S3338	30.593.00	S3660	30.302.00
S0295	30.618.00	S0609	30.512.00	S3096	30.241.00	S3339	30.220.00	S3669	30.020.00
S0299	27.E52.00	S0611	30.A51.00	S3097	30.224.00	S3340	30.135.00	S3677	27.159.00
S0301	30.A64.00	S0612	30.B24.00	S3098	30.272.00	S3518	27.353.00	S3678	27.138.00
S0302	30.A86.00	S0614	30.C03.00	S3099	30.246.00	S3519	27.384.00	S3682	27.604.00
S0312	30.658.00	S2078	53.164.00	S3100	30.317.00	S3520	30.112.00	S3686	30.101.00
S0323	30.546.00	S2100	27.750.00	S3102	30.315.00	S3521	30.118.01	S3690	30.004.00
S0324	30.559.00	S2106	27.731.00	S3150	30.180.00	S3522	30.182.00	S3697	30.049.00
S0341	30.550.00	S2108	27.719.00	S3152	30.137.00	S3525	30.017.00	S3698	
S0342	30.549.00	S2109	27.728.00	S3153	30.129.00	S3526	30.117.00	(BMW)	30.029.00
S0343	30.547.00	S2110	27.756.00	S3154	27.524.00	S3528	30.215.00	S3698	
S0347	30.779.00	S2111	27.785.00	S3155	30.136.00	S3529	30.147.00	(VAG)	30.192.00
S0348	30.588.00	S2113	27.800.00	S3156	30.127.00	S3530	27.381.00	S3699	30.073.00
S0349	30.701.00	S2124	27.824.00	S3158	30.185.00	S3531	30.150.00	S3702	27.477.00
S0350	30.594.00	S2128	30.872.01	S3159	30.186.00	S3532	30.132.00	S3703	30.082.00
S0353	30.709.00	S2134	30.871.00	S3160	30.210.00	S3533	30.248.00	S3711	30.045.00
S0356	30.096.00	S2136	27.062.00	S3161	27.588.00	S3534	27.097.00	S3712	27.257.00
S0356	30.777.00	S2138	27.888.00	S3163	30.181.00	S3535	30.079.00	S3713	30.028.00
S0359	30.B04.00	S2146	30.858.00	S3164	30.858.00	S3536	30.115.00	S3714	30.077.00
S0365	27.A97.00	S2148	30.878.00	S3205	27.923.00	S3537	30.100.00	S3715	27.355.00
S0373	30.A17.00	S2149	27.890.00	S3226	27.063.00	S3538	27.257.00	S3716	30.124.00
S0374	30.540.00	S2150	30.942.00	S3227	27.196.00	S3539		S3732	27.736.00
S0375	30.558.00	S2154	27.239.00	S3229	27.234.00	(N.1 FILTRO/FILTER)	30.134.00	S3734	27.172.00
S0376	30.638.00	S2172	30.898.00	S3230	27.268.00	S3540	30.038.01	S3736	30.022.00
S0377	30.688.00	S2173	30.894.00	S3231	27.084.00	S3541	30.030.00	S3739	27.386.00
S0378	30.376.00	S2174	30.942.00	S3231		S3543	30.095.00	S3740	30.063.00
S0379	30.595.00	S2175	30.889.00	(CHRYSLER, JEEP)	27.150.00	S3544	27.271.00	S3741	30.064.00
S0380	30.A38.00	S2179	30.928.00	S3233	27.194.00	S3546	30.A71.00	S3742	30.090.00
S0382	30.371.00	S2180	30.932.00	S3234	27.252.00	S3547	30.050.00	S3743	30.057.00
S0385	30.422.00	S2182	30.919.00	S3250	30.965.00	S3548	30.296.00	S3744	27.254.00
S0387	30.302.00	S2183	30.935.00	S3251	30.906.00	S3549	30.141.00	S3745	27.128.00
S0391	27.621.00	S2185	30.930.00	S3253	30.999.00	S3550	30.142.00	S3746	27.273.00
S0407	30.652.00	S2200	30.933.00	S3255	30.032.00	S3553	27.341.00	S3747	30.085.00
S0408	30.653.00	S2203	30.890.00	S3256	30.033.00	S3554	30.269.00	S3748	30.080.00
S0409	30.655.00	S2204	27.110.00	S3257	30.034.00	S3555	30.144.00	S3750	
S0412	30.A54.00	S3000	30.952.00	S3259	30.960.00	S3571	30.041.00	(FORD)	30.016.00
S0418	30.780.00	S3002	30.961.00	S3260	30.039.00	S3573	30.417.00	S3750	
S0422	27.G33.00	S3003	30.990.00	S3261	30.046.00	S3574	30.196.00	(VOLVO)	30.044.00
S0423	30.A63.00	S3004	30.991.00	S3263	30.036.00	S3575	30.133.00	S3751	30.575.00
S0425	27.G11.00	S3005	27.231.00	S3264	30.019.00	S3576	27.402.00	S3752	30.119.00
S0426	30.A59.00	S3006	27.079.00	S3265	30.066.00	S3577	30.324.00	S3753	30.086.00
S0428	30.B27.00	S3007	30.017.00	S3266	30.052.00	S3578	30.202.00	S3769	27.258.00
S0429	30.B25.00	S3008	30.994.00	S3268	30.087.00	S3579	30.197.00	S3770	30.041.00
S0432	30.B63.00	S3011	27.065.00	S3269	30.966.00	S3580	30.309.00	S3771	30.083.00
S0433	30.717.00	S3012	27.089.00	S3270	27.232.00	S3582	30.225.00	S3772	30.109.00
S0436	27.F37.00	S3015	30.923.01	S3271	27.233.00	S3583	30.212.00	S3773	30.108.00
S0438	30.603.00	S3023	30.996.00	S3272	30.069.00	S3584	30.229.00	S3781	30.068.00
S0439	30.A56.00	S3024	30.902.00	S3273	30.026.00	S3585	30.318.00	S3784	30.170.00
S0447	30.597.00	S3025	27.267.00	S3274	30.001.00	S3587	30.274.00	S3790	27.228.00
S0449	30.B26.00	S3032	30.005.00	S3275	27.169.00	S3588	27.353.00	S3791	27.236.00
S0453	30.C39.00	S3036	30.008.00	S3276	30.070.00	S3589	27.384.00	S3792	30.106.00
S0457	30.A53.00	S3037	30.967.00	S3279	30.243.00	S3590	27.354.00	S3794	30.099.00
S0465	30.724.00	S3043	30.201.00	S3280	30.116.00	S3591	30.299.00	S3796	27.153.00
S0465	30.C62.00	S3044	27.385.00	S3281	30.107.00	S3592	30.262.00	S3797	30.216.00
S0467	27.E61.00	S3045	30.160.00	S3282	30.111.00	S3593	30.168.00	S3798	27.149.00
S0468	30.B56.00	S3046	30.162.00	S3285	30.945.00	S3594	30.273.00	S3799	30.063.00
S0473	30.A49.00	S3047	30.146.00	S3286	30.053.00	S3595	30.319.00	S3950	30.239.00
S0476	30.776.00	S3048	27.137.00	S3289	30.098.00	S3597	30.258.00	S3951	30.235.00
S0478	30.C55.00	S3049	30.B42.00	S3290	30.285.00	S3598	30.259.00	S3952	
S0479	30.B11.00	S3052	30.596.00	S3294	27.174.00	S3599	30.253.00	(CITROEN, MITSUBISHI, PEUGEOT)	30.601.00
S0480	27.A92.00	S3055	30.159.00	S3296	30.213.00	S3601	30.040.00	S3953	30.A50.00

S3955	30.238.00	S9783	30.911.00	B104	23.254.00	C209	23.134.00	CAF100833P	30.171.00
S3956	30.460.00	S9785	30.188.00	B107	23.483.00	C235	23.447.00	CAF100835P	30.253.00
S3958	30.143.00	S9787	30.974.00	B108	23.495.00	C270	23.303.00	CAF100836P	30.233.00
S3959	30.173.00	S9789	30.807.00	C101	23.169.00	C286	23.494.00	CAF100838P	30.202.00
S3961	30.177.00	S9791	30.981.00	C102	23.127.00	C302	23.118.00	CAF100839P	30.197.00
S3962	30.103.00	S9792	30.058.00	C102		C303	23.131.01	CAF100841P	30.231.00
S3963	30.102.00	S9793	30.003.00	(SAAB)	23.127.02	C304	23.131.01	CAF100842P	30.315.00
S3965	30.222.00	S9795	27.195.00	C102		C316	23.118.00	CAF100850P	30.299.00
S3967	30.237.00	S9800	27.769.00	(OPEL, VAG)	23.134.01	CAF100186R	27.228.00	CAF100852P	30.254.00
S3968	30.230.00	S9801	27.744.00	C103	23.103.00	CAF100255R	27.526.00	CAF100854P	30.206.00
S3969	30.275.00	S9802	27.770.00	C104	23.131.00	CAF100408C	27.236.00	CAF100856P	30.226.00
S3970	30.236.00	S9806	27.799.00	C105		CAF100434C	27.267.00	CAF100859P	30.210.00
S3971	30.175.00	S9807	27.744.00	(DAIHATSU, TOYOTA)	23.102.00	CAF100458C	27.595.00	CAF100860P	30.341.00
S3972	30.176.00	S9814	30.977.00	C105	23.102.02	CAF100459C	27.394.00	CAF100861P	30.331.00
S9029	27.155.00	S9818	30.078.01	C105		CAF100460C	27.384.00	CAF100862P	30.606.00
S9030	30.836.00	S9819	27.177.00	(NISSAN)	23.256.00	CAF100461C	27.596.00	CAF100866P	30.141.00
S9032	27.939.00	S9841	27.149.00	C105		CAF100462C	27.586.00	CAF100867P	30.555.00
S9033	27.878.00	S9842	30.953.00	(LAND ROVER)	23.297.00	CAF100463C	27.585.00	CAF100868P	30.268.00
S9042/1	27.074.00	S9844	30.963.00	C105		CAF100464C	27.486.00	CAF100869P	30.209.00
S9045	30.811.00	S9845	30.917.01	(FERRARI)	23.162.02	CAF100468C	27.386.00	CAF100870P	30.220.00
S9050	30.807.00	S9849	30.893.03	C106	23.175.00	CAF100470C	27.D10.00	CAF100872P	30.340.00
S9051	30.973.00	S9869	30.936.00	C107	23.114.01	CAF100471C	27.354.00	CAF100873P	30.386.00
S9053	30.806.00	S9870		C108		CAF100474C	27.630.00	CAF100876P	30.317.00
S9054	30.802.01	(OPEL, VAUXHALL)	30.924.00	(OPEL, VAUXHALL)	23.114.02	CAF100485C	27.603.00	CAF100881P	30.533.00
S9057	27.781.00	S9870		C108		CAF100487C	27.621.00	CAF100883P	30.303.00
S9061	30.835.00	(VAG)	30.192.00	(DACIA, RENAULT)	23.132.00	CAF100489R	27.693.00	CAF100885P	30.262.00
S9064	30.803.00	S9871	27.521.00	C109	23.240.00	CAF100491C	27.D79.00	CAF100887P	30.357.00
S9066	30.804.00	S9873	30.926.00	C110		CAF100492C	27.881.00	CAF100888P	30.390.00
S9076	30.818.00	S9875	30.893.00	(INNOCENTI)	23.131.01	CAF100493C	27.675.00	CAF100889P	30.332.00
S9078	30.910.00	S9876	30.978.01	C110		CAF100495C	27.524.00	CAF100891P	30.454.00
S9079	30.852.00	S9877	30.944.00	(SUZUKI)	23.210.00	CAF100496R	27.629.00	CAF100892P	30.347.00
S9080	30.843.01	S9882	27.107.00	C110		CAF100501P	30.864.00	CAF100893P	30.385.00
S9083	30.815.00	S9890	27.520.00	(DAIHATSU, TOYOTA)	23.213.00	CAF100543P	30.933.00	CAF100894P	30.471.00
S9085	30.860.00	S9893	30.987.01	C112	23.166.00	CAF100582P	30.019.00	CAF100895P	30.365.00
S9109	27.071.01	S9894	30.973.00	C112		CAF100587P	30.121.00	CAF100915P	30.407.00
S9115	27.605.00	S9895	30.950.00	(VAG)	23.167.00	CAF100594P	30.240.00	CAF100916P	30.645.00
S9117	27.235.00	S9896	30.958.00	C113	23.130.03	CAF100615P	30.021.00	CAF100917P	30.B03.00
S9118	27.599.00	S9898	30.011.00	C114	23.121.00	CAF100632P	30.024.00	CAF100918P	30.352.00
S9119	30.012.00	S9900	27.947.00	C115	23.242.00	CAF100640P	30.027.00	CAF100921P	30.345.00
S9121	27.156.00	S9908	27.845.02	C116	23.118.00	CAF100641P		CAF100922P	30.497.00
S9125	27.090.00	S9915	30.802.01	C117	23.176.00	(OPEL, VAUXHALL)	30.028.00	CAF100924P	30.297.00
S9127	27.171.00	S9917	30.908.00	C118	23.167.00	CAF100641P		CAF100925P	30.618.00
S9135	30.076.00	S9919	27.792.00	C119		(CITROEN, PEUGEOT)	30.116.00	CAF100929P	30.368.00
S9136	30.242.00	S9920	30.922.01	(ALTRE/OTHER APPL.)	23.156.00	CAF100643P	30.027.00	CAF100931P	30.A97.00
S9146	30.013.00	S9923	30.923.01	C119		CAF100685P		CAF100932P	30.366.00
S9148	27.200.00	S9926	30.847.00	(VOLVO)	23.156.02	(DIESEL APPL.)	30.079.00	CAF100933P	30.A50.00
S9150	27.591.00	S9927	27.076.00	C121	23.131.02	CAF100685P		CAF100936P	30.A37.00
S9151	30.223.00	S9932	27.881.00	C122	23.417.00	(BENZINA/PETROL APPL.)	30.070.00	CAF100938P	30.274.00
S9152	30.075.00	S9933	27.920.00	C125	23.425.00	CAF100691P	30.096.00	CAF100939P	30.701.00
S9154	27.193.00	S9935	30.899.00	C126	23.428.00	CAF100694P	30.090.00	CAF100941P	30.466.00
S9156	27.068.00	S9940	27.134.00	C130	23.114.01	CAF100697P	30.101.00	CAF100942P	30.788.00
S9157	27.583.00	S9941	27.828.00	C134	23.127.00	CAF100706P	30.144.00	CAF100945P	30.404.00
S9159	27.E44.00	S9944	27.982.00	C135	23.268.00	CAF100710P	30.127.00	CAF100961P	30.384.00
S9160	30.250.00	S9946	27.804.00	C136	23.210.00	CAF100714P	30.137.00	CAF100965P	30.270.00
S9162	30.204.00	S9948	30.975.00	C137	23.156.03	CAF100716R	30.217.00	CAF100966P	30.780.00
S9163	30.338.00	S9949	27.162.00	C138	23.263.00	CAF100718R	27.274.00	CAF100974P	30.330.00
S9165	27.274.00	S9953	27.927.00	C140	23.188.00	CAF100721P	30.161.00	CAF100975P	30.B23.00
S9166	30.104.00	S9954	30.939.00	C141	23.266.00	CAF100732P	30.120.00	CAF100978P	30.248.00
S9167	30.126.00	S9957	30.851.00	C142		CAF100733P	30.085.00	CAF100980P	30.546.00
S9169	27.282.00	S9959	30.807.00	(SAAB)	23.298.00	CAF100735P	30.153.00	CAF100982P	30.787.00
S9170	27.526.00	S9964	30.914.02	C143	23.164.02	CAF100737P	30.150.00	CAF100985P	30.639.00
S9173	30.211.00	S9970	30.976.00	C144	23.114.01	CAF100740P	30.129.00	CAF100986P	30.422.00
S9175	30.327.00	S9983	30.904.00	C145	23.297.00	CAF100744P	30.301.00	CAF100989P	30.544.00
S9177	30.206.00	S9987	30.948.00	C146	23.114.02	CAF100751P	30.196.00	CAF100997P	30.477.00
S9178	30.360.00	S9988	30.929.00	C147	23.249.00	CAF100754P	30.180.00	CAF100998P	30.307.00
S9179	30.464.00	S9992	30.896.00	C148	23.440.00	CAF100760P	30.312.00	CAF101010P	30.A55.00
S9180	30.312.00	S9993	30.993.00	C150	23.164.00	CAF100767P	30.212.00	CAF101026P	30.A95.00
S9181	30.316.00	S9994	30.864.00	C150		CAF100769P	30.293.00	CAF101052P	30.628.00
S9182	30.244.00	SR809	27.675.00	(O/OR)	23.164.03	CAF100773P	30.251.00	CAF101060P	30.538.00
S9183	30.247.00	SR859	30.041.00	C151	23.186.01	CAF100775P	30.318.00	CAF101062P	30.547.00
S9184	30.409.00			C152	23.167.00	CAF100779P		CAF101063P	30.540.00
S9185	30.231.00	BRC	UFI	C154	23.211.00	(N.1 FILTRO/FILTER)	30.B42.00	CAF101064P	30.532.00
S9187	30.788.00			C156	23.404.00	CAF100785P	30.531.00	CAF101065P	30.595.00
S9188	30.171.00	09SQ99010005	46.005.00	C157	23.453.00	CAF100787P	30.148.00	CAF101067P	30.549.00
S9189	30.281.00			C158	23.267.00	CAF100788P	30.257.00	CAF101069P	30.638.00
S9190	30.329.00	BREMACH	UFI	C160	23.130.01	CAF100789P	30.273.00	CAF101077P	30.587.00
S9191	30.232.00			C160		CAF100794P	30.259.00	CAF101078P	30.556.00
S9192	30.276.00	83728	24.352.00	(BMW)	23.130.02	CAF100800P	30.292.00	CAF101079R	27.A48.00
S9193	30.189.00			C161	23.282.00	CAF100802P	30.277.00	CAF101080P	30.A38.00
S9194	30.226.00	BUCHER SCHOERLING	UFI	C163	23.251.00	CAF100808P	30.329.00	CAF101081R	27.A54.00
S9401	27.486.00			C164	23.257.00	CAF100813P	30.289.00	CAF101092P	30.A64.00
S9403	30.199.00	17952986-0	24.H2O.04	C166	23.127.00	CAF100819P	30.228.00	CAF101107P	30.721.00
S9404	30.187.00			C167	23.435.00	CAF100822P	30.111.00	CAF101110P	30.589.00
S9405	27.401.00	CHAMPION	UFI	C170	23.131.01	CAF100823P	30.164.00	CAF101139P	30.A60.00
S9775	27.176.00			C180	23.255.00	CAF100826P	30.275.00	CAF101201P	30.183.00
S9777	30.946.00	A101	23.110.02	C182	23.632.00	CAF100827P	30.260.00	CAF101953P	30.550.00
S9778	30.955.00	A270	23.244.00	C183	23.436.00	CAF100828P	30.247.00	CCF0001C	54.263.00
S9781	30.954.00	B101	23.197.00	C204	23.173.01	CAF100832P	30.409.00	CCF0003	53.112.00

CCF0006	53.069.00	CCF0180C	54.161.00	CFF100490		COF100673E	25.144.00	K275	23.264.00
CCF0006C	54.156.00	CCF0181	53.259.00	(DELPHI HDF965)	24.190.00	COF100680E	25.083.00	K283	23.476.00
CCF0007	53.400.00	CCF0184	53.231.00	CFF100492	24.117.00	COF100682E	25.178.00	K284	23.475.00
CCF0011	53.086.00	CCF0201C	54.270.00	CFF100495	55.430.00	COF100692E	25.170.00	K288	23.472.00
CCF0013	53.047.00	CCF0203C		CFF100497	24.026.01	COF100693E	25.085.00	L101	31.001.00
CCF0013B	34.143.00	(N.1 FILTRO/FILTER)	54.240.00	CFF100523	26.007.00	COF100695E	25.145.00	L104	31.009.00
CCF0013C	54.143.00	CCF0209B	34.195.00	CFF100524	24.450.00	COF101103S		L105	31.013.00
CCF0015	53.045.00	CCF0216C		CFF100525	24.196.00	(ALTRE/OTHER APPL.)	23.415.00	L106	31.012.00
CCF0015B	34.100.00	(N.1 FILTRO/FILTER)	54.242.00	CFF100528	31.920.00	COF101103S		L107	31.024.00
CCF0021C	54.148.00	CCF0227	53.038.00	CFF100530	24.115.00	(RENAULT)	23.194.00	L111	
CCF0023	53.129.00	CCF0227C	54.111.00	CFF100564	26.058.00	COF101103S		(ALTRE/OTHER APPL.)	24.351.00
CCF0023C	54.158.00	CCF0244C	54.377.00	CFF100567	24.077.00	(VOLVO)	23.279.00	L112	24.351.00
CCF0024	53.034.00	CCF0282	53.059.00	CFF100582	31.947.00	COF101106S	23.299.00	L113	
CCF0029	53.091.00	CCF0302C	54.104.00	CFF100590	24.455.00	COF101107S	23.489.00	(BEDFORD, OPEL, VAUXHALL)	24.350.00
CCF0035	53.060.00	CCF0303	53.148.00	CFF100591	55.393.00	COF101108S	23.546.00	L113	
CCF0046B	34.118.00	CCF0303C	54.124.00	CFF100598	24.451.00	COF101286S	23.494.00	(BOSCH 1 457 434 099)	24.350.01
CCF0046C	54.118.00	CCF0310	53.104.00	CFF100600	24.113.00	COF101597E	25.096.00	L113	
CCF0051	53.147.00	CCF0320	53.031.00	CFF100603	24.001.00	COF101610E	25.210.00	(CITROEN, PEUGEOT, ROVER)	24.350.02
CCF0052B	34.273.00	CCF0320C	54.114.00	CFF100606	24.001.02	COF102101S	23.493.00	L114	24.365.01
CCF0052C	54.273.00	CCF0323C	54.262.00	CFF100636	26.052.00	COF102106S	23.463.00	L115	24.384.00
CCF0058	53.146.00	CCF0327	53.162.00	CFF100641	26.038.00	COF102137S	23.470.00	L116	24.321.00
CCF0060	53.107.00	CCF0327B	34.119.00	CFF100646	26.026.00	E101	23.182.00	L117	24.381.00
CCF0061	53.106.00	CCF0327C	54.119.00	CFF100648	24.016.00	E103	23.280.00	L118	24.380.00
CCF0068	53.158.00	CCF0328	53.076.00	CFF100649	31.946.00	E105	23.457.00	L119	31.020.00
CCF0075	53.067.00	CCF0328C	54.115.00	CFF100659	26.115.00	E107	23.489.00	L120	24.383.00
CCF0079C	54.277.00	CCF0331	53.030.00	CFF100660	24.452.00	E108	23.546.00	L121	24.389.00
CCF0081	53.064.00	CCF0339C	54.153.00	CFF101560	26.055.00	F101	23.195.00	L122	24.388.00
CCF0082	53.044.00	CCF0348C	54.146.00	CFF101561	26.054.00	F102		L123	24.399.00
CCF0082B	34.194.00	CCF0372	53.257.00	CFF101563	26.015.00	(ISUZU)	23.139.00	L124	24.397.00
CCF0087C	54.267.00	CCF0422C	54.231.00	CFF101565	55.170.00	F102	23.402.00	L131	24.360.00
CCF0093	53.040.00	CCF0429C	54.312.00	CFF101566	24.007.00	F103		L132	24.361.00
CCF0094	53.149.00	CCF0433	53.379.00	CFF500416	26.695.00	(RENAULT)	23.194.00	L133	24.319.01
CCF0094C	54.103.00	CCF0434	53.394.00	COF100104C	25.499.00	F103		L134	24.365.00
CCF0097	53.230.00	CCF0436	53.209.00	COF100126S	23.428.00	(VOLVO)	23.279.00	L135	26.670.00
CCF0099	53.131.00	CCF0437C	54.222.00	COF100129S	23.484.00	F103		L136	26.652.00
CCF0100	53.088.00	CCF0438C	54.318.00	COF100130E	25.035.00	(ALTRE/OTHER APPL.)	23.415.00	L137	24.360.01
CCF0107	53.095.00	CCF0458	53.164.00	COF100180S	23.255.00	F104	23.191.00	L138	24.382.00
CCF0107C	54.133.00	CCF0464C	54.223.00	COF100182S	23.632.00	F104		L139	
CCF0109	53.102.00	CCF0465	53.190.00	COF100183S	23.436.00	(RENAULT)	23.402.00	(ALTRE/OTHER APPL.)	21.050.00
CCF0109C	54.136.00	CCF0465C	54.199.00	COF100219S	23.565.00	F105	23.177.00	L139	
CCF0112C	54.109.00	CCF0466	53.397.00	COF100220S	23.564.00	F106	23.295.00	(MERCEDES BENZ)	21.061.00
CCF0114C	54.139.00	CCF0468	53.233.00	COF100274S	23.248.00	F107	23.196.00	L141	26.676.00
CCF0115		CCF0470C	54.236.00	COF100284S	23.475.00	F108	23.151.00	L142	24.391.00
(N.1 FILTRO/FILTER)	53.228.00	CCF0476	53.389.00	COF100288S	23.472.00	F109	23.159.00	L143	24.331.00
CCF0115C	54.127.00	CCF0477	53.249.00	COF100504E	25.004.00	F110	23.271.00	L144	24.379.01
CCF0116C	54.271.00	CCF0479	53.390.00	COF100509E	25.002.00	F111	23.165.00	L145	24.375.00
CCF0118	53.236.00	CCF0480C	54.219.00	COF100510E	25.014.00	F112	23.212.00	L146	24.366.00
CCF0118C	54.154.00	CCF0485	53.396.00	COF100517E	25.008.00	F113	23.139.00	L147	24.370.00
CCF0119	53.124.00	CCF0499	53.388.00	COF100525E	25.023.00	F115		L148	24.368.00
CCF0119B	34.162.00	CFF100111		COF100528E	25.030.00	(FORD)	23.189.00	L149	24.374.00
CCF0119C	54.162.00	(ALTRE/OTHER APPL.)	24.351.00	COF100530E	25.060.00	F115		L201	31.510.00
CCF0120	53.143.00	CFF100141	26.676.00	COF100531E	25.043.00	(DAIHATSU, MITSUBISHI)	23.231.00	L203	31.699.00
CCF0120C	54.164.00	CFF100225	31.515.00	COF100533E	25.063.00	F116	23.260.00	L204	31.502.00
CCF0122	53.249.00	CFF100236	31.710.00	COF100534E	25.040.00	F117	23.259.00	L205	31.506.00
CCF0124	53.032.00	CFF100240	31.741.00	COF100540E	25.047.00	F118	23.293.00	L206	31.500.00
CCF0124C	54.101.00	CFF100246	31.769.00	COF100544E	25.028.00	F121	23.281.00	L207	31.618.00
CCF0129	53.120.00	CFF100249	24.401.00	COF100549E	25.048.00	F122	23.133.00	L209	24.371.00
CCF0130	53.404.00	CFF100263	24.414.00	COF100550E	25.050.00	F123	23.273.00	L210	31.505.00
CCF0132	53.105.00	CFF100416	26.695.00	COF100552E	25.041.00	F124	23.418.00	L211	31.648.00
CCF0133	53.145.00	CFF100420	31.843.00	COF100558E	25.034.00	F126	23.265.00	L212	31.563.00
CCF0134	53.254.00	CFF100424	31.851.00	COF100559E	25.064.00	F127	23.177.00	L213	31.512.00
CCF0134C	54.178.00	CFF100424	31.852.00	COF100561E	25.053.00	F128	23.438.00	L214	31.539.00
CCF0137	53.154.00	CFF100428	31.847.00	COF100562E	25.039.00	F129	23.258.00	L215	31.529.00
CCF0137C	54.172.00	CFF100430	26.005.00	COF100563E	25.066.00	F129	23.484.00	L216	31.503.00
CCF0139	53.157.00	CFF100437	31.834.00	COF100565E	25.068.00	F130	23.198.00	L217	31.507.00
CCF0140	53.223.00	CFF100455	31.817.00	COF100566E	25.069.00	F131	23.200.00	L218	31.514.00
CCF0141C	54.173.00	CFF100456	24.437.00	COF100568E	25.024.00	F132	23.293.00	L219	31.564.00
CCF0143C	54.159.00	CFF100458	24.430.00	COF100569E	25.026.00	F133	23.415.00	L221	31.565.00
CCF0144B	34.160.00	CFF100459	24.087.00	COF100571E	25.058.00	F134	23.424.00	L224	31.562.00
CCF0144C	54.160.00	CFF100460	31.849.00	COF100572E	25.072.00	F135	23.434.00	L225	31.515.00
CCF0146	53.043.00	CFF100462	26.693.00	COF100573E	25.177.00	F136	23.418.00	L226	31.508.00
CCF0149C	54.163.00	CFF100466		COF100574E	25.094.00	F137	23.470.00	L227	31.520.00
CCF0151	53.149.00	(SENZA STAFFA/WITHOUT BRACKET)	31.842.00	COF100578E	25.031.00	F138	23.439.00	L229	31.535.00
CCF0152	53.207.00	CFF100468	31.850.00	COF100579E	25.084.00	F208	23.243.00	L230	31.561.00
CCF0154	53.214.00	CFF100469	26.018.00	COF100580E	25.106.00	F208		L234	31.690.00
CCF0155	53.161.00	CFF100469		COF100583E	25.074.00	(MAZDA)	23.272.00	L236	31.710.00
CCF0159	53.130.00	(VAG)	26.057.00	COF100586E	25.091.00	F219	23.565.00	L237	31.718.00
CCF0160	53.261.00	CFF100471	31.830.00	COF100587E	25.116.00	F220	23.564.00	L238	31.569.00
CCF0161	53.222.00	CFF100472	26.696.00	COF100590E	25.213.00	G102	23.129.00	L239	31.740.00
CCF0166	53.255.00	CFF100474	24.456.00	COF100596E	25.080.00	G105	23.278.00	L240	31.741.00
CCF0168	53.094.00	CFF100477	26.045.00	COF100598E	25.151.00	G106	23.299.00	L241	31.722.00
CCF0168C	54.131.00	CFF100478	31.840.00	COF100599E	25.159.00	G201	23.115.00	L242	31.583.00
CCF0170	53.220.00	CFF100479	31.831.00	COF100601E	25.086.00	G203	23.585.00	L244	31.543.00
CCF0172	53.152.00	CFF100483	24.107.00	COF100604E	25.143.00	H101	23.105.00	L246	31.769.00
CCF0173	53.153.00	CFF100486	26.131.00	COF100606E	25.061.00	H301	23.105.00	L247	31.513.00
CCF0173C	54.168.00	CFF100488	31.833.00	COF100613E	25.167.00	K270	23.237.00	L248	31.747.00
CCF0179C	54.317.00	CFF100490		COF100622S	23.573.00	K271	23.274.00	L249	24.401.00
CCF0180	53.137.00	(DELPHI HDF935)	24.459.00	COF100635E	25.115.00	K274	23.248.00	L250	26.688.00



L251	26.691.00	L502	24.ONE.01	U547	30.948.00	U653	30.040.00	U752	30.244.00
L252	26.686.00	L503	24.ONE.00	U548	30.973.00	U654	30.035.00	U753	30.185.00
L253	26.687.00	L523	26.007.00	U550	30.052.00	U656	30.936.00	U755	30.417.00
L254	24.408.00	L524	24.450.00	U552	30.902.00	U657	30.017.00	U756	
L255	26.689.00	L525	24.196.00	U553	30.942.00	U658	30.955.00	(SAAB)	30.036.00
L256	24.409.00	L528	31.920.00	U554		U660	30.188.00	U756	
L257	24.416.00	L530	24.115.00	(VOLVO)	30.915.00	U661	30.239.00	(RENAULT)	30.324.00
L258	24.428.00	L560	26.055.00	U554	30.958.00	U662	30.243.00	U757	30.213.00
L259	24.321.00	L561	26.054.00	U555	30.906.00	U663	30.045.00	U758	30.417.00
L260	24.424.00	L562	26.012.00	U557	30.953.00	U664	30.296.00	U759	30.360.00
L263	24.414.00	L563	26.015.00	U558	30.963.00	U668	30.063.00	U760	30.312.00
L301	31.010.00	L564	26.058.00	U560	30.952.00	U669	30.064.00	U762	30.246.00
L401	26.022.00	L565	55.170.00	U561	30.965.00	U670	30.063.00	U764	30.295.00
L402	26.003.00	L566	24.007.00	U562	30.077.00	U671	30.062.00	U767	30.212.00
L403	24.H20.00	L567	24.077.00	U563	30.911.00	U674	30.067.00	U768	30.338.00
L405		L568	24.119.00	U564	30.066.00	U676	30.170.00	U769	30.293.00
(FIAT)	24.H20.02	L582	31.947.00	U565	30.076.00	U677	30.143.00	U770	30.465.00
L408		L583	31.922.00	U567		U678		U771	30.321.00
(FIAT 46807036)	24.H20.07	L590	24.455.00	(VAG)	30.192.00	(DAEWOO)	30.990.00	U773	30.251.00
L408		L591	55.393.00	U567		U680	30.066.00	U775	30.318.00
(FIAT 77362338)	24.H20.04	L598	24.451.00	(BMW)	30.029.00	U681	30.066.00	U779	
L409	60.H20.00	L600	24.113.00	U568	30.926.00	U682	30.102.00	(N.1 FILTRO/FILTER)	30.B42.00
L411	24.086.00	L603	24.001.00	U569	30.924.00	U683	30.103.00	U781	30.320.00
L413	26.690.00	M101	23.493.00	U570	30.944.00	U684	30.089.00	U785	30.531.00
L414	24.440.00	MA3075	27.282.00	U572	30.946.00	U685		U786	30.596.00
L415	26.694.00	MA3453	30.538.00	U573	30.012.00	(BENZINA/PETROL APPL.)	30.070.00	U787	30.148.00
L416	26.695.00	N101	53.020.00	U576	30.945.00	U685		U788	30.257.00
L420	31.843.00	N106	53.015.00	U577	30.966.00	(DIESEL APPL.)	30.079.00	U789	30.273.00
L423	26.014.00	N107	53.001.00	U579	30.960.00	U686	30.105.00	U792	30.224.00
L424		N109	53.019.00	U580	30.919.00	U687	30.049.00	U793	30.245.00
(BMW 13327811401)	31.851.00	N110	53.013.00	U582	30.019.00	U688	30.086.00	U794	30.259.00
L424		N111	53.016.00	U583	30.996.00	U689	30.107.00	U795	30.258.00
(BMW 13327793672)	31.852.00	N112	53.024.00	U584	30.020.00	U690	30.050.00	U797	30.186.00
L428	31.847.00	N113	53.006.00	U585	30.999.00	U691	30.096.00	U800	30.292.00
L429	31.824.00	N116	53.046.00	U586	30.994.00	U692	30.082.00	U801	30.279.00
L430	26.005.00	N117	53.026.00	U587	30.121.00	U693	30.087.00	U802	30.277.00
L431	24.427.00	N118	53.007.00	U588	30.041.00	U694	30.090.00	U806	30.187.00
L433	31.924.00	N120	53.027.00	U590	30.977.00	U695	30.460.00	U808	30.329.00
L437	31.834.00	N121	53.010.00	U591	30.954.00	U696	30.124.00	U809	30.175.00
L438	31.841.00	N122	53.025.00	U592	30.822.00	U697	30.101.00	U810	30.168.00
L440	24.436.00	N123	53.012.00	U594	30.240.00	U698	30.068.00	U811	30.176.00
L441	24.429.00	N124	53.005.00	U595	30.041.00	U699	30.095.00	U813	30.289.00
L445	24.432.00	N125	53.017.00	U596	30.013.00	U700	30.073.00	U814	30.162.00
L447	26.021.00	N128	53.004.00	U598	30.017.00	U701	30.109.00	U817	30.302.00
L449	24.343.00	N129	53.014.00	U599	30.017.00	U702	30.057.00	U819	30.228.00
L450	31.844.00	N130	53.021.00	U601	30.041.00	U703	30.083.00	U820	30.319.00
L451	31.802.00	N133	53.023.00	U602	30.826.00	U705	30.108.00	U822	30.111.00
L452	24.413.00	N134	53.002.00	U604	30.001.00	U706	30.144.00	U823	30.164.00
L453	24.445.00	N135	53.011.00	U607	30.991.00	U707	30.099.00	U824	30.126.00
L454	24.027.00	N137	53.018.00	U611	30.053.00	U709	30.112.00	U826	30.275.00
L455	31.817.00	N138	53.061.00	U612	30.981.00	U710	30.127.00	U827	30.260.00
L456	24.437.00	N141	53.028.00	U615	30.021.00	U711	30.128.00	U828	30.247.00
L458	24.430.00	N143	54.105.00	U618	30.008.00	U712	30.135.00	U830	30.241.00
L459	24.087.00	N172	54.104.00	U619	30.026.00	U713	30.136.00	U831	30.344.00
L460	31.849.00	N200	54.171.00	U623	30.172.00	U714	30.137.00	U832	30.409.00
L462	26.693.00	N207	54.121.00	U625	30.961.00	U715	30.132.00	U833	30.171.00
L465	31.776.00	N227	53.077.00	U626	30.004.00	U716	30.041.00	U834	30.272.00
L466		N249	53.189.00	U628	30.072.00	U717	30.201.00	U835	30.253.00
(SENZA STAFFA/WITHOUT BRACKET)	31.842.00	N254	53.110.00	U630	30.398.00	U718	30.159.00	U836	30.233.00
L467	24.412.00	N263	53.197.00	U631	30.022.00	U719	30.133.00	U837	30.320.00
L468	31.850.00	U043	30.604.00	U632	30.024.00	U720	30.163.00	U838	30.202.00
L469	26.018.00	U501	30.864.00	U633	30.058.00	U721	30.161.00	U839	30.197.00
L469		U502	30.818.00	U634		U722	30.155.00	U840	30.310.00
(VAG)	26.057.00	U503	30.852.00	(FORD)	30.016.00	U723	30.372.00	U841	30.231.00
L471	31.830.00	U505	30.835.00	U634		U724	30.147.00	U842	30.315.00
L472	26.696.00	U506	30.851.00	(VOLVO)	30.955.00	U725	30.104.00	U847	30.334.00
L474	24.456.00	U507	30.910.00	U634		U726-2	30.134.00	U852	30.254.00
L477	26.045.00	U508	30.836.00	(VOLVO)	30.044.00	U727	30.238.00	U854	30.206.00
L478	31.840.00	U511	30.908.00	U636	30.967.00	U728	30.098.00	U856	30.226.00
L479	31.831.00	U513	30.942.00	U637	30.076.00	U729	30.139.00	U857	30.151.00
L483	24.107.00	U514	30.889.00	U638	30.025.00	U732	30.120.00	U858	30.339.00
L486/606	26.131.00	U515	30.899.00	U639	30.030.00	U733	30.085.00	U859	30.210.00
L487	26.020.00	U516	30.893.00	U640	30.027.00	U734	30.158.00	U860	30.341.00
L488	31.833.00	U517	30.929.00	U641		U735	30.153.00	U861	30.331.00
L490		U520	30.894.00	(OPEL, VAUXHALL)	30.028.00	U736	30.165.00	U862	30.606.00
(DELPHI HDF935)	24.459.00	U521	30.858.00	U641		U737	30.150.00	U864	30.A71.00
L490		U523	30.898.00	(CITROEN, PEUGEOT)	30.116.00	U738	30.146.00	U866	30.141.00
(DELPHI HDF965)	24.190.00	U525	30.891.00	U643	30.027.00	U739	30.181.00	U867	30.548.00
L491	24.073.00	U527	30.914.02	U644	30.007.00	U740	30.129.00	U867	30.555.00
L492	24.110.00	U528	30.904.00	U647	30.032.00	U741	30.195.00	U868	30.268.00
L492	24.117.00	U529	30.039.00	U648	30.034.00	U742	30.119.00	U869	30.209.00
L493	24.012.00	U531	30.860.00	U649	30.033.00	U743	30.194.00	U871	30.080.00
L495	55.430.00	U532	30.890.00	U650	30.928.00	U744	30.301.00	U872	30.340.00
L496	55.418.00	U533	30.932.00	U651	30.003.00	U745	30.265.00	U873	30.386.00
L497	24.026.01	U534	30.930.00	U652		U746	30.265.00	U874	30.453.00
L498	55.582.00	U535	30.935.00	(INNOCENTI, FIAT FIORINO)	30.048.00	U748	30.342.00	U875	30.294.00
L499	31.921.00	U536	30.906.00	U652		U750	30.135.00	U876	30.317.00
L500	24.013.00	U543	30.933.00	(ALTRE/OTHER APPL.)	30.999.00	U751	30.196.00	U877	30.504.00

U878	30.506.00	V466	27.401.00	W201	27.076.00	XE536	25.049.00	05015901AA	25.034.00
U879	30.469.00	V468	27.386.00	W205	30.880.00	XE539	25.095.00	05018777AA	30.281.00
U880	30.451.00	V469	27.594.00	W208	27.155.00	XE540	25.047.00	05018777AB	30.281.00
U881	30.533.00	V470	27.D10.00	W209	27.097.00	XE544	25.028.00	05019002AA	30.C43.00
U882	30.725.00	V471	27.354.00	W212	27.149.00	XE545	25.021.00	05019741AA	26.013.00
U883	30.303.00	V472	27.598.00	W213	27.233.00	XE549	25.048.00	05037615AA	30.C43.00
U885	30.262.00	V473	27.636.00	W214	27.232.00	XE550	25.050.00	05058040AA	53.122.00
U886	30.505.00	V474	27.630.00	W215	27.069.00	XE552	25.041.00	05058693AA	53.150.00
U887	30.357.00	V475	27.356.00	W219	30.987.01	XE555	25.067.00	05072176AA	54.295.00
U888	30.390.00	V478	27.688.00	W221	27.174.00	XE557	25.015.00	05072720AA	25.053.00
U889	30.332.00	V485	27.603.00	W222	30.038.01	XE558	25.034.00	05080244AA	25.054.00
U891	30.454.00	V487	27.621.00	W225	27.177.00	XE559	25.064.00	05080477AA	24.005.00
U892	30.347.00	V488	27.282.00	W226	27.176.00	XE560	25.027.00	05080477AC	24.005.00
U893	30.385.00	V489	27.693.00	W228	30.974.00	XE561	25.053.00	05085581AC	24.030.00
U894	30.471.00	V492	27.881.00	W229	30.976.00	XE562	25.039.00	05085581AD	24.030.00
U895	30.365.00	V493	27.675.00	W230	27.268.00	XE563	25.066.00	05086301AA	25.013.00
U915	30.407.00	V495	27.524.00	W232	27.730.00	XE564	25.071.00	05097052AA	31.841.00
U916	30.645.00	V496	27.629.00	W233	27.239.00	XE565	25.068.00	05098424AA	30.B42.00
U917	30.B03.00	W101	30.807.00	W236	27.904.00	XE566	25.069.00	05098424AB	30.B42.00
U918	30.352.00	W102	30.802.01	W247	27.200.00	XE567	25.077.00	05101438AA	53.007.00
U919	30.325.00	W103	30.806.00	W250	27.956.00	XE568	25.024.00	05102905AA	25.002.00
U921	30.345.00	W104	27.770.00	W251	30.005.00	XE569	25.026.00	05102905AA	25.059.00
U922	30.497.00	W105	27.769.00	W254	27.090.00	XE570	25.165.00	05102905AB	25.002.00
U924	30.297.00	W106	27.719.00	W255	27.526.00	XE571	25.058.00	05102905AB	25.059.00
U925	30.618.00	W107	27.728.00	W261	27.272.00	XE572	25.072.00	05103577AA	24.006.00
U929	30.368.00	W108	27.744.00	W262	27.083.00	XE574	25.094.00	05103600AA	53.059.00
U931	30.A97.00	W109	27.731.00	W705	27.804.00	XE575	25.070.00	05103981AA	30.148.00
U932	30.366.00	W110	30.803.00	W706	27.982.00	XE578	25.031.00	051438888AA	30.531.00
U933	30.A50.00	W112	30.847.00	W708	27.169.00	XE579	25.084.00	05166780AA	24.030.00
U935	30.574.00	W113	27.133.00	W709	27.138.00	XE580	25.106.00	05170896AB	24.107.00
U936	30.A37.00	W114	30.943.00	W710	27.920.00	XE583	25.074.00	05174056AA	24.436.00
U938	30.274.00	W115	27.824.00	W711	27.828.00	XE586	25.091.00	05175429AB	24.107.00
U939	30.701.00	W116		W712	30.078.01	XE587	25.116.00	05175571AA	25.069.00
U940	30.554.00	(DAIHATSU, TOYOTA)	27.740.00	W713	30.118.01	XE590	25.213.00	05175598AA	24.436.00
U941	30.466.00	W117	27.061.00	W714	27.341.00	XE596	25.080.00	05183748AA	25.059.00
U945	30.404.00	W118	30.804.00	W715	27.367.00	XE597	25.096.00	05184526AA	25.248.00
U953	30.550.00	W120	27.799.00	W716	30.217.00	XE598	25.151.00	05281090	23.127.00
U954	30.388.00	W121	27.785.00	W718	30.145.01	XE601	25.086.00	05281090AB	23.127.00
U957	30.496.00	W122	27.752.00	W718	27.274.00	XE604	25.143.00	05281090BA	23.127.00
U961	30.384.00	W123		W729	30.A60.00	XE606	25.061.00	05281090BB	23.127.00
U965	30.270.00	(RENAULT)	30.872.01	X101	25.413.00	XE610	25.210.00	1228022	23.102.00
U966	30.780.00	W123		X103	25.528.00			1228081	27.752.00
U970	30.591.00	(NISSAN)	27.605.00	X104	25.499.00	CHATENET	UFI	1739618	23.102.00
U974	30.330.00	W124	30.800.00	X105	25.530.00			1851658	23.102.00
U975	30.B23.00	W125	27.715.00	X106	25.530.01	0117005	27.A05.00	2084258	31.001.00
U978	30.248.00	W126	30.993.00	X110	25.413.00	0117070	26.683.00	2084528	31.027.00
U986	30.422.00	W127	30.811.00	X111	25.443.00	081401	23.262.00	2525254	31.001.00
V401	27.845.02	W129	27.792.00	X113	25.408.00	081402	30.997.00	33004195	23.177.00
V407	27.063.00	W131	27.716.00	X115	25.539.00	081418	31.001.00	3549957	23.127.00
V408	27.236.00	W132	27.084.00	X116	25.409.01			4213583	30.851.00
V409	27.756.00	W132		X117	25.455.00	CHERY	UFI	4213583AB	30.851.00
V414	27.252.00	(JEEP AMC)	27.150.00	X120	25.541.00			4417559	23.127.00
V417	27.074.00	W133	27.800.00	X121	25.548.00	372-1012010	23.255.00	4417560	23.127.00
V419		W135	27.086.00	X122	25.162.00	480-1012010	23.253.00	4591100AB	30.B44.00
(FOND. IN METALLO/METAL ENDS)	27.071.00	W136	27.927.00	X123	20.020.00			4591100AC	30.B44.00
V419		W137	30.872.01	X124	20.012.02	CHRYSLER	UFI	46795125	23.249.00
(FONDELLI IN PVC/PLASTIC ENDS)	27.071.01	W138	27.062.00	X125	25.555.00			4778838	23.249.00
V421	30.883.00	W139	27.817.00	X126	25.540.00	04105409	23.435.00	4781452AA	23.440.00
V423	27.154.00	W142	27.707.00	X159	25.901.00	04105409AB	23.435.00	4809782AA	30.226.00
V424	27.132.00	W143	27.156.00	XE130	25.035.00	04105409AC	23.435.00	4861041	30.851.00
V425	27.590.00	W145	30.871.00	XE131	25.032.00	04591100AC	30.B44.00	4861480AA	30.226.00
V427	27.068.00	W147	27.195.00	XE504	25.004.00	04693140AA	25.034.00	4861688AB	30.544.00
V429	27.194.00	W148	30.896.00	XE505	25.011.00	04720364	23.249.00	4884899AB	23.463.00
V430	27.128.00	W149	30.843.01	XE507	25.003.00	04721303AA	24.H20.08	4884899AC	23.463.00
V431	27.888.00	W151	27.079.00	XE508	25.013.00	04723905	24.331.00	5012968AB	23.177.00
V432	27.253.00	W152	30.939.00	XE509	25.002.00	04726067AA	26.019.01	5018777AA	30.281.00
V433	27.234.00	W153	30.922.01	XE510	25.014.00	04781452AA	23.440.00	5031031	
V434	27.267.00	W155	27.781.00	XE511	25.018.00	04781452BB	23.440.00	(BMW)	25.455.01
V436	27.171.00	W157	27.059.00	XE512	25.067.00	04798166	24.338.00	5031031	
V437	27.254.00	W160	27.762.00	XE513	25.019.00	04809782AA	30.226.00	(ALTRE/OTHER APPL.)	25.455.00
V438	27.196.00	W162	27.890.00	XE514	25.009.00	04861378AB	30.226.00	5037896	26.601.00
V439	27.265.00	W163	27.702.00	XE515	25.010.00	04861480AA	30.226.00	5038483	27.707.00
V440	27.257.00	W164	27.906.00	XE517	25.008.00	04861688AA	30.544.00	5039546	25.402.01
V441	27.355.00	W166	27.713.00	XE518	25.001.00	04884899AB	23.463.00	5040646	25.407.01
V442	27.403.00	W169	27.946.00	XE519	25.012.00	04884899AC	23.463.00	5041315	23.127.00
V443	27.353.00	W173	27.778.00	XE520	25.017.00	04884900AB	23.519.00	5042621	23.102.00
V445	27.081.00	W175	27.065.00	XE521	25.022.00	04891176AA	30.593.00	5042978	27.752.00
V446	27.593.00	W180	27.898.00	XE522	25.099.00	04891462AB	30.600.00	5057957	23.127.00
V449	27.628.00	W184	30.917.01	XE524	25.056.00	04891462AC	30.600.00	5058040AA	53.122.00
V450	27.606.00	W186	27.228.00	XE525	25.023.00	04891691AA	30.659.00	5059957	30.800.00
V457	27.601.00	W187	27.E44.00	XE527	25.029.00	04891694AA	30.498.00	5080244AB	25.054.00
V458	27.595.00	W189	30.975.00	XE528	25.030.00	04891695AA	30.592.00	5080477AC	24.005.00
V459	27.394.00	W190	30.923.01	XE529	25.037.00	04892339AB	23.519.00	5086301AA	25.013.00
V460	27.384.00	W191	27.110.00	XE530	25.060.00	04892339AB	23.519.00	5097052AA	31.841.00
V461	27.596.00	W193	27.111.00	XE531	25.043.00	05003558AA	23.249.00	5098424AA	30.B42.00
V462	27.586.00	W196	27.162.00	XE532	25.033.00	05003558AB	23.249.00	5101438AA	53.007.00
V463	27.585.00	W198	27.947.00	XE533	25.063.00	05011836AA	27.C09.00	5102905AA	25.002.00
V464	27.486.00	W200	27.736.00	XE534	25.040.00	05015171AA	25.010.00	5102905AB	25.002.00



5139034AA	25.034.00	75046828	30.800.00	1109-K2	23.293.00	1444-K7	27.824.00	1444-TQ	30.299.00
5175598AA	24.436.00	75047128	24.360.00	1109-K3	23.103.00	1444-K8	30.864.00	1444-TT	30.467.00
5183748AA	25.059.00	75047204	23.127.00	1109-K4	23.129.02	1444-K9	30.894.00	1444-TV	30.645.00
51925027	30.477.00	75061370	27.716.00	1109-K5	23.429.00	1444-L0	30.807.00	1444-TY	27.228.00
51974227	30.793.00	75061376	30.800.00	1109-K7	23.198.00	1444-L1	30.973.00	1444-TZ	30.180.00
52022376AA	30.A73.00	75061400	25.419.00	1109-K9	23.196.00	1444-L2	30.872.01	1444-V0	30.167.00
52022378AA	30.A73.00	75061403	25.413.00	1109-L1	23.293.00	1444-L3	30.806.00	1444-V3	30.152.00
52022378AB	30.A73.00	75061404	25.409.01	1109-L6	23.282.00	1444-L4	30.807.00	1444-VA	27.252.00
52126244AA	24.528.01	75061405	25.443.00	1109-N3	23.293.00	1444-L5	30.922.01	1444-VC	30.166.00
52126244AB	24.528.01	75061409	23.102.02	1109-N5	23.191.00	1444-L6	30.025.00	1444-VF	27.239.00
52126244AC	24.528.01	75061410	23.103.00	1109-N6	23.418.00	1444-L7	30.953.00	1444-VH	30.186.00
52129238AA	24.H2O.01	75061411	23.102.00	1109-P0	23.440.00	1444-L8	30.946.00	1444-VJ	30.185.00
5221272	23.102.00	75061589	27.715.00	1109-P1	23.419.00	1444-L9	30.052.00	1444-VK	30.260.00
53006317	30.818.00	75063910	27.707.00	1109-P4	23.424.00	1444-N0	30.981.00	1444-VL	30.115.00
53007386AB	30.284.00	75065049	23.102.02	1109-P9	23.416.00	1444-N1	30.836.00	1444-VN	30.719.00
53030688	30.284.00	75065702	23.156.00	1109-Q1	23.303.00	1444-N2	30.996.00	1444-VP	30.299.00
53034019AD	30.C45.00	75221481	23.127.00	1109-Q3	23.265.00	1444-N3	27.785.00	1444-VQ	30.244.00
53123227	30.A43.00	75221627	23.131.00	1109-Q4	23.303.00	1444-N4	27.750.00	1444-VR	30.116.00
601980	24.360.00	82205905	54.112.00	1109-Q6	23.413.00	1444-N5	30.960.00	1444-VS	30.117.00
6100034	31.001.00	83501843	27.150.00	1109-Q7	23.164.00	1444-N6	27.176.00	1444-VV	30.933.00
6100448	23.102.00	K04105409AC	23.435.00	1109-R1	23.439.00	1444-N7	27.253.00	1444-VW	30.139.00
68001297AA	25.023.00	K04781452AA	23.440.00	1109-R2	23.417.00	1444-N8	30.935.00	1444-VX	30.254.00
68012876AA	54.161.00	K04781452BB	23.440.00	1109-R7	25.032.00	1444-N9	27.079.00	1444-VY	30.167.00
68012876AA	34.161.00	K04884899AC	23.463.00	1109-S8	23.191.00	1444-P0	27.731.00	1444-VZ	30.153.00
68013676AA	30.340.00	K05011836AA	27.C09.00	1109-T1	23.439.00	1444-P1	30.021.00	1444-W8	30.933.00
68031597AB	25.186.00	K68081249AA	30.A43.00	1109-T3	25.037.00	1444-P2	27.268.00	1444-WA	27.234.00
68032204AB	25.167.00	K68081249AB	30.A43.00	1109-T8	25.587.00	1444-P3	30.818.00	1444-WH	27.271.00
68033193AA	53.239.00	K68081249AC	30.A43.00	1109-W7	23.445.00	1444-P4	30.945.00	1444-WL	30.B23.00
68042866AA	53.294.00	K68102241AA	25.043.00	1109-X2	23.439.00	1444-P5	30.017.00	1444-WN	30.330.00
68042866AB	53.294.00	K68247339AA	30.677.00	1109-X4	25.060.00	1444-P6	30.994.00	1444-WP	30.144.00
68057228AA	24.529.00	K68263287AA	26.052.00	1109-X8	25.066.00	1444-P7	30.028.00	1444-WS	30.533.00
68071668AA	53.312.00	K68492616AA	25.112.00	1109-Y2	25.037.00	1444-P8	30.032.00	1444-WW	27.539.00
68079487AA	53.325.00	MB433774	31.020.00	1109-Y4	23.263.00	1444-P9	30.027.00	1444-WZ	30.888.00
68079487AB	53.325.00	MB504746	31.523.00	1109-Y6	23.457.00	1444-PR	30.260.00	1444-X0	30.185.00
68079744AB	25.248.00	MB504752	31.525.00	1109-Y8	23.303.00	1444-PW	30.175.00	1444-X1	30.186.00
68079744AC	25.248.00	MB504753	31.523.00	1109-Z0	25.060.00	1444-PY	30.261.00	1444-X3	30.153.00
68079744AD	25.248.00	MB504759	31.648.00	1109-Z2	25.060.00	1444-Q0	30.930.00	1444-X4	30.186.00
68081249AA	30.A43.00	MB504761	31.523.00	1109-Z6	25.037.00	1444-Q1	30.039.00	1444-X5	30.210.00
68081249AB	30.A43.00	MB658689	31.609.00	1109-Z8	23.546.00	1444-Q2	30.835.00	1444-X7	30.311.00
68081249AC	30.A43.00	MB906051	30.230.00	1179-18	27.689.00	1444-Q3	30.011.00	1444-XA	30.175.00
68091826AA	25.159.00	T0544588	31.027.00	1444-99	27.228.00	1444-Q4	30.019.00	1444-XC	30.371.00
68091827AA	25.159.00	T1349332	31.027.00	1444-A1	27.888.00	1444-Q5	30.057.00	1444-XE	30.533.00
68091843AA	30.652.00	T1349332	31.027.00	1444-A4	30.933.00	1444-Q6	30.066.00	1444-XF	30.322.00
68094002AA	25.043.00	TO544588	31.027.00	1444-A5	27.252.00	1444-Q7		1444-XG	30.400.00
68095167AA	23.438.00			1444-A7	27.196.00	(OPEL VAUXHALL)	30.924.00	1444QN	30.186.00
68095335AA	23.546.00			1444-A8	30.067.00	1444-Q7		1444WG	30.095.00
68096453AA	53.210.00			1444-AJ	30.150.00	(VAG)	30.192.00	1444WK	30.149.00
68103969AA	25.083.00	04356990	27.800.00	1444-CC	30.244.00	1444-Q7		1567-75	31.504.00
68140009AA	25.034.00	04434852	27.800.00	1444-CZ	30.185.00	1444-Q7	30.029.00	1567-78	31.500.00
68191349AC	25.251.00	1109-A1	23.118.00	1444-E5	27.258.00	1444-Q8	30.111.00	1567-79	31.510.00
68202151AA	30.607.00	1109-A6	23.188.00	1444-E7	27.234.00	1444-Q9	27.267.00	1567-85	31.710.00
68212070AA	53.211.00	1109-AE	23.265.00	1444-E8	30.166.00	1444-QA	30.B23.00	1567-89	31.515.00
68223044AA	53.326.00	1109-AG	23.546.00	1444-EA	30.185.00	1444-QE	30.149.00	1567-92	31.010.00
68223662AA	26.053.00	1109-AH	25.060.00	1444-EC	30.186.00	1444-QP	30.351.00	1567-A5	31.710.00
68229402AA	25.112.00	1109-AJ	25.060.00	1444-EF	30.186.00	1444-QS	30.368.00	1567-C0	31.504.00
68246999AA		1109-AK	23.191.00	1444-ER	30.233.00	1444-QV	27.628.00	1567-C6	31.948.00
(BR)	54.245.00	1109-AL	23.439.00	1444-ET	30.233.00	1444-QX	30.330.00	1567C8	31.948.00
68246999AA		1109-AN	25.032.00	1444-EW	30.322.00	1444-QZ	30.719.00	1567E0	31.948.00
(BR)	34.245.00	1109-AP	23.293.00	1444-EZ	30.299.00	1444-RO	30.035.00	1606267480	23.457.00
68247339AA	30.677.00	1109-AQ	23.303.00	1444-F2	27.234.00	1444-R1	30.149.00	1606267580	23.546.00
68251381AA	54.269.00	1109-AR	23.196.00	1444-F4	30.933.00	1444-R6	30.144.00	1606267680	60.H2O.00
68251381AA	34.269.00	1109-AS	23.457.00	1444-F5	27.239.00	1444-R7	30.067.00	1606384980	24.ONE.01
68260792AB	53.325.00	1109-AT	23.546.00	1444-F6	30.095.00	1444-RH	30.175.00	1606402680	27.628.00
68267921AA	54.245.00	1109-AV	25.152.00	1444-FC	30.262.00	1444-RK	30.345.00	1606450480	55.148.00
68267921AA	34.245.00	1109-AW	25.066.00	1444-FE	30.260.00	1444-RP	30.351.00	1606450580	55.147.00
68311554AA	34.162.00	1109-AY	25.037.00	1444-FG	30.272.00	1444-RU	30.533.00	1607673380	30.601.00
68320112AA	53.391.00	1109-AZ	23.263.00	1444-FH	30.139.00	1444-RW	30.400.00	1608076280	23.196.00
68357879AA	25.139.00	1109-C1	23.130.01	1444-FJ	30.139.00	1444-SA	30.539.00	1608933780	24.465.00
68361377AA	30.794.00	1109-C2	23.401.00	1444-FK	30.254.00	1444-SE	30.371.00	1609428080	53.143.00
68376391AA	30.A75.00	1109-C6	23.196.00	1444-FL	30.180.00	1444-SG	27.A69.00	1609428180	54.164.00
68418186AA	25.190.00	1109-CA	23.439.00	1444-FN	30.299.00	1444-SJ	30.533.00	1609428180	34.164.00
68439517AA	23.481.00	1109-CG	23.265.00	1444-G1	27.271.00	1444-SQ	27.628.00	1609563780	23.457.00
68492616AA	25.112.00	1109-CJ	25.061.00	1444-H2	27.403.00	1444-SR	27.A69.00	1609563880	25.061.00
7011192	25.409.01	1109-CK	25.060.00	1444-H5	30.933.00	1444-SV	27.061.00	1609693880	54.156.00
7050132	25.409.01	1109-CL	25.060.00	1444-H7	30.067.00	1444-SW	30.152.00	1609694580	54.235.00
7100092	25.409.01	1109-E8	25.528.00	1444-J0	30.157.00	1444-SY	27.845.02	1609851280	30.477.00
71775177	25.069.00	1109-F5	23.189.00	1444-J3	30.116.00	1444-T5	30.933.00	1609907380	30.709.00
71775179	53.007.00	1109-F7	23.271.00	1444-J5	30.117.00	1444-T6	30.067.00	1609926980	30.709.00
71775180	25.059.00	1109-G1	23.194.00	1444-J6	27.062.00	1444-T7	30.067.00	1609998780	54.164.00
71775532	24.107.00	1109-G4	23.186.01	1444-J7	27.234.00	1444-T8	30.067.00	1609998880	54.172.00
73070538AA	53.211.00	1109-G5	23.243.00	1444-J8	27.063.00	1444-T9	30.933.00	1609998880	34.172.00
75046396	23.103.00	1109-H4	23.280.00	1444-J9	30.852.00	1444-TA	30.272.00	1609998980	53.154.00
75046523	30.811.00	1109-H5	23.242.00	1444-K0	27.084.00	1444-TE	30.351.00	1609999080	54.166.00
75046524	30.803.00	1109-J1	23.127.02	1444-K1	27.194.00	1444-TF	30.149.00	1610615380	53.069.00
75046663	27.707.00	1109-J2	23.281.00	1444-K2	30.923.01	1444-TG	30.B24.00	1610617180	53.040.00
75046821	23.127.02	1109-J5	23.278.00	1444-K3	30.871.00	1444-TJ	30.210.00	1610693780	25.187.00
75046825	30.804.00	1109-J8	23.191.00	1444-K4	27.149.00	1444-TK	30.233.00	1611157780	30.254.00
75046827	27.707.00	1109-J9	23.191.00	1444-K5	27.110.00	1444-TL	30.262.00	1611157980	30.330.00

1611158080	30.400.00	1906-E6	24.127.00	6479-04	53.227.00	95667986	53.021.00	DN1921	24.007.00
1611158180	30.351.00	1906C8	24.351.00	6479-40	54.171.00	96002933	23.191.00	DN1923	24.439.00
1611158280	27.628.00	3082659	25.407.01	6479-40	34.171.00	96010991	30.933.00	DN1924	24.427.00
1611158480	30.371.00	321430650	24.360.00	6479-41	54.111.00	9601099180	30.933.00	DN1925	24.107.00
1611158480	30.071.00	322230010	25.407.01	6479-41	34.111.00	96098964	24.390.00	DN1928	
1611636680	53.157.00	5006163	25.407.01	6479-42	54.156.00	96131549	31.510.00	(VAG)	24.414.00
1611659480	24.127.00	5223103	23.102.00	6479-43	54.142.00	96144871	30.021.00	DN1928	
1611891580	30.645.00	54.166.00	54.166.00	6479-43	34.142.00	9642934280	30.167.00	(CITROEN, FIAT, PEUGEOT)	24.434.00
1611891780	30.368.00	5406242	23.102.00	6479-45	54.166.00	9644885480	23.439.00	DN1929	24.430.00
1612496780	30.603.00	5414362	26.652.00	6479-45	34.166.00	9649448880		DN1932	24.451.00
1612865980	30.244.00	5414362L	26.652.00	6479-60	53.124.00	(SENZA STAFFA/WITHOUT BRACKET)	24.027.00	DN1933	24.423.00
1612866780	30.477.00	5417584	23.130.00	6479-62	53.157.00	9650366480	30.299.00	DN1934	24.001.00
1613723280	23.546.00	5427744	23.105.00	6479-75	54.111.00	9650367680	30.299.00	DN1936	24.443.00
1613733080	53.130.00	5427744T	23.105.00	6479-75	34.111.00	9655535780	30.B23.00	DN1937	24.450.00
1613733180	53.136.00	5429192	31.001.00	6479-84	53.124.00	9656037980	30.351.00	DN1940	24.432.00
1613733280	54.160.00	5436642	23.105.00	6479-A0	53.042.00	9658337980	30.719.00	DN1945	24.004.00
1614111980	26.053.00	5443746	23.151.00	6479-A1	53.039.00	9673084480	30.A15.00	DN1953	24.445.00
1614157280	24.ONE.0B	5443746C	23.151.00	6479-A2	54.282.00	9674725580	30.638.00	DN1954	24.456.00
1615646880	54.269.00	5457752	23.102.00	6479-A2	34.282.00	9678792080	53.313.00	DN1955	24.460.00
1615646880	34.269.00	5457752S	23.102.00	6479-A5	53.132.00	9682242580	30.262.00	DN1958	24.437.00
1616322380	26.052.00	5470530	31.510.00	6479-A6	53.136.00	9687254780	30.299.00	DN1959	55.393.00
1616959080	54.166.00	5470709	24.360.00	6479-C2	53.038.00	9687459780	53.038.00	DN1960	55.430.00
1619269980	25.060.00	5470709C	24.360.00	6479-C9	53.130.00	9800097580	30.717.00	DN1985	24.026.01
1624797780	25.216.00	5470709D	24.360.00	6479-E0	53.157.00	9801366680	26.104.00	DN1986	55.582.00
1629084080	25.060.00	5475796	23.129.01	6479-E5	53.069.00	9801448180	54.172.00	DN1988	55.418.00
1631226580	25.139.00	5476207	23.151.00	6479-E9	53.218.00	9801448180	34.172.00	DN1989	24.117.00
1631689980	30.793.00	5481874	31.001.00	6479-G2	54.249.00	9802348680	30.648.00	DN1990	24.073.00
1637767580	25.187.00	5487068	23.105.00	6479-G2	34.249.00	9805552080	30.718.00	DN220	24.360.00
1637767680	23.584.00	5490672	23.129.01	6479-J7	54.286.00	9807746380	53.154.00	DN222	24.361.00
1638027680	30.717.00	5490672T	23.129.01	75491083	23.105.00	9808867880	23.584.00	DN244	24.319.01
1638027780	30.648.00	5490726	23.129.01	75491083A	23.105.00	9809721080	24.127.00	DN251	24.366.00
1638028080	30.718.00	5490840	23.129.01	75492170	23.151.00	9814237680	53.313.00	DN253	24.321.00
1638028180	30.A15.00	5490862	31.001.00	75492226	27.824.00	9814560680	25.216.00	DN260	24.304.00
1640604380	53.313.00	5491083	23.105.00	75492257	23.129.01	9818914980	25.060.00	DN2700	24.119.00
1901-67	24.027.00	5491083K	23.105.00	75492740	23.151.00	AM171-5B	27.762.00	DN2701	24.025.01
1901-68		5503397		75518393	23.105.00	AM171-5D	27.707.00	DN2702	24.115.00
(SENZA STAFFA/WITHOUT BRACKET)	24.343.00	(S)	27.059.00	75524148	30.802.01	AM171D	27.762.00	DN2704	24.113.00
1901-70		6441-EG	53.021.00	75528513	23.173.01	AM222-128A	23.105.00	DN2705	24.077.00
(SENZA STAFFA/WITHOUT BRACKET)	24.343.00	6441-EJ	54.142.00	75528514	23.173.01	AM223-101A	23.105.00	DN2706	24.126.00
1901-73		6441-EJ	34.142.00	75921440	23.151.00	AM223-104A	23.105.00	DN2708	24.111.00
(SENZA STAFFA/WITHOUT BRACKET)	24.343.00	6441-EL	53.070.00	91509816	23.173.01	AM223-105A	23.105.00	DN2709	24.112.00
1901-75		6447-AK	53.021.00	91509817	23.173.01	AM226A	23.105.00	DN2710	24.016.00
(SENZA STAFFA/WITHOUT BRACKET)	24.343.00	6447-CK	53.016.00	91535807	31.500.00	AV171-5	27.762.00	DN2715	24.127.00
1901-78	24.027.00	6447-CP	53.007.00	9401109798	23.105.00	AY171-5	27.762.00	DN2716	24.128.00
1901-80	55.127.00	6447-CQ	53.015.00	9401444108	30.965.00	AZ151-5	27.762.00	DN2720	24.452.00
1901-83	24.156.00	6447-CW	53.018.00	9401444848	27.239.00	B000754480	30.693.00	DN2725	24.114.00
1901-85		6447-CZ	53.006.00	9401445688	27.954.00	B000975480	53.299.00	DN2726	
(SENZA STAFFA/WITHOUT BRACKET)	24.343.00	6447-EC	53.004.00	9401445898	27.061.00	GX0131401A	23.129.01	(NISSAN 16400-BB51A)	24.061.01
1901-89	55.148.00	6447-EE	53.013.00	9401445968	27.065.00	GX0330201A	31.001.00	DN2729	
1901-90	55.147.00	6447-FF	53.040.00	9401906138	24.360.00	HG223-127A	23.115.00	(ALTRE/OTHER APPL.)	24.465.00
1901-95	24.027.00	6447-FG	53.041.00	9401906148	24.361.00	MLS000127	23.115.00	DN2729	
1901-96	55.147.00	6447-HO		9463704780	25.032.00	ND143-65	24.360.00	(HONDA)	24.196.00
1901-98	55.148.00	(N.1 FILTRO/FILTER)	53.070.00	9467645080	25.060.00	ND146-65	24.360.00	DN287	24.374.00
1901-99	24.015.00	6447-H1		95470530	31.510.00	ND223-1	25.407.01	DN287/A	24.374.00
1901-A3	24.ONE.01	(N.1 FILTRO/FILTER)	53.070.00	95495229	27.824.00	ND223-A1	25.455.00	DN301	
1906-32	24.360.00	6447-HP	53.039.00	95495251	23.200.00	PA1900	53.021.00	(ALTRE/OTHER APPL.)	24.351.00
1906-33	24.390.00	6447-HQ	53.044.00	95495621	23.191.00	PA1902	53.022.00	DN301	
1906-35	24.389.00	6447-HT	53.090.00	95495622	23.191.00	PA1903	53.021.00	(FORD, OPEL, VAUXHALL)	24.351.01
1906-35		6447-HV	54.125.00	95534485	31.001.00	PA1904	53.041.00	DN301	
(CARTA PIEGHI/PLEATED PAPER)	26.682.00	6447-J0		95534485R	31.001.00	PA1905	53.040.00	(VAG, VOLVO)	24.379.01
1906-40	24.383.00	(SENZA TELAIO/WITHOUT FRAME)	53.042.00	95534486	31.001.00	PD143-65A	24.360.00	DN304	24.370.00
1906-42	24.384.00	6447-LN	54.171.00	95546429		SRV000503	31.001.00	DN314	24.401.00
1906-43	26.676.00	6447-LN	34.171.00	(S)	27.059.00	ZF04434852	27.800.00	DN323	
1906-49	26.688.00	6447-LV	53.021.00	95551283	24.360.00			(ALTRE/OTHER APPL.)	24.351.00
1906-51	26.691.00	6447-LZ	53.069.00	95558218	30.802.01			DN325	24.365.00
1906-53	26.687.00	6447-NT	53.038.00	95559627	30.802.01			DN334	24.350.00
1906-55	24.389.00	6447-NV	54.111.00	95575783	24.360.00	CFF100431	24.427.00	DN811	24.327.00
1906-61	24.351.00	6447-NV	34.111.00	95580482	23.191.00	DF1888	23.313.00	DN813	24.326.00
1906-63	24.434.00	6447-PF	54.235.00	9558048280	23.191.00	DF1889	23.475.00	DN829	24.365.01
1906-67	24.H2O.00	6447-SP	54.156.00	95580483	23.191.00	DF1891	23.476.00	DN873	24.371.00
1906-77	26.003.00	6447-SR	54.235.00	95583693	24.361.00	DF207	23.303.00	DN877	24.399.00
1906-90	26.022.00	6447-TC	54.142.00	95589128	27.061.00	DF827	23.237.00	DN898	
1906-94	24.H2O.05	6447-TC	34.142.00	95599502	27.175.00	DF861	23.264.00	(ALTRE/OTHER APPL.)	24.368.00
1906-96	26.037.00	6447-TL	53.038.00	95601137	27.061.00	DF861/A	23.264.00	DN898	
1906-98	60.H2O.00	6447-TV	53.132.00	95605128	27.061.00	DF863	23.248.00	(KIA)	24.339.00
1906-A5	26.003.00	6447-TY	53.042.00	95608910	26.670.00	DF864A	23.274.00	DN903	24.424.00
1906-A7	26.055.00	6447-VX	54.164.00	95608917	24.360.00	DF888	23.303.00	DN904	24.404.00
1906-A8	24.384.00	6447-VX	34.164.00	95618786	30.933.00	DF889	23.303.00	DN919	24.383.00
1906-A9	26.688.00	6447-VY	53.143.00	95619441	27.845.02	DN1903	24.428.00	DN927	24.331.00
1906-C0	26.022.00	6447-XF	53.154.00	95637804	23.173.01	DN1904	24.416.00	DN938	24.384.00
1906-C4	60.H2O.00	6447-XG	54.172.00	95638747	23.191.00	DN1905	24.426.00	DN946	24.380.00
1906-C5	26.691.00	6447-XG	34.172.00	95638829	23.173.01	DN1906	24.433.00	DN992	24.409.00
1906-C6	24.351.00	6447-YC	53.130.00	95638903	23.198.00	DN1907	24.429.00	DN993	24.391.00
1906-C9	24.360.00	6447-YK	53.136.00	95643756	27.175.00	DN1908	24.436.00	DN993/T	55.427.00
1906-E0	24.383.00	6447-YN	54.160.00	95650878	24.350.02	DN1910	24.412.00	DN994	24.408.00
1906-E2	24.361.00	6447-YN	34.160.00	95658433	27.196.00	DN1913	24.375.00	DN995	24.382.00
1906-E3	26.123.00	6447-Z4	53.021.00	95658437	27.234.00	DN1917	24.411.00	DN996	24.397.00
1906-E5	26.037.00	6447-ZY	53.218.00	95659354	27.196.00	DN1918	24.413.00	DN998	24.384.00

(S) = solo ricambio spugna / only foam spare part

DNW1909	24.408.00	DO240	23.169.00	DO861	23.264.00	MA1043	27.233.00	MA1148	30.213.00
DNW1991	24.H2O.00	DO242	23.108.00	DO862	23.251.00	MA1044	27.236.00	MA1149	30.223.00
DNW1992	24.H2O.01	DO248	23.132.00	DO863	23.248.00	MA1045	27.254.00	MA1153	27.234.00
DNW1994	24.H2O.00	DO250	23.244.00	DO864	23.274.00	MA1046	30.058.00	MA1154	30.166.00
DNW1997	24.H2O.02	DO255	23.128.00	DO870	23.212.00	MA1047	30.053.00	MA1155	30.119.00
DNW1999	24.ONE.01	DO259	23.113.00	DO878	23.267.00	MA1048	30.066.00	MA1156	30.145.01
DNW2500	24.ONE.00	DO261		DO879	23.280.00	MA105	27.708.00	MA1157	30.216.00
DNW2501	24.H2O.08	(OPEL, VAUXHALL)	23.103.00	DO881	23.249.00	MA1050	27.591.00	MA1158	30.134.00
DNW2502	24.ONE.02	DO262		DO882	23.254.00	MA1051	30.235.00	MA1159	30.161.00
DNW2503	24.ONE.03	(FORD)	23.188.00	DO883	23.439.00	MA1052	30.255.00	MA116	27.702.00
DNW2504	55.170.00	DO262/B	23.127.05	DO884	23.401.00	MA1054	30.041.00	MA1160	30.144.00
DNW2505	24.099.00	DO265		DO886	23.257.00	MA1055	30.041.00	MA1161	30.143.00
DNW2514	24.ONE.0B	(ALTRE/OTHER APPL.)	23.152.00	DO893	23.463.00	MA1056	30.052.00	MA1162	30.147.00
DO1800	23.418.00	DO272/B		DO894	23.436.00	MA1057	30.039.00	MA1163	30.095.00
DO1801	23.439.00	(DIESEL APPL.)	23.115.00	DO895	23.438.00	MA1058	30.073.00	MA1168	30.157.00
DO1802	23.440.00	DO277	23.118.00	DO896	23.465.00	MA1059	30.062.00	MA1169	30.239.00
DO1805	23.444.00	DO278	23.189.00	DO897	23.495.00	MA1060	30.066.00	MA1170	30.372.00
DO1807	23.453.00	DO280	23.129.01	DO899	23.416.00	MA1061	30.077.00	MA1171	30.243.00
DO1808	23.455.00	DO282	23.121.00	DO906	23.440.00	MA1062	30.072.00	MA1172	30.159.00
DO1809	23.447.00	DO284/B		DO908	23.415.00	MA1063	30.111.00	MA1175	30.133.00
DO1814	23.299.00	(CITROEN)	23.105.00	DO910	23.477.00	MA1064	30.089.00	MA1176	30.132.00
DO1815	23.449.00	DO286	23.173.01	DO911	23.253.00	MA1065	30.124.00	MA1177	30.181.00
DO1816	23.448.00	DO288	23.191.00	DO912	23.133.00	MA1066	30.080.00	MA1178	30.146.00
DO1817	23.425.00	DO289		DO915	23.282.00	MA1067	30.086.00	MA1179	30.115.00
DO1819	23.256.00	(ALTRE/OTHER APPL.)	23.151.00	DO917	23.295.00	MA1069	30.596.00	MA118	27.888.00
DO1820	23.457.00	DO289		DO918	23.156.03	MA107	30.896.00	MA1181	30.155.00
DO1822	23.455.00	(MAZDA)	23.272.00	DO921	23.273.00	MA1070	27.200.00	MA1182	30.129.00
DO1823	23.438.00	DO292	23.268.00	DO923	23.440.00	MA1071	27.171.00	MA1183	27.523.00
DO1832	23.478.00	DO298	23.156.00	DO924	23.266.00	MA1072	30.336.00	MA1185	30.215.00
DO1833	23.299.00	DO310	23.130.02	DO925	23.265.00	MA1073	30.464.00	MA1186	30.001.00
DO1834	23.471.00	DO315	23.104.00	DO926	23.246.00	MA1077	27.239.00	MA1187	30.237.00
DO1835	23.489.00	DO321	23.172.00	DO929	23.293.00	MA1079	30.057.00	MA1188	27.367.00
DO1836	23.481.00	DO324	23.271.00	DO930		MA108	27.706.00	MA1189	30.126.00
DO1837	23.439.00	DO327		(CITROEN, PEUGEOT)	23.293.00	MA1080	27.271.00	MA119	30.017.00
DO1838	23.546.00	(ISUZU)	23.139.00	DO930		MA1081	27.265.00	MA1190	30.236.00
DO1841	23.267.00	DO327		(ALFA ROMEO, FIAT, LANCIA)	23.414.00	MA1082	30.090.00	MA1191	30.267.00
DO204	23.232.00	(ALTRE/OTHER APPL.)	23.243.00	DO936	23.404.00	MA1083	30.087.00	MA1192	30.139.00
DO205	23.234.00	DO328	23.165.00	DO937	23.417.00	MA1084	30.066.00	MA1193	30.153.00
DO206	23.231.00	DO329	23.159.00	DO939	23.418.00	MA1086	30.069.00	MA1194	30.180.00
DO208	23.186.01	DO332	23.177.00	DO940	23.462.00	MA1088	27.257.00	MA1195	30.460.00
DO209	23.198.00	DO337	23.131.01	DO941		MA1089	30.045.00	MA1196	30.128.00
DO210	23.194.00	DO338	23.213.00	(ALFA ROMEO)	23.434.00	MA1091	30.064.00	MA1197	30.127.00
DO211	23.195.00	DO339		DO941		MA1092	30.049.00	MA1198	30.450.00
DO215	23.103.00	(ALTRE/OTHER APPL.)	23.185.01	(ALTRE/OTHER APPL.)	23.279.00	MA1094	27.273.00	MA1199	30.163.00
DO217		DO340	23.182.00	DO942	23.413.00	MA1095	30.118.01	MA121	27.720.00
(ALTRE/OTHER APPL.)	23.131.00	DO341	23.240.00	DO944		MA1096	30.034.00	MA122	27.729.00
DO217		DO5509	23.494.00	(VAG 068115561E)	23.429.00	MA1097	27.366.00	MA124	30.843.01
(BMW)	23.131.02	DO5510	23.493.00	DO945	23.458.00	MA1098	27.355.00	MA125	30.894.00
DO217		DO5512	23.575.00	DO949	23.424.00	MA1099	30.107.00	MA126	30.898.00
(VAG)	23.435.00	DO5514	23.565.00	E106	23.463.00	MA1102	30.170.00	MA128	27.728.00
DO217		DO5516	23.584.00	MA100	27.709.00	MA1103	30.083.00	MA129	27.719.00
(FORD)	23.416.00	DO5518	23.472.00	MA100/A	27.756.00	MA1104	30.068.00	MA130	30.993.00
DO218	23.130.01	DO5519	23.573.00	MA1000	30.994.00	MA1105	30.101.00	MA1301	27.274.00
DO223		DO5522	23.739.00	MA1002	30.996.00	MA1105	30.C47.00	MA1302	30.195.00
(ALTRE/OTHER APPL.)	23.127.00	DO5523	23.664.00	MA1003	30.007.00	MA1106	30.108.00	MA1303	30.265.00
DO223		DO5524	23.660.00	MA1004	30.287.00	MA1107	27.524.00	MA1304	30.185.00
(FORD)	23.127.02	DO5528	23.717.00	MA1005	30.019.00	MA1110	27.253.00	MA1306	30.186.00
DO223		DO812	23.280.00	MA1006	30.058.00	MA1111	27.403.00	MA1307	30.105.00
(VOLVO)	23.257.00	DO815	23.210.00	MA1007	30.974.00	MA1112	27.588.00	MA1308	30.104.00
DO223		DO816	23.270.00	MA1008	30.981.00	MA1113	30.085.00	MA1309	30.102.00
(SAAB)	23.298.00	DO817	23.262.00	MA1009	30.026.00	MA1114	27.341.00	MA131	27.177.00
DO224	23.124.00	DO818	23.196.00	MA1010	30.020.00	MA1115	30.117.00	MA1310	30.103.00
DO225		DO819	23.197.00	MA1011	30.012.00	MA1116	30.116.00	MA1311	30.210.00
(NISSAN)	23.256.00	DO821	23.107.01	MA1012	30.013.00	MA1117	30.098.00	MA1312	30.194.00
DO225		DO823	23.236.00	MA1013	30.003.00	MA1118	30.063.00	MA1313	30.165.00
(LAND ROVER)	23.297.00	DO827	23.237.00	MA1014	30.022.00	MA1119	30.112.00	MA1314	30.263.00
DO225		DO828	23.243.00	MA1016	30.025.00	MA112	30.889.00	MA1315	30.176.00
(ALTRE/OTHER APPL.)	23.102.00	DO830	23.114.02	MA1017	30.008.00	MA1122	30.109.00	MA1316	30.175.00
DO225/B		DO831	23.195.00	MA1018	30.991.00	MA1123	27.583.00	MA1318	30.168.00
(ALTRE/OTHER APPL.)	23.102.02	DO834	23.240.00	MA1019	30.021.00	MA1126	30.230.00	MA1320	30.199.00
DO225/B		DO835	23.281.00	MA1020	30.030.00	MA1127	30.137.00	MA1321	30.183.00
(ALFA ROMEO)	23.164.02	DO836	23.259.00	MA1021	30.987.01	MA1128	27.353.00	MA1322	30.203.00
DO225/C		DO837	23.246.00	MA1023	30.005.00	MA1129	27.140.00	MA1323	30.158.00
(ALTRE/OTHER APPL.)	23.102.00	DO838	23.130.03	MA1024	27.174.00	MA113	30.999.00	MA1324	30.098.00
DO225/C		DO840	23.130.00	MA1026	27.086.00	MA1130	30.076.00	MA1325	30.301.00
(VAG, VOLVO)	23.164.00	DO846	23.255.00	MA1027	30.032.00	MA1131	30.135.00	MA1326	30.118.01
DO225/C		DO847	23.134.00	MA1028	30.033.00	MA1133	30.118.01	MA1328	30.321.00
(O/OR) (VAG, VOLVO)	23.164.03	DO848	23.242.00	MA1029	30.034.00	MA1134	27.174.00	MA133	30.872.01
DO225/D	23.164.03	DO849	23.211.00	MA1030	30.027.00	MA1135	30.067.00	MA1331	27.271.00
DO227	23.114.01	DO850	23.298.00	MA1031	30.028.00	MA1136	30.136.00	MA1333	30.593.00
DO228	23.167.00	DO851	23.263.00	MA1032	30.024.00	MA1138	30.222.00	MA1334	30.106.00
DO229	23.129.02	DO851/A	23.263.00	MA1033	30.035.00	MA1142	30.217.00	MA1336	30.249.00
DO231	23.122.00	DO852	23.191.00	MA1034	30.040.00	MA1144	30.150.00	MA1337	30.224.00
DO232	23.168.00	DO853	23.265.00	MA1036	27.228.00	MA1145	30.173.00	MA1338	30.285.00
DO236	23.110.02	DO854	23.258.00	MA1037	27.195.00	MA1146		MA1339	30.286.00
DO237	23.187.00	DO854/A		MA1038	27.252.00	(SAAB)	30.036.00	MA134	27.716.00
DO238	23.175.00	(NISSAN, RENAULT)	23.484.00	MA1039	30.119.00	MA1146		MA134/A	27.715.00
DO239	23.171.00	DO855	23.255.00	MA1040	27.E44.00	(RENAULT)	30.324.00	MA1340	30.266.00

MA1344	30.575.00	MA3004	30.171.00	MA3144	30.362.00	MA3449	30.692.00	MA606	30.973.00
MA1346	30.096.00	MA3005	30.247.00	MA3146	30.533.00	MA345	27.750.00	MA607	30.977.00
MA1347	30.120.00	MA3007	30.327.00	MA3147	30.364.00	MA345	30.470.00	MA608	30.004.00
MA1348	30.417.00	MA3008	30.465.00	MA3149	30.453.00	MA3451	30.664.00	MA609	30.966.00
MA1349	30.302.00	MA3009	30.275.00	MA3150	30.504.00	MA3452	30.665.00	MA610	30.891.00
MA135	30.902.00	MA3012	27.384.00	MA3151	30.409.00	MA3454	30.655.00	MA612	27.065.00
MA1350	30.141.00	MA3013	30.260.00	MA3152	30.550.00	MA3457	27.370.00	MA613	27.089.00
MA1351	30.432.00	MA3014	30.279.00	MA3153	30.496.00	MA3457	27.611.00	MA614	27.084.00
MA1353	30.196.00	MA3016	27.486.00	MA3156	30.395.00	MA3458	30.793.00	MA616	27.079.00
MA1354	30.162.00	MA3017	27.595.00	MA3157	30.460.00	MA3459	30.794.00	MA617	27.149.00
MA1355	30.100.00	MA3020	30.270.00	MA3159	30.604.00	MA3465	30.795.00	MA618	30.952.00
MA1356	30.187.00	MA3022	30.312.00	MA3160	27.693.00	MA3467	30.445.00	MA619	30.001.00
MA1357	30.320.00	MA3023	27.394.00	MA3161	27.448.00	MA3468	30.452.00	MA620	27.235.00
MA1358	30.070.00	MA3025	30.344.00	MA3162	27.454.00	MA347	30.936.00	MA623	27.132.00
MA1359	30.164.00	MA3027	30.226.00	MA3163	27.692.00	MA3471	30.451.00	MA624	27.059.00
MA1361	30.316.00	MA3028	30.531.00	MA3164	30.437.00	MA3475	30.337.00	MA626	27.520.00
MA1362	27.386.00	MA3030	30.075.00	MA3166	30.404.00	MA3476	30.356.00	MA627	30.928.00
MA1363	30.079.00	MA3031	30.231.00	MA3167	30.422.00	MA348	30.963.00	MA629	27.138.00
MA1364	27.593.00	MA3032	30.189.00	MA3169	30.471.00	MA3493	30.335.00	MA631	27.268.00
MA1365	30.265.00	MA3034	30.228.00	MA3170	30.470.00	MA352	27.712.00	MA632	27.110.00
MA1366	30.082.00	MA3036	27.477.00	MA3171	30.388.00	MA354	27.194.00	MA633	27.111.00
MA1368	30.417.00	MA3040	30.251.00	MA3172	30.687.00	MA355	30.954.00	MA634	30.932.00
MA1369	30.244.00	MA3041	30.289.00	MA3173	30.466.00	MA356	27.785.00	MA635	30.930.00
MA137	27.083.00	MA3044	30.268.00	MA3174	27.603.00	MA358	27.956.00	MA636	27.153.00
MA1370	30.246.00	MA3045	30.398.00	MA3175	30.341.00	MA361	30.807.00	MA638	30.935.00
MA1371	30.241.00	MA3048	30.204.00	MA3176	30.204.00	MA362	30.407.00	MA639	30.904.00
MA1372	30.245.00	MA3050	27.354.00	MA3177	30.546.00	MA363	30.950.00	MA641	27.081.00
MA1373	27.401.00	MA3052	27.594.00	MA3178	30.307.00	MA365	27.726.00	MA642	30.933.00
MA1374	30.297.00	MA3053	30.330.00	MA3181	30.548.00	MA371	30.975.00	MA643	30.919.00
MA1375	30.319.00	MA3054	30.505.00	MA3182	30.467.00	MA374	30.955.00	MA644	30.911.00
MA1376	30.273.00	MA3055	30.554.00	MA3184	30.532.00	MA376	30.961.00	MA645	30.946.00
MA1378	30.148.00	MA3056	30.725.00	MA3185	30.587.00	MA378	30.953.00	MA646	30.973.00
MA1379	30.207.00	MA3058	30.220.00	MA3186	30.688.00	MA379	27.580.00	MA649	30.807.00
MA1381	30.384.00	MA3061	30.149.00	MA3188	30.317.00	MA381	30.818.00	MA651	27.159.00
MA1383	30.233.00	MA3062	30.331.00	MA3190	30.415.00	MA383	27.817.00	MA652	27.137.00
MA1384	30.259.00	MA3064	27.675.00	MA3191	30.607.00	MA388	27.762.00	MA653	27.173.00
MA1385	30.262.00	MA3065	30.352.00	MA3192	30.254.00	MA389	27.893.00	MA655	30.967.00
MA1386	30.209.00	MA3066	30.390.00	MA3193	30.574.00	MA390	30.802.01	MA656	30.948.00
MA1387	27.606.00	MA3067	30.322.00	MA3195	30.556.00	MA390/A	30.038.01	MA657	30.914.02
MA1389	30.197.00	MA3069	27.629.00	MA3196	30.540.00	MA391	30.803.00	MA658	30.942.00
MA139/B	27.725.00	MA3070	27.688.00	MA3197	30.558.00	MA394	27.713.00	MA660	30.976.00
MA1390	30.299.00	MA3071	30.477.00	MA3200	27.451.00	MA395	30.872.01	MA661	30.929.00
MA1391	30.311.00	MA3078	27.397.00	MA3201	27.453.00	MA397	27.701.00	MA663	30.960.00
MA1392	30.293.00	MA3079	27.526.00	MA3202	30.652.00	MA398	30.809.00	MA664	30.945.00
MA1395	30.280.00	MA308	27.906.00	MA3204	30.654.00	MA399	30.804.00	MA666	30.910.00
MA1397	27.628.00	MA3081	27.550.00	MA3205	30.594.00	MA400	27.781.00	MA667	27.076.00
MA1398	27.630.00	MA3088	30.329.00	MA3208	30.385.00	MA401	27.824.00	MA668	27.946.00
MA140	27.939.00	MA3089	30.340.00	MA3210	30.512.00	MA409	27.845.02	MA669	30.917.01
MA1412	27.356.00	MA309	27.731.00	MA3211	30.549.00	MA422	27.752.00	MA670	30.943.00
MA1412/A	27.356.00	MA3090	30.318.00	MA3212	30.543.00	MA423	30.815.00	MA671	27.128.00
MA1413	30.541.00	MA3091	30.202.00	MA3213	30.559.00	MA426	27.797.00	MA674	30.965.00
MA1414	30.099.00	MA3098	30.369.00	MA3214	30.589.00	MA434	30.942.00	MA675	30.926.00
MA142	27.730.00	MA3100	30.370.00	MA3215	27.874.00	MA435	30.835.00	MA678	
MA143	27.744.00	MA3101	30.206.00	MA3216	30.701.00	MA436	30.955.00	(VOLVO)	30.915.00
MA144	27.740.00	MA3102	30.393.00	MA3217	30.638.00	MA437	30.847.00	MA678	
MA145	27.898.00	MA3103	30.180.00	MA3218	30.547.00	MA439	30.803.00	(PEL, VALXHALL)	30.958.00
MA146	27.769.00	MA3104	30.292.00	MA3220	30.444.00	MA440	27.196.00	MA679	30.944.00
MA147	27.904.00	MA3105	30.342.00	MA3221	30.497.00	MA441	27.707.00	MA680	27.736.00
MA148	27.927.00	MA3106	30.469.00	MA3222	30.437.00	MA444	30.836.00	MA682	27.769.00
MA1490	27.405.00	MA3107	30.339.00	MA3223	30.348.00	MA446	30.857.00	MA684	27.605.00
MA152	30.906.00	MA3108	30.351.00	MA3224	30.615.00	MA447	30.858.00	MA687	30.939.00
MA156	27.799.00	MA3109	30.345.00	MA3225	30.595.00	MA448	30.864.00	MA689	27.604.00
MA158	27.744.00	MA311	30.800.00	MA3226	30.274.00	MA449	30.807.00	MA695	27.154.00
MA159	27.770.00	MA3114	30.184.00	MA3227	30.315.00	MA460	30.852.00	MA698	30.923.01
MA160	30.860.00	MA3115	30.425.00	MA3229	30.417.00	MA465	30.890.00	MA699	
MA162	27.947.00	MA3116	30.719.00	MA3230	30.677.00	MA510	27.881.00	(PEL, VALXHALL)	30.924.00
MA164	27.799.00	MA3117	30.212.00	MA3231	30.724.00	MA518	30.017.00	MA699	
MA166	27.155.00	MA3118	30.469.00	MA3232	30.588.00	MA535	27.804.00	(BMW)	30.029.00
MA169	30.851.00	MA3119	30.454.00	MA3234	30.366.00	MA536	27.923.00	MA699	
MA171	27.744.00	MA312	27.800.00	MA3236	30.628.00	MA539	27.828.00	(VAG)	30.192.00
MA172	27.133.00	MA3121	30.365.00	MA3240	30.386.00	MA541	27.902.00	MA711	27.134.00
MA175	30.961.00	MA3122	30.332.00	MA3241	30.603.00	MA543	27.878.00	MA712	27.982.00
MA176	30.871.00	MA3123	30.041.00	MA3245	30.620.00	MA544	27.920.00	MA729	27.602.00
MA180	27.792.00	MA3124	30.347.00	MA3247	30.709.00	MA554	27.931.00	MA735	27.172.00
MA181	27.890.00	MA3125	27.596.00	MA3249	30.635.00	MA576	27.283.00	MA744	27.067.00
MA183	30.893.00	MA3126	27.585.00	MA3250	30.405.00	MA590	27.156.00	MA758	27.993.00
MA185	30.922.01	MA3127	30.376.00	MA3252	30.601.00	MA591	27.069.00	MA762	27.801.00
MA186	30.908.00	MA3128	30.374.00	MA3253	30.634.00	MA592	27.068.00	MA779	27.232.00
MA188	27.062.00	MA3129	30.294.00	MA3255	30.421.00	MA593	27.176.00	MA790	27.135.00
MA191	27.063.00	MA313	27.734.00	MA3256	30.438.00	MA596	27.599.00	MA791	27.175.00
MA193	27.061.00	MA3131	30.253.00	MA3259	30.453.00	MA597	30.969.00	MA793	27.231.00
MA194	27.063.00	MA3133	30.334.00	MA333	30.811.00	MA599	27.090.00	MB001	31.001.00
MA196	30.899.00	MA3135	30.368.00	MA3401	27.550.00	MA600	27.074.00	MB003	31.005.00
MA200	30.878.00	MA3136	30.645.00	MA3403	27.676.00	MA601		MB004	31.006.00
MA212	27.761.00	MA3137	30.357.00	MA3414	27.679.00	(FOND. IN METALLOMETAL ENDS)	27.071.00	MB005	31.007.00
MA3000	30.780.00	MA3138	27.621.00	MA344	27.775.00	MA601		MB006	31.009.00
MA3002	30.258.00	MA3140	27.586.00	MA3445	30.648.00	(FONDELLI IN PVC/PLASTIC ENDS)	27.071.01	MB007	31.013.00
MA3003	27.648.00	MA3143	30.257.00	MA3447	30.461.00	MA604	27.097.00	MB008	31.027.00



MB016	31.028.00	MBNA955	31.511.00	MG1612	26.022.00	ML1716	25.017.00	ML496	25.001.00
MB018	31.012.00	MBNA957		MG1613	26.018.00	ML1717	25.024.00	ML500	25.018.00
MB019	31.020.00	(MERCEDÉS BENZ)	31.583.00	MG1614	31.849.00	ML1718	25.030.00	ML61	25.455.00
MB022	31.512.00	MBNA957		MG1615	31.852.00	ML1719	25.004.00	ML61/B	25.455.01
MB025	31.740.00	(ALTRE/OTHER APPL.)	31.500.00	MG1616	26.693.00	ML1721	25.010.00	ML77	25.402.01
MB036	31.750.00	MBNA958	31.505.00	MG1617	26.021.00	ML1722	25.039.00	ML82	25.528.00
MB037	31.724.00	MBNA959	31.506.00	MG1651	26.695.00	ML1723	25.021.00	MPG6008	46.005.00
MB049	31.556.00	MBNA960	31.531.00	MG1652	26.007.00	ML1724	25.060.00	MPG6009	31.836.00
MB055	31.523.00	MBNA961	31.503.00	MG1653	26.001.00	ML1725	25.035.00	NC2000	53.013.00
MB056	31.712.00	MBNA962	31.507.00	MG1654	26.072.00	ML1726	25.047.00	NC2001	53.015.00
MB1	31.001.00	MBNA963	31.563.00	MG1656	26.057.00	ML1727	25.065.00	NC2004	53.024.00
MB18	31.012.00	MBNA964	31.510.00	MG1658	26.696.00	ML1728	25.049.00	NC2005	53.019.00
MB22	31.512.00	MBNA965	31.514.00	MG1660	31.921.00	ML1729	25.028.00	NC2007	53.016.00
MB3	31.005.00	MBNA966	31.561.00	MG1661	31.851.00	ML1731	25.050.00	NC2008	53.061.00
MB4	31.006.00	MBNA967	31.710.00	MG1662	26.058.00	ML1732	25.034.00	NC2010	53.021.00
MB5	31.007.00	MBNA968	31.747.00	MG1663	26.020.00	ML1733	25.060.00	NC2011	53.023.00
MB6	31.009.00	MBNA969	31.718.00	MG1664	26.037.00	ML1735	25.048.00	NC2012	53.006.00
MB7	31.013.00	MBNA970	31.529.00	MG1666	26.055.00	ML1738	25.040.00	NC2014	53.014.00
MB8	31.027.00	MBNA975	31.539.00	MG1667	26.045.00	ML1739	25.058.00	NC2015	53.012.00
MB950	31.501.00	MBNA978	31.525.00	MG1669	31.920.00	ML1739	25.232.00	NC2017	53.020.00
MB952	31.504.00	MBNA981	31.508.00	MG1670	31.947.00	ML1740	25.053.00	NC2018	53.018.00
MB953	31.502.00	MBNA983	31.513.00	MG1671	31.925.00	ML21	25.439.00	NC2020	53.232.00
MB954	31.594.00	MBNA984	31.564.00	MG1673	26.013.00	ML26	25.406.01	NC2021	53.042.00
MB955	31.511.00	MBNA985		MG1674	26.012.00	ML31	25.408.00	NC2023	53.030.00
MB957		(ALTRE/OTHER APPL.)	31.515.00	MG1676	26.015.00	ML32	20.020.00	NC2023CA	54.230.00
(ALTRE/OTHER APPL.)	31.500.00	MBNA985		MG1679	31.922.00	ML406	25.421.00	NC2024	53.060.00
(MERCEDÉS BENZ)	31.583.00	(VAG)	31.722.00	MG1680	31.952.00	ML412	25.499.00	NC2024CA	54.196.00
MB958	31.505.00	MBNA987	31.562.00	MG3600	31.946.00	ML417	20.012.00	NC2026	53.134.00
MB959	31.506.00	MBNA989	31.569.00	MG3601	26.026.00	ML4500	25.061.00	NC2028	53.071.00
MB960	31.531.00	MC1230	53.015.00	MG3602	26.025.00	ML4502	25.064.00	NC2029	53.028.00
MB961	31.503.00	MC1231	53.001.00	MG3603	26.038.00	ML4503	25.091.00	NC2031	53.064.00
MB962	31.507.00	MC1232	53.010.00	MG3608	26.138.00	ML4505	25.083.00	NC2032	53.034.00
MB963	31.563.00	MC1233	53.024.00	MG3609	26.102.00	ML4506	25.072.00	NC2033	53.082.00
MB964	31.510.00	MC1236	53.019.00	MG3611	26.115.00	ML4508	25.070.00	NC2034	53.084.00
MB965	31.514.00	MC1238	53.016.00	MG3613	31.953.00	ML4509	25.106.00	NC2035	53.047.00
MB966	31.561.00	MC1240	53.061.00	MG3615	26.032.00	ML4515	25.066.00	NC2035CA	54.143.00
MB967	31.710.00	MC1241	53.011.00	MG3620	26.073.00	ML4516	25.063.00	NC2036	53.033.00
MB968	31.747.00	MC1244	53.021.00	MG3621	26.065.00	ML4517	25.069.00	NC2038	53.059.00
MB969	31.718.00	MC1245	53.023.00	MG3623	26.054.00	ML4519	25.026.00	NC2040	53.230.00
MB970	31.529.00	MC1246	53.006.00	MGC1681	24.086.00	ML452	25.409.01	NC2041	53.002.00
MB975	31.539.00	MC1248	53.025.00	MGC1682	24.013.00	ML4521	25.151.00	NC2042	53.044.00
MB978	31.525.00	MC1252	53.014.00	MGC1683	24.027.00	ML4522	25.085.00	NC2042CA	54.194.00
MB981	31.508.00	MC1253	53.012.00	MGC1684	24.014.00	ML4524	25.094.00	NC2045	53.043.00
MB983	31.513.00	MC1254	53.026.00	MGC1685	24.343.00	ML4525	25.128.00	NC2046	54.104.00
MB984	31.564.00	MC1255	53.020.00	MGC1686	24.087.00	ML4530	25.077.00	NC2047	53.031.00
MB985		MC1256	53.018.00	MGC1689	24.088.00	ML4532	25.178.00	NC2048	53.149.00
(ALTRE/OTHER APPL.)	31.515.00	MC1257	53.028.00	MGC1690	24.014.00	ML4533	25.144.00	NC2048CA	54.103.00
(VAG)	31.722.00	MC1259	53.004.00	MGC1691	24.132.00	ML4534	25.159.00	NC2049	53.087.00
MB987	31.562.00	MC1261	53.017.00	MGC1697	24.156.00	ML4535	25.164.00	NC2049CA	54.198.00
MB989	31.569.00	MC1262	53.007.00	MGC1698	24.145.00	ML4536	25.153.00	NC2051	53.041.00
MBNA001	31.001.00	MC1266	53.068.00	ML011	20.012.00	ML4537	25.152.00	NC2052	53.040.00
MBNA003	31.005.00	MC1267	53.009.00	ML013/A	25.407.01	ML4538	25.068.00	NC2052CA	54.171.00
MBNA004	31.006.00	MC1268	53.064.00	ML014	25.413.00	ML4539	25.171.00	NC2053	53.075.00
MBNA005	31.007.00	MC1272	53.060.00	ML021	25.439.00	ML4540	25.191.00	NC2054	53.050.00
MBNA006	31.009.00	MG007	26.609.00	ML026	25.406.01	ML4542	25.115.00	NC2054CA	54.264.00
MBNA007	31.013.00	MG010	26.606.00	ML028	25.009.00	ML4543	25.166.00	NC2055	53.038.00
MBNA008	31.027.00	MG020	24.362.00	ML030	25.011.00	ML4544	25.080.00	NC2056	53.079.00
MBNA016	31.028.00	MG029	26.602.00	ML031	25.408.00	ML4547		NC2058	53.114.00
MBNA018	31.012.00	MG031	26.635.00	ML032	20.020.00	(TOYOTA 04152-YZZA7)	25.116.00	NC2060	53.046.00
MBNA019	31.020.00	MG034	26.601.00	ML033	25.014.00	ML4547		NC2062	53.045.00
MBNA022	31.512.00	MG038	26.652.00	ML035	25.012.00	(TOYOTA 04152-YZZA6)	25.086.00	NC2063	54.122.00
MBNA025	31.740.00	MG041	26.660.00	ML039	25.038.00	ML4549	25.096.00	NC2063	53.086.00
MBNA036	31.750.00	MG043	26.670.00	ML045	25.003.00	ML4550	25.155.00	NC2064	53.076.00
MBNA037	31.724.00	MG052	26.618.00	ML045/A	25.003.00	ML4552	25.084.00	NC2065	53.292.00
MBNA049	31.556.00	MG07	26.609.00	ML048	25.443.00	ML4557	25.145.00	NC2067CA	54.102.00
MBNA055	31.523.00	MG080	26.691.00	ML059	25.037.00	ML4565	25.170.00	NC2069CA	54.108.00
MBNA056	31.712.00	MG083	26.690.00	ML060	25.029.00	ML4566	25.088.00	NC2070	53.234.00
MBNA1503	31.840.00	MG085	26.688.00	ML061	25.455.00	ML4567	25.172.00	NC2072CA	54.107.00
MBNA1513	31.817.00	MG088	21.061.00	ML061/B	25.455.01	ML457	25.499.01	NC2073CA	54.105.00
MBNA1514	31.842.00	MG094	21.050.00	ML068	25.015.00	ML4574	25.216.00	NC2074CA	54.263.00
MBNA1516	31.834.00	MG095	26.676.00	ML069	25.033.00	ML470	25.539.00	NC2075CA	54.195.00
MBNA1529	31.769.00	MG096		ML070	25.022.00	ML479	25.013.00	NC2076CA	54.118.00
MBNA1531	31.924.00	(CARTA PROTOL./ROLLED PAPER)	24.389.00	ML071	25.032.00	ML479/A	25.013.00	NC2077CA	54.270.00
MBNA1532	31.832.00	MG096		ML072	25.027.00	ML48	25.443.00	NC2078CA	54.135.00
MBNA1541	31.844.00	(CARTA PIEGHI./PLEATED PAPER)	26.682.00	ML075	25.041.00	ML485	25.555.00	NC2079CA	54.277.00
MBNA1543	31.847.00	MG097	24.388.00	ML075/A	25.041.00	ML486		NC2081CA	54.197.00
MBNA1556	31.833.00	MG098	26.686.00	ML077	25.402.01	(MERCEDÉS BENZ 102 180 01 09)	25.530.00	NC2082CA	54.109.00
MBNA1557	31.914.00	MG099	26.687.00	ML082	25.528.00	ML486		NC2084	53.158.00
MBNA1558	31.831.00	MG1600	26.689.00	ML11	20.012.00	(MERCEDÉS BENZ 102 180 00 09)	25.530.01	NC2085	53.067.00
MBNA1559	31.850.00	MG1601	26.006.00	ML13/A	25.407.01	ML487	25.002.00	NC2086	53.091.00
MBNA1560	31.843.00	MG1602	26.003.00	ML14	25.413.00	ML487/A		NC2087	53.091.00
MBNA1561	31.948.00	MG1604	26.694.00	ML1701	25.019.00	(MERCEDÉS BENZ)	25.002.00	NC2088CA	54.121.00
MBNA950	31.501.00	MG1606	31.824.00	ML1702	25.587.00	ML487/A		NC2089	53.070.00
MBNA952	31.504.00	MG1607	31.838.00	ML1703	25.056.00	(CHRYSLER)	25.054.00	NC2091	53.035.00
MBNA953	31.502.00	MG1607	31.839.00	ML1704	25.023.00	ML488	25.541.00	NC2093	53.083.00
MBNA954	31.594.00	MG1609	60.H2O.00	ML1705	25.023.00	ML490	25.548.00	NC2095CA	54.106.00
		MG1610	26.014.00	ML1708	25.043.00	ML493	25.162.00	NC2097CA	54.114.00
		MG1611	26.005.00	ML1709	25.067.00	ML494	25.008.00	NC2098	53.094.00

NC2100CA	54.119.00	NC2348	53.157.00	EAF864	30.367.00	CHN12858	30.325.00	CNS12226	27.169.00
NC2102CA	54.111.00	NC2349CA	54.166.00	EFF004	31.510.00	CHN12859	30.591.00	CNS12243	30.973.00
NC2103CA	54.169.00	NC2350	53.218.00	EFF006	31.583.00	CHN12860	30.618.00	CNS12248	30.362.00
NC2104	53.043.00	NC2351CA	54.215.00	EFF016	31.748.00	CHN12861	30.313.00	CNS12249	27.079.00
NC2106	53.032.00	NC2353	53.207.00	EFF020	24.350.00	CHN13005	31.621.00	CNS12298	30.352.00
NC2107	53.162.00	NC2353CA	54.170.00	EFF044	24.388.00	CHN13021	24.435.00	CNS12300	27.397.00
NC2108CA	54.101.00	NC2358	53.147.00	EFF049	24.409.00	CHY11002	25.053.00	CNS12308	27.676.00
NC2109CA	54.100.00	NC2359CA	54.217.00	EFF065	24.397.00	CHY11003	23.472.00	CNS13003	24.375.00
NC2110	53.101.00	NC2361	53.254.00	EFF072	24.351.01	CHY11005	25.071.00	CNS13004	31.529.00
NC2111CA	54.137.00	NC2361CA	54.178.00	EFF081	26.005.00	CHY12201	30.126.00	CNS13006	24.327.00
NC2112	53.069.00	NC2363CA	54.163.00	EFF085	26.690.00	CHY12205	30.267.00	CNS13013	24.444.00
NC2113CA	54.115.00	NC2364	53.240.00	EFF088	24.003.00	CHY12208	30.174.00	CNS13017	24.026.01
NC2115CA	54.131.00	NC2366	53.144.00	EFF126	24.412.00	CHY12224	30.336.00	CSB12990	30.615.00
NC2116	53.051.00	NC2367	53.191.00	EFF155	24.001.00	CHY12230	30.287.00	CSB13006	31.541.00
NC2117	53.155.00	NC2369CA	54.234.00	EFF179	55.418.00	CHY12240	30.224.00	CSZ11940	23.210.00
NC2118CA	54.174.00	NC2371	23.255.00	EFF286D	24.072.00	CHY12245	30.229.00	CSZ12000	30.269.00
NC2119	53.117.00	NC2371CA	54.243.00	EFF288D	31.953.00	CHY12250	30.309.00	CSZ12605	30.725.00
NC2120	53.125.00	NC2373	53.338.00	EFF301	24.331.00	CHY12255	30.280.00	CSZ12606	30.328.00
NC2121	53.197.00	NC2374	53.257.00	EFF316D	26.013.00	CHY12263	27.648.00	CSZ12610	30.283.00
NC2124CA	54.317.00	NC2375	53.152.00	EKF102	53.043.00	CHY12264	30.307.00	CSZ12615	30.384.00
NC2125CA	54.281.00	NC2376	53.164.00	EKF113A	54.106.00	CHY12265	30.403.00	CSZ12616	30.628.00
NC2127CA	54.134.00	NC2377	53.150.00	EKF125A	54.195.00	CHY12266	30.348.00	CSZ12943	27.074.00
NC2129CA	54.124.00	NC2380CA	54.173.00	EKF130	53.015.00	CHY12267	30.437.00	CSZ12944	27.090.00
NC2132	53.148.00	NC2381	53.149.00	EKF131	53.017.00	CHY13001	31.749.00	CSZ12951	30.967.00
NC2133	53.107.00	NC2382CA	54.249.00	EKF136	53.021.00	CHY13005	24.460.00	CSZ12956	30.460.00
NC2133CA	54.201.00	NC2385	53.210.00	EKF141	53.058.00	CHY13013	24.439.00	CSZ12957	30.450.00
NC2134	53.088.00	NC2386	53.190.00	EKF153	53.105.00	CHY13014	24.443.00	CSZ12958	30.537.00
NC2134CA	54.221.00	NC2386CA	54.199.00	EKF154	53.090.00	CIZ11491	23.274.00	CSZ12961	30.780.00
NC2135	53.039.00	NC2387	53.224.00	EKF171A	54.243.00	CIZ11741	23.273.00	CSZ12965	30.270.00
NC2135CA	54.282.00	NC2387CA	54.226.00	EKF173A	54.150.00	CIZ12520	27.193.00	CSZ12970	30.327.00
NC2136	53.102.00	NC2388	53.222.00	EKF175A	54.161.00	CKI11300	23.486.00	CSZ12975	30.484.00
NC2137CA	54.136.00	NC2389	53.211.00	EKF179A	54.113.00	CKI11305	25.070.00	CSZ12985	30.391.00
NC2138	53.228.00	NC2390CA	54.219.00	EKF182	53.067.00	CKI12002	30.130.00	CTY11111	23.477.00
NC2138CA	54.127.00	NC2391	53.208.00	EKF188	53.093.00	CKI12005	30.464.00	CTY11120	23.121.00
NC2140CA	54.147.00	NC2392CA	54.218.00	EKF213	53.084.00	CKI12240	30.177.00	CTY11141	23.264.00
NC2141	53.131.00	NC2393	53.383.00	EKF218	53.057.00	CKI12250	30.295.00	CTY11142	23.476.00
NC2142	53.106.00	NC2394	53.277.00	EKF236	53.009.00	CKI12255	30.312.00	CTY11151	23.248.00
NC2145CA	54.148.00	NC2395	53.256.00	EKF246	53.064.00	CKI12257	30.363.00	CTY11170	23.263.00
NC2149CA	54.145.00	NC2396CA	54.236.00	EKF247A	54.174.00	CKI12260	30.483.00	CTY11172	25.077.00
NC2151	53.103.00	NC2397	53.223.00	EKF267	53.120.00	CKI12261	30.386.00	CTY12025	30.225.00
NC2152	53.189.00	NC2400	53.214.00	EKF281	53.070.00	CKI12264	30.464.00	CTY12030	27.583.00
NC2153	53.110.00	NC2401	53.233.00	EKF292	53.111.00	CKI12265	30.308.00	CTY12035	30.176.00
NC2154CA	54.142.00	NC2402	53.389.00	EKF299A	54.149.00	CKI12266	30.382.00	CTY12040	27.010.00
NC2187	53.205.00	NC2412CA	54.319.00	EKF305A	54.285.00	CKI12267	30.060.00	CTY12045	30.248.00
NC2189	53.124.00			EKF314	53.185.00	CKI12268	30.454.00	CTY12055	30.288.00
NC2189CA	54.162.00	COMLINE	UFI	EKF315	53.188.00	CKI13007	31.828.00	CTY12070	27.010.00
NC2191CA	54.146.00			EKF418	53.315.00	CMB11231	23.237.00	CTY12075	30.338.00
NC2192	53.226.00	CDW12110	30.279.00	EKF423A	54.292.00	CMB11351	23.475.00	CTY12085	30.206.00
NC2192CA	54.153.00	CDW12112	30.335.00	EFOF005	23.191.00	CMB12012	30.169.00	CTY12090	30.505.00
NC2193	53.143.00	CDW13001	31.843.00	EFOF011	25.528.00	CMB12311	30.275.00	CTY12095	30.289.00
NC2193CA	54.164.00	CHN12006	30.232.00	EFOF028	23.257.00	CMB12334	27.920.00	CTY12147	27.097.00
NC2194	53.115.00	CHY12235	30.266.00	EFOF041	23.435.00	CMB12346	30.222.00	CTY12161	30.076.00
NC2195	53.104.00	CNS11200	25.026.00	EFOF047	23.465.00	CMB12347	27.044.00	CTY12177	30.143.00
NC2196	53.077.00	CNS11215	23.240.00	EFOF049	23.445.00	CMB12399	27.282.00	CTY12183	30.334.00
NC2197	53.118.00	CSB11840	23.259.00	EFOF053	23.130.02	CMB12400	30.220.00	CTY12185	30.452.00
NC2198	53.132.00	CTY12072	30.385.00	EFOF068	25.019.00	CMB12401	30.533.00	CTY12186	30.554.00
NC2199	53.109.00	CTY12188	30.453.00	EFOF081	25.030.00	CMB12403	30.506.00	CTY12187	30.504.00
NC2204CA	54.158.00	EAF001	30.981.00	EFOF100	23.114.02	CMB13003	24.366.00	CTY12190	27.691.00
NC2206CA	54.306.00	EAF005	30.933.00	EFOF188	23.457.00	CMB13018	24.423.00	CTY12199	30.075.00
NC2300	53.244.00	EAF024	27.271.00	EFOF230	23.473.00	CMB13019	24.119.00	CTY12230	30.175.00
NC2302	53.120.00	EAF052	30.087.00	EFOF299	23.617.00	CMZ11010	25.056.00	CTY12250	30.247.00
NC2303	53.142.00	EAF055	30.066.00	EFOF308	25.054.00	CMZ11413	23.260.00	CTY13003	24.374.00
NC2305	53.129.00	EAF061	30.894.00	CDH11631	23.255.00	CMZ11431	23.258.00	CTY13010	31.560.00
NC2306CA	54.242.00	EAF070	27.355.00	CDH11632	25.116.00	CMZ12010	30.178.00	CTY13011	31.556.00
NC2311CA	54.128.00	EAF080	27.403.00	CDH12216	30.803.00	CMZ12070	30.787.00	CTY13020	31.609.00
NC2312CA	54.160.00	EAF100	30.069.00	CDH13012	31.694.00	CMZ12449	30.013.00	CTY13021	24.413.00
NC2313	53.161.00	EAF285	27.804.00	CDW11001	23.299.00	CMZ12455	30.172.00	CTY13037	24.411.00
NC2314	53.236.00	EAF344	30.109.00	CDW12101	30.104.00	CMZ12457	30.173.00	CTY13039	31.776.00
NC2314CA	54.154.00	EAF370	30.575.00	CDW12103	30.102.00	CMZ12500	30.171.00	CTY13041	31.927.00
NC2315	53.154.00	EAF399	30.112.00	CDW12106	30.337.00	CMZ12680	30.409.00	CTY13045	26.045.00
NC2315CA	54.172.00	EAF404	30.182.00	CDW12113	30.277.00	CMZ12685	30.344.00	EAF003	30.017.00
NC2316	53.130.00	EAF421	30.164.00	CDW12904	53.142.00	CMZ13024	31.844.00	EAF006	30.024.00
NC2320CA	54.133.00	EAF426	30.152.00	CDW13001	31.515.00	CNS11201	25.052.00	EAF008	30.016.00
NC2321CA	54.175.00	EAF428	30.157.00	CDW13006	31.850.00	CNS11216	23.266.00	EAF009	30.062.00
NC2322CA	54.247.00	EAF437	30.926.00	CHN11532	23.243.00	CNS11218	23.484.00	EAF011	30.027.00
NC2327CA	54.139.00	EAF491	30.246.00	CHN11562	23.265.00	CNS11223	23.256.00	EAF012	30.022.00
NC2328CA	54.149.00	EAF509	27.366.00	CHN11563	25.074.00	CNS11230	23.152.00	EAF013	30.038.01
NC2329CA	54.155.00	EAF510	27.394.00	CHN11675	25.072.00	CNS11251	23.134.00	EAF015	30.107.00
NC2330CA	54.168.00	EAF515	30.364.00	CHN12000	30.243.00	CNS11294	23.488.00	EAF016	27.196.00
NC2333	53.112.00	EAF561	30.212.00	CHN12001	30.231.00	CNS11701	23.127.00	EAF017	30.068.00
NC2336	53.386.00	EAF606	30.284.00	CHN12003	30.238.00	CNS11701	23.102.00	EAF020	30.101.00
NC2338	53.105.00	EAF619	27.636.00	CHN12005	30.276.00	CNS11701	23.127.00	EAF025	30.047.00
NC2340	53.146.00	EAF637	27.594.00	CHN12007	30.228.00	CNS11701	23.127.00	EAF025	30.146.00
NC2341	53.153.00	EAF703	30.278.00	CHN12009	27.601.00	CNS11701	23.176.00	EAF027	30.032.00
NC2345	53.137.00	EAF716	30.466.00	CHN12015	30.360.00	CNS12007	27.524.00	EAF030	30.996.00
NC2345CA	54.161.00	EAF721	30.468.00	CHN12837	30.239.00	CNS12203	30.001.00	EAF031	27.956.00
NC2346	53.145.00	EAF781	30.381.00	CHN12855	30.380.00	CNS12206	27.769.00	EAF032	30.079.00
NC2347	53.209.00	EAF823	30.353.00	CHN12857	30.471.00	CNS12221	30.026.00	EAF035	30.077.00



EAF037	27.239.00	EAF352	27.253.00	EAF575	30.263.00	EAF742	30.573.00	EAF869	30.630.00
EAF038	30.159.00	EAF353	30.596.00	EAF576	30.293.00	EAF744	30.617.00	EAF871	30.C39.00
EAF039	27.084.00	EAF354	30.115.00	EAF579	27.596.00	EAF745	30.451.00	EAF872	27.E52.00
EAF042	30.924.00	EAF356	30.036.00	EAF580	30.274.00	EAF746	30.B01.00	EAF873	30.355.00
EAF047	30.914.02	EAF357	30.099.00	EAF582	30.233.00	EAF747	30.496.00	EAF874	30.557.00
EAF048	27.273.00	EAF358	27.584.00	EAF583	27.595.00	EAF748	30.469.00	EAF875	30.776.00
EAF048	27.267.00	EAF360	30.215.00	EAF584	30.302.00	EAF749	27.356.00	EAF876	30.607.00
EAF050	27.386.00	EAF366	30.106.00	EAF587	30.301.00	EAF751	30.250.00	EAF879	30.A53.00
EAF051	27.252.00	EAF368	30.531.00	EAF588	30.297.00	EAF752	30.606.00	EAF880	30.A55.00
EAF057	30.090.00	EAF372	27.272.00	EAF589	30.265.00	EAF754	30.404.00	EAF881	30.A95.00
EAF059	30.948.00	EAF373	27.154.00	EAF591	30.253.00	EAF755	30.550.00	EAF882	30.626.00
EAF060	30.807.00	EAF374	27.947.00	EAF593	30.272.00	EAF757	30.422.00	EAF883	30.A96.00
EAF063	30.050.00	EAF375	30.125.00	EAF594	30.310.00	EAF758	30.346.00	EAF884	30.621.00
EAF064	27.076.00	EAF375	30.972.00	EAF600	30.214.00	EAF760	30.416.00	EAF885	30.A61.00
EAF066	30.021.00	EAF377	27.153.00	EAF601	30.252.00	EAF761	30.619.00	EAF886	30.592.00
EAF069	30.019.00	EAF380	30.008.00	EAF602	30.273.00	EAF762	27.A00.00	EAF888	30.655.00
EAF076	30.857.00	EAF381	30.041.00	EAF604	30.311.00	EAF763	30.477.00	EAF891	30.406.00
EAF076	30.818.00	EAF382	30.149.00	EAF607	27.592.00	EAF764	27.621.00	EAF892	30.A20.00
EAF077	30.142.00	EAF382	30.244.00	EAF613	30.392.00	EAF765	30.407.00	EAF893	30.A56.00
EAF078	27.353.00	EAF385	30.141.00	EAF614	30.251.00	EAF766	30.388.00	EAF894	30.588.00
EAF079	27.384.00	EAF387	30.975.00	EAF616	30.366.00	EAF767	30.719.00	EAF895	30.724.00
EAF086	27.888.00	EAF398	30.144.00	EAF617	30.455.00	EAF768	30.539.00	EAF895	30.C54.00
EAF087	27.149.00	EAF401	30.183.00	EAF618	30.350.00	EAF772	30.B24.00	EAF896	30.B22.00
EAF090	30.372.00	EAF402	30.155.00	EAF624	30.300.00	EAF773	30.645.00	EAF898	30.405.00
EAF091	30.858.00	EAF403	30.201.00	EAF625	30.316.00	EAF774	30.639.00	EAF899	30.660.00
EAF092	30.991.00	EAF405	30.150.00	EAF626	30.209.00	EAF775	30.A69.00	EAF901	30.544.00
EAF093	30.004.00	EAF406	30.132.00	EAF627	30.A35.00	EAF776	30.395.00	EAF902	30.A99.00
EAF094	30.007.00	EAF407	30.158.00	EAF628	30.260.00	EAF778	30.456.00	EAF904	30.A44.00
EAF095	30.835.00	EAF408	30.134.00	EAF629	30.254.00	EAF779	30.A70.00	EAF906	30.781.00
EAF097	30.119.00	EAF411	30.217.00	EAF630	30.340.00	EAF780	30.574.00	EAF907	30.383.00
EAF098	30.118.01	EAF412	30.145.01	EAF631	30.330.00	EAF782	30.701.00	EAF909	30.622.00
EAF1000	27.F37.00	EAF413	30.128.00	EAF632	30.214.00	EAF783	30.556.00	EAF910	30.726.00
EAF1001	27.G31.00	EAF414	30.127.00	EAF633	30.315.00	EAF785	27.629.00	EAF911	30.574.00
EAF1005	30.A52.00	EAF415	30.133.00	EAF634	30.462.00	EAF786	30.C45.00	EAF912	30.635.00
EAF1006	30.662.00	EAF416	30.161.00	EAF634	30.463.00	EAF787	30.538.00	EAF913	27.A92.00
EAF1008	30.A86.00	EAF417	30.148.00	EAF635	27.606.00	EAF789	30.376.00	EAF914	30.B05.00
EAF1009	30.C41.00	EAF418	30.168.00	EAF636	27.597.00	EAF794	30.576.00	EAF915	30.B76.00
EAF101	30.049.00	EAF420	30.129.00	EAF636	27.603.00	EAF796	30.A97.00	EAF918	27.A48.00
EAF1010	30.A41.00	EAF422	30.162.00	EAF639	53.151.00	EAF797	27.A53.00	EAF919	30.692.00
EAF1011	30.A45.00	EAF423	30.139.00	EAF642	30.555.00	EAF798	30.589.00	EAF920	30.693.00
EAF1017	30.C03.00	EAF424	30.163.00	EAF643	30.450.00	EAF799	30.654.00	EAF921	30.B08.00
EAF1018	30.C40.00	EAF425	30.180.00	EAF646	27.628.00	EAF801	30.546.00	EAF922	30.653.00
EAF102	27.137.00	EAF429	27.367.00	EAF648	30.339.00	EAF803	27.A97.00	EAF923	30.717.00
EAF1022	30.A42.00	EAF444	30.153.00	EAF649	30.207.00	EAF805	30.595.00	EAF924	30.B62.00
EAF103	30.974.00	EAF445	30.213.00	EAF651	30.332.00	EAF806	30.B41.00	EAF928	30.663.00
EAF1033	30.C35.00	EAF446	30.181.00	EAF656	30.375.00	EAF807	30.632.00	EAF933	30.A73.00
EAF1034	30.C36.00	EAF449	30.165.00	EAF659	30.290.00	EAF808	27.A54.00	EAF934	30.661.00
EAF1038	30.C37.00	EAF478	30.216.00	EAF660	30.711.00	EAF811	27.688.00	EAF936	30.663.00
EAF107	30.147.00	EAF479	30.A71.00	EAF664	27.598.00	EAF812	30.558.00	EAF937	30.677.00
EAF108	30.890.00	EAF480	27.593.00	EAF666	30.357.00	EAF813	30.540.00	EAF938	30.A21.00
EAF113	30.860.00	EAF481	30.196.00	EAF673	30.347.00	EAF816	30.569.00	EAF939	30.665.00
EAF115	30.117.00	EAF483	30.593.00	EAF674	30.393.00	EAF817	27.A51.00	EAF940	30.713.00
EAF122	30.064.00	EAF484	30.194.00	EAF680	30.281.00	EAF818	30.532.00	EAF942	30.A67.00
EAF124	30.124.00	EAF487	30.203.00	EAF689	30.658.00	EAF819	30.512.00	EAF943	30.A62.00
EAF128	27.228.00	EAF488	30.258.00	EAF691	27.675.00	EAF820	30.594.00	EAF944 KIT	30.718.00
EAF129	27.258.00	EAF489	30.192.00	EAF693	30.345.00	EAF821	30.604.00	EAF945	30.664.00
EAF130	30.111.00	EAF489	30.029.00	EAF694	30.374.00	EAF822	30.A15.00	EAF947	30.648.00
EAF225	30.942.00	EAF490	30.241.00	EAF695	30.189.00	EAF826	30.625.00	EAF949	30.B20.00
EAF227	30.847.00	EAF492	30.245.00	EAF695/1	30.190.00	EAF827	30.A43.00	EAF950	30.710.00
EAF231	30.936.00	EAF493	30.135.00	EAF696	30.C55.00	EAF828	30.688.00	EAF951	30.508.00
EAF235	30.908.00	EAF494	30.136.00	EAF697	30.700.00	EAF829	30.A17.00	EAF953	30.712.00
EAF242	30.003.00	EAF495	30.137.00	EAF698	30.349.00	EAF831	30.686.00	EAF957	30.B87.00
EAF243	27.138.00	EAF497	30.210.00	EAF700	30.351.00	EAF833	30.A38.00	EAF958	30.A63.00
EAF246	30.095.00	EAF498	30.186.00	EAF702	30.342.00	EAF835	30.548.00	EAF959	27.E61.00
EAF259	30.080.00	EAF498	30.185.00	EAF705	30.195.00	EAF836	30.A37.00	EAF962	30.509.00
EAF260	30.082.00	EAF500	30.B21.00	EAF707	30.211.00	EAF837	30.559.00	EAF966	30.B56.00
EAF261	30.085.00	EAF501	30.187.00	EAF708	30.390.00	EAF838	30.638.00	EAF967	30.B86.00
EAF263	30.331.00	EAF502	30.199.00	EAF709	30.400.00	EAF841	30.587.00	EAF968	30.B50.00
EAF263	30.976.00	EAF504	30.197.00	EAF711	30.550.00	EAF842	30.597.00	EAF969	30.C64.00
EAF266	30.811.00	EAF505	30.320.00	EAF712	30.370.00	EAF843	27.B74.00	EAF970	30.793.00
EAF268	30.851.00	EAF506	30.417.00	EAF714	30.470.00	EAF844	30.788.00	EAF971	30.795.00
EAF270	30.070.00	EAF507	30.432.00	EAF715	30.687.00	EAF847	30.779.00	EAF972	30.A51.00
EAF271	27.719.00	EAF508	30.218.00	EAF717	27.630.00	EAF848	30.549.00	EAF975	30.C44.00
EAF280	27.175.00	EAF511	30.399.00	EAF718	27.A69.00	EAF850	30.A54.00	EAF976	27.G11.00
EAF283	27.828.00	EAF512	27.486.00	EAF719	30.365.00	EAF851	30.657.00	EAF978	30.B15.00
EAF284	27.881.00	EAF513	30.329.00	EAF720	30.371.00	EAF852	30.553.00	EAF980	30.A49.00
EAF286	27.134.00	EAF517	30.369.00	EAF722	30.321.00	EAF853	30.547.00	EAF983	30.C42.00
EAF296	30.898.00	EAF545	30.299.00	EAF723	30.482.00	EAF854	30.600.00	EAF985	30.A59.00
EAF309	30.800.00	EAF546	27.585.00	EAF724	30.368.00	EAF855	30.B23.00	EAF990	30.B27.00
EAF311	27.752.00	EAF547	27.586.00	EAF725	27.693.00	EAF856	30.B11.00	EAF991	27.G33.00
EAF321	30.803.00	EAF548	27.401.00	EAF726	30.503.00	EAF858	30.603.00	EAF992	27.G10.00
EAF322	27.800.00	EAF549	30.226.00	EAF727	30.317.00	EAF859	30.627.00	EAF996	30.A91.00
EAF327	27.195.00	EAF550	30.318.00	EAF728	30.542.00	EAF860	30.634.00	EAF997	30.794.00
EAF328	27.257.00	EAF551	30.292.00	EAF729	30.292.00	EAF861	30.714.00	EAF999	30.B12.00
EAF329	27.520.00	EAF552	30.259.00	EAF730	30.533.00	EAF862	30.552.00	EFF001	24.360.00
EAF330	27.089.00	EAF557	30.319.00	EAF738	30.676.00	EAF863	30.652.00	EFF001	24.360.01
EAF337	27.715.00	EAF559	30.294.00	EAF739	30.B42.00	EAF866	30.777.00	EFF003	26.676.00
EAF346	30.116.00	EAF560	30.257.00	EAF741	30.408.00	EAF868	30.629.00	EFF003	24.390.00

EFF004	31.501.00	EFF133	26.018.00	EFF261	26.025.00	EKF120A	54.107.00	EKF198	53.157.00
EFF005	31.710.00	EFF135	31.824.00	EFF262	26.052.00	EKF121	53.076.00	EKF199	53.132.00
EFF006	31.500.00	EFF136	31.838.00	EFF263D	24.454.00	EKF121A	54.115.00	EKF200	53.075.00
EFF007	24.351.00	EFF137	24.441.00	EFF264D	26.102.00	EKF122	53.031.00	EKF201	53.108.00
EFF008	24.365.00	EFF138	24.H2O.01	EFF265D	24.038.00	EKF122A	54.114.00	EKF202	53.141.00
EFF009	31.514.00	EFF139	26.694.00	EFF267D	31.946.00	EKF123	53.030.00	EKF203	53.208.00
EFF010	31.722.00	EFF140	31.847.00	EFF268	31.855.00	EKF124	53.060.00	EKF204	53.112.00
EFF011	31.012.00	EFF141	24.H2O.04	EFF269	26.074.00	EKF124A	54.196.00	EKF206	53.035.00
EFF011	31.010.00	EFF144	31.833.00	EFF270D	26.038.00	EKF125	53.013.00	EKF207	53.063.00
EFF012	31.001.00	EFF146	24.H2O.07	EFF271D	26.034.00	EKF126	53.050.00	EKF208	53.118.00
EFF012	31.009.00	EFF147	24.027.00	EFF272D	24.457.00	EKF126A	54.264.00	EKF209	54.306.00
EFF012	31.741.00	EFF148	31.811.00	EFF277D	24.149.00	EKF127A	54.109.00	EKF209	53.123.00
EFF013	26.686.00	EFF149	31.849.00	EFF281D	24.ONE.0B	EKF128A	53.033.00	EKF210	53.145.00
EFF014	24.361.00	EFF151	26.007.00	EFF283D	24.025.01	EKF129	53.016.00	EKF214	53.129.00
EFF015	31.502.00	EFF152	26.015.00	EFF287D	24.394.00	EKF129A	54.317.00	EKF214A	54.158.00
EFF016	31.506.00	EFF153	31.831.00	EFF289D	26.138.00	EKF130A	54.277.00	EKF215	53.159.00
EFF017	24.382.00	EFF154	31.830.00	EFF290D	31.950.00	EKF131A	54.118.00	EKF216	53.119.00
EFF018	24.365.01	EFF156	24.ONE.01	EFF291	31.948.00	EKF132	53.091.00	EKF217	53.051.00
EFF019	24.321.00	EFF157	24.437.00	EFF292D	24.061.01	EKF132A	54.126.00	EKF219	53.052.00
EFF022	24.371.00	EFF158	26.012.00	EFF293D	26.033.00	EKF134	53.292.00	EKF220A	54.224.00
EFF023	31.564.00	EFF160	31.851.00	EFF294D-2	26.047.00	EKF135A	54.132.00	EKF221	53.214.00
EFF024	31.750.00	EFF161	26.021.00	EFF295	26.073.00	EKF137	53.124.00	EKF222	53.400.00
EFF026	26.689.00	EFF164	24.014.00	EFF296D	24.144.00	EKF137A	54.162.00	EKF224	53.240.00
EFF028	31.769.00	EFF166	55.430.00	EFF297D	24.145.00	EKF139	53.095.00	EKF225	53.109.00
EFF029	26.652.00	EFF167	24.051.00	EFF300	26.104.00	EKF139A	54.133.00	EKF226A	54.215.00
EFF030	26.670.00	EFF168	24.030.00	EFF303	24.417.00	EKF142	53.001.00	EKF227	53.077.00
EFF032	31.512.00	EFF171	26.696.00	EFF304D	31.839.00	EKF144	53.027.00	EKF228	53.004.00
EFF033	31.504.00	EFF172	31.840.00	EFF307D	26.115.00	EKF145	53.028.00	EKF229	53.040.00
EFF033	31.699.00	EFF173	24.002.00	EFF308D	26.019.01	EKF146	53.018.00	EKF231	53.005.00
EFF034	31.718.00	EFF174	26.037.00	EFF310D	26.031.00	EKF147	53.083.00	EKF233	53.026.00
EFF035	24.391.00	EFF176	24.455.00	EFF312D	26.065.00	EKF148	53.087.00	EKF234	53.065.00
EFF035	24.404.00	EFF177	24.ONE.01	EFF315D	26.032.00	EKF149	53.232.00	EKF237	53.032.00
EFF036	24.401.00	EFF178	24.107.00	EFF317D	24.147.00	EKF150	53.079.00	EKF237A	54.101.00
EFF037	24.379.01	EFF180	24.052.00	EFF319D	31.922.00	EKF151	53.207.00	EKF238A	54.105.00
EFF037	24.379.00	EFF183	24.126.00	EFF320D	24.106.00	EKF151A	54.170.00	EKF239	53.020.00
EFF037	24.381.00	EFF185	24.004.00	EFF321D	24.018.01	EKF152	53.316.00	EKF241	53.011.00
EFF038	24.383.00	EFF186	26.085.00	EFF322D	31.985.00	EKF155	53.162.00	EKF241A	54.165.00
EFF039	31.513.00	EFF188	31.842.00	EFF323D	26.114.00	EKF155A	54.119.00	EKF244	53.094.00
EFF041	31.562.00	EFF189	26.020.00	EFF324D	31.994.00	EKF156	53.131.00	EKF244A	54.131.00
EFF042	24.384.00	EFF190	31.846.00	EFF327D	26.053.00	EKF157	53.106.00	EKF245	53.114.00
EFF043	31.013.00	EFF191	24.088.00	EFF328D	24.193.00	EKF157A	54.237.00	EKF247	53.155.00
EFF045	31.569.00	EFF193	55.170.00	EFF329D	24.194.00	EKF158	53.228.00	EKF248	53.059.00
EFF046	26.687.00	EFF195	24.H2O.02	EFF330D	24.095.01	EKF158A	54.127.00	EKF250A	54.146.00
EFF047	24.400.00	EFF197	24.ONE.02	EFF331D	24.464.00	EKF159	53.088.00	EKF251	53.069.00
EFF048	26.691.00	EFF198	31.071.00	EFF338D	24.017.00	EKF159A	54.221.00	EKF251A	54.156.00
EFF050	24.424.00	EFF199	24.H2O.03	EFF339D	26.131.00	EKF161	53.102.00	EKF252	53.101.00
EFF053	24.433.00	EFF200	24.H2O.05	EFF342D	26.122.00	EKF161A	54.136.00	EKF252A	54.137.00
EFF054	31.503.00	EFF201	60.H2O.00	EFF343D	24.020.01	EKF162	53.213.00	EKF254A	54.128.00
EFF056	31.508.00	EFF203	24.077.00	EFF345	31.A06.00	EKF163	53.189.00	EKF255	53.158.00
EFF058	31.505.00	EFF205	24.110.00	EFF346D	26.129.00	EKF163A	54.148.00	EKF255A	54.121.00
EFF059	31.507.00	EFF206	24.073.00	EFF347D	26.130.00	EKF164	53.226.00	EKF260	53.230.00
EFF066	24.399.00	EFF207	31.920.00	EFF348D	26.H2O.00	EKF164A	54.153.00	EKF261	53.259.00
EFF068	31.834.00	EFF208	26.023.00	EFF349D	26.076.01	EKF165	53.061.00	EKF262	53.152.00
EFF070	31.841.00	EFF210	31.925.00	EFF349D	26.076.00	EKF166	53.014.00	EKF264	53.218.00
EFF071	26.688.00	EFF211	26.695.00	EFF350D	24.123.00	EKF167	53.042.00	EKF264A	54.167.00
EFF072	24.408.00	EFF214	24.456.00	EFF356D	26.E2X.01	EKF168	53.019.00	EKF269	53.219.00
EFF072	24.350.02	EFF218	26.055.00	EFF361D	26.079.00	EKF169A	54.176.00	EKF270-2	53.164.00
EFF075	24.338.00	EFF219	24.130.00	EKA185A	54.266.00	EKF170	53.154.00	EKF271	53.161.00
EFF076	24.415.00	EFF222	24.012.00	EKF101	53.143.00	EKF170A	54.172.00	EKF272	53.144.00
EFF078	24.H2O.00	EFF223	24.ONE.03	EKF101A	54.164.00	EKF171	53.255.00	EKF273	53.206.00
EFF079	24.414.00	EFF224	26.058.00	EKF102A	54.262.00	EKF172	53.130.00	EKF273A	54.159.00
EFF080	24.416.00	EFF225	55.582.00	EKF103	54.103.00	EKF172A	54.269.00	EKF275	53.248.00
EFF082	26.006.00	EFF226	24.016.00	EKF104	53.098.00	EKF173	53.115.00	EKF276A	54.166.00
EFF086	26.003.00	EFF227	24.113.00	EKF104A	54.134.00	EKF175	53.137.00	EKF277A	54.173.00
EFF087	24.428.00	EFF231	31.921.00	EKF106	53.153.00	EKF176A	54.163.00	EKF278	53.249.00
EFF088	24.430.00	EFF232	24.099.00	EKF106A	54.168.00	EKF177A	54.104.00	EKF279	53.110.00
EFF089	24.426.00	EFF234	31.832.00	EKF107	53.236.00	EKF178A	54.160.00	EKF279A	54.145.00
EFF091	24.007.00	EFF235	24.128.00	EKF107A	54.154.00	EKF178A	53.136.00	EKF280	53.418.00
EFF092	24.432.00	EFF236	26.077.00	EKF108A	54.144.00	EKF180	53.156.00	EKF282	53.037.00
EFF092	24.458.00	EFF237	24.013.00	EKF109	53.227.00	EKF180A	54.175.00	EKF286	53.250.00
EFF093	24.344.00	EFF242	31.947.00	EKF109A	54.142.00	EKF183	53.104.00	EKF288A	54.240.00
EFF094	24.427.00	EFF243	26.072.00	EKF110A	54.108.00	EKF184	53.116.00	EKF289	53.246.00
EFF101	31.740.00	EFF245	55.148.00	EKF111	53.082.00	EKF185	53.147.00	EKF289A	54.318.00
EFF102	21.061.00	EFF246	24.127.00	EKF112	53.006.00	EKF187	53.125.00	EKF293	53.404.00
EFF102	21.050.00	EFF247	26.026.00	EKF112A	54.263.00	EKF187A	54.273.00	EKF295	53.254.00
EFF103	31.747.00	EFF249D	24.114.00	EKF113	53.034.00	EKF189	53.103.00	EKF295A	54.178.00
EFF106	24.319.01	EFF250D	24.111.00	EKF114	53.012.00	EKF189A	54.117.00	EKF296	53.183.00
EFF118	31.817.00	EFF251D	24.452.00	EKF114A	54.116.00	EKF190	53.222.00	EKF297A	54.217.00
EFF119	26.693.00	EFF252	31.951.00	EKF115	53.044.00	EKF191	53.146.00	EKF301	53.149.00
EFF120	24.445.00	EFF253	24.112.00	EKF116	53.045.00	EKF191A	54.268.00	EKF302	53.186.00
EFF121	26.014.00	EFF254	24.526.00	EKF116A	54.100.00	EKF192	53.086.00	EKF304	53.276.00
EFF122	24.343.00	EFF256	24.015.00	EKF117	53.038.00	EKF192A	54.122.00	EKF304A	54.234.00
EFF123	24.006.00	EFF257		EKF117A	54.111.00	EKF193	53.039.00	EKF305	53.223.00
EFF124	24.436.00	(DELPHI HDF935)	24.459.00	EKF118	53.148.00	EKF193A	54.282.00	EKF306	53.160.00
EFF125	24.429.00	EFF257		EKF118A	54.124.00	EKF195	53.338.00	EKF307	53.261.00
EFF127	24.418.00	(DELPHI HDF965)	24.190.00	EKF119	53.047.00	EKF196	53.107.00	EKF308	53.163.00
EFF130	24.440.00	EFF258	26.123.00	EKF119A	54.143.00	EKF197	53.007.00	EKF309	53.220.00
EFF132	26.022.00	EFF260	31.952.00	EKF120	53.023.00	EKF197A	54.270.00	EKF312	53.184.00



EKF316	53.426.00	EOF002	23.129.02	EOF104	23.267.00	EOF263	25.141.00	FA5587ECO	25.013.00
EKF317	53.233.00	EOF003	23.197.00	EOF104	23.132.00	EOF264	25.153.00	FA5588ECO	25.027.00
EKF318	53.150.00	EOF004	23.440.00	EOF110	23.462.00	EOF268	25.191.00	FA5590ECO	25.030.00
EKF318A	54.275.00	EOF005	23.293.00	EOF111	23.173.01	EOF269	25.201.00	FA5591ECO	25.015.00
EKF319	53.251.00	EOF005	23.401.00	EOF112	23.151.00	EOF270	23.597.00	FA5593ECO	25.056.00
EKF319A	54.241.00	EOF005	23.402.00	EOF114	23.211.00	EOF272	25.073.02	FA5602ECO	25.052.00
EKF320	53.229.00	EOF006	23.242.00	EOF115	25.590.00	EOF277	25.186.00	FA5607ECO	25.022.00
EKF320A	54.231.00	EOF007	23.130.01	EOF119	23.464.00	EOF279	25.146.00	FA5616ECO	25.032.00
EKF321	53.209.00	EOF008	23.478.00	EOF123	23.483.00	EOF280	23.584.00	FA5617ECO	25.024.00
EKF321A	54.256.00	EOF008	23.196.00	EOF125	23.444.00	EOF281	25.089.00	FA5618AECO	25.023.00
EKF322A	54.139.00	EOF008	23.414.00	EOF127	25.165.00	EOF282	23.660.00	FA5619ECO	25.033.00
EKF323A	54.226.00	EOF010	25.027.00	EOF128	20.012.02	EOF283	25.155.00	FA5627ECO	25.039.00
EKF324	53.191.00	EOF014	25.548.00	EOF133	25.406.01	EOF284	25.168.00	FA5636ECO	25.021.00
EKF326-2	53.212.00	EOF015	25.541.00	EOF134	25.421.00	EOF286	25.171.00	FA5640ECO	25.029.00
EKF327A	54.222.00	EOF016	25.555.00	EOF135	23.404.00	EOF287	25.248.00	FA5641ECO	25.028.00
EKF328	53.298.00	EOF017	25.162.00	EOF140	23.115.00	EOF288	23.717.00	FA5647ECO	26.001.00
EKF328A	54.219.00	EOF021	23.280.00	EOF141	25.041.00	EOF289	23.583.00	FA5649ECO	25.034.00
EKF329	53.379.00	EOF022	23.103.00	EOF143	25.029.00	EOF290	25.213.00	FA5667	26.693.00
EKF330	53.383.00	EOF023	23.413.00	EOF165	25.021.00	EOF293	25.172.00	FA5669ECO	25.053.00
EKF331A	54.223.00	EOF023	23.298.00	EOF167	25.034.00	EOF294	25.188.00	FA5670CECO	25.037.00
EKF332	53.190.00	EOF025	23.418.00	EOF168	25.050.00	EOF295	23.596.00	FA5675ECO	25.047.00
EKF332A	54.199.00	EOF026	23.246.00	EOF169	25.028.00	EOF296	25.185.00	FA5677ECO	25.043.00
EKF333	53.294.00	EOF029	23.102.02	EOF170	25.048.00	EOF298	25.180.00	FA5695ECO	26.014.00
EKF3362	53.397.00	EOF029	23.241.00	EOF171	25.047.00	EOF302	25.112.00	FA5701ECO	26.013.00
EKF338A-2	54.283.00	EOF029	23.164.02	EOF172	25.033.00	EOF303	25.219.00	FA5708ECO	25.197.00
EKF340-2	53.080.00	EOF030	23.164.00	EOF173	25.039.00	EOF304	23.616.00	FA5709ECO	25.060.00
EKF341A	54.312.00	EOF030	23.164.03	EOF174	25.043.00	EOF306	25.110.00	FA5710ECO	26.022.00
EKF342	53.231.00	EOF031	25.003.00	EOF176	23.455.00	EOF307	25.080.00	FA5712ECO	26.694.00
EKF342A	54.155.00	EOF032	25.012.00	EOF177	23.482.00	EOF313	23.652.00	FA5726ECO	25.026.00
EKF343	53.211.00	EOF033	25.017.00	EOF179	25.049.00	EOF316	25.223.00	FA5727ECO	25.071.00
EKF343A	54.245.00	EOF035	23.187.00	EOF180	25.040.00	EOF317	23.650.00	FA5728ECO	25.050.00
EKF344	53.388.00	EOF035	23.278.00	EOF182	25.068.00	EOF317	23.519.00	FA5731ECO	26.018.00
EKF345	53.244.00	EOF036	23.436.00	EOF183	25.067.00	EOF319	23.739.00	FA5732ECO	26.695.00
EKF347A	54.247.00	EOF040	23.177.00	EOF184	25.063.00	EOF320	25.160.00	FA5742ECO	25.040.00
EKF349A	54.220.00	EOF040	23.458.00	EOF185	23.479.00	EOF321	25.148.00	FA5746	26.687.00
EKF351A	54.295.00	EOF041	23.416.00	EOF186	25.069.00	EOF322	25.139.00	FA5747AECO	25.060.00
EKF352A	54.140.00	EOF041	23.131.00	EOF187	23.297.00	EOF326	25.204.00	FA5747ECO	25.060.00
EKF356-2	53.274.00	EOF041	23.188.00	EOF192	25.031.00	EOF336	25.211.00	FA5752ECO	25.048.00
EKF358-2	53.394.00	EOF042	23.470.00	EOF194	23.449.00	EOF337	25.216.00	FA5757A	60.H2O.00
EKF359A	54.290.00	EOF043	25.010.00	EOF195	25.060.00	EOF341	23.687.00	FA5758ECO	26.037.00
EKF362A	54.125.00	EOF044	25.011.00	EOF196	25.058.00	EOF342	23.664.00	FA5762ECO	26.054.00
EKF366	53.215.00	EOF045	25.002.00	EOF197	25.197.00	EOF352	25.173.01	FA5763ECO	25.066.00
EKF368A	54.249.00	EOF046	23.168.00	EOF199	25.257.00	EOF609	30.268.00	FA5765ECO	25.049.00
EKF370-2	53.277.00	EOF049	23.448.00	EOF200	25.065.00			FA5766ECO	25.031.00
EKF370A-2	54.254.00	EOF049	23.172.00	EOF201	25.064.00			FA5768ECO	25.063.00
EKF371	53.293.00	EOF049	23.175.00	EOF202	25.094.00			FA5772ECO	25.058.00
EKF372	53.224.00	EOF050	25.408.00	EOF203	25.066.00	FA1276ECO	26.034.00	FA5772ECO	25.232.00
EKF374	53.396.00	EOF052	23.167.00	EOF205	25.091.00	FA4009	25.408.00	FA5784ECO	25.064.00
EKF375	53.422.00	EOF052	23.124.00	EOF206	25.037.00	FA4018A	25.406.01	FA5798ECO	25.068.00
EKF375A	54.218.00	EOF052	23.128.00	EOF209	25.143.00	FA4247	25.402.01	FA5842ECO	25.077.00
EKF376A	54.236.00	EOF053	23.130.03	EOF212	25.177.00	FA4303	25.421.00	FA5853ECO	26.007.00
EKF379	53.332.00	EOF054	23.156.03	EOF216	23.481.00	FA4343	25.443.00	FA5859ECO	25.072.00
EKF379A-2	54.279.00	EOF056	23.303.00	EOF218	25.085.00	FA443/2	26.609.00	FA5860ECO	25.095.00
EKF380	53.256.00	EOF057	23.313.00	EOF219	25.084.00	FA4522	25.413.00	FA5868ECO	25.080.00
EKF380A	54.227.00	EOF058	23.198.00	EOF220	23.565.00	FA4550	26.652.00	FA5890ECO	25.177.00
EKF381	53.368.00	EOF058	23.200.00	EOF221	25.061.00	FA4556A	25.503.00	FA5892ECO	26.021.00
EKF382	53.210.00	EOF061	23.453.00	EOF222	23.546.00	FA4766ECO	25.188.00	FA5897ECO	25.075.00
EKF383A	54.246.00	EOF061	23.282.00	EOF223	23.471.00	FA4900	25.539.00	FA5903ECO	25.074.00
EKF384	53.323.00	EOF061	23.428.00	EOF224	25.901.00	FA5054	26.670.00	FA5910ECO	25.091.00
EKF384A	54.261.00	EOF062	23.249.00	EOF225	25.096.00	FA5155	25.541.00	FA5912ECO	26.020.00
EKF385	53.330.00	EOF063	23.195.00	EOF226	23.494.00	FA5156	25.548.00	FA5919ECO	25.061.00
EKF386	53.389.00	EOF063	23.279.00	EOF227	23.493.00	FA5157	25.540.00	FA5958ECO	25.070.00
EKF386A	54.291.00	EOF064	23.463.00	EOF228	23.489.00	FA5264	25.555.00	FA5959ECO	26.072.00
EKF388A	54.376.00	EOF065	23.425.00	EOF229	25.152.00	FA5282	25.587.00	FA5960ECO	25.105.00
EKF389-2	53.313.00	EOF066	23.417.00	EOF234	25.163.00	FA5381	26.686.00	FA5961ECO	25.150.00
EKF390-2	53.253.00	EOF067	25.004.00	EOF235	23.585.00	FA5408ECO	25.009.00	FA5962ECO	25.084.00
EKF394	53.245.00	EOF068	23.130.00	EOF236	25.106.00	FA5410ECO	25.012.00	FA5967ECO	25.151.00
EKF395A	54.147.00	EOF069	25.014.00	EOF237	25.083.00	FA5412ECO	25.011.00	FA5969ECO	25.069.00
EKF399	53.390.00	EOF070	25.038.00	EOF238	25.093.00	FA5420ECO	25.003.00	FA5970AECO	25.060.00
EKF401	53.407.00	EOF072	25.035.00	EOF239	25.167.00	FA5437ECO	25.008.00	FA5971ECO	26.058.00
EKF402	53.384.00	EOF073	25.013.00	EOF240	25.115.00	FA5438ECO	25.004.00	FA5972ECO	25.093.00
EKF404	53.299.00	EOF074	23.438.00	EOF241	25.166.00	FA5439ECO	25.038.00	FA5973ECO	25.086.00
EKF407	53.127.00	EOF075	25.009.00	EOF242	25.142.00	FA5440	25.010.00	FA5974ECO	25.106.00
EKF408	53.273.00	EOF078	23.429.00	EOF243	25.170.00	FA5440ECO	25.010.00	FA5975ECO	26.055.00
EKF409A-2	54.294.00	EOF079	25.018.00	EOF244	25.105.00	FA5441ECO	25.002.00	FA5977ECO	26.003.00
EKF413A	54.289.00	EOF082	25.015.00	EOF246	23.564.00	FA5442ECO	25.018.00	FA5978ECO	25.085.00
EKF414	53.275.00	EOF085	25.022.00	EOF247	25.128.00	FA5444ECO	25.017.00	FA5987ECO	25.152.00
EKF415	53.365.00	EOF086	25.024.00	EOF249	25.086.00	FA5454ECO	25.014.00	FA5988ECO	25.096.00
EKF417A	54.238.00	EOF087	25.023.00	EOF250	23.573.00	FA5536ECO	26.691.00	FA5989ECO	25.165.00
EKF419A	54.293.00	EOF088	25.032.00	EOF251	25.151.00	FA5553ECO	25.067.00	FA5990ECO	26.012.00
EKF422A	54.331.00	EOF089	23.131.02	EOF252	25.154.00	FA5557ECO	26.006.00	FA5991ECO	26.015.00
EKF426	53.327.00	EOF092	25.001.00	EOF253	25.159.00	FA5558ECO	25.019.00	FA5992ECO	25.170.00
EKF428A	54.288.00	EOF096	23.105.00	EOF254	23.575.00	FA5564	26.690.00	FA5993ECO	26.123.00
EKF430	53.391.00	EOF097	25.008.00	EOF255	25.088.00	FA5565ECO	26.005.00	FA5994ECO	25.172.00
EKF433A-4	54.255.00	EOF098	23.281.00	EOF256	25.178.00	FA5572ECO	25.001.00	FA5995ECO	25.143.00
EKF435A	54.319.00	EOF099	23.186.01	EOF257	25.164.00	FA5573ECO	25.035.00	FA5996ECO	25.163.00
EKF440A	54.314.00	EOF102	23.189.00	EOF261	25.144.00	FA5578	26.688.00	FA6000ECO	25.083.00
EKF441	53.243.00	EOF104	23.118.00	EOF262	25.145.00	FA5584ECO	25.041.00	FA6004ECO	25.154.00

FA6005ECO	25.094.00	FL6676	30.922.01	FLI6423	27.923.00	FP5909	24.026.01	FT5199	31.563.00
FA6006ECO	25.142.00	FL6685	27.081.00	FLI6426	27.902.00	FP5916	24.464.00	FT5202	31.503.00
FA6007ECO	25.054.00	FL6696	27.110.00	FLI6458	27.881.00	FP5917	24.459.00	FT5206	31.512.00
FA6008ECO	25.166.00	FL6744	27.071.01	FLI6459	27.828.00	FP5918	31.852.00	FT5209	23.266.00
FA6064ECO	26.026.00	FL6751	27.074.00	FLI6490	27.878.00	FP5921	24.012.00	FT5230	23.281.00
FA6065ECO	26.045.00	FL6762	27.090.00	FLI6496	27.893.00	FP5922	24.196.00	FT5246	23.404.00
FA6066ECO	26.025.00	FL6771	30.917.01	FLI6627	27.982.00	FP5923	24.113.00	FT5261	31.514.00
FA6071ECO	26.694.00	FL6776	27.175.00	FLI6653	27.132.00	FP5923	24.187.00	FT5262	31.562.00
FA6072ECO	26.077.00	FL6782	27.138.00	FLI6653A	27.140.00	FP5924	24.131.00	FT5266	23.293.00
FA6075ECO	26.023.00	FL6787	27.268.00	FLI6722	27.137.00	FP5927	31.947.00	FT5268	31.028.00
FA6076ECO	25.155.00	FL6790	27.149.00	FLI6856	27.232.00	FP5928A	24.115.00	FT5271	31.561.00
FA6077ECO	25.116.00	FL6795	27.176.00	FLI6882	27.584.00	FP5929	31.921.00	FT5272	23.263.00
FA6078ECO	25.128.00	FL6796	27.177.00	FLI6926	27.356.00	FP5930		FT5273	23.264.00
FA6079ECO	25.115.00	FL6798	27.194.00	FLI6938	27.135.00	(8R0127400A)	31.950.00	FT5289	24.380.00
FA6080ECO	25.159.00	FL6803	27.196.00	FLI9032	27.679.00	FP5930		FT5291	24.399.00
FA6086ECO	25.145.00	FL6805	27.234.00	FLI9250	27.282.00	(8R0127400)	31.922.00	FT5294	31.564.00
FA6092ECO	25.088.00	FL6806	27.172.00	FLI9293	27.10.00	FP5932	31.851.00	FT5296	31.513.00
FA6093ECO	25.164.00	FL6817	27.195.00	FLI9296	27.397.00	FP5933	24.077.00	FT5302	31.609.00
FA6098ECO	25.159.00	FL6827	30.974.00	FP4779	24.361.00	FP5934	24.111.00	FT5306	31.535.00
FA6100ECO	25.178.00	FL6840	27.239.00	FP4885	24.352.00	FP5935	24.001.00	FT5309	24.384.00
FA6101ECO	25.168.00	FL6841	27.253.00	FP4935A		FP5936	31.838.00	FT5324	31.551.00
FA6102ECO	26.073.00	FL6851	27.236.00	(ALTRE/OTHER APPL.)	24.351.00	FP5937	24.114.00	FT5332	23.415.00
FA6104ECO	25.167.00	FL6852	27.228.00	FP4980	24.350.00	FP5938	24.127.00	FT5337	24.389.00
FA6106ECO	26.038.00	FL6853	27.254.00	FP5091	24.411.00	FP6057	24.128.00	FT5338	23.440.00
FA6107ECO	25.153.00	FL6867	27.252.00	FP5092	24.366.00	FP6058	24.148.00	FT5339	23.416.00
FA6109ECO	26.102.00	FL6875	27.257.00	FP5158A	24.371.00	FP6059	24.149.00	FT5350	23.191.00
FA6112ECO	25.198.00	FL6883	27.527.00	FP5219	24.365.01	FP6067	24.145.00	FT5351	31.740.00
FA6113ECO	25.073.02	FL6890	30.118.01	FP5319	24.382.00	FP6068	31.857.04	FT5368	
FA6116	26.115.00	FL6891	27.366.00	FP5359	24.391.00	FP6070	24.144.00	(HYUNDAI, KIA)	23.452.00
FA6117ECO	25.141.00	FL6892	27.267.00	FP5395	24.388.00	FP6074	31.946.00	FT5368	
FA6118ECO	25.191.00	FL6907	27.171.00	FP5403	24.401.00	FP6077	24.016.00	(NISSAN, RENAULT)	23.484.00
FA6119ECO	25.144.00	FL6915	27.354.00	FP5425	24.408.00	FP6078	24.147.00	FT5369	23.438.00
FA6120ECO	26.052.00	FL6917	30.145.01	FP5533	24.415.00	FP6079	24.099.00	FT5371	31.621.00
FA6125ECO	25.248.00	FL6922	27.524.00	FP5571	24.434.00	FP6080	24.126.00	FT5372	31.741.00
FA6128ECO	25.146.00	FL6924	27.258.00	FP5576	24.412.00	FP6081	24.112.00	FT5374	31.747.00
FA6130ECO	26.104.00	FL6935	27.588.00	FP5614	24.445.00	FP6092	24.030.00	FT5378	23.246.00
FA6135ECO	26.074.00	FL6936	27.355.00	FP5626	24.428.00	FP6095	31.953.00	FT5380	31.718.00
FA6136ECO	25.210.00	FL6940	27.273.00	FP5628	24.430.00	FP6096	24.033.00	FT5384	24.400.00
FA6146ECO	25.185.00	FL6941	27.159.00	FP5642	24.427.00	FP6115	24.132.00	FT5388	23.425.00
FA6150ECO	25.110.00	FL6951	27.367.00	FP5646	24.086.00	FP6121	31.952.00	FT5389	23.424.00
FA6584ECO	25.187.00	FL6952	27.341.00	FP5653	24.425.00	FP6122	24.150.00	FT5407	23.265.00
FA6773ECO-2	26.071.00	FL6960	27.610.00	FP5661	24.444.00	FP6147	31.926.01	FT5414	31.750.00
FA6778	26.114.00	FL6994	27.353.00	FP5665	24.460.00	FP6153	24.026.01	FT5415	31.569.00
FA6781ECO	25.223.00	FL6995	27.386.00	FP5666	31.824.00	FP6583	24.095.00	FT5429	23.248.00
FA6785ECO	25.170.00	FL6998	27.492.00	FP5702	31.835.00	FP6780	24.095.01	FT5434	23.476.00
FA6789ECO	26.065.00	FL9002	27.403.00	FP5719	24.439.00	FP6790	24.194.00	FT5447	23.271.00
FA6790ECO	25.090.00	FL9006	27.384.00	FP5749	24.343.00	FP6793	24.151.00	FT5448	23.259.00
FA6791ECO	25.089.00	FL9031	27.593.00	FP5751	24.027.00	FT4403	23.102.00	FT5449	23.274.00
FA6792ECO	25.059.00	FL9035	27.648.00	FP5755	24.450.00	FT447	23.583.00	FT5451	23.105.00
FA6794ECO	25.037.00	FL9049	27.699.00	FP5759HWS	24.09.01	FT4531/A	23.103.00	FT5455	23.495.00
FA6797ECO	25.139.00	FL9052	27.486.00	FP5760HWS	24.09.00	FT4653	23.110.02	FT5457	24.338.00
FA6798ECO	25.180.00	FL9053	27.679.00	FP5761	24.087.00	FT4654	23.105.00	FT5467	31.769.00
FA6799ECO	26.122.00	FL9056	27.394.00	FP5764	24.014.00	FT4662	23.113.00	FT5468	24.424.00
FA6800ECO	25.196.00	FL9069	27.592.00	FP5776EWS	24.12.00.05	FT4669	23.108.00	FT5566	23.453.00
FA6801ECO	25.199.00	FL9073	27.401.00	FP5778	24.437.00	FT4670T	23.107.01	FT5586	24.432.00
FA6803ECO	25.160.00	FL9086	27.606.00	FP5781	24.110.00	FT4760	23.130.00	FT5604	24.429.00
FA6805ECO	26.053.00	FL9087	27.596.00	FP5781	24.117.00	FT4763	23.118.00	FT5606	24.416.00
FA6810ECO	26.130.00	FL9117	27.585.00	FP5783	24.107.00	FT4788	24.360.01	FT5609	24.344.00
FA6814	25.186.00	FL9118	27.586.00	FP5788	24.006.00	FT4790	23.241.00	FT5630	31.817.00
FA6816ECO	25.211.00	FL9119	27.598.00	FP5792	24.457.00	FT4805	23.156.00	FT5631	31.844.00
FA6817ECO	25.108.00	FL9121	27.595.00	FP5793	24.456.00	FT4813	23.108.00	FT5632	24.331.00
FA6819ECO	25.148.00	FL9122	27.594.00	FP5794	24.451.00	FT4826	23.127.02	FT5633	24.007.00
FA6821ECO	25.171.00	FL9132	27.628.00	FP5795	24.072.00	FT4840	24.319.01	FT5637	31.834.00
FA6832ECO	25.216.00	FL9133	27.669.00	FP5796	31.849.00	FT4847	23.105.00	FT5638	31.841.00
FA6940ECO	26.104.00	FL9137	27.676.00	FP5797	55.393.00	FT4863	23.102.02	FT5645	23.313.00
FB1254	20.012.00	FL9146	27.693.00	FP5799	24.156.00	FT4946	24.370.00	FT5648	23.475.00
FB1278	20.020.00	FL9149	30.217.00	FP5841	24.004.00	FT4963	23.108.00	FT5652	31.811.00
FB1517A	25.499.00	FL9154	27.675.00	FP5852	24.073.00	FT4981	23.240.00	FT5662	23.457.00
FB1517B	25.499.01	FL9155	27.630.00	FP5857	55.430.00	FT4984	23.152.00	FT5678	31.501.00
FB1526	25.528.00	FL9156	27.603.00	FP5863HWS	24.09.02	FT4986	23.134.00	FT5730	23.470.00
FC1027	21.050.00	FL9157	27.691.00	FP5864HWS	24.09.03	FT4993	23.458.00	FT5744	23.471.00
FC1027B	21.061.00	FL9166	27.601.00	FP5867	24.119.00	FT5006	24.326.00	FT5753	23.299.00
FC6064ECO	26.032.00	FL9195	27.621.00	FP5875	24.440.00	FT5018A	23.303.00	FT5754	23.413.00
FC8077	53.190.00	FL9196	27.636.00	FP5876	55.170.00	FT5022	24.327.00	FT5784	31.832.00
FL6186	27.719.00	FL9200	27.448.00	FP5877	55.418.00	FT5036	23.167.00	FT5785	31.833.00
FL6300	27.728.00	FL9201	27.688.00	FP5878	55.392.00	FT5044		FT5791	31.847.00
FL6325	27.731.00	FL9203	27.629.00	FP5879		(VAG)	23.156.03	FT5843	23.489.00
FL6390	30.802.01	FL9204	27.582.00	(DELPHI HDF941)	24.013.00	FT5044		FT5844	23.546.00
FL6397	30.807.00	FL9206	27.653.00	FP5879		(ALTRE/OTHER APPL.)	23.156.02	FT5847	31.830.00
FL6403	27.756.00	FL9208	27.587.00	(DELPHI HDF913)	24.050.00	FT5058	23.186.01	FT5848	31.831.00
FL6519	27.824.00	FL9209	27.552.00	FP5879		FT5065	23.196.00	FT5854	24.443.00
FL6575	30.843.01	FL9210	27.612.00	(DELPHI HDF946)	24.052.00	FT5073	23.130.03	FT5865	25.901.00
FL6578	27.947.00	FL9212	27.654.00	FP5893	55.394.00	FT5132	23.211.00	FT5887	31.925.00
FL6629	27.927.00	FL9213	27.697.00	FP5894	31.920.00	FT5140	31.505.00	FT5891	23.436.00
FL6633	30.871.00	FL9215	27.674.00	FP5899	24.087.00	FT5151	23.237.00	FT5901	23.481.00
FL6641	27.845.02	FL9217	27.634.00	FP5906	31.839.00	FT5166	31.013.00	FT5902	23.418.00
FL6654	27.097.00	FL9335	27.611.00	FP5907	24.526.00	FT5167	31.027.00	FT5914	23.298.00
FL6658	27.888.00	FLI6417	27.804.00	FP5908	55.582.00	FT5184	31.517.00	FT5920	23.519.00



FT5938	24.455.00	PA7117	27.200.00	PA7255	30.166.00	PA7376	30.129.00	PA7488	30.A72.00
FT5942	24.423.00	PA7118	30.954.00	PA7256	30.117.00	PA7377	30.432.00	PA7491	30.251.00
FT5951	23.477.00	PA7119	30.991.00	PA7257	30.116.00	PA7378	30.180.00	PA7492	30.254.00
FT5960	24.130.00	PA7122	30.961.00	PA7258	30.041.00	PA7380	30.364.00	PA7493	30.260.00
FT5969	23.482.00	PA7123	30.953.00	PA7259	30.126.00	PA7381	30.201.00	PA7494	30.272.00
FT6003	31.775.00	PA7124	30.977.00	PA7260	30.096.00	PA7383	30.320.00	PA7496	30.297.00
FT6005	31.547.00	PA7125	30.966.00	PA7264	30.100.00	PA7384	30.133.00	PA7497	30.298.00
FT6011	31.592.00	PA7130	30.958.00	PA7265	30.596.00	PA7385	30.151.00	PA7498	30.273.00
FT6013	31.842.00	PA7135	30.019.00	PA7268	30.173.00	PA7386	30.168.00	PA7499	30.318.00
FT6029	23.486.00	PA7136A	30.999.00	PA7269	30.172.00	PA7387	30.174.00	PA7500	30.209.00
FT6030	23.564.00	PA7137	30.996.00	PA7270	30.230.00	PA7389	30.184.00	PA7501	30.370.00
FT6032	23.472.00	PA7138	30.017.00	PA7271	30.238.00	PA7390	30.324.00	PA7502	30.258.00
FT6034	23.493.00	PA7142	30.981.00	PA7273	30.216.00	PA7391	30.141.00	PA7503	30.319.00
FT6035	23.494.00	PA7144	30.007.00	PA7274	30.104.00	PA7392	30.160.00	PA7504	30.197.00
FT6036	31.948.00	PA7145	30.627.00	PA7275	30.066.00	PA7393	30.195.00	PA7505	30.264.00
FT6038	31.958.00	PA7147	30.025.00	PA7276	30.101.00	PA7394	27.E61.00	PA7506	30.265.00
FT6042	23.565.00	PA7150	30.024.00	PA7276	30.C47.00	PA7395	30.218.00	PA7507	30.257.00
FT6043	23.660.00	PA7151		PA7278	30.098.00	PA7396	30.267.00	PA7508	30.292.00
FT6044	31.850.00	(CITROEN, MITSUBISHI, PEUGEOT)	30.601.00	PA7279	30.188.00	PA7398	30.168.00	PA7509	30.348.00
FT6053	31.825.00	PA7152	30.021.00	PA7286	30.102.00	PA7399	30.231.00	PA7510	30.229.00
FT6055	24.452.00	PA7154	30.030.00	PA7287	30.106.00	PA7401	30.464.00	PA7511	30.310.00
FT6074	31.951.00	PA7157	30.027.00	PA7289	30.099.00	PA7402	30.225.00	PA7512	30.344.00
FT6087	23.575.00	PA7158	30.028.00	PA7290	30.125.00	PA7403	30.182.00	PA7513	30.409.00
FT6088	23.628.00	PA7159	30.035.00	PA7291	30.255.00	PA7404	30.165.00	PA7514	30.280.00
FT6097	31.846.00	PA7160	30.032.00	PA7292	30.275.00	PA7405	30.199.00	PA7515	30.347.00
FT6105	23.463.00	PA7161	30.033.00	PA7293	30.256.00	PA7406	30.153.00	PA7516	30.207.00
FT6108	23.585.00	PA7162A	30.034.00	PA7295	30.109.00	PA7410	30.793.00	PA7517	30.393.00
FT6111	24.374.00	PA7163	30.036.00	PA7296	30.097.00	PA7411	30.593.00	PA7521	30.321.00
FT6129	23.418.00	PA7165	30.039.00	PA7297	30.575.00	PA7413	30.A68.00	PA7522	30.150.00
FT6134	23.717.00	PA7167	30.026.00	PA7298	30.112.00	PA7414	30.A63.00	PA7523	30.147.00
FT6151	23.584.00	PA7169	30.048.00	PA7302	30.285.00	PA7416	30.266.00	PA7524	30.213.00
FT6725	31.828.00	PA7171	30.052.00	PA7303	30.693.00	PA7418	30.194.00	PA7525	30.334.00
FT6726	23.545.00	PA7172	30.041.00	PA7304	30.B20.00	PA7420	30.171.00	PA7526	30.725.00
FT6727	23.650.00	PA7173	30.041.00	PA7305	30.648.00	PA7421	30.224.00	PA7527	30.321.00
FT6734	23.739.00	PA7175A	30.066.00	PA7306	30.A67.00	PA7422	30.244.00	PA7528	30.311.00
FT6818	23.596.00	PA7176	30.022.00	PA7309	30.A21.00	PA7423	30.600.00	PA7529	
FT6847	23.481.00	PA7177	30.049.00	PA7310	30.A23.00	PA7424	30.321.00	(AUDI, PORSCHE, VOLKSWAGEN)	30.329.00
FT6852	31.751.00	PA7178	30.286.00	PA7311	30.665.00	PA7425	30.274.00	PA7530	30.300.00
FT6853	31.712.00	PA7180	30.057.00	PA7312	30.795.00	PA7426	30.144.00	PA7531	30.385.00
FT6854	31.749.00	PA7181	30.066.00	PA7313	30.C03.00	PA7427	30.189.00	PA7532	30.396.00
FT6858	31.560.00	PA7182	30.053.00	PA7314-2	30.531.00	PA7428	30.190.00	PA7533-2	30.B25.00
FT6860	31.715.00	PA7183	30.A50.00	PA7315	30.175.00	PA7429	30.152.00	PA7534	30.332.00
FT6861	31.543.00	PA7184	30.066.00	PA7316	30.147.00	PA7430	30.167.00	PA7536	30.606.00
MA3023	27.D83.00	PA7185	30.154.00	PA7317	30.095.00	PA7431	30.197.00	PA7537	30.719.00
PA7000	30.835.00	PA7186	30.062.00	PA7318	30.A62.00	PA7433	30.C64.00	PA7538	30.384.00
PA7001	30.851.00	PA7189	30.071.00	PA7320	30.B50.00	PA7434	30.196.00	PA7539	30.330.00
PA7002		PA7190	30.013.00	PA7321	30.155.00	PA7435	30.327.00	PA7540	30.391.00
(FIAT)		PA7192	30.063.00	PA7323	30.067.00	PA7436	30.203.00	PA7541	30.315.00
PA7002	30.857.00	PA7193	30.064.00	PA7324	30.933.00	PA7437	30.130.00	PA7542	30.303.00
(ALTRE/OTHER APPL.)	30.818.00	PA7196	30.073.00	PA7325	30.067.00	PA7438	30.289.00	PA7545	30.339.00
PA7006	30.836.00	PA7197	30.336.00	PA7326	30.115.00	PA7439	30.226.00	PA7546	30.482.00
PA7026	30.858.00	PA7198	30.085.00	PA7328	30.157.00	PA7440	30.241.00	PA7547	30.554.00
PA7028A	30.942.00	PA7199	30.069.00	PA7329	30.161.00	PA7441	30.246.00	PA7548	30.276.00
PA7029	30.852.00	PA7202	30.008.00	PA7330	30.541.00	PA7442	30.245.00	PA7549	30.325.00
PA7031	30.864.00	PA7204	30.050.00	PA7331	30.158.00	PA7444	30.187.00	PA7550	30.195.00
PA7034	30.860.00	PA7205	30.235.00	PA7333	30.181.00	PA7445	30.149.00	PA7551	30.340.00
PA7048	30.902.00	PA7206	30.045.00	PA7335	30.135.00	PA7446	30.088.00	PA7552	30.506.00
PA7054	30.890.00	PA7208	30.090.00	PA7336	30.137.00	PA7447	30.269.00	PA7553	30.331.00
PA7056	30.894.00	PA7209	30.143.00	PA7338	30.397.00	PA7448	30.399.00	PA7556	30.369.00
PA7068	30.948.00	PA7211	30.076.00	PA7339	30.148.00	PA7449	30.170.00	PA7557	30.259.00
PA7070	30.911.00	PA7212	30.239.00	PA7341	30.164.00	PA7450	30.417.00	PA7559	30.368.00
PA7072	30.914.02	PA7216	30.077.00	PA7344	30.204.00	PA7452	30.210.00	PA7560	30.351.00
PA7077	30.932.00	PA7217	30.086.00	PA7346	30.215.00	PA7453	30.312.00	PA7561	30.345.00
PA7081	30.930.00	PA7219	30.089.00	PA7348-2	30.134.00	PA7454	30.417.00	PA7562	30.A34.00
PA7085	30.973.00	PA7220	30.083.00	PA7349	30.248.00	PA7454	30.A70.00	PA7563	30.503.00
PA7089	30.926.00	PA7221	30.087.00	PA7350	30.128.00	PA7455	30.320.00	PA7564	30.380.00
PA7091		PA7222	30.664.00	PA7351	30.127.00	PA7456	30.337.00	PA7565	30.591.00
(ALTRE/OTHER APPL.)	30.924.00	PA7223	30.111.00	PA7352	30.142.00	PA7459	30.A71.00	PA7566	30.555.00
PA7091		PA7224	30.124.00	PA7353	30.183.00	PA7460	30.360.00	PA7567	30.220.00
(BMW)	30.029.00	PA7225	30.079.00	PA7356	30.136.00	PA7461	30.262.00	PA7568	30.375.00
PA7091		PA7227	30.108.00	PA7357	30.176.00	PA7463	30.316.00	PA7569	30.374.00
(VAG)	30.192.00	PA7228	30.460.00	PA7358	27.274.00	PA7464	30.206.00	PA7569	30.B54.00
PA7092	30.933.00	PA7229	30.080.00	PA7359	30.186.00	PA7465	30.677.00	PA7570	30.454.00
PA7094	30.893.00	PA7230	30.119.00	PA7360	30.185.00	PA7467	30.233.00	PA7572	30.212.00
PA7095	30.935.00	PA7233	30.284.00	PA7361	30.186.00	PA7468	30.288.00	PA7574	30.341.00
PA7102	30.712.00	PA7236	30.967.00	PA7362	30.228.00	PA7470	30.465.00	PA7575	30.366.00
PA7104	30.718.00	PA7239	30.001.00	PA7363	30.169.00	PA7471	30.247.00	PA7576	30.686.00
PA7105	30.692.00	PA7240	30.068.00	PA7365	30.180.00	PA7472	30.290.00	PA7581	30.342.00
PA7109	30.946.00	PA7241	30.851.00	PA7366	30.139.00	PA7473	30.A33.00	PA7582	30.277.00
PA7110	30.004.00	PA7242	30.103.00	PA7367	30.146.00	PA7477	30.234.00	PA7583	30.292.00
PA7111		PA7244	30.461.00	PA7368	30.159.00	PA7478	30.319.00	PA7584	30.371.00
(FORD)	30.016.00	PA7245	30.075.00	PA7369	30.180.00	PA7480	30.299.00	PA7585	30.365.00
PA7111		PA7247	30.242.00	PA7370	30.295.00	PA7482	30.302.00	PA7586	30.533.00
(ALTRE/OTHER APPL.)	30.955.00	PA7248	30.107.00	PA7371	30.163.00	PA7483	30.297.00	PA7587	30.317.00
PA7112	30.965.00	PA7250	30.236.00	PA7372	30.132.00	PA7484	30.301.00	PA7589	30.471.00
PA7113	30.960.00	PA7252	30.223.00	PA7373	30.162.00	PA7485	30.297.00	PA7590	30.294.00
PA7114	30.945.00	PA7253	30.058.00	PA7374	30.263.00	PA7486	30.232.00	PA7591	30.497.00
PA7116	30.946.00	PA7254	30.070.00	PA7375	30.177.00	PA7487	30.293.00	PA7592	30.452.00

PA7593	30.453.00	PA7708	30.B29.00	PA7828	30.717.00	PC8144	53.103.00	PC8345-2	53.119.00
PA7594	30.504.00	PA7710	30.C55.00	PA7830	30.B87.00	PC8145-2	53.142.00	PC8348	53.148.00
PA7596	30.253.00	PA7711	30.B12.00	PA7833	30.A15.00	PC8147	53.094.00	PC8349	53.243.00
PA7597	30.542.00	PA7712	30.711.00	PA7834	30.A51.00	PC8151	53.098.00	PC8351-2	53.121.00
PA7599	30.498.00	PA7714	30.776.00	PA7835	30.794.00	PC8152	53.218.00	PC8354-2	53.253.00
PA7600	30.592.00	PA7715	30.A44.00	PA7840	30.556.00	PC8153	53.227.00	PC8355	53.293.00
PA7608	30.B21.00	PA7716	30.395.00	PA7851	30.A73.00	PC8154	53.131.00	PC8356-2	53.311.00
PA7610	30.338.00	PA7719	30.406.00	PA7854	30.A99.00	PC8158	53.189.00	PC8357	53.383.00
PA7611	30.268.00	PA7720	30.B41.00	PA7859	30.C39.00	PC8159	53.088.00	PC8362-2	53.212.00
PA7613	30.270.00	PA7721	30.346.00	PA7860	30.B22.00	PC8161	53.129.00	PC8364	53.422.00
PA7614	30.972.00	PA7722	30.647.00	PA7879	30.661.00	PC8164	53.106.00	PC8365	53.211.00
PA7615	30.361.00	PA7723	30.663.00	PA7881	30.B56.00	PC8166	54.306.00	PC8367	53.294.00
PA7618	30.305.00	PA7724	30.625.00	PA7883	30.662.00	PC8172	53.236.00	PC8369	53.260.00
PA7620	30.287.00	PA7725	30.381.00	PA7884	30.573.00	PC8174	53.115.00	PC8370	53.329.00
PA7627	30.328.00	PA7726	30.281.00	PA7890	30.A95.00	PC8176	53.109.00	PC8373-2	53.259.00
PA7632	30.309.00	PA7729	30.408.00	PC8002	53.015.00	PC8185	53.184.00	PC8374	53.256.00
PA7634	30.A97.00	PA7731	30.322.00	PC8003	53.021.00	PC8186	53.147.00	PC8376	53.396.00
PA7637	30.468.00	PA7732	30.466.00	PC8004	53.013.00	PC8187	53.112.00	PC8379	53.320.00
PA7638	30.407.00	PA7733	30.B04.00	PC8005	53.006.00	PC8188-2	53.120.00	PC8381	53.367.00
PA7639	30.470.00	PA7734	30.B03.00	PC8006	53.016.00	PC8191	53.118.00	PC8382	53.323.00
PA7640	30.390.00	PA7735	30.A37.00	PC8007	53.001.00	PC8192	53.109.00	PC8385-2	53.313.00
PA7641	30.352.00	PA7738	30.C45.00	PC8008	53.020.00	PC8195	53.147.00	PC8386	53.246.00
PA7642	30.537.00	PA7739	30.638.00	PC8009	53.002.00	PC8196	53.145.00	PC8389	53.322.00
PA7643		PA7740	30.628.00	PC8010	53.010.00	PC8197	53.206.00	PC8390	53.384.00
(SUZUKI SPLASH)	30.550.00	PA7742	30.785.00	PC8012	53.012.00	PC8199	53.137.00	PC8392	53.257.00
PA7643		PA7743	30.539.00	PC8013	53.019.00	PC8200	53.157.00	PC8396-2	53.277.00
(SUZUKI ALTO)	30.456.00	PA7747	30.595.00	PC8014	53.024.00	PC8201	53.218.00	PC8397	53.330.00
PA7644	30.362.00	PA7748	30.558.00	PC8015	53.026.00	PC8202	53.159.00	PC8404	53.426.00
PA7647	30.279.00	PA7749	30.540.00	PC8016	53.007.00	PC8205	53.130.00	PC8408-2	53.332.00
PA7648	30.505.00	PA7750	30.786.00	PC8017	53.232.00	PC8209	53.153.00	PC8418	53.389.00
PA7649	30.367.00	PA7751	30.376.00	PC8018	53.027.00	PC8211	53.152.00	PC8420	53.249.00
PA7650-2		PA7752	30.654.00	PC8020	53.028.00	PC8212	53.093.00	PC8447-2	53.235.00
FILTRO ARA SINISTRO/AR FILTER LEFT SIDE	30.462.00	PA7753	30.700.00	PC8021	53.085.00	PC8213-2	53.219.00	PC8448	53.127.00
PA7650-2		PA7754	30.280.00	PC8022	53.018.00	PC8215	53.126.00	PC8450-2	53.258.00
FILTRO ARA DESTRO/AR FILTER RIGHT SIDE	30.463.00	PA7755	30.A38.00	PC8024	53.017.00	PC8217-2	53.164.00	PC8451	53.379.00
PA7651	30.403.00	PA7756	30.A64.00	PC8025	53.025.00	PC8218-2	53.154.00	PC8452	53.334.00
PA7652	30.A55.00	PA7759	30.594.00	PC8028	53.014.00	PC8221	53.248.00	PC8453	53.299.00
PA7653	30.308.00	PA7761	30.632.00	PC8030	53.083.00	PC8224	53.132.00	PC8473	53.275.00
PA7654	30.386.00	PA7762	30.617.00	PC8031	53.046.00	PC8225	53.161.00	PC8475	53.365.00
PA7655	30.388.00	PA7763	30.544.00	PC8032	53.011.00	PC8230	53.110.00	PC8478	53.391.00
PA7656	30.357.00	PA7764	30.589.00	PC8033-2	53.005.00	PC8233	53.188.00	PC8480	53.387.00
PA7657	30.687.00	PA7767	30.553.00	PC8035	53.064.00	PC8234	53.105.00	PC8492	53.314.00
PA7658	30.639.00	PA7769	30.383.00	PC8038	53.084.00	PC8235	53.418.00	PC8493	53.324.00
PA7659	30.A35.00	PA7770	30.597.00	PC8041-2	53.037.00	PC8238	53.100.00	PC8495	53.208.00
PA7660	30.469.00	PA7771	30.A17.00	PC8043	53.034.00	PC8241-2	53.143.00	PC8496	53.220.00
PA7661	30.260.00	PA7772	30.652.00	PC8044	53.033.00	PC8248	53.116.00	PC8523	53.122.00
PA7662	30.321.00	PA7773	30.779.00	PC8046	53.030.00	PC8250	53.207.00	PC8531	53.317.00
PA7663	30.422.00	PA7774	30.587.00	PC8047	53.047.00	PC8251	53.400.00	PC8532-2	53.239.00
PA7664	30.404.00	PA7775	30.322.00	PC8049	53.041.00	PC8253	53.276.00	PC8534-2	53.073.00
PA7665	30.A60.00	PA7776	30.549.00	PC8051	53.042.00	PC8254	53.185.00	PC8541	53.327.00
PA7666	30.B10.00	PA7777	30.557.00	PC8052	53.068.00	PC8255	53.254.00	PC8547	53.333.00
PA7667	30.233.00	PA7778	30.547.00	PC8053	53.158.00	PC8256	53.261.00	PCA8043	34.106.00
PA7669	30.210.00	PA7780	30.355.00	PC8058	53.059.00	PC8257	53.186.00	PCA8045	34.109.00
PA7670	30.719.00	PA7781	30.634.00	PC8059	53.060.00	PC8258-2	53.397.00	PCA8046	34.230.00
PA7671	30.262.00	PA7782	30.543.00	PC8060	53.044.00	PC8263	53.156.00	PCA8047	34.143.00
PA7675	30.659.00	PA7783	30.548.00	PC8061	53.205.00	PC8264	53.223.00	PCA8059	34.196.00
PA7676	30.278.00	PA7784	30.559.00	PC8068	53.252.00	PC8265	53.151.00	PCA8066	34.118.00
PA7677	27.A00.00	PA7785	30.688.00	PC8075	53.087.00	PC8269-2	53.163.00	PCA8084	34.122.00
PA7678	30.349.00	PA7786	30.A54.00	PC8076	53.039.00	PC8279	53.038.00	PCA8090-2	34.104.00
PA7679		PA7787	30.B08.00	PC8077	53.031.00	PC8290	53.209.00	PCA8103	34.101.00
(OPEL)	30.550.00	PA7788	30.569.00	PC8080	53.057.00	PC8291	53.149.00	PCA8124	34.115.00
PA7681	30.512.00	PA7789	30.655.00	PC8081	53.052.00	PC8293-2	53.229.00	PCA8128	34.232.00
PA7682	30.467.00	PA7790	30.416.00	PC8082	53.230.00	PC8294	53.214.00	PCA8153	34.142.00
PA7683	30.701.00	PA7791	30.405.00	PC8083	53.035.00	PC8296	53.160.00	PCA8158	34.148.00
PA7684	30.645.00	PA7792	30.A20.00	PC8084	53.086.00	PC8297	53.146.00	PCA8168-2	34.127.00
PA7686	30.663.00	PA7793	30.619.00	PC8085	53.091.00	PC8298	53.215.00	PCA8171-2	53.226.00
PA7688	30.657.00	PA7795	30.A40.00	PC8091	53.040.00	PC8300	53.183.00	PCA8171-2	34.153.00
PA7689	30.933.00	PA7796	30.A56.00	PC8093	53.043.00	PC8301	53.240.00	PCA8173-2	34.164.00
PA7690	30.615.00	PA7797	30.B76.00	PC8096	53.050.00	PC8302	53.111.00	PCA8194	34.162.00
PA7691	30.709.00	PA7799	30.603.00	PC8097	53.045.00	PC8305	53.141.00	PCA8204-2	34.172.00
PA7693	30.618.00	PA7800	30.607.00	PC8099	53.162.00	PC8307-2	53.255.00	PCA8205	34.269.00
PA7694	30.307.00	PA7801	30.609.00	PC8100	53.149.00	PC8308	53.222.00	PCA8210	34.168.00
PA7695	30.382.00	PA7802	30.525.00	PC8102	53.061.00	PC8315	53.274.00	PCA8214	34.158.00
PA7696	30.B06.00	PA7803	30.588.00	PC8107	53.067.00	PC8322	53.144.00	PCA8216	34.166.00
PA7697	30.451.00	PA7805	30.A61.00	PC8108	53.069.00	PC8323-2	53.388.00	PCA8219	34.136.00
PA7698		PA7806	30.781.00	PC8111	53.107.00	PC8326	53.388.00	PCA8230	34.145.00
(HYUNDAI 28113-2S000)	30.574.00	PA7807	30.714.00	PC8112	53.082.00	PC8329	53.191.00	PCA8249	34.217.00
PA7698		PA7809	30.456.00	PC8115	53.114.00	PC8330	53.208.00	PCA8250	34.170.00
(HYUNDAI 28113-3X000)	30.635.00	PA7812	30.629.00	PC8117	53.032.00	PC8331	53.325.00	PCA8253	34.234.00
PA7699	30.631.00	PA7813	30.726.00	PC8124	53.076.00	PC8334	53.051.00	PCA8255	34.178.00
PA7701	30.477.00	PA7814	30.455.00	PC8126	53.125.00	PC8335	53.150.00	PCA8255	34.238.00
PA7702	30.A69.00	PA7816	30.724.00	PC8127	53.316.00	PC8336	53.368.00	PCA8263	34.175.00
PA7703	30.496.00	PA7816	30.C62.00	PC8128	53.104.00	PC8337-2	53.310.00	PCA8264	34.285.00
PA7704	30.538.00	PA7817	30.A53.00	PC8129	54.123.00	PC8339	53.233.00	PCA8279	34.111.00
PA7705	30.B63.00	PA7818	30.621.00	PC8131-2	53.197.00	PC8340	53.210.00	PCA8290	34.256.00
PA7706	30.546.00	PA7820	30.630.00	PC8139	53.102.00	PC8341-2	53.251.00	PCA8297	34.268.00
PA7707	30.626.00	PA7822	30.622.00	PC8141	53.077.00	PC8342	53.224.00	PCA8320	34.249.00
PA7708	30.B26.00	PA7823	30.B62.00	PC8143-2	53.108.00	PC8343	53.331.00	PCA8332	34.222.00



PCA8340	34.248.00	PCK8210	54.168.00	21651890	53.013.00	21652849	53.246.00	49408511	34.245.00
PCA8342	34.226.00	PCK8211	54.272.00	21651891	53.027.00	21652850	53.101.00	49408538	34.236.00
PCA8348	34.124.00	PCK8214	54.158.00	21651892	53.025.00	21652851	54.240.00	49408539	34.148.00
PCA8355	34.257.00	PCK8216	54.166.00	21651893	53.012.00	21652852	54.318.00	49408564	34.218.00
PCA8356-2	34.287.00	PCK8219	54.136.00	21651894	53.024.00	21652853	54.137.00	49408597	34.136.00
PCA8360	34.218.00	PCK8224	54.265.00	21651895	53.017.00	21652854	54.112.00	49408633	34.168.00
PCA8361	34.219.00	PCK8226	54.176.00	21651896	53.020.00	21652855	54.295.00	49408634	34.127.00
PCA8374	34.244.00	PCK8227	54.140.00	21651897	53.234.00	21652856	53.069.00	49408636	34.111.00
PCA8418	34.291.00	PCK8229	54.144.00	21651898	53.004.00	21652857	53.076.00	49408728	34.231.00
PCA8476	34.288.00	PCK8230	54.145.00	21651899	53.021.00	21652858	54.115.00	49408800	34.215.00
PCK8003	54.235.00	PCK8231	54.246.00	21651900	53.085.00	21652859	54.140.00	49408801	34.222.00
PCK8020		PCK8249	54.217.00	21651901	53.023.00	21652860	53.235.00	49408802	34.226.00
(PEUGEOT)	54.169.00	PCK8250	54.170.00	21651912	53.006.00	21652861	54.131.00	49408803	34.287.00
PCK8022	54.280.00	PCK8253	54.234.00	21651913	53.002.00	21652862	54.246.00	49408805	34.288.00
PCK8036	54.105.00	PCK8255	54.178.00	21651914	53.011.00	21652863	53.095.00	49408808	34.248.00
PCK8040	54.139.00	PCK8260-2	54.215.00	21651915	53.019.00	21652864	53.245.00	49408809	34.164.00
PCK8043	54.106.00	PCK8262	54.128.00	21651916	53.018.00	21652865	54.133.00	49408840	34.221.00
PCK8044	54.267.00	PCK8263	54.175.00	21651917	53.061.00	21652867	53.338.00	49408841	34.166.00
PCK8045	54.109.00	PCK8264	54.285.00	21651920	53.028.00	21652870	53.051.00	49408842	34.178.00
PCK8046	54.230.00	PCK8265	54.224.00	21651952	54.107.00	21652871	53.155.00	49408843	34.234.00
PCK8047	54.143.00	PCK8278	54.163.00	21651953	54.239.00	21652872	54.174.00	49412333	53.424.00
PCK8050	53.079.00	PCK8279	54.111.00	21651954	54.105.00	21652873	53.117.00	49415858	53.319.00
PCK8053	54.121.00	PCK8290	54.256.00	21651955	54.263.00	21652874	53.125.00	49422175	53.387.00
PCK8054-2	54.108.00	PCK8293-2	54.231.00	21651956	54.195.00	21652897	53.197.00	49434151	54.389.00
PCK8059	54.196.00	PCK8297	54.268.00	21651957	54.165.00	21652916	54.128.00	49440202	34.289.00
PCK8060	54.194.00	PCK8299	54.149.00	21651960	54.118.00	21652959	54.317.00	49455814	34.314.00
PCK8062	54.165.00	PCK8307-2	54.243.00	21651961	54.270.00	21652985	54.281.00	49469886	34.240.00
PCK8063	54.317.00	PCK8320	54.249.00	21651964	54.277.00	21652989	53.109.00	49469980	34.199.00
PCK8064	54.277.00	PCK8321	54.312.00	21651965	54.278.00	21652990	53.080.00	49469990	34.115.00
PCK8065	54.270.00	PCK8328	54.120.00	21651966	54.197.00	21652992	54.271.00	49470412	34.131.00
PCK8066	54.118.00	PCK8332	54.222.00	21651967	54.109.00	21652993	53.250.00	49471227	34.292.00
PCK8067	54.197.00	PCK8338	54.286.00	21651969	53.158.00	21652994	53.098.00	80000021	54.143.00
PCK8068	54.107.00	PCK8340	54.248.00	21651970	53.252.00	21652995	54.134.00	80000022	53.073.00
PCK8071	54.195.00	PCK8341-2	54.241.00	21651972	53.232.00	21652996	54.126.00	80000029	53.057.00
PCK8072	54.263.00	PCK8342	54.226.00	21651976	53.059.00	21653008	54.124.00	80000060	53.105.00
PCK8073	54.135.00	PCK8344	54.220.00	21651979	53.047.00	21653009	54.145.00	80000061	53.129.00
PCK8076	54.282.00	PCK8346	54.223.00	21651980	53.030.00	21653013	54.144.00	80000062	54.158.00
PCK8084	54.122.00	PCK8348	54.124.00	21651981	53.386.00	21653014	54.113.00	80000063	53.236.00
PCK8085	54.126.00	PCK8348	54.376.00	21651983	53.060.00	21653015	54.148.00	80000064	54.154.00
PCK8090-2	54.104.00	PCK8353-4	54.255.00	21651986	53.079.00	21653020	53.189.00	80000065	53.319.00
PCK8091	54.171.00	PCK8355	54.257.00	21651987	53.067.00	21653023	53.009.00	80000066	53.316.00
PCK8092	54.114.00	PCK8356-2	54.287.00	21651991	53.082.00	21653024	53.148.00	80000070	54.123.00
PCK8093	54.262.00	PCK8360	54.218.00	21651994	53.042.00	21653025	53.110.00	80000071	54.149.00
PCK8095	54.113.00	PCK8361	54.219.00	21651995	53.034.00	21653026	53.088.00	80000072	53.131.00
PCK8096	54.264.00	PCK8363-2	54.141.00	21652045	53.114.00	21653027	53.149.00	80000074	53.104.00
PCK8097	54.100.00	PCK8365	54.245.00	21652308	53.033.00	21653028	53.039.00	80000077	54.235.00
PCK8099	54.119.00	PCK8371	54.236.00	21652317	53.091.00	21653029	53.100.00	80000079	53.257.00
PCK8100	54.103.00	PCK8374	54.244.00	21652336	54.121.00	21653030	53.318.00	80000080	53.106.00
PCK8103	54.101.00	PCK8378	54.284.00	21652338	53.138.00	21653031	54.302.00	80000082	53.122.00
PCK8104	54.135.00	PCK8382	54.261.00	21652340	53.134.00	21653032	53.041.00	80000083	53.118.00
PCK8109	54.111.00	PCK8388	54.147.00	21652342	53.070.00	21653034	53.102.00	80000084	53.119.00
PCK8110	54.125.00	PCK8391	54.112.00	21652345	53.063.00	21653035	54.136.00	80000113	54.230.00
PCK8111	54.201.00	PCK8396-2	54.254.00	21652346	53.035.00	21653063	53.228.00	80000148	54.152.00
PCK8113	54.137.00	PCK8408-2	54.279.00	21652347	53.052.00	21653064	54.127.00	80000155	53.141.00
PCK8122	54.116.00	PCK8418	54.291.00	21652348	53.083.00	21653066	54.153.00	80000157	53.400.00
PCK8123	54.271.00	PCK8420	54.331.00	21652349	53.087.00	21653067		80000158	53.077.00
PCK8124	54.115.00	PCK8449-2	54.240.00	21652350	53.075.00	(N. 1 FILTRO/FILTER)	53.226.00	80000160	53.328.00
PCK8126	54.273.00	PCK8472	54.289.00	21652351	53.230.00	21653068	54.194.00	80000162	53.248.00
PCK8128	54.232.00	PCK8476	54.288.00	21652352	54.104.00	21653069	54.120.00	80000163	53.310.00
PCK8137	54.133.00	PCK8485	54.389.00	21652353	54.135.00	21653070	54.252.00	80000164	53.249.00
PCK8142	54.174.00	PCK8492	54.293.00	21652354	54.106.00	21653071	53.107.00	80000179	
PCK8143-2	54.152.00	PCK8493	54.292.00	21652355	54.116.00	21653102	54.142.00	(N.2 FILTRI/FILTERS)	53.242.00
PCK8144	54.117.00	PCK8496	54.253.00	21652356	53.031.00	21653114	53.244.00	80000208	54.283.00
PCK8151	54.134.00	PCK8505-2	54.294.00	21652357	54.114.00	21653115	54.139.00	80000345	53.115.00
PCK8153	54.142.00	PCK8512	34.162.00	21652358	53.094.00	21653142	54.125.00	80000346	54.150.00
PCK8156	54.157.00	PCK8522	54.319.00	21652359	53.065.00	21653143	54.146.00	80000347	54.297.00
PCK8157	54.198.00	PCK8526	54.290.00	21652360	53.058.00	21653144	53.247.00	80000360	53.231.00
PCK8158	54.148.00	PCK8533-2	54.302.00	21652361	54.119.00	21653146	54.282.00	80000361	54.155.00
PCK8162	54.146.00	PCK8535	54.275.00	21652538	54.103.00	21653147	54.156.00	80000373	53.205.00
PCK8164	54.237.00			21652539	53.103.00	21653149	54.151.00	80000403	54.129.00
PCK8165-2	54.132.00	CORTECO		21652540	54.111.00	49356180	54.289.00	80000404	54.306.00
PCK8168-2	54.127.00	UFI		21652541	54.169.00	49361897	53.315.00	80000405	53.120.00
PCK8171-2	54.153.00	21650107	53.016.00	21652542	54.122.00	49363445	54.293.00	80000409	54.139.00
PCK8172	54.154.00	21651182	53.015.00	21652543	53.040.00	49363446	53.324.00	80000412	53.418.00
PCK8173-2	54.164.00	21651183	53.010.00	21652544	53.043.00	49363447	54.292.00	80000418	54.198.00
PCK8175	54.150.00	21651184	53.001.00	21652546	53.108.00	49372543	53.365.00	80000429	54.171.00
PCK8186	54.266.00	21651185	53.014.00	21652548	53.038.00	49380751	53.391.00	80000430	54.267.00
PCK8190	54.156.00	21651195	53.005.00	21652550	53.086.00	49384603	53.390.00	80000438	54.273.00
PCK8193	54.160.00	21651196	53.007.00	21652551	53.050.00	49387665	54.331.00	80000536	53.188.00
PCK8194	54.162.00	21651197	53.046.00	21652552	54.110.00	49402330	54.314.00	80000537	53.240.00
PCK8195	54.266.00	21651198	53.026.00	21652687	53.037.00	49402331	54.170.00	80000541	53.124.00
PCK8198	54.159.00	21651292	54.102.00	21652688	53.064.00	49402332	53.207.00	80000546	53.121.00
PCK8199	54.161.00	21651293	53.044.00	21652689	53.032.00	49408481	34.244.00	80000594	53.049.00
PCK8201	54.167.00	21651294	54.247.00	21652694	54.157.00	49408482	34.162.00	80000602	54.376.00
PCK8203	54.155.00	21651296	54.262.00	21652709	53.162.00	49408483	34.217.00	80000603	53.109.00
PCK8204-2	54.172.00	21651298	53.099.00	21652713	54.101.00	49408485	34.175.00	80000604	53.147.00
PCK8205	54.269.00	21651881	54.242.00	21652714	53.045.00	49408487	34.232.00	80000605	54.266.00
PCK8208-2	54.173.00	21651882	54.108.00	21652715	54.100.00	49408488	34.114.00	80000607	53.385.00

80000614	53.137.00	80001454	53.149.00	CC1036	54.169.00	CC1303	54.163.00	CP1053	53.067.00
80000615	54.172.00	80001456	53.164.00	CC1037	54.121.00	CC1305	54.160.00	CP1054	53.082.00
80000616	54.161.00	80001459	54.166.00	CC1038	54.239.00	CC1309	54.168.00	CP1056	53.042.00
80000620	53.159.00	80001461	54.217.00	CC1044	54.281.00	CC1313	53.374.00	CP1057	53.034.00
80000621	54.100.00	80001489	53.219.00	CC1046	54.143.00	CC1314	54.173.00	CP1058	53.114.00
80000634	53.116.00	80001718	53.239.00	CC1047	54.230.00	CC1323	54.176.00	CP1059	53.033.00
80000637	53.113.00	80001720	53.388.00	CC1057	54.106.00	CC1326	54.170.00	CP1064	53.134.00
80000643	53.274.00	80001722	53.220.00	CC1059	54.267.00	CC1332	54.290.00	CP1066	53.070.00
80000647	54.215.00	80001728	53.322.00	CC1061	54.246.00	CC1335	54.178.00	CP1067	53.063.00
80000648	54.220.00	80001731	53.327.00	CC1071	54.198.00	CC1336	54.233.00	CP1068	53.035.00
80000649	53.214.00	80001736	53.397.00	CC1073	54.120.00	CC1337	54.275.00	CP1069	53.052.00
80000651	53.333.00	80001740	54.141.00	CC1074	54.114.00	CC1342	54.231.00	CP1070	53.083.00
80000652	53.112.00	80001741	54.312.00	CC1079	54.171.00	CC1367	54.234.00	CP1071	53.087.00
80000655	53.111.00	80001754	54.218.00	CC1080	54.262.00	CC1371	54.166.00	CP1072	53.075.00
80000657	53.213.00	80001756	54.222.00	CC1081	54.152.00	CC1372	54.217.00	CP1073	53.230.00
80000662	53.132.00	80001760	53.223.00	CC1082	54.111.00	CC1377	54.255.00	CP1074	53.031.00
80000666	53.143.00	80001770	53.209.00	CC1084	54.122.00	CC1403	54.312.00	CP1075	53.094.00
80000667	54.164.00	80001772	53.422.00	CC1086	54.252.00	CC1404	54.141.00	CP1076	53.065.00
80000669	54.296.00	80001774	53.379.00	CC1087	54.102.00	CC1419	54.218.00	CP1077	53.058.00
80000670	54.201.00	80001776	53.251.00	CC1088	54.101.00	CC1429	54.256.00	CP1078	53.103.00
80000676	53.222.00	80001777	54.241.00	CC1089	54.119.00	CC1431	54.222.00	CP1079	53.040.00
80000712	53.206.00	80001779	54.286.00	CC1092	54.100.00	CC1434	54.241.00	CP1080	53.043.00
80000713	54.159.00	80001780	53.215.00	CC1093	54.240.00	CC1435	54.286.00	CP1081	53.108.00
80000740	53.156.00	80001783	53.190.00	CC1094	54.318.00	CC1436	54.199.00	CP1082	53.038.00
80000741	54.175.00	80001784	54.199.00	CC1095	54.137.00	CC1441	54.249.00	CP1084	53.086.00
80000754	54.221.00	80001785	53.325.00	CC1096	54.156.00	CC1445	54.226.00	CP1085	53.050.00
80000767	53.145.00	80001787	53.311.00	CC1097	54.115.00	CC1448	54.284.00	CP1086	53.037.00
80000777	54.162.00	80001792	54.249.00	CC1098	54.129.00	CC1452	54.236.00	CP1087	53.064.00
80000784	54.265.00	80001793	54.256.00	CC1099	54.133.00	CC1455	54.219.00	CP1088	53.032.00
80000804	53.126.00	80001794	53.229.00	CC1104	54.174.00	CC1458	54.257.00	CP1089	53.162.00
80000807	53.227.00	80004351	53.312.00	CC1106	54.273.00	CC1462	54.245.00	CP1092	53.045.00
80000813	53.208.00	80004353	53.224.00	CC1113	54.134.00	CC1463	54.223.00	CP1094	53.246.00
80000815	53.130.00	80004354	54.226.00	CC1122	54.123.00	CC1465	54.227.00	CP1095	53.101.00
80000824	53.128.00	80004355	53.233.00	CC1125	54.148.00	CC1466	54.261.00	CP1096	53.069.00
80000825	53.404.00	80004356	54.284.00	CC1128	54.110.00	CC1469	54.322.00	CP1097	53.076.00
80000839	53.154.00	80004359	53.253.00	CC1129	54.124.00	CC1471	54.238.00	CP1098	53.235.00
80000844	54.163.00	80004396	54.377.00	CC1130	54.145.00	CC1477	54.254.00	CP1099	53.095.00
80000847	53.255.00	80004402	54.232.00	CC1131	54.221.00	CC1479	54.294.00	CP1100	53.245.00
80000848	54.243.00	80004404	54.237.00	CC1132	54.103.00	CC1512	54.288.00	CP1101	53.338.00
80000852	53.334.00	80004406	53.243.00	CC1133	54.282.00	CC1515	54.289.00	CP1103	53.051.00
80000853	53.218.00	80004407	53.210.00	CC1134	54.247.00	CC1523	54.293.00	CP1104	53.155.00
80000854	54.167.00	80004409	54.236.00	CC1135	54.242.00	CC1524	54.292.00	CP1105	53.117.00
80000865	53.136.00	80004433	53.396.00	CC1137	54.136.00	CC1548	54.170.00	CP1106	53.125.00
80000866	54.160.00	80004514	53.298.00	CC1138	54.127.00	CC1549	54.314.00	CP1107	53.197.00
80000869	53.144.00	80004515	54.219.00	CC1139	54.153.00	CC1564	54.319.00	CP1109	53.317.00
80000871	53.152.00	80004548	53.293.00	CC1140	54.201.00	CEA1001	27.A97.00	CP1110	53.109.00
80000872	54.272.00	80004555	53.206.00	CC1144	54.125.00	CEA1003	30.626.00	CP1111	53.080.00
80000874	53.146.00	80004567	53.330.00	CC1145	54.146.00	CEA1004	27.B54.00	CP1112	53.250.00
80000875	54.268.00	80004572	53.211.00	CC1146	54.271.00	CEA1005	27.B54.00	CP1113	53.098.00
80000877	53.151.00	80004573	54.223.00	CC1147	54.151.00	CP1000	53.016.00	CP1125	53.189.00
80000879	53.153.00	80004639	54.227.00	CC1153	54.158.00	CP1001	53.015.00	CP1128	53.009.00
80000880	54.168.00	80004650	53.323.00	CC1154	54.154.00	CP1002	53.010.00	CP1129	53.148.00
80000911	53.259.00	80004653	54.322.00	CC1155	54.128.00	CP1004	53.001.00	CP1130	53.110.00
80000915	53.161.00	80004661	27.A97.00	CC1159	54.232.00	CP1005	53.014.00	CP1131	53.088.00
80000998	53.374.00	80004663	30.626.00	CC1163	54.237.00	CP1006	53.005.00	CP1132	53.149.00
80000999	53.374.00	80004664	27.B54.00	CC1176	54.283.00	CP1007	53.007.00	CP1133	53.039.00
80001023	53.201.00	80004665	27.B54.00	CC1179	54.306.00	CP1008	53.046.00	CP1134	53.100.00
80001024	53.258.00	80004676	53.107.00	CC1180	54.144.00	CP1009	53.026.00	CP1135	53.318.00
80001027	53.157.00	80004699	54.238.00	CC1186	54.113.00	CP1011	53.044.00	CP1136	53.041.00
80001029	54.255.00	80004700	53.384.00	CC1192	54.150.00	CP1012	53.099.00	CP1137	53.102.00
80001031	54.173.00	80004702	54.257.00	CC1199	54.155.00	CP1015	53.013.00	CP1138	53.228.00
80001034	53.407.00	80004719	54.245.00	CC1202	54.104.00	CP1016	53.027.00	CP1139	
80001035	54.176.00	80004779	53.313.00	CC1203	54.105.00	CP1017	53.025.00	(N. 1 FILTRO/FILTER)	53.226.00
80001036	53.183.00	80004812	53.277.00	CC1221	54.162.00	CP1018	53.012.00	CP1140	53.107.00
80001128	53.207.00	80004813	54.254.00	CC1227	54.266.00	CP1019	53.024.00	CP1141	53.244.00
80001129	54.170.00	80004826	54.294.00	CC1233	54.161.00	CP1020	53.017.00	CP1145	53.247.00
80001172	53.135.00	80005089	53.332.00	CC1259	54.265.00	CP1021	53.020.00	CP1149	53.073.00
80001174	53.294.00	80005090	54.261.00	CC1260	54.164.00	CP1022	53.234.00	CP1151	53.057.00
80001176	53.331.00	80005173	53.389.00	CC1264	54.159.00	CP1023	53.004.00	CP1152	53.105.00
80001179	54.290.00	80005194	53.299.00	CC1265	54.175.00	CP1024	53.021.00	CP1153	53.129.00
80001183	53.160.00	80005209	53.326.00	CC1267	54.297.00	CP1025	53.085.00	CP1154	53.236.00
80001185	53.254.00	80005226	53.273.00	CC1269	54.157.00	CP1026	53.023.00	CP1155	53.319.00
80001186	54.178.00	80005282	54.288.00	CC1270	54.149.00	CP1027	53.006.00	CP1156	53.316.00
80001188	54.233.00	CC1000	54.317.00	CC1271	54.142.00	CP1029	53.002.00	CP1157	53.131.00
80001189	53.150.00	CC1001	54.277.00	CC1273	54.140.00	CP1030	53.011.00	CP1159	53.104.00
80001190	54.275.00	CC1004	54.278.00	CC1275	54.295.00	CP1031	53.019.00	CP1162	53.257.00
80001204	53.367.00	CC1005	54.197.00	CC1282	54.172.00	CP1032	53.018.00	CP1163	53.106.00
80001206	53.261.00	CC1007	54.270.00	CC1283	54.243.00	CP1033	53.061.00	CP1164	53.122.00
80001208	53.185.00	CC1011	54.194.00	CC1284	54.167.00	CP1036	53.028.00	CP1165	53.118.00
80001210	53.229.00	CC1015	54.195.00	CC1285	54.272.00	CP1037	53.158.00	CP1166	53.119.00
80001211	54.231.00	CC1018	54.116.00	CC1286	54.268.00	CP1038	53.252.00	CP1168	53.141.00
80001212	53.208.00	CC1020	54.118.00	CC1289	54.302.00	CP1040	53.232.00	CP1170	53.400.00
80001214	53.191.00	CC1022	54.108.00	CC1291	54.100.00	CP1044	53.059.00	CP1171	53.077.00
80001444	53.186.00	CC1024	54.235.00	CC1292	54.296.00	CP1046	53.047.00	CP1173	53.328.00
80001446	53.127.00	CC1027	54.263.00	CC1294	54.135.00	CP1047	53.030.00	CP1175	53.248.00
80001448	53.163.00	CC1028	54.109.00	CC1298	54.376.00	CP1048	53.386.00	CP1176	53.310.00
80001451	54.234.00	CC1030	54.165.00	CC1300	54.215.00	CP1050	53.060.00	CP1177	53.249.00
80001452	53.184.00	CC1032	54.280.00	CC1301	54.220.00	CP1052	53.079.00	CP1178	



AF0269	30.843.01	AF20025	27.386.00	FF0057	24.366.00	HDF296	24.360.00	HDF913	24.050.00
AF0272	30.062.00	AF20026	30.999.00	FF0058	24.321.00	HDF510	24.397.00	HDF914	26.690.00
AF0292	30.188.00	AF20027	30.066.00	FF0059	24.365.00	HDF511	26.687.00	HDF915	24.014.00
AF0293	30.100.00	AF20028	27.258.00	FF0060	24.365.01	HDF513	26.689.00	HDF916	24.389.00
AF0304	30.121.00	AF20029	30.095.00	FF0061	24.350.02	HDF514	26.688.00	HDF917	24.051.00
AF0307	30.096.00	AF20030	30.066.00	FF0062	24.368.00	HDF515	24.391.00	HDF920	26.693.00
AF0315	30.166.00	AF20031	30.050.00	FF0063	24.375.00	HDF516	24.400.00	HDF924	24.445.00
AF0332	27.599.00	AF20032	27.384.00	FF0064	24.371.00	HDF517	24.409.00	HDF924E	24.445.00
AF0333	30.256.00	AF20035	30.008.00	FF0067	24.380.00	HDF517	24.450.00	HDF925	24.131.00
AF0335	30.235.00	AF20036	27.602.00	FF0068	24.350.00	HDF518	24.401.00	HDF927	24.133.00
AF0336	30.238.00	AF20042	30.A71.00	FF0069	31.515.00	HDF519		HDF927E	24.133.00
AF0337	30.255.00	AF20043	30.320.00	FF0070	31.611.00	(FORD)	24.430.00	HDF928	24.130.00
AF0338	30.243.00	AF20045	27.583.00	FF0093	31.013.00	HDF519		HDF929	26.696.00
AF0339	30.286.00	AF20052	30.155.00	FF0104	24.391.00	(VAG)	24.003.00	HDF935	24.459.00
AF0341	30.285.00	AF20054	27.403.00	FF0131	31.020.00	HDF521	24.374.00	HDF937	24.132.00
AF0343	30.172.00	AF20056	30.112.00	FF0149	31.740.00	HDF531	24.404.00	HDF938	24.098.00
AF0347	30.119.00	AF20057	27.341.00	FF0164	26.687.00	HDF535	24.433.00	HDF939	24.027.00
AF0348	30.073.00	AF20059	30.217.00	FF20001	31.769.00	HDF536	26.691.00	HDF941	24.013.00
AF0350	30.240.00	AF20061	30.127.00	FF20002	24.424.00	HDF537	24.432.00	HDF942	24.132.00
AF0351	30.230.00	AF20068	27.353.00	FF20004	31.712.00	HDF538	24.424.00	HDF943	24.014.00
AF0352	30.001.00	AF20076	27.355.00	FF20006	31.715.00	HDF540	24.425.00	HDF944	24.087.00
AF0360	30.223.00	AF20087	30.248.00	FF20009	24.404.00	HDF541	24.413.00	HDF945	24.088.00
AF0364	30.154.00	AF20091	27.367.00	FF20010	24.413.00	HDF543	24.338.00	HDF946	24.052.00
AF0365	30.045.00	AF20099	30.213.00	FF20011	31.749.00	HDF544	24.436.00	HDF947	24.130.00
AF0366	30.089.00	AF20102	27.593.00	FF20012	31.543.00	HDF547	26.014.00	HDF950	24.412.00
AF0367	30.080.00	AF20103	30.148.00	FF20013	31.750.00	HDF550	31.839.00	HDF954	24.115.00
AF0368	30.082.00	AF20105	30.199.00	FF20014	31.627.00	HDF555	24.417.00	HDF955	24.188.00
AF0369	30.085.00	AF20110	30.266.00	FF20020	31.547.00	HDF556	24.416.00	HDF960	24.382.00
AF0370	30.086.00	AF20112	30.324.00	FF20024	31.669.00	HDF558	31.852.00	HDF965	24.190.00
AF0371	30.143.00	AF20119	30.202.00	FF20027	31.725.00	HDF559	24.007.00	HDF996	24.371.00
AF0375	30.115.00	AF20120	30.197.00	FF20028	31.731.00	HDF563	24.107.00	KF10017C	54.236.00
AF0377	30.173.00	AF20122	30.216.00	FF20033	31.556.00	HDF564	31.849.00	KF10018C	54.312.00
AF0383	30.221.00	AF20125	30.187.00	FF20034	31.724.00	HDF565	55.427.00	KF10019C	54.226.00
AF0387	30.275.00	CAF01	53.015.00	FX0004	23.103.00	HDF568	26.003.00	KF10020	53.422.00
AF0390	30.336.00	CAF02	53.001.00	FX0019	23.131.00	HDF571	24.H20.07	KF10023	53.298.00
AF0391	30.126.00	CAF03	53.014.00	FX0020	23.127.02	HDF572	24.H20.00	R6351051	24.132.00
AF0393	30.058.00	CAF04	53.006.00	FX0027	23.130.01	HDF575	24.437.00	R6353400	24.115.00
AF0395	30.070.00	CAF05	53.013.00	FX0032	23.133.00	HDF576	24.004.00	R6353490	24.116.00
AF0400	30.124.00	CAF09	53.016.00	FX0034	23.129.02	HDF577	55.418.00	TSP0325003	53.013.00
AF0401	30.075.00	CAF11	53.010.00	FX0035	23.177.00	HDF578	24.126.00	TSP0325003C	54.195.00
AF0402	30.108.00	CAF13	53.021.00	FX0037	23.114.02	HDF584	55.430.00	TSP0325004	53.006.00
AF0404	30.118.01	CAF19	53.023.00	FX0069	23.303.00	HDF587	55.582.00	TSP0325006	53.046.00
AF0405	27.750.00	CAF21	53.012.00	FX0071		HDF588	55.418.00	TSP0325009	53.023.00
AF0411	27.195.00	CAF26	53.028.00	(FORD)	23.440.00	HDF595	24.451.00	TSP0325011C	54.119.00
AF0412	27.257.00	CAF29	53.004.00	FX0075	23.274.00	HDF597	24.110.00	TSP0325019C	54.169.00
AF0413	27.520.00	CAF30	53.007.00	FX0076	23.263.00	HDF599	24.196.00	TSP0325021	53.061.00
AF0416	27.770.00	CAF34	53.061.00	FX0077	23.244.00	HDF603	31.920.00	TSP0325022	53.071.00
AF0417	27.740.00	CAF41	53.047.00	FX0078	23.258.00	HDF604	24.119.00	TSP0325027	54.109.00
AF0418	27.155.00	CAF44	53.037.00	FX0079	23.266.00	HDF608	60.H20.00	TSP0325028	53.047.00
AF0419	30.078.01	CAF45	53.068.00	FX0080	23.243.00	HDF610	24.015.00	TSP0325031	53.084.00
AF0426	30.916.00	DCF193P	53.386.00	FX0081	23.253.00	HDF612	26.020.00	TSP0325034	53.060.00
AF0431	27.268.00	ECO296		FX0082	23.242.00	HDF613	26.022.00	TSP0325034C	54.196.00
AF0432	27.172.00	(BR)	24.360.00	FX0084	23.293.00	HDF615	26.007.00	TSP0325036	53.037.00
AF0437	27.274.00	EFP203	31.514.00	FX0085	23.169.00	HDF616	26.015.00	TSP0325037	53.083.00
AF0438	27.254.00	FF0001	24.360.01	FX0086	23.167.00	HDF617	24.077.00	TSP0325038	53.234.00
AF0440	27.591.00	FF0004	26.652.00	FX0087	23.130.02	HDF621	26.055.00	TSP0325042	53.042.00
AF0441	27.525.00	FF0005	26.670.00	FX0116	23.303.00	HDF622	24.025.01	TSP0325043	53.074.00
AF0445	27.162.00	FF0006	26.676.00	FX0164	23.476.00	HDF623	26.058.00	TSP0325044	53.033.00
AF0447	30.993.00	FF0007	24.361.00	FX0169	23.440.00	HDF624	24.113.00	TSP0325047	53.005.00
AF0448	27.156.00	FF0010	31.001.00	FX0178	23.475.00	HDF625	24.127.00	TSP0325048	53.034.00
AF0450	27.580.00	FF0011	31.010.00	FX0183	25.014.00	HDF633	26.694.00	TSP0325048C	54.106.00
AF0452	27.580.00	FF0014	31.009.00	FX0184	23.453.00	HDF635	26.021.00	TSP0325052	53.138.00
AF0453	27.071.00	FF0015	31.009.00	FX0185	23.424.00	HDF638	24.456.00	TSP0325053	53.134.00
AF0467	27.265.00	FF0017	31.006.00	FX0187	25.017.00	HDF639	24.457.00	TSP0325055	53.244.00
AF0468	27.236.00	FF0019	31.001.00	FX0188	25.004.00	HDF646	26.074.00	TSP0325057	53.079.00
AF0469	27.273.00	FF0020	31.502.00	FX0189	25.009.00	HDF648	24.099.00	TSP0325059	53.063.00
AF0470	27.097.00	FF0021	31.500.00	FX0190	25.001.00	HDF649	55.170.00	TSP0325060	53.070.00
AF0472	27.283.00	FF0022	31.539.00	FX0191	25.038.00	HDF652	26.026.00	TSP0325061	53.064.00
AF0473	27.477.00	FF0023	31.024.00	FX0193	25.019.00	HDF653	24.112.00	TSP0325062	53.044.00
AF0475	27.881.00	FF0024	31.513.00	FX20001	25.018.00	HDF654	24.111.00	TSP0325062C	54.194.00
AF0476	27.804.00	FF0025	31.505.00	FX20002	23.465.00	HDF655	26.123.00	TSP0325063	53.292.00
AF0478	27.134.00	FF0026	31.506.00	FX20004	23.464.00	HDF656	26.077.00	TSP0325067	54.101.00
AF0491	27.090.00	FF0027	31.503.00	FX20006	23.429.00	HDF657	26.045.00	TSP0325077	53.059.00
AF0492	30.099.00	FF0029	31.507.00	FX20007	23.254.00	HDF668	26.072.00	TSP0325080	54.113.00
AF0493	30.068.00	FF0032	31.519.00	FX20015	23.474.00	HDF672	26.115.00	TSP0325082	53.050.00
AF20001	27.128.00	FF0033	31.520.00	FX20017	23.465.00	HDF679	24.145.00	TSP0325083	53.094.00
AF20002	27.253.00	FF0035	31.514.00	FX20018	23.246.00	HDF680	24.144.00	TSP0325084	53.087.00
AF20003	27.584.00	FF0043	31.529.00	FX20022	23.473.00	HDF684	26.102.00	TSP0325084C	54.198.00
AF20004	27.524.00	FF0046	31.699.00	FX20023	25.015.00	HDF688	24.465.00	TSP0325085C	54.171.00
AF20005	27.588.00	FF0049	31.741.00	FX20025	25.022.00	HDF696	31.926.01	TSP0325088	54.126.00
AF20006	30.098.00	FF0051	31.750.00	FX20032	25.056.00	HDF796	24.361.00	TSP0325096	53.099.00
AF20008	27.153.00	FF0052	31.564.00	FX20035	23.483.00	HDF901	24.360.00	TSP0325098	53.068.00
AF20009	27.173.00	FF0054		FX20037	25.029.00	HDF902	24.361.00	TSP0325102	53.075.00
AF20010	30.116.00	(ALTRE/OTHER APPL.)	24.351.00	FX20039		HDF904	24.445.00	TSP0325105	53.082.00
AF20014	30.975.00	FF0054		(VOLVO)	25.039.00	HDF906	24.383.00	TSP0325106	53.230.00
AF20023	30.090.00	(BEDFORD, OPEL, VAUXHALL)	24.351.01	FX20039		HDF907	24.013.00	TSP0325107C	54.270.00
AF20023	30.183.00	FF0055	24.319.01	(VAG)	25.040.00	HDF910	24.390.00	TSP0325110C	54.104.00
AF20024	27.354.00	FF0056	24.351.00	FX20040	25.021.00	HDF912	24.388.00	TSP0325111	53.031.00

TSP0325112C	54.101.00	TSP0325337	53.239.00	DCF076P	53.134.00	1612865980	30.244.00	E147284	30.780.00
TSP0325113C	54.282.00	TSP0325340	53.379.00	DCF079P	53.137.00	1612919280	53.422.00	E148002	24.360.00
TSP0325122	54.100.00	TSP0325341	53.212.00	DCF081K	54.161.00	1613722380	30.422.00	E148003	24.361.00
TSP0325124	53.086.00	TSP0325343C	54.241.00	DCF084P	53.149.00	1613732680	54.376.00	E148005	26.676.00
TSP0325128	54.117.00	TSP0325344	53.210.00	DCF091P	53.088.00	1613733080	53.130.00	E148008	26.688.00
TSP0325129	53.091.00			DCF095K	54.317.00	1613733280	54.160.00	E148012	24.371.00
TSP0325141	53.108.00			DCF097K	54.106.00	1616267580	30.547.00	E148024	55.427.00
TSP0325146	54.147.00			DCF098P	53.162.00	1616267680	30.587.00	E148025	24.401.00
TSP0325148	53.125.00	115010-1890	23.251.00	DCF100P	53.076.00	1616268280	30.554.00	E148032	
TSP0325148C	54.273.00	115010-5010	23.253.00	DCF103K	54.106.00	1616268580	30.A17.00	(ALTRE/OTHER APPL.)	24.430.00
TSP0325149	53.050.00	115010-5020	23.477.00	DCF119K	54.377.00	1637767580	25.187.00	E148032	
TSP0325155	53.158.00	115010-5670	23.477.00	DCF120K	54.275.00	1637767680	23.584.00	(VAG)	24.003.00
TSP0325155C	54.121.00	115410-0190	23.476.00	DCF121P	53.226.00	1638020480	27.271.00	E148042	26.003.00
TSP0325158	53.114.00	143-3009	30.A86.00	DCF122K	54.153.00	1638021180	30.173.00	E148043	26.691.00
TSP0325159	53.101.00	186100-0653	24.374.00	DCF125K	54.157.00	1638021980		E148044	24.343.00
TSP0325163C	54.221.00	186100-1721	31.517.00	DCF126P	53.231.00	(DIESEL APPL.)	27.385.00	E148050	26.022.00
TSP0325164	53.102.00	186100-1980	31.556.00	DCF127K	54.155.00	1638021980		E148068	24.027.00
TSP0325166	54.157.00	186100-2290	31.519.00	DCF135K	54.296.00	(BENZINA/PETROL APPL.)	27.386.00	E148081	24.098.00
TSP0325167	53.105.00	186100-2410	31.523.00	DCF153K	54.246.00	1638023280	30.A38.00	E148082	24.052.00
TSP0325168	53.316.00	186100-2430	31.523.00	DCF158K	54.146.00	1638026980	30.607.00	E148107	26.676.00
TSP0325171C	54.134.00	186100-2830	31.560.00	DCF163K	54.215.00	1638027980	30.B24.00	E148119	26.688.00
TSP0325172	53.155.00	186100-2880	31.556.00	DCF167K	54.141.00	1640599480	53.404.00	E148120	26.691.00
TSP0325173	53.050.00	186100-2990	31.558.00	DCF170K	54.149.00	1640604180	53.396.00	E148123	24.015.00
TSP0325174	53.148.00	186100-3100	31.520.00	DCF172K	54.145.00	1640604880	53.389.00	E148130	24.414.00
TSP0325174C	54.124.00	186100-3341	31.694.00	DCF195K	54.277.00	1640605080	54.331.00	E148131	24.H20.00
TSP0325175	53.103.00	186100-3390	31.609.00	DCF201K	54.162.00	1640605680	53.391.00	E148135	26.003.00
TSP0325176C	54.271.00	186100-3451	31.669.00	DCF202P	53.124.00	1643624880	26.115.00	E148139	26.022.00
TSP0325179	53.121.00	186100-3470	31.556.00	DCF209P	53.130.00	1643626280	26.114.00	E148145	60.H20.00
TSP0325182	53.116.00	186100-3580	31.556.00	DCF215K	54.252.00	1643628580	24.193.00	E148156	24.435.00
TSP0325183	53.227.00	186100-3870	31.558.00	DCF221K	54.174.00	1643629680	24.080.00	E149001	23.105.00
TSP0325193	53.131.00	186100-3940	31.669.00	DCF223K	54.100.00	1667441680	30.C03.00	E149003	23.293.00
TSP0325194	53.107.00	186100-4000	31.560.00	DCF225K	54.263.00	1667441980	23.652.00	E149005	23.196.00
TSP0325194C	54.201.00	186100-4020	31.669.00	DCF226P	53.109.00	1667445580	30.B50.00	E149006	23.303.00
TSP0325195	53.106.00	186100-4370	31.775.00	DCF228P	53.004.00	1667447380	30.B56.00	E149020	25.162.00
TSP0325195C	54.237.00	186100-4620	31.802.00	DCF233P	53.189.00	1667448880	30.C39.00	E149021	25.004.00
TSP0325196C	54.247.00	186100-5010	31.580.00	DCF242P	53.141.00	1667451980	27.E50.00	E149027	25.001.00
TSP0325198C	54.149.00	186100-5130	24.413.00	DCF245P	53.144.00	1667453580	30.437.00	E149031	25.027.00
TSP0325199C	54.215.00	186100-5200	31.592.00	DCF263P	53.208.00	1667454080	30.B04.00	E149032	25.022.00
TSP0325205	53.124.00	186100-5360	24.411.00	DCF274P	53.218.00	E145004	31.710.00	E149033	25.033.00
TSP0325206	53.147.00	186100-5380	24.413.00	DCF284P	53.116.00	E145059	31.502.00	E149034	25.023.00
TSP0325207C	54.275.00	186100-5420	24.411.00	DCF288P	53.244.00	E145061	31.748.00	E149035	25.039.00
TSP0325209	53.141.00	186100-5450	31.776.00	DCF290K	54.119.00	E145064	31.948.00	E149036	25.021.00
TSP0325210	53.142.00	186100-5740	31.927.00	DCF300K	54.220.00	E146001	53.021.00	E149037	25.029.00
TSP0325212	53.228.00	186100-5750	31.914.00	DCF311P	53.183.00	E146034	54.111.00	E149038	25.043.00
TSP0325218C	54.274.00	186100-5770	31.914.00	DCF332K	54.160.00	E146047	53.205.00	E149044	23.118.00
TSP0325222	53.112.00	186100-5810	24.413.00	DCF344K	54.167.00	E146058	54.121.00	E149057	23.280.00
TSP0325225	53.231.00	186100-5901		DCF354P	53.248.00	E146059	53.158.00	E149058	23.130.03
TSP0325225C	54.155.00	(SENZA STAFFA/WITHOUT BRACKET)	31.A16.00	DCF362P	53.154.00	E146068	53.039.00	E149059	23.129.02
TSP0325227	53.146.00	186100-5940	24.374.00	DCF365K	54.170.00	E146106	53.227.00	E149060	23.167.00
TSP0325229	53.143.00	186100-5970	24.196.00	DCF378P	53.426.00	E146149	53.021.00	E149081	23.436.00
TSP0325229C	54.164.00	186100-5980	24.413.00	DCF400P	53.009.00	E146151	53.039.00	E149086	23.418.00
TSP0325231	53.222.00	186100-6030	24.452.00	DCF402P	53.234.00	E146155	53.038.00	E149089	23.425.00
TSP0325232	53.147.00	186100-6080	24.411.00	DCF403P	53.228.00	E146177	54.111.00	E149096	23.465.00
TSP0325238	53.144.00	186100-6170	24.465.00	DCF404P	53.246.00	E146183	54.151.00	E149097	23.169.00
TSP0325239	53.153.00	186100-6250	24.413.00	DCF408P	53.400.00	E146193	54.389.00	E149098	23.175.00
TSP0325240	53.189.00	186100-6410	24.465.00	DCF420K	54.318.00	E146202	53.042.00	E149099	23.313.00
TSP0325249	53.150.00	186100-6420	24.452.00	DCF423P	53.274.00	E146242	54.194.00	E149100	23.103.00
TSP0325250	53.208.00	186100-6550	24.465.00	DCF426K	54.242.00	E147003	27.196.00	E149101	25.018.00
TSP0325251	53.407.00	186100-6590	24.469.00	DCF427K	54.194.00	E147004	27.258.00	E149102	23.439.00
TSP0325252	53.145.00	BT115010-4940	23.263.00	DCF471P	53.422.00	E147008	27.239.00	E149104	25.032.00
TSP0325253	53.327.00	BT115010-4950	23.251.00	DCF588P	53.389.00	E147009	27.403.00	E149105	23.481.00
TSP0325257	53.248.00	BT115010-4960	23.253.00	DDFF16660	24.465.00	E147010	30.933.00	E149108	25.002.00
TSP0325258C	54.163.00	BT115410-0830	23.476.00	PD014520-0460	53.100.00	E147011	30.144.00	E149109	25.060.00
TSP0325259	53.137.00	DCF001P	53.006.00	PD014520-0970	53.100.00	E147012	27.228.00	E149130	23.293.00
TSP0325260	53.156.00	DCF013P	53.060.00			E147015	27.239.00	E149133	25.032.00
TSP0325260C	54.175.00	DCF021P	53.032.00			E147028	30.802.01	E149134	23.439.00
TSP0325263	53.151.00	DCF024P	53.043.00			E147057	30.101.00	E149144	23.303.00
TSP0325265	53.218.00	DCF025P	53.005.00	B317050014	27.550.00	E147057	30.C47.00	E149233	25.037.00
TSP0325295C	54.262.00	DCF031P	53.001.00	B317105019	23.257.00	E147068			
TSP0325303		DCF038P	53.230.00			(ALTRE/OTHER APPL.)	30.872.01		
(N. 1 FILTRO/FILTER)	53.009.00	DCF039K	54.103.00			E147068			
TSP0325305	53.254.00	DCF042P	53.252.00			(NISSAN)	27.605.00	5016	53.059.00
TSP0325305C	54.178.00	DCF044K	54.107.00	16095633780	23.457.00	E147069	27.701.00	5049	53.161.00
TSP0325310C	54.170.00	DCF045K	54.239.00	1609692380	24.196.00	E147075	30.911.00	5050	53.137.00
TSP0325312	53.183.00	DCF046K	54.105.00	1609695580	53.388.00	E147078	30.067.00	5050K	54.161.00
TSP0325313	53.164.00	DCF049P	53.148.00	1610583180	54.306.00	E147084	30.026.00	5300	53.020.00
TSP0325317	53.163.00	DCF052K	54.124.00	1611154580	30.A97.00	E147088	30.851.00	5314	53.026.00
TSP0325321C	54.234.00	DCF053K	54.376.00	1611155380	30.317.00	E147124	27.065.00	5318	53.015.00
TSP0325322	53.209.00	DCF054K	54.101.00	1611157080	30.390.00	E147139	30.942.00	5318K	54.197.00
TSP0325322C	54.256.00	DCF055P	53.002.00	1611157880	30.B23.00	E147148	27.881.00	5318K	54.277.00
TSP0325323	53.220.00	DCF056K	54.165.00	1611157980	30.330.00	E147149	27.804.00	5319	53.001.00
TSP0325324	53.261.00	DCF058K	54.110.00	1611158080		E147154	30.082.00	5323	53.046.00
TSP0325325	53.186.00	DCF066K	54.322.00	(CITROEN, PEUGEOT)	30.400.00	E147171	30.180.00	5328	53.016.00
TSP0325330	53.229.00	DCF067K	54.112.00	1611158080		E147177	30.139.00	5329	53.006.00
TSP0325330C	54.231.00	DCF069K	54.295.00	(MINI)	30.345.00	E147186	30.185.00	5329K	54.263.00
TSP0325331C	54.249.00	DCF070P	53.042.00	1611158280	27.628.00	E147193	30.157.00	5330	53.007.00
TSP0325334	53.215.00	DCF071K	54.111.00	1611891580	30.645.00	E147242	30.210.00	5330K	54.270.00
TSP0325335	53.388.00	DCF073K	54.172.00	1612865780	30.395.00	E147283	30.129.00	5332	53.049.00

5333	53.027.00	5423K	54.114.00	5496K COUPLE	54.153.00	5582K	54.217.00	101326	26.114.00
5340	53.244.00	5424	53.031.00	5497	53.123.00	5583	53.207.00	101330	25.257.00
5341	53.021.00	5425	53.257.00	5499	53.246.00	5583K	54.170.00	101336	30.509.00
5341K	54.235.00	5426K	54.104.00	5499K	54.318.00	5584	53.163.00	101340	26.129.00
5345	53.025.00	5427	53.068.00	5500	53.250.00	5585K	54.255.00	101443	30.395.00
5345K	54.105.00	5428	53.032.00	5501	53.228.00	5588	53.186.00	101444	30.A38.00
5346	53.070.00	5429	53.086.00	5501K	54.127.00	5589	53.261.00	101450	30.A62.00
5347	53.010.00	5429K	54.122.00	5502	53.120.00	5590 COUPLE	53.229.00	101452	23.717.00
5348	53.013.00	5430K	54.119.00	5503	53.141.00	5590K COUPLE	54.231.00	101641	25.199.00
5348K	54.195.00	5431K	54.135.00	5504	53.133.00	5591	53.276.00	101646	30.B56.00
5350	53.023.00	5433	53.162.00	5505	53.116.00	5591K	54.234.00	101651	53.418.00
5350K	54.107.00	5434	53.230.00	5506	53.126.00	5592 COUPLE	53.239.00	101654	26.115.00
5350K	54.239.00	5434K	54.120.00	5507	53.112.00	5593	53.388.00	101656	25.210.00
5352	53.002.00	5436	53.043.00	5508	53.247.00	5594	53.223.00	101658	30.A46.00
5353	53.018.00	5437	53.039.00	5508K	54.146.00	5595K	54.312.00	101660	30.665.00
5355	53.005.00	5437K	54.282.00	5509K	54.296.00	5596	53.160.00	101663	30.795.00
5356	53.012.00	5438K	54.112.00	5510	53.129.00	5597	53.220.00	101664	30.793.00
5356K	54.116.00	5439	53.235.00	5510K	54.158.00	5597K	54.253.00	101665	30.794.00
5357	53.017.00	5439K	54.129.00	5511	53.103.00	5600	53.215.00	10190	27.231.00
5357K	54.118.00	5440	53.051.00	5512	53.227.00	5601	53.209.00	102684	53.391.00
5358	53.085.00	5441	53.041.00	5512K	54.142.00	5601K	54.256.00	102969	27.G11.00
5359 COUPLE	53.234.00	5444	53.065.00	5513K	54.144.00	5603	53.149.00	102970	27.G10.00
5359K	54.108.00	5446	53.038.00	5514	53.111.00	5604	53.294.00	102971	27.G33.00
5360	53.061.00	5446K	54.111.00	5515	53.236.00	5605K	54.222.00	102972	27.G31.00
5362	53.019.00	5447	53.118.00	5515K	54.154.00	5606	53.368.00	103005	30.B54.00
5363	53.028.00	5448	53.077.00	5516	53.132.00	5608	53.251.00	103008	31.944.00
5363K	54.169.00	5449K	54.117.00	5516K	54.265.00	5608K COUPLE	54.241.00	103799	30.A51.00
5367	53.057.00	5450	53.197.00	5517	53.115.00	5609K	54.320.00	103807	30.A41.00
5370	53.024.00	5451	53.149.00	5517K	54.150.00	5610	53.379.00	104336	25.160.00
5371	53.042.00	5451K	54.103.00	5519	53.231.00	5613K	54.249.00	104337	25.139.00
5372	53.074.00	5452K	54.147.00	5519K	54.155.00	5617	53.131.00	104796	30.A42.00
5373	53.004.00	5454	53.067.00	5521K COUPLE	54.215.00	5618 COUPLE	53.212.00	104799	30.C63.00
5374	53.011.00	5455	53.080.00	5522	53.121.00	5621	53.224.00	104811	54.314.00
5374K	54.165.00	5456	53.108.00	5523	53.145.00	5621K	54.226.00	104812	54.319.00
5375	53.014.00	5457	53.125.00	5524	53.214.00	5622K	54.218.00	104947	30.A45.00
5376	53.030.00	5457	53.184.00	5526	53.124.00	5623K	54.236.00	105705	30.A52.00
5376K	54.230.00	5458 COUPLE	54.240.00	5526K	54.162.00	5624	53.233.00	105706	30.B41.00
5377K	54.139.00	5459	53.095.00	5528	53.147.00	5626	53.210.00	105786	26.122.00
5378	53.079.00	5459K	54.133.00	5529	53.222.00	5626K	54.248.00	105791	54.376.00
5379	53.037.00	5460K	54.152.00	5530	53.135.00	5629	53.256.00	10611	
5379	54.252.00	5461K	54.157.00	5532	53.144.00	5629K	54.244.00	(FORD FIESTA, MAZDA 121)	30.062.00
5380	53.084.00	5464	53.069.00	5537	53.113.00	5629K	54.227.00	106371	25.216.00
5381	53.060.00	5464K	54.156.00	5540	53.143.00	5630K	54.223.00	106896	30.C35.00
5381K	54.196.00	5465	53.058.00	5540K	54.164.00	5632	53.383.00	107396	27.B13.00
5382	53.083.00	5467	53.119.00	5541	53.159.00	5633	53.298.00	107399	26.076.01
5383	53.232.00	5468	53.076.00	5542	53.130.00	5633K	54.219.00	107824	25.183.00
5384	53.063.00	5468K	54.115.00	5542K	54.269.00	5636K	54.238.00	108278	30.B63.00
5385	53.047.00	5469	53.142.00	5543K	54.220.00	5637	53.211.00	108287	23.687.00
5385K	54.143.00	5470	53.107.00	5544	53.206.00	5637K	54.245.00	108329	30.A63.00
5386	53.034.00	5470K	54.201.00	5546	53.152.00	5639	54.261.00	108331	30.A59.00
5386K	54.106.00	5471	53.242.00	5547	53.127.00	5640	53.293.00	108364	30.A44.00
5387	53.033.00	5472	53.109.00	5547	53.201.00	5640K	54.257.00	108744	30.317.00
5388	53.138.00	5472K	54.274.00	5548	53.156.00	5641	53.330.00	108930	30.B13.00
5389	53.134.00	5473	53.148.00	5548K	54.175.00	5642	53.332.00	108968	27.E52.00
5390K	54.109.00	5473K	54.124.00	5549	53.150.00	5643F COUPLE	53.313.00	108973	24.188.00
5391	53.258.00	5474	53.218.00	5549K	54.275.00	5644	53.253.00	108975	30.B26.00
5392	53.292.00	5474K	54.167.00	5550	53.191.00	5646	53.190.00	108975	30.B29.00
5394	53.064.00	5475K	54.273.00	5551K	54.176.00	5647	54.254.00	108977	23.632.00
5394K	54.102.00	5476	53.189.00	5552 COUPLE	53.259.00	5651	53.273.00	108982	25.201.00
5396	53.052.00	5476K	54.148.00	5553K	54.159.00	5652K	54.294.00	109000	25.148.00
5397	53.044.00	5477	53.098.00	5554 COUPLE	53.154.00	5653	53.299.00	109018	23.739.00
5397K	54.194.00	5477K	54.134.00	5554K	54.172.00	5654K	54.288.00	109062	53.385.00
5398K	54.101.00	5478	53.093.00	5555	53.136.00	5656	53.249.00	109084	30.A70.00
5399		5478K	54.271.00	5555K	54.160.00	5657	53.384.00	109102	30.C37.00
(N. 1 FILTRO/FILTER)	53.009.00	5479	53.249.00	5557	53.151.00	5660	53.326.00	109113	30.B14.00
5399K	54.110.00	5479K	54.138.00	5557K	54.224.00	5662K	54.289.00	109122	30.C62.00
5403	53.158.00	5480	53.104.00	5558	53.213.00	5663	53.365.00	109201	23.650.00
5403K	54.121.00	5480K	54.232.00	5559K	54.283.00	5674	53.387.00	109596	54.377.00
5404K COUPLE	54.242.00	5481	53.155.00	5561	53.274.00			109703	30.B10.00
5407	53.091.00	5481K	54.174.00	5562	53.208.00	FEBI-BILSTEIN	UFI	11125	30.090.00
5408K	54.113.00	5482	53.106.00	5564	53.153.00			11209	30.085.00
5409	53.100.00	5482K	54.237.00	5564K	54.168.00	01510	30.835.00	11210	
5409K	54.247.00	5484	53.240.00	5566	53.146.00	09187	53.046.00	11210	(PEL, VAUXHALL)
5411	53.035.00	5486K	54.151.00	5567K	54.163.00	09450		11210	30.924.00
5413	53.075.00	5487	53.088.00	5570	53.243.00	(N. 1 FILTRO/FILTER)	53.009.00	(VAG)	30.192.00
5414	53.050.00	5487K	54.221.00	5570 COUPLE	53.255.00	100358	30.B25.00	11233	53.047.00
5415	53.082.00	5488	53.101.00	5570K COUPLE	54.243.00	100362	30.711.00	11235	53.030.00
5416	53.094.00	5488K	54.137.00	5571	53.219.00	100366	27.E61.00	11264	53.061.00
5416K	54.131.00	5489	53.090.00	5572	53.157.00	100368	30.B27.00	11507	53.024.00
5417	53.087.00	5489K	54.125.00	5573	53.183.00	100371	30.A72.00	11508	53.020.00
5417K	54.198.00	5491	53.102.00	5574K	54.173.00	100384	30.717.00	11509	53.019.00
5418K	54.123.00	5491K	54.136.00	5575K	54.166.00	100464	30.A15.00	11510	53.023.00
5419	53.040.00	5492K	54.140.00	5577	53.254.00	100468	30.532.00	11566	54.109.00
5419K	54.171.00	5493	53.122.00	5577K	54.178.00	100474	24.149.00	11567	53.067.00
5420K	54.126.00	5494	53.110.00	5578K	54.297.00	100475	24.193.00	11568	53.011.00
5421	53.045.00	5494K	54.145.00	5579	53.185.00	100476	24.194.00	12263	53.234.00
5421K	54.100.00	5495K	54.149.00	5580K	54.233.00	100487	25.145.00	12264	54.108.00
5422K	54.128.00	5496F COUPLE	53.226.00	5581	53.164.00	101325	24.061.01	12618	53.005.00

12648	31.500.00	24423	53.063.00	36283	53.209.00	9446	53.006.00	FL6071	27.706.00
12649	31.508.00	24425	53.109.00	36628	25.232.00	9447	53.013.00	FL6113	27.702.00
12650	31.569.00	24426	53.080.00	36634	25.106.00	9448	53.002.00	FL6124	27.701.00
12711	53.158.00	24433	53.050.00	37048	54.223.00	9449	53.011.00	FL6148	27.707.00
12765	30.101.00	24434	53.103.00	37049	54.218.00	9466	53.004.00	FL6179	27.720.00
12765	30.C47.00	24439	53.118.00	37113	53.224.00	9737	27.283.00	FL6186	27.719.00
12766	30.087.00	24440	53.077.00	37114	54.226.00			FL6198	27.716.00
14056	30.077.00	24490	53.117.00	37315	54.312.00			FL6221	27.725.00
14749	53.079.00	24526	53.123.00	37320	30.556.00	FERRARI (AUTO) UFI		FL6237	27.735.00
14808	53.020.00	24540	54.142.00	37326	54.232.00	066855200	54.296.00	FL6240	27.715.00
14815	53.016.00	24542	53.121.00	37328	54.237.00	100325	23.162.02	FL6243	27.713.00
14816	53.034.00	24564	53.240.00	37334	54.234.00	104838	27.925.00	FL6252	27.712.00
14817	54.102.00	24567	53.116.00	37723	53.233.00	111782	23.162.02	FL6259	27.730.00
14840	31.502.00	24590	54.147.00	38280	30.294.00	111782/B	23.162.02	FL6268	27.729.00
14841	31.513.00	24827	53.132.00	38658	54.222.00	113283	30.830.00	FL6300	27.728.00
1510	30.835.00	26195	53.111.00	38877	30.376.00	113977	31.699.00	FL6309	30.800.00
1511	30.818.00	26302	53.231.00	38880	27.630.00	114432	27.871.00	FL6310	27.792.00
1512	30.946.00	26336	60.H20.00	38881	27.621.00	115738	31.505.00	FL6314	27.853.00
15935	53.082.00	26342	30.264.00	38882	23.303.00	115743	30.862.00	FL6325	27.731.00
170198	30.491.00	26416	31.824.00	39048	54.219.00	117792	31.502.00	FL6330	27.726.00
170209	30.C54.00	26437	31.924.00	39218	30.390.00	118006	30.867.00	FL6338	30.806.00
170233	30.C03.00	26678	54.139.00	39750	30.374.00	118492	27.925.00	FL6339	30.811.00
170546	25.211.00	26704	25.048.00	40422	54.236.00	121284	30.887.02	FL6342	27.762.00
171180	25.249.00	27274	30.248.00	44664	54.244.00	133180	30.941.02	FL6345	30.804.00
17151	54.270.00	27276	30.288.00	44664	54.388.00	137176	30.887.02	FL6346	30.803.00
17160	53.064.00	27423	53.112.00	44783	53.210.00	141383	23.284.00	FL6356	27.761.00
172255	23.664.00	27829	53.218.00	44846	54.238.00	148718	30.979.02	FL6358	27.906.00
17263	54.100.00	27924	54.159.00	44847	53.277.00	151323	23.284.00	FL6364	27.740.00
17264	53.045.00	27931	53.246.00	45535	53.243.00	151562	30.023.00	FL6365	27.770.00
172690	30.B15.00	27944	53.197.00	45613	54.389.00	151564	30.979.02	FL6367	27.744.00
172986	30.B12.00	27950	53.143.00	45857	54.261.00	152212	31.748.00	FL6377	27.817.00
17474	54.262.00	27976	53.154.00	45872	27.A97.00	155871	30.941.02	FL6380	27.778.00
174822	27.F37.00	28323	53.201.00	45881	53.332.00	178647	31.505.00	FL6389	30.809.00
17553	54.106.00	28379	54.175.00	4622	30.996.00	191993	23.162.02	FL6391	27.736.00
17556	54.116.00	28380	53.156.00	47224	25.185.00	206166	23.284.00	FL6394	27.775.00
17796	54.165.00	28413	53.255.00	47433	27.A72.00	95180050	26.617.00	FL6397	
1812	30.864.00	28414	54.243.00	47807	53.299.00	95180051	27.708.00	(ALTRE/OTHER APPL.)	30.807.00
18641	54.121.00	29188	53.145.00	47831	30.A35.00	95180053	26.655.00	FL6402	27.785.00
18877		29212	53.183.00	48460	27.F32.00			FL6403	27.756.00
(N.1 FILTRO/FILTER)	54.242.00	29213	53.151.00	48465	53.298.00	FIAAM UFI		FL6445	27.800.00
18915	53.044.00	29220	54.172.00	48473	54.289.00	FA4009	25.408.00	FL6451	27.845.02
19358	53.091.00	29222	54.166.00	48475	30.655.00	FA4012D	25.407.01	FL6452	27.707.00
19438	53.058.00	29307	53.222.00	48479	30.693.00	FA4016B	25.409.01	FL6462	27.781.00
19439	53.076.00	29308	54.167.00	48483	54.256.00	FA4016C	25.409.01	FL6519	27.824.00
19441	53.084.00	29871	54.163.00	48498	53.422.00	FA4018	25.406.01	FL6520	27.888.00
19446	53.230.00	29965	30.342.00	48499	54.254.00	FA4018A	25.406.01	FL6533	27.059.00
19588	54.101.00	30434	53.141.00	48502	54.257.00	FA4023	24.362.00	FL6535	27.769.00
19592	54.114.00	30435	54.220.00	48507	30.587.00	FA4043/2	26.609.00	FL6544	27.799.00
19663	53.037.00	30743	53.254.00	48508	30.677.00	FA4154	26.606.00	FL6547	27.770.00
19793	53.094.00	30861	53.316.00	48510	54.293.00	FA4167	26.602.00	FL6548	27.133.00
19971	54.119.00	31151	30.155.00	48511	54.288.00	FA4174	26.601.00	FL6558	27.744.00
19984	53.086.00	31295	54.141.00	48514	30.777.00	FA4194/2	26.618.00	FL6567	27.898.00
19985	54.122.00	31308	30.068.00	48518	30.718.00	FA4205/2	26.617.00	FL6568	27.734.00
21125	54.128.00	31367	53.142.00	48519	30.A61.00	FA4247A	25.402.01	FL6570	
21137	53.038.00	31441	27.596.00	48521	30.B20.00	FA4303	25.421.00	(RENAULT)	30.872.01
21139	54.111.00	31985		48527	23.660.00	FA4343	25.443.00	FL6570	
21289	54.120.00	(N.1 FILTRO/FILTER)	54.231.00	48529	30.355.00	FA4372	25.419.00	(NISSAN)	27.605.00
21312	53.148.00	32068	24.413.00	48538	30.688.00	FA4483B	25.455.01	FL6571	30.872.01
21314	54.124.00	32103	25.060.00	48541	54.292.00	FA4549	26.635.00	FL6575	30.843.01
21316	53.189.00	32240	30.210.00	48542	25.204.00	FA4550	26.652.00	FL6576	27.946.00
21318	54.148.00	32245	30.647.00	48554	24.186.00	FA4598	25.439.00	FL6578	27.947.00
21643	54.247.00	32366	54.178.00	48557	30.C64.00	FA4758	26.660.00	FL6614	27.744.00
21650	54.240.00	32399	31.948.00	48558	30.B23.00	FA4827	26.655.00	FL6616	27.939.00
21702	54.110.00	32576	54.273.00	49645	30.A17.00	FA4900	25.539.00	FL6625	27.956.00
21930	53.098.00	32588	53.219.00	49646	30.692.00	FA5015	25.530.00	FL6628	27.904.00
21932	53.075.00	32593		49653	30.B24.00	FA5016	25.530.01	FL6629	27.927.00
22069		(N.1 FILTRO/FILTER)	53.229.00	49654	30.778.00	FA5054	26.670.00	FL6631	27.083.00
(N.1 FILTRO/FILTER)	53.228.00	32609	53.160.00	49655	30.A43.00	FA5129	25.408.00	FL6633	30.871.00
22070	54.127.00	32760	53.208.00	49658	30.B87.00	FA5155	25.541.00	FL6640	27.084.00
22165	53.102.00	32910	25.059.00	49658	30.C36.00	FA5156	25.548.00	FL6641	27.845.02
22166	54.136.00	33494	53.261.00	49659	30.B50.00	FA5264	25.555.00	FL6645	27.890.00
22282		33770	27.356.00	49660	30.A67.00	FA5282	25.587.00	FL6649	27.155.00
(N.1 FILTRO/FILTER)	53.226.00	33772	23.489.00	6771	27.804.00	FA5362	26.689.00	FL6650	27.061.00
22284		34186	54.306.00	6786	27.067.00	FA5381	26.686.00	FL6651	27.063.00
(N.1 FILTRO/FILTER)	54.153.00	34187	53.186.00	7814	30.981.00	FA5397	25.590.00	FL6654	27.097.00
22441	54.144.00	34188	53.220.00	8698	31.013.00	FA5410	25.012.00	FL6658	27.888.00
2246	53.244.00	34398	23.565.00	9186	53.026.00	FA5437	25.008.00	FL6661	30.807.00
22546	25.023.00	34555	53.191.00	9408	53.012.00	FA5442	25.018.00	FL6664	27.752.00
22552	30.187.00	34558	54.264.00	9409	53.017.00	FA5444	25.017.00	FL6666	27.062.00
23050	26.689.00	34780	54.221.00	9410	53.016.00	FA5453	26.687.00	FL6670	30.896.00
23683	54.154.00	34781	54.318.00	9429	53.015.00	FA5558	25.019.00	FL6676	30.922.01
23717	53.131.00	34814	54.241.00	9430	53.001.00	FA5564	25.690.00	FL6685	27.081.00
23789	31.851.00	34815	53.251.00	9431	53.010.00	FA5578	26.688.00	FL6686	30.943.00
23921	54.149.00	34870	30.340.00	9432	53.014.00	FA5668	26.687.00	FL6692	30.939.00
23950	24.427.00	36023	54.235.00	9433	53.018.00	FA5746	26.687.00	FL6695	30.923.01
24180	53.106.00	36035	54.282.00	9435	53.027.00	FA5787	26.696.00	FL6696	27.110.00
24411	53.125.00	36040	54.269.00	9437	53.007.00			FL6698	27.085.00
24415	53.108.00	36064	54.249.00	9439	53.005.00			FL6699	27.235.00

FL6719	27.086.00	FT4627	23.124.00	FT5036	23.167.00	FT5262	31.562.00	FT6032	23.472.00
FL6720	27.076.00	FT4648	31.001.00	FT5050	23.194.00	FT5263		FT6033	31.853.00
FL6728	27.065.00	FT4648A	31.001.00	FT5051	23.195.00	(GARTA PEGH./PLEATED PAPER)	26.676.00	FT6042	23.565.00
FL6730	30.916.00	FT4648B	31.001.00	FT5053	23.280.00	FT5270	31.529.00	FT6053	31.825.00
FL6740	27.069.00	FT4653	23.110.02	FT5053A	23.280.00	FT5271	31.561.00	PC8038	53.084.00
FL6742	27.580.00	FT4662		FT5055A	24.321.00	FT5272	23.263.00	PC8050	53.079.00
FL6751	27.074.00	(ALTRE/OTHER APPL.)	23.113.00	FT5056	23.171.00	FT5273	23.264.00	PC8055-2	
FL6755	27.069.00	FT4664	23.104.00	FT5058	23.186.01	FT5274		(N.2 FILTRI/FILTERS)	53.070.00
FL6760	27.089.00	FT4670T	23.107.01	FT5069		(ESCLUSO/EXCEPT TOYOTA)	23.131.00	PC8056	
FL6761	27.153.00	FT4674	23.114.01	(SAAB)	23.298.00	FT5274		(N.1 FILTRO/FILTER)	53.070.00
FL6762	27.090.00	FT4682	23.115.00	FT5069A		(TOYOTA)	23.253.00	PC8075	53.087.00
FL6766	27.162.00	FT4710	23.128.00	(SAAB)	23.298.00	FT5278	23.303.00	PC8076	53.039.00
FL6771	30.917.01	FT4739	23.132.00	FT5073	23.130.03	FT5283	23.299.00	PC8079	53.075.00
FL6772	30.976.00	FT4747		FT5075	23.209.00	FT5284	23.458.00	PC8081	53.052.00
FL6775	27.128.00	(ALTRE/OTHER APPL.)	23.117.00	FT5081		FT5286	23.251.00	PC8085	53.091.00
FL6776	27.175.00	FT4747		(BEDFORD, OPEL, VAUXHALL)	24.351.01	FT5287	24.379.01	PC8086	53.134.00
FL6779	27.580.00	(FORD)	23.188.00	FT5082	31.012.00	FT5288	24.381.00	PC8087	53.138.00
FL6787	27.268.00	FT4756	23.131.02	FT5087	23.114.01	FT5289	24.380.00	PC8088	53.038.00
FL6790	27.149.00	FT4760	23.130.00	FT5090		FT5297	24.397.00	PC8089	53.065.00
FL6793	30.987.01	FT4761	23.134.01	(DAIHATSU)	23.131.01	FT5294	31.564.00	PC8096	53.050.00
FL6795	27.176.00	FT4771	23.127.00	FT5090		FT5296	31.513.00	PC8098	53.058.00
FL6796	27.177.00	FT4772	23.173.01	(TOYOTA)	23.270.00	FT5297	31.507.00	PC8108	53.069.00
FL6797	30.969.00	FT4772A	23.173.01	FT5102	23.402.00	FT5342	23.419.00	PC8110	53.090.00
FLI6417	27.804.00	FT4775	23.127.05	FT5118	23.195.00	FT5347	23.417.00	PC8111	53.107.00
FLI6423	27.923.00	FT4775	23.176.00	FT5124	23.246.00	FT5380	31.718.00	PC8113	53.101.00
FLI6426	27.902.00	FT4776	23.172.00	FT5125	23.231.00	FT5384	24.400.00	PC8115	53.114.00
FLI6440	27.931.00	FT4777	23.152.00	FT5127	23.496.00	FT5385	24.365.01	PC8117	53.032.00
FLI6459	27.828.00	FT4781	23.124.00	FT5130	23.197.00	FT5386	31.710.00	PC8124	53.076.00
FLI6489	27.920.00	FT4790	23.241.00	FT5132	23.211.00	FT5388	23.425.00	PC8125	53.117.00
FLI6490	27.878.00	FT4790A	23.164.00	FT5140	31.505.00	FT5398	31.543.00	PC8128	53.104.00
FLI6496	27.893.00	FT4790A		FT5141	31.500.00	FT5401	31.724.00	PC8141	53.077.00
FLI6627	27.982.00	(O/OR)	23.164.03	FT5144	23.249.00	FT5404	23.428.00	PC8142	53.155.00
FLI6638	27.993.00	FT4790B	23.164.03	FT5146	23.212.00	FT5406	23.258.00	PC8144	53.103.00
FLI6653	27.132.00	FT4797	23.151.00	FT5148		FT5407	23.265.00	PC8151	53.098.00
FLI6653A	27.140.00	FT4799	24.304.00	(OPEL, VAUXHALL)	23.133.00	FT5414	31.750.00	PC8154	53.131.00
FLI6693	27.134.00	FT4803	23.124.00	FT5149	23.262.00	FT5415	31.569.00	PC8159	53.088.00
FLI6694	27.067.00	FT4805	23.156.00	FT5151	23.237.00	FT5416	31.515.00	PC8166	53.123.00
FLI6724	27.139.00	FT4809		FT5152	24.368.00	FT5417	31.669.00	PC8170	53.124.00
FLI6781	27.283.00	(MWM)	23.185.01	FT5160	23.244.00	FT5421	31.712.00	PC8185	53.184.00
FLI6811	27.140.00	FT4809		FT5161	23.242.00	FT5428	31.520.00	PC8187	53.112.00
FLI6819	27.169.00	(LANCIA)	23.297.00	FT5161A	23.242.00	FT5429	23.248.00		
FLI6823	27.828.00	FT4819	23.129.01	FT5164	23.255.00	FT5434	23.476.00	FIAT	UFI
FLI6856	27.232.00	FT4825	23.188.00	FT5165	23.194.00	FT5448	23.259.00		
FLI6857	27.233.00	FT4826	23.127.02	FT5166	31.013.00	FT5449	23.274.00	0004442559	31.500.00
FLI6877	27.477.00	FT4828	23.127.00	FT5167	31.027.00	FT5455	23.495.00	0052072078	30.475.00
FLI6880	27.602.00	FT4828A	23.257.00	FT5173	31.005.00	FT5458	31.749.00	0055183307	30.202.00
FLI6938	27.135.00	FT4829	23.167.00	FT5175	31.006.00	FT5467	31.769.00	0060504284	23.127.05
FLI9037	27.231.00	FT4837		FT5177	31.026.00	FT5468	24.424.00	0060504569	23.169.00
FP4378	24.360.00	(FIAT)	23.267.00	FT5183	31.539.00	FT5471	31.560.00	0060506968	31.506.00
FP4779	24.361.00	FT4840	24.319.01	FT5184	31.517.00	FT5525	24.409.00	0060507080	23.127.00
FP5038		FT4862	23.130.01	FT5194	31.024.00	FT5567	23.465.00	0060507208	24.351.00
(ALTRE/OTHER APPL.)	24.365.00	FT4863	23.102.02	FT5197	31.020.00	FT5581	23.447.00	0060507213	23.164.02
FP5038		FT4863A	23.164.02	FT5198	31.699.00	FT5582	23.448.00	0060507814	30.906.00
(HONDA)	24.435.00	FT4874	31.009.00	FT5199	31.563.00	FT5589	31.924.00	0060516871	27.729.00
FP5091	24.374.00	FT4883	23.168.00	FT5201	31.502.00	FT5604	24.429.00	0060521128	23.124.00
FP5093	24.368.00	FT4888	23.169.00	FT5202	31.503.00	FT5606	24.416.00	0060523382	30.906.00
FP5145	24.375.00	FT4899	23.130.02	FT5203	31.506.00	FT5608	23.483.00	0060523432	31.500.00
FP5257	24.383.00	FT4904	23.122.00	FT5204	31.531.00	FT5609	24.344.00	0060533494	23.209.00
FP5319	24.382.00	FT4905	23.256.00	FT5205	31.511.00	FT5624	23.413.00	0060534120	31.510.00
FP5403	24.401.00	FT4906	23.159.00	FT5206		FT5625	24.414.00	0060536129	23.127.00
FP5425	24.408.00	FT4907	23.271.00	(BOSCH 0 450 902 151)	31.512.00	FT5630	31.817.00	0060537455	31.511.00
FP5432	24.413.00	FT4908	23.243.00	FT5206		FT5631	31.844.00	0060538903	30.942.00
FP5533	24.415.00	FT4909	23.121.00	(A.C.DELCO GF635)	31.611.00	FT5638	31.841.00	0060538923	30.942.00
FP5534	24.418.00	FT4911	23.139.00	FT5207	31.510.00	FT5645	23.313.00	0060553431	23.249.00
FP5535	24.404.00	FT4925	23.166.00	FT5208	31.508.00	FT5656	23.439.00	0060561931	30.999.00
FP5570	24.426.00	FT4930	23.131.00	FT5209	23.266.00	FT5662	23.457.00	0060563661	23.127.00
FP5576	24.412.00	FT4931	23.182.00	FT5226	23.268.00	FT5681	23.449.00	0060570436	30.942.00
FP5600HWS	24.H20.00	FT4933		FT5227	23.254.00	FT5682	23.445.00	0060574554	23.175.00
FP5614	24.445.00	(SUZUKI)	23.210.00	FT5230	23.281.00	FT5683	23.444.00	0060575900	31.504.00
FP5615	24.433.00	FT4933		FT5235	23.278.00	FT5688	23.481.00	0060595381	30.999.00
FP5626	24.428.00	(DAIHATSU, TOYOTA)	23.213.00	FT5238	23.440.00	FT5703	31.802.00	0060714305	27.729.00
FP5642	24.427.00	FT4946	24.370.00	FT5241	23.279.00	FT5704	31.776.00	0060714306	27.729.00
FP5643HWS		FT4947	23.165.00	FT5244	23.177.00	FT5722	23.474.00	0060714421	26.655.00
(FIAT)	24.H20.02	FT4949	23.175.00	FT5246	23.404.00	FT5738		0060715665	24.360.00
FP5653	24.425.00	FT4956	23.177.00	FT5254	23.282.00	(FORD)	23.439.00	0060718204	23.102.00
FP5659	24.435.00	FT4960	23.131.00	FT5256		FT5738		0060725770	27.817.00
FP5660	24.436.00	FT4970	23.129.02	(SAAB)	23.298.00	(MCC, MITSUBISHI)	23.478.00	0060725772	27.817.00
FP5665	24.460.00	FT4973	23.173.01	FT5256		FT5744	23.471.00	0060725773	27.817.00
FP5666	31.824.00	FT4981	23.240.00	(FORD, MAZDA)	23.413.00	FT5753	23.299.00	0060727631	26.655.00
FP5697	24.441.00	FT4984	23.152.00	FT5258		FT5786	31.715.00	0060732867	24.351.00
FP5760HWS	24.ONE.00	FT4985	23.131.01	(ALTRE/OTHER APPL.)	31.515.00	FT5844	23.546.00	0060735555	31.001.00
FP5793	24.456.00	FT4986	23.134.00	FT5258		FT5855	31.840.00	0060740421	24.360.00
FP5794	24.451.00	FT4993	23.191.00	(VAG)	31.722.00	FT5887	31.925.00	0060744108	31.027.00
FP5863HWS	24.ONE.02	FT4998	23.187.00	FT5260		FT5914	23.267.00	0060745338	23.121.00
FP5864HWS	24.ONE.03	FT5006	24.326.00	(ALTRE/OTHER APPL.)	23.127.00	FT5938	24.455.00	0060748870	27.792.00
FT4403	23.102.00	FT5012	23.189.00	FT5260		FT5942	24.423.00	0060800097	31.500.00
FT4512	23.127.02	FT5018A	23.303.00	(FORD)	23.440.00	FT5969	23.482.00	0060801638	31.511.00
FT4531A	23.103.00	FT5022	24.327.00	FT5261	31.514.00	FT6029	23.486.00	0060807436	31.504.00

0060809355	30.935.00	4160703	23.127.05	43971650	23.128.00	4651986	24.360.00	51772541	55.173.00
0858975700	26.652.00	4170601	23.102.00	4402070	27.927.00	46520658	30.066.00	51773404	30.339.00
1011983	27.728.00	4176610	23.124.00	4406095	27.927.00	46523087	31.515.00	51773591	55.178.00
1186044	27.804.00	4180565	27.719.00	4409040	23.166.00	46531688	24.412.00	51773592	55.175.00
1310636080	27.228.00	4180816	27.728.00	4409902	27.800.00	46533026	24.418.00	51775324	30.265.00
1312764080		4181058	23.124.00	44115780	27.719.00	46536222	30.118.01	51775340	30.135.00
(SENZA TELAIO/WITHOUT FRAME)	53.042.00	4189485	23.124.00	4419493	30.857.00	46536482	30.145.01	51776608	55.181.00
1312766080	53.042.00	4195069	27.728.00	4434790	23.172.00	46542140	23.196.00	51779083	55.145.00
1337724080	24.H2O.02	4199523	23.127.05	4434791	23.169.00	46544820	23.438.00	51785947	30.371.00
1340176080	24.H2O.05	4202887	23.128.00	4434792	23.175.00	46548755	23.196.00	51793172	27.630.00
1345983080	55.127.00	4209314	23.124.00	4434793	23.176.00	46552772	27.341.00	51796537	30.297.00
1345984080	55.143.00	4209394	23.124.00	4434794	23.168.00	46552777	30.112.00	51805219	53.045.00
1346386080	55.147.00	4212109	23.128.00	4434825	23.167.00	4660393	27.902.00	51806865	30.500.00
1346387080	55.148.00	4222406	23.108.00	4434852	27.800.00	4660455	27.902.00	51817839	30.A69.00
1349042080	27.628.00	4224194	23.128.00	4434857	30.857.00	4669550	24.360.00	51817983	31.740.03
1352490080	55.148.00	4228326	23.128.00	4434858	30.858.00	4669551	24.360.00	51830174	30.297.00
1352491080	55.147.00	4233784	23.128.00	4434867	30.857.00	46721047	53.025.00	51836363	
1354823	23.102.00	4236942	23.124.00	4434868	30.858.00	46721374	53.024.00	(BR)	54.248.00
1354828	23.102.00	4237082	27.728.00	4434895	27.728.00	46721923	53.019.00	51836363	
1354884080	27.A69.00	4242480	27.734.00	4434896	27.734.00	46722335	54.105.00	(BR)	34.248.00
1359643080	27.628.00	4243301	23.124.00	4434897	27.898.00	46722862		51843850	27.688.00
1359644080	27.A69.00	4267978	23.124.00	4434898	27.826.00	(SENZA TELAIO/WITHOUT FRAME)	53.043.00	51854025	27.629.00
1362976080	55.148.00	4273072	27.756.00	4434951	27.927.00	46722862	54.262.00	51854923	53.210.00
1362977080	55.147.00	4286050		4434958	27.904.00	46722862	34.262.00	51857341	30.604.00
1367484080	27.628.00	(EU)	23.127.05	4434959	23.168.00	46723024	54.157.00	51874053	27.630.00
1371439080		4286050		4434975	23.127.05	46723245		51874054	27.630.00
(SOLO RIMBOMBIO/SPARE PART ONLY)	24.ONE.OB	(BR)	23.127.00	4435104	31.500.00	(SENZA TELAIO/WITHOUT FRAME)	53.043.00	51881024	30.376.00
1384034	27.888.00	4286051	23.127.05	4435144	31.510.00	46723321	53.088.00	51885139	30.607.00
1398487	20.020.00	4286052	23.127.05	4439265	30.858.00	46723331	53.043.00	51885845	30.548.00
1400175180	30.261.00	4290372	23.124.00	4439425	30.858.00	46723435	54.103.00	51920958	30.477.00
1400474780	30.330.00	4292447	27.728.00	4442554	31.500.00	46723435	34.103.00	51924757	30.135.00
1475478080		43061000	24.351.00	4442559	31.500.00	46737091	24.412.00	51924759	30.477.00
(N.1 FILTRO/FILTER)	53.070.00	4311528	27.756.00	4446000	27.904.00	46741119	30.127.00	51924760	30.604.00
1475479080		4311617	27.756.00	4446001	27.904.00	46751179	23.438.00	51924761	30.265.00
(N.1 FILTRO/FILTER)	53.070.00	4313207	27.719.00	4446002	27.904.00	46754989	27.367.00	51925027	30.477.00
1483883080	54.156.00	4315437	27.707.00	4446003	27.904.00	46768502	53.023.00	51925537	30.297.00
1484383080	53.069.00	4316238	23.127.05	4446004	27.904.00	46769601	31.515.00	51929061	24.ONE.01
1497497080	53.136.00	4321698	27.785.00	4446335	23.168.00	46770834		51940647	31.941.00
1497498080	54.160.00	4321699	27.785.00	4449040	23.166.00	(SENZA TELAIO/WITHOUT FRAME)	53.043.00	51965450	30.548.00
1497498080	34.160.00	4334597	23.127.05	4450733	27.890.00	46783544	30.135.00	51974227	30.793.00
1606451188	26.676.00	4335580	23.127.05	4462675	23.168.00	46783546	30.137.00	51977574	30.677.00
164067006	26.606.00	4335880	23.127.05	4462676	23.168.00	46786875	24.412.00	51979427	
164067015	26.606.00	4338896	27.826.00	4462677	23.168.00	46787007	23.196.00	(BR)	54.245.00
164067019	26.606.00	4338897	27.826.00	4462678	23.168.00	46794399	53.033.00	51979427	
1756124	23.241.00	4339509	23.128.00	4469396	23.169.00	46794403	30.128.00	(BR)	34.245.00
1756453	23.185.01	4343591	23.127.05	4469397	23.169.00	46796687	23.455.00	52000306	30.795.00
1871000100	19.008.00	4343597	23.127.05	4469398	23.169.00	46797378	24.H2O.00	52027683	30.794.00
1909104	20.012.00	4348451	23.127.05	4469399	23.169.00	46799653	54.104.00	52063810	53.211.00
1909112	26.606.00	4352637	31.001.00	4469400	23.169.00	46799653	34.104.00	52069663	30.794.00
1909128	27.931.00	4352830	27.728.00	44980875	23.113.00	4680444	24.360.00	52072078	30.A75.00
1909139	27.920.00	4352891	27.756.00	44980929	27.982.00	46805828	23.447.00	52104722	30.794.00
1909141	27.931.00	4353591	23.127.05	4506839	23.102.00	46805829	23.444.00	52407563	54.150.00
1909142	24.351.00	4354828	23.102.00	4516563	20.020.00	46805830	23.448.00	52408346	53.115.00
2654392	23.108.00	4356500	23.128.00	451700000	23.102.00	46805831	23.445.00	53034019AD	30.C45.00
2AMFL339AA	23.519.00	4356575	23.124.00	4523873	23.102.00	46805832	23.449.00	53346773	30.C45.00
2AML00090A	23.127.00	4356990	27.800.00	45480668	27.707.00	46806576	30.151.00	540955	20.012.00
2AML00339A	23.519.00	4361617	27.785.00	45481348	25.406.01	46807036	24.H2O.07	5414632	26.652.00
370640000	23.102.00	4361618	27.728.00	4561986	24.360.00	46808398	23.415.00	5443646	23.151.00
4002528	27.710.00	4363000	27.756.00	4562061	27.709.00	46809151	30.136.00	5443746	23.151.00
40060883	20.012.00	4363009	27.719.00	4600875	23.107.01	46844822	54.100.00	546777	31.511.00
4018014	27.709.00	4363010	23.124.00	4607360	23.108.00	46844822	34.100.00	5495251	23.200.00
4027979	23.108.00	4363011	27.756.00	4608186	23.108.00	46849581	55.084.00	5495622	23.191.00
4048476	27.708.00	4363100	27.728.00	4616563	20.020.00	4730587	23.108.00	55183265	30.265.00
4049256	27.708.00	4363120	27.720.00	4621540	24.360.00	4753103	24.351.00	55183269	30.194.00
4055745	27.707.00	4363484	23.128.00	4621739	24.360.00	4764725	24.351.00	55183307	30.202.00
4060883	20.012.00	4363485	23.127.05	4621740	24.360.00	4787410	23.303.00	55183562	27.606.00
4062071	27.709.00	4363560	27.785.00	4621742	24.360.00	4787696	24.360.00	55184249	30.297.00
4062072	27.710.00	4363765	27.708.00	4625547	23.107.01	4791113	23.303.00	55184295	27.400.00
4068475	27.708.00	4368711	27.728.00	46337528	23.481.00	4791752	23.108.00	55184943	30.207.00
4068476	27.708.00	4370749	27.785.00	46403933	31.515.00	4795601	24.351.00	55189320	25.049.00
4068853	27.708.00	4371568	27.720.00	46409630	53.019.00	4796458	23.303.00	55189961	23.460.00
4068891	27.708.00	4371569	27.756.00	46412715	53.252.00	4799425	23.303.00	55192012	30.301.00
4068933	27.709.00	4371570	27.728.00	46416684	27.728.00	4813127	24.351.00	55192516	30.298.00
4083199	27.706.00	4371572	27.785.00	464166840	27.785.00	4814454	24.351.00	55193849	30.265.00
4110530	27.720.00	4371574	27.719.00	(BR)		4861688AB	30.544.00	55197218	25.031.00
4112209	23.128.00	4371576	27.707.00	46420988	30.089.00	4950103	27.878.00	55198675	25.065.00
4119015	23.102.00	4371578	27.708.00	46423474	27.708.00	4956902	23.295.00	55206816	25.061.00
4119668	27.719.00	4371579	27.730.00	46441236	27.730.00	4958911	31.515.00	55207208	25.061.00
4121392	23.102.00	4371580	23.127.05	46442422	53.023.00	50055447	23.519.00	55214974	25.061.00
4126076	27.720.00	4371581	23.128.00	46468012	30.089.00	504091563	23.489.00	55223416	25.083.00
4126435	23.127.00	4371582	23.124.00	46468378	23.414.00	50511785	53.209.00	55224598	25.128.00
4135559	23.124.00	4381608	23.124.00	46473803	55.427.00	50515501	30.353.00	55230822	23.438.00
4135600	23.108.00	4382018	23.128.00	46474249	31.515.00	51713215	55.108.00	55238304	25.031.00
41356000	23.108.00	4382101	23.128.00	46481588	30.066.00	51738508	55.112.00	55252436	23.596.00
4146001	27.707.00	4388584	27.719.00	4648371	23.107.01	51750286	55.134.00	55256371	23.596.00
4146050	27.719.00	4393608	27.785.00	46513960	54.267.00	51753547	55.139.00	55256470	23.438.00
4146051	27.709.00	43942540	23.127.05	46519049	30.098.00	51757948	55.144.00	55261437	25.139.00
4158728	23.127.05	43944630	23.124.00	46519728	23.434.00	51764484	55.175.00	55702102	24.ONE.00

55702456	53.124.00	60537455	31.511.00	(BR)	23.129.02	71742069	30.347.00	71771383	30.858.00
558359	27.708.00	60538903	30.942.00	7086604		71742115	23.251.00	71771384	23.118.00
5583693	24.361.00	60538923	30.942.00	(BR)	53.157.00	71743821	53.109.00	71771387	26.691.00
5608910	26.670.00	60553431	23.249.00	7087808	25.034.00	71743887	30.393.00	71771388	
575625	27.706.00	60561931	30.999.00	71004652	27.878.00	71743888	55.179.00	(CLASSIC LINE)	24.H2O.02
5801985959	23.489.00	60563661	23.127.00	71167808	27.920.00	71744410	25.064.00	71771389	30.960.00
5875856	27.902.00	60570436	30.942.00	71711048	31.611.00	71746761	23.251.00	71771392	
587586	27.902.00	60574554	23.175.00	71712595	53.019.00	71746975	60.H2O.00	(CLASSIC LINE)	24.391.00
5889202	27.785.00	60575900	31.504.00	71712596	53.019.00	71747593	23.251.00	71771465	
5889203	27.728.00	60585533	31.748.00	71713782	23.303.00	71749828	23.546.00	(N.6 FILTRI/FILTERS)	60.H2O.00
5889204	30.894.00	60595381	30.999.00	71714923	24.389.00	71750588	30.416.00	71771642	24.529.00
5889205	27.800.00	60603977	27.236.00	71718765	23.303.00	71750719	30.405.00	71771736	53.019.00
5889207	30.889.00	60603982	27.254.00	71728607	53.113.00	71751114	25.061.00	71771745	
592602	23.102.00	60612882	23.415.00	71731829	24.H2O.03	71751127	25.061.00	(CLASSIC LINE)	24.408.00
592765	23.102.00	60621890	23.415.00	71734217	23.303.00	71751128	25.061.00	71771747	
5930572	27.904.00	60653641	54.107.00	71736100	31.515.00	71752468	25.024.00	(CLASSIC LINE)	24.H2O.07
5937594	27.083.00	60653642	54.239.00	71736101	31.512.00	71753479	31.836.00	71771748	
5937867	27.083.00	60675978	31.515.00	71736102	31.501.00	71753738	23.196.00	(CLASSIC LINE)	24.H2O.03
5938946	23.176.00	60689681	24.ONE.01	71736104	31.010.00	71753739	23.457.00	71771749	
5939831	23.175.00	60714305	27.729.00	71736105	31.511.00	71753740	23.303.00	(CLASSIC LINE)	24.351.00
5939832	23.169.00	60714306	27.729.00	71736106	31.740.00	71753741	23.439.00	71771750	
5940898	23.176.00	60714421	26.655.00	71736107	31.748.00	71753742	23.455.00	(CLASSIC LINE)	24.383.00
5940899	23.168.00	60715665	24.360.00	71736109	31.699.00	71753972	30.298.00	71771751	
5951661	24.351.00	60718204	23.102.00	71736110	31.506.00	71753999		(CLASSIC LINE)	24.351.01
5951662	30.878.00	60725770	27.817.00	71736112	31.504.00	(SOLO RICAMBIO/SPARE PART ONLY)	46.008.00	71771753	
5951865	23.172.00	60725772	27.817.00	71736113	24.351.00	71754082	30.066.00	(CLASSIC LINE)	24.H2O.04
5951891	23.114.01	60725773	27.817.00	71736114	24.383.00	71754083	30.118.01	71771758	23.415.00
5951895	23.172.00	60727631	26.655.00	71736116	24.351.01	71754085	27.236.00	71771759	
5964796	23.172.00	60732867	24.351.00	71736117	24.412.00	71754086	27.254.00	(CLASSIC LINE)	23.460.00
5973689	30.894.00	60735555	31.001.00	71736119	24.351.00	71754149		71771775	30.999.00
5973928	23.196.00	60740421	24.360.00	71736120	30.032.00	(N.6 FILTRI/FILTERS)	53.088.00	71771784	30.935.00
5980183	27.888.00	60744108	23.127.00	71736121	30.960.00	71754150		71772193	
5983859	30.942.00	60745338	31.001.00	71736122	30.935.00	(N.6 FILTRI/FILTERS)	53.043.00	(CLASSIC LINE)	30.197.00
5983899	27.888.00	60748870	27.792.00	71736123	27.236.00	71754151		71772206	23.455.00
5983900	23.303.00	60800097	31.500.00	71736124	27.228.00	(N.6 FILTRI/FILTERS)	53.124.00	71773165	30.265.00
5983926	30.889.00	60801430	53.020.00	71736125	30.033.00	71754152	53.149.00	71773167	27.606.00
5983927	27.890.00	60801638	31.511.00	71736126	30.048.00	71754157	30.066.00	71773171	30.339.00
5983958	24.360.00	60807436	31.504.00	71736127	30.894.00	71754158	53.115.00	71773178	
5984018	24.361.00	60809275	30.999.00	71736128	30.034.00	71754224	30.032.00	(CLASSIC LINE)	25.031.00
5984020	30.898.00	60809355	30.935.00	71736129	30.858.00	71754225	27.888.00	71773179	25.065.00
5984044	23.196.00	60810474	23.166.00	71736130	30.942.00	71754226	30.033.00	71773185	
5984093	31.501.00	60810503	31.748.00	71736131	30.966.00	71754227	30.053.00	(CLASSIC LINE)	25.061.00
5998293	30.894.00	60810570	53.019.00	71736132	30.089.00	71754228	30.935.00	71773191	
6000605218	23.265.00	60810709	23.175.00	71736133	30.945.00	71754229	27.228.00	(CLASSIC LINE)	53.088.00
6000605426	26.045.00	60810852	23.415.00	71736134	30.034.00	71754231	23.445.00	71773193	
6000605431	26.045.00	60811242	53.020.00	71736135	27.888.00	71754236	24.408.00	(CLASSIC LINE)	60.H2O.00
6000606985	53.218.00	60811342	27.236.00	71736136	30.898.00	71754237	25.083.00	71773194	
6000608218	60.H2O.00	60811664	30.999.00	71736137	30.030.00	71754569	23.196.00	(CLASSIC LINE)	24.ONE.00
6000611028	23.438.00	60811822	31.515.00	71736139	30.999.00	71754829		71773197	
6000619752	25.170.00	60811900	30.066.00	71736140	27.128.00	(SOLO RICAMBIO/SPARE PART ONLY)	46.008.00	(CLASSIC LINE)	24.ONE.01
6000619764	26.114.00	60811904	31.515.00	71736141	30.930.00	71765453	30.265.00	71773824	25.163.00
6000619767	30.684.00	60812197	53.019.00	71736142	30.932.00	71765454		71775178	24.436.00
6000620027	54.234.00	60812738	31.515.00	71736143	27.927.00	(N.6 FILTRI/FILTERS)	30.194.00	71775180	25.002.00
6000620027	34.234.00	60813507	23.414.00	71736144	30.906.00	71765457		71775822	54.256.00
6000620028	53.276.00	60813794	53.019.00	71736145	30.053.00	(N.6 FILTRI/FILTERS)	27.367.00	71775822	34.256.00
6000626025	25.139.00	60813798	30.066.00	71736146	27.954.00	71765458		71775823	54.248.00
6000627088	34.269.00	60813871	31.515.00	71736147	27.728.00	(N.6 FILTRI/FILTERS)	27.366.00	71775823	34.248.00
6001070015	31.009.00	60814435	23.434.00	71736148	27.800.00	71765459		71775824	54.245.00
6001073120	30.477.00	60814643	54.105.00	71736149	30.942.00	(N.6 FILTRI/FILTERS)	30.942.00	71775824	34.245.00
6001073217	27.628.00	60814815	30.066.00	71736150	30.889.00	71765460		71775825	54.275.00
6001073230	30.194.00	60815000	30.066.00	71736153	30.066.00	(N.6 FILTRI/FILTERS)	25.043.00	71775825	34.275.00
6001073238	23.303.00	60815415	27.366.00	71736154	30.942.00	71765464		71776016	54.269.00
6001073246	23.546.00	60815647	54.107.00	71736156	27.785.00	(N.6 FILTRI/FILTERS)	25.031.00	71776016	34.269.00
6001073249	23.438.00	60816460	24.H2O.00	71736157	23.196.00	71768154		71777722	25.061.00
6001073250	25.043.00	62703506	23.102.00	71736158	23.449.00	71769199		71777723	25.061.00
6001073252	23.438.00	70112217	20.020.00	71736159	23.415.00	71769503	31.836.00	71778550	34.162.00
6001073266	53.130.00	701674	30.942.00	71736160	23.445.00	71770689	25.061.00	71778553	34.248.00
6001073267	53.124.00	70237000	23.102.00	71736161	23.438.00	71771359	23.196.00	71779555	23.489.00
6001073270	53.043.00	70243163	27.920.00	71736162	23.447.00	71771360	23.196.00	71961003	23.108.00
6001073275	53.069.00	70244728	27.902.00	71736163	23.303.00	71771362	23.418.00	72370000	23.102.00
6001073276	53.033.00	70251397	24.360.00	71736164	23.444.00	71771364	30.066.00	72544	27.708.00
6001073278	53.042.00	7032389	23.114.01	71736166	23.448.00	71771365	23.447.00	7300943	23.127.00
6001073421	53.210.00	705111	30.942.00	71736168	23.249.00	71771366		7301916	23.303.00
6001073440	30.301.00	7053172	30.942.00	71736169	23.267.00	(CLASSIC LINE)	30.145.01	7301939	23.303.00
60504284	23.127.05	70659533	27.893.00	71736170	23.127.00	71771367	54.107.00	73038502	20.020.00
60504569	23.169.00	70684632	27.923.00	71736171	23.164.02	71771368	53.019.00	73048658	27.878.00
60506968	31.506.00	70684732	27.923.00	71736776	53.149.00	71771369	23.448.00	73103	27.707.00
60507080	23.127.00	70684734	27.893.00	71737926	25.049.00	71771370		73500049	25.043.00
60507208	24.351.00	7075753	23.127.00	71739396	25.024.00	(CLASSIC LINE)	24.H2O.05	73500506	23.418.00
60507213	23.164.02	7078711	53.074.00	71739633	23.303.00	71771371	23.293.00	73502069	30.197.00
60507814	30.906.00	7079682	53.317.00	71739634	23.303.00	71771373		73504004	25.190.00
60516871	27.729.00	7082141	30.089.00	71739871	23.299.00	(CLASSIC LINE)	24.412.00	73504027	25.031.00
60521128	23.124.00	7082301	53.113.00	71740064	23.457.00	71771376		74027979	23.108.00
60523382	30.906.00	7082928	53.113.00	71740470	25.065.00	CLASSIC LINE	53.024.00	74056633	26.606.00
60523432	31.500.00	7083265		71741042	25.163.00	71771378	30.089.00	74348148	26.606.00
60533494	23.209.00	(BR)	23.129.02	71741210	25.163.00	71771380	23.127.00	74348149	26.606.00
60534120	31.510.00	7083750	31.740.00	71741501	23.299.00	71771382		74502495	20.020.00
60536129	23.127.00	7085110		71741510	23.546.00	(CLASSIC LINE)	24.434.00	74502499	20.012.00

74507257	20.020.0	7984429	27.707.0	9622617880	31.710.0	K53034019AD	30.C45.00	AK381	30.B87.00
74511629	23.102.0	7984430	24.352.0	9623266380	31.710.0	K68001297AA	25.023.00	AK381	30.C36.00
74513411	23.108.0	8011014	27.878.0	9623907180	23.293.00	K68012876AA	54.161.00	AK435	27.231.00
74734248	20.012.00	8014410	27.923.00	9624148680	23.293.00	K68012876AA	34.161.00	AM352/1	27.583.00
75245055	23.127.00	8014420	27.920.00	9626759680	30.933.00	K68031597AB	25.186.00	AM352/2	27.C10.00
7533445	30.889.00	8014430	27.878.00	9628173380	23.293.00	K68032204AB	25.167.00	AM404	27.893.00
7554755	30.932.00	8016967	27.893.00	9628890680	26.688.00	K68033193AA	53.239.00	AM406	27.067.00
7564846	30.932.00	8041782	27.893.00	9647867780	31.710.00	K68042866AB	53.294.00	AM406/1	27.828.00
7571543	23.191.00	8092347	27.804.00	9651883380	30.233.00	K68057228AA	24.529.00	AM406/2	27.232.00
7571569	23.303.00	8093784	23.457.00	9655190480	54.156.00	K68071668AA	53.312.00	AM407	27.283.00
7572617	30.928.00	8094864	23.546.00	9656937180	24.156.00	K68079487AA	53.325.00	AM407/1	27.477.00
7574020	31.506.00	8094872	23.489.00	9662282580	25.060.00	K68079487AB	53.325.00	AM412	27.235.00
7585348	31.512.00	81190447	25.409.01	9672320980	24.127.00	K68079744AA	25.248.00	AM413	27.881.00
7588406	30.919.00	81190493	25.407.01	9685468780	30.645.00	K68079744AB	25.248.00	AM414	27.804.00
7591286	30.919.00	82220425	23.102.00	970269	26.606.00	K68079744AC	25.248.00	AM415	27.993.00
7604091	30.935.00	8222045	23.102.00	974656	27.709.00	K68079744AD	25.248.00	AM417	27.134.00
7604418	23.176.00	82232108	23.102.00	9819500	24.360.00	K68091843AA	30.652.00	AM417/1	27.135.00
7604770	23.212.00	82241613	23.102.00	9831079	23.102.00	K68096453AA	53.210.00	AM422	27.982.00
7606404	31.611.00	82255076	23.102.02	98432648	23.303.00	K68127809AA	53.294.00	AM430	27.920.00
7612972	31.501.00	82300672	23.102.02	98432651	23.303.00	K68223044AA	53.326.00	AM430/1	27.878.00
7616156	30.930.00	82323784	31.001.00	98472349	23.303.00	K68229402AA	25.112.00	AM432	27.132.00
7633139	30.960.00	82342881	23.127.00	9900591	20.012.00	K71775180	25.059.00	AM432/1	27.173.00
7634041	30.945.00	82345728	27.719.00	9900893	20.012.00			AM433	27.171.00
7635767	30.919.00	82345730	27.719.00	9901090	26.606.00			AM436/1	27.169.00
76547883	23.265.00	82348734	27.898.00	9908154	26.606.00	FILTRON	UFI	AM441	27.138.00
7680997	31.501.00	82354026	30.878.00	9909154	26.606.00	AE100	27.599.00	AM441/1	27.D10.00
7683815	23.267.00	82360558	23.176.00	9918114	24.360.00	AE208	27.079.00	AM445	27.233.00
7688498	30.053.00	82361657	23.127.05	9918144	24.360.00	AE220	27.076.00	AM452	27.193.00
7688774	30.966.00	82372779	30.942.00	9918184	24.360.00	AE250	27.176.00	AM452/1	27.647.00
7689285	23.196.00	82374232	23.176.00	9921419	27.878.00	AE251	27.177.00	AM453/1	27.068.00
76908	27.888.00	82380591	30.898.00	9924318	24.360.00	AE277	30.078.01	AM454	27.159.00
7706339	30.858.00	82392325	24.351.00	9936891	24.351.00	AE297	30.916.00	AM454/1	27.679.00
7712505	30.030.00	82392556	30.942.00	9939229	24.361.00	AE311	27.196.00	AM463	27.813.00
7715489	23.295.00	82392557	30.942.00	9939722	26.670.00	AE311/1	27.258.00	AM468/4	27.282.00
7719390	31.512.00	82398171	30.898.00	9941058	24.351.01	AE320	27.591.00	AM469	27.090.00
7722936	30.048.00	82398550	53.020.00	9942378	24.351.00	AE320/1	27.525.00	AM470	27.137.00
7724167	23.268.00	82403555	31.699.00	9944643	24.383.00	AE326	27.162.00	AM470/1	27.584.00
77269	27.888.00	82407227	23.297.00	9944682	24.383.00	AE328	30.993.00	AM470/2	27.602.00
7729686	30.034.00	82416870	31.511.00	9945928	24.351.00	AE331	27.604.00	AM475/2	27.676.00
77362258	24.H2O.05	82425329	31.502.00	9947340	24.434.00	AE332	27.580.00	AP002	
77362338	24.H2O.04	82425649	31.010.00	9947995	24.408.00	AE333	27.580.00	(ALTRE/OTHER APPL.)	30.818.00
77362339	24.H2O.03	82428006	31.504.00	9948070	24.391.00	AE333/1	27.071.01	AP002	
77362340	60.H2O.00	82434499	31.504.00	9949267	24.H2O.07	AE335	27.252.00	(FIAT)	30.857.00
77362394	53.043.00	82438184	27.128.00	9950443	24.351.01	AE344/2	30.063.00	AP003	30.851.00
77363370	54.150.00	8301501	20.012.00	9951033	24.408.00	AE347/4	27.086.00	AP003/10	30.544.00
77363481	53.115.00	8322383	27.888.00	9955976	27.931.00	AE348/3	27.606.00	AP003/3	30.972.00
77363600	60.H2O.00	8322872	27.878.00	9957615	27.920.00	AE358	27.648.00	AP003/5	30.593.00
77363657	24.ONE.01	8322972	27.878.00	9957811	27.931.00	AG247A	27.061.00	AP003/6	30.226.00
77363804	24.ONE.00	83917626	24.361.00	CO2211	20.012.00	AG248/1	27.063.00	AP003/7	30.284.00
77364063	53.130.00	847471	26.606.00	CO2248	26.606.00	AG249	27.062.00	AP003/8	30.281.00
77364561	53.157.00	86504140	24.351.00	CO2448	26.606.00	AG281	27.065.00	AP003/9	30.600.00
77365352	53.209.00	877269	27.710.00	K04591100AC	30.B44.00	AK218/1	27.486.00	AP004	30.864.00
77365763	54.221.00	8808472	26.606.00	K04726067AA	26.019.01	AK218/2	27.585.00	AP004/1	30.188.00
77365763	34.221.00	9153580780	31.500.00	K04809782AA	30.226.00	AK218/3	27.586.00	AP004/2	30.100.00
77365764	54.162.00	9280124	24.360.00	K04861378AB	30.226.00	AK218/4	27.596.00	AP004/3	30.329.00
77365764	34.162.00	9292365	27.801.00	K04861480AA	30.226.00	AK218/5	27.A51.00	AP004/4	30.303.00
77365902	60.H2O.00	9293140	27.881.00	K04861688AA	30.544.00	AK218/6	27.B12.00	AP005	30.946.00
77366065	53.088.00	9401445688	27.954.00	K04861688AB	30.544.00	AK218/7	27.A92.00	AP006	30.835.00
77366216	26.052.00	9401567219	31.001.00	K04884899AB	23.463.00	AK218/8	30.B10.00	AP007	30.891.00
77366480	53.211.00	9401901788	24.027.00	K04891176AA	30.593.00	AK218/9	30.B63.00	AP010	30.893.00
77366607	26.052.00	9401906138	24.360.00	K04891462AC	30.600.00	AK246	27.845.02	AP010/1	30.072.00
77366641	26.053.00	9401906508	26.691.00	K04891691AA	30.659.00	AK246/1	27.590.00	AP011	30.911.00
77367412	24.ONE.0B	9401906648	26.676.00	K04891694AA	30.498.00	AK280	27.175.00	AP012	30.929.00
77367433	26.053.00	9401906768	26.003.00	K04891695AA	30.592.00	AK284S	27.110.00	AP013	30.836.00
77367547	53.391.00	9401906898	26.022.00	K04892339AA	23.519.00	AK317	27.274.00	AP015	30.852.00
77367623	26.079.00	9456000927	23.191.00	K05013595AA	53.257.00	AK347/1	27.174.00	AP016	30.899.00
77368519	53.391.00	9456183480	23.439.00	K05013595AB	53.257.00	AK362	27.533.00	AP017	30.889.00
77368566	26.076.01	9456203480	23.191.00	K05015171AA	25.010.00	AK362/1	27.384.00	AP018/1	30.088.00
77368593	26.076.00	9456203580	23.439.00	K05015901AA	25.034.00	AK362/2	27.394.00	AP018/4	30.B04.00
7749305	23.127.00	9463381080	30.067.00	K05018777AB	30.281.00	AK362/3	27.594.00	AP018/6	30.B03.00
7759323	30.032.00	9463624580	30.933.00	K05019002AA	30.C43.00	AK362/4	27.595.00	AP019	30.919.00
7768720	30.066.00	9463624880	30.067.00	K05037615AA	30.C43.00	AK362/5	27.636.00	AP020	30.973.00
7773854	23.166.00	9467521180	25.060.00	K05058381AA	54.275.00	AK362/7	27.A97.00	AP020/1	30.083.00
7782629	30.033.00	9467558380	25.060.00	K05058381AA	34.275.00	AK370	27.401.00	AP020/2	30.160.00
7786042	30.999.00	9467565780	25.037.00	K05058693AA	53.150.00	AK370/1	27.402.00	AP021	30.933.00
7786184	30.066.00	9467616080	24.027.00	K05080477AC	24.005.00	AK370/2	27.621.00	AP021/1	30.B24.00
7786225	27.265.00	9467621680	26.022.00	K05098424AB	30.B42.00	AK370/3	27.G10.00	AP022	30.858.00
7786255	30.034.00	9467637280	26.055.00	K05174056AA	24.436.00	AK370/4	27.401.00	AP022/1	30.194.00
7786434	30.066.00	9558048380	23.191.00	K05175429AB	24.107.00	AK370/5	27.402.00	AP022/2	30.301.00
7786626	27.366.00	95643756	27.175.00	K05183748AA	25.059.00	AK371/4	27.692.00	AP022/3	30.339.00
7787063	31.515.00	9567205780	23.293.00	K05184526AA	25.248.00	AK371/5	27.693.00	AP022/4	30.A69.00
7797229	53.020.00	9567494887	24.389.00	K4723905	24.331.00	AK372	27.587.00	AP022/5	30.376.00
78011414	27.878.00	9569762480	30.067.00	K5183748AA	25.059.00	AK372/1	27.675.00	AP022/6	30.548.00
79022025	27.931.00	9569762680	30.067.00	K52022376AA	30.A73.00	AK375	27.E61.00	AP022/7	30.677.00
79043780	27.893.00	9600293380	23.191.00	K52022378AA	30.A73.00	AK375/1	27.F37.00	AP022/8	30.607.00
79075882	24.351.00	9601099180	30.933.00	K52022378AB	30.A73.00	AK375/1	27.E61.00	AP023	30.004.00
79081327	27.931.00	9609896480	26.676.00	K52126244AC	24.528.01	AK376	27.G33.00	AP023/2	30.106.00
79085656	27.923.00	9620823680	30.933.00	K53007386AB	30.284.00	AK376/1	27.G11.00	AP023/3	30.155.00

AP023/4	30.332.00	AP063/1		AP093/1	30.A43.00	AP118/3-2X	30.531.00	AP139/5	30.532.00
AP023/5	30.A17.00	(BMW)	30.029.00	AP093/2	30.592.00	AP118/5	30.575.00	AP139/6	30.587.00
AP024	30.942.00	AP063/1		AP093/3	30.498.00	AP118/6	30.119.00	AP139/7	30.713.00
AP024/1	30.128.00	(VAG)	30.192.00	AP094	30.928.00	AP118/7	30.320.00	AP140	30.019.00
AP024/2	30.127.00	AP064	30.860.00	AP095	30.030.00	AP118/9	30.148.00	AP140/1	30.113.00
AP025/1	30.A44.00	AP065	30.948.00	AP098	30.048.00	AP119	30.240.00	AP141	30.967.00
AP026	30.914.02	AP066	30.890.00	AP098/1	30.098.00	AP120	30.230.00	AP142/1	30.175.00
AP026/1	30.558.00	AP067	30.981.00	AP098/2	30.151.00	AP120/1	30.169.00	AP142/10	30.452.00
AP026/2	30.540.00	AP068	30.040.00	AP098/3	30.297.00	AP120/2	30.506.00	AP142/2	30.176.00
AP026/3	30.621.00	AP070		AP098/4	30.A74.00	AP120/3	30.539.00	AP142/3	30.289.00
AP026/4	30.622.00	(VAG)	30.398.00	AP099	30.035.00	AP120/4	30.533.00	AP142/4	30.206.00
AP027	30.847.00	AP071	30.027.00	AP101	30.256.00	AP120/5	30.709.00	AP142/5	30.338.00
AP028	30.991.00	AP071/1	30.177.00	AP102	30.239.00	AP121/1	30.001.00	AP142/6	30.247.00
AP028/3	30.455.00	AP071/3	30.588.00	AP102/1	30.236.00	AP121/3	30.615.00	AP142/7	30.453.00
AP028/4	30.395.00	AP071/4	30.609.00	AP102/2	30.231.00	AP122/1	30.726.00	AP142/8	30.385.00
AP028/5	30.557.00	AP071/5	30.850.00	AP102/3	30.276.00	AP122/2	30.634.00	AP142/9	30.288.00
AP029	30.904.00	AP072	30.028.00	AP102/4	30.380.00	AP122/3	30.538.00	AP143	30.223.00
AP029/1	30.406.00	AP072/1	30.297.00	AP102/5	30.408.00	AP122/4	30.627.00	AP143/2	30.505.00
AP030	30.822.00	AP072/2	30.297.00	AP102/6	30.573.00	AP122/5	30.632.00	AP143/4	30.660.00
AP030/2	30.711.00	AP072/4	30.A37.00	AP103	30.242.00	AP122/6	30.363.00	AP144	30.361.00
AP031	30.977.00	AP073	30.926.00	AP103/1	30.381.00	AP122/7	30.403.00	AP144/1	30.788.00
AP031/1	30.396.00	AP074	30.024.00	AP103/2	30.619.00	AP122/8	30.594.00	AP144/2	30.721.00
AP032	30.936.00	AP074/1	30.101.00	AP103/3	30.B08.00	AP122/9	30.635.00	AP144/3	30.504.00
AP032/4	30.251.00	AP074/1	30.C47.00	AP103/4	30.A54.00	AP123	27.200.00	AP144/7	30.A91.00
AP032/6	30.776.00	AP074/2	30.372.00	AP103/5	30.C39.00	AP123/1	27.526.00	AP146	30.076.00
AP032/7	30.367.00	AP074/3	30.146.00	AP103/6	30.C63.00	AP124	30.026.00	AP146/1	30.225.00
AP032/9	30.357.00	AP074/4	30.245.00	AP104	30.235.00	AP124/1	30.362.00	AP147/1	30.639.00
AP034	30.961.00	AP074/5	30.246.00	AP104/1	30.238.00	AP124/2	30.724.00	AP149	30.007.00
AP034/1	30.318.00	AP074/6	30.241.00	AP104/2	30.228.00	AP124/3	30.C54.00	AP149/1	30.077.00
AP034/2	30.273.00	AP074/8	30.C37.00	AP104/4	30.360.00	AP129	30.041.00	AP149/10	30.C55.00
AP034/3-2X	30.B42.00	AP075	30.966.00	AP104/5	30.313.00	AP129/1	30.314.00	AP149/2-2X	30.134.00
AP034/5	30.595.00	AP076	30.032.00	AP104/6	30.503.00	AP129/2	30.050.00	AP149/3	30.158.00
AP034/6-2X	30.B25.00	AP077	30.033.00	AP104/7	30.325.00	AP129/3	30.141.00	AP149/4	30.165.00
AP034/9	30.C35.00	AP078	30.960.00	AP104/8	30.591.00	AP129/5	30.542.00	AP149/5	30.364.00
AP035/2	30.201.00	AP078/1	30.477.00	AP104/9	30.482.00	AP129/6	30.268.00	AP149/6	30.199.00
AP035/3	30.182.00	AP078/2	30.477.00	AP105	30.255.00	AP129/7	30.555.00	AP149/7	30.209.00
AP035/4	30.A60.00	AP078/3	30.794.00	AP105/1	30.618.00	AP129/8	30.559.00	AP149/8	30.315.00
AP035/5	30.A38.00	AP078/4	30.793.00	AP105/2	30.471.00	AP129/9	30.C03.00	AP149/9	30.264.00
AP035/6	30.A72.00	AP078/5	30.795.00	AP105/3	30.B05.00	AP130/1	30.139.00	AP150	30.154.00
AP035/7	30.A61.00	AP079	30.025.00	AP105/5	30.B62.00	AP130/11	30.311.00	AP150/1	30.310.00
AP035/9	30.B56.00	AP080	30.021.00	AP105/7	30.A40.00	AP130/2	30.180.00	AP151	30.062.00
AP038	30.898.00	AP080/1	30.166.00	AP106	30.243.00	AP130/3	30.153.00	AP151/1	30.045.00
AP039	30.930.00	AP080/10	30.244.00	AP106/1	30.232.00	AP130/4	30.152.00	AP151/2	30.008.00
AP040	30.894.00	AP080/2	30.117.00	AP106/2	30.249.00	AP130/6	30.272.00	AP151/3	30.263.00
AP041	30.935.00	AP080/3	30.095.00	AP106/3	30.497.00	AP130/7	30.185.00	AP151/5	30.390.00
AP042	30.932.00	AP080/4	30.116.00	AP106/4	30.451.00	AP130/8	30.186.00	AP152	30.063.00
AP043	30.945.00	AP080/7	30.149.00	AP106/5	30.617.00	AP130/9	30.210.00	AP152/1	30.202.00
AP044	30.952.00	AP080/8	30.144.00	AP107	30.286.00	AP132	30.039.00	AP152/2	30.197.00
AP045	30.953.00	AP080/9	30.157.00	AP107/10	30.631.00	AP133	30.057.00	AP152/3	30.388.00
AP046	30.910.00	AP081	30.954.00	AP107/2	30.496.00	AP133/1	30.120.00	AP152/4	30.298.00
AP046/1	30.121.00	AP082	30.990.00	AP107/3	30.468.00	AP133/2	30.163.00	AP152/5	30.A23.00
AP048	30.908.00	AP082/1	30.102.00	AP107/4	30.307.00	AP133/4	30.A34.00	AP153	30.064.00
AP050	30.017.00	AP082/2	30.103.00	AP107/5	30.483.00	AP133/6	30.B20.00	AP154	30.001.00
AP051	30.107.00	AP082/3	30.105.00	AP107/6	30.620.00	AP134	30.052.00	AP154/1	30.405.00
AP051/1	30.159.00	AP082/4	30.104.00	AP107/7	30.469.00	AP134/1	30.111.00	AP154/2	30.234.00
AP051/2	30.203.00	AP082/5	30.279.00	AP107/8	30.574.00	AP134/10	30.688.00	AP154/3	30.155.00
AP051/3	30.214.00	AP082/6	30.277.00	AP107/9	30.723.00	AP134/2	30.150.00	AP154/4	30.576.00
AP051/4	30.258.00	AP082/7	30.337.00	AP108/1	30.285.00	AP134/3	30.213.00	AP154/7	30.B76.00
AP051/5	30.292.00	AP082/8	30.278.00	AP108/10	30.A95.00	AP134/4	30.181.00	AP155	30.089.00
AP051/6	30.259.00	AP082/9	30.701.00	AP108/2	30.266.00	AP134/5	30.324.00	AP156	30.087.00
AP051/7	30.404.00	AP083	30.906.00	AP108/3	30.267.00	AP134/6	30.321.00	AP156/1	30.294.00
AP051/8	30.422.00	AP085/1	30.630.00	AP108/4	30.224.00	AP134/7	30.319.00	AP157	30.080.00
AP051/9	30.A24.00	AP085/2	30.629.00	AP108/5	30.348.00	AP134/8	30.302.00	AP157/1	30.082.00
AP052	30.963.00	AP086	30.999.00	AP108/6	30.386.00	AP134/9	30.546.00	AP157/10	30.A41.00
AP056	30.924.00	AP088	30.049.00	AP108/7	30.437.00	AP135	30.046.00	AP157/2	30.085.00
AP057	30.958.00	AP089	30.003.00	AP108/8	30.A55.00	AP135/1	30.215.00	AP157/3	30.193.00
AP057/1	30.096.00	AP089/1	30.071.00	AP108/9	30.A64.00	AP135/2	30.195.00	AP157/4	30.320.00
AP057/2	30.011.00	AP090	30.067.00	AP109/1	30.204.00	AP135/3	30.375.00	AP157/5	30.647.00
AP058	30.965.00	AP090/2	30.322.00	AP109/2	30.204.00	AP135/4	30.374.00	AP157/6	30.340.00
AP058/1	30.167.00	AP090/3	30.233.00	AP109/3	30.392.00	AP135/5	30.B54.00	AP158	30.086.00
AP058/2	30.262.00	AP090/4	30.299.00	AP109/4	30.450.00	AP135/6	30.B29.00	AP158/1	30.257.00
AP058/3	30.260.00	AP090/6	30.330.00	AP109/9	30.569.00	AP135/7	30.A16.00	AP158/2	30.658.00
AP058/4	30.254.00	AP090/7	30.B23.00	AP110/1	30.787.00	AP135/9	30.712.00	AP158/3	30.A67.00
AP058/7	30.351.00	AP090/8	30.719.00	AP111	30.013.00	AP137	30.902.00	AP159	30.090.00
AP058/8		AP090/9	30.717.00	AP111/1	30.178.00	AP137/1	30.099.00	AP160	30.143.00
(MINI)	30.345.00	AP091	30.066.00	AP112	30.012.00	AP137/2	30.541.00	AP160/1	30.554.00
AP058/8		AP091/4	30.066.00	AP113	30.172.00	AP137/3	30.465.00	AP163	30.237.00
(CITROEN, PEUGEOT)	30.400.00	AP092	30.034.00	AP113/1	30.171.00	AP137/4	30.293.00	AP165	30.069.00
AP058/9	30.400.00	AP092/10	30.353.00	AP113/2	30.344.00	AP137/5	30.300.00	AP165/1	30.115.00
AP060	30.994.00	AP092/2	30.112.00	AP113/3	30.409.00	AP137/6	30.556.00	AP165/2	30.164.00
AP061		AP092/3	30.135.00	AP113/4	30.626.00	AP137/9	30.664.00	AP165/3	30.274.00
(FORD)	30.016.00	AP092/4	30.136.00	AP113/6	30.779.00	AP138	30.022.00	AP165/4	30.212.00
AP061		AP092/5	30.137.00	AP113/7	30.A99.00	AP138/1	30.B21.00	AP165/5	30.366.00
(VOLVO)	30.955.00	AP092/6	30.265.00	AP113/8	30.A53.00	AP139	30.020.00	AP165/6	30.341.00
AP062	30.946.00	AP092/7	30.265.00	AP114	30.287.00	AP139/1	30.161.00	AP165/7	30.349.00
AP062/1	30.549.00	AP092/8	30.207.00	AP118	30.119.00	AP139/2	30.187.00	AP165/8	30.686.00
AP062/2	30.A51.00	AP092/9	30.371.00	AP118/1	30.073.00	AP139/3	30.370.00	AP166/1	30.A86.00
AP063	30.996.00	AP093	30.053.00	AP118/2	30.596.00	AP139/4	30.365.00	AP167	30.170.00

AP167/1	30.397.00	AP189/2	30.369.00	AR263/1	27.730.00	K1010	53.012.00	K1103	53.149.00
AP167/2	30.248.00	AP189/3	30.355.00	AR264	27.081.00	K1010A	54.116.00	K1103A	54.103.00
AP168	30.173.00	AP190	30.129.00	AR265	27.195.00	K1011	53.138.00	K1104A	54.262.00
AP170/2	30.A97.00	AP190/1	30.780.00	AR265/1	27.257.00	K1013	53.134.00	K1105A-2X	54.104.00
AP170/3	30.625.00	AP190/2	30.211.00	AR266	27.520.00	K1014	53.047.00	K1106	53.094.00
AP172/1	30.222.00	AP190/3	30.283.00	AR269	27.089.00	K1014A	54.143.00	K1106A	54.131.00
AP172/2	30.221.00	AP190/4	30.384.00	AR269/1	27.713.00	K1015	53.026.00	K1107	53.041.00
AP172/3	30.220.00	AP190/5	30.393.00	AR270	27.770.00	K1016	53.007.00	K1108	53.114.00
AP173	30.537.00	AP190/6	30.391.00	AR271	27.740.00	K1016A	54.270.00	K1110	53.076.00
AP173/1	30.460.00	AP190/7	30.416.00	AR272	27.155.00	K1017	53.232.00	K1110A	54.115.00
AP173/2	30.725.00	AP190/8	30.553.00	AR273	27.939.00	K1018	53.027.00	K1111	53.148.00
AP173/3	30.A96.00	AP190/9	30.628.00	AR274	27.149.00	K1020	53.028.00	K1111A	54.124.00
AP173/4	30.A49.00	AP192	30.168.00	AR275	27.824.00	K1020A	54.169.00	K1113	53.058.00
AP173/7	30.C40.00	AP192/1	30.316.00	AR275/1	27.699.00	K1020A	54.389.00	K1115	53.230.00
AP173/8	30.C41.00	AP192/2	30.290.00	AR276	30.923.01	K1021	53.085.00	K1115A	54.120.00
AP174	30.461.00	AP192/3	30.317.00	AR276A	30.923.01	K1022	53.018.00	K1116A	54.105.00
AP175	30.275.00	AP193	30.A71.00	AR282	27.194.00	K1023	53.061.00	K1117	53.079.00
AP176	30.A50.00	AP193/1	30.399.00	AR282/1	27.381.00	K1024	53.017.00	K1119	53.101.00
AP176/1	30.327.00	AP193/4	30.606.00	AR285	27.356.00	K1024A	54.118.00	K1119A	54.137.00
AP176/2	30.270.00	AP193/5	30.A33.00	AR286	30.943.00	K1025	53.025.00	K1120A	54.247.00
AP176/3	30.269.00	AP195	30.253.00	AR286/2	27.527.00	K1028	53.020.00	K1121	53.131.00
AP176/4	30.550.00	AP195/1	30.252.00	AR291	27.769.00	K1030	53.083.00	K1122	53.088.00
AP176/5	30.347.00	AP195/2	30.466.00	AR292	27.744.00	K1031	53.046.00	K1123	53.125.00
AP176/6	30.A66.00	AP196	30.645.00	AR293	27.904.00	K1032	53.011.00	K1123A	54.273.00
AP176/8	30.328.00	AP196/2	30.718.00	AR294	27.083.00	K1032A	54.165.00	K1125	53.090.00
AP176/9	30.456.00	AP196/3	30.368.00	AR296	27.085.00	K1033	53.019.00	K1125A	54.125.00
AP177/1	30.336.00	AP196/4	30.467.00	AR300	27.057.00	K1034	53.024.00	K1126	53.091.00
AP177/2	30.126.00	AP196/5	30.693.00	AR302	27.069.00	K1035	53.023.00	K1126A	54.126.00
AP177/3	30.174.00	AP196/6	30.638.00	AR302/1	27.E50.00	K1035A	54.107.00	K1127	53.039.00
AP177/4	30.229.00	AP196/7	30.A15.00	AR304/1	27.524.00	K1036	53.002.00	K1128	53.069.00
AP177/5	30.309.00	AP197/1	30.A20.00	AR304/3	27.D79.00	K1037	53.067.00	K1130	53.107.00
AP177/6	30.326.00	AP197/2	30.A21.00	AR305	27.268.00	K1038	53.074.00	K1130A	54.201.00
AP177/7	30.454.00	AP197/3	30.710.00	AR306	30.987.01	K1040-2X	53.037.00	K1131	53.155.00
AP177/8	30.B06.00	AP512	30.063.00	AR307	27.172.00	K1044-2X	53.068.00	K1131A	54.174.00
AP177/9	30.B01.00	AR001	30.807.00	AR307/2	27.691.00	K1045	53.004.00	K1134-2X	53.197.00
AP178/1	30.334.00	AR033	30.896.00	AR307/3	27.B74.00	K1046A	54.270.00	K1135	53.252.00
AP178/2	30.470.00	AR036	30.974.00	AR308	27.271.00	K1047A	54.109.00	K1136	53.158.00
AP178/3	30.603.00	AR036/1	30.975.00	AR314	27.234.00	K1051	53.084.00	K1136A	54.121.00
AP178/6	30.C46.00	AR037	30.976.00	AR314/1	27.403.00	K1052	53.060.00	K1137A	54.151.00
AP179	30.058.00	AR131	30.005.00	AR316	27.228.00	K1053	53.005.00	K1138	53.098.00
AP179/1	30.109.00	AR131/1	30.217.00	AR316/1	27.628.00	K1053-2X	53.005.00	K1138A	54.134.00
AP179/2	30.162.00	AR201	30.802.01	AR316/2	27.A69.00	K1054	53.034.00	K1140	53.077.00
AP180	30.070.00	AR202	30.806.00	AR318	27.254.00	K1054A	54.106.00	K1143-2X	
AP180/1	30.781.00	AR203	30.807.00	AR318/1	27.366.00	K1055	53.030.00	(N.2 FILTRI/FILTERS)	53.316.00
AP180/4	30.C64.00	AR204	30.843.01	AR319	27.589.00	K1056	53.042.00	K1145A	54.123.00
AP180/5	30.A62.00	AR204/1	27.521.00	AR327/1	27.355.00	K1057	53.292.00	K1146	53.095.00
AP181	30.079.00	AR205	30.811.00	AR327/2	27.593.00	K1058	53.082.00	K1146A	54.133.00
AP182	30.464.00	AR206	30.922.01	AR329	27.156.00	K1059	53.071.00	K1147A	54.142.00
AP182/10	30.633.00	AR207	30.809.00	AR330	27.E44.00	K1060	53.035.00	K1148	53.162.00
AP182/4	30.295.00	AR210	27.781.00	AR347/2	27.715.00	K1062-2X		K1148A	54.119.00
AP182/5	30.312.00	AR211	27.735.00	AR347/3	27.956.00	(N.2 FILTRI/FILTERS)	53.070.00	K1149	53.118.00
AP182/6	30.130.00	AR212	27.736.00	AR348	27.265.00	K1063		K1150	53.129.00
AP182/7	30.308.00	AR213	27.728.00	AR348/1	27.236.00	(N.1 FILTRO/FILTER)	53.070.00	K1150A	54.158.00
AP182/8	30.382.00	AR214	27.719.00	AR349	27.273.00	K1064	53.244.00	K1151	53.188.00
AP182/9	30.280.00	AR215	27.756.00	AR351	27.140.00	K1065	53.064.00	K1152	53.104.00
AP183	30.124.00	AR219	30.800.00	AR352	27.097.00	K1065A	54.102.00	K1152A	54.232.00
AP183/1	30.196.00	AR221	27.946.00	AR353	27.074.00	K1066	53.044.00	K1154	53.102.00
AP183/2	30.184.00	AR223	30.939.00	AR363	27.734.00	K1066A	54.194.00	K1154A	54.136.00
AP183/3	30.342.00	AR224	27.752.00	AR364	27.386.00	K1067	53.205.00	K1155	53.189.00
AP183/4	30.589.00	AR225	30.917.01	AR366	27.154.00	K1068	53.049.00	K1155A	54.148.00
AP183/5	30.692.00	AR228	30.872.01	AR366/1	27.947.00	K1069-2X	53.009.00	K1156	53.023.00
AP183/6	30.A45.00	AR229	30.871.00	AR366/2	27.354.00	K1069A-2X	54.110.00	K1157	53.065.00
AP183/8	30.A42.00	AR230	27.785.00	AR366/3	27.153.00	K1070	53.099.00	K1158-2X	53.142.00
AP184	30.075.00	AR231	27.890.00	AR366/5	27.485.00	K1072-2X	53.073.00	K1159A	54.139.00
AP185	30.108.00	AR232	27.927.00	AR371/2	27.603.00	K1073A-2X	54.242.00	K1160-2X	53.228.00
AP185/1	30.147.00	AR232/1	30.118.01	AR371/3		K1075A-2X	54.108.00	K1160A-2X	54.127.00
AP185/2	30.417.00	AR232/2	30.145.01	(VAG 059133843B)	27.598.00	K1076A	54.267.00	K1161	53.093.00
AP185/3	30.417.00	AR234/1	27.128.00	AR371/3		K1078	53.032.00	K1161A	54.271.00
AP185/4	30.543.00	AR234/2	27.341.00	(VAG 4F0133843)	27.597.00	K1078A	54.101.00	K1162-2X	53.226.00
AP185/5	30.352.00	AR234/3	27.367.00	AR371/6	27.A54.00	K1079	53.031.00	K1162A-2X	54.153.00
AP185/6	30.407.00	AR234/4	27.630.00	AR371/7	27.A48.00	K1079A	54.114.00	K1164	53.109.00
AP185/7	30.A70.00	AR234/5	27.688.00	AR372/3	27.A00.00	K1080	53.012.00	K1165A-2X	54.240.00
AP185/8	30.687.00	AR234/6	27.629.00	AR373	27.A53.00	K1081	53.045.00	K1166	53.126.00
AP185/9	30.663.00	AR235	27.701.00	K1000	53.015.00	K1081A	54.100.00	K1167	53.106.00
AP186	30.183.00	AR236	27.731.00	K1000A	54.277.00	K1082	53.057.00	K1168A	54.112.00
AP186/1	30.331.00	AR238	30.804.00	K1001	53.010.00	K1083	53.103.00	K1169	53.236.00
AP186/2	30.665.00	AR239	27.744.00	K1001A	54.135.00	K1087	53.063.00	K1169A	54.154.00
AP187/1	30.068.00	AR243	27.799.00	K1002	53.001.00	K1088	53.059.00	K1172	53.124.00
AP187/3	30.296.00	AR246/2	27.601.00	K1002A	54.278.00	K1089	53.086.00	K1172A	54.162.00
AP187/4	30.142.00	AR247	27.239.00	K1004	53.013.00	K1089A	54.122.00	K1173	53.240.00
AP187/5	30.432.00	AR252	27.731.00	K1004A	54.195.00	K1090	53.075.00	K1174	53.051.00
AP188	30.036.00	AR255	30.803.00	K1006	53.006.00	K1093	53.038.00	K1175	53.159.00
AP188/3	30.218.00	AR256	27.800.00	K1006A	54.263.00	K1093A	54.111.00	K1176	53.317.00
AP188/4	30.216.00	AR257	27.084.00	K1007	53.021.00	K1096	53.052.00	K1177	53.117.00
AP188/5	30.189.00	AR257/1	27.253.00	K1008	53.016.00	K1097	53.087.00	K1178	53.141.00
AP188/6	30.190.00	AR257/2	27.272.00	K1008A	54.317.00	K1101	53.043.00	K1179-2X	53.143.00
AP189	30.132.00	AR257/3	27.588.00	K1009	53.014.00	K1102	53.040.00	K1179A-2X	54.164.00
AP189/1	30.133.00	AR263	27.888.00	K1009A	54.197.00	K1102A	54.171.00	K1181	53.249.00

K1182-2X	53.119.00	K1290	53.183.00	OE648/3	25.024.00	OE685/2	25.086.00	OP554	23.105.00
K1183	53.050.00	K1292	53.209.00	OE648/4	25.027.00	OE685/3	25.116.00	OP554/1	23.151.00
K1187	53.123.00	K1293	53.075.00	OE648/5	25.049.00	OE685/4	25.077.00	OP555	23.234.00
K1187A	54.306.00	K1296	53.231.00	OE648/6	25.064.00	OE685/5	25.150.00	OP556	23.131.02
K1188	53.110.00	K1296A	54.155.00	OE648/7	25.091.00	OE688	25.106.00	OP557	23.271.00
K1189	53.115.00	K1298	53.160.00	OE648/8	25.085.00	OE688/1	25.115.00	OP558	23.243.00
K1198-2	53.108.00	K1299	53.127.00	OE648/9	25.199.00	OE688/2	25.153.00	OP559	
K1198-2X	53.108.00	K1300A	54.217.00	OE649	25.004.00	OE689	25.167.00	(BMW)	23.130.02
K1200A-2X	54.215.00	K1301	53.186.00	OE649/1	25.009.00	OE689/1	25.186.00	OP560	23.130.00
K1202A	54.146.00	K1302	53.215.00	OE649/10	25.171.00	OE689/3	25.248.00	OP561	23.134.01
K1204A	54.113.00	K1303	53.150.00	OE649/2	25.001.00	OE689/4	25.251.00	OP562	23.127.00
K1205A	54.149.00	K1306A	54.246.00	OE649/3	25.038.00	OE695	25.178.00	OP563	23.241.00
K1207	53.132.00	K1307-2X	53.394.00	OE649/4	25.008.00	OM507	20.020.00	OP563/1	
K1209	53.113.00	K1308	53.407.00	OE649/5	25.030.00	OM509	25.530.00	(ALFA ROMEO, LAND ROVER, VM)	23.164.02
K1210	53.147.00	K1310A	54.331.00	OE649/6	25.028.00	OM510	25.530.01	OP564	23.255.00
K1210A	54.266.00	K1311	53.298.00	OE649/7	25.021.00	OM512	25.406.01	OP564/1	23.585.00
K1211A	54.376.00	K1311A	54.219.00	OE649/8	25.048.00	OM515	25.421.00	OP566/2	23.447.00
K1212-2X	53.120.00	K1312-2X	53.397.00	OE649/9	25.058.00	OM515/1		OP567	23.134.00
K1214	53.400.00	K1313	53.190.00	OE650	25.019.00	(BMW)	25.455.01	OP567/1	23.134.00
K1215	53.404.00	K1313A	54.199.00	OE650/1	25.023.00	OM515/1		OP567/2	23.152.00
K1216A	54.144.00	K1314	53.208.00	OE650/2	25.047.00	(ALTRE/OTHER APPL.)	25.455.00	OP567/3	23.127.00
K1217	53.218.00	K1315	53.379.00	OE650/3	25.068.00	OM517	25.539.00	OP568	23.257.00
K1218	53.105.00	K1316	53.330.00	OE650/4	25.257.00	OM522	25.548.00	OP569	23.167.00
K1219	53.145.00	K1318A	54.222.00	OE650/5	25.143.00	OM522/2	25.587.00	OP569/1	23.458.00
K1220A-2X	54.141.00	K1319A-2X	54.283.00	OE650/6	25.105.00	OM523	25.541.00	OP570	23.129.02
K1221A-2X	54.132.00	K1321	53.256.00	OE650/7	25.141.00	OM523/1	25.555.00	OP570/1	23.299.00
K1222A-2X	54.130.00	K1321A	54.244.00	OE655	25.035.00	OM590	25.408.00	OP570/2	23.650.00
K1223	53.254.00	K1322	53.210.00	OE662	25.018.00	OM652	25.590.00	OP570T	
K1223A	54.178.00	K1323	53.184.00	OE662/1	25.039.00	OP518	23.118.00	(RUS)	23.129.02
K1226	53.418.00	K1324	53.388.00	OE662/2	25.177.00	OP520	23.127.00	OP571	23.182.00
K1227-2X	53.154.00	K1326	53.383.00	OE662/3	25.154.00	OP520/1	23.114.01	OP572	23.263.00
K1227A-2X	54.172.00	K1327A	54.249.00	OE664	25.165.00	OP520/1T		OP573	23.130.03
K1228	53.157.00	K1328-2X	53.277.00	OE665	25.056.00	(RUS)	23.114.01	OP573/1	23.478.00
K1229	53.374.00	K1328A-2X	54.254.00	OE665/1	25.015.00	OP520T		OP574	23.156.03
K1230	53.223.00	K1329	53.390.00	OE665/2	25.056.00	(RUS)	23.127.00	OP574/1	23.156.00
K1230A	54.285.00	K1330	53.293.00	OE665/3	25.191.00	OP525	23.164.00	OP574/2	23.482.00
K1231	53.111.00	K1331	53.224.00	OE666	25.022.00	OP525/1	23.404.00	OP575	23.265.00
K1232	53.112.00	K1331A	54.226.00	OE666/1	25.033.00	OP525/2	23.425.00	OP575/1	23.565.00
K1235A-2X	54.173.00	K1332	53.191.00	OE666/2	25.094.00	OP525/3	23.417.00	OP577	23.152.00
K1236	53.109.00	K1333	53.233.00	OE666/3	25.145.00	OP525/4	23.429.00	OP578	23.169.00
K1237	53.206.00	K1334	53.246.00	OE667	25.032.00	OP525/5	23.167.00	OP579	23.129.01
K1237A	54.159.00	K1335A	54.245.00	OE667/1	25.037.00	OP525/6	23.660.00	OP580	23.254.00
K1238	53.136.00	K1336-2X	53.251.00	OE667/1A	25.037.00	OP525T		OP580/2	23.495.00
K1238A	54.160.00	K1336A-2X	54.241.00	OE667/2	25.066.00	(RUS)	23.164.00	OP580/5	23.444.00
K1239	53.156.00	K1338	53.323.00	OE667/5	25.223.00	OP526	23.130.01	OP580/6	23.483.00
K1239A	54.175.00	K1338A	54.261.00	OE667/6	25.216.00	OP526/1	23.436.00	OP580/7	23.254.00
K1240A	54.220.00	K1339-2X	53.313.00	OE669	25.052.00	OP526/1T		OP580/8	23.297.00
K1241	53.218.00	K1340	53.396.00	OE669/1	25.026.00	(RUS)	23.436.00	OP581	23.240.00
K1241A	54.167.00	K1341	53.384.00	OE670	25.043.00	OP526/2	23.465.00	OP582	23.115.00
K1245	53.152.00	K1343A	54.238.00	OE670/1	25.065.00	OP526/3	23.462.00	OP583	
K1246A	54.163.00	K1346A	54.236.00	OE670/2	25.128.00	OP526/4	23.464.00	(SUZUKI)	23.210.00
K1247A	54.166.00	K1347	53.299.00	OE671	25.029.00	OP526/5	23.465.00	OP583	
K1248-2X	53.164.00	K1348A	54.289.00	OE671/1	25.040.00	OP526/6	23.164.03	(TOYOTA)	23.213.00
K1250	53.149.00	K1350	53.422.00	OE671/2	25.080.00	OP526/7	23.493.00	OP587	23.237.00
K1251	53.207.00	K1350A	54.218.00	OE671/3	25.040.00	OP526T		OP587/1	23.274.00
K1254-2X	53.214.00	K1351	53.276.00	OE671/4	25.080.00	(RUS)	23.130.01	OP588	23.244.00
K1255	53.146.00	K1352A	54.288.00	OE672	25.034.00	OP532/1	23.440.00	OP588/1	23.256.00
K1256	53.161.00	K1353	53.320.00	OE672/2	25.084.00	OP532/2	23.413.00	OP592/4	23.107.01
K1257-2X	53.163.00	K1355	53.389.00	OE672/3	25.096.00	OP533	23.127.02	OP592/5	23.457.00
K1258	53.144.00	K1357-2X	53.212.00	OE672/4	25.142.00	OP533/1	23.463.00	OP592/7	23.471.00
K1260A-2X	54.231.00	K1362	53.365.00	OE672/5	25.164.00	OP534	23.267.00	OP592/8	23.489.00
K1261	53.130.00	K1384A	54.293.00	OE672/7A	25.188.00	OP535	23.166.00	OP592/9	23.546.00
K1262-2X	53.219.00	K1392-2X	53.332.00	OE672/9	25.211.00	OP536	23.165.00	OP594	23.303.00
K1263	53.261.00	K1407	53.387.00	OE673	25.060.00	OP537	23.175.00	OP594/1	23.313.00
K1264	53.222.00	K1408A	54.319.00	OE674	25.053.00	OP537/1	23.415.00	OP594/2	23.313.00
K1265	53.319.00	K1417	53.391.00	OE674/1	25.071.00	OP537/2	23.455.00	OP595	
K1265A	54.128.00	K1424	53.423.00	OE674/2	25.070.00	OP538	23.177.00	(ALTRE/OTHER APPL.)	23.258.00
K1266	53.151.00	K1426	53.424.00	OE674/4	25.075.00	OP539	23.131.01	OP595	
K1266A	54.224.00	OC600	20.012.02	OE674/5	25.151.00	OP540/1	23.293.00	(HYUNDAI)	23.452.00
K1267A	54.234.00	OC601	25.499.00	OE674/6	25.166.00	OP540/1T	23.293.00	OP595/1	23.616.00
K1268	53.122.00	OC601/1	25.499.01	OE674/7	25.213.00	OP540/2	23.584.00	OP597	23.260.00
K1269A	54.312.00	OC602	25.528.00	OE677	25.054.00	OP541	23.278.00	OP597/1	23.721.00
K1270-2X	53.255.00	OC604	20.020.00	OE677/1	25.069.00	OP542	23.189.00	OP612	23.266.00
K1270A-2X	54.243.00	OE610A	25.095.00	OE677/4	25.159.00	OP543	23.280.00	OP613	23.496.00
K1271		OE640	25.010.00	OE677/5	25.172.00	OP543/1	23.584.00	OP615	23.114.02
(SENZA TELAIO)WITHOUT FRAME	53.135.00	OE640/1	25.011.00	OE682	25.031.00	OP543/2	23.739.00	OP616	23.282.00
K1273A	54.147.00	OE640/10	25.155.00	OE682/1	25.093.00	OP543/3	23.664.00	OP616/2	23.435.00
K1274	53.220.00	OE640/2	25.002.00	OE682/2	25.061.00	OP544	23.186.01	OP616/3	23.575.00
K1277	53.152.00	OE640/3	25.162.00	OE682/3	25.083.00	OP545	23.196.00	OP616/4	23.717.00
K1278	53.153.00	OE640/4	25.014.00	OE682/6	25.139.00	OP545/2		OP617	
K1278A	54.168.00	OE640/5	25.013.00	OE683	25.072.00	(ALFA ROMEO, FIAT, LANCIA)	23.438.00	(SUBARU)	23.259.00
K1280-2X	53.121.00	OE640/6	25.067.00	OE683/1	25.074.00	OP545/2		OP617	
K1281	53.201.00	OE640/7	25.041.00	OE684	25.108.00	(ALTRE/OTHER APPL.)	23.265.00	(ALTRE/OTHER APPL.)	23.461.00
K1283	53.185.00	OE640/8	25.050.00	OE685	25.077.00	OP546	23.242.00	OP617/1	23.583.00
K1287	53.116.00	OE640/9	25.063.00	OE685/1		OP546/1	23.439.00	OP618	23.477.00
K1288	53.137.00	OE648	25.012.00	(TOYOTA Petrol appl.)	25.196.00	OP550	23.185.01	OP619	23.264.00
K1288A	54.161.00	OE648/1	25.003.00	OE685/1		OP551	23.103.00	OP619/1	23.248.00
K1289-2X	53.259.00	OE648/2	25.017.00	(TOYOTA Diesel appl.)	25.150.00	OP553	23.173.01	OP619/2	23.476.00

OP620	23.200.00	PM810	26.618.00	PP843		PP947/1	31.841.00	PS980/4	
OP620/2	23.212.00	PM810T	26.618.00	(ALTRE/OTHER APPL.)	24.350.00	PP949/1	31.828.00	(DELPHI HDF946)	24.052.00
OP621	23.251.00	PM813/1	26.609.00	PP843		PP949/2	31.664.00	PS980/4	
OP622	23.274.00	PM815	26.652.00	(CITROEN, PEUGEOT)	24.350.02	PP950	24.413.00	(DELPHI HDF913)	24.050.00
OP625	23.211.00	PM815/1	26.686.00	PP845/1	24.351.01	PP952	31.731.00	PS980/4	
OP627	23.413.00	PM815/3	26.695.00	PP848	24.371.00	PP953	31.725.00	(DELPHI HDF939)	24.098.00
OP628		PM815/4	26.694.00	PP848/1	24.401.00	PP954	24.408.00	PS980/8	24.087.00
(ALTRE/OTHER APPL.)	23.127.00	PM815/6	26.696.00	PP848/2	24.432.00	PP957	31.669.00	PS980/9	24.088.00
OP628		PM816	26.670.00	PP848/3	24.456.00	PP960	24.415.00	PS985/5	24.145.00
(FORD)	23.440.00	PM816/1	26.687.00	PP848/4	24.457.00	PP960/1	24.440.00	PS985/6	24.144.00
OP629		PM819	24.360.00	PP848/5	24.432.00	PP961	24.398.00	PW813	21.050.00
(ALTRE/OTHER APPL.)	23.416.00	PM819/1	24.360.01	PP848/6	24.455.00	PP966	24.412.00	PW814	21.061.00
OP629		PM844	24.361.00	PP849	31.507.00	PP966/1	24.418.00		
(VAG)	23.435.00	PM858	26.676.00	PP850	24.379.01	PP966/2	24.0NE.0		
OP629/1	23.267.00	PM858/1	26.682.00	PP850/1	24.380.00	PP966/3	24.0NE.01	FIRST LINE	UFI
OP629/2	23.632.00	PM858/1A	24.389.00	PP850/2	24.414.00	PP966/4	24.0NE.0B	FAF1816	30.013.00
OP629/4	23.687.00	PM858/2	24.388.00	PP851	31.741.00	PP968	24.H2O.00	FAF1823	30.001.00
OP629T		PM858A	24.390.00	PP852	24.366.00	PP968/1	24.H2O.00	FAF302	27.173.00
(ALTRE/OTHER APPL.) (RUS)	23.416.00	PM936	26.689.00	PP852/2	24.119.00	PP968/2	24.H2O.07	FAF309	30.990.00
OP629T		PM999/13	46.008.00	PP852/3	24.465.00	PP968/3	24.H2O.03	FAF312	27.172.00
(VAG) (RUS)	23.435.00	PM999/15	46.007.00	PP853	24.339.00	PP968/4	24.H2O.05	FAF315	30.967.00
OP630	23.299.00	PM999/19	46.006.00	PP853/1	24.126.00	PP969	24.525.00	FAF319	27.153.00
OP632/4	23.472.00	PM999/20	46.005.00	PP855	24.374.00	PP969/2	31.925.00	FAF323	27.138.00
OP632/5	23.545.00	PP825	31.502.00	PP855/1	24.196.00	PP969/3	24.454.00	FAF326	30.945.00
OP632/6	23.615.00	PP826	31.503.00	PP856	24.368.00	PP969/5	24.130.00	FAF327	30.999.00
OP632/7	23.486.00	PP827	31.748.00	PP857	24.375.00	PP971/2	24.408.00	FAF328	27.174.00
OP634	23.273.00	PP828	31.531.00	PP857/1	24.444.00	PP971/5	55.394.00	FAF334	27.200.00
OP635	23.210.00	PP829	31.511.00	PP857/3	24.026.01	PP976	31.824.00	FAF344	27.800.00
OP636	23.475.00	PP829/1	31.515.00	PP857/5	24.026.01	PP976/1	31.838.00	FAF345	30.965.00
OP636/1	23.232.00	PP830	31.512.00	PP857/6		PP976/2	31.852.00	FAF355	27.057.00
OP638	23.236.00	PP831		(SENZA VALVOLAWITHOUT VALVE)	55.582.00	PP976/3	31.857.04	FAF369	27.171.00
OP641	23.453.00	(ALTRE/OTHER APPL.)	31.510.00	PP857/8	24.061.01	PP978	24.435.00	FAF376	30.012.00
OP641/1	23.494.00	PP831		PP857/9	24.095.01	PP979	24.460.00	FAF395	27.140.00
OP641/2	23.573.00	(OPEL, VAUXHALL)	31.611.00	PP859	31.564.00	PP979/2	24.443.00	FAF397	30.930.00
OP642/1	23.191.00	PP831/1	31.948.00	PP863/3	31.547.00	PP979/3	24.439.00	FAF400	30.826.00
OP642/2	23.470.00	PP831A	31.611.00	PP864	24.383.00	PP979/4	24.012.00	FAF401	30.942.00
OP642/3	23.564.00	PP832	31.508.00	PP865	31.514.00	PP980/6	55.418.00	FAF409	27.062.00
OP643/1	23.281.00	PP832/1	31.569.00	PP865/1	31.627.00	PP980/7	55.430.00	FAF410	27.065.00
OP643/3	23.418.00	PP832/2	31.924.00	PP865/2	31.769.00	PP985	31.849.00	FAF412	27.063.00
OP643/4	23.481.00	PP832/3	31.847.00	PP865/3	31.817.00	PP985/1	31.947.00	FAF413	27.079.00
OP643/5	23.628.00	PP833	31.699.00	PP865/5	31.842.00	PP986	24.437.00	FAF416	30.902.00
OP644	23.249.00	PP834	31.563.00	PP866	31.513.00	PP986/1	24.004.00	FAF418	27.175.00
OP644/2	23.519.00	PP835	31.505.00	PP866/1	31.747.00	PP986/2	24.001.00	FAF420	27.824.00
OP645	23.279.00	PP836	31.500.00	PP866/2	31.811.00	PP986/3	24.002.00	FAF421	27.089.00
OP647	23.110.02	PP836/1	31.718.00	PP866/3	31.846.00	PP986/4	24.016.00	FAF422	27.086.00
OP654	23.544.00	PP836/2	31.840.00	PP866/4	31.951.00	PP986/5	24.033.00	FAF423	27.137.00
OP657	23.110.02	PP836/3	31.832.00	PP870	31.535.00	PP987	24.526.00	FAF430	27.730.00
OP658	23.177.00	PP836/4	31.833.00	PP872	31.539.00	PP988	24.110.00	FAF431	27.081.00
OR744	25.901.00	PP836/5	31.830.00	PP875	31.550.00	PP988/1	24.073.00	FAF432	27.888.00
PE815/2	26.690.00	PP836/6	31.831.00	PP875/1	31.712.00	PP988/2	24.113.00	FAF433	30.942.00
PE815/5	26.693.00	PP836/8	31.958.00	PP876/1	31.551.00	PP988/3	24.115.00	FAF434	
PE815/6	26.696.00	PP837	24.351.00	PP876/2	31.749.00	PP988/4	24.114.00	(FOND. IN METALLO/METAL ENDS)	27.071.00
PE815/7	26.115.00	PP838	24.365.00	PP876/4	31.825.00	PP989	31.835.00	FAF434	
PE815/8	26.114.00	PP838/1	24.382.00	PP879/3	24.H2O.01	PP989/1	31.923.00	(FONDELLI IN PVC/PLASTIC ENDS)	27.071.01
PE816/2	26.688.00	PP838/2	24.409.00	PP880	31.520.00	PP990	24.0NE.02	FAF439	27.090.00
PE816/3	26.691.00	PP838/3	24.433.00	PP885	31.517.00	PP990/1	24.0NE.03	FAF440	27.068.00
PE816/4	26.003.00	PP838/4	24.445.00	PP890/1	31.715.00	PP990/2	24.099.00	FAF441	30.890.00
PE816/5	26.022.00	PP838/5	24.450.00	PP891/1	31.519.00	PP991	31.920.00	FAF443	30.932.00
PE816/7	26.037.00	PP838/8	55.170.00	PP891/2	31.649.00	PP991/1	31.922.00	FAF444	30.935.00
PE816/8	26.055.00	PP839	24.365.01	PP903	31.529.00	PP991/2	31.953.00	FAF445	30.942.00
PE816/9	26.104.00	PP839/1	24.391.00	PP904	24.327.00	PP991/3	31.946.00	FAF447	30.906.00
PE878/3	26.072.00	PP839/10	24.451.00	PP905	31.515.00	PP993	31.921.00	FAF452	30.889.00
PE935	26.001.00	PP839/2	24.400.00	PP905/2	31.843.00	PS820	31.013.00	FAF454	30.928.00
PE936/1	26.054.00	PP839/3	24.404.00	PP905/3	31.850.00	PS821	31.027.00	FAF455	30.898.00
PE946/3	26.013.00	PP839/4	24.424.00	PP906	31.561.00	PS822		FAF456	27.904.00
PE962	26.006.00	PP839/5	24.428.00	PP907	31.562.00	(ALTRE/OTHER APPL.)	31.001.00	FAF457	27.083.00
PE970	26.005.00	PP839/6	24.430.00	PP912	31.565.00	PS822		FAF458	30.919.00
PE973	26.014.00	PP839/7	24.426.00	PP912/1	31.543.00	(VAG)	31.012.00	FAF462	30.878.00
PE973/1	26.057.00	PP839/8	24.425.00	PP912/2	31.724.00	PS842	31.009.00	FAF474	27.826.00
PE973/2	26.021.00	PP839/9	24.072.00	PP918/1	31.560.00	PS862	31.006.00	FAF477	27.069.00
PE973/3	26.007.00	PP840	24.319.01	PP918/2	31.802.00	PS865/4	31.844.00	FFF551	24.366.00
PE973/4	26.012.00	PP840/1	24.150.00	PP925	31.525.00	PS868	31.024.00	FFF552	24.370.00
PE973/5	26.023.00	PP840/2	24.194.00	PP927/1	31.558.00	PS877	31.028.00	FFF553	24.374.00
PE973/6	26.015.00	PP840/4	24.148.00	PP928/1	31.556.00	PS878/1	31.071.00	FFF554	24.371.00
PE973/7	26.026.00	PP840/5	24.193.00	PP930	31.621.00	PS881	31.001.00	FFF555	24.368.00
PE973/9	26.038.00	PP840/6	24.436.00	PP932	24.384.00	PS893	31.020.00	FFF556	24.327.00
PE978/1	26.077.00	PP840/8	24.149.00	PP932/1	24.441.00	PS897	31.028.00	FFF557	
PE981	26.018.00	PP840/9	24.151.00	PP940	24.397.00	PS916	31.007.00	(RUGGERINI)	24.324.00
PE981/2	26.020.00	PP841	24.321.00	PP940/1	24.399.00	PS917	31.026.00	FFF557	24.352.00
PE982	60.H2O.00	PP841/1	24.416.00	PP940/2	24.417.00	PS920	31.005.00	FFF562	24.375.00
PE982/1	26.058.00	PP841/10	24.111.00	PP940/3	24.427.00	PS921	31.740.00	FFF563	24.368.00
PE982/4	26.122.00	PP841/2	24.321.00	PP942	31.589.00	PS974	24.343.00	FFF571	24.326.00
PE992	26.045.00	PP841/3	24.007.00	PP944	24.370.00	PS974/1	24.027.00	FFF608	31.005.00
PE992/1	26.073.00	PP841/4	24.429.00	PP946/1	24.338.00	PS974/2	24.156.00	FFF610	31.006.00
PE992/2	26.138.00	PP841/5	24.006.00	PP946/2	24.331.00	PS980	24.086.00	FFF613	31.506.00
PE995	26.074.00	PP841/6	24.436.00	PP946/4	24.030.00	PS980/1	24.014.00	FLF501	23.303.00
PE995/1	26.102.00	PP841/7	24.107.00	PP946/5	24.005.00	PS980/2	24.013.00	FLF503	23.303.00
PM807	26.609.00	PP841/9	24.112.00	PP947	31.834.00	PS980/3	24.051.00	FLF508	23.113.00

FLF514	23.194.00	AF4616	27.069.00	FF5432	24.413.00	LF3691	23.265.00	1079271	
FLF515	23.104.00	AF4622	27.071.00	FF5455	31.769.00	LF3692	23.258.00	(SENZA STAFFA/WITHOUT BRACKET)	24.409.00
FLF517	23.303.00	AF4691	27.067.00	FF5483	24.401.00	LF3714	23.177.00	1085801	23.417.00
FLF518	23.232.00	AF4696	27.678.00	FF5625	24.006.00	LF3758	23.257.00	1088053	24.409.00
FLF519	23.234.00	AF479	27.740.00	FF5797	26.149.00	LF3770	23.167.00	1088179	25.015.00
FLF524	23.237.00	AF482	27.133.00	FF5800	31.849.00	LF3775	20.020.00	1089896	30.294.00
FLF526	23.244.00	AF484	27.770.00	FF5802	24.436.00	LF3826	23.118.00	1089896	
FLF532	23.264.00	AF4857KM	27.923.00	FF5834	26.034.00	LF3830	23.475.00	(BR)	30.132.00
FLF534	23.248.00	AF486K	27.923.00	FS1276	24.351.00	LF3874	23.253.00	1094371	31.514.00
FLF538	23.246.00	AF4906	27.888.00	FS19581	24.384.00	LF3925		1097077	23.440.00
FLF540	23.266.00	AF4907	27.081.00	FS19609	24.432.00	(KUBOTA)	23.424.00	1097670	53.016.00
FLF542	23.265.00	AF4910	27.084.00	FS19781	24.H20.01	LF3940	23.457.00	1100696	25.011.00
FLF546	23.259.00	AF4915	30.040.00	FS19837	24.432.00	LF3997	25.013.00	1102766	30.263.00
FLF547	23.273.00	AF4917	27.283.00	FS19948	31.071.00	LF4000	25.409.01	1102785	30.090.00
FLF548	23.236.00	AF4918	30.004.00	HF6096	23.127.00	LF4001	25.443.00	1110661	30.183.00
		AF4944	27.171.00	HF6162	25.406.01	LF4014	23.103.00	1112652	23.256.00
		AF4950	30.242.00	LF16011	23.131.00	LF4015	23.127.00	1112654	24.375.00
		AF4954	30.239.00	LF16113	25.015.00	LF4016	23.102.00	1112656	27.169.00
		AF4957	30.860.00	LF16172	23.471.00	LF4017	23.152.00	1113627	54.118.00
		AF4958	30.256.00	LF16176	25.011.00	LF4055	23.156.00	1113627	34.118.00
		AF4959	30.076.00	LF16246	23.496.00	LF4056	23.110.02	1116546	24.433.00
		AF4978	27.090.00	LF16369	23.652.00	LF4126	25.419.00	1118184	25.023.00
		AF4992	27.138.00	LF17472	23.546.00	LF510	20.020.00	1118400	24.433.00
		AF55713	53.161.00	LF17497	23.489.00	LF551A	23.102.00	1119421	23.440.00
		AF55715	54.148.00	LF17523	25.170.00	LF566	25.408.00	1119613	53.162.00
		AF55716	53.189.00	LF3310	23.103.00	LF580	23.128.00	1119616	54.119.00
		AF55769	53.322.00	LF3311	(ALTRE/OTHER APPL.)	LF594	25.407.01	1119616	34.119.00
		AF807K	27.920.00	LF3311	(OPEL)	LF595	25.406.01	1120167	30.146.00
		AF990	27.982.00	(OPEL)	23.134.01	LF596	25.402.01	1120224	24.430.00
		FF144	26.601.00	LF3313	23.102.00	LF598	25.455.00	1120475	54.116.00
		FF145	24.362.00	LF3314	23.256.00	LF599	25.421.00	1121106	54.106.00
		FF146	26.609.00	LF3331	23.152.00	LF633	25.413.00	1121106	34.106.00
		FF167	24.360.01	LF3334	23.122.00	LF655	23.121.00	1124160	25.056.00
		FF167A	24.360.00	LF3335	23.122.00	LF655		1125536	54.118.00
		FF214	24.351.01	LF3335	23.131.00	(FORD)	23.188.00	1125536	34.118.00
		FF214-N1	24.351.01	LF3336	23.165.00	LF682	23.108.00	1129147	30.981.00
		FF214A	24.351.01	LF3337	23.182.00	LF689	23.127.02	1131927	24.430.00
		FF230	26.618.00	LF3338	23.131.02	LF697	23.156.00	1132445	54.317.00
		FF258	24.111.00	LF3338	(TOYOTA)	LF699	23.156.00	1135482	24.382.00
		FF271	26.072.00	LF3358	20.020.00	LF701	23.102.02	1136568	23.280.00
		FF4052	24.361.00	LF3364	20.012.02	LF716	23.272.00	1137026	24.445.00
		FF4052A	24.361.00	LF3378	23.127.04	LF742	23.185.01	1137576	30.243.00
		FF4103	26.131.00	LF3397	25.499.00	LF764	23.127.00	1139654	54.106.00
		FF4141	21.050.00	LF3400	(ALTRE/OTHER APPL.)	LF780	23.129.02	1139654	34.106.00
		FF42003	24.326.00	LF3400	(ALTRE/OTHER APPL.)	LF781	23.122.00	1139655	54.116.00
		FF5026	31.564.00	LF3400	(VOLVO)	LF783	23.115.00	1140129	31.844.00
		FF5030	24.370.00	LF3402	23.257.00	LF785	23.130.01	1140778	30.168.00
		FF5046	24.350.01	LF3404	23.241.00	LF787	23.156.00	11425472	23.127.02
		FF5050	26.652.00	LF3404	23.280.00	LF791	25.409.01	1143677	23.416.00
		FF5053	21.061.00	LF3407	23.232.00	LF795	23.159.00	11436936	23.127.02
		FF5060	24.351.00	LF3409	(FORD)	LF798	23.139.00	11464467	23.127.02
		FF5097	31.624.00	LF3433	23.232.00			11464497	23.127.02
		FF5100	21.050.00	LF3434	23.240.00	FORD	UFI	11464498	23.127.02
		FF5104	26.680.00	LF3435	23.134.00	0464504	30.871.00	11464619	30.802.01
		FF5106	24.326.00	LF3449	23.241.00	0464619	30.802.01	11465619	30.802.01
		FF5107	24.371.00	LF3451	23.164.00	1004051	53.012.00	1146928	24.433.00
		FF5112	24.319.01	LF3451	(O/OR)	1004051	30.183.00	11476271	30.811.00
		FF5113	24.304.00	LF3451	23.164.00	1004070	30.062.00	11476787	30.803.00
		FF5114	24.370.00	LF3451	23.164.00	1004509	30.106.00	11476788	30.804.00
		FF5135	24.351.00	LF3462	23.271.00	1007705	23.413.00	1147681	30.153.00
		FF5135A	24.351.00	LF3466	23.102.00	1007706	23.413.00	1147685	25.037.00
		FF5153	24.321.00	LF3480	23.303.00	1015734	24.401.00	1148119	
		FF5156	24.351.01	LF3481	23.303.00	1017035	30.090.00	(SENZA STAFFA/WITHOUT BRACKET)	24.343.00
		FF5159	24.374.00	LF3487	23.102.00	1022150	31.514.00	1148366	54.118.00
		FF5160	24.366.00	LF3489	23.108.00	1022920	24.365.01	1148366	34.118.00
		FF5163	24.327.00	LF3489	23.108.00	1023134	30.106.00	1148703	23.280.00
		FF5174	31.006.00	LF3508	23.236.00	1024245	30.910.00	1150868	24.409.00
		FF5177	31.556.00	LF3528	23.234.00	1024246	30.899.00	1152049	25.056.00
		FF5180	31.529.00	LF3536	23.243.00	1025629	25.010.00	1152193	
		FF5183	31.024.00	LF3564	23.237.00	1026285	23.416.00	(SENZA STAFFA/WITHOUT BRACKET)	24.343.00
		FF5186	31.500.00	LF3568	23.130.01	1030652	30.087.00	1156267	30.153.00
		FF5190	31.529.00	LF3575	23.107.01	1037150	23.429.00	1204459	53.076.00
		FF5192	31.005.00	LF3583	23.303.00	1037678	23.440.00	1204464	54.115.00
		FF5198	24.371.00	LF3584	25.528.00	1039020	23.242.00	1204464	34.115.00
		FF5221	31.020.00	LF3585	25.499.01	1039021	23.242.00	1207066	23.280.00
		FF5226	24.326.00	LF3591	23.271.00	1043147	23.440.00	1208300	24.401.00
		FF5229	24.368.00	LF3608	23.248.00	1047169	23.440.00	1212739	
		FF5232	31.699.00	LF3614	23.263.00	1050705	30.087.00	(SENZA STAFFA/WITHOUT BRACKET)	31.842.00
		FF5244	31.627.00	LF3615	23.251.00	1058022	30.101.00	1213177	25.056.00
		FF5259	26.683.00	LF3624	23.293.00	1059924	23.280.00	1213438	23.248.00
		FF5280	26.660.00	LF3643	23.246.00	105E-6721	25.419.00	1213439	23.102.00
		FF5307	24.375.00	LF3644	23.265.00	105E-6731-A	25.419.00	1213440	30.169.00
		FF5312	24.365.01	LF3647	23.198.00	1062253	53.034.00	1213456	24.411.00
		FF5368	24.398.00	LF3649	23.133.00	1066071	23.440.00	1215228	53.016.00
		FF5373	24.321.00	LF3655	23.280.00	1070521	23.413.00	1216907	30.146.00
		FF5405	26.001.00	LF3659	23.256.00	1070523	23.416.00	1218846	23.413.00
		FF5412	24.411.00	LF3681	23.463.00	1072246	30.101.00	1220880	23.242.00
		FF5430	31.028.00	LF3690	23.131.01	1072434	23.416.00	1224577	31.842.00

1225788	54.317.00	1476788	30.804.00	1568409	25.455.00	1758774	25.031.00	2704E-9150	24.360.00
1230621	24.450.00	1477153	27.675.00	1568410	25.421.00	1764944	26.074.00	2710E-9601-A	27.752.00
1230645	24.445.00	1479059	30.331.00	1574603	27.946.00	1771007	25.455.00	2715E-6731-A	25.455.00
1231233	23.280.00	1480495	24.133.00	1574618	30.818.00	1771008	25.455.00	2720E-4601-A	23.102.00
1232095	30.246.00	1480561	24.445.00	1578143		1776360	54.218.00	2720E-6714	23.127.02
1232325	24.027.00	1480568	30.101.00	(SOLO RICAMBIO/SPARE PART ONLY)	24.ONE.00	1776360	34.218.00	2720E-6714-A	23.127.02
1232494	30.241.00	1485678	31.500.00	1579605	30.910.00	1780195	24.128.00	2720E-6714-AA	23.127.02
1232496	30.245.00	1485888	27.752.00	1581167	30.146.00	1781215	27.000.00	2724E-6714-A	23.127.02
1250507	23.413.00	1486702	30.241.00	1582261	24.360.00	1794446	23.102.00	2724E-6714-AA	23.127.02
1250679	25.023.00	1486703	30.246.00	1583371	24.361.00	1797402	27.707.00	2724E-6714-B	23.127.02
1253223	54.317.00	1486710	30.245.00	1594615	53.207.00	1797984	30.477.00	2724E-6714-C	23.127.02
1253789	24.450.00	1488903	54.317.00	1595247	23.632.00	1802052	26.020.00	2724E-6731-C	23.127.02
1254385	25.037.00	1491665	53.016.00	1612184	23.189.00	1803059	30.390.00	272E-6714-A	23.102.00
1254391	24.027.00	1491752	54.118.00	1614735	23.102.00	1807516	23.439.00	2733E-9601-A	30.800.00
1303476	25.060.00	1491752	34.118.00	1635103	24.360.00	1810699	30.390.00	2733E-9601-C	30.800.00
1308406	31.842.00	1494691	54.158.00	1641158	23.114.01	1812551	23.584.00	2733E-9K600-A	30.800.00
1315686	53.102.00	1494691	34.158.00	1641187	23.280.00	1812679	53.323.00	2735E-6714-B	23.103.00
1315687	54.136.00	1494697	54.136.00	1655556	24.365.00	1814346	23.124.00	2735E-9601-A	30.803.00
1315687	34.136.00	1494697	34.136.00	1663050	23.440.00	1829195	23.102.00	2C11-9176-AA	24.432.00
1318563	26.022.00	1495704	25.409.01	1663051	23.440.00	1836805	30.390.00	2C11-9176-AB	24.432.00
1318700	23.429.00	1495705	25.408.00	1665410	30.024.00	1837319	26.074.00	2C11-9176-BA	24.458.00
1318701	23.429.00	1496204	27.675.00	1665421	30.035.00	1839688	54.261.00	2C11-9176-BB	24.458.00
1322152	23.280.00	1496814	30.155.00	1667890	23.267.00	1839688	34.261.00	2M519155AA	31.769.00
1338536	30.310.00	1498018	23.114.01	1669779	25.590.00	1848220	27.675.00	2M5C-9155-AB	31.842.00
1339125	23.439.00	1498019	23.115.00	1672497	30.153.00	1872152	26.104.00	2M5C-9155-AC	31.842.00
1340105	24.027.00	1498028	23.164.00	1673744	54.221.00	1880424	30.155.00	2M5C-9B072-AB	
1342601	24.133.00	1498028		1673744	34.221.00	1883037	23.267.00	(SENZA STAFFA/WITHOUT BRACKET)	31.842.00
1343102	25.056.00	(O/OR)	23.164.03	1677302	24.015.00	1890364	23.439.00	2M5Q-6714-AB	23.280.00
1348376	31.842.00	1498426	27.720.00	1678162	23.267.00	1900519	30.155.00	2M5Q-6714-AC	23.280.00
1349745	25.015.00	1498427	27.719.00	1680793	30.294.00	1921356	27.074.00	2R83-18D483-AD	54.140.00
1349791	54.119.00	1498429	27.728.00	1682001	26.055.00	1930091	26.074.00	2S41-9155-AB	24.450.00
1349791	34.119.00	1498431	27.702.00	1682366	23.267.00	1952999	27.169.00	2S61-9155-AB	31.844.00
1352443	26.696.00	1498432	27.701.00	1685852	24.457.00	1960297	31.529.00	2S61-9601-CA	30.168.00
1353267	53.058.00	1498437	27.712.00	1685861	24.455.00	1960332	27.524.00	2S6H-16N619-AA	53.076.00
1353269	54.115.00	1501433	25.421.00	1690582	27.675.00	1C15-9601-A1	30.155.00	2S6H-19G244-AA	54.115.00
1353269	34.115.00	1502254		1695529	27.675.00	1C15-9601-A1F	30.155.00	2S6H-19G244-AA	34.115.00
1353270	54.116.00	(CARTA PIEGH./PLEATED PAPER)	24.304.00	1698097	54.317.00	1C15-9601-AB	30.155.00	2S6J-19G244-AA	54.115.00
1353271	53.012.00	1502255	24.351.01	1698684	30.331.00	1C15-9601-AC	30.155.00	2S6J-19G244-AA	34.115.00
1354952	53.129.00	1503832	30.803.00	1698685	27.000.00	1C15-9601-AD	30.155.00	2S6Q-6714-AA	25.037.00
1354953	54.158.00	1503833	27.752.00	1699522	23.438.00	1C15-9601-AE	30.155.00	2S6Q-6714-AB	25.037.00
1354953	34.158.00	1504385	30.804.00	1700425	27.878.00	1C15-9601-AF	30.155.00	2S6Q-9155-AB	
1359941	25.037.00	1504387	30.811.00	1701022	54.170.00	1S41-9155-AC	24.445.00	(SENZA STAFFA/WITHOUT BRACKET)	24.343.00
1370779	24.455.00	1506212	30.803.00	1706917	30.301.00	1S71-9155-AC	24.433.00	2S6Q-9155-AD	24.343.00
1371199	25.039.00	1515160	23.127.02	1706918	30.265.00	1S71-9155-AD	24.433.00	2S6Q-9155-BA	24.015.00
1372808	25.901.00	1516654	27.000.00	1709013	54.218.00	1S71-9155-BA	31.817.00	2S6Q-9601-AA	30.153.00
1373069	25.060.00	1516725	30.390.00	1709103	34.218.00	1S71-9601-A1B	30.146.00	2T14-9155-BC	24.133.00
1373667	30.332.00	1516739	30.101.00	1709059	24.432.00	1S71-9601-AA	30.146.00	2T14-9155-BD	24.133.00
1383736	24.343.00	1523494	23.256.00	1709787	24.445.00	1S71-9601-AB	30.146.00	2T14-9155-BE	24.133.00
1386037	55.170.00	1531451	27.000.00	1712934	24.458.00	1S7G-6714-CA	23.413.00	2U7J-6714-BA	23.242.00
140516040	23.121.00	1532171	24.445.00	1712985	24.456.00	1S7G-6714-DA	23.413.00	2W93-9601-AC	30.033.00
140516060	23.122.00	1535505	23.438.00	1713173	54.119.00	1S7G-6744-AC	25.056.00	3321582	31.627.00
1418712	30.212.00	1538624	26.601.00	1713173	34.119.00	1S7H-19G244-AC	54.119.00	3397078	30.172.00
1418883	30.331.00	1538625	26.601.00	1713178	54.115.00	1S7H-19G244-AC	34.119.00	3600772	30.169.00
1419455	27.902.00	1538884	25.455.00	1713178	34.115.00	1S7J-6744-AC	25.056.00	3652061	23.463.00
1421704	25.039.00	1541456	53.207.00	1713180	54.136.00	1S7J-6744-BA	25.056.00	3707442	23.102.00
1423477	24.360.01	1542777	30.301.00	1713180	34.136.00	1S7Z-6731-DA	23.632.00	3732020	31.624.00
1426741	30.803.00	1543178	24.027.00	1713182	54.158.00	1X43-9601-AA	30.399.00	3785586	30.372.00
1427824	25.060.00	1555370	23.103.00	1713182	34.158.00	1X43-9601-AB	30.399.00	3803268	23.265.00
1427928	24.156.00	1555451	23.127.02	1714387	23.267.00	2007929	23.739.00	3891893	23.260.00
1432209	30.155.00	1555451		1715757	25.443.00	200E-9176	24.361.00	3904728	23.463.00
1438016	30.800.00	(FIAT, LANCIA, VAG)	23.127.05	1715762	26.601.00	2027438	23.664.00	3917626	24.361.00
1443001	30.800.00	1555451		1717510	25.060.00	2037665	24.027.00	3947506	23.127.02
1449296	27.691.00	(VOLVO)	23.257.00	1718237	53.383.00	2037668	26.055.00	3964918	31.769.00
1451913	54.119.00	1555451		1718968	25.402.01	2066235	30.052.00	3C11-9176-AA	24.456.00
1451913	34.119.00	(SAAB)	23.298.00	1720612	25.191.00	2092404	53.207.00	3C11-9176-AB	24.456.00
1452329	54.106.00	1556191	27.000.00	1720719	27.074.00	2092437	54.170.00	3C11-9176-BB	24.457.00
1452329	34.106.00	1556297	23.127.02	1722896	26.102.00	2128722	23.584.00	3C11-9176-BC	24.457.00
1452330	54.115.00	1557375	53.088.00	1724214	25.061.00	213E-9601-A	27.752.00	3M21-6744-AA	25.023.00
1452330	34.115.00	1559937	23.103.00	1725552	26.102.00	2171748	26.104.00	3M51-9601-AA	30.245.00
1452344	54.136.00	1564767	23.127.02	1727201	26.074.00	2193141	23.439.00	3M51-9601-BA	30.241.00
1452344	34.136.00	1564767		1729042		2197035	54.289.00	3M51-9601-DA	30.246.00
1452346	54.158.00	(FIAT, LANCIA, VAG)	23.127.05	(SOLO RICAMBIO/SPARE PART ONLY)	24.ONE.01	2197035	34.289.00	3M51-9B072-CH	
1452346	34.158.00	1564767		1729416	30.332.00	2197039	53.423.00	(SENZA STAFFA/WITHOUT BRACKET)	31.842.00
1452347	54.317.00	(VOLVO)	23.257.00	1729854	30.168.00	2210514	30.307.00	3M5J-18D543-BA	53.102.00
1452349	54.116.00	1564767		1729857	30.310.00	2247126		3M5J-19G244-AA	54.136.00
1455760	23.267.00	(SAAB)	23.298.00	1729860	30.390.00	(SOLO RICAMBIO/SPARE PART ONLY)	26.104.00	3M5J-19G244-AA	34.136.00
1455829	24.374.00	1565204	23.156.00	1731778	30.017.00	2257375	25.216.00	3M5J-19G244-AA3M	54.136.00
1458065	24.027.00	1565248	25.043.00	1736030	27.000.00	2274296	25.249.00	3M5J-19G244-AA3M	34.136.00
1459009	53.058.00	1565249	25.031.00	1741459	30.017.00	2279222	23.687.00	3M5J-9176-AA	24.027.00
1462805	23.103.00	1565486	23.127.02	1741635	30.155.00	2700E-6731-A	25.421.00	3M5Q-6744-AA	25.060.00
1465018	31.842.00	1565486		1745605	54.223.00	2701E-6731-A	25.421.00	3M5Q-9155-BB	24.027.00
1465170	30.331.00	(FIAT, LANCIA, VAG)	23.127.05	1745605	34.223.00	2701E-9150-A	24.360.01	3M5Q-9155-CA	24.027.00
1465324		1565486		1745700	30.477.00	2701E-9150-B	24.360.01	3M5Q-9155-CB	24.027.00
(SENZA STAFFA/WITHOUT BRACKET)	31.842.00	(VOLVO)	23.257.00	1748479	54.223.00	2701E-9155-B	24.360.01	3M5Q-9176-AA	26.022.00
1471765	26.020.00	1565486		1748479	34.223.00	2701E-9167-B	24.360.00	3S71-9155-B1A	24.445.00
1475507	25.413.00	(SAAB)	23.298.00	1749359	26.102.00	2701E-9176-A	24.360.00	3S71-9155-B1B	24.445.00
1476271	30.811.00	1566997	54.170.00	1751197	53.088.00	2701E-9K600	27.878.00	3S71-9155-BA	24.445.00
1476787	30.803.00	1566997	34.170.00	1751529	23.632.00	2703E-6731-A	25.455.00	3S719B072AF	31.817.00

3U7J-6714-AA	23.429.00	5002535	23.121.00	5006227	23.177.00	5012631	30.802.01	5022745	30.929.00
3U7J-6714-BA	23.429.00	5002704	25.499.00	5006572	27.720.00	5012632	27.728.00	5022746	30.993.00
3W7E-6714-AA	23.463.00	5002731	23.105.00	5006573	27.719.00	5012633	30.807.00	5022747	27.084.00
3W83-9601-AA	30.471.00	5003173	23.151.00	5006575	27.756.00	5012634	30.836.00	5022748	30.946.00
4024213	24.411.00	5003202	23.151.00	5006580	23.128.00	5012647	27.062.00	5022749	30.946.00
4032667	24.432.00	5003215	27.756.00	5006944	27.906.00	5012651	23.130.02	5022751	30.928.00
4041615	30.155.00	5003229	27.785.00	5006947	23.105.00	5013134	27.720.00	5022796	23.121.00
4042703	53.058.00	5003237	27.947.00	5006948	27.712.00	5013135	27.719.00	5022798	23.271.00
4103735	31.817.00	5003239	30.836.00	5006949	27.701.00	5013139	27.906.00	5022883	30.933.00
4134237	53.250.00	5003271	23.173.01	5006950	27.731.00	5013142	30.847.00	5022884	27.084.00
4137784	23.463.00	5003329	23.103.00	5007123	20.012.02	5013143	23.103.00	5022885	30.923.01
4165190	30.155.00	5003331	23.103.00	5007124	23.130.01	5013144	23.105.00	5022955	23.280.00
4352681	24.432.00	5003460	23.130.01	5007125	23.115.00	5013146	23.114.01	5023135	30.932.00
4386518	24.432.00	5003461	23.130.01	5007222	23.182.00	5013147	23.129.01	5023136	30.930.00
4403318	24.411.00	5003559	23.127.02	5007366	23.130.01	5013148	23.256.00	5023137	30.935.00
4403998	24.411.00	5003559		5007385	23.167.00	5013149	23.118.00	5023923	24.350.00
4416570	53.250.00	(FIAT, LANCIA, VAG)	23.127.05	5007387	30.858.00	5013319	23.103.00	5023925	25.443.00
4437885	24.458.00	5003559		5007716	30.807.00	5013388	23.194.00	5024424	23.114.01
4442434	24.445.00	(VOLVO)	23.257.00	5008677	23.127.00	5013389	23.195.00	5024861	24.365.00
4486167	30.155.00	5003559		5008679	27.956.00	5014055	23.256.00	5025054	27.128.00
4537951	24.456.00	(SAAB)	23.298.00	5008717	30.811.00	5014056	23.128.00	5025056	30.950.00
4537952	24.457.00	5003560	23.127.02	5008718	23.188.00	5014352	30.807.00	5025058	30.974.00
4628534	23.463.00	5003560		5008719	23.188.00	5014353	24.319.01	5025060	30.954.00
4669224	24.457.00	(FIAT, LANCIA, VAG)	23.127.05	5008720	23.131.00	5014354	26.652.00	5025066	30.942.00
493866	26.102.00	5003560		5008721	23.131.00	5014391	20.012.02	5025068	27.149.00
4G7Z6731AC	25.177.00	(VOLVO)	23.257.00	5008722	23.131.00	5014765	27.716.00	5025071	30.973.00
4M5J-18D543-AA	53.129.00	5003560		5008723	30.800.00	5014767	30.800.00	5025075	30.945.00
4M5J-19G244-AA	54.158.00	(SAAB)	23.298.00	5008724	30.803.00	5014770	27.750.00	5025078	30.960.00
4M5J-19G244-AA	34.158.00	5003561	23.127.02	5008726	30.800.00	5014771	27.719.00	5025079	30.961.00
4M5Q-6714-BA	23.280.00	5003561		5008874	24.319.01	5014772	27.712.00	5025089	23.303.00
4M5Q-6714-CA	23.439.00	(FIAT, LANCIA, VAG)	23.127.05	5008879	31.013.00	5014774	27.785.00	5025091	23.303.00
4PUH-19G244-AC	54.142.00	5003561		5008885	26.652.00	5015476	30.802.01	5025094	23.246.00
4PUH-19G244-AC	34.142.00	(VOLVO)	23.257.00	5009063	30.851.00	5015485	23.632.00	5025096	24.365.01
4R83-9155-AA	24.130.00	5003561		5009064	30.843.01	5015543	31.009.00	5025097	24.350.02
4R83-9155-AB	24.130.00	(SAAB)	23.298.00	5009087	23.169.00	5015544	31.009.00	5025100	24.368.00
4R83-9155-AD	24.130.00	5003609	27.799.00	5009088	23.131.02	5016698	23.186.01	5025101	24.375.00
4R83-9155-AE	24.130.00	5003611	27.736.00	5009226	30.806.00	5016785	23.194.00	5025102	24.366.00
4R8Q-6744-AA	25.066.00	5003748	31.009.00	5009229	27.845.02	5016959	23.544.00	5025103	24.327.00
4S7J-19G244-AA	54.119.00	5003914	23.103.00	5009285	23.129.02	5016966	25.528.00	5025104	24.374.00
4S7J-19G244-AA	34.119.00	5003915	23.127.02	5009417	30.807.00	5016994	30.890.00	5025133	23.211.00
4S7J-6744-AA	25.066.00	5003915		5009781	27.744.00	5016998	30.891.00	5025135	30.958.00
4X43-9601-BA	30.606.00	(FIAT, LANCIA, VAG)	23.127.05	5010234	25.530.01	5017001	30.889.00	5025136	30.944.00
4X4Q-9176-AB	26.037.00	5003915		5010235	30.896.00	5017005	30.906.00	5026009	31.770.00
5000008	27.713.00	(VOLVO)	23.257.00	5010294	30.852.00	5017008	30.942.00	5026836	24.361.00
5000009	27.701.00	5003915		5010296	27.800.00	5017032	30.923.01	5028226	53.052.00
5000187	23.127.00	(SAAB)	23.298.00	5010462	24.351.00	5017033	27.888.00	5029754	30.952.00
5000187		5003929	23.103.00	5010518	24.360.00	5017582	23.186.01	5029846	30.899.00
(OPEL, VAUXHALL)	23.134.01	5003931	23.127.02	5010666	23.110.02	5017643	30.942.00	5029851	30.953.00
5000187		5003931		5010669	27.947.00	5017809	23.114.02	5029916	53.052.00
(VOLVO)	23.257.00	(FIAT, LANCIA, VAG)	23.127.05	5010906	30.908.00	5017811	23.127.05	508E-6731	25.421.00
5000214	27.797.00	5003931		5010909	27.927.00	5017814	23.196.00	5091986	24.374.00
5000215	30.806.00	(VOLVO)	23.257.00	5010912	31.510.00	5017815	27.135.00	5097737	23.632.00
5000263	30.807.00	5003931		5010913	23.187.00	5017818	30.894.00	5116166	23.463.00
5000266	27.740.00	(SAAB)	23.298.00	5010961	25.499.00	5017831	24.321.00	5119662	24.411.00
5000267	27.770.00	5003932	23.127.02	5010962	23.167.00	5017832	26.670.00	5128504	53.422.00
500038751	23.489.00	5003932		5010963	23.166.00	5017846	30.904.00	5149318	27.691.00
5000480	23.131.00	(FIAT, LANCIA, VAG)	23.127.05	5010964	23.159.00	5017848	30.896.00	5180987	54.289.00
5000503	27.792.00	5003932		5010965	23.182.00	5017850	27.085.00	5180987	34.289.00
5000513	23.102.00	(VOLVO)	23.257.00	5010966	30.858.00	5017853	30.914.02	5224622	26.102.00
5000531	25.402.01	5003932		5011477	23.115.00	5018026	23.243.00	5243186	30.665.00
5000679	20.020.00	(SAAB)	23.298.00	5011780	23.103.00	5018028	23.130.03	5256078	54.289.00
5000722	27.762.00	5003960	30.811.00	5011782	23.103.00	5018032	30.893.00	5256078	34.289.00
5000836	25.407.01	5003961	30.803.00	5011788	23.191.00	5018034	24.350.00	528E-6731	25.443.00
5000856	23.152.00	5003968	23.103.00	5011868	27.713.00	5018035	31.500.00	528E-6731-A	25.443.00
5000857	23.152.00	5004262	27.845.02	5011876	30.802.01	5018338	30.948.00	5292808	24.445.00
5000858	23.152.00	5004263	27.824.00	5011877	27.712.00	5018340	27.137.00	59A-18660-A1	20.020.00
5000861	23.110.02	5004265	30.847.00	5011878	27.906.00	5018483	30.889.00	59A-6714-A	20.020.00
5000862	23.102.00	5004282	25.539.00	5011879	27.845.02	5018745	30.906.00	59LK-6714-A	23.102.00
5001102	30.802.01	5004358	30.811.00	5011991	23.191.00	5019395	23.173.01	5C1Q-6744-AA	25.015.00
5001103	27.716.00	5004359	30.803.00	5011997	23.169.00	5019408	30.924.00	5EH-18662-A	20.020.00
5001106	27.715.00	5004381	27.781.00	5012000	23.188.00	5019420	25.499.00	5H2Z-9601-AA	30.268.00
5001123	23.256.00	5004384	27.947.00	5012035	23.114.01	5019424	23.156.00	5M5Q-9155-AA	55.170.00
5001124	23.108.00	5004470	27.736.00	5012037	23.118.00	5020028	23.271.00	5M5Q-9176-AA	26.696.00
5001156	23.118.00	5004747	23.130.01	5012039	23.151.00	5020031	30.917.01	5S61-9601-AA	30.310.00
5001217	27.731.00	5004777	20.020.00	5012045	26.652.00	5020120	23.197.00	6029109	23.188.00
5001248	23.127.02	5004784	21.050.00	5012056	27.086.00	5020307	24.371.00	6041176	23.103.00
5001753	20.012.02	5004837	31.009.00	5012057	27.155.00	5020310	30.899.00	6057166	23.188.00
5002230	23.127.02	5005079	23.271.00	5012176	27.956.00	5020403	24.351.00	6057167	23.188.00
5002394	23.105.00	5005098	30.852.00	5012553	25.530.00	5020405	31.502.00	6058519	31.699.00
5002451	25.413.00	5005156	30.835.00	5012554	23.167.00	5020868	30.818.00	6061629	23.102.00
5002452	23.105.00	5005532	30.860.00	5012555	23.175.00	5020869	23.131.01	6063340	23.114.01
5002459	23.129.01	5005629	23.159.00	5012556	23.130.02	5020869	30.899.00	6066094	23.131.00
5002463	27.731.00	5005820	30.807.00	5012563	27.061.00	5020877	30.899.00	6066095	23.131.00
5002464	27.731.00	5005822	27.799.00	5012564	30.943.00	5022737	25.541.00	6066096	23.131.00
5002467	27.750.00	5005823	30.864.00	5012577	23.131.01	5022740	30.936.00	6080390	30.922.01
5002468	27.719.00	5005831	30.843.01	5012582	24.351.00	5022741	30.933.00	6085506	27.076.00
5002469	27.712.00	5006224	30.851.00	5012584	27.939.00	5022743	30.911.00	6103279	31.502.00
5002530	23.103.00	5006226	27.800.00	5012586	27.155.00	5022744	30.976.00	6112420	23.186.01

6117193	30.899.00	7180932	53.016.00	8G91-9601-AE	27.000.00	A710X-6714-EA	23.127.02	B7A-6731-A	23.102.00
6119196	23.280.00	71HF-9601-AA	30.804.00	8RT-6714-A	20.020.00	A720X-6714-RA	23.127.00	B7A-6731-B	23.102.00
6119849	27.079.00	71HF-9601-AB	30.804.00	8V21-9601-A1A	30.390.00	A720X-6714-RA		B8A-6731-A	23.102.00
6132769	30.939.00	71HF-9601-BB	30.803.00	8V21-9601-AA	30.390.00	(OPEL, VAUXHALL)		B9NN-6714-A	23.124.00
6135130	24.351.00	71HF-9601-HB	30.803.00	8V51-18D543-AA	53.207.00	A720X-6714-RA	23.134.01	B9AE-6714-A2	23.102.00
6141811	23.188.00	71HM-6714-BA	23.127.02	8V5J-19G244-AA	54.170.00	(VOLVO)	23.257.00	B9AE-6714-A6	23.102.00
6143136	30.917.01	7212351	31.500.00	8V5J-19G244-AA	34.170.00	A720X-6714-UA	23.188.00	B9AE-6714-B	23.102.00
6149393	30.987.01	7235770	24.360.00	8W93-6731-AC	25.073.02	A720X-9601-AFA	27.797.00	B9LE-6714-A	23.102.00
6149716	24.360.00	7236936	30.090.00	900X-6714	23.303.00	A730X-6714-E3A	23.152.00	B9NN-6714-A	23.124.00
6149717	24.360.01	7255558	24.382.00	900X-9155-BA	24.350.02	A730X-6731-T3A	25.402.01	BB3Q-6744-BA	25.191.00
6153085	23.189.00	741M-6714-BA	23.103.00	900X-9155-EA	24.368.00	A760X-6714-KA	23.103.00	BE8Z-6731-AB	23.632.00
6161789	24.360.00	741M-6714-CA	23.103.00	900X-9601-AHA	30.945.00	A770X-6714-AAA	23.127.02	BG9155B	
6162292	27.177.00	7420372	53.017.00	900X-9601-ALA	30.960.00	A770X-6714-AAA		(AUS)	31.589.00
6162293	30.953.00	74HM-6714-AA	23.127.02	900X-9601-AMA	30.961.00	(FIAT, LANCIA, VAG)	23.127.05	BJ32-9601-AA	30.559.00
6162294	27.176.00	74HM-6714-BA	23.127.02	900X-9601-DA	27.128.00	A770X-6714-AAA		BK21-18D543-AA	53.323.00
6164913	24.371.00	74HM-6714-BB	23.127.02	900X-9601-FA	30.950.00	(VOLVO)	23.257.00	BK21-19G244-AA	54.261.00
6172024	30.004.00	74HM-6714-BB		900X-9601-TA	30.942.00	A770X-6714-AAA		BK21-19G244-AA	34.261.00
6174457	23.186.01	(FIAT, LANCIA, VAG)	23.127.05	914F-6714-AA	23.280.00	(SAAB)	23.298.00	BK2Q-6714-AA	23.584.00
6176076	24.365.00	74HM-6714-BB		919F-9601-AA	30.121.00	A770X-6714-KA	23.127.02	BK2Q-6714-BA	23.584.00
6177208	30.952.00	(VOLVO)	23.257.00	91AB-9155-AA	31.513.00	A770X-6714-KA		BK31-9601-BA	30.155.00
6179700	23.242.00	74HM-6714-BB		91FF-9601-AA	30.981.00	(FIAT, LANCIA, VAG)	23.127.05	BM5G-6714-AA	23.267.00
6179701	23.242.00	(SAAB)	23.298.00	927A-6731	25.402.01	A770X-6714-KA		BS51-6731-AA	25.061.00
6180522	30.981.00	74HM-6714-CB	23.127.02	928F-9601-BB	30.008.00	(VOLVO)	23.257.00	BS51-9155-AA	
6184942	23.280.00	74HM-6714-CB		92FB-9155-AA	31.514.00	A770X-6714-KA		(SOLO RICAMBIO/SPARE PART ONLY)	24.000.01
6192187	31.513.00	(FIAT, LANCIA, VAG)	23.127.05	92FB-9155-AB	31.514.00	(SAAB)	23.298.00	C1AZ-6731-A	23.102.00
6194571	30.121.00	74HM-6714-CB		92VB-9601-HA	30.016.00	A770X-6714-LA	23.127.02	C2TA-6708-A	25.421.00
6202100	24.371.00	(VOLVO)	23.257.00	93BW-16N619-AA	53.016.00	A770X-6714-LA		C2TA-9150-A	26.602.00
6203126	23.280.00	74HM-6714-CB		93BW-16N619-AB	53.016.00	(FIAT, LANCIA, VAG)	23.127.05	C2TA-9150-B	26.602.00
6497632	27.177.00	(SAAB)	23.298.00	93FF-9150-AA	24.360.00	A770X-6714-LA		C2TZ-6708-A	25.421.00
6545497	30.008.00	753F-6731-AA1A	25.421.00	94FF-9601AA	30.045.00	(VOLVO)	23.257.00	C2TZ-6731-A	25.421.00
6594603	31.514.00	753F-6731-BA1A	25.455.00	94SF-9601-AA	30.154.00	A770X-6714-LA		C2TZ-9155-B	26.602.00
6607325	23.242.00	755F-6714-AAA	25.421.00	957E-6731-A	25.402.01	(SAAB)	23.298.00	C2TZ-9365-A	26.602.00
6607326	23.242.00	75PF-6714-AA	23.156.00	95VW-19N551-AA	53.017.00	A770X-6714-MA	23.127.02	C3AE-6714-A	23.102.00
6610580	30.016.00	771F-9601-AA	30.803.00	95VW-6714-AB	25.010.00	A770X-6714-MA		C3AE-6714-B	23.102.00
6636968	23.463.00	775F-9150-AA	24.360.00	95VW-6714-BB	23.429.00	(FIAT, LANCIA, VAG)	23.127.05	C3NN-6714-A	23.124.00
6797072	53.016.00	77BM-6714-BA	23.188.00	95VW-9601-BC	30.090.00	A770X-6714-MA		C3TA-9176-A	24.360.00
6807970	24.382.00	77BM-6714-C1A	23.188.00	95VW-9601-DA	30.090.00	(VOLVO)	23.257.00	C3TZ-9365-A	24.360.00
691F-9601-AA	30.800.00	77BM-6714-C2A	23.188.00	95VW-9G494-AC	53.017.00	A770X-6714-MA		C4AE-6714-A	23.102.00
691M-6714-AA	23.103.00	77TF-9601-AA	27.946.00	96FW-16N619-AB	53.012.00	(SAAB)	23.298.00	C4AZ-6731-A	23.102.00
6920749	30.045.00	78TF-9601-BA	30.910.00	96FW-19G244-AA	54.116.00	A770X-6714-NA	23.103.00	C5NE-9176-A	24.360.00
6925896	30.154.00	78TF-9601-BB	30.910.00	96JV-6714-AA	23.474.00	A770X-6714-RA	23.127.02	C5NE-9176-C	24.360.00
692M-6714-AA	23.127.02	78TM-6714-BA	23.114.01	96MF-9601-AA	30.062.00	A770X-6714-RA		C5NE-9176CQTXL	24.360.00
6937011	23.440.00	79BF-9601-AA	30.922.01	978M-6714-A2A	23.440.00	(FIAT, LANCIA, VAG)	23.127.05	C5NN-6714-A	23.124.00
6C11-19G244-AA	54.223.00	7H3Z-9C296-AB	24.454.00	978M-6714-B1A	23.440.00	A770X-6714-RA		C5NN-6714-B	23.124.00
6C11-19G244-AA	34.223.00	7HA-6714-A2	20.020.00	978M-6714-B4A	23.440.00	(VOLVO)	23.257.00	C6JZ-9600-B	27.878.00
6C11-19G244-AAK	54.223.00	7HA-6731-A	20.020.00	978M-6714-C3A	23.440.00	A770X-6714-RA		C6TZ-6714-A	23.127.02
6C11-19G244-AAK	34.223.00	7HA-6744-A	20.020.00	97FF-9176-AA	24.401.00	(SAAB)	23.298.00	C6TZ-9600-A	27.920.00
6C11-9176-AA	24.455.00	7M51-9601-AC	27.675.00	97FF-9176-AC	24.401.00	A770X-6714-SA	23.103.00	C7NN-6714-A	23.124.00
6C11-9176-AB	24.455.00	7M51-9601-CA	30.245.00	97KB-9601-AB	30.087.00	A770X-6714-UA	23.127.02	C7NN-6714-B	23.102.00
6C11-9601-C1B	30.332.00	7M51-9601-DA	30.246.00	97KX-9601-AB	30.087.00	A770X-6714-UA		C7NN-6N605-A	20.020.00
6C11-9601-CB	30.332.00	7N159601AA		97MM-6714-A1A	23.416.00	(FIAT, LANCIA, VAG)	23.127.05	C7NN-9176-A	24.360.00
6C1Q-6744-AA	25.060.00	(BR)	30.132.00	97VB-9601-AA	30.106.00	A770X-6714-UA		C7NN-9176-C	24.360.00
6C1Q-6N602-BA	25.901.00	757G-6714-A1A	23.267.00	98AB-9601-CB	30.101.00	(VOLVO)	23.257.00	C7TZ-6731-A	25.421.00
6G91-9601-AA	30.331.00	757G-6714-AA	23.267.00	98AX-9601-AA	30.101.00	A770X-6714-UA		C7TZ-6731-B	25.455.00
6G91-9601-AB	30.331.00	757G-6714-BA	23.267.00	98FU-9155-AA	31.627.00	(SAAB)	23.298.00	C7TZ-9365-A	24.360.00
6G91-9601-AC	30.331.00	757G-6714-CA	23.267.00	9H-4729	25.443.00	A770X-9601-CBA	30.811.00	C7TZ-9365-B	26.602.00
6G91-9601-AD	30.331.00	757G-6714-EA	23.267.00	9M34-9150-AA	24.411.00	A770X-9601-CCA	30.803.00	C7TZ-9365-C	24.360.00
6G92-9601-AB	30.555.00	7716-9601-AA	30.101.00	9M34-9150-BA	24.374.00	A770X-9601-CDA	30.811.00	C7TZ-9365-PC	24.360.00
6G9N-19N619-BA	54.159.00	7716-9601-AB	30.47.00	9M5J-9176-AA	26.055.00	A770X-9601-CEA	30.803.00	C8AF-9614-A	23.102.00
6G9N-19N619-BA	34.159.00	774Z-9601-A		9M5Q-9176-AA	26.055.00	A790X-9601-EA	30.860.00	C8TZ-9601-C	27.923.00
6G9N-6744-BA	25.039.00	(USA)	30.786.00	9S51-19G244-AA	54.221.00	A800X-9601-AJA	27.076.00	C9NN-6714-A	23.124.00
6G9N-9155-BC	31.951.00	81SM-6714-A4A	23.131.00	9S51-19G244-AA	34.221.00	A800X-9601-GA	27.756.00	C9TZ-9635-A	24.360.01
6G9N-9176-AB	26.020.00	825F-9150-A1A	24.360.00	9S51-6731-AA	23.438.00	A810X-6714-GA	23.188.00	CAPN-9162-A	26.606.00
6G9N-9176-BA	26.020.00	825F-9150-A1B	24.360.00	9S51-6731-C1A	25.043.00	A810X-6714-HA	23.188.00	CAPN-99126-A	26.606.00
6G9Q-9155-AA	24.156.00	82GB-9155-BA	31.502.00	9S51-6731-C2A	25.031.00	A810X-6714-JA	23.131.00	CAPN-99162-A	26.606.00
6H4Q-6744-AA	25.168.00	83EF-9601-AA	27.079.00	9S51-9155-BB		A810X-6714-KA	23.131.00	CC11-9176-AA	26.074.00
6M2Y-19N551-AA	54.118.00	83EM-6714-BA	23.189.00	(SOLO RICAMBIO/SPARE PART ONLY)	24.000.00	A810X-6714-LA	23.131.00	CC11-9176-BA	26.074.00
6M2Y-19N551-AA	34.118.00	844F-6714-A1A	23.280.00	9S51-9176-AA	60.120.00	A810X-9601-DA	30.811.00	CC11-9176-BB	26.074.00
6M34-9601-AB	27.691.00	844F-6714-A1B	23.280.00	9S51-9601-A1A	30.301.00	A810X-9601-EA	30.800.00	CC11-9176-BC	26.074.00
6M5G-6744-AA	25.039.00	844F-6714-AA	23.280.00	9S51-9601-AB	30.477.00	A810X-9601-FA	30.803.00	CC11-9176-DA	26.074.00
6M5Y-9601-AA	30.212.00	84FF-9601-AA	30.899.00	9S51-9601-B1A	30.265.00	A810X-9601-HA	30.800.00	CC11-9601-CA	30.117.00
6SBJ-19G244-A1A	54.317.00	84FM-6714-AA	23.186.01	9W7E-6714-AA	23.632.00	AA6E-6714-AA	23.632.00	CC11-9601-CB	30.117.00
70308198	25.168.00	84HF-9601-AA	30.939.00	9W7E-6714-BA	23.632.00	AB39-19N619-AA	53.383.00	CC11AZ-6731-A	23.102.00
7053521	30.372.00	86HF-9601-AA	30.917.01	9X23-9155-AB	24.188.00	AB39-9176-AB	26.102.00	CC1A-2671-A	23.102.00
7072637	23.164.02	87HX-9601-AA	30.917.01	9X2Q-6744-AA	25.152.00	AB39-9176-AC	26.102.00	CC1AZ-6731-A	23.102.00
70HM-6714-AA	23.127.02	87YF-9601-AA	30.987.01	9X2Q-6B624-BA	25.152.00	AB39-9601-AB	27.174.00	CJLE-9176-A	24.360.00
70HM-6714-BB	23.127.02	88FX-9601-BA	30.899.00	A690X-6731-CA	23.127.02	AB3J-9176-AC	26.102.00	CJNE-9176-A	24.360.01
70HP-6714-AB	23.127.02	88VB-9601-AA	30.004.00	A690X-6A692-RA	23.103.00	AH42-9610-AA	30.003.00	CN11-9601-AD	30.390.00
711F-9601-AA	30.811.00	89BF-9601-AA	27.177.00	A700X-6714-HA	23.127.02	ARTZ-9155-AA	24.188.00	COAE-6714-A	23.102.00
711F-9601-AB	30.811.00	89BF-9601-BA	27.177.00	A700X-6714-MA	23.124.00	AS51-6731-AA	23.438.00	COAE-6731-A	23.102.00
711F-9601-EA	30.803.00	89FB-9155-AA	24.365.00	A700X-6714-SA	23.164.00	AV6N-18D543-AA	53.422.00	COAE-6731-AP	23.102.00
712E-9601-A	27.752.00	89FF-9601-AA	30.953.00	A700X-6714-SA		AV6N-19G244-AA	54.218.00	COLE-6714-A	23.102.00
712E-9601-B	27.752.00	89FF-9601-BA	30.952.00	(O/OR)	23.164.03	AV6N-19G244-AA	34.218.00	CONN-6708-A	23.124.00
712F-9601-BA	27.752.00	89SF-9601-AA	27.176.00	A700X-6744-DA	25.455.00	AV6N-19G244-AAHF	54.218.00	CONN-9155-B	26.606.00
715F-6731-BA1A	25.455.00	8CM-6731-A	20.020.00	A700X-9601-AGA	30.806.00	AV6N-19G244-AAHF	34.218.00	CONN-B951-B	23.124.00
715F-9150-ABA	24.351.01	8G91-9601-AB	27.000.00	A700X-9601-BA	30.809.00	AV6Q-9D4			

CA10788	30.260.00	CA11433	27.A97.00	CA2613	27.797.00	CA4255	27.140.00	CA4974	27.065.00
CA10822	27.621.00	CA11439	30.A72.00	CA2621	27.770.00	CA4256	30.872.01	CA4979	27.074.00
CA10827	30.321.00	CA11441	30.544.00	CA2628	27.735.00	CA4261	27.076.00	CA4982	27.089.00
CA10877	30.B10.00	CA11458	30.589.00	CA2632	30.800.00	CA4263	30.858.00	CA507	27.893.00
CA10878	30.A60.00	CA11474	30.553.00	CA2632PL	30.800.00	CA4274	30.916.00	CA5102	27.175.00
CA10879	30.422.00	CA11481	30.383.00	CA2643	27.712.00	CA4275	30.993.00	CA5107	
CA10880	30.404.00	CA11485	30.559.00	CA2646	27.715.00	CA4282	27.057.00	(BMW)	30.029.00
CA10881		CA11488	30.A17.00	CA2657	30.803.00	CA4285		CA5107	
(BR)	30.723.00	CA11496	30.652.00	CA2659	27.707.00	(RENAULT)	30.872.01	(ALTRE/OTHER APPL.)	30.944.00
CA10889		CA11499	30.587.00	CA2662	30.809.00	CA4285		CA5107	
(HYUNDAI 28113-2S000)	30.574.00	CA11501	30.609.00	CA2663	27.731.00	(NISSAN)	27.605.00	(VAG)	30.192.00
CA10889		CA11503	30.549.00	CA2663A	27.731.00	CA4289	27.059.00	CA5108	
(HYUNDAI 28113-3X000)	30.635.00	CA11504	30.322.00	CA2671	27.728.00	CA4294	27.956.00	(ALTRE/OTHER APPL.)	30.924.00
CA10910	30.709.00	CA11652	30.688.00	CA2675	27.740.00	CA4296	27.939.00	CA5108	
CA10911	30.618.00	CA11653	30.548.00	CA2676	27.744.00	CA4300	27.801.00	(VAG)	30.192.00
CA10912	30.307.00	CA11654	30.547.00	CA2677	27.729.00	CA4309	30.973.00	CA5108	
CA10914	27.582.00	CA11655	30.543.00	CA2689	30.811.00	CA4311	27.069.00	(BMW)	30.029.00
CA10915	30.B06.00	CA11656	30.355.00	CA2695	27.762.00	CA4314	27.086.00	CA5109	30.926.00
CA10942	30.262.00	CA11674		CA2699	30.804.00	CA4316	30.807.00	CA5110	30.919.00
CA10947	30.233.00	(BR)	27.B74.00	CA2703	27.761.00	CA4317	30.802.01	CA5111	30.933.00
CA10948	30.719.00	CA11693	30.B08.00	CA2709	27.133.00	CA4333	27.138.00	CA5111/C	30.067.00
CA10963	30.210.00	CA11704	30.634.00	CA2709A	27.133.00	CA4335	30.896.00	CA5111/D	30.933.00
CA10990		CA11707	30.416.00	CA2714	27.726.00	CA4342	27.069.00	CA5111/E	30.067.00
(BR)	30.A24.00	CA11708	30.655.00	CA2718	27.728.00	CA4347	27.068.00	CA5111/G	30.067.00
CA10994	30.557.00	CA11711	30.405.00	CA2724	30.802.01	CA4354	30.871.00	CA5140	30.935.00
CA11013	30.406.00	CA11720	30.619.00	CA2726	30.871.00	CA4365	30.860.00	CA5144	30.893.00
CA11049	30.653.00	CA11727	30.A20.00	CA2727	27.813.00	CA4369		CA5149	
CA11062	30.C03.00	CA11728	30.A56.00	CA2728A	27.906.00	(FOND. IN METALLO/METAL ENDS)	27.071.00	(EU)	30.936.00
CA11064	27.A00.00	CA11738	30.B76.00	CA2728APL	27.906.00	CA4369		CA5160	27.177.00
CA11066	30.349.00	CA11742	30.603.00	CA2729	30.806.00	(FONDELLI IN PVC/PLASTIC ENDS)	27.071.01	CA5161	27.176.00
CA11070	27.A48.00	CA11744	30.607.00	CA2732	30.803.00	CA4372	27.580.00	CA5178	27.580.00
CA11071	30.701.00	CA11746	30.588.00	CA2739	27.792.00	CA4381	30.240.00	CA5180	27.128.00
CA11072	30.645.00	CA11759	30.A61.00	CA2740	27.799.00	CA4385	30.917.01	CA5182	30.987.01
CA11075	30.657.00	CA11761	27.A92.00	CA3105	27.881.00	CA4498	27.904.00	CA5184	30.004.00
CA11096	30.467.00	CA11763	30.781.00	CA3118	30.807.00	CA4499	27.927.00	CA5191	27.591.00
CA11097	30.550.00	CA11795	30.714.00	CA3120	27.826.00	CA4503	30.847.00	CA5205	30.953.00
CA11099	30.663.00	CA11796	30.456.00	CA3121	27.785.00	CA4522	27.993.00	CA5209	27.174.00
CA11110	30.631.00	CA11813	30.629.00	CA3124	27.734.00	CA4524	27.084.00	CA5222	27.283.00
CA11113	30.A54.00	CA11814	30.726.00	CA3129	27.888.00	CA4534	30.902.00	CA5228	30.965.00
CA11118	30.711.00	CA11858	30.724.00	CA3131	27.778.00	CA4535	30.891.00	CA5229	27.149.00
CA11170		CA11858	30.C62.00	CA3134	30.826.00	CA4538	30.899.00	CA5231	30.955.00
(USA)	30.A43.00	CA11859	30.A53.00	CA3135	30.830.00	CA4539	30.893.00	CA5233	
CA11188	30.477.00	CA11860	30.621.00	CA3136	27.775.00	CA4540	30.890.00	(FORD)	30.016.00
CA11189	30.626.00	CA11863	27.E34.00	CA3139	30.815.00	CA4543	30.889.00	CA5233	
CA11190	30.A69.00	CA11874	30.630.00	CA3140		CA4550	27.939.00	(VOLVO)	30.955.00
CA11198	27.629.00	CA11887	30.B62.00	CA3140		CA4555	30.898.00	CA5266	30.945.00
CA11199	27.688.00	CA11888	30.622.00	CA3144	30.836.00	CA4556	30.894.00	CA5267	30.960.00
CA11200	30.496.00	CA11897	30.717.00	CA3145	27.781.00	CA4561	27.110.00	CA5272	30.243.00
CA11201	30.538.00	CA11917	30.B87.00	CA3146	27.947.00	CA4562	30.928.00	CA5273	27.140.00
CA11202	30.B63.00	CA11963	30.A15.00	CA3147	27.792.00	CA4568	30.948.00	CA5278	27.525.00
CA11206	30.594.00	CA12016	30.713.00	CA3154	27.824.00	CA4573	27.085.00	CA5279	27.200.00
CA11207	30.B26.00	CA12017		CA3159	30.843.01	CA4575	30.904.00	CA5294	30.963.00
CA11207	30.B29.00	(BR)	30.A51.00	CA3167	27.800.00	CA4576	30.914.02	CA5301	30.946.00
CA11209	30.776.00	CA12020	30.712.00	CA3168	27.927.00	CA4578	27.081.00	CA5304	27.193.00
CA11210	30.395.00	CA12021	30.718.00	CA3174	27.845.02	CA4579	30.929.00	CA5307	30.952.00
CA11211	27.A53.00	CA12025	30.665.00	CA3174A	27.845.02	CA4580	30.911.00	CA5308	27.194.00
CA11218	30.B41.00	CA12028	30.692.00	CA3174B	27.845.02	CA4583	27.134.00	CA5309	30.969.00
CA11222	30.569.00	CA12029	30.627.00	CA3185	27.898.00	CA4584	27.067.00	CA5325	
CA11228	30.663.00	CA12030	30.664.00	CA3245	27.235.00	CA4592	27.111.00	(BR)	30.048.00
CA11230	30.408.00	CA12032	30.B20.00	CA3256	27.678.00	CA4594	27.736.00	CA5329	27.196.00
CA11231	30.322.00	CA12033	30.693.00	CA3295	27.828.00	CA4595	27.079.00	CA5331	27.234.00
CA11232	30.546.00	CA12034	30.648.00	CA3298	27.817.00	CA4597	30.930.00	CA5337	30.997.00
CA11240	30.B04.00	CA12035	30.A67.00	CA3333	30.802.01	CA4598	30.932.00	CA5349	30.954.00
CA11241	30.B03.00	CA12041	30.A23.00	CA3333A		CA4732	27.156.00	CA5350	30.991.00
CA11258	30.525.00	CA12042	30.A21.00	(BR)	30.802.01	CA4739	30.922.01	CA5351	30.977.00
CA11259	30.779.00	CA12066	30.677.00	CA3373	30.818.00	CA4744	30.943.00	CA5352	30.966.00
CA11263	30.628.00	CA12073	30.B50.00	CA3373		CA4744A	30.943.00	CA5357	30.981.00
CA11265	30.C45.00	CA12077	30.C64.00	(FIAT)	30.857.00	CA4756	27.062.00	CA5358	30.022.00
CA11267	27.587.00	CA12078	30.795.00	CA3399	30.835.00	CA4760	27.061.00	CA5359	27.602.00
CA11268	30.539.00	CA12096	30.A62.00	CA3425	27.946.00	CA4767	30.906.00	CA5361	27.159.00
CA11270	30.785.00	CA12104		CA3441	30.851.00	CA4791	30.878.00	CA5367	27.195.00
CA11283	27.E52.00	(BR)	30.713.00	CA352	27.769.00	CA4792	30.908.00	CA5369	27.169.00
CA11284	27.B12.00	CA12112	27.E61.00	CA353	27.744.00	CA4811	27.707.00	CA5370	30.996.00
CA11286	30.A37.00	CA12114	30.793.00	CA3552	27.770.00	CA4813	27.888.00	CA5371	30.990.00
CA11288	30.638.00	CA12116	30.A68.00	CA3566	27.155.00	CA4818	27.097.00	CA5376	30.999.00
CA11304	30.595.00	CA12122	30.A63.00	CA3660	30.851.00	CA4819	27.063.00	CA5376A	30.999.00
CA11305	30.558.00	CA12143	30.A16.00	CA3688	27.172.00	CA4821	27.083.00	CA5377	30.019.00
CA11360	30.540.00	CA12242	30.794.00	CA376	27.097.00	CA4822	27.890.00	CA5378	30.994.00
CA11361	30.376.00	CA12243	30.A95.00	CA3783	30.078.01	CA4831	27.604.00	CA5383	27.828.00
CA11362	30.654.00	CA12268	27.G11.00	CA3874	30.076.00	CA4864	27.063.00	CA5384	30.851.00
CA11409	30.700.00	CA12367	30.556.00	CA3901	30.972.00	CA4871	27.581.00	CA5393	27.526.00
CA11410	30.280.00	CA12465	30.B22.00	CA3943	27.268.00	CA4877	30.939.00	CA5397	30.958.00
CA11411	30.A38.00	CA12466	30.B56.00	CA3997	30.287.00	CA4896	30.923.01	CA5400	30.017.00
CA11422	30.597.00	CA12471	30.C39.00	CA3998	27.090.00	CA4899	27.139.00	CA5401	27.173.00
CA11424	27.A54.00	CA12488	30.A99.00	CA4202	27.804.00	CA4924	30.001.00	CA5405	30.255.00
CA11426		CA12575	27.G10.00	CA4219	27.982.00	CA4964	30.976.00	CA5409	30.121.00
(USA)	30.603.00	CA2605	27.730.00	CA4237	30.910.00	CA4966	27.520.00	CA5411	30.017.00
CA11432	30.632.00	CA2606	27.725.00	CA4244	27.744.00	CA4970	27.063.00	CA5431	30.237.00

CA5432	27.231.00	CA5825	30.973.00	CA7605	30.221.00	CA9021	30.169.00	CA9629	30.194.00
CA5433	30.008.00	CA5826	30.086.00	CA7617	30.537.00	CA9022	30.183.00	CA9631	27.699.00
CA5434	27.527.00	CA5827	30.077.00	CA7737	30.372.00	CA9041	30.148.00	CA9632	30.224.00
CA5435	30.040.00	CA5828	30.166.00	CA7755	30.177.00	CA9042	30.397.00	CA9636	30.274.00
CA5436	30.007.00	CA5830	30.003.00	CA7764	30.238.00	CA9053	27.009.00	CA9643	30.144.00
CA5445	30.172.00	CA5854	30.083.00	CA7775	30.285.00	CA9054	30.226.00	CA9646	30.189.00
CA5446	27.589.00	CA5860	30.106.00	CA8007		CA9073	30.164.00	CA9647	30.190.00
CA5450	30.005.00	CA5871	27.D10.00	(USA)	30.049.00	CA9079	30.204.00	CA9649	30.152.00
CA5456	27.239.00	CA5875	30.080.00	CA8009	30.314.00	CA9080	30.180.00	CA9651	30.167.00
CA5459	30.020.00	CA5891	30.141.00	CA8014		CA9081	30.180.00	CA9652	30.197.00
CA5461	27.253.00	CA5894	30.111.00	(USA)	30.007.00	CA9082	30.139.00	CA9653	30.202.00
CA5463	30.025.00	CA5895	27.267.00	CA8040		CA9093	30.128.00	CA9658	30.130.00
CA5466	30.143.00	CA5898	30.124.00	(USA)	30.001.00	CA9094	30.127.00	CA9668	30.196.00
CA5467	30.076.00	CA5899	30.079.00	CA8041	30.001.00	CA9095	30.248.00	CA9680	27.486.00
CA5468	30.026.00	CA5923	27.579.00	CA8067	30.204.00	CA9096-2	30.134.00	CA9682	27.D79.00
CA5481	27.272.00	CA5929	30.101.00	CA8069	30.460.00	CA9097	30.215.00	CA9683	30.A86.00
CA5488	30.021.00	CA5929	30.C47.00	CA8070	30.596.00	CA9101	30.432.00	CA9684	30.203.00
CA5492	30.035.00	CA5930	27.524.00	CA8133		CA9102	30.142.00	CA9694	30.245.00
CA5494	30.024.00	CA5941	30.108.00	(USA)	30.227.00	CA9103	30.129.00	CA9695	30.246.00
CA5495	30.030.00	CA5944	30.102.00	CA8162	30.336.00	CA9115	30.176.00	CA9696	30.241.00
CA5496	30.027.00	CA5945	30.103.00	CA8169		CA9120	27.C10.00	CA9708	30.399.00
CA5500		CA5948	30.119.00	(BR)	30.193.00	CA9126	30.146.00	CA9709	27.394.00
(VAG)	30.398.00	CA5959	30.105.00	CA8194	30.100.00	CA9230	27.366.00	CA9711	30.187.00
CA5501	30.028.00	CA5963	30.893.03	CA8208	30.275.00	CA9231		CA9719	30.149.00
CA5506	30.222.00	CA5967	27.583.00	CA8548	30.464.00	(BR)	27.228.00	CA9720	30.088.00
CA5517	30.034.00	CA5970	30.107.00	CA8601	30.172.00	CA9277	30.295.00	CA9725	30.360.00
CA5517A	30.034.00	CA5988	30.118.01	CA8602		CA9295	30.176.00	CA9728	30.269.00
CA5518	30.033.00	CA5994	27.354.00	(USA)	30.077.00	CA9300	27.274.00	CA9751	30.262.00
CA5519	30.032.00	CA614PL	30.800.00	CA8606	30.B44.00	CA9313	30.185.00	CA9754	30.417.00
CA5522	30.050.00	CA615PL	27.716.00	CA8674	30.117.00	CA9314	30.186.00	CA9757	30.178.00
CA5527	30.170.00	CA622APL	27.756.00	CA8675	30.116.00	CA9315	30.186.00	CA9759	30.294.00
CA5538	30.036.00	CA622PL	27.709.00	CA8676	30.166.00	CA9327	30.136.00	CA9764	30.210.00
CA5539	30.119.00	CA6304	30.256.00	CA8713		CA9328	30.137.00	CA9767	30.264.00
CA5542	30.170.00	CA6305	27.599.00	(USA)	30.115.00	CA9329	30.135.00	CA9768	27.592.00
CA5554	30.039.00	CA6333	30.242.00	CA8720	30.A71.00	CA9339	30.228.00	CA9770	30.233.00
CA5555	30.046.00	CA6360	27.150.00	CA8729	30.102.00	CA9340	30.180.00	CA9777	30.320.00
CA5560	30.072.00	CA6362	27.171.00	CA8731	30.105.00	CA9359	30.338.00	CA9782	30.337.00
CA5564	30.003.00	CA6365	30.970.00	CA8733	30.041.00	CA9360		CA9784	30.417.00
CA5567	27.647.00	CA6375	30.806.00	CA8734	30.126.00	(USA)	30.788.00	CA9784	30.470.00
CA5572	27.584.00	CA6387	30.911.00	CA8736		CA9367	30.220.00	CA9792	30.309.00
CA5578	30.045.00	CA6388	27.162.00	(BR)	30.294.00	CA9391	30.159.00	CA9800	27.401.00
CA5579	30.041.00	CA6391	27.153.00	CA8747	30.593.00	CA9392	30.266.00	CA9806	30.316.00
CA5580	30.041.00	CA6393	27.154.00	CA8748	27.403.00	CA9409	30.162.00	CA9812	30.206.00
CA5595	30.173.00	CA6394	30.361.00	CA8766	30.267.00	CA9410	30.132.00	CA9826	30.288.00
CA5597		CA6395	30.076.00	CA8767	30.119.00	CA9411	30.163.00	CA9847	30.465.00
(EU)	30.048.00	CA641PL	27.707.00	CA8768-2	30.531.00	CA9415	30.263.00	CA9849	30.247.00
CA5602	30.314.00	CA643PL	27.752.00	CA8774	27.273.00	CA9423	30.201.00	CA9861	30.290.00
CA5611	27.228.00	CA651PL	27.702.00	CA8779	30.216.00	CA9424	30.364.00	CA9894	30.409.00
CA5612	27.236.00	CA652PL	27.701.00	CA8786	27.588.00	CA9426	30.320.00	CA9898	30.344.00
CA5613	30.052.00	CA6541	30.012.00	CA8789	27.355.00	CA9428	30.151.00	CA9902	30.279.00
CA5619	30.001.00	CA6543	27.590.00	CA8797	30.104.00	CA9429	27.385.00	CA9916	27.691.00
CA5627	30.089.00	CA6545	30.946.00	CA8812	30.066.00	CA9431	30.133.00	CA9924	30.299.00
CA5630A	30.066.00	CA6559		CA8817	30.281.00	CA9438	27.593.00	CA9932	30.319.00
CA5631	27.254.00	(USA)	30.936.00	CA8821	30.099.00	CA9441	30.174.00	CA9935	30.234.00
CA5641	30.049.00	CA656PL	27.720.00	CA8822	30.249.00	CA9446	30.184.00	CA9937	30.302.00
CA5646	30.286.00	CA660PL	27.719.00	CA8824	30.098.00	CA9469	30.324.00	CA9942	30.301.00
CA5657	30.068.00	CA662PL	27.708.00	CA8825	27.135.00	CA9473	30.160.00	CA9943	30.297.00
CA5658	30.087.00	CA663PL	27.707.00	CA8829	30.125.00	CA9477	30.195.00	CA9945	30.232.00
CA5667	27.233.00	CA6664	30.967.00	CA8847	30.181.00	CA9482	30.289.00	CA9950	27.594.00
CA5668	27.232.00	CA6667	27.605.00	CA8854	30.067.00	CA9487	30.270.00	CA9951	27.595.00
CA5673	30.057.00	CA6690		CA8855	30.067.00	CA9488	30.780.00	CA9991	30.293.00
CA5677	30.053.00	(CITROEN, MITSUBISHI, PEUGEOT)	30.601.00	CA8856	30.067.00	CA9489	30.231.00	CA9993	30.268.00
CA5678	27.252.00	CA670PL	27.706.00	CA8857	30.933.00	CA9493	27.601.00	CA9997	30.615.00
CA5680	30.063.00	CA6807	30.239.00	CA8887	30.109.00	CA9494	30.168.00	CAK1518	27.923.00
CA5681	30.064.00	CA6814	30.188.00	CA8888	30.097.00	CA9497	30.218.00	CAK2521	27.931.00
CA5682	30.062.00	CA681PL	27.107.00	CA8889	30.575.00	CA9512		CAK253	27.920.00
CA5684	30.154.00	CA6828	30.013.00	CA8899	30.112.00	(BR)	30.163.00	CAK254	27.902.00
CA5686	30.461.00	CA6867	30.177.00	CA8900	27.341.00	CA9513	30.A33.00	CAK258	27.878.00
CA5687	30.A50.00	CA6868	30.961.00	CA8918	30.505.00	CA9515	27.679.00	CAK3193	27.132.00
CA5688	30.066.00	CA6870	30.975.00	CA8919	30.155.00	CA9519		CAK4956	27.137.00
CA5695	30.075.00	CA6900	30.001.00	CA8922	30.171.00	(BR)	30.158.00	CAK546	27.923.00
CA5709	30.090.00	CA6938	27.173.00	CA8926	27.367.00	CA9525	30.312.00	CF10025	53.088.00
CA5712	27.477.00	CA694PL	27.713.00	CA8934	27.353.00	CA9532	30.225.00	CF10059	53.129.00
CA5715	30.933.00	CA70PL	27.736.00	CA8937	27.386.00	CA9542	30.220.00	CF10062	53.123.00
CA5716	30.071.00	CA7142		CA8939	30.145.01	CA9544	30.182.00	CF10062	54.306.00
CA5718	30.066.00	(USA)	30.222.00	CA8956		CA9551	27.648.00	CF10067	53.106.00
CA5736	27.257.00	CA7174	30.235.00	(USA)	30.250.00	CA9564	30.276.00	CF10073	53.109.00
CA5737	30.120.00	CA71PL	27.710.00	CA8957	27.403.00	CA9565	30.313.00	CF10080	53.132.00
CA5739	30.070.00	CA7245	30.974.00	CA8963	30.095.00	CA9572	30.153.00	CF10087	53.105.00
CA5741	27.356.00	CA7344	30.230.00	CA8964	30.147.00	CA9573	30.199.00	CF10108	
CA5776	27.258.00	CA7351	30.223.00	CA8972	30.175.00	CA9574	30.165.00	(BR)	53.108.00
CA5777	30.082.00	CA7369		CA8979	30.115.00	CA9588	30.327.00	CF10109	
CA5780	30.069.00	(USA)	30.237.00	CA8985	27.384.00	CA9590		(BR)	53.038.00
CA5781	30.085.00	CA7420	30.236.00	CA8987	30.157.00	(BR)	30.159.00	CF10129	53.418.00
CA5782	30.073.00	CA7440	30.284.00	CA8995	30.161.00	CA9618	27.400.00	CF10138	53.248.00
CA5784	30.999.00	CA7597	30.096.00	CA8996	30.541.00	CA9620	30.600.00	CF10139	
CA5799	30.058.00	CA7600		CA9015	30.158.00	CA9621	30.321.00	(BR)	53.050.00
CA5821	27.265.00	(USA)	27.523.00	CA9020	30.B21.00	CA9622	30.244.00	CF10150	

(BR)	53.112.00	CF11282	53.274.00	CF8717	53.100.00	CFA10206	54.154.00	CFA8876	54.165.00
CF10200	53.115.00	CF11414	53.144.00	CF8719	53.316.00	CFA10209-2	54.153.00	CFA8877	54.270.00
CF10202	53.109.00	CF11415-2	53.338.00	CF8750	53.041.00	CFA10285	54.266.00	CFA8878	54.118.00
CF10204-2	53.143.00	CF11434	53.208.00	CF8777	53.064.00	CFA10307	54.156.00	CFA8879	54.197.00
CF10207	53.236.00	CF11444	53.150.00	CF8799	53.084.00	CFA10322	54.266.00	CFA8880	54.278.00
CF10210	53.112.00	CF11446-2	53.310.00	CF8831	53.034.00	CFA10365	54.162.00	CFA8882	54.195.00
CF10210-2	53.259.00	CF11448	53.368.00	CF8832-2	53.037.00	CFA10366	54.160.00	CFA8893	54.263.00
CF10218-2	53.120.00	CF11464	53.233.00	CF8838	53.060.00	CFA10417	54.155.00	CFA8894	54.107.00
CF10245-2	53.119.00	CF11470	53.210.00	CF8867	53.030.00	CFA10419-2	54.172.00	CFA8912-2	54.108.00
CF10248	53.111.00	CF11471-2	53.251.00	CF8868	53.047.00	CFA10431	54.167.00	CFA8913	54.121.00
CF10282	53.124.00	CF11472	53.224.00	CF8890	53.042.00	CFA10435	54.159.00	CFA9071	54.194.00
CF10284	53.184.00	CF11483	53.400.00	CF8913	53.158.00	CFA10436	54.161.00	CFA9077	54.267.00
CF10285	53.147.00	CF11486	53.148.00	CF8914	53.068.00	CFA10450	54.246.00	CFA9294	54.282.00
CF10322	53.147.00	CF11505	53.243.00	CF8947-2		CFA10458	54.168.00	CFA9364	54.122.00
CF10329	53.118.00	CF11506-2	53.121.00	(N.2 FILTRI/FILTERS)	53.070.00	CFA10471	54.272.00	CFA9396	54.126.00
CF10363	53.257.00	CF11532-2	53.253.00	CF8948		CFA10474-2	54.173.00	CFA9404	54.114.00
CF10366	53.136.00	CF11544	53.293.00	(N.1 FILTRO/FILTER)	53.070.00	CFA10527	54.158.00	CFA9405-2	54.104.00
CF10381	53.145.00	CF11548	53.383.00	CF8989		CFA10529	54.166.00	CFA9406	54.171.00
CF10411	53.159.00	CF11575-2	53.311.00	(BR)	53.074.00	CFA10582	54.144.00	CFA9408	54.262.00
CF10413	53.157.00	CF11644-2	53.212.00	CF9034		CFA10584	54.136.00	CFA9442	54.201.00
CF10420	53.130.00	CF11661	53.422.00	(BR)	53.317.00	CFA10612	54.176.00	CFA9445	54.113.00
CF10431	53.218.00	CF11662	53.211.00	CF9051	53.059.00	CFA10613	54.140.00	CFA9466	54.264.00
CF10436	53.137.00	CF11670		CF9071	53.044.00	CFA10621	54.145.00	CFA9495	54.100.00
CF10442	53.206.00	(BR)	53.207.00	CF9077	53.033.00	CFA10657	54.217.00	CFA9533	54.103.00
CF10457	53.153.00	CF11676	53.294.00	CF9086	53.099.00	CFA10746	54.220.00	CFA9534	54.119.00
CF10471	53.152.00	CF11679	53.260.00	CF9293	53.087.00	CFA10761	54.234.00	CFA9548	54.101.00
CF10501	53.093.00	CF11687		CF9294	53.039.00	CFA10773	54.170.00	CFA9562	54.125.00
CF10511-2	53.219.00	(BR)	53.274.00	CF9323	53.031.00	CFA10775	54.178.00	CFA9567	54.135.00
CF10526	53.126.00	CF11706	53.256.00	CF9335	53.075.00	CFA10828-2	54.215.00	CFA9587	54.111.00
CF10534-2	53.164.00	CF11719	53.320.00	CF9336	53.230.00	CFA10830	54.128.00	CFA9594	54.137.00
CF10536-2	53.154.00	CF11726		CF9337	53.052.00	CFA10831	54.175.00	CFA9623	54.116.00
CF10546	53.141.00	(BR)	53.210.00	CF9338	53.057.00	CFA10920-2	54.243.00	CFA9665	54.271.00
CF10553	53.214.00	CF11743	53.323.00	CF9363	53.035.00	CFA10934	54.163.00	CFA9666	54.115.00
CF10555-2	53.258.00	CF11745-2	53.313.00	CF9364	53.086.00	CFA10937-2	54.240.00	CFA9686	54.273.00
CF10559	53.426.00	CF11766	53.384.00	CF9383	53.114.00	CFA10943	54.120.00	CFA9691	54.232.00
CF10597	53.161.00	CF11768	53.322.00	CF9394	53.134.00	CFA11119	54.285.00	CFA9785	54.133.00
CF10621	53.110.00	CF11786	53.379.00	CF9395	53.138.00	CFA11152	54.256.00	CFA9788-2	54.132.00
CF10627	53.116.00	CF11808-2	53.277.00	CF9396	53.091.00	CFA11164	54.111.00	CFA9819-2	54.152.00
CF10659	53.207.00	CF11811	53.330.00	CF9398	53.038.00	CFA11166	54.224.00	CFA9825-2	54.130.00
CF10742		CF11815-2	53.332.00	CF9399	53.065.00	CFA11220-2	54.231.00	CFA9827	54.174.00
(BR)	53.151.00	CF11854	53.389.00	CF9406	53.040.00	CFA11239	54.149.00	CFA9846	54.117.00
CF10761	53.276.00	CF11862	53.249.00	CF9408	53.043.00	CFA11248	54.290.00	CFA9881	54.148.00
CF10763	53.185.00	CF11884	53.127.00	CF9442	53.107.00	CFA11285	54.249.00	CFA9904	54.134.00
CF10774	53.254.00	CF11953	53.299.00	CF9466	53.050.00	CFA11429	54.312.00	CFA9920	54.142.00
CF10776	53.261.00	CF12058	53.208.00	CF9478		CFA11430	54.236.00	CFA9930	54.157.00
CF10823	53.186.00	CF12139	53.275.00	(BR)	53.113.00	CFA11435	54.268.00	CFA9931	54.198.00
CF10824-2	53.397.00	CF12140	53.365.00	CF9479		CFA11436	54.222.00	CFP10103-2	34.127.00
CF10829		CF12155	53.314.00	(BR)	53.040.00	CFA11470	54.248.00	CFP10205-2	34.164.00
(BR)	53.157.00	CF12160	53.387.00	CF9485	53.058.00	CFA11471-2	54.241.00	CFP10209-2	34.153.00
CF10831	53.156.00	CF12179	53.391.00	CF9495	53.045.00	CFA11472	54.226.00	CFP10365	34.162.00
CF10836		CF12212	53.218.00	CF9531	53.045.00	CFA11484	54.223.00	CFP10419-2	34.172.00
(BR)	53.116.00	CF12222	53.390.00	CF9533	53.149.00	CFA11486	54.124.00	CFP10458	34.168.00
CF10837		CF12224	53.220.00	CF9534	53.162.00	CFA11486	54.376.00	CFP10527	34.158.00
(BR)	53.145.00	CF1520	53.067.00	CF9546	53.205.00	CFA11544	54.257.00	CFP10529	34.166.00
CF10838		CF5475	53.015.00	CF9562	53.090.00	CFA11575-2	54.287.00	CFP10584	34.136.00
(BR)	53.123.00	CF5551	53.021.00	CF9579	53.067.00	CFA11642	54.218.00	CFP10621	34.145.00
CF10842		CF5662	53.013.00	CF9586	53.069.00	CFA11643	54.219.00	CFP10657	34.217.00
(BR)	53.109.00	CF5663	53.006.00	CF9594	53.101.00	CFA11650-2	54.141.00	CFP10761	34.234.00
CF10843		CF5664	53.016.00	CF9595	53.082.00	CFA11662	54.245.00	CFP10773	34.170.00
(BR)	53.160.00	CF5665	53.001.00	CF9645	53.032.00	CFA11706	54.244.00	CFP10775	34.178.00
CF10844		CF5816	53.010.00	CF9659	53.117.00	CFA11718	54.284.00	CFP10775	34.238.00
(BR)	53.148.00	CF5817	53.012.00	CF9666	53.076.00	CFA11767	54.147.00	CFP10831	34.175.00
CF10847		CF5818	53.024.00	CF9686	53.125.00	CFA11775	54.289.00	CFP11119	34.285.00
(BR)	53.201.00	CF5819	53.023.00	CF9691	53.104.00	CFA11779	54.112.00	CFP11152	34.256.00
CF10889	53.191.00	CF5823	53.019.00	CF9724	53.244.00	CFA11808-2	54.254.00	CFP11164	34.111.00
CF10896	53.331.00	CF5824	53.002.00	CF9740-2	53.197.00	CFA11815-2	54.279.00	CFP11285	34.249.00
CF10900	53.122.00	CF5841	53.020.00	CF9756	53.077.00	CFA11854	54.291.00	CFP11435	34.268.00
CF10916	53.246.00	CF5842	53.007.00	CF9787	53.102.00	CFA11862	54.331.00	CFP11436	34.222.00
CF10917	53.146.00	CF5846	53.028.00	CF9807		CFA11919	54.389.00	CFP11470	34.248.00
CF10921	53.334.00	CF5847	53.085.00	(BR)	53.098.00	CFA11961	54.269.00	CFP11472	34.226.00
CF10923	53.051.00	CF5848	53.018.00	CF9819-2	53.108.00	CFA12147	54.288.00	CFP11486	34.124.00
CF10930	53.329.00	CF5849	53.061.00	CF9827	53.155.00	CFA12155	54.293.00	CFP11544	34.257.00
CF10933-2	53.163.00	CF5850	53.017.00	CF9832-2	53.142.00	CFA12211	54.292.00	CFP11575-2	34.287.00
CF10939	53.149.00	CF5851	53.025.00	CF9846	53.103.00	CFA12224	54.253.00	CFP11642	34.218.00
CF11119	53.223.00	CF5863	53.014.00	CF9880	53.404.00	CFA12229	34.162.00	CFP11643	34.219.00
CF11152	53.209.00	CF5864	53.027.00	CF9881	53.189.00	CFA12420	54.319.00	CFP11706	34.244.00
CF11164		CF5865	53.232.00	CF9882	53.218.00	CFA5551	54.235.00	CFP11854	34.291.00
(BR)	53.038.00	CF5893	53.083.00	CF9882		CFA5846		CFP11961	34.269.00
CF11166	53.151.00	CF5935	53.046.00	(NISSAN) (BR)	53.260.00	(PEUGEOT)	54.169.00	CFP12147	34.288.00
CF11173	53.367.00	CF5942	53.011.00	CF9904	53.098.00	CFA8778	54.139.00	CFP8831	34.106.00
CF11177	53.388.00	CF5972-2	53.005.00	CF9905	53.094.00	CFA8788	54.105.00	CFP8838	34.196.00
CF11178	53.396.00	CF8103	53.026.00	CF9920	53.227.00	CFA8831	54.106.00	CFP8867	34.230.00
CF11182	53.160.00	CF8249		CF9934	53.131.00	CFA8838	54.196.00	CFP8868	34.143.00
CF11183	53.325.00	(USA)	53.063.00	CFA10055	54.146.00	CFA8867	54.230.00	CFP8869	34.109.00
CF11220-2	53.229.00	CF8331		CFA10067	54.237.00	CFA8868	54.143.00	CFP8878	34.118.00
CF11243	53.215.00	(BR)	53.034.00	CFA10103-2	54.127.00	CFA8869	54.109.00	CFP9364	34.122.00
CF11244	53.183.00	CF8644	53.006.00	CFA10199	54.150.00	CFA8874	54.135.00	CFP9405-2	34.104.00
CF11261	53.222.00	CF8714	53.079.00	CFA10205-2	54.164.00	CFA8875	54.277.00	CFP9495	34.100.00

CFP9548	34.101.00	CH12059ECO	25.148.00	CH9348ECO	25.030.00	G5607	31.561.00	P10449	24.087.00
CFP9666	34.115.00	CH12132ECO	25.170.00	CH9432ECO	25.052.00	G5623	31.696.00	P10508	31.839.00
CFP9691	34.232.00	CH12138ECO	25.059.00	CH9437ECO	25.022.00	G5690		P10533	55.582.00
CFP9881	34.148.00	CH12141ECO	25.037.00	CH9443ECO	25.032.00	(EU)	31.543.00	P10535	24.026.01
CFP9920	34.142.00	CH12170ECO	25.139.00	CH9462ECO	25.033.00	G5773	31.500.00	P10614	24.459.00
CG801	26.664.00	CH12176ECO	25.180.00	CH9463AECO	25.023.00	G5774	31.569.00	P10669	24.113.00
CG8953	26.691.00	CH12220ECO	25.199.00	CH9496ECO	25.039.00	G5857	31.710.00	P10669	24.187.00
CG8953ECO	26.691.00	CH12246		CH9528ECO	25.021.00	G5869	31.747.00	P10695	24.144.00
CH10035ECO	25.066.00	(USA)	25.183.00	CH9530ECO	25.029.00	G5870	31.718.00	P10758	31.947.00
CH10045ECO	25.049.00	CH12262ECO	25.160.00	CH9540ECO	25.026.00	G5915	31.741.00	P10820	31.921.00
CH10052ECO	25.067.00	CH12382	25.216.00	CH9547ECO	25.028.00	G5968		P10852	24.115.00
CH10054ECO	25.063.00	CH12454ECO	25.211.00	CH9580		(EU)	31.669.00	P10852A	24.115.00
CH10075ECO	25.058.00	CH2807	25.409.01	(BR)	25.022.00	G5974	31.724.00	P11035	31.838.00
CH10075ECO	25.232.00	CH2847	25.413.00	CH9584		G5977	31.750.00	P11036	24.001.00
CH10075KECO	25.171.00	CH2847A	25.413.00	(USA) (BR)	25.034.00	G5978	31.515.00	P11039	31.851.00
CH10158	25.077.00	CH2930	25.499.00	CH9584ECO	25.034.00	G6397	31.618.00	P11044	24.111.00
CH10158ECO	25.077.00	CH2965	25.539.00	CH9657CECO	25.037.00	G6398	31.507.00	P11046	24.114.00
CH10160ECO	25.080.00	CH2965A	25.539.00	CH9685ECO	25.053.00	G6400	31.510.00	P11047	24.127.00
CH10197ECO	25.068.00	CH4453	25.409.01	CH9706ECO	25.047.00	G6405	31.020.00	P11139	24.452.00
CH10246ECO	25.064.00	CH4536	25.528.00	CH9713ECO	25.043.00	G6436	31.024.00	P11194	24.128.00
CH10323ECO	25.069.00	CH4747	25.530.01	CH9813ECO	25.197.00	G6462	31.523.00	P11196	24.149.00
CH10331ECO	25.072.00	CH4797	25.530.00	CH9911		G6534	31.539.00	P11237	31.946.00
CH10358ECO	25.086.00	CH5151	25.541.00	(BR)	25.040.00	G6536	31.517.00	P11238	24.145.00
CH10415ECO	25.177.00	CH5320	25.548.00	CH9911ECO	25.040.00	G6553	31.523.00	P11260	24.016.00
CH10434ECO	25.074.00	CH5412	25.499.01	CH9918ECO	25.050.00	G6574	31.508.00	P11271	24.147.00
CH10473ECO	25.075.00	CH5478	25.590.00	CH9919ECO	25.071.00	G6677	31.565.00	P1129	24.351.00
CH10512ECO	25.165.00	CH5565	25.555.00	CH9973AECO	25.060.00	G6680	31.556.00	P11419	24.112.00
CH10532ECO	25.091.00	CH5576	25.406.01	CH9973ECO	25.060.00	G6689	31.525.00	P11454	24.030.00
CH10623ECO	25.061.00	CH5644	25.587.00	CH9994ECO	25.048.00	G6825	31.556.00	P11466	31.953.00
CH10628ECO	25.070.00	CH5958ECO	25.012.00	CS11971	26.114.00	G6826	31.535.00	P11467	24.033.00
CH10636ECO	25.105.00	CH5976	25.017.00	CS11999	26.122.00	G6859	31.558.00	P11681	31.952.00
CH10658ECO	25.150.00	CH5976ECO	25.017.00	CS12162	26.065.00	G6895	31.519.00	P11682	24.150.00
CH10660ECO	25.084.00	CH5979	25.009.00	CS12365	26.130.00	G6898	31.547.00	P11857	24.095.00
CH10670ECO	25.151.00	CH5979ECO	25.009.00	FCS12228		G6901	31.589.00	P11889	31.926.01
CH10717AECO	25.060.00	CH5993	25.003.00	(USA)	26.122.00	G7099	31.514.00	P12120	24.080.00
CH10751ECO	25.093.00	CH5993ECO	25.003.00	G10146	31.832.00	G7143	31.515.00	P2946B	24.370.00
CH10759ECO	25.106.00	CH6846	25.540.00	G10147	31.833.00	G7146	31.520.00	P3522	24.351.00
CH10855		CH7732		G10149	31.715.00	G7150	31.550.00	P4159	24.319.01
(USA) (BR)	25.226.00	(USA)	25.590.00	G10214	31.830.00	G7355	31.648.00	P4173	31.013.00
CH10876ECO	25.085.00	CH801BPL	25.407.01	G10215	31.831.00	G7356	31.650.00	P4174	31.027.00
CH10945ECO	25.167.00	CH801PL	25.407.01	G10230	31.948.00	G7367	31.541.00	P4178	24.370.00
CH10955ECO	25.248.00	CH803APL	25.406.01	G10243	31.840.00	G7393	31.611.00	P4178A	24.370.00
CH10992		CH803PL	25.406.01	G10756	31.853.00	G7396	31.649.00	P4183	
(USA)	25.073.02	CH803PL1	25.406.01	G10819	31.958.00	G7599	31.621.00	(ALTRE/OTHER APPL.)	24.351.00
CH10992ECO	25.073.02	CH8081	25.004.00	G11107	31.850.00	G7612	31.560.00	P4186	24.304.00
CH11007ECO	25.201.00	CH8081ECO	25.004.00	G11140	31.825.00	G7729	31.740.00	P4506PL	24.304.00
CH11008ECO	25.198.00	CH8087	25.008.00	G11236	31.951.00	G7736	31.513.00	P4508	24.352.00
CH11015ECO	25.152.00	CH8087ECO	25.008.00	G11465	31.846.00	G7766	31.609.00	P4516	24.304.00
CH11038ECO	25.210.00	CH813PL	25.402.01	G11905	31.828.00	G7767	31.669.00	P4520	24.350.00
CH11060	25.172.00	CH814PL	25.409.01	G12	31.010.00	G7769	31.580.00	P4549	24.321.00
CH11079ECO	25.143.00	CH8158	25.010.00	G12-1	31.001.00	G8018	31.769.00	P4549A	24.321.00
CH11120ECO	25.083.00	CH8158ECO	25.010.00	G12163	31.962.00	G8075	31.592.00	P4587	
CH11150ECO	25.096.00	CH815PL	25.408.00	G3713	31.699.00	G8116	31.664.00	(BEDFORD, OPEL, VAUXHALL)	24.351.01
CH11163		CH815PL1	25.408.00	G3727	31.564.00	G8122		P4591	24.368.00
(BR)	25.170.00	CH816PL	25.413.00	G3736	31.505.00	(USA)	31.543.00	P4766	24.326.00
CH11163ECO	25.170.00	CH820PL	25.408.00	G3737	31.563.00	G8160	31.712.00	P4805	24.327.00
CH11169ECO	25.154.00	CH8213ECO	25.038.00	G3744	31.502.00	G8532		P4836	
CH11208ECO	25.094.00	CH828PL	25.408.00	G3746	31.503.00	(USA)	31.761.00	(ALTRE/OTHER APPL.)	24.365.00
CH11217ECO	25.142.00	CH834PL1	25.455.00	G3747	31.506.00	G8569		P4836	
CH11242ECO	25.089.00	CH834PL1-1	25.455.01	G3748	31.594.00	(USA)	31.841.00	(HONDA)	24.435.00
CH11246ECO	25.155.00	CH836PL1	25.421.00	G3802	31.624.00	G8615	31.751.00	P4886	24.366.00
CH11252ECO	25.116.00	CH837PL	25.443.00	G3802A	31.624.00	G8864	31.749.00	P4922	24.374.00
CH11266ECO	25.115.00	CH8481ECO	25.054.00	G3829	31.500.00	G9292	31.844.00	P5138	24.375.00
CH11274ECO	25.128.00	CH8530	25.011.00	G3831	31.531.00	G9334	31.924.00	P5162	24.398.00
CH11276ECO	25.166.00	CH8530ECO	25.011.00	G3850	31.627.00	G9484	31.817.00	P5173	24.368.00
CH11277ECO	25.159.00	CH855APL	25.419.00	G4164	31.009.00	G9526	31.841.00	P5328	24.365.01
CH11299ECO	25.088.00	CH8765ECO	25.163.00	G4166	31.005.00	G9527	31.834.00	P5537	24.383.00
CH11427ECO	25.146.00	CH8776	25.014.00	G4167	31.007.00	G9552	31.811.00	P5651	24.379.01
CH11442ECO	25.145.00	CH8776ECO	25.014.00	G4191	31.006.00	G9716	31.501.00	P5652	24.381.00
CH11461ECO	25.164.00	CH8814ECO	25.056.00	G4715	31.026.00	G9808	31.802.00	P5653	24.380.00
CH11473ECO	25.178.00	CH8871ECO	25.095.00	G4777		G9809	31.776.00	P5654	24.397.00
CH11475ECO	25.159.00	CH8902ECO	25.002.00	(EU)		G9839	31.842.00	P5655	24.399.00
CH11478ECO	25.168.00	CH8905	25.018.00	G4953	31.012.00	G9879	31.847.00	P5661	24.382.00
CH11490ECO	25.141.00	CH8905ECO	25.018.00	G5257	31.550.00	G9893F		P5672	24.384.00
CH11498ECO	25.153.00	CH8977ECO	25.099.00	G5311	31.511.00	(BR)	31.740.00	P8043	24.351.01
CH11651ECO	25.191.00	CH8978ECO	25.067.00	G5312		HP1	23.102.00	P8833	24.338.00
CH11675ECO	25.144.00	CH8980	25.019.00	(BOSCH 0450902151)	31.512.00	P10040	24.087.00	P8916	24.424.00
CH11724		CH8980ECO	25.019.00	G5312		P10048	24.014.00	P8935	24.409.00
(BR)	25.082.00	CH9011ECO	25.001.00	(A.C.DELCO GF635)	31.611.00	P10089	31.852.00	P9384	24.429.00
CH11791		CH9018	25.024.00	G5404	31.513.00	P10100	24.437.00	P9436	24.416.00
(USA)	25.090.00	CH9018ECO	25.024.00	G5477	31.609.00	P10148	24.107.00	P9444	24.344.00
CH11791ECO	25.090.00	CH9023ECO	25.015.00	G5540		P10195	24.072.00	P9452	24.433.00
CH11792ECO	25.204.00	CH9024ECO	25.035.00	(ALTRE/OTHER APPL.)	31.515.00	P10196	24.451.00	P9486	24.331.00
CH11816ECO	25.110.00	CH9232ECO	25.041.00	G5540		P10222	31.849.00	P9529	24.423.00
CH11867ECO	25.187.00	CH926PL	25.439.00	(VAG)	31.722.00	P10287	24.004.00	P9554	24.427.00
CH11885ECO	25.185.00	CH9301	25.013.00	G5561	31.562.00	P10291	25.901.00	P9635	24.436.00
CH11913ECO	25.188.00	CH9301ECO	25.013.00	G5603	31.551.00	P10357	24.119.00	P9677	31.824.00
CH12039ECO	25.223.00	CH9305ECO	25.027.00	G5605	31.028.00	P10441	31.925.00	P9805	31.835.00

P9811	24.343.00	PH2863		(TOYOTA)	23.270.00	PH5443		PH977A	23.156.00
P9910	24.450.00	(BR)	23.127.00	PH4386	23.251.00	(LAND ROVER)	23.297.00	PH9928	23.470.00
P9946	24.013.00	PH2863-1	23.127.05	PH4467	23.108.00	PH5458	23.279.00	PH993	23.122.00
P9947	24.027.00	PH2863-1	23.176.00	PH4468		PH5479	23.177.00	PH9988	23.471.00
PA4248	30.852.00	PH2864A	23.105.00	(FIAT)	23.267.00	PH5484	23.404.00	PH9B	23.127.02
PA4418	30.942.00	PH2865A	23.159.00	PH4478	23.169.00	PH5529	23.475.00	PH9B1	23.127.02
PA4418A	30.942.00	PH2870	23.130.00	PH4482	23.175.00	PH5548		PS10041	24.ONE.00
PA4419	30.864.00	PH2870A	23.130.01	PH4485	23.177.00	(EU)	23.282.00	PS10042	24.ONE.01
PCS11043	24.077.00	PH2870B		PH4487	23.108.00	PH5548		PS10153	24.456.00
PH1	23.102.00	(BR)	23.130.01	PH4512	23.104.00	(BR)	23.453.00	PS10156	24.457.00
PH10008	23.299.00	PH2871A	23.271.00	PH4532	23.189.00	PH5550		PS10223	24.455.00
PH10044	23.267.00	PH2872		PH4542	23.171.00	(SAAB)	23.298.00	PS10235	24.443.00
PH10060	23.519.00	(OPEL, VAUXHALL)	23.117.00	PH4547	23.194.00	PH5550		PS10260	24.130.00
PH10125	23.519.00	PH2872		PH4548	23.195.00	(FORD, MAZDA)	23.413.00	PS10288	24.156.00
PH10127	23.472.00	(FORD)	23.188.00	PH4553	23.280.00	PH5556	23.413.00	PS10292	55.393.00
PH10267	23.546.00	PH2874	23.118.00	PH4553A	23.280.00	PH5566A		PS10315	24.006.00
PH10268	23.489.00	PH2879	23.127.02	PH4558	23.196.00	(PIAGGIO)	23.439.00	PS10317	24.440.00
PH10298	23.436.00	PH2881	23.241.00	PH4559	23.107.01	PH5566A		PS10326	55.430.00
PH10401	23.482.00	PH2884	23.131.00	PH4586	23.209.00	(CITR., FIAT, LANCIA, PEUGEOT)	23.293.00	PS10351	24.ONE.03
PH10600	23.493.00	PH2885A	23.173.01	PH46	23.131.02	PH5566A		PS10352	24.ONE.02
PH10684	23.486.00	PH2886	23.121.00	PH4681	23.130.03	(RENAULT)	23.401.00	PS10393	55.170.00
PH10686	23.564.00	PH2887	23.152.00	PH4701		PH5592	23.476.00	PS10394	55.418.00
PH10757	23.494.00	PH2897A	23.151.00	(BR)	23.129.02	PH5594A		PS10395	55.392.00
PH11014	23.660.00	PH2898	23.129.01	PH4702	23.173.01	(HYUNDAI)	23.452.00	PS10396	24.110.00
PH11016	23.565.00	PH2920	23.127.00	PH4703	23.191.00	PH5594A		PS10397	24.073.00
PH11203	23.585.00	PH2921	23.231.00	PH4722	23.129.02	(NISSAN, RENAULT)	23.484.00	PS10398	
PH11440	23.628.00	PH2926		PH4743	23.164.02	PH5596		(DELPHI HDF913)	24.050.00
PH11457	23.575.00	(ALTRE/OTHER APPL.)	23.117.00	PH4746	23.496.00	(BR)	23.472.00	PS10398	
PH11774	23.418.00	PH2926		PH4751	23.197.00	PH5618	23.474.00	(DELPHI HDF941)	24.013.00
PH11788	23.717.00	(FORD)	23.188.00	PH4824	23.131.00	PH5639	23.458.00	PS10475	55.394.00
PH11929	23.584.00	PH2931	23.544.00	PH4826	23.198.00	PH5645	23.299.00	PS10486	31.920.00
PH12	23.108.00	PH2934	23.187.00	PH4832	23.121.00	PH5675	23.295.00	PS10531	24.526.00
PH12060	23.650.00	PH2941	23.167.00	PH4835	23.246.00	PH5676	23.293.00	PS10598	24.464.00
PH12177	23.739.00	PH2942	23.114.02	PH4847A	23.303.00	PH5713	23.416.00	PS10667	24.012.00
PH12381	23.664.00	PH2951	23.213.00	PH4848	23.167.00	PH5717	23.495.00	PS10668	24.196.00
PH12479	23.481.00	PH2954	23.131.01	PH4853	23.232.00	PH5717	23.246.00	PS10672	24.131.00
PH16		PH2956	23.166.00	PH4854		PH5752	23.415.00	PS10821	
(USA)	23.127.00	PH2957	23.130.02	(ALTRE/OTHER APPL.)	23.156.02	PH5754	23.414.00	(BR0127400)	31.922.00
PH19	23.102.00	PH2964	23.131.00	PH4854		PH5795	23.419.00	PS10821	
PH2	23.463.00	PH2966		(VAG)	23.156.03	PH5796	23.418.00	(BR0127400A)	31.950.00
PH2800	23.134.01	(EU)	23.188.00	PH4870	23.271.00	PH5803		PS11213	31.857.04
PH2800-1	23.134.01	PH2975	23.113.00	PH4883	23.186.01	(ESCLUSO ECCEPT JAGUAR, LAND ROVER)	23.440.00	PS11272	24.099.00
PH2803	23.102.00	PH2977A	23.234.00	PH4908	23.246.00	PH5803		PS11273	24.126.00
PH2803-2	23.102.00	PH2978	23.134.00	PH4913	23.260.00	(JAGUAR)	23.473.00	PS11962	24.026.01
PH2804-1	23.162.02	PH2985		PH4952	23.254.00	PH5831	23.191.00	PS12355	24.151.00
PH2807-1	23.124.00	(SUBARU)	23.188.00	PH4967	23.263.00	PH5833	23.417.00	PS12358	24.193.00
PH2809	23.127.00	PH2985		PH4967A		PH5882	23.483.00	PS12359	24.194.00
PH2811	23.172.00	(ALTRE/OTHER APPL.)	23.240.00	(BR)	23.263.00	PH5883	23.425.00	PS12567	24.095.01
PH2811N	23.127.04	PH2991	23.130.00	PH4985	23.253.00	PH5885	23.424.00	PS5896	24.391.00
PH2815	23.164.00	PH2992	23.177.00	PH4990	23.242.00	PH5889	23.444.00	PS5937	24.400.00
PH2815		PH2993		PH4990A	23.242.00	PH5949	23.438.00	PS5938	24.365.01
(O/OR)	23.164.03	(SAAB)	23.298.00	PH4990B	23.242.00	PH5975	23.428.00	PS5960	24.401.00
PH2821	23.102.00	PH2993A		PH4997	23.255.00	PH6074	23.105.00	PS8745	24.408.00
PH2821A	23.102.02	(SAAB)	23.298.00	PH4998	23.258.00	PH6355	23.237.00	PS8784	24.413.00
PH2825	23.122.00	PH2994	23.108.00	PH5046	23.272.00	PH6356	23.236.00	PS8949	24.404.00
PH2826	23.108.00	PH2995A	23.544.00	PH5113	23.195.00	PH6607	23.258.00	PS8950	24.415.00
PH2827	23.102.00	PH3	23.102.00	PH5114	23.402.00	PH6682	23.249.00	PS8951	24.418.00
PH2828	23.102.00	PH3403	23.152.00	PH5117	23.211.00	PH6811	23.271.00	PS9012	24.426.00
PH2829	23.152.00	PH35	23.114.01	PH5123	23.248.00	PH6813	23.464.00	PS9013	24.434.00
PH2830	23.132.00	PH3512	23.114.01	PH5124	23.264.00	PH7	23.124.00	PS9039	24.432.00
PH2832	23.127.00	PH3516	23.271.00	PH5126	23.244.00	PH7317	23.265.00	PS9043	24.412.00
PH2833		PH3531	23.182.00	PH5130	23.238.00	PH8830	23.254.00	PS9420WST	
(MMM)	23.185.01	PH3562	23.165.00	PH5139	23.212.00	PH8993	23.453.00	(FIAT)	24.H2O.00
PH2833		PH3569	23.164.00	PH5166	23.266.00	PH8994	23.465.00	PS9451	24.445.00
(LANCIA)	23.297.00	PH3569		PH5172	23.114.01	PH8999		PS9472	24.414.00
PH2839	23.105.00	(O/OR)	23.164.03	PH5190	23.274.00	(BR)	23.265.00	PS9476	24.430.00
PH2840	23.102.00	PH3569A	23.164.03	PH5197	23.262.00	PH8A	23.102.00	PS9480	24.428.00
PH2842	23.110.02	PH3593	23.271.00	PH5203	23.273.00	PH9		PS9514	24.007.00
PH2843	23.128.00	PH3593A	23.271.00	PH5210	23.440.00	(RA)	23.127.00	PS9537	24.086.00
PH2844	23.134.01	PH36	23.110.02	PH5230	23.194.00	PH9104	23.447.00	PS9553WST	
PH2846A	23.115.00	PH3600	23.130.00	PH5280	23.259.00	PH9105	23.448.00	(IVECO)	24.H2O.01
PH2846B	23.115.00	PH3614		PH5283	23.210.00	PH9460	23.413.00	PS9553WST	
PH2848	23.108.00	(TOYOTA)	23.253.00	PH5286	23.274.00	PH9503		(FIAT, KIA)	24.H2O.07
PH2849	23.243.00	PH3614		PH5299	23.477.00	(BR)	23.482.00	PS9553WST	
PH2849A	23.272.00	(CHRYSLER, VAG)	23.435.00	PH5317	23.265.00	PH9536	23.313.00	(FIAT)	24.H2O.02
PH2850	23.256.00	PH3682	23.240.00	PH5343		PH9566	23.413.00	PS9578	24.425.00
PH2853	23.124.00	PH3807A		(ZA, USA)	23.260.00	PH9566	23.721.00	PS9638	24.444.00
PH2854	23.114.01	(OPEL)	23.133.00	PH5343		PH9599	23.439.00	PS9664	24.460.00
PH2855	23.127.00	PH3950	23.165.00	(EU)	23.265.00	PH9637	23.457.00	PS9789	24.441.00
PH2855A	23.127.00	PH3985	23.177.00	PH5365	23.268.00	PH966B	23.103.00		
PH2856	23.139.00	PH41	23.108.00	PH5375	23.281.00	PH9727	23.449.00	FREUDENBERG	UFI
PH2856A	23.139.00	PH42	23.152.00	PH5438	23.278.00	PH9732	23.444.00	AKX3505	53.046.00
PH2857A	23.127.02	PH43		PH5439		PH9733	23.445.00	AKX35110	53.014.00
PH2858	23.102.00	(USA)	23.127.00	(ALTRE/OTHER APPL.)	23.127.00	PH9739	23.481.00	AKX35112	53.060.00
PH2859	23.127.00	PH43		(FORD)	23.440.00	PH9763		AKX35115	53.021.00
PH2861A	23.127.00	(MMM)	23.185.01	PH5441		(FORD)	23.439.00	AKX35125	53.023.00
PH2861B	23.257.00	PH4377	23.131.01	(HYUNDAI)	23.452.00	PH9763		AKX35128	53.034.00
PH2862A	23.129.01	PH4377				(MCC, MITSUBISHI)	23.478.00		

AKX35132	53.006.00	1531624	25.413.00	25067071	31.506.00	3646431	25.187.00	7884256	23.103.00
AKX35139	53.011.00	1531637	24.360.00	25067072	31.503.00	3646465	26.104.00	7961377	25.443.00
AKX35140	53.002.00	1531639	25.455.00	25067077	31.519.00	3647011	54.319.00	7961394	25.421.00
AKX35141	53.019.00	1531692	25.443.00	25067078	31.520.00	3647177	23.439.00	7961397	25.443.00
AKX35147	53.018.00	1595978	20.020.00	25067093	23.303.00	39030321	27.F37.00	7961447	25.455.00
AKX35151	53.061.00	19114105	25.163.00	25067094	23.164.02	39032998	30.A58.00	7961477	25.455.00
AKX35154	53.028.00	19303249	25.163.00	25067103	31.699.00	42386928	30.279.00	7965048	25.443.00
AKX35157	53.044.00	19303975	23.519.00	25067131	31.514.00	42390022	30.278.00	7965051	23.103.00
AKX35158	53.068.00	19315299	23.616.00	25069001	30.935.00	42390126	30.701.00	7965190	24.360.00
AKX35164	53.040.00	20871244	30.653.00	25069016	30.041.00	42592178	26.071.00	7965880	24.360.00
AKX3517	53.026.00	21018801	25.024.00	25069017	30.041.00	5131371	27.902.00	7973235	23.103.00
AKX35175	53.101.00	21018826	25.017.00	25069018	30.041.00	5131379	27.902.00	7973411	31.001.00
AKX3522	53.007.00	22685727	25.024.00	25099149	30.096.00	5141521	27.878.00	7973429	23.103.00
AKX35233	53.064.00	22743911	54.238.00	25121074	31.515.00	5141522	27.920.00	7984153	23.132.00
AKX35245	53.069.00	22743911	34.238.00	25121113	31.611.00	5151521	27.878.00	7984225	
AKX3536	53.015.00	22745823	30.392.00	25121130	31.564.00	51924757	30.135.00	(FIAT, LANCIA, RENAULT)	23.114.01
AKX35369	53.047.00	22745824	30.552.00	25121150	31.589.00	51924759	30.477.00	7984229	23.102.02
AKX35389	53.052.00	22753212	54.224.00	25121160	31.589.00	51924760	30.600.00	7984231	23.117.00
AKX35395	53.070.00	22753219	54.224.00	25121255	31.564.00	51924761	30.265.00	7984235	23.134.01
AKX35396	53.070.00	22937279	26.122.00	25121353	31.515.00	51925537	30.297.00	7984255	25.413.00
AKX3543	53.013.00	23304096	26.122.00	25121548	31.741.00	51929061	24.ONE.01	7984256	23.103.00
AKX3546	53.027.00	23456595	26.122.00	25121585	31.565.00	5197828	27.902.00	7984257	25.409.01
AKX3548	53.042.00	24438415	30.160.00	25121600	31.529.00	5198867	27.878.00	7984260	25.406.01
AKX3550	53.016.00	24443113	30.214.00	25121604	31.539.00	5198871	27.920.00	7984262	25.408.00
AKX3557	53.010.00	24460713	25.024.00	25121655	31.741.00	5198872	27.920.00	7984266	25.443.00
AKX3558	53.025.00	25055046	31.564.00	25121675	31.024.00	52056627	53.015.00	7984267	25.455.00
AKX3559	53.012.00	25055052	31.564.00	25121741	31.564.00	52100212	26.042.02	7984282	26.601.00
AKX35605	54.107.00	25055128	31.564.00	25121778	31.611.00	52101541	53.218.00	7984283	25.402.01
AKX35611	54.105.00	25055129	31.564.00	25121785	31.611.00	52102242	53.254.00	7984286	25.407.01
AKX3562	53.001.00	25055302	31.624.00	25121792	31.564.00	52420930	54.178.00	7984288	25.455.00
AKX35680	54.104.00	25055364	31.611.00	25121914	31.564.00	52420930	34.178.00	7984299	26.609.00
AKX3569	53.059.00	25055421	31.563.00	25121915	31.564.00	52425938	53.254.00	7984316	26.618.00
AKX3570	53.024.00	25055427	31.503.00	25121974	31.611.00	52470574	53.068.00	7984319	26.652.00
AKX3571	53.005.00	25055428	31.506.00	25126113	31.515.00	55230822	23.438.00	7984322	25.413.00
AKX3583	53.067.00	25055429	31.594.00	25160729	31.515.00	55352643	23.299.00	7984324	26.602.00
AKX3584	53.017.00	25055480	31.564.00	25161249	31.611.00	55353324	25.064.00	7984326	23.121.00
AKX3597	53.020.00	25055495	31.500.00	25161333	31.515.00	55355096	30.292.00	7984327	25.409.01
AKXE35660	54.101.00	25055673	31.026.00	25164435	31.611.00	55485671	25.199.00	7984340	23.242.00
		25055846	31.511.00	25164438	31.611.00	55496757	23.299.00	7984346	25.408.00
		25062045	27.140.00	25164444	31.515.00	55496758	23.519.00	7984351	23.121.00
		25062054	30.944.00	25165627	30.096.00	55502095	25.139.00	7984363	24.362.00
		25062055	30.924.00	25166562	31.515.00	55556465	30.258.00	7984366	23.114.01
		25062056	30.926.00	25171109	31.564.00	55557128	30.259.00	7984373	25.421.00
		25062057	30.978.01	25171972	31.564.00	55560894	30.388.00	7984374	25.421.00
		25062071	30.944.00	25175534	31.556.00	55565960	25.093.00	7984416	20.020.00
		25062074	30.978.01	25175535	31.609.00	55576499	25.225.00	7984418	20.020.00
		25062212	30.973.00	25175539	31.520.00	55577033	25.093.00	7984452	20.012.02
		25062220	30.973.00	25175540	31.550.00	55577449	25.199.00	7984460	23.156.00
		25062224	27.174.00	25175541	31.541.00	55588497	25.199.00	7984463	25.455.01
		25062227	30.958.00	25175543	31.618.00	55594651	25.064.00	7984543	31.010.00
		25062234	30.950.00	25175549	31.519.00	55594652	25.225.00	7984550	23.118.00
		25062261	30.933.00	25175553	31.558.00	55595505	25.118.00	7984596	25.407.01
		25062266	30.963.00	25175574	31.556.00	55595538	25.061.00	7984608	23.105.00
		25062270	30.963.00	25175575	31.609.00	55702456	53.124.00	7984717	23.156.00
		25062274	27.083.00	25175582	31.558.00	55702468	54.162.00	7984778	23.131.00
		25062276	27.775.00	25176275	31.535.00	55702468	34.162.00	7984781	24.361.00
		25062277	27.888.00	25176287	31.508.00	5579164	23.127.00	7984866	23.151.00
		25062292	27.137.00	25176291	31.649.00	6371716	24.360.00	7984874	26.652.00
		25062293	27.139.00	25176315	31.547.00	6424407	27.902.00	7984908	26.664.00
		25062299	27.110.00	25176318	31.650.00	6424690	27.878.00	7984919	23.108.00
		25062320	30.973.00	25176322	31.513.00	6424691	27.920.00	7984922	23.152.00
		25062393	27.069.00	25176324	31.621.00	6487036	27.893.00	7984937	23.187.00
		25062395	27.140.00	25176331	31.580.00	6487037	27.893.00	7984989	23.159.00
		25062396	27.769.00	25181616	23.585.00	6487754	27.923.00	7987980	27.719.00
		25062398	30.990.00	25183556	25.088.00	650352	23.103.00	7987983	27.752.00
		25062401	30.963.00	25183779	23.255.00	650353	23.117.00	7987986	27.769.00
		25062403	30.950.00	25184029	23.133.00	650354	23.134.01	7987987	27.770.00
		25062406	30.924.00	25195775	25.183.00	650356	23.134.01	7988006	27.750.00
		25062407	30.978.01	25195785	25.183.00	650364	23.103.00	7988014	27.707.00
		25062409	30.852.00	25313357	31.515.00	650365	23.103.00	7988016	27.731.00
		25062410	30.926.00	25313359	31.515.00	650373	23.103.00	7988038	30.804.00
		25062413	30.807.00	25313807	31.712.00	650379	23.117.00	7988068	30.800.00
		25062415	30.818.00	25313809	31.669.00	650381	23.129.02	7988069	30.811.00
		(FIAT)		25313811	31.592.00	650382	23.187.00	7988071	27.752.00
				25313816	31.543.00	650383	23.114.02	7988085	27.735.00
		25062416	30.944.00	25320277	31.515.00	650400	23.103.00	7988144	30.800.00
		25062417	30.908.00	25329183	31.515.00	650401	23.129.02	7988149	24.360.00
		25062418	30.958.00	25750701	30.019.00	654409	27.923.00	7988189	27.707.00
		25062419	30.806.00	2798976	31.009.00	6696776	23.103.00	7988336	30.807.00
		25062434	30.017.00	30020673	31.801.00	674416	30.807.00	7988389	27.947.00
		25062467	30.017.00	3021200	25.421.00	675911	27.893.00	7988710	30.806.00
		25062500	30.942.00	332766591	53.254.00	68191349AA	25.251.00	7988954	27.902.00
		25067018	23.211.00	3557009	25.216.00	7110408	25.407.01	7988964	27.893.00
		25067058	31.502.00	3638979	54.172.00	7115637	24.362.00	7988966	27.878.00
		25067059	31.500.00	3638979	34.172.00	7149839	25.455.00	7988968	27.920.00
		25067060	31.539.00	3639109	30.718.00	7371716	24.360.00	813231	30.807.00
		25067068	31.024.00	3639671	31.024.00	7366330	26.052.00	813561	24.360.00
		25067069	31.513.00	3640015	30.638.00	77366642	26.052.00	813565	24.351.01

834231	30.807.00	90509318	30.041.00	9196805	53.075.00	93160736	26.694.00	93196050	23.481.00
834257	30.806.00	90509367	53.001.00	9200067	53.015.00	93161121	26.695.00	93196533	24.099.00
834262	30.950.00	90509781	30.041.00	9201138	30.214.00	93161283	30.150.00	93196770	26.687.00
834270	30.806.00	90510338	53.010.00	9201139	30.214.00	93161665	25.094.00	93197779	53.164.00
834273	30.807.00	90510934	23.299.00	9201435	25.033.00	93167825	23.255.00	93198441	23.481.00
834277	30.908.00	90510935	23.299.00	9201440	53.045.00	93167904	30.556.00	93198598	23.418.00
834281	27.085.00	90511146	23.265.00	9201929	30.160.00	93168068	25.170.00	93264982	53.098.00
834801	30.806.00	90511738	25.555.00	9202382	30.203.00	93171212	25.024.00	93294546	54.134.00
834803	30.807.00	90512444	30.063.00	9204635	30.129.00	93171658	24.427.00	93397033	
84186990	26.E2X.01	90512445	30.063.00	92101279		93172129	54.100.00	(BR)	53.098.00
84428486	26.E2X.01	90512446	30.063.00	(CN)	30.027.00	93172129	34.100.00	93428149	30.027.00
849253	30.852.00	90512447	30.063.00	9214143	30.211.00	93172272	25.030.00	93429345	31.515.00
89001934	30.107.00	90512448	30.064.00	92142009	23.129.02	93172299	53.045.00	93429346	31.564.00
89017524	23.519.00	90512449	30.064.00	9217925	27.902.00	93172461	30.197.00	93451662	30.664.00
89017525	23.519.00	90512706	53.386.00	9223197	27.902.00	93172463	30.202.00	93740495	53.142.00
89028774	31.624.00	90512779	53.014.00	9271806	31.836.00	93172464	30.202.00	93743595	25.091.00
89028775	31.627.00	90512851	30.041.00	93152004	27.730.00	93174800	53.098.00	93745425	25.091.00
89028776	31.529.00	90520689	53.047.00	93152007	30.835.00	93174801	54.134.00	93745801	25.088.00
89028781	31.500.00	90528818	30.041.00	93152011	27.713.00	93175493	25.024.00	93856649	30.465.00
89028785	31.515.00	90530260	25.012.00	93152012	27.702.00	93177663	30.197.00	93891769	24.350.00
89028786	31.564.00	90531003	30.107.00	93152013	30.872.01	93177787	25.043.00	93891771	23.169.00
90016355	30.852.00	90535131	53.045.00	93152017	27.982.00	93178952	23.299.00	93891826	30.864.00
90016535	30.852.00	90535132	54.100.00	93152061	27.954.00	93179235	55.114.00	93892079	27.927.00
90016800	24.351.01	90535132	34.100.00	93152111	30.818.00	93179236	55.116.00	93892080	23.167.00
90027778	23.103.00	90536362	25.017.00	93152243	27.059.00	93179527	30.160.00	93892081	30.942.00
90027967	30.852.00	90537280	25.024.00	93152288	30.847.00	93180258	25.026.00	93892082	27.904.00
90108602	30.908.00	90540600	30.083.00	93152307	27.946.00	93180820	25.555.00	93892087	30.843.01
90166585	24.350.00	90540602	30.083.00	93152423	27.716.00	93181231	30.300.00	93892090	23.130.02
90169150	31.611.00	90541162	23.265.00	93152493	23.265.00	93181255	23.481.00	93941611	27.893.00
90183727	23.278.00	90542212	26.689.00	93152533	30.922.01	93181377	60.H20.00	94023895	31.010.00
90200880	27.085.00	90542344	23.249.00	93152736	27.956.00	93181912	30.258.00	94028863	23.232.00
90220939	30.926.00	90542540	31.699.00	93152775	30.803.00	93181955	30.292.00	94030859	27.069.00
90220970	30.924.00	90542604	25.009.00	93152793	30.852.00	93182435	53.015.00	94125784	31.529.00
90220977	30.978.01	90542912	26.689.00	93152873	30.908.00	93182436	53.030.00	94127546	23.236.00
90322261	30.958.00	90543378	25.012.00	93152961	30.858.00	93182630	23.265.00	94135886	27.678.00
90322262	30.950.00	90559549	53.030.00	93152962	27.898.00	93182799	30.541.00	94143205	23.236.00
90322689	30.990.00	90570368	25.003.00	93152971	30.806.00	93183040	30.096.00	94206007	27.769.00
90323083	30.963.00	90590568	53.015.00	93152973	30.807.00	93183041	30.027.00	94217272	23.234.00
90325205	30.011.00	90759910		93152997	27.086.00	93183389	30.259.00	94232059	27.140.00
90351529	30.017.00	(CN)	53.015.00	93156093	23.133.00	93183412	25.049.00	94238757	24.366.00
90351530	30.017.00	91008551	27.893.00	93156186	23.131.00	93183723	25.017.00	94244455	24.366.00
90360171	53.015.00	91066585	23.187.00	93156245	23.129.02	93184133	25.033.00	94244456	24.366.00
90386776	53.001.00	9108131	27.084.00	93156260	23.104.00	93185194	54.197.00	94248070	24.366.00
9038909	27.902.00	9110614	30.150.00	93156288	24.351.00	93185381	26.687.00	94314263	
90410364	23.278.00	9110665	23.303.00	93156290	23.177.00	93185390	26.689.00	(OPEL, VAUXHALL)	23.133.00
90410651	30.017.00	91107151	27.139.00	93156299	23.103.00	93185452	30.189.00	94314263	
90410652	30.017.00	9110718	23.418.00	93156300	23.129.02	93185604	26.689.00	(ISUZU)	23.265.00
90410788	30.054.00	9110894	26.686.00	93156302	23.114.02	93185674	25.064.00	94334906	27.193.00
90411702	30.027.00	9111019	23.418.00	93156305	23.187.00	93185982	26.695.00	94360426	23.273.00
90411703	30.027.00	9111096	24.384.00	93156306	23.134.01	93186310	25.163.00	94360427	23.274.00
90411704	30.028.00	91112038	27.074.00	93156310	23.129.02	93186524	55.116.01	94369299	24.366.00
90411732	30.027.00	9112191	26.693.00	93156335	23.134.01	93186525	55.114.01	94382063	27.193.00
90412779	30.027.00	91125559	23.131.01	93156351	23.114.02	93186554	23.298.00	94412815	23.243.00
90412899	30.027.00	91132041	30.129.00	93156363	23.164.00	93186856	25.031.00	94419532	24.368.00
90421982	23.278.00	91132359	54.143.00	93156363		93187281	30.099.00	94428931	23.232.00
90442434	23.278.00	91132359	34.143.00	(DOR)	23.164.03	93187335	30.150.00	94430411	
90443099	30.017.00	91132360	54.278.00	93156490	31.009.00	93188247	30.293.00	(OPEL, VAUXHALL)	23.133.00
90443100	30.017.00	91149684	30.041.00	93156540	23.194.00	93188572	53.075.00	94430411	
90443101	30.017.00	91151707	23.265.00	93156542	23.189.00	93188723	30.297.00	(ALTRE/OTHER APPL)	23.271.00
90443102	30.017.00	91155714	30.107.00	93156562	23.195.00	93188725	30.297.00	94430983	23.273.00
90443103	30.017.00	91158514	54.135.00	93156575	23.211.00	93188943	30.465.00	94455103	
90443104	30.017.00	91159804	31.710.00	93156583	23.191.00	93188944	30.203.00	(OPEL, VAUXHALL)	23.133.00
90448737	30.041.00	91159955	30.147.00	93156611	25.530.01	93188945	30.214.00	94455103	
90448738	30.041.00	91160128	53.131.00	93156614	25.528.00	93189375	24.ONE.03	(ISUZU)	23.265.00
90458294	53.010.00	91168237	30.465.00	93156615	25.530.00	93190266	30.300.00	94455838	30.973.00
90464424	53.014.00	9117321	25.003.00	93156631	23.232.00	93190334	26.693.00	94456741	
90469336	30.028.00	91175057		93156632	23.234.00	93190777	25.027.00	(OPEL, VAUXHALL)	23.133.00
90469412	30.041.00	(BR)	53.201.00	93156634	24.366.00	93190796	24.ONE.02	94456741	23.271.00
90485456	23.243.00	9117557	30.107.00	93156665	23.271.00	93191747	25.093.00	94459700	23.243.00
90486282	53.015.00	9118699	54.230.00	93156700	23.191.00	93192056	30.292.00	94632619	
90486292	31.515.00	9118699	34.230.00	93156701	23.194.00	93192519	30.204.00	(BR)	23.129.02
90486293	30.028.00	9118851	25.017.00	93156763	31.006.00	93192838	30.197.00	94771044	
90486295	30.028.00	9121071	30.293.00	93156769	23.133.00	93192842	30.202.00	(N.1 FILTRO/FILTER)	26.042.02
90486296	30.027.00	9121625	54.277.00	93156782	31.009.00	93192882	30.259.00	94854916	31.560.00
90486297	30.027.00	9129747	30.159.00	93156939	24.350.00	93192883	30.203.00	95021102	30.609.00
90486298	30.027.00	9161235	30.099.00	93156941	24.351.00	93192884	30.258.00	95135912	26.071.00
90486299	30.027.00	9161303	26.687.00	93156942	24.360.01	93192885	30.107.00	95152912	54.178.00
90486883	30.017.00	9162646	54.135.00	93156943	24.366.00	93193036	30.159.00	95152912	34.178.00
90486908	24.351.01	9177267	30.202.00	93156944	31.010.00	93193037	30.292.00	95174479	26.047.00
90487526	30.011.00	9192425	25.012.00	93156945	23.232.00	93193038	30.292.00	95215156	54.253.00
90499145	23.299.00	9192426	25.017.00	93156946	23.234.00	93193469	30.391.00	95238310	30.B50.00
90499582	30.063.00	9194405	30.203.00	93156948	23.117.00	93193573	25.031.00	95369731	53.254.00
90499589	30.063.00	9194406	30.203.00	93156953	23.114.02	93193621	60.H20.00	95492920	26.047.00
90499601	30.083.00	9194746	25.024.00	93156954	23.129.02	93193705	23.255.00	95507489	26.054.00
90502200	30.064.00	9195316	30.129.00	93156956	23.133.00	93194847	53.183.00	95507641	26.694.00
90509086	25.555.00	9196107	54.100.00	93156958	23.103.00	93195463	25.061.00	95507955	30.553.00
90509098	25.555.00	9196107	34.100.00	93156994	31.010.00	93195862	25.061.00	95509857	23.299.00
90509317	30.041.00	9196120	30.159.00	93160657	25.033.00	93195891	30.550.00	95511489	25.083.00

95513051	30.135.00	98165071	23.652.00	D05E120M	20.020.00	E10H01	25.406.01	E1204L	
95513087	30.297.00	9974109	30.809.00	D08E135H	25.530.01	E10H02	25.406.01	(KIA 28113-3E000)	30.312.00
95513089	30.604.00	9974111	27.725.00	D12E5KFR2	21.061.00	E1102L	30.A99.00	E1204L	
95513354	30.265.00	9974113	30.802.01	D14E135H	25.530.00	E1104L	30.688.00	(KIA 28113-3E500)	30.633.00
95513380	30.477.00	9974117	30.803.00	D16E170HN	25.528.00	E1105L	30.549.00	E1205L	27.874.00
95514383	26.114.00	9974133	27.828.00	D20E196HN	25.499.01	E110HD24	25.548.00	E1206L	30.368.00
95514995	24.ONE.01	9974135	27.804.00	D24E110.28	25.548.00	E110M	20.012.02	E1207L	30.385.00
95514999	26.052.00	9974136	27.881.00	D24E158.28	25.555.00	E110MD02	20.012.02	E1208L	30.264.00
95516002	26.052.00	9974148	30.830.00	D24E88.28	25.541.00	E1113L	27.629.00	E120L	27.982.00
95516103	26.694.00	9974200	27.801.00	D28E1001H	25.010.00	E1114L	27.691.00	E120M	20.020.00
95516104	25.043.00	9974211	27.813.00	D28E300H	25.590.00	E1117L	30.779.00	E120MD04	20.020.00
95516131	26.054.00	9974243	30.803.00	D38E600H	25.012.00	E1119L	30.A15.00	E120MD05	20.020.00
95516926	30.664.00	9974259	27.729.00	D44E350H	25.019.00	E111L	27.801.00	E1210L	30.089.00
95517359	54.234.00	9974261	27.778.00	E10.18	25.406.01	E1120L	27.630.00	E1211L	30.403.00
95517359	34.234.00	9974264	27.720.00	E10.18H	25.406.01	E1123L	30.538.00	E1212L	30.307.00
95517366	25.170.00	9974266	27.756.00	E100.34	25.421.00	E1124L	30.477.00	E1213L	30.371.00
95519047	30.A23.00	9974267	30.822.00	E1000L	30.341.00	E1126L	30.587.00	E1214L	30.632.00
95519048	30.388.00	9974278	27.728.00	E1001HD28	25.010.00	E1127L	30.588.00	E1216L	30.A97.00
95519246	30.556.00	9974287	27.744.00	E1001L	30.232.00	E1128L	30.629.00	E1217L	30.452.00
95519313	26.114.00	9974318	27.781.00	E1002L	30.466.00	E112HD180	25.094.00	E1218L	30.555.00
95521116	24.099.00	9974319	30.826.00	E1003L	30.224.00	E112L	27.881.00	E1220L	30.288.00
95523613	25.170.00	9974323	27.736.00	E1004L	30.357.00	E1130L	30.355.00	E1221L	30.432.00
95525248	30.793.00	9974337	27.799.00	E100H	25.421.00	E1131L	30.547.00	E1222L	30.603.00
95525299	25.139.00	9974341	27.769.00	E100KPD182	26.020.00	E1133L	30.609.00	E1223L	30.252.00
95525903	54.172.00	9974350	27.708.00	E1010L	27.675.00	E1134L		E1224L	27.254.00
95525903	34.172.00	9974367	27.792.00	E1011L	30.388.00	(CITROEN, MITSUBISHI, PEUGEOT)	30.601.00	E1225L	30.393.00
95526367	30.477.00	9974375	27.785.00	E1014L	30.B10.00	E1136L	30.634.00	E1226L	27.F32.00
95526685	25.064.00	9974619	27.906.00	E1015L	30.A60.00	E1137L	30.594.00	E1228L	30.777.00
95526687	25.199.00	9974620	30.943.00	E1017L	27.621.00	E1138L	30.781.00	E1229L	30.591.00
95527473	54.178.00	9974646	27.923.00	E1018L	30.395.00	E1139L	30.375.00	E122HD187	25.084.00
95527473	34.178.00	9974697	27.701.00	E1019L	30.390.00	E113HD235	25.210.00	E1230L	30.327.00
95528278	25.061.00	9974705	27.845.02	E1020L	30.301.00	E113L	27.828.00	E1233L	30.714.00
95528296	23.650.00	9974783	27.712.00	E1022L	30.B54.00	E114.205	25.402.01	E1235L	30.A54.00
95599129	60.H20.00	9974788	30.836.00	E1022L01	30.B54.00	E1141L	30.657.00	E1237L	30.A55.00
95599725	54.224.00	9974791	30.860.00	E1023HD232	25.128.00	E1142L	30.638.00	E1238L	30.324.00
95599740	25.088.00	9974793	30.851.00	E1023L	30.407.00	E1144L	30.A61.00	E1240L	30.719.00
95947238	53.220.00	9974809	27.817.00	E1025L	30.404.00	E1145L	27.A92.00	E1241L	30.787.00
96060114	31.565.00	9974851	27.824.00	E1026L	30.422.00	E114H	25.402.01	E1243L	30.506.00
96064225	31.565.00	9975120	23.127.02	E1029L01	30.462.00	E114L	27.804.00	E1244L	30.309.00
96130396	31.564.00	9975138	23.129.01	E102HD156	25.066.00	E1151L	30.A70.00	E1246L	30.503.00
96175493	25.024.00	9975184	23.115.00	E1030L01	30.463.00	E1152L	30.A53.00	E1248L	27.679.00
96207422	53.134.00	9975216	24.351.01	E1034L	27.B12.00	E1155L	30.625.00	E124H01D202	25.093.00
96263897	30.337.00	9975223	25.499.00	E1035L	27.A51.00	E115H01D208	25.106.00	E124HD202	25.093.00
96327366	53.133.00	9975227	23.188.00	E1036L	30.645.00	E1160L	30.717.00	E1251L	30.664.00
96328718	30.335.00	9975233	23.130.01	E1038L	30.454.00	E1163L	30.713.00	E1254L	30.A34.00
96331028	53.142.00	9975266	21.050.00	E1039L	30.776.00	E1165L	30.692.00	E1255L	30.A64.00
96389188	23.133.00	9975337	24.319.01	E1040L	30.A72.00	E1166L	30.128.00	E1256L	30.222.00
96425700	53.144.00	9975400	25.539.00	E1041L	30.376.00	E1167L	30.261.00	E1258L	30.C03.00
96434764	30.450.00	EC13271190	53.254.00	E1042L	30.351.00	E117.33	25.455.01	E125HD209	25.096.00
96438204	30.676.00	EC13271191	54.178.00	E1043L	30.262.00	E117.34	25.455.00	E1260L	27.A69.00
96440878	53.151.00	EC13271191	34.178.00	E1044L	30.280.00	E1170L	30.B63.00	E1262L	30.B06.00
96475855	23.585.00	EC22753219	54.224.00	E1045L	30.352.00	E1172L	30.346.00	E1263L	30.676.00
96503420	31.843.00	EC95215156	54.253.00	E1046L	30.334.00	E1173L	30.497.00	E1264L	30.437.00
96536696	30.279.00	EC95947238	53.220.00	E1047L	30.469.00	E1174L	30.229.00	E1265L	30.363.00
96537170	31.850.00	EC96207422	53.134.00	E1048L	30.546.00	E1175L	30.725.00	E1271L	30.788.00
96553450	30.277.00	EC96327366	53.133.00	E104HD43	25.008.00	E1176L	30.228.00	E1272L	30.416.00
96554378	53.126.00	EC96331028	53.142.00	E104KP	26.052.00	E1177L	30.325.00	E1274L	30.234.00
96570765	23.255.00	EC96425700	53.144.00	E1050L	30.639.00	E1178L	27.B13.00	E1275L	30.687.00
96591485	30.278.00	EC96440878	53.151.00	E1051L	30.711.00	E118.33	25.409.01	E1276L	30.A86.00
96628890	30.392.00	EC96554378	53.126.00	E1053L	30.556.00	E1181L	30.A62.00	E1277L	30.103.00
96629454	55.163.00	J13272719	30.404.00	E1054L	27.A48.00	E1185L	30.279.00	E128.28	25.539.00
96808900	25.091.00	J96827723	30.701.00	E1055L	27.A54.00	E1186L	30.A44.00	E1280L	30.622.00
96816473	60.H20.00	K68191349AA	25.251.00	E1056L	30.A25.00	E1188L	30.626.00	E1281L	27.D10.00
96818899	23.133.00			E1057L	30.512.00	E118H	25.455.01	E1282L	27.648.00
96827723	30.701.00	GREAT WALL	UFI	E1058L	30.557.00	E1190L	30.386.00	E1284L	27.E34.00
96879797	23.299.00			E105HD51	25.014.00	E1191L	30.A33.00	E1285L	30.723.00
96896403	26.033.00	1017100-EG01	23.265.00	E1061L	30.595.00	E1192L	30.189.00	E1287L	30.B01.00
96950990	30.569.00	8100235XKZ16A	54.306.00	E1064L	30.406.00	E1193L	30.620.00	E1288L	30.721.00
96962173	53.141.00	8100235XKZ16A	53.123.00	E1065L	27.A53.00	E1194L	30.470.00	E1289L	30.648.00
96985730	23.585.00	8100407XKY00A	53.123.00	E1069L	30.550.00	E1195L	27.A91.00	E128H	25.539.00
97035303	30.204.00	8104400BJZ08A	53.123.00	E106HD171	25.177.00	E1197L	30.339.00	E128HD24	25.539.00
97044226	27.647.00	SMD360935	23.265.00	E106HD34	25.004.00	E1198L	30.380.00	E1291L	30.360.00
97049708	23.273.00			E1070L	30.589.00	E119H	25.455.00	E1295L	27.C10.00
97111423	30.204.00	HENGST	UFI	E1071L	30.655.00	E11H01D50	25.002.00	E1297L	30.718.00
97170804	53.328.00			E1075L	30.A38.00	E11H02D155	25.002.00	E1298L	30.270.00
97178609	27.E50.00	E1314L	30.709.00	E1077L	27.A97.00	E11H02D155	25.059.00	E129HD222	25.172.00
97209306	23.271.00	0014774201	31.027.00	E1078L	30.701.00	E11HD117	25.072.00	E129L	27.893.00
97223218	25.027.00	0014776301	31.013.00	E1079L	30.558.00	E11HD155	25.002.00	E12HD53	25.009.00
97251944	30.506.00	01511	31.009.00	E1079L	25.031.00	E11HD204	25.159.00	E1300L	27.797.00
97310472	25.108.00	01511C	31.012.00	E1080L	27.A00.00	E11HD26	25.001.00	E1301L	30.693.00
97329911	23.274.00	122279	31.529.00	E1081L	30.597.00	E11HD52	25.003.00	E1302L	30.665.00
97369293	30.506.00	124193	31.551.00	E1082L	30.540.00	E11HD57	25.013.00	E1303L	30.509.00
97718401	24.370.00	146969	31.539.00	E1083L	30.A23.00	E11HD99	25.054.00	E1304L	30.A68.00
98008442	53.327.00	147249	31.024.00	E1085L	30.A37.00	E12.14	20.020.00	E1305L	30.662.00
98018448	25.085.00	6551310000	53.418.00	E1087L	30.569.00	E1200L	30.A20.00	E1306L	30.661.00
98139428	54.167.00	D02E110M	20.012.02	E1088L	30.574.00	E1201L	30.126.00	E1308L	30.326.00
98139428	34.167.00	D03E196HN	25.499.00	E1089L	30.A17.00	E1202L	30.266.00	E1310L	30.211.00
98159693	26.045.00	D04E120M	20.020.00	E1090L	30.532.00	E1203L	30.658.00	E1311L	30.498.00

E1313L	30.B24.00	E185L	30.811.00	E200L	30.836.00	E2915LI	53.103.00	E2996LC	54.222.00
E1318L	30.166.00	E186L	30.807.00	E202H01D34	25.038.00	E2916LB	34.161.00	E2997LI	53.215.00
E1319L	30.111.00	E187L	30.922.01	E202L	30.899.00	E2916LC	54.161.00	E2998LB	34.219.00
E1320L	30.B20.00	E189L	30.806.00	E203L	30.908.00	E2916LI	53.137.00	E2998LC	54.219.00
E1321L	30.A24.00	E1901LI	53.058.00	E204HD218	25.142.00	E2918LI	53.159.00	E2998LI	53.298.00
E1322L	30.483.00	E1903LI	53.076.00	E204L	30.926.00	E2920LI	53.214.00	E299L	27.257.00
E1325L	30.508.00	E1906LI-2	53.108.00	E205L	30.910.00	E2925LI	53.112.00	E29HD89	25.028.00
E1332L	30.A67.00	E1907LB	34.136.00	E206L		E2930LC	54.264.00	E29L	30.864.00
E1333L	30.A51.00	E1907LC	54.136.00	(OPEL, VAUXHALL)	30.924.00	E2933LC	54.318.00	E2KP	26.618.00
E1335L	30.C54.00	E1907LI	53.102.00	E206L		E2933LI	53.246.00	E300H	25.590.00
E1336L	30.B50.00	E1909LC	54.127.00	(VAG)	30.192.00	E2934LI	53.197.00	E300HD28	25.590.00
E1338L	30.B15.00	E1909LI	53.228.00	E207HD221	25.155.00	E2936LI	53.106.00	E301L	30.077.00
E1339L	30.712.00	E190L	30.803.00	E207L	30.961.00	E2937LC	54.151.00	E301L01	30.364.00
E1340L	30.795.00	E1910LB	34.148.00	E209HD225	25.075.00	E2939LC	54.162.00	E303L	30.035.00
E1342L	27.F37.00	E1910LC	54.148.00	E20HD79	25.056.00	E2939LI	53.124.00	E304L	30.024.00
E1342L	27.E61.00	E1910LI	53.189.00	E210HD226	25.116.00	E2940LC	53.269.00	E305L	30.981.00
E1347L	30.677.00	E1911LC	54.111.00	E211H01D208	25.115.00	E2940LI	53.130.00	E308L	30.083.00
E134HD06	25.099.00	E1911LI	53.038.00	E211HD229	25.115.00	E2944LB-2	34.243.00	E309L	30.003.00
E1350L	30.B05.00	E1912LC	54.247.00	E212HD231	25.170.00	E2944LC-2	54.243.00	E30HD51	25.035.00
E1353L	30.686.00	E1912LI	53.100.00	E215L	30.977.00	E2944LI-2	53.255.00	E30L	30.893.00
E1355L	30.A21.00	E1914LC	54.134.00	E216H01D301	25.112.00	E2945LI	53.147.00	E30L02	30.893.00
E1359L	30.B56.00	E1914LI	53.098.00	E216L	30.994.00	E2946LC	54.176.00	E30L03	30.893.03
E135HD08	25.530.01	E1915LC	54.282.00	E216L01	30.113.00	E2947LB	34.175.00	E310L	30.096.00
E135HD14	25.530.00	E1915LI	53.039.00	E216L02	30.019.00	E2947LC	54.175.00	E311L	30.086.00
E1360L	30.710.00	E1916LI	53.091.00	E217HD310	25.110.00	E2947LI	53.156.00	E318L	30.575.00
E1397L	30.525.00	E1918LB	34.146.00	E217L	30.020.00	E2948LB	34.168.00	E31HD93	25.034.00
E140.33	25.408.00	E1918LC	54.146.00	E219HD330	25.180.00	E2948LC	54.168.00	E31L	30.911.00
E140H	25.408.00	E1918LI	53.247.00	E21L		E2948LI	53.153.00	E31L02	30.911.00
E142HD21	25.162.00	E1920LC		(ALTRE/OTHER APPL.)	30.818.00	E2949LC	54.159.00	E320H01D84	25.047.00
E1440L	30.A16.00	(N.1 FILTRO/FILTER)	54.240.00	E21L		E2949LI	53.206.00	E321L	30.119.00
E1446L	30.A63.00	E1920LC-2	54.240.00	(FIAT)	30.857.00	E2951LC	54.160.00	E322L	30.124.00
E1449L	30.794.00	E1925LC	54.174.00	E221L	30.072.00	E2951LI	53.136.00	E322L01	30.184.00
E1450L	30.A74.00	E1925LI	53.155.00	E223L	30.119.00	E2953LI	53.161.00	E323L	30.858.00
E1451L	27.G11.00	E1925LI01	53.155.00	E22HD190	25.085.00	E2954LB03	34.163.00	E324L	30.058.00
E1452L	27.G31.00	E1926LC	54.271.00	E22HD88	25.027.00	E2954LC	54.163.00	E325L	30.066.00
E1453L	27.G33.00	E1926LI	53.093.00	E22L	30.835.00	E2954LC01	54.163.00	E327L	30.028.00
E1454L	27.G10.00	E1927LC	54.273.00	E231L	30.963.00	E2954LC02	54.163.00	E328L	27.228.00
E1455L	30.A59.00	E1927LI	53.125.00	E234HD290	25.074.00	E2954LC03	54.163.00	E329L	27.176.00
E1461L	30.778.00	E1928LC	54.144.00	E235L	30.973.00	E2955LC	54.224.00	E32HD125	25.080.00
E1466L	30.A41.00	E1929LB	34.221.00	E236L	30.017.00	E2955LI	53.151.00	E32HD184	25.080.00
E146HD108	25.063.00	E1929LC	54.221.00	E236L01	30.017.00	E2957LI	53.109.00	E32HD26	25.021.00
E1480L	30.B86.00	E1930LC-2	54.104.00	E238HD332	25.118.00	E2959LI	53.109.00	E32L	30.929.00
E14HD77	25.165.00	E1933LC	54.110.00	E23HD81	25.052.00	E295L	27.231.00	E32L02	30.929.00
E1516L	30.630.00	E1934LC	54.107.00	E240L	30.080.00	E2961LI	53.028.00	E331L	30.005.00
E152L	30.946.00	E1937LI	53.120.00	E240L01	30.082.00	E2962LB	34.178.00	E332L	27.258.00
E153L	30.793.00	E1938LI-2	53.235.00	E241L	30.936.00	E2962LC	54.178.00	E333L	27.252.00
E1535L	30.A45.00	E1939LC	54.201.00	E242L	30.073.00	E2962LI	53.254.00	E334L	27.196.00
E1537L	30.A52.00	E1939LI	53.107.00	E243L	30.085.00	E2963LB	34.127.00	E335L	30.953.00
E153L	30.948.00	E1943LC	54.128.00	E243L01	30.193.00	E2963LC		E336L	30.069.00
E1542L	30.C40.00	E1944LB-2	34.153.00	E244L	27.888.00	(N.1 FILTRO/FILTER)	54.127.00	E337L	30.078.01
E1543L	30.C64.00	E1944LC-2	54.153.00	E245L	27.081.00	E2963LI		E338L	30.933.00
E1546L	30.A42.00	E1944LI		E247L	30.041.00	(N.1 FILTRO/FILTER)		E338L01	30.067.00
E154HD48	25.011.00	(N. 1 FILTRO/FILTER)	53.226.00	E248L	30.064.00	E2964LI	53.207.00	E339L	30.987.01
E155HD122	25.204.00	E1946LI-2	53.073.00	E249L	30.063.00	E2967LC-2	54.164.00	E33HD96	25.015.00
E1570L	30.C41.00	E1947LI	53.023.00	E250L	30.027.00	E2967LI-2	53.143.00	E33L	30.851.00
E1575L	30.A49.00	E1948LI	53.033.00	E2527L	30.036.00	E2973LC-2	54.141.00	E340HD247	25.144.00
E157HD227	25.061.00	E194L	27.728.00	E252L	30.891.00	E2974LC	54.217.00	E340L	27.177.00
E1586L	27.583.00	E1950LI	53.250.00	E253L		E2975LC	54.234.00	E341L	30.965.00
E158HD24	25.555.00	E1955LI	53.230.00	(FORD)	30.016.00	E2976LC	54.268.00	E342L	30.045.00
E15HD58	25.018.00	E1959LC	54.154.00	E253L		E2976LI	53.146.00	E343HD476	25.253.00
E15HD59	25.030.00	E1959LI	53.236.00	(VOLVO)	30.044.00	E2977LC-2	54.172.00	E343L	30.079.00
E160L	30.958.00	E195L	27.785.00	E259L	30.955.00	E2977LI-2	53.154.00	E344L	30.021.00
E1615L	27.D79.00	E1961LC	54.198.00	E262L	30.027.00	E2978LB-2	34.231.00	E345L	30.923.01
E161L		E1961LI	53.087.00	E263L	30.063.00	E2978LC-2	54.231.00	E346L	27.194.00
(BMW)	30.029.00	E1962LI	53.043.00	E266L	27.135.00	E2978LI-2	53.229.00	E347L	27.149.00
E161L		E1965LC01	54.147.00	E267L	27.134.00	E2979LB	34.111.00	E348L	27.845.02
(OPEL, VAUXHALL)	30.944.00	E1966LI-2	53.274.00	E268L	27.477.00	E2980LB	34.312.00	E349L	27.234.00
E1620L	30.C35.00	E196HN	25.499.00	E27HD125	25.040.00	E2980LC	54.312.00	E350HD44	25.019.00
E1626L	30.C44.00	E196HND03	25.499.00	E27HD84	25.039.00	E2981LI	53.141.00	E350L02	27.593.00
E1628L	30.C37.00	E196HND20	25.499.01	E285L	27.067.00	E2982LI-2	53.164.00	E352L	30.107.00
E162HD249	25.088.00	E196L	30.871.00	E285L01	27.283.00	E2983LI	53.149.00	E353L	30.025.00
E1647L	30.B62.00	E1974LI	53.292.00	E28H01D26	25.048.00	E2984LI	53.152.00	E354L	30.039.00
E164L	27.813.00	E1975LI	53.052.00	E2902LI	53.386.00	E2985LC	54.285.00	E355H01D109	25.257.00
E169L	27.195.00	E1976LI	53.116.00	E2904LC	54.149.00	E2985LI	53.223.00	E355L	30.099.00
E16H01D51	25.067.00	E1977LI	53.188.00	E2905LC	54.232.00	E2987LI	53.157.00	E356L	30.049.00
E16HD51	25.067.00	E197L	27.162.00	E2905LI	53.104.00	E2988LI	53.233.00	E358HD246	25.153.00
E170HND16	25.528.00	E1984LI	53.131.00	E2906LC	54.265.00	E2989LI	53.152.00	E359HD306	25.201.00
E172HD35	25.095.00	E1988LC	54.139.00	E2906LI	53.132.00	E2990LC	54.306.00	E35HD102	25.032.00
E172L	30.974.00	E1989LI	53.328.00	E2907LI	53.077.00	E2991LB	34.226.00	E362HD313	25.188.00
E173L	30.991.00	E198L	27.521.00	E2908LI	53.201.00	E2991LC	54.226.00	E368L	30.596.00
E175L	30.996.00	E1990LB	34.158.00	E2910LI	53.213.00	E2991LI	53.224.00	E36L	30.852.00
E1763L	30.785.00	E1990LC	54.158.00	E2912LB01-2	34.215.00	E2992LB-2	34.241.00	E372L-2	30.134.00
E179L	30.978.01	E1990LI	53.129.00	E2912LC-2	54.215.00	E2992LC-2	54.241.00	E373L	30.201.00
E17HD57	25.041.00	E1996LI	53.257.00	E2912LC01-2	54.215.00	E2993LB	34.236.00	E375L	30.101.00
E183L	27.781.00	E1998LC	54.220.00	E2913LB	34.145.00	E2993LC	54.236.00	E375L	30.047.00
E184L	27.061.00	E1999LI	53.240.00	E2913LC	54.145.00	E2994LC	54.223.00	E376L	27.384.00
E1852L	30.B43.00	E199L	30.040.00	E2913LI	53.110.00	E2995LI	53.191.00	E377L	27.353.00
E1855L	30.C56.00	E19HD83	25.023.00	E2915LC	54.117.00	E2996LB	34.222.00	E378L	30.090.00

E379L	27.355.00	E41L	30.914.02	E500KP02D36	26.001.00	E623L	30.173.00	E73HD134	25.068.00
E37HD84	25.029.00	E421L	27.585.00	E510L	30.274.00	E624L	30.013.00	E73HD207	25.105.00
E380L	30.109.00	E422L	30.199.00	E511L	27.268.00	E625L	30.544.00	E73L	30.976.00
E381L	30.100.00	E423KPD206	26.072.00	E512L	30.366.00	E628L	30.170.00	E746L	30.293.00
E382L	30.117.00	E423L	30.165.00	E522L	30.615.00	E629L	30.954.00	E748L	30.277.00
E383L		E424KP	26.026.00	E525L	30.553.00	E62KPD91	26.691.00	E749L	30.300.00
(CITROEN, PEUGEOT)	30.116.00	E424KPD217	26.026.00	E526L	30.621.00	E630H	25.024.00	E75.25K	26.606.00
E383L		E425KPD219	26.055.00	E527L	30.887.00	E630H02D103	25.024.00	E751K	24.360.00
(KIA, MAZDA)	30.177.00	E427L	30.132.00	E52L	27.725.00	E630HD103	25.024.00	E751L	30.338.00
E384L	30.071.00	E429L	27.366.00	E531L	30.268.00	E634L	30.194.00	E753L	30.055.00
E386L	27.386.00	E431L	27.403.00	E532L	30.607.00	E635L	27.271.00	E7567KP	26.013.00
E386L01	27.385.00	E432KPD250-2	26.047.00	E533L	30.724.00	E636L	30.036.00	E756L	30.460.00
E387L	27.253.00	E432L	27.273.00	E533L	30.062.00	E637L	30.068.00	E757L	30.174.00
E388L	30.320.00	E433KPD257	26.074.00	E533KP61	26.006.00	E638L	30.175.00	E758L	27.282.00
E389L	30.904.00	E434L	27.356.00	E543L	30.257.00	E639L	30.223.00	E75K	24.362.00
E38HD106	25.050.00	E436L	30.180.00	E544L	27.586.00	E63KPD78	26.687.00	E75KD42	24.360.00
E3900LJ	53.320.00	E436L01	30.180.00	E545L	27.171.00	E640KPD185	26.058.00	E761K	24.361.00
E3902LJ	53.208.00	E437KPD266	26.115.00	E546L	30.230.00	E640L	30.289.00	E760L	30.155.00
E3903LJ	53.330.00	E438KPD267	26.034.00	E547L	30.032.00	E641L	30.176.00	E762L	30.235.00
E3904LC	54.253.00	E444KPD308	26.104.00	E548L	30.894.00	E646L	30.188.00	E763L	30.102.00
E3904LJ	53.220.00	E446KPD318	26.114.00	E54WK	24.343.00	E647L	27.597.00	E764L	27.525.00
E3905LB	34.218.00	E447KP	26.065.00	E550L	30.076.00	E648L	27.598.00	E766L	30.999.00
E3905LC	54.218.00	E44HD110	25.060.00	E551L	30.172.00	E649L	30.178.00	E768L	30.104.00
E3905LJ	53.422.00	E450KPD348	26.129.00	E554L	30.095.00	E64HD96	25.033.00	E76KD42	24.361.00
E3906LJ	53.293.00	E451KPD349	26.130.00	E555L	30.001.00	E64KPD78	26.686.00	E76L	27.707.00
E3907LC	54.238.00	E455L01-2	30.531.00	E557L	30.960.00	E64L	30.975.00	E77.34/1	25.443.00
E3910LJ	53.210.00	E456L	30.182.00	E558L	30.075.00	E650H01D444	25.199.00	E771L	30.239.00
E3911LJ	53.396.00	E457L	30.011.00	E55KPD69	26.688.00	E652L	30.169.00	E774L	30.213.00
E3912LC	54.249.00	E458L	30.012.00	E561L	27.200.00	E653L	30.070.00	E778L	27.520.00
E3913LJ	53.384.00	E459KPD369	26.122.00	E563L	27.920.00	E656L	30.143.00	E780L	30.052.00
E3914LC	54.244.00	E459L	30.108.00	E568L	27.878.00	E658L	30.344.00	E784L	30.285.00
E3914LJ	53.256.00	E45HD113	25.022.00	E572L	30.136.00	E659L	30.171.00	E790L	30.050.00
E3918LC	54.227.00	E460KP	26.053.00	E573L	27.592.00	E65KPD95	26.693.00	E792L	30.125.00
E3918LJ	53.321.00	E460L	27.354.00	E575L	30.135.00	E660L	30.141.00	E795L	30.225.00
E3919LB	34.199.00	E461L	30.147.00	E576L	30.203.00	E662L	30.315.00	E798L	30.217.00
E3919LJ	53.190.00	E462L	30.115.00	E577L	30.417.00	E663L	30.236.00	E79KPD118	26.022.00
E391L	30.159.00	E463L	30.216.00	E579L	30.001.00	E664L	30.231.00	E801L	30.932.00
E391L01	30.292.00	E464L	30.146.00	E581L	30.284.00	E665L	30.700.00	E805KPD526	26.031.00
E3921LC	54.261.00	E465L	30.041.00	E582L	27.550.00	E665L01	30.028.00	E80KPD136	26.023.00
E3921LJ	53.323.00	E466L	30.041.00	E586L	27.232.00	E667L	30.409.00	E811HD62	25.053.00
E3926LJ-2	53.119.00	E467KPD384	26.139.00	E587L	30.320.00	E669L	27.769.00	E813H01D188	25.143.00
E3928LJ2	53.397.00	E468L	30.158.00	E587L01	30.647.00	E670L	27.603.00	E814HD191	25.077.00
E3929LJ	53.160.00	E469L	30.160.00	E588L	30.245.00	E673L	30.204.00	E814L	30.336.00
E392L	30.118.01	E46HD126	25.049.00	E589L	30.246.00	E674L	30.127.00	E815L	30.286.00
E3932LJ	53.426.00	E470L	30.155.00	E58KP	26.005.00	E675L01D157	27.693.00	E816HD236	25.141.00
E3939LB-2	34.294.00	E471KP	26.683.00	E590L	30.241.00	E675LD157	27.692.00	E818HD238	25.178.00
E3939LC-2	54.294.00	E471L	30.129.00	E597L	30.316.00	E676L01	30.365.00	E818L	30.593.00
E393L	30.161.00	E472L	27.486.00	E598L	30.004.00	E677L	30.247.00	E81L	30.896.00
E3944LJ	53.111.00	E473L	30.157.00	E59KPD78	26.689.00	E678L	30.221.00	E820HD245	25.164.00
E394L	30.087.00	E474L	30.181.00	E5KFR	21.050.00	E67KP	24.389.00	E821L	30.340.00
E3950LB-2	34.279.00	E475L	30.197.00	E5KFR2D12	21.061.00	E682L	30.372.00	E822HD255	25.166.00
E3950LJ-2	53.332.00	E478L	30.139.00	E5KFRD12	21.050.00	E684L	30.206.00	E822L	30.017.00
E3951LJ	53.243.00	E480L	27.341.00	E5KP	26.609.00	E687L	30.308.00	E823HD263	25.145.00
E3952LB	34.291.00	E481L	30.153.00	E5KPD12	26.609.00	E688L	30.180.00	E827HD270	25.191.00
E3952LC	54.291.00	E481L01	30.311.00	E600HD38	25.012.00	E689L	30.272.00	E828HD292	25.091.00
E3952LJ	53.389.00	E482L	27.401.00	E600L	30.294.00	E690L	30.399.00	E82HD24	25.548.00
E3953LJ	53.211.00	E482L01	27.402.00	E601L	30.209.00	E691L	30.071.00	E82L	30.993.00
E3954LJ	53.273.00	E485L	30.186.00	E605L	30.259.00	E692L	30.022.00	E831L	27.524.00
E3956LJ	53.329.00	E486L	30.062.00	E606L	30.417.00	E693L	30.275.00	E832L	30.297.00
E3957LJ	53.222.00	E487L	30.196.00	E607L	30.033.00	E694L	30.026.00	E832L01	30.297.00
E395L	30.133.00	E488L	30.187.00	E609L		E695L	30.210.00	E833HD321	25.185.00
E395L01	30.369.00	E488L01	30.370.00	(RENAULT)	27.084.00	E696L	27.923.00	E833L	30.348.00
E396L	27.154.00	E489L	27.394.00	E609L		E697L	30.254.00	E834L	30.332.00
E3970LJ-2	53.259.00	E489L01	27.083.00	(CHRYSLER, JEEP)	27.150.00	E698L	27.367.00	E835HD325	25.198.00
E3972LJ	53.390.00	E4901LJ-R	53.418.00	E60HD110	25.043.00	E69HD81	25.026.00	E837L	30.349.00
E3973LJ	53.249.00	E4908LJ	53.331.00	E60KP		E69KPD100	26.003.00	E838HD329	25.168.00
E3974LC	54.275.00	E490L	30.244.00	(CARITA ARROTOL./ROLLED PAPER)	24.390.00	E700L	30.916.00	E838L-2	30.025.00
E3978LC	54.237.00	E491KPD489-2	26.071.00	E60KP		E701L	30.303.00	E839L	27.628.00
E397L	30.148.00	E4921LJ	53.105.00	(CARITA PIEGHI./PLEATED PAPER)	26.676.00	E701L01	30.035.00	E83KP01D140	60.020.00
E397L01	30.148.00	E4922LJ	53.327.00	E610HD38	25.017.00	E704L	30.265.00	E845L	30.243.00
E3980LJ	53.383.00	E4923LJ	53.407.00	E610L	30.299.00	E705L	30.253.00	E846HD336	25.167.00
E3984LJ	53.145.00	E4926LJ	53.315.00	E611HD442	25.064.00	E709L	30.295.00	E847L	30.260.00
E3987LB	34.256.00	E492KPD371	26.045.00	E611L	30.258.00	E70L2	27.107.00	E848L	30.780.00
E398L	27.588.00	E492L	30.541.00	E612L	30.318.00	E718L	30.220.00	E849L	30.145.01
E3992LB	34.289.00	E4930LJ	53.275.00	E613L	30.273.00	E71HD141	25.069.00	E84K	26.601.00
E3992LC	54.289.00	E4931LC	54.292.00	E614HD442	25.225.00	E71KPD104	24.388.00	E84KPD148	26.015.00
E3995LJ	53.325.00	E4936LC	54.293.00	E614L	30.465.00	E720HD205	25.248.00	E84L	30.847.00
E3996LJ	53.299.00	E493L	30.137.00	E615L01	30.322.00	E720L	30.251.00	E850L	30.331.00
E3997LJ	53.294.00	E494L	30.183.00	E616L	30.233.00	E727L	30.367.00	E851L	30.345.00
E399L	30.162.00	E4956LJ	53.391.00	E617L	30.226.00	E729L	30.317.00	E852L	30.455.00
E40HD105	25.037.00	E4959LC	54.331.00	E618L	27.596.00	E72KP01D107	26.014.00	E853L	30.330.00
E40HD323	25.187.00	E495L	30.185.00	E61HD215	25.058.00	E72KPD107	26.014.00	E859HD352	25.148.00
E411L	30.163.00	E4961LJ	53.387.00	E61HD215	25.232.00	E72L	27.708.00	E85KPD146	26.007.00
E414L	30.168.00	E4964LJ	53.365.00	E61KPD90	26.690.00	E730L	30.204.00	E861HD413	25.090.00
E415L	30.195.00	E4966LJ	53.424.00	E620L	27.594.00	E732L	30.329.00	E867HD370	25.223.00
E416L	30.112.00	E4974LC	54.319.00	E621L	27.595.00	E733L	27.636.00	E86HD144	25.607.00
E417L	30.150.00	E4981LB	34.314.00	E622H	25.163.00	E734L		E873HD377	25.139.00
E418L	30.164.00	E4981LC	54.314.00	E622HD145	25.163.00	(N.1 FILTRO/FILTER)	30.042.00	E874HD378	25.160.00

E879L	27.676.00	E955LB	34.101.00	H10W14	23.458.00	H14W41	23.597.00	H243WK	31.828.00
E87KPD150	26.021.00	E955LC	54.101.00	H10W15	23.127.00	H14W43	23.739.00	H246WK	31.844.00
E87L01	30.843.01	E955LI	53.032.00	H10W17	23.127.00	H150WK	24.427.00	H247WK01	31.851.00
E880L		E957HD505	25.216.00	H10W18	23.463.00	H151WK	31.924.00	H248WK	24.130.00
(ALTRE/OTHER APPL.)	30.973.00	E959LJ	53.046.00	H10W19	23.472.00	H154WK	24.344.00	H24W01	23.185.01
E880L		E960LC-2	54.108.00	H10W20	23.486.00	H155WK01	31.832.00	H24W02	23.211.00
(FIAT, SUZUKI)	30.405.00	E960LI-2	53.234.00	H10W22	23.257.00	H155WK02	31.833.00	H24W03	23.297.00
E882L	30.392.00	E961LB	34.114.00	H10W23	23.134.00	H156WK	31.824.00	H24W04	23.465.00
E884L	30.212.00	E961LC		H110WK		H157WK	31.847.00	H24W06	23.274.00
E885L	30.297.00	(ALTRE/OTHER APPL.)	54.114.00	(ALTRE/OTHER APPL.)	31.515.00	H159WK	24.H20.00	H24W07	23.544.00
E886L	30.396.00	E961LC		H110WK		H160WK	24.H20.01	H251WK	31.664.00
E88HD24	25.541.00	(PORSCHE)	54.284.00	(VAG)	31.722.00	H161WK	24.H20.05	H254WK	31.764.00
E88K	26.602.00	E961LI	53.031.00	H111WK	31.718.00	H163WK	31.529.00	H260WK	31.761.00
E88KPD158	26.057.00	E962LC	54.196.00	H112WK	31.710.00	H164WK	31.562.00	H262WK	31.535.00
E88L	30.807.00	E962LI	53.060.00	H113WK	31.841.00	H165WK	31.006.00	H270WK	24.014.00
E89.32	25.413.00	E963LJ	53.114.00	H114WK	31.834.00	H167WK	24.007.00	H271WK	24.086.00
E890L	30.168.00	E964LC	54.113.00	H115WK	31.740.00	H168WK	24.370.00	H273WK	24.072.00
E891L	30.310.00	E965LJ	53.061.00	H117WK	24.417.00	H16W01	23.130.00	H275WK	31.838.00
E892L	30.342.00	E967LC	53.084.00	H118WK	24.397.00	H16W02	23.121.00	H276WK	31.848.00
E893L	30.384.00	E968LI	53.162.00	H119WK	24.379.01	H16W03	23.496.00	H278WK	24.107.00
E894L	30.391.00	E970LB-R	34.246.00	H11W01	23.118.00	H16W04	23.545.00	H279WK	24.435.00
E895L	30.554.00	E970LC	54.131.00	H11W02	23.418.00	H173WK	24.326.00	H280WK	31.840.00
E897L	30.504.00	E970LC-R	54.246.00	H120WK	24.371.00	H17W01	23.241.00	H281WK	24.437.00
E89KPD163	26.037.00	E970LC01-2	54.130.00	H121WK	24.408.00	H17W02	23.102.00	H282WK	24.440.00
E89L	30.802.01	E970LI	53.094.00	H122WK	24.414.00	H17W03	23.241.00	H288WK	24.460.00
E89L01	30.038.01	E971LC01	54.194.00	H123WK	24.400.00	H17W04	23.110.02	H298WK	31.768.00
E900LB	34.109.00	E971LI	53.044.00	H124WK	24.409.00	H17W05	23.164.00	H300W09	23.482.00
E900LB	34.263.00	E971LI01	53.044.00	H125WK	24.404.00	H17W05		H303WK	24.095.00
E900LC	54.109.00	E972LC	54.100.00	H126WK	24.424.00	(O/OR)	23.164.03	H305WK	24.455.00
E900LI	53.006.00	E972LI	53.045.00	H128WK	24.429.00	H17W06	23.102.02	H30WK01	24.304.00
E901LC	54.277.00	E973LI	53.020.00	H129WK	24.428.00	H17W11	23.280.00	H310W	23.565.00
E901LI	53.015.00	E974LI	53.205.00	H12W01	23.114.01	H17W13	23.429.00	H311WK	31.071.00
E902LC	54.278.00	E975LJ	53.035.00	H12W02	23.195.00	H17W15	23.164.03	H312W	23.494.00
E902LI	53.001.00	E977LB	34.121.00	H12W03	23.132.00	H17W18	23.164.00	H312W01	23.494.00
E903LC	54.135.00	E977LC	54.121.00	H12W05	23.257.00	H17W20	23.244.00	H312WK	31.501.00
E903LI	53.010.00	E977LJ	53.158.00	H12W07	23.495.00	H17W23		H313W	23.265.00
E904LC	54.197.00	E978LI	53.040.00	H12W08	23.489.00	(MASERATI)	23.113.00	H314W01	23.573.00
E904LI	53.014.00	E979LJ	53.083.00	H131WK	24.401.00	H17W24	23.457.00	H315W	23.267.00
E905LC	54.195.00	E983LC-2	54.242.00	H133WK	24.415.00	H17W29	23.546.00	H316W	23.660.00
E905LI	53.013.00	E989LB	34.133.00	H134WK	24.384.00	H17W30	23.164.03	H316WK	24.452.00
E907LC	54.317.00	E989LC	54.133.00	H135WK	31.513.00	H17WK07	24.374.00	H317W01	23.575.00
E907LI	53.016.00	E989LC01-2	54.132.00	H137WK	31.010.00	H17WK08	24.375.00	H318W	23.585.00
E908LC	54.116.00	E989LJ	53.095.00	H138WK	31.741.00	H17WK09	24.366.00	H319W	23.632.00
E908LI	53.012.00	E989LI-R	53.245.00	H139WK	24.433.00	H188WK	31.817.00	H319WK	24.456.00
E909L	53.068.00	E98KP	26.670.00	H13W01	23.271.00	H189WK	31.769.00	H31WK	24.319.01
E90KPD164	26.695.00	E990LC	54.125.00	H142W	23.130.01	H192WK	24.445.00	H31WK01	24.319.01
E910LC	54.143.00	E990LC02	54.142.00	H140WK	24.436.00	H193WK	24.441.00	H320WK	31.842.00
E910LI	53.047.00	E990LJ	53.090.00	H140WK01	24.436.00	H199WK	31.958.00	H322WK	55.394.00
E911HD455	25.149.00	E990LI02	53.227.00	H140WK02	24.077.00	H19W02	23.152.00	H322WK01	55.394.00
E911LC	54.230.00	E991LI	53.404.00	H141WK	31.514.00	H19W04	23.156.00	H323WK	55.170.00
E911LI	53.030.00	E992LC	54.103.00	H142WK	24.382.00	H19W05	23.152.00	H324WK	31.835.00
E912LC	54.281.00	E994LC	54.137.00	H143WK	24.430.00	H19W06		H325WK	31.846.00
E912LI	53.059.00	E994LC01	54.137.00	H144WK	24.412.00	(VOLVO)	23.156.02	H326WK	31.920.00
E913LC	54.102.00	E994LI	53.101.00	H145WK	24.426.00	H19W06		H327WK	31.947.00
E913LI	53.064.00	E994LI01	53.101.00	H146WK	31.747.00	(ALTRE/OTHER APPL.)	23.156.03	H330WK	24.112.00
E914LB	34.270.00	E997LC	54.122.00	H147WK	24.425.00	H19W07	23.152.00	H331W	23.650.00
E914LC	54.270.00	E998LB	34.124.00	H148WK	31.748.00	H19W12	23.471.00	H331WK	24.111.00
E914LI	53.007.00	E998LC	54.124.00	H149WK	31.506.00	H203WK	24.432.00	H332W	23.717.00
E915LI	53.002.00	E998LC01	54.376.00	H14W02	23.130.02	H205W01	23.167.00	H332WK	31.921.00
E916LC	54.252.00	E998LCR	54.376.00	H14W04	23.130.00	H206W	23.248.00	H335W	23.564.00
E916LI-2	53.037.00	E998LI	53.148.00	H14W06	23.130.03	H206WK	24.001.00	H335WK	31.953.00
E917LI	53.082.00	E9KFRD417	26.076.00	H14W07	23.130.02	H207WK01	31.849.00	H336WK	24.113.00
E919LC	54.118.00	E9KFRD417	26.076.01	H14W08	23.187.00	H207WK02	31.849.00	H337W	23.478.00
E919LI	53.017.00	H100WK	31.570.00	H14W09	23.249.00	H209W		H337WK	31.852.00
E91KPD165	26.694.00	H101WK	31.009.00	H14W10		(MITSUBISHI)	23.237.00	H338W	23.256.00
E920LI	53.079.00	H102WK	31.027.00	(ALTRE/OTHER APPL.)	23.117.00	H20W01	23.115.00	H338WK	24.133.00
E921LI	53.004.00	H103WK	31.013.00	H14W10		H20W02		H339WK	31.857.04
E922LI	53.067.00	H104WK	31.012.00	(FORD)	23.188.00	(ALTRE/OTHER APPL.)	23.191.00	H340WK	24.ONE.01
E92KPD169	26.696.00	H107WK	31.710.00	H14W11	23.186.01	H20W02		H341WK	24.099.00
E934LI	53.023.00	H108WK	31.569.00	H14W12	23.169.00	(RENAULT)	23.402.00	H342WK	24.115.00
E935LI	53.232.00	H109WK	31.508.00	H14W13	23.175.00	H20W03	23.165.00	H343WK	24.ONE.02
E936LC	54.165.00	H10W01	23.127.02	H14W14	23.404.00	H20W05	23.231.00	H344W	23.650.00
E936LI	53.011.00	H10W03	23.127.04	H14W17	23.212.00	H20W06	23.417.00	H345WK	24.145.00
E939LI	53.026.00	H10W04		H14W19	23.440.00	H20W08	23.240.00	H346WK	24.156.00
E93KPD177	26.012.00	(ALTRE/OTHER APPL.)	23.177.00	H14W20	23.242.00	H210W02	23.107.01	H347WK	24.016.00
E940LI	53.021.00	H10W04		H14W22	23.464.00	H210WN	23.303.00	H349WK	24.144.00
E941LC	54.106.00	(VOLVO)	23.279.00	H14W23		H212WK	24.H20.07	H350WK	24.127.00
E941LI	53.034.00	H10W05	23.134.01	(FORD)	23.440.00	H214WK	24.450.00	H351WK	31.952.00
E942LI	53.005.00	H10W06		H14W24	23.414.00	H216WK	24.006.00	H354WK	31.855.00
E942LI-2	53.005.00	(ALTRE/OTHER APPL.)	23.134.01	H14W26	23.249.00	H217WK	24.005.00	H355WK	31.946.00
E943LI	53.024.00	H10W06		H14W27	23.436.00	H219WK	24.027.00	H359WK	24.114.00
E950LI	53.074.00	(VOLVO)	23.257.00	H14W28	23.196.00	H220WK	31.811.00	H35WK	24.321.00
E951HD497	25.211.00	H10W07	23.173.01	H14W29	23.449.00	H221W	23.481.00	H35WK01	24.321.00
E951LC	54.389.00	H10W08	23.447.00	H14W30	23.493.00	H223WK	24.451.00	H35WK02D87	24.321.00
E951LI	53.028.00	H10W09	23.279.00	H14W32	23.253.00	H224WK	31.831.00	H396WK	31.950.00
E952LC	54.280.00	H10W10	23.280.00	H14W34	23.444.00	H225WK	31.830.00	H397WK	24.128.00
E952LI	53.018.00	H10W11	23.127.00	H14W37	23.483.00	H237WK	24.423.00	H402WK	24.061.01
E953LI	53.042.00	H10W12	23.425.00	H14W40	23.130.03	H240WK	24.444.00	H406WK	24.151.00

H408WK	24.194.00	H90W27	23.413.00	J1320315	27.E34.00	J1322003	27.740.00	J1324050	30.380.00
H40W	23.128.00	H90W28	23.455.00	J1320316	30.308.00	J1322004	27.133.00	J1324051	30.276.00
H40W01	23.166.00	H90W29	23.254.00	J1320318	30.363.00	J1322007	27.155.00	J1324052	27.601.00
H411WK	24.150.00	H90W31	23.298.00	J1320319	30.A64.00	J1322009	27.069.00	J1324054	30.325.00
H412WK	24.193.00	H90W32	23.439.00	J1320320	30.386.00	J1322013	27.097.00	J1324055	30.381.00
H413WK	24.149.00	H90W33	23.721.00	J1320322	30.B06.00	J1322018	30.076.00	J1324056	30.503.00
H417WK	24.106.00	H90W34	23.687.00	J1320323	30.454.00	J1322020	30.361.00	J1324057	30.591.00
H418WK	31.985.00	H91W	23.105.00	J1320324	30.382.00	J1322027	27.140.00	J1324058	30.618.00
H420WK	31.962.00	H96W01	23.476.00	J1320329	30.631.00	J1322031	27.097.00	J1324060	30.482.00
H423WK	31.926.01	H96W03	23.475.00	J1320330	30.632.00	J1322034	27.172.00	J1324062	30.408.00
H424WK	55.430.00	H97W01	23.251.00	J1320333	30.627.00	J1322038	30.076.00	J1324063	30.619.00
H426WK	24.013.00	H97W02	23.265.00	J1320410	30.C44.00	J1322049	30.143.00	J1324064	30.573.00
H428WK	31.839.00	H97W03	23.258.00	J1320502	30.336.00	J1322050	30.170.00	J1324068	30.451.00
H430WK	31.A06.00	H97W04	23.255.00	J1320504	30.286.00	J1322051		J1324069	30.617.00
H431WK	24.110.00	H97W05		J1320505	30.285.00	(CITROEN, MITSUBISHI, PEUGEOT)	30.601.00	J1324072	30.A40.00
H434WK	24.095.01	(ALTR/OTHER APPL.)	23.265.00	J1320506	30.126.00	J1322052	30.223.00	J1324073	30.B05.00
H435WK	55.582.00	H97W05		J1320508	27.648.00	J1322059	30.075.00	J1324074	30.C39.00
H441WK	55.418.00	(FIAT, LANCIA)	23.438.00	J1320510	30.267.00	J1322060	27.D10.00	J1324075	30.B08.00
H442WK	24.126.00	H97W06	23.258.00	J1320511	30.174.00	J1322061	27.583.00	J1324076	30.A54.00
H446WK	24.ONE.OB	H97W07	23.263.00	J1320512	30.266.00	J1322068	27.C10.00	J1324077	30.A56.00
H451WK	24.119.00	H97W08	23.260.00	J1320513	30.287.00	J1322070	30.288.00	J1324078	30.B62.00
H453WK	24.528.01	H97W09	23.424.00	J1320514	30.229.00	J1322071	27.582.00	J1324083	30.C63.00
H454WK	31.825.00	H97W11	23.479.00	J1320517	30.224.00	J1322074	30.175.00	J1325012	27.604.00
H457WK	24.459.00	H97W12	23.470.00	J1320518	30.437.00	J1322075	30.785.00	J1325021	27.E44.00
H461WK	31.958.00	H97W16	23.251.00	J1320519	30.307.00	J1322077	30.176.00	J1325037	30.169.00
H462WK	55.393.00	R51.10K	26.664.00	J1320521	30.280.00	J1322078	30.338.00	J1325046	30.533.00
H468WK		Z15D167	25.901.00	J1320522	30.309.00	J1322081	30.225.00	J1325048	27.A72.00
(HYUNDAI 31922-A9000)	24.468.00			J1320523	30.326.00	J1322083	30.289.00	J1325050	30.709.00
H475WK	31.712.00	HERTH+BUSS JAKOPARTS	UFI	J1320524	30.348.00	J1322084	30.248.00	J1325051	30.252.00
H493WK	31.944.00	J1310304	23.472.00	J1320525	30.B01.00	J1322086	30.788.00	J1325052	30.253.00
H509WK		J1310305	23.486.00	J1320527	30.A55.00	J1322088	30.397.00	J1325053	30.506.00
(SUBARU 42072-AJ130)	24.469.00	J1310306	25.070.00	J1320528	30.C42.00	J1322089	30.206.00	J1325054	30.533.00
H509WK		J1310407	25.219.00	J1320529	30.620.00	J1322092	30.A86.00	J1325056	30.781.00
(ALTR/OTHER APPL.)	24.465.00	J1310501	25.071.00	J1320532	30.468.00	J1322093	30.A97.00	J1325060	30.B43.00
H54WK	24.343.00	J1310506	25.075.00	J1320535	30.469.00	J1322095	30.505.00	J1326020	30.B04.00
H560WK	24.196.00	J1310507	23.265.00	J1320539	30.496.00	J1322096	30.453.00	J1326027	30.B03.00
H562WK	31.845.00	J1310509	23.615.00	J1320540	30.A95.00	J1322097	30.452.00	J1327018	30.615.00
H7020WK10	24.331.00	J1310511	25.213.00	J1320541	30.574.00	J1322099	30.247.00	J1328003	27.074.00
H7052WK10	24.338.00	J1310514	25.151.00	J1320542	30.594.00	J1322100	30.334.00	J1328007	27.090.00
H707WK	24.012.00	J1310517	25.166.00	J1320544	30.538.00	J1322104	30.554.00	J1328010	30.967.00
H70WK	24.351.01	J1310519	25.091.00	J1320545	30.634.00	J1322106	30.385.00	J1328015	30.461.00
H70WK02		J1310904	23.585.00	J1320548	30.574.00	J1322107	27.691.00	J1328016	30.460.00
(ALTR/OTHER APPL.)	24.351.00	J1310908	25.088.00	J1320557	30.635.00	J1322108	30.504.00	J1328017	30.537.00
H70WK02		J1310909	23.650.00	J1320558	30.A21.00	J1322109	27.B91.00	J1328019	30.A50.00
(AUDI)	24.381.00	J1310911	23.496.00	J1320814	30.710.00	J1322111	30.470.00	J1328022	30.780.00
H70WK04	24.365.00	J1311006	23.152.00	J1320900	30.C45.00	J1322113	30.625.00	J1328023	30.269.00
H70WK05	24.365.01	J1311009	23.256.00	J1320901	30.102.00	J1322115	30.639.00	J1328024	30.A84.00
H70WK08	24.391.00	J1311010	23.240.00	J1320905	27.274.00	J1322123	30.603.00	J1328025	30.327.00
H70WK11	24.416.00	J1311011	23.134.00	J1320906	30.104.00	J1322124	30.A91.00	J1328028	30.270.00
H70WK12	24.365.01	J1311012	23.266.00	J1320907	30.337.00	J1322125	30.B86.00	J1328029	30.328.00
H70WK13	24.443.00	J1311017	23.484.00	J1320909	30.279.00	J1322128	30.648.00	J1328030	30.725.00
H70WK14	24.439.00	J1311018	25.026.00	J1320910	30.277.00	J1322130	30.660.00	J1328031	30.393.00
H70WK15	24.417.00	J1311024	25.052.00	J1320911	30.278.00	J1322135	30.C46.00	J1328032	30.384.00
H70WK18	24.416.00	J1311025	23.564.00	J1320912	30.676.00	J1323001	27.744.00	J1328034	30.391.00
H80WK01	31.500.00	J1311033	25.145.00	J1320913	30.392.00	J1323002	27.799.00	J1328035	30.628.00
H80WK02	31.531.00	J1311036	23.121.00	J1320916	30.450.00	J1323021	30.012.00	J1328037	30.347.00
H80WK03	31.505.00	J1312000	23.127.00	J1320918	30.701.00	J1323022	30.012.00	J1328038	30.383.00
H80WK04	31.505.00	J1312001	23.102.00	J1321001	30.569.00	J1323023	30.013.00	J1328040	30.210.00
H80WK05	31.563.00	J1312006	23.263.00	J1321002	27.769.00	J1323027	30.172.00	J1328043	30.405.00
H80WK07	31.500.00	J1312010		J1321008	27.744.00	J1323032	30.173.00	J1328044	30.550.00
H81WK01	24.350.00	(ALTR/OTHER APPL.)	23.253.00	J1321010	30.973.00	J1323036	30.178.00	J1328045	30.A96.00
H81WK02	24.383.00	J1312013	23.248.00	J1321012	27.235.00	J1323038	30.177.00	J1328046	30.553.00
H82WK01	31.510.00	J1312014	23.251.00	J1321014	27.678.00	J1323039	27.522.00	J1328049	30.A49.00
H82WK02	31.583.00	J1312015	23.477.00	J1321017	27.605.00	J1323040	30.787.00	J1328053	30.C40.00
H83WK01	31.594.00	J1312016	23.476.00	J1321020	27.169.00	J1323041	30.171.00	J1328055	30.C41.00
H84WK01	31.502.00	J1312029	25.216.00	J1321021	27.159.00	J1323047	30.409.00	J1329007	27.193.00
H84WK02	31.503.00	J1312031	25.148.00	J1321026	27.200.00	J1323054	30.344.00	J1329015	27.E50.00
H84WK03	31.502.00	J1313002	23.243.00	J1321027	27.526.00	J1323055	30.171.00	J1330300	31.664.00
H85WK01	31.511.00	J1313014	23.274.00	J1321028	30.026.00	J1323058	30.626.00	J1330316	31.828.00
H90W01	23.103.00	J1313015	23.260.00	J1321029	30.001.00	J1323060	30.786.00	J1330511	24.460.00
H90W02	23.131.00	J1313016	23.265.00	J1321034	27.524.00	J1323062	30.390.00	J1330514	24.439.00
H90W03	23.129.02	J1313021	23.267.00	J1321038	27.397.00	J1323063	30.779.00	J1330515	24.443.00
H90W04	23.131.02	J1313025	25.056.00	J1321047	27.679.00	J1323065	30.A99.00	J1330519	24.012.00
H90W05	23.188.00	J1313029	25.037.00	J1321054	30.181.00	J1323068	30.A53.00	J1330907	26.033.00
H90W06	23.131.00	J1313033	25.037.00	J1321055	30.362.00	J1323072	30.C56.00	J1330908	26.047.00
H90W11	23.282.00	J1314010	23.243.00	J1321056	27.676.00	J1324012	27.599.00	J1331006	24.327.00
H90W12	23.298.00	J1314011	23.246.00	J1321062	27.D79.00	J1324022	30.239.00	J1331009	24.375.00
H90W13	23.293.00	J1314016	25.072.00	J1321063	30.352.00	J1324024	30.235.00	J1331033	24.444.00
H90W14	23.428.00	J1314019	25.074.00	J1321063	30.491.00	J1324026	30.243.00	J1331035	24.442.00
H90W15	23.415.00	J1315024	25.023.00	J1321072	30.456.00	J1324027	30.237.00	J1331037	26.693.00
H90W16	23.299.00	J1316007	25.116.00	J1321082	30.251.00	J1324028	30.236.00	J1331043	31.948.00
H90W17	23.453.00	J1318003	23.251.00	J1321084	30.556.00	J1324032	27.523.00	J1331045	55.582.00
H90W19	23.416.00	J1318013	25.061.00	J1321085	30.576.00	J1324034	30.231.00	J1331046	
H90W21	23.401.00	J1320308	30.130.00	J1321089	30.295.00	J1324035	30.068.00	(SENZA VALVOLA/WITHOUT VALVE)	24.026.01
H90W22	23.413.00	J1320310	30.295.00	J1322001	27.770.00	J1324045	30.360.00	J1331048	55.394.00
H90W23	23.439.00	J1320314	30.312.00			J1324046	27.601.00	J1331052	26.114.00
H90W24	23.435.00					J1324048	30.497.00	J1331063	24.061.01
H90W26	23.299.00					J1324049	30.471.00	J1331068	26.115.00

J1332057	24.413.00	J1343022	53.368.00	16010-SM4-952		17220-PM2-B01	27.525.00	80292-S5D-A01	
J1332060	24.411.00	J1343024	53.330.00	(L.H.D. / GUIDA A SINISTRA)	31.535.00	17220-PM3-003	27.591.00	(N.1 FILTRO/FILTER)	53.108.00
J1332067	31.776.00	J1343026	53.365.00	16010-SM4-A30	31.535.00	17220-PM4-000	27.525.00	80292-S6D-G01	
J1332079	31.927.00	J1344015	53.160.00	16010-SM4-K50	31.535.00	17220-PM4-003	27.525.00	(N.1 FILTRO/FILTER)	53.108.00
J1332086	31.914.00	J1344020	54.306.00	16010-SM4-K51	31.535.00	17220-PM7-000	30.242.00	80292-S7A-003	54.152.00
J1332095	26.045.00	J1345001	53.338.00	16010-SM4-K52	31.535.00	17220-PM7-003	30.242.00	80292-S7A-508	54.152.00
J1332096	24.452.00	J1345002	53.128.00	16010-ST5-931	31.621.00	17220-PM7-010	30.242.00	80292-SBG-W01	53.123.00
J1332099	26.073.00	J1345006	54.147.00	16010-ST5-932	31.621.00	17220-PM7-306	30.242.00	80292-SCA-E11	
J1332104		J1345007	53.274.00	16010-ST5-933	31.621.00	17220-PM7-F00	30.242.00	(N.1 FILTRO/FILTER)	53.108.00
(SENZA STAFFA WITHOUT BRACKET)	31.161.00	J1345008	54.220.00	16010-ST5-E01	31.621.00	17220-PNA-003	27.601.00	80292-SDA-407	53.123.00
J1332110	26.139.00	J1345009	54.144.00	16010-ST5-E02	31.621.00	17220-PNB-003	27.601.00	80292-SDA-A01	53.123.00
J1333016	31.519.00	J1345011BF	34.167.00	16900-SD4-670	31.618.00	17220-PO7-000	30.235.00	80292-SDC-505-HE	53.123.00
J1333032	31.844.00	J1345016	53.384.00	16900-SD4-671	31.618.00	17220-POA-000	30.236.00	80292-SDC-A01	53.123.00
J1333034	31.649.00	J1347000	54.138.00	16900-SD4-672	31.618.00	17220-POA-A00	30.236.00	80292-SDG-W01	54.306.00
J1333050	24.027.00	J1348000	53.201.00	16900-SE0-000	31.024.00	17220-PP4-305	30.243.00	80292-SFE-901	54.306.00
J1333059	24.128.00	J1348002		16900-SE0-003	31.024.00	17220-PP4-E00	30.243.00	80292-SFY-003	54.306.00
J1334031	26.077.00	(SENZA TELAIO WITHOUT FRAME)	53.135.00	16900-SE0-004	31.024.00	17220-PT0-003	27.589.00	80292-SHJ-A41	53.123.00
J1334032	24.196.00	J1348005BF	34.274.00	16900-SED-003	31.024.00	17220-PT0-G01	27.589.00	80292-SLJ-003	54.306.00
J1335038	31.592.00	J1348006	53.222.00	16900-SH3-931	31.539.00	17220-PT0-G02	27.589.00	80292-SLJ-013	54.306.00
J1335050	24.423.00	J1348008	53.183.00	16900-SH3-A30	31.539.00	17220-PT0-T01	27.589.00	80292-SMG-E01	53.159.00
J1335054	24.126.00	J1348009	53.426.00	16900-SH3-A31	31.539.00	17220-PT0-T02	27.589.00	80292-SWA-003	53.123.00
J1335055	24.119.00	J1348010	53.186.00	16900-SH3-C30	31.539.00	17220-PT2-000	30.239.00	80292-SWW-G01	53.123.00
J1335070	24.465.00	J1348011	53.127.00	16900-SM3-A32	31.535.00	17220-PT2-305	30.239.00	80292-TF0-G01	53.160.00
J1335072	26.149.00	J1348018	53.424.00	16900-SM4-A31	31.535.00	17220-PW0-000	30.255.00	80292-TG0-Q01	53.160.00
J1336034	31.694.00	J1349000	53.327.00	16900-SM4-A32	31.535.00	17220-PW0-010	30.255.00	80292-TG0-Q02	53.160.00
J1338038	24.113.00			16900-SM4-A33	31.535.00	17220-PWA-003	30.232.00	80292-TV1-E01	53.123.00
J1339009	26.131.00	HONDA	UFI	16901-RJL-E01	24.196.00	17220-PWA-505	30.497.00		
J1340302	53.240.00	0259-14-300	23.159.00	16901-RL0-G01	26.077.00	17220-PWA-J10	30.497.00	HYUNDAI	UFI
J1340305	53.116.00	0324-14-300	23.271.00	16901-RMA-E00	24.196.00	17220-PWC-000	30.232.00	2360035500	23.461.00
J1340306	53.111.00	04154-PR3-E00	23.271.00	16901-S37-E30	24.365.00	17220-PWC-505HE	30.232.00	26300-02500	23.452.00
J1340307	53.259.00	08R79-S50-600	53.080.00	16901-S6F-E01	24.435.00	17220-PZA-000	30.313.00	26300-02501	23.452.00
J1340310	53.152.00	08R79-ST3-600	53.232.00	16901-S6F-E02	24.435.00	17220-R1A-A01	30.454.00	26300-02502	23.452.00
J1340313	53.261.00	15000-689-004	23.182.00	17200-P9M-E00	30.068.00	17220-R3L-G01	30.068.00	26300-02503	23.452.00
J1340314	53.149.00	15400-111-003	23.271.00	17220-5AA-A00	30.063.00	17220-R3R-E01	30.068.00	26300-02504	23.452.00
J1340317	53.396.00	15400-634-003	23.159.00	17220-5K0-A00	30.063.00	17220-R5A-A00	30.525.00	26300-02750	23.265.00
J1340319	53.273.00	15400-634-004	23.159.00	17220-689-003	27.799.00	17220-R5A-A01	30.525.00	26300-02751	23.265.00
J1340500	53.077.00	15400-634-005	23.159.00	17220-689-004	27.799.00	17220-R60-U00	30.408.00	26300-02752	23.265.00
J1340501	53.400.00	15400-634-010	23.159.00	17220-689-781	27.799.00	17220-R6A-J00	30.408.00	26300-03000	23.452.00
J1340502	53.407.00	15400-634-013	23.159.00	17220-P0A-000	30.236.00	17220-RAA-A00	30.276.00	26300-03001	23.452.00
J1340503	53.118.00	15400-634-014	23.159.00	17220-P0A-A00	30.236.00	17220-RAA-A01	30.276.00	26300-11100	23.271.00
J1340504	53.119.00	15400-634-023	23.159.00	17220-P0A-J02	30.236.00	17220-RAA-Y00	30.276.00	26300-21010	23.271.00
J1340507	53.112.00	15400-634-024	23.159.00	17220-P13-000	30.237.00	17220-RAA-Y01	30.276.00	26300-21A00	23.271.00
J1340508	53.121.00	15400-634-033	23.159.00	17220-P13-505	30.237.00	17220-RB0-000	30.451.00	26300-29000	23.293.00
J1340509	53.145.00	15400-634-505	23.159.00	17220-P1K-E00	30.235.00	17220-RB6-Z00	30.451.00	26300-35054	23.271.00
J1340513	53.333.00	15400-689-003	23.182.00	17220-P2A-000	30.001.00	17220-RBD-E00	30.380.00	26300-35056	23.271.00
J1340517	53.394.00	15400-689-004	23.182.00	17220-P2A-003	30.001.00	17220-RBJ-000	30.617.00	26300-35500	23.461.00
J1340521	53.191.00	15400-P5T-G00	23.246.00	17220-P2A-005	30.001.00	17220-RFW-G01	30.001.00	26300-35501	23.461.00
J1340522	53.163.00	15400-PA6-003	23.182.00	17220-P2A-505	30.001.00	17220-RL0-G00	30.573.00	26300-35502	23.461.00
J1340523	53.379.00	15400-PA6-004	23.182.00	17220-P2F-A01	30.001.00	17220-RMA-E00	30.471.00	26300-35503	23.461.00
J1340525	53.212.00	15400-PA6-305	23.182.00	17220-P2J-003	30.238.00	17220-RMX-000	30.381.00	26300-35504	23.461.00
J1340529	53.387.00	15400-PA6-405	23.182.00	17220-P2M-505	30.238.00	17220-RNA-A00	30.325.00	26300-35505	23.461.00
J1340534	53.387.00	15400-PC6-003	23.271.00	17220-P2M-Y00	30.238.00	17220-RNA-Y00	30.325.00	26300-35530	23.583.00
J1340902	53.134.00	15400-PC6-004	23.271.00	17220-P2N-A01	30.238.00	17220-RND-M00		26300-35531	23.583.00
J1340903	53.138.00	15400-PCX-004	23.271.00	17220-P2N-E01	30.238.00	(BF)	30.325.00	26300-35A00	23.271.00
J1340904	53.142.00	15400-PDD-E00	23.495.00	17220-P45-G00	30.239.00	17220-RSH-E00	30.503.00	26300-42000	23.237.00
J1340906	53.141.00	15400-PFB-004	23.258.00	17220-P5T-G00	30.068.00	17220-RSJ-E00	30.619.00	26300-42010	23.237.00
J1340907	53.126.00	15400-PFB-014	23.258.00	17220-P72-000	27.523.00	17220-RSP-G00	30.482.00	26300-42040	23.472.00
J1340908	53.144.00	15400-PH1-004	23.243.00	17220-P72-505	27.523.00	17220-RSR-E00	30.591.00	26300-42060	23.472.00
J1340909	53.151.00	15400-PH1-014	23.243.00	17220-P7A-003	30.249.00	17220-RSX-G01	30.062.00	26310-27200	23.545.00
J1340910	53.254.00	15400-PH1-F01	23.265.00	17220-PAA-A00	30.227.00	17220-RZA-000	30.440.00	26310-27420	23.615.00
J1340912	54.178.00	15400-PH1-F02	23.265.00	17220-PC2-661	27.799.00	17220-RZA-Y00	30.440.00	26310-4A010	23.486.00
J1340913	53.220.00	15400-PH1-F03	23.265.00	17220-PDA-E01	30.231.00	17220-RZP-G00	30.618.00	2631641000	23.232.00
J1341013	53.258.00	15400-PLC-003	23.265.00	17220-PDF-E01	30.231.00	17220-RZP-Y00	30.618.00	26320-27000	25.053.00
J1341014	53.218.00	15400-PLC-004	23.265.00	17220-PE2-000	30.240.00	17220PDTE00	30.235.00	26320-27001	25.053.00
J1341018	53.214.00	15400-PLM-A01	23.265.00	17220-PE2-003	30.240.00	17220PNBY01	27.601.00	26320-27100	25.071.00
J1341020	53.146.00	15400-PLM-A02	23.265.00	17220-PE2-010	30.240.00	17220PRAY01	27.601.00	26320-27400	25.075.00
J1341020BF	34.268.00	15400-PR3-003	23.271.00	17220-PE2-020	30.240.00	79370-S1A-505	53.065.00	26320-27401	25.075.00
J1341024	53.388.00	15400-PR3-004	23.271.00	17220-PE2-305	30.240.00	79370-S1A-G01	53.065.00	26320-2A001	25.070.00
J1341027	54.320.00	15400-RAF-T01	23.265.00	17220-PE2-306	30.240.00	79371-SZ3-A01		26320-2A002	25.070.00
J1341032	53.215.00	15400-RBA-F01	23.265.00	17220-PH3-000	30.256.00	(N.1 FILTRO/FILTER)	53.242.00	26320-2A500	25.151.00
J1341039	53.389.00	15400-RTA-003	23.265.00	17220-PH3-003	30.256.00	79831-S04-003	53.232.00	26320-2A501	25.151.00
J1342001	53.050.00	15400-RTA-004	23.265.00	17220-PH3-010	30.256.00	79831-ST3-E01	53.232.00	26320-2F000	25.166.00
J1342002	53.117.00	15400-RZ0-G01	23.481.00	17220-PH3-305	30.256.00	80291-S2H-505		26320-2F010	25.166.00
J1342011	54.264.00	15430-PLZ-D00	25.027.00	17220-PH4-305	27.599.00	(N.1 FILTRO/FILTER)	53.080.00	26320-2F100	25.166.00
J1342011BF	34.264.00	15430-RBD-E01	25.072.00	17220-PH4-315	27.599.00	80291-S2H-E01		26320-3A000	25.213.00
J1342011BF	34.273.00	15430-RBD-E02	25.072.00	17220-PH4-601	27.599.00	(N.1 FILTRO/FILTER)	53.080.00	26320-3A001	25.213.00
J1342018	53.103.00	15430-RSR-E01	25.074.00	17220-PH4-661	27.599.00	80291-SAA-505HE	53.109.00	26320-3A100	25.213.00
J1342024	53.147.00	16010-SD4-670	31.618.00	17220-PJ0-600	30.256.00	80291-SAA-506HE	53.109.00	26320-3C250	25.151.00
J1342027	54.266.00	16010-SH3-930	31.539.00	17220-PK2-003	27.590.00	80291-SAA-E01	53.109.00	26320-3C300	25.151.00
J1342039	53.299.00	16010-SH3-932	31.539.00	17220-PK2-661	27.590.00	80291-ST3-505	53.063.00	26320-3C30A	25.151.00
J1342047	54.331.00	16010-SH3-C30	31.539.00	17220-PK2-662	27.590.00	80291-ST3-515	53.063.00	26320-3C700	25.151.00
J1342051	54.172.00	16010-SH3-K52	31.539.00	17220-PLD-000	30.228.00	80291-ST3-E01	53.063.00	2632	

28113-0X000	30.468.00	97133-2D205	53.334.00	8-94201942-2	23.139.00	08016967	27.893.00	504170771	26.072.00
28113-0X100	30.496.00	97133-2E200	53.112.00	8-94201942-3	23.139.00	08032064	27.356.00	550228	26.645.00
28113-0X200	30.538.00	97133-2E210	53.112.00	8-94203536-0	27.769.00	08041782	27.893.00	5801317096	30.629.00
28113-17500	30.229.00	97133-2E250	53.191.00	8-94206007-0	27.769.00	08092347	27.804.00	5801317097	30.630.00
28113-1C000	30.224.00	97133-2E260	53.191.00	8-94208038-0	27.769.00	1160024	23.110.02	5801354114	26.034.00
28113-1C500	30.348.00	97133-2E260AT	53.191.00	8-94217272-0	23.234.00	1160033	21.050.00	5801512159	24.H2O.01
28113-1C500AT	30.348.00	97133-2E900	53.259.00	8-94217272-1	23.234.00	1160217	26.609.00	5801619418	53.315.00
28113-1G000	30.386.00	97133-2E910	53.259.00	8-94217272-2	23.234.00	1168402	26.618.00	5801686484	27.689.00
28113-1G100	30.363.00	97133-2G000	53.331.00	8-94232059-0	27.140.00	1168444	25.455.00	5802050393	26.080.00
28113-1J000	30.469.00	97133-2H000	53.208.00	8-94238757-0	24.366.00	1168465	20.020.00	61584009	23.110.02
28113-1R100	30.594.00	97133-2H001	53.208.00	8-94243502-0	23.165.00	1173481	23.110.02	7984430	24.352.00
28113-1V100	30.594.00	97133-2L000	53.152.00	8-94248070-0	24.366.00	1174482	24.351.01	8032064	27.356.00
28113-1Y100	30.632.00	97133-2L000ATK	54.272.00	8-94248070-2	24.366.00	1289052	26.618.00	8322386	27.888.00
28113-22051	30.285.00	97133-2L000ATK	34.272.00	8-94314263-3	23.265.00	1384034	27.888.00	8322988	27.893.00
28113-22301	30.286.00	97133-2W000	53.396.00	8-94332955-0	24.366.00	1901601	27.730.00	8323458	27.801.00
28113-22600	30.287.00	97133-3K000	53.145.00	8-94334906-0	27.193.00	1901602	23.108.00	8501601	20.012.00
28113-23001	30.336.00	97133-3SAA0	53.396.00	8-94340697-0	23.274.00	1901606	23.167.00	97210428	27.232.00
28113-25500	30.326.00	97133-4L000	53.390.00	8-94340697-1	23.274.00	1901687	24.360.00	97210996	24.351.00
28113-26000	30.174.00	97133-4P000	53.212.00	8-94360426-0	23.273.00	1901688	26.606.00	9914553	25.406.01
28113-2B000	30.403.00	97133-B4900		8-94360427-0	23.274.00	1901902	27.893.00	9915545	27.902.00
28113-2D000	30.266.00	(IND)	53.116.00	8-94360427-1	23.274.00	1901929	24.360.00	9927846	27.828.00
28113-2H000	30.454.00	97133-D1000	53.387.00	8-94368727-0	23.265.00	1902047	23.303.00	9933276	27.893.00
28113-2P100	30.723.00	97133-D3200	53.387.00	8-94368728-0	23.265.00	1902076	23.303.00	99478393	27.356.00
28113-2P300	30.631.00	97133-F2000	53.208.00	8-94369199-1	24.366.00	1902101	27.828.00	9985779	27.828.00
28113-2S000	30.574.00	97133-G2000	53.191.00	8-94369199-3	24.366.00	1902127	27.804.00		
28113-2W300	30.A20.00	97133-J9000	53.387.00	8-94369299-0	24.366.00	1902135	23.110.02	JAGUAR	UFI
28113-32510	27.171.00	971B3-2B005		8-94369299-1	24.366.00	1902137	25.406.01	02XR857585	24.130.00
28113-35500	30.221.00	(BR)	53.379.00	8-94369299-2	24.366.00	1902138	24.351.00	4R83-9155-AE	24.130.00
28113-37101	30.267.00	97406-4A900	53.407.00	8-94369299-3	24.366.00	1902457	27.888.00	6W83-18D483-AA	54.377.00
28113-3A800	30.C42.00	97610-37000	53.400.00	8-94370621-1	24.370.00	1902486	27.081.00	6W83-19G244-AA	54.377.00
28113-3K010	30.437.00	97617-1C000	53.119.00	8-94382063-1	27.193.00	1903628	23.303.00	73176	31.500.00
28113-3K100	30.A55.00	97617-1C001	53.119.00	8-94412815-0	23.243.00	1903669	27.356.00	73201	31.500.00
28113-3K200	30.B01.00	97617-25000	53.400.00	8-94414796-0	24.370.00	1903785	23.303.00	AJ811141	24.156.00
28113-3X000	30.635.00	97617-4H000	53.394.00	8-94414796-1	24.370.00	1903790	23.168.00	AJ82766	30.A33.00
28113-3Z100	30.574.00	97617-4H000AT	53.394.00	8-94414796-3	24.370.00	1904581	27.828.00	C2C22269	24.130.00
28113-4E000	27.E34.00	97617-4H900	53.394.00	8-94419532-0	24.368.00	1907566	23.107.01	C2C33299	24.130.00
28113-4H000	30.A95.00	97619-38000	53.077.00	8-94428931-0	23.232.00	1907580	23.303.00	C2C35417	31.564.00
28113-A5800	30.634.00	97619-38100	53.077.00	8-94430411-1	23.271.00	1907582	23.303.00	C2C35810	24.130.00
28113-B9000	30.726.00	97619-3D000	53.121.00	8-94430983-0	23.273.00	1907583	23.303.00	C2C4163	31.564.00
28113-C8000	30.A21.00	97619-3D100	53.121.00	8-94445272-0	23.240.00	1908082	25.406.01	C2D3670	25.073.02
28113-D3100	30.710.00	97619-3D200	53.121.00	8-94455103-0	23.265.00	1908112	27.081.00	C2P2410	54.377.00
28113-H1915	30.309.00	9999Z-07008	53.407.00	8-94455838-0	30.973.00	1908233	27.232.00	C2S11215	30.399.00
28113K020	30.437.00	9999Z-07010	53.077.00	8-94456741-0	23.271.00	1908234	27.233.00	C2S16860	53.162.00
28113Q5000	30.A21.00	9999Z-07011	53.400.00	8-94456741-1	23.271.00	1908492	25.406.01	C2S16861	54.119.00
28130-4A001	27.648.00	9999Z07015	53.334.00	8-94456741-2	23.271.00	1908556	24.394.00	C2S16862	54.119.00
31395-H1950	24.445.00	J01397803	27.920.00	8-94483850-0	24.366.00	1908868	27.232.00	C2S20906	31.515.00
31395-H1952	24.445.00	P0-82-263	23.271.00	8-97021576-0	23.274.00	2133943	24.351.01	C2S26965	30.606.00
31900-23000	31.550.00	S97133F2000	53.208.00	8-97035303-0	30.204.00	2165039	27.828.00	C2S27643	24.445.00
31906-29001	26.676.00			8-97049708-0	23.273.00	2165044	27.804.00	C2S2768	31.515.00
31910-23000	31.550.00	ISUZU	UFI	8-97049708-1	23.273.00	2966261	25.406.01	C2S29685	25.066.00
31911-02100	31.749.00	15601-73001	23.131.01	8-97111423-0	30.204.00	2992188	23.457.00	C2S36774	30.606.00
31911-22000	31.551.00	5-13200093-0	31.010.00	8-97170804-0	53.328.00	2992300	24.H2O.01	C2S43999	25.060.00
31911-25000	31.825.00	5-13211018-0	23.232.00	8-97178609-0	27.E50.00	2992677	27.356.00	C2S45278	31.515.00
31911-29000	31.712.00	5-13211018-1	23.232.00	8-97178609-1	27.E50.00	2994057	23.303.00	C2S51377	30.399.00
31911-34000	31.556.00	5-13211018-2	23.232.00	8-97178609-2	27.E50.00	2994102	24.H2O.01	C2S52338	54.266.00
31922-1K800	24.123.00	5-13211024-0	23.232.00	8-97209306-1	23.271.00	2995561	23.471.00	C2S52338	34.266.00
31922-26900	24.460.00	5-13240009-1	24.370.00	8-97209306-2	23.271.00	2995655	23.546.00	C2S8619	53.162.00
31922-26910	24.439.00	5-13240023-0	24.370.00	8-97223187-0	25.027.00	2995811	23.489.00	C2S8622	54.119.00
31922-2B900	24.012.00	5-13240032-0	24.366.00	8-97223218-1	25.027.00	2995965	53.023.00	C2Z15037	34.119.00
31922-2EA00	24.443.00	5-13240041-0	23.240.00	8-97251944-0	30.506.00	3802821	53.161.00	C2Z15037	30.A33.00
31922-2R900	24.012.00	5-14215003-0	27.769.00	8-97310472-0	25.108.00	4137638	27.730.00	C2Z21964	23.632.00
31922-3A800	24.460.00	5-14215028-0	27.069.00	8-97329911-0	23.274.00	42522674	24.351.01	C2Z32125	23.632.00
31922-3A810	24.443.00	5-86202255-0	30.236.00	8-97356127-0	53.327.00	42527611	26.609.00	C2Z32298	54.159.00
31922-3A850	24.443.00	5-86400776-0	26.683.00	8-97369293-0	30.506.00	42555920	31.071.00	C2Z32298	34.159.00
31922-4H000	24.122.00	5-87310335-0	24.370.00	8-98008442-0	53.327.00	42559501	25.406.01	C2Z6525	54.290.00
31922-4H001	24.122.00	5-87610011-0	24.370.00	8-98036321-0	26.131.00	4365352	27.730.00	C2Z6525	34.290.00
31922-4H900	24.122.00	8-25055364-0	31.611.00	8-98139428-0	54.167.00	4371579	27.730.00	C2Z7738	
31922-A9000	24.468.00	8-25121150-0	31.589.00	8-98139428-0	34.167.00	4389435	27.888.00	(SENZA STAFFA WITH/OUT BRACKET)	31.769.00
31922-F6900	24.129.00	8-25121778-0	31.611.00	8-98149982-0	26.131.00	4434794	23.168.00	C2Z8780	24.188.00
31922-H6970	24.160.00	8-84428931-0	23.232.00	8-98159693-0	26.045.00	4712132	23.167.00	C42797	23.544.00
31970D7900	24.123.00	8-94030859-0	27.069.00	8-98165071-0	23.652.00	4719150	23.167.00	CAC9630	31.506.00
31973-44000	24.366.00	8-94114881-0	27.769.00	894340697	23.274.00	4777082	23.167.00	CB07083	31.564.00
31973-44001	24.366.00	8-94121431-0	24.366.00	894382063	27.193.00	500038748	24.H2O.01	EAC1467	23.544.00
31973-44100	24.366.00	8-94122612-0	30.973.00	8971786100	27.E50.00	500054702	26.034.00	EAC3112	31.500.00
31973-44101	24.366.00	8-94125784-0	31.529.00	9-13240804-1	23.240.00	500055340	26.072.00	EAC5672	30.835.00
31973-H1000	24.366.00	8-94132678-0	30.973.00	9-14215152-1	27.920.00	500086009	26.034.00	EAZ1354	23.474.00
97030-H1742	53.333.00	8-94135886-0	27.678.00	94030859	27.069.00	500086267	53.161.00	EB010303	23.544.00
97133-07010	53.116.00	8-94143205-0	23.236.00	94201942-2	23.139.00	500086309	53.315.00	EBC9658	23.544.00
97133-1E000	53.208.00	8-94143479-0	24.370.00	94369299	24.366.00	500314688	53.023.00	J9C11886	34.159.00
97133-1E100	53.208.00	8-94144613-0	24.370.00	H94201942	23.139.00	500315484	26.645.00	JDE2464	25.015.00
97133-1J000	53.163.00	8-94151010-0	24.368.00			500318246	31.028.00	JDE37128	25.123.00
97133-1P000	53.149.00	8-94151010-1	24.368.00	IVECO	UFI	500322701	27.232.00	JDE8751	25.152.00
97133-1U000	53.379.00	8-94151614-3	30.973.00	01902138	24.351.00	503120000	27.232.00	NJA3558AA	30.A71.00
97133-2B005	53.379.00	8-94151744-0	24.370.00	08011014	27.8				

T4K12851	34.266.00	FA0313JM	30.A17.00	FA131S	30.150.00	FA327S	30.172.00	FA578S	30.126.00
TKC6055	31.500.00	FA032S	30.997.00	FA132S	27.273.00	FA331S	30.277.00	FA584S	27.845.02
XR817215	23.473.00	FA0400JM	30.258.00	FA133S	30.099.00	FA332S	30.335.00	FA586S	30.221.00
XR81775	31.769.00	FA0401JM	30.259.00	FA134S	30.362.00	FA335S	30.409.00	FA587S	30.275.00
XR823395	23.473.00	FA0402JM	30.107.00	FA135S	30.352.00	FA336S	30.246.00	FA588S	30.079.00
XR830254	54.140.00	FA0403JM	30.027.00	FA136S	27.676.00	FA337S	30.344.00	FA589S	30.070.00
XR838396	53.385.00	FA0405JM	30.A58.00	FA137S	30.465.00	FA338S	30.787.00	FA590S	30.336.00
XR849205	54.140.00	FA0406JM	30.A58.00	FA138S	30.300.00	FA340S	30.626.00	FA592S	30.286.00
XR857585	24.130.00	FA0407JM	30.159.00	FA142S	30.576.00	FA341S	27.675.00	FA593S	30.285.00
XR858593	23.473.00	FA0408JM	30.588.00	FA145S	30.556.00	FA342S	30.A99.00	FA597S	27.E44.00
XR88237	30.250.00	FA040S	30.546.00	FA148S	30.B76.00	FA343S	30.779.00	FA598S	30.222.00
XR8E-6714-AB	23.473.00	FA041S	30.217.00	FA149S	30.724.00	FA344S	30.786.00	FA599S	30.230.00
		FA042S	30.A16.00	FA154S	30.B22.00	FA345S	27.B74.00	FA614S	30.966.00
		FA043S	30.688.00	FA155S	30.A59.00	FA346S	30.390.00	FA615S	30.088.00
		FA048S	30.835.00	FA156S	30.163.00	FA350S	30.168.00	FA616S	30.B03.00
		FA0500JM	27.355.00	FA157S	30.664.00	FA383S	30.169.00	FA618S	27.173.00
09DDW0	53.134.00	FA0501JM	27.593.00	FA159S	30.C54.00	FA384S	30.177.00	FA620S	27.550.00
FA-0303JM	30.C47.00	FA0502JM	30.318.00	FA188S	27.679.00	FA385S	30.102.00	FA692S	30.B04.00
FA-2014S	30.A91.00	FA0503JM	30.273.00	FA189S	27.252.00	FA387S	30.103.00	FA710S	
FA-467S	30.B62.00	FA0504JM	30.595.00	FA193S	27.397.00	FA388S	53.004.00	(TOYOTA)	30.397.00
FA-470S	30.C63.00	FA0505JM	30.119.00	FA194S	27.524.00	FA389S	30.178.00	FA714S	30.615.00
FA-909S	30.C45.00	FA0507JM	27.596.00	FA196S	30.001.00	FA392S	27.522.00	FA715S	30.283.00
FA000S	27.719.00	FA0508JM	30.148.00	FA197S	30.026.00	FA394S	30.990.00	FA801S	30.328.00
FA001S	30.592.00	FA0510JM	27.585.00	FA199S	27.526.00	FA397S	30.173.00	FA802S	27.728.00
FA003S	27.888.00	FA0513JM	30.080.00	FA2000S	30.625.00	FA400S	30.618.00	FA803S	27.074.00
FA007S	30.593.00	FA0517JM	30.A60.00	FA2004S	27.B91.00	FA407S	30.240.00	FA807S	27.090.00
FA008S	30.600.00	FA0519JM	30.A61.00	FA2005S	30.721.00	FA412S	27.599.00	FA815S	30.269.00
FA009S	27.C09.00	FA0601S	30.717.00	FA2009S	30.603.00	FA413S	30.256.00	FA817S	30.550.00
FA0100JM	30.357.00	FA0603JM	30.186.00	FA200S	30.385.00	FA416S	30.242.00	FA818S	30.211.00
FA0101JM	30.540.00	FA0606JM	30.149.00	FA2010S	30.A85.00	FA417S		FA819S	30.384.00
FA0102JM	30.067.00	FA0607JM	30.262.00	FA2011S	30.B71.00	(HONDA)	27.591.00	FA822S	30.391.00
FA0103JM	30.067.00	FA0609JM	30.638.00	FA2012S	30.660.00	FA418S	27.525.00	FA823S	30.383.00
FA0104JM	30.991.00	FA0617JM	27.228.00	FA2016S	30.B86.00	FA420S	27.590.00	FA824S	30.725.00
FA0105JM	30.621.00	FA0618JM	30.195.00	FA2018S	30.330.00	FA421S	27.589.00	FA825S	30.967.00
FA0106JM	30.290.00	FA0619JM	30.260.00	FA2019S	30.717.00	FA422S	30.239.00	FA826S	30.210.00
FA0107JM	30.345.00	FA0701JM	30.407.00	FA201S	27.770.00	FA423S	30.255.00	FA827S	30.393.00
FA0108JM	27.A53.00	FA0702JM	30.543.00	FA2020S	30.648.00	FA424S	30.231.00	FA828S	30.347.00
FA0110JM	30.711.00	FA0703JM	30.417.00	FA203S	27.740.00	FA427S	30.237.00	FA829S	30.628.00
FA0111JM	30.655.00	FA0900JM	30.038.01	FA204S	27.133.00	FA429S	30.227.00	FA830S	30.456.00
FA0112JM	27.A97.00	FA0901JM	30.077.00	FA205S	27.939.00	FA431S	27.523.00	FA831S	30.A96.00
FA0113JM	27.594.00	FA0902JM	30.364.00	FA207S	27.155.00	FA432S	27.601.00	FA832S	30.405.00
FA0114JM	27.595.00	FA0903JM	30.162.00	FA213S	27.097.00	FA434S	30.232.00	FA835S	30.553.00
FA0115JM	27.394.00	FA0904JM	27.693.00	FA215S	27.068.00	FA435S	30.276.00	FA836S	30.416.00
FA016S	30.B44.00	FA0905JM	27.598.00	FA223S	27.057.00	FA436S	30.380.00	FA839S	30.213.00
FA016S	30.818.00	FA0906JM	30.365.00	FA224S	27.057.00	FA437S	30.360.00	FA843S	30.C40.00
FA018S	30.498.00	FA0907JM	30.132.00	FA231S	27.097.00	FA438S	30.591.00	FA844S	30.C41.00
FA019S	30.189.00	FA0908JM	27.621.00	FA234S	27.172.00	FA439S	30.325.00	FA884S	30.270.00
FA0200S	30.793.00	FA0909JM	30.532.00	FA238S	30.076.00	FA440S	30.497.00	FA885S	30.A84.00
FA0201S	30.795.00	FA0911JM	30.369.00	FA246S	27.282.00	FA441S	30.573.00	FA886S	30.327.00
FA0202JM	30.128.00	FA0912JM	30.158.00	FA249S	30.143.00	FA442S	30.408.00	FA887S	30.129.00
FA0203JM	30.999.00	FA0913JM	30.133.00	FA250S	30.170.00	FA444S	30.451.00	FA889S	30.780.00
FA0204JM	30.935.00	FA0914JM	30.996.00	FA251S	30.505.00	FA445S	30.617.00	FA894S	30.A66.00
FA0206JM	30.066.00	FA0915JM	30.549.00	FA252S	30.788.00	FA449S	30.313.00	FA896S	30.A50.00
FA0207JM	27.366.00	FA0916JM	27.401.00	FA253S	30.334.00	FA450S	30.381.00	FA897S	30.460.00
FA0208JM	27.606.00	FA0917JM	30.187.00	FA254S	30.361.00	FA451S	30.482.00	FA898S	30.537.00
FA0210JM	27.688.00	FA0918JM	30.370.00	FA255S	30.453.00	FA454S	30.619.00	FA899S	30.461.00
FA0211JM	27.629.00	FA0919JM	27.257.00	FA257S	30.452.00	FA455S	30.503.00	FA900S	27.069.00
FA0212JM	30.127.00	FA0920JM	30.342.00	FA258S	30.248.00	FA456S	30.B05.00	FA906S	27.E50.00
FA0214JM	30.376.00	FA0921JM	30.134.00	FA259S	27.691.00	FA457S	30.A56.00	FA907S	30.911.00
FA0215JM	30.607.00	FA0924JM	30.320.00	FA261S	30.554.00	FA458S	30.B08.00	FA908S	30.281.00
FA0216JM	27.630.00	FA0925JM	30.589.00	FA262S	30.504.00	FA459S	30.A54.00	FA910S	30.544.00
FA0217JM	30.135.00	FA0926JM	30.713.00	FA264S	30.785.00	FA460S	30.C39.00	FA911S	30.C43.00
FA0218JM	30.207.00	FA0927JM	30.647.00	FA266S	30.A86.00	FA462S	30.A40.00	FA914S	30.B42.00
FA0219JM	30.197.00	FA0928JM	30.512.00	FA267S	30.639.00	FA464S	30.525.00	FA918S	30.659.00
FA0220JM	27.367.00	FA0929JM	30.946.00	FA268S	30.A97.00	FA474S	30.471.00	FA923S	30.924.00
FA0221JM	30.297.00	FA0930JM	30.836.00	FA269S	30.470.00	FA486S	30.249.00	FA924S	30.652.00
FA0222JM	27.628.00	FA0931JM	30.165.00	FA276S	30.288.00	FA487S	30.238.00	FA927S	30.677.00
FA0224JM	30.894.00	FA0932JM	30.994.00	FA277S	30.225.00	FA488S	30.068.00	FA929S	30.A73.00
FA0225JM	27.785.00	FA0933JM	30.183.00	FA278S	30.247.00	FA494S	27.174.00	FA973S	30.204.00
FA0226JM	30.301.00	FA0935JM	27.A48.00	FA279S	30.206.00	FA495S	30.236.00	FA974S	30.226.00
FA0227JM	30.477.00	FA0936JM	30.587.00	FA282S	27.C10.00	FA496S	30.235.00	FA977S	30.204.00
FA0228JM	30.265.00	FA0937JM	30.A45.00	FA283S	30.289.00	FA498S	30.243.00	FA978S	30.893.00
FA0231JM	30.032.00	FA098S	30.075.00	FA284S	30.338.00	FA500S	30.506.00	FA985S	30.284.00
FA0232JM	30.033.00	FA100S	30.181.00	FA286S	30.176.00	FA508S	27.071.00	FA987S	30.851.00
FA0233JM	30.112.00	FA101S	27.769.00	FA287S	27.582.00	FA509S	27.580.00	FA989S	30.028.00
FA0235JM	30.137.00	FA102S	27.744.00	FA288S	30.175.00	FA510S		FA990S	30.972.00
FA0238JM	27.232.00	FA108S	30.973.00	FA291S	27.D10.00	(MITSUBISHI)	27.156.00	FA991S	
FA0240JM	27.236.00	FA110S	27.235.00	FA292S	27.583.00	FA511S	27.581.00	(MITSUBISHI)	27.920.00
FA0242JM	27.341.00	FA111S	27.D79.00	FA298S	30.223.00	FA512S	27.604.00	FA995S	27.193.00
FA0243JM	30.118.01	FA112S	27.678.00	FA299S		FA514S	30.781.00	FA999S	27.150.00
FA0244JM	30.194.00	FA114S	27.605.00	(CITROEN, MITSUBISHI, PEUGEOT)	30.601.00	FA515S	27.580.00	FAA-SZ16	53.424.00
FA025S	30.098.00	FA116S	27.881.00	FA301S	27.744.00	FA516S	27.171.00	FAA-TY20	54.331.00
FA0301JM	30.263.00	FA120S	27.159.00	FA302S	27.799.00	FA523S	27.282.00	FAABY00	53.236.00
FA0303JM	30.101.00	FA121S	27.200.00	FA307S	30.287.00	FA524S	30.282.00	FAACD0	53.045.00
FA0305JM	30.241.00	FA127S	30.234.00	FA311S	30.A53.00	FA526S	27.A72.00	FAACH0	54.112.00
FA0306JM	30.087.00	FA128S	30.319.00	FA321S	30.012.00	FA531S	30.533.00	FAACH1	53.122.00
FA0307JM	30.294.00	FA129S	30.155.00	FA323S	30.013.00	FA534S	30.709.00	FAACH2	53.007.00
FA0309JM	30.331.00	FA130S	30.147.00	FA325S	30.171.00	FA575S	27.A72.00	FAACH3	53.150.00
FA0312JM	30.341.00								

FAACH5	54.295.00	FAAM11	53.404.00	FAK06S	30.295.00	FC190S	24.444.00	FCECO010	26.693.00
FAACIO0	53.154.00	FAAM2	53.338.00	FAK07S	30.464.00	FC192S	31.583.00	FCECO011	26.691.00
FAADC01	53.293.00	FAAM3	53.128.00	FAK10S	30.312.00	FC197S	24.398.00	FCECO012	26.138.00
FAADC02	53.256.00	FAAM5	54.220.00	FAK11S	30.308.00	FC200S	26.045.00	FCECO013	26.131.00
FAADDW0	53.134.00	FAAM6	54.147.00	FAK14S	27.E34.00	FC201S	31.006.00	FCECO014	26.694.00
FAADDW1	53.138.00	FAAM7	53.218.00	FAK14S	27.E34.00	FC203S	31.007.00	FCECO015	26.687.00
FAADDW10	53.126.00	FAAM8	53.274.00	FAK15S	30.386.00	FC208S	24.370.00	FCECO016	60.H20.00
FAADDW11	53.141.00	FAAM9	53.384.00	FAK16S	30.363.00	FC215S	24.374.00	FCECO017	26.695.00
FAADDW12	53.151.00	FAANS0	53.052.00	FAK17S	30.483.00	FC220S	31.026.00	FCECO018	26.077.00
FAADDW13	53.126.00	FAANS10	53.146.00	FAK18S	30.B06.00	FC225S	31.523.00	FCECO019	26.003.00
FAADDW14	53.144.00	FAANS11	53.131.00	FAK19S	30.382.00	FC236S	31.802.00	FCECO020	26.058.00
FAADDW15	53.254.00	FAANS12	53.060.00	FAK20S	30.A64.00	FC240S	24.411.00	FCECO024	26.007.00
FAADDW16	53.220.00	FAANS13	53.223.00	FAK21S	30.454.00	FC244S	31.914.00	FCECO025	26.015.00
FAADDW18	54.224.00	FAANS14	53.367.00	FAK22S	30.469.00	FC247S	31.556.00	FCECO026	26.005.00
FAADDW2	53.133.00	FAANS15	53.215.00	FAK27S	30.723.00	FC256S	24.452.00	FCECO027	26.022.00
FAADDW3	53.142.00	FAANS18	53.388.00	FAK28S	30.631.00	FC259S		FCECO028	26.055.00
FAADG0	53.239.00	FAANS2	53.051.00	FAK29S	30.632.00	(SENZA STAFFA WITHOUT BRACKET)	31.A16.00	FCECO029	26.037.00
FAAH00	53.063.00	FAANS20	54.320.00	FAK30S	30.627.00	FC264S	24.027.00	FCECO030	26.020.00
FAAH01	53.232.00	FAANS21	53.164.00	FAK31S	30.594.00	FC295S	24.413.00	FCECO031	26.018.00
FAAH012	53.160.00	FAANS22	53.389.00	FAK37S	30.574.00	FC300S	24.027.00	FCECO032	26.012.00
FAAH013	53.163.00	FAANS24	53.276.00	FAL00S	27.137.00	FC301S	31.010.00	FCECO033	26.021.00
FAAH015		FAANS27	53.292.00	FAL01S	30.141.00	FC311S	31.517.00	FCECO034	26.014.00
(N.2 FILTRI/FILTERS)	53.242.00	FAANS4	53.035.00	FAL02S	30.268.00	FC315S	31.520.00	FCECO035	26.085.00
FAAH02	53.080.00	FAANS6	53.104.00	FAL03S	30.050.00	FC316S	31.519.00	FCECO036	26.073.00
FAAH03	53.065.00	FAANS7	53.258.00	FAL04S	27.527.00	FC318S	31.624.00	FCECO038	26.102.00
FAAH04	53.108.00	FAANS8	53.218.00	FAL05S	27.353.00	FC320S	55.170.00	FCECO039	26.045.00
FAAH06	54.152.00	FAANS9	53.214.00	FAL06S	27.384.00	FC321S	24.128.00	FCECO040	26.104.00
FAAH09	53.159.00	FAASB0	53.249.00	FAL07S	30.314.00	FC322S	31.828.00	FCECO074	26.026.00
FAAHY00	53.077.00	FAASB2	53.103.00	FAL08S	30.329.00	FC325S	31.842.00	FCECO075	26.696.00
FAAHY02	53.334.00	FAASB3	53.329.00	FAL09S	27.602.00	FC350S	31.844.00	FCECO076	26.023.00
FAAHY03	53.118.00	FAASB4	53.050.00	FAL10S	30.068.00	FC351S	24.343.00	FCECO080	26.019.01
FAAHY05	53.119.00	FAASB5	53.260.00	FAL11S	27.138.00	FC352S	31.751.00	FCECO082	26.033.00
FAAHY07	53.407.00	FAASMO	54.113.00	FAL12S	27.584.00	FC387S	24.382.00	FCECO083	26.047.00
FAAHY08	53.400.00	FAASM2	54.288.00	FAL14S	30.555.00	FC388S	31.514.00	FCECO084	26.074.00
FAAHY11	53.112.00	FAASZ01	53.201.00	FAL15S	27.707.00	FC389S	31.649.00	FCECO085	26.025.00
FAAHY17	53.333.00	FAASZ02	53.213.00	FAL16S	27.139.00	FC394S	31.664.00	FCECO086	26.149.00
FAAHY23	53.145.00	FAASZ03	53.075.00	FAL17S	30.C03.00	FC397S	31.715.00	FCECO087	26.038.00
FAAHY27	53.394.00	FAASZ04		FAL18S	30.559.00	FC408S	31.024.00	FCECO088	26.052.00
FAAHY28	53.208.00	(SENZA TELAI0 WITHOUT FRAME)	53.135.00	FAL19S	30.542.00	FC413S	31.539.00	FCECO089	26.071.00
FAAHY29	53.191.00	FAASZ05	53.075.00	FAL21S	30.A63.00	FC418S	24.435.00	FCECO091	26.114.00
FAAHY31	53.212.00	FAASZ06	53.127.00	FAM00S	27.386.00	FC424S	24.196.00	FCECO093	26.076.01
FAAHY32	53.396.00	FAASZ07	53.222.00	FAM01S	30.252.00	FC496S	24.365.00	FCECO095	26.139.00
FAAHY33	53.379.00	FAASZ08	53.109.00	FAM02S	27.592.00	FC498S	31.621.00	FCECO097	26.115.00
FAAHY34	53.390.00	FAASZ09	53.183.00	FAM03S	30.466.00	FC500S	24.119.00	FCECO098	26.E2X.01
FAAHY36	53.331.00	FAASZ10	53.186.00	FAM04S	30.B20.00	FC502S		FCH03S	24.012.00
FAAHY38	53.387.00	FAASZ11	53.426.00	FAS06S	30.C44.00	(ALTRE/OTHER APPL.)	24.366.00	FCH04S	24.460.00
FAAHY39	53.191.00	FAASZ12	53.249.00	FAW00S	27.274.00	FC502S		FCH05S	24.439.00
FAAIS1	53.327.00	FAASZ17	53.157.00	FAW01S	30.105.00	(MAZDA)	24.392.00	FCH11S	24.443.00
FAAIS2	53.328.00	FAATY0	53.117.00	FAW02S	30.104.00	FC507S	24.465.00	FCH18S	24.439.00
FAAIS4	54.167.00	FAATY1	53.197.00	FAW04S	30.337.00	FC509S	24.368.00	FCH24S	24.123.00
FAAIS5	53.327.00	FAATY10	53.132.00	FAW05S	30.279.00	FC512S	31.020.00	FCK03S	
FAAJE1	53.257.00	FAATY11	53.185.00	FAW07S	30.278.00	FC519S	31.731.00	(SOLO RICAMBIO/SPARE PART ONLY)	24.339.00
FAAJE2	53.325.00	FAATY12	53.103.00	FAW08S	30.392.00	FC526S	31.071.00	FCK09S	24.445.00
FAAJE3	53.211.00	FAATY15	53.299.00	FAW09S	30.676.00	FC528S	24.126.00	FCK14S	31.764.00
FAAJE5	53.326.00	FAATY1DX	53.197.00	FAW10S	30.450.00	FC531S	26.687.00	FCK18S	24.H20.00
FAAKI00	53.240.00	FAATY2	53.050.00	FAW11S	30.422.00	FC536S	24.127.00	FCL02S	24.365.00
FAAKI06	53.077.00	FAATY5	53.248.00	FAW12S	30.404.00	FC573S	31.825.00	FCL03S	24.417.00
FAAKI09	53.116.00	FAATY7	53.125.00	FAW13S	30.701.00	FC574S	24.423.00	FCL05S	
FAAKI10	53.111.00	FAATY9	53.147.00	FAW14S	30.569.00	FC578S	24.384.00	(DELPHI HDF935)	24.459.00
FAAKI11	53.121.00	FAH01S	27.648.00	FAW15S	30.609.00	FC585S	31.749.00	FCL05S	
FAAKI17	53.259.00	FAH02S	30.287.00	FAW16S	30.A23.00	FC594S	31.712.00	(DELPHI HDF965)	24.190.00
FAAKI18	53.152.00	FAH03S	30.267.00	FAW18S	30.388.00	FC611S	24.326.00	FCL06S	24.427.00
FAAKI19	53.261.00	FAH04S	30.174.00	FAW19S	30.653.00	FC693S	31.695.00	FCL07S	24.397.00
FAAKI20	53.149.00	FAH05S	30.229.00	FC000S	31.009.00	FC695S	24.351.00	FCL08S	24.351.00
FAAKI21	53.273.00	FAH06S	30.309.00	FC001S	24.030.00	FC707S	31.541.00	FCL09S	24.525.00
FAAKI23	53.191.00	FAH08S	30.224.00	FC003S	24.115.00	FC810S	31.565.00	FCL11S	24.156.00
FAALR1	54.128.00	FAH09S	30.348.00	FC012S	24.107.00	FC822S	26.686.00	FCL12S	24.454.00
FAALR2	53.105.00	FAH10S	30.266.00	FC0200S	24.027.00	FC828S	24.113.00	FCL14S	31.925.00
FAALR3		FAH11S	30.307.00	FC0201S	24.ONE.00	FC890S	31.565.00	FCL16S	24.464.00
(N.2 FILTRI/FILTERS)	53.316.00	FAH12S	30.280.00	FC100S		FC891S	24.360.00	FCM01S	31.835.00
FAALR4	53.231.00	FAH13S	30.326.00	(SENZA VALVOLA WITHOUT VALVE)	55.582.00	FC896S	31.543.00	FCM02S	24.436.00
FAALR5	53.206.00	FAH14S	30.403.00	FC103S	24.370.00	FC907S	24.H20.01	FCR01S	24.087.00
FAALR7	54.266.00	FAH15S	30.A55.00	FC106S	24.327.00	FC909S	31.529.00	FCR02S	24.014.00
FAAMA0	54.129.00	FAH16S	30.468.00	FC108S	24.013.00	FC911S	24.H20.08	FCR03S	24.014.00
FAAMA10	53.093.00	FAH17S	30.496.00	FC109MP	24.375.00	FC913S	31.841.00	FCR04S	24.088.00
FAAMA12	53.397.00	FAH18S	30.620.00	FC109S	24.375.00	FC988S	24.005.00	FCS01S	24.133.00
FAAMA13	53.250.00	FAH19S	30.726.00	FC111S	31.529.00	FC989S	26.013.00	FCVW01S	24.144.00
FAAMA14	53.310.00	FAH20S	30.B01.00	FC117S	24.370.00	FC990S	31.589.00	FCVW02S	24.145.00
FAAMA15	53.330.00	FAH22S	30.A95.00	FC120S	31.710.00	FC991S	24.321.00	FCW01S	
FAAMA16	53.368.00	FAH23S	30.574.00	FC122S	24.026.01	FC995S	24.338.00	(OPEL)	31.515.00
FAAMA18	53.383.00	FAH24S	30.538.00	FC123S	55.394.00	FC997S	24.331.00	FCW01S	
FAAMA19	53.365.00	FAH27S	30.437.00	FC125S	24.013.00	FCECO001	26.001.00	(CHEVROLET, DAEWOO)	31.843.00
FAAMA3	54.129.00	FAH28S	30.A20.00	FC127S	24.026.01	FCECO002	26.006.00	FCW07S	31.850.00
FAAMA4	54.283.00	FAH31S	30.634.00	FC128S	24.025.01	FCECO004	26.688.00	FO-ECO131	25.248.00
FAAMA5	53.093.00	FAH32S	30.C42.00	FC132S	24.086.00	FCECO005	24.390.00	FO006S	23.191.00
FAAMA7	53.012.00	FAH33S	30.A21.00	FC133S	24.132.00	FCECO007	26.686.00	FO007S	25.034.00
FAAMA8	53.120.00	FAH35S	30.710.00	FC136S	26.694.00	FCECO008	26.690.00	FO008S	
FAAMA9	53.219.00	FAK02S	30.130.00	FC189S	24.384.00	FCECO009	26.689.00	(CHRYSLER)	25.054.00

FO008S		FO913S	23.440.00	FOECO122	25.112.00	(ALTRE/OTHER APPL.)	23.477.00	1ECO096	25.166.00
(HONDA)	25.072.00	FO916S	23.652.00	FOECO123	25.108.00	10279		1ECO098	25.106.00
FO010S	23.650.00	FO990S	23.177.00	FOECO124	25.153.00	(TOYOTA)	23.253.00	1ECO100	25.084.00
FO019S	23.255.00	FO997S	25.528.00	FOECO125	25.179.00	10279		1ECO118	25.029.00
FO022S	23.438.00	FOECO003	25.014.00	FOECO126	25.191.00	(SUZUKI)	23.131.00	1ECO121	25.213.00
FO097S	23.249.00	FOECO004	25.008.00	FOECO127	25.128.00	10297	23.476.00	1ECO124	25.153.00
FO098S	23.129.02	FOECO005	25.003.00	FOECO128	25.115.00	10313	23.258.00	1ECO126	25.191.00
FO101E	23.256.00	FOECO006	25.013.00	FOECO129	25.145.00	10314	23.274.00	1ECO127	25.128.00
FO108S	23.496.00	FOECO008	25.011.00	FOECO130	25.142.00	10315	23.260.00	1ECO129	25.145.00
FO109S	23.152.00	FOECO009	25.162.00	FOECO131	25.248.00	10316	23.265.00	1ECO131	25.248.00
FO110S	23.256.00	FOECO010	25.019.00	FOECO132	25.226.00	10351	25.037.00	1ECO132	25.226.00
FO111S	23.240.00	FOECO011	25.009.00	FOECO133	25.180.00	10398	23.129.02	1ECO133	25.180.00
FO112S	23.134.00	FOECO012	25.004.00	FOECO134	25.185.00	10401	23.159.00	1ECO134	25.185.00
FO113S	23.238.00	FOECO013	25.010.00	FOECO135	25.247.00	10402	23.182.00	1ECO137	25.219.00
FO114S	23.244.00	FOECO014	25.038.00	FOECO136	25.037.00	10406	23.243.00	1ECO141	25.188.00
FO117S	23.266.00	FOECO016	25.555.00	FOECO137	25.219.00	10410	23.265.00	1ECO142	25.251.00
FO119S	23.564.00	FOECO017	25.012.00	FOECO139	25.187.00	10497	23.495.00	1ECO146	25.139.00
FO120S	23.484.00	FOECO018	25.017.00	FOECO141	25.188.00	10498	23.265.00	1ECO147	25.160.00
FO121S	23.470.00	FOECO019	25.024.00	FOECO142	25.251.00	10502	23.271.00	1GAS1S	46.005.00
FO122S	23.481.00	FOECO021	25.013.00	FOECO143	25.164.00	10505	23.237.00	1GAS2S	31.836.00
FO189S	23.439.00	FOECO021	25.002.00	FOECO144	25.171.00	10506	23.274.00	1GAS3S	46.007.00
FO194S	25.026.00	FOECO022	25.015.00	FOECO146	25.139.00	10510	23.485.00	1GAS9S	46.006.00
FO195S	25.052.00	FOECO023	25.023.00	FOECO147	25.160.00	10593	23.452.00	20001	30.592.00
FO200S	23.121.00	FOECO024	25.022.00	FOECO148	25.216.00	10597	23.475.00	20007	30.593.00
FO201S	23.127.00	FOECO025	25.144.00	FOECO149	25.178.00	10599		20008	30.600.00
FO202S	23.122.00	FOECO026	25.148.00	FOGAS1S	46.005.00	(ALTRE/OTHER APPL.)	23.271.00	20009	27.009.00
FO203S	23.270.00	FOECO027	25.223.00	FOGAS2S	31.836.00	10599		20015	30.844.00
FO204S	23.435.00	FOECO030	25.033.00	FOGAS3S	46.007.00	(HYUNDAI, KIA)	23.461.00	200200	30.793.00
FO206S	23.102.00	FOECO031	25.095.00	FOGAS9S	46.006.00	10601	23.131.01	200201	30.795.00
FO210S	23.263.00	FOECO032	25.039.00	FOH01S	23.615.00	10604	23.255.00	20043	30.688.00
FO212S	23.264.00	FOECO033	25.018.00	FOH03S	25.071.00	10703		20098	30.075.00
FO213S	23.248.00	FOECO035	25.030.00	FOH04S	25.053.00	(SUBARU)	23.259.00	20100	30.181.00
FO214S	23.251.00	FOECO036	25.056.00	FOH04U	23.545.00	10703		20101	27.769.00
FO215S		FOECO037	25.032.00	FOH05S	23.265.00	(MITSUBISHI)	23.271.00	20102	27.744.00
(ALTRE/OTHER APPL.)	23.477.00	FOECO038	25.027.00	FOK05S	23.472.00	10705	23.259.00	20108	30.973.00
FO279S		FOECO039	25.067.00	FOK06S	23.486.00	10800	23.210.00	20110	27.235.00
(TOYOTA)	23.253.00	FOECO041	25.041.00	FOL01S	23.254.00	10891	23.418.00	20111	27.D79.00
FO279S		FOECO044	25.043.00	FOL02S	23.297.00	10898	23.25.00	20114	27.605.00
(SUZUKI)	23.131.00	FOECO045	25.070.00	FOL03S	23.254.00	10901	23.234.00	20120	27.159.00
FO297S	23.476.00	FOECO048	25.066.00	FOL05S	23.444.00	10904	23.236.00	20121	27.200.00
FO300S	23.159.00	FOECO051	25.116.00	FOL06S	23.584.00	10913	23.440.00	20127	30.234.00
FO307S	23.272.00	FOECO053	25.069.00	FOL09S	23.632.00	10916	23.652.00	20128	30.319.00
FO313S	23.258.00	FOECO054	25.077.00	FOL11S	25.159.00	10997	25.528.00	20129	30.155.00
FO314S	23.274.00	FOECO055	25.074.00	FOM00S	25.035.00	10H03	25.071.00	20133	30.099.00
FO315S	23.260.00	FOECO056	25.075.00	FOM01S	23.479.00	10H04	25.053.00	20134	30.362.00
FO316S	23.265.00	FOECO058	25.049.00	FOM02S	23.565.00	10H05	23.265.00	20135	30.352.00
FO322S	23.413.00	FOECO059	25.091.00	FOM03S	23.478.00	10K05	23.472.00	20136	27.676.00
FO351S	25.037.00	FOECO060	25.060.00	FOW01S	23.255.00	10K06	23.486.00	20142	30.576.00
FO394S	23.242.00	FOECO061	25.050.00	FOW02S	23.585.00	10L06	23.584.00	20145	30.556.00
FO398S	23.129.02	FOECO062	25.058.00	JFA440S	30.497.00	10L09	23.632.00	20148	30.876.00
FO401S	23.159.00	FOECO063	25.040.00	JFA474S	30.471.00	10M00	25.035.00	20149	30.724.00
FO402S	23.182.00	FOECO067	25.167.00	JFA514S	30.781.00	10M01	23.479.00	20154	30.B22.00
FO406S	23.243.00	FOECO068	25.094.00	JFA886S	30.327.00	10M02	23.565.00	20155	30.A59.00
FO410S	23.265.00	FOECO069	25.168.00	JFAAMA3	54.129.00	10M03	23.478.00	20159	30.C54.00
FO411S	23.481.00	FOECO070	25.163.00	JFAASZ04		10W01	23.255.00	20193	27.397.00
FO497S	23.246.00	FOECO072	25.186.00	(SENZA TELAIO/WITHOUT FRAME)	53.135.00	10W02	23.585.00	20194	27.524.00
FO498S	23.265.00	FOECO073	25.064.00	JFAATY1	53.197.00	1ECO013	25.010.00	20196	30.001.00
FO500S	23.546.00	FOECO074	25.063.00	JFC528S	24.126.00	1ECO014	25.038.00	20197	30.026.00
FO501S	23.165.00	FOECO076	25.151.00	JFOECO056	25.075.00	1ECO022	25.015.00	20199	27.526.00
FO502S	23.271.00	FOECO077	25.150.00			1ECO023	25.023.00	20200	30.385.00
FO503S	23.231.00	FOECO079	25.028.00	JAPKO	UFI	1ECO024	25.022.00	202000	30.625.00
FO505P	23.237.00	FOECO080	25.541.00	10006	23.191.00	1ECO026	25.148.00	202004	27.891.00
FO505S	23.237.00	FOECO083	25.548.00	10007	25.034.00	1ECO027	25.223.00	202005	30.721.00
FO506S	23.274.00	FOECO085	25.257.00	10008		1ECO030	25.033.00	202009	30.603.00
FO510S	23.485.00	FOECO086	25.010.00	(HONDA)	25.072.00	1ECO031	25.095.00	20201	27.770.00
FO593S	23.452.00	FOECO089	25.607.00	10008		1ECO032	25.039.00	202010	30.A85.00
FO595S	23.418.00	FOECO091	25.539.00	(CHRYSLER)	25.054.00	1ECO036	25.056.00	202011	30.871.00
FO597S	23.475.00	FOECO092	25.047.00	10010	23.650.00	1ECO037	25.032.00	202012	30.660.00
FO599S		FOECO093	25.151.00	10022	23.438.00	1ECO044	25.043.00	202014	30.A91.00
(HYUNDAI, KIA)	23.461.00	FOECO095	25.061.00	10097	23.249.00	1ECO045	25.070.00	202016	30.B86.00
FO599S		FOECO096	25.166.00	10101E	23.256.00	1ECO048	25.066.00	20203	27.740.00
(ALTRE/OTHER APPL.)	23.271.00	FOECO098	25.106.00	10108	23.496.00	1ECO050	25.067.00	20204	27.133.00
FO601S	23.131.01	FOECO099	25.152.00	10110	23.256.00	1ECO051	25.116.00	20205	27.939.00
FO604S	23.255.00	FOECO100	25.084.00	10111	23.240.00	1ECO053	25.069.00	20207	27.155.00
FO608S	23.255.00	FOECO101	25.096.00	10112	23.134.00	1ECO054	25.077.00	20213	27.097.00
FO703S		FOECO104	25.088.00	10114	23.244.00	1ECO055	25.074.00	20215	27.068.00
(MITSUBISHI)	23.271.00	FOECO106	25.159.00	10117	23.266.00	1ECO058	25.049.00	20223	27.057.00
FO703S		FOECO107	25.065.00	10120	23.484.00	1ECO059	25.091.00	20231	27.097.00
(SUBARU)	23.259.00	FOECO108	25.080.00	10122	23.481.00	1ECO060	25.060.00	20234	27.172.00
FO705S	23.259.00	FOECO109	25.021.00	10194	25.026.00	1ECO061	25.050.00	20238	30.076.00
FO800S	23.210.00	FOECO110	25.587.00	10195	25.052.00	1ECO062	25.058.00	20249	30.143.00
FO801S	23.519.00	FOECO111	25.048.00	10206	23.102.00	1ECO063	25.040.00	20250	30.170.00
FO891S	23.418.00	FOECO114	25.155.00	10210	23.263.00	1ECO067	25.167.00	20251	30.505.00
FO898S	23.251.00	FOECO116	25.085.00	10212	23.264.00	1ECO068	25.094.00	20252	30.788.00
FO900S	23.232.00	FOECO118	25.029.00	10213	23.248.00	1ECO072	25.186.00	20253	30.334.00
FO901S	23.234.00	FOECO119	25.170.00	10214	23.251.00	1ECO073	25.064.00	20255	30.453.00
FO904S	23.236.00	FOECO120	25.083.00	10215		1ECO074	25.063.00	20257	30.452.00
FO906S	23.273.00	FOECO121	25.213.00			1ECO085	25.257.00	20258	30.248.00

20259	27.691.00	20474	30.471.00	20H08	30.224.00	21K10	53.111.00	30394	31.664.00
20261	30.554.00	20486	30.249.00	20H09	30.348.00	21K11	53.121.00	30418	24.435.00
20262	30.504.00	20487	30.238.00	20H10	30.266.00	21K17	53.259.00	30424	24.196.00
20264	30.785.00	20488	30.068.00	20H11	30.307.00	21K18	53.152.00	30498	31.621.00
20266	30.A86.00	20494	27.174.00	20H12	30.280.00	21K19	53.261.00	30500	24.119.00
20267	30.639.00	20495	30.236.00	20H13	30.326.00	21K20	53.149.00	30502	
20268	30.A97.00	20496	30.235.00	20H14	30.403.00	21K21	53.273.00	(ALTRE/OTHER APPL.)	24.366.00
20269	30.470.00	20498	30.243.00	20H15	30.A55.00	21LR2	53.105.00	30502	
20276	30.288.00	20500	30.506.00	20H16	30.468.00	21LR3		(MAZDA)	24.392.00
20277	30.225.00	20508	27.071.00	20H17	30.496.00	(N.2 FILTRI/FILTERS)	53.316.00	30507	24.465.00
20278	30.247.00	20509	27.580.00	20H20	30.B01.00	21LR4	53.231.00	30509	24.368.00
20279	30.206.00	20510		20H22	30.A95.00	21MA12	53.397.00	30519	31.731.00
20282	27.C10.00	(MITSUBISHI)	27.156.00	20H23	30.574.00	21MA15	53.330.00	30528	24.126.00
20283	30.289.00	20511	27.581.00	20H24	30.538.00	21MA16	53.368.00	30573	31.825.00
20284	30.338.00	20512	27.604.00	20H27	30.437.00	21MA18	53.383.00	30574	24.423.00
20286	30.176.00	20514	30.781.00	20H31	30.634.00	21MA19	53.365.00	30585	31.749.00
20287	27.582.00	20515	27.580.00	20H32	30.C42.00	21MA4	54.283.00	30611	24.326.00
20288	30.175.00	20516	27.171.00	20H33	30.A21.00	21MA5	53.093.00	30695	24.351.00
20291	27.D10.00	20523	27.282.00	20H35	30.710.00	21MA8	53.120.00	30707	31.541.00
20292	27.583.00	20524	30.220.00	20K02	30.130.00	21MI2	53.338.00	30988	24.005.00
20298	30.223.00	20526	27.A72.00	20K06	30.295.00	21MI3	53.128.00	30989	26.013.00
20299		20531	30.533.00	20K10	30.312.00	21MI5	54.220.00	30991	24.321.00
(OTROEN, MITSUBISHI, PEUGEOT)	30.601.00	20534	30.709.00	20K11	30.308.00	21MI6	54.147.00	30995	24.338.00
20301	27.744.00	20575	27.A72.00	20K14	27.E34.00	21MI7	53.218.00	30997	24.331.00
20302	27.799.00	20578	30.126.00	20K15	30.386.00	21MI8	53.274.00	30H03	24.012.00
20311	30.A53.00	20586	30.221.00	20K16	30.363.00	21MI9	53.384.00	30H04	24.460.00
20321	30.012.00	20587	30.275.00	20K18	30.B06.00	21NS0	53.052.00	30H05	24.439.00
20323	30.013.00	20589	30.070.00	20K19	30.382.00	21NS10	53.146.00	30H11	24.443.00
20327	30.172.00	20590	30.336.00	20K20	30.A64.00	21NS13	53.223.00	30K03	
20331	30.277.00	20592	30.286.00	20K22	30.469.00	21NS14	53.367.00	(SOLO RIGAMBIO/SPARE PART ONLY)	24.339.00
20332	30.335.00	20593	30.285.00	20K27	30.723.00	21NS15	53.215.00	30K09	24.445.00
20335	30.409.00	20597	27.E44.00	20K28	30.631.00	21NS18	53.388.00	30L02	24.365.00
20337	30.344.00	20598	30.222.00	20K29	30.632.00	21NS2	53.051.00	30L05	
20338	30.787.00	20599	30.230.00	20K30	30.627.00	21NS20	54.320.00	(DELPHI HDF935)	24.459.00
20340	30.626.00	20615	30.088.00	20K31	30.594.00	21NS22	53.389.00	30L05	
20341	27.675.00	20616	30.B03.00	20L02	30.268.00	21NS4	53.035.00	(DELPHI HDF965)	24.190.00
20342	30.A99.00	20618	27.173.00	20L10	30.068.00	21NS6	53.104.00	30L08	24.351.00
20343	30.779.00	20692	30.B04.00	20L14	30.555.00	21NS7	53.258.00	30M01	31.835.00
20344	30.786.00	20710		20L17	30.C03.00	21NS8	53.218.00	30M02	24.436.00
20345	27.B74.00	(TOYOTA)	30.397.00	20L18	30.559.00	21NS9	53.214.00	30VW01	24.144.00
20346	30.390.00	20714	30.615.00	20L21	30.A63.00	21SB0	53.249.00	30VW02	24.145.00
20383	30.169.00	20715	30.283.00	20M00	27.386.00	21SZ16	53.424.00	30W01	31.843.00
20384	30.177.00	20801	30.328.00	20M01	30.252.00	21TY0	53.117.00	3ECO002	26.006.00
20385	30.102.00	20803	27.074.00	20M03	30.466.00	21TY11	53.185.00	3ECO004	26.688.00
20387	30.103.00	20807	27.090.00	20M04	30.B20.00	21TY15	53.299.00	3ECO005	24.390.00
20389	30.178.00	20815	30.269.00	20S06	30.C44.00	21TY2	53.050.00	3ECO007	26.686.00
20392	27.522.00	20817	30.550.00	20W00	27.274.00	21TY20	54.331.00	3ECO008	26.690.00
20394	30.990.00	20819	30.384.00	20W01	30.105.00	21TY7	53.125.00	3ECO009	26.689.00
20397	30.173.00	20822	30.391.00	20W02	30.104.00	21TY9	53.147.00	3ECO010	26.693.00
20400	30.618.00	20823	30.383.00	20W04	30.337.00	21W1	53.138.00	3ECO011	26.691.00
20407	30.240.00	20824	30.725.00	20W05	30.279.00	21W11	53.141.00	3ECO013	26.131.00
20412	27.599.00	20826	30.210.00	20W07	30.278.00	21W12	53.151.00	3ECO014	26.694.00
20413	30.256.00	20827	30.393.00	20W08	30.392.00	21W13	53.126.00	3ECO015	26.687.00
20416	30.242.00	20828	30.347.00	20W09	30.676.00	21W14	53.144.00	3ECO017	26.695.00
20417		20829	30.628.00	20W12	30.404.00	21W15	53.254.00	3ECO018	26.077.00
(HONDA)	27.591.00	20831	30.A96.00	20W13	30.701.00	21W16	53.220.00	3ECO019	26.003.00
20418	27.525.00	20832	30.405.00	20W14	30.569.00	21W18	54.224.00	3ECO032	26.012.00
20420	27.590.00	20843	30.C40.00	20W19	30.653.00	21W2	53.133.00	3ECO036	26.073.00
20421	27.589.00	20844	30.C41.00	21CH1	53.122.00	21W3	53.142.00	3ECO038	26.102.00
20422	30.239.00	20884	30.270.00	21CH3	53.150.00	21Z01	53.201.00	3ECO040	26.104.00
20423	30.255.00	20885	30.A84.00	21CH5	54.295.00	21Z03	53.075.00	3ECO075	26.696.00
20424	30.231.00	20886	30.327.00	21DC01	53.293.00	21Z07	53.222.00	3ECO076	26.023.00
20427	30.237.00	20889	30.780.00	21DGO	53.239.00	21Z09	53.183.00	3ECO080	26.019.01
20429	30.228.00	20896	30.A50.00	21H00	53.063.00	21Z10	53.186.00	3ECO082	26.033.00
20431	27.523.00	20898	30.537.00	21H01	53.232.00	21Z11	53.426.00	3ECO083	26.047.00
20432	27.601.00	20899	30.461.00	21H012	53.160.00	21Z12	53.249.00	3ECO084	26.074.00
20434	30.232.00	20900	27.069.00	21H013	53.163.00	30001	24.030.00	3ECO093	26.076.01
20435	30.276.00	20906	27.E50.00	21H015		30100		3ECO095	26.139.00
20436	30.380.00	20908	30.281.00	(N.2 FILTRI/FILTERS)	53.242.00	(SENZA VALVOLA WITHOUT VALVE)	55.582.00	3ECO097	26.115.00
20437	30.360.00	20909	30.C45.00	21H04	53.108.00	30103	24.370.00	FA-0303JM	30.C47.00
20438	30.591.00	20910	30.544.00	21H09	53.159.00	30106	24.327.00		
20439	30.325.00	20914	30.B42.00	21H11	53.112.00	30108	24.013.00		
20441	30.573.00	20918	30.659.00	21H17	53.333.00	30109	24.375.00	JEEP (AMC)	UFI
20442	30.408.00	20924	30.652.00	21H23	53.145.00	30120	31.710.00	05058381AA	54.275.00
20444	30.451.00	20927	30.677.00	21H27	53.394.00	30190	24.444.00	05058381AA	34.275.00
20445	30.617.00	20974	30.226.00	21H28	53.208.00	30197	24.398.00	05281090	23.127.00
20449	30.313.00	20985	30.284.00	21H29	53.191.00	30200	26.045.00	33004195	23.177.00
20450	30.381.00	20987	30.851.00	21H31	53.212.00	30208	24.370.00	5012968AB	23.177.00
20454	30.619.00	20991		21HY03	53.118.00	30215	24.374.00	5281090	23.127.00
20455	30.503.00	(MITSUBISHI)	27.920.00	21HY05	53.119.00	30236	31.802.00	53004383	30.972.00
20456	30.B05.00	20995	27.193.00	21HY07	53.407.00	30240	24.411.00	53004383AB	30.972.00
20457	30.A56.00	20999	27.150.00	21HY08	53.400.00	30256	24.452.00	68103969AA	25.083.00
20458	30.B08.00	20H01	27.648.00	21HY32	53.396.00	30259		8060266	23.234.00
20459	30.A54.00	20H02	30.287.00	21HY33	53.379.00	(SENZA STAFFA WITHOUT BRACKET)	31.A16.00	83501843	27.150.00
20460	30.C39.00	20H03	30.267.00	21HY38	53.387.00	30295	24.413.00	8933001795	30.078.01
20462	30.A40.00	20H04	30.174.00	21JE1	53.257.00	30300	24.027.00	8933003509	23.139.00
20464	30.525.00	20H05	30.229.00	21K00	53.240.00	30322	31.828.00	8933004195	23.177.00
20470	30.C63.00	20H06	30.309.00	21K09	53.116.00	30351	24.343.00	8953002184	30.818.00

8953004383	30.972.00	OK011-20-490B	31.664.00	28113-D3100	30.710.00	KC238D	24.331.00	KL14	
8983501901	23.139.00	OK011-20-490C	31.664.00	28113-Q5000	30.A21.00	KC239	24.398.00	(ALTRE/OTHER APPL.)	31.510.00
J0871919	23.419.00	OK01120490D	31.664.00	28113F6300	30.177.00	KC241D	24.454.00	KL14	
JURA FILTRATION UFI		OK01623802A	23.165.00	31300-3E200	24.H2O.07	KC244	24.526.00	(OPEL, VAUXHALL)	31.611.00
⇒ HIFI FILTER		OK01713Z40B	53.004.00	31390-H1970	24.445.00	KC256D	24.196.00	KL140	31.560.00
KARSAN UFI		OK08A-20-490A	31.761.00	31395-H1950	24.445.00	KC259	24.457.00	KL142	31.006.00
		OK201-20-490	31.520.00	31922-1K800	24.123.00	KC261D	24.374.00	KL146	31.562.00
		OK240-20-490	31.764.00	31922-2E900	24.443.00	KC32	24.351.00	KL147/1D	24.440.00
		OK2A5-13-Z40A	30.464.00	31922-2R900	24.012.00	KC35	24.381.00	KL147/2D	24.391.00
K190607	24.H2O.01	OK2KK-13-483	24.H2O.00	31922-3E300	24.012.00	KC36	24.380.00	KL147D	24.391.00
YP131P0004	26.034.00	OK2KK-13-483A	24.H2O.00	319222J000	24.443.00	KC373	24.394.00	KL149	31.847.00
KAYSER UFI		OK30A-13-480	31.828.00	319703E100	24.012.00	KC38		KL15	31.012.00
		OK30C-13-Z40A	30.295.00	97133-07000	53.116.00	(ALTRE/OTHER APPL.)	24.351.00	KL154	24.424.00
		OK46723570	24.366.00	97133-0X900	53.116.00	KC383	24.464.00	KL156/1	31.832.00
		OK52A-13-480	24.445.00	97133-0Z000	53.191.00	KC388D	24.119.00	KL156/3	31.833.00
AK01-6/8	31.009.00	OK52A-23-570A	24.445.00	97133-1H000	53.152.00	KC389	24.452.00	KL157/1D	24.428.00
AK01-6/8E	31.009.00	OK551-14-302	23.472.00	97133-1P000	53.149.00	KC43	24.351.00	KL158	31.564.00
AK01-6/8G	31.012.00	OK551-23-570	24.339.00	97133-2B010	53.145.00	KC46		KL159	31.715.00
AK01-6/8LC	31.012.00	OK551-23-570A	24.339.00	97133-2E210	53.112.00	(ALTRE/OTHER APPL.)	24.366.00	KL150F	31.012.00
AK01-6/8U	31.001.00	OK552-23-603A	30.130.00	97133-2E900	53.259.00	KC46		KL160/1	24.427.00
AK04-05	21.050.00	OK553-61-C14A	53.240.00	97133-2E910	53.259.00	(MAZDA)	24.392.00	KL165	31.835.00
AK07-8E	31.027.00	OK60C-23-570	24.366.00	97133-2F000	53.111.00	KC47	24.397.00	KL165/1	31.923.00
AK07-8W	31.013.00	OK71E-23-570	24.339.00	97133-2F010	53.111.00	KC487	24.529.00	KL169/3D	31.851.00
AK08-3T	31.006.00	OK71E-23-570A	24.339.00	97133-2G000	53.331.00	KC5	24.370.00	KL169/4D	31.851.00
AK08-7T	31.005.00	OK74R23603	27.E34.00	97133-2K000	53.261.00	KC503	24.468.00	KL171	31.529.00
AK10-BC	31.508.00	OK9A0-20-490A		97133-2L000ATK	54.272.00	KC503D	24.468.00	KL173	24.409.00
AK10-BDE	31.847.00	(SENZA STAFFA/WITHOUT BRACKET)	31.725.00	97133-2L000ATK	34.272.00	KC51		KL174	24.007.00
AK10-BL	31.569.00	OK9A2-20-490B	31.725.00	97133-3SAA0	53.396.00	(ALTRE/OTHER APPL.)	24.350.00	KL176	31.832.00
AK10-C	31.842.00	26300-02502	23.452.00	97133-4L000	53.390.00	KC51		KL176/1	31.833.00
AK10-F	31.514.00	26300-02503	23.452.00	97133-B2000	53.273.00	(CITROEN, PEUGEOT)	24.350.02	KL179	24.429.00
AK10-FT	31.501.00	26300-02751	23.265.00	97133-D1000	53.387.00	KC510D	24.465.00	KL180	24.365.01
AK10-G	31.985.00	26300-03000	23.452.00	97133-D3200	53.387.00	KC56	24.393.00	KL181	31.769.00
AK10-KF	31.511.00	26300-03001	23.452.00	97133-J9000	53.387.00	KC578D	24.366.00	KL182	31.750.00
AK10-L	31.699.00	26300-2Y500	23.452.00	97619-3C100	53.077.00	KC605D	24.123.00	KL185	31.621.00
AK10-LV	31.594.00	26300-35502	23.461.00	97619-3C102	53.077.00	KC63/1D	24.321.00	KL188	24.005.00
AK10-O	31.510.00	26300-35504	23.461.00	K011-20-490	31.664.00	KC65	24.399.00	KL19	31.505.00
AK10-OK	31.512.00	26300-35505	23.461.00	K08A-20-490A	31.761.00	KC67	24.375.00	KL194	31.501.00
AK10-OM	31.611.00	26300-35530	23.583.00	K240-20-490	31.764.00	KC68	24.351.00	KL195	24.006.00
AK10-OMB	31.611.00	26300-35531	23.583.00	K30A-13-480	31.828.00	KC69	24.379.01	KL196	31.811.00
AK10-OP	31.710.00	26300-42040	23.472.00	K551-14-302	23.472.00	KC76	24.384.00	KL197	24.425.00
AK10-OR	31.515.00	263003E010	23.271.00	K9A0-20-490		KC80		KL2	31.500.00
AK10-ORC	31.515.00	26310-27420	23.615.00	(SENZA STAFFA/WITHOUT BRACKET)	31.725.00	(VAG)	24.414.00	KL204	31.506.00
AK10-OV	31.515.00	26310-4A000	23.486.00	K9A2-20-490B	31.725.00	KC80		KL205	31.024.00
AK10-RN	31.562.00	26310-4A010	23.486.00	KK11C-13-Z40	30.177.00	(LAND ROVER)	24.525.00	KL209	31.669.00
AK10-RV	31.564.00	26320-27401	25.075.00	MB593-13-Z40	30.177.00	KC80		KL21	31.575.00
AK10-XO	31.722.00	26320-2A000	25.070.00	MZT42-20-490	31.520.00	(ALTRE/OTHER APPL.)	24.351.00	KL22	31.575.00
AK11-AS	31.507.00	26320-2A001	25.070.00	OJE15-14-302	23.260.00	KC81	24.379.01	KL224	31.624.00
AK11-B	31.500.00	26320-2A002	25.070.00	P8790-2F000A	53.111.00	KC82	24.368.00	KL228/2D	24.107.00
AK11-BO	31.531.00	26320-2A500	25.151.00	RF03-23-802B	23.461.00	KC82D	24.368.00	KL228/3D	24.107.00
AK11-BS	31.507.00	26320-2A501	25.151.00	S26300-35505	23.461.00	KC83	24.374.00	KL229/2	31.947.00
AK11-CD	31.817.00	26320-2F000	25.166.00	S97133-F2000	53.208.00	KC83D	24.374.00	KL229/4	31.849.00
AK11-EG	31.958.00	26320-2F010	25.166.00	KNECHT-MAHLE UFI		KC85	24.417.00	KL23	31.027.00
AK11-EJ	31.958.00	26320-2F100	25.166.00	E804KPD513	26.102.00	KC85/1	24.417.00	KL230	24.433.00
AK11-FO	31.513.00	26320-3A000	25.213.00	HX15	25.406.01	KC90	24.371.00	KL232	31.925.00
AK11-HO	31.500.00	26320-3A001	25.213.00	KC100	24.413.00	KC92	31.748.00	KL233/2	55.427.00
AK11-HO	31.500.00	26320-3A100	25.213.00	KC100D	24.413.00	KC98	24.344.00	KL238	31.740.00
AK11-JO	31.718.00	26320-3C250	25.151.00	KC101	24.439.00	KC98/1	24.344.00	KL230F	31.027.00
AK11-KJ	31.505.00	26320-3C300	25.151.00	KC101/1	24.012.00	KC99	24.326.00	KL246	31.914.00
AK11-KJA	31.563.00	26320-3C30A	25.151.00	KC103	24.408.00	KL10	31.531.00	KL247	31.927.00
AK11-KJD-K	31.834.00	26320-3CAA0	25.226.00	KC104	24.441.00	KL100/1	24.416.00	KL248	31.948.00
AK11-KJD-L	31.841.00	28113-07100	30.308.00	KC109	24.401.00	KL100/2	24.416.00	KL257	31.846.00
AK11-LA	31.506.00	28113-07200	30.483.00	KC112	24.350.00	KL101	24.371.00	KL28	31.502.00
AK11-LJ	31.570.00	28113-08000	30.280.00	KC116	24.432.00	KL10113	31.501.00	KL29	31.503.00
AK11-LJA	31.500.00	28113-1G000	30.386.00	KC119	24.411.00	KL10116	31.512.00	KL30	31.502.00
AK11-LS	31.502.00	28113-1G100	30.363.00	KC135	24.411.00	KL1022	31.001.00	KL313	24.436.00
AK11-PD	31.575.00	28113-1P000	30.469.00	KC135D	24.411.00	KL1026	24.188.00	KL33	31.013.00
AK11-PE	31.575.00	28113-1R100	30.594.00	KC140	24.H2O.00	KL1027	24.095.01	KL33OF	31.013.00
AK11-RE	31.561.00	28113-1W000	30.627.00	KC161	24.408.00	KL103	24.415.00	KL35	31.508.00
AK11-RS	31.502.00	28113-1Y100	30.632.00	KC17	24.351.01	KL1044	24.190.00	KL36	31.748.00
AK11-VL	31.747.00	28113-2F000	30.266.00	KC18	24.351.00	KL1055	31.944.00	KL38	31.563.00
AK11-WS	31.503.00	28113-2F250	30.280.00	KC180	24.458.00	KL106	31.618.00	KL4	31.570.00
AK14-D	24.351.00	28113-2G000	30.A64.00	KC182	24.H2O.01	KL1075	31.741.00	KL404/16	55.392.00
AK14-DA	24.365.00	28113-2G300	30.B06.00	KC189	24.444.00	KL108	31.535.00	KL404/17	55.393.00
AK14-DB	24.365.01	28113-2H000	30.454.00	KC195	24.H2O.04	KL110	31.550.00	KL404/25	55.393.00
AK14-DF	24.375.00	28113-2K000	30.469.00	KC196	24.H2O.05	KL111	31.551.00	KL409	31.817.00
AK14-DG	24.366.00	28113-2P100	30.723.00	KC199	24.460.00	KL115	31.520.00	KL41	24.365.00
AK14-DM	24.321.00	28113-2P300	30.631.00	KC2	24.370.00	KL117	31.517.00	KL410	24.426.00
AK14-DO	24.351.01	28113-2S000	30.574.00	KC20	24.304.00	KL120	31.696.00	KL410D	24.426.00
AK14-DOB	24.399.00	28113-2W300	30.A20.00	KC204	24.456.00	KL124	31.020.00	KL414	24.086.00
AK14-DR	24.350.00	28113-37101	30.267.00	KC208	24.423.00	KL127	31.525.00	KL416/1	31.948.00
(ALTRE/OTHER APPL.)		28113-3E000	30.312.00	KC213	24.H2O.03	KL129	31.523.00	KL418	24.343.00
AK14-DR	24.350.02	28113-3E500	30.633.00	KC219	24.338.00	KL13	31.009.00	KL43	24.365.00
(CITROEN, PEUGEOT)		28113-3X000	30.635.00	KC22	24.319.01	KL130	31.648.00	KL430	24.013.00
KIA UFI		28113-4D000	30.382.00	KC221	24.H2O.02	KL132	31.609.00	KL430D	24.013.00
052A-23-570A	24.445.00	28113-4E000	27.E34.00	KC223	24.455.00	KL134	31.541.00	KL431	24.027.00
0B631-14-302	23.258.00	28113-A5800	30.634.00	KC226	24.443.00	KL136	31.543.00	KL431D	24.027.00
0FE3R-14-302	23.260.00	28113-B2000	30.594.00	KC236	24.327.00	KL138	31.026.00	KL432	24.014.00
OJE15-14-302	23.260.00					KL130F	31.009.00	KL432D	24.014.00

KL434	31.776.00	KL69	31.A10.00	KX23D	24.360.00	(BR)	53.026.00	LA229	53.110.00
KL440/03	55.394.00	KL703	31.649.00	KX24	24.361.00	LA1056		LA23	53.018.00
KL440/15	24.026.01	KL705	31.951.00	KX245/4D	26.073.00	(BR)	53.156.00	LA230	53.104.00
KL440/18	24.026.01	KL707	31.071.00	KX24D	24.361.00	LA1057		LA232	53.227.00
KL440/23	24.026.01	KL71	31.747.00	KX25	26.602.00	(BR)	53.069.00	LA234	53.246.00
KL440/27	55.394.00	KL72	31.710.00	KX265D	26.058.00	LA1058		LA235/S	53.310.00
KL440/3	55.394.00	KL72/1	31.710.00	KX268D	26.045.00	(BR)	53.247.00	LA237	53.082.00
KL440/35	55.394.00	KL723D	24.077.00	KX331D	26.055.00	LA1059		LA239/S	53.226.00
KL440/37	55.582.00	KL736/1D	31.952.00	KX335D	26.123.00	(BR)	53.257.00	LA24	53.013.00
KL440/41	24.026.01	KL737	24.126.00	KX338/22D	26.114.00	LA107	53.230.00	LA241	53.088.00
KL440/43	55.394.00	KL749	31.731.00	KX338/26D	26.115.00	LA108	53.083.00	LA242	53.162.00
KL440/44	24.025.01	KL75	24.365.01	KX34	26.618.00	LA109	53.050.00	LA248	53.236.00
KL440/6	55.582.00	KL752/2D	24.186.00	KX340D	26.072.00	LA1099/S		LA25	53.016.00
KL446	24.445.00	KL752/5D	24.187.00	KX341	26.025.00	(BR)	53.143.00	LA252	53.247.00
KL447	24.002.00	KL763D	31.857.04	KX342	26.026.00	LA11	53.015.00	LA265	53.065.00
KL451	24.130.00	KL767	31.994.00	KX344D	26.077.00	LA1101		LA269	53.117.00
KL454	24.001.00	KL77	24.400.00	KX35	26.609.00	(BR)	53.233.00	LA27	53.099.00
KL458	31.844.00	KL77/1	24.400.00	KX385D	26.102.00	LA1105		LA280	53.231.00
KL469	24.087.00	KL775	24.030.00	KX386	26.038.00	(N.1 FILTRO/FILTER) (BR)	53.228.00	LA288	53.316.00
KL470	31.850.00	KL777D	24.015.00	KX387D	26.074.00	LA1139	53.330.00	LA289	53.214.00
KL473	31.839.00	KL778	24.106.00	KX39	26.664.00	LA1156/S	53.332.00	LA291	53.134.00
KL474	24.412.00	KL779	24.343.00	KX393D	26.020.00	LA1157/S	53.277.00	LA296/S	53.338.00
KL476	24.430.00	KL78	31.768.00	KX398	26.052.00	LA1159	53.326.00	LA297	53.115.00
KL476D	24.430.00	KL780	24.128.00	KX399D	26.034.00	LA117	53.045.00	LA298	53.111.00
KL477	31.838.00	KL781	24.115.00	KX404D	26.033.00	LA1171		LA301	53.112.00
KL478	31.824.00	KL787	24.145.00	KX42		(BR)	53.123.00	LA304	53.132.00
KL483	24.450.00	KL788	24.127.00	(FIAT, FIAT ALLIS, IVECO)	26.606.00	LA1174	53.299.00	LA306	53.124.00
KL484	24.418.00	KL79	31.718.00	KX420D	26.104.00	LA1176	53.389.00	LA307	53.137.00
KL485/05	24.113.00	KL792	24.099.00	KX43	21.050.00	LA118	53.058.00	LA31	53.006.00
KL485/05D	24.113.00	KL80	31.A06.00	KX479D	26.138.00	LA119	53.035.00	LA32	53.028.00
KL485/15D	24.147.00	KL82	31.841.00	KX491D	26.122.00	LA120	53.031.00	LA32/2	53.028.00
KL485/19D	24.147.00	KL83	31.515.00	KX492	26.065.00	LA1202	53.390.00	LA32/3	53.028.00
KL485/5D	24.113.00	KL832D	24.088.00	KX493D	26.129.00	LA1205	53.388.00	LA33	53.061.00
KL488	31.828.00	KL834	24.114.00	KX494D	26.130.00	LA121	53.114.00	LA34	53.019.00
KL490/1D	24.112.00	KL834D	24.114.00	KX49D	21.061.00	LA122		LA343	53.145.00
KL490D	24.111.00	KL838	24.033.00	KX505D	26.131.00	(N.1 FILTRO/FILTER)	53.108.00	LA344	53.159.00
KL494	24.437.00	KL84	31.722.00	KX515	26.053.00	LA122/S	53.108.00	LA345	53.249.00
KL497	24.004.00	KL84/2	31.848.00	KX516/S	26.071.00	LA123	53.042.00	LA346/S	53.120.00
KL497D	24.004.00	KL85	31.513.00	KX54	26.660.00	LA1255		LA347	53.077.00
KL5	31.699.00	KL86	31.512.00	KX63/1	26.676.00	(BR)	53.211.00	LA348	53.184.00
KL505	24.131.00	KL87	31.834.00	KX68D	21.061.00	LA1258/S		LA349/S	53.333.00
KL506	24.459.00	KL873	24.144.00	KX69	26.005.00	(BR)	53.164.00	LA35	53.024.00
KL508	31.712.00	KL88	31.507.00	KX70D	26.006.00	LA126	53.252.00	LA36	53.010.00
KL509	31.592.00	KL9	31.500.00	KX74	24.389.00	LA127	53.090.00	LA360	53.105.00
KL51	31.506.00	KL912	24.149.00	KX75	24.388.00	LA129	53.094.00	LA361	53.141.00
KL511	24.133.00	KL913	24.151.00	KX75D	24.388.00	LA130	53.052.00	LA362	53.126.00
KL516	31.749.00	KL914	24.150.00	KX78D	26.689.00	LA134	53.087.00	LA366/S	53.274.00
KL517	31.751.00	KL915	31.946.00	KX79D	26.686.00	LA135	53.041.00	LA368	53.133.00
KL521	31.565.00	KL916	31.950.00	KX80D	26.001.00	LA136	53.086.00	LA37	53.007.00
KL522	31.556.00	KL93	31.506.00	KX81D	26.690.00	LA137	53.386.00	LA371	53.218.00
KL531	31.825.00	KL94	31.511.00	KX83D	26.687.00	LA138	53.038.00	LA376	53.404.00
KL554	24.451.00	KL947	24.193.00	KX84D	26.688.00	LA142	53.149.00	LA377	53.142.00
KL554D	24.451.00	KL949	24.148.00	KX85D	26.003.00	LA143	53.075.00	LA379	53.385.00
KL555	31.515.00	KL95	31.561.00	KX86/1D	26.023.00	LA144	53.043.00	LA382	53.131.00
KL559	31.842.00	KL950	24.194.00	KX87D	26.691.00	LA152	53.023.00	LA385	53.156.00
KL560	31.558.00	KL96	31.924.00	KX9	26.670.00	LA153	53.040.00	LA386	53.153.00
KL563	31.802.00	KL977D	24.ONE.0B	LA10	53.085.00	LA155	53.109.00	LA387	53.206.00
KL566	24.ONE.00	KL983D	31.926.01	LA100	53.063.00	LA156	53.095.00	LA39	53.205.00
KL567	24.ONE.01	KL985	31.985.00	LA10103	53.024.00	LA156/1	53.245.00	LA394/S	
KL568	24.ONE.02	KL99	24.382.00	LA102	53.158.00	LA157	53.125.00	(N.2 FILTRI/FILTERS)	53.328.00
KL569	55.170.00	KLH44/22	55.430.00	LA1030/S		LA158	53.093.00	LA395	53.147.00
KL570	31.830.00	KLH44/25	55.418.00	(BR)	53.226.00	LA167	53.069.00	LA396	53.146.00
KL571	31.831.00	KX12	26.645.00	LA1031		LA168/S	53.080.00	LA401	53.334.00
KL572	31.840.00	KX13	26.652.00	(BR)	53.088.00	LA169	53.076.00	LA404	53.051.00
KL573	31.843.00	KX13D	26.652.00	LA1033		LA171	53.101.00	LA408	53.222.00
KL579D	31.852.00	KX14	26.635.00	(BR)	53.227.00	LA175	53.107.00	LA41	53.188.00
KL581	24.156.00	KX178D	26.014.00	LA1034		LA177	53.046.00	LA411	53.130.00
KL59	31.770.00	KX183D	26.693.00	(BR)	53.158.00	LA18	53.049.00	LA412	53.136.00
KL592	31.958.00	KX192D	26.015.00	LA1035		LA180	53.122.00	LA421	53.151.00
KL596	31.920.00	KX199D	26.013.00	(BR)	53.091.00	LA181	53.148.00	LA422	53.113.00
KL599	24.072.00	KX20	24.362.00	LA1037		LA182	53.189.00	LA424	53.218.00
KL6	31.594.00	KX201D	26.022.00	(BR)	53.231.00	LA183	53.250.00	LA428/S	53.154.00
KL60	31.510.00	KX204D	26.694.00	LA1039	53.206.00	LA184	53.039.00	LA435	53.123.00
KL600D	24.050.00	KX206D	26.687.00	LA1040		LA186/S	53.197.00	LA439	53.161.00
KL61	31.514.00	KX208D	60.H2O.00	(BR)	53.260.00	LA189	53.098.00	LA44	53.004.00
KL63	31.010.00	KX21	26.601.00	LA1041		LA19	53.071.00	LA440	53.118.00
KL630	24.ONE.03	KX211D	26.037.00	(BR)	53.103.00	LA191/S	53.143.00	LA441	53.152.00
KL631	24.013.00	KX217D	26.057.00	LA1043		LA195/S	53.119.00	LA443	53.093.00
KL632D	24.052.00	KX218D	26.695.00	(BR)	53.222.00	LA196	53.155.00	LA444/S	53.259.00
KL633D	24.098.00	KX219D	26.020.00	LA1044		LA197		LA447	53.208.00
KL638	24.110.00	KX21D	26.601.00	(BR)	53.127.00	(N.1 FILTRO/FILTER)	53.228.00	LA449	53.183.00
KL639D	24.073.00	KX220D	26.007.00	LA1045		LA199	53.248.00	LA45	53.013.00
KL630F	31.010.00	KX222D	26.012.00	(BR)	53.249.00	LA21	53.001.00	LA451	53.128.00
KL65	31.583.00	KX226D	26.018.00	LA1047		LA216	53.123.00	LA452	53.260.00
KL658	31.921.00	KX228D	26.021.00	(BR)	53.218.00	LA220	53.102.00	LA453	53.407.00
KL659	31.953.00	KX229D	26.696.00	LA1048		LA221/S	53.255.00	LA457	53.157.00
KL66	31.569.00	KX23	24.360.00	(BR)	53.379.00	LA226	53.017.00	LA46	53.011.00
KL660	31.922.00	KX231D	26.054.00	LA1049		LA227	53.106.00	LA460	53.294.00



LA461	53.329.00	LA8	53.021.00	LAK156	54.133.00	LAK613/S	54.242.00	LAO413	34.163.00
LA462	53.160.00	LA80	53.026.00	LAK157	54.273.00	LAK62	54.128.00	LAO428/S	34.172.00
LA463	53.207.00	LA809	53.190.00	LAK158	54.271.00	LAK63	54.109.00	LAO430	34.288.00
LA464	53.191.00	LA81		LAK167	54.156.00	LAK630/S	54.241.00	LAO430	34.176.00
LA467/S	53.229.00	(BR)	53.064.00	LAK169	54.115.00	LAK633		LAO436	34.167.00
LA468/S	53.164.00	LA811	53.233.00	LAK171	54.137.00	(BR)	54.248.00	LAO437	34.166.00
LA47/S	53.005.00	LA813	53.209.00	LAK173		LAK636	54.286.00	LAO45	34.195.00
LA471	53.116.00	LA817/S		(N.1 FILTRO/FILTER)	54.240.00	LAK64	54.105.00	LAO463	34.170.00
LA472	53.254.00	(BR)	53.214.00	LAK173/S	54.240.00	LAK667	54.222.00	LAO467/S	34.231.00
LA475	53.185.00	LA819		LAK175	54.201.00	LAK684	54.217.00	LAO469	34.233.00
LA476	53.138.00	(BR)	53.396.00	LAK181	54.124.00	LAK686	54.234.00	LAO472	34.178.00
LA477	53.103.00	LA82	53.232.00	LAK181/1	54.376.00	LAK70	54.151.00	LAO490	34.266.00
LA48	53.292.00	LA83	53.059.00	LAK182	54.148.00	LAK708		LAO57	54.194.00
LA482	53.208.00	LA832	53.327.00	LAK184	54.282.00	(CN)	54.109.00	LAO57	34.194.00
LA483/S	53.219.00	LA833	53.383.00	LAK189	54.134.00	LAK73/S	54.108.00	LAO63	34.109.00
LA484	53.400.00	LA84	53.057.00	LAK191/S	54.164.00	LAK74	54.230.00	LAO667	34.222.00
LA49	53.014.00	LA851	53.240.00	LAK196	54.174.00	LAK75	54.143.00	LAO684	34.217.00
LA495/S	53.163.00	LA87	53.060.00	LAK197		LAK751/S	54.287.00	LAO686	34.234.00
LA499		LA873/S	53.253.00	(N.1 FILTRO/FILTER)	54.127.00	LAK77	54.116.00	LAO73/S	34.108.00
(BR)	53.074.00	LA875	53.422.00	LAK197/S	54.127.00	LAK78	54.106.00	LAO74	34.230.00
LA501/S	53.397.00	LA876	53.396.00	LAK216	54.306.00	LAK8	54.235.00	LAO75	34.143.00
LA506	53.244.00	LA877	53.320.00	LAK220	54.136.00	LAK809	54.199.00	LAO751/S	34.287.00
LA51/S	53.009.00	LA888	53.298.00	LAK221/S	54.243.00	LAK81	54.102.00	LAO78	34.106.00
LA516		LA889	53.211.00	LAK225/S	54.302.00	LAK812	54.226.00	LAO812	34.226.00
(CN)	53.147.00	LA891	53.293.00	LAK226	54.118.00	LAK813	54.256.00	LAO814	34.249.00
LA52	53.017.00	LA896/S	53.121.00	LAK227	54.237.00	LAK814	54.249.00	LAO816	34.314.00
LA531	53.261.00	LA897	53.257.00	LAK228	54.118.00	LAK816	54.314.00	LAO855	34.312.00
LA54	53.091.00	LA9	53.027.00	LAK229	54.145.00	LAK83	54.281.00	LAO859	34.223.00
LA54/1	53.418.00	LA902		LAK230	54.232.00	LAK848/S	54.255.00	LAO875	34.218.00
LA56	53.023.00	(BR)	53.325.00	LAK232	54.142.00	LAK852	54.285.00	LAO879	34.236.00
LA569	53.150.00	LA903		LAK234	54.318.00	LAK855	54.312.00	LAO888	34.219.00
LA57	53.044.00	(BR)	53.215.00	LAK235/S	54.283.00	LAK859	54.223.00	LAO891	34.257.00
LA58	53.002.00	LA907		LAK238	54.297.00	LAK87	54.196.00	LAO923	34.244.00
LA586	53.186.00	(BR)	53.189.00	LAK239/S	54.153.00	LAK875	54.218.00	LAO923	34.227.00
LA587	53.149.00	LA909		LAK241	54.221.00	LAK879	54.236.00	LAO93	34.101.00
LA60	53.084.00	(BR)	53.218.00	LAK242	54.119.00	LAK888	54.219.00	LKK116/S	54.130.00
LA601		LA912/S	53.212.00	LAK243	54.123.00	LAK891	54.257.00	LKK165/S	54.132.00
(BR)	53.317.00	LA913	53.317.00	LAK246	54.149.00	LAK917		LKK72/S	54.141.00
LA607		LA918	53.243.00	LAK248	54.154.00	(CN)	54.222.00	LX1	27.769.00
(BR)	53.160.00	LA921/S	53.313.00	LAK25	54.317.00	LAK922	54.248.00	LX1000	30.183.00
LA608		LA922	53.210.00	LAK250	54.140.00	LAK923	54.244.00	LX1001	30.175.00
(BR)	53.191.00	LA923	53.256.00	LAK251	54.144.00	LAK93	54.101.00	LX1002	30.176.00
LA609		LA93	53.032.00	LAK252	54.146.00	LAK96	54.113.00	LX1004	30.273.00
(BR)	53.083.00	LA931	53.367.00	LAK255	54.139.00	LAK98	54.247.00	LX1006/1D	27.598.00
LA611/S		LA932/S	53.258.00	LAK280	54.155.00	LAKG113/S	54.129.00	LX1006/2D	27.597.00
(BR)	53.274.00	LA933	53.374.00	LAK293	54.158.00	LAO 809	34.114.00	LX1008/1	30.252.00
LA612		LA947	53.323.00	LAK295/S	54.215.00	LAO102	34.121.00	LX1008/3	30.253.00
(BR)	53.157.00	LA95	53.127.00	LAK297	54.150.00	LAO109	34.264.00	LX1009/6	27.813.00
LA613/S	53.318.00	LA955		LAK304	54.265.00	LAO117	34.100.00	LX1020	27.596.00
LA615/S	53.073.00	(BR)	53.208.00	LAK307	54.161.00	LAO120	34.199.00	LX1020/1	27.851.00
LA62	53.319.00	LA97	53.033.00	LAK31	54.263.00	LAO124	34.262.00	LX1026	30.127.00
LA624	53.144.00	LA98	53.100.00	LAK32/1	54.389.00	LAO129	34.131.00	LX1027	30.128.00
LA630/S	53.251.00	LAK102	54.121.00	LAK345	54.138.00	LAO1294	34.292.00	LX1029	30.160.00
LA633		LAK107	54.120.00	LAK36	54.135.00	LAO131	34.117.00	LX1030	30.266.00
(BR)	53.210.00	LAK11	54.277.00	LAK364	54.377.00	LAO138	34.111.00	LX1033	30.272.00
LA634/S	53.394.00	LAK1104		LAK37	54.270.00	LAO141	34.104.00	LX1035	27.636.00
LA635	53.215.00	(BR)	54.264.00	LAK373	54.162.00	LAO142	34.103.00	LX1036/2	30.290.00
LA642		LAK1123	54.238.00	LAK385	54.175.00	LAO155	34.274.00	LX1039	30.267.00
(BR)	53.129.00	LAK1138	54.289.00	LAK386	54.168.00	LAO156	34.133.00	LX104	30.804.00
LA646		LAK1156/S	54.279.00	LAK387	54.159.00	LAO157	34.273.00	LX1041	30.174.00
(BR)	53.151.00	LAK1157/S	54.254.00	LAK396	54.268.00	LAO158	34.271.00	LX1043	27.591.00
LA647		LAK117	54.100.00	LAK410	54.160.00	LAO169	34.115.00	LX1044	30.139.00
(BR)	53.103.00	LAK1173	54.291.00	LAK411	54.269.00	LAO171	34.175.00	LX1045	30.180.00
LA648		LAK1176	54.291.00	LAK412	54.160.00	LAO173/S	34.240.00	LX1046	30.168.00
(BR)	53.152.00	LAK1185	54.293.00	LAK413	54.163.00	LAO181	34.124.00	LX1047	30.263.00
LA649		LAK120		LAK426/S	54.173.00	LAO182	34.148.00	LX1048	30.180.00
(BR)	53.116.00	(ALTRE/OTHER APPL.)	54.114.00	LAK428/S	54.172.00	LAO191/S	34.164.00	LX1049	30.238.00
LA65	53.067.00	LAK120		LAK430	54.176.00	LAO197	34.127.00	LX105	30.914.02
LA655		(PORSCHE)	54.284.00	LAK430	54.288.00	LAO220	34.136.00	LX1053	30.396.00
(BR)	53.147.00	LAK122/S	54.152.00	LAK436	54.167.00	LAO221/S	34.243.00	LX106	30.936.00
LA657	53.213.00	LAK124	54.262.00	LAK437	54.166.00	LAO226	34.118.00	LX1061	30.269.00
LA668		LAK127	54.125.00	LAK45	54.195.00	LAO229	34.145.00	LX1073	30.136.00
(BR)	53.109.00	LAK1288	54.261.00	LAK454	54.290.00	LAO230	34.232.00	LX1074	30.137.00
LA674/S	53.239.00	LAK129	54.131.00	LAK46	54.165.00	LAO232	34.142.00	LX1075	30.231.00
LA679/S	53.070.00	LAK129/1	54.246.00	LAK463	54.170.00	LAO239/S	34.153.00	LX1076	30.275.00
LA682	53.426.00	LAK1294	54.292.00	LAK467/S	54.231.00	LAO241	34.221.00	LX1077	27.193.00
LA686	53.276.00	LAK1297/S		LAK469	54.233.00	LAO242	34.119.00	LX1078	30.151.00
LA74	53.030.00	(CN)	54.254.00	LAK472	54.178.00	LAO252	34.146.00	LX1079	30.218.00
LA742	53.224.00	LAK1307		LAK478	54.147.00	LAO280	34.155.00	LX108	30.922.01
LA745	53.379.00	(CN)	54.320.00	LAK485	54.220.00	LAO293	34.158.00	LX1080	30.165.00
LA75	53.047.00	LAK136	54.122.00	LAK49	54.197.00	LAO295/S	34.215.00	LX1083	30.216.00
LA751/S	53.311.00	LAK1377/S	54.294.00	LAK490	54.266.00	LAO307	34.161.00	LX1085	30.305.00
LA76/S	53.037.00	LAK138	54.111.00	LAK52	54.118.00	LAO31	34.263.00	LX109	30.904.00
LA77	53.012.00	LAK141	54.104.00	LAK54	54.126.00	LAO37	34.270.00	LX113	30.978.01
LA78	53.034.00	LAK142	54.103.00	LAK56	54.107.00	LAO373	34.162.00	LX1137/S	30.842.00
LA785		LAK1517	54.319.00	LAK57	54.194.00	LAO386	34.168.00	LX1139	27.582.00
(BR)	53.207.00	LAK153	54.171.00	LAK59	54.169.00	LAO387	34.159.00	LX114	30.976.00
LA79	53.079.00	LAK155	54.274.00	LAK593	54.198.00	LAO396	34.268.00	LX1140	27.583.00

LX1141	30.432.00	LX1573	30.257.00	LX1805	27.386.00	LX2077/3	30.558.00	LX2821	30.309.00
LX1142	27.356.00	LX1575	30.384.00	LX1808	30.386.00	LX2077/4	30.540.00	LX2830	
LX1143	30.135.00	LX1576	30.391.00	LX1809	30.437.00	LX208	30.802.01	(BR)	30.217.00
LX1148	30.283.00	LX1579	27.923.00	LX181	30.809.00	LX2084	30.375.00	LX2831	27.621.00
LX117	30.952.00	LX158	27.719.00	LX1811	30.264.00	LX2085	30.374.00	LX2832	30.403.00
LX118	30.899.00	LX1583	30.465.00	LX1813	30.310.00	LX2086	30.719.00	LX2833	30.347.00
LX119	30.910.00	LX1586	30.332.00	LX1816	30.190.00	LX2087	30.339.00	LX2834	30.506.00
LX1211	30.187.00	LX1588	30.780.00	LX1817	30.190.00	LX2088	27.630.00	LX2835	30.408.00
LX1213	30.317.00	LX159	27.756.00	LX1818	30.464.00	LX209	30.807.00	LX2840	30.B54.00
LX1220	30.350.00	LX1591/2	30.341.00	LX1819/1	30.663.00	LX2091D	27.692.00	LX2842	30.347.00
LX123	27.061.00	LX1591/9	30.341.00	LX1819/2	30.663.00	LX2092D	27.693.00	LX2843	30.400.00
LX124	27.062.00	LX1593/2	30.686.00	LX182	30.871.00	LX2093	30.C55.00	LX2844	30.217.00
LX1240	27.550.00	LX1595	27.257.00	LX1820	30.234.00	LX2094	27.523.00	LX2863	30.328.00
LX1249	30.399.00	LX1596	30.155.00	LX1825	30.292.00	LX210	27.781.00	LX2864	30.504.00
LX1250	30.455.00	LX16	27.920.00	LX1826	30.258.00	LX2108	30.544.00	LX2865	30.308.00
LX1253	27.603.00	LX160	27.785.00	LX1827	30.301.00	LX2123	30.325.00	LX2869	30.574.00
LX1257	30.185.00	LX1601	30.194.00	LX1833	30.B63.00	LX218		LX2870	30.625.00
LX1258	30.181.00	LX1602	30.197.00	LX1835	30.364.00	(ALTRE/OTHER APPL.)	30.818.00	LX288	27.817.00
LX1259	30.397.00	LX1604	30.606.00	LX1837	30.334.00	LX218		LX2880	30.A69.00
LX126	27.065.00	LX1605	30.212.00	LX1840	30.229.00	(FIAT)	30.857.00	LX2881	30.404.00
LX1260	30.A46.00	LX161	27.792.00	LX1845	30.340.00	LX220	30.835.00	LX2882	30.422.00
LX1261	30.367.00	LX1610	30.261.00	LX1846	30.297.00	LX221	30.830.00	LX2885	30.220.00
LX1262	30.315.00	LX1611	30.338.00	LX1849	30.321.00	LX223	27.740.00	LX2887	30.326.00
LX1264/S	30.B25.00	LX1612	30.788.00	LX185	30.802.01	LX2283	27.E50.00	LX2889	30.617.00
LX1266	30.001.00	LX1617	30.233.00	LX1850/1	30.462.00	LX230	27.133.00	LX2895	
LX1268	30.168.00	LX1619	30.299.00	LX1850/2	30.463.00	LX236	27.804.00	(KOR)	27.D79.00
LX1269	30.316.00	LX1621	30.299.00	LX1883	30.556.00	LX249	27.947.00	LX29	27.893.00
LX1270	30.026.00	LX1622	30.393.00	LX1885	30.331.00	LX2525	30.711.00	LX290	27.824.00
LX1272	30.284.00	LX1625	30.295.00	LX1886	30.541.00	LX258	30.847.00	LX2901	30.550.00
LX1277	27.486.00	LX1628	27.E52.00	LX189	27.725.00	LX259	30.851.00	LX2906	30.A55.00
LX128	27.713.00	LX163	27.716.00	LX1896	30.307.00	LX2607/2	27.A54.00	LX2907	30.335.00
LX1282	30.153.00	LX1631	30.362.00	LX190	27.797.00	LX261	30.826.00	LX2908	27.A05.00
LX1286	30.289.00	LX1633	30.248.00	LX1915	30.279.00	LX2612	30.725.00	LX291	27.845.02
LX1288	30.226.00	LX1634	30.262.00	LX192	27.107.00	LX2616	30.533.00	LX2911	30.654.00
LX1289/1	30.366.00	LX1638	30.145.01	LX1920	30.265.00	LX2617	30.591.00	LX2916	30.687.00
LX129	27.712.00	LX1640	30.357.00	LX1921	30.409.00	LX2618	30.503.00	LX2927	
LX1294	30.202.00	LX1641	27.C10.00	LX1924	30.349.00	LX262	30.916.00	(USA)	27.C09.00
LX1295	30.067.00	LX1643	30.209.00	LX1925	30.A66.00	LX2631	30.543.00	LX294	30.939.00
LX1296	30.067.00	LX1645		LX1926	30.259.00	LX2633	30.390.00	LX2956	30.631.00
LX1298	30.001.00	(BR)	30.325.00	LX1936	30.288.00	LX2635	27.679.00	LX2957	30.723.00
LX130	27.731.00	LX1649	30.A33.00	LX1943	30.130.00	LX2636	30.470.00	LX296	30.946.00
LX133	27.762.00	LX1650	27.594.00	LX1945	30.276.00	LX2638	30.363.00	LX2960	30.337.00
LX134	27.906.00	LX1651	27.595.00	LX1947	30.380.00	LX2639	30.633.00	LX2962	30.353.00
LX138	27.761.00	LX1652	30.318.00	LX1948	30.471.00	LX264	30.843.01	LX2963	30.538.00
LX139	27.702.00	LX1655	30.302.00	LX1949	30.497.00	LX2640	30.382.00	LX2965	30.392.00
LX140	27.701.00	LX1656	30.293.00	LX1950	30.206.00	LX2641	30.406.00	LX2967	30.355.00
LX143	30.902.00	LX1657/1	30.B29.00	LX1953	30.546.00	LX2647	30.619.00	LX2968	27.D79.00
LX144		LX1659	30.322.00	LX1955	30.312.00	LX2648	30.B01.00	LX297	27.890.00
(RENAULT)	30.872.01	LX166	27.752.00	LX1957	30.555.00	LX2649	30.468.00	LX2973	30.383.00
LX144		LX1661	30.659.00	LX1968	30.297.00	LX266	30.836.00	LX2974	27.A91.00
(NISSAN)	27.605.00	LX1662	30.281.00	LX1969	30.345.00	LX2672	30.615.00	LX298	27.927.00
LX1451	30.186.00	LX167	27.715.00	LX198	30.822.00	LX2673	27.691.00	LX2994	30.A95.00
LX1452	30.210.00	LX1683	30.214.00	LX1981	30.620.00	LX2675	30.381.00	LX2995	30.645.00
LX1455	30.199.00	LX1684/5	30.B13.00	LX1982	30.297.00	LX2676	30.297.00	LX2996	30.B24.00
LX1458	30.167.00	LX1685/5	30.B14.00	LX1983	30.352.00	LX2678	30.A97.00	LX3	27.744.00
LX146	27.939.00	LX1686/1	30.B10.00	LX199	27.736.00	LX2679	30.277.00	LX300	27.235.00
LX1465	30.224.00	LX1688	30.344.00	LX1991	30.597.00	LX2681	30.452.00	LX3005	30.453.00
LX1467	30.189.00	LX169	30.803.00	LX1993	30.232.00	LX2682	27.367.00	LX3007	30.618.00
LX147		LX1690	30.327.00	LX1997	30.569.00	LX2683	30.388.00	LX3012	30.416.00
(RENAULT)	27.084.00	LX1691	30.225.00	LX1999	30.361.00	LX2685	27.A00.00	LX3014	30.A70.00
LX147		LX1692	30.247.00	LX2	27.770.00	LX2686	30.676.00	LX3015/14	27.E61.00
(CHRYSLER, JEEP)	27.150.00	LX17	27.878.00	LX20	27.902.00	LX2687	30.B06.00	LX3015/16	27.F37.00
LX1474	30.294.00	LX1700	30.505.00	LX200	27.881.00	LX2689	27.E34.00	LX3023	
LX1475	30.196.00	LX171	30.811.00	LX2010	30.342.00	LX2690	30.278.00	(USA)	30.466.00
LX1478	30.B17.00	LX1711		LX202	30.803.00	LX2693	30.451.00	LX3028	30.628.00
LX148	30.942.00	(BR)	30.163.00	LX2022	30.330.00	LX2694	30.539.00	LX303	27.063.00
LX1482	30.370.00	LX1740	30.204.00	LX2023	30.368.00	LX27	27.923.00	LX3031	30.A67.00
LX1497	30.351.00	LX1741	30.776.00	LX2024	30.329.00	LX272	27.801.00	LX3061	30.A37.00
LX1497/1	30.351.00	LX1741/1	30.B41.00	LX2024/1	30.A25.00	LX2738	30.371.00	LX3062	30.A23.00
LX150	27.089.00	LX1742	30.360.00	LX2027	30.B04.00	LX2739	30.469.00	LX307	30.973.00
LX1500	30.303.00	LX1743	30.211.00	LX2029	30.B03.00	LX275	27.828.00	LX3105/1	30.A68.00
LX1503	30.203.00	LX1745	30.260.00	LX203	30.806.00	LX2751	30.639.00	LX312	30.961.00
LX151	27.110.00	LX1746	30.260.00	LX2031	30.542.00	LX2752	30.454.00	LX3139	30.512.00
LX152	30.894.00	LX1748	30.407.00	LX2033	30.467.00	LX276	30.993.00	LX314	27.195.00
LX154	27.720.00	LX175	27.750.00	LX2034	30.466.00	LX278	30.800.00	LX3140	30.A72.00
LX156	27.730.00	LX1751	30.657.00	LX2035	30.A34.00	LX2786/1		LX3143	27.676.00
LX1562	30.228.00	LX1758	30.593.00	LX2037	30.658.00	(BR)	30.713.00	LX3144	30.321.00
LX1563		LX1762	30.600.00	LX2038	30.346.00	LX2787	30.557.00	LX3148	30.376.00
(BR)	30.302.00	LX1764	30.268.00	LX2039	30.321.00	LX2788	30.B23.00	LX3152	30.701.00
LX1564	30.A44.00	LX1765	30.254.00	LX2046	30.365.00	LX2790	27.606.00	LX316	30.990.00
LX1566	27.401.00	LX1768	27.601.00	LX2049/4	27.A48.00	LX2791	30.456.00	LX317	
LX1566/1	27.402.00	LX1780	27.675.00	LX205	30.815.00	LX2792	30.554.00	(VOLVO)	30.923.01
LX1568	30.244.00	LX1785	30.280.00	LX2059	27.628.00	LX2793	30.496.00	LX317	
LX1569	30.311.00	LX1791	30.778.00	LX2060	30.207.00	LX2796/1	30.655.00	(ALTRE/OTHER APPL.)	30.969.00
LX157	27.728.00	LX1792	27.592.00	LX2061/1	30.688.00	LX2797	30.482.00	LX3187	30.385.00
LX1570	30.246.00	LX1794	30.300.00	LX2065/1	30.A17.00	LX280	27.946.00	LX3188/11	30.B56.00
LX1571	30.241.00	LX180	27.111.00	LX2067	30.395.00	LX2808/1	27.691.00	LX3196/1	30.A49.00
LX1572	30.245.00	LX1803	30.246.00	LX2076/1	30.777.00	LX2813	30.A60.00	LX3233/6	30.B15.00



LX3245	30.A15.00	LX389	30.017.00	LX470	30.925.00	LX614	30.063.00	LX792	30.329.00
LX3246	30.559.00	LX390	30.017.00	LX472	30.596.00	LX615	30.004.00	LX793	30.A25.00
LX3251	27.A53.00	LX3949		LX475	30.057.00	LX618	30.066.00	LX794	27.355.00
LX3265	30.348.00	(BR)	30.946.00	LX477	30.111.00	LX620	27.081.00	LX795	30.152.00
LX3270	30.B26.00	LX3955KIT	30.718.00	LX478/1	27.888.00	LX622	30.192.00	LX798/1	30.101.00
LX3271	30.632.00	LX3962	30.B27.00	LX48	30.872.01	LX624	30.045.00	LX799	30.372.00
LX3282	30.553.00	LX3987	30.648.00	LX480	30.960.00	LX625	30.999.00	LX8	27.799.00
LX3284	30.322.00	LX405	30.996.00	LX4802	30.C35.00	LX63		LX800	30.154.00
LX3285	27.688.00	LX4053	30.726.00	LX481	27.904.00	(VAG)	30.398.00	LX801	27.154.00
LX3286	27.629.00	LX4059	30.621.00	LX482	27.898.00	LX632	30.022.00	LX802	30.036.00
LX329	27.194.00	LX4060	30.622.00	LX485	30.967.00	LX635	30.296.00	LX803	27.524.00
LX3298	30.552.00	LX4065	30.665.00	LX486	27.239.00	LX637	30.115.00	LX804/S	30.531.00
LX330	27.149.00	LX4066	30.B22.00	LX488	30.021.00	LX638	30.975.00	LX805	30.170.00
LX3300	30.594.00	LX4067	30.B20.00	LX49	27.993.00	LX64	27.076.00	LX809	30.076.00
LX3305	30.576.00	LX4068	30.664.00	LX491	30.891.00	LX642	30.116.00	LX81	30.871.00
LX3306	30.589.00	LX408	30.977.00	LX492	30.955.00	LX643	30.117.00	LX810	30.223.00
LX3309	30.313.00	LX4082	30.A96.00	LX495	30.945.00	LX645/1	30.149.00	LX811	30.143.00
LX331	30.005.00	LX4083	30.627.00	LX4952		LX646/1	27.273.00	LX812	
LX332	27.177.00	LX4085	30.677.00	(CN)	30.A45.00	LX649	27.931.00	(CITROEN, MITSUBISHI, PEUGEOT)	30.601.00
LX333	30.965.00	LX4136	30.692.00	LX496	27.283.00	LX66	30.847.00	LX813	
LX334	30.040.00	LX4138	30.724.00	LX499	27.267.00	LX660	27.588.00	(DIESEL APPL.)	27.385.00
LX3344	30.C47.00	LX4138	30.C62.00	LX500	30.049.00	LX662	30.097.00	LX813	
LX3345	30.604.00	LX414		LX502	27.234.00	LX663	30.787.00	(BENZINA/PETROL APPL.)	27.386.00
LX3347	30.626.00	(SAAB)	30.011.00	LX503	30.069.00	LX667	30.239.00	LX816/4	27.585.00
LX3349	30.B05.00	LX414		LX504	30.070.00	LX669	27.071.01	LX816/5	27.586.00
LX3353	27.A69.00	(OPEL, VAUXHALL)	30.950.00	LX509	30.025.00	LX67	27.744.00	LX816/6	27.812.00
LX336	30.287.00	LX4142	30.A53.00	LX511/1	30.080.00	LX670	27.171.00	LX818	27.384.00
LX337	30.953.00	LX4143	30.779.00	LX513/1	30.082.00	LX673	27.282.00	LX819	30.162.00
LX339	30.058.00	LX4149	30.693.00	LX514	30.079.00	LX675	30.177.00	LX821	30.050.00
LX343	30.991.00	LX4154	30.660.00	LX514/1	30.079.00	LX678	30.086.00	LX822	27.602.00
LX3455	30.652.00	LX417	30.994.00	LX516	30.917.01	LX682	27.920.00	LX823	27.353.00
LX3456	30.638.00	LX418	30.019.00	LX517	30.073.00	LX684	30.077.00	LX824	30.108.00
LX3458	27.B74.00	LX419	30.020.00	LX519	27.253.00	LX685	27.257.00	LX827	30.102.00
LX3465	30.477.00	LX422	30.029.00	LX521	30.035.00	LX686	30.007.00	LX828	30.105.00
LX347	30.963.00	LX4233	30.C64.00	LX522	30.024.00	LX687		LX829	30.103.00
LX3471	30.595.00	LX4234	30.A62.00	LX523	30.027.00	(FORD, MAZDA)	30.062.00	LX83	27.067.00
LX3475	30.405.00	LX4238	30.A21.00	LX524	30.028.00	LX687		LX830	27.169.00
LX3477	30.A38.00	LX4239	30.C54.00	LX525	30.027.00	(MAZDA)	30.012.00	LX834	30.461.00
LX3489	(BR)	LX4241	30.A54.00	LX526	30.072.00	LX688	30.090.00	LX839	30.221.00
LX3496	(USA)	LX4242	30.B50.00	LX527	27.176.00	LX689	30.053.00	LX840	30.237.00
LX35	30.852.00	LX4244	30.509.00	LX529	30.067.00	LX69	30.807.00	LX844	30.236.00
LX350	30.013.00	LX4246	30.A51.00	LX532	30.858.00	LX690	27.135.00	LX846	27.526.00
LX3502	30.532.00	LX4248	30.781.00	LX534	30.173.00	LX691	30.083.00	LX848	30.235.00
LX3503	30.587.00	LX425	27.268.00	LX537	30.085.00	LX692	30.087.00	LX849	30.242.00
LX3506	(BR)	LX4297/1	30.712.00	LX538	30.193.00	LX694	30.144.00	LX850	30.255.00
LX3525	30.B01.00	LX430	30.915.00	LX539	30.575.00	LX696/1	30.B16.00	LX852	27.403.00
LX3535	30.549.00	(OPEL, VAUXHALL)	30.958.00	LX54	30.864.00	LX697	30.243.00	LX853	30.118.01
LX3536	30.603.00	LX431	30.807.00	LX541	30.039.00	LX698	27.086.00	LX854	30.112.00
LX3537	30.635.00	LX432	30.926.00	LX542	30.172.00	LX699	27.174.00	LX855	27.341.00
LX3538	30.634.00	LX433	30.794.00	LX547	30.012.00	LX70	27.956.00	LX856	30.098.00
LX3539	30.A99.00	LX435/1	30.981.00	LX549	30.041.00	LX700	30.164.00	LX857	30.106.00
LX354	27.156.00	(BR)	30.A51.00	LX55	27.800.00	LX704/1	30.150.00	LX861	30.A50.00
LX3542	30.A16.00	LX4365		LX550	30.041.00	LX706	30.943.00	LX862	30.460.00
LX3550	27.A48.00	(BR)	30.677.00	LX558	27.162.00	LX708	30.133.00	LX863	30.537.00
LX3579	30.609.00	LX439/1	30.119.00	LX565	30.046.00	LX709	30.369.00	LX864	30.647.00
LX3580	30.588.00	LX4392	30.A63.00	LX566/1	30.B12.00	LX715	27.258.00	LX865	27.153.00
LX3583	30.629.00	LX4397	30.C03.00	LX567	27.477.00	LX716	30.278.01	LX868	30.274.00
LX3597	30.607.00	LX4404	30.A59.00	LX568	30.038.01	LX717	30.890.00	LX870	27.D83.00
LX3598	27.A97.00	LX4405	30.B62.00	LX569	30.071.00	LX719	30.068.00	LX872	27.138.00
LX3601	30.573.00	LX4406	27.G11.00	LX571/1	30.124.00	LX720	27.520.00	LX874	27.647.00
LX3603	30.630.00	LX4410	27.G31.00	LX572	30.933.00	LX721	30.054.00	LX875	27.155.00
LX3677	30.710.00	LX4411	27.G10.00	LX576	27.175.00	LX722	30.096.00	LX876	30.099.00
LX3685	30.292.00	LX4414	30.A74.00	LX577	30.972.00	LX724	27.200.00	LX876/1	30.099.00
LX3694	30.A64.00	LX4423	30.592.00	LX579	30.121.00	LX725	30.026.00	LX877	30.104.00
LX3697	(BR)	LX443	30.948.00	LX58	30.896.00	LX727	30.148.00	LX878	27.132.00
LX3712	30.451.00	LX4431	30.709.00	LX580	30.032.00	LX730	27.137.00	LX879	27.590.00
LX3751	30.456.00	LX444	30.954.00	LX581	30.033.00	LX731	30.157.00	LX883	27.599.00
LX3754	30.717.00	LX446	27.090.00	LX582/1	30.B11.00	LX735	30.107.00	LX886	30.141.00
LX3760	30.A20.00	LX4460	30.793.00	LX583	30.016.00	LX737	30.129.00	LX887	30.089.00
LX3771	30.A86.00	LX4479	30.A41.00	LX587	27.272.00	LX738	30.324.00	LX888	30.A71.00
LX3773	30.721.00	LX448	30.924.00	LX588	30.973.00	LX740	30.188.00	LX889	30.142.00
LX3775	27.A92.00	LX449	30.987.01	LX589	30.030.00	LX742	30.195.00	LX890	27.E44.00
LX3778	30.C39.00	LX4496	27.B54.00	LX59	30.860.00	LX742/2	30.195.00	LX891	30.256.00
LX3800	(BR)	LX452	30.052.00	LX591	30.230.00	LX744	30.095.00	LX897	30.240.00
LX3811	30.632.00	LX454	30.932.00	LX592	30.034.00	LX745	30.285.00	LX898	27.527.00
LX3819	30.A61.00	LX456	30.906.00	LX593/1	30.109.00	LX752	30.148.00	LX899	27.678.00
LX384	27.196.00	LX46	27.134.00	LX594	30.120.00	LX754	27.521.00	LX90	30.908.00
LX387	30.008.00	LX462	30.889.00	LX595	30.178.00	LX756	30.075.00	LX907	
LX388	27.231.00	LX463	30.930.00	LX596	30.125.00	LX757	27.813.00	(BR)	30.048.00
LX3887	30.B76.00	LX464	30.942.00	LX597	27.252.00	LX759	27.394.00	LX908	30.089.00
LX3888	30.A24.00	LX467/1	30.003.00	LX598	30.064.00	LX76	30.970.00	LX911	27.699.00
		LX469/1	30.100.00	LX606	27.172.00	LX773	30.147.00	LX912	27.140.00
				LX608	27.159.00	LX78	27.079.00	LX913	27.366.00
				LX609	27.235.00	LX786	30.320.00	LX914	27.236.00
				LX61	30.974.00	LX788	30.163.00	LX915	27.254.00
				LX610	27.232.00	LX79	27.074.00	LX916	30.966.00
				LX611	27.228.00	LX790	30.336.00	LX918	27.257.00
				LX613	30.063.00	LX791	27.593.00	LX919	27.581.00

LX920	30.286.00	OC131	23.127.00	OC262	23.417.00	OC510F	23.164.00	(RENAULT)	23.402.00
LX925/S	30.134.00	OC132	23.102.02	OC264	23.436.00	OC510F		OC995	23.564.00
LX926	27.128.00	OC133	23.124.00	OC265	23.273.00	(O/OR)	23.164.03	OC996	23.585.00
LX927	30.320.00	OC1331	23.596.00	OC266	23.440.00	OC52	23.188.00	OC990F	
LX929	30.169.00	OC134	23.241.00	OC269	23.246.00	OC521	23.265.00	(RENAULT)	23.402.00
LX933/2	30.319.00	OC135	23.194.00	OC271	23.191.00	OC526	23.486.00	OC990F	
LX933/3	30.319.00	OC136	23.127.05	OC272	23.415.00	OC534	23.263.00	(ALTRE/OTHER APPL.)	23.191.00
LX934	30.828.00	OC137	23.166.00	OC273	23.244.00	OC535	23.439.00	OX1	20.012.02
LX934/1	30.700.00	OC137/1	23.172.00	OC274	23.237.00	OC54	23.110.02	OX1012D	25.088.00
LX935	30.155.00	OC138	23.231.00	OC275	23.248.00	OC540	23.472.00	OX1016D	
LX935/2	30.155.00	OC139	23.496.00	OC276	23.458.00	OC548	23.460.00	(BR)	25.082.00
LX936	30.171.00	OC140	23.134.00	OC277	23.243.00	OC55		OX1019D	
LX939	30.182.00	OC141	23.127.05	OC278	23.211.00	(LOMBARDINI, MACO-MEUDON)	23.117.00	(BR)	25.094.00
LX940	27.139.00	OC1414	23.739.00	OC279	23.462.00	OC55		OX1025D	
LX941	27.D10.00	OC145	23.425.00	OC28	23.134.01	(ALTRE/OTHER APPL.)	23.188.00	(BR)	25.095.00
LX942	30.250.00	OC15	23.108.00	OC281	23.464.00	OC56		OX1058D	25.199.00
LX944	30.251.00	OC1566	23.484.00	OC285	23.259.00	(SAAB)	23.298.00	OX1075D	25.110.00
LX946	30.041.00	OC17	23.124.00	OC286	23.264.00	OC57	23.114.01	OX1076D	25.180.00
LX947	30.215.00	OC18	23.127.00	OC287	23.212.00	OC570	23.489.00	OX1123D	25.090.00
LX95	30.893.00	OC182	23.131.01	OC288	23.463.00	OC573	23.131.01	OX1137D	25.118.00
LX952	27.584.00	OC183	23.210.00	OC29	23.156.00	OC58	23.117.00	OX1138D	25.223.00
LX953	30.126.00	OC194	23.260.00	OC290	23.313.00	OC582	23.471.00	OX1145D	25.112.00
LX954	30.184.00	OC195		OC292	23.131.01	OC59	23.241.00	OX1146D	25.148.00
LX955	27.381.00	(ALTRE/OTHER APPL.)	23.258.00	OC294	23.476.00	OC593/3	23.573.00	OX1158D	25.219.00
LX957/2	30.417.00	OC195		OC295	23.453.00	OC593/4	23.494.00	OX1162D	25.204.00
LX957/3	30.417.00	(HYUNDAI)	23.452.00	OC296	23.414.00	OC601	23.263.00	OX1171D	25.139.00
LX96	30.911.00	OC196	23.265.00	OC297		OC606	23.267.00	OX1185D	25.247.00
LX97	30.929.00	OC198	23.131.00	(MITSUBISHI)	23.475.00	OC607	23.565.00	OX1197D	
LX976	27.587.00	OC199	23.281.00	OC298	23.444.00	OC61	23.241.00	(CN)	25.247.00
LX977D	30.158.00	OC2	23.198.00	OC299	23.232.00	OC613	23.546.00	OX1217D	25.153.00
LX978	30.146.00	OC202	23.152.00	OC30	23.152.00	OC614		OX1219D	25.160.00
LX980	30.314.00	OC203	23.242.00	OC309	23.418.00	(GRUPPO FIAT)	23.519.00	OX121D	25.540.00
LX986	27.354.00	OC204	23.257.00	OC310	23.439.00	OC614	23.650.00	OX122D	25.607.00
LX989	30.222.00	OC205	23.461.00	OC311	23.465.00	OC616	23.489.00	OX123/1D	25.095.00
LX99	27.982.00	OC207	23.282.00	OC312	23.495.00	OC617	23.265.00	OX1237D	25.216.00
LX992	30.201.00	OC208	23.280.00	OC313	23.458.00	OC62	23.185.01	OX125D	25.590.00
LX993	30.213.00	OC209	23.462.00	OC314	23.435.00	OC63	23.127.04	OX1266D	25.253.00
LX994	30.217.00	OC21	23.103.00	OC323	23.474.00	OC65	23.189.00	OX126D	25.009.00
LX995	30.166.00	OC214	23.167.00	OC326	23.274.00	OC66	23.196.00	OX127/1D	25.008.00
LX997	30.161.00	OC215	23.255.00	OC33		OC67		OX128/1D	25.165.00
LX998	30.132.00	OC216	23.263.00	(NISSAN)	23.256.00	(ALTRE/OTHER APPL.)	23.102.00	OX13	25.409.01
LX999	30.159.00	OC217	23.251.00	OC331/1	23.251.00	OC67		OX133D	25.162.00
LXF10	53.085.00	OC217/5	23.251.00	OC34	23.130.00	(RANGE ROVER, LAND ROVER)	23.297.00	OX135/1D	25.014.00
OC10		OC217/6	23.251.00	OC36	23.127.00	OC7	23.115.00	OX13D	25.409.01
(CITROEN)	23.105.00	OC218	23.266.00	OC369	23.478.00	OC71	23.177.00	OX14	25.421.00
OC100	23.293.00	OC210F	23.103.00	OC37		OC727	23.481.00	OX143D	25.011.00
OC1014	23.632.00	OC221	23.404.00	(ALTRE/OTHER APPL.)	23.102.02	OC74	23.131.00	OX149D	25.018.00
OC102	23.114.02	OC222	23.279.00	OC37		OC76	23.108.00	OX14D	25.421.00
OC1035	23.615.00	OC223	23.177.00	(ALFA ROMEO, FORD, VM)	23.164.02	OC77	23.182.00	OX15	25.455.00
OC105		OC223/1	23.419.00	OC383	23.127.00	OC79	23.117.00	OX150D	25.099.00
(VOLVO)	23.156.02	OC225	23.440.00	OC384	23.114.01	OC8	23.151.00	OX151D	25.587.00
OC105	23.156.03	OC227	23.303.00	OC39	23.159.00	OC82	23.131.00	OX152/1D	25.038.00
OC1051	23.267.00	OC23		OC4	23.114.01	OC83		OX153/7D	25.002.00
OC1052	23.484.00	(ALTRE/OTHER APPL.)	23.127.00	OC404	23.482.00	(ALTRE/OTHER APPL.)	23.127.00	OX153/7D1	25.072.00
OC1053	23.660.00	OC23		OC405/3	23.299.00	OC85	23.130.01	OX153/7D2	25.159.00
OC106	23.172.00	(FORD)	23.127.02	OC42	23.156.00	OC86	23.167.00	OX153D	25.002.00
OC1063	23.632.00	OC230	23.485.00	OC45	23.200.00	OC88		OX153D1	25.003.00
OC108	23.130.00	OC231	23.298.00	OC456	23.493.00	(ALTRE/OTHER APPL.)	23.113.00	OX153D2	25.001.00
OC109	23.240.00	OC232	23.280.00	OC457	23.459.00	OC89		OX153D3	25.013.00
OC109/1	23.240.00	OC235		OC458	23.455.00	(SUZUKI)	23.210.00	OX153D4	25.054.00
OC11	23.118.00	(TOYOTA, VAG)	23.253.00	OC460	23.473.00	OC89		OX154/1D	25.004.00
OC110	23.130.03	OC235		OC466	23.413.00	(ALTRE/OTHER APPL.)	23.213.00	OX156D	25.030.00
OC1100F	23.130.03	(FORD)	23.416.00	OC467	23.418.00	OC9	23.129.01	OX156D1	25.030.00
OC111	23.195.00	OC236	23.127.00	OC469	23.483.00	OC90	23.129.02	OX15D	25.455.00
OC112	23.194.00	OC237/1	23.254.00	OC47	23.130.01	OC90OF	23.129.02	OX16	25.443.00
OC113	23.165.00	OC238	23.544.00	OC470	23.164.03	OC92		OX160D	25.010.00
OC115		OC230F		OC471	23.481.00	(ALTRE/OTHER APPL.)	23.131.01	OX163/4D	25.027.00
(HONDA)	23.243.00	(FORD)	23.127.02	OC472	23.254.00	OC92		OX164D	25.019.00
OC115		OC230F		OC473	23.447.00	(TOYOTA)	23.270.00	OX166/1D	25.028.00
(ALTRE/OTHER APPL.)	23.271.00	(ALTRE/OTHER APPL.)	23.127.00	OC475	23.470.00	OC93	23.278.00	OX16D	25.443.00
OC116	23.122.00	OC24	23.132.00	OC476	23.545.00	OC94	23.186.01	OX17	25.408.00
OC1177	23.617.00	OC240	23.436.00	OC477	23.127.00	OC95	23.169.00	OX171/16D	25.128.00
OC1182	23.413.00	OC241	23.465.00	OC478	23.477.00	OC96	23.175.00	OX171/2D	25.037.00
OC1182	23.721.00	OC242	23.299.00	OC479	23.440.00	OC97		OX171/2D1	25.187.00
OC1183	23.616.00	OC243	23.295.00	OC470F	23.130.01	(ALTRE/OTHER APPL.)	23.127.00	OX173/2D	25.012.00
OC1198	23.484.00	OC244	23.413.00	OC485	23.465.00	OC97		OX175D	25.034.00
OC120	23.121.00	OC247	23.249.00	OC486	23.457.00	(FIAT, LANCIA)	23.168.00	OX177/3D	25.048.00
OC123	23.127.00	OC248	23.303.00	OC49	23.130.02	OC976	23.439.00	OX179D	25.041.00
OC1239		OC249	23.164.00	OC494	23.299.00	OC977/1	23.575.00	OX18	25.402.01
(BR)	23.519.00	OC249		OC495	23.479.00	OC978	23.628.00	OX182D	25.017.00
OC1243	23.652.00	(O/OR)	23.164.03	OC5	23.105.00	OC98	23.173.01	OX183/1D	25.050.00
OC1252	23.584.00	OC25	23.131.02	OC50	23.544.00	OC981	23.298.00	OX183/2D	25.155.00
OC1253	23.255.00	OC250	23.428.00	OC500	23.259.00	OC983	23.196.00	OX183/5D	25.155.00
OC1254	23.461.00	OC257	23.164.00	OC501	23.448.00	OC986	23.438.00	OX183/5D1	25.050.00
OC1255	23.583.00	OC259	23.424.00	OC503	23.191.00	OC988	23.253.00	OX187D	25.548.00
OC1290	23.481.00	OC26	23.110.02	OC51	23.164.00	OC99		OX188D	25.023.00
OC1291	23.717.00	OC261		OC51		(ALTRE/OTHER APPL.)	23.191.00	OX18D	25.402.01
OC1292	23.439.00	(LAND ROVER)	23.297.00	(O/OR)	23.164.03	OC99		OX191D	25.015.00

OX192D	25.052.00	OX774D	25.073.02	006-AR	30.847.00	4262-AP	30.A44.00	50014717	25.145.00
OX193D	25.032.00	OX775D	25.213.00	008-AR	30.916.00	4266-AP	30.332.00	50014732	30.603.00
OX196/1D	25.068.00	OX776D	25.152.00	018-OS	23.256.00	4267-AP	30.301.00	50014739	30.778.00
OX196/1D1	25.168.00	OX779D	25.083.00	049-OS	23.177.00	4270-AP	30.390.00	50014744	23.660.00
OX196/3D	25.105.00	OX78	25.499.00	050-OS	23.257.00	4277-FP	31.921.00	50014853	24.149.00
OX1D	20.012.02	OX786D	25.248.00	051-OS	23.130.02	4284-AP	30.A60.00	50014854	24.193.00
OX20	25.413.00	OX787D	25.144.00	053-OS	23.110.02	4288-AP	30.711.00	50014855	24.194.00
OX201D	25.067.00	OX78D	25.499.00	054-OS	23.191.00	4294-OX	25.143.00	505-OX	25.023.00
OX203D	25.056.00	OX78D1	25.499.01	056-OS	23.131.02	4309-FS	24.119.00	596-AP	30.155.00
OX205/2D	25.066.00	OX813/2D	25.188.00	057-OS	23.164.00	4310-AP	30.506.00	608-AP	30.187.00
OX209D	25.022.00	OX814D	25.172.00	057-OS		4312-AP	30.437.00	623-FP	31.948.00
OX20D	25.413.00	OX815/1D	25.185.00	(O/O)	23.164.03	4317-ACC	54.194.00	627-FX	26.001.00
OX210D	25.033.00	OX825D	25.164.00	061-OS	23.152.00	4323-AP	30.388.00	700-AC	53.013.00
OX254D4	25.210.00	OX834D	25.191.00	073-OS	23.130.01	4330-AC	53.338.00	701-ACC	54.195.00
OX258D	25.024.00	OX835D	25.153.00	074-FP	31.009.00	439-FP	31.834.00	702-AC	53.031.00
OX27	25.413.00	OX85	20.020.00	075-FS	24.351.00	4453-AP	30.666.00	703-AC	53.006.00
OX29	25.407.01	OX85D	20.020.00	081-OS	23.127.00	446-AP	30.162.00	704-ACC	54.263.00
OX339/2D	25.060.00	OX9	25.439.00	081-OS	23.128.00	4472-AP	30.395.00	705-AC	53.011.00
OX33D	25.530.01	OX91	25.541.00	081-OS	23.298.00	4475-FX	26.072.00	706-AC	53.002.00
OX341D	25.047.00	OX91D	25.541.00	097-OS	23.130.00	4479-FP	24.113.00	707-ACC	54.165.00
OX345/7D	25.059.00	OX96	25.555.00	098-OS	23.278.00	4486-FP	24.111.00	708-ACC	54.101.00
OX345D	25.002.00	OX968D	25.145.00	099-OS	23.103.00	4494-OX	25.164.00	709-AC	53.026.00
OX345D	25.059.00	OX96D	25.555.00	100-OS	23.129.02	4497-ACC	54.220.00	710-AC	53.046.00
OX346D	25.035.00	OX978D	25.225.00	101-OS	23.188.00	4499-FP	24.016.00	711-ACC	54.108.00
OX347D	25.074.00	OX982D	25.178.00	102-OS	23.131.00	4503-OX	25.115.00	713-AC	53.017.00
OX34D	25.530.00	OX983D	25.089.00	104-OS	23.263.00	4508-AR	27.A54.00	714-ACC	54.118.00
OX350/4D	25.143.00	OX98D	25.499.01	105-OS	23.165.00	4509-ACC	54.226.00	715-ACC	54.102.00
OX351D	25.151.00	OZ6/1D	25.901.00	108-OS	23.260.00	4510-AP	30.589.00	716-AC	53.007.00
OX353/6D	25.201.00	OZ6D	25.901.00	109-OS	23.265.00	4512-ACC	54.232.00	718-AC	53.094.00
OX353/7D	25.201.00			110-OS	23.131.01	4516-AP	30.540.00	719-AC	53.005.00
OX354D	25.167.00			110-OS	23.255.00	4517-AP	30.595.00	720-AC	53.015.00
OX355/3D	25.091.00			113-OS	23.134.00	4521-FP	31.962.00	721-ACC	54.277.00
OX358D	25.257.00	09-DD-W0	53.134.00	114-OS	23.152.00	4522-AP	30.776.00	722-AC	53.010.00
OX360D	25.029.00	09DDW1	53.138.00	115-OS	23.195.00	4525-AR	27.A51.00	723-ACC	54.135.00
OX361/4D	25.084.00	09DDW2	53.133.00	117-OS	23.134.01	4529-AP	30.532.00	724-AC	53.001.00
OX365/1D	25.186.00	09DDW3	53.142.00	146-OS	23.271.00	4537-FP	24.112.00	725-ACC	54.109.00
OX366D	25.198.00	09HY11	53.112.00	147-OS	23.127.04	4543-ACC	54.167.00	726-AC	53.004.00
OX368D	25.021.00	09HY23	53.145.00	148-OS	23.173.01	4550-OX	25.177.00	728-AC	53.067.00
OX368D1	25.021.00	10D398	23.129.02	149-OS	23.118.00	4563-AR	27.A53.00	734-AC	53.059.00
OX368D2	25.065.00	10KK45	25.070.00	150-OS	23.114.01	4568-AP	30.688.00	735-AC	53.045.00
OX369D	25.071.00	10S997	25.528.00	154-OS	23.241.00	4576-AP	30.A17.00	736-AC	53.034.00
OX370D	25.039.00	10S998	25.528.00	155-OS	23.156.00	4577-OX	25.165.00	737-AC	53.016.00
OX370D1	25.154.00	10Y593	23.452.00	156-OS	23.156.02	4578-AC	53.233.00	738-ACC	54.119.00
OX371D	25.043.00	10YH03	25.071.00	166-OS	23.186.01	4588-ACC	54.271.00	739-AC	53.012.00
OX377D	25.166.00	10YH06	25.075.00	167-OS	23.105.00	4591-AP	30.325.00	740-ACC	54.116.00
OX379D	25.040.00	11D385	30.102.00	173-AP	30.596.00	4594-AC	53.229.00	741-AC	53.014.00
OX380D	25.069.00	11D387	30.103.00	191-FC	26.652.00	4599-OX	25.178.00	743-AC	53.047.00
OX381D	25.080.00	11D394	30.990.00	195-OS	23.242.00	4618-ACC	54.312.00	748-ACC	54.121.00
OX382D	25.063.00	11DW01	30.105.00	196-OS	23.114.02	4654-AP	30.647.00	749-AC	53.148.00
OX384D	25.053.00	11DW02	30.104.00	201-AR	27.845.02	4655-AP	30.788.00	750-ACC	54.124.00
OX386D	25.049.00	11HY13	30.326.00	242-AR	27.477.00	4662-FP	24.145.00	752-AC	53.228.00
OX387D	25.058.00	11KK02	30.130.00	364-OX	25.029.00	4663-FP	24.144.00	772-ACC	54.240.00
OX387D	25.232.00	11KK06	30.295.00	4007-AR	27.603.00	4680-AP	30.A38.00	837-AP	30.A50.00
OX387D1	25.171.00	11KK10	30.312.00	4017-AP	30.210.00	4683-AP	30.A61.00	843-AP	30.239.00
OX388D	25.106.00	11KK11	30.308.00	4033-AR	27.596.00	4689-AP	30.A72.00	928-AC	53.250.00
OX389/1D	25.170.00	11KK15	30.386.00	4034-AR	27.636.00	4695-AP	30.509.00	930-ACC	54.247.00
OX38D	25.528.00	11KK16	30.363.00	4070-AP	30.315.00	4696-AP	30.665.00	948-AC	53.230.00
OX399D	25.163.00	11KK19	30.382.00	4079-OS	23.546.00	4697-FP	24.114.00	962-AC	53.246.00
OX401D	25.064.00	11KK21	30.454.00	4094-AP	30.455.00	4706-OX	25.201.00	970-FP	24.451.00
OX404D	25.142.00	11Y578	30.126.00	4106-AP	30.342.00	4711-FX	26.115.00		
OX413D1	25.077.00	11Y590	30.336.00	4109-AP	30.102.00	4712-AP	30.587.00		
OX413D2	25.077.00	11Y593	30.285.00	4122-FX	26.012.00	4716-OX	25.210.00		
OX414D1	25.196.00	11YH03	30.267.00	4141-FP	31.844.00	4717-OX	25.145.00	LADA (VAZ)	UFI
OX414D2	25.150.00	11YH04	30.174.00	4146-FX	26.021.00	4732-AP	30.603.00	11180-8122010	53.374.00
OX415D	25.026.00	11YH05	30.229.00	4155-FS	24.439.00	4739-AP	30.778.00	11180-8122010-00	53.374.00
OX416D1	25.086.00	11YH08	30.224.00	4156-AP	30.554.00	4744-OS	23.660.00	11180-8122010-03	53.374.00
OX416D2	25.116.00	11YH09	30.348.00	4162-AR	27.356.00	4753-OX	25.179.00	11180-8122010-82	53.374.00
OX417D	25.226.00	11YH10	30.266.00	4183-FP	55.430.00	4853-FP	24.149.00	1188122010	53.374.00
OX418D	25.031.00	11YH11	30.307.00	4185-FP	31.846.00	4854-FP	24.193.00	165460509R	30.A16.00
OX41D	25.539.00	11YH12	30.280.00	4186-FP	55.418.00	4855-FP	24.194.00	2101-1109100	27.719.00
OX42	25.406.01	11YH14	30.403.00	4191-OZ	25.901.00	50013837	30.A50.00	2101-1109101	27.719.00
OX420D	25.141.00	12D383	31.515.00	4201-AC	53.143.00	50014223	54.119.00	2101110910002	27.719.00
OX422D	25.115.00	12D385	31.515.00	4202-ACC	54.164.00	50014312	30.437.00	2105-01012005-82	23.257.00
OX424D	25.070.00	12D393	31.564.00	4215-AC	53.255.00	50014472	30.395.00	2105-1012005	23.257.00
OX433D	25.177.00	12K322	31.828.00	4216-AC	53.151.00	50014522	30.776.00	2105-101200501	23.257.00
OX436D	25.075.00	12KK03		4219-AC	53.218.00	50014529	30.532.00	2108-0101200509	23.257.00
OX437D	25.085.00	(SOLO RICAMBIO/SPARE PART ONLY)	24.339.00	4222-AP	30.320.00	50014576	30.A17.00	2108-0110901	30.835.00
OX441D	25.094.00	12S991	24.321.00	4220-ACC	54.160.00	50014618	54.312.00	2108-01109011	30.835.00
OX50	25.407.01	12S992	24.321.00	4223-ACC	54.119.00	50014655	30.788.00	2108-0111701005	31.009.00
OX50D	25.407.01	12Y585	31.749.00	4224-ACC	54.270.00	50014680	30.A38.00	2108-1012005	23.257.00
OX51	25.455.01	12YH11	24.443.00	4230-ACC	54.163.00	50014683	30.A61.00	2108-101200507	23.257.00
OX553D	25.061.00	20-W0-000	27.274.00	4234-ACC	54.215.00	50014689	30.A72.00	2108210999	31.741.00
OX556D	25.197.00			4237-FX	26.020.00	50014695	30.509.00	2112-0110908006	30.835.00
OX559D	25.093.00			4244-AC	53.184.00	50014696	30.665.00	2112-01117010-82	31.741.00
OX560D	25.096.00			4249-AC	53.222.00	50014706	25.201.00	2112-0111701001	31.741.00
OX563D	25.108.00	001-FS	24.351.01	4251-ACC	54.145.00	50014711	26.115.00	2112-0111701005	31.741.00
OX68	25.548.00	003-OS	23.127.02	4258-FP	24.110.00	50014712	30.587.00	2112-110908001	30.835.00
OX68D	25.548.00	004-OS	23.130.03	426-AP	30.575.00	50014716	25.210.00	2112-1117010	31.741.00

2112-1117010-01	31.741.00	LR019589	34.159.00	AF390	30.843.01	G6330	31.618.00	P52	25.408.00
2112-111701002	31.741.00	LR022896	25.159.00	AF3906	30.316.00	G6346	31.535.00	P72	25.455.00
2112-111701005	31.741.00	LR023977	54.155.00	AF3908	30.455.00	G6347	31.550.00	P765	25.409.01
2112110908004	30.835.00	LR025306	23.632.00	AF3914	30.466.00	G6367	31.627.00	P771A	25.407.01
2121-1109100	27.719.00	LR026132	54.128.00	AF3981	30.277.00	G6370	31.547.00	P772	25.402.01
21213-1109100-06	27.719.00	LR027408	30.141.00	AF4012	30.498.00	G6377	31.508.00	P820	25.443.00
21213110910004	27.719.00	LR029078	30.559.00	AF4014	30.382.00	G6579	31.718.00	P825	25.499.00
212151109100	27.239.00	LR029240	23.463.00	AF4015	30.554.00	G6585	31.761.00	P828	25.539.00
212151117015	24.360.00	LR029773	53.105.00	AF4019	30.497.00	G6593	31.769.00	P829	25.528.00
2123-01117010-02	31.515.00	LR030219	53.316.00	AF4020	30.381.00	G6633	31.924.00	P856	25.011.00
2123-1117010	31.515.00	LR030778	25.060.00	AF4021	30.403.00	G800	31.624.00	P906	25.540.00
2123-1117010-02	31.515.00	LR032199	54.128.00	AF4033	30.454.00	G8154	31.841.00	P935	25.530.00
		LR036369	54.266.00	AF4368	27.071.00	HP1		P980	25.086.00
LAMBORGHINI	UFI	LR036369	34.266.00	AF5205	30.A43.00	(TOYOTA)	23.102.00	PH228	
001505914	23.110.02	LR041978	24.190.00	AF538	30.188.00	HP1		(ALTRE/OTHER APPL)	23.127.02
01188	25.503.00	LR056138	54.159.00	AF5583	27.200.00	(LAND ROVER, RANGE ROVER)	23.297.00	PH228	
05914	23.110.02	LR056138	34.159.00	AF5608	30.048.00	L23F	26.601.00	(FORD)	23.127.02
07L133843	30.156.00	LR058104	23.584.00	AF5790	27.888.00	L296F	24.360.01	PH228	
07M133843	30.888.00	LR071942	30.A63.00	AF70	27.736.00	L296FE	24.360.00	(SAAB)	23.298.00
21046	30.830.00	LR073669	25.223.00	AF7800	30.967.00	L3516F	24.371.00	PH28	23.121.00
400201511	31.504.00	LR096524	23.632.00	AF7828	30.239.00	L4103F	26.683.00	PH2801	23.177.00
400201511A	31.504.00	LR129322	30.C38.00	AF7833	30.222.00	L50F	24.362.00	PH2802	23.271.00
4F0201511E	31.831.00	LRF100150L	25.001.00	AF7840	27.195.00	L550F	26.680.00	PH2805	23.243.00
		MUN000010	24.417.00	AF7841	30.223.00	L60F	26.609.00	PH2808	23.271.00
		NRC9238	27.137.00	AF7843	30.230.00	L8109F	24.401.00	PH2809	23.194.00
LANCIA	UFI	NTC1435	27.138.00	AF7849	30.996.00	L8994F	26.001.00	PH2811	23.231.00
⇒ FIAT		NTC1885	31.500.00	AF7853	27.173.00	LAF1246	27.878.00	PH2812A	23.114.01
		NTC5958	31.500.00	AF7855	30.836.00	LAF1710	27.881.00	PH2814	23.118.00
LAND ROVER	UFI	NTC6660	27.920.00	AF7872	30.096.00	LAF1712	27.828.00	PH2815	23.164.00
		NTC6936	31.564.00	AF7876	30.221.00	LAF1714	27.804.00	PH2815	
1311289	25.066.00	PHE000040	27.384.00	AF7877	30.972.00	LAF1741	27.982.00	(O/OR)	23.164.03
1427908	25.004.00	PHE000112	30.268.00	AF7883	30.977.00	LAF222	27.920.00	PH2816	23.131.02
241479	24.362.00	PHE100500L	27.353.00	AF7884		LAF234HD	27.902.00	PH2817	23.182.00
4454116	23.473.00	PHE500060	30.542.00	(BMW)	30.029.00	LAF4544	27.356.00	PH2818	23.544.00
541403	25.455.00	RTC3184	25.455.00	AF7884		LAF5028	30.340.00	PH2819	23.110.02
606168	31.001.00	RTC3478	27.137.00	(VAG)	30.192.00	LAF5572	27.678.00	PH2820A	23.127.00
90517711	24.360.00	RTC3479	27.139.00	AF7884		LAF5598	27.193.00	PH2821A	
AEU2147	24.351.00	RTC4683	27.527.00	(OPEL, VAUXHALL)	30.924.00	LAF6769	27.893.00	(ALTRE/OTHER APPL)	23.131.00
AEU2147L	24.351.00	STC2180	25.555.00	AF7885	30.991.00	LAF73	27.710.00	PH2821A	
AEU2218	23.164.02	STC2827	24.397.00	AF7888	30.119.00	LAF8078	27.140.00	(DAIHATSU, TOYOTA)	23.213.00
AEU2218L	23.164.02	STC3350	25.009.00	AF7889	30.929.00	LAF8388	27.A05.00	PH2823	23.266.00
BTR8037	53.316.00	WFL000070	24.427.00	AF7892	30.143.00	LAF8529	27.139.00	PH2825	23.122.00
CDU1268	23.254.00	WJI100000	24.417.00	AF7893	30.173.00	LAF8576	27.067.00	PH2827	23.240.00
ERR1168	23.297.00	WJI500020	24.454.00	AF7909	30.285.00	LAF8609	27.283.00	PH2830	23.134.00
ERR3340	23.297.00	WJI500040	24.464.00	AF7912	30.007.00	LAF8646	27.137.00	PH2835	23.253.00
ERR5542	23.495.00	WJN000080	31.925.00	AF7913	30.238.00	LAF8668	27.923.00	PH2840	23.263.00
ERR6299	25.901.00	WJN10046	24.365.00	AF7914	30.275.00	LAF8805	27.231.00	PH2841	23.251.00
ESR0341	30.314.00	WJN500025	24.459.00	AF7919	30.227.00	LAF8820	27.107.00	PH2849	23.272.00
ESR1049	27.602.00			AF7935	30.077.00	LAF8996	30.080.00	PH2850	23.256.00
ESR1445	30.050.00			AF7936	30.100.00	LFF3403	21.050.00	PH2851	23.236.00
ESR2623	27.584.00			AF7937	30.172.00	LFF3501	24.361.00	PH2852	23.198.00
ESR2747	27.584.00	112397	23.262.00	AF7949	30.115.00	LFF3501P	24.304.00	PH2856A	23.165.00
ESR3117	31.564.00	114094	27.A05.00	AF7959	30.267.00	LFF3503	26.652.00	PH2858	
ESR341	30.314.00			AF7964	30.176.00	LFF3504	24.351.00	(SUZUKI)	23.210.00
ESR4065	31.564.00			AF7967	30.102.00	LFF3505	24.351.01	PH2859	23.131.01
ESR4103	30.068.00			AF7971	30.119.00	LFF4295	24.370.00	PH2861	
ESR4238	30.141.00	1294017	46.006.00	AF7984	30.226.00	LFF5966	24.413.00	(VAG)	23.130.01
ESR4686	24.525.00	4205001	46.006.00	AF7988	30.220.00	LFF5967	24.411.00	PH2861	
ETC4953	23.297.00			AF7999	30.266.00	LFF8806F	24.375.00	(BMW)	23.130.02
ETC6599	23.297.00			AF8936	30.104.00	LFF8813F	24.365.01	PH2861	
JKR100280	53.105.00			AF8937	30.103.00	LFP2213	23.185.01	(MERCEDES BENZ)	23.130.03
JKR500010	53.231.00	AF104	27.740.00	AF9098	27.601.00	LFP2215		PH2863B	23.232.00
JKR500020	54.155.00	AF105A	27.707.00	CAF1750	53.046.00	(ALTRE/OTHER APPL)	23.127.00	PH2865	23.159.00
JKR500020	34.155.00	AF1064	30.177.00	CAF1781	53.123.00	LFP2215		PH2867	23.265.00
JMO000010	54.128.00	AF107	27.770.00	CAF1872C	54.178.00	(SAAB)	23.298.00	PH2868	23.260.00
LPW000010	25.038.00	AF109	27.769.00	CAF1919C	54.245.00	LFP2234	23.152.00	PH2869	23.259.00
LPW100230	23.254.00	AF110	27.744.00	CAF7749	54.112.00	LFP2238	23.108.00	PH2872A	23.234.00
LPW500030	25.038.00	AF121	30.800.00	FN90	31.741.00	LFP2239	23.127.04	PH2876	23.258.00
LPX100590	23.444.00	AF128	27.715.00	FP190	23.128.00	LFP2241	23.303.00	PH2901	23.156.02
LPZ000020	25.030.00	AF142	27.155.00	FP590F	24.326.00	LFP2255	23.232.00	PH2904	23.257.00
LR000901	54.159.00	AF1606	30.177.00	FP901F	24.319.01	LFP2292	23.156.00	PH2905	23.544.00
LR000901	34.159.00	AF1613	30.372.00	FS150	24.384.00	LFP2538	23.241.00	PH299	23.156.00
LR001247	25.060.00	AF1749	54.112.00	G242	31.005.00	LFP3307	23.475.00	PH4403	23.102.02
LR001313	24.156.00	AF2441	30.312.00	G2908	31.500.00	LFP54	23.152.00	PH561	23.130.01
LR001419	25.177.00	AF288	30.893.00	G2909	31.505.00	LFP5825	23.313.00	PH820	23.463.00
LR002338	25.168.00	AF293	30.973.00	G2920	24.374.00	LFP5971	23.248.00	PH8A	23.102.00
LR003011	30.555.00	AF3128	30.388.00	G2946	31.502.00	LFP805	23.237.00	SD3	23.103.00
LR004459	25.060.00	AF3148	30.653.00	G2954	31.024.00	LFP8537	23.303.00		
LR005816	30.555.00	AF317	27.939.00	G2977	31.020.00	LFP8538	23.303.00		
LR007311	24.459.00	AF328	27.090.00	G2981	31.510.00	LFP8986	23.280.00	LUCAS (UK)	UFI
LR007478	27.353.00	AF350	27.520.00	G2987	31.563.00	LH8504	25.406.01	296	24.360.00
LR009705	24.454.00	AF351	30.076.00	G341	31.006.00	LP2211	20.020.00	7019/113	21.050.00
LR010075	24.459.00	AF353	30.972.00	G481	31.564.00	LP2212	25.406.01	7019/124A	21.050.00
LR011279	25.073.02	AF3588	30.281.00	G484	31.523.00	LP2231	25.499.00	7019/221	21.050.00
LR011593	30.C03.00	AF378	27.162.00	G499	31.539.00	LP4854	25.013.00	7111/296	24.360.00
LR013148	25.152.00	AF385	30.896.00	G572	31.565.00	P2470	25.413.00	7111/298	26.602.00
LR019192	53.206.00	AF386	30.946.00	G6311	31.525.00	P2902	25.590.00	7111/44	24.362.00
LR019589	54.159.00	AF387	30.822.00	G6324	31.556.00	P3244	25.024.00	7111/500	24.360.00

7111/526	24.360.00	(ALTRE/OTHER APPL.)	24.351.00	LFDE138	26.115.00	71760257	27.630.00	BCF113	53.017.00
7111/796	24.361.00	HDF497	24.321.00	LFDE199	26.131.00	71760431	30.A69.00	BCF114	53.020.00
7111/996	24.371.00	HDF498	24.350.00	LFDE200	26.073.00	71760440	30.374.00	BCF118	53.014.00
7111/996A	24.371.00	HDF500	21.061.00	LFDE201	26.033.00	71760441	30.294.00	BCF119	53.021.00
7176/398	24.350.02	HDF504	26.670.00	LFDE274	26.102.00	71760443	30.253.00	BCF121	53.023.00
7176/495	24.319.01	HDF505	26.652.00	LFDF121	24.027.00	71760450	27.621.00	BCF122	53.006.00
7176/496	24.351.00	HDF506	24.365.00	LFDF293	24.193.00	71760454	30.506.00	BCF123	53.011.00
7176/496		HDF507	24.365.01	LFDF294	24.194.00	71760462	30.504.00	BCF124	53.019.00
(BEDFORD, OPEL, VAUXHALL)	24.351.01	HDF508	24.384.00	LFDS191	24.196.00	71760464	30.550.00	BCF125	53.018.00
7176/496A		HDF510	24.397.00	LFDS221	24.465.00	71760465	30.496.00	BCF126	53.061.00
(ALTRE/OTHER APPL.)	24.351.00	HDF511	26.687.00	LFOE258	25.145.00	71760484	31.947.00	BCF128	53.028.00
7176/497	24.321.00	HDF512	26.686.00	LFOE259	25.191.00	71760488	26.012.00	BCF131	53.042.00
7176/498	24.350.00	HDF513	26.689.00	LFOE305	25.188.00	71760500	25.083.00	BCF132	53.046.00
7176/500	21.061.00	HDF514	26.688.00	LFOE334	25.148.00	71760502	25.106.00	BCF140	53.068.00
7176/504	26.670.00	HDF516	24.400.00	LFOE339	25.139.00	71760515	25.056.00	BCF141	53.059.00
7176/505	26.652.00	HDF521	24.374.00	LFOE339	25.139.00	71760516	25.093.00	BCF143	53.082.00
7176/506	24.365.00	HDF522	24.370.00	LFOE339	23.650.00	71760518	27.356.00	BCF145	53.031.00
7176/507	24.365.01	HDF523	24.375.00			71760527	60.H20.00	BCF150	53.040.00
7176/507A	24.365.01	HDF524	24.327.00			71760528	30.604.00	BCF151	53.033.00
7176/521	24.374.00	HDF525	24.368.00			71760530	30.607.00	BCF153	53.034.00
7176/522	24.370.00	HDF526	24.366.00			71760552		BCF155	53.063.00
7176/523	24.375.00	HDF527	24.326.00			(CARTA ARROTOL./ROLLED PAPER)	24.390.00	BCF156	53.064.00
7176/524	24.327.00	HDF796	24.361.00			71760552		BCF157	53.094.00
7176/525	24.368.00	HDF901	24.360.00			(CARTA PIEGH./PLEATED PAPER)	26.676.00	BCF159	53.035.00
7176/526	24.366.00	HDF902	24.361.00			71760553	24.389.00	BCF160	53.052.00
7176/527	24.326.00	HDF906	24.383.00			71760570	24.384.00	BCF161	53.047.00
7176/901	24.360.00	HDF910	24.390.00			71760646	30.652.00	BCF163	53.044.00
7176/902	24.361.00	HDF911	24.389.00			71760668	24.445.00	BCF164	53.037.00
7176/903	24.350.02	HDF912	24.388.00			71760706	24.388.00	BCF165	53.083.00
7176/906	24.383.00	HDF914	26.690.00			71760735	30.688.00	BCF166	53.084.00
796	24.361.00	HDF916	24.389.00			71760741	30.654.00	BCF167	53.087.00
9001/910	24.390.00	HDF920	26.693.00			71760767	46.005.00	BCF169	53.079.00
9001/911	24.389.00	HDF950	24.412.00			71760774	30.317.00	BCF175	53.230.00
9001/912	24.388.00	HDF996	24.371.00			71760777	30.701.00	BCF176	53.091.00
9001/914A	26.690.00	LFAF138	30.101.00			71760790	25.145.00	BCF178	53.070.00
9001/916	24.389.00	LFAF216	30.B06.00			71760797	24.384.00	BCF192	53.102.00
9001/919A	26.693.00	LFAF222	30.A95.00			71760852	31.710.00	BCF202	53.141.00
9001/920A	26.693.00	LFAF230	30.701.00			71760861	26.691.00	BCF203	53.231.00
901	24.360.00	LFAF256	27.A92.00			71760865	26.003.00	BCF207	53.148.00
902	24.361.00	LFAF257	27.B74.00			71760868	24.027.00	BCF223	53.227.00
906	24.383.00	LFAF277	30.390.00			71760871	25.043.00	BCF224	53.189.00
910	24.390.00	LFAF321	30.780.00			71760872	25.060.00	BCF236	53.116.00
911	24.389.00	LFAF344	27.D10.00			71760874	25.031.00	BCF241	53.185.00
912	24.388.00	LFAF373	27.E44.00			71761685	26.693.00	BCF247	53.156.00
996A	24.371.00	LFAF382	27.D79.00			71761691	25.050.00	BCF256	53.254.00
BF45	26.609.00	LFAF398	30.A50.00			71761698	30.A37.00	BCF260	53.228.00
F2/2	24.362.00	LFAF427	30.787.00			71761705	30.687.00	BCF264	53.143.00
F3	24.362.00	LFAF450	30.788.00			71761711	30.532.00	BCF279	53.261.00
F4	24.362.00	LFAF457	30.363.00			71761712	30.587.00	BCF305	54.195.00
FDB101	31.500.00	LFAF460	30.639.00			71761713	30.A15.00	BCF318	54.197.00
FDB104	31.502.00	LFAF467	30.603.00			71761718	31.922.00	BCF321	54.107.00
FDB105	31.510.00	LFAF478	30.A99.00			71762364	30.A38.00	BCF323	54.165.00
FDB106	31.506.00	LFAF482	30.660.00			71762365	30.A61.00	BCF340	54.109.00
FDB107	31.505.00	LFAF484	27.A72.00			71762366	30.A51.00	BCF341	54.119.00
FDB108	31.699.00	LFAF510	30.658.00			71762369	30.B50.00	BCF342	54.103.00
FDB109	31.594.00	LFAF519	30.A15.00			71762384	30.B20.00	BCF343	54.157.00
FDB110	31.503.00	LFAF527	30.512.00			71762391	30.A67.00	BCF345	54.114.00
FDB113	31.529.00	LFAF529	30.355.00			71762395	30.A49.00	BCF346	54.121.00
FDB117	31.507.00	LFAF530	30.A17.00			71762399	30.665.00	BCF347	54.108.00
FDB119	31.513.00	LFAF534	30.693.00			71762410	26.115.00	BCF356	54.102.00
FDB120	31.535.00	LFAF535	30.717.00			71762436	25.199.00	BCF370	54.111.00
FDB122	31.514.00	LFAF537	30.779.00			71762459	30.795.00	BCF380	54.100.00
FDB125	31.618.00	LFAF540	30.B22.00			71762466	23.650.00	BCF386	54.174.00
FDB128	31.515.00	LFAF541	30.B20.00			71762489	25.216.00	BCF392	54.136.00
FDB129	31.611.00	LFAF542	30.A67.00			71771361	23.303.00	BCF411	53.220.00
FDB130	31.512.00	LFAF543	30.655.00			71771375	27.228.00	BCF412	53.243.00
FDB131	31.520.00	LFAF546	30.A38.00			71771762	23.196.00	BCF414	53.233.00
FDB135	31.563.00	LFAF547	30.777.00			71771765	27.366.00	BCF608	54.221.00
FDB136	31.609.00	LFAF568	30.317.00			71771768	27.367.00	FD500	24.390.00
FDB137	31.564.00	LFAF570	30.395.00			71772194	27.228.00	FD501	24.388.00
FDB138	31.531.00	LFAF572	30.688.00			71772196	30.933.00	FD502	24.389.00
FDB142	31.547.00	LFAF581	30.692.00			71772198	54.104.00	FD503	26.688.00
FDB143	31.558.00	LFAF582	30.B76.00			71772205	23.438.00	FD504	26.690.00
FDB147	31.560.00	LFAF593	30.A60.00			71773166	30.194.00	FD505	26.691.00
FDB148	31.517.00	LFAF640	30.794.00			71773176	25.043.00	FD506	26.686.00
FDB149	31.523.00	LFAF641	30.B56.00			71773184	23.438.00	FD507	26.689.00
FDB151	31.648.00	LFAF642	30.793.00			71773186	53.043.00	FD509	24.416.00
FDB159	31.508.00	LFAF643	30.795.00			71773192	53.124.00	FD510	24.429.00
FDB160	31.561.00	LFAF648	30.B50.00			BCF101	53.007.00	FD512	24.351.00
FDB164	31.539.00	LFAF652	30.A85.00			BCF104	53.015.00	FD513	24.365.00
FDB167	31.550.00	LFAF667	30.B41.00			BCF105	53.013.00	FD514	24.382.00
HDF296	24.360.00	LFCP225	53.298.00			BCF106	53.027.00	FD515	24.350.00
HDF495	24.319.01	LFCP248	53.396.00			BCF107	53.016.00	FD516	24.365.01
HDF496		LFCP250	53.383.00			BCF108	53.010.00	FD517	24.379.01
(ALTRE/OTHER APPL.)	24.351.00	LFCP254	53.368.00			BCF109	53.025.00	FD518	24.408.00
HDF496		LFCP258	53.389.00			BCF110	53.012.00	FD520	
(BEDFORD, OPEL, VAUXHALL)	24.351.01	LFCP270	53.388.00			BCF111	53.011.00	(ALTRE/OTHER APPL.)	24.381.00
HDF496A		LFCP325	54.331.00			BCF112	53.024.00	FD520	
				MAGNETI MARELLI	UFI				
				152071758527	30.C47.00	71760530			
				153071760418	27.E50.00	71760552			
				153071760696	23.660.00	(CARTA ARROTOL./ROLLED PAPER)	24.390.00		
				153071762383	30.C62.00	71760552			
				153071762467	23.739.00	(CARTA PIEGH./PLEATED PAPER)	26.676.00		
				153071762469	30.C35.00	71760553	24.389.00		
				153071762501	30.C37.00	71760570	24.384.00		
				154003266050	27.E52.00	71760646	30.652.00		
				154065636050	27.D83.00	71760668	24.445.00		
				154068330320	54.376.00	71760706	24.388.00		
				154068888790	54.389.00	71760735	30.688.00		
				154068889940	53.418.00	71760741	30.654.00		
				154070523714	30.B13.00	71760767	46.005.00		
				154070562261	53.426.00	71760774	30.317.00		
				154072386190	30.B76.00	71760777	30.701.00		
				154072388013	30.B04.00	71760790	25.145.00		
				154072388080	30.B27.00	71760797	24.384.00		
				154072388681	23.717.00	71760852	31.710.00		
				154072395528	30.C39.00	71760861	26.691.00		
				154072399903	23.652.00	71760865	26.003.00		
				154072402674	30.B15.00	71760868	24.027.00		
				154072407801	27.F37.00	71760871	25.043.00		
				154072411016	30.B56.00	71760872	25.060.00		
				154072413813	34.108.00	71760874	25.031.00		
				154072416073	30.C64.00	71761685	26.693.00		
				154072417929	30.C54.00				

(BMW)	24.399.00	FI68	31.556.00	C13114/3	27.881.00	C16134/1	27.675.00	C20017	30.B50.00
FD521	24.399.00	FI69	31.558.00	C13114/4	27.881.00	C16134/2	27.675.00	C20027	30.B13.00
FD522		FI70	31.560.00	C13135	27.993.00	C16136	27.140.00	C20028	30.B14.00
(BMW)	24.397.00	FI71	31.669.00	C13137	27.085.00	C16142/2	27.A00.00	C20029	30.B22.00
FD522		FI72	31.725.00	C1357	27.731.00	C16148	27.282.00	C20105	27.797.00
(ROVER)	24.417.00	FI73	31.712.00	C1358	27.731.00	C1618	30.026.00	C20106	30.297.00
FD523	24.366.00	FI74	31.535.00	C1361	27.595.00	C16181	27.132.00	C20106/1	30.297.00
FD524	24.368.00	FI77	31.565.00	C1362	27.731.00	C16182	27.233.00	C20106/4	30.A58.00
FD525	24.374.00	FI79	31.621.00	C1362/1	27.731.00	C16190	27.878.00	C20189	27.172.00
FD526		FI80	31.543.00	C1370	27.594.00	C16190X	27.878.00	C2021	27.956.00
(ALTRE/OTHER APPL.)	24.366.00	FI81	31.523.00	C1376	27.089.00	C16247/1	27.232.00	C2027	27.605.00
FD526		FI83	31.520.00	C1380	27.824.00	C1642	27.730.00	C2029	30.454.00
(MAZDA)	24.392.00	FI84	31.648.00	C1380/1	27.074.00	C1652/2	27.F32.00	C2030	30.687.00
FD527	24.375.00	FI88	31.694.00	C1380/3	27.699.00	C1699	27.193.00	C2039	30.836.00
FD536	24.418.00	FI92	31.817.00	C1381	27.355.00	C17006	30.390.00	C2050	30.310.00
FD537	24.423.00	FI94	31.844.00	C1387	27.588.00	C17008	30.603.00	C2053	30.154.00
FD538	24.331.00	FI95	31.847.00	C1394	27.268.00	C17010	27.G31.00	C2055	30.238.00
FD540	24.436.00	FI96	31.501.00	C1394/1	27.268.00	C17011	27.G33.00	C2056	30.045.00
FD542	24.425.00	FO346		C1399/2	27.253.00	C17012	27.G10.00	C2068	30.953.00
FD543	24.400.00	(BR)	25.406.01	C1399/3	27.800.00	C17012/1	27.G10.00	C2074	30.269.00
FD544	24.414.00	LA484	53.400.00	C14004	27.630.00	C17013	27.G11.00	C21001	30.A59.00
FD547	24.403.00			C14006	27.A92.00	C17016	30.617.00	C21002	30.677.00
FD548	24.391.00	MAHINDRA	UFI	C14011	27.D79.00	C17021		C21005	30.588.00
FD549	24.424.00			C14013	27.E61.00	(BR)	30.390.00	C21014	30.713.00
FD552	24.409.00	005557147R91	23.297.00	C14114	27.486.00	C17023	27.B54.00	C21025	30.654.00
FD553	24.404.00	0305DC0161N	24.H20.00	C14115	27.381.00	C17129	27.888.00	C21100	30.046.00
FD555	24.415.00	5557147R91	23.297.00	C14115/1	27.128.00	C17137/1X	27.597.00	C21104/2	30.244.00
FD556	24.327.00			C14130	27.401.00	C17137X	27.598.00	C21106	30.297.00
FD557	24.412.00	MAHLE	UFI	C14130/1	27.402.00	C17192	27.081.00	C21116/1	30.149.00
FD558	24.344.00	⇒ KNECHT-MAHLE		C14138/1	27.137.00	C17201	27.982.00	C21136/1	30.A37.00
FD561	24.428.00			C14150	27.175.00	C17201/3	27.195.00	C21138/1	27.813.00
FD562	24.430.00	MANN+HUMMEL	UFI	C14159	27.159.00	C17217	27.135.00	C2119	30.104.00
FD563	24.427.00			C14159/1	27.138.00	C17225/2	27.804.00	C2120	27.728.00
FD564	24.391.00	BF700X	21.061.00	C14160	27.584.00	C17225/3	27.804.00	C2120/2	27.728.00
FD565	24.426.00	BF707	21.050.00	C14168	27.602.00	C17237	27.628.00	C2129	30.177.00
FD566	24.445.00	BFU700X	21.061.00	C1417	27.716.00	C17237/1	27.A69.00	C21317	27.902.00
FD567	24.401.00	BFU707	21.050.00	C14171	27.068.00	C1724	30.497.00	C2135	30.811.00
FD568	24.411.00	C 1184	27.065.00	C14176	27.524.00	C17278	27.228.00	C2135/2	30.872.01
FD569	24.384.00	C 12 007	27.059.00	C14179	27.920.00	C17278/1		C2136	30.242.00
FD570	24.413.00	C 1440/1	27.954.00	C14179/1	27.931.00	(BR)	27.228.00	C2136/1	30.275.00
FD572	24.321.00	C 1589/3	27.265.00	C14179/2	27.138.00	C1733		C2138/3	30.235.00
FD573	24.383.00	C 2055	27.525.00	C14179X	27.920.00	(BR)	30.163.00	C21431	27.923.00
FD574	24.371.00	C 2329	30.576.00	C1430	27.601.00	C1733/1	27.713.00	C2146	27.750.00
FD578	26.003.00	C 2329	30.481.00	C1451	27.890.00	C17337/2	27.356.00	C2150	30.286.00
FD579	26.687.00	C 24 135	27.071.00	C1460	27.196.00	C1760	27.239.00	C2159	30.117.00
FD588	31.824.00	C 2498	30.151.00	C1468	27.845.02	C1760/1	27.271.00	C2159/1	
FI20	31.506.00	C 2537/2	27.589.00	C1472	27.258.00	C1770	27.750.00	(BR)	30.149.00
FI21	31.502.00	C 2766	30.969.00	C1476	27.845.02	C18003	27.606.00	C2192	30.116.00
FI22	31.510.00	C 29 034	30.508.00	C1480	27.252.00	C18004	30.451.00	C22007	30.290.00
FI23	31.500.00	C 3275	30.500.00	C15005	27.688.00	C18006	27.397.00	C22009	30.625.00
FI24	31.512.00	C 33 007	30.498.00	C15007	27.629.00	C18108	27.149.00	C2201	30.615.00
FI25		C 33 156/1	30.261.00	C15008	27.621.00	C18114	27.636.00	C22013	27.C10.00
(ALTRE/OTHER APPL.)	31.515.00	C 35 124	30.097.00	C15010	27.A54.00	C18121	27.149.00	C22014	30.712.00
FI25		C 35 134	53.022.00	C15104	27.153.00	C18143	27.354.00	C22015	30.632.00
(VAG)	31.722.00	C 816/2	27.756.00	C15105	27.353.00	C18146/3	27.485.00	C22016	30.548.00
FI26	31.511.00	C1036/1	27.386.00	C15105/1	27.353.00	C18149/1	27.676.00	C22017	30.621.00
FI27		C1036/2	27.592.00	C15122	27.272.00	C1820	27.720.00	C22018	30.622.00
(ALTRE/OTHER APPL.)	31.699.00	C1041	27.385.00	C15127	27.134.00	C1827	30.327.00	C22020	30.595.00
FI27		C11103/2	27.550.00	C15127/1	27.283.00	C1832/1	30.894.00	C22024	27.B74.00
(WEBER FI-02/2)	31.504.00	C1112	27.107.00	C15127/2	27.477.00	C1833	30.800.00	C22029	30.544.00
FI28	31.505.00	C11120	27.593.00	C15143	27.384.00	C1839	27.708.00	C22031	30.A52.00
FI29	31.503.00	C1113	27.710.00	C15143/1	27.384.00	C1839/1	27.708.00	C22033	30.B20.00
FI30	31.507.00	C1145/4	27.267.00	C15163/1	27.D10.00	C1858/2	30.147.00	C22035	30.A51.00
FI31	31.563.00	C1145/6	27.273.00	C15165/3	27.828.00	C1858/4		C22117	30.835.00
FI32	31.508.00	C1150	27.736.00	C15165/7	27.679.00	(BR)	30.147.00	C22117/1	30.925.00
FI33	31.569.00	C1176/3	27.801.00	C1519	27.716.00	C1861	27.580.00	C2212	27.274.00
FI34	31.513.00	C1184	27.234.00	C15200	27.231.00	C1869	27.A91.00	C22120	30.064.00
FI35	31.583.00	C1189	27.367.00	C15248	27.067.00	C1880	30.393.00	C2214	30.278.00
FI36	31.718.00	C12003	27.587.00	C15260	27.828.00	C1882	27.394.00	C2219	30.483.00
FI37	31.710.00	C12102	27.154.00	C1530	27.707.00	C18901	30.327.00	C22212	27.097.00
FI38	31.562.00	C12104	27.341.00	C1571	27.527.00	C1891	27.171.00	C22267	27.583.00
FI39	31.564.00	C12107	27.257.00	C1577	27.947.00	C19003	30.653.00	C2227	27.792.00
FI40	31.611.00	C12107/1	27.257.00	C1577/1	30.943.00	C19010	30.619.00	C2229	30.102.00
FI41	31.515.00	C1213	27.762.00	C1586	27.366.00	C19095	30.383.00	C2233	27.715.00
FI42	31.012.00	C12133	27.596.00	C1589/2	27.254.00	C1923	30.416.00	C2234	27.906.00
FI43	31.001.00	C12133/1	27.A51.00	C1589/3	27.236.00	C1924	30.A50.00	C2234/1	27.906.00
FI45	31.514.00	C12178	27.586.00	C1595	27.236.00	C1932	30.163.00	C2237	30.168.00
FI50	31.514.00	C12178/1	27.585.00	C16005	27.A48.00	C1933	27.702.00	C2240	30.325.00
FI52	31.541.00	C12178/2	27.B12.00	C16007	27.E34.00	C1939	27.740.00	C2242	30.872.01
FI53	31.740.00	C1257	27.761.00	C16012	27.F37.00	C1942	27.939.00	C2244	30.168.00
FI54	31.769.00	C1286/1	27.403.00	C16012	27.E61.00	C1943	27.939.00	C2245	30.317.00
FI55	31.841.00	C1287	27.A53.00	C16113	27.194.00	C1955-2	30.134.00	C2256	30.027.00
FI56	31.834.00	C13103	27.235.00	C16113/1	27.173.00	C1980	27.090.00	C2256/1	30.027.00
FI57	31.561.00	C13103/1	27.169.00	C16114/1X	27.693.00	C1990	27.069.00	C2263	27.701.00
FI58	31.747.00	C13109		C16114X	27.692.00	C1995	30.152.00	C2281	30.005.00
FI62	31.776.00	(RENAULT)	27.084.00	C16118	27.603.00	C1996	27.520.00	C2282	30.057.00
FI63	31.724.00	C13109		C16127	27.647.00	C20003	30.503.00	C2287	30.318.00
FI65	31.750.00	(CHRYSLER, JEEP)	27.150.00	C16133	27.678.00	C20014	30.B08.00	C2295	30.028.00

C2295/2	30.132.00	C2490	30.167.00	C26027	30.781.00	C2715	30.206.00	C29031	30.C61.00
C2295/3	30.133.00	C2493	30.049.00	C26028	30.A99.00	C27154/1	30.996.00	C29036	30.A41.00
C2295/4	30.369.00	C2496	30.048.00	C26032	30.A95.00	C2716	30.466.00	C29110	30.717.00
C2295/5		C2498	30.098.00	C26033	30.594.00	C27161	30.332.00	C29117	30.234.00
(BR)	30.132.00	C25002	30.A21.00	C26035	30.C54.00	C27181	30.041.00	C29118	30.036.00
C23004	30.347.00	C25004	30.462.00	C26089	30.C62.00	C27192/1	30.162.00	C29121	30.324.00
C23005	27.A72.00	C25006	30.550.00	C2610	30.175.00	C2726	30.231.00	C29122/1	30.948.00
C23006	30.B01.00	C25008/1	30.665.00	C26106	30.422.00	C2731	27.712.00	C29124	30.128.00
C23008	27.691.00	C25013	30.627.00	C26107	30.215.00	C2731/1	30.143.00	C29126	30.893.00
C23011	30.437.00	C25016	30.594.00	C26108	30.A24.00	C2735	30.403.00	C29126/2	30.893.00
C23012	30.780.00	C25019	30.280.00	C26109	30.910.00	C2736/1	30.537.00	C29126/3	30.893.03
C23013	30.607.00	C25020	30.221.00	C26110	30.914.02	C2737	27.712.00	C29132	30.455.00
C23018	30.A53.00	C25033	30.794.00	C26110/1	30.914.02	C2740	30.450.00	C29144	30.072.00
C23094	30.652.00	C25040	30.724.00	C26120	30.664.00	C2742	30.307.00	C29145	30.388.00
C23107	27.691.00	C25044	30.A75.00	C26126	30.050.00	C2743	30.335.00	C29150	30.349.00
C23109	30.700.00	C2510/1	30.543.00	C26133	30.121.00	C2748	30.263.00	C29168	30.293.00
C23124	30.B28.00	C25100	30.066.00	C26138/1	30.981.00	C2749	30.803.00	C29198	30.085.00
C23129	30.366.00	C25101	30.139.00	C26138/1KIT	30.981.00	C2751	30.803.00	C29198/1	30.193.00
C23148	30.961.00	C25101/1	30.139.00	C26144	30.944.00	C2759/1	30.248.00	C29200	27.162.00
C2318	27.744.00	C25109	30.375.00	C26151	30.029.00	C2766	30.923.01	C29230	30.355.00
C2323	27.734.00	C25109/1	30.374.00	C26168	30.192.00	C2771	30.108.00	C2931	30.676.00
C2324	30.279.00	C25114	30.991.00	C26168/2	30.924.00	C2774	30.022.00	C2938	27.946.00
C2325	30.A34.00	C25115	30.407.00	C2617	30.308.00	C2774/1	30.B21.00	C2941	30.633.00
C2326	30.170.00	C25117/2	30.180.00	C2620	30.289.00	C2774/3KIT	30.101.00	C2943	27.591.00
C2329	30.001.00	C25118	30.963.00	C2620/1		C2774/3KIT	30.C47.00	C2953/1	30.939.00
C2330	30.725.00	C25118/1	30.254.00	(BR)	30.289.00	C2775	30.386.00	C2956	27.133.00
C2332	30.222.00	C2512	30.417.00	C26206	30.109.00	C2788	30.106.00	C2957	30.987.01
C2334/1	30.243.00	C25122	30.542.00	C26206/1	30.109.00	C28004	30.A61.00	C2963/1	27.799.00
C2337	30.460.00	C25128	30.169.00	C2622	30.270.00	C28005	30.620.00	C2964	30.973.00
C2339	27.744.00	C2513	30.176.00	C2626	27.E44.00	C28010	30.723.00	C2966	30.178.00
C2341	30.032.00	C25135	30.142.00	C2628	30.363.00	C28011	30.631.00	C2974	30.973.00
C2345	30.858.00	C25136	30.272.00	C2629	30.919.00	C28013	30.376.00	C2975	30.281.00
C2345/1	30.397.00	C25146	30.141.00	C2630	30.337.00	C28017	30.626.00	C2981	30.053.00
C2348	30.997.00	C2517	30.176.00	C2631	30.280.00	C28022	30.A63.00	C2982	30.087.00
C2351	27.706.00	C2519	30.348.00	C2632/1	30.174.00	C28023	30.482.00	C2982KIT	30.087.00
C2356/5	27.110.00	C2524/1	30.326.00	C2634/2	30.105.00	C28040	30.710.00	C2987/1	30.213.00
C2356/6	27.111.00	C2534	30.922.01	C2637	27.770.00	C28043	30.A45.00	C2990	
C2376	30.B44.00	C2535/2	27.927.00	C2638/1	30.078.01	C28100	30.155.00	(BR)	30.158.00
C24003	30.456.00	C2536	30.807.00	C2645	27.156.00	C28105	30.137.00	C2991	30.915.00
C24005	30.554.00	C2537/1	30.103.00	C2649	27.725.00	C28105/1	30.207.00	C2991/1	30.950.00
C24006	30.A69.00	C2537/2	30.239.00	C2653	30.283.00	C28107	30.020.00	C2991/2	30.958.00
C24007	30.453.00	C2538	30.543.00	C2657	30.030.00	C28110	30.241.00	C29939	27.893.00
C24010	30.468.00	C2540	30.807.00	C2657/1	30.033.00	C28122	30.245.00	C2998/5X	30.158.00
C24011	30.506.00	C2541	27.174.00	C2658	30.295.00	C28125	30.711.00	C2999	30.011.00
C24012	30.609.00	C2542	30.309.00	C2658/1	30.224.00	C28125/1	30.714.00	C30003	30.776.00
C24017	30.648.00	C2545	30.871.00	C2666	30.172.00	C28136	30.994.00	C30004	30.587.00
C24019	30.628.00	C2548	30.B54.00	C2667/1	30.062.00	C28136/1	30.019.00	C30005	30.532.00
C24021	30.A54.00	C2552/1	27.752.00	C2668	30.908.00	C28136/2	30.113.00	C30008	30.496.00
C24024	30.540.00	C2552/2	30.013.00	C2672/1	30.217.00	C28145	30.155.00	C30009	30.721.00
C24025	30.558.00	C2554	30.391.00	C2676	30.266.00	C28150	30.284.00	C30011	30.556.00
C24026	30.638.00	C2555/2	30.871.00	C2678	30.120.00	C28155	30.555.00	C30012	30.552.00
C24028	30.569.00	C2558/5	30.B12.00	C2679	30.336.00	C28160	30.351.00	C30013	30.597.00
C24042	30.C44.00	C2559	30.285.00	C2680		C28160/1	30.351.00	C30030	30.C35.00
C24100	30.226.00	C2561	30.252.00	(BR)	30.217.00	C28200	30.A49.00	C30115	30.A33.00
C24105	30.296.00	C2562	30.287.00	C2681	30.593.00	C2821	27.200.00	C30122	30.843.01
C24106	30.575.00	C2564	30.173.00	C2683	30.659.00	C28214	30.100.00	C30125	30.898.00
C24120	30.693.00	C25654	30.709.00	C2687	30.294.00	C28214/1	30.100.00	C30125/1	30.159.00
C24123	30.195.00	C2567	30.233.00	C2693		C2825/1	30.227.00	C30125/2	30.292.00
C24123/1	30.195.00	C2568/1	30.966.00	(BR)	30.294.00	C2841	30.344.00	C30125/3	30.292.00
C24123/2	30.195.00	C2569		C2696	30.926.00	C2846	30.806.00	C30125/4	30.159.00
C24128	30.083.00	(EU)	30.089.00	C2697	30.967.00	C2851	30.316.00	C30130	30.107.00
C24128/2	30.160.00	C2571	30.999.00	C27002	30.A40.00	C2852	30.802.01	C30130/1	30.214.00
C24130	30.004.00	C2571/1	30.935.00	C27003/1	30.533.00	C2852/2	30.802.01	C30130/2	30.258.00
C24135	27.071.01	C2573		C27004	30.A38.00	C2852/5	30.802.01	C30130/3	
C24137/1	30.212.00	(MAZDA)	30.012.00	C27006	30.463.00	C2859	30.301.00	(BR)	30.107.00
C24196	27.648.00	C2573		C27009	30.549.00	C2860	30.851.00	C30135	30.357.00
C2420	30.362.00	(FORD FIESTA, MAZDA 121)	30.062.00	C27010	30.546.00	C2860/1	30.851.00	C30138	30.259.00
C2421	30.229.00	C2579	30.129.00	C27011	30.539.00	C2861-2	30.B42.00	C30138/1	30.203.00
C2431	27.898.00	C2582	30.917.01	C27013	30.504.00	C2863	30.978.01	C30139	30.251.00
C2432	30.328.00	C2584	30.253.00	C27014	30.538.00	C2868	27.769.00	C30161	30.331.00
C2433/2	30.352.00	C2585		C27017	30.A55.00	C2872	30.194.00	C30163	30.465.00
C2436/1	27.785.00	(BR)	30.089.00	C27019	30.779.00	C2873/1	30.038.01	C30170	30.189.00
C2437	27.719.00	C2589	30.396.00	C27021	30.634.00	C2874	30.068.00	C30170/1	30.190.00
C2437/1	27.770.00	C25904	30.328.00	C27026	30.777.00	C2878	30.256.00	C30189	30.164.00
C2438	30.230.00	C2598		C27029	30.547.00	C2879	30.008.00	C30190	30.B24.00
C2439	30.A70.00	(DAEWOO)	30.990.00	C27030	30.A16.00	C2880	30.264.00	C30195	30.119.00
C2440	30.807.00	C26003	30.452.00	C27031	30.C37.00	C2892	30.136.00	C30195/2	30.119.00
C2440/1	30.932.00	C26006	30.553.00	C27047	30.A73.00	C29002	30.A97.00	C30196	30.A62.00
C2443	27.719.00	C26008	30.574.00	C27100	30.041.00	C29006	30.559.00	C3027/1	30.236.00
C2443/1	27.719.00	C26009-2	30.B25.00	C27103	30.052.00	C29008	30.392.00	C3028	30.277.00
C2446/1	27.744.00	C26010	30.660.00	C27105	30.246.00	C29012	30.A23.00	C3032/1	27.177.00
C2448	30.384.00	C26012	30.A64.00	C27107	30.404.00	C29015	30.589.00	C3033	30.312.00
C2452	30.096.00	C26013	30.574.00	C27114	30.B17.00	C29019	30.A20.00	C3034	27.176.00
C24567	30.A96.00	C26014	30.469.00	C27124	30.144.00	C29020	30.405.00	C3042	27.155.00
C2463	30.787.00	C26015	30.601.00	C27124/1	30.157.00	C29021	30.C64.00	C3042/1	30.025.00
C2469	30.267.00	C26018	30.B06.00	C27125	30.557.00	C29028	30.778.00	C3055	30.804.00
C2485/1	30.319.00	C26021	30.618.00	C2714	30.126.00	C29029	30.509.00	C3065	30.130.00
C2485/2	30.319.00	C26022	30.635.00	C27143	30.041.00	C29030	30.C65.00	C3073	30.960.00

C3078	30.118.01	C33017	30.B86.00	C36004	30.A44.00	C54165	30.B11.00	CU2227	53.150.00
C3082/5	30.145.01	C33128	30.322.00	C36006/1	30.477.00	C58185	30.003.00	CU2232	53.115.00
C3083	30.199.00	C33130	30.977.00	C36007 KIT	30.718.00	C58185/1	30.003.00	CU2232/1	53.115.00
C3083/1	30.209.00	C33156	30.933.00	C36010	30.262.00	C60230	30.040.00	CU2240	53.087.00
C3087	30.153.00	C33156/1	30.067.00	C36013	30.701.00	C68001	30.395.00	CU2243	53.124.00
C3087/1	30.311.00	C3318	30.288.00	C36020	30.726.00	C816/1	27.709.00	CU2245	53.039.00
C3087/2	30.153.00	C33189	30.202.00	C36030	30.B23.00	C816/2	27.709.00	CU2252	53.218.00
C3088/1	30.470.00	C33189/1	30.197.00	C36031	30.A74.00	C946/2	27.A05.00	CU2252	
C3091	30.432.00	C33194	30.274.00	C36172	30.300.00	CS1343	27.062.00	(NISSAN) (BR)	53.260.00
C3093	30.111.00	C33220	30.954.00	C36188	30.303.00	CS17110	27.061.00	CU2253	53.232.00
C3093/1	30.165.00	C3324	30.232.00	C36188/1	30.A35.00	CS17110/1	27.061.00	CU23000-2	53.338.00
C31002	27.B13.00	C33256	30.086.00	C36221	30.904.00	CU 22 011	53.321.00	CU23001-2	53.219.00
C31003/1		C3327	30.237.00	C3698/3-2	30.531.00	CU 2441	53.333.00	CU23003	53.294.00
(BR)	30.512.00	C3338	27.076.00	C37005	30.380.00	CU1006-2	53.073.00	CU23005-2	53.332.00
C31005	30.591.00	C3347	30.360.00	C37009	30.655.00	CU1009	53.316.00	CU23009	53.209.00
C31008	30.B03.00	C3365	27.604.00	C37100	30.346.00	CU15001	53.388.00	CU23010	53.149.00
C31031	30.A42.00	C3366	30.302.00	C37107	30.896.00	CU1546	53.292.00	CU23011	53.215.00
C31101/1	30.076.00	C3366/1		C37132	30.161.00	CU1629	53.223.00	CU23015-2	53.332.00
C31104	30.216.00	(BR)	30.302.00	C37148	30.035.00	CU17001	53.186.00	CU23019	53.387.00
C31109	30.A71.00	C3377	30.039.00	C37153	30.077.00	CU1719	53.126.00	CU2316	53.107.00
C31116	30.183.00	C3383	27.521.00	C37153/1	30.364.00	CU1721-2	53.253.00	CU2317	53.132.00
C31121	30.398.00	C3383/1	30.112.00	C37157	30.596.00	CU1738	53.067.00	CU2326	53.075.00
C31122	30.218.00	C34003	30.639.00	C3725	30.338.00	CU1811-2	53.239.00	CU2327	53.108.00
C31126	30.223.00	C34008	30.793.00	C3766	30.220.00	CU1823		CU2327-2	53.108.00
C31130	30.A71.00	C34100	30.464.00	C3777	30.878.00	(N.1 FILTRO/FILTER)	53.080.00	CU2329	53.122.00
C31143	30.367.00	C34109	30.864.00	C38001	30.B26.00	CU1827	53.109.00	CU2330	53.141.00
C31145	30.334.00	C34109/1	30.864.00	C38002	30.661.00	CU1828	53.050.00	CU2331	53.208.00
C31152	30.946.00	C34109/2	30.198.00	C38003	30.662.00	CU1829	53.104.00	CU2335	53.043.00
C31152/1	30.946.00	C34116	30.063.00	C38011	30.B15.00	CU1835	53.109.00	CU2336	53.112.00
C3118	30.211.00	C34116/1	30.063.00	C38116	30.399.00	CU19000-3	53.070.00	CU2337	53.138.00
C31195	30.058.00	C34175	30.073.00	C38120	30.826.00	CU19001	53.261.00	CU2338	53.100.00
C31196	30.268.00	C34200	30.890.00	C38130	30.B27.00	CU19002	53.407.00	CU2339	53.246.00
C3127	30.385.00	C3434	30.276.00	C38145	30.276.00	CU19004-2	53.251.00	CU2344	53.074.00
C3132	30.228.00	C3459	30.A15.00	C38163/1	30.911.00	CU1910	53.116.00	CU2345	53.035.00
C3136	30.361.00	C3461	30.889.00	C3828		CU1912	53.184.00	CU2349	53.386.00
C3141	27.086.00	C3465	30.815.00	(RA)	30.338.00	CU1915	53.404.00	CU2351	53.063.00
C3145	30.204.00	C3468	30.185.00	C38401		CU1919	53.147.00	CU2356	53.118.00
C3146	30.225.00	C3468/1	30.185.00	(J)	30.338.00	CU1931-2	53.037.00	CU2358	53.123.00
C3161	30.809.00	C3474	30.818.00	C3873	30.034.00	CU1936	53.146.00	CU2362	53.145.00
C3166	30.945.00	C3474		C3874	30.034.00	CU20001		CU24004	53.191.00
C3167/1	30.017.00	(FIAT)	30.857.00	C3875	30.181.00	(BR)	53.157.00	CU24006	53.383.00
C3173	30.021.00	C3475	30.906.00	C3875/1	30.321.00	CU20006	53.210.00	CU24009	53.330.00
C3175/3	30.017.00	C3483	30.822.00	C3877	30.265.00	CU20010	53.220.00	CU24012-2	53.313.00
C3175/4	30.017.00	C3483/1	30.860.00	C3877/1	30.265.00	CU20013	53.299.00	CU24013	53.208.00
C3177	30.942.00	C3485	30.186.00	C3880	30.342.00	CU20018	53.365.00	CU2418-2	53.164.00
C3178	30.017.00	C3485/2	30.186.00	C39002	30.A25.00	CU20030		CU2422	53.149.00
C3184	30.942.00	C3485/3		C39108	30.852.00	(BR)	53.256.00	CU2423	53.105.00
C3188	30.127.00	(BR)	30.186.00	C39160/1	30.188.00	CU2012	53.144.00	CU2424	53.083.00
C32003	30.788.00	C3495	30.371.00	C39161	30.936.00	CU2015	53.117.00	CU2425	53.188.00
C32005	30.505.00	C3498	30.146.00	C39219	30.329.00	CU2026	53.088.00	CU2430	53.106.00
C32008	30.353.00	C35003	30.B10.00	C3975/1	27.079.00	CU2027	53.135.00	CU2431	53.075.00
C32010	30.512.00	C35004	30.A86.00	C3997	30.830.00	CU2028	53.183.00	CU2433	53.076.00
C3210	30.A60.00	C35005	30.B63.00	C40001	30.629.00	CU2033-2	53.235.00	CU2434	53.111.00
C32112	30.928.00	C35008	30.573.00	C40002	30.630.00	CU2035	53.125.00	CU2435	53.084.00
C32119	30.166.00	C35009	30.A17.00	C40107	30.024.00	CU2038	53.071.00	CU2436	53.207.00
C32120	30.955.00	C35010	30.795.00	C40124	30.071.00	CU2040	53.157.00	CU2440	53.129.00
C32120/1		C35011	30.692.00	C40163	30.273.00	CU2043	53.093.00	CU2442	53.254.00
(FORD)	30.016.00	C35012	30.A68.00	C40174	30.993.00	CU21000-2	53.143.00	CU2450	53.153.00
C32120/1		C35017	30.C38.00	C41002	30.657.00	CU21001-2	53.197.00	CU2454	53.159.00
(VOLVO)	30.044.00	C35110	30.299.00	C41110	30.315.00	CU21003	53.160.00	CU25001	53.224.00
C32123	30.095.00	C35118	30.916.00	C41121	30.974.00	CU21004	53.426.00	CU25002	53.320.00
C32130	30.365.00	C35124	30.070.00	C41123	30.975.00	CU21005-2	53.394.00	CU25003	53.389.00
C32154	30.090.00	C35126	30.C03.00	C41173	30.976.00	CU21008	53.390.00	CU25007	53.422.00
C32154/1	30.099.00	C35127	30.007.00	C4190	30.847.00	CU21009	53.273.00	CU25008-2	53.212.00
C32164	30.320.00	C35134	30.965.00	C4190/1	30.847.00	CU2106-2	53.274.00	CU25012	53.293.00
C32191	30.320.00	C35140	30.719.00	C42002	30.A67.00	CU2129	53.127.00	CU2504	53.317.00
C32191/1	30.647.00	C35148	30.007.00	C42192	30.257.00	CU2131	53.103.00	CU2506-2	53.119.00
C32199	30.541.00	C35154	30.187.00	C42192/1	30.257.00	CU2137	53.230.00	CU2513	53.213.00
C3220	30.409.00	C35154/1	30.370.00	C4265	30.658.00	CU2138	53.222.00	CU2516	53.051.00
C3230	30.247.00	C35156	30.079.00	C4287/1	30.184.00	CU2141	53.218.00	CU2520	53.057.00
C3233	30.171.00	C35157	30.079.00	C4287/2	30.124.00	CU2143	53.098.00	CU2525	53.018.00
C32338	30.080.00	C35160/1	30.330.00	C4292/2		CU2145	53.249.00	CU2525/1	53.099.00
C32338/1	30.082.00	C35177	30.341.00	(BR)	30.260.00	CU2149	53.086.00	CU2530	53.052.00
C3251	30.150.00	C35178	30.007.00	C43102	30.C55.00	CU22001-2	53.120.00	CU2531	53.085.00
C3251/1	30.150.00	C35215	30.115.00	C4312/1	30.340.00	CU22002-2	53.201.00	CU2532	53.152.00
C3260	27.781.00	C3534	27.599.00	C43139	30.A72.00	CU22003	53.260.00	CU2533-2	53.229.00
C3261	30.372.00	C3569	30.952.00	C4371/1	30.260.00	CU22004	53.329.00	CU2542-2	53.121.00
C3270	30.250.00	C3575	30.196.00	C4476	30.899.00	CU22010	53.327.00	CU2544	53.130.00
C3273	30.339.00	C3578	30.930.00	C45004	30.B56.00	CU22011	53.256.00	CU2545	53.031.00
C3275	30.135.00	C3585	30.645.00	C46150	30.891.00	CU22016	53.275.00	CU2559	53.102.00
C3282	30.210.00	C3594	30.069.00	C4692	30.606.00	CU22022	53.211.00	CU26004	53.374.00
C3284/1	30.075.00	C3594/1		C47109	30.182.00	CU22023	53.249.00	CU26006	53.233.00
C3284/2	30.075.00	(VOLVO)	30.125.00	C48183	30.929.00	CU22029	53.315.00	CU26008-2	53.397.00
C3290	30.955.00	C3594/1		C5082	30.345.00	CU2214-2	53.259.00	CU26009	53.298.00
C33001	30.406.00	(CHRYSLER)	30.972.00	C5082/1	30.400.00	CU2216-2		CU26010	53.190.00
C33005	30.135.00	C3597	30.902.00	C5082/2	30.400.00	(N.2 FILTRI/FILTERS)	53.328.00	CU26014-2	53.277.00
C33006	30.688.00	C36002	30.368.00	C51001	27.A97.00	CU2224-2	53.068.00	CU26017	53.396.00
C33007	30.592.00	C36003	30.467.00	C52107	30.201.00	CU2225	53.021.00	CU2603	53.322.00

CU2622	53.151.00	CU3569	53.137.00	CUK2358	54.306.00	CUK3461/1	54.246.00	FP3124-2	34.240.00
CU2623	53.214.00	CU3642-2	53.318.00	CUK24003	54.238.00	CUK35000-2	54.302.00	FP3139	34.127.00
CU2628	53.400.00	CU3649	53.058.00	CUK2422	54.103.00	CUK3518	54.125.00	FP3172	34.133.00
CU2629	53.113.00	CU3759	53.114.00	CUK2430	54.237.00	CUK3540	54.145.00	FP3337	34.100.00
CU2630	53.041.00	CU3780	53.064.00	CUK2433	54.115.00	CUK3554	54.116.00	FP34003	34.293.00
CU2631	53.152.00	CU3840	53.155.00	CUK2436	54.170.00	CUK3567	54.106.00	FP3448	34.194.00
CU2634	53.334.00	CU3847	53.136.00	CUK2440	54.158.00	CUK3569	54.161.00	FP3461	34.131.00
CU2640	53.240.00	CU3858	53.059.00	CUK2442	54.178.00	CUK3621	54.149.00	FP3461/1	34.246.00
CU2642	53.082.00	CU3942	53.019.00	CUK2450	54.168.00	CUK3642-2	54.242.00	FP3540	34.145.00
CU2644		CU3955	53.013.00	CUK2450/1	54.168.00	CUK3780	54.102.00	FP3567	34.106.00
(BR)	53.113.00	CU3973	53.013.00	CUK25001	54.226.00	CUK3840	54.174.00	FP3569	34.161.00
CU2645	53.134.00	CU3979	53.013.00	CUK25003	54.291.00	CUK3847	54.160.00	FP4054	34.146.00
CU2647	53.077.00	CU4054	53.247.00	CUK25007	54.218.00	CUK3858	54.281.00	FP4436	34.175.00
CU2648	53.331.00	CU4151	53.014.00	CUK25012	54.257.00	CUK3943	54.123.00	FP5141	34.119.00
CU2650	53.079.00	CU4179	53.069.00	CUK2525	54.280.00	CUK3955	54.195.00	FP5480	34.118.00
CU2672	53.004.00	CU4251	53.015.00	CUK2532	54.272.00	CUK4054	54.146.00	FP6724	34.121.00
CU2680	53.040.00	CU4416	53.244.00	CUK2533-2	54.231.00	CUK4151	54.197.00	H1018/2N	25.443.00
CU27007	53.379.00	CU4436	53.156.00	CUK2544	54.269.00	CUK4179	54.156.00	H1029/1N	25.421.00
CU27008	53.325.00	CU4442	53.042.00	CUK2545	54.114.00	CUK4251	54.277.00	H1032/1X	25.607.00
CU27009	53.276.00	CU4624	53.101.00	CUK2559	54.136.00	CUK4436	54.175.00	H1038	25.455.01
CU2733	53.206.00	CU4727	53.257.00	CUK26003	54.140.00	CUK4624	54.137.00	H1038X	25.455.00
CU2736-2	53.234.00	CU5141	53.162.00	CUK26005	54.217.00	CUK5141	54.119.00	H42	26.664.00
CU2745	53.005.00	CU5257	53.016.00	CUK26007	54.236.00	CUK5257	54.317.00	H601	25.406.01
CU2745-2	53.005.00	CU5366	53.319.00	CUK26009	54.219.00	CUK5258	54.151.00	H601/4	25.406.01
CU2746	53.250.00	CU5480	53.017.00	CUK26010	54.199.00	CUK5366	54.128.00	H614N	25.530.00
CU2747	53.231.00	CU6724	53.158.00	CUK26011	54.377.00	CUK5480	54.118.00	H614X	25.530.01
CU2750	53.049.00	CU8430	53.236.00	CUK26011-2	54.377.00	CUK6724	54.121.00	H712	25.407.01
CU2757	53.030.00	CUK 22 011	54.244.00	CUK26013-2	54.287.00	CUK8430	54.154.00	H718/1Z	25.001.00
CU28003	53.312.00	CUK1629	54.285.00	CUK26014-2	54.254.00	FP1827	34.274.00	H804/99	25.408.00
CU28004	53.185.00	CUK18000-2	54.132.00	CUK26021	54.314.00	FP1828	34.264.00	H804T	25.408.00
CU28009	53.423.00	CUK18002	54.286.00	CUK2620	54.233.00	FP1829	34.232.00	H813/1N	25.413.00
CU2808-2	53.258.00	CUK1820-2	54.104.00	CUK2622	54.224.00	FP19004	34.241.00	H813/1X	25.413.00
CU2835	53.026.00	CUK1827	54.274.00	CUK2639	54.217.00	FP1919	34.266.00	H813/98	25.413.00
CU2839	53.065.00	CUK1828	54.264.00	CUK2641	54.222.00	FP1936	34.268.00	H813X	25.419.00
CU2842	53.189.00	CUK1829	54.232.00	CUK2646-2	54.215.00	FP2026	34.221.00	H816/99	25.409.01
CU2855	53.091.00	CUK1830	54.144.00	CUK2680	54.171.00	FP2043	34.271.00	H816X	25.409.01
CU2855/1	53.418.00	CUK19004	54.241.00	CUK27001	54.234.00	FP21000-2	34.164.00	H820/3X	25.402.01
CU2861	53.027.00	CUK19004-2	54.241.00	CUK27009	54.234.00	FP2131	34.117.00	H827/1N	25.407.01
CU2882	53.006.00	CUK1919	54.266.00	CUK27021-2	54.294.00	FP2141	34.167.00	H827/99	25.407.01
CU2897	53.007.00	CUK1931-2	54.252.00	CUK2723-2	54.173.00	FP22011	34.244.00	H921	25.541.00
CU29001	53.367.00	CUK1936	54.268.00	CUK2733	54.159.00	FP22013	34.223.00	H921X	25.541.00
CU29002-2	53.163.00	CUK20000-2	54.130.00	CUK2736-2	54.108.00	FP22021	34.288.00	H924/2	25.587.00
CU29003-2	53.154.00	CUK20006	54.248.00	CUK2742	54.166.00	FP2243	34.162.00	H924/2X	25.587.00
CU29007	53.323.00	CUK20010	54.253.00	CUK2743	54.249.00	FP23015-2	34.279.00	H925/3X	25.004.00
CU2930	53.205.00	CUK20011		CUK2747	54.155.00	FP2335KIT	34.262.00	H926/3X	25.548.00
CU2939	53.148.00	(BR)	54.248.00	CUK2757	54.230.00	FP2433	34.115.00	H930/2	25.539.00
CU2940	53.038.00	CUK2026	54.221.00	CUK28001	54.289.00	FP2436	34.170.00	H930/3	25.539.00
CU2941-2	53.255.00	CUK2030	54.290.00	CUK28009	54.289.00	FP2440	34.158.00	H930/3X	25.539.00
CU2945	53.060.00	CUK2032	54.113.00	CUK2842	54.148.00	FP2442	34.178.00	H932/5X	25.590.00
CU2949-2	53.009.00	CUK2033-2	54.129.00	CUK2847/1	54.312.00	FP2450	34.168.00	H938/1X	25.555.00
CU2951	53.023.00	CUK2035	54.273.00	CUK2855	54.126.00	FP25001	34.226.00	H939	25.439.00
CU2951/1	53.252.00	CUK2043	54.271.00	CUK2862	54.109.00	FP25003	34.291.00	H952	25.540.00
CU2952	53.161.00	CUK21000-2	54.164.00	CUK2882	54.263.00	FP25007	34.218.00	H952X	25.540.00
CU2956	53.023.00	CUK2131	54.117.00	CUK2897	54.270.00	FP25012	34.257.00	HU10002Z	25.145.00
CU3020	53.033.00	CUK2132	54.176.00	CUK29003-2	54.172.00	FP2533-2	34.231.00	HU5001Z	25.249.00
CU3023-2	53.226.00	CUK2137	54.120.00	CUK29005	54.163.00	FP2544	34.269.00	HU514X	25.050.00
CU3032	53.061.00	CUK2141	54.167.00	CUK29007	54.261.00	FP2559	34.136.00	HU514Y	25.155.00
CU3037	53.032.00	CUK2143	54.134.00	CUK29008	54.319.00	FP26005	34.217.00	HU6001	25.163.00
CU3040	53.133.00	CUK2145	54.138.00	CUK2939	54.124.00	FP26007	34.236.00	HU6002Z	25.153.00
CU3042	53.025.00	CUK2149	54.122.00	CUK2939/1	54.376.00	FP26007/1	34.236.00	HU6004X	25.142.00
CU3054	53.047.00	CUK22000-2	54.141.00	CUK2940	54.111.00	FP26009	34.219.00	HU6006Z	
CU3059	53.010.00	CUK22005	54.284.00	CUK2941-2	54.243.00	FP26010	34.199.00	(TOYOTA 04152-YZZA7)	25.116.00
CU31003	53.324.00	CUK22008-4	54.255.00	CUK2945	54.196.00	FP26013-2	34.287.00	HU6006Z	
CU3136	53.020.00	CUK22011	54.227.00	CUK2949-2	54.110.00	FP26021	34.314.00	(TOYOTA 04152-YZZA6)	25.086.00
CU3138	53.024.00	CUK22013	54.223.00	CUK2951	54.107.00	FP2620	34.233.00	HU6007X	25.024.00
CU3139		CUK22014	54.322.00	CUK3020	54.267.00	FP2641	34.222.00	HU6008Z	25.204.00
(N.1 FILTRO/FILTER)	53.228.00	CUK22021	54.288.00	CUK3023-2	54.153.00	FP2646-2	34.215.00	HU6009Z	25.248.00
CU3139-2	53.228.00	CUK22022	54.245.00	CUK3037	54.101.00	FP27009	34.234.00	HU6011Z	25.170.00
CU3172	53.095.00	CUK22032	54.331.00	CUK3042	54.105.00	FP27021-2	34.294.00	HU6012Z KIT	25.211.00
CU3172/1	53.245.00	CUK2225	54.235.00	CUK3054	54.143.00	FP2733	34.159.00	HU6013Z	25.153.00
CU3192	53.011.00	CUK2227	54.275.00	CUK3059	54.135.00	FP2742	34.166.00	HU6014/1Z	25.188.00
CU32008	53.391.00	CUK2230	54.147.00	CUK31003	54.292.00	FP2743	34.249.00	HU6014Z	25.188.00
CU3240	53.227.00	CUK2231	54.220.00	CUK3124-2	54.240.00	FP2747	34.155.00	HU6015Z KIT	25.185.00
CU3337	53.045.00	CUK2232/1	54.150.00	CUK3139		FP2757	34.230.00	HU6018Z	25.225.00
CU3338	53.046.00	CUK2240	54.198.00	(N.1 FILTRO/FILTER)	54.127.00	FP2842	34.148.00	HU6019Z	25.199.00
CU3340	53.028.00	CUK2243	54.162.00	CUK3142	54.112.00	FP2847/1	34.312.00	HU6022Z	25.148.00
CU3360	53.028.00	CUK2245	54.282.00	CUK3172	54.133.00	FP2862	34.109.00	HU6023Z	25.118.00
CU34003	53.314.00	CUK23004-2	54.283.00	CUK3192	54.165.00	FP2882	34.263.00	HU6024Z	25.223.00
CU3448	53.044.00	CUK23005-2	54.279.00	CUK3220	54.139.00	FP2897	34.270.00	HU6026Z	25.160.00
CU3454	53.131.00	CUK23009	54.256.00	CUK3240	54.142.00	FP29003-2	34.172.00	HU610X	25.014.00
CU3455	53.001.00	CUK23015-2	54.279.00	CUK3241	54.157.00	FP29005	34.163.00	HU611/1X	25.017.00
CU3461	53.094.00	CUK2316	54.201.00	CUK3337	54.100.00	FP2939	34.124.00	HU611X	25.022.00
CU3518	53.090.00	CUK2317	54.265.00	CUK3340	54.169.00	FP2940	34.111.00	HU612/1X	25.063.00
CU3540	53.110.00	CUK2327-2	54.152.00	CUK3360	54.389.00	FP2941-2	34.243.00	HU612/2X	25.064.00
CU3553	53.012.00	CUK2335	54.262.00	CUK34003	54.293.00	FP3023-2	34.153.00	HU612X	25.032.00
CU3554	53.012.00	CUK2335KIT	54.262.00	CUK3448	54.194.00	FP3037	34.101.00	HU615/3X	25.067.00
CU3562	53.002.00	CUK2338	54.247.00	CUK3455	54.278.00	FP3054	34.143.00	HU618X	25.094.00
CU3567	53.034.00	CUK2339	54.318.00	CUK3461	54.131.00	FP31003	34.292.00	HU68X	25.035.00

HU69/3X	25.163.00	HU8011Z	25.232.00	PF925X	20.012.02	W6025	23.484.00	W712/47	23.401.00
HU7001X	25.151.00	HU8014Z	25.110.00	PF926N	20.012.00	W610		W712/5	23.282.00
HU7002Z	25.191.00	HU815/2X	25.028.00	PU 7014 z	26.076.00	(BR)	23.438.00	W712/52	23.453.00
HU7003X	25.164.00	HU816/2X	25.034.00	PU10001X	26.013.00	W610/1		W712/54	23.435.00
HU7004/1X	25.061.00	HU816X	25.058.00	PU10004Z	26.149.00	(ALTRE/OTHER APPL.)	23.251.00	W712/6	23.131.02
HU7005X	25.143.00	HU816Z KIT	25.171.00	PU10010Z	26.129.00	W610/10		W712/73	23.413.00
HU7006Z	25.128.00	HU818X	25.030.00	PU10011Z	26.130.00	(BR)	23.265.00	W712/75	23.299.00
HU7008Z	25.106.00	HU819/1X	25.052.00	PU1018X	26.022.00	W610/2	23.260.00	W712/8	
HU7009Z	25.077.00	HU819X	25.018.00	PU1021X	26.688.00	W610/3		(ALTRE/OTHER APPL.)	23.293.00
HU7010Z	25.159.00	HU820/1Y	25.085.00	PU1033X	26.015.00	(ALTRE/OTHER APPL.)	23.265.00	W712/8	
HU7011Y	25.247.00	HU820/2X	25.167.00	PU1040X	26.085.00	W610/3		(RHD, LOMBARDINI, PIAGGIO)	23.439.00
HU7011Z	25.247.00	HU820X	25.027.00	PU12003Z	26.074.00	(ALFAROMEQ, FIAT, FORD, LANCIA, OPEL)	23.438.00	W712/8 (10)	
HU7012Z	25.180.00	HU821X	25.069.00	PU7002X	26.696.00	W610/4	23.266.00	(N.10 FILTRI/FILTERS)	23.293.00
HU7013X		HU822/5X	25.075.00	PU7004Z	26.034.00	W610/6	23.265.00	W712/80	23.298.00
(BR)	25.151.00	HU825X	25.026.00	PU7005	26.052.00	W610/7	23.265.00	W712/82	23.439.00
HU7017Z	25.115.00	HU826X	25.152.00	PU7006	26.019.01	W610/80	23.251.00	W712/83	23.253.00
HU7018Z	25.112.00	HU831X	25.068.00	PU7006		W610/81	23.260.00	W712/9	23.105.00
HU7019Z		HU835/1Z	25.257.00	(N.1 FILTRO/FILTER)	26.047.00	W610/83	23.266.00	W712/93	23.494.00
(TOYOTA Diesel appl.)	25.150.00	HU842X	25.019.00	PU7007Z	26.073.00	W610/9	23.251.00	W712/94	23.573.00
(TOYOTA Petrol appl.)	25.196.00	HU848/1X	25.009.00	PU7010Z	26.104.00	W66	23.470.00	W712/95	23.575.00
HU7020Z	25.144.00	HU9001X	25.210.00	PU7011Z	26.104.00	W67	23.479.00	W712/98	23.253.00
HU7024Z	25.090.00	HU9002Z	25.108.00	PU7012Z	26.033.00	W67/1		W713/1	23.240.00
HU7025Z	25.172.00	HU9009Z	25.173.01	PU7014Z	26.076.01	(ALTRE/OTHER APPL.)	23.258.00	W713/15	
HU7026Z	25.198.00	HU920X	25.015.00	PU7015	26.053.00	W67/1		(UNIPART GFE171)	23.197.00
HU7027Z	25.166.00	HU923X	25.033.00	PU7017Z	26.080.00	(NISSAN, RENAULT)	23.484.00	W713/15	
HU7029Z	25.080.00	HU925/3X	25.004.00	PU723X	60.H20.00	W67/2	23.255.00	(UNIPART GFE280)	23.254.00
HU7030Z	25.088.00	HU925/4X	25.004.00	PU731X	26.693.00	W67/3		W713/16	23.196.00
HU7032Z	25.216.00	HU925/4Y	25.177.00	PU742	26.005.00	(BR)	23.484.00	W713/18	23.278.00
HU7033Z	25.187.00	HU926/3X	25.548.00	PU8007	26.025.00	W67/80		W713/19	23.242.00
HU7035Y	25.247.00	HU932/4X	25.099.00	PU8008	26.026.00	(ALTRE/OTHER APPL.)	23.258.00	W713/22	23.196.00
HU7042Z	25.139.00	HU932/6N	25.010.00	PU8008/1	26.026.00	W68	23.424.00	W713/24	23.414.00
HU7044Z	25.178.00	HU934/1X	25.066.00	PU8013Z	26.054.00	W68/1	23.263.00	W713/28	23.254.00
HU7046Z	25.253.00	HU938/4X	25.038.00	PU8014	26.065.00	W68/3	23.263.00	W713/35	23.478.00
HU7051Z	25.149.00	HU951X	25.095.00	PU8015	26.032.00	W68/80	23.263.00	W713/4	
HU7051Z	24.026.01	LC 9005	27.689.00	PU8021	26.038.00	W7003	23.455.00	(ALTRE/OTHER APPL.)	23.175.00
HU710X	25.029.00	MA1099		PU8027	26.038.00	W7008	23.267.00	W713/4	
HU711/2X	25.056.00	(USA)	30.338.00	PU8028	26.038.00	W7013		(SUZUKI)	23.210.00
HU711/4X	25.049.00	MW713	23.105.00	PU816X	26.012.00	(BR)	23.519.00	W713/5	23.169.00
HU711/51X	25.060.00	MW77	23.118.00	PU819/3X	26.023.00	W7013/1		W713/9	23.444.00
HU711/6Z	25.178.00	MW811	23.131.01	PU820X	26.057.00	(BR)	23.632.00	W714/2	23.447.00
HU711X	25.056.00	P 45	26.683.00	PU822X	26.690.00	W7015	23.632.00	W714/3	23.448.00
HU712/10X	25.070.00	P 716	24.390.00	PU823X	26.018.00	W7020	23.413.00	W714/4	23.449.00
HU712/11X	25.061.00	P 738 x	26.682.00	PU825X	26.007.00	W7023	23.452.00	W716/1	23.439.00
HU712/6X	25.047.00	P275X	25.402.01	PU830X	26.003.00	W7030	23.519.00	W717	23.187.00
HU712/7X	25.031.00	P33	26.680.00	PU835X		W7032	23.628.00	W717/1	23.242.00
HU712/8X	25.012.00	P53	26.660.00	(BR)	26.045.00	W7034	23.739.00	W717/2	23.444.00
HU712/9X	25.074.00	P707	26.609.00	PU839X	26.006.00	W7038	23.664.00	W718	
HU712X	25.012.00	P707X	26.609.00	PU9001X	26.058.00	W7043	23.439.00	(LOMBARDINI, MACO-MEUDON)	23.117.00
HU713/1X	25.043.00	P710	26.635.00	PU9002/1Z	26.072.00	W7050	23.584.00	W718/2	23.445.00
HU714X	25.071.00	P711	26.635.00	PU9003Z	26.020.00	W7052	23.660.00	W719/1	23.117.00
HU715/3X	25.008.00	P715	26.618.00	PU9009Z KIT	26.114.00	W7053	23.293.00	W719/11	23.151.00
HU715/4X	25.008.00	P716	26.676.00	PU9011Z KIT	26.115.00	W7054	23.687.00	W719/12	23.130.00
HU716/2X	25.037.00	P718/1X	26.686.00	PU9012/1Z	26.122.00	W7056	23.650.00	W719/13	23.130.03
HU718/1K	25.013.00	(RA) (BR)	26.695.00	PU9012Z	26.122.00	W7058	23.439.00	W719/13 (10)	
HU718/1N	25.003.00	P718X	26.695.00	PU922X	26.691.00	W7061	23.721.00	(N.10 FILTRI/FILTERS)	23.130.03
HU718/1X	25.002.00	P722	26.645.00	PU927X	26.055.00	W7062	23.717.00	W719/14	
HU718/1Y	25.054.00	P725	26.670.00	PU932X	26.020.00	W711/80	23.253.00	(CHRYSLER, VM)	23.249.00
HU718/1Z	25.001.00	P725X	26.670.00	PU935X	26.020.00	W712		W719/15	23.130.02
HU718/4X	25.002.00	P726X	26.694.00	PU936/1X	26.021.00	(ESCLUSO/EXCEPT KRAMER APPL.)	23.103.00	W719/21	23.462.00
HU718/5X	25.002.00	P732X	26.689.00	PU936/2X	26.014.00	W712 (10)		W719/26	
HU718/5X	25.059.00	P733/1X	26.687.00	PU937X	26.037.00	(N.10 FILTRI/FILTERS)	23.103.00	(RA)	23.295.00
HU718/6X	25.072.00	P735X	24.388.00	PU999/1X	26.001.00	W712/1	23.188.00	W719/27	23.440.00
HU718X	25.053.00	P738X	24.389.00	PU999X	26.001.00	W712/11	23.105.00	W719/29	23.249.00
HU719/3X	25.091.00	P78	26.652.00	W 712/83	23.477.00	W712/12		W719/30	23.436.00
HU719/5X	25.165.00	P78X	26.652.00	W 714/4	23.434.00	(EU)	23.129.01	W719/30 (10)	
HU719/6X	25.040.00	P810F	26.601.00	W 75/3	23.262.00	W712/15	23.129.01	(N.10 FILTRI/FILTERS)	23.436.00
HU719/7X	25.023.00	P810X	26.601.00	W 811/80	23.139.00	W712/16	23.415.00	W719/33	23.483.00
HU719/8X	25.039.00	P824X	26.602.00	W 916/1	23.176.00	W712/18	23.271.00	W719/36	23.473.00
HU719/8Y	25.154.00	P825T	26.606.00	W 920/21	23.168.00	W712/19	23.213.00	W719/45	
HU720/3X	25.096.00	P916/6X	24.360.00	W 940/37	23.113.00	W712/2		(06J115403M)	23.493.00
HU721/2X	25.041.00	P917	24.360.00	W11007	23.124.00	(ALTRE/OTHER APPL.)	23.131.00	W719/5	23.130.01
HU721/4X	25.048.00	P917		W1126	23.128.00	W712/21	23.131.00	W719/5 (10)	
HU721/5X	25.084.00	(BR, RA)(PIEGHI/PLEATED PAPER)	24.360.01	W1128	23.166.00	W712/22	23.129.02	(N.10 FILTRI/FILTERS)	23.130.01
HU722X	25.021.00	P917/2X	24.360.01	W1130	23.209.00	W712/22 (10)		W719/53	23.597.00
HU722Y	25.065.00	P917X	24.360.00	(ALCUNI IMPIEGHI/SOME APPL.)	23.124.00	(N.10 FILTRI/FILTERS)	23.129.02	W719/7	23.474.00
HU722Z	25.080.00	P923/1	24.362.00	W1130		W712/26	23.131.01	W719/9	23.272.00
HU726/2X	25.011.00	P923/1X	24.362.00	(ALCUNI IMPIEGHI/SOME APPL.)	23.167.00	W712/27		W724/1	23.186.01
HU727/1X	25.162.00	P945	24.361.00	W1130/1	23.167.00	(BR, RA)	23.175.00	W724/4	23.212.00
HU8001X	25.105.00	P945X	24.361.00	W1130/2	23.167.00	W712/30		W724/5	23.440.00
HU8002X KIT	25.179.00	PF1050/1N	25.528.00	W1130/3	23.167.00	(BR)	23.455.00	W730/1	23.404.00
HU8002Y	25.146.00	PF1050/1X	25.528.00	W1140/1	23.108.00	W712/37	23.413.00	W735/2	23.464.00
HU8003X	25.168.00	PF1055/1	25.499.00	W1323	23.482.00	W712/38	23.298.00	W75/2	23.418.00
HU8005Z	25.141.00	PF1055/1N	25.499.01	W6011	23.565.00	W712/39	23.428.00	W75/3	23.418.00
HU8006Z	25.083.00	PF1055/1X	25.499.00	W6014	23.596.00	W712/4	23.131.00	W77	23.118.00
HU8007Z	25.201.00	PF1155	20.020.00	W6018	23.616.00	W712/41	23.299.00	W79	23.481.00
HU8008Z	25.073.02	PF1155K	20.020.00	W6019	23.617.00	W712/43	23.416.00	W8006	23.102.00
HU8009Z	25.089.00	PF1155N	20.020.00	W6021	23.585.00	W712/43 (10)		W8011	23.615.00
						(N.10 FILTRI/FILTERS)	23.416.00	W8013	23.564.00

W8017	23.583.00	W920/38	23.458.00	WK 853/20	55.173.00	WK614/10	31.712.00	WK812	24.326.00
W811/80		W920/45	23.463.00	WK 918/1	24.117.00	WK614/11	31.556.00	WK8123	24.432.00
(MITSUBISHI)	23.485.00	W920/47	23.177.00	WK 940/11 x	24.392.00	WK614/12X	31.725.00	WK815	
W811/80		W920/48	23.127.00	WK 940/6 x	24.442.00	WK614/14	31.517.00	(ALTRE/OTHER APPL.)	24.368.00
(ALTRE/OTHER APPL.)	23.461.00	W920/5	23.177.00	WK1136	24.002.00	WK614/15	31.649.00	WK815/80	24.370.00
W811/81		W920/6		WK12001	24.156.00	WK614/17	31.715.00	WK8154	24.457.00
(ALTRE/OTHER APPL.)	23.131.01	(CHRYSLER, JEEP)	23.127.00	WK31/2	31.009.00	WK614/2	31.547.00	WK8157	24.456.00
W811/81		W920/8	23.425.00	WK31/2 (10)		WK614/26X	31.558.00	WK8158	24.455.00
(TOYOTA)	23.270.00	W920/80	23.127.00	(N.10 FILTRI/FILTERS)	31.009.00	WK614/31	31.525.00	WK815X	
W811/83	23.496.00	W920/82	23.273.00	WK31/2 (100)		WK614/33	31.523.00	(KIA)	24.339.00
W811/85	23.259.00	W921/80	23.232.00	(N.100 FILTRI/FILTERS)	31.009.00	WK614/36X	31.560.00	WK815X	
W812/99	23.271.00	W923/1		WK31/4	31.027.00	WK614/41	31.828.00	(ALTRE/OTHER APPL.)	24.368.00
W813/6	23.194.00	(BR)	23.297.00	WK31/4 (10)		WK614/42	31.696.00	WK817/3X	24.321.00
W814/80		W930	23.185.01	(N.10 FILTRI/FILTERS)	31.027.00	WK614/44	31.749.00	WK818	31.570.00
(OPEL, VAUXHALL)	23.133.00	W930/11	23.189.00	WK31/5	31.013.00	WK614/45	31.751.00	WK820	24.436.00
W814/80		W930/12	23.211.00	WK31/5 (10)		WK614/46	31.842.00	WK820/1	24.436.00
(ALTRE/OTHER APPL.)	23.271.00	W930/13	23.544.00	(N.10 FILTRI/FILTERS)	31.013.00	WK614/47	31.801.00	WK820/15	24.148.00
W814/81	23.213.00	W930/19	23.465.00	WK31/8	31.013.00	WK614/9	31.520.00	WK820/16	24.150.00
W815	23.191.00	W930/20		WK32	31.012.00	WK618	31.594.00	WK820/17	24.151.00
W815		(LAND ROVER)	23.297.00	WK32 (10)		WK618/1	31.561.00	WK820/18	24.149.00
(RENAULT)	23.402.00	W930/21	23.465.00	(N.10 FILTRI/FILTERS)	31.012.00	WK618/3	31.770.00	WK820/19	24.193.00
W815/3	23.173.01	W930/26	23.472.00	WK4002	31.028.00	WK66	31.529.00	WK820/20	24.194.00
W815/5	23.191.00	W932	23.281.00	WK410	31.510.00	WK68	31.562.00	WK820/2X	24.077.00
W815/80	23.165.00	W932/81	23.256.00	WK413	31.501.00	WK68/1X	31.621.00	WK820/6	24.148.00
W815/81	23.182.00	W933/1	23.256.00	WK42	31.010.00	WK68/81	31.560.00	WK820/8	24.149.00
W816/80	23.231.00	W933/4	23.486.00	WK42/1	31.001.00	WK68/83	31.731.00	WK820/9	24.151.00
W817/80		W936/6		WK42/10	31.006.00	WK69	31.840.00	WK821	24.350.02
(OPEL, VAUXHALL)	23.243.00	(BR)	23.102.00	WK42/2	31.010.00	WK69/1	31.832.00	WK822/1	24.429.00
W818/2	23.130.00	W938	23.156.00	WK42/4	31.010.00	WK69/2	31.833.00	WK822/2	31.811.00
W818/4	23.121.00	W940	23.241.00	WK42/5	31.026.00	WK7002	31.953.00	WK823	24.415.00
W818/81	23.121.00	W940 (10)		WK42/7	31.020.00	WK710	31.543.00	WK823/1	24.424.00
W818/82	23.240.00	(N.10 FILTRI/FILTERS)	23.241.00	WK42/80	31.005.00	WK710/1	31.724.00	WK823/2	24.437.00
W818/84	23.210.00	W940/1	23.102.00	WK43/12	31.001.00	WK711	31.541.00	WK823/3	24.004.00
W820	23.200.00	W940/1		WK44/6	31.024.00	WK711/1	31.834.00	WK823/3X	24.004.00
W830	23.417.00	(LAND ROVER)	23.297.00	WK45/1	31.510.00	WK711/2	24.352.00	WK824/1	24.443.00
W830/1	23.417.00	W940/13	23.164.03	WK5001		WK712/2	24.304.00	WK824/2	24.439.00
W830/3	23.545.00	W940/15N	23.241.00	(BMW 13327793672)	31.852.00	WK713	24.441.00	WK824/3	24.012.00
W840	23.198.00	W940/18	23.110.02	WK5002X	31.851.00	WK715/1	24.384.00	WK828X	24.374.00
W840/2	23.429.00	W940/23	23.256.00	WK5003	31.923.00	WK715/1x	24.384.00	WK829	24.425.00
W86	23.460.00	W940/24		WK5005/1Z	31.952.00	WK716	24.319.01	WK829/1X	24.440.00
W9009	23.546.00	(ALTRE/OTHER APPL.)	23.102.02	WK5010Z	31.857.04	WK718/2	24.384.00	WK829/2	24.412.00
W9020		W940/24		WK5015Z	31.926.01	WK719	24.304.00	WK829/3	24.445.00
(BR)	23.472.00	(ALFA ROMEO, FORD, VM)	23.164.02	WK504	31.768.00	WK719/5	24.327.00	WK829/4	24.459.00
W9050	23.280.00	W940/25	23.164.00	WK510	31.740.00	WK720	31.841.00	WK829/5	24.130.00
W9069	23.475.00	W940/25		WK511/1	31.848.00	WK720/2	24.413.00	WK829/6	24.131.00
W910/1	23.132.00	(O/OR)	23.164.03	WK511/2	31.844.00	WK720/2X	24.413.00	WK829/7	24.133.00
W910/3	23.195.00	W940/25 (10)		WK512		WK720/3	31.830.00	WK830	31.500.00
W914/13		(N.10 FILTRI/FILTERS)	23.164.00	(ALTRE/OTHER APPL.)	31.515.00	WK720/4	31.831.00	WK830/1	31.505.00
(EU)	23.165.00	W940/25 (10)		WK512		WK720/5	31.958.00	WK830/10	31.575.00
W914/13		(O/OR) (N.10 FILTRI/FILTERS)	23.164.03	(VAG)	31.722.00	WK720/6	31.958.00	WK830/2	31.531.00
(BR, RA)	23.194.00	W940/27	23.102.02	WK512/1	31.769.00	WK721	24.304.00	WK830/3	31.505.00
W914/14	23.182.00	W940/29	23.110.02	WK512/2	31.515.00	WK722/1	24.030.00	WK830/5	31.506.00
W914/15	23.173.01	W940/44	23.164.00	WK516	31.508.00	WK724/3	24.394.00	WK830/6	31.506.00
W914/17	23.194.00	W940/5	23.110.02	WK516/1	31.569.00	WK725	31.748.00	WK830/7	31.500.00
W914/2	23.114.01	W940/5 (10)		WK519	31.852.00	WK725/1	31.506.00	WK831	31.583.00
W914/2 (10)		(N.10 FILTRI/FILTERS)	23.110.02	WK521/2	31.824.00	WK728	24.126.00	WK832	24.350.00
(N.10 FILTRI/FILTERS)	23.114.01	W940/50	23.459.00	WK521/3	31.839.00	WK730/1	31.718.00	WK832/1	31.406.00
W914/20	23.194.00	W940/62	23.457.00	WK521/4	31.838.00	WK730/2X	24.525.00	WK832/2	31.846.00
W914/24	23.419.00	W940/66	23.164.03	WK522	31.925.00	WK730/5	31.817.00	WK834	31.507.00
W914/26	23.495.00	W940/69	23.546.00	WK532	31.924.00	WK735/1	24.001.00	WK834/1	31.502.00
W914/28	23.489.00	W940/7	23.458.00	WK532/1	31.847.00	WK736	24.351.00	WK841	24.400.00
W914/3	23.194.00	W940/81	23.102.00	WK55/1	31.825.00	WK76	31.565.00	WK841/1	24.427.00
W914/4	23.114.02	W950/1	23.152.00	WK55/2	31.850.00	WK76/2	31.535.00	WK842	24.351.01
W914/8	23.159.00	W950/13	23.152.00	WK55/3	31.843.00	WK76/3	31.539.00	WK842/11	24.414.00
W914/80	23.159.00	W950/14	23.152.00	WK6001	31.921.00	WK78/2	31.627.00	WK842/12	24.426.00
W914/9X	23.173.01	W950/17	23.152.00	WK6002	31.948.00	WK79	31.514.00	WK842/12X	24.426.00
W916/1	23.127.02	W950/36	23.471.00	WK6003	31.920.00	WK8016X	24.111.00	WK842/13	24.416.00
W917	23.257.00	W950/4		WK6004	31.951.00	WK8018X	24.374.00	WK842/15	24.H2O.02
W917/1	23.279.00	(VOLVO)	23.156.02	WK6008	31.946.00	WK8019	24.122.00	WK842/17	24.416.00
W918/2X	23.115.00	W950/4	23.156.03	WK6011	31.922.00	WK8020	31.947.00	WK842/18	24.007.00
W918/3	23.402.00	W950/5	23.156.00	WK6015	31.855.00	WK8021	24.099.00	WK842/19	24.005.00
W920	23.127.04	W950/7	23.156.00	WK6021	31.950.00	WK8022X	24.454.00	WK842/2	24.351.00
W920/11	23.246.00	WK 42/10	31.007.00	WK6030	31.962.00	WK8028Z	24.452.00	WK842/2 (10)	
W920/12	23.127.00	WK 6038	31.918.03	WK6031	31.948.00	WK8029	24.016.00	(N.10 FILTRI/FILTERS)	24.351.00
W920/14	23.134.00	WK 612/4	31.551.00	WK6037	31.985.00	WK8029/1	24.106.00	WK842/20	24.006.00
W920/17	23.134.01	WK 612/4	31.648.00	WK612	31.710.00	WK8030	24.012.00	WK842/21	24.451.00
W920/21		WK 614/24 x	31.609.00	WK612/1	31.710.00	WK8032	24.033.00	WK842/21X	24.451.00
(ALTRE/OTHER APPL.)	23.127.00	WK 614/24 x	31.669.00	WK612/2	31.564.00	WK8034	24.528.01	WK842/23X	24.107.00
W920/21 (10)		WK 614/24 x	31.775.00	WK612/3	31.750.00	WK8036	31.994.00	WK842/24	24.526.00
(N.10 FILTRI/FILTERS)	23.127.00	WK 614/24 x	31.776.00	WK612/5	31.741.00	WK8038	24.464.00	WK842/3	24.365.00
W920/22	23.134.01	WK 712/2	24.304.01	WK612/6	31.835.00	WK8039	24.115.00	WK842/4	24.365.01
W920/25	23.177.00	WK 8039	24.116.00	WK613		WK8046	31.624.00	WK842/7	
W920/26		WK 821	24.383.00	(ALTRE/OTHER APPL.)	31.510.00	WK8051	24.529.00	(BR)	24.351.00
(SAAB)	23.298.00	WK 842	24.350.01	WK613		WK8052Z	24.411.00	WK842/8	24.434.00
W920/3	23.127.05	WK 845/1	24.379.00	(OPEL, VAUXHALL)	31.611.00	WK8053Z	24.411.00	WK845	31.563.00
W920/31		WK 845/1	24.381.00	WK613/1	31.512.00	WK8060Z	24.123.00	WK845/1	24.379.01
(BR)	23.127.00	WK 853	31.814.00	WK613/2	31.511.00	WK8104	24.458.00	WK845/2	24.380.00
W920/36	23.172.00	WK 853/11	24.003.00	WK614	31.519.00	WK8105	24.432.00	WK845/3	24.382.00



**CROSS REFERENCES > CORRISPONDENZE >
CORRESPONDANCES > VERGLEICHNUMMERN > CRUCE DE REFERENCIAS**

WK845/4	24.397.00	WK939/8X	24.050.00	1E03-14-302	23.188.00	F801-23-603-9A	27.799.00	RF83-13-ZA5	24.393.00
WK845/5	24.399.00	WK939/9X	24.052.00	1E03-20-490	31.514.00	F8B3-13-Z40	30.012.00	RF83-13-ZA5-9A	24.393.00
WK845/6	24.417.00	WK940/11X	24.366.00	1E0420490	31.514.00	F8B3-13-Z40-9A	30.012.00	RFY0-14-302	23.274.00
WK845/7	24.344.00	WK940/16	24.366.00	1E05-13-490	31.514.00	FEY0-14-302	23.260.00	RFY2-14-302	23.461.00
WK845/8	24.417.00	WK940/16X	24.366.00	1E05-14-302	23.413.00	FEY0-14-302-9A	23.260.00	RFY2-14-302-9A	23.461.00
WK845/9	24.408.00	WK940/22	24.444.00	1E05-14-302A	23.413.00	FP34-13-480	31.715.00	S210-23-570	24.392.00
WK849	31.513.00	WK940/37X	24.423.00	1E05-14-302B	23.267.00	FP34-13-480-9A	31.715.00	S5501-43029A	23.721.00
WK850	31.747.00	WK940/6X	24.375.00	1E05-14-302C	23.267.00	FP34-20-490	31.715.00	S5501-4302A	23.721.00
WK850/2	24.401.00	WP 928/82	23.238.00	1E05-14-302D	23.267.00	FS05-13-Z40	30.172.00	S801-13-3A0	30.056.00
WK851	24.365.01	WP1026	23.476.00	1E0614302	23.413.00	FS05-13-Z40-9A	30.172.00	SH01-13-3A0A	30.099.00
WK853	31.502.00	WP1045	23.475.00	1E07-13-480	24.382.00	FS07-14-302B	23.260.00	SH01-14-302A	23.721.00
WK853/1	31.503.00	WP1144	23.303.00	1E07-14-302	23.242.00	GE6T-61-J6X	53.235.00	SH01-14-302A9A	23.721.00
WK853/11	24.430.00	WP914	23.313.00	1E08-14-302	23.416.00	GE6T-61-J6X-9A	53.235.00	SHY1-14-302	23.413.00
WK853/12	24.428.00	WP914/80	23.264.00	1E0914302	23.267.00	GE6T-61-J6X-9B	53.235.00	SHY1-14-302	23.721.00
WK853/13	24.433.00	WP920/80	23.274.00	1E10-13-Z40	30.101.00	GJ6A-61-P11	54.271.00	TD86-61-P11	53.368.00
WK853/14	24.460.00	WP928/80	23.248.00	1E1013480A	24.409.00	GJ6A-61-P11	54.271.00	U201-13-Z40	27.874.00
WK853/16	24.435.00	WP928/81		1E1014302C	23.280.00	GJ6A-61-P11-9A	54.271.00	U202-14-302	25.191.00
WK853/17	24.072.00	(MITSUBISHI)	23.237.00	1E13-14-302A	23.416.00	GJ6A-61-P11-9A	54.271.00	U2Y0-13-Z40	27.874.00
WK853/18	24.450.00	WP928/82	23.244.00	1E1614302	23.242.00	GJ6A-61-P11-9B	54.271.00	U2Y0-13-Z40A	27.874.00
WK853/20	24.ONE.00	WP928/83	23.237.00	1E2014302	23.242.00	GJ6A-61-P11-9B	34.271.00	U2Y0-13Z-A5	26.102.00
WK853/21	24.ONE.01	WP928/84	23.488.00	1E2014302A	23.242.00	GJ6A-61-P11A	53.093.00	U2Y0-14-302	25.191.00
WK853/23	24.ONE.02	ZR7001	25.901.00	1E2014302B	23.242.00	GJ6A-61-P11A-9B	53.093.00	UCY0-61-P11	53.383.00
WK853/24	24.ONE.03	ZR700X	25.901.00	1WA0-13-ZA5	26.102.00	GJ6B-61-P11	54.271.00	WE01-13-Z40	27.691.00
WK853/3	24.391.00			38087-2100	23.271.00	GJ6B-61-P11	34.271.00	WE01-13-Z40-9A	27.691.00
WK853/3X	24.391.00	MASERATI	UFI	4899-14-300	23.271.00	GS1D-61-P11	53.093.00	WE01-13-ZA5-9A	24.374.00
WK853/4	55.427.00			8172-23-603	27.799.00	HE19-23-802	23.243.00	WE01-13-Z40	27.691.00
WK853/5	24.404.00	382400304	54.105.00	8173-23-603	27.799.00	JE15-14-302	23.260.00	WL31-13-Z40	27.522.00
WK853/6	24.403.00	389.20.01.41	31.506.00	8173-23-802	23.243.00	JE48-13-480	31.649.00	WL51-14-302	23.248.00
WK853/7	24.409.00	452.04.09.01	23.171.00	8914-23-603	27.744.00	JE48-20-490	31.649.00	WL81-13-Z40	30.169.00
WK853/8	24.408.00	452.04.11.01	23.171.00	8914-23-603-9A	27.744.00	JE49-20-490	31.649.00	WL81-13-ZA5	24.374.00
WK853/9	24.418.00	479.05.32	30.964.00	AJ03-13-480	31.624.00	JEY0-14-302	23.265.00	WL91-14-302	23.248.00
WK854	24.408.00	479.05.32.00	30.964.00	AJ04-14-302B	23.463.00	JEY0-14-302-9A	23.265.00	WLY0-14-302	23.248.00
WK854/1	24.H2O.07	573.22.89.00	54.105.00	AJ04-14-302C	23.463.00	JEY0-14-302A	23.265.00	Y401-13-Z40	30.153.00
WK854/2	24.H2O.01	66855200	54.296.00	AJ04-14-302D	23.463.00	KD45-61-J6X	53.390.00	Y401-13-Z40A	30.153.00
WK854/3	24.H2O.03	673001463	26.052.00	AJ57-14-302	23.463.00	KF33-20-490	31.696.00	Y401-14-302	25.037.00
WK854/4	24.H2O.05	673002882	25.112.00	AS01-13-Z40	30.012.00	KJ01-13-Z40	30.143.00	Y401-14-302-9A	25.037.00
WK854/5	24.H2O.04	MC72821	27.853.00	AS01-13-Z40-9A	30.012.00	KL47-13-Z40	30.230.00	Y401-14-302A	25.037.00
WK854/6	24.H2O.00	ML64077	25.503.00	B33G-13-Z40	30.787.00	KL47-13-Z40-9A	30.230.00	Y401-20-490	24.343.00
WK854/7	24.H2O.08	ML66523	23.113.00	B33G-13-Z40-9A	30.787.00	L321-14-302	25.056.00	Y401-20-490-B9A	24.343.00
WK857	31.849.00	ML78049	23.102.00	B593-13-Z40	30.177.00	L321-14-302-9A	25.056.00	Y401-20-490A	
WK857/1	31.849.00	ML90052	23.122.00	B593-13-Z40-9A	30.177.00	LDY3-61-J6X	54.283.00	(SENZA STAFFA/WITHOUT BRACKET)	24.343.00
WK880	24.371.00			B595-13-Z40	30.173.00	LDY3-61-J6X-9A	54.283.00	Y401-20-490B	24.343.00
WK9007	55.393.00	MATRIX	UFI	B595-13-Z40-9A	30.173.00	LDY4-61-J6X	53.310.00	Y601-13-480	24.027.00
WK9008	55.392.00			B61P-20-490	31.519.00	LDY4-61-J6XA	53.310.00	Y601-13-Z40	30.246.00
WK9012X	24.113.00	F30015L	46.007.00	B630-14-300	23.271.00	LDY4-61-J6XA-9A	53.310.00	Y601-13-Z40-9A	30.246.00
WK9014Z	24.112.00	XF301		B6MW-13-Z40	30.172.00	LF01-14-302	25.056.00	Y601-13-Z40A-9A	30.246.00
WK9015X	24.015.00	(SOLO RICAMBIO/SPARE PART ONLY)	46.007.00	B6S7-13-Z40	30.013.00	LF01-14-302-9A	25.056.00	Y601-14-302	25.037.00
WK9016	24.145.00			B6S7-13-Z40-9A	30.013.00	LF05-14-302A	23.413.00	Y602-13-480	24.027.00
WK9022	24.114.00	MAZDA	UFI	B6Y0-14-300	23.271.00	LF10-14-302	23.413.00	Y602-13-480A	24.027.00
WK9023Z	24.119.00			B6Y0-14-302	23.258.00	LF10-14-302-9A	23.413.00	Y602-13-ZA5	24.027.00
WK9024	24.144.00	0164-14-310	23.185.01	B6Y1-14-302	23.258.00	LF10-14-302A9B	23.721.00	Y603-13-480	55.170.00
WK9025	24.026.01	0222-11-470	31.010.00	B6Y1-14-302-9A	23.258.00	LF50-13-Z40-9A	30.344.00	Y603-13-480-9A	55.170.00
WK9026	24.025.01	0222-13-470	31.010.00	B6Y1-14-302A	23.258.00	LF50-13-Z40A	30.344.00	Y642-13-Z40	27.675.00
WK9028Z	24.098.00	0222-13-470A	31.010.00	B6YP-20-490	31.519.00	LFBL-13-Z40	30.626.00	Y642-13-Z40-9A	27.675.00
WK9034Z	24.127.00	0222-13-470B	31.010.00	BBP2-61-J6X	53.397.00	LFBL-13-Z40-9A	30.626.00	Y642-13-Z40C	27.675.00
WK9039	24.061.01	0222-13-478	31.010.00	BBP2-61-J6X-9A	53.397.00	LFHH-20-490A	31.842.00	Y645-13-Z40	30.390.00
WK9043	55.394.00	0222-14-300	23.272.00	BDGF-61-J6X	53.365.00	LFY1-14-302	23.413.00	Y645-13-Z40A	30.390.00
WK9046Z	24.128.00	0222-23-420	23.272.00	BP01-20-490A	31.520.00	N231-23-802	23.271.00	Y650-13-480	
WK9053Z	24.ONE.0B	0249-14-300	23.159.00	BP4K-61-J6X	53.120.00	N236-20-490	31.520.00	(SOLO RICAMBIO/SPARE PART ONLY)	24.128.00
WK9054	24.095.01	0249-23-603	27.744.00	BP4K-61-J6XA	53.120.00	P501-13-3A0	30.A53.00	Y650-13-ZAY	24.128.00
WK9055Z	24.331.00	0259-14-300	23.159.00	BP4K-61-J6XA-9A	53.120.00	P501-13-3A0-Y05	30.A53.00	Y701-13-Z40	30.178.00
WK9057Z	24.465.00	0259-23-603	27.744.00	BP4W-13-480	31.751.00	P501-13-3A0-Z03	30.A53.00	Y701-13-Z40-9A	30.178.00
WK9066	24.080.00	0305-23-603	27.799.00	BP4W-20-490B	31.751.00	PE01-13-3A0	30.A53.00	YF09-14-302	23.440.00
WK918	24.393.00	0324-14-300	23.271.00	BP61-20-490	31.519.00	PE01-14-302	23.616.00	Z501-20-490	31.520.00
WK918/1	24.110.00	0370-23-802	23.271.00	BP8P-61-J6X	53.120.00	PE01-14-302A	23.616.00	Z605-20-490C	
WK918/2X	24.073.00	0370-25-802	23.271.00	BP8P-61-J6X-9A	53.120.00	PE01-14-302A-9A	23.616.00	(SENZA STAFFA/WITHOUT BRACKET)	31.842.00
WK919/1	55.418.00	0626-23-821	25.455.00	C102-61-J6X	54.129.00	PE01-14-302B-9A	23.616.00	ZJ01-13-Z40	30.409.00
WK920/1		0636-23-580A	26.601.00	C601-13-Z40	30.168.00	PE07-13-3A0A	30.779.00	ZJ01-13-Z40-9A	30.409.00
(BR)	24.366.00	0636-23-581	26.601.00	C601-13-Z40A	30.168.00	PN12-13-ZA5	24.368.00	ZT42-20-490	31.520.00
WK920/5	55.430.00	0636-23-820	25.455.00	C601-14-302	23.440.00	PN40-13-480	24.368.00	ZZLO-13-470	31.627.00
WK920/6	55.582.00	0636-23-820A	25.455.00	CB12-61-J6X	54.129.00	PY8W-14-302	23.258.00	ZZMO-13-470	31.624.00
WK920/7	24.026.01	0644-14-300	23.159.00	CB12-61-J6X-9A	54.129.00	R2L1-13-ZA5-B9A	24.413.00	ZZP0-13-470	31.769.00
WK939	24.343.00	0644-23-603	23.159.00	CB12-61-J6X-9B	54.129.00	R2L1-13-ZA5A	24.413.00	ZZP0-13-480	31.769.00
WK939/1	24.086.00	0727-23-800A	25.455.00	CY01-13-Z40A	30.786.00	R2L1-13-ZA5A-9A	24.413.00	ZZP1-13-470	31.769.00
WK939/10X	24.051.00	0727-23-820A	25.455.00	D09W-61-J6X	53.365.00	R2N5-13-ZA5	24.411.00	ZZP1-13-480	31.769.00
WK939/11X	24.088.00	0778-23-802	23.159.00	D350-13-480	31.844.00	R2N5-13-ZA5-9A	24.411.00		
WK939/12X	24.132.00	0813-14-300	23.271.00	D651-61-J6X	53.219.00	R2N5-13-ZA5A-9A	24.411.00	MECAFILTER	UFI
WK939/13	55.170.00	0813-23-802	23.272.00	D651-61-J6X-9A	53.219.00	RF01-13-850B	24.392.00	EHC8400	25.901.00
WK939/14X	31.071.00	0813-23-802A	23.272.00	DB9L-61-J6X	53.365.00	RF2-14-302-9A	23.461.00	EKR7000	54.277.00
WK939/15	55.394.00	0813-23-802B	23.272.00	DD10-61-P11	53.093.00	RF2A-13-Z40	30.171.00	EKR7002	54.135.00
WK939/17X	24.132.00	0820-14-300	23.272.00	E172-96-01A	27.799.00	RF2A-13-Z40A	30.171.00	EKR7003	54.197.00
WK939/2	24.027.00	0866-23-802	23.272.00	EC13-61-14Y	53.250.00	RF2A-14-302A	23.461.00	EKR7004	54.109.00
WK939/2Z	24.027.00	1304-23-603	27.878.00	EC13-61-J6XA	53.250.00	RF2A-14-302A	30.171.00	EKR7005	54.195.00
WK939/3	24.087.00	1456-23-570	24.392.00	F201-13-Z40	30.012.00	RF4F-13-Z40	30.171.00	EKR7007	54.116.00
WK939/4	24.014.00	1456-23-570A	24.392.00	F201-13-Z40-9A	30.012.00	RF4F-13-Z40-9A	30.171.00	EKR7009	54.118.00
WK939/5	24.014.00	1456-23-570A-9							

EKR7023	54.270.00	EKR7347	54.292.00	EL3273	30.939.00	EL3875	27.584.00	(ALTRE/OTHER APPL.)	31.500.00
EKR7027	54.169.00	EKR7348	54.293.00	EL3322	27.898.00	EL3876	27.137.00	ELE3567	
EKR7027	54.389.00	EKR7353	54.312.00	EL3323	27.927.00	EL3878	27.524.00	(RENAULT LAGUNA)	31.561.00
EKR7038	54.165.00	EKR7356	54.331.00	EL3324	27.890.00	EL3879	27.355.00	ELE3568	31.699.00
EKR7040	54.143.00	EKR7369	54.319.00	EL3327	30.896.00	EL3880	27.715.00	ELE3569	31.502.00
EKR7047	54.196.00	EKR7379	54.320.00	EL3331	30.843.01	EL3881	27.593.00	ELE3570	31.503.00
EKR7055	54.106.00	EL1231	27.712.00	EL3339	27.149.00	EL3900	27.138.00	ELE3571	31.531.00
EKR7059	54.105.00	EL1295	27.707.00	EL3342	27.150.00	EL3908	27.583.00	ELE3572	31.507.00
EKR7068	54.194.00	EL1384	27.761.00	EL3351	27.939.00	EL3909	27.582.00	ELE3574	31.505.00
EKR7073	54.102.00	EL1675	27.906.00	EL3413	27.194.00	EL3910	27.140.00	ELE3575	31.563.00
EKR7074	54.247.00	EL1680	27.731.00	EL3414	30.969.00	EL3914	27.273.00	ELE3576	31.001.00
EKR7075	54.171.00	EL1820	27.845.02	EL3416	30.078.01	EL3923	27.386.00	ELE3577	31.748.00
EKR7076	54.114.00	EL1862	27.701.00	EL3417	30.987.01	EL3932	27.C10.00	ELE3582	31.006.00
EKR7077	54.281.00	EL1886	27.824.00	EL3420	27.176.00	EL3933	27.397.00	ELE3583	31.026.00
EKR7078	54.262.00	EL1900	30.872.01	EL3421	27.177.00	EL3939	27.526.00	ELE3584	31.005.00
EKR7079	54.239.00	EL1953	27.954.00	EL3441	27.881.00	EL3942	27.E44.00	ELE3587	31.517.00
EKR7092	54.101.00	EL2011	27.059.00	EL3451	27.234.00	EL3954	27.384.00	ELE3592	31.012.00
EKR7095	54.122.00	EL2012	30.802.01	EL3452	27.196.00	EL3955	27.354.00	ELE3594	31.510.00
EKR7096	54.119.00	EL2133	27.268.00	EL3456	27.239.00	EL3968	27.522.00	ELE3652	31.529.00
EKR7097	54.111.00	EL2213	27.175.00	EL3461	27.253.00	EL3979	27.579.00	ELE3653	31.513.00
EKR7098	54.121.00	EL2291	27.089.00	EL3466	30.005.00	EL789	27.708.00	ELE3678	31.569.00
EKR7101	54.198.00	EL3001	27.750.00	EL3469	27.272.00	EL833	27.702.00	ELE6000	31.569.00
EKR7104	54.125.00	EL3004	27.716.00	EL3478	30.917.01	EL9007	27.162.00	ELE6001	31.508.00
EKR7105	54.282.00	EL3010	27.720.00	EL3479	27.235.00	EL9017	27.602.00	ELE6002	31.539.00
EKR7106	54.100.00	EL3012	27.708.00	EL3482	30.807.00	EL9018	30.145.01	ELE6004	31.512.00
EKR7107	54.118.00	EL3023	27.756.00	EL3488	27.888.00	EL9019	27.381.00	ELE6005	
EKR7108	54.128.00	EL3027	27.713.00	EL3510	27.195.00	EL9021	27.527.00	(RENAULT 7700820375)	31.562.00
EKR7117	54.156.00	EL3028	27.725.00	EL3511	30.978.01	EL9024	27.678.00	ELE6005	
EKR7118	54.126.00	EL3030	27.719.00	EL3520	30.993.00	EL9048	27.367.00	(ALTRE/OTHER APPL.)	31.710.00
EKR7119	54.103.00	EL3031	27.728.00	EL3521	30.976.00	EL9092	27.603.00	ELE6006	
EKR7123	54.174.00	EL3039	27.762.00	EL3536	27.128.00	EL9107	27.394.00	(ALTRE/OTHER APPL.)	31.515.00
EKR7124	54.201.00	EL3040	30.872.01	EL3541	30.943.00	EL9109	27.596.00	ELE6006	
EKR7127	54.124.00	EL3041	27.725.00	EL3543	27.174.00	EL9112	27.402.00	(VAG)	31.722.00
EKR7128	54.136.00	EL3042	27.707.00	EL3544	27.947.00	EL9113	27.486.00	ELE6008	31.514.00
EKR7128	54.158.00	EL3043	30.811.00	EL3545	27.153.00	EL9124	27.E50.00	ELE6010	31.561.00
EKR7129	54.148.00	EL3044	27.752.00	EL3548	27.200.00	EL9136	27.595.00	ELE6011	
EKR7130	54.115.00	EL3046	27.740.00	EL3553	27.097.00	EL9137	27.594.00	(BOSCH 0 450 905 002)	31.510.00
EKR7131	54.134.00	EL3047	27.878.00	EL3554	27.069.00	EL9149	27.691.00	ELE6011	
EKR7132	54.145.00	EL3050	27.902.00	EL3560	27.071.00	EL9156	27.648.00	(A.C.DELCO GF635)	31.611.00
EKR7134	54.237.00	EL3052	27.920.00	EL3611	27.252.00	EL9160	27.628.00	ELE6012	
EKR7135	54.112.00	EL3054	27.893.00	EL3641	27.258.00	EL9172	27.606.00	(WEBER FI-02/2)	31.504.00
EKR7136	54.151.00	EL3056	30.803.00	EL3643	27.228.00	EL9173	27.485.00	ELE6012	
EKR7137	54.146.00	EL3057	27.792.00	EL3660	27.257.00	EL9194	27.630.00	(BOSCH 0 450 905 005)	31.511.00
EKR7142	54.137.00	EL3058	30.809.00	EL3662	27.234.00	EL9201	27.636.00	ELE6012	
EKR7145	54.136.00	EL3059	30.804.00	EL3666	27.403.00	EL9211	30.B10.00	(BOSCH 0 450 905 025)	31.594.00
EKR7146	54.133.00	EL3061	30.803.00	EL3669	27.267.00	EL9213	27.585.00	ELE6012	
EKR7148	54.147.00	EL3062	30.807.00	EL3673	27.081.00	EL9222	27.A69.00	(BOSCH 0 450 905 021)	31.699.00
EKR7151	54.154.00	EL3063	30.806.00	EL3674	27.730.00	EL9223	27.401.00	ELE6013	31.718.00
EKR7156	54.139.00	EL3068	30.800.00	EL3688	27.341.00	EL9249	27.598.00	ELE6014	31.627.00
EKR7162	54.142.00	EL3077	27.828.00	EL3690	30.975.00	EL9250	27.675.00	ELE6015	31.948.00
EKR7163	54.318.00	EL3078	27.881.00	EL3692	27.135.00	EL9271	27.679.00	ELE6017	31.621.00
EKR7164	54.273.00	EL3087	27.804.00	EL3695	30.974.00	EL9272	27.601.00	ELE6019	31.564.00
EKR7165	54.157.00	EL3120	27.785.00	EL3696	27.232.00	EL9288	27.692.00	ELE6020	31.924.00
EKR7166	54.150.00	EL3125	27.946.00	EL3697	27.233.00	EL9289	27.693.00	ELE6021	31.740.00
EKR7170	54.120.00	EL3149	27.155.00	EL3698	27.797.00	EL9293	27.592.00	ELE6024	31.535.00
EKR7172	54.149.00	EL3152	27.084.00	EL3722	27.265.00	EL9294	27.385.00	ELE6027	31.769.00
EKR7174	54.155.00	EL3153	27.956.00	EL3724	27.588.00	EL9306	27.D79.00	ELE6028	31.841.00
EKR7185	54.269.00	EL3155	27.770.00	EL3729	27.172.00	EL9318	27.621.00	ELE6029	31.834.00
EKR7187	54.162.00	EL3157	27.769.00	EL3753	27.699.00	EL9322	27.B12.00	ELE6030	31.750.00
EKR7193	54.144.00	EL3158	27.744.00	EL3756	27.525.00	EL9325	27.A00.00	ELE6032	31.520.00
EKR7212	54.266.00	EL3159	27.799.00	EL3757	27.D10.00	EL9330	27.E34.00	ELE6034	31.550.00
EKR7218	54.160.00	EL3161	27.799.00	EL3759	27.090.00	EL9339	27.A51.00	ELE6035	31.712.00
EKR7220	54.168.00	EL3163	27.744.00	EL3763	27.159.00	EL9370	27.629.00	ELE6038	31.565.00
EKR7225	54.113.00	EL3165	27.133.00	EL3765	27.604.00	EL9428	27.A97.00	ELE6041	31.825.00
EKR7228	54.161.00	EL3166	30.871.00	EL3770	27.074.00	EL9430	27.A91.00	ELE6043	31.500.00
EKR7235	54.220.00	EL3167	30.871.00	EL3783	27.068.00	EL9448	27.B54.00	ELE6048	31.024.00
EKR7244	54.233.00	EL3170	27.744.00	EL3784	27.193.00	EL9454	30.B87.00	ELE6050	31.560.00
EKR7248	54.176.00	EL3175	27.817.00	EL3785	27.647.00	EL9454	30.C36.00	ELE6066	31.847.00
EKR7263	54.178.00	EL3176	27.729.00	EL3786	27.236.00	EL9461	27.A92.00	ELE6067	31.817.00
EKR7266	54.217.00	EL3180	27.781.00	EL3787		EL9476	27.B74.00	ELE6075	31.718.00
EKR7269	54.166.00	EL3181	30.847.00	(FIAT BARCHETTA)	27.254.00	EL9508	27.G31.00	ELE6078	31.802.00
EKR7270	54.163.00	EL3185	27.800.00	EL3787		EL9509	27.G33.00	ELE6079	31.775.00
EKR7272	54.285.00	EL3200	27.063.00	(ALTRE/OTHER APPL.)	27.366.00	EL9510	27.G10.00	ELE6094	31.914.00
EKR7274	54.175.00	EL3210	27.061.00	EL3789	30.807.00	EL9511	27.G11.00	ELE6096	31.575.00
EKR7275	54.234.00	EL3211	27.824.00	EL3796	27.599.00	EL9541	27.D83.00	ELE6101	31.833.00
EKR7278	54.249.00	EL3225	27.062.00	EL3797	27.591.00	EL9623	27.E61.00	ELE6102	31.832.00
EKR7280	54.275.00	EL3250	30.800.00	EL3803	27.580.00	EL9630	27.F37.00	ELE6104	31.624.00
EKR7288	54.224.00	EL3251	27.752.00	EL3804	27.282.00	ELCA5004	26.602.00	ELE6106	31.840.00
EKR7290	54.218.00	EL3252	30.811.00	EL3805	27.171.00	ELCA5005	24.362.00	ELE6107	31.831.00
EKR7291	54.219.00	EL3253	30.803.00	EL3808	27.169.00	ELCA5006	26.601.00	ELE6111	31.848.00
EKR7295	54.244.00	EL3254	30.804.00	EL3813	27.132.00	ELE1990	31.001.00	ELE6114	31.844.00
EKR7295	54.388.00	EL3257	30.803.00	EL3816	27.353.00	ELE2092	31.009.00	ELE6125	31.951.00
EKR7304	54.226.00	EL3259	27.946.00	EL3822	30.217.00	ELE3428		ELE6126	31.850.00
EKR7307	54.257.00	EL3260	27.076.00	EL3827	27.920.00	(ALTRE/OTHER APPL.)	31.501.00	ELE6129	31.944.00
EKR7325	54.288.00	EL3268	27.065.00	EL3850	27.521.00	ELE3428		ELG5204	
EKR7326	54.238.00	EL3269	30.923.01	EL3851	30.118.01	(RENAULT TWINGO)	31.562.00	(ALTRE/OTHER APPL.)	24.351.00
EKR7331	54.222.00	EL3270	30.922.01	EL3852	27.520.00	ELE3429	31.504.00	ELG5205	24.361.00
EKR7340	54.284.00	EL3272	27.079.00	EL3865	27.271.00	ELE3567		ELG5205B	24.361.00

ELG5206	24.319.01	ELG5301		ELG5404	55.430.00	ELH4091	23.151.00	ELH4161	23.280.00
ELG5207	26.670.00	(BMW 13327793672)	31.852.00	ELG5405	24.119.00	ELH4092		ELH4162	
ELG5208	26.652.00	ELG5302	24.051.00	ELG5406	24.127.00	(ALTRE/OTHER APPL.)	23.127.00	(ALTRE/OTHER APPL.)	23.156.02
ELG5209	24.360.00	ELG5303	24.H2O.02	ELG5407	24.016.00	ELH4092		ELH4162	
ELG5210	24.365.01	ELG5304	24.H2O.07	ELG5408	26.055.00	(SAAB)	23.298.00	(PERKINS)	23.156.00
ELG5211	24.350.02	ELG5305	24.H2O.05	ELG5409	24.ONE.03	ELH4093		ELH4162	
ELG5212	24.365.00	ELG5306	24.H2O.03	ELG5411	26.018.00	(ALTRE/OTHER APPL.)	23.127.02	(VAG)	23.156.03
ELG5213	31.027.00	ELG5307	24.H2O.01	ELG5413	24.526.00	ELH4093		ELH4163	25.541.00
ELG5214	24.351.01	ELG5308	24.411.00	ELG5414	24.099.00	(FIAT, POLSKI)	23.268.00	ELH4164	23.130.02
ELG5215	24.350.00	ELG5309	24.429.00	ELG5415	24.077.00	ELH4095	23.130.01	ELH4165	25.548.00
ELG5216	31.013.00	ELG5312	24.425.00	ELG5416	26.015.00	ELH4099		ELH4168	23.133.00
ELG5217	24.375.00	ELG5313	24.005.00	ELG5419	24.379.01	(DAIHATSU, SUZUKI)	23.131.01	ELH4170	23.114.02
ELG5218	26.676.00	ELG5315	26.007.00	ELG5420	24.126.00	ELH4099		ELH4171	23.257.00
ELG5219	24.321.00	ELG5316	24.001.00	ELG5422	31.839.00	(TOYOTA)	23.270.00	ELH4174	25.530.01
ELG5220	24.331.00	ELG5317	24.087.00	ELG5423	31.922.00	ELH4100	23.256.00	ELH4175	25.530.00
ELG5221	24.374.00	ELG5318	24.437.00	ELG5426	31.921.00	ELH4101	23.173.01	ELH4179	23.197.00
ELG5222	24.366.00	ELG5319	26.696.00	ELG5428	26.077.00	ELH4102		ELH4180	23.254.00
ELG5223	24.371.00	ELG5320	24.444.00	ELG5431	24.033.00	(ALTRE/OTHER APPL.)	23.177.00	ELH4181	23.246.00
ELG5224	24.382.00	ELG5321	24.451.00	ELG5433	24.150.00	ELH4102		ELH4183	23.244.00
ELG5225	24.379.01	ELG5322	60.H2O.00	ELG5434	24.114.00	(VOLVO)	23.279.00	ELH4184	23.266.00
ELG5226	24.389.00	ELG5322Z	60.H2O.00	ELG5435	26.038.00	ELH4104	23.191.00	ELH4185	
ELG5227	24.388.00	ELG5323	24.H2O.04	ELG5436	26.131.00	ELH4105	23.115.00	(ALTRE/OTHER APPL.)	23.152.00
ELG5228	24.384.00	ELG5324	24.H2O.00	ELG5437	26.073.00	ELH4106	23.105.00	ELH4186	23.159.00
ELG5231	26.686.00	ELG5325	31.849.00	ELG5438	26.115.00	ELH4107	23.195.00	ELH4188	23.255.00
ELG5233	24.338.00	ELG5326	24.ONE.00	ELG5439	26.694.00	ELH4108	23.194.00	ELH4189	25.555.00
ELG5234	24.391.00	ELG5327	24.ONE.01	ELG5441	24.128.00	ELH4109	23.402.00	ELH4190	23.282.00
ELG5236	26.688.00	ELG5328	24.131.00	ELG5447	31.947.00	ELH4111	23.200.00	ELH4192	23.440.00
ELG5237	26.691.00	ELG5329	24.450.00	ELG5448	26.054.00	ELH4114	23.176.00	ELH4193	23.102.02
ELG5238	26.687.00	ELG5330	24.004.00	ELG5449	24.145.00	ELH4115	23.186.01	ELH4195	23.249.00
ELG5239	26.690.00	ELG5331	24.459.00	ELG5450	31.952.00	ELH4116		ELH4196	23.418.00
ELG5240	24.415.00	ELG5332	24.130.00	ELG5451	24.006.00	(FORD)	23.189.00	ELH4198	20.012.02
ELG5241	24.366.00	ELG5333	24.441.00	ELG5452	24.465.00	ELH4116		ELH4199	25.406.01
ELG5242	24.343.00	ELG5334	24.440.00	ELG5453	24.147.00	(DAIHATSU, MITSUBISHI)	23.231.00	ELH4201	25.162.00
ELG5243	24.401.00	ELG5335	24.435.00	ELG5454	26.034.00	ELH4119		ELH4202	25.587.00
ELG5244	24.390.00	ELG5337	26.037.00	ELG5455	26.052.00	(HONDA, MAZDA)	23.271.00	ELH4203	25.540.00
ELG5245	26.689.00	ELG5338	24.072.00	ELG5457	24.061.01	ELH4119		ELH4204	25.590.00
ELG5246	24.397.00	ELG5339	26.023.00	ELG5458	24.144.00	(CITROEN, FIAT, PEUGEOT)	23.293.00	ELH4206	25.095.00
ELG5247	24.380.00	ELG5341	24.050.00	ELG5459	24.151.00	ELH4120	23.129.02	ELH4212	23.424.00
ELG5248	24.434.00	ELG5342	24.107.00	ELG5461	31.926.01	ELH4121		ELH4213	23.453.00
ELG5249	24.418.00	ELG5343	24.374.00	ELG5463	26.104.00	(VAG)	23.134.01	ELH4214	25.012.00
ELG5250	24.409.00	ELG5345		ELG5464	24.188.00	ELH4121		ELH4216	25.011.00
ELG5251	24.412.00	(SOLO RICAMBIO/SPARE PART ONLY)	55.430.00	ELG5467	31.985.00	(ALTRE/OTHER APPL.)	23.168.00	ELH4217	23.121.00
ELG5252	24.416.00	ELG5346	55.418.00	ELG5468	26.033.00	ELH4122	23.198.00	ELH4218	23.251.00
ELG5253	24.408.00	ELG5347	31.835.00	ELG5469	24.080.00	ELH4124	23.124.00	ELH4219	23.417.00
ELG5254	24.379.01	ELG5348	24.088.00	ELG5472	26.031.00	ELH4125	23.128.00	ELH4220	25.014.00
ELG5255	24.368.00	ELG5349	24.014.00	ELG5473	26.065.00	ELH4126		ELH4221	25.003.00
ELG5256	24.424.00	ELG5350	24.132.00	ELG5474	31.946.00	(TOYOTA)	23.102.00	ELH4222	25.017.00
ELG5257	24.404.00	ELG5351	24.132.00	ELG5475	26.032.00	ELH4126		ELH4223	23.313.00
ELG5258	24.414.00	ELG5352	24.013.00	ELG5478	26.102.00	(VAG, VOLVO)	23.164.00	ELH4224	23.237.00
ELG5259	26.006.00	ELG5353	24.098.00	ELG5480	24.149.00	ELH4126		ELH4225	23.264.00
ELG5260	24.352.00	ELG5354	24.052.00	ELG5481	24.018.01	(ALFA ROMEO)	23.164.02	ELH4226	23.263.00
ELG5261	24.327.00	ELG5355	24.196.00	ELG5485	24.193.00	ELH4126		ELH4227	23.434.00
ELG5264	24.433.00	ELG5356	55.394.00	ELG5486	24.194.00	(O/OR) (VAG, VOLVO)	23.164.03	ELH4228	25.009.00
ELG5267	24.344.00	ELG5357	55.582.00	ELG5488	26.114.00	ELH4126		ELH4229	25.008.00
ELG5269	24.413.00	ELG5358	24.026.01	ELG5490	24.190.00	(NISSAN)	23.256.00	ELH4230	25.004.00
ELG5270	24.428.00	ELG5359	24.374.00	ELG5491	26.053.00	ELH4126		ELH4231	25.010.00
ELG5271	24.370.00	ELG5360	24.413.00	ELG5494	26.138.00	(LAND ROVER)	23.297.00	ELH4232	23.274.00
ELG5272	24.370.00	ELG5361	31.925.00	ELG5498	26.139.00	ELH4130	23.187.00	ELH4233	
ELG5273	26.693.00	ELG5362	26.057.00	ELG5500	21.061.00	ELH4135	23.127.00	(ESCLUSO/EXCEPT NISSAN)	23.265.00
ELG5275	24.426.00	ELG5364	24.015.00	ELG5509	26.609.00	ELH4138	23.175.00	ELH4234	25.002.00
ELG5276		ELG5365	24.156.00	ELG5510	21.050.00	ELH4139	23.196.00	ELH4235	25.001.00
(VAG)	24.003.00	ELG5366	24.439.00	ELG5513	24.304.00	ELH4140	23.166.00	ELH4236	23.299.00
ELG5276		ELG5367	26.021.00	ELG5517	26.001.00	ELH4142		ELH4237	23.416.00
(ALTRE/OTHER APPL.)	24.430.00	ELG5368	26.013.00	ELG5534	24.408.00	(VAG)	23.130.00	ELH4239	23.429.00
ELG5277	26.003.00	ELG5370	24.442.00	ELH4044	23.114.01	ELH4142		ELH4240	23.248.00
ELG5278	24.398.00	ELG5371	24.ONE.02	ELH4060	23.129.01	(DAIHATSU, TOYOTA)	23.213.00	ELH4241	23.253.00
ELG5279	24.427.00	ELG5372	24.110.00	ELH4061	23.105.00	ELH4143	23.271.00	ELH4243	23.484.00
ELG5282	24.007.00	ELG5373	24.073.00	ELH4062		ELH4144		ELH4244	23.127.00
ELG5283	55.427.00	ELG5374	31.920.00	(DIESEL APPL.)	23.115.00	(DAIHATSU, TOYOTA)	23.121.00	ELH4247	23.476.00
ELG5287	24.432.00	ELG5375	31.071.00	ELH4065	23.173.01	ELH4144		ELH4248	23.477.00
ELG5288	24.423.00	ELG5376	55.170.00	ELH4069	23.124.00	(SUBARU)	23.188.00	ELH4250	23.475.00
ELG5289	24.086.00	ELG5377	26.012.00	ELH4070	23.127.02	ELH4144		ELH4251	23.496.00
ELG5290	24.445.00	ELG5378	26.045.00	ELH4081	23.114.01	(NISSAN)	23.240.00	ELH4252	25.499.01
ELG5291	26.694.00	ELG5379	24.460.00	ELH4082	23.132.00	ELH4145	23.182.00	ELH4253	25.499.00
ELG5292	26.695.00	ELG5381	24.015.00	ELH4083	23.129.01	ELH4146	23.165.00	ELH4255	23.243.00
ELG5293	26.022.00	ELG5386	24.030.00	ELH4084		ELH4147	25.539.00	ELH4256	23.259.00
ELG5294	26.014.00	ELG5387	24.528.01	(ALTRE/OTHER APPL.)	23.105.00	ELH4148	23.131.02	ELH4257	23.415.00
ELG5295	26.005.00	ELG5388	55.392.00	ELH4085	23.173.01	ELH4149		ELH4258	23.131.01
ELG5296	24.436.00	ELG5389	55.418.00	ELH4087	23.169.00	(MERCEDES BENZ)	23.130.03	ELH4259	23.258.00
ELG5297	24.027.00	ELG5390	55.418.00	ELH4088		ELH4149		ELH4260	23.485.00
ELG5298	24.013.00	ELG5391	26.123.00	(ALTRE/OTHER APPL.)	23.131.00	(ALFA ROMEO)	23.249.00	ELH4261	23.191.00
ELG5299	24.014.00	ELG5392	26.072.00	ELH4088		ELH4150	25.499.00	ELH4262	23.210.00
ELG5300		ELG5393	24.115.00	(TOYOTA)	23.253.00	ELH4151	25.528.00	ELH4264	23.271.00
(MINI)	31.838.00	ELG5395	24.452.00	ELH4089	23.103.00	ELH4152	23.303.00	ELH4267	23.102.00
ELG5300		ELG5396	26.058.00	ELH4090		ELH4153	23.281.00	ELH4269	23.256.00
(BMW)	31.824.00	ELG5400	24.113.00	(ALTRE/OTHER APPL.)	23.118.00	ELH4157	23.303.00	ELH4270	23.251.00
ELG5301		ELG5401	24.025.01	ELH4090		ELH4159	23.188.00	ELH4273	23.313.00
(BMW 13327811401)	31.851.00	ELG5403	55.393.00	(FIAT, POLSKI)	23.267.00	ELH4160	23.242.00	ELH4274	23.439.00

ELH4275	23.232.00	ELH4384	25.143.00	ELH4734	23.107.01	ELP3633	30.022.00	ELP3841	30.104.00
ELH4276	23.419.00	ELH4385	23.127.00	ELH4740	20.020.00	ELP3634	30.024.00	ELP3844	30.103.00
ELH4277	23.164.00	ELH4389	25.105.00	ELH4748	25.408.00	ELP3635	30.027.00	ELP3845	30.324.00
ELH4278	23.438.00	ELH4390	25.061.00	ELH4760	23.471.00	ELP3636	30.028.00	ELP3848	30.120.00
ELH4280	23.465.00	ELH4391	23.418.00	ELP3064	30.818.00	ELP3637	30.119.00	ELP3853	30.150.00
ELH4281	23.404.00	ELH4392	23.481.00	ELP3121	30.852.00	ELP3638	30.192.00	ELP3854	30.213.00
ELH4282	23.488.00	ELH4393	23.438.00	ELP3128	30.851.00	ELP3639	30.099.00	ELP3855	30.158.00
ELH4283	25.019.00	ELH4395	25.070.00	ELP3148	30.902.00	ELP3642	30.166.00	ELP3858	30.195.00
ELH4285	25.013.00	ELH4396	25.074.00	ELP3178	30.835.00	ELP3645	30.045.00	ELP3859	30.113.00
ELH4286	23.191.00	ELH4397	25.075.00	ELP3182	30.815.00	ELP3647	30.066.00	ELP3860	30.198.00
ELH4287	25.030.00	ELH4398	25.151.00	ELP3192	30.836.00	ELP3648	30.052.00	ELP3861	30.127.00
ELH4289	23.297.00	ELH4399	25.085.00	ELP3193	30.864.00	ELP3649	30.067.00	ELP3862	30.128.00
ELH4290	25.413.00	ELH4401	23.479.00	ELP3201	30.858.00	ELP3654	30.046.00	ELP3863	30.151.00
ELH4291	23.131.00	ELH4404	23.565.00	ELP3205	30.942.00	ELP3656	30.053.00	ELP3864	30.159.00
ELH4294	25.015.00	ELH4405	23.265.00	ELP3206	30.857.00	ELP3657	30.057.00	ELP3866	30.311.00
ELH4296	25.024.00	ELH4406	23.564.00	ELP3271	30.899.00	ELP3658	30.999.00	ELP3867	30.189.00
ELH4297	23.436.00	ELH4407	25.106.00	ELP3276	30.894.00	ELP3659	30.001.00	ELP3868	30.190.00
ELH4298	23.453.00	ELH4409	23.489.00	ELP3314	30.933.00	ELP3664	30.107.00	ELP3872	30.243.00
ELH4299	23.470.00	ELH4410	25.115.00	ELP3319	30.908.00	ELP3665	30.098.00	ELP3873	30.050.00
ELH4301	25.022.00	ELH4414	25.177.00	ELP3321	30.889.00	ELP3668	30.049.00	ELP3874	30.154.00
ELH4302	25.052.00	ELH4415	25.096.00	ELP3325	30.914.02	ELP3670	30.111.00	ELP3885	30.169.00
ELH4303	25.035.00	ELH4417	25.093.00	ELP3326	30.906.00	ELP3675	30.063.00	ELP3886	30.314.00
ELH4304	23.127.00	ELH4418	25.067.00	ELP3328	30.893.00	ELP3676	30.064.00	ELP3891	30.130.00
ELH4305	25.032.00	ELH4419	23.585.00	ELP3333	30.860.00	ELP3677	30.062.00	ELP3893	30.180.00
ELH4306	25.033.00	ELH4420	23.267.00	ELP3334	30.890.00	ELP3679	30.007.00	ELP3894	30.139.00
ELH4307	25.023.00	ELH4421	25.150.00	ELP3336	30.910.00	ELP3687	30.112.00	ELP3895	30.180.00
ELH4309	25.041.00	ELH4422	25.091.00	ELP3337	30.929.00	ELP3700	30.822.00	ELP3896	30.049.00
ELH4310	23.102.02	ELH4424	25.083.00	ELP3338	30.911.00	ELP3702	30.970.00	ELP3899	30.948.00
ELH4311	23.464.00	ELH4425	25.084.00	ELP3343	30.930.00	ELP3703	30.069.00	ELP3901	30.193.00
ELH4312	25.026.00	ELH4427	25.163.00	ELP3344	30.932.00	ELP3704	30.070.00	ELP3902	30.216.00
ELH4314	25.027.00	ELH4428	23.493.00	ELP3345	30.935.00	ELP3705	30.079.00	ELP3903	30.575.00
ELH4315	25.018.00	ELH4430	25.257.00	ELP3348	30.898.00	ELP3707	30.020.00	ELP3912	30.149.00
ELH4316	23.449.00	ELH4433	25.166.00	ELP3354	30.965.00	ELP3708	30.083.00	ELP3913	30.155.00
ELH4317	23.418.00	ELH4436	25.142.00	ELP3355	30.973.00	ELP3713	30.077.00	ELP3915	30.537.00
ELH4319	25.165.00	ELH4437	23.628.00	ELP3358	30.973.00	ELP3714	30.086.00	ELP3916	30.967.00
ELH4320	25.056.00	ELH4438	25.144.00	ELP3419	30.952.00	ELP3715	30.090.00	ELP3918	30.132.00
ELH4321	23.256.00	ELH4439	25.153.00	ELP3422	30.904.00	ELP3717	30.223.00	ELP3919	30.133.00
ELH4322	25.029.00	ELH4440		ELP3423	30.954.00	ELP3718	27.927.00	ELP3920	30.287.00
ELH4323	25.053.00	(HYUNDAI, KIA)	23.452.00	ELP3424	30.936.00	ELP3719	30.076.00	ELP3922	30.175.00
ELH4325	23.495.00	ELH4440		ELP3426	30.946.00	ELP3723	30.121.00	ELP3925	30.176.00
ELH4326	25.037.00	(NISSAN, RENAULT)	23.484.00	ELP3464	30.953.00	ELP3725	30.087.00	ELP3926	30.163.00
ELH4327	25.021.00	ELH4442	23.575.00	ELP3477	30.981.00	ELP3726	30.108.00	ELP3928	30.338.00
ELH4328	23.445.00	ELH4443	25.145.00	ELP3486	30.021.00	ELP3730	30.117.00	ELP3934	30.336.00
ELH4329	25.054.00	ELH4444	25.191.00	ELP3489	30.996.00	ELP3731	30.116.00	ELP3935	30.161.00
ELH4330	23.455.00	ELH4445	25.154.00	ELP3492	30.864.00	ELP3732	30.085.00	ELP3936	30.369.00
ELH4331	23.435.00	ELH4446	25.141.00	ELP3493	30.925.00	ELP3733	30.072.00	ELP3940	30.188.00
ELH4332	23.439.00	ELH4448	25.152.00	ELP3494	30.991.00	ELP3734	30.153.00	ELP3944	30.464.00
ELH4334	23.425.00	ELH4449	25.167.00	ELP3495	30.977.00	ELP3735	30.073.00	ELP3946	30.075.00
ELH4335	25.060.00	ELH4450	23.474.00	ELP3497	30.946.00	ELP3736	30.089.00	ELP3949	30.215.00
ELH4336	25.034.00	ELH4452	25.155.00	ELP3498	30.891.00	ELP3737	30.096.00	ELP3950	30.146.00
ELH4337	25.040.00	ELH4455	23.584.00	ELP3499	30.017.00	ELP3745	30.040.00	ELP3952	30.185.00
ELH4339	25.043.00	ELH4458	23.439.00	ELP3500	30.973.00	ELP3748	30.149.00	ELP3953	30.186.00
ELH4340	23.211.00	ELH4459	25.171.00	ELP3501	30.958.00	ELP3750	30.101.00	ELP3956	30.160.00
ELH4341	23.440.00	ELH4460	23.616.00	ELP3502	30.963.00	ELP3751	30.119.00	ELP3957	30.142.00
ELH4342	23.299.00	ELH4461	25.187.00	ELP3503	30.950.00	ELP3752	30.124.00	ELP3958	30.162.00
ELH4343	23.444.00	ELH4462	25.210.00	ELP3504	30.955.00	ELP3760	30.461.00	ELP3959	30.182.00
ELH4344	25.028.00	ELH4463	25.164.00	ELP3512	30.017.00	ELP3761	30.460.00	ELP3960	30.201.00
ELH4345	25.002.00	ELH4464	25.185.00	ELP3516	30.924.00	ELP3767	30.973.00	ELP3961	30.293.00
ELH4346	25.050.00	ELH4465	23.584.00	ELP3518	30.926.00	ELP3768	30.239.00	ELP3962	30.300.00
ELH4347	25.024.00	ELH4467	23.717.00	ELP3525	30.999.00	ELP3769	30.238.00	ELP3963	30.186.00
ELH4349	25.039.00	ELH4468	25.110.00	ELP3526	30.942.00	ELP3775	30.172.00	ELP3966	30.144.00
ELH4350	23.459.00	ELH4469	25.188.00	ELP3527	30.945.00	ELP3779	30.147.00	ELP3967	30.157.00
ELH4353	23.439.00	ELH4470	25.199.00	ELP3530	30.966.00	ELP3780	30.095.00	ELP3969	30.295.00
ELH4354	23.457.00	ELH4472	25.178.00	ELP3531	30.960.00	ELP3781	30.077.00	ELP3971	30.115.00
ELH4355	25.108.00	ELH4475	23.652.00	ELP3533	30.928.00	ELP3793	30.285.00	ELP3972	30.181.00
ELH4356	25.047.00	ELH4482	23.739.00	ELP3540	30.994.00	ELP3794	30.286.00	ELP3973	30.197.00
ELH4357	25.060.00	ELH4485	23.650.00	ELP3566	30.919.00	ELP3795	30.5A.00	ELP3977	30.302.00
ELH4358	25.094.00	ELH4488	25.148.00	ELP3589	30.025.00	ELP3798	30.013.00	ELP3978	30.222.00
ELH4359	25.048.00	ELH4492	25.223.00	ELP3596	30.961.00	ELP3801	30.170.00	ELP3983	30.289.00
ELH4360	25.066.00	ELH4493	25.139.00	ELP3605	30.948.00	ELP3802	30.143.00	ELP3985	30.242.00
ELH4361	25.548.00	ELH4494	25.232.00	ELP3606	30.039.00	ELP3806	30.235.00	ELP3986	30.256.00
ELH4362	25.080.00	ELH4496	25.216.00	ELP3607	30.041.00	ELP3811	30.173.00	ELP3987	30.248.00
ELH4363	25.049.00	ELH4497	23.664.00	ELP3608	30.041.00	ELP3818	30.203.00	ELP3988	30.596.00
ELH4364	25.058.00	ELH4508	23.687.00	ELP3609	30.041.00	ELP3819	30.197.00	ELP3989	30.135.00
ELH4365	25.063.00	ELH4509	23.721.00	ELP3612	30.030.00	ELP3820	30.202.00	ELP3990	30.137.00
ELH4368	25.064.00	ELH4516	25.211.00	ELP3613	30.032.00	ELP3823	30.100.00	ELP3991	30.136.00
ELH4369	23.413.00	ELH4523	25.249.00	ELP3615	30.035.00	ELP3824	30.071.00	ELP3992	30.204.00
ELH4371	25.069.00	ELH4527	23.660.00	ELP3617	30.990.00	ELP3825	30.196.00	ELP3993	30.299.00
ELH4372	23.519.00	ELH4704	23.110.02	ELP3618	30.003.00	ELP3826	30.167.00	ELP3994	30.171.00
ELH4374	25.197.00	ELH4705	23.152.00	ELP3619	30.004.00	ELP3828	30.105.00	ELP3995	30.183.00
ELH4375	23.546.00	ELH4708	25.439.00	ELP3620	30.026.00	ELP3829	30.214.00	ELP3996	30.284.00
ELH4376	23.472.00	ELH4711		ELP3622	30.008.00	ELP3831	30.958.00	ELP3999	30.178.00
ELH4378	25.065.00	(ALTRÉ/OTHER APPL.)	25.455.00	ELP3623	30.036.00	ELP3834	30.063.00	ELP50152	30.127.00
ELH4379	23.472.00	ELH4711		ELP3627	30.076.00	ELP3835	30.372.00	ELP50280	30.128.00
ELH4380	25.071.00	(BMW)	25.455.01	ELP3629	30.058.00	ELP3836	30.003.00	ELP50725	30.151.00
ELH4381	25.072.00	ELH4716	23.108.00	ELP3630	30.034.00	ELP3837	30.068.00	ELP9000	30.249.00
ELH4382	25.077.00	ELH4719	23.130.00	ELP3631	30.033.00	ELP3839	30.102.00	ELP9001	30.177.00
ELH4383	25.068.00	ELH4724	25.421.00	ELP3632	30.955.00	ELP3840	30.109.00	ELP9002	30.129.00

ELP9003	30.397.00	ELP9148	30.234.00	ELP9317	30.363.00	ELP9465	30.297.00	ELR7058	53.079.00
ELP9004	30.787.00	ELP9150	30.126.00	ELP9319	30.253.00	ELP9467	30.661.00	ELR7060	53.074.00
ELP9008	30.230.00	ELP9151	30.319.00	ELP9320	30.367.00	ELP9468	30.662.00	ELR7061	53.033.00
ELP9013	30.141.00	ELP9152	30.174.00	ELP9321	30.A44.00	ELP9469	30.664.00	ELR7067	53.292.00
ELP9014	30.361.00	ELP9153	30.312.00	ELP9323	30.504.00	ELP9472	30.718.00	ELR7068	53.044.00
ELP9025	30.322.00	ELP9159	30.292.00	ELP9324	30.496.00	ELP9473	30.B76.00	ELR7069	53.063.00
ELP9026	30.299.00	ELP9161	30.719.00	ELP9328	30.550.00	ELP9474	30.726.00	ELR7070	53.099.00
ELP9029	30.368.00	ELP9163	30.330.00	ELP9329	30.295.00	ELP9475	30.405.00	ELR7071	53.205.00
ELP9031	30.190.00	ELP9164	30.261.00	ELP9329	30.395.00	ELP9482	30.712.00	ELR7072	53.188.00
ELP9032	30.593.00	ELP9165	30.340.00	ELP9331	30.512.00	ELP9487	30.481.00	ELR7073	53.064.00
ELP9034	30.263.00	ELP9166	30.236.00	ELP9332	30.281.00	ELP9489	30.509.00	ELR7075	53.040.00
ELP9042	30.228.00	ELP9167	30.224.00	ELP9333	30.392.00	ELP9490	30.A16.00	ELR7076	53.031.00
ELP9043	30.220.00	ELP9168	30.268.00	ELP9338	30.548.00	ELP9491	30.C64.00	ELR7077	53.059.00
ELP9044	30.180.00	ELP9169	30.301.00	ELP9340	30.776.00	ELP9492	30.713.00	ELR7079	53.252.00
ELP9045	30.210.00	ELP9171	30.347.00	ELP9342	30.A15.00	ELP9493	30.778.00	ELR7084	53.094.00
ELP9046	30.244.00	ELP9179	30.212.00	ELP9343	30.688.00	ELP9494	30.709.00	ELR7089	53.114.00
ELP9047	30.244.00	ELP9180	30.914.02	ELP9345	30.477.00	ELP9495	30.597.00	ELR7092	53.032.00
ELP9049	30.164.00	ELP9181	30.245.00	ELP9347	30.155.00	ELP9496	30.665.00	ELR7093	53.075.00
ELP9052	30.152.00	ELP9182	30.251.00	ELP9349	30.455.00	ELP9498	30.794.00	ELR7094	53.058.00
ELP9055	30.320.00	ELP9186	30.364.00	ELP9350	30.468.00	ELP9499	30.B56.00	ELR7095	53.086.00
ELP9057	30.165.00	ELP9187	30.334.00	ELP9351	30.B06.00	ELP9500	30.793.00	ELR7096	53.162.00
ELP9061	30.B23.00	ELP9188	30.351.00	ELP9352	30.406.00	ELP9501	30.795.00	ELR7097	53.038.00
ELP9063	30.417.00	ELP9189	30.351.00	ELP9354	30.711.00	ELP9502	30.B71.00	ELR7098	53.158.00
ELP9064	30.417.00	ELP9190	30.C47.00	ELP9355	30.A60.00	ELP9504	30.A59.00	ELR7099	53.386.00
ELP9065	30.298.00	ELP9191	30.101.00	ELP9356	30.A37.00	ELP9512	30.A43.00	ELR7100	53.052.00
ELP9066	30.288.00	ELP9192	30.342.00	ELP9357	30.556.00	ELP9513	30.B50.00	ELR7101	53.087.00
ELP9067	30.265.00	ELP9193	30.A69.00	ELP9358	30.625.00	ELP9514	30.A54.00	ELR7103	53.131.00
ELP9069	30.269.00	ELP9196	30.267.00	ELP9360	30.639.00	ELP9515	30.A56.00	ELR7104	53.090.00
ELP9070	30.275.00	ELP9198	30.374.00	ELP9361	30.557.00	ELP9517	30.A85.00	ELR7105	53.039.00
ELP9071	30.320.00	ELP9199	30.A23.00	ELP9362	30.B29.00	ELP9523	30.491.00	ELR7106	53.045.00
ELP9072	30.187.00	ELP9200	30.279.00	ELP9363	30.576.00	ELP9526	30.B27.00	ELR7111	53.002.00
ELP9073	30.370.00	ELP9202	30.274.00	ELP9364	30.574.00	ELP9529	30.B08.00	ELR7113	53.035.00
ELP9074	30.262.00	ELP9203	30.258.00	ELP9366	30.615.00	ELP9535	30.C39.00	ELR7117	53.069.00
ELP9075	30.262.00	ELP9206	30.225.00	ELP9371	30.663.00	ELP9537	30.A97.00	ELR7118	53.091.00
ELP9076	30.272.00	ELP9207	30.232.00	ELP9373	30.B26.00	ELP9538	30.A96.00	ELR7119	53.149.00
ELP9077	30.233.00	ELP9208	30.270.00	ELP9375	30.587.00	ELP9540	30.B41.00	ELR7120	53.043.00
ELP9078	30.319.00	ELP9212	30.506.00	ELP9376	30.532.00	ELP9558	30.A41.00	ELR7122	53.050.00
ELP9079	30.184.00	ELP9215	30.654.00	ELP9377	30.559.00	ELP9560	30.A51.00	ELR7123	53.155.00
ELP9080	30.194.00	ELP9216	30.322.00	ELP9379	30.547.00	ELP9566	30.C35.00	ELR7124	53.107.00
ELP9081	30.168.00	ELP9217	30.332.00	ELP9381	30.353.00	ELP9571	30.A91.00	ELR7125	53.105.00
ELP9082		ELP9218	30.375.00	ELP9382	30.638.00	ELP9578	30.C40.00	ELR7126	53.041.00
(BMW)		ELP9220	30.380.00	ELP9383	30.393.00	ELP9595	30.C37.00	ELR7127	53.148.00
ELP9082	30.029.00	ELP9221	30.500.00	ELP9386	30.366.00	ELP9596	30.C44.00	ELR7128	53.129.00
(OPEL VAUXHALL)		ELP9225	30.533.00	ELP9389	30.632.00	ELP9600	30.C41.00	ELR7129	53.189.00
ELP9083	30.148.00	ELP9229	30.171.00	ELP9390	30.469.00	ELP9601	30.C54.00	ELR7130	53.076.00
ELP9084	30.310.00	ELP9232	30.345.00	ELP9391	30.589.00	ELP9615	30.C46.00	ELR7131	53.098.00
ELP9085	30.260.00	ELP9233	30.400.00	ELP9392	30.549.00	ELP9621	30.B43.00	ELR7132	53.110.00
ELP9086	30.321.00	ELP9234	30.360.00	ELP9393	30.658.00	ELP9631	30.B45.00	ELR7134	53.106.00
ELP9087	30.505.00	ELP9236	30.555.00	ELP9396	30.558.00	ELP9642	30.C38.00	ELR7138	53.244.00
ELP9088	30.231.00	ELP9251	30.280.00	ELP9397	30.540.00	ELR7000	53.015.00	ELR7140	53.218.00
ELP9089	30.246.00	ELP9253	30.331.00	ELP9398	30.620.00	ELR7001	53.001.00	ELR7142	53.101.00
ELP9090	30.241.00	ELP9254	30.390.00	ELP9399	30.595.00	ELR7002	53.010.00	ELR7143	53.088.00
ELP9091	30.350.00	ELP9255	30.317.00	ELP9400	30.A61.00	ELR7003	53.014.00	ELR7144	53.109.00
ELP9093	30.273.00	ELP9256	30.453.00	ELP9401	30.355.00	ELR7004	53.006.00	ELR7145	53.102.00
ELP9094	30.318.00	ELP9258	30.725.00	ELP9402	30.594.00	ELR7005	53.013.00	ELR7146	53.095.00
ELP9095	30.257.00	ELP9264	30.278.00	ELP9403	30.B54.00	ELR7006	53.016.00	ELR7154	53.248.00
ELP9096	30.226.00	ELP9265	30.277.00	ELP9404	30.603.00	ELR7007	53.012.00	ELR7157	53.104.00
ELP9097	30.329.00	ELP9266	30.348.00	ELP9406	30.591.00	ELR7009	53.017.00	ELR7159	53.103.00
ELP9099	30.199.00	ELP9267	30.403.00	ELP9407	30.416.00	ELR7010	53.020.00	ELR7163	53.246.00
ELP9101	30.321.00	ELP9268	30.454.00	ELP9409	30.606.00	ELR7011	53.019.00	ELR7164	53.125.00
ELP9102	30.321.00	ELP9269	30.308.00	ELP9410	30.686.00	ELR7012	53.013.00	ELR7166	53.115.00
ELP9103	30.465.00	ELP9274	30.352.00	ELP9411	30.A17.00	ELR7013	53.011.00	ELR7168	53.093.00
ELP9105	30.067.00	ELP9275	30.386.00	ELP9412	30.622.00	ELR7014	53.026.00	ELR7173	53.123.00
ELP9108	30.647.00	ELP9277	30.788.00	ELP9415	30.627.00	ELR7016	53.046.00	ELR7174	53.231.00
ELP9111	30.315.00	ELP9278	30.409.00	ELP9417	30.693.00	ELR7017	53.021.00	ELR7176	53.117.00
ELP9114	30.209.00	ELP9280	30.303.00	ELP9418	30.717.00	ELR7018	53.042.00	ELR7180	53.118.00
ELP9116	30.A71.00	ELP9281	30.264.00	ELP9419	30.A95.00	ELR7019	53.023.00	ELR7181	53.077.00
ELP9118	30.168.00	ELP9282	30.252.00	ELP9422	30.635.00	ELR7020	53.024.00	ELR7182	53.400.00
ELP9119	30.780.00	ELP9283	30.365.00	ELP9423	30.779.00	ELR7021	53.057.00	ELR7183	53.049.00
ELP9120	30.A34.00	ELP9284	30.407.00	ELP9432	30.701.00	ELR7022	53.025.00	ELR7185	53.130.00
ELP9125	30.106.00	ELP9285	30.A70.00	ELP9435	30.A99.00	ELR7023	53.007.00	ELR7187	53.124.00
ELP9126	30.467.00	ELP9286	30.362.00	ELP9437	30.629.00	ELR7026	53.027.00	ELR7191	53.051.00
ELP9128	30.371.00	ELP9287	30.396.00	ELP9438	30.609.00	ELR7027	53.028.00	ELR7194	53.128.00
ELP9130	30.260.00	ELP9291	30.687.00	ELP9440	30.B22.00	ELR7029	53.018.00	ELR7195	53.159.00
ELP9131	30.297.00	ELP9292	30.211.00	ELP9441	30.630.00	ELR7030	53.061.00	ELR7196	53.230.00
ELP9132	30.388.00	ELP9295	30.A86.00	ELP9442	30.724.00	ELR7031	53.085.00	ELR7198	53.126.00
ELP9134	30.247.00	ELP9298	30.B24.00	ELP9442	30.C62.00	ELR7036	53.004.00	ELR7199	53.141.00
ELP9135	30.206.00	ELP9299	30.404.00	ELP9444	30.660.00	ELR7040	53.047.00	ELR7203	53.122.00
ELP9138	30.344.00	ELP9300	30.422.00	ELP9445	30.B20.00	ELR7044	53.067.00	ELR7206	53.112.00
ELP9139	30.229.00	ELP9301	30.543.00	ELP9446	30.677.00	ELR7047	53.060.00	ELR7207	53.145.00
ELP9140	30.254.00	ELP9302	30.339.00	ELP9447	30.A67.00	ELR7048	53.084.00	ELR7208	53.213.00
ELP9141	30.265.00	ELP9303	30.384.00	ELP9449	30.655.00	ELR7049	53.030.00	ELR7212	53.147.00
ELP9142	30.207.00	ELP9304	30.391.00	ELP9451	30.648.00	ELR7050	53.083.00	ELR7213	53.132.00
ELP9143	30.266.00	ELP9305	30.307.00	ELP9453	30.692.00	ELR7051	53.232.00	ELR7214	53.184.00
ELP9144	30.259.00	ELP9309	30.341.00	ELP9455	30.A73.00	ELR7052	53.138.00	ELR7215	53.113.00
ELP9145	30.385.00	ELP9310	30.645.00	ELP9457	30.A38.00	ELR7053	53.134.00	ELR7216	53.065.00
ELP9146	30.554.00	ELP9314	30.195.00	ELP9458	30.A24.00	ELR7055	53.034.00	ELR7218	53.136.00
ELP9147	30.316.00	ELP9316	30.466.00	ELP9459	30.777.00	ELR7056	53.082.00	ELR7219	53.146.00

ELR7220	53.153.00	JKR7231	54.173.00	0001802609	25.059.00	0024770401	31.505.00	1688300118	54.102.00
ELR7221	53.119.00	JKR7234	54.172.00	000180260990	25.059.00	0024770601	31.505.00	1688300818	54.102.00
ELR7227	53.218.00	JKR7276	54.243.00	0001803109	25.002.00	0024770801	31.505.00	1698300118	53.247.00
ELR7228	53.137.00	JKR7287	54.241.00	0001803109	25.059.00	0024771301	31.563.00	1698300218	54.146.00
ELR7245	53.207.00	JKR7293	54.287.00	0001842225	25.406.01	0024771701	31.563.00	1698300218	34.146.00
ELR7251	53.133.00	JKR7303	54.254.00	0001842325	25.406.01	0024771901	31.505.00	1718300418	54.149.00
ELR7254	53.116.00	JKR7336	54.294.00	0001844901	25.406.01	0024772701	31.583.00	1728350047	54.149.00
ELR7259	53.111.00	JLG5445	26.047.00	0001845825	20.020.00	0024772801	31.583.00	2001800009	25.145.00
ELR7260	53.208.00	JLP3856	30.134.00	0001847825	20.020.00	0024773001	31.841.00	2028300018	53.007.00
ELR7261	53.152.00	JLP3911	30.531.00	0001848525	20.012.02	0024773101	31.841.00	2028300318	53.007.00
ELR7262	53.327.00	JLP9443		0004660204	25.406.01	0024773801	31.834.00	2038300118	53.094.00
ELR7263	53.254.00	(N.2 FILTRI/FILTERS)	30.C03.00	0004660600	25.406.01	0024773901	31.834.00	2038300318	54.130.00
ELR7264	53.183.00	JLR7015	54.108.00	0004662804	25.406.01	0024774501	31.505.00	2038300418	54.130.00
ELR7267	53.222.00	JLR7015	53.234.00	0004700192	21.050.00	0024775701	31.841.00	2038300518	54.130.00
ELR7272	53.223.00	JLR7039	53.068.00	0004700922	26.609.00	0024776401	31.841.00	2038300918	54.131.00
ELR7273	53.157.00	JLR7046	53.037.00	0004770815	26.609.00	0030940804	27.521.00	2038300918	34.131.00
ELR7274	53.156.00	JLR7064	53.070.00	0004771015	26.609.00	0030943804	30.974.00	2038301018	54.246.00
ELR7280	53.150.00	JLR7065	53.073.00	0004773815	21.050.00	0030943904	27.283.00	2038301018	34.246.00
ELR7286	53.209.00	JLR7087	53.005.00	0004774215	21.050.00	0030944104	27.135.00	2038302118	54.130.00
ELR7288	53.151.00	JLR7091	53.009.00	0004774315	26.618.00	0030945104	27.231.00	2048300018	54.163.00
ELR7290	53.422.00	JLR7116	53.235.00	0004774715	26.609.00	0030945404	30.976.00	2048300018	34.163.00
ELR7291	53.298.00	JLR7150		0004775015	26.664.00	0030945804	30.974.00	2048300518	54.163.00
ELR7292	53.320.00	(N.2 FILTRI/FILTERS)	53.316.00	0004775315	26.609.00	0030947204	30.596.00	2048300518	34.163.00
ELR7295	53.256.00	JLR7152	53.108.00	0004775415	21.050.00	0030947504	30.080.00	2108300018	53.005.00
ELR7296	53.388.00	JLR7158	53.226.00	0004775715	21.050.00	0030948204	30.080.00	2108300218	54.141.00
ELR7298	53.396.00	JLR7161	53.228.00	0004776415	26.609.00	0030948304	30.082.00	2108300318	54.141.00
ELR7306	53.383.00	JLR7204	53.214.00	0004776815	21.050.00	0040942604	30.080.00	2108300618	53.007.00
ELR7307	53.293.00	JLR7205	53.120.00	0004776915	26.609.00	0080943102	27.881.00	2108300718	53.007.00
ELR7308	53.210.00	JLR7209	53.201.00	0004778115	24.351.01	0090000207	26.609.00	2108300818	54.270.00
ELR7309	53.233.00	JLR7210	53.197.00	0008303318	53.059.00	0130942302	30.847.00	2108300818	34.270.00
ELR7310	53.322.00	JLR7217	53.143.00	0008351500	53.275.00	0130942602	30.847.00	2108300918	54.270.00
ELR7311	53.191.00	JLR7229	53.119.00	0010920401	24.319.01	0210000207	21.050.00	2108300918	34.270.00
ELR7313	53.211.00	JLR7230	53.142.00	0010920501	24.319.01	0420000207	25.530.00	2108301018	53.005.00
ELR7315	53.261.00	JLR7234	53.154.00	0010922201	24.321.00	0440000207	25.530.01	2108301118	54.141.00
ELR7316	53.379.00	JLR7243	53.164.00	0010922301	24.321.00	1021800009	25.530.01	2108301218	54.270.00
ELR7318	53.160.00	JLR7257	53.259.00	0010922302	24.321.00	1021800109	25.530.00	2108301218	34.270.00
ELR7320	53.249.00	JLR7276	53.255.00	0010922401	24.321.00	1021800110	25.530.01	2118300018	54.133.00
ELR7321	53.331.00	JLR7287	53.251.00	0010922501	24.319.01	1021801110	25.530.00	2118300018	34.133.00
ELR7322	53.368.00	JLR7293	53.311.00	0010923201	24.319.01	1021840001	23.130.03	2118300218	53.095.00
ELR7332	53.215.00	JLR7301	53.163.00	0010928401	24.321.00	1021840101	23.130.03	2118300418	53.245.00
ELR7333	53.220.00	JLR7303	53.277.00	0010929001	24.321.00	1021840201	23.130.03	2118300818	54.132.00
ELR7337	53.326.00	JLR7305	53.332.00	0010940204	27.797.00	1021840301	23.130.03	2128300018	54.163.00
ELR7338	53.389.00	JLR7323	53.229.00	0010940405	30.843.01	1021840325	25.530.00	2128300018	34.163.00
ELR7339	53.275.00	JLR7329	53.338.00	0010944504	27.881.00	1021840425	25.530.00	2128300118	54.163.00
ELR7342	53.273.00	JLR7359	53.394.00	0010944604	27.804.00	1021840501	23.130.03	2128300118	34.163.00
ELR7343	53.299.00	L231	25.253.00	0010947804	30.993.00	1021840825	25.530.01	2128300218	54.163.00
ELR7344	53.325.00	L3303	27.110.00	0010948204	27.828.00	1031800610	23.130.03	2128300218	34.163.00
ELR7354	53.390.00	L3311	27.111.00	0010949504	30.843.01	1031840001	23.130.03	2128300318	54.163.00
ELR7355	53.384.00	L3411	27.111.00	0011842225	25.406.01	1031840201	23.130.03	2128300318	54.163.00
ELR7372	53.387.00	R52	53.103.00	0011844125	25.099.00	1041800109	25.162.00	2208300218	54.141.00
ELR7386	53.424.00	R59	53.143.00	0011844425	25.099.00	1041800609	25.010.00	2228300318	54.294.00
ELR7523	53.161.00	R70	53.189.00	0011845125	25.099.00	1041800709	25.162.00	2228300318	34.294.00
FA1832	30.941.02			0011845425	25.099.00	1110940004	30.072.00	2228300418	54.294.00
FA1959	30.041.00	MERCEDES BENZ	UFI	0011849325	20.020.00	1110940204	30.182.00	2228300418	34.294.00
FA1960	30.041.00			0014772101	31.027.00	1110940304	30.201.00	2468300018	54.236.00
FA2018	30.041.00	0000322405	26.609.00	0014773301	31.027.00	1120940004	30.531.00	2468300018	34.236.00
FA2081	30.080.00	0000900100	26.114.00	0014774201	31.027.00	1120940104	30.320.00	2468300118	54.236.00
FA2100	30.541.00	0000900200	26.114.00	0014775601	31.027.00	1120940204	30.320.00	2660940004	30.318.00
FA2101	27.472.00	0000900700	30.A59.00	0014775901	31.505.00	1120940304	30.B42.00	2661800009	25.063.00
FA2219	30.082.00	0000901151	21.061.00	0014776301	31.013.00	1120940604	30.531.00	2700940004	30.A38.00
FA3126	27.920.00	0000901651	30.257.00	0014776401	31.013.00	1121800009	25.002.00	2701800009	25.178.00
FA3167	27.231.00	0000902551	30.658.00	0014776601	31.013.00	1121800009	25.059.00	2701800109	25.178.00
FA3196	27.477.00	0000902651	30.340.00	0014776901	31.027.00	1121840225	25.002.00	2710940204	27.486.00
FA3220	27.356.00	0000903751	30.340.00	0014777901	31.013.00	1121840225	25.059.00	2710940304	30.A60.00
FA3222	27.550.00	0000921505	21.050.00	0014778401	31.505.00	1121840525	25.059.00	2711800009	25.050.00
FA3389	27.676.00	0000921905	21.050.00	0014778701	31.563.00	1121840625	25.059.00	2711800109	25.050.00
FA3395	27.A05.00	0000922305	26.609.00	0014778901	31.505.00	1150940004	30.916.00	2711800309	25.155.00
FA3454	27.881.00	0000922705	21.061.00	0018353047	53.114.00	1150940104	30.916.00	2711800409	25.155.00
FA3494	27.828.00	0000927101	31.570.00	0018358747	53.322.00	1600940104	27.592.00	2730940204	30.531.00
FA3698	27.804.00	0000927601	31.570.00	0020921201	24.319.01	1601800310	25.035.00	2730940404	30.531.00
G66		0000929001	24.319.01	0020941602	30.847.00	1601840025	25.035.00	2730940604	30.531.00
(SOLO R/CAMBIO/S/PARE PART ONLY)	55.430.00	0000929501	24.319.01	0020941604	30.847.00	1634770801	23.293.00	2740940004	27.A92.00
G66A	55.430.00	0000940204	27.797.00	0020941704	30.847.00	1638350047	53.100.00	2740940104	30.A61.00
G67	55.418.00	0000944904	27.813.00	0020942304	27.134.00	1638350147	54.247.00	2760940004	30.A72.00
JKR7015	54.108.00	0000945204	27.813.00	0020943004	30.896.00	1638350247	53.100.00	2761800009	25.172.00
JKR7046	54.252.00	0000945704	27.797.00	0020943104	30.896.00	1648300218	54.215.00	2781800009	25.204.00
JKR7066	54.242.00	0000948104	27.797.00	0020943404	27.828.00	1648300218	34.215.00	2811800210	25.145.00
JKR7086	54.130.00	0000949904	27.797.00	0020943504	27.135.00	1660940004	27.355.00	3141800009	20.020.00
JKR7088	54.141.00	0001800109	20.020.00	0020944004	27.135.00	1661800009	25.014.00	3141800109	25.099.00
JKR7090	54.104.00	0001800209	20.012.02	0020945804	30.896.00	1661800109	25.014.00	3444777215	21.050.00
JKR7091	54.110.00	0001801509	25.010.00	0020946004	27.804.00	1661800209	25.014.00	3524700092	21.061.00
JKR7121	54.240.00	0001802209	25.002.00	0020946904	30.990.00	1661800710	25.014.00	3641800009	25.099.00
JKR7133	54.132.00	0001802209	25.059.00	0020947004	27.067.00	1661840225	25.014.00	3641800109	25.099.00
JKR7152	54.152.00	0001802309	25.002.00	0020948704	30.976.00	1661840525	25.014.00	3641800309	25.099.00
JKR7158	54.153.00	0001802309	25.059.00	0020948804	30.975.00	1668300018	53.320.00	3661840225	
JKR7161	54.127.00	0001802409	25.530.00	0020949204	30.040.00	1668300218	53.320.00	(ALCUNI IMPIEGHI/SOME APPL.)	25.099.00
JKR7201	54.215.00	0001802509	25.499.01</						

4150901100	26.115.00	6290940104	30.B25.00	A0001802409		A2028300318	53.007.00	A6061840225	25.095.00
4150940100	30.543.00	6310940104	27.477.00	(KNECHT-MAHLE OX33D)	25.530.01	A2038300118	53.094.00	A6070900752	26.115.00
4158351300	53.164.00	6380900151	30.086.00	A0001802409067		A2038300518	54.130.00	A6071840225	23.628.00
4570900051	26.001.00	6388350047	53.114.00	(KNECHT-MAHLE OX34D)	25.530.00	A2038300918	54.131.00	A6110900051	26.006.00
4614770015	26.013.00	6394770001	31.848.00	A0001802409067		A2038300918	54.131.00	A6110900852	24.416.00
4638300018	54.114.00	6398350247	53.110.00	(KNECHT-MAHLE OX33D)	25.530.01	A2038301018	54.246.00	A6110920001	24.429.00
4638301102	53.320.00	6398350347	54.145.00	A0001802509	25.499.01	A2038301018	34.246.00	A6110920101	24.007.00
5410900015	26.001.00	6398350347	34.145.00	A0001802609	25.059.00	A2048300018	54.163.00	A6110920201	24.416.00
5410900151	26.001.00	6400940204	30.273.00	A000180260990	25.059.00	A2048300018	34.163.00	A6110920601	24.416.00
5410920305	26.001.00	6401800009	25.067.00	A0001803109	25.059.00	A2048300518	54.163.00	A6110940004	30.148.00
5410920405	26.001.00	6401800109	25.067.00	A0004660604	25.406.01	A2048300518	34.163.00	A6110940104	30.148.00
5410920505	26.001.00	6401840125	25.067.00	A0004662804	25.406.01	A2048300018	53.005.00	A6110940204	27.585.00
5410920605	26.001.00	6420901652	24.077.00	A0004773815	21.050.00	A2108300618	53.007.00	A6110940304	30.148.00
5410920805	26.001.00	6420901752	24.111.00	A0008303318	53.059.00	A2108300718	53.007.00	A6111800009	25.013.00
5410920905	26.001.00	6420901852	24.111.00	A0008351500	53.275.00	A2108300818	54.270.00	A6111800967	25.059.00
6010900352	24.321.00	6420902052	24.111.00	A00018023201	24.319.01	A2108300818	34.270.00	A6120920001	24.006.00
6010901452	24.321.00	6420902252	24.112.00	A0010928401	24.321.00	A2108301018	53.005.00	A61209200164	24.006.00
6010901552	24.321.00	6420902352	24.112.00	A0010948204	27.828.00	A2108301118	54.141.00	A6131800009	25.041.00
6010901652	24.321.00	6420904852	24.148.00	A0010949504	30.843.01	A2108301218	54.270.00	A6161800510	25.499.01
6010920001	24.321.00	6420906352	24.148.00	A0014773801	31.001.00	A2108301218	34.270.00	A6221800009	25.170.00
6010920101	24.321.00	6420920101	24.107.00	A0014773901	31.001.00	A2118300018	54.133.00	A6260940004	30.A68.00
6010940004	30.893.00	6420920201	24.077.00	A0014774201	31.027.00	A2118300018	34.133.00	A6260940104	30.A68.00
6010940104	30.893.00	6420920301	24.111.00	A0014777901	31.013.00	A2118300218	53.095.00	A6261840025	25.170.00
6010940304	30.893.00	6420920501	24.107.00	A0018353047	53.114.00	A2118300418	53.245.00	A6290940004	30.B25.00
6010940404	30.893.00	6420920701	24.107.00	A0018358747	53.322.00	A2118300818	54.132.00	A6290940104	30.B25.00
6010940406	30.893.03	6420941104	30.281.00	A0020942304	27.134.00	A2128300218	54.163.00	A6310940104	27.477.00
6010940504	30.893.03	6420942804	30.462.00	A0020943104	30.896.00	A2128300218	34.163.00	A6380900151	30.086.00
6011800009	25.528.00	6420943004	30.463.00	A0020943404	27.828.00	A2128300318	54.163.00	A6394770001	31.848.00
6011800109	25.528.00	6421800009	25.069.00	A0020943504	27.135.00	A2128300318	34.163.00	A6398350247	53.110.00
6011800210	25.528.00	6460900852	24.107.00	A0020947004	27.067.00	A2228300318	54.294.00	A6398350347	54.145.00
6011800610	25.499.00	6460920001	24.436.00	A0020948704	30.976.00	A2228300318	34.294.00	A6398350347	34.145.00
6011840025	25.528.00	6460920201	24.107.00	A0024772701	31.583.00	A2228300418	54.294.00	A6400940204	30.273.00
6011840125	25.528.00	6460920301	24.436.00	A0024772801	31.583.00	A2228300418	34.294.00	A6401800009	25.067.00
6020900552	24.321.00	6460920501	24.436.00	A0024773001	31.841.00	A2468300018	54.236.00	A6401800109	25.067.00
6020920101	24.321.00	6460920601	24.107.00	A0024773101	31.841.00	A2468300018	34.236.00	A6420901852	24.111.00
6020940104	30.911.00	6460920701	24.107.00	A0024773801	31.834.00	A2468300118	54.236.00	A6420904852	24.148.00
6020940204	30.911.00	6460940004	27.596.00	A0024773901	31.834.00	A2660940004	30.318.00	A6420906352	24.148.00
6020940404	30.961.00	6460940104	27.586.00	A0024774501	31.505.00	A2661800009	25.063.00	A6420920101	24.107.00
60209420101	24.321.00	6460940204	27.A51.00	A0024776401	31.841.00	A2700940004	30.A38.00	A6420920201	24.107.00
6030940104	30.929.00	6460940304	27.B12.00	A0028350847	53.114.00	A2701800009	25.178.00	A6420920301	24.111.00
6030940204	27.162.00	6510900051	30.A67.00	A0030940804	27.521.00	A2701800109	25.178.00	A6420920401	24.112.00
6040940004	30.119.00	6510900852	24.150.00	A0030943904	27.283.00	A2710940204	27.486.00	A6420920501	24.107.00
6040940104	30.119.00	6510901552	24.149.00	A0030944104	27.135.00	A2710940304	30.A60.00	A6420942104	30.462.00
6040940304	30.119.00	6510901652	24.151.00	A0030945104	27.231.00	A2711800009	25.050.00	A6420942204	30.463.00
6040940404	30.119.00	6510902852	24.151.00	A0030945404	30.976.00	A2711800109	25.050.00	A6420942804	30.462.00
6040940504	30.073.00	6510902952	24.149.00	A0030947204	30.596.00	A2711800409	25.155.00	A6420943004	30.463.00
6040940604	30.073.00	6510903152	24.150.00	A0030947504	30.080.00	A2711800509	25.155.00	A6421800009	25.069.00
6040940904	30.575.00	6510940004	30.B10.00	A0030948204	30.080.00	A2730940404	30.531.00	A6460900852	24.107.00
6040941004	30.575.00	6510940100	30.C36.00	A1021840101	23.130.03	A2730940604	30.531.00	A6460920301	24.436.00
6040941304	30.119.00	6510940104	30.B63.00	A1021840425	25.530.00	A2740940004	27.A92.00	A6460920501	24.436.00
6040941404	30.119.00	6510940204	30.595.00	A1021840501	23.130.03	A2740940104	30.A61.00	A6460920701	24.107.00
6040941904	30.575.00	6511800009	25.159.00	A1031840201	23.130.03	A2740940204	30.A61.00	A6460940004	27.596.00
6061800009	25.095.00	6511800109	25.159.00	A1041800109	25.162.00	A2760940004	30.A72.00	A6460940104	27.586.00
6061840025	25.095.00	6540940004	30.B56.00	A1110940004	30.072.00	A2761800009	25.172.00	A6460940204	27.A51.00
6061840225	25.095.00	6540940204	30.C35.00	A1110940204	30.182.00	A2781800009	25.204.00	A6460940304	27.B12.00
6070900752	26.115.00	6641800009	25.054.00	A1110940304	30.201.00	A2811800010	25.145.00	A6510900051	30.A67.00
6071840025	25.409.01	6650920001	24.005.00	A1120940104	30.320.00	A2811800210	25.145.00	A6510900852	24.150.00
6071840225	23.628.00	6680900152	24.416.00	A1120940304	30.B42.00	A3524700092	21.061.00	A6510901552	24.149.00
6110900051	26.006.00	6680920101	24.416.00	A1120940604	30.531.00	A3641800009	25.099.00	A6510901652	24.151.00
6110900852	24.416.00	6680920201	24.416.00	A1121800009	25.059.00	A3641800109	25.099.00	A6510901952	24.193.00
6110920001	24.429.00	6680940004	27.593.00	A1121840225	25.059.00	A3641800309	25.099.00	A6510902052	24.194.00
6110920015	26.006.00	6680940104	27.593.00	A1121840525	25.059.00	A4150940304	30.543.00	A6510902852	24.151.00
6110920101	24.007.00	6680940204	27.593.00	A1121840625	25.059.00	A4158350600	53.164.00	A6510902952	24.149.00
6110920201	24.416.00	6680940304	27.593.00	A1520940004	30.389.00	A4158351100	53.164.00	A6510903052	24.193.00
6110920501	24.429.00	66809903	54.247.00	A1600940104	27.592.00	A4638300018	54.114.00	A6510903152	24.150.00
6110920601	24.416.00	6681800009	25.067.00	A1601840225	25.035.00	A5410900051	26.001.00	A6510903252	24.194.00
6110920701	24.429.00	9018300018	53.059.00	A1638350047	53.100.00	A5410900151	26.001.00	A6510940004	30.B10.00
6110940004	30.148.00	9018300418	54.281.00	A1638350147	54.247.00	A5410920305	26.001.00	A6510940100	30.C36.00
6110940104	30.148.00	9018300518	53.059.00	A1638350247	53.100.00	A5410920405	26.001.00	A6510940104	30.B63.00
6110940204	27.585.00	9068300218	53.137.00	A1648300218	54.215.00	A5410920505	26.001.00	A6510940204	30.595.00
6110940304	30.148.00	9068300318	54.161.00	A1648300218	34.215.00	A5410920605	26.001.00	A6510940404	30.B87.00
6111800009	25.013.00	9068300318	34.161.00	A164830021864	54.215.00	A5410920805	26.001.00	A6511800009	25.159.00
6111800967	25.059.00	A0000901151	21.061.00	A164830021864	34.215.00	A5410920905	26.001.00	A6511800109	25.159.00
6120920001	24.006.00	A0000901651	30.257.00	A1660940004	27.355.00	A6010900352	24.321.00	A6511800309	25.159.00
6130940004	30.148.00	A0000902551	30.658.00	A1661800009	25.014.00	A6010901452	24.321.00	A6540940004	30.B56.00
6131800009	25.041.00	A0000902651	30.340.00	A1661800109	25.014.00	A6010940404	30.893.00	A6540940204	30.C35.00
6131840025	25.041.00	A0000903751	30.340.00	A1661800209	25.014.00	A6010940504	30.893.03	A6641800009	25.054.00
6151840025	25.499.00	A0000903851	30.257.00	A1668300018	53.320.00	A6011800109	25.528.00	A6650920001	24.005.00
6161800009	25.499.01	A0000922705	21.061.00	A1668300218	53.320.00	A6011840125	25.528.00	A665092000128	24.005.00
6161800510	25.499.01	A0000940000	30.A59.00	A1688300018	53.064.00	A6040940004	30.119.00	A6680900152	24.416.00
6171800009	25.499.00	A0000940700	30.A59.00	A1688300818	54.102.00	A6040940104	30.119.00	A6680920101	24.416.00
6171840025	25.499.00	A0000945204	27.813.00	A1698300118	53.247.00	A6040940304	30.119.00	A6	

MC530-2	54.108.00	MC736	54.220.00	MP064	53.086.00	MP227-2	53.120.00	13717558382	27.E52.00
MC532	54.197.00	MC738-2	54.215.00	MP066-2	53.108.00	MP228-2	53.310.00	13717561235	30.346.00
MC534	54.235.00	MC756	54.297.00	MP068	53.037.00	MP229-2	53.201.00	13717568728	30.467.00
MC537	54.102.00	MC762	54.269.00	MP069	53.079.00	MP230	53.213.00	13717619267	30.621.00
MC538	54.121.00	MC764-2	54.164.00	MP071	53.038.00	MP232	53.057.00	13717806046	30.233.00
MC539	54.107.00	MC770	54.268.00	MP075	53.099.00	MP234	53.105.00	13718509032	27.A53.00
MC540	54.239.00	MC771	54.168.00	MP076	53.016.00	MP235	53.316.00	13718513944	30.622.00
MC541	54.106.00	MC773	54.266.00	MP077	53.075.00	MP237-2	53.258.00	13718692202	30.621.00
MC544	54.263.00	MC778-4	54.255.00	MP078	53.043.00	MP242	53.391.00	13720395826	27.E52.00
MC547	54.230.00	MC784	54.111.00	MP079	53.065.00	MP246	53.328.00	13721477840	30.168.00
MC549	54.165.00	MC787	54.175.00	MP080	53.063.00	MP246-2		13721491749	30.316.00
MC551	54.280.00	MC798	54.163.00	MP081	53.033.00	(N.2 FILTRI/FILTERS)	53.328.00	13727520855	30.290.00
MC555	54.169.00	MC800	54.160.00	MP082	53.052.00	MP247	53.218.00	13727529261	30.317.00
MC557	54.194.00	MC808	54.159.00	MP084	53.083.00	MP249	53.257.00	13727529264	30.A46.00
MC559	54.131.00	MC816	54.176.00	MP085	53.230.00	MP263	53.161.00	64311496710	53.101.00
MC560	54.114.00	MC825	54.275.00	MP086	53.091.00	MP264-2	53.143.00	64311496711	54.137.00
MC561	54.171.00	MC848	54.290.00	MP087-3	53.070.00	MP266	53.214.00	64316930349	54.137.00
MC564	54.122.00	MC859-2	54.243.00	MP088	53.087.00	MP269	53.152.00	64316930351	53.101.00
MC566-2	54.152.00	MC862	53.374.00	MP093-2	53.318.00	MP270	53.146.00	64319127515	53.156.00
MC568-2	54.252.00	MC865	54.284.00	MP096	53.149.00	MP271	53.153.00	64319127516	54.175.00
MC571	54.111.00	MC867	54.166.00	MP097	53.162.00	MP272	53.222.00	64319127516	34.175.00
MC572	54.376.00	MC877	54.217.00	MP099-2		MP273	53.147.00	64319257505	54.137.00
MC574	54.246.00	MC878	54.233.00	(N.2 FILTRI/FILTERS)	53.242.00	MP276-2	53.164.00	64319297749	53.332.00
MC576	54.317.00	MC880-2	54.231.00	MP100-2	53.009.00	MP277	53.145.00		
MC578	54.262.00	MC907	54.234.00	MP101	53.058.00	MP283	53.157.00		
MC581	54.267.00	MC908	54.222.00	MP104	53.050.00	MP285	53.151.00		
MC588	54.198.00	MC913	54.285.00	MP105	53.103.00	MP287	53.156.00	E001	31.001.00
MC590	54.113.00	MC917	54.312.00	MP106	53.032.00	MP301	53.188.00	E013	31.013.00
MC591	54.105.00	MC918	54.249.00	MP107	53.045.00	MP303-2	53.274.00	E101	31.851.00
MC592	54.109.00	MC925	54.223.00	MP109	53.095.00	MP308	53.206.00	E102	31.924.00
MC593-2	54.242.00	MC927	54.257.00	MP110	53.245.00	MP311	53.407.00	E105	31.740.00
MC594	54.247.00	MC928	54.227.00	MP112	53.246.00	MP314-2	53.259.00	E500	31.500.00
MC595-2	54.104.00	MC930	54.226.00	MP113	53.148.00	MP321	53.113.00	E502	31.502.00
MC596	54.103.00	MC937	54.219.00	MP114	53.076.00	MP322-2	53.121.00	E503	31.503.00
MC597	54.119.00	MC949	54.322.00	MP115	53.155.00	MP325	53.150.00	E504	
MC598	54.157.00	MC985		MP116	53.069.00	MP332-2	53.219.00	(VAG)	31.594.00
MC600-2	54.110.00	(BR)	54.245.00	MP117	53.125.00	MP333	53.144.00	E504	
MC604	54.264.00	MC995	54.319.00	MP120	53.141.00	MP341-2	53.333.00	(WEBER FI-02/2)	31.504.00
MC606	54.101.00	MP002	53.046.00	MP121	53.248.00	MP343	53.329.00	E504	
MC607	54.100.00	MP003	53.026.00	MP124-2	53.235.00	MP345	53.244.00	(ALTRE/OTHER APPL.)	31.699.00
MC609	54.133.00	MP005	53.007.00	MP125	53.051.00	MP347	53.208.00	E505	31.505.00
MC611-2	54.240.00	MP009	53.015.00	MP126-2	53.338.00	MP349	53.404.00	E506	31.506.00
MC612	54.318.00	MP011	53.013.00	MP128-2	53.197.00	MP351	53.385.00	E507	31.563.00
MC613	54.124.00	MP012	53.027.00	MP129	53.117.00	MP352	53.207.00	E508	31.508.00
MC614	54.115.00	MP013	53.042.00	MP130	53.101.00	MP357	53.205.00	E510	31.510.00
MC615	54.174.00	MP014	53.047.00	MP139	53.098.00	MP359-2	53.255.00	E511	31.511.00
MC616	54.156.00	MP015	53.010.00	MP140	53.227.00	MP362	53.374.00	E512	31.512.00
MC617	54.273.00	MP016	53.025.00	MP141	53.189.00	MP366	53.254.00	E513	31.513.00
MC619	54.140.00	MP017	53.012.00	MP142	53.102.00	MP368	53.261.00	E514	31.514.00
MC623	54.295.00	MP018	53.001.00	MP145	53.129.00	MP369	53.327.00	E515	31.515.00
MC624-2	54.129.00	MP020	53.059.00	MP147	53.093.00	MP379	53.135.00	E561	31.561.00
MC630	54.137.00	MP021	53.024.00	MP148	53.110.00	MP380-2	53.229.00	E562	31.562.00
MC639	54.134.00	MP022	53.005.00	MP149	53.319.00	MP382	53.208.00	E569	31.569.00
MC640	54.142.00	MP023	53.114.00	MP157	53.041.00	MP386	53.191.00	E710	31.710.00
MC641	54.148.00	MP024	53.067.00	MP158	53.109.00	MP399	53.186.00	E710	31.948.00
MC642	54.136.00	MP025	53.017.00	MP160	53.080.00	MP402-2	53.239.00	E718	31.718.00
MC644-2	54.302.00	MP027	53.020.00	MP161	53.247.00	MP404	53.367.00	E722	31.722.00
MC645	54.158.00	MP028	53.122.00	MP162	53.250.00	MP405	53.388.00	E747	31.747.00
MC646	54.126.00	MP029	53.232.00	MP163	53.088.00	MP410	53.331.00	E769	31.769.00
MC647	54.271.00	MP030-2	53.234.00	MP166-2	53.228.00	MP412	53.210.00	E841	31.841.00
MC648	54.145.00	MP031	53.004.00	MP167	53.107.00	MP413	53.223.00	E844	31.844.00
MC649	54.128.00	MP032	53.014.00	MP172	53.093.00	MP414	53.220.00	F001	26.001.00
MC659	54.151.00	MP033	53.060.00	MP173	53.039.00	MP415	53.243.00	F007	26.007.00
MC661	54.146.00	MP034	53.021.00	MP176	53.231.00	MP421	53.233.00	F101	26.003.00
MC663	54.221.00	MP035	53.085.00	MP177	53.137.00	MP428	53.321.00	F103	26.006.00
MC664	54.112.00	MP036	53.386.00	MP179	53.104.00	MP457-2	53.277.00	F104	26.022.00
MC665	54.296.00	MP037	53.064.00	MP181	53.129.00	MP465	53.299.00	F105	26.694.00
MC666-2	54.127.00	MP038	53.158.00	MP185-2	53.226.00	MP466	53.273.00	F106	26.695.00
MC667	54.201.00	MP039	53.023.00	MP187	53.400.00			F107	26.014.00
MC670	54.144.00	MP040	53.252.00	MP191	53.074.00			F110	24.027.00
MC673	54.282.00	MP041	53.034.00	MP192	53.317.00			F111	24.086.00
MC675	54.149.00	MP042	53.138.00	MP193	53.124.00	11252754870	25.032.00	F112	24.343.00
MC676	54.155.00	MP043	53.134.00	MP195	53.236.00	11420306483	23.253.00	F112A	24.015.00
MC677	54.161.00	MP044	53.006.00	MP196	53.112.00	11427509208	25.034.00	F113	24.013.00
MC678	54.377.00	MP047	53.030.00	MP197	53.111.00	11427512446	25.034.00	F113A	24.050.00
MC679	54.232.00	MP048	53.002.00	MP198	53.109.00	11427557012	25.060.00	F114	24.014.00
MC680	54.306.00	MP049	53.011.00	MP200	53.115.00	11427622446	25.060.00	F114A	24.051.00
MC681	54.158.00	MP050	53.019.00	MP201-2	53.154.00	11427791059	23.253.00	F116	60.H20.00
MC685	54.153.00	MP051	53.018.00	MP202	53.159.00	11427805978	25.037.00	F119	26.021.00
MC688	54.125.00	MP052	53.061.00	MP203-2	53.119.00	11428570590	25.185.00	F120	24.087.00
MC689	54.139.00	MP055	53.028.00	MP207	53.132.00	11428575210	25.185.00	F120A	24.088.00
MC693	54.162.00	MP057	53.044.00	MP210	53.334.00	13327794590	31.838.00	F121A	24.052.00
MC694	54.100.00	MP058	53.068.00	MP213	53.118.00	13327804958	24.027.00	F123A	24.132.00
MC695	54.154.00	MP059	53.094.00	MP214	53.240.00	13328511053	31.952.00	F128	26.055.00
MC700	54.150.00	MP060	53.031.00	MP220	53.116.00	13328517166	24.027.00	F132	26.694.00
MC701-2	54.172.00	MP061	53.040.00	MP223	53.131.00	13717520855	30.290.00	F139	26.131.00
MC707	54.265.00	MP062	53.082.00	MP224	53.260.00	13717534825	30.345.00	F140	26.115.00
MC728-2	54.283.00	MP063	53.035.00	MP225	53.249.00	13717534845	30.368.00	F143	26.102.00

F167	26.138.00	HB165	53.107.00	L193	25.232.00	P020	30.020.00	P400	30.213.00
F376	26.139.00	HB166	53.148.00	L202	25.139.00	P021	30.021.00	P401	30.159.00
F601	26.601.00	HB167C	54.262.00	L222	25.249.00	P022	30.022.00	P402	30.195.00
F602	26.602.00	HB168	54.125.00	L402A	25.402.01	P024	30.024.00	P403	30.196.00
F606	26.606.00	HB169C	54.142.00	L406A	25.406.01	P025	30.025.00	P404	30.165.00
F609	26.609.00	HB170	53.104.00	L407A	25.407.01	P026	30.021.00	P405	30.148.00
F618	26.618.00	HB171	53.076.00	L408	25.408.00	P027	30.027.00	P406	30.320.00
F635	26.635.00	HB174	53.246.00	L409A	25.409.01	P028	30.028.00	P408	30.182.00
F645	26.645.00	HB174C	54.318.00	L413	25.413.00	P029	30.192.00	P409	30.162.00
F652	26.652.00	HB177C	54.264.00	L421	25.421.00	P032	30.032.00	P410	30.169.00
F660	26.660.00	HB180	54.128.00	L439	25.439.00	P033	30.033.00	P411	30.144.00
F670	26.670.00	HB201		L443	25.443.00	P034	30.034.00	P411A	30.157.00
F676	26.676.00	(N.2 FILTRI/FILTERS)	53.316.00	L455	25.455.00	P035	30.035.00	P412	30.147.00
F682	24.389.00	HB210	53.259.00	L455A	25.455.01	P036	30.036.00	P413	30.244.00
F685	24.388.00	HB211	53.103.00	L499	25.499.00	P038A	30.038.01	P414	30.155.00
F686	26.686.00	HB221	53.222.00	L528	25.528.00	P039	30.039.00	P415	30.541.00
F687	26.687.00	HB230C	54.275.00	L530	25.530.00	P041	30.041.00	P417	30.181.00
F689	26.689.00	HB240	53.077.00	L530A	25.530.01	P045	30.045.00	P418	30.150.00
F690	26.690.00	HB252	53.298.00	L539	25.539.00	P046	30.046.00	P419	30.187.00
F691	26.691.00	HB252C	54.219.00	L540	25.540.00	P048	30.048.00	P420	30.153.00
FM228	26.680.00	HB253	53.422.00	L541	25.541.00	P049	30.049.00	P420A	30.311.00
FM641	26.683.00	HB253C	54.218.00	L548	25.548.00	P050	30.050.00	P421	30.417.00
FM646	26.688.00	HB254C	54.244.00	L555	25.555.00	P052	30.052.00	P423	30.158.00
FM655	26.693.00	HB254C	54.388.00	L583	25.095.00	P053	30.053.00	P424	30.026.00
HB101	53.060.00	HB255	53.320.00	L587	25.587.00	P057	30.057.00	P425	30.001.00
HB102	53.084.00	HB256	53.311.00	LM559	25.032.00	P058	30.058.00	P426	30.299.00
HB103	53.061.00	HB256C	54.287.00	LM563	25.022.00	P060	30.066.00	P427A	30.233.00
HB104	53.006.00	HB257	53.209.00	M304	24.304.00	P063	30.063.00	P428	30.302.00
HB104C	54.109.00	HB259	53.388.00	M319A	24.319.01	P064	30.064.00	P430	30.185.00
HB105	53.010.00	HB261	53.396.00	M321	24.321.00	P067	30.933.00	P431	30.180.00
HB106	53.014.00	HB263	53.277.00	M326	24.326.00	P068	30.068.00	P434	30.318.00
HB108	53.001.00	HB263C	54.254.00	M344	24.344.00	P069	30.069.00	P438	30.596.00
HB109	53.013.00	HB283	53.383.00	M350	24.350.00	P070	30.070.00	P440	30.279.00
HB110	53.015.00	HB287C	54.293.00	M350B	24.350.02	P071	30.071.00	P454	30.386.00
HB110C	54.277.00	HB301	53.368.00	M351	24.351.00	P073	30.073.00	P457	30.280.00
HB111	53.047.00	HB303	53.389.00	M351A	24.351.01	P075	30.075.00	P467A	30.B24.00
HB112	53.016.00	HB307C	54.312.00	M352A	24.352.00	P077	30.077.00	P468	30.390.00
HB112C	54.119.00	HB310	53.390.00	M355	24.351.01	P078A	30.078.01	P474	30.559.00
HB113	53.021.00	HB332C	54.331.00	M355A	24.351.00	P079	30.079.00	P475	30.548.00
HB113C	54.235.00	HB393C	54.319.00	M360	24.360.00	P080	30.080.00	P476	30.638.00
HB114	53.027.00	L001	25.001.00	M360A	24.360.01	P080A	30.082.00	P478	30.625.00
HB115	53.028.00	L003	25.003.00	M361	24.361.00	P083	30.083.00	P506	30.725.00
HB115C	54.389.00	L004	25.004.00	M362	24.362.00	P085	30.085.00	P513	30.363.00
HB118	53.010.00	L008	25.008.00	M365	24.365.00	P086	30.086.00	P522	30.A15.00
HB119	53.085.00	L009	25.009.00	M365A	24.365.01	P087	30.087.00	P523A	30.688.00
HB120	53.023.00	L010	25.010.00	M366	24.366.00	P089	30.089.00	P525	30.512.00
HB121	53.024.00	L011	25.011.00	M370	24.370.00	P090	30.090.00	P528	30.547.00
HB122	53.025.00	L011A	25.011.00	M371	24.371.00	P095	30.095.00	P530	30.692.00
HB123	53.002.00	L012	25.012.00	M374	24.374.00	P096	30.096.00	P542	30.603.00
HB124	53.018.00	L013	25.013.00	M375	24.375.00	P098	30.098.00	P544	30.B06.00
HB125	53.026.00	L014	25.014.00	M379	24.379.01	P099	30.099.00	P549	30.A95.00
HB126	53.012.00	L017	25.017.00	M382	24.382.00	P101	30.101.00	P553	30.779.00
HB126C	54.116.00	L018	25.018.00	M383	24.350.02	P101B	30.101.00	P557	30.777.00
HB127	53.004.00	L019	25.019.00	M384	24.384.00	P109	30.109.00	P558A	30.660.00
HB128	53.005.00	L021	25.021.00	M391	24.391.00	P111	30.111.00	P559	30.A67.00
HB129	53.007.00	L024	25.024.00	M401	24.401.00	P117	30.117.00	P561	30.A38.00
HB129C	54.270.00	L028	25.028.00	M408	24.408.00	P127	30.127.00	P575	30.709.00
HB130	53.046.00	L030	25.030.00	M411	24.411.00	P128	30.128.00	P587A	30.A70.00
HB131	53.292.00	L035	25.035.00	M412	24.412.00	P131	30.149.00	P591	30.509.00
HB132	53.044.00	L040	25.040.00	M413	24.413.00	P132	30.132.00	P593A	30.A16.00
HB133	53.049.00	L048	25.048.00	M414	24.414.00	P133	30.133.00	P594A	30.C64.00
HB134	54.108.00	L049	25.049.00	M415	24.415.00	P135	30.135.00	P595	30.778.00
HB135	53.038.00	L050	25.050.00	M416	24.416.00	P136	30.136.00	P600	30.A85.00
HB137	53.086.00	L064	25.064.00	M427	24.427.00	P137	30.137.00	P601	30.B71.00
HB138	53.018.00	L064A	25.064.00	M428	24.428.00	P141	30.141.00	P603	30.B56.00
HB139	53.205.00	L065	25.065.00	M431	24.190.00	P142	30.142.00	P613	30.A59.00
HB140	53.087.00	L070	25.070.00	M432	24.432.00	P145A	30.145.01	P696	30.C62.00
HB140C	54.198.00	L100	25.029.00	M445	24.445.00	P146	30.146.00	P696A	30.C54.00
HB141	53.039.00	L102	25.041.00	M504	55.430.00	P149	30.117.00	P699	30.317.00
HB142	53.045.00	L104	25.037.00	M600	24.429.00	P151	30.098.00	P701	30.B20.00
HB144	53.059.00	L105	25.023.00	M601	24.436.00	P152	30.152.00	P710	30.B76.00
HB145	53.083.00	L106	25.027.00	M603	24.423.00	P154	30.154.00	P725	30.B22.00
HB146	53.034.00	L107	25.015.00	M604	24.398.00	P164	30.164.00	P730A	30.B27.00
HB148	53.011.00	L108	25.060.00	M605	26.045.00	P166	30.166.00	P738	30.B54.00
HB149	53.032.00	L109	25.033.00	M606	24.374.00	P168	30.168.00	P757	30.C46.00
HB149C	54.101.00	L111	25.026.00	M612	31.849.00	P172	30.172.00	P760	30.793.00
HB151	53.031.00	L112	25.043.00	M618	24.016.00	P191A	30.265.00	P771	30.B50.00
HB152	53.043.00	L115	25.047.00	M624	24.452.00	P194	30.194.00	P777	30.C39.00
HB153	53.041.00	L116	25.080.00	M639	24.465.00	P195	30.A17.00	P786	30.C40.00
HB154	53.040.00	L125	25.115.00	M668	24.196.00	P201	30.201.00	P791	30.C44.00
HB155	53.093.00	L127	25.150.00	MM322	24.326.00	P209	30.199.00	P795	30.C41.00
HB157	53.069.00	L128	25.153.00	P003	30.003.00	P247	30.247.00	P797	30.B43.00
HB159	53.037.00	L129	25.191.00	P004	30.004.00	P331	30.331.00	P800	30.800.00
HB159C	54.252.00	L134	25.094.00	P005	30.005.00	P335	30.A61.00	P802A	30.802.01
HB160	53.035.00	L136	25.166.00	P007	30.007.00	P342	30.342.00	P803	30.803.00
HB161	53.075.00	L137	25.144.00	P013	30.013.00	P352A	30.491.00	P804	30.804.00
HB163	53.074.00	L145	25.145.00	P017	30.017.00	P353	30.353.00	P807	30.807.00
HB164	53.094.00	L192	25.223.00	P019	30.019.00	P355	30.355.00	P809	30.809.00

MB433425	24.368.00	MR239025	30.079.00			LVFA1507	30.355.00	LVFF795	24.061.01	
MB433774	31.020.00	MR239466	27.282.00			LVFA1508	30.655.00	LVFF800	24.151.00	
MB504746	31.523.00	MR262425	53.404.00			LVFA1509	27.A97.00	LVFF804	31.994.00	
MB504752	31.525.00	MR266849	30.169.00		ME013307	23.475.00	LVFA1510	30.B13.00	LVFF806	26.131.00
MB504753	31.523.00	MR315172	53.274.00		ME013343	23.475.00	LVFA1511	30.B14.00	LVFF807	24.188.00
MB504758	31.650.00	MR323075	30.169.00		ME017246	27.A72.00	LVFA1516	30.406.00	LVFF810	26.130.00
MB504759	31.648.00	MR323949	27.282.00		ME132525	24.423.00	LVFA1518	30.594.00	LVFF811	26.122.00
MB504761	31.523.00	MR355233	24.384.00		ME132526	24.423.00	LVFA1520	30.A64.00	LVFF817	24.193.00
MB504762	31.648.00	MR360889	53.128.00		ME195160	26.149.00	LVFA1525	30.595.00	LVFF818	24.194.00
MB658689	31.609.00	MR373756	30.275.00		ME215002	23.475.00	LVFA1527	30.A15.00	LVFF830	26.E2X.01
MB868460	31.690.00	MR398288	54.220.00		ME222133	26.149.00	LVFA1531	30.A95.00	LVFF831	24.123.00
MB906051	30.230.00	MR404847	30.220.00		ME222135	26.149.00	LVFA1537	30.718.00	LVFF832	26.129.00
MB906052	30.230.00	MR404849	30.220.00		MK666096	23.546.00	LVFA1538	30.648.00	LVFF835	26.139.00
MD001445	23.165.00	MR460201	53.338.00		MK666099	31.071.00	LVFA1539	30.603.00	LVFF843	26.076.01
MD007095	23.271.00	MR481794	30.275.00		MK667378	23.546.00	LVFA1541	30.777.00	LVFL769	25.167.00
MD013661	23.231.00	MR500058	54.147.00		MK667920	26.034.00	LVFA1543	30.693.00	LVFL788	25.191.00
MD017440	23.271.00	MR529773	30.169.00		ML126032	27.A72.00	LVFA1544	30.717.00	LVFL797	25.145.00
MD030795	23.165.00	MR552951	30.275.00		QMK666096	23.546.00	LVFA1548	30.B08.00	LVFL804	25.178.00
MD031805	23.165.00	MR571471	30.222.00		QMK666099	31.071.00	LVFA1549	30.C39.00	LVFL805	25.201.00
MD069782	23.237.00	MR571473	30.221.00		QY010015	23.475.00	LVFA1550	30.A54.00	LVFL808	23.584.00
MD071462	23.165.00	MR571476	30.220.00		XE132525	24.423.00	LVFA1552	30.A56.00	LVFL809	23.660.00
MD071462/A	23.165.00	MR571477	27.171.00				LVFA1553	30.B05.00	LVFL815	25.186.00
MD084693	23.165.00	MR597635	24.436.00				LVFA1555	30.C03.00	LVFL819	25.204.00
MD097003	23.271.00	MR911916	26.687.00				LVFA1557	30.A53.00	LVFL821	25.185.00
MD110920	23.274.00	MR958017	54.144.00				LVFA1558	30.779.00	LVFL822	23.717.00
MD134953	23.258.00	MR968274	30.709.00		MO090	23.127.00	LVFA1559	30.A99.00	LVFL826	25.180.00
MD135737	23.265.00	MR984204	23.479.00		MO339	23.519.00	LVFA1563	27.A92.00	LVFL829	25.172.00
MD136466	23.485.00	MR993130	30.252.00		MO744	25.248.00	LVFA1564	30.A61.00	LVFL832	25.188.00
MD136790	23.271.00	MZ311780	27.604.00				LVFA1565	30.B25.00	LVFL833	23.596.00
MD162326	23.243.00	MZ311782	30.230.00				LVFA1567	30.621.00	LVFL836	23.597.00
MD184086	23.237.00	MZ311782T	30.230.00		AVF2315	53.396.00	LVFA1568	30.622.00	LVFL842	25.199.00
MD320277	27.156.00	MZ311783	30.222.00		LVC547	53.418.00	LVFA1570	30.C62.00	LVFL844	23.664.00
MD322508	23.485.00	MZ311783T	30.222.00		LVCF501	54.376.00	LVFA1571	30.A96.00	LVFL845	25.148.00
MD332687	23.265.00	MZ311785	27.071.01		LVCF505	54.318.00	LVFA1574	30.665.00	LVFL849	23.739.00
MD336080	23.274.00	MZ311786	27.282.00		LVCF514	54.275.00	LVFA1575	30.692.00	LVFL850	25.223.00
MD348631	23.258.00	MZ311788	27.171.00		LVCF516	53.259.00	LVFA1580	30.A51.00	LVFL859	25.216.00
MD352626	23.271.00	MZ311790	27.920.00		LVCF535	54.234.00	LVFA1581	30.587.00	LVFL861	23.652.00
MD356000	23.485.00	MZ311916	53.404.00		LVCF554	53.191.00	LVFA1584	30.B76.00	LVFL863	25.249.00
MD360935	23.265.00	MZ311917	53.338.00		LVCF562	53.388.00	LVFA1587	30.653.00	LVFL864	23.687.00
MD365876	23.265.00	MZ360031	53.128.00		LVCF564	54.249.00	LVFA1589	30.660.00	M203005	31.520.00
MD603071	27.581.00	MZ600138	53.128.00		LVCF575	54.312.00	LVFA1596	30.677.00	VCF100	53.019.00
MD603384	27.071.00	MZ690070	23.265.00		LVCF579	53.256.00	LVFA1600	30.A21.00	VCF102	53.013.00
MD603384		MZ690071	23.237.00		LVCF585	53.394.00	LVFA1602	30.A49.00	VCF103	53.021.00
(FONDELLI IN PVC/PLASTIC ENDS)	27.071.01	MZ690115	23.265.00		LVCF589	53.422.00	LVFA1606	27.G11.00	VCF104	53.023.00
MD603446	27.920.00	MZ690150	23.485.00		LVCF591	53.277.00	LVFA1607	27.G10.00	VCF106	53.012.00
MD603800	27.156.00	MZ690361	54.220.00		LVCF592	54.254.00	LVFA1608	27.G93.00	VCF107	53.017.00
MD603832	27.580.00	MZ690411	23.237.00		LVCF594	53.299.00	LVFA1610	30.B22.00	VCF108	53.016.00
MD603932	27.171.00	MZ690441	24.119.00		LVCF595	53.298.00	LVFA1613	30.B50.00	VCF110	53.018.00
MD604802	27.770.00	MZ690442	24.411.00		LVCF599	53.294.00	LVFA1616	30.713.00	VCF112	53.015.00
MD604952	27.604.00	MZ690445	30.533.00		LVCF621	54.289.00	LVFA1617	30.A62.00	VCF113	53.001.00
MD607648	27.580.00	SMD360935	23.265.00		LVCF624	53.390.00	LVFA1618	30.C55.00	VCF114	53.010.00
MD620456	30.222.00	TS200001	53.218.00		LVCF627	54.306.00	LVFA1619	27.E61.00	VCF115	53.014.00
MD620472	30.222.00	TS200004	23.265.00		LVCF632	53.426.00	LVFA1620	27.F37.00	VCF116	53.006.00
MD620508	27.E44.00	TS200005	53.384.00		LVCF634	53.273.00	LVFA1625	30.712.00	VCF122	53.026.00
MD620563	27.282.00	TS200013	24.465.00		LVCF636	54.377.00	LVFA1626	30.688.00	VCF125	53.007.00
MD620610	27.579.00	TS200017	24.127.00		LVCF638	54.256.00	LVFA1628	30.B27.00	VCF127	53.044.00
MD620823	30.221.00	TS200023	30.601.00		LVCF640	53.275.00	LVFA1632	30.509.00	VCF129	53.232.00
MD620837	30.221.00	TS200028	30.645.00		LVCF641	53.365.00	LVFA1633	30.A67.00	VCF131	53.079.00
MD623173	27.E44.00	X1500A098	30.506.00		LVCF642	54.288.00	LVFA1635	30.B87.00	VCF132	
ME004099	23.232.00	XB220900	24.366.00		LVCF653	53.293.00	LVFA1640	30.C64.00	(N.1 FILTRO/FILTER)	53.070.00
ME013307	23.475.00	XB433425	24.368.00		LVCF658	54.261.00	LVFA1642	30.A63.00	VCF133	
ME013343	23.475.00	XD00145	23.165.00		LVCF661	54.293.00	LVFA1643	30.793.00	(N.1 FILTRO/FILTER)	53.070.00
ME014833	23.232.00	XD603384	27.071.00		LVCF670	53.391.00	LVFA1644	30.795.00	VCF137	53.028.00
ME060219	27.902.00	XD603932	27.171.00		LVCF673	54.319.00	LVFA1647	30.B20.00	VCF141	53.030.00
ME132525	24.423.00	XD620508	27.E44.00		LVCF691	53.387.00	LVFA1651	30.A59.00	VCF142	53.060.00
ME132526	24.423.00	XD620610	27.579.00		LVFA1404	30.A44.00	LVFA1656	30.A52.00	VCF147	53.013.00
ME215002	23.475.00	XD620837	30.221.00		LVFA1409	30.390.00	LVFA1661	30.C36.00	VCF148	53.083.00
MM130481	27.920.00	XD623173	27.E44.00		LVFA1415	30.686.00	LVFA1662	30.B56.00	VCF150	53.064.00
MM404889	26.680.00	XE132525	24.423.00		LVFA1417	30.317.00	LVFA1672	30.A42.00	VCF152	53.034.00
MME61701	54.220.00	XR127077	30.070.00		LVFA1425	30.687.00	LVFA1673	30.A45.00	VCF153	54.277.00
MN185231	54.220.00	XR239466	27.282.00		LVFA1428	30.657.00	LVFA1682	30.C44.00	VCF154	53.040.00
MN960320	23.478.00	XR266849	30.169.00		LVFA1433	30.B29.00	LVFA1684	30.A41.00	VCF155	54.151.00
MN980125	25.023.00	XR315172	53.274.00		LVFA1436	30.B24.00	LVFA1702	30.C40.00	VCF157	54.125.00
MN980408	25.023.00	XR315172D	53.274.00		LVFA1458	30.395.00	LVFA1703	30.C41.00	VCF158	53.038.00
MN982159	25.060.00	XR323949	27.282.00		LVFA1466	30.437.00	LVFF696	24.113.00	VCF159	54.111.00
MN982324	25.060.00	XR360889	53.128.00		LVFA1467	30.A55.00	LVFF719	26.123.00	VCF165	54.119.00
MN982380	25.060.00	XR398288D	54.220.00		LVFA1468	30.B06.00	LVFF739	26.102.00	VCF166	54.109.00
MN982419	25.060.00	XR404847	30.220.00		LVFA1472	30.658.00	LVFF741	26.073.00	VCF167	54.101.00
MN982521	25.037.00	XR500058	54.147.00		LVFA1482	30.A37.00	LVFF742	24.145.00	VCF168	54.270.00
MN982530	30.645.00	XR500058D	54.147.00		LVFA1483	27.A54.00	LVFF743	24.144.00	VCF169	54.118.00
MN982655	24.127.00	XR529773	30.169.00		LVFA1484	30.711.00	LVFF748	26.033.00	VCF173	54.263.00
MR127077	30.070.00	XR552951	30.275.00		LVFA1486	30.776.00	LVFF755	24.114.00	VCF174	54.107.00
MR127078	30.079.00	XR571473	30.221.00		LVFA1487	30.701.00	LVFF766	24.095.01	VCF175	53.047.00
MR188657	30.275.00	XZ311916	53.404.00		LVFA1488	27.B74.00	LVFF770	26.114.00	VCF179	53.075.00
MR204132	31.592.00	XZ311917	53.338.00		LVFA1489	30.A17.00	LVFF771	31.985.00	VCF180	53.059.00
MR212200	31.731.00				LVFA1493	30.663.00	LVFF774	31.926.01	VCF181	54.262.00
MR227823	53.338.00				LVFA1497	30.512.00	LVFF776	26.115.00	VCF182	54.104.00
MR239024	30.070.00				LVFA1503	30.532.00	LVFF785	24.149.00	VCF184	53.050.00

VCF185	53.316.00	VFA1007	30.168.00	VFA1215	30.220.00	VFA29	30.167.00	VFA646	30.017.00
VCF186	53.031.00	VFA1008	30.225.00	VFA1217	30.555.00	VFA292	27.140.00	VFA647	30.017.00
VCF188	53.052.00	VFA1009	30.199.00	VFA1218	30.454.00	VFA293	27.792.00	VFA648	30.973.00
VCF189	53.057.00	VFA101	27.712.00	VFA1219	30.281.00	VFA295	30.906.00	VFA650	30.027.00
VCF190	53.058.00	VFA1010	30.165.00	VFA1220	30.386.00	VFA298	27.074.00	VFA651	30.028.00
VCF191	53.045.00	VFA1011	30.327.00	VFA1223	30.067.00	VFA3	30.067.00	VFA654	30.999.00
VCF192	53.101.00	VFA1012	30.224.00	VFA1231	30.471.00	VFA300	27.084.00	VFA656	30.977.00
VCF194	53.032.00	VFA1013	30.197.00	VFA1234	30.409.00	VFA302	27.881.00	VFA657	30.936.00
VCF197	54.114.00	VFA1014	30.202.00	VFA1238	30.374.00	VFA303	30.933.00	VFA661	27.744.00
VCF198	54.116.00	VFA1015	30.130.00	VFA125	30.806.00	VFA304	30.933.00	VFA664	30.858.00
VCF199	53.134.00	VFA1017	30.245.00	VFA127	27.707.00	VFA306	30.898.00	VFA665	30.928.00
VCF203	53.138.00	VFA1018	30.246.00	VFA129	30.800.00	VFA31	30.153.00	VFA669	27.169.00
VCF204	53.086.00	VFA1019	30.241.00	VFA130	27.792.00	VFA312	30.878.00	VFA67	30.169.00
VCF206	53.052.00	VFA1020	30.399.00	VFA131	27.762.00	VFA313	30.917.01	VFA670	30.004.00
VCF209	53.091.00	VFA1028	27.257.00	VFA133	27.906.00	VFA315	27.110.00	VFA673	30.235.00
VCF209	53.418.00	VFA1029	30.168.00	VFA134	27.731.00	VFA316	27.137.00	VFA685	27.139.00
VCF210	53.069.00	VFA1030	30.162.00	VFA137	27.719.00	VFA32	30.185.00	VFA686	27.527.00
VCF212	53.076.00	VFA1031	30.134.00	VFA138	27.728.00	VFA321	30.835.00	VFA704	27.239.00
VCF216	53.102.00	VFA1033	30.180.00	VFA139	30.802.01	VFA33	30.186.00	VFA705	27.089.00
VCF217	53.188.00	VFA1038	30.148.00	VFA14	27.341.00	VFA330	27.132.00	VFA706	30.005.00
VCF218	54.142.00	VFA1042	30.189.00	VFA140	30.809.00	VFA333	30.914.02	VFA707	30.852.00
VCF220	53.035.00	VFA105	27.752.00	VFA141	30.836.00	VFA339	27.845.02	VFA719	30.906.00
VCF221	53.067.00	VFA1051	30.233.00	VFA144	27.769.00	VFA345	27.067.00	VFA72	30.244.00
VCF222	53.104.00	VFA1053	30.464.00	VFA145	27.744.00	VFA360	30.902.00	VFA721	30.960.00
VCF224	53.108.00	VFA1054	30.171.00	VFA146	27.740.00	VFA371	30.915.00	VFA722	30.035.00
VCF227	54.139.00	VFA1055	30.289.00	VFA15	30.155.00	VFA375	27.138.00	VFA724	30.050.00
VCF228	54.108.00	VFA1058	30.187.00	VFA152	27.707.00	VFA377	27.804.00	VFA726	30.026.00
VCF230	54.271.00	VFA1059	30.294.00	VFA154	30.811.00	VFA378	30.835.00	VFA728	27.228.00
VCF238	53.158.00	VFA1062	27.401.00	VFA16	30.147.00	VFA38	30.001.00	VFA729	30.039.00
VCF239	54.121.00	VFA1067	30.311.00	VFA160	30.804.00	VFA390	30.896.00	VFA730	30.036.00
VCF240	53.043.00	VFA1071	30.210.00	VFA167	30.803.00	VFA391	30.893.00	VFA731	30.041.00
VCF242	53.148.00	VFA1072	30.262.00	VFA168	27.716.00	VFA394	30.916.00	VFA732	30.041.00
VCF243	54.124.00	VFA1073	30.139.00	VFA17	30.821.00	VFA395	30.847.00	VFA733	30.041.00
VCF244	53.098.00	VFA1075	30.272.00	VFA176	27.715.00	VFA4	30.120.00	VFA734	30.996.00
VCF245	54.134.00	VFA108	30.800.00	VFA18	30.183.00	VFA420	30.890.00	VFA735	27.195.00
VCF250	53.125.00	VFA1080	27.356.00	VFA19	30.217.00	VFA432	30.872.01	VFA737	27.888.00
VCF251	53.065.00	VFA1081	30.293.00	VFA191	27.076.00	VFA437	30.923.01	VFA741	30.891.00
VCF252	53.197.00	VFA1082	30.302.00	VFA192	27.735.00	VFA450	27.736.00	VFA744	30.946.00
VCF253	53.155.00	VFA1086	30.471.00	VFA194	30.818.00	VFA46	30.164.00	VFA745	30.058.00
VCF256	54.103.00	VFA1089	30.417.00	VFA196	27.817.00	VFA461	27.939.00	VFA749	30.914.02
VCF324	53.090.00	VFA1090	30.465.00	VFA197	27.729.00	VFA47	30.213.00	VFA75	27.386.00
VCF328	53.042.00	VFA1091	30.218.00	VFA200	27.956.00	VFA472	30.952.00	VFA751	30.003.00
VCF329	54.146.00	VFA1094	30.194.00	VFA201	30.910.00	VFA473	30.953.00	VFA755	27.252.00
VCF330	53.143.00	VFA1099	30.318.00	VFA204	27.799.00	VFA477	27.177.00	VFA763	30.045.00
VCF331	54.164.00	VFA1100	27.394.00	VFA21	30.432.00	VFA478	27.176.00	VFA773	30.230.00
VCF333	53.106.00	VFA1103	30.319.00	VFA215	27.947.00	VFA479	30.987.01	VFA778	30.119.00
VCF334	54.132.00	VFA1105	30.190.00	VFA216	27.713.00	VFA491	30.943.00	VFA78	30.575.00
VCF335	53.131.00	VFA1106	30.260.00	VFA217	27.702.00	VFA5	27.110.00	VFA780	27.144.00
VCF336		VFA1108	30.190.00	VFA219	27.133.00	VFA50	30.150.00	VFA786	30.001.00
(NISSAN)	53.218.00	VFA1109	30.321.00	VFA22	30.129.00	VFA502	30.965.00	VFA795	30.068.00
VCF336		VFA111	27.845.02	VFA223	27.736.00	VFA503	30.935.00	VFA808	30.170.00
(HONDA)	53.063.00	VFA1110	30.600.00	VFA224	30.802.01	VFA504	30.932.00	VFA81	30.158.00
VCF337	54.136.00	VFA1111	30.292.00	VFA225	27.946.00	VFA505	30.930.00	VFA815	30.398.00
VCF338	54.148.00	VFA1112	30.212.00	VFA226	30.818.00	VFA519	30.991.00	VFA817	30.007.00
VCF340	53.107.00	VFA1113	30.259.00	VFA227	27.799.00	VFA52	30.228.00	VFA818	30.143.00
VCF341	54.137.00	VFA1114	30.214.00	VFA228	27.824.00	VFA522	30.981.00	VFA819	30.062.00
VCF342	54.127.00	VFA1115	30.318.00	VFA23	27.100.00	VFA530	30.022.00	VFA822	30.063.00
VCF346	53.095.00	VFA1118	30.312.00	VFA24	30.146.00	VFA531	30.296.00	VFA830	27.258.00
VCF346	53.245.00	VFA112	27.761.00	VFA240	27.701.00	VFA54	30.133.00	VFA831	30.077.00
VCF347	54.133.00	VFA1120	30.229.00	VFA244	27.770.00	VFA545	27.140.00	VFA832	30.066.00
VCF358	54.128.00	VFA1122	30.277.00	VFA245	27.736.00	VFA55	30.159.00	VFA833	30.945.00
VCF362	54.112.00	VFA1123	30.257.00	VFA246	27.781.00	VFA554		VFA835	30.090.00
VCF363	53.130.00	VFA1124	27.603.00	VFA247	27.725.00	(FORD)	30.016.00	VFA836	30.087.00
VCF364	53.124.00	VFA1130	30.409.00	VFA249	30.843.01	VFA554		VFA839	30.073.00
VCF366	53.129.00	VFA1133	30.719.00	VFA251	30.871.00	(VOLVO)	30.955.00	VFA841	27.355.00
VCF368	53.109.00	VFA1137	30.320.00	VFA255	27.079.00	VFA558	27.888.00	VFA842	30.080.00
VCF373	53.105.00	VFA114	30.807.00	VFA257	27.086.00	VFA56	30.132.00	VFA848	30.050.00
VCF376	53.110.00	VFA1144	30.264.00	VFA258	30.943.00	VFA564	30.948.00	VFA85	30.181.00
VCF377	54.145.00	VFA1146	30.541.00	VFA259	30.807.00	VFA566	27.196.00	VFA852	30.460.00
VCF379	53.051.00	VFA115	27.756.00	VFA261	30.852.00	VFA57	30.263.00	VFA855	30.083.00
VCF380	53.214.00	VFA1153	30.308.00	VFA262	30.922.01	VFA575	30.239.00	VFA857	30.049.00
VCF382	53.249.00	VFA1156	30.230.00	VFA265	27.063.00	VFA58	27.150.00	VFA862	27.403.00
VCF383	54.143.00	VFA116	27.785.00	VFA268	27.800.00	VFA585		VFA866	30.966.00
VCF386	53.094.00	VFA1161	30.533.00	VFA269	27.061.00	(RENAULT)	30.923.01	VFA878	30.126.00
VCF387	53.136.00	VFA117	27.778.00	VFA270	27.062.00	VFA585		VFA88	30.250.00
VCF392	53.132.00	VFA1170	30.209.00	VFA272	27.065.00	(SUZUKI, NISSAN, VAUXHALL)	27.769.00	VFA880	30.141.00
VCF399	53.400.00	VFA1171	30.328.00	VFA274	30.942.00	VFA6	30.118.01	VFA885	30.070.00
VCF407	54.144.00	VFA1172	30.280.00	VFA276	27.927.00	VFA608	27.920.00	VFA886	30.079.00
VCF408	53.159.00	VFA1175	30.325.00	VFA277	30.899.00	VFA611	27.153.00	VFA889	30.117.00
VCF409	53.145.00	VFA1179	30.393.00	VFA278	30.908.00	VFA613	27.154.00	VFA89	27.384.00
VCF410	54.161.00	VFA1198	27.179.00	VFA279	30.851.00	VFA616	30.994.00	VFA890	30.116.00
VCF418	53.254.00	VFA1201	30.606.00	VFA280	30.860.00	VFA617	30.019.00	VFA9	30.284.00
VFA1000	30.195.00	VFA1204	30.366.00	VFA283	30.939.00	VFA618	30.001.00	VFA903	30.107.00
VFA1001	30.787.00	VFA1209	30.497.00	VFA284	30.894.00	VFA628	27.097.00	VFA904	27.257.00
VFA1002	30.270.00	VFA1210	30.452.00	VFA285	30.889.00	VFA63	30.084.00	VFA906	30.085.00
VFA1004	30.231.00	VFA1211	30.453.00	VFA289	30.818.00	VFA639	30.020.00	VFA915	30.102.00
VFA1005	30.163.00	VFA1212	30.362.00	VFA289	30.362.00	VFA642	30.021.00	VFA92	30.226.00
VFA1006	27.601.00	VFA1214	30.253.00	(FIAT)		VFA643	30.024.00	VFA920	30.101.00

VFA925	30.124.00	VFF340	31.718.00	VFL106	25.409.01	VFL224		VFL401	25.008.00
VFA933	30.144.00	VFF341	24.391.00	VFL108	23.121.00	(BEDFORD)	23.271.00	VFL406	25.010.00
VFA943	30.104.00	VFF342	31.569.00	VFL109	23.102.00	VFL225	23.234.00	VFL408	23.495.00
VFA945	30.238.00	VFF343	24.379.01	VFL111	23.105.00	VFL228	23.191.00	VFL415	23.476.00
VFA948	30.780.00	VFF354	26.688.00	VFL112	23.128.00	VFL229	23.167.00	VFL417	23.417.00
VFA949	30.172.00	VFF356	24.388.00	VFL113	23.159.00	VFL231	23.280.00	VFL420	23.425.00
VFA95	30.136.00	VFF375	21.061.00	VFL114	23.132.00	VFL236	25.530.00	VFL421	23.415.00
VFA953	30.175.00	VFF378	26.691.00	VFL115	23.114.01	VFL237	20.012.02	VFL427	23.439.00
VFA957	27.353.00	VFF387	24.413.00	VFL116	25.413.00	VFL238	20.020.00	VFL430	25.012.00
VFA96	30.137.00	VFF395	26.686.00	VFL117	23.130.01	VFL242	23.256.00	VFL431	25.017.00
VFA960	30.142.00	VFF397	26.687.00	VFL118	23.129.01	VFL243	23.194.00	VFL434	25.014.00
VFA968	30.893.00	VFF399	31.769.00	VFL119	23.188.00	VFL244	23.177.00	VFL435	23.313.00
VFA97	30.135.00	VFF408	31.500.00	VFL120	23.105.00	VFL246	23.246.00	VFL438	25.002.00
VFA971	30.080.00	VFF413	24.409.00	VFL122	23.114.01	VFL247	23.131.01	VFL439	25.001.00
VFA978	30.069.00	VFF415	26.690.00	VFL123	23.131.00	VFL248	23.121.00	VFL441	25.018.00
VFA979	30.531.00	VFF421	24.432.00	VFL124	23.114.02	VFL249	23.114.02	VFL445	23.131.01
VFA982		VFF422	26.003.00	VFL129	25.413.00	(TOYOTA)	23.102.00	VFL448	23.483.00
(BMW)	30.029.00	VFF423	24.015.00	VFL130	25.409.01	VFL249		VFL449	23.444.00
VFA982		VFF424		VFL131	25.443.00	(ALTRE/OTHER APPL.)	23.164.00	VFL451	23.453.00
(VAG)	30.192.00	(ALTRE/OTHER APPL.)	24.H20.00	VFL135	23.102.02	VFL249		VFL462	23.156.02
VFA982		VFF433	24.416.00	VFL136	25.408.00	(O/OR) (ALTRE/OTHER APPL.)	23.164.03	VFL467	25.015.00
(OPEL, VAUXHALL)	30.944.00	VFF451	31.844.00	VFL137	23.102.02	VFL249		VFL470	23.414.00
VFA987	27.273.00	VFF452	31.817.00	VFL140	23.127.00	(LAND ROVER)	23.297.00	VFL471	23.438.00
VFA99	27.593.00	VFF453	24.423.00	VFL142	25.408.00	VFL250	23.156.00	VFL472	23.428.00
VFA990	30.099.00	VFF458		VFL143	25.421.00	VFL251	23.130.00	VFL474	25.032.00
VFA996	30.923.01	(VAG)	24.003.00	VFL148	23.127.02	VFL253	23.213.00	VFL475	25.037.00
VFA997	30.966.00	VFF458		VFL150	23.124.00	VFL255	23.191.00	VFL480	25.024.00
VFA999	30.048.00	(FORD)	24.430.00	VFL153	23.187.00	VFL256	23.173.01	VFL481	25.013.00
VFF100	31.001.00	VFF470	26.014.00	VFL155	23.151.00	VFL258	23.544.00	VFL482	25.027.00
VFF102	24.360.00	VFF471	31.001.00	VFL156	23.182.00	VFL260	25.530.00	VFL483	25.022.00
VFF103	26.652.00	VFF473	24.344.00	VFL160	23.127.00	VFL261	23.130.03	VFL485	25.033.00
VFF104	24.361.00	VFF475	24.445.00	VFL162	23.197.00	VFL262	25.528.00	VFL486	25.023.00
VFF105	24.351.00	VFF476	24.027.00	VFL166		VFL264	25.530.01	VFL488	23.271.00
VFF105		VFF477	26.022.00	(ALTRE/OTHER APPL.)	23.127.00	VFL266	25.530.01	VFL495	25.035.00
(OPEL, VAUXHALL)	24.351.01	VFF479	26.057.00	VFL166		VFL269	23.165.00	VFL496	25.030.00
VFF107	21.050.00	VFF480	26.694.00	(ROVER GROUP)	23.127.02	VFL275	23.194.00	VFL498	25.039.00
VFF108	24.319.01	VFF483	31.842.00	VFL166		VFL276	23.103.00	VFL499	
VFF110	24.350.00	VFF489	24.450.00	(VAG)	23.134.01	VFL277	23.231.00	(BMW)	25.021.00
VFF112	24.370.00	VFF490		VFL166		VFL280	23.242.00	VFL499	
VFF113	24.360.00	(ALTRE/OTHER APPL.)	31.515.00	(SAAB)	23.298.00	VFL281	23.200.00	(ALFA ROMEO, FIAT)	25.065.00
VFF114	24.361.00	VFF490		VFL167	23.110.02	VFL282	23.266.00	VFL500	25.029.00
VFF115	31.005.00	(VAG)	31.722.00	VFL172	23.165.00	VFL283	23.254.00	VFL501	25.034.00
VFF119	24.371.00	VFF491	24.013.00	VFL173	23.127.02	VFL287	23.263.00	VFL505	25.011.00
VFF120	31.013.00	VFF492	31.924.00	VFL174	23.127.05	VFL292	23.255.00	VFL506	23.465.00
VFF121	24.366.00	VFF493	24.007.00	VFL175	23.124.00	VFL299	23.257.00	VFL510	25.041.00
VFF124	26.670.00	VFF500	60.H20.00	VFL176	23.271.00	VFL301	23.248.00	VFL511	25.052.00
VFF130	24.374.00	VFF503		VFL177	23.118.00	VFL304	23.237.00	VFL512	25.028.00
VFF133	31.699.00	(CHEVROLET, DAEWOO)	31.843.00	VFL179	23.173.01	VFL305	23.258.00	VFL514	23.413.00
VFF134	31.009.00	VFF505	24.428.00	VFL181	23.115.00	VFL308	23.303.00	VFL515	23.449.00
VFF135	31.501.00	VFF506	24.086.00	VFL183	23.191.00	VFL327	23.251.00	VFL517	25.047.00
VFF140	31.505.00	VFF507	24.435.00	VFL184	23.122.00	VFL330	23.280.00	VFL518	25.043.00
VFF141	24.327.00	VFF509	26.687.00	VFL185	23.127.00	VFL332	23.271.00	VFL519	23.457.00
VFF142	24.365.00	VFF512	26.013.00	VFL186	25.499.00	VFL340	23.265.00	VFL521	25.060.00
VFF143	31.502.00	VFF516	24.451.00	VFL189	23.129.02	VFL342	23.281.00	VFL522	25.050.00
VFF152	31.506.00	VFF521	31.850.00	VFL190	23.131.00	VFL344	23.418.00	VFL523	25.040.00
VFF154	31.510.00	VFF522	26.696.00	VFL191	23.121.00	VFL347	23.264.00	VFL524	23.439.00
VFF155	26.670.00	VFF523	24.455.00	VFL192	23.121.00	VFL355	23.436.00	VFL525	23.470.00
VFF156	31.500.00	VFF524	24.457.00	VFL193	23.191.00	VFL361	23.127.00	VFL526	
VFF157	31.529.00	VFF525	24.456.00	VFL194	23.131.02	VFL362	23.249.00	(NISSAN, RENAULT, SUZUKI)	23.481.00
VFF165	24.374.00	VFF527	24.130.00	VFL195	23.169.00	VFL363	23.299.00	VFL526	
VFF168	24.368.00	VFF528	24.005.00	VFL196	23.188.00	VFL367	25.162.00	(ALFA ROMEO, FIAT)	23.455.00
VFF173	31.001.00	VFF530	31.828.00	VFL197	23.175.00	VFL370	23.253.00	VFL529	23.313.00
VFF173		VFF531	24.H20.07	VFL198	23.186.01	VFL374	23.282.00	VFL530	23.102.00
(VAG)	31.012.00	VFF536	24.087.00	VFL199	23.189.00	VFL376	25.590.00	VFL531	25.048.00
VFF175	31.500.00	VFF539	24.437.00	VFL200		VFL377	23.279.00	VFL532	23.299.00
VFF177	24.375.00	VFF541	26.054.00	(SUBARU)	23.188.00	VFL378	23.297.00	VFL534	23.127.00
VFF179		VFF542	26.007.00	VFL200		VFL385	25.004.00	VFL537	25.049.00
(ALTRE/OTHER APPL.)	24.350.02	VFF544	31.840.00	(ALTRE/OTHER APPL.)	23.240.00	VFL387		VFL539	25.232.00
VFF179		VFF550	24.ONE.00	VFL201	23.187.00	(FORD, MAZDA, VOLVO)	23.416.00	VFL541	25.069.00
(VAUXHALL)	24.350.00	VFF551	24.ONE.01	VFL202	23.496.00	VFL387		VFL543	23.445.00
VFF188	31.013.00	VFF552	24.460.00	VFL203	23.188.00	(SAAB)	23.298.00	VFL544	23.546.00
VFF200	24.365.01	VFF555	26.021.00	VFL206	23.198.00	VFL387		VFL546	25.072.00
VFF202	26.676.00	VFF558		VFL207	23.173.01	(ROVER)	23.254.00	VFL547	23.486.00
VFF204	31.514.00	(DELPHI HDF935)	24.459.00	VFL208	23.191.00	VFL387		VFL548	23.478.00
VFF211	31.511.00	VFF558		VFL209	23.105.00	(ALFA ROMEO)	23.448.00	VFL551	25.094.00
VFF219	31.001.00	(DELPHI HDF965)	24.190.00	VFL211	23.246.00	VFL387		VFL552	25.064.00
VFF228	31.505.00	VFF559	31.925.00	VFL212	23.177.00	(TOYOTA)	23.253.00	VFL555	25.077.00
VFF234	24.327.00	VFF561	31.833.00	VFL213	23.164.00	VFL387		VFL556	25.080.00
VFF237	31.564.00	VFF562	24.107.00	VFL213		(SKODA)	23.435.00	VFL559	25.177.00
VFF243	24.365.01	VFF563	24.026.01	(O/OR)	23.164.03	VFL388		VFL569	25.074.00
VFF258	31.515.00	VFF564	55.430.00	VFL214	23.130.02	(ALTRE/OTHER APPL.)	23.440.00	VFL600	25.901.00
VFF288	31.520.00	VFF567	55.394.00	VFL215	25.539.00	VFL388			
VFF291	31.505.00	VFF571	24.196.00	VFL217	23.196.00	(JAGUAR)	23.473.00		
VFF306	31.750.00	VFL100	23.127.02	VFL219	23.177.00	VFL390		MOTORCRAFT	UFI
VFF307	24.365.01	VFL101	23.103.00	VFL220	23.134.00	(HYUNDAI)	23.452.00	AFA153	30.172.00
VFF309	31.621.00	VFL102	25.455.00	VFL221	23.166.00	VFL390		AFA154	
VFF335	31.560.00	VFL102		VFL223	23.271.00	(NISSAN, RENAULT)	23.484.00	(AUS)	30.173.00
VFF339	24.384.00	(BMW)	25.455.01	VFL224	23.243.00	VFL397	25.003.00	AFG27	

(AUS)	31.500.00	EFA308	27.804.00	EFA577	30.045.00	EFG6010	24.351.00	EFL282	23.167.00
AFG44		EFA312	27.902.00	EFA579	30.090.00	EFG6012	24.388.00	EFL283	23.175.00
(AUS)	31.517.00	EFA327	27.893.00	EFA580	30.062.00	EFG6013	24.361.00	EFL284	23.130.02
AFG48		EFA337	27.086.00	EFA581	30.106.00	EFG6014	26.670.00	EFL288	23.131.01
(AUS)	31.500.00	EFA338	27.155.00	EFA582	30.087.00	EFG6016	26.652.00	EFL294	23.194.00
AFG52		EFA340	27.752.00	EFA583	30.146.00	EFG6017	24.374.00	EFL295	23.195.00
(AUS)	31.520.00	EFA355	27.061.00	EFA584	30.263.00	EFG6018	24.365.00	EFL298	23.114.01
AFG55		EFA356	30.943.00	EFA585	30.169.00	EFG6019	24.391.00	EFL30	25.455.00
(AUS)	31.589.00	EFA358	30.915.00	EFA586	30.241.00	EFG6021	24.379.01	EFL310	23.196.00
AFG55AA		EFA36	30.800.00	EFA587	30.246.00	EFG6104	31.506.00	EFL313	23.127.00
(AUS)	31.589.00	EFA366	27.939.00	EFA600	30.101.00	EFG6106	31.535.00	EFL315	23.544.00
EFA1	27.716.00	EFA371	27.062.00	EFA601	30.168.00	EFG6109	31.562.00	EFL322	25.528.00
EFA104	27.713.00	EFA373	30.917.01	EFA62	30.809.00	EFG6111	31.569.00	EFL344	23.242.00
EFA105	27.701.00	EFA376	30.802.01	EFA66	27.725.00	EFG6113	31.710.00	EFL346	23.200.00
EFA107	27.744.00	EFA377	30.987.01	EFA68	27.797.00	EFG6119	31.718.00	EFL347	23.114.02
EFA109	30.807.00	EFA38	27.878.00	EFA70	27.710.00	EFG6120	31.505.00	EFL349	23.127.05
EFA11	30.800.00	EFA382	30.894.00	EFA71	27.708.00	EFG6121	31.513.00	EFL361	23.243.00
EFA115	27.740.00	EFA388	30.890.00	EFA7101	30.243.00	EFG70	26.664.00	EFL363	23.130.03
EFA116	27.770.00	EFA39	27.707.00	EFA72	27.720.00	EFG73	24.362.00	EFL371	23.124.00
EFA120	27.707.00	EFA392	30.891.00	EFA73	27.719.00	EFG75	26.606.00	EFL38	23.114.01
EFA126	27.729.00	EFA393	30.898.00	EFA75	27.728.00	EFG84	31.770.00	EFL380	23.197.00
EFA127	27.792.00	EFA395	30.889.00	EFA77	27.702.00	EFG87	24.371.00	EFL382	25.541.00
EFA13	27.752.00	EFA398	30.906.00	EFA78	27.701.00	EFG88	24.360.00	EFL386	23.280.00
EFA136	27.761.00	EFA401	30.942.00	EFA80	27.731.00	EFG9	24.351.01	EFL388	23.303.00
EFA137	27.762.00	EFA407	27.890.00	EFA83	27.712.00	EFG986	31.769.00	EFL390	23.303.00
EFA144	27.906.00	EFA411	30.872.01	EFA85	30.806.00	EFL098	23.118.00	EFL391	23.263.00
EFA146	30.802.01	EFA412	27.898.00	EFA86	30.803.00	EFL1	23.102.00	EFL392	23.264.00
EFA15	30.024.00	EFA415	30.923.01	EFA9	30.016.00	EFL10	23.413.00	EFL393	23.246.00
EFA153	27.731.00	EFA416	27.888.00	EFA90	27.756.00	EFL101		EFL396	23.211.00
EFA154	27.731.00	EFA417	27.061.00	EFA96	30.008.00	(LOMBARDINI)	23.117.00	EFL397	23.251.00
EFA157	27.750.00	EFA425	27.904.00	EFG1	26.601.00	EFL101		EFL398	25.590.00
EFA158	27.719.00	EFA432	27.135.00	EFG10	26.602.00	(FORD)	23.188.00	EFL399	25.010.00
EFA159	27.712.00	EFA438	30.904.00	EFG103	24.321.00	EFL106	23.440.00	EFL400A	23.131.00
EFA160	30.818.00	EFA44	27.902.00	EFG104	26.670.00	EFL110	25.413.00	EFL401	23.429.00
EFA166	27.781.00	EFA440	30.896.00	EFG106	24.350.00	EFL111	23.105.00	EFL404	25.056.00
EFA167	30.815.00	EFA442	27.085.00	EFG107	31.500.00	EFL112	23.105.00	EFL405	25.023.00
EFA169	27.778.00	EFA445	30.914.02	EFG108	31.531.00	EFL114	23.132.00	EFL47	23.105.00
EFA176	27.775.00	EFA449	30.893.00	EFG109	24.365.00	EFL117	23.128.00	EFL48	23.130.01
EFA18	30.981.00	EFA454	30.948.00	EFG113	31.503.00	EFL119	23.121.00	EFL484	25.015.00
EFA180	27.785.00	EFA456	27.137.00	EFG14	31.513.00	EFL120	25.499.00	EFL486	25.548.00
EFA182	30.916.00	EFA478	30.924.00	EFG184	24.432.00	EFL121	23.105.00	EFL488	23.266.00
EFA184	30.155.00	EFA48	30.811.00	EFG21	31.009.00	EFL122	23.128.00	EFL489	23.194.00
EFA188	27.947.00	EFA484	30.953.00	EFG22	31.699.00	EFL123	25.455.01	EFL49	23.132.00
EFA19	30.121.00	EFA485	30.952.00	EFG24	24.361.00	EFL124	23.151.00	EFL490	23.281.00
EFA190	30.836.00	EFA486	27.176.00	EFG28	26.609.00	EFL125	23.188.00	EFL493	23.164.02
EFA192	30.830.00	EFA488	30.917.01	EFG29	21.050.00	EFL130	23.271.00	EFL5	25.443.00
EFA199		EFA489	27.177.00	EFG296	24.360.00	EFL133	23.102.00	EFL50	23.114.01
(ALTRE/OTHER APPL.)	30.910.00	EFA49	30.803.00	EFG297	24.365.00	EFL134	23.131.00	EFL500	23.416.00
EFA199		EFA491	30.004.00	EFG3	24.360.00	EFL135	25.539.00	EFL51	23.115.00
(OPEL, VAUXHALL)	30.926.00	EFA492	30.936.00	EFG301	24.365.01	EFL136	23.156.00	EFL52	23.127.00
EFA204	27.799.00	EFA493	30.933.00	EFG302	24.350.02	EFL137	23.156.00	EFL54	23.134.01
EFA206	27.736.00	EFA495	30.911.00	EFG305	24.368.00	EFL138	20.020.00	EFL56	23.127.00
EFA22	30.035.00	EFA496	30.976.00	EFG306	24.375.00	EFL143	23.187.00	EFL56	
EFA223	27.946.00	EFA497	30.929.00	EFG307	24.366.00	EFL147	23.159.00	(OPEL, VAUXHALL)	23.134.01
EFA224	30.922.01	EFA498	30.993.00	EFG308	24.327.00	EFL151	23.182.00	EFL56	
EFA226	27.845.02	EFA499	27.084.00	EFG309	24.374.00	EFL152	23.156.00	(VOLVO)	23.257.00
EFA227	27.824.00	EFA5	27.715.00	EFG310	31.563.00	EFL153	23.167.00	EFL60	23.164.00
EFA228	27.801.00	EFA50	30.804.00	EFG313	31.508.00	EFL154	23.166.00	EFL60	
EFA229	30.847.00	EFA500	30.946.00	EFG314	31.010.00	EFL157	23.130.00	(O/OR)	23.164.03
EFA238	30.852.00	EFA501	30.946.00	EFG315	24.360.00	EFL158	23.127.00	EFL600	23.440.00
EFA243	30.835.00	EFA503	30.928.00	EFG316	24.382.00	EFL162	23.169.00	EFL67	20.012.02
EFA246	30.860.00	EFA511	30.932.00	EFG317	31.500.00	EFL163	23.131.02	EFL68	20.020.00
EFA248	27.076.00	EFA512	30.930.00	EFG319	24.401.00	EFL164	23.189.00	EFL70	25.409.01
EFA249	27.792.00	EFA513	30.935.00	EFG32	31.502.00	EFL166	23.186.01	EFL71	25.408.00
EFA250	30.864.00	EFA516	30.958.00	EFG321	24.365.01	EFL167	23.165.00	EFL73	25.413.00
EFA254	27.744.00	EFA518	27.128.00	EFG33	24.319.01	EFL168	23.213.00	EFL74	23.102.00
EFA256	30.843.01	EFA520	30.950.00	EFG330	24.409.00	EFL194	25.439.00	EFL76	23.129.01
EFA258	27.817.00	EFA522	30.974.00	EFG332	24.411.00	EFL2	23.440.00	EFL77	23.256.00
EFA261	30.851.00	EFA523	30.944.00	EFG333	24.458.00	EFL200	25.407.01	EFL78	23.124.00
EFA262	30.802.01	EFA524	30.954.00	EFG334	24.456.00	EFL207	20.012.00	EFL8	25.421.00
EFA263	27.800.00	EFA530	30.942.00	EFG335	24.457.00	EFL208	25.402.01	EFL801	23.440.00
EFA269	27.881.00	EFA532	27.149.00	EFG35	24.351.00	EFL21	25.413.00	EFL820	23.463.00
EFA272	27.799.00	EFA535	30.973.00	EFG38	31.013.00	EFL215	23.152.00	EFL83	23.121.00
EFA274	27.707.00	EFA539	30.945.00	EFG41	31.505.00	EFL223	23.127.00	EFL84	23.131.00
EFA276	30.858.00	EFA542	30.960.00	EFG45	26.652.00	EFL224	23.110.02	EFL86	25.406.01
EFA282	27.079.00	EFA543	30.961.00	EFG48	24.351.00	EFL226	25.439.00	EFL87	25.406.01
EFA283	30.807.00	EFA55	30.871.00	EFG5	24.360.01	EFL230	23.102.00	EFL88	23.173.01
EFA285	27.956.00	EFA550	27.177.00	EFG51	31.510.00	EFL254	23.177.00	EFL89	23.103.00
EFA287	30.896.00	EFA551	30.977.00	EFG57	24.351.00	EFL256	23.280.00	EFL90	23.127.02
EFA288	30.899.00	EFA552	27.196.00	EFG6	31.514.00	EFL257	23.129.02	EFL90	
EFA293	30.908.00	EFA556	30.017.00	EFG6001	31.027.00	EFL258	25.530.01	(FIAT, LANCIA)	23.127.05
EFA296	27.927.00	EFA557	30.017.00	EFG6002	31.013.00	EFL260	23.187.00	EFL90	
EFA298	27.993.00	EFA558	30.965.00	EFG6003	24.321.00	EFL262	23.108.00	(VOLVO)	23.257.00
EFA299	30.939.00	EFA559	30.969.00	EFG6004	24.319.01	EFL268	20.020.00	EFL90	
EFA30	30.154.00	EFA560	27.194.00	EFG6005	24.350.00	EFL27	23.103.00	(SAAB)	23.298.00
EFA302	27.920.00	EFA562	30.996.00	EFG6006	24.375.00	EFL271	23.115.00	EFL903	23.280.00
EFA304	27.828.00	EFA563	27.174.00	EFG6008	24.350.02	EFL273	23.191.00	EFL906	23.242.00
EFA305	27.878.00	EFA57	30.802.01	EFG6009	24.384.00	EFL281	25.530.00	EFL908	25.037.00



EFL909	25.060.00	8671002076	53.009.00	J1317005	23.259.00	J1322068	27.C10.00	J1325030	27.282.00
EFL910	23.413.00	8671002077	53.002.00	J1318000	23.210.00	J1322070	30.288.00	J1325035	30.275.00
EFL912	23.280.00	8671002078	53.011.00	J1318003	23.251.00	J1322071	27.582.00	J1325037	30.169.00
EFL913	23.439.00	8671002079	53.013.00	J1319000	23.232.00	J1322074	30.175.00	J1325041	27.472.00
EFL914	25.015.00	8671002080	53.006.00	J1319001	23.234.00	J1322077	30.176.00	J1325042	30.220.00
EFL92	23.256.00	8671002085	53.012.00	J1319003	23.139.00	J1322078	30.338.00	J1325050	30.252.00
EFL93	23.108.00	8671002086	53.016.00	J1319004	23.236.00	J1322081	30.225.00	J1325051	30.253.00
EFL98	23.118.00	8671002088	53.017.00	J1319006	23.273.00	J1322083	30.289.00	J1325052	30.709.00
FA1064	30.177.00	8671002089	53.010.00	J1320308	30.130.00	J1322084	30.248.00	J1325054	30.506.00
FA1122	30.172.00	8671002090	53.001.00	J1320309	30.464.00	J1322086	30.788.00	J1326004	27.132.00
FA1606	30.177.00	8671002091	53.014.00	J1320310	30.295.00	J1322088	30.397.00	J1326011	27.173.00
FA1640	30.372.00	8671002092	53.015.00	J1320314	30.312.00	J1322089	30.206.00	J1326020	30.B04.00
FA1679		8671002093	53.027.00	J1320316	30.308.00	J1322091	30.289.00	J1326026	30.B03.00
(USA)	30.250.00	8671002094	53.028.00	J1320317	30.266.00	J1322094	27.B91.00	J1327002	27.744.00
FA1789	30.223.00	8671002100	53.004.00	J1320318	30.363.00	J1322095	30.075.00	J1327009	30.973.00
FA1884		8671002110	23.169.00	J1320319	27.E34.00	J1322096	30.A86.00	J1327010	30.001.00
(USA)	30.786.00	8671002274	23.418.00	J1320320	30.483.00	J1322097	30.505.00	J1328003	27.074.00
FG800	31.624.00	8671004329	23.439.00	J1320322	30.B06.00	J1322099	30.247.00	J1328007	27.090.00
FG800A	31.624.00	8671005918	26.687.00	J1320323	30.454.00	J1322100	30.691.00	J1328010	30.967.00
FG851	31.564.00	8671014161	53.023.00	J1320502	30.336.00	J1322101	30.452.00	J1328015	30.461.00
FG858	31.502.00			J1320504	30.286.00	J1322102	30.554.00	J1328016	30.460.00
FG864	31.517.00	NIPPARTS	UFI	J1320505	30.285.00	J1322103	30.334.00	J1328017	30.537.00
FG872	31.627.00			J1320506	30.126.00	J1322105	30.453.00	J1328022	30.780.00
FG873	31.624.00	J1310305	23.486.00	J1320508	27.648.00	J1322106	30.385.00	J1328023	30.269.00
FG986B		J1310306	25.070.00	J1320510	30.267.00	J1322107	30.A97.00	J1328024	30.A84.00
(USA)	31.769.00	J1310500	23.452.00	J1320511	30.174.00	J1323001	27.744.00	J1328025	30.327.00
FL400	23.130.00	J1310501	25.071.00	J1320512	30.266.00	J1323002	27.799.00	J1328028	30.270.00
FL400S	23.130.00	J1310502	25.053.00	J1320513	30.287.00	J1323021	30.012.00	J1328029	30.328.00
FL820	23.463.00	J1310504	23.545.00	J1320514	30.229.00	J1323022	30.012.00	J1328032	30.393.00
FL820S	23.463.00	J1310506	25.075.00	J1320516	30.309.00	J1323023	30.013.00	J1328033	30.384.00
FL821	23.260.00	J1311001	23.256.00	J1320517	30.224.00	J1323027	30.172.00	J1328034	30.725.00
FL822	23.265.00	J1311005		J1320519	30.307.00	J1323032	30.173.00	J1328035	30.628.00
FL910S		(NISSAN)	23.121.00	J1320521	30.280.00	J1323036	30.178.00	J1328036	30.391.00
(USA)	23.632.00	J1311005		J1320523	30.326.00	J1323038	30.177.00	J1329000	27.069.00
FP49	53.250.00	(SUBARU)	23.188.00	J1320524	30.403.00	J1323039	27.522.00	J1329007	27.193.00
		J1311006	23.496.00	J1320525	30.437.00	J1323040	30.787.00	J1329012	27.193.00
MOTRIO	UFI	J1311009	23.152.00	J1320526	30.386.00	J1323041	30.171.00	J1330309	31.764.00
		J1311010	23.256.00	J1320900	30.102.00	J1323042	30.169.00	J1330316	31.828.00
8671000199	53.026.00	J1311011	23.240.00	J1320904	27.274.00	J1323047	30.409.00	J1330403	24.131.00
8671000200	53.007.00	J1311012	23.134.00	J1320905	30.104.00	J1323054	30.344.00	J1330506	31.749.00
8671000201	53.046.00	J1311013	23.238.00	J1320906	30.337.00	J1324002	27.799.00	J1330508	31.825.00
8671000206	23.263.00	J1311014	23.244.00	J1320907	30.279.00	J1324007	30.240.00	J1330511	24.460.00
8671000207	23.436.00	J1311017	23.266.00	J1320908	30.335.00	J1324012	27.599.00	J1330514	24.439.00
8671000208	23.440.00	J1311024	25.026.00	J1320909	30.277.00	J1324013	30.256.00	J1330515	24.443.00
8671000209		J1311025	25.052.00	J1320910	30.450.00	J1324016	30.242.00	J1330902	31.843.00
(OPEL, VAUXHALL)	23.133.00	J1311026	23.484.00	J1320911	30.392.00	J1324017	27.591.00	J1331003	24.370.00
8671000209		J1312000	23.121.00	J1321001	27.769.00	J1324018	27.525.00	J1331006	24.327.00
(ALTRE/OTHER APPL.)	23.271.00	J1312001	23.127.00	J1321002	27.744.00	J1324020	27.590.00	J1331009	24.375.00
8671000210	23.240.00	J1312002	23.121.00	J1321008	30.973.00	J1324021	27.589.00	J1331033	24.444.00
8671000496	23.197.00	J1312003	23.270.00	J1321010	27.235.00	J1324022	30.239.00	J1331035	24.442.00
86710002033	23.242.00	J1312005	23.213.00	J1321012	27.678.00	J1324023	30.255.00	J1331037	26.693.00
86710002034	23.278.00	J1312006	23.102.00	J1321014	27.605.00	J1324024	30.235.00	J1331044	24.026.01
86710002035	23.198.00	J1312010	23.263.00	J1321017	27.169.00	J1324026	30.243.00	J1332001	31.006.00
86710002036	23.293.00	J1312011	23.253.00	J1321020	27.159.00	J1324027	30.237.00	J1332002	31.005.00
86710002037	23.196.00	J1312012	23.264.00	J1321021	27.200.00	J1324028	30.236.00	J1332003	31.007.00
86710002038		J1312013	23.248.00	J1321026	27.526.00	J1324030	30.238.00	J1332007	24.370.00
(ALTRE/OTHER APPL.)	23.265.00	J1312014	23.251.00	J1321027	30.026.00	J1324032	27.523.00	J1332015	24.374.00
86710002038		J1312015	23.477.00	J1321028	30.001.00	J1324034	30.231.00	J1332018	24.370.00
(FIAT, LANCIA)	23.438.00	J1312016	23.476.00	J1321029	30.001.00	J1324036	30.249.00	J1332024	31.523.00
86710002039	23.200.00	J1313001	23.271.00	J1321034	27.524.00	J1324039	30.227.00	J1332057	24.413.00
86710002040		J1313002	23.243.00	J1321038	27.397.00	J1324041	30.228.00	J1332060	24.411.00
(ALTRE/OTHER APPL.)	23.175.00	J1313014	23.274.00	J1321060	30.234.00	J1324043	30.232.00	J1332067	31.776.00
86710002040		J1313015	23.260.00	J1321061	30.181.00	J1324046	30.217.00	J1332079	31.927.00
(SUZUKI)	23.210.00	J1313016	23.265.00	J1321062	27.D79.00	J1324051	30.276.00	J1332086	31.914.00
86710002041	23.127.05	J1313023	25.056.00	J1321068	30.352.00	J1324052	27.601.00	J1332087	31.802.00
86710002042	23.127.00	J1313029	25.037.00	J1321069	30.362.00	J1324054	30.313.00	J1332095	24.452.00
86710002043		J1314001	23.159.00	J1322001	27.770.00	J1324055	30.360.00	J1333039	31.715.00
(ALTRE/OTHER APPL.)	23.102.02	J1314002	23.182.00	J1322003	27.740.00	J1324056	30.471.00	J1333040	31.751.00
86710002043		J1314004	23.271.00	J1322004	27.133.00	J1324057	30.380.00	J1333057	31.844.00
(ALFA ROMEO, FORD, VM)	23.164.02	J1314006	23.243.00	J1322005	27.939.00	J1324058	30.497.00	J1334011	31.535.00
86710002044	23.166.00	J1314010	23.243.00	J1322007	27.155.00	J1324059	30.325.00	J1334023	31.621.00
86710002045	23.103.00	J1314013	23.265.00	J1322009	27.069.00	J1324060	30.503.00	J1334037	24.196.00
86710002046	23.129.02	J1314016	25.072.00	J1322013	27.097.00	J1325008		J1335002	24.366.00
86710002048	23.416.00	J1315002	23.165.00	J1322015	27.068.00	(FOND. IN METALLO/METAL ENDS)	27.071.00	J1335006	31.547.00
86710002049	23.416.00	J1315003	23.231.00	J1322018	30.076.00	J1325008		J1335009	24.368.00
86710002050	23.186.01	J1315005	23.237.00	J1322022	27.068.00	(FONDELLI IN PVC/PLASTIC ENDS)		J1335012	31.020.00
86710002051	23.127.02	J1315006	23.274.00	J1322023	27.057.00	J1325009	27.580.00	J1335018	31.550.00
86710002052	23.130.01	J1315011	23.232.00	J1322027	27.140.00	J1325010	27.156.00	J1335021	31.609.00
86710002054	23.164.00	J1315014	23.475.00	J1322031	27.097.00	J1325011	27.581.00	J1335042	31.731.00
86710002054		J1315015	23.485.00	J1322034	27.172.00	J1325012	27.604.00	J1335050	24.423.00
(O/OR)	23.164.03	J1315025	23.485.00	J1322038	30.076.00	J1325014	27.920.00	J1335061	24.119.00
86710002055	23.167.00	J1315028	25.023.00	J1322049	30.143.00	J1325015	27.580.00	J1336006	24.366.00
86710002056	23.131.02	J1316001	23.131.01	J1322050	30.170.00	J1325016	27.171.00	J1336007	24.368.00
86710002057	23.127.00	J1316004	23.255.00	J1322051		J1325020	30.222.00	J1338010	31.565.00
86710002058	23.102.00	J1316005	23.231.00	(CITROEN, MITSUBISHI, PEUGEOT)	30.601.00	J1325021	27.E44.00	J1338017	31.724.00
86710002059	23.257.00	J1316007	25.116.00	J1322052	30.223.00	J1325023	30.230.00	J1339002	24.370.00
86710002060	23.173.01	J1317003	23.271.00	J1322060	27.D10.00	J1325025	27.579.00	J1339095	24.338.00
86710002061	23.105.00	J1317004	23.258.00	J1322061	27.583.00	J1325026	30.221.00	J1340305	53.116.00

J1340306	53.111.00	N1321089	30.B22.00	N1342042	54.331.00	15208-AD200	25.052.00	16400-BC40A	24.013.00
J1340500	53.077.00	N1321090	30.724.00	N1343018	53.219.00	15208-AD20A	25.052.00	16400-BN303	24.444.00
J1340502	53.407.00	N1321090	30.C62.00	N1343020	53.397.00	15208-AW300	23.481.00	16400-BN700	24.013.00
J1340503	53.118.00	N1321093	27.A92.00	N1343021	53.368.00	15208-BN300	23.127.00	16400-EC00A	55.582.00
J1340504	53.119.00	N1321098	30.A59.00	N1343022	53.383.00	15208-BN30A	23.127.00	16400-EC00C	55.582.00
J1340507	53.112.00	N1322108	30.721.00	N1343023	53.330.00	15208-BN700	23.418.00	16400-ES60A	55.394.00
J1340508	53.121.00	N1322109	30.504.00	N1343024	53.365.00	15208-BX00A	23.266.00	16400-F5100	31.529.00
J1340510	53.145.00	N1322110	30.785.00	N1344015	53.160.00	15208-D9705	23.134.00	16400-F5700	31.529.00
J1340902	53.134.00	N1322111	30.625.00	N1345010	54.167.00	15208-G3100	23.240.00	16400-HG00B	24.151.00
J1340903	53.138.00	N1322112	30.639.00	N1345013	53.384.00	15208-G9903	23.256.00	16400-HV80A	55.517.00
J1340904	53.142.00	N1322114	30.470.00	N1347004	53.260.00	15208-H1010	23.121.00	16400-J7525	31.500.00
J1340906	53.141.00	N1322118	30.603.00	N1348008	53.426.00	15208-H1011	23.121.00	16400-JD50A	24.026.01
J1340910	53.126.00	N1322126	30.660.00	N1348010	54.274.00	15208-H8901	23.240.00	16400-JD51A	31.948.00
J1340911	53.151.00	N1322127	30.A85.00	N1348014	53.424.00	15208-H8903	23.240.00	16400-JD52A	24.026.01
J1341002	53.035.00	N1322128	30.A91.00	N1349000	53.327.00	15208-H8904	23.240.00	16400-JD52C	24.025.01
J1341003	53.052.00	N1322129	30.B86.00			15208-H8910	23.240.00	16400-JX51A	24.026.01
J1341005	53.051.00	N1323062	30.626.00			15208-H8911	23.240.00	16400-JX52A	24.026.01
J1341013	53.258.00	N1323063	30.786.00			15208-H8912	23.240.00	16400-JX52B	24.025.01
J1341016	53.218.00	N1323064	30.390.00			15208-H8916	23.240.00	16400-JX52C	24.025.01
J1341018	53.146.00	N1323065	30.779.00			15208-H8917	23.240.00	16400-JY00A	24.026.01
J1342000	53.197.00	N1323066	30.A99.00			15208-HG00D	25.178.00	16400-LC30A	55.394.00
J1342001	53.050.00	N1323067	27.B74.00			15208-Q9100	23.240.00	16400-LC30B	55.394.00
J1342002	53.117.00	N1323069	30.A53.00			15208-W1101	23.134.00	16400-V2700	31.529.00
J1342016	54.117.00	N1324061	30.618.00			15208-W1103	23.134.00	16400-V2705	31.529.00
J1342017	53.125.00	N1324062	30.A40.00			15208-W1106	23.134.00	16400-VB201	24.375.00
J1343005	54.129.00	N1324063	30.591.00			15208-W1111	23.134.00	16400-VV20A	24.093.00
J1343015	53.250.00	N1324064	30.381.00			15208-W1113	23.134.00	1640000Q1J	26.115.00
J1344000	53.080.00	N1324065	30.482.00			15208-W1116	23.134.00	1640000Q2B	26.115.00
J1344001	53.065.00	N1324066	30.451.00			15208-W1120	23.256.00	1640000Q3A	26.115.00
J1344003	53.063.00	N1324067	30.408.00			15208-W1123	23.256.00	164000W005	31.529.00
J1344006	53.108.00	N1324069	30.617.00			15208-W3401	23.256.00	1640041B26	31.529.00
J1344007	53.109.00	N1324072	30.573.00			15208-W3403	23.256.00	16400AW310	26.687.00
J1344008	54.152.00	N1324073	30.619.00			15208-Y9701	23.102.02	16400JY00D	24.025.01
J1344010	53.123.00	N1324074	30.B08.00			1520800Q0J	23.418.00	16401-00Q0D	24.013.00
J1345002	53.128.00	N1324075	30.C39.00			1520800Q1G	25.170.00	16401-00QAA	24.013.00
J1345006	54.147.00	N1324076	30.B05.00			15208-13211	23.122.00	16401-00QAB	24.098.00
J1345007	53.274.00	N1324077	30.A54.00			15208-13212	23.122.00	16403-00QAB	26.687.00
J1345008	54.220.00	N1324078	30.A56.00			15208-18G00	23.238.00	16403-00QAC	26.115.00
J1347000	54.138.00	N1324084	30.B62.00			15208-1HC0A	23.484.00	16403-06J60	24.398.00
J1348000	53.201.00	N1324085	30.525.00			15208-20N00	23.488.00	16403-06J60A	24.398.00
J1348002		N1325055	30.533.00			15208-20N01	23.488.00	16403-09W00	24.370.00
(SENZA TELAI/O WITHOUT FRAME)	53.135.00	N1325056	30.539.00			15208-20N02	23.488.00	16403-34W00	24.327.00
J1348006	53.222.00	N1328040	30.456.00			15208-20N03	23.488.00	16403-4U105	24.442.00
N1310307	25.166.00	N1328041	30.550.00			15208-20N10	23.488.00	16403-4U11A	24.442.00
N1310308	25.226.00	N1328042	30.A96.00			15208-20N1A	23.488.00	16403-59E00	24.375.00
N1310407	25.219.00	N1328044	30.553.00			15208-31U00	23.265.00	16403-59E0A	24.375.00
N1310508	25.151.00	N1328046	30.405.00			15208-31U01	23.265.00	16403-6F900	24.384.00
N1310509	25.213.00	N1328050	30.A49.00			15208-31U0A	23.265.00	16403-76200	24.360.00
N1310907	23.585.00	N1328053	30.C40.00			15208-31U0B	23.265.00	16403-7F400	24.444.00
N1311038	23.564.00	N1328055	30.C41.00			15208-31U1B	23.265.00	16403-7F401	24.444.00
N1311042	25.145.00	N1330911	26.033.00			15208-3J400	23.484.00	16403-7F40A	24.444.00
N1311043	25.178.00	N1330912				15208-3J400XX	23.484.00	16403-7F40B	24.444.00
N1312027	25.150.00	(N.1 FILTRO/FILTER)	26.047.00			15208-40L00	23.244.00	16403-AW300	26.687.00
N1312029	25.142.00	N1331047				15208-40L01	23.244.00	16403-AW301	26.687.00
N1313031	25.191.00	(SENZA VALVOLA/WITHOUT VALVE)	55.582.00			15208-40L02	23.244.00	16403-AW302	26.687.00
N1314018	25.074.00	N1331053	24.061.01			15208-43G00	23.256.00	16403-EB75B	24.082.00
N1315031	23.565.00	N1332096	26.045.00			15208-43G0A	23.256.00	16403-G2400	24.375.00
N1319021	23.652.00	N1332104	26.073.00			15208-4A00A	23.263.00	16403-G9900	24.375.00
N1320324	30.382.00	N1333062	24.128.00			15208-53J00	23.266.00	16403-G990A	24.375.00
N1320325	30.A64.00	N1333063	26.102.00			15208-53J01	23.266.00	16403-J2000	24.370.00
N1320326	30.676.00	N1334038	26.077.00			15208-53J0A	23.266.00	16403-J5500	24.370.00
N1320327	30.723.00	N1335062	24.126.00			15208-55Y00	23.240.00	16403-JR00A	24.446.01
N1320328	30.631.00	N1335063	24.465.00			15208-5M300	25.052.00	16403-JR00B	24.446.01
N1320329	30.632.00	N1335073	31.071.00			15208-65001	23.256.00	16403-JR01B	24.081.00
N1320333	30.627.00	N1335074	26.149.00			15208-65002	23.256.00	16403-T9300	24.370.00
N1320330	30.627.00	N1339008	26.131.00			15208-65010	23.256.00	16403-VK11A	24.017.00
N1320409	30.C44.00	N1340309	53.261.00			15208-65011	23.256.00	16403-WK900	26.149.00
N1320528	30.A55.00	N1340310	53.149.00			15208-65012	23.256.00	16403-Z7000	24.370.00
N1320529	30.B01.00	N1340512	53.191.00			15208-65014	23.256.00	16405-00Q0B	26.694.00
N1320530	30.468.00	N1340513	53.163.00			15208-65F00	23.484.00	16405-00Q0E	26.114.00
N1320531	30.A95.00	N1340515	53.333.00			15208-65F01	23.484.00	16405-00Q0F	26.114.00
N1320532	30.469.00	N1340518	53.379.00			15208-65F0A	23.484.00	16405-00QAA	26.693.00
N1320534	30.496.00	N1340520	53.212.00			15208-65F0B	23.484.00	16405-00QAB	26.694.00
N1320535	30.574.00	N1340521	53.396.00			15208-65F0D	23.484.00	16405-00QAC	26.695.00
N1320537	30.594.00	N1340522	53.390.00			15208-65F10	23.484.00	16405-01T70	24.398.00
N1320541	30.634.00	N1340912	53.144.00			15208-6F901	23.293.00	16405-01T70A	24.398.00
N1320543	30.A20.00	N1340913	53.254.00			15208-6F905	23.293.00	16405-05E01	24.375.00
N1320548	30.726.00	N1340914	53.220.00			15208-70J00	23.266.00	16405-2SA10	24.398.00
N1320550	30.A21.00	N1341020	53.186.00			15208-70J01	23.266.00	16405-RB300	24.327.00
N1320556	30.710.00	N1341021	53.214.00			15208-70J0A	23.266.00	16405-T6201	24.327.00
N1320912	30.278.00	N1341022	53.388.00			15208-71J00	23.240.00	16405-T9002	24.327.00
N1320913	30.422.00	N1341023	53.223.00			15208-71J0A	23.240.00	16405-T9005	24.327.00
N1320914	30.701.00	N1341025	53.215.00			15208-7B000	23.484.00	16405-V0701	24.327.00
N1320917	30.569.00	N1341034	54.320.00			15208-7F400	23.256.00	1640501T0A	24.398.00
N1320918	30.653.00	N1341035	53.389.00			15208-7F40A	23.256.00	164A0-4EA1B	24.095.01
N1321072	30.576.00	N1341038	53.293.00			15208-80W00	23.134.00	16500F3900	27.679.00
N1321077	30.556.00	N1342029	53.185.00			15208-9F600	23.484.00	16546-00Q0B	30.302.00
N1321082	30.B76.00	N1342038	53.299.00			15208-9F60A	23.484.00	16546-00Q0C	30.150.00

16546-00QOE	30.181.00	16546-ED000	30.362.00	2727900QQA	53.031.00	H132A41	30.068.00	(SENZA VALVOLA/WITHOUT VALVE)	55.582.00
16546-00QOF	30.293.00	16546-ED500	30.362.00	2727900QOB	53.031.00	H132A60	30.325.00	N133N39	24.061.01
16546-00QOG	30.300.00	16546-G4800	27.679.00	2727900QOC	54.234.00	H132A62	30.471.00	N133N41	24.095.01
16546-00QOH	30.465.00	16546-G9600	27.881.00	27298-00QAA	53.131.00	H132A64	30.591.00	N133N47	26.114.00
16546-00Q1J		16546-G9801	27.159.00	27891-00QOA	53.060.00	H132A65	30.503.00	N133N48	26.115.00
(BR)	30.302.00	16546-HG00A	30.887.00	27891-00QOD	53.164.00	H132A66	30.313.00	N135N02	53.258.00
16546-00Q1L	30.556.00	16546-HG00B	27.892.00	27891-00QAA	53.292.00	H132A68	30.618.00	N135N11	54.320.00
16546-00Q2B	30.465.00	16546-JD20A	30.352.00	27891-1FC0A	53.388.00	H132A71	30.573.00	N135N19	53.215.00
16546-00Q2G	30.556.00	16546-JD20B	30.352.00	27891-1FE0A	53.388.00	H132A77	30.617.00	N135N24	53.388.00
16546-00QAA	30.147.00	16546-JG70A	30.352.00	27891-3NL0A	53.388.00	H132A78	30.619.00	R132T01	30.470.00
16546-00QAC	30.099.00	16546-L0700	27.769.00	27891-4A00C	53.186.00	H132A79	30.805.00	S131G10	25.219.00
16546-00QAD	30.293.00	16546-L3000	27.235.00	27891-AX010	53.104.00	H132A80	30.309.00	S132G09	30.444.00
16546-00QAE	30.150.00	16546-L3010	27.235.00	27891-AX01A	53.104.00	H132A82	30.440.00	S132I01	30.327.00
16546-00QAG	27.273.00	16546-MA70A	27.676.00	27891-BM400	53.035.00	H132A84	30.862.00	S132I03	27.074.00
16546-00QAK	30.181.00	16546-MA70C	27.676.00	27891-BM400-KE	53.035.00	H132A85	30.456.00	S132I04	30.328.00
16546-00QAL	30.163.00	16546-R9000	27.235.00	27891-BM401-KE	53.035.00	H132A87	30.808.00	S132I15	30.461.00
16546-00QAM	30.300.00	16546-R9009	27.235.00	27891-BM402	53.035.00	H132I06	30.126.00	S132I18	30.450.00
16546-00QAP	30.150.00	16546-S0100	27.769.00	27891-BM410	53.035.00	H132I14	30.342.00	S132I23	30.537.00
16546-00QAR	30.319.00	16546-T3000	27.678.00	2789100QOB	53.084.00	H132I32	30.437.00	S132I25	30.780.00
16546-00QAT	30.293.00	16546-T3401	27.678.00	2789100QOE	53.104.00	H132I36	30.895.00	S132I28	30.844.00
16546-00QAU	30.147.00	16546-V0100	30.973.00	278913NL0P	53.388.00	H132I38	30.855.00	S132I32	30.211.00
16546-00QOH	30.465.00	16546-V0110	30.973.00	278914A00E	53.186.00	H132I41	30.538.00	S132I37	30.120.00
16546-01B00	27.605.00	16546-V4360	30.864.00	278916PA0A	53.256.00	H132I43	30.801.00	S132I38	30.725.00
16546-01B10	27.605.00	16546-VB300	27.397.00	27893-2F900	53.052.00	H132I44	30.631.00	S132I44	30.628.00
16546-04N00	27.169.00	16546-VC10A	27.397.00	27893-6F600	53.051.00	H132I46	30.496.00	S132I45	30.550.00
16546-06N00	27.159.00	16546-VK500	27.679.00	27893-6F600-KE	53.051.00	H132I47	30.574.00	S132I46	30.896.00
16546-08000	27.769.00	16546-VK501	27.679.00	27893-9F500	53.052.00	H132I48	30.594.00	S133I37	24.113.00
16546-08001	27.769.00	16546-VM00A	27.679.00	27893-9F500-KE	53.052.00	H132I52	30.634.00	S133I37	24.186.00
16546-0F000	27.169.00	16546-W2900	30.973.00	40124-00010	26.680.00	H132I54	30.635.00	S135I01	53.222.00
16546-0U800	30.026.00	16546-Y9500	27.235.00	7701044595	30.099.00	H132I57	30.821.00	S135I09	53.426.00
16546-0U80A	30.026.00	1654600Q0M	30.217.00	7701047285	30.150.00	H133A18	26.077.00	T132A104	30.897.00
16546-0Z000	30.973.00	1654600Q1F	30.181.00	8200033408	23.418.00	H133I13	24.460.00	T132A108	27.691.00
16546-10800	27.769.00	1654600Q2C	30.293.00	82145-4110	27.744.00	H135A12		T132A114	30.554.00
16546-10801	27.769.00	1654600Q2F	30.099.00	999M1-VP003	53.258.00	(N2 FILTRI/FILTERS)	53.242.00	T132A116	30.452.00
16546-18000	27.744.00	1654600Q2K	30.147.00	A5208-01B01	23.496.00	H135I04	53.394.00	T132A117	30.504.00
16546-18001	27.744.00	1654600Q3D	30.816.00	A5208-01B02	23.496.00	H135I05	53.191.00	T132A118	30.785.00
16546-1HC2A	30.576.00	1654600Q3E	30.556.00	A5208-H8903	23.240.00	H135I10	53.400.00	T132A119	27.891.00
16546-21000	27.744.00	1654600Q3F	30.465.00	A5208-H8904	23.240.00	H135I11	53.407.00	T132A124	30.625.00
16546-22100	27.744.00	1654600Q3H	30.816.00	A5208-H890C	23.240.00	H135I13	53.121.00	T132A127	30.639.00
16546-22125	27.744.00	1654600Q3M	30.664.00	A5208-W1103	23.134.00	H135I21	53.379.00	T132A128	30.660.00
16546-23000	27.769.00	1654600Q4D	30.543.00	A5208-W1106	23.134.00	H135I22	53.396.00	T132A133	30.886.00
16546-30P00	30.001.00	165463VA0A	30.876.00	A5208-W3401	23.256.00	H131U20	23.652.00	T132A135	30.603.00
16546-36701	27.769.00	165464BC1B	30.724.00	A5208-W3403	23.256.00	H132U09	27.650.00	T132A136	30.891.00
16546-3HD0A	30.876.00	165464BC2A	30.724.00	A520800Q1EVA	25.145.00	H133U14	26.131.00	T132A28	30.788.00
16546-3J400	30.973.00	165464GA0A	30.362.00	A640C-59EM0-SA	24.375.00	K132A25	30.363.00	T132A57	27.810.00
16546-3J410	30.001.00	1654673C01	30.001.00	A640M-41BM0-SA	31.529.00	K132A30	30.806.00	T132A73	30.505.00
16546-3J41A	30.001.00	1654673C60	30.001.00	A654617C11	27.235.00	K132A42	30.632.00	T132A76	27.810.00
16546-3S903	27.524.00	1654695FOA	30.405.00	A654F-01B00-CA	27.605.00	K132A44	30.627.00	T132A91	53.248.00
16546-3VD0A	30.822.00	1654695FOD	30.973.00	A654F-18000-CA	27.744.00	K135A02	53.259.00	T132A95	30.886.00
16546-41B00	30.026.00	16546VB700	27.273.00	AY110-NS001	25.052.00	K135A11	53.261.00	T133A31	26.045.00
16546-4A00C	30.456.00	22324-00QAB	30.319.00	AY110-NS002	25.026.00	M131A26	25.191.00	T133A40	31.776.00
16546-4BA1A	30.724.00	271T2-00A00	54.285.00	AY684-NS017	53.388.00	M131I17	25.023.00	T133A80	31.927.00
16546-4BA1B	30.724.00	271T2-00A00	34.285.00	B7277-1CA0A	54.320.00	M132A38	30.409.00	T133A92	26.073.00
16546-4BC1A	30.724.00	27274-7J125	53.258.00	B7277-1CA1A	54.320.00	M132A61	30.787.00	T135A20	54.331.00
16546-4BD0C	30.862.00	27274-EA000	53.214.00	B7277-1CA1B	54.320.00	M132A68	30.626.00		
16546-4EA0C	30.862.00	27274-EB700	53.214.00	B7277-EG01A	53.294.00	M132A71	27.874.00		
16546-4JA1A	30.859.00	272750L925	53.021.00	B7277-JN20A	53.367.00	M132A73	30.853.00		
16546-4JA1B	30.859.00	27277-00A26	53.223.00	B7277-JN20B	53.367.00	M132A74	30.779.00		
16546-5DA0A	30.595.00	27277-075VA	53.146.00	B727A-79925	53.260.00	M132I21	27.844.00	0650391	23.274.00
16546-5DD0A	30.838.00	27277-1HD0B	53.215.00	B727C-79925	53.258.00	M132I24	30.252.00	0818012	60.230.00
16546-64J02	27.526.00	27277-1HDKE	53.215.00	B7298-00QAA	53.060.00	M132I26	30.709.00	132114731	54.200.00
16546-6F900	27.252.00	27277-1HE0E	53.215.00	B7891-1FC0A	53.388.00	M132I27	30.253.00	132114731	34.230.00
16546-70J00	30.973.00	27277-1KA0A	53.223.00	B7891-1FE0A	53.388.00	M132I27	30.253.00	1567-C4	31.515.00
16546-70J10	30.973.00	27277-1KA4A	53.223.00	BRPRT10429		M132I38	30.506.00	1718042	54.230.00
16546-71J00	27.200.00	27277-4BA0A	53.293.00	(BR)	53.215.00	M132I86	27.872.00	1718042	34.230.00
16546-73C10	30.001.00	27277-4BU0A	53.389.00	L161037000	31.836.00	M132I99	30.781.00	1718044	54.277.00
16546-73C11	30.001.00	27277-4HH0A	54.320.00			M133A20	31.844.00	1718045	54.278.00
16546-74S00	30.973.00	27277-4M400	53.260.00			M133A44	26.102.00	1718046	54.143.00
16546-76000	27.235.00	27277-4M425	53.260.00			M133A45	24.128.00	1718046	34.143.00
16546-76015	27.235.00	27277-5DA0A	54.236.00			M133I10	24.119.00	1808012	54.162.00
16546-76016	27.235.00	27277-5DA2A	54.236.00			M133I13	24.126.00	1808012	34.162.00
16546-77A10	27.200.00	27277-5FA0A	53.256.00			M133I95	24.423.00	1808020	54.238.00
16546-7F000	27.524.00	27277-9W125	53.260.00			M133I96	26.149.00	1808020	34.238.00
16546-7F000-B1	27.524.00	27277-EG01A	53.294.00			M135A19	53.383.00	1808059	53.254.00
16546-7F002	27.524.00	27277-EN000	53.146.00			M135A21	53.365.00	1808061	53.254.00
16546-7S000	30.284.00	27277-EN025	53.146.00			M135I01	53.218.00	1808246	54.178.00
16546-7S015	30.284.00	27277-JA00A	53.367.00			M135I02	53.338.00	1808246	34.178.00
16546-80G00	27.169.00	27277-JA00C	53.367.00			M135I03	54.124.00	1808524	53.254.00
16546-88A00	27.200.00	27277-JD10A	54.268.00			N132N17	27.169.00	1808527	54.134.00
16546-8S001	27.892.00	27277-JD10A	34.268.00			N132N39	27.397.00	1808553	54.143.00
16546-AW300	30.234.00	27277-JN20A	53.367.00			N132N50	27.892.00	1808555	53.045.00
16546-AX600	30.026.00	27277-VX01A	53.294.00			N132N55	30.362.00	1808556	54.230.00
16546-AX60A	30.026.00	272771ME0A	53.047.00			N132N62	30.491.00	1808556	34.230.00
16546-BC40A	30.319.00	272773JC1C	53.002.00			N132N76	30.576.00	1808600	53.015.00
16546-BN700	30.181.00	272774BR0A	53.293.00			N132N79	30.876.00	1808601	53.001.00
16546-BN701	30.319.00	272775FA0P	54.388.00			N132N80	30.724.00	1808602	53.015.00
16546-BN70A	30.319.00	272775NA1A	54.388.00			N132N81	30.822.00	1808604	53.001.00
16546-EB300	30.155.00	27277CL025	53.218.00			N132N83	30.859.00	1808605	53.010.00
						N133N24		1808606	53.386.00

1808607	53.014.00	4708641	30.391.00	650181	25.061.00	818513	31.611.00	835628	30.214.00
1808609	53.068.00	4708750	25.031.00	650189	23.650.00	818514	31.515.00	835630	30.202.00
1808610	53.047.00	4708795	60.H2O.00	650190	25.043.00	818531	26.689.00	835631	30.197.00
1808612	53.030.00	4708878	23.255.00	650212	25.118.00	818541	31.611.00	835632	30.258.00
1808613	53.328.00	4711021	53.183.00	650231	25.061.00	818544	31.010.00	835633	30.292.00
1808617	54.100.00	4710951	30.550.00	650300	25.027.00	818562	31.699.00	835635	30.292.00
1808617	34.100.00	4711189	23.255.00	650302	25.555.00	818568	31.515.00	849253	30.852.00
1808618	54.135.00	4711600	30.553.00	650303	25.555.00	819325	31.010.00	860134	25.061.00
1808619	53.045.00	4801066	31.564.00	650306	23.271.00	834125	30.A23.00	881068	31.836.00
1808624	54.100.00	4801358	31.750.00	650307	25.012.00	834126	30.404.00	90016355	30.852.00
1808624	34.100.00	4802876	30.552.00	650308	25.017.00	834157	30.159.00	90016535	30.852.00
22745823	30.392.00	4803001	55.163.00	650311	25.012.00	834158	30.292.00	90016800	24.351.01
23304096	26.122.00	4803883	53.151.00	650315	25.024.00	834159	30.292.00	90027967	30.852.00
25121974	31.611.00	4804934	25.024.00	650318	25.009.00	834231	30.807.00	90108602	30.908.00
2798976	31.009.00	4804935	25.024.00	650350	23.134.01	834250	30.973.00	90166585	24.350.00
3008020	30.806.00	4807214	60.H2O.00	650352	23.103.00	834251	30.990.00	90200880	27.085.00
32026117	54.100.00	4807917	30.392.00	650353	23.117.00	834254	30.054.00	90220939	30.926.00
32026117	34.100.00	4807966	25.091.00	650354	23.134.01	834257	30.806.00	90220970	30.924.00
3557939	25.060.00	4817460	25.091.00	650356	23.134.01	834260	30.963.00	90486908	24.351.01
3557948	30.368.00	4818038	25.088.00	650364	23.103.00	834261	27.E50.00	91132359	34.143.00
3639109	30.718.00	4818693	26.047.00	650365	23.103.00	834262	30.950.00	91132361	54.277.00
3639397	30.717.00	4819126	54.224.00	650367	23.134.01	834264	30.017.00	9121626	54.278.00
3639671	30.648.00	4820437	26.047.00	650373	23.103.00	834266	30.017.00	9198314	31.750.00
3646431	25.187.00	4820771	26.071.00	650379	23.117.00	834268	30.017.00	93152971	30.806.00
3647177	23.439.00	5650300	23.232.00	650381	23.129.02	834270	30.806.00	93152973	30.807.00
4295415	24.368.00	5650301	23.243.00	650382	23.187.00	834273	30.807.00	93156302	23.114.02
4300007	27.769.00	5650303	25.555.00	650383	23.114.02	834277	30.908.00	93156306	23.134.01
4300019	24.366.00	5650304	23.271.00	650385	23.211.00	834281	27.085.00	93156335	23.134.01
4301497	27.193.00	5650305	23.299.00	650388	23.278.00	834284	27.828.00	93156575	23.211.00
4301708	23.232.00	5650308	25.009.00	650389	23.278.00	834285	30.924.00	93192362	30.297.00
4302955	27.769.00	5650316	25.017.00	650390	23.274.00	834286	30.944.00	95526686	25.225.00
4303362	23.232.00	5650319	25.003.00	650391	23.274.00	834287	30.978.01	95528277	25.118.00
4312803	31.529.00	5650331	25.024.00	650393	23.271.00	834288	30.926.00	95530268	30.664.00
4318010	27.769.00	5650334	25.030.00	650394	23.232.00	834289	30.973.00		
4400131	27.084.00	5650337	25.024.00	650400	23.103.00	834291	30.990.00		
4402614	30.150.00	5650338	25.108.00	650401	23.129.02	834292	30.950.00		
4402665	23.303.00	5650342	25.043.00	6806612	53.001.00	834293	30.958.00	CAF2130.11	54.306.00
4402718	23.418.00	5650343	23.299.00	6806600	53.015.00	834294	30.011.00	CAF2195.01	53.400.00
4402894	26.686.00	5650346	25.555.00	6806601	53.045.00	834295	30.963.00	CAF2221.11	54.389.00
4403019	23.418.00	5650348	25.024.00	6806604	53.098.00	834296	30.950.00	CAF2243.01	53.426.00
4403096	24.384.00	5650353	25.030.00	6806605	54.134.00	834297	30.958.00	CAF2313.11	54.319.00
4404191	26.693.00	5650354	25.049.00	6806606	53.047.00	834299	30.958.00	CAF2340.11	54.331.00
4405238	30.293.00	5650359	25.064.00	6806607	54.143.00	834316	30.083.00	CAF3006.10	30.C47.00
4406453	26.114.00	5650363	25.163.00	6806607	34.143.00	834322	30.064.00	EAF3033.10	30.B22.00
4407080	54.234.00	5650367	25.031.00	6806610	53.015.00	834323	30.083.00	EAF3366.10	30.B54.00
4407080	34.234.00	5650375	25.085.00	6806611	53.030.00	834581	30.027.00	EAF3403.20	27.E50.00
4407115	25.170.00	5650380	25.027.00	6806613	53.010.00	834582	30.027.00	EAF3446.10	30.A44.00
4408101	31.710.00	5818085	26.058.00	6806614	54.135.00	834583	30.027.00	EAF3467.10	30.B23.00
4408341	30.147.00	5818508	26.689.00	6806616	54.197.00	834584	30.027.00	EAF3510.10	30.B29.00
4408840	53.131.00	5818509	26.689.00	6806617	54.100.00	834585	30.028.00	EAF3636.10	30.C62.00
4411279	30.465.00	5834036	30.096.00	6806617	34.100.00	834603	30.653.00	EAF3640.10	30.A70.00
4411637	26.694.00	5834037	30.027.00	6806622	53.124.00	834607	30.204.00	EAF3658.10	30.C03.00
4412830	26.695.00	5834040	30.259.00	6806623	54.162.00	834617	30.160.00	EAF3669.20	30.B10.00
4413851	30.150.00	5834043	30.297.00	6806623	34.162.00	834622	30.A24.00	EAF3680.20	30.B63.00
4414665	30.465.00	5834070	30.197.00	813024	24.351.01	834647	30.388.00	EAF3701.10	30.C37.00
4415218	25.026.00	5834071	30.202.00	813020	24.427.00	834656	30.297.00	EAF3703.10	30.B56.00
4415430	30.300.00	5834252	30.160.00	813035	55.114.00	834658	30.604.00	EOF4156.10	25.257.00
4415442	23.481.00	5834270	30.204.00	813036	55.116.00	834659	30.135.00		
4415764	30.541.00	5834279	30.259.00	813037	55.120.00	834732	30.265.00		
4415941	25.033.00	5834280	30.203.00	813040	55.125.00	834736	30.477.00		
4416250	26.695.00	5834281	30.258.00	813042	55.152.00	834762	30.609.00		
4416392	30.099.00	5834282	30.107.00	813043	55.116.01	834778	30.588.00		
4416403	30.150.00	5835125	30.203.00	813044	55.114.01	834801	30.806.00		
4416481	30.293.00	5835126	30.214.00	813058	24.ONE.03	834803	30.807.00		
4416680	30.465.00	5835127	30.297.00	813059	24.ONE.02	834805	30.204.00		
4417142	30.465.00	5835142	30.189.00	813070	24.099.00	834806	27.647.00		
4417325	30.300.00	5835930	30.297.00	813560	26.652.00	834888	30.B50.00	(IHC)	25.407.01
4417399	26.693.00	649003	23.115.00	813561	24.360.00	834896	30.388.00	AC1093	25.413.00
4418754	23.481.00	649006	23.133.00	813565	24.351.01	835036	30.197.00	AC1138	25.402.01
4419019	26.687.00	649007	23.133.00	813566	24.350.00	835056	30.422.00	AC1300	25.421.00
4419683	53.164.00	649008	23.243.00	813569	60.H2O.00	835075	30.197.00	AC1316	25.443.00
4420258	30.556.00	649010	23.133.00	8135690	60.H2O.00	835529	30.A37.00	AC1346	
4420403	25.170.00	649011	23.243.00	818005	26.054.00	835605	30.189.00	(ALTRE/OTHER APPL.)	25.455.00
4421660	26.694.00	649012	23.265.00	818012	60.H2O.00	835606	30.017.00	AC1346	
4422252	30.664.00	649013	23.265.00	818013	26.038.00	835607	30.011.00	(BMW)	25.455.01
4423824	30.556.00	649015	23.249.00	818020	24.ONE.01	835608	30.041.00	AC1366	25.419.00
4423888	26.114.00	649020	23.265.00	818021	26.052.00	835613	30.041.00	AC3036	20.020.00
4430737	30.147.00	650017	25.093.00	818025	26.052.00	835614	27.678.00	AC3108	25.421.00
4431215	25.094.00	650061	25.093.00	818026	26.694.00	835615	30.063.00	AC3114	20.012.02
4449274	23.418.00	650104	23.299.00	818027	26.054.00	835616	30.063.00	AC3188	25.439.00
4500935	30.099.00	650107	23.519.00	818031	24.099.00	835617	30.064.00	AC3218	25.499.00
4501003	26.687.00	650111	25.083.00	818500	31.611.00	835620	30.041.00	AC3273	25.530.00
4502627	26.687.00	650134	23.438.00	818501	31.611.00	835621	30.958.00	AC3277	25.528.00
4506039	25.033.00	650144	23.299.00	818506	24.366.00	835622	30.096.00	AC3284	25.530.01
4702969	30.129.00	650155	25.225.00	818508	31.515.00	835624	30.107.00	AC3300	25.406.01
4705463	53.075.00	650163	25.199.00	818510	31.515.00	835625	30.203.00	AC3305	25.539.00
4707328	30.211.00	650172	25.064.00	818511	24.366.00	835626	30.202.00	AC3318	25.541.00
4708106	53.075.00	650173	25.225.00	818512	31.611.00	835627	30.159.00	AC3351	25.548.00
							30.214.00	AC3354	25.555.00

OPEN PARTS UFI

CAF2130.11	54.306.00
CAF2195.01	53.400.00
CAF2221.11	54.389.00
CAF2243.01	53.426.00
CAF2313.11	54.319.00
CAF2340.11	54.331.00
EAF3006.10	30.C47.00
EAF3033.10	30.B22.00
EAF3366.10	30.B54.00
EAF3403.20	27.E50.00
EAF3446.10	30.A44.00
EAF3467.10	30.B23.00
EAF3510.10	30.B29.00
EAF3636.10	30.C62.00
EAF3640.10	30.A70.00
EAF3658.10	30.C03.00
EAF3669.20	30.B10.00
EAF3680.20	30.B63.00
EAF3701.10	30.C37.00
EAF3703.10	30.B56.00
EOF4156.10	2

AC3356	25.162.00	AG3391	26.687.00	AG6135	24.451.00	AH7127	53.101.00	AI3173	27.076.00
AC3361	25.590.00	AG3393	26.688.00	AG6137	31.830.00	AH7128	53.114.00	AI3175	
AC3387	25.587.00	AG3395	26.691.00	AG6138	31.831.00	AH7134	53.090.00	(FOND. IN METALLO/METAL ENDS)	27.071.00
AC8001	25.004.00	AG3396	26.690.00	AG6139	31.802.00	AH7140	53.117.00	AI3175	
AC8002	25.011.00	AG3398	26.693.00	AG6140	24.429.00	AH7156	53.205.00	(FONDELLI IN PVC/PLASTIC ENDS)	27.071.01
AC8003	25.012.00	AG3404	26.687.00	AG6143	31.840.00	AH7161	53.148.00	AI3176	30.871.00
AC8004	25.008.00	AG3405A	60.H20.00	AG6144	55.430.00	AH7163	53.155.00	AI3182	27.785.00
AC8007	25.099.00	AG3406	26.696.00	AG6146	24.ONE.02	AH7170	53.094.00	AI3183	27.063.00
AC8012	25.009.00	AG3409	24.464.00	AG6147	24.ONE.03	AH7173	53.189.00	AI3184	27.799.00
AC8013	25.095.00	AG6001		AG6150	55.170.00	AH7174	53.104.00	AI3186	27.061.00
AC8015	25.038.00	(ALTRE/OTHER APPL.)	24.365.00	AG6156	31.925.00	AH7178	53.098.00	AI3189	27.079.00
AC8016	25.010.00	AG6001		AG6161	24.026.01	AH7182	53.074.00	AI3190	27.730.00
AC8017		(HONDA)	24.435.00	AG9003	26.005.00	AH7185	53.049.00	AI3191	27.069.00
(MERCEDES 112 180 00 09)	25.002.00	AG6002	31.506.00	AG9004	26.003.00	AH7187	53.131.00	AI3195	27.939.00
AC8017		AG6003	31.502.00	AG9005	26.694.00	AH7189	53.103.00	AI3196	27.133.00
(MERCEDES 611 180 00 09)	25.013.00	AG6004	31.500.00	AG9006	26.022.00	AH7190	53.102.00	AI3199	27.239.00
AC8018	25.003.00	AG6006	31.510.00	AG9007	26.695.00	AH7195	53.106.00	AI3234	27.138.00
AC8019	25.001.00	AG6006		AG9008	26.057.00	AH7196	53.132.00	AI3234	27.584.00
AC8020	25.018.00	(OPEL, VAUXHALL)	31.611.00	AG9009	26.014.00	AH7199	53.129.00	AI3234-08	27.920.00
AC8021	25.019.00	AG6007	31.511.00	AG9011	26.037.00	AH7201	53.088.00	AI323408	27.920.00
AC8023	25.030.00	AG6008	31.699.00	AG9012	26.018.00	AH7203	53.124.00	AI3239	27.893.00
AC8026	25.017.00	AG6009	31.531.00	AH5431	30.396.00	AH7204	53.109.00	AI3246-08	27.878.00
AC8030	25.014.00	AG6010	31.505.00	AH7001	53.015.00	AH7207	53.143.00	AI3272-08	27.902.00
AC8033	25.035.00	AG6011	31.503.00	AH7002	53.016.00	AH7214	53.120.00	AI3276-08	27.923.00
AC8034	25.067.00	AG6012	31.507.00	AH7003	53.006.00	AH7215	53.184.00	AI3284	27.804.00
AC8035	25.027.00	AG6015	24.365.01	AH7004	53.027.00	AH7218	53.109.00	AI3307	27.828.00
AC8036	25.052.00	AG6017	31.563.00	AH7005	53.013.00	AH7223	53.145.00	AI3309-08	27.931.00
AC8037	25.053.00	AG6018	31.514.00	AH7006	53.010.00	AH7244	53.206.00	AI3319	27.881.00
AC8038	25.056.00	AG6019	31.529.00	AH7007	53.004.00	AH7253	54.173.00	AI3342	27.235.00
AC8040	25.015.00	AG6022		AH7008	53.011.00	AH7256	53.152.00	AI3345	27.140.00
AC8041	25.023.00	(BOSCH 0 450 902 151)	31.512.00	AH7009	53.007.00	AI1038		AI3345-08	27.132.00
AC8042	25.024.00	AG6022		AH7010	53.001.00	(RENAULT 7701021327)	27.701.00	AI3352	27.801.00
AC8043	25.023.00	(A.C.DELCO GF635)	31.611.00	AH7011	53.021.00	AI1038		AI3353	27.067.00
AC8044	25.033.00	AG6023	31.562.00	AH7012	53.019.00	(RENAULT 7701348025)	27.750.00	AI3365	27.993.00
AC8045	25.032.00	AG6024	31.508.00	AH7013	53.018.00	AI1042	27.720.00	AI3368	27.090.00
AC8046	25.039.00	AG6025		AH7014	53.061.00	AI3001	27.715.00	AI3371	27.678.00
AC8047	25.029.00	(ALTRE/OTHER APPL.)	31.515.00	AH7015	53.028.00	AI3005	27.716.00	AI3373	27.283.00
AC8048	25.041.00	AG6025		AH7016	53.005.00	AI3016	27.797.00	AI3384	27.068.00
AC8049	25.028.00	(VAG)	31.722.00	AH7017	53.012.00	AI3019	27.712.00	AI3391	27.081.00
AC8052	25.060.00	AG6026	31.513.00	AH7018	53.158.00	AI3024	27.709.00	AI3403-08	27.137.00
AC8053	25.043.00	AG6027	31.561.00	AH7023	53.024.00	AI3026	27.731.00	AI3406	27.159.00
AC8059	25.034.00	AG6028	24.382.00	AH7025	53.023.00	AI3027	27.707.00	AI3421	27.982.00
AC8065	25.021.00	AG6029	31.564.00	AH7026	53.002.00	AI3050	27.719.00	AI3431	27.647.00
AC8066	25.037.00	AG6030	31.710.00	AH7028	53.014.00	AI3054	27.728.00	AI3434	27.477.00
AC8066A	25.037.00	AG6031	24.391.00	AH7029	53.020.00	AI3056	27.708.00	AI3440	27.602.00
AC8067	25.040.00	AG6032	31.718.00	AH7030	53.026.00	AI3057	27.906.00	AI3443	27.169.00
AC8072	25.013.00	AG6034	31.747.00	AH7031	53.085.00	AI3064	27.707.00	AI3446-08	27.282.00
AC8076	25.047.00	AG6035	31.569.00	AH7032	53.017.00	AI3068	27.729.00	AI3457	27.134.00
AC8078	25.050.00	AG6036	31.583.00	AH7034	53.047.00	AI3072	27.740.00	AI3462	27.679.00
AC8080	25.060.00	AG6037	31.769.00	AH7035	53.030.00	AI3073	27.770.00	AI3602	30.896.00
AC8081	25.049.00	AG6038	24.400.00	AH7038	53.046.00	AI3077	27.713.00	AI3603	30.916.00
AC8082	25.058.00	AG6039	24.409.00	AH7044	53.037.00	AI3079	27.744.00	AI3604	27.097.00
AC8085	25.063.00	AG6040	31.560.00	AH7045	53.034.00	AI3080	27.762.00	AI3605	30.923.01
AC8086	25.094.00	AG6041	24.415.00	AH7046	53.079.00	AI3085	27.725.00	AI3607	27.074.00
AC8087	25.066.00	AG6044	31.750.00	AH7047	53.042.00	AI3086	27.702.00	AI3608	27.085.00
AC8095	25.080.00	AG6045	31.621.00	AH7048	53.068.00	AI3087	27.761.00	AI3609	27.084.00
AC8097	25.177.00	AG6062	31.558.00	AH7049	53.232.00	AI3088	27.731.00	AI3610	27.888.00
AC8098	25.075.00	AG6065	24.412.00	AH7051	53.041.00	AI3094	27.752.00	AI3611	30.943.00
AC8100	25.091.00	AG6068	24.433.00	AH7052	53.033.00	AI3098	27.769.00	AI3612	27.792.00
AG1001	26.609.00	AG6069	24.428.00	AH7053	53.064.00	AI3099	30.804.00	AI3614	27.734.00
AG1001-01	21.050.00	AG6070	31.740.00	AH7054	53.083.00	AI3105	30.800.00	AI3616	27.956.00
AG1015	26.601.00	AG6071	24.424.00	AH7055	53.031.00	AI3106	27.845.02	AI3617	30.917.01
AG1037	26.602.00	AG6072	31.712.00	AH7059	54.118.00	AI3109	27.946.00	AI3618	27.089.00
AG1096	24.362.00	AG6073	24.416.00	AH7067		AI3110	30.803.00	AI3620	30.939.00
AG1261	24.360.01	AG6074	31.817.00	(N.1 FILTRO/FILTER)		AI3114	30.815.00	AI3622	
AG1295	26.652.00	AG6075	31.841.00	AH7068		AI3115		(FIAT)	27.890.00
AG1296	24.360.00	AG6078	24.426.00	(N.1 FILTRO/FILTER)	53.070.00	(ALTRE/OTHER APPL.)	30.802.01	AI3623	27.927.00
AG1363	26.645.00	AG6079	24.427.00	AH7070	53.059.00	AI3117	30.807.00	AI3624	27.172.00
AG3059		AG6080	24.425.00	AH7071	53.060.00	AI3120	30.806.00	AI3625	27.175.00
(FIAT)	26.606.00	AG6081	24.430.00	AH7081	53.044.00	AI3121	30.809.00	AI3626	30.847.00
AG3149	26.660.00	AG6082	24.445.00	AH7082	53.075.00	AI3125	27.954.00	AI3629	30.993.00
AG3190	26.652.00	AG6088	31.824.00	AH7084	53.052.00	AI3131	27.156.00	AI3634	27.149.00
AG3207	24.361.00	AG6090	24.007.00	AH7086	53.087.00	AI3132	27.744.00	AI3636	27.176.00
AG3263	24.360.01	AG6091	31.834.00	AH7087	53.039.00	AI3136	30.843.01	AI3637	27.110.00
AG3281		AG6092	31.924.00	AH7088	53.035.00	AI3149	27.762.00	AI3638	30.978.01
(MERCEDES BENZ)	21.061.00	AG6093	31.811.00	AH7090	53.086.00	AI3151	27.824.00	AI3640	27.065.00
AG3285	26.670.00	AG6094	24.436.00	AH7093	53.134.00	AI3156	27.775.00	AI3642	27.194.00
AG3294	24.371.00	AG6095	24.418.00	AH7095	53.065.00	AI3163		AI3643	
AG3297	26.680.00	AG6107	31.520.00	AH7096	53.091.00	(RENAULT)	30.872.01	(RENAULT)	30.969.00
AG3353	26.676.00	AG6110	31.523.00	AH7097	53.038.00	AI3163		AI3644	27.268.00
AG3364		AG6113	31.648.00	AH7100	53.040.00	(NISSAN)	27.605.00	AI3646	27.177.00
(CARTA ARROTOL./ROLLED PAPER)	24.389.00	AG6119	31.847.00	AH7101	54.114.00	AI3164	27.781.00	AI3650	30.974.00
AG3364		AG6121	24.006.00	AH7106	53.045.00	AI3165	27.800.00	AI3652	30.005.00
(CARTA PIEGH./PLEATED PAPER)	26.682.00	AG6123	31.948.00	AH7107	53.058.00	AI3166	27.736.00	AI3653	27.196.00
AG3366	24.388.00	AG6128	24.ONE.01	AH7110	53.045.00	AI3167	27.063.00	AI3655	27.234.00
AG3374	26.689.00	AG6131	31.833.00	AH7114	53.082.00	AI3170	30.802.01	AI3656	30.078.01
AG3384	26.686.00	AG6133	31.715.00	AH7115	53.067.00	AI3171	30.811.00	AI3657	27.195.00
AG3390	24.401.00	AG6134	24.072.00	AH7124	53.032.00	AI3172	30.922.01	AI3658	27.253.00

AI3659	30.976.00	AI5021	30.889.00	AI5129	30.041.00	AI5240	30.216.00	AI5398	30.312.00
AI3661	27.128.00	AI5022	30.898.00	AI5130	30.041.00	AI5241	30.158.00	AI5400	30.251.00
AI3663	30.038.01	AI5023	30.891.00	AI5131	30.041.00	AI5242	30.129.00	AI5401	30.264.00
AI3664	27.888.00	AI5024	30.942.00	AI5132	30.066.00	AI5244	30.150.00	AI5402	30.232.00
AI3665	27.228.00	AI5026	30.926.00	AI5133	30.050.00	AI5245	30.139.00	AI5404	30.301.00
AI3666	27.526.00	AI5027	30.894.00	AI5134	30.071.00	AI5246	30.137.00	AI5405	30.319.00
AI3667	27.200.00	AI5028	30.911.00	AI5135	30.815.00	AI5247	30.135.00	AI5406	30.297.00
AI3672	27.171.00	AI5029	30.929.00	AI5140	30.285.00	AI5248	30.136.00	AI5409	30.292.00
AI3677	27.236.00	AI5032	30.946.00	AI5141	30.286.00	AI5249	30.213.00	AI5410	30.207.00
AI3678	27.254.00	AI5036	30.990.00	AI5142	30.064.00	AI5251	30.146.00	AI5411	30.347.00
AI3679	27.232.00	AI5037	30.958.00	AI5143	30.082.00	AI5252	30.186.00	AI5412	30.393.00
AI3680	27.233.00	AI5038	30.935.00	AI5144	30.080.00	AI5253	30.185.00	AI5413	30.280.00
AI3681	27.252.00	AI5039	30.950.00	AI5145	30.067.00	AI5256	30.141.00	AI5414	30.409.00
AI3682	30.975.00	AI5040	30.948.00	AI5146	30.073.00	AI5257	30.163.00	AI5415	30.344.00
AI3684	27.174.00	AI5041	30.953.00	AI5147	30.372.00	AI5258	30.176.00	AI5416	30.297.00
AI3685	27.257.00	AI5042	30.932.00	AI5149	30.049.00	AI5259	30.175.00	AI5417	30.297.00
AI3688	27.272.00	AI5043	30.930.00	AI5150	30.063.00	AI5260	30.159.00	AI5418	30.310.00
AI3689	27.258.00	AI5044	30.928.00	AI5152	30.230.00	AI5266	30.204.00	AI5419	30.334.00
AI3691	27.524.00	AI5045	30.963.00	AI5153	30.990.00	AI5267	30.183.00	AI5421	30.321.00
AI3692	27.267.00	AI5046	30.952.00	AI5154	30.053.00	AI5268	30.238.00	AI5422	30.213.00
AI3694	27.273.00	AI5047	30.965.00	AI5155	30.085.00	AI5269	30.228.00	AI5423	30.147.00
AI3696	27.265.00	AI5048	30.914.02	AI5156	30.336.00	AI5271	30.181.00	AI5424	30.150.00
AI3697	27.583.00	AI5051	30.906.00	AI5157	30.284.00	AI5272	30.155.00	AI5425	30.321.00
AI3698	27.403.00	AI5052	30.904.00	AI5158	30.057.00	AI5275	30.153.00	AI5426	30.311.00
AI3699	27.381.00	AI5054	30.955.00	AI5159	30.173.00	AI5276	30.168.00	AI5428	
AI3701	27.588.00	AI5055	30.075.00	AI5160	30.066.00	AI5278	30.104.00	(AUDI, PORSCHE, VOLKSWAGEN)	30.329.00
AI3703	27.162.00	AI5055	30.955.00	AI5161	30.066.00	AI5279	30.324.00	AI5429	30.300.00
AI3704	27.520.00	AI5059		AI5162	30.166.00	AI5283	30.364.00	AI5435	30.606.00
AI3706	27.154.00	(VAG)	30.398.00	AI5163	30.111.00	AI5284	30.231.00	AI5436	30.719.00
AI3708	27.353.00	AI5060	30.891.00	AI5164	30.090.00	AI5288	30.195.00	AI5438	30.384.00
AI3709	27.355.00	AI5061	30.936.00	AI5165	30.070.00	AI5289	30.132.00	AI5439	30.391.00
AI3710	27.341.00	AI5062	30.945.00	AI5167	30.188.00	AI5290	30.133.00	AI5441	30.303.00
AI3711	30.118.01	AI5063	30.981.00	AI5171	30.100.00	AI5291	30.222.00	AI5443	30.482.00
AI3712	27.403.00	AI5064	30.001.00	AI5172	30.077.00	AI5292	30.160.00	AI5444	30.554.00
AI3719		AI5065	30.004.00	AI5173	30.086.00	AI5293	30.199.00	AI5446	30.325.00
(DIESEL APPL.)	27.385.00	AI5066		AI5174	30.069.00	AI5298	30.152.00	AI5447	30.195.00
AI3719		(MAZDA)	30.012.00	AI5175	30.079.00	AI5299	30.203.00	AI5449	30.506.00
(BENZINA/PETROL APPL.)	27.386.00	AI5066		AI5176	30.083.00	AI5300	30.226.00	AI5450	30.331.00
AI3720	27.367.00	(FORD, MAZDA)	30.062.00	AI5178	30.172.00	AI5301	30.263.00	AI5452	30.259.00
AI3721	27.384.00	AI5070	30.019.00	AI5179	30.087.00	AI5302	30.190.00	AI5454	30.368.00
AI3723	30.145.01	AI5071	30.994.00	AI5180	30.314.00	AI5305	30.189.00	AI5455	30.351.00
AI3725	30.217.00	AI5072	30.020.00	AI5181	30.022.00	AI5307	30.148.00	AI5458	30.503.00
AI3727	27.648.00	AI5073	30.017.00	AI5182	30.966.00	AI5308	30.197.00	AI5459	30.380.00
AI3735	27.356.00	AI5074	30.017.00	AI5183	30.068.00	AI5311	30.210.00	AI5460	30.591.00
AI3736	27.354.00	AI5075	30.996.00	AI5185	30.154.00	AI5312	30.244.00	AI5461	30.555.00
AI3737	27.274.00	AI5076	30.977.00	AI5186	30.460.00	AI5317	30.246.00	AI5463	30.375.00
AI3738	27.486.00	AI5077	30.961.00	AI5187	30.954.00	AI5318	30.290.00	AI5464	30.374.00
AI3745	27.699.00	AI5078	30.991.00	AI5188	30.089.00	AI5321	30.187.00	AI5468	30.341.00
AI3747	27.594.00	AI5079	30.008.00	AI5189	30.461.00	AI5323	30.196.00	AI5473	30.342.00
AI3748	27.595.00	AI5080	30.016.00	AI5190	30.121.00	AI5324	30.162.00	AI5474	30.253.00
AI3749	27.606.00	AI5081	30.890.00	AI5191	30.036.00	AI5336	30.167.00	AI5476	30.504.00
AI3750	27.596.00	AI5082	30.007.00	AI5192	30.097.00	AI5337	30.243.00	AI5480	30.471.00
AI3751	27.394.00	AI5083	30.999.00	AI5192	30.125.00	AI5338	30.169.00	AI5481	30.317.00
AI3752	27.402.00	AI5088	30.960.00	AI5193	30.105.00	AI5339	30.149.00	AI5482	30.533.00
AI3758	27.628.00	AI5089	30.013.00	AI5194	30.103.00	AI5341	30.321.00	AI5483	30.365.00
AI3759	27.676.00	AI5091		AI5195	30.102.00	AI5342	30.233.00	AI5484	30.371.00
AI3761	27.693.00	(HYUNDAI)	30.287.00	AI5196	30.107.00	AI5343	30.241.00	AI5485	30.392.00
AI3762	30.217.00	AI5092	30.021.00	AI5197	30.124.00	AI5345	30.151.00	AI5486	30.277.00
AI3764	27.603.00	AI5093	30.024.00	AI5198	30.095.00	AI5346	30.171.00	AI5519	
AI3765	27.675.00	AI5094	30.003.00	AI5199	30.098.00	AI5347	30.265.00	(FILTRO ARIA SINISTRO/AR FILTER LEFT SIDE)	30.462.00
AI3766	27.630.00	AI5095	30.026.00	AI5200	30.108.00	AI5348	30.182.00	AI5519	
AI5002	30.852.00	AI5096	30.025.00	AI5201	30.215.00	AI5350	30.320.00	(FILTRO ARIA DESTRO/AR FILTER RIGHT SIDE)	30.463.00
AI5003	30.908.00	AI5097	30.967.00	AI5202	30.147.00	AI5352	30.201.00	AI5537	30.638.00
AI5005		AI5098	30.235.00	AI5203	30.117.00	AI5354	30.170.00	AI5540	30.597.00
(ALTRE/OTHER APPL.)	30.818.00	AI5099	30.032.00	AI5204	30.116.00	AI5358	30.194.00	AK7019	54.108.00
AI5005		AI5100	30.033.00	AI5206	30.115.00	AI5368	30.348.00	AK7021	54.109.00
(FIAT)	30.857.00	AI5101	30.034.00	AI5207	30.101.00	AI5370	30.266.00	AK7027	54.165.00
AI5006	30.835.00	AI5102	30.039.00	AI5208	30.106.00	AI5371	30.267.00	AK7040	54.105.00
AI5007	30.836.00	AI5103	30.046.00	AI5209	30.109.00	AI5372	30.229.00	AK7059	54.118.00
AI5008	30.973.00	AI5104		AI5210	30.099.00	AI5373	30.257.00	AK7060	54.197.00
AI5009	30.899.00	(ALTRE/OTHER APPL.)	30.858.00	AI5211	30.596.00	AI5375	30.299.00	AK7061	54.107.00
AI5010	30.851.00	AI5104		AI5212	30.142.00	AI5377	30.316.00	AK7065	54.195.00
AI5011	30.860.00	(LOMBARDINI)	30.997.00	AI5215	30.096.00	AI5378	30.302.00	AK7069	54.135.00
AI5012	30.910.00	AI5105	30.028.00	AI5216	30.166.00	AI5379	30.245.00	AK7101	54.114.00
AI5013	30.864.00	AI5106	30.027.00	AI5217	30.161.00	AI5380	30.293.00	AK7102	54.104.00
AI5014	30.893.00	AI5107	30.035.00	AI5218	30.119.00	AI5381	30.258.00	AK7112	54.111.00
AI5016	30.902.00	AI5108	30.052.00	AI5220	30.112.00	AI5384	30.417.00	AK7113	54.156.00
AI5017	30.933.00	AI5109	30.040.00	AI5221	30.134.00	AI5385	30.262.00	AK7116	54.135.00
AI5019		AI5110	30.972.00	AI5223	30.041.00	AI5386	30.254.00	AK7118	54.101.00
(OPEL, VAUXHALL)	30.944.00	AI5113	30.119.00	AI5224	30.236.00	AI5387	30.260.00	AK7119	54.103.00
AI5019		AI5114	30.072.00	AI5229	30.126.00	AI5388	30.322.00	AK7122	54.116.00
(BMW)	30.029.00	AI5115	30.045.00	AI5231	30.248.00	AI5389	30.531.00	AK7123	54.115.00
AI5019		AI5116	30.030.00	AI5232	30.127.00	AI5390	30.224.00	AK7126	54.121.00
(VAG)	30.192.00	AI5119	30.239.00	AI5233	30.128.00	AI5391	30.360.00	AK7131	54.125.00
AI5020		AI5120	30.242.00	AI5234	30.144.00	AI5393	30.298.00	AK7150	54.133.00
(OPEL, VAUXHALL)	30.924.00	AI5121	30.143.00	AI5235	30.157.00	AI5394	30.318.00	AK7160	54.100.00
AI5020		AI5124	30.076.00	AI5237	30.164.00	AI5395	30.273.00	AK7162	54.124.00
(BMW)	30.029.00	AI5125	30.058.00	AI5238	30.180.00	AI5397	30.370.00	AK7164	54.174.00

AK7168	54.106.00	(ALTRE/OTHER APPL.)	23.130.01	BC1318	23.265.00	1109-38	23.173.01	1444-CG	30.186.00
AK7186	54.157.00	BC1152		BC1320	23.439.00	1109-39	23.173.01	1444-CL	30.180.00
AK7191	54.142.00	(BMW)	23.130.02	BC1325	23.413.00	1109-42	23.173.01	1444-CP	30.210.00
AK7193	54.127.00	BC1153	23.191.00	BC1340	23.303.00	1109-46	23.173.01	1444-CQ	30.262.00
AK7197	54.146.00	BC1154	23.129.02	BC1350	23.481.00	1109-50	23.191.00	1444-CT	30.272.00
AK7198	54.201.00	BC1155	23.173.01	BC1351	23.457.00	1109-51	23.191.00	1444-CV	30.299.00
AK7208	54.164.00	BC1156		BC1352	23.470.00	1109-52	23.151.00	1444-CX	30.299.00
AK7209	54.154.00	(SUBARU)	23.188.00	BC1354	23.253.00	1109-55	23.173.01	1444-E6	27.234.00
AK7212	54.153.00	BC1156		BC1355	23.471.00	1109-56	23.173.01	1444-E9	30.166.00
AK7220	54.162.00	(ALTRE/OTHER APPL.)	23.240.00	BC1356	23.299.00	1109-62	23.198.00	1444-EE	30.186.00
AK7245	54.159.00	BC1158		BC1358		1109-65	23.115.00	1444-EG	30.186.00
AK7251	54.172.00	(ALTRE/OTHER APPL.)	23.131.01	(FORD)	23.439.00	1109-66	23.115.00	1444-EJ	30.322.00
BC1001	23.102.00	BC1158		BC1358		1109-67	23.191.00	1444-EQ	30.233.00
BC1022	23.114.01	(TOYOTA)	23.270.00	(MCC, MITSUBISHI)	23.478.00	1109-68	23.191.00	1444-ES	30.233.00
BC1028	23.127.00	BC1159	23.187.00	BC1359	23.489.00	1109-69	23.173.01	1444-F0	27.258.00
BC1031	23.102.00	BC1162	23.265.00	BC1360	23.546.00	1109-70	23.173.01	1444-F1	27.234.00
BC1034	23.110.02	BC1162	23.271.00	BF1001	31.001.00	1109-74	23.105.00	1444-F3	30.933.00
BC1037	23.108.00	BC1166	23.102.02	BF1002	31.001.00	1109-75	23.191.00	1444-F4	30.095.00
BC1038	23.102.00	BC1169	23.200.00	BF1003		1109-76	23.173.01	1444-FF	30.260.00
BC1042		BC1170		(ALTRE/OTHER APPL.)	31.009.00	1109-77	23.173.01	1444-G0	27.271.00
(ALTRE/OTHER APPL.)	23.152.00	(NISSAN)	23.256.00	BF1003		1109-79	23.105.00	1444-G9	30.117.00
BC1043	23.156.00	BC1172	23.134.00	(VAG)	31.012.00	1109-81	23.191.00	1444-GH	30.185.00
BC1044	23.103.00	BC1174	23.186.01	BF1004	31.001.00	1109-82	23.191.00	1444-H0	30.116.00
BC1048		BC1175	23.197.00	BF1005	31.027.00	1109-83	23.191.00	1444-H1	27.403.00
(MWM)	23.127.04	BC1176	23.169.00	BF1007	31.013.00	1109-84	23.191.00	1444-H3	30.149.00
BC1048		BC1177	23.194.00	BF1010	31.005.00	1109-85	23.173.01	1444-H4	30.933.00
(VOLVO)	23.257.00	BC1180	23.195.00	BF1011	31.006.00	1109-86	23.191.00	1444-H6	30.067.00
BC1048		BC1187	23.156.00	BF1019	31.024.00	1109-87	23.198.00	1444-H9	30.157.00
(SAAB)	23.298.00	BC1189	23.102.00	BF1021	31.844.00	1109-AC	23.265.00	1444-J1	30.933.00
BC1050	23.108.00	BC1190	23.280.00	BG1518	24.304.00	1109-AF	23.546.00	1444-J2	30.067.00
BC1052		BC1195	23.130.03	BG1526	24.304.00	1109-AG	23.546.00	1444-PQ	30.350.00
(ALTRE/OTHER APPL.)	23.172.00	BC1196	23.152.00	BG1527	24.351.01	1109-AH	25.060.00	1444-PT	30.260.00
BC1052		BC1197	23.127.02	BG1530	24.319.01	1109-AJ	25.060.00	1444-PV	30.175.00
(MWM)	23.185.01	BC1200	23.114.02	BG1531	24.370.00	1109-AK	23.191.00	1444-PX	30.254.00
BC1053	23.127.00	BC1202	23.152.00	BG1533	24.351.00	1109-AL	23.439.00	1444-PZ	30.261.00
BC1055	23.132.00	BC1206	23.303.00	BG1534	24.351.00	1109-AN	25.032.00	1444-QF	30.149.00
BC1068	23.105.00	BC1211	23.237.00	BG1535	24.370.00	1109-AP	23.293.00	1444-QK	30.823.00
BC1070	23.127.05	BC1214	23.248.00	BG1538	24.326.00	1109-AS	23.457.00	1444-QQ	30.351.00
BC1079		BC1221	23.273.00	BG1540	24.321.00	1109-AT	23.546.00	1444-QR	30.368.00
(ALTRE/OTHER APPL.)	23.113.00	BC1222	23.544.00	BG1545	24.327.00	1109-AV	25.152.00	1444-QT	27.628.00
BC1087	23.164.00	BC1223	23.544.00	BG1552	24.375.00	1109-AW	25.066.00	1444-QW	30.330.00
BC1087		BC1227	23.264.00	BG1553		1109-AY	25.037.00	1444-QY	30.719.00
(O/OR)	23.164.03	BC1228	23.242.00	(ALTRE/OTHER APPL.)	24.366.00	1109-AZ	23.263.00	1444-R2	30.067.00
BC1088	23.272.00	BC1229	23.156.02	BG1553		1109-CA	23.439.00	1444-R5	30.144.00
BC1089	23.122.00	BC1234	23.198.00	(MAZDA)	24.392.00	1109-CG	23.265.00	1444-RG	30.175.00
BC1090		BC1244	23.244.00	BG1555	24.304.00	1109-CJ	25.061.00	1444-RJ	30.345.00
(FIAT, AUTOBIANCHI)	23.196.00	BC1246	23.303.00	BG1557		1109-CK	25.060.00	1444-RN	30.351.00
BC1090		BC1249	23.255.00	(CITROEN, PEUGEOT, ROVER)	24.350.02	1109-CL	25.060.00	1444-RT	30.533.00
(HONDA, MAZDA)	23.271.00	BC1251	23.246.00	BG1557		1109-K1	23.293.00	1444-RV	30.400.00
BC1091	23.128.00	BC1253	23.232.00	(ALTRE/OTHER APPL.)	24.350.00	1109-K8	23.196.00	1444-RZ	30.539.00
BC1092	23.115.00	BC1254	23.259.00	BG1559		1109-L0	23.293.00	1444-SC	30.371.00
BC1093		BC1255		(ALTRE/OTHER APPL.)	24.368.00	1109-N2	23.293.00	1444-SF	27.469.00
(OPEL, VAUXHALL)	23.117.00	(FIAT, LANCIA)	23.438.00	BG1559		1109-N4	23.191.00	1444-SQ	27.628.00
BC1093		BC1256	23.266.00	(KIA)	24.339.00	1109-P3	23.313.00	1444-SR	27.469.00
(TOYOTA)	23.121.00	BC1258	23.236.00	BG1561	24.374.00	1109-Q0	23.303.00	1444-ST	27.196.00
BC1093		BC1259	23.258.00	BG1568	24.379.01	1109-R0	23.439.00	1444-SV	27.061.00
(FORD)	23.188.00	BC1266	23.281.00	BG1569	24.381.00	1109-R6	25.032.00	1444-SW	30.152.00
BC1094		BC1268	23.258.00	BG1570	24.380.00	1109-S5	25.037.00	1444-SY	27.845.02
(ALTRE/OTHER APPL.)	23.131.00	BC1269	23.280.00	BG1572	24.384.00	1109-S7	23.191.00	1444-T0	30.933.00
BC1094		BC1270	23.440.00	BG1573	24.384.00	1109-T0	23.439.00	1444-T1	30.067.00
(BMW)	23.131.02	BC1272		BG1575	24.321.00	1109-W6	23.445.00	1444-T2	30.067.00
BC1094		(FORD)	23.440.00	BG1580	24.399.00	1109-X3	25.060.00	1444-T3	30.067.00
(DAIHATSU, TOYOTA)	23.213.00	BC1273	23.274.00	BG1581	24.413.00	1109-X7	25.066.00	1444-T4	30.067.00
BC1097	23.173.01	BC1274	23.477.00	BG1585	24.408.00	1109-Y1	25.037.00	1444-TA	30.272.00
BC1099	23.118.00	BC1275	23.282.00	BG1586	24.414.00	1109-Y3	23.263.00	1444-TE	30.351.00
BC1100	23.151.00	BC1281	23.237.00	BG1590	24.397.00	1109-Y5	23.457.00	1444-TF	30.149.00
BC1105	23.134.01	BC1282	23.313.00	BG1592	24.331.00	1109-Y7	23.303.00	1444-TG	30.824.00
BC1108	23.171.00	BC1283	23.293.00	BG1597	24.344.00	1109-Y9	25.060.00	1444-TJ	30.210.00
BC1109	23.105.00	BC1284	23.260.00	BG1607	24.119.00	1109-Z1	25.060.00	1444-TK	30.233.00
BC1110	23.114.01	BC1285	23.475.00	FC4001	24.343.00	1109-Z5	25.037.00	1444-TL	30.262.00
BC1111	23.132.00	BC1287	23.133.00	FC4002	24.013.00	1109-Z7	23.546.00	1444-TQ	30.299.00
BC1112	23.103.00	BC1288	23.129.02	FC4003	24.086.00	1179-18	27.689.00	1444-TV	30.467.00
BC1113	23.159.00	BC1290	23.414.00	FC4027	31.849.00	1444-01	27.175.00	1444-TT	30.645.00
BC1123	23.129.01	BC1291	23.445.00	FC4028	24.027.00	1444-02	27.845.02	1444-TY	27.228.00
BC1124	23.105.00	BC1292	23.416.00	FC4030	24.014.00	1444-08	30.933.00	1444-TZ	30.180.00
BC1129	23.105.00	BC1294	23.458.00	FC4031	24.087.00	1444-09	27.888.00	1444-V1	30.167.00
BC1131	23.127.00	BC1295	23.417.00	WS1001	24.H20.00	1444-10	30.965.00	1444-V2	30.152.00
BC1132	23.165.00	BC1296	23.419.00			1444-11	27.234.00	1444-VA	27.252.00
BC1133	23.188.00	BC1297	23.424.00	PEUGEOT	UFI	1444-84	27.239.00	1444-VC	30.166.00
BC1142	23.127.02	BC1298	23.418.00			1444-85	27.196.00	1444-VE	27.403.00
BC1144	23.107.01	BC1299	23.167.00	1109-16	23.115.00	1444-86	30.021.00	1444-VH	30.186.00
BC1145	23.165.00	BC1302	23.476.00	1109-17	23.115.00	1444-88	30.933.00	1444-VJ	30.185.00
BC1146	23.182.00	BC1303	23.415.00	1109-18	23.115.00	1444-A0	27.228.00	1444-VK	30.260.00
BC1148	23.177.00	BC1305	23.453.00	1109-22	23.173.01	1444-A6	27.252.00	1444-VL	30.115.00
BC1149	23.131.00	BC1309	23.418.00	1109-24	23.173.01	1444-A9	30.067.00	1444-VN	30.719.00
BC1150	23.173.01	BC1310	23.495.00	1109-25	23.115.00	1444-CA	30.244.00	1444-VP	30.299.00
BC1151	23.231.00	BC1312	23.463.00	1109-30	23.115.00	1444-CE	30.180.00	1444-VQ	30.244.00
BC1152		BC1317	23.438.00	1109-35	23.115.00	1444-CF	30.186.00	1444-VR	30.116.00

1444-VS	30.117.00	1609999080	54.166.00	1906-50	26.691.00	6479-46	34.166.00	438014	30.880.00
1444-VV	30.933.00	1610615380	53.069.00	1906-52	26.687.00	6479-61	53.124.00	438017	30.883.00
1444-WV	30.139.00	1610616880	53.028.00	1906-54	24.389.00	6479-63	53.157.00	438038	23.255.00
1444-VX	30.254.00	1610693780	25.187.00	1906-56	26.686.00	6479-75	54.111.00	487845	30.836.00
1444-VZ	30.153.00	1611157780	30.254.00	1906-59	26.690.00	6479-75	34.111.00	493063	23.439.00
1444-W2	30.139.00	1611157980	30.330.00	1906-60	24.351.00	6479-84	53.124.00	493290	24.351.00
1444-W3	30.180.00	1611158180	30.351.00	1906-62	24.434.00	6479-90	54.164.00	659749	
1444-W5	30.180.00	1611158280	27.628.00	1906-64	26.676.00	6479-90	34.164.00	(SOLO RICAMBIO/SPARE PART ONLY)	46.005.00
1444-W6	30.180.00	1611158380	30.533.00	1906-66	24.H2O.00	6479-92	53.154.00	825249	23.118.00
1444-W7		1611636680	53.157.00	1906-76	26.003.00	6479-93	54.172.00	82658R	23.118.00
(BR)	30.163.00	1611659480	24.127.00	1906-89	26.022.00	6479-93	34.172.00	82883R	23.118.00
1444-W9	30.153.00	1611891580	30.645.00	1906-93	24.H2O.05	6479-A0	53.042.00	82960R	23.118.00
1444-WA	27.234.00	1611891680	30.368.00	1906-95	26.037.00	6479-A1	53.039.00	830239	23.118.00
1444-WH	27.271.00	1611891780	30.368.00	1906-97	60.H2O.00	6479-A2	54.282.00	830424	23.172.00
1444-WJ	30.157.00	1612350180		1906-A1	26.691.00	6479-A2	34.282.00	834384	23.118.00
1444-WL	30.B23.00	(CN)	54.254.00	1906-A2	26.003.00	6479-A5	53.132.00	850284	23.262.00
1444-WN	30.330.00	1612350180	34.254.00	1906-A6	26.003.00	6479-A6	53.136.00	850306	24.352.00
1444-WP	30.144.00	1612496780	30.603.00	1906-A7	26.055.00	6479-A7	54.160.00	B005660	27.550.00
1444-WS	30.533.00	1612865980	30.244.00	1906-A8	24.384.00	6479-A7	34.160.00	B010014	23.255.00
1444-WW	30.539.00	1612866780	30.477.00	1906-A9	26.688.00	6479-C2	53.038.00		
1444-WZ	27.888.00	1612889480	30.638.00	1906-C0	26.022.00	6479-C9	53.130.00		
1444-X2	30.311.00	1612920380	53.277.00	1906-C2	24.H2O.05	6479-E0	53.157.00		
1444-XA	30.175.00	1612920480	54.254.00	1906-C3	24.H2O.00	6479-E5	53.069.00	7P0129620	30.329.00
1444-XC	30.371.00	1612920480	34.254.00	1906-C4	60.H2O.00	6479-E9	53.218.00	901.107.203.02	23.241.00
1444-XE	30.533.00	1613181380	23.263.00	1906-C6	24.351.00	6479-J7	54.286.00	901.107.203.09	23.241.00
1444-XF	30.322.00	1613733080	53.130.00	1906-C7	24.434.00	6479-K9	54.249.00	911.110.185.01	30.826.00
1444-XG	30.400.00	1613733180	53.136.00	1906-C9	24.360.00	6479-K9	34.249.00	911.110.185.02	30.826.00
1444RA	30.719.00	1614111980	26.053.00	1906-E0	24.383.00	9463704780	25.032.00	916.107.754.00	23.110.02
1444RL	30.262.00	1614157280	24.ONE.0B	1906-E1	24.389.00	9467645080	25.060.00	916.107.764.01	23.110.02
1444RR	30.260.00	1615646880	54.269.00	1906-E2	24.361.00	9624701380	53.044.00	928.110.147.05	31.575.00
1444WG	30.095.00	1615646880	34.269.00	1906-E3	26.123.00	9641087880	26.003.00	928.110.253.00	31.575.00
1444WK	30.149.00	1616322380	26.052.00	1906-E5	26.037.00	9642212080	30.153.00	930.107.764.00	23.110.02
1445-68	27.954.00	1616368880	30.603.00	1906-E6	24.127.00	9644885480	23.439.00	930.107.764.01	23.110.02
1445-82	27.063.00	1616399880	23.263.00	1906C8	24.351.00	9645295780	30.311.00	930.110.196.00	31.699.00
1445-87	27.063.00	1616959080	54.166.00	3642476	26.104.00	9655535780	30.B23.00	930.110.196.01	31.699.00
1445-88	27.800.00	1616959180	54.172.00	5304000	53.040.00	9656037980	30.351.00	931.107.701.00	23.130.01
1445-89	27.061.00	1616959180	34.172.00	6441-EH	54.235.00	9658337980	30.719.00	948.107.222.00	25.210.00
1445-93	27.062.00	1616959280	54.254.00	6441-EJ	54.142.00	9674725580	30.638.00	955.107.222.00	25.105.00
1445-96	27.065.00	1619269980	25.060.00	6441-EK	34.142.00	9676133480	26.104.00	955.107.561.00	25.010.00
1567-03	31.001.00	1629084080	25.060.00	6441-EL	53.070.00	9678335980	30.718.00	955.110.131.00	30.329.00
1567-05	31.699.00	1631226580	25.139.00	6441-EN	53.070.00	9678792080	53.313.00	955.110.131.10	30.329.00
1567-07	31.001.00	1631689980	30.793.00	6447-9Z	53.027.00	9682242580	30.262.00	955.110.134.00	26.015.00
1567-10	31.506.00	1637767580	25.187.00	6447-AQ	53.044.00	9687254780	30.299.00	955.572.219.10	54.148.00
1567-11	31.506.00	1637767680	23.584.00	6447-GW	54.151.00	9687459780	53.038.00	955.572.219.10	34.148.00
1567-12	31.502.00	1638020480	27.271.00	6447-JO		9800097580	30.717.00	958.107.222.00	25.080.00
1567-13	31.500.00	1638027680	30.717.00	(SENZA TELAI/WITHOUT FRAME)	53.042.00	9801366680	26.104.00	958.107.222.10	25.089.00
1567-20	31.001.00	1638027780	30.648.00	6447-KK	53.038.00	9801448180	54.172.00	958.107.222.20	25.141.00
1567-21	31.001.00	1638028080	30.718.00	6447-KL	54.111.00	9801448180	34.172.00	958.110.130.00	30.329.00
1567-28	31.510.00	1640604380	53.313.00	6447-KL	34.111.00	9802348680	30.648.00	958.110.130.10	30.A25.00
1567-74	31.504.00	1643624980	26.104.00	6447-KR	53.039.00	9804163380	53.277.00	958.110.134.00	26.025.00
1567-81	31.710.00	1901-66	24.343.00	6447-LY	53.069.00	9804163480	54.254.00	958.110.134.10	26.025.00
1567-83	31.010.00	1901-67	24.027.00	6447-P2		9804163480	34.254.00	958.115.466.00	25.153.00
1567-86	31.510.00	1901-68		(N.1 FILTRO/FILTER)	53.070.00	9804875680	30.B27.00	958.115.562.00	25.153.00
1567-87	31.710.00	(SENZA STAFFA/WITHOUT BRACKET)	24.343.00	6447-P3		9805552080	30.718.00	958.127.434.00	26.129.00
1567-88	31.515.00	1901-73		(N.1 FILTRO/FILTER)	53.070.00	9807746380	53.154.00	958.572.219.00	54.312.00
1567-93	31.710.00	(SENZA STAFFA/WITHOUT BRACKET)	24.343.00	6447-PE	54.194.00	9808867880	23.584.00	958.572.219.00	34.312.00
1567-A9	31.504.00	1901-80	55.127.00	6447-PE	34.194.00	9809721080	24.127.00	970.573.623.00	54.284.00
1567-C3	31.001.00	1901-81	24.027.00	6447-PF	54.235.00	9809757980	24.127.00	980.571.419.01	54.297.00
1567-C6	31.948.00	1901-82		6447-PG	54.169.00	9814237680	53.313.00	987.110.133.00	27.B13.00
1567-E1	31.948.00	(SENZA STAFFA/WITHOUT BRACKET)	24.343.00	6447-RG	54.142.00	9815106780	54.319.00	987.110.133.01	27.B13.00
1567C8	31.948.00	1901-83	24.156.00	6447-RG	34.142.00	9821501880	54.172.00	996.107.225.52	25.165.00
1606267480	23.457.00	1901-84		6447-S5	53.028.00	9821501880	34.172.00	996.107.225.53	25.165.00
1606267680	60.H2O.00	(SENZA STAFFA/WITHOUT BRACKET)	24.343.00	6447-SY	53.042.00	9822326680	54.254.00	996.107.225.60	25.165.00
1606384980	24.ONE.01	1901-89	55.148.00	6447-SZ	54.282.00	9822326680	34.254.00	996.110.131.02	30.B12.00
1606402680	27.628.00	1901-90	55.147.00	6447-SZ	34.282.00	9824311380	25.249.00	996.110.131.03	30.B12.00
1606450480	55.148.00	1901-95	24.027.00	6447-TA	54.156.00	A520900Q0FRV	25.145.00	996.110.131.04	30.B12.00
1606450580	55.147.00	1901-96	55.147.00	6447-TF	53.044.00	B000754480	30.693.00	996.110.131.51	30.B11.00
1607193280	30.299.00	1901-98	55.148.00	6447-TT	53.132.00	B000975480	53.299.00	996.110.131.52	30.B11.00
1607673380	30.601.00	1901-99	24.015.00	6447-VX	54.164.00	E149134	23.439.00	996.110.131.70	30.B16.00
1608076280	23.196.00	1901-A3	24.ONE.01	6447-VX	34.164.00	E149233	25.037.00	996.110.131.71	30.B16.00
1608882580	30.601.00	1906-02	26.652.00	6447-VY	53.143.00			996.110.253.01	31.A06.00
1608933780	24.465.00	1906-04	26.609.00	6447-XF	53.154.00			996.110.253.52	31.A10.00
1609428080	53.143.00	1906-05	26.609.00	6447-XG	54.172.00	PIAGGIO	UFI	996.571.219.01	54.389.00
1609428180	54.164.00	1906-06	26.635.00	6447-YA	53.130.00	112165	30.997.00	996.571.219.02	54.389.00
1609428180	34.164.00	1906-08	24.360.00	6447-YJ	53.136.00	112397L	23.262.00	996.571.219.03	54.389.00
1609563780	23.457.00	1906-11	26.670.00	6447-YL	54.160.00	112620L	24.352.00	996.572.219.01	53.028.00
1609693880	54.156.00	1906-12	24.361.00	6447-YL	34.160.00	145880	30.880.00	996.572.219.02	53.028.00
1609694580	54.235.00	1906-13	24.360.00	6447-Z5	53.021.00	17801-87Z08	30.088.00	997.110.130.30	27.A91.00
1609694780	54.235.00	1906-14	24.361.00	6447-ZX	53.218.00	17801-87Z08-000	30.088.00	997.110.130.31	27.A91.00
1609695780	54.249.00	1906-24	24.350.02	6479-04	53.227.00	222721	23.172.00	997.110.131.52	30.B11.00
1609851280	30.477.00	1906-29	26.676.00	6479-32	54.111.00	230414	30.883.00	997.571.219.00	54.389.00
1609907380	30.709.00	1906-34	24.389.00	6479-32	34.111.00	23300-87507	31.694.00	997.571.219.01	54.389.00
1609926980	30.709.00	1906-34		6479-41	54.111.00	23300-87507-000	31.694.00	9A1.107.224.00	25.198.00
1609998680	53.218.00	(CARTA PIEGHI/PLEATED PAPER)	26.682.00	6479-41	34.111.00	245303	24.350.01	9A2.107.225.00	25.149.00
1609998780	54.164.00	1906-38	24.390.00	6479-42	54.156.00	247444	24.351.00	9A7.198.405.20	25.180.00
1609998880	54.172.00	1906-39	24.383.00	6479-43	54.142.00	248570	30.880.00		
1609998880	34.172.00	1906-41	24.384.00	6479-43	34.142.00	254999	27.800.00		
1609998980	53.154.00	1906-48	26.688.00	6479-46	54.166.00	263703	30.966.00		

PROTON	UFI	A1110	30.106.00	A1207-2	30.531.00	A1295	30.371.00	A1391	30.228.00
		A1111	30.139.00	A1208	30.364.00	A1297	27.675.00	A1392	27.601.00
		A1112	30.180.00	A1209	30.360.00	A1298	30.591.00	A1394	30.380.00
MB658689	31.609.00	A1113	30.132.00	A1210	30.268.00	A1299	30.317.00	A1395	30.659.00
PW502632	31.020.00	A1114-2	30.134.00	A1211	27.606.00	A1300	30.471.00	A1396	27.079.00
PW510200	27.E44.00	A1115	30.135.00	A1212	30.298.00	A1301	30.342.00	A1397	30.309.00
PW510577	23.265.00	A1116	30.136.00	A1213	30.318.00	A1302	30.454.00	A1398	30.278.00
		A1117	30.137.00	A1214	30.273.00	A1303	30.392.00	A1399	27.A00.00
PURFLUX	UFI	A1118	30.361.00	A1215	27.596.00	A1304	30.452.00	A1400	30.349.00
		A1119	30.162.00	A1216	30.209.00	A1305	30.453.00	A1401	30.550.00
A1003	30.003.00	A1120	30.151.00	A1217	30.370.00	A1306	30.504.00	A1403	30.512.00
A1004	30.075.00	A1121	30.195.00	A1218	30.312.00	A1307	30.253.00	A1404	30.467.00
A1006	30.239.00	A1122	30.181.00	A1219	27.394.00	A1308	30.542.00	A1405	30.701.00
A1008	30.099.00	A1123	30.163.00	A1219	27.D83.00	A1309	30.497.00	A1406	30.645.00
A1009	27.524.00	A1124	30.320.00	A1220	30.A97.00	A1310	30.592.00	A1408	30.663.00
A1010	30.541.00	A1125	30.148.00	A1221	30.301.00	A1311	30.498.00	A1410	30.657.00
A1011	30.713.00	A1126	30.146.00	A1222	30.319.00	A1312	30.468.00	A1413	27.A48.00
A1027	30.147.00	A1127	30.133.00	A1223	30.297.00	A1313		A1414	30.615.00
A1029	30.080.00	A1128	30.175.00	A1225	30.264.00	(SUZUKI SPLASH)	30.550.00	A1415	30.709.00
A1030	27.150.00	A1129	30.183.00	A1227	30.265.00	A1314	30.407.00	A1417	30.618.00
A1031	30.966.00	A1130	30.159.00	A1228	30.292.00	A1315	30.390.00	A1418	30.307.00
A1033	27.588.00	A1131	30.158.00	A1229	30.321.00	A1316	30.362.00	A1419	30.382.00
A1034	27.271.00	A1132	30.201.00	A1230	30.213.00	A1317	30.352.00	A1420	30.B06.00
A1035	27.403.00	A1133	30.169.00	A1231	30.147.00	A1318	30.338.00	A1421	30.451.00
A1036	30.117.00	A1135	30.165.00	A1232	30.150.00	A1319	30.537.00	A1452	
A1037	30.116.00	A1136	30.289.00	A1233	30.207.00	A1320	30.130.00	(HYUNDAI 28113-2S000)	30.574.00
A1038	30.098.00	A1137	30.247.00	A1234	30.393.00	A1321	30.279.00	A1452	
A1039	30.215.00	A1138	30.182.00	A1235	30.280.00	A1322	30.102.00	(HYUNDAI 28113-3X000)	30.635.00
A1040	27.699.00	A1139	30.206.00	A1236	30.409.00	A1323	30.505.00	A1453	30.631.00
A1042	30.238.00	A1140	30.153.00	A1237	30.344.00	A1324	27.397.00	A1455	30.477.00
A1043	30.107.00	A1141	30.185.00	A1238	30.297.00	A1325	30.470.00	A1459	30.A69.00
A1045	30.124.00	A1142	30.186.00	A1239	30.297.00	A1326	30.367.00	A1461	27.648.00
A1046	30.121.00	A1143	30.186.00	A1240	30.310.00	A1327		A1462	27.688.00
A1048	30.166.00	A1144	30.164.00	A1241	30.347.00	(FILTRO ARIA SINISTRO/AIR FILTER LEFT SIDE)	30.462.00	A1464	27.629.00
A1049	30.119.00	A1145	30.168.00	A1242	27.598.00	A1327		A1468	30.496.00
A1050	30.085.00	A1147	30.152.00	A1243	27.597.00	(FILTRO ARIA DESTRO/AIR FILTER RIGHT SIDE)	30.463.00	A1469	30.538.00
A1052	27.353.00	A1149	30.197.00	A1244	30.334.00	A1327-2		A1470	30.B63.00
A1053	30.115.00	A1150	30.417.00	A1245	30.725.00	(FILTRO ARIA SINISTRO/AIR FILTER LEFT SIDE)	30.462.00	A1471	30.546.00
A1054	30.109.00	A1151	30.167.00	A1246	30.321.00	A1327-2		A1472	30.626.00
A1055		A1152	30.199.00	A1247	30.311.00	(FILTRO ARIA DESTRO/AIR FILTER RIGHT SIDE)	30.463.00	A1473	30.B26.00
(DIESEL APPL.)	27.385.00	A1153	30.196.00	A1248	27.585.00	A1328	30.403.00	A1473	30.B29.00
A1055		A1154	30.226.00	A1249	27.586.00	A1329	30.A55.00	A1481	30.C55.00
(BENZINA/PETROL APPL.)	27.386.00	A1155	27.486.00	A1250	30.300.00	A1330	30.308.00	A1483	30.482.00
A1056	30.101.00	A1156	30.263.00	A1251	30.385.00	A1331	30.386.00	A1484	30.B12.00
A1056	30.C47.00	A1157	30.171.00	A1252	30.332.00	A1332	30.388.00	A1486	30.686.00
A1057	30.157.00	A1158	30.224.00	A1253	30.384.00	A1333	30.357.00	A1487	30.277.00
A1058	30.118.01	A1159	30.244.00	A1254	30.391.00	A1334	30.638.00	A1488	30.711.00
A1059	27.341.00	A1160	30.187.00	A1255		A1335	30.233.00	A1490	30.776.00
A106	27.713.00	A1161	30.465.00	(AUDI, PORSCHE, VOLKSWAGEN)	30.329.00	A1336	30.260.00	A1491	30.A44.00
A1060	30.104.00	A1163	30.234.00	A1256	30.396.00	A1337	30.687.00	A1492	30.395.00
A1062	27.520.00	A1164	30.194.00	A1257	30.330.00	A1338	30.639.00	A1494	27.A53.00
A1064	30.105.00	A1165	30.160.00	A1259	30.315.00	A1339	30.210.00	A1496	30.406.00
A1065	27.274.00	A1167	30.203.00	A1260	30.303.00	A1340	30.719.00	A1497	30.B41.00
A1069	30.596.00	A1168	27.401.00	A1260	30.A35.00	A1341	30.262.00	A1498	30.346.00
A1070	30.112.00	A1169	30.320.00	A1261	30.339.00	A1342	30.933.00	A1499	30.647.00
A1071	27.366.00	A1170	30.246.00	A1262	30.554.00	A1343	30.469.00	A1500	30.663.00
A1072	27.172.00	A1171	30.241.00	A1263	30.276.00	A1344	27.621.00	A1501	30.625.00
A1073	30.977.00	A1172	30.348.00	A1264	30.325.00	A1345	30.173.00	A1502	30.381.00
A1075	30.086.00	A1173	30.174.00	A1265	30.195.00	A1346	30.294.00	A1503	30.281.00
A1076	30.070.00	A1174	30.266.00	A1266	30.340.00	A1347	30.593.00	A1506	30.408.00
A1078	27.384.00	A1175	30.267.00	A1267	30.506.00	A1348	30.177.00	A1509	30.466.00
A1079	30.225.00	A1176	30.229.00	A1268	30.331.00	A1349	30.275.00	A1510	30.B04.00
A1080	27.477.00	A1177	30.257.00	A1269	30.259.00	A1350	30.190.00	A1511	30.B03.00
A1082	27.356.00	A1178	30.233.00	A1270	30.369.00	A1351	30.204.00	A1512	30.A37.00
A1083	30.144.00	A1180	30.299.00	A1271	27.676.00	A1352	30.274.00	A1517	30.C45.00
A1084	30.154.00	A1182	30.316.00	A1272	30.A34.00	A1353	30.126.00	A1519	30.628.00
A1087	30.100.00	A1183	30.321.00	A1273	30.345.00	A1354	27.679.00	A1521	30.785.00
A1088	30.041.00	A1184	30.319.00	A1274	30.368.00	A1355	30.143.00	A1522	30.539.00
A1089	30.155.00	A1185	30.302.00	A1275	30.351.00	A1357	30.286.00	A1524	27.587.00
A1091	30.127.00	A1186	30.600.00	A1276	27.628.00	A1359	30.336.00	A1533	27.E52.00
A1092	30.128.00	A1188	30.251.00	A1277	27.A69.00	A1362	30.003.00	A1534	27.B12.00
A1093	27.593.00	A1189	30.245.00	A1278	30.217.00	A1364	30.A50.00	A1536	30.595.00
A1094	30.161.00	A1190	30.293.00	A1279	30.375.00	A1365	30.218.00	A1537	30.558.00
A1096		A1191	30.258.00	A1280	30.374.00	A1367	30.103.00	A1538	30.540.00
(SAAB)	30.036.00	A1192	30.575.00	A1280	30.B54.00	A1368	30.189.00	A1539	30.786.00
A1096		A1193	30.719.00	A1281	27.693.00	A1369	30.285.00	A1540	30.376.00
(RENAULT)	30.324.00	A1195	30.417.00	A1282	30.321.00	A1371	30.606.00	A1541	30.654.00
A1097	30.149.00	A1196	30.417.00	A1283	30.555.00	A1374	30.503.00	A1542	30.700.00
A1098	30.204.00	A1196	30.A70.00	A1284	30.111.00	A1375	30.284.00	A1543	30.280.00
A1100	27.367.00	A1196	30.543.00	A1285	30.220.00	A1378	30.337.00	A1544	30.A38.00
A1102	30.460.00	A1197	30.232.00	A1286	27.691.00	A1380	30.422.00	A1545	30.A64.00
A1103	30.141.00	A1199	27.402.00	A1287	30.212.00	A1381	30.404.00	A1548	30.594.00
A1104	30.269.00	A1200	27.594.00	A1289	30.341.00	A1382	27.636.00	A1549	27.A54.00
A1105	27.D10.00	A1201	27.595.00	A1290	30.366.00	A1383	30.A60.00	A1550	30.A25.00
A1106	30.145.01	A1203	30.254.00	A1291	27.603.00	A1384	30.B10.00	A1551	30.632.00
A1107	30.176.00	A1204	30.260.00	A1292	30.365.00	A1385	30.B23.00	A1552	30.617.00
A1108	30.288.00	A1205	30.322.00	A1293	27.630.00	A1388	30.464.00	A1553	27.A97.00
A1109	30.129.00	A1206	30.272.00	A1294	30.533.00	A1389	30.780.00	A1554	30.544.00

A1555	30.589.00	A1814	30.677.00	A292	30.045.00	A460	30.802.01	A818	27.888.00
A1558	30.553.00	A1815	30.A72.00	A293	30.242.00	A461	30.818.00	A820	27.730.00
A1560	30.383.00	A1816	30.A51.00	A294	30.235.00	A462	30.807.00	A822	27.769.00
A1561	30.597.00	A1817	30.794.00	A295	30.981.00	A463	30.803.00	A823	27.235.00
A1562	30.A17.00	A1819	27.G11.00	A298A	30.013.00	A464	30.800.00	A833	30.240.00
A1563	30.652.00	A1822	30.A59.00	A300	30.007.00	A481	27.800.00	A834	30.256.00
A1564	30.779.00	A1824	30.A96.00	A301	30.012.00	A485	27.744.00	A835	27.156.00
A1565	30.587.00	A1826	30.556.00	A302	30.172.00	A488	27.744.00	A836	27.604.00
A1566	30.322.00	A1836	27.A91.00	A304	30.230.00	A495	30.802.01	A838	
A1567	30.549.00	A1837	30.A95.00	A306	27.071.01	A499	27.740.00	(MAZDA)	30.178.00
A1568	30.557.00	A1844	30.B01.00	A307	30.067.00	A500	27.770.00	A838	30.973.00
A1569	30.547.00	A1851	27.137.00	A308	27.171.00	A502	27.069.00	A844	27.149.00
A1571	30.355.00	A1858	30.B28.00	A309	30.057.00	A503	30.852.00	A845	27.089.00
A1572	30.634.00	A1870	30.B42.00	A310	30.073.00	A504	27.756.00	A847	27.175.00
A1573	30.543.00	A1873	30.B24.00	A311	30.120.00	A507	30.836.00	A851	
A1574	30.548.00	A1879	30.B27.00	A312	27.282.00	A508	27.799.00	(SAAB)	27.947.00
A1575	30.559.00	A1881	30.222.00	A313	30.026.00	A510	27.781.00	A852	27.153.00
A1576	30.688.00	A1887	30.788.00	A314	27.200.00	A511	30.847.00	A854	30.943.00
A1577	30.A54.00	A1908	27.F32.00	A316	30.066.00	A512	27.946.00	A855	30.948.00
A1578	30.B08.00	A1918	30.975.00	A318	30.170.00	A515	30.835.00	A856	
A1579	30.569.00	A194		A319	27.155.00	A517	30.851.00	(VOLVO)	30.915.00
A1580	30.655.00	(RENAULT)	30.872.01	A322	30.071.00	A518	27.845.02	A856	
A1581	30.416.00	A194		A323	30.050.00	A519	27.725.00	(PEL)	30.950.00
A1582	30.405.00	(NISSAN)	27.605.00	A324	30.063.00	A520	30.809.00	A856	
A1583	27.282.00	A1944	27.G10.00	A325		A521	30.806.00	(PEL, VAUXHALL)	30.958.00
A1584	30.A20.00	A1945	30.A99.00	(BMW)		A526	27.716.00	A859	27.268.00
A1585	30.619.00	A195	27.906.00	A325		A527	27.715.00	A863	27.074.00
A1587	30.A40.00	A1956	30.B56.00	(VAG)	30.192.00	A528	27.792.00	A866	27.801.00
A1588	30.A56.00	A196	27.701.00	A325		A535	27.920.00	A879	27.982.00
A1611	30.B76.00	A1961	30.662.00	(ALTRE/OTHER APPL.)	30.924.00	A536	27.902.00	A883	27.931.00
A1613	30.603.00	A1962	27.254.00	A326	30.076.00	A538	27.878.00	A893	30.965.00
A1614	30.607.00	A197	27.731.00	A327	30.372.00	A542	27.893.00	A911	30.952.00
A1615	30.609.00	A1993	30.C39.00	A328	27.140.00	A575	30.871.00	A924	27.734.00
A1616	30.525.00	A1994	30.B22.00	A329	27.097.00	A576	27.702.00	A925	30.858.00
A1617	30.588.00	A201	30.974.00	A330	27.169.00	A577	27.713.00	A927	30.930.00
A1620	30.A61.00	A202	30.945.00	A332	27.159.00	A578	30.902.00	A928	30.932.00
A1622	27.A92.00	A203	27.177.00	A336	30.062.00	A586	27.927.00	A929	30.935.00
A1624	30.781.00	A204	30.011.00	A337	27.081.00	A588	27.084.00	A935	27.194.00
A1625		A208	30.040.00	A338	27.232.00	A590	27.061.00	A936	27.128.00
(OTROEN, MITSUBISHI, PEUGEOT)	30.601.00	A210	27.195.00	A339	27.233.00	A591	27.062.00	A939	27.752.00
A1666		A211	30.996.00	A340	27.236.00	A592	27.063.00	A940	30.944.00
(BR)	30.163.00	A212	30.017.00	A341	30.064.00	A598	27.804.00	A941	30.924.00
A1702	30.714.00	A213	30.017.00	A342	30.082.00	A604	30.843.01	A942	30.963.00
A1704	30.456.00	A214	30.991.00	A343	27.647.00	A619	27.890.00	A943	30.973.00
A1707	30.629.00	A216	30.003.00	A344	30.090.00	A624	30.923.01	A944	30.946.00
A1708	30.726.00	A219	30.025.00	A345	27.258.00	A638	30.815.00	A945	30.953.00
A1709	30.455.00	A220	30.994.00	A346	27.257.00	A640	30.896.00	A949	27.923.00
A1711	27.E34.00	A221	30.019.00	A347	27.381.00	A641	30.893.00	A956	27.067.00
A1712	30.A33.00	A222	27.239.00	A352	27.090.00	A642	27.797.00	A959	27.176.00
A1713	30.724.00	A223	30.021.00	A355	30.243.00	A643	30.916.00	A967	30.987.01
A1713	30.C62.00	A224	27.234.00	A356	27.526.00	A647	30.993.00	A972	27.253.00
A1714	30.A53.00	A225	30.024.00	A362	30.111.00	A648	30.911.00	A973	27.196.00
A1715	30.621.00	A236	30.058.00	A363	30.058.00	A649	30.922.01	A978	27.272.00
A1717	30.630.00	A238	30.035.00	A364	30.001.00	A681	27.076.00	A979	30.005.00
A1719	30.622.00	A240	30.119.00	A366	30.851.00	A683	30.899.00	AH101	53.021.00
A1720	30.B62.00	A241	27.283.00	A367	30.069.00	A687	30.908.00	AH102	53.028.00
A1725	30.717.00	A242	27.231.00	A368	30.049.00	A699	27.065.00	AH103	53.016.00
A1740	30.543.00	A243	30.027.00	A369	27.273.00	A751	27.110.00	AH104	53.006.00
A1741	30.B87.00	A244	30.028.00	A370	30.108.00	A752	30.807.00	AH105	53.001.00
A1742	30.399.00	A245	30.017.00	A371	30.066.00	A753	30.933.00	AH106	53.015.00
A1743	30.142.00	A2452	30.539.00	A372	30.066.00	A756	30.889.00	AH107	53.023.00
A1748	30.972.00	A246	30.052.00	A373	30.007.00	A757	30.894.00	AH108	53.024.00
A1750	30.432.00	A247	30.039.00	A376	30.083.00	A759	30.891.00	AH109	53.020.00
A1752	30.231.00	A248	30.046.00	A377	30.096.00	A760	30.942.00	AH110	53.019.00
A1753	30.A71.00	A250	30.036.00	A378	27.354.00	A761	30.976.00	AH111	53.025.00
A1779	30.A15.00	A251	27.228.00	A379	30.077.00	A762	30.914.02	AH114	53.027.00
A1785	30.712.00	A252	30.032.00	A382	30.087.00	A763	30.860.00	AH116	53.061.00
A1786	30.718.00	A254	30.027.00	A383	30.089.00	A764	30.939.00	AH117	53.018.00
A1787	30.692.00	A255	30.961.00	A384	27.265.00	A766	27.956.00	AH118	53.085.00
A1788	30.627.00	A256	30.004.00	A385	30.067.00	A767	30.906.00	AH119	53.013.00
A1789	30.664.00	A257	30.020.00	A388	30.022.00	A768	30.904.00	AH120	53.026.00
A1790	30.693.00	A258	30.033.00	A389	30.068.00	A769		AH121	53.019.00
A1791	30.B20.00	A259	30.072.00	A391	30.079.00	(BMW)	30.822.00	AH122	53.012.00
A1792	30.648.00	A261		A392	30.095.00	A770		AH124	53.014.00
A1793	30.A67.00	(VOLVO)	30.044.00	A393	27.355.00	(FORD)	30.910.00	AH125	53.049.00
A1796	30.A21.00	A261		A397	30.067.00	A770		AH126	53.064.00
A1797	30.A23.00	(FORD)	30.016.00	A401	27.761.00	(PEL, VAUXHALL)	30.926.00	AH127	53.232.00
A1799	30.665.00	A264	30.954.00	A402	27.712.00	A771	30.928.00	AH128	53.010.00
A1800	30.795.00	A266	27.252.00	A408	27.059.00	A772	30.898.00	AH129	53.017.00
A1801	30.C03.00	A267	30.999.00	A416	27.824.00	A774	27.162.00	AH132	53.205.00
A1802	30.A62.00	A268	30.078.01	A431	27.710.00	A775	30.890.00	AH135	53.071.00
A1804	30.B50.00	A270	30.053.00	A440	27.707.00	A776	27.898.00	AH136	53.004.00
A1806	27.E61.00	A271	27.268.00	A451	27.720.00	A777	30.878.00	AH137-2	53.005.00
A1808	30.793.00	A275	30.960.00	A452	27.728.00	A779	27.817.00	AH138	53.007.00
A1809	30.A68.00	A276	30.034.00	A454	27.719.00	A781	30.864.00	AH139	53.002.00
A1810	30.A63.00	A277	27.134.00	A455	27.785.00	A796	27.881.00	AH140	53.044.00
A1812	30.A16.00	A278	30.917.01	A456	30.811.00	A801	27.828.00	AH142	53.082.00
A1813	30.C64.00	A280	30.955.00	A457	30.804.00	A817	27.111.00	AH143	53.060.00

AH144	53.084.00	AH279	53.161.00	AH491	53.334.00	AHC143	54.196.00	AHC353	54.312.00
AH145-2	53.009.00	AH280	53.110.00	AH495	53.299.00	AHC145	54.110.00	AHC358	54.120.00
AH147	53.011.00	AH282	53.207.00	AH513	53.275.00	AHC147	54.165.00	AHC362	54.222.00
AH149	53.079.00	AH284	53.276.00	AH515	53.365.00	AHC153	54.267.00	AHC367-2	54.283.00
AH150	53.083.00	AH285	53.185.00	AH519	53.391.00	AHC154	54.262.00	AHC369	54.286.00
AH151-2	53.197.00	AH286	53.254.00	AH521	53.387.00	AHC156	54.105.00	AHC371	54.248.00
AH157	53.068.00	AH287	53.261.00	AH534	53.314.00	AHC160	54.264.00	AHC372-2	54.241.00
AH158	53.059.00	AH289	53.230.00	AH537	53.208.00	AHC166	54.171.00	AHC373	54.226.00
AH159	53.114.00	AH291	53.186.00	AH538	53.390.00	AHC167	54.106.00	AHC374	54.220.00
AH160	53.050.00	AH292	53.397.00	AH539	53.220.00	AHC169	54.198.00	AHC376	54.223.00
AH163	53.037.00	AH292-2	53.397.00	AH566	53.122.00	AHC170	54.143.00	AHC378	54.124.00
AH163-2	53.037.00	AH295	53.117.00	AH568	53.213.00	AHC171	54.230.00	AHC378	54.376.00
AH165	53.057.00	AH297	53.100.00	AH572-2	53.394.00	AHC173	54.126.00	AHC379	54.246.00
AH166	53.040.00	AH298	53.218.00	AH596-2	53.318.00	AHC177-2	54.104.00	AHC386	54.257.00
AH167	53.034.00	AH300	53.156.00	AH599	53.188.00	AHC178	54.109.00	AHC387-2	54.287.00
AH169	53.087.00	AH301	53.116.00	AHA129	34.118.00	AHC179	54.111.00	AHC391	54.218.00
AH170	53.047.00	AH303	53.109.00	AHA143	34.196.00	AHC181	54.151.00	AHC392	54.219.00
AH171	53.030.00	AH305	53.126.00	AHA167	34.106.00	AHC183	54.125.00	AHC394-2	54.141.00
AH173	53.091.00	AH306	53.223.00	AHA170	34.143.00	AHC184	54.101.00	AHC396	54.245.00
AH174	53.074.00	AH307	53.151.00	AHA171	34.230.00	AHC185	54.122.00	AHC402	54.236.00
AH175	53.075.00	AH310-2	53.163.00	AHA177-2	34.104.00	AHC187	54.121.00	AHC405	54.244.00
AH179	53.038.00	AH319	53.038.00	AHA178	34.109.00	AHC188	54.113.00	AHC408	54.284.00
AH180	53.041.00	AH330	53.209.00	AHA184	34.101.00	AHC189	54.273.00	AHC418	54.147.00
AH182	53.067.00	AH332	53.149.00	AHA185	34.122.00	AHC190	54.103.00	AHC421	54.112.00
AH184	53.032.00	AH333	53.248.00	AHA191	34.114.00	AHC191	54.114.00	AHC425-2	54.254.00
AH185	53.086.00	AH334	53.400.00	AHA195	34.115.00	AHC192	54.137.00	AHC428-2	54.279.00
AH186	53.131.00	AH336-2	53.229.00	AHA198	34.100.00	AHC193	54.282.00	AHC482	54.291.00
AH187	53.158.00	AH337	53.214.00	AHA207	34.232.00	AHC195	54.115.00	AHC484	54.331.00
AH189	53.125.00	AH339	53.160.00	AHA209	34.148.00	AHC198	54.100.00	AHC488-2	54.240.00
AH190	53.149.00	AH340	53.146.00	AHA212	34.136.00	AHC199	54.201.00	AHC494	54.155.00
AH191	53.031.00	AH341	53.215.00	AHA213	34.142.00	AHC200	54.157.00	AHC512	54.289.00
AH192	53.101.00	AH343	53.183.00	AHA219-2	34.127.00	AHC203	54.174.00	AHC516	54.388.00
AH193	53.039.00	AH344	53.240.00	AHA237	34.146.00	AHC205	54.156.00	AHC527	54.389.00
AH194	53.094.00	AH345	53.111.00	AHA238	34.158.00	AHC206	54.134.00	AHC534	54.293.00
AH195	53.076.00	AH347	53.141.00	AHA241-2	34.215.00	AHC207	54.232.00	AHC535	54.292.00
AH198	53.045.00	AH350	53.222.00	AHA244	34.162.00	AHC208	54.271.00	AHC539	54.253.00
AH199	53.107.00	AH351	53.274.00	AHA245-2	34.164.00	AHC209	54.148.00	AHC548-2	54.294.00
AH201	53.043.00	AH353	53.324.00	AHA247-2	34.153.00	AHC210	54.117.00	AHC555	34.162.00
AH203	53.155.00	AH354	53.144.00	AHA256	34.266.00	AHC211	54.133.00	AHC589-2	54.129.00
AH204	53.035.00	AH355-2	53.338.00	AHA261-2	34.172.00	AHC212	54.136.00	AHC714	54.319.00
AH205	53.069.00	AH356	53.388.00	AHA263	34.269.00	AHC213	54.142.00	C112	26.652.00
AH206	53.098.00	AH359	53.191.00	AHA268	34.161.00	AHC215	54.132.00	C114	26.602.00
AH207	53.104.00	AH360	53.208.00	AHA269	34.168.00	AHC219-2	54.127.00	C115	26.618.00
AH209	53.189.00	AH361	53.325.00	AHA272	34.166.00	AHC220-2	54.152.00	C116	26.609.00
AH210	53.103.00	AH364	53.051.00	AHA280	34.145.00	AHC234	54.237.00	C124	24.362.00
AH212	53.102.00	AH365	53.150.00	AHA281	34.217.00	AHC237	54.146.00	C134	26.635.00
AH213	53.227.00	AH366	53.368.00	AHA282	34.170.00	AHC238	54.158.00	C136	26.606.00
AH214	53.065.00	AH367-2	53.310.00	AHA284	34.234.00	AHC239	54.108.00	C145	26.635.00
AH220	53.108.00	AH368	53.331.00	AHA286	34.178.00	AHC239-2	54.108.00	C180	26.670.00
AH220-2	53.108.00	AH370	53.233.00	AHA286	53.233.00	AHC241	54.215.00	C187	21.050.00
AH221	53.123.00	AH371	53.210.00	AHA300	34.175.00	AHC241-2	54.215.00	C227	26.645.00
AH222	53.105.00	AH372-2	53.251.00	AHA306	34.285.00	AHC244	54.162.00	C414	26.601.00
AH223	53.132.00	AH373	53.224.00	AHA319	34.111.00	AHC245-2	54.164.00	C416	21.061.00
AH224	53.058.00	AH375-2	53.119.00	AHA330	34.256.00	AHC246	54.154.00	C422	26.676.00
AH225	53.052.00	AH378	53.148.00	AHA340	34.268.00	AHC247-2	54.153.00	C443	26.686.00
AH226	53.138.00	AH380	53.243.00	AHA352	34.249.00	AHC250	54.150.00	C446	26.688.00
AH228	53.244.00	AH383-2	53.121.00	AHA362	34.222.00	AHC256	54.266.00	C447	26.689.00
AH230	53.077.00	AH385-2	53.253.00	AHA371	34.248.00	AHC258	54.160.00	C457	24.388.00
AH231	53.042.00	AH386	53.293.00	AHA373	34.226.00	AHC259	54.266.00	C460	26.687.00
AH233	53.088.00	AH387-2	53.311.00	AHA378	34.124.00	AHC261-2	54.172.00	C480	26.682.00
AH234	53.106.00	AH388	53.383.00	AHA386	34.257.00	AHC262	54.167.00	C481	26.690.00
AH238	53.129.00	AH393-2	53.212.00	AHA387-2	34.287.00	AHC263	54.269.00	C482	26.691.00
AH244	53.124.00	AH395	53.422.00	AHA391	34.218.00	AHC264-2	54.173.00	C483	26.005.00
AH245-2	53.143.00	AH396	53.211.00	AHA392	34.219.00	AHC267	54.159.00	C485	26.006.00
AH246	53.236.00	AH398	53.294.00	AHA405	34.244.00	AHC268	54.161.00	C488	26.057.00
AH248	53.112.00	AH400	53.260.00	AHA405	34.227.00	AHC269	54.168.00	C489	26.022.00
AH249	53.109.00	AH401	53.329.00	AHA482	34.291.00	AHC270	54.272.00	C491	26.694.00
AH250	53.115.00	AH404-2	53.259.00	AHA516	34.288.00	AHC272	54.166.00	C491E	26.694.00
AH251	53.120.00	AH405	53.256.00	AHC101	54.235.00	AHC277	54.176.00	C492	26.695.00
AH251-2	53.120.00	AH406	53.396.00	AHC102		AHC278	54.144.00	C493	26.687.00
AH255	53.184.00	AH409	53.320.00	(PEUGEOT)	54.169.00	AHC280	54.145.00	C493E	26.687.00
AH256	53.147.00	AH411	53.367.00	AHC103	54.119.00	AHC281	54.217.00	C494	26.687.00
AH257	53.118.00	AH412	53.323.00	AHC104	54.263.00	AHC282	54.170.00	C494E	26.687.00
AH258	53.136.00	AH415-2	53.313.00	AHC105	54.278.00	AHC284	54.234.00	C495	26.003.00
AH259	53.147.00	AH416	53.246.00	AHC107	54.107.00	AHC286	54.178.00	C495E	26.003.00
AH260	53.145.00	AH419	53.384.00	AHC112		AHC294	54.130.00	C496	26.693.00
AH261-2	54.154.00	AH420	53.322.00	(N.1 FILTRO/FILTER)	53.070.00	AHC299	54.128.00	C501	26.018.00
AH262	53.218.00	AH422	53.257.00	AHC113		AHC300	54.175.00	C504	26.013.00
AH263	53.130.00	AH425-2	53.277.00	(N.1 FILTRO/FILTER)	53.070.00	AHC306	54.285.00	C505	26.014.00
AH265	53.157.00	AH426	53.330.00	AHC117	54.280.00	AHC307	54.224.00	C507A	60.H20.00
AH266	53.159.00	AH428-2	53.332.00	AHC119	54.195.00	AHC318	54.163.00	C509	26.018.00
AH267	53.206.00	AH429	53.426.00	AHC122	54.116.00	AHC319	54.111.00	C511	26.054.00
AH268	53.137.00	AH482	53.389.00	AHC124	54.197.00	AHC330	54.256.00	C512	26.037.00
AH269	53.153.00	AH484	53.249.00	AHC126	54.102.00	AHC336-2	54.231.00	C513	26.072.00
AH270	53.152.00	AH486-2	53.235.00	AHC128	54.135.00	AHC340	54.268.00	C514	26.696.00
AH271	53.093.00	AH487	53.127.00	AHC129	54.118.00	AHC342	54.149.00	C515	26.007.00
AH273-2	53.164.00	AH489-2	53.258.00	AHC138	54.270.00	AHC349-2	54.243.00	C516	26.018.00
AH275	53.219.00	AH490	53.379.00	AHC140	54.194.00	AHC352	54.249.00	C517	26.123.00

C518	26.021.00	CS498		EP206	31.831.00	FCS771	24.131.00	L300	25.014.00
C519	26.694.00	(VAG)	24.351.00	EP207	31.840.00	FCS772	24.115.00	L305	25.002.00
C523	26.020.00	CS499	24.436.00	EP208	31.853.00	FCS772A	24.115.00	L306	25.003.00
C525	26.058.00	CS700	24.429.00	EP210	31.948.00	FCS774	31.947.00	L307	25.001.00
C526	26.055.00	CS701	24.351.00	EP215	31.811.00	FCS776	31.921.00	L308	25.008.00
C528	26.012.00	CS702		EP216	31.842.00	FCS777		L310	25.032.00
C529	26.015.00	(IVECO)	24.H20.01	EP217	31.958.00	(8R0127400)	31.922.00	L310A	25.032.00
C533A	26.104.00	CS702		EP218	31.501.00	FCS777		L311	25.013.00
C801	26.026.00	(FIAT, KIA)	24.H20.07	EP219	31.564.00	(8R0127400A)	31.950.00	L312	25.095.00
C802	26.045.00	CS702		EP220	31.741.00	FCS783	31.851.00	L313	25.162.00
C808	26.077.00	(FIAT)	24.H20.02	EP221	31.850.00	FCS784	24.077.00	L314	25.010.00
C810	26.023.00	CS707	24.007.00	EP223	31.825.00	FCS785	24.111.00	L315	25.009.00
C811	26.073.00	CS708	24.006.00	EP226	31.951.00	FCS786	24.130.00	L316	25.018.00
C813	26.038.00	CS713	24.444.00	EP231	31.846.00	FCS787	24.001.00	L317	25.019.00
C823	26.102.00	CS734	24.456.00	EP273	31.828.00	FCS788	31.838.00	L318	25.039.00
C824-2	26.047.00	CS735	24.457.00	EP287	31.962.00	FCS798	24.149.00	L319	25.197.00
C824-2		CS736	24.107.00	EP57	31.001.00	FCS804	24.145.00	L320	25.067.00
(N.2 FILTRI/FILTERS)	26.019.01	CS739	24.443.00	EP58	31.001.00	FCS805	31.857.04	L321	25.030.00
C826	26.115.00	CS745	24.119.00	EP90C	31.500.00	FCS806	24.144.00	L326	25.017.00
C827	26.052.00	CS756	24.526.00	EP91	31.506.00	FCS809	31.946.00	L327	25.607.00
C832	26.034.00	CS760	24.464.00	EP92	31.561.00	FCS812	24.016.00	L330	25.043.00
C848	26.074.00	CS762	24.127.00	FC500E	24.086.00	FCS813	24.147.00	L331	25.022.00
C850	26.104.00	CS764	24.128.00	FCS197	24.365.00	FCS814	24.099.00	L332	25.027.00
C868-2	26.071.00	CS766	24.423.00	FCS197V	24.365.01	FCS815	24.126.00	L333	25.052.00
C869	26.114.00	CS767	24.012.00	FCS412	24.365.00	FCS816	24.112.00	L337	25.060.00
C872-2	26.033.00	CS768	24.196.00	FCS412B		FCS819	24.030.00	L338	25.035.00
C873	26.065.00	CS773	24.455.00	(ALTRE/OTHER APPL.)	24.365.00	FCS821	31.953.00	L339	25.029.00
C877	26.122.00	CS778	24.352.00	FCS412B		FCS822	24.033.00	L340	25.056.00
C879	26.053.00	CS781	24.326.00	(HONDA)	24.435.00	FCS825	24.132.00	L341	25.034.00
C880	26.130.00	CS795	24.452.00	FCS412BV	24.365.01	FCS828	31.952.00	L343C	25.037.00
CP100	31.013.00	CS832	24.127.00	FCS412V	24.365.01	FCS829	24.150.00	L347	25.021.00
CP101	31.027.00	CS834	24.374.00	FCS455	24.382.00	FCS853	24.095.00	L352	25.053.00
CP102	31.835.00	EP100	31.510.00	FCS463	55.427.00	FCS854	31.926.01	L353	25.047.00
CP103	31.925.00	EP103		FCS470	24.404.00	FCS863	24.026.01	L358	25.060.00
CS157	24.360.00	(ALTRE/OTHER APPL.)	31.009.00	FCS471	24.412.00	FCS915	24.080.00	L358A	25.060.00
CS157A	24.360.00	EP103		FCS472	24.409.00	FCS929	24.194.00	L362	25.040.00
CS170	24.319.01	(VAG)	31.012.00	FCS473	24.426.00	FCS930	24.193.00	L364	25.026.00
CS171	24.370.00	EP111	31.562.00	FCS474	24.415.00	FCS932	24.151.00	L365	25.071.00
CS178	24.361.00	EP12	31.010.00	FCS475	24.428.00	FCS942	24.002.00	L366	25.050.00
CS178A	24.361.00	EP139		FCS476	24.418.00	GF12	31.010.00	L367	25.028.00
CS182	24.350.00	(ALTRE/OTHER APPL.)	31.510.00	FCS477	24.445.00	GF20	31.001.00	L369	25.048.00
CS183		EP139		FCS478	24.430.00	L1038	25.210.00	L371	25.066.00
(FORD, OPEL, VAUXHALL)	24.351.01	(ISUZU, NISSAN)	31.529.00	FCS479	24.427.00	L104	25.413.00	L372	25.060.00
CS197	24.351.00	EP139		FCS604	24.156.00	L1044	25.187.00	L373	25.049.00
CS197A	24.351.00	(BEDFORD, OPEL, VAUXHALL)	31.611.00	FCS703	24.013.00	L1045	25.185.00	L376	25.058.00
CS197B	24.351.00	EP139		FCS704	24.343.00	L1049	25.188.00	L376	25.232.00
CS264	24.408.00	(FIAT, LANCIA)	31.512.00	FCS705	24.425.00	L1050	25.110.00	L378	25.067.00
CS403	24.321.00	EP144	31.710.00	FCS706	24.424.00	L106	25.408.00	L379	25.063.00
CS404A	24.350.02	EP145	31.710.00	FCS709	31.849.00	L1069	25.201.00	L382	25.068.00
CS412		EP146	31.561.00	FCS710	24.027.00	L107	25.407.01	L385	25.077.00
(RENAULT)	24.350.00	EP150	31.508.00	FCS711	24.391.00	L1070	25.090.00	L387	25.064.00
CS412		EP151	31.505.00	FCS715	24.450.00	L1071	25.089.00	L390	25.080.00
(VAG)	24.351.00	EP152	31.563.00	FCS716	31.824.00	L1072	25.059.00	L393	25.072.00
CS412B		EP153	31.502.00	FCS720	24.014.00	L1073	25.037.00	L394	25.172.00
(RENAULT)	24.350.00	EP154	31.503.00	FCS722	24.ONE.01	L1074	25.139.00	L396	25.075.00
CS412B		EP155	31.722.00	FCS723	24.ONE.00	L1075	25.180.00	L397	25.074.00
(VAG)	24.351.00	EP161	31.514.00	FCS724	31.852.00	L1076	25.196.00	L398	25.060.00
CS418	24.304.00	EP163	31.515.00	FCS725	24.437.00	L1077	25.199.00	L398A	25.060.00
CS433	24.371.00	EP164	31.515.00	FCS727	24.110.00	L1078	25.204.00	L399	25.091.00
CS435A	24.321.00	EP165	31.569.00	FCS731	24.072.00	L1097	25.257.00	L400	25.061.00
CS436	24.384.00	EP167	31.747.00	FCS732	24.451.00	L110	25.421.00	L402	25.070.00
CS437	24.374.00	EP171	31.565.00	FCS733	55.393.00	L1125	25.216.00	L403	25.105.00
CS438	24.366.00	EP173	31.648.00	FCS737	24.004.00	L1126	25.148.00	L407	25.084.00
CS439	24.375.00	EP176	31.007.00	FCS738	24.073.00	L1133	25.211.00	L408	25.150.00
CS440		EP177	31.621.00	FCS740	55.430.00	L1141	25.171.00	L409	25.151.00
(KIA)	24.339.00	EP179	31.020.00	FCS743	24.ONE.02	L121	25.406.01	L411	25.069.00
CS440		EP18	31.010.00	FCS744	24.ONE.03	L124	25.439.00	L413	20.012.02
(ALTRE/OTHER APPL.)	24.368.00	EP180	31.541.00	FCS746	55.170.00	L166	25.402.01	L417	25.093.00
CS441	24.392.00	EP182	31.520.00	FCS747	24.440.00	L178		L418	25.106.00
CS442	24.327.00	EP183	31.523.00	FCS748	24.013.00	(ALTRE/OTHER APPL.)	25.455.00	L419	25.086.00
CS448	24.397.00	EP184	31.722.00	FCS748		L178		L421	20.020.00
CS449A	24.384.00	EP185	31.750.00	(DELPHI HDF946)	24.052.00	(BMW)	25.455.01	L428	25.041.00
CS454	24.351.00	EP187A	31.523.00	FCS748		L179	25.443.00	L431	20.012.00
CS456	24.379.01	EP188	31.558.00	(DELPHI HDF913)	24.050.00	L212	25.548.00	L434	20.020.00
CS464	24.401.00	EP189	31.841.00	FCS749	55.392.00	L237	25.015.00	L439	25.085.00
CS465	24.413.00	EP191	31.500.00	FCS750	55.418.00	L244	25.555.00	L441	25.145.00
CS467	24.331.00	EP192	31.718.00	FCS751	24.087.00	L247	25.162.00	L442	25.152.00
CS468	24.338.00	EP193	31.513.00	FCS752	24.114.00	L253	25.590.00	L444	25.096.00
CS484	24.416.00	EP195	31.740.00	FCS753	55.394.00	L264	25.024.00	L446	25.154.00
CS486	24.417.00	EP196	31.769.00	FCS754	31.920.00	L264A	25.024.00	L448	25.165.00
CS487	24.432.00	EP197	31.817.00	FCS757	31.839.00	L267D	25.023.00	L449	25.177.00
CS490	24.434.00	EP198	31.834.00	FCS758	55.582.00	L270	25.033.00	L456	25.143.00
CS490		EP199	31.844.00	FCS759	24.026.01	L272	25.587.00	L459	25.499.00
(FIAT 46797378)	24.H20.00	EP200	31.847.00	FCS761	24.459.00	L290	25.012.00	L460	25.170.00
CS498		EP202	31.948.00	FCS769	24.412.00	L290D	25.012.00	L461	25.083.00
(VOLVO)	24.441.00	EP203	31.832.00	FCS770	24.113.00	L291	25.011.00	L467	25.054.00
CS498		EP204	31.833.00	FCS770	24.186.00	L292	25.004.00	L470	25.094.00
(ALTRE/OTHER APPL.)	24.350.00	EP205	31.830.00	FCS770	24.187.00	L293	25.038.00	L471	25.142.00

L472	25.539.00	LS234	23.293.00	LS547	23.130.03	LS918	23.130.03	A17961	30.932.00
L473	25.166.00	LS235	23.303.00	LS553B	23.164.00	LS919	23.455.00	A17966	30.955.00
L474	25.155.00	LS243	23.404.00	LS553C	23.429.00	LS920	23.435.00	A17974	30.894.00
L478	25.128.00	LS245	23.298.00	LS553D	23.164.03	LS922	23.435.00	A17979	30.902.00
L496	25.163.00	LS246	23.282.00	LS571	23.194.00	LS923	23.439.00	A18012	30.101.00
L508	25.115.00	LS248	23.440.00	LS581	23.110.02	LS924	23.470.00	A18088	30.124.00
L509	25.159.00	LS254	23.249.00	LS582	23.102.00	LS926	23.481.00	A18089	30.098.00
L510	25.116.00	LS256	23.440.00	LS583		LS929	23.660.00	A18090	30.147.00
L539	25.530.01	LS273	23.463.00	(ALTRE/OTHER APPL.)	23.152.00	LS932	23.418.00	A18091	30.099.00
L540	25.530.00	LS274A	23.465.00	LS592		LS933	23.481.00	A18096	30.100.00
L566	25.528.00	LS275	23.266.00	(VOLVO)	23.279.00	LS934	23.267.00	A18100	30.112.00
L567	25.530.00	LS277	23.413.00	LS592		LS935	23.472.00	A18107	30.120.00
L857	25.541.00	LS278	23.164.00	(ALTRE/OTHER APPL.)	23.402.00	LS936	23.486.00	A18108	30.118.01
L972	25.164.00	LS279	23.313.00	LS592A	23.401.00	LS937	23.493.00	A18115	30.166.00
L973	25.159.00	LS280A	23.191.00	LS602	23.195.00	LS938	25.901.00	A18250	30.134.00
L974	25.088.00	LS284	23.297.00	LS701	23.186.01	LS939	23.110.02	A18252	30.150.00
L976	25.178.00	LS285	23.416.00	LS702	23.130.01	LS940	23.483.00	A18295	30.175.00
L977	25.168.00	LS286	23.425.00	LS705		LS942	23.482.00	A18300	30.163.00
L978	25.167.00	LS287	23.265.00	(OPEL, VAUXHALL)	23.243.00	LS946	23.628.00	A18306	30.139.00
L980	25.153.00	LS288	23.418.00	LS705		LS948	23.565.00	A18307	30.158.00
L986	25.198.00	LS294	23.246.00	(HONDA)	23.265.00	LS949	23.474.00	A18309	30.361.00
L987	25.073.02	LS296	23.415.00	LS711	23.131.02	LS950	23.156.00	A18314	30.159.00
L988	25.141.00	LS297	23.295.00	LS715	23.196.00	LS965	23.484.00	A18315	30.195.00
L989	25.191.00	LS298	23.434.00	LS716	23.134.00	LS969	23.575.00	A18317	30.181.00
L991	25.144.00	LS301		LS717	23.256.00	LS979	23.463.00	A18318	30.153.00
L993	25.146.00	(HYUNDAI)	23.452.00	LS718		LS981	23.585.00	A18319	30.185.00
L994	25.223.00	LS304	23.439.00	(HONDA, ROVER)	23.182.00	LS992	23.717.00	A18320	30.180.00
L996	25.248.00	LS309	23.418.00	LS718				A18321	30.128.00
L997	25.170.00	LS322	23.495.00	(DODGE, JEEP)	23.519.00	PUROLATOR	UFI	A18327	30.132.00
LS105	23.151.00	LS324	23.436.00	LS720		A11149	30.818.00	A18346	30.187.00
LS1051	23.584.00	LS325D	23.453.00	(FIAT)	23.268.00	A11149		A18348	30.201.00
LS1052	23.544.00	LS328	23.164.03	LS720		(FIAT)	30.857.00	A18911	27.341.00
LS1067	23.545.00	LS346	23.449.00	(SAAB)	23.298.00		30.857.00	A18912	27.648.00
LS1079	23.481.00	LS348	23.444.00	LS738	23.303.00	A11149PM	30.818.00	A18913	27.477.00
LS1081	23.739.00	LS349	23.445.00	LS740A	23.237.00	A11149PM		A18918	30.161.00
LS1082	23.650.00	LS350	23.265.00	LS743	23.265.00	(FIAT)	30.857.00	A19090	30.206.00
LS1123	23.664.00	LS357	23.413.00	LS753	23.102.00	A13576	30.240.00	A19096	30.186.00
LS115	23.131.00	LS357	23.721.00	LS760	23.281.00	A14349	30.864.00	A19115	30.224.00
LS127	23.115.00	LS359	23.253.00	LS760A	23.281.00	A15363	30.176.00	A19116	30.194.00
LS131	23.105.00	LS361	23.457.00	LS760D	23.281.00	A15445	30.182.00	A20117	27.740.00
LS131A	23.105.00	LS368	23.471.00	LS775	23.124.00	A16062	30.466.00	A21640	27.947.00
LS149		LS370	23.299.00	LS785A	23.280.00	A17037	27.107.00	A23436	30.860.00
(TOYOTA)	23.127.00	LS375	23.266.00	LS786	23.284.00	A17111	27.736.00	A23465	30.851.00
LS149		LS381A	23.564.00	LS801	23.242.00	A17254	27.756.00	A24277	27.890.00
(OPEL, VAUXHALL)	23.134.01	LS384		LS802	23.197.00	A17284	27.174.00	A24278	30.973.00
LS149		(FORD)	23.439.00	LS812	23.127.04	A17285	30.852.00	A24282	27.235.00
(FIAT, LANCIA)	23.166.00	LS384		LS816	23.232.00	A17305	30.943.00	A24290	27.580.00
LS149		(MCC, MITSUBISHI)	23.478.00	LS818	23.234.00	A17311	30.243.00	A24295	27.731.00
(FIAT)	23.172.00	LS386	23.489.00	LS819	23.139.00	A17313	30.022.00	A24298	27.172.00
LS149		LS389	23.546.00	LS820	23.231.00	A17328	30.032.00	A24341	30.078.01
(VOLVO)	23.257.00	LS391	23.494.00	LS830		A17329	30.033.00	A24355	30.256.00
LS155	23.103.00	LS412		(SUBARU)	23.188.00	A17330	30.034.00	A24357	
LS169	23.118.00	(RENAULT VI, STEYR)	23.241.00	LS830		A17339	30.021.00	(HYUNDAI)	30.287.00
LS169B	23.118.00	LS415	23.211.00	(NISSAN)	23.240.00	A17340	30.025.00	A24372	30.972.00
LS171	23.130.02	LS450	23.129.01	LS833	23.278.00	A17362		A24375	27.171.00
LS176B	23.173.01	LS451	23.121.00	LS834		(FORD)	30.016.00	A24409	30.946.00
LS186		LS451A	23.121.00	(ALTRE/OTHER APPL.)	23.131.01	A17362		A24468	30.076.00
(TOYOTA)	23.102.00	LS453A		LS834		(VOLVO)	30.955.00	A24490	30.062.00
LS186		(PERKINS)	23.102.02	(TOYOTA)	23.213.00	A17366	27.272.00	A24635	30.915.00
(VAG, VOLVO)	23.156.02	LS454		LS858	23.114.02	A17372	27.081.00	A24648	30.013.00
LS186		(ALTRE/OTHER APPL.)	23.130.00	LS867B	23.293.00	A17392	30.030.00	A24675	30.001.00
(VAG, VOLVO)	23.164.00	LS462	23.177.00	LS868	23.313.00	A17534	30.818.00	A24680	30.239.00
LS186		LS462A	23.177.00	LS871	23.424.00	A17559	30.936.00	A24690	30.223.00
(O/OR) (VAG, VOLVO)	23.164.03	LS468	23.191.00	LS871A	23.470.00	A17618	30.039.00	A24720	30.230.00
LS186		LS468A	23.191.00	LS880	23.191.00	A17690	30.057.00	A24722	30.143.00
(MAN, MWM, PORSCHE)	23.241.00	LS482	23.189.00	LS880A	23.191.00	A17696	30.045.00	A24730	30.237.00
LS186		LS483	23.200.00	LS883	23.418.00	A17711	30.836.00	A24832	30.172.00
(LAND ROVER)	23.297.00	LS488	23.159.00	LS891	23.299.00	A17717	30.053.00	A24858	30.024.00
LS187	23.105.00	LS489	23.271.00	LS892	23.258.00	A17773	27.061.00	A24859	30.372.00
LS188	23.188.00	LS489A	23.271.00	LS893	23.264.00	A17778	30.239.00	A24873	30.236.00
LS188B		LS490	23.272.00	LS893	23.476.00	A17780	30.851.00	A24880	30.096.00
(FORD, SUBARU)	23.188.00	LS490A		LS894	23.274.00	A17808	27.817.00	A25049	30.173.00
LS188B		(MITSUBISHI)	23.271.00	LS895	23.248.00	A17812	27.845.02	A25051	30.177.00
(VAG)	23.435.00	LS490A		LS896		A17857	30.111.00	A25076	30.285.00
LS190	23.129.01	(MAZDA)	23.272.00	(DAIHATSU)	23.255.00	A17869	27.084.00	A25148	30.001.00
LS194		LS491	23.122.00	LS896		A17872	27.271.00	A25244	30.275.00
(ALFA ROMEO, LADA)	23.127.00	LS492	23.121.00	(TOYOTA)	23.263.00	A17887	27.762.00	A25248	30.227.00
LS194		LS494	23.102.00	LS897	23.244.00	A17891	27.234.00	A25301	30.250.00
(VAG, ZASTAVA)	23.169.00	LS498B	23.173.01	LS900	23.127.02	A17892	30.894.00	A25304	30.172.00
LS194		LS498C	23.173.01	LS901	23.496.00	A17893	27.890.00	A25373	30.267.00
(FIAT, LANCIA)	23.175.00	LS505	23.132.00	LS907	23.440.00	A17895	27.062.00	A25395	30.266.00
LS205	23.103.00	LS506	23.114.01	LS908		A17896	27.063.00	A25398	30.338.00
LS206	23.129.02	LS507	23.127.00	(ALTRE/OTHER APPL.)	23.131.01	A17908	27.354.00	A25456	27.601.00
LS207	23.265.00	LS515	23.447.00	LS908		A17932	30.177.00	A25458	30.320.00
LS214	23.417.00	LS520B	23.198.00	(TOYOTA)	23.213.00	A17934	30.108.00	A25496	30.327.00
LS218	23.418.00	LS520C	23.198.00	LS910	23.438.00	A17943	30.068.00	A25503	30.276.00
LS223	23.419.00	LS530	23.187.00	LS911	23.475.00	A17944	27.355.00	A25554	30.316.00
LS225	23.265.00	LS531	23.177.00	LS917	23.418.00	A17958	30.891.00	A25584	30.280.00

A25587	30.328.00	A27941	30.095.00	A37005	27.195.00	A44326	27.156.00	A67373	27.162.00
A25588	30.279.00	A27946	30.958.00	A37009	27.177.00	A44332	27.268.00	A67680	30.847.00
A25634	30.659.00	A27952	27.194.00	A37010	30.017.00	A44481	27.153.00	A67710	27.232.00
A25635	30.498.00	A27954	27.149.00	A37011	30.017.00	A44643	30.967.00	A67762	27.828.00
A25647	30.386.00	A27963	30.930.00	A37035	30.925.00	A44644	30.910.00	A77762	27.828.00
A25655	30.554.00	A27965	30.966.00	A37046	27.813.00	A44647	27.154.00	A90001	27.593.00
A27001		A27968	27.728.00	A37055	30.961.00	A44682	30.975.00	A90002	30.251.00
(ROVER GROUP)	30.296.00	A27969	30.935.00	A37059	27.800.00	A44688	30.344.00	A90003	27.401.00
A27001		A27970	30.945.00	A37064	27.715.00	A44727	30.284.00	A90004	30.273.00
(BMW)	30.991.00	A27973	30.999.00	A37078	27.701.00	A45381	30.141.00	A90005	30.253.00
A27002	27.196.00	A27975	30.889.00	A37082	30.924.00	A45387	30.174.00	A90007	30.308.00
A27003	30.994.00	A27991	30.955.00	A37093		A45441	30.041.00	A90008	30.269.00
A27004	30.019.00	A27994	30.965.00	(BMW)	30.822.00	A45457	30.162.00	A90010	30.229.00
A27012	30.020.00	A28004	30.117.00	A37113		A45555	30.335.00	A90011	30.145.01
A27028	30.942.00	A28009	30.116.00	(RENAULT)	30.872.01	A45673	30.382.00	A90012	30.246.00
A27030	27.797.00	A28014	30.083.00	A37113		A47027	27.725.00	A90013	30.241.00
A27036	30.003.00	A28019	30.066.00	(NISSAN)	27.605.00	A47039		A90014	27.282.00
A27049	30.040.00	A28253	30.213.00	A37115	27.993.00	(OPEL VAUXHALL)	30.924.00	A90015	27.595.00
A27063	30.981.00	A28254	30.155.00	A37136	30.807.00	A47039		A90016	30.281.00
A27076	30.809.00	A28256	30.127.00	A37153	30.835.00	(VAG)	30.192.00	A90017	27.601.00
A27083	30.826.00	A28268	30.137.00	A37269	27.785.00	A47039		A90018	30.137.00
A27098	27.956.00	A28271	30.146.00	A37272	30.917.01	(BMW)	30.029.00	AF5699	30.786.00
A27127	30.864.00	A28273	30.106.00	A37327	30.119.00	A47058	27.982.00	C14860	53.016.00
A27129	30.815.00	A28281	30.148.00	A37349	30.807.00	A47062	30.987.01	C15439	53.108.00
A27273	30.943.00	A28291	30.248.00	A37420	30.871.00	A47103	30.803.00	C17724	53.024.00
A27280	27.707.00	A28302	27.384.00	A37431	27.132.00	A47133	30.802.01	C17926	53.017.00
A27292	27.175.00	A28303	27.386.00	A37433	27.584.00	A47315	30.005.00	C18079	53.033.00
A27307	27.525.00	A28343	30.180.00	A37564	30.904.00	A47335	27.200.00	C18080	53.068.00
A27319	30.035.00	A28345	30.199.00	A37622	30.049.00	A47350	27.128.00	C18081	53.037.00
A27337	30.027.00	A28347	30.129.00	A37624	27.274.00	A47378	27.228.00	C18084	53.073.00
A27338	30.028.00	A28349	30.165.00	A37653	30.041.00	A47415	27.079.00	C18086	53.064.00
A27346	27.888.00	A28353	30.168.00	A37654	30.041.00	A47434	27.138.00	C18117	54.109.00
A27353	30.976.00	A28542	27.713.00	A37655	30.041.00	A47477	27.159.00	C18118	53.044.00
A27363	30.008.00	A28914	30.149.00	A37656	27.283.00	A47542	27.752.00	C18120	53.047.00
A27370	30.036.00	A28916	30.157.00	A37664	30.004.00	A47561	30.922.01	C18127	54.121.00
A27405	30.946.00	A28968	30.960.00	A37666	27.906.00	A47573	30.978.01	C18128	53.052.00
A27406	30.026.00	A29095	30.417.00	A37669	30.063.00	A47605	27.068.00	C18129	53.019.00
A27418	27.074.00	A29106	30.320.00	A37682	30.090.00	A47637	27.253.00	C18145	54.138.00
A27481	27.140.00	A29114	30.272.00	A37688	27.252.00	A47684	30.803.00	C18146	53.023.00
A27485	30.908.00	A29117	30.265.00	A37716	30.050.00	A47700	30.038.01	C18147	53.059.00
A27499	30.893.00	A29119	30.231.00	A37764	30.990.00	A47701	30.082.00	C18149	53.099.00
A27500	30.911.00	A30017	27.744.00	A37859	30.085.00	A47704	27.233.00	C18151	53.070.00
A27501	30.929.00	A30020	27.770.00	A37862	27.750.00	A47708	30.843.01	C18153	53.005.00
A27619	30.046.00	A30023	27.719.00	A37874	30.974.00	A47713	27.254.00	C18160	53.042.00
A27623	30.071.00	A30052	27.750.00	A37881	30.990.00	A47718	27.236.00	C18163	53.014.00
A27652	30.052.00	A30110	27.744.00	A37901	30.109.00	A47734	27.257.00	C18189	53.082.00
A27658	30.072.00	A31153	30.835.00	A37930	27.265.00	A47752	30.086.00	C18200	54.104.00
A27670	30.064.00	A32238	27.923.00	A37930	27.236.00	A47753	30.080.00	C18203	54.119.00
A27691	30.946.00	A33542	27.097.00	A37980	30.898.00	A47841	27.267.00	C18230	53.197.00
A27697	30.067.00	A34269	27.927.00	A37985	30.944.00	A47865	27.111.00	C18234	53.080.00
A27698	30.073.00	A34273	27.939.00	A37986	30.926.00	A47866	27.110.00	C18323	53.069.00
A27715	30.811.00	A34276	27.069.00	A37988	30.906.00	A47867	30.923.01	C18324	53.045.00
A27720	30.048.00	A34287	27.604.00	A37995	30.126.00	A47871	27.712.00	C18325	53.076.00
A27736	30.003.00	A34320	27.824.00	A38005	30.104.00	A47878	30.910.00	C18328	54.133.00
A27740		A34356	27.599.00	A38006	30.105.00	A47879	30.939.00	C18331	54.157.00
(MAZDA)	30.012.00	A34362	30.890.00	A38008	27.381.00	A47939	53.087.00	C18332	53.107.00
A27740		A34473	27.090.00	A38016	30.107.00	A47949	27.234.00	C18333	54.124.00
(FORD FIESTA, MAZDA 121)	30.062.00	A34475	30.948.00	A38020	27.403.00	A48106	27.134.00	C18335	53.098.00
A27746	30.087.00	A34482	27.728.00	A38058	27.588.00	A48205	27.076.00	C18336	53.093.00
A27748	27.258.00	A34486	27.590.00	A38077	27.702.00	A48301	27.367.00	C18337	53.104.00
A27749	30.075.00	A34487	30.242.00	A38093	27.699.00	A48304	27.524.00	C18338	53.155.00
A27758	27.801.00	A34623	27.520.00	A38255	27.353.00	A48390	30.970.00	C18339	53.106.00
A27763	30.993.00	A34679	30.177.00	A38269	30.136.00	A49121	30.293.00	C18354	53.101.00
A27766	30.077.00	A34711	30.277.00	A38276	27.792.00	A51708	30.843.01	C19089	53.119.00
A27771	30.069.00	A34715	30.222.00	A38299	30.216.00	A52040	27.878.00	C25480	53.014.00
A27775	30.800.00	A34799	30.235.00	A38341	30.142.00	A53141	30.896.00	C25483	53.079.00
A27812	27.845.02	A34862	30.007.00	A38344	30.133.00	A53152	27.931.00	C27645	53.026.00
A27813	30.007.00	A34868	30.189.00	A38350	30.202.00	A54669	27.524.00	C27687	53.014.00
A27818	30.286.00	A34995	30.996.00	A38351	30.197.00	A54855	27.523.00	C27723	53.019.00
A27831	30.001.00	A35050	30.221.00	A38915	30.144.00	A57053	27.231.00	C27727	53.023.00
A27875	30.977.00	A35150	30.238.00	A39094	30.244.00	A57096	27.881.00	C27744	53.027.00
A27876	30.952.00	A35207	30.336.00	A39118	30.228.00	A57137	27.781.00	C27745	53.028.00
A27877	30.899.00	A35252	30.050.00	A39122	30.257.00	A57425	27.067.00	C27924	53.012.00
A27880	30.953.00	A35265	30.844.00	A40016	27.799.00	A57556	30.804.00	C28147	53.079.00
A27882	30.963.00	A35267	30.077.00	A40068	27.156.00	A57706	30.916.00	C28149	53.049.00
A27885	30.942.00	A35367	30.105.00	A40103	27.769.00	A57772	27.084.00	C28150	53.058.00
A27886	27.762.00	A35368	30.102.00	A40107	27.770.00	A57772	27.150.00	C28154	53.085.00
A27888	30.933.00	A35370	30.171.00	A40118	27.133.00	A57856	27.679.00	C28155	53.061.00
A27889	27.239.00	A35375	30.115.00	A40131	27.946.00	A57947	27.176.00	C28158	53.057.00
A27907	30.089.00	A35396	30.226.00	A41027	27.725.00	A57948	27.521.00	C28162	53.004.00
A27917	30.113.00	A35410	30.220.00	A41076	30.809.00	A57955	30.954.00	C28168	53.060.00
A27919	30.102.00	A35414	30.281.00	A41104	30.806.00	A58251	30.217.00	C28169	53.083.00
A27927	30.096.00	A35432	30.788.00	A41133	30.802.01	A61605	27.804.00	C28172	53.034.00
A27929	30.125.00	A35440	30.164.00	A42030	27.920.00	A62204	27.923.00	C28176	53.292.00
A27931	30.170.00	A35470	30.119.00	A42062	27.902.00	A62221	27.893.00	C28178	53.044.00
A27933	27.273.00	A35517	30.312.00	A43398	27.155.00	A63327	30.993.00	C28179	54.110.00
A27938	30.999.00	A35546	30.329.00	A43558	30.914.02	A65295	27.356.00	C28187	53.075.00
A27940	30.070.00	A35779	30.454.00	A43583	27.071.00	A67207	30.847.00	C28190	53.094.00



C28191	53.087.00	F34713	31.589.00	F58095	26.686.00	F77804	31.508.00	L17837	23.453.00
C28195	54.100.00	F38547	31.715.00	F58137	26.652.00	F79099	31.852.00	L17848	23.242.00
C28214	53.043.00	F44660	31.525.00	F58140	26.006.00	F90002	60.H20.00	L17914	25.018.00
C28220	53.041.00	F44662	31.523.00	F58141	26.022.00	F90003	24.451.00	L17915	25.012.00
C28224	53.065.00	F44703	31.523.00	F58151	26.695.00	F90004	24.443.00	L17922	23.129.02
C28226	53.038.00	F44710	31.556.00	F58238	26.691.00	F90007	24.440.00	L17945	25.014.00
C28228	53.077.00	F44760	31.550.00	F58239	26.690.00	F90008	26.696.00	L18071	23.255.00
C28231	54.103.00	F44781	31.648.00	F58242	24.401.00	F90009	31.849.00	L18097	23.452.00
C28233	53.067.00	F44788	31.558.00	F58247	24.351.01	F90011	31.849.00	L18207	23.134.01
C28266	53.090.00	F44804	31.020.00	F58284	26.003.00	H27122	25.406.01	L18237	25.030.00
C28902	53.015.00	F44829	31.609.00	F58290	24.413.00	L10017	23.127.00	L18272	25.015.00
C28906	53.013.00	F44870	31.621.00	F58312	31.824.00	L10241		L18274	23.444.00
C28909	53.046.00	F45067	31.551.00	F58322	31.817.00	(SAAB)	23.298.00	L18275	23.495.00
C28910	53.001.00	F45068	31.669.00	F58342	24.343.00	L10018	23.127.00	L18279	25.035.00
C29109	54.142.00	F45191	31.592.00	F58356	24.444.00	L10101	23.114.01	L18282	25.033.00
C29110	54.144.00	F50025	26.601.00	F58359	24.441.00	L10109	23.159.00	L18286	25.022.00
C29111	54.154.00	F50149	24.360.01	F58361	26.023.00	L10193	23.165.00	L18287	23.293.00
C35402	53.063.00	F50151		F58922	31.750.00	L10222	25.443.00	L18293	23.167.00
C35425	53.242.00	(FIAT ALLIS)	26.606.00	F59091	26.694.00	L10241		L18296	25.027.00
C35473	54.165.00	F50154	31.027.00	F59112	24.001.00	(ALTRE/OTHER APPL.)	23.131.00	L18298	23.455.00
C35484	54.101.00	F50262	24.326.00	F59120	31.924.00	L10241		L18313	25.052.00
C35494	54.112.00	F50274	24.351.01	F59453	21.050.00	(DAIHATSU, INNOCENTI, SUZUKI)	23.131.01	L18340	25.029.00
C35516	53.103.00	F50284	24.304.00	F60146	31.500.00	L10241		L18366	23.418.00
C35519	53.123.00	F50359	24.319.01	F60222	24.366.00	(TOYOTA)	23.253.00	L18367	25.056.00
C35530	53.218.00	F50375	24.370.00	F60273	31.503.00	L10241		L19097	23.470.00
C35533	53.009.00	F50453	26.609.00	F62870	24.445.00	(FORD)	23.632.00	L19102	25.028.00
C35541	53.105.00	F53191	31.506.00	F63169	31.624.00	L10291	23.182.00	L19104	25.043.00
C36154	53.254.00	F53632	24.327.00	F63177	31.507.00	L12222	23.519.00	L19105	25.047.00
C36154C	54.178.00	F54469	24.370.00	F63180	24.374.00	L14459	23.271.00	L19123	25.060.00
C36156P	53.325.00	F54488	31.618.00	F64492	31.517.00	L14460	23.259.00	L20013	25.530.00
C37615	53.010.00	F54638	31.539.00	F64607	31.575.00	L14476	23.263.00	L20021	25.409.01
C37646	53.018.00	F54665	31.565.00	F64641	31.563.00	L14477		L20051	20.020.00
C37647	53.021.00	F54689	31.535.00	F64711	31.627.00	(TOYOTA, VW)	23.251.00	L20064	23.121.00
C37725	53.020.00	F54708	31.520.00	F64857	31.502.00	L14477		L20073	23.272.00
C37726	53.025.00	F54785	31.519.00	F65277	31.769.00	(NISSAN)	23.266.00	L20081	23.127.00
C38145	54.105.00	F54833	31.649.00	F65285	31.718.00	L14612		L20173	23.278.00
C38152	53.002.00	F54854	31.508.00	F65366	31.751.00	(ALTRE/OTHER APPL.)	23.258.00	L20195	23.130.00
C38161	53.074.00	F55085	31.513.00	F65377	31.747.00	L14612		L20252	23.130.01
C38164	53.030.00	F55275	31.569.00	F65416	31.841.00	(NISSAN, RENAULT)	23.484.00	L20253	23.234.00
C38167	53.084.00	F55411	31.761.00	F65428	24.391.00	L14619		L20287	23.231.00
C38171	53.047.00	F55580	24.006.00	F65563	31.843.00	(RENAULT)	23.177.00	L20290	23.232.00
C38173	53.138.00	F57023	26.676.00	F67144	31.594.00	L14619		L20700	20.012.00
C38174	53.134.00	F57068	31.027.00	F67221	31.510.00	(ALTRE/OTHER APPL.)	23.191.00	L22167	23.134.00
C38182	53.091.00	F57124	24.362.00	F67260	31.563.00	L14620	23.265.00	L22821	
C38183	54.113.00	F57132	26.664.00	F67441	31.594.00	L14622	23.258.00	(SUZUKI)	23.210.00
C38184	53.100.00	F57169	26.618.00	F67617	31.561.00	L14670		L22821	
C38186	53.035.00	F57173	26.635.00	F67692	31.500.00	(ALTRE/OTHER APPL.)	23.127.00	(TOYOTA)	23.213.00
C38188	53.050.00	F57210	31.013.00	F67694	31.514.00	L14670		L24457	23.240.00
C38193	53.040.00	F57213	21.061.00	F67737	24.417.00	(FORD)	23.440.00	L24458	23.243.00
C38194	54.126.00	F57243	31.012.00	F67741	31.747.00	L14758	25.541.00	L24466	23.130.02
C38197	54.114.00	F57248	24.351.00	F67756	31.718.00	L15309	25.017.00	L24466	23.462.00
C38198	53.031.00	F57265	26.602.00	F67803	24.351.00	L15386	25.024.00	L24651	23.463.00
C38201	53.032.00	F57294	24.371.00	F67806	24.365.00	L15436	25.024.00	L25230	
C38202	53.086.00	F57308	24.321.00	F67832	24.391.00	L15465	25.034.00	(FORD)	23.440.00
C38206	54.135.00	F57318		F67902	24.424.00	L17019	23.257.00	L25247	25.004.00
C38216	53.039.00	(VAG)	31.722.00	F67972	31.740.00	L17020	23.103.00	L25250	25.010.00
C38217	54.112.00	F57318		F68002	24.408.00	L17067	23.127.02	L25251	
C38219	53.051.00	(ALTRE/OTHER APPL.)	31.515.00	F68098	24.404.00	L17103	23.105.00	(USA)	25.008.00
C38229	54.117.00	F57322	24.319.01	F68101	24.409.00	L17144	23.129.01	L25609	25.077.00
C38232	54.147.00	F57323	24.350.00	F68143	31.570.00	L17200	23.127.02	L27013	25.530.01
C38236	53.125.00	F57453	21.050.00	F68148	31.531.00	L17201	23.131.01	L27017	23.436.00
C38355	53.205.00	F57583	24.375.00	F68241	24.351.00	L17244	23.129.02	L27024	23.167.00
C38905	53.020.00	F57585	24.368.00	F68243	24.415.00	L17258	23.188.00	L27110	20.012.02
C38907	53.006.00	F57591	31.562.00	F68245	24.433.00	L17266	23.416.00	L27159	
C38908	53.007.00	F57608	31.009.00	F68246	24.414.00	L17270	23.282.00	(ALTRE/OTHER APPL.)	23.139.00
C39107	53.112.00	F57629	24.360.00	F68248	24.428.00	L17278	23.173.01	L27159	
C39108	53.129.00	F57644	24.382.00	F68249	24.426.00	L17301	23.114.02	(RENAULT)	23.177.00
C45383	53.006.00	F57663	24.383.00	F68259	24.412.00	L17320	23.246.00	L27159	
C47925	54.108.00	F57678	31.569.00	F68261	24.417.00	L17357	23.298.00	(VOLVO)	23.279.00
C48192	54.123.00	F57689	24.384.00	F68262	26.005.00	L17368	23.195.00	L27170	23.117.00
C48196	54.128.00	F57703	31.512.00	F68263	24.430.00	L17369	23.194.00	L27179	23.131.00
C48227	53.118.00	F57721	24.351.00	F68265	24.327.00	L17568	23.299.00	L27190	
C90001	53.088.00	F57732	31.710.00	F68283	26.693.00	L17603	23.118.00	(ALTRE/OTHER APPL.)	23.130.00
C90002	53.102.00	F57769	24.390.00	F68305	24.436.00	L17634	23.264.00	L27190	
C90003	53.123.00	F57776	24.388.00	F68308	24.429.00	L17648	23.114.01	(FORD)	23.440.00
C90005	53.117.00	F57777	24.389.00	F68310	24.427.00	L17662	23.293.00	L27199	25.402.01
C90006	53.111.00	F57783	24.361.00	F68311	24.425.00	L17693	23.264.00	L27200	25.406.01
C90007	53.218.00	F57800	26.670.00	F68326	31.834.00	(ALTRE/OTHER APPL.)	23.265.00	L27218	23.127.04
F18390	31.844.00	F57805	24.351.00	F68357	31.811.00	L17693	23.264.00	L27219	25.421.00
F20002	31.005.00	F57851	24.366.00	F68360	24.432.00	(ALFA ROMEO, FIAT, LANCIA)	23.438.00	L27221	25.455.00
F20002M	31.005.00	F57987	31.543.00	F68362	24.435.00	L17695	23.418.00	L27233	23.185.01
F20011	31.001.00	F58003	26.686.00	F68807	24.365.01	L17731	23.415.00	L27252	23.130.01
F20162	31.006.00	F58007	26.688.00	F69092	26.014.00	L17754	23.424.00	L27253	
F20265	31.026.00	F58030	31.511.00	F69098	24.404.00	L17767	23.416.00	(BMW)	23.130.02
F23162	31.024.00	F58062	31.712.00	F77117	24.379.01	L17810	25.541.00	L27253	
F27332	31.001.00	F58064	31.776.00	F77118	24.380.00	L17819	23.254.00	(MERCEDES BENZ)	23.130.03
F29157	31.006.00	F58072	26.689.00	F77128	24.397.00	L17822	23.445.00	L27255	23.117.00
F33144	31.564.00	F58094	26.687.00	F77168	31.505.00	L17824	23.279.00	L27264	23.187.00

L27275	23.169.00	L38113	25.023.00	36TO062	54.331.00	08704124	26.635.00	165467751R	30.407.00
L27276	23.175.00	L38212	25.038.00	36TO070	30.A85.00	0870465700	26.609.00	165467780R	30.407.00
L27525	23.211.00	L38240	25.041.00	36TO072	30.A91.00	0941709013	24.360.00	165468296R	30.712.00
L27545	23.249.00	L38257	23.164.00	37IZ006	26.131.00	1222917	24.362.00	165468470R	30.147.00
L27635	23.248.00	L38257		37MI017	26.149.00	1225001	26.609.00	165469029R	30.543.00
L27679	25.004.00	(O/OR)	23.164.03	37TO021	26.073.00	1225406	26.609.00	165469040R	30.319.00
L27728	23.414.00	L38278	23.274.00	38DG002	23.650.00	1225776	25.407.01	165469229R	30.B54.00
L27729	23.449.00	L38285	25.032.00	38J018	25.248.00	1225936	24.362.00	165469377R	30.B20.00
L27738		L38294	25.039.00	38JE013	25.167.00	1225937	24.362.00	165469466R	30.688.00
(EU)	25.008.00	L38297	25.021.00	38JE020	25.251.00	1225961	25.407.01	165469490R	30.375.00
L27747	25.010.00	L38365	23.457.00	38MZ009	23.721.00	1226176	25.407.01	16546JG30A	30.481.00
L27820	23.127.05	L40017	23.156.00	38RV020	25.223.00	1226727	25.408.00	20854804700	26.618.00
L27823	23.196.00	L40039	25.528.00	38SS008	25.219.00	1226728	25.408.00	20854838600	25.439.00
L27826	23.189.00	L40048	23.152.00			1229147	26.618.00	20854975700	26.652.00
L27830	25.002.00	L40316	23.156.02	RENAULT	UFI	1229148	26.609.00	20855589600	24.360.00
L27849	23.165.00	L44757	25.162.00			1231108	24.360.00	20870465700	26.609.00
L27904	25.003.00	L44798	25.590.00	000122440	20.020.00	1231357	25.407.01	226755893R	31.948.00
L27920	23.425.00	L45262	23.475.00	0003564035	27.878.00	1231544	26.601.00	24152004	21.050.00
L28001	23.417.00	L45514	25.050.00	0003564047	27.902.00	1231545	25.408.00	24152005	26.609.00
L28069	23.476.00	L45598	25.080.00	0008557830	23.114.01	152009645R	23.484.00	24152011	25.439.00
L28106	25.455.01	L47056	25.499.00	0024151017	23.241.00	152085488R	23.628.00	24867468	25.455.00
L28139	25.067.00	L47214	25.540.00	0024151018	23.241.00	152085758R	23.484.00	25560017	24.360.00
L28142	23.151.00	L47226	25.499.01	0024152004	21.050.00	152087293R	23.481.00	25568011	24.360.00
L28264		L47570	23.303.00	0024152005	26.609.00	152089599R	23.628.00	2652621	24.360.00
(LOMBARDINI, MACO-MEUDON)	23.117.00	L47905	25.019.00	0024152011	25.439.00	15208ED50A	23.258.00	272770001R	54.173.00
L28264		L50308	25.413.00	0024867468	25.455.00	152092962R	25.170.00	272770567R	54.244.00
(FORD, SUBARU)	23.188.00	L90001	23.413.00	003005818	26.635.00	152093920R	25.170.00	272770567R	34.244.00
L28316	23.483.00	L90002	25.068.00	003005821	24.362.00	152094543R	25.170.00	272770840R	54.233.00
L28812	25.548.00	L90003	25.069.00	003025235	24.361.00	152095084R	25.145.00	272770840R	34.233.00
L28919	25.001.00	L90004	23.481.00	003082654	25.407.01	152098580R	25.170.00	272771128R	54.234.00
L29093	25.037.00	L90005	23.478.00	003082658	25.455.00	1521021920	23.484.00	272771128R	34.234.00
L29098	25.053.00	ML16816	23.131.01	003082659	25.407.01	164000890R	24.087.00	272771205R	53.311.00
L29177	25.183.00	ML17601	23.105.00	003082667	25.421.00	164001137R	24.114.00	272771578R	
L30001		ML17603	23.118.00	003082669	25.402.01	164001501R	24.187.00	(BR)	53.256.00
(ALFRE/OTHER APPL.)	23.102.00	PI2305	53.183.00	003141914	23.102.00	164001540R	24.013.00	272772100R	53.223.00
L30001		PI449500	23.263.00	003563565	27.804.00	164001710R	24.186.00	272772321R	54.174.00
(LAND ROVER)	23.297.00	TL10241		003563570	27.828.00	164002053R	24.186.00	272772435R	53.106.00
L30042	23.122.00	(FORD)	23.632.00	003563577	27.881.00	164002137R	24.116.00	272772519R	54.257.00
L30084	25.539.00			003563591	23.102.00	164003978R	24.117.00	272772519R	34.257.00
L30119	23.256.00	QUINTON HAZELL	UFI	003563602	25.455.00	164004253R	24.147.00	272772520R	53.223.00
L30255	23.544.00	⇒ WIX EUROPE		003563603	23.156.00	164004303R	24.147.00	272772835R	53.104.00
L30257				003564035	27.878.00	164004BD0B	24.095.04	272772951R	54.173.00
(VAG, VOLVO)	23.164.00	RED-LINE	UFI	003564047	27.902.00	164004EA1B	24.095.01	272773016R	53.256.00
L30257				003564118	27.893.00	164005033R	24.114.00	272773151R	54.227.00
(O/OR) (VAG, VOLVO)	23.164.03	36DA014	30.B03.00	003564120	27.893.00	164005190R	55.430.00	272773151R	34.227.00
L30257		36DA017	30.B04.00	003571013	25.408.00	164006378R	24.187.00	272773151R	54.244.00
(NISSAN)	23.256.00	36FT000	30.652.00	004207090	27.804.00	164006435R	24.186.00	272773277R	53.256.00
L34002	23.236.00	36HO031	30.618.00	004309015	27.804.00	164007857R	24.147.00	272773488R	54.217.00
L34480	23.198.00	36HO042	30.503.00	005006163	24.360.00	164008737R	24.147.00	272773488R	34.217.00
L35581	25.040.00	36HO045	30.617.00	005490862	31.001.00	164008816R	24.187.00	272774653R	54.287.00
L37031	23.241.00	36HO047	30.B05.00	0122593700	24.362.00	164009320R	26.114.00	272774653R	34.287.00
L37166	23.108.00	36HO051	30.C39.00	0122672800	25.408.00	164009384R	24.113.00	272774658R	54.233.00
L37196	23.167.00	36HO062	30.C63.00	0123110800	24.360.00	16400HV80A	55.517.00	272774658R	34.233.00
L37197	25.408.00	36HY030	30.C42.00	0123135700	25.407.01	16400JY09D	24.026.01	272774711R	54.288.00
L37202	23.110.02	36HY047	53.407.00	0123154400	26.601.00	164031219R	26.114.00	272774711R	34.288.00
L37211	23.152.00	36HY048	53.400.00	0123154500	25.402.01	164033646R	26.115.00	272774812R	54.291.00
L37216	25.555.00	36HY093	30.594.00	024151017	23.241.00	164034510R	26.115.00	272774812R	34.291.00
L37222	25.407.01	36HY095	53.212.00	024151018	23.241.00	164037803R	26.115.00	272774813R	53.223.00
L37225		36HY099	30.726.00	024152006	25.455.00	164038513R	26.694.00	272774936R	54.285.00
(NISSAN)	23.256.00	36HY100	30.710.00	024867468	25.455.00	164038815R	26.115.00	272774936R	34.285.00
L37227	23.448.00	36IF002	30.B87.00	08540010	24.362.00	164038899R	26.114.00	272775081R	54.257.00
L37229	23.113.00	36IF003	54.320.00	08541323	26.635.00	164039560R	26.114.00	272775081R	34.257.00
L37230	23.280.00	36I2007	27.E50.00	08545896	24.360.00	164039594R	26.115.00	272775114R	34.291.00
L37231	23.241.00	36JE014	30.C45.00	08546697	26.635.00	165460444R	30.A68.00	272775340R	53.293.00
L37237	23.102.02	36JE017	53.325.00	08546709	24.362.00	165460509R	30.A16.00	272775374R	53.104.00
L37246	25.439.00	36KI023	27.E34.00	0854670900	24.362.00	165460588R	30.319.00	272775809R	53.256.00
L37251	23.102.02	36KI051	30.483.00	0854804700	26.618.00	165461599R	30.302.00	272776811R	54.217.00
L37257	23.110.02	36KI073	30.627.00	0854806000	26.609.00	165461783R	30.664.00	272776865R	53.104.00
L37274	23.186.01	36MI012	53.218.00	08548385	25.439.00	165462683R	30.B20.00	27277764R	34.244.00
L37293	23.303.00	36MZ011	30.344.00	0854838600	25.439.00	165462862R	30.543.00	272777968R	54.244.00
L37359	23.404.00	36MZ038	30.626.00	08548979	23.114.01	1654630P00	30.001.00	272777968R	34.244.00
L37390	20.020.00	36NI059	30.C54.00	0854975700	26.652.00	165463205R	30.491.00	272778214R	53.321.00
L37541	23.449.00	36NI063	30.B76.00	0855238500	27.702.00	165463998R	30.547.00	272778557R	53.293.00
L37560	23.237.00	36NI066	30.B22.00	0855510100	27.701.00	165464064R	30.546.00	27277873R	54.173.00
L37562	23.244.00	36RV026	30.C03.00	08555896	24.360.00	165464407R	30.465.00	272778859R	54.234.00
L37616	25.095.00	36SM007	30.B20.00	0855589600	24.360.00	165464556R	30.465.00	272778859R	34.234.00
L37671	25.590.00	36SS023	30.C44.00	0855823800	23.114.01	165464948R	30.375.00	272778970R	54.217.00
L37674	23.418.00	36SZ004	53.201.00	08558910	23.114.01	165464BA1A	30.724.00	272778970R	34.217.00
L37681	25.009.00	36SZ019	30.628.00	08558912	23.114.01	165464BD0C	30.C62.00	272778980R	53.276.00
L37722	23.313.00	36SZ025	30.A84.00	08559611	23.132.00	165464EA0C	30.C54.00	272779683R	54.227.00
L37733		36SZ038	30.537.00	0855961100	23.132.00	165464JA1B	30.A59.00	272779683R	34.227.00
(HYUNDAI, MITSUBISHI)	23.237.00	36SZ050	30.405.00	0870014200	27.713.00	165464JM1A	30.A59.00	272779759R	54.122.00
L37735	25.011.00	36SZ054	53.426.00	08700424	26.635.00	165465171R	30.556.00	272779759R	34.122.00
L37755	23.164.00	36SZ059	53.424.00	0870042400	26.635.00	165465434R	30.407.00	272779788R	34.243.00
L37821	23.200.00	36SZ061	30.C40.00	08700958	27.878.00	165465647R	30.543.00	272779866R	34.288.00
L38018	23.281.00	36SZ065	30.C41.00	0870095800	27.878.00	165466131R	30.352.00	272889739R	
L38031	23.244.00	36TO011	30.453.00	0870175900	26.609.00	165466728R	30.B26.00	(BR)	53.256.00
L38083	23.231.00	36TO020	30.504.00	0870176000	26.609.00	165467674R	30.547.00	27701006374	23.241.00

27701008326	23.127.00	7700703481	30.852.00	7701026651	27.824.00	7701200250	24.362.00	8200289892	30.302.00
27701008698	23.127.00	7700711477	30.871.00	7701027194	30.871.00	7701203657	26.670.00	8200298074	30.321.00
27891-JY10A	54.233.00	7700720978		7701027195	30.871.00	7701204497	24.388.00	8200358714	31.010.00
27891-JY10A	34.233.00	(Ø 76)	23.401.00	7701028181	24.361.00	7701205279	53.205.00	8200362442	25.094.00
30241	25.402.01	7700720978		7701029278	23.127.04	7701205280	53.188.00	8200371661	30.417.00
3052535	24.361.00	(Ø 86)	23.402.00	7701029279	23.185.01	7701206119	26.690.00	8200371663	30.417.00
3082657	24.361.00	7700720987	27.824.00	7701029280	23.241.00	7701206705	25.022.00	8200378889	30.417.00
3124456	24.360.00	7700721853	27.110.00	7701029809	30.923.01	7701206928	26.693.00	8200386495	31.948.00
3223251	27.878.00	7700721968	30.871.00	7701030196	27.268.00	7701207545	26.687.00	8200399214	30.319.00
3323251	27.878.00	7700722120	27.110.00	7701030546	24.351.00	7701207667	26.694.00	8200400416	24.098.00
4055020005	31.500.00	7700722657	30.871.00	7701030793	27.110.00	7701208613	26.695.00	8200400418	24.132.00
5000040870	23.241.00	7700724629	27.110.00	7701031518	27.089.00	7701209837	53.164.00	8200416946	24.086.00
5000041045	23.241.00	7700724743	31.010.00	7701033176	26.652.00	7701348023	23.114.01	8200421711	30.195.00
50000404064	23.241.00	7700724875	30.923.01	7701033713	27.149.00	7701348025	27.750.00	8200430865	30.195.00
5000044487	23.241.00	7700726615	30.871.00	7701033837	23.118.00	7701348028	23.132.00	8200431051	30.147.00
5000044499	23.102.00	7700726616	30.871.00	77010334705	27.194.00	7701348108	23.118.00	8200431075	30.321.00
5000044959	23.241.00	7700727401	23.194.00	7701034872	30.969.00	7701348110	23.127.00	8200431081	30.321.00
5000157104	25.455.00	7700727407	27.111.00	7701034873	30.005.00	7701348115	27.731.00	8200437229	30.319.00
5000241167	26.635.00	7700727478	23.194.00	7701034934	27.268.00	7701348175	27.824.00	8200447197	24.087.00
5000241250	26.652.00	7700727480	23.195.00	7701035650	23.303.00	7701348440	23.132.00	8200457286	30.150.00
5000241676	26.652.00	7700728143	31.010.00	7701035974	30.969.00	7701348930	30.852.00	8200458337	24.013.00
5000241677	26.609.00	7700728148	23.194.00	7701035984	27.149.00	7701348963	30.872.01	8200458397	24.052.00
5000243097	24.360.00	7700728310	23.194.00	7701036270	30.025.00	7701349151	23.167.00	8200458420	24.014.00
5000686625	23.102.00	7700730077	23.177.00	7701037111	30.039.00	7701349452	23.177.00	8200458424	24.132.00
5000789125	23.114.01	7700734825	23.177.00	7701037174	30.052.00	7701349530	30.871.00	8200459849	30.213.00
5000807551	24.360.00	7700734937	23.401.00	7701039528	30.120.00	7701349779	23.167.00	8200459854	30.099.00
5000814407	25.406.01	7700734945	23.195.00	7701039703	24.384.00	7701349942	23.401.00	8200488878	30.300.00
5000816070	23.303.00	7700734957	23.194.00	7701039857	27.267.00	7701365661	53.127.00	8200490109	30.465.00
5000820895	25.406.01	7700737991	23.194.00	7701040285	30.057.00	7701409324	23.082.00	8200505566	30.293.00
5001000878	27.084.00	7700741993	31.500.00	7701040780	27.824.00	7701418727	53.085.00	8200506046	55.430.00
5001829282	24.351.01	7700742386	31.500.00	7701041740	30.111.00	7701472321	25.033.00	8200564638	55.430.00
5010140505	27.804.00	7700746549	23.194.00	7701042499	53.292.00	7701475229	26.695.00	8200576596	30.375.00
541429	24.362.00	7700749566	23.281.00	7701042841	30.021.00	7701476258	30.150.00	8200602361	30.374.00
574002	25.408.00	7700820375	31.562.00	7701043620	26.686.00	7701476463	26.687.00	8200619849	55.392.00
6000141020	23.102.00	7700820376	31.561.00	7701043709	27.273.00	7701477096	30.150.00	8200619855	55.393.00
6001543138	31.948.00	7700825495	31.562.00	7701044101	30.108.00	7701477208	30.321.00	8200638748	24.110.00
6001543357	23.418.00	7700834816	53.018.00	7701044595	30.099.00	7701478277	24.073.00	8200669187	30.543.00
6001543789	30.217.00	7700838890	31.500.00	7701044645	27.699.00	7701478538	25.170.00	8200697875	55.430.00
6001546326	31.948.00	7700843833	31.561.00	7701044677	27.588.00	7701478546	24.115.00	8200697876	55.418.00
6001546592	53.060.00	7700845219	53.205.00	7701044913	26.687.00	7701478547	24.116.00	8200768913	23.418.00
6005000735	23.110.02	7700845811	53.061.00	7701045724	30.147.00	7701478821	24.113.00	8200768927	23.481.00
6005007409	24.360.00	7700845961		7701047285	30.150.00	7701478972	26.687.00	8200775764	30.529.00
6005007410	24.361.00	(FILTRO IN ALLUMINIO/ALUMINIUM FILTER)	31.710.00	7701047417	30.213.00	7701479050	26.687.00	8200788425	30.543.00
6005011111	27.356.00	7700845961		7701047478	30.324.00	7701479124	25.033.00	8200792659	30.854.00
6005024443	23.110.02	(FILTRO IN PLASTICO/PLASTIC FILTER)	31.948.00	7701047513	53.087.00	7701479151	24.088.00	8200792661	30.253.00
6005025601	23.303.00	7700845973	31.710.00	7701047655	30.217.00	7701479176	26.687.00	8200795348	30.556.00
6025300301	53.037.00	7700846236	53.188.00	7701048748	53.086.00	7701479305	24.113.00	8200799782	30.195.00
6025370624	53.037.00	7700850394	23.281.00	7701048749	54.122.00	7701270978	23.177.00	8200803830	24.115.00
6025372486	54.252.00	7700855853	23.418.00	7701048749	34.122.00	7702295136		8200820859	30.407.00
656621	24.360.00	7700857336	27.253.00	7701050319	53.131.00	(BR)	30.163.00	8200820860	30.470.00
7700733302	23.177.00	7700857703	30.046.00	7701053054	23.484.00	7702295409	30.541.00	8200820869	30.687.00
7700106067	23.313.00	7700858930	27.272.00	7701055109	53.107.00	7711060721	31.836.00	8200853393	30.687.00
7700107905	23.418.00	7700860823	23.303.00	7701055110	53.106.00	7711130026	31.500.00	8200867976	23.418.00
7700109402	25.033.00	7700863124	23.424.00	7701056389	53.155.00	7711228912	54.196.00	8200867980	23.481.00
7700111834	30.195.00	7700864685	23.313.00	7701056390	54.174.00	7711228912	34.196.00	8200880458	30.663.00
7700112686	23.470.00	7700865603	30.215.00	7701057828	25.026.00	7711228913	53.061.00	8200885185	30.470.00
7700268752	31.699.00	7700865981	23.281.00	7701059409	30.302.00	7711228917	53.205.00	8200893554	23.564.00
7700271026	31.010.00	7700866353	27.381.00	7701059997	53.104.00	7711228918	53.188.00	8200926014	24.087.00
7700272523	23.418.00	7700867454	23.401.00	7701061576	24.050.00	7711228919	54.198.00	8200947514	24.116.00
7700272902	23.424.00	7700869029	23.424.00	7701061577	24.051.00	7711228920	54.280.00	8200985420	30.546.00
7700272982	23.418.00	7700871919	23.419.00	7701062104	24.132.00	7711228921	53.099.00	8200988426	30.217.00
7700274177	23.418.00	7700873365	30.215.00	7701062190	24.098.00	7711426872	54.232.00	8200989333	30.321.00
7700274216	30.217.00	7700873365A	30.215.00	7701062227	53.104.00	7711426872	53.232.00	8201038485	30.663.00
7700348108	23.118.00	7700873583	23.418.00	7701063611	24.052.00	7711502907	24.360.00	8201046788	24.113.00
7700424093	53.083.00	7700873603	23.418.00	7701063613	24.132.00	7711503012	23.110.02	8201055426	54.232.00
7700424098	53.060.00	7701001494	27.731.00	7701064235	54.201.00	81125030016	26.609.00	8201055426	34.232.00
7700428820	53.084.00	7701005514	27.731.00	7701064235	34.201.00	8200004835	25.033.00	8201059775	23.564.00
7700538151	23.132.00	7701006374	23.241.00	7701064237	54.237.00	8200007832	23.191.00	8201069869	30.654.00
7700538153	23.114.01	7701008326	23.185.01	7701064241	55.418.00	8200023480	30.181.00	8201092697	30.407.00
7700542086	23.114.01	7701008689	23.167.00	7701064439	30.302.00	8200025862	25.022.00	8201153808	53.104.00
7700542285	23.132.00	7701008698	23.127.04	7701065609	24.360.00	8200026237	24.013.00	8201370532	54.232.00
7700542286	23.114.01	7701010100	24.360.00	7701065610	24.361.00	8200031826	30.163.00	8201370532	34.232.00
7700542526	23.118.00	7701012556	26.635.00	7701065774		8200033408	23.418.00	83501843	27.150.00
7700553733	23.114.01	7701013347	27.906.00	(BR)	30.302.00	8200042833	25.022.00	84548047	26.618.00
7700582212	23.118.00	7701016133	25.455.00	7701065985	27.273.00	8200065768	30.150.00	8456709	24.362.00
7700629215	23.118.00	7701016181	24.360.00	7701066680	55.393.00	8200095976	30.465.00	8499135552	25.406.01
7700640165	23.127.00	7701016683	30.872.01	7701067123	55.418.00	8200104272	30.163.00	8540010	24.362.00
7700646761	23.114.01	7701019017	27.804.00	7701068104	30.434.00	8200151379	24.050.00	8540860	26.609.00
7700651432	23.127.00	7701019264	27.906.00	7701068766	23.484.00	8200166615	30.417.00	8541323	26.635.00
7700668711	24.350.00	7701019344	27.824.00	7701069023	24.073.00	8200186217	24.014.00	8545896	24.360.00
7700673219	23.114.01	7701020783	27.824.00	7701069212		8200216005	30.319.00	8546697	26.635.00
7700675302	23.177.00	7701021327	27.701.00	(BR)	30.217.00	8200248902	25.022.00	8546709	24.362.00
7700676302	23.177.00	7701022800	23.102.00	7701069365	30.217.00				

8548386000	25.439.00	19519550081	31.618.00	CDU1268	23.254.00	4632493	53.244.00	SAK116	54.277.00
8548759000	26.609.00	1H1334	27.707.00	CDU1937	23.197.00	4772166	25.003.00	SAK119	54.195.00
8548979	23.114.01	1H7779	25.409.01	EAC3112	31.500.00	4876074	30.218.00	SAK120	54.270.00
8549757	26.652.00	1H7799	25.409.01	ESR3117	31.564.00	4876199	30.216.00	SAK138	54.273.00
8555896	24.360.00	279018130102	23.191.00	FDU1632E	30.243.00	5047113	53.244.00	SAK148	54.121.00
8555986	24.360.00	27H6601	25.408.00	HKJ2208	23.297.00	5173166	27.354.00	SAK160	54.247.00
8558910	23.114.01	2A693	25.413.00	JKR000040	54.123.00	5195516	26.689.00	SAK166	54.124.00
8558911	23.114.01	2H4240	25.408.00	JKR000041	54.123.00	5335948	54.139.00	SAK171	54.141.00
8558912	23.114.01	2H4340	25.408.00	JKR100020	53.057.00	5444682	25.108.00	SAK173	54.220.00
8559111	23.132.00	300509	25.413.00	JKR100021	53.057.00	5461959	27.485.00	SAK175	
8660003780	25.145.00	300861	25.413.00	JKR100080	53.063.00	5464656	26.689.00	(N.1 FILTRO/FILTER)	54.242.00
8700424	26.635.00	30176001	25.408.00	JKR100190	54.123.00	55560202	23.298.00	SAK182	54.223.00
8700958	27.878.00	32H833	27.778.00	JKR100193	54.123.00	55560911	27.354.00	SAK183	54.268.00
8701760	26.609.00	37H1581	24.360.00	JKY100010	53.232.00	728216	30.802.01	SAK198	54.318.00
8701760000	26.609.00	37H1881	24.360.00	JJKY100020	53.057.00	7284417	31.001.00	SAK209	54.264.00
8704024	26.635.00	37H576	24.360.00	LPW000070	23.463.00	7496144	23.298.00	SAK216	54.215.00
8704124	26.635.00	3H1283	25.408.00	LPW100160	23.483.00	7514722	27.153.00	SAK265	54.166.00
8704657	26.609.00	3H2907	25.409.01	LPW100161	23.483.00	7894066	23.298.00	SAK272	54.222.00
8933001795	30.078.01	3H2909	25.409.01	LPW100180	23.254.00	800334	23.127.02	SAK302	54.226.00
8933004195	23.177.00	48G171	25.408.00	LPW100180L	23.254.00	800355	30.871.00	SAK316	54.248.00
8953004383	30.972.00	48H171	25.408.00	LPW100181	23.254.00	830651	25.413.00	SAK323	54.289.00
8983501843	27.150.00	516886	25.413.00	LRF000020	23.243.00	831800	27.947.00	SAK335	54.312.00
930026	25.408.00	516920	24.360.00	LRF100120	23.243.00	8318420	31.510.00	SAK339	54.293.00
930028	25.407.01	517196	30.800.00	LRF100150	25.001.00	8319733	31.511.00	SB003	30.223.00
932014	24.362.00	517711	24.360.00	LWP10001	23.243.00	8339731	31.699.00	SB008	27.134.00
941709013	24.360.00	535003	25.408.00	MBU1011	25.409.01	834940	23.298.00	SB020	27.477.00
943235102	25.408.00	55900433	25.408.00	MBU1013	23.127.02	8349409	23.298.00	SB086	30.022.00
950196	25.408.00	56249	23.127.02	NTC5958	31.500.00	838475	31.001.00	SB2011	30.286.00
9615841580	23.191.00	600391	24.362.00	PHE000120	30.022.00	880334	23.127.02	SB2014	30.169.00
980465700	26.609.00	601980	24.360.00	PHE000121	30.022.00	8803348	23.127.02	SB2026	30.118.01
		601984	24.360.00	PHE10002	27.174.00	880352	30.871.00	SB2039	27.367.00
RENAULT AGRICULTURE	UFI	602424	25.408.00	PHE10004	30.296.00	880355	30.871.00	SB2051	30.267.00
		60427	25.408.00	PHE10004E	30.296.00	883364	31.001.00	SB2056	27.582.00
0003563616	27.801.00	606168	31.001.00	PHE10006	27.174.00	886043	30.871.00	SB2057	27.648.00
6005000895	24.361.00	7H1927	25.408.00	PHE10012	30.022.00	8860439	30.871.00	SB2061	30.244.00
		833544	24.360.00	PHE10020	27.174.00	8978405	31.502.00	SB2093	30.336.00
ROLLS ROYCE	UFI	8416	27.797.00	PHE100240E	30.239.00	8978561	31.502.00	SB2096	30.148.00
		8G2000	25.408.00	PHE100330	30.068.00	9006181	25.163.00	SB2097	27.593.00
64310146843	54.240.00	8G2300	25.409.01	PHE100331	30.068.00	9117321	25.003.00	SB2101	30.178.00
CV4170	27.893.00	8G683	25.409.01	PHE100380	30.022.00	914444	23.298.00	SB2107	30.277.00
OD11917	24.360.00	8G684	25.413.00	PHE100390	30.235.00	9144445	23.298.00	SB2109	30.437.00
OD11927	24.360.00	8G706	25.413.00	PHE100420	30.821.00	9179904	54.100.00	SB2113	30.139.00
OD2672	24.362.00	8G716	25.413.00	PHE100421	30.821.00	9179904	34.100.00	SB2116	30.279.00
OD2673	24.362.00	92518	25.407.01	PHE100460	30.142.00	9179905	53.045.00	SB2117	30.187.00
OE45176	27.923.00	95218	25.407.01	PHE100461	30.142.00	930957	23.298.00	SB2126	30.112.00
UE40893	23.544.00	9673	25.409.01	PHE100500	27.353.00	9309576	23.298.00	SB2131	30.432.00
UE70123	30.948.00	AAA4671	25.413.00	PHE100520	30.305.00	93181377	60.H20.00	SB2136	27.597.00
UE74370	31.814.00	AA85607	23.246.00	PHE100540	30.432.00	93183412	25.049.00	SB2138	27.402.00
UR22697	31.502.00	AAU7992	23.127.02	PHE100590	30.305.00	931850	27.947.00	SB2142	27.596.00
		AAU8162	23.127.02	TKC6055	31.500.00	9318502	27.947.00	SB2145	30.721.00
ROVER GROUP	UFI	AAU8435	23.197.00	TKC7183	23.129.02	93186310	25.163.00	SB2147	30.615.00
		ADU1818	23.127.02	UAM5361	30.943.00	93186554	23.298.00	SB2152	30.725.00
09673	25.409.01	ADU1833	23.103.00	WJ100000	24.417.00	93191747	25.093.00	SB2154	30.A86.00
101963	25.408.00	ADU3553	23.246.00	WJN000130	24.365.00	93195463	25.061.00	SB2158	30.452.00
11028	25.407.01	ADU3574	23.103.00	WJN10019	24.361.00	93195862	25.061.00	SB2159	30.506.00
114929H	25.413.00	ADU3693	23.103.00	WJN100710	31.535.00	9328519	31.506.00	SB2165	30.533.00
11G115	25.409.01	ADU5071	23.103.00	WJN100710E	31.535.00	9333790	31.502.00	SB2170	30.709.00
122762	27.707.00	ADU6196	27.956.00	WJN101050	31.621.00	9390907	27.154.00	SB2171	30.352.00
129925	25.443.00	ADU6978	23.103.00	WJN101190	31.750.00	9625674	53.020.00	SB2172	30.362.00
12A117	25.413.00	ADU7199	23.103.00	WJN101191	31.750.00			SB2174	30.454.00
12A1191	25.408.00	ADU7201	23.127.02	WJN101250	31.515.00			SB2186/1	30.657.00
12A623	27.716.00	ADU7321	23.131.00	WJN101250EVA	31.515.00			SB2188	27.675.00
12G2373	27.726.00	ADU7322	23.131.00	WJN101520	31.564.00	SA1104	53.030.00	SB2189	30.554.00
12G2400	23.103.00	ADU7323	23.131.00	WJN101520EVA	31.564.00	SA1105	53.234.00	SB2197	30.A95.00
12G2400SLP	23.103.00	ADU7353	23.197.00	WJN101580	31.621.00	SA1139	53.218.00	SB2200	30.541.00
12G2473	27.956.00	ADU7417	23.197.00	WJN101580E	31.621.00	SA1140	53.141.00	SB2204	30.512.00
12G3699EVA	27.956.00	ADU7843	23.246.00			SA1152	53.231.00	SB2205	30.701.00
12G806	27.715.00	ADU9321	23.103.00	SAAB	UFI	SA1156	53.228.00	SB2210	30.388.00
12G819	27.715.00	ADU9779	24.351.00	12575810	25.024.00	SA1163	53.316.00	SB2215	30.647.00
12H2088	27.707.00	ADU9826	23.246.00	12579143	25.024.00	SA1165	53.189.00	SB2217	30.370.00
12H3274	23.127.02	AEU2147	24.351.00	12758727	54.139.00	SA1166	53.148.00	SB2218	30.342.00
12H4849	23.127.02	AFU4213	31.500.00	12758728	54.139.00	SA1183	53.146.00	SB2223	30.408.00
12H4850	23.127.02	AHK426	25.408.00	12762212	60.H20.00	SA1189	53.255.00	SB2225	30.325.00
134311	25.413.00	AHU2880	23.254.00	12762671	24.526.00	SA1198	53.246.00	SB2229	30.628.00
13H298	27.716.00	AJC5122	25.407.01	12786800	30.189.00	SA1221	53.274.00	SB2230	30.A40.00
13H311	25.413.00	AJK5132	27.707.00	12788338	30.190.00	SA1223	53.121.00	SB2232	30.618.00
13H447	27.716.00	AJK5122	25.407.01	12804494	30.190.00	SA1244	53.368.00	SB2235	30.786.00
13H9090	23.103.00	AMK462	25.408.00	13122587	55.120.00	SA1280	53.220.00	SB2236	30.253.00
13H9104	23.103.00	BHA4951	31.001.00	13179060	55.125.00	SA1282	53.379.00	SB2243	30.A37.00
148600	30.800.00	BLM107020	23.127.02	24460713	25.024.00	SA1284	53.208.00	SB2264	30.451.00
1526	25.407.01	BNP2637	23.182.00	32016013	30.190.00	SA1285	53.222.00	SB2266	30.B10.00
162429	25.409.01	BNP2638	23.182.00	4023420	27.520.00	SA1303	53.313.00	SB2268	30.711.00
164434	25.407.01	BNP3419	23.182.00	4163853	31.814.00	SA1305	53.249.00	SB2269	30.C03.00
17H150	25.409.01	CAC2264	31.510.00	4236030	30.036.00	SA1307	53.277.00	SB2270	30.594.00
17H541	25.407.01	CAM6662	27.086.00	4236063	30.011.00	SA1309	53.258.00	SB2285	30.332.00
17H9452	24.360.00	CAM7939	30.943.00	4502696	23.129.02	SA1314	53.293.00	SB2291	30.574.00
19519550056	31.618.00	CDU1179	23.131.00	4572491	27.354.00	SA1328	53.259.00	SB2294	30.688.00
								SB2297	30.569.00

SB2300	30.395.00	SC7068P	26.072.00	N413	53.079.00	Z6744	54.296.00	PA76198	30.206.00
SB2311	30.638.00	SC7074P	26.074.00	N417	53.091.00	Z6749	54.275.00	PA7620	30.175.00
SB2313	30.A97.00	SC7075P	26.115.00	N420	53.087.00	Z6750	54.268.00	PA76200	30.231.00
SB2314	30.A38.00	SC7084P	26.114.00	N504	53.080.00	Z6759	54.274.00	PA76201	30.294.00
SB2318	30.532.00	SF501	25.499.00	N509	53.082.00	Z6763	54.167.00	PA76202	30.257.00
SB2319	30.549.00	SF502	25.528.00	N609	53.075.00	Z685	54.221.00	PA76204	30.288.00
SB2320	27.A97.00	SH4035P	25.060.00	N6204	53.001.00	Z694	54.136.00	PA76207	30.316.00
SB2325	30.A72.00	SH4037	25.210.00	N624	53.094.00	Z695	54.136.00	PA76211	30.417.00
SB2329	30.A15.00	SH4049P	25.106.00	N626	53.100.00	Z729	54.215.00	PA76216	30.299.00
SB2332	30.363.00	SH4055P	25.096.00	N628	53.058.00	Z742	54.159.00	PA76221	30.270.00
SB2333	30.A70.00	SH4062P	25.074.00	N6307	53.388.00	Z7507	54.245.00	PA76222	30.360.00
SB2336	30.A61.00	SH4065P	25.084.00	N6309	53.367.00	Z7511	54.312.00	PA76224	30.276.00
SB2337	27.A92.00	SH4071L	25.201.00	N6319	53.215.00	Z7514	54.257.00	PA76227	30.280.00
SB2342	30.779.00	SH4074L	25.172.00	N632	53.086.00	Z7524	54.254.00	PA76229	30.251.00
SB2347	30.525.00	SH4076P	25.142.00	N6328	53.325.00	Z7528	54.288.00	PA76232	30.262.00
SB2354	30.665.00	SH4078P	25.219.00	N6337	53.224.00	Z7539	54.261.00	PA76236	30.300.00
SB2356	30.648.00	SH4082P	25.204.00	N640	53.077.00	Z7555	54.289.00	PA76237	30.293.00
SB2359	27.D79.00	SH4083P	25.166.00	N641	53.095.00	Z7568	54.320.00	PA76238	30.253.00
SB2360	30.B08.00	SH4092P	25.226.00	N6611	53.257.00	Z7578	54.314.00	PA76241	30.211.00
SB2361	30.603.00	SH4098P	25.145.00	N6642	53.250.00	Z763	54.167.00	PA76242	30.348.00
SB2362	30.A17.00	SH4100P	25.188.00	N665	53.098.00	Z765	54.175.00	PA76243	30.302.00
SB2373	30.A96.00	SH420P	25.011.00	N6659	53.328.00	Z772	54.243.00	PA76246	30.260.00
SB2375	30.B04.00	SH443P	25.018.00	N667	53.122.00	Z793	54.170.00	PA76250	30.506.00
SB2376	30.A67.00	SH453	25.021.00	N668	53.104.00			PA7631	30.147.00
SB2381	30.713.00	SH454	25.015.00	N669	53.107.00	SEAT	UFI	PA7635	30.267.00
SB2388	30.A53.00	SH4755	25.033.00	N670	53.106.00	⇒ VAG		PA7637	30.130.00
SB2395	30.A21.00	SH4763	25.052.00	N6706	53.249.00			PA7672	30.177.00
SB2396	30.692.00	SH4771P	25.023.00	N6707	53.226.00	SELEMAT SEMPURNA	UFI	PA7726	30.239.00
SB2413	30.A91.00	SH4788P	25.027.00	N6721	53.222.00	⇒ SAKURA		PA7729	30.256.00
SB2414	30.A59.00	SH4794	25.043.00	N6748	53.259.00			PA7733	30.222.00
SB2417	30.A51.00	SK5803	23.476.00	N6751	53.258.00	SF-FILTER (SCHUPP)	UFI	PA7750	30.255.00
SB260	30.239.00	SK810	23.475.00	N6753	53.274.00			PA7752	30.001.00
SB268	27.604.00	SM182	23.495.00	N6760	53.137.00	5021	31.699.00	PA7753	30.284.00
SB269	27.521.00	SM5016	23.584.00	N6763	53.218.00	DX311	27.982.00	PA7788	30.169.00
SB293	30.242.00	SM5084	23.489.00	N6772	53.255.00	FD8247	23.118.00	PA7801	30.124.00
SB294	30.235.00	SM5085	23.494.00	N6779	53.150.00	FT4654	23.105.00	PA7831	30.997.00
SB295	30.001.00	SM5774	23.546.00	N680	53.201.00	PA7278	30.098.00	PA7849	30.851.00
SB2966	27.E34.00	SM5777	23.585.00	N693	53.112.00	PA7442		PA7856	30.166.00
SB299	27.E44.00	SM844	23.482.00	N694	53.102.00	(BMW)	30.029.00	PA7864	30.372.00
SB3005	27.602.00	ST308		N695	53.129.00	PA7442		PA7865	30.336.00
SB3122	27.A05.00	(ALTRE/OTHER APPL.)	31.510.00	N699	53.116.00	(VAG)	30.192.00	PA7881	30.275.00
SB3142	27.193.00	ST308		N725	53.159.00	PA7583	30.104.00	PA7885	30.230.00
SB3147	27.522.00	(OPEL, VAUXHALL)	31.611.00	N741	53.213.00	PA7585	30.249.00	PA7890	30.240.00
SB3250	30.289.00	ST308/1	31.529.00	N742	53.206.00	PA7589	30.216.00	PA7892	30.243.00
SB3251	30.288.00	ST319	24.382.00	N7505	53.390.00	PA7590	30.320.00	PA7896	30.223.00
SB3265	27.C10.00	ST325	24.424.00	N7512	53.298.00	PA7593	30.132.00	PA7899	30.073.00
SB3272	27.397.00	ST330	31.741.00	N7514	53.293.00	PA7602	30.126.00	PA7901	30.221.00
SB3279	27.D10.00	ST352	31.514.00	N7519	53.299.00	PA76102	30.088.00	PA7912	30.050.00
SB3280	27.691.00	ST377	24.380.00	N7521	53.389.00	PA76103	30.155.00	PA7913	30.143.00
SB514		ST390	24.007.00	N7522	53.384.00	PA76104	30.204.00	PA7915	30.170.00
(HONDA)	27.591.00	ST391	24.416.00	N7527	53.326.00	PA76105	30.112.00	PA7916	30.237.00
SB522	27.355.00	ST487	31.844.00	N7563	53.273.00	PA76114	30.220.00	PA7930	30.001.00
SB539	30.596.00	ST498	24.013.00	N7572	53.391.00	PA76116	30.541.00	PA7938	30.236.00
SB543	30.575.00	ST6019	24.398.00	N765	53.156.00	PA76118	30.228.00	PA7944	30.285.00
SB559	30.372.00	ST6082	24.454.00	N775	53.154.00	PA76122/1	30.272.00	PA7996	30.188.00
SB590	30.460.00	ST6089	24.423.00	N778	53.219.00	PA76126/1	30.292.00	SB2227	31.504.00
SB591	27.520.00	ST6093	24.027.00	N793	53.207.00	PA76136	30.289.00	SB2240	31.012.00
SB598	30.A71.00	ST6104	55.418.00	N794	53.160.00	PA76138	30.327.00	SB2319	31.749.00
SB610	30.243.00	ST6106	24.455.00	N795	53.261.00	PA76139	30.226.00	SB2333	31.776.00
SB611	30.296.00	ST6115	24.126.00	Z114	54.197.00	PA76142	30.281.00	SB2335	31.841.00
SB613	27.583.00	ST6119	24.451.00	Z214	54.195.00	PA76144	30.199.00	SB2337	31.834.00
SB622	30.141.00	ST6120	24.ONE.01	Z227	54.109.00	PA76151	30.324.00	SB2338	31.694.00
SB623	27.527.00	ST6136	24.113.00	Z229	54.121.00	PA76152	30.203.00	SB2340	31.843.00
SB626	27.605.00	ST6138	24.112.00	Z327	54.249.00	PA76153	30.183.00	SB2341	31.811.00
SB667		ST6139	24.145.00	Z405	54.196.00	PA76155	30.295.00	SB2344	31.825.00
(VAG)	30.398.00	ST6142	26.102.00	Z406	54.235.00	PA76159	30.266.00	SB2349	31.847.00
SB916	30.A50.00	ST6159	24.144.00	Z420	54.198.00	PA76161	30.309.00	SB2350	31.844.00
SB921	30.238.00	ST6169	24.114.00	Z6111	54.262.00	PA76164	30.229.00	SB2354	31.830.00
SB926	30.505.00	ST6500	55.170.00	Z6205	54.277.00	PA76166	30.196.00	SB2357	31.848.00
SB935	30.230.00	ST769	26.676.00	Z6215	54.270.00	PA76167	30.244.00	SB2746	31.696.00
SB939	30.275.00	ST775	24.391.00	Z6313	54.256.00	PA76168	30.320.00	SB2773	31.009.00
SB956	30.295.00	ST785	24.445.00	Z632	54.122.00	PA76171	30.241.00	SB2774	31.001.00
SB957	30.236.00	ST791	31.828.00	Z6321	54.253.00	PA76173	30.265.00	SH4074P	25.172.00
SB975	30.102.00	ST792	24.401.00	Z6324	54.218.00	PA76174	30.189.00	SH4093P	25.178.00
SB976	27.274.00			Z6330	54.248.00	PA76176	30.187.00	SK3055	55.394.00
SB977	30.788.00	SCUDO	UFI	Z6337	54.226.00	PA76177	30.274.00	SK3063	26.072.00
SB981	30.126.00			Z635	54.103.00	PA76180	30.186.00	SK3089	55.170.00
SB983	30.338.00	N108	53.070.00	Z6411	54.252.00	PA76181	30.185.00	SK3119	24.437.00
SB987	30.537.00	N109	53.074.00	Z6626	54.247.00	PA76182	30.136.00	SK3131	24.343.00
SB995	30.101.00	N114	53.014.00	Z6655	54.271.00	PA76183	30.225.00	SK3132	26.045.00
SB996	30.155.00	N225	53.068.00	Z6663	54.273.00	PA76185	30.218.00	SK3134	24.436.00
SB998	27.356.00	N313	53.209.00	Z668	54.232.00	PA76186	30.308.00	SK3194	24.457.00
SC7000P	26.688.00	N317	53.223.00	Z6683	54.124.00	PA76187	30.232.00	SK3196/2	26.149.00
SC7014P	26.006.00	N330	53.210.00	Z669	54.201.00	PA76188	30.234.00	SK3204	24.411.00
SC7030	26.003.00	N331	53.212.00	Z6691	54.240.00	PA76190	30.313.00	SK3207	26.690.00
SC7043	26.014.00	N407	53.061.00	Z670	54.237.00	PA76191	30.312.00	SK3209	24.412.00
SC7043P	26.014.00	N410	53.084.00	Z6703	54.144.00	PA76193	30.277.00	SK3210	26.687.00
SC7054P	26.055.00	N412	53.083.00	Z6717	54.265.00	PA76197	30.247.00	SK3211	26.691.00

SK3212	26.688.00	SKL2485AK	54.101.00	SL6709	27.526.00	SP4672	23.474.00	V3749	54.275.00
SK3217	24.404.00	SKL2487	53.044.00	SL8014	27.550.00	SP4688	23.435.00	V3750	54.268.00
SK3224	26.006.00	SKL2490	53.114.00	SL8154	27.589.00	SP4751	23.413.00	V3757	54.377.00
SK3225	24.417.00	SKL2491AK	53.100.00	SL8258	27.525.00	SP4783	23.439.00	V3759	54.274.00
SK3226	24.416.00	SKL2493	53.050.00	SL83166	27.891.00	SP4786	23.470.00	V3763	54.167.00
SK3226/2	24.006.00	SKL2494	53.094.00	SL8319	27.477.00	SP4849	23.457.00	V3793-B	34.170.00
SK3229	24.007.00	SKL2494AK	54.131.00	SL8323	27.579.00	SP4896	23.471.00	V4004-B	34.236.00
SK3234	24.424.00	SKL2496	53.075.00	SL8342	27.282.00	SP5175		V4005	54.245.00
SK3236	24.370.00	SKL2498	53.040.00	SL8344	27.356.00	(FORD)	23.440.00	V4005-B	34.245.00
SK3238	24.414.00	SKL47001AK	54.100.00	SL8415	27.591.00	SP5175/1	23.440.00	V4009	54.312.00
SK3242	24.415.00	SKL47002AK	54.128.00	SL8457	27.584.00	SP5195/1	23.475.00	V4010-B	34.219.00
SK3247	24.451.00	SKL47004	53.031.00	SL8536	27.580.00	TO1010	23.131.01	V4012	54.257.00
SK3257	24.418.00	SKL47008	53.086.00	SL8556	27.878.00	TO1020	23.105.00	V4021	54.254.00
SK3263	24.423.00	SKL47008AK	54.122.00	SL8647	27.524.00			V4024	54.288.00
SK3303	26.694.00	SKL47011	53.058.00	SL8673	27.520.00	SIARIA	UFI	V4029	54.261.00
SK3306	26.022.00	SKL47012AK	54.120.00	SL8950	27.902.00			V4038	54.289.00
SK3310	26.695.00	SKL47016	54.112.00	SO1205	25.407.01	D3655	54.271.00	V4046	54.320.00
SK3315	31.852.00	SKL4701AK-SET	54.130.00	SO4073	25.004.00	H108	53.070.00	V4050	54.331.00
SK3316	24.027.00	SKL47024	53.077.00	SO4074	25.008.00	H114	53.014.00	V4054	54.314.00
SK3325	24.444.00	SKL47025	53.118.00	SO4137	25.443.00	H313	53.209.00	V406	54.235.00
SK3331	24.427.00	SKL47027	53.090.00	SO4218	25.019.00	H317	53.223.00	V420	54.198.00
SK3332	24.445.00	SKL47029	53.021.00	SO4336	25.011.00	H3204	53.001.00	V668	54.232.00
SK3336	24.086.00	SKL47030	53.095.00	SO4502	25.012.00	H330	53.210.00	V669	54.201.00
SK3346	24.H2O.04	SKL47030AK	54.133.00	SO4572	25.002.00	H3307	53.388.00	V670	54.237.00
SK3365	26.014.00	SKL47031AK	54.148.00	SO4595	25.003.00	H3309	53.367.00	V685	54.221.00
SK3374	24.005.00	SKL47034-SET	53.121.00	SO4597	25.001.00	H331	53.212.00	V742	54.159.00
SK3375	24.H2O.07	SKL47037-SET	53.119.00	SO4602	25.080.00	H3316	53.426.00	V772	54.243.00
SK3376	24.441.00	SKL47039AK	54.132.00	SO4615	25.018.00	H3319	53.215.00	V793	54.170.00
SK3377	26.057.00	SKL47040	53.126.00	SO4618	25.017.00	H3328	53.325.00		
SK3440	26.001.00	SKL47043	53.122.00	SO4622	25.014.00	H3337	53.224.00	SIVENTO	UFI
SK3492	24.409.00	SKL47050	53.105.00	SO4674	25.067.00	H3611	53.257.00	G111	54.262.00
SK3598	26.131.00	SKL47054	53.101.00	SO4675	25.035.00	H3642	53.250.00	G114	54.197.00
SK3635	24.398.00	SKL47057	53.103.00	SO4696	25.015.00	H3648	53.407.00	G200	54.108.00
SK3644/1	24.379.01	SKL47061	53.125.00	SO4709	25.053.00	H3706	53.249.00	G205	54.277.00
SK3664	24.370.00	SKL47063-SET	53.197.00	SO4709/1	25.054.00	H3707	53.226.00	G214	54.195.00
SK3674	24.326.00	SKL47064	53.117.00	SO4720	25.052.00	H3721	53.222.00	G215	54.270.00
SK3675	24.366.00	SKL47067	53.116.00	SO4731	25.026.00	H3748	53.259.00	G227	54.109.00
SK3678	26.680.00	SKL47071-SET	53.120.00	SO4764	25.043.00	H3751	53.258.00	G228	54.101.00
SK3681	26.683.00	SKL47072	53.129.00	SO4808	25.033.00	H3753	53.274.00	G229	54.121.00
SK3696	24.338.00	SKL47072AK	54.158.00	SO4812	25.072.00	H3763	53.218.00	G232	54.102.00
SK3712	24.326.00	SKL47073	53.102.00	SO4818	25.022.00	H3769-B	34.163.00	G313	54.256.00
SK3761	31.013.00	SKL47073AK	54.136.00	SO4831	25.021.00	H3772	53.255.00	G321	54.253.00
SK3762	31.028.00	SKL47074AK	54.151.00	SO4835	25.056.00	H3779	53.150.00	G324	54.218.00
SK3820	24.351.00	SKL47076AK	54.142.00	SO4836	25.029.00	H3791	53.294.00	G326	54.223.00
SK3820/1	24.351.01	SKL47077AK	54.124.00	SO4868	25.009.00	H4003	53.390.00	G327	54.249.00
SK3960	24.360.01	SKL47080AK	54.144.00	SO4870	25.010.00	H4010	53.298.00	G330	54.248.00
SK3970	24.361.00	SKL47085	53.123.00	SO4875	25.060.00	H4012	53.293.00	G333	54.312.00
SK3980	24.360.00	SKL47086	53.104.00	SO4875/1	25.060.00	H4016	53.299.00	G337	54.226.00
SK3987	24.352.00	SKL47088AK	54.147.00	SO4876	25.041.00	H4018	53.389.00	G347	54.245.00
SK48577	26.074.00	SKL47089	53.131.00	SO4878	25.067.00	H4019	53.384.00	G350	54.257.00
SK48607	24.144.00	SKL47091-SET	53.108.00	SO4884	25.063.00	H4022	53.396.00	G352	54.261.00
SK48667	24.145.00	SKL47117	53.161.00	SO4887	25.069.00	H4042	53.273.00	G358	54.254.00
SK48669	24.149.00	SKL47158	53.315.00	SO4888	25.068.00	H4049	53.391.00	G361	54.288.00
SK48795	26.080.00	SKV404	31.028.00	SO4905	25.058.00	H668	53.104.00	G375	54.289.00
SKL2400	53.015.00	SL1695	27.107.00	SP4008	23.257.00	H669	53.107.00	G399	54.314.00
SKL2401	53.001.00	SL5673	27.A05.00	SP4008/1	23.482.00	H680	53.201.00	G405	54.196.00
SKL2402	53.010.00	SL5985	27.648.00	SP4013	23.185.01	H741	53.213.00	G406	54.235.00
SKL2404	53.026.00	SL60105	27.582.00	SP4015	23.263.00	H742	53.206.00	G411	54.252.00
SKL2405	53.024.00	SL60110	27.353.00	SP4024	23.165.00	H778	53.219.00	G420	54.198.00
SKL2406	53.020.00	SL60115/1	27.385.00	SP4028	23.243.00	H793	53.207.00	G434	54.320.00
SKL2407	53.016.00	SL60116	27.593.00	SP4032	23.271.00	H794	53.160.00	G437	54.331.00
SKL2409	53.019.00	SL60117	27.341.00	SP4032/1	23.271.00	H795	53.261.00	G613	54.114.00
SKL2412	53.071.00	SL60119	30.217.00	SP4040	23.265.00	V114	54.197.00	G626	54.247.00
SKL2413	53.027.00	SL60123	27.601.00	SP4052	23.240.00	V227	54.109.00	G629	54.119.00
SKL2414	53.021.00	SL60127	27.401.00	SP4060	23.232.00	V3111	54.262.00	G633	54.319.00
SKL2415	53.006.00	SL60128	27.585.00	SP4063	23.231.00	V3205	54.277.00	G645	54.115.00
SKL2417	53.013.00	SL60129	27.486.00	SP4065	23.272.00	V3208-B	34.109.00	G655	54.271.00
SKL2419	53.046.00	SL60132	27.586.00	SP4141	23.246.00	V3215	54.270.00	G663	54.273.00
SKL2420	53.014.00	SL60133	27.592.00	SP4162	23.130.01	V327	54.249.00	G668	54.232.00
SKL2421	53.011.00	SL60135	27.594.00	SP4222	23.477.00	V3310-B	34.217.00	G669	54.201.00
SKL2421AK	54.165.00	SL60136	27.595.00	SP4320	23.110.02	V3313	54.256.00	G670	54.237.00
SKL2422	53.023.00	SL60141	27.D79.00	SP4320/1	23.110.02	V3318-B	34.234.00	G683	54.121.00
SKL2422AK	54.107.00	SL60142	27.676.00	SP4330	23.241.00	V3321	54.253.00	G685	54.224.00
SKL2423	53.025.00	SL60161	30.A41.00	SP4340		V3324	54.218.00	G691	54.240.00
SKL2431	53.004.00	SL6129	27.602.00	(ALTRE/OTHER APPL.)	23.185.01	V3325-B	34.114.00	G703	54.144.00
SKL2432	53.028.00	SL6149	27.583.00	SP4382	23.124.00	V3330	54.248.00	G707	54.153.00
SKL2436	53.012.00	SL6194	27.397.00	SP4384	23.156.00	V3337	54.226.00	G717	54.265.00
SKL2441AK-SET	54.108.00	SL6196	27.527.00	SP4400	23.102.02	V3411	54.252.00	G729	54.215.00
SKL2442	53.018.00	SL6208	27.881.00	SP4432	23.303.00	V3626	54.247.00	G742	54.159.00
SKL2445	53.017.00	SL6212	27.828.00	SP4435	23.249.00	V3633	54.319.00	G744	54.296.00
SKL2446	53.007.00	SL6214	27.804.00	SP4439	23.262.00	V3633-B	34.111.00	G749	54.275.00
SKL2448-2X	53.005.00	SL6222	27.920.00	SP4495	23.463.00	V3663	54.273.00	G750	54.268.00
SKL2456	53.074.00	SL6257	27.C10.00	SP4520/40	23.439.00	V3683	54.124.00	G759	54.274.00
SKL2459	53.002.00	SL6294	27.801.00	SP4559	23.413.00	V3683-B	34.124.00	G763	54.167.00
SKL2470	53.134.00	SL6357	27.A72.00	SP4569	23.476.00	V3691	54.240.00	G772	54.243.00
SKL2479	53.009.00	SL6399	27.283.00	SP4603	23.243.00	V3703	54.144.00	G779	54.275.00
SKL2479AK	54.110.00	SL6416	27.588.00	SP4638	23.313.00	V3717	54.265.00	G793	54.170.00
SKL2482	53.091.00	SL6635	27.590.00	SP4650	23.185.01	V3744	54.296.00		

P103	53.024.00	P787	53.394.00	S 0212 A	27.401.00	S 1161 GC	55.116.01	S 1696 B	31.696.00
P105	53.042.00	P791	53.294.00	S 0220 PO	25.539.00	S 1170 R	23.117.00	S 1699 B	31.699.00
P106	53.023.00	P793	53.207.00	S 0280 PO	25.408.00	S 1173 PE	25.173.01	S 1710 A	30.099.00
P108	53.070.00	P794	53.160.00	S 0290 A	30.290.00	S 1210 A	30.243.00	S 1710 B	31.710.00
P109	53.074.00	P795	53.261.00	S 0300 NR	24.304.00	S 1212 A	30.320.00	S 1710 R	23.134.00
P110	53.033.00	P913	53.023.00	S 0302 A	30.134.00	S 1220 A	27.588.00	S 1712 B	31.712.00
P114	53.014.00	S10167	30.390.00	S 0319 NC	24.401.00	S 1250 A	27.366.00	S 1715 B	31.715.00
P203	53.046.00	S10172	30.101.00	S 0320 R	23.440.00	S 1270 R	23.127.02	S 1718 B	31.718.00
P204	53.001.00			S 0333 A	30.330.00	S 1302 A	30.135.00	S 1722 B	31.722.00
P205	53.015.00	SKODA	UFI	S 0340 A	30.063.00	S 1310 R	23.453.00	S 1724 B	31.724.00
P208	53.006.00	⇒ VAG		S 0346 A	30.460.00	S 1379 NR	24.379.01	S 1725 B	31.725.00
P211	53.016.00			S 0378 A	30.780.00	S 1408 NR	24.080.01	S 1730 A	30.908.00
P212	53.004.00	SMART	UFI	S 0400 A	27.792.00	S 1410 A	30.108.00	S 1731 B	31.731.00
P213	53.002.00			S 0410 NR	24.374.00	S 1410 NR	24.375.00	S 1740 B	31.740.00
P215	53.007.00	0001024V001	27.386.00	S 0412 A	30.319.00	S 1410 R	23.171.00	S 1741 B	31.741.00
P216	53.005.00	0001110V003	54.113.00	S 0420 A	30.904.00	S 1412 A	30.302.00	S 1747 B	31.747.00
P219	53.012.00	0001110V004	54.113.00	S 0420 R	23.156.00	S 1420 A	30.914.02	S 1748 B	31.748.00
P220	53.017.00	0001802810	23.479.00	S 0422 N	26.676.00	S 1430 A	30.961.00	S 1749 B	31.749.00
P221	53.047.00	0002591V003	31.835.00	S 0449 A	30.398.00	S 1446 NR	24.446.01	S 1750 B	31.750.00
P224	53.030.00	0002591V004	31.835.00	S 0491 N	26.694.00	S 1460 A	27.707.00	S 1751 B	31.751.00
P226	53.034.00	0002591V004000000	31.835.00	S 0492 N	26.695.00	S 1500 B	31.500.00	S 1761 B	31.761.00
P230	53.059.00	0003041V003	25.035.00	S 0502 A	30.183.00	S 1501 B	31.501.00	S 1764 B	31.764.00
P306	53.397.00	0003041V004	25.035.00	S 0503 A	30.050.00	S 1502 B	31.502.00	S 1768 B	31.768.00
P307	53.388.00	0003124V001	27.386.00	S 0520 A	30.911.00	S 1503 B	31.503.00	S 1769 B	31.769.00
P309	53.367.00	0003414V002	31.710.00	S 0543 A	30.450.00	S 1504 B	31.504.00	S 1770 B	31.770.00
P313	53.209.00	0003414V003	31.948.00	S 0602 A	30.158.00	S 1505 B	31.505.00	S 1775 B	31.775.00
P317	53.223.00	0003414V003000000	31.948.00	S 0620 A	30.235.00	S 1506 A	27.888.00	S 1776 B	31.776.00
P319	53.215.00	0004591V001	27.385.00	S 0622 A	30.454.00	S 1506 B	31.506.00	S 1780 A	30.894.00
P323	53.390.00	0008034V001	25.035.00	S 0630 A	30.852.00	S 1507 B	31.507.00	S 1801 B	31.801.00
P324	53.422.00	0009997V001	27.592.00	S 0650 A	27.881.00	S 1508 B	31.508.00	S 1802 A	30.152.00
P328	53.325.00	0010940301	30.466.00	S 0660 A	27.719.00	S 1510 B	31.510.00	S 1802 B	31.802.00
P330	53.210.00	0013871V001	54.144.00	S 0680 A	27.731.00	S 1511 B	31.511.00	S 1810 NR	24.350.00
P331	53.212.00	0013871V002	54.144.00	S 0700 R	23.108.00	S 1513 B	31.513.00	S 1811 B	31.811.00
P337	53.224.00	0013871V0020000	54.144.00	S 0710 A	27.520.00	S 1514 B	31.514.00	S 1811 NR	24.350.01
P345	53.298.00	0013944V001000000	27.386.00	S 0730 A	30.835.00	S 1515 B	31.515.00	S 1812 NR	24.350.02
P350	53.293.00	0019727V001	25.035.00	S 0756 A	27.647.00	S 1517 B	31.517.00	S 1814 B	31.814.00
P353	53.396.00	1110V004000000	54.113.00	S 0760 A	27.706.00	S 1519 B	31.519.00	S 1817 B	31.817.00
P357	53.384.00	1221800110	23.485.00	S 0802 A	30.168.00	S 1520 B	31.520.00	S 1824 B	31.824.00
P360	53.299.00	1321800010	23.565.00	S 0880 A	30.880.00	S 1523 B	31.523.00	S 1825 B	31.825.00
P363	53.389.00	1350900501	30.253.00	S 0902 A	30.226.00	S 1525 B	31.525.00	S 1828 B	31.828.00
P368	53.326.00	13871V002000000	54.144.00	S 0910 NC	24.390.00	S 1528 NR	24.528.01	S 1830 B	31.830.00
P374	53.273.00	2810940000	30.820.00	S 0910 R	23.130.03	S 1529 B	31.529.00	S 1831 B	31.831.00
P377	53.383.00	2811800310	23.481.00	S 0911 NC	24.389.00	S 1530 R	23.242.00	S 1832 B	31.832.00
P379	53.365.00	3041V004000000	25.035.00	S 0912 NC	24.388.00	S 1531 B	31.531.00	S 1833 B	31.833.00
P398	53.391.00	3124V001000000	27.386.00	S 0914 NC	26.690.00	S 1535 B	31.535.00	S 1834 B	31.834.00
P406	53.021.00	4514770001	31.923.00	S 0920 NC	26.693.00	S 1539 B	31.539.00	S 1835 B	31.835.00
P413	53.079.00	4518300018	54.176.00	S 0920 R	23.546.00	S 1540 A	27.081.00	S 1836 B	31.836.00
P417	53.091.00	4518300018	34.176.00	S 0929 NC	26.696.00	S 1541 B	31.541.00	S 1838 B	31.838.00
P418	53.040.00	4538350300	54.288.00	S 0930 A	30.930.00	S 1543 B	31.543.00	S 1839 B	31.839.00
P501	53.035.00	4538350300	34.288.00	S 0936 A	30.936.00	S 1547 B	31.547.00	S 1840 A	27.232.00
P504	53.080.00	4544700090	24.436.00	S 0939 A	30.939.00	S 1550 A	27.906.00	S 1840 B	31.840.00
P509	53.082.00	4548300018	54.144.00	S 0946 A	30.946.00	S 1550 B	31.550.00	S 1841 B	31.841.00
P604	53.052.00	4591V001000000	27.385.00	S 0950 A	27.804.00	S 1551 B	31.551.00	S 1842 B	31.842.00
P605	53.051.00	9997V001000000	27.592.00	S 0954 NR	24.095.04	S 1556 B	31.556.00	S 1843 B	31.843.00
P608	53.045.00	A0001802810	23.479.00	S 0972 A	30.972.00	S 1558 B	31.558.00	S 1844 B	31.844.00
P609	53.075.00	A0010940301	30.466.00	S 0974 A	30.974.00	S 1560 B	31.560.00	S 1845 B	31.845.00
P610	53.041.00	A1321800010	23.565.00	S 0975 A	30.975.00	S 1560 R	23.156.02	S 1846 B	31.846.00
P611	53.257.00	A1321800110	23.565.00	S 0976 A	30.976.00	S 1561 B	31.561.00	S 1847 B	31.847.00
P613	53.031.00	A1350900501	30.253.00	S 0978 A	30.978.01	S 1562 B	31.562.00	S 1848 B	31.848.00
P624	53.094.00	A1601840225	25.035.00	S OH20 NE	26.H20.00	S 1563 R	23.156.03	S 1849 B	31.849.00
P626	53.100.00	A2810940000	30.820.00	S OH20 NR	24.H20.00	S 1564 B	31.564.00	S 1850 B	31.850.00
P628	53.058.00	A2811800310	23.481.00	S OONE NR	24.ONE.00	S 1565 B	31.565.00	S 1851 B	31.851.00
P633	53.038.00	A4514770001	31.923.00	S 1001 DR	23.237.00	S 1569 B	31.569.00	S 1852 B	31.852.00
P639	53.039.00	A4518300018	54.176.00	S 1010 B	31.010.00	S 1570 B	31.570.00	S 1853 B	31.853.00
P641	53.095.00	A4518300018	34.176.00	S 1012 A	30.244.00	S 1575 B	31.575.00	S 1854 B	31.854.00
P642	53.250.00	A4534700400	31.948.00	S 1012 B	31.012.00	S 1580 B	31.580.00	S 1855 B	31.855.00
P648	53.407.00	A4538350300	54.288.00	S 1013 B	31.013.00	S 1583 B	31.583.00	S 1861 B	31.861.00
P657	53.069.00	A4538350300	34.288.00	S 1019 NE	26.019.01	S 1589 B	31.589.00	S 1880 R	23.188.00
P662	53.067.00	A6390900501	30.252.00	S 1020 B	31.020.00	S 1592 B	31.592.00	S 1900 B	31.563.00
P668	53.104.00	A6391840101	23.478.00	S 1020 NR	24.327.00	S 1594 B	31.594.00	S 1902 A	27.486.00
P669	53.107.00			S 1024 B	31.024.00	S 1600 R	23.127.00	S 1914 B	31.914.00
P670	53.106.00	SOFIMA	UFI	S 1026 B	31.026.00	S 1609 B	31.609.00	S 1919 B	31.919.00
P680	53.201.00			S 1027 B	31.027.00	S 1610 R	23.172.00	S 1920 A	30.071.00
P706	53.249.00	S 0002 R	23.457.00	S 1028 B	31.028.00	S 1611 B	31.611.00	S 1920 B	31.920.00
P707	53.226.00	S 0012 O	20.012.00	S 1030 A	30.052.00	S 1612 A	30.364.00	S 1921 B	31.921.00
P721	53.222.00	S 0030 A	30.033.00	S 1060 A	27.524.00	S 1618 B	31.618.00	S 1922 B	31.922.00
P741	53.213.00	S 0060 A	27.902.00	S 1061 NR	24.061.01	S 1620 A	30.928.00	S 1923 B	31.923.00
P742	53.206.00	S 0080 A	30.127.00	S 1066 A	27.785.00	S 1621 B	31.621.00	S 1924 B	31.924.00
P748	53.259.00	S 0090 R	23.281.00	S 1071 B	31.071.00	S 1624 B	31.624.00	S 1925 B	31.925.00
P751	53.258.00	S 0100 R	23.132.00	S 1076 NE	26.076.01	S 1627 B	31.627.00	S 1927 B	31.927.00
P753	53.274.00	S 0101 N	21.050.00	S 1080 A	30.128.00	S 1648 B	31.648.00	S 1930 A	30.030.00
P760	53.137.00	S 0101 R	23.495.00	S 1080 PO	25.407.01	S 1649 B	31.649.00	S 1941 B	31.941.00
P763	53.218.00	S 0110 R	23.455.00	S 1095 NR	24.095.01	S 1650 B	31.650.00	S 1944 B	31.944.00
P764	53.161.00	S 0122 O	20.012.02	S 1100 R	23.131.02	S 1664 B	31.664.00	S 1946 B	31.946.00
P772	53.255.00	S 0130 R	23.191.00	S 1102 A	30.141.00	S 1669 B	31.669.00	S 1947 B	31.947.00
P775	53.154.00	S 0133 A	30.372.00	S 1104 NR	24.104.01	S 1690 B	31.690.00	S 1948 B	31.948.00
P778	53.219.00	S 0140 R	23.195.00	S 1130 A	30.012.00	S 1694 B	31.694.00	S 1950 B	31.950.00
P779	53.150.00	S 0190 A	27.111.00	S 1141 GC	55.114.01	S 1695 B	31.695.00	S 1951 B	31.951.00

S 1952 B	31.952.00	S 3011 A	30.011.00	S 3076 C	53.076.00	S 3133 C	53.133.00	S 3220 C	53.220.00
S 1953 B	31.953.00	S 3011 C	53.011.00	S 3077 A	30.077.00	S 3134 C	53.134.00	S 3221 A	30.221.00
S 1958 B	31.958.00	S 3012 A	30.120.00	S 3077 C	53.077.00	S 3135 C	53.135.00	S 3222 A	30.222.00
S 1960 A	30.155.00	S 3012 C	53.012.00	S 3078 A	30.078.01	S 3136 C	53.136.00	S 3222 C	53.222.00
S 1962 B	31.962.00	S 3013 C	53.013.00	S 3079 A	30.079.00	S 3137 C	53.137.00	S 3223 C	53.223.00
S 1985 B	31.985.00	S 3013 DR	23.313.00	S 3079 C	53.079.00	S 3138 C	53.138.00	S 3224 A	30.224.00
S 1994 B	31.994.00	S 3014 C	53.014.00	S 3080 A	30.080.00	S 3139 R	23.139.00	S 3224 C	53.224.00
S 1A06 B	31.A06.00	S 3015 C	53.015.00	S 3080 C	53.080.00	S 3140 A	30.115.00	S 3226 C	53.226.00
S 1A10 B	31.A10.00	S 3016 A	30.016.00	S 3081 A	30.381.00	S 3141 C	53.141.00	S 3227 A	30.227.00
S 1A16 B		S 3016 C	53.016.00	S 3081 PO	25.406.01	S 3142 C	53.142.00	S 3227 C	53.227.00
(SENZA STAFFA WITHOUT BRACKET)	31.A16.00	S 3017 A	30.017.00	S 3082 A	30.082.00	S 3143 A	30.143.00	S 3228 A	30.228.00
S 1E2X NE	26.E2X.01	S 3017 C	53.017.00	S 3082 C	53.082.00	S 3143 C	53.143.00	S 3228 C	53.228.00
S 1H2O NR	24.H2O.01	S 3018 C	53.018.00	S 3083 A	30.083.00	S 3144 C	53.144.00	S 3229 A	30.229.00
S 1ONE NR	24.ONE.01	S 3019 A	30.019.00	S 3083 C	53.083.00	S 3145 C	53.145.00	S 3229 C	53.229.00
S 2002 A	30.161.00	S 3019 C	53.019.00	S 3084 C	53.084.00	S 3146 C	53.146.00	S 3230 A	27.177.00
S 2012 A	30.187.00	S 3020 A	30.020.00	S 3085 A	30.085.00	S 3147 C	53.147.00	S 3230 C	53.230.00
S 2023 A	30.202.00	S 3020 C	53.020.00	S 3085 C	53.085.00	S 3148 C	53.148.00	S 3231 A	30.231.00
S 2030 R	23.130.01	S 3021 A	30.021.00	S 3086 A	30.086.00	S 3149 C	53.149.00	S 3231 C	53.231.00
S 2032 A	30.407.00	S 3021 C	53.021.00	S 3086 C	53.086.00	S 3150 C	53.150.00	S 3232 A	30.232.00
S 2040 A	30.871.00	S 3022 A	30.022.00	S 3087 A	30.087.00	S 3151 C	53.151.00	S 3232 C	53.232.00
S 2042 NE	26.042.02	S 3022 C	53.022.00	S 3087 C	53.087.00	S 3152 C	53.152.00	S 3232 R	23.232.00
S 2060 A	30.217.00	S 3023 C	53.023.00	S 3088 A	30.088.00	S 3153 C	53.153.00	S 3233 C	53.233.00
S 2080 PO	25.530.01	S 3024 A	30.024.00	S 3088 C	53.088.00	S 3154 C	53.154.00	S 3234 C	53.234.00
S 2100 R	23.105.00	S 3024 C	53.024.00	S 3090 C	53.090.00	S 3155 C	53.155.00	S 3234 R	23.234.00
S 2110 A	30.230.00	S 3025 C	53.025.00	S 3091 C	53.091.00	S 3156 C	53.156.00	S 3235 C	53.235.00
S 2130 A	30.013.00	S 3026 C	53.026.00	S 3093 C	53.093.00	S 3157 C	53.157.00	S 3236 A	30.236.00
S 2161 N	21.061.00	S 3027 C	53.027.00	S 3094 C	53.094.00	S 3158 C	53.158.00	S 3236 C	53.236.00
S 2210 R	23.447.00	S 3028 A	30.028.00	S 3095 A	30.950.00	S 3159 C	53.159.00	S 3236 DR	23.236.00
S 2240 A	30.898.00	S 3028 C	53.028.00	S 3095 C	53.095.00	S 3160 A	30.160.00	S 3237 A	30.237.00
S 2290 R	23.131.01	S 3029 A	30.029.00	S 3096 A	30.096.00	S 3160 C	53.160.00	S 3238 A	30.238.00
S 2300 A	27.734.00	S 3030 A	30.040.00	S 3097 A	30.097.00	S 3161 C	53.161.00	S 3238 DR	23.238.00
S 2302 A	30.136.00	S 3030 C	53.030.00	S 3098 C	53.098.00	S 3162 C	53.162.00	S 3239 C	53.239.00
S 2310 A	30.032.00	S 3031 C	53.031.00	S 3099 A	30.990.00	S 3163 C	53.163.00	S 3240 C	53.240.00
S 2312 A	30.233.00	S 3032 C	53.032.00	S 3099 C	53.099.00	S 3164 C	53.164.00	S 3241 A	30.241.00
S 2320 NR	24.436.00	S 3033 C	53.033.00	S 3100 A	30.100.00	S 3167 A	30.167.00	S 3241 R	23.241.00
S 2327 R	23.270.00	S 3034 C	53.034.00	S 3100 C	53.100.00	S 3169 A	30.169.00	S 3242 C	53.242.00
S 2330 R	23.168.00	S 3035 A	30.035.00	S 3101 A	30.101.00	S 3171 A	30.171.00	S 3243 C	53.243.00
S 2340 A	30.240.00	S 3035 C	53.035.00	S 3101 C	53.101.00	S 3173 A	30.173.00	S 3243 R	23.243.00
S 2360 A	27.716.00	S 3036 A	30.036.00	S 3102 A	30.102.00	S 3174 A	30.174.00	S 3244 C	53.244.00
S 2370 A	27.923.00	S 3037 C	53.037.00	S 3102 C	53.102.00	S 3177 A	30.177.00	S 3244 DR	23.244.00
S 2400 A	27.775.00	S 3038 C	53.038.00	S 3102 R	23.256.00	S 3178 A	30.178.00	S 3245 A	30.245.00
S 2400 R	23.151.00	S 3039 A	30.039.00	S 3103 A	30.103.00	S 3180 A	30.180.00	S 3245 C	53.245.00
S 2410 A	27.824.00	S 3039 C	53.039.00	S 3103 C	53.103.00	S 3180 PO	25.402.01	S 3246 A	30.246.00
S 2410 NR	24.338.00	S 3040 A	30.896.00	S 3104 A	30.104.00	S 3183 C	53.183.00	S 3246 C	53.246.00
S 2420 A	27.946.00	S 3040 C	53.040.00	S 3104 C	53.104.00	S 3184 A	30.184.00	S 3246 R	23.246.00
S 2440 A	30.872.01	S 3041 A	30.041.00	S 3105 A	30.105.00	S 3184 C	53.184.00	S 3247 A	30.247.00
S 2460 A	27.752.00	S 3041 C	53.041.00	S 3105 B	31.005.00	S 3185 C	53.185.00	S 3247 C	53.247.00
S 2510 O	25.499.00	S 3042 C	53.042.00	S 3105 C	53.105.00	S 3186 C	53.186.00	S 3248 A	30.248.00
S 2511 O	25.499.01	S 3043 C	53.043.00	S 3106 A	30.106.00	S 3188 A	30.188.00	S 3248 C	53.248.00
S 2512 A	27.402.00	S 3044 A	30.044.00	S 3106 B	31.006.00	S 3188 C	53.188.00	S 3248 DR	23.248.00
S 2530 R	23.196.00	S 3044 C	53.044.00	S 3106 C	53.106.00	S 3189 A	30.189.00	S 3249 A	30.249.00
S 2560 A	27.750.00	S 3045 A	30.045.00	S 3107 A	30.107.00	S 3189 C	53.189.00	S 3249 C	53.249.00
S 2602 A	30.201.00	S 3045 C	53.045.00	S 3107 B	31.007.00	S 3190 A	30.190.00	S 3249 R	23.249.00
S 2610 NR	24.319.01	S 3046 A	30.046.00	S 3107 C	53.107.00	S 3190 C	53.190.00	S 3250 A	30.250.00
S 2612 A	30.360.00	S 3046 C	53.046.00	S 3108 C	53.108.00	S 3191 C	53.191.00	S 3250 C	53.250.00
S 2620 A	27.253.00	S 3047 C	53.047.00	S 3109 A	30.109.00	S 3192 A	30.192.00	S 3251 A	30.251.00
S 2640 A	30.025.00	S 3048 A	30.048.00	S 3109 C	53.109.00	S 3193 A	30.193.00	S 3251 C	53.251.00
S 2640 R	23.176.00	S 3049 A	30.049.00	S 3110 C	53.110.00	S 3195 A	30.195.00	S 3251 R	23.251.00
S 2704 R	23.127.04	S 3049 C	53.049.00	S 3111 C	53.111.00	S 3197 C	53.197.00	S 3252 A	30.252.00
S 2720 A	27.200.00	S 3050 A	27.228.00	S 3112 A	30.112.00	S 3198 A	30.198.00	S 3252 C	53.252.00
S 2722 A	27.675.00	S 3050 C	53.050.00	S 3112 C	53.112.00	S 3201 C	53.201.00	S 3253 A	30.253.00
S 2730 A	30.919.00	S 3051 C	53.051.00	S 3113 A	30.113.00	S 3202 A	30.139.00	S 3253 C	53.253.00
S 2755 A	27.550.00	S 3052 C	53.052.00	S 3113 C	53.113.00	S 3205 C	53.205.00	S 3253 R	23.253.00
S 2810 A	30.843.01	S 3054 A	30.054.00	S 3114 C	53.114.00	S 3206 C	53.206.00	S 3254 A	30.254.00
S 2810 NR	24.383.00	S 3057 A	30.057.00	S 3115 C	53.115.00	S 3207 A	30.207.00	S 3254 C	53.254.00
S 2820 A	30.150.00	S 3057 C	53.057.00	S 3116 C	53.116.00	S 3207 C	53.207.00	S 3254 R	23.254.00
S 2900 R	23.122.00	S 3058 C	53.058.00	S 3117 C	53.117.00	S 3208 C	53.208.00	S 3255 A	30.255.00
S 2910 A	27.898.00	S 3059 C	53.059.00	S 3118 C	53.118.00	S 3209 A	30.209.00	S 3255 C	53.255.00
S 2920 A	30.072.00	S 3060 C	53.060.00	S 3119 C	53.119.00	S 3209 C	53.209.00	S 3255 R	23.255.00
S 2940 A	27.982.00	S 3061 C	53.061.00	S 3120 A	30.893.00	S 3210 A	27.526.00	S 3256 A	30.256.00
S 2950 A	27.920.00	S 3062 A	30.062.00	S 3120 C	53.120.00	S 3210 C	53.210.00	S 3256 C	53.256.00
S 2H2O NR	24.H2O.02	S 3063 C	53.063.00	S 3121 C	53.121.00	S 3210 PO	25.607.00	S 3257 A	30.257.00
S 2ONE NR	24.ONE.02	S 3064 C	53.064.00	S 3122 C	53.122.00	S 3210 R	23.444.00	S 3257 C	53.257.00
S 3001 A	30.001.00	S 3065 C	53.065.00	S 3123 C	53.123.00	S 3211 A	30.211.00	S 3257 R	23.257.00
S 3001 C	53.001.00	S 3066 A	30.066.00	S 3124 C	53.124.00	S 3211 C	53.211.00	S 3258 A	30.258.00
S 3002 C	53.002.00	S 3067 C	53.067.00	S 3125 A	30.125.00	S 3212 A	30.212.00	S 3258 C	53.258.00
S 3003 A	30.003.00	S 3068 A	30.068.00	S 3125 C	53.125.00	S 3212 C	53.212.00	S 3258 R	23.258.00
S 3003 DR	23.303.00	S 3068 C	53.068.00	S 3126 A	30.126.00	S 3213 A	30.213.00	S 3259 A	30.259.00
S 3004 A	30.004.00	S 3069 A	30.069.00	S 3126 C	53.126.00	S 3213 C	53.213.00	S 3259 C	53.259.00
S 3004 C	53.004.00	S 3069 C	53.069.00	S 3127 C	53.127.00	S 3214 A	30.214.00	S 3259 R	23.259.00
S 3005 A	30.005.00	S 3070 A	30.070.00	S 3128 C	53.128.00	S 3214 C	53.214.00	S 3260 A	30.260.00
S 3005 C	53.005.00	S 3070 C	53.070.00	S 3129 A	30.129.00	S 3215 A	30.215.00	S 3260 C	53.260.00
S 3006 C	53.006.00	S 3071 C	53.071.00	S 3129 C	53.129.00	S 3215 C	53.215.00	S 3261 A	30.261.00
S 3007 A	30.007.00	S 3073 C	53.073.00	S 3130 A	30.130.00	S 3216 A	30.216.00	S 3261 C	53.261.00
S 3007 C	53.007.00	S 3074 C	53.074.00	S 3130 C	53.130.00	S 3218 A	30.218.00	S 3261 R	23.260.00
S 3008 A	30.008.00	S 3075 A	30.075.00	S 3130 R	23.173.01	S 3218 C	53.218.00	S 3262 A	30.262.00
S 3009 C	53.009.00	S 3075 C	53.075.00	S 3131 C	53.131.00	S 3219 C	53.219.00	S 3262 R	23.262.00
S 3010 C	53.010.00	S 3076 A	30.076.00	S 3132 C	53.132.00	S 3220 A	30.220.00	S 3263 A	30.263.00



S 3263 R	23.263.00	S 3324 C	53.324.00	S 3400 C	53.400.00	S 3504 A	30.504.00	S 3635 A	30.635.00
S 3264 A	30.264.00	S 3325 A	30.325.00	S 3401 R	23.401.00	S 3505 A	30.505.00	S 3638 A	30.638.00
S 3264 R	23.264.00	S 3325 C	53.325.00	S 3402 R	23.402.00	S 3506 A	30.506.00	S 3639 A	30.639.00
S 3265 A	30.265.00	S 3326 A	30.326.00	S 3403 A	30.403.00	S 3508 A	30.508.00	S 3645 A	30.645.00
S 3265 R	23.265.00	S 3326 C	53.326.00	S 3404 A	30.404.00	S 3509 A	30.509.00	S 3647 A	30.647.00
S 3266 R	23.266.00	S 3327 A	30.327.00	S 3404 C	53.404.00	S 3512 A	30.512.00	S 3648 A	30.648.00
S 3268 A	30.268.00	S 3327 C	53.327.00	S 3404 R	23.404.00	S 3519 R	23.519.00	S 3650 R	23.650.00
S 3269 A	30.269.00	S 3328 A	30.328.00	S 3405 A	30.405.00	S 3520 A	30.923.01	S 3652 A	30.652.00
S 3270 A	30.270.00	S 3328 C	53.328.00	S 3406 A	30.406.00	S 3525 A	30.525.00	S 3652 R	23.652.00
S 3272 A	30.272.00	S 3329 A	30.329.00	S 3407 C	53.407.00	S 3530 R	23.414.00	S 3653 A	30.653.00
S 3273 A	30.273.00	S 3329 C	53.329.00	S 3408 A	30.408.00	S 3531 A	30.531.00	S 3654 A	30.654.00
S 3273 C	53.273.00	S 3330 A	30.917.01	S 3409 A	30.409.00	S 3532 A	30.532.00	S 3655 A	30.655.00
S 3273 R	23.273.00	S 3330 C	53.330.00	S 3413 R	23.413.00	S 3533 A	30.533.00	S 3657 A	30.657.00
S 3274 A	30.274.00	S 3331 A	30.331.00	S 3416 A	30.416.00	S 3537 A	30.537.00	S 3658 A	30.658.00
S 3274 C	53.274.00	S 3331 C	53.331.00	S 3416 R	23.416.00	S 3538 A	30.538.00	S 3659 A	30.659.00
S 3274 DR	23.274.00	S 3332 A	30.332.00	S 3417 A	30.417.00	S 3539 A	30.539.00	S 3660 A	30.660.00
S 3275 A	30.275.00	S 3332 C	53.332.00	S 3417 R	23.417.00	S 3540 A	27.175.00	S 3660 R	23.660.00
S 3275 C	53.275.00	S 3333 C	53.333.00	S 3418 C	53.418.00	S 3541 A	30.541.00	S 3661 A	30.661.00
S 3276 A	30.276.00	S 3334 A	30.334.00	S 3418 R	23.418.00	S 3542 A	30.542.00	S 3662 A	30.662.00
S 3276 C	53.276.00	S 3334 C	53.334.00	S 3419 R	23.419.00	S 3543 A	30.543.00	S 3663 A	30.663.00
S 3277 A	30.277.00	S 3335 A	30.335.00	S 3422 A	30.422.00	S 3544 A	30.544.00	S 3664 A	30.664.00
S 3277 C	53.277.00	S 3336 A	30.336.00	S 3422 C	53.422.00	S 3545 R	23.545.00	S 3664 R	23.664.00
S 3278 A	30.278.00	S 3337 A	30.337.00	S 3423 C	53.423.00	S 3546 A	30.546.00	S 3665 A	30.665.00
S 3278 R	23.278.00	S 3338 A	30.338.00	S 3424 C	53.424.00	S 3547 A	30.547.00	S 3676 A	30.676.00
S 3279 A	30.279.00	S 3338 C	53.338.00	S 3424 R	23.424.00	S 3548 A	30.548.00	S 3677 A	30.677.00
S 3279 R	23.279.00	S 3339 A	30.339.00	S 3425 R	23.425.00	S 3549 A	30.549.00	S 3686 A	30.686.00
S 3280 A	30.280.00	S 3340 A	30.340.00	S 3426 C	53.426.00	S 3550 A	27.283.00	S 3687 A	30.687.00
S 3280 R	23.280.00	S 3341 A	30.341.00	S 3428 R	23.428.00	S 3552 A	30.552.00	S 3687 R	23.687.00
S 3281 A	30.281.00	S 3342 A	30.342.00	S 3429 R	23.429.00	S 3553 A	30.553.00	S 3688 A	30.688.00
S 3282 R	23.282.00	S 3344 A	30.344.00	S 3430 A	30.966.00	S 3554 A	30.554.00	S 3692 A	30.692.00
S 3283 A	30.283.00	S 3345 A	30.345.00	S 3430 R	23.169.00	S 3555 A	30.555.00	S 3693 A	30.693.00
S 3284 A	30.284.00	S 3346 A	30.346.00	S 3431 R	23.268.00	S 3556 A	30.556.00	S 3701 A	30.701.00
S 3285 A	30.285.00	S 3347 A	30.347.00	S 3432 A	30.432.00	S 3557 A	30.557.00	S 3709 A	30.709.00
S 3286 A	30.286.00	S 3349 A	30.349.00	S 3435 R	23.435.00	S 3558 A	30.558.00	S 3710 A	30.710.00
S 3287 A	30.287.00	S 3350 A	30.350.00	S 3436 R	23.436.00	S 3559 A	30.559.00	S 3711 A	30.711.00
S 3288 A	30.288.00	S 3351 A	30.351.00	S 3437 A	30.437.00	S 3565 R	23.565.00	S 3712 A	30.712.00
S 3289 A	30.289.00	S 3352 A	30.352.00	S 3440 A	30.960.00	S 3569 A	30.569.00	S 3713 A	30.713.00
S 3292 A	30.292.00	S 3353 A	30.353.00	S 3440 R	23.177.00	S 3573 A	30.573.00	S 3714 A	30.714.00
S 3292 C	53.292.00	S 3355 A	30.355.00	S 3451 A	30.451.00	S 3573 R	23.573.00	S 3717 A	30.717.00
S 3293 A	30.293.00	S 3356 A	30.356.00	S 3455 A	30.455.00	S 3574 A	30.574.00	S 3717 R	23.717.00
S 3293 C	53.293.00	S 3357 A	30.357.00	S 3456 A	30.456.00	S 3575 A	30.575.00	S 3718 A	30.718.00
S 3293 R	23.293.00	S 3360 A	27.715.00	S 3458 R	23.458.00	S 3575 R	23.575.00	S 3719 A	30.719.00
S 3294 A	30.294.00	S 3361 A	30.361.00	S 3459 R	23.459.00	S 3576 A	30.576.00	S 3720 A	30.117.00
S 3294 C	53.294.00	S 3362 A	30.362.00	S 3460 A	30.800.00	S 3583 R	23.583.00	S 3721 A	30.721.00
S 3295 A	30.295.00	S 3363 A	30.363.00	S 3460 R	23.460.00	S 3584 R	23.584.00	S 3721 R	23.721.00
S 3296 A	30.296.00	S 3365 A	30.365.00	S 3461 A	30.461.00	S 3585 R	23.585.00	S 3723 A	30.723.00
S 3297 A	30.297.00	S 3365 C	53.365.00	S 3462 A	30.462.00	S 3587 A	30.587.00	S 3724 A	30.724.00
S 3297 R	23.297.00	S 3366 A	30.366.00	S 3462 R	23.462.00	S 3588 A	30.588.00	S 3725 A	30.725.00
S 3298 A	30.298.00	S 3367 A	30.367.00	S 3463 A	30.463.00	S 3589 A	30.589.00	S 3726 A	30.726.00
S 3298 C	53.298.00	S 3367 C	53.367.00	S 3464 A	30.464.00	S 3591 A	30.591.00	S 3738 R	23.738.00
S 3298 R	23.298.00	S 3368 A	30.368.00	S 3464 R	23.464.00	S 3592 A	30.592.00	S 3740 B	31.740.03
S 3299 A	30.299.00	S 3368 C	53.368.00	S 3465 A	30.465.00	S 3593 A	30.593.00	S 3750 A	27.134.00
S 3299 C	53.299.00	S 3369 A	30.369.00	S 3466 A	30.466.00	S 3594 A	30.594.00	S 3776 A	30.776.00
S 3299 R	23.299.00	S 3371 A	30.371.00	S 3467 A	30.467.00	S 3595 A	30.595.00	S 3777 A	30.777.00
S 3300 A	30.300.00	S 3374 A	30.374.00	S 3468 A	30.468.00	S 3596 A	30.596.00	S 3778 A	30.778.00
S 3301 A	30.301.00	S 3374 C	53.374.00	S 3469 A	30.469.00	S 3596 R	23.596.00	S 3779 A	30.779.00
S 3302 A	30.137.00	S 3375 A	30.375.00	S 3470 A	30.470.00	S 3597 A	30.597.00	S 3780 A	27.065.00
S 3303 A	30.303.00	S 3376 A	30.376.00	S 3471 A	30.471.00	S 3597 R	23.597.00	S 3781 A	30.781.00
S 3305 A	30.305.00	S 3379 C	53.379.00	S 3472 R	23.472.00	S 3600 A	30.600.00	S 3785 A	30.785.00
S 3307 A	30.307.00	S 3380 A	30.380.00	S 3473 R	23.473.00	S 3601 A	30.601.00	S 3786 A	30.786.00
S 3308 A	30.308.00	S 3380 PO	25.590.00	S 3474 R	23.474.00	S 3603 A	30.603.00	S 3787 A	30.787.00
S 3309 A	30.309.00	S 3381 A	30.038.01	S 3475 R	23.475.00	S 3604 A	30.604.00	S 3788 A	30.788.00
S 3310 A	30.310.00	S 3382 A	30.382.00	S 3476 R	23.476.00	S 3606 A	30.606.00	S 3793 A	30.793.00
S 3310 C	53.310.00	S 3383 A	30.383.00	S 3477 A	30.477.00	S 3607 A	30.607.00	S 3794 A	30.794.00
S 3310 R	23.186.01	S 3383 C	53.383.00	S 3477 R	23.477.00	S 3609 A	30.609.00	S 3795 A	30.795.00
S 3311 A	30.311.00	S 3384 A	30.384.00	S 3478 R	23.478.00	S 3610 A	27.074.00	S 3800 R	23.213.00
S 3311 C	53.311.00	S 3384 C	53.384.00	S 3479 R	23.479.00	S 3615 A	30.615.00	S 3801 R	23.240.00
S 3312 A	30.312.00	S 3385 A	30.385.00	S 3480 A	27.939.00	S 3615 R	23.615.00	S 3802 A	30.197.00
S 3312 C	53.312.00	S 3385 C	53.385.00	S 3481 A	30.481.00	S 3616 R	23.616.00	S 3810 A	30.915.00
S 3313 A	30.313.00	S 3386 A	30.386.00	S 3482 A	30.482.00	S 3617 A	30.617.00	S 3820 A	30.124.00
S 3313 C	53.313.00	S 3386 C	53.386.00	S 3482 R	23.482.00	S 3617 R	23.617.00	S 3820 R	23.481.00
S 3314 A	30.314.00	S 3387 C	53.387.00	S 3483 A	30.483.00	S 3618 A	30.618.00	S 3900 A	27.236.00
S 3314 C	53.314.00	S 3388 A	30.388.00	S 3483 R	23.483.00	S 3619 A	30.619.00	S 3900 B	31.512.00
S 3315 A	30.315.00	S 3388 C	53.388.00	S 3484 R	23.484.00	S 3620 A	27.403.00	S 3900 R	23.121.00
S 3315 C	53.315.00	S 3389 C	53.389.00	S 3485 A	30.485.00	S 3621 A	30.621.00	S 3910 A	27.381.00
S 3316 A	30.316.00	S 3390 A	30.390.00	S 3485 R	23.485.00	S 3622 A	30.622.00	S 3925 A	30.925.00
S 3316 C	53.316.00	S 3390 C	53.390.00	S 3486 R	23.486.00	S 3625 A	30.625.00	S 3950 A	27.137.00
S 3317 A	30.317.00	S 3391 A	30.391.00	S 3488 DR	23.488.00	S 3626 A	30.626.00	S 3952 A	30.952.00
S 3317 C	53.317.00	S 3391 C	53.391.00	S 3490 R	23.210.00	S 3627 A	30.627.00	S 3953 A	30.953.00
S 3318 A	30.318.00	S 3392 A	30.392.00	S 3491 A	30.491.00	S 3628 A	30.628.00	S 3954 A	30.954.00
S 3318 C	53.318.00	S 3394 C	53.394.00	S 3493 R	23.493.00	S 3628 R	23.628.00	S 3955 A	30.955.00
S 3319 C	53.319.00	S 3395 A	30.395.00	S 3494 R	23.494.00	S 3629 A	30.629.00	S 3958 A	30.958.00
S 3320 C	53.320.00	S 3396 A	30.396.00	S 3496 A	30.496.00	S 3630 A	27.194.00	S 3963 A	30.963.00
S 3321 C	53.321.00	S 3396 C	53.396.00	S 3496 R	23.496.00	S 3631 A	30.631.00	S 3967 A	30.967.00
S 3322 A	30.322.00	S 3397 A	30.397.00	S 3497 A	30.497.00	S 3632 A	30.632.00	S 3969 A	30.969.00
S 3322 C	53.322.00	S 3397 C	53.397.00	S 3498 A	30.498.00	S 3632 R	23.632.00	S 3977 A	30.977.00
S 3323 C	53.323.00	S 3399 A	30.399.00	S 3500 A	30.500.00	S 3633 A	30.633.00	S 3981 A	30.981.00
S 3324 A	30.324.00	S 3400 A	30.400.00	S 3503 A	30.503.00	S 3634 A	30.634.00	S 3987 A	30.987.01

S 3991 A	30.991.00	S 3B54 A	30.B54.00	S 4113 CA	54.113.00	S 4175 CA	54.175.00	S 4290 CA	54.290.00
S 3994 A	30.994.00	S 3B56 A	30.B56.00	S 4113 NR	24.113.00	S 4176 CA	54.176.00	S 4291 CA	54.291.00
S 3996 A	30.996.00	S 3B62 A	30.B62.00	S 4114 CA	54.114.00	S 4178 CA	54.178.00	S 4292 CA	54.292.00
S 3997 A	30.997.00	S 3B63 A	30.B63.00	S 4114 NR	24.114.00	S 4186 NR	24.186.00	S 4293 CA	54.293.00
S 3A15 A	30.A15.00	S 3B71 A	30.B71.00	S 4115 CA	54.115.00	S 4187 NR	24.187.00	S 4294 CA	54.294.00
S 3A16 A	30.A16.00	S 3B76 A	30.B76.00	S 4115 NR	24.115.00	S 4188 NR	24.188.00	S 4295 CA	54.295.00
S 3A17 A	30.A17.00	S 3B86 A	30.B86.00	S 4116 CA	54.116.00	S 4190 NR	24.190.00	S 4296 CA	54.296.00
S 3A20 A	30.A20.00	S 3B87 A	30.B87.00	S 4116 NR	24.116.00	S 4193 NR	24.193.00	S 4297 CA	54.297.00
S 3A21 A	30.A21.00	S 3C03 A	30.C03.00	S 4117 CA	54.117.00	S 4194 CA	54.194.00	S 4300 R	23.113.00
S 3A23 A	30.A23.00	S 3C35 A	30.C35.00	S 4117 NR	24.117.00	S 4194 NR	24.194.00	S 4302 CA	54.302.00
S 3A24 A	30.A24.00	S 3C36 A	30.C36.00	S 4118 CA	54.118.00	S 4195 CA	54.195.00	S 4304 NR	24.304.01
S 3A25 A	30.A25.00	S 3C37 A	30.C37.00	S 4119 CA	54.119.00	S 4196 CA	54.196.00	S 4306 CA	54.306.00
S 3A33 A	30.A33.00	S 3C38 A	30.C38.00	S 4119 NR	24.119.00	S 4196 NR	24.196.00	S 4310 A	30.089.00
S 3A34 A	30.A34.00	S 3C39 A	30.C39.00	S 4120 A	30.847.00	S 4197 CA	54.197.00	S 4312 CA	54.312.00
S 3A35 A	30.A35.00	S 3C40 A	30.C40.00	S 4120 CA	54.120.00	S 4198 CA	54.198.00	S 4314 CA	54.314.00
S 3A37 A	30.A37.00	S 3C41 A	30.C41.00	S 4121 CA	54.121.00	S 4199 CA	54.199.00	S 4317 CA	54.317.00
S 3A38 A	30.A38.00	S 3C42 A	30.C42.00	S 4122 CA	54.122.00	S 4200 A	27.744.00	S 4318 CA	54.318.00
S 3A40 A	30.A40.00	S 3C43 A	30.C43.00	S 4122 NR	24.122.00	S 4201 CA	54.201.00	S 4319 CA	54.319.00
S 3A41 A	30.A41.00	S 3C44 A	30.C44.00	S 4123 CA	54.123.00	S 4210 R	23.448.00	S 4320 A	30.933.00
S 3A42 A	30.A42.00	S 3C45 A	30.C45.00	S 4123 NR	24.123.00	S 4211 N	26.606.00	S 4320 CA	54.320.00
S 3A43 A	30.A43.00	S 3C46 A	30.C46.00	S 4124 CA	54.124.00	S 4215 CA	54.215.00	S 4322 CA	54.322.00
S 3A44 A	30.A44.00	S 3C47 A	30.C47.00	S 4125 CA	54.125.00	S 4217 CA	54.217.00	S 4324 NR	24.324.00
S 3A45 A	30.A45.00	S 3C54 A	30.C54.00	S 4126 CA	54.126.00	S 4218 CA	54.218.00	S 4326 NR	24.326.00
S 3A46 A	30.A46.00	S 3C55 A	30.C55.00	S 4126 NR	24.126.00	S 4219 CA	54.219.00	S 4331 CA	54.331.00
S 3A49 A	30.A49.00	S 3C56 A	30.C56.00	S 4127 CA	54.127.00	S 4220 CA	54.220.00	S 4331 NR	24.331.00
S 3A50 A	30.A50.00	S 3C61 A	30.C61.00	S 4127 NR	24.127.00	S 4220 R	23.130.02	S 4339 NR	24.339.00
S 3A51 A	30.A51.00	S 3C62 A	30.C62.00	S 4128 CA	54.128.00	S 4221 CA	54.221.00	S 4343 NR	24.343.00
S 3A52 A	30.A52.00	S 3C63 A	30.C63.00	S 4128 NR	24.128.00	S 4222 CA	54.222.00	S 4360 A	30.807.00
S 3A53 A	30.A53.00	S 3C64 A	30.C64.00	S 4129 CA	54.129.00	S 4223 CA	54.223.00	S 4376 CA	54.376.00
S 3A54 A	30.A54.00	S 3C65 A	30.C65.00	S 4129 NR	24.129.00	S 4224 CA	54.224.00	S 4377 CA	54.377.00
S 3A55 A	30.A55.00	S 3H20 NR	24.H20.03	S 4130 CA	54.130.00	S 4226 CA	54.226.00	S 4379 NR	24.379.00
S 3A56 A	30.A56.00	S 3ONE NR	24.ONE.03	S 4130 NR	24.130.00	S 4227 CA	54.227.00	S 4380 NR	24.380.00
S 3A58 A	30.A58.00	S 4000 O	20.020.00	S 4131 CA	54.131.00	S 4230 CA	54.230.00	S 4380 PO	25.455.00
S 3A59 A	30.A59.00	S 4001 NR	24.001.00	S 4131 NR	24.131.00	S 4231 CA	54.231.00	S 4381 NR	24.381.00
S 3A60 A	30.A60.00	S 4002 NR	24.002.00	S 4132 CA	54.132.00	S 4232 CA	54.232.00	S 4384 NR	24.384.00
S 3A61 A	30.A61.00	S 4003 NR	24.003.00	S 4132 NR	24.132.00	S 4233 CA	54.233.00	S 4388 CA	54.388.00
S 3A62 A	30.A62.00	S 4004 NR	24.004.00	S 4133 CA	54.133.00	S 4234 CA	54.234.00	S 4389 CA	54.389.00
S 3A63 A	30.A63.00	S 4005 A	27.801.00	S 4133 NR	24.133.00	S 4235 CA	54.235.00	S 4391 NR	24.391.00
S 3A64 A	30.A64.00	S 4005 NR	24.005.00	S 4134 CA	54.134.00	S 4236 CA	54.236.00	S 4392 NR	24.392.00
S 3A66 A	30.A66.00	S 4006 NR	24.006.00	S 4135 CA	54.135.00	S 4237 CA	54.237.00	S 4393 NR	24.393.00
S 3A67 A	30.A67.00	S 4007 NR	24.007.00	S 4136 CA	54.136.00	S 4238 CA	54.238.00	S 4394 NR	24.394.00
S 3A68 A	30.A68.00	S 4012 NR	24.012.00	S 4137 CA	54.137.00	S 4239 CA	54.239.00	S 4397 NR	24.397.00
S 3A69 A	30.A69.00	S 4015 NR	24.015.00	S 4138 CA	54.138.00	S 4240 CA	54.240.00	S 4398 NR	24.398.00
S 3A70 A	30.A70.00	S 4016 NR	24.016.00	S 4139 CA	54.139.00	S 4240 R	23.165.00	S 4399 NR	24.399.00
S 3A71 A	30.A71.00	S 4017 NR	24.017.00	S 4140 CA	54.140.00	S 4241 CA	54.241.00	S 4400 A	27.799.00
S 3A72 A	30.A72.00	S 4018 NR	24.018.01	S 4141 CA	54.141.00	S 4242 CA	54.242.00	S 4403 NR	24.403.00
S 3A73 A	30.A73.00	S 4020 NR	24.020.01	S 4142 CA	54.142.00	S 4243 CA	54.243.00	S 4404 NR	24.404.00
S 3A74 A	30.A74.00	S 4025 NR	24.025.01	S 4143 CA	54.143.00	S 4244 CA	54.244.00	S 4408 NR	24.408.00
S 3A75 A	30.A75.00	S 4026 NR	24.026.01	S 4144 CA	54.144.00	S 4245 CA	54.245.00	S 4409 NR	24.409.00
S 3A76 A	30.A76.00	S 4030 NR	24.030.00	S 4144 NR	24.144.00	S 4246 CA	54.246.00	S 4410 A	27.089.00
S 3A84 A	30.A84.00	S 4030 R	23.438.00	S 4145 CA	54.145.00	S 4247 CA	54.247.00	S 4411 NR	24.411.00
S 3A85 A	30.A85.00	S 4033 NR	24.033.00	S 4145 NR	24.145.00	S 4248 CA	54.248.00	S 4412 NR	24.412.00
S 3A86 A	30.A86.00	S 4050 NR	24.050.00	S 4146 CA	54.146.00	S 4249 CA	54.249.00	S 4413 NR	24.413.00
S 3A91 A	30.A91.00	S 4051 NR	24.051.00	S 4147 CA	54.147.00	S 4252 CA	54.252.00	S 4414 NR	24.414.00
S 3A95 A	30.A95.00	S 4052 NR	24.052.00	S 4147 NR	24.147.00	S 4253 CA	54.253.00	S 4415 NR	24.415.00
S 3A96 A	30.A96.00	S 4072 NR	24.072.00	S 4148 CA	54.148.00	S 4254 CA	54.254.00	S 4416 NR	24.416.00
S 3A97 A	30.A97.00	S 4073 NR	24.073.00	S 4148 NR	24.148.00	S 4255 CA	54.255.00	S 4417 NR	24.417.00
S 3A99 A	30.A99.00	S 4077 NR	24.077.00	S 4149 CA	54.149.00	S 4256 CA	54.256.00	S 4418 NR	24.418.00
S 3B01 A	30.B01.00	S 4080 NR	24.080.00	S 4149 NR	24.149.00	S 4257 CA	54.257.00	S 4420 A	27.947.00
S 3B03 A	30.B03.00	S 4080 PO	25.409.01	S 4150 CA	54.150.00	S 4260 A	27.904.00	S 4423 NR	24.423.00
S 3B04 A	30.B04.00	S 4081 NR	24.081.00	S 4150 NR	24.150.00	S 4261 CA	54.261.00	S 4424 NR	24.424.00
S 3B05 A	30.B05.00	S 4082 NR	24.082.00	S 4151 CA	54.151.00	S 4262 CA	54.262.00	S 4425 NR	24.425.00
S 3B06 A	30.B06.00	S 4086 NR	24.086.00	S 4151 NR	24.151.00	S 4263 CA	54.263.00	S 4426 NR	24.426.00
S 3B08 A	30.B08.00	S 4087 NR	24.087.00	S 4152 CA	54.152.00	S 4264 CA	54.264.00	S 4427 NR	24.427.00
S 3B10 A	30.B10.00	S 4088 NR	24.088.00	S 4153 CA	54.153.00	S 4265 CA	54.265.00	S 4428 NR	24.428.00
S 3B11 A	30.B11.00	S 4090 A	27.155.00	S 4154 CA	54.154.00	S 4266 CA	54.266.00	S 4429 NR	24.429.00
S 3B12 A	30.B12.00	S 4093 NR	24.093.00	S 4155 CA	54.155.00	S 4267 CA	54.267.00	S 4430 A	30.053.00
S 3B13 A	30.B13.00	S 4095 NR	24.095.00	S 4156 CA	54.156.00	S 4268 CA	54.268.00	S 4430 NR	24.430.00
S 3B14 A	30.B14.00	S 4099 NR	24.099.00	S 4156 NR	24.156.00	S 4269 CA	54.269.00	S 4432 NR	24.432.00
S 3B15 A	30.B15.00	S 4100 CA	54.100.00	S 4157 CA	54.157.00	S 4270 CA	54.270.00	S 4433 NR	24.433.00
S 3B16 A	30.B16.00	S 4100 R	23.115.00	S 4158 CA	54.158.00	S 4271 CA	54.271.00	S 4435 NR	24.435.00
S 3B17 A	30.B17.00	S 4101 CA	54.101.00	S 4159 CA	54.159.00	S 4272 CA	54.272.00	S 4437 NR	24.437.00
S 3B20 A	30.B20.00	S 4102 CA	54.102.00	S 4160 CA	54.160.00	S 4273 CA	54.273.00	S 4439 NR	24.439.00
S 3B21 A	30.B21.00	S 4103 CA	54.103.00	S 4160 NR	24.160.00	S 4274 CA	54.274.00	S 4440 NR	24.440.00
S 3B22 A	30.B22.00	S 4104 CA	54.104.00	S 4161 CA	54.161.00	S 4275 CA	54.275.00	S 4441 NR	24.441.00
S 3B23 A	30.B23.00	S 4105 CA	54.105.00	S 4162 CA	54.162.00	S 4277 CA	54.277.00	S 4442 NR	24.442.00
S 3B24 A	30.B24.00	S 4106 CA	54.106.00	S 4163 CA	54.163.00	S 4278 CA	54.278.00	S 4443 NR	24.443.00
S 3B25 A	30.B25.00	S 4106 NR	24.106.00	S 4164 CA	54.164.00	S 4279 CA	54.279.00	S 4444 NR	24.444.00
S 3B26 A	30.B26.00	S 4107 CA	54.107.00	S 4165 CA	54.165.00	S 4280 CA	54.280.00	S 4445 NR	24.445.00
S 3B27 A	30.B27.00	S 4107 NR	24.107.00	S 4166 CA	54.166.00	S 4281 CA	54.281.00	S 4450 NR	24.450.00
S 3B28 A	30.B28.00	S 4108 CA	54.108.00	S 4167 CA	54.167.00	S 4282 CA	54.282.00	S 4451 NR	24.451.00
S 3B29 A	30.B29.00	S 4109 CA	54.109.00	S 4168 CA	54.168.00	S 4283 CA	54.283.00	S 4452 NR	24.452.00
S 3B41 A	30.B41.00	S 4110 CA	54.110.00	S 4169 CA	54.169.00	S 4284 CA	54.284.00	S 4454 NR	24.454.00
S 3B42 A	30.B42.00	S 4110 NR	24.110.00	S 4170 CA	54.170.00	S 4285 CA	54.285.00	S 4455 NR	24.455.00
S 3B43 A	30.B43.00	S 4111 CA	54.111.00	S 4171 CA	54.171.00	S 4286 CA	54.286.00	S 4456 NR	24.456.00
S 3B44 A	30.B44.00	S 4111 NR	24.111.00	S 4172 CA	54.172.00	S 4287 CA	54.287.00	S 4457 NR	24.457.00
S 3B45 A	30.B45.00	S 4112 CA	54.112.00	S 4173 CA	54.173.00	S 4288 CA	54.288.00	S 4458 NR	24.458.00
S 3B50 A	30.B50.00	S 4112 NR	24.112.00	S 4174 CA	54.174.00	S 4289 CA	54.289.00	S 4459 NR	24.459.00

S 4460 NR	24.460.00	S 5070 PE	25.070.00	S 5181 GC	55.181.00	S 6007 NE	26.007.00	S 6686 N	26.686.00
S 4464 NR	24.464.00	S 5071 PE	25.071.00	S 5183 PE	25.183.00	S 6008 G	46.008.00	S 6687 N	26.687.00
S 4465 NR	24.465.00	S 5072 PE	25.072.00	S 5185 PE	25.185.00	S 6010 N	26.660.00	S 6688 N	26.688.00
S 4468 NR	24.468.00	S 5073 PE	25.073.02	S 5186 PE	25.186.00	S 6012 NE	26.012.00	S 6689 N	26.689.00
S 4469 NR	24.469.00	S 5074 PE	25.074.00	S 5187 PE	25.187.00	S 6013 NE	26.013.00	S 6690 PO	25.455.01
S 4490 A	30.223.00	S 5075 PE	25.075.00	S 5188 PE	25.188.00	S 6014 NE	26.014.00	S 6691 N	26.691.00
S 4500 R	23.103.00	S 5077 PE	25.077.00	S 5190 PE	25.190.00	S 6015 NE	26.015.00	S 6700 R	23.129.01
S 4510 A	30.095.00	S 5080 PE	25.080.00	S 5191 PE	25.191.00	S 6018 NE	26.018.00	S 6702 A	30.185.00
S 4525 NR	24.525.00	S 5082 PE	25.082.00	S 5196 PE	25.196.00	S 6020 NE	26.020.00	S 6720 A	30.119.00
S 4526 NR	24.526.00	S 5083 PE	25.083.00	S 5197 PE	25.197.00	S 6021 NE	26.021.00	S 6740 A	30.864.00
S 4529 NR	24.529.00	S 5084 GC	55.084.00	S 5198 PE	25.198.00	S 6022 NE	26.022.00	S 6802 A	30.199.00
S 4530 A	30.943.00	S 5084 PE	25.084.00	S 5199 PE	25.199.00	S 6023 NE	26.023.00	S 6810 A	30.090.00
S 4540 A	27.083.00	S 5085 PE	25.085.00	S 5200 A	27.740.00	S 6025 NE	26.025.00	S 6820 A	30.111.00
S 4580 A	27.845.02	S 5086 PE	25.086.00	S 5204 PE	25.204.00	S 6026 NE	26.026.00	S 6860 A	27.725.00
S 4600 R	23.124.00	S 5088 PE	25.088.00	S 5210 PE	25.210.00	S 6031 NE	26.031.00	S 6900 R	23.133.00
S 4610 A	27.800.00	S 5089 PE	25.089.00	S 5210 R	23.445.00	S 6032 NE	26.032.00	S 6901 R	23.271.00
S 4710 A	27.927.00	S 5090 PE	25.090.00	S 5211 PE	25.211.00	S 6033 NE	26.033.00	S 6902 R	23.461.00
S 4720 A	30.116.00	S 5091 PE	25.091.00	S 5213 PE	25.213.00	S 6034 NE	26.034.00	S 6930 A	30.851.00
S 4800 A	27.133.00	S 5093 PE	25.093.00	S 5216 PE	25.216.00	S 6037 NE	26.037.00	S 6H20 NE	60.H20.00
S 4820 R	23.471.00	S 5094 PE	25.094.00	S 5219 PE	25.219.00	S 6038 NE	26.038.00	S 7000 B	31.001.00
S 4822 A	30.452.00	S 5095 PE	25.095.00	S 5223 PE	25.223.00	S 6040 R	23.164.02	S 7000 R	23.127.05
S 4830 A	30.965.00	S 5096 PE	25.096.00	S 5225 PE	25.225.00	S 6045 NE	26.045.00	S 7059 A	27.059.00
S 4857 B	31.857.04	S 5099 PE	25.099.00	S 5226 PE	25.226.00	S 6047 NE	26.047.00	S 7110 A	27.521.00
S 4900 A	27.254.00	S 5100 R	23.118.00	S 5232 PE	25.232.00	S 6052 NE	26.052.00	S 7111 NC	24.360.00
S 4900 R	23.272.00	S 5105 PE	25.105.00	S 5247 PE	25.247.00	S 6053 NE	26.053.00	S 7112 NC	24.360.01
S 4912 A	30.393.00	S 5106 PE	25.106.00	S 5248 PE	25.248.00	S 6054 NE	26.054.00	S 7130 R	23.129.02
S 4940 A	27.828.00	S 5108 GC	55.108.00	S 5249 PE	25.249.00	S 6055 NE	26.055.00	S 7135 A	27.135.00
S 4H20 NR	24.H20.04	S 5108 PE	25.108.00	S 5251 PE	25.251.00	S 6057 NE	26.057.00	S 7138 A	27.138.00
S 5000 R	23.104.00	S 5110 PE	25.110.00	S 5253 PE	25.253.00	S 6058 NE	26.058.00	S 7139 A	27.139.00
S 5001 PE	25.001.00	S 5112 GC	55.112.00	S 5257 PE	25.257.00	S 6065 NE	26.065.00	S 7149 A	27.149.00
S 5002 A	30.149.00	S 5112 PE	25.112.00	S 5260 A	30.121.00	S 6071 NE	26.071.00	S 7153 A	27.153.00
S 5002 PE	25.002.00	S 5114 GC	55.114.00	S 5302 A	30.162.00	S 6072 NE	26.072.00	S 7154 A	27.154.00
S 5003 PE	25.003.00	S 5115 PE	25.115.00	S 5320 A	30.860.00	S 6073 NE	26.073.00	S 7159 A	27.159.00
S 5004 PE	25.004.00	S 5116 GC	55.116.00	S 5320 NR	24.013.00	S 6074 NE	26.074.00	S 7169 A	27.169.00
S 5008 PE	25.008.00	S 5116 PE	25.116.00	S 5340 A	27.890.00	S 6076 NE	26.076.00	S 7171 A	27.171.00
S 5009 PE	25.009.00	S 5118 PE	25.118.00	S 5392 GC	55.392.00	S 6077 NE	26.077.00	S 7172 A	27.172.00
S 5010 PE	25.010.00	S 5120 GC	55.120.00	S 5393 GC	55.393.00	S 6079 NE	26.079.00	S 7173 A	27.173.00
S 5011 PE	25.011.00	S 5120 R	23.452.00	S 5394 GC	55.394.00	S 6080 NE	26.080.00	S 7174 A	27.174.00
S 5012 PE	25.012.00	S 5125 GC	55.125.00	S 5402 A	30.148.00	S 6085 NE	26.085.00	S 7193 A	27.193.00
S 5013 PE	25.013.00	S 5127 GC	55.127.00	S 5403 A	30.540.00	S 6100 R	23.114.01	S 7195 A	27.195.00
S 5014 PE	25.014.00	S 5128 PE	25.128.00	S 5410 A	27.268.00	S 6102 A	30.145.01	S 7196 A	27.196.00
S 5015 PE	25.015.00	S 5130 A	30.902.00	S 5418 GC	55.418.00	S 6102 NE	26.102.00	S 7210 NR	24.368.00
S 5017 PE	25.017.00	S 5134 GC	55.134.00	S 5419 PO	25.419.00	S 6104 NE	26.104.00	S 7230 A	30.924.00
S 5018 PE	25.018.00	S 5139 GC	55.139.00	S 5427 GC	55.427.00	S 6114 NE	26.114.00	S 7230 R	23.197.00
S 5019 PE	25.019.00	S 5139 PE	25.139.00	S 5430 GC	55.430.00	S 6115 NE	26.115.00	S 7234 A	27.234.00
S 5021 PE	25.021.00	S 5141 PE	25.141.00	S 5503 A	30.550.00	S 6120 A	27.736.00	S 7239 A	27.239.00
S 5022 PE	25.022.00	S 5142 PE	25.142.00	S 5517 GC	55.517.00	S 6120 NR	24.434.00	S 7250 R	23.434.00
S 5023 PE	25.023.00	S 5143 GC	55.143.00	S 5540 PO	25.540.00	S 6122 NE	26.122.00	S 7252 A	27.252.00
S 5024 PE	25.024.00	S 5143 PE	25.143.00	S 5541 PO	25.541.00	S 6123 NE	26.123.00	S 7257 A	27.257.00
S 5026 PE	25.026.00	S 5144 GC	55.144.00	S 5548 PO	25.548.00	S 6129 NE	26.129.00	S 7258 A	27.258.00
S 5027 PE	25.027.00	S 5144 PE	25.144.00	S 5555 PO	25.555.00	S 6130 A	27.176.00	S 7265 A	27.265.00
S 5028 PE	25.028.00	S 5145 GC	55.145.00	S 5560 A	30.225.00	S 6130 NE	26.130.00	S 7271 A	27.271.00
S 5029 PE	25.029.00	S 5145 PE	25.145.00	S 5582 GC	55.582.00	S 6131 NE	26.131.00	S 7273 A	27.273.00
S 5030 PE	25.030.00	S 5146 PE	25.146.00	S 5587 PO	25.587.00	S 6138 NE	26.138.00	S 7274 A	27.274.00
S 5030 R	23.439.00	S 5147 GC	55.147.00	S 5600 NR	24.382.00	S 6139 NE	26.139.00	S 7282 A	27.282.00
S 5031 PE	25.031.00	S 5148 GC	55.148.00	S 5600 R	23.102.00	S 6140 R	23.194.00	S 7330 R	23.189.00
S 5032 PE	25.032.00	S 5148 PE	25.148.00	S 5601 R	23.164.00	S 6149 NE	26.149.00	S 7340 A	30.890.00
S 5033 PE	25.033.00	S 5149 PE	25.149.00	S 5602 A	30.165.00	S 6180 PO	25.413.00	S 7341 A	27.341.00
S 5034 PE	25.034.00	S 5150 PE	25.150.00	S 5603 R	23.164.03	S 6181 N	26.602.00	S 7355 A	27.355.00
S 5035 PE	25.035.00	S 5151 PE	25.151.00	S 5610 A	27.090.00	S 6200 A	27.769.00	S 7356 A	27.356.00
S 5037 PE	25.037.00	S 5152 GC	55.152.00	S 5630 R	23.198.00	S 6203 A	30.620.00	S 7360 A	30.804.00
S 5038 PE	25.038.00	S 5152 PE	25.152.00	S 5680 A	27.063.00	S 6210 A	27.756.00	S 7367 A	27.367.00
S 5039 PE	25.039.00	S 5153 PE	25.153.00	S 5700 R	23.128.00	S 6210 R	23.449.00	S 7380 PO	25.443.00
S 5040 A	30.157.00	S 5154 PE	25.154.00	S 5702 A	30.153.00	S 6212 A	30.348.00	S 7385 A	27.385.00
S 5040 PE	25.040.00	S 5155 PE	25.155.00	S 5710 R	23.166.00	S 6220 R	23.159.00	S 7386 A	27.386.00
S 5041 PE	25.041.00	S 5159 PE	25.159.00	S 5720 A	30.166.00	S 6230 A	30.944.00	S 7394 A	27.394.00
S 5043 PE	25.043.00	S 5160 PE	25.160.00	S 5740 A	30.147.00	S 6250 R	23.463.00	S 7397 A	27.397.00
S 5047 PE	25.047.00	S 5162 PE	25.162.00	S 5750 A	27.132.00	S 6290 PO	25.439.00	S 7400 A	27.400.00
S 5048 PE	25.048.00	S 5163 GC	55.163.00	S 5760 A	30.993.00	S 6302 A	30.151.00	S 7402 A	30.146.00
S 5049 PE	25.049.00	S 5163 PE	25.163.00	S 5800 R	23.152.00	S 6303 A	30.630.00	S 7410 R	23.211.00
S 5050 A	27.231.00	S 5164 PE	25.164.00	S 5810 A	30.942.00	S 6311 N	26.618.00	S 7411 N	26.609.00
S 5050 PE	25.050.00	S 5165 PE	25.165.00	S 5820 A	30.889.00	S 6320 A	27.156.00	S 7420 A	30.910.00
S 5052 PE	25.052.00	S 5166 PE	25.166.00	S 5820 R	23.489.00	S 6340 A	27.097.00	S 7420 NR	24.027.00
S 5053 PE	25.053.00	S 5167 PE	25.167.00	S 5822 A	30.453.00	S 6360 A	30.806.00	S 7440 A	27.128.00
S 5054 PE	25.054.00	S 5168 PE	25.168.00	S 5830 A	30.906.00	S 6380 PO	25.421.00	S 7440 N	26.670.00
S 5056 PE	25.056.00	S 5170 GC	55.170.00	S 5840 A	27.233.00	S 6400 R	23.212.00	S 7460 A	30.802.01
S 5058 PE	25.058.00	S 5170 PE	25.170.00	S 5850 A	27.931.00	S 6481 N	26.601.00	S 7477 A	27.477.00
S 5059 PE	25.059.00	S 5171 PE	25.171.00	S 5901 PO	25.901.00	S 6550 A	27.893.00	S 7485 A	27.485.00
S 5060 A	27.730.00	S 5172 A	27.150.00	S 5920 A	27.353.00	S 6560 A	27.720.00	S 7500 R	23.130.00
S 5060 PE	25.060.00	S 5172 PE	25.172.00	S 5H20 NR	24.H20.05	S 6600 NR	24.365.00	S 7502 A	30.159.00
S 5061 PE	25.061.00	S 5173 GC	55.173.00	S 6001 NE	26.001.00	S 6610 R	23.209.00	S 7510 O	25.528.00
S 5063 PE	25.063.00	S 5175 GC	55.175.00	S 6002 A	30.204.00	S 6617 N	26.617.00	S 7520 A	27.076.00
S 5064 PE	25.064.00	S 5177 PE	25.177.00	S 6003 NE	26.003.00	S 6620 R	23.465.00	S 7520 NR	24.014.00
S 5065 PE	25.065.00	S 5178 GC	55.178.00	S 6005 G	46.005.00	S 6640 A	30.027.00	S 7522 A	27.522.00
S 5066 PE	25.066.00	S 5178 PE	25.178.00	S 6005 NE	26.005.00	S 6645 N	26.645.00	S 7523 A	27.523.00
S 5067 PE	25.067.00	S 5179 GC	55.179.00	S 6006 G	46.006.00	S 6680 N	26.680.00	S 7525 A	27.525.00
S 5068 PE	25.068.00	S 5179 PE	25.179.00	S 6006 NE	26.006.00	S 6682 N	26.682.00	S 7527 A	27.527.00
S 5069 PE	25.069.00	S 5180 PE	25.180.00	S 6007 G	46.007.00	S 6683 N	26.683.00	S 7540 A	30.034.00

AR1674PM	30.C37.00	AR2775PM	30.386.00	AR41002PM	30.657.00	CK22032C	54.331.00	GS139	24.366.00
AR168	27.272.00	AR278PM	30.003.00	AR42002PM	30.A67.00	CK2227C	54.275.00	GS140	24.374.00
AR17008PM	30.603.00	AR2796PM	30.655.00	AR44	27.799.00	CK2243	53.124.00	GS141	24.375.00
AR1705PMJ	30.C41.00	AR28004PM	30.A61.00	AR46	27.744.00	CK23003	53.294.00	GS162	24.319.01
AR1711PM	30.541.00	AR28022PM	30.A63.00	AR462PM	30.025.00	CK2347	53.209.00	GS181	(ALTRE/OTHER APPL.)
AR174	27.927.00	AR283PM	30.124.00	AR464PM	30.022.00	CK2347C	54.256.00	(ALTRE/OTHER APPL.)	24.350.00
AR178PM	30.836.00	AR285PM	30.889.00	AR46754989	27.367.00	CK25003	53.389.00	GS181	
AR180B	27.792.00	AR2861PMX2	30.B42.00	AR474PM	30.101.00	CK25007	53.422.00	(PIAGGIO)	24.350.01
AR18149	27.676.00	AR286PM	30.111.00	AR474PM	30.C47.00	CK25012	53.293.00	GS181	
AR183PM	30.915.00	AR289PM	30.036.00	AR476PM	30.864.00	CK25012C	54.257.00	(CITROEN, PEUGEOT)	24.350.02
AR185PM	30.942.00	AR29002PMJ	30.A97.00	AR478	27.354.00	CK26008-2	53.397.00	GS182	24.383.00
AR188PM	30.942.00	AR29021PMS	30.C64.00	AR501PM	30.818.00	CK26009	53.298.00	GS201	24.327.00
AR19003PM	30.653.00	AR29110PMS	30.717.00	AR51881024PM-S	30.376.00	CK26017	53.396.00	GS202	24.368.00
AR192L	27.898.00	AR291PM	30.071.00	AR51885139PM-S	30.607.00	CK28001C	54.289.00	GS204	24.384.00
AR193T	27.381.00	AR292PM	30.072.00	AR5898PM	30.124.00	CK2847C	54.312.00	GS208	24.397.00
AR198PM	30.942.00	AR2931PMJ	30.676.00	AR618	27.956.00	CK34003C	54.293.00	GS2083E	26.122.00
AR20	27.761.00	AR295	27.353.00	AR619	27.085.00	CK384C	54.151.00	GS2084E	26.104.00
AR20014PMJ	30.B08.00	AR299PM	30.073.00	AR624	27.904.00	CK5475C	54.277.00	GS2085E	26.076.01
AR20017PMJ	30.B50.00	AR30003PM	30.776.00	AR637	30.804.00	CK5663C	54.263.00	GS2086E	26.129.00
AR200D	27.744.00	AR30005PM	30.532.00	AR639	30.803.00	CK5664C	54.119.00	GS211	24.413.00
AR2015J	27.D10.00	AR30005PM-S	30.587.00	AR641	27.707.00	CK77366480C	54.245.00	GS24/02	24.ONE.02
AR2077PM	30.186.00	AR30013PM	30.597.00	AR644	30.803.00	CK8719	53.316.00	GS24061	24.061.01
AR2084PM	30.A70.00	AR300PM	30.033.00	AR647	30.802.01	CK9408C	54.262.00	GS297	
AR208PM	30.999.00	AR30125/1PM	30.159.00	AR667	30.922.01	CK9533	53.149.00	(RUGGERINI)	24.324.00
AR209PM	30.948.00	AR3015/14	27.E61.00	AR675	30.993.00	CK9665C	54.271.00	GS297	
AR21014PM	30.713.00	AR3015/14S	27.F37.00	AR676	27.735.00	CKA10025	34.221.00	(LOMBARDINI)	24.352.00
AR21136/1	30.A37.00	AR301PM	30.052.00	AR679PM	30.144.00	CKA10055	34.146.00	GS30	24.304.00
AR213PM	30.893.00	AR302PM	30.066.00	AR68001PM-S	30.395.00	CKA10059	34.158.00	GS319	24.401.00
AR214PM	30.847.00	AR302PMS	30.066.00	AR683PMS	30.149.00	CKA10205-2	34.164.00	GS438	24.370.00
AR216	27.736.00	AR303PM	30.040.00	AR691PM	30.155.00	CKA10209-2	34.153.00	GS500	24.392.00
AR219	27.162.00	AR307PM	30.953.00	AR6C0129PM-S	30.692.00	CKA10457	34.168.00	GS56	24.399.00
AR22	27.826.00	AR308	27.701.00	AR709	27.993.00	CKA10536-2	34.172.00	GS58	
AR22014PMS	30.712.00	AR310	27.154.00	AR715	27.173.00	CKA10657	34.217.00	(ALTRE/OTHER APPL.)	24.351.00
AR22020PM	30.595.00	AR311PM	30.012.00	AR732	27.923.00	CKA10774	34.178.00	GS58	
AR220PM	30.975.00	AR312PM	30.013.00	AR754480PM-S	30.693.00	CKA1245	34.292.00	(OPEL)	24.351.01
AR2245PM	30.317.00	AR313	27.734.00	AR790	27.824.00	CKA1253	34.314.00	GS59	24.391.00
AR2246	27.G11.00	AR313680PM	30.A62.00	AR834778PM-S	30.588.00	CKA1629	34.285.00	GS65	24.382.00
AR2247S	27.G33.00	AR313T	27.174.00	AR84	27.133.00	CKA1827	34.274.00	GS66	24.365.00
AR2252	27.G10.00	AR314PM	30.977.00	AR843	27.939.00	CKA19004-2	34.241.00	GS67	24.365.01
AR2253S	27.G31.00	AR315PM	30.902.00	AR854	27.845.02	CKA1936	34.268.00	GS69	24.321.00
AR2255	30.B15.00	AR316	27.176.00	AR865S	27.063.00	CKA20006	34.248.00	GS71	24.409.00
AR2258	30.B87.00	AR317PM	30.950.00	AR867PM	30.973.00	CKA22011	34.244.00	GS820/19	24.193.00
AR2258/1	30.C36.00	AR318PM	30.952.00	AR869	27.069.00	CKA22021	34.288.00	GS820/20	24.194.00
AR227PM	30.851.00	AR319PM	30.954.00	AR871PM	30.894.00	CKA2227	34.275.00	GS9022	24.114.00
AR228	30.807.00	AR320PM	30.936.00	AR873S	27.065.00	CKA2243	34.162.00	OL011442-E	25.145.00
AR229PM	30.891.00	AR321PM	30.946.00	AR877S	27.062.00	CKA23005-2	34.279.00	OL0203E	25.012.00
AR23018PMJ	30.A53.00	AR322PM	30.958.00	AR879S	27.061.00	CKA2347	34.256.00	OL0204E	25.011.00
AR231	30.939.00	AR323	27.177.00	AR899		CKA2436	34.170.00	OL0205E	25.004.00
AR234PM	30.933.00	AR324PM	30.963.00	(FOND. IN METALLO/METAL ENDS)	27.071.00	CKA25001	34.226.00	OL0206E	25.014.00
AR235PM	30.860.00	AR326PM	30.944.00	AR899		CKA25003	34.291.00	OL0207E	25.008.00
AR236	27.156.00	AR327PM	30.924.00	(FONDELLI IN PVC/PLASTIC ENDS)	27.071.01	CKA25007	34.218.00	OL0208E	25.002.00
AR238PM	30.970.00	AR328PM	30.929.00	AR89PM	30.815.00	CKA2533-2	34.231.00	OL0212E	25.013.00
AR239	27.079.00	AR329PM	30.926.00	AR901PM	30.826.00	CKA26009	34.219.00	OL0215E	25.003.00
AR24017PM-S	30.648.00	AR330	30.978.01	AR904	27.155.00	CKA26010	34.114.00	OL0217E	25.001.00
AR24021PMJ	30.A54.00	AR334PM	30.914.02	AR9041PM	30.148.00	CKA26010	34.199.00	OL06002-E	25.153.00
AR240PM	30.904.00	AR335	30.807.00	AR907	27.159.00	CKA2641	34.222.00	OL06004E	25.142.00
AR241PM	30.914.02	AR339PM	30.955.00	AR9080PMS	30.180.00	CKA27001	34.234.00	OL06014E	25.188.00
AR242	27.946.00	AR34003PMJ	30.639.00	AR909	27.110.00	CKA2733	34.159.00	OL07012E	25.180.00
AR244	27.947.00	AR340PM	30.955.00	AR9093PMS	30.128.00	CKA2941-2	34.243.00	OL07116E	25.178.00
AR24567PMJ	30.A96.00	AR341PM	30.961.00	AR9094PMS	30.127.00	CKA3139-2	34.127.00	OL09813E	25.197.00
AR247PM	30.910.00	AR343PM	30.966.00	AR9096PM	30.134.00	CKA4436	34.175.00	OL100	23.418.00
AR25	27.740.00	AR3459PM	30.A15.00	AR910	27.111.00	CKA77366480	34.245.00	OL11788	23.717.00
AR25002PMJ	30.A21.00	AR349PM	30.945.00	AR93	27.236.00	CKA879	34.236.00	OL12769	23.739.00
AR25008/1PM	30.665.00	AR35003	30.B10.00	AR9300J	27.274.00	CKA8867	34.230.00	OL1277	23.660.00
AR25040PMJS	30.C54.00	AR35005	30.B63.00	AR94	27.254.00	CKA9398	34.111.00	OL1291	23.721.00
AR250PM	30.911.00	AR35009PM	30.A17.00	AR9488PM-J	30.780.00	CKA9466	34.264.00	OL130	23.436.00
AR253	30.923.01	AR352PM	30.930.00	AR97	27.770.00	CKA9495	34.100.00	OL1303	23.664.00
AR25654PM-J	30.709.00	AR353	27.086.00	AR9708PM	30.399.00	CKA9666	34.115.00	OL133	23.186.01
AR257	27.076.00	AR354	30.943.00	AR9767PM	30.264.00	CKA9691	34.232.00	OL138	23.167.00
AR26	27.769.00	AR3585PM-S	30.645.00	AR9804875PMS	30.B27.00	CKA9787	34.136.00	OL147	23.211.00
AR26010PM-S	30.660.00	AR358PM	30.935.00	AR987	27.068.00	CKA9922	34.124.00	OL157	25.528.00
AR26012PM	30.A64.00	AR359PM	30.899.00	ARA001PM	30.466.00	EA380-2	34.104.00	OL161	23.172.00
AR26018PMJ	30.B06.00	AR36007PM	30.718.00	BL798	34.163.00	EA40-2	34.127.00	OL166	23.209.00
AR26032PMJ	30.A95.00	AR36013PMJ	30.701.00	CK10087	53.105.00	GAS1-10	46.005.00	OL167	23.297.00
AR261PM	30.928.00	AR360PM	30.852.00	CK10205-2	53.143.00	GAS2-10	31.836.00	OL17	23.268.00
AR2628PMJ	30.363.00	AR363	27.194.00	CK10205C-2	54.164.00	GAS3-10	46.007.00	OL171	23.134.00
AR268PM	30.041.00	AR365PM	30.969.00	CK11177	53.388.00	GAS9-10	46.006.00	OL175	23.166.00
AR269PM	30.041.00	AR367PM	30.996.00	CK1246	53.391.00	GS010635-E	26.072.00	OL179	23.107.01
AR27004PM	30.A38.00	AR369PM	30.932.00	CK1251C	54.319.00	GS014389-E	26.115.00	OL18	23.257.00
AR27019PMJ	30.779.00	AR370PM	30.835.00	CK1255	53.387.00	GS0338/22E	26.114.00	OL19	23.279.00
AR27021PMJ	30.634.00	AR371PM	30.908.00	CK1629	53.223.00	GS0451	24.388.00	OL190	23.130.03
AR27030PMS	30.A16.00	AR372PM	30.919.00	CK20013	53.299.00	GS0479E	26.003.00	OL193	23.424.00
AR270PM	30.041.00	AR375	27.149.00	CK20018	53.365.00	GS0818013E	26.033.00	OL194	23.164.00
AR271PM	30.039.00	AR378PM	30.878.00	CK2012	53.144.00	GS10040P	24.087.00	OL198	23.265.00
AR272PM	30.046.00	AR4	27.778.00	CK21009	53.273.00	GS10695-P	24.144.00	OL199	
AR273PM	30.117.00	AR40001PM	30.629.00	CK22013C	54.223.00	GS110	24.351.01	(OPEL, VAUXHALL)	23.114.02
AR274PM	30.116.00	AR40002PM	30.630.00	CK22016	53.275.00	GS111	24.379.01	OL199	
AR276PM	30.119.00	AR405PMS	30.157.00	CK22021C	54.288.00	GS127	24.368.00	(LADA)	23.257.00

OL201	23.263.00	OL86	23.108.00	A2011	30.141.00	A2146	30.245.00	A2242	27.469.00
OL205	23.258.00	OL86T	23.282.00	A2012	30.269.00	A2147	30.293.00	A2246	30.368.00
OL21	23.195.00	OL900	23.281.00	A2014	27.367.00	A2148	30.258.00	A2247	30.351.00
OL215		OL922		A2015	27.D10.00	A2150	30.232.00	A2248	30.345.00
(HYUNDAI)	23.452.00	(ALTRE/OTHER APPL.)	23.131.01	A2016	30.145.01	A2152	27.402.00	A2249	30.434.00
OL2154E	25.160.00	OL922		A2019	30.176.00	A2153	27.594.00	A2250	30.503.00
OL2161E	25.223.00	(TOYOTA)	23.270.00	A2020	30.288.00	A2154	27.595.00	A2251	30.380.00
OL2163E	25.148.00	OL925	23.165.00	A2021	30.129.00	A2155	30.417.00	A2252	30.591.00
OL2164E	25.211.00	OL93	23.121.00	A2022	30.106.00	A2155	30.470.00	A2253	30.555.00
OL2165E	25.216.00	OL94	23.272.00	A2023	30.139.00	A2156	30.262.00	A2254	30.220.00
OL218	23.255.00	OL943	23.210.00	A2027	30.180.00	A2157	30.254.00	A2255	30.375.00
OL220	23.299.00	OL96	23.271.00	A2029	30.132.00	A2158	30.260.00	A2256	30.374.00
OL227	23.117.00	OL97	23.117.00	A203	30.967.00	A2159	30.322.00	A2256	30.B54.00
OL229	23.231.00	OL97V	23.130.01	A2030-2	30.134.00	A216	27.736.00	A2258	27.693.00
OL230	23.440.00	OL98088	23.584.00	A2031	30.135.00	A2161	30.364.00	A226	30.005.00
OL240				A2032	30.136.00	A2162	30.360.00	A2260	30.454.00
(ALTRE/OTHER APPL.)	23.156.02	TECNOCAR	UFI	A2033	30.137.00	A2170-2	30.531.00	A2266	30.341.00
OL240				A2035	30.162.00	A2171	27.606.00	A2267	30.366.00
(VAG)	23.156.03	A101	27.274.00	A2036	30.151.00	A2172	30.298.00	A2268	30.686.00
OL277	23.118.00	A103	27.150.00	A2037	30.195.00	A2173	30.318.00	A227	30.851.00
OL304	23.438.00	A105	27.200.00	A2038	30.181.00	A2174	30.273.00	A2271	30.342.00
OL305	23.439.00	A107	30.112.00	A2039	30.163.00	A2175	27.596.00	A2272	27.675.00
OL307	23.177.00	A108	30.242.00	A2043	30.320.00	A2176	30.209.00	A2273	30.277.00
OL310	23.191.00	A112	30.230.00	A2045	30.148.00	A2177	30.370.00	A2274	30.392.00
OL313	23.173.01	A114	30.083.00	A2047	30.146.00	A2178	30.312.00	A2275	30.371.00
OL317	23.129.02	A115	30.007.00	A2048	30.133.00	A2179	27.394.00	A2276	30.365.00
OL332		A117	27.521.00	A2049	30.175.00	A2179	27.D83.00	A2277	27.630.00
(ALTRE/OTHER APPL.)	23.168.00	A119	30.170.00	A2050	30.183.00	A2181	30.301.00	A2278	27.603.00
OL337	23.189.00	A121	30.243.00	A2057	30.159.00	A2182	30.319.00	A2279	30.533.00
OL33L	25.499.00	A122	30.001.00	A2059	30.210.00	A2183	30.297.00	A228	30.807.00
OL341	23.127.00	A123	27.526.00	A2060	30.158.00	A2184	30.264.00	A2280	27.691.00
OL344	23.127.05	A126	27.756.00	A2062	30.201.00	A2186	30.265.00	A2281	30.317.00
OL351	23.242.00	A128	27.728.00	A2063	30.169.00	A2187	30.197.00	A2282	30.471.00
OL352	23.196.00	A131	27.853.00	A2065	30.165.00	A219	27.162.00	A2284	30.452.00
OL353	23.414.00	A132	30.032.00	A2066	30.289.00	A2190	30.292.00	A2285	30.453.00
OL362		A134	30.089.00	A2067	30.247.00	A2192	30.207.00	A2286	30.504.00
(FORD)	23.440.00	A137	30.076.00	A2068	30.182.00	A2193	30.347.00	A2288	30.253.00
OL365	23.198.00	A139	27.273.00	A2069	30.206.00	A2194	30.393.00	A2289	30.542.00
OL367	23.200.00	A141	30.108.00	A2071	30.314.00	A2195	30.280.00	A229	30.891.00
OL40		A142	27.824.00	A2074		A2196	30.409.00	A2291	30.592.00
(FORD)	23.102.00	A144	27.089.00	(DIESEL APPL.)	27.385.00	A2197	30.344.00	A2294	30.468.00
OL40		A145	27.268.00	A2074		A2198	30.297.00	A2295	30.470.00
(ALTRE/OTHER APPL.)	23.164.00	A146	30.077.00	(BENZINA/PETROL APPL.)	27.386.00	A2199	30.297.00	A2296	30.390.00
OL405		A147	30.068.00	A2075	30.153.00	A22	27.826.00	A2297	30.352.00
(LAND ROVER)	23.297.00	A148	30.069.00	A2076	30.185.00	A220	30.975.00	A2298	30.537.00
OL406	23.164.02	A149	27.265.00	A2077	30.186.00	A2200	30.310.00	A2299	
OL41AD	23.127.05	A152	30.020.00	A2079	30.164.00	A2201	27.598.00	(SUZUKI SPLASH)	30.550.00
OL41ADM	23.169.00	A153	30.079.00	A208	30.999.00	A2202	27.597.00	A2300	30.338.00
OL428	23.182.00	A154	30.095.00	A2080	30.168.00	A2203	30.321.00	A2301	30.362.00
OL42T	23.151.00	A155	27.355.00	A2081	30.152.00	A2204	30.213.00	A2302	30.407.00
OL45	23.132.00	A160	30.096.00	A2083	30.197.00	A2205	30.147.00	A2303	30.102.00
OL458	23.131.00	A163	27.074.00	A2084	30.417.00	A2206	30.150.00	A2304	30.279.00
OL462	23.176.00	A164	27.800.00	A2085	30.167.00	A2207	30.334.00	A2306	30.505.00
OL49		A165	27.090.00	A2086	30.199.00	A2208	30.725.00	A2307	27.397.00
(TOYOTA)	23.102.00	A168	27.272.00	A2088	30.196.00	A2209	30.321.00	A2308	30.367.00
OL49		A169	30.239.00	A209	30.948.00	A221	27.588.00	A2309-2	
(FERRARI)	23.162.02	A170	27.520.00	A2090	30.226.00	A2210	30.311.00	(FILTRO ARIA SINISTRO/AR FILTER LEFT SIDE)	30.462.00
OL519	23.415.00	A171	30.099.00	A2091	27.486.00	A2211	27.585.00	A2309-2	
OL520	23.458.00	A173	30.066.00	A2092	30.263.00	A2212	27.586.00	(FILTRO ARIA DESTRO/AR FILTER RIGHT SIDE)	30.463.00
OL523	23.401.00	A174	27.927.00	A2095	30.171.00	A2213		A231	30.939.00
OL525	23.293.00	A175	30.066.00	A2096	30.224.00	(AUDI, PORSCHE, VOLKSWAGEN)	30.329.00	A2310	30.403.00
OL527	23.434.00	A176	30.087.00	A2101	30.244.00	A2214	30.300.00	A2311	30.455.00
OL530	23.413.00	A178	30.836.00	A2102	30.187.00	A2215	30.385.00	A2313	30.386.00
OL531	23.280.00	A179	30.851.00	A2106	30.465.00	A2216	30.396.00	A2314	30.388.00
OL531/77	23.584.00	A180	30.078.01	A2108	30.234.00	A2217	30.B25.00	A2316	30.357.00
OL533	23.191.00	A182	30.843.01	A2109	30.194.00	A2218	30.332.00	A2317	30.687.00
OL57		A183	30.915.00	A2116	30.160.00	A222	27.271.00	A2318	30.639.00
(LOMBARDINI, OPEL, VAUXHALL)	23.117.00	A185	30.942.00	A2118	30.203.00	A2220	30.606.00	A2319	30.A35.00
OL57		A186	30.090.00	A2120	27.401.00	A2221	30.719.00	A2320	30.469.00
(ALTRE/OTHER APPL.)	23.130.00	A188	30.942.00	A2121	30.320.00	A2222	30.384.00	A2321	30.260.00
OL58		A189	27.267.00	A2122	30.246.00	A2223	30.330.00	A2324	30.126.00
(FORD)	23.440.00	A190	27.258.00	A2125	30.241.00	A2224	30.391.00	A2325	27.621.00
OL62		A191	27.257.00	A2126	30.348.00	A2225	30.315.00	A2326	30.321.00
(ALTRE/OTHER APPL.)	23.127.00	A192	27.898.00	A2127	30.174.00	A2226	30.303.00	A2332	30.422.00
OL62		A193	27.381.00	A2128	30.266.00	A2226	30.A35.00	A2333	30.404.00
(FORD)	23.127.02	A198	30.942.00	A2129	30.267.00	A2228	30.339.00	A2334	27.636.00
OL717	23.278.00	A20	27.761.00	A213	30.893.00	A2229	30.482.00	A2335	30.A60.00
OL76	23.129.01	A200	30.035.00	A2130	30.229.00	A223	27.252.00	A2336	30.B10.00
OL83		A2001	27.593.00	A2131	30.257.00	A2230	30.554.00	A2338	30.233.00
(SUBARU)	23.188.00	A2002	30.161.00	A2132	30.233.00	A2231	30.276.00	A2339	30.210.00
OL83		A2004		A2134	30.299.00	A2232	30.325.00	A234	30.933.00
(DAIHATSU, TOYOTA)	23.213.00	(SAAB)	30.036.00	A2138	30.316.00	A2233	30.195.00	A2340	30.719.00
OL83		A2004		A2139	30.321.00	A2234	30.340.00	A2341	30.262.00
(NISSAN)	23.240.00	(RENAULT)	30.324.00	A214	30.847.00	A2235	30.506.00	A2345	27.A00.00
OL84	23.128.00	A2005	30.149.00	A2140	30.319.00	A2236	30.331.00	A2346	30.349.00
OL84M	23.175.00	A2006	30.204.00	A2141	30.302.00	A2237	30.369.00	A2348	30.512.00
OL85		A201	30.050.00	A2142	30.600.00	A2238	30.259.00	A2349	30.467.00
(ALTRE/OTHER APPL.)	23.152.00	A2010	30.460.00	A2145	30.251.00	A2241	27.628.00	A235	30.860.00

A2350	30.701.00	A2500	30.688.00	A282	30.150.00	A396	30.851.00	A598	27.878.00
A2351	30.645.00	A2501	30.A54.00	A283	30.124.00	A398	30.858.00	A600	27.902.00
A2354	30.663.00	A2502	30.B08.00	A284	27.699.00	A399	30.994.00	A601	27.524.00
A2355	30.657.00	A2503	30.569.00	A285	30.889.00	A4	27.778.00	A604	30.105.00
A236	27.156.00	A2504	30.655.00	A286	30.111.00	A40	27.792.00	A605	27.730.00
A2360	30.615.00	A2505	30.416.00	A288	30.107.00	A400	30.004.00	A6051	27.888.00
A2363	30.618.00	A2506	30.405.00	A289	30.036.00	A402	30.871.00	A613	27.797.00
A2365	30.382.00	A2507	30.A20.00	A290	30.007.00	A403	30.896.00	A616	30.080.00
A2366	30.B06.00	A2508	30.619.00	A291	30.071.00	A404	30.976.00	A618	27.956.00
A2367	30.451.00	A2510	30.A40.00	A292	30.072.00	A405	30.157.00	A619	27.085.00
A2370	30.278.00	A2511	30.A56.00	A295	27.353.00	A406	30.017.00	A622	27.709.00
A238	30.970.00	A2512	30.B76.00	A296		A408	30.916.00	A624	27.904.00
A239	27.079.00	A2514	30.603.00	(VOLVO)	30.044.00	A409	30.118.01	A625	30.121.00
A2390		A2515	30.607.00	A296		A410	27.341.00	A626	30.086.00
(HYUNDAI 28113-2S000)	30.574.00	A2516	30.609.00	(FORD)	30.016.00	A411	30.991.00	A627	30.070.00
A2390		A2517	30.525.00	A297	30.045.00	A413	30.115.00	A628	30.172.00
(HYUNDAI 28113-3X000)	30.635.00	A2518	30.588.00	A298	30.067.00	A415	30.085.00	A629	27.384.00
A2391	30.631.00	A2521	30.A61.00	A299	30.073.00	A418	30.109.00	A630	27.726.00
A2394	30.477.00	A2523	27.A92.00	A300	30.033.00	A42	27.775.00	A632	27.716.00
A2399	30.A69.00	A2526		A301	30.052.00	A422	30.898.00	A633	27.715.00
A24	27.744.00	(CITROEN, MITSUBISHI, PEUGEOT)	30.601.00	A302	30.066.00	A422 H.M.	30.898.00	A634	30.807.00
A240	30.904.00	A2528	30.714.00	A303	30.040.00	A426	30.872.01	A636	30.806.00
A2400	27.688.00	A253	30.923.01	A307	30.953.00	A427	30.003.00	A637	30.804.00
A2406	30.496.00	A2530	30.456.00	A308	27.153.00	A428	30.021.00	A639	30.803.00
A2407	30.538.00	A2533	30.629.00	A310	27.154.00	A429	27.084.00	A641	27.707.00
A2408	30.B63.00	A2534	30.726.00	A311	30.012.00	A430	30.063.00	A642	27.752.00
A2409	30.546.00	A2535	30.455.00	A312	30.013.00	A435	27.890.00	A643	30.800.00
A241	30.914.02	A2538	30.294.00	A313	27.174.00	A436	27.097.00	A644	30.803.00
A2410	30.626.00	A2541	30.A33.00	A314	30.977.00	A437	30.890.00	A647	30.802.01
A2411	30.B26.00	A2542	30.724.00	A315	30.902.00	A438	30.883.00	A648	30.809.00
A2411	30.B29.00	A2542	30.C62.00	A316	27.176.00	A44	27.799.00	A649	30.811.00
A2419	30.711.00	A2543	30.A53.00	A317	30.950.00	A442	30.950.00	A650	27.713.00
A242	27.946.00	A2544	30.621.00	A318	30.952.00	(RENAULT)	30.872.01	A651	27.702.00
A2421	30.776.00	A2546	30.630.00	A319	30.954.00	A442		A652	27.750.00
A2422	30.A44.00	A2548	30.622.00	A32	27.734.00	(NISSAN)	27.605.00	A655	30.225.00
A2423	30.395.00	A2549	30.B62.00	A320	30.936.00	A443	30.960.00	A656	27.720.00
A2425	27.A53.00	A2554	30.717.00	A321	30.946.00	A447	27.128.00	A657	27.647.00
A2427	30.406.00	A2556	30.B87.00	A322	30.958.00	A448	27.701.00	A658	30.142.00
A2428	30.B41.00	A2560	30.A15.00	A323	27.177.00	A451	27.081.00	A660	27.719.00
A2429	30.346.00	A2562	30.712.00	A324	30.963.00	A453	27.175.00	A6601	27.785.00
A2431	30.647.00	A2563	30.718.00	A326	30.944.00	A454	27.083.00	A662	27.708.00
A2432	30.663.00	A2564	30.692.00	A327	30.692.00	A457	30.034.00	A663	27.707.00
A2433	30.625.00	A2565	30.627.00	(BMW)	30.627.00	A458	30.058.00	A666	27.720.00
A2434	30.381.00	A2566	30.664.00	A327	30.664.00	A459	30.026.00	A667	30.922.01
A2435	30.281.00	A2567	30.693.00	(ALTRE/OTHER APPL.)	30.924.00	A46	27.744.00	A668	27.781.00
A2438	30.408.00	A2568	30.B20.00	A327	30.B20.00	A461	30.007.00	A670	27.706.00
A244	27.947.00	A2569	30.648.00	(VAG)	30.648.00	A462	30.025.00	A673	30.987.01
A2441	30.466.00	A257	27.076.00	A328	27.076.00	A463	30.024.00	A675	30.993.00
A2443	30.B03.00	A2570	30.A67.00	A329	30.926.00	A464	30.022.00	A676	27.735.00
A2444	30.A37.00	A2573	30.A21.00	A330	30.978.01	A465	30.028.00	A677	30.154.00
A2447	30.C45.00	A2574	30.A23.00	A331	30.372.00	A466	30.027.00	A679	30.144.00
A2448	30.638.00	A2577	30.C03.00	A333	30.917.01	A467	30.064.00	A685	30.067.00
A2449	30.628.00	A2578	30.A62.00	A334	30.914.02	A468	30.049.00	A686	27.725.00
A2451	30.785.00	A258		A335	30.807.00	A469	30.062.00	A687	30.100.00
A2454	27.587.00	(PIAGGIO)	30.880.00	A338	27.196.00	A470	30.082.00	A688	30.041.00
A2457	27.E52.00	A2580	30.B50.00	A339	30.955.00	A472	30.057.00	A690	27.762.00
A2458	27.B12.00	A2582	27.E61.00	A340	30.075.00	A473	27.239.00	A691	30.155.00
A2460	30.595.00	A2584	30.793.00	A341	30.961.00	A474	30.101.00	A709	27.993.00
A2461	30.558.00	A2585	30.A68.00	A343	30.966.00	A474	30.C47.00	A71	27.710.00
A2462	30.540.00	A2586	30.A63.00	A344	30.053.00	A475	30.147.00	A715	27.173.00
A2463	30.786.00	A2588	30.C64.00	A349	30.945.00	A476	30.864.00	A732	27.923.00
A2464	30.376.00	A2589	30.677.00	A352	30.930.00	A477	30.946.00	A790	27.824.00
A2465	30.654.00	A259	27.195.00	A353	27.086.00	A478	27.354.00	A800	30.127.00
A2466	30.700.00	A2590	30.A72.00	A354	30.943.00	A479	27.232.00	A801	30.128.00
A2467	30.280.00	A2591	30.A51.00	A358	30.935.00	A481	27.232.00	A839	27.676.00
A2468	30.A38.00	A2592	30.794.00	A358 H.M.	30.935.00	A485	27.233.00	A84	27.133.00
A2469	30.A64.00	A26	27.769.00	A359	30.899.00	A492	27.982.00	A841	30.066.00
A247	30.910.00	A260	30.235.00	A360	30.852.00	A494	27.828.00	A843	27.939.00
A2472	30.594.00	A2601	30.556.00	A363	27.194.00	A497	27.067.00	A854	27.845.02
A2473	27.A54.00	A261	30.928.00	A365	30.969.00	A5004	27.801.00	A855	27.171.00
A2475	30.632.00	A262	27.253.00	A367	30.996.00	A503	27.228.00	A858	27.712.00
A2476	30.617.00	A263	27.403.00	A368	30.098.00	A505	27.231.00	A860	27.731.00
A2478	30.544.00	A2632	30.A99.00	A369	30.932.00	A521	27.366.00	A862	27.701.00
A2479	30.589.00	A2639	30.C39.00	A370	30.835.00	A523	27.135.00	A865	27.063.00
A2482	30.553.00	A264	30.119.00	A371	30.908.00	A535	30.104.00	A867	
A2486	30.A17.00	A268	30.041.00	A372	30.919.00	A551	27.906.00	(MAZDA)	30.178.00
A2487	30.652.00	A269	30.041.00	A375	27.149.00	A552	30.872.01	A867	
A2488	30.779.00	A271	30.039.00	A378	30.878.00	A553	27.283.00	(ALTRE/OTHERS APPL.)	30.973.00
A2489	30.587.00	A272	30.046.00	A384	30.965.00	A556	27.893.00	A869	27.069.00
A2490	30.322.00	A273	30.117.00	A385	30.906.00	A560	27.881.00	A87	
A2492	30.557.00	A274	30.116.00	A387	30.857.00	A573	27.134.00	(ALTRE/OTHER APPL.)	30.818.00
A2493	30.547.00	A275	30.166.00	A388	30.974.00	A575	27.132.00	A871	30.894.00
A2495	30.355.00	A276	30.119.00	A389	30.008.00	A579	27.235.00	A873	27.065.00
A2496	30.634.00	A278	30.003.00	A39	27.729.00	A585	27.931.00	A875	30.076.00
A2497	30.543.00	A280		A390	27.234.00	A590	27.804.00	A877	27.062.00
A2498	30.548.00	(INNOCENTI, FIAT FIORINO)	30.048.00	A391	30.030.00	A592	27.920.00	A879	27.061.00
A25	27.740.00	A280		A392	30.981.00	A593	27.137.00	A880	27.059.00
A250	30.911.00	(ALTRE/OTHER APPL.)	30.999.00	A394	30.999.00	A595	27.138.00	A89	30.815.00

A898	30.217.00	B98	31.514.00	E431	53.058.00	E691	53.260.00	EC382	54.111.00
A899		B99	31.561.00	E432	53.088.00	E692	53.329.00	EC384	54.151.00
(FOND. IN METALLO/METAL ENDS)	27.071.00	CKA29005	34.163.00	E436	53.230.00	E695-2	53.259.00	EC386	54.125.00
A899		E302	53.024.00	E439	53.106.00	E696	53.256.00	EC387	54.101.00
(FONDELLI IN PVC/PLASTIC ENDS)	27.071.01	E303	53.025.00	E440	53.132.00	E697	53.396.00	EC388	54.122.00
A901	30.826.00	E304	53.020.00	E442	53.129.00	E700	53.320.00	EC390	54.121.00
A904	27.155.00	E306	53.028.00	E443	53.124.00	E702	53.367.00	EC391	54.113.00
A906	27.069.00	E307	53.015.00	E446	53.115.00	E703	53.323.00	EC392	54.273.00
A907	27.159.00	E308	53.021.00	E448	53.100.00	E706-2	53.313.00	EC393	54.103.00
A909	27.110.00	E309	53.019.00	E450	53.105.00	E707	53.246.00	EC394	54.114.00
A910	27.111.00	E310	53.001.00	E452	53.076.00	E708	53.223.00	EC395	54.137.00
A918	30.541.00	E311	53.006.00	E454	53.218.00	E711	53.384.00	EC398	54.115.00
A920	27.356.00	E312	53.016.00	E455	53.418.00	E712	53.322.00	EC400	54.100.00
A93	27.236.00	E313	53.013.00	E456-2	53.120.00	E714	53.257.00	EC401	54.201.00
A94	27.254.00	E315		E457	53.109.00	E718-2	53.277.00	EC402	54.157.00
A944		(N.1 FILTRO/FILTER)	53.070.00	E458	53.184.00	E721	53.426.00	EC406	54.174.00
(TOYOTA)	30.223.00	E316		E459	53.147.00	E722-2	53.332.00	EC408	54.156.00
A944		(N.1 FILTRO/FILTER)	53.070.00	E460	53.112.00	E724	53.389.00	EC410	54.134.00
(VAG)	30.398.00	E317	53.027.00	E461-2	53.143.00	E726	53.249.00	EC411	54.232.00
A97	27.770.00	E319	53.061.00	E462	53.118.00	E729	53.127.00	EC412	54.271.00
A98	27.817.00	E320	53.018.00	E464	53.136.00	E731-2	53.258.00	EC413	54.148.00
A987	27.068.00	E321	53.085.00	E465	53.124.00	E733	53.334.00	EC414	54.117.00
A988	27.140.00	E322	53.026.00	E466	53.109.00	E734	53.299.00	EC415	54.133.00
A994	27.477.00	E323	53.012.00	E467	53.147.00	E738	53.365.00	EC416	54.136.00
B103	31.958.00	E325	53.014.00	E468	53.145.00	E742	53.391.00	EC417	54.142.00
B108	31.850.00	E327	53.064.00	E469	53.206.00	E744	53.387.00	EC419	54.132.00
B109	31.825.00	E328	53.232.00	E470	53.137.00	E760	53.208.00	EC420	54.127.00
B11	31.501.00	E329	53.017.00	E471	53.157.00	E761	53.220.00	EC420-2	54.127.00
B112	31.951.00	E330	53.046.00	E472	53.218.00	EA329	34.118.00	EC439	54.237.00
B114	31.846.00	E331	53.205.00	E473	53.159.00	EA344	34.196.00	EC441	54.146.00
B115	31.842.00	E334	53.071.00	E475	53.154.00	EA363	34.106.00	EC446	54.150.00
B117	31.828.00	E335	53.004.00	E475-2	53.154.00	EA366	34.143.00	EC447	54.130.00
B120	31.712.00	E336-2	53.005.00	E476	53.130.00	EA367	34.230.00	EC448	54.154.00
B121	31.749.00	E337	53.007.00	E478	53.153.00	EA381	34.109.00	EC449-2	54.153.00
B122	31.543.00	E341	53.044.00	E479	53.152.00	EA387	34.101.00	EC459	54.266.00
B20	31.500.00	E343	53.082.00	E483	53.219.00	EA388	34.122.00	EC461-2	54.164.00
B21	31.513.00	E344	53.060.00	E485	53.126.00	EA398	34.115.00	EC464	54.160.00
B22	31.007.00	E345	53.084.00	E487-2	53.164.00	EA400	34.100.00	EC465	54.162.00
B29	31.740.00	E346	53.010.00	E488	53.248.00	EA411	34.232.00	EC467	54.266.00
B30	31.769.00	E347	53.002.00	E490	53.161.00	EA413	34.148.00	EC469	54.159.00
B31	31.512.00	E348	53.083.00	E495	53.110.00	EA416	34.136.00	EC470	54.161.00
B32	31.817.00	E349-2	53.197.00	E496	53.116.00	EA417	34.142.00	EC472	54.167.00
B34	31.834.00	E353	53.011.00	E497	53.207.00	EA449-2	34.153.00	EC474	54.155.00
B35	31.844.00	E354	53.037.00	E524	53.147.00	EA461-2	34.164.00	EC475-2	54.172.00
B36	31.847.00	E354-2	53.037.00	E601	53.276.00	EA465	34.162.00	EC476	54.269.00
B39	26.655.00	E356	53.068.00	E603	53.254.00	EA475-2	34.172.00	EC477	54.173.00
B48	31.948.00	E359	53.050.00	E604	53.261.00	EA476	34.269.00	EC478	54.168.00
B5	31.504.00	E360	53.114.00	E605-2	53.397.00	EA478	34.168.00	EC479	54.272.00
B54	31.710.00	E362	53.057.00	E608	53.186.00	EA484	34.158.00	EC484	54.158.00
B56	31.515.00	E363	53.034.00	E610	53.156.00	EA486	34.166.00	EC486	54.166.00
B57	31.515.00	E365	53.087.00	E612-2	53.163.00	EA495	34.145.00	EC491	54.176.00
B58	31.569.00	E366	53.047.00	E621	53.038.00	EA497	34.170.00	EC492	54.140.00
B59	31.747.00	E367	53.030.00	E624	53.209.00	EA498	34.217.00	EC494	54.144.00
B60	31.750.00	E369	53.091.00	E626	53.149.00	EA601	34.234.00	EC495	54.145.00
B61	31.565.00	E370	53.188.00	E627	53.400.00	EA603	34.178.00	EC497	54.170.00
B63	31.621.00	E371	53.074.00	E629-2	53.229.00	EA603	34.238.00	EC601	54.234.00
B64	31.541.00	E372	53.040.00	E630	53.214.00	EA621	34.111.00	EC603	54.178.00
B66	31.523.00	E373	53.075.00	E632	53.160.00	EA624	34.256.00	EC607-2	54.215.00
B67	31.722.00	E376	53.059.00	E633	53.146.00	EA633	34.268.00	EC609	54.128.00
B68	31.841.00	E382	53.038.00	E634	53.215.00	EA645	34.249.00	EC610	54.175.00
B69	31.020.00	E383	53.041.00	E636	53.183.00	EA655	34.222.00	EC620	54.163.00
B7	31.001.00	E385	53.067.00	E641	53.141.00	EA665	34.248.00	EC621	54.111.00
B70	31.718.00	E387	53.032.00	E643	53.222.00	EA667	34.226.00	EC624	54.256.00
B76	31.832.00	E388	53.086.00	E644	53.274.00	EA672	34.124.00	EC629-2	54.231.00
B77	31.833.00	E389	53.131.00	E647	53.144.00	EA678	34.257.00	EC633	54.268.00
B78	31.715.00	E392	53.125.00	E648-2	53.338.00	EA679-2	34.287.00	EC635	54.149.00
B79	31.830.00	E393	53.149.00	E649	53.388.00	EA682	34.218.00	EC645	54.249.00
B80	31.831.00	E394	53.031.00	E652	53.191.00	EA683	34.219.00	EC646	54.312.00
B81	31.840.00	E396	53.039.00	E654	53.325.00	EA696	34.244.00	EC651	54.120.00
B83	31.853.00	E397	53.094.00	E658	53.051.00	EA708	34.285.00	EC655	54.222.00
B85	31.505.00	E400	53.045.00	E659	53.150.00	EA724	34.291.00	EC656	54.224.00
B86	31.506.00	E401	53.107.00	E660	53.368.00	EA739	34.288.00	EC665	54.248.00
B87	31.505.00	E403	53.043.00	E662	53.331.00	EC305	54.107.00	EC666-2	54.241.00
B88	31.500.00	E406	53.155.00	E664	53.233.00	EC323	54.116.00	EC667	54.226.00
B89	31.502.00	E407	53.035.00	E665	53.210.00	EC333-2	54.108.00	EC668	54.220.00
B90	31.503.00	E408	53.069.00	E666-2	53.251.00	EC344	54.196.00	EC670	54.223.00
B91	31.563.00	E410	53.098.00	E667	53.224.00	EC346	54.135.00	EC672	54.124.00
B92	31.507.00	E411	53.104.00	E669-2	53.119.00	EC353	54.165.00	EC672	54.376.00
B93	31.512.00	E413	53.189.00	E671	53.243.00	EC355	54.105.00	EC678	54.257.00
B94		E414	53.103.00	E672	53.148.00	EC357	54.267.00	EC679-2	54.287.00
(ALTRE/OTHER APPL.)	31.510.00	E416	53.102.00	E674-2	53.121.00	EC358	54.262.00	EC682	54.218.00
B94		E417	53.227.00	E677-2	53.253.00	EC359	54.264.00	EC683	54.219.00
(ISUZU, NISSAN)	31.529.00	E418	53.065.00	E678	53.293.00	EC363	54.106.00	EC685-2	54.141.00
B94		E421	53.108.00	E679-2	53.311.00	EC365	54.198.00	EC687	54.245.00
(BEDFORD, OPEL, VAUXHALL)	31.611.00	E422	53.123.00	E684-2	53.212.00	EC366	54.143.00	EC693	54.236.00
B95	31.510.00	E424	53.052.00	E686	53.422.00	EC367	54.230.00	EC696	54.244.00
B96	31.511.00	E429	53.077.00	E687	53.211.00	EC380-2	54.104.00	EC699	54.284.00
B97	31.508.00	E430	53.042.00	E689	53.294.00	EC381	54.109.00	EC708	54.285.00

EC710	54.147.00	N621	26.023.00	OP245	25.053.00	R110	23.455.00	R332	
EC713	54.112.00	N628-2	26.071.00	OP246	25.043.00	R12	23.105.00	(ALTRE/OTHER APPL.)	23.168.00
EC718-2	54.254.00	N629	26.114.00	OP247	25.060.00	R122	23.447.00	R337	23.189.00
EC722-2	54.279.00	N631	26.065.00	OP248	25.047.00	R123	23.444.00	R339	23.280.00
EC723-2	54.243.00	N634	26.122.00	OP251	25.060.00	R124	23.448.00	R34	23.113.00
EC724	54.291.00	N635	26.053.00	OP251A	25.060.00	R125	23.445.00	R341	23.127.00
EC726	54.331.00	N637	26.130.00	OP253	25.040.00	R126	23.449.00	R343	23.169.00
EC735	54.289.00	N639	26.104.00	OP254	25.026.00	R130	23.436.00	R344	23.127.05
EC739	54.288.00	O152	25.499.00	OP255	25.071.00	R131	23.453.00	R349	23.175.00
EC750	54.389.00	O152M	25.499.01	OP256	25.050.00	R133	23.186.01	R351	23.242.00
EC757	54.293.00	O157	25.528.00	OP258	25.028.00	R138	23.167.00	R352	23.196.00
EC758	54.292.00	O3	20.012.00	OP261	25.048.00	R14	23.115.00	R353	23.414.00
EC761	54.253.00	O3M	20.012.02	OP266	25.060.00	R141	23.171.00	R361	
EC777	34.162.00	O4	20.020.00	OP267	25.049.00	R147	23.211.00	(FORD)	23.439.00
EC794	54.319.00	OP1003	25.145.00	OP268	25.058.00	R148	23.164.03	R361	
N1010	21.050.00	OP1004	25.164.00	OP268	25.232.00	R148A	23.164.03	(MCC, MITSUBISHI)	23.478.00
N106	26.660.00	OP1005	25.088.00	OP276	25.539.00	R15	23.118.00	R362	
N1116	24.360.00	OP1006	25.159.00	OP277	25.066.00	R16	23.114.01	(AUDI)	23.404.00
N1117	24.360.00	OP1007	25.178.00	OP278	25.067.00	R161	23.172.00	R362	
N1117V	24.360.00	OP1009	25.167.00	OP279	25.063.00	R166	23.209.00	(FORD)	23.440.00
N1118	24.361.00	OP1011	25.153.00	OP285	25.068.00	R167	23.297.00	R365	23.198.00
N1124		OP1014	25.073.02	OP287	25.072.00	R17	23.268.00	R367	23.200.00
(FIAT ALLIS, FIATAGRI)	26.606.00	OP1015	25.141.00	OP291	25.080.00	R171	23.134.00	R406	23.164.02
N1136	26.618.00	OP1016	25.144.00	OP293	25.177.00	R175	23.166.00	R410	23.195.00
N1147	26.609.00	OP1017	25.248.00	OP301	25.064.00	R179	23.107.01	R416	23.194.00
N1147SC	21.050.00	OP1018	25.210.00	OP359	25.077.00	R18	23.257.00	R42	23.151.00
N11816	26.602.00	OP1019	25.165.00	OP387	25.172.00	R19	23.279.00	R424	23.165.00
N11838	24.362.00	OP1023	25.187.00	OP397	25.075.00	R190	23.130.03	R428	23.182.00
N11846	26.601.00	OP1024	25.146.00	OP398	25.074.00	R192	23.246.00	R432	23.173.01
N11909	26.652.00	OP1025	25.185.00	OP400	25.061.00	R193	23.424.00	R434	23.105.00
N11910	26.652.00	OP1028	25.188.00	OP401	25.070.00	R194	23.164.00	R443	
N11972	26.635.00	OP1029	25.110.00	OP402	25.105.00	R195	23.417.00	(ALTRE/OTHER APPL.)	23.177.00
N296	24.371.00	OP1032	25.223.00	OP403	25.150.00	R196	23.419.00	R443	
N297	24.371.00	OP1036	25.170.00	OP404	25.084.00	R198	23.265.00	(VOLVO)	23.279.00
N300	26.690.00	OP1040	25.090.00	OP405	25.151.00	R199	23.114.02	R458	
N301	26.691.00	OP1041	25.089.00	OP407	25.069.00	R20	23.132.00	(ALTRE/OTHER APPL.)	23.131.00
N302	26.693.00	OP1042	25.059.00	OP408A	25.060.00	R200	23.457.00	R458	
N303	26.013.00	OP1043	25.037.00	OP410	25.091.00	R201	23.263.00	(SAAB)	23.298.00
N304	26.022.00	OP1044	25.139.00	OP411	25.093.00	R202	23.191.00	R458	
N307	26.694.00	OP1045	25.180.00	OP412	25.106.00	R205	23.258.00	(LEXUS, MINI, TOYOTA)	23.253.00
N308	26.014.00	OP1047	25.199.00	OP413	25.086.00	R206	23.297.00	R458	
N309	26.057.00	OP1049	25.160.00	OP415	25.085.00	R21	23.195.00	(VAG)	23.435.00
N311A	60.H2O.00	OP105	25.099.00	OP416	25.152.00	R215		R46	23.212.00
N312	26.007.00	OP1054	25.216.00	OP417	25.096.00	(HYUNDAI)	23.452.00	R462	23.176.00
N335	26.026.00	OP1065	25.148.00	OP418	25.170.00	R218	23.255.00	R474	23.266.00
N336	26.045.00	OP1066	25.211.00	OP419	25.083.00	R22	23.194.00	R475	25.901.00
N341	26.694.00	OP109	25.067.00	OP420	25.154.00	R220	23.299.00	R48	
N343	26.077.00	OP110	25.030.00	OP422	25.094.00	R224	23.130.02	(ALTRE/OTHER APPL.)	23.185.01
N345	26.073.00	OP113	25.010.00	OP423	25.142.00	R225	23.164.02	R49	23.102.02
N346	26.038.00	OP114	25.032.00	OP424	25.054.00	R226	23.159.00	R5	23.104.00
N447	26.670.00	OP115	25.024.00	OP425	25.166.00	R227		R500	23.273.00
N449	26.676.00	OP116	25.017.00	OP426	25.155.00	(ALTRE/OTHER APPL.)	23.117.00	R506	23.246.00
N450	26.682.00	OP123	25.607.00	OP437	25.128.00	R227		R511	23.133.00
N451	24.388.00	OP124	25.015.00	OP439	25.115.00	(FORD)	23.188.00	R518	23.295.00
N452	26.686.00	OP200	25.587.00	OP440	25.159.00	R229	23.231.00	R519	23.415.00
N453	26.687.00	OP203	25.012.00	OP441	25.116.00	R230	23.440.00	R520	23.458.00
N454	26.688.00	OP204	25.011.00	OP611	25.439.00	R239		R521	23.293.00
N455	26.005.00	OP205	25.004.00	OP614	20.020.00	(ALTRE/OTHER APPL.)	23.131.01	R523	23.401.00
N456	26.689.00	OP206	25.014.00	OP801	25.407.01	R239		R525	23.293.00
N467	26.670.00	OP207	25.008.00	OP802	25.530.01	(NISSAN)	23.496.00	R527	23.434.00
N470	26.006.00	OP208	25.002.00	OP803	25.406.01	R240		R528	23.196.00
N474	24.362.00	OP209	25.038.00	OP804	25.409.01	(ALTRE/OTHER APPL.)	23.156.00	R530	23.413.00
N479	26.003.00	OP210	25.541.00	OP809	25.530.00	R240		R531	23.280.00
N480	26.687.00	OP211	25.548.00	OP813	25.402.01	(VOLVO)	23.156.02	R533	23.191.00
N486	26.018.00	OP212	25.013.00	OP816	25.413.00	R240		R54	23.103.00
N487	26.695.00	OP213	25.095.00	OP820	25.408.00	(VAG)	23.156.03	R550	23.249.00
N488	26.687.00	OP214	25.162.00	OP828	25.162.00	R255	23.102.00	R57	
N489	26.018.00	OP215	25.003.00	OP833	25.590.00	R258	23.439.00	(LOMBARDINI, OPEL VALVEHALL)	23.117.00
N490	26.054.00	OP216	25.009.00	OP834	25.455.00	R259	23.280.00	R57	
N491	26.037.00	OP217	25.001.00	OP836	25.421.00	R26	23.544.00	(ALTRE/OTHER APPL.)	23.130.00
N492	26.687.00	OP220	25.539.00	OP837	25.443.00	R266	23.465.00	R58	23.440.00
N493	26.696.00	OP221	25.018.00	OP839	25.555.00	R283	23.481.00	R590	23.267.00
N494	26.021.00	OP222	25.023.00	OP855	25.419.00	R284	23.471.00	R600	23.254.00
N497	26.020.00	OP223	25.019.00	OP926	25.439.00	R285	23.489.00	R61	
N498	26.058.00	OP224	25.023.00	OP966	25.455.01	R287	23.413.00	(ALTRE/OTHER APPL.)	23.127.00
N499	26.055.00	OP224A	25.023.00	R10	23.132.00	R287	23.721.00	R61	
N500	26.670.00	OP225	25.033.00	R101	23.495.00	R289	23.470.00	(VOLVO)	23.257.00
N501	26.072.00	OP226	25.027.00	R1010	23.463.00	R290	23.546.00	R61	
N502	26.003.00	OP227	25.052.00	R1012	23.585.00	R294	23.299.00	(SAAB)	23.298.00
N505	26.015.00	OP228	25.022.00	R1013	23.717.00	R302	23.130.01	R62	
N508	26.123.00	OP232	25.035.00	R1026	23.418.00	R304	23.438.00	(ALTRE/OTHER APPL.)	23.127.00
N550	31.013.00	OP233	25.029.00	R1030	23.584.00	R305	23.439.00	R62	
N600	26.001.00	OP234	25.056.00	R1032	23.650.00	R307	23.177.00	(FORD)	23.127.02
N609	26.115.00	OP236	25.034.00	R1035	23.739.00	R310	23.191.00	R64	23.124.00
N610	26.052.00	OP239C	25.037.00	R106	23.246.00	R313	23.173.01	R645	23.131.01
N614	26.034.00	OP242	25.021.00	R109	23.425.00	R317	23.129.02	R65	
N615	26.104.00	OP243	25.197.00	R1091	23.481.00	R319	23.187.00	(ALTRE/OTHER APPL.)	23.102.00
N616	26.074.00	OP244	25.039.00	R11	23.131.02	R327	23.197.00	R65	

(VAG, VOLVO)	23.164.00	RN182B	24.383.00	RN332	31.851.00	B204	30.860.00	B566	27.089.00
R65		RN201	24.327.00	RN333	24.077.00	B206	30.807.00	B567	27.175.00
(O/OR) (VAG, VOLVO)	23.164.03	RN202		RN334	24.111.00	B208	30.871.00	B569	27.174.00
R65		(KIA)	24.339.00	RN338	24.145.00	B209	27.076.00	B58	27.115.00
(MAN, MWM, PORSCHE)	23.241.00	RN202		RN339	31.857.04	B210	30.943.00	B583	27.111.00
R65		(ALTRE/OTHER APPL.)	24.368.00	RN340	24.144.00	B211	27.086.00	B591	30.954.00
(LAND ROVER)	23.297.00	RN204	24.384.00	RN344	31.946.00	B217	30.908.00	B596	27.162.00
R67	23.110.02	RN208	24.397.00	RN438	24.370.00	B218	30.852.00	B6	27.769.00
R7	23.127.05	RN208	24.417.00	RN439	55.582.00	B220	27.785.00	B6	
R70	23.108.00	RN211	24.413.00	RN440	24.026.01	B222	30.860.00	(VOLVO)	30.923.01
R717	23.486.00	RN212	24.426.00	RN489	55.430.00	B225	27.898.00	B601	27.090.00
R718	23.564.00	RN213	24.416.00	RN490	55.394.00	B238	27.079.00	B624	27.800.00
R72	23.105.00	RN216		RN491	31.920.00	B240	30.872.01	B630	30.906.00
R720	23.472.00	(FIAT 4679378)	24.H20.00	RN492	24.087.00	B244	27.904.00	B634	30.936.00
R721	23.493.00	RN218	24.415.00	RN503	24.001.00	B245		B644	30.003.00
R722	23.494.00	RN219	24.428.00	RN504	31.838.00	(ALTRE/OTHER APPL.)	30.818.00	B645	30.041.00
R74	23.108.00	RN221	24.418.00	RN506	24.114.00	B245		B646	30.041.00
R74DF	23.108.00	RN226	24.445.00	RN507	24.127.00	(FIAT)	30.857.00	B647	30.041.00
R75	23.128.00	RN227	24.429.00	RN511	24.452.00	B247	27.927.00	B652	30.942.00
R76	23.129.01	RN229	24.430.00	RN513	24.128.00	B248	27.904.00	B657	27.149.00
R77	23.172.00	RN231	24.351.00	RN515	24.149.00	B281	27.139.00	B66	27.797.00
R79	23.293.00	RN232	24.436.00	RN516	24.016.00	B289	30.899.00	B67	27.770.00
R83		RN233	24.427.00	RN517	24.147.00	B290	30.939.00	B7	27.752.00
(SUBARU)	23.188.00	RN234	24.351.00	RN518	24.099.00	B291	30.851.00	B79	27.731.00
R83		RN235	24.013.00	RN519	24.126.00	B294	30.910.00	B8	27.707.00
(ALTRE/OTHER APPL.)	23.213.00	RN236	24.343.00	RN520	24.112.00	B295	27.155.00	B84	27.712.00
(NISSAN)	23.240.00	RN237	24.425.00	RN521	24.030.00	B317		B90	27.720.00
R84	23.172.00	RN238		RN523	31.953.00	(ALTRE/OTHER APPL.)	27.769.00	B92	27.709.00
R85		(VECO)	24.H20.01	RN524	24.033.00	B317		FB2059	
(ALTRE/OTHER APPL.)	23.152.00	RN238	24.H20.02	RN56B	24.399.00	(RENAULT)	30.923.01	(FORD)	23.127.02
R86	23.282.00	(FIAT)		RN58B		B331	30.864.00	FB2059	23.257.00
R9	23.173.01	(FIAT, KIA)	24.H20.07	(ALTRE/OTHER APPL.)	24.351.00	B336		FB2059	
R900	23.281.00	RN242	24.424.00	RN58B		(VOLVO)	30.915.00	(SAAB)	23.298.00
R92	23.122.00	RN243	24.007.00	(OPEL, VAUXHALL)	24.351.01	B336		FB2062	
R922		RN244	24.006.00	RN59B	24.391.00	(OPEL, VAUXHALL)	30.958.00	(ALTRE/OTHER APPL.)	23.164.02
(ALTRE/OTHER APPL.)	23.131.01	RN246	31.849.00	RN60B	24.408.00	B338	30.890.00	FB2062	
R922		RN247	24.027.00	RN611	31.952.00	B341	30.917.01	(FERRARI)	23.162.02
(TOYOTA)	23.270.00	RN248	24.391.00	RN612	24.150.00	B347	27.061.00	FB2070	
R925	23.165.00	RN250B	24.412.00	RN618	31.811.00	B350	27.781.00	(ALTRE/OTHER APPL.)	23.127.00
R929	23.418.00	RN251	24.444.00	RN622	24.095.00	B351	30.847.00	FB2070	
R93	23.121.00	RN253	24.450.00	RN623	31.926.01	B352	30.914.02	(FORD, SAAB)	23.127.02
R930	23.519.00	RN254	31.824.00	RN628	24.026.01	B353	30.904.00	FB2070	
R931	23.660.00	RN257	24.014.00	RN631	24.080.00	B354	30.815.00	(FIAT)	23.127.05
R94	23.272.00	RN260	24.ONE.01	RN632	24.095.01	B355	30.822.00	FB2086	23.544.00
R943	23.210.00	RN261	24.ONE.00	RN647	24.151.00	B357	30.896.00	FB2093	
R944	23.565.00	RN262	31.852.00	RN65B	24.382.00	B359	30.975.00	(NISSAN, ROVER GROUP)	23.256.00
R96		RN263	24.437.00	RN66B		B360	30.843.01	FB2095	23.130.01
(ALTRE/OTHER APPL.)	23.271.00	RN264	24.H20.05	(ALTRE/OTHER APPL.)	24.365.00	B361	30.893.00	FB2097	23.271.00
R96		RN266	24.107.00	RN66B		B362	30.916.00	FB2098	23.196.00
(HONDA)	23.265.00	RN267	24.072.00	(HONDA)	24.435.00	B363	27.797.00	FB2099	23.103.00
R994	23.243.00	RN268	24.451.00	RN67B	24.365.01	B367	27.135.00	FB5300	23.118.00
R997	23.575.00	RN269	55.393.00	RN69B	24.321.00	B373	30.929.00	FB5302	23.187.00
R998	23.628.00	RN270	24.456.00	RN70B	24.404.00	B377	30.993.00	FB5303	
RD1001	23.237.00	RN272	24.457.00	RN71B	24.409.00	B378	30.809.00	(ALTRE/OTHER APPL.)	23.130.01
RD1002	23.244.00	RN274	31.925.00	RN80B	24.401.00	B379	30.835.00	FB5303	
RD1003	23.236.00	RN297	24.352.00	RN87	24.443.00	B381	30.891.00	(BMW)	23.130.02
RD1203	23.264.00	RN298	24.156.00	RN90	31.839.00	B383	27.801.00	FB5307	23.151.00
RD1203	23.476.00	RN299	24.004.00	RN91	24.526.00	B393	27.085.00	FB5308	23.129.01
RD1204	23.274.00	RN30	24.304.00			B402	30.836.00	FB5310	23.121.00
RD1216	23.248.00	RN300	24.ONE.02			B427	27.177.00	FB5311	23.131.00
RD3003	23.303.00	RN301	24.ONE.03			B429	27.176.00	FB5311	
RD3103	23.303.00	RN302	24.119.00	B130	30.804.00	B436	30.953.00	(CITROEN, PEUGEOT, TALBOT)	23.173.01
RD3104	23.313.00	RN303	24.440.00	B131	30.803.00	B437	30.952.00	FB5311	
RN110B		RN304	55.170.00	B132	30.811.00	B438	27.174.00	(SUBARU)	23.188.00
(FORD, OPEL, VAUXHALL)	24.351.01	RN305	24.110.00	B14	30.800.00	B441	30.933.00	FB5311	
RN110B		RN306	24.073.00	B147	27.708.00	B444	27.084.00	(TOYOTA)	23.253.00
(ALTRE/OTHER APPL.)	24.351.00	RN307	55.418.00	B148	27.728.00	B458	30.955.00	FB5312	23.117.00
RN111B	24.379.01	RN308	55.392.00	B149	27.719.00	B459	30.955.00	FB5314	23.129.02
RN127B	24.368.00	RN309		B154	27.750.00	B460	30.946.00	FB5321	23.175.00
RN128	24.417.00	(DELPHI HDF913)	24.050.00	B155	27.725.00	B469	30.963.00	FB5322	23.169.00
RN138	24.331.00	RN314	24.464.00	B16	27.716.00	B470	30.969.00	FB5323	23.240.00
RN139B		RN315	24.459.00	B162	27.744.00	B471	30.894.00	FB5324	23.197.00
(ALTRE/OTHER APPL.)	24.366.00	RN319	24.012.00	B166	27.947.00	B472	30.967.00	FB5325	
RN139B		RN320	24.196.00	B168	27.785.00	B473	27.200.00	(TOYOTA)	23.270.00
(MAZDA)	24.392.00	RN321	24.113.00	B172	27.778.00	B478	30.026.00	FB5326	23.121.00
RN140B	24.374.00	RN321	24.186.00	B173	30.806.00	B481	30.017.00	FB5327	23.186.01
RN141B	24.375.00	RN321	24.187.00	B177	30.802.01	B501	30.021.00	FB5328	23.271.00
RN142	24.338.00	RN323	24.423.00	B178	30.807.00	B503	30.007.00	FB5329	23.243.00
RN143	24.086.00	RN324	24.455.00	B179	27.740.00	B504	30.996.00	FB5335	23.213.00
RN144	24.432.00	RN326	24.115.00	B184	27.946.00	B505	30.024.00	FB5336	23.131.01
RN162	24.319.01	RN326A	24.115.00	B19	27.726.00	B513	30.028.00	FB5337	23.271.00
RN181B		RN327	31.947.00	B192	27.906.00	B514	30.027.00	FB5338	23.131.02
(ALTRE/OTHER APPL.)	24.350.00	RN328	31.921.00	B193	27.824.00	B515	30.035.00	FB5339	23.210.00
RN181B		RN329		B194	27.799.00	B516	30.858.00	FB5342	23.130.03
(IHC, PIAGGIO)	24.350.01	(8R0127400)	31.922.00	B197	27.956.00	B517	30.935.00	FB5343	
RN181B		RN329		B199	27.792.00	B536	30.936.00	(CITROEN, PEUGEOT, TALBOT)	23.198.00
(CITROEN, PEUGEOT)	24.350.02	(8R0127400A)	31.950.00	B200	30.922.01	B554	27.057.00	FB5348	23.242.00
				B202	27.845.02	B555	27.069.00	FB5350	23.263.00

FB5351	23.251.00	FP3320	25.413.00	QFA0889	30.639.00	QFF0438	26.104.00	17801-0D011	30.289.00
FB5361	23.258.00	FP3334	25.443.00	QFA0902	30.A17.00	QFL0013	23.564.00	17801-0D020	30.289.00
FB5401	23.156.00	FP3338	25.421.00	QFA0911	30.553.00	QFL0057	23.438.00	17801-0D060	30.554.00
FB5405		FP3339		QFA0914	30.632.00	QFL0116	25.023.00	17801-0D090	30.554.00
(LANCIA)	23.114.01	(ALTRE/OTHER APPL.)	25.455.00	QFA0915	30.A15.00	QFL0156	25.074.00	17801-0G010	30.247.00
FB5405	23.132.00	FP3339		QFA0921	30.688.00	QFL0160	25.056.00	17801-0H010	30.788.00
FB5416	23.114.01	(BMW)	25.455.01	QFA0923	30.657.00	QFL0166	25.165.00	17801-0H020	30.788.00
FB5421	23.165.00	FP9451	25.406.01	QFA0924	30.A54.00	QFL0177	25.177.00	17801-0H030	30.721.00
FB5422	23.173.01	FP9468	25.413.00	QFA0927	30.B17.00	QFL0184		17801-0H050	30.721.00
FB5433	23.189.00	FP9503	25.409.01	QFA0928	30.346.00	(SUZUKI)	23.210.00	17801-0H080	30.721.00
FB5434	23.177.00	FP9603	25.539.00	QFA0929	27.A97.00	QFL0184		17801-0J020	30.175.00
FB5434		FP9613	25.530.00	QFA0931	30.655.00	(TOYOTA)	23.213.00	17801-0L040	30.B86.00
(VOLVO)	23.279.00	FP9615	25.530.01	QFA0932	30.A72.00	QFL0196	25.901.00	17801-0M020	30.554.00
FB5435	23.191.00	FP9616	25.528.00	QFA0935	30.587.00	QFL0311	25.145.00	17801-0M030	30.603.00
FB5446	23.195.00	FP9617	20.012.02	QFA0938	30.A23.00	QFL0313	25.191.00	17801-0M040	30.603.00
FB5449	23.182.00	FP9618	25.499.00	QFA0946	27.B13.00	QFL0320	23.584.00	17801-0N010	30.206.00
FB5457	23.127.00	FP9620	25.413.00	QFA0947	27.401.00	QFL0324	25.201.00	17801-0N020	30.385.00
FB5457		FP9767	25.541.00	QFA0948	30.532.00	QFL0336	25.188.00	17801-0N030	30.470.00
(FORD)	23.127.02	QAP106	53.020.00	QFA0952	30.609.00	QFL0355	25.204.00	17801-0N040	30.470.00
FB5457		QAP108	53.019.00	QFA0959	30.692.00	QFL0374	23.652.00	17801-0N040-C	30.470.00
(NISSAN)	23.134.00	QAP116	53.046.00	QFA0964	30.A59.00			17801-0N060	30.660.00
FB5457		QAP143	53.404.00	QFA0965	30.A99.00			17801-0P010	30.A86.00
(VOLVO)	23.257.00	QAP421	53.191.00	QFA0969	30.A61.00	TOYOTA	UFI	17801-0R010	30.334.00
FB5457		QFA0017	30.406.00	QFA0979	30.779.00	04152-0R010	25.077.00	17801-0R030	30.504.00
(SAAB)	23.298.00	QFA0018	27.274.00	QFA0985	30.A70.00	04152-31060	25.077.00	17801-0T020	30.554.00
FB5462	23.280.00	QFA0019	30.375.00	QFA0986	30.A53.00	04152-31080	25.077.00	17801-0T030	30.554.00
FB5463	23.167.00	QFA0023	30.155.00	QFA0989	30.713.00	04152-31090	25.196.00	17801-0T040	30.625.00
FB5471		QFA0051	30.370.00	QFA1010	30.B20.00	04152-31110	25.150.00	17801-0T050	30.625.00
(VAG, VOLVO)	23.164.00	QFA0062	30.388.00	QFA1011	30.A67.00	04152-37010	25.086.00	17801-0Y010	30.176.00
FB5471	23.164.02	QFA0076	30.197.00	QFA1043	30.A95.00	04152-38010	25.077.00	17801-0Y040	30.781.00
FB5471		QFA0106	30.374.00	QFA1070	30.A62.00	04152-40060	25.116.00	17801-0Y070	30.781.00
(O/O) (VAG, VOLVO)	23.164.03	QFA0107	30.313.00	QFA1076	30.A45.00	04152-WA010	25.142.00	17801-11090	30.170.00
FB5471		QFA0152	30.591.00	QFA1077	30.A41.00	04152-WAA02	25.148.00	17801-11090-83	30.170.00
(LAND ROVER)	23.297.00	QFA0167	30.390.00	QFA1078	30.A42.00	04152-YZZA1	25.196.00	17801-11090-8T	30.170.00
FB5473	23.234.00	QFA0177	30.663.00	QFA1084	27.E61.00	04152-YZZA3	25.077.00	17801-11130	30.A91.00
FB5478		QFA0186	30.600.00	QFA1088	30.B50.00	04152-YZZA5	25.077.00	17801-13010	27.939.00
(ALTRE/OTHER APPL.)	23.127.02	QFA0245	30.395.00	QFA1093	30.B05.00	04152-YZZA6	25.086.00	17801-15010	27.155.00
FB5478		QFA0251	27.D10.00	QFA1100	30.B08.00	04152-YZZA7	25.116.00	17801-15070	30.143.00
(ALFA ROMEO, FIAT, LANCIA)	23.127.05	QFA0287	30.A86.00	QFC0003	53.252.00	04152-YZZA8	25.150.00	17801-20040	30.788.00
FB5481	23.264.00	QFA0304	30.437.00	QFC0039	54.277.00	04152WAA01	25.188.00	17801-21010	27.770.00
FB5482	23.248.00	QFA0314	30.B06.00	QFC0053	53.208.00	08922-02001	23.251.00	17801-21011	27.770.00
FD2264	31.009.00	QFA0334	30.066.00	QFC0066	53.209.00	08922-02002	23.251.00	17801-21030	30.176.00
FD2265	31.001.00	QFA0339	30.A69.00	QFC0071	54.246.00	08922-02003	23.263.00	17801-21040	30.A97.00
FD2269	31.013.00	QFA0354	30.503.00	QFC0082	53.230.00	08922-02005	23.263.00	17801-21050	30.554.00
FD2303	31.512.00	QFA0410	30.068.00	QFC0092	53.244.00	08922-02010	23.253.00	17801-21060	30.603.00
FF5331	24.350.00	QFA0414	30.787.00	QFC0102	54.124.00	08974-00820	54.264.00	17801-22010	27.740.00
FF5332	24.351.00	QFA0427	30.A44.00	QFC0111	54.109.00	08974-00820	34.264.00	17801-22020	30.289.00
FF5353		QFA0434	30.363.00	QFC0117	54.147.00	08974-00830	54.117.00	17801-23010	27.770.00
(FIAT, WEBER)	31.501.00	QFA0438	30.265.00	QFC0118	53.136.00	08974-00830	34.117.00	17801-23030	30.175.00
FF5353		QFA0439	30.596.00	QFC0119	54.270.00	08974-00850	54.273.00	17801-24010	27.740.00
(ALTRE/OTHER APPL.)	31.510.00	QFA0442	30.187.00	QFC0200	54.242.00	08974-00850	34.273.00	17801-24040	30.C46.00
FF5353		QFA0453	30.342.00	QFC0233	54.158.00	0897400810	54.264.00	17801-25010	27.770.00
(FORD, VOLVO)	31.513.00	QFA0458	27.E44.00	QFC0251	53.228.00	0897400810	34.264.00	17801-26010	30.453.00
FF5353		QFA0489	27.A00.00	QFC0262	53.218.00	0897408820	54.266.00	17801-26020	30.504.00
(NISSAN)	31.529.00	QFA0494	30.192.00	QFC0283	53.261.00	0897408820	34.266.00	17801-27010	30.225.00
FF5353		QFA0496	27.356.00	QFC0326	54.240.00	115010-0050	23.121.00	17801-27020	30.247.00
(OPEL, VAUXHALL)	31.611.00	QFA0500	30.780.00	QFC0341	53.245.00	15208-13212	23.122.00	17801-28010	30.338.00
FF5354	31.500.00	QFA0520	30.C55.00	QFC0345	53.397.00	15600-13051	23.270.00	17801-28030	30.721.00
FF5355	31.506.00	QFA0530	27.D79.00	QFC0359	54.253.00	15600-25010	23.127.00	17801-30040	30.505.00
FF5359	31.503.00	QFA0538	30.618.00	QFC0379	54.318.00	15600-41010	23.102.00	17801-30070	30.A85.00
FF5360	31.502.00	QFA0563	30.615.00	QFC0402	54.318.00	15600-41020	23.102.00	17801-30080	30.505.00
FF5368	31.564.00	QFA0572	30.533.00	QFC0406	53.330.00	15600-50010	23.102.00	17801-31010	27.770.00
FF5468	31.505.00	QFA0594	30.101.00	QFC0407	53.422.00	15601-13010	23.213.00	17801-31020	27.770.00
FF5472	24.366.00	QFA0614	30.496.00	QFC0410	53.396.00	15601-13011	23.213.00	17801-31040	27.068.00
FF6001	31.523.00	QFA0623	30.658.00	QFC0420	53.383.00	15601-20550	23.127.00	17801-31050	27.140.00
FF6008	31.514.00	QFA0641	30.A50.00	QFC0423	53.388.00	15601-22010	23.121.00	17801-31080	27.770.00
FF6012	31.535.00	QFA0642	30.294.00	QFC0454	53.387.00	15601-30010	23.102.00	17801-31090	30.A86.00
FF6020	24.351.00	QFA0646	30.555.00	QFF0060	26.012.00	15601-33010	23.122.00	17801-31120	30.452.00
FF6021	24.350.00	QFA0659	30.A37.00	QFF0088	55.430.00	15601-33020	23.121.00	17801-33010	27.133.00
FF6028	24.365.01	QFA0663	30.550.00	QFF0094	24.113.00	15601-33021	23.121.00	17801-33030	27.133.00
FF6032	31.699.00	QFA0675	27.C10.00	QFF0155	24.111.00	15601-41030	23.122.00	17801-33040	30.206.00
FF6035	31.511.00	QFA0681	30.776.00	QFF0191	31.951.00	15601-76001-71	23.121.00	17801-34010	27.133.00
FF6038	31.618.00	QFA0682	27.074.00	QFF0207	24.432.00	15601-7600171M	23.121.00	17801-34060	27.133.00
FF6039	31.507.00	QFA0692	30.A97.00	QFF0262	31.922.00	15601-76008-71	23.251.00	17801-37020	30.625.00
FF6040	31.539.00	QFA0693	30.325.00	QFF0281	24.013.00	15601-76009	23.477.00	17801-37021	30.625.00
FF6041	31.508.00	QFA0697	30.593.00	QFF0293		15601-76009-71	23.477.00	17801-40040	30.639.00
FK9303	26.602.00	QFA0703	30.315.00	(TOYOTA)	24.452.00	15601-7800171M	23.127.00	17801-41100	27.057.00
FK9307	26.601.00	QFA0727	30.022.00	QFF0293		15601-96001	23.127.00	17801-41110	27.172.00
FK9314	24.361.00	QFA0736	30.B24.00	(HONDA)	24.196.00	15601-96101	23.102.00	17801-44020	27.133.00
FK9322	24.371.00	QFA0772	30.186.00	QFF0327	31.543.00	17801-02030	30.143.00	17801-45020	27.057.00
FK9366	24.360.00	QFA0777	30.192.00	QFF0345	24.368.00	17801-02040	30.075.00	17801-51020	30.785.00
FK9369	24.362.00	QFA0807	30.253.00	QFF0382	24.026.01	17801-02050	30.075.00	17801-54010	27.069.00
FP3305	25.408.00	QFA0833	30.556.00	QFF0399	24.149.00	17801-02060	30.397.00	17801-54030	27.069.00
FP3312	25.408.00	QFA0836	30.317.00	QFF0401	26.020.00	17801-02080	30.248.00	17801-54040	27.068.00
FP3313	25.407.01	QFA0847	30.711.00	QFF0417	26.122.00	17801-03010	30.223.00	17801-54060	27.172.00
FP3315	25.419.00	QFA0848	30.A71.00	QFF0418	26.114.00	17801-0C010	27.691.00	17801-54080	27.140.00
FP3316	25.402.01	QFA0851	30.725.00	QFF0430		17801-0C020	27.691.00	17801-54120	27.140.00
FP3317	25.409.01	QFA0874	30.231.00	(SENZA STAFFA/WITHOUT BRACKET)	31.A16.00	17801-0D010	30.289.00	17801-54140	27.D10.00



17801-54140-83	27.D10.00	23300-62030	31.556.00	87139-YZZ06	53.184.00	SU001-A0348	30.330.00	AC3475	53.090.00
17801-54150	27.C10.00	23300-65010	31.556.00	87139-YZZ07	53.125.00	SU001-A0683	26.055.00	AC3530	53.064.00
17801-54160	27.582.00	23300-74080	31.523.00	87139-YZZ08	53.147.00	SU001-A0684	24.127.00	AC3628	53.114.00
17801-54170	27.C10.00	23300-74210	31.580.00	87139-YZZ10	54.266.00	SU001-A1388	53.136.00	AC3634	53.137.00
17801-54180	27.582.00	23300-74260	31.592.00	87139-YZZ10	34.266.00	SU001-A1389	54.160.00	AC3727	53.059.00
17801-60040	27.097.00	23300-74290	31.669.00	87139-YZZ13	53.184.00	SU001-A1389	34.160.00	AC3817	53.019.00
17801-61030	27.097.00	23300-75140		87139-YZZ16	53.147.00	SU001-A3092	25.187.00	AC3829	53.013.00
17801-64010	30.076.00	(SENZA STAFFA/WITHOUT BRACKET)	31.A16.00	87139-YZZ17	53.184.00	SU001-A3728	30.717.00	AC3928	53.013.00
17801-64030	27.068.00	23300-79235	31.523.00	87139-YZZ19	53.103.00	SU001-A3761	26.104.00	AC4116	53.014.00
17801-64060	30.361.00	23300-79305	31.609.00	87139-YZZ30	54.266.00	SU001-A3798	30.648.00	AC4217	53.015.00
17801-64070	30.076.00	23300-79425	31.580.00	87139-YZZ30	34.266.00	SU001-A5966	53.154.00	AC4317	53.042.00
17801-66020	27.097.00	23300-79495	31.592.00	87139-YZZ34	54.331.00	SU001-A6185	54.172.00	AC5129	53.016.00
17801-66030	27.097.00	23300-79545	31.669.00	8713976020	54.331.00	SU001-A6185	34.172.00	AC5134	53.162.00
17801-66040	27.097.00	2330019335	31.558.00	88508-02010	53.117.00	SU001-A7824	25.216.00	AC5425	53.017.00
17801-67030	27.583.00	2330019485	31.775.00	88508-0H010	53.132.00	SU001-A9385	30.718.00	AC6620	53.158.00
17801-67030-83	27.583.00	2330027010	24.413.00	88508-12010	53.117.00	SU001-B1640	54.172.00	ACK2432	54.114.00
17801-67030-8T	27.583.00	23300031150	31.A16.00	88508-12020	53.117.00	SU001-B1640	34.172.00	ACK2630-2	54.108.00
17801-67060	27.583.00	23300031160	31.A16.00	88508-13010		SU003-00319	30.289.00	ACK2830	54.109.00
17801-67080	27.583.00	23302-56021	24.370.00	(SENZA TELAIO/WITHOUT FRAME)	53.184.00	SU003-02112	53.109.00	ACK2834	54.124.00
17801-68020	27.097.00	23302-56022	24.370.00	88508-20120	53.103.00			ACK3028	54.165.00
17801-68030	27.097.00	23303-56021	24.370.00	88508-YV010	53.299.00			ACK3030	54.101.00
17801-70050	30.288.00	23303-56022	24.370.00	88508-YZZ01	54.265.00	UMM	UFI	ACK3140	54.142.00
17801-74020	30.076.00	23303-56030	24.370.00	88508-YZZ01	34.265.00	0110750	23.115.00	ACK5140	54.151.00
17801-74020-83	30.076.00	23303-56031	24.370.00	88568-02030	53.125.00	0250450	24.360.00	ACK5325	54.118.00
17801-74060	30.223.00	23303-64010	24.374.00	88568-13010	53.184.00			ACK5430	54.128.00
17801-7600371M	27.057.00	23303-64020	24.374.00	88568-37020	53.109.00	UNICO FILTER	UFI	AE10179	54.267.00
17801-78020	27.B91.00	23303-64021	24.374.00	88568-52010	53.050.00			AE10268	27.367.00
17801-87303	27.132.00	23303-7600271M	24.374.00	88568-52010-83	53.050.00	AC16104	53.067.00	AE10329	27.593.00
17801-87304	27.132.00	2330354072	24.370.00	88568-74010	53.185.00	AC1930-2	53.037.00	AE10377/1	27.353.00
17801-AD010	30.452.00	2330489101	24.326.00	88568-74011	53.185.00	AC2031-2	53.143.00	AE10498/1	27.384.00
17801-B1010	30.B03.00	23390-0L010	26.045.00	88880-20090	53.103.00	AC2118	53.021.00	AE11185	27.736.00
17801-BZ050	30.B71.00	23390-0L041	26.045.00	88880-20110	53.197.00	AC2120	53.124.00	AE11187	27.736.00
17801-BZ150	30.781.00	23390-0L070	26.139.00	90080-91034	23.263.00	AC2125	53.043.00	AE11202	27.761.00
17801-K0030	30.C46.00	23390-0N100	26.073.00	90080-91045	23.263.00	AC2130	53.086.00	AE11213/1	27.403.00
17801-YV020	30.660.00	23390-17540	26.138.00	90080-91058	23.263.00	AC2131	53.087.00	AE11218/3	27.801.00
17801-YZZAA	30.453.00	23390-26140	24.452.00	90915-03001	23.263.00	AC2229	53.060.00	AE11242	27.234.00
1780111050	30.170.00	23390-26160	24.452.00	90915-03002	23.253.00	AC2235	53.039.00	AE11263	27.257.00
1780130030	27.583.00	23390-26280	24.452.00	90915-03003	23.264.00	AC2243	53.104.00	AE11275	27.341.00
1780130050	27.D10.00	23390-30180	24.374.00	90915-03004	23.251.00	AC2258-2	53.068.00	AE11335	27.596.00
17801311208E	30.452.00	23390-30350	24.374.00	90915-03005	23.477.00	AC2317	53.084.00	AE11432	27.585.00
1780131170	30.453.00	23390-33010	24.413.00	90915-03006	23.248.00	AC2321	53.149.00	AE1162	27.762.00
1780135020	30.601.00	23390-33020	24.413.00	90915-10001	23.263.00	AC2332	53.057.00	AE12150	27.355.00
1780175020	27.D10.00	23390-33030	24.413.00	90915-10002	23.251.00	AC2334	53.076.00	AE12173	27.731.00
17802-23000-71	27.920.00	23390-33060	24.413.00	90915-10003	23.263.00	AC2340	53.100.00	AE12213/1	27.800.00
23300-11050	31.523.00	23390-51020	26.138.00	90915-10004	23.251.00	AC2418	53.018.00	AE12220	27.824.00
23300-11100	31.560.00	23390-51070	26.138.00	90915-10009	23.263.00	AC2434	53.075.00	AE12234	27.993.00
23300-11190	31.690.00	23390-64450	24.413.00	90915-20001	23.253.00	AC2435	53.129.00	AE12254/1	27.268.00
23300-11210	31.560.00	23390-64480	24.411.00	90915-20002	23.477.00	AC2436	53.254.00	AE12286	27.881.00
23300-15010	31.026.00	23390-YZZA3	26.138.00	90915-20003	23.253.00	AC2437	53.102.00	AE12286/4	27.881.00
23300-15040	31.560.00	23390-YZZHA	24.413.00	90915-20004	23.477.00	AC2440	53.106.00	AE12290	27.085.00
23300-16210	31.560.00	233900L020	26.045.00	90915-30001	23.264.00	AC2525	53.130.00	AE12311	27.084.00
23300-16220	31.558.00	233900L030	26.045.00	90915-30001-8T	23.264.00	AC2530	53.040.00	AE13165	27.196.00
23300-16240	31.558.00	233900L090	26.139.00	90915-30002	23.248.00	AC2532	53.031.00	AE13193	27.845.02
23300-16270	31.609.00	2339030090	24.374.00	90915-30002-8T	23.248.00	AC2617	53.083.00	AE13207	27.252.00
23300-16280	31.558.00	2339036760	24.465.00	90915-30003	23.476.00	AC2619	53.041.00	AE13220	27.401.00
23300-16290	31.669.00	2339053021	25.047.00	90915-30003-8T	23.476.00	AC2629	53.004.00	AE13249	27.486.00
23300-16320	31.775.00	23390YZZA1	26.045.00	90915-40001	23.127.00	AC2630	53.082.00	AE13268	27.253.00
23300-16330	31.776.00	23390YZZA2	26.045.00	90915-91058	23.263.00	AC2640-2	53.005.00	AE13279	27.920.00
23300-19225	31.558.00	23390YZZAB	24.452.00	90915-TA001	23.263.00	AC2646	53.049.00	AE13286/2	27.138.00
23300-19235	31.523.00	87139-02020	53.147.00	90915-TA002	23.251.00	AC2729	53.027.00	AE13305/1	27.931.00
23300-19285	31.560.00	87139-02090	53.147.00	90915-TB001	23.253.00	AC2730	53.030.00	AE1346	27.716.00
23300-19295	31.560.00	87139-06060	53.147.00	90915-TD004	23.102.00	AC2742	53.107.00	AE14162/1	30.943.00
23300-19325	31.558.00	87139-06080	53.147.00	90915-YZZB3	23.253.00	AC2754	53.007.00	AE14167	27.258.00
23300-19375	31.609.00	87139-0D010	53.147.00	90915-YZZC7	23.263.00	AC2755	53.091.00	AE14193	27.845.02
23300-19425	31.558.00	87139-0D030	53.147.00	90915-YZZD2	23.253.00	AC2825	53.006.00	AE14193/1	27.845.02
23300-19465	31.669.00	87139-0D070	53.147.00	90915-YZZE1	23.263.00	AC2829	53.023.00	AE14258/3	27.236.00
23300-19475	31.690.00	87139-0K010		90915-YZZE2	23.251.00	AC2834	53.148.00	AE15105	27.878.00
23300-19495	31.560.00	(BR)	53.147.00	90915-YZZJ1	23.263.00	AC2836	53.038.00	AE15150	27.947.00
23300-19515	31.560.00	87139-0R020	53.147.00	90915-YZZJ2	23.251.00	AC2917	53.010.00	AE15180	27.194.00
23300-19535	31.775.00	87139-12010	53.050.00	90915-YZZJ3	23.253.00	AC2918	53.061.00	AE15218	27.134.00
23300-20020	31.669.00	87139-28010	53.103.00	90915-YZZJ4	23.477.00	AC2925	53.026.00	AE15218/1	27.283.00
23300-22020	31.802.00	87139-30010	53.248.00	PZ49V-00810-51	31.836.00	AC2930	53.047.00	AE15222	27.477.00
23300-22030	31.802.00	87139-30040	53.147.00	SU001-00453	23.293.00	AC3030	53.032.00	AE15297	27.067.00
23300-22040	31.914.00	87139-30070	53.147.00	SU001-00468	26.688.00	AC3118	53.024.00	AE15326/3	27.828.00
23300-22050	31.914.00	87139-32010	54.117.00	SU001-00653	30.311.00	AC3131	53.011.00	AE15344	27.232.00
23300-24020	31.005.00	87139-32010	34.117.00	SU001-00696	24.343.00	AC3134	53.028.00	AE1567	27.707.00
23300-25020	31.005.00	87139-47010	53.103.00	SU001-00741	25.037.00	AC3135	53.095.00	AE16123	27.061.00
23300-28010	31.927.00	87139-47010-83	53.103.00	SU001-00775	24.343.00	AC3225	53.046.00	AE16123	27.239.00
23300-29045	31.669.00	87139-48020	53.248.00	SU001-00794	24.343.00	AC3234	53.028.00	AE16124/1	27.271.00
23300-34100	31.006.00	87139-48020-83	53.248.00	SU001-00804	25.037.00	AC3325	53.094.00	AE16181	27.888.00
23300-41030	31.007.00	87139-48050	54.331.00	SU001-00871	25.037.00	AC3330	53.131.00	AE16218	27.135.00
23300-41031	31.007.00	87139-50060	54.266.00	SU001-00878	30.311.00	AC3332	53.045.00	AE16229	27.982.00
23300-50020	31.556.00	87139-50100	54.266.00	SU001-00892	24.015.00	AC3417	53.001.00	AE16238/3	27.195.00
23300-50040	31.556.00	87139-50100	34.266.00	SU001-00901	30.311.00	AC3420	53.002.00	AE16284	27.228.00
23300-50050	31.556.00	87139-52020	53.147.00	SU001-01084	23.439.00	AC3430	53.034.00	AE16303	27.628.00
23300-56021	24.370.00	87139-52040	53.147.00	SU001-01147	3				

AE17127	27.149.00	AE2495	30.917.01	AE2943/1	30.025.00	AE3757	30.035.00	EL8109/6N	25.010.00
AE17130	27.149.00	AE2538	30.013.00	AE2946	30.087.00	AE3758	30.161.00	EL8137/4X	25.099.00
AE17331	27.231.00	AE2540	30.287.00	AE2949	30.021.00	AE3758/1	30.911.00	EL8166/1X	25.009.00
AE1750	30.894.00	AE2541	30.908.00	AE2950/2	30.258.00	AE3762	27.079.00	EL8169X	25.095.00
AE1756	27.720.00	AE2542	30.926.00	AE2951/1	30.299.00	AE3849	30.153.00	EL8197X	25.019.00
AE1759	30.800.00	AE2542/1	30.062.00	AE2952	30.259.00	AE3850	30.188.00	EL958X	25.015.00
AE1778/1	30.147.00	AE2543	30.121.00	AE2952/1	27.177.00	AE3857	30.936.00	EL992X	25.033.00
AE1778/2	30.147.00	AE2545	30.910.00	AE2956	30.465.00	AE3858	30.852.00	FF6115	21.050.00
AE1855-2	30.134.00	AE2547	30.030.00	AE2958	30.119.00	AE3858/1	30.911.00	FF6115X	21.050.00
AE1857	27.939.00	AE2551	27.725.00	AE2966/5	30.145.01	AE3859	30.329.00	FF7115X	21.061.00
AE1858	30.163.00	AE2556/1		AE2970	30.118.01	AE3940	30.024.00	F3104/2	31.009.00
AE1862	27.702.00	(VAG)	30.192.00	AE2991/1	30.217.00	AE3941	30.071.00	F3104/4	31.027.00
AE1869	27.740.00	AE2557	30.914.02	AE3035	30.942.00	AE3980	30.993.00	F3105/5	31.013.00
AE19129	27.797.00	AE2557/1	30.914.02	AE3042	30.199.00	AE4028	30.847.00	F3142	31.012.00
AE1942	30.154.00	AE2558	27.770.00	AE3042/1	30.209.00	AE4064	30.975.00	F5114/2	31.564.00
AE1949	30.953.00	AE2558	30.083.00	AE3046	30.945.00	AE4084	30.976.00	F5114/3	31.750.00
AE1950	27.728.00	AE2560	30.233.00	AE3046/1	30.165.00	AE4131	30.124.00	F5114/5	31.750.00
AE1956	27.956.00	AE2562	30.033.00	AE3048	27.176.00	AE4156	30.974.00	F5140	31.510.00
AE20172	27.171.00	AE2569	30.109.00	AE3049	30.898.00	AE4256	30.260.00	F5146/2	31.850.00
AE20253	27.902.00	AE2638	30.041.00	AE3052	30.809.00	AE4330	30.899.00	F5163	31.515.00
AE2040	30.235.00	AE2641		AE3057	30.946.00	AE4557	30.891.00	F5180/1	31.769.00
AE20406	27.923.00	(FORD FIESTA, MAZDA 121)	30.062.00	AE3058	30.183.00	AE4670	30.182.00	F5206/2	31.844.00
AE2042	30.117.00	AE2645	30.120.00	AE3061	30.804.00	AE4761	30.929.00	F5250	31.851.00
AE2049	30.045.00	AE2645/2	30.101.00	AE3069	30.058.00	AE5749/1	30.003.00	F5274/2	31.824.00
AE2050	30.836.00	AE2649	30.803.00	AE3086	30.843.01	AE5949	30.040.00	F5300/1	31.569.00
AE2052	30.811.00	AE2650	30.041.00	AE3125/1	30.017.00	AE7142/1	27.709.00	F6123/1	31.512.00
AE2057	30.046.00	AE2653	30.078.01	AE3140	30.135.00	AE970	27.107.00	F6136/1	31.710.00
AE2059/1	30.872.01	AE2655	27.712.00	AE3141/1	30.099.00	BI10126/80	23.248.00	F6140	31.510.00
AE2069	30.244.00	AE2655	30.106.00	AE3142	30.150.00	BI10126/81	23.237.00	F6154	31.594.00
AE2080	27.750.00	AE2656	30.050.00	AE3142/1	30.150.00	BI10145	23.303.00	F6163	31.840.00
AE2082/1	30.149.00	AE2657	30.803.00	AE3144	30.076.00	BI1081/80	23.264.00	F6165/1	31.832.00
AE21108	30.005.00	AE2658	30.996.00	AE3145	30.223.00	BI9121/80	23.274.00	F6165/2	31.833.00
AE21145	27.097.00	AE2660	30.022.00	AE3147	30.075.00	BI9121/82	23.244.00	F6210	31.508.00
AE21163/1	27.813.00	AE2661	30.041.00	AE3152	27.781.00	BI9143/4	23.313.00	FI7111/2	24.384.00
AE2132	30.168.00	AE2662	30.923.01	AE3156	30.320.00	EFFP1076X	26.015.00	FI7126	31.748.00
AE2134	30.168.00	AE2663	30.108.00	AE3156/1	30.090.00	EFFP6103X	60.H20.00	FI7155	31.583.00
AE2137	30.027.00	AE2670/1	30.162.00	AE3157/1		EFFP677X	26.690.00	FI7160	31.841.00
AE2139	30.177.00	AE2692	30.217.00	(FORD)		EFFP7136X	26.007.00	FI7162/3	24.394.00
AE2140	30.102.00	AE2735	30.196.00	AE3157/1	30.016.00	EFFP765X	26.003.00	FI7172/1	31.718.00
AE2152	27.906.00	AE2741	30.851.00	(VOLVO)		EFFP8116/1X	26.021.00	FI780/2	24.304.00
AE2154	27.715.00	AE2742	30.020.00	AE3158/1	30.946.00	EFFP8127	26.005.00	FI8100/18	24.007.00
AE2156	30.028.00	AE2750	30.213.00	AE3159	30.320.00	EFFP8142/2X	26.014.00	FI8109/2	24.437.00
AE2156/2	30.132.00	AE2752	30.806.00	AE3160	30.210.00	EFFP8142X	26.014.00	FI8109/3	24.004.00
AE2158	30.872.01	AE2755	30.137.00	AE3171	30.080.00	EFFP875X	26.691.00	FI8122	24.350.00
AE2158/1	30.116.00	AE2756	30.068.00	AE3180	30.082.00	EFFP892X	26.006.00	FI8125/4	24.365.01
AE2159	30.835.00	AE2758	30.052.00	AE3241	30.954.00	EFFP9204/1X	26.001.00	FI8128	24.350.02
AE2159/1	30.925.00	AE2761	30.802.01	AE3242/1	30.112.00	EFFP974X	26.022.00	FI8133	24.415.00
AE2160	27.792.00	AE2761/1	30.038.01	AE3243	30.372.00	EFFP980X	26.688.00	FI8138/2	24.401.00
AE2168	30.297.00	AE2762	27.769.00	AE3250/1	30.197.00	EL4155X	25.050.00	FI8140	24.374.00
AE2170	30.133.00	AE2762/1	30.157.00	AE3256	30.164.00	EL5105/2X	25.064.00	FI8143	24.400.00
AE2178	27.701.00	AE2768	30.085.00	AE3257	30.977.00	EL5116/2X	25.067.00	FI8145	31.514.00
AE2234	30.001.00	AE28131	27.162.00	AE3258	30.933.00	EL5116/3X	25.067.00	FI8146/3	31.505.00
AE2237	30.858.00	AE2834	30.973.00	AE3259	30.095.00	EL5140X	25.032.00	FI8147/1	31.505.00
AE2258	30.064.00	AE2835	30.973.00	AE3267/1	30.067.00	EL578X	25.014.00	FI8148/12	24.426.00
AE2259	30.057.00	AE28408	27.893.00	AE3329	30.889.00	EL587X	25.022.00	FI8149/11	24.430.00
AE2342	30.049.00	AE2841	30.915.00	AE3342	30.818.00	EL6100/4X	25.008.00	FI8152	31.502.00
AE2349	30.032.00	AE2841/2	30.958.00	AE3345	30.185.00	EL6100/7X	25.031.00	FI8152/1	31.502.00
AE2350	30.932.00	AE2842/5	30.158.00	AE3348	27.076.00	EL6115/1K	25.013.00	FI8153/4	31.502.00
AE2351	27.744.00	AE2844	27.946.00	AE3348	27.521.00	EL6115/1N	25.003.00	FI8154/2	24.412.00
AE2352	30.167.00	AE2845	30.948.00	AE3353	30.288.00	EL6115/1X	25.002.00	FI8155	24.351.01
AE2357	30.961.00	AE2847	30.008.00	AE3357	30.039.00	EL6115/1Z	25.001.00	FI8155/2	
AE2357/1	30.066.00	AE2848	30.194.00	AE3358	30.864.00	EL6125/6X	25.040.00	(ALTRE/OTHER APPL.)	24.351.00
AE2358	27.785.00	AE2849	30.893.00	AE3369	30.086.00	EL6137/2X	25.041.00	FI8156	31.500.00
AE2358/1	30.319.00	AE2850	30.324.00	AE3370	30.916.00	EL6154/4X	25.048.00	FI8158/1	31.561.00
AE2361	27.719.00	AE2851	30.155.00	AE3436	30.007.00	EL6155X	25.021.00	FI8158/11	24.414.00
AE2435	30.089.00	AE2852	30.136.00	AE3436/1	30.930.00	EL6155Z	25.080.00	FI8159/21X	24.451.00
AE2439	30.239.00	AE2852/1	30.939.00	AE3437	30.952.00	EL6160/1X	25.162.00	FI8159/6	24.H20.00
AE2440	30.999.00	AE2852/2	30.939.00	AE3437/1	30.860.00	EL662X	25.029.00	FI8160/1	24.427.00
AE2441	30.173.00	AE2853	30.948.00	AE3442	30.063.00	EL669/51X	25.060.00	FI8160/6	24.417.00
AE2442	30.990.00	AE2854	30.072.00	AE3450	30.965.00	EL672X	25.056.00	FI8161	24.371.00
AE2444	30.048.00	AE2855	30.241.00	AE3452	30.146.00	EL673/6X	25.047.00	FI8167/1	24.424.00
AE2448	30.807.00	AE2857	30.245.00	AE3456	30.890.00	EL674/4X	25.049.00	FI8168/1	24.H20.07
AE2449	30.807.00	AE2857/1	27.799.00	AE3457	30.073.00	EL679X	25.030.00	FI8169	31.563.00
AE2450	30.922.01	AE2858	27.133.00	AE3458	30.079.00	EL680/1X	25.017.00	FI8170/3	24.382.00
AE2451/1	27.744.00	AE2858	30.994.00	AE3470	30.187.00	EL683/1X	25.043.00	FI8172/1	31.503.00
AE2451/1		AE2858/2	30.893.00	AE3470/1	30.370.00	EL689/2	25.024.00	FI8173/3	24.365.00
(FIAT)	27.927.00	AE2859	30.100.00	AE3525	30.822.00	EL690X	25.012.00	FI8176/12	24.428.00
AE2452/1	27.927.00	AE2859/1	30.100.00	AE3549	30.904.00	EL7135X	25.023.00	FI8176/3	24.391.00
AE2456	30.417.00	AE2861	30.893.00	AE3551	30.262.00	EL7153/2X	25.011.00	FI8176/3X	24.391.00
AE2456/1	27.752.00	AE2861/1	30.987.01	AE3557	30.340.00	EL7156/1X	25.011.00	FI8176/4	24.391.00
AE2457	30.963.00	AE2865	30.293.00	AE3559	30.302.00	EL7200X	25.068.00	FI8176/7	24.409.00
AE2458	30.991.00	AE2936	30.960.00	AE3650	30.077.00	EL779/2X	25.028.00	FI8185/2	24.H20.01
AE2458/1	30.935.00	AE2940	27.155.00	AE3659	30.896.00	EL779X	25.018.00	FI8186/1	24.379.01
AE2458/2	30.160.00	AE2941	30.011.00	AE3737	30.034.00	EL792X	25.027.00	FI8186/17	24.072.00
AE2459	30.004.00	AE2941/1	30.214.00	AE3742	30.342.00	EL795X	25.069.00	FI8186/2	24.380.00
AE2460	30.417.00	AE2942	30.107.00	AE3747/1	30.265.00	EL799/2X	25.037.00	FI8186/5	24.399.00
AE2461	30.871.00	AE2942/1	30.159.00	AE3750	30.181.00	EL8105/3X	25.004.00	FI8187/3	24.445.00
AE2462/2	30.871.00	AE2943	30.388.00	AE3756	30.148.00	EL8108/4X	25.004.00	FI8188/1	24.001.00



FI8198/13	24.433.00	LI7100/19	23.242.00	LI9144/81	23.102.00	A391	30.222.00	FC230	24.327.00
FI8276/1	31.849.00	LI7100/2	23.447.00	LI9170/1	23.152.00	A401-1	27.744.00	FC328	24.368.00
FI893/1	24.319.01	LI7100/4	23.175.00	LI9170/13	23.152.00	A403-1	27.799.00	FC407	24.366.00
FI898	24.321.00	LI7100/5	23.169.00	LI9170/14	23.152.00	A408V	30.172.00	FC610	24.326.00
FI898/1	24.319.01	LI7113	23.187.00	LI9170/36	23.471.00	A409V	30.178.00	FC626	24.368.00
FI898/3X	24.321.00	LI7119/2	23.445.00	LI9170/4	23.156.02	A410	27.799.00	FC709	24.370.00
FI9120	24.436.00	LI7120/2	23.130.00	LI9170/4	23.156.03	A469V	30.173.00	O103	25.077.00
FI9120/17	24.416.00	LI7120/4	23.121.00	LI9170/5	23.156.00	A470V	30.177.00	O104	25.116.00
FI9120/23X	24.107.00	LI7123/1	23.117.00	LI9170/7	23.156.00	A512V	27.799.00	O203	25.052.00
FI9120/5	55.430.00	LI7123/11	23.151.00	LI9177/7	23.156.00	A524	30.256.00	O204	25.026.00
FI9121	24.436.00	LI7123/12	23.130.00	LI958/1	23.132.00	A525V	27.599.00	O403	25.455.00
FI9127/1	24.429.00	LI7123/13	23.130.03	LI958/3	23.195.00	A534V	27.525.00		
FI9128/13	24.416.00	LI7123/15	23.130.02	LI969/2	23.114.01	A539V	30.239.00	UNIPART	UFI
FI9139/11	24.366.00	LI7123/21	23.462.00	LI969/3	23.194.00	A545V	30.255.00		
FI9155/6	24.375.00	LI7123/27	23.440.00	LI969/4	23.114.02	A548	30.237.00	GF5454	26.696.00
FI9190/6	24.013.00	LI7123/30	23.436.00	LI969/5	23.114.01	A551	27.523.00	GFE1002	27.716.00
FI9190/8X	24.050.00	LI7123/45	23.493.00	LI970/24	23.419.00	A555V	30.236.00	GFE1008	27.715.00
FP6100	26.609.00	LI7123/5	23.130.01	LI978/13	23.165.00	A561V	30.249.00	GFE1009	27.707.00
FP6100X	26.609.00	LI7123/9	23.272.00	LI978/14	23.182.00	A611S	27.132.00	GFE101	25.407.01
FP6101	26.670.00	LI7134/1	23.186.01	LI978/8	23.159.00	A704V	27.069.00	GFE1019	27.752.00
FP650/1X	26.686.00	LI7143/1	23.186.01	LI985	23.257.00	A721S	27.878.00	GFE102	25.409.01
FP653	26.652.00	LI7143/4	23.212.00	LI985/1	23.279.00	A726-1	27.169.00	GFE1023	30.800.00
FP653X	26.652.00	LI7170/1	23.404.00	LI995	23.127.04	A735	27.140.00	GFE1024	30.803.00
FP654	26.618.00	LI750/2	23.418.00	LI995/1	23.127.02	A913	27.074.00	GFE103	25.413.00
FP654X	26.618.00	LI750/3	23.418.00	LI995/12	23.127.00	A915	27.090.00	GFE1035	27.797.00
FP660	26.676.00	LI759	23.118.00	LI995/14	23.134.00	A931	30.550.00	GFE1038	27.726.00
FP674	26.635.00	LI774/9	23.105.00	LI995/17	23.134.01	AC406	53.219.00	GFE104	25.408.00
FP692/1X	26.687.00	LI777/18	23.271.00	LI995/21		C110	23.102.00	GFE1045	30.811.00
FP7120X	26.694.00	LI779	23.103.00	(ALTRE/OTHER APPL.)	23.127.00	C111	23.477.00	GFE1050	30.804.00
FP784X	26.601.00	LI779/1	23.188.00	LI995/22	23.134.01	C120	23.121.00	GFE1052	27.778.00
FP786X	24.388.00	LI779/11	23.105.00	LI995/25	23.177.00	C121	23.213.00	GFE1073	30.803.00
FP787X	26.695.00	LI779/16	23.415.00	LI995/26		C122	23.270.00	GFE1078	27.845.02
FP789X	26.602.00	LI779/21	23.131.00	(SAAB)	23.298.00	C123	23.251.00	GFE1080	30.806.00
FP790T	26.606.00	LI779/22	23.129.02	LI995/3	23.127.05	C130	23.122.00	GFE1085	27.707.00
FP792X	26.689.00	LI779/39	23.428.00	LI995/32	23.280.00	C140	23.127.00	GFE1096	27.956.00
FP8112X	24.361.00	LI779/4	23.449.00	LI995/5	23.177.00	C141	23.264.00	GFE110	25.409.01
FP870X	24.360.00	LI779/41	23.299.00	LI995/7	23.127.00	C142	23.476.00	GFE1100	30.943.00
FP872/1X	24.362.00	LI779/43	23.416.00	LI995/8	23.425.00	C151	23.248.00	GFE1102	27.139.00
LE10101/1N	25.421.00	LI779/5	23.282.00	LI996/12	23.127.00	C170	23.263.00	GFE1103	27.086.00
LE250	26.664.00	LI779/52	23.453.00			C171	23.253.00	GFE1104	27.527.00
LE5100	25.406.01	LI779/90	23.494.00	UNION JAPAN	UFI	C210	23.122.00	GFE1108	27.076.00
LE5105N	25.530.00	LI786/80	23.253.00	A101	27.740.00	C211	23.121.00	GFE1112	27.137.00
LE5105X	25.530.01	LI789/1	23.439.00	A103-1	27.770.00	C212		GFE1113	30.943.00
LE6100/4	25.406.01	LI789/47	23.401.00	A110	30.361.00	(SUBARU)	23.188.00	GFE1114	30.922.01
LE6160/1X	25.162.00	LI789/54	23.435.00	A117	27.097.00	C212	23.240.00	GFE1116	30.939.00
LE7108X	25.409.01	LI789/8	23.293.00	A124LV	27.133.00	C215	23.240.00	GFE1118	30.899.00
LE7120/3X	25.402.01	LI793	23.103.00	A124LW	27.133.00	C216	23.266.00	GFE1113	25.419.00
LE7135T	25.408.00	LI793/2	23.131.00	A126	30.505.00	C221	23.256.00	GFE1130	27.079.00
LE7145/1N	25.407.01	LI793/37	23.413.00	A127	30.288.00	C223	23.256.00	GFE1131	30.944.00
LE784/1N	25.413.00	LI793/4	23.131.00	A138	27.939.00	C230	23.152.00	GFE1132	30.917.01
LE784/1X	25.413.00	LI793/6	23.131.02	A140	27.155.00	C250	23.134.00	GFE1134	
LE8105/5X	25.590.00	LI794/15	23.129.01	A145	27.069.00	C251	23.134.00	(FORD)	30.910.00
LE8109/3X	25.548.00	LI794/19	23.213.00	A147	27.140.00	C291	23.244.00	GFE1134	
LE8120/3	25.539.00	LI8114	23.200.00	A148	27.057.00	C292	23.238.00	(OPEL, VAUXHALL)	30.926.00
LE8128/2	25.539.00	LI8119	23.417.00	A155	27.172.00	C310	23.165.00	GFE1136	27.174.00
LE8145	25.439.00	LI8119/1	23.417.00	A156	27.097.00	C320	23.231.00	GFE1137	30.243.00
LE8158/1X	25.555.00	LI8122/81	23.121.00	A159	27.068.00	C321	23.237.00	GFE1138	30.930.00
LE8184	25.540.00	LI8122/83	23.260.00	A183	30.143.00	C330	23.165.00	GFE1139	30.935.00
LE880	25.541.00	LI8138	23.198.00	A184	30.170.00	C340	23.271.00	GFE114	23.127.00
LE9117X	25.455.00	LI8140/2	23.429.00	A186	30.223.00	C350	23.232.00	GFE1140	30.296.00
LE978/2N	25.443.00	LI874/80	23.165.00	A189	30.289.00	C351	23.475.00	GFE1141	30.022.00
LF10110N	20.012.00	LI874/81	23.131.01	A196	30.554.00	C410	23.272.00	GFE1144	30.933.00
LF11125	20.020.00	LI874/83	23.496.00	A201	27.744.00	C411	23.243.00	GFE116	23.102.02
LF11125K	20.020.00	LI888	23.191.00	A202-1	27.769.00	C414	23.265.00	GFE1209	27.878.00
LF11125N	20.020.00	LI888		A223V	30.362.00	C420	23.159.00	GFE121	
LF9110X	20.012.02	(RENAULT)	23.402.00	A228-1	30.973.00	C430	23.271.00	(RENAULT, TOYOTA)	23.127.00
LF9169/1N	25.528.00	LI888/3	23.173.01	A234	27.524.00	C490	23.139.00	GFE121	
LF9169/1X	25.528.00	LI890/15	23.173.01	A271	27.526.00	C532	23.243.00	(ALTRE/OTHER APPL.)	23.127.02
LF9196/1X	25.499.00	LI891/2X	23.115.00	A288	27.605.00	C551	23.182.00	GFE121	
LI10115	23.124.00	LI892/80	23.133.00	A309	30.230.00	C630	23.131.01	(FIAT, LANCIA)	23.127.05
LI10115	23.167.00	LI9114	23.185.01	A315S	27.282.00	C631	23.255.00	GFE121	
LI10115/1	23.167.00	LI9114/11	23.189.00	A318	30.221.00	C730	23.234.00	(OPEL, VAUXHALL)	23.134.01
LI10115/2	23.167.00	LI9114/21	23.465.00	A319	30.275.00	C753	23.236.00	GFE121	
LI10115/3	23.167.00	LI9120	23.281.00	A329-1	27.156.00	C760	23.232.00	(VOLVO)	23.257.00
LI10135/1	23.108.00	LI9144	23.241.00	A336	27.581.00	C830	23.258.00	GFE121	
LI10140/1	23.108.00	LI9144/1	23.102.00	A339		C920	23.210.00	(SAAB)	23.298.00
LI1095	23.128.00	LI9144/15	23.241.00	(FOND. IN METALLO/METAL ENDS)	27.071.00	F111	24.413.00	GFE128	25.421.00
LI1095/4	23.166.00	LI9144/16	23.280.00	A339		F121	31.005.00	GFE130	25.455.00
LI665/1	23.258.00	LI9144/18	23.110.02	(FONDELLI IN PVC/PLASTIC ENDS)	27.071.01	F123	31.007.00	GFE131	25.443.00
LI665/2	23.255.00	LI9144/23	23.256.00	A341	27.580.00	F130	31.006.00	GFE147	25.413.00
LI675	23.424.00	LI9144/24	23.102.02	A350S	27.923.00	F161	31.026.00	GFE148	23.103.00
LI675/1	23.263.00	LI9144/25	23.164.00	A351S	27.902.00	F237	31.529.00	GFE154	23.544.00
LI690/3	23.265.00	LI9144/25		A368	27.920.00	F404	31.010.00	GFE156	23.187.00
LI690/4	23.266.00	(O/OP)	23.164.03	A379	27.604.00	F531	31.621.00	GFE157	23.197.00
LI7100/1	23.240.00	LI9144/44	23.164.00	A382	27.580.00	F636	31.547.00	GFE165	23.182.00
LI7100/15	23.197.00	LI9144/5	23.110.02	A384	27.171.00	FC110	24.370.00	GFE166	23.103.00
LI7100/16	23.196.00	LI9144/50	23.459.00	A389-1	27.579.00	FC190	24.374.00	GFE167	23.129.02
LI7100/18	23.278.00	LI9144/62	23.457.00			FC227	24.375.00	GFE169	23.164.02

GFE171	23.197.00	GFE2164	27.065.00	GFE2618	27.174.00	GFE3036	53.067.00	GFE422		
GFE173		GFE2166	30.858.00	GFE2619	27.252.00	GFE3087	53.131.00	(SAAB)	23.298.00	
(ALTRE/OTHER APPL.)	23.131.00	GFE2168	27.734.00	GFE2620	30.235.00	GFE3088	53.148.00	GFE4220	27.585.00	
GFE173		GFE217	23.121.00	GFE2622	30.292.00	GFE3117	53.123.00	GFE4222	30.103.00	
(FIAT)	23.175.00	GFE2170	27.089.00	GFE2626	30.132.00	GFE3120	53.129.00	GFE423	23.129.02	
GFE177	23.188.00	GFE2174	30.847.00	GFE2628	30.176.00	GFE3121	54.146.00	GFE4233	30.454.00	
GFE178	23.246.00	GFE2179	30.914.02	GFE263		GFE3122	53.132.00	GFE4236	30.725.00	
GFE180		GFE218	23.256.00	(SUBARU)	23.188.00	GFE314	23.243.00	GFE4240	30.342.00	
(ALTRE/OTHER APPL.)	23.131.00	GFE2182	30.933.00	GFE263		GFE320	23.297.00	GFE4245	30.533.00	
GFE180		GFE2184	27.176.00	(NISSAN)	23.240.00	GFE3244	53.143.00	GFE4259	30.555.00	
(FIAT)	23.175.00	GFE2187	30.893.00	GFE2631	30.150.00	GFE3246	53.124.00	GFE426	23.453.00	
GFE181	23.102.02	GFE2189	30.847.00	GFE2633	30.231.00	GFE3256	53.147.00	GFE4269	30.504.00	
GFE184	23.156.00	GFE2190	30.896.00	GFE2636	30.144.00	GFE3261	54.154.00	GFE4276	30.469.00	
GFE185	23.186.01	GFE2191	30.916.00	GFE264		GFE3274	53.112.00	GFE4279	30.806.00	
GFE186		GFE2199	27.177.00	(FORD, RENAULT)	23.114.01	GFE3279	53.146.00	GFE428	25.013.00	
(FORD)	23.189.00	GFE2200	30.952.00	GFE264		GFE3281	53.116.00	GFE4309	27.621.00	
GFE186		GFE2201	30.932.00	(OPEL, VAUXHALL)	23.114.02	GFE3284	53.207.00	GFE4312	30.367.00	
(ALTRE/OTHER APPL.)	23.231.00	GFE2203	30.953.00	GFE266	23.196.00	GFE3287	53.254.00	GFE4342	30.645.00	
GFE187		GFE2205	30.987.01	GFE267	23.177.00	GFE3288	54.159.00	GFE4343	30.556.00	
(LAND ROVER)	23.297.00	GFE2206	30.963.00	GFE2673	30.126.00	GFE329	23.237.00	GFE4347	30.606.00	
GFE189	23.246.00	GFE2208	27.084.00	GFE2687	30.153.00	GFE3294	53.218.00	GFE4393	30.805.00	
GFE191	23.103.00	GFE2211	30.004.00	GFE269	25.499.00	GFE3301	54.136.00	GFE440	25.024.00	
GFE192	23.182.00	GFE2213	27.074.00	GFE2691	30.197.00	GFE333	23.255.00	GFE443	23.103.00	
GFE196	23.102.02	GFE2215	30.955.00	GFE2707	30.224.00	GFE3350	53.160.00	GFE448	25.067.00	
GFE2001	27.701.00	GFE2219	30.981.00	GFE271	23.177.00	GFE3367	53.219.00	GFE455	25.018.00	
GFE2002	27.731.00	GFE2223	27.138.00	GFE2711	30.187.00	GFE338	23.258.00	GFE464	25.015.00	
GFE2003	30.871.00	GFE2224	30.239.00	GFE272	23.166.00	GFE347	23.293.00	GFE477	25.409.01	
GFE2005	27.744.00	GFE2226	27.602.00	GFE274	23.172.00	GFE348	23.267.00	GFE478	25.413.00	
GFE201	23.105.00	GFE224	23.114.01	GFE276	23.243.00	GFE352	23.436.00	GFE479	25.408.00	
GFE2010	30.806.00	GFE2251	30.026.00	GFE277	23.191.00	GFE373	23.293.00	GFE480	25.455.00	
GFE2011	27.702.00	GFE2254	30.068.00	GFE2782	30.531.00	GFE375	23.440.00	GFE482	25.413.00	
GFE2012	30.872.01	GFE2264	27.252.00	GFE280	23.254.00	GFE378	23.483.00	GFE483	23.182.00	
GFE2015	27.133.00	GFE2266	30.235.00	GFE282	23.243.00	GFE381	23.418.00	GFE486	25.003.00	
GFE2017	27.740.00	GFE2267	30.050.00	GFE2836	30.171.00	GFE388	23.417.00	GFE487	23.297.00	
GFE2018	30.818.00	GFE227	23.188.00	GFE284	23.131.01	GFE391	25.001.00	GFE488	25.002.00	
GFE202	23.129.01	GFE2275	27.525.00	GFE2840	30.246.00	GFE392	23.246.00	GFE489	23.271.00	
GFE2022	30.807.00	GFE2278	30.276.00	GFE285	23.263.00	GFE396	23.476.00	GFE493	25.023.00	
GFE2026	30.836.00	GFE228	23.271.00	GFE2850	30.210.00	GFE397		GFE495	25.032.00	
GFE2027	27.770.00	GFE229	23.130.01	GFE2853	30.320.00	(HYUNDAI)	23.452.00	GFE497	23.413.00	
GFE2028	27.769.00	GFE231	23.131.00	GFE2866	30.289.00	GFE397		GFE5006	24.361.00	
GFE2029	30.809.00	GFE2314	30.243.00	GFE287	25.530.01	(ALTRE/OTHER APPL.)	23.258.00	GFE5008	24.351.00	
GFE203	23.151.00	GFE232	23.272.00	GFE288	25.528.00	GFE400	23.438.00	GFE5010	26.652.00	
GFE2031	27.762.00	GFE233	23.165.00	GFE289	25.530.00	GFE4003	27.594.00	GFE503	25.037.00	
GFE2036	27.720.00	GFE2332	30.022.00	GFE2891	30.465.00	GFE4029	30.293.00	GFE506	25.499.00	
GFE2037	27.756.00	GFE2334	30.821.00	GFE290	23.130.03	GFE403	23.197.00	GFE507	25.029.00	
GFE2038	27.785.00	GFE235	23.115.00	GFE2901	53.013.00	GFE404	23.246.00	GFE510	23.439.00	
GFE2039	27.719.00	GFE2358	27.584.00	GFE2902	53.016.00	GFE405	23.254.00	GFE5292	24.360.00	
GFE204	23.114.01	GFE236	23.173.01	GFE2903	53.015.00	GFE406	23.246.00	GFE5296	24.360.01	
GFE2040	27.712.00	GFE238	23.182.00	GFE2904	53.001.00	GFE4075	30.322.00	GFE5297	24.351.00	
GFE2041	27.761.00	GFE2380	30.001.00	GFE2905	53.014.00	GFE4077	30.301.00	GFE5298	24.361.00	
GFE2042	27.728.00	GFE2381	30.090.00	GFE2906	53.027.00	GFE4107	30.229.00	GFE5299	24.350.00	
GFE2048	30.835.00	GFE240	23.131.00	GFE2907	53.006.00	GFE4113	30.273.00	GFE5300	31.013.00	
GFE2049	30.802.01	GFE2409	30.068.00	GFE2908	53.002.00	GFE4114	30.258.00	GFE5301	24.365.00	
GFE205	23.159.00	GFE241	25.406.01	GFE2909	53.011.00	GFE4118	30.297.00	GFE5302	24.319.01	
GFE2053		GFE2412	30.142.00	GFE291	23.242.00	GFE4119	30.297.00	GFE5304	24.351.00	
(FIAT)	27.708.00	GFE2415	30.296.00	GFE2910	53.023.00	GFE4129	30.325.00	GFE5305	24.350.02	
GFE2055	30.802.01	GFE242	25.455.00	GFE2911	53.012.00	GFE413	25.012.00	GFE5306	24.361.00	
GFE2057	27.770.00	GFE2421	27.353.00	GFE2912	53.017.00	GFE4130	30.554.00	GFE5308	24.365.01	
GFE207	23.134.01	GFE2427	30.067.00	GFE2913	53.007.00	GFE4142	30.332.00	GFE5311	31.535.00	
GFE2070	27.947.00	GFE243	25.539.00	GFE2914	53.010.00	GFE4144	30.409.00	GFE5312	26.670.00	
GFE2071	27.824.00	GFE244	23.130.02	GFE2916	53.028.00	GFE4152	30.334.00	GFE5313	24.375.00	
GFE2073	27.906.00	GFE2443	30.305.00	GFE292	23.191.00	GFE4153	30.315.00	GFE5314	24.350.00	
GFE2074	27.927.00	GFE2445	30.101.00	GFE2921	53.004.00	GFE4160	30.340.00	GFE5315	24.383.00	
GFE2084	30.851.00	GFE2446	30.107.00	GFE2943	54.270.00	GFE4164	30.506.00	GFE5316	24.374.00	
GFE209	23.173.01	GFE2448	30.077.00	GFE2947	53.047.00	GFE4165	30.331.00	GFE5317	24.368.00	
GFE2090	27.729.00	GFE2457	30.070.00	GFE295	23.164.02	GFE417	25.011.00	GFE5319	24.327.00	
GFE2092	27.817.00	GFE246	23.213.00	GFE2969	53.038.00	GFE4172	30.253.00	GFE5322	24.365.00	
GFE2093	27.792.00	GFE2460	30.239.00	GFE297	23.280.00	GFE4173	30.155.00	GFE5323	24.371.00	
GFE2095	27.946.00	GFE2461	30.432.00	GFE2974	53.035.00	GFE4176	30.362.00	GFE5324	26.676.00	
GFE210	23.118.00	GFE248	23.164.00	GFE2979	53.031.00	GFE4177	30.308.00	GFE5325	24.321.00	
GFE2100	27.799.00	GFE248		GFE298	23.251.00	GFE4181	30.259.00	GFE5326	24.368.00	
GFE2110	27.781.00	(O/OR)	23.164.03	GFE2981	53.230.00	GFE4184	30.386.00	GFE5327	24.382.00	
GFE2111	27.725.00	GFE2480	30.943.00	GFE2982	53.050.00	GFE4190	27.628.00	GFE5328	24.384.00	
GFE2119	27.775.00	GFE2482	30.022.00	GFE299	23.175.00	GFE420	23.483.00	GFE5330	24.401.00	
GFE2129	30.864.00	GFE2483	30.022.00	GFE2997	53.058.00	GFE4201	27.675.00	GFE5331	24.379.01	
GFE2132	27.800.00	GFE2484	30.155.00	GFE300		GFE4204	30.352.00	GFE5332	24.417.00	
GFE2133	30.860.00	GFE2493	30.142.00	(NISSAN)	23.256.00	GFE421	25.001.00	GFE5334	24.391.00	
GFE2138	30.802.01	GFE2494	27.353.00	GFE3003	54.109.00	GFE4212	30.390.00	GFE5335	24.388.00	
GFE2140	30.843.01	GFE2568	30.168.00	GFE3007	53.032.00	GFE422		GFE5337	24.397.00	
GFE2148	27.062.00	GFE257	23.191.00	GFE301		(RENAULT, TOYOTA)	23.127.00	GFE5338	24.408.00	
GFE2149	27.061.00	GFE2570	30.185.00	(FORD)	23.440.00	GFE422		GFE5339	24.409.00	
GFE215	23.122.00	GFE2572	30.186.00	GFE3016	53.030.00	(ALTRE/OTHER APPL.)	23.127.02	GFE534	25.052.00	
GFE2152	30.908.00	GFE258	23.187.00	GFE3017	53.045.00	GFE422		GFE5340	24.416.00	
GFE2153	27.927.00	GFE2594	30.162.00	GFE3019	53.162.00	(FIAT, LANCIA)	23.127.05	GFE5341	26.689.00	
GFE2154	30.852.00	GFE260	23.173.01	GFE302	23.169.00	GFE422		GFE5342	26.686.00	
GFE2157	30.890.00	GFE2608	27.715.00	GFE3022	53.104.00	(OPEL, VAUXHALL)	23.134.01	GFE5343	24.417.00	
GFE2160	30.852.00	GFE2611	27.956.00	GFE3025	53.102.00	GFE422		GFE5344	26.688.00	
GFE2162	30.894.00	GFE2612	27.086.00	GFE3028	54.111.00	(VOLVO)	23.257.00	GFE5345	24.360.00	



GFE535	25.043.00	GFE7029	24.366.00	02220300	27.728.00	055129620	30.818.00	071115562A	25.023.00
GFE5351	24.525.00	GFE703	25.159.00	025129620A	27.520.00	055129620A	30.836.00	071115562B	25.023.00
GFE5355	24.414.00	GFE7031	31.535.00	026133837A	30.864.00	056115561B	23.130.01	071115562C	25.023.00
GFE5356	24.418.00	GFE7032	31.611.00	026133837B	30.864.00	056115561G	23.130.01	074115561	23.156.03
GFE5357	24.412.00	GFE7036	31.515.00	027133843A	30.398.00	056129620	30.802.01	074115561B	23.167.00
GFE5360	26.690.00	GFE7038	31.621.00	028115561	23.404.00	057115561	23.130.01	074115562	25.011.00
GFE5361	26.691.00	GFE7042	31.026.00	028115561B	23.417.00	057115561K	25.068.00	074127435A	24.381.00
GFE5362	31.027.00	GFE7043	31.006.00	028115561E	23.164.00	057115561L	25.068.00	074127435C	24.379.01
GFE5363	24.424.00	GFE7045	31.024.00	028115561G	23.459.00	057115561M	25.105.00	074129620	30.085.00
GFE5364	24.432.00	GFE7046	31.529.00	028127435	24.379.01	057127401A	24.424.00	074129620A	30.193.00
GFE5368	24.433.00	GFE7048	31.007.00	028127435A	24.379.01	057127401C	24.425.00	075115561	23.156.03
GFE5369	24.415.00	GFE7050	31.005.00	028127435B	24.379.00	057127401D	24.425.00	075129620A	27.804.00
GFE5370	24.360.01	GFE7057	31.750.00	028127435C	24.379.01	057127435C	24.002.00	076115561	23.108.00
GFE5372	24.086.00	GFE7059	31.564.00	028129635A	30.830.00	057127435D	24.424.00	076129620	27.993.00
GFE5381	24.445.00	GFE7060	31.514.00	030115561AN	23.453.00	057127435E	24.002.00	077115561E	23.464.00
GFE5385	24.H20.00	GFE7061	31.515.00	030115561C	23.425.00	058133843	30.192.00	077115561G	23.464.00
GFE5386	26.003.00	GFE7062	31.560.00	030115561D	23.130.01	059115561A	23.130.01	077115562	25.010.00
GFE5390	26.693.00	GFE7063	31.699.00	030115561E	23.282.00	059115561B	25.019.00	077129620	30.188.00
GFE5400	24.007.00	GFE7066	31.563.00	030115561F	23.282.00	059115561D	25.141.00	077129620A	30.100.00
GFE5405	26.022.00	GFE7069	31.508.00	030115561K	23.428.00	059115561G	25.180.00	077129620D	30.100.00
GFE5406	26.694.00	GFE7070	31.621.00	030115561L	23.282.00	059115562	25.019.00	077198563	25.607.00
GFE5409	26.014.00	GFE7073	31.551.00	030115561P	23.428.00	059115561A	23.130.01	078115561D	23.465.00
GFE5417	24.444.00	GFE7075	31.513.00	030129620A	30.038.01	059127401C	24.424.00	078115561H	23.465.00
GFE5418	24.027.00	GFE7077	31.561.00	030129620F	30.264.00	059127401E	24.424.00	078115561J	23.465.00
GFE5419	24.013.00	GFE7079	31.539.00	030198620	30.134.00	059127401F	24.424.00	078115561K	23.436.00
GFE5422	24.436.00	GFE7082	31.520.00	032129620	30.038.01	059129620	30.809.00	078133837AK	30.192.00
GFE5423	24.450.00	GFE7088	31.523.00	032129620C	30.124.00	059133843	30.109.00	078133837BR	30.192.00
GFE5444	26.695.00	GFE709	25.115.00	034133837	30.864.00	059133843A	30.109.00	079115561F	25.143.00
GFE5451	24.456.00	GFE7092	31.621.00	035115561	23.130.01	059133843B	27.598.00	079115561J	25.090.00
GFE5452	24.457.00	GFE7096	31.500.00	035133843	30.864.00	059198405	25.141.00	079115561K	25.143.00
GFE5457		GFE7099	31.511.00	036129611AF	30.124.00	059198405B	25.180.00	079198405A	25.257.00
(BMW 13327788700)	31.851.00	GFE7102	31.547.00	036129620	30.807.00	05L115466	25.253.00	079198405B	25.143.00
GFE5457		GFE7103	31.650.00	036129620C	30.124.00	05L115562	25.253.00	079198405D	25.090.00
(BMW 13327793672)	31.852.00	GFE7104	31.541.00	036129620D	30.158.00	060129620	27.881.00	079198405E	25.143.00
GFE5458	24.437.00	GFE7109	31.769.00	036129620F	30.124.00	061115561	23.156.00	07C115562A	25.257.00
GFE5460	24.451.00	GFE7110	31.558.00	036129620H	30.342.00	061127175	24.360.00	07K129620	30.055.00
GFE5463	24.455.00	GFE7111	31.569.00	036129620J	30.342.00	061198552	24.360.00	07V121717	23.544.00
GFE5469	60.H20.00	GFE7112	31.710.00	036129620K	30.342.00	062115561	23.482.00	07Z115466A	25.197.00
GFE5472	26.007.00	GFE7113	31.718.00	036129620M	30.342.00	062115561A	23.482.00	07Z115562	25.197.00
GFE5488	26.021.00	GFE7115	31.747.00	036129620N	30.184.00	068115561	23.164.00	101917045	27.736.00
GFE550	25.047.00	GFE7118	31.750.00	036198620	30.158.00	068115561		110946200	27.735.00
GFE5500	26.012.00	GFE7119	31.564.00	037115561	23.462.00	(O/O)R	23.164.03	110946201	27.736.00
GFE5503	55.170.00	GFE7124	31.775.00	03C115561B	23.494.00	068115561A	23.164.00	110946202	27.736.00
GFE5504	26.058.00	GFE7125	31.776.00	03C115561D	23.573.00	068115561A		110946202N	27.736.00
GFE5524	24.ONE.01	GFE7127	31.517.00	03C115561H	23.573.00	(O/O)R	23.164.03	110948201	27.735.00
GFE5532	24.077.00	GFE7130	31.525.00	03C115561J	23.494.00	068115561B	23.164.00	113129620	30.818.00
GFE5561	24.099.00	GFE7136	31.583.00	03C115562	25.047.00	068115561B		113129620A	27.801.00
GFE558	23.457.00	GFE7144	31.715.00	03C129620	30.199.00	(O/O)R	23.164.03	114040200	23.435.00
GFE559	25.028.00	GFE7146	31.724.00	03C129620B	30.209.00	068115561C	23.164.03	114040200N	23.435.00
GFE582	25.050.00	GFE7154	31.565.00	03D129620	30.196.00	068115561E	23.429.00	114094101	23.435.00
GFE583	23.299.00	GFE7156	31.712.00	03D198819	25.029.00	068115561F	23.164.03	114094101N	23.435.00
GFE584	23.481.00	GFE7163	31.841.00	03D198819A	25.029.00	068127177	24.351.00	115094100	23.435.00
GFE585	25.060.00	GFE7169	31.565.00	03D198819C	25.029.00	068127177B	24.351.00	115946200	30.803.00
GFE586	23.439.00	GFE7172	31.618.00	03E129620	30.165.00	068129620A	30.198.00	115946200N	30.803.00
GFE609	25.049.00	GFE7173		03H115561	25.089.00	06815493	27.735.00	115946201	30.803.00
GFE619	25.094.00	(ALTRE/OTHER APPL.)	31.001.00	03H115562	25.089.00	069115561	23.167.00	115946202	30.802.01
GFE621	25.066.00	GFE7173		03L115561	23.660.00	069115561A	23.167.00	115946203	30.802.01
GFE622	25.031.00	(VAG)	31.012.00	03L115561A	23.717.00	069129620	30.864.00	115946204	30.802.01
GFE623	25.064.00	GFE7176	31.817.00	03L115562	25.106.00	069129620A	30.891.00	115946205	30.038.01
GFE626	25.048.00			03N115562	25.144.00	06A115561	23.436.00	115946205S	30.038.01
GFE633	25.063.00	VAG	UFI	03N115562B	25.144.00	06A115561B	23.436.00	115A94100	23.435.00
GFE641	25.074.00			03P115562	25.115.00	06C133843	30.162.00	131261275A	31.012.00
GFE658	25.093.00	0003897992	23.127.05	040070050A	25.406.01	06D115562	25.040.00	180129620	30.364.00
GFE670	25.116.00	0003897993	27.719.00	044129620	27.195.00	06D198405	25.040.00	180819638	
GFE671	25.084.00	0003897994	27.720.00	044129620A	27.982.00	06E115466B	25.247.00	(CN)	54.109.00
GFE674	23.489.00	0003897995	27.728.00	046127435A	24.380.00	06E115562	25.080.00	191091700	53.071.00
GFE676	23.267.00	0003908171	20.012.02	046127435B	24.379.01	06E115562A	25.080.00	191127401	24.365.00
GFE688	25.106.00	0003936608	23.169.00	046127435C	24.379.00	06E115562B	25.247.00	191127401A	24.365.01
GFE689	25.085.00	0003936634	27.719.00	047115561B	23.435.00	06E115562C	25.080.00	191127401B	24.365.01
GFE693	23.585.00	0003938626	23.166.00	047115561F	23.435.00	06E115562E	25.247.00	191127401C	24.365.00
GFE695	25.166.00	0003963373	23.169.00	047115561G	23.435.00	06E115562H	25.247.00	191127401E	24.365.01
GFE7001	31.500.00	0003992228	27.800.00	049133843	30.851.00	06F133843A	30.315.00	191127401M	24.365.01
GFE7010	31.618.00	0004321698	27.785.00	04C129620A	30.A51.00	06F133843B	30.657.00	191127401N	24.365.01
GFE7015		0004356990	27.800.00	04C129620C	30.589.00	06J115403J	23.493.00	191127401P	24.365.00
(ALTRE/OTHER APPL.)	31.001.00	0004434825	23.167.00	04C129620D		06J115403L	23.597.00	191129620	30.946.00
GFE7015		0004449040	23.166.00	(BR)	30.589.00	06J115403Q	23.493.00	191201511A	31.012.00
(VAG)	31.012.00	0004465121	24.351.00	04C129620E	30.A42.00	06J115403R	23.597.00	1C0127401	24.404.00
GFE7017	31.500.00	0005940898	23.176.00	04E115561A	23.575.00	06J115561B		1F0129620	27.401.00
GFE7018	31.506.00	004312110	31.012.00	04E115561B	23.575.00	(06J115403M)	23.493.00	1GD127401	
GFE7019		004312114	31.510.00	04E115561D	23.575.00	06J115561B		(CN)	24.415.00
(ALTRE/OTHER APPL.)	31.510.00	00A115466	25.162.00	04E115561H	23.575.00	(06J115403R)	23.597.00	1H0091800	54.263.00
GFE7019		021115351A	23.134.01	04E129620	30.549.00	06K115562	25.153.00	1H0091800	34.263.00
(OPEL VAUXHALL)	31.611.00	021115561A	25.590.00	04E129620A	30.713.00	06L115562	25.153.00	1H0127401	24.365.01
GFE7020	31.564.00	021115561B	25.010.00	04E129620B		06L115562B	25.153.00	1H0127401B	24.365.01
GFE7025	31.502.00	021115562	25.590.00	(BR)	30.713.00	070115561	23.130.00	1H0127401C	24.365.01
GFE7026	31.506.00	021115562A	25.010.00	052126620A	30.802.01	070115562	25.023.00	1H0127401E	24.403.00
GFE7027	31.505.00	021129620	30.835.00	052129620	30.807.00	070129620	27.803.00	1H0127401G	24.365.01
GFE7028	31.503.00	021129620D	30.925.00	052129620A	30.802.01	071115562	25.023.00	1H0129620	30.996.00

1H0201511	31.500.00	2H6129620	30.512.00	4GD133843	27.A48.00	6Q0820367B	53.031.00	8K0127400A	31.920.00
1H0201511A	31.500.00	2H6129620A	30.512.00	4GD819439		6R0127400C	24.016.00	8K0133843	27.692.00
1H0819644	53.006.00	2N0129620	30.A41.00	(CN)	54.222.00	6R0127400D	24.033.00	8K0133843D	27.693.00
1H0819644A	53.006.00	2Q0129620	30.587.00	4GD819439	34.222.00	6R0129620A	27.621.00	8K0133843E	30.365.00
1H0819644B	53.006.00	2Q0819653	54.314.00	4H0129620D	27.B54.00	6R0129620C	30.355.00	8K0133843K	30.365.00
1HM129620	30.996.00	2Q0819653	34.314.00	4H0129620L	27.B54.00	6R0129620D	30.356.00	8K0133843M	30.365.00
1J0127399A	24.391.00	2Q0819669	34.314.00	4H0819439	54.222.00	6R0201511	31.836.00	8K0819439	53.153.00
1J0127401	24.391.00	3051296191		4H0819439	34.222.00	6R0819653	54.199.00	8K0819439A	34.168.00
1J0127401A	24.391.00	(BR)	27.801.00	4M0127434B	26.129.00	6R0819653	34.199.00	8K0819439B	54.168.00
1J0127401B	24.391.00	357091700	53.049.00	4M0127434E	26.130.00	6R0820367	53.190.00	8K0819439B	34.168.00
1J0127401D	24.391.00	3897991	23.127.00	4M0127434G	26.129.00	6RD820367	53.190.00	8R0127400	31.922.00
1J0129620	30.077.00	3897995	27.728.00	4M0127434H	26.130.00	6U0129620	30.994.00	8R0127400A	31.950.00
1J0129620A	30.364.00	3936569	23.127.00	4M0133843C	30.B15.00	6U0201511D	31.510.00	8R0133843C	30.365.00
1J0201511A	31.718.00	3936634	27.719.00	4M0819439	53.324.00	6U0201511E	31.010.00	8R0133843D	30.365.00
1J0819644	54.109.00	3936870	23.127.00	4M0819439A	54.292.00	6X0201511	31.722.00	8R0133843K	30.365.00
1J0819644	34.109.00	3938626	23.166.00	4M0819439A	34.292.00	6X0201511B	31.722.00	8T0127401A	
1J0819644A	54.109.00	3945577	23.130.01	4M0819439B	34.292.00	6Y0129620	30.132.00	(8K0127400A)	31.920.00
1J0819644A	34.109.00	3967423	23.127.00	5020700025	23.188.00	703819989	53.067.00	8T0127401A	
1K0127177A	26.014.00	3A0819644	53.004.00	5120700509	23.130.01	7B0115562	25.248.00	(8R0127400A)	31.950.00
1K0127434	26.014.00	3B0091800	54.195.00	5C0129620	30.187.00	7D0819989	53.067.00	8T0127401A	
1K0127434A	26.014.00	3B0091800	34.195.00	5C0129620A	30.187.00	7E0129620	30.320.00	(8R0127400)	31.922.00
1K0127434B	26.021.00	3C0127434	26.007.00	5JF129620	30.132.00	7E0129620A	30.647.00	8T0127401A	
1K0129620	30.303.00	3C0127434A	26.031.00	5JF129620A	30.132.00	7H0127401	31.849.00	(4G0127400C)	31.946.00
1K0129620B	30.A35.00	3C0129620	27.401.00	5Q0127177	26.038.00	7H0127401A	31.849.00	8W0127399A	31.946.00
1K0129620C	27.402.00	3C0129620A	30.187.00	5Q0127177C	26.065.00	7H0127401B	31.849.00	8W0133843	27.G31.00
1K0129620D	30.187.00	3C0129620B	30.187.00	5Q0127177D	26.038.00	7H0127401D	31.947.00	8W0133843A	27.G33.00
1K0129620E	30.370.00	3D0129620B	30.B28.00	5Q0127400J	26.065.00	7H0129620	30.320.00	8W0133843B	27.G10.00
1K0129620F	30.187.00	3D0129620C	30.700.00	5Q0127401A	26.038.00	7H0129620A	30.647.00	8W0133843C	27.G11.00
1K0129620G	30.187.00	3D0201051	31.854.00	5Q0127401C	26.038.00	7H0819631	53.189.00	8W0133843E	27.G10.00
1K0129620L	30.370.00	3D0201511	31.718.00	5Q0129620B	30.532.00	7H0819631A	54.148.00	8W0819439	53.324.00
1K0201051B	31.840.00	3D0201511A	31.718.00	5Q0129620C	30.587.00	7H0819631A	34.148.00	8Z0127435	24.425.00
1K0201051C	31.840.00	3D0201511B	31.718.00	5Q0129620D	30.532.00	7L0129620	30.329.00	8Z0127435B	26.023.00
1K0201051E	31.845.00	3D0898644	54.302.00	5Q0129620E	30.A45.00	7L0129620A	30.A25.00	8Z0129620	27.257.00
1K0201051F	31.853.00	3D1819644	54.302.00	5Q0129620F	30.A45.00	7L6127434A	26.085.00	8Z0198567	26.023.00
1K0201051K	31.840.00	3Q0129620	30.661.00	5Q0129620G	30.A45.00	7L6127434B	26.015.00	90110720302	23.241.00
1K0201051L	31.853.00	3Q0129620A	30.662.00	5Q0819644	53.298.00	7L6127434C	26.015.00	90110720305	23.241.00
1K0201051M	31.845.00	3R0127401	31.994.00	5Q0819644A	53.298.00	7M0127401A	24.003.00	E5120700509	23.130.01
1K0819644	53.148.00	400700504	25.406.01	5Q0819653	54.219.00	7M0129620A	30.090.00	J15600-25010	23.127.00
1K0819644A	53.148.00	420201511	31.919.00	5Q0819653	34.219.00	7M0819638A	53.017.00	J15601-33021	23.121.00
1K0819644B	53.148.00	431133511	31.699.00	5Q0819669	34.219.00	7M0819644	53.017.00	J17801-34060	27.133.00
1K1819653	54.124.00	431133511A	31.594.00	5QD129620A		7M3129620	30.183.00	J17801-54060	27.172.00
1K1819653	34.124.00	431133511D	31.506.00	(CN)	30.532.00	7M3129621	30.183.00	J23300-34100	31.006.00
1K1819653A	54.124.00	441043121196	31.510.00	5QD129620C		7M3819644	34.118.00	J23303-64010	24.374.00
1K1819653A	34.124.00	441043681106	31.510.00	(CN)	30.A45.00	7M3819644A	54.118.00	J23303-64020	24.374.00
1K1819653B	54.124.00	441070191876	23.435.00	5QM129620	30.532.00	7M3819644A	34.118.00	J90915-03006	23.248.00
1K1819653B	34.124.00	441070191936	23.435.00	5Z0129620	30.132.00	7N0127177A	26.032.00	J90915-10002	23.251.00
1K1819669	34.124.00	441201511C	31.748.00	5Z0129620A	30.133.00	7N0127177B	26.026.00	J90915-20001	23.253.00
1K2819653	54.376.00	443133511	31.507.00	6C0127400	24.106.00	7N0127177C	26.032.00	J90915-30002	23.248.00
1K2819653A	54.376.00	447133511	31.507.00	6C0129620	30.509.00	7N0201051	31.855.00	JK627961115126	30.803.00
1K2819653B	54.376.00	477133511	31.507.00	6C0129620A	30.508.00	7N0201051A	31.855.00	JNV201847	31.836.00
1K2819669	34.124.00	481209261	31.012.00	6C0129620D	30.692.00	7P0129620A	30.A25.00	JZW819653	
1L0129620	30.994.00	4A0129620	30.058.00	6K0127401B	24.415.00	7P0819631	54.312.00	(ECONOMY SPARE PARTS)	54.109.00
1L0129620A	30.019.00	4A0133511	31.507.00	6K0127401G	24.415.00	7P0819631	34.312.00	JZW819653A	
1L0129620B	30.020.00	4A0819439	53.011.00	6K0127401H	24.415.00	7P6127177A	26.025.00	(ECONOMY SPARE PARTS)	54.114.00
1L0129620C	30.113.00	4A0819439A	53.011.00	6K0129611H	30.184.00	803201511C	31.012.00	JZW819653B	
1M0127401	24.440.00	4A1820367	53.002.00	6K0129620	30.802.01	803201511E	31.012.00	(ECONOMY SPARE PARTS)	54.124.00
1S0820367	53.233.00	4B0819439A	54.165.00	6K0129620B	30.161.00	803210151C	31.012.00	JZW819653B	
1TD129620	27.402.00	4B0819439B	54.101.00	6K0129620C	30.184.00	80A127399B	31.920.00	(ECONOMY SPARE PARTS)	34.124.00
251201511	31.012.00	4B0819439B	34.101.00	6K0129620E	30.134.00	811133511	31.502.00	JZW819653C	
251201511A	31.500.00	4B0819439C	54.101.00	6N0127401B	24.400.00	811133511A	31.503.00	(ECONOMY SPARE PARTS)	54.161.00
251201511C	31.012.00	4B0819439C	34.101.00	6N0127401F	24.426.00	811133511B	31.507.00	JZW819653C	34.161.00
251201511G	31.012.00	4D0898438	53.009.00	6N0127401H	24.426.00	811133511D	31.503.00	JZW819653D	
251201511H	31.500.00	4D0898438A	54.110.00	6N0127401R	24.400.00	859129620	30.946.00	(ECONOMY SPARE PARTS)	54.118.00
2D0127159	26.057.00	4E0129620J	27.F32.00	6N0129620	27.257.00	89201808201	23.130.01	JZW819653D	34.118.00
2D0127177	26.057.00	4F0127401F	31.921.00	6N0129620A	27.257.00	89201808900	23.130.01	JZW819653E	
2D0127399	24.391.00	4F0127401H	31.953.00	6N0201511	31.510.00	893127435A	24.379.01	(ECONOMY SPARE PARTS)	54.148.00
2D0129620	30.080.00	4F0127435	24.001.00	6N0201511A	31.510.00	893133511	31.502.00	JZW819653E	
2D0129620A	30.082.00	4F0127435A	24.001.00	6Q0127400A	24.428.00	8A0133511	31.506.00	(ECONOMY SPARE PARTS)	34.148.00
2D0129620B	30.080.00	4F0133843	27.597.00	6Q0127400B	24.428.00	8A0819439	53.013.00	ND03028850	23.102.00
2D0129620D	30.080.00	4F0133843A	27.603.00	6Q0127400F	24.437.00	8A0819439A	53.013.00	ND10420201	24.360.00
2D0201051	31.583.00	4F0201511B	31.830.00	6Q0127400H	24.004.00	8A0819439B	54.195.00	ND10420250	26.652.00
2D0819638	53.059.00	4F0201511C	31.831.00	6Q0127401	24.428.00	8A0819439B	34.195.00	PND1307988	30.803.00
2D0819638A	53.059.00	4F0201511D	31.830.00	6Q0127401B	24.428.00	8D0091800	34.195.00	SE020022203A	27.785.00
2E0127159	26.012.00	4F0201511E	31.831.00	6Q0127401D	24.428.00	8D0127435	24.414.00	SE020030288A	23.169.00
2E0129620B	30.340.00	4F0819439		6Q0127401F	24.437.00	8D0133843	30.192.00	SE021020200A	31.009.00
2E0129620D	30.340.00	(N. 1 FILTRO/FILTER)	53.226.00	6Q0127401H	24.004.00	8E0127401	24.451.00	SE021030288A	23.130.01
2E0819637	53.322.00	4F0819439A		6Q0129620	30.133.00	8E0127401B	24.072.00	SE021104653A	31.500.00
2E0819638	53.137.00	(N. 1 FILTRO/FILTER)	54.153.00	6Q0129620B	30.369.00	8E0127401C	24.072.00	SE022119900B	24.360.00
2E0819638A	54.161.00	4F0819439A	34.153.00	6Q0201051	31.832.00	8E0127401D	24.451.00	SE028030288A	23.169.00
2E0819638A	34.161.00	4F0898438	53.226.00	6Q0201051A	31.833.00	8E0127435A	24.451.00	SE700030288A	23.166.00
2H0127401	24.144.00	4F0898438A	34.153.00	6Q0201051B	31.832.00	8E0201511F	31.958.00	XE020022203A	27.785.00
2H0127401A	24.145.00	4F0898438B	34.153.00	6Q0201051C	31.833.00	8E0201511G	31.958.00	XE021020200A	31.009.00
2H0127401B	24.145.00	4F0898438C	54.153.00	6Q0201051H	31.832.00	8E0201511J	31.958.00	XE021030288A	23.130.01
2H0129620	30.512.00	4F0898438C	34.153.00	6Q0201051J	31.833.00	8E0201511L	31.958.00	XE028030288A	23.169.00
2H0129620A	30.512.00	4G01274							

V10-0391	25.023.00	V20-8191	27.636.00	V42-0260	30.374.00	586564	25.165.00	698709	54.143.00
V10-0437	30.342.00	V22-0233	30.B24.00	V42-0417	30.533.00	587102	26.115.00	698710	54.100.00
V10-0438	30.315.00	V22-0243	26.123.00	V42-0452	30.A15.00	587501	24.027.00	698711	53.045.00
V10-0439	27.597.00	V22-0277	30.533.00	V42-30-1215	53.277.00	587508		698712	53.068.00
V10-0499	26.021.00	V22-9716	30.B23.00	V45-0031	25.165.00	(SOLO RICAMBIO/SPARE PART ONLY)	55.430.00	698713	54.151.00
V10-0618	27.402.00	V24-0007	23.489.00	V46-0035	25.145.00	587520	24.451.00	698714	54.111.00
V10-0621	30.187.00	V24-0281	27.630.00	V46-0107	30.663.00	587528	55.418.00	698715	54.122.00
V10-0622	30.370.00	V24-0283	30.376.00	V46-0423	24.113.00	587551	24.113.00	698716	54.109.00
V10-0654	24.451.00	V24-0304	30.A69.00	V46-0439	30.A70.00	587562		698723	54.139.00
V10-0662	26.057.00	V24-0568	30.794.00	V46-0502	24.114.00	(JAGUAR)	24.130.00	698724	53.101.00
V10-0663	26.023.00	V24-0577	30.793.00	V46-0505	24.110.00	587562		698725	54.137.00
V10-0668	30.589.00	V24-7189	30.795.00	V46-0508	30.795.00	(LAND ROVER)	24.459.00	698730	53.107.00
V10-0752	27.603.00	V24-9657	24.127.00	V46-0561	30.375.00	587564	55.582.00	698731	53.041.00
V10-0765	27.621.00	V25-0009	30.390.00	V46-0789	26.115.00	587914	60.H20.00	698732	53.070.00
V10-0896	25.143.00	V25-0066	27.A00.00	V46-0895	30.712.00	697733	53.070.00	698734	53.035.00
V10-0945	24.016.00	V25-0081	26.055.00	V48-0012	25.177.00	698146	53.021.00	698735	53.108.00
V10-1598	30.134.00	V25-0092	30.101.00	V49-0026	30.022.00	698149	53.061.00	698736	53.106.00
V10-1605	31.953.00	V25-0092	30.C47.00	V52-0084	30.538.00	698159	53.006.00	698737	54.174.00
V10-1610	25.197.00	V25-0100	30.155.00	V52-0097	25.166.00	698160	53.006.00	698738	53.069.00
V10-1611	26.012.00	V25-0112	30.372.00	V52-0132	23.583.00	698163	53.004.00	698739	54.114.00
V10-1613	30.A25.00	V25-0166	27.675.00	V53-0006	25.151.00	698164	53.013.00	698740	54.132.00
V10-1649	25.257.00	V25-0189	30.310.00	V53-0051	30.631.00	698165	53.015.00	698741	54.133.00
V10-1653	26.085.00	V25-0199	30.294.00	V64-0053	30.725.00	698166	53.001.00	698742	54.130.00
V10-1655	30.C55.00	V25-0201	26.696.00	V64-0055	30.628.00	698167	53.010.00	698743	54.131.00
V10-1657	30.647.00	V25-0202	24.455.00	V64-0056	30.553.00	698168	53.016.00	698744	54.102.00
V10-2186	25.141.00	V25-0205	30.332.00	V64-0060	30.A50.00	698169	53.007.00	698745	54.119.00
V10-2187	27.A54.00	V25-0650	26.074.00	V64-0069	30.780.00	698170	53.046.00	698746	54.135.00
V10-2191	31.921.00	V25-0970	30.665.00	V70-0017	25.150.00	698171	53.026.00	698747	54.104.00
V10-2279	25.115.00	V25-1762	30.A17.00	V70-0083	30.639.00	698173	53.018.00	698748	54.169.00
V10-2280	27.A48.00	V26-0073	26.077.00	V70-0100	30.504.00	698174		698748	54.389.00
V10-2454	31.922.00	V26-0087	30.617.00	V70-0198	30.470.00	(SENZA TELAIO/WITHOUT FRAME)	53.019.00	698749	54.194.00
V10-2479	31.950.00	V26-0097	30.325.00	V70-0234	30.625.00	698175	53.188.00	698750	54.121.00
V10-2599	23.575.00	V26-0100	30.A54.00	V70-0277	26.073.00	698176	53.205.00	698751	54.157.00
V10-2669	30.512.00	V26-0142	25.074.00	V95-0207	31.951.00	698196	53.057.00	698753	53.104.00
V10-2670	30.264.00	V26-0145	30.231.00	V95-0420	30.C64.00	698197	53.023.00	698762	53.058.00
V10-2671	30.657.00	V26-0158				698198	53.024.00	698768	54.148.00
V10-2672	24.033.00	(HONDA)	24.196.00	VALEO	UFI	698199	53.020.00	698769	53.230.00
V10-2673	25.153.00	V26-0158				698200	53.025.00	698770	53.079.00
V10-2684	30.532.00	(TOYOTA)	24.452.00	585001	30.187.00	698201	53.012.00	698771	53.091.00
V10-2825	25.144.00	V30-0229	30.A60.00	585010	30.101.00	698202	53.014.00	698772	54.141.00
V10-3005	24.145.00	V30-0823	27.521.00	585010	30.C47.00	698203	53.028.00	698773	53.075.00
V10-3136	30.587.00	V30-0831	30.596.00	585028	30.370.00	698235	53.027.00	698774	54.113.00
V10-3137	30.549.00	V30-0852	30.148.00	585082	30.022.00	698246	54.108.00	698775	53.319.00
V10-3299	25.248.00	V30-1061	30.A61.00	585086	30.A84.00	698247	53.017.00	698776	54.128.00
V10-3308	24.144.00	V30-1062	30.A67.00	585102	30.068.00	698255	53.060.00	698777	53.100.00
V10-3848	31.985.00	V30-1321	30.575.00	585153	30.725.00	698276	53.083.00	698779	53.162.00
V10-4267	30.692.00	V30-1322	27.596.00	585154	30.342.00	698279	53.084.00	698790	53.009.00
V10-4309	27.B54.00	V30-1337	30.466.00	585156	30.543.00	698290	53.037.00	698791	54.110.00
V10-4402	23.717.00	V30-1339	30.253.00	585158	30.374.00	698454	53.033.00	698793	53.067.00
V10-7509	31.830.00	V30-1580	30.B25.00	585159	30.388.00	698469	53.073.00	698794	54.302.00
V10-7511	24.072.00	V30-1581	24.112.00	585160	30.390.00	698470	54.242.00	698795	53.125.00
V10-8553	25.106.00	V30-1820	30.595.00	585161	30.533.00	698475	53.064.00	698796	53.103.00
V10-8655	23.660.00	V30-1821	25.178.00	585162	30.554.00	698487	53.034.00	698800	53.148.00
V10-8663	30.A51.00	V30-1829	25.204.00	585176	30.294.00	698488	53.044.00	698801	54.124.00
V10-8738	30.713.00	V30-1860	24.111.00	585204	30.647.00	698489	53.158.00	698802	54.144.00
V10-8790	26.130.00	V30-1871	30.A72.00	585211	30.253.00	698512	53.087.00	698817	53.105.00
V20-0025	27.A97.00	V30-2094	23.565.00	585253	30.325.00	698535		698838	53.318.00
V20-0043	30.395.00	V30-2105	30.B10.00	585278	30.317.00	(SENZA TELAIO/WITHOUT FRAME)	53.043.00	698839	54.262.00
V20-0637	31.851.00	V30-2191	30.A38.00	585287	30.A97.00	698540	53.090.00	698840	53.059.00
V20-0648	31.924.00	V30-2425	30.A59.00	585303	30.A50.00	698541	54.125.00	698857	54.240.00
V20-0692	25.084.00	V30-2635	30.B63.00	585313	30.395.00	698594	53.086.00	698858	53.042.00
V20-0711	31.838.00	V30-7398	27.355.00	585329	30.593.00	698606	53.032.00	698859	53.134.00
V20-0806	30.346.00	V30-7399	27.593.00	585334	30.615.00	698657	53.039.00	698860	53.138.00
V20-0810	30.A44.00	V30-7401	27.585.00	585349	30.B21.00	698662	53.047.00	698861	53.246.00
V20-0814	30.455.00	V30-8173	24.007.00	585356	30.315.00	698663	53.030.00	698862	54.318.00
V20-0817	30.317.00	V30-8418	30.B87.00	585360	30.A71.00	698664	53.038.00	698863	53.228.00
V20-1401	30.776.00	V30-9653	30.B20.00	585386	30.B03.00	698679	53.006.00	698864	54.127.00
V20-1402	30.711.00	V32-0135	30.626.00	585433	30.A17.00	698680	53.040.00	698865	54.112.00
V20-1403	30.557.00	V32-0241	30.A53.00	585445	30.A96.00	698681	53.050.00	698866	53.088.00
V20-1523	27.E52.00	V33-0001	24.331.00	585448	30.A70.00	698682	54.165.00	698867	53.043.00
V20-1524	30.B41.00	V37-0018	30.781.00	585456	30.B54.00	698683	54.101.00	698868	53.123.00
V20-1525	25.164.00	V37-0099	24.465.00	585459	30.B23.00	698685	53.031.00	698869	53.063.00
V20-1928	25.201.00	V37-0120	27.282.00	585490	30.A61.00	698686	54.263.00	698870	53.093.00
V20-1929	30.B17.00	V38-0078	55.582.00	585624	27.356.00	698687	54.107.00	698871	53.110.00
V20-1930	30.B14.00	V38-0154	30.576.00	585638	27.282.00	698688	54.105.00	698872	54.145.00
V20-1931	30.B13.00	V40-0282	30.550.00	585648	27.596.00	698689	53.252.00	698874	53.047.00
V20-2059	31.962.00	V40-0404	30.388.00	585668	30.388.00	698690	53.317.00	698875	54.143.00
V20-2062	25.142.00	V40-0654	30.422.00	585680	27.D10.00	698691	53.074.00	698876	53.098.00
V20-2064	27.A53.00	V40-0779	30.556.00	585695	27.A69.00	698692	54.103.00	698877	54.134.00
V20-2065	30.540.00	V40-0832	24.099.00	585724	27.C10.00	698693	54.115.00	698878	53.082.00
V20-2066	30.558.00	V40-0878	30.A37.00	585725	27.E50.00	698694	53.076.00	698880	54.123.00
V20-2067	30.655.00	V40-0893	30.A23.00	585735	30.A64.00	698695	54.106.00	698882	53.102.00
V20-2069	30.714.00	V40-1326	27.F37.00	585738	27.D79.00	698696	54.118.00	698883	54.136.00
V20-2070	25.171.00	V40-1460	26.114.00	586123	23.585.00	698697	54.270.00	698884	54.142.00
V20-2073	31.952.00	V40-1531	30.B50.00	586503	25.060.00	698700	53.094.00	698885	53.006.00
V20-2467	30.777.00	V40-1564	26.122.00	586506	25.023.00	698702	53.095.00	698886	53.109.00
V20-2853	25.185.00	V40-31-1115-1	54.277.00	586526	25.010.00	698707	53.052.00	698888	53.077.00
V20-8144	31.824.00	V42-0047	30.210.00	586555	25.074.00	698708	54.230.00	698890	54.129.00

698891	53.235.00	708724	53.101.00	715579	53.153.00	715714	53.251.00	VAF562	30.017.00
698892	53.120.00	708730	53.107.00	715580	53.168.00	715715	53.229.00	VAF563	30.017.00
698893	53.250.00	708731	53.041.00	715581	53.189.00	715716	53.379.00	VAF574	30.028.00
698894	53.201.00	708736	53.106.00	715582	54.322.00	715719	54.226.00	VAF575	30.027.00
698895	53.111.00	708737	54.174.00	715583	53.255.00	715720	54.219.00	VAF584	30.017.00
701003	34.162.00	708738	53.069.00	715584	54.243.00	715723	54.221.00	VAF606	30.063.00
701004	34.271.00	708744	54.102.00	715585	53.156.00	715725	54.244.00	VAF607	30.063.00
701014	34.111.00	708745	54.119.00	715586	54.175.00	715731	54.224.00	VAF608	30.064.00
701015	34.122.00	708747	54.104.00	715587	53.133.00	715733	54.222.00	VAF87	30.807.00
701016	34.109.00	708748	54.169.00	715588	53.144.00	715735	53.150.00	VFF4	31.010.00
701019	54.226.00	708749	54.194.00	715591	53.334.00	715738	53.407.00	VFF51	24.360.01
701020	54.219.00	708750	54.121.00	715592	53.208.00	715740	53.191.00	VFF516	31.611.00
701032	54.291.00	708753	53.104.00	715594	53.080.00	715744	53.233.00	VFF618	31.515.00
708146	53.021.00	708779	53.162.00	715596	53.152.00	715745	53.383.00	VFF634	31.515.00
708149	53.061.00	708795	53.125.00	715597	53.206.00	715746	53.256.00	VFF635	31.611.00
708159	53.006.00	708796	53.103.00	715598	53.316.00	715747	54.223.00	VFF701	24.350.00
708163	53.004.00	708801	54.124.00	715600	54.163.00	715752	54.238.00	VFF77	
708164	53.013.00	708866	53.088.00	715601	53.137.00	715755	53.210.00	(ALTRE/OTHER APPL.)	24.351.00
708165	53.015.00	708867	53.043.00	715602	54.161.00	715802	54.257.00	VFF77	
708166	53.001.00	708874	53.047.00	715607	54.173.00	715803	53.293.00	(OPEL, VAUXHALL)	24.351.01
708167	53.010.00	708878	53.082.00	715608	54.176.00	715804	53.396.00	VFF79	24.366.00
708168	53.016.00	708882	53.102.00	715609	53.222.00	715805	54.254.00	VOF109	23.211.00
708169	53.007.00	708884	54.142.00	715610	54.237.00	715808	53.277.00	VOF110	23.232.00
708170	53.046.00	715500		715611	54.295.00	715813	53.330.00	VOF111	23.234.00
708171	53.026.00	(N. 1 FILTRO/FILTER)	53.226.00	715612	54.171.00	FH224	54.194.00	VOF133	23.278.00
708173	53.018.00	715501	54.153.00	715613	54.160.00	FH417	54.234.00	VOF135	23.117.00
708174		715502	53.236.00	715614	53.136.00			VOF136	23.103.00
(SENZA TELAIO/WITHOUT FRAME)	53.019.00	715503	54.154.00	715616	53.157.00	VAUXHALL	UFI	VOF156	23.265.00
708176	53.205.00	715505	54.140.00	715617	54.116.00			VOF225	23.265.00
708196	53.057.00	715506	53.247.00	715620	53.147.00	13117292	55.114.00	VOF28	23.299.00
708197	53.023.00	715507	54.146.00	715623	54.167.00	13122587	55.120.00	VOF500	23.243.00
708198	53.024.00	715508	54.149.00	715625	53.329.00	13161902	55.116.00	VOF88	23.133.00
708199	53.020.00	715509	54.147.00	715627	53.129.00	13179060	55.125.00	VOF93	23.129.02
708201	53.012.00	715510	53.129.00	715628	54.158.00	24447072	30.197.00	VOF97	23.114.02
708202	53.014.00	715511	54.158.00	715629	54.282.00	25062272	30.958.00		
708203	53.028.00	715512	54.126.00	715630	54.167.00	25069015	30.973.00	VEMO	UFI
708235	53.027.00	715513	53.131.00	715631	53.218.00	25121785	31.611.00	V10-30-0003	53.298.00
708246	54.108.00	715514	53.244.00	715632	54.277.00	25164435	31.611.00	V10-30-1001	53.071.00
708247	53.017.00	715515	53.132.00	715633	53.292.00	32026118	53.045.00	V10-30-1002	53.189.00
708255	53.060.00	715516	53.400.00	715635	54.166.00	55485671	25.199.00	V10-30-1003	53.148.00
708276	53.083.00	715517	53.118.00	715636	53.130.00	55584685	25.225.00	V10-30-1004	53.153.00
708279	53.084.00	715518	53.231.00	715638	53.152.00	835628	30.214.00	V10-30-1010	53.013.00
708290	53.037.00	715519	54.155.00	715639	53.259.00	90386776	53.001.00	V10-30-1013	53.006.00
708475	53.064.00	715520	53.214.00	715642	53.219.00	90486282	53.015.00	V10-30-1014	53.032.00
708487	53.034.00	715521	53.112.00	715644	53.183.00	90499589	30.063.00	V10-30-1016	53.004.00
708488	53.044.00	715524	53.116.00	715645	53.386.00	90509367	53.001.00	V10-30-1025	53.011.00
708502	53.236.00	715525	53.119.00	715647	54.217.00	90510338	53.010.00	V10-30-1030	53.002.00
708506	53.247.00	715526	53.126.00	715649	53.164.00	90512445	30.063.00	V10-30-1031	53.009.00
708511	54.158.00	715529	53.121.00	715650	54.264.00	90512447	30.063.00	V10-30-1049	53.067.00
708512	53.087.00	715530	53.070.00	715651	53.070.00	90512706	53.386.00	V10-30-2525	53.017.00
708515	53.132.00	715531	53.005.00	715652	53.426.00	90512779	53.014.00	V10-30-2526	53.031.00
708530	53.070.00	715532	53.115.00	715653	53.071.00	91160128	53.131.00	V10-30-2527	53.226.00
708541	54.125.00	715533	54.150.00	715654	53.151.00	9196121	30.160.00	V10-30-2530	53.233.00
708550	53.147.00	715534	53.122.00	715658	53.254.00	9201930	30.147.00	V10-31-0003	54.219.00
708552	53.124.00	715535	53.141.00	715659	54.178.00	93161448	30.147.00	V10-31-1001	54.124.00
708554	53.154.00	715536	53.142.00	715660	53.207.00	93168068	25.170.00	V10-31-1025	54.165.00
708556	53.143.00	715537	54.275.00	715661	54.170.00	93171212	25.024.00	V10-31-1031	54.110.00
708594	53.086.00	715538	54.196.00	715662	53.163.00	93172272	25.030.00	V10-31-1033	54.148.00
708606	53.032.00	715539	54.201.00	715663	53.185.00	93172462	30.197.00	V10-31-1040	54.109.00
708607	54.173.00	715540	53.159.00	715665	54.376.00	93179720	23.299.00	V10-31-1041	54.101.00
708620	53.147.00	715541	53.145.00	715667	54.233.00	93183318	25.030.00	V10-31-1043	54.114.00
708631	53.218.00	715542	53.248.00	715668	53.127.00	93184133	25.033.00	V10-31-2527	54.153.00
708635	54.166.00	715544	54.215.00	715670	53.257.00	93185452	30.189.00	V10-31-2527-1	54.153.00
708647	54.217.00	715545	53.274.00	715672	54.234.00	95238310	30.850.00	V10-31-2528	54.312.00
708649	53.164.00	715546	54.220.00	715673	54.249.00	95517366	25.170.00	V10-31-2531	54.222.00
708657	53.039.00	715547	53.128.00	715674	54.317.00	95517658	30.197.00	V10-32-0001	34.219.00
708660	53.207.00	715548	53.338.00	715675	54.197.00	95519246	30.556.00	V10-32-0002	34.168.00
708662	53.047.00	715549	53.051.00	715677	54.235.00	96628890	30.392.00	V10-32-0003	34.148.00
708663	53.030.00	715550	53.147.00	715678	54.306.00	VAF120	30.806.00	V10-32-0005	34.114.00
708664	53.038.00	715551	53.249.00	715679	54.271.00	VAF124		V10-32-0006	34.312.00
708672	54.234.00	715552	53.124.00	715680	54.138.00	(ALTRE/OTHER APPL.)	30.818.00	V10-32-0007	34.114.00
708679	53.006.00	715553	54.162.00	715681	54.290.00	VAF124		V10-32-0008	34.222.00
708680	53.040.00	715554	53.154.00	715685	53.234.00	(FIAT)	30.857.00	V20-30-1001	53.026.00
708681	53.050.00	715555	54.172.00	715688	53.404.00	VAF304	27.789.00	V20-30-1003	53.073.00
708682	54.165.00	715556	53.143.00	715690	54.231.00	VAF409	30.852.00	V20-30-1005	53.046.00
708683	54.101.00	715557	54.164.00	715691	53.261.00	VAF459	30.908.00	V20-30-1007	53.246.00
708685	53.031.00	715558	54.156.00	715692	53.160.00	VAF479	27.069.00	V20-30-1008	53.101.00
708686	54.263.00	715559	53.146.00	715693	54.284.00	VAF481	27.140.00	V20-30-1009-1	53.228.00
708687	54.107.00	715561	53.258.00	715695	54.274.00	VAF487	30.944.00	V20-30-1012	53.156.00
708695	54.106.00	715562	53.155.00	715696	53.239.00	VAF488	30.924.00	V20-30-1013	53.255.00
708696	54.118.00	715564	53.213.00	715701	54.273.00	VAF489	30.926.00	V20-30-1014	53.229.00
708700	53.094.00	715565	53.117.00	715704	54.312.00	VAF490	30.978.01	V20-30-1040-1	53.234.00
708710	54.100.00	715568	54.252.00	715706	53.215.00	VAF515	30.973.00	V20-30-1048	53.224.00
708711	53.045.00	715569	53.328.00	715707	53.220.00	VAF518	30.958.00	V20-30-1049	53.251.00
708713	54.151.00	715573	53.065.00	715710	54.253.00	VAF522	30.950.00	V20-30-1050	53.243.00
708714	54.111.00	715574	53.310.00	715711	53.294.00	VAF540	30.990.00	V20-31-1006-1	54.240.00
708715	54.122.00	715577	53.114.00	715712	54.255.00	VAF542	30.963.00	V20-31-1007-1	54.318.00
708716	54.109.00	715578	54.195.00	715713	54.241.00	VAF561	30.017.00		



V20-31-1008	54.137.00	V30-31-1008	54.133.00	V46-31-1014	54.233.00	A3011	30.275.00	AN202	30.001.00
V20-31-1009	54.127.00	V30-31-1010	54.141.00	V46-31-1068	54.232.00	A3012	30.169.00	AN202V	30.001.00
V20-31-1010	54.154.00	V30-31-1010-1	54.141.00	V46-31-1069	54.237.00	A3014	30.221.00	AN211	27.159.00
V20-31-1012	54.175.00	V30-31-1016	54.131.00	V46-32-0001	34.217.00	A3017	30.220.00	AN214	30.864.00
V20-31-1013	54.243.00	V30-31-1023-1	54.270.00	V46-32-0004	34.291.00	A3025	30.533.00	AN216	27.200.00
V20-31-1014	54.231.00	V30-31-1025-1	54.247.00	V46-32-0006	34.234.00	A3026	30.506.00	AN220V	27.526.00
V20-31-1035-1	54.242.00	V30-31-1026	54.102.00	V48-30-0002	53.231.00	A328		CO10	
V20-31-1038	54.108.00	V30-31-1040	54.113.00	V48-30-0003	53.316.00	(FOND. IN METALLO/METAL ENDS)	27.071.00	(VAG)	23.130.01
V20-31-1045	54.241.00	V30-31-1043	54.130.00	V48-31-0001	54.155.00	A328		C101	23.102.00
V20-31-1048	54.226.00	V30-31-1045	54.149.00	V49-30-0002	53.057.00	(FONDELLI IN PVC/PLASTIC ENDS)	27.071.01	C102	23.121.00
V20-31-1051	54.322.00	V30-31-1046	54.145.00	V50-30-1221	53.244.00	A329	27.581.00	C103	23.127.00
V20-31-1053	54.255.00	V30-31-1047	54.144.00	V50-31-0001	54.139.00	A331	27.156.00	C106	23.213.00
V20-32-0002	34.121.00	V30-31-1049	54.215.00	V51-30-0002	53.141.00	A332	27.580.00	C108	23.270.00
V20-32-0004	34.243.00	V30-31-1051	54.163.00	V51-30-0004	53.142.00	A333	27.604.00	C110	23.263.00
V22-30-1001	53.042.00	V30-31-1059	54.236.00	V51-30-0007	53.220.00	A334S	27.920.00	C111	23.253.00
V22-30-1002	53.040.00	V30-31-5010	54.294.00	V51-31-0009	54.253.00	A341	27.580.00	C112	23.264.00
V22-30-1003	53.039.00	V30-32-0001	34.133.00	V52-30-0008	53.208.00	A344	27.171.00	C113	23.251.00
V22-30-1004	53.041.00	V30-32-0003	34.146.00	V52-30-0011	53.208.00	A352S	27.902.00	C114	23.477.00
V22-30-1005	53.069.00	V30-32-0004	34.288.00	V52-30-0014	53.191.00	A366	27.893.00	C115	23.248.00
V22-30-1006	53.038.00	V30-32-0004	34.176.00	V52-30-0015	53.379.00	A404	27.744.00	C116	23.476.00
V22-30-1007	53.090.00	V30-32-0005	34.161.00	V52-30-0017	53.212.00	A406	27.799.00	C204	23.152.00
V22-30-1008	53.130.00	V30-32-0006	34.236.00	V52-30-0019	53.259.00	A413S	27.878.00	C205	
V22-30-1009	53.132.00	V32-31-0001	54.271.00	V53-30-0001	53.116.00	A432	27.799.00	(VAG)	23.164.00
V22-30-2020	53.021.00	V37-30-0001	53.338.00	V53-30-0008	53.240.00	A443	30.012.00	C205	
V22-31-1003	54.111.00	V37-31-0001	54.220.00	V53-30-0009	53.149.00	A457	30.173.00	(O/OR) (VAG)	23.164.03
V22-31-1004	54.282.00	V37-31-0002	54.147.00	V53-30-0010	53.261.00	A458V	30.178.00	C206L	23.134.00
V22-31-1005	54.156.00	V38-30-1003	53.035.00	V63-30-0001	53.249.00	A462V	30.177.00	C207L	
V22-31-1006	54.160.00	V38-30-1004	53.052.00	V64-30-0001	53.222.00	A468V	30.171.00	(SUBARU)	23.188.00
V22-31-1007	54.125.00	V38-30-1007	53.214.00	V64-31-1039	54.128.00	A470	30.171.00	C207L	
V22-31-1008	54.171.00	V38-31-0004	53.215.00	V70-30-0001	53.050.00	A471	27.522.00	(NISSAN)	23.240.00
V22-31-1011	54.166.00	V40-30-1001	53.075.00	V70-30-0002	53.103.00	A475	30.344.00	C209L	23.256.00
V22-32-0003	34.166.00	V40-30-1002	53.045.00	V70-30-0003	53.125.00	A476	30.626.00	C214	23.238.00
V22-32-0006	34.172.00	V40-30-1005	53.151.00	V70-30-0007	53.248.00	A503	27.678.00	C215	23.244.00
V24-30-1001	53.074.00	V40-30-1006	53.254.00	V70-31-0003	54.273.00	A503V	27.678.00	C218	23.266.00
V24-30-1002	53.033.00	V40-30-1100	53.015.00	V70-31-0003	54.264.00	A520	27.193.00	C302	23.231.00
V24-30-1004	53.209.00	V40-30-1101	53.001.00	V95-30-1212	53.079.00	A526	30.204.00	C303	23.165.00
V24-30-1102	53.019.00	V40-30-1102	53.010.00	V95-30-1213	53.230.00	A713S	27.132.00	C304	23.271.00
V24-30-1103	53.024.00	V40-30-1103	53.014.00	V95-30-1214	53.091.00	A741	30.804.00	C306	23.237.00
V24-30-1104	53.020.00	V40-30-1104	53.047.00	V95-31-1213	54.126.00	A8004V	30.525.00	C307	23.271.00
V24-30-1105	53.043.00	V40-30-1106	53.030.00	V95-31-1214	54.120.00	A8008V	30.856.00	C310	23.475.00
V24-30-1106	53.043.00	V40-30-1109	53.068.00	V95-31-1216	54.159.00	A814	27.799.00	C313	23.475.00
V24-30-1107	53.088.00	V40-30-1110	53.098.00	V95-32-0001	34.159.00	A814V	27.799.00	C406	23.243.00
V24-30-1115	53.210.00	V40-30-1111	53.047.00			A820V	30.240.00	C412	23.274.00
V24-31-1001	54.104.00	V40-30-1112	53.183.00	VIC	UFI	A825V	30.256.00	C413	23.260.00
V24-31-1002	54.105.00	V40-31-1005	54.178.00	889	30.381.00	A831V	27.590.00	C415	23.265.00
V24-31-1003	54.103.00	V40-31-1110	54.197.00	A1003	30.289.00	A833V	30.242.00	C502	23.234.00
V24-31-1004	54.157.00	V40-31-1111	54.135.00	A1004	27.891.00	A834	27.525.00	C503	23.232.00
V24-31-1005	54.262.00	V40-31-1112	54.100.00	A1013	30.554.00	A834V	27.525.00	C504	23.232.00
V24-31-1101	54.107.00	V40-31-1118	54.143.00	A1015	30.452.00	A837	30.239.00	C507	23.236.00
V25-30-1001	53.058.00	V40-31-1119	54.143.00	A1016	30.803.00	A837V	30.239.00	C512	23.273.00
V25-30-1002	53.034.00	V40-31-1120	54.238.00	A102	27.770.00	A841	27.589.00	C703A	23.131.01
V25-30-1003	53.102.00	V40-32-0001	34.162.00	A1026	30.639.00	A841V	27.589.00	C803	23.159.00
V25-30-1072	53.012.00	V40-32-0002	34.178.00	A1031	30.603.00	A845	30.237.00	C804	23.182.00
V25-30-1074	53.076.00	V42-30-1201	53.027.00	A1037	30.885.00	A848V	30.255.00	C805	23.243.00
V25-30-1077	53.207.00	V42-30-1202	53.028.00	A104	27.133.00	A850	30.236.00	C809	23.265.00
V25-30-1078	53.250.00	V42-30-1205	53.044.00	A109	27.740.00	A850V	30.236.00	C901	23.258.00
V25-31-1001	54.115.00	V42-30-1206	53.143.00	A117	27.097.00	A852V	30.238.00	C902	23.259.00
V25-31-1002	54.119.00	V42-30-1212	53.154.00	A135	27.939.00	A854	27.523.00	C931	23.210.00
V25-31-1002-1	54.119.00	V42-30-1213	53.227.00	A137	27.068.00	A857V	30.249.00	C932	23.255.00
V25-31-1003	54.116.00	V42-31-1003	54.151.00	A138	27.155.00	A867	30.227.00	C933	23.251.00
V25-31-1003-1	54.116.00	V42-31-1004	54.194.00	A139	27.069.00	A868	27.601.00	F193	26.045.00
V25-31-1004	54.106.00	V42-31-1005	54.142.00	A139V	27.069.00	A868V	27.601.00	F337	26.149.00
V25-31-1075	54.136.00	V42-31-1206	54.164.00	A140	27.140.00	A869V	30.228.00	F515	26.131.00
V25-31-1077	54.170.00	V42-31-1214	54.249.00	A141	27.172.00	A874V	30.232.00	FC109	31.005.00
V25-31-1080	54.223.00	V42-31-1215	54.254.00	A147	27.097.00	A879V	30.276.00	FC118	31.007.00
V25-32-0002	34.136.00	V42-32-0001	34.164.00	A149	27.172.00	A884V	30.497.00	FC129	31.006.00
V25-32-0002	34.218.00	V42-32-0002	34.249.00	A154S	27.132.00	A886V	30.325.00	FC146	31.026.00
V25-32-0003	34.158.00	V42-32-0003	34.254.00	A174	30.223.00	A888V	30.451.00	FC158	24.374.00
V25-32-0004	34.170.00	V45-31-1115	54.284.00	A176	30.170.00	A889V	30.381.00	FC208	24.370.00
V25-32-0005	34.289.00	V46-30-1001	53.060.00	A177	30.143.00	A892V	30.617.00	FC208A	24.370.00
V26-30-1002	53.063.00	V46-30-1002	53.084.00	A181	30.361.00	A895V	30.440.00	FC214	24.327.00
V26-30-1004	53.108.00	V46-30-1004	53.087.00	A185	27.097.00	A943	27.074.00	FC220	31.529.00
V26-30-1005	53.109.00	V46-30-1005	53.082.00	A190	27.583.00	A944	27.090.00	FC226	24.375.00
V26-30-1006	53.065.00	V46-30-1006	53.155.00	A194	30.505.00	A951	30.967.00	FC235	24.398.00
V26-30-1007	53.080.00	V46-30-1008	53.107.00	A195	30.288.00	A960	30.461.00	FC321	24.366.00
V26-30-1008	53.123.00	V46-30-1009	53.086.00	A196	30.175.00	A964	30.550.00	FC326	24.368.00
V30-30-1006	53.007.00	V46-30-1010	53.106.00	A197	30.176.00	A965	30.327.00	FC332	24.423.00
V30-30-1007	53.005.00	V46-30-1011	53.164.00	A2003	30.001.00	A967	30.270.00	FC405	31.010.00
V30-30-1007-1	53.005.00	V46-30-1060	53.037.00	A206A	27.769.00	A969	30.328.00	FC409	24.366.00
V30-30-1008	53.095.00	V46-30-1061	53.018.00	A215	27.744.00	A971	30.628.00	FC707A	24.326.00
V30-30-1009	53.245.00	V46-30-1062	53.061.00	A226A	27.169.00	A978	30.553.00	FC713	24.368.00
V30-30-1012	53.064.00	V46-30-1065	53.083.00	A243	30.973.00	AC101	53.050.00	O116	25.077.00
V30-30-1016	53.094.00	V46-30-1066	53.131.00	A247V	27.605.00	AC102	53.103.00	O117	25.116.00
V30-30-1025	53.059.00	V46-31-1002	54.196.00	A3001	30.230.00	AC207E	53.146.00	O119	25.086.00
V30-30-1035	53.114.00	V46-31-1006	54.122.00	A3003	54.201.00	AC404E	53.219.00	O205	25.052.00
V30-30-1042	53.110.00	V46-31-1008	54.174.00	A3006	54.234.00	AC408E	53.365.00	O206	25.026.00
V30-31-1002	54.132.00	V46-31-1010	54.201.00			AC902E	53.249.00	O406	25.056.00
V30-31-1005	54.246.00	V46-31-1013	54.234.00			AC932E	53.075.00		

VOLKSWAGEN	UFI								
⇒ VAG									
VOLVO	UFI								
11883618	27.356.00	30731880	23.413.00	31404958	34.218.00	475706	30.044.00	9141094-4	30.007.00
1257201	24.351.00	30733893	54.159.00	31404959	53.422.00	4785610	27.804.00	9142658	31.513.00
1257201-2	24.351.00	30733893	34.159.00	31407747	53.314.00	4785612	27.804.00	9142658-5	31.513.00
1257305	30.835.00	30733894	53.206.00	31407748	54.293.00	4785974	23.152.00	91610337	30.948.00
1257305-1	30.835.00	30735878	25.037.00	31407748	34.293.00	4785974-9	23.152.00	9171296	53.079.00
1257492	23.164.00	30740955	30.331.00	31422049	24.128.00	4804651	23.102.00	9171296-8	53.079.00
1257492 (O/OR)	23.164.03	30741485	30.349.00	31422125		480504	26.601.00	9171756	54.126.00
1257492-7	23.164.00	30745344	30.686.00	(SOLO RICAMBIO/SPARE PART ONLY)	24.128.00	482009-8	25.443.00	9180596	23.167.00
1257492-7 (O/OR)	23.164.03	30748212	30.341.00	31430629	31.918.03	482051	25.407.01	9186262	30.007.00
1257546	30.890.00	30750013	25.177.00	31434971	54.293.00	482051-0	25.407.01	9186262-3	30.007.00
1257546-0	30.890.00	30750085	24.027.00	31434971	34.293.00	484074	23.102.02	9186361	30.115.00
1266286	23.257.00	30750247	25.037.00	31436711	54.218.00	484074-0	23.102.02	9186361-3	30.115.00
1266286-2	23.257.00	30757155	30.212.00	31436713	54.159.00	6211585	24.360.00	9204626	53.091.00
1266388	23.257.00	30757157	25.039.00	31449209	53.206.00	6604946	26.618.00	9204626-7	53.091.00
1270529	24.379.01	30767022	53.206.00	31650021	30.341.00	6605860	26.609.00	9204627	53.418.00
1270529-9	24.379.01	30767024	54.159.00	3210209	24.361.00	6607485	25.408.00	9454647	30.164.00
1275810	25.018.00	30767024	34.159.00	3210209-7	24.361.00	6612069	25.402.01	9454805	24.379.01
1275811	25.018.00	30777486	23.267.00	3213230-1	30.852.00	6612598	23.156.00	9488527	53.079.00
1275811-6	25.018.00	30777487	23.267.00	32242188	26.020.00	6612598-0	23.156.00		
1276050	31.699.00	30780376	53.129.00	32242190	31.918.03	6613665	24.360.00	WEBER	UFI
1276050-0	31.699.00	30780377	54.158.00	32242191	31.944.00	6613665-6	24.360.00	FI-01/1	31.501.00
1276389	30.915.00	30780377	34.158.00	32257032	25.110.00	6621205	27.878.00	FI-02/2	31.504.00
1276389-2	30.915.00	30783135	55.170.00	32257123	25.173.01	6621505	26.618.00	FI-04/0	31.501.00
1276864	31.506.00	30788490	25.154.00	3287990	23.279.00	6643218	26.618.00		
1276864-4	31.506.00	30788821	25.039.00	3287990-0	23.279.00	6644839	27.804.00		
1277748-8	27.701.00	30792046	31.951.00	3287999	23.279.00	6648845-3	24.360.00	WEGA	UFI
1306530	31.502.00	30792514	26.018.00	3287999-1	23.279.00	7-405464	20.020.00	AKX1100	53.148.00
1318162	23.156.02	30792600	31.842.00	3343679	30.923.01	7-423135	23.152.00	AKX1110	53.032.00
1328047	30.835.00	30792881	27.675.00	3343679-1	30.923.01	7025282	21.050.00	AKX1110/C	54.101.00
1328047-4	30.835.00	30794824	26.020.00	33436791	30.923.01	702582	21.050.00	AKX1111	53.226.00
1328126	23.164.00	30812710	30.069.00	3345280	24.360.00	7078472	24.362.00	AKX1111/C	54.153.00
1328126 (O/OR)	23.164.03	30812710-9	30.069.00	3345280-6	24.360.00	7083912	20.020.00	AKX1111/C	54.153.00
1328162	23.156.02	30817997	31.747.00	3413903	31.506.00	7233239	26.618.00	AKX1113	53.153.00
1328162-1	23.156.02	30817997-7	31.747.00	3413903-0	31.506.00	7233574	26.609.00	AKX1113/C	54.168.00
1336397	30.948.00	30818694	53.404.00	3414709	30.955.00	7233898	26.618.00	AKX1114/C	54.389.00
1336397-3	30.948.00	30850831	30.125.00	3414709-0	30.955.00	7236628	24.360.00	AKX1115/C	54.222.00
1343232-3	53.079.00	30862730	30.097.00	3434495	30.955.00	731094	23.102.00	AKX1116	53.190.00
1389450	31.502.00	30864724	53.404.00	3434495-2	30.955.00	73194	23.102.00	AKX1116/C	54.199.00
1389450-6	31.502.00	30866266	23.265.00	3467632	23.279.00	7405434	20.020.00	AKX1120/C	53.009.00
1389562	31.502.00	30866266-7	23.265.00	3467632-0	23.279.00	7423135	23.152.00	(N. 1 FILTRO/FILTER)	
1389562-8	31.502.00	30872785	30.079.00	3473308	31.506.00	783192	20.020.00	AKX1120/C	
1576741	31.001.00	30872785-8	30.079.00	3473645	23.458.00	78472	24.362.00	(N. 1 FILTRO/FILTER)	54.110.00
203339	30.860.00	30873414	30.070.00	3473645-4	23.458.00	78472-8	24.362.00	AKX1140	53.189.00
210161	24.361.00	30883952	54.120.00	3473910	24.360.00	78492	24.362.00	AKX1142/C	54.284.00
224785	27.731.00	30887496	23.458.00	3473910-2	24.360.00	7897321	23.114.01	AKX1200	53.086.00
233628	24.360.00	3100127-4	27.731.00	3474010	24.384.00	795097	23.102.00	AKX1201	53.164.00
233898	26.609.00	3102872-3	23.279.00	3474010-0	24.384.00	795097-5	23.102.00	AKX1369/C	54.150.00
233898-6	26.609.00	31219584	24.027.00	3475706	30.044.00	807180	23.257.00	AKX1372	53.074.00
236628	24.360.00	31261044	31.951.00	3475706-2	30.044.00	817695	26.609.00	AKX1373/C	54.104.00
236628-4	24.360.00	31261059	31.842.00	349619	25.406.01	829390	23.115.00	AKX1375	53.157.00
243464	24.351.01	31261191	24.441.00	349619-7	25.406.01	829913	24.304.00	AKX1376	53.161.00
243464-5	24.351.01	31262352	24.379.01	3507416	31.513.00	834337	23.118.00	AKX1378	53.088.00
287999	23.279.00	31271607	31.842.00	3507416-0	31.513.00	834337-8	23.118.00	AKX1378/C	54.221.00
30001274	27.731.00	31273979	26.020.00	3517857	23.257.00	8349409	23.257.00	AKX1399	53.256.00
3030752	53.091.00	31273979-3	26.020.00	3517857-3	23.257.00	838593	24.351.01	AKX1399/C	54.244.00
30612666	53.230.00	31274940	31.951.00	3528093	30.007.00	838593-2	24.351.01	AKX1410	53.069.00
30617334	26.687.00	31274952	31.842.00	3528093-2	30.007.00	83912	20.020.00	AKX1419	53.316.00
30620512	31.811.00	31321475		3547862	24.351.00	8414124-1	30.852.00	AKX1420	53.070.00
30630752	53.091.00	(SOLO RICAMBIO/SPARE PART ONLY)	24.128.00	3581078	24.360.01	8600874	24.351.01	AKX1422	53.319.00
30630753	53.418.00	31330049	23.632.00	3581078-7	24.360.01	8600874-7	24.351.01	AKX1422/C	54.128.00
30630754	54.126.00	31330050	23.632.00	3713186	31.001.00	861473	23.251.00	AKX1430	53.039.00
30636704	31.846.00	31336192	26.020.00	3875233	25.039.00	861473-7	23.251.00	AKX1444	53.143.00
30636833	30.366.00	31338025	30.341.00	3976603-5	30.341.00	861474	23.213.00	AKX1444/C	54.164.00
30637444	30.212.00	31339023	23.267.00	3976603-6	23.156.00	861474-5	23.213.00	AKX1445	53.154.00
30639701	30.246.00	31342920	26.020.00	39766035	23.156.00	861475	23.127.00	AKX1445/C	54.172.00
30644368	30.079.00	31342922	26.020.00	3976655	24.351.00	861475-2	23.127.00	AKX1446	53.038.00
30650798	25.060.00	31355911	31.944.00	3976655-5	24.351.00	861476	23.246.00	AKX1448	53.227.00
30652292	26.687.00	31366123	54.159.00	405434	20.020.00	861476-0	23.246.00	AKX1448/C	54.142.00
30662349	54.120.00	31366123	34.159.00	4078472	24.362.00	861477	24.370.00	AKX1456	53.123.00
30671109	26.018.00	31366124	53.206.00	41415	25.421.00	861477-8	24.370.00	AKX1456/C	54.306.00
30671182	31.513.00	31368022	30.662.00	414709	30.955.00	8616804	31.842.00	AKX1465	53.234.00
30676413	54.126.00	31369415	54.120.00	415415	25.421.00	8621645	26.020.00	AKX1465/C	54.108.00
30676484	54.158.00	31369416	53.230.00	418432	23.257.00	8621882	26.018.00	AKX1500	53.158.00
30676484	34.158.00	31369455	54.218.00	418432-1	23.257.00	8638600	30.274.00	AKX1500/C	54.121.00
30681552	26.020.00	31369455	34.218.00	418719	23.257.00	8642570	25.039.00	AKX1510/C	54.242.00
30711616	23.413.00	31369456	53.422.00	423135	23.152.00	8653668	26.022.00	AKX1520/C	54.240.00
30711781	23.413.00	31370089	30.064.00	423135-3	23.152.00	8671488	27.587.00	AKX1530/C	54.318.00
30731879	23.413.00	31370161	30.341.00	430143	23.102.00	8683212	24.441.00	AKX1540	53.236.00
		31370984	27.675.00	430143-8	23.102.00	8683560	30.241.00	AKX1540/C	54.154.00
		31372212	25.110.00	434061	24.351.01	8683561	30.245.00	AKX1541/C	54.226.00
		31372214	25.110.00	434495	30.955.00	8687389	53.129.00	AKX1550	53.228.00
		31372700	25.060.00	4504651	23.102.00	8692			

AKX1631/C	54.175.00	AKX35264F	53.047.00	FAP9025	30.315.00	WAP162	27.804.00	24822	54.109.00
AKX1820	53.230.00	AKX35280	53.233.00	FAP9039	30.303.00	WAP605	27.801.00	24853	53.121.00
AKX1830	53.091.00	AKX35281	53.298.00	FAP9046	30.399.00	WEOD408		24864	54.112.00
AKX1830/C	54.126.00	AKX35281/C	54.219.00	FAP9052	30.786.00	(BR)	27.689.00	24866	53.032.00
AKX1900/C	54.112.00	AKX35285	53.030.00	FAP9053	30.365.00	WO120	23.438.00	24875	53.103.00
AKX1911	53.122.00	AKX35293	53.043.00	FAP9065	30.532.00	WO121	23.455.00	24877	53.063.00
AKX1920	53.134.00	AKX35321	53.113.00	FAP9071	30.657.00	WO130	23.129.02	24878	
AKX1935	53.231.00	AKX35322	53.317.00	FAP9273	30.147.00	WO133	23.519.00	(N.2 FILTRI/FILTERS)	53.242.00
AKX1936	53.312.00	AKX35323	53.210.00	FAP9284	30.687.00	WO150	23.416.00	24879	53.119.00
AKX1937	53.109.00	AKX35323/C	54.248.00	FAP9296	30.390.00	WO152	23.632.00	24898	53.316.00
AKX1938	53.206.00	AKX35345	53.143.00	FAP9299	30.547.00	WO153	23.632.00	24900	53.050.00
AKX1939	53.160.00	AKX35346	53.076.00	FAP9300	30.064.00	WO156	23.267.00	24903	53.257.00
AKX1950	53.052.00	AKX35347	53.207.00	FC117	31.013.00	WO160	23.293.00	24904	53.120.00
AKX1953	53.146.00	AKX35347F	53.207.00	FCC2160	31.001.00	WO170	23.196.00	33006	31.013.00
AKX1953/C	54.268.00	AKX3535/1	53.151.00	FCD0296	24.360.00	WO180	23.440.00	33007	31.027.00
AKX1954	53.214.00	AKX3535/1C	54.224.00	FCD0710/1		WO181	23.436.00	33008	31.699.00
AKX1955	53.260.00	AKX35356	53.015.00	(BR)	21.050.00	WO200	23.418.00	33011	31.009.00
AKX1957		AKX35370	53.083.00	FCD0727		WO205	23.470.00	33021	31.007.00
(N.2 FILTRI/FILTERS)	53.214.00	AKX3543	53.013.00	(BR)	26.104.00	WO252	23.632.00	33023	31.529.00
AKX1959	53.215.00	AKX3546	53.027.00	FCD0778	26.034.00	WO330	23.303.00	33066	31.005.00
AKX1962	53.050.00	AKX3548	53.042.00	FCD0816/2	26.695.00	WO340		33085	31.006.00
AKX1962/C	54.264.00	AKX35608	53.007.00	FCD2096	24.H2O.01	(BR)	23.453.00	33097	31.624.00
AKX1963	53.125.00	AKX35608/C	54.270.00	FCD2184	24.149.00	WO341		33114	24.362.00
AKX1964	53.103.00	AKX3562	53.001.00	FCI1101C	31.710.00	(BR)	23.453.00	33128	24.366.00
AKX1964/C	54.117.00	AKX35634/C	54.109.00	FCI1110S	31.515.00	WO346	23.575.00	33137	26.652.00
AKX1965	53.147.00	AKX35635	53.002.00	FCI1303	31.832.00	WO370	23.130.01	33138	24.374.00
AKX1965/C	54.266.00	AKX35636	53.011.00	FCI1305	31.919.00	WO390		33140	24.006.00
AKX1967/C	54.331.00	AKX3565	53.137.00	FCI1600	31.740.00	(FORD)	23.632.00	33141	31.570.00
AKX1970	53.201.00	AKX3565/C	54.161.00	FCI1872	31.627.00	WO421	23.489.00	33142	26.617.00
AKX1971	53.222.00	AKX35667	53.064.00	FCI1880	31.624.00	WO460		33146	26.664.00
AKX1973	53.426.00	AKX35667/C	54.102.00	JFA0009	27.C09.00	(BR)	23.127.00	33149	24.319.01
AKX1974	53.127.00	AKX3568/C	54.176.00	JFA0134	30.362.00	WO470	23.110.02	33150	31.801.00
AKX1983	53.259.00	AKX3569	53.059.00	JFA0193	30.481.00	WO592	23.493.00	33152	24.321.00
AKX1984	53.112.00	AKX3571	53.005.00	JFA0249	30.143.00	WOE131	25.191.00	33153	31.505.00
AKX1985	53.111.00	AKX35711	53.149.00	JFA0252	30.788.00	WOE211	25.028.00	33156	31.506.00
AKX1986	53.249.00	AKX35711/C	54.103.00	JFA0257	30.452.00	WOE221	25.058.00	33161	31.500.00
AKX1987	53.261.00	AKX3572	53.100.00	JFA0283	30.289.00	WOE300/1	25.013.00	33166	
AKX1988	53.116.00	AKX3572/C	54.247.00	JFA0285	30.554.00	WOE312	25.024.00	(CARTA APROTOL/ROLLED PAPER)	24.360.00
AKX1990	53.145.00	AKX35722	53.098.00	JFA0413	30.A56.00	WOE313	25.064.00	33166	
AKX1991	53.407.00	AKX35723	53.254.00	JFA0428/1	30.232.00	WOE314	25.082.00	(CARTA PIEGHI/PLEATED PAPER)	24.360.01
AKX1992	53.274.00	AKX35723/C	54.178.00	JFA0428/2	30.497.00	WOE410	25.014.00	33166E	24.360.01
AKX1993	53.218.00	AKX3574/C	54.141.00	JFA0428/3	30.451.00	WOE475	25.095.00	33167	26.009.00
AKX1993/C	54.167.00	AKX3575	53.247.00	JFA0429	30.325.00	WOE500	25.022.00	33167FE	21.050.00
AKX1995/C	54.220.00	AKX3575/C	54.146.00	JFA0433	30.618.00	WOE505	25.094.00	33179	31.500.00
AKX1997/C	54.147.00	AKX3580/C	54.215.00	JFA0438	30.A54.00	WOE506	25.170.00	33194	26.601.00
AKX1999	53.338.00	AKX3587/C	54.140.00	JFA0500	30.506.00	WOE624	25.153.00	33196	24.361.00
AKX2001	53.191.00	AKX3589/C	54.163.00	JFA0509	30.533.00	WOE640	25.040.00	33196E	24.361.00
AKX2003	53.145.00	AKX3590/C	54.290.00	JFA0524	30.220.00	WOE680	25.106.00	33220	26.670.00
AKX2004	53.152.00	AKX3591/C	54.236.00	JFA0584	30.709.00	WOE681	25.180.00	33228	31.569.00
AKX2006	53.379.00	AKX3593	53.320.00	JFA0587	30.275.00	WOE701	25.187.00	33229	31.712.00
AKX2007	53.396.00	AKX3594/C	54.218.00	JFA0998	30.677.00	WOE710	25.060.00	33235	31.825.00
AKX2010	53.118.00	AKX3597	53.020.00	JFA0H09		WOE803	25.086.00	33238	31.575.00
AKX2014	53.208.00	AKX3599	53.232.00	(BR)	30.A64.00	WOE905	25.151.00	33263	26.683.00
AKX2101	53.257.00	FAP2219	30.713.00	JFA0H12	30.280.00	WOE912	25.034.00	33265	31.589.00
AKX2102	53.150.00	FAP2827	30.027.00	JFA0H14	30.403.00	WOE913	25.226.00	33272	31.508.00
AKX2102/C	54.275.00	FAP2831	30.089.00	JFA0H16	30.B01.00	WR110	27.630.00	33275	31.026.00
AKX2103	53.294.00	FAP3261	30.422.00	JFA0H21	30.574.00	WR191	27.B74.00	33276	31.531.00
AKX2105	53.325.00	FAP3268	30.107.00	JFA0H24	30.723.00	WR192	27.675.00	33277	31.503.00
AKX2107	53.326.00	FAP3269	30.569.00	JFA0H26	30.635.00	WR196	27.401.00	33279	31.502.00
AKX2108	53.211.00	FAP3271/4	30.556.00	JFA0H27	30.594.00	WR218	27.692.00	33282	31.618.00
AKX2108/C	54.245.00	FAP3280	30.159.00	JFA0K14	27.E34.00	WR245	30.217.00	33284	31.565.00
AKX35102	53.046.00	FAP3285	30.549.00	JFA0K16	30.632.00	WR315/1	27.A69.00	33285	31.535.00
AKX35110	53.014.00	FAP3287	30.158.00	JFA0K21	30.454.00	WR316	27.228.00	33287	31.558.00
AKX35112	53.060.00	FAP3288	30.589.00	JFA0K22	30.469.00	WR349	27.273.00	33288	31.523.00
AKX35115	53.021.00	FAP3599	30.A51.00	JFA994		WR369	27.A48.00	33289	31.519.00
AKX35125	53.023.00	FAP3601	30.999.00	(BR)	30.A43.00	WR371	27.597.00	33291	31.507.00
AKX35128	53.034.00	FAP3615	30.185.00	JFC207/2	26.045.00	WR406/2	27.232.00	33295	31.520.00
AKX35132	53.006.00	FAP4023	30.965.00	JFC498	31.621.00			33296	31.627.00
AKX35141	53.019.00	FAP4033	30.048.00	JFC901	24.366.00	WIX	UFI	33308	31.649.00
AKX35147	53.018.00	FAP4041	30.781.00	JFO0113	23.127.00			33310	31.611.00
AKX35154	53.028.00	FAP4046/1	30.512.00	JFO0197	23.484.00	24017	53.325.00	33319	31.556.00
AKX35155	53.079.00	FAP4054/2	30.260.00	JFO0210	23.263.00	24048	53.312.00	33328	31.517.00
AKX35157	53.044.00	FAP4816	30.946.00	JFO0210/1	23.263.00	24053	53.210.00	33330	31.539.00
AKX35159	53.045.00	FAP4826	30.019.00	JFO0211	23.253.00	24191	54.178.00	33361	24.304.00
AKX35159/C	54.100.00	FAP4828	30.977.00	JFO0213	23.248.00	24255	54.226.00	33386	24.370.00
AKX35160	53.094.00	FAP4854	30.100.00	JFO0215	23.477.00	24258	53.251.00	33389	26.680.00
AKX35160/C	54.131.00	FAP4867	30.155.00	JFO0301		24313	53.150.00	33390	24.326.00
AKX35163	53.031.00	FAP4869	30.320.00	(BR)	23.271.00	24479	53.294.00	33467	24.365.00
AKX35163/C	54.114.00	FAP4871	30.163.00	JFO0315	23.265.00	24483	53.147.00	33470	31.020.00
AKX35164	53.040.00	FAP4872/1	30.302.00	JFO0409	23.271.00	24511	54.266.00	33472E	24.351.00
AKX3517	53.026.00	FAP4873	30.186.00	JFO0410	23.265.00	24517	53.145.00	33476	24.327.00
AKX35174	53.012.00	FAP6007	30.162.00	JFO0505P	23.472.00	24590	53.254.00	33479	31.024.00
AKX35175	53.129.00	FAP6008	30.149.00	JFO0597	23.475.00	24684	53.112.00	33481	31.564.00
AKX35177	53.383.00	FAP6008/1	30.149.00	JFO0598	23.485.00	24685	53.141.00	33506	31.513.00
AKX35180	53.084.00	FAP6012	30.187.00	JFO0898	23.251.00	24777	53.007.00	33508	31.563.00
AKX35181	53.108.00	FAP7007	30.132.00	JFO0H00	23.452.00	24815	53.123.00	33509	24.365.01
AKX35262	53.016.00	FAP7013	30.417.00	JFO0H01	23.461.00	24817	53.108.00	33521	31.718.00
AKX35264	53.047.00	FAP9000	30.148.00	WAP161	27.828.00	24821	53.079.00	33538	31.751.00

33553	31.592.00	42796	27.A72.00	46308	30.221.00	51183	25.407.01	51512	23.122.00
33558	31.541.00	42797	30.267.00	46318	30.336.00	51184	25.413.00	51515	23.102.00
33559	31.621.00	42800	30.316.00	46321	30.119.00	51185	25.541.00	51516	23.130.00
33561	31.580.00	42801	27.550.00	46322	30.338.00	51188	25.402.01	51521	
33564	31.511.00	42825	30.171.00	46327	30.996.00	51189	23.128.00	(ALTRE/OTHER APPL.)	23.127.00
33565	31.560.00	42826	30.277.00	46329	27.153.00	51226	25.002.00	51521	
33571	31.664.00	42829	27.587.00	46339	30.372.00	51227	25.607.00	(NISSAN)	23.134.00
33572	31.543.00	42831	30.279.00	46358	30.001.00	51228	23.474.00	51523	23.232.00
33594	31.583.00	42834	30.280.00	46383	30.036.00	51232	23.544.00	51525	23.102.00
33595	31.769.00	42838	30.335.00	46384	27.154.00	51283	23.110.02	51601	23.108.00
33605	31.811.00	42839	30.251.00	46398	27.523.00	51289	25.528.00	51625	23.213.00
33618	31.828.00	42843	30.C43.00	46415	27.881.00	51300	25.409.01	51626	23.139.00
33628	26.001.00	42859	30.329.00	46430	27.828.00	51302	25.408.00	51675	23.475.00
33631	31.761.00	42899	30.809.00	46430E	27.828.00	51305	25.421.00	51732	25.539.00
33643	31.841.00	42900	30.802.01	46443	30.227.00	51307	23.127.00	51764	23.493.00
33745	26.149.00	42904	27.740.00	46449	27.A05.00	51307		51768	23.110.02
33833	31.833.00	42905		46472	30.B44.00	(VOLVO)	23.257.00	51773	23.156.00
33850	31.843.00	(TOYOTA)	27.133.00	46515E	27.804.00	51309	25.419.00	51775	23.102.00
34004	31.740.00	42905		46562	27.356.00	51311	23.257.00	51806	23.102.02
34008	31.741.00	(ALTRE/OTHER APPL.)	27.769.00	46646	30.176.00	51313	25.443.00	51838	25.024.00
34012	31.850.00	42906	27.744.00	46673	30.788.00	51314	25.406.01	524864	54.112.00
34013	31.843.00	42919	27.923.00	46677	27.C09.00	51315		57033	25.017.00
42083		42972	30.162.00	46831	30.276.00	(FORD)	23.440.00	57035	23.118.00
(BERTONE, FIAT)	27.927.00	42977	27.107.00	46834	30.289.00	51319		57060	23.519.00
42106	30.843.01	46002	30.177.00	46935	30.786.00	(ALTRE/OTHER APPL.)	23.127.00	57073	23.519.00
42126	27.878.00	46006	30.204.00	47043	30.169.00	51319		57082	25.024.00
42133	30.851.00	46007	27.155.00	49022	30.594.00	(VAG)	23.134.01	57083	25.023.00
42141	27.946.00	46011	27.744.00	49031	30.A54.00	51325	25.530.00	57085	23.131.00
42148	27.720.00	46012	27.781.00	49049	30.A43.00	51333	23.156.02	57131E	23.650.00
42153	27.770.00	46014	27.725.00	49051	30.313.00	51334		57173	25.077.00
42159	27.097.00	46015	30.806.00	49056	30.B17.00	(SUBARU LEGACY)	23.259.00	57189	25.201.00
42160	27.719.00	46017	30.223.00	49058	30.A40.00	51334		57204	25.080.00
42164	30.312.00	46022	27.939.00	49067	30.659.00	(ALTRE/OTHER APPL.)	23.271.00	57254	23.248.00
42165	27.797.00	46025	30.835.00	49069	30.386.00	51335	23.132.00	57526	25.248.00
42168	30.049.00	46028	30.230.00	49070	30.454.00	51340	23.115.00	57674	25.064.00
42170		46044	30.001.00	49086	30.497.00	51342		92027E	23.152.00
(VAG)	30.818.00	46050	30.993.00	49093	53.239.00	(PORSCHE, VAG)	23.130.01	92097E	23.110.02
42170		46057	30.222.00	49104	30.554.00	51344	23.243.00	WA10059	30.634.00
(FIAT)	30.857.00	46064	30.239.00	49113	30.382.00	51346	23.122.00	WA10229	27.891.00
42173	30.911.00	46070	27.057.00	49157	30.381.00	51347	23.272.00	WA10255	30.609.00
42174	30.976.00	46077	30.972.00	49175	30.A64.00	51348		WA10337	
42177	30.007.00	46082	30.967.00	49191	30.403.00	(TOYOTA)	23.253.00	(USA)	30.677.00
42182	30.327.00	46097	30.013.00	49192	30.498.00	51348		WA10346	27.582.00
42186	27.728.00	46104	30.285.00	49210	30.574.00	(SAAB)	23.298.00	WA10347	30.785.00
42187	30.929.00	46105	30.173.00	49225	30.362.00	51356	23.265.00	WA6535	30.C47.00
42188	27.601.00	46110	30.237.00	49244	30.653.00	51357	23.260.00	WA6758	27.E50.00
42193	27.520.00	46111	30.860.00	49250	30.723.00	51361		WA9571	30.B23.00
42200	27.824.00	46113	30.890.00	49257	30.B14.00	(SUBARU)	23.188.00	WA9596	30.345.00
42208	27.893.00	46114	30.915.00	49260	30.317.00	51361		WA9613	30.A44.00
42213	30.320.00	46115	30.826.00	49285	30.778.00	(NISSAN)	23.240.00	WA9688	30.A70.00
42222	27.920.00	46116	30.973.00	49301	30.466.00	51362	23.127.02	WA9706	30.B29.00
42228	27.162.00	46122	30.893.00	49342	30.406.00	51362		WA9742	30.A24.00
42229	30.896.00	46136	30.822.00	49343	27.A54.00	(SAAB)	23.298.00	WA9765	30.B63.00
42234	27.902.00	46149	30.240.00	49344	30.686.00	51364	23.121.00	WA9809	30.C03.00
42272	30.314.00	46157	27.156.00	49353	53.111.00	51365	23.258.00	WA9812	27.E61.00
42285	30.050.00	46158	30.242.00	49357	54.163.00	51372	23.463.00	WA9813	27.E61.00
42295		46163	27.604.00	49363	53.218.00	51374		WA9813	27.F37.00
(BMW)	30.029.00	46165		49373	54.149.00	(ALTRE/OTHER APPL.)	23.131.00	WA9829	27.G33.00
42295		(ALTRE/OTHER APPL.)	27.769.00	49377	53.208.00	51374		WA9839	30.C39.00
(VAG)	30.192.00	46165		49400	30.469.00	(BMW)	23.131.02	WA9846	27.G10.00
42310	27.172.00	(TOYOTA)	27.133.00	49468	30.597.00	51380	23.139.00	WA9849	30.A52.00
42311	27.906.00	46181	27.069.00	49480	30.635.00	51380		WA9850	30.C64.00
42315	30.916.00	46187	30.891.00	49545	30.455.00	(PEUGEOT)	23.191.00	WA9858	27.G11.00
42320	27.153.00	46198	30.948.00	49555	30.711.00	51381	23.165.00	WA9865	30.B56.00
42329	30.281.00	46203	30.256.00	49590	30.569.00	51381		WA9866	30.B87.00
42341	30.250.00	46208	30.936.00	49630	30.525.00	(HYUNDAI)	23.271.00	WA9866	30.C36.00
42349	27.799.00	46209	30.906.00	49728	30.467.00	51381		WA9869	30.C63.00
42366	30.974.00	46211	30.078.01	49843	30.315.00	(RENAULT)	23.402.00	WA9877	30.C40.00
42367	30.961.00	46215	30.275.00	49876	30.340.00	51383	23.238.00	WA9878	30.C37.00
42369	30.220.00	46221	30.914.02	51006	20.020.00	51385	25.499.00	WA9887	30.C41.00
42370	27.736.00	46225	27.947.00	51006E	20.020.00	51390	23.159.00	WA9889	30.C35.00
42371	27.710.00	46227	30.177.00	51010	20.012.00	51392	23.182.00	WA9923	30.B76.00
42389	30.226.00	46230	27.731.00	51010		51394	23.263.00	WA9938	30.C46.00
42402	27.195.00	46235	27.090.00	(MERCEDES BENZ)	20.012.02	51394		WF10226	26.042.02
42412	30.164.00	46238		51034	23.121.00	(NISSAN)	23.266.00	WF8156	21.061.00
42416	27.581.00	(FOND. IN METALLO/METAL ENDS)	27.071.00	51064	23.271.00	51396	23.251.00	WF8274	24.007.00
42461	30.A71.00	46238		51068		51411	23.108.00	WF8306	24.006.00
42464	30.188.00	(FONDELLI IN PVC/PLASTIC ENDS)	27.071.01	(LAND ROVER)	23.297.00	51431	23.303.00	WF8322	24.086.00
42472	30.077.00	46240	30.946.00	51083	23.293.00	51452		WF8353	24.107.00
42486	30.172.00	46244	30.076.00	51085	23.127.00	(ALTRE/OTHER APPL.)	23.102.00	WF8356	24.014.00
42525	30.119.00	46249	27.890.00	51091	23.236.00	51452		WF8360	24.027.00
42551	30.266.00	46264	27.171.00	51099	25.455.00	(VAG, VOLVO)	23.164.00	WF8362	24.013.00
42605	30.102.00	46273	30.143.00	51099		51452		WF8364	24.088.00
42607	30.105.00	46277	27.590.00	(BMW)	25.455.01	(O/OR) (VAG, VOLVO)	23.164.03	WF8368	24.072.00
42612	30.344.00	46284	27.235.00	51158	23.152.00	51452		WF8380	24.004.00
42631	27.931.00	46291	30.975.00	51160	25.548.00	(NISSAN)	23.256.00	WF8382	24.001.00
42740	30.174.00	46302	30.096.00	51170	25.590.00	51459	23.156.00	WF8397	24.156.00
42752	30.328.00	46303	30.236.00	51177	25.540.00	51459E	23.156.00	WF8400	24.087.00

WF8403	24.117.00	WL7166	23.266.00	WL7541	23.617.00	WA6182	30.919.00	WA6290	30.172.00
WF8404	24.012.00	WL7167	23.496.00	WL7542	23.739.00	WA6183	30.973.00	WA6291	30.287.00
WF8409	24.119.00	WL7168	23.114.01	WL7547	23.664.00	WA6184	30.083.00	WA6296	30.119.00
WF8410	24.073.00	WL7169	23.282.00	WL7548	25.223.00	WA6185	30.933.00	WA6297	30.073.00
WF8416	46.008.00	WL7171	23.271.00	WL7555	25.216.00	WA6186	30.858.00	WA6298	30.240.00
WF8418	46.007.00	WL7172	23.253.00	WL7561	23.687.00	WA6187	30.004.00	WA6299	30.230.00
WF8420	24.026.01	WL7174	23.264.00	WL7569	25.251.00	WA6190	30.914.02	WA6302	27.200.00
WF8425	24.077.00	WL7175	23.248.00	WL7576	25.170.00	WA6191	30.847.00	WA6303	27.526.00
WF8430	24.112.00	WL7176	23.200.00	WP10083	53.208.00	WA6192	30.991.00	WA6305	30.026.00
WF8435	24.126.00	WL7177	23.251.00	WP10267	53.365.00	WA6194	30.904.00	WA6311	30.314.00
WF8438	24.113.00	WL7178	23.274.00	WP2054	53.407.00	WA6195	30.822.00	WA6313	30.039.00
WF8440	24.030.00	WL7183	23.211.00	WP2147	54.223.00	WA6196	30.977.00	WA6314	30.057.00
WF8441	24.002.00	WL7190	23.299.00	WP2159	54.331.00	WA6197	30.936.00	WA6315	30.052.00
WF8449	46.006.00	WL7197	23.273.00	WP2206	53.424.00	WA6198	30.961.00	WA6316	30.046.00
WF8454	24.005.00	WL7199	23.475.00	WP49353		WA6200	30.898.00	WA6318	30.902.00
WF8455	24.115.00	WL7200	23.258.00	(BR)	53.111.00	WA6201	30.930.00	WA6319	30.022.00
WF8459	24.099.00	WL7203	23.453.00	WP49363		WA6202	30.894.00	WA6320	30.020.00
WF8460	24.127.00	WL7204	23.424.00	(BR)	53.218.00	WA6203	30.935.00	WA6321	30.019.00
WF8461	24.016.00	WL7206	23.249.00	WP6841	54.389.00	WA6204	30.932.00	WA6322	30.967.00
WF8462	24.128.00	WL7207	23.279.00	WP9225	54.306.00	WA6205	30.945.00	WA6324	30.223.00
WF8465	24.145.00	WL7212	23.495.00	WP9288	53.404.00	WA6206	30.952.00	WA6325	30.361.00
WF8466	24.144.00	WL7214	23.463.00	WP9316	53.418.00	WA6207	30.953.00	WA6326	30.076.00
WF8467	24.111.00	WL7216	23.425.00			WA6208	30.910.00	WA6331	
WF8470	26.026.00	WL7217	23.417.00			WA6209	30.121.00	(CITROEN, MITSUBISHI, PEUGEOT)	30.601.00
WF8471	24.149.00	WL7222	23.256.00			WA6211	30.908.00	WA6332	30.007.00
WF8472	24.151.00	WL7223	23.544.00	24103	53.330.00	WA6213	30.017.00	WA6333	30.077.00
WF8474	24.114.00	WL7230	23.464.00	42169E	27.067.00	WA6214	30.107.00	WA6334	30.154.00
WF8477	26.038.00	WL7235	23.476.00	51099E	25.455.01	WA6215	30.963.00	WA6335	30.062.00
WF8479	24.026.01	WL7245	23.110.02	93325E	27.676.00	WA6220		WA6336	30.045.00
WF8480	24.025.01	WL7246	23.299.00	93326E	27.356.00	(BMW)	30.029.00	WA6337	30.063.00
WF8485	24.130.00	WL7248	23.177.00	93364E	30.541.00	WA6220		WA6338	30.064.00
WF8494	26.052.00	WL7252	23.438.00	95022E	26.001.00	(OPEL, WAUXHALL)	30.924.00	WA6339	30.001.00
WF8497	24.150.00	WL7254	23.418.00	95105E	31.028.00	WA6220		WA6340	30.089.00
WF8498	24.061.01	WL7257	23.435.00	WA10096	30.473.00	(VAG)	30.192.00	WA6341	30.087.00
WF8500	24.194.00	WL7270	23.483.00	WA6000	27.599.00	WA6222	30.096.00	WA6342	30.080.00
WF8503	26.138.00	WL7278	23.254.00	WA6001	27.079.00	WA6223	30.965.00	WA6343	30.082.00
WF8505	24.123.00	WL7287	23.444.00	WA6002	27.076.00	WA6225	30.994.00	WA6344	30.085.00
WF8517	24.095.01	WL7291	23.458.00	WA6003	27.176.00	WA6226		WA6345	30.086.00
WF8519	24.080.00	WL7298	23.313.00	WA6004	27.177.00	(FORD)	30.016.00	WA6346	30.090.00
WF8534	24.190.00	WL7307	23.232.00	WA6005	30.078.01	WA6226		WA6347	30.143.00
WL10001	23.585.00	WL7308	23.455.00	WA6009	30.916.00	(VOLVO)	30.044.00	WA6350	30.237.00
WL10164	25.226.00	WL7319	23.447.00	WA6011	27.591.00	WA6228	30.996.00	WA6352	30.069.00
WL10283	25.183.00	WL7321	23.465.00	WA6013	27.162.00	WA6229	30.860.00	WA6354	30.170.00
WL7068	23.164.00	WL7323	23.413.00	WA6014	30.993.00	WA6230	30.948.00	WA6355	30.173.00
WL7069	23.404.00	WL7324	23.445.00	WA6015	27.604.00	WA6231	30.890.00	WA6360	30.537.00
WL7070	23.130.01	WL7400	23.127.00	WA6019	27.071.00	WA6232	30.981.00	WA6361	30.461.00
WL7071	23.436.00	WL7401	23.457.00	WA6021	27.252.00	WA6235		WA6362	30.275.00
WL7073	23.462.00	WL7409	23.472.00	WA6031	27.062.00	(VAG)	30.398.00	WA6363	30.450.00
WL7074	23.416.00	WL7414	23.482.00	WA6032	27.065.00	WA6236	30.027.00	WA6366	30.058.00
WL7077	23.440.00	WL7421	23.471.00	WA6033	27.845.02	WA6237	30.177.00	WA6367	30.070.00
WL7079	23.131.00	WL7426	23.545.00	WA6034	27.590.00	WA6238	30.028.00	WA6368	30.079.00
WL7081	23.165.00	WL7427	23.481.00	WA6036	27.175.00	WA6239	30.926.00	WA6369	30.464.00
WL7083	23.415.00	WL7428	23.299.00	WA6037	27.110.00	WA6240	30.024.00	WA6373	30.124.00
WL7085	23.131.01	WL7433	23.439.00	WA6042	27.274.00	WA6241	30.966.00	WA6374	30.075.00
WL7086	23.293.00	WL7437	23.615.00	WA6051	27.174.00	WA6242	30.032.00	WA6375	30.108.00
WL7087	23.278.00	WL7443	23.489.00	WA6052	27.231.00	WA6243	30.033.00	WA6376	30.807.00
WL7088	23.189.00	WL7445	23.546.00	WA6068	27.067.00	WA6244	30.960.00	WA6377	30.896.00
WL7089	23.280.00	WL7448	23.164.03	WA6069	27.828.00	WA6245	30.025.00	WA6378	30.974.00
WL7090	23.186.01	WL7450	23.472.00	WA6070	27.232.00	WA6246	30.021.00	WA6379	30.976.00
WL7091	23.196.00	WL7457	23.478.00	WA6071	27.283.00	WA6248	30.954.00	WA6380	30.005.00
WL7093	23.242.00	WL7459	23.267.00	WA6072	27.477.00	WA6249	30.990.00	WA6383	30.802.01
WL7096	23.102.00	WL7466	23.493.00	WA6081	27.235.00	WA6250	30.102.00	WA6385	30.807.00
WL7098	23.103.00	WL7467	23.494.00	WA6084	27.881.00	WA6251	30.103.00	WA6386	30.843.01
WL7100	23.173.01	WL7470	25.159.00	WA6085	27.804.00	WA6252	30.105.00	WA6387	30.811.00
WL7101	23.105.00	WL7471	25.257.00	WA6086	27.993.00	WA6253	30.104.00	WA6388	30.922.01
WL7102	23.151.00	WL7475	23.565.00	WA6089	27.134.00	WA6254	30.906.00	WA6389	30.809.00
WL7103	23.231.00	WL7477	25.151.00	WA6094	27.982.00	WA6257	30.999.00	WA6391	27.781.00
WL7104	23.234.00	WL7482	23.564.00	WA6104	27.920.00	WA6259	30.049.00	WA6393	27.736.00
WL7105	23.131.02	WL7485	23.519.00	WA6105	27.878.00	WA6260	30.003.00	WA6394	27.728.00
WL7108	23.243.00	WL7491	23.585.00	WA6107	27.132.00	WA6261	30.071.00	WA6395	27.719.00
WL7110	23.130.02	WL7494	23.573.00	WA6108	27.171.00	WA6262	30.067.00	WA6397	27.709.00
WL7111	23.130.00	WL7503	23.575.00	WA6112	27.169.00	WA6265	30.066.00	WA6401	30.800.00
WL7112	23.134.01	WL7510	23.632.00	WA6117	27.138.00	WA6268	30.034.00	WA6402	27.946.00
WL7113	23.127.00	WL7512	23.583.00	WA6118	27.010.00	WA6269	30.053.00	WA6404	30.939.00
WL7119	23.255.00	WL7513	23.628.00	WA6125	27.233.00	WA6270	30.928.00	WA6405	27.752.00
WL7124	23.257.00	WL7516	23.413.00	WA6133	27.193.00	WA6271	30.030.00	WA6406	30.917.01
WL7129	23.129.02	WL7516	23.721.00	WA6135	27.159.00	WA6275	30.048.00	WA6408	27.581.00
WL7130	23.182.00	WL7517	23.616.00	WA6162	30.851.00	WA6276	30.035.00	WA6409	30.872.01
WL7131	23.263.00	WL7520	23.452.00	WA6166	30.864.00	WA6277	30.256.00	WA6410	30.871.00
WL7132	23.130.03	WL7523	23.584.00	WA6167	30.946.00	WA6278	30.239.00	WA6411	30.871.00
WL7137	23.152.00	WL7524	23.439.00	WA6169	30.891.00	WA6279	30.242.00	WA6412	27.785.00
WL7143	23.240.00	WL7525	23.660.00	WA6172	30.893.00	WA6280	30.235.00	WA6413	27.890.00
WL7145	23.210.00	WL7527	23.584.00	WA6173	30.072.00	WA6281	30.255.00	WA6414	27.927.00
WL7154	23.237.00	WL7529	23.481.00	WA6175	30.929.00	WA6282	30.243.00	WA6419	27.731.00
WL7155	23.244.00	WL7530	23.650.00	WA6176	30.836.00	WA6283	30.286.00	WA6422	30.804.00
WL7160	23.303.00	WL7531A	25.188.00	WA6178	30.852.00	WA6285	30.285.00	WA6423	27.744.00
WL7161	23.313.00	WL7535	23.118.00	WA6179	30.899.00	WA6288	30.013.00	WA6426	27.799.00
WL7164	23.260.00	WL7537	23.484.00	WA6180	30.889.00	WA6289	30.012.00	WA6429	27.239.00

WA6431	27.731.00	WA6577	27.068.00	WA6742	27.366.00	WA9470	30.233.00	WA9588	30.497.00
WA6433	30.803.00	WA6579	27.282.00	WA6744	27.593.00	WA9471	30.299.00	WA9589	30.506.00
WA6434	27.800.00	WA6583	30.106.00	WA6749	30.152.00	WA9473	30.209.00	WA9590	27.636.00
WA6441	27.888.00	WA6586	30.118.01	WA6750	30.204.00	WA9474	30.234.00	WA9591	30.313.00
WA6442	27.730.00	WA6587	30.531.00	WA6751	30.324.00	WA9475	30.334.00	WA9592	30.503.00
WA6443	27.081.00	WA6589	30.575.00	WA6757	30.228.00	WA9476	30.274.00	WA9593	30.374.00
WA6444	27.195.00	WA6591	30.221.00	WA6761	30.181.00	WA9478	30.284.00	WA9594	30.262.00
WA6445	27.257.00	WA6592	30.460.00	WA6762	30.165.00	WA9479	27.679.00	WA9595	30.351.00
WA6446	27.520.00	WA6593	30.336.00	WA6763	30.263.00	WA9481	30.220.00	WA9596	30.400.00
WA6450	27.089.00	WA6594	30.126.00	WA6764	30.203.00	WA9484	27.585.00	WA9597	30.719.00
WA6451	27.770.00	WA6595	30.147.00	WA6769	30.135.00	WA9485	27.586.00	WA9598	30.606.00
WA6452	27.740.00	WA6596	27.521.00	WA6770	30.136.00	WA9486	27.394.00	WA9599	30.788.00
WA6453	27.155.00	WA6597	27.272.00	WA6771	30.137.00	WA9487	30.337.00	WA9601	30.357.00
WA6454	27.939.00	WA6601	27.154.00	WA6773	30.199.00	WA9490	30.226.00	WA9602	30.207.00
WA6455	27.149.00	WA6602	27.947.00	WA6776	30.196.00	WA9491	30.281.00	WA9604	30.362.00
WA6456	27.824.00	WA6603	30.125.00	WA6778	30.107.00	WA9492	30.251.00	WA9605	30.388.00
WA6459	27.194.00	WA6604	27.354.00	WA6779	30.185.00	WA9493	30.273.00	WA9606	30.390.00
WA6462	27.356.00	WA6606	27.153.00	WA6780	30.593.00	WA9494	30.322.00	WA9608	30.437.00
WA6463	30.943.00	WA6609	30.001.00	WA6781	30.187.00	WA9495	30.268.00	WA9609	30.375.00
WA6468	27.769.00	WA6610	27.173.00	WA6782	30.197.00	WA9496	30.302.00	WA9610	30.367.00
WA6469	27.744.00	WA6617	27.061.00	WA6783	30.202.00	WA9497	30.247.00	WA9611	30.455.00
WA6470	27.904.00	WA6618	30.008.00	WA6784	30.186.00	WA9498	30.189.00	WA9612	30.555.00
WA6471	27.734.00	WA6621	30.041.00	WA6785	30.289.00	WA9499	30.190.00	WA9613	30.444.00
WA6472	27.085.00	WA6627	27.527.00	WA6787	30.370.00	WA9500	27.485.00	WA9614	30.504.00
WA6477	27.069.00	WA6628	30.141.00	WA9400	30.194.00	WA9502	27.603.00	WA9618	30.371.00
WA6480	27.268.00	WA6629	27.602.00	WA9401	30.258.00	WA9503	30.260.00	WA9619	30.255.00
WA6481	30.987.01	WA6632	30.975.00	WA9402	30.292.00	WA9505	30.366.00	WA9620	30.539.00
WA6482	27.172.00	WA6640	30.204.00	WA9403	30.259.00	WA9506	30.308.00	WA9621	30.496.00
WA6483	27.271.00	WA6643	27.381.00	WA9404	30.167.00	WA9507	30.297.00	WA9622	27.812.00
WA6485	27.196.00	WA6645	30.142.00	WA9405		WA9508	30.315.00	WA9623	30.533.00
WA6486	27.234.00	WA6648	27.583.00	(BMW)	30.029.00	WA9509	27.594.00	WA9624	30.804.00
WA6487	27.228.00	WA6650	30.397.00	WA9405		WA9510	27.596.00	WA9625	30.505.00
WA6488	27.254.00	WA6652	30.320.00	(VAG)	30.192.00	WA9511	27.595.00	WA9627	30.554.00
WA6489	27.589.00	WA6653	30.471.00	WA9405		WA9512	30.211.00	WA9628	30.886.00
WA6494	27.156.00	WA6663	30.119.00	(ALTRE/OTHER APPL.)	30.924.00	WA9513	27.587.00	WA9629	30.497.00
WA6495	27.444.00	WA6664	30.175.00	WA9406	30.245.00	WA9514	30.600.00	WA9630	30.550.00
WA6499	27.265.00	WA6665	30.176.00	WA9407	30.241.00	WA9515	30.329.00	WA9632	30.466.00
WA6500	27.236.00	WA6668	30.149.00	WA9408	30.246.00	WA9516	30.303.00	WA9633	30.721.00
WA6504	27.140.00	WA6669	30.144.00	WA9409	30.244.00	WA9518	30.311.00	WA9638	27.693.00
WA6505	27.097.00	WA6671	30.112.00	WA9410	30.151.00	WA9519	30.300.00	WA9642	30.806.00
WA6506	27.074.00	WA6672	27.341.00	WA9411	30.210.00	WA9520	30.340.00	WA9644	27.691.00
WA6515	27.715.00	WA6673	30.183.00	WA9412	30.465.00	WA9521	30.331.00	WA9645	27.621.00
WA6516	27.956.00	WA6674	30.146.00	WA9413	30.293.00	WA9522	30.253.00	WA9646	30.825.00
WA6517	27.086.00	WA6675	30.155.00	WA9414	30.206.00	WA9523	27.628.00	WA9647	30.317.00
WA6521	30.068.00	WA6680	30.201.00	WA9415	30.225.00	WA9526	30.254.00	WA9648	30.496.00
WA6523	30.372.00	WA6681	30.182.00	WA9416	30.294.00	WA9527	30.297.00	WA9650	30.801.00
WA6524	27.258.00	WA6684	30.150.00	WA9417	30.212.00	WA9528	30.265.00	WA9652	30.470.00
WA6526	27.128.00	WA6685	30.432.00	WA9418	30.295.00	WA9529	30.344.00	WA9653	30.404.00
WA6527	30.238.00	WA6686	30.216.00	WA9419	30.186.00	WA9530	30.169.00	WA9654	30.422.00
WA6528	30.166.00	WA6687	30.132.00	WA9420	30.257.00	WA9534	30.264.00	WA9655	30.407.00
WA6529	30.111.00	WA6688	30.158.00	WA9421	30.399.00	WA9538	30.290.00	WA9656	30.406.00
WA6533	27.734.00	WA6689	30.248.00	WA9422	30.360.00	WA9540	27.479.00	WA9657	30.368.00
WA6534	27.090.00	WA6692	30.134.00	WA9423	30.232.00	WA9545	30.342.00	WA9658	30.395.00
WA6535	30.101.00	WA6693	30.364.00	WA9425	30.321.00	WA9546	30.382.00	WA9659	30.396.00
WA6536	30.109.00	WA6694	30.113.00	WA9426	30.338.00	WA9547	30.280.00	WA9661	30.711.00
WA6537	30.100.00	WA6695	30.184.00	WA9427	30.327.00	WA9550	30.283.00	WA9662	30.824.00
WA6538	27.355.00	WA6696	30.160.00	WA9428	30.312.00	WA9551	30.384.00	WA9663	30.645.00
WA6539	30.117.00	WA6697	30.217.00	WA9429	30.130.00	WA9552	30.393.00	WA9664	30.469.00
WA6540	30.116.00	WA6698	30.145.01	WA9430	30.780.00	WA9553	30.453.00	WA9666	30.477.00
WA6542	30.296.00	WA6699	30.159.00	WA9431	30.231.00	WA9555	30.542.00	WA9667	30.464.00
WA6543	30.188.00	WA6700	30.128.00	WA9432	30.318.00	WA9556	30.301.00	WA9668	30.460.00
WA6547	27.713.00	WA6701	30.127.00	WA9433	30.224.00	WA9557	30.339.00	WA9670	30.556.00
WA6548	27.063.00	WA6702	30.133.00	WA9435	30.229.00	WA9558	30.332.00	WA9671	30.625.00
WA6549	27.253.00	WA6703	30.213.00	WA9436	30.309.00	WA9559	30.330.00	WA9672	30.701.00
WA6550	27.137.00	WA6704	30.161.00	WA9437	27.601.00	WA9560	30.297.00	WA9673	30.408.00
WA6551	27.584.00	WA6705	30.148.00	WA9439	30.279.00	WA9561	30.391.00	WA9674	30.573.00
WA6552	30.050.00	WA6706	30.168.00	WA9440	30.277.00	WA9562	30.155.00	WA9675	30.381.00
WA6554	30.236.00	WA6707	30.129.00	WA9441	30.171.00	WA9563	30.352.00	WA9676	30.619.00
WA6555	30.596.00	WA6713	30.267.00	WA9442	30.269.00	WA9564	30.310.00	WA9678	30.805.00
WA6556	30.222.00	WA6714	30.171.00	WA9443	27.486.00	WA9565	30.252.00	WA9679	30.451.00
WA6557	30.115.00	WA6715	30.169.00	WA9445	27.401.00	WA9566	27.606.00	WA9680	30.617.00
WA6558	30.120.00	WA6717	30.218.00	WA9446	27.402.00	WA9567	27.675.00	WA9685	30.328.00
WA6559	30.036.00	WA6718	30.164.00	WA9448	30.320.00	WA9569	30.543.00	WA9686	27.688.00
WA6561	30.095.00	WA6722	30.220.00	WA9449	30.647.00	WA9570	30.842.00	WA9687	27.629.00
WA6562	30.099.00	WA6724	30.266.00	WA9450	30.326.00	WA9571	30.823.00	WA9688	30.470.00
WA6563	27.524.00	WA6725	30.787.00	WA9451	30.088.00	WA9572	30.341.00	WA9689	30.467.00
WA6564	27.588.00	WA6726	30.162.00	WA9452	30.262.00	WA9573	30.349.00	WA9691	30.416.00
WA6565	27.403.00	WA6727	30.139.00	WA9454	30.178.00	WA9576	30.452.00	WA9692	30.658.00
WA6566	30.098.00	WA6728	30.163.00	WA9457	30.417.00	WA9577	30.725.00	WA9693	30.854.00
WA6567	30.215.00	WA6730	30.180.00	WA9458	30.417.00	WA9578	27.630.00	WA9694	30.687.00
WA6568	27.386.00	WA6731	30.174.00	WA9459	30.265.00	WA9579	30.409.00	WA9696	30.639.00
WA6569	27.525.00	WA6732	27.367.00	WA9460	30.011.00	WA9580	30.365.00	WA9698	30.686.00
WA6570	27.648.00	WA6733	27.010.00	WA9463	30.821.00	WA9581	30.454.00	WA9699	30.557.00
WA6572	27.583.00	WA6734	30.195.00	WA9464	30.973.00	WA9582	27.592.00	WA9701	30.455.00
WA6573	27.353.00	WA6735	30.157.00	WA9465	30.369.00	WA9584	30.325.00	WA9702	30.495.00
WA6574	27.384.00	WA6737	30.066.00	WA9467	27.699.00	WA9585	30.591.00	WA9703	27.692.00
WA6575	27.135.00	WA6738	30.153.00	WA9468	30.193.00	WA9586	30.618.00	WA9704	27.400.00
WA6576	27.647.00	WA6741	30.272.00	WA9469	30.319.00	WA9587	30.471.00	WA9705	30.776.00

WA9706	30.B29.00	WA9832	30.712.00	WF8180	24.400.00	WF8365	31.852.00	WL7068	
WA9707	30.576.00	WA9843	30.A41.00	WF8181	24.351.01	WF8366	60.H20.00	(O/O)	23.164.00
WA9708	30.663.00	WA9844	30.794.00	WF8182	31.741.00	WF8367	26.696.00	WL7069	23.404.00
WA9710	30.574.00	WA9845	30.A45.00	WF8185	31.519.00	WF8368	24.072.00	WL7070	23.130.01
WA9712	30.631.00	WA9851	30.793.00	WF8186	31.649.00	WF8371	24.455.00	WL7071	23.436.00
WA9715	30.615.00	WA9852	30.795.00	WF8187	31.560.00	WF8373	31.842.00	WL7073	23.462.00
WA9717	30.363.00	WA9860	30.A42.00	WF8194	31.769.00	WF8379	24.437.00	WL7074	23.416.00
WA9718	30.544.00	WA9863	30.A73.00	WF8195	26.691.00	WF8382	24.001.00	WL7077	23.440.00
WA9720	27.A51.00	WA9864	30.A62.00	WF8197	24.409.00	WF8383	24.526.00	WL7079	23.131.00
WA9722	27.A97.00	WA9877	30.C40.00	WF8199	24.424.00	WF8384	24.ONE.00	WL7081	23.165.00
WA9724	30.592.00	WA9884	30.A91.00	WF8201	24.338.00	WF8386	31.840.00	WL7083	23.415.00
WA9725	30.376.00	WF10248	31.028.00	WF8203	31.547.00	WF8388	26.007.00	WL7085	23.131.01
WA9726	30.626.00	WF6032	31.512.00	WF8205	31.712.00	WF8389	24.451.00	WL7086	23.293.00
WA9727	30.B10.00	WF8013	26.652.00	WF8209	31.715.00	WF8391	55.418.00	WL7088	23.189.00
WA9730	30.628.00	WF8014	26.686.00	WF8211	24.398.00	WF8392	26.012.00	WL7089	23.280.00
WA9732	27.A54.00	WF8015	26.670.00	WF8213	24.415.00	WF8394	55.430.00	WL7090	23.186.01
WA9733	30.632.00	WF8018	24.360.00	WF8217	24.404.00	WF8401	26.037.00	WL7091	23.196.00
WA9734	30.A37.00	WF8020	24.361.00	WF8218	24.413.00	WF8403	24.110.00	WL7093	23.242.00
WA9735	30.A15.00	WF8021	26.676.00	WF8232	31.556.00	WF8405	26.054.00	WL7098	23.103.00
WA9737	27.A48.00	WF8022	26.682.00	WF8233	31.543.00	WF8407	24.ONE.03	WL7100	23.173.01
WA9738	27.A53.00	WF8027	31.502.00	WF8235	31.731.00	WF8408	24.ONE.01	WL7101	23.105.00
WA9739	30.B03.00	WF8028	31.503.00	WF8236	31.724.00	WF8409	24.119.00	WL7102	23.151.00
WA9740	30.A23.00	WF8031	31.511.00	WF8238	24.414.00	WF8411	31.925.00	WL7103	23.231.00
WA9741	27.A69.00	WF8032	31.512.00	WF8239	24.416.00	WF8412	31.920.00	WL7104	23.234.00
WA9743	30.627.00	WF8034	31.710.00	WF8240	26.005.00	WF8419		WL7105	23.131.02
WA9744	30.589.00	WF8035	31.508.00	WF8241	26.006.00	(HONDA)	24.196.00	WL7108	23.243.00
WA9745	30.A43.00	WF8037	31.594.00	WF8245	24.331.00	WF8419		WL7110	23.130.02
WA9746	30.595.00	WF8038	31.563.00	WF8246	24.432.00	(TOYOTA)	24.452.00	WL7111	23.130.00
WA9750	30.538.00	WF8039	31.505.00	WF8247	24.414.00	WF8420	24.026.01	WL7112	23.134.01
WA9751	30.559.00	WF8041	31.718.00	WF8251	31.817.00	WF8424	24.H20.01	WL7113	23.127.00
WA9752	30.558.00	WF8042	24.351.00	WF8252	24.433.00	WF8426	55.582.00	WL7119	23.255.00
WA9753	30.540.00	WF8043	24.365.00	WF8253	24.418.00	WF8428	26.058.00	WL7129	23.129.02
WA9754	30.688.00	WF8044	24.382.00	WF8254	26.690.00	WF8429	26.045.00	WL7130	23.182.00
WA9756	27.401.00	WF8045	24.365.01	WF8256	26.003.00	WF8430	24.112.00	WL7131	23.263.00
WA9757	27.402.00	WF8046	24.391.00	WF8258	31.924.00	WF8432	31.921.00	WL7132	23.130.03
WA9758	30.A17.00	WF8047	24.319.01	WF8262	24.412.00	WF8433	26.055.00	WL7137	23.152.00
WA9759	30.532.00	WF8048	24.321.00	WF8263	24.427.00	WF8435	24.126.00	WL7138	23.169.00
WA9760	30.638.00	WF8049	24.350.00	WF8264	24.430.00	WF8436	31.951.00	WL7139	23.129.01
WA9761	30.548.00	WF8052	24.371.00	WF8265	24.426.00	WF8438	24.113.00	WL7143	23.240.00
WA9762	30.634.00	WF8053	24.401.00	WF8266	31.844.00	WF8441	24.002.00	WL7145	23.210.00
WA9763	27.B74.00	WF8056	24.379.01	WF8268	24.445.00	WF8444	31.922.00	WL7155	23.244.00
WA9764	30.A38.00	WF8057	24.380.00	WF8269	24.428.00	WF8445	31.953.00	WL7160	23.303.00
WA9765	30.B63.00	WF8059	24.368.00	WF8272	24.429.00	WF8447	24.454.00	WL7161	23.313.00
WA9766	30.549.00	WF8061	24.374.00	WF8274	24.007.00	WF8451	55.170.00	WL7164	23.260.00
WA9768	30.569.00	WF8063	24.375.00	WF8276	24.425.00	WF8452	26.077.00	WL7166	23.266.00
WA9771	30.B08.00	WF8064	31.564.00	WF8277	24.H20.00	WF8455	24.115.00	WL7167	23.496.00
WA9772	30.594.00	WF8067	31.551.00	WF8300	26.695.00	WF8461	24.016.00	WL7168	23.114.01
WA9773	30.588.00	WF8068	24.350.02	WF8301	26.694.00	WF8464	26.072.00	WL7169	23.282.00
WA9774	30.779.00	WF8069	31.514.00	WF8302	24.343.00	WF8465	24.145.00	WL7171	23.271.00
WA9775	30.635.00	WF8070	31.513.00	WF8303	31.838.00	WF8466	24.144.00	WL7172	23.253.00
WA9776	30.355.00	WF8072	31.535.00	WF8304	24.435.00	WF8467	24.111.00	WL7174	23.264.00
WA9779	30.587.00	WF8073	31.539.00	WF8305	24.460.00	WF8468	24.465.00	WL7175	23.248.00
WA9780	30.692.00	WF8080	31.520.00	WF8306	24.006.00	WF8471	24.149.00	WL7177	23.251.00
WA9781	30.A54.00	WF8084	31.517.00	WF8307	24.440.00	WF8474	24.114.00	WL7178	23.274.00
WA9782	30.781.00	WF8099	31.529.00	WF8308	26.014.00	WF8475	26.073.00	WL7183	23.211.00
WA9783	30.709.00	WF8100	24.327.00	WF8309	24.436.00	WF8482	26.074.00	WL7190	23.299.00
WA9784	30.A72.00	WF8102	31.561.00	WF8311	31.832.00	WF8483	31.952.00	WL7197	23.273.00
WA9785	27.A92.00	WF8103	31.562.00	WF8312	24.441.00	WF8485	24.130.00	WL7198	23.251.00
WA9786	30.609.00	WF8104	31.541.00	WF8313	26.057.00	WF8489	26.115.00	WL7199	23.475.00
WA9787	30.603.00	WF8106	31.565.00	WF8314	31.824.00	WF8491	26.104.00	WL7200	23.258.00
WA9788	30.724.00	WF8114	31.525.00	WF8315	26.693.00	WF8493	26.114.00	WL7204	23.424.00
WA9789	30.A20.00	WF8119	31.621.00	WF8316	31.515.00	WF8495	26.034.00	WL7206	23.249.00
WA9790	30.A99.00	WF8121	24.384.00	WF8317	31.833.00	WF8498	24.061.01	WL7207	23.279.00
WA9791	30.621.00	WF8125	31.013.00	WF8318	24.H20.04	WF8500	24.194.00	WL7212	23.495.00
WA9792	30.622.00	WF8126	31.027.00	WF8319	24.444.00	WF8502	26.102.00	WL7214	23.463.00
WA9794	30.717.00	WF8127	31.012.00	WF8321	26.022.00	WF8509	24.436.00	WL7215	25.590.00
WA9795	30.693.00	WF8130	31.009.00	WF8322	24.086.00	WF8513	24.148.00	WL7216	23.425.00
WA9796	30.665.00	WF8134	31.006.00	WF8323	26.018.00	WF8517	24.095.01	WL7217	23.417.00
WA9797	30.A61.00	WF8136	31.024.00	WF8324	31.830.00	WF8519	24.080.00	WL7218	25.587.00
WA9798	30.664.00	WF8143	31.020.00	WF8325	31.831.00	WF8522	26.122.00	WL7219	23.281.00
WA9799	30.718.00	WF8149	31.006.00	WF8326	24.450.00	WF8523	26.053.00	WL7220	25.004.00
WA9800	30.726.00	WF8150	31.026.00	WF8327	24.H20.07	WL7000	20.012.02	WL7221	25.008.00
WA9801	30.A21.00	WF8151	31.005.00	WF8328	24.H20.03	WL7001	25.499.00	WL7222	23.256.00
WA9804	30.677.00	WF8152	31.740.00	WF8329	24.H20.05	WL7003	25.499.01	WL7223	23.544.00
WA9805	30.607.00	WF8160	31.750.00	WF8330	31.811.00	WL7004	25.528.00	WL7225	25.455.01
WA9806	30.A53.00	WF8163	24.397.00	WF8332	31.828.00	WL7006	20.020.00	WL7226	25.019.00
WA9808	30.B20.00	WF8164	24.399.00	WF8333	31.850.00	WL7007	25.010.00	WL7227	25.014.00
WA9809	30.C03.00	WF8166	26.689.00	WF8337	31.847.00	WL7008	25.011.00	WL7228	25.003.00
WA9811	30.A51.00	WF8167	24.388.00	WF8339	24.456.00	WL7009	25.002.00	WL7230	23.464.00
WA9812	27.E61.00	WF8168	31.569.00	WF8341	24.423.00	WL7023	25.530.00	WL7232	25.012.00
WA9813	27.F37.00	WF8169	31.627.00	WF8352	31.843.00	WL7024	25.530.01	WL7234	25.038.00
WA9814	30.710.00	WF8170	31.834.00	WF8353	24.107.00	WL7026	25.406.01	WL7235	23.476.00
WA9815	30.B50.00	WF8172	24.370.00	WF8355	26.021.00	WL7035	25.421.00	WL7236	25.001.00
WA9817	30.A49.00	WF8174	31.747.00	WF8356	24.014.00	WL7038	25.539.00	WL7237	23.191.00
WA9818	30.660.00	WF8175	31.841.00	WF8358	31.849.00	WL7040	25.548.00	WL7239	25.035.00
WA9826	30.A67.00	WF8177	26.688.00	WF8360	24.027.00	WL7042	25.541.00	WL7240	25.013.00
WA9828	30.713.00	WF8178	26.687.00	WF8361	24.439.00	WL7043	25.555.00	WL7241	25.017.00
WA9830	30.A16.00	WF8179	24.408.00	WF8362	24.013.00	WL7058	25.408.00	WL7245	23.110.02

WL7248	23.177.00	WL7475	23.565.00	WP2118	53.323.00	WP6973	54.128.00	WP9210	53.088.00
WL7252	23.438.00	WL7476	25.106.00	WP2119	54.261.00	WP6976	53.228.00	WP9212	53.106.00
WL7254	23.418.00	WL7478	25.166.00	WP2120	53.396.00	WP6977	54.127.00	WP9216	53.109.00
WL7256	25.009.00	WL7481	25.150.00	WP2122	53.384.00	WP6978	53.114.00	WP9220	53.338.00
WL7257	23.435.00	WL7482	23.564.00	WP2124	53.389.00	WP6980	53.052.00	WP9222	53.110.00
WL7260	23.429.00	WL7486		WP2132	53.299.00	WP6984	53.059.00	WP9224	53.123.00
WL7261	25.018.00	(VAG 057115561M)	25.105.00	WP2134	53.320.00	WP6990	53.104.00	WP9226	53.065.00
WL7265	23.212.00	WL7486		WP2137	54.289.00	WP6994	53.057.00	WP9229	54.112.00
WL7270	23.483.00	(LAND ROVER)	25.168.00	WP2138	53.276.00	WP6998	53.032.00	WP9230	53.129.00
WL7277	23.167.00	WL7486		WP2140	53.365.00	WP6999	54.101.00	WP9231	54.158.00
WL7278	23.254.00	(ALTRE/OTHER APPL.)	25.068.00	WP2153	54.293.00	WP9001	54.262.00	WP9232	53.236.00
WL7283	25.030.00	WL7487	25.142.00	WP2159	54.331.00	WP9002	53.158.00	WP9234	53.240.00
WL7286	25.015.00	WL7489	25.115.00	WP2172	53.387.00	WP9003	54.121.00	WP9238	53.126.00
WL7287	23.444.00	WL7493	25.213.00	WP2175	54.319.00	WP9021	54.247.00	WP9244	53.119.00
WL7288	25.067.00	WL7496	25.167.00	WP2206	53.424.00	WP9024	53.075.00	WP9246	53.131.00
WL7289	25.041.00	WL7497	25.154.00	WP6800	53.015.00	WP9026	53.103.00	WP9248	53.117.00
WL7292	25.056.00	WL7498	25.186.00	WP6801	54.277.00	WP9029	54.123.00	WP9250	53.124.00
WL7293	25.022.00	WL7499	25.128.00	WP6802	53.010.00	WP9034	53.045.00	WP9251	54.162.00
WL7294	25.027.00	WL7502	25.164.00	WP6803	54.135.00	WP9035	54.100.00	WP9252	53.159.00
WL7295	25.024.00	WL7503	23.575.00	WP6804	53.001.00	WP9036	53.031.00	WP9254	53.141.00
WL7296	25.023.00	WL7506	25.145.00	WP6808	53.013.00	WP9037	54.114.00	WP9256	53.143.00
WL7297	25.165.00	WL7507	25.153.00	WP6809	54.195.00	WP9090	53.120.00	WP9257	54.164.00
WL7298	23.313.00	WL7508	25.191.00	WP6812	53.006.00	WP9091	54.120.00	WP9258	53.249.00
WL7299	25.032.00	WL7509	25.171.00	WP6813	54.263.00	WP9092	53.252.00	WP9260	53.115.00
WL7300	25.034.00	WL7510	23.632.00	WP6814	53.021.00	WP9094	53.099.00	WP9263	54.215.00
WL7302	25.052.00	WL7512	23.583.00	WP6816	53.016.00	WP9096	53.058.00	WP9267	54.146.00
WL7303	25.021.00	WL7513	23.628.00	WP6818	53.014.00	WP9100	53.091.00	WP9271	54.113.00
WL7305	25.037.00	WL7514	25.144.00	WP6819	54.197.00	WP9101	54.126.00	WP9273	54.149.00
WL7305A	25.037.00	WL7515	25.178.00	WP6820	53.012.00	WP9102	53.094.00	WP9276	53.132.00
WL7306	25.033.00	WL7518	25.172.00	WP6821	54.116.00	WP9103	54.131.00	WP9282	53.120.00
WL7307	23.232.00	WL7519	25.199.00	WP6822	53.138.00	WP9104	53.035.00	WP9290	53.147.00
WL7308	23.455.00	WL7520	23.452.00	WP6826	53.134.00	WP9106	53.086.00	WP9293	54.144.00
WL7316	25.095.00	WL7521	23.717.00	WP6828	53.047.00	WP9107	54.122.00	WP9294	53.218.00
WL7318	25.029.00	WL7524	23.439.00	WP6829	54.143.00	WP9108	53.063.00	WP9296	53.105.00
WL7320	25.039.00	WL7525	23.660.00	WP6830	53.026.00	WP9110	53.076.00	WP9298	53.145.00
WL7321	23.465.00	WL7527	23.584.00	WP6832	53.007.00	WP9111	54.115.00	WP9302	53.112.00
WL7322	25.050.00	WL7539	25.139.00	WP6833	54.270.00	WP9112	53.038.00	WP9309	54.159.00
WL7323	23.413.00	WL7540	25.118.00	WP6834	53.232.00	WP9113	54.111.00	WP9310	53.136.00
WL7324	23.445.00	WL7548	25.223.00	WP6836	53.027.00	WP9114	53.040.00	WP9311	54.160.00
WL7400	23.127.00	WL7556	25.211.00	WP6840	53.028.00	WP9115	54.171.00	WP9313	54.220.00
WL7401	23.457.00	WL7561	23.687.00	WP6841	54.169.00	WP9116	53.149.00	WP9314	53.109.00
WL7402	25.049.00	WP2006	53.261.00	WP6842	53.085.00	WP9117	54.103.00	WP9318	53.154.00
WL7403	25.028.00	WP2010	53.223.00	WP6844	53.018.00	WP9118	53.041.00	WP9322	53.218.00
WL7404	25.040.00	WP2012	53.149.00	WP6848	53.017.00	WP9125	54.104.00	WP9324	53.152.00
WL7405	25.063.00	WP2015	54.231.00	WP6849	54.118.00	WP9128	53.090.00	WP9330	53.137.00
WL7406	25.048.00	WP2017	54.312.00	WP6850	53.025.00	WP9129	54.125.00	WP9335	54.163.00
WL7407	25.056.00	WP2018	53.209.00	WP6856	53.020.00	WP9130	53.043.00	WP9336	53.164.00
WL7408	25.043.00	WP2020	53.220.00	WP6860	53.083.00	WP9134	53.079.00	WP9338	53.255.00
WL7409	23.472.00	WP2024	53.186.00	WP6864	53.011.00	WP9136	53.125.00	WP9339	54.243.00
WL7410	25.047.00	WP2026	53.215.00	WP6865	54.165.00	WP9137	54.273.00	WP9342	53.231.00
WL7412	25.053.00	WP2031	54.224.00	WP6866	53.019.00	WP9140	53.101.00	WP9343	54.155.00
WL7413	25.060.00	WP2037	54.217.00	WP6868	53.024.00	WP9141	54.137.00	WP9344	53.116.00
WL7414	23.482.00	WP2038	53.160.00	WP6870	53.023.00	WP9142	53.039.00	WP9347	54.246.00
WL7415	23.114.02	WP2044	53.394.00	WP6871	54.107.00	WP9144	53.070.00	WP9348	53.183.00
WL7416	25.069.00	WP2046	53.208.00	WP6872	53.002.00	WP9146	53.148.00	WP9350	53.146.00
WL7418	25.026.00	WP2051	54.283.00	WP6874	53.067.00	WP9147	54.124.00	WP9352	53.152.00
WL7419	25.071.00	WP2052	53.185.00	WP6876	53.074.00	WP9148	53.095.00	WP9354	53.259.00
WL7421	23.471.00	WP2056	53.379.00	WP6880	53.037.00	WP9149	54.133.00	WP9356	53.254.00
WL7422	25.064.00	WP2064	53.191.00	WP6888	53.068.00	WP9160	53.316.00	WP9357	54.178.00
WL7423	25.058.00	WP2066	53.397.00	WP6890	53.004.00	WP9162	53.162.00	WP9360	53.207.00
WL7424	25.094.00	WP2068	53.388.00	WP6895	54.109.00	WP9163	54.119.00	WP9362	53.156.00
WL7426	23.545.00	WP2073	54.249.00	WP6898	53.071.00	WP9164	53.102.00	WP9365	54.166.00
WL7427	23.481.00	WP2075	54.222.00	WP6900	53.046.00	WP9165	54.136.00	WP9368	53.130.00
WL7428	23.299.00	WP2076	53.251.00	WP6910	53.244.00	WP9166	53.189.00	WP9370	53.222.00
WL7429	25.031.00	WP2077	54.241.00	WP6912	53.042.00	WP9167	54.148.00	WP9373	54.147.00
WL7430	25.072.00	WP2078	53.246.00	WP6914	53.064.00	WP9169	54.240.00	WP9378	53.144.00
WL7433	23.439.00	WP2080	53.224.00	WP6915	54.102.00	WP9170	53.077.00	WP9380	53.219.00
WL7435	25.080.00	WP2081	54.226.00	WP6918	53.030.00	WP9171	54.151.00	WP9383	54.234.00
WL7438	25.108.00	WP2082	53.212.00	WP6918	53.047.00	WP9174	53.107.00	WP9392	53.121.00
WL7441	25.901.00	WP2086	53.190.00	WP6922	53.292.00	WP9175	54.201.00		
WL7443	23.489.00	WP2087	54.199.00	WP6924	53.082.00	WP9176	53.155.00	YDEA	UFI
WL7445	23.546.00	WP2088	53.298.00	WP6926	53.044.00	WP9177	54.174.00		
WL7446	25.074.00	WP2089	54.219.00	WP6927	54.194.00	WP9178	53.098.00	C13	46.008.00
WL7447	25.077.00	WP2090	53.210.00	WP6928	53.060.00	WP9179	54.134.00	C51	46.006.00
WL7458	25.091.00	WP2092	53.233.00	WP6930	53.205.00	WP9181	54.139.00		
WL7460	25.085.00	WP2094	53.383.00	WP6932	53.084.00	WP9183	54.142.00	YRED	UFI
WL7461	25.177.00	WP2096	53.422.00	WP6934	53.005.00	WP9186	53.093.00		
WL7463	25.093.00	WP2097	54.218.00	WP6936	53.034.00	WP9187	54.271.00	1.629.7	53.367.00
WL7464	25.061.00	WP2099	54.236.00	WP6937	54.106.00	WP9188	53.226.00	1.630.7	53.388.00
WL7465	25.163.00	WP2100	53.293.00	WP6938	53.087.00	WP9189	54.153.00	2.736.7	54.144.00
WL7466	23.493.00	WP2102	53.390.00	WP6940	53.049.00	WP9192	53.050.00		
WL7467	23.494.00	WP2107	54.238.00	WP6942	53.009.00	WP9195	54.141.00	ZAFFO	UFI
WL7468	25.143.00	WP2108	53.330.00	WP6943	54.110.00	WP9197	54.132.00		
WL7469	25.096.00	WP2110	53.256.00	WP6948	53.073.00	WP9199	54.130.00	014F	53.023.00
WL7472		WP2111	54.244.00	WP6951	54.242.00	WP9200	53.118.00	014P	53.023.00
(TOYOTA 04152-YZZA7)	25.116.00	WP2114	53.211.00	WP6955	54.108.00	WP9204	53.197.00	016F	53.059.00
WL7472		WP2116	53.277.00	WP6964	53.012.00	WP9206	53.108.00	016P	53.059.00
(TOYOTA 04152-YZZA6)	25.086.00	WP2117	54.254.00	WP6969	54.105.00	WP9208	53.069.00	049F	53.161.00

050	54.161.00	377	54.139.00	429F	53.086.00	480P	53.104.00	543	54.220.00
050F	53.137.00	378F	53.079.00	429P	53.086.00	481	54.174.00	544F	53.206.00
300F	53.020.00	378P	53.079.00	430	54.119.00	481F	53.155.00	546F	53.152.00
300P	53.020.00	379	54.252.00	431	54.135.00	482	54.237.00	547F	53.127.00
314F	53.026.00	379F	53.037.00	433F	53.162.00	482F	53.106.00	547F	53.201.00
314P	53.026.00	379P	53.037.00	434	54.120.00	482P	53.106.00	548	54.175.00
318	54.197.00	380F	53.084.00	434F	53.230.00	484F	53.240.00	548F	53.156.00
318	54.277.00	380P	53.084.00	436F	53.043.00	486	54.151.00	549	54.275.00
318F	53.015.00	381	54.196.00	436P	53.043.00	487	54.221.00	549F	53.150.00
318P	53.015.00	381F	53.060.00	437	54.282.00	487F	53.088.00	550F	53.191.00
319F	53.001.00	381P	53.060.00	437F	53.039.00	487P	53.088.00	551	54.176.00
319P	53.001.00	382F	53.083.00	437P	53.039.00	488	54.137.00	552F COUPLE	53.259.00
323F	53.046.00	382P	53.083.00	438	54.112.00	488F	53.101.00	553	54.159.00
323P	53.046.00	383F	53.232.00	439	54.129.00	488P	53.101.00	554	54.172.00
325F	53.019.00	384F	53.063.00	439F	53.235.00	489	54.125.00	554F COUPLE	53.154.00
325P	53.019.00	384P	53.063.00	440F	53.051.00	489F	53.090.00	555	54.160.00
328F	53.016.00	385	54.143.00	440P	53.051.00	489P	53.090.00	555F	53.136.00
328P	53.016.00	385F	53.047.00	441F	53.041.00	491	54.136.00	557	54.224.00
329	54.263.00	385P	53.047.00	441P	53.041.00	491F	53.102.00	557F	53.151.00
329F	53.006.00	386	54.106.00	444F	53.065.00	491P	53.102.00	558F	53.213.00
329P	53.006.00	386F	53.034.00	444P	53.065.00	492	54.140.00	559	54.283.00
330	54.270.00	386P	53.034.00	446	54.111.00	493F	53.122.00	561F	53.274.00
330F	53.007.00	387F	53.033.00	446F	53.038.00	493P	53.122.00	562F	53.208.00
330P	53.007.00	387P	53.033.00	446P	53.038.00	494	54.145.00	564	54.168.00
331F	53.024.00	388F	53.138.00	447F	53.118.00	494F	53.110.00	564F	53.153.00
331P	53.024.00	389F	53.134.00	447P	53.118.00	494P	53.110.00	566F	53.146.00
332F	53.049.00	390	54.109.00	448F	53.077.00	495	54.149.00	567	54.163.00
332P	53.049.00	391F	53.258.00	448P	53.077.00	496 COUPLE	54.153.00	570 Couple	54.243.00
333F	53.027.00	392F	53.292.00	449	54.117.00	496F COUPLE	53.226.00	570F	53.243.00
333P	53.027.00	392P	53.292.00	450F	53.197.00	497F	53.123.00	570F COUPLE	53.255.00
340F	53.244.00	394	54.102.00	450P	53.197.00	497P	53.123.00	571F	53.219.00
341	54.235.00	394F	53.064.00	451	54.103.00	499	54.318.00	572F	53.157.00
341F	53.021.00	394P	53.064.00	451F	53.149.00	499F	53.246.00	573F	53.183.00
341P	53.021.00	396F	53.052.00	452	54.147.00	500F	53.250.00	574	54.173.00
345	54.105.00	396P	53.052.00	454F	53.067.00	501	54.127.00	575	54.166.00
345F	53.025.00	397	54.194.00	454P	53.067.00	501F	53.228.00	577	54.178.00
345P	53.025.00	397F	53.044.00	455F	53.080.00	502F	53.120.00	577F	53.254.00
346F	53.070.00	397P	53.044.00	455P	53.080.00	503F	53.141.00	578	54.297.00
346P	53.070.00	398	54.101.00	456F	53.108.00	504F	53.133.00	579F	53.185.00
347F	53.010.00	399	54.110.00	456P	53.108.00	504P	53.133.00	580	54.233.00
347P	53.010.00	399F		457F	53.125.00	505F	53.116.00	581F	53.164.00
348	54.195.00	(N. 1 FILTRO/FILTER)	53.009.00	457F	53.184.00	505P	53.116.00	582	54.217.00
348F	53.013.00	399P		457P	53.125.00	506F	53.126.00	583	54.170.00
348P	53.013.00	(N. 1 FILTRO/FILTER)	53.009.00	458 COUPLE	54.240.00	506P	53.126.00	583F	53.207.00
350	54.107.00	403	54.121.00	459	54.133.00	507F	53.112.00	584F	53.163.00
350	54.239.00	403F	53.158.00	459F	53.095.00	507P	53.112.00	585	54.255.00
350F	53.023.00	404 COUPLE	54.242.00	459P	53.095.00	508	54.146.00	588F	53.186.00
350P	53.023.00	407F	53.091.00	460	54.152.00	508F	53.247.00	589F	53.261.00
352F	53.002.00	407P	53.091.00	461	54.157.00	509	54.296.00	590 COUPLE	54.231.00
352P	53.002.00	408	54.113.00	464	54.156.00	510	54.158.00	590F COUPLE	53.229.00
353F	53.018.00	409	54.247.00	464F	53.069.00	510F	53.129.00	591	54.234.00
353P	53.018.00	409F	53.100.00	464P	53.069.00	510P	53.129.00	591F	53.276.00
355F	53.005.00	409P	53.100.00	465F	53.058.00	511F	53.103.00	592F COUPLE	53.239.00
355P	53.005.00	411F	53.035.00	465P	53.058.00	511P	53.103.00	593F	53.388.00
356	54.116.00	411P	53.035.00	466	54.100.00	512	54.142.00	594F	53.223.00
356F	53.012.00	412F	53.028.00	466F	53.045.00	512F	53.227.00	595	54.312.00
356P	53.012.00	412P	53.028.00	466P	53.045.00	513	54.144.00	596F	53.160.00
357	54.118.00	413F	53.075.00	467F	53.119.00	514F	53.111.00	597	54.253.00
357F	53.017.00	413P	53.075.00	467P	53.119.00	514P	53.111.00	597F	53.220.00
357P	53.017.00	414F	53.050.00	468	54.115.00	515	54.154.00	600F	53.215.00
358F	53.085.00	414P	53.050.00	468F	53.076.00	515F	53.236.00	601	54.256.00
358P	53.085.00	415F	53.082.00	468P	53.076.00	516	54.265.00	601F	53.209.00
359	54.108.00	415P	53.082.00	469F	53.142.00	516F	53.132.00	603F	53.149.00
359F COUPLE	53.234.00	416	54.131.00	470	54.201.00	516P	53.132.00	604F	53.294.00
360F	53.061.00	416F	53.094.00	470F	53.107.00	517	54.150.00	605	54.222.00
360P	53.061.00	416P	53.094.00	470P	53.107.00	517F	53.115.00	606F	53.368.00
362F	53.019.00	417	54.198.00	471F	53.242.00	517P	53.242.00	608 COUPLE	54.241.00
362P	53.019.00	417F	53.087.00	472	54.274.00	519	54.155.00	608F	53.251.00
363F	53.028.00	417P	53.087.00	472F	53.109.00	519F	53.231.00	609	54.320.00
363P	53.028.00	418	54.123.00	472P	53.109.00	521 COUPLE	54.215.00	610F	53.379.00
367F	53.057.00	419	54.171.00	473	54.124.00	522F	53.121.00	613	54.249.00
367P	53.057.00	419F	53.040.00	473F	53.148.00	522P	53.121.00	617F	53.131.00
370F	53.024.00	419P	53.040.00	474	54.167.00	523F	53.145.00	618F COUPLE	53.212.00
370P	53.024.00	420	54.126.00	474F	53.218.00	524F	53.214.00	621	54.226.00
371F	53.042.00	421	54.100.00	474P	53.218.00	526	54.162.00	621F	53.224.00
371P	53.042.00	421F	53.045.00	475	54.273.00	526F	53.124.00	622	54.218.00
372F	53.074.00	421P	53.045.00	476	54.148.00	528F	53.147.00	623	54.236.00
372P	53.074.00	422	54.128.00	476F	53.189.00	529F	53.222.00	624F	53.233.00
373F	53.004.00	423	54.114.00	477	54.134.00	530F	53.135.00	626	54.248.00
373P	53.004.00	424F	53.031.00	477F	53.098.00	532F	53.144.00	626F	53.210.00
374	54.165.00	424P	53.031.00	477P	53.098.00	537F	53.113.00	629	54.244.00
374F	53.011.00	425F	53.257.00	478	54.271.00	537P	53.113.00	629	54.227.00
374P	53.011.00	426	54.104.00	478F	53.093.00	540	54.164.00	629F	53.256.00
375F	53.014.00	427F	53.068.00	478P	53.093.00	540F	53.143.00	630	54.223.00
375P	53.014.00	427P	53.068.00	479	54.138.00	541F	53.159.00	632F	53.383.00
376	54.230.00	428F	53.032.00	479F	53.249.00	542	54.269.00	633	54.219.00
376F	53.030.00	428P	53.032.00	480	54.232.00	542F	53.130.00	633F	53.298.00
376P	53.030.00	429	54.122.00	480F	53.104.00	542P	53.130.00	636	54.238.00

637	54.245.00	Z633	54.219.00	M2.234	54.271.00	P1.113	53.030.00	P1.224	53.105.00
637F	53.211.00	Z675	54.319.00	M2.238	54.134.00	P1.114	53.047.00	P1.225	53.148.00
639	54.261.00	ZF560	53.407.00	M2.240	54.125.00	P1.115	53.060.00	P1.226	53.101.00
640	54.257.00	ZF562	53.208.00	M2.241	54.147.00	P1.116	53.232.00	P1.227	53.189.00
640F	53.293.00	ZF598	53.394.00	M2.242	54.174.00	P1.117	53.063.00	P1.228	53.109.00
641F	53.330.00	ZF616	53.426.00	M2.243	54.136.00	P1.118	53.034.00	P1.229	53.228.00
642F	53.332.00	ZF622	53.422.00	M2.247	54.283.00	P1.119	53.006.00	P1.230	53.107.00
643F COUPLE	53.313.00	ZF645	53.396.00	M2.250	54.139.00	P1.121	53.002.00	P1.231	53.246.00
644F	53.253.00			M2.252	54.240.00	P1.123	53.025.00	P1.232	53.106.00
646F	53.190.00	ZASTAVA (YUGO)	UFI	M2.254	54.270.00	P1.124	53.134.00	P1.233	53.218.00
647	54.254.00			M2.255	54.142.00	P1.126	53.033.00	P1.234	53.093.00
651F	53.273.00	1011872	27.728.00	M2.257	54.149.00	P1.127	53.138.00	P1.235	53.213.00
652	54.294.00	1011983	27.728.00	M2.258	54.268.00	P1.128	53.084.00	P1.237	53.121.00
653F	53.299.00	1612313	23.128.00	M2.260	54.145.00	P1.129	53.083.00	P1.238	53.098.00
654	54.288.00	4146052	27.720.00	M2.261	54.143.00	P1.130	53.014.00	P1.239	53.113.00
656F	53.249.00	4180566	27.719.00	M2.262	54.153.00	P1.132	53.019.00	P1.240	53.090.00
657F	53.384.00	4311617	27.756.00	M2.263	54.146.00	P1.133	53.024.00	P1.242	53.155.00
660F	53.326.00	4360750	23.169.00	M2.264	54.144.00	P1.134	53.042.00	P1.243	53.102.00
662	54.289.00	46623334	23.175.00	M2.268	54.232.00	P1.135	53.074.00	P1.244	53.122.00
663F	53.365.00	4662334	23.175.00	M2.273	54.158.00	P1.136	53.010.00	P1.251	53.067.00
674F	53.387.00	46626801	31.500.00	M2.275	54.274.00	P1.137	53.013.00	P1.253	53.244.00
IF-3024P	34.266.00	46627520	23.175.00	M2.277	54.154.00	P1.138	53.015.00	P1.254	53.007.00
WZ1566F	53.146.00			M2.278	54.215.00	P1.139	53.001.00	P1.255	53.227.00
Z363	54.169.00	ZELO	UFI	M2.279	54.162.00	P1.140	53.017.00	P1.258	53.146.00
Z3A329	34.263.00			M2.280	54.100.00	P1.141	53.061.00	P1.259	53.123.00
Z3A390	34.109.00	M2.103	54.116.00	M2.289	54.155.00	P1.142	53.046.00	P1.260	53.110.00
Z3A403	34.121.00	M2.105	54.169.00	M2.290	54.265.00	P1.143	53.006.00	P1.261	53.047.00
Z3A414	34.264.00	M2.109	54.108.00	M2.292	54.150.00	P1.144	53.020.00	P1.262	53.226.00
Z3A416	34.246.00	M2.110	54.165.00	M2.294	54.281.00	P1.145	53.023.00	P1.263	53.247.00
Z3A419	34.171.00	M2.112	54.252.00	M2.300	54.269.00	P1.147	53.026.00	P1.265	53.112.00
Z3A421	34.100.00	M2.113	54.230.00	M2.306	54.266.00	P1.148	53.005.00	P1.266	53.250.00
Z3A423	34.114.00	M2.115	54.196.00	M2.310	54.275.00	P1.149	53.021.00	P1.267	53.111.00
Z3A424	34.199.00	M2.118	54.106.00	M2.312	54.164.00	P1.150	53.087.00	P1.268	53.104.00
Z3A426	34.104.00	M2.119	54.109.00	M2.316	54.272.00	P1.153	53.208.00	P1.270	53.116.00
Z3A436	34.262.00	M2.125	54.105.00	M2.317	54.224.00	P1.154	53.064.00	P1.273	53.129.00
Z3A446	34.111.00	M2.126	54.267.00	M2.318	54.160.00	P1.155	53.050.00	P1.274	53.119.00
Z3A451	34.103.00	M2.130	54.197.00	M2.319	54.172.00	P1.156	53.040.00	P1.275	53.109.00
Z3A459	34.133.00	M2.136	54.135.00	M2.320	54.161.00	P1.157	53.052.00	P1.276	53.327.00
Z3A468	34.115.00	M2.137	54.195.00	M2.321	54.159.00	P1.158	53.044.00	P1.277	53.236.00
Z3A470	34.201.00	M2.138	54.277.00	M2.322	54.223.00	P1.159	53.063.00	P1.279	53.124.00
Z3A472	34.274.00	M2.139	54.278.00	M2.326	54.220.00	P1.161	53.094.00	P1.283	53.338.00
Z3A473	34.124.00	M2.140	54.118.00	M2.330	54.163.00	P1.163	53.230.00	P1.284	53.117.00
Z3A474	34.167.00	M2.143	54.263.00	M2.331	54.176.00	P1.164	53.018.00	P1.286	53.120.00
Z3A476	34.148.00	M2.145	54.107.00	M2.332	54.175.00	P1.165	53.091.00	P1.288	53.214.00
Z3A478	34.271.00	M2.149	54.235.00	M2.333	54.173.00	P1.168	53.031.00	P1.289	53.231.00
Z3A480	34.232.00	M2.150	54.198.00	M2.334	54.168.00	P1.169	53.085.00	P1.290	53.132.00
Z3A487	34.221.00	M2.151	54.262.00	M2.336	54.140.00	P1.171	53.080.00	P1.291	53.133.00
Z3A491	34.136.00	M2.154	54.102.00	M2.338	54.243.00	P1.172	53.035.00	P1.292	53.115.00
Z3A494	34.145.00	M2.155	54.264.00	M2.341	54.166.00	P1.173	53.065.00	P1.293	53.126.00
Z3A501	34.127.00	M2.156	54.171.00	M2.345	54.217.00	P1.174	53.041.00	P1.296	53.131.00
Z3A508	34.146.00	M2.158	54.194.00	M2.346	54.110.00	P1.175	53.114.00	P1.298	53.145.00
Z3A510	34.158.00	M2.160	54.123.00	M2.347	54.170.00	P1.176	53.045.00	P1.299	53.135.00
Z3A511	34.117.00	M2.161	54.131.00	M2.348	54.233.00	P1.177	53.075.00	P1.300	53.130.00
Z3A512	34.142.00	M2.163	54.120.00	M2.355	54.178.00	P1.178	53.100.00	P1.305	53.191.00
Z3A516	34.265.00	M2.164	54.280.00	M2.365	54.231.00	P1.179	53.142.00	P1.306	53.147.00
Z3A526	34.162.00	M2.167	54.126.00	M2.366	54.256.00	P1.180	53.086.00	P1.307	53.144.00
Z3A528	34.266.00	M2.168	54.114.00	M2.367	54.234.00	P1.182	53.043.00	P1.308	53.161.00
Z3A540	34.164.00	M2.170	54.113.00	M2.368	54.253.00	P1.184	53.038.00	P1.309	53.259.00
Z3A542	34.269.00	M2.176	54.100.00	M2.369	54.285.00	P1.185		P1.310	53.150.00
Z3A544	34.159.00	M2.178	54.247.00	M2.373	54.249.00	(N.2 FILTRI/FILTERS)	53.328.00	P1.312	53.143.00
Z3A548	34.175.00	M2.180	54.122.00	M2.376	54.248.00	P1.186	53.082.00	P1.313	53.159.00
Z3A549	34.275.00	M2.181	54.104.00	M2.377	54.226.00	P1.189	53.162.00	P1.316	53.152.00
Z3A551	34.176.00	M2.184	54.111.00	M2.378	54.222.00	P1.190	53.051.00	P1.317	53.151.00
Z3A553	34.159.00	M2.187	54.151.00	M2.379	54.241.00	P1.191	53.032.00	P1.318	53.136.00
Z3A554	34.172.00	M2.188	54.112.00	M2.380	54.244.00	P1.192		P1.319	53.154.00
Z3A555	34.160.00	M2.189	54.119.00	M2.381	54.199.00	(N.2 FILTRI/FILTERS)	53.316.00	P1.320	53.137.00
Z3A564	34.168.00	M2.191	54.101.00	M2.382	54.218.00	P1.193	53.039.00	P1.321	53.206.00
Z3A577	34.178.00	M2.193	54.282.00	M2.383	54.219.00	P1.194	53.103.00	P1.324	53.128.00
Z3A582	34.217.00	M2.194	54.117.00	M2.386	54.236.00	P1.195	53.068.00	P1.325	53.274.00
Z3A583	34.170.00	M2.196	54.128.00	M2.387	54.245.00	P1.196	53.319.00	P1.327	53.333.00
Z3A590	34.231.00	M2.198	54.152.00	M2.392	54.287.00	P1.197	53.201.00	P1.332	53.156.00
Z3A591	34.234.00	M2.199	54.103.00	M2.394	54.257.00	P1.198	53.108.00	P1.334	53.153.00
Z3A594	34.285.00	M2.202	54.129.00	M2.395	54.227.00	P1.199	53.149.00	P1.335	53.157.00
Z3A601	34.256.00	M2.204	54.156.00	M2.397	54.254.00	P1.201	53.070.00	P1.338	53.255.00
Z3A605	34.222.00	M2.206	54.115.00	M2.398	54.286.00	P1.202	53.235.00	P1.340	53.239.00
Z3A621	34.226.00	M2.208	54.157.00	M2.402	54.288.00	P1.203	53.249.00	P1.343	53.219.00
Z3A622	34.218.00	M2.214	54.133.00	M2.407	54.238.00	P1.204	53.069.00	P1.344	53.329.00
Z3A623	34.236.00	M2.218	54.273.00	M2.408	54.289.00	P1.206	53.076.00	P1.347	53.207.00
Z3A626	34.248.00	M2.220	54.118.00	P1.101	53.016.00	P1.210	53.257.00	P1.349	53.183.00
Z3A629	34.244.00	M2.222	54.121.00	P1.102	53.027.00	P1.211	53.248.00	P1.350	53.163.00
Z3A633	34.219.00	M2.223	54.221.00	P1.103	53.012.00	P1.212	53.077.00	P1.351	53.164.00
Z3A636	34.238.00	M2.225	54.124.00	P1.105	53.028.00	P1.214	53.095.00	P1.352	53.185.00
Z3A637	34.245.00	M2.226	54.137.00	P1.106	53.057.00	P1.215	53.118.00	P1.353	53.261.00
Z3A647	34.254.00	M2.227	54.148.00	P1.108	53.004.00	P1.217	53.141.00	P1.354	53.186.00
Z3A654	34.288.00	M2.229	54.127.00	P1.109	53.234.00	P1.218	53.125.00	P1.355	53.254.00
Z497	54.306.00	M2.230	54.201.00	P1.110	53.011.00	P1.221	53.127.00	P1.356	53.331.00
Z565	54.377.00	M2.232	54.237.00	P1.111	53.079.00	P1.222	53.158.00	P1.357	53.160.00
Z623	54.236.00	M2.233	54.167.00	P1.112	53.037.00	P1.223	53.088.00	P1.358	53.294.00

P1.365	53.229.00	WZ1375F	53.014.00	WZ1457F	53.125.00	WZ1524F	53.214.00	WZ1622	54.218.00
P1.366	53.209.00	WZ1376	54.230.00	WZ1457F	53.184.00	WZ1526	54.162.00	WZ1623	54.236.00
P1.367	53.276.00	WZ1376F	53.030.00	WZ1458 COUPLE	54.240.00	WZ1526F	53.124.00	WZ1624F	53.233.00
P1.368	53.220.00	WZ1377	54.139.00	WZ1459	54.133.00	WZ1528F	53.147.00	WZ1626	54.248.00
P1.369	53.223.00	WZ1378F	53.079.00	WZ1459F	53.095.00	WZ1529F	53.222.00	WZ1626F	53.210.00
P1.370	53.388.00	WZ1379	54.252.00	WZ1460	54.152.00	WZ1530F	53.135.00	WZ1629	54.244.00
P1.371	53.367.00	WZ1379F	53.037.00	WZ1461	54.157.00	WZ1532F	53.144.00	WZ1629	54.227.00
P1.372	53.215.00	WZ1380F	53.084.00	WZ1464	54.156.00	WZ1537F	53.113.00	WZ1629F	53.256.00
P1.374	53.212.00	WZ1381	54.196.00	WZ1464F	53.069.00	WZ1540	54.164.00	WZ1630	54.223.00
P1.376	53.210.00	WZ1381F	53.060.00	WZ1465F	53.058.00	WZ1540F	53.143.00	WZ1632F	53.383.00
P1.377	53.224.00	WZ1382F	53.083.00	WZ1466F	53.045.00	WZ1541F	53.159.00	WZ1633	54.219.00
P1.379	53.251.00	WZ1383F	53.232.00	WZ1467F	53.119.00	WZ1542	54.269.00	WZ1633F	53.298.00
P1.380	53.256.00	WZ1384F	53.063.00	WZ1468	54.115.00	WZ1542F	53.130.00	WZ1636	54.238.00
P1.381	53.190.00	WZ1385	54.143.00	WZ1468F	53.076.00	WZ1543	54.220.00	WZ1637	54.245.00
P1.382	53.422.00	WZ1385F	53.047.00	WZ1469F	53.142.00	WZ1544F	53.206.00	WZ1637F	53.211.00
P1.383	53.298.00	WZ1386	54.106.00	WZ1470	54.201.00	WZ1546F	53.152.00	WZ1639	54.261.00
P1.384	53.233.00	WZ1386F	53.034.00	WZ1470F	53.107.00	WZ1547F	53.127.00	WZ1640	54.257.00
P1.387	53.211.00	WZ1387F	53.033.00	WZ1471F	53.242.00	WZ1547F	53.201.00	WZ1640F	53.293.00
P1.388	53.313.00	WZ1388F	53.138.00	WZ1472	54.274.00	WZ1548	54.175.00	WZ1641F	53.330.00
P1.389	53.312.00	WZ1389F	53.134.00	WZ1472F	53.109.00	WZ1548F	53.156.00	WZ1642F	53.332.00
P1.390	53.332.00	WZ1390	54.109.00	WZ1473	54.124.00	WZ1549	54.275.00	WZ1643F COUPLE	53.313.00
P1.391	53.325.00	WZ1391F	53.258.00	WZ1473F	53.148.00	WZ1549F	53.150.00	WZ1644F	53.253.00
P1.393	53.320.00	WZ1394	54.102.00	WZ1474	54.167.00	WZ1550F	53.191.00	WZ1646F	53.190.00
P1.394	53.293.00	WZ1394F	53.064.00	WZ1474F	53.218.00	WZ1551	54.176.00	WZ1647	54.254.00
P1.397	53.277.00	WZ1396F	53.052.00	WZ1475	54.273.00	WZ1552F COUPLE	53.259.00	WZ1651F	53.273.00
P1.400	53.389.00	WZ1397	54.194.00	WZ1476	54.148.00	WZ1553	54.159.00	WZ1652	54.294.00
P1.401	53.299.00	WZ1397F	53.044.00	WZ1476F	53.189.00	WZ1554	54.172.00	WZ1653F	53.299.00
P1.404	53.323.00	WZ1398	54.101.00	WZ1477	54.134.00	WZ1554F COUPLE	53.154.00	WZ1654	54.288.00
P1.406	53.208.00	WZ1399	54.110.00	WZ1477F	53.098.00	WZ1555	54.160.00	WZ1656F	53.249.00
P1.411	53.249.00	WZ1399F		WZ1478	54.271.00	WZ1555F	53.136.00	WZ1657F	53.384.00
PK30	53.059.00	(N. 1 FILTRO/FILTER)	53.009.00	WZ1478F	53.093.00	WZ1557	54.224.00	WZ1660F	53.326.00
PK40	53.023.00	WZ1403	54.121.00	WZ1479	54.138.00	WZ1557F	53.151.00	WZ1662	54.289.00
PK41	53.058.00	WZ1403F	53.158.00	WZ1479F	53.249.00	WZ1558F	53.213.00	WZ1663F	53.365.00
		WZ1404 COUPLE	54.242.00	WZ1480	54.232.00	WZ1559	54.283.00	WZ1674F	53.387.00
ZERO	UFI	WZ1407F	53.091.00	WZ1480F	53.104.00	WZ1561F	53.274.00		
		WZ1408	54.113.00	WZ1481	54.174.00	WZ1562F	53.208.00	ZF	UFI
WZ1014F	53.023.00	WZ1409	54.247.00	WZ1481F	53.155.00	WZ1564	54.168.00	7632141102	25.406.01
WZ1016F	53.059.00	WZ1409F	53.100.00	WZ1482	54.237.00	WZ1564F	53.153.00	7632141107	25.406.01
WZ1049F	53.161.00	WZ1411F	53.035.00	WZ1482F	53.106.00	WZ1566F	53.146.00		
WZ1050	54.161.00	WZ1412F	53.028.00	WZ1484F	53.240.00	WZ1567	54.163.00		
WZ1050F	53.137.00	WZ1413F	53.075.00	WZ1486	54.151.00	WZ1570 COUPLE	54.243.00		
WZ1300F	53.020.00	WZ1414F	53.050.00	WZ1487	54.221.00	WZ1570F	53.243.00		
WZ1314F	53.026.00	WZ1415F	53.082.00	WZ1487F	53.088.00	WZ1570F COUPLE	53.255.00		
WZ1318	54.197.00	WZ1416	54.131.00	WZ1488	54.137.00	WZ1571F	53.219.00		
WZ1318	54.277.00	WZ1416F	53.094.00	WZ1488F	53.101.00	WZ1572F	53.157.00		
WZ1318F	53.015.00	WZ1417	54.198.00	WZ1489	54.125.00	WZ1573F	53.183.00		
WZ1319F	53.001.00	WZ1417F	53.087.00	WZ1489F	53.090.00	WZ1574	54.173.00		
WZ1323F	53.046.00	WZ1418	54.123.00	WZ1491	54.136.00	WZ1575	54.166.00		
WZ1328F	53.016.00	WZ1419	54.171.00	WZ1491F	53.102.00	WZ1577	54.178.00		
WZ1329	54.263.00	WZ1419F	53.040.00	WZ1492	54.140.00	WZ1577F	53.254.00		
WZ1329F	53.006.00	WZ1420	54.126.00	WZ1493F	53.122.00	WZ1578	54.297.00		
WZ1330	54.270.00	WZ1421	54.100.00	WZ1494	54.145.00	WZ1579F	53.185.00		
WZ1330F	53.007.00	WZ1421F	53.045.00	WZ1494F	53.110.00	WZ1580	54.233.00		
WZ1332F	53.049.00	WZ1422	54.128.00	WZ1495	54.149.00	WZ1581F	53.164.00		
WZ1333F	53.027.00	WZ1423	54.114.00	WZ1496 COUPLE	54.153.00	WZ1582	54.217.00		
WZ1340F	53.244.00	WZ1424F	53.031.00	WZ1496F COUPLE	53.226.00	WZ1583	54.170.00		
WZ1341	54.235.00	WZ1425F	53.257.00	WZ1497F	53.123.00	WZ1583F	53.207.00		
WZ1341F	53.021.00	WZ1426	54.104.00	WZ1499	54.318.00	WZ1584F	53.163.00		
WZ1345	54.105.00	WZ1427F	53.068.00	WZ1499F	53.246.00	WZ1585	54.255.00		
WZ1345F	53.025.00	WZ1428F	53.032.00	WZ1500F	53.250.00	WZ1588F	53.186.00		
WZ1346F	53.070.00	WZ1429	54.122.00	WZ1501	54.127.00	WZ1589F	53.261.00		
WZ1347F	53.010.00	WZ1429F	53.086.00	WZ1501F	53.228.00	WZ1590 COUPLE	54.231.00		
WZ1348	54.195.00	WZ1430	54.119.00	WZ1502F	53.120.00	WZ1590F COUPLE	53.229.00		
WZ1348F	53.013.00	WZ1431	54.135.00	WZ1503F	53.141.00	WZ1591	54.234.00		
WZ1350	54.107.00	WZ1433F	53.162.00	WZ1504F	53.133.00	WZ1591F	53.276.00		
WZ1350	54.239.00	WZ1434	54.120.00	WZ1505F	53.116.00	WZ1592F COUPLE	53.239.00		
WZ1350F	53.023.00	WZ1434F	53.230.00	WZ1507F	53.112.00	WZ1593F	53.388.00		
WZ1352F	53.002.00	WZ1436F	53.043.00	WZ1508	54.146.00	WZ1594F	53.223.00		
WZ1353F	53.018.00	WZ1437	54.282.00	WZ1508F	53.247.00	WZ1595	54.312.00		
WZ1355F	53.005.00	WZ1437F	53.039.00	WZ1509	54.296.00	WZ1596F	53.160.00		
WZ1356	54.116.00	WZ1438	54.112.00	WZ1510	54.158.00	WZ1597	54.253.00		
WZ1356F	53.012.00	WZ1439	54.129.00	WZ1510F	53.129.00	WZ1597F	53.220.00		
WZ1357	54.118.00	WZ1439F	53.235.00	WZ1511F	53.103.00	WZ1600F	53.215.00		
WZ1357F	53.017.00	WZ1440F	53.051.00	WZ1512	54.142.00	WZ1601	54.256.00		
WZ1358F	53.085.00	WZ1441F	53.041.00	WZ1512F	53.227.00	WZ1601F	53.209.00		
WZ1359	54.108.00	WZ1444F	53.065.00	WZ1513	54.144.00	WZ1603F	53.149.00		
WZ1359F COUPLE	53.234.00	WZ1446	54.111.00	WZ1514F	53.111.00	WZ1604F	53.294.00		
WZ1360F	53.061.00	WZ1446F	53.038.00	WZ1515	54.154.00	WZ1605	54.222.00		
WZ1362F	53.019.00	WZ1447F	53.118.00	WZ1515F	53.236.00	WZ1606F	53.368.00		
WZ1363	54.169.00	WZ1448F	53.077.00	WZ1516	54.265.00	WZ1608 COUPLE	54.241.00		
WZ1363F	53.028.00	WZ1449	54.117.00	WZ1516F	53.132.00	WZ1608F	53.251.00		
WZ1367F	53.057.00	WZ1450F	53.197.00	WZ1517	54.150.00	WZ1609	54.320.00		
WZ1370F	53.024.00	WZ1451	54.103.00	WZ1517F	53.115.00	WZ1610F	53.379.00		
WZ1371F	53.042.00	WZ1451F	53.149.00	WZ1519	54.155.00	WZ1613	54.249.00		
WZ1372F	53.074.00	WZ1452	54.147.00	WZ1519F	53.231.00	WZ1617F	53.131.00		
WZ1373F	53.004.00	WZ1454F	53.067.00	WZ1521 COUPLE	54.215.00	WZ1618F COUPLE	53.212.00		
WZ1374	54.165.00	WZ1455F	53.080.00	WZ1522F	53.121.00	WZ1621	54.226.00		
WZ1374F	53.011.00	WZ1456F	53.108.00	WZ1523F	53.145.00	WZ1621F	53.224.00		

OIL FILTER > FILTRI OLIO > FILTRE À HUILE > ÖLFILTER > FILTROS DE ACEITE

UFI			A	B	C	D	E	F	G	H	BAR	R
20.012.00	O_001	965	98.0	14.0	14.0	-	-	-	-	111.0	-	-
20.012.02	O_001	965	98.0	14.0	14.0	-	-	-	-	111.0	-	-
20.020.00	O_001	965	110.0	14.0	14.0	-	-	-	-	125.0	-	-
23.102.00	O_006	965	96.5	61.5	71.5	98.3	-	-	3/4-16 UNF	141.0	1.2	1
23.102.02	O_006	965	96.5	61.5	71.5	98.3	-	-	3/4-16 UNF	143.0	0.7	1
23.103.00	O_005	965	75.0	62.0	71.5	77.0	-	-	3/4-16 UNF	86.5	-	-
23.104.00	O_006	965	47.5	36.5	44.0	51.5	-	CH 13	M 14 X 1.5	118.0	0.7	1
23.105.00	O_005	965	76.0	61.5	71.5	79.0	-	-	M 16 X 1.5	73.0	1.2	1
23.107.01	O_006	965	108.3	61.5	71.5	110.0	-	-	3/4-16 UNF	178.0	1.2	1
23.110.02	O_006	965	96.0	62.0	72.0	97.0	-	-	1-12 UNF	140.0	2.5	1
23.113.00	O_006	965	96.5	61.5	71.5	98.3	-	-	M 22 X 1.5	143.0	1.2	1
23.114.01	O_005	965	86.7	61.5	71.5	89.6	-	-	3/4-16 UNF	73.0	0.7	1
23.114.02	O_005	965	91.0	62.0	72.0	93.0	-	-	3/4-16 UNF	66.5	-	-
23.115.00	O_005	965	86.7	61.5	71.5	90.3	-	-	M 18 X 1.5	90.0	-	1
23.117.00	O_006	965	76.0	61.5	71.5	78.3	-	-	3/4-16 UNF	123.0	-	-
23.118.00	O_005	965	76.0	61.5	71.5	78.3	-	-	3/4-16 UNF	62.0	0.7	1
23.121.00	O_006	965	80.0	57.0	63.0	84.0	-	-	3/4-16 UNF	125.0	-	1
23.122.00	O_006	965	76.0	61.0	71.0	78.0	-	-	3/4-16 UNF	149.0	1.2	1
23.124.00	O_006	965	108.3	61.5	71.5	110.0	-	-	3/4-16 UNF	113.0	1.2	1
23.127.00	O_006	965	96.0	62.0	72.0	97.0	-	-	3/4-16 UNF	96.5	1.2	1
23.127.02	O_006	965	96.0	62.0	72.0	97.0	-	-	3/4-16 UNF	96.5	1.2	1
23.127.04	O_006	965	96.0	62.0	72.0	97.0	-	-	3/4-16 UNF	96.5	2.5	1
23.127.05	O_006	965	96.0	62.0	72.0	97.0	-	-	3/4-16 UNF	96.5	0.7	2
23.128.00	O_006	965	108.3	61.5	71.5	110.0	-	-	3/4-16 UNF	97.0	1.2	1
23.129.01	O_006	965	76.0	61.0	71.0	78.0	-	-	M 18 X 1.5	92.0	1.2	1
23.129.02	O_006	965	75.0	62.0	71.5	77.0	-	-	M 18 X 1.5	86.5	-	-
23.130.00	O_006	965	76.0	63.5	71.5	77.5	-	-	3/4-16 UNF	120.0	1.0	1
23.130.01	O_006	965	76.0	61.0	71.0	78.0	-	-	3/4-16 UNF	123.0	2.5	1
23.130.02	O_006	965	76.0	61.0	71.0	78.0	-	-	3/4-16 UNF	123.0	2.2	1
23.130.03	O_006	965	76.0	61.5	71.5	78.3	-	-	3/4-16 UNF	123.0	-	2
23.131.00	O_006	965	76.0	61.0	71.0	78.0	-	-	3/4-16 UNF	92.0	1.2	1
23.131.01	O_006	965	81.5	55.0	65.0	84.0	-	-	3/4-16 UNF	75.0	1.2	1
23.131.02	O_006	965	76.0	61.0	71.0	78.0	-	-	3/4-16 UNF	92.0	2.2	-
23.132.00	O_006	965	96.0	62.0	72.0	97.0	-	-	3/4-16 UNF	58.0	1.2	1
23.133.00	O_006	965	76.0	62.0	72.0	78.3	-	-	M 20 X 1.5	91.0	1.2	1
23.134.00	O_006	965	96.0	62.0	72.0	97.0	-	-	3/4-16 UNF	96.5	-	1
23.134.01	O_006	965	93.0	62.0	72.0	97.0	-	-	3/4-16 UNF	96.5	-	-
23.139.00	O_006	965	91.0	62.0	72.0	93.0	-	-	M 20 X 1.5	101.0	0.7	1
23.151.00	O_006	965	76.0	61.0	71.0	78.0	-	-	M 20 X 1.5	123.0	0.7	1
23.152.00	O_006	965	96.0	62.0	72.0	97.0	-	-	1-12 UNF	174.0	1.2	1
23.156.00	O_006	965	96.0	62.0	72.0	97.0	-	-	3/4-16 UNF	174.0	0.7	1
23.156.03	O_006	965	93.0	62.0	72.0	95.0	-	CH. 27	3/4-16 UNF	192.0	2.5	1
23.159.00	O_005	965	91.0	65.0	75.0	94.0	-	-	M 20 X 1.5	81.5	0.7	1
23.162.02	O_006	965	96.0	62.0	72.0	97.0	-	-	3/4-16 UNF	146.0	-	1
23.164.00	O_006	965	91.0	62.0	72.0	93.0	-	-	3/4-16 UNF	142.0	2.5	1
23.164.02	O_006	965	91.0	62.0	72.0	93.0	-	-	3/4-16 UNF	142.0	1.2	2
23.164.03	O_005	965	93.0	62.0	72.0	95.0	-	CH. 27	3/4-16 UNF	159.0	2.5	1
23.165.00	O_005	965	90.0	57.5	64.0	94.0	-	-	M 20 X 1.5	80.0	0.7	1
23.166.00	O_005	965	108.3	61.5	71.5	110.0	-	-	3/4-16 UNF	97.0	1.2	1
23.167.00	O_006	965	108.3	61.5	71.5	110.0	-	-	3/4-16 UNF	113.0	2.2	1
23.168.00	O_005	965	96.0	62.0	72.0	97.0	-	-	3/4-16 UNF	96.5	0.8	1
23.169.00	O_005	965	75.0	62.0	71.5	77.0	-	-	3/4-16 UNF	97.0	1.0	2
23.171.00	O_005	965	86.0	62.0	72.0	89.0	-	-	3/4-16 UNF	102.0	0.7	1
23.172.00	O_005	965	96.0	62.0	72.0	97.0	-	-	3/4-16 UNF	96.5	1.6	1
23.173.01	O_005	965	86.7	58.0	82.3	89.5	-	-	3/4-16 UNF	90.0	0.7	1
23.175.00	O_005	965	75.0	62.0	71.5	77.0	-	-	3/4-16 UNF	97.0	1.0	1
23.176.00	O_005	965	96.0	62.0	72.0	97.0	-	-	3/4-16 UNF	96.5	1.2	2
23.177.00	O_005	965	96.0	62.0	72.0	97.0	-	-	M 20 X 1.5	96.5	0.7	1
23.182.00	O_005	965	85.5	57.0	65.0	87.0	-	-	M 22 X 1.5	81.0	1	1
23.185.01	O_006	965	96.0	62.0	72.0	97.0	-	-	3/4-16 UNF	116.0	2.5	1
23.186.01	O_006	965	76.0	61.0	71.0	78.0	-	-	3/4-16 UNF	149.0	1.2	2
23.187.00	O_006	965	76.0	61.0	71.0	78.0	-	-	M 18 X 1.5	115.0	-	-
23.188.00	O_005	965	76.0	61.5	71.5	78.3	-	-	3/4-16 UNF	91.0	-	1
23.189.00	O_006	965	96.0	62.0	72.0	97.0	-	-	M 20 X 1.5	116.0	1.2	1
23.191.00	O_005	965	86.7	61.5	71.5	89.6	-	-	M 20 X 1.5	91.0	0.7	1

OIL FILTER > FILTRI OLIO > FILTRE À HUILE > ÖLFILTER > FILTROS DE ACEITE

UFI			A	B	C	D	E	F	G	H	BAR	R
23.194.00	O_005	965	86.7	61.5	71.5	89.6	-	-	M 20 X 1.5	73.0	0.7	1
23.195.00	O_005	965	86.7	61.5	71.5	89.6	-	-	M 20 X 1.5	60.0	0.7	1
23.196.00	O_005	965	76.0	62.0	72.0	79.0	-	-	M 20 X 1.5	101.5	1	1
23.197.00	O_005	965	76.0	61.0	71.0	78.0	-	-	13/16-16 UN	92.0	1.2	-
23.198.00	O_006	965	86.7	61.5	71.5	89.6	-	-	M 20 X 1.5	141.0	1.2	1
23.200.00	O_006	965	86.7	61.5	71.5	89.6	-	-	M 20 X 1.5	119.0	1.2	1
23.209.00	O_006	965	108.0	62.0	72.0	109.0	-	-	3/4-16 UNF	114.5	1.2	2
23.210.00	O_005	965	80.0	56.0	62.0	82.0	-	-	3/4-16 UNF	102.0	1.0	1
23.211.00	O_005	965	96.0	62.0	72.0	97.0	-	-	3/4-16 UNF	110.0	-	-
23.212.00	O_006	965	76.0	61.0	71.0	78.0	-	-	M 20 X 1.5	149.0	1.6	1
23.213.00	O_005	965	76.0	56.0	66.0	79.0	-	-	3/4-16 UNF	101.5	1.2	1
23.231.00	O_006	965	91.0	57.0	64.0	93.0	-	-	M 20 X 1.5	132.0	0.7	1
23.232.00	O_006	965	102.0	87.0	98.0	108.0	-	-	M 20 X 1.5	127.5	0.8	1
23.234.00	O_006	965	90.0	76.0	87.0	93.5	-	-	M 20 X 1.5	126.0	0.7	1
23.236.00	O_006	965	106.0	66.5	73.5	112.0	-	-	1-12 UNF	131.0	-	1
23.237.00	O_006	965	102.0	59.0	71.0	105.5	-	-	M 26 X 1.5	135.0	1	1
23.238.00	O_006	965	93.0	54.0	64.0	98.0	-	-	1-12 UNF	175.0	-	1
23.240.00	O_005	965	80.0	55.0	64.0	83.5	-	-	3/4-16 UNF	106.5	-	1
23.241.00	O_006	965	96.0	62.0	72.0	97.0	-	-	3/4-16 UNF	140.0	2.5	1
23.242.00	O_005	965	76.0	61.0	71.0	78.0	-	-	3/4-16 UNF	96.5	1.2	1
23.243.00	O_005	965	82.0	55.0	63.0	82.0	-	-	M 20 X 1.5	99.5	1.0	1
23.244.00	O_006	965	93.0	66.5	72.5	96.8	-	-	1-12 UNF	132.0	-	1
23.246.00	O_005	965	93.0	63.0	71.0	94.0	-	-	13/16-16 UN	98.0	1.0	-
23.248.00	O_006	965	102.0	71.0	79.0	104.0	-	-	M 24 X 1.5	121.5	1.0	1
23.249.00	O_006	965	76.0	61.0	71.0	78.0	-	-	3/4-16 UNF	123.0	1.6	2
23.251.00	O_005	965	65.5	52.0	62.0	69.0	-	-	3/4-16 UNF	90.5	1	1
23.253.00	O_005	965	74.0	63.0	70.5	76.5	-	-	3/4-16 UNF	86.5	1.0	1
23.254.00	O_005	965	76.0	61.5	71.5	79.0	-	-	13/16-16 UN	91.0	1.2	1
23.255.00	O_005	965	68.0	56.0	65.0	71.5	-	-	3/4-16 UNF	66.5	1	1
23.256.00	O_006	965	93.0	62.0	72.0	97.0	-	-	3/4-16 UNF	128.0	-	1
23.257.00	O_005	965	91.0	61.5	71.5	93.3	-	-	3/4-16 UNF	81.0	1.2	1
23.258.00	O_005	965	68.0	56.0	64.0	72.0	-	-	M 20 X 1.5	66.0	1.0	1
23.259.00	O_005	965	80.0	54.0	62.0	83.5	-	-	M 20 X 1.5	71.0	1	-
23.260.00	O_005	965	68.0	57.5	65.5	72.0	-	-	M 20 X 1.5	85.5	1	2
23.262.00	O_005	965	76.0	61.0	71.0	78.0	-	-	M 20 X 1.5	61.5	1.6	1
23.263.00	O_005	965	65.0	56.0	62.0	68.5	-	-	3/4-16 UNF	75.0	1	1
23.264.00	O_005	965	100.0	71.0	79.0	104.0	-	-	M 24 X 1.5	87.5	1.0	1
23.265.00	O_005	965	68.0	56.0	64.0	72.0	-	-	M 20 X 1.5	87.5	1.0	1
23.266.00	O_005	965	65.5	55.0	62.0	69.0	-	-	3/4-16 UNF	91.0	-	1
23.267.00	O_005	965	76.0	61.5	71.5	78.3	-	-	3/4-16 UNF	74.0	1.2	1
23.270.00	O_005	965	80.0	54.8	64.0	83.0	-	-	3/4-16 UNF	79.0	0.7	1
23.271.00	O_005	965	80.0	57.0	64.0	81.0	-	-	M 20 X 1.5	76.5	1.0	1
23.272.00	O_006	965	80.0	53.5	61.5	84.0	-	-	M 20 X 1.5	121.5	0.8	1
23.273.00	O_005	965	90.0	75.5	86.5	94.0	-	-	M 20 X 1.5	102.0	1.0	1
23.274.00	O_006	965	89.0	76.0	87.0	94.0	-	-	M 26 X 1.5	127.0	1	1
23.278.00	O_005	965	76.0	61.5	71.5	78.3	-	-	M 18 X 1.5	101.0	-	-
23.279.00	O_005	965	91.0	61.5	71.5	93.3	-	-	M 20 X 1.5	81.0	1.2	1
23.280.00	O_005	965	93.0	77.0	88.5	95.5	-	-	M 22 X 1.5	98.5	1	1
23.281.00	O_006	965	86.7	61.5	71.5	89.6	-	-	M 20 X 1.5	91.0	1.2	2
23.282.00	O_005	965	76.0	63.5	71.5	77.5	-	-	3/4-16 UNF	77.0	2.5	1
23.284.00	O_005	965	76.0	61.0	71.0	78.0	-	-	M 20 X 1.5	75.5	1.6	1
23.293.00	O_005	965	76.0	62.0	72.0	78.3	-	-	M 20 X 1.5	91.0	1.6	1
23.295.00	O_006	965	76.0	61.0	71.0	78.0	-	-	M 20 X 1.5	123.0	1.2	1
23.297.00	O_005	965	96.0	62.0	72.0	97.0	-	-	3/4-16 UNF	110.0	1.2	1
23.298.00	O_005	965	76.0	61.0	71.0	78.0	-	-	3/4-16 UNF	80.5	1.2	1
23.299.00	O_005	965	76.0	61.0	71.0	78.0	-	-	M 18 X 1.5	75.0	-	-
23.303.00	O_006	965	108.3	61.5	71.5	110.0	-	-	3/4-16 UNF	141.0	2.5	1
23.313.00	O_006	965	96.5	61.5	71.5	98.0	-	-	3/4-16 UNF	97.0	1.4	-
23.401.00	O_005	965	76.0	61.5	71.5	78.3	-	-	M 20 X 1.5	91.0	1.2	1
23.402.00	O_005	965	86.7	61.5	71.5	89.6	-	-	M 20 X 1.5	91.0	0.7	1
23.404.00	O_006	965	76.0	61.0	71.0	78.0	-	-	3/4-16 UNF	149.0	2.2	1
23.413.00	O_005	965	76.0	61.0	71.0	78.0	-	-	3/4-16 UNF	92.0	1.2	-
23.414.00	O_005	965	76.0	61.0	71.0	78.0	-	-	M 20 X 1.5	102.5	1.6	1
23.415.00	O_005	965	76.0	61.0	71.0	78.0	-	-	M 20 X 1.5	71.0	1.6	1
23.416.00	O_005	965	76.0	61.0	71.0	78.0	-	-	3/4-16 UNF	80.5	1.2	1

OIL FILTER > FILTRI OLIO > FILTRE À HUILE > ÖLFILTER > FILTROS DE ACEITE

UFI			A	B	C	D	E	F	G	H	BAR	R
23.417.00	O_006	965	86.7	61.5	71.5	89.6	-	-	3/4-16 UNF	119.0	2.2	1
23.418.00	O_005	965	76.0	61.5	71.5	78.3	-	-	M 20 X 1.5	52.0	1.35	1
23.419.00	O_005	965	96.5	61.5	71.5	98.3	-	-	M 20 X 1.5	70.0	1.2	-
23.424.00	O_005	965	65.0	52.0	62.0	69.0	-	-	M 20 X 1.5	72.0	1.3	1
23.425.00	O_005	965	93.0	62.5	71.5	94.5	-	-	3/4-16 UNF	111.5	2.5	1
23.428.00	O_005	965	75.0	62.0	72.0	77.0	-	CH. 27	3/4-16 UNF	95.0	2.0	1
23.429.00	O_006	965	86.7	61.5	71.5	89.6	-	-	3/4-16 UNF	141.0	2.2	1
23.434.00	O_005	965	91.0	62.0	72.0	93.0	-	-	M 20 X 1.5	80.0	1.6	1
23.435.00	O_005	965	76.0	61.0	71.0	78.0	-	-	3/4-16 UNF	92.0	1.2	1
23.436.00	O_006	965	76.0	61.0	71.0	78.0	-	-	3/4-16 UNF	123.0	2.2	1
23.438.00	O_005	965	65.0	54.0	62.0	68.0	-	-	M 20 X 1.5	85.0	0.7	1
23.439.00	O_005	965	76.0	61.0	71.0	78.0	-	-	M 20 X 1.5	92.0	1.6	1
23.440.00	O_006	965	76.0	61.0	71.0	78.0	-	-	3/4-16 UNF	123.0	1.2	1
23.444.00	O_005	965	76.0	61.0	71.0	78.0	-	-	3/4-16 UNF	102.5	1.6	2
23.445.00	O_005	965	76.0	61.0	71.0	78.0	-	-	3/4-16 UNF	102.5	1.6	1
23.447.00	O_005	965	76.0	61.0	71.0	78.0	-	-	3/4-16 UNF	87.5	1.6	2
23.448.00	O_005	965	76.0	61.0	71.0	78.0	-	-	3/4-16 UNF	87.5	1.6	1
23.449.00	O_005	965	76.0	61.0	71.0	78.0	-	-	M 20 X 1.5	87.5	1.6	1
23.452.00	O_005	965	68.0	56.0	64.0	70.5	-	-	M 20 X 1.5	76.5	1.0	1
23.453.00	O_005	965	76.0	62.0	71.0	80.0	-	CH. 30	3/4-16 UNF	92.0	2.5	1
23.455.00	O_005	965	76.0	61.5	71.5	78.3	-	-	M 20 X 1.5	62.0	1.2	1
23.457.00	O_006	965	96.0	62.0	72.0	97.0	-	-	M 22 X 1.5	140.0	1.6	1
23.458.00	O_005	965	91.0	62.0	72.0	93.0	-	-	M 20 X 1.5	101.0	1.6	1
23.459.00	O_006	965	93.0	62.5	71.0	96.0	-	-	3/4-16 UNF	142.0	2.5	1
23.460.00	O_005	965	86.0	62.0	72.0	89.0	-	-	M 20 X 1.5	60.0	1.6	1
23.461.00	O_005	965	80.5	57.0	65.0	81.5	-	-	M 20 X 1.5	76.0	1.0	1
23.462.00	O_006	965	76.0	62.0	72.0	78.0	-	CH. 27	3/4-16 UNF	129.5	2.5	1
23.463.00	O_005	965	93.0	62.0	72.0	95.0	-	-	M 22 X 1.5	101.0	1	1
23.464.00	O_006	965	76.0	62.0	71.0	80.0	-	-	M 24 X 2	190.0	2.5	1
23.465.00	O_006	965	93.0	62.0	71.0	96.0	-	-	3/4-16 UNF	114.0	3	1
23.470.00	O_005	965	66.0	55.0	63.0	69.5	-	-	M 20 X 1.5	61.0	1.3	-
23.471.00	O_006	965	96.0	62.0	72.0	97.0	-	-	M 22 X 1.5	174.0	2.5	1
23.472.00	O_006	965	94.0	62.0	72.0	97.0	-	-	M 26 X 1.5	120.5	1.0	1
23.473.00	O_006	965	76.0	62.0	72.0	78.0	-	-	3/4-16 UNF	119.5	1.6	1
23.474.00	O_006	965	76.0	62.0	71.0	80.0	-	-	1-12 UNF	119.0	1	1
23.475.00	O_006	965	102.0	59.5	71.0	106.0	-	-	M 26 X 1.5	150.0	1	-
23.476.00	O_005	965	100.0	71.0	79.0	104.0	-	-	M 24 X 1.5	105.5	1.0	1
23.477.00	O_005	965	74.0	60.0	70.0	76.0	-	-	3/4-16 UNF	98.0	1.0	1
23.478.00	O_005	965	76.0	62.0	72.0	78.0	-	-	M 20 X 1.5	101.0	-	-
23.479.00	O_005	965	68.0	57.0	64.0	71.0	-	-	M 20 X 1.5	85.0	1	1
23.481.00	O_005	965	76.0	62.0	72.0	78.0	-	-	M 20 X 1.5	63.5	2.0	1
23.482.00	O_005	965	136.0	100.0	111.0	140.0	-	-	1 1/2-16 UNF	82.0	1.4	1
23.483.00	O_006	965	76.0	62.0	71.0	80.0	-	-	13/16-16 UN	123.0	1	-
23.484.00	O_005	965	66.0	54.0	62.0	69.0	-	-	M 20 X 1.5	71.0	1.0	1
23.485.00	O_005	965	76.0	56.0	64.0	79.5	-	-	M 20 X 1.5	66.0	1.0	1
23.486.00	O_006	965	94.0	62.0	72.0	98.0	-	-	M 26 X 1.5	135.0	1	1
23.488.00	O_006	965	93.0	66.5	73.5	97.0	-	-	1-12 UNF	131.0	1.0	1
23.489.00	O_005	965	94.0	62.0	72.0	95.0	-	-	M 22 X 1.5	71.0	2.5	1
23.493.00	O_006	965	76.0	49.0	60.0	78.5	-	-	M 27 X 1.5	143.0	2.5	2
23.494.00	O_005	965	76.0	32.5	57.5	79.0	-	-	3/4-16 UNF	96.0	2.0	2
23.495.00	O_005	965	93.0	62.0	71.0	96.0	-	-	13/16-16 UN	78.0	1.0	-
23.496.00	O_005	965	81.5	57.0	65.5	84.0	-	-	3/4-16 UNF	74.0	-	1
23.519.00	O_005	965	76.0	61.5	71.0	77.0	-	-	M 22 X 1.5	86.0	1.2	1
23.544.00	O_006	965	93.0	61.0	71.0	96.0	-	-	1-12 UNF	111.0	2.5	1
23.545.00	O_005	965	87.0	60.0	70.0	91.0	-	-	3/4-16 UNF	118.0	1.5	2
23.546.00	O_006	965	96.0	62.0	72.0	97.0	-	-	M 22 X 1.5	143.0	2.5	1
23.564.00	O_005	965	86.0	62.0	72.0	89.0	-	-	M 20 X 1.5	90.0	1.6	1
23.565.00	O_005	965	68.0	64.0	56.0	70.0	-	-	M 20 X 1.5	51.0	-	-
23.573.00	O_005	965	76.0	32.5	57.5	79.0	-	-	3/4-16 UNF	96.0	2.0	2
23.575.00	O_005	965	76.0	62.0	72.0	78.5	-	-	3/4-16 UNF	75.0	2.5	1
23.583.00	O_005	965	80.0	57.0	64.0	84.5	-	-	M 20 X 1.5	88.0	1.0	1
23.584.00	O_005	965	76.0	62.0	72.0	78.0	-	-	M 22 X 1.5	85.5	1.5	-
23.585.00	O_005	965	67.5	56.0	64.0	71.0	-	-	M 18 X 1.5	71.0	1.5	1
23.596.00	O_005	965	66.0	54.0	62.0	68.0	-	-	M 20 X 1.5	105.0	2.5	1
23.597.00	O_006	965	76.0	49.0	57.0	78.5	-	-	M 27 X 1.5	143.0	2.5	2

OIL FILTER > FILTRI OLIO > FILTRE À HUILE > ÖLFILTER > FILTROS DE ACEITE

UFI			A	B	C	D	E	F	G	H	BAR	R
23.615.00	O_005	965	85.0	63.0	71.0	90.0	-	-	3/4-16 UNF	146.0	1.0	2
23.616.00	O_006	965	68.0	56.0	64.0	71.0	-	-	M 20 X 1.5	65.0	1.0	-
23.617.00	O_005	965	68.0	56.0	64.0	71.0	-	-	M 20 X 1.5	86.0	1.5	1
23.628.00	O_006	965	76.0	62.0	72.0	78.3	-	-	M 20 X 1.5	79.0	1.0	1
23.632.00	O_006	965	76.0	62.5	71.0	78.5	-	-	3/4-16 UNF	85.5	1.2	1
23.650.00	O_006	965	76.0	62.5	69.6	76.0	-	-	M 22 X 1.5	74.9	1.8	1
23.652.00	O_006	965	80.5	68.0	76.0	85.0	-	-	M 26 X 1.5	102.0	1.0	1
23.660.00	O_006	965	76.0	62.0	72.0	78.5	-	-	M 20 X 1.5	89.0	2.5	2
23.664.00	O_006	965	76.0	62.5	71.6	78.0	-	-	M 22 X 1.5	92.4	1	1
23.687.00	O_006	965	76.0	63.0	72.0	79.0	-	-	M22X1.5-6H	79.0	1.6	1
23.717.00	O_006	965	76.0	62.0	71.0	77.5	-	-	M 20 X 1.5	87.0	SI	1
23.721.00	O_006	965	76.0	65.8	72.8	77.8	-	-	3/4"-16 UNF-2B	92.0	-	-
23.739.00	O_006	965	76.0	62.0	72.0	78.3	-	-	M 22 X 1.5 - 6H	101.0	1.2	1
25.001.00	O_003	965	63.5	29.0	29.0	-	-	-	-	116.0	-	-
25.002.00	O_003	965	63.5	29.0	29.0	-	-	-	-	116.0	-	-
25.003.00	O_003	965	63.5	29.0	29.0	-	-	-	-	116.0	-	-
25.004.00	O_003	965	82.0	42.0	42.0	-	-	-	-	104.0	-	-
25.008.00	O_003	965	65.0	25.0	25.0	-	-	-	-	103.0	-	-
25.009.00	O_003	965	83.0	36.0	36.0	-	-	-	-	161.5	-	-
25.010.00	O_003	965	83.0	36.0	21.0	-	-	-	-	111.5	-	-
25.011.00	O_003	965	65.0	20.0	20.0	-	-	-	-	154.0	-	-
25.012.00	O_003	965	62.0	9.8	29.0	-	-	-	-	86.5	-	-
25.013.00	O_003	965	63.5	29.0	29.0	-	-	-	-	116.0	-	-
25.014.00	O_003	965	52.0	21.0	21.0	-	-	-	-	77.0	-	-
25.015.00	O_003	965	92.0	33.5	33.5	-	-	-	-	61.0	-	-
25.017.00	O_003	965	63.0	21.0	30.0	-	-	-	-	79.0	-	-
25.018.00	O_003	965	75.0	22.0	22.0	-	-	-	-	79.0	-	-
25.019.00	O_003	965	73.0	15.0	36.0	-	-	-	-	199.0	-	-
25.021.00	O_003	965	63.5	31.0	31.0	-	-	-	-	155.0	-	-
25.022.00	O_003	965	52.5	24.0	24.0	-	-	-	-	87.0	-	-
25.023.00	O_004	965	72.0	29.0	16.0	-	-	-	-	141.0	-	-
25.024.00	O_003	965	61.0	35.0	10.0	-	-	-	-	89.0	-	-
25.026.00	O_003	965	73.0	30.5	30.5	-	-	-	-	104.0	-	-
25.027.00	O_003	965	72.5	31.2	31.2	-	-	-	-	94.0	-	-
25.028.00	O_003	965	72.5	31.2	31.2	-	-	-	-	80.5	-	-
25.029.00	O_003	965	65.0	32.0	32.0	-	-	-	-	62.0	-	-
25.030.00	O_003	965	67.5	28.0	28.0	-	-	-	-	79.0	-	-
25.031.00	O_004	965	67.2	22.0	28.0	39.0	-	-	-	100.0	-	-
25.032.00	O_004	965	60.0	22.5	14.5	-	-	-	-	141.0	-	-
25.033.00	O_003	965	91.5	34.0	34.0	-	-	-	-	92.5	-	-
25.034.00	O_003	965	72.0	18.0	25.0	-	-	-	-	82.0	-	-
25.035.00	O_003	965	52.5	22.0	22.0	-	-	-	-	54.8	-	-
25.037.00	O_003	965	65.0	25.5	19.5	72.0	-	-	-	99.0	-	-
25.038.00	O_003	965	83.0	25.0	39.0	83.0	-	-	-	160.0	-	-
25.039.00	O_003	965	64.0	31.0	31.0	-	-	-	-	125.0	-	-
25.040.00	O_003	965	63.5	31.0	31.0	-	-	-	-	125.0	-	-
25.041.00	O_003	965	63.5	31.0	31.0	-	-	-	-	135.0	-	-
25.043.00	O_003	965	64.5	26.5	26.5	-	-	-	-	83.0	-	-
25.047.00	O_003	965	65.0	9.5	30.0	-	-	-	-	75.0	-	-
25.048.00	O_003	965	65.0	32.3	32.3	-	-	-	-	150.0	-	-
25.049.00	O_003	965	63.5	31.0	31.0	-	-	-	-	74.0	-	-
25.050.00	O_003	965	46.0	21.3	21.3	-	-	-	-	158.0	-	-
25.052.00	O_003	965	73.0	25.5	25.5	-	-	-	-	75.5	-	-
25.053.00	O_003	965	62.0	30.0	30.0	-	-	-	-	118.5	-	-
25.054.00	O_003	965	64.0	31.0	31.0	-	-	-	-	115.0	-	-
25.056.00	O_003	965	65.0	26.0	26.0	-	-	-	-	75.0	-	-
25.058.00	O_003	965	74.5	40.0	40.0	-	-	-	-	79.0	-	-
25.059.00	O_003	965	64.0	31.0	31.0	-	-	-	-	115.0	-	-
25.060.00	O_003	965	65.0	24.0	24.0	-	-	-	-	69.5	-	-
25.061.00	O_004	965	66.0	24.7	47.6	-	-	-	-	105.0	-	-
25.063.00	O_003	965	57.0	27.0	27.0	-	-	-	-	89.5	-	-
25.064.00	O_003	965	57.0	21.0	23.0	-	-	-	-	105.5	-	-
25.065.00	O_003	965	66.0	31.5	31.5	-	-	-	-	153.0	-	-
25.066.00	O_003	965	82.5	25.4	28.6	88.8	-	-	-	151.0	-	-
25.067.00	O_003	965	52.3	22.2	22.2	-	-	-	-	116.0	-	-

OIL FILTER > FILTRI OLIO > FILTRE À HUILE > ÖLFILTER > FILTROS DE ACEITE

UFI			A	B	C	D	E	F	G	H	BAR	R
25.068.00	O_003	965	72.0	29.0	29.0	76.0	-	-	-	200.0	-	-
25.069.00	O_003	965	71.5	31.0	31.0	-	-	-	-	95.0	-	-
25.070.00	O_003	965	60.5	25.0	25.0	-	-	-	-	120.0	-	-
25.071.00	O_003	965	65.0	33.6	33.6	-	-	-	-	85.0	-	-
25.072.00	O_003	965	65.0	31.5	31.5	-	-	-	-	115.0	-	-
25.073.02	O_004	965	71.0	28.0	25.0	75.0	-	-	-	143.5	-	-
25.074.00	O_003	965	64.0	32.0	32.0	-	-	-	-	94.0	-	-
25.075.00	O_004	965	71.5	32.0	32.0	-	-	-	-	110.0	-	-
25.077.00	O_003	965	70.0	28.0	28.0	-	-	-	-	82.0	-	-
25.080.00	O_003	965	66.0	31.5	31.5	-	-	-	-	153.0	-	-
25.082.00	O_004	965	64.0	24.5	28.0	44.0	-	-	-	161.5	-	-
25.083.00	O_004	965	72.0	24.7	36.0	-	-	-	-	100.5	-	-
25.084.00	O_003	965	63.5	26.0	26.0	63.5	-	-	-	172.0	-	-
25.085.00	O_003	965	71.5	31.0	31.0	-	-	-	-	92.0	-	-
25.086.00	O_003	965	62.0	28.0	28.0	-	-	-	-	56.5	-	-
25.088.00	O_004	965	66.0	26.0	-	-	-	-	-	126.0	-	-
25.089.00	O_004	965	81.0	24.5	-	-	-	-	-	119.0	-	-
25.090.00	O_004	965	68.0	24.5	36.5	-	-	-	-	119.0	-	-
25.091.00	O_003	965	65.0	21.0	21.0	-	-	-	-	82.0	-	-
25.093.00	O_004	965	66.0	24.7	47.6	-	-	-	-	105.0	-	-
25.094.00	O_003	965	57.5	24.5	24.5	-	-	-	-	112.0	-	-
25.095.00	O_003	965	83.0	35.0	35.0	-	-	-	-	170.0	-	-
25.096.00	O_003	965	63.5	28.5	31.0	63.5	-	-	-	155.0	-	-
25.099.00	O_003	965	84.0	23.5	23.5	-	-	-	-	133.0	-	-
25.105.00	O_003	965	72.0	28.6	28.6	76.0	-	-	-	200.0	-	-
25.106.00	O_003	965	65.0	22.0	21.0	-	-	-	-	101.0	-	-
25.108.00	O_003	965	91.0	35.0	-	-	-	-	-	123.5	-	-
25.110.00	O_004	965	73.0	22.0	24.0	-	-	-	-	104.5	-	-
25.112.00	O_004	965	66.0	24.7	43.0	-	-	-	-	125.0	-	-
25.115.00	O_003	965	65.0	28.0	21.0	-	-	-	-	76.0	-	-
25.116.00	O_003	965	60.0	28.5	28.5	-	-	-	-	54.5	-	-
25.118.00	O_004	965	61.0	21.0	23.5	39.0	-	-	-	123.5	-	-
25.128.00	O_003	965	65.0	25.5	19.5	72.0	-	-	-	99.0	-	-
25.139.00	O_004	965	66.0	26.0	37.0	-	-	-	-	97.0	-	-
25.141.00	O_003	965	71.0	28.5	28.5	76.0	-	-	-	128.0	-	-
25.142.00	O_003	965	53.0	-	-	53.0	-	-	-	133.6	-	-
25.143.00	O_003	965	64.5	25.5	19.5	68.5	-	-	-	128.5	-	-
25.144.00	O_003	965	65.0	21.0	27.0	65.0	-	-	-	103.0	-	-
25.145.00	O_004	965	91.5	20.5	-	-	-	-	-	63.0	-	-
25.146.00	O_003	965	75.0	36.0	41.0	75.0	-	-	-	78.0	-	-
25.148.00	O_003	965	53.5	21.0	21.0	53.5	-	-	-	157.0	-	-
25.149.00	O_004	965	61.0	29.0	23.0	-	-	-	-	133.5	-	-
25.150.00	O_003	965	68.0	27.0	27.0	-	-	-	-	67.0	-	-
25.151.00	O_003	965	65.0	19.0	19.0	-	-	-	-	104.0	-	-
25.152.00	O_003	965	78.0	38.0	38.0	-	-	-	-	95.0	-	-
25.153.00	O_003	965	52.0	25.0	25.0	-	-	-	-	111.0	-	-
25.154.00	O_003	965	64.0	30.0	30.0	-	-	-	-	125.0	-	-
25.155.00	O_003	965	46.5	21.5	21.5	-	-	-	-	157.0	-	-
25.159.00	O_003	965	66.0	31.5	31.5	-	-	-	-	115.0	-	-
25.160.00	O_004	965	53.5	26.0	20.5	-	-	-	-	130.0	-	-
25.162.00	O_003	965	62.0	21.0	-	-	-	-	-	159.5	-	-
25.163.00	O_003	965	53.5	18.5	18.5	-	-	-	-	97.5	-	-
25.164.00	O_003	965	66.0	31.5	31.5	-	-	-	-	81.5	-	-
25.165.00	O_003	965	60.0	30.5	30.5	-	-	-	-	113.0	-	-
25.166.00	O_003	965	64.5	20.0	20.0	-	-	-	-	132.0	-	-
25.167.00	O_003	965	64.5	25.5	25.5	72.0	-	-	-	142.5	-	-
25.168.00	O_003	965	72.0	28.5	28.5	76.0	-	-	-	200.0	-	-
25.170.00	O_003	965	57.5	24.0	24.0	-	-	-	-	111.5	-	-
25.171.00	O_003	965	74.5	40.0	40.0	-	-	-	-	79.0	-	-
25.172.00	O_004	965	65.5	27.0	16.5	-	-	-	-	166.0	-	-
25.173.01	O_004	965	82.0	23.5	48.5	-	-	-	-	93.0	-	-
25.177.00	O_003	965	83.0	40.0	40.0	-	-	-	-	104.0	-	-
25.178.00	O_003	965	71.0	28.5	31.0	65.0	-	-	-	86.5	-	-
25.179.00	O_003	965	75.0	36.0	41.0	75.0	-	-	-	78.0	-	-
25.180.00	O_003	965	64.0	31.0	31.0	-	-	-	-	123.0	-	-

OIL FILTER > FILTRI OLIO > FILTRE À HUILE > ÖLFILTER > FILTROS DE ACEITE

UFI			A	B	C	D	E	F	G	H	BAR	R
25.183.00	O_004	965	56.0	26.5	-	-	-	-	-	101.0	2.2	-
25.185.00	O_004	965	53.0	26.0	20.0	53.0	-	-	-	125.0	-	-
25.186.00	O_003	965	65.0	19.5	15.5	-	-	-	-	124.0	-	-
25.187.00	O_003	965	65.0	25.5	19.5	72.0	-	-	-	99.0	-	-
25.188.00	O_003	965	53.0	20.0	16.0	56.0	-	-	-	133.5	-	-
25.190.00	O_004	965	66.0	26.0	37.0	-	-	-	-	109.0	-	-
25.191.00	O_003	965	63.5	31.0	31.0	-	-	-	-	69.0	-	-
25.196.00	O_003	965	70.5	28.0	28.0	-	-	-	-	67.0	-	-
25.197.00	O_004	965	92.0	34.0	16.0	-	-	-	-	142.0	-	-
25.198.00	O_003	965	65.5	24.5	24.5	-	-	-	-	140.5	-	-
25.199.00	O_003	965	57.0	9.5	22.0	-	-	-	-	106.0	-	-
25.201.00	O_003	965	75.2	28.6	28.6	75.2	-	-	-	110.1	-	-
25.204.00	O_003	965	57.0	21.0	24.5	-	-	-	-	146.5	-	-
25.210.00	O_003	965	83.0	35.0	35.0	-	-	-	-	108.0	-	-
25.211.00	O_003	965	53.0	30.0	24.0	54.5	-	-	-	124.0	-	-
25.213.00	O_003	965	66.5	31.7	31.7	-	-	-	-	184.0	-	-
25.216.00	O_003	965	63.5	23.5	31.0	63.5	-	-	-	75.0	-	-
25.219.00	O_003	965	62.0	24.5	18.5	-	-	-	-	100.0	-	-
25.223.00	O_003	965	57.0	22.0	22.0	-	-	-	-	100.0	-	-
25.225.00	O_003	965	57.0	21.0	21.0	-	-	-	-	105.0	-	-
25.226.00	O_003	965	65.5	25.5	19.0	72.0	-	-	-	122.5	-	-
25.232.00	O_003	965	73.5	41.7	-	-	-	-	-	79.0	-	-
25.247.00	O_003	965	64.0	31.0	31.0	-	-	-	-	105.0	-	-
25.248.00	O_003	965	52.0	9.5	21.0	-	-	-	-	138.0	-	-
25.249.00	O_003	965	49.0	25.0	25.0	-	-	-	-	93.5	-	-
25.251.00	O_004	965	50.5	26.5	12.3	-	-	-	-	156.0	-	-
25.253.00	O_003	965	65.1	24.4	20.9	65.1	-	-	-	85.0	-	-
25.257.00	O_003	965	69.0	32.0	34.0	-	-	-	-	146.0	-	-
25.402.01	O_001	965	69.0	21.0	21.0	-	-	-	-	115.0	-	-
25.406.01	O_001	965	58.5	18.0	18.0	-	-	-	-	101.0	-	-
25.407.01	O_001	965	69.0	33.5	33.5	-	-	-	-	155.0	-	-
25.408.00	O_001	965	69.5	33.6	33.6	-	-	-	-	142.0	-	-
25.409.01	O_001	965	69.0	33.5	33.5	-	-	-	-	109.0	-	-
25.413.00	O_001	965	69.0	33.5	33.5	-	-	-	-	85.0	-	-
25.419.00	O_001	965	73.0	22.0	22.0	-	-	-	-	82.0	-	-
25.421.00	O_001	965	94.0	33.0	33.0	-	-	-	-	99.0	-	-
25.439.00	O_001	965	84.0	26.0	26.0	-	-	-	-	154.0	-	-
25.443.00	O_001	965	95.0	32.5	32.5	-	-	-	-	74.0	-	-
25.455.00	O_001	965	95.0	33.5	33.5	-	-	-	-	116.0	-	-
25.455.01	O_001	965	95.0	33.5	33.5	-	-	-	-	116.0	-	-
25.499.00	O_001	965	89.0	11.5	24.5	92.0	-	-	-	195.0	-	-
25.499.01	O_001	965	89.0	11.5	24.5	92.0	-	-	-	195.0	-	-
25.503.00	O_001	965	69.0	30.0	30.0	-	-	-	-	217.0	-	-
25.528.00	O_001	965	89.0	11.5	24.5	92.0	-	-	-	168.0	-	-
25.530.00	O_001	965	59.0	9.5	19.5	-	-	-	-	105.5	-	-
25.530.01	O_001	965	59.0	9.5	19.5	-	-	-	-	106.5	-	-
25.539.00	O_001	965	82.0	27.5	27.5	-	-	-	-	128.0	-	-
25.540.00	O_001	965	82.0	27.5	27.5	-	-	-	-	192.5	-	-
25.541.00	O_001	965	82.0	27.5	27.5	-	-	-	-	88.0	-	-
25.548.00	O_001	965	82.0	28.5	28.5	-	-	-	-	110.0	-	-
25.555.00	O_001	965	89.0	27.5	27.5	-	-	-	-	157.0	-	-
25.587.00	O_002	965	83.0	27.5	27.5	-	-	-	-	124.0	-	-
25.590.00	O_002	965	83.5	23.0	18.0	-	-	-	-	105.5	-	-
25.607.00	O_001	965	95.0	24.5	24.5	-	-	-	-	85.0	-	-
25.901.00	O_005	965	78.0	6.0	8.0	-	-	-	-	68.0	-	-

FUEL FILTER > FILTRI CARBURANTE > CARBURANT > KRAFTSTOFF > FILTROS DE COMBUSTIBLE

21.050.00	F_016	966	65.0	13.0	13.0	-	-	-	-	115.0	-	-
21.061.00	F_016	966	65.0	13.0	13.0	-	-	-	-	114.5	-	-
24.001.00	F_003	965	76.3	-	-	-	-	10.0	10.0	216.0	-	-
24.002.00	F_003	965	108.0	-	-	-	-	10.0	10.0	110.0	-	-
24.003.00	F_003	965	84.5	-	-	88.0	-	8.0	8.0	139.0	-	-
24.004.00	F_003	965	80.0	-	-	88.0	-	8.0	8.0	134.0	-	-
24.005.00	F_003	965	86.5	-	-	-	-	10.0	-	100.0	-	-
24.006.00	F_003	965	86.5	-	-	-	-	10.0	-	100.0	-	-
24.007.00	F_003	965	86.5	-	-	-	-	10.0	-	100.0	-	-
24.012.00	F_005	965	80.5	62.5	70.0	85.0	-	M 10 X 1.5	M 16 X 1.5	141.0	-	-
24.013.00	F_004	965	-	-	-	113.0	-	8.0	8.0	189.0	-	-
24.014.00	F_004	965	-	-	-	113.0	-	8.0	8.0	189.0	-	-
24.015.00	F_004	965	108.0	-	-	-	-	10.0	10.0	134.0	-	-
24.016.00	F_003	965	88.0	-	-	-	-	7.89	7.89	134.0	-	-
24.017.00	F_005	965	80.0	57.0	63.0	84.0	-	M 36 X 1.5	3/4-16 UNF	176.5	-	-
24.018.01	F_013	966	95.0	-	-	101.0	-	10.0	10.0	186.5	-	-
24.020.01	F_013	966	95.0	-	-	98.0	-	10.0	10.0	150.0	-	-
24.025.01	F_013	966	93.0	-	-	98.0	-	10.0	10.0	144.5	-	-
24.026.01	F_013	966	93.0	-	-	98.0	-	10.0	10.0	122.5	-	-
24.027.00	F_004	965	123.6	112.0	-	-	-	-	10.0	123.0	-	-
24.030.00	F_003	965	76.0	-	-	80.0	-	9.5	9.5	175.0	-	-
24.033.00	F_003	965	80.0	-	-	88.0	-	7.9	7.9	109.0	-	-
24.050.00	F_004	965	-	-	-	113.0	-	8.0	8.0	187.0	-	-
24.051.00	F_004	965	-	-	-	113.0	-	8.0	8.0	187.0	-	-
24.052.00	F_004	965	-	-	-	113.0	-	8.0	8.0	187.0	-	-
24.061.01	F_013	966	93.0	-	-	98.0	-	10.0	10.0	157.0	-	-
24.072.00	F_003	965	80.0	-	-	87.5	-	10.0	10.0	184.5	-	-
24.073.00	F_003	965	90.0	-	-	-	-	10.0	10.0	111.0	-	-
24.077.00	F_003	965	86.5	-	-	92.0	-	10.0	8.0	125.0	-	-
24.080.00	F_013	966	86.5	-	-	91.0	-	8.0	8.0	171.0	-	-
24.080.01	F_013	966	86.5	-	-	91.0	-	8.0	8.0	171.0	-	-
24.081.00	F_005	965	89.0	64.0	72.0	97.5	-	-	3/4-16 UNF	144.0	-	-
24.082.00	F_005	965	89.0	64.0	72.0	97.5	-	M 36 X 1.5	3/4-16 UNF	127.5	-	-
24.086.00	F_004	965	-	-	-	105.0	-	8.0	8.0	168.0	-	-
24.087.00	F_004	965	-	-	-	138.5	-	8.0	8.0	188.0	-	-
24.088.00	F_004	965	-	-	-	138.5	-	8.0	8.0	188.0	-	-
24.093.00	F_003	965	93.0	-	-	98.0	-	10.0	10.0	138.0	-	-
24.095.00	F_013	966	93.0	-	-	98.0	-	10.0	10.0	157.0	-	-
24.095.01	F_013	966	93.0	-	-	98.0	-	10.0	10.0	157.0	-	-
24.095.04	F_013	966	93.0	-	-	98.0	-	10.0	10.0	157.0	-	-
24.098.00	F_004	965	-	-	-	113.0	-	8.0	8.0	187.0	-	-
24.099.00	F_003	965	84.5	-	-	90.5	-	7.9	9.5	180.0	-	-
24.104.01	F_013	966	86.5	-	-	91.0	-	8.0	8.0	171.0	-	-
24.106.00	F_003	965	88.0	-	-	-	-	7.89	7.89	134.0	-	-
24.107.00	F_003	965	86.5	-	-	92.0	-	10.0	8.0	126.0	-	-
24.111.00	F_003	965	87.0	-	-	91.5	-	10.0	8.0	117.5	-	-
24.112.00	F_003	965	87.0	-	-	91.5	-	10.0	8.0	135.0	-	-
24.113.00	F_003	965	93.5	-	-	98.0	-	10.0	10.0	146.0	-	-
24.114.00	F_003	965	90.0	20.0	-	95.0	-	10.0	10.0	126.0	-	-
24.115.00	F_003	965	80.3	-	-	-	-	10.0	10.0	207.0	-	-
24.116.00	F_003	965	80.3	-	-	-	-	10.0	10.0	207.0	-	-
24.117.00	F_003	965	90.0	-	-	-	-	10.0	10.0	158.0	-	-
24.119.00	F_005	965	102.0	65.0	72.0	104.0	-	M 36 X 1.5	M 20 X 1.5	107.0	-	-
24.122.00	F_005	965	80.0	61.5	71.0	86.0	-	M 12 X 1.25	M 16 X 1.5	141.5	-	-
24.123.00	F_005	965	83.0	62.5	70.0	85.0	-	M 10 X 1.5	M 16 X 1.5	139.0	-	-
24.126.00	F_003	965	76.5	-	-	-	-	8.0	8.0	162.0	-	-
24.127.00	F_005	965	96.5	-	-	-	-	-	-	125.0	-	-
24.128.00	F_005	965	96.5	-	-	-	-	-	-	109.0	-	-
24.129.00	F_003	965	95.0	-	-	-	-	-	-	160.0	-	-
24.130.00	F_003	965	80.5	-	-	86.5	-	M 12 X 1.5	9.89	160.0	-	-
24.131.00	F_003	965	80.5	-	-	86.5	-	9.89	9.89	187.0	-	-
24.132.00	F_004	965	-	-	-	113.0	-	8.0	8.0	187.0	-	-
24.133.00	F_003	965	80.5	-	-	86.5	-	9.9	9.9	181.0	-	-
24.144.00	F_004	965	-	-	-	94.5	-	10.0	10.0	221.0	-	-
24.145.00	F_004	965	-	-	-	95.0	-	10.0	10.0	221.0	-	-
24.147.00	F_003	965	93.0	-	-	97.5	-	10.0	10.0	147.0	-	-

FUEL FILTER > FILTRI CARBURANTE > CARBURANT > KRAFTSTOFF > FILTROS DE COMBUSTIBLE

UFI			A	B	C	D	E	F	G	H	BAR	R
24.148.00	F_013	966	87.0	-	-	-	-	10.0	8.0	100.0	-	-
24.149.00	F_013	966	87.0	-	-	-	-	10.0	8.0	100.0	-	-
24.150.00	F_013	966	87.0	-	-	-	-	10.0	8.0	100.0	-	-
24.151.00	F_013	966	87.0	-	-	-	-	10.0	8.0	100.0	-	-
24.156.00	F_003	965	-	-	-	-	-	-	-	150.0	-	-
24.160.00	F_003	965	95.0	-	-	99.5	-	M 12 X 1.5	9.89	160.0	-	-
24.186.00	F_003	965	94.2	-	-	-	-	10.0	10.0	147.2	-	-
24.187.00	F_003	965	-	-	-	94.2	-	10.0	10.0	147.2	-	-
24.188.00	F_003	965	80.5	-	-	86.5	-	9.89	9.89	187.0	-	-
24.190.00	F_003	965	80.5	-	-	87.0	-	10.0	10.0	187.0	-	-
24.193.00	F_013	966	86.3	-	-	-	-	10.0	8.0	100.0	-	-
24.194.00	F_013	966	86.3	-	-	-	-	10.0	8.0	100.0	-	-
24.196.00	F_005	965	90.0	57.0	63.5	93.0	-	M 36 X 1.5	3/4-16 UNF	120.0	-	-
24.304.00	F_005	965	76.0	61.0	71.0	78.0	-	-	M 16 X 1.5	92.0	-	-
24.304.01	F_005	965	76.0	61.0	71.0	78.0	-	-	M 16 X 1.5	92.0	-	-
24.319.01	F_005	965	81.0	61.0	71.0	-	-	-	M 14 X 1.5	92.0	-	-
24.321.00	F_005	965	86.7	62.0	72.0	89.6	-	-	M 16 X 1.5	102.0	-	-
24.324.00	F_005	965	78.0	61.0	71.0	-	-	-	M 16 X 1.5	75.0	-	-
24.326.00	F_005	965	80.0	54.0	63.0	-	-	-	M 20 X 1.5	80.0	-	-
24.327.00	F_005	965	80.0	56.5	64.5	84.0	-	M 10 X 1.5	3/4-16 UNF	116.0	-	-
24.331.00	F_005	965	97.0	-	-	-	-	M 80 X 2.5	1-14 UNS	103.0	-	-
24.338.00	F_005	965	111.0	-	-	-	-	M 95 X 2.5	1-14 UNS	75.0	-	-
24.339.00	F_005	965	80.0	54.0	64.5	-	-	M 22 X 1.5	M 20 X 1.5	121.0	-	-
24.343.00	F_004	965	108.0	-	-	-	-	10.0	10.0	134.0	-	-
24.344.00	F_005	965	81.0	61.5	70.0	-	-	-	M 16 X 1.5	163.0	-	-
24.350.00	F_005	965	81.0	62.5	70.0	85.0	-	-	M 16 X 1.5	115.5	-	-
24.350.01	F_005	965	81.0	62.5	70.0	85.0	-	-	M 16 X 1.5	113.5	-	-
24.350.02	F_005	965	81.0	62.5	70.0	85.0	-	-	M 16 X 1.5	115.5	-	-
24.351.00	F_005	965	81.0	62.5	70.0	85.0	-	-	M 16 X 1.5	152.0	-	-
24.351.01	F_005	965	81.0	62.5	70.0	85.0	-	-	M 16 X 1.5	152.0	-	-
24.352.00	F_005	965	76.0	61.0	71.0	78.5	-	-	M 16 X 1.5	75.0	-	-
24.360.00	F_005	965	84.0	19.2	17.0	88.0	-	-	-	71.5	-	-
24.360.01	F_005	965	84.0	19.0	36.5	88.0	-	-	-	71.0	-	-
24.361.00	F_005	965	84.0	19.2	17.0	88.0	-	-	-	112.5	-	-
24.362.00	F_002	965	84.0	19.0	19.0	-	-	-	-	72.0	-	-
24.365.00	F_003	965	80.0	-	-	-	-	8.0	8.0	152.5	-	-
24.365.01	F_003	965	80.0	-	-	-	-	8.0	8.0	152.5	-	-
24.366.00	F_005	965	90.0	65.0	73.0	98.5	-	M 36 X 1.5	M 20 X 1.5	139.0	-	-
24.368.00	F_005	965	76.0	56.0	66.0	78.0	-	M 22 X 1.5	M 20 X 1.5	121.0	-	-
24.370.00	F_005	965	76.0	56.0	66.0	78.0	-	-	3/4-16 UNF	91.0	-	-
24.371.00	F_005	965	84.5	80.5	89.0	-	-	-	15.5	161.0	-	-
24.374.00	F_005	965	90.0	56.0	63.0	94.0	-	M 36 X 1.5	3/4-16 UNF	141.0	-	-
24.375.00	F_005	965	89.0	65.0	73.0	98.5	-	M 36 X 1.5	3/4-16 UNF	137.5	-	-
24.379.00	F_005	965	83.0	62.0	70.5	-	-	M 12 X 1.5	M 16 X 1.5	186.5	-	-
24.379.01	F_005	965	83.0	62.0	70.5	85.0	-	M 10 X 1.5	M 16 X 1.5	186.5	-	-
24.380.00	F_005	965	81.0	62.5	70.0	-	-	M 45 X 1.5	M 16 X 1.5	186.0	-	-
24.381.00	F_005	965	83.0	62.0	70.5	-	-	-	M 16 X 1.5	186.5	-	-
24.382.00	F_003	965	80.0	-	-	-	-	8.0	8.0	153.0	-	-
24.383.00	F_005	965	81.0	62.5	70.0	85.0	-	-	M 16 X 1.5	123.0	-	-
24.384.00	F_005	965	76.0	61.0	71.0	78.5	-	-	M 16 X 1.5	108.5	-	-
24.388.00	F_005	965	78.0	19.0	19.0	-	-	-	-	86.5	-	-
24.389.00	F_005	965	80.0	19.0	19.0	-	-	-	-	86.5	-	-
24.390.00	F_005	965	80.0	19.0	19.0	-	-	-	-	61.0	-	-
24.391.00	F_003	965	80.0	-	-	-	-	8.1	8.1	176.5	-	-
24.392.00	F_005	965	89.0	65.0	71.0	99.0	-	M 36 X 1.5	M 20 X 1.5	139.0	-	-
24.393.00	F_005	965	90.0	65.0	71.0	99.0	-	M 36 X 1.5	M 20 X 1.5	139.5	-	-
24.394.00	F_005	965	84.5	62.5	70.0	87.5	-	-	M 16 X 1.5	157.0	-	-
24.397.00	F_005	965	81.0	62.5	70.0	-	-	-	M 16 X 1.5	186.5	-	-
24.398.00	F_005	965	80.0	57.0	63.0	83.5	-	M 36 X 1.5	3/4-16 UNF	176.5	-	-
24.399.00	F_005	965	81.0	62.0	70.5	84.0	-	-	M 16 X 1.5	185.0	-	-
24.400.00	F_003	965	80.0	-	-	-	-	8.0	8.0	145.0	-	-
24.401.00	F_005	965	85.0	37.0	46.0	-	-	-	12.0	138.0	-	-
24.403.00	F_003	965	80.0	-	-	-	-	8.0	8.0	175.0	-	-
24.404.00	F_003	965	80.0	-	-	-	-	8.0	8.0	176.5	-	-
24.408.00	F_005	965	80.5	61.5	70.0	-	-	-	M 16 X 1.5	183.5	-	-

FUEL FILTER > FILTRI CARBURANTE > CARBURANT > KRAFTSTOFF > FILTROS DE COMBUSTIBLE

UFI			A	B	C	D	E	F	G	H	BAR	R
24.409.00	F_003	965	80.0	-	-	-	-	9.8	9.8	166.0	-	-
24.411.00	F_005	965	90.0	58.0	63.0	94.0	-	M 36 X 1.5	3/4-16 UNF	130.0	-	-
24.412.00	F_003	965	80.3	-	-	88.0	-	7.9	7.9	154.0	-	-
24.413.00	F_005	965	68.0	58.0	63.0	72.0	-	M 36 X 1.5	3/4-16 UNF	123.5	-	-
24.414.00	F_005	965	81.0	60.0	69.0	-	-	-	M 16 X 1.5	158.0	-	-
24.415.00	F_003	965	80.0	-	-	-	-	8.0	8.0	133.0	-	-
24.416.00	F_003	965	86.5	-	-	-	-	10.0	-	110.0	-	-
24.417.00	F_005	965	81.0	61.5	70.0	-	-	-	M 16 X 1.5	160.5	-	-
24.418.00	F_003	965	80.0	-	-	-	-	8.0	8.0	204.5	-	-
24.423.00	F_005	965	87.0	65.0	71.0	99.0	-	M 22 X 1.5	M 20 X 1.5	141.0	-	-
24.424.00	F_003	965	82.0	-	-	-	-	12.0	12.0	140.0	-	-
24.425.00	F_003	965	80.0	-	-	-	-	10.0	10.0	153.0	-	-
24.426.00	F_003	965	80.0	-	-	-	-	8.0	8.0	145.0	-	-
24.427.00	F_003	965	84.0	-	-	-	-	8.0	8.0	177.0	-	-
24.428.00	F_003	965	80.0	-	-	-	-	8.0	8.0	202.0	-	-
24.429.00	F_003	965	85.0	-	-	-	-	10.0	11.7	105.0	-	-
24.430.00	F_003	965	80.0	-	-	-	-	8.0	8.0	145.0	-	-
24.432.00	F_005	965	80.0	69.0	17.0	84.0	-	-	-	195.0	-	-
24.433.00	F_003	965	80.0	-	-	-	-	10.0	10.0	202.0	-	-
24.434.00	F_005	965	81.0	62.5	70.0	85.0	-	-	M 16 X 1.5	152.0	-	-
24.435.00	F_003	965	80.0	-	-	-	-	8.0	8.0	176.5	-	-
24.436.00	F_003	965	86.0	-	-	92.0	-	10.0	8.0	119.0	-	-
24.437.00	F_003	965	88.0	-	-	-	-	8.0	8.0	127.0	-	-
24.439.00	F_005	965	84.0	62.0	72.0	88.0	-	M 8 X 1.25	M 16 X 1.5	161.0	-	-
24.440.00	F_003	965	80.0	-	-	-	-	8.0	8.0	176.0	-	-
24.441.00	F_005	965	76.0	62.0	71.0	83.0	-	-	M 16 X 1.5	131.0	-	-
24.442.00	F_005	965	90.0	66.0	72.5	97.5	-	M 36 X 1.5	3/4-16 UNF	128.0	-	-
24.443.00	F_005	965	80.0	62.0	71.0	87.0	-	M 12 X 1.25	M 16 X 1.5	141.0	-	-
24.444.00	F_005	965	76.0	62.0	71.0	94.0	-	-	3/4-16 UNF	152.0	-	-
24.445.00	F_003	965	80.5	-	-	-	-	10.0	10.0	187.0	-	-
24.446.01	F_005	965	89.0	64.0	72.0	97.5	-	M 36 X 1.5	3/4-16 UNF	144.0	-	-
24.450.00	F_003	965	80.0	-	-	-	-	10.0	10.0	192.0	-	-
24.451.00	F_003	965	80.0	-	-	89.0	-	10.0	10.0	159.0	-	-
24.452.00	F_005	965	86.0	58.0	64.0	93.5	-	M 36 X 1.5	3/4-16 UNF	118.0	-	-
24.454.00	F_005	965	107.4	-	-	116.1	-	-	-	92.0	-	-
24.455.00	F_005	965	80.0	69.4	17.0	88.1	-	-	-	195.7	-	-
24.456.00	F_005	965	80.0	69.4	17.0	88.1	-	-	-	172.5	-	-
24.457.00	F_005	965	80.0	69.4	17.0	88.1	-	-	-	195.7	-	-
24.458.00	F_005	965	80.0	69.4	17.0	83.1	-	-	-	195.7	-	-
24.459.00	F_003	965	80.5	-	-	87.0	-	10.0	10.0	187.0	-	-
24.460.00	F_005	965	80.0	61.5	70.0	83.0	-	M 8 X 1.25	M 16 X 1.5	170.0	-	-
24.464.00	F_005	965	80.0	69.4	17.0	88.1	-	-	-	168.5	-	-
24.465.00	F_005	965	86.0	57.0	63.5	94.0	-	M36 X 1.5	3/4-16 UNF	130.5	-	-
24.468.00	F_005	965	80.5	62.0	70.0	84.0	-	M 10 X 1.5	M 16 X 1.5	145.0	-	-
24.469.00	F_005	965	86.0	57.0	63.5	94.0	-	M36 X 1.5	3/4-16 UNF	130.5	-	-
24.525.00	F_005	965	81.0	62.5	70.0	85.0	-	M 10 X 1.5	M 16 X 1.5	136.0	-	-
24.526.00	F_005	965	79.0	62.3	70.0	85.2	-	-	M 16 X 1.5	139.0	-	-
24.528.01	F_005	965	81.0	62.3	70.0	85.0	-	-	M 16 X 1.5	143.5	-	-
24.529.00	F_005	965	80.5	62.5	70.0	85.0	-	-	M 16 X 1.5	153.0	-	-
24.H20.00	F_005	965	85.0	62.5	70.0	87.5	-	-	M 16 X 1.5	159.0	-	-
24.H20.01	F_005	965	85.0	62.5	70.0	87.5	-	-	M 16 X 1.5	186.0	-	-
24.H20.02	F_005	965	85.0	62.5	70.0	87.5	-	-	M 16 X 1.5	159.0	-	-
24.H20.03	F_005	965	85.0	62.5	70.0	87.5	-	-	M 16 X 1.5	171.0	-	-
24.H20.04	F_005	965	85.0	62.5	70.0	87.5	-	-	M 16 X 1.5	171.0	-	-
24.H20.05	F_005	965	85.0	62.5	70.0	87.5	-	-	M 16 X 1.5	171.0	-	-
24.H20.07	F_005	965	84.5	62.5	70.0	85.0	-	-	M 16 X 1.5	179.0	-	-
24.H20.08	F_005	965	84.5	62.5	70.0	87.5	-	-	M 16 X 1.5	162.0	-	-
24.ONE.00	F_003	965	84.5	-	-	-	-	9.5	8.0	205.0	-	-
24.ONE.01	F_003	965	84.5	-	-	-	-	9.5	8.0	205.0	-	-
24.ONE.02	F_003	965	84.5	-	-	-	-	9.5	8.0	193.0	-	-
24.ONE.03	F_003	965	84.5	-	-	-	-	9.5	8.0	205.0	-	-
24.ONE.0B	F_003	965	84.5	-	-	-	-	9.5	8.0	195.0	-	-
26.001.00	F_001	965	106.0	14.0	46.0	-	-	-	-	203.5	-	-
26.003.00	F_001	965	78.4	13.9	13.9	-	-	-	-	65.5	-	-
26.005.00	F_001	965	68.0	-	19.3	82.0	-	-	-	127.5	-	-



FUEL FILTER > FILTRI CARBURANTE > CARBURANT > KRAFTSTOFF > FILTROS DE COMBUSTIBLE

UFI			A	B	C	D	E	F	G	H	BAR	R
26.006.00	F_001	965	76.5	21.8	-	79.5	-	-	-	90.0	-	-
26.007.00	F_001	965	78.0	-	12.0	81.0	-	-	-	136.5	-	-
26.012.00	F_001	965	71.5	16.5	-	-	-	-	-	119.0	-	-
26.013.00	F_001	965	94.0	28.0	60.0	-	-	-	-	74.0	-	-
26.014.00	F_001	965	83.0	38.5	38.5	-	-	-	-	142.0	-	-
26.015.00	F_001	965	102.0	44.5	44.5	-	-	-	-	84.5	-	-
26.018.00	F_001	965	71.0	16.5	-	-	-	-	-	110.0	-	-
26.019.01	F_017	966	66.5	-	10.0	76.5	-	-	-	83.0	-	-
26.020.00	F_001	965	81.0	23.5	-	-	-	-	-	114.0	-	-
26.021.00	F_001	965	83.5	18.6	-	-	-	-	-	116.0	-	-
26.022.00	F_001	965	90.8	17.2	-	-	-	-	-	75.0	-	-
26.023.00	F_001	965	74.5	-	15.5	-	-	-	-	98.0	-	-
26.025.00	F_001	965	94.0	9.3	-	76.0	-	-	-	122.5	-	-
26.026.00	F_001	965	94.0	9.3	-	76.0	-	-	-	134.5	-	-
26.031.00	F_001	965	81.0	11.3	-	78.5	-	-	-	157.0	-	-
26.032.00	F_001	965	94.0	9.3	-	77.0	-	-	-	140.0	-	-
26.033.00	F_017	966	67.5	16.7	16.7	74.0	-	-	-	96.0	-	-
26.034.00	F_017	966	67.5	11.3	-	-	-	-	-	163.5	-	-
26.037.00	F_001	965	83.5	23.0	-	83.5	-	-	-	118.0	-	-
26.038.00	F_001	965	94.0	9.3	-	76.0	-	-	-	151.5	-	-
26.042.02	F_017	966	66.5	-	10.0	76.0	-	-	-	108.0	-	-
26.045.00	F_001	965	84.0	31.0	-	-	-	-	-	77.0	-	-
26.047.00	F_017	966	66.5	-	10.0	77.0	-	-	-	83.0	-	-
26.052.00	F_017	966	93.0	21.0	9.0	66.0	-	-	-	116.0	-	-
26.053.00	F_017	966	93.0	21.0	9.0	66.0	-	-	-	116.0	-	-
26.054.00	F_001	965	71.5	20.0	20.0	-	-	-	-	90.0	-	-
26.055.00	F_001	965	91.7	23.5	-	-	-	-	-	73.0	-	-
26.057.00	F_001	965	71.0	17.5	-	-	-	-	-	97.0	-	-
26.058.00	F_001	965	78.2	30.0	-	88.5	-	-	-	90.5	-	-
26.065.00	F_001	965	94.0	9.3	-	77.0	-	-	-	140.0	-	-
26.071.00	F_001	965	66.5	-	10.0	77.0	-	-	-	109.0	-	-
26.072.00	F_001	965	81.0	35.5	15.0	-	-	-	-	152.0	-	-
26.073.00	F_001	965	66.0	-	13.4	66.0	-	-	-	78.9	-	-
26.074.00	F_001	965	-	15.0	32.5	124.0	-	-	-	134.0	-	-
26.076.00	F_017	966	82.0	21.0	9.0	66.0	-	-	-	115.0	-	-
26.076.01	F_017	966	82.0	21.0	9.0	66.0	-	-	-	115.0	-	-
26.077.00	F_001	965	67.0	29.0	-	67.0	-	-	-	123.0	-	-
26.079.00	F_017	966	93.0	21.0	9.0	66.0	-	-	-	116.0	-	-
26.080.00	F_017	966	67.5	11.3	-	-	-	-	-	199.0	-	-
26.085.00	F_001	965	102.0	43.0	43.0	-	-	-	-	99.0	-	-
26.102.00	F_001	965	84.0	39.0	-	-	-	-	-	85.0	-	-
26.104.00	F_001	965	65.0	27.0	16.0	-	-	-	-	77.0	-	-
26.114.00	F_001	965	89.2	32.1	-	-	-	-	-	141.8	-	-
26.115.00	F_001	965	89.2	32.1	-	-	-	-	-	115.8	-	-
26.122.00	F_001	965	87.8	24.5	11.0	91.5	-	-	-	106.0	-	-
26.123.00	F_001	965	81.5	17.0	-	-	-	-	-	101.0	-	-
26.129.00	F_001	965	92.0	10.0	-	103.0	-	-	-	122.0	-	-
26.130.00	F_001	965	93.0	7.0	-	103.0	-	-	-	177.0	-	-
26.131.00	F_001	965	92.5	20.5	-	105.5	-	-	-	89.0	-	-
26.138.00	F_001	965	98.0	38.0	-	88.0	-	-	-	45.0	-	-
26.139.00	F_001	965	89.0	25.0	-	-	-	-	-	110.0	-	-
26.149.00	F_001	965	94.0	26.0	-	94.0	-	-	-	97.0	-	-
26.601.00	F_002	965	71.0	21.0	21.0	-	-	-	-	84.0	-	-
26.602.00	F_002	965	69.0	33.5	33.5	-	-	-	-	88.5	-	-
26.606.00	F_002	965	77.5	27.0	27.0	-	-	-	-	96.0	-	-
26.609.00	F_002	965	62.0	13.2	14.5	-	-	-	-	113.0	-	-
26.617.00	F_002	965	62.0	15.8	15.8	-	-	-	-	73.5	-	-
26.618.00	F_002	965	65.0	14.0	14.0	-	-	-	-	65.0	-	-
26.635.00	F_002	965	62.0	14.0	14.5	-	-	-	-	79.0	-	-
26.645.00	F_002	965	65.0	21.0	-	-	-	-	-	111.0	-	-
26.652.00	F_002	965	62.0	14.0	14.0	-	-	-	-	50.0	-	-
26.655.00	F_002	965	35.0	-	12.0	-	-	-	-	41.0	-	-
26.660.00	F_002	965	42.0	9.0	14.3	-	-	-	-	52.0	-	-
26.664.00	F_012	966	28.0	10.0	-	-	-	-	-	51.0	-	-
26.670.00	F_002	965	62.0	14.0	14.0	-	-	-	-	100.0	-	-

FUEL FILTER > FILTRI CARBURANTE > CARBURANT > KRAFTSTOFF > FILTROS DE COMBUSTIBLE

UFI			A	B	C	D	E	F	G	H	BAR	R
26.676.00	F_012	966	64.5	13.5	-	80.0	-	-	-	58.0	-	-
26.680.00	F_012	966	29.0	13.2	-	-	-	-	-	86.5	-	-
26.682.00	F_012	966	64.5	13.5	-	80.0	-	-	-	83.0	-	-
26.683.00	F_012	966	35.0	10.8	-	-	-	-	-	86.5	-	-
26.686.00	F_012	966	71.0	19.5	19.5	-	-	-	-	45.0	-	-
26.687.00	F_012	966	71.0	19.5	19.5	-	-	-	-	86.0	-	-
26.688.00	F_001	965	94.0	25.5	-	69.5	-	-	-	80.5	-	-
26.690.00	F_001	965	64.5	19.0	-	77.5	-	-	-	77.5	-	-
26.691.00	F_001	965	83.0	30.0	30.0	84.0	-	-	-	75.5	-	-
26.693.00	F_001	965	65.0	19.3	-	-	-	-	-	96.0	-	-
26.694.00	F_012	966	70.0	19.5	19.5	-	-	-	-	120.0	-	-
26.695.00	F_012	966	70.0	19.5	19.5	-	-	-	-	86.0	-	-
26.696.00	F_001	965	77.8	19.3	65.0	-	-	-	-	110.0	-	-
26.E2X.01	F_001	965	91.0	17.5	14.5	93.5	-	-	-	115.0	-	-
26.H2O.00	F_017	966	93.0	21.0	9.0	66.0	-	-	-	116.0	-	-
31.001.00	F_008	966	-	-	43.0	51.0	-	6.0/8.0	6.0/8.0	118.0	-	-
31.005.00	F_006	965	-	-	48.0	56.0	100.0	7.0	7.0	57.0	-	-
31.006.00	F_006	965	-	-	48.0	56.0	78.0	7.5	7.5	60.0	-	-
31.007.00	F_006	965	-	-	48.0	56.5	79.5	7.5	7.5	61.0	-	-
31.009.00	F_008	966	-	-	30.0	36.0	-	8.4	6.5	108.0	-	-
31.010.00	F_008	966	-	-	43.0	51.0	-	8.0	8.0	108.0	-	-
31.012.00	F_008	966	-	-	31.5	37.0	-	8.4	6.5	142.0	-	-
31.013.00	F_008	966	-	-	30.0	37.0	-	8.0	8.0	105.0	-	-
31.020.00	F_006	965	-	-	46.0	52.0	75.0	8.3	8.3	71.0	-	-
31.024.00	F_006	965	-	-	44.0	50.0	83.5	8.0	8.0	66.0	-	-
31.026.00	F_006	965	-	-	49.0	56.0	79.0	7.0	7.0	58.0	-	-
31.027.00	F_008	966	-	-	30.0	37.0	-	6.0/8.0	6.0/8.0	104.0	-	-
31.028.00	F_008	966	-	-	43.0	51.0	-	8.0	8.0	108.0	-	-
31.071.00	F_003	965	-	-	-	100.0	-	9.5	7.9	233.0	-	-
31.500.00	F_009	966	-	-	74.0	81.0	-	8.0	8.0	156.0	-	-
31.501.00	F_009	966	-	-	58.0	62.0	-	8.0	8.0	168.0	-	-
31.502.00	F_009	966	-	-	80.5	87.5	-	M 14 X 1.5	M 12 X 1.5	155.0	-	-
31.503.00	F_009	966	-	-	80.5	87.5	-	M 14 X 1.5	M 14 X 1.5	176.0	-	-
31.504.00	F_009	966	-	-	58.0	62.0	-	M 14 X 1.5	M 12 X 1.5	134.0	-	-
31.505.00	F_009	966	-	-	74.0	83.0	-	M 12 X 1.5	M 14 X 1.5	147.0	-	-
31.506.00	F_009	966	-	-	74.0	82.5	-	M 14 X 1.5	M 12 X 1.5	129.5	-	-
31.507.00	F_009	966	-	-	80.5	87.5	-	M 14 X 1.5	M 12 X 1.5	175.0	-	-
31.508.00	F_009	966	-	-	55.0	-	-	8.0	8.0	204.0	-	-
31.510.00	F_009	966	-	-	55.0	-	-	8.0	8.0	140.0	-	-
31.511.00	F_009	966	-	-	55.0	64.0	-	M 14 X 1.5	M 12 X 1.5	133.0	-	-
31.512.00	F_009	966	-	-	55.5	65.0	-	8.0	8.0	121.0	-	-
31.513.00	F_009	966	-	-	81.0	87.5	-	8.0	8.0	211.0	-	-
31.514.00	F_009	966	-	-	77.0	82.0	-	8.0	8.0	145.0	-	-
31.515.00	F_010	966	-	-	55.0	55.0	-	7.9	7.9	163.0	-	-
31.517.00	F_009	966	-	-	55.5	71.0	-	8.0	8.0	182.0	-	-
31.519.00	F_009	966	-	-	55.5	71.0	98.5	8.0	8.0	155.0	-	-
31.520.00	F_009	966	-	-	55.5	71.0	-	8.0	8.0	177.0	-	-
31.523.00	F_009	966	-	-	55.5	71.0	-	M 14 X 1.50	M 12 X 1.50	123.0	-	-
31.525.00	F_009	966	-	-	55.5	71.0	-	M 12 X 1.25	M 12 X 1.25	130.0	-	-
31.529.00	F_009	966	-	-	57.0	62.0	-	8.0	8.0	124.0	-	-
31.531.00	F_009	966	-	-	74.0	83.0	-	M 14 X 1.5	M 14 X 1.5	130.0	-	-
31.535.00	F_009	966	-	-	70.0	86.0	-	M 14 X 1.5	M 12 X 1.25	94.0	-	-
31.539.00	F_009	966	-	-	70.0	86.0	-	M 12 X 1.25	M 12 X 1.25	95.0	-	-
31.541.00	F_003	965	-	-	70.0	85.0	-	8.0	8.0	122.0	-	-
31.543.00	F_009	966	-	-	60.5	75.0	-	8.0	8.0	108.0	-	-
31.547.00	F_009	966	-	-	55.5	71.0	-	M 12 X 1.25	M 12 X 1.25	130.0	-	-
31.550.00	F_009	966	-	-	55.5	71.0	-	M 12 X 1.25	M 12 X 1.25	130.0	-	-
31.551.00	F_009	966	-	-	71.0	55.5	-	M 14 X 1.5	M 12 X 1.25	122.0	-	-
31.556.00	F_009	966	-	-	55.5	71.0	-	M 14 X 1.5	M 14 X 1.5	116.0	-	-
31.558.00	F_009	966	-	-	55.5	71.0	-	M 14 X 1.5	M 12 X 1.25	123.0	-	-
31.560.00	F_009	966	-	-	55.5	71.0	-	M 14 X 1.5	M 12 X 1.25	123.0	-	-
31.561.00	F_009	966	-	-	74.0	81.0	-	8.0	8.0	158.0	-	-
31.562.00	F_009	966	-	-	56.0	62.0	-	8.0	8.0	128.0	-	-
31.563.00	F_009	966	-	-	82.0	90.5	-	M 12 X 1.5	M 14 X 1.5	167.0	-	-
31.564.00	F_009	966	-	-	56.0	-	-	M 16 X 1.5	M 16 X 1.5	109.0	-	-



FUEL FILTER > FILTRI CARBURANTE > CARBURANT > KRAFTSTOFF > FILTROS DE COMBUSTIBLE

UFI			A	B	C	D	E	F	G	H	BAR	R
31.565.00	F_009	966	-	-	70.0	86.0	-	8.0	8.0	101.0	-	-
31.569.00	F_007	966	-	-	55.0	56.0	-	8.0	8.0	300.0	-	-
31.570.00	F_009	966	-	-	74.0	82.5	-	M 14 X 1.5	8.0	145.0	-	-
31.575.00	F_011	966	-	-	74.0	83.0	-	M 16 X 1.5	M 16 X 1.5	169.0	-	-
31.580.00	F_009	966	-	-	50.0	64.0	-	M 14 X 1.5	M 12 X 1.25	103.5	-	-
31.583.00	F_009	966	-	-	75.0	74.0	-	8.0	8.0	155.0	-	-
31.589.00	F_009	966	-	-	55.0	56.0	-	M 14 X 1.5	M 14 X 1.5	109.0	-	-
31.592.00	F_009	966	-	-	50.0	64.0	-	M 14 X 1.5	M 12 X 1.25	103.5	-	-
31.594.00	F_009	966	-	-	55.0	64.0	-	M 14 X 1.5	M 12 X 1.5	156.0	-	-
31.609.00	F_009	966	-	-	55.5	71.0	-	M 14 X 1.5	M 12 X 1.25	122.0	-	-
31.611.00	F_009	966	-	-	55.0	56.0	-	8	8	139.0	-	-
31.618.00	F_003	965	-	-	70.0	86.0	-	M 12 X 1.25	M 14 X 1.5	106.5	-	-
31.621.00	F_009	966	-	-	60.0	75.0	-	M 14 X 1.5	M 12 X 1.25	116.5	-	-
31.624.00	F_009	966	-	-	82.0	77.0	-	7.9	7.9	140.0	-	-
31.627.00	F_009	966	-	-	82.0	77.0	-	7.9	7.9	171.5	-	-
31.648.00	F_009	966	-	-	55.5	71.0	-	M 14 X 1.5	M 12 X 1.25	122.0	-	-
31.649.00	F_009	966	-	-	55.5	71.0	-	8.0	8.0	136.0	-	-
31.650.00	F_009	966	-	-	55.5	71.0	-	M 12 X 1.25	M 12 X 1.25	130.0	-	-
31.664.00	F_009	966	-	-	55.5	71.0	-	8.0	8.0	155.0	-	-
31.669.00	F_009	966	-	-	55.5	71.0	-	M 14 X 1.5	M 12 X 1.25	123.0	-	-
31.690.00	F_009	966	-	-	55.5	71.0	-	M 14 X 1.5	M 12 X 1.25	123.0	-	-
31.694.00	F_009	966	-	-	55.5	71.0	-	8	M 14 X 1.5	123.0	-	-
31.695.00	F_009	966	-	-	55.5	71.0	-	M 12 X 1.25	8	131.0	-	-
31.696.00	F_009	966	-	-	55.5	71.0	-	8	8	131.5	-	-
31.699.00	F_009	966	-	-	55.0	64.0	-	M 14 X 1.5	M 12 X 1.5	136.0	-	-
31.710.00	F_010	966	-	-	55.0	61.5	-	7.9	7.9	141.5	-	-
31.712.00	F_009	966	-	-	55.5	71.0	-	M 14 X 1.5	11	110.0	-	-
31.715.00	F_009	966	-	-	55.5	71.0	-	8.0	8.0	136.0	-	-
31.718.00	F_010	966	-	-	74.0	82.0	-	7.9	7.9	170.0	-	-
31.722.00	F_010	966	-	-	55.0	55.0	-	7.9	7.9	156.0	-	-
31.724.00	F_009	966	-	-	56.0	71.0	-	8.0	8.0	101.0	-	-
31.725.00	F_009	966	-	-	55.5	71.0	-	M 14 X 1.5	M 12 X 1.25	127.0	-	-
31.731.00	F_009	966	-	-	50.0	64.0	-	7.9	M 14 X 1.5	125.0	-	-
31.740.00	F_009	966	-	-	50.0	-	-	9.5	9.5	175.0	-	-
31.740.03	F_011	966	-	-	50.0	50.0	-	9.5	9.5	175.0	-	-
31.741.00	F_009	966	-	-	55.0	56.0	-	M 14 X 1.5	M 14 X 1.5	109.0	-	-
31.747.00	F_010	966	-	-	80.6	88.0	-	7.9	7.9	217.0	-	-
31.748.00	F_009	966	-	-	74.0	-	-	M 14 X 1.5	M 12 X 1.5	129.0	-	-
31.749.00	F_009	966	-	-	50.0	71.0	-	M 14 X 1.5	M 14 X 1.5	122.0	-	-
31.750.00	F_009	966	-	-	55.0	56.0	-	M 14 X 1.5	M 14 X 1.5	119.0	-	-
31.751.00	F_009	966	-	-	55.5	71.0	-	7.9	7.9	158.0	-	-
31.761.00	F_009	966	-	-	55.5	71.0	-	7.9	7.9	141.0	-	-
31.764.00	F_009	966	-	-	55.5	71.0	-	8.0	8.0	177.0	-	-
31.768.00	F_007	966	-	-	56.0	-	-	7.9	7.9	338.0	-	-
31.769.00	F_010	966	-	-	51.0	56.0	-	7.9	7.9	180.0	-	-
31.770.00	F_009	966	-	-	55.0	64.0	-	M 14 X 1.5	M 14 X 1.5	136.0	-	-
31.775.00	F_009	966	-	-	55.5	71.0	-	M 14 X 1.5	M 12 X 1.25	123.0	-	-
31.776.00	F_009	966	-	-	-	64.0	-	M 14 X 1.5	7.9	123.0	-	-
31.801.00	F_009	966	-	-	60.5	75.0	-	8	8	137.0	-	-
31.802.00	F_009	966	-	-	55.5	71.0	-	M 14 X 1.5	8	176.0	-	-
31.811.00	F_009	966	-	-	88.0	80.0	-	8	8	163.5	-	-
31.814.00	F_009	966	-	-	80.5	-	-	M 14 X 1.5	M 12 X 1.5	150.5	-	-
31.817.00	F_010	966	-	-	74.0	-	-	8	8	165.0	-	-
31.824.00	F_007	966	-	-	55.0	-	-	8.0	8.0	274.0	-	-
31.825.00	F_010	966	-	-	54.0	64.0	-	8.0	8.0	122.0	-	-
31.828.00	F_009	966	-	-	56.0	71.0	-	8	8	189.0	-	-
31.830.00	F_010	966	-	-	74.0	-	-	8	8	176.2	4.0	-
31.831.00	F_010	966	-	-	74.0	-	-	8	8	176.2	6.0	-
31.832.00	F_010	966	-	-	55.0	61.0	-	8.0	8.0	164.0	3.0	-
31.833.00	F_010	966	-	-	55.0	61.0	-	8.0	8.0	164.0	4.0	-
31.834.00	F_010	966	-	-	74.5	-	-	8.0	6/8/10	126.0	-	-
31.835.00	F_010	966	-	-	55.0	61.0	-	8.0	8.0	135.5	-	-
31.836.00	F_011	966	-	-	50.0	51.0	-	14.0	14.0	94.0	-	-
31.838.00	F_007	966	-	-	55.0	-	-	8.0	8.0	274.0	-	-
31.839.00	F_007	966	-	-	55.0	-	-	8.0	8.0	274.0	-	-

FUEL FILTER > FILTRI CARBURANTE > CARBURANT > KRAFTSTOFF > FILTROS DE COMBUSTIBLE

UFI			A	B	C	D	E	F	G	H	BAR	R
31.840.00	F_010	966	-	-	55.0	61.0	-	8.0	8.0	164.0	6.6	-
31.841.00	F_010	966	-	-	74.5	-	-	8.0	6/8/10	162.0	-	-
31.842.00	F_010	966	-	-	55.0	55.0	-	7.9	7.9	183.0	-	-
31.843.00	F_010	966	-	-	54.5	60.0	-	7.9	7.9	162.0	-	-
31.844.00	F_010	966	-	-	50.0	56.5	-	7.9	7.9	205.0	-	-
31.845.00	F_010	966	-	-	55.0	61.0	-	7.9	7.9	164.0	5.2	-
31.846.00	F_010	966	-	-	80.5	-	-	8.0	8.0	175.0	-	-
31.847.00	F_007	966	-	-	55.0	62.5	5.0	8.0	8.0	315.0	3.5	-
31.848.00	F_010	966	-	-	55.0	55.0	-	8.0	8.0	154.3	-	-
31.849.00	F_003	965	80.7	-	-	-	-	-	-	276.2	-	-
31.850.00	F_010	966	-	-	54.5	59.5	-	8.0	8.0	145.5	-	-
31.851.00	F_007	966	-	-	55.0	-	-	36.0	8.0	250.5	-	-
31.852.00	F_007	966	-	-	55.0	-	-	36.0	8.0	250.5	-	-
31.853.00	F_010	966	-	-	55.0	61.0	-	7.9	7.9	164.0	4.0	-
31.854.00	F_010	966	-	-	74.5	74.5	-	10.0	8.0	176.0	6.0	-
31.855.00	F_010	966	-	-	55.0	61.0	-	9.9	9.9	165.0	6.6	-
31.857.04	F_007	966	-	-	55.0	-	-	13.5	8.0	263.0	-	-
31.861.00	F_010	966	-	-	74.4	-	-	9.89	7.89/9.89	180.5	6.4	-
31.914.00	F_009	966	-	-	-	64.0	-	M 14 X 1.5	7.9	154.0	-	-
31.918.03	F_003	965	54.5	-	-	-	-	7.89	7.89	134.0	-	-
31.919.00	F_009	966	-	-	74.4	74.4	-	8.0	10.0/8.0	176.0	6.6	-
31.920.00	F_007	966	-	-	55.0	-	-	9.0	10.0	250.0	-	-
31.921.00	F_007	966	-	-	55.0	-	-	9.0	10.0	250.0	-	-
31.922.00	F_007	966	-	-	55.5	-	-	9.2	11.2	250.0	-	-
31.923.00	F_010	966	-	-	55.0	61.0	-	8.0	8.0	135.5	-	-
31.924.00	F_009	966	-	-	55.0	75.0	4.0	8.0	8.0	310.0	3.5	-
31.925.00	F_007	966	-	-	55.0	55.5	-	7.9	7.9	275.0	-	-
31.926.01	F_007	966	-	-	55.0	-	-	13.5	7.9	268.0	-	-
31.927.00	F_009	966	-	-	50.0	64.0	-	M 14 X 1.5	7.9	154.0	-	-
31.941.00	F_010	966	-	-	50.0	50.0	-	9.49	7.89	152.0	-	-
31.944.00	F_007	966	-	-	54.5	-	-	9.49	7.89	168.0	-	-
31.946.00	F_007	966	70.5	-	55.5	-	-	8.0	10.0	250.0	-	-
31.947.00	F_003	965	81.0	-	-	84.5	-	9.9	7.9	279.0	-	-
31.948.00	F_009	966	-	-	55.4	61.0	-	8.0	8.0	143.0	-	-
31.950.00	F_007	966	-	-	56.0	-	-	9.2	11.2	250.0	-	-
31.951.00	F_003	965	-	-	55.0	-	-	7.89	7.89	139.0	-	-
31.952.00	F_007	966	-	-	55.0	-	-	14.0	8.0	257.0	-	-
31.953.00	F_003	965	75.0	-	-	-	-	11.0	11.0	213.0	-	-
31.958.00	F_010	966	-	-	74.5	-	-	7.89	7.89	183.0	4.0	-
31.962.00	F_007	966	-	-	55.0	-	-	9.5	8.0	250.0	-	-
31.985.00	F_007	966	55.0	-	-	-	-	10.0	12.0	246.0	-	-
31.994.00	F_011	966	-	-	74.5	77.5	-	7.89	7.89	183.0	-	-
31.A06.00	F_010	966	-	-	75.0	75.0	-	8.0	7.89	167.0	-	-
31.A10.00	F_010	966	-	-	-	75.0	-	8.0	M 16 X 1.5	167.0	-	-
31.A16.00	F_010	966	-	-	50.0	65.0	-	8.0	8.0	154.0	-	-
46.005.00	F_012	966	42.0	17.0	17.0	-	-	-	-	57.0	-	-
46.006.00	F_012	966	42.0	17.0	17.0	-	-	-	-	52.0	-	-
46.007.00	F_012	966	42.0	17.0	17.0	-	-	-	-	54.0	-	-
46.008.00	F_012	966	42.0	17.0	17.0	-	-	-	-	50.0	-	-
55.084.00	F_004	965	114.4	-	-	-	-	5/16	10.0	213.0	-	-
55.108.00	F_004	965	114.4	-	-	-	-	5/16	10	213.0	-	-
55.112.00	F_004	965	114.4	-	-	-	-	5/16	10.0	213.0	-	-
55.114.00	F_004	965	114.4	-	-	-	-	10.0	10.0	224.0	-	-
55.114.01	F_004	965	114.0	-	-	-	-	10.0	10.0	224.0	-	-
55.116.00	F_004	965	114.4	-	-	-	-	10.0	10.0	222.0	-	-
55.116.01	F_004	965	114.0	-	-	-	-	10.0	10.0	222.0	-	-
55.120.00	F_004	965	114.4	-	-	-	-	10.0	10.0	224.0	-	-
55.125.00	F_004	965	114.4	-	-	-	-	10.0	10.0	204.0	-	-
55.127.00	F_004	965	114.4	-	-	-	-	5/16	10.0	213.0	-	-
55.134.00	F_004	965	114.4	-	-	-	-	5/16	10.0	213.0	-	-
55.139.00	F_004	965	114.4	-	-	-	-	10.0	10.0	221.0	-	-
55.143.00	F_004	965	114.4	-	-	-	-	5/16	10.0	213.0	-	-
55.144.00	F_004	965	114.0	-	-	-	-	5/16	10.0	213.0	-	-
55.145.00	F_004	965	114.4	-	-	-	-	5/16	10.0	213.0	-	-
55.147.00	F_004	965	114.4	-	-	-	-	5/16	10.0	227.0	-	-



FUEL FILTER > FILTRI CARBURANTE > CARBURANT > KRAFTSTOFF > FILTROS DE COMBUSTIBLE

UFI			A	B	C	D	E	F	G	H	BAR	R
55.148.00	F_004	965	114.4	-	-	-	-	5/16	10.0	233.0	-	-
55.152.00	F_004	965	114.4	-	-	-	-	10.0	10.0	224.0	-	-
55.163.00	F_004	965	114.0	-	-	-	-	10.0	10.0	224.0	-	-
55.170.00	F_013	966	95.0	-	-	-	-	10.0	10.0	107.5	-	-
55.173.00	F_004	965	114.4	-	-	-	-	5/16	10.0	213.0	-	-
55.175.00	F_004	965	114.4	-	-	-	-	5/16	10.0	213.0	-	-
55.178.00	F_004	965	114.4	-	-	-	-	5/16	10.0	213.0	-	-
55.179.00	F_004	965	114.4	-	-	-	-	5/16	10.0	213.0	-	-
55.181.00	F_004	965	114.4	-	-	-	-	5/16	10.0	213.0	-	-
55.392.00	F_013	966	93.0	-	-	98.0	-	10.0	10.0	122.0	-	-
55.393.00	F_013	966	93.0	-	-	98.0	-	10.0	10.0	126.5	-	-
55.394.00	F_013	966	93.0	-	-	98.0	-	10.0	10.0	138.0	-	-
55.418.00	F_013	966	93.5	-	-	98.5	-	10.0	10.0	125.0	-	-
55.427.00	F_013	966	80.0	-	-	89.0	-	8.1	8.1	176.5	-	-
55.430.00	F_013	966	93.5	-	-	98.0	-	10.0	10.0	121.0	-	-
55.517.00	F_013	966	93.4	-	-	98.2	-	10.0	10.0	158.7	-	-
55.582.00	F_013	966	93.2	-	-	97.5	-	11.5	11.5	137.3	-	-
60.H20.00	F_017	966	67.5	11.3	-	-	-	-	-	100.5	-	-

AIR FILTER > FILTRI ARIA > FILTRE À AIR > LUFT > FILTROS DE AIRE

27.057.00	A_017	968	190.0	109.0	109.0	-	-	-	-	90.0	-	-
27.059.00	A_002	967	148.0	108.0	108.0	-	-	-	-	92.0	-	-
27.061.00	A_002	967	168.0	118.0	118.0	-	-	-	-	133.0	-	-
27.062.00	A_002	967	131.0	94.5	94.5	-	-	-	-	151.0	-	-
27.063.00	A_002	967	115.0	87.0	87.0	-	-	-	-	215.0	-	-
27.065.00	A_002	967	114.0	74.0	74.0	-	-	-	-	255.0	-	-
27.067.00	A_002	967	150.0	71.0	10.5	-	-	-	-	308.0	-	-
27.068.00	A_002	967	132.0	64.0	12.0	-	-	-	-	280.0	-	-
27.069.00	A_002	967	186.0	79.0	79.0	-	-	-	-	126.0	-	-
27.071.00	A_006	967	240.0	164.0	164.0	150.0	74.0	-	-	147.0	-	-
27.071.01	A_006	967	240.0	165.0	165.0	152.0	72.0	-	-	148.5	-	-
27.074.00	A_001	967	125.0	65.0	65.0	-	-	-	-	172.0	-	-
27.076.00	A_006	967	328.0	280.0	280.0	210.0	162.0	-	-	48.0	-	-
27.079.00	A_006	967	380.0	318.0	318.0	275.0	213.0	-	-	58.0	-	-
27.081.00	A_002	967	160.0	99.0	99.0	-	-	-	-	234.0	-	-
27.083.00	A_002	967	235.0	178.0	178.0	-	-	-	-	41.0	-	-
27.084.00	A_002	967	127.0	86.0	86.0	-	-	-	-	310.0	-	-
27.085.00	A_002	967	126.0	78.5	78.5	-	-	-	-	290.5	-	-
27.086.00	A_006	967	305.0	255.0	255.0	207.0	157.0	-	-	64.0	-	-
27.089.00	A_002	967	127.0	86.0	86.0	-	-	-	-	238.0	-	-
27.090.00	A_002	967	184.0	118.0	118.0	-	-	-	-	112.0	-	-
27.097.00	A_002	967	220.0	110.0	110.0	-	-	-	-	145.0	-	-
27.107.00	A_002	967	97.0	60.0	60.0	-	-	-	-	71.0	-	-
27.110.00	A_007	967	264.0	-	51.0	320.0	50.0	-	-	87.0	-	-
27.111.00	A_007	967	260.0	-	37.0	320.0	50.0	-	-	87.0	-	-
27.128.00	A_002	967	135.5	74.5	74.5	-	-	-	-	263.0	-	-
27.132.00	A_002	967	155.0	88.0	13.0	-	196.0	-	-	206.0	-	-
27.133.00	A_017	968	272.0	203.0	203.0	-	-	-	-	57.0	-	-
27.134.00	A_002	967	149.0	71.0	-	-	-	-	-	228.0	-	-
27.135.00	A_002	967	163.0	87.0	-	-	-	-	-	227.0	-	-
27.137.00	A_002	967	133.0	70.0	18.0	-	160.0	-	-	218.0	-	-
27.138.00	A_002	967	138.0	74.0	17.0	-	-	-	-	290.0	-	-
27.139.00	A_002	967	164.0	17.0	111.0	196.0	-	-	-	370.0	-	-
27.140.00	A_002	967	155.0	88.0	12.0	-	-	-	-	198.0	-	-
27.149.00	A_001	967	177.0	90.0	90.0	-	-	-	-	130.0	-	-
27.150.00	A_002	967	125.0	81.5	81.5	-	-	-	-	306.0	-	-
27.153.00	A_001	967	152.0	88.0	88.0	-	-	-	-	231.0	-	-
27.154.00	A_001	967	115.0	70.0	70.0	-	-	-	-	291.0	-	-
27.155.00	A_017	968	295.0	223.0	223.0	-	-	-	-	41.5	-	-
27.156.00	A_017	968	259.0	194.0	194.0	-	-	-	-	59.0	-	-
27.159.00	A_001	967	132.5	70.0	-	-	-	-	-	290.0	-	-
27.162.00	A_006	967	282.0	178.0	178.0	188.0	85.0	-	-	131.0	-	-
27.169.00	A_002	967	125.0	70.0	10.0	-	-	-	-	175.5	-	-
27.171.00	A_006	967	203.0	135.0	-	191.0	111.0	-	-	175.5	-	-
27.172.00	A_002	967	196.0	111.0	111.0	-	-	-	-	139.5	-	-
27.173.00	A_002	967	153.5	88.0	12.0	-	-	-	-	162.5	-	-

AIR FILTER > FILTRI ARIA > FILTRE À AIR > LUFT > FILTROS DE AIRE												
UFI			A	B	C	D	E	F	G	H	BAR	R
27.174.00	A_008	967	248.0	204.0	-	-	-	-	-	65.5	-	-
27.175.00	A_002	967	140.0	-	60.0	190.5	-	-	-	277.0	-	-
27.176.00	A_001	967	300.0	252.0	252.0	-	-	-	-	47.0	-	-
27.177.00	A_001	967	290.0	240.0	240.0	-	-	-	-	49.0	-	-
27.193.00	A_002	967	154.0	80.0	-	-	-	-	-	151.5	-	-
27.194.00	A_002	967	153.0	93.0	93.0	-	-	-	-	178.5	-	-
27.195.00	A_001	967	164.5	94.0	94.0	-	-	-	-	236.0	-	-
27.196.00	A_006	967	140.0	102.0	102.0	115.0	77.0	-	-	163.0	-	-
27.200.00	A_013	967	173.5	140.5	244.5	274.0	-	-	-	45.0	-	-
27.228.00	A_002	967	168.0	84.0	84.0	-	-	-	-	288.0	-	-
27.231.00	A_002	967	151.0	72.0	-	166.0	157.0	-	-	331.0	-	-
27.232.00	A_002	967	156.5	88.0	-	-	-	-	-	344.0	-	-
27.233.00	A_002	967	153.5	79.0	-	-	-	-	-	248.0	-	-
27.234.00	A_002	967	114.0	77.0	77.0	-	-	-	-	242.0	-	-
27.235.00	A_002	967	128.0	70.0	9.0	-	-	-	-	170.0	-	-
27.236.00	A_002	967	148.5	101.0	101.0	-	-	-	-	255.5	-	-
27.239.00	A_001	967	167.0	119.0	119.0	-	-	-	-	123.0	-	-
27.252.00	A_006	967	140.0	92.0	92.0	92.0	44.0	-	-	207.0	-	-
27.253.00	A_002	967	127.0	93.5	93.5	-	-	-	-	268.0	-	-
27.254.00	A_002	967	148.5	100.0	100.0	-	-	-	-	257.0	-	-
27.257.00	A_001	967	116.0	70.0	70.0	-	-	-	-	262.0	-	-
27.258.00	A_006	967	140.5	101.5	101.5	116.0	77.0	-	-	164.0	-	-
27.265.00	A_001	967	146.0	90.5	90.5	-	-	-	-	249.0	-	-
27.267.00	A_002	967	108.0	72.5	72.5	-	-	-	-	179.0	-	-
27.268.00	A_001	967	127.0	86.0	86.0	-	-	-	-	254.5	-	-
27.271.00	A_001	967	167.0	119.0	119.0	-	-	-	-	123.0	-	-
27.272.00	A_001	967	148.0	95.0	95.0	-	-	-	-	219.0	-	-
27.273.00	A_002	967	108.0	72.5	72.5	-	-	-	-	178.0	-	-
27.274.00	A_013	967	225.0	220.0	-	-	-	-	-	30.0	-	-
27.282.00	A_002	967	154.0	79.5	14.0	-	196.0	-	-	200.0	-	-
27.283.00	A_002	967	150.0	71.0	10.5	-	-	-	-	228.0	-	-
27.341.00	A_001	967	115.0	67.0	67.0	-	-	-	-	274.0	-	-
27.353.00	A_014	967	-	-	-	-	105.0	-	-	380.0	-	-
27.354.00	A_001	967	176.0	95.0	95.0	-	-	-	-	140.0	-	-
27.355.00	A_001	967	125.0	61.0	61.0	-	-	-	-	149.0	-	-
27.356.00	A_002	967	164.5	91.0	-	-	-	-	-	353.5	-	-
27.366.00	A_001	967	148.0	103.0	103.0	-	-	-	-	257.0	-	-
27.367.00	A_001	967	108.0	70.0	70.0	-	-	-	-	268.0	-	-
27.381.00	A_001	967	138.0	89.0	89.0	-	-	-	-	215.0	-	-
27.384.00	A_014	967	-	-	-	-	105.0	-	-	500.0	-	-
27.385.00	A_002	967	90.9	50.0	50.0	-	-	-	-	135.0	-	-
27.386.00	A_002	967	91.0	50.0	50.0	-	-	-	-	135.0	-	-
27.394.00	A_001	967	171.0	69.0	-	-	-	-	-	95.0	-	-
27.397.00	A_001	967	177.0	93.0	-	-	-	-	-	144.0	-	-
27.400.00	A_001	967	148.0	103.0	-	-	-	-	-	257.0	-	-
27.401.00	A_001	967	136.0	71.5	-	-	-	-	-	220.6	-	-
27.402.00	A_011	967	150.0	69.0	-	-	-	-	-	220.0	-	-
27.403.00	A_001	967	115.0	68.0	68.0	-	-	-	-	216.0	-	-
27.477.00	A_002	967	150.0	71.0	-	-	-	-	-	220.0	-	-
27.485.00	A_001	967	176.0	95.0	95.0	-	-	-	-	138.5	-	-
27.486.00	A_001	967	-	-	69.5	132.5	-	-	-	250.5	-	-
27.520.00	A_017	968	181.0	99.0	99.0	-	-	-	-	102.0	-	-
27.521.00	A_002	967	330.0	243.0	243.0	-	-	-	-	51.5	-	-
27.522.00	A_002	967	155.0	86.0	86.0	-	-	-	-	173.0	-	-
27.523.00	A_001	967	129.0	86.0	-	-	-	-	-	309.5	-	-
27.524.00	A_001	967	136.0	70.0	70.0	-	-	-	-	235.0	-	-
27.525.00	A_010	967	308.0	246.0	-	-	-	-	-	44.0	-	-
27.526.00	A_013	967	342.5	243.5	-	-	-	-	-	54.5	-	-
27.527.00	A_001	967	143.5	87.5	87.5	-	-	-	-	166.0	-	-
27.550.00	A_002	967	104.0	60.0	-	-	-	-	-	297.0	-	-
27.579.00	A_006	967	203.0	104.0	-	191.0	80.0	-	-	175.5	-	-
27.580.00	A_006	967	172.0	134.5	-	148.0	111.0	-	-	181.0	-	-
27.581.00	A_017	968	235.5	170.0	170.0	-	-	-	-	85.0	-	-
27.582.00	A_017	968	219.0	108.0	108.0	-	-	-	-	121.0	-	-
27.583.00	A_002	967	219.0	107.5	-	-	-	-	-	145.0	-	-



AIR FILTER > FILTRI ARIA > FILTRE À AIR > LUFT > FILTROS DE AIRE

UFI			A	B	C	D	E	F	G	H	BAR	R
27.584.00	A_002	967	134.0	70.0	18.0	-	-	-	-	290.0	-	-
27.585.00	A_002	967	118.0	-	82.0	120.0	-	-	-	433.5	-	-
27.586.00	A_002	967	118.0	-	82.0	120.0	-	-	-	433.0	-	-
27.587.00	A_002	967	118.5	-	84.8	-	-	-	-	311.0	-	-
27.588.00	A_002	967	131.0	91.0	91.0	-	-	-	-	207.0	-	-
27.589.00	A_006	967	369.0	321.0	321.0	192.0	144.0	-	-	62.0	-	-
27.590.00	A_002	967	133.0	73.0	-	-	-	-	-	186.5	-	-
27.591.00	A_006	967	282.0	232.0	232.0	220.0	170.0	-	-	46.0	-	-
27.592.00	A_011	967	98.0	50.0	50.0	-	-	-	-	134.5	-	-
27.593.00	A_002	967	106.0	53.0	-	-	-	-	-	330.0	-	-
27.594.00	A_011	967	143.0	-	69.0	-	-	-	-	196.7	-	-
27.595.00	A_011	967	146.0	-	78.8	-	-	-	-	199.7	-	-
27.596.00	A_002	967	119.8	-	82.5	119.8	-	-	-	337.9	-	-
27.597.00	A_001	967	166.0	105.0	38.0	-	-	-	-	191.6	-	-
27.598.00	A_001	967	166.0	105.0	38.0	-	-	-	-	191.6	-	-
27.599.00	A_006	967	346.0	280.0	280.0	216.0	150.0	-	-	51.5	-	-
27.601.00	A_001	967	139.0	81.0	81.0	-	-	-	-	174.0	-	-
27.602.00	A_002	967	138.0	71.5	-	163.0	-	-	-	292.0	-	-
27.603.00	A_001	967	152.0	78.0	-	-	-	-	-	168.0	-	-
27.604.00	A_006	967	318.0	244.0	244.0	235.0	161.0	-	-	60.0	-	-
27.605.00	A_001	967	198.0	145.0	145.0	-	-	-	-	62.0	-	-
27.606.00	A_006	967	192.0	108.0	108.0	142.0	54.0	-	-	245.0	-	-
27.621.00	A_011	967	157.0	74.5	-	-	-	-	-	170.0	-	-
27.628.00	A_001	967	168.0	94.0	94.0	-	-	-	-	302.0	-	-
27.629.00	A_011	967	161.0	89.0	-	-	-	-	-	239.5	-	-
27.630.00	A_001	967	147.0	96.0	-	-	-	-	-	260.0	-	-
27.636.00	A_001	967	176.0	81.0	-	-	-	-	-	173.0	-	-
27.647.00	A_002	967	154.0	84.5	-	-	-	-	-	202.0	-	-
27.648.00	A_006	967	232.0	171.5	171.5	135.0	74.5	-	-	190.0	-	-
27.675.00	A_001	967	153.0	70.0	-	157.0	-	-	-	205.0	-	-
27.676.00	A_001	967	175.0	97.0	-	-	-	-	-	183.0	-	-
27.678.00	A_002	967	154.0	103.0	17.0	-	-	-	-	201.0	-	-
27.679.00	A_002	967	148.0	73.0	-	-	-	-	-	334.0	-	-
27.688.00	A_001	967	148.0	94.5	-	-	-	-	-	218.0	-	-
27.689.00	A_013	967	91.7	36.5	43.5	-	-	-	-	30.0	-	-
27.691.00	A_002	967	222.0	121.0	-	-	-	-	-	173.0	-	-
27.692.00	A_001	967	159.0	106.0	-	-	-	-	-	167.0	-	-
27.693.00	A_011	967	159.0	106.0	-	-	-	-	-	167.0	-	-
27.699.00	A_002	967	127.0	70.0	70.0	-	-	-	-	218.0	-	-
27.701.00	A_001	967	202.0	146.0	146.0	-	-	-	-	78.0	-	-
27.702.00	A_002	967	186.0	108.0	108.0	-	-	-	-	64.0	-	-
27.706.00	A_017	968	230.0	190.0	190.0	-	-	-	-	81.0	-	-
27.707.00	A_001	967	140.0	94.0	94.0	-	-	-	-	75.0	-	-
27.708.00	A_002	967	171.0	128.0	128.0	-	-	-	-	76.0	-	-
27.709.00	A_002	967	75.0	41.0	41.0	-	-	-	-	142.0	-	-
27.710.00	A_001	967	109.0	78.0	78.0	-	-	-	-	89.0	-	-
27.713.00	A_002	967	168.0	108.0	108.0	-	-	-	-	64.0	-	-
27.715.00	A_001	967	214.0	162.0	162.0	-	-	-	-	55.0	-	-
27.716.00	A_001	967	142.0	53.0	53.0	-	-	-	-	45.0	-	-
27.719.00	A_017	968	232.0	182.0	182.0	-	-	-	-	62.0	-	-
27.720.00	A_002	967	174.0	131.0	131.0	-	-	-	-	59.0	-	-
27.725.00	A_002	967	250.0	183.0	183.0	-	-	-	-	48.0	-	-
27.726.00	A_001	967	142.0	53.0	53.0	-	-	-	-	41.0	-	-
27.728.00	A_017	968	202.0	155.0	155.0	-	-	-	-	50.0	-	-
27.729.00	A_002	967	110.0	63.0	68.0	-	-	-	-	411.0	-	-
27.730.00	A_002	967	160.0	114.0	-	-	-	-	-	127.0	-	-
27.731.00	A_002	967	128.0	82.0	82.0	-	-	-	-	171.0	-	-
27.734.00	A_002	967	226.0	178.0	178.0	-	-	-	-	47.0	-	-
27.735.00	A_001	967	104.0	68.0	68.0	-	-	-	-	151.0	-	-
27.736.00	A_001	967	110.0	63.0	63.0	-	-	-	-	189.0	-	-
27.740.00	A_017	968	190.0	109.0	109.0	-	-	-	-	68.0	-	-
27.744.00	A_017	968	230.0	174.0	174.0	-	-	-	-	50.0	-	-
27.750.00	A_017	968	204.0	143.0	143.0	-	-	-	-	80.0	-	-
27.752.00	A_001	967	244.0	180.0	180.0	-	-	-	-	57.0	-	-
27.756.00	A_002	967	76.0	42.0	-	-	-	-	-	142.0	-	-

AIR FILTER > FILTRI ARIA > FILTRE À AIR > LUFT > FILTROS DE AIRE												
UFI			A	B	C	D	E	F	G	H	BAR	R
27.761.00	A_002	967	117.0	79.5	79.5	-	-	-	-	205.0	-	-
27.762.00	A_017	968	120.0	75.0	75.0	-	-	-	-	61.0	-	-
27.769.00	A_017	968	257.0	200.0	200.0	-	-	-	-	61.0	-	-
27.770.00	A_017	968	257.0	178.0	178.0	-	-	-	-	58.0	-	-
27.775.00	A_001	967	110.0	63.0	63.0	-	-	-	-	165.0	-	-
27.778.00	A_006	967	151.0	108.0	108.0	92.5	50.0	-	-	74.0	-	-
27.781.00	A_002	967	317.0	246.0	246.0	-	-	-	-	50.5	-	-
27.785.00	A_017	968	232.0	182.0	182.0	-	-	-	-	55.0	-	-
27.792.00	A_002	967	212.0	165.0	165.0	-	-	-	-	67.0	-	-
27.797.00	A_002	967	195.0	122.0	122.0	-	-	-	-	129.0	-	-
27.799.00	A_017	968	282.0	215.0	215.0	-	-	-	-	54.0	-	-
27.800.00	A_002	967	125.0	64.0	64.0	-	-	-	-	205.0	-	-
27.801.00	A_002	967	110.0	50.0	9.0	-	-	-	-	228.0	-	-
27.804.00	A_002	967	166.0	86.0	9.0	-	-	-	-	351.0	-	-
27.813.00	A_002	967	211.0	146.0	146.0	-	-	-	-	165.0	-	-
27.817.00	A_002	967	116.0	68.0	62.0	-	-	-	-	360.0	-	-
27.824.00	A_002	967	127.0	99.0	99.0	-	-	-	-	218.0	-	-
27.826.00	A_002	967	148.0	107.0	-	-	-	-	-	224.0	-	-
27.828.00	A_002	967	150.0	71.0	8.5	-	-	-	-	333.0	-	-
27.845.02	A_001	967	135.0	114.0	65.0	173.0	143.5	-	-	197.0	-	-
27.853.00	A_006	967	458.0	386.0	386.0	220.0	180.0	-	-	71.0	-	-
27.871.00	A_006	967	371.0	337.0	337.0	317.0	283.0	-	-	61.0	-	-
27.878.00	A_002	967	155.0	88.0	18.0	-	196.0	-	-	315.0	-	-
27.881.00	A_002	967	126.0	65.0	9.0	-	-	-	-	294.0	-	-
27.888.00	A_002	967	160.0	99.0	99.0	-	-	-	-	183.0	-	-
27.890.00	A_011	967	132.0	87.0	87.0	-	-	-	-	165.0	-	-
27.893.00	A_002	967	281.0	171.0	17.0	-	-	-	-	417.0	-	-
27.898.00	A_002	967	241.0	182.0	182.0	-	-	-	-	50.0	-	-
27.902.00	A_002	967	202.0	91.0	13.5	-	254.0	-	-	266.0	-	-
27.904.00	A_002	967	253.0	203.0	203.0	-	-	-	-	60.0	-	-
27.906.00	A_002	967	217.0	158.0	158.0	-	-	-	-	50.0	-	-
27.920.00	A_002	967	133.0	70.0	18.0	-	160.0	-	-	289.0	-	-
27.923.00	A_002	967	202.0	135.0	17.0	-	254.0	-	-	421.0	-	-
27.925.00	A_006	967	613.0	583.0	583.0	143.0	113.0	-	-	60.0	-	-
27.927.00	A_017	968	240.0	194.0	194.0	-	-	-	-	48.0	-	-
27.931.00	A_002	967	133.0	92.0	18.0	-	160.0	-	-	313.0	-	-
27.939.00	A_017	968	190.0	109.0	109.0	-	-	-	-	59.0	-	-
27.946.00	A_017	968	285.0	237.0	237.0	-	-	-	-	44.0	-	-
27.947.00	A_001	967	152.0	88.0	88.0	-	-	-	-	149.5	-	-
27.954.00	A_002	967	124.0	92.0	92.0	-	-	-	-	180.0	-	-
27.956.00	A_001	967	195.0	157.0	157.0	-	-	-	-	55.0	-	-
27.982.00	A_002	967	164.0	86.0	-	-	-	-	-	238.0	-	-
27.993.00	A_002	967	126.0	65.0	-	-	-	-	-	243.0	-	-
27.A00.00	A_001	967	158.0	68.0	75.5	-	-	-	-	218.5	-	-
27.A05.00	A_002	967	90.0	45.0	-	90.0	-	-	-	187.0	-	-
27.A48.00	A_011	967	164.0	91.0	32.0	-	-	-	-	186.0	-	-
27.A51.00	A_002	967	119.8	-	82.5	119.8	-	-	-	337.9	-	-
27.A53.00	A_014	967	121.0	-	77.0	-	-	-	-	234.0	-	-
27.A54.00	A_011	967	156.0	78.0	30.0	-	-	-	-	122.0	-	-
27.A69.00	A_011	967	170.0	97.0	97.0	-	-	-	-	303.0	-	-
27.A72.00	A_001	967	228.0	117.0	-	-	-	-	-	292.0	-	-
27.A91.00	A_006	967	162.0	126.0	-	118.0	82.0	-	-	167.0	-	-
27.A92.00	A_006	967	-	-	-	139.0	-	-	-	255.0	-	-
27.A97.00	A_005	967	506.0	231.0	-	-	-	-	-	50.0	-	-
27.B12.00	A_001	967	112.0	-	80.0	119.0	-	-	-	432.0	-	-
27.B13.00	A_001	967	-	159.0	-	-	-	-	-	306.0	-	-
27.B54.00	A_011	967	152.5	104.0	-	-	-	-	-	203.0	-	-
27.B74.00	A_001	967	222.5	136.0	-	-	-	-	-	139.0	-	-
27.B91.00	A_001	967	236.0	132.0	-	-	-	-	-	259.0	-	-
27.C09.00	A_001	967	127.5	83.0	-	-	-	-	-	159.0	-	-
27.C10.00	A_002	967	220.0	108.5	-	-	-	-	-	119.5	-	-
27.D10.00	A_002	967	145.0	85.0	-	-	-	-	-	281.0	-	-
27.D79.00	A_002	967	133.0	63.0	74.0	145.0	-	-	-	228.0	-	-
27.D83.00	A_001	967	187.5	69.8	-	-	-	-	-	90.7	-	-
27.E34.00	A_001	967	166.0	110.0	110.0	-	-	-	-	271.0	-	-



AIR FILTER > FILTRI ARIA > FILTRE À AIR > LUFT > FILTROS DE AIRE												
UFI			A	B	C	D	E	F	G	H	BAR	R
27.E44.00	A_013	967	256.0	19.0	-	-	-	-	-	41.0	-	-
27.E50.00	A_001	967	168.0	80.0	80.0	-	-	-	-	147.0	-	-
27.E52.00	A_001	967	118.6	84.8	-	-	-	-	-	206.4	-	-
27.E61.00	A_001	967	140.0	126.0	-	-	-	-	-	173.0	-	-
27.F32.00	A_011	967	170.0	86.4	-	-	-	-	-	184.5	-	-
27.F37.00	A_014	967	158.0	144.0	-	-	-	-	-	173.0	-	-
27.G10.00	A_001	967	169.4	68.6	-	-	-	-	-	114.7	-	-
27.G11.00	A_001	967	169.4	90.6	-	-	-	-	-	141.5	-	-
27.G31.00	A_011	967	169.4	90.6	-	-	-	-	-	141.5	-	-
27.G33.00	A_011	967	169.4	78.6	-	-	-	-	-	141.5	-	-
30.001.00	A_003	967	228.0	170.0	-	-	-	-	-	35.0	-	-
30.003.00	A_003	967	576.0	167.0	-	-	-	-	-	49.0	-	-
30.004.00	A_003	967	224.0	240.5	-	-	-	-	-	57.0	-	-
30.005.00	A_017	968	218.5	160.0	-	-	-	-	-	108.0	-	-
30.007.00	A_003	967	350.0	185.0	-	-	-	-	-	48.5	-	-
30.008.00	A_003	967	280.0	160.0	-	-	-	-	-	46.5	-	-
30.011.00	A_003	967	288.0	185.0	-	-	-	-	-	42.0	-	-
30.012.00	A_003	967	257.0	177.0	-	-	-	-	-	40.0	-	-
30.013.00	A_003	967	249.0	148.5	-	-	-	-	-	38.0	-	-
30.016.00	A_003	967	315.0	150.0	-	-	-	-	-	58.0	-	-
30.017.00	A_003	967	308.5	229.5	-	-	-	-	-	27.0	-	-
30.019.00	A_003	967	276.0	184.0	-	-	-	-	-	57.0	-	-
30.020.00	A_003	967	276.0	184.0	-	-	-	-	-	42.0	-	-
30.021.00	A_003	967	300.0	102.0	-	-	-	-	-	50.0	-	-
30.022.00	A_003	967	270.0	110.0	-	-	-	-	-	57.0	-	-
30.023.00	A_003	967	319.0	195.0	-	-	-	-	-	42.5	-	-
30.024.00	A_003	967	398.0	150.0	-	-	-	-	-	41.0	-	-
30.025.00	A_003	967	298.0	86.0	-	-	-	-	-	42.0	-	-
30.026.00	A_003	967	170.0	157.0	-	-	-	-	-	33.0	-	-
30.027.00	A_003	967	211.0	166.0	-	-	-	-	-	38.0	-	-
30.028.00	A_003	967	212.0	168.0	-	-	-	-	-	58.0	-	-
30.029.00	A_003	967	256.0	212.5	-	-	-	-	-	57.0	-	-
30.030.00	A_003	967	259.0	124.0	-	-	-	-	-	47.0	-	-
30.032.00	A_003	967	230.0	90.0	-	-	-	-	-	48.0	-	-
30.033.00	A_003	967	258.0	105.0	-	-	-	-	-	61.0	-	-
30.034.00	A_003	967	377.0	140.0	-	-	-	-	-	37.0	-	-
30.035.00	A_003	967	372.0	150.0	-	-	-	-	-	57.0	-	-
30.036.00	A_003	967	282.0	159.5	-	-	-	-	-	57.0	-	-
30.038.01	A_001	967	274.0	224.0	224.0	-	-	-	-	61.0	-	-
30.039.00	A_003	967	326.0	100.0	-	-	-	-	-	57.0	-	-
30.040.00	A_003	967	597.0	170.0	-	55.0	-	-	-	49.0	-	-
30.041.00	A_003	967	246.0	263.0	-	-	-	-	-	58.0	-	-
30.044.00	A_003	967	315.0	150.0	-	-	-	-	-	57.5	-	-
30.045.00	A_003	967	201.0	140.0	-	-	-	-	-	46.0	-	-
30.046.00	A_003	967	210.0	184.5	-	-	-	-	-	57.5	-	-
30.048.00	A_003	967	249.0	184.0	-	-	-	-	-	42.0	-	-
30.049.00	A_003	967	238.0	237.0	-	-	-	-	-	41.0	-	-
30.050.00	A_003	967	255.0	201.0	-	-	-	-	-	57.0	-	-
30.052.00	A_003	967	263.0	155.0	-	-	-	-	-	57.0	-	-
30.053.00	A_003	967	288.0	134.0	-	-	-	-	-	47.0	-	-
30.054.00	A_003	967	240.0	135.5	-	-	-	-	-	42.0	-	-
30.057.00	A_003	967	212.0	140.0	-	-	-	-	-	58.0	-	-
30.058.00	A_003	967	310.0	185.0	-	-	-	-	-	69.0	-	-
30.062.00	A_003	967	255.0	178.0	-	-	-	-	-	38.5	-	-
30.063.00	A_003	967	341.0	206.0	-	-	-	-	-	41.0	-	-
30.064.00	A_003	967	225.0	157.0	-	-	-	-	-	58.0	-	-
30.066.00	A_003	967	246.0	169.0	-	-	-	-	-	63.0	-	-
30.067.00	A_003	967	324.0	156.0	-	-	-	-	-	67.0	-	-
30.068.00	A_003	967	268.0	118.0	-	-	-	-	-	56.0	-	-
30.069.00	A_003	967	344.0	170.0	-	-	-	-	-	37.0	-	-
30.070.00	A_003	967	348.0	169.5	-	-	-	-	-	46.0	-	-
30.071.00	A_003	967	395.0	166.0	-	-	-	-	-	42.0	-	-
30.072.00	A_003	967	280.0	170.0	-	-	-	-	-	58.0	-	-
30.073.00	A_003	967	335.0	189.0	-	-	-	-	-	58.0	-	-
30.075.00	A_003	967	310.5	150.0	-	-	-	-	-	45.5	-	-

AIR FILTER > FILTRI ARIA > FILTRE À AIR > LUFT > FILTROS DE AIRE												
UFI			A	B	C	D	E	F	G	H	BAR	R
30.076.00	A_005	967	307.0	156.0	-	-	-	-	-	42.5	-	-
30.077.00	A_003	967	364.0	184.5	-	-	-	-	-	50.0	-	-
30.078.01	A_006	967	305.0	265.0	265.0	190.0	150.0	-	-	52.0	-	-
30.079.00	A_003	967	345.0	169.5	-	-	-	-	-	56.0	-	-
30.080.00	A_003	967	317.0	277.0	-	-	-	-	-	70.0	-	-
30.082.00	A_003	967	317.0	277.0	-	-	-	-	-	80.0	-	-
30.083.00	A_003	967	243.0	189.0	-	-	-	-	-	58.0	-	-
30.085.00	A_003	967	281.0	219.0	-	-	-	-	-	62.0	-	-
30.086.00	A_003	967	330.0	265.0	-	-	-	-	-	69.0	-	-
30.087.00	A_003	967	286.0	157.0	-	-	-	-	-	46.0	-	-
30.088.00	A_003	967	245.0	152.5	-	-	-	-	-	44.0	-	-
30.089.00	A_003	967	245.0	195.0	-	-	-	-	-	37.0	-	-
30.090.00	A_003	967	315.0	214.0	-	-	-	-	-	56.0	-	-
30.095.00	A_003	967	320.0	174.0	-	-	-	-	-	57.0	-	-
30.096.00	A_003	967	238.0	180.0	-	-	-	-	-	42.0	-	-
30.097.00	A_003	967	348.0	169.5	-	-	-	-	-	46.0	-	-
30.098.00	A_003	967	236.0	191.5	-	-	-	-	-	50.5	-	-
30.099.00	A_003	967	315.0	261.0	-	-	-	-	-	41.0	-	-
30.100.00	A_003	967	261.0	288.0	-	-	-	-	-	58.0	-	-
30.101.00	A_003	967	265.0	147.0	-	-	-	-	-	46.5	-	-
30.102.00	A_005	967	212.0	201.5	-	-	-	-	-	40.0	-	-
30.103.00	A_005	967	247.5	203.0	-	-	-	-	-	39.5	-	-
30.104.00	A_005	967	190.5	203.5	-	-	-	-	-	34.5	-	-
30.105.00	A_005	967	257.5	221.5	-	-	-	-	-	34.5	-	-
30.106.00	A_003	967	265.0	147.0	-	-	-	-	-	57.0	-	-
30.107.00	A_003	967	297.0	235.0	-	-	-	-	-	42.0	-	-
30.108.00	A_005	967	263.5	124.5	-	-	-	-	-	58.0	-	-
30.109.00	A_003	967	255.0	213.0	-	-	-	-	-	69.0	-	-
30.111.00	A_003	967	285.0	123.0	-	-	-	-	-	57.0	-	-
30.112.00	A_003	967	324.0	135.7	-	-	-	-	-	42.0	-	-
30.113.00	A_003	967	276.0	185.0	-	-	-	-	-	65.0	-	-
30.115.00	A_003	967	360.0	218.0	-	-	-	-	-	57.0	-	-
30.116.00	A_003	967	206.0	170.0	-	-	-	-	-	58.0	-	-
30.117.00	A_003	967	206.0	170.0	-	-	-	-	-	42.0	-	-
30.118.01	A_001	967	293.0	240.0	240.0	-	-	-	-	72.0	-	-
30.119.00	A_003	967	294.0	228.0	-	-	-	-	-	57.5	-	-
30.120.00	A_003	967	260.5	144.0	-	-	-	-	-	46.0	-	-
30.121.00	A_003	967	260.0	259.0	-	-	-	-	-	41.0	-	-
30.124.00	A_003	967	417.0	187.5	-	-	-	-	-	32.0	-	-
30.125.00	A_003	967	343.0	169.0	-	-	-	-	-	48.0	-	-
30.126.00	A_005	967	269.0	137.0	-	-	-	-	-	27.5	-	-
30.127.00	A_003	967	308.0	135.0	-	-	-	-	-	62.5	-	-
30.128.00	A_003	967	298.0	165.0	-	-	-	-	-	62.5	-	-
30.129.00	A_003	967	245.0	157.0	-	-	-	-	-	46.0	-	-
30.130.00	A_003	967	303.5	197.5	-	-	-	-	-	58.0	-	-
30.132.00	A_003	967	213.0	218.0	-	-	-	-	-	57.0	-	-
30.133.00	A_003	967	213.0	218.0	-	-	-	-	-	69.0	-	-
30.134.00	A_003	967	185.0	140.0	-	-	-	-	-	49.0	-	-
30.135.00	A_003	967	324.0	152.0	-	-	-	-	-	41.0	-	-
30.136.00	A_003	967	281.0	159.0	-	-	-	-	-	51.0	-	-
30.137.00	A_003	967	270.0	172.0	-	-	-	-	-	55.0	-	-
30.139.00	A_003	967	248.0	168.0	-	-	-	-	-	49.0	-	-
30.141.00	A_003	967	248.0	206.0	-	-	-	-	-	59.0	-	-
30.142.00	A_003	967	251.0	227.0	-	-	-	-	-	49.5	-	-
30.143.00	A_005	967	267.5	170.0	-	-	-	-	-	43.0	-	-
30.144.00	A_003	967	271.0	201.5	-	-	-	-	-	57.0	-	-
30.145.01	A_001	967	293.0	240.0	240.0	-	-	-	-	66.0	-	-
30.146.00	A_003	967	348.0	144.0	-	-	-	-	-	51.0	-	-
30.147.00	A_003	967	177.0	141.0	-	-	-	-	-	74.0	-	-
30.148.00	A_003	967	382.0	156.0	-	-	-	-	-	58.0	-	-
30.149.00	A_003	967	206.0	168.0	-	-	-	-	-	80.0	-	-
30.150.00	A_003	967	310.0	102.0	-	-	-	-	-	42.0	-	-
30.151.00	A_003	967	232.0	190.0	-	-	-	-	-	60.0	-	-
30.152.00	A_003	967	187.0	170.0	-	-	-	-	-	70.0	-	-
30.153.00	A_003	967	384.5	140.0	-	-	-	-	-	48.0	-	-



AIR FILTER > FILTRI ARIA > FILTRE À AIR > LUFT > FILTROS DE AIRE												
UFI			A	B	C	D	E	F	G	H	BAR	R
30.154.00	A_003	967	201.0	150.0	-	-	-	-	-	45.0	-	-
30.155.00	A_003	967	284.0	180.0	-	-	-	-	-	56.0	-	-
30.156.00	A_003	967	157.0	329.0	-	-	-	-	-	51.0	-	-
30.157.00	A_003	967	271.0	201.5	-	-	-	-	-	67.0	-	-
30.158.00	A_003	967	288.0	188.0	-	-	-	-	-	42.0	-	-
30.159.00	A_003	967	290.0	206.0	-	-	-	-	-	42.0	-	-
30.160.00	A_003	967	239.0	188.0	-	-	-	-	-	58.0	-	-
30.161.00	A_003	967	370.0	134.5	-	-	-	-	-	58.0	-	-
30.162.00	A_003	967	266.5	212.5	-	-	-	-	-	70.0	-	-
30.163.00	A_003	967	188.0	77.0	-	-	-	-	-	57.0	-	-
30.164.00	A_003	967	329.0	216.5	-	-	-	-	-	58.0	-	-
30.165.00	A_003	967	300.0	155.0	-	-	-	-	-	46.0	-	-
30.166.00	A_003	967	310.0	112.0	-	-	-	-	-	69.0	-	-
30.167.00	A_003	967	243.0	189.0	-	-	-	-	-	50.0	-	-
30.168.00	A_003	967	217.0	168.0	-	-	-	-	-	30.0	-	-
30.169.00	A_005	967	251.5	198.5	-	-	-	-	-	52.5	-	-
30.170.00	A_005	967	225.5	168.0	-	-	-	-	-	43.0	-	-
30.171.00	A_005	967	320.5	178.0	-	-	-	-	-	48.0	-	-
30.172.00	A_005	967	257.0	165.0	-	-	-	-	-	40.0	-	-
30.173.00	A_005	967	243.0	158.5	-	-	-	-	-	38.0	-	-
30.174.00	A_005	967	259.5	178.5	-	-	-	-	-	50.0	-	-
30.175.00	A_004	967	259.0	118.0	-	-	-	-	-	48.0	-	-
30.176.00	A_004	967	249.0	122.0	-	-	-	-	-	50.0	-	-
30.177.00	A_003	967	207.0	152.0	-	-	-	-	-	40.0	-	-
30.178.00	A_003	967	288.0	167.5	-	-	-	-	-	36.0	-	-
30.180.00	A_003	967	244.0	167.0	-	-	-	-	-	79.5	-	-
30.181.00	A_003	967	375.0	83.0	-	-	-	-	-	58.0	-	-
30.182.00	A_003	967	465.0	86.0	-	-	-	-	-	69.0	-	-
30.183.00	A_003	967	303.0	210.0	-	-	-	-	-	50.0	-	-
30.184.00	A_003	967	417.0	187.5	-	-	-	-	-	32.0	-	-
30.185.00	A_003	967	335.0	101.0	-	-	-	-	-	46.0	-	-
30.186.00	A_003	967	335.0	101.0	-	-	-	-	-	58.0	-	-
30.187.00	A_003	967	344.5	135.5	-	-	-	-	-	70.0	-	-
30.188.00	A_003	967	381.0	149.5	-	-	-	-	-	49.5	-	-
30.189.00	A_003	967	297.5	235.0	-	-	-	-	-	52.0	-	-
30.190.00	A_003	967	297.5	235.0	-	-	-	-	-	51.0	-	-
30.192.00	A_003	967	253.0	213.0	-	-	-	-	-	57.0	-	-
30.193.00	A_003	967	280.0	218.0	-	-	-	-	-	68.0	-	-
30.194.00	A_003	967	281.0	123.0	-	-	-	-	-	51.0	-	-
30.195.00	A_003	967	229.0	193.0	-	-	-	-	-	60.0	-	-
30.196.00	A_003	967	361.0	247.0	-	-	-	-	-	36.0	-	-
30.197.00	A_003	967	327.0	252.0	-	-	-	-	-	50.5	-	-
30.198.00	A_003	967	334.0	133.0	-	60.0	-	-	-	60.0	-	-
30.199.00	A_003	967	300.0	154.0	-	-	-	-	-	42.0	-	-
30.201.00	A_003	967	520.0	86.0	-	-	-	-	-	58.0	-	-
30.202.00	A_003	967	330.0	252.0	-	-	-	-	-	50.0	-	-
30.203.00	A_003	967	302.0	225.0	-	-	-	-	-	43.0	-	-
30.204.00	A_005	967	309.0	201.0	-	-	-	-	-	43.0	-	-
30.206.00	A_004	967	267.0	116.0	-	-	-	-	-	66.0	-	-
30.207.00	A_003	967	270.0	172.0	-	-	-	-	-	56.0	-	-
30.209.00	A_003	967	300.0	155.0	-	-	-	-	-	42.0	-	-
30.210.00	A_003	967	316.0	113.0	-	-	-	-	-	59.0	-	-
30.211.00	A_005	967	307.0	160.0	-	-	-	-	-	52.5	-	-
30.212.00	A_003	967	234.0	206.5	-	-	-	-	-	67.0	-	-
30.213.00	A_003	967	285.0	154.0	-	-	-	-	-	50.0	-	-
30.214.00	A_003	967	292.0	235.0	-	-	-	-	-	42.5	-	-
30.215.00	A_003	967	258.0	143.0	-	-	-	-	-	70.0	-	-
30.216.00	A_003	967	305.0	174.0	-	-	-	-	-	42.0	-	-
30.217.00	A_017	968	265.0	205.0	-	-	-	-	-	91.0	-	-
30.218.00	A_003	967	306.0	150.0	-	-	-	-	-	57.0	-	-
30.220.00	A_005	967	362.0	236.0	-	-	-	-	-	51.5	-	-
30.221.00	A_005	967	250.0	225.0	-	-	-	-	-	49.0	-	-
30.222.00	A_005	967	226.0	226.0	-	-	-	-	-	38.5	-	-
30.223.00	A_005	967	310.0	185.0	-	-	-	-	-	43.0	-	-
30.224.00	A_003	967	252.5	126.0	-	-	-	-	-	46.0	-	-

AIR FILTER > FILTRI ARIA > FILTRE À AIR > LUFT > FILTROS DE AIRE												
UFI			A	B	C	D	E	F	G	H	BAR	R
30.225.00	A_005	967	308.0	155.0	-	-	-	-	-	60.0	-	-
30.226.00	A_003	967	237.0	214.0	-	-	-	-	-	41.0	-	-
30.227.00	A_005	967	273.5	168.0	-	-	-	-	-	44.0	-	-
30.228.00	A_005	967	316.0	199.0	-	-	-	-	-	43.5	-	-
30.229.00	A_005	967	243.0	193.0	-	-	-	-	-	34.0	-	-
30.230.00	A_005	967	231.0	186.0	-	-	-	-	-	52.0	-	-
30.231.00	A_005	967	275.5	171.0	-	-	-	-	-	41.0	-	-
30.232.00	A_005	967	333.0	109.5	246.0	-	-	-	-	40.0	-	-
30.233.00	A_003	967	250.0	133.0	-	-	-	-	-	65.0	-	-
30.234.00	A_003	967	286.0	171.0	-	-	-	-	-	58.0	-	-
30.235.00	A_005	967	207.5	185.0	-	-	-	-	-	43.0	-	-
30.236.00	A_005	967	309.0	184.0	-	-	-	-	-	54.0	-	-
30.237.00	A_005	967	338.5	157.5	-	-	-	-	-	52.0	-	-
30.238.00	A_003	967	193.0	200.0	-	-	-	-	-	50.0	-	-
30.239.00	A_005	967	245.0	142.0	-	-	-	-	-	40.0	-	-
30.240.00	A_005	967	240.0	150.0	-	-	-	-	-	38.0	-	-
30.241.00	A_003	967	282.0	171.0	-	-	-	-	-	58.0	-	-
30.242.00	A_005	967	206.0	176.0	-	-	-	-	-	37.5	-	-
30.243.00	A_005	967	247.0	153.0	-	-	-	-	-	40.0	-	-
30.244.00	A_003	967	205.0	168.0	-	-	-	-	-	83.0	-	-
30.245.00	A_003	967	285.0	190.0	-	-	-	-	-	58.0	-	-
30.246.00	A_003	967	269.0	172.0	-	-	-	-	-	58.0	-	-
30.247.00	A_004	967	318.0	163.0	-	-	-	-	-	65.0	-	-
30.248.00	A_003	967	269.0	160.0	-	-	-	-	-	34.0	-	-
30.249.00	A_003	967	224.0	137.0	-	-	-	-	-	33.0	-	-
30.250.00	A_003	967	311.0	166.0	-	-	-	-	-	42.0	-	-
30.251.00	A_003	967	294.2	230.6	-	-	-	-	-	47.3	-	-
30.252.00	A_003	967	249.0	116.0	-	-	-	-	-	62.5	-	-
30.253.00	A_003	967	249.0	116.0	-	-	-	-	-	62.5	-	-
30.254.00	A_003	967	248.0	183.0	-	-	-	-	-	68.0	-	-
30.255.00	A_005	967	226.0	151.0	-	-	-	-	-	36.0	-	-
30.256.00	A_005	967	268.5	187.0	-	-	-	-	-	34.0	-	-
30.257.00	A_003	967	419.0	227.0	-	-	-	-	-	42.0	-	-
30.258.00	A_003	967	292.0	234.0	-	-	-	-	-	52.0	-	-
30.259.00	A_003	967	292.0	224.0	-	-	-	-	-	44.0	-	-
30.260.00	A_003	967	428.0	96.0	-	-	-	-	-	56.0	-	-
30.261.00	A_003	967	324.0	156.0	-	-	-	-	-	73.0	-	-
30.262.00	A_003	967	355.0	103.0	-	-	-	-	-	50.0	-	-
30.263.00	A_003	967	268.0	168.0	-	-	-	-	-	35.0	-	-
30.264.00	A_003	967	280.0	189.0	-	-	-	-	-	38.0	-	-
30.265.00	A_003	967	378.0	150.0	-	-	-	-	-	53.0	-	-
30.266.00	A_003	967	254.0	174.0	-	-	-	-	-	42.0	-	-
30.267.00	A_003	967	240.0	188.0	-	-	-	-	-	42.0	-	-
30.268.00	A_003	967	302.0	225.0	-	-	-	-	-	58.0	-	-
30.269.00	A_005	967	190.5	158.0	-	-	-	-	-	54.5	-	-
30.270.00	A_005	967	265.5	167.0	-	-	-	-	-	32.5	-	-
30.272.00	A_003	967	243.0	169.5	-	-	-	-	-	79.0	-	-
30.273.00	A_003	967	390.0	182.0	-	-	-	-	-	46.0	-	-
30.274.00	A_003	967	327.0	215.0	-	-	-	-	-	66.0	-	-
30.275.00	A_005	967	213.5	205.5	-	-	-	-	-	52.0	-	-
30.276.00	A_005	967	341.0	151.0	-	-	-	-	-	45.0	-	-
30.277.00	A_005	967	300.0	220.0	-	-	-	-	-	36.0	-	-
30.278.00	A_005	967	224.0	193.0	-	-	-	-	-	27.0	-	-
30.279.00	A_005	967	224.0	187.5	-	-	-	-	-	46.0	-	-
30.280.00	A_005	967	253.0	173.0	-	-	-	-	-	45.5	-	-
30.281.00	A_003	967	291.0	210.5	-	-	-	-	-	38.0	-	-
30.283.00	A_003	967	252.0	150.0	-	-	-	-	-	37.0	-	-
30.284.00	A_003	967	290.0	246.0	-	-	-	-	-	40.0	-	-
30.285.00	A_003	967	247.0	160.0	-	-	-	-	-	38.0	-	-
30.286.00	A_003	967	203.0	163.0	-	-	-	-	-	38.0	-	-
30.287.00	A_003	967	247.0	168.0	-	-	-	-	-	41.0	-	-
30.288.00	A_004	967	333.5	171.2	-	-	-	-	-	53.0	-	-
30.289.00	A_004	967	290.0	151.0	-	-	-	-	-	52.0	-	-
30.290.00	A_003	967	217.0	167.0	-	-	-	-	-	41.0	-	-
30.292.00	A_003	967	290.0	207.0	-	-	-	-	-	51.0	-	-



AIR FILTER > FILTRI ARIA > FILTRE À AIR > LUFT > FILTROS DE AIRE												
UFI			A	B	C	D	E	F	G	H	BAR	R
30.293.00	A_003	967	284.0	249.0	-	-	-	-	-	65.0	-	-
30.294.00	A_003	967	254.0	218.5	-	-	-	-	-	45.0	-	-
30.295.00	A_003	967	263.0	144.0	-	-	-	-	-	37.5	-	-
30.296.00	A_003	967	235.0	176.0	-	-	-	-	-	57.0	-	-
30.297.00	A_003	967	213.0	202.5	-	-	-	-	-	63.0	-	-
30.298.00	A_003	967	326.0	237.0	-	-	-	-	-	52.0	-	-
30.299.00	A_003	967	356.0	153.0	-	-	-	-	-	58.0	-	-
30.300.00	A_003	967	360.0	263.0	-	-	-	-	-	58.0	-	-
30.301.00	A_003	967	277.0	97.0	-	-	-	-	-	60.5	-	-
30.302.00	A_003	967	362.0	82.0	-	-	-	-	-	59.0	-	-
30.303.00	A_003	967	346.0	223.0	-	-	-	-	-	50.0	-	-
30.305.00	A_003	967	372.0	115.0	-	-	-	-	-	40.0	-	-
30.307.00	A_003	967	270.5	165.5	-	-	-	-	-	34.0	-	-
30.308.00	A_005	967	250.0	112.0	-	-	-	-	-	39.0	-	-
30.309.00	A_005	967	242.0	208.0	-	-	-	-	-	42.5	-	-
30.310.00	A_003	967	198.0	170.0	-	-	-	-	-	38.0	-	-
30.311.00	A_003	967	384.5	140.0	-	-	-	-	-	58.0	-	-
30.312.00	A_005	967	299.5	238.0	-	-	-	-	-	34.0	-	-
30.313.00	A_005	967	224.8	154.5	-	-	-	-	-	39.6	-	-
30.314.00	A_003	967	254.0	229.0	-	-	-	-	-	60.0	-	-
30.315.00	A_003	967	405.0	173.0	-	-	-	-	-	38.0	-	-
30.316.00	A_003	967	275.0	168.0	-	-	-	-	-	35.0	-	-
30.317.00	A_003	967	215.0	165.0	-	-	-	-	-	46.0	-	-
30.318.00	A_003	967	174.0	219.0	-	-	-	-	-	49.0	-	-
30.319.00	A_003	967	239.0	140.5	-	-	-	-	-	57.0	-	-
30.320.00	A_003	967	316.0	190.0	-	-	-	-	-	58.0	-	-
30.321.00	A_003	967	375.0	83.0	-	-	-	-	-	73.0	-	-
30.322.00	A_003	967	325.0	153.5	-	-	-	-	-	73.0	-	-
30.324.00	A_003	967	282.0	160.0	-	-	-	-	-	57.0	-	-
30.325.00	A_005	967	224.2	197.0	-	-	-	-	-	39.6	-	-
30.326.00	A_005	967	246.5	165.0	-	-	-	-	-	34.0	-	-
30.327.00	A_005	967	177.0	161.0	-	-	-	-	-	60.3	-	-
30.328.00	A_005	967	239.5	160.5	-	-	-	-	-	55.0	-	-
30.329.00	A_003	967	390.0	187.0	-	-	-	-	-	58.0	-	-
30.330.00	A_003	967	340.0	147.0	-	-	-	-	-	85.0	-	-
30.331.00	A_003	967	301.0	238.0	-	-	-	-	-	70.0	-	-
30.332.00	A_003	967	270.0	248.0	-	-	-	-	-	46.0	-	-
30.334.00	A_003	967	305.0	145.0	-	-	-	-	-	84.0	-	-
30.335.00	A_005	967	276.5	247.0	-	-	-	-	-	45.0	-	-
30.336.00	A_003	967	260.0	180.0	-	-	-	-	-	39.0	-	-
30.337.00	A_005	967	264.0	173.0	-	-	-	-	-	47.0	-	-
30.338.00	A_004	967	378.0	135.0	-	-	-	-	-	51.0	-	-
30.339.00	A_003	967	317.0	152.5	-	-	-	-	-	29.5	-	-
30.340.00	A_003	967	355.0	265.0	-	-	-	-	-	58.0	-	-
30.341.00	A_003	967	347.0	226.5	-	-	-	-	-	46.0	-	-
30.342.00	A_003	967	372.0	190.0	-	-	-	-	-	43.0	-	-
30.344.00	A_005	967	274.0	186.0	-	-	-	-	-	53.0	-	-
30.345.00	A_003	967	492.0	84.0	-	-	-	-	-	56.0	-	-
30.346.00	A_003	967	365.0	130.0	-	-	-	-	-	50.0	-	-
30.347.00	A_005	967	226.0	127.0	-	-	-	-	-	35.0	-	-
30.348.00	A_005	967	255.5	125.0	-	-	-	-	-	45.5	-	-
30.349.00	A_003	967	287.5	266.4	-	-	-	-	-	63.0	-	-
30.350.00	A_003	967	310.0	192.0	-	-	-	-	-	72.0	-	-
30.351.00	A_003	967	277.0	167.0	-	-	-	-	-	75.0	-	-
30.352.00	A_003	967	235.0	164.0	-	-	-	-	-	58.0	-	-
30.353.00	A_003	967	324.0	152.0	-	-	-	-	-	41.0	-	-
30.355.00	A_003	967	281.5	227.0	-	-	-	-	-	70.0	-	-
30.356.00	A_003	967	281.5	227.0	-	-	-	-	-	78.0	-	-
30.357.00	A_003	967	301.0	236.0	-	-	-	-	-	65.0	-	-
30.360.00	A_005	967	322.0	211.5	-	-	-	-	-	42.0	-	-
30.361.00	A_005	967	306.5	153.0	-	-	-	-	-	52.0	-	-
30.362.00	A_003	967	232.0	136.0	-	-	-	-	-	34.0	-	-
30.363.00	A_005	967	260.0	130.0	-	-	-	-	-	47.5	-	-
30.364.00	A_003	967	363.0	185.5	-	-	-	-	-	54.5	-	-
30.365.00	A_003	967	322.0	128.0	-	-	-	-	-	67.0	-	-

AIR FILTER > FILTRI ARIA > FILTRE À AIR > LUFT > FILTROS DE AIRE												
UFI			A	B	C	D	E	F	G	H	BAR	R
30.366.00	A_003	967	226.0	210.0	-	-	-	-	-	73.0	-	-
30.367.00	A_003	967	313.0	273.0	-	-	-	-	-	48.0	-	-
30.368.00	A_003	967	365.0	147.0	-	-	-	-	-	44.0	-	-
30.369.00	A_003	967	213.0	218.0	-	-	-	-	-	79.0	-	-
30.370.00	A_003	967	346.0	135.0	-	-	-	-	-	78.0	-	-
30.371.00	A_003	967	332.0	147.0	-	-	-	-	-	40.0	-	-
30.372.00	A_003	967	320.0	150.0	-	-	-	-	-	43.0	-	-
30.374.00	A_003	967	248.0	197.0	-	-	-	-	-	56.0	-	-
30.375.00	A_003	967	248.0	197.0	-	-	-	-	-	49.0	-	-
30.376.00	A_003	967	272.0	140.0	-	-	-	-	-	34.0	-	-
30.380.00	A_005	967	360.0	118.0	-	-	-	-	-	43.0	-	-
30.381.00	A_005	967	189.0	180.0	-	-	-	-	-	30.0	-	-
30.382.00	A_005	967	302.0	160.0	-	-	-	-	-	55.0	-	-
30.383.00	A_005	967	196.0	194.0	-	-	-	-	-	46.5	-	-
30.384.00	A_003	967	144.0	232.0	-	-	-	-	-	41.0	-	-
30.385.00	A_004	967	314.0	150.0	-	-	-	-	-	66.0	-	-
30.386.00	A_003	967	262.0	136.0	-	-	-	-	-	55.0	-	-
30.388.00	A_003	967	258.0	289.0	-	-	-	-	-	43.0	-	-
30.389.00	A_003	967	274.0	110.0	-	-	-	-	-	44.0	-	-
30.390.00	A_003	967	161.0	197.0	-	-	-	-	-	69.0	-	-
30.391.00	A_003	967	244.0	120.5	-	-	-	-	-	47.0	-	-
30.392.00	A_005	967	284.5	228.0	-	-	-	-	-	50.0	-	-
30.393.00	A_003	967	186.0	171.0	-	-	-	-	-	59.0	-	-
30.395.00	A_003	967	675.0	134.5	-	-	-	-	-	48.0	-	-
30.396.00	A_003	967	165.0	252.0	-	-	-	-	-	46.0	-	-
30.397.00	A_003	967	227.0	160.0	-	-	-	-	-	36.0	-	-
30.398.00	A_003	967	308.0	184.0	-	-	-	-	-	41.0	-	-
30.399.00	A_003	967	379.5	156.0	-	-	-	-	-	42.0	-	-
30.400.00	A_003	967	495.0	85.0	-	-	-	-	-	56.0	-	-
30.403.00	A_005	967	271.0	175.0	-	-	-	-	-	61.0	-	-
30.404.00	A_003	967	260.0	268.0	-	-	-	-	-	37.0	-	-
30.405.00	A_003	967	283.0	168.0	-	-	-	-	-	32.5	-	-
30.406.00	A_003	967	324.0	256.5	-	-	-	-	-	55.0	-	-
30.407.00	A_003	967	243.0	190.0	-	-	-	-	-	68.0	-	-
30.408.00	A_005	967	231.0	211.0	-	-	-	-	-	48.0	-	-
30.409.00	A_004	967	313.0	200.0	-	-	-	-	-	36.0	-	-
30.416.00	A_003	967	190.0	152.0	-	-	-	-	-	46.0	-	-
30.417.00	A_003	967	243.0	190.0	-	-	-	-	-	57.0	-	-
30.422.00	A_003	967	256.0	250.0	-	-	-	-	-	35.0	-	-
30.432.00	A_003	967	294.0	142.0	-	-	-	-	-	49.0	-	-
30.437.00	A_003	967	234.0	192.0	-	-	-	-	-	57.0	-	-
30.450.00	A_005	967	264.0	216.0	-	-	-	-	-	44.0	-	-
30.451.00	A_005	967	170.0	164.5	-	-	-	-	-	60.0	-	-
30.452.00	A_004	967	254.0	239.0	-	-	-	-	-	59.0	-	-
30.453.00	A_004	967	243.0	237.0	-	-	-	-	-	83.0	-	-
30.454.00	A_005	967	190.0	200.0	-	-	-	-	-	50.0	-	-
30.455.00	A_003	967	284.5	227.0	-	-	-	-	-	47.3	-	-
30.456.00	A_005	967	244.0	145.5	-	-	-	-	-	38.5	-	-
30.460.00	A_005	967	230.0	201.0	-	-	-	-	-	55.0	-	-
30.461.00	A_005	967	283.0	139.0	-	-	-	-	-	53.0	-	-
30.462.00	A_003	967	250.0	145.0	-	-	-	-	-	36.0	-	-
30.463.00	A_003	967	273.0	174.0	-	-	-	-	-	34.0	-	-
30.464.00	A_003	967	338.0	170.0	-	-	-	-	-	38.0	-	-
30.465.00	A_003	967	296.0	280.0	-	-	-	-	-	57.0	-	-
30.466.00	A_003	967	267.0	110.5	-	-	-	-	-	36.0	-	-
30.467.00	A_003	967	360.0	146.0	-	-	-	-	-	42.0	-	-
30.468.00	A_003	967	235.0	179.0	-	-	-	-	-	30.0	-	-
30.469.00	A_005	967	247.0	130.0	-	-	-	-	-	55.0	-	-
30.470.00	A_003	967	303.0	141.0	-	-	-	-	-	42.5	-	-
30.471.00	A_005	967	298.0	200.0	-	-	-	-	-	46.0	-	-
30.477.00	A_003	967	356.0	131.5	-	-	-	-	-	53.0	-	-
30.481.00	A_003	967	225.5	167.5	-	-	-	-	-	33.0	-	-
30.482.00	A_005	967	276.0	172.0	-	-	-	-	-	45.0	-	-
30.483.00	A_005	967	220.0	120.0	-	-	-	-	-	52.0	-	-
30.485.00	A_003	967	290.0	130.0	-	-	-	-	-	48.5	-	-



AIR FILTER > FILTRI ARIA > FILTRE À AIR > LUFT > FILTROS DE AIRE												
UFI			A	B	C	D	E	F	G	H	BAR	R
30.491.00	A_003	967	236.0	164.0	-	-	-	-	-	58.0	-	-
30.496.00	A_005	967	293.0	88.5	-	-	-	-	-	63.0	-	-
30.497.00	A_005	967	166.0	146.0	-	-	-	-	-	55.5	-	-
30.498.00	A_003	967	327.0	168.0	-	-	-	-	-	32.0	-	-
30.500.00	A_003	967	320.0	151.0	-	-	-	-	-	44.5	-	-
30.503.00	A_005	967	196.0	135.0	-	-	-	-	-	44.0	-	-
30.504.00	A_004	967	272.0	237.0	-	-	-	-	-	81.0	-	-
30.505.00	A_005	967	311.5	232.0	-	-	-	-	-	52.0	-	-
30.506.00	A_005	967	238.0	242.0	-	-	-	-	-	65.0	-	-
30.508.00	A_003	967	283.0	232.0	-	-	-	-	-	70.0	-	-
30.509.00	A_003	967	283.0	232.0	-	-	-	-	-	62.0	-	-
30.512.00	A_003	967	314.0	259.0	-	-	-	-	-	68.0	-	-
30.525.00	A_005	967	255.0	196.0	-	-	-	-	-	54.0	-	-
30.531.00	A_003	967	355.0	134.5	-	-	-	-	-	50.0	-	-
30.532.00	A_003	967	292.0	177.0	-	-	-	-	-	70.0	-	-
30.533.00	A_005	967	271.0	187.0	-	-	-	-	-	54.5	-	-
30.537.00	A_005	967	292.0	136.0	-	-	-	-	-	54.0	-	-
30.538.00	A_005	967	273.0	103.0	-	-	-	-	-	78.0	-	-
30.539.00	A_005	967	271.0	187.0	-	-	-	-	-	69.5	-	-
30.540.00	A_003	967	233.0	205.0	-	-	-	-	-	64.0	-	-
30.541.00	A_003	967	315.0	261.0	-	-	-	-	-	60.0	-	-
30.542.00	A_003	967	240.0	197.0	-	-	-	-	-	72.3	-	-
30.543.00	A_003	967	243.0	192.0	-	-	-	-	-	58.0	-	-
30.544.00	A_003	967	222.0	212.0	-	-	-	-	-	50.0	-	-
30.546.00	A_003	967	261.0	97.0	-	-	-	-	-	71.0	-	-
30.547.00	A_003	967	123.5	271.5	-	-	-	-	-	62.5	-	-
30.548.00	A_003	967	216.0	126.0	-	-	-	-	-	29.0	-	-
30.549.00	A_003	967	270.0	190.0	-	-	-	-	-	24.0	-	-
30.550.00	A_004	967	247.5	147.5	-	-	-	-	-	44.0	-	-
30.552.00	A_005	967	284.5	228.0	-	-	-	-	-	54.0	-	-
30.553.00	A_004	967	265.0	166.0	-	-	-	-	-	44.0	-	-
30.554.00	A_004	967	241.0	177.0	-	-	-	-	-	50.0	-	-
30.555.00	A_003	967	272.0	181.0	-	-	-	-	-	58.0	-	-
30.556.00	A_003	967	292.0	202.0	-	-	-	-	-	75.0	-	-
30.557.00	A_003	967	272.0	251.5	-	-	-	-	-	51.0	-	-
30.558.00	A_003	967	227.0	203.0	-	-	-	-	-	41.0	-	-
30.559.00	A_003	967	179.0	288.0	-	-	-	-	-	58.0	-	-
30.569.00	A_003	967	241.0	172.0	-	-	-	-	-	50.0	-	-
30.573.00	A_005	967	347.0	152.0	-	-	-	-	-	47.0	-	-
30.574.00	A_005	967	257.0	164.0	-	-	-	-	-	54.0	-	-
30.575.00	A_003	967	235.0	201.0	-	-	-	-	-	46.0	-	-
30.576.00	A_003	967	227.0	169.0	-	-	-	-	-	35.0	-	-
30.587.00	A_003	967	292.0	177.0	-	-	-	-	-	80.0	-	-
30.588.00	A_003	967	205.0	213.0	-	-	-	-	-	43.0	-	-
30.589.00	A_003	967	298.0	282.0	-	-	-	-	-	32.5	-	-
30.591.00	A_005	967	306.0	182.0	-	-	-	-	-	44.0	-	-
30.592.00	A_003	967	168.0	326.0	-	-	-	-	-	40.0	-	-
30.593.00	A_003	967	190.0	256.0	-	-	-	-	-	39.0	-	-
30.594.00	A_005	967	257.0	144.0	-	-	-	-	-	54.0	-	-
30.595.00	A_003	967	220.0	235.0	-	-	-	-	-	59.0	-	-
30.596.00	A_003	967	361.0	154.0	-	-	-	-	-	57.0	-	-
30.597.00	A_003	967	258.0	312.0	-	-	-	-	-	37.0	-	-
30.600.00	A_003	967	319.0	225.0	-	-	-	-	-	60.0	-	-
30.601.00	A_005	967	250.0	170.0	-	-	-	-	-	52.0	-	-
30.603.00	A_003	967	179.0	117.0	-	-	-	-	-	38.0	-	-
30.604.00	A_003	967	239.0	171.0	-	-	-	-	-	52.0	-	-
30.606.00	A_003	967	454.0	89.0	-	-	-	-	-	56.0	-	-
30.607.00	A_003	967	223.0	142.0	-	-	-	-	-	56.0	-	-
30.609.00	A_003	967	233.0	162.0	-	-	-	-	-	58.0	-	-
30.615.00	A_005	967	222.0	224.0	-	-	-	-	-	35.0	-	-
30.617.00	A_005	967	172.5	153.0	-	-	-	-	-	46.0	-	-
30.618.00	A_005	967	261.0	173.0	-	-	-	-	-	43.0	-	-
30.619.00	A_005	967	168.0	199.0	-	-	-	-	-	46.0	-	-
30.620.00	A_003	967	275.0	167.0	-	-	-	-	-	40.5	-	-
30.621.00	A_003	967	211.0	292.0	-	-	-	-	-	44.0	-	-

AIR FILTER > FILTRI ARIA > FILTRE À AIR > LUFT > FILTROS DE AIRE												
UFI			A	B	C	D	E	F	G	H	BAR	R
30.622.00	A_003	967	211.0	292.0	-	-	-	-	-	54.0	-	-
30.625.00	A_003	967	220.0	186.0	-	-	-	-	-	35.0	-	-
30.626.00	A_005	967	276.0	162.0	-	-	-	-	-	53.0	-	-
30.627.00	A_005	967	248.0	132.0	-	-	-	-	-	55.0	-	-
30.628.00	A_005	967	237.0	143.0	-	-	-	-	-	31.0	-	-
30.629.00	A_003	967	399.5	318.0	-	-	-	-	-	61.0	-	-
30.630.00	A_003	967	399.5	318.0	-	-	-	-	-	75.0	-	-
30.631.00	A_005	967	276.5	197.5	-	-	-	-	-	41.0	-	-
30.632.00	A_005	967	213.0	134.0	-	-	-	-	-	34.0	-	-
30.633.00	A_005	967	295.0	236.0	-	-	-	-	-	33.5	-	-
30.634.00	A_005	967	266.0	146.0	-	-	-	-	-	54.0	-	-
30.635.00	A_005	967	256.0	164.0	-	-	-	-	-	52.5	-	-
30.638.00	A_003	967	239.0	121.0	-	-	-	-	-	63.0	-	-
30.639.00	A_004	967	333.0	137.0	-	-	-	-	-	36.0	-	-
30.645.00	A_003	967	348.0	205.0	-	-	-	-	-	57.0	-	-
30.647.00	A_003	967	311.0	190.0	-	-	-	-	-	68.0	-	-
30.648.00	A_003	967	239.0	205.0	-	-	-	-	-	53.0	-	-
30.652.00	A_005	967	232.0	228.0	-	-	-	-	-	33.5	-	-
30.653.00	A_003	967	180.0	191.0	-	-	-	-	-	45.0	-	-
30.654.00	A_005	967	209.0	178.0	-	-	-	-	-	70.0	-	-
30.655.00	A_005	967	367.0	148.0	-	-	-	-	-	79.0	-	-
30.657.00	A_003	967	405.0	173.0	-	-	-	-	-	33.0	-	-
30.658.00	A_003	967	419.0	215.0	-	-	-	-	-	43.0	-	-
30.659.00	A_003	967	161.0	256.0	-	-	-	-	-	42.0	-	-
30.660.00	A_003	967	251.0	206.0	-	-	-	-	-	60.0	-	-
30.661.00	A_003	967	374.0	213.0	-	-	-	-	-	58.0	-	-
30.662.00	A_003	967	374.0	212.0	-	-	-	-	-	65.0	-	-
30.663.00	A_003	967	259.0	204.0	-	-	-	-	-	53.0	-	-
30.664.00	A_003	967	258.0	208.0	-	-	-	-	-	73.0	-	-
30.665.00	A_003	967	198.0	245.0	-	-	-	-	-	51.0	-	-
30.676.00	A_005	967	288.0	198.5	-	-	-	-	-	42.5	-	-
30.677.00	A_003	967	208.0	188.0	-	-	-	-	-	64.0	-	-
30.686.00	A_003	967	213.5	238.0	-	-	-	-	-	60.0	-	-
30.687.00	A_003	967	204.5	188.5	-	-	-	-	-	59.0	-	-
30.688.00	A_003	967	326.0	97.0	-	-	-	-	-	55.0	-	-
30.692.00	A_003	967	349.0	206.0	-	-	-	-	-	49.0	-	-
30.693.00	A_003	967	242.0	120.0	-	-	-	-	-	59.0	-	-
30.700.00	A_003	967	225.0	187.0	-	-	-	-	-	62.0	-	-
30.701.00	A_005	967	360.0	156.0	-	-	-	-	-	33.0	-	-
30.709.00	A_004	967	259.0	207.0	-	-	-	-	-	53.0	-	-
30.710.00	A_005	967	276.5	171.5	-	-	-	-	-	42.5	-	-
30.711.00	A_003	967	277.0	262.0	-	-	-	-	-	35.0	-	-
30.712.00	A_003	967	220.0	194.0	-	-	-	-	-	80.0	-	-
30.713.00	A_003	967	205.0	190.0	-	-	-	-	-	35.0	-	-
30.714.00	A_003	967	277.0	262.0	-	-	-	-	-	45.0	-	-
30.717.00	A_003	967	290.0	160.0	-	-	-	-	-	68.0	-	-
30.718.00	A_003	967	351.0	136.0	-	-	-	-	-	44.0	-	-
30.719.00	A_003	967	347.0	141.0	-	-	-	-	-	89.0	-	-
30.721.00	A_004	967	293.0	201.0	-	-	-	-	-	43.0	-	-
30.723.00	A_005	967	277.0	226.0	-	-	-	-	-	41.0	-	-
30.724.00	A_005	967	253.0	172.0	-	-	-	-	-	30.0	-	-
30.725.00	A_005	967	230.0	177.0	-	-	-	-	-	52.0	-	-
30.726.00	A_005	967	353.0	109.0	-	-	-	-	-	35.5	-	-
30.776.00	A_003	967	295.0	202.0	-	-	-	-	-	46.0	-	-
30.777.00	A_003	967	269.0	219.0	-	-	-	-	-	35.0	-	-
30.778.00	A_003	967	264.5	284.5	-	-	-	-	-	32.0	-	-
30.779.00	A_005	967	271.0	180.0	-	-	-	-	-	40.0	-	-
30.780.00	A_005	967	237.0	140.0	-	-	-	-	-	42.0	-	-
30.781.00	A_003	967	255.0	123.0	-	-	-	-	-	38.0	-	-
30.785.00	A_005	967	315.0	297.0	-	-	-	-	-	62.0	-	-
30.786.00	A_003	967	304.0	169.0	-	-	-	-	-	43.5	-	-
30.787.00	A_003	967	239.0	148.0	-	-	-	-	-	42.0	-	-
30.788.00	A_004	967	318.0	192.0	-	-	-	-	-	43.0	-	-
30.793.00	A_003	967	346.5	156.0	-	-	-	-	-	62.0	-	-
30.794.00	A_003	967	246.0	175.0	-	-	-	-	-	49.5	-	-



AIR FILTER > FILTRI ARIA > FILTRE À AIR > LUFT > FILTROS DE AIRE												
UFI			A	B	C	D	E	F	G	H	BAR	R
30.795.00	A_003	967	346.5	134.0	-	-	-	-	-	49.0	-	-
30.800.00	A_017	968	182.0	124.0	-	-	-	-	-	57.0	-	-
30.802.01	A_017	968	279.0	223.0	223.0	-	-	-	-	61.5	-	-
30.803.00	A_017	968	260.0	208.0	208.0	-	-	-	-	56.0	-	-
30.804.00	A_017	968	299.0	248.0	-	-	-	-	-	61.0	-	-
30.806.00	A_001	967	276.0	210.0	210.0	-	-	-	-	53.0	-	-
30.807.00	A_001	967	234.0	176.0	176.0	-	-	-	-	48.0	-	-
30.809.00	A_017	968	300.0	216.0	-	-	-	-	-	52.0	-	-
30.811.00	A_017	968	202.0	146.0	146.0	-	-	-	-	51.0	-	-
30.815.00	A_003	967	348.5	172.0	-	-	-	-	-	25.0	-	-
30.818.00	A_003	967	336.5	134.0	-	-	-	-	-	40.5	-	-
30.822.00	A_003	967	353.0	210.0	-	-	-	-	-	25.0	-	-
30.826.00	A_003	967	400.0	181.0	-	-	-	-	-	43.0	-	-
30.830.00	A_003	967	380.0	146.0	-	-	-	-	-	40.0	-	-
30.835.00	A_003	967	211.0	211.0	-	-	-	-	-	56.5	-	-
30.836.00	A_003	967	203.0	93.0	-	-	-	-	-	48.5	-	-
30.843.01	A_017	968	295.0	210.0	210.0	-	-	-	-	86.0	-	-
30.847.00	A_017	968	403.0	217.0	217.0	-	-	-	-	27.0	-	-
30.851.00	A_003	967	275.0	133.0	-	-	-	-	-	40.0	-	-
30.852.00	A_003	967	382.0	115.0	-	-	-	-	-	56.5	-	-
30.857.00	A_003	967	335.0	135.0	-	-	-	-	-	41.0	-	-
30.858.00	A_003	967	225.0	135.0	-	-	-	-	-	37.0	-	-
30.860.00	A_003	967	335.0	165.0	-	-	-	-	-	37.0	-	-
30.862.00	A_003	967	324.0	169.0	-	-	-	-	-	40.0	-	-
30.864.00	A_003	967	336.5	134.0	-	-	-	-	-	56.5	-	-
30.867.00	A_003	967	345.0	175.0	-	-	-	-	-	41.5	-	-
30.871.00	A_001	967	245.0	183.0	183.0	-	-	-	-	63.0	-	-
30.872.01	A_001	967	204.0	145.0	145.0	-	-	-	-	58.0	-	-
30.878.00	A_003	967	370.0	113.5	-	-	-	-	-	49.5	-	-
30.880.00	A_017	968	146.0	90.0	-	-	-	-	-	66.0	-	-
30.883.00	A_017	968	108.0	46.0	-	-	-	-	-	164.0	-	-
30.887.02	A_003	967	272.0	302.0	-	-	-	-	-	42.5	-	-
30.888.00	A_003	967	380.0	146.0	-	-	-	-	-	57.0	-	-
30.889.00	A_003	967	336.0	136.5	-	-	-	-	-	29.0	-	-
30.890.00	A_003	967	336.0	241.0	-	-	-	-	-	58.0	-	-
30.891.00	A_003	967	452.0	133.0	-	-	-	-	-	57.0	-	-
30.893.00	A_003	967	288.0	170.0	-	61.0	-	-	-	50.0	-	-
30.893.03	A_003	967	288.0	170.0	-	61.0	-	-	-	50.0	-	-
30.894.00	A_003	967	177.0	90.0	-	-	-	-	-	48.5	-	-
30.896.00	A_017	968	370.0	288.0	-	-	-	-	-	59.0	-	-
30.898.00	A_003	967	300.0	198.0	-	-	-	-	-	49.0	-	-
30.899.00	A_003	967	436.0	156.0	-	-	-	-	-	29.0	-	-
30.902.00	A_003	967	347.0	115.0	-	-	-	-	-	57.0	-	-
30.904.00	A_003	967	356.0	244.0	-	-	-	-	-	49.0	-	-
30.906.00	A_003	967	335.0	230.0	-	-	-	-	-	28.0	-	-
30.908.00	A_003	967	250.0	156.0	-	-	-	-	-	42.0	-	-
30.910.00	A_003	967	250.0	213.0	-	-	-	-	-	45.0	-	-
30.911.00	A_003	967	381.0	171.0	-	60.0	-	-	-	51.0	-	-
30.914.02	A_003	967	255.0	155.5	-	-	-	-	-	57.5	-	-
30.915.00	A_003	967	285.0	184.0	-	-	-	-	-	41.0	-	-
30.916.00	A_017	968	328.0	230.0	-	-	-	-	-	70.5	-	-
30.917.01	A_017	968	244.0	186.0	-	-	-	-	-	95.0	-	-
30.919.00	A_003	967	251.0	92.0	-	-	-	-	-	37.5	-	-
30.922.01	A_001	967	244.0	186.0	186.0	-	-	-	-	50.0	-	-
30.923.01	A_001	967	258.0	207.0	207.0	-	-	-	-	62.0	-	-
30.924.00	A_003	967	254.5	213.0	-	-	-	-	-	57.0	-	-
30.925.00	A_003	967	211.0	211.0	-	-	-	-	-	56.5	-	-
30.926.00	A_003	967	254.0	213.0	-	-	-	-	-	42.0	-	-
30.928.00	A_003	967	314.0	191.0	-	-	-	-	-	44.0	-	-
30.929.00	A_003	967	471.0	171.0	-	60.0	-	-	-	51.0	-	-
30.930.00	A_003	967	349.0	148.0	-	-	-	-	-	36.5	-	-
30.932.00	A_003	967	235.0	86.0	-	-	-	-	-	47.5	-	-
30.933.00	A_003	967	325.0	156.0	-	-	-	-	-	57.0	-	-
30.935.00	A_003	967	245.0	131.0	-	-	-	-	-	58.0	-	-
30.936.00	A_003	967	382.0	150.0	-	-	-	-	-	57.0	-	-

AIR FILTER > FILTRI ARIA > FILTRE À AIR > LUFT > FILTROS DE AIRE												
UFI			A	B	C	D	E	F	G	H	BAR	R
30.939.00	A_017	968	275.0	224.0	224.0	-	-	-	-	55.0	-	-
30.941.02	A_003	967	323.0	258.0	-	-	-	-	-	42.5	-	-
30.942.00	A_003	967	302.0	171.0	-	-	-	-	-	34.0	-	-
30.943.00	A_017	968	140.0	94.0	94.0	-	-	-	-	164.5	-	-
30.944.00	A_003	967	254.0	213.0	-	-	-	-	-	57.0	-	-
30.945.00	A_003	967	302.0	117.0	-	-	-	-	-	45.5	-	-
30.946.00	A_003	967	310.0	184.5	-	-	-	-	-	56.5	-	-
30.948.00	A_003	967	285.0	212.5	-	-	-	-	-	46.0	-	-
30.950.00	A_003	967	288.0	184.5	-	-	-	-	-	41.0	-	-
30.952.00	A_003	967	343.0	141.0	-	-	-	-	-	37.0	-	-
30.953.00	A_003	967	200.0	150.0	-	-	-	-	-	51.0	-	-
30.954.00	A_003	967	330.0	290.0	-	-	-	-	-	50.0	-	-
30.955.00	A_003	967	310.0	149.5	-	-	-	-	-	56.5	-	-
30.958.00	A_003	967	285.0	184.0	-	-	-	-	-	41.0	-	-
30.960.00	A_003	967	298.0	157.5	-	-	-	-	-	36.5	-	-
30.961.00	A_003	967	220.0	228.0	-	-	-	-	-	57.5	-	-
30.963.00	A_003	967	246.0	184.0	-	-	-	-	-	57.0	-	-
30.964.00	A_003	967	192.0	134.0	-	-	-	-	-	57.0	-	-
30.965.00	A_003	967	345.0	177.0	-	-	-	-	-	49.0	-	-
30.966.00	A_003	967	246.0	152.5	-	-	-	-	-	36.0	-	-
30.967.00	A_003	967	258.0	208.0	-	-	-	-	-	42.0	-	-
30.969.00	A_017	968	258.0	207.0	-	-	-	-	-	62.0	-	-
30.970.00	A_003	967	365.0	260.0	-	-	-	-	-	43.0	-	-
30.972.00	A_003	967	345.0	170.0	-	-	-	-	-	42.5	-	-
30.973.00	A_003	967	282.0	167.0	-	-	-	-	-	35.5	-	-
30.974.00	A_017	968	408.0	326.0	-	-	-	-	-	56.5	-	-
30.975.00	A_017	968	408.0	326.0	-	-	-	-	-	64.0	-	-
30.976.00	A_017	968	408.0	326.0	-	-	-	-	-	84.5	-	-
30.977.00	A_003	967	327.0	150.0	-	-	-	-	-	57.0	-	-
30.978.01	A_017	968	272.0	204.0	204.0	-	-	-	-	52.5	-	-
30.979.02	A_003	967	273.0	233.0	-	-	-	-	-	42.5	-	-
30.981.00	A_003	967	258.0	186.0	-	-	-	-	-	58.0	-	-
30.987.01	A_001	967	286.0	232.0	232.0	-	-	-	-	62.0	-	-
30.990.00	A_003	967	250.0	212.0	-	-	-	-	-	43.0	-	-
30.991.00	A_003	967	240.0	177.5	-	-	-	-	-	59.0	-	-
30.993.00	A_017	968	390.0	292.0	-	-	-	-	-	80.0	-	-
30.994.00	A_003	967	276.0	185.0	-	-	-	-	-	57.0	-	-
30.996.00	A_003	967	270.0	230.0	-	-	-	-	-	56.0	-	-
30.997.00	A_003	967	225.0	135.0	-	-	-	-	-	37.0	-	-
30.999.00	A_003	967	244.0	178.0	-	-	-	-	-	41.0	-	-
30.A15.00	A_003	967	335.0	92.0	-	-	-	-	-	49.0	-	-
30.A16.00	A_003	967	273.0	124.0	-	-	-	-	-	79.0	-	-
30.A17.00	A_003	967	342.0	301.0	-	-	-	-	-	35.0	-	-
30.A20.00	A_005	967	294.5	196.0	-	-	-	-	-	37.5	-	-
30.A21.00	A_005	967	247.5	145.5	-	-	-	-	-	56.0	-	-
30.A23.00	A_003	967	290.0	259.0	-	-	-	-	-	53.0	-	-
30.A24.00	A_003	967	245.0	256.0	-	-	-	-	-	41.0	-	-
30.A25.00	A_003	967	391.0	186.0	-	-	-	-	-	63.0	-	-
30.A33.00	A_003	967	296.0	171.0	-	-	-	-	-	57.5	-	-
30.A34.00	A_003	967	229.5	120.0	-	-	-	-	-	65.0	-	-
30.A35.00	A_003	967	346.0	223.0	-	-	-	-	-	58.0	-	-
30.A37.00	A_003	967	200.0	208.0	-	-	-	-	-	65.0	-	-
30.A38.00	A_003	967	262.0	176.0	-	-	-	-	-	57.0	-	-
30.A40.00	A_005	967	267.0	170.0	-	-	-	-	-	49.0	-	-
30.A41.00	A_003	967	292.0	245.5	-	-	-	-	-	67.0	-	-
30.A42.00	A_003	967	311.0	282.0	-	-	-	-	-	34.0	-	-
30.A43.00	A_003	967	227.5	235.0	-	-	-	-	-	42.0	-	-
30.A44.00	A_003	967	356.0	286.0	-	-	-	-	-	37.0	-	-
30.A45.00	A_003	967	276.0	170.0	-	-	-	-	-	48.0	-	-
30.A46.00	A_003	967	215.0	165.0	-	-	-	-	-	47.0	-	-
30.A49.00	A_003	967	282.0	169.0	-	-	-	-	-	29.0	-	-
30.A50.00	A_005	967	189.0	154.0	-	-	-	-	-	52.0	-	-
30.A51.00	A_003	967	270.0	217.0	-	-	-	-	-	30.0	-	-
30.A52.00	A_003	967	161.0	217.0	-	-	-	-	-	70.0	-	-
30.A53.00	A_005	967	228.0	173.0	-	-	-	-	-	48.0	-	-



AIR FILTER > FILTRI ARIA > FILTRE À AIR > LUFT > FILTROS DE AIRE												
UFI			A	B	C	D	E	F	G	H	BAR	R
30.A54.00	A_005	967	246.0	186.0	-	-	-	-	-	50.0	-	-
30.A55.00	A_005	967	270.0	180.0	-	-	-	-	-	49.0	-	-
30.A56.00	A_005	967	239.5	157.5	-	-	-	-	-	47.0	-	-
30.A58.00	A_003	967	201.0	211.0	-	-	-	-	-	58.0	-	-
30.A59.00	A_003	967	204.0	256.0	-	-	-	-	-	50.0	-	-
30.A60.00	A_003	967	313.0	146.0	102.0	-	-	-	-	52.0	-	-
30.A61.00	A_003	967	276.0	177.0	-	-	-	-	-	44.0	-	-
30.A62.00	A_003	967	299.0	232.0	-	-	-	-	-	50.0	-	-
30.A63.00	A_003	967	169.0	273.0	-	-	-	-	-	57.0	-	-
30.A64.00	A_003	967	257.0	202.0	-	-	-	-	-	43.0	-	-
30.A66.00	A_005	967	150.5	150.5	-	-	-	-	-	52.0	-	-
30.A67.00	A_003	967	417.0	222.0	-	-	-	-	-	30.0	-	-
30.A68.00	A_003	967	345.0	93.0	-	-	-	-	-	78.0	-	-
30.A69.00	A_003	967	170.0	239.0	-	-	-	-	-	31.0	-	-
30.A70.00	A_003	967	247.0	192.5	-	-	-	-	-	58.0	-	-
30.A71.00	A_003	967	308.0	184.0	-	-	-	-	-	49.0	-	-
30.A72.00	A_003	967	424.0	201.0	-	-	-	-	-	28.0	-	-
30.A73.00	A_003	967	268.0	185.0	-	-	-	-	-	48.0	-	-
30.A74.00	A_003	967	362.0	135.0	-	-	-	-	-	57.0	-	-
30.A75.00	A_003	967	246.0	175.0	-	-	-	-	-	52.0	-	-
30.A76.00	A_003	967	242.0	348.0	-	-	-	-	-	49.0	-	-
30.A84.00	A_005	967	240.0	144.5	-	-	-	-	-	53.0	-	-
30.A85.00	A_005	967	268.0	215.0	-	-	-	-	-	68.0	-	-
30.A86.00	A_005	967	355.0	167.0	-	-	-	-	-	62.0	-	-
30.A91.00	A_005	967	269.0	217.0	-	-	-	-	-	66.0	-	-
30.A95.00	A_005	967	269.0	190.0	-	-	-	-	-	51.0	-	-
30.A96.00	A_005	967	242.0	217.0	-	-	-	-	-	54.0	-	-
30.A97.00	A_005	967	290.0	185.0	154.0	-	-	-	-	27.0	-	-
30.A99.00	A_005	967	250.0	202.0	-	-	-	-	-	70.0	-	-
30.B01.00	A_005	967	225.0	236.0	-	-	-	-	-	59.0	-	-
30.B03.00	A_005	967	306.0	253.0	-	-	-	-	-	37.0	-	-
30.B04.00	A_004	967	318.0	130.0	-	-	-	-	-	44.0	-	-
30.B05.00	A_005	967	234.0	233.0	-	-	-	-	-	50.0	-	-
30.B06.00	A_005	967	265.0	200.0	-	-	-	-	-	54.0	-	-
30.B08.00	A_005	967	185.0	195.0	-	-	-	-	-	45.0	-	-
30.B10.00	A_018	968	350.3	176.0	-	-	-	-	-	96.0	-	-
30.B11.00	A_003	967	532.0	181.5	-	-	-	-	-	42.0	-	-
30.B12.00	A_003	967	242.0	178.0	-	-	-	-	-	32.3	-	-
30.B13.00	A_003	967	193.7	197.1	-	-	-	-	-	32.0	-	-
30.B14.00	A_003	967	193.7	197.1	-	-	-	-	-	32.0	-	-
30.B15.00	A_018	968	377.4	287.1	-	-	-	-	-	108.5	-	-
30.B16.00	A_003	967	526.0	178.5	-	-	-	-	-	37.0	-	-
30.B17.00	A_003	967	268.0	265.0	-	-	-	-	-	50.0	-	-
30.B20.00	A_003	967	214.0	135.5	-	-	-	-	-	53.0	-	-
30.B21.00	A_003	967	268.0	108.0	-	-	-	-	-	65.0	-	-
30.B22.00	A_003	967	191.5	204.0	-	-	-	-	-	33.6	-	-
30.B23.00	A_003	967	360.0	180.0	-	-	-	-	-	84.0	-	-
30.B24.00	A_003	967	303.0	178.0	-	-	-	-	-	92.0	-	-
30.B25.00	A_003	967	260.0	234.0	-	-	-	-	-	35.0	-	-
30.B26.00	A_003	967	375.0	144.0	-	-	-	-	-	60.0	-	-
30.B27.00	A_003	967	378.0	105.0	-	-	-	-	-	80.0	-	-
30.B28.00	A_003	967	225.0	187.0	-	-	-	-	-	62.0	-	-
30.B29.00	A_003	967	377.0	147.0	-	-	-	-	-	66.5	-	-
30.B41.00	A_003	967	294.0	202.0	-	-	-	-	-	52.5	-	-
30.B42.00	A_003	967	272.0	118.0	-	-	-	-	-	50.0	-	-
30.B43.00	A_003	967	220.0	186.0	-	-	-	-	-	58.0	-	-
30.B44.00	A_003	967	242.0	177.0	-	-	-	-	-	34.5	-	-
30.B45.00	A_005	967	181.0	141.0	-	-	-	-	-	51.0	-	-
30.B50.00	A_005	967	204.5	155.0	-	-	-	-	-	37.0	-	-
30.B54.00	A_003	967	247.0	197.0	-	-	-	-	-	58.3	-	-
30.B56.00	A_003	967	410.0	200.0	-	-	-	-	-	42.0	-	-
30.B62.00	A_005	967	227.0	225.5	-	-	-	-	-	52.0	-	-
30.B63.00	A_018	968	350.3	176.1	-	-	-	-	-	68.0	-	-
30.B71.00	A_004	967	335.0	230.0	225.0	-	-	-	-	33.0	-	-
30.B76.00	A_005	967	257.0	94.0	-	-	-	-	-	44.0	-	-

AIR FILTER > FILTRI ARIA > FILTRE À AIR > LUFT > FILTROS DE AIRE												
UFI			A	B	C	D	E	F	G	H	BAR	R
30.B86.00	A_003	967	323.0	240.0	-	-	-	-	-	58.0	-	-
30.B87.00	A_018	968	137.0	108.0	81.0	94.0	-	-	-	261.5	-	-
30.C03.00	A_003	967	347.0	163.0	-	-	-	-	-	50.0	-	-
30.C35.00	A_003	967	295.0	219.0	-	-	-	-	-	46.5	-	-
30.C36.00	A_018	968	137.0	108.0	81.0	94.0	-	-	-	261.0	-	-
30.C37.00	A_003	967	370.0	206.5	-	-	-	-	-	42.5	-	-
30.C38.00	A_003	967	160.0	303.5	-	-	-	-	-	60.0	-	-
30.C39.00	A_005	967	229.0	235.5	-	-	-	-	-	52.0	-	-
30.C40.00	A_004	967	255.0	165.5	-	-	-	-	-	33.0	-	-
30.C41.00	A_005	967	225.0	158.0	-	-	-	-	-	39.0	-	-
30.C42.00	A_005	967	233.7	189.0	-	-	-	-	-	42.0	-	-
30.C43.00	A_003	967	290.0	210.0	-	-	-	-	-	39.0	-	-
30.C44.00	A_005	967	244.0	187.0	-	-	-	-	-	37.0	-	-
30.C45.00	A_004	967	295.0	209.0	-	-	-	-	-	70.0	-	-
30.C46.00	A_003	967	163.0	174.0	-	-	-	-	-	38.0	-	-
30.C47.00	A_003	967	267.0	147.5	-	-	-	-	-	45.0	-	-
30.C54.00	A_005	967	252.0	172.5	-	-	-	-	-	30.5	-	-
30.C55.00	A_003	967	427.0	130.5	-	-	-	-	-	38.0	-	-
30.C56.00	A_005	967	218.0	166.0	-	-	-	-	-	55.5	-	-
30.C61.00	A_003	967	289.3	224.6	-	-	-	-	-	52.4	-	-
30.C62.00	A_005	967	250.0	170.0	-	-	-	-	-	36.0	-	-
30.C63.00	A_005	967	244.0	130.0	-	-	-	-	-	59.5	-	-
30.C64.00	A_003	967	285.0	234.0	-	-	-	-	-	59.3	-	-
30.C65.00	A_003	967	289.3	224.6	-	-	-	-	-	55.0	-	-
CABIN AIR FILTER > FILTRI ARIA ABITACOLO > FILTRE D' HABITACLE > INNENRAUMFILTER > FILTROS DE HABITACULO												
34.100.00	C_007	968	331.0	163.0	-	-	-	-	-	31.0	-	-
34.101.00	C_007	968	300.0	204.5	-	-	-	-	-	30.0	-	-
34.103.00	C_007	968	230.0	177.0	-	-	-	-	-	20.0	-	-
34.104.00	C_007	968	175.0	139.0	-	-	-	-	-	30.0	-	-
34.106.00	C_007	968	350.0	160.0	-	-	-	-	-	30.0	-	-
34.108.00	C_008	968	255.0	189.0	-	-	-	-	-	30.0	-	-
34.109.00	C_007	968	282.0	206.0	-	-	-	-	-	30.0	-	-
34.111.00	C_007	968	285.0	176.0	-	-	-	-	-	36.0	-	-
34.114.00	C_007	968	252.0	216.0	-	-	-	-	-	32.0	-	-
34.115.00	C_007	968	236.0	183.5	-	-	-	-	-	35.0	-	-
34.117.00	C_007	968	213.0	206.5	-	-	-	-	-	18.0	-	-
34.118.00	C_007	968	536.0	109.5	-	-	-	-	-	30.0	-	-
34.119.00	C_007	968	509.0	96.5	-	-	-	-	-	35.0	-	-
34.121.00	C_008	968	662.0	96.5	-	-	-	-	-	21.0	-	-
34.122.00	C_007	968	210.0	206.0	-	-	-	-	-	30.0	-	-
34.124.00	C_008	968	288.0	215.0	-	-	-	-	-	34.0	-	-
34.127.00	C_007	968	322.0	169.0	-	-	-	-	-	31.0	-	-
34.131.00	C_007	968	332.0	187.0	-	-	-	-	-	26.0	-	-
34.133.00	C_007	968	310.0	255.0	-	-	-	-	-	34.0	-	-
34.136.00	C_007	968	235.0	209.0	-	-	-	-	-	34.0	-	-
34.142.00	C_007	968	314.0	152.0	-	-	-	-	-	40.0	-	-
34.143.00	C_007	968	292.0	198.5	-	-	-	-	-	30.0	-	-
34.145.00	C_007	968	345.0	203.0	-	-	-	-	-	33.0	-	-
34.146.00	C_007	968	395.0	183.0	-	-	-	-	-	32.0	-	-
34.148.00	C_007	968	275.0	218.0	-	-	-	-	-	36.0	-	-
34.153.00	C_007	968	309.0	99.0	-	-	-	-	-	30.0	-	-
34.155.00	C_007	968	265.0	158.0	-	-	-	-	-	30.0	-	-
34.158.00	C_007	968	230.0	210.0	-	-	-	-	-	35.0	-	-
34.159.00	C_007	968	282.0	195.0	-	-	-	-	-	35.0	-	-
34.160.00	C_007	968	377.0	176.0	-	-	-	-	-	48.0	-	-
34.161.00	C_007	968	365.0	246.0	-	-	-	-	-	35.0	-	-
34.162.00	C_007	968	218.0	266.0	-	-	-	-	-	21.0	-	-
34.163.00	C_008	968	284.0	264.0	-	-	-	-	-	44.0	-	-
34.164.00	C_007	968	155.0	157.0	201.0	157.0	-	-	-	31.0	-	-
34.166.00	C_007	968	270.0	196.0	-	-	-	-	-	32.0	-	-
34.167.00	C_007	968	215.0	200.0	-	-	-	-	-	30.0	-	-
34.168.00	C_007	968	279.0	241.0	-	-	-	-	-	35.0	-	-
34.170.00	C_007	968	240.0	189.0	-	-	-	-	-	22.0	-	-
34.171.00	C_007	968	255.0	201.0	-	-	-	-	-	30.0	-	-
34.172.00	C_007	968	291.0	95.0	-	-	-	-	-	30.0	-	-



CABIN AIR FILTER > FILTRI ARIA ABITACOLO > FILTRE D' HABITACLE > INNENRAUMFILTER > FILTROS DE HABITACULO

UFI			A	B	C	D	E	F	G	H	BAR	R
34.175.00	C_007	968	440.0	118.0	-	-	-	-	-	30.0	-	-
34.176.00	C_007	968	214.0	214.0	-	-	-	-	-	25.0	-	-
34.178.00	C_007	968	240.0	204.0	-	-	-	-	-	35.0	-	-
34.194.00	C_007	968	348.0	165.0	-	-	-	-	-	31.0	-	-
34.195.00	C_007	968	388.0	148.0	-	-	-	-	-	25.0	-	-
34.196.00	C_007	968	230.0	160.0	-	-	-	-	-	31.0	-	-
34.199.00	C_007	968	258.0	224.0	-	-	-	-	-	35.0	-	-
34.201.00	C_008	968	247.0	180.5	-	-	-	-	-	30.0	-	-
34.215.00	C_007	968	252.0	133.0	-	-	-	-	-	40.0	-	-
34.217.00	C_007	968	149.0	259.0	-	-	-	-	-	35.0	-	-
34.218.00	C_007	968	255.0	203.0	-	-	-	-	-	35.0	-	-
34.219.00	C_007	968	255.0	234.0	-	-	-	-	-	30.0	-	-
34.221.00	C_007	968	202.0	176.0	-	-	-	-	-	17.0	-	-
34.222.00	C_007	968	256.0	250.0	-	-	-	-	-	35.0	-	-
34.223.00	C_007	968	200.0	214.0	-	-	-	-	-	30.0	-	-
34.226.00	C_007	968	247.0	199.0	-	-	-	-	-	40.0	-	-
34.227.00	C_007	968	209.0	200.0	-	-	-	-	-	35.0	-	-
34.230.00	C_007	968	267.0	232.0	-	-	-	-	-	30.0	-	-
34.231.00	C_007	968	246.0	206.0	-	-	-	-	-	30.0	-	-
34.232.00	C_008	968	185.0	185.0	-	-	-	-	-	28.0	-	-
34.233.00	C_007	968	249.0	182.0	-	-	-	-	-	20.0	-	-
34.234.00	C_007	968	262.0	193.0	-	-	-	-	-	37.0	-	-
34.236.00	C_007	968	255.0	234.0	-	-	-	-	-	42.0	-	-
34.238.00	C_007	968	240.0	204.0	-	-	-	-	-	31.0	-	-
34.240.00	C_008	968	313.0	162.0	-	-	-	-	-	30.0	-	-
34.241.00	C_007	968	188.0	188.0	-	-	-	-	-	25.0	-	-
34.243.00	C_008	968	293.0	138.0	-	-	-	-	-	34.0	-	-
34.244.00	C_007	968	216.0	200.0	-	-	-	-	-	35.0	-	-
34.245.00	C_007	968	220.0	158.0	-	-	-	-	-	30.0	-	-
34.246.00	C_007	968	332.0	187.0	-	-	-	-	-	25.0	-	-
34.248.00	C_007	968	193.0	187.0	-	-	-	-	-	30.0	-	-
34.249.00	C_007	968	267.0	188.0	-	-	-	-	-	35.0	-	-
34.254.00	C_007	968	259.0	98.0	-	-	-	-	-	30.0	-	-
34.256.00	C_007	968	230.0	200.0	-	-	-	-	-	20.0	-	-
34.257.00	C_007	968	180.0	250.0	-	-	-	-	-	35.0	-	-
34.261.00	C_007	968	233.0	290.0	-	-	-	-	-	30.0	-	-
34.262.00	C_007	968	216.0	232.0	-	-	-	-	-	30.0	-	-
34.263.00	C_007	968	283.0	206.0	-	-	-	-	-	25.0	-	-
34.264.00	C_007	968	196.0	216.0	-	-	-	-	-	17.0	-	-
34.265.00	C_008	968	222.0	147.0	-	-	-	-	-	43.0	-	-
34.266.00	C_007	968	194.0	214.0	-	-	-	-	-	30.0	-	-
34.268.00	C_007	968	190.0	265.0	-	-	-	-	-	20.0	-	-
34.269.00	C_007	968	235.0	250.0	-	-	-	-	-	25.0	-	-
34.270.00	C_008	968	273.0	217.0	-	-	-	-	-	54.0	-	-
34.271.00	C_007	968	196.0	217.0	-	-	-	-	-	25.0	-	-
34.272.00	C_007	968	254.0	182.0	-	-	-	-	-	20.0	-	-
34.273.00	C_007	968	199.0	220.5	-	-	-	-	-	20.0	-	-
34.274.00	C_007	968	179.0	187.0	-	-	-	-	-	30.0	-	-
34.275.00	C_007	968	217.0	194.0	-	-	-	-	-	25.0	-	-
34.279.00	C_007	968	231.0	113.0	-	-	-	-	-	32.0	-	-
34.282.00	C_007	968	216.0	226.0	-	-	-	-	-	35.0	-	-
34.285.00	C_007	968	238.0	152.0	-	-	-	-	-	32.0	-	-
34.287.00	C_007	968	253.0	103.0	-	-	-	-	-	25.0	-	-
34.288.00	C_007	968	215.0	213.0	-	-	-	-	-	25.0	-	-
34.289.00	C_007	968	225.0	277.0	-	-	-	-	-	40.0	-	-
34.290.00	C_007	968	192.0	196.0	-	-	-	-	-	30.0	-	-
34.291.00	C_007	968	250.0	179.0	-	-	-	-	-	35.0	-	-
34.292.00	C_007	968	306.0	219.0	-	-	-	-	-	30.0	-	-
34.293.00	C_007	968	335.0	238.0	-	-	-	-	-	40.0	-	-
34.294.00	C_007	968	265.0	182.0	-	-	-	-	-	30.0	-	-
34.312.00	C_007	968	277.0	219.0	-	-	-	-	-	40.0	-	-
34.314.00	C_007	968	256.0	222.0	-	-	-	-	-	30.0	-	-
53.001.00	C_003	968	341.0	193.0	-	-	-	-	-	17.0	-	-
53.002.00	C_003	968	343.0	212.0	-	-	-	-	-	18.8	-	-
53.004.00	C_003	968	268.0	191.0	-	-	-	-	-	29.5	-	-

CABIN AIR FILTER > FILTRI ARIA ABITACOLO > FILTRE D' HABITACLE > INNENRAUMFILTER > FILTROS DE HABITACULO

UFI			A	B	C	D	E	F	G	H	BAR	R
53.005.00	C_003	968	265.0	145.0	-	-	-	-	-	40.0	-	-
53.006.00	C_003	968	276.0	206.0	-	-	-	-	-	25.0	-	-
53.007.00	C_004	968	268.5	219.5	-	-	-	-	-	54.0	-	-
53.009.00	C_003	968	280.0	202.8	-	-	-	-	-	28.0	-	-
53.010.00	C_003	968	290.5	225.5	-	-	-	-	-	17.5	-	-
53.011.00	C_003	968	312.0	193.0	-	-	-	-	-	33.5	-	-
53.012.00	C_003	968	346.0	155.5	-	-	-	-	-	26.5	-	-
53.013.00	C_003	968	387.0	147.0	-	-	-	-	-	33.0	-	-
53.014.00	C_003	968	413.0	146.0	-	-	-	-	-	25.0	-	-
53.015.00	C_003	968	418.0	152.0	-	-	-	-	-	17.5	-	-
53.016.00	C_003	968	521.0	111.0	-	-	-	-	-	30.0	-	-
53.017.00	C_003	968	535.8	109.5	-	-	-	-	-	25.5	-	-
53.018.00	C_004	968	240.0	190.0	-	-	-	-	-	18.5	-	-
53.019.00	C_003	968	385.5	170.0	-	-	-	-	-	18.0	-	-
53.020.00	C_004	968	298.0	236.0	-	-	-	-	-	13.0	-	-
53.021.00	C_004	968	222.0	212.0	-	-	-	-	-	18.5	-	-
53.022.00	C_003	968	335.0	155.0	-	-	-	-	-	30.0	-	-
53.023.00	C_003	968	290.0	160.0	-	-	-	-	-	30.0	-	-
53.024.00	C_003	968	310.0	140.0	-	-	-	-	-	17.0	-	-
53.025.00	C_003	968	275.0	210.5	-	-	-	-	-	17.0	-	-
53.026.00	C_004	968	290.0	165.0	-	-	-	-	-	26.0	-	-
53.027.00	C_004	968	272.0	182.0	-	-	-	-	-	30.0	-	-
53.028.00	C_003	968	326.0	169.0	-	-	-	-	-	32.0	-	-
53.030.00	C_003	968	266.0	232.0	-	-	-	-	-	30.0	-	-
53.031.00	C_003	968	252.0	216.0	-	-	-	-	-	32.0	-	-
53.032.00	C_003	968	300.0	204.0	-	-	-	-	-	30.0	-	-
53.033.00	C_003	968	274.0	160.0	-	-	-	-	-	35.0	-	-
53.034.00	C_003	968	347.0	165.0	-	-	-	-	-	30.0	-	-
53.035.00	C_003	968	220.0	200.0	-	-	-	-	-	30.0	-	-
53.037.00	C_003	968	192.0	192.0	-	-	-	-	-	30.0	-	-
53.038.00	C_003	968	285.0	176.0	-	-	-	-	-	30.0	-	-
53.039.00	C_003	968	221.0	222.0	-	-	-	-	-	35.0	-	-
53.040.00	C_003	968	255.0	200.5	-	-	-	-	-	30.0	-	-
53.041.00	C_003	968	265.0	191.0	-	-	-	-	-	17.0	-	-
53.042.00	C_003	968	439.0	144.0	-	-	-	-	-	18.0	-	-
53.043.00	C_003	968	215.0	163.0	-	-	-	-	-	26.0	-	-
53.044.00	C_003	968	348.0	165.0	-	-	-	-	-	31.0	-	-
53.045.00	C_003	968	331.0	164.0	-	-	-	-	-	31.0	-	-
53.046.00	C_004	968	326.0	163.0	-	-	-	-	-	26.5	-	-
53.047.00	C_003	968	302.0	199.0	-	-	-	-	-	30.0	-	-
53.049.00	C_004	968	195.0	265.0	-	-	-	-	-	43.0	-	-
53.050.00	C_003	968	194.0	218.5	-	-	-	-	-	17.0	-	-
53.051.00	C_004	968	236.0	192.0	-	-	-	-	-	20.0	-	-
53.052.00	C_003	968	257.0	203.0	-	-	-	-	-	20.0	-	-
53.057.00	C_003	968	234.0	201.0	-	-	-	-	-	31.0	-	-
53.058.00	C_003	968	348.0	125.0	-	-	-	-	-	24.0	-	-
53.059.00	C_004	968	377.0	165.0	-	-	-	-	-	27.5	-	-
53.060.00	C_003	968	229.0	160.0	-	-	-	-	-	31.0	-	-
53.061.00	C_003	968	289.0	179.0	-	-	-	-	-	18.0	-	-
53.063.00	C_003	968	223.0	199.0	-	-	-	-	-	30.0	-	-
53.064.00	C_003	968	360.0	250.0	-	-	-	-	-	35.0	-	-
53.065.00	C_003	968	278.0	207.5	-	-	-	-	-	19.0	-	-
53.067.00	C_005	968	168.0	-	112.0	-	-	-	-	102.0	-	-
53.068.00	C_003	968	230.0	110.0	-	-	-	-	-	30.0	-	-
53.069.00	C_003	968	405.0	164.0	-	-	-	-	-	33.0	-	-
53.070.00	C_004	968	192.0	69.0	192.0	95.0	-	-	-	32.5	-	-
53.071.00	C_004	968	196.0	195.5	-	-	-	-	-	42.5	-	-
53.073.00	C_004	968	147.0	123.0	-	-	-	-	-	23.0	-	-
53.074.00	C_003	968	230.0	212.5	-	-	-	-	-	12.0	-	-
53.075.00	C_003	968	228.0	196.0	-	-	-	-	-	17.0	-	-
53.076.00	C_003	968	236.0	183.5	-	-	-	-	-	35.0	-	-
53.077.00	C_004	968	262.0	197.0	-	-	-	-	-	38.0	-	-
53.079.00	C_004	968	259.0	168.5	-	-	-	-	-	33.5	-	-
53.080.00	C_003	968	181.0	94.0	-	-	-	-	-	29.5	-	-
53.082.00	C_003	968	264.0	118.5	-	-	-	-	-	31.0	-	-



CABIN AIR FILTER > FILTRI ARIA ABITACOLO > FILTRE D' HABITACLE > INNENRAUMFILTER > FILTROS DE HABITACULO

UFI			A	B	C	D	E	F	G	H	BAR	R
53.083.00	C_003	968	250.0	189.0	-	-	-	-	-	17.0	-	-
53.084.00	C_003	968	233.0	223.0	-	-	-	-	-	19.0	-	-
53.085.00	C_004	968	198.0	241.0	-	-	-	-	-	24.0	-	-
53.086.00	C_003	968	210.0	205.5	-	-	-	-	-	30.0	-	-
53.087.00	C_003	968	230.0	193.0	-	-	-	-	-	30.0	-	-
53.088.00	C_003	968	203.0	177.0	-	-	-	-	-	17.0	-	-
53.090.00	C_004	968	343.0	157.5	-	-	-	-	-	73.5	-	-
53.091.00	C_003	968	281.5	248.5	-	-	-	-	-	25.0	-	-
53.093.00	C_003	968	197.0	215.5	-	-	-	-	-	25.0	-	-
53.094.00	C_003	968	332.0	190.0	-	-	-	-	-	25.0	-	-
53.095.00	C_003	968	310.0	255.0	-	-	-	-	-	34.0	-	-
53.098.00	C_003	968	210.0	238.5	-	-	-	-	-	32.0	-	-
53.099.00	C_004	968	238.0	182.0	-	-	-	-	-	18.0	-	-
53.100.00	C_004	968	235.0	213.0	-	-	-	-	-	40.0	-	-
53.101.00	C_004	968	473.0	120.0	-	-	-	-	-	34.0	-	-
53.102.00	C_003	968	240.0	208.0	-	-	-	-	-	34.0	-	-
53.103.00	C_003	968	216.0	216.0	-	-	-	-	-	17.0	-	-
53.104.00	C_004	968	185.0	185.0	-	-	-	-	-	28.0	-	-
53.105.00	C_004	968	244.0	199.0	-	-	-	-	-	75.0	-	-
53.106.00	C_004	968	217.0	237.5	-	-	-	-	-	47.0	-	-
53.107.00	C_004	968	225.0	186.0	-	-	-	-	-	42.0	-	-
53.108.00	C_003	968	225.0	112.0	-	-	-	-	-	30.0	-	-
53.109.00	C_003	968	177.0	183.0	-	-	-	-	-	30.0	-	-
53.110.00	C_003	968	345.0	208.0	-	-	-	-	-	33.0	-	-
53.111.00	C_003	968	239.0	212.0	-	-	-	-	-	17.0	-	-
53.112.00	C_003	968	226.0	202.0	-	-	-	-	-	17.0	-	-
53.113.00	C_003	968	256.0	163.0	-	-	-	-	-	21.0	-	-
53.114.00	C_004	968	368.0	210.0	-	-	-	-	-	27.0	-	-
53.115.00	C_003	968	214.0	200.0	-	-	-	-	-	30.0	-	-
53.116.00	C_004	968	180.0	181.0	-	-	-	-	-	12.0	-	-
53.117.00	C_004	968	200.0	197.0	-	-	-	-	-	20.0	-	-
53.118.00	C_003	968	227.0	263.0	-	-	-	-	-	30.0	-	-
53.119.00	C_004	968	251.0	100.0	-	-	-	-	-	12.0	-	-
53.120.00	C_004	968	216.0	85.0	216.0	88.0	-	-	-	22.0	-	-
53.121.00	C_004	968	247.5	97.0	247.5	97.0	-	-	-	37.5	-	-
53.122.00	C_003	968	228.0	115.0	-	-	-	-	-	30.0	-	-
53.123.00	C_003	968	225.0	235.0	-	-	-	-	-	30.0	-	-
53.124.00	C_003	968	216.0	265.0	-	-	-	-	-	21.0	-	-
53.125.00	C_003	968	200.0	221.0	-	-	-	-	-	20.0	-	-
53.126.00	C_004	968	211.0	232.0	-	-	-	-	-	25.0	-	-
53.127.00	C_003	968	210.0	186.0	-	-	-	-	-	17.0	-	-
53.128.00	C_004	968	214.0	155.0	-	-	-	-	-	25.0	-	-
53.129.00	C_003	968	230.0	210.0	-	-	-	-	-	35.0	-	-
53.130.00	C_003	968	235.0	250.0	-	-	-	-	-	25.0	-	-
53.131.00	C_004	968	341.0	181.0	-	-	-	-	-	30.0	-	-
53.132.00	C_004	968	212.0	147.0	-	-	-	-	-	30.0	-	-
53.133.00	C_004	968	288.0	177.0	-	-	-	-	-	30.0	-	-
53.134.00	C_004	968	270.0	202.0	-	-	-	-	-	31.0	-	-
53.135.00	C_003	968	199.0	177.5	-	-	-	-	-	17.0	-	-
53.136.00	C_003	968	377.0	176.0	-	-	-	-	-	48.0	-	-
53.137.00	C_003	968	365.0	246.0	-	-	-	-	-	35.0	-	-
53.138.00	C_004	968	216.5	195.0	-	-	-	-	-	24.5	-	-
53.141.00	C_003	968	230.0	197.0	-	-	-	-	-	19.0	-	-
53.142.00	C_004	968	263.0	95.0	263.0	95.0	-	-	-	21.0	-	-
53.143.00	C_003	968	153.0	158.0	205.0	158.0	-	-	-	32.0	-	-
53.144.00	C_004	968	188.0	197.0	-	-	-	-	-	10.0	-	-
53.145.00	C_003	968	222.5	251.0	-	-	-	-	-	30.0	-	-
53.146.00	C_003	968	190.0	265.0	-	-	-	-	-	20.0	-	-
53.147.00	C_003	968	195.0	213.0	-	-	-	-	-	29.0	-	-
53.148.00	C_004	968	287.0	215.0	-	-	-	-	-	57.0	-	-
53.149.00	C_003	968	230.0	179.0	-	-	-	-	-	20.0	-	-
53.150.00	C_003	968	217.0	195.0	-	-	-	-	-	25.0	-	-
53.151.00	C_004	968	272.0	198.0	-	-	-	-	-	26.5	-	-
53.152.00	C_003	968	244.0	172.0	-	-	-	-	-	21.0	-	-
53.153.00	C_003	968	279.0	242.0	-	-	-	-	-	35.0	-	-

CABIN AIR FILTER > FILTRI ARIA ABITACOLO > FILTRE D' HABITACLE > INNENRAUMFILTER > FILTROS DE HABITACULO

UFI			A	B	C	D	E	F	G	H	BAR	R
53.154.00	C_003	968	291.0	95.0	-	-	-	-	-	30.0	-	-
53.155.00	C_003	968	372.0	141.0	-	-	-	-	-	33.0	-	-
53.156.00	C_003	968	440.0	118.0	-	-	-	-	-	30.0	-	-
53.157.00	C_003	968	199.0	178.0	-	-	-	-	-	30.0	-	-
53.158.00	C_004	968	660.0	96.5	-	-	-	-	-	21.0	-	-
53.159.00	C_003	968	239.0	196.0	-	-	-	-	-	30.0	-	-
53.160.00	C_003	968	205.0	210.0	-	-	-	-	-	30.0	-	-
53.161.00	C_003	968	293.0	192.0	-	-	-	-	-	30.0	-	-
53.162.00	C_003	968	510.0	101.0	-	-	-	-	-	35.0	-	-
53.163.00	C_004	968	286.0	82.0	-	-	-	-	-	19.0	-	-
53.164.00	C_003	968	240.0	108.0	-	-	-	-	-	20.0	-	-
53.183.00	C_003	968	142.0	197.0	-	-	-	-	-	30.0	-	-
53.184.00	C_003	968	195.0	216.0	-	-	-	-	-	19.0	-	-
53.185.00	C_003	968	273.0	195.0	-	-	-	-	-	10.0	-	-
53.186.00	C_003	968	162.0	192.0	-	-	-	-	-	19.0	-	-
53.188.00	C_004	968	227.5	234.5	-	-	-	-	-	19.0	-	-
53.189.00	C_003	968	278.0	218.0	-	-	-	-	-	34.0	-	-
53.190.00	C_003	968	258.0	224.0	-	-	-	-	-	35.0	-	-
53.191.00	C_003	968	188.0	238.0	-	-	-	-	-	20.0	-	-
53.197.00	C_004	968	223.0	152.0	145.5	-	-	-	-	20.0	-	-
53.201.00	C_004	968	223.0	115.0	223.0	115.0	-	-	-	17.5	-	-
53.205.00	C_004	968	207.0	283.0	-	-	-	-	-	19.0	-	-
53.206.00	C_003	968	272.0	195.0	-	-	-	-	-	35.0	-	-
53.207.00	C_003	968	240.0	190.0	-	-	-	-	-	20.0	-	-
53.208.00	C_003	968	240.0	204.0	-	-	-	-	-	19.0	-	-
53.209.00	C_003	968	229.0	200.0	-	-	-	-	-	21.0	-	-
53.210.00	C_003	968	195.0	187.0	-	-	-	-	-	30.0	-	-
53.211.00	C_003	968	220.0	158.0	-	-	-	-	-	30.0	-	-
53.212.00	C_003	968	249.0	85.0	-	-	-	-	-	20.0	-	-
53.213.00	C_003	968	256.0	198.0	-	-	-	-	-	29.0	-	-
53.214.00	C_003	968	263.0	101.0	-	-	-	-	-	25.0	-	-
53.215.00	C_003	968	211.0	227.0	-	-	-	-	-	20.0	-	-
53.218.00	C_003	968	215.0	201.0	-	-	-	-	-	30.0	-	-
53.219.00	C_004	968	248.0	100.0	248.0	100.0	-	-	-	17.0	-	-
53.220.00	C_003	968	213.0	198.0	-	-	-	-	-	20.0	-	-
53.222.00	C_003	968	200.0	271.0	-	-	-	-	-	20.0	-	-
53.223.00	C_003	968	238.0	152.0	-	-	-	-	-	32.0	-	-
53.224.00	C_003	968	247.0	199.0	-	-	-	-	-	40.0	-	-
53.226.00	C_003	968	307.0	99.0	-	-	-	-	-	30.0	-	-
53.227.00	C_003	968	314.0	153.0	-	-	-	-	-	40.0	-	-
53.228.00	C_003	968	322.0	169.0	-	-	-	-	-	31.0	-	-
53.229.00	C_003	968	246.0	206.0	-	-	-	-	-	30.0	-	-
53.230.00	C_003	968	208.0	217.0	-	-	-	-	-	20.0	-	-
53.231.00	C_003	968	268.0	158.0	-	-	-	-	-	30.0	-	-
53.232.00	C_003	968	210.0	211.0	-	-	-	-	-	30.0	-	-
53.233.00	C_003	968	255.0	182.0	-	-	-	-	-	35.0	-	-
53.234.00	C_004	968	273.0	203.0	-	-	-	-	-	35.0	-	-
53.235.00	C_004	968	235.0	197.0	-	-	-	-	-	22.0	-	-
53.236.00	C_004	968	832.0	122.0	-	-	-	-	-	20.0	-	-
53.239.00	C_003	968	180.0	91.0	-	-	-	-	-	20.0	-	-
53.240.00	C_004	968	260.0	224.0	-	-	-	-	-	21.0	-	-
53.242.00	C_003	968	200.0	121.0	-	-	-	-	-	19.0	-	-
53.243.00	C_003	968	198.0	168.0	-	-	-	-	-	20.0	-	-
53.244.00	C_004	968	436.0	126.0	-	-	-	-	-	27.0	-	-
53.245.00	C_003	968	305.0	255.0	-	-	-	-	-	35.0	-	-
53.246.00	C_003	968	232.0	248.0	-	-	-	-	-	30.0	-	-
53.247.00	C_003	968	394.0	181.0	-	-	-	-	-	32.0	-	-
53.248.00	C_003	968	215.0	235.0	-	-	-	-	-	20.0	-	-
53.249.00	C_003	968	210.0	185.0	-	-	-	-	-	30.0	-	-
53.250.00	C_003	968	263.0	155.0	-	-	-	-	-	30.0	-	-
53.251.00	C_003	968	188.0	188.0	-	-	-	-	-	25.0	-	-
53.252.00	C_003	968	240.0	170.0	-	-	-	-	-	17.0	-	-
53.253.00	C_003	968	165.0	88.0	-	-	-	-	-	30.0	-	-
53.254.00	C_003	968	240.0	204.0	-	-	-	-	-	35.0	-	-
53.255.00	C_004	968	293.0	138.0	-	-	-	-	-	34.0	-	-



CABIN AIR FILTER > FILTRI ARIA ABITACOLO > FILTRE D' HABITACLE > INNENRAUMFILTER > FILTROS DE HABITACULO

UFI			A	B	C	D	E	F	G	H	BAR	R
53.256.00	C_003	968	216.0	200.0	-	-	-	-	-	35.0	-	-
53.257.00	C_003	968	468.0	78.0	-	-	-	-	-	41.0	-	-
53.258.00	C_004	968	275.0	108.0	-	-	-	-	-	24.0	-	-
53.259.00	C_003	968	216.0	108.0	-	-	-	-	-	17.0	-	-
53.260.00	C_003	968	216.0	200.0	-	-	-	-	-	30.0	-	-
53.261.00	C_003	968	182.0	160.0	-	-	-	-	-	25.0	-	-
53.273.00	C_003	968	165.0	210.0	-	-	-	-	-	25.0	-	-
53.274.00	C_004	968	206.0	95.0	-	-	-	-	-	37.0	-	-
53.275.00	C_003	968	211.0	151.0	-	-	-	-	-	31.0	-	-
53.276.00	C_003	968	262.0	195.0	-	-	-	-	-	38.0	-	-
53.277.00	C_003	968	260.0	99.0	-	-	-	-	-	31.5	-	-
53.292.00	C_005	968	145.0	119.0	-	-	-	-	-	179.0	-	-
53.293.00	C_003	968	180.0	252.0	-	-	-	-	-	35.0	-	-
53.294.00	C_003	968	230.0	200.0	-	-	-	-	-	30.0	-	-
53.298.00	C_003	968	254.0	235.0	-	-	-	-	-	32.0	-	-
53.299.00	C_003	968	194.5	145.0	-	-	-	-	-	30.0	-	-
53.310.00	C_003	968	235.0	105.0	-	-	-	-	-	22.0	-	-
53.311.00	C_003	968	253.0	103.0	-	-	-	-	-	25.0	-	-
53.312.00	C_003	968	278.0	199.0	-	-	-	-	-	30.0	-	-
53.313.00	C_003	968	240.0	85.0	-	-	-	-	-	21.0	-	-
53.314.00	C_003	968	335.0	238.0	-	-	-	-	-	40.0	-	-
53.315.00	C_003	968	215.0	215.0	-	-	-	-	-	30.0	-	-
53.316.00	C_004	968	217.0	194.0	-	-	-	-	-	25.0	-	-
53.317.00	C_004	968	230.0	170.0	-	-	-	-	-	4.0	-	-
53.318.00	C_004	968	369.0	181.0	-	-	-	-	-	30.0	-	-
53.319.00	C_003	968	530.0	247.0	-	-	-	-	-	32.0	-	-
53.320.00	C_003	968	248.0	189.0	-	-	-	-	-	30.0	-	-
53.321.00	C_003	968	209.0	200.0	-	-	-	-	-	35.0	-	-
53.322.00	C_003	968	260.0	130.0	-	-	-	-	-	8.0	-	-
53.323.00	C_003	968	284.0	232.0	-	-	-	-	-	30.0	-	-
53.324.00	C_003	968	309.0	220.0	-	-	-	-	-	30.0	-	-
53.325.00	C_003	968	263.0	242.0	-	-	-	-	-	30.0	-	-
53.326.00	C_003	968	218.0	241.0	-	-	-	-	-	20.0	-	-
53.327.00	C_003	968	220.0	210.0	-	-	-	-	-	20.0	-	-
53.328.00	C_003	968	230.0	99.0	-	-	-	-	-	20.0	-	-
53.329.00	C_004	968	219.0	235.0	-	-	-	-	-	57.0	-	-
53.330.00	C_004	968	223.0	198.0	-	-	-	-	-	20.0	-	-
53.331.00	C_003	968	230.0	262.0	-	-	-	-	-	34.0	-	-
53.332.00	C_003	968	231.0	113.0	-	-	-	-	-	32.0	-	-
53.333.00	C_004	968	237.0	105.0	-	-	-	-	-	25.0	-	-
53.334.00	C_004	968	202.0	258.0	-	-	-	-	-	25.0	-	-
53.338.00	C_004	968	227.0	100.0	-	-	-	-	-	37.0	-	-
53.365.00	C_004	968	200.0	200.0	-	-	-	-	-	22.0	-	-
53.367.00	C_003	968	268.0	282.0	-	-	-	-	-	20.0	-	-
53.368.00	C_003	968	199.0	176.0	-	-	-	-	-	19.0	-	-
53.374.00	C_003	968	254.0	154.0	-	-	-	-	-	30.0	-	-
53.379.00	C_003	968	262.0	208.0	-	-	-	-	-	30.0	-	-
53.383.00	C_003	968	216.0	234.0	-	-	-	-	-	30.0	-	-
53.384.00	C_003	968	177.0	177.0	-	-	-	-	-	18.0	-	-
53.385.00	C_004	968	312.5	234.0	-	-	-	-	-	25.0	-	-
53.386.00	C_003	968	224.0	206.0	-	-	-	-	-	26.0	-	-
53.387.00	C_003	968	202.0	225.0	-	-	-	-	-	28.0	-	-
53.388.00	C_003	968	150.0	260.0	-	-	-	-	-	25.0	-	-
53.389.00	C_003	968	250.0	180.0	-	-	-	-	-	34.0	-	-
53.390.00	C_003	968	210.0	191.0	-	-	-	-	-	15.0	-	-
53.391.00	C_003	968	300.0	215.0	-	-	-	-	-	26.0	-	-
53.394.00	C_004	968	202.0	119.0	-	-	-	-	-	20.0	-	-
53.396.00	C_003	968	225.0	253.0	-	-	-	-	-	20.0	-	-
53.397.00	C_004	968	251.0	104.0	-	-	-	-	-	22.0	-	-
53.400.00	C_004	968	257.0	200.0	-	-	-	-	-	24.0	-	-
53.404.00	C_004	968	176.0	200.0	-	-	-	-	-	51.0	-	-
53.407.00	C_004	968	201.0	182.0	-	-	-	-	-	42.5	-	-
53.418.00	C_004	968	242.0	275.0	-	-	-	-	-	32.0	-	-
53.422.00	C_003	968	257.0	203.0	-	-	-	-	-	36.0	-	-
53.423.00	C_003	968	223.2	275.0	-	-	-	-	-	40.0	-	-

CABIN AIR FILTER > FILTRI ARIA ABITACOLO > FILTRE D' HABITACLE > INNENRAUMFILTER > FILTROS DE HABITACULO

UFI			A	B	C	D	E	F	G	H	BAR	R
53.424.00	C_003	968	169.0	169.0	-	-	-	-	-	30.0	-	-
53.426.00	C_004	968	201.5	174.5	-	-	-	-	-	47.5	-	-
54.100.00	C_001	968	331.0	163.0	-	-	-	-	-	31.0	-	-
54.101.00	C_001	968	300.0	204.5	-	-	-	-	-	30.0	-	-
54.102.00	C_001	968	350.5	240.0	-	-	-	-	-	35.0	-	-
54.103.00	C_001	968	230.0	177.0	-	-	-	-	-	20.0	-	-
54.104.00	C_001	968	175.0	139.0	-	-	-	-	-	30.0	-	-
54.105.00	C_001	968	290.0	226.0	-	-	-	-	-	20.0	-	-
54.106.00	C_001	968	350.0	160.0	-	-	-	-	-	30.0	-	-
54.107.00	C_001	968	290.0	160.0	-	-	-	-	-	30.0	-	-
54.108.00	C_002	968	255.0	189.0	-	-	-	-	-	30.0	-	-
54.109.00	C_001	968	282.0	206.0	-	-	-	-	-	30.0	-	-
54.110.00	C_001	968	281.0	203.0	-	-	-	-	-	28.0	-	-
54.111.00	C_001	968	285.0	176.0	-	-	-	-	-	36.0	-	-
54.112.00	C_001	968	306.0	232.5	-	-	-	-	-	22.0	-	-
54.113.00	C_001	968	196.0	204.5	-	-	-	-	-	38.0	-	-
54.114.00	C_001	968	252.0	216.0	-	-	-	-	-	32.0	-	-
54.115.00	C_001	968	236.0	183.5	-	-	-	-	-	35.0	-	-
54.116.00	C_001	968	340.0	148.5	-	-	-	-	-	30.0	-	-
54.117.00	C_001	968	213.0	206.5	-	-	-	-	-	18.0	-	-
54.118.00	C_001	968	536.0	109.5	-	-	-	-	-	30.0	-	-
54.119.00	C_001	968	509.0	96.5	-	-	-	-	-	35.0	-	-
54.120.00	C_001	968	205.0	215.0	-	-	-	-	-	20.0	-	-
54.121.00	C_001	968	662.0	96.5	-	-	-	-	-	21.0	-	-
54.122.00	C_001	968	210.0	206.0	-	-	-	-	-	30.0	-	-
54.123.00	C_002	968	396.0	262.0	-	-	-	-	-	30.0	-	-
54.124.00	C_002	968	288.0	215.0	-	-	-	-	-	34.0	-	-
54.125.00	C_002	968	343.0	164.5	-	-	-	-	-	73.5	-	-
54.126.00	C_001	968	280.0	242.0	-	-	-	-	-	42.0	-	-
54.127.00	C_001	968	322.0	169.0	-	-	-	-	-	31.0	-	-
54.128.00	C_001	968	530.0	241.0	-	-	-	-	-	31.0	-	-
54.129.00	C_002	968	215.0	119.0	-	-	-	-	-	22.0	-	-
54.130.00	C_002	968	194.0	165.0	194.0	199.0	-	-	-	40.0	-	-
54.131.00	C_001	968	332.0	187.0	-	-	-	-	-	26.0	-	-
54.132.00	C_002	968	212.0	185.0	-	-	-	-	-	40.0	-	-
54.133.00	C_001	968	310.0	255.0	-	-	-	-	-	34.0	-	-
54.134.00	C_001	968	210.0	238.5	-	-	-	-	-	32.0	-	-
54.135.00	C_001	968	290.5	226.0	-	-	-	-	-	17.0	-	-
54.136.00	C_001	968	235.0	209.0	-	-	-	-	-	34.0	-	-
54.137.00	C_001	968	473.0	120.0	-	-	-	-	-	34.0	-	-
54.138.00	C_001	968	210.0	185.0	-	-	-	-	-	30.0	-	-
54.139.00	C_002	968	326.0	200.0	-	-	-	-	-	56.0	-	-
54.140.00	C_001	968	250.0	184.0	-	-	-	-	-	42.0	-	-
54.141.00	C_002	968	227.0	211.0	217.0	199.8	-	-	-	46.0	-	-
54.142.00	C_001	968	314.0	152.0	-	-	-	-	-	40.0	-	-
54.143.00	C_001	968	292.0	198.5	-	-	-	-	-	30.0	-	-
54.144.00	C_001	968	177.0	203.0	-	-	-	-	-	40.0	-	-
54.145.00	C_001	968	345.0	203.0	-	-	-	-	-	33.0	-	-
54.146.00	C_001	968	395.0	183.0	-	-	-	-	-	32.0	-	-
54.147.00	C_002	968	240.0	214.0	-	-	-	-	-	55.0	-	-
54.148.00	C_001	968	275.0	218.0	-	-	-	-	-	36.0	-	-
54.149.00	C_001	968	360.0	178.0	-	-	-	-	-	35.0	-	-
54.150.00	C_001	968	214.0	200.0	-	-	-	-	-	30.0	-	-
54.151.00	C_002	968	516.0	144.0	-	-	-	-	-	40.0	-	-
54.152.00	C_001	968	225.0	112.0	-	-	-	-	-	30.0	-	-
54.153.00	C_001	968	309.0	99.0	-	-	-	-	-	30.0	-	-
54.154.00	C_002	968	832.0	122.0	-	-	-	-	-	20.0	-	-
54.155.00	C_001	968	265.0	158.0	-	-	-	-	-	30.0	-	-
54.156.00	C_001	968	405.0	163.0	-	-	-	-	-	30.0	-	-
54.157.00	C_002	968	313.0	191.0	-	-	-	-	-	30.0	-	-
54.158.00	C_001	968	230.0	210.0	-	-	-	-	-	35.0	-	-
54.159.00	C_001	968	282.0	195.0	-	-	-	-	-	35.0	-	-
54.160.00	C_001	968	377.0	176.0	-	-	-	-	-	48.0	-	-
54.161.00	C_001	968	365.0	246.0	-	-	-	-	-	35.0	-	-
54.162.00	C_001	968	218.0	266.0	-	-	-	-	-	21.0	-	-



CABIN AIR FILTER > FILTRI ARIA ABITACOLO > FILTRE D' HABITACLE > INNENRAUMFILTER > FILTROS DE HABITACULO

UFI			A	B	C	D	E	F	G	H	BAR	R
54.163.00	C_002	968	284.0	264.0	-	-	-	-	-	44.0	-	-
54.164.00	C_001	968	155.0	157.0	201.0	157.0	-	-	-	31.0	-	-
54.165.00	C_001	968	310.0	193.0	-	-	-	-	-	30.0	-	-
54.166.00	C_001	968	270.0	196.0	-	-	-	-	-	32.0	-	-
54.167.00	C_001	968	215.0	200.0	-	-	-	-	-	30.0	-	-
54.168.00	C_001	968	279.0	241.0	-	-	-	-	-	35.0	-	-
54.169.00	C_002	968	315.0	158.0	-	-	-	-	-	34.0	-	-
54.170.00	C_001	968	240.0	189.0	-	-	-	-	-	22.0	-	-
54.171.00	C_001	968	255.0	201.0	-	-	-	-	-	30.0	-	-
54.172.00	C_001	968	291.0	95.0	-	-	-	-	-	30.0	-	-
54.173.00	C_001	968	266.0	132.0	-	-	-	-	-	31.0	-	-
54.174.00	C_001	968	372.0	141.0	-	-	-	-	-	33.0	-	-
54.175.00	C_001	968	440.0	118.0	-	-	-	-	-	30.0	-	-
54.176.00	C_001	968	214.0	214.0	-	-	-	-	-	25.0	-	-
54.178.00	C_001	968	240.0	204.0	-	-	-	-	-	35.0	-	-
54.194.00	C_001	968	348.0	165.0	-	-	-	-	-	31.0	-	-
54.195.00	C_001	968	388.0	148.0	-	-	-	-	-	25.0	-	-
54.196.00	C_001	968	230.0	160.0	-	-	-	-	-	31.0	-	-
54.197.00	C_001	968	413.0	146.0	-	-	-	-	-	25.0	-	-
54.198.00	C_001	968	230.0	193.0	-	-	-	-	-	30.0	-	-
54.199.00	C_001	968	258.0	224.0	-	-	-	-	-	35.0	-	-
54.201.00	C_002	968	247.0	180.5	-	-	-	-	-	30.0	-	-
54.215.00	C_001	968	252.0	133.0	-	-	-	-	-	40.0	-	-
54.217.00	C_001	968	149.0	259.0	-	-	-	-	-	35.0	-	-
54.218.00	C_001	968	255.0	203.0	-	-	-	-	-	35.0	-	-
54.219.00	C_001	968	255.0	234.0	-	-	-	-	-	30.0	-	-
54.220.00	C_002	968	231.0	231.0	-	-	-	-	-	74.0	-	-
54.221.00	C_001	968	202.0	176.0	-	-	-	-	-	17.0	-	-
54.222.00	C_001	968	256.0	250.0	-	-	-	-	-	35.0	-	-
54.223.00	C_001	968	200.0	214.0	-	-	-	-	-	30.0	-	-
54.224.00	C_001	968	265.0	190.0	-	-	-	-	-	25.0	-	-
54.226.00	C_001	968	247.0	199.0	-	-	-	-	-	40.0	-	-
54.227.00	C_001	968	209.0	200.0	-	-	-	-	-	35.0	-	-
54.230.00	C_001	968	267.0	232.0	-	-	-	-	-	30.0	-	-
54.231.00	C_001	968	246.0	206.0	-	-	-	-	-	30.0	-	-
54.232.00	C_002	968	185.0	185.0	-	-	-	-	-	28.0	-	-
54.233.00	C_001	968	249.0	182.0	-	-	-	-	-	20.0	-	-
54.234.00	C_001	968	262.0	193.0	-	-	-	-	-	37.0	-	-
54.235.00	C_002	968	217.0	210.0	-	-	-	-	-	18.0	-	-
54.236.00	C_001	968	255.0	234.0	-	-	-	-	-	42.0	-	-
54.237.00	C_002	968	237.0	217.0	-	-	-	-	-	47.0	-	-
54.238.00	C_001	968	240.0	204.0	-	-	-	-	-	31.0	-	-
54.239.00	C_001	968	240.0	170.0	-	-	-	-	-	17.0	-	-
54.240.00	C_002	968	313.0	162.0	-	-	-	-	-	30.0	-	-
54.241.00	C_001	968	188.0	188.0	-	-	-	-	-	25.0	-	-
54.242.00	C_002	968	369.0	181.0	-	-	-	-	-	30.0	-	-
54.243.00	C_002	968	293.0	138.0	-	-	-	-	-	34.0	-	-
54.244.00	C_001	968	216.0	200.0	-	-	-	-	-	35.0	-	-
54.245.00	C_001	968	220.0	158.0	-	-	-	-	-	30.0	-	-
54.246.00	C_001	968	332.0	187.0	-	-	-	-	-	25.0	-	-
54.247.00	C_001	968	227.0	205.0	-	-	-	-	-	40.0	-	-
54.248.00	C_001	968	193.0	187.0	-	-	-	-	-	30.0	-	-
54.249.00	C_001	968	267.0	188.0	-	-	-	-	-	35.0	-	-
54.252.00	C_001	968	192.0	192.0	-	-	-	-	-	30.0	-	-
54.253.00	C_001	968	213.0	198.0	-	-	-	-	-	20.0	-	-
54.254.00	C_001	968	259.0	98.0	-	-	-	-	-	30.0	-	-
54.255.00	C_001	968	214.0	93.0	-	-	-	-	-	19.0	-	-
54.256.00	C_001	968	230.0	200.0	-	-	-	-	-	20.0	-	-
54.257.00	C_001	968	180.0	250.0	-	-	-	-	-	35.0	-	-
54.261.00	C_001	968	233.0	290.0	-	-	-	-	-	30.0	-	-
54.262.00	C_001	968	216.0	232.0	-	-	-	-	-	30.0	-	-
54.263.00	C_001	968	283.0	206.0	-	-	-	-	-	25.0	-	-
54.264.00	C_001	968	196.0	216.0	-	-	-	-	-	17.0	-	-
54.265.00	C_002	968	222.0	147.0	-	-	-	-	-	43.0	-	-
54.266.00	C_001	968	194.0	214.0	-	-	-	-	-	30.0	-	-

CABIN AIR FILTER > FILTRI ARIA ABITACOLO > FILTRE D' HABITACLE > INNENRAUMFILTER > FILTROS DE HABITACULO												
UFI			A	B	C	D	E	F	G	H	BAR	R
54.267.00	C_001	968	275.0	160.0	-	-	-	-	-	35.0	-	-
54.268.00	C_001	968	190.0	265.0	-	-	-	-	-	20.0	-	-
54.269.00	C_001	968	235.0	250.0	-	-	-	-	-	25.0	-	-
54.270.00	C_002	968	273.0	217.0	-	-	-	-	-	54.0	-	-
54.271.00	C_001	968	196.0	217.0	-	-	-	-	-	25.0	-	-
54.272.00	C_001	968	254.0	182.0	-	-	-	-	-	20.0	-	-
54.273.00	C_001	968	199.0	220.5	-	-	-	-	-	20.0	-	-
54.274.00	C_001	968	179.0	187.0	-	-	-	-	-	30.0	-	-
54.275.00	C_001	968	217.0	194.0	-	-	-	-	-	25.0	-	-
54.277.00	C_001	968	420.0	153.0	-	-	-	-	-	17.0	-	-
54.278.00	C_001	968	328.0	188.0	-	-	-	-	-	17.0	-	-
54.279.00	C_001	968	231.0	113.0	-	-	-	-	-	32.0	-	-
54.280.00	C_001	968	230.0	173.0	-	-	-	-	-	17.0	-	-
54.281.00	C_001	968	378.0	165.0	-	-	-	-	-	25.0	-	-
54.282.00	C_001	968	216.0	226.0	-	-	-	-	-	35.0	-	-
54.283.00	C_001	968	233.0	105.0	-	-	-	-	-	22.0	-	-
54.284.00	C_001	968	216.0	253.0	-	-	-	-	-	35.0	-	-
54.285.00	C_001	968	238.0	152.0	-	-	-	-	-	32.0	-	-
54.286.00	C_001	968	179.0	179.0	-	-	-	-	-	20.0	-	-
54.287.00	C_001	968	253.0	103.0	-	-	-	-	-	25.0	-	-
54.288.00	C_001	968	215.0	213.0	-	-	-	-	-	25.0	-	-
54.289.00	C_001	968	225.0	277.0	-	-	-	-	-	40.0	-	-
54.290.00	C_001	968	192.0	196.0	-	-	-	-	-	30.0	-	-
54.291.00	C_001	968	250.0	179.0	-	-	-	-	-	35.0	-	-
54.292.00	C_001	968	306.0	219.0	-	-	-	-	-	30.0	-	-
54.293.00	C_001	968	335.0	238.0	-	-	-	-	-	40.0	-	-
54.294.00	C_001	968	265.0	182.0	-	-	-	-	-	30.0	-	-
54.295.00	C_001	968	301.0	208.0	-	-	-	-	-	22.0	-	-
54.296.00	C_001	968	249.0	215.0	-	-	-	-	-	40.0	-	-
54.297.00	C_001	968	235.0	170.0	-	-	-	-	-	35.0	-	-
54.302.00	C_001	968	172.0	221.0	350.0	221.0	-	-	-	30.0	-	-
54.306.00	C_001	968	224.5	234.0	-	-	-	-	-	29.0	-	-
54.312.00	C_001	968	277.0	219.0	-	-	-	-	-	40.0	-	-
54.314.00	C_001	968	256.0	222.0	-	-	-	-	-	30.0	-	-
54.317.00	C_001	968	514.0	108.0	-	-	-	-	-	31.0	-	-
54.318.00	C_001	968	234.0	246.0	-	-	-	-	-	31.0	-	-
54.319.00	C_001	968	178.0	288.0	-	-	-	-	-	32.0	-	-
54.320.00	C_001	968	230.0	201.0	-	-	-	-	-	34.0	-	-
54.322.00	C_001	968	225.0	165.0	-	-	-	-	-	30.0	-	-
54.331.00	C_001	968	216.0	186.0	-	-	-	-	-	30.0	-	-
54.376.00	C_002	968	271.0	213.0	-	-	-	-	-	58.0	-	-
54.377.00	C_001	968	254.0	182.0	-	-	-	-	-	44.5	-	-
54.388.00	C_001	968	216.0	200.0	-	-	-	-	-	34.0	-	-
54.389.00	C_002	968	323.8	165.0	-	-	-	-	-	34.0	-	-

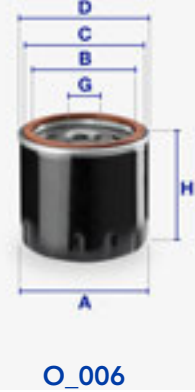


ACCESSORIES > ACCESSORI > ACCESSOIRES > ZUBEHÖR > ACCESORIOS

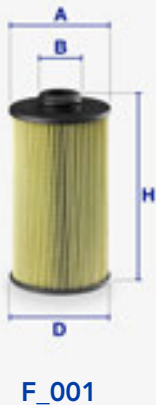
00.G36.00	X_002	969	111.0	75.0	-	-	-	-	-	91.0	-	-
00.G37.00	X_002	969	174.0	108.5	-	-	-	-	-	28.5	-	-
00.G38.00	X_002	969	139.0	95.0	-	-	-	-	-	36.0	-	-
00.G39.00	X_002	969	139.0	95.0	-	-	-	-	-	25.5	-	-
19.008.00	X_001	969	-	-	-	-	-	-	-	-	-	-



OIL FILTER > FILTRI OLIO > FILTRE À HUILE > ÖLFILTER > FILTROS DE ACEITE

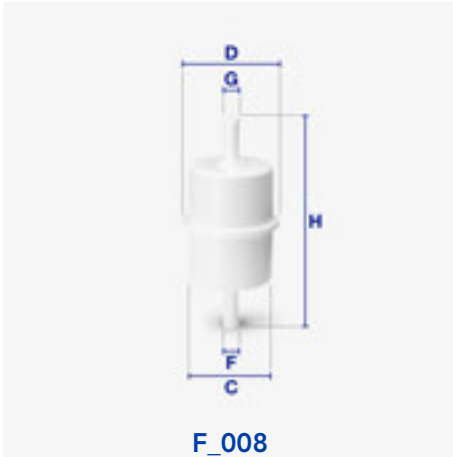


FUEL FILTER > FILTRI CARBURANTE > CARBURANT > KRAFTSTOFF > FILTROS DE COMBUSTIBLE





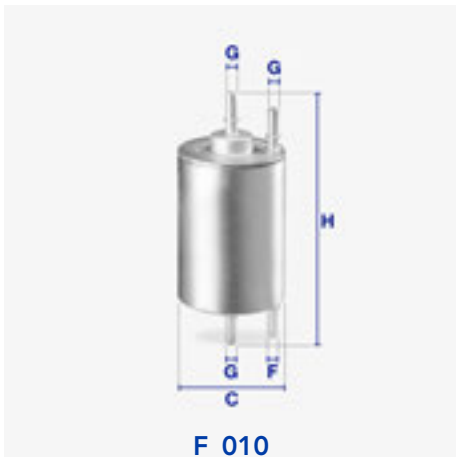
F_007



F_008



F_009



F_010



F_011



F_012



F_013

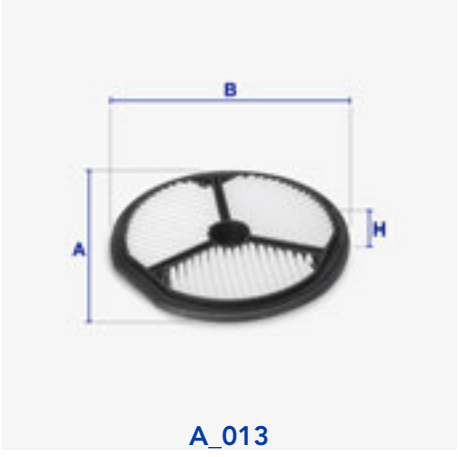
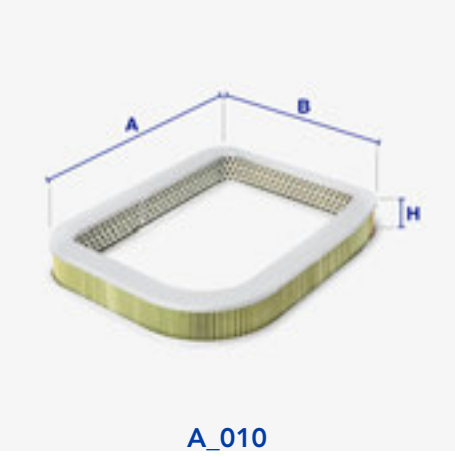
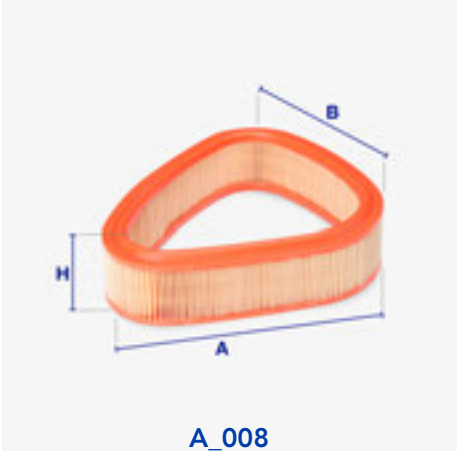
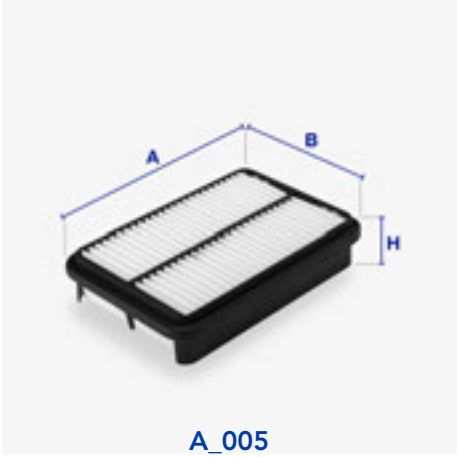
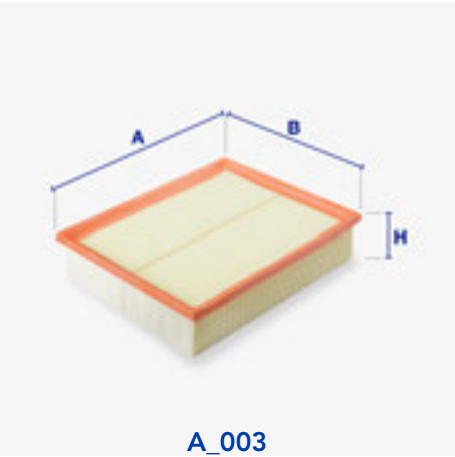


F_016



F_017

AIR FILTER > FILTRI ARIA > FILTRE À AIR > LUFT > FILTROS DE AIRE



AIR FILTER > FILTRI ARIA > FILTRE À AIR > LUFT > FILTROS DE AIRE

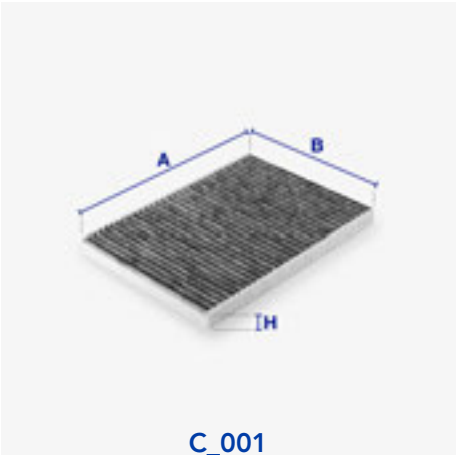


A_017

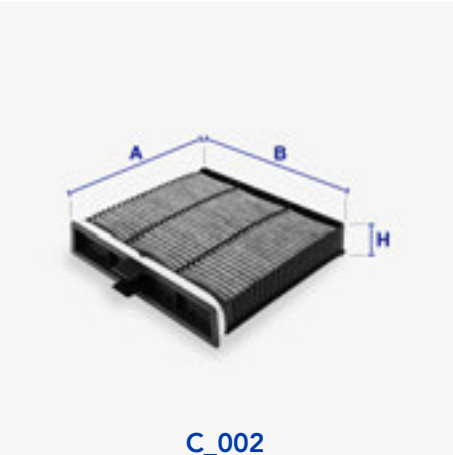


A_018

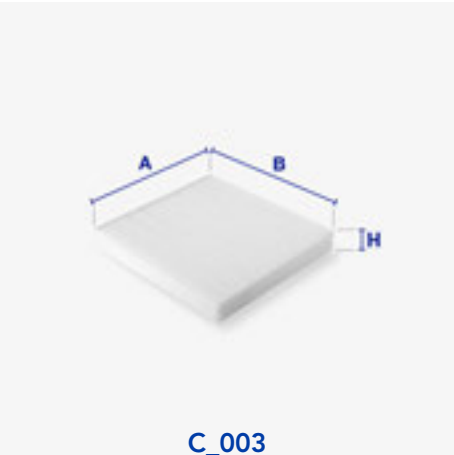
CABIN AIR FILTER > FILTRI ARIA ABITACOLO > FILTRE D' HABITACLE > INNENRAUMFILTER > FILTROS DE HABITACULO



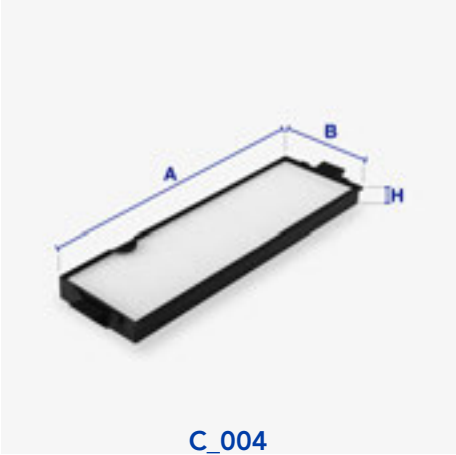
C_001



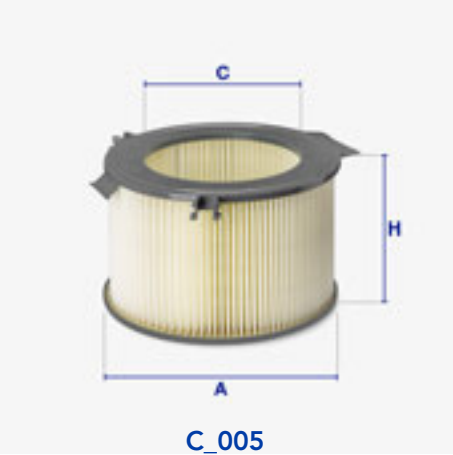
C_002



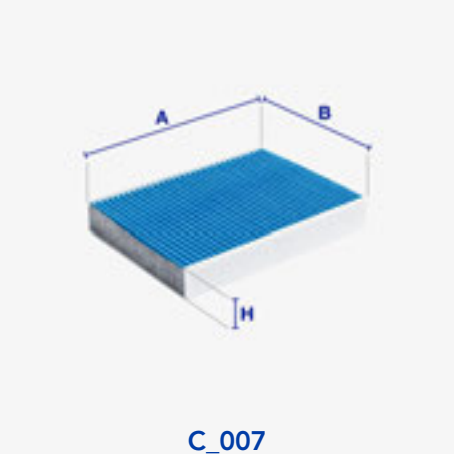
C_003



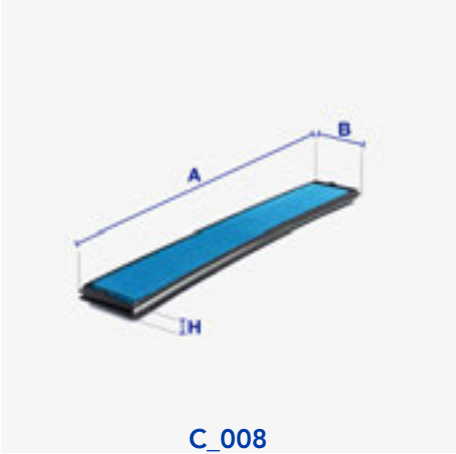
C_004



C_005



C_007



C_008





WEB CATALOGUE

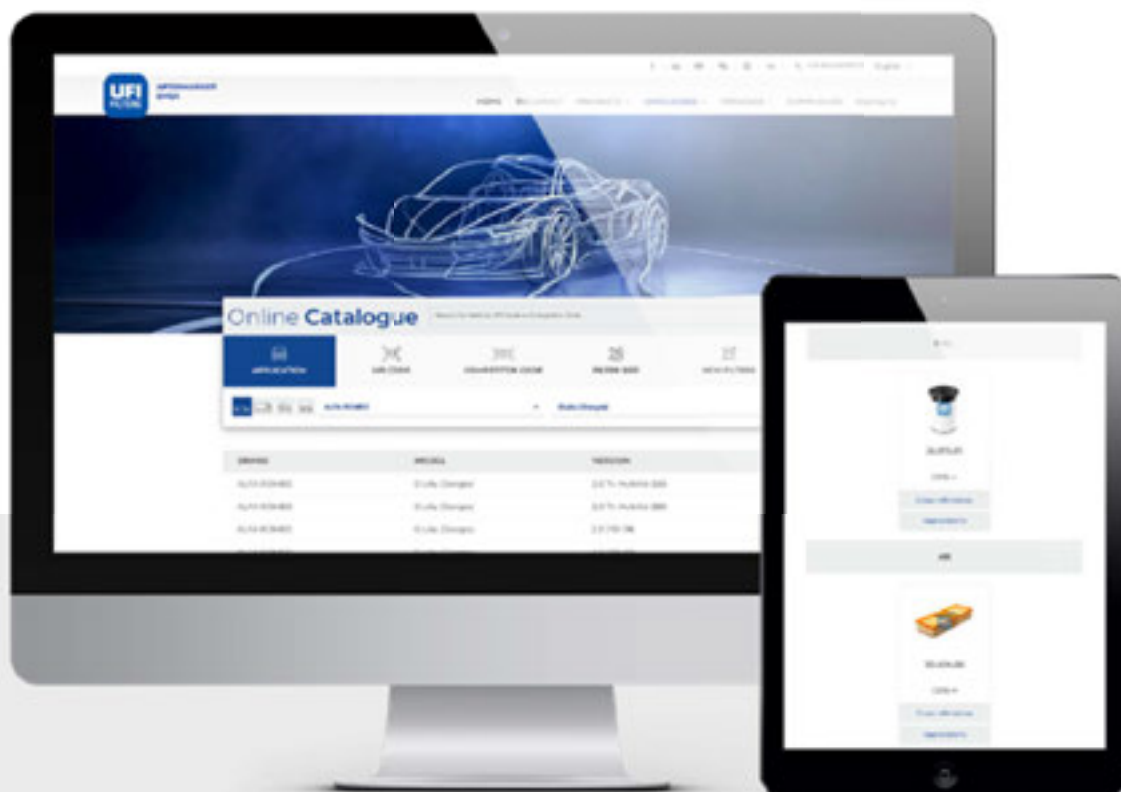
Updated in real time.

Available in **7 languages**.

Possibility of browsing by catalogue type, brand, model and version.

Possibility to browse the **New Filters included** in the range by selecting the period of interest.

Simple and clear symbols to identify the type of product and to see which filters are "available", "in preparation" or "under review".



BROWSE OUR ONLINE CATALOGUE

with over 60,000 vehicles and 115,000 cross references at:

www.ufi-aftermarket.com



For further information, please check our catalogue:

www.ufi-aftermarket.com

Catalogo gratuito fuori commercio.

Esente I.V.A. ai sensi art 2-3 comma lett. c D.P.R. 26/10/72 n° 633

LEGAL AND ADMINISTRATIVE OFFICES

Via Europa, 26
46047 Porto Mantovano (MN) - Italy
T +39 0376 386811 - F +39 0376 386812
ammin@it.uffilters.com

TECHNICAL/SALES DIVISION AND OFFICES

Via dell'Industria, 4
37060 Nogarole Rocca (VR) - Italy
T +39 045 6339911 - F +39 045 6395011
commerc@it.uffilters.com